

# VMS Consolidated Software Distribution

---

## Disc User's Guide

AA-MN64R-RE

**January 1993**

This guide describes how to install, upgrade, and update the VMS operating system and how to install layered products from the VMS Consolidated Software Distribution discs. It also lists the contents of the discs.

**Revision/Update Information:** This is a revised document.

**Digital Equipment Corporation  
Maynard, Massachusetts**

---

**January 1993**

The optical disc publication and all component parts as appearing herein are copyrighted ©1993 by Digital Equipment Corporation.

The following are trademarks of Digital Equipment Corporation: Bookreader, DEC, Digital, the DIGITAL logo, Micro/VAX, VAX, VAXcluster, VAXstation, VMS.

The information in this document is subject to change without notice and should not be construed as a commitment by Digital Equipment Corporation. Digital Equipment Corporation assumes no responsibility for any errors that may appear in this document.

The software described in this document is furnished under a license and may be used or copied only in accordance with the terms of such license.

No responsibility is assumed for the use or reliability of software on equipment that is not supplied by Digital Equipment Corporation or its affiliated companies.

Restricted Rights: Use, duplication, or disclosure by the U.S. Government is subject to restrictions as set forth in subparagraph (c)(1)(ii) of the Rights in Technical Data and Computer Software clause at DFARS 252.227-7013.

This document was prepared using VAX DOCUMENT, Version 2.0.

---

# Contents

Overview of Disc User's Guide .....	1
Loading a Disc into an RRD40 Caddy .....	2
Inserting and Removing a Disc from an RRD40 Drive .....	4
Loading a Disc into an RRD42 Caddy .....	5
Inserting and Removing a Disc from an RRD42 Drive .....	7
Mounting and Controlling Access to a Disc .....	8
Registering Product Authorization Keys .....	9
Installing, Upgrading, or Updating the VMS Operating System .....	10
Installing Layered Products .....	12
Using the CDMENU Utility .....	14
Disc Contents .....	15
Printing the Disc Contents .....	16
The Master Index for the Discs .....	17

## Tables

1	January 1993 Master Index .....	17
---	---------------------------------	----



---

### Overview of Disc User's Guide

#### About these discs

The VMS Consolidated Distribution discs for software products compose a software delivery vehicle that allows you to receive an update of consolidated software products on a regular basis.

This method of distribution does not change the content of any individual product. There is no impact on product compatibility; individual products are neither more nor less compatible as a result of consolidated distribution.

#### Before using the discs

Before you install, upgrade, or update the VMS operating system from your discs, or before you install a layered product, make sure you are familiar with the system hardware, including the disc drive.

#### In this guide

This guide describes how to:

- load the disc into a protective caddy for an RRD40 or an RRD42 disc drive
- insert the disc and remove it from an RRD40 or an RRD42 disc drive
- mount and control access to a disc
- read documentation from a disc
- register Product Authorization Keys (PAKs)
- install, upgrade, and update the VMS operating system from a disc
- install layered products from a disc
- use the CDMENU Utility to display the products on a disc and to access documentation in ASCII (text) or PostScript® format

This guide also contains a list of contents of the discs.

#### Product licensing agreement

The media and the software programs contained on these discs belong to Digital. Use of the software products is authorized only if you have a valid software license from Digital. Therefore, you must purchase the appropriate software license for each product you want to use from this consolidated distribution.

By electing this method of distribution, you agree to install the products contained on these discs on systems running VMS Version 5.0 and above.

Refer to your license agreements for license terms and conditions.

#### Ordering information

For individual product and documentation ordering information, consult your local sales representative.

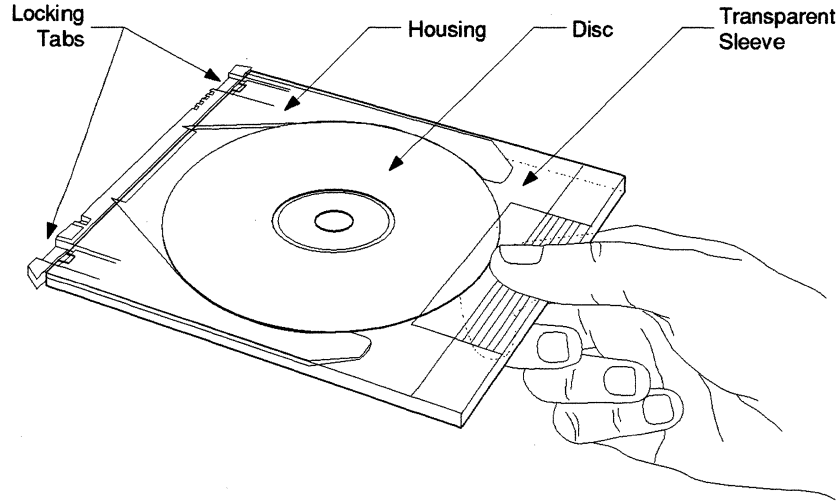
## Loading a Disc into an RRD40 Caddy

---

## Loading a Disc into an RRD40 Caddy

### Illustration of RRD40 disc caddy

The discs accompanying this booklet must be loaded into caddies before they can be inserted into an RRD40 disc drive. The following illustration shows the components of an RRD40 disc caddy.



ZS-0402-M

### Loading a disc into an RRD40 caddy

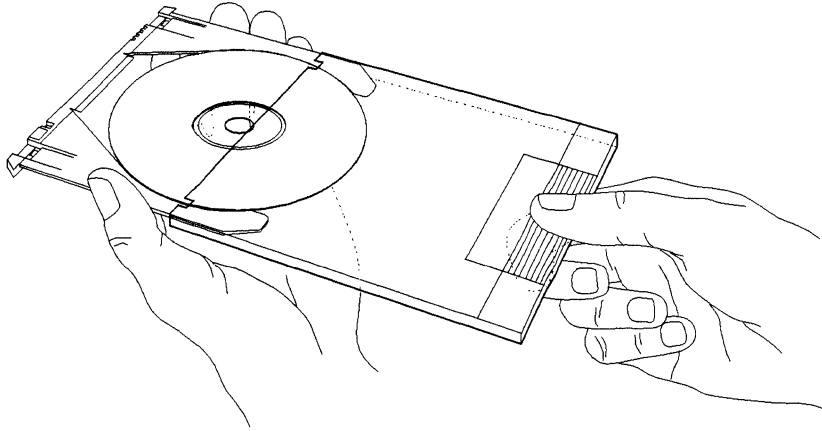
Follow these steps to load a disc into an RRD40 caddy.

Step	Action
1	Hold the caddy as shown in the illustration above. The four notches next to the locking tab should be on the right.
2	Press the locking tabs on the caddy and pull the housing out of the transparent sleeve.
3	Remove the disc from its packaging. Grasp the disc with your free hand by placing your index finger in the center hole of the disc and your thumb on the outer edge of the disc.
4	Place the disc in the caddy housing, making sure that the labeled side faces down.
5	Slide the housing into the transparent sleeve until the locking tabs latch.
	<u>Result:</u> The disc is secured in the caddy.

## Loading a Disc into an RRD40 Caddy

### Illustration of disc being loaded into RRD40 caddy

The following Illustration shows how to slide the disc housing into the transparent sleeve.



ZS-0400-M

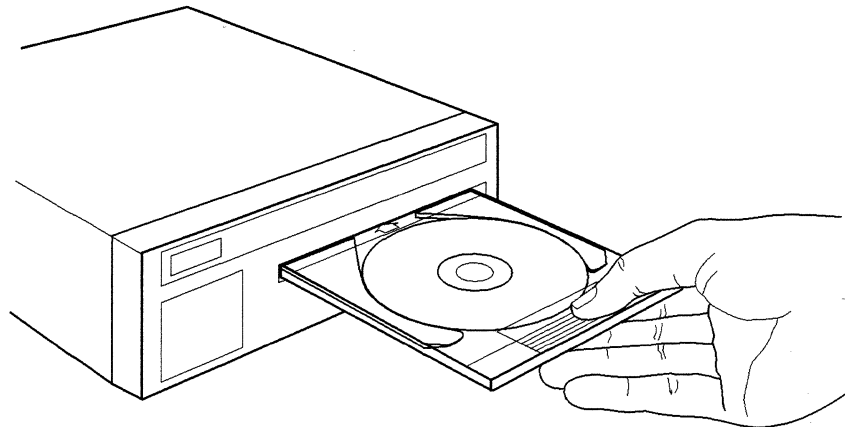
## Inserting and Removing a Disc from an RRD40 Drive

---

### Inserting and Removing a Disc from an RRD40 Drive

#### Illustration of disc, caddy, and RRD40 disc drive

The following illustration shows a disc (in its caddy) and the RRD40 disc drive.



ZS-0395-M

#### Inserting a disc in an RRD40 drive

Follow these steps to insert a disc into the RRD40 disc drive.

Step	Action
1	Insert the caddy into the slot in the drive.
2	Push the caddy in until it stops.
3	Withdraw the caddy. <u>Result:</u> The disc remains inside the drive.

#### Removing a disc from an RRD40 drive

Follow these steps to remove a disc from the RRD40 disc drive.

Step	Action
1	Insert an empty caddy into the slot in the drive.
2	Push the caddy in until it stops.
3	Withdraw the caddy. <u>Result:</u> The disc is removed from the drive and is secured inside the caddy.



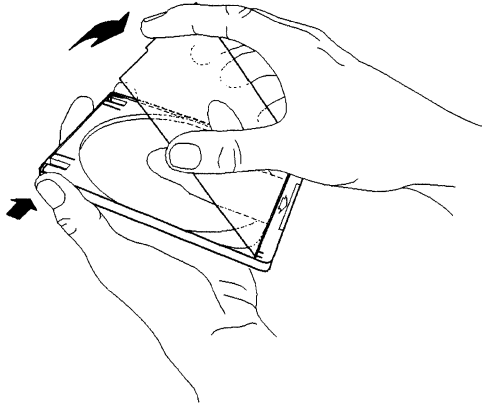
---

### Loading a Disc into an RRD42 Caddy

#### Loading a disc into an RRD42 caddy

The discs accompanying this booklet must be loaded into caddies before they can be inserted into an RRD42 disc drive. Follow these steps to load a disc into an RRD42 caddy.

Step	Action
1	If a protective film is on the lid of the caddy, remove the film before using the caddy.
2	Press the tabs on both sides of the caddy and lift the lid, as illustrated below.



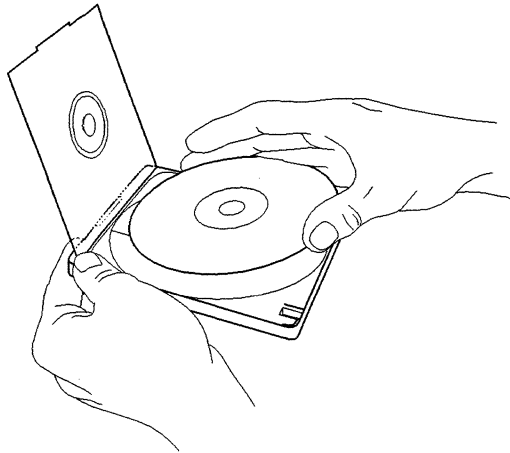
ZS-0443-MH

Step	Action
3	Remove the disc from its packaging. Hold the disc by the edges.
4	Place the disc in the caddy, making sure that the labeled side faces up.
5	Close the lid of the caddy by pressing both corners down firmly.

## Loading a Disc into an RRD42 Caddy

### Illustration of disc being loaded into RRD42 caddy

The following illustration shows how to place the disc in the RRD42 caddy.



ZS-0444-MH

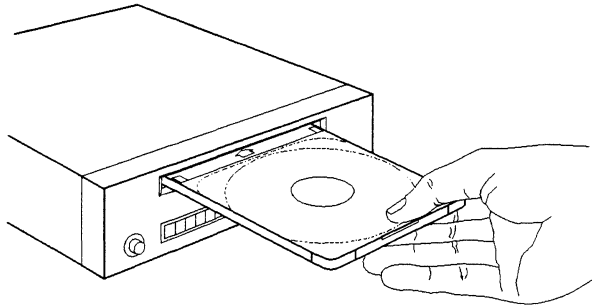
## Inserting and Removing a Disc from an RRD42 Drive

---

### Inserting and Removing a Disc from an RRD42 Drive

#### Illustration of disc, caddy, and RRD42 disc drive

The following illustration shows a disc (in its caddy) and the RRD42 disc drive.



ZS-0445-MH

#### Inserting a disc into an RRD42 drive

Follow these steps to insert a disc into an RRD42 disc drive.

Step	Action
1	Insert the caddy into the slot in the drive. The disc label should be facing up.
2	Push the caddy in until it stops.

#### Removing a disc from an RRD42 drive

To remove a disc from an RRD42 disc drive, press the EJECT button on the drive to eject the disc caddy.

If the EJECT button is disabled by software, or the drive does not eject the caddy after you press the EJECT button, refer to the *RRD42 Disc Drive Owner's Manual* for instructions.

## Mounting and Controlling Access to a Disc

---

## Mounting and Controlling Access to a Disc

### Mounting procedure

To access the files on a VMS Consolidated Distribution for Software Products disc, you must mount the disc. Follow these steps to mount a disc.

Step	Action																				
1	Find the appropriate volume label from the following table:																				
	<table border="1"><thead><tr><th>Disc</th><th>Label</th></tr></thead><tbody><tr><td>1</td><td>VAXBINJAN931</td></tr><tr><td>2</td><td>VAXBINJAN932</td></tr><tr><td>3</td><td>VAXBINJAN933</td></tr><tr><td>4</td><td>VAXBINJAN934</td></tr><tr><td>5</td><td>VAXBINJAN935</td></tr><tr><td>6</td><td>VAXBINJAN936</td></tr><tr><td>7</td><td>VAXBINJAN937</td></tr><tr><td>8</td><td>VAXBINJAN938</td></tr><tr><td>9</td><td>VAXBINJAN939</td></tr></tbody></table>	Disc	Label	1	VAXBINJAN931	2	VAXBINJAN932	3	VAXBINJAN933	4	VAXBINJAN934	5	VAXBINJAN935	6	VAXBINJAN936	7	VAXBINJAN937	8	VAXBINJAN938	9	VAXBINJAN939
Disc	Label																				
1	VAXBINJAN931																				
2	VAXBINJAN932																				
3	VAXBINJAN933																				
4	VAXBINJAN934																				
5	VAXBINJAN935																				
6	VAXBINJAN936																				
7	VAXBINJAN937																				
8	VAXBINJAN938																				
9	VAXBINJAN939																				
2	Insert the disc into the drive.																				
3	Log into the system manager's account (SYSTEM).																				
4	Mount the disc and control user access.																				
	<table border="1"><thead><tr><th>IF you want to mount the disc...</th><th>THEN enter this command...</th></tr></thead><tbody><tr><td>To allow access from multiple users in a VAXcluster</td><td><b>MOUNT/CLUSTER</b> <i>device volume-label</i> <u>Example:</u> \$ MOUNT/CLUSTER DUB0: VAXBINJAN931</td></tr><tr><td>On a standalone system, or to prevent access from multiple users in a VAXcluster</td><td><b>MOUNT</b> <i>device volume-label</i> <u>Example:</u> \$ MOUNT DUB0: VAXBINJAN931</td></tr></tbody></table>	IF you want to mount the disc...	THEN enter this command...	To allow access from multiple users in a VAXcluster	<b>MOUNT/CLUSTER</b> <i>device volume-label</i> <u>Example:</u> \$ MOUNT/CLUSTER DUB0: VAXBINJAN931	On a standalone system, or to prevent access from multiple users in a VAXcluster	<b>MOUNT</b> <i>device volume-label</i> <u>Example:</u> \$ MOUNT DUB0: VAXBINJAN931														
IF you want to mount the disc...	THEN enter this command...																				
To allow access from multiple users in a VAXcluster	<b>MOUNT/CLUSTER</b> <i>device volume-label</i> <u>Example:</u> \$ MOUNT/CLUSTER DUB0: VAXBINJAN931																				
On a standalone system, or to prevent access from multiple users in a VAXcluster	<b>MOUNT</b> <i>device volume-label</i> <u>Example:</u> \$ MOUNT DUB0: VAXBINJAN931																				

### For more information

For information about configuring the disc drive as a served device in a VAXcluster system, see the *VMS VAXcluster Manual*.

### Registering Product Authorization Keys

#### Prerequisite

When you purchase a software license, you receive a standard Product Authorization Key (PAK), which lets you use the software on the discs. You must register a PAK before you install and use the software products on the discs.

#### The License Management Facility

For the VMS operating system and VMS layered products, use the License Management Facility (LMF) to register a PAK. For information about registering PAKs, see the *VMS License Management Utility Manual*.

## Installing, Upgrading, or Updating the VMS Operating System

---

## Installing, Upgrading, or Updating the VMS Operating System

### Deciding what to do

To decide whether you are going to install, upgrade, or update the VMS operating system, use the following table.

If your VAX computer is...	Then...
new (it has never had any version of the VMS operating system running on it)	install the VMS operating system from the disc using the VMS installation procedure
running a version of the VMS operating system and you want to destroy the contents (both VMS and user files) of the system disk	install the VMS operating system from the disc using the VMS installation procedure
not new, or if it is running a version of the VMS operating system and you do not want to destroy the contents of the system disk	update or upgrade the VMS operating system from the disc

### Installing from the disc

For information about installing the VMS operating system, see the appropriate installation documentation for your computer.

---

#### CAUTION: Data Erased

---

The installation procedure initializes the system disk, erasing its contents. For this reason, use the installation procedure only on new VAX computers or if you want to destroy the contents of the system disk.

---

### Installing via the InfoServer

If your CD reader is the InfoServer, use the network adapter as the boot device type.

#### Example:

If the target system is a 6000-400 and the network adapter is a DEMNA that is in XMI slot A, your boot command will be:

```
>>>BOOT/XMI:A/R5:E0000100 EXA0
```

When prompted for a file name, enter:

```
ISL_LVAX_055 for 6000 class machines  
ISL_SVAX_055 for 4000, 3000, MICRO VAX, VAX Stations, and  
VAX/ft machines
```

These ISL files will supply a menu from which it is possible to choose a service to boot from. For VMS Consolidated Distribution, the desired service name is the label of the first CD. After you choose this service, standalone backup will boot.

## Installing, Upgrading, or Updating the VMS Operating System

After backing up saveset b, halt the system and boot from the disk that now has saveset b installed on it. It will eventually ask for the location that contains the savesets. At this point, enter DAD1. DAD1 tells the installation procedure that the remaining information will come from the InfoServer.

The next prompt is for the InfoServer Service name. At this prompt, since the installation is being done from the VMS Consolidated Distribution, enter the label of the first VMS Consolidated Distribution CDROM. This is the same name that was entered at the ISL menus.

The next question refers to the group code of the InfoServer. If a different group code was entered using the ISL menu, enter the same number here; otherwise, take the default of 0. From this point on, the installation is the same as if the load device was locally connected.

### Upgrading or updating from the disc

Instructions for updating or upgrading the VMS operating system are contained in files on the disc, as well as in the release notes. To find the location of these files, refer to the Disc Contents section.

### Booting VMS Standalone BACKUP

VMS Standalone BACKUP is located in the [SYSE] top-level directory on disc one. To invoke Standalone BACKUP, follow the instructions in the appropriate installation documentation for your VAX computer.

#### Example:

```
B/R5:E0000000 DUB0
```

Substitute the name of your CD reader for DUB0 in the example.

After you boot Standalone BACKUP, refer to the Installation and Upgrade Procedures contained in the VMS directory on the disc.

## Installing Layered Products

---

### Installing Layered Products

#### Disc directory structure

Each software product kit has its own directory hierarchy. The name of the root directory usually corresponds to the name of the product saveset. The kit savesets are located in the **KIT** subdirectory. For example, the FORTRAN Version 5.3 product directory structure might include the information in the following table.

<b>FORTRAN V5.3 Directory</b>	<b>File</b>	<b>Contents</b>
[FORT053.KIT]		Product savesets
	FORT053.A	FORTRAN kit
[FORT053.LINE_DOCS]		ASCII documentation
	FORT053_IGUIDE.TXT	Installation Guide
	FORT053_SPD.TXT	Software Product Description
	FORT053_SSA.TXT	System Support Addendum
	FORT053_COVER.TXT	Cover letter
[FORT053.POST_DOCS]		PostScript documentation
	FORT053_IGUIDE.PS	Installation Guide
	FORT053_SPD.PS	Software Product Description
	FORT053_SSA.PS	System Support Addendum
	FORT053_COVER.PS	Cover letter

#### Installation guide, SPD, and SSA files

- The installation guides for most products are included in the **LINE\_DOCS** and **POST\_DOCS** directories.
- The Software Product Description (SPD) and System Support Addendum (SSA) files are included in the **LINE\_DOCS** and **POST\_DOCS** directories.

#### Using VMSINSTAL

Individual layered product kits are located in their own directory hierarchies. For this reason, when you install a layered product, you must use a **VMSINSTAL** command line that is slightly different from the one given in the product's installation guide.

When you enter the **VMSINSTAL** command line, specify the disc drive and the directory.

#### Command

```
@SYS$UPDATE:VMSINSTAL product-name disc-drive:[directory]
```

#### Example:

```
$ @SYS$UPDATE:VMSINSTAL FORT053 DUB0:[FORT053.KIT]
```



## Installing Layered Products

### For more information

Table 1 identifies the directory for each product on a disc. You can also use the CDMENU Utility to get the directory names.

## Using the CDMENU Utility

---

## Using the CDMENU Utility

### Overview

The CDMENU Utility provides a menu interface that helps you perform the following tasks easily:

- Display a master index of all products
- Display new and updated products
- Fetch or copy release notes
- Display and print installation guides and other documentation
- Install products

### Before invoking the CDMENU Utility

Before invoking the CDMENU Utility, define the logical name CD\$DIRECTORY in your LOGIN.COM file.

#### Example 1:

```
$ DEFINE CD$DIRECTORY DUB0:[CDROM]
```

To access multiple discs, define CD\$DIRECTORY as a search list before you invoke the CDMENU utility.

#### Example 2:

```
$ DEFINE CD$DIRECTORY DUB0:[CDROM],DUB1:[CDROM],DUB3:[CDROM]
```

In addition, define the logical CD\$EDIT to indicate the editor to use while displaying documentation on your screen.

#### Example 3:

```
$ DEFINE CD$EDIT LSE
```

### Invoking the CDMENU Utility

To invoke the CDMENU Utility, enter the following command at the system prompt:

```
$ RUN CD$DIRECTORY:CDMENU
```

---

## Disc Contents

### On these discs

Digital has provided the following information on the discs:

- Upgrade and update procedures for the VMS operating system
- Layered product kits
- Installation guides
- Cover letters
- Software Product Descriptions (SPDs)
- System Support Addenda (SSAs)

The files associated with each product are listed in its directory on the disc.

### Not on these discs

Not all products are on these discs. Products that are not included on these discs should be ordered separately. In future releases of VMS Consolidated Software Distribution, Digital intends to include such products as they become available.

### Release notes and documentation

Release notes for layered products are included in the kits, and may be retrieved using the menu system or by using `VMSINSTAL OPTIONS N`. All other documentation for products on these discs must be ordered separately.

### “Special notes” files

Two files in the [CDROM] directory provide “special notes” for some products on this release. Please review the contents of these files because they may provide useful information for a product.

### For more information

Table 1 lists all products and versions that are included on this release. For your convenience, this User Guide is available in the [CDROM] directory in PostScript format. The User Guide file name is `USER_GUIDE.PS`.

## Printing the Disc Contents

---

## Printing the Disc Contents

### Types of files

The files that you can print are available in two formats:

- ASCII (text)
- PostScript

### Printing PostScript files

Be sure to print PostScript files on a PostScript printer.

### Printing the special notes and product listing files

Use this table to print the special notes files or a listing of products.

IF you want to print...	AND...	THEN enter this command...
The product listing file in ASCII text format	CD\$DIRECTORY is not defined	PRINT device-name:[CDROM]CDMASTER_INDEX.TXT
	CD\$DIRECTORY is defined	PRINT CD\$DIRECTORY:CDMASTER_INDEX.TXT
The product listing file in PostScript format	CD\$DIRECTORY is not defined	PRINT device-name:[CDROM]CDMASTER_INDEX.PS
	CD\$DIRECTORY is defined	PRINT CD\$DIRECTORY:CDMASTER_INDEX.PS
The special notes file in ASCII format	CD\$DIRECTORY is not defined	PRINT device-name:[CDROM]SPECIAL_NOTES.TXT
	CD\$DIRECTORY is defined	PRINT CD\$DIRECTORY:SPECIAL_NOTES.TXT
The special notes file in PostScript format	CD\$DIRECTORY is not defined	PRINT device-name:[CDROM]SPECIAL_NOTES.PS
	CD\$DIRECTORY is defined	PRINT CD\$DIRECTORY:SPECIAL_NOTES.PS

---

## The Master Index for the Discs

### Explanation of table columns

The columns in Table 1 below contain information as follows:

Column Name	Column Contents
Product Name	The name of the product.
Vers	The version number of the product.
UPI	The unique product identifier.
Status	<b>New</b> indicates that the product is a new addition to the disc. <b>Updated</b> indicates the product has been updated since the last issue.
CD	The number of the disc on which the product is located.
Directory	The name of the product's directory on the disc.

---

### A Note About Document Versions and Product Versions

---

In some cases, the version numbers listed in the Online Product Documentation table may not coincide with the version numbers of the books on the disc. However, the online documentation does support the most current shipping version of the product.

---

**Table 1 January 1993 Master Index**

Product Name	Vers	UPI	Status	CD	Directory
3270 TERMINAL OPTION SOFTWARE	1.1	VV9AA		2	[CXM011]
AAF01/VMS SUBROUTINE LIBRARY	2.0	EFRAA		2	[AAF01020]
ADF01/VMS SUBROUTINE LIBRARY	4.0	735AA		2	[ADF01040]
ALL-IN-1 DESKTOP SERVER FOR VMS	1.1	YFFAA		8	[A1SVC011]
ALL-IN-1 INTEGRATED OFFICE SYSTEM SERVER FOR VMS	3.0	AAAAA		9	[A1030]
ALL-IN-1 MAIL for VMS	1.1C	YCZAA		9	[A1MAIL011]
ALL-IN-1 MAIL/DANSK FOR VMS	1.1	VZ7DA		9	[A1MAILDA011]
ALL-IN-1 MAIL/DEUTSCH FOR VMS	1.1	VZ7GA		9	[A1MAILDE011]
ALL-IN-1 MAIL/ESPAÑOL FOR VMS	1.1	VZ7SA		9	[A1MAILES011]

(continued on next page)

## The Master Index for the Discs

Table 1 (Cont.) January 1993 Master Index

Product Name	Vers	UPI	Status	CD	Directory
ALL-IN-1 MAIL/FRANCAIS FOR VMS	1.1	VZ7PA		9	[A1MAILFR011]
ALL-IN-1 MAIL/ITALIANO FOR VMS	1.1	VZ7UA		9	[A1MAILIT011]
ALL-IN-1 MAIL/NEDERLANDS FOR VMS	1.1	VZ7HA		9	[A1MAILNL011]
ALL-IN-1 MAIL/SVENSKA FOR VMS	1.1	VZ7MA		9	[A1MAILSV011]
ALL-IN-1 PERFORMANCE REPORTS FOR VMS	1.0	MLJAA		8	[A1R010]
ALL-IN-1 SERVICES FOR DECWINDOWS	1.0A	YG4AA		8	[ASD010]
ALL-IN-1 STARTER	2.4	VNNAA		8	[ASENGLISH024]
ALL-IN-1 V2.4 PATCH	2.4E	AAAAA		9	[A1024PAT022]
ALL-IN-1 V2.4 UPDATE	2.4A	AAAAB		9	[A1024SUS020]
ALL-IN-1/BRITISH INTEGRATED OFFICE SYSTEM SERVER FOR VMS	3.0	AAAEA		9	[A1030_BRITISH]
ALL-IN-1/DANSK INTEGRATED OFFICE SYSTEM SERVER FOR VMS	3.0	AAADA		9	[A1LDA030]
ALL-IN-1/DEUTSCH INTEGRATED OFFICE SYSTEM SERVER FOR VMS	3.0	AAAGA		9	[A1LDE030]
ALL-IN-1/ESPAÑOL INTEGRATED OFFICE SYSTEM SERVER FOR VMS	3.0	AAASA		9	[A1LES030]
ALL-IN-1/FRANÇAIS INTEGRATED OFFICE SYSTEM SERVER FOR VMS	3.0	AAAPA		9	[A1LFR030]
ALL-IN-1/ITALIANO INTEGRATED OFFICE SYSTEM SERVER FOR VMS	3.0	AAUA		9	[A1LIT030]
ALL-IN-1/JAPANESE INTEGRATED OFFICE SYSTEM SERVER FOR VMS	3.0	AAAJA		8	[A1BJV030]
ALL-IN-1/NEDERLANDS INTEGRATED OFFICE SYSTEM SERVER FOR VMS	3.0	AAAHA		9	[A1LNL030]
ALL-IN-1/NORSK INTEGRATED OFFICE SYSTEM SERVER FOR VMS	3.0	AAANA		9	[A1LNO030]

(continued on next page)

## The Master Index for the Discs

**Table 1 (Cont.) January 1993 Master Index**

Product Name	Vers	UPI	Status	CD	Directory
ALL-IN-1/PORTUGUES INTEGRATED OFFICE SYSTEM SERVER FOR VMS	3.0	AAAVA		9	[A1LPT030]
ALL-IN-1/SUOMI INTEGRATED OFFICE SYSTEM SERVER FOR VMS	3.0	AAAF A		9	[A1LFI030]
ALL-IN-1/SVENSKA INTEGRATED OFFICE SYSTEM SERVER FOR VMS	3.0	AAAMA		9	[A1LSV030]
BASESTAR CIMFAST FOR VMS (Development)	1.1	XDBAA		1	[BCF011]
BASESTAR CIMFAST FOR VMS (Runtime)	1.1	XDCAA		1	[BCF011]
BASESTAR FOR VMS (Development)	3.1A	YU9AA		1	[BCC031]
BASESTAR FOR VMS (Development)	3.1B	YU9AA	Updated	1	[BCC_MUPB031]
BASESTAR FOR VMS (Runtime)	3.1A	YUAAA		1	[BCC031]
BASESTAR FOR VMS (Runtime)	3.1B	YUAAA	Updated	1	[BCC_MUPB031]
CDA CONVERTER LIBRARY FOR OPENVMS	2.0	VZAAA		1	[CDACVTLIB020]
CDD/ADMINISTRATOR FOR VMS	1.1	YP8AA		7	[CDDT011]
CDD/REPOSITORY FOR VMS	5.1	897AA	Updated	7	[CDD051]
DEC @AGLANCE FOR VMS (Client Runtime Option)	1.0	MRGAA		7	[AAGRTO010]
DEC @AGLANCE FOR VMS (Development Option)	1.0	MREAA		7	[AAGDEV010]
DEC @AGLANCE FOR VMS (Server Runtime Option)	1.0	MRFAA		7	[AAGRTO010]
DEC C++ FOR OPENVMS VAX	1.1	MJ1AA	New	8	[CXX011]
DEC COMMSERVER FOR VMS	1.1	GCQAA		7	[COMMSERVER011]
DEC COMPUTER INTEGRATED TELEPHONY APPLIC. INTERFACE FOR VMS	3.0	VGXAA		2	[CIT030]
DEC COMPUTER INTEGRATED TELEPHONY SERVER FOR VMS	3.0	VGYAA		2	[CITSR030]
DEC DISTRIBUTED COMPUTING SERVICES FOR VMS	1.0	07NAA	New	8	[DCS010]
DEC DISTRIBUTED SERVER LIBRARY FOR OPENVMS (Client)	1.0	MV8AA	New	8	[SEP_DSLC010]
DEC DISTRIBUTED SERVER LIBRARY FOR OPENVMS (Server)	1.0	MV7AA	New	8	[SEP_DSLS010]

(continued on next page)

## The Master Index for the Discs

Table 1 (Cont.) January 1993 Master Index

Product Name	Vers	UPI	Status	CD	Directory
DEC FILE OPTIMIZER FOR VMS	1.0A	GJ8AA		2	[DFG010]
DEC GKS-3D FOR VMS	1.2	VFXAA		3	[DECGKS3D012]
DEC GKS-3D FOR VMS (Runtime)	1.2	VFYAA		3	[DECGKS3DRT012]
DEC GKS-3D/JAPANESE FOR VMS	1.1	VFXJA		6	[DECGKS3DJ011]
DEC GKS-3D/JAPANESE FOR VMS (Runtime)	1.1	VFYJA		6	[DECGKS3DRTJ011]
DEC GKS/JAPANESE FOR VMS /JAPANESE	4.2	810JA		6	[DECGKSJ042]
DEC GKS/JAPANESE FOR VMS /JAPANESE (Runtime)	4.2	811JA		6	[DECGKSRT0J042]
DEC GRAPHICAL SCHEMA EDITOR FOR RDB/VMS	1.0	MQ6AA		1	[GSE010]
DEC HIGH AVAILABILITY MANAGEMENT SOFTWARE FOR VMS	1.2	YHMAA		2	[HAMS012]
DEC IEZ11 CLASS DRIVER FOR VMS	2.0B	YEHAA	Updated	8	[IEZ11020]
DEC INFOSERVER CLIENT FOR VMS	1.0	GGWAA		1	[ESS010]
DEC INSTANTSQL FOR RDB/VMS	1.0	MEQAA		1	[INSTANTSQL010]
DEC LMF USAGE ASSIGNMENT EDITOR FOR VMS	1.0A	MVYAA	Updated	1	[UAE010]
DEC MAILWORKS/JAPANESE	1.1	YCZJA		6	[A1MAILJA011]
DEC NETWORK INTEGRATION SERVER SOFTWARE	1.2	GX7AA		7	[NIS012]
DEC ODA CDA GATEWAY FOR VMS	1.0	YHNAA		2	[ODA010]
DEC OPS5 FOR VMS	4.0	913AA		1	[OPS040]
DEC OSI APPLICATION DEVELOPER'S TOOLKIT	1.1	GZRAA	Updated	8	[OSI_ TOOLKIT010]
DEC PHIGS FOR VMS	2.3C	0KBAA		3	[DECPHIGSMUPC023]
DEC PHIGS FOR VMS (Runtime)	2.3C	VK1AA		3	[DECPHIGSRTOC023]
DEC PHIGS/JAPANESE FOR VMS /JAPANESE	2.3C	0KBJA	Updated	6	[DECPHIGSJMPC023]
DEC PHIGS/JAPANESE FOR VMS /JAPANESE (Runtime)	2.3C	VK1JA	Updated	6	[DECPHIGSRJMC023]
DEC PRINTSERVER SUPPORTING HOST SOFTWARE FOR VMS	4.1	798AA		2	[LPS041]
DEC PRINTSERVER SUPPORTING HOST SW/JAPANESE FOR VMS /JAPANESE	4.1	798JA	Updated	6	[LPSJ041]

(continued on next page)



## The Master Index for the Discs

**Table 1 (Cont.) January 1993 Master Index**

Product Name	Vers	UPI	Status	CD	Directory
DEC RALLY FOR VMS (Development)	3.0A	A86AA		7	[RALDO030]
DEC RALLY FOR VMS (Runtime)	3.0A	VF4AA		7	[RALRTO030]
DEC RDB LANGUAGE TRANSLATORS FOR VMS	1.0	GH9AA		3	[RDBTRANS010]
DEC RDBACCESS FOR CUSTOM DRIVERS ON VAX/VMS	2.1	0EQAA	New	3	[NSDS021]
DEC RDBACCESS FOR ORACLE ON VMS	1.0	YQVAA		3	[VIDAO010]
DEC RDBACCESS FOR VAX RMS ON VMS	2.1	YQZAA	Updated	3	[NSDS021]
DEC RDBEXPERT FOR VMS	2.0	VFJAA		3	[RDBX020]
DEC REALTIME INTEGRATOR FOR VMS (Application Development)	3.0	MFEAA		3	[RTI030]
DEC REALTIME INTEGRATOR FOR VMS (Development)	3.0	YWQAA		3	[RTI030]
DEC REALTIME INTEGRATOR FOR VMS (Icon Development)	3.0	MFFAA		3	[RTI030]
DEC REALTIME INTEGRATOR FOR VMS (Runtime)	3.0	B15AA		3	[RTI030]
DEC RELIABLE TRANSACTION ROUTER	2.0-1	XNKAA		2	[RTRSFTU1020]
DEC REMOTE OPERATION SERVICES (ROS) FOR VMS	1.0	YU2AA		2	[ROS010]
DEC ROS DEVELOPMENT KIT FOR VMS	4.0	YU3AA		2	[PLC409040]
DEC SECURITYGATE FOR VMS	1.1	GZFEE		7	[NSG011]
DEC SERDB FOR SECURITY- ENHANCED VMS	4.1	YWEAA		7	[SERDB041]
DEC SIGNALING SYSTEM 7 (DEC <sub>ss</sub> 7) FOR OPENVMS	2.1	GUTAA	New	8	[SS7021]
DEC SNA DOMAIN GATEWAY FOR CHANNEL TRANSPORT	1.0	MKHAA		8	[SNAPU5010]
DEC SOFTPC FOR VMS	3.0	YNWAA		3	[SOFTPC030]
DEC STORAGE MONITOR FOR OPENVMS (Client)	1.0	MVBAA	New	8	[SEP_SMC010]
DEC STORAGE MONITOR FOR OPENVMS (Server)	1.0	MVAAA	New	8	[SEP_SMS010]
DEC TCP/IP SERVICES FOR OPENVMS	2.0	VHRAA		1	[UCX020]
DEC TRELIS OBJECT SYSTEM FOR VMS	1.1	YLVAA		3	[TRELIS011]

(continued on next page)

## The Master Index for the Discs

Table 1 (Cont.) January 1993 Master Index

Product Name	Vers	UPI	Status	CD	Directory
DEC VTX	5.1	031AA		3	[VTX051]
DEC VTX Text Retrieval System	1.0	MPSAA		3	[VTXTR010]
DEC VUIT (VISUAL USER INTERFACE TOOL) FOR VMS	2.0	YHCAA		3	[DECVUIT020]
DEC VUIT (VISUAL USER INTERFACE TOOL)/JAPANESE FOR VMS	2.0	YHCJA		6	[DWTOOLSJA020]
DEC WANROUTER 100/500	1.0	YT7AA		8	[VROU010]
DEC WANROUTER 100/500 (Frame Relay Data Links)	1.0	YT7AD		8	[VROUFR010]
DEC WANROUTER 150/250	1.0A	GZZAA		7	[VR2010]
DEC X25GATEWAY 100/500	1.0	YT8AA		8	[X25GWY010]
DEC/EDI	1.2	YM1AA		3	[DECEDI012]
DEC3GL IMPLEMENTATION TOOLKIT FOR VMS	1.0	MQ1AA		7	[DEVTK010]
DECAMDS (DEC AVAILABILITY MANAGER FOR DISTRIBUTED SYSTEMS)	1.0	GVZAA		7	[AMDS010]
DECBRIDGE 500 SOFTWARE MICROCODE FOR VMS	3.0	YLYAA		2	[DEFEB030]
DECCONCENTRATOR 500 SOFTWARE MICROCODE FOR VMS	3.1B	YLZAA		2	[DEFKN031]
DECDECISION	1.5	VW3AA		4	[DECISION015]
DECDECISION/DEUTSCH	1.5	VW3GA		4	[DECISIONDE015]
DECDECISION/ESPAÑOL	1.1	VW3SA		4	[DECISIONES011]
DECDECISION/FRANCAIS	1.5	VW3PA		4	[DECISIONFR015]
DECDECISION/JAPANESE FOR VMS/JAPANESE	1.1	VW3JA		6	[DECISIONJA011]
DECDECISION/JAPANESE FOR VMS/JAPANESE	1.5A	VW3JA		6	[DECISIONJA_ A015]
DECDECISION/NEDERLANDS	1.1	VW3HA		4	[DECISIONNL011]
DECDECISION/SVENSKA FOR VMS	1.1	VW3MA		4	[DECISIONSE011]
DECDESIGN FOR OPENVMS VAX	2.0	XD1AA		2	[DES020]
DEC DX/VMS	1.2	708AA		2	[DDX012]
DEC ELMS (DEC EXTENDED LAN MANAGEMENT SOFTWARE)	1.1	YFPAA		2	[ELMS011]
DEC EXPRESS STARTERKIT FOR VMS	1.0	MMMAA		8	[ETKSTARTKIT010]
DEC FAX MAIL FOR VMS	1.0	05TAA	New	9	[DEC FAX010]

(continued on next page)

## The Master Index for the Discs

**Table 1 (Cont.) January 1993 Master Index**

Product Name	Vers	UPI	Status	CD	Directory
DECFORMS	1.4	VCHAA		3	[FORMS014]
DECFORMS (Runtime)	1.4	VNSAA		3	[FORMSRT014]
DECFORMS/JAPANESE	1.3	VCHJA		6	[FORMSJ013]
DECFORMS/JAPANESE (Runtime)	1.3	VNSJA		6	[FORMSRTJ013]
DECIMAGE APPLICATION SERVICES FOR VMS	3.1	892AA		1	[IMG031]
DECIMAGE CHARACTER RECOGNITION SERVICES FOR VMS	1.1	GJFAA		1	[DCRS011]
DECIMAGE EXPRESS FOR VMS (Client)	2.0	MBWAA		1	[DEX020]
DECIMAGE EXPRESS FOR VMS (Development)	2.0	MBVAA		1	[DADE010]
DECIMAGE EXPRESS FOR VMS (Server)	2.0	MBXAA		1	[DEX020]
DECIMAGE SCAN SOFTWARE FOR VMS	3.0	VPFAA		1	[ISA030]
DECIMAGE STORAGE MANAGER FOR VMS	1.0	893AA		1	[ISM010]
DECINSPECT COMPLIANCE MANAGER FOR VMS	2.2A	GKLAA		7	[INSPECT022]
DECINSPECT INTRUSION DETECTOR FOR VMS	1.0	MRNAA		7	[RID010]
DECINSPECT SECURITY REPORTING FACILITY FOR VMS	2.0	GKMAA		7	[DSRF020]
DECINTACT	2.0	VF1AA		3	[DECINTACT020]
DECINTACT (Remote)	2.0	VF3AA		3	[DECINTACT020]
DECINTACT (Runtime)	2.0	VF2AA		3	[DECINTACT020]
DECMCC BASIC MANAGEMENT SYSTEM	1.2A	YSUAA	Updated	2	[MCCBMS012]
DECMCC DEVELOPER'S TOOLKIT	1.2	YSWAA		2	[MCCTK012]
DECMCC DIRECTOR	1.2A	VM9AA	Updated	2	[MCCDIR012]
DECMCC ENTERPRISE MANAGEMENT STATION	2.2	YFVAA	Updated	2	[MCCEMS022]
DECMCC EXTENDED LAN MANAGER AM and FM for VMS	1.2	GX8AA		2	[MCCELM012]
DECMCC FAULT DIAGNOSTIC PACKAGE	1.2	MDLAA	New	2	[MCCTCPIPDA012]
DECMCC TERMINAL SERVER ACCESS MODULE FOR VMS	1.0	GVTA A		2	[MCCTSAM010]
DECMCC WANDESIGNER	1.0	YMGAA		2	[NDS010]

(continued on next page)

## The Master Index for the Discs

Table 1 (Cont.) January 1993 Master Index

Product Name	Vers	UPI	Status	CD	Directory
DECMESSAGEQ FOR VMS	2.0	GKPAA		2	[DMQ020]
DECNDU (NETWORK DEVICE UPGRADE) UTILITY FOR VMS	2.0	YWWAA		2	[NDU020]
DECNET-VAX EXTENSIONS	5.4A	D04AB	Updated	1	[DNVEXTMUPA054]
DECNET/OSI FOR VMS	5.5	D04AA	Updated	1	[DNVOSI010]
DECNET/SNA 3270 TERMINAL EMULATOR/JAPANESE FOR VMS /JAPANESE	1.5	454JA		6	[JSNATE015]
DECNET/SNA DATA TRANSFER FACILITY (Server)	3.1	VEBAA		2	[SNADTFS031]
DECNET/SNA DATA TRANSFER FACILITY (Utilities)	3.1	VEKAA		2	[SNADTFU031]
DECNET/SNA DATA TRANSFER FACILITY/JAPANESE (Server)	3.0	VEBJA		6	[SNADTFSJA030]
DECNET/SNA DATA TRANSFER FACILITY/JAPANESE (Utilities)	3.0	VEKJA		6	[SNADTFUJA030]
DECNET/SNA GATEWAY FOR CHANNEL TRANSPORT	2.1	VC9AA		2	[SNACSA021]
DECNET/SNA GATEWAY FOR SYNCHRONOUS TRANSPORT	1.2	S01AA		2	[SNACST012]
DECNET/SNA PRINTER EMULATOR/JAPANESE	1.2	044JA	New	9	[JSNAPRE012]
DECNET/SNA VMS 3270 DATA STREAM PROGRAMMING INTERFACE	1.4	363AA		2	[SNA3270014]
DECNET/SNA VMS 3270 TERMINAL EMULATOR	1.5	454AA		2	[SNATE015]
DECNET/SNA VMS APPC/LU6.2 PROGRAMMING INTERFACE	2.2	022AA		2	[SNALU62022]
DECNET/SNA VMS APPLICATION PROGRAMMING INTERFACE	2.3	455AA		2	[SNALU0023]
DECNET/SNA VMS DISOSS DOCUMENT EXCHANGE FACILITY	1.4	042AA		2	[SNADDXF014]
DECNET/SNA VMS DISTRIBUTED HOST COMMAND FACILITY	1.2	043AA		2	[SNADHCF012]
DECNET/SNA VMS PRINTER EMULATOR	1.2	044AA		2	[SNAPRE012]
DECNET/SNA VMS REMOTE JOB ENTRY	1.4	453AA		2	[SNARJE014]
DECOMNI FOR VMS	2.0	YMEAA		2	[OMNI020]
DECOSAP FOR VMS	2.0	YLNAA	Updated	2	[OSAP020]

(continued on next page)

## The Master Index for the Discs

**Table 1 (Cont.) January 1993 Master Index**

Product Name	Vers	UPI	Status	CD	Directory
DECPAGE	3.1	AANAA		3	[PAGE031]
DECPAGE/DEUTSCH	3.1	AANGA		4	[DECPAGEGERM031]
DECPAGE/ESPAÑOL	3.1	AANSA		4	[DECPAGESPAN031]
DECPAGE/ITALIANO	3.1	AANUA		4	[DECPAGEITAL031]
DECPERFORMANCE SOLUTION ACCOUNTING CHARGEBACK	1.0	XTXAA		7	[PSAC010]
DECPERFORMANCE SOLUTION CAPACITY PLANNER	1.0	GX3AA		7	[PSCP010]
DECPERFORMANCE SOLUTION DATA COLLECTOR	1.0	GX1AA		7	[PSDC010]
DECPERFORMANCE SOLUTION PERFORMANCE ADVISOR	1.0	GX2AA		7	[PSPA010]
DECPLAN FOR VMS	1.1B	YPBAA		7	[DPL011]
DECPLAN/DEUTSCH FOR VMS	1.2	YPBGA	Updated	5	[DPLDE012]
DECPLAN/ESPAÑOL FOR VMS	1.1	YPBSA		5	[DPLES011]
DECPLAN/ESPAÑOL FOR VMS	1.1B	YPBSA		5	[DPLLVPAT011]
DECPLAN/FRANÇAIS FOR VMS	1.1A	YPBPA		5	[DPLFR011]
DECPLAN/FRANÇAIS FOR VMS	1.1B	YPBPA		5	[DPLLVPAT011]
DECPLAN/ITALIANO FOR VMS	1.1A	YPBUA		5	[DPLIT011]
DECPLAN/ITALIANO FOR VMS	1.1B	YPBUA		5	[DPLLVPAT011]
DECPLAN/SVENSKA FOR VMS	1.1	YPBMA		5	[DPLSE011]
DECPLAN/SVENSKA FOR VMS	1.1B	YPBMA		5	[DPLLVPAT011]
DECPRESENT FOR VMS	1.0A	YHEAA		7	[PRESENT10A]
DECPRESENT/DEUTSCH FOR VMS	1.0	YHEGA		7	[PRESENTDE010]
DECPRESENT/FRANÇAIS FOR VMS	1.0	YHEPA		7	[PRESENTFR010]
DECPRESENT/ITALIANO FOR VMS	1.0	YHEUA		7	[PRESENTIT010]
DECPRESENT/NEDERLANDS FOR VMS	1.0	YHEHA		7	[PRESENTNE010]
DECPRESENT/SVENSKA FOR VMS	1.0	YHEMA		7	[PRESENTSV010]
DECPRINT PRINTING SERVICES FOR VMS	4.1	YNCAA		3	[CPS041]
DECPRINT PRINTING SERVICES /JAPANESE FOR VMS/JAPANESE	4.1	YNCJA		6	[CPSJ041]
DECPRINT SUPERVISOR FOR VMS	1.0	09NAA	New	9	[DCPS010]

(continued on next page)

## The Master Index for the Discs

Table 1 (Cont.) January 1993 Master Index

Product Name	Vers	UPI	Status	CD	Directory
DECPRINT UTILITY FOR POSTSCRIPT TO SIXEL PRINTING FOR VMS	1.0	VZPAA		3	[PSPRINT010]
DECQUERY FOR VMS	1.6	MD1AA		7	[QUERY016]
DECQUERY/DEUTSCH FOR VMS	1.6	MD1GA		5	[QUERYDE016]
DECQUERY/FRANÇAIS FOR VMS	1.6	MD1PA		5	[QUERYFR016]
DECGRAM FOR VMS	1.1	GJ9AA	Updated	3	[DECGRAMUA011]
DECROUTER 2000	1.2	VI8AA		2	[ROU012]
DECROUTER 250	1.1	YG6AA		2	[RT2011]
DECSCHEDULER FOR OPENVMS	2.0A	YLLAA	Updated	3	[SCHEDULER020]
DECSERVER 200 FOR VMS	3.1	VCBAA		2	[DS2031]
DECSERVER 250 FOR VMS	2.0	VTMAA		2	[DS25020]
DECSERVER 300 FOR VMS	2.2	VTUAA		2	[DS3022]
DECSERVER 500 FOR VMS	2.1	03KAA		2	[DS5021]
DECSERVER 700 FOR VMS	1.1A	XA5AA	Updated	2	[DS7011]
DECSERVER 90TL FOR VMS	1.1A	MJPAA	Updated	2	[DS9011]
DECSET FOR VMS	11.0A	965AA	Updated	1	[DECSET110]
DECTP DESKTOP FOR ACMS	1.1A	GZGAA		2	[ACMSDI011]
DECTRACE FOR VMS	1.1A	VW2AA		3	[EPC011]
DECVIEW3D CONCURRENT VIEW AND EDIT FOR VMS	2.2	XWSAA		3	[CVE022]
DECVIEW3D FOR VMS	2.2	796AA		3	[DECVIEW3D022]
DECVOICE SOFTWARE	2.1	VFUAA		3	[VOX021]
DECVOICEBUILDER SOFTWARE FOR VMS	1.0	MQ7AA		3	[VAE010]
DECWINDOWS 4125 EMULATOR FOR VMS	1.0	VZQAA		2	[DW4125010]
DECWINDOWS DECNET/SNA 3270 TE/JAPANESE	1.0A	VXBJA		6	[SNADWTEJA010]
DECWINDOWS DECNET/SNA 3270 TERMINAL EMULATOR FOR VMS	2.0	VXBAA		2	[SNADWTE020]
DECWINDOWS GRAPHICAL INTERFACE TOOLS	1.0	XAQAA		3	[DWGRAPHINT010]
DECWINDOWS MOTIF OPENVMS USER INTERFACE DEUTSCH	1.1	XDDGA	Updated	4	[DECWMDE_ DE011]
DECWINDOWS MOTIF OPENVMS USER INTERFACE FRANÇAIS	1.1	XDDPA	Updated	4	[DECWMFR_ FR011]
DECWINDOWS MOTIF OPENVMS USER INTERFACE ITALIANO	1.1	XDDUA	Updated	4	[DECWMIT_ IT011]

(continued on next page)

## The Master Index for the Discs

**Table 1 (Cont.) January 1993 Master Index**

Product Name	Vers	UPI	Status	CD	Directory
DECWINDOWS MOTIF OPENVMS USER INTERFACE SVENSKA	1.1	XDDMA	Updated	4	[DECWMSV_ SE011]
DECWINDOWS MOTIF OPENVMS USER INTERFACE/ESPAÑOL	1.1	XDDSA	Updated	4	[DECWMES_ ES011]
DECWINDOWS TOOLS PACKAGE FOR MOTIF ON VMS	1.0	LAXAA		3	[DWTOOLS010]
DECWRITE FOR VMS	2.0	VVFAA		3	[DECWRITE020]
DECWRITE/DANSK FOR VMS	2.0	VVFDA		5	[DECWRITEDA020]
DECWRITE/DEUTSCH FOR VMS	2.0	VVFGA		5	[DECWRITEDE020]
DECWRITE/ESPAÑOL FOR VMS	2.0	VVFSA		5	[DECWRITEES020]
DECWRITE/FRANCAIS FOR VMS	2.0	VVFPA		5	[DECWRITEFR020]
DECWRITE/HEBREW FOR VMS	2.0	VVFTA		5	[DECWRITEIW020]
DECWRITE/ITALIANO FOR VMS	2.0	VVFUA		5	[DECWRITEIT020]
DECWRITE/JAPANESE FOR VMS /JAPANESE	1.1	VVFJA		6	[DECWRITEJA011]
DECWRITE/JAPANESE FOR VMS /JAPANESE	2.0A	VVFJA		6	[WRITEJA_ MUPA020]
DECWRITE/NEDERLANDS FOR VMS	2.0	VVFHA		5	[DECWRITENE020]
DECWRITE/NORSK FOR VMS	2.0	VVFNA		5	[DECWRITENO020]
DECWRITE/SUOMI FOR VMS	2.0	VVFFA		5	[DECWRITESU020]
DECWRITE/SVENSKA FOR VMS	2.0	VVFMA		5	[DECWRITESE020]
DIGITAL CARTRIDGE SERVER COMPONENT FOR VMS	1.1	YWNAA		2	[DCSC011]
DIGITAL EXTENDED MATH LIBRARY FOR OPENVMS (DEVELOPMENT)	2.0	YEZAA		3	[DXMLDVVV020]
DIGITAL EXTENDED MATH LIBRARY FOR OPENVMS (RUNTIME)	2.0	MUSAA		3	[DXMLRTVV020]
DRX11-C/VMS DRIVER	6.0	S36AA		8	[DRX11C060]
EDCS II (Client)	2.2	380AA		7	[EDCS022]
EDCS II (Server)	2.2	518AA		7	[EDCS022]
EXTERNAL DOCUMENT EXCHANGE WITH IBM DISOSS	2.1	761AA		8	[EEDIS021]
FORTRAN IV/VAX TO RSX	2.8	107AA		3	[FORIV028]
IEX-VMS-DRIVER	4.3	519AA		8	[IEX043]
INFOSERVER SOFTWARE	2.1	YSHAA		1	[INFOSERV021]
IXV/VAXELN DRIVER	2.1	VG3AA		8	[IXVELN021]
IXV11/VMS DRIVER	2.1	VHZAA		8	[IXV11021]

(continued on next page)

## The Master Index for the Discs

Table 1 (Cont.) January 1993 Master Index

Product Name	Vers	UPI	Status	CD	Directory
LAN TRAFFIC MONITOR	1.2	VEHAA		8	[LTM012]
LINKWORKS DEVELOPER'S TOOLS FOR VMS	1.0	XARAA		3	[LINKWORKS010]
MICROVAX MIRA SWITCH CONTROL	2.2	09TAA		8	[MRA022]
MICROVAX/DRQ3B DEVICE DRIVER	1.3B	0APAA		8	[HX013]
MUXSERVER 300 REMOTE TERMINAL SERVER FOR VMS	1.3	VT7AA		2	[MS3013]
MUXSERVER 320/380 REMOTE TERMINAL SERVER	1.0	YWLAA		7	[MS380010]
NMCC/VAX ETHERNIM	2.3	514AA		2	[ENIM023]
OpenVMS POSIX	1.1	GXXAA		2	[POSIX011]
PATHWORKS DESKTOP BACKUP SERVER FOR VMS	1.0	MR1AA		7	[DTB010]
PATHWORKS FOR MACINTOSH	1.1	YPHAA		7	[MSAUS011]
PATHWORKS FOR VMS	4.1-1	A93AA		7	[PCSAU1041]
PATHWORKS FOR VMS	4.1C	A93AA		7	[PCSA041]
PATHWORKS FOR VMS (Macintosh)	1.1	YPCAA		7	[MSA011]
PDP-11 C FOR VMS	1.2	YEJAA		3	[PDP11C012]
PDP-11 DATATRIEVE/VAX	3.3A	105AA		3	[DTR11033]
PDP-11 FORTRAN-77/VAX TO RSX	5.4	138AA		3	[FOR77PDP054]
PDP-11 SYMBOLIC DEBUGGER /VAX TO RSX	2.2	139AA		3	[PDPDEBUG022]
POLYCENTER ACCOUNT MANAGER (ALL-IN-1 IOS AGENT)	1.0	02NAA	New	7	[PRAM010]
POLYCENTER ACCOUNT MANAGER (ALL-IN-1 MAIL AGENT)	1.0	02RAA	New	7	[PRAM010]
POLYCENTER ACCOUNT MANAGER (DDS AGENT)	1.0	02SAA	New	7	[PRAM010]
POLYCENTER ACCOUNT MANAGER (DIRECTOR)	1.0	02QAA	New	7	[PRAM010]
POLYCENTER ACCOUNT MANAGER (VMS AGENT)	1.0	02PAA	New	7	[PRAM010]
POLYCENTER SNA MANAGER	1.0	MQXAA	New	7	[SNAMCC010]
POLYCENTER SYSTEM CENSUS AGENT FOR VMS	1.0	ML1AA		7	[SCAGT010]
POLYCENTER SYSTEM CENSUS CONSOLIDATOR FOR VMS	1.0	ML4AA		7	[SCCON010]

(continued on next page)



## The Master Index for the Discs

**Table 1 (Cont.) January 1993 Master Index**

Product Name	Vers	UPI	Status	CD	Directory
POLYCENTER SYSTEM CENSUS GUI FOR VMS	1.0	ML7AA		7	[SCGUI010]
POLYCENTER SYSTEM WATCHDOG AGENT FOR VMS	1.0	MTZAA	New	7	[SNS010]
POLYCENTER SYSTEM WATCHDOG CONSOLIDATOR FOR VMS	1.0	MTYAA	New	7	[SNS010]
REMOTE SYSTEM MANAGER	2.3	B13AA		2	[RSMRSRV023]
SESSION SUPPORT UTILITY	1.3	VE3AA		2	[SSU013]
SQL ACCESS SERVER FOR RDB /VMS	1.0	MPQAA		1	[SQLA010]
SQL MULTIMEDIA FOR RDB/VMS	1.0	MLTAA		1	[SQLMM010]
STORAGE LIBRARY SYSTEM FOR OPENVMS	2.2A	0L7AA	Updated	2	[SLS022]
STORAGE LIBRARY SYSTEM FOR OPENVMS (Client)	2.2A	YE8AA	Updated	2	[SLSCLIENT022]
TEAMROUTE FOR ALL-IN-1	1.0	GEZAA		7	[TMRA1010]
TEAMROUTE for VMS	1.0	GEXAA		7	[TMR010]
TEAMROUTE/DANSK FOR ALL-IN-1	1.0	GEZDA		7	[TMRA1LDA010]
TEAMROUTE/DEUTSCH FOR ALL-IN-1	1.0	GEZGA		7	[TMRA1LDE010]
TEAMROUTE/ESPAÑOL FOR ALL-IN-1	1.0	GEZSA		7	[TMRA1LES010]
TEAMROUTE/FRANÇAIS FOR ALL-IN-1	1.0	GEZPA		7	[TMRA1LFR010]
TEAMROUTE/ITALIANO FOR ALL-IN-1	1.0	GEZUA		7	[TMRA1LIT010]
TEAMROUTE/NEDERLANDS FOR ALL-IN-1	1.0	GEZHA		7	[TMRA1LNL010]
TEAMROUTE/NORSK FOR ALL-IN-1	1.0	GEZNA		7	[TMRA1LNO010]
TEAMROUTE/SUOMI FOR ALL-IN-1	1.0	GEZFA		7	[TMRA1LFI010]
TEAMROUTE/SVENSKA FOR ALL-IN-1	1.0	GEZMA		7	[TMRA1LSV010]
TERMINAL SERVER MANAGER	1.6	VDHAA		2	[TSM016]
VAX 2780/3780 PROTOCOL EMULATOR	1.7	111AA		2	[BSCPTP017]
VAX ACMS (Development)	3.3A	079AA	Updated	1	[ACMSDEV033]
VAX ACMS (Remote)	3.3A	Y30AA	Updated	1	[ACMSREM033]

(continued on next page)

## The Master Index for the Discs

Table 1 (Cont.) January 1993 Master Index

Product Name	Vers	UPI	Status	CD	Directory
VAX ACMS (Runtime)	3.3A	076AA	Updated	1	[ACMSRTO033]
VAX ACMS/JAPANESE (Development)	3.2	079JA		6	[ACMSDEVJA032]
VAX ACMS/JAPANESE (Remote)	3.2	Y30JA		6	[ACMSREMJA032]
VAX ACMS/JAPANESE (Runtime)	3.2	076JA		6	[ACMSRTOJA032]
VAX ADA	2.3	056AA		1	[ADA023]
VAX ADE	2.5	425AA		3	[ADE025]
VAX APL	4.0	020AA		2	[APL040]
VAX BASIC	3.5	095AA		1	[BASIC035]
VAX BLISS-32 IMPLEMENTATION LANGUAGE	4.6	106AA		2	[BLS32046]
VAX C	3.2	015AA		1	[VAXC032]
VAX COBOL	5.0	099AA		1	[COBOL050]
VAX COBOL GENERATOR	1.3	365AA		1	[GEN013]
VAX COBOL GENERATOR /JAPANESE	1.3	365JA		6	[JGEN013]
VAX COBOL/JAPANESE	5.0	099JA		6	[NCOBOL050]
VAX COMPUTER INTEGRATED TELEPHONY MESSAGE DESK	1.0	YG8AA		2	[CITMD010]
VAX DATA DISTRIBUTOR	2.3	VDRAA		1	[DDAL023]
VAX DATATRIEVE	6.0	898AA		1	[DTR060]
VAX DATATRIEVE/JAPANESE	5.1	898JA		6	[JDTR051]
VAX DBMS	4.3	899AA		1	[DBMDEV043]
VAX DBMS (Runtime)	4.3	915AA		1	[DBMRTO043]
VAX DEC/CMS	3.5	007AA	Updated	1	[CMS035]
VAX DEC/MAP	3.0	VFZAA		1	[MAP030]
VAX DEC/MAP	3.0A	VFZAA		1	[MAPUPDATE110]
VAX DEC/MMS	2.6	VADAA	Updated	1	[MMS026]
VAX DEC/TEST MANAGER	3.3	927AA	Updated	1	[DTM033]
VAX DECALC	4.0B	310AA	Updated	2	[CALCMUPB040]
VAX DECALC-PLUS	4.0B	A98AA	Updated	2	[PLUSMUPB040]
VAX DECGRAPH	1.6A	360AA	Updated	2	[GRAPHMUPA016]
VAX DECISION EXPERT	1.0B	VI2AA		3	[DEEX010]
VAX DECSCAN VMS AND ELN BITBUS DRIVERS	2.0	VCJAA		2	[IBQ020]
VAX DECSCAN VMS SOFTWARE TOOLKIT	2.1	VCSAA		2	[IOTK021]
VAX DECSLIDE	1.4	361AA		3	[SLIDE014]
VAX DIBOL	4.2A	018AA	Updated	2	[DIBOLMUPA042]

(continued on next page)

## The Master Index for the Discs

**Table 1 (Cont.) January 1993 Master Index**

Product Name	Vers	UPI	Status	CD	Directory
VAX DISK STRIPING DRIVER FOR VMS	2.0	YELAA		2	[STRIPE020]
VAX DISK STRIPING DRIVER FOR VMS	2.0B	YELAA	Updated	2	[STRIPE020]
VAX DISTRIBUTED FILE SERVICE	1.2	VEQAA		2	[DFS012]
VAX DISTRIBUTED NAME SERVICE	1.1A	VERAA		2	[DNS011]
VAX DISTRIBUTED QUEUING SERVICE	1.2	VENAA		2	[DQS012]
VAX DOCUMENT	2.1	VEEAA		1	[DOC021]
VAX DOCUMENT/JAPANESE	2.1	VEEJA		7	[DOCJA021]
VAX DSM	6.1	130AA		2	[DSM061]
VAX FMS	2.4	VD7AA		2	[VAXFMS024]
VAX FMS (Runtime)	2.4	VD8AA		2	[FMSFDV024]
VAX FMS/JAPANESE	2.4	VD7JA		6	[VAXFMSJ024]
VAX FMS/JAPANESE (Runtime)	2.4	VD8JA		6	[FMSFDVJ024]
VAX FORTRAN	5.9	100AA	Updated	1	[FORT059]
VAX FORTRAN HIGH PERFORMANCE OPTION	1.3	YHBAA		1	[FORTHPO013]
VAX ISDN	2.0	VZ9AA		2	[ISDN020]
VAX ISDN ACCESS	2.0	VZCAA		2	[ISDN-ACCESS020]
VAX KCT32	2.1	128AA		2	[UK021]
VAX KMS11-BD/BE HDLC/BSC FRAMING SOFTWARE	2.1	920AA		2	[YN021]
VAX KMS11-BD/BE X.25 LINK LEVEL SOFTWARE	2.1	757AA		2	[YO021]
VAX LANGUAGE SENSITIVE EDITOR/SOURCE CODE ANALYZER	4.0	057AA	Updated	1	[LSE040]
VAX LISP/VMS	3.1	917AA		7	[LISP031]
VAX LN03 IMAGE SUPPORT SOFTWARE	1.0	VZRAA		2	[LN03IMAGE010]
VAX MESSAGE ROUTER (Base System)	3.2	732AA		2	[MR032]
VAX MESSAGE ROUTER (Programmer's Kit)	3.2	733AA		2	[MRIF032]
VAX MESSAGE ROUTER (VMSmail Gateway)	3.2	730AA		2	[MRGATE032]
VAX MESSAGE ROUTER X.400 GATEWAY	2.2G	VDMAA	Updated	2	[MRX022]

(continued on next page)

## The Master Index for the Discs

Table 1 (Cont.) January 1993 Master Index

Product Name	Vers	UPI	Status	CD	Directory
VAX MESSAGE ROUTER X.400 GATEWAY/JAPANESE	2.2	VDMJA		6	[JMRX022]
VAX MESSAGE ROUTER/P GATEWAY	1.2	VCGAA		2	[MRP012]
VAX MESSAGE ROUTER/S GATEWAY	1.2	VDUAA		2	[MRS012]
VAX NOTES	2.3	960AA		1	[NOTES023]
VAX NOTES/JAPANESE	2.1	960JA		7	[JNOTES021]
VAX PACKETNET SYSTEM INTERFACE	4.3	071AA		2	[PSI043]
VAX PACKETNET SYSTEM INTERFACE ACCESS	4.3	061AA		2	[PSI_AC043]
VAX PASCAL	4.3	126AA		1	[PASCAL043]
VAX PERFORMANCE AND COVERAGE ANALYZER	4.0	119AA	Updated	1	[PCA040]
VAX PL/I	3.5	114AA		1	[PLI035]
VAX PUBLIC ACCESS COMMUNICATIONS	1.3	VFHAA		2	[VAXPAC013]
VAX RDB/VMS (Full Development)	4.1	VD2AA		1	[RDBVMS041]
VAX RDB/VMS (Interactive)	4.1	VCLAA		1	[RDBVMS041]
VAX RDB/VMS (Runtime)	4.1	MA4AA		1	[RDBVMS041]
VAX RDB/VMS/JAPANESE (Full Development)	4.1	VD2JA		6	[RDBVMSJA041]
VAX RDB/VMS/JAPANESE (Interactive)	4.1	VCLJA		6	[RDBVMSJA041]
VAX RDB/VMS/JAPANESE (Runtime)	4.1	MA4JA		6	[RDBVMSJA041]
VAX REAL-TIME ACCELERATOR SOFTWARE	2.0A	VJNAA		2	[VRTA020]
VAX REMOTE ENVIRONMENTAL MONITORING SOFTWARE	1.4	VI5AA		2	[REMS014]
VAX RMS JOURNALING	5.5	VDVAA		1	[RMSJNL055]
VAX SCAN	1.2	495AA		1	[SCAN012]
VAX SOFTWARE PERFORMANCE MONITOR	3.4	850AA		7	[SPM034]
VAX SOFTWARE PERFORMANCE MONITOR (Collect)	3.4	VUPAA		7	[SPMC034]
VAX TDMS	1.9A	706AA		3	[TDMSDEV019]
VAX TDMS (Runtime)	1.9A	711AA		3	[TDMSRTO019]
VAX TEAMDATA	1.4	741AA		1	[TDA014]
VAX TEAMDATA/DANSK	1.3	741DA		4	[TDADA013]

(continued on next page)

## The Master Index for the Discs

**Table 1 (Cont.) January 1993 Master Index**

Product Name	Vers	UPI	Status	CD	Directory
VAX TEAMDATA/DEUTSCH	1.3	741GA		4	[TDADE013]
VAX TEAMDATA/ESPANOL	1.3	741SA		4	[TDAES013]
VAX TEAMDATA/FRANCAIS	1.3	741PA		4	[TDAFR013]
VAX TEAMDATA/NORSK	1.3	741NA		4	[TDANO013]
VAX TEAMINFO/SVENSKA	1.3	741MA		4	[TDASE013]
VAX WIDE AREA NETWORK DEVICE DRIVERS	1.2	VAWAA		2	[SYNC012]
VAX XWAY	1.2	729AA		2	[XWAY012]
VAX-11 RSX	2.5	382AA		2	[RSX025]
VAXCAMERA FOR VMS (Video Image Developer)	1.0	YWUAA		3	[VIDUIS010]
VAXCAMERA FOR VMS (Video Image Executive)	1.0	YVVAA		3	[VID010]
VAXCLUSTER CONSOLE SYSTEM	1.4	V01AA		2	[VCS014]
VAXCLUSTER SOFTWARE	5.5	VBRAA		1	[VAXCLU055]
VAXELN ADA	2.2	A97AA		3	[VAXELN_ ADA022]
VAXELN KAV TOOLKIT EXTENSIONS FOR VMS	1.1	GESAA		3	[KAV011]
VAXELN KMV1A TOOL KIT	1.1	0JPAA		3	[KMV_ ELNTOOL011]
VAXELN TOOLKIT	4.3	375AA		3	[ELN043]
VAXFT SYSTEM SERVICES	1.2B	YEAAA		3	[FTSSB012]
VAXUISX AND VWS MIGRATION TOOLS	1.1	GD8AA	Updated	3	[UISX011]
VAXUISX AND VWS MIGRATION TOOLS/JAPANESE	1.0	GD8JA		6	[JUISX010]
VIDA FOR DB2	1.1	VTWAA		1	[VIDA2011]
VIDA/JAPANESE FOR DB2	1.0	VTWJA		6	[VIDA2J010]
VMS DECWINDOWS MOTIF	1.1	XA1AA		7	[DECW\$MOTIF011]
VMS DECWINDOWS MOTIF /HANGUL	1.1	XDD4A	Updated	6	[DECWMKO_ KR011]
VMS DECWINDOWS MOTIF /HANYU	1.1	XDD3A	Updated	6	[DECWMZH_ TW011]
VMS DECWINDOWS MOTIF /HEBREW	1.1	XDDTA		4	[DECWH\$MOTIF011]
VMS DECWINDOWS MOTIF /JAPANESE	1.1	XDDJA		6	[DECWMJA_ JP011]
VMS DECWINDOWS/CANADIEN- FRANCAIS	2.1	YFSPB		4	[DECWFR_ CA021]

(continued on next page)

## The Master Index for the Discs

Table 1 (Cont.) January 1993 Master Index

Product Name	Vers	UPI	Status	CD	Directory
VMS DECWINDOWS/DEUTSCH	2.1	YFSGA		4	[DECWDE_ DE021]
VMS DECWINDOWS/DEUTSCH/CH	2.1	YFSGB		4	[DECWDE_ CH021]
VMS DECWINDOWS/FRANCAIS	2.1	YFSPA		4	[DECWFR_ FR021]
VMS DECWINDOWS/FRANCAIS /CH	2.1	YFSPC		4	[DECWFR_ CH021]
VMS DECWINDOWS/ITALIANO	2.1	YFSUA		4	[DECWIT_IT021]
VMS DECWINDOWS/ITALIANO/CH	2.1	YFSUB		4	[DECWIT_CH021]
VMS DECWINDOWS /NEDERLANDS	2.1	YFSHA		4	[DECWNL_ NL021]
VMS DECWINDOWS/NORSK	2.1	YFSNA		4	[DECWNO_ NO021]
VMS DECWINDOWS/SVENSKA	2.1	YFSMA		4	[DECWSV_SE021]
VMS LICENSE MANAGEMENT FACILITY	1.1	XANAA		1	[LMF011]
VMS OPERATING SYSTEM	5.5	001AA		1	[VMS055]
VMS OPERATING SYSTEM	5.5-2	001AA		1	[VMSU2055]
VMS VOLUME SHADOWING	5.5	AB2AA		1	[VOLSHD055]
VMS WORKSTATION SOFTWARE	4.5	A96AA	Updated	3	[VWS045]
VMS WORKSTATION SOFTWARE /JAPANESE	4.4	A96JA		6	[JVWS044]
VMS/HANGUL	5.5-2	0014A	Updated	6	[HANGULU2055]
VMS/HANYU	5.5-2	0013A	Updated	6	[HANYUU2055]
VMS/HANZI	5.5-2	0012A	Updated	6	[HANZIU2055]
VMS/JAPANESE	5.5-2	001JA		6	[JVMSU2055]
VMS/SNA	2.1A	362AA	Updated	2	[SNAVMS021]
WPS-PLUS/ESPAÑOL FOR VMS	4.1	AAMSA		4	[WPLSPANISH041]
WPS-PLUS/FRANÇAIS FOR VMS	4.1	AAMPA		4	[WPLFRENCH041]
WPS-PLUS/ITALIANO FOR VMS	4.1	AAMUA		4	[WPLITALIAN041]
WPS-PLUS/NEDERLANDS FOR VMS	4.1	AAMHA		4	[WPLDUTCH041]
WPS-PLUS/NORSK FOR VMS	4.1	AAMNA		4	[WPLNORWEGIAN041]
WPS-PLUS/SVENSKA FOR VMS	4.1	AAMMA		4	[WPLSWEDISH041]
WPS-PLUS/VMS	4.1	AAMAA		1	[WPLENGLISH041]
X25ROUTER 2000	1.1	VIAAA		2	[X25ROU011]



## **VMS Consolidated Software Distribution — January 1993**

**AV-PSQEC-TE**

### **OpenVMS VAX Version 5.5-2 Installation/Upgrade Issues When Using VMS Consolidated Software Distribution**

OpenVMS VAX Version 5.5-2 contains support for six new VAX systems:

- VAX 7000 Model 600
- VAX 10000 Model 600
- VAX 4000 Model 400
- VAX 4000 Model 100
- VAXstation 4000 Model 90
- MicroVAX 3100 Model 90

These systems may be added to an existing VAXcluster by using the OpenVMS VAX Version 5.5-2 Update Kit that is part of your Consolidated Distribution offering. If you are planning a system upgrade to any of these models, please make sure to update your system disk to 5.5-2 prior to the system upgrade.

In order to perform an installation for any of these systems being used on a standalone basis, the OpenVMS VAX Version 5.5-2 Remastered Kit is required. This Remastered Kit is shipped directly to the customer with each new system that is ordered. The Remastered Kit can not be ordered separately.

As an installation alternative, customers can take advantage of the Factory Installed Software that is provided on all workstations, 4000 series systems, and 3100 series systems that contain a supported system disk configuration. The 4000, and 3100 model systems listed above contain Factory Installed Software.

### **Products Removed from January 1993 VMS Consolidated Software Distribution**

DECmcc Site Management Station (SMS) Version 2.1, VMS only, UPI YGL

When the DECmcc Version 1.2 software was released, there were significant functionality enhancements added to the DECmcc Basic Management System (BMS) product. Those enhancements have caused the packaging of the DECmcc SMS product to be redundant with the packaging of the DECmcc Enterprise Management Station (EMS) Version 2.2 product. Therefore, the DECmcc Site Management Station product has been taken off of the price file as of November, 1992, and is no longer orderable.

**NMCC DECnet Monitor Version 2.3, VMS only, UPI VTG**

When the DECmcc Version 1.2 software was released, there were significant functionality enhancements added to the DECmcc Basic Management System (BMS). One of the major enhancements was the addition of EMA-compliant DECnet monitoring capability to the BMS product. The addition of this functionality has superseded the NMCC/DECnet Monitor, and as such, the product has been taken off of the price file as of November, 1992, and is no longer orderable.

**DECmcc TCP/IP SNMP AM Version 1.1, VMS only, UPI YSV**

When the DECmcc Version 1.2 software was released, there were significant functionality enhancements added to the DECmcc Basic Management System (BMS). One of the major enhancements was the addition of EMA-compliant TCP/IP SNMP access capability to the BMS product. The addition of this functionality has superseded the DECmcc TCP/IP SNMP AM Version 1.1, and as such, the product has been taken off of the price file as of November, 1992, and is no longer orderable.



QTY	Model Number	Rev/Ver	Description
	QA-VWJ8A-A8	Z01	VMS CONSOL SW DIST-BIN ONLY

Consists of loose piece:

1	AA-MN64R-RE		VMS COMPACT DISC BOOKLET
1	AG-PASMX-RE		VMS CONSOL S/W DIST BIN 1/9
1	AG-PCXXS-RE		VMS CONSOL S/W DIST BIN 2/9
1	AG-PFXCP-RE		VMS CONSOL S/W DIST BIN 3/9
1	AG-PJ4YJ-RE		VMS CONSOL S/W DIST BIN 4/9
1	AG-PNTPF-RE		VMS CONSOL S/W DIST BIN 5/9
1	AG-PR57D-RE		VMS CONSOL S/W DIST BIN 6/9
1	AG-PRSZD-RE		VMS CONSOL S/W DIST BIN 7/9
1	AG-PTM5A-RE		NAS V/V V2.0 CDROM 1/1
1	AG-PUKLB-RE		VMS CONSOL S/W DIST BIN 8/9
1	AG-PUKMB-RE		VMS CONSOL S/W DIST BIN 9/9
1	AV-PSQEC-TE		VMS CONSOLE JAN 93 COVER LTR

-----  
EXPORT CONTENTS SUMMARY:

1 SOFTWARE MANUALS                    10 CDROM ASSEMBLY                    1 SPD / LETTER

