



1990

PAL<sup>®</sup> Devices Databook

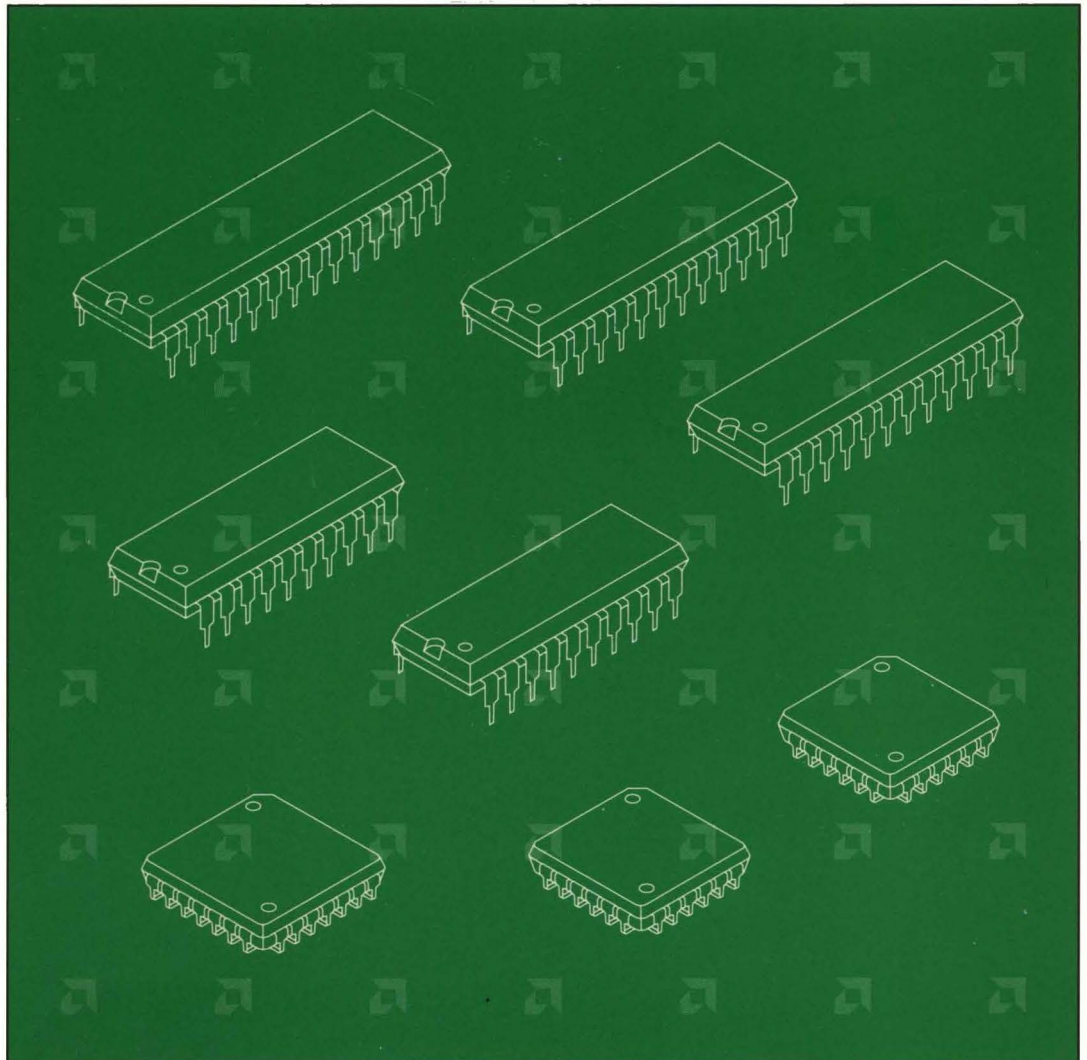
CMOS  
from  
AMD



**PAL<sup>®</sup> Device Data Book**  
**Bipolar and CMOS**

1990

Advanced  
Micro  
Devices

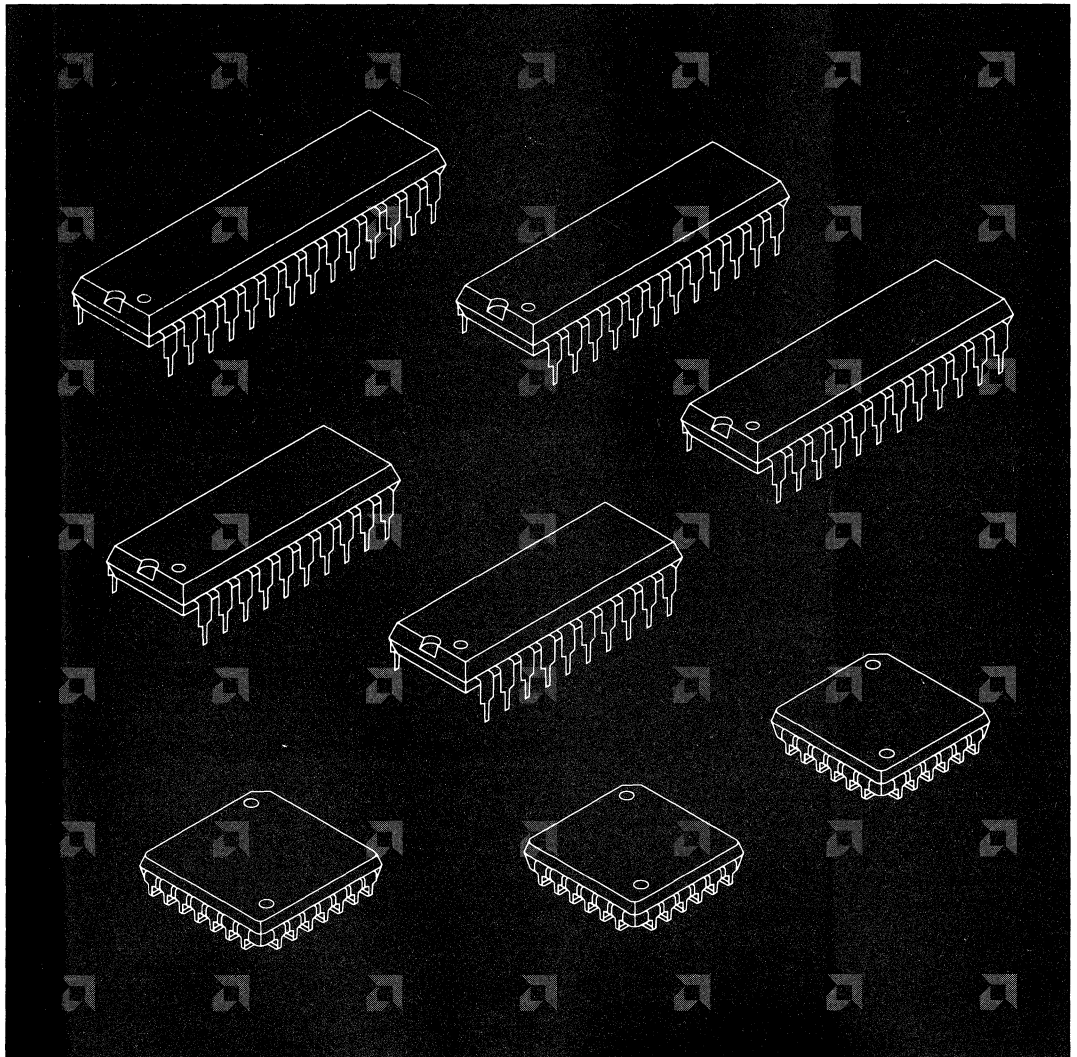




**PAL<sup>®</sup> Device Data Book**  
**Bipolar and**

1990

Advanced  
Micro  
Devices



## CMOS PAL<sup>®</sup> Devices and Sequencers

Product	Pins	Technology	t <sub>PD</sub> (ns)	I <sub>CC</sub> (mA)	Description	Page
PALCE16V8	20	EE CMOS	10–25	0.1–90	GAL <sup>®</sup> device equivalent	2-75
PALCE20V8	24	EE CMOS	15–25	90	GAL device equivalent	2-169
PALCE24V10	28	EE CMOS	15–25	90	GAL device type	2-300
PALCE22V10	24	EE CMOS	15–25	0.1–90	Versatile macrocell	2-237
PALCE26V12	28	EE CMOS	20–25	105	28-pin 22V10	2-316
PALCE29M16	24	EE CMOS	25–35	100	Advanced macrocell	2-332
PALCE29MA16	24	EE CMOS	25–35	100	Advanced async. macrocell	2-354
PALCE610	24	EE CMOS	15–25	90	J–K, async. macrocell	2-391
PLSCE105	28	EE CMOS	37 MHz	100	PLS sequencer	3-3
PLSCE167	24	EE CMOS	33 MHz	80	PLS sequencer	3-21
PLSCE168	24	EE CMOS	33 MHz	80	PLS sequencer	3-21
Am29CPL151	28	UV CMOS	33 MHz	115	Instruction-based sequencer	3-63
Am29CPL154	28	UV CMOS	30 MHz	125	Instruction-based sequencer	3-98

## High-Speed Bipolar PAL Devices

Product	Pins	Technology	t <sub>PD</sub> (ns)	I <sub>CC</sub> (mA)	Description	Page
PAL16L8 PAL16R8 PAL16R6 PAL16R4	20	TTL	7.5–35	55–180	Standard	2-10
PAL20L8 PAL20R8 PAL20R6 PAL20R4	24	TTL	7.5–35	105–210	Standard	2-107
PAL24L10 PAL24R10 PAL24R8 PAL24R4	28	TTL	10	210	Standard	2-282
Am/PAL22V10	24	TTL	10–35	180	Versatile macrocell	2-237
AmPAL18P8	20	TTL	15–35	90–180	Combinatorial macrocell	2-97
AmPAL22P10	24	TTL	15–25	90–180	Combinatorial macrocell	2-227
PAL10H20EG8	24	10KH ECL	6	260	Latched macrocell	4-3
PAL10020EG8	24	100K ECL	6	285	Latched macrocell	4-3
PAL10H20EV8	24	10KH ECL	6	260	Registered macrocell	4-17
PAL10020EV8	24	100K ECL	6	285	Registered macrocell	4-17

(Continued on inside back cover)

# PAL Device Data Book

Introduction	<b>1</b>
PAL Device Data Sheets	<b>2</b>
Sequencer Data Sheets	<b>3</b>
ECL/PGA Data Sheets	<b>4</b>
General Information	<b>5</b>
Design and Programming	<b>6</b>
Quality and Reliability	<b>7</b>
Appendices	<b>8</b>

© 1990 Advanced Micro Devices, Inc.

Advanced Micro Devices reserves the right to make changes in its products without notice in order to improve design or performance characteristics.

The performance characteristics listed in this document are guaranteed by specific tests, correlated testing, guard banding, design and other practices common to the industry.

For specific testing details contact your local AMD sales representative.

The company assumes no responsibility for the use of any circuits described herein.

901 Thompson Place, P.O. Box 3453, Sunnyvale, California 94088  
(408) 732-2400 TWX: 910-339-9280 TELEX: 34-6306

---

AMD thanks you for your interest in our programmable logic products. As world leaders and patent-holders on the PAL<sup>®</sup> device and ever-popular 22V10 architecture, we continue expanding our line in order to serve you better.

In this Data Book, we especially call your attention to our comprehensive offering of EE CMOS universal PAL devices. The distinctive *blue* pages will lead you straight to these low-power, reprogrammable choices. And please stay in touch with AMD as we have many excellent additions coming for you.

May all your projects be completed and go to market on time!

A handwritten signature in black ink that reads "Andrew D. Robin". The signature is fluid and cursive, with a long horizontal stroke at the end of the name.

Andy Robin

Director of Marketing  
Programmable Logic

---

# Description

This 1990 PAL<sup>®</sup> Device Data Book is your complete guide to all data sheets and supporting information on programmable logic devices (PLDs) from Advanced Micro Devices, including those originally from Monolithic Memories, Inc. The blue pages highlight information relating to CMOS products.

The PAL Device Data Book is organized into eight easy-to-use sections:

## 1. Introduction

Includes an overview of the AMD PLD family. Highlights the advantages of each product; excellent for the new user.

## 2. PAL Device Data Sheets

Includes complete data sheets for all PAL devices offered by AMD, including both bipolar and CMOS devices. Order is alphanumeric.

## 3. Sequencer Data Sheets

Complete data sheets for the Programmable Logic Sequencers (PLS) and Field-Programmable Controllers (FPC), and information on the Programmable Event Generator (PEG<sup>™</sup> device).

## 4. ECL/PGA Data Sheets

Complete data sheets for the high-speed ECL PAL devices, and information on the high-density Programmable Gate Arrays (PGAs). The Programmable Gate Arrays are described in more detail in a separate PGA Data Book.

## 5. General Information

Includes military processing information, definitions of data sheet parameters, and package information.

## 6. Design and Programming

Includes information on AMD and third-party PLD software programs. Note that AMD's PALASM<sup>®</sup> software is now documented in a separate User's Manual. For design examples, see the PAL Handbook. This section also contains helpful programming information and a complete listing of approved programmers. Testing considerations for programmable logic are discussed. Includes new material on design considerations for high-speed bipolar and CMOS logic.

## 7. Quality and Reliability

Includes information on AMD PLD process technologies and quality procedures.

## 8. Appendices

Quick reference information, including replacements for PLDs no longer in this data book.

Call your local AMD sales office, listed at the back, for updated information on these products and the latest new products. If you have any questions or comments on PLDs or any other products, please contact your local AMD sales office or call the AMD Applications Hotline at (800) 222-9323.

---

## Trademarks

Trademarks listed in this publication are provided as an additional courtesy. The publisher does not assume any liability for errors or omissions.

AMD, HAL, PAL, PALASM, and SKINNYDIP are registered trademarks and AutoVec, Diagnostics-On-Chip, DOC, IMOX, Interface Protocol Asynchronous Cell, LabPro, MONOX, PEG, PEGASUS, PEGCPS, PEGPDS, ProPAL, SSR, TestPro, and ZHAL are trademarks of Advanced Micro Devices, Inc.

AT&T and UNIX are registered trademarks of American Telephone and Telegraph Company.

Anvil ATG is a trademark of Anvil Software, Inc.

Apollo is a registered trademark of Apollo Computers.

DAISY and DNIX are registered trademarks of Daisy/Cadnetix.

Data I/O and FutureNet are registered trademarks and ABEL, Logic Fingerprint, FutureDesigner, LogicPak, PLDiinx, PLDtest, PLDtest Plus, PROMlink, and UniSite are trademarks of Data I/O Corporation.

LOGILINK, SOFTLINK, and SOFTPACK are trademarks of Digelec, Inc.

DEC, VAX, and VMS are registered trademarks of Digital Equipment Corporation.

DASH, DASH-ABEL, and DASH-GATES are trademarks of FutureNet Corporation, a Data I/O Company.

HP is a registered trademark of Hewlett-Packard, Inc.

386 is a trademark of Intel Corporation.

IBM and PS/2 are registered trademarks and IBM PC, IBM PC-AT, IBM PC-XT, and Micro Channel are trademarks of International Business Machines Corporation.

ISDATA is a registered trademark and LOG/iC is a trademark of ISDATA GmbH.

PROMAC is a trademark of Japan Macnics Corporation.

GAL is a registered trademark of Lattice Semiconductor Corporation.

ALLPRO, CUPL, and LOGIPRO are trademarks of Logical Devices, Inc.

Mentor and QuickSim are trademarks of Mentor Corporation.

WordStar is a trademark of MicroPro International Corporation.

Microsoft is a registered trademark and MS-DOS is a trademark of Microsoft Corporation.

PLDesigner is a registered trademark of MINC Incorporated.

Mouse System is a trademark of Mouse Systems Corporation.

TRI-STATE and FAST are registered trademarks of National Semiconductor Corporation.

OrCAD is a registered trademark and OrCAD/SDT and OrCAD/VST are trademarks of OrCAD Systems.

P-CAD is a registered trademark of Personal CAD Systems, Inc.

PC-SILOS is a trademark of SimuCad Corporation.

Sun and Sun Workstation are registered trademarks of Sun Microsystems, Inc.

Valid, ValidGED, ValidSIM, and ValidTIME are trademarks of Valid Logic Systems.

LCA, Logic Cell, Logic Processor, XACT, XACTOR, and Xilinx are trademarks of Xilinx, Inc.

# Table of Contents



---

## Introduction

Introduction .....	1-3
Product Overview .....	1-10

## PAL Device Data Sheets

<b>PAL Device/Sequencer/FPGA Menu</b> .....	2-6
<b>16R8</b>	
PAL16R8 Family .....	2-10
PAL16R8-7 Series .....	2-24
PAL16L8-7 (-12 Mil)	
PAL16R8-7 (-12 Mil)	
PAL16R6-7 (-12 Mil)	
PAL16R4-7 (-12 Mil)	
PAL16R8D Series .....	2-30
PAL16L8D	
PAL16R8D	
PAL16R6D	
PAL16R4D	
PAL16R8H-15 Series .....	2-34
PAL16L8H-15	
PAL16R8H-15	
PAL16R6H-15	
PAL16R4H-15	
PAL16R8B Series .....	2-36
PAL16L8B	
PAL16R8B	
PAL16R6B	
PAL16R4B	
PAL16R8B-2 Series .....	2-40
PAL16L8B-2	
PAL16R8B-2	
PAL16R6B-2	
PAL16R4B-2	
PAL16R8A Series .....	2-44
PAL16L8A	
PAL16R8A	
PAL16R6A	
PAL16R4A	
PAL16R8B-4 Series .....	2-48
PAL16L8B-4	
PAL16R8B-4	
PAL16R6B-4	
PAL16R4B-4	



## Table of Contents

<b>16R8</b>	PAL16R8A-2 Series .....	2-52
<b>(Cont.)</b>	PAL16L8A-2	
	PAL16R8A-2	
	PAL16R6A-2	
	PAL16R4A-2	
<b>16RA8</b>	PAL16RA8 .....	2-62
<b>16V8</b>	PALCE16V8H-10/15/25, Q-15/25 (H-20/25 Mil) .....	2-75
	PALCE16V8Z-20 .....	2-95
<b>18P8</b>	AmPAL18P8B/AL/A/L .....	2-97
<b>20R8</b>	PAL20R8 Family .....	2-107
	PAL20R8-7 Series .....	2-122
	PAL20L8-7 (-12 Mil)	
	PAL20R8-7 (-12 Mil)	
	PAL20R6-7 (-12 Mil)	
	PAL20R4-7 (-12 Mil)	
	PAL20R8-10 Series .....	2-128
	PAL20L8-10 (-15 Mil)	
	PAL20R8-10 (-15 Mil)	
	PAL20R6-10 (-15 Mil)	
	PAL20R4-10 (-15 Mil)	
	PAL20R8B Series .....	2-132
	PAL20L8B	
	PAL20R8B	
	PAL20R6B	
	PAL20R4B	
	PAL20R8B-2 Series .....	2-136
	PAL20L8B-2	
	PAL20R8B-2	
	PAL20R6B-2	
	PAL20R4B-2	
	PAL20R8A Series .....	2-138
	PAL20L8A	
	PAL20R8A	
	PAL20R6A	
	PAL20R4A	
	PAL20R8A-2 Series .....	2-142
	PAL20L8A-2	
	PAL20R8A-2	
	PAL20R6A-2	
	PAL20R4A-2	
<b>20RA10</b>	PAL20RA10/-20 .....	2-153
<b>20V8</b>	PALCE20V8H-15/25 (H-20/25 Mil) .....	2-169
<b>20X10/20L10</b>	PAL20X10A Series .....	2-188
	PAL20L10A	
	PAL20X10A	
	PAL20X8A	
	PAL20X4A	
	AmPAL20L10B/-20/AL .....	2-188
<b>22IP6</b>	PAL22IP6-25 .....	2-212
<b>22P10</b>	AmPAL22P10B/AL/A .....	2-227

## Table of Contents

<b>22V10</b>	PAL22V10-10/15 (-15/20 Mil) .....	2-237
	AmPAL22V10/A .....	2-237
	PALCE22V10H-15/25/Q-25 (H-25/30 Mil) .....	2-237
	PALCE22V10Z-25 .....	2-265
<b>23S8</b>	AmPAL23S8-20/25 .....	2-266
<b>24R10</b>	PAL24R10-10 Series .....	2-282
	PAL24L10-10	
	PAL24R10-10	
	PAL24R8-10	
	PAL24R4-10	
<b>24V10</b>	PALCE24V10H-15/25 .....	2-300
<b>26V12</b>	PALCE26V12H-20/25 .....	2-316
<b>29M16</b>	PALCE29M16H-25/35 .....	2-332
<b>29MA16</b>	PALCE29MA16H-25/35 .....	2-354
<b>32VX10</b>	PAL32VX10/A .....	2-376
<b>610</b>	PALCE610H-15/25 .....	2-391

### Sequencer Data Sheets

#### Programmable Logic Sequencers

<b>105</b>	PLS105-40 .....	3-3
	PLSCE105H-37 .....	3-3
<b>167</b>	PLS167-33 .....	3-21
	PLSCE167H-33 .....	3-21
<b>168</b>	PLS168-33 .....	3-21
	PLSCE168H-33 .....	3-21
<b>30S16</b>	PLS30S16-40 .....	3-40

#### Field-Programmable Controllers

<b>151</b>	Am29CPL151H-25/33 .....	3-63
<b>154</b>	Am29CPL154H-25/30 .....	3-98

#### Programmable Event Generator

<b>2971</b>	Am2971A (condensed) .....	3-133
-------------	---------------------------	-------

### ECL/PGA Data Sheets

#### ECL PAL Devices

<b>20EG8</b>	PAL10H20EG8-6 .....	4-3
	PAL10020EG8-6 .....	4-3
<b>20EV8</b>	PAL10H20EV8-6 .....	4-17
	PAL10020EV8-6 .....	4-17

#### Programmable Gate Array (PGA)

<b>Am2000</b>	Am2064 .....	4-31
<b>Series</b>	Am2018 .....	4-31
<b>(condensed)</b>		
<b>Am3000</b>	Am3020 .....	4-43
<b>Series</b>	Am3030 .....	4-43
<b>(condensed)</b>	Am3042 .....	4-43
	Am3064 .....	4-43
	Am3090 .....	4-43

## Table of Contents

---

Am1736/65 (condensed) . . . . .	4-59
<b>General Information</b>	
Military PAL Devices . . . . .	5-3
Electrical Characteristic Definitions . . . . .	5-15
f <sub>MAX</sub> Parameters . . . . .	5-18
<b>Packaging</b>	
Physical Dimensions . . . . .	5-19
Thermal Characteristics . . . . .	5-28
<b>Design and Programming</b>	
<b>Software</b>	
Design Software for Programmable Logic . . . . .	6-3
PALASM <sup>®</sup> 90 Software . . . . .	6-6
Am29CPL100 Software . . . . .	6-8
Programmable Gate Array Software . . . . .	6-10
ABEL <sup>™</sup> and PLDlinx <sup>™</sup> . . . . .	6-14
FutureDesigner <sup>™</sup> . . . . .	6-22
CUPL <sup>™</sup> . . . . .	6-25
LOG/iC <sup>™</sup> . . . . .	6-32
PLDesigner <sup>™</sup> . . . . .	6-41
<b>Programming</b>	
Programming . . . . .	6-49
LabPro <sup>™</sup> Programmer . . . . .	6-53
AmPGA081 Configuration PROM Programmer . . . . .	6-55
Programmer Reference Guide . . . . .	6-56
TestPro <sup>™</sup> Centers . . . . .	6-75
ProPAL <sup>™</sup> and HAL <sup>®</sup> Devices Program . . . . .	6-78
<b>Testability</b>	
Testability . . . . .	6-85
PLDtest Plus <sup>™</sup> and PLDtest <sup>®</sup> . . . . .	6-109
Anvil ATG <sup>™</sup> . . . . .	6-117
Test Generator <sup>™</sup> . . . . .	6-121
<b>Design Considerations</b>	
Terminating High-Speed PAL Devices . . . . .	6-122
Ground Bounce . . . . .	6-131
Metastability . . . . .	6-134
Latchup . . . . .	6-137

## Table of Contents

---

### **Quality and Reliability**

Oxide-Isolated Bipolar Technology .....	7-3
ECL Technology .....	7-15
EE CMOS Technology .....	7-20
Product Assurance .....	7-21
Test and Finish Operations .....	7-26

### **Appendices**

AMD PLD Conversion Chart .....	8-3
Glossary .....	8-4
Worldwide Application Support .....	8-10
Sales Offices .....	8-11
Distributors .....	8-12

# CMOS Table of Contents



---

## PAL Device Data Sheets

<b>16V8</b>	PALCE16V8H-10/15/25, Q-15/25 (H-20/25 Mil) .....	2-75
	PALCE16V8Z-20 .....	2-95
<b>20V8</b>	PALCE20V8H-15/25 (H-20/25 Mil) .....	2-169
<b>22V10</b>	PALCE22V10H-15/25/Q-25 (H-25/30 Mil) .....	2-237
	PALCE22V10Z-25 .....	2-265
<b>24V10</b>	PALCE24V10H-15/25 .....	2-300
<b>26V12</b>	PALCE26V12H-20/25 .....	2-316
<b>29M16</b>	PALCE29M16H-25/35 .....	2-332
<b>29MA16</b>	PALCE29MA16H-25/35 .....	2-354
<b>610</b>	PALCE610H-15/25 .....	2-391

## Sequencer Data Sheets

### Programmable Logic Sequencers

<b>105</b>	PLSCE105H-37 .....	3-3
<b>167</b>	PLSCE167H-33 .....	3-21
<b>168</b>	PLSCE168H-33 .....	3-21

### Field-Programmable Controllers

<b>151</b>	Am29CPL151H-25/33 .....	3-63
<b>154</b>	Am29CPL154H-25/30 .....	3-98

## ECL/PGA Data Sheets

### Programmable Gate Array (PGA)

<b>Am2000</b>	Am2064 .....	4-31
<b>Series</b>	Am2018 .....	4-31
<b>(condensed)</b>		
<b>Am3000</b>	Am3020 .....	4-43
<b>Series</b>	Am3030 .....	4-43
<b>(condensed)</b>	Am3042 .....	4-43
	Am3064 .....	4-43
	Am3090 .....	4-43
<b>Am1736/65 (condensed)</b>		4-59

## Design and Programming

### Software

Am29CPL100 Software .....	6-8
Programmable Gate Array Software .....	6-10

### Programming

AmPGA081 Configuration PROM Programmer .....	6-55
--	------

### Design Considerations

Ground Bounce .....	6-131
Latchup .....	6-137

## Quality and Reliability

EE CMOS Technology .....	7-20
--------------------------	------

# Alphanumeric Product Index

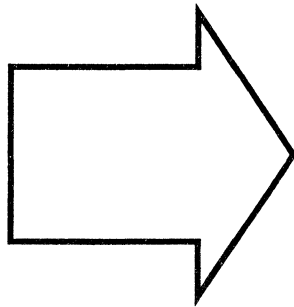


---

AmPAL18P8	2-97	PAL16L8	2-24
AmPAL20L10	2-188	PAL16RA8	2-24
AmPAL22P10	2-227	PAL16R4	2-24
AmPAL22V10	2-237	PAL16R6	2-24
AmPAL23S8	2-266	PAL16R8	2-24
Am1736	4-59	PAL20L10	2-188
Am1765	4-59	PAL20L8	2-107
		PAL20RA10	2-153
Am2018	4-31	PAL20R4	2-107
Am2064	4-31	PAL20R6	2-107
		PAL20R8	2-107
Am29CPL151	3-63		
Am29CPL154	3-98	PAL20X10	2-188
		PAL20X4	2-188
Am2971	3-133	PAL20X8	2-188
Am3020	4-43	PAL22IP6	2-212
Am3030	4-43	PAL22V10	2-237
Am3042	4-43		
Am3064	4-43	PAL24L10	2-282
Am3090	4-43	PAL24R10	2-282
		PAL24R4	2-282
		PAL24R8	2-282
PALCE16V8	2-75		
PALCE16V8Z	2-95		
PALCE20V8	2-169	PAL32VX10	2-376
PALCE22V10	2-237		
PALCE22V10Z	2-265	PLSCE105	3-3
PALCE24V10	2-300	PLSCE167	3-21
PALCE26V12	2-316	PLSCE168	3-21
PALCE29MA16	2-354		
PALCE29M16	2-332	PLS105	3-3
PALCE610	2-391	PLS167	3-21
		PLS168	3-21
		PLS30S16	3-40
PAL10H20EG8	4-3		
PAL10H20EV8	4-17		
PAL10020EG8	4-3		
PAL10020EV8	4-17		

---





Introduction	<b>1</b>
PAL Device Data Sheets	<b>2</b>
Sequencer Data Sheets	<b>3</b>
ECL/PGA Data Sheets	<b>4</b>
General Information	<b>5</b>
Design and Programming	<b>6</b>
Quality and Reliability	<b>7</b>
Appendices	<b>8</b>





---

<b>Introduction</b> .....	<b>1-3</b>
What is a PLD? .....	1-3
What Advantages do PLDs Have Over Other Implementations? .....	1-6
<b>Product Overview</b> .....	<b>1-10</b>
High-Speed PAL Devices .....	1-10
Universal PAL Devices .....	1-11
Standard PAL Devices .....	1-14
Low-Power PAL Devices .....	1-15
Programmable Logic Sequencers .....	1-15
Asynchronous PAL Devices .....	1-17
Programmable Gate Arrays .....	1-18

# Introduction



The Programmable Array Logic device, commonly known as the PAL® device, was invented at Monolithic Memories, now a part of Advanced Micro Devices, over 14 years ago. The concept for this revolutionary type of device sprang forth as a simple solution to the shortcomings of discrete TTL logic.

The successfully proven PROM technology which allowed the end user to “write on silicon” provided the technological basis which made this kind of device not only possible, but very popular as well.

The availability of design software made it much easier to design with programmable logic. As designers were freed from the drudgery of low-level implementation issues, new complex designs were easier to implement, and could be completed more quickly.

This chapter outlines some basic information essential to those who are unfamiliar with Programmable Logic devices (PLDs). The information may also be useful to those who are current users of programmable logic. The specific issues which need to be addressed are:

- What is a PLD?
- What other implementations are possible?
- What advantages do PLDs have over other implementations?

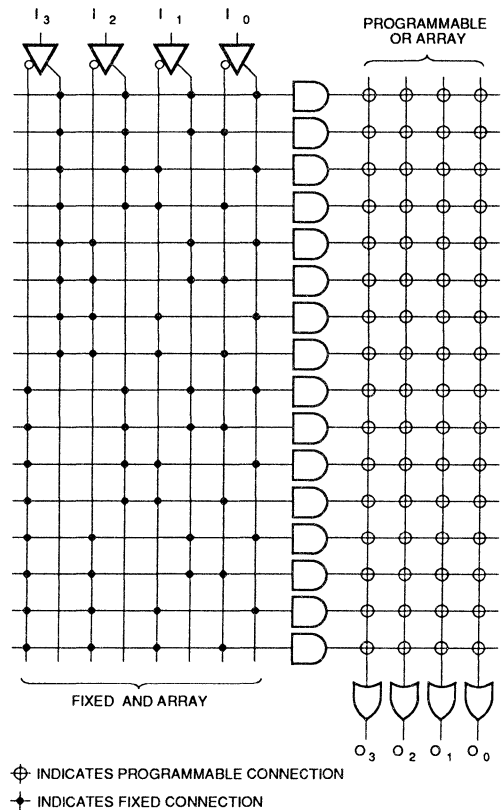
## WHAT IS A PLD?

In general, a programmable logic device is a circuit which can be configured by the user to perform a logic function. Most “standard” PLDs consist of an AND array followed by an OR array, either (or both) of which is programmable. Inputs are fed into the AND array, which performs the desired AND functions and generates product terms. The product terms are then fed into the OR array. In the OR array, the outputs of the various product terms are combined to produce the desired outputs. There are three fundamental types of standard PLD: the PROM, the PAL device, and the PLS device.

## PROMs

PROMs are usually thought of as memory elements. However, the PROM has a fixed AND array (which decodes the memory

address) followed by a programmable OR array (Figure 1). For each of a given set of input combinations (addresses), it generates a value which has been programmed into the device.



10173-001A

Figure 1. PROM Array Structure

## PAL Devices

The PAL device has a programmable AND array followed by a fixed OR array (Figure 2). The fact that the AND array is programmable makes it possible for the devices to have many inputs. The fact that the OR array is fixed makes the devices small (which means less expensive) and fast.

## PLS Devices

The PLS (Programmable Logic-based Sequencer) devices are based on the standard PLA architecture (Figure 3), where both the AND and the OR arrays are programmable. This arrangement allows for greater overall flexibility. The architecture is a bit more costly in terms of die size and speed, so for simple logic functions, a PAL device is usually more cost effective. However, this architecture is very effective for sequencers, where the flexibility allows larger state machines than might fit in a PAL device.

## Other PLDs

In addition to the basic sum-of-products PLDs, some more complex PLDs dedicated to sequencing are available, most notably the Am29CPL151 and the Am29CPL154. Their architectures are described elsewhere in the data book, but their fundamental benefits are the same as those of the more traditional PLDs.

In practice, the distinctions between architectures are not as significant as the differences between the types of functions to be performed.

## WHAT OTHER IMPLEMENTATIONS ARE POSSIBLE?

There are essentially four alternatives to programmable logic:

- Discrete Logic
- Gate Arrays
- Standard Cell Circuits
- Full Custom Circuits

## Discrete Logic

Discrete logic, or conventional TTL logic, has the advantage of familiarity; hence its popularity. It is also quite inexpensive when only unit cost is considered. The drawback is that the implementation of even a simple portion of a system may require many units of discrete logic. There are "hidden" costs associated with each unit that goes into a system, which can render the overall system more expensive.

Designing with discrete chips can also be very tedious. Each design decision directly affects the layout of the board. Changes are difficult to make. The design is also more difficult to document,

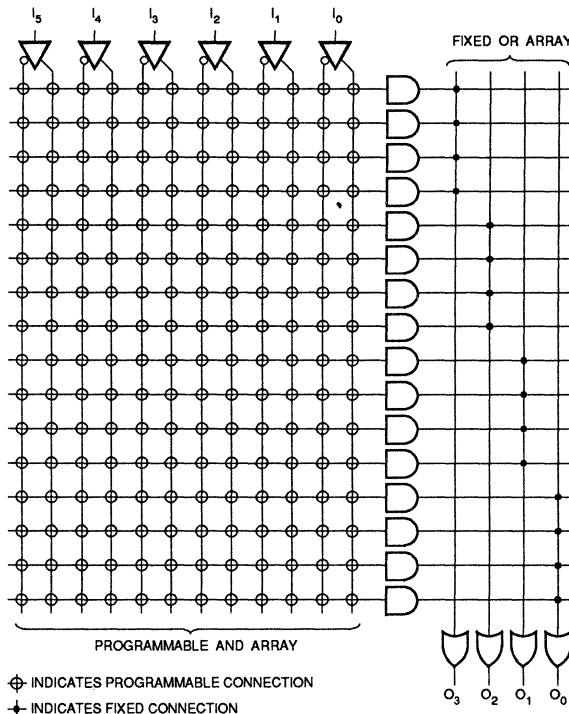


Figure 2. PAL Device Array Structure

making it harder to debug and maintain later. These items all contribute to a long design cycle when discrete chips are used extensively.

### Gate Arrays

Gate arrays have been increasing in popularity. The attractiveness of this solution lies in the device's flexibility. By packing the functions into the device, a great majority of the available silicon is actually used. Since such a device is customized for an application, it would seem to be the optimum device for that application.

However, one also pays substantial development costs, especially in the case of a design which needs changes after silicon has already been processed. Even though the unit costs are generally quite low for gate arrays, the volumes required to make their use worthwhile excludes them as a solution for many designers. This fact, added to the long design cycle and high risk involved, make this solution practical for only a limited number of designers.

### Standard Cell Circuits

Standard cell circuits are quite similar to gate arrays, their main advantage being that they consist of a collection of different parts of circuits which have already been debugged. These circuits are

then assembled and collected to perform the desired functions. This can ideally lead to reduced turnaround from conception to implementation, and a much more efficient circuit.

The drawback is that even though the individual components of the circuit have been laid out, a complete layout must still be performed to arrange the cells. Instead of just customizing the metal interconnections, as is done in a gate array, the circuit must be developed from the bottom up. Development costs can be even higher than for gate arrays, and despite the standard cell concept, turnaround time often tends to be longer than planned. Again, the volume must be sufficiently high to warrant the development costs.

### Full Custom Circuits

Full custom designs require that a specific chip be designed from scratch to perform the needed functions. The intent is to provide a solution which gives the designer exactly what is needed for the application in question; no more and no less. Ideally, not a square micron of silicon is wasted. This normally results in the smallest piece of silicon possible to fit the needs of the design, which in turn reduces the system cost. Understandably, though, development costs and risks for such a design are extremely high, and volumes must be commensurately high in order for such a solution to be of value.

1

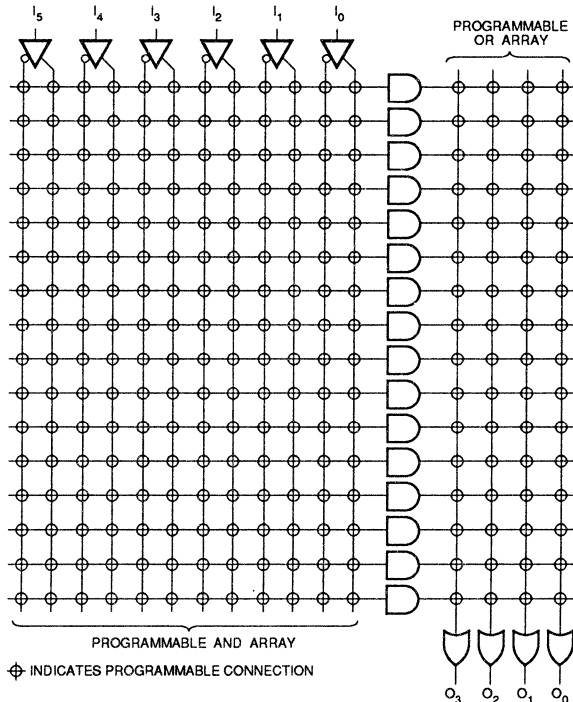


Figure 3. PLA Array Architecture

### WHAT ADVANTAGES DO PLDS HAVE OVER OTHER IMPLEMENTATIONS?

As user-programmable semicustom circuits, PLDs provide a valuable compromise which combines many of the benefits of discrete logic with many of the benefits of other semicustom circuits. The overall advantages can be found in several areas:

- Ease of design
- Performance
- Reliability
- Cost savings

#### Ease of Design

The support tools available for use in designing with PLDs greatly simplify the design process by making the lower-level implementation details transparent. In a matter of one or two hours, a first time PLD user can learn to design with a PAL device, program it, and implement the design in a system.

The design support tools consist of design software and a programmer. The design software is used in generating the design; the programmer is used to configure the device. The software provides the link between the higher-level design and the low-level programming details.

All of the available design software packages (of which Advanced Micro Devices' PALASM® software is the most widely used) perform essentially the same tasks. The design is specified with relatively high-level constructs; the software takes the design and converts it into a form which the programmer uses to configure the PLD. Most software packages provide logic simulation, which allows one to debug the design before actually programming a device. The high-level design file also serves as documentation of the design. This documentation can be even easier to understand than traditional schematics.

Depending on the capabilities desired, a device programmer can cost anywhere from under \$1,000.00 to around \$15,000.00 for a high-volume production programmer. Many PLD users do not find it necessary to purchase a programmer; it is often quite cost effective and convenient to have either the manufacturer or an outside distributor do the programming for them. For design and prototyping, though, it is very helpful to have a programmer; this allows one to implement designs immediately.

The convenience of programmable logic lies in the ability to customize a standard, off-the-shelf product. PLDs can be found in stock to suit a wide range of speed and power requirements. The variety of architectures available also allows a choice of the proper functionality for the application at hand. Thus a design can be implemented using a standard device, with the end result essentially being a custom device. If a design change is needed, it is a simple matter to edit the original design and then program a new device, or, in the case of reprogrammable CMOS devices, erase and reprogram the old device.

Board layout is vastly simplified with the use of programmable logic. PLDs offer great flexibility in the location of inputs and outputs on the device. Since larger functions are implemented inside the PLD, board layout can begin once the inputs and

outputs are known. The details of what will actually be inside the PLD can be worked out independently of the layout. In many cases, any needed design changes can be taken care of entirely within the PLD, and will not affect the PC board.

#### Performance



Speed is one of the main reasons that designers use PAL devices. The TTL PAL devices presently on the market can provide better performance than the fastest discrete logic available. ECL PAL devices extend the benefits of programmable logic to the even higher-speed realm of ECL logic. Today's fastest PAL devices are being developed on the newest technologies to gain every extra nanosecond of performance.

Performance cannot come strictly at the expense of power consumption. Since PLDs can be used to replace several discrete circuits, the power consumption of a PLD may well be less than that of the combined discrete devices. As more PLDs are developed in CMOS technology, the option for even lower power becomes available, including zero standby power devices for systems which can tolerate only minute standby power consumption.

#### Reliability

Reliability is an area of increasing concern. As systems get larger and more complex, the increase in the amount of circuitry tends to reduce the reliability of the system; there are "more things to go wrong". Thus a solution which inherently reduces the number of chips in the system will contribute to higher reliability. A programmable logic approach can provide device quality levels up to 50 parts per million (ppm), while also providing a more reliable solution due to the smaller number of devices required.

With the reduction in units and board space, PC boards can be laid out less densely, which greatly improves the reliability of the board itself. This also reduces crosstalk and other potential sources of noise, making the operation of the system cleaner and more reliable.

#### Cost



For any design approach to be practical, it must be cost effective. Cost is almost always a factor in considering a new design or a design change. But the calculation of total system cost can be misleading if not all aspects are considered. Many of the costs

	Unit Cost Range	NREs/ Development Costs	Purchase Volume For Best Economics	Design Flexibility	Gate Count per Device	Engineering Design Time	Design Turnaround Time	Cost of Each Design Change
<b>PLDs: BLANK</b>	Low-Med	None	5K-200K	Med	200-2K	1/2 Week	Short (1-10 Days)	Very Low
<b>PLDs: FACTORY PROGRAMMED</b>	Low-Med	Low	10K-200K	Med	200-2K	3-10 Weeks	Moderate (8-10 Wks.)	Med
<b>DISCRETE LOGIC</b>	Low-Med	None	1K-10K	Low	10-30	1 Week	Short (1-10 Days)	Med
<b>GATE ARRAYS</b>	Low	Med-High	10K-200K	Med-High	1K-10K	12-40 Weeks	Long (3-9 Mos.)	High
<b>STANDARD CELLS</b>	Low	High	100K-300K	Med-High	1K-10K	26-52 Weeks	Long (6-12 Mos.)	High
<b>FULL CUSTOM</b>	Very Low	High	200K and Up	High	1K-60K	1-2 Yrs.	Long (6-12 Mos.)	High

Figure 4. Cost and Design-time Comparisons



## Introduction

can be elusive or difficult to measure. For example, it is difficult to quantify the cost of market share lost due to late product introduction.

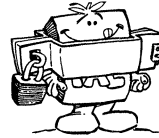
The greatest savings over a discrete design are derived from the fact that a single PLD can replace several discrete chips. Board space requirements can drop by 25% or more when PLDs are used. Figure 4 illustrates some of the costs of the various solutions discussed so far, with many of the factors that may not always be considered included for comparison. These involve such items as inventory costs, inspection costs, test costs, board materials costs, and of course the very costly time spent designing and debugging such systems, and isolating and replacing units which fail. With each design change, the cost of a custom solution rises dramatically, while that of a user-customizable approach is minimal. The relationship between the various alternatives is summarized in Figure 5.



Another economic benefit of the use of PLDs is that when one PAL device is used in several different designs, as is often the case, the user has not committed that device to any one of the particular designs until the device has been programmed. This means that inventory can be stocked for several different designs in the form of one device. As requirements change, the parts can be programmed to fit the need. And in the case of reprogrammable CMOS devices, one is not committed even after programming.

There is also a cost-effective PLD solution for high-volume production. Just as a ROM is a PROM which has been hard-wired for mass production, HAL® (Hard Array Logic) devices can be produced in high volumes for extra cost savings. This mask-programmed version can be produced in high volume with unparalleled quality. In addition, in the event that production quantities for your system show an unexpected increase, the equivalent PAL or ProPAL™ devices (in-factory programmed PAL devices) can be quickly obtained and programmed in your factory, by Advanced Micro Devices, or through distribution to cover the temporary shortage. More details on HAL and ProPAL devices are provided later in the Data Book.

One final subtle cost issue is derived from the ease with which a competitor can copy a design. PLDs have a unique feature called a security fuse, whose purpose is to protect a design from being copied. By using secured PLDs extensively in a system, one can safely avoid having one's system easily deciphered. The added design security provided by this feature can buy extra market time, forcing competitors to do their own original design work rather than copying the designs of others.



## SUMMARY

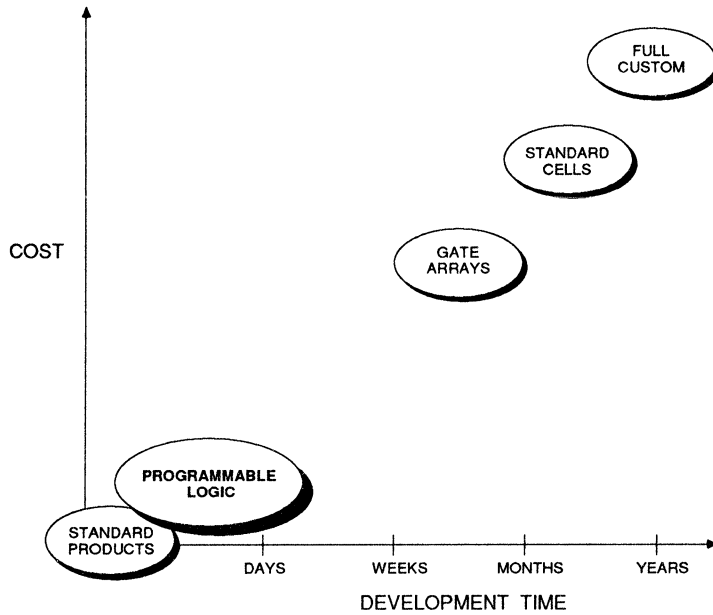
Programmable logic provides the means of creating semi-custom designs with readily available standard components. There is a wide variety of PLDs; PAL devices are most widely used, and perform well for basic logic and some sequencing functions. Other dedicated sequencers provide the circuitry required to implement more complex designs.

By assuming some of the attributes of gate arrays, programmable logic provides the cost savings of any other semicustom device, without the extra engineering costs, risks, and design delays. Reliability is also enhanced as quality increases and board complexity decreases.

The design tasks are greatly simplified due to the design tools which are now available. Design software and device programmers allow top-down high-level designs, with a minimum of time spent on actual implementation issues. Simulation allows some design debug before a device is programmed.

For all of these reasons, programmable logic has become, and will continue to be, the design methodology of choice among digital systems designers.





1

10173-004A

Figure 5. Development Cost vs. Time for Alternative Logic Implementations





Advanced Micro Devices offers the industry's widest variety of PLDs, implemented in a variety of technologies. In this section, we will briefly discuss the device families, and look at the various architecture, speed, and power options. More specific device information can be found in the individual data sheets in sections 2-4. Discussions on some of the special architectural features of many of the devices can also be found in their respective data sheets.

There are six basic PLD areas addressed by Advanced Micro Devices' PLDs:

- High-speed PAL<sup>®</sup> devices
- Universal PAL devices
- Industry-standard PAL devices
- Low-power PAL devices
- Special architecture PLDs
- Programmable gate arrays

The largest application area is that covered by the PAL devices. There is a wide variety of PAL devices, ranging from simple devices that address general logic design problems to more sophisticated devices that deal with more complex problems.

Within the group of special architecture PLDs, there is also a series of sequencers that are not PAL devices, featuring architectures particularly well suited to sequencing operations. While there are PAL devices that work well as state machines in addition to their other applications, these dedicated sequencers have given up some of their generality to provide optimal state machine solutions.

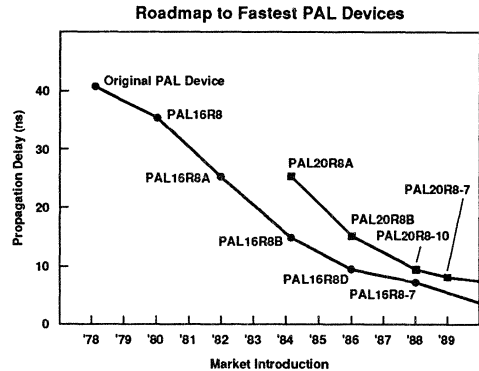
The final area, that of high-density design, is addressed by the programmable gate arrays (PGAs) which provide a PLD with thousands of gates. The PGAs are described briefly in this data book; for more detail, please refer to the PGA Handbook.

Design software radically simplifies the design of any circuit in a PLD. PALASM<sup>®</sup> software can be used for all PAL and PLS devices. PLD design software is discussed briefly in section 5.

## HIGH-SPEED PAL DEVICES

AMD offers the fastest PAL devices on the market today. We were the first to introduce the 40-ns PAL device in 1978 and have been the first to market on all five

successive generations. In the last decade, we have improved the performance of PAL devices almost six-fold. As the market leader in the PLD arena, we fully expect to introduce even faster devices in the future.



Currently, we have the bipolar TTL PAL16R8 family of 20-pin devices in 7.5-ns speed grade and the PAL20R8 family of 24-pin devices, also in 7.5-ns speed grade, available in volume production. These families include both registered (16R4, 16R6, 16R8, 20R4, 20R6, 20R8) and combinational devices (16L8, 20L8). They are used in a wide variety of applications where performance and space are critical, often replacing FAST<sup>™</sup> and AS SSI/MSI logic circuits. For applications where the absolute fastest devices are not needed, other speed grades are offered at a lower cost and/or lower power consumption.

AMD's new EE CMOS process also provides high-speed universal PAL devices. The PALCE16V8 has a 10-ns version; most other EE CMOS devices have a 15-ns  $t_{PD}$ , while using half or even a quarter of the power required by their bipolar equivalents.

For exceptionally high performance, AMD offers ECL in addition to bipolar TTL PAL devices. AMD's ECL PAL devices are the 24-pin PAL10H/10020EV8 and PAL10H/10020EG8. These are the industry's first ECL PAL devices with output logic macrocells, a variable product term distribution and other advanced features. They support state-machine applications running at 125 MHz and are available in both 10KH and 100K ECL logic level versions. Even higher performance ECL PAL devices will be available in the future.

## Product Overview

### High-Speed PAL Devices

Part Number	Functional Description							Commercial Specifications				
	Pin Count	ARRAY INPUTS			ARRAY OUTPUTS			Prod. Terms per Output	Spd/Pwr Options	t <sub>PD</sub> (ns)	f <sub>MAX</sub> * (MHz)	I <sub>CC</sub> (mA)
		bidir.	dedctd.	reg. fdbk.	reg.	comb.	macrocell					
PAL16L8	20	6	10	—	—	8	—	7	-7	7.5	74	180
PAL16R8		—	8	8	8	—	—	8				
PAL16R6		2	8	6	6	2	—	7-8	D	10	58.8	180
PAL16R4		4	8	4	4	4	—	7-8				
PALCE16V8	20	0-8	8-10	8-0	—	—	8	7-8	H-10**	10	55.5	90
									Q-15	15	45.5	55
									H-15	15	45.5	90
PAL20L8	24	6	14	—	—	8	—	7	-7	7.5	74	210
PAL20R8		—	12	8	8	—	—	8				
PAL20R6		2	12	6	6	2	—	7-8	-10	10	55.5	210
PAL20R4		4	12	4	4	4	—	7-8				
PALCE20V8	24	0-8	12-14	8-0	—	—	8	7-8	H-15	15	45.5	90
PAL24L10**	28	8	16	—	—	10	—	7	-10	10	55.5	210
PAL24R10**		—	14	10	10	—	—	8				
PAL24R8**		2	14	8	8	2	—	7-8				
PAL24R4**		6	14	4	4	6	—	7-8				
PALCE24V10**	28	0-10	14-16	10-0	—	—	10	7-8	H-15	15	45.5	90
PALCE22V10	24	0-10	12	10-0	—	—	10	8-16	H-15	15	50	90
PAL22V10	24	0-10	12	10-0	—	—	10	8-16	-10**	10	71	180
									-15	15	50	210
PALCE610**	24	0-16	4	16-0	—	—	16	8	H-15	15	45.5	90
PAL10H20EV8	24	0-8	12	8-0	—	—	8	8, 12	-6	6	125	260
PAL10020EV8	24	0-8	12	8-0	—	—	8	8, 12	-6	6	125	285
PAL10H20EG8	24	0-8	12	8-0	—	—	8***	8, 12	-6	6	—	260
PAL10020EG8	24	0-8	12	8-0	—	—	8***	8, 12	-6	6	—	285

\* f<sub>MAX</sub> is defined as 1/(t<sub>s</sub> + t<sub>CO</sub>) for the external feedback

\*\* in development

\*\*\* latched

## UNIVERSAL PAL DEVICES

Have your design needs included a non-standard mix of inputs and outputs or choosing a variable number of combinatorial/registered/latched inputs and/or outputs for the given application? How about stocking only one or two PLDs to reduce your inventory costs?

The solution to your problem is AMD's family of universal PAL devices. We pioneered the concept of user-programmable output logic macrocells with the PAL22V10. With this macrocell, you can configure an

output for combinatorial or registered operation and active-low or active-high polarity. This is what makes the PAL22V10 universal, for it can substitute for virtually all of the standard 24-pin PAL devices on the market. The PALCE26V12 is a 28-pin version which provides more inputs and outputs for those designs that don't quite fit into a PAL22V10.

But we did not stop there. A second new feature pioneered with the PAL22V10 is variable product term distribution; the 10 outputs on this device are arranged in pairs with 16, 14, 12, 10 or eight product terms on each output. With

1

## Product Overview

up to 16 product terms, the PAL22V10 can implement far more complex logic functions than can be supported by other 24-pin devices. No wonder the PAL22V10 is the most popular PAL device on the market today. And now both faster (15 ns, 50 MHz) and reprogrammable low-power CMOS (15, 25 ns; 55, 90 mA) versions are available from AMD.

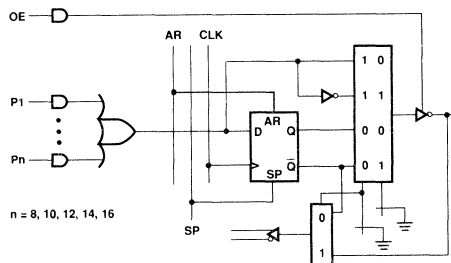
The PALCE16V8, PALCE20V8, and PALCE24V10 are EE CMOS universal devices that have the additional capability of directly taking the designs of standard 20-, 24-, and 28-pin PAL devices, respectively. They provide a cost-effective means of reducing inventory, lowering power, and reducing risk.

The PALCE610 adds to the basic macrocell by providing 16 I/O macrocells that can be configured with D, T, J-K, or S-R flip-flops.

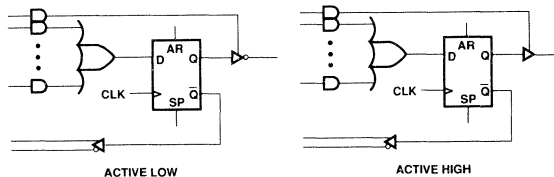
The PALCE29M16 further enhances the macrocell concept. Its macrocell can be an input or an output macrocell that can be configured three ways: combinatorial, latched or registered. Sixteen of these macrocells are available in a 24-pin 300-mil package. And eight of the macrocells can be buried, allowing the connecting pins to be used as dedicated inputs. The PALCE29M16 also offers variable product term distribution.

For those applications where registers and latches are not needed, the AmPAL18P8 (20-pin) and AmPAL22P10 (24-pin) are perfect. These PAL devices with programmable polarity can flexibly replace almost all standard 20- and 24-pin combinatorial PAL devices. As a result, they significantly reduce your inventory. They are available in several speed-power grades to meet most application requirements.

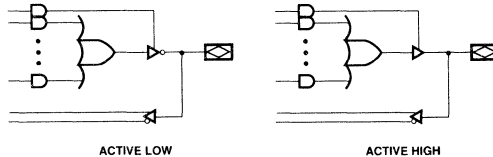
### PAL22V10 Logic Macrocell



#### Registered Outputs



#### Combinatorial I/O



**The output logic macrocell makes the PAL22V10 universal, for it can substitute for virtually all of the standard 24-pin PAL devices on the market.**

## Product Overview

### Universal PAL Devices

Part Number	Functional Description							Commercial Specifications				
	Pin Count	ARRAY INPUTS			ARRAY OUTPUTS			Prod. Terms per Output	Spd/Pwr Options	t <sub>PD</sub> (ns)	f <sub>MAX</sub> * (MHz)	I <sub>CC</sub> (mA)
		bidir.	dedctd.	reg. fdbk.	reg.	comb.	macrocell					
PALCE16V8	20	0-8	8-10	8-0	—	—	8	7-8	H-10**	10	55.5	90
									Q-15	15	45.5	55
									H-15	15	45.5	90
									Q-25	25	37	55
									Z-20**	20	40	0.1
PALCE20V8	24	0-8	12-14	8-0	—	—	8	7-8	H-15	15	45.5	90
									H-25	25	37	90
PALCE24V10**	28	0-10	14-16	10-0	—	—	10	7-8	H-15	15	45.5	90
									H-25	25	37	90
PALCE22V10	24	0-10	12	10-0	—	—	10	8-16	H-15	15	50	90
									Q-25	25	33.3	55
									H-25	25	33.3	90
									Z-25**	25	33.3	0.1
PAL22V10	24	0-10	12	10-0	—	—	10	8-16	-10**	10	71	180
									-15	15	50	210
PALCE26V12	28	0-12	14	12-0	—	—	12	8-16	H-20	20	40	105
									H-25	25	33.3	105
PALCE610**	24	0-16	4	16-0	—	—	16	8	H-15	15	45.5	90
									H-25	25	37	90
PALCE29M16	24	8-16	5	16-8	—	—	16	8-16	H-25	25	28.5	120
									H-35	35	20	120
AmPAL18P8	20	8	10	—	—	8	—	8	B	15	—	180
									A	25	—	180
									AL	25	—	90
AmPAL22P10	24	10	12	—	—	10	—	8	B	15	—	210
									A	25	—	210
									AL	25	—	105

\* f<sub>MAX</sub> is defined as 1/(t<sub>s</sub> + t<sub>co</sub>) for the external feedback  
 \*\* in development

## Product Overview

### Standard PAL Devices

Part Number	Functional Description							Commercial Specifications				
	Pin Count	ARRAY INPUTS			ARRAY OUTPUTS			Prod. Terms per Output	Spd/Pwr Options	t <sub>PD</sub> (ns)	f <sub>MAX</sub> * (MHz)	I <sub>CC</sub> (mA)
		bidir.	dedctd.	reg. fdbk.	reg.	comb.	macrocell					
PAL16L8	20	6	10	—	—	8	—	7	H-15	15	37	90
									B	15	37	180
PAL16R8		—	8	8	8	—	—	8	B-2	25	25	90
PAL16R6		2	8	6	6	2	—	7-8	A	25	25	180
PAL16R4		4	8	4	4	4	—	7-8	B-4	35	16	55
		A-2	35	18	90							
PAL20L8	24	6	14	—	—	8	—	7	B	15	37	210
									B-2	25	25	105
PAL20R8		—	12	8	8	—	—	8	A	25	25	210
PAL20R6		2	12	6	6	2	—	7-8	A-2	35	16	105
PAL20R4		4	12	4	4	4	—	7-8	B-2	25	25	105
									B	15	—	210
AmPAL20L10	24	8	12	—	—	10	—	3	-20	20	—	165
									AL	25	—	105
PAL20L10	24	8	12	—	—	10	—	3	A	30	—	165
PAL20X10	24	—	10	10	10	—	—	4	A	30	22.2	180
PAL20X8		2	10	8	8	2	—	3-4				
PAL20X4		6	10	4	4	6	—	3-4				

\* f<sub>MAX</sub> is defined as 1/(t<sub>s</sub> + t<sub>CO</sub>) for the external feedback

### INDUSTRY-STANDARD PAL DEVICES

As we have increased speed on the TTL PAL devices, we have also reduced the power consumption on the slower devices by as much as 75 percent. As a result, both the industry-standard 20-pin and 24-pin PAL device families are available in a variety of speed and power grades. This allows the designer to select the optimum performance at

the lowest possible cost and power consumption. These 20- and 24-pin devices are used in applications where the advantages of reduced package count, such as higher reliability and lower power consumption, improve the overall price-performance of the end-product. Often these benefits are realized by replacing Schottky, ALS, LS and some CMOS SSI/MSI logic circuits with these PAL devices.

## Product Overview

### Low-Power PAL Devices

Part Number	Functional Description							Commercial Specifications				
	Pin Count	ARRAY INPUTS			ARRAY OUTPUTS			Prod. Terms per Output	Spd/Pwr Options	t <sub>PD</sub> (ns)	f <sub>MAX</sub> * (MHz)	I <sub>CC</sub> (mA)
		bidir.	dedctd.	reg. fdbk.	reg.	comb.	macrocell					
PALCE16V8	20	0-8	8-10	8-0	—	—	8	7-8	Z-20**	20	40	0.1
		Q-15							15	45.5	55	
PALCE22V10	24	0-10	12	10-0	—	—	10	8-16	Z-25**	25	33.3	0.1
		Q-25							25	33.3	90	

\* f<sub>MAX</sub> is defined as 1/(t<sub>s</sub> + t<sub>co</sub>) for the external feedback  
 \*\* in development

### LOW-POWER PAL DEVICES

AMD is the only major supplier of programmable logic devices to offer a broad line of low-power CMOS devices. And we are the only PLD supplier with such a comprehensive CMOS programmable logic line.

There are two basic types of CMOS PAL devices: those that dissipate essentially no power when in a quiescent state, and faster devices which draw nominal current even when quiescent. Devices are thus classified as "zero-power" or "low-power."

Zero-power PAL devices are particularly suited for products that are portable or battery operated. In a stand-by mode they consume less than 100 μA supply current. Low-power CMOS devices can cut system power consumption 50 percent by replacing equivalent 25-ns and 35-ns speed TTL PAL devices. In addition, these devices can also save significant board space by replacing several CMOS SSI/MSI devices from families such as FACT™, ACL, MC14000, etc. By consolidating several SSI/MSI packages into a single CMOS PAL device, the power consumption can be cut even further.

### SPECIAL ARCHITECTURE PLDs

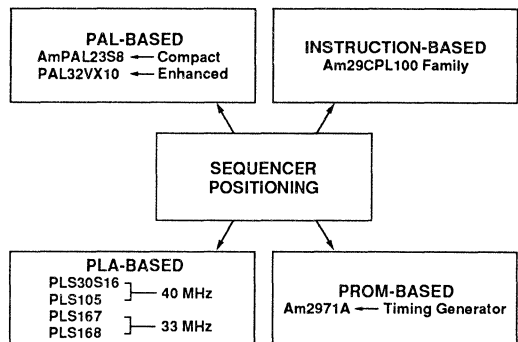
AMD offers a wide variety of programmable logic devices which have been enhanced architecturally to provide a high level of integration and performance. They include a family of sequencers optimized for state-machine applications, and asynchronous devices which have been designed to implement asynchronous design functions optimally. These products offer you unprecedented flexibility in selecting the right PLD for the application at hand.

### Programmable Logic Sequencers

AMD's programmable logic sequencer family gives you high speed, functionality and a wide selection. Several devices are available in several speed-power grades so

you can choose the appropriate one for your application. Four types of sequencers are offered: PAL-based, PLA (Programmable Logic Array)-based, PROM-based and instruction-based. Each has its own benefits, but together they offer you the choice of using a familiar and comfortable architecture.

The PAL-based AmPAL23S8 is a compact sequencer device that packs 14 registers into a space-saving 20-pin 300-mil DIP. With a 20-ns propagation delay and 33-MHz external/40-MHz internal cycle time, it is ideal for high-performance applications where board real estate is valuable. The PAL32VX10 offers all the benefits of the industry-standard PAL22V10 plus J-K flip-flops and the ability to bury its 10 registers, freeing valuable I/O pins.



The PLA-based family consists of the PLS105, PLS167, PLS168, and PLS30S16. The PLS105 and PLS30S16 run at a blazing 40 MHz and are available in a 28-pin 300-mil DIP. The PLS167/168 operate at 33 MHz but consume only 160 mA of supply current. The PLS105/167/168 come with six buried registers and 48 logical product terms which can be shared between all outputs and the buried registers. The PLS30S16 has up to 12 buried registers, allows combinatorial outputs, has 64 product terms, and allows registered inputs.



## Product Overview

The Am2971A PEG™ (Programmable Event Generator) is a PROM-based, 100-MHz, general-purpose, user-programmable waveform generator. With 12 independent, registered, programmable outputs, it can be applied to a host of useful timing applications including general state machines.

The instruction-based family of sequencers consists of two members. They are single-chip, field-programmable controllers that can implement state machines and controllers by programming the appropriate sequence of instructions. With complete high-level software support, these devices are as easy to use as microprocessors. The Am29CPL151 operates at a maximum of 33 MHz. The Am29CPL154 offers a very deep PROM (512 words) so that larger state machines can be implemented. Both devices are manufactured in 28-pin, 300-mil packages.

Powerful instruction-set makes the Am29CPL100 family easy to use. Instruction types include conditional branching, looping and subroutine call. Each line of code in an Am29CPL100 program typically corresponds to

one state in a state machine diagram. Program code is easy to write because it closely mimics the way the human mind logically thinks about control problems. Also, the number of lines of program code required to implement an application is significantly reduced in comparison to conventional Boolean equation-based approaches. This means more efficient use of program memory, faster design entry and debugging, and faster algorithm execution.

Finally, if you are looking for the fastest device to implement your state-machine application, consider our 74-MHz standard 20- and 24-pin registered devices (PAL16R4/R6/R8-7, PAL20R4/R6/R8-7). Although not optimized for state machine applications, they are the fastest available TTL logic and can easily be adapted as state machines.

So there you have it—a wide selection of programmable logic sequencers to meet your application needs. And only AMD offers a complete solution.

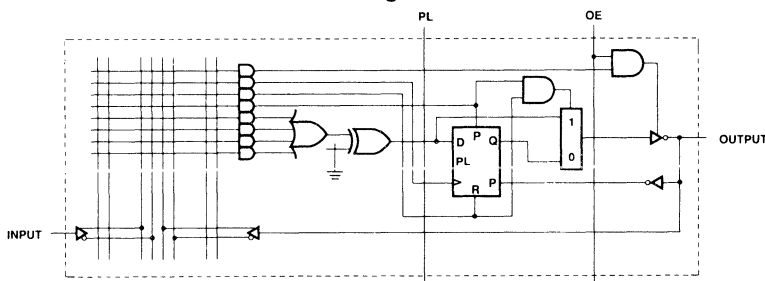
### Sequencer Devices

Part Number	Functional Description							Commercial Specifications				
	Pin Count	ARRAY INPUTS			ARRAY OUTPUTS			Prod. Terms per Output	Spd/Pwr Options	t <sub>PD</sub> (ns)	f <sub>MAX</sub> * (MHz)	I <sub>CC</sub> (mA)
		bidir.	dedctd.	reg. fdbk.	reg.	comb.	macrocell					
AmPAL23S8	20	4-8	9	6-10	4	—	4	6-12	-20	20	33	210
									-25	25	28.5	210
PAL32VX10	24	10	12	10	—	—	10	8-16	A	25	25	180
									STD	30	22.2	180
PLS105	28	—	16	6	8	—	—	0-48	-40	—	40	200
PLSCE105	28	—	16	6	8	—	—	0-48	H-37**	—	37	100
PLS167	24	—	14	8	6	—	—	0-48	-33	—	33	160
PLSCE167	24	—	14	8	6	—	—	0-48	H-33**	—	33	80
PLS168	24	—	12	10	8	—	—	0-48	-33	—	33	160
PLSCE168	24	—	12	10	8	—	—	0-48	H-33**	—	33	80
PLS30S16	28	0-4	12-13	12	4	—	8	0-64	-40	20	40	225
Am2971	24	—	3	—	12	1	—	—	A	—	100	425
Am29CPL151	28	—	7	16	16	—	—	—	-33	—	33	115
Am29CPL154**	28	—	8	20	16	—	—	—	-30	—	30	115

\*f<sub>MAX</sub> is defined as 1/(t<sub>s</sub> + t<sub>co</sub>) for the external feedback

\*\* in development

**PAL20RA10  
RA Cell Configuration**



**Asynchronous PAL Devices**

Currently AMD makes six devices that are function-specific. They support asynchronous and bus interface applications. We expect to expand our offering to encompass even more functions over the next few years.

The 24-pin PAL20RA10 and its 20-pin counterpart, PAL16RA8, are optimized for asynchronous applications. They contain ten and eight D-type flip-flops, respectively, driven by a PAL array. Each flip-flop has individually programmable Clock, Reset and Preset product terms. In addition, programmable polarity is offered on each output. With such features, these devices are well suited to replacing glue logic in your system. Also, we now have available a faster (20 ns, 30 MHz) version of the PAL20RA10 for high-speed applications.

The CMOS PALCE29MA16 combines some of the advantages of the PALCE29M16 with the advantages of the PAL20RA10. It has one dedicated Clock/Latch Enable input as well as product terms for each of the

16 macrocells to allow individual clocking, asynchronous Reset and asynchronous Preset. It also features variable product term distribution. To top it off, the PALCE29MA16 is electrically reprogrammable in a plastic 300-ml package.



The PAL22IP6 Interface Protocol Asynchronous Cell (IPAC) offers a unique patented architecture, which makes it ideal for implementing bus-interface protocol applications, self-timed circuits and asynchronous state-machine designs. It is a 24-pin device with six high-drive (48 mA and 64 mA) output macrocells.

These macrocells contain totally new logic storage elements. The logic storage elements are edge-activated flip-flops which do not require a separate clock for storing data signals. Instead the signals are stored in the flip-flops in direct response to their rising or falling edges. This provides a convenient way of implementing asynchronous handshake protocols. Please refer to the device data sheet for more information.

**Asynchronous PAL Devices**

Part Number	Functional Description							Commercial Specifications				
	Pin Count	ARRAY INPUTS			ARRAY OUTPUTS			Prod. Terms per Output	Spd/Pwr Options	t <sub>PD</sub> (ns)	f <sub>MAX</sub> * (MHz)	I <sub>CC</sub> (mA)
		bidir.	dedctd.	reg. fdbk.	reg.	comb.	macrocell					
PAL16RA8	20	8	8	—	—	—	8	4	STD	30/35**	20	170
PAL20RA10	24	10	10	—	—	—	10	4	-20	20	30	200
									STD	30/35**	20	200
PALCE29MA16	24	8-16	5	16-8	—	—	16	4-12	-25	25	28.5	120
									-35	35	20	120
PAL22IP6	24	6	16	—	—	—	6	9	-25	25	—	210

\*f<sub>MAX</sub> is defined as 1/(t<sub>s</sub> + t<sub>CO</sub>) for the external feedback  
 \*\*polarity fuse programmed (active-high)



## Product Overview

### PROGRAMMABLE GATE ARRAYS

The Programmable Gate Array (PGA) is the first device to successfully bridge the gap between field-programmable logic and gate arrays. The PGA effectively combines the benefits of low-power CMOS LSI technology and the advantages of user programmability with the gate density and logic flexibility previously obtainable only with gate arrays.

The PGA provides a quantum jump in field-programmable logic device capability extending its usable functional density into a realm beyond that of more conventional programmable logic devices. Much greater density is achieved with the PGA by use of a flexible array-type architecture more versatile than that of conventional

PLDs, which are increasingly inefficient as gate density is increased. The AMD Am2018 1800-gate PGA device can replace as many as six 1200-gate PLD devices in some applications.

Gate arrays, on the other hand, may provide densities higher than those of current PGAs. However, gate arrays typically require longer development times, design risks and higher development cost.

The PGA is the ideal option for the PLD designer wishing to achieve a new level of system functional density and for the gate array user looking for a low-cost, low-risk, and easy-to-use alternative which provides instant prototyping through the power of in-system verification.

**Programmable Gate Arrays**

Part Number	Speed Grade	Package	Description
Am2064-100	100	28J, 48P, 68J, 68G	8 × 8 Logic Cell Array —1200 gates
Am2064-70	70		
Am2064-50	50		
Am2018-100	100	44J, 68J, 84J, 68G, 84G	10 × 10 Logic Cell Array —1800 gates
Am2018-70	70		
Am2018-50	50		
Am3020-100	100	68J, 84J	8 × 8 Logic Cell Array —2000 gates
Am3020-70	70		
Am3020-50	50		
Am3030-100	100	84J, 84G	10 × 10 Logic Cell Array— 3000 gates
Am3030-70	70		
Am3030-50	50		
Am3042-100	100	84J, 84G, 132G	12 × 12 Logic Cell Array—4200 gates
Am3042-70	70		
Am3042-50	50		
Am3064-100*	100	132G	14 × 16 Logic Cell Array—6400 gates
Am3064-70*	70		
Am3064-50*	50		
Am3090-100	100	175G	16 × 20 Logic Cell Array —9000 gates
Am3090-70	70		
Am3090-50	50		
Am1736		8-Pin Mini DIP, 20 PLCC	36K Serial EPROM
Am1765		8-Pin Mini DIP, 20 PLCC	65K Serial EPROM

**Notes:** Package Types — P = Plastic DIP; J = Plastic Leaded Chip Carrier; G = Pin Grid Array

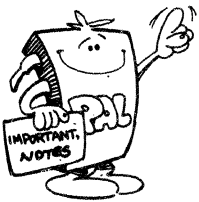
\* in development

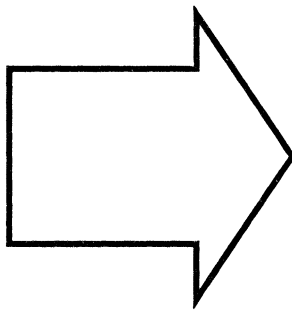
## Product Overview

### Development Software Support for PGAs

Part Number	Description
AmPGA151*	PGA Bundled Development System
AmPGA251*	PGA Bundled Development System with Simulation
AmPGA051	FPGA Design System
AmPGA351	FPGA Development System
AmPGA451	FPGA Development System with Simulation
AmPGA434	FPGA Design System with Mentor Interface and Libraries
AmPGA081	Programmer for Serial Configuration PROM

\*These will be replaced by AmPGA351 and AmPGA451.





Introduction	<b>1</b>
PAL Device Data Sheets	<b>2</b>
Sequencer Data Sheets	<b>3</b>
ECL/PGA Data Sheets	<b>4</b>
General Information	<b>5</b>
Design and Programming	<b>6</b>
Quality and Reliability	<b>7</b>
Appendices	<b>8</b>

# PAL Device Data Sheets



---

<b>PAL Device/Sequencer/FPGA Menu</b> .....	2-6
<b>16R8</b> PAL16R8 Family .....	2-10
PAL16R8-7 Series .....	2-24
PAL16L8-7 (-12 Mil)	
PAL16R8-7 (-12 Mil)	
PAL16R6-7 (-12 Mil)	
PAL16R4-7 (-12 Mil)	
PAL16R8D Series .....	2-30
PAL16L8D	
PAL16R8D	
PAL16R6D	
PAL16R4D	
PAL16R8H-15 Series .....	2-34
PAL16L8H-15	
PAL16R8H-15	
PAL16R6H-15	
PAL16R4H-15	
PAL16R8B Series .....	2-36
PAL16L8B	
PAL16R8B	
PAL16R6B	
PAL16R4B	
PAL16R8B-2 Series .....	2-40
PAL16L8B-2	
PAL16R8B-2	
PAL16R6B-2	
PAL16R4B-2	
PAL16R8A Series .....	2-44
PAL16L8A	
PAL16R8A	
PAL16R6A	
PAL16R4A	
PAL16R8B-4 Series .....	2-48
PAL16L8B-4	
PAL16R8B-4	
PAL16R6B-4	
PAL16R4B-4	
PAL16R8A-2 Series .....	2-52
PAL16L8A-2	
PAL16R8A-2	
PAL16R6A-2	
PAL16R4A-2	
<b>16RA8</b> PAL16RA8 .....	2-62
<b>16V8</b> PALCE16V8H-10/15/25, Q-15/25 (H-20/25 Mil) .....	2-75
PALCE16V8Z-20 .....	2-95

---

## Table of Contents

<b>18P8</b>	AmPAL18P8B/AL/A/L .....	2-97
<b>20R8</b>	PAL20R8 Family .....	2-107
	PAL20R8-7 Series .....	2-122
	PAL20L8-7 (-12 Mil)	
	PAL20R8-7 (-12 Mil)	
	PAL20R6-7 (-12 Mil)	
	PAL20R4-7 (-12 Mil)	
	PAL20R8-10 Series .....	2-128
	PAL20L8-10 (-15 Mil)	
	PAL20R8-10 (-15 Mil)	
	PAL20R6-10 (-15 Mil)	
	PAL20R4-10 (-15 Mil)	
	PAL20R8B Series .....	2-132
	PAL20L8B	
	PAL20R8B	
	PAL20R6B	
	PAL20R4B	
	PAL20R8B-2 Series .....	2-136
	PAL20L8B-2	
	PAL20R8B-2	
	PAL20R6B-2	
	PAL20R4B-2	
	PAL20R8A Series .....	2-138
	PAL20L8A	
	PAL20R8A	
	PAL20R6A	
	PAL20R4A	
	PAL20R8A-2 Series .....	2-142
	PAL20L8A-2	
	PAL20R8A-2	
	PAL20R6A-2	
	PAL20R4A-2	
<b>20RA10</b>	PAL20RA10/-20 .....	2-153
<b>20V8</b>	PALCE20V8H-15/25 (H-20/25 Mil) .....	2-169
<b>20X10/20L10</b>	PAL20X10A Series .....	2-188
	PAL20L10A	
	PAL20X10A	
	PAL20X8A	
	PAL20X4A	
	AmPAL20L10B/-20/AL .....	2-188
<b>22IP6</b>	PAL22IP6-25 .....	2-212
<b>22P10</b>	AmPAL22P10B/AL/A .....	2-227
<b>22V10</b>	PAL22V10-10/15 (-15/20 Mil) .....	2-237
	AmPAL22V10/A .....	2-237
	PALCE22V10H-15/25/Q-25 (H-25/30 Mil) .....	2-237
	PALCE22V10Z-25 .....	2-265
<b>23S8</b>	AmPAL23S8-20/25 .....	2-266

## Table of Contents

---

<b>24R10</b>	PAL24R10-10 Series .....	2-282
	PAL24L10-10	
	PAL24R10-10	
	PAL24R8-10	
	PAL24R4-10	
<b>24V10</b>	PALCE24V10H-15/25 .....	2-300
<b>26V12</b>	PALCE26V12H-20/25 .....	2-316
<b>29M16</b>	PALCE29M16H-25/35 .....	2-332
<b>29MA16</b>	PALCE29MA16H-25/35 .....	2-354
<b>32VX10</b>	PAL32VX10/A .....	2-376
<b>610</b>	PALCE610H-15/25 .....	2-391

# Alphanumeric Product Index



---

AmPAL18P8	2-97	PAL16L8	2-24
AmPAL20L10	2-188	PAL16RA8	2-24
AmPAL22P10	2-227	PAL16R4	2-24
AmPAL22V10	2-237	PAL16R6	2-24
AmPAL23S8	2-266	PAL16R8	2-24
Am1736	4-59	PAL20L10	2-188
Am1765	4-59	PAL20L8	2-107
Am2018	4-31	PAL20RA10	2-153
Am2064	4-31	PAL20R4	2-107
Am29CPL151	3-63	PAL20R6	2-107
Am29CPL154	3-98	PAL20R8	2-107
Am2971	3-133	PAL20X10	2-188
Am3020	4-43	PAL20X4	2-188
Am3030	4-43	PAL20X8	2-188
Am3042	4-43	PAL22IP6	2-212
Am3064	4-43	PAL22V10	2-237
Am3090	4-43	PAL24L10	2-282
PALCE16V8	2-75	PAL24R10	2-282
PALCE16V8Z	2-95	PAL24R4	2-282
PALCE20V8	2-169	PAL24R8	2-282
PALCE22V10	2-237	PAL32VX10	2-376
PALCE22V10Z	2-265	PLSCE105	3-3
PALCE24V10	2-300	PLSCE167	3-21
PALCE26V12	2-316	PLSCE168	3-21
PALCE29MA16	2-354	PLS105	3-3
PALCE29M16	2-332	PLS167	3-21
PALCE610	2-391	PLS168	3-21
PAL10H20EG8	4-3	PLS30S16	3-40
PAL10H20EV8	4-17		
PAL10020EG8	4-3		
PAL10020EV8	4-17		



# PAL<sup>®</sup> Device/ Sequencer/FPGA Menu



## Standard PAL Devices

Family	Part Number	Package	Technology	Inputs	I/O	Outputs	Product Terms/Output	t <sub>pd</sub> ns	f <sub>MAX</sub> MHz	I <sub>CC</sub> mA
16R8	PAL16L8-7 PAL16R8-7 PAL16R6-7 PAL16R4-7	20P,D,J	TTL	10 8 8 8	6 Comb - 2 Comb 4 Comb	2 Comb 8 Reg 6 Reg 4 Reg	7 8 7,8 7,8	7.5	74	180
	PAL16L8D PAL16R8D PAL16R6D PAL16R4D	20N,J,NL	TTL					10	58.8	180
	PAL16L8H-15 PAL16R8H-15 PAL16R6H-15 PAL16R4H-15	20P,D,J	TTL					15	37	100
	PAL16L8B PAL16R8B PAL16R6B PAL16R4B	20N,J,NL	TTL					15	37	180
	PAL16L8B-2 PAL16R8B-2 PAL16R6B-2 PAL16R4B-2	20N,J,NL	TTL					25	25	90
	PAL16L8A PAL16R8A PAL16R6A PAL16R4A	20N,J,NL	TTL					25	25	155 180 180 180
	PAL16L8B-4 PAL16R8B-4 PAL16R6B-4 PAL16R4B-4	20N,J,NL	TTL					35	16	55
	PAL16L8A-2 PAL16R8A-2 PAL16R6A-2 PAL16R4A-2	20N,J,NL	TTL					35	18	80 90 90 90
20R8	PAL20L8-7 PAL20R8-7 PAL20R6-7 PAL20R4-7	24P,D,28J	TTL	14 12 12 12	6 Comb - 2 Comb 4 Comb	2 Comb 8 Reg 6 Reg 4 Reg	7 8 7,8 7,8	7.5	74	210
	PAL20L8-10 PAL20R8-10 PAL20R6-10 PAL20R4-10	24P,D,28J	TTL					10	55.5	210
	PAL20L8B PAL20R8B PAL20R6B PAL20R4B	24NS,JS, 28NL	TTL					15	37	210
	PAL20L8B-2 PAL20R8B-2 PAL20R6B-2 PAL20R4B-2	24NS,JS, 28FN	TTL					25	25	105
	PAL20L8A PAL20R8A PAL20R6A PAL20R4A	24NS,JS, 28NL	TTL					25	25	210

**PAL® Device/Sequencer/FPGA Menu**

**Standard PAL Devices (Cont.)**

Family	Part Number	Package	Technology	Inputs	I/O	Outputs	Product Terms/Output	t <sub>PD</sub> ns	f <sub>MAX</sub> MHz	I <sub>CC</sub> mA
20R8 (Cont.)	PAL20L8A-2	24NS,JS, 28NL	TTL	14	6 Comb	2 Comb	7	35	16	105
	PAL20R8A-2			12	-	8 Reg	8			
	PAL20R6A-2			12	2 Comb	6 Reg	7,8			
	PAL20R4A-2			12	4 Comb	4 Reg	7,8			
24R10	PAL24L10-10	28P	TTL	16	8 Comb	2 Comb	7	10	55.5	210
	PAL24R10-10			14	-	10 Reg	8			
	PAL24R8-10			14	2 Comb	6 Reg	7,8			
	PAL24R4-10			14	6 Comb	4 Reg	7,8			
20X10/ 20L10	PAL20L10A	24NS,JS, 28NL	TTL	10	10 Comb	-	3	30	22.2	165
	PAL20X10A			10	-	10 RegXOR	4			
	PAL20X8A			10	2 Comb	8 RegXOR	3,4			
	PAL20X4A			10	6 Comb	4RegXOR	3,4			
	AmPAL20L10B AmPAL20L10-20 AmPAL20L10AL	24P,D,28J			15 20 25	-	210 165 105			

**Universal PAL Devices**

Family	Part Number	Package	Technology	Inputs	I/O	Product Terms/Output	Features	t <sub>PD</sub> ns	f <sub>MAX</sub> MHz	I <sub>CC</sub> mA														
29M16	PALCE29M16H-25 PALCE29M16H-35	24P,D,28J	EE CMOS	5	16 Macro	8-16	Advanced I/O Macrocell	25 35	33.3 25	100														
610	PALCE610H-15 PALCE610H-25	24P,28J	EE CMOS	4	16 Macro	8	J-K Async.	15 25	45 28.6	90														
26V12	PALCE26V12H-20 PALCE26V12H-25	28P,J	EE CMOS	14	12 Macro	8-16	28 pin 22V10	20 25	40 33.3	105														
22V10	PAL22V10-10 PAL22V10-15 AmPAL22V10A AmPAL22V10	24P,D,28J	TTL	12	10 Macro	8-16	Varied Term Distribution	10 15 25 35	71 50 28.5 18	180														
	PALCE22V10H-15 PALCE22V10Q-25 PALCE22V10H-25 PALCE22V10Z-25		EE CMOS					15 25 25 25	50 33.3 33.3 33.3															
	24V10		PALCE24V10H-15 PALCE24V10H-25					28P,J	EE CMOS		14	10 Macro	8	GAL* type	15 25	45.5 37	90							
	20V8		PALCE20V8H-15 PALCE20V8H-25					24P,28J	EE CMOS		12	8 Macro	8	GAL device equivalent	15 25	45.5 37	90							
	16V8		PALCE16V8H-10 PALCE16V8Q-15 PALCE16V8H-15 PALCE16V8Q-25 PALCE16V8H-25 PALCE16V8Z-20					20P,J	EE CMOS		8	8 Macro	8	GAL device equivalent	10 15 15 25 25 20	55.5 45.5 45.5 37 37 40	90 55 90 55 90 0.1							
18P8		AmPAL18P8B AmPAL18P8AL AmPAL18P8A AmPAL18P8L	20P,D,J	TTL	10	8 Comb	8			Polarity					15 25 25 35	-	180 90 180 90							
		22P10													AmPAL22P10B AmPAL22P10AL AmPAL22P10A	24P,D,28J	TTL	12	10 Comb	8	Polarity	15 25 25	-	180 90 180

**2**

**PAL® Device/Sequencer/FPGA Menu**

**Asynchronous PAL Devices**

Family	Part Number	Package	Technology	Inputs	Macro-Cells	Product Terms/Output	Clock	Other Features	t <sub>PD</sub> ns	f <sub>MAX</sub> MHz	I <sub>CC</sub> mA
29MA16	PALCE29MA16H-25	24P,D,28J	EE CMOS	5	16	4-12	Program-mable	Advanced I/O Macrocell	25	33.3	100
	35								25		
20RA10	PAL20RA10-20	24NS,JS,28FN	TTL	10	10	4	Program-mable		20	30	200
	30/35*								20		
16RA8	PAL16RA8	20N,J,NL	TTL	8	8	4	Program-mable		30/35*	20	170
IPAC™	PAL22IP6-25	24P,D,28J	TTL	16	6	9	Edge-Activated Flip-Flops	48-64 mA I <sub>OL</sub>	25	—	210

\* Active HIGH

**Sequencer PAL Devices**

Family	Part Number	Package	Technology	Inputs	I/O	Outputs	Product Terms/Output	Features	t <sub>PD</sub> ns	f <sub>MAX</sub> MHz	I <sub>CC</sub> mA
23S8	AmPAL23S8-20	20P,D	TTL	9	4 Macro	4 Reg	6-12	6 Buried Flip-Flops	20	33.3	210
	25								25		
32VX10	PAL32VX10A	24JS	TTL	12	10 Macro	—	8-16	Buried Flip-Flops, J-K Flip-Flops	25	25	180
	30								22.2		

**Programmable Logic Sequencers**

Family	Part Number	Package	Technology	Inputs	Outputs	Output or Buried Register	Buried Registers	Product Terms	Features	f <sub>MAX</sub> MHz	I <sub>CC</sub> mA
PLS	PLS30S16-40	28P,J	TTL	12-17	8-12Macro	—	4-12	64	PLA structure, complement array	40	225
		28R,P,D,J	TTL	16	8 Reg	—	6	48		40	200
	PLSCE105H-37	28R,P,D,J	EE CMOS	16	8 Reg	—	6	48	37	100	
											14
	PLS167-33	24NS,JS,28FN	TTL	14	4 Reg	2	6	48	33	100	
	PLSCE167H-33	24P,J	EE CMOS	14	4 Reg	2	6	48	33	100	
	PLS168-33	24NS,JS,28FN	TTL	12	4 Reg	4	6	48	33	160	
	PLSCE168H-33	24P,J	EE CMOS	12	4 Reg	4	6	48	33	100	

**Memory/Instruction-Based Sequencers**

Family	Part Number	Package	Technology	Inputs	Outputs	Array Size	Features	f <sub>MAX</sub> MHz	I <sub>CC</sub> mA
Field-Programmable Controllers	Am29CPL151H-33 Am29CPL161H-25 Am29CPL154H-30 Am29CPL154H-25	28P,D,J	UV CMOS	8	16 Reg	64 x 32	Instruction-based with Counter and Stack	33	115
								25	115
				7	16 Reg	512 x 36		30	125
								25	125
PEG™	Am2971A	24D,44L	TTL	3	12 Reg	32 x 18	Frequency-multiplying phase-locked loop	100	425

**ECL PAL Devices**

Family	Part Number	Package	Technology	Inputs	I/O	Product Terms/Output	Features	t <sub>PD</sub> ns	f <sub>MAX</sub> MHz	I <sub>EE</sub> mA
ECL	PAL10H20EV8-6 PAL10020EV8-6 PAL10H20EG8-6 PAL10020EG8-6	24P,D,28J	ECL 10KH ECL 100K ECL 10KH ECL 100K	12	8 Macro (Reg) 8 Macro (Latched)	8-12	Prog. Polarity	6	125	260
								6	125	285
								6	—	260
								6	—	285

**PAL<sup>®</sup> Device/Sequencer/FPGA Menu**

**Field-Programmable Gate Arrays**

Family	Part Number	Package	Technology	I/O Blocks	Configurable Logic Blocks	Flip-Flops	Equivalent Gates	f <sub>MAX</sub> MHz	I <sub>CC</sub> mA					
Logic Cell™ Array 2000 Series	Am2018-100	44J,68J,G	CMOS RAM	74	100	174	1800	100	5					
	Am2018-70	84J,G						70						
	Am2018-50							50						
Logic Cell Array 3000 Series	Am2064-100	28J,48P,68J,G	CMOS RAM	58	64	122	1200	100	5					
	Am2064-70							70						
	Am2064-50							50						
Logic Cell Array 3000 Series	Am3020-100	68J,G,84J,G	CMOS RAM	64	64	256	2000	100	1					
	Am3020-70							70						
	Am3020-50							50						
	Am3030-100	84J,G						80		100	360	3000	100	1.3
	Am3030-70							70						
Am3030-50		50												
Logic Cell Array 3000 Series	Am3042-100	84J,G,132G	CMOS RAM	96	144	480	4200	100	1.65					
	Am3042-70							70						
	Am3042-50							50						
Logic Cell Array 3000 Series	Am3064-100	132G	CMOS RAM	120	224	688	6400	100	2.15					
	Am3064-70							70						
	Am3064-50							50						
Logic Cell Array 3000 Series	Am3090-100	175G	CMOS RAM	144	320	928	9000	100	3					
	Am3090-70							70						
	Am3090-50							50						

**2**

**Package Designators**

MMI Devices	AMD Devices	Package	MMI Devices	AMD Devices	Package
N	P	Plastic DIP	-	J	Windowed SKINNYDIP
NS	P	Plastic SKINNYDIP*	NL	J	PLCC-20-pin
-	R	Plastic SKINNYDIP Option	NL	-	PLCC-28-pin non-JEDEC
J	D	Ceramic DIP	FN	J	PLCC-28-pin JEDEC
JS	D	Ceramic SKINNYDIP	-	L	Leadless Chip Carrier
			-	G	Pin Grid Array

\*"MMI" devices are those produced by Monolithic Memories, Inc. before the companies merged.



# PAL16R8 Family

Advanced  
Micro  
Devices

## 20-pin TTL Programmable Array Logic

### DISTINCTIVE CHARACTERISTICS

- As fast as 7.5 ns maximum propagation delay
- Popular 20-pin architectures: 16L8, 16R8, 16R6, 16R4
- Programmable replacement for high-speed TTL logic
- Power-up reset for initialization on most devices
- Easy design with PALASM<sup>®</sup> software
- Programmable on standard PAL<sup>®</sup> device programmers
- 20-pin DIP and PLCC packages save space

### GENERAL DESCRIPTION

The PAL16R8 Family (PAL16L8, PAL16R8, PAL16R6, PAL16R4) is AMD's standard 20-pin PAL device family. The devices provide user-programmable logic for replacing conventional SSI/MSI gates and flip-flops at a reduced chip count.

The family allows the systems engineer to implement the design on-chip, by opening fuse links to configure AND and OR gates within the device, according to the desired logic function. Complex interconnections between gates, which previously required time-consuming layout, are lifted from the PC board and placed on silicon, where they can be easily modified during prototyping or production.

The PAL device implements the familiar Boolean logic transfer function, the sum of products. The PAL device is a programmable AND array driving a fixed OR array. The AND array is programmed to create custom product terms, while the OR array sums selected terms at the outputs.

In addition, the PAL device provides the following options:

- Variable input/output pin ratio
- Programmable three-state outputs
- Registers with feedback

Product terms with all connections opened assume the logical HIGH state; product terms connected to both true and complement of any single input assume the logical LOW state. Registers consist of D-type flip-flops that are loaded on the LOW-to-HIGH transition of the clock. Unused input pins should be tied to V<sub>CC</sub> or GND.

The entire PAL device family is supported by the PALASM software package. The PAL family is programmed on conventional PAL device programmers with appropriate personality and socket adapter modules. See the Programmer Reference Guide for approved programmers. Once the PAL device is programmed and verified an additional connection may be opened to prevent pattern readout. This feature secures proprietary circuits.

### PRODUCT SELECTOR GUIDE

DEVICE	DEDICATED INPUTS	OUTPUTS	PRODUCT TERMS/ OUTPUT	FEEDBACK	ENABLE
PAL16L8	10	6 comb. 2 comb.	7 7	I/O -	prog. prog.
PAL16R8	8	8 reg.	8	reg.	pin
PAL16R6	8	6 reg. 2 comb.	8 7	reg. I/O	pin prog.
PAL16R4	8	4 reg. 4 comb.	8 7	reg. I/O	pin prog.

---

## PERFORMANCE OPTIONS

(Commercial)				
Speed ( $t_{PD}$ , ns)	35	B-4	A-2	
	25		B-2	A
	15		H-15	B
	10			D
	7.5			-7
		55	80-100	155-180
Power ( $I_{CC}$ , mA)				

### Note:

For low power and high speed, the EE CMOS PALCE16V8 can directly replace the PAL16R8 Family.

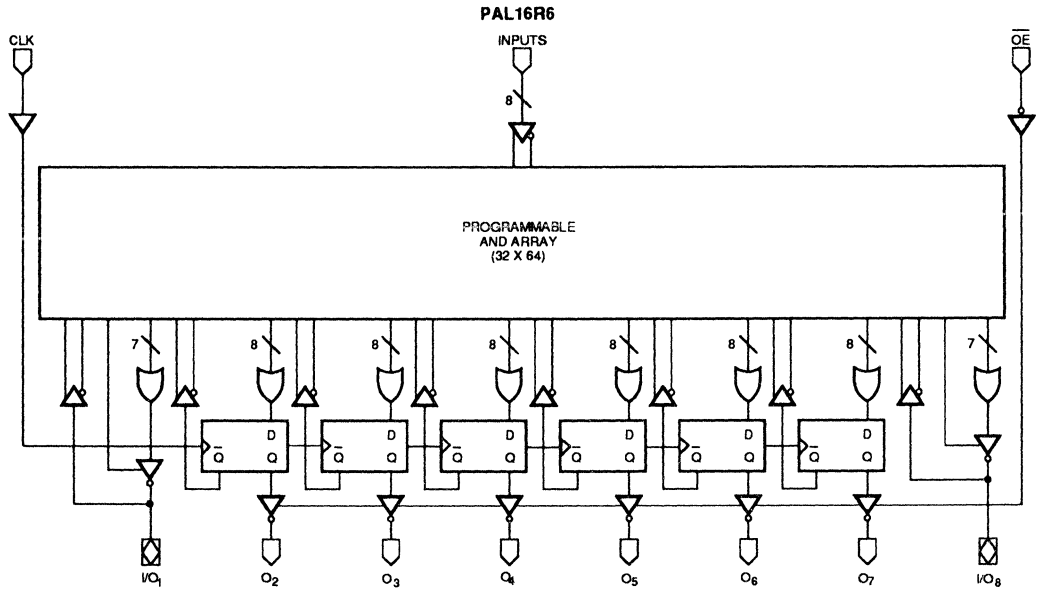
---

## OPERATING RANGES

Commercial	Military
-7	-12
D (10 ns)	D (15 ns)
H-15	
B (15 ns)	B (20 ns)
B-2 (25 ns)	B-2 (30 ns)
A (25 ns)	A (30 ns)
B-4 (35 ns)	B-4 (50 ns)
A-2 (35 ns)	A-2 (50 ns)

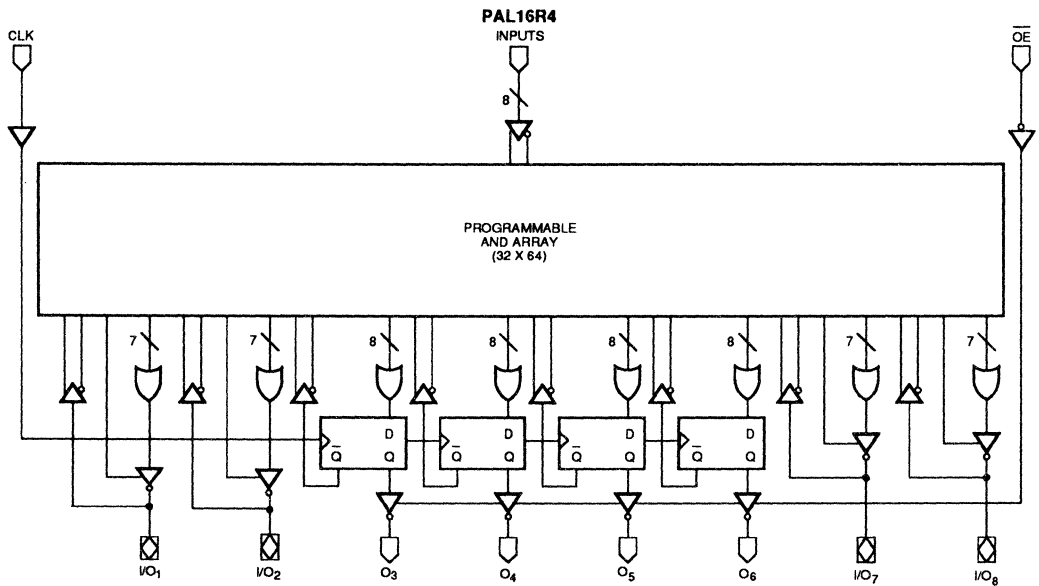


**BLOCK DIAGRAMS**



12468-002A

**2**



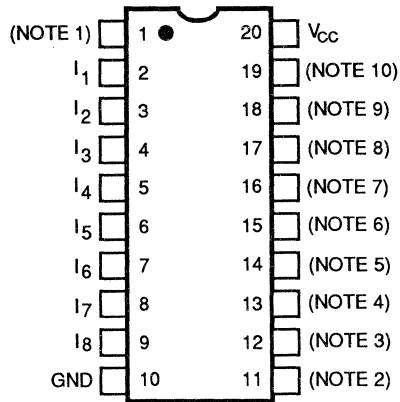
12468-003A



## CONNECTION DIAGRAMS

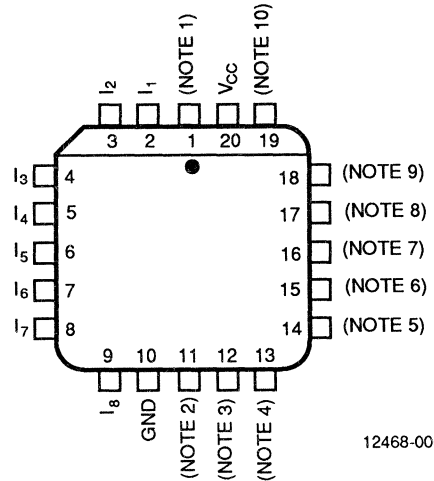
### Top View

#### DIP/FLATPACK



12468-005A

#### PLCC/LCC



12468-006A

Note	16L8	16R8	16R6	16R4
1	I <sub>0</sub>	CLK	CLK	CLK
2	I <sub>9</sub>	$\overline{OE}$	$\overline{OE}$	$\overline{OE}$
3	O <sub>1</sub>	O <sub>1</sub>	I/O <sub>1</sub>	I/O <sub>1</sub>
4	I/O <sub>2</sub>	O <sub>2</sub>	O <sub>2</sub>	I/O <sub>2</sub>
5	I/O <sub>3</sub>	O <sub>3</sub>	O <sub>3</sub>	O <sub>3</sub>
6	I/O <sub>4</sub>	O <sub>4</sub>	O <sub>4</sub>	O <sub>4</sub>
7	I/O <sub>5</sub>	O <sub>5</sub>	O <sub>5</sub>	O <sub>5</sub>
8	I/O <sub>6</sub>	O <sub>6</sub>	O <sub>6</sub>	O <sub>6</sub>
9	I/O <sub>7</sub>	O <sub>7</sub>	O <sub>7</sub>	I/O <sub>7</sub>
10	O <sub>8</sub>	O <sub>8</sub>	I/O <sub>8</sub>	I/O <sub>8</sub>

#### PIN DESIGNATIONS

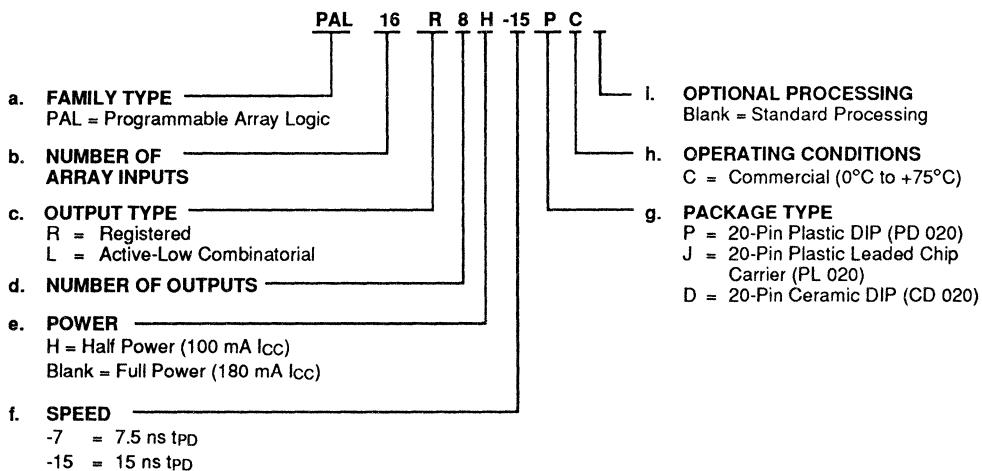
CLK Clock  
 GND Ground  
 I Input  
 I/O Input/Output  
 O Output  
 $\overline{OE}$  Output Enable  
 V<sub>CC</sub> Supply Voltage

## ORDERING INFORMATION

### Commercial Products (AMD Marking Only)

AMD programmable logic products for commercial applications are available with several ordering options. The order number (Valid Combination) is formed by a combination of:

- a. Family Type
- b. Number of Array Inputs
- c. Output Type
- d. Number of Outputs
- e. Power
- f. Speed
- g. Package Type
- h. Operating Conditions
- i. Optional Processing



**2**

Valid Combinations		
PAL16L8	-7, H-15	PC, JC, DC
PAL16R8		
PAL16R6		
PAL16R4		

#### Valid Combinations

The Valid Combinations table lists configurations planned to be supported in volume for this device. Consult the local AMD sales office to confirm availability of specific valid combinations, and to check on newly released combinations.

Note: Marked with AMD logo.

## ORDERING INFORMATION

### Commercial Products (MMI Marking Only)

AMD programmable logic products for commercial applications are available with several ordering options. The order number (Valid Combination) is formed by a combination of:

- |   |                            |   |
|---|----------------------------|---|
| <p><b>a. FAMILY TYPE</b><br/>PAL = Programmable Array Logic</p> <p><b>b. NUMBER OF ARRAY INPUTS</b></p> <p><b>c. OUTPUT TYPE</b><br/>R = Registered<br/>L = Active-Low Combinatorial</p> <p><b>d. NUMBER OF OUTPUTS</b></p> <p><b>e. SPEED</b><br/>D = Ultra High Speed (10 ns t<sub>PD</sub>)<br/>B = Very High Speed (15–35 ns t<sub>PD</sub>)<br/>A = High Speed (25–35 ns t<sub>PD</sub>)</p> <p><b>f. POWER</b><br/>Blank = Full Power (155–180 mA I<sub>CC</sub>)<br/>-2 = Half Power (80–90 mA I<sub>CC</sub>)<br/>-4 = Quarter Power (55 mA I<sub>CC</sub>)</p> | <p>PAL 16 R 8 B -2 C N</p> | <p><b>i. OPTIONAL PROCESSING</b><br/>Blank = Standard Processing</p> <p><b>h. PACKAGE TYPE</b><br/>N = 20-Pin Plastic DIP (PD 020)<br/>NL = 20-Pin Plastic Leaded Chip Carrier (PL 020)<br/>J = 20-Pin Ceramic DIP (CD 020)</p> <p><b>g. OPERATING CONDITIONS</b><br/>C = Commercial (0°C to +75°C)</p> |
|---|----------------------------|---|

Valid Combinations		
PAL16L8	D, B	CN, CNL, CJ
PAL16R8	B-2, A	
PAL16R6	B-4, A-2	
PAL16R4		

#### Valid Combinations

The Valid Combinations table lists configurations planned to be supported in volume for this device. Consult the local AMD sales office to confirm availability of specific valid combinations, and to check on newly released combinations.

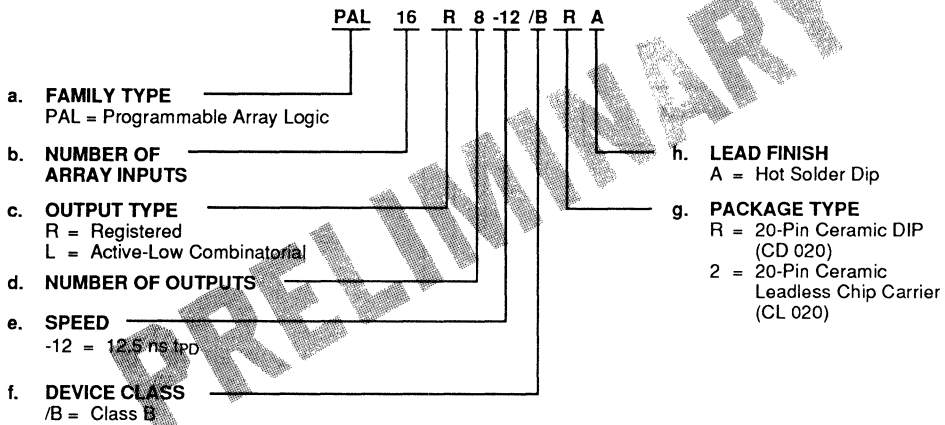
Note: Marked with MMI logo.

## ORDERING INFORMATION

### APL Products (AMD Marking Only)

AMD programmable logic products for Aerospace and Defense applications are available with several ordering options. APL (Approved Products List) products are fully compliant with MIL-STD-883 requirements. The order number (Valid Combination) is formed by a combination of:

- a. Family Type
- b. Number of Array Inputs
- c. Output Type
- d. Number of Outputs
- e. Speed
- f. Device Class
- g. Package Type
- h. Lead Finish



Valid Combinations		
PAL16L8	-12	/BRA, /B2A
PAL16R8		
PAL16R6		
PAL16R4		

#### Valid Combinations

The Valid Combinations table lists configurations planned to be supported in volume for this device. Consult the local AMD sales office to confirm availability of specific valid combinations, to check on newly released combinations, and to obtain additional data on AMD's standard military grade products.

Note: Marked with AMD logo.

#### Group A Tests

Group A Tests consist of Subgroups: 1, 2, 3, 7, 8, 9, 10, 11.

#### Military Burn-In

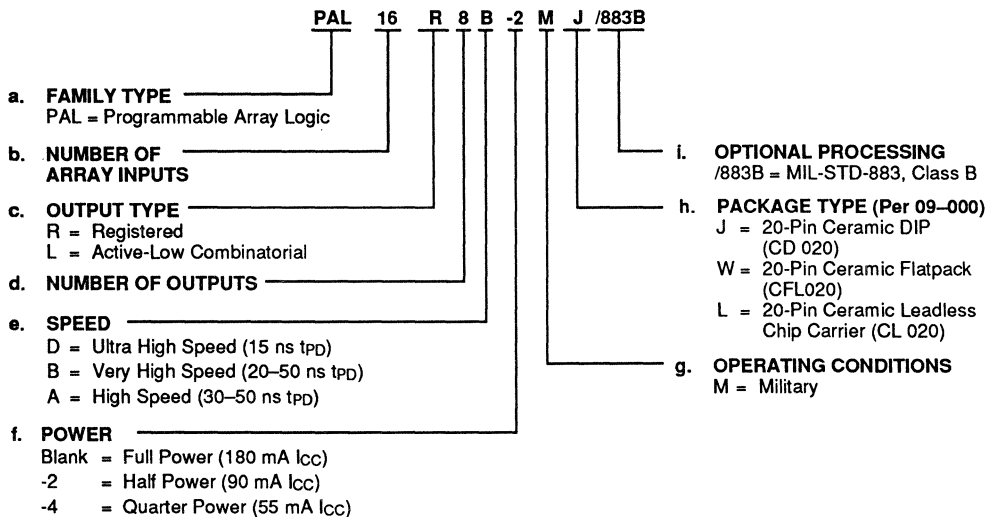
Military burn-in is in accordance with the current revision of MIL-STD-883, Test Methods 1015, Conditions A through E. Test conditions are selected at AMD's option.

## ORDERING INFORMATION

### APL Products (MMI Marking Only)

AMD programmable logic products for Aerospace and Defense applications are available with several ordering options. APL (Approved Products List) products are fully compliant with MIL-STD-883 requirements. The order number (Valid Combination) is formed by a combination of:

- a. Family Type
- b. Number of Array Inputs
- c. Output Type
- d. Number of Outputs
- e. Speed
- f. Power
- g. Operating Conditions
- h. Package Type
- i. Optional Processing



Valid Combinations		
PAL16L8	D, B,	MJ/883B,
PAL16R8	B-2, A,	MW/883B,
PAL16R6	B-4, A-2	ML/883B
PAL16R4		

#### Valid Combinations

The Valid Combinations table lists configurations planned to be supported in volume for this device. Consult the local AMD sales office to confirm availability of specific valid combinations, to check on newly released combinations, and to obtain additional information on AMD's Standard Military grade products.

Note: Marked with MMI logo.

#### Group A Tests

Group A Tests consist of Subgroups: 1, 2, 3, 7, 8, 9, 10, 11.

#### Military Burn-In

Military burn-in is in accordance with the current revision of MIL-STD-883, Test Methods 1015, Conditions A through E. Test conditions are selected at AMD's option.

---

## FUNCTIONAL DESCRIPTION

### Standard 20-pin PAL Family

The standard bipolar 20-pin PAL family devices have common electrical characteristics and programming procedures. Four different devices are available, including both registered and combinatorial devices. All parts are produced with a fuse link at each input to the AND gate array, and connections may be selectively removed by applying appropriate voltages to the circuit. Utilizing an easily-implemented programming algorithm, these products can be rapidly programmed to any customized pattern. Information on approved programmers can be found in the Programmer Reference Guide. Extra test words are pre-programmed during manufacturing to ensure extremely high field programming yields, and provide extra test paths to achieve excellent parametric correlation.

### Variable Input/Output Pin Ratio

The registered devices have eight dedicated input lines, and each combinatorial output is an I/O pin. The PAL16L8 has ten dedicated input lines and six of the eight combinatorial outputs are I/O pins. Buffers for device inputs have complementary outputs to provide user-programmable input signal polarity. Unused input pins should be tied to  $V_{CC}$  or GND.

### Programmable Three-State Outputs

Each output has a three-state output buffer with three-state control. On combinatorial outputs, a product term controls the buffer, allowing enable and disable to be a function of any product of device inputs or output feedback. The combinatorial output provides a bidirectional I/O pin and may be configured as a dedicated input if the output buffer is always disabled. On registered outputs, an input pin controls the enabling of the three-state outputs.

### Registers with Feedback

Registered outputs are provided for data storage and synchronization. Registers are composed of D-type flip-flops that are loaded on the LOW-to-HIGH transition of the clock input.

### Power-Up Reset

**Applies to -7 (-12 Mil), H-15, B, B-2, A, A-2 Series Only**

All flip-flops power-up to a logic LOW for predictable system initialization. Outputs of the listed Series will be

HIGH due to the active-low outputs. The  $V_{CC}$  rise must be monotonic and the reset delay time is 1000 ns maximum.

### Register Preload

**Applies to -7 (-12 Mil), H-15 Series Only**

The register on the listed Series can be preloaded from the output pins to facilitate functional testing of complex state machine designs. This feature allows direct loading of arbitrary states, making it unnecessary to cycle through long test vector sequences to reach a desired state. In addition, transitions from illegal states can be verified by loading illegal states and observing proper recovery.

### Security Fuse

After programming and verification, a PAL16R8 Family design can be secured by programming the security fuse. Once programmed, this fuse defeats readback of the internal programmed pattern by a device programmer, securing proprietary designs from competitors. When the security fuse is programmed, the array will read as if every fuse is intact. Exceptions are the -7 (-12 Mil) Series, where the array will read as if every fuse is programmed.

### Quality and Testability

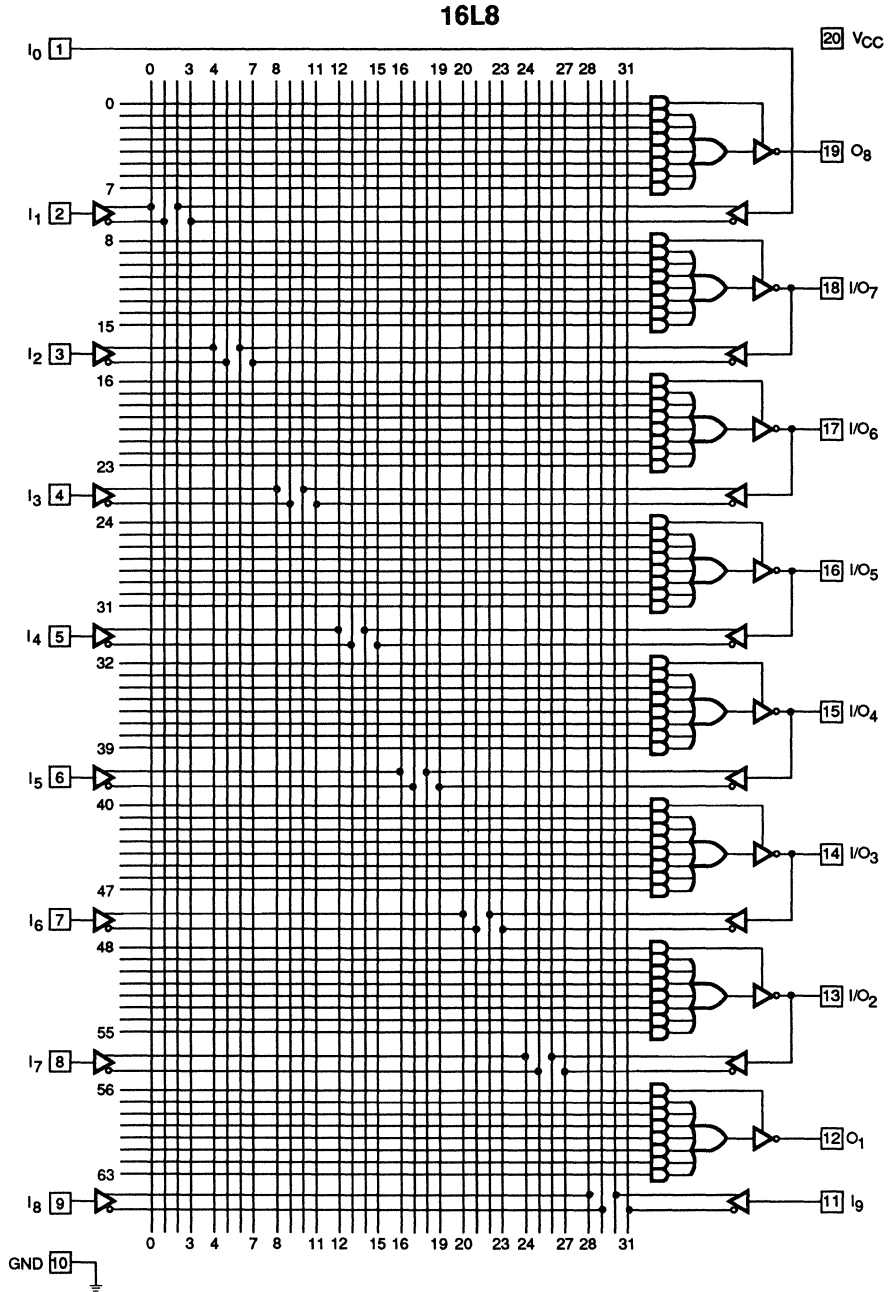
The PAL16R8 Family offers a very high level of built-in quality. Extra programmable fuses provide a means of verifying performance of all AC and DC parameters. In addition, this verifies complete programmability and functionality of the device to provide the highest programming yields and post-programming functional yields in the industry.

### Technology

The high-speed -7 (-12 Mil), D, and H-15 Series are fabricated with AMD's advanced oxide-isolated bipolar process. This process reduces parasitic capacitances and minimum geometries to provide higher performance. The array connections are formed with proven PtSi fuses for the -7 Series and TiW fuses for the D and H-15 Series. The remaining Series are fabricated with AMD's junction-isolated process, utilizing TiW fuses.

2

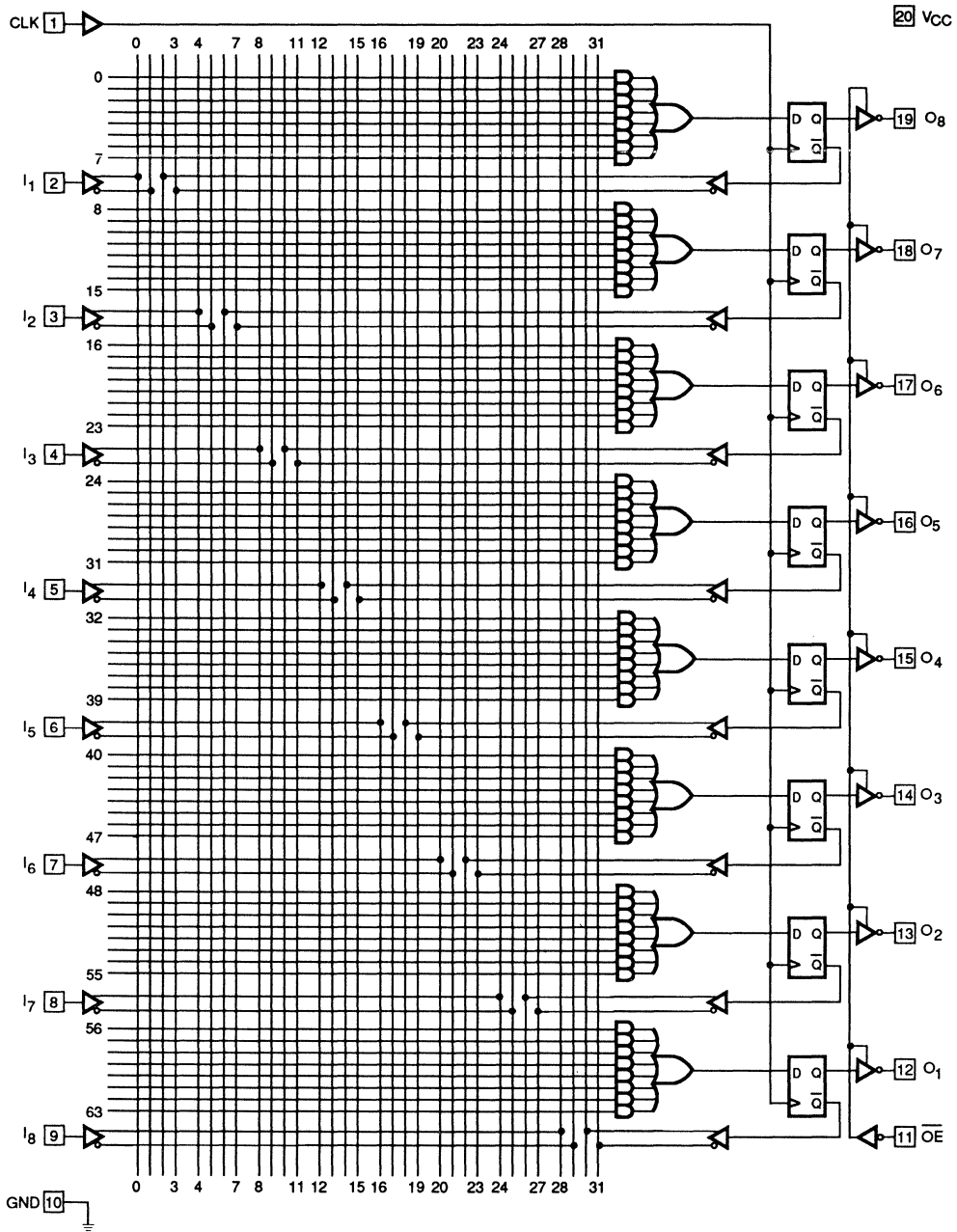
# LOGIC DIAGRAM



12468-012A

LOGIC DIAGRAM

16R8

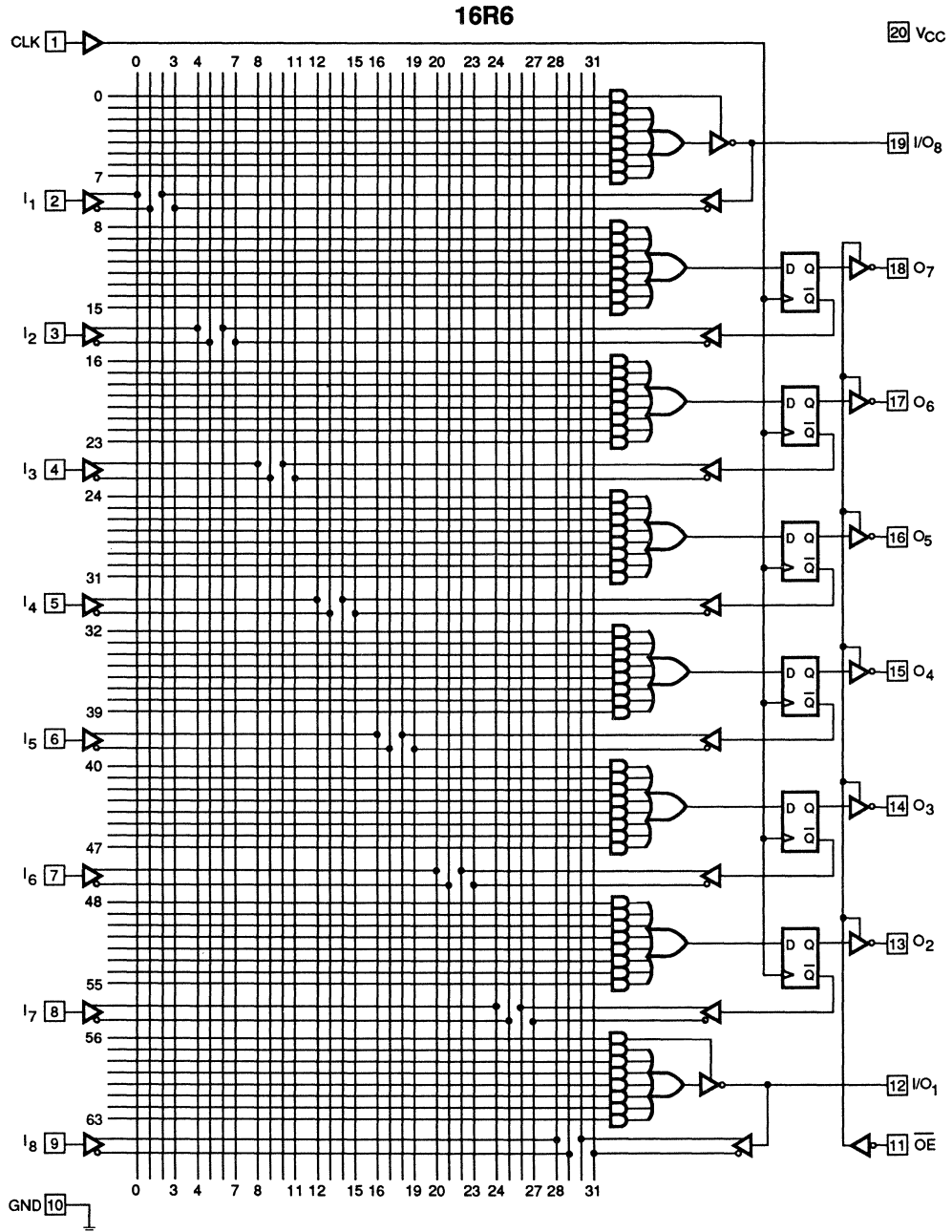


2

12468-013A



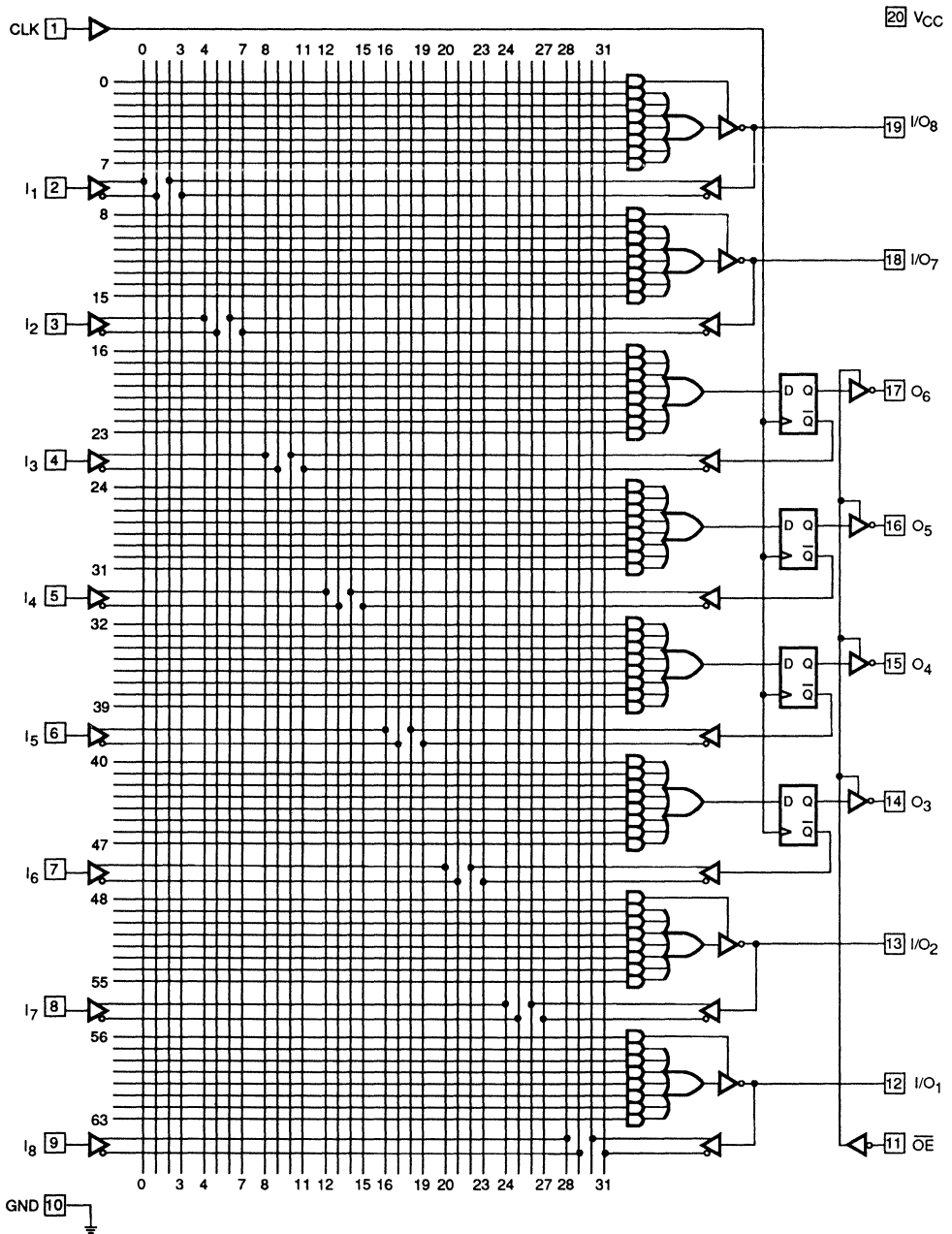
# LOGIC DIAGRAM



12468-014A

LOGIC DIAGRAM

16R4



2

12468-015A

**ABSOLUTE MAXIMUM RATINGS**

Storage Temperature	-65°C to +150°C
Ambient Temperature with Power Applied	-55°C to +125°C
Supply Voltage with Respect to Ground	-0.5 V to +7.0 V
DC Input Voltage	-1.2 V to +7.0 V
DC Input Current	-30 mA to +5 mA
DC Output or I/O Pin Voltage	-0.5 V to $V_{CC} + 0.5$ V
Static Discharge Voltage	2001 V

**OPERATING RANGES****Commercial (C) Devices**

Ambient Temperature ( $T_A$ )	
Operating in Free Air	0°C to +75°C
Supply Voltage ( $V_{CC}$ ) with Respect to Ground	+4.75 V to +5.25 V

*Operating ranges define those limits between which the functionality of the device is guaranteed.*

*Stresses above those listed under Absolute Maximum Ratings may cause permanent device failure. Functionality at or above these limits is not implied. Exposure to Absolute Maximum Ratings for extended periods may affect device reliability. Programming conditions may differ.*

**DC CHARACTERISTICS over COMMERCIAL operating ranges unless otherwise specified**

Parameter Symbol	Parameter Description	Test Conditions	Min.	Max.	Unit
$V_{OH}$	Output HIGH Voltage	$I_{OH} = -3.2$ mA $V_{IN} = V_{IH}$ or $V_{IL}$ $V_{CC} = \text{Min.}$	2.4		V
$V_{OL}$	Output LOW Voltage	$I_{OL} = 24$ mA $V_{IN} = V_{IH}$ or $V_{IL}$ $V_{CC} = \text{Min.}$		0.5	V
$V_{IH}$	Input HIGH Voltage	Guaranteed Input Logical HIGH Voltage for all Inputs (Note 1)	2.0		V
$V_{IL}$	Input LOW Voltage	Guaranteed Input Logical LOW Voltage for all Inputs (Note 1)		0.8	V
$V_I$	Input Clamp Voltage	$I_{IN} = -18$ mA, $V_{CC} = \text{Min.}$		-1.2	V
$I_{IH}$	Input HIGH Current	$V_{IN} = 2.7$ V, $V_{CC} = \text{Max.}$ (Note 2)		25	$\mu$ A
$I_{IL}$	Input LOW Current	$V_{IN} = 0.4$ V, $V_{CC} = \text{Max.}$ (Note 2)		-250	$\mu$ A
$I_I$	Maximum Input Current	$V_{IN} = 5.5$ V, $V_{CC} = \text{Max.}$		1	mA
$I_{OZH}$	Off-State Output Leakage Current HIGH	$V_{OUT} = 2.7$ V, $V_{CC} = \text{Max.}$ $V_{IN} = V_{IH}$ or $V_{IL}$ (Note 2)		100	$\mu$ A
$I_{OZL}$	Off-State Output Leakage Current LOW	$V_{OUT} = 0.4$ V, $V_{CC} = \text{Max.}$ $V_{IN} = V_{IH}$ or $V_{IL}$ (Note 2)		-100	$\mu$ A
$I_{SC}$	Output Short-Circuit Current	$V_{OUT} = 0.5$ V, $V_{CC} = \text{Max.}$ (Note 3)	-30	-130	mA
$I_{CC}$	Supply Current	$V_{IN} = 0$ V, Outputs Open ( $I_{OUT} = 0$ mA) $V_{CC} = \text{Max.}$		180	mA

**Notes:**

1. These are absolute values with respect to device ground and all overshoots due to system and/or tester noise are included.
2. I/O pin leakage is the worst case of  $I_{IL}$  and  $I_{OZL}$  (or  $I_{IH}$  and  $I_{OZH}$ ).
3. Not more than one output should be tested at a time. Duration of the short-circuit should not exceed one second.  $V_{OUT} = 0.5$  V has been chosen to avoid test problems caused by tester ground degradation.

## CAPACITANCE (Note 1)

Parameter Symbol	Parameter Description	Test Conditions		Typ.	Unit
$C_{IN}$	Input Capacitance	$V_{IN} = 2.0\text{ V}$	$V_{CC} = 5.0\text{ V}$ $T_A = 25^\circ\text{C}$ $f = 1\text{ MHz}$	5	pF
$C_{OUT}$	Output Capacitance	$V_{OUT} = 2.0\text{ V}$			

### Note:

1. These parameters are not 100% tested, but are evaluated at initial characterization and at any time the design is modified where capacitance may be affected.

## SWITCHING CHARACTERISTICS over COMMERCIAL operating ranges (Note 2)

Parameter Symbol	Parameter Description		Min. (Note 3)	Max.	Unit		
$t_{PD}$	Input or Feedback to Combinatorial Output		16L8, 16R6 16R4	3	7.5	ns	
		1 Output Switching		3	7		
$t_S$	Setup Time from Input or Feedback to Clock		16R8, 16R6 16R4	7		ns	
$t_H$	Hold Time			0		ns	
$t_{CO}$	Clock to Output			3	6.5	ns	
$t_{CF}$	Clock to Feedback (Note 4)				3	ns	
$t_{SKEW}$	Skew Between Registered Outputs (Note 5)				1	ns	
$t_{WL}$	Clock Width	LOW		5		ns	
		HIGH		5		ns	
$f_{MAX}$	Maximum Frequency (Note 6)	External Feedback		$1/(t_S + t_{CO})$	74		MHz
		Internal Feedback		$1/(t_S + t_{CF})$	100		MHz
		No Feedback		$1/(t_{WH} + t_{WL})$	100		MHz
$t_{PZX}$	$\overline{OE}$ to Output Enable		3	8	ns		
$t_{PXZ}$	$\overline{OE}$ to Output Disable		3	8	ns		
$t_{EA}$	Input to Output Enable Using Product Term Control		16L8, 16R6	3	10	ns	
$t_{ER}$	Input to Output Disable Using Product Term Control		16R4	3	10	ns	

### Notes:

2. See Switching Test Circuit for test conditions.
3. Output delay minimums are measured under best-case conditions.
4. Calculated from measured  $f_{MAX}$  internal.
5. Skew is measured with all outputs switching in the same direction.
6. These parameters are not 100% tested, but are calculated at initial characterization and at any time the design is modified where the frequency may be affected.

## ABSOLUTE MAXIMUM RATINGS

Storage Temperature	-65°C to +150°C
Ambient Temperature with Power Applied	-55°C to +125°C
Supply Voltage with Respect to Ground	-0.5 V to +7.0 V
DC Input Voltage	-0.5 V to +5.5 V
DC Input Current	-30 mA to +5 mA
DC Output or I/O Pin Voltage	-0.5 V to $V_{CC} + 0.5$ V

Stresses above those listed under Absolute Maximum Ratings may cause permanent device failure. Functionality at or above these limits is not implied. Exposure to Absolute Maximum Ratings for extended periods may affect device reliability. Programming conditions may differ. Absolute Maximum Ratings are for system design reference; parameters given are not tested.

## OPERATING RANGES

### Military (M) Devices (Note 1)

Ambient Temperature ( $T_A$ )	
Operating in Free Air	-55°C Min.
Operating Case ( $T_C$ ) Temperature	125°C Max.
Supply Voltage ( $V_{CC}$ ) with Respect to Ground	+4.50 V to +5.50 V

Operating ranges define those limits between which the functionality of the device is guaranteed.

### Note:

- Military products are tested at  $T_C = +25^\circ\text{C}$ ,  $+125^\circ\text{C}$ , and  $-55^\circ\text{C}$ , per MIL-STD-883.

## DC CHARACTERISTICS over MILITARY operating ranges unless otherwise specified (Note 2)

Parameter Symbol	Parameter Description	Test Conditions	Min.	Max.	Unit
$V_{OH}$	Output HIGH Voltage	$I_{OH} = -2$ mA $V_{IN} = V_{IH}$ or $V_{IL}$ $V_{CC} = \text{Min.}$	2.4		V
$V_{OL}$	Output LOW Voltage	$I_{OL} = 12$ mA $V_{IN} = V_{IH}$ or $V_{IL}$ $V_{CC} = \text{Min.}$		0.5	V
$V_{IH}$	Input HIGH Voltage	Guaranteed Input Logical HIGH Voltage for all Inputs (Note 3)	2.0		V
$V_{IL}$	Input LOW Voltage	Guaranteed Input Logical LOW Voltage for all Inputs (Note 3)		0.8	V
$V_I$	Input Clamp Voltage	$I_{IN} = -18$ mA, $V_{CC} = \text{Min.}$		-1.2	V
$I_{IH}$	Input HIGH Current	$V_{IN} = 2.7$ V, $V_{CC} = \text{Max.}$ (Note 4)		25	$\mu\text{A}$
$I_{IL}$	Input LOW Current	$V_{IN} = 0.4$ V, $V_{CC} = \text{Max.}$ (Note 4)		-250	$\mu\text{A}$
$I_I$	Maximum Input Current	$V_{IN} = 5.5$ V, $V_{CC} = \text{Max.}$		1	mA
$I_{OZH}$	Off-State Output Leakage Current HIGH	$V_{OUT} = 2.7$ V, $V_{CC} = \text{Max.}$ $V_{IN} = V_{IH}$ or $V_{IL}$ (Note 4)		100	$\mu\text{A}$
$I_{OZL}$	Off-State Output Leakage Current LOW	$V_{OUT} = 0.4$ V, $V_{CC} = \text{Max.}$ $V_{IN} = V_{IH}$ or $V_{IL}$ (Note 4)		-100	$\mu\text{A}$
$I_{SC}$	Output Short-Circuit Current	$V_{OUT} = 0.5$ V, $V_{CC} = \text{Max.}$ (Note 5)	-30	-130	mA
$I_{CC}$	Supply Current	$V_{IN} = 0$ V, Outputs Open ( $I_{OUT} = 0$ mA) $V_{CC} = \text{Max.}$		180	mA

### Notes:

- For APL Products, Group A, Subgroups 1, 2, and 3 are tested per MIL-STD-883, Method 5005, unless otherwise noted.
- $V_{IL}$  and  $V_{IH}$  are input conditions of output tests and are not themselves directly tested.  $V_{IL}$  and  $V_{IH}$  are absolute voltages with respect to device ground and include all overshoots due to system and/or tester noise. Do not attempt to test these values without suitable equipment.
- I/O pin leakage is the worst case of  $I_{IL}$  and  $I_{OZL}$  (or  $I_{IH}$  and  $I_{OZH}$ ).
- Not more than one output should be tested at a time. Duration of the short-circuit should not exceed one second.  $V_{OUT} = 0.5$  V has been chosen to avoid test problems caused by tester ground degradation.

## CAPACITANCE (Note 1)

Parameter Symbol	Parameter Description	Test Conditions		Typ.	Unit
C <sub>IN</sub>	Input Capacitance	V <sub>IN</sub> = 2.0 V	V <sub>CC</sub> = 5.0 V T <sub>A</sub> = 25°C	5	pF
C <sub>OUT</sub>	Output Capacitance	V <sub>OUT</sub> = 2.0 V	f = 1 MHz	8	

### Note:

1. These parameters are not 100% tested, but are evaluated at initial characterization and at any time the design is modified where capacitance may be affected.

## SWITCHING CHARACTERISTICS over MILITARY operating ranges (Note 2)

Parameter Symbol	Parameter Description			Min. (Note 3)	Max.	Unit
t <sub>PD</sub>	Input or Feedback to Combinatorial Output		16L8, 16R6	3	12.5	ns
		1 Output Switching	16R4	3	12	
t <sub>S</sub>	Setup Time from Input or Feedback to Clock			72		ns
t <sub>H</sub>	Hold Time			0		ns
t <sub>CO</sub>	Clock to Output			3	11	ns
t <sub>CF</sub>	Clock to Feedback (Note 4)				6.5	ns
t <sub>SKEW</sub>	Skew Between Registered Outputs (Note 5)				1	ns
t <sub>WL</sub>	Clock Width	LOW	16R8, 16R6 16R4	10		ns
t <sub>WH</sub>		HIGH		8		ns
f <sub>MAX</sub>	Maximum Frequency (Note 6)	External Feedback		43.4		MHz
		Internal Feedback	1/(t <sub>S</sub> + t <sub>CO</sub> )	54		MHz
		No Feedback	1/(t <sub>WH</sub> + t <sub>WL</sub> )	55.5		MHz
t <sub>PZX</sub>	$\overline{OE}$ to Output Enable (Note 7)			3	10	ns
t <sub>PXZ</sub>	$\overline{OE}$ to Output Disable (Note 7)			3	10	ns
t <sub>EA</sub>	Input to Output Enable Using Product Term Control (Note 7)		16L8, 16R6 16R4	3	15	ns
t <sub>ER</sub>	Input to Output Disable Using Product Term Control (Note 7)			3	12	ns

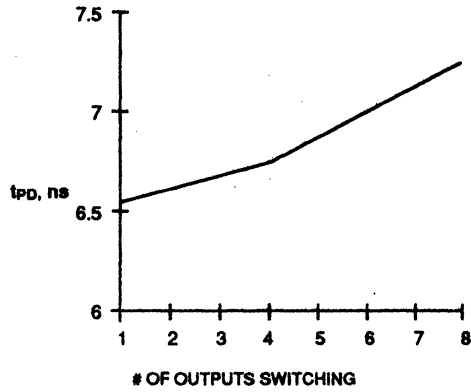
### Notes:

2. See Switching Test Circuit for test conditions. For APL products Group A, Subgroups 9, 10, and 11 are tested per MIL-STD-883, Method 5005, unless otherwise noted.
3. Minimum value for t<sub>PD</sub>, t<sub>CO</sub>, t<sub>PZX</sub>, t<sub>PXZ</sub>, t<sub>EA</sub>, and t<sub>ER</sub> parameters should be used for simulation purposes only and are not tested.
4. Calculated from measured f<sub>MAX</sub> internal.
5. Skew is measured with all outputs switching in the same direction.
6. These parameters are not 100% tested, but are calculated at initial characterization and at any time the design is modified where frequency may be affected.
7. These parameters are not 100% tested, but are evaluated at initial characterization and at any time the design is modified where these parameters may be affected.

---

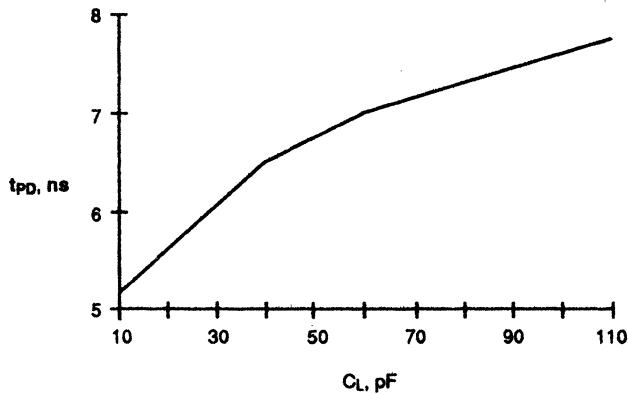
## MEASURED SWITCHING CHARACTERISTICS

$V_{CC} = 4.75 \text{ V}$ ,  $T_A = 75^\circ\text{C}$  (Note 1)



tpD vs. Number of Outputs Switching

10240-001A



tpD vs. Load Capacitance

10240-002A

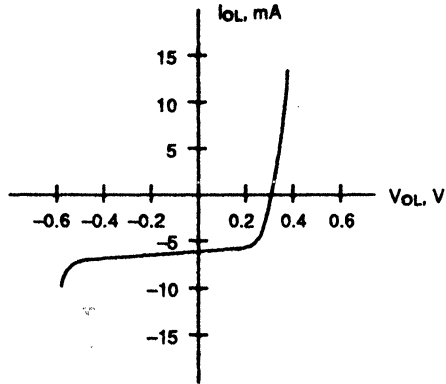
---

### Note:

1. These parameters are not 100% tested, but are evaluated at initial characterization and at any time the design is modified where  $t_{PD}$  may be affected.

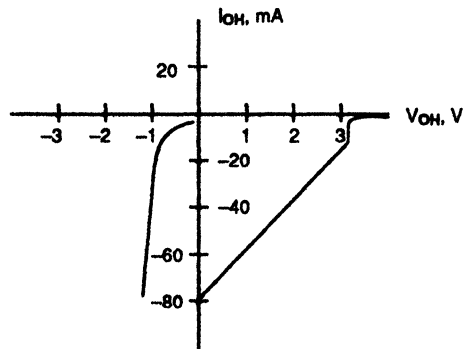
# CURRENT VS. VOLTAGE (I-V) CHARACTERISTICS

$V_{CC} = 5.0 \text{ V}$ ,  $T_A = 25^\circ\text{C}$



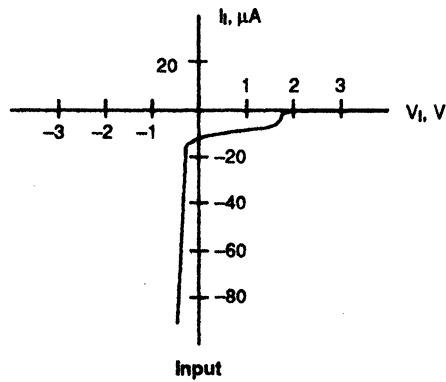
Output, LOW

10240-003A



Output, HIGH

10240-004A



Input

10240-005A



## ABSOLUTE MAXIMUM RATINGS

Storage Temperature	-65°C to +150°C
Ambient Temperature with Power Applied	-55°C to +125°C
Supply Voltage with Respect to Ground	-0.5 V to +7.0 V
DC Input Voltage	-1.5 V to +5.5 V
DC Output or I/O Pin Voltage	-0.5 V to +5.5 V
Static Discharge Voltage	2001 V

## OPERATING RANGES

### Commercial (C) Devices

Ambient Temperature ( $T_A$ )	
Operating in Free Air	0°C to +75°C
Supply Voltage ( $V_{CC}$ ) with Respect to Ground	+4.75 V to +5.25 V

Operating ranges define those limits between which the functionality of the device is guaranteed.

Stresses above those listed under Absolute Maximum Ratings may cause permanent device failure. Functionality at or above these limits is not implied. Exposure to Absolute Maximum Ratings for extended periods may affect device reliability. Programming conditions may differ.

## DC CHARACTERISTICS over COMMERCIAL operating ranges unless otherwise specified

Parameter Symbol	Parameter Description	Test Conditions	Min.	Max.	Unit
$V_{OH}$	Output HIGH Voltage	$I_{OH} = -3.2 \text{ mA}$ $V_{IN} = V_{IH}$ or $V_{IL}$ $V_{CC} = \text{Min.}$	2.4		V
$V_{OL}$	Output LOW Voltage	$I_{OL} = 24 \text{ mA}$ $V_{IN} = V_{IH}$ or $V_{IL}$ $V_{CC} = \text{Min.}$		0.5	V
$V_{IH}$	Input HIGH Voltage	Guaranteed Input Logical HIGH Voltage for all Inputs (Note 1)	2.0		V
$V_{IL}$	Input LOW Voltage	Guaranteed Input Logical LOW Voltage for all Inputs (Note 1)		0.8	V
$V_I$	Input Clamp Voltage	$I_{IN} = -18 \text{ mA}$ , $V_{CC} = \text{Min.}$		-1.5	V
$I_{IH}$	Input HIGH Current	$V_{IN} = 2.4 \text{ V}$ , $V_{CC} = \text{Max.}$ (Note 2)		25	$\mu\text{A}$
$I_{IL}$	Input LOW Current	$V_{IN} = 0.4 \text{ V}$ , $V_{CC} = \text{Max.}$ (Note 2)		-250	$\mu\text{A}$
$I_I$	Maximum Input Current	$V_{IN} = 5.5 \text{ V}$ , $V_{CC} = \text{Max.}$		100	$\mu\text{A}$
$I_{OZH}$	Off-State Output Leakage Current HIGH	$V_{OUT} = 2.4 \text{ V}$ , $V_{CC} = \text{Max.}$ $V_{IN} = V_{IH}$ or $V_{IL}$ (Note 2)		100	$\mu\text{A}$
$I_{OZL}$	Off-State Output Leakage Current LOW	$V_{OUT} = 0.4 \text{ V}$ , $V_{CC} = \text{Max.}$ $V_{IN} = V_{IH}$ or $V_{IL}$ (Note 2)		-100	$\mu\text{A}$
$I_{sc}$	Output Short-Circuit Current	$V_{OUT} = 0.5 \text{ V}$ , $V_{CC} = \text{Max.}$ (Note 3)	-30	-130	mA
$I_{CC}$	Supply Current	$V_{IN} = 0 \text{ V}$ , Outputs Open ( $I_{OUT} = 0 \text{ mA}$ ) $V_{CC} = \text{Max.}$		180	mA

### Notes:

1. These are absolute values with respect to device ground and all overshoots due to system and/or tester noise are included.
2. I/O pin leakage is the worst case of  $I_{IL}$  and  $I_{OZL}$  (or  $I_{IH}$  and  $I_{OZH}$ ).
3. Not more than one output should be tested at a time. Duration of the short-circuit should not exceed one second.  $V_{OUT} = 0.5 \text{ V}$  has been chosen to avoid test problems caused by tester ground degradation.

## CAPACITANCE (Note 1)

Parameter Symbol	Parameter Description	Test Conditions			Typ.	Unit
C <sub>IN</sub>	Input Capacitance	V <sub>IN</sub> = 2.0 V	V <sub>CC</sub> = 5.0 V T <sub>A</sub> = 25°C	CLK, $\overline{\text{OE}}$	9	pF
				Other Inputs	2	
C <sub>OUT</sub>	Output Capacitance	V <sub>OUT</sub> = 2.0 V	f = 1 MHz	Outputs	4	

### Note:

- These parameters are not 100% tested, but are evaluated at initial characterization and at any time the design is modified where capacitance may be affected.

## SWITCHING CHARACTERISTICS over COMMERCIAL operating ranges (Note 2)

Parameter Symbol	Parameter Description		Min. (Note 3)	Max.	Unit		
t <sub>PD</sub>	Input or Feedback to Combinatorial Output		16L8, 16R6 16R4	3	10	ns	
t <sub>S</sub>	Setup Time from Input or Feedback to Clock		16R8, 16R6 16R4	10		ns	
t <sub>H</sub>	Hold Time			0		ns	
t <sub>CO</sub>	Clock to Output			2	7	ns	
t <sub>CF</sub>	Clock to Feedback (Note 4)			2	6.5	ns	
t <sub>WL</sub>	Clock Width	LOW		8		ns	
		HIGH		8		ns	
f <sub>MAX</sub>	Maximum Frequency (Note 5)	External Feedback		1/(t <sub>S</sub> + t <sub>CO</sub> )	58.8		MHz
		Internal Feedback		1/(t <sub>S</sub> + t <sub>CF</sub> )	60		MHz
		No Feedback		1/(t <sub>WH</sub> + t <sub>WL</sub> )	62.5		MHz
t <sub>PZX</sub>	$\overline{\text{OE}}$ to Output Enable				3	10	ns
t <sub>PXZ</sub>	$\overline{\text{OE}}$ to Output Disable			3	10	ns	
t <sub>EA</sub>	Input to Output Enable Using Product Term Control		16L8, 16R6	1	10	ns	
t <sub>ER</sub>	Input to Output Disable Using Product Term Control		16R4	1	10	ns	

### Notes:

- See Switching Test Circuit for test conditions.
- Output delay minimums are measured under best-case conditions.
- Calculated from measured f<sub>MAX</sub> internal.
- These parameters are not 100% tested, but are calculated at initial characterization and at any time the design is modified where the frequency may be affected.

## ABSOLUTE MAXIMUM RATINGS

Storage Temperature	-65°C to +150°C
Ambient Temperature with Power Applied	-55°C to +125°C
Supply Voltage with Respect to Ground	-0.5 V to +7.0 V
DC Input Voltage	-1.5 V to +5.5 V
DC Output or I/O Pin Voltage	5.5 V
Static Discharge Voltage	2001 V

Stresses above those listed under Absolute Maximum Ratings may cause permanent device failure. Functionality at or above these limits is not implied. Exposure to Absolute Maximum Ratings for extended periods may affect device reliability. Programming conditions may differ. Absolute Maximum Ratings are for system design reference; parameters given are not tested.

## OPERATING RANGES

### Military (M) Devices (Note 1)

Ambient Temperature (T <sub>A</sub> )	
Operating in Free Air	-55°C Min.
Operating Case (T <sub>C</sub> ) Temperature	125°C Max.
Supply Voltage (V <sub>CC</sub> ) with Respect to Ground	+4.50 V to +5.50 V

Operating ranges define those limits between which the functionality of the device is guaranteed.

### Note:

1. Military products are tested at T<sub>C</sub> = +25°C, +125°C, and -55°C, per MIL-STD-883.

## DC CHARACTERISTICS over MILITARY operating ranges unless otherwise specified (Note 2)

Parameter Symbol	Parameter Description	Test Conditions	Min.	Max.	Unit
V <sub>OH</sub>	Output HIGH Voltage	I <sub>OH</sub> = -2 mA V <sub>IN</sub> = V <sub>IH</sub> or V <sub>IL</sub> V <sub>CC</sub> = Min.	2.4		V
V <sub>OL</sub>	Output LOW Voltage	I <sub>OL</sub> = 12 mA V <sub>IN</sub> = V <sub>IH</sub> or V <sub>IL</sub> V <sub>CC</sub> = Min.		0.5	V
V <sub>IH</sub>	Input HIGH Voltage	Guaranteed Input Logical HIGH Voltage for all Inputs (Note 3)	2.0		V
V <sub>IL</sub>	Input LOW Voltage	Guaranteed Input Logical LOW Voltage for all Inputs (Note 3)		0.8	V
V <sub>I</sub>	Input Clamp Voltage	I <sub>IN</sub> = -18 mA, V <sub>CC</sub> = Min.		-1.5	V
I <sub>IH</sub>	Input HIGH Current	V <sub>IN</sub> = 2.4 V, V <sub>CC</sub> = Max. (Note 4)		25	μA
I <sub>IL</sub>	Input LOW Current	V <sub>IN</sub> = 0.4 V, V <sub>CC</sub> = Max. (Note 4)		-250	μA
I <sub>I</sub>	Maximum Input Current	V <sub>IN</sub> = 5.5 V, V <sub>CC</sub> = Max.		1	mA
I <sub>OZH</sub>	Off-State Output Leakage Current HIGH	V <sub>OUT</sub> = 2.4 V, V <sub>CC</sub> = Max. V <sub>IN</sub> = V <sub>IH</sub> or V <sub>IL</sub> (Note 4)		100	μA
I <sub>OZL</sub>	Off-State Output Leakage Current LOW	V <sub>OUT</sub> = 0.4 V, V <sub>CC</sub> = Max. V <sub>IN</sub> = V <sub>IH</sub> or V <sub>IL</sub> (Note 4)		-100	μA
I <sub>SC</sub>	Output Short-Circuit Current	V <sub>OUT</sub> = 0.5 V, V <sub>CC</sub> = Max. (Note 5)	-30	-130	mA
I <sub>CC</sub>	Supply Current	V <sub>IN</sub> = 0 V, Outputs Open (I <sub>OUT</sub> = 0 mA) V <sub>CC</sub> = Max.		180	mA

### Notes:

2. For APL Products, Group A, Subgroups 1, 2, and 3 are tested per MIL-STD-883, Method 5005, unless otherwise noted.
3. V<sub>IL</sub> and V<sub>IH</sub> are input conditions of output tests and are not themselves directly tested. V<sub>IL</sub> and V<sub>IH</sub> are absolute voltages with respect to device ground and include all overshoots due to system and/or tester noise. Do not attempt to test these values without suitable equipment.
4. I/O pin leakage is the worst case of I<sub>IL</sub> and I<sub>OZL</sub> (or I<sub>IH</sub> and I<sub>OZH</sub>).
5. Not more than one output should be tested at a time. Duration of the short-circuit should not exceed one second. V<sub>OUT</sub> = 0.5 V has been chosen to avoid test problems caused by tester ground degradation.

## CAPACITANCE (Note 1)

Parameter Symbol	Parameter Description	Test Conditions			Typ.	Unit
C <sub>IN</sub>	Input Capacitance	V <sub>IN</sub> = 2.0 V	V <sub>CC</sub> = 5.0 V T <sub>A</sub> = 25°C	CLK, $\overline{OE}$	9	pF
				Other Inputs	2	
C <sub>OUT</sub>	Output Capacitance	V <sub>OUT</sub> = 2.0 V	f = 1 MHz	Outputs	4	

### Note:

1. These parameters are not 100% tested, but are evaluated at initial characterization and at any time the design is modified where capacitance may be affected.

## SWITCHING CHARACTERISTICS over MILITARY operating ranges (Note 2)

Parameter Symbol	Parameter Description		Min. (Note 3)	Max.	Unit		
t <sub>PD</sub>	Input or Feedback to Combinatorial Output		16L8, 16R6 16R4	3	15	ns	
t <sub>S</sub>	Setup Time from Input or Feedback to Clock		16R8, 16R6 16R4	15		ns	
t <sub>H</sub>	Hold Time			0		ns	
t <sub>CO</sub>	Clock to Output or Feedback			2	12	ns	
t <sub>WL</sub>	Clock Width	LOW		12		ns	
		HIGH		8		ns	
f <sub>MAX</sub>	Max. Frequency (Note 4)	External Feedback		1/(t <sub>S</sub> + t <sub>CO</sub> )	37		MHz
		No Feedback		1/(t <sub>WH</sub> + t <sub>WL</sub> )	50		MHz
t <sub>PZX</sub>	$\overline{OE}$ to Output Enable (Note 5)				3	12	ns
t <sub>PXZ</sub>	$\overline{OE}$ to Output Disable (Note 5)				3	10	ns
t <sub>EA</sub>	Input to Output Enable Using Product Term Control (Note 5)			16L8, 16R6 16R4	1	17	ns
t <sub>ER</sub>	Input to Output Disable Using Product Term Control (Note 5)		1		13	ns	

### Notes:

2. See Switching Test Circuit for test conditions. For APL products Group A, Subgroups 9, 10, and 11 are tested per MIL-STD-883, Method 5005, unless otherwise noted.
3. Minimum value for t<sub>PD</sub>, t<sub>CO</sub>, t<sub>PZX</sub>, t<sub>PXZ</sub>, t<sub>EA</sub>, and t<sub>ER</sub> parameters should be used for simulation purposes only and are not tested.
4. These parameters are not 100% tested, but are calculated at initial characterization and at any time the design is modified where frequency may be affected.
5. These parameters are not 100% tested, but are evaluated at initial characterization and at any time the design is modified where these parameters may be affected.

## ABSOLUTE MAXIMUM RATINGS

Storage Temperature	-65°C to +150°C
Ambient Temperature with Power Applied	-55°C to +125°C
Supply Voltage with Respect to Ground	-0.5 V to +7.0 V
DC Input Voltage	-1.5 V to $V_{CC} + 0.5$ V
DC Output or I/O Pin Voltage	-0.5 V to $V_{CC} + 0.5$ V
DC Output Current	16 mA
Static Discharge Voltage	2001 V

## OPERATING RANGES

### Commercial (C) Devices

Ambient Temperature ( $T_A$ )	
Operating in Free Air	0°C to +75°C
Supply Voltage ( $V_{CC}$ ) with Respect to Ground	+4.75 V to +5.25 V

Operating ranges define those limits between which the functionality of the device is guaranteed.

Stresses above those listed under Absolute Maximum Ratings may cause permanent device failure. Functionality at or above these limits is not implied. Exposure to Absolute Maximum Ratings for extended periods may affect device reliability. Programming conditions may differ.

## DC CHARACTERISTICS over COMMERCIAL operating ranges unless otherwise specified

Parameter Symbol	Parameter Description	Test Conditions	Min.	Max.	Unit
$V_{OH}$	Output HIGH Voltage	$I_{OH} = -3.2$ mA $V_{IN} = V_{IH}$ or $V_{IL}$ $V_{CC} = \text{Min.}$	2.4		V
$V_{OL}$	Output LOW Voltage	$I_{OL} = 24$ mA $V_{IN} = V_{IH}$ or $V_{IL}$ $V_{CC} = \text{Min.}$		0.5	V
$V_{IH}$	Input HIGH Voltage	Guaranteed Input Logical HIGH Voltage for all Inputs (Note 1)	2.0		V
$V_{IL}$	Input LOW Voltage	Guaranteed Input Logical LOW Voltage for all Inputs (Note 1)		0.8	V
$V_I$	Input Clamp Voltage	$I_{IN} = -18$ mA, $V_{CC} = \text{Min.}$		-1.5	V
$I_{IH}$	Input HIGH Current	$V_{IN} = 2.4$ V, $V_{CC} = \text{Max.}$ (Note 2)		25	$\mu$ A
$I_{IL}$	Input LOW Current	$V_{IN} = 0.4$ V, $V_{CC} = \text{Max.}$ (Note 2)		-250	$\mu$ A
$I_I$	Maximum Input Current	$V_{IN} = 5.5$ V, $V_{CC} = \text{Max.}$		100	$\mu$ A
$I_{OZH}$	Off-State Output Leakage Current HIGH	$V_{OUT} = 2.4$ V, $V_{CC} = \text{Max.}$ $V_{IN} = V_{IH}$ or $V_{IL}$ (Note 2)		100	$\mu$ A
$I_{OZL}$	Off-State Output Leakage Current LOW	$V_{OUT} = 0.4$ V, $V_{CC} = \text{Max.}$ $V_{IN} = V_{IH}$ or $V_{IL}$ (Note 2)		-100	$\mu$ A
$I_{SC}$	Output Short-Circuit Current	$V_{OUT} = 0.5$ V, $V_{CC} = \text{Max.}$ (Note 3)	-30	-130	mA
$I_{CC}$	Supply Current	$V_{IN} = 0$ V, Outputs Open ( $I_{OUT} = 0$ mA) $V_{CC} = \text{Max.}$		100	mA

### Notes:

- These are absolute values with respect to device ground and all overshoots due to system and/or tester noise are included.
- I/O pin leakage is the worst case of  $I_{IL}$  and  $I_{OZL}$  (or  $I_{IH}$  and  $I_{OZH}$ ).
- Not more than one output should be tested at a time. Duration of the short-circuit should not exceed one second.  $V_{OUT} = 0.5$  V has been chosen to avoid test problems caused by tester ground degradation.

## CAPACITANCE (Note 1)

Parameter Symbol	Parameter Description	Test Conditions			Typ.	Unit
C <sub>IN</sub>	Input Capacitance	V <sub>IN</sub> = 2.0 V	V <sub>CC</sub> = 5.0 V T <sub>A</sub> = 25°C	CLK, $\overline{\text{OE}}$	9	pF
				Other Inputs	2	
C <sub>OUT</sub>	Output Capacitance	V <sub>OUT</sub> = 2.0 V	f = 1 MHz	Outputs	4	

### Note:

- These parameters are not 100% tested, but are evaluated at initial characterization and at any time the design is modified where capacitance may be affected.

## SWITCHING CHARACTERISTICS over COMMERCIAL operating ranges (Note 2)

Parameter Symbol	Parameter Description			Min.	Max.	Unit
t <sub>PD</sub>	Input or Feedback to Combinatorial Output		16L8, 16R6 16R4		15	ns
t <sub>s</sub>	Setup Time from Input or Feedback to Clock			15		ns
t <sub>H</sub>	Hold Time			0		ns
t <sub>CO</sub>	Clock to Output				12	ns
t <sub>CF</sub>	Clock to Feedback (Note 3)		16R8, 16R6		11	ns
t <sub>WL</sub>	Clock Width	LOW	16R4	10		ns
		HIGH		9		ns
f <sub>MAX</sub>	Maximum Frequency (Note 4)	External Feedback $1/(t_s + t_{CO})$		37		MHz
		Internal Feedback $1/(t_s + t_{CF})$		38.4		MHz
		No Feedback $1/(t_{WH} + t_{WL})$		52.6		MHz
t <sub>PZX</sub>	OE to Output Enable				12	ns
t <sub>PXZ</sub>	OE to Output Disable				10	ns
t <sub>EA</sub>	Input to Output Enable Using Product Term Control		16L8, 16R6		15	ns
t <sub>ER</sub>	Input to Output Disable Using Product Term Control		16R4		15	ns

### Notes:

- See Switching Test Circuit for test conditions.
- Calculated from measured f<sub>MAX</sub> internal.
- These parameters are not 100% tested, but are calculated at initial characterization and at any time the design is modified where the frequency may be affected.

**ABSOLUTE MAXIMUM RATINGS**

Storage Temperature	-65°C to +150°C
Ambient Temperature with Power Applied	-55°C to +125°C
Supply Voltage with Respect to Ground	-0.5 V to +7.0 V
DC Input Voltage	-1.5 V to $V_{CC} + 0.5$ V
DC Output or I/O Pin Voltage	-0.5 V to $V_{CC} + 0.5$ V

**OPERATING RANGES****Commercial (C) Devices**

Ambient Temperature ( $T_A$ )	0°C to +75°C
Operating in Free Air	0°C to +75°C
Supply Voltage ( $V_{CC}$ ) with Respect to Ground	+4.75 V to +5.25 V

Operating ranges define those limits between which the functionality of the device is guaranteed.

Stresses above those listed under Absolute Maximum Ratings may cause permanent device failure. Functionality at or above these limits is not implied. Exposure to Absolute Maximum Ratings for extended periods may affect device reliability. Programming conditions may differ.

**DC CHARACTERISTICS over COMMERCIAL operating ranges unless otherwise specified**

Parameter Symbol	Parameter Description	Test Conditions	Min.	Max.	Unit
$V_{OH}$	Output HIGH Voltage	$I_{OH} = -3.2$ mA, $V_{IN} = V_{IH}$ or $V_{IL}$ , $V_{CC} = \text{Min.}$	2.4		V
$V_{OL}$	Output LOW Voltage	$I_{OL} = 24$ mA, $V_{IN} = V_{IH}$ or $V_{IL}$ , $V_{CC} = \text{Min.}$		0.5	V
$V_{IH}$	Input HIGH Voltage	Guaranteed Input Logical HIGH Voltage for all Inputs (Note 1)	2.0		V
$V_{IL}$	Input LOW Voltage	Guaranteed Input Logical LOW Voltage for all Inputs (Note 1)		0.8	V
$V_I$	Input Clamp Voltage	$I_{IN} = -18$ mA, $V_{CC} = \text{Min.}$		-1.2	V
$I_{IH}$	Input HIGH Current	$V_{IN} = 2.4$ V, $V_{CC} = \text{Max.}$ (Note 2)		25	$\mu\text{A}$
$I_{IL}$	Input LOW Current	$V_{IN} = 0.4$ V, $V_{CC} = \text{Max.}$ (Note 2)		-250	$\mu\text{A}$
$I_I$	Maximum Input Current	$V_{IN} = 5.5$ V, $V_{CC} = \text{Max.}$		100	$\mu\text{A}$
$I_{OZH}$	Off-State Output Leakage Current HIGH	$V_{OUT} = 2.4$ V, $V_{CC} = \text{Max.}$ , $V_{IN} = V_{IH}$ or $V_{IL}$ (Note 2)		100	$\mu\text{A}$
$I_{OZL}$	Off-State Output Leakage Current LOW	$V_{OUT} = 0.4$ V, $V_{CC} = \text{Max.}$ , $V_{IN} = V_{IH}$ or $V_{IL}$ (Note 2)		-100	$\mu\text{A}$
$I_{SC}$	Output Short-Circuit Current	$V_{OUT} = 0.5$ V, $V_{CC} = \text{Max.}$ (Note 3)	-30	-130	mA
$I_{CC}$	Supply Current	$V_{IN} = 0$ V, Outputs Open ( $I_{OUT} = 0$ mA), $V_{CC} = \text{Max.}$		180	mA

**Notes:**

- These are absolute values with respect to device ground and all overshoots due to system and/or tester noise are included.
- I/O pin leakage is the worst case of  $I_{IL}$  and  $I_{OZL}$  (or  $I_{IH}$  and  $I_{OZH}$ ).
- Not more than one output should be tested at a time. Duration of the short-circuit should not exceed one second.  $V_{OUT} = 0.5$  V has been chosen to avoid test problems caused by tester ground degradation.

## CAPACITANCE (Note 1)

Parameter Symbol	Parameter Description	Test Conditions		Typ.	Unit
C <sub>IN</sub>	Input Capacitance	V <sub>IN</sub> = 2.0 V	V <sub>CC</sub> = 5.0 V T <sub>A</sub> = 25°C	8	pF
C <sub>OUT</sub>	Output Capacitance	V <sub>OUT</sub> = 2.0 V	f = 1 MHz	9	

### Note:

- These parameters are not 100% tested, but are evaluated at initial characterization and at any time the design is modified where capacitance may be affected.

## SWITCHING CHARACTERISTICS over COMMERCIAL operating ranges (Note 2)

Parameter Symbol	Parameter Description		Min.	Max.	Unit
t <sub>PD</sub>	Input or Feedback to Combinatorial Output		16L8, 16R6 16R4	15	ns
t <sub>S</sub>	Setup Time from Input or Feedback to Clock			15	ns
t <sub>H</sub>	Hold Time			0	ns
t <sub>CO</sub>	Clock to Output or Feedback			12	ns
t <sub>WL</sub>	Clock Width	LOW	16R8, 16R6	10	ns
		HIGH	16R4	10	ns
f <sub>MAX</sub>	Maximum Frequency (Note 3)	External Feedback 1/(t <sub>S</sub> + t <sub>CO</sub> )		37	MHz
		No Feedback 1/(t <sub>WH</sub> + t <sub>WL</sub> )		50	MHz
t <sub>PZX</sub>	OE to Output Enable			15	ns
t <sub>PXZ</sub>	OE to Output Disable			15	ns
t <sub>EA</sub>	Input to Output Enable Using Product Term Control		16L8, 16R6	15	ns
t <sub>ER</sub>	Input to Output Disable Using Product Term Control		16R4	15	ns

### Notes:

- See Switching Test Circuit for test conditions.
- These parameters are not 100% tested, but are calculated at initial characterization and at any time the design is modified where frequency may be affected.

2



## ABSOLUTE MAXIMUM RATINGS

Storage Temperature	-65°C to +150°C
Ambient Temperature with Power Applied	-55°C to +125°C
Supply Voltage with Respect to Ground	-0.5 V to +7.0 V
DC Input Voltage	-1.5 V to +5.5 V
DC Output or I/O Pin Voltage	5.5 V

Stresses above those listed under Absolute Maximum Ratings may cause permanent device failure. Functionality at or above these limits is not implied. Exposure to Absolute Maximum Ratings for extended periods may affect device reliability. Programming conditions may differ. Absolute Maximum Ratings are for system design reference; parameters given are not tested.

## OPERATING RANGES

### Military (M) Devices (Note 1)

Ambient Temperature (T <sub>A</sub> )	
Operating in Free Air	-55°C Min.
Operating Case (T <sub>C</sub> ) Temperature	125°C Max.
Supply Voltage (V <sub>CC</sub> ) with Respect to Ground	+4.50 V to +5.50 V

Operating ranges define those limits between which the functionality of the device is guaranteed.

### Note:

1. Military products are tested at T<sub>C</sub> = +25°C, +125°C, and -55°C, per MIL-STD-883.

## DC CHARACTERISTICS over MILITARY operating ranges unless otherwise specified (Note 2)

Parameter Symbol	Parameter Description	Test Conditions	Min.	Max.	Unit
V <sub>OH</sub>	Output HIGH Voltage	I <sub>OH</sub> = -2 mA, V <sub>IN</sub> = V <sub>IH</sub> or V <sub>IL</sub> , V <sub>CC</sub> = Min.	2.4		V
V <sub>OL</sub>	Output LOW Voltage	I <sub>OL</sub> = 12 mA, V <sub>IN</sub> = V <sub>IH</sub> or V <sub>IL</sub> , V <sub>CC</sub> = Min.		0.5	V
V <sub>IH</sub>	Input HIGH Voltage	Guaranteed Input Logical HIGH Voltage for all Inputs (Note 3)	2.0		V
V <sub>IL</sub>	Input LOW Voltage	Guaranteed Input Logical LOW Voltage for all Inputs (Note 3)		0.8	V
V <sub>I</sub>	Input Clamp Voltage	I <sub>IN</sub> = -18 mA, V <sub>CC</sub> = Min.		-1.5	V
I <sub>IH</sub>	Input HIGH Current	V <sub>IN</sub> = 2.4 V, V <sub>CC</sub> = Max. (Note 4)		25	μA
I <sub>IL</sub>	Input LOW Current	V <sub>IN</sub> = 0.4 V, V <sub>CC</sub> = Max. (Note 4)		-250	μA
I <sub>I</sub>	Maximum Input Current	V <sub>IN</sub> = 5.5 V, V <sub>CC</sub> = Max.		1	mA
I <sub>OZH</sub>	Off-State Output Leakage Current HIGH	V <sub>OUT</sub> = 2.4 V, V <sub>CC</sub> = Max., V <sub>IN</sub> = V <sub>IH</sub> or V <sub>IL</sub> (Note 4)		100	μA
I <sub>OZL</sub>	Off-State Output Leakage Current LOW	V <sub>OUT</sub> = 0.4 V, V <sub>CC</sub> = Max., V <sub>IN</sub> = V <sub>IH</sub> or V <sub>IL</sub> (Note 4)		-100	μA
I <sub>SC</sub>	Output Short-Circuit Current	V <sub>OUT</sub> = 0.5 V, V <sub>CC</sub> = Max. (Note 5)	-30	-130	mA
I <sub>CC</sub>	Supply Current	V <sub>IN</sub> = 0 V, Outputs Open (I <sub>OUT</sub> = 0 mA), V <sub>CC</sub> = Max.		180	mA

### Notes:

2. For APL Products, Group A, Subgroups 1, 2, and 3 are tested per MIL-STD-883, Method 5005, unless otherwise noted.
3. V<sub>IL</sub> and V<sub>IH</sub> are input conditions of output tests and are not themselves directly tested. V<sub>IL</sub> and V<sub>IH</sub> are absolute voltages with respect to device ground and include all overshoots due to system and/or tester noise. Do not attempt to test these values without suitable equipment.
4. I/O pin leakage is the worst case of I<sub>IL</sub> and I<sub>OZL</sub> (or I<sub>IH</sub> and I<sub>OZH</sub>).
5. Not more than one output should be tested at a time. Duration of the short-circuit should not exceed one second. V<sub>OUT</sub> = 0.5 V has been chosen to avoid test problems caused by tester ground degradation.

## CAPACITANCE (Note 1)

Parameter Symbol	Parameter Description	Test Conditions		Typ.	Unit
C <sub>IN</sub>	Input Capacitance	V <sub>IN</sub> = 2.0 V	V <sub>CC</sub> = 5.0 V T <sub>A</sub> = 25°C	9	pF
C <sub>OUT</sub>	Output Capacitance	V <sub>OUT</sub> = 2.0 V	f = 1 MHz	10	

### Note:

- These parameters are not 100% tested, but are evaluated at initial characterization and at any time the design is modified where capacitance may be affected.

## SWITCHING CHARACTERISTICS over MILITARY operating ranges (Note 2)

Parameter Symbol	Parameter Description			Min.	Max.	Unit
t <sub>PD</sub>	Input or Feedback to Combinatorial Output		16L8, 16R6 16R4		20	ns
t <sub>S</sub>	Setup Time from Input or Feedback to Clock			20		ns
t <sub>H</sub>	Hold Time			0		ns
t <sub>CO</sub>	Clock to Output or Feedback				15	ns
t <sub>WL</sub>	Clock Width	LOW	16R8, 16R6	12		ns
t <sub>WH</sub>		HIGH	16R4	12		ns
f <sub>MAX</sub>	Maximum Frequency (Note 3)	External Feedback	1/(t <sub>S</sub> + t <sub>CO</sub> )	28.5		MHz
		No Feedback	1/(t <sub>WH</sub> + t <sub>WL</sub> )	41.6		MHz
t <sub>PZX</sub>	OE to Output Enable (Note 4)				20	ns
t <sub>PXZ</sub>	OE to Output Disable (Note 4)				20	ns
t <sub>EA</sub>	Input to Output Enable Using Product Term Control (Note 4)				25	ns
t <sub>ER</sub>	Input to Output Disable Using Product Term Control (Note 4)		16L8, 16R6 16R4		20	ns

### Notes:

- See Switching Test Circuit for test conditions. For APL products Group A, Subgroups 9, 10, and 11 are tested per MIL-STD-883, Method 5005, unless otherwise noted.
- These parameters are not 100% tested, but are calculated at initial characterization and at any time the design is modified where frequency may be affected.
- These parameters are not 100% tested, but are evaluated at initial characterization and at any time the design is modified where these parameters may be affected.

## ABSOLUTE MAXIMUM RATINGS

Storage Temperature	-65°C to +150°C
Ambient Temperature with Power Applied	-55°C to +125°C
Supply Voltage with Respect to Ground	-0.5 V to +7.0 V
DC Input Voltage	-1.5 V to $V_{CC} + 0.5$ V
DC Output or I/O Pin Voltage	-0.5 V to $V_{CC} + 0.5$ V

## OPERATING RANGES

### Commercial (C) Devices

Ambient Temperature ( $T_A$ )	
Operating in Free Air	0°C to +75°C
Supply Voltage ( $V_{CC}$ ) with Respect to Ground	+4.75 V to +5.25 V

Operating ranges define those limits between which the functionality of the device is guaranteed.

Stresses above those listed under Absolute Maximum Ratings may cause permanent device failure. Functionality at or above these limits is not implied. Exposure to Absolute Maximum Ratings for extended periods may affect device reliability. Programming conditions may differ.

## DC CHARACTERISTICS over COMMERCIAL operating ranges unless otherwise specified

Parameter Symbol	Parameter Description	Test Conditions	Min.	Max.	Unit
$V_{OH}$	Output HIGH Voltage	$I_{OH} = -3.2$ mA, $V_{IN} = V_{IH}$ or $V_{IL}$ , $V_{CC} = \text{Min.}$	2.4		V
$V_{OL}$	Output LOW Voltage	$I_{OL} = 24$ mA, $V_{IN} = V_{IH}$ or $V_{IL}$ , $V_{CC} = \text{Min.}$		0.5	V
$V_{IH}$	Input HIGH Voltage	Guaranteed Input Logical HIGH Voltage for all Inputs (Note 1)	2.0		V
$V_{IL}$	Input LOW Voltage	Guaranteed Input Logical LOW Voltage for all Inputs (Note 1)		0.8	V
$V_I$	Input Clamp Voltage	$I_{IN} = -18$ mA, $V_{CC} = \text{Min.}$		-1.2	V
$I_{IH}$	Input HIGH Current	$V_{IN} = 2.7$ V, $V_{CC} = \text{Max.}$ (Note 2)		25	$\mu$ A
$I_{IL}$	Input LOW Current	$V_{IN} = 0.4$ V, $V_{CC} = \text{Max.}$ (Note 2)		-100	$\mu$ A
$I_I$	Maximum Input Current	$V_{IN} = 5.5$ V, $V_{CC} = \text{Max.}$		100	$\mu$ A
$I_{OZH}$	Off-State Output Leakage Current HIGH	$V_{OUT} = 2.7$ V, $V_{CC} = \text{Max.}$ , $V_{IN} = V_{IH}$ or $V_{IL}$ (Note 2)		100	$\mu$ A
$I_{OZL}$	Off-State Output Leakage Current LOW	$V_{OUT} = 0.4$ V, $V_{CC} = \text{Max.}$ , $V_{IN} = V_{IH}$ or $V_{IL}$ (Note 2)		-100	$\mu$ A
$I_{SC}$	Output Short-Circuit Current	$V_{OUT} = 0.5$ V, $V_{CC} = \text{Max.}$ (Note 3)	-30	-130	mA
$I_{CC}$	Supply Current	$V_{IN} = 0$ V, Outputs Open ( $I_{OUT} = 0$ mA), $V_{CC} = \text{Max.}$		90	mA

### Notes:

- These are absolute values with respect to device ground and all overshoots due to system and/or tester noise are included.
- I/O pin leakage is the worst case of  $I_{IL}$  and  $I_{OZL}$  (or  $I_{IH}$  and  $I_{OZH}$ ).
- Not more than one output should be tested at a time. Duration of the short-circuit should not exceed one second.  $V_{OUT} = 0.5$  V has been chosen to avoid test problems caused by tester ground degradation.

## CAPACITANCE (Note 1)

Parameter Symbol	Parameter Description	Test Conditions		Typ.	Unit
C <sub>IN</sub>	Input Capacitance	V <sub>IN</sub> = 2.0 V	V <sub>CC</sub> = 5.0 V T <sub>A</sub> = 25°C	7	pF
C <sub>OUT</sub>	Output Capacitance	V <sub>OUT</sub> = 2.0 V	f = 1 MHz	7	

### Note:

- These parameters are not 100% tested, but are evaluated at initial characterization and at any time the design is modified where capacitance may be affected.

## SWITCHING CHARACTERISTICS over COMMERCIAL operating ranges (Note 2)

Parameter Symbol	Parameter Description		Min.	Max.	Unit
t <sub>PD</sub>	Input or Feedback to Combinatorial Output		16L8, 16R6 16R4	25	ns
t <sub>S</sub>	Setup Time from Input or Feedback to Clock		25		ns
t <sub>H</sub>	Hold Time		0		ns
t <sub>CO</sub>	Clock to Output			15	ns
t <sub>CF</sub>	Clock to Feedback (Note 3)		16R8, 16R6 16R4	10	ns
t <sub>WL</sub>	Clock Width	LOW		15	ns
		HIGH		15	ns
f <sub>MAX</sub>	Maximum Frequency (Note 4)	External Feedback	1/(t <sub>S</sub> + t <sub>CO</sub> )	25	MHz
		Internal Feedback	1/(t <sub>S</sub> + t <sub>CF</sub> )	28.5	MHz
		No Feedback	1/(t <sub>WH</sub> + t <sub>WL</sub> )	33	MHz
t <sub>PZX</sub>	OE to Output Enable			20	ns
t <sub>PXZ</sub>	OE to Output Disable			20	ns
t <sub>EA</sub>	Input to Output Enable Using Product Term Control		16L8, 16R6	25	ns
t <sub>ER</sub>	Input to Output Disable Using Product Term Control		16R4	25	ns

### Notes:

- See Switching Test Circuit for test conditions.
- Calculated from measured f<sub>MAX</sub> internal.
- These parameters are not 100% tested, but are calculated at initial characterization and at any time the design is modified where frequency may be affected.

## ABSOLUTE MAXIMUM RATINGS

Storage Temperature	-65°C to +150°C
Ambient Temperature with Power Applied	-55°C to +125°C
Supply Voltage with Respect to Ground	-0.5 V to +7.0 V
DC Input Voltage	-1.5 V to +5.5 V
DC Output or I/O Pin Voltage	5.5 V

Stresses above those listed under Absolute Maximum Ratings may cause permanent device failure. Functionality at or above these limits is not implied. Exposure to Absolute Maximum Ratings for extended periods may affect device reliability. Programming conditions may differ. Absolute Maximum Ratings are for system design reference; parameters given are not tested.

## OPERATING RANGES

### Military (M) Devices (Note 1)

Ambient Temperature ( $T_A$ )	
Operating in Free Air	-55°C Min.
Operating Case ( $T_C$ ) Temperature	125°C Max.
Supply Voltage ( $V_{CC}$ ) with Respect to Ground	+4.50 V to +5.50 V

Operating ranges define those limits between which the functionality of the device is guaranteed.

### Note:

1. Military products are tested at  $T_C = +25^\circ\text{C}$ ,  $+125^\circ\text{C}$ , and  $-55^\circ\text{C}$ , per MIL-STD-883.

## DC CHARACTERISTICS over MILITARY operating ranges unless otherwise specified (Note 2)

Parameter Symbol	Parameter Description	Test Conditions	Min.	Max.	Unit
$V_{OH}$	Output HIGH Voltage	$I_{OH} = -2\text{ mA}$ , $V_{IN} = V_{IH}$ or $V_{IL}$ , $V_{CC} = \text{Min.}$	2.4		V
$V_{OL}$	Output LOW Voltage	$I_{OL} = 12\text{ mA}$ , $V_{IN} = V_{IH}$ or $V_{IL}$ , $V_{CC} = \text{Min.}$		0.5	V
$V_{IH}$	Input HIGH Voltage	Guaranteed Input Logical HIGH Voltage for all Inputs (Note 3)	2.0		V
$V_{IL}$	Input LOW Voltage	Guaranteed Input Logical LOW Voltage for all Inputs (Note 3)		0.8	V
$V_I$	Input Clamp Voltage	$V_{IN} = -18\text{ mA}$ , $V_{CC} = \text{Min.}$		-1.5	V
$I_{IH}$	Input HIGH Current	$V_{IN} = 2.4\text{ V}$ , $V_{CC} = \text{Max.}$ (Note 4)		25	$\mu\text{A}$
$I_{IL}$	Input LOW Current	$V_{IN} = 0.4\text{ V}$ , $V_{CC} = \text{Max.}$ (Note 4)		-250	$\mu\text{A}$
$I_I$	Maximum Input Current	$V_{IN} = 5.5\text{ V}$ , $V_{CC} = \text{Max.}$		1	mA
$I_{OZH}$	Off-State Output Leakage Current HIGH	$V_{OUT} = 2.4\text{ V}$ , $V_{CC} = \text{Max.}$ , $V_{IN} = V_{IH}$ or $V_{IL}$ (Note 4)		100	$\mu\text{A}$
$I_{OZL}$	Off-State Output Leakage Current LOW	$V_{OUT} = 0.4\text{ V}$ , $V_{CC} = \text{Max.}$ , $V_{IN} = V_{IH}$ or $V_{IL}$ (Note 4)		-100	$\mu\text{A}$
$I_{SC}$	Output Short-Circuit Current	$V_{OUT} = 0.5\text{ V}$ , $V_{CC} = \text{Max.}$ (Note 5)	-30	-130	mA
$I_{CC}$	Supply Current	$V_{IN} = 0\text{ V}$ , Outputs Open ( $I_{OUT} = 0\text{ mA}$ ), $V_{CC} = \text{Max.}$		90	mA

### Notes:

2. For APL Products, Group A, Subgroups 1, 2, and 3 are tested per MIL-STD-883, Method 5005, unless otherwise noted.
3.  $V_{IL}$  and  $V_{IH}$  are input conditions of output tests and are not themselves directly tested.  $V_{IL}$  and  $V_{IH}$  are absolute voltages with respect to device ground and include all overshoots due to system and/or tester noise. Do not attempt to test these values without suitable equipment.
4. I/O pin leakage is the worst case of  $I_{IL}$  and  $I_{OZL}$  (or  $I_{IH}$  and  $I_{OZH}$ ).
5. Not more than one output should be tested at a time. Duration of the short-circuit should not exceed one second.  $V_{OUT} = 0.5\text{ V}$  has been chosen to avoid test problems caused by tester ground degradation.

## CAPACITANCE (Note 1)

Parameter Symbol	Parameter Description	Test Conditions		Typ.	Unit
C <sub>IN</sub>	Input Capacitance	V <sub>IN</sub> = 2.0 V	V <sub>CC</sub> = 5.0 V T <sub>A</sub> = 25°C f = 1 MHz	7	pF
C <sub>OUT</sub>	Output Capacitance	V <sub>OUT</sub> = 2.0 V		7	

### Note:

1. These parameters are not 100% tested, but are evaluated at initial characterization and at any time the design is modified where capacitance may be affected.

## SWITCHING CHARACTERISTICS over MILITARY operating ranges (Note 2)

Parameter Symbol	Parameter Description			Min.	Max.	Unit
t <sub>PD</sub>	Input or Feedback to Combinatorial Output		16L8, 16R6 16R4		30	ns
t <sub>S</sub>	Setup Time from Input or Feedback to Clock			30		ns
t <sub>H</sub>	Hold Time			0		ns
t <sub>CO</sub>	Clock to Output or Feedback				20	ns
t <sub>WL</sub>	Clock Width	LOW	16R8, 16R6	20		ns
t <sub>WH</sub>		HIGH	16R4	20		ns
f <sub>MAX</sub>	Maximum Frequency (Note 3)	External Feedback	1/(t <sub>S</sub> + t <sub>CO</sub> )	20		MHz
		No Feedback	1/(t <sub>WH</sub> + t <sub>WL</sub> )	25		MHz
t <sub>PZX</sub>	OE to Output Enable (Note 4)				25	ns
t <sub>PXZ</sub>	OE to Output Disable (Note 4)				25	ns
t <sub>EA</sub>	Input to Output Enable Using Product Term Control (Note 4)		16L8, 16R6 16R4		30	ns
t <sub>ER</sub>	Input to Output Disable Using Product Term Control (Note 4)				30	ns

### Notes:

2. See Switching Test Circuit for test conditions. For APL products Group A, Subgroups 9, 10, and 11 are tested per MIL-STD-883, Method 5005, unless otherwise noted.
3. These parameters are not 100% tested, but are calculated at initial characterization and at any time the design is modified where frequency may be affected.
4. These parameters are not 100% tested, but are evaluated at initial characterization and at any time the design is modified where these parameters may be affected.

## ABSOLUTE MAXIMUM RATINGS

Storage Temperature	-65°C to +150°C
Ambient Temperature with Power Applied	-55°C to +125°C
Supply Voltage with Respect to Ground	-0.5 V to +7.0 V
DC Input Voltage	-1.5 V to $V_{CC} + 0.5$ V
DC Output or I/O Pin Voltage	-0.5 V to $V_{CC} + 0.5$ V

## OPERATING RANGES

### Commercial (C) Devices

Ambient Temperature ( $T_A$ )	Operating in Free Air	0°C to +75°C
Supply Voltage ( $V_{CC}$ ) with Respect to Ground		+4.75 V to +5.25 V

Operating ranges define those limits between which the functionality of the device is guaranteed.

Stresses above those listed under Absolute Maximum Ratings may cause permanent device failure. Functionality at or above these limits is not implied. Exposure to Absolute Maximum Ratings for extended periods may affect device reliability. Programming conditions may differ.

## DC CHARACTERISTICS over COMMERCIAL operating ranges unless otherwise specified

Parameter Symbol	Parameter Description	Test Conditions	Min.	Max.	Unit
$V_{OH}$	Output HIGH Voltage	$I_{OH} = -3$ mA, $V_{IN} = V_{IH}$ or $V_{IL}$ , $V_{CC} = \text{Min.}$	2.4		V
$V_{OL}$	Output LOW Voltage	$I_{OL} = 24$ mA, $V_{IN} = V_{IH}$ or $V_{IL}$ , $V_{CC} = \text{Min.}$		0.5	V
$V_{IH}$	Input HIGH Voltage	Guaranteed Input Logical HIGH Voltage for all Inputs (Note 1)	2.0		V
$V_{IL}$	Input LOW Voltage	Guaranteed Input Logical LOW Voltage for all Inputs (Note 1)		0.8	V
$V_I$	Input Clamp Voltage	$I_{IN} = -18$ mA, $V_{CC} = \text{Min.}$		-1.2	V
$I_{IH}$	Input HIGH Current	$V_{IN} = 2.7$ V, $V_{CC} = \text{Max.}$ (Note 2)		25	$\mu$ A
$I_{IL}$	Input LOW Current	$V_{IN} = 0.4$ V, $V_{CC} = \text{Max.}$ (Note 2)		-250	$\mu$ A
$I_I$	Maximum Input Current	$V_{IN} = 5.5$ V, $V_{CC} = \text{Max.}$		100	$\mu$ A
$I_{OZH}$	Off-State Output Leakage Current HIGH	$V_{OUT} = 2.7$ V, $V_{CC} = \text{Max.}$ , $V_{IN} = V_{IH}$ or $V_{IL}$ (Note 2)		100	$\mu$ A
$I_{OZL}$	Off-State Output Leakage Current LOW	$V_{OUT} = 0.4$ V, $V_{CC} = \text{Max.}$ , $V_{IN} = V_{IH}$ or $V_{IL}$ (Note 2)		-100	$\mu$ A
$I_{SC}$	Output Short-Circuit Current	$V_{OUT} = 0.5$ V, $V_{CC} = \text{Max.}$ (Note 3)	-30	-130	mA
$I_{CC}$	Supply Current	16L8	$V_{IN} = 0$ V, Outputs Open ( $I_{OUT} = 0$ mA), $V_{CC} = \text{Max.}$	155	mA
		16R8/6/4		180	

### Notes:

- These are absolute values with respect to device ground and all overshoots due to system and/or tester noise are included.
- I/O pin leakage is the worst case of  $I_{IL}$  and  $I_{OZL}$  (or  $I_{IH}$  and  $I_{OZH}$ ).
- Not more than one output should be tested at a time. Duration of the short-circuit should not exceed one second.  $V_{CC} = 0.5$  V has been chosen to avoid test problems caused by tester ground degradation.

## CAPACITANCE (Note 1)

Parameter Symbol	Parameter Description	Test Conditions		Typ.	Unit
C <sub>IN</sub>	Input Capacitance	V <sub>IN</sub> = 2.0 V	V <sub>CC</sub> = 5.0 V T <sub>A</sub> = 25°C	7	pF
C <sub>OUT</sub>	Output Capacitance	V <sub>OUT</sub> = 2.0 V	f = 1 MHz	7	

### Note:

- These parameters are not 100% tested, but are evaluated at initial characterization and at any time the design is modified where capacitance may be affected.

## SWITCHING CHARACTERISTICS over COMMERCIAL operating ranges (Note 2)

Parameter Symbol	Parameter Description		Min.	Max.	Unit
t <sub>PD</sub>	Input or Feedback to Combinatorial Output		16L8, 16R6 16R4	25	ns
t <sub>S</sub>	Setup Time from Input or Feedback to Clock		25		ns
t <sub>H</sub>	Hold Time		0		ns
t <sub>CO</sub>	Clock to Output			15	ns
t <sub>CF</sub>	Clock to Feedback (Note 3)		16R8, 16R6	10	ns
t <sub>WL</sub>	Clock Width	LOW	16R4	15	ns
t <sub>WH</sub>		HIGH		15	ns
f <sub>MAX</sub>	Maximum Frequency (Note 4)	External Feedback	1/(t <sub>S</sub> + t <sub>CO</sub> )	25	MHz
		Internal Feedback	1/(t <sub>S</sub> + t <sub>CF</sub> )	28.5	MHz
		No Feedback	1/(t <sub>WH</sub> + t <sub>WL</sub> )	33	MHz
t <sub>PZX</sub>	$\overline{OE}$ to Output Enable			20	ns
t <sub>PXZ</sub>	$\overline{OE}$ to Output Disable			20	ns
t <sub>EA</sub>	Input to Output Enable Using Product Term Control		16L8, 16R6	25	ns
t <sub>ER</sub>	Input to Output Disable Using Product Term Control		16R4	25	ns

### Notes:

- See Switching Test Circuit for test conditions.
- Calculated from measured f<sub>MAX</sub> internal.
- These parameters are not 100% tested, but are calculated at initial characterization and at any time the design is modified where frequency may be affected.



## ABSOLUTE MAXIMUM RATINGS

Storage Temperature	-65°C to +150°C
Ambient Temperature with Power Applied	-55°C to +125°C
Supply Voltage with Respect to Ground	-0.5 V to +7.0 V
DC Input Voltage	-1.5 V to +5.5 V
DC Output or I/O Pin Voltage	5.5 V

Stresses above those listed under Absolute Maximum Ratings may cause permanent device failure. Functionality at or above these limits is not implied. Exposure to Absolute Maximum Ratings for extended periods may affect device reliability. Programming conditions may differ. Absolute Maximum Ratings are for system design reference; parameters given are not tested.

## OPERATING RANGES

### Military (M) Devices (Note 1)

Ambient Temperature (T <sub>A</sub> )	
Operating in Free Air	-55°C Min.
Operating Case (T <sub>C</sub> ) Temperature	125°C Max.
Supply Voltage (V <sub>CC</sub> ) with Respect to Ground	+4.50 V to +5.50 V

Operating ranges define those limits between which the functionality of the device is guaranteed.

### Note:

1. Military products are tested at T<sub>C</sub> = +25°C, +125°C, and -55°C, per MIL-STD-883.

## DC CHARACTERISTICS over MILITARY operating ranges unless otherwise specified (Note 2)

Parameter Symbol	Parameter Description	Test Conditions	Min.	Max.	Unit
V <sub>OH</sub>	Output HIGH Voltage	I <sub>OH</sub> = -2 mA, V <sub>IN</sub> = V <sub>IH</sub> or V <sub>IL</sub> , V <sub>CC</sub> = Min.	2.4		V
V <sub>OL</sub>	Output LOW Voltage	I <sub>OL</sub> = 12 mA, V <sub>IN</sub> = V <sub>IH</sub> or V <sub>IL</sub> , V <sub>CC</sub> = Min.		0.5	V
V <sub>IH</sub>	Input HIGH Voltage	Guaranteed Input Logical HIGH Voltage for all Inputs (Note 3)	2.0		V
V <sub>IL</sub>	Input LOW Voltage	Guaranteed Input Logical LOW Voltage for all Inputs (Note 3)		0.8	V
V <sub>I</sub>	Input Clamp Voltage	I <sub>IN</sub> = -18 mA, V <sub>CC</sub> = Min.		-1.5	V
I <sub>IH</sub>	Input HIGH Current	V <sub>IN</sub> = 2.4 V, V <sub>CC</sub> = Max. (Note 4)		25	μA
I <sub>IL</sub>	Input LOW Current	V <sub>IN</sub> = 0.4 V, V <sub>CC</sub> = Max. (Note 4)		-250	μA
I <sub>I</sub>	Maximum Input Current	V <sub>IN</sub> = 5.5 V, V <sub>CC</sub> = Max.		1	mA
I <sub>OZH</sub>	Off-State Output Leakage Current HIGH	V <sub>OUT</sub> = 2.4 V, V <sub>CC</sub> = Max. V <sub>IN</sub> = V <sub>IH</sub> or V <sub>IL</sub> (Note 4)		100	μA
I <sub>OZL</sub>	Off-State Output Leakage Current LOW	V <sub>OUT</sub> = 0.4 V, V <sub>CC</sub> = Max. V <sub>IN</sub> = V <sub>IH</sub> or V <sub>IL</sub> (Note 4)		-100	μA
I <sub>SC</sub>	Output Short-Circuit Current	V <sub>OUT</sub> = 0.5 V, V <sub>CC</sub> = Max. (Note 5)	-30	-130	mA
I <sub>CC</sub>	Supply Current	V <sub>IN</sub> = 0 V, Outputs Open (I <sub>OUT</sub> = 0 mA) V <sub>CC</sub> = Max.		180	mA

### Notes:

2. For APL Products, Group A, Subgroups 1, 2, and 3 are tested per MIL-STD-883, Method 5005, unless otherwise noted.
3. V<sub>IL</sub> and V<sub>IH</sub> are input conditions of output tests and are not themselves directly tested. V<sub>IL</sub> and V<sub>IH</sub> are absolute voltages with respect to device ground and include all overshoots due to system and/or tester noise. Do not attempt to test these values without suitable equipment.
4. I/O pin leakage is the worst case of I<sub>IL</sub> and I<sub>OZL</sub> (or I<sub>IH</sub> and I<sub>OZH</sub>).
5. Not more than one output should be tested at a time. Duration of the short-circuit should not exceed one second. V<sub>OUT</sub> = 0.5 V has been chosen to avoid test problems caused by tester ground degradation.

## CAPACITANCE (Note 1)

Parameter Symbol	Parameter Description	Test Conditions		Typ.	Unit
C <sub>IN</sub>	Input Capacitance	V <sub>IN</sub> = 2.0 V	V <sub>CC</sub> = 5.0 V T <sub>A</sub> = 25°C	7	pF
C <sub>OUT</sub>	Output Capacitance	V <sub>OUT</sub> = 2.0 V	f = 1 MHz	7	

### Note:

1. These parameters are not 100% tested, but are evaluated at initial characterization and at any time the design is modified where capacitance may be affected.

## SWITCHING CHARACTERISTICS over MILITARY operating ranges (Note 2)

Parameter Symbol	Parameter Description		Min	Max.	Unit
t <sub>PD</sub>	Input or Feedback to Combinatorial Output		16L8, 16R6 16R4	30	ns
t <sub>S</sub>	Setup Time from Input or Feedback to Clock			30	ns
t <sub>H</sub>	Hold Time			0	ns
t <sub>CO</sub>	Clock to Output or Feedback			20	ns
t <sub>WL</sub>	Clock Width	LOW	16R8, 16R6	20	ns
t <sub>WH</sub>		HIGH	16R4	20	ns
f <sub>MAX</sub>	Maximum Frequency (Note 3)	External Feedback	1/(t <sub>S</sub> + t <sub>CO</sub> )	20	MHz
		No Feedback	1/(t <sub>WH</sub> + t <sub>WL</sub> )	25	MHz
t <sub>PZX</sub>	OE to Output Enable (Note 4)			25	ns
t <sub>PXZ</sub>	OE to Output Disable (Note 4)			25	ns
t <sub>EA</sub>	Input to Output Enable Using Product Term Control (Note 4)		16L8, 16R6 16R4	30	ns
t <sub>ER</sub>	Input to Output Disable Using Product Term Control (Note 4)			30	ns

### Notes:

2. See Switching Test Circuit for test conditions. For APL products Group A, Subgroups 9, 10, and 11 are tested per MIL-STD-883, Method 5005, unless otherwise noted.
3. These parameters are not 100% tested, but are calculated at initial characterization and at any time the design is modified where frequency may be affected.
4. These parameters are not 100% tested, but are evaluated at initial characterization and at any time the design is modified where these parameters may be affected.

## ABSOLUTE MAXIMUM RATINGS

Storage Temperature	-65°C to +150°C
Ambient Temperature with Power Applied	-55°C to +125°C
Supply Voltage with Respect to Ground	-0.5 V to +7.0 V
DC Input Voltage	-1.5 V to +5.5 V
DC Output or I/O Pin Voltage	5.5 V

## OPERATING RANGES

### Commercial (C) Devices

Ambient Temperature (T <sub>A</sub> )	
Operating in Free Air	0°C to +75°C
Supply Voltage (V <sub>CC</sub> ) with Respect to Ground	+4.75 V to +5.25 V

Operating ranges define those limits between which the functionality of the device is guaranteed.

Stresses above those listed under Absolute Maximum Ratings may cause permanent device failure. Functionality at or above these limits is not implied. Exposure to Absolute Maximum Ratings for extended periods may affect device reliability. Programming conditions may differ.

## DC CHARACTERISTICS over COMMERCIAL operating ranges unless otherwise specified

Parameter Symbol	Parameter Description	Test Conditions	Min.	Max.	Unit
V <sub>OH</sub>	Output HIGH Voltage	I <sub>OH</sub> = -1 mA, V <sub>IN</sub> = V <sub>IH</sub> or V <sub>IL</sub> , V <sub>CC</sub> = Min.	2.4		V
V <sub>OL</sub>	Output LOW Voltage	I <sub>OL</sub> = 8 mA, V <sub>IN</sub> = V <sub>IH</sub> or V <sub>IL</sub> , V <sub>CC</sub> = Min.		0.5	V
V <sub>IH</sub>	Input HIGH Voltage	Guaranteed Input Logical HIGH Voltage for all Inputs (Note 1)	2.0		V
V <sub>IL</sub>	Input LOW Voltage	Guaranteed Input Logical LOW Voltage for all Inputs (Note 1)		0.8	V
V <sub>I</sub>	Input Clamp Voltage	I <sub>IN</sub> = -18 mA, V <sub>CC</sub> = Min.		-1.5	V
I <sub>IH</sub>	Input HIGH Current	V <sub>IN</sub> = 2.4 V, V <sub>CC</sub> = Max. (Note 2)		25	μA
I <sub>IL</sub>	Input LOW Current	V <sub>IN</sub> = 0.4 V, V <sub>CC</sub> = Max. (Note 2)		-250	μA
I <sub>I</sub>	Maximum Input Current	V <sub>IN</sub> = 5.5 V, V <sub>CC</sub> = Max.		100	μA
I <sub>OZH</sub>	Off-State Output Leakage Current HIGH	V <sub>OUT</sub> = 2.4 V, V <sub>CC</sub> = Max. V <sub>IN</sub> = V <sub>IH</sub> or V <sub>IL</sub> (Note 2)		100	μA
I <sub>OZL</sub>	Off-State Output Leakage Current LOW	V <sub>OUT</sub> = 0.4 V, V <sub>CC</sub> = Max. V <sub>IN</sub> = V <sub>IH</sub> or V <sub>IL</sub> (Note 2)		-100	μA
I <sub>sc</sub>	Output Short-Circuit Current	V <sub>OUT</sub> = 0.5 V, V <sub>CC</sub> = Max. (Note 3)	-30	-250	mA
I <sub>CC</sub>	Supply Current	V <sub>IN</sub> = 0 V, Outputs Open (I <sub>OUT</sub> = 0 mA) V <sub>CC</sub> = Max.		55	mA

### Notes:

- These are absolute values with respect to device ground and all overshoots due to system and/or tester noise are included.
- I/O pin leakage is the worst case of I<sub>IL</sub> and I<sub>OZL</sub> (or I<sub>IH</sub> and I<sub>OZH</sub>).
- Not more than one output should be tested at a time. Duration of the short-circuit should not exceed one second. V<sub>OUT</sub> = 0.5 V as been chosen to avoid test problems caused by tester ground degradation.

**SWITCHING CHARACTERISTICS over COMMERCIAL operating ranges (Note 1)**

Parameter Symbol	Parameter Description		Min.	Max.	Unit	
t <sub>PD</sub>	Input or Feedback to Combinatorial Output			35	ns	
t <sub>S</sub>	Setup Time from Input or Feedback to Clock		35		ns	
t <sub>H</sub>	Hold Time		0		ns	
t <sub>CO</sub>	Clock to Output or Feedback			25	ns	
t <sub>WL</sub>	Clock Width	LOW	25		ns	
t <sub>WH</sub>		HIGH	25		ns	
f <sub>MAX</sub>	Maximum Frequency (Note 2)	External Feedback	1/(t <sub>S</sub> + t <sub>CO</sub> )		16	MHz
		No Feedback	1/(t <sub>WH</sub> + t <sub>WL</sub> )		20	MHz
t <sub>PZX</sub>	OE to Output Enable			25	ns	
t <sub>PXZ</sub>	OE to Output Disable			25	ns	
t <sub>EA</sub>	Input to Output Enable Using Product Term Control		16L8, 16R6	35	ns	
t <sub>ER</sub>	Input to Output Disable Using Product Term Control		16R4	35	ns	

**Notes:**

1. See Switching Test Circuit for test conditions.
2. These parameters are not 100% tested, but are calculated at initial characterization and at any time the design is modified where frequency may be affected.

**2**

## ABSOLUTE MAXIMUM RATINGS

Storage Temperature	-65°C to +150°C
Ambient Temperature with Power Applied	-55°C to +125°C
Supply Voltage with Respect to Ground	-0.5 V to +7.0 V
DC Input Voltage	-1.5 V to +5.5 V
DC Output or I/O Pin Voltage	5.5 V

Stresses above those listed under Absolute Maximum Ratings may cause permanent device failure. Functionality at or above these limits is not implied. Exposure to Absolute Maximum Ratings for extended periods may affect device reliability. Programming conditions may differ. Absolute Maximum Ratings are for system design reference; parameters given are not tested.

## OPERATING RANGES

### Military (M) Devices (Note 1)

Ambient Temperature (T <sub>A</sub> ) Operating in Free Air	-55°C Min.
Operating Case (T <sub>c</sub> ) Temperature	125°C Max.
Supply Voltage (V <sub>CC</sub> ) with Respect to Ground	+4.50 V to +5.50 V

Operating ranges define those limits between which the functionality of the device is guaranteed.

### Note:

1. Military products are tested at T<sub>c</sub> = +25°C, +125°C, and -55°C, per MIL-STD-883.

## DC CHARACTERISTICS over MILITARY operating ranges unless otherwise specified (Note 2)

Parameter Symbol	Parameter Description	Test Conditions	Min.	Max.	Unit
V <sub>OH</sub>	Output HIGH Voltage	I <sub>OH</sub> = -1 mA V <sub>IN</sub> = V <sub>IH</sub> or V <sub>IL</sub> V <sub>CC</sub> = Min.	2.4		V
V <sub>OL</sub>	Output LOW Voltage	I <sub>OL</sub> = 4 mA V <sub>IN</sub> = V <sub>IH</sub> or V <sub>IL</sub> V <sub>CC</sub> = Min.		0.5	V
V <sub>IH</sub>	Input HIGH Voltage	Guaranteed Input Logical HIGH Voltage for all Inputs (Note 3)	2.0		V
V <sub>IL</sub>	Input LOW Voltage	Guaranteed Input Logical LOW Voltage for all Inputs (Note 3)		0.8	V
V <sub>I</sub>	Input Clamp Voltage	I <sub>IN</sub> = -18 mA, V <sub>CC</sub> = Min.		-1.5	V
I <sub>IH</sub>	Input HIGH Current	V <sub>IN</sub> = 2.4 V, V <sub>CC</sub> = Max. (Note 4)		25	μA
I <sub>IL</sub>	Input LOW Current	V <sub>IN</sub> = 0.4 V, V <sub>CC</sub> = Max. (Note 4)		-250	μA
I <sub>I</sub>	Maximum Input Current	V <sub>IN</sub> = 5.5 V, V <sub>CC</sub> = Max.		1	mA
I <sub>ozH</sub>	Off-State Output Leakage Current HIGH	V <sub>OUT</sub> = 2.4 V, V <sub>CC</sub> = Max. V <sub>IN</sub> = V <sub>IH</sub> or V <sub>IL</sub> (Note 4)		100	μA
I <sub>ozL</sub>	Off-State Output Leakage Current LOW	V <sub>OUT</sub> = 0.4 V, V <sub>CC</sub> = Max. V <sub>IN</sub> = V <sub>IH</sub> or V <sub>IL</sub> (Note 4)		-100	μA
I <sub>sc</sub>	Output Short-Circuit Current	V <sub>OUT</sub> = 0.5 V, V <sub>CC</sub> = Max. (Note 5)	-30	-250	mA
I <sub>cc</sub>	Supply Current	V <sub>IN</sub> = 0 V, Outputs Open (I <sub>OUT</sub> = 0 mA) V <sub>CC</sub> = Max.		55	mA

### Notes:

2. For APL Products, Group A, Subgroups 1, 2, and 3 are tested per MIL-STD-883, Method 5005, unless otherwise noted.
3. V<sub>IL</sub> and V<sub>IH</sub> are input conditions of output tests and are not themselves directly tested. V<sub>IL</sub> and V<sub>IH</sub> are absolute voltages with respect to device ground and include all overshoots due to system and/or tester noise. Do not attempt to test these values without suitable equipment.
4. I/O pin leakage is the worst case of I<sub>IL</sub> and I<sub>ozL</sub> (or I<sub>IH</sub> and I<sub>ozH</sub>).
5. Not more than one output should be tested at a time. Duration of the short-circuit should not exceed one second. V<sub>OUT</sub> = 0.5 V has been chosen to avoid test problems caused by tester ground degradation.

**SWITCHING CHARACTERISTICS over MILITARY operating ranges (Note 1)**

Parameter Symbol	Parameter Description		Min.	Max.	Unit	
t <sub>PD</sub>	Input or Feedback to Combinatorial Output			50	ns	
t <sub>S</sub>	Setup Time from Input or Feedback to Clock		50		ns	
t <sub>H</sub>	Hold Time		0		ns	
t <sub>CO</sub>	Clock to Output or Feedback			25	ns	
t <sub>WL</sub>	Clock Width	LOW	25		ns	
t <sub>WH</sub>		HIGH	25		ns	
f <sub>MAX</sub>	Maximum Frequency (Note 2)	External Feedback	1/(t <sub>S</sub> + t <sub>CO</sub> )		13.3	MHz
		No Feedback	1/(t <sub>WH</sub> + t <sub>WL</sub> )		20	MHz
t <sub>PZX</sub>	OE to Output Enable (Note 3)			25	ns	
t <sub>PXZ</sub>	OE to Output Disable (Note 3)			25	ns	
t <sub>EA</sub>	Input to Output Enable Using Product Term Control (Note 3)			45	ns	
t <sub>ER</sub>	Input to Output Disable Using Product Term Control (Note 3)			45	ns	

**2**

**Notes:**

1. See Switching Test Circuit for test conditions. For APL products Group A, Subgroups 9, 10, and 11 are tested per MIL-STD-883, Method 5005, unless otherwise noted.
2. These parameters are not 100% tested, but are calculated at initial characterization and at any time the design is modified where frequency may be affected.
3. These parameters are not 100% tested, but are evaluated at initial characterization and at any time the design is modified where these parameters may be affected.

## ABSOLUTE MAXIMUM RATINGS

Storage Temperature	-65°C to +150°C
Ambient Temperature with Power Applied	-55°C to +125°C
Supply Voltage with Respect to Ground	-0.5 V to +7.0 V
DC Input Voltage	-1.5 V to $V_{CC} + 0.5$ V
DC Output or I/O Pin Voltage	-0.5 V to $V_{CC} + 0.5$ V

## OPERATING RANGES

### Commercial (C) Devices

Ambient Temperature ( $T_A$ )	Operating in Free Air	0°C to +75°C
Supply Voltage ( $V_{CC}$ ) with Respect to Ground		+4.75 V to +5.25 V

Operating ranges define those limits between which the functionality of the device is guaranteed.

Stresses above those listed under Absolute Maximum Ratings may cause permanent device failure. Functionality at or above these limits is not implied. Exposure to Absolute Maximum Ratings for extended periods may affect device reliability. Programming conditions may differ.

## DC CHARACTERISTICS over COMMERCIAL operating ranges unless otherwise specified

Parameter Symbol	Parameter Description	Test Conditions	Min.	Max.	Unit
$V_{OH}$	Output HIGH Voltage	$I_{OH} = -3.2$ mA, $V_{IN} = V_{IH}$ or $V_{IL}$ , $V_{CC} = \text{Min.}$	2.4		V
$V_{OL}$	Output LOW Voltage	$I_{OL} = 24$ mA, $V_{IN} = V_{IH}$ or $V_{IL}$ , $V_{CC} = \text{Min.}$		0.5	V
$V_{IH}$	Input HIGH Voltage	Guaranteed Input Logical HIGH Voltage for all Inputs (Note 1)	2.0		V
$V_{IL}$	Input LOW Voltage	Guaranteed Input Logical LOW Voltage for all Inputs (Note 1)		0.8	V
$V_I$	Input Clamp Voltage	$I_{IN} = 18$ mA, $V_{CC} = \text{Min.}$		-1.2	V
$I_{IH}$	Input HIGH Current	$V_{IN} = 2.4$ V, $V_{CC} = \text{Max.}$ (Note 2)		25	$\mu$ A
$I_{IL}$	Input LOW Current	$V_{IN} = 0.4$ V, $V_{CC} = \text{Max.}$ (Note 2)		-250	$\mu$ A
$I_I$	Maximum Input Current	$V_{IN} = 5.5$ V, $V_{CC} = \text{Max.}$		100	$\mu$ A
$I_{OZH}$	Off-State Output Leakage Current HIGH	$V_{OUT} = 2.4$ V, $V_{CC} = \text{Max.}$ , $V_{IN} = V_{IH}$ or $V_{IL}$ (Note 2)		100	$\mu$ A
$I_{OZL}$	Off-State Output Leakage Current LOW	$V_{OUT} = 0.4$ V, $V_{CC} = \text{Max.}$ , $V_{IN} = V_{IH}$ or $V_{IL}$ (Note 2)		-100	$\mu$ A
$I_{SC}$	Output Short-Circuit Current	$V_{OUT} = 0.5$ V, $V_{CC} = \text{Max.}$ (Note 3)	-30	-130	mA
$I_{CC}$	Supply Current	16L8	$V_{IN} = 0$ V, Outputs Open ( $I_{OUT} = 0$ mA), $V_{CC} = \text{Max.}$	80	mA
		16R8/6/4		90	

### Notes:

- These are absolute values with respect to device ground and all overshoots due to system and/or tester noise are included.
- I/O pin leakage is the worst case of  $I_{IL}$  and  $I_{OZL}$  (or  $I_{IH}$  and  $I_{OZH}$ ).
- Not more than one output should be tested at a time. Duration of the short-circuit should not exceed one second.  $V_{OUT} = 0.5$  V as been chosen to avoid test problems caused by tester ground degradation.

## CAPACITANCE (Note 1)

Parameter Symbol	Parameter Descriptions	Test Conditions		Typ.	Unit
C <sub>IN</sub>	Input Capacitance	V <sub>IN</sub> = 2.0 V	V <sub>CC</sub> = 5.0 V T <sub>A</sub> = 25°C	7	pF
C <sub>OUT</sub>	Output Capacitance	V <sub>OUT</sub> = 2.0 V	f = 1 MHz	7	

### Note:

1. These parameters are not 100% tested, but are evaluated at initial characterization and at any time the design is modified where capacitance may be affected.

## SWITCHING CHARACTERISTICS over COMMERCIAL operating ranges (Note 2)

Parameter Symbol	Parameter Description		Min.	Max.	Unit
t <sub>PD</sub>	Input or Feedback to Combinatorial Output		16L8, 16R6 16R4	35	ns
t <sub>s</sub>	Setup Time from Input or Feedback to Clock		30		ns
t <sub>H</sub>	Hold Time		0		ns
t <sub>CO</sub>	Clock to Output or Feedback		16R8, 16R6	25	ns
t <sub>WL</sub>	Clock Width	LOW	16R4	25	ns
		HIGH		25	ns
f <sub>MAX</sub>	Maximum Frequency (Note 3)	External Feedback	1/(t <sub>s</sub> + t <sub>CO</sub> )	18	MHz
		No Feedback	1/(t <sub>WH</sub> + t <sub>WL</sub> )	20	MHz
t <sub>PZX</sub>	$\overline{OE}$ to Output Enable			25	ns
t <sub>PXZ</sub>	$\overline{OE}$ to Output Disable			25	ns
t <sub>EA</sub>	Input to Output Enable Using Product Term Control		16L8, 16R6	35	ns
t <sub>ER</sub>	Input to Output Disable Using Product Term Control		16R4	35	ns

### Notes:

2. See Switching Test Circuit for test conditions.
3. These parameters are not 100% tested, but are calculated at initial characterization and at any time the design is modified where frequency may be affected.

2



## ABSOLUTE MAXIMUM RATINGS

Storage Temperature	-65°C to +150°C
Ambient Temperature with Power Applied	-55°C to +125°C
Supply Voltage with Respect to Ground	-0.5 V to +7.0 V
DC Input Voltage	-1.5 V to +5.5 V
DC Output or I/O Pin Voltage	5.5 V

Stresses above those listed under Absolute Maximum Ratings may cause permanent device failure. Functionality at or above these limits is not implied. Exposure to Absolute Maximum Ratings for extended periods may affect device reliability. Programming conditions may differ. Absolute Maximum Ratings are for system design reference; parameters given are not tested.

## OPERATING RANGES

### Military (M) Devices (Note 1)

Ambient Temperature (T <sub>A</sub> )	
Operating in Free Air	-55°C to +125°C
Supply Voltage (V <sub>CC</sub> ) with Respect to Ground	+4.50 V to +5.50 V

Operating ranges define those limits between which the functionality of the device is guaranteed.

### Note:

1. Military products are tested at T<sub>C</sub> = +25°C, +125°C, and -55°C, per MIL-STD-883.

## DC CHARACTERISTICS over MILITARY operating ranges unless otherwise specified (Note 2)

Parameter Symbol	Parameter Description	Test Conditions	Min.	Max.	Unit
V <sub>OH</sub>	Output HIGH Voltage	I <sub>OH</sub> = -2 mA, V <sub>IN</sub> = V <sub>IH</sub> or V <sub>IL</sub> , V <sub>CC</sub> = Min.	2.4		V
V <sub>OL</sub>	Output LOW Voltage	I <sub>OL</sub> = 12 mA, V <sub>IN</sub> = V <sub>IH</sub> or V <sub>IL</sub> , V <sub>CC</sub> = Min.		0.5	V
V <sub>IH</sub>	Input HIGH Voltage	Guaranteed Input Logical HIGH Voltage for all Inputs (Note 3)	2.0		V
V <sub>IL</sub>	Input LOW Voltage	Guaranteed Input Logical LOW Voltage for all Inputs (Note 3)		0.8	V
V <sub>I</sub>	Input Clamp Voltage	I <sub>IN</sub> = -16 mA, V <sub>CC</sub> = Min.		-1.5	V
I <sub>IH</sub>	Input HIGH Current	V <sub>IN</sub> = 2.4 V, V <sub>CC</sub> = Max. (Note 4)		25	μA
I <sub>IL</sub>	Input LOW Current	V <sub>IN</sub> = 0.4 V, V <sub>CC</sub> = Max. (Note 4)		-250	μA
I <sub>I</sub>	Maximum Input Current	V <sub>IN</sub> = 5.5 V, V <sub>CC</sub> = Max.		1	mA
I <sub>OZH</sub>	Off-State Output Leakage Current HIGH	V <sub>OUT</sub> = 2.4 V, V <sub>CC</sub> = Max., V <sub>IN</sub> = V <sub>IH</sub> or V <sub>IL</sub> (Note 4)		100	μA
I <sub>OZL</sub>	Off-State Output Leakage Current LOW	V <sub>OUT</sub> = 0.4 V, V <sub>CC</sub> = Max., V <sub>IN</sub> = V <sub>IH</sub> or V <sub>IL</sub> (Note 4)		-100	μA
I <sub>SC</sub>	Output Short-Circuit Current	V <sub>OUT</sub> = 0.5 V, V <sub>CC</sub> = Max. (Note 5)	-30	-250	mA
I <sub>CC</sub>	Supply Current	V <sub>IN</sub> = 0 V, Outputs Open (I <sub>OUT</sub> = 0 mA), V <sub>CC</sub> = Max.		90	mA

### Notes:

2. For APL Products, Group A, Subgroups 1, 2, and 3 are tested per MIL-STD-883, Method 5005, unless otherwise noted.
3. V<sub>IL</sub> and V<sub>IH</sub> are input conditions of output tests and are not themselves directly tested. V<sub>IL</sub> and V<sub>IH</sub> are absolute voltages with respect to device ground and include all overshoots due to system and/or tester noise. Do not attempt to test these values without suitable equipment.
4. I/O pin leakage is the worst case of I<sub>IL</sub> and I<sub>OZL</sub> (or I<sub>IH</sub> and I<sub>OZH</sub>).
5. Not more than one output should be tested at a time. Duration of the short-circuit should not exceed one second. V<sub>OUT</sub> = 0.5 V has been chosen to avoid test problems caused by tester ground degradation.

## CAPACITANCE (Note 1)

Parameter Symbol	Parameter Description	Test Conditions		Typ.	Unit
C <sub>IN</sub>	Input Capacitance	V <sub>IN</sub> = 2.0 V	V <sub>CC</sub> = 5.0 V T <sub>A</sub> = 25°C	7	pF
C <sub>OUT</sub>	Output Capacitance	V <sub>OUT</sub> = 2.0 V	f = 1 MHz	7	

### Note:

1. These parameters are not 100% tested, but are evaluated at initial characterization and at any time the design is modified where capacitance may be affected.

## SWITCHING CHARACTERISTICS over MILITARY operating ranges (Note 2)

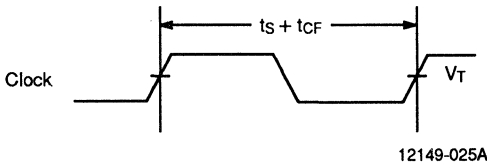
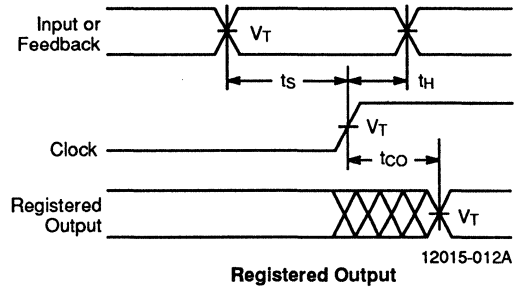
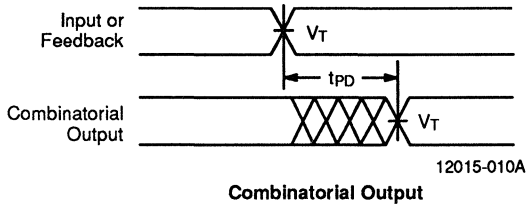
Parameter Symbol	Parameter Description		Min.	Max.	Unit
t <sub>PD</sub>	Input or Feedback to Combinatorial Output		16L8, 16R6 16R4	50	ns
t <sub>S</sub>	Setup Time from Input or Feedback to Clock			50	ns
t <sub>H</sub>	Hold Time			0	ns
t <sub>CO</sub>	Clock to Output or Feedback			25	ns
t <sub>WL</sub>	Clock Width	LOW	16R8, 16R6 16R4	25	ns
t <sub>WH</sub>		HIGH		25	ns
f <sub>MAX</sub>	Maximum Frequency (Note 3)	External Feedback	1/(t <sub>S</sub> + t <sub>CO</sub> )	33	MHz
		No Feedback	1/(t <sub>WL</sub> + t <sub>WH</sub> )	20	MHz
t <sub>PZX</sub>	OE to Output Enable (Note 4)			25	ns
t <sub>PIXZ</sub>	OE to Output Disable (Note 4)			25	ns
t <sub>EA</sub>	Input to Output Enable Using Product Term Control (Note 4)		16L8, 16R6 16R4	45	ns
t <sub>ER</sub>	Input to Output Disable Using Product Term Control (Note 4)			45	ns

### Notes:

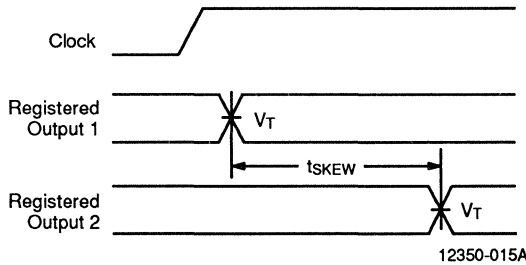
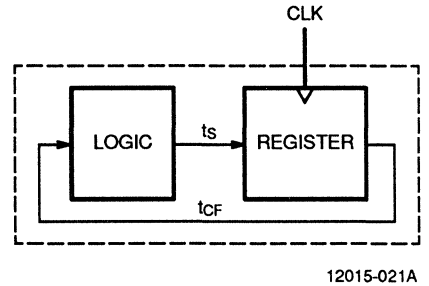
2. See Switching Test Circuit for test conditions. For APL products Group A, Subgroups 9, 10, and 11 are tested per MIL-STD-883, Method 5005, unless otherwise noted.
3. These parameters are not 100% tested, but are calculated at initial characterization and at any time the design is modified where frequency may be affected.
4. These parameters are not 100% tested, but are evaluated at initial characterization and at any time the design is modified where these parameters may be affected.

2

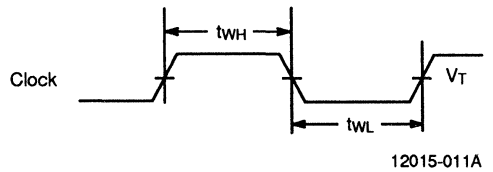
# SWITCHING WAVEFORMS



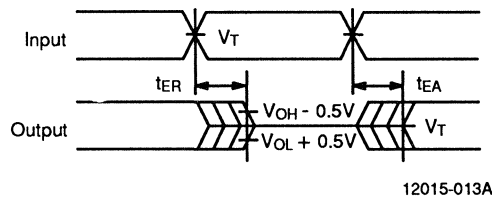
**Clock to Feedback ( $f_{MAX}$  Internal)**  
See Path at Right



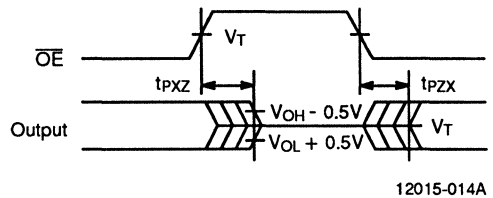
**Registered Output Skew for Outputs**  
Switching in the Same Direction



**Clock Width**



**Input to Output Disable/Enable**

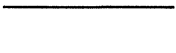



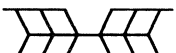


**$\overline{OE}$  to Output Disable/Enable**

**Notes:**

1.  $V_T = 1.5 V$
2. Input pulse amplitude 0 V to 3.0 V
3. Input rise and fall times 2–5 ns typical.  
(2–4 ns for -7 (-12 Mil) Series)

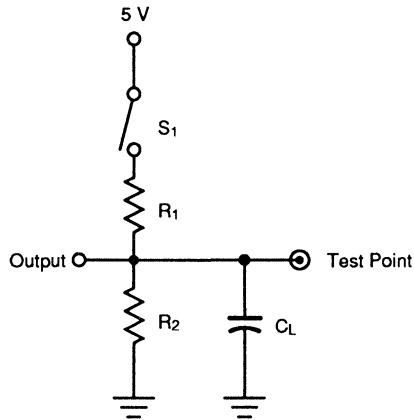
## KEY TO SWITCHING WAVEFORMS

WAVEFORM	INPUTS	OUTPUTS
	Must be Steady	Will be Steady
	May Change from H to L	Will be Changing from H to L
	May Change from L to H	Will be Changing from L to H
	Don't Care; Any Change Permitted	Changing, State Unknown
	Does Not Apply	Center Line is High-Impedance "Off" State

KS000010-PAL

2

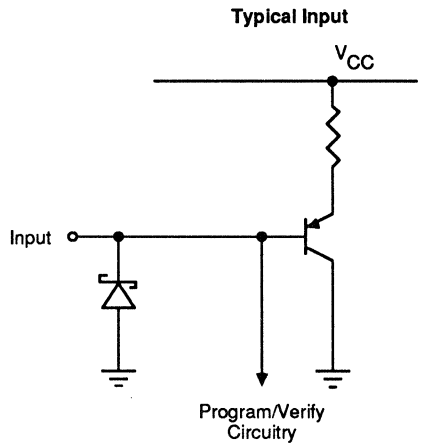
## SWITCHING TEST CIRCUIT



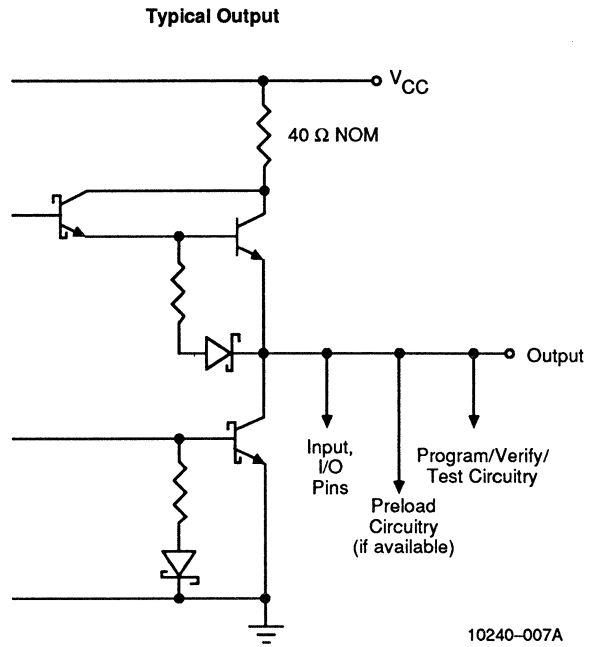
12350-019A

Specification	S <sub>1</sub>	C <sub>L</sub>	Commercial		Military		Measured Output Value
			R <sub>1</sub>	R <sub>2</sub>	R <sub>1</sub>	R <sub>2</sub>	
t <sub>PD</sub> , t <sub>CO</sub> , t <sub>CF</sub>	Closed	50 pF	200 Ω	390 Ω	390 Ω	750 Ω	1.5 V
t <sub>PZX</sub> , t <sub>EA</sub>	Z → H: Open Z → L: Closed						1.5 V
t <sub>PXZ</sub> , t <sub>ER</sub>	H → Z: Open L → Z: Closed	5 pF	B-4: 800 Ω	B-4: 1.56 KΩ	B-4: 800 Ω	B-4: 1.56 KΩ	H → Z: V <sub>OH</sub> - 0.5 V L → Z: V <sub>OL</sub> + 0.5 V

# INPUT/OUTPUT EQUIVALENT SCHEMATICS



10240-006A



10240-007A

## OUTPUT REGISTER PRELOAD

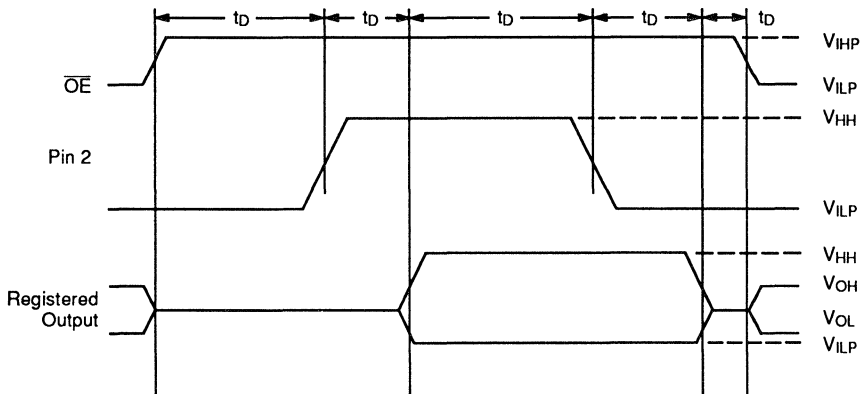
### Applies to -7 (-12 Mil) Series Only

The preload function allows the register to be loaded from the output pins. This feature aids functional testing of sequential designs by allowing direct setting of output states. The procedure for preloading follows.

1. Raise  $V_{CC}$  to  $V_{CCH}$ .
2. Set  $\overline{OE}$  to  $V_{IHP}$  to disable output registers.
3. Raise pin 2 to  $V_{HH}$  to enter preload mode.
4. Apply either  $V_{HH}$  or  $V_{ILP}$  to all registered outputs. Use  $V_{HH}$  to preload a LOW in the flip-flop; use  $V_{ILP}$  to preload a HIGH in the flip-flop. Leave combinatorial outputs floating.
5. Lower pin 2 to  $V_{ILP}$ .
6. Remove  $V_{ILP}/V_{HH}$  from all registered output pins.
7. Lower  $\overline{OE}$  to  $V_{ILP}$  to enable the output registers.
8. Verify  $V_{OL}/V_{OH}$  at all registered output pins. Note that because of the output inverter, a register that has been preloaded HIGH will provide a LOW at the output.

Parameter Symbol	Parameter Description	Min.	Rec.	Max.	Unit
$V_{HH}$	Super-level input voltage	10	11	12	V
$V_{ILP}$	Low-level input voltage	0	0	0.5	V
$V_{IHP}$	High-level input voltage	2.4	5.0	5.5	V
$V_{CCH}$	Power supply during preload	5.4	5.7	6.0	V
$t_D$	Delay time	100	200	1000	ns

**2**



10294-003A

Output Register Preload Waveform

## OUTPUT REGISTER PRELOAD

### Applies to H-15 Series Only

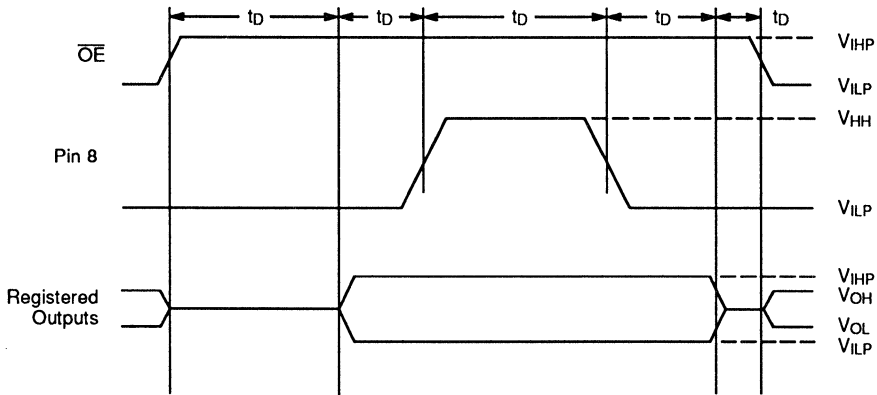
The preload function allows the register to be loaded from the output pins. This feature aids functional testing of sequential designs by allowing direct setting of output states. The procedure for preloading follows.

1. Raise  $V_{CC}$  to 4.5 V.
2. Set  $\overline{OE}$  to  $V_{IHP}$  to disable output registers.
3. Apply either  $V_{IHP}$  or  $V_{ILP}$  to all registered outputs. Use  $V_{IHP}$  to preload a HIGH in the flip-flop; use  $V_{ILP}$  to

preload a LOW in the flip-flop. Leave combinatorial outputs floating.

4. Pulse pin 8 to  $V_{HH}$ , then back to 0 V.
5. Remove  $V_{ILP}/V_{IHP}$  from all registered output pins.
6. Lower  $\overline{OE}$  to  $V_{ILP}$  to enable the output registers.
7. Verify  $V_{OL}/V_{OH}$  at all registered output pins. Note that because of the output inverter, a register that has been preloaded HIGH will provide a LOW at the output.

Parameter Symbol	Parameter Description	Min.	Rec.	Max.	Unit
$V_{HH}$	Super-level input voltage	19	20	21	V
$V_{ILP}$	Low-level input voltage	0	0	0.5	V
$V_{IHP}$	High-level input voltage	2.4	5.0	5.5	V
$t_D$	Delay time	100	200	1000	ns



10240-008A

Output Register Preload Waveform

## POWER-UP RESET

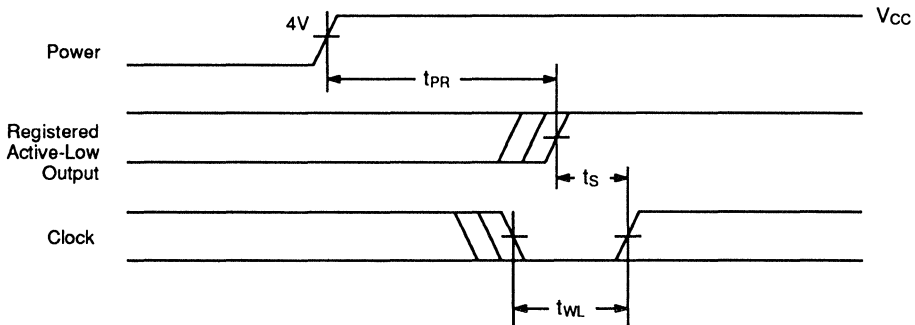
### Applies to -7 (-12 Mil), H-15, B, B-2, A, A-2 Series Only

The power-up reset feature ensures that all flip-flops will be reset to LOW after the device has been powered up. The output state will be HIGH due to the inverting output buffer. This feature is valuable in simplifying state machine initialization. A timing diagram and parameter table are shown below. Due to the synchronous operation

of the power-up reset and the wide range of ways  $V_{CC}$  can rise to its steady state, two conditions are required to ensure a valid power-up reset. These conditions are:

1. The  $V_{CC}$  rise must be monotonic.
2. Following reset, the clock input must not be driven from LOW to HIGH until all applicable input and feedback setup times are met.

Parameter Symbol	Parameter Description	Max.	Unit
$t_{PR}$	Power-up Reset Time	1000	ns
$t_s$	Input or Feedback Setup Time	See Switching Characteristics	
$t_{WL}$	Clock Width LOW		



12350-024A

Power-Up Reset Waveform

2





# PAL16RA8

## 20-pin Asynchronous TTL Programmable Array Logic

### DISTINCTIVE CHARACTERISTICS

- 30 ns maximum propagation delay and 20 MHz  $f_{MAX}$
- Individually programmable asynchronous clock, preset, reset, and enable
- Registered or combinatorial outputs
- Programmable polarity
- Programmable replacement for high-speed TTL logic
- TTL-level register preload for testability
- Easy design with PALASM<sup>®</sup> software
- Programmable on standard PAL<sup>®</sup> device programmers
- 20-pin DIP and 20-pin PLCC packages save space

### GENERAL DESCRIPTION

The PAL16RA8 offers asynchronous clocking for each of the eight flip-flops in the device. The eight macrocells feature programmable clock, preset, reset, and enable, and all can operate asynchronously to other macrocells in the same device. The PAL16RA8 also has flip-flop bypass, allowing any combination of registered and combinatorial outputs.

The PAL16RA8 utilizes Advanced Micro Devices' advanced junction-isolated bipolar process and fuse-link technology. The devices provide user-programmable logic for replacing conventional SSI/MSI gates and flip-flops at a reduced chip count.

The PAL16RA8 allows the systems engineer to implement the design on-chip, by opening fuse links to configure AND and OR gates within the device, according to the desired logic function. Complex interconnections between gates, which previously required time-consuming layout, are lifted from the PC board and

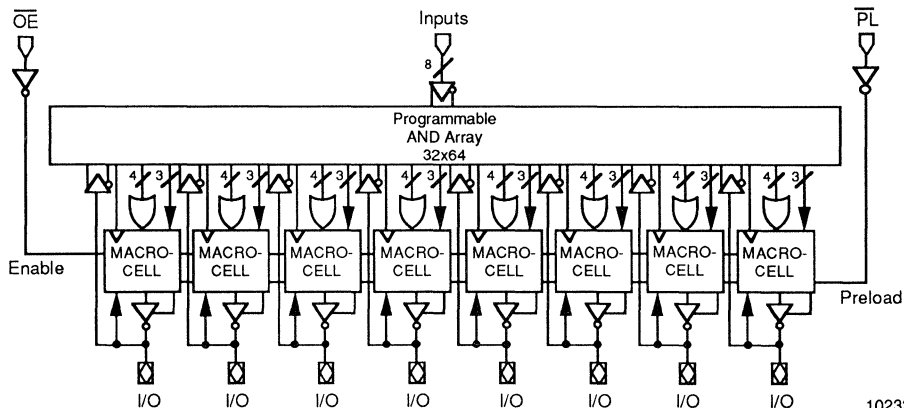
placed on silicon, where they can be easily modified during prototyping or production.

The PAL device implements the familiar Boolean logic transfer function, the sum of products. The PAL device is a programmable AND array driving a fixed OR array. The AND array is programmed to create custom product terms, while the OR array sums selected terms at the outputs.

Product terms with all fuses opened assume the logical HIGH state; product terms connected to both true and complement of any single input assume the logical LOW state. Registers consist of D-type flip-flops that are loaded on the LOW-to-HIGH transition of the clock. Unused input pins should be tied to  $V_{CC}$  or GND.

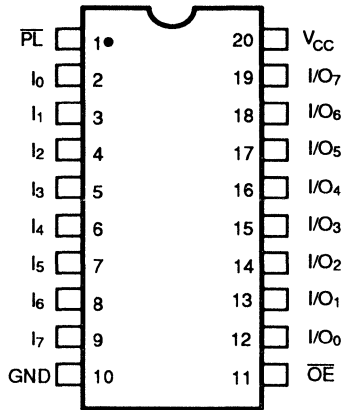
The entire PAL device family is supported by the PALASM software package. The PAL family is programmed on conventional PAL device programmers.

### BLOCK DIAGRAM



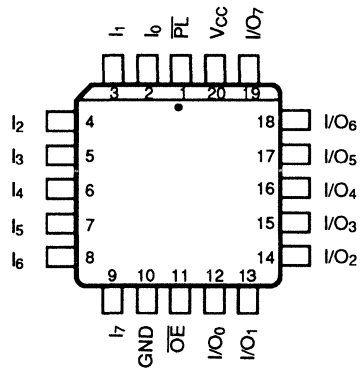
## CONNECTION DIAGRAMS

DIP



10232-002A

PLCC



**Note:**  
Pin 1 is marked for orientation.

10232-003A

2

### PIN DESIGNATIONS

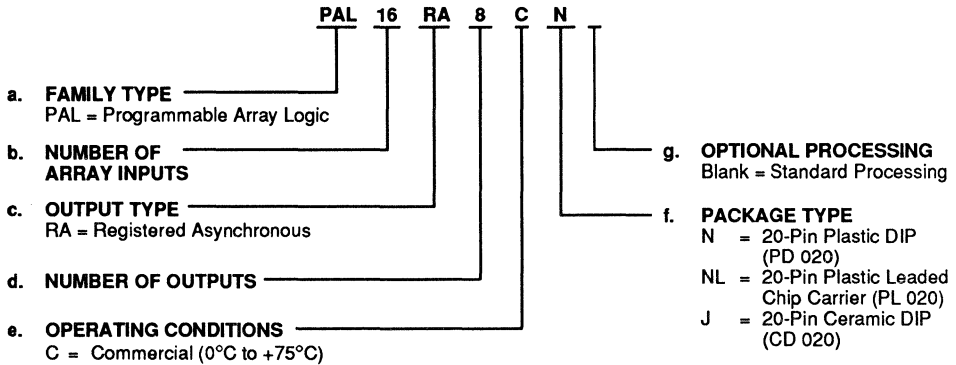
GND	Ground
I	Input
I/O	Input/Output
OE	Output Enable
PL	Preload
V <sub>CC</sub>	Supply Voltage

## ORDERING INFORMATION

### Commercial Products

AMD programmable logic products for commercial applications are available with several ordering options. The order number (Valid Combination) is formed by a combination of:

- a. Family Type
- b. Number of Array Inputs
- c. Output Type
- d. Number of Outputs
- e. Operating Conditions
- f. Package Type
- g. Optional Processing



Valid Combinations	
PAL16RA8	CN, CNL, CJ

#### Valid Combinations

The Valid Combinations table lists configurations planned to be supported in volume for this device. Consult the local AMD sales office to confirm availability of specific valid combinations, and to check on newly released combinations.

Note: Marked with MMI logo.

## FUNCTIONAL DESCRIPTION

The PAL16RA8 has eight dedicated input lines and eight programmable I/O macrocells. The Registered Asynchronous (RA) macrocell is shown in Figure 1. Pin 1 serves as global register preload and pin 11 serves as global output enable. Programmable output polarity is available to provide user-programmable output polarity for each individual macrocell.

The programmable functions in the PAL16RA8 are automatically configured from the user's design specification, which can be in a number of formats. The design specification is processed by development software to verify the design and create a programming file. This file, once downloaded to a programmer, configures the device according to the user's desired function.

### Programmable Preset and Reset

In each macrocell, two product lines are dedicated to asynchronous preset and asynchronous reset. If the preset product line is HIGH, the Q output of the register becomes logic 1. If the reset product line is HIGH, the Q output of the register becomes a logic 0. The operation of the programmable preset and reset overrides the clock.

### Combinatorial/Registered Outputs

If both the preset and reset product lines are HIGH, the flip-flop is bypassed (Bypass Mode) and the output becomes combinatorial. Otherwise, the output is from the register (Registered Mode). Each output can be configured to be combinatorial or registered.

### Programmable Clock

The clock input to each flop-flop comes from the programmable array, allowing any flip-flop to be clocked independently if desired.

### Three-State Outputs

The devices provide a product term dedicated to local output control. There is also a global output control pin. The output is enabled if both the global output control pin is LOW and the local output control product term is HIGH. If the global output control pin is HIGH, all outputs will be disabled. If the local output control product term is LOW, then that output will be disabled.

### Security Fuse

A security fuse is also provided to prevent unauthorized copying of PAL device patterns. Once the fuse is programmed, the circuitry enabling verification is permanently disabled, and the array will read as if every array fuse is programmed. With verification not operating, it is impossible to simply copy the PAL device pattern on a PAL device programmer.

2

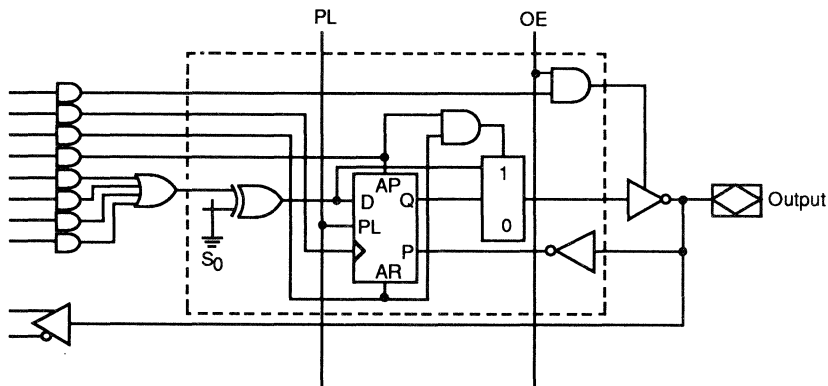


Figure 1. PAL16RA8 Macrocell

10232-004A

## Programmable Polarity

The outputs can be programmed either active-LOW or active-HIGH. This is represented by the Exclusive-OR gate shown in the PAL16RA8 logic diagram. When the output polarity fuse is programmed, the lower input to the Exclusive-OR gate is HIGH, so the output is active-HIGH. Similarly when the output polarity fuse is intact, the output is active-LOW. The programmable output polarity feature allows the user a higher degree of flexibility when writing equations.

## Programming

The PAL16RA8 can be programmed on standard logic programmers. Programmers approved by Advanced Micro Devices are listed in the Programmer Reference Guide.

## Register Preload

The register on the PAL16RA8 can be preloaded from the output pins to facilitate functional testing of complex

state machine designs. This feature allows direct loading of arbitrary states, making it unnecessary to cycle through long test vector sequences to reach a desired state. In addition, transitions from illegal states can be verified by loading illegal states and observing proper recovery. Register preload is controlled by a TTL-level signal, making it a convenient board-level initialization function.

## Quality and Testability

The PAL16RA8 offers a very high level of built-in quality. Extra programmable fuses provide a means of verifying performance of all AC and DC parameters. In addition, this verifies complete programmability and functionality of the device to provide the highest programming yields and post-programming functional yields in the industry.

## Technology

The PAL16RA8 is fabricated with AMD's junction-isolated process, utilizing TiW fuses.

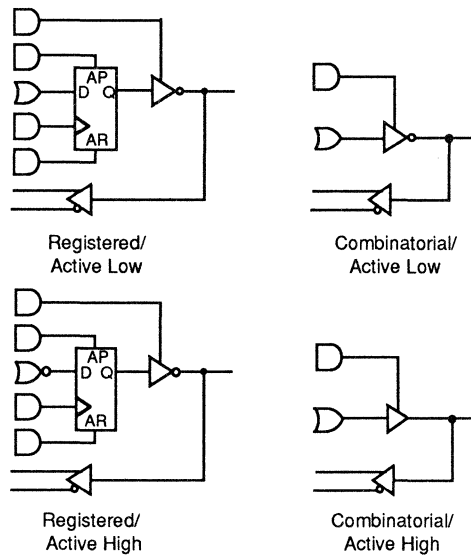
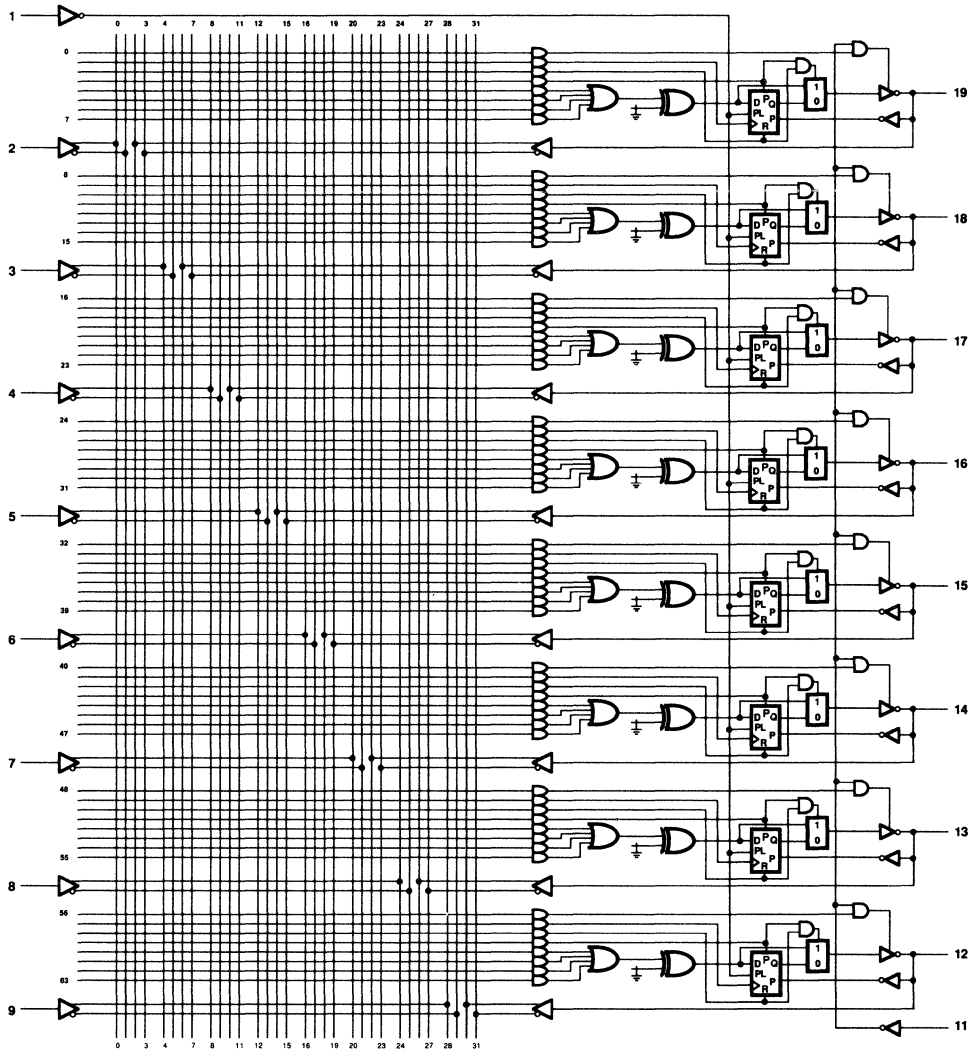


Figure 2. Macrocell Configurations

10232-005A

LOGIC DIAGRAM

PAL16RA8



2

## ABSOLUTE MAXIMUM RATINGS

Storage Temperature	-65°C to +150°C
Ambient Temperature with Power Applied	-55°C to +125°C
Supply Voltage with Respect to Ground	-0.5 V to +7.0 V
DC Input Voltage	-1.5 V to $V_{CC} + 0.5$ V
DC Output or I/O Pin Voltage	-0.5 V to $V_{CC} + 0.5$ V

## OPERATING RANGES

### Commercial (C) Devices

Ambient Temperature ( $T_A$ )	0°C to +75°C
Operating in Free Air	0°C to +75°C
Supply Voltage ( $V_{CC}$ ) with Respect to Ground	+4.75 V to +5.25 V

*Operating ranges define those limits between which the functionality of the device is guaranteed.*

*Stresses above those listed under Absolute Maximum Ratings may cause permanent device failure. Functionality at or above these limits is not implied. Exposure to Absolute Maximum Ratings for extended periods may affect device reliability. Programming conditions may differ.*

## DC CHARACTERISTICS over COMMERCIAL operating ranges unless otherwise specified

Parameter Symbol	Parameter Description	Test Conditions	Min.	Max.	Unit
$V_{OH}$	Output HIGH Voltage	$I_{OH} = -3.2$ mA $V_{IN} = V_{IH}$ or $V_{IL}$ $V_{CC} = \text{Min.}$	2.4		V
$V_{OL}$	Output LOW Voltage	$I_{OL} = 8$ mA $V_{IN} = V_{IH}$ or $V_{IL}$ $V_{CC} = \text{Min.}$		0.5	V
$V_{IH}$	Input HIGH Voltage	Guaranteed Input Logical HIGH Voltage for all Inputs (Note 1)	2.0		V
$V_{IL}$	Input LOW Voltage	Guaranteed Input Logical LOW Voltage for all Inputs (Note 1)		0.8	V
$V_I$	Input Clamp Voltage	$I_{IN} = -18$ mA, $V_{CC} = \text{Min.}$		-1.5	V
$I_{IH}$	Input HIGH Current	$V_{IN} = 2.4$ V, $V_{CC} = \text{Max.}$ (Note 2)		25	$\mu$ A
$I_{IL}$	Input LOW Current	$V_{IN} = 0.4$ V, $V_{CC} = \text{Max.}$ (Note 2)		-250	$\mu$ A
$I_I$	Maximum Input Current	$V_{IN} = 5.5$ V, $V_{CC} = \text{Max.}$		100	$\mu$ A
$I_{OZH}$	Off-State Output Leakage Current HIGH	$V_{OUT} = 2.4$ V, $V_{CC} = \text{Max.}$ $V_{IN} = V_{IH}$ or $V_{IL}$ (Note 2)		100	$\mu$ A
$I_{OZL}$	Off-State Output Leakage Current LOW	$V_{OUT} = 0.4$ V, $V_{CC} = \text{Max.}$ $V_{IN} = V_{IH}$ or $V_{IL}$ (Note 2)		-100	$\mu$ A
$I_{SC}$	Output Short-Circuit Current	$V_{OUT} = 0.5$ V, $V_{CC} = \text{Max.}$ (Note 3)	-30	-130	mA
$I_{CC}$	Supply Current	$V_{IN} = 0$ V, Outputs Open ( $I_{OUT} = 0$ mA) $V_{CC} = \text{Max.}$		170	mA

### Notes:

1. These are absolute values with respect to device ground and all overshoots due to system and/or tester noise are included.
2. I/O pin leakage is the worst case of  $I_{IL}$  and  $I_{OZL}$  (or  $I_{IH}$  and  $I_{OZH}$ ).
3. Not more than one output should be tested at a time. Duration of the short-circuit should not exceed one second.  $V_{OUT} = 0.5$  V has been chosen to avoid test problems caused by tester ground degradation.

## SWITCHING CHARACTERISTICS over COMMERCIAL operating ranges (Note 1)

Parameter Symbol	Parameter Description		Min. (Note 2)	Max.	Unit
t <sub>PD</sub>	Input or Feedback to Combinatorial Output	Active Low		30	ns
		Active High		35	ns
t <sub>S</sub>	Setup Time from Input or Feedback to Clock		20		ns
t <sub>H</sub>	Hold Time	Active Low	10		ns
		Active High	0		ns
t <sub>CO</sub>	Clock to Output or Feedback		10	30	ns
t <sub>AP</sub>	Asynchronous Preset to Registered Output			35	ns
t <sub>APW</sub>	Asynchronous Preset Width		20		ns
t <sub>AR</sub>	Asynchronous Reset to Registered Output			40	ns
t <sub>ARW</sub>	Asynchronous Reset Width		20		ns
t <sub>WL</sub>	Clock Width	LOW	20		ns
		HIGH	20		ns
f <sub>MAX</sub>	Maximum Frequency (Note 3)	External Feedback	1/(t <sub>S</sub> + t <sub>CO</sub> )	20	MHz
		No Feedback	1/(t <sub>WH</sub> + t <sub>WL</sub> )	25	MHz
t <sub>PZX</sub>	$\overline{OE}$ to Output Enable			20	ns
t <sub>PXZ</sub>	$\overline{OE}$ to Output Disable			20	ns
t <sub>EA</sub>	Input to Output Enable Using Product Term Control			30	ns
t <sub>ER</sub>	Input to Output Disable Using Product Term Control			30	ns

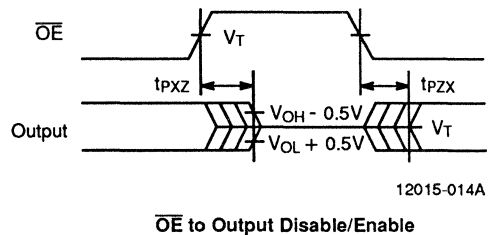
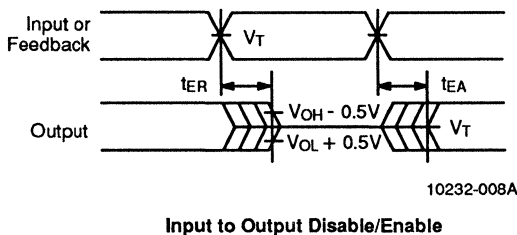
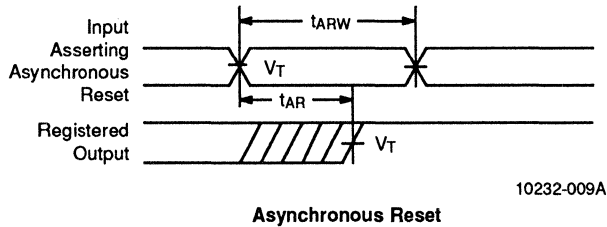
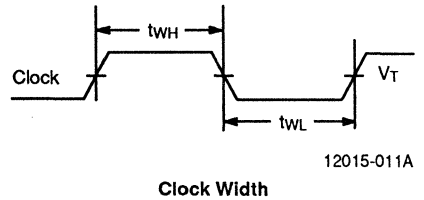
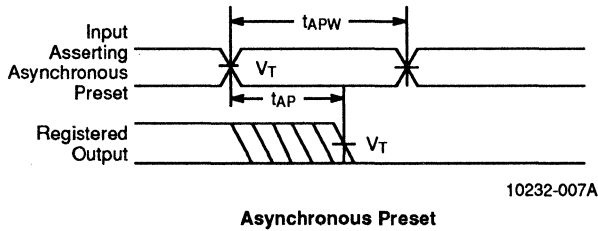
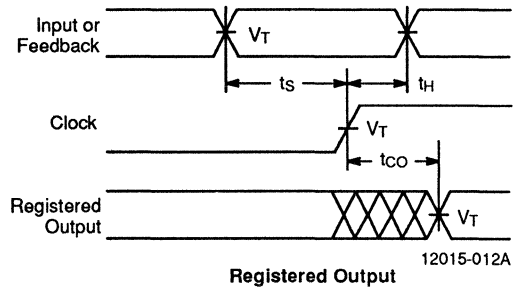
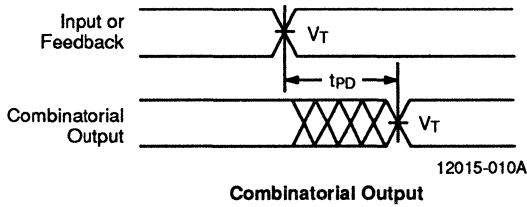
### Notes:

1. See Switching Test Circuit for test conditions.
2. Output delay minimums are measured under best-case conditions.
3. These parameters are not 100% tested, but are calculated at initial characterization and at any time the design is modified where frequency may be affected.

**2**






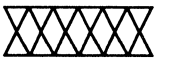
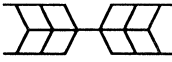
## SWITCHING WAVEFORMS



### Notes:

1.  $V_T = 1.5 V$
2. Input pulse amplitude 0 V to 3.0 V
3. Input rise and fall times 2–5 ns typical.

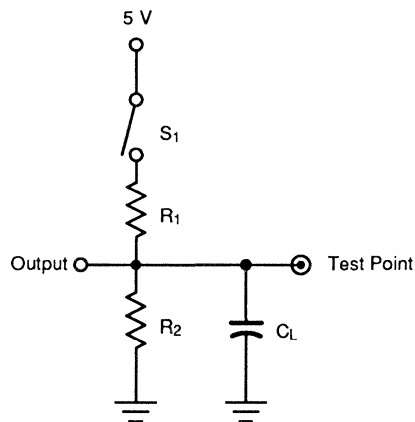
## KEY TO SWITCHING WAVEFORMS

WAVEFORM	INPUTS	OUTPUTS
	Must be Steady	Will be Steady
	May Change from H to L	Will be Changing from H to L
	May Change from L to H	Will be Changing from L to H
	Don't Care; Any Change Permitted	Changing, State Unknown
	Does Not Apply	Center Line is High-Impedance "Off" State

KS000010-PAL

2

## SWITCHING TEST CIRCUIT

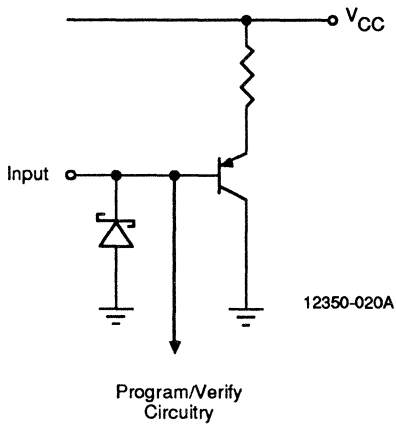


12350-019A

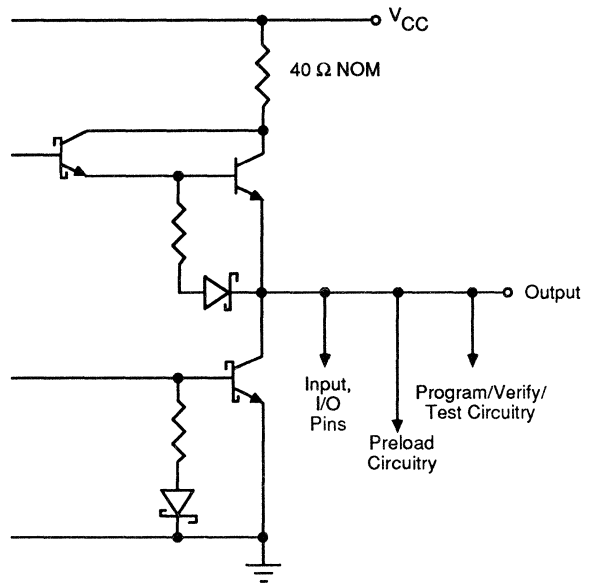
Specification	S <sub>1</sub>	C <sub>L</sub>	R <sub>1</sub>	R <sub>2</sub>	Measured Output Value
t <sub>PD</sub> , t <sub>CO</sub>	Closed	50 pF	560 Ω	1.1 kΩ	1.5 V
t <sub>PZX</sub> , t <sub>EA</sub>	Z → H: Open Z → L: Closed				1.5 V
t <sub>PXZ</sub> , t <sub>ER</sub>	H → Z: Open L → Z: Closed	5 pF			H → Z: V <sub>OH</sub> - 0.5 V L → Z: V <sub>OL</sub> + 0.5 V

# INPUT/OUTPUT EQUIVALENT SCHEMATICS

Typical Input



Typical Output

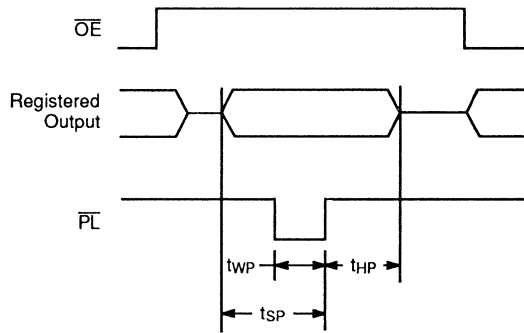


## OUTPUT REGISTER PRELOAD

The preload function allows the register to be loaded from the output pins. This feature aids functional testing of sequential designs by allowing direct setting of output states. The procedure for preloading follows.

1. Set  $\overline{OE}$  to  $V_{IHP}$  to disable output registers.
2. Apply either  $V_{IHP}$  or  $V_{ILP}$  to all registered outputs. Leave combinatorial outputs floating.
3. Pulse  $\overline{PL}$  from  $V_{IHP}$  to  $V_{ILP}$  to  $V_{IHP}$ .
4. Remove  $V_{ILP}/V_{IHP}$  from all registered output pins.
5. Lower  $\overline{OE}$  to  $V_{ILP}$  to enable the output registers.
6. Verify  $V_{OL}/V_{OH}$  at all registered output pins. Note that because of the output inverter, a register that has been preloaded HIGH will provide a LOW at the output.

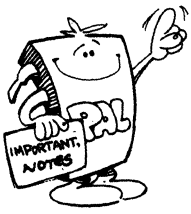
Parameter Symbol	Parameter Description	Min.	Rec.	Max.	Unit
$V_{ILP}$	Low-level input voltage	0	0	0.5	V
$V_{IHP}$	High-level input voltage	2.4	5.0	5.5	V
$t_{SP}$	Preload setup time	25			ns
$t_{WP}$	Preload pulse width	35			ns
$t_{HP}$	Preload hold time	25			ns



10232-010A

Output Register Preload Waveform

2





# PALCE16V8

## EE CMOS 20-Pin Universal Programmable Array Logic

### DISTINCTIVE CHARACTERISTICS

- Pin, function and fuse-map compatible with all 20-pin GAL<sup>®</sup> devices
- Electrically erasable CMOS technology provides reconfigurable logic and full testability
- High speed CMOS technology
  - 10 ns propagation delay for “-10” version
  - 15 ns propagation delay for “-15” version
  - 25 ns propagation delay for “-25” version
- Direct plug-in replacement for the PAL16R8 series and most of the PAL10H8 series
- Outputs programmable as registered or combinatorial in any combination
- Programmable output polarity
- Programmable enable/disable control
- Preloadable output registers for testability
- Automatic register reset on power up
- Cost-effective 20-pin plastic DIP and PLCC packages
- Programmable on standard device programmers
- Supported by PALASM<sup>®</sup> software
- Fully tested for 100% programming and functional yields and high reliability

**2**

### GENERAL DESCRIPTION

The PALCE16V8 is an advanced PAL<sup>®</sup> device built with low-power, high-speed, electrically-erasable CMOS technology. It is functionally compatible with all 20-pin GAL devices. The macrocells provide a universal device architecture. The PALCE16V8 will directly replace the PAL16R8 and PAL10H8 series devices, with the exception of the PAL16C1.

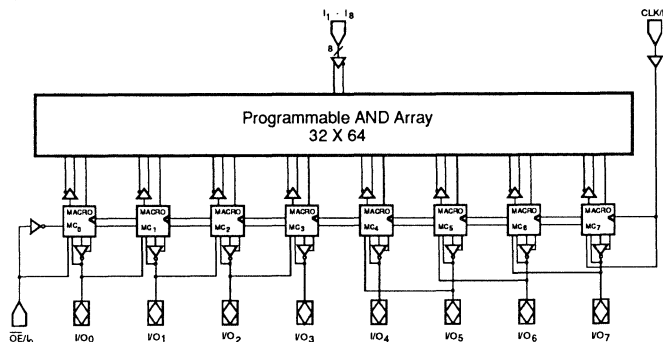
Device logic is automatically configured according to the user's design specification. Design is simplified by PALASM design software, allowing automatic creation of a programming file based on Boolean or state equations. PALASM software also verifies the design and can provide test vectors for the finished device. Programming can be accomplished on standard PAL device programmers.

The PALCE16V8 utilizes the familiar sum-of-products

(AND/OR) architecture that allows users to implement complex logic functions easily and efficiently. Multiple levels of combinatorial logic can always be reduced to sum-of-products form, taking advantage of the very wide input gates available in PAL devices. The equations are programmed into the device through floating-gate cells in the AND logic array that can be erased electrically.

The fixed OR array allows up to eight data product terms per output for logic functions. The sum of these products feeds the output macrocell. Each macrocell can be programmed as registered or combinatorial with an active-high or active-low output. The output configuration is determined by two global bits and one local bit controlling four multiplexers in each macrocell.

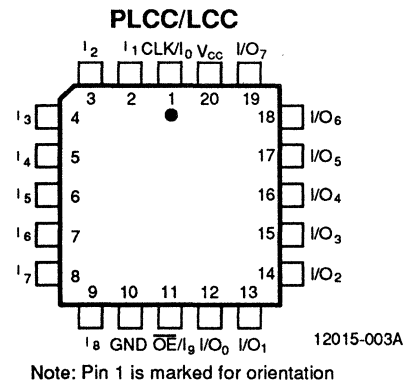
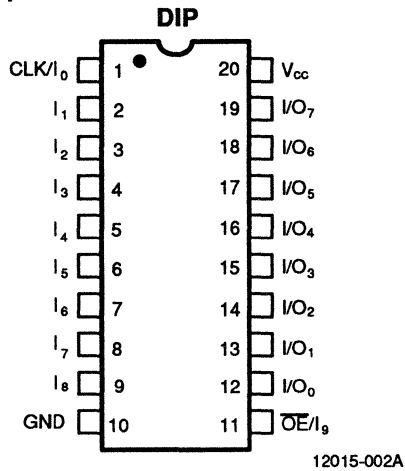
### BLOCK DIAGRAM



12467-001A

## CONNECTION DIAGRAMS

### Top View



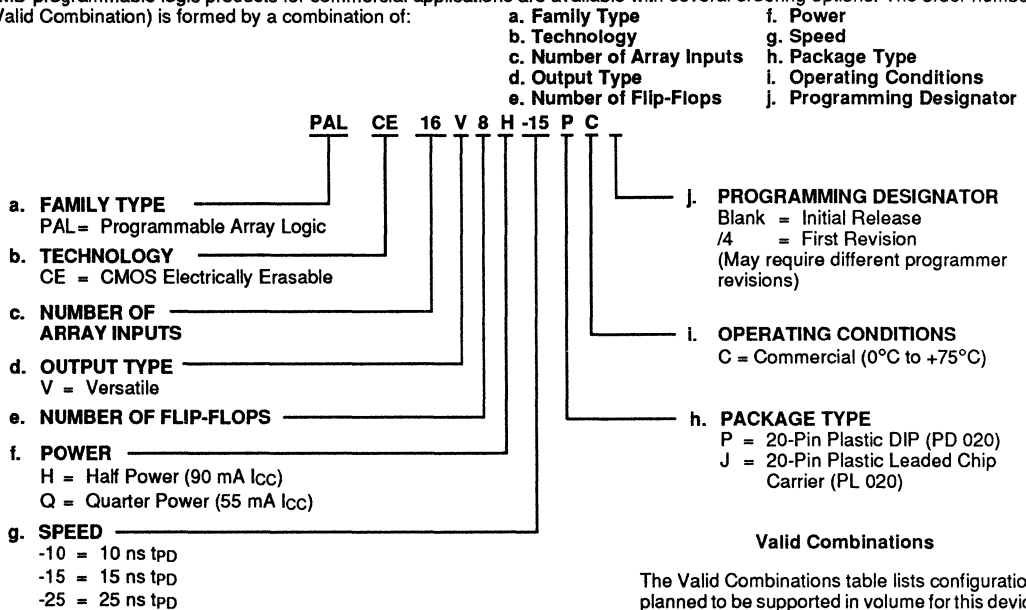
### PIN DESIGNATIONS

CLK = Clock  
 GND = Ground  
 I = Input  
 I/O = Input/Output  
 OE = Output Enable  
 V<sub>cc</sub> = Supply Voltage

## ORDERING INFORMATION

### Commercial Products

AMD programmable logic products for commercial applications are available with several ordering options. The order number (Valid Combination) is formed by a combination of:



Valid Combinations		
PALCE16V8H-10	PC, JC	Blank, /4
PALCE16V8H-15		
PALCE16V8H-25		
PALCE16V8Q-15		
PALCE16V8Q-25		

### Valid Combinations

The Valid Combinations table lists configurations planned to be supported in volume for this device. Consult the local AMD sales office to confirm availability of specific valid combinations, to check on newly released combinations, and to obtain additional data on AMD's standard military grade products.

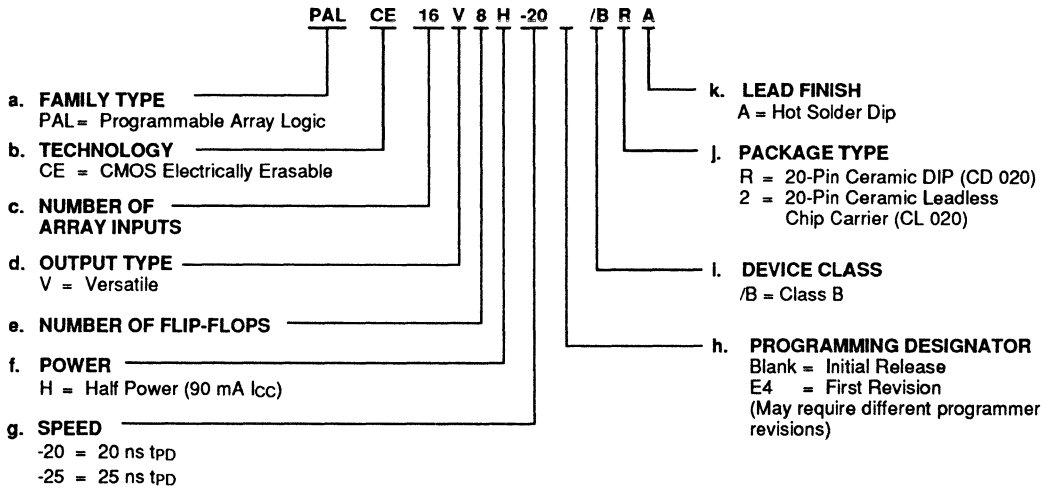
Note: Marked with AMD logo.

## ORDERING INFORMATION

### APL Products

AMD programmable logic products for Aerospace and Defense applications are available with several ordering options. APL (Approved Products List) products are fully compliant with MIL-STD-883 requirements. The order number (Valid Combination) is formed by a combination of:

- |                           |                           |
|---------------------------|---------------------------|
| a. Family Type            | f. Power                  |
| b. Technology             | g. Speed                  |
| c. Number of Array Inputs | h. Programming Designator |
| d. Output Type            | i. Device Class           |
| e. Number of Flip-Flops   | j. Package Type           |
|                           | k. Lead Finish            |



**2**

Valid Combinations		
PALCE16V8H-20	Blank, E4	/BRA, /B2A
PALCE16V8H-25		

#### Valid Combinations

The Valid Combinations table lists configurations planned to be supported in volume for this device. Consult the local AMD sales office to confirm availability of specific valid combinations, to check on newly released combinations and to obtain additional data on AMD's standard military grade products.

Note: Marked with AMD logo.

#### Group A Tests

Group A tests consist of subgroups 1, 2, 3, 7, 8, 9, 10 and 11.

#### Military Burn-in

Military burn-in is in accordance with the current revision of MIL-STD-883, Test Method 1015, Conditions A through E. Test conditions are selected at AMD's option.



## FUNCTIONAL DESCRIPTION

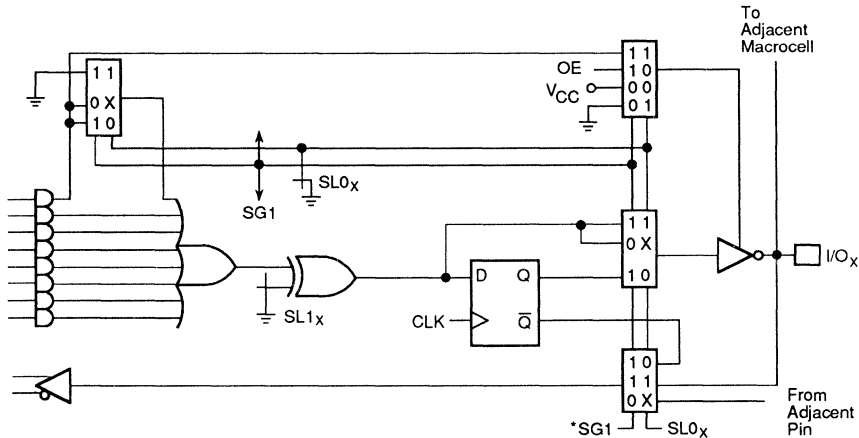
The PALCE16V8 is a universal PAL device. It has eight independently configurable macrocells ( $MC_0$ – $MC_7$ ). Each macrocell can be configured as registered output, combinatorial output, combinatorial I/O or dedicated input. The programming matrix implements a programmable AND logic array, which drives a fixed OR logic array. Buffers for device inputs have complementary outputs to provide user-programmable input signal polarity. Pins 1 and 11 serve either as array inputs or as clock (CLK) and output enable ( $\overline{OE}$ ), respectively, for all flip-flops.

Unused input pins should be tied directly to  $V_{CC}$  or GND. Product terms with all bits unprogrammed (disconnected) assume the logical HIGH state and product terms with both true and complement of any input signal connected assume a logical LOW state.

The programmable functions on the PALCE16V8 are automatically configured from the user's design specification,

which can be in a number of formats. The design specification is processed by development software to verify the design and create a programming file. This file, once downloaded to a programmer, configures the device according to the user's desired function.

The user is given two design options with the PALCE16V8. First, it can be programmed as a standard PAL device from the PAL16R8 and PAL10H8 series. The PAL programmer manufacturer will supply device codes for the standard PAL device architectures to be used with the PALCE16V8. The programmer will program the PALCE16V8 in the corresponding architecture. This allows the user to use existing standard PAL device JEDEC files without making any changes to them. Alternatively, the device can be programmed as a PALCE16V8. Here the user must use the PALCE16V8 device code. This option allows full utilization of the macrocell.



\*In macrocells  $MC_0$  and  $MC_7$ , SG1 is replaced by  $\overline{SG_0}$  on the feedback multiplexer.

12015-004B

PALCE16V8 Macrocell

## Configuration Options

Each macrocell can be configured as one of the following: registered output, combinatorial output, combinatorial I/O, or dedicated input. In the registered output configuration, the output buffer is enabled by the  $\overline{OE}$  pin. In the combinatorial configuration, the buffer is either controlled by a product term or always enabled. In the dedicated input configuration, it is always disabled. With the exception of  $MC_0$  and  $MC_7$ , a macrocell configured as a dedicated input derives the input signal from an adjacent I/O.  $MC_0$  derives its input from pin 11 ( $\overline{OE}$ ) and  $MC_7$  from pin 1 (CLK).

The macrocell configurations are controlled by the configuration control word. It contains 2 global bits ( $SG_0$  and  $SG_1$ ) and 16 local bits ( $SL_{0_0}$  through  $SL_{0_7}$  and  $SL_{1_0}$  through  $SL_{1_7}$ ).  $SG_0$  determines whether registers will be allowed.  $SG_1$  determines whether the PALCE16V8 will emulate a PAL16R8 family or a PAL10H8 family device. Within each macrocell,  $SL_{0_x}$ , in conjunction with  $SG_1$ , selects the configuration of the macrocell, and  $SL_{1_x}$  sets the output as either active low or active high for the individual macrocell.

The configuration bits work by acting as control inputs for the multiplexers in the macrocell. There are four multiplexers: a product term input, an enable select, an output select, and a feedback select multiplexer.  $SG_1$  and  $SL_{0_x}$  are the control signals for all four multiplexers. In  $MC_0$  and  $MC_7$ ,  $\overline{SG_0}$  replaces  $SG_1$  on the feedback multiplexer. This accommodates CLK being the adjacent pin for  $MC_7$  and  $\overline{OE}$  the adjacent pin for  $MC_0$ .

## Registered Output Configuration

The control bit settings are  $SG_0 = 0$ ,  $SG_1 = 1$  and  $SL_{0_x} = 0$ . There is only one registered configuration. All eight product terms are available as inputs to the OR gate. Data polarity is determined by  $SL_{1_x}$ . The flip-flop is loaded on the LOW-to-HIGH transition of CLK. The feedback path is from  $\overline{Q}$  on the register. The output buffer is enabled by  $\overline{OE}$ .

## Combinatorial Configurations

The PALCE16V8 has three combinatorial output configurations: dedicated output in a non-registered device, I/O in a non-registered device and I/O in a registered device.

## Dedicated Output In a Non-Registered Device

The control bit settings are  $SG_0 = 1$ ,  $SG_1 = 0$  and  $SL_{0_x} = 0$ . All eight product terms are available to the OR gate. Because the macrocell is a dedicated output, the feedback is not used. Because CLK and  $\overline{OE}$  are not used in a non-registered device, pins 1 and 11 are available as input signals. Pin 1 will use the feedback path of  $MC_7$  and pin 11 will use the feedback path of  $MC_0$ .

## Combinatorial I/O In a Non-Registered Device

The control bit settings are  $SG_0 = 1$ ,  $SG_1 = 1$ , and  $SL_{0_x} = 1$ . Only seven product terms are available to the OR gate. The eighth product term is used to enable the output buffer. The signal at the I/O pin is fed back to the AND array via the feedback multiplexer. This allows the pin to be used as an input.

Because CLK and  $\overline{OE}$  are not used in a non-registered device, pins 1 and 11 are available as inputs. Pin 1 will use the feedback path of  $MC_7$  and pin 11 will use the feedback path of  $MC_0$ .

## Combinatorial I/O in a Registered Device

The control bit settings are  $SG_0 = 0$ ,  $SG_1 = 1$  and  $SL_{0_x} = 1$ . Only seven product terms are available to the OR gate. The eighth product term is used as the output enable. The feedback signal is the corresponding I/O signal.

## Dedicated Input Configuration

The control bit settings are  $SG_0 = 1$ ,  $SG_1 = 0$  and  $SL_{0_x} = 1$ . The output buffer is disabled. Except for  $MC_0$  and  $MC_7$  the feedback signal is an adjacent I/O. For  $MC_0$  and  $MC_7$  the feedback signals are pins 1 and 11. These configurations are summarized in Table 1 and illustrated in Figure 2.

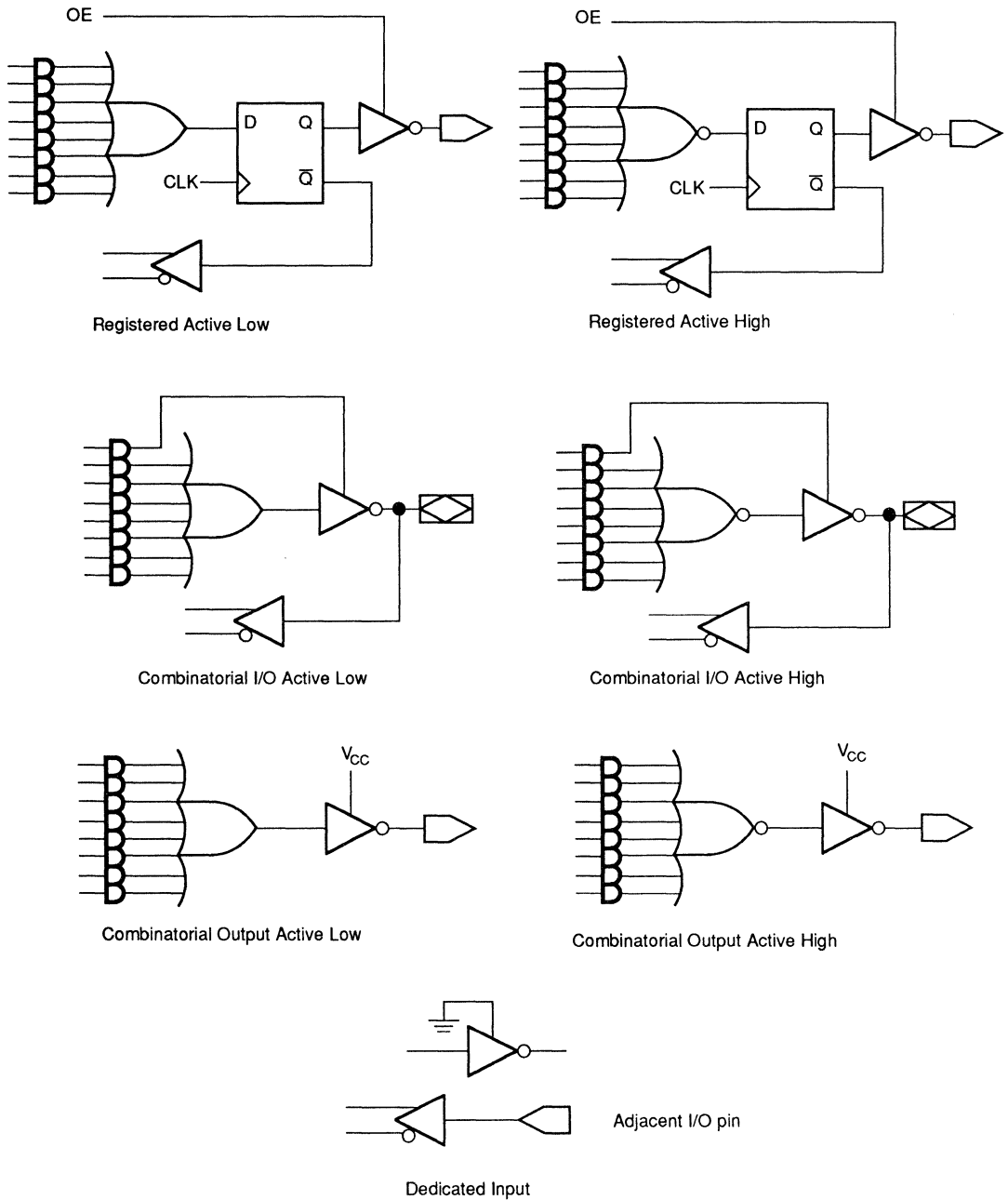
Table 1. Macrocell Configuration

SG0	SG1	SL0 <sub>x</sub>	Cell Configuration	Devices Emulated
<b>Device Uses Registers</b>				
0	1	0	Registered Output	PAL16R8, 16R6, 16R4
0	1	1	Combinatorial I/O	PAL16R6, 16R4
<b>Device Uses No Registers</b>				
1	0	0	Combinatorial Output	PAL10H8, 12H6, 14H4, 16H2, 10L8, 12L6, 14L4, 16L2
1	0	1	Dedicated Input	PAL12H6, 14H4, 16H2, 12L6, 14L4, 16L2
1	1	1	Combinatorial I/O	PAL16L8

## Programmable Output Polarity

The polarity of each macrocell can be active-high or active-low, either to match output signal needs or to reduce product terms. Programmable polarity allows Boolean expressions to be written in their most compact form (true or inverted), and the output can still be of the desired polarity. It can also save "DeMorganizing" efforts.

Selection is through a programmable bit  $SL_{1_x}$  which controls an exclusive-OR gate at the output of the AND/OR logic. The output is active high if  $SL_{1_x}$  is 1 and active low if  $SL_{1_x}$  is 0.



12015-005A

Figure 2. Macrocell Configurations

---

## Power-Up Reset

All flip-flops power up to a logic LOW for predictable system initialization. Outputs of the PALCE16V8 will depend on whether they are selected as registered or combinatorial. If registered is selected, the output will be HIGH. If combinatorial is selected, the output will be a function of the logic.

## Register Preload

The register on the PALCE16V8 can be preloaded from the output pins to facilitate functional testing of complex state machine designs. This feature allows direct loading of arbitrary states, making it unnecessary to cycle through long test vector sequences to reach a desired state. In addition, transitions from illegal states can be verified by loading illegal states and observing proper recovery.

## Security Bit

A security bit is provided on the PALCE16V8 as a deterrent to unauthorized copying of the array configuration patterns. Once programmed, this bit defeats readback

of the programmed pattern by a device programmer, securing proprietary designs from competitors. However, programming and verification are also defeated by the security bit. The bit can only be erased in conjunction with the array during an erase cycle.

## Electronic Signature Word

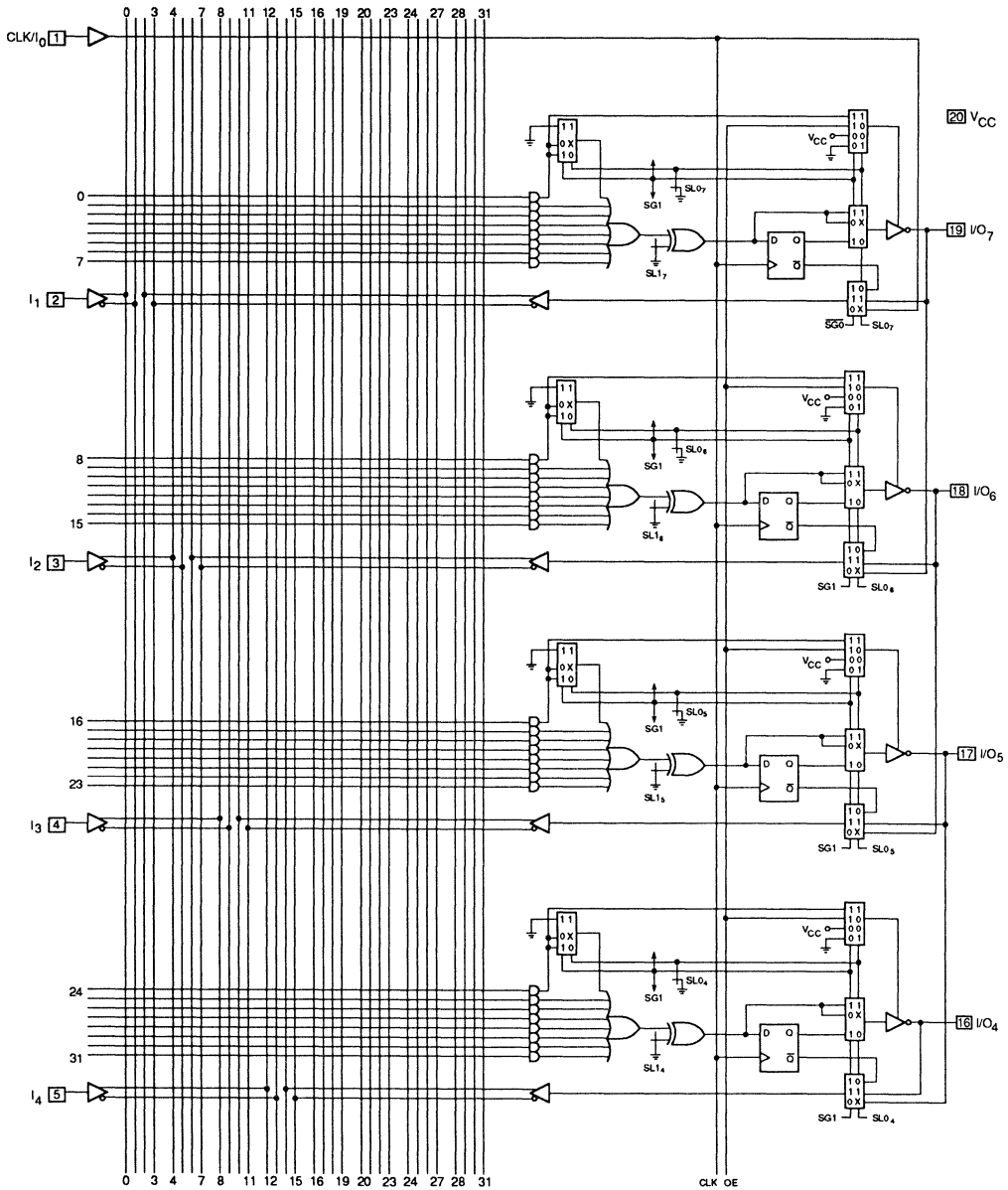
An electronic signature word is provided in the PALCE16V8 device. It consists of 64 bits of programmable memory that can contain user-defined data. The signature data is always available to the user independent of the security bit.

## Programming and Erasing

The PALCE16V8 can be programmed on standard logic programmers. Approved programmers are listed in the Programmer Reference Guide.

The PALCE16V8 may be erased to reset a previously configured device back to its virgin state. Erasure is automatically performed by the programming hardware. No special erase operation is required.

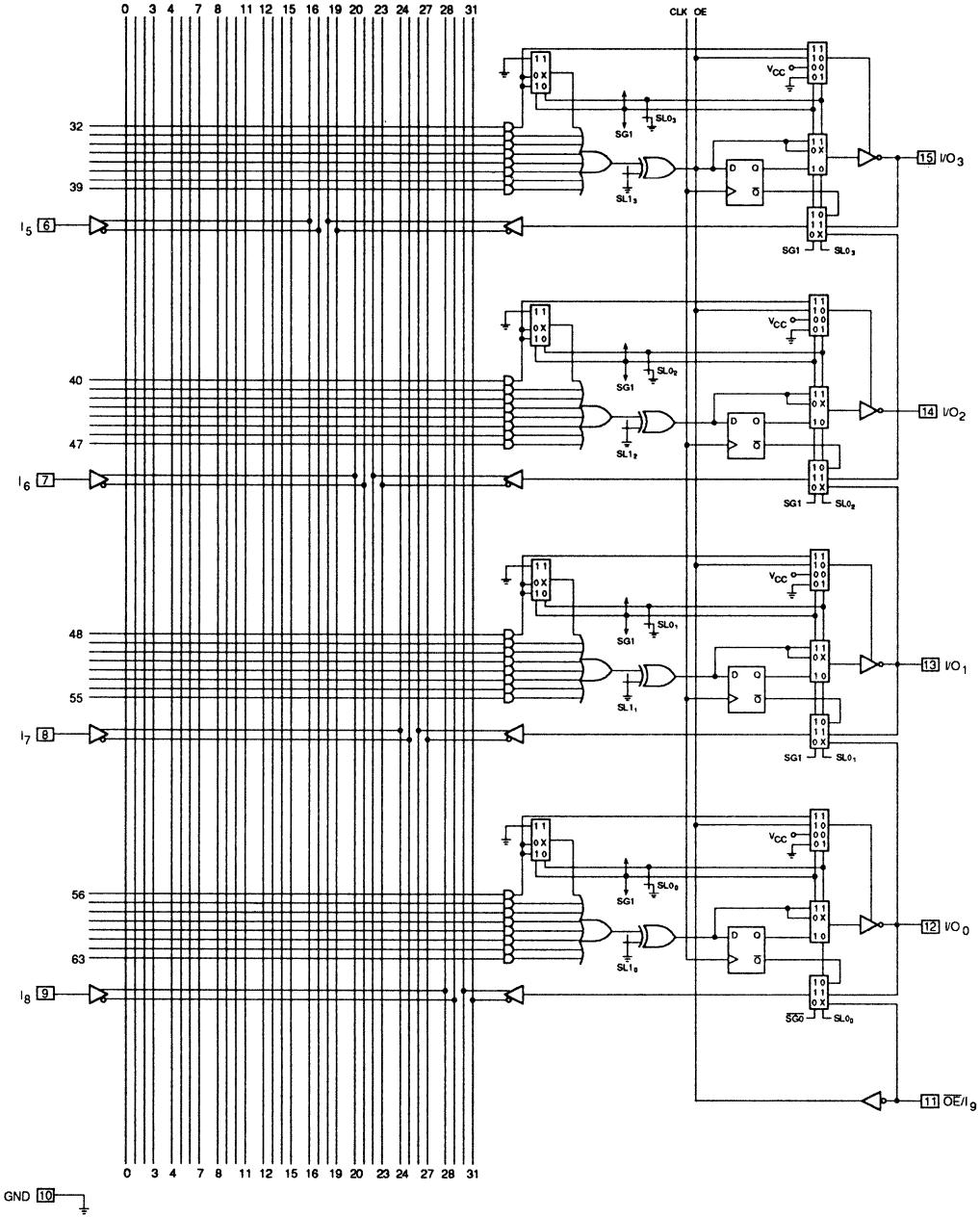
# LOGIC DIAGRAM



12015-009A

Figure 6. PALCE16V8 Logic Diagram

# LOGIC DIAGRAM (Continued)



2

Figure 6. PALCE16V8 Logic Diagram

12015-009A  
Concluded

## ABSOLUTE MAXIMUM RATINGS

Storage Temperature	-65°C to +150°C
Ambient Temperature with Power Applied	-55°C to +125°C
Supply Voltage with Respect to Ground	-0.5 V to +7.0 V
DC Input Voltage	-0.5 V to $V_{CC} + 0.5$ V
DC Output or I/O Pin Voltage	-0.5 V to $V_{CC} + 0.5$ V
Static Discharge Voltage	2001 V
Latchup Current ( $T_A = 0^\circ\text{C}$ to $+75^\circ\text{C}$ )	100 mA

Stresses above those listed under Absolute Maximum Ratings may cause permanent device failure. Functionality at or above these limits is not implied. Exposure to Absolute Maximum Ratings for extended periods may affect device reliability. Programming conditions may differ.

## OPERATING RANGES

### Commercial (C) Devices

Temperature ( $T_A$ ) Operating in Free Air	0°C to +75°C
Supply Voltage ( $V_{CC}$ ) with Respect to Ground	+4.75 V to +5.25 V

Operating ranges define those limits between which the functionality of the device is guaranteed.

## DC CHARACTERISTICS over COMMERCIAL operating ranges unless otherwise specified

Parameter Symbol	Parameter Description	Test Conditions	Min.	Max.	Unit
$V_{OH}$	Output HIGH Voltage	$I_{OH} = -3.2$ mA $V_{IN} = V_{IH}$ or $V_{IL}$ $V_{CC} = \text{Min.}$	2.4		V
$V_{OL}$	Output LOW Voltage	$I_{OL} = 24$ mA $V_{IN} = V_{IH}$ or $V_{IL}$ $V_{CC} = \text{Min.}$		0.5	V
$V_{IH}$	Input HIGH Voltage	Guaranteed Input Logical HIGH Voltage for all Inputs (Note 1)	2.0		V
$V_{IL}$	Input LOW Voltage	Guaranteed Input Logical LOW Voltage for all Inputs (Note 1)		0.8	V
$I_{IH}$	Input HIGH Leakage Current	$V_{IN} = 5.25$ V, $V_{CC} = \text{Max.}$ (Note 2)		10	$\mu\text{A}$
$I_{IL}$	Input LOW Leakage Current	$V_{IN} = 0$ V, $V_{CC} = \text{Max.}$ (Note 2)		-10	$\mu\text{A}$
$I_{OZH}$	Off-State Output Leakage Current HIGH	$V_{OUT} = 5.25$ V, $V_{CC} = \text{Max.}$ $V_{IN} = V_{IH}$ or $V_{IL}$ (Note 2)		10	$\mu\text{A}$
$I_{OZL}$	Off-State Output Leakage Current LOW	$V_{OUT} = 0$ V, $V_{CC} = \text{Max.}$ $V_{IN} = V_{IH}$ or $V_{IL}$ (Note 2)		-10	$\mu\text{A}$
$I_{SC}$	Output Short-Circuit Current	$V_{OUT} = 0.5$ V, $V_{CC} = \text{Max.}$ (Note 3)	-30	-130	mA
$I_{CC}$	Supply Current	$V_{IN} = 0$ V, Outputs Open ( $I_{OUT} = 0$ mA) $V_{CC} = \text{Max.}$ , $f = 15$ MHz		90	mA

### Notes:

1. These are absolute values with respect to device ground and all overshoots due to system or tester noise are included.
2. I/O pin leakage is the worst case of  $I_{IL}$  and  $I_{OZL}$  (or  $I_{IH}$  and  $I_{OZH}$ ).
3. Not more than one output should be shorted at a time and duration of the short-circuit should not exceed one second.  $V_{OUT} = 0.5$  V has been chosen to avoid test problems caused by tester ground degradation.

## CAPACITANCE (Note 1)

Parameter Symbol	Parameter Description	Test Conditions		Typ.	Unit
C <sub>IN</sub>	Input Capacitance	V <sub>IN</sub> = 2.0 V	V <sub>CC</sub> = 5.0 V, T <sub>A</sub> = 25°C, f = 1 MHz	5	pF
C <sub>OUT</sub>	Output Capacitance	V <sub>OUT</sub> = 2.0 V		8	pF

### Note:

1. These parameters are not 100% tested, but are evaluated at initial characterization and at any time the design is modified where capacitance may be affected.

## SWITCHING CHARACTERISTICS over COMMERCIAL operating ranges (Note 2)

Parameter Symbol	Parameter Description	-10		Unit
		Min.	Max.	
t <sub>PD</sub>	Input or Feedback to Combinatorial Output		10	ns
t <sub>S</sub>	Setup Time from Input or Feedback to Clock	10		
t <sub>H</sub>	Hold Time	0		ns
t <sub>CO</sub>	Clock to Output		8	ns
t <sub>CF</sub>	Clock to Feedback (Note 3)			ns
t <sub>WL</sub>	Clock Width	LOW	8	ns
t <sub>WH</sub>		HIGH	8	ns
f <sub>MAX</sub>	Maximum Frequency (Note 4)	External Feedback 1/(t <sub>S</sub> +t <sub>CO</sub> )	55.5	MHz
		Internal Feedback 1/(t <sub>S</sub> +t <sub>CF</sub> )		MHz
		No Feedback 1/(t <sub>WH</sub> +t <sub>WL</sub> )	62.5	MHz
t <sub>PZX</sub>	$\overline{OE}$ to Output Enable		10	ns
t <sub>PXZ</sub>	$\overline{OE}$ to Output Disable		10	ns
t <sub>EA</sub>	Input to Output Enable Using Product Term Control		10	ns
t <sub>ER</sub>	Input to Output Disable Using Product Term Control		10	ns

### Notes:

2. See Switching Test Circuit for test conditions.
3. Calculated from measured f<sub>MAX</sub> internal.
4. These parameters are not 100% tested, but are calculated at initial characterization and at any time the design is modified where frequency may be affected.

2



**ABSOLUTE MAXIMUM RATINGS**

Storage Temperature	-65°C to +150°C
Ambient Temperature with Power Applied	-55°C to +125°C
Supply Voltage with Respect to Ground	-0.5 V to +7.0 V
DC Input Voltage	-0.5 V to $V_{CC} + 0.5$ V
DC Output or I/O Pin Voltage	-0.5 V to $V_{CC} + 0.5$ V
Static Discharge Voltage	2001 V
Latchup Current ( $T_A = 0^\circ\text{C}$ to $+75^\circ\text{C}$ )	100 mA

Stresses above those listed under Absolute Maximum Ratings may cause permanent device failure. Functionality at or above these limits is not implied. Exposure to Absolute Maximum Ratings for extended periods may affect device reliability. Programming conditions may differ.

**OPERATING RANGES****Commercial (C) Devices**

Temperature ( $T_A$ ) Operating in Free Air	0°C to +75°C
Supply Voltage ( $V_{CC}$ ) with Respect to Ground	+4.75 V to +5.25 V

Operating ranges define those limits between which the functionality of the device is guaranteed.

**DC CHARACTERISTICS over COMMERCIAL operating ranges unless otherwise specified**

Parameter Symbol	Parameter Description	Test Conditions	Min.	Max.	Unit
$V_{OH}$	Output HIGH Voltage	$I_{OH} = -3.2$ mA $V_{IN} = V_{IH}$ or $V_{IL}$ $V_{CC} = \text{Min.}$	2.4		V
$V_{OL}$	Output LOW Voltage	$I_{OL} = 24$ mA $V_{IN} = V_{IH}$ or $V_{IL}$ $V_{CC} = \text{Min.}$		0.5	V
$V_{IH}$	Input HIGH Voltage	Guaranteed Input Logical HIGH Voltage for all Inputs (Note 1)	2.0		V
$V_{IL}$	Input LOW Voltage	Guaranteed Input Logical LOW Voltage for all Inputs (Note 1)		0.8	V
$I_{IH}$	Input HIGH Leakage Current	$V_{IN} = 5.25$ V, $V_{CC} = \text{Max.}$ (Note 2)		10	$\mu\text{A}$
$I_{IL}$	Input LOW Leakage Current	$V_{IN} = 0$ V, $V_{CC} = \text{Max.}$ (Note 2)		-10	$\mu\text{A}$
$I_{OZH}$	Off-State Output Leakage Current HIGH	$V_{OUT} = 5.25$ V, $V_{CC} = \text{Max.}$ $V_{IN} = V_{IH}$ or $V_{IL}$ (Note 2)		10	$\mu\text{A}$
$I_{OZL}$	Off-State Output Leakage Current LOW	$V_{OUT} = 0$ V, $V_{CC} = \text{Max.}$ $V_{IN} = V_{IH}$ or $V_{IL}$ (Note 2)		-10	$\mu\text{A}$
$I_{SC}$	Output Short-Circuit Current	$V_{OUT} = 0.5$ V, $V_{CC} = \text{Max.}$ (Note 3)	-30	-130	mA
$I_{CC}$	Supply Current	$V_{IN} = 0$ V, Outputs Open ( $I_{OUT} = 0$ mA)	H	90	mA
		$V_{CC} = \text{Max.}$ , $f = 15$ MHz	Q	55	

**Notes:**

- These are absolute values with respect to device ground and all overshoots due to system and/or tester noise are included.
- I/O pin leakage is the worst case of  $I_{IL}$  and  $I_{OZL}$  (or  $I_{IH}$  and  $I_{OZH}$ ).
- Not more than one output should be shorted at a time and duration of the short-circuit should not exceed one second.  $V_{OUT} = 0.5$  V has been chosen to avoid test problems caused by tester ground degradation.

## CAPACITANCE (Note 1)

Parameter Symbol	Parameter Description	Test Conditions		Typ.	Unit
C <sub>IN</sub>	Input Capacitance	V <sub>IN</sub> = 2.0 V	V <sub>CC</sub> = 5.0 V, T <sub>A</sub> = 25°C, f = 1 MHz	5	pF
C <sub>OUT</sub>	Output Capacitance	V <sub>OUT</sub> = 2.0 V		8	pF

### Note:

1. These parameters are not 100% tested, but are evaluated at initial characterization and at any time the design is modified where capacitance may be affected.

## SWITCHING CHARACTERISTICS over COMMERCIAL operating ranges (Note 2)

Parameter Symbol	Parameter Description		-15		-25		Unit
			Min.	Max.	Min.	Max.	
t <sub>PD</sub>	Input or Feedback to Combinatorial Output			15		25	ns
t <sub>S</sub>	Setup Time from Input or Feedback to Clock		12		15		ns
t <sub>H</sub>	Hold Time		0		0		ns
t <sub>CO</sub>	Clock to Output			10		12	ns
t <sub>CF</sub>	Clock to Feedback (Note 3)			8		10	ns
t <sub>WL</sub>	Clock Width	LOW	8		12		ns
t <sub>WH</sub>		HIGH	8		12		ns
f <sub>MAX</sub>	Maximum Frequency (Note 4)	External Feedback	1/(t <sub>S</sub> +t <sub>CO</sub> )	45.5		37	MHz
		Internal Feedback	1/(t <sub>S</sub> +t <sub>CF</sub> )	50		40	MHz
		No Feedback	1/(t <sub>WH</sub> +t <sub>WL</sub> )	62.5		41.6	MHz
t <sub>PZX</sub>	OE to Output Enable			15		20	ns
t <sub>PXZ</sub>	OE to Output Disable			15		20	ns
t <sub>EA</sub>	Input to Output Enable Using Product Term Control			15		25	ns
t <sub>ER</sub>	Input to Output Disable Using Product Term Control			15		25	ns

### Notes:

2. See Switching Test Circuit for test conditions.
3. Calculated from measured f<sub>MAX</sub> internal.
4. These parameters are not 100% tested, but are calculated at initial characterization and at any time the design is modified where frequency may be affected.

**2**

## ABSOLUTE MAXIMUM RATINGS

Storage Temperature	-65°C to +150°C
Ambient Temperature with Power Applied	-55°C to +125°C
Supply Voltage with Respect to Ground	-0.5 V to +7.0 V
DC Input Voltage	-0.5 V to $V_{CC} + 0.5$ V
DC Output or I/O Pin Voltage	-0.5 V to $V_{CC} + 0.5$ V
Static Discharge Voltage	2001 V
Latchup Current ( $T_C = -55^\circ\text{C}$ to $+125^\circ\text{C}$ )	100 mA

Stresses above those listed under Absolute Maximum Ratings may cause permanent device failure. Functionality at or above these limits is not implied. Exposure to Absolute Maximum Ratings for extended periods may affect device reliability. Programming conditions may differ. Absolute Maximum Ratings are for system design reference; parameters given are not tested.

## OPERATING RANGES

### Military (M) Devices (Note 1)

Operating Case Temperature ( $T_C$ )	-55°C to +125°C
Supply Voltage ( $V_{CC}$ ) with Respect to Ground	+4.5 V to +5.5 V

Operating ranges define those limits between which the functionality of the device is guaranteed.

### Note:

1. Military products are tested at  $T_C = +25^\circ\text{C}$ ,  $+125^\circ\text{C}$  and  $-55^\circ\text{C}$ , per MIL-STD-883.

## DC CHARACTERISTICS over MILITARY operating ranges unless otherwise specified (Note 2)

Parameter Symbol	Parameter Description	Test Conditions	Min.	Max.	Unit
$V_{OH}$	Output HIGH Voltage	$I_{OH} = -2.0$ mA $V_{IN} = V_{IH}$ or $V_{IL}$ $V_{CC} = \text{Min.}$	2.4		V
$V_{OL}$	Output LOW Voltage	$I_{OL} = 12$ mA $V_{IN} = V_{IH}$ or $V_{IL}$ $V_{CC} = \text{Min.}$		0.5	V
$V_{IH}$	Input HIGH Voltage	Guaranteed Input Logical HIGH Voltage for all Inputs (Note 3)	2.0		V
$V_{IL}$	Input LOW Voltage	Guaranteed Input Logical LOW Voltage for all Inputs (Note 3)		0.8	V
$I_{IH}$	Input HIGH Leakage Current	$V_{IN} = 5.5$ V, $V_{CC} = \text{Max.}$ (Note 4)		10	$\mu\text{A}$
$I_{IL}$	Input LOW Leakage Current	$V_{IN} = 0$ V, $V_{CC} = \text{Max.}$ (Note 4)		-10	$\mu\text{A}$
$I_{OZH}$	Off-State Output Leakage Current HIGH	$V_{OUT} = 5.5$ V, $V_{CC} = \text{Max.}$ $V_{IN} = V_{IH}$ or $V_{IL}$ (Note 4)		40	$\mu\text{A}$
$I_{OZL}$	Off-State Output Leakage Current LOW	$V_{OUT} = 0$ V, $V_{CC} = \text{Max.}$ $V_{IN} = V_{IH}$ or $V_{IL}$ (Note 4)		-40	$\mu\text{A}$
$I_{SC}$	Output Short-Circuit Current	$V_{OUT} = 0.5$ V, $V_{CC} = \text{Max.}$ (Note 5)	-30	-130	mA
$I_{CC}$	Supply Current	$V_{IN} = 0$ V, Outputs Open ( $I_{OUT} = 0$ mA) $V_{CC} = \text{Max.}$ , $f = 15$ MHz		90	mA

### Notes:

2. For APL products, Group A, Subgroups 1, 2 and 3 are tested per MIL-STD-883, Method 5005, unless otherwise noted.
3.  $V_{IL}$  and  $V_{IH}$  are input conditions of output tests and are not themselves directly tested.  $V_{IL}$  and  $V_{IH}$  are absolute voltages with respect to device ground and include all overshoots due to system and/or tester noise. Do not attempt to test these values without suitable equipment.
4. I/O pin leakage is the worst case of  $I_{IL}$  and  $I_{OZL}$  (or  $I_{IH}$  and  $I_{OZH}$ ).
5. Not more than one output should be shorted at a time and duration of the short-circuit should not exceed one second.  $V_{OUT} = 0.5$  V has been chosen to avoid test problems caused by tester ground degradation. This parameter is not 100% tested, but is evaluated at initial characterization and at any time the design is modified where  $I_{SC}$  may be affected.

## CAPACITANCE (Note 1)

Parameter Symbol	Parameter Description	Test Conditions		Typ.	Unit
C <sub>IN</sub>	Input Capacitance	V <sub>IN</sub> = 2.0 V	V <sub>CC</sub> = 5.0 V, T <sub>A</sub> = 25°C, f = 1 MHz	8	pF
C <sub>OUT</sub>	Output Capacitance	V <sub>OUT</sub> = 2.0 V		8	pF

### Note:

1. These parameters are not 100% tested, but are evaluated at initial characterization and at any time the design is modified where capacitance may be affected.

## SWITCHING CHARACTERISTICS over MILITARY operating ranges (Note 2)

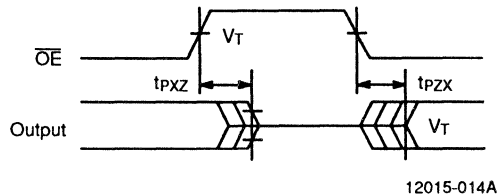
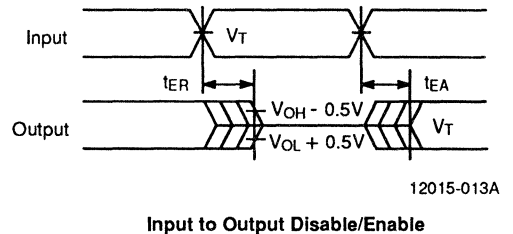
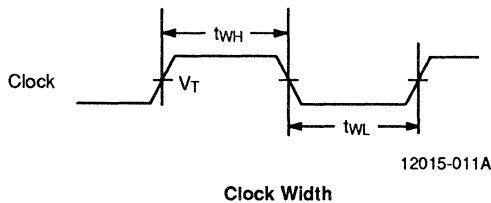
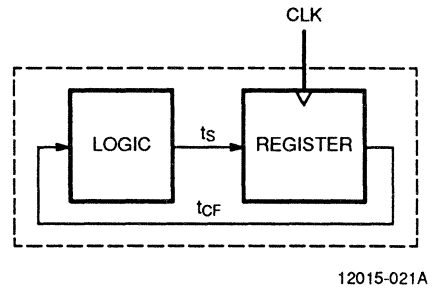
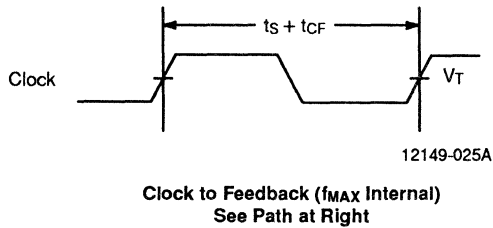
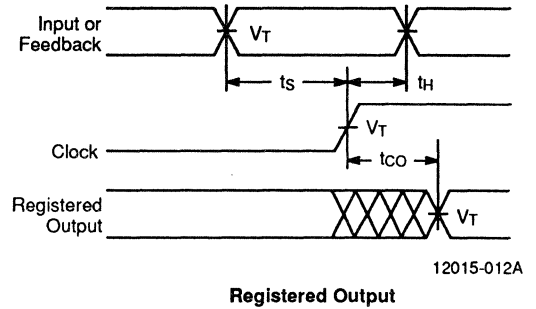
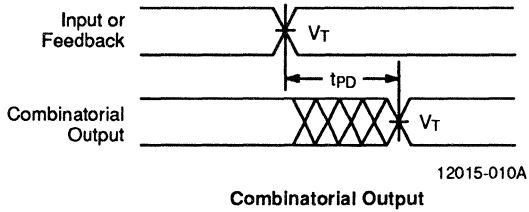
Parameter Symbol	Parameter Description	-20		-25		Unit
		Min.	Max.	Min.	Max.	
t <sub>PD</sub>	Input or Feedback to Combinatorial Output		20		25	ns
t <sub>S</sub>	Setup Time from Input or Feedback to Clock	15		15		ns
t <sub>H</sub>	Hold Time (Note 5)	0		0		ns
t <sub>CO</sub>	Clock to Output		15		20	ns
t <sub>CF</sub>	Clock to Feedback (Note 3)		13		18	ns
t <sub>WL</sub>	Clock Width	LOW	12	15		ns
t <sub>WH</sub>		HIGH	12	15		ns
f <sub>MAX</sub>	Maximum Frequency (Note 4)	External Feedback	1/(t <sub>S</sub> +t <sub>CO</sub> )	33.3	28.6	MHz
		Internal Feedback	1/(t <sub>S</sub> +t <sub>CF</sub> )	35.7	30.3	MHz
		No Feedback	1/(t <sub>WH</sub> +t <sub>WL</sub> )	41.7	33.3	MHz
t <sub>PZX</sub>	$\overline{OE}$ to Output Enable (Note 5)		20		20	ns
t <sub>PXZ</sub>	$\overline{OE}$ to Output Disable (Note 5)		20		20	ns
t <sub>EA</sub>	Input to Output Enable Using Product Term Control (Note 5)		20		25	ns
t <sub>ER</sub>	Input to Output Disable Using Product Term Control (Note 5)		20		25	ns

### Notes:

2. See Switching Test Circuit for test conditions. For APL Products, Group A, Subgroups 9, 10, and 11 are tested per MIL-STD-883, Method 5005, unless otherwise noted.
3. Calculated from measured f<sub>MAX</sub> internal.
4. These parameters are not 100% tested, but are calculated at initial characterization and at any time the design is modified where frequency may be affected.
5. These parameters are not 100% tested, but are evaluated at initial characterization and at any time the design is modified where these parameters may be affected.

**2**

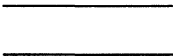


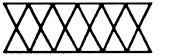
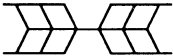
## SWITCHING WAVEFORMS



### Notes:

1.  $V_T = 1.5\text{ V}$
2. Input pulse amplitude 0 V to 3.0 V.
3. Input rise and fall times 2–5 ns typical.

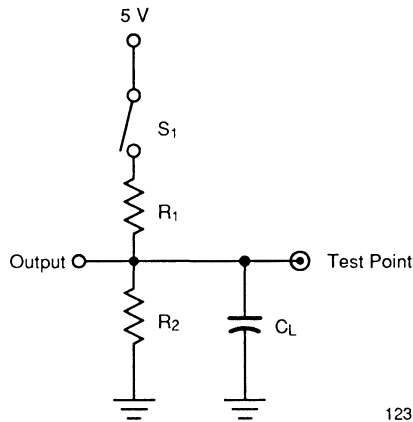
## KEY TO SWITCHING WAVEFORMS

WAVEFORM	INPUTS	OUTPUTS
	Must be Steady	Will be Steady
	May Change from H to L	Will be Changing from H to L
	May Change from L to H	Will be Changing from L to H
	Don't Care; Any Change Permitted	Changing, State Unknown
	Does Not Apply	Center Line is High-Impedance "Off" State

KS000010-PAL

2

## SWITCHING TEST CIRCUIT



12350-019A

Specification	S <sub>1</sub>	C <sub>L</sub>	Commercial		Military		Measured Output Value
			R <sub>1</sub>	R <sub>2</sub>	R <sub>1</sub>	R <sub>2</sub>	
t <sub>PD</sub> , t <sub>CO</sub> , t <sub>CF</sub>	Closed	50 pF	200 Ω	390 Ω	200 Ω	390 Ω	1.5 V
t <sub>PZX</sub> , t <sub>EA</sub>	Z → H: Open Z → L: Closed						1.5 V
t <sub>PXZ</sub> , t <sub>ER</sub>	H → Z: Open L → Z: Closed	5 pF					H → Z: V <sub>OH</sub> - 0.5 V L → Z: V <sub>OL</sub> + 0.5 V

## ENDURANCE CHARACTERISTICS

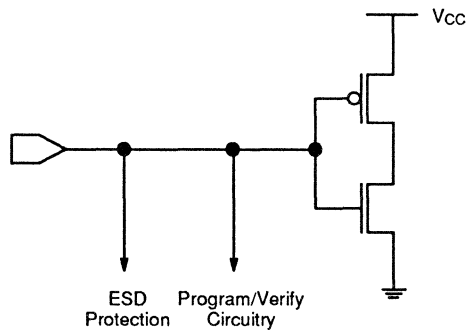
The PALCE16V8 is manufactured using AMD's advanced Electrically Erasable process. This technology uses an EE cell to replace the fuse link used in bipolar

parts. As a result, the device can be erased and reprogrammed – a feature which allows 100% testing at the factory.

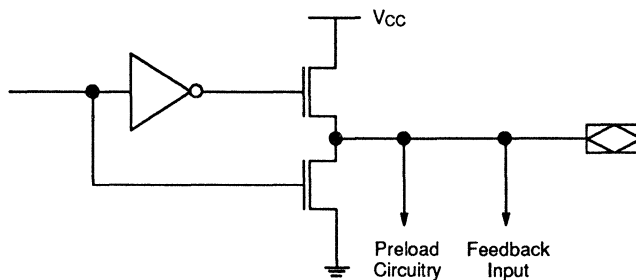
### Endurance Characteristics

Symbol	Parameter	Min.	Units	Test Conditions
$t_{DR}$	Min. Pattern Data Retention Time	10	Years	Max. Storage Temperature
		20	Years	Max. Operating Temperature (Military)
N	Min. Reprogramming Cycles	100	Cycles	Normal Programming Conditions

## INPUT/OUTPUT EQUIVALENT SCHEMATICS



Typical Input



Typical Output

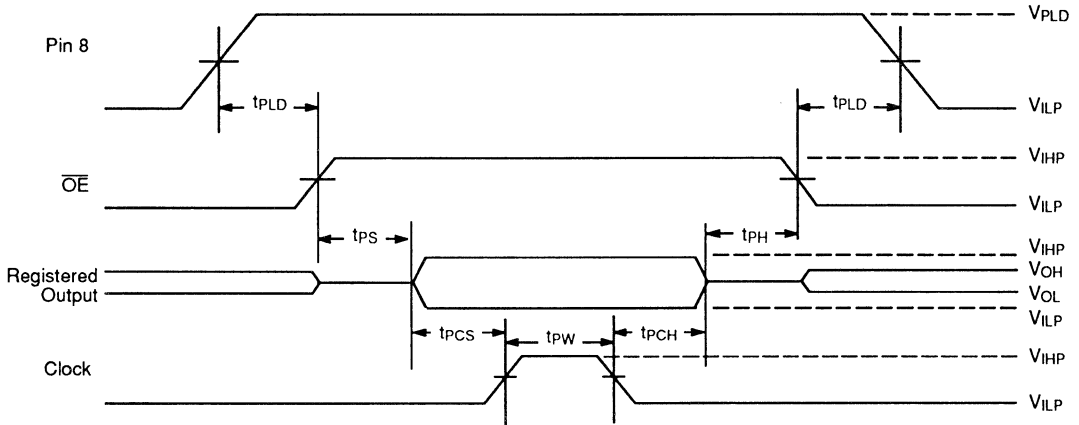
12197-013A

## OUTPUT REGISTER PRELOAD

The Preload function allows the registers to be loaded from the output pins. This feature aids functional testing of sequential designs by allowing direct setting of output states. The procedure is as follows.

1. Raise  $V_{CC}$  to  $5.0\text{ V} \pm 0.5\text{ V}$ .
2. Set pin 8 to  $V_{PLD}$ .
3. Set  $\overline{OE}$  HIGH.
4. Apply the desired value ( $V_{IL}/V_{IH}$ ) to all registered out-put pins. Leave combinatorial output pins floating.
5. Clock pin 1 from  $V_{IL}$  to  $V_{IH}$ .
6. Remove  $V_{IL}/V_{IH}$  from all registered outputs.
7. Enable the output registers by lowering  $\overline{OE}$ .
8. Lower pin 8 to  $V_{IL}/V_{IH}$ .
9. Verify for  $V_{OL}/V_{OH}$  at all registered output pins. Note that the output pin signal will be the inverse of the preload input.

Parameter Symbol	Parameter Description	Min.	Rec.	Max.	Unit
$t_{PLD}$	Setup and Hold Time from Preload (pin 8) to $\overline{OE}$	50	50		$\mu\text{s}$
$t_{PS}$	Setup Time from $\overline{OE}$ to Data	1	1		$\mu\text{s}$
$t_{PH}$	Hold Time from Data to $\overline{OE}$	1	1		$\mu\text{s}$
$t_{PCS}$	Setup Time from Data to Clock	1	1		$\mu\text{s}$
$t_{PCH}$	Hold Time from Clock to Data	1	1		$\mu\text{s}$
$dV_I/dt$	$V_{PLD}$ Rising Slew Rate (pin 8)	10		100	$\text{V}/\mu\text{s}$
$dV_I/dt$	$V_{PLD}$ Falling Slew Rate (pin 8)		2	3	$\text{V}/\mu\text{s}$
$V_{PLD}$	Super-level Input Voltage	9.5	10	10.5	V
$V_{IHP}$	High-level Input Voltage	2.4	5.0	5.5	V
$V_{ILP}$	Low-level Input Voltage	0	0	0.5	V



12015-015A

Output Register Preload Waveform



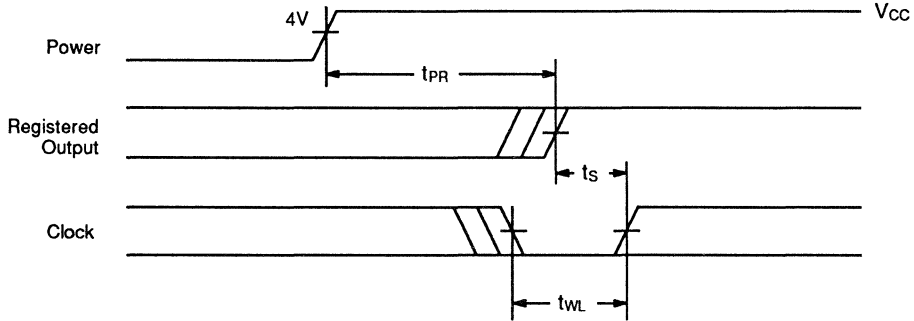
## POWER-UP RESET

The PALCE16V8 has been designed with the capability to reset during system power-up. Following power-up, all flip-flops will be reset to LOW. The output state will be HIGH independent of the logic polarity. This feature provides extra flexibility to the designer and is especially valuable in simplifying state machine initialization. A timing diagram and parameter table are shown below. Due to the synchronous operation of the power-up reset

and the wide range of ways  $V_{CC}$  can rise to its steady state, two conditions are required to insure a valid power-up reset. These conditions are:

1. The  $V_{CC}$  rise must be monotonic.
2. Following reset, the clock input must not be driven from LOW to HIGH until all applicable input and feedback setup times are met.

Parameter Symbol	Parameter Descriptions	Min.	Max.	Unit
$t_{PR}$	Power-Up Reset Time		10	$\mu\text{s}$
$t_s$	Input or Feedback Setup Time	See Switching Characteristics		
$t_{WL}$	Clock Width LOW			



12350-024A

Power-Up Reset Waveform



# PALCE16V8Z-20

## Zero Power EE CMOS Universal Programmable Array Logic

### DISTINCTIVE CHARACTERISTICS

- Pin, function and fuse-map compatible with all 20-pin GAL<sup>®</sup> devices
- Electrically-erasable CMOS technology provides reconfigurable logic and full testability
- Zero-Power CMOS technology
  - 100  $\mu$ A Standby Current
  - 20 ns propagation delay
- Direct plug-in replacement for the PAL16R8 series and most of the PAL10H8 series
- Outputs programmable as registered or combinatorial in any combination
- Programmable output polarity
- Programmable enable/disable control
- Preloadable output registers for testability
- Automatic register reset on power up
- Cost-effective 20-pin plastic DIP and PLCC packages
- Programmable on standard device programmers
- Supported by PALASM<sup>®</sup> software
- Fully tested for 100% programming and functional yields and high reliability

**2**

### GENERAL DESCRIPTION

The PALCE16V8 is an advanced PAL<sup>®</sup> device built with zero-power, high-speed, electrically-erasable CMOS technology. It is functionally compatible with all 20-pin GAL devices. The macrocells provide a universal device architecture. The PALCE16V8 will directly replace the PAL16R8 and PAL10H8 series devices, with the exception of the PAL16C1.

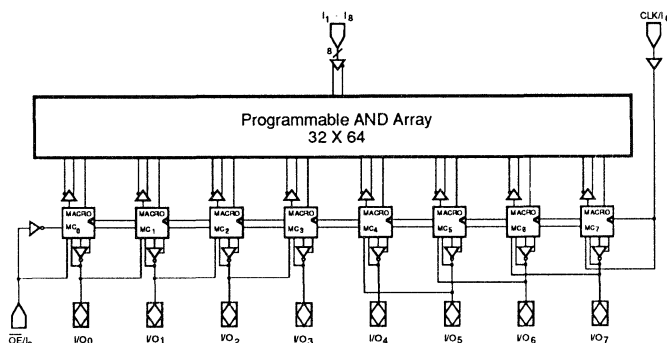
The PALCE16V8Z provides zero standby power and high speed. At 100  $\mu$ A maximum standby current, the PALCE16V8Z allows battery powered operation for an extended period.

The PALCE16V8 utilizes the familiar sum-of-products (AND/OR) architecture that allows users to implement

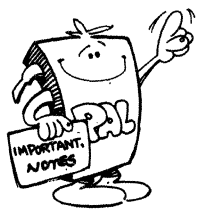
complex logic functions easily and efficiently. Multiple levels of combinatorial logic can always be reduced to sum-of-products form, taking advantage of the very wide input gates available in PAL devices. The equations are programmed into the device through floating-gate cells in the AND logic array that can be erased electrically.

The fixed OR array allows up to eight data product terms per output for logic functions. The sum of these products feeds the output macrocell. Each macrocell can be programmed as registered or combinatorial with an active-high or active-low output. The output configuration is determined by two global bits and one local bit controlling four multiplexers in each macrocell.

### BLOCK DIAGRAM



12467-001A





# AmPAL18P8B/AL/A/L

Advanced  
Micro  
Devices

## 20-pin Combinatorial TTL Programmable Array Logic

### DISTINCTIVE CHARACTERISTICS

- As fast as 15 ns maximum propagation delay
- Universal combinatorial architecture
- Programmable output polarity
- Programmable replacement for high-speed TTL logic
- Easy design with PALASM<sup>®</sup> software
- Programmable on standard PAL<sup>®</sup> device programmers
- 20-pin DIP and 20-pin PLCC packages save space

### GENERAL DESCRIPTION

The AmPAL18P8 utilizes Advanced Micro Devices' advanced oxide-isolated bipolar process and fuse-link technology. The devices provide user-programmable logic for replacing conventional SSI/MSI gates and flip-flops at a reduced chip count.

The AmPAL18P8 allows the systems engineer to implement the design on-chip, by opening fuse links to configure AND and OR gates within the device, according to the desired logic function. Complex interconnections between gates, which previously required time-consuming layout, are lifted from the PC board and placed on silicon, where they can be easily modified during prototyping or production.

The PAL device implements the familiar Boolean logic transfer function, the sum of products. The PAL device is a programmable AND array driving a fixed OR array. The AND array is programmed to create custom product terms, while the OR array sums selected terms at the

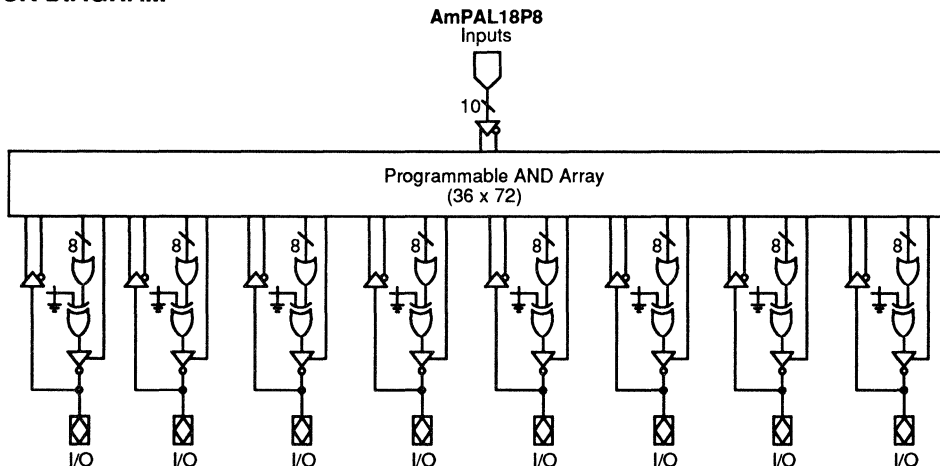
outputs. In addition, the PAL device provides the following options:

- Variable input/output pin ratio
- Programmable three-state outputs

Product terms with all fuses opened assume the logical HIGH state; product terms connected to both true and complement of any single input assume the logical LOW state. Unused input pins should be tied to V<sub>CC</sub> or GND.

The entire PAL device family is supported by the PALASM software package. The PAL family is programmed on conventional PAL device programmers with appropriate personality and socket adapter modules. See the Programmer Reference Guide for approved programmers. Once the PAL device is programmed and verified an additional fuse may be opened to prevent pattern readout. This feature secures proprietary circuits.

### BLOCK DIAGRAM



05799-001A

PAL and PALASM are registered trademarks of Advanced Micro Devices.  
This part is covered by various U.S. and foreign patents owned by Advanced Micro Devices.

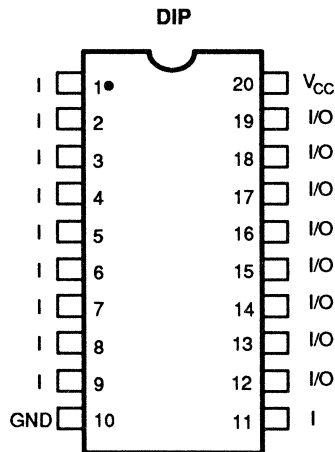
Publication # 05799 Rev. F Amendment /0  
Issue Date: January 1990

## PRODUCT SELECTOR GUIDE

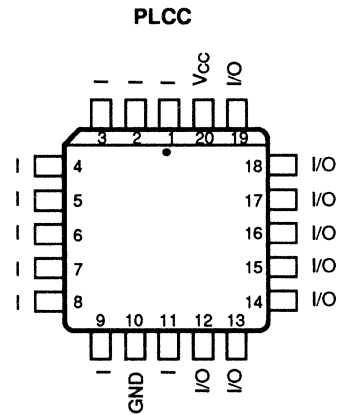
Family	$t_{PD}$ ns (Max.)	$I_{CC}$ mA (Max.)	$I_{OL}$ mA (Min.)
Very High-Speed ("B") Versions	15	180	24
High-Speed ("A") Versions	25	180	24
High-Speed, Half-Power ("AL") Versions	25	90	24
Half-Power ("L") Versions	35	90	24

## CONNECTION DIAGRAMS

### Top View



05799-002A



**Note:**  
Pin 1 is marked for orientation.

05799-003A

### PIN DESIGNATIONS

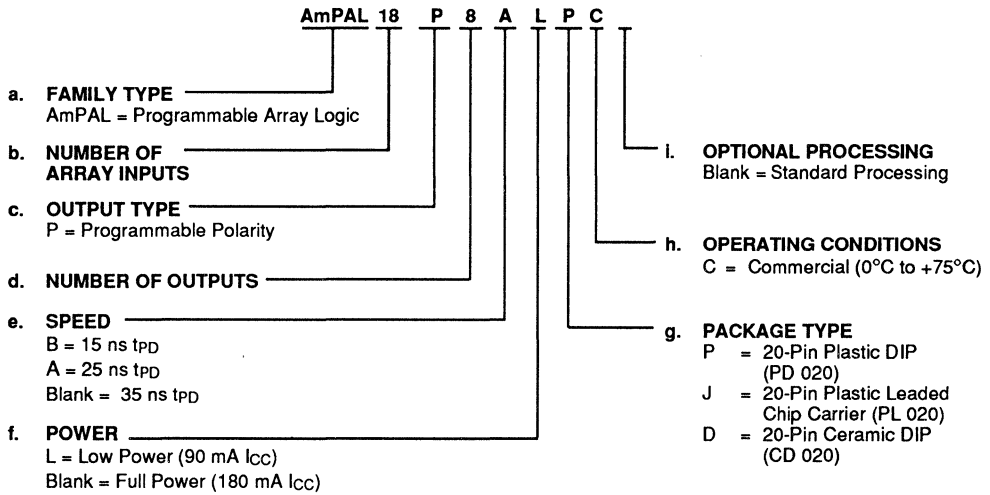
GND	Ground
I	Input
I/O	Input/Output
V <sub>CC</sub>	Supply Voltage

## ORDERING INFORMATION

### Commercial Products

AMD programmable logic products for commercial applications are available with several ordering options. The order number (Valid Combination) is formed by a combination of:

- a. Family Type
- b. Number of Array Inputs
- c. Output Type
- d. Number of Outputs
- e. Speed
- f. Power
- g. Package Type
- h. Operating Conditions
- i. Optional Processing



**2**

Valid Combinations		
AmPAL18P8	B, AL, A, L	PC, JC, DC

#### Valid Combinations

The Valid Combinations table lists configurations planned to be supported in volume for this device. Consult the local AMD sales office to confirm availability of specific valid combinations and to check on newly released combinations.

Note: Marked with AMD logo.

---

## FUNCTIONAL DESCRIPTION

All parts are produced with a fuse link at each input to the AND gate array, and connections may be selectively removed by applying appropriate voltages to the circuit. Utilizing an easily-implemented programming algorithm, these products can be rapidly programmed to any customized pattern. Information on approved programmers can be found in the Programmer Reference Guide. Extra test words are pre-programmed during manufacturing to ensure extremely high field programming yields, and provide extra test paths to achieve excellent parametric correlation.

### Variable Input/Output Pin Ratio

The AmPAL18P8 has ten dedicated input lines, and all eight combinatorial outputs are I/O pins. Buffers for device inputs have complementary outputs to provide user-programmable input signal polarity. Unused input pins should be tied to  $V_{CC}$  or GND.

### Programmable Three-State Outputs

Each output has a three-state output buffer with three-state control. A product term controls the buffer, allowing enable and disable to be a function of any product of device inputs or output feedback. The combinatorial output provides a bidirectional I/O pin, and may be configured as a dedicated input if the buffer is always disabled.

### Programmable Polarity

The polarity of each output can be active-high or active-low, either to match output signal needs or to reduce product terms. Programmable polarity allows Boolean expressions to be written in their most compact form (true or inverted), and the output can still be of the desired polarity. It can also save "DeMorganizing" efforts.

Selection is through a programmable fuse which controls an exclusive-OR gate at the output of the AND/OR logic. The output is active high if the fuse is 1 (programmed) and active low if the fuse is 0 (intact).

### Security Fuse

After programming and verification, an AmPAL18P8 design can be secured by programming the security fuse. Once programmed, this fuse defeats readback of the internal programmed pattern by a device programmer, securing proprietary designs from competitors. When the security fuse is programmed, the array will read as if every fuse is programmed.

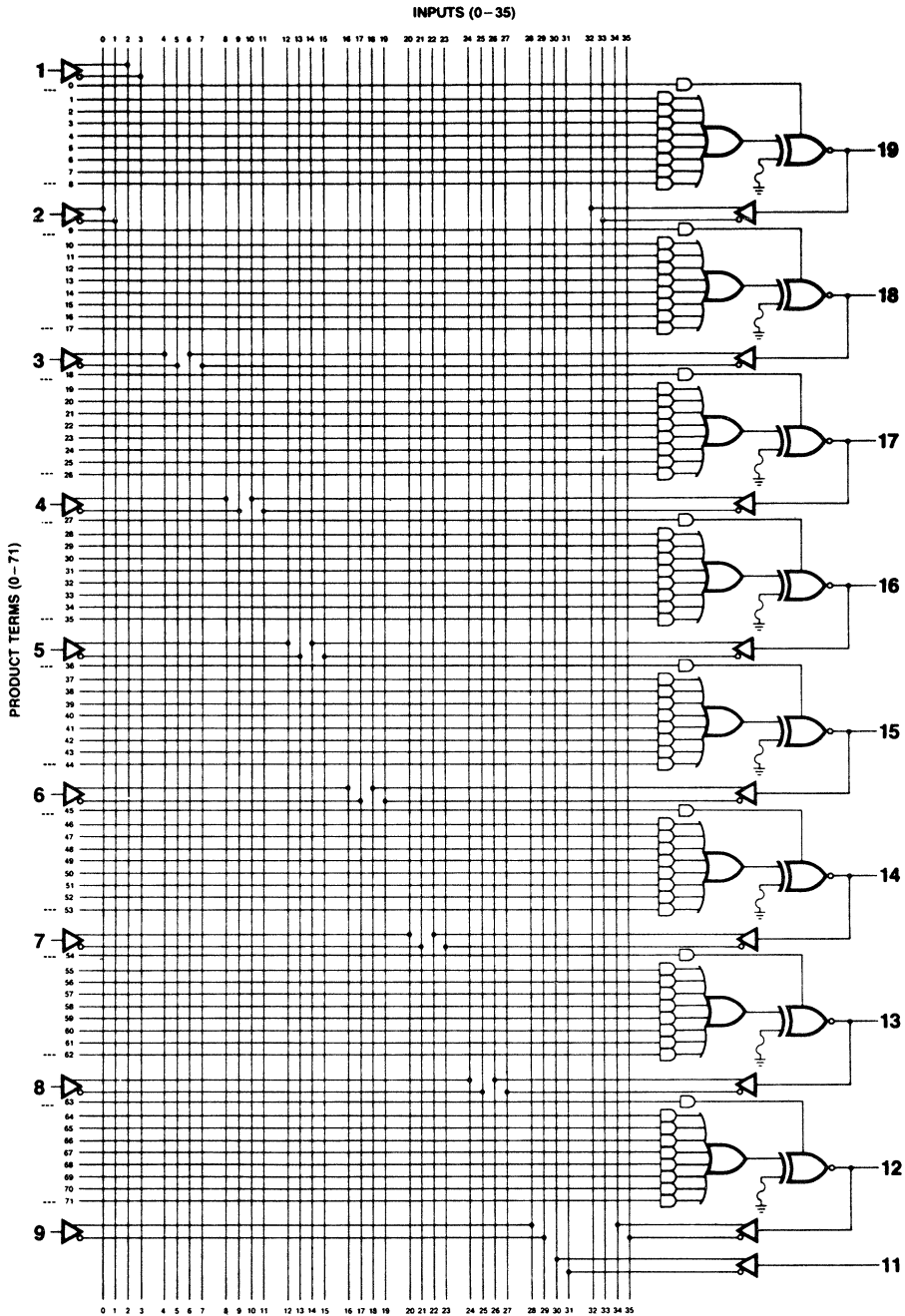
### Quality and Testability

The AmPAL18P8 offers a very high level of built-in quality. Extra programmable fuses provide a means of verifying performance of all AC and DC parameters. In addition, this verifies complete programmability and functionality of the device to provide the highest programming yields and post-programming functional yields in the industry.

### Technology

The AmPAL18P8 is fabricated with AMD's advanced oxide-isolated bipolar process. This process reduces parasitic capacitances and minimum geometries to provide higher performance. The array connections are formed with proven PtSi fuses for reliable operation.

# LOGIC DIAGRAM



2

LD000040



**ABSOLUTE MAXIMUM RATINGS**

Storage Temperature	-65°C to +150°C
Ambient Temperature with Power Applied	-55°C to +125°C
Supply Voltage with Respect to Ground	-0.5 V to +7.0 V
DC Input Voltage	-0.5 V to + 5.5 V
DC Input Current	-30 mA to +5 mA
DC I/O Pin Voltage	-0.5 V to V <sub>CC</sub> Max.

**OPERATING RANGES****Commercial (C) Devices**

Ambient Temperature (T <sub>A</sub> )	Operating in Free Air	0°C to +75°C
Supply Voltage (V <sub>CC</sub> ) with Respect to Ground		+4.75 V to +5.25 V

Operating ranges define those limits between which the functionality of the device is guaranteed.

Stresses above those listed under Absolute Maximum Ratings may cause permanent device failure. Functionality at or above these limits is not implied. Exposure to Absolute Maximum Ratings for extended periods may affect device reliability. Programming conditions may differ.

**DC CHARACTERISTICS over COMMERCIAL operating ranges unless otherwise specified**

Parameter Symbol	Parameter Description	Test Conditions	Min.	Max.	Unit
V <sub>OH</sub>	Output HIGH Voltage	I <sub>OH</sub> = -3.2 mA, V <sub>IN</sub> = V <sub>IH</sub> or V <sub>IL</sub> , V <sub>CC</sub> = Min.	2.4		V
V <sub>OL</sub>	Output LOW Voltage	I <sub>OL</sub> = 24 mA, V <sub>IN</sub> = V <sub>IH</sub> or V <sub>IL</sub> , V <sub>CC</sub> = Min.		0.5	V
V <sub>IH</sub>	Input HIGH Voltage	Guaranteed Input Logical HIGH Voltage for all inputs (Note 1)	2.0		V
V <sub>IL</sub>	Input LOW Voltage	Guaranteed Input Logical LOW Voltage for all inputs (Note 1)		0.8	V
V <sub>I</sub>	Input Clamp Voltage	I <sub>IN</sub> = -18 mA, V <sub>CC</sub> = Min.		-1.2	V
I <sub>IH</sub>	Input HIGH Current	V <sub>IN</sub> = 2.7 V, V <sub>CC</sub> = Max. (Note 2)		25	μA
I <sub>IL</sub>	Input LOW Current	V <sub>IN</sub> = 0.4 V, V <sub>CC</sub> = Max. (Note 2)		-100	μA
I <sub>I</sub>	Maximum Input Current	V <sub>IN</sub> = 5.5 V, V <sub>CC</sub> = Max.		1	mA
I <sub>ozH</sub>	Off-State Output Leakage Current HIGH	V <sub>OUT</sub> = 2.7 V, V <sub>CC</sub> = Max. V <sub>IN</sub> = V <sub>IH</sub> or V <sub>IL</sub> (Note 2)		100	μA
I <sub>ozL</sub>	Off-State Output Leakage Current LOW	V <sub>OUT</sub> = 0.4 V, V <sub>CC</sub> = Max. V <sub>IN</sub> = V <sub>IH</sub> or V <sub>IL</sub> (Note 2)		-250	μA
I <sub>sc</sub>	Output Short-Circuit Current	V <sub>OUT</sub> = 0.5 V, V <sub>CC</sub> = Max. (Note 3)	-30	-90	mA
I <sub>CC</sub>	Supply Current	V <sub>IN</sub> = 0 V, Outputs Open (I <sub>OUT</sub> = 0 mA) V <sub>CC</sub> = Max.			
		B, A		180	mA
		AL, L		90	mA

**Notes:**

- These are absolute values with respect to device ground and all overshoots due to system and/or tester noise are included.
- I/O pin leakage is the worst case of I<sub>IL</sub> and I<sub>ozL</sub> (or I<sub>IH</sub> and I<sub>ozH</sub>).
- Not more than one output should be tested at a time. Duration of the short-circuit should not exceed one second. V<sub>OUT</sub> = 0.5 V has been chosen to avoid test problems caused by tester ground degradation.

## CAPACITANCE (Note 1)

Parameter Symbol	Parameter Description	Test Conditions		Typ.	Unit
C <sub>IN</sub>	Input Capacitance	V <sub>IN</sub> = 2.0 V	V <sub>CC</sub> = 5.0 V T <sub>A</sub> = 25°C f = 1 MHz	6	pF
C <sub>OUT</sub>	Output Capacitance	V <sub>OUT</sub> = 2.0 V		9	

**Note:**

1. These parameters are not 100% tested, but are evaluated at initial characterization and at any time the design is modified where capacitance may be affected.

## SWITCHING CHARACTERISTICS over COMMERCIAL operating ranges (Note 2)

Parameter Symbol	Parameter Description	B		A, AL		L		Unit
		Min.	Max.	Min.	Max.	Min.	Max.	
t <sub>PD</sub>	Input or Feedback to Combinatorial Output		15		25		35	ns
t <sub>EA</sub>	Input to Output Enable Using Product Term Control		15		25		35	ns
t <sub>ER</sub>	Input to Output Disable Using Product Term Control		15		25		35	ns

**Note:**

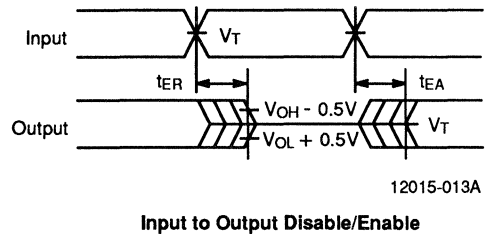
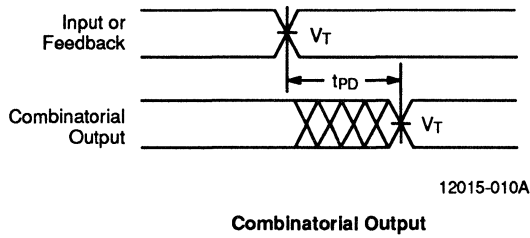
2. See Switching Test Circuit for test conditions.

FOR CMOS SEE PALCE16V8

2

---

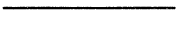

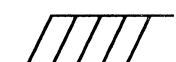

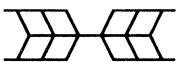
## SWITCHING WAVEFORMS



### Notes:

1.  $V_T = 1.5 V$
2. Input pulse amplitude 0 V to 3.0 V
3. Input rise and fall times 2–5 ns typical.

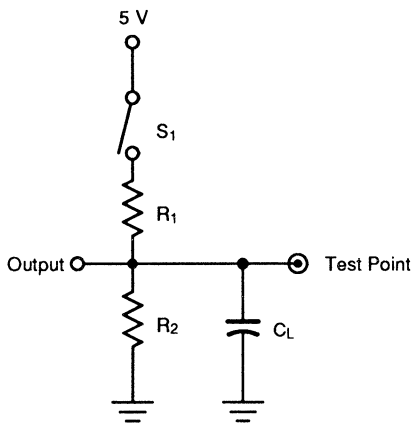
## KEY TO SWITCHING WAVEFORMS

WAVEFORM	INPUTS	OUTPUTS
	Must be Steady	Will be Steady
	May Change from H to L	Will be Changing from H to L
	May Change from L to H	Will be Changing from L to H
	Don't Care; Any Change Permitted	Changing, State Unknown
	Does Not Apply	Center Line is High-Impedance "Off" State

2

KS000010-PAL

## SWITCHING TEST CIRCUIT

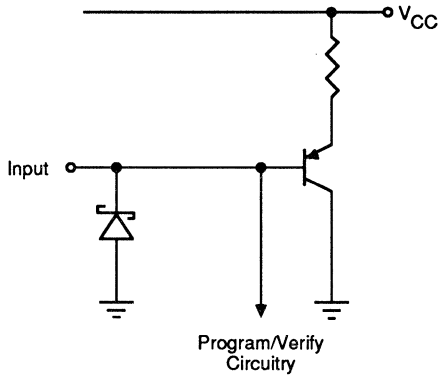


12350-019A

Specification	S <sub>1</sub>	C <sub>L</sub>	R <sub>1</sub>	R <sub>2</sub>	Measured Output Value
t <sub>PD</sub>	Closed	50 pF	200 Ω	390 Ω	1.5 V
t <sub>EA</sub>	Z → H: Open Z → L: Closed				1.5 V
t <sub>ER</sub>	H → Z: Open L → Z: Closed	5 pF			H → Z: V <sub>OH</sub> - 0.5 V L → Z: V <sub>OL</sub> + 0.5 V

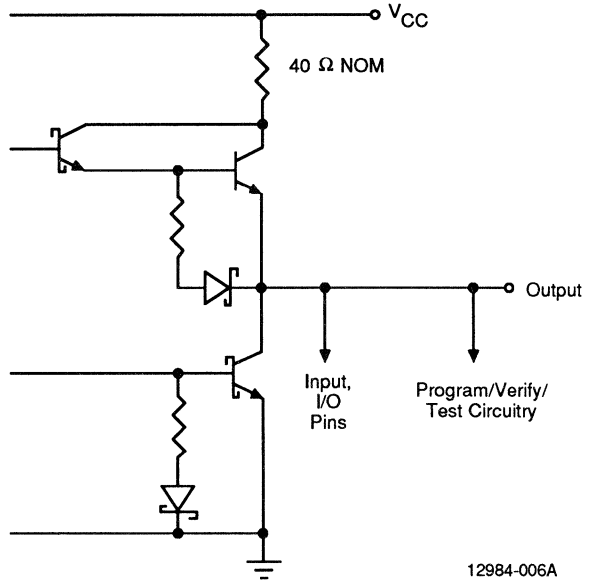
# INPUT/OUTPUT EQUIVALENT SCHEMATICS

Typical Input



12350-020B

Typical Output



12984-006A



# PAL20R8 Family

## 24-pin TTL Programmable Array Logic

### DISTINCTIVE CHARACTERISTICS

- As fast as 7.5 ns maximum propagation delay
- Popular 24-pin architectures: 20L8, 20R8, 20R6, 20R4
- Programmable replacement for high-speed TTL logic
- Power-up reset for initialization
- Easy design with PALASM<sup>®</sup> software
- Programmable on standard PAL<sup>®</sup> device programmers
- 24-pin SKINNYDIP<sup>®</sup> and 28-pin PLCC packages save space

### GENERAL DESCRIPTION

The PAL20R8 Family (PAL20L8, PAL20R8, PAL20R6, PAL20R4) is AMD's standard 24-pin PAL device family. The devices provide user-programmable logic for replacing conventional SSI/MSI gates and flip-flops at a reduced chip count.

The family allows the systems engineer to implement the design on-chip, by opening fuse links to configure AND and OR gates within the device, according to the desired logic function. Complex interconnections between gates, which previously required time-consuming layout, are lifted from the PC board and placed on silicon, where they can be easily modified during prototyping or production.

The PAL device implements the familiar Boolean logic transfer function, the sum of products. The PAL device is a programmable AND array driving a fixed OR array. The AND array is programmed to create custom product terms, while the OR array sums selected terms at the outputs.

In addition, the PAL device provides the following options:

- Variable input/output pin ratio
- Programmable three-state outputs
- Registers with feedback

Product terms with all connections opened assume the logical HIGH state; product terms connected to both true and complement of any single input assume the logical LOW state. Registers consist of D-type flip-flops that are loaded on the LOW-to-HIGH transition of the clock. Unused input pins should be tied to V<sub>CC</sub> or GND.

The entire PAL device family is supported by the PALASM software package. The PAL family is programmed on conventional PAL device programmers with appropriate personality and socket adapter modules. See the Programmer Reference Guide for approved programmers. Once the PAL device is programmed and verified an additional connection may be opened to prevent pattern readout. This feature secures proprietary circuits.

**2**

### PRODUCT SELECTOR GUIDE

DEVICE	DEDICATED INPUTS	OUTPUTS	PRODUCT TERMS/ OUTPUT	FEEDBACK	ENABLE
PAL20L8	14	6 comb. 2 comb.	7 7	I/O –	prog. prog.
PAL20R8	12	8 reg.	8	reg.	pin
PAL20R6	12	6 reg. 2 comb.	8 7	reg. I/O	pin prog.
PAL20R4	12	4 reg. 4 comb.	8 7	reg. I/O	pin prog.

---

## PERFORMANCE OPTIONS

(Commercial)

<b>Speed</b> ( $t_{PD}$ , ns)	35	A-2	
	25	B-2	A
	15		B
	10		-10
	7.5		-7
	105	210	

**Power ( $I_{CC}$ , mA)**

### Note:

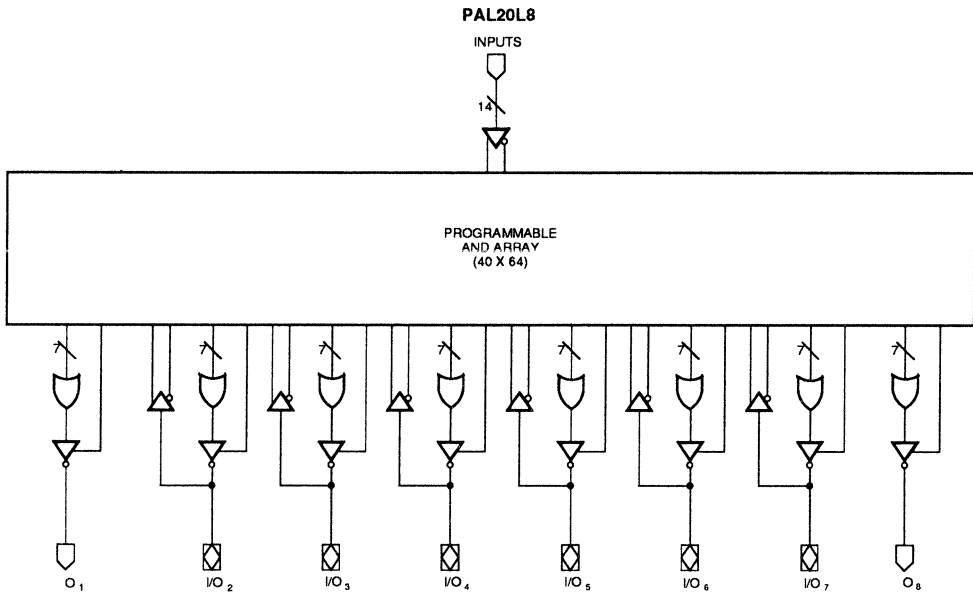
For low power and high speed, the EE CMOS PALCE20V8 can directly replace the PAL20R8 Family.

---

## OPERATING RANGES

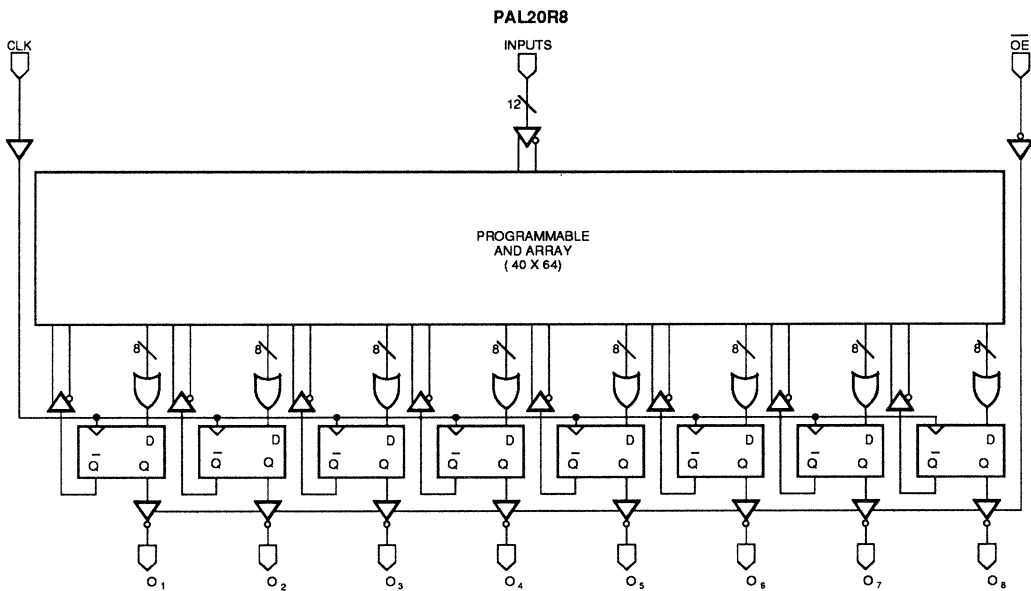
Commercial	Military
-7	-12
-10	-15
B (15 ns)	B (20 ns)
B-2 (25 ns)	
A (25 ns)	A (30 ns)
A-2 (35 ns)	A-2 (50 ns)

# BLOCK DIAGRAMS



2

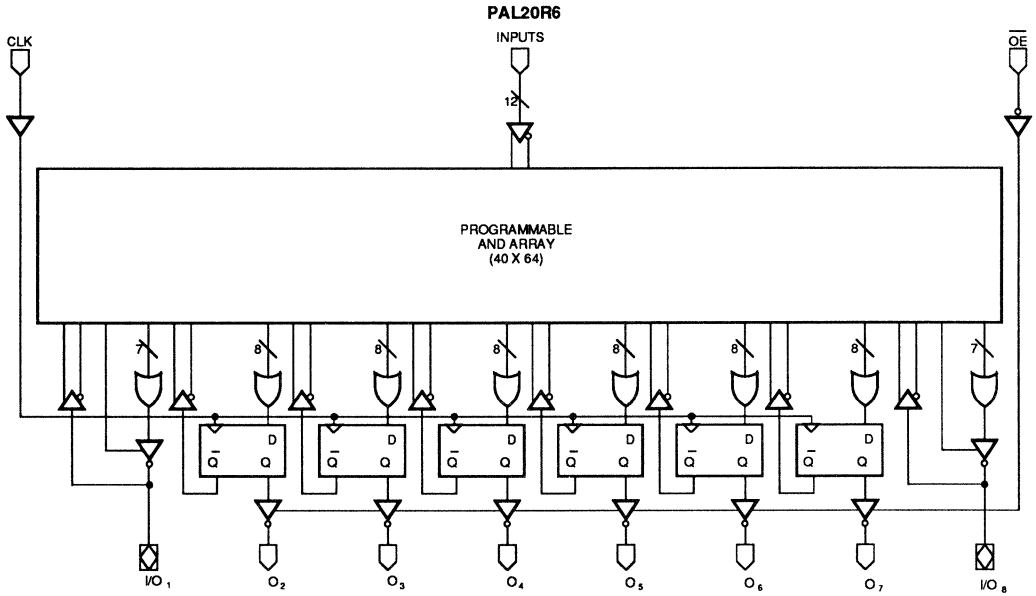
12350-001A



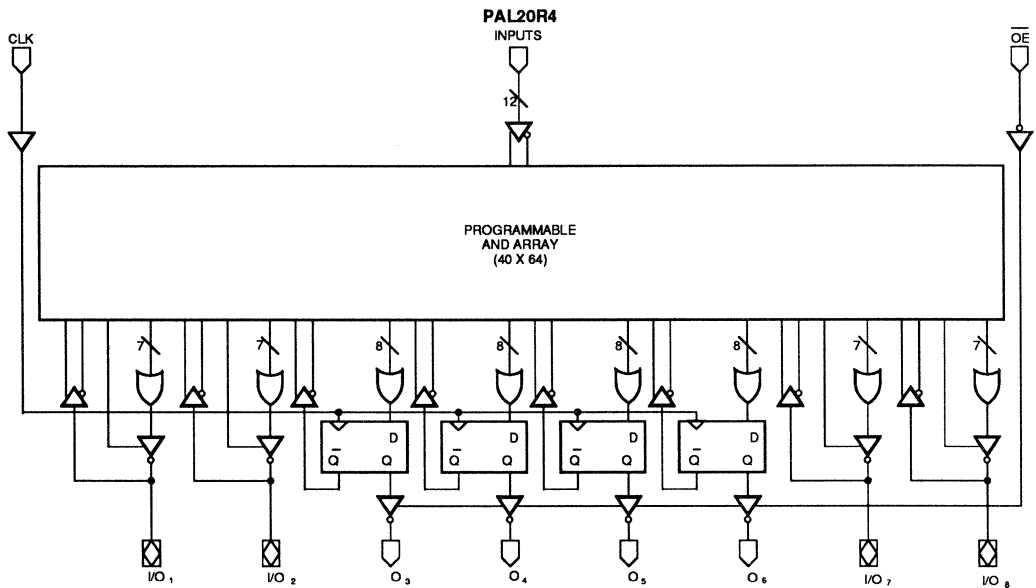
12350-002A



# BLOCK DIAGRAMS



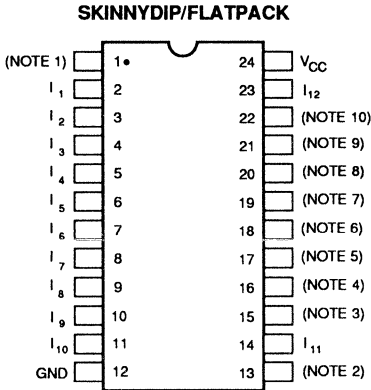
12350-003A



12350-004A

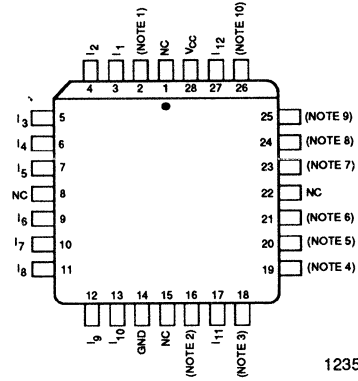
# CONNECTION DIAGRAMS

## Top View



12350-005A

**PLCC/LCC**  
JEDEC: Applies to -7(-12 mil), -10(-15 mil),  
B-2 Series Only



12350-006A

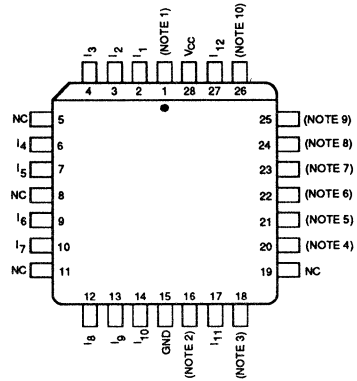
Note	20L8	20R8	20R6	20R4
1	I <sub>0</sub>	CLK	CLK	CLK
2	I <sub>13</sub>	$\overline{OE}$	$\overline{OE}$	$\overline{OE}$
3	O <sub>1</sub>	O <sub>1</sub>	I/O <sub>1</sub>	I/O <sub>1</sub>
4	I/O <sub>2</sub>	O <sub>2</sub>	O <sub>2</sub>	I/O <sub>2</sub>
5	I/O <sub>3</sub>	O <sub>3</sub>	O <sub>3</sub>	O <sub>3</sub>
6	I/O <sub>4</sub>	O <sub>4</sub>	O <sub>4</sub>	O <sub>4</sub>
7	I/O <sub>5</sub>	O <sub>5</sub>	O <sub>5</sub>	O <sub>5</sub>
8	I/O <sub>6</sub>	O <sub>6</sub>	O <sub>6</sub>	O <sub>6</sub>
9	I/O <sub>7</sub>	O <sub>7</sub>	O <sub>7</sub>	I/O <sub>7</sub>
10	O <sub>8</sub>	O <sub>8</sub>	I/O <sub>8</sub>	I/O <sub>8</sub>

### PIN DESIGNATIONS

- CLK Clock
- GND Ground
- I Input
- I/O Input/Output
- NC No Connect
- O Output
- $\overline{OE}$  Output Enable
- V<sub>CC</sub> Supply Voltage

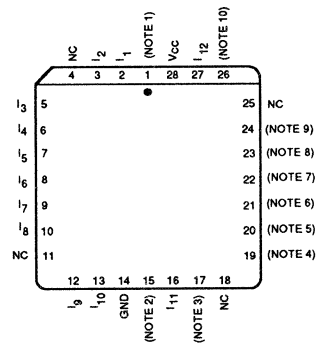
### PLCC

Applies to B, A, A-2 Series Only



### LCC

Applies to B, A, A-2 Series Only



**Note:**  
Pin 1 is marked for orientation.

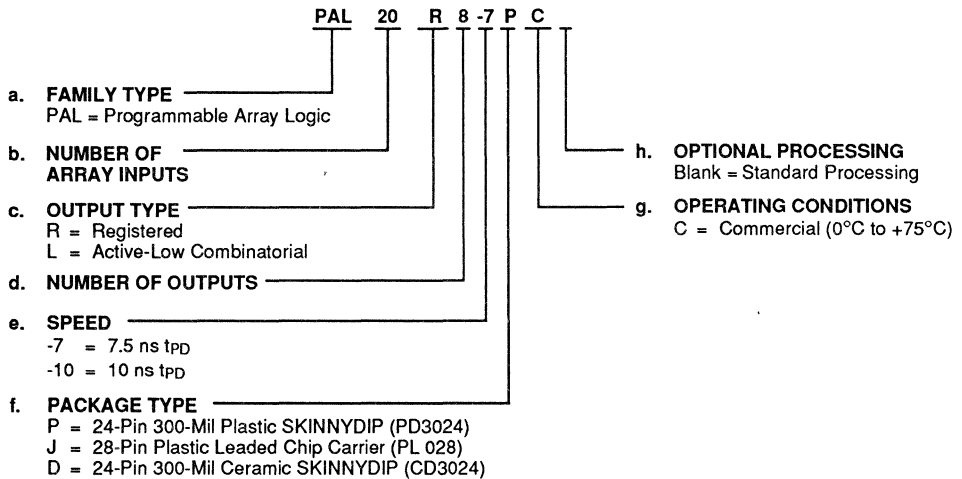
**2**

## ORDERING INFORMATION

### Commercial Products (AMD Marking Only)

AMD programmable logic products for commercial applications are available with several ordering options. The order number (Valid Combination) is formed by a combination of:

- a. Family Type
- b. Number of Array Inputs
- c. Output Type
- d. Number of Outputs
- e. Speed
- f. Package Type
- g. Operating Conditions
- h. Optional Processing



Valid Combinations		
PAL20L8	-7, -10	PC, JC, DC
PAL20R8		
PAL20R6		
PAL20R4		

#### Valid Combinations

The Valid Combinations table lists configurations planned to be supported in volume for this device. Consult the local AMD sales office to confirm availability of specific valid combinations, and to check on newly released combinations.

Note: Marked with AMD logo.

## ORDERING INFORMATION

### Commercial Products (MMI Marking Only)

AMD programmable logic products for commercial applications are available with several ordering options. The order number (Valid Combination) is formed by a combination of:

- |                                  |                                |           |   |  |          |           |          |           |  |
|----------------------------------|--------------------------------|-----------|---|--|----------|-----------|----------|-----------|--|
|                                  | <b>PAL</b>                     | <b>20</b> | <b>R</b>  | <b>8</b>                                   | <b>B</b> | <b>-2</b> | <b>C</b> | <b>NS</b> |  |
| <b>a. FAMILY TYPE</b>            | _____                          | _____     | _____   | _____                                      | _____    | _____     | _____    | _____     | <b>i. OPTIONAL PROCESSING</b>                                      |
|                                  | PAL = Programmable Array Logic |           |   |  |          |           |          |           | Blank = Standard Processing  |
| <b>b. NUMBER OF ARRAY INPUTS</b> | _____                          | _____     | _____   | _____                                      | _____    | _____     | _____    | _____     | <b>h. PACKAGE TYPE</b>   |
|                                  |                                |           |   |  |          |           |          |           | NS = 24-Pin 300-Mil Plastic SKINNYDIP (PD3024)                     |
| <b>c. OUTPUT TYPE</b>            | _____                          | _____     | _____   | _____                                      | _____    | _____     | _____    | _____     | FN = 28-Pin Plastic Leaded Chip Carrier (PL 028), JEDEC pinout     |
|                                  |                                |           | R = Registered                                  | L = Active-Low Combinatorial               |          |           |          |           | NL = 28-Pin Plastic Leaded Chip Carrier (PL 028), non-JEDEC pinout |
| <b>d. NUMBER OF OUTPUTS</b>      | _____                          | _____     | _____   | _____                                      | _____    | _____     | _____    | _____     | JS = 24-Pin 300-Mil Ceramic SKINNYDIP (CD3024)                     |
| <b>e. SPEED</b>                  | _____                          | _____     | _____   | _____                                      | _____    | _____     | _____    | _____     | <b>g. OPERATING CONDITIONS</b>                                     |
|                                  |                                |           | B = Very High Speed (15–25 ns t <sub>PD</sub> ) | A = High speed (25–35 ns t <sub>PD</sub> ) |          |           |          |           | C = Commercial (0°C to +75°C)                                      |
| <b>f. POWER</b>                  | _____                          | _____     | _____   | _____                                      | _____    | _____     | _____    | _____     |  |
|                                  |                                |           | Blank = Full Power (210 mA I <sub>CC</sub> )    | -2 = Half Power (105 mA I <sub>CC</sub> )  |          |           |          |           |  |

2

Valid Combinations		
PAL20L8,	B-2	CNS, CFN, CJS
PAL20R8,		
PAL20R6,	B, A,	CNS, CNL, CJS
PAL20R4	A-2	

**Valid Combinations**

The Valid Combinations table lists configurations planned to be supported in volume for this device. Consult the local AMD sales office to confirm availability of specific valid combinations, and to check on newly released combinations.

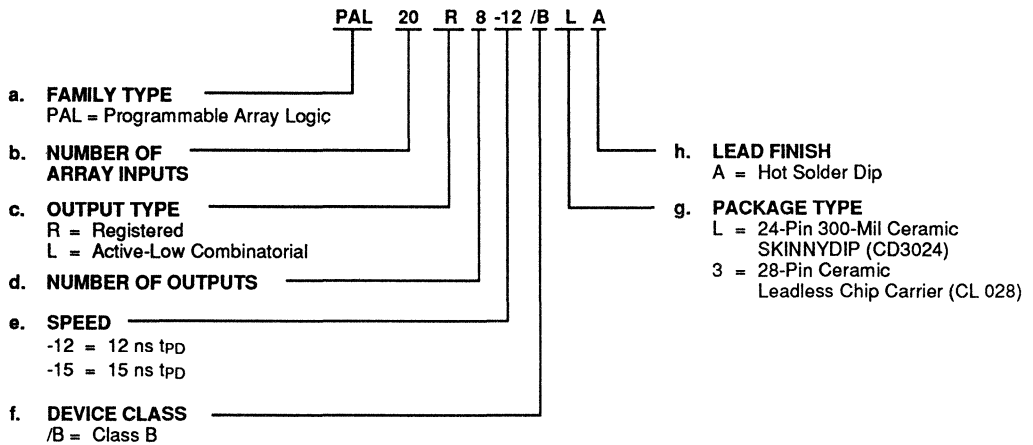
Note: Marked with MMI logo.

## ORDERING INFORMATION

### APL Products (AMD Marking Only)

AMD programmable logic products for Aerospace and Defense applications are available with several ordering options. APL (Approved Products List) products are fully compliant with MIL-STD-883 requirements. The order number (Valid Combination) is formed by a combination of:

- a. Family Type
- b. Number of Array Inputs
- c. Output Type
- d. Number of Outputs
- e. Speed
- f. Device Class
- g. Package Type
- h. Lead Finish



Valid Combinations		
PAL20L8		/BLA, /B3A
PAL20R8	-12,	
PAL20R6	-15	
PAL20R4		

#### Valid Combinations

The Valid Combinations table lists configurations planned to be supported in volume for this device. Consult the local AMD sales office to confirm availability of specific valid combinations, to check on newly released combinations, and to obtain additional data on AMD's standard military grade products.

Note: Marked with AMD logo.

#### Group A Tests

Group A Tests consist of Subgroups: 1, 2, 3, 7, 8, 9, 10, 11.

#### Military Burn-In

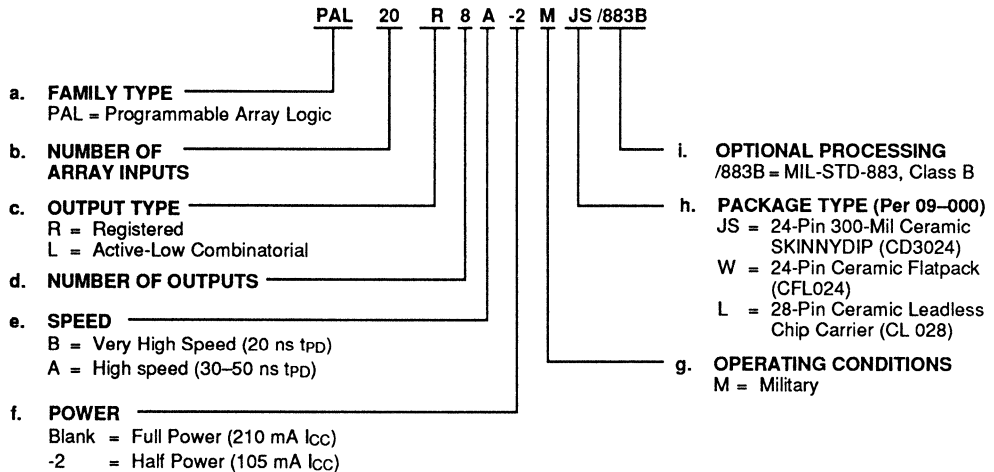
Military burn-in is in accordance with the current revision of MIL-STD-883, Test Methods 1015, Conditions A through E. Test conditions are selected at AMD's option.

## ORDERING INFORMATION

### APL Products (MMI Marking Only)

AMD programmable logic products for Aerospace and Defense applications are available with several ordering options. APL (Approved Products List) products are fully compliant with MIL-STD-883 requirements. The order number (Valid Combination) is formed by a combination of:

- a. Family Type
- b. Number of Array Inputs
- c. Output Type
- d. Number of Outputs
- e. Speed
- f. Power
- g. Operating Conditions
- h. Package Type
- i. Optional Processing



2

Valid Combinations		
PAL20L8	B, A,	MJS/883B,
PAL20R8		MW/883B,
PAL20R6	A-2	ML/883B
PAL20R4		

#### Valid Combinations

The Valid Combinations table lists configurations planned to be supported in volume for this device. Consult the local AMD sales office to confirm availability of specific valid combinations, and to check on newly released combinations.

Note: Marked with MMI logo.

#### Group A Tests

Group A Tests consist of Subgroups: 1, 2, 3, 7, 8, 9, 10, 11.

#### Military Burn-In

Military burn-in is in accordance with the current revision of MIL-STD-883, Test Methods 1015, Conditions A through E. Test conditions are selected at AMD's option.

---

## FUNCTIONAL DESCRIPTION

### Standard 24-pin PAL Family

The standard 24-pin PAL family is comprised of four different devices, including both registered and combinatorial devices. All parts are produced with a fuse link at each input to the AND gate array, and connections may be selectively removed by applying appropriate voltages to the circuit. Utilizing an easily-implemented programming algorithm, these products can be rapidly programmed to any customized pattern. Information on approved programmers can be found in the Programmer Reference Guide. Extra test words are pre-programmed during manufacturing to ensure extremely high field programming yields, and provide extra test paths to achieve excellent parametric correlation.

### Variable Input/Output Pin Ratio

The registered devices have twelve dedicated input lines, and each combinatorial output is an I/O pin. The PAL20L8 has fourteen dedicated input lines, and only six of the eight combinatorial outputs are I/O pins. Buffers for device inputs have complementary outputs to provide user-programmable input signal polarity. Unused input pins should be tied to  $V_{CC}$  or GND.

### Programmable Three-State Outputs

Each output has a three-state output buffer with three-state control. On combinatorial outputs, a product term controls the buffer, allowing enable and disable to be a function of any product of device inputs or output feedback. The combinatorial output provides a bidirectional I/O pin, and may be configured as a dedicated input if the buffer is always disabled. On registered outputs, an input pin controls the enabling of the three-state outputs.

### Registers with Feedback

Registered outputs are provided for data storage and synchronization. Registers are composed of D-type flip-flops that are loaded on the LOW-to-HIGH transition of the clock input.

### Power-Up Reset

All flip-flops power-up to a logic LOW for predictable system initialization. Outputs of the PAL20R8 Family will be HIGH due to the active-low outputs. The  $V_{CC}$  rise

must be monotonic and the reset delay time is 1000 ns maximum.

### Register Preload

#### Applies to -7 (-12 Mil), -10 (-15 Mil), Series Only

The register on the listed Series can be preloaded from the output pins to facilitate functional testing of complex state machine designs. This feature allows direct loading of arbitrary states, making it unnecessary to cycle through long test vector sequences to reach a desired state. In addition, transitions from illegal states can be verified by loading illegal states and observing proper recovery.

### Security Fuse

After programming and verification, a PAL20R8 Family design can be secured by programming the security fuse. Once programmed, this fuse defeats readback of the internal programmed pattern by a device programmer, securing proprietary designs from competitors. When the security fuse is programmed, the array will read as if every fuse is unprogrammed. An exception is the -7 (-12 Mil) Series, where the array will read as if every fuse is programmed.

### Pinouts

All members of the PAL20R8 Family have the same SKINNYDIP pinouts independent of technology, performance, and operating conditions. Because the 24-pin SKINNYDIP requires four no-connects when mapped into the 28-pin PLCC/LCC packages, the PLCC/LCC pinouts can vary.

Two different PLCC pinouts are offered. Newer devices and all future devices will follow the JEDEC electronics committee's standard pinout ("JEDEC pinout") with no-connects on pins 1, 8, 15, and 22. The devices following this pinout are the -7, -10, and B-2 Series. Older devices retain their original pinouts, with no-connects on pins 5, 8, 11, and 19. These include the B, A, and A-2 Series.

PAL20R8 Family devices with the MMI marking indicate the PLCC pinout by the package designator: FN indicates JEDEC, and NL indicates non-JEDEC. Devices with the AMD marking all follow the JEDEC pinout.

Two different LCC pinouts are offered for military products. Newer devices and all future devices will follow the JEDEC pinout with no-connects on pins 1, 8, 15, and 22. These include the -12 and -15 Series. Older devices retain their original pinouts, with no-connects on pins 4, 11, 18, and 25. These include the B, A, and A-2 Series.

Series	Com'l PLCC No-connects	Mil LCC No-connects
-7, -10, B-2	1, 8, 15, 22 (JEDEC)	N/A
-12, -15	N/A	1, 8, 15, 22 (JEDEC)
B, A, A-2	5, 8, 11, 19	4, 11, 18, 25

## Quality and Testability

The PAL20R8 Family offers a very high level of built-in quality. Extra programmable fuses provide a means of verifying performance of all AC and DC parameters. In addition, this verifies complete programmability and functionality of the device to provide the highest programming yields and post-programming functional yields in the industry.

## Technology

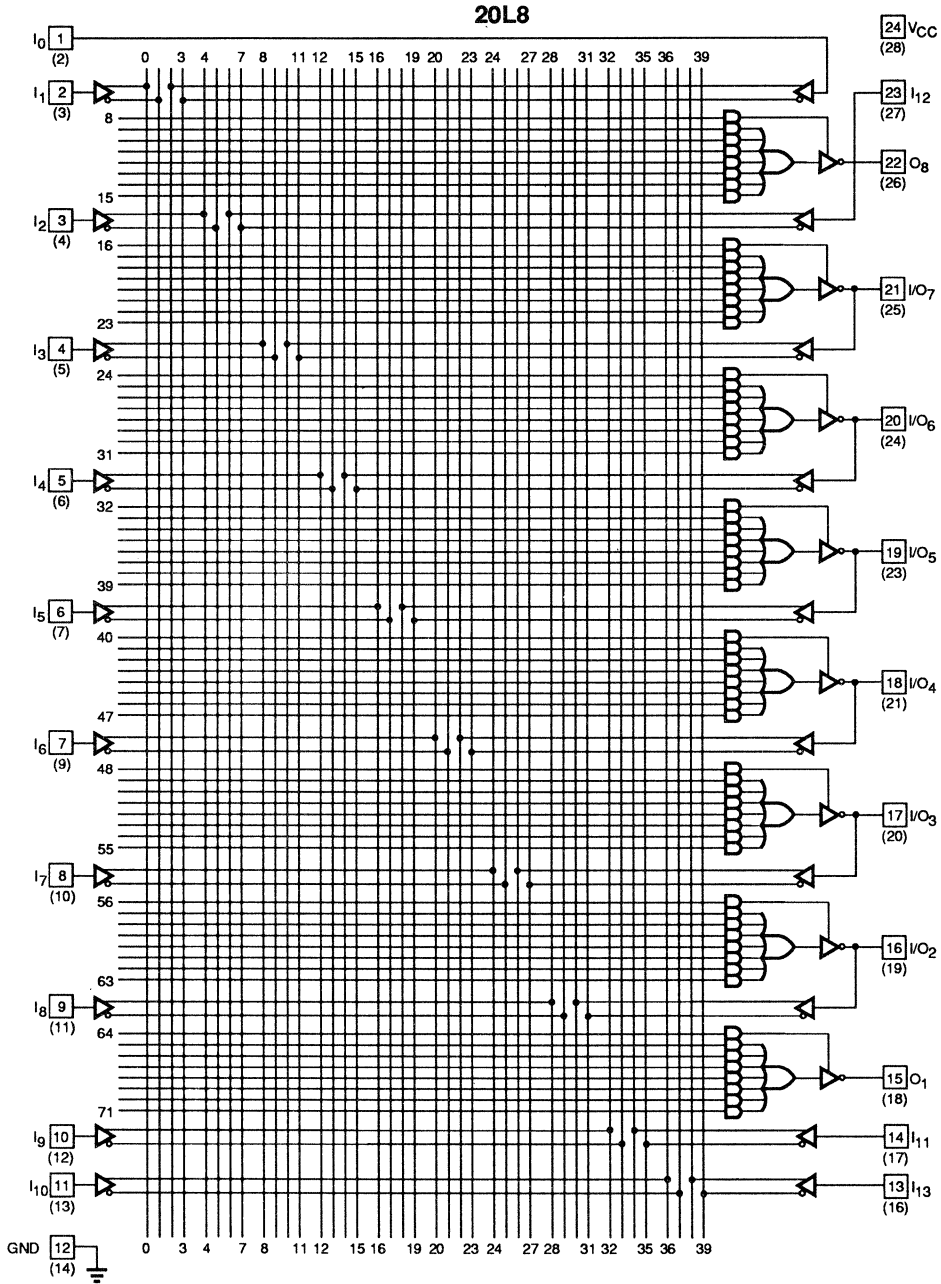
The high-speed -7 (-12 Mil) and -10 (-15 Mil) Series are fabricated with AMD's advanced oxide-isolated bipolar process. This process reduces parasitic capacitances and minimum geometries to provide higher performance. The array connections are formed with proven PtSi fuses for the -7 and TiW fuses for the -10. The B, B-2, A, and A-2 Series are fabricated with AMD's junction-isolated process, utilizing TiW fuses.



# LOGIC DIAGRAM

## DIP (JEDEC PLCC and LCC) Pinouts

See Connection Diagrams for B, A, A-2 Series PLCC/LCC Pinouts

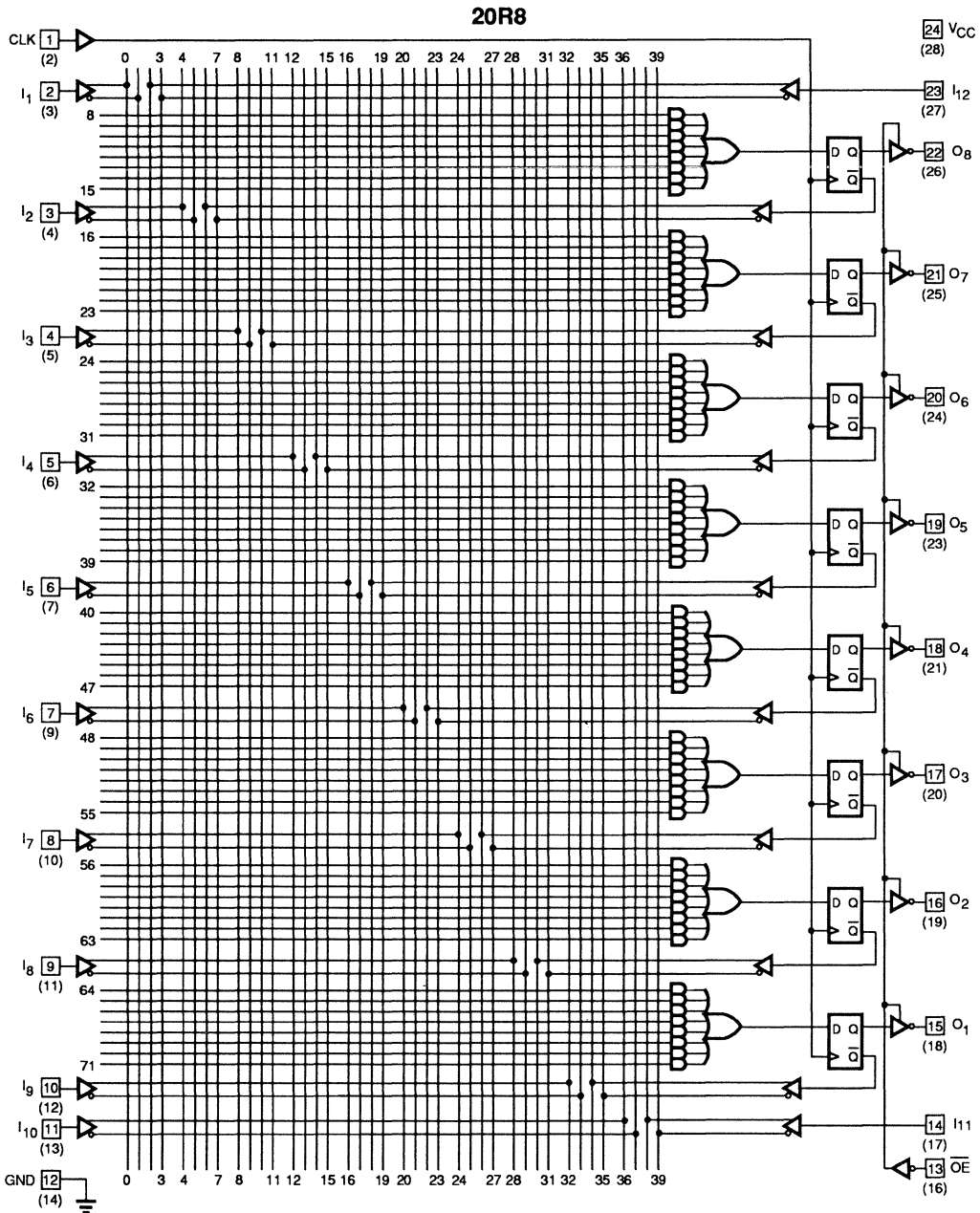


12350-007A

# LOGIC DIAGRAM

## DIP (JEDEC PLCC and LCC) Pinouts

See Connection Diagrams for B, A, A-2 Series PLCC/LCC Pinouts



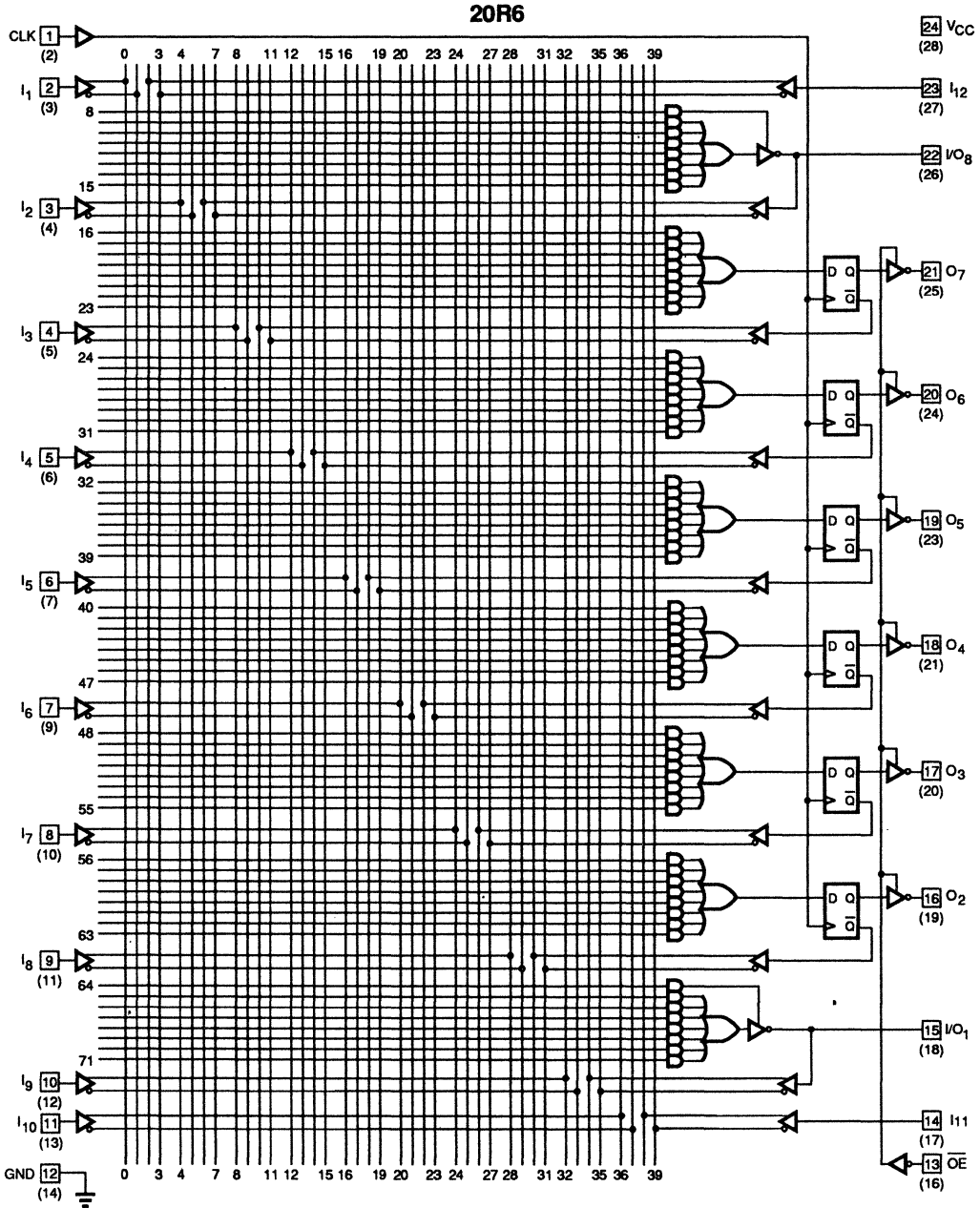
**2**

12350-008A

# LOGIC DIAGRAM

## DIP (JEDEC PLCC and LCC) Pinouts

See Connection Diagrams for B, A, A-2 Series PLCC/LCC Pinouts

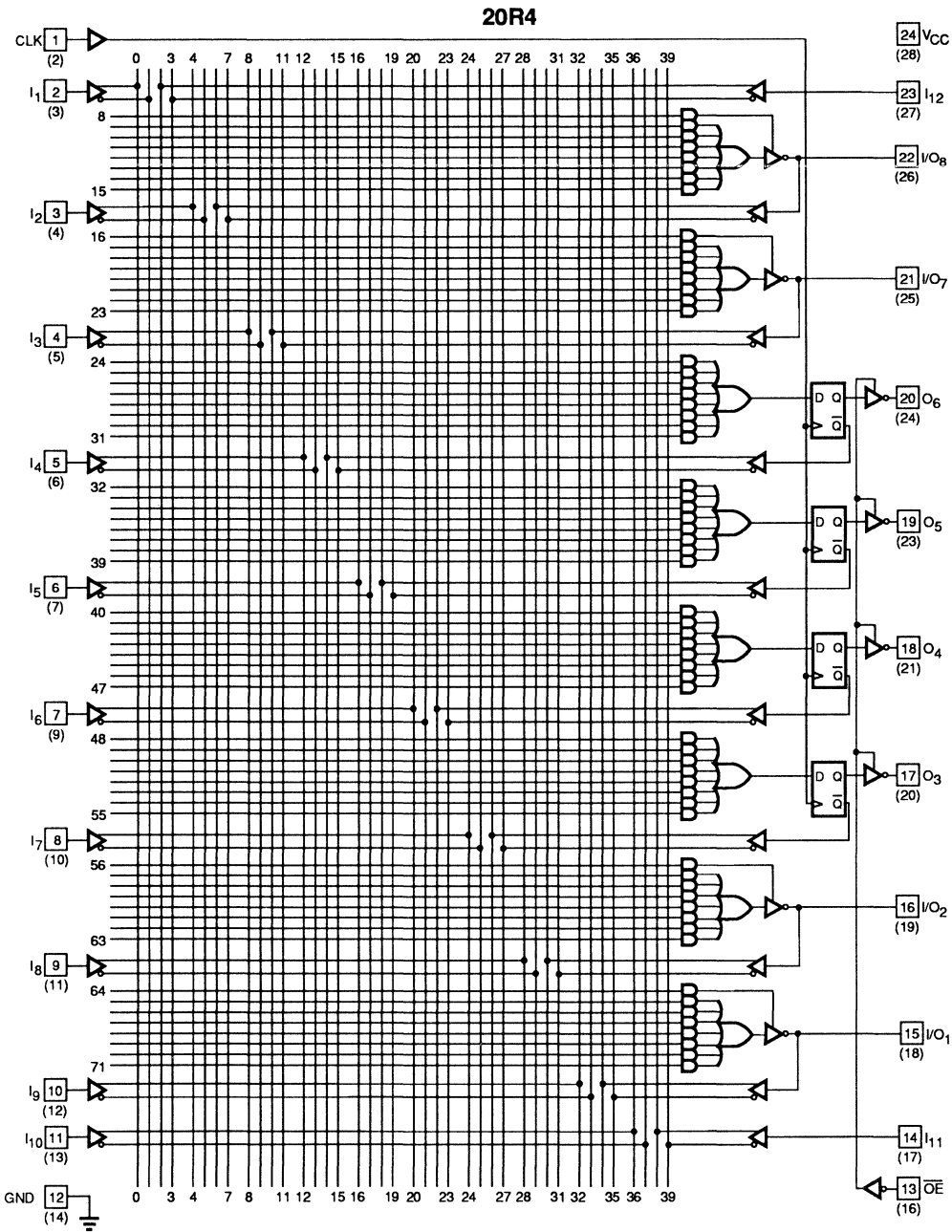


12350-009A

# LOGIC DIAGRAM

## DIP (JEDEC PLCC and LCC) Pinouts

See Connection Diagrams for B, A, A-2 Series PLCC/LCC Pinouts



**2**

**ABSOLUTE MAXIMUM RATINGS**

Storage Temperature	-65°C to +150°C
Ambient Temperature with Power Applied	-55°C to +125°C
Supply Voltage with Respect to Ground	-0.5 V to +7.0 V
DC Input Voltage	-1.2 V to $V_{CC} + 0.5$ V
DC Output or I/O Pin Voltage	-0.5 V to $V_{CC} + 0.5$ V
Static Discharge Voltage	2001 V

**OPERATING RANGES****Commercial (C) Devices**

Ambient Temperature ( $T_A$ )	
Operating in Free Air	0°C to +75°C
Supply Voltage ( $V_{CC}$ ) with Respect to Ground	+4.75 V to +5.25 V

*Operating ranges define those limits between which the functionality of the device is guaranteed.*

*Stresses above those listed under Absolute Maximum Ratings may cause permanent device failure. Functionality at or above these limits is not implied. Exposure to Absolute Maximum Ratings for extended periods may affect device reliability. Programming conditions may differ.*

**DC CHARACTERISTICS over COMMERCIAL operating ranges unless otherwise specified**

Parameter Symbol	Parameter Description	Test Conditions	Min.	Max.	Unit
$V_{OH}$	Output HIGH Voltage	$I_{OH} = -3.2$ mA $V_{IN} = V_{IH}$ or $V_{IL}$ $V_{CC} = \text{Min.}$	2.4		V
$V_{OL}$	Output LOW Voltage	$I_{OL} = 24$ mA $V_{IN} = V_{IH}$ or $V_{IL}$ $V_{CC} = \text{Min.}$		0.5	V
$V_{IH}$	Input HIGH Voltage	Guaranteed Input Logical HIGH Voltage for all Inputs (Note 1)	2.0		V
$V_{IL}$	Input LOW Voltage	Guaranteed Input Logical LOW Voltage for all Inputs (Note 1)		0.8	V
$V_I$	Input Clamp Voltage	$I_{IN} = -18$ mA, $V_{CC} = \text{Min.}$		-1.2	V
$I_{IH}$	Input HIGH Current	$V_{IN} = 2.7$ V, $V_{CC} = \text{Max.}$ (Note 2)		25	$\mu$ A
$I_{IL}$	Input LOW Current	$V_{IN} = 0.4$ V, $V_{CC} = \text{Max.}$ (Note 2)		-250	$\mu$ A
$I_I$	Maximum Input Current	$V_{IN} = 5.5$ V, $V_{CC} = \text{Max.}$		1	mA
$I_{OZH}$	Off-State Output Leakage Current HIGH	$V_{OUT} = 2.7$ V, $V_{CC} = \text{Max.}$ $V_{IN} = V_{IH}$ or $V_{IL}$ (Note 2)		100	$\mu$ A
$I_{OZL}$	Off-State Output Leakage Current LOW	$V_{OUT} = 0.4$ V, $V_{CC} = \text{Max.}$ $V_{IN} = V_{IH}$ or $V_{IL}$ (Note 2)		-100	$\mu$ A
$I_{SC}$	Output Short-Circuit Current	$V_{OUT} = 0.5$ V, $V_{CC} = \text{Max.}$ (Note 3)	-30	-130	mA
$I_{CC}$	Supply Current	$V_{IN} = 0$ V, Outputs Open ( $I_{OUT} = 0$ mA) $V_{CC} = \text{Max.}$		210	mA

**Notes:**

1. These are absolute values with respect to device ground and all overshoots due to system and/or tester noise are included.
2. I/O pin leakage is the worst case of  $I_{IL}$  and  $I_{OZL}$  (or  $I_{IH}$  and  $I_{OZH}$ ).
3. Not more than one output should be tested at a time. Duration of the short-circuit should not exceed one second.  $V_{OUT} = 0.5$  V has been chosen to avoid test problems caused by tester ground degradation.

## CAPACITANCE (Note 1)

Parameter Symbol	Parameter Description	Test Conditions		Typ.	Unit
C <sub>IN</sub>	Input Capacitance	V <sub>IN</sub> = 2.0 V	V <sub>CC</sub> = 5.0 V T <sub>A</sub> = +25°C f = 1 MHz	7	pF
C <sub>OUT</sub>	Output Capacitance	V <sub>OUT</sub> = 2.0 V		8	

### Note:

- These parameters are not 100% tested, but are evaluated at initial characterization and at any time the design is modified where capacitance may be affected.

## SWITCHING CHARACTERISTICS over COMMERCIAL operating ranges (Note 2)

Parameter Symbol	Parameter Description			Min. (Note 3)	Max.	Unit	
t <sub>PD</sub>	Input or Feedback to Combinatorial Output			20L8, 20R6	3	7.5	ns
		1 Output Switching		20R4	3	7	
t <sub>S</sub>	Setup Time from Input or Feedback to Clock			20R8, 20R6, 20R4	7		ns
t <sub>H</sub>	Hold Time				0		ns
t <sub>CO</sub>	Clock to Output				3	6.5	ns
t <sub>CF</sub>	Clock to Feedback (Note 4)					3	ns
t <sub>SKEW</sub>	Skew Between Registered Outputs (Note 5)					1	ns
t <sub>WL</sub>	Clock Width	LOW			5		ns
		HIGH			5		ns
f <sub>MAX</sub>	Maximum Frequency (Note 6)	External Feedback	1/(t <sub>S</sub> + t <sub>CO</sub> )		74		MHz
		Internal Feedback	1/(t <sub>S</sub> + t <sub>CF</sub> )		100		MHz
		No Feedback	1/(t <sub>WH</sub> + t <sub>WL</sub> )		100		MHz
t <sub>PZX</sub>	$\overline{OE}$ to Output Enable			3	8	ns	
t <sub>PXZ</sub>	$\overline{OE}$ to Output Disable			3	8	ns	
t <sub>EA</sub>	Input to Output Enable Using Product Term Control			20L8, 20R6	3	10	ns
t <sub>ER</sub>	Input to Output Disable Using Product Term Control			20R4	3	10	ns

### Notes:

- See Switching Test Circuit for test conditions.
- Output delay minimums are measured under best-case conditions.
- Calculated from measured f<sub>MAX</sub> internal.
- Skew is measured with all outputs switching in the same direction.
- These parameters are not 100% tested, but are calculated at initial characterization and at any time the design is modified where the frequency may be affected.

2

## ABSOLUTE MAXIMUM RATINGS

Storage Temperature	-65°C to +150°C
Ambient Temperature with Power Applied	-55°C to +125°C
Supply Voltage with Respect to Ground	-0.5 V to +7.0 V
DC Input Voltage	-1.2 V to $V_{CC} + 0.5$ V
DC Output or I/O Pin Voltage	-0.5 V to $V_{CC} + 0.5$ V
Static Discharge Voltage	2001 V

Stresses above those listed under Absolute Maximum Ratings may cause permanent device failure. Functionality at or above these limits is not implied. Exposure to Absolute Maximum Ratings for extended periods may affect device reliability. Programming conditions may differ. Absolute Maximum Ratings are for system design reference; parameters given are not tested.

## OPERATING RANGES

### Military (M) Devices (Note 1)

Operating Case ( $T_c$ ) Temperature	-55°C to +125°C
Supply Voltage ( $V_{CC}$ ) with Respect to Ground	+4.50 V to +5.50 V

Operating ranges define those limits between which the functionality of the device is guaranteed.

### Note:

- Military products are tested at  $T_c = +25^\circ\text{C}$ ,  $+125^\circ\text{C}$ , and  $-55^\circ\text{C}$  per MIL-STD-883.

## DC CHARACTERISTICS over MILITARY operating ranges unless otherwise specified (Note 2)

Parameter Symbol	Parameter Description	Test Conditions	Min.	Max.	Unit
$V_{OH}$	Output HIGH Voltage	$I_{OH} = -2$ mA, $V_{IN} = V_{IH}$ or $V_{IL}$ , $V_{CC} = \text{Min.}$	2.4		V
$V_{OL}$	Output LOW Voltage	$I_{OL} = 12$ mA, $V_{IN} = V_{IH}$ or $V_{IL}$ , $V_{CC} = \text{Min.}$		0.5	V
$V_{IH}$	Input HIGH Voltage	Guaranteed Input Logical HIGH Voltage for all Inputs (Note 3)	2.0		V
$V_{IL}$	Input LOW Voltage	Guaranteed Input Logical LOW Voltage for all Inputs (Note 3)		0.8	V
$V_I$	Input Clamp Voltage	$I_{IN} = -18$ mA, $V_{CC} = \text{Min.}$		-1.2	V
$I_{IH}$	Input HIGH Current	$V_{IN} = 2.4$ V, $V_{CC} = \text{Max.}$ (Note 4)		25	$\mu\text{A}$
$I_{IL}$	Input LOW Current	$V_{IN} = 0.4$ V, $V_{CC} = \text{Max.}$ (Note 4)		-250	$\mu\text{A}$
$I_I$	Maximum Input Current	$V_{IN} = 5.5$ V, $V_{CC} = \text{Max.}$		1	mA
$I_{OZH}$	Off-State Output Leakage Current HIGH	$V_{OUT} = 2.4$ V, $V_{CC} = \text{Max.}$ , $V_{IN} = V_{IH}$ or $V_{IL}$ (Note 4)		100	$\mu\text{A}$
$I_{OZL}$	Off-State Output Leakage Current LOW	$V_{OUT} = 0.4$ V, $V_{CC} = \text{Max.}$ , $V_{IN} = V_{IH}$ or $V_{IL}$ (Note 4)		-100	$\mu\text{A}$
$I_{SC}$	Output Short-Circuit Current	$V_{OUT} = 0.5$ V, $V_{CC} = \text{Max.}$ (Note 5)	-30	-130	mA
$I_{CC}$	Supply Current	$V_{IN} = 0$ V, Outputs Open ( $I_{OUT} = 0$ mA), $V_{CC} = \text{Max.}$		210	mA

### Notes:

- For APL Products, Group A, Subgroups 1, 2, and 3 are tested per MIL-STD-883, Method 5005, unless otherwise noted.
- $V_{IL}$  and  $V_{IH}$  are input conditions of output tests and are not themselves directly tested.  $V_{IL}$  and  $V_{IH}$  are absolute voltages with respect to device ground and include all overshoots due to system and/or tester noise. Do not attempt to test these values without suitable equipment.
- I/O pin leakage is the worst case of  $I_{IL}$  and  $I_{OZL}$  (or  $I_{IH}$  and  $I_{OZH}$ ).
- Not more than one output should be tested at a time. Duration of the short-circuit should not exceed one second.  $V_{OUT} = 0.5$  V has been chosen to avoid test problems caused by tester ground degradation.

## CAPACITANCE (Note 1)

Parameter Symbol	Parameter Description	Test Conditions		Typ.	Unit
C <sub>IN</sub>	Input Capacitance	V <sub>IN</sub> = 2.0 V	V <sub>CC</sub> = 5.0 V T <sub>A</sub> = +25°C f = 1 MHz	9	pF
C <sub>OUT</sub>	Output Capacitance	V <sub>OUT</sub> = 2.0 V		10	

### Note:

- These parameters are not 100% tested, but are evaluated at initial characterization and at any time the design is modified where capacitance may be affected.

## SWITCHING CHARACTERISTICS over MILITARY operating ranges (Note 2)

Parameter Symbol	Parameter Description			Min. (Note 3)	Max.	Unit
t <sub>PD</sub>	Input or Feedback to Combinatorial Output		20L8, 20R6	3	12.5	ns
		1 Output Switching	20R4	3	12	
t <sub>S</sub>	Setup Time from Input or Feedback to Clock			12		ns
t <sub>H</sub>	Hold Time			0		ns
t <sub>CO</sub>	Clock to Output			3	11	ns
t <sub>CF</sub>	Clock to Feedback (Note 4)				6.5	ns
t <sub>SKEW</sub>	Skew Between Registered Outputs (Note 5)				1	ns
t <sub>WL</sub>	Clock Width	LOW	20R8, 20R6 20R4	10		ns
t <sub>WH</sub>		HIGH		8		ns
f <sub>MAX</sub>	Maximum Frequency (Note 6)	External feedback		43.4		MHz
		Internal feedback	1/(t <sub>S</sub> + t <sub>CF</sub> )	54		MHz
		No Feedback	1/(t <sub>WH</sub> + t <sub>WL</sub> )	55.5		MHz
t <sub>PXZ</sub>	OE to Output Enable (Note 7)			3	20	ns
t <sub>XPZ</sub>	OE to Output Disable (Note 7)			3	20	ns
t <sub>EA</sub>	Input to Output Enable Using Product Term Control (Note 7)		20L8, 20R6 20R4	3	20	ns
t <sub>ER</sub>	Input to Output Disable Using Product Term Control (Note 7)			3	20	ns

### Notes:

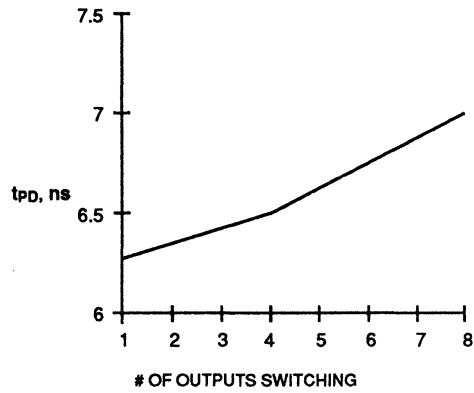
- See Switching Test Circuit for test conditions. For APL products Group A, Subgroups 9, 10, and 11 are tested per MIL-STD-883, Method 5005, unless otherwise noted.
- Minimum value for t<sub>PD</sub>, t<sub>CO</sub>, t<sub>PXZ</sub>, t<sub>XPZ</sub>, t<sub>EA</sub>, and t<sub>ER</sub> parameters should be used for simulation purposes only and are not tested.
- Calculated from measured f<sub>MAX</sub> internal.
- Skew is measured with all outputs switching in the same direction.
- These parameters are not 100% tested, but are calculated at initial characterization and at any time the design is modified where frequency may be affected.
- These parameters are not 100% tested, but are evaluated at initial characterization and at any time the design is modified where these parameters may be affected.



---

## MEASURED SWITCHING CHARACTERISTICS

$V_{CC} = 5.25\text{ V}$ ,  $T_A = 75^\circ\text{C}$  (Note 1)



$t_{PD}$  vs. Number of Outputs Switching

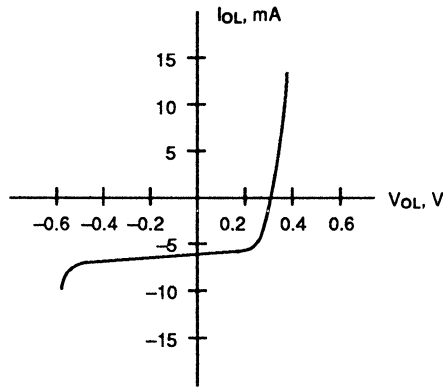
10294-005A

### Note:

1. These parameters are not 100% tested, but are evaluated at initial characterization and at any time the design is modified where  $t_{PD}$  may be affected.

# CURRENT VS. VOLTAGE (I-V) CHARACTERISTICS

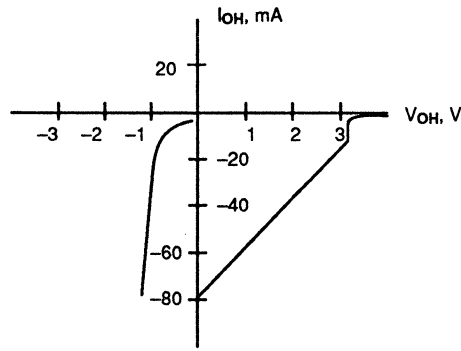
$V_{CC} = 5.0\text{ V}$ ,  $T_A = 25^\circ\text{C}$



Output, LOW

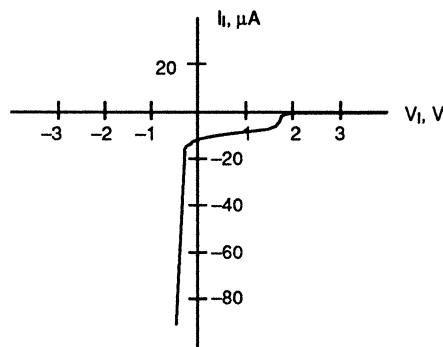
10240-003A

2



Output, HIGH

10240-004A



Input

10240-005A

**ABSOLUTE MAXIMUM RATINGS**

Storage Temperature	-65°C to +150°C
Ambient Temperature with Power Applied	-55°C to +125°C
Supply Voltage with Respect to Ground	-0.5 V to +7.0 V
DC Input Voltage	-0.5 V to $V_{CC} + 0.5$ V
DC Output or I/O Pin Voltage	-0.5 V to $V_{CC}$ Max.
DC Input Current	-30 mA to +5 mA

**OPERATING RANGES****Commercial (C) Devices**

Ambient Temperature ( $T_A$ )	
Operating in Free Air	0°C to +75°C
Supply Voltage ( $V_{CC}$ ) with Respect to Ground	+4.75 V to +5.25 V

*Operating ranges define those limits between which the functionality of the device is guaranteed.*

*Stresses above those listed under Absolute Maximum Ratings may cause permanent device failure. Functionality at or above these limits is not implied. Exposure to Absolute Maximum Ratings for extended periods may affect device reliability. Programming conditions may differ.*

**DC CHARACTERISTICS over COMMERCIAL operating ranges unless otherwise specified**

Parameter Symbol	Parameter Description	Test Conditions	Min.	Max.	Unit
$V_{OH}$	Output HIGH Voltage	$I_{OH} = -3.2$ mA $V_{IN} = V_{IH}$ or $V_{IL}$ $V_{CC} = \text{Min.}$	2.4		V
$V_{OL}$	Output LOW Voltage	$I_{OL} = 24$ mA $V_{IN} = V_{IH}$ or $V_{IL}$ $V_{CC} = \text{Min.}$		0.5	V
$V_{IH}$	Input HIGH Voltage	Guaranteed Input Logical HIGH Voltage for all Inputs (Note 1)	2.0		V
$V_{IL}$	Input LOW Voltage	Guaranteed Input Logical LOW Voltage for all Inputs (Note 1)		0.8	V
$V_I$	Input Clamp Voltage	$I_{IN} = -18$ mA, $V_{CC} = \text{Min.}$		-1.5	V
$I_{IH}$	Input HIGH Current	$V_{IN} = 2.7$ V, $V_{CC} = \text{Max.}$ (Note 2)		25	$\mu$ A
$I_{IL}$	Input LOW Current	$V_{IN} = 0.4$ V, $V_{CC} = \text{Max.}$ (Note 2)		-250	$\mu$ A
$I_I$	Maximum Input Current	$V_{IN} = 5.5$ V, $V_{CC} = \text{Max.}$		100	$\mu$ A
$I_{OZH}$	Off-State Output Leakage Current HIGH	$V_{OUT} = 2.7$ V, $V_{CC} = \text{Max.}$ $V_{IN} = V_{IH}$ or $V_{IL}$ (Note 2)		100	$\mu$ A
$I_{OZL}$	Off-State Output Leakage Current LOW	$V_{OUT} = 0.4$ V, $V_{CC} = \text{Max.}$ $V_{IN} = V_{IH}$ or $V_{IL}$ (Note 2)		-100	$\mu$ A
$I_{SC}$	Output Short-Circuit Current	$V_{OUT} = 0.5$ V, $V_{CC} = \text{Max.}$ (Note 3)	-30	-130	mA
$I_{CC}$	Supply Current	$V_{IN} = 0$ V, Outputs Open ( $I_{OUT} = 0$ mA) $V_{CC} = \text{Max.}$		210	mA

**Notes:**

- These are absolute values with respect to device ground and all overshoots due to system and/or tester noise are included.
- I/O pin leakage is the worst case of  $I_{IL}$  and  $I_{OZL}$  (or  $I_{IH}$  and  $I_{OZH}$ ).
- Not more than one output should be tested at a time. Duration of the short-circuit should not exceed one second.  $V_{OUT} = 0.5$  V has been chosen to avoid test problems caused by tester ground degradation.

## CAPACITANCE (Note 1)

Parameter Symbol	Parameter Description	Test Conditions			Typ.	Unit
C <sub>IN</sub>	Input Capacitance	V <sub>IN</sub> = 2.0 V	V <sub>CC</sub> = 5.0 V T <sub>A</sub> = 25°C	CLK, $\overline{\text{OE}}$	12	pF
				Other Inputs	7	
C <sub>OUT</sub>	Output Capacitance	V <sub>OUT</sub> = 2.0 V	f = 1 MHz	Outputs	8	

### Note:

1. These parameters are not 100% tested, but are evaluated at initial characterization and at any time the design is modified where capacitance may be affected.

## SWITCHING CHARACTERISTICS over COMMERCIAL operating ranges (Note 2)

Parameter Symbol	Parameter Description		Min. (Note 3)	Max.	Unit		
t <sub>PD</sub>	Input or Feedback to Combinatorial Output		20L8, 20R6 20R4	3	10	ns	
t <sub>S</sub>	Setup Time from Input or Feedback to Clock		20R8, 20R6 20R4	10		ns	
t <sub>H</sub>	Hold Time			0		ns	
t <sub>CO</sub>	Clock to Output			2	8	ns	
t <sub>CF</sub>	Clock to Feedback (Note 4)				7	ns	
t <sub>WL</sub>	Clock Width	LOW		7		ns	
		HIGH		7		ns	
f <sub>MAX</sub>	Maximum Frequency (Note 5)	External Feedback		1/(t <sub>S</sub> + t <sub>CO</sub> )	55.5		MHz
		Internal Feedback		1/(t <sub>S</sub> + t <sub>CF</sub> )	58.8		MHz
		No Feedback		1/(t <sub>WH</sub> + t <sub>WL</sub> )	71.4		MHz
t <sub>PZX</sub>	$\overline{\text{OE}}$ to Output Enable				1	10	ns
t <sub>PXZ</sub>	$\overline{\text{OE}}$ to Output Disable			1	10	ns	
t <sub>EA</sub>	Input to Output Enable Using Product Term Control		20L8, 20R6	3	10	ns	
t <sub>ER</sub>	Input to Output Disable Using Product Term Control		20R4	3	10	ns	

### Notes:

2. See Switching Test Circuit for test conditions.
3. Output delay minimums are measured under best-case conditions.
4. Calculated from measured f<sub>MAX</sub> internal.
5. These parameters are not 100% tested, but are calculated at initial characterization and at any time the design is modified where the frequency may be affected.

2

## ABSOLUTE MAXIMUM RATINGS

Storage Temperature	-65°C to +150°C
Ambient Temperature with Power Applied	-55°C to +125°C
Supply Voltage with Respect to Ground	-0.5 V to +7.0 V
DC Input Voltage	-0.5 V to +5.5 V
DC Output or I/O Pin Voltage	-0.5 V to $V_{CC}$ Max.
DC Input Current	-30 mA to +5 mA

Stresses above those listed under Absolute Maximum Ratings may cause permanent device failure. Functionality at or above these limits is not implied. Exposure to Absolute Maximum Ratings for extended periods may affect device reliability. Programming conditions may differ. Absolute Maximum Ratings are for system design reference; parameters given are not tested.

## OPERATING RANGES

### Military (M) Devices (Note 1)

Ambient Temperature ( $T_A$ )	
Operating in Free Air	-55°C Min.
Operating Case ( $T_C$ ) Temperature	+125°C Max.
Supply Voltage ( $V_{CC}$ ) with Respect to Ground	+4.50 V to +5.50 V

Operating ranges define those limits between which the functionality of the device is guaranteed.

### Note:

1. Military products are tested at  $T_C = +25^\circ\text{C}$ ,  $+125^\circ\text{C}$ , and  $-55^\circ\text{C}$  per MIL-STD-883.

## DC CHARACTERISTICS over MILITARY operating ranges unless otherwise specified (Note 2)

Parameter Symbol	Parameter Description	Test Conditions	Min.	Max.	Unit
$V_{OH}$	Output HIGH Voltage	$I_{OH} = -2\text{ mA}$ $V_{IN} = V_{IH}$ or $V_{IL}$ $V_{CC} = \text{Min.}$	2.4		V
$V_{OL}$	Output LOW Voltage	$I_{OL} = 12\text{ mA}$ $V_{IN} = V_{IH}$ or $V_{IL}$ $V_{CC} = \text{Min.}$		0.5	V
$V_{IH}$	Input HIGH Voltage	Guaranteed Input Logical HIGH Voltage for all Inputs (Note 3)	2.0		V
$V_{IL}$	Input LOW Voltage	Guaranteed Input Logical LOW Voltage for all Inputs (Note 3)		0.8	V
$V_I$	Input Clamp Voltage	$I_{IN} = -18\text{ mA}$ , $V_{CC} = \text{Min.}$		-1.5	V
$I_{IH}$	Input HIGH Current	$V_{IN} = 2.4\text{ V}$ , $V_{CC} = \text{Max.}$ (Note 4)		25	$\mu\text{A}$
$I_{IL}$	Input LOW Current	$V_{IN} = 0.4\text{ V}$ , $V_{CC} = \text{Max.}$ (Note 4)		-250	$\mu\text{A}$
$I_I$	Maximum Input Current	$V_{IN} = 5.5\text{ V}$ , $V_{CC} = \text{Max.}$		100	$\mu\text{A}$
$I_{OZH}$	Off-State Output Leakage Current HIGH	$V_{OUT} = 2.7\text{ V}$ , $V_{CC} = \text{Max.}$ $V_{IN} = V_{IH}$ or $V_{IL}$ (Note 4)		100	$\mu\text{A}$
$I_{OZL}$	Off-State Output Leakage Current LOW	$V_{OUT} = 0.4\text{ V}$ , $V_{CC} = \text{Max.}$ $V_{IN} = V_{IH}$ or $V_{IL}$ (Note 4)		-100	$\mu\text{A}$
$I_{SC}$	Output Short-Circuit Current	$V_{OUT} = 0.5\text{ V}$ , $V_{CC} = \text{Max.}$ (Note 5)	-30	-130	mA
$I_{CC}$	Supply Current	$V_{IN} = 0\text{ V}$ , Outputs Open ( $I_{OUT} = 0\text{ mA}$ ) $V_{CC} = \text{Max.}$		210	mA

### Notes:

2. For APL Products, Group A, Subgroups 1, 2, and 3 are tested per MIL-STD-883, Method 5005, unless otherwise noted.
3.  $V_{IL}$  and  $V_{IH}$  are input conditions of output tests and are not themselves directly tested.  $V_{IL}$  and  $V_{IH}$  are absolute voltages with respect to device ground and include all overshoots due to system and/or tester noise. Do not attempt to test these values without suitable equipment.
4. I/O pin leakage is the worst case of  $I_{IL}$  and  $I_{OZL}$  (or  $I_{IH}$  and  $I_{OZH}$ ).
5. Not more than one output should be tested at a time. Duration of the short-circuit should not exceed one second.  $V_{OUT} = 0.5\text{ V}$  has been chosen to avoid test problems caused by tester ground degradation.

## CAPACITANCE (Note 1)

Parameter Symbol	Parameter Description	Test Conditions			Typ.	Unit
C <sub>IN</sub>	Input Capacitance	V <sub>IN</sub> = 2.0 V	V <sub>CC</sub> = 5.0 V T <sub>A</sub> = 25°C	CLK, $\overline{\text{OE}}$	12	pF
				Other Inputs	7	
C <sub>OUT</sub>	Output Capacitance	V <sub>OUT</sub> = 2.0 V	f = 1 MHz	Outputs	8	

### Note:

1. These parameters are not 100% tested, but are evaluated at initial characterization and at any time the design is modified where capacitance may be affected.

## SWITCHING CHARACTERISTICS over MILITARY operating ranges (Note 2)

Parameter Symbol	Parameter Description		Min. (Note 3)	Max.	Unit		
t <sub>PD</sub>	Input or Feedback to Combinatorial Output		20L8, 20R6 20R4	3	15	ns	
t <sub>S</sub>	Setup Time from Input or Feedback to Clock		20R8, 20R6 20R4	15		ns	
t <sub>H</sub>	Hold Time			0		ns	
t <sub>CO</sub>	Clock to Output			2	13	ns	
t <sub>CF</sub>	Clock to Feedback (Note 4)				12	ns	
t <sub>WL</sub>	Clock Width	LOW		20R8, 20R6 20R4	10		ns
		HIGH			10		ns
f <sub>MAX</sub>	Maximum Frequency (Note 5)	External Feedback		1/(t <sub>S</sub> + t <sub>CO</sub> )	35.7		MHz
		Internal Feedback		1/(t <sub>S</sub> + t <sub>CF</sub> )	37		MHz
		No Feedback		1/(t <sub>WH</sub> + t <sub>WL</sub> )	50		MHz
t <sub>PZX</sub>	$\overline{\text{OE}}$ to Output Enable (Note 6)			20L8, 20R6 20R4	1	15	ns
t <sub>PXZ</sub>	$\overline{\text{OE}}$ to Output Disable (Note 6)		1		15	ns	
t <sub>EA</sub>	Input to Output Enable Using Product Term Control (Note 6)		20L8, 20R6 20R4	3	15	ns	
t <sub>ER</sub>	Input to Output Disable Using Product Term Control (Note 6)			3	15	ns	

### Notes:

2. See Switching Test Circuit for test conditions. For APL products Group A, Subgroups 9, 10, and 11 are tested per MIL-STD-883, Method 5005, unless otherwise noted.
3. Minimum value for t<sub>PD</sub>, t<sub>CO</sub>, t<sub>PZX</sub>, t<sub>PXZ</sub>, t<sub>EA</sub>, and t<sub>ER</sub> parameters should be used for simulation purposes only and are not tested.
4. Calculated from measured f<sub>MAX</sub> internal.
5. These parameters are not 100% tested, but are calculated at initial characterization and at any time the design is modified where frequency may be affected.
6. These parameters are not 100% tested, but are evaluated at initial characterization and at any time the design is modified where these parameters may be affected.

## ABSOLUTE MAXIMUM RATINGS

Storage Temperature	-65°C to +150°C
Ambient Temperature with Power Applied	-55°C to +125°C
Supply Voltage with Respect to Ground	-0.5 V to +7.0 V
DC Input Voltage	-1.5 V to $V_{CC} + 0.5$ V
DC Output or I/O Pin Voltage	-0.5 V to $V_{CC} + 0.5$ V

## OPERATING RANGES

### Commercial (C) Devices

Ambient Temperature ( $T_A$ )	Operating in Free Air	0°C to +75°C
Supply Voltage ( $V_{CC}$ ) with Respect to Ground		+4.75 V to +5.25 V

Operating ranges define those limits between which the functionality of the device is guaranteed.

Stresses above those listed under Absolute Maximum Ratings may cause permanent device failure. Functionality at or above these limits is not implied. Exposure to Absolute Maximum Ratings for extended periods may affect device reliability. Programming conditions may differ.

## DC CHARACTERISTICS over COMMERCIAL operating ranges unless otherwise specified

Parameter Symbol	Parameter Description	Test Conditions	Min.	Max.	Unit
$V_{OH}$	Output HIGH Voltage	$I_{OH} = -3.2$ mA, $V_{IN} = V_{IH}$ or $V_{IL}$ , $V_{CC} = \text{Min.}$	2.4		V
$V_{OL}$	Output LOW Voltage	$I_{OL} = 24$ mA, $V_{IN} = V_{IH}$ or $V_{IL}$ , $V_{CC} = \text{Min.}$		0.5	V
$V_{IH}$	Input HIGH Voltage	Guaranteed Input Logical HIGH Voltage for all Inputs (Note 1)	2.0		V
$V_{IL}$	Input LOW Voltage	Guaranteed Input Logical LOW Voltage for all Inputs (Note 1)		0.8	V
$V_I$	Input Clamp Voltage	$I_{IN} = -18$ mA, $V_{CC} = \text{Min.}$		-1.5	V
$I_{IH}$	Input HIGH Current	$V_{IN} = 2.7$ V, $V_{CC} = \text{Max.}$ (Note 2)		25	$\mu$ A
$I_{IL}$	Input LOW Current	$V_{IN} = 0.4$ V, $V_{CC} = \text{Max.}$ (Note 2)		-250	$\mu$ A
$I_I$	Maximum Input Current	$V_{IN} = 5.5$ V, $V_{CC} = \text{Max.}$		100	$\mu$ A
$I_{ozH}$	Off-State Output Leakage Current HIGH	$V_{OUT} = 2.7$ V, $V_{CC} = \text{Max.}$ , $V_{IN} = V_{IH}$ or $V_{IL}$ (Note 2)		100	$\mu$ A
$I_{ozL}$	Off-State Output Leakage Current LOW	$V_{OUT} = 0.4$ V, $V_{CC} = \text{Max.}$ , $V_{IN} = V_{IH}$ or $V_{IL}$ (Note 2)		-100	$\mu$ A
$I_{sc}$	Output Short-Circuit Current	$V_{OUT} = 0.5$ V, $V_{CC} = \text{Max.}$ (Note 3)	-30	-130	mA
$I_{CC}$	Supply Current	$V_{IN} = 0$ V, Outputs Open ( $I_{OUT} = 0$ mA), $V_{CC} = \text{Max.}$		210	mA

### Notes:

1. These are absolute values with respect to device ground and all overshoots due to system and/or tester noise are included.
2. I/O pin leakage is the worst case of  $I_{IL}$  and  $I_{ozL}$  (or  $I_{IH}$  and  $I_{ozH}$ ).
3. Not more than one output should be tested at a time. Duration of the short-circuit should not exceed one second.  $V_{OUT} = 0.5$  V has been chosen to avoid test problems caused by tester ground degradation.

**SWITCHING CHARACTERISTICS over COMMERCIAL operating ranges (Note 1)**

Parameter Symbol	Parameter Description		Min.	Max.	Unit
t <sub>PD</sub>	Input or Feedback to Combinatorial Output			15	ns
t <sub>S</sub>	Setup Time from Input or Feedback to Clock		15		ns
t <sub>H</sub>	Hold Time		0		ns
t <sub>CO</sub>	Clock to Output or Feedback			12	ns
t <sub>WL</sub>	Clock Width	LOW	10		ns
t <sub>WH</sub>		HIGH	12		ns
f <sub>MAX</sub>	Maximum Frequency (Note 2)	External Feedback	1/(t <sub>S</sub> + t <sub>CO</sub> )	37	MHz
		No Feedback	1/(t <sub>WH</sub> + t <sub>WL</sub> )	45	MHz
t <sub>PZX</sub>	OE to Output Enable			15	ns
t <sub>PXZ</sub>	OE to Output Disable			12	ns
t <sub>EA</sub>	Input to Output Enable Using Product Term Control		20L8, 20R6	18	ns
t <sub>ER</sub>	Input to Output Disable Using Product Term Control		20R4	15	ns

**Notes:**

1. See Switching Test Circuit for test conditions.
2. These parameters are not 100% tested, but are calculated at initial characterization and at any time the design is modified where frequency may be affected.

FOR CMOS SEE PALCE20V8



## ABSOLUTE MAXIMUM RATINGS

Storage Temperature	-65°C to +150°C
Ambient Temperature with Power Applied	-55°C to +125°C
Supply Voltage with Respect to Ground	-0.5 V to +7.0 V
DC Input Voltage	-1.5 V to +5.5 V
DC Output or I/O Pin Voltage	5.5 V

Stresses above those listed under Absolute Maximum Ratings may cause permanent device failure. Functionality at or above these limits is not implied. Exposure to Absolute Maximum Ratings for extended periods may affect device reliability. Programming conditions may differ. Absolute Maximum Ratings are for system design reference; parameters given are not tested.

## OPERATING RANGES

### Military (M) Devices (Note 1)

Ambient Temperature (T <sub>A</sub> )	-55°C Min.
Operating in Free Air Temperature	+125°C Max.
Supply Voltage (V <sub>CC</sub> ) with Respect to Ground	+4.50 V to +5.50 V

Operating ranges define those limits between which the functionality of the device is guaranteed.

### Note:

1. Military products are tested at T<sub>C</sub> = +25°C, +125°C, and -55°C per MIL-STD-883.

## DC CHARACTERISTICS over MILITARY operating ranges unless otherwise specified (Note 2)

Parameter Symbol	Parameter Description	Test Conditions	Min.	Max.	Unit
V <sub>OH</sub>	Output HIGH Voltage	I <sub>OH</sub> = -2 mA, V <sub>IN</sub> = V <sub>IH</sub> or V <sub>IL</sub> , V <sub>CC</sub> = Min.	2.4		V
V <sub>OL</sub>	Output LOW Voltage	I <sub>OL</sub> = 12 mA, V <sub>IN</sub> = V <sub>IH</sub> or V <sub>IL</sub> , V <sub>CC</sub> = Min.		0.5	V
V <sub>IH</sub>	Input HIGH Voltage	Guaranteed Input Logical HIGH Voltage for all Inputs (Note 3)	2.0		V
V <sub>IL</sub>	Input LOW Voltage	Guaranteed Input Logical LOW Voltage for all Inputs (Note 3)		0.8	V
V <sub>I</sub>	Input Clamp Voltage	I <sub>IN</sub> = 18 mA, V <sub>CC</sub> = Min.		-1.5	V
I <sub>IH</sub>	Input HIGH Current	V <sub>IN</sub> = 2.4 V, V <sub>CC</sub> = Max. (Note 4)		25	μA
I <sub>IL</sub>	Input LOW Current	V <sub>IN</sub> = 0.4 V, V <sub>CC</sub> = Max. (Note 4)		-250	μA
I <sub>I</sub>	Maximum Input Current	V <sub>IN</sub> = 5.5 V, V <sub>CC</sub> = Max.		1	mA
I <sub>ozH</sub>	Off-State Output Leakage Current HIGH	V <sub>OUT</sub> = 2.4 V, V <sub>CC</sub> = Max., V <sub>IN</sub> = V <sub>IH</sub> or V <sub>IL</sub> (Note 4)		100	μA
I <sub>ozL</sub>	Off-State Output Leakage Current LOW	V <sub>OUT</sub> = 0.4 V, V <sub>CC</sub> = Max., V <sub>IN</sub> = V <sub>IH</sub> or V <sub>IL</sub> (Note 4)		-100	μA
I <sub>sc</sub>	Output Short-Circuit Current	V <sub>OUT</sub> = 0.5 V, V <sub>CC</sub> = Max. (Note 5)	-30	-130	mA
I <sub>CC</sub>	Supply Current	V <sub>IN</sub> = 0 V, Outputs Open (I <sub>OUT</sub> = 0 mA), V <sub>CC</sub> = Max.		210	mA

### Notes:

2. For APL Products, Group A, Subgroups 1, 2, and 3 are tested per MIL-STD-883, Method 5005, unless otherwise noted.
3. V<sub>IL</sub> and V<sub>IH</sub> are input conditions of output tests and are not themselves directly tested. V<sub>IL</sub> and V<sub>IH</sub> are absolute voltages with respect to device ground and include all overshoots due to system and/or tester noise. Do not attempt to test these values without suitable equipment.
4. I/O pin leakage is the worst case of I<sub>IL</sub> and I<sub>ozL</sub> (or I<sub>IH</sub> and I<sub>ozH</sub>).
5. Not more than one output should be tested at a time. Duration of the short-circuit should not exceed one second. V<sub>OUT</sub> = 0.5 V has been chosen to avoid test problems caused by tester ground degradation.

## SWITCHING CHARACTERISTICS over MILITARY operating ranges (Note 1)

Parameter Symbol	Parameter Description		Min.	Max.	Unit	
t <sub>PD</sub>	Input or Feedback to Combinatorial Output			20	ns	
t <sub>s</sub>	Setup Time from Input or Feedback to Clock		20		ns	
t <sub>H</sub>	Hold Time		0		ns	
t <sub>CO</sub>	Clock to Output or Feedback			15	ns	
t <sub>WL</sub>	Clock Width	LOW	12		ns	
t <sub>WH</sub>		HIGH	12		ns	
f <sub>MAX</sub>	Maximum Frequency (Note 2)	External Feedback	1/(t <sub>s</sub> + t <sub>CO</sub> )		28.5	MHz
		No Feedback	1/(t <sub>WH</sub> + t <sub>WL</sub> )		47.6	MHz
t <sub>PZX</sub>	OE to Output Enable (Note 3)			20	ns	
t <sub>PXZ</sub>	OE to Output Disable (Note 3)			20	ns	
t <sub>EA</sub>	Input to Output Enable Using Product Term Control (Note 3)			25	ns	
t <sub>ER</sub>	Input to Output Disable Using Product Term Control (Note 3)			20	ns	

### Notes:

1. See Switching Test Circuit for test conditions. For APL products Group A, Subgroups 9, 10, and 11 are tested per MIL-STD-883, Method 5005, unless otherwise noted.
2. These parameters are not 100% tested, but are calculated at initial characterization and at any time the design is modified where frequency may be affected.
3. These parameters are not 100% tested, but are evaluated at initial characterization and at any time the design is modified where these parameters may be affected.

**2**

**ABSOLUTE MAXIMUM RATINGS**

Storage Temperature	-65°C to +150°C
Ambient Temperature with Power Applied	-55°C to +125°C
Supply Voltage with Respect to Ground	-0.5 V to +7.0 V
DC Input Voltage	-1.5 V to $V_{CC} + 0.5 V$
DC Output or I/O Pin Voltage	-0.5 V to $V_{CC} + 0.5 V$

**OPERATING RANGES****Commercial (C) Devices**

Ambient Temperature ( $T_A$ )	0°C to +75°C
Operating in Free Air	
Supply Voltage ( $V_{CC}$ ) with Respect to Ground	+4.75 V to +5.25 V

Operating ranges define those limits between which the functionality of the device is guaranteed.

Stresses above those listed under Absolute Maximum Ratings may cause permanent device failure. Functionality at or above these limits is not implied. Exposure to Absolute Maximum Ratings for extended periods may affect device reliability. Programming conditions may differ.

**DC CHARACTERISTICS over COMMERCIAL operating ranges unless otherwise specified**

Parameter Symbol	Parameter Description	Test Conditions	Min.	Max.	Unit
$V_{OH}$	Output HIGH Voltage	$I_{OH} = -3.2 \text{ mA}$ , $V_{IN} = V_{IH}$ or $V_{IL}$ , $V_{CC} = \text{Min.}$	2.4		V
$V_{OL}$	Output LOW Voltage	$I_{OL} = 24 \text{ mA}$ , $V_{IN} = V_{IH}$ or $V_{IL}$ , $V_{CC} = \text{Min.}$		0.5	V
$V_{IH}$	Input HIGH Voltage	Guaranteed Input Logical HIGH Voltage for all Inputs (Note 1)	2.0		V
$V_{IL}$	Input LOW Voltage	Guaranteed Input Logical LOW Voltage for all Inputs (Note 1)		0.8	V
$V_I$	Input Clamp Voltage	$I_{IN} = 18 \text{ mA}$ , $V_{CC} = \text{Min.}$		-1.5	V
$I_{IH}$	Input HIGH Current	$V_{IN} = 2.7 \text{ V}$ , $V_{CC} = \text{Max.}$ (Note 2)		25	$\mu\text{A}$
$I_{IL}$	Input LOW Current	$V_{IN} = 0.4 \text{ V}$ , $V_{CC} = \text{Max.}$ (Note 2)		-250	$\mu\text{A}$
$I_I$	Maximum Input Current	$V_{IN} = 5.5 \text{ V}$ , $V_{CC} = \text{Max.}$		100	$\mu\text{A}$
$I_{OZH}$	Off-State Output Leakage Current HIGH	$V_{OUT} = 2.7 \text{ V}$ , $V_{CC} = \text{Max.}$ , $V_{IN} = V_{IH}$ or $V_{IL}$ (Note 2)		100	$\mu\text{A}$
$I_{OZL}$	Off-State Output Leakage Current LOW	$V_{OUT} = 0.4 \text{ V}$ , $V_{CC} = \text{Max.}$ , $V_{IN} = V_{IH}$ or $V_{IL}$ (Note 2)		-100	$\mu\text{A}$
$I_{SC}$	Output Short-Circuit Current	$V_{OUT} = 0.5 \text{ V}$ , $V_{CC} = \text{Max.}$ (Note 3)	-30	-130	mA
$I_{CC}$	Supply Current	$V_{IN} = 0 \text{ V}$ , Outputs Open ( $I_{OUT} = 0 \text{ mA}$ ), $V_{CC} = \text{Max.}$		105	mA

**Notes:**

- These are absolute values with respect to device ground and all overshoots due to system and/or tester noise are included.
- I/O pin leakage is the worst case of  $I_{IL}$  and  $I_{OZL}$  (or  $I_{IH}$  and  $I_{OZH}$ ).
- Not more than one output should be tested at a time. Duration of the short-circuit should not exceed one second.  $V_{OUT} = 0.5 \text{ V}$  has been chosen to avoid test problems caused by tester ground degradation.

**SWITCHING CHARACTERISTICS over COMMERCIAL operating ranges (Note 1)**

Parameter Symbol	Parameter Description		Min.	Max.	Unit
t <sub>PD</sub>	Input or Feedback to Combinatorial Output			25	ns
t <sub>s</sub>	Setup Time from Input or Feedback to Clock		25		ns
t <sub>H</sub>	Hold Time		0		ns
t <sub>CO</sub>	Clock to Output			15	ns
t <sub>CF</sub>	Clock to Feedback (Note 2)			10	ns
t <sub>WL</sub>	Clock Width	LOW	15		ns
t <sub>WH</sub>		HIGH	15		ns
f <sub>MAX</sub>	Maximum Frequency (Note 3)	External Feedback	1/(t <sub>s</sub> + t <sub>CO</sub> )	25	MHz
		Internal Feedback	1/(t <sub>s</sub> + t <sub>CF</sub> )	28.5	MHz
		No Feedback	1/(t <sub>WH</sub> + t <sub>WL</sub> )	33.3	MHz
t <sub>PZX</sub>	$\overline{OE}$ to Output Enable			20	ns
t <sub>PXZ</sub>	$\overline{OE}$ to Output Disable			20	ns
t <sub>EA</sub>	Input to Output Enable Using Product Term Control		20L8, 20R6	25	ns
t <sub>ER</sub>	Input to Output Disable Using Product Term Control		20R4	25	ns

**Notes:**

1. See Switching Test Circuit for test conditions.
2. Calculated from measured f<sub>MAX</sub> internal.
3. These parameters are not 100% tested, but are calculated at initial characterization and at any time the design is modified where frequency may be affected.

**2**

**ABSOLUTE MAXIMUM RATINGS**

Storage Temperature	-65°C to +150°C
Ambient Temperature with Power Applied	-55°C to +125°C
Supply Voltage with Respect to Ground	-0.5 V to +7.0 V
DC Input Voltage	-1.5 V to $V_{CC} + 0.5$ V
DC Output or I/O Pin Voltage	-0.5 V to $V_{CC} + 0.5$ V

**OPERATING RANGES****Commercial (C) Devices**

Ambient Temperature ( $T_A$ )	0°C to +75°C
Operating in Free Air	
Supply Voltage ( $V_{CC}$ ) with Respect to Ground	+4.75 V to +5.25 V

*Operating ranges define those limits between which the functionality of the device is guaranteed.*

*Stresses above those listed under Absolute Maximum Ratings may cause permanent device failure. Functionality at or above these limits is not implied. Exposure to Absolute Maximum Ratings for extended periods may affect device reliability. Programming conditions may differ.*

**DC CHARACTERISTICS over COMMERCIAL operating ranges unless otherwise specified**

Parameter Symbol	Parameter Description	Test Conditions	Min.	Max.	Unit
$V_{OH}$	Output HIGH Voltage	$I_{OH} = -3.2$ mA, $V_{IN} = V_{IH}$ or $V_{IL}$ , $V_{CC} = \text{Min.}$	2.4		V
$V_{OL}$	Output LOW Voltage	$I_{OL} = 24$ mA, $V_{IN} = V_{IH}$ or $V_{IL}$ , $V_{CC} = \text{Min.}$		0.5	V
$V_{IH}$	Input HIGH Voltage	Guaranteed Input Logical HIGH Voltage for all Inputs (Note 1)	2.0		V
$V_{IL}$	Input LOW Voltage	Guaranteed Input Logical LOW Voltage for all Inputs (Note 1)		0.8	V
$V_I$	Input Clamp Voltage	$I_{IN} = -18$ mA, $V_{CC} = \text{Min.}$		-1.5	V
$I_{IH}$	Input HIGH Current	$V_{IN} = 2.7$ V, $V_{CC} = \text{Max.}$ (Note 2)		25	$\mu$ A
$I_{IL}$	Input LOW Current	$V_{IN} = 0.4$ V, $V_{CC} = \text{Max.}$ (Note 2)		-250	$\mu$ A
$I_I$	Maximum Input Current	$V_{IN} = 5.5$ V, $V_{CC} = \text{Max.}$		100	$\mu$ A
$I_{OZH}$	Off-State Output Leakage Current HIGH	$V_{OUT} = 2.7$ V, $V_{CC} = \text{Max.}$ , $V_{IN} = V_{IH}$ or $V_{IL}$ (Note 2)		100	$\mu$ A
$I_{OZL}$	Off-State Output Leakage Current LOW	$V_{OUT} = 0.4$ V, $V_{CC} = \text{Max.}$ , $V_{IN} = V_{IH}$ or $V_{IL}$ (Note 2)		-100	$\mu$ A
$I_{SC}$	Output Short-Circuit Current	$V_{OUT} = 0.5$ V, $V_{CC} = \text{Max.}$ (Note 3)	-30	-130	mA
$I_{CC}$	Supply Current	$V_{IN} = 0$ V, Outputs Open ( $I_{OUT} = 0$ mA), $V_{CC} = \text{Max.}$		210	mA

**Notes:**

- These are absolute values with respect to device ground and all overshoots due to system and/or tester noise are included.
- I/O pin leakage is the worst case of  $I_{IL}$  and  $I_{OZL}$  (or  $I_{IH}$  and  $I_{OZH}$ ).
- Not more than one output should be tested at a time. Duration of the short-circuit should not exceed one second.  $V_{OUT} = 0.5$  V has been chosen to avoid test problems caused by tester ground degradation.

**SWITCHING CHARACTERISTICS over COMMERCIAL operating ranges (Note 1)**

Parameter Symbol	Parameter Description		Min.	Max.	Unit
t <sub>PD</sub>	Input or Feedback to Combinatorial Output			25	ns
t <sub>s</sub>	Setup Time from Input or Feedback to Clock		25		ns
t <sub>H</sub>	Hold Time		0		ns
t <sub>CO</sub>	Clock to Output			15	ns
t <sub>CF</sub>	Clock to Feedback (Note 2)			10	ns
t <sub>WL</sub>	Clock Width	LOW	15		ns
t <sub>WH</sub>		HIGH	15		ns
f <sub>MAX</sub>	Maximum Frequency (Note 3)	External Feedback	1/(t <sub>s</sub> + t <sub>CO</sub> )		MHz
		Internal Feedback	1/(t <sub>s</sub> + t <sub>CF</sub> )		28.5
		No Feedback	1/(t <sub>WH</sub> + t <sub>WL</sub> )		33
t <sub>PZX</sub>	$\overline{OE}$ to Output Enable			20	ns
t <sub>PXZ</sub>	$\overline{OE}$ to Output Disable			20	ns
t <sub>EA</sub>	Input to Output Enable Using Product Term Control		20L8, 20R6	25	ns
t <sub>ER</sub>	Input to Output Disable Using Product Term Control		20R4	25	ns

**2**
**Notes:**

1. See Switching Test Circuit for test conditions.
2. Calculated from measured f<sub>MAX</sub> internal.
3. These parameters are not 100% tested, but are calculated at initial characterization and at any time the design is modified where frequency may be affected.

FOR CMOS SEE PALCE20V8

## ABSOLUTE MAXIMUM RATINGS

Storage Temperature	-65°C to +150°C
Ambient Temperature with Power Applied	-55°C to +125°C
Supply Voltage with Respect to Ground	-0.5 V to +7.0 V
DC Input Voltage	-1.5 V to +5.5 V
DC Output or I/O Pin Voltage	5.5 V

Stresses above those listed under Absolute Maximum Ratings may cause permanent device failure. Functionality at or above these limits is not implied. Exposure to Absolute Maximum Ratings for extended periods may affect device reliability. Programming conditions may differ. Absolute Maximum Ratings are for system design reference; parameters given are not tested.

## OPERATING RANGES

### Military (M) Devices (Note 1)

Ambient Temperature ( $T_A$ )	
Operating in Free Air	-55°C Min.
Operating Case ( $T_C$ ) Temperature	+125°C Max.
Supply Voltage ( $V_{CC}$ ) with Respect to Ground	+4.50 V to +5.50 V

Operating ranges define those limits between which the functionality of the device is guaranteed.

### Note:

1. Military products are tested at  $T_C = +25^\circ\text{C}$ ,  $+125^\circ\text{C}$ , and  $-55^\circ\text{C}$  per MIL-STD-883.

## DC CHARACTERISTICS over MILITARY operating ranges unless otherwise specified (Note 2)

Parameter Symbol	Parameter Description	Test Conditions	Min.	Max.	Unit
$V_{OH}$	Output HIGH Voltage	$I_{OL} = -2\text{ mA}$ , $V_{IN} = V_{IH}$ or $V_{IL}$ , $V_{CC} = \text{Min.}$	2.4		V
$V_{OL}$	Output LOW Voltage	$I_{OL} = 12\text{ mA}$ , $V_{IN} = V_{IH}$ or $V_{IL}$ , $V_{CC} = \text{Min.}$		0.5	V
$V_{IH}$	Input HIGH Voltage	Guaranteed Input Logical HIGH Voltage for all Inputs (Note 3)	2.0		V
$V_{IL}$	Input LOW Voltage	Guaranteed Input Logical LOW Voltage for all Inputs (Note 3)		0.8	V
$V_I$	Input Clamp Voltage	$I_{IN} = -18\text{ mA}$ , $V_{CC} = \text{Min.}$		-1.5	V
$I_{IH}$	Input HIGH Current	$V_{IN} = 2.4\text{ V}$ , $V_{CC} = \text{Max.}$ (Note 4)		25	$\mu\text{A}$
$I_{IL}$	Input LOW Current	$V_{IN} = 0.4\text{ V}$ , $V_{CC} = \text{Max.}$ (Note 4)		-250	$\mu\text{A}$
$I_I$	Maximum Input Current	$V_{IN} = 5.5\text{ V}$ , $V_{CC} = \text{Max.}$		1	mA
$I_{OZH}$	Off-State Output Leakage Current HIGH	$V_{OUT} = 2.4\text{ V}$ , $V_{CC} = \text{Max.}$ , $V_{IN} = V_{IH}$ or $V_{IL}$ (Note 4)		100	$\mu\text{A}$
$I_{OZL}$	Off-State Output Leakage Current LOW	$V_{OUT} = 0.4\text{ V}$ , $V_{CC} = \text{Max.}$ , $V_{IN} = V_{IH}$ or $V_{IL}$ (Note 4)		-100	$\mu\text{A}$
$I_{SC}$	Output Short-Circuit Current	$V_{OUT} = 0.5\text{ V}$ , $V_{CC} = \text{Max.}$ (Note 5)	-30	-130	mA
$I_{CC}$	Supply Current	$V_{IN} = 0\text{ V}$ , Outputs Open ( $I_{OUT} = 0\text{ mA}$ ), $V_{CC} = \text{Max.}$		210	mA

### Notes:

2. For APL Products, Group A, Subgroups 1, 2, and 3 are tested per MIL-STD-883, Method 5005, unless otherwise noted.
3.  $V_{IL}$  and  $V_{IH}$  are input conditions of output tests and are not themselves directly tested.  $V_{IL}$  and  $V_{IH}$  are absolute voltages with respect to device ground and include all overshoots due to system and/or tester noise. Do not attempt to test these values without suitable equipment.
4. I/O pin leakage is the worst case of  $I_{IL}$  and  $I_{OZL}$  (or  $I_{IH}$  and  $I_{OZH}$ ).
5. Not more than one output should be tested at a time. Duration of the short-circuit should not exceed one second.  $V_{OUT} = 0.5\text{ V}$  has been chosen to avoid test problems caused by tester ground degradation.

## SWITCHING CHARACTERISTICS over MILITARY operating ranges (Note 1)

Parameter Symbol	Parameter Description		Min.	Max.	Unit
t <sub>PD</sub>	Input or Feedback to Combinatorial Output			30	ns
t <sub>S</sub>	Setup Time from Input or Feedback to Clock		30		ns
t <sub>H</sub>	Hold Time		0		ns
t <sub>CO</sub>	Clock to Output or Feedback			20	ns
t <sub>WL</sub>	Clock Width	LOW	20		ns
t <sub>WH</sub>		HIGH	20		ns
f <sub>MAX</sub>	Maximum Frequency (Note 2)	External Feedback	1/(t <sub>S</sub> + t <sub>CO</sub> )		MHz
		No Feedback	1/(t <sub>WH</sub> + t <sub>WL</sub> )		MHz
t <sub>PZX</sub>	OE to Output Enable (Note 3)			25	ns
t <sub>PXZ</sub>	OE to Output Disable (Note 3)			25	ns
t <sub>EA</sub>	Input to Output Enable Using Product Term Control (Note 3)			30	ns
t <sub>ER</sub>	Input to Output Disable Using Product Term Control (Note 3)			30	ns

### Notes:

1. See Switching Test Circuit for test conditions. For APL products Group A, Subgroups 9, 10, and 11 are tested per MIL-STD-883, Method 5005, unless otherwise noted.
2. These parameters are not 100% tested, but are calculated at initial characterization and at any time the design is modified where frequency may be affected.
3. These parameters are not 100% tested, but are evaluated at initial characterization and at any time the design is modified where these parameters may be affected.

2



## ABSOLUTE MAXIMUM RATINGS

Storage Temperature	-65°C to +150°C
Ambient Temperature with Power Applied	-55°C to +125°C
Supply Voltage with Respect to Ground	-0.5 V to +7.0 V
DC Input Voltage	-1.5 V to $V_{CC} + 0.5$ V
DC Output or I/O Pin Voltage	-0.5 V to $V_{CC} + 0.5$ V

## OPERATING RANGES

### Commercial (C) Devices

Ambient Temperature ( $T_A$ )	Operating in Free Air	0°C to +75°C
Supply Voltage ( $V_{CC}$ ) with Respect to Ground		+4.75 V to +5.25 V

Operating ranges define those limits between which the functionality of the device is guaranteed.

Stresses above those listed under Absolute Maximum Ratings may cause permanent device failure. Functionality at or above these limits is not implied. Exposure to Absolute Maximum Ratings for extended periods may affect device reliability. Programming conditions may differ.

## DC CHARACTERISTICS over COMMERCIAL operating ranges unless otherwise specified

Parameter Symbol	Parameter Description	Test Conditions	Min.	Max.	Unit
$V_{OH}$	Output HIGH Voltage	$I_{OH} = -3.2$ mA, $V_{IN} = V_{IH}$ or $V_{IL}$ , $V_{CC} = \text{Min.}$	2.4		V
$V_{OL}$	Output LOW Voltage	$I_{OL} = 24$ mA, $V_{IN} = V_{IH}$ or $V_{IL}$ , $V_{CC} = \text{Min.}$		0.5	V
$V_{IH}$	Input HIGH Voltage	Guaranteed Input Logical HIGH Voltage for all Inputs (Note 1)	2.0		V
$V_{IL}$	Input LOW Voltage	Guaranteed Input Logical LOW Voltage for all Inputs (Note 1)		0.8	V
$V_I$	Input Clamp Voltage	$I_{IN} = -18$ mA, $V_{CC} = \text{Min.}$		-1.5	V
$I_{IH}$	Input HIGH Current	$V_{IN} = 2.7$ V, $V_{CC} = \text{Max.}$ (Note 2)		25	$\mu$ A
$I_{IL}$	Input LOW Current	$V_{IN} = 0.4$ V, $V_{CC} = \text{Max.}$ (Note 2)		-250	$\mu$ A
$I_I$	Maximum Input Current	$V_{IN} = 5.5$ V, $V_{CC} = \text{Max.}$		100	$\mu$ A
$I_{OZH}$	Off-State Output Leakage Current HIGH	$V_{OUT} = 2.7$ V, $V_{CC} = \text{Max.}$ , $V_{IN} = V_{IH}$ or $V_{IL}$ (Note 2)		100	$\mu$ A
$I_{OZL}$	Off-State Output Leakage Current LOW	$V_{OUT} = 0.4$ V, $V_{CC} = \text{Max.}$ , $V_{IN} = V_{IH}$ or $V_{IL}$ (Note 2)		-100	$\mu$ A
$I_{SC}$	Output Short-Circuit Current	$V_{OUT} = 0.5$ V, $V_{CC} = \text{Max.}$ (Note 3)	-30	-130	mA
$I_{CC}$	Supply Current	$V_{IN} = 0$ V, Outputs Open ( $I_{OUT} = 0$ mA), $V_{CC} = \text{Max.}$		105	mA

### Notes:

- These are absolute values with respect to device ground and all overshoots due to system and/or tester noise are included.
- I/O pin leakage is the worst case of  $I_{IL}$  and  $I_{OZL}$  (or  $I_{IH}$  and  $I_{OZH}$ ).
- Not more than one output should be tested at a time. Duration of the short-circuit should not exceed one second.  $V_{OUT} = 0.5$  V has been chosen to avoid test problems caused by tester ground degradation.

**SWITCHING CHARACTERISTICS over COMMERCIAL operating ranges (Note 1)**

Parameter Symbol	Parameter Description		Min.	Max.	Unit	
t <sub>PD</sub>	Input or Feedback to Combinatorial Output		20L8, 20R6 20R4	35	ns	
t <sub>s</sub>	Setup Time from Input or Feedback to Clock		20R8, 20R6 20R4	35	ns	
t <sub>H</sub>	Hold Time			0	ns	
t <sub>CO</sub>	Clock to Output or Feedback			25	ns	
t <sub>WL</sub>	Clock Width	LOW		25	ns	
t <sub>WH</sub>		HIGH		25	ns	
f <sub>MAX</sub>	Maximum Frequency (Note 2)	External Feedback		1/(t <sub>s</sub> + t <sub>CO</sub> )	16	MHz
		No Feedback		1/(t <sub>WH</sub> + t <sub>WL</sub> )	20	MHz
t <sub>PZX</sub>	OE to Output Enable				25	ns
t <sub>PXZ</sub>	OE to Output Disable				25	ns
t <sub>EA</sub>	Input to Output Enable Using Product Term Control			20L8, 20R6 20R4	35	ns
t <sub>ER</sub>	Input to Output Disable Using Product Term Control			35	ns	

**Notes:**

1. See Switching Test Circuit for test conditions.
2. These parameters are not 100% tested, but are calculated at initial characterization and at any time the design is modified where frequency may be affected.

FOR CMOS SEE PALCE20V8

2

## ABSOLUTE MAXIMUM RATINGS

Storage Temperature	-65°C to +150°C
Ambient Temperature with Power Applied	-55°C to +125°C
Supply Voltage with Respect to Ground	-0.5 V to +7.0 V
DC Input Voltage	-1.5 V to +5.5 V
DC Output or I/O Pin Voltage	5.5 V

Stresses above those listed under Absolute Maximum Ratings may cause permanent device failure. Functionality at or above these limits is not implied. Exposure to Absolute Maximum Ratings for extended periods may affect device reliability. Programming conditions may differ. Absolute Maximum Ratings are for system design reference; parameters given are not tested.

## OPERATING RANGES

### Military (M) Devices (Note 1)

Ambient Temperature (T <sub>A</sub> )	
Operating in Free Air	-55°C to +125°C
Supply Voltage (V <sub>CC</sub> ) with Respect to Ground	+4.50 V to +5.50 V

Operating ranges define those limits between which the functionality of the device is guaranteed.

### Note:

1. Military products are tested at T<sub>C</sub> = +25°C, +125°C, and -55°C per MIL-STD-883.

## DC CHARACTERISTICS over MILITARY operating ranges unless otherwise specified (Note 2)

Parameter Symbol	Parameter Description	Test Conditions	Min.	Max.	Unit
V <sub>OH</sub>	Output HIGH Voltage	I <sub>OH</sub> = -2 mA, V <sub>IN</sub> = V <sub>IH</sub> or V <sub>IL</sub> , V <sub>CC</sub> = Min.	2.4		V
V <sub>OL</sub>	Output LOW Voltage	I <sub>OL</sub> = 12 mA, V <sub>IN</sub> = V <sub>IH</sub> or V <sub>IL</sub> , V <sub>CC</sub> = Min.		0.5	V
V <sub>IH</sub>	Input HIGH Voltage	Guaranteed Input Logical HIGH Voltage for all Inputs (Note 3)	2.0		V
V <sub>IL</sub>	Input LOW Voltage	Guaranteed Input Logical LOW Voltage for all Inputs (Note 3)		0.8	V
V <sub>I</sub>	Input Clamp Voltage	I <sub>IN</sub> = -18 mA, V <sub>CC</sub> = Min.		-1.5	V
I <sub>IH</sub>	Input HIGH Current	V <sub>IN</sub> = 2.4 V, V <sub>CC</sub> = Max. (Note 4)		25	μA
I <sub>IL</sub>	Input LOW Current	V <sub>IN</sub> = 0.4 V, V <sub>CC</sub> = Max. (Note 4)		-250	μA
I <sub>I</sub>	Maximum Input Current	V <sub>IN</sub> = 5.5 V, V <sub>CC</sub> = Max.		1	mA
I <sub>ozH</sub>	Off-State Output Leakage Current HIGH	V <sub>OUT</sub> = 2.4 V, V <sub>CC</sub> = Max., V <sub>IN</sub> = V <sub>IH</sub> or V <sub>IL</sub> (Note 4)		100	μA
I <sub>ozL</sub>	Off-State Output Leakage Current LOW	V <sub>OUT</sub> = 0.4 V, V <sub>CC</sub> = Max., V <sub>IN</sub> = V <sub>IH</sub> or V <sub>IL</sub> (Note 4)		-100	μA
I <sub>sc</sub>	Output Short-Circuit Current	V <sub>OUT</sub> = 0.5 V, V <sub>CC</sub> = Max. (Note 5)	-30	-130	mA
I <sub>CC</sub>	Supply Current	V <sub>IN</sub> = 0 V, Outputs Open (I <sub>OUT</sub> = 0 mA), V <sub>CC</sub> = Max.		105	mA

### Notes:

2. For APL Products, Group A, Subgroups 1, 2, and 3 are tested per MIL-STD-883, Method 5005, unless otherwise noted.
3. V<sub>IL</sub> and V<sub>IH</sub> are input conditions of output tests and are not themselves directly tested. V<sub>IL</sub> and V<sub>IH</sub> are absolute voltages with respect to device ground and include all overshoots due to system and/or tester noise. Do not attempt to test these values without suitable equipment.
4. I/O pin leakage is the worst case of I<sub>IL</sub> and I<sub>ozL</sub> (or I<sub>IH</sub> and I<sub>ozH</sub>).
5. Not more than one output should be tested at a time. Duration of the short-circuit should not exceed one second. V<sub>OUT</sub> = 0.5 V has been chosen to avoid test problems caused by tester ground degradation.

**SWITCHING CHARACTERISTICS over MILITARY operating ranges (Note 1)**

Parameter Symbol	Parameter Description		Min.	Max.	Unit	
$t_{PD}$	Input or Feedback to Combinatorial Output		20L8, 20R6 20R4	50	ns	
$t_s$	Setup Time from Input or Feedback to Clock		20R8, 20R6 20R4	50	ns	
$t_H$	Hold Time			0	ns	
$t_{CO}$	Clock to Output or Feedback			25	ns	
$t_{WL}$	Clock Width	LOW		25	ns	
$t_{WH}$		HIGH		25	ns	
$f_{MAX}$	Maximum Frequency (Note 2)	External Feedback		$1/(t_s + t_{CO})$	13.3	MHz
		No Feedback		$1/(t_{WH} + t_{WL})$	20	MHz
$t_{PZX}$	$\overline{OE}$ to Output Enable (Note 3)				25	ns
$t_{PXZ}$	$\overline{OE}$ to Output Disable (Note 3)				25	ns
$t_{EA}$	Input to Output Enable Using Product Term Control (Note 3)			20L8, 20R6 20R4	45	ns
$t_{ER}$	Input to Output Disable Using Product Term Control (Note 3)			45	ns	

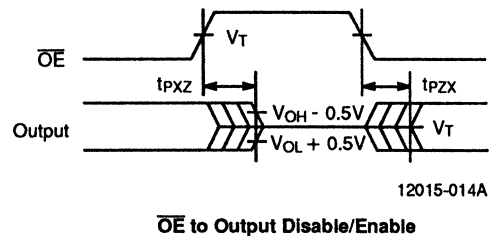
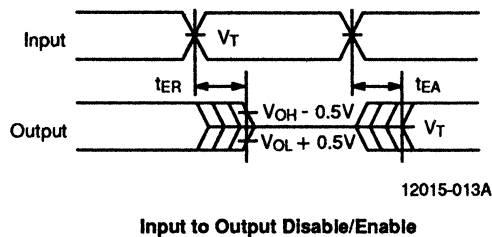
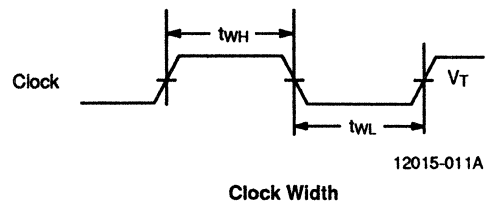
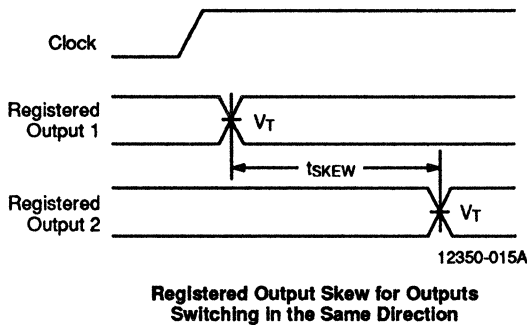
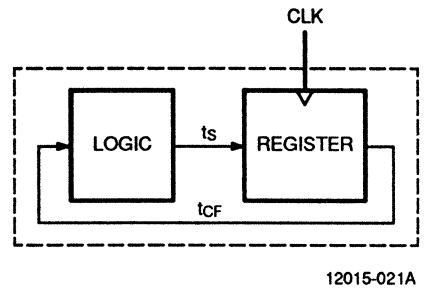
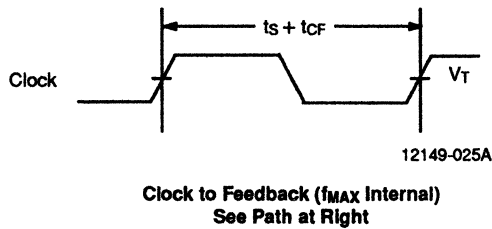
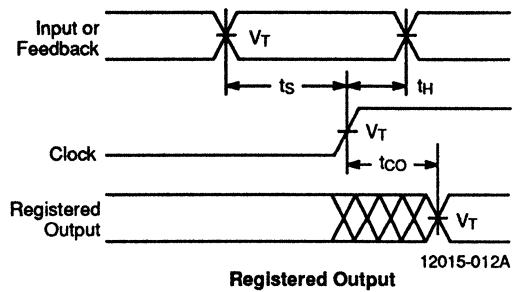
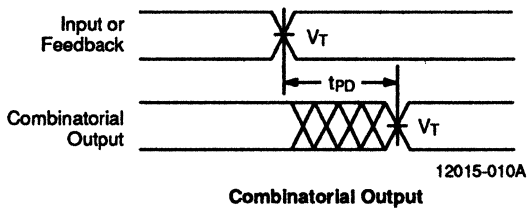
**2**

**Notes:**

1. See Switching Test Circuit for test conditions. For APL products Group A, Subgroups 9, 10, and 11 are tested per MIL-STD-883, Method 5005, unless otherwise noted.
2. These parameters are not 100% tested, but are calculated at initial characterization and at any time the design is modified where frequency may be affected.
3. These parameters are not 100% tested, but are evaluated at initial characterization and at any time the design is modified where these parameters may be affected.

FOR CMOS SEE PALCE20V8

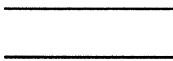


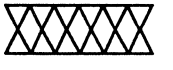
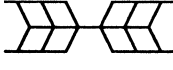
# SWITCHING WAVEFORMS



## Notes:

1.  $V_T = 1.5\text{ V}$
2. Input pulse amplitude 0 V to 3.0 V
3. Input rise and fall times 2–5 ns typical.  
(2–4 ns for -7 (-12 Mil) and -10 (-15 Mil) Series)

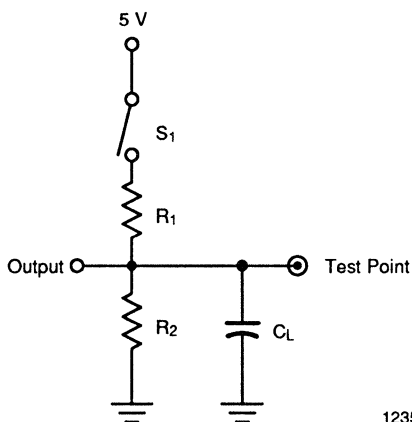
## KEY TO SWITCHING WAVEFORMS

WAVEFORM	INPUTS	OUTPUTS
	Must be Steady	Will be Steady
	May Change from H to L	Will be Changing from H to L
	May Change from L to H	Will be Changing from L to H
	Don't Care; Any Change Permitted	Changing, State Unknown
	Does Not Apply	Center Line is High-Impedance "Off" State

KS000010-PAL

2

## SWITCHING TEST CIRCUIT

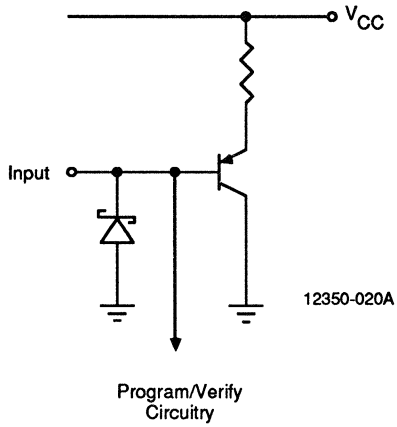


12350-019A

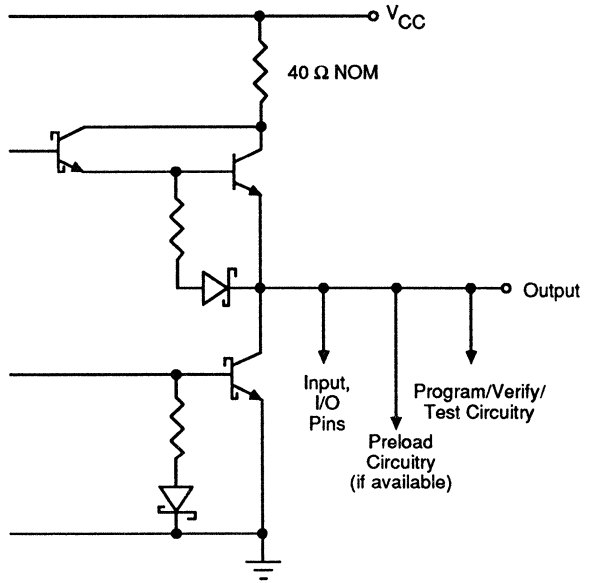
Specification	S <sub>1</sub>	C <sub>L</sub>	Commercial		Military		Measured Output Value
			R <sub>1</sub>	R <sub>2</sub>	R <sub>1</sub>	R <sub>2</sub>	
t <sub>PD</sub> , t <sub>CO</sub> , t <sub>CF</sub>	Closed	50 pF	200 Ω	390 Ω	390 Ω	750 Ω	1.5 V
t <sub>PZX</sub> , t <sub>EA</sub>	Z → H: Open Z → L: Closed						1.5 V
t <sub>PXZ</sub> , t <sub>ER</sub>	H → Z: Open L → Z: Closed	5 pF					H → Z: V <sub>OH</sub> - 0.5 V L → Z: V <sub>OL</sub> + 0.5 V

# INPUT/OUTPUT EQUIVALENT SCHEMATICS

Typical Input



Typical Output



## OUTPUT REGISTER PRELOAD

### Applies to -7 (-12 Mil) Series Only

The preload function allows the register to be loaded from the output pins. This feature aids functional testing of sequential designs by allowing direct setting of output states. The procedure for preloading follows.

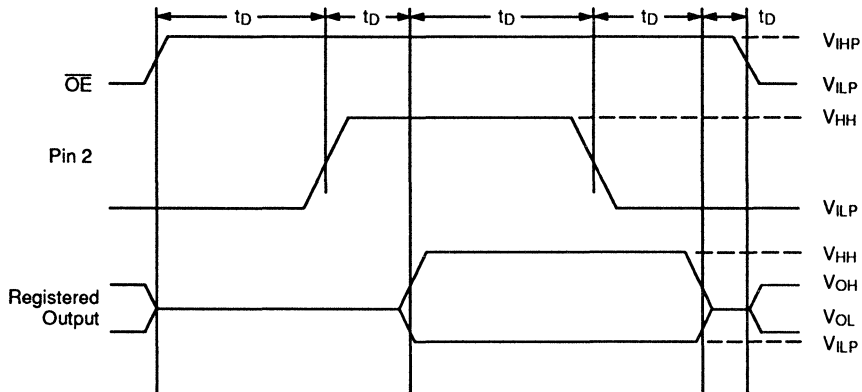
1. Raise  $V_{CC}$  to  $V_{CCH}$ .
2. Set  $\overline{OE}$  to  $V_{IHP}$  to disable output registers.
3. Raise pin 2 to  $V_{HH}$  to enter preload mode.
4. Apply either  $V_{HH}$  or  $V_{ILP}$  to all registered outputs. Use  $V_{HH}$  to preload a LOW in the flip-flop; use  $V_{ILP}$  to

preload a HIGH in the flip-flop. Leave combinatorial outputs floating.

5. Lower pin 2 to  $V_{ILP}$ .
6. Remove  $V_{ILP}/V_{HH}$  from all registered output pins.
7. Lower  $\overline{OE}$  to  $V_{ILP}$  to enable the output registers.
8. Verify  $V_{OL}/V_{OH}$  at all registered output pins. Note that because of the output inverter, a register that has been preloaded HIGH will provide a LOW at the output.

Parameter Symbol	Parameter Description	Min.	Rec.	Max.	Unit
$V_{HH}$	Super-level input voltage	10	11	12	V
$V_{ILP}$	Low-level input voltage	0	0	0.5	V
$V_{IHP}$	High-level input voltage	2.4	5.0	5.5	V
$V_{CCH}$	Power supply during preload	5.4	5.7	6.0	V
$t_D$	Delay time	100	200	1000	ns

2



10294-003A

Output Register Preload Waveform



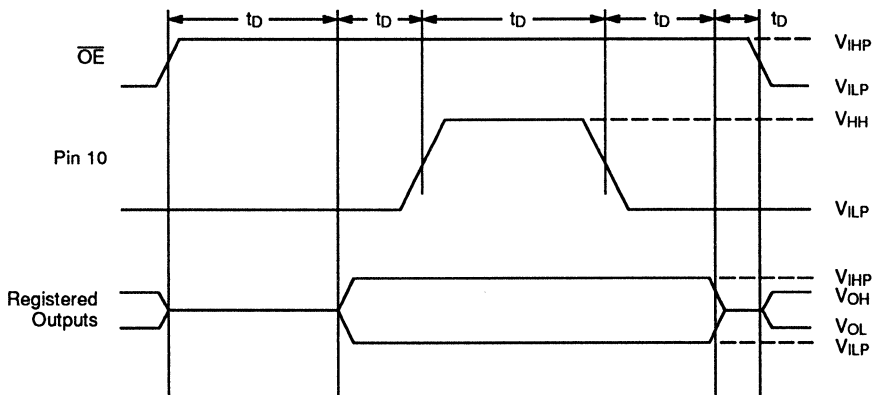
## OUTPUT REGISTER PRELOAD

### Applies to -10 (-15 Mil) Series Only

The preload function allows the register to be loaded from the output pins. This feature aids functional testing of sequential designs by allowing direct setting of output states. The procedure for preloading follows.

1. Raise  $V_{CC}$  to 4.5 V.
2. Set  $\overline{OE}$  to  $V_{IHP}$  to disable output registers.
3. Apply either  $V_{IHP}$  or  $V_{ILP}$  to all registered outputs. Use  $V_{IHP}$  to preload a HIGH in the flip-flop; use  $V_{ILP}$  to preload a LOW in the flip-flop. Leave combinatorial outputs floating.
4. Pulse pin 10 to  $V_{HH}$ , then back to 0 V.
5. Remove  $V_{ILP}/V_{IHP}$  from all registered output pins.
6. Lower  $\overline{OE}$  to  $V_{ILP}$  to enable the output registers.
7. Verify  $V_{OL}/V_{OH}$  at all registered output pins. Note that because of the output inverter, a register that has been preloaded HIGH will provide a LOW at the output.

Parameter Symbol	Parameter Description	Min.	Rec.	Max.	Unit
$V_{HH}$	Super-level input voltage	19	20	21	V
$V_{ILP}$	Low-level input voltage	0	0	0.5	V
$V_{IHP}$	High-level input voltage	2.4	5.0	5.5	V
$t_D$	Delay time	100	200	1000	ns



10294-004A

Output Register Preload Waveform

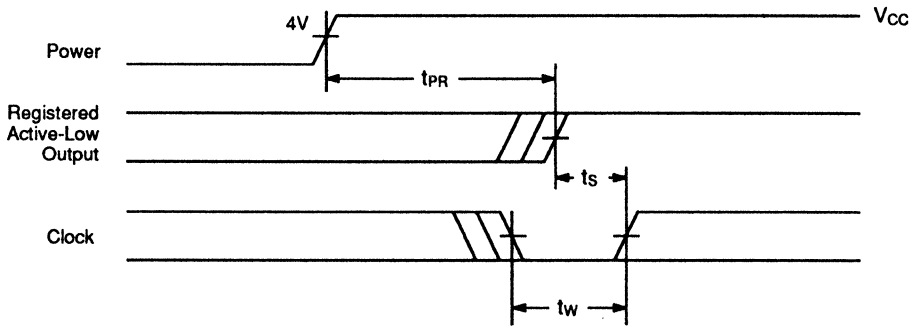
## POWER-UP RESET

The power-up reset feature ensures that all flip-flops will be reset to LOW after the device has been powered up. The output state will be HIGH due to the inverting output buffer. This feature is valuable in simplifying state machine initialization. A timing diagram and parameter table are shown below. Due to the synchronous operation of the power-up reset and the wide range of ways  $V_{CC}$

can rise to its steady state, two conditions are required to ensure a valid power-up reset. These conditions are:

1. The  $V_{CC}$  rise must be monotonic.
2. Following reset, the clock input must not be driven from LOW to HIGH until all applicable input and feedback setup times are met.

Parameter Symbol	Parameter Description	Max.	Unit
$t_{PR}$	Power-up Reset Time	1000	ns
$t_S$	Input or Feedback Setup Time	See Switching Characteristics	
$t_{WL}$	Clock Width LOW		



12350-024A

Power-Up Reset Waveform

2





# PAL20RA10/-20

## 24-pin Asynchronous TTL Programmable Array Logic

### DISTINCTIVE CHARACTERISTICS

- As fast as 20 ns maximum propagation delay and 30 MHz  $f_{MAX}$
- Individually programmable asynchronous clock, preset, reset, and enable
- Registered or combinatorial outputs
- Programmable polarity
- Programmable replacement for high-speed TTL logic
- TTL-level register preload for testability
- Easy design with PALASM<sup>®</sup> software
- Programmable on standard PAL<sup>®</sup> device programmers
- 24-pin SKINNYDIP<sup>®</sup> and 28-pin PLCC packages save space

### GENERAL DESCRIPTION

The PAL20RA10 offers asynchronous clocking for each of the ten flip-flops in the device. The ten macrocells feature programmable clock, preset, reset, and enable, and all can operate asynchronously to other macrocells in the same device. The PAL20RA10 also has flip-flop by-pass, allowing any combination of registered and combinatorial outputs.

The PAL20RA10 utilizes Advanced Micro Devices' advanced oxide- and junction-isolated bipolar processes and fuse-link technology. The devices provide user-programmable logic for replacing conventional SSI/MSI gates and flip-flops at a reduced chip count.

The PAL20RA10 allows the systems engineer to implement the design on-chip, by opening fuse links to configure AND and OR gates within the device, according to the desired logic function. Complex interconnections between gates, which previously required time-consuming layout, are lifted from the PC board and

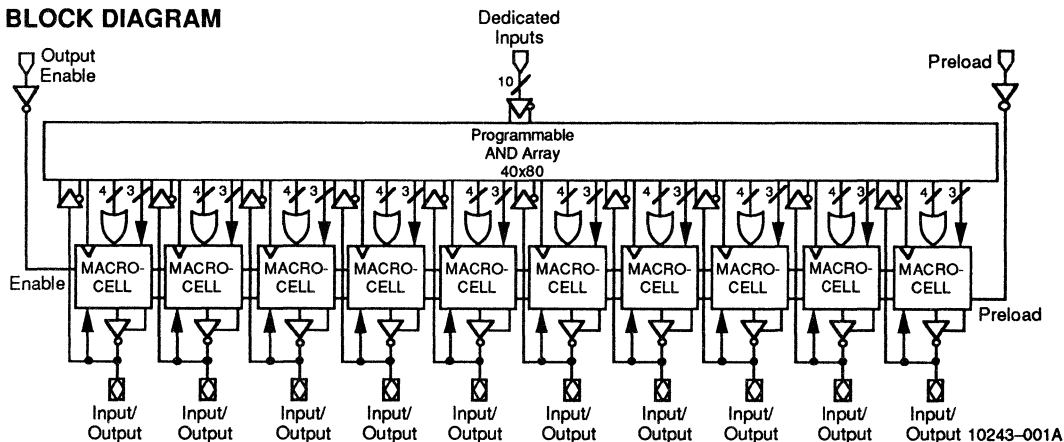
placed on silicon, where they can be easily modified during prototyping or production.

The PAL device implements the familiar Boolean logic transfer function, the sum of products. The PAL device is a programmable AND array driving a fixed OR array. The AND array is programmed to create custom product terms, while the OR array sums selected terms at the outputs.

Product terms with all fuses opened assume the logical HIGH state; product terms connected to both true and complement of any single input assume the logical LOW state. Registers consist of D-type flip-flops that are loaded on the LOW-to-HIGH transition of the clock. Unused input pins should be tied to  $V_{CC}$  or GND.

The entire PAL device family is supported by the PALASM software package. The PAL family is programmed on conventional PAL device programmers.

### BLOCK DIAGRAM



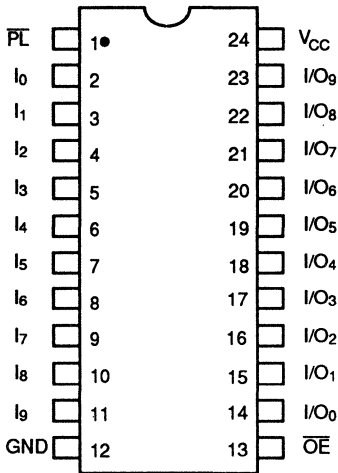
PAL, PALASM, and SKINNYDIP are registered trademarks of Advanced Micro Devices. This part is covered by various U.S. and foreign patents owned by Advanced Micro Devices.

Publication # 10243 Rev. C Amendment /0  
Issue Date: January 1990

# CONNECTION DIAGRAMS

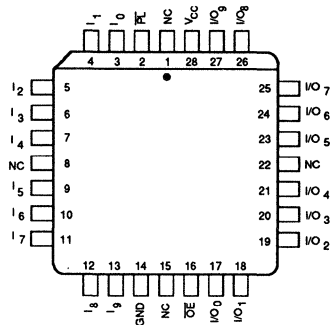
## Top Views

**SKINNYDIP/FLATPACK**



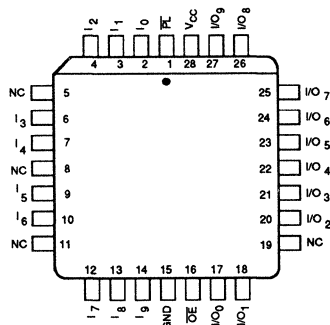
12350-005A

**PLCC (-20 only)**



10243-003A

**PLCC (std only)**

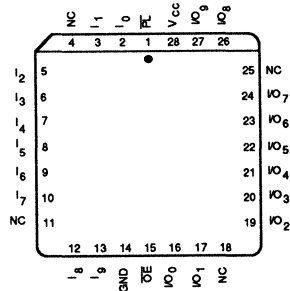


10243-004A

**PIN DESIGNATIONS**

- GND Ground
- I Input
- I/O Input/Output
- NC No Connect
- OE Output Enable
- PL Preload
- Vcc Supply Voltage

**LCC**



10243-005A

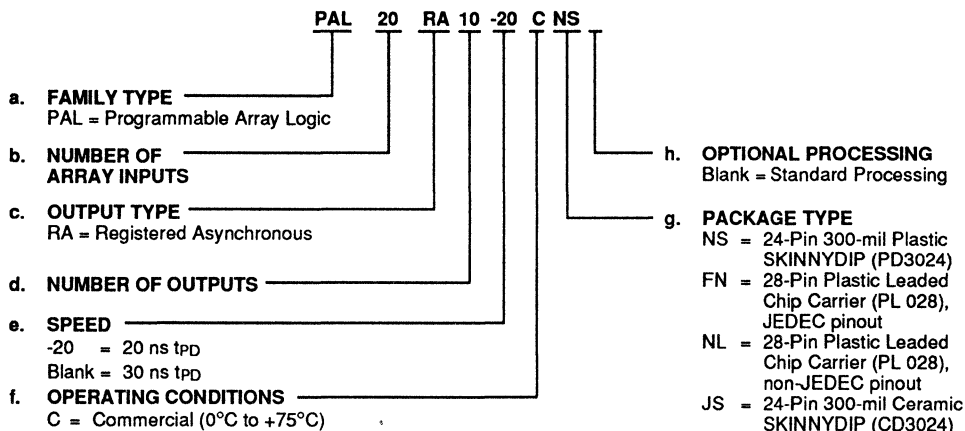
**Note:**  
Pin 1 is marked for orientation

## ORDERING INFORMATION

### Commercial Products

AMD programmable logic products for commercial applications are available with several ordering options. The order number (Valid Combination) is formed by a combination of:

- a. Family Type
- b. Number of Array Inputs
- c. Output Type
- d. Number of Outputs
- e. Speed
- f. Operating Conditions
- g. Package Type
- h. Optional Processing



**2**

Valid Combinations	
PAL20RA10-20	CNS, CFN, CJS
PAL20RA10	CNS, CNL, CJS

#### Valid Combinations

The Valid Combinations table lists configurations planned to be supported in volume for this device. Consult the local AMD sales office to confirm availability of specific valid combinations, and to check on newly released combinations.

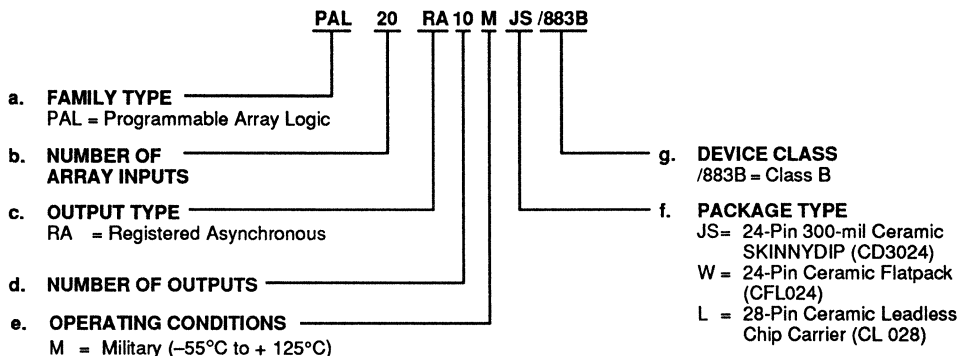
Note: Marked with MMI logo.

## ORDERING INFORMATION

### APL Products

AMD programmable logic products for Aerospace and Defense applications are available with several ordering options. APL (Approved Products List) products are fully compliant with MIL-STD-883 requirements. The order number (Valid Combination) is formed by a combination of:

- a. Family Type
- b. Number of Array Inputs
- c. Output Type
- d. Number of Outputs
- e. Operating Conditions
- f. Package Type
- g. Device Class



Valid Combinations	
PAL20RA10	MJS/883B, MW/883B, ML/883B

#### Valid Combinations

The Valid Combinations table lists configurations planned to be supported in volume for this device. Consult the local AMD sales office to confirm availability of specific valid combinations, and to check on newly released combinations.

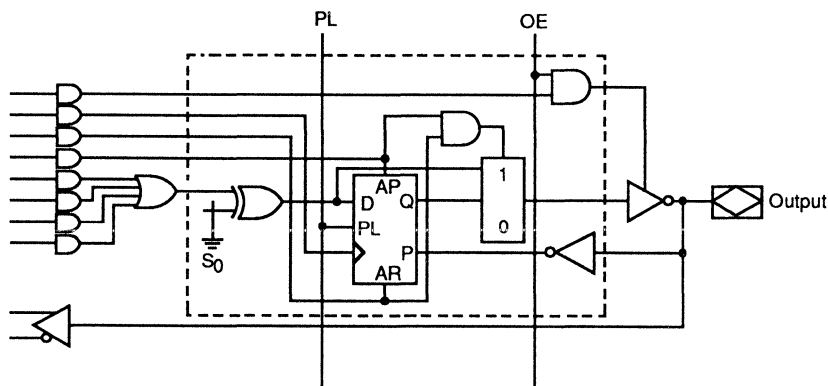
Note: Marked with MMI logo.

#### Group A Tests

Group A Tests consist of Subgroups: 1, 2, 3, 7, 8, 9, 10, 11.

#### Military Burn-In

Military burn-in is in accordance with the current revision of MIL-STD-883, Test Methods 1015, Conditions A through E. Test conditions are selected at AMD's option.



10232-004A

Figure 1. PAL20RA10 Macrocell

**2**

## FUNCTIONAL DESCRIPTION

The PAL20RA10 has ten dedicated input lines and ten programmable I/O macrocells. The Registered Asynchronous (RA) macrocell is shown in Figure 1. Pin 1 serves as global register preload and pin 13 serves as global output enable. Programmable output polarity is available to provide user-programmable output polarity for each individual macrocell.

The programmable functions in the PAL20RA10 are automatically configured from the user's design specification, which can be in a number of formats. The design specification is processed by development software to verify the design and create a programming file. This file, once downloaded to a programmer, configures the device according to the user's desired function.

### Programmable Preset and Reset

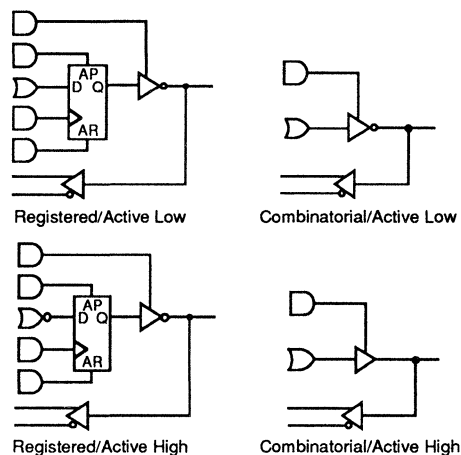
In each macrocell, two product lines are dedicated to asynchronous preset and asynchronous reset. If the preset product line is HIGH, the Q output of the register becomes a logic 1. If the reset product line is HIGH, the Q output of the register becomes a logic 0. The operation of the programmable preset and reset overrides the clock.

### Combinatorial/Registered Outputs

If both the preset and reset product lines are HIGH, the flip-flop is bypassed and the output becomes combinatorial. Otherwise, the output is from the register. Each output can be configured to be combinatorial or registered.

### Programmable Clock

The clock input to each flop-flop comes from the programmable array, allowing any flip-flop to be clocked independently if desired.



10232-005A

Figure 2. Macrocell Configurations



---

## Three-State Outputs

The devices provide a product term dedicated to local output control. There is also a global output control pin. The output is enabled if both the global output control pin is LOW and the local output control product term is HIGH. If the global output control pin is HIGH, all outputs will be disabled. If the local output control product term is LOW, then that output will be disabled.

## Security Fuse

A security fuse is also provided to prevent unauthorized copying of PAL device patterns. Once the fuse is programmed, the circuitry enabling verification is permanently disabled, and the array will read as if every fuse is programmed. With verification not operating, it is impossible to simply copy the PAL device pattern on a PAL device programmer.

## Programmable Polarity

The outputs can be programmed either active-LOW or active-HIGH. This is represented by the Exclusive-OR gate shown in the PAL20RA10 logic diagram. When the output polarity fuse is programmed, the lower input to the Exclusive-OR gate is HIGH, so the output is active-HIGH. Similarly when the output polarity fuse is intact, the output is active-LOW. The programmable output polarity feature allows the user a higher degree of flexibility when writing equations.

## Programming

The PAL20RA10 can be programmed on standard logic programmers. Programmers approved by Advanced Micro Devices are listed in the Programmer Reference Guide.

## Register Preload

The register on the PAL20RA10/20 can be preloaded from the output pins to facilitate functional testing of complex state machine designs. This feature allows direct loading of arbitrary states, making it unnecessary to cycle through long test vector sequences to reach a desired state. In addition, transitions from illegal states can be verified by loading illegal states and observing proper recovery. Register preload is controlled by a TTL-level signal, making it a convenient board-level initialization function.

## Pinouts

All PAL20RA10 devices have the same SKINNYDIP pinouts independent of performance and operating conditions. Because the 24-pin SKINNYDIP requires four no-connects when mapped into the 28-pin PLCC/LCC packages, the PLCC/LCC pinouts can vary.

Two different PLCC pinouts are offered. The PAL20RA10-20 and all future devices will follow the JEDEC electronics committee's standard pinout ("JEDEC pinout") with no-connects on pins 1, 8, 15, and 22. The older, standard PAL20RA10 devices retain their original pinouts with no-connects on pins 5, 8, 11, and 19.

PAL20RA10 devices with the MMI marking indicate the PLCC pinout by the package designator: FN indicates JEDEC, and NL indicates non-JEDEC.

A different LCC pinout is offered for the military PAL20RA10. Older devices retain their original pinouts, with no-connects on pins 4, 11, 18, and 25.

Series	Com'l PLCC No-connects	Mil LCC No-connects
-20	1, 8, 15, 22 (JEDEC)	N/A
std.	5, 8, 11, 19	4, 11, 18, 25

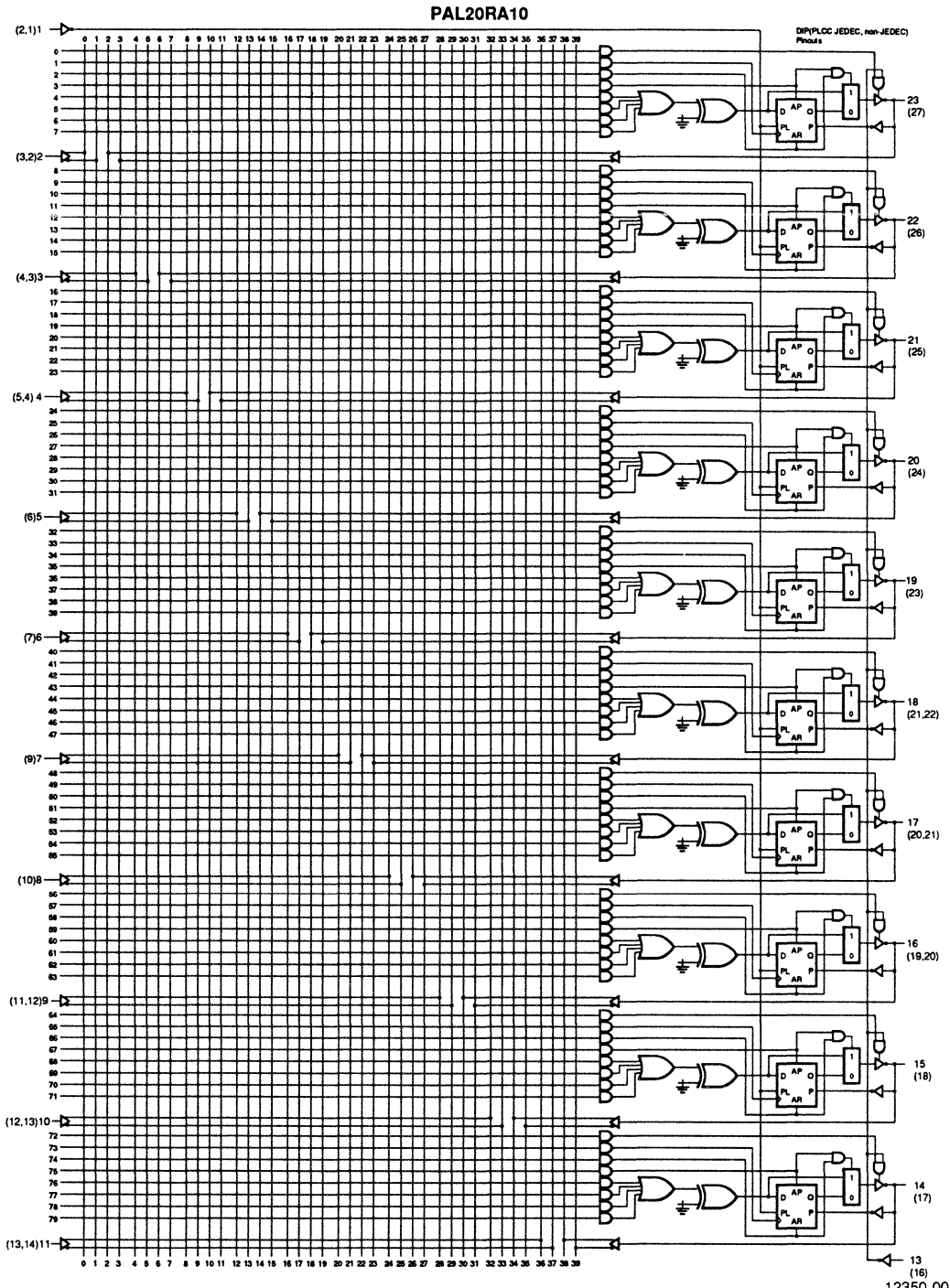
## Quality and Testability

The PAL20RA10-20 offers a very high level of built-in quality. Extra programmable fuses provide a means of verifying performance of all AC and DC parameters. In addition, this verifies complete programmability and functionality of the device to provide the highest programming yields and post-programming functional yields in the industry.

## Technology

The high-speed PAL20RA10-20 is fabricated with AMD's advanced oxide-isolated bipolar process. This process reduces parasitic capacitances and minimum geometries to provide higher performance. The array connections are formed with proven TiW fuses. The standard PAL20RA10 is fabricated with AMD's junction-isolated process, utilizing TiW fuses.

**LOGIC DIAGRAM**  
**DIP (PLCC JEDEC, non-JEDEC) Pinouts, see Connection Diagrams for LCC Pinout**



**2**

## ABSOLUTE MAXIMUM RATINGS

Storage Temperature	-65°C to +150°C
Ambient Temperature with Power Applied	-55°C to +125°C
Supply Voltage with Respect to Ground	-0.5 V to +7.0 V
DC Input Voltage	-1.5 V to $V_{CC} + 0.5$ V
DC Output or I/O Pin Voltage	-0.5 V to $V_{CC} + 0.5$ V
DC Current into Outputs (-20 only)	16 mA
Static Discharge Voltage (-20 only)	2001 V

## OPERATING RANGES

### Commercial (C) Devices

Ambient Temperature ( $T_A$ )	
Operating in Free Air	0°C to +75°C
Supply Voltage ( $V_{CC}$ ) with Respect to Ground	+4.75 V to +5.25 V

*Operating ranges define those limits between which the functionality of the device is guaranteed.*

*Stresses above those listed under Absolute Maximum Ratings may cause permanent device failure. Functionality at or above these limits is not implied. Exposure to Absolute Maximum Ratings for extended periods may affect device reliability. Programming conditions may differ.*

## DC CHARACTERISTICS over COMMERCIAL operating ranges unless otherwise specified

Parameter Symbol	Parameter Description	Test Conditions	Min.	Max.	Unit
$V_{OH}$	Output HIGH Voltage	$I_{OH} = -3.2$ mA $V_{IN} = V_{IH}$ or $V_{IL}$ $V_{CC} = \text{Min.}$	2.4		V
$V_{OL}$	Output LOW Voltage	$I_{OL} = 8$ mA $V_{IN} = V_{IH}$ or $V_{IL}$ $V_{CC} = \text{Min.}$		0.5	V
$V_{IH}$	Input HIGH Voltage	Guaranteed Input Logical HIGH Voltage for all Inputs (Note 1)	2.0		V
$V_{IL}$	Input LOW Voltage	Guaranteed Input Logical LOW Voltage for all Inputs (Note 1)		0.8	V
$V_I$	Input Clamp Voltage	$I_{IN} = -18$ mA, $V_{CC} = \text{Min.}$		-1.5	V
$I_{IH}$	Input HIGH Current	$V_{IN} = 2.4$ V, $V_{CC} = \text{Max.}$ (Note 2)		25	$\mu\text{A}$
$I_{IL}$	Input LOW Current	$V_{IN} = 0.4$ V, $V_{CC} = \text{Max.}$ (Note 2)		-250	$\mu\text{A}$
$I_I$	Maximum Input Current	$V_{IN} = 5.5$ V, $V_{CC} = \text{Max.}$		100	$\mu\text{A}$
$I_{OZH}$	Off-State Output Leakage Current HIGH	$V_{OUT} = 2.4$ V, $V_{CC} = \text{Max.}$ $V_{IN} = V_{IH}$ or $V_{IL}$ (Note 2)		100	$\mu\text{A}$
$I_{OZL}$	Off-State Output Leakage Current LOW	$V_{OUT} = 0.4$ V, $V_{CC} = \text{Max.}$ $V_{IN} = V_{IH}$ or $V_{IL}$ (Note 2)		-100	$\mu\text{A}$
$I_{SC}$	Output Short-Circuit Current	$V_{OUT} = 0.5$ V, $V_{CC} = \text{Max.}$ (Note 3)	-30	-130	mA
$I_{CC}$	Supply Current	$V_{IN} = 0$ V, Outputs Open ( $I_{OUT} = 0$ mA) $V_{CC} = \text{Max.}$		200	mA

### Notes:

1. These are absolute values with respect to device ground and all overshoots due to system and/or tester noise are included.
2. I/O pin leakage is the worst case of  $I_{IL}$  and  $I_{OZL}$  (or  $I_{IH}$  and  $I_{OZH}$ ).
3. Not more than one output should be tested at a time. Duration of the short-circuit should not exceed one second.  $V_{OUT} = 0.5$  V has been chosen to avoid test problems caused by tester ground degradation.

## CAPACITANCE (Note 1) (-20 only)

Parameter Symbol	Parameter Description	Test Conditions	Typ.	Unit	
C <sub>IN</sub>	Input Capacitance	Inputs CLK, $\overline{OE}$	V <sub>IN</sub> = 2.0 V	V <sub>CC</sub> = 5.0 V T <sub>A</sub> = +25°C	5
					9
C <sub>OUT</sub>	Output Capacitance	V <sub>OUT</sub> = 2.0 V	f = 1 MHz	5	pF

### Note:

1. These parameters are not 100% tested, but are evaluated at initial characterization and at any time the design is modified where capacitance may be affected.

## SWITCHING CHARACTERISTICS over COMMERCIAL operating ranges (Note 2)

Parameter Symbol	Parameter Description		-20		Std		Unit
			Min. (Note 3)	Max.	Min. (Note 3)	Max.	
t <sub>PD</sub>	Input or Feedback to Combinatorial Output	Active Low		20		30	ns
		Active High		20		35	ns
t <sub>S</sub>	Setup Time from Input or Feedback to Clock		13		20		ns
t <sub>H</sub>	Hold Time	Active Low	5		10		ns
		Active High	5		0		ns
t <sub>CO</sub>	Clock to Output or Feedback		5	20	10	30	ns
t <sub>AP</sub>	Asynchronous Preset to Registered Output			20		35	ns
t <sub>APW</sub>	Asynchronous Preset Width		20		20		ns
t <sub>AR</sub>	Asynchronous Reset to Registered Output			25		40	ns
t <sub>ARW</sub>	Asynchronous Reset Width		20		20		ns
t <sub>WL</sub>	Clock Width	LOW	14		20		ns
t <sub>WH</sub>		HIGH	14		20		ns
f <sub>MAX</sub>	Maximum Frequency (Note 4)	External Feedback	1/(t <sub>S</sub> + t <sub>CO</sub> )	30		20	MHz
		No Feedback	1/(t <sub>WH</sub> + t <sub>WL</sub> )	36		25	MHz
t <sub>PZX</sub>	$\overline{OE}$ to Output Enable			15		20	ns
t <sub>PXZ</sub>	$\overline{OE}$ to Output Disable			15		20	ns
t <sub>EA</sub>	Input to Output Enable Using Product Term Control			20		30	ns
t <sub>ER</sub>	Input to Output Disable Using Product Term Control			20		30	ns

### Notes:

2. See Switching Test Circuit for test conditions.
3. Output delay minimums are measured under best-case conditions.
4. These parameters are not 100% tested, but are calculated at initial characterization and at any time the design is modified where the frequency may be affected.

2

## ABSOLUTE MAXIMUM RATINGS

Storage Temperature	-65°C to +150°C
Ambient Temperature with Power Applied	-55°C to +125°C
Supply Voltage with Respect to Ground	-0.5 V to +7.0 V
DC Input Voltage	-1.5 V to +5.5 V
DC Output or I/O Pin Voltage	5.5 V

Stresses above those listed under Absolute Maximum Ratings may cause permanent device failure. Functionality at or above these limits is not implied. Exposure to Absolute Maximum Ratings for extended periods may affect device reliability. Programming conditions may differ. Absolute Maximum Ratings are for system design reference; parameters given are not tested.

## OPERATING RANGES

### Military (M) Devices (Note 1)

Ambient Temperature (T <sub>A</sub> )	
Operating in Free Air	-55°C Min.
Operating Case (T <sub>C</sub> ) Temperature	+125°C Max.
Supply Voltage (V <sub>CC</sub> ) with Respect to Ground	+4.50 V to +5.50 V

Operating ranges define those limits between which the functionality of the device is guaranteed.

### Note:

1. Military products are tested at T<sub>C</sub> = +25°C, +125°C, and -55°C, per MIL-STD-883.

## DC CHARACTERISTICS over MILITARY operating ranges unless otherwise specified (Note 2)

Parameter Symbol	Parameter Description	Test Conditions	Min.	Max.	Unit
V <sub>OH</sub>	Output HIGH Voltage	I <sub>OH</sub> = -2 mA V <sub>IN</sub> = V <sub>IH</sub> or V <sub>IL</sub> V <sub>CC</sub> = Min.	2.4		V
V <sub>OL</sub>	Output LOW Voltage	I <sub>OL</sub> = 8 mA V <sub>IN</sub> = V <sub>IH</sub> or V <sub>IL</sub> V <sub>CC</sub> = Min.		0.5	V
V <sub>IH</sub>	Input HIGH Voltage	Guaranteed Input Logical HIGH Voltage for all Inputs (Note 3)	2.0		V
V <sub>IL</sub>	Input LOW Voltage	Guaranteed Input Logical LOW Voltage for all Inputs (Note 3)		0.8	V
V <sub>I</sub>	Input Clamp Voltage	I <sub>IN</sub> = -18 mA, V <sub>CC</sub> = Min.		-1.5	V
I <sub>IH</sub>	Input HIGH Current	V <sub>IN</sub> = 2.4 V, V <sub>CC</sub> = Max. (Note 4)		25	μA
I <sub>IL</sub>	Input LOW Current	V <sub>IN</sub> = 0.4 V, V <sub>CC</sub> = Max. (Note 4)		-250	μA
I <sub>I</sub>	Maximum Input Current	V <sub>IN</sub> = 5.5 V, V <sub>CC</sub> = Max.		1	mA
I <sub>ozH</sub>	Off-State Output Leakage Current HIGH	V <sub>OUT</sub> = 2.4 V, V <sub>CC</sub> = Max. V <sub>IN</sub> = V <sub>IH</sub> or V <sub>IL</sub> (Note 4)		100	μA
I <sub>ozL</sub>	Off-State Output Leakage Current LOW	V <sub>OUT</sub> = 0.4 V, V <sub>CC</sub> = Max. V <sub>IN</sub> = V <sub>IH</sub> or V <sub>IL</sub> (Note 4)		-100	μA
I <sub>sc</sub>	Output Short-Circuit Current	V <sub>OUT</sub> = 0.5 V, V <sub>CC</sub> = Max. (Note 5)	-30	-130	mA
I <sub>cc</sub>	Supply Current	V <sub>IN</sub> = 0 V, Outputs Open (I <sub>OUT</sub> = 0 mA) V <sub>CC</sub> = Max.		200	mA

### Notes:

2. For APL Products, Group A, Subgroups 1, 2, and 3 are tested per MIL-STD-883, Method 5005, unless otherwise noted.
3. V<sub>IL</sub> and V<sub>IH</sub> are input conditions of output tests and are not themselves directly tested. V<sub>IL</sub> and V<sub>IH</sub> are absolute voltages with respect to device ground and include all overshoots due to system and/or tester noise. Do not attempt to test these values without suitable equipment.
4. I/O pin leakage is the worst case of I<sub>IL</sub> and I<sub>ozL</sub> (or I<sub>IH</sub> and I<sub>ozH</sub>).
5. Not more than one output should be tested at a time. Duration of the short-circuit should not exceed one second. V<sub>OUT</sub> = 0.5 V has been chosen to avoid test problems caused by tester ground degradation.

## SWITCHING CHARACTERISTICS over MILITARY operating ranges (Note 1)

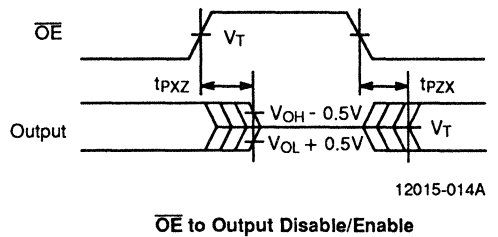
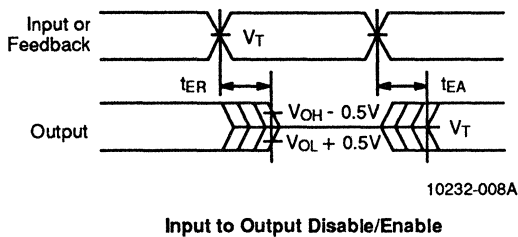
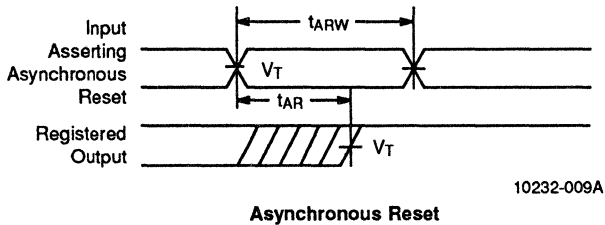
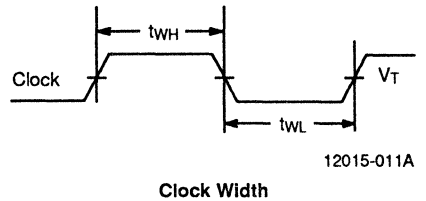
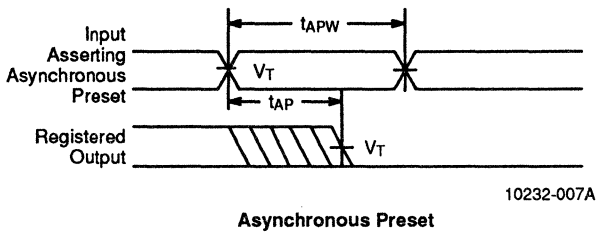
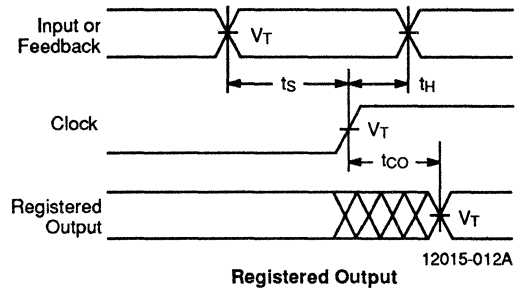
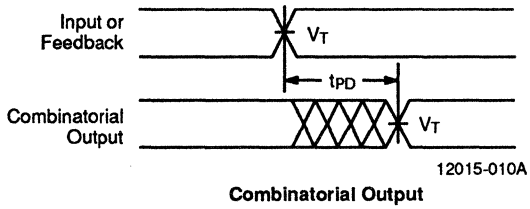
Parameter Symbol	Parameter Description		Standard		Unit
			Min.	Max.	
t <sub>PD</sub>	Input or Feedback to Combinatorial Output	Active Low		35	ns
		Active High		40	ns
t <sub>S</sub>	Setup Time from Input or Feedback to Clock		25		ns
t <sub>H</sub>	Hold Time	Active Low	10		ns
		Active High	0		ns
t <sub>CO</sub>	Clock to Output or Feedback			35	ns
t <sub>AP</sub>	Asynchronous Preset to Registered Output			40	ns
t <sub>APW</sub>	Asynchronous Preset Width		25		ns
t <sub>AR</sub>	Asynchronous Reset to Registered Output			55	ns
t <sub>ARW</sub>	Asynchronous Reset Width		25		ns
t <sub>WL</sub>	Clock Width	LOW	25		ns
t <sub>WH</sub>		HIGH	25		ns
f <sub>MAX</sub>	Maximum Frequency (Note 2)	External Feedback	1/(t <sub>S</sub> + t <sub>CO</sub> )	16.7	MHz
		No Feedback	1/(t <sub>WH</sub> + t <sub>WL</sub> )	20	MHz
t <sub>PZX</sub>	$\overline{OE}$ to Output Enable (Note 3)			25	ns
t <sub>PXZ</sub>	$\overline{OE}$ to Output Disable (Note 3)			25	ns
t <sub>EA</sub>	Input to Output Enable Using Product Term Control (Note 3)			35	ns
t <sub>ER</sub>	Input to Output Disable Using Product Term Control (Note 3)			35	ns

### Notes:

1. See Switching Test Circuit for test conditions. For APL products Group A, Subgroups 9, 10, and 11 are tested per MIL-STD-883, Method 5005, unless otherwise noted.
2. These parameters are not 100% tested, but are calculated at initial characterization and at any time the design is modified where frequency may be affected.
3. These parameters are not 100% tested, but are evaluated at initial characterization and at any time the design is modified where these parameters may be affected.

2

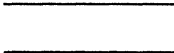
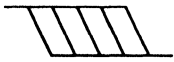
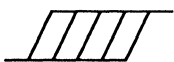
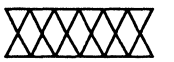
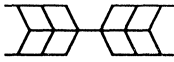
# SWITCHING WAVEFORMS



**Notes:**

1.  $V_T = 1.5\text{ V}$
2. Input pulse amplitude 0 V to 3.0 V
3. Input rise and fall times 2–5 ns typical.

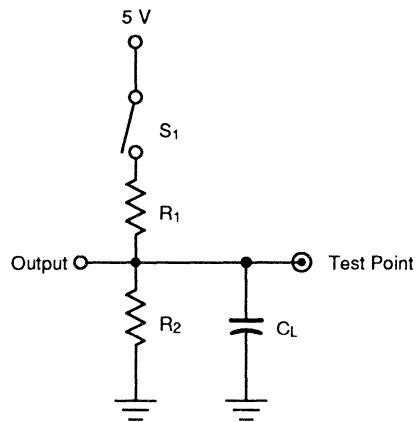
## KEY TO SWITCHING WAVEFORMS

WAVEFORM	INPUTS	OUTPUTS
	Must be Steady	Will be Steady
	May Change from H to L	Will be Changing from H to L
	May Change from L to H	Will be Changing from L to H
	Don't Care; Any Change Permitted	Changing, State Unknown
	Does Not Apply	Center Line is High-Impedance "Off" State

**2**

KS000010-PAL

## SWITCHING TEST CIRCUIT



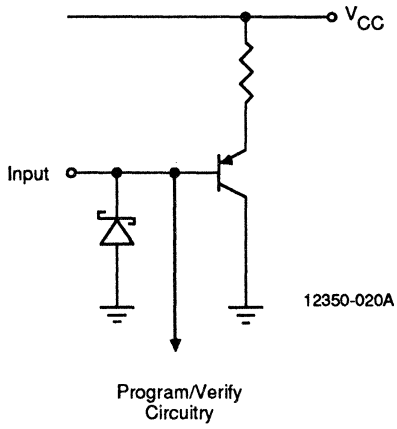
12350-019A

Specification	S <sub>1</sub>	C <sub>L</sub>	Commercial		Military		Measured Output Value
			R <sub>1</sub>	R <sub>2</sub>	R <sub>1</sub>	R <sub>2</sub>	
t <sub>PD</sub> , t <sub>CO</sub>	Closed	50 pF	560 Ω	1.1K Ω	560 Ω	1.1K Ω	1.5 V
t <sub>PZX</sub> , t <sub>EA</sub>	Z → H: Open Z → L: Closed						1.5 V
t <sub>PXZ</sub> , t <sub>ER</sub>	H → Z: Open L → Z: Closed	5 pF					H → Z: V <sub>OH</sub> - 0.5 V L → Z: V <sub>OL</sub> + 0.5 V

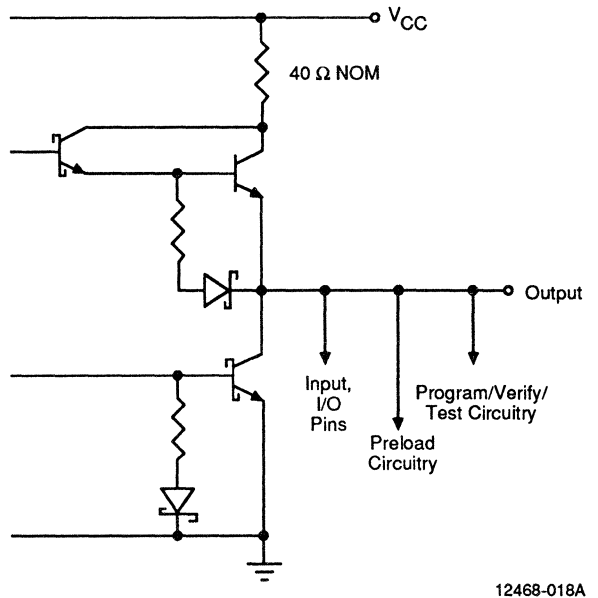


# INPUT/OUTPUT EQUIVALENT SCHEMATICS

Typical Input



Typical Output



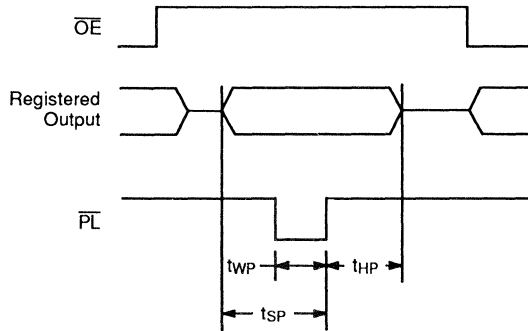
## OUTPUT REGISTER PRELOAD

The preload function allows the register to be loaded from the output pins. This feature aids functional testing of sequential designs by allowing direct setting of output states. The procedure for preloading follows.

1. Set  $\overline{OE}$  to  $V_{IHP}$  to disable output registers.
2. Apply either  $V_{IHP}$  or  $V_{ILP}$  to all registered outputs. Leave combinatorial outputs floating.
3. Pulse  $\overline{PL}$  from  $V_{IHP}$  to  $V_{ILP}$  to  $V_{IHP}$ .
4. Remove  $V_{ILP}/V_{IHP}$  from all registered output pins.
5. Lower  $\overline{OE}$  to  $V_{ILP}$  to enable the output registers.
6. Verify  $V_{OL}/V_{OH}$  at all registered output pins. Note that because of the output inverter, a register that has been preloaded HIGH will provide a LOW at the output.

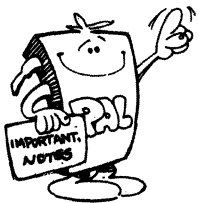
Parameter Symbol	Parameter Description	Min.	Rec.	Max.	Unit
$V_{ILP}$	Low-level input voltage	0	0	0.5	V
$V_{IHP}$	High-level input voltage	2.4	5.0	5.5	V
$t_{SP}$	Preload setup time	-20 COM'L	15		ns
		std COM'L	25		
		std MIL	30		
$t_{WP}$	Preload pulse width	-20 COM'L	20		ns
		std COM'L	35		
		std MIL	45		
$t_{HP}$	Preload hold time	-20 COM'L	15		ns
		std COM'L	25		
		std MIL	30		

**2**



10232-010A

Output Register Preload Waveform





# PALCE20V8

## EE CMOS 24-Pin Universal Programmable Array Logic

### DISTINCTIVE CHARACTERISTICS

- Pin, function and fuse-map compatible with all GAL<sup>®</sup> 20V8/As
- Electrically erasable CMOS technology provides reconfigurable logic and full testability
- High speed CMOS technology
  - 15 ns propagation delay for “–15” version
  - 25 ns propagation delay for “–25” version
- Direct plug-in replacement for a wide range of 24-pin PAL devices
- Outputs individually programmable as registered or combinatorial
- Programmable output polarity
- Programmable enable/disable control
- Preloadable output registers for testability
- Automatic register reset on power-up
- Cost-effective 24-pin plastic SKINNYDIP<sup>®</sup> and 28-pin PLCC packages
- Programmable on standard PAL<sup>®</sup> device programmers
- Supported by PALASM<sup>®</sup> software
- Fully tested for 100% programming and functional yields and high reliability

### GENERAL DESCRIPTION

The PALCE20V8 is an advanced PAL device built with low-power, high-speed, electrically-erasable CMOS technology. Its macrocells provide a universal device architecture. The PALCE20V8 is fully compatible with the GAL20V8 and can directly replace PAL20R8 series devices and most 24-pin combinatorial PAL devices.

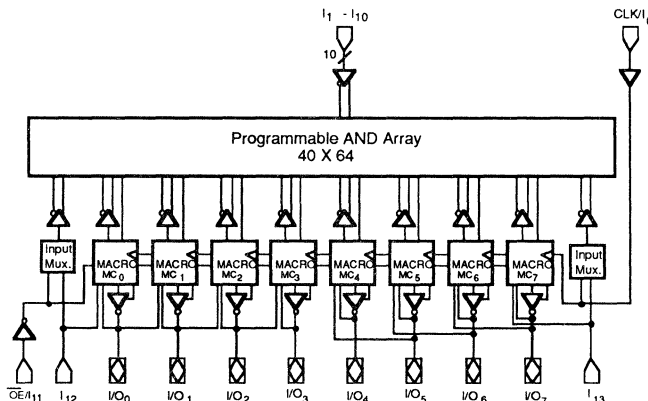
Device logic is automatically configured according to the user's design specification. Design is simplified by PALASM design software, allowing automatic creation of a programming file based on Boolean or state equations. PALASM software also verifies the design and can provide test vectors for the finished device. Programming can be accomplished on standard PAL device programmers.

The PALCE20V8 utilizes the familiar sum-of-products (AND/OR) architecture that allows users to implement

complex logic functions easily and efficiently. Multiple levels of combinatorial logic can always be reduced to sum-of-products form, taking advantage of the very wide input gates available in PAL devices. The equations are programmed into the device through floating-gate cells in the AND logic array that can be erased electrically.

The fixed OR array allows up to eight data product terms per output for logic functions. The sum of these products feeds the output macrocell. Each macrocell can be programmed as registered or combinatorial with an active-high or active-low output. The output configuration is determined by two global bits and one local bit controlling four multiplexers in each macrocell.

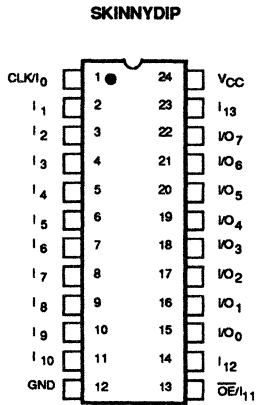
### BLOCK DIAGRAM



12197-001B

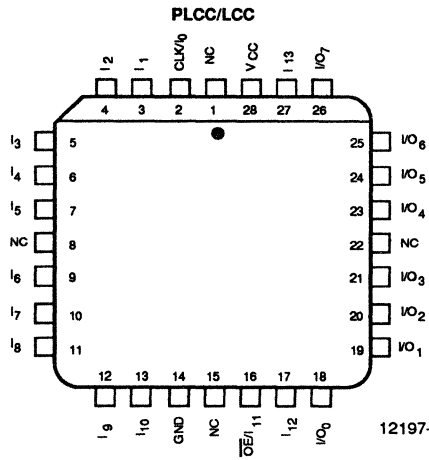
# CONNECTION DIAGRAMS

## Top View



12197-002B

- Pin Designations:
- CLK = Clock
  - GND = Ground
  - I = Input
  - I/O = Input/Output
  - NC = No Connect
  - OE = Output Enable
  - Vcc = Supply Voltage



12197-003A

Note: Pin 1 is marked for orientation.

# ORDERING INFORMATION

## Commercial Products

AMD programmable logic products for commercial applications are available with several ordering options. The order number (Valid Combination) is formed by a combination of:

- |  |                                       |  |
|--|---------------------------------------|--|
| <ul style="list-style-type: none"> <li>a. <b>FAMILY TYPE</b><br/>PAL = Programmable Array Logic</li> <li>b. <b>TECHNOLOGY</b><br/>CE = CMOS Electrically Erasable</li> <li>c. <b>NUMBER OF ARRAY INPUTS</b></li> <li>d. <b>OUTPUT TYPE</b><br/>V = Versatile</li> <li>e. <b>NUMBER OF FLIP-FLOPS</b></li> <li>f. <b>POWER</b><br/>H = Half Power (90 mA Icc)</li> <li>g. <b>SPEED</b><br/>-15 = 15 ns t<sub>PD</sub><br/>-25 = 25 ns t<sub>PD</sub></li> </ul> | <p><b>PAL CE 20 V 8 H -15 P C</b></p> | <ul style="list-style-type: none"> <li>f. <b>Power</b></li> <li>g. <b>Speed</b></li> <li>h. <b>Package Type</b></li> <li>i. <b>Operating Conditions</b></li> <li>j. <b>Programming Designator</b></li> </ul> |
|--|---------------------------------------|--|

Valid Combinations		
PALCE20V8H-15	PC, JC	Blank, /4
PALCE20V8H-25		

### Valid Combinations

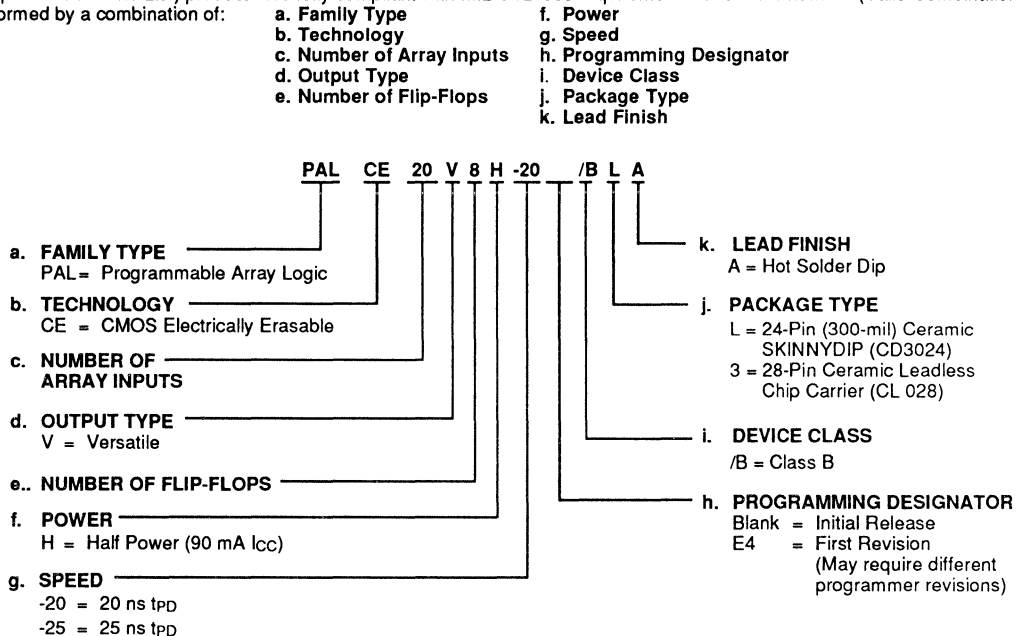
The Valid Combinations table lists configurations planned to be supported in volume for this device. Consult the local AMD sales office to confirm availability of specific valid combinations and to check on newly released combinations.

Note: Marked with AMD logo.

## ORDERING INFORMATION

### APL Products

AMD programmable logic products for Aerospace and Defense applications are available with several ordering options. APL (Approved Products List) products are fully compliant with MIL-STD-883 requirements. The order number (Valid Combination) is formed by a combination of:



2

#### Valid Combinations

The Valid Combinations table lists configurations planned to be supported in volume for this device. Consult the local AMD sales office to confirm availability of specific valid combinations, to check on newly released combinations and to obtain additional data on AMD's standard military grade products.

Valid Combinations		
PALCE20V8H-20	Blank, E4	/BLA, /B3A
PALCE20V8H-25		

Note: Marked with AMD logo.

#### Group A Tests

Group A tests consist of subgroups 1, 2, 3, 7, 8, 9, 10 and 11.

#### Military Burn-in

Military burn-in is in accordance with the current revision of MIL-STD-883, Test Method 1015, Conditions A through E. Test conditions are selected at AMD's option.

## FUNCTIONAL DESCRIPTION

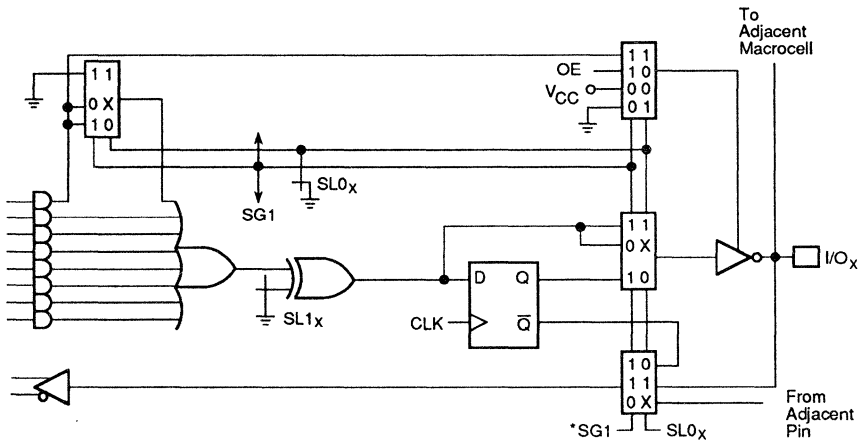
The PALCE20V8 is a universal PAL device. It has eight independently configurable macrocells (MC<sub>0</sub>..MC<sub>7</sub>). Each macrocell can be configured as a registered output, combinatorial output, combinatorial I/O, or dedicated input. The programming matrix implements a programmable AND logic array, which drives a fixed OR logic array. Buffers for device inputs have complementary outputs to provide user-programmable input signal polarity. Pins 1 and 13 serve either as array inputs or as clock (CLK) and output enable ( $\overline{OE}$ ) for all flip-flops.

Unused input pins should be tied directly to V<sub>CC</sub> or GND. Product terms with all bits unprogrammed (disconnected) assume the logical HIGH state and product terms with both true and complement of any input signal connected assume a logical LOW state.

The programmable functions on the PALCE20V8 are automatically configured from the user's design specification, which can be in a number of formats. The design

specification is processed by development software to verify the design and create a programming file. This file, once downloaded to a programmer, configures the device according to the user's desired function.

The user is given two design options with the PALCE20V8. First, it can be programmed as an emulated PAL device. This includes the PAL20R8 series and most 24-pin combinatorial PAL devices. The PAL device programmer manufacturer will supply device codes for the standard PAL architectures to be used with the PALCE20V8. The programmer will program the PALCE20V8 to the corresponding PAL device architecture. This allows the user to use existing standard PAL device JEDEC files without making any changes to them. Alternatively, the device can be programmed directly as a PALCE20V8. Here the user must use the PALCE20V8 device code. This option provides full utilization of the macrocells, allowing non-standard architectures to be built.



\* In Macrocell MC<sub>0</sub> and MC<sub>7</sub>, SG1 is replaced by  $\overline{SG0}$  on the feedback multiplexer.

PALCE20V8 Macrocell

12197-004A

## Configuration Options

Each macrocell can be configured as one of the following: registered output, combinatorial output, combinatorial I/O or dedicated input. In the registered output configuration, the output buffer is enabled by the  $\overline{OE}$  pin. In the combinatorial configuration, the buffer is either controlled by a product term or always enabled. In the dedicated input configuration, the buffer is always disabled. A macrocell configured as a dedicated input derives the input signal from an adjacent I/O.

The macrocell configurations are controlled by the configuration control word. It contains 2 global bits (SG0 and SG1) and 16 local bits (SL0<sub>0</sub> through SL0<sub>7</sub> and SL1<sub>0</sub> through SL1<sub>7</sub>). SG0 determines whether registers will be allowed. SG1 determines whether the PALCE20V8 will emulate a PAL20R8 family or a combinatorial device. Within each macrocell, SL0<sub>x</sub>, in conjunction with SG1, selects the configuration of the macrocell and SL1<sub>x</sub> sets the output as either active low or active high.

The configuration bits work by acting as control inputs for the multiplexers in the macrocell. There are four multiplexers: a product term input, an enable select, an output select, and a feedback select multiplexer. SG1 and SL0<sub>x</sub> are the control signals for all four multiplexers. In MC<sub>0</sub> and MC<sub>7</sub>,  $\overline{SG0}$  replaces SG1 on the feedback multiplexer.

These configurations are summarized in table 1 and illustrated in figure 2.

If the PALCE20V8 is configured as a combinatorial device, the CLK and  $\overline{OE}$  pins are available as inputs to the array. If the device is configured with registers, the CLK and  $\overline{OE}$  pins cannot be used as data inputs.

### Registered Output Configuration

The control bit settings are SG0 = 0, SG1 = 1 and SL0<sub>x</sub> = 0. There is only one registered configuration. All eight product terms are available as inputs to the OR gate. Data polarity is determined by SL1<sub>x</sub>. SL1<sub>x</sub> is an input to the exclusive-OR gate which is the D input to the flip-flop. SL1<sub>x</sub> is programmed as 1 for inverted output or 0 for non-inverted output. The flip-flop is loaded on the LOW-to-HIGH transition of CLK. The feedback path is from  $\overline{Q}$  on the register. The output buffer is enabled by  $\overline{OE}$ .

### Combinatorial Configurations

The PALCE20V8 has three combinatorial output configurations: dedicated output in a non-registered device, I/O in a non-registered device and I/O in a registered device.

### Dedicated Output in a Non-Registered Device

The control settings are SG0 = 1, SG1 = 0, and SL0<sub>x</sub> = 0. All eight product terms are available to the OR gate. Because the macrocell is a dedicated output, the feedback is not used.

### Dedicated Input in a Non-Registered Device

The control bit settings are SG0 = 1, SG1 = 0 and SL0<sub>x</sub> = 1. The output buffer is disabled. The feedback signal is an adjacent I/O pin.

### Combinatorial I/O in a Non-Registered Device

The control settings are SG0 = 1, SG1 = 1, and SL0<sub>x</sub> = 1. Only seven product terms are available to the OR gate. The eighth product term is used to enable the output buffer. The signal at the I/O pin is fed back to the AND array via the feedback multiplexer. This allows the pin to be used as an input.

### Combinatorial I/O in a Registered Device

The control bit settings are SG0=0, SG1=1 and SL0<sub>x</sub>=1. Only seven product terms are available to the OR gate. The eighth product term is used as the output enable. The feedback signal is the corresponding I/O signal.

Table 1. Macrocell Configurations

SG0	SG1	SL0 <sub>x</sub>	Cell Configuration	Devices Emulated
<b>Device has registers</b>				
0	1	0	Registered Output	PAL20R8, 20R6, 20R4
0	1	1	Combinatorial I/O	PAL20R6, 20R4
<b>Device has no registers</b>				
1	0	0	Combinatorial Output	PAL20L2, 18L4, 16L6, 14L8
1	0	1	Dedicated Input	PAL20L2, 18L4, 16L6
1	1	1	Combinatorial I/O	PAL20L8

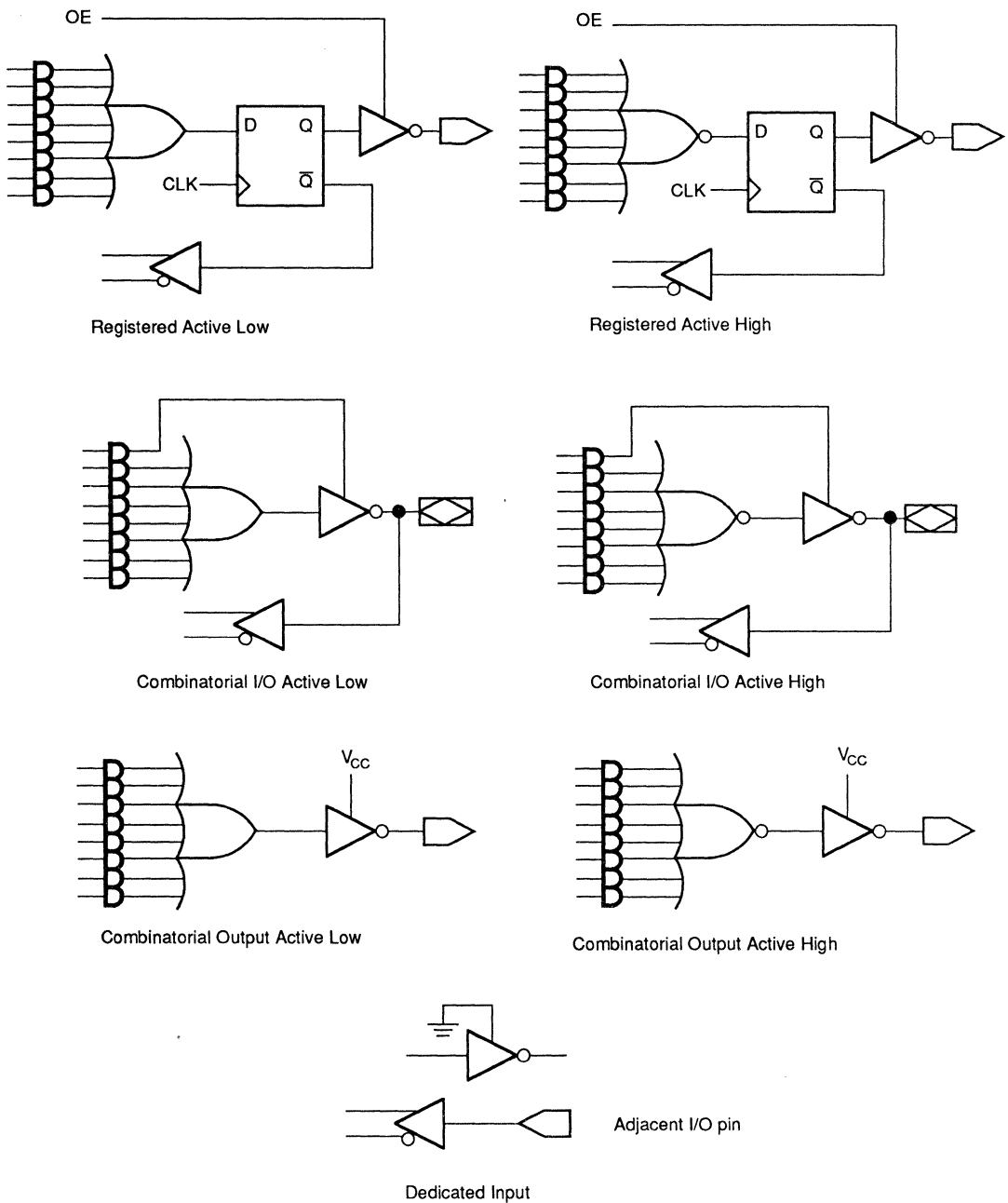
### Programmable Output Polarity

The polarity of each macrocell output can be active high or active low, either to match output signal needs or to reduce product terms. Programmable polarity allows Boolean expressions to be written in their most compact form (true or inverted), and the output can still be of the desired polarity. It can also save "DeMorganizing" efforts.

Selection is made through a programmable bit SL1<sub>x</sub> which controls an exclusive-OR gate at the output of the AND/OR logic. The output is active high if SL1<sub>x</sub> is a 0 and active low if SL1<sub>x</sub> is a 1.

2





12197-012A

Figure 2. Macrocell Configurations

---

## Power-Up Reset

All flip-flops power up to a logic LOW for predictable system initialization. Outputs of the PALCE20V8 depend on whether they are selected as registered or combinatorial. If registered is selected, the output will be HIGH. If combinatorial is selected, the output will be a function of the logic.

## Register Preload

The register on the PALCE20V8 can be preloaded from the output pins to facilitate functional testing of complex state machine designs. This feature allows direct loading of arbitrary states, making it unnecessary to cycle through long test vector sequences to reach a desired state. In addition, transitions from illegal states can be verified by loading illegal states and observing proper recovery.

## Security Bit

A security bit is provided on the PALCE20V8 as a deterrent to unauthorized copying of the array configuration patterns. Once programmed, this bit defeats readback

of the programmed pattern by a device programmer, securing proprietary designs from competitors. However, programming and verification are also defeated by the security bit. The bit can only be erased in conjunction with the array during an erase cycle.

## Electronic Signature Word

An electronic signature word is provided in the PALCE20V8. It consists of 64 bits of programmable memory that can contain any user-defined data. The signature data is always available to the user independent of the security bit.

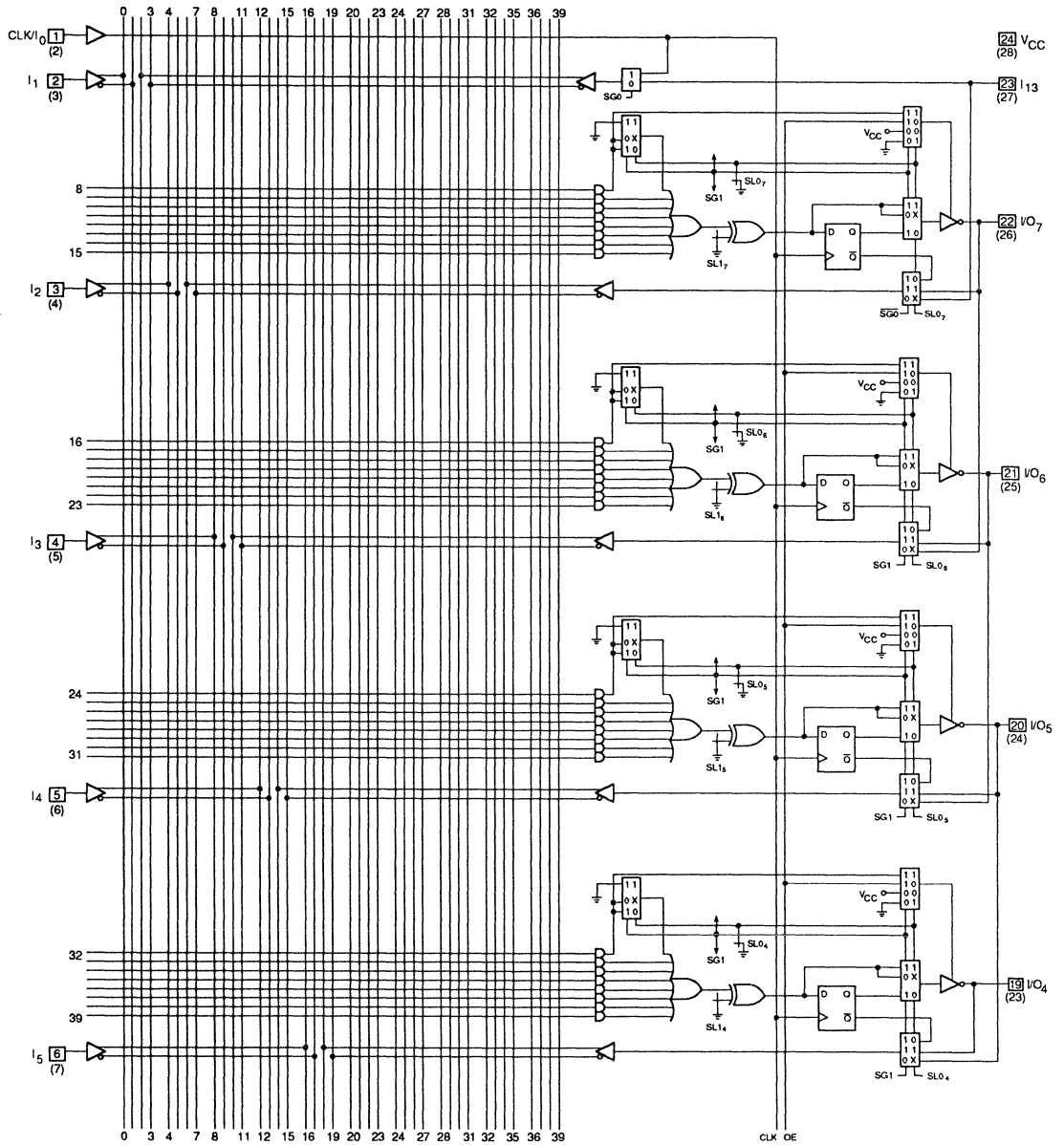
## Programming and Erasing

The PALCE20V8 can be programmed on standard logic programmers. Approved programmers are listed in the Programmer Reference Guide.

The PALCE20V8 may be erased to reset a previously configured device back to its virgin state. Erasure is automatically performed by the programming hardware. No special erase operation is required.

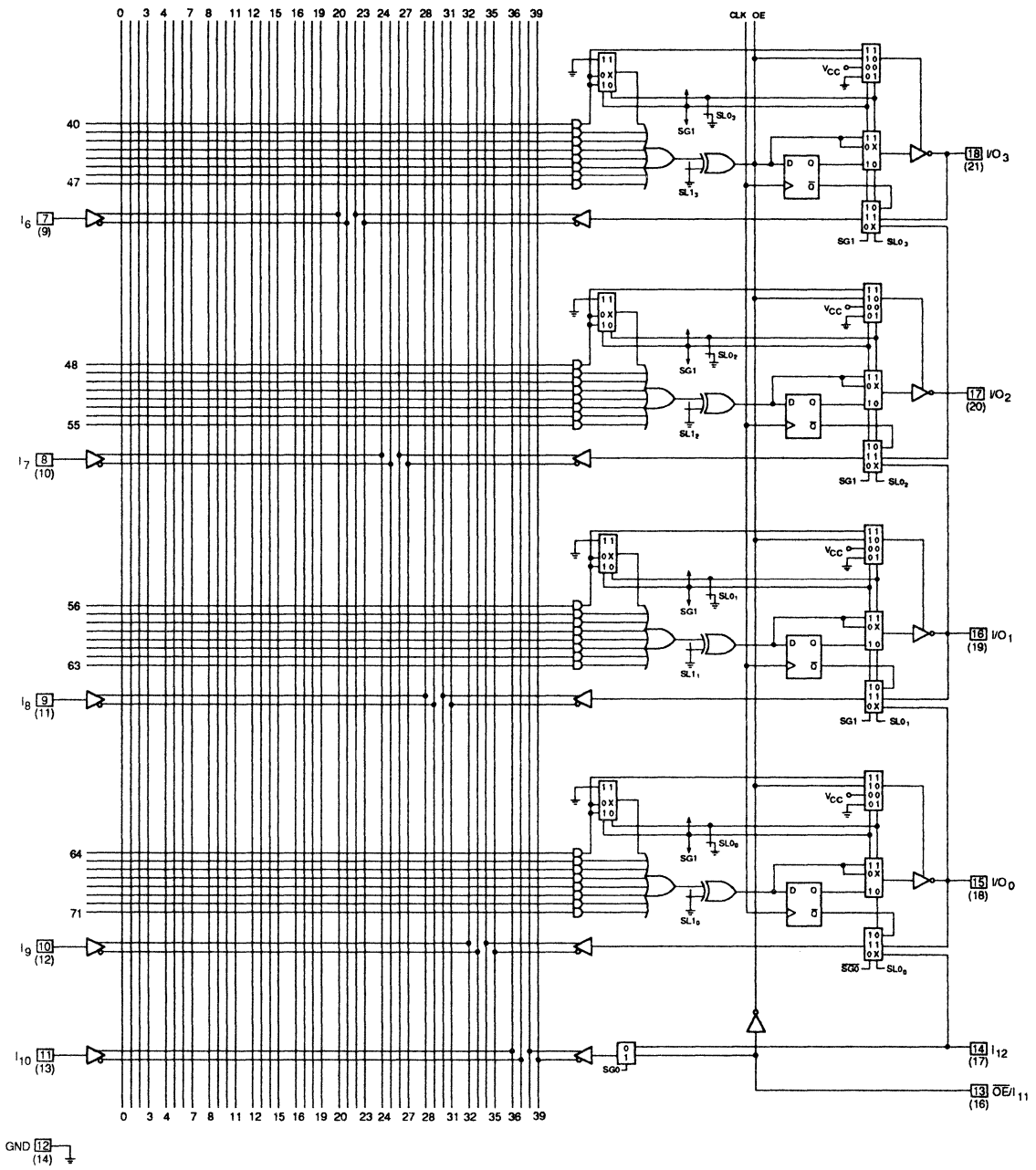
# LOGIC DIAGRAM

## SKINNYDIP (PLCC and LCC) Pinouts



12197-005A

**LOGIC DIAGRAM (Continued)**  
**SKINNYDIP (PLCC and LCC) Pinouts**



**2**

12197-005A  
 concluded

## ABSOLUTE MAXIMUM RATINGS

Storage Temperature	-65°C to +150°C
Ambient Temperature with Power Applied	-55°C to +125°C
Supply Voltage with Respect to Ground	-0.5 V to +7.0 V
DC Input Voltage	-0.5 V to $V_{CC} + 0.5$ V
DC Output or I/O Pin Voltage	-0.5 V to $V_{CC} + 0.5$ V
Static Discharge Voltage	2001 V
Latchup Current ( $T_A = 0^\circ\text{C}$ to $+75^\circ\text{C}$ )	100 mA

Stresses above those listed under Absolute Maximum Ratings may cause permanent device failure. Functionality at or above these limits is not implied. Exposure to Absolute Maximum Ratings for extended periods may affect device reliability. Programming conditions may differ.

## OPERATING RANGES

### Commercial (C) Devices

Temperature ( $T_A$ ) Operating in Free Air	0°C to +75°C
Supply Voltage ( $V_{CC}$ ) with Respect to Ground	+4.75 V to +5.25 V

Operating ranges define those limits between which the functionality of the device is guaranteed.

## DC CHARACTERISTICS over COMMERCIAL operating ranges unless otherwise specified

Parameter Symbol	Parameter Description	Test Conditions	Min.	Max.	Unit
$V_{OH}$	Output HIGH Voltage	$I_{OH} = -3.2$ mA $V_{IN} = V_{IH}$ or $V_{IL}$ $V_{CC} = \text{Min.}$	2.4		V
$V_{OL}$	Output LOW Voltage	$I_{OL} = 24$ mA $V_{IN} = V_{IH}$ or $V_{IL}$ $V_{CC} = \text{Min.}$		0.5	V
$V_{IH}$	Input HIGH Voltage	Guaranteed Input Logical HIGH Voltage for all Inputs (Note 1)	2.0		V
$V_{IL}$	Input LOW Voltage	Guaranteed Input Logical LOW Voltage for all Inputs (Note 1)		0.8	V
$I_{IH}$	Input HIGH Leakage Current	$V_{IN} = 5.25$ V, $V_{CC} = \text{Max.}$ (Note 2)		10	$\mu\text{A}$
$I_{IL}$	Input LOW Leakage Current	$V_{IN} = 0$ V, $V_{CC} = \text{Max.}$ (Note 2)		-10	$\mu\text{A}$
$I_{OZH}$	Off-State Output Leakage Current HIGH	$V_{OUT} = 5.25$ V, $V_{CC} = \text{Max.}$ $V_{IN} = V_{IH}$ or $V_{IL}$ (Note 2)		10	$\mu\text{A}$
$I_{OZL}$	Off-State Output Leakage Current LOW	$V_{OUT} = 0$ V, $V_{CC} = \text{Max.}$ $V_{IN} = V_{IH}$ or $V_{IL}$ (Note 2)		-10	$\mu\text{A}$
$I_{SC}$	Output Short-Circuit Current	$V_{OUT} = 0.5$ V, $V_{CC} = \text{Max.}$ (Note 3)	-30	-130	mA
$I_{CC}$	Supply Current	$V_{IN} = 0$ V, Outputs Open ( $I_{OUT} = 0$ mA) $V_{CC} = \text{Max.}$ , $f = 15$ MHz		90	mA

### Notes:

1. These are absolute values with respect to device ground and all overshoots due to system and/or tester noise are included.
2. I/O pin leakage is the worst case of  $I_{IL}$  and  $I_{OZL}$  (or  $I_{IH}$  and  $I_{OZH}$ ).
3. Not more than one output should be shorted at a time and duration of the short-circuit should not exceed one second.  $V_{OUT} = 0.5$  V has been chosen to avoid test problems caused by tester ground degradation.

## CAPACITANCE (Note 1)

Parameter Symbol	Parameter Description	Test Conditions		Typ.	Unit
C <sub>IN</sub>	Input Capacitance	V <sub>IN</sub> = 2.0 V	V <sub>CC</sub> = 5.0 V, T <sub>A</sub> = 25°C, f = 1 MHz	5	pF
C <sub>OUT</sub>	Output Capacitance	V <sub>OUT</sub> = 2.0 V		8	pF

### Note:

1. These parameters are not 100% tested, but are evaluated at initial characterization and at any time the design is modified where capacitance may be affected.

## SWITCHING CHARACTERISTICS over COMMERCIAL operating ranges (Note 2)

Parameter Symbol	Parameter Description		-15		-25		Unit
			Min.	Max.	Min.	Max.	
t <sub>PD</sub>	Input or Feedback to Combinatorial Output			15		25	ns
t <sub>S</sub>	Setup Time from Input or Feedback to Clock		12		15		ns
t <sub>H</sub>	Hold Time		0		0		ns
t <sub>CO</sub>	Clock to Output			10		12	ns
t <sub>CF</sub>	Clock to Feedback (Note 3)			8		10	ns
t <sub>WL</sub>	Clock Width	LOW	8		12		ns
t <sub>WH</sub>		HIGH	8		12		ns
f <sub>MAX</sub>	Maximum Frequency (Note 4)	External Feedback	1/(t <sub>S</sub> +t <sub>CO</sub> )	45.5		37	MHz
		Internal Feedback	1/(t <sub>S</sub> +t <sub>CF</sub> )	50		40	MHz
		No Feedback	1/(t <sub>WH</sub> +t <sub>WL</sub> )	62.5		41.6	MHz
t <sub>PZX</sub>	$\overline{OE}$ to Output Enable			15		20	ns
t <sub>PXZ</sub>	$\overline{OE}$ to Output Disable			15		20	ns
t <sub>EA</sub>	Input to Output Enable Using Product Term Control			15		25	ns
t <sub>ER</sub>	Input to Output Disable Using Product Term Control			15		25	ns

### Notes:

2. See Switching Test Circuit for test conditions.
3. Calculated from measured f<sub>MAX</sub> internal.
4. These parameters are not 100% tested, but are calculated at initial characterization and at any time the design is modified where frequency may be affected.

**2**

## ABSOLUTE MAXIMUM RATINGS

Storage Temperature	-65°C to +150°C
Ambient Temperature with Power Applied	-55°C to +125°C
Supply Voltage with Respect to Ground	-0.5 V to +7.0 V
DC Input Voltage	-0.5 V to $V_{CC} + 0.5$ V
DC Output or I/O Pin Voltage	-0.5 V to $V_{CC} + 0.5$ V
Static Discharge Voltage	2001 V
Latchup Current ( $T_C = -55^\circ\text{C}$ to $+125^\circ\text{C}$ )	100 mA

Stresses above those listed under Absolute Maximum Ratings may cause permanent device failure. Functionality at or above these limits is not implied. Exposure to Absolute Maximum Ratings for extended periods may affect device reliability. Programming conditions may differ. Absolute Maximum Ratings are for system design reference; parameters given are not tested.

## OPERATING RANGES

### Military (M) Devices (Note 1)

Operating Case Temperature ( $T_C$ )	-55°C to +125°C
Supply Voltage ( $V_{CC}$ ) with Respect to Ground	+4.5 V to +5.5 V

Operating ranges define those limits between which the functionality of the device is guaranteed.

### Note:

1. Military products are tested at  $T_C = +25^\circ\text{C}$ ,  $+125^\circ\text{C}$  and  $-55^\circ\text{C}$ , per MIL-STD-883.

## DC CHARACTERISTICS over MILITARY operating ranges unless otherwise specified (Note 2)

Parameter Symbol	Parameter Description	Test Conditions	Min.	Max.	Unit
$V_{OH}$	Output HIGH Voltage	$I_{OH} = -2.0$ mA $V_{IN} = V_{IH}$ or $V_{IL}$ $V_{CC} = \text{Min.}$	2.4		V
$V_{OL}$	Output LOW Voltage	$I_{OL} = 12$ mA $V_{IN} = V_{IH}$ or $V_{IL}$ $V_{CC} = \text{Min.}$		0.5	V
$V_{IH}$	Input HIGH Voltage	Guaranteed Input Logical HIGH Voltage for all Inputs (Note 3)	2.0		V
$V_{IL}$	Input LOW Voltage	Guaranteed Input Logical LOW Voltage for all Inputs (Note 3)		0.8	V
$I_{IH}$	Input HIGH Leakage Current	$V_{IN} = 5.5$ V, $V_{CC} = \text{Max.}$ (Note 4)		10	$\mu\text{A}$
$I_{IL}$	Input LOW Leakage Current	$V_{IN} = 0$ V, $V_{CC} = \text{Max.}$ (Note 4)		-10	$\mu\text{A}$
$I_{OZH}$	Off-State Output Leakage Current HIGH	$V_{OUT} = 5.5$ V, $V_{CC} = \text{Max.}$ $V_{IN} = V_{IH}$ or $V_{IL}$ (Note 4)		40	$\mu\text{A}$
$I_{OZL}$	Off-State Output Leakage Current LOW	$V_{OUT} = 0$ V, $V_{CC} = \text{Max.}$ $V_{IN} = V_{IH}$ or $V_{IL}$ (Note 4)		-40	$\mu\text{A}$
$I_{SC}$	Output Short-Circuit Current	$V_{OUT} = 0.5$ V, $V_{CC} = \text{Max.}$ (Note 5)	-30	-130	mA
$I_{CC}$	Supply Current	$V_{IN} = 0$ V, Outputs Open ( $I_{OUT} = 0$ mA) $V_{CC} = \text{Max.}$ , $f = 15$ MHz		90	mA

### Notes:

2. For APL products, Group A, Subgroups 1, 2 and 3 are tested per MIL-STD-883, Method 5005, unless otherwise noted.
3.  $V_{IL}$  and  $V_{IH}$  are input conditions of output tests and are not themselves directly tested.  $V_{IL}$  and  $V_{IH}$  are absolute voltages with respect to device ground and include all overshoots due to system and/or tester noise. Do not attempt to test these values without suitable equipment.
4. I/O pin leakage is the worst case of  $I_{IL}$  and  $I_{OZL}$  (or  $I_{IH}$  and  $I_{OZH}$ ).
5. Not more than one output should be shorted at a time and duration of the short-circuit should not exceed one second.  $V_{OUT} = 0.5$  V has been chosen to avoid test problems caused by tester ground degradation. This parameter is not 100% tested, but is evaluated at initial characterization and at any time the design is modified where  $I_{SC}$  may be affected.

## CAPACITANCE (Note 1)

Parameter Symbol	Parameter Description	Test Conditions		Typ.	Unit
C <sub>IN</sub>	Input Capacitance	V <sub>IN</sub> = 2.0 V	V <sub>CC</sub> = 5.0 V, T <sub>A</sub> = 25°C,	12	pF
C <sub>OUT</sub>	Output Capacitance	V <sub>OUT</sub> = 2.0 V	f = 1 MHz	15	pF

### Note:

1. These parameters are not 100% tested, but are evaluated at initial characterization and at any time the design is modified where capacitance may be affected.

## SWITCHING CHARACTERISTICS over MILITARY operating ranges (Note 2)

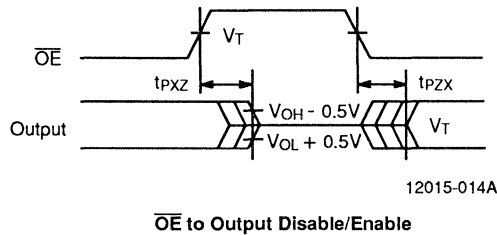
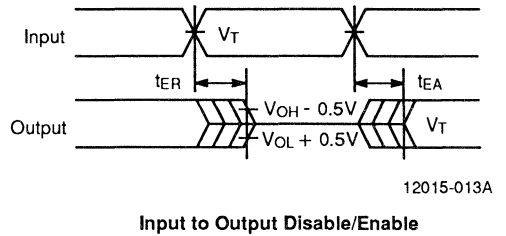
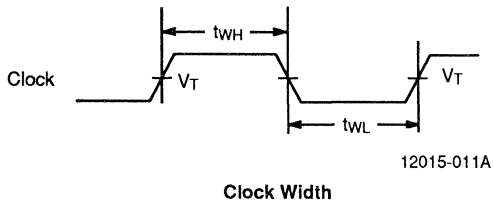
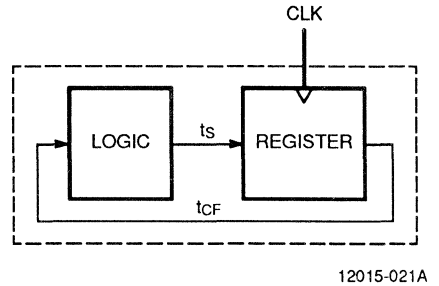
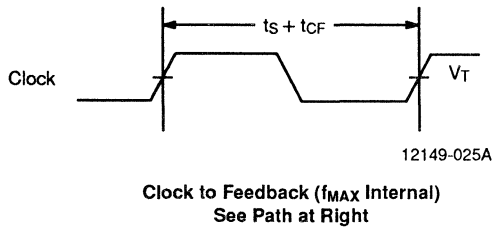
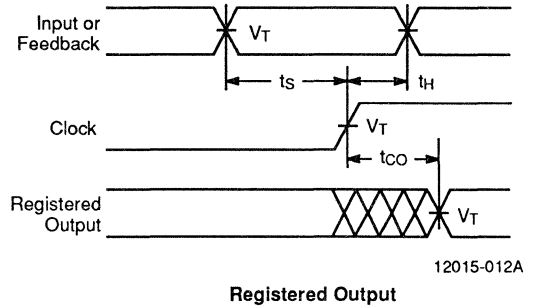
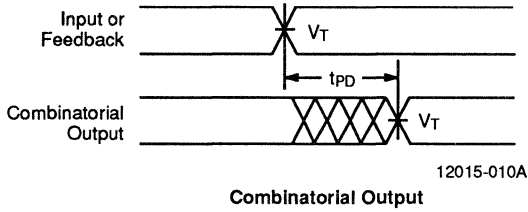
Parameter Symbol	Parameter Description	-20		-25		Unit
		Min.	Max.	Min.	Max.	
t <sub>PD</sub>	Input or Feedback to Combinatorial Output		20		25	ns
t <sub>S</sub>	Setup Time from Input or Feedback to Clock	15		15		ns
t <sub>H</sub>	Hold Time (Note 5)	0		0		ns
t <sub>CO</sub>	Clock to Output		15		20	ns
t <sub>CF</sub>	Clock to Feedback (Note 3)		13		18	ns
t <sub>WL</sub>	Clock Width	LOW	12	15		ns
t <sub>WH</sub>		HIGH	12	15		ns
f <sub>MAX</sub>	Maximum Frequency (Note 4)	External Feedback	1/(t <sub>S</sub> +t <sub>CO</sub> )	33.3	28.6	MHz
		Internal Feedback	1/(t <sub>S</sub> +t <sub>CF</sub> )	35.7	30.3	MHz
		No Feedback	1/(t <sub>WH</sub> +t <sub>WL</sub> )	41.7	33.3	MHz
t <sub>PZX</sub>	$\overline{OE}$ to Output Enable (Note 5)		20		20	ns
t <sub>PXZ</sub>	$\overline{OE}$ to Output Disable (Note 5)		20		20	ns
t <sub>EA</sub>	Input to Output Enable Using Product Term Control (Note 5)		20		25	ns
t <sub>ER</sub>	Input to Output Disable Using Product Term Control (Note 5)		20		25	ns

### Notes:

2. See Switching Test Circuit for test conditions. For APL Products, Group A, Subgroups 9, 10, and 11 are tested per MIL-STD-883, Method 5005, unless otherwise noted.
3. Calculated from measured f<sub>MAX</sub> internal.
4. These parameters are not 100% tested, but are calculated at initial characterization and at any time the design is modified where frequency may be affected.
5. These parameters are not 100% tested, but are evaluated at initial characterization and at any time the design is modified where these parameters may be affected.



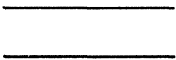



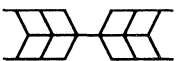
## SWITCHING WAVEFORMS



### Notes:

1.  $V_T = 1.5\text{ V}$
2. Input pulse amplitude 0 V to 3.0 V.
3. Input rise and fall times 2–5 ns typical.

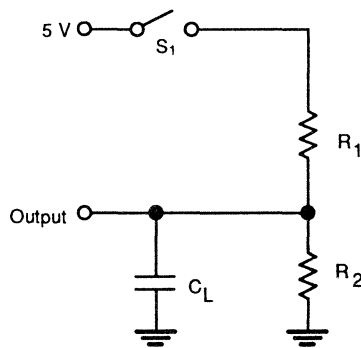
## KEY TO SWITCHING WAVEFORMS

WAVEFORM	INPUTS	OUTPUTS
	Must be Steady	Will be Steady
	May Change from H to L	Will be Changing from H to L
	May Change from L to H	Will be Changing from L to H
	Don't Care; Any Change Permitted	Changing, State Unknown
	Does Not Apply	Center Line is High-Impedance "Off" State

2

KS000010-PAL

## SWITCHING TEST CIRCUIT



Switching Test Circuit

12197-007A

Specification	S <sub>1</sub>	C <sub>L</sub>	Commercial		Military		Measured Output Value
			R <sub>1</sub>	R <sub>2</sub>	R <sub>1</sub>	R <sub>2</sub>	
t <sub>PD</sub> , t <sub>CO</sub> , t <sub>CF</sub>	Closed	50 pF	200 Ω	390 Ω	200 Ω	390 Ω	1.5 V
t <sub>PZX</sub> , t <sub>EA</sub>	Z → H: Open Z → L: Closed	50 pF	200 Ω	390 Ω	200 Ω	390 Ω	1.5 V
t <sub>PXZ</sub> , t <sub>ER</sub>	H → Z: Open L → Z: Closed	5 pF	200 Ω	390 Ω	200 Ω	390 Ω	H → Z: V <sub>OH</sub> - 0.5 V L → Z: V <sub>OL</sub> + 0.5 V

## ENDURANCE CHARACTERISTICS

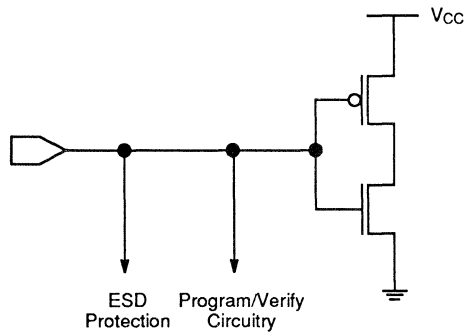
The PALCE20V8 is manufactured using AMD's advanced electrically erasable process. This technology uses an EE cell to replace the fuse link used in bipolar

parts. As a result, the device can be erased and reprogrammed – a feature which allows 100% testing at the factory.

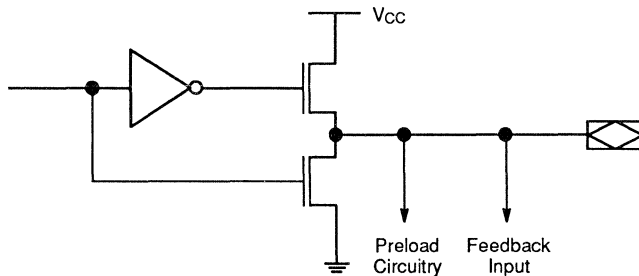
### Endurance Characteristics

Symbol	Parameter	Min.	Units	Test Conditions
$t_{DR}$	Min. Pattern Data Retention Time	10	Years	Max. Storage Temperature
		20	Years	Max. Operating Temperature (Military)
N	Min. Reprogramming Cycles	100	Cycles	Normal Programming Conditions

### INPUT/OUTPUT EQUIVALENT SCHEMATICS



Typical Input



Typical Output

12197-013A

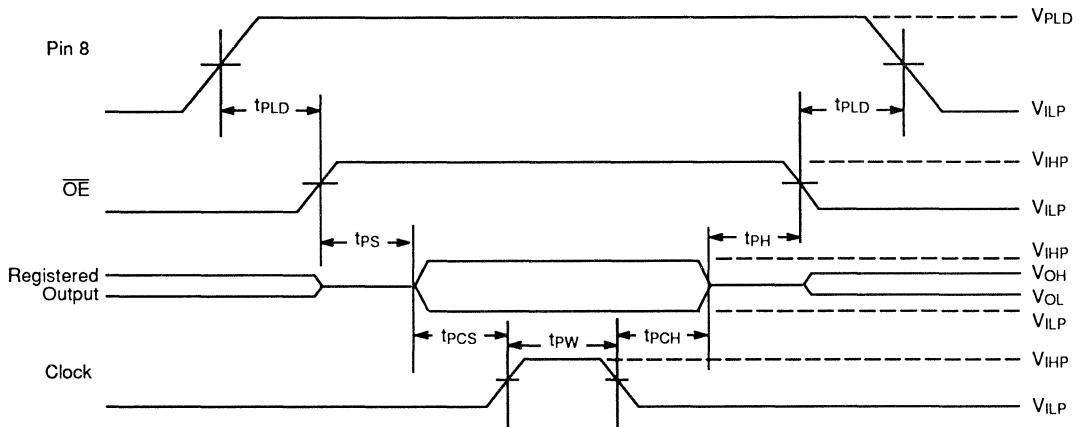
## OUTPUT REGISTER PRELOAD

The Preload function allows the registers to be loaded from the output pins. This feature aids functional testing of sequential designs by allowing direct setting of output states. The procedure is as follows.

1. Raise  $V_{CC}$  to  $5.0\text{ V} \pm 0.5\text{ V}$ .
2. Set pin 8 to  $V_{PLD}$ .
3. Set  $\overline{OE}$  HIGH.
4. Apply the desired value ( $V_{IL}/V_{IH}$ ) to all registered output pins. Leave combinatorial output pins floating.

5. Clock pin 1 from  $V_{IL}$  to  $V_{IH}$ .
6. Remove  $V_{IL}/V_{IH}$  from all registered outputs.
7. Enable the output registers by lowering  $\overline{OE}$ .
8. Lower pin 8 to  $V_{IL}/V_{IH}$ .
9. Verify for  $V_{OL}/V_{OH}$  at all registered output pins.  
Note that the output pin signal will be the inverse of the preload data.

Parameter Symbol	Parameter Description	Min.	Rec.	Max.	Unit
$t_{PLD}$	Setup and Hold Time from Preload (pin 8) to $\overline{OE}$	50	50		$\mu\text{s}$
$t_{PS}$	Setup Time from $\overline{OE}$ to Data	1	1		$\mu\text{s}$
$t_{PH}$	Hold Time from Data to $\overline{OE}$	1	1		$\mu\text{s}$
$t_{PCS}$	Setup Time from Data to Clock	1	1		$\mu\text{s}$
$t_{PCH}$	Hold Time from Clock to Data	1	1		$\mu\text{s}$
$dV_r/dt$	$V_{PLD}$ Rising Slew Rate (pin 8)	10		100	$\text{V}/\mu\text{s}$
$dV_f/dt$	$V_{PLD}$ Falling Slew Rate (pin 8)		2	3	$\text{V}/\mu\text{s}$
$V_{PLD}$	Super-Level Input Voltage	13.0	13.5	14.0	V
$V_{IHP}$	High-Level Input Voltage	2.4	5.0	5.5	V
$V_{ILP}$	Low-Level Input Voltage	0	0	0.5	V



12015-015A

Output Register Preload Waveform

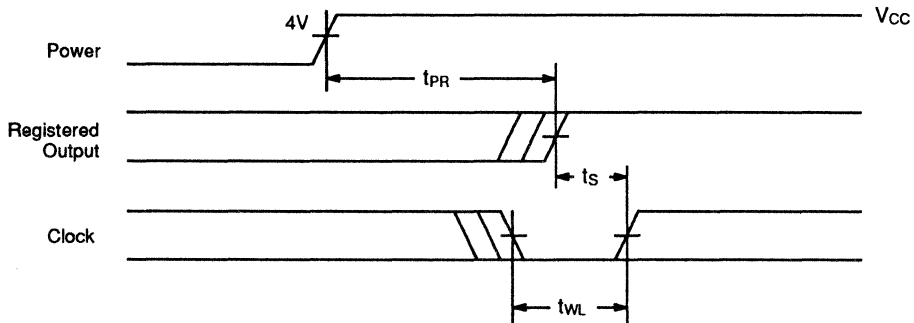
## POWER-UP RESET

The PALCE20V8 has been designed with the capability to reset during system power-up. Following power-up, all flip-flops will be reset to LOW. The output state will be HIGH independent of the logic polarity. This feature provides extra flexibility to the designer and is especially valuable in simplifying state machine initialization. A timing diagram and parameter table are shown below. Due to the synchronous operation of the power-up reset

and the wide range of ways  $V_{CC}$  can rise to its steady state, two conditions are required to insure a valid power-up reset. These conditions are:

1. The  $V_{CC}$  rise must be monotonic.
2. Following reset, the clock input must not be driven from LOW to HIGH until all applicable input and feedback setup times are met.

Parameter Symbol	Parameter Description	Min.	Max.	Unit
$t_{PR}$	Power-Up Reset Time		10	$\mu s$
$t_s$	Input or Feedback Setup Time	See Switching Characteristics		
$t_{WL}$	Clock Width LOW			



12197-009A

Power-Up Reset Waveforms





# PAL20X10A Series AmPAL20L10B/-20/AL

**Advanced  
Micro  
Devices**

## XOR Registered 24-pin TTL Programmable Array Logic

### DISTINCTIVE CHARACTERISTICS

- XOR gates on registered outputs
- Efficient implementation of counters
- Popular 24-pin architectures: 20L10, 20X10, 20X8, 20X4
- Programmable replacement for high-speed TTL logic
- Power-up reset for initialization
- Register preload for testability
- Easy design with PALASM<sup>®</sup> software
- Programmable on standard PAL<sup>®</sup> device programmers
- 24-pin SKINNYDIP<sup>®</sup> and 28-pin PLCC packages save space

### GENERAL DESCRIPTION

The PAL20X10A Series offers Exclusive-OR gates preceding each flip-flop. The XOR gate combines two sum terms, each composed of two product terms. This extra level of logic is very efficient for counter applications.

The combinatorial member of the family, the PAL20L10, offers three product terms per output with no XOR gate. A fourth product term provides the enable term. While the registered devices are offered in only one performance option, the 20L10 is offered in four performance grades. Note that three of these options follow the "old" AMD part numbering system while the fourth follows the "old" MMI part numbering system, as do the registered devices.

The family utilizes Advanced Micro Devices' advanced bipolar process and fuse-link technology. The devices provide user-programmable logic for replacing conventional SSI/MSI gates and flip-flops at a reduced chip count.

The family allows the systems engineer to implement the design on-chip, by opening fuse links to configure AND and OR gates within the device, according to the desired logic function. Complex interconnections between gates, which previously required time-consuming layout, are lifted from the PC board and placed on silicon, where they can be easily modified during prototyping or production.

The PAL device implements the familiar Boolean logic transfer function, the sum of products. The PAL device is a programmable AND array driving a fixed OR array. The AND array is programmed to create custom product terms, while the OR array sums selected terms at the outputs. In addition, the PAL device provides the following options:

- Variable input/output pin ratio
- Programmable three-state outputs
- Registers with feedback

Product terms with all fuses opened assume the logical HIGH state; product terms connected to both true and complement of any single input assume the logical LOW state. Registers consist of D-type flip-flops that are loaded on the LOW-to-HIGH transition of the clock. Unused input pins should be tied to V<sub>CC</sub> or GND.

The entire PAL device family is supported by the PALASM software package. The PAL family is programmed on conventional PAL device programmers with appropriate personality and socket adapter modules. See the Programmer Reference Guide for approved programmers. Once the PAL device is programmed and verified an additional fuse may be opened to prevent pattern readout. This feature secures proprietary circuits.

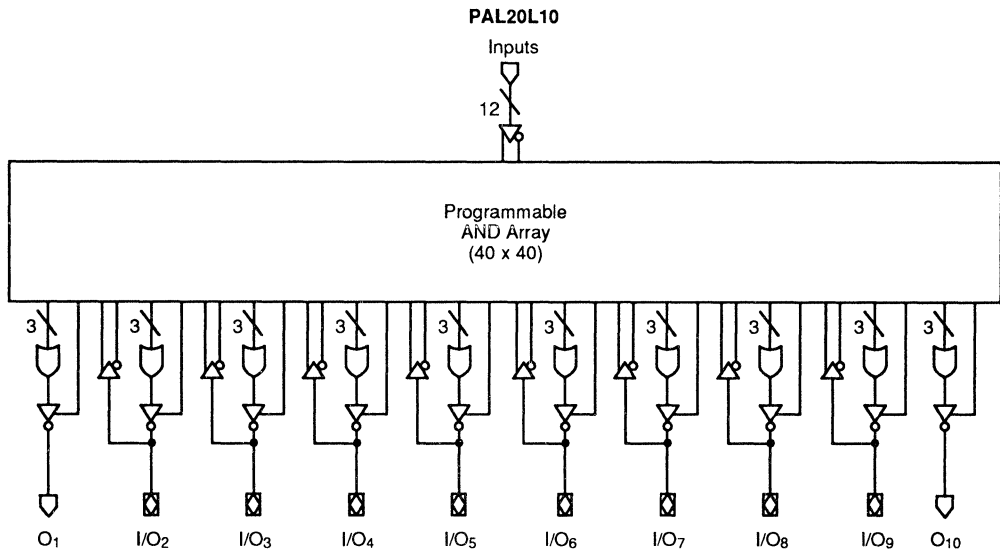
### PRODUCT SELECTOR GUIDE

DEVICE	DEDICATED INPUTS	OUTPUTS	PRODUCT TERMS/ OUTPUT	FEEDBACK	ENABLE	t <sub>PD</sub> (ns)	I <sub>CC</sub> (mA)
AmPAL20L10B AmPAL20L10-20 AmPAL20L10AL PAL20L10A	12	8 comb. 2 comb.	3 3	I/O –	prog. prog.	15 20 25 30	210 165 105 165
PAL20X10A	10	10 reg.	4, XOR	reg.	pin	30 (ts)	180
PAL20X8A	10	8 reg. 2 comb.	4, XOR 3	reg. I/O	pin prog.	30	180
PAL20X4A	10	4 reg. 6 comb.	4, XOR 3	reg. I/O	pin prog.	30	180

PAL, PALASM, and SKINNYDIP are registered trademarks of Advanced Micro Devices. This part is covered by various U.S. and foreign patents owned by Advanced Micro Devices.

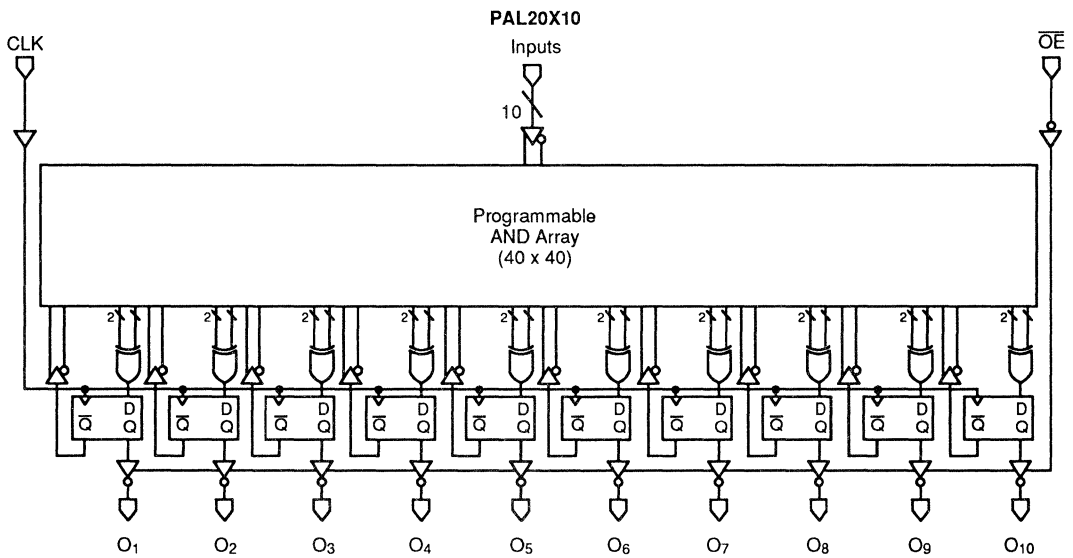
Publication # 10303 Rev. B Amendment 0  
Issue Date: January 1990

# BLOCK DIAGRAMS



**2**

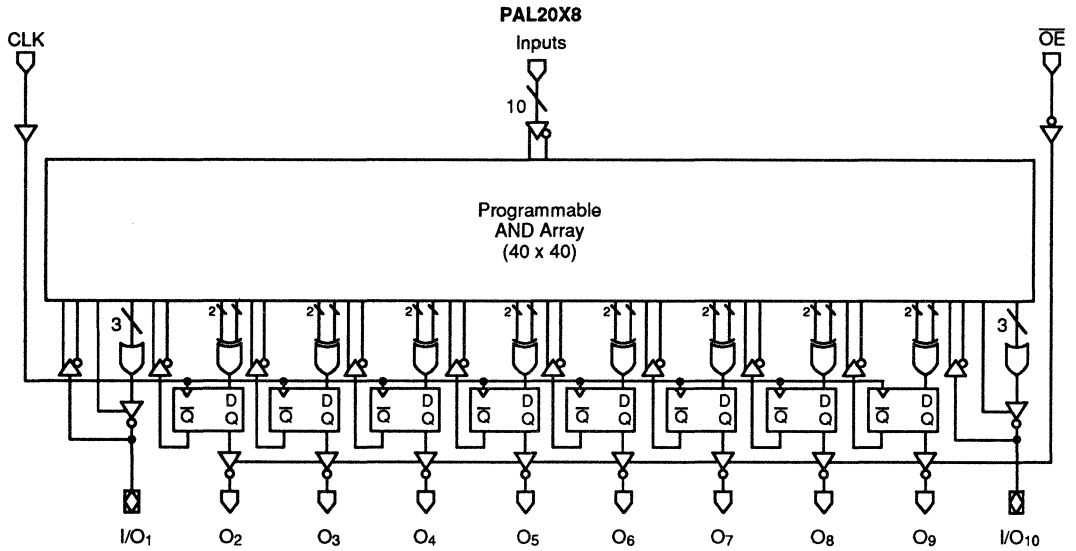
10303-001A



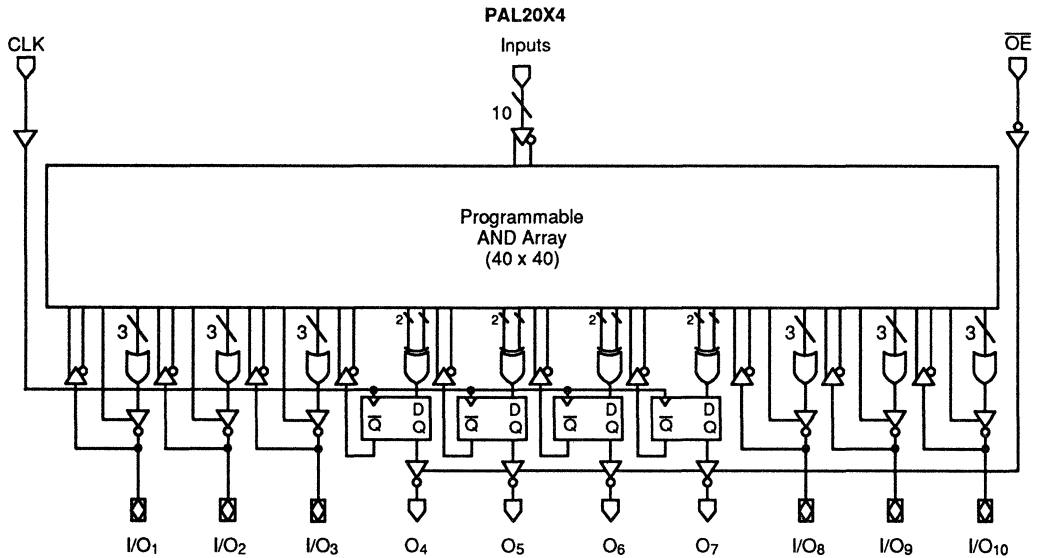
10303-002A



# BLOCK DIAGRAMS



10303-003A

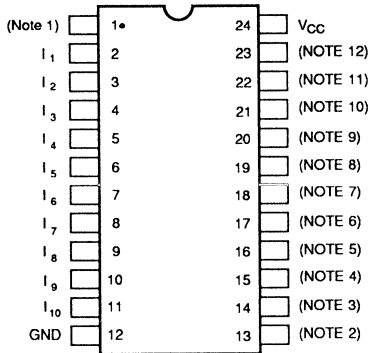


10303-004A

# CONNECTION DIAGRAMS

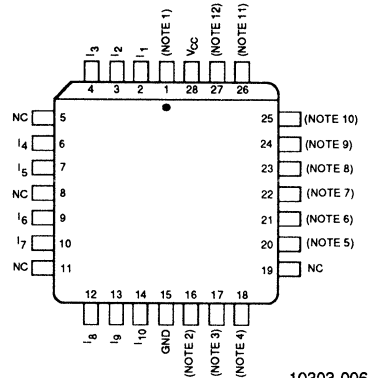
## Top View

**SKINNYDIP/FLATPACK**



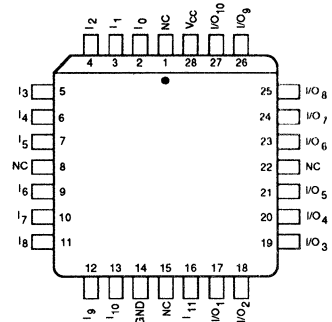
10303-005A

**PLCC (except AmPAL20L10)**



10303-006A

**PLCC  
AmPAL20L10 only**



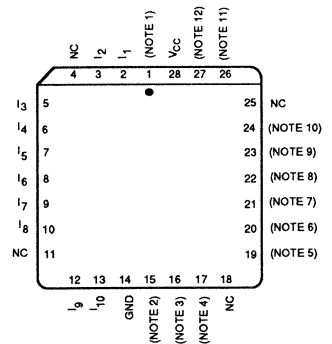
10303-007A

Note	20L10	20X10	20X8	20X4
1	I <sub>0</sub>	CLK	CLK	CLK
2	I <sub>11</sub>	$\overline{OE}$	$\overline{OE}$	$\overline{OE}$
3	O <sub>1</sub>	O <sub>1</sub>	I/O <sub>1</sub>	I/O <sub>1</sub>
4	I/O <sub>2</sub>	O <sub>2</sub>	O <sub>2</sub>	I/O <sub>2</sub>
5	I/O <sub>3</sub>	O <sub>3</sub>	O <sub>3</sub>	I/O <sub>3</sub>
6	I/O <sub>4</sub>	O <sub>4</sub>	O <sub>4</sub>	O <sub>4</sub>
7	I/O <sub>5</sub>	O <sub>5</sub>	O <sub>5</sub>	O <sub>5</sub>
8	I/O <sub>6</sub>	O <sub>6</sub>	O <sub>6</sub>	O <sub>6</sub>
9	I/O <sub>7</sub>	O <sub>7</sub>	O <sub>7</sub>	O <sub>7</sub>
10	I/O <sub>8</sub>	O <sub>8</sub>	O <sub>8</sub>	I/O <sub>8</sub>
11	I/O <sub>9</sub>	O <sub>9</sub>	O <sub>9</sub>	I/O <sub>9</sub>
12	O <sub>10</sub>	O <sub>10</sub>	I/O <sub>10</sub>	I/O <sub>10</sub>

### PIN DESIGNATIONS

- CLK      Clock
- GND      Ground
- I          Input
- I/O       Input/Output
- NC        No Connect
- O          Output
- $\overline{OE}$      Output Enable
- V<sub>CC</sub>     Supply Voltage

**LCC**



10303-008A

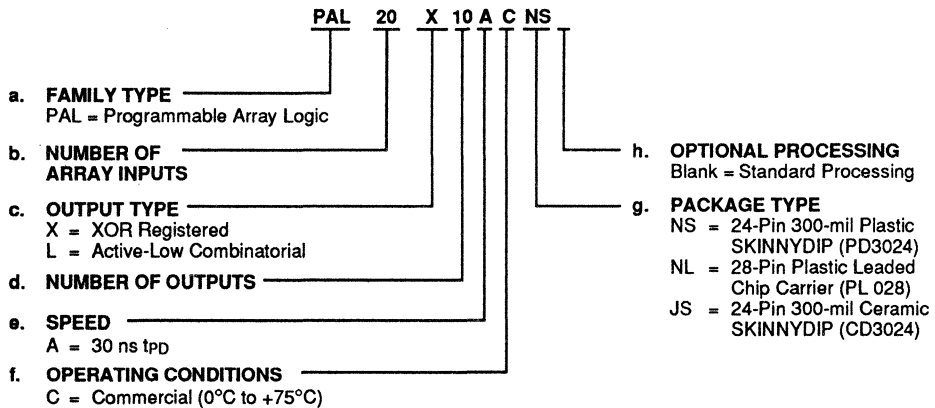
**Note:**  
Pin 1 is marked for orientation.

## ORDERING INFORMATION

### Commercial Products (MMI Marking Only)

AMD commercial programmable logic products are available with several ordering options. The order number (Valid Combination) is formed by a combination of:

- a. Family Type
- b. Number of Array Inputs
- c. Output Type
- d. Number of Outputs
- e. Speed
- f. Operating Conditions
- g. Package Type
- h. Optional Processing



Valid Combinations	
PAL20L10A	CNS, CNL, CJS
PAL20X10A	
PAL20X8A	
PAL20X4A	

#### Valid Combinations

The Valid Combinations table lists configurations planned to be supported in volume for this device. Consult the local AMD sales office to confirm availability of specific valid combinations, and to check on newly released combinations.

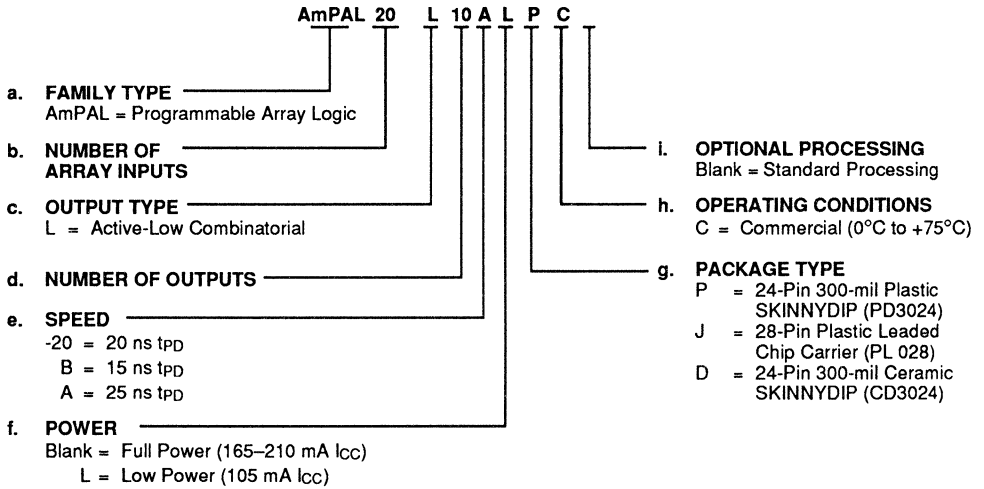
Note: Marked with MMI logo.

# ORDERING INFORMATION

## Commercial Products (AMD Marking Only)

AMD commercial programmable logic products are available with several ordering options. The order number (Valid Combination) is formed by a combination of:

- a. Family Type
- b. Number of Array Inputs
- c. Output Type
- d. Number of Outputs
- e. Speed
- f. Power
- g. Package Type
- h. Operating Conditions
- i. Optional Processing



**2**

Valid Combinations		
AmPAL20L10	B, -20, AL	PC, JC, DC

### Valid Combinations

The Valid Combinations table lists configurations planned to be supported in volume for this device. Consult the local AMD sales office to confirm availability of specific valid combinations, and to check on newly released combinations.

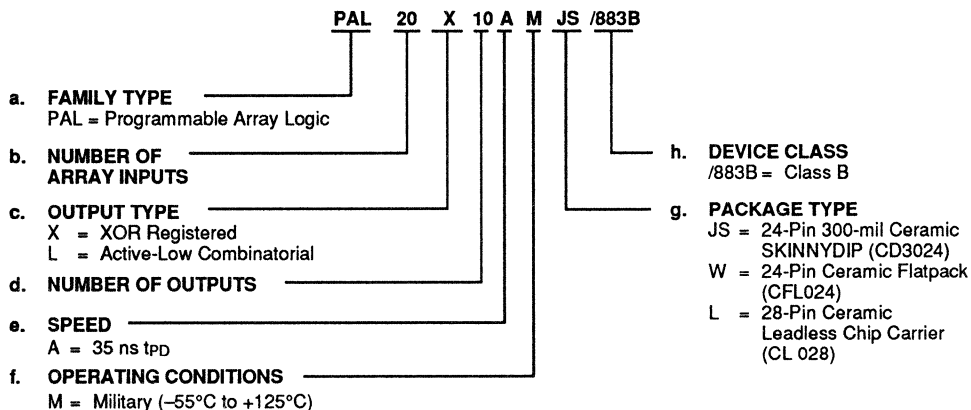
Note: Marked with AMD logo.

# ORDERING INFORMATION

## APL Products

AMD programmable logic products for Aerospace and Defense applications are available with several ordering options. APL (Approved Products List) products are fully compliant with MIL-STD-883 requirements. The order number (Valid Combination) is formed by a combination of:

- a. Family Type
- b. Number of Array Inputs
- c. Output Type
- d. Number of Outputs
- e. Speed
- f. Operating Conditions
- g. Package Type
- h. Device Class



Valid Combinations	
PAL20L10A	MJS/883B, MW/883B, ML/883B
PAL20X10A	
PAL20X8A	
PAL20X4A	

### Valid Combinations

The Valid Combinations table lists configurations planned to be supported in volume for this device. Consult the local AMD sales office to confirm availability of specific valid combinations, to check on newly released combinations, and to obtain additional data on AMD's standard military grade products.

Note: Marked with MMI logo.

### Group A Tests

Group A Tests consist of Subgroups: 1, 2, 3, 7, 8, 9, 10, 11.

### Military Burn-In

Military burn-in is in accordance with the current revision of MIL-STD-883, Test Methods 1015, Conditions A through E. Test conditions are selected at AMD's option.

## FUNCTIONAL DESCRIPTION

Four different devices are available in the 20X10 Series, including both registered and combinatorial devices. All parts are produced with a fuse link at each input to the AND gate array, and connections may be selectively removed by applying appropriate voltages to the circuit. Utilizing an easily-implemented programming algorithm, these products can be rapidly programmed to any customized pattern. Information on approved programmers can be found in the Programmer Reference Guide. Extra test words are pre-programmed during manufacturing to ensure extremely high field programming yields, and provide extra test paths to achieve excellent parametric correlation.

### Variable Input/Output Pin Ratio

The registered devices have ten dedicated input lines, and each combinatorial output is an I/O pin. The 20L10 has twelve dedicated input lines, and only eight of the ten combinatorial outputs are I/O pins. Buffers for device inputs have complementary outputs to provide user-programmable input signal polarity. Unused input pins should be tied to  $V_{CC}$  or GND.

### Programmable Three-State Outputs

Each output has a three-state output buffer with three-state control. On combinatorial outputs, a product term controls the buffer, allowing enable and disable to be a function of any product of device inputs or output feedback. The combinatorial output provides a bidirectional I/O pin, and may be configured as a dedicated input if the buffer is always disabled. On registered outputs, an input pin controls the enabling of the three-state outputs.

### Registers with Feedback

Registered outputs are provided for data storage and synchronization. Registers are composed of D-type flip-flops that are loaded on the LOW-to-HIGH transition of the clock input.

### Power-Up Reset

All flip-flops power-up to a logic LOW for predictable system initialization. Outputs of the PAL20X10A Series will be HIGH due to the active-low outputs. The  $V_{CC}$  rise must be monotonic and the reset delay time is 1000 ns maximum.

### Register Preload

The register on the PAL20X10A Series can be preloaded from the output pins to facilitate functional testing of complex state machine designs. This feature allows direct loading of arbitrary states, making it unnecessary to cycle through long test vector sequences to reach a desired state. In addition, transitions from illegal states can be verified by loading illegal states and observing proper recovery.

## Security Fuse

After programming and verification, a PAL20X10 Series design can be secured by programming the security fuse. Once programmed, this fuse defeats readback of the internal programmed pattern by a device programmer, securing proprietary designs from competitors. When the security fuse is programmed, the array will read as if every fuse is intact. For the AmPAL20L10, the array will read as if every fuse is programmed.

## Pinouts

All members of the PAL20X10 Family have the same SKINNYDIP pinouts independent of technology, performance, and operating conditions. Because the 24-pin SKINNYDIP requires four no-connects when mapped into the 28-pin PLCC/LCC packages, the PLCC/LCC pinouts can vary.

Two different PLCC pinouts are offered. The AmPAL20L10 and all future devices will follow the JEDEC electronics committee's standard pinout ("JEDEC pinout") with no-connects on pins 1, 8, 15, and 22. The older PAL20X10A Series devices retain their original pinouts, with no-connects on pins 5, 8, 11, and 19.

A different LCC pinout is offered for military products. The older PAL20X10A Series devices retain their original pinouts, with no-connects on pins 4, 11, 18, and 25.

Series	Com'l PLCC No-connects	Mil LCC No-connects
AmPAL20L10 B/-20/AL	1, 8, 15, 22 (JEDEC)	N/A
PAL20X10A Series (inc. PAL20L10A)	5, 8, 11, 19	4, 11, 18, 25

## Quality and Testability

The PAL20X10 Series offers a very high level of built-in quality. Extra programmable fuses provide a means of verifying performance of all AC and DC parameters. In addition, this verifies complete programmability and functionality of the device to provide the highest programming yields and post-programming functional yields in the industry.

## Technology

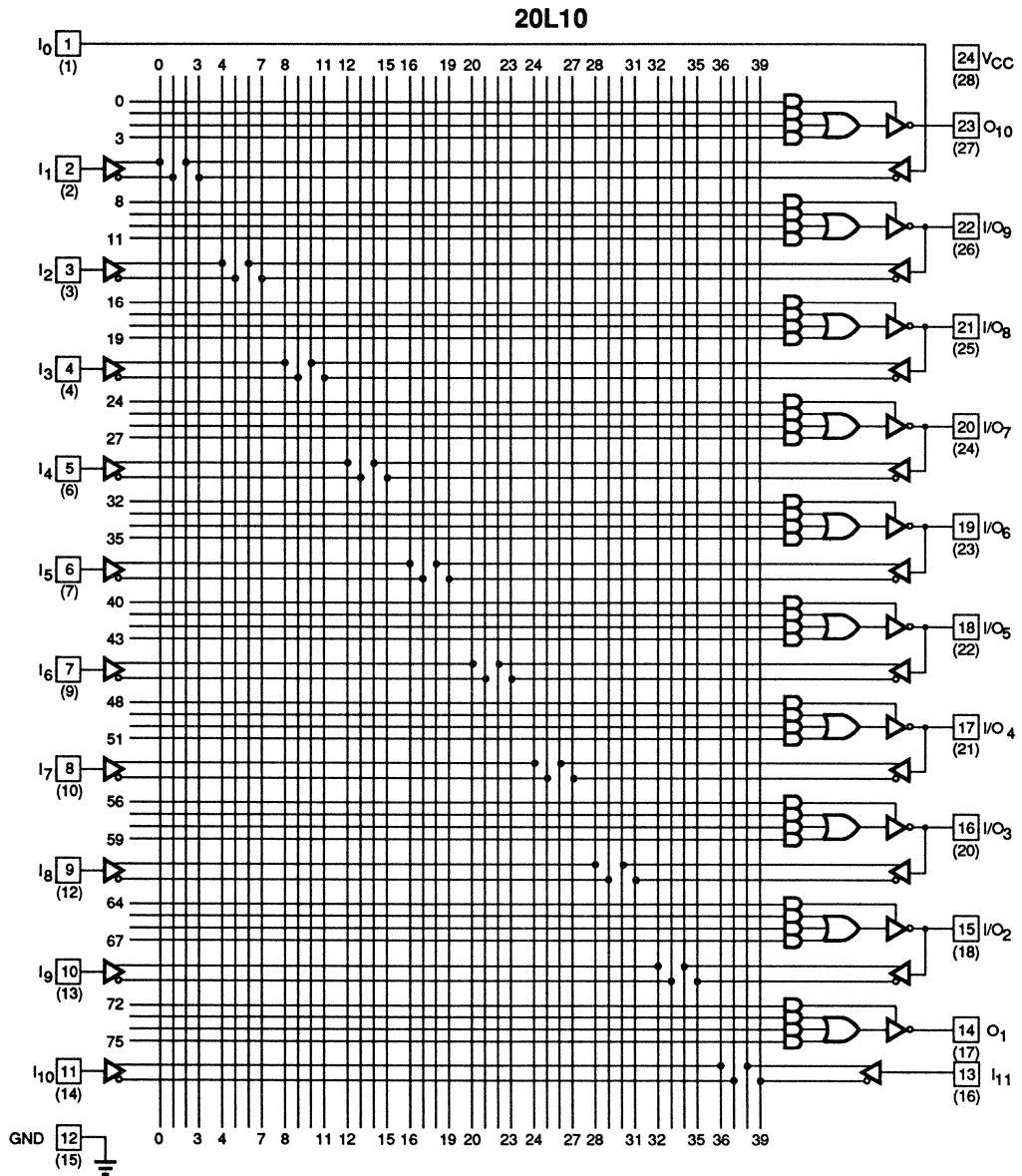
The PAL20X10A Series is fabricated with AMD's advanced junction-isolated bipolar process. The array connections are formed with proven TiW fuses for reliable operation.

The AmPAL20L10 is fabricated with the IMOX™ oxide-isolated bipolar process using proven PtSi fuses.

# LOGIC DIAGRAM

## SKINNYDIP (PLCC, PAL20L10A only) Pinouts

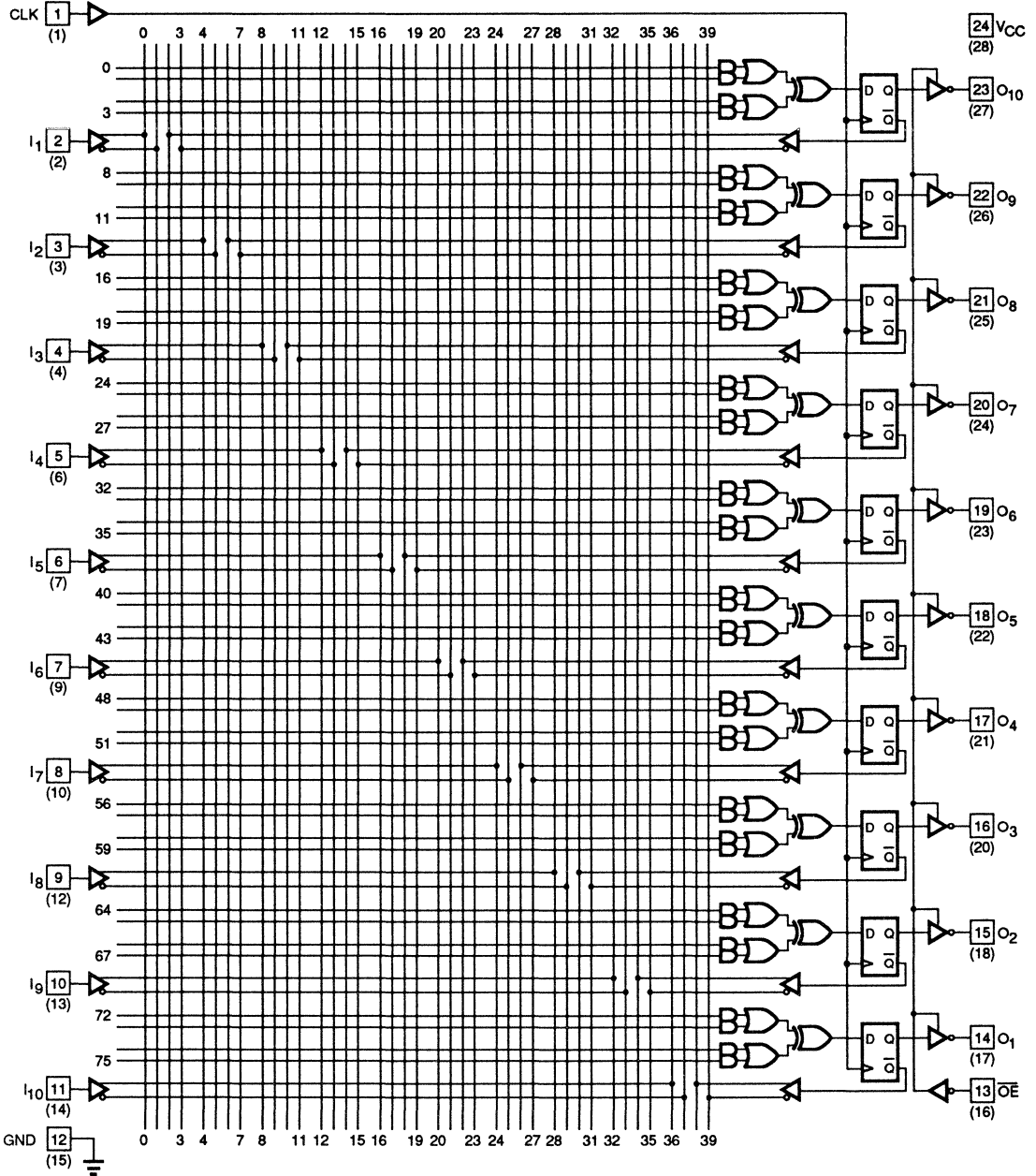
See Connection Diagrams for LCC and AmPAL20L10 PLCC Pinouts



10303-009A

**LOGIC DIAGRAM**  
**SKINNYDIP (PLCC) Pinouts**  
 See Connection Diagrams for LCC Pinout

**20X10**



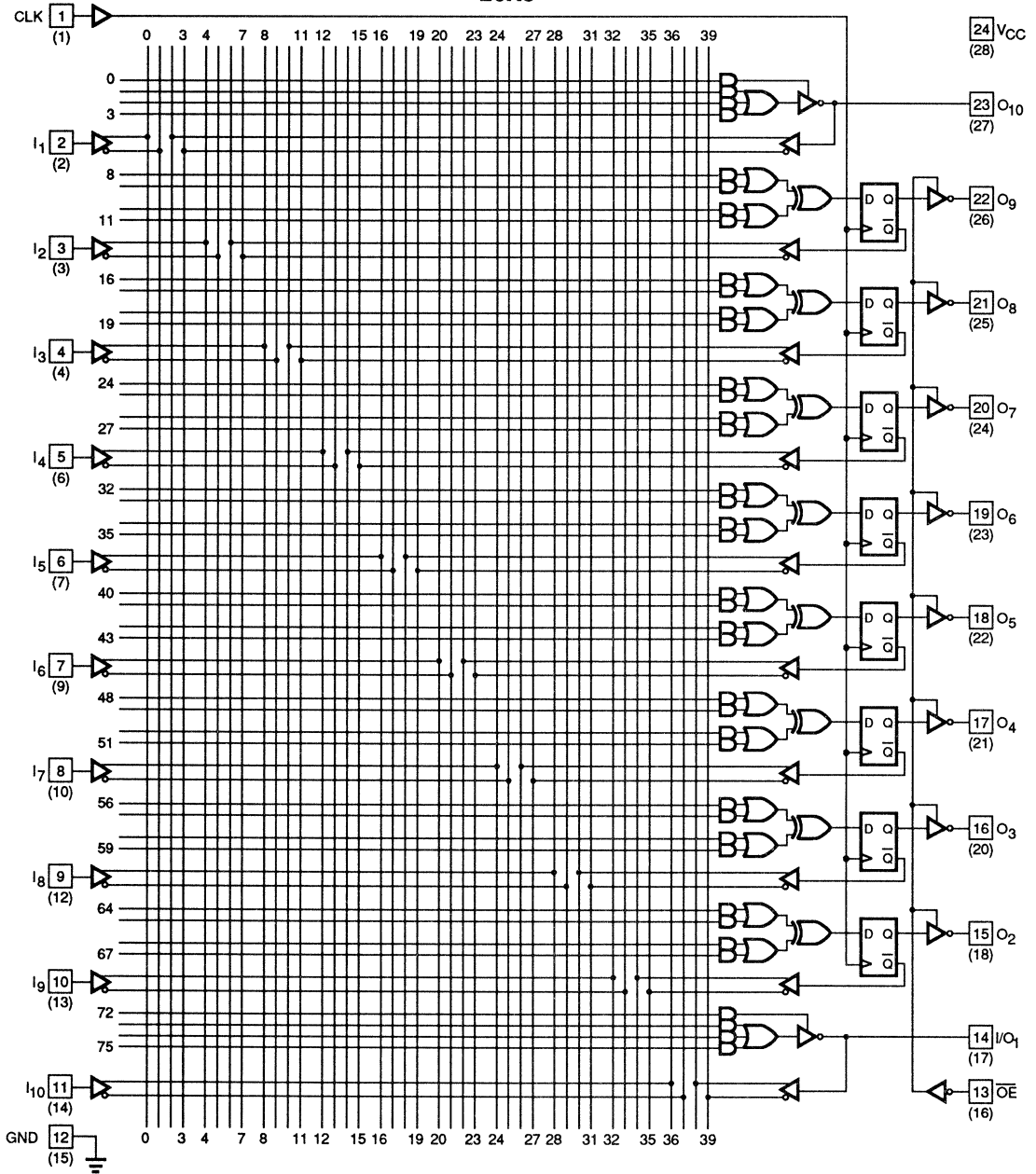
**2**

10303-010A



**LOGIC DIAGRAM**  
**SKINNYDIP (PLCC) Pinouts**  
 See Connection Diagrams for LCC Pinout

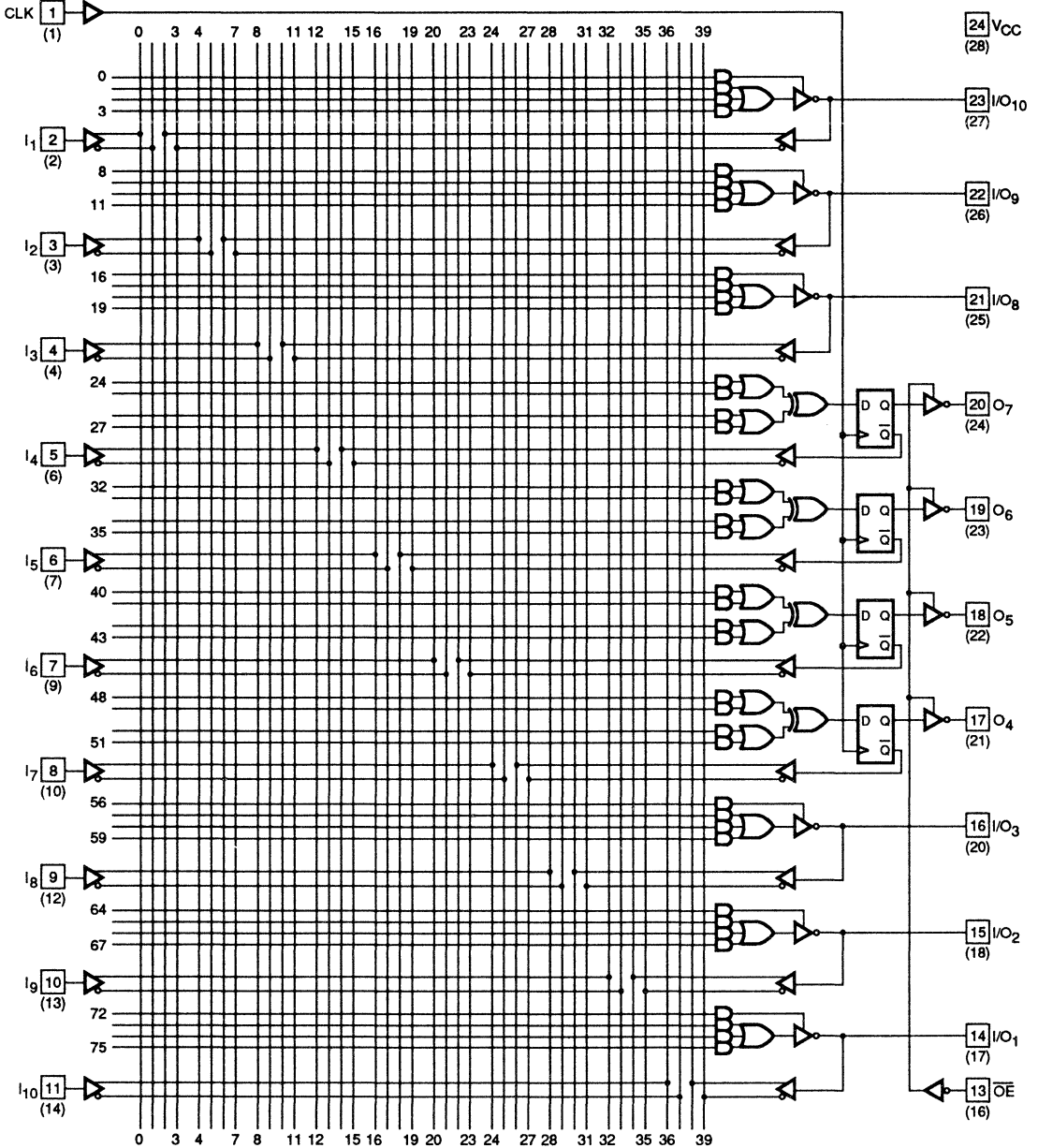
**20X8**



10303-011A

**LOGIC DIAGRAM**  
**SKINNYDIP (PLCC) Pinouts**  
 See Connection Diagrams for LCC Pinout

**20X4**



**2**

10303-012A

## ABSOLUTE MAXIMUM RATINGS

Storage Temperature	-65°C to +150°C
Ambient Temperature with Power Applied	-55°C to +125°C
Supply Voltage with Respect to Ground	-0.5 V to +7.0 V
DC Input Voltage	-1.5 V to $V_{CC} + 0.5$ V
DC Output or I/O Pin Voltage	-0.5 V to $V_{CC} + 0.5$ V

## OPERATING RANGES

### Commercial (C) Devices

Ambient Temperature ( $T_A$ )	
Operating in Free Air	0°C to +75°C
Supply Voltage ( $V_{CC}$ ) with Respect to Ground	+4.75 V to +5.25 V

Operating ranges define those limits between which the functionality of the device is guaranteed.

Stresses above those listed under Absolute Maximum Ratings may cause permanent device failure. Functionality at or above these limits is not implied. Exposure to Absolute Maximum Ratings for extended periods may affect device reliability. Programming conditions may differ.

## DC CHARACTERISTICS over COMMERCIAL operating ranges unless otherwise specified

Parameter Symbol	Parameter Description	Test Conditions	Min.	Max.	Unit
$V_{OH}$	Output HIGH Voltage	$I_{OH} = -3.2$ mA $V_{IN} = V_{IH}$ or $V_{IL}$ $V_{CC} = \text{Min.}$	2.4		V
$V_{OL}$	Output LOW Voltage	$I_{OL} = 24$ mA $V_{IN} = V_{IH}$ or $V_{IL}$ $V_{CC} = \text{Min.}$		0.5	V
$V_{IH}$	Input HIGH Voltage	Guaranteed Input Logical HIGH Voltage for all Inputs (Note 1)	2.0		V
$V_{IL}$	Input LOW Voltage	Guaranteed Input Logical LOW Voltage for all Inputs (Note 1)		0.8	V
$V_I$	Input Clamp Voltage	$I_{IN} = -18$ mA, $V_{CC} = \text{Min.}$		-1.5	V
$I_{IH}$	Input HIGH Current	$V_{IN} = 2.4$ V, $V_{CC} = \text{Max.}$ (Note 2)		25	$\mu$ A
$I_{IL}$	Input LOW Current	$V_{IN} = 0.4$ V, $V_{CC} = \text{Max.}$ (Note 2)		-250	$\mu$ A
$I_I$	Maximum Input Current	$V_{IN} = 5.5$ V, $V_{CC} = \text{Max.}$		100	$\mu$ A
$I_{OZH}$	Off-State Output Leakage Current HIGH	$V_{OUT} = 2.4$ V, $V_{CC} = \text{Max.}$ $V_{IN} = V_{IH}$ or $V_{IL}$ (Note 2)		100	$\mu$ A
$I_{OZL}$	Off-State Output Leakage Current LOW	$V_{OUT} = 0.4$ V, $V_{CC} = \text{Max.}$ $V_{IN} = V_{IH}$ or $V_{IL}$ (Note 2)		-100	$\mu$ A
$I_{SC}$	Output Short-Circuit Current	$V_{OUT} = 0.5$ V, $V_{CC} = \text{Max.}$ (Note 3)	-30	-130	mA
$I_{CC}$	Supply Current	$V_{IN} = 0$ V, Outputs Open ( $I_{OUT} = 0$ mA), $V_{CC} = \text{Max.}$		180	mA
		20X10A, 20X8A, 20X4A			
		20L10A		165	

### Notes:

1. These are absolute values with respect to device ground and all overshoots due to system and/or tester noise are included.
2. I/O pin leakage is the worst case of  $I_{IL}$  and  $I_{OZL}$  (or  $I_{IH}$  and  $I_{OZH}$ ).
3. Not more than one output should be shorted at a time and duration of the short-circuit should not exceed one second.  $V_{OUT} = 0.5$  V has been chosen to avoid test problems caused by tester ground degradation.

## SWITCHING CHARACTERISTICS over COMMERCIAL operating ranges (Note 1)

Parameter Symbol	Parameter Description		Min.	Max.	Unit
t <sub>PD</sub>	Input or Feedback to Combinatorial Output			30	ns
t <sub>s</sub>	Setup Time from Input or Feedback to Clock		30		ns
t <sub>H</sub>	Hold Time		0		ns
t <sub>CO</sub>	Clock to Output or Feedback			15	ns
t <sub>WL</sub>	Clock Width	LOW	25		ns
t <sub>WH</sub>		HIGH	15		ns
f <sub>MAX</sub>	Maximum Frequency (Note 2)	External Feedback	1/(t <sub>s</sub> + t <sub>CO</sub> )		MHz
		No Feedback	1/(t <sub>WH</sub> + t <sub>WL</sub> )		MHz
t <sub>PZ<sub>X</sub></sub>	OE to Output Enable			20	ns
t <sub>PX<sub>Z</sub></sub>	OE to Output Disable			20	ns
t <sub>EA</sub>	Input to Output Enable Using Product Term Control		20L10A, 20X8A,	30	ns
t <sub>ER</sub>	Input to Output Disable Using Product Term Control		20X4A	30	ns

### Notes:

1. See Switching Test Circuit for test conditions.
2. These parameters are not 100% tested, but are calculated at initial characterization and at any time the design is modified where frequency may be affected.

2

## ABSOLUTE MAXIMUM RATINGS

Storage Temperature	-65°C to +150°C
Ambient Temperature with Power Applied	-55°C to +125°C
Supply Voltage with Respect to Ground	-0.5 V to +7.0 V
DC Input Voltage	-1.5 V to 5.5 V
DC Output or I/O Pin Voltage	-0.5 V to 5.5 V

Stresses above those listed under Absolute Maximum Ratings may cause permanent device failure. Functionality at or above these limits is not implied. Exposure to Absolute Maximum Ratings for extended periods may affect device reliability. Programming conditions may differ. Absolute Maximum Ratings are for system design reference; parameters given are not tested.

## OPERATING RANGES

### Military (M) Devices (Note 1)

Ambient Temperature (T <sub>A</sub> )	
Operating in Free Air	-55°C Min.
Operating Case (T <sub>C</sub> ) Temperature	125°C Max.
Supply Voltage (V <sub>CC</sub> ) with Respect to Ground	+4.50 V to +5.50 V

Operating ranges define those limits between which the functionality of the device is guaranteed.

### Note:

1. Military products are tested at T<sub>C</sub> = +25°C, +125°C, and -55°C per MIL-STD-883.

## DC CHARACTERISTICS over MILITARY operating ranges unless otherwise specified (Note 2)

Parameter Symbol	Parameter Description	Test Conditions	Min.	Max.	Unit
V <sub>OH</sub>	Output HIGH Voltage	I <sub>OH</sub> = -2 mA V <sub>IN</sub> = V <sub>IH</sub> or V <sub>IL</sub> V <sub>CC</sub> = Min.	2.4		V
V <sub>OL</sub>	Output LOW Voltage	I <sub>OL</sub> = 12 mA V <sub>IN</sub> = V <sub>IH</sub> or V <sub>IL</sub> V <sub>CC</sub> = Min.		0.5	V
V <sub>IH</sub>	Input HIGH Voltage	Guaranteed Input Logical HIGH Voltage for all Inputs (Note 3)	2.0		V
V <sub>IL</sub>	Input LOW Voltage	Guaranteed Input Logical LOW Voltage for all Inputs (Note 3)		0.8	V
V <sub>I</sub>	Input Clamp Voltage	I <sub>IN</sub> = -18 mA, V <sub>CC</sub> = Min.		-1.5	V
I <sub>IH</sub>	Input HIGH Current	V <sub>IN</sub> = 2.4 V, V <sub>CC</sub> = Max. (Note 4)		25	μA
I <sub>IL</sub>	Input LOW Current	V <sub>IN</sub> = 0.4 V, V <sub>CC</sub> = Max. (Note 4)		-250	μA
I <sub>I</sub>	Maximum Input Current	V <sub>IN</sub> = 5.5 V, V <sub>CC</sub> = Max.		1	mA
I <sub>OZH</sub>	Off-State Output Leakage Current HIGH	V <sub>OUT</sub> = 2.4 V, V <sub>CC</sub> = Max. V <sub>IN</sub> = V <sub>IH</sub> or V <sub>IL</sub> (Note 4)		100	μA
I <sub>OZL</sub>	Off-State Output Leakage Current LOW	V <sub>OUT</sub> = 0.4 V, V <sub>CC</sub> = Max. V <sub>IN</sub> = V <sub>IH</sub> or V <sub>IL</sub> (Note 4)		-100	μA
I <sub>SC</sub>	Output Short-Circuit Current	V <sub>OUT</sub> = 0.5 V, V <sub>CC</sub> = Max. (Note 5)	-30	-130	mA
I <sub>CC</sub>	Supply Current	V <sub>IN</sub> = 0 V, Outputs Open (I <sub>OUT</sub> = 0 mA), V <sub>CC</sub> = Max.		180	mA
		20X10A, 20X8A, 20X4A		165	
		20L10A		165	

### Notes:

2. For APL Products, Group A, Subgroups 1, 2, and 3 are tested per MIL-STD-883, Method 5005, unless otherwise noted.
3. V<sub>IL</sub> and V<sub>IH</sub> are input conditions of output tests and are not themselves directly tested. V<sub>IL</sub> and V<sub>IH</sub> are absolute voltages with respect to device ground and include all overshoots due to system and/or tester noise. Do not attempt to test these values without suitable equipment.
4. I/O pin leakage is the worst case of I<sub>IL</sub> and I<sub>OZL</sub> (or I<sub>IH</sub> and I<sub>OZH</sub>).
5. Not more than one output should be shorted at a time. Duration of the short-circuit should not exceed one second. V<sub>OUT</sub> = 0.5 V has been chosen to avoid test problems caused by tester ground degradation.

**SWITCHING CHARACTERISTICS over MILITARY operating ranges (Note 1)**

Parameter Symbol	Parameter Description		Min.	Max.	Unit
t <sub>PD</sub>	Input or Feedback to Combinatorial Output			35	ns
t <sub>s</sub>	Setup Time from Input or Feedback to Clock		40		ns
t <sub>H</sub>	Hold Time		0		ns
t <sub>CO</sub>	Clock to Output or Feedback			25	ns
t <sub>WL</sub>	Clock Width	LOW	35		ns
t <sub>WH</sub>		HIGH	20		ns
f <sub>MAX</sub>	Maximum Frequency (Note 2)	External Feedback	1/(t <sub>s</sub> + t <sub>CO</sub> )	15.4	MHz
		No Feedback	1/(t <sub>WH</sub> + t <sub>WL</sub> )	18.2	MHz
t <sub>PZX</sub>	OE to Output Enable (Note 3)			25	ns
t <sub>PXZ</sub>	OE to Output Disable (Note 3)			25	ns
t <sub>EA</sub>	Input to Output Enable Using Product Term Control (Note 3)			35	ns
t <sub>ER</sub>	Input to Output Disable Using Product Term Control (Note 3)			35	ns

**2**
**Notes:**

1. See Switching Test Circuit for test conditions. For APL products Group A, Subgroups 9, 10, and 11 are tested per MIL-STD-883, Method 5005, unless otherwise noted.
2. These parameters are not 100% tested, but are calculated at initial characterization and at any time the design is modified where frequency may be affected.
3. These parameters are not 100% tested, but are evaluated at initial characterization and at any time the design is modified where these parameters may be affected.

**ABSOLUTE MAXIMUM RATINGS**

Storage Temperature	-65°C to +150°C
Ambient Temperature with Power Applied	-55°C to +125°C
Supply Voltage with Respect to Ground	-0.5 V to +7.0 V
DC Input Voltage	-0.5 V to +5.5 V
DC Output or I/O Pin Voltage	-0.5 V to V <sub>CC</sub> Max.
DC Input Current	-30 mA to +5 mA

**OPERATING RANGES****Commercial (C) Devices**

Ambient Temperature (T <sub>A</sub> )	0°C to +75°C
Operating in Free Air	
Supply Voltage (V <sub>CC</sub> ) with Respect to Ground	+4.75 V to +5.25 V

Operating ranges define those limits between which the functionality of the device is guaranteed.

Stresses above those listed under Absolute Maximum Ratings may cause permanent device failure. Functionality at or above these limits is not implied. Exposure to Absolute Maximum Ratings for extended periods may affect device reliability. Programming conditions may differ.

**DC CHARACTERISTICS over COMMERCIAL operating ranges unless otherwise specified**

Parameter Symbol	Parameter Description	Test Conditions	Min.	Max.	Unit
V <sub>OH</sub>	Output HIGH Voltage	I <sub>OH</sub> = -3.2 mA V <sub>IN</sub> = V <sub>IH</sub> or V <sub>IL</sub> V <sub>CC</sub> = Min.	2.4		V
V <sub>OL</sub>	Output LOW Voltage	I <sub>OL</sub> = 24 mA V <sub>IN</sub> = V <sub>IH</sub> or V <sub>IL</sub> V <sub>CC</sub> = Min.		0.5	V
V <sub>IH</sub>	Input HIGH Voltage	Guaranteed Input Logical HIGH Voltage for all Inputs (Note 1)	2.0	5.5	V
V <sub>IL</sub>	Input LOW Voltage	Guaranteed Input Logical LOW Voltage for all Inputs (Note 1)		0.8	V
V <sub>I</sub>	Input Clamp Voltage	I <sub>IN</sub> = -18 mA, V <sub>CC</sub> = Min.		-1.2	V
I <sub>IH</sub>	Input HIGH Current	V <sub>IN</sub> = 2.7 V, V <sub>CC</sub> = Max. (Note 2)		25	μA
I <sub>IL</sub>	Input LOW Current	V <sub>IN</sub> = 0.4 V, V <sub>CC</sub> = Max. (Note 2)		-100	μA
I <sub>I</sub>	Maximum Input Current	V <sub>IN</sub> = 5.5 V, V <sub>CC</sub> = Max.		1	mA
I <sub>ozH</sub>	Off-State Output Leakage Current HIGH	V <sub>OUT</sub> = 2.7 V, V <sub>CC</sub> = Max. V <sub>IN</sub> = V <sub>IH</sub> or V <sub>IL</sub> (Note 2)		100	μA
I <sub>ozL</sub>	Off-State Output Leakage Current LOW	V <sub>OUT</sub> = 0.4 V, V <sub>CC</sub> = Max. V <sub>IN</sub> = V <sub>IH</sub> or V <sub>IL</sub> (Note 2)		-100	μA
I <sub>sc</sub>	Output Short-Circuit Current	V <sub>OUT</sub> = 0.5 V, V <sub>CC</sub> = Max. (Note 3)	-30	-90	mA
I <sub>CC</sub>	Supply Current	V <sub>IN</sub> = 0 V, Outputs Open (I <sub>OUT</sub> = 0 mA) V <sub>CC</sub> = Max.			mA
		20L10B		210	
		20L10-20		165	
		20L10AL		105	

**Notes:**

- These are absolute values with respect to device ground and all overshoots due to system and/or tester noise are included.
- I/O pin leakage is the worst case of I<sub>IL</sub> and I<sub>ozL</sub> (or I<sub>IH</sub> and I<sub>ozH</sub>).
- Not more than one output should be shorted at a time. Duration of the short-circuit should not exceed one second. V<sub>OUT</sub> = 0.5 V has been chosen to avoid test problems caused by tester ground degradation.

## CAPACITANCE (Note 1)

Parameter Symbol	Parameter Description	Test Conditions		Typ.	Unit	
C <sub>IN</sub>	Input Capacitance	Pins 1, 13	V <sub>IN</sub> = 2.0 V	V <sub>CC</sub> = 5.0 V T <sub>A</sub> = +25°C	11	pF
	Others	6				
C <sub>OUT</sub>	Output Capacitance		V <sub>OUT</sub> = 2.0 V	f = 1 MHz	9	

### Note:

1. These parameters are not 100% tested, but are evaluated at initial characterization and at any time the design is modified where capacitance may be affected.

## SWITCHING CHARACTERISTICS over COMMERCIAL operating ranges (Note 2)

Parameter Symbol	Parameter Description	20L10B		20L10-20		20L10AL		Unit
		Min.	Max.	Min.	Max.	Min.	Max.	
t <sub>PD</sub>	Input or Feedback to Combinatorial Output		15		20		25	ns
t <sub>EA</sub>	Input to Output Enable Using Product Term Control		18		20		25	ns
t <sub>ER</sub>	Input to Output Disable Using Product Term Control		15		20		25	ns

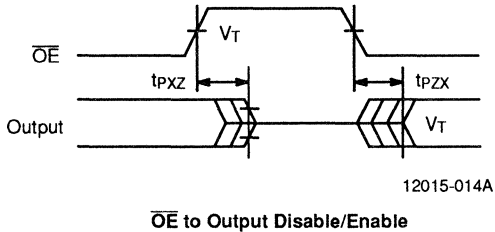
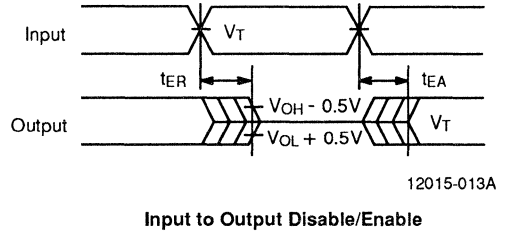
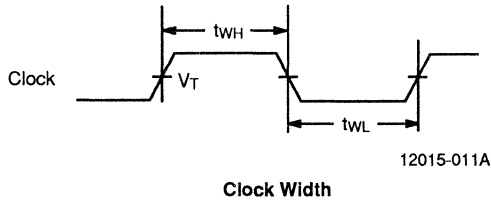
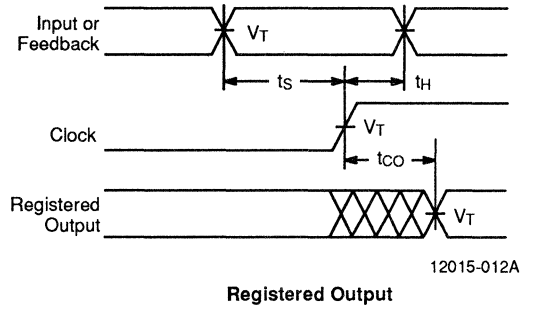
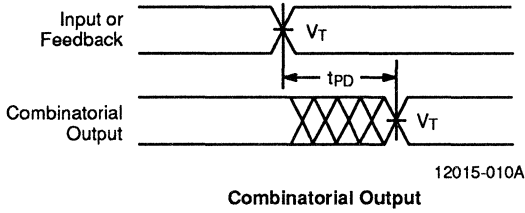
### Notes:

2. See Switching Test Circuit for test conditions.

**2**



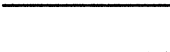



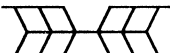
## SWITCHING WAVEFORMS



### Notes:

1.  $V_T = 1.5$  V
2. Input pulse amplitude 0 V to 3.0 V.
3. Input rise and fall times 2–5 ns typical.

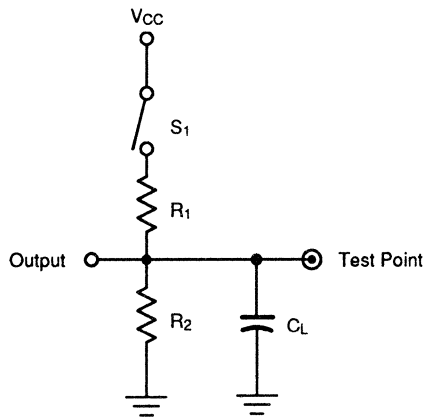
## KEY TO SWITCHING WAVEFORMS

WAVEFORM	INPUTS	OUTPUTS
	Must be Steady	Will be Steady
	May Change from H to L	Will be Changing from H to L
	May Change from L to H	Will be Changing from L to H
	Don't Care; Any Change Permitted	Changing, State Unknown
	Does Not Apply	Center Line is High-Impedance "Off" State

KS000010-PAL

2

## SWITCHING TEST CIRCUIT

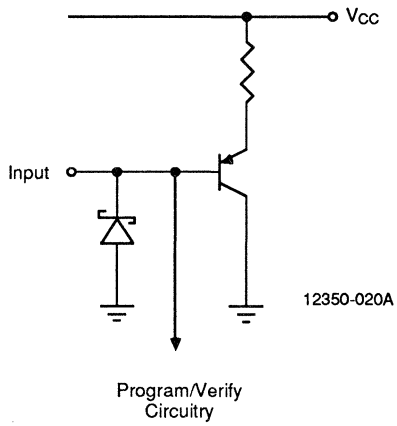


10303-013A

Specification	S <sub>1</sub>	C <sub>L</sub>	Commercial		Military		Measured Output Value
			R <sub>1</sub>	R <sub>2</sub>	R <sub>1</sub>	R <sub>2</sub>	
t <sub>PD</sub> , t <sub>CO</sub>	Closed	50 pF	200 Ω	390 Ω	390 Ω	750 Ω	1.5 V
t <sub>PZX</sub> , t <sub>EA</sub>	Z → H: Open Z → L: Closed						1.5 V
t <sub>PXZ</sub> , t <sub>ER</sub>	H → Z: Open L → Z: Closed	5 pF					H → Z: V <sub>OH</sub> - 0.5 V L → Z: V <sub>OL</sub> + 0.5 V

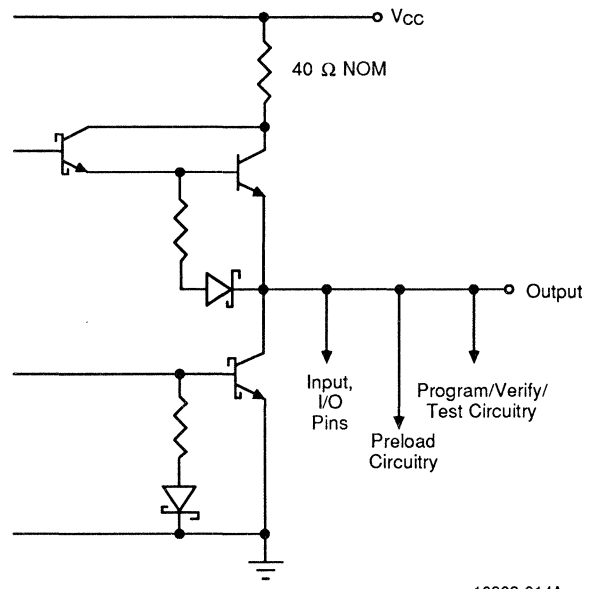
# INPUT/OUTPUT EQUIVALENT SCHEMATICS

Typical Input



12350-020A

Typical Output



10303-014A

## OUTPUT REGISTER PRELOAD

The preload function allows the register to be loaded from the output pins. This feature aids functional testing of sequential designs by allowing direct setting of output states. The procedure for preloading follows.

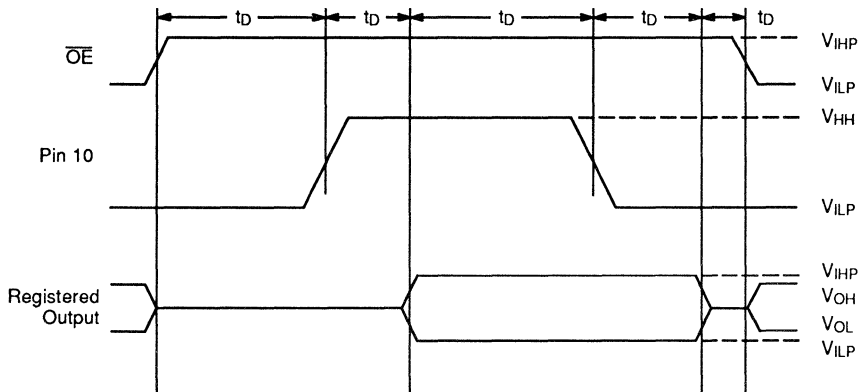
1. Raise  $V_{CC}$  to  $V_{CCH}$ .
2. Set  $\overline{OE}$  to  $V_{IHP}$  to disable output registers.
3. Raise pin 10 to  $V_{HH}$  to enter preload mode.
4. Apply either  $V_{IHP}$  or  $V_{ILP}$  to all registered outputs. Use  $V_{IHP}$  to preload a HIGH in the flip-flop; use  $V_{ILP}$  to

preload a LOW in the flip-flop. Leave combinatorial outputs floating.

5. Lower pin 10 to  $V_{ILP}$ .
6. Remove  $V_{ILP}/V_{IHP}$  from all registered output pins.
7. Lower  $\overline{OE}$  to  $V_{ILP}$  to enable the output registers.
8. Verify  $V_{OL}/V_{OH}$  at all registered output pins. Note that because of the output inverter, a register that has been preloaded HIGH will provide a LOW at the output.

Parameter Symbol	Parameter Description	Min.	Rec.	Max.	Unit
$V_{HH}$	Super-level input voltage	19	20	21	V
$V_{ILP}$	Low-level input voltage	0	0	0.5	V
$V_{IHP}$	High-level input voltage	2.4	5.0	5.5	V
$V_{CCH}$	Power supply during preload		4.5		V
$t_D$	Delay time	100	200	1000	ns

2



10303-015A

Output Register Preload Waveform

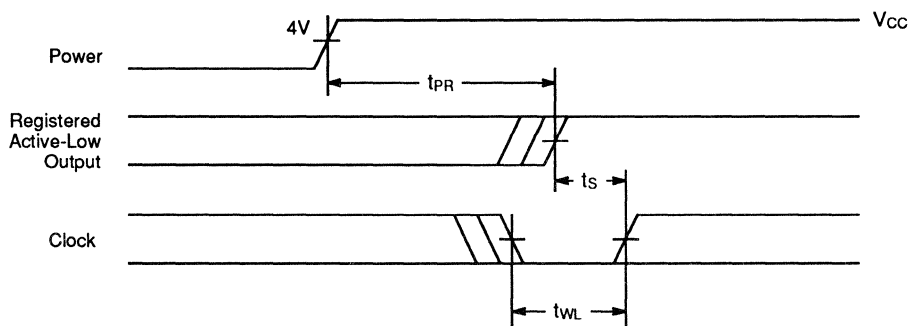
## POWER-UP RESET

The power-up reset feature ensures that all flip-flops will be reset to LOW after the device has been powered up. The output state will be HIGH due to the inverting output buffer. This feature is valuable in simplifying state machine initialization. A timing diagram and parameter table are shown below. Due to the synchronous operation of the power-up reset and the wide range of ways  $V_{CC}$

can rise to its steady state, two conditions are required to ensure a valid power-up reset. These conditions are:

1. The  $V_{CC}$  rise must be monotonic.
2. Following reset, the clock input must not be driven from LOW to HIGH until all applicable input and feedback setup times are met.

Parameter Symbol	Parameter Description	Max.	Unit
$t_{PR}$	Power-up Reset Time	1000	ns
$t_s$	Input or Feedback Setup Time	See Switching Characteristics	
$t_{WL}$	Clock Width LOW		



12350-024A

Power-Up Reset Waveform





# PAL22IP6-25

## Interface Protocol Asynchronous Cell (IPAC) PAL® Device

### DISTINCTIVE CHARACTERISTICS

- PAL device optimized for asynchronous interface protocol applications
- High current driving capability—48 mA/64 mA
- Six unique edge-activated flip-flops
  - Three edge-activated Set-Reset flip-flops (S-R)
  - Three edge-activated Dual-Toggle flip-flops (2-T)
- Two Edge-Activated-Inputs per flip-flop offer powerful system benefits:
  - S-R: input rejects signals once triggered
  - 2-T: simultaneous edge-activated-inputs allowed
- Product term steering feature enhances flexibility
- Individual level-sensitive Preset and Clear for each flip-flop
- Programmable polarity for Edge-Activated Inputs (S, R, T<sub>1</sub> and T<sub>2</sub>)
- Individually programmable Asynchronous Preset/Clear:
  - Both override all Edge-Activated-Inputs to a cell
  - Preset has higher priority than Clear
- Flip-flops can be bypassed individually
- Center V<sub>CC</sub> and Ground pins to reduce ground bounce
- Special security fuse for design secrecy
- Easy design with PALASM® software
- Programmable on standard PAL device programmers
- 24-pin SKINNYDIP® and 28-pin PLCC packages save space

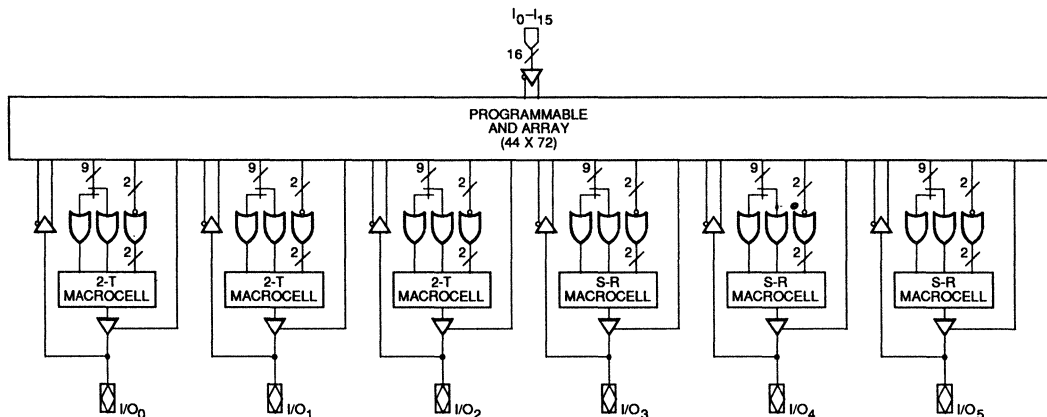
### GENERAL DESCRIPTION

The PAL22IP6 Interface Protocol Asynchronous Cell (IPAC) PAL device contains two basic types of Edge-Activated-Input flip-flops. The first type of flip-flop is a new bistable structure known as the Dual-Toggle flip-flop (2-T). This bistable structure simply reverses output state whenever an active edge occurs on either of the two input lines. The two inputs (T<sub>1</sub> and T<sub>2</sub>) are totally independent of each other. The second type of flip-flop is an edge-activated Set-Reset flip-flop (S-R). With the S-R flip-flop, an active edge on the Set input causes the flip-flop to go HIGH, and an active edge on the Reset input

causes the flip-flop to go LOW. The PAL22IP6 has three sets of the S-R and 2-T macrocells, along with the PAL array for implementing logic functions.

These flip-flops do not have a "data path", which means they have no setup or hold time constraints. In addition, all of the Edge-Activated-Input polarities are programmable, which provides the user a choice of either rising or falling edge for each input.

### BLOCK DIAGRAM



968 01

---

## GENERAL DESCRIPTION (Cont'd.)

All of the flip-flops feature level-sensitive Asynchronous Preset (AP) and Asynchronous Clear (AC) inputs, which can override the Edge-Activated-Inputs. A HIGH logic level on the AP input of the flip-flop will cause the flip-flop to change to a logic 1 state asynchronously. Likewise, a HIGH logic level on the AC input of the flip-flop will cause the flip-flop to change to a logic 0 state asynchronously. The AP signal has priority over the AC signal; if both are HIGH simultaneously, the flip-flop will be preset to a logic 1 state. The AP and AC functions are discussed in more detail later. The IPAC flip-flops feature the capability of receiving both Preset and Clear signals in any order, even simultaneously, with predictable results. The output registers can be bypassed individually to provide more design flexibility. The output registers also include I/O feedback to enhance state machine designs.

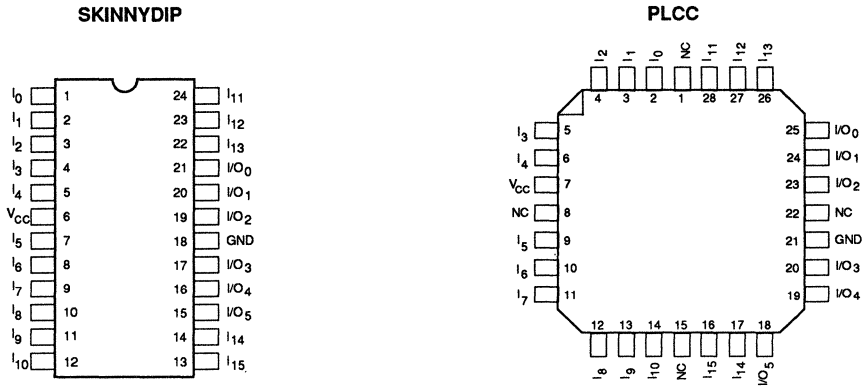
The IPAC PAL device is fabricated using Advanced Micro Devices' advanced MONOX III process, which is a fully ion-implanted oxide-isolated stepper-aligned process. It provides high reliability, and high programming and functional yields. Special on-chip test circuits allow full AC, DC, and functional testing before programming.

The PAL22IP6 can be programmed on standard PAL device programmers with appropriate programming modules and software configurations. Design development is supported by Advanced Micro Devices' PALASM<sup>®</sup> software as well as by other programmable logic design tools available from third-party vendors.



## CONNECTION DIAGRAMS

### Top View



968 03

968 03A

### PIN DESIGNATIONS

- I = Input
- I/O = Input/Output
- V<sub>CC</sub> = Supply Voltage
- GND = Ground
- NC = No Connect

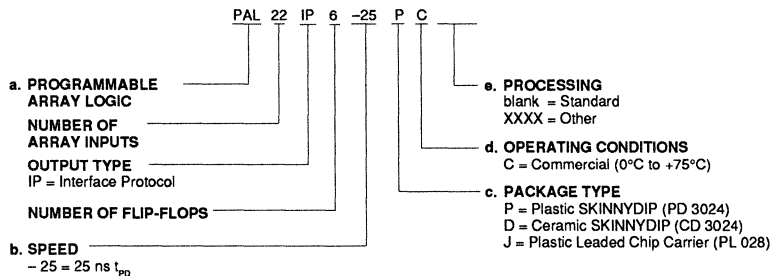
## ORDERING INFORMATION

### Standard Products

AMD/MMI standard products are available in several packages.

The order number (Valid Combination) is formed by a combination of:

- a. Device Number
- b. Speed/Power Option
- c. Package Type
- d. Operating Conditions
- e. Optional Processing



#### Valid Combinations

Valid Combinations	
PAL22IP6-25	PC, DC, JC

The Valid Combinations table lists configurations planned to be supported in volume for this device. Consult the local AMD sales office to confirm availability of specific valid combinations, to check on newly released combinations, and to obtain additional data on AMD's standard military grade products.  
Note: marked with AMD logo.

## FUNCTIONAL DESCRIPTION

The PAL22IP6 has sixteen dedicated input lines and six programmable output macrocells with I/O pin feedback. Each macrocell has two Edge-Activated-Inputs and Asynchronous Preset and Clear inputs. The programming matrix implements a programmable AND logic array, which drives a fixed OR logic array.

The programmable functions in the PAL22IP6 are automatically configured from the user's design specification. The design specification is processed by development software to verify the design and create a programming file. The file, once downloaded to a programmer, configures the device according to the desired function.

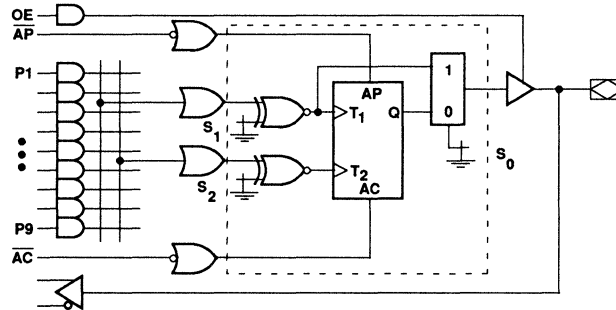
### Powerful 2-T and S-R Flip-Flops

The PAL22IP6 has three positive edge-activated 2-T flip-flops and three positive edge-activated S-R flip-flops. Each flip-flop

has two Edge-Activated-Inputs with programmable polarity. These inputs are driven by an OR gate with up to nine product term inputs with product term steering. Each product term can have up to 22 inputs. The descriptions, macrocells, and function tables for both 2-T and S-R flip-flops are shown below.

### 2-T Flip-Flop Description

The 2-T flip-flop output will be toggled whenever a rising edge is applied to either of the two Edge-Activated-Inputs. Two rising edges between two inputs of the 2-T flip-flop can be totally asynchronous. Simultaneous rising-edge inputs will not cause metastability, and the flip-flop output will remain the same.



968 02

Figure 1a. IPAC 2-T Macrocell

Input to Flip-flop				Output	Function
T <sub>1</sub>	T <sub>2</sub>	AP	AC	Q <sub>n+1</sub>	
↑	↑	0	0	Q <sub>n</sub>	Hold
↑	↑	0	0	$\overline{Q}_n$	Toggle on T <sub>1</sub>
↑	↑	0	0	$\overline{Q}_n$	Toggle on T <sub>2</sub>
↑	↑	0	0	Q <sub>n</sub>	Dual Toggle; No Change*
X	X	1	X	1	Force Priority 1
X	X	0	1	0	Force Priority 0

#### Nomenclature

↑ = rising-edge transition

X = don't care

0 = logic zero

1 = logic one

↑ = states other than a rising-edge transition (either 0, 1, or falling-edge transition)

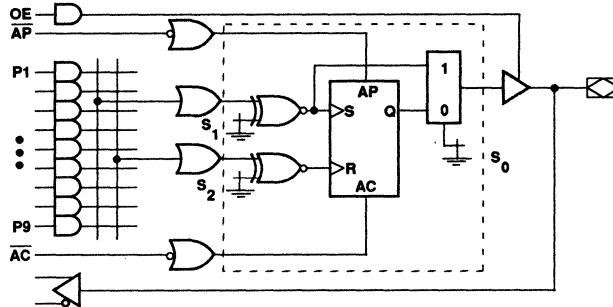
\* Simultaneous edge triggering of T<sub>1</sub>/T<sub>2</sub> is ALLOWED, and will result in the output not changing, or will produce a narrow pulse, depending on the timing lapse of the edges

Table 1a. Edge-Activated 2-T Function Table

## S-R Flip-Flop Description

The S-R flip-flop will go HIGH after the first Set rising edge and will disregard the subsequent Set edges until a Reset signal is received. It will go LOW after the first Reset rising edge and will then disregard the subsequent Reset edges until the Set signal is received. The time lapse between the Set and Reset

active triggering edges on the device input should be greater than  $t_{S-R, \max}$  in order to trigger on both inputs. If it is less than  $t_{S-R, \min}$  the second Edge-Activated-Input will not trigger the flip-flop. If it is between the  $t_{S-R, \max}$  and  $t_{S-R, \min}$ , the output will be unpredictable.



968 04

Figure 1b. IPAC S-R Macrocell

Input to Flip-Flop				Output	Function
S	R	AP	AC	$Q_{n+1}$	
↑	↑	0	0	$Q_n$	Hold
↑	↑	0	0	0	Reset to 0 on edge
↑	↑	0	0	1	Set to 1 on edge
X	X	1	X	1	Force Priority 1
X	X	0	1	0	Force Priority 0

### Nomenclature

↑ = rising-edge transition  
 X = don't care  
 0 = logic zero  
 1 = logic one  
 † = states other than a rising-edge transition  
 (either 0, 1, or falling-edge transition)

Note: Set and Reset edge-activated inputs must be separated by  $t_{S-R, \max}$  for output to change (refer to Special IPAC Timing Parameters).

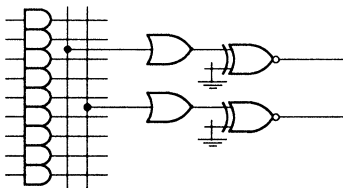
Table 1b. Edge-Triggered S-R Function Table

## Programmable Edge-Activated-Input Polarity

The Edge-Activated-Inputs of each macrocell are asynchronous with respect to each other, and the polarity of each triggering edge is independently programmable depending on the fuse on the input of the Exclusive-NOR gate. Since these inputs to each macrocell come from the programmable array, the flip-flops can be triggered independently.

## Product Term Steering

Product term steering allows each pair of Edge-Activated-Inputs to allocate terms to one input or the other (not both). Each macrocell has a total of nine data product terms; thus, one Edge-Activated-Input can use zero to nine while the other has nine to zero (e.g., three and six). Product terms can not be shared between flip-flop inputs. If both Edge-Activated-Inputs need the same term, it must be created twice, once for each input.



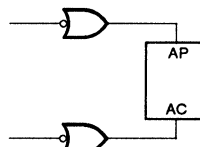
968 08

Figure 2. IPAC PAL Device Product Term Steering

## Programmable Level-Sensitive Asynchronous Preset and Clear

Each macrocell flip-flop has separate sum terms for Asynchronous Preset (AP) and Asynchronous Clear (AC). The Preset and Clear signals for all flip-flops are asynchronous and independently programmable. Both inputs are level-sensitive and override the Edge-Activated-Inputs. Preset forces the output to go HIGH, while Clear forces the output to go LOW. When both signals are asserted simultaneously, Preset will override Clear. The IPAC flip-flops provide the capability to operate both Preset and Clear in any sequence, including simultaneously with predictable results.

Note that for the IPAC PAL device, Asynchronous Preset and Asynchronous Clear are sum terms rather than product terms. Both Preset and Clear are controlled by independent OR gates with inverted inputs (Figure 3a). Since both the true and complement of every array input are available, the Preset and Clear equations can be written as a simple sum of device inputs and feedback. This allows more than one condition to force Preset and Clear, adding greater flexibility for the designer. Through DeMorganization, NAND gate control is also possible, as shown in Figure 3b.



968 09

Figure 3. IPAC PAL Device Asynchronous Preset and Clear

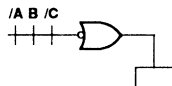
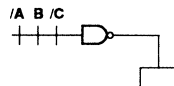


Figure 3a.  
IO.SETF = A+/B+/C  
OR Function



968 09 A & B

Figure 3b.  
IO.SETF = /(A\*B+/C)  
DeMorganized Equivalent

## Registered or Combinatorial Outputs

Each output of the PAL22IP6 includes an edge-activated flip-flop for data storage and synchronization. Any output can be configured to be combinatorial by selecting the multiplexer path that bypasses the output flip-flop. Bypass is automatically selected if requested in the design specification. The unprogrammed configuration is a registered I/O.

2

## Output Enable and High Current Bus Driver

The flip-flop outputs can be enabled to present logic HIGH or logic LOW states, or can be disabled to provide a high-impedance state. Each output enable is independently programmable by a dedicated product term. I/O pins I/O<sub>0</sub>, I/O<sub>1</sub>, I/O<sub>4</sub> and I/O<sub>5</sub> can drive up to 48 mA; I/O pins I/O<sub>2</sub> and I/O<sub>3</sub> can drive up to 64 mA. The high current output driving capability of the IPAC PAL device is designed to improve the performance and density of three-state memory address/data drivers, clock drivers and bus-oriented drivers for most buses in the market.

## Security Fuse

After programming and verification, a PAL22IP6 can be secured by programming the security fuse. Once programmed, this fuse defeats readback of the internal programmed pattern by a device programmer, securing proprietary designs from competitors.

## Quality and Testability

The PAL22IP6 offers a very high level of built-in quality. Extra programmable fuses provide a means of verifying performance of all AC and DC parameters. In addition, this verifies complete programmability and functionality of the device to provide the highest programming yields.

## IPAC DESIGN RESTRICTION

### Overview

The high-speed IPAC PAL device has one design restriction. On the S-R flip-flop, direct active-HIGH feedback from the output to the non-inverting R input will violate the timing requirements and the output will be unpredictable. The solution is to DeMorganize the R-input equation.

### Timing Requirement

For the S-R flip-flop, active edges on S and R must be separated by at least  $t_{S-R, \max}$  to guarantee that the flip-flop will respond. If *direct feedback* is used (Q is part of the S or R-input equation) then one input may follow the other by  $t_{EIO}$ , the delay from input to registered feedback. Therefore,  $t_{EIO}$  must be greater than  $t_{S-R, \max}$  (Figure 7). We will refer to this as the *feedback criterion*. For the high-speed IPAC PAL device, we can guarantee this in all but one case.

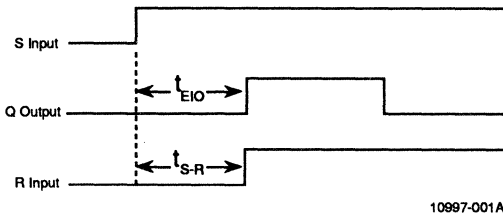
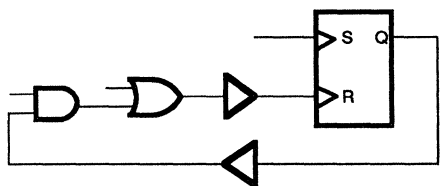


Figure 7. If  $Q = R$ ,  $t_{EIO}$  must be greater than  $t_{S-R}$

### Design Restriction

This one case not allowed is direct active-HIGH feedback from Q to the non-inverting rising-edge triggered R input (Figure 8). This also includes feedback from a different flip-flop if both S inputs contain a common source input (Figure 9). We will refer to this as *direct feedback equivalent*. All other configurations are allowed.



$Q.R := Q$  ; not allowed

Figure 8. Direct active-HIGH feedback to R; not allowed

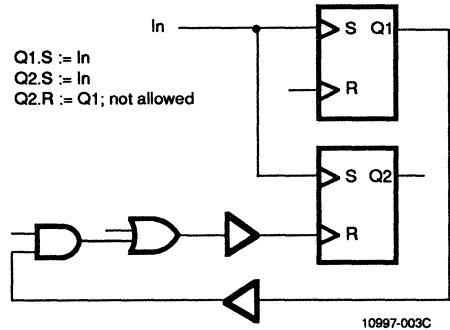
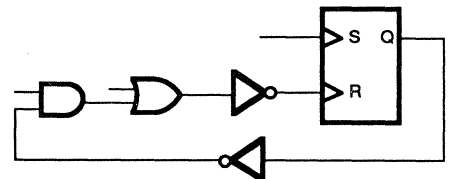


Figure 9. Equivalent to direct feedback; not allowed

### Solution

The solution is to DeMorganize the equation so that two inversions are added to the feedback path, slowing it down. This translates to using  $/Q$  instead of  $Q$  in the R equation, and defining the R input as being falling-edge triggered (Figure 10). DeMorganization will affect the number of product terms required, but the nine available terms will generally be sufficient.



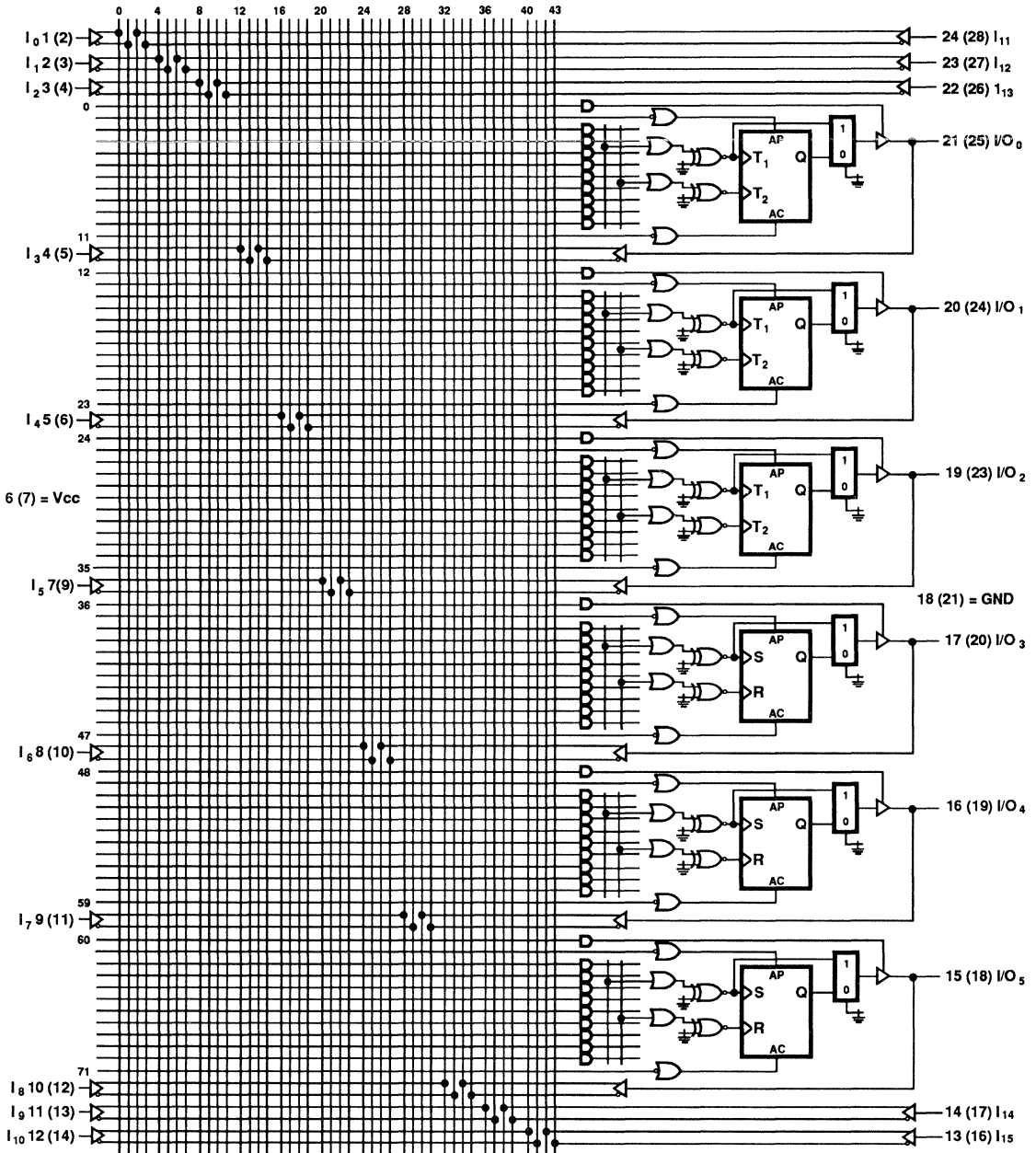
$/Q.R := /Q$  ; allowed

Figure 10. DeMorganized equivalent of Figure 8; allowed

# PAL22IP6-25

## Logic Diagram

## DIP (PLCC) Pinouts



**2**

## ABSOLUTE MAXIMUM RATINGS

Storage Temperature .....-65°C to +150°C  
 Supply Voltage to Ground Potential  
 (Pin 24 to Pin 12) Continuous .....-0.5 V to +7.0 V  
 DC Voltage Applied to Outputs  
 (Except During Programming) .....-0.5 V to +V<sub>CC</sub> Max.  
 DC Input Voltage .....-0.5 V to + 5.5 V  
 DC Input Current .....-30mA to +5 mA

*Stresses above those listed under ABSOLUTE MAXIMUM RATINGS may cause permanent device failure. Functionality at or above these limits is not implied. Exposure to absolute maximum ratings for extended periods may affect device reliability.*

## OPERATING RANGES

Commercial (C) Devices  
 Temperature (T<sub>A</sub>) Operating Free Air .....0°C to +75°C  
 Supply Voltage (V<sub>CC</sub>) ..... +4.75 V to +5.25 V

*Operating ranges define those limits between which the functionality of the device is guaranteed.*

### DC CHARACTERISTICS over COMMERCIAL operating range.

Parameter Symbol	Parameter Description	Test Conditions		Min.	Max.	Unit
V <sub>OH</sub>	Output HIGH Voltage	V <sub>CC</sub> = Min V <sub>IN</sub> = V <sub>IH</sub> or V <sub>IL</sub>	I <sub>OH</sub> = -3.2 mA	2.4		V
V <sub>OL</sub>	Output LOW Voltage	V <sub>CC</sub> = Min V <sub>IN</sub> = V <sub>IH</sub> or V <sub>IL</sub>	I <sub>OL</sub> = 24 mA		0.5	V
			I <sub>OL</sub> = 48 mA (I/O <sub>0</sub> , I/O <sub>1</sub> , I/O <sub>4</sub> , I/O <sub>5</sub> )			
			I <sub>OL</sub> = 64 mA (I/O <sub>2</sub> , I/O <sub>3</sub> )		0.6	
V <sub>IH</sub>	Input HIGH Level (Note 1)	Guaranteed Input Logical HIGH Voltage for all Inputs		2.0		V
V <sub>IL</sub>	Input LOW Level (Note 1)	Guaranteed Input Logical LOW Voltage for all Inputs			0.8	V
V <sub>I</sub>	Input Clamp Voltage	V <sub>CC</sub> = Max., I <sub>IN</sub> = -18 mA			-1.2	V
I <sub>IH</sub>	Input HIGH Current (Note 3)	V <sub>CC</sub> = Max., V <sub>IN</sub> = 2.4 V			25	μA
I <sub>IL</sub>	Input LOW Current (Note 3)	V <sub>CC</sub> = Max., V <sub>IN</sub> = 0.4 V			-250	μA
I <sub>I</sub>	Maximum Input Current	V <sub>CC</sub> = Max., V <sub>IN</sub> = 5.5 V			100	μA
I <sub>ozH</sub> I <sub>ozL</sub>	Output Leakage Current (Note 3)	V <sub>CC</sub> = Max., V <sub>IN</sub> = V <sub>IH</sub> or V <sub>IL</sub>	V <sub>O</sub> = 2.7 V		100	μA
			V <sub>O</sub> = 0.4 V		-350	
I <sub>sc</sub>	Output Short-Circuit Current	V <sub>CC</sub> = Max., V <sub>OUT</sub> = 0.5 V (Note 2)		-50	-225	mA
I <sub>CC</sub>	Power Supply Current	V <sub>CC</sub> = Max.			210	mA

- Notes: 1. These are absolute values with respect to device ground and all overshoots due to system or tester noise are included.  
 2. Not more than one output should be tested at a time. Duration of the short circuit should not be more than one second. V<sub>OUT</sub> = 0.5 V has been chosen to avoid test problems caused by tester ground degradation.  
 3. I/O pin leakage is the worst case of I<sub>ozH</sub> and I<sub>IH</sub> (or I<sub>ozL</sub> and I<sub>IL</sub>).

## SWITCHING CHARACTERISTICS over COMMERCIAL operating range (Note 1)

Parameter Symbol	Parameter Description	Min.	Max.	Unit
$t_{PD}$	Input or Feedback to Non-Registered Output (Note 2)		25	ns
	Active LOW			
	Active HIGH			
$*t_{EIO}$	Edge-Activated-Input to Output or Feedback (Notes 4, 5)		25	ns
$*t_{S-R}$	Differential Time Between E-A-I Edges of S-R Cell (Notes 4, 5)	6	15	ns
$*t_{2-T}$	Differential Time Between E-A-I Edges of 2-T Cell (Note 4)	10		ns
$*t_{PW}$	Edge-Activated-Input Pulse Width (Note 4)	17		ns
$t_{AP}$	Asynchronous Preset to Registered Output		30	ns
$t_{APW}$	Asynchronous Preset Pulse Width	17		ns
$t_{APR}$	Asynchronous Preset Recovery Time	10		ns
$t_{AC}$	Asynchronous Clear to Registered Output		30	
$t_{ACW}$	Asynchronous Clear Pulse Width	17		
$t_{ACR}$	Asynchronous Clear Recovery Time	10		ns
$t_{EA}$	Input to Output Enable (Note 3)		20	ns
$t_{ER}$	Input to Output Disable (Note 3)		20	ns

Notes: 1. Commercial Test Conditions:  $R_1 = 100 \Omega$ ,  $R_2 = 390 \Omega$  (see Switching Test Circuit).

2.  $t_{PD}$  is tested with switch  $S_1$  closed and  $C_L = 50$  pF (including jig capacitance).  $V_{IH} = 3$  V,  $V_{IL} = 0$  V,  $V_{OH} = V_{OL} = 1.5$  V.

3. For three-state outputs, output enable times are tested with  $C_L = 50$  pF to the 1.5 V;  $S_1$  is open for high impedance to HIGH tests and closed for high impedance to LOW tests. Output disable times are tested with  $C_L = 5$  pF. HIGH to high-impedance tests are made to an output voltage of  $V_{OH} - 0.5$  V with  $S_1$  open; LOW to high-impedance tests are made to the  $V_{OL} + 0.5$  V level with  $S_1$  closed.

4. The definition of these parameters is in the Special IPAC Timing Parameters section.

5. On the S-R flip-flop, direct active-HIGH feedback from the output to the non-inverting R input is not allowed.

## \*SPECIAL IPAC TIMING PARAMETERS

### $t_{EIO}$ Edge-Activated-Input to Output Time

The Edge-Activated-Input to Output parameter is defined as the minimum time it takes to obtain a valid data level on the flip-flop output after an Edge-Activated-Input is applied.

### $t_{S-R}$ Differential Time between Edge-Activated-Input Edges of S-R Cell

This unique timing parameter,  $t_{S-R}$ , is defined as the minimum allowed time between active edges of the two inputs of the S-R flip-flop. If the time between adjacent active edges of these two inputs is greater than or equal to the maximum  $t_{S-R}$ , the second Edge-Activated-Input will trigger the flip-flop. If the time between active edges is less than or equal to the minimum  $t_{S-R}$ , the second Edge-Activated-Input will not trigger the flip-flop. However, if the time between active edges lies between the minimum and maximum  $t_{S-R}$ , the output will be unpredictable.

### $t_{2-T}$ Differential Time between Edge-Activated-Input Edges of 2-T Cell

The minimum allowed time between active edges of the two inputs of the 2-T flip flop. If the time between active edges of the two inputs is greater than the minimum  $t_{2-T}$ , the output pulse will be measurable. If the time between active edges of the two inputs is smaller than the minimum  $t_{2-T}$ , the output pulse will be just a glitch. Since simultaneous inputs will not cause metastability, the purpose of this parameter is to determine the differential time for inputs in order to get a measurable output pulse width.

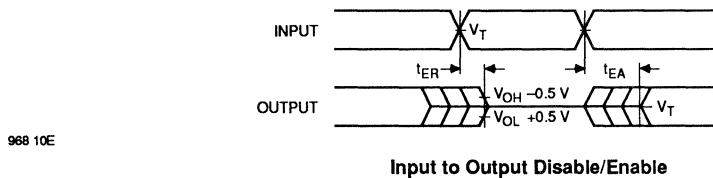
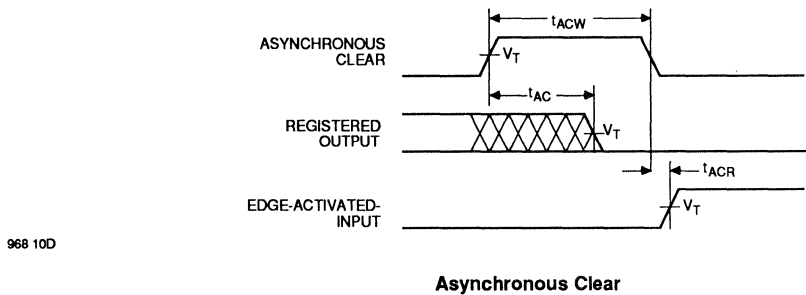
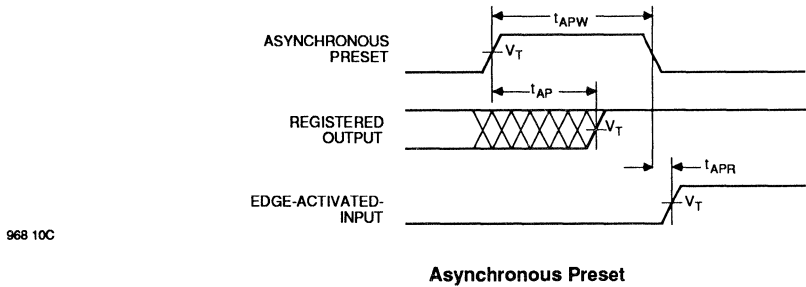
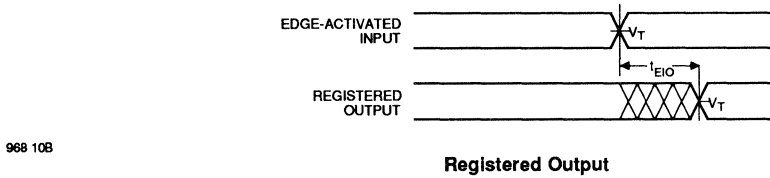
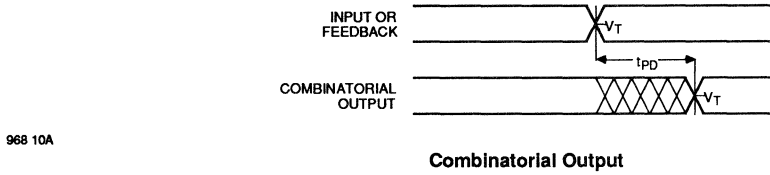
### $t_{PW}$ Edge-Activated-Input Pulse Width

The minimum Edge-Activated-Input pulse width required to activate the 2-T or S-R cell.

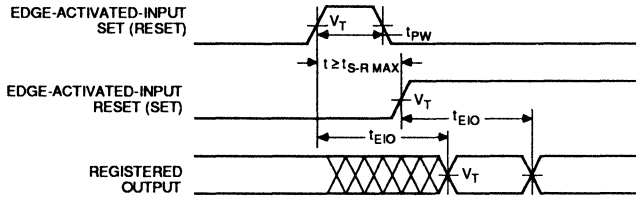
2



## SWITCHING WAVEFORMS

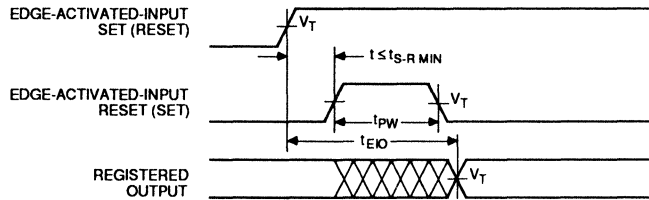


## SWITCHING WAVEFORMS (Cont'd)



1647C 11

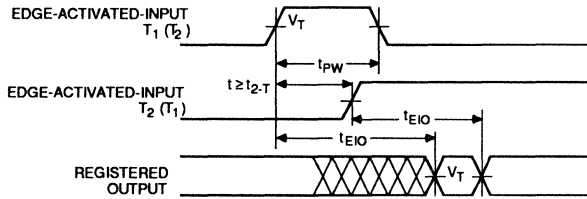
Differential Inputs for S-R Cell (Case 1)



968 12

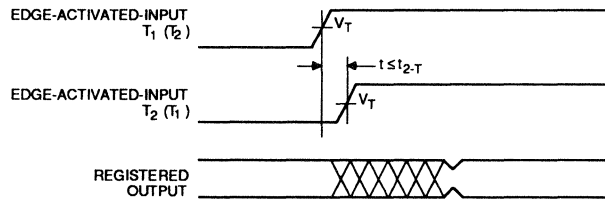
2

Differential Inputs for S-R Cell (Case 2)



1647C 13

2-T Cell Timing (Case 1)



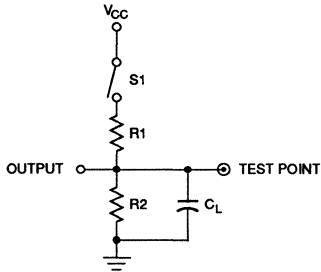
1647C 14

2-T Cell Timing (Case 2)

Notes:

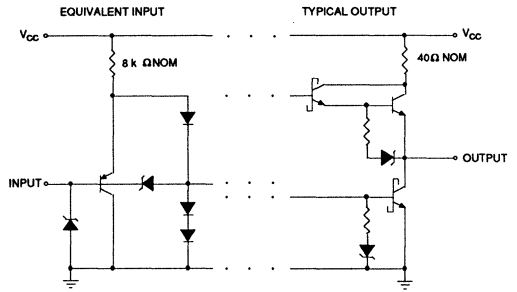
1.  $V_T = 1.5$  V.
2. Input pulse amplitude 0 V to 3.0 V.
3. Input rise and fall times 2–5 ns typical.

## SWITCHING TEST CIRCUIT



968 15

## INPUT/OUTPUT DIAGRAM



1647C 16

Specification	Switch S1	$C_L$	$R_1$	$R_2$	Measured Output Value
$t_{PD}, t_{EIO}$	Closed	50 pF	100 $\Omega$	390 $\Omega$	1.5 V
$t_{EA}$	Z→H: open Z→L: closed	50 pF	100 $\Omega$	390 $\Omega$	1.5 V
$t_{ER}$	H→Z: open L→Z: closed	5 pF	100 $\Omega$	390 $\Omega$	H→Z: $V_{OH} - 0.5$ V L→Z: $V_{OL} + 0.5$ V

## Key to Switching Waveforms

WAVEFORM	INPUTS	OUTPUTS
	MUST BE STEADY	WILL BE STEADY
	MAY CHANGE FROM H TO L	WILL BE CHANGING FROM H TO L
	MAY CHANGE FROM L TO H	WILL BE CHANGING FROM L TO H
	DON'T CARE, ANY CHANGE PERMITTED	CHANGING, STATE UNKNOWN
	DOES NOT APPLY	CENTER LINE IS HIGH IMPEDANCE "OFF" STATE

968 07

## APPLICATION DESCRIPTION

The IPAC PAL device is ideal for interfacing two system components with different asynchronous protocol signals. In other words, handshake protocol signals of two peripherals, a processor and a peripheral, two processors, etc., which are not synchronized to a common clock, are ideal candidates for IPAC designs.

The two types of IPAC registers, the edge-activated S-R register and the edge-activated Dual-T type register, not only can simplify asynchronous designs but also offer increased system performance over conventional solutions. They also eliminate the need for synchronizing the asynchronous signals, thereby eliminating instances where metastability can occur and improving system reliability. The next section describes this in detail.

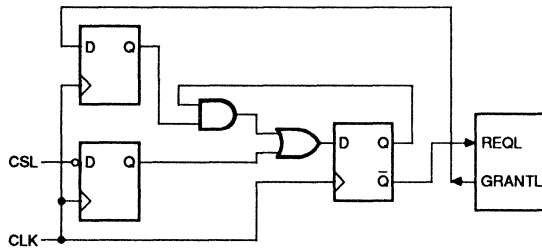
## Interface Design Example

The advantage of the IPAC flip-flops is to enhance the system performance. The IPAC flip-flops eliminate the need for a clock, and consequently the need to synchronize asynchronous signals. In conventional designs such synchronization requires two extra clock cycles to mitigate the effects of metastability. The following example of a simple request/grant-type interface protocol illustrates the two major advantages of the IPAC PAL device.

The example interfaces a microprocessor to a peripheral using a request/grant handshake protocol. The microprocessor generates a chip-select (CSL) signal which is transformed to a peripheral-request (REQL) signal. The peripheral responds by generating a grant (GRANTL) signal, at which time the microprocessor removes its REQL signal.

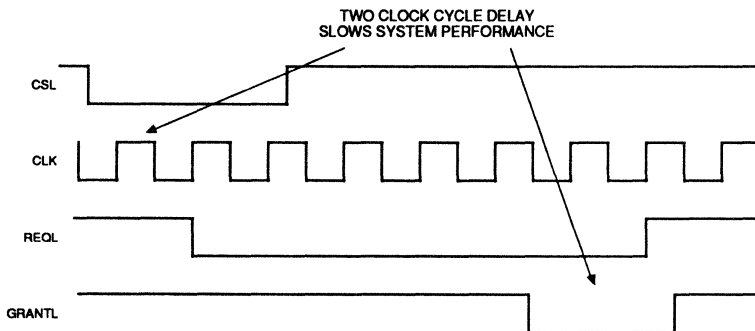
The conventional approach is to register the microprocessor CSL signal to generate a much longer REQL signal. It requires three registers and a clock to implement the design. The GRANTL signal is used to remove the REQL signal. This also requires two clock cycles.

2



968 18

Figure 12. Conventional Solution



968 19

Figure 13. Timing Diagram of a Simplified REQ/GRANT Protocol

The IPAC PAL device uses the falling edge of the CSL signal to generate the request (Figure 14) without the danger of metastability. It also removes its REQL signal on the falling edge of the GRANTL signal, again without any risk of metastability. In both instances the output signal responds to the input without the two-clock cycle delay, thereby improving system performance. Table 2 describes the advantages of using the IPAC device versus standard TTL Logic (74FXXX) and the PAL20R8B.

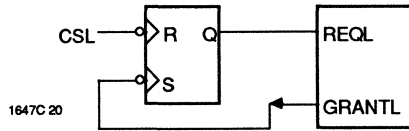


Figure 14. The IPAC Solution

	74FXXX	PAL20R8B	IPAC
Chip Count Comparison	1	1/3	1/3
Handshake Speed*	50 ns	54 ns	25 ns
Design Complexity	Complex	Complex	Simple
Metastability Possible	Yes	Yes	No

Table 2. Benchmark Comparison for Various Interface Designs

\* These numbers apply to both directions of handshake



# AmPAL22P10B/AL/A

## 24-pin Combinatorial TTL Programmable Array Logic

### DISTINCTIVE CHARACTERISTICS

- As fast as 15 ns maximum propagation delay
- Universal combinatorial architecture
- Programmable output polarity
- Programmable replacement for high-speed TTL logic
- Easy design with PALASM<sup>®</sup> software
- Programmable on standard PAL<sup>®</sup> device programmers
- 24-pin SKINNYDIP<sup>®</sup> and 28-pin PLCC packages save space

### GENERAL DESCRIPTION

The AmPAL22P10 utilizes Advanced Micro Devices' advanced oxide-isolated bipolar process and fuse-link technology. The devices provide user-programmable logic for replacing conventional SSI/MSI gates and flip-flops at a reduced chip count.

The AmPAL22P10 allows the systems engineer to implement the design on-chip, by opening fuse links to configure AND and OR gates within the device, according to the desired logic function. Complex interconnections between gates, which previously required time-consuming layout, are lifted from the PC board and placed on silicon, where they can be easily modified during prototyping or production.

The PAL device implements the familiar Boolean logic transfer function, the sum of products. The PAL device is a programmable AND array driving a fixed OR array. The AND array is programmed to create custom product terms, while the OR array sums selected terms at the

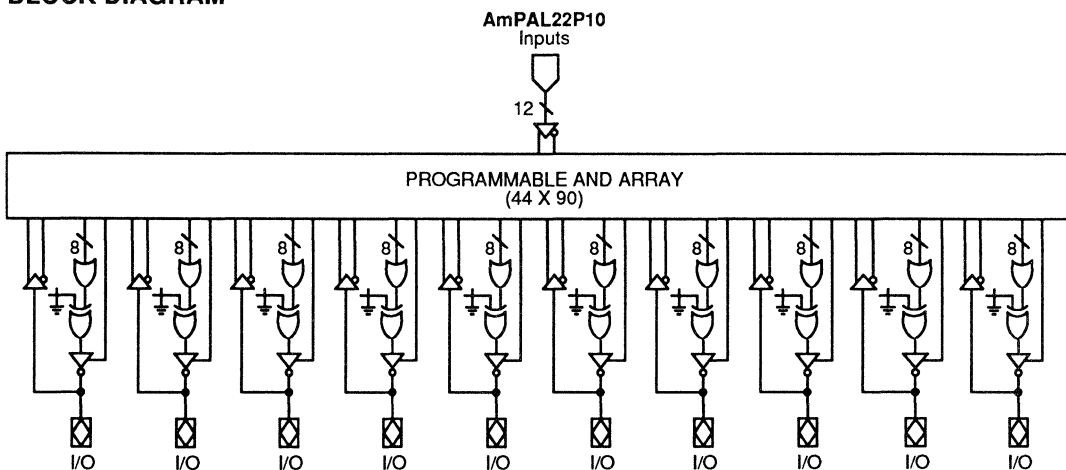
outputs. In addition, the PAL device provides the following options:

- Variable input/output pin ratio
- Programmable three-state outputs

Product terms with all fuses opened assume the logical HIGH state; product terms connected to both true and complement of any single input assume the logical LOW state. Unused input pins should be tied to V<sub>CC</sub> or GND.

The entire PAL device family is supported by the PALASM software package. The PAL family is programmed on conventional PAL device programmers with appropriate personality and socket adapter modules. See the Programmer Reference Guide for approved programmers. Once the PAL device is programmed and verified an additional fuse may be opened to prevent pattern readout. This feature secures proprietary circuits.

### BLOCK DIAGRAM



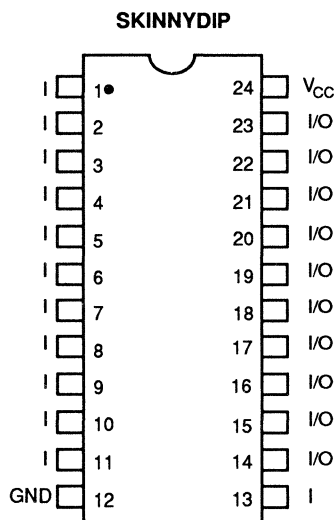
12984-002A

## PRODUCT SELECTOR GUIDE

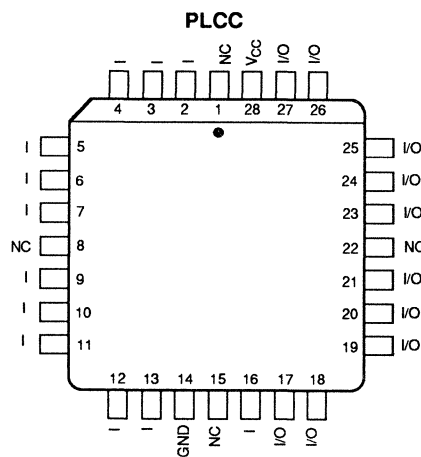
Family	$t_{PD}$ ns (Max.)	$I_{CC}$ mA (Max.)	$I_{OL}$ mA (Min.)
Very High Speed ("B") Versions	15	210	24
High Speed ("A") Versions	25	210	24
High Speed, Half Power ("AL") Versions	25	105	24

## CONNECTION DIAGRAMS

### Top View



12984-003A



**Note:**  
Pin 1 is marked for orientation

12984-004A

### PIN DESIGNATIONS

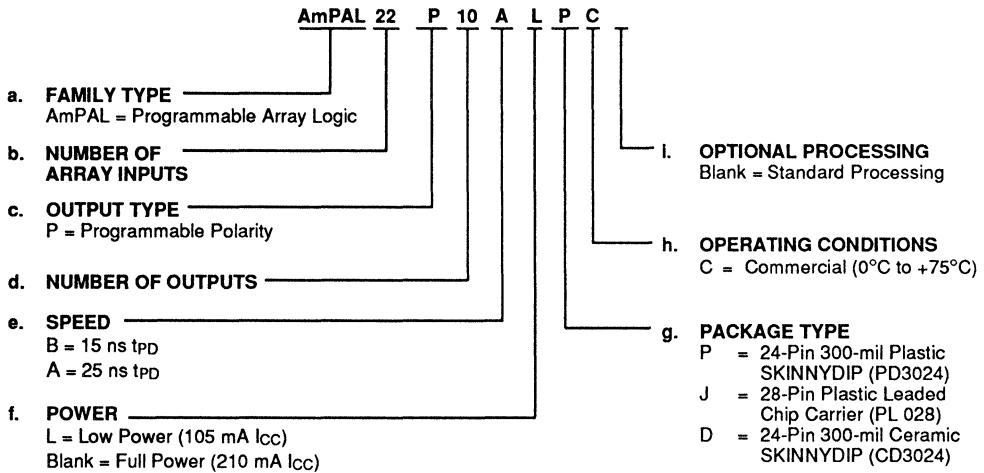
GND	Ground
I	Input
I/O	Input/Output
NC	No Connect
Vcc	Supply Voltage

## ORDERING INFORMATION

### Commercial Products

AMD programmable logic products for commercial applications are available with several ordering options. The order number (Valid Combination) is formed by a combination of:

- a. Family Type
- b. Number of Array Inputs
- c. Output Type
- d. Number of Outputs
- e. Speed
- f. Power
- g. Package Type
- h. Operating Conditions
- i. Optional Processing



Valid Combinations		
AmPAL22P10	B, AL, A	PC, JC, DC

#### Valid Combinations

The Valid Combinations table lists configurations planned to be supported in volume for this device. Consult the local AMD sales office to confirm availability of specific valid combinations, and to check on newly released combinations.

Note: Marked with AMD logo.

**2**



---

## FUNCTIONAL DESCRIPTION

All parts are produced with a fuse link at each input to the AND gate array, and connections may be selectively removed by applying appropriate voltages to the circuit. Utilizing an easily-implemented programming algorithm, these products can be rapidly programmed to any customized pattern. Information on approved programmers can be found in the Programmer Reference Guide. Extra test words are pre-programmed during manufacturing to ensure extremely high field programming yields, and provide extra test paths to achieve excellent parametric correlation.

### Variable Input/Output Pin Ratio

The AmPAL22P10 has twelve dedicated input lines, and all ten combinatorial outputs are I/O pins. Buffers for device inputs have complementary outputs to provide user-programmable input signal polarity. Unused input pins should be tied to  $V_{cc}$  or GND.

### Programmable Three-State Outputs

Each output has a three-state output buffer with three-state control. A product term controls the buffer, allowing enable and disable to be a function of any product of device inputs or output feedback. The combinatorial output provides a bidirectional I/O pin, and may be configured as a dedicated input if the buffer is always disabled.

### Programmable Polarity

The polarity of each output can be active-high or active-low, either to match output signal needs or to reduce product terms. Programmable polarity allows Boolean expressions to be written in their most compact form (true or inverted), and the output can still be of the desired polarity. It can also save "DeMorganizing" efforts.

Selection is through a programmable fuse which controls an exclusive-OR gate at the output of the AND/OR logic. The output is active high if the fuse is 1 (programmed) and active low if the fuse is 0 (intact).

### Security Fuse

After programming and verification, an AmPAL22P10 design can be secured by programming the security fuse. Once programmed, this fuse defeats readback of the internal programmed pattern by a device programmer, securing proprietary designs from competitors. When the security fuse is programmed, the array will read as if every fuse is programmed.

### Quality and Testability

The AmPAL22P10 offers a very high level of built-in quality. Extra programmable fuses provide a means of verifying performance of all AC and DC parameters. In addition, this verifies complete programmability and functionality of the device to provide the highest programming yields and post-programming functional yields in the industry.

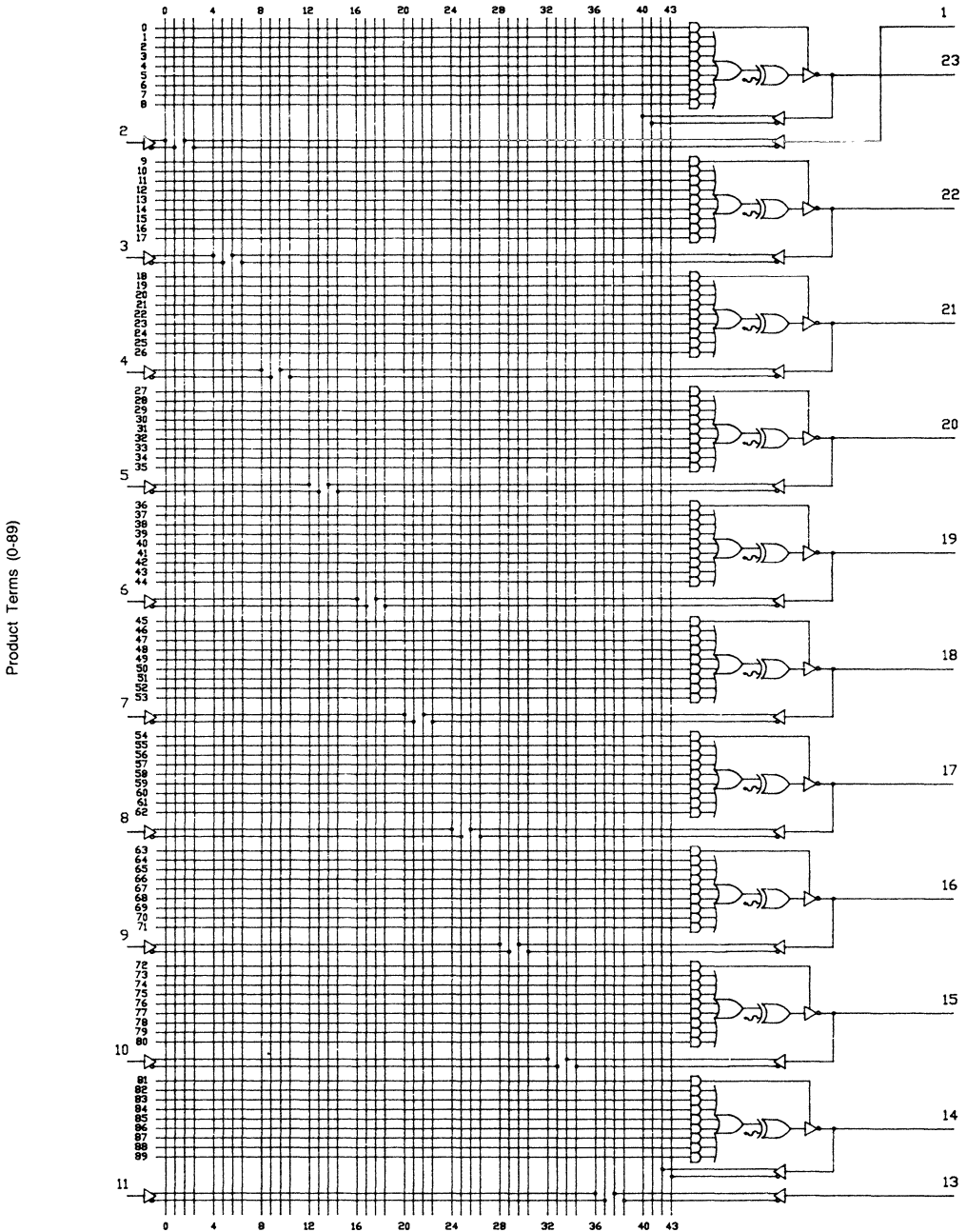
### Technology

The AmPAL22P10 is fabricated with AMD's advanced oxide-isolated bipolar process. This process reduces parasitic capacitances and minimum geometries to provide higher performance. The array connections are formed with proven PtSi fuses for reliable operation.

# LOGIC DIAGRAM

## AmPAL22P10

Inputs (0-43)



Product Terms (0-89)

12984-005A

## ABSOLUTE MAXIMUM RATINGS

Storage Temperature	-65°C to +150°C
Ambient Temperature With Power Applied	-55°C to +125°C
Supply Voltage with Respect to Ground	-0.5 V to +7.0 V
DC Input Voltage	-0.5 V to +5.5 V
DC Input Current	-30 mA to +5 mA
DC I/O Pin Voltage	-0.5 V to V <sub>CC</sub> Max.
Static Discharge Voltage	2001 V

## OPERATING RANGES

### Commercial (C) Devices

Ambient Temperature (T <sub>A</sub> )	
Operating in Free Air	0°C to +75°C
Supply Voltage (V <sub>CC</sub> ) with Respect to Ground	+4.75 V to +5.25 V

Operating ranges define those limits between which the functionality of the device is guaranteed.

Stresses above those listed under Absolute Maximum Ratings may cause permanent device failure. Functionality at or above these limits is not implied. Exposure to Absolute Maximum Ratings for extended periods may affect device reliability. Programming conditions may differ.

## DC CHARACTERISTICS over COMMERCIAL operating ranges unless otherwise specified

Parameter Symbol	Parameter Description	Test Conditions	Min.	Max.	Unit
V <sub>OH</sub>	Output HIGH Voltage	I <sub>OH</sub> = -3.2 mA, V <sub>IN</sub> = V <sub>IH</sub> or V <sub>IL</sub> , V <sub>CC</sub> = Min.	2.4		V
V <sub>OL</sub>	Output LOW Voltage	I <sub>OL</sub> = 24 mA, V <sub>IN</sub> = V <sub>IH</sub> or V <sub>IL</sub> , V <sub>CC</sub> = Min.		0.5	V
V <sub>IH</sub>	Input HIGH Voltage	Guaranteed Input Logical HIGH Voltage for all Inputs (Note 1)	2.0	5.5	V
V <sub>IL</sub>	Input LOW Voltage	Guaranteed Input Logical LOW Voltage for all Inputs (Note 1)		0.8	V
V <sub>I</sub>	Input Clamp Voltage	I <sub>IN</sub> = -18 mA, V <sub>CC</sub> = Min.		-1.2	V
I <sub>IH</sub>	Input HIGH Current	V <sub>IN</sub> = 2.7 V, V <sub>CC</sub> = Max. (Note 2)		25	μA
I <sub>IL</sub>	Input LOW Current	V <sub>IN</sub> = 0.4 V, V <sub>CC</sub> = Max. (Note 2)		-100	μA
I <sub>I</sub>	Maximum Input Current	V <sub>IN</sub> = 5.5 V, V <sub>CC</sub> = Max.		1	mA
I <sub>ozH</sub>	Off-State Output Leakage Current HIGH	V <sub>OUT</sub> = 2.7 V, V <sub>CC</sub> = Max., V <sub>IN</sub> = V <sub>IH</sub> or V <sub>IL</sub> (Note 2)		100	μA
I <sub>ozL</sub>	Off-State Output Leakage Current LOW	V <sub>OUT</sub> = 0.4 V, V <sub>CC</sub> = Max., V <sub>IN</sub> = V <sub>IH</sub> or V <sub>IL</sub> (Note 2)		-100	μA
I <sub>sc</sub>	Output Short-Circuit Current	V <sub>OUT</sub> = 0.5 V, V <sub>CC</sub> = Max. (Note 3)	-30	-90	mA
I <sub>CC</sub>	Supply Current	V <sub>IN</sub> = 0 V, Outputs Open (I <sub>OUT</sub> = 0 mA), V <sub>CC</sub> = Max.	B, A AL	210 105	mA mA

### Notes:

1. These are absolute values with respect to device ground and all overshoots due to system and/or tester noise are included.
2. I/O pin leakage is the worst case of I<sub>IL</sub> and I<sub>ozL</sub> (or I<sub>IH</sub> and I<sub>ozH</sub>).
3. Not more than one output should be shorted at a time. Duration of the short-circuit should not exceed one second. V<sub>OUT</sub> = 0.5 V has been chosen to avoid test problems caused by tester ground degradation.

## CAPACITANCE (Note 1)

Parameter Symbol	Parameter Description		Test Conditions		Typ.	Unit
C <sub>IN</sub>	Input Capacitance	Pins 1, 13	V <sub>IN</sub> = 2.0 V	V <sub>CC</sub> = 5.0 V T <sub>A</sub> = +25°C f = 1 MHz	11	pF
		Others			6	
C <sub>OUT</sub>	Output Capacitance		V <sub>OUT</sub> = 2.0 V		9	

**Note:**

1. These parameters are not 100% tested, but are evaluated at initial characterization and at any time the design is modified where capacitance may be affected.

## SWITCHING CHARACTERISTICS over COMMERCIAL operating ranges (Note 2)

Parameter Symbol	Parameter Description	B		A, AL		Unit
		Min.	Max.	Min.	Max.	
t <sub>PD</sub>	Input or Feedback to Combinatorial Output		15		25	ns
t <sub>EA</sub>	Input to Output Enable Using Product Term Control		18		25	ns
t <sub>ER</sub>	Input to Output Disable Using Product Term Control		15		25	ns

**Note:**

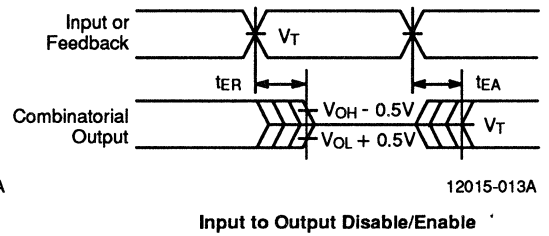
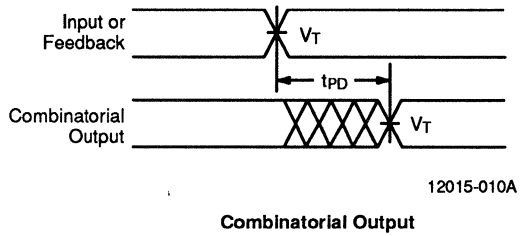
2. See Switching Test Circuit for test conditions.

**2**

FOR CMOS  
PALCE22V10

---

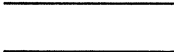



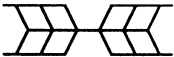
## SWITCHING WAVEFORMS



### Notes:

1.  $V_T = 1.5 V$
2. Input pulse amplitude 0 V to 3.0 V
3. Input rise and fall times 2–5 ns typical.

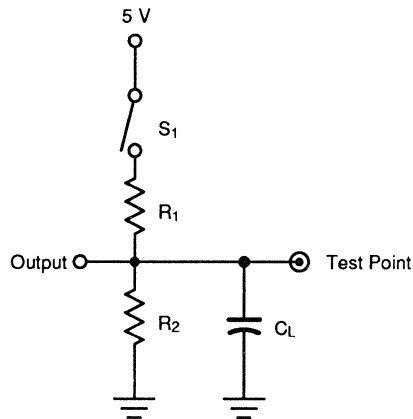
## KEY TO SWITCHING WAVEFORMS

WAVEFORM	INPUTS	OUTPUTS
	Must be Steady	Will be Steady
	May Change from H to L	Will be Changing from H to L
	May Change from L to H	Will be Changing from L to H
	Don't Care; Any Change Permitted	Changing, State Unknown
	Does Not Apply	Center Line is High-Impedance "Off" State

KS000010-PAL

2

## SWITCHING TEST CIRCUIT



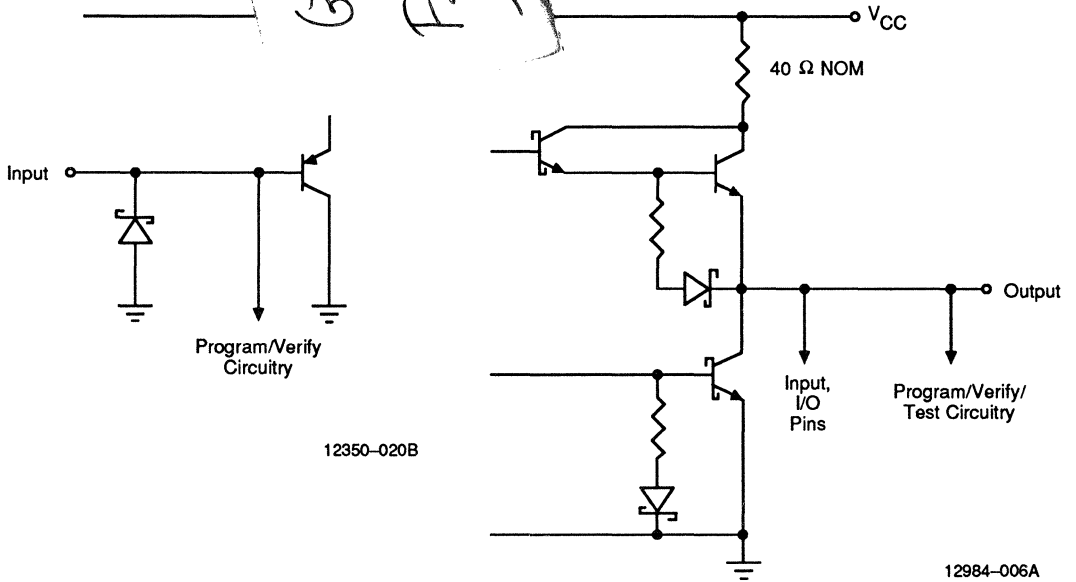
12350-019A

Specification	$S_1$	$C_L$	$R_1$	$R_2$	Measured Output Value
$t_{PD}$	Closed	50 pF	200 $\Omega$	390 $\Omega$	1.5 V
$t_{EA}$	Z $\rightarrow$ H: Open Z $\rightarrow$ L: Closed				1.5 V
$t_{ER}$	H $\rightarrow$ Z: Open L $\rightarrow$ Z: Closed	5 pF			H $\rightarrow$ Z: $V_{OH} - 0.5$ V L $\rightarrow$ Z: $V_{OL} + 0.5$ V

INPUT/OUTPUT EQUIPMENT

1298  
Gruy  
Ferra

Typical Output





**PAL22V10-10/15**  
**AmPAL22V10/A**  
**PALCE22V10H-15/25/Q-25**  
 24-pin TTL/CMOS Versatile PAL® Device

### DISTINCTIVE CHARACTERISTICS

- As fast as 10 ns propagation delay and 71 MHz  $f_{MAX}$
  - Low-power EE CMOS versions
  - 10 macrocells programmable as registered or combinatorial, and active high or active low to match application needs
  - Varied product term distribution allows up to 16 product terms per output for complex functions
- Global asynchronous reset and synchronous preset for initialization
  - Power-up reset for initialization and register preload for testability
  - Easy design with PALASM® software
  - Programmable on standard PAL device programmers
  - 24-pin SKINNYDIP® and 28-pin PLCC packages save space

### GENERAL DESCRIPTION

The PAL22V10 provides user-programmable logic for replacing conventional SSI/MSI gates and flip-flops at a reduced chip count.

The PAL device implements the familiar Boolean logic transfer function, the sum of products. The PAL device is a programmable AND array driving a fixed OR array. The AND array is programmed to create custom product terms, while the OR array sums selected terms at the outputs.

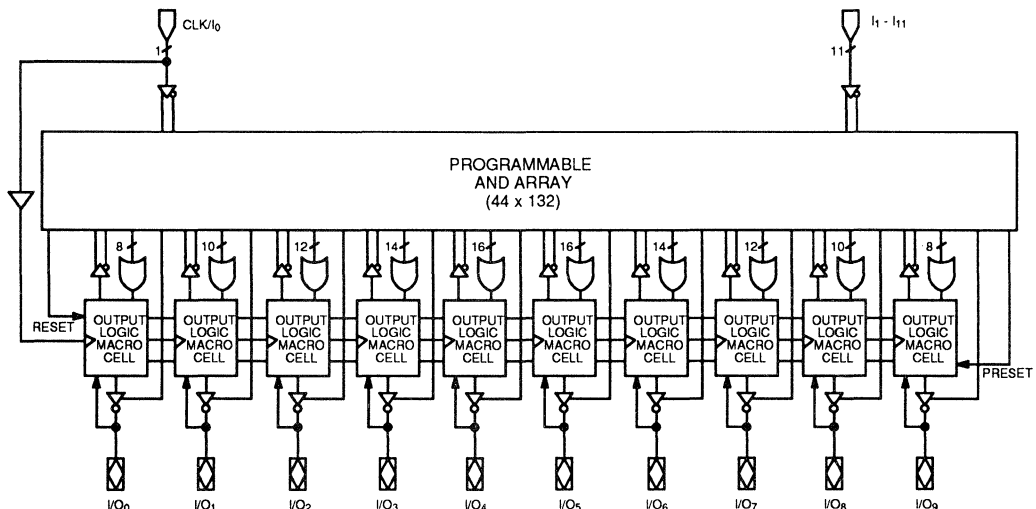
The product terms are connected to the fixed OR array with a varied distribution from 8 to 16 across the outputs

(see Block Diagram). The OR sum of the products feeds the output macrocell. Each macrocell can be programmed as registered or combinatorial, and active high or active low. The output configuration is determined by two fuses controlling two multiplexers in each macrocell.

The entire PAL device family is supported by the PALASM software package. The PAL family is programmed on conventional PAL device programmers with appropriate personality and socket adapter modules. See the Programmer Reference Guide for approved programmers.

**2**

### BLOCK DIAGRAM



13003-001A



---

## PERFORMANCE OPTIONS

### Commercial

	35			Std
Speed ( $t_{PD}$ , ns)	25	CMOS Q-25	CMOS H-25	A
	15		CMOS H-15	-15
	10			-10
		55	90	180

Power ( $I_{CC}$ , mA)

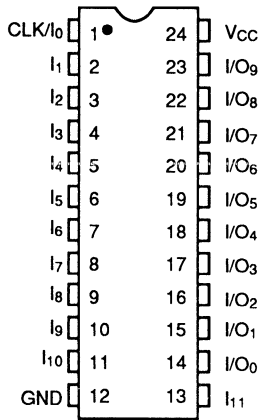
### OPERATING RANGES

Commercial	Military
-10	-15
-15	-20
A (25 ns)	A (30 ns)
Std (35 ns)	Std (40 ns)
H-15	H-25
H-25	H-30
Q-25	

## CONNECTION DIAGRAMS

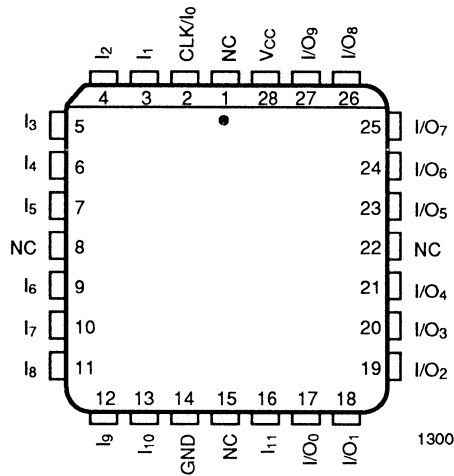
### Top View

#### SKINNYDIP/FLATPACK



13003-002A

#### PLCC/LCC



13003-003A

**2**

#### Note:

Pin 1 is marked for orientation.

#### PIN DESIGNATIONS

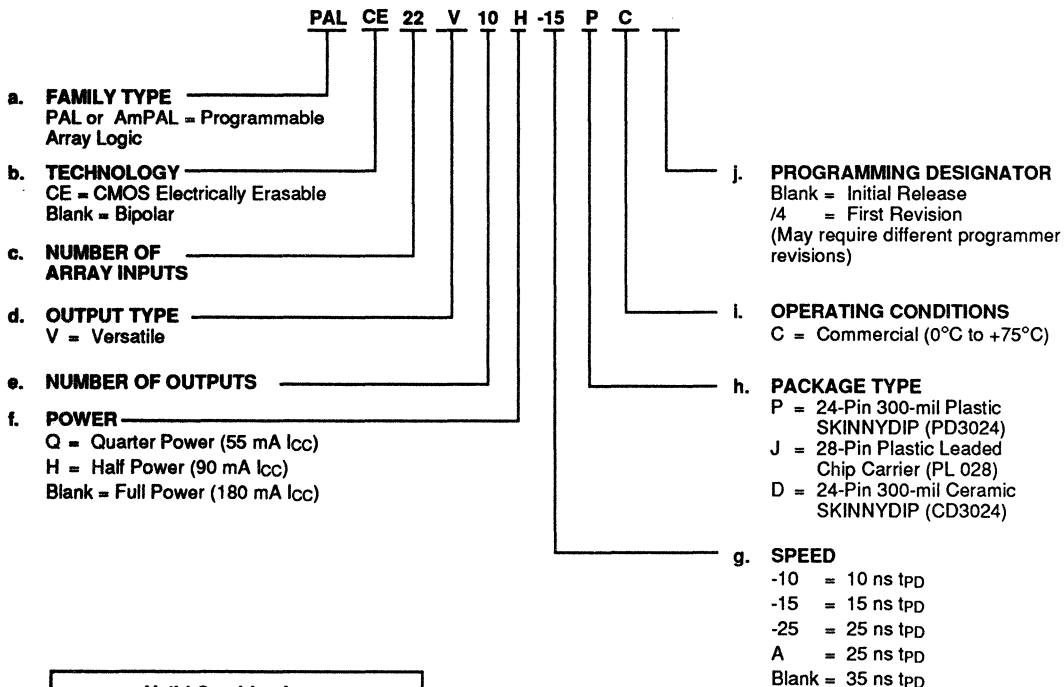
CLK	Clock
GND	Ground
I	Input
I/O	Input/Output
NC	No Connect
V <sub>CC</sub>	Supply Voltage

# ORDERING INFORMATION

## Commercial Products

AMD programmable logic products for commercial applications are available with several ordering options. The order number (Valid Combination) is formed by a combination of:

- a. Family Type
- b. Technology
- c. Number of Array Inputs
- d. Output Type
- e. Number of Outputs
- f. Power
- g. Speed
- h. Package Type
- i. Operating Conditions
- j. Programming Designator



Valid Combinations	
PAL22V10-10	PC, JC, DC
PAL22V10-15	
AmPAL22V10A	
AmPAL22V10	
PALCE22V10H-15	blank, /4
PALCE22V10H-25	
PALCE22V10Q-25	

### Valid Combinations

The Valid Combinations table lists configurations planned to be supported in volume for this device. Consult the local AMD sales office to confirm availability of specific valid combinations, to check on newly released combinations, and to obtain additional data on AMD's standard military grade products.

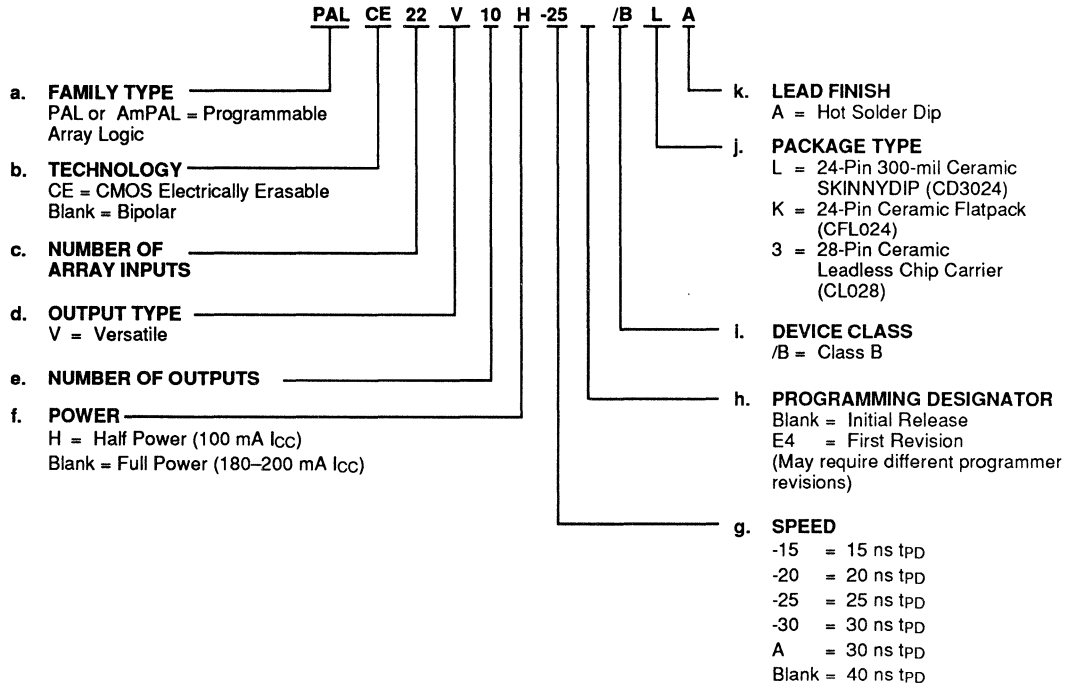
Note: Marked with AMD logo.

## ORDERING INFORMATION

### APL Products

AMD programmable logic products for Aerospace and Defense applications are available with several ordering options. APL (Approved Products List) products are fully compliant with MIL-STD-883 requirements. The order number (Valid Combination) is formed by a combination of:

- a. Family Type
- b. Technology
- c. Number of Array Inputs
- d. Output Type
- e. Number of Outputs
- f. Power
- g. Speed
- h. Programming Designator
- i. Device Class
- j. Package Type
- k. Lead Finish



2

Valid Combinations	
PAL22V10-15	/BLA, /BKA, /B3A
PAL22V10-20	
AmPAL22V10A	
AmPAL22V10	
PALCE22V10H-25	blank, E4
PALCE22V10H-30	

#### Valid Combinations

The Valid Combinations table lists configurations planned to be supported in volume for this device. Consult the local AMD sales office to confirm availability of specific valid combinations, to check on newly released combinations, and to obtain additional data on AMD's standard military grade products.

Note: Marked with AMD logo.

#### Group A Tests

Group A Tests consist of Subgroups: 1, 2, 3, 7, 8, 9, 10, 11.

#### Military Burn-In

Military burn-in is in accordance with the current revision of MIL-STD-883, Test Methods 1015, Conditions A through E. Test conditions are selected at AMD's option.

## FUNCTIONAL DESCRIPTION

The PAL22V10 allows the systems engineer to implement the design on-chip, by opening fuse links (or programming EE cells) to configure AND and OR gates within the device, according to the desired logic function. Complex interconnections between gates, which previously required time-consuming layout, are lifted from the PC board and placed on silicon, where they can be easily modified during prototyping or production.

Product terms with all fuses opened assume the logical HIGH state; product terms connected to both true and complement of any single input assume the logical LOW state.

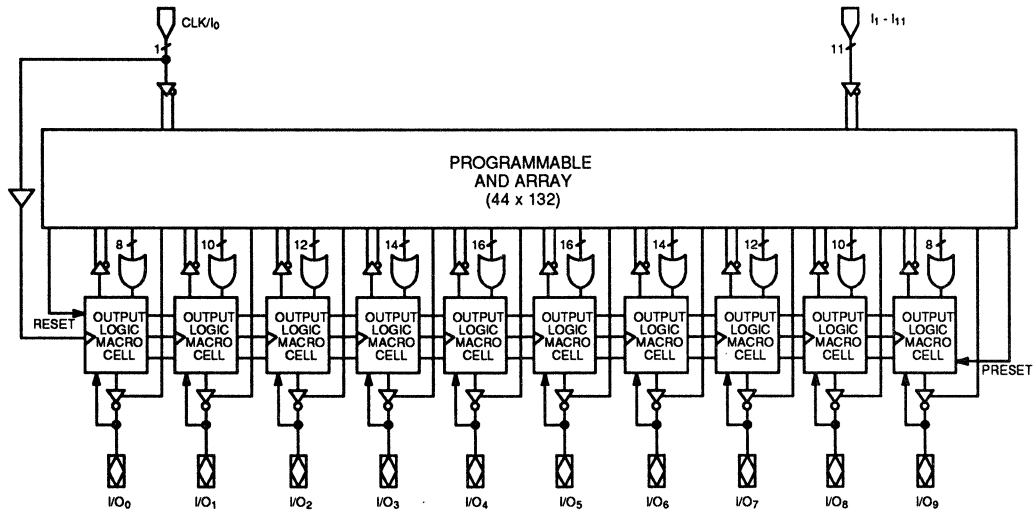
The PAL22V10 has 12 inputs and 10 I/O macrocells (Figure 1). The macrocell allows one of four potential output configurations; registered output or combinatorial I/O, active high or active low (see Figure 2). The configuration choice is made according to the user's design specification and corresponding programming of the configuration bits  $S_0 - S_1$ . Multiplexer controls are connected to ground (0) through a programmable bit, selecting the "0" path through the multiplexer. Program-

ming the fuse or erasing the bit disconnects the control line from GND and it floats to  $V_{CC}$  (1), selecting the "1" path.

The device is produced with a fuse or EE cell link at each input to the AND gate array, and connections may be selectively removed by applying appropriate voltages to the circuit. Utilizing an easily-implemented programming algorithm, these products can be rapidly programmed to any customized pattern. Information on approved programmers can be found in the Programmer Reference Guide. Extra test words are pre-programmed during manufacturing to ensure extremely high field programming yields, and provide extra test paths to achieve excellent parametric correlation.

### Variable Input/Output Pin Ratio

The PAL22V10 has twelve dedicated input lines, and each macrocell output can be an I/O pin. Buffers for device inputs have complementary outputs to provide user-programmable input signal polarity. Unused input pins should be tied to  $V_{CC}$  or GND.



13003-001A

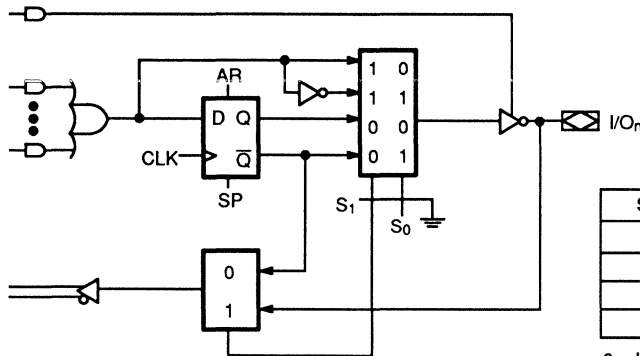
Figure 1. Block Diagram

## Registered Output Configuration

Each macrocell of the PAL22V10 includes a D-type flip-flop for data storage and synchronization. The flip-flop is loaded on the LOW-to-HIGH transition of the clock input. In the registered configuration ( $S_1 = 0$ ), the array feedback is from Q of the flip-flop.

## Combinatorial I/O Configuration

Any macrocell can be configured as combinatorial by selecting the multiplexer path that bypasses the flip-flop ( $S_1 = 1$ ). In the combinatorial configuration the feedback is from the pin.



$S_1$	$S_0$	Output Configuration
0	0	Registered/Active Low
0	1	Registered/Active High
1	0	Combinatorial/Active Low
1	1	Combinatorial/Active High

0 = Unprogrammed fuse or programmed EE bit  
1 = Programmed fuse or erased (charged) EE bit

13003-004A

Figure 2. Output Logic Macrocell Diagram

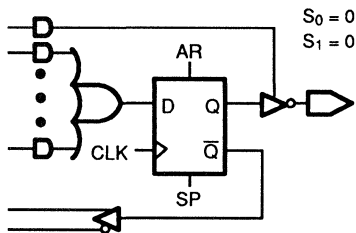


Figure 3a. Registered/Active Low

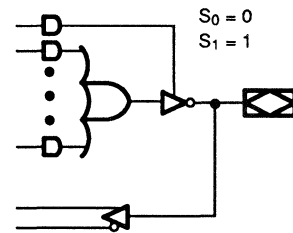


Figure 3c. Combinatorial/Active Low

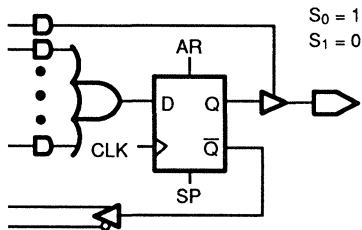


Figure 3b. Registered/Active High

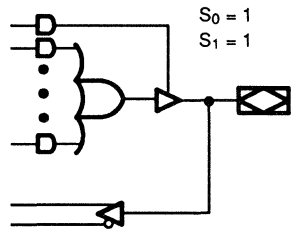


Figure 3d. Combinatorial/Active High

13003-009A

2

---

## Programmable Three-State Outputs

Each output has a three-state output buffer with three-state control. A product term controls the buffer, allowing enable and disable to be a function of any product of device inputs or output feedback. The combinatorial output provides a bidirectional I/O pin, and may be configured as a dedicated input if the buffer is always disabled.

## Programmable Output Polarity

The polarity of each macrocell output can be active high or active low, either to match output signal needs or to reduce product terms. Programmable polarity allows Boolean expressions to be written in their most compact form (true or inverted), and the output can still be of the desired polarity. It can also save "DeMorganizing" efforts.

Selection is controlled by programmable bit  $S_0$  in the output macrocell, and affects both registered and combinatorial outputs. Selection is automatic, based on the design specification and pin definitions. If the pin definition and output equation have the same polarity, the output is programmed to be active high ( $S_0 = 1$ ).

## Preset/Reset

For initialization, the PAL22V10 has additional Preset and Reset product terms. These terms are connected to all registered outputs. When the Synchronous Preset (SP) product term is asserted high, the output registers will be loaded with a HIGH on the next LOW-to-HIGH clock transition. When the Asynchronous Reset (AR) product term is asserted high, the output registers will be immediately loaded with a LOW independent of the clock.

Note that preset and reset control the flip-flop, not the output pin. The output level is determined by the output polarity selected.

## Power-Up Reset

All flip-flops power-up to a logic LOW for predictable system initialization. Outputs of the PAL22V10 will depend on the programmed output polarity. The  $V_{CC}$  rise must be monotonic and the reset delay time is 1–10  $\mu$ s maximum.

## Register Preload

The register on the PAL22V10 can be preloaded from the output pins to facilitate functional testing of complex state machine designs. This feature allows direct load-

ing of arbitrary states, making it unnecessary to cycle through long test vector sequences to reach a desired state. In addition, transitions from illegal states can be verified by loading illegal states and observing proper recovery.

## Security Fuse

After programming and verification, a PAL22V10 design can be secured by programming the security fuse or EE bit. Once programmed, this fuse defeats readback of the internal programmed pattern by a device programmer, securing proprietary designs from competitors. When the security fuse is programmed, the array will read as if every fuse is programmed, and preload will be disabled.

For the CMOS PALCE22V10, a floating gate is used as the security bit. The bit can only be erased in conjunction with erasure of the entire pattern.

## Quality and Testability

The PAL22V10 offers a very high level of built-in quality. Extra programmable fuses provide a means of verifying performance of all AC and DC parameters. In addition, this verifies complete programmability and functionality of the device to provide the highest programming yields and post-programming functional yields in the industry.

The erasability of the CMOS PALCE22V10 allows direct testing of the device array to guarantee 100% programming and functional yields.

## Technology

The bipolar PAL22V10 is fabricated with AMD's advanced oxide-isolated bipolar process. This process reduces parasitic capacitances and minimum geometries to provide higher performance. The array connections are formed with proven PtSi fuses for reliable operation. The PAL22V10-10 uses TiW fuses.

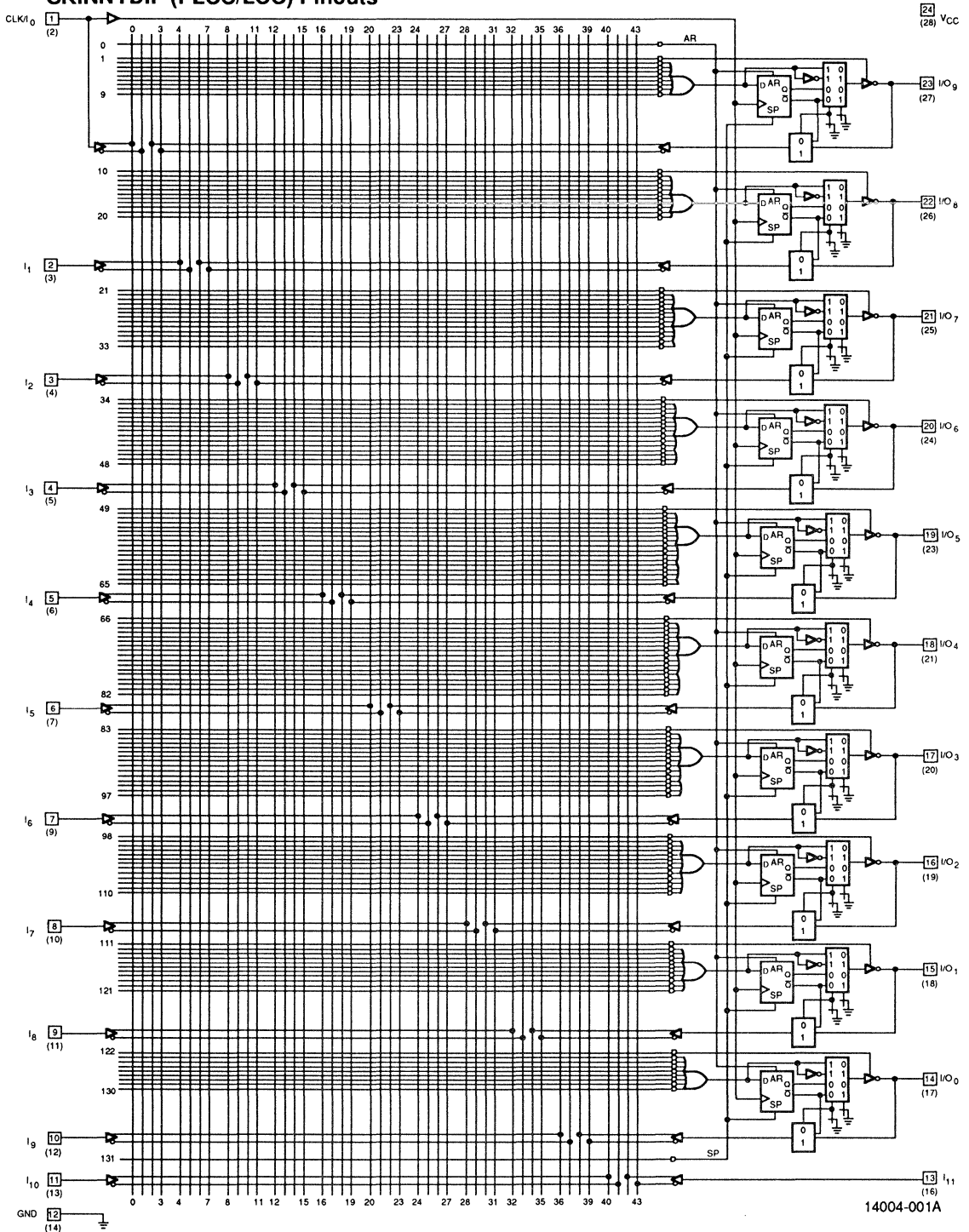
The CMOS PALCE22V10 is fabricated with AMD's advanced EE CMOS process. The array connections are formed by electrically-erasable floating gates similar to those found in EEPROMs.

## Programming and Erasing

The PAL22V10 can be programmed on standard logic programmers. Approved programmers are listed in the Programmer Reference Guide.

The CMOS PALCE22V10 may be erased to reset a previously configured device back to its virgin state. Erasure is automatically performed by the programming hardware. No special erase operation is required.

# LOGIC DIAGRAM SKINNYDIP (PLCC/LCC) Pinouts



**2**

14004-001A



## ABSOLUTE MAXIMUM RATINGS

Storage Temperature	-65°C to +150°C
Ambient Temperature with Power Applied	-55°C to +125°C
Supply Voltage with Respect to Ground	-0.5 V to +7.0 V
DC Input Voltage (-10)	-1.2 V to $V_{CC} + 0.5$ V
DC Input Voltage (-15)	-0.5 V to $V_{CC} + 0.5$ V
DC Input Current (-15)	-30 mA to +5 mA
DC Output or I/O Pin Voltage	-0.5 V to $V_{CC} + 0.5$ V
Static Discharge Voltage	2001 V

Stresses above those listed under Absolute Maximum Ratings may cause permanent device failure. Functionality at or above these limits is not implied. Exposure to Absolute Maximum Ratings for extended periods may affect device reliability. Programming conditions may differ.

## OPERATING RANGES

### Commercial (C) Devices

Ambient Temperature ( $T_A$ )	
Operating in Free Air	0°C to +75°C
Supply Voltage ( $V_{CC}$ ) with Respect to Ground	+4.75 V to +5.25 V

Operating ranges define those limits between which the functionality of the device is guaranteed.

## DC CHARACTERISTICS over COMMERCIAL operating ranges unless otherwise specified

Parameter Symbol	Parameter Description	Test Conditions	Min.	Max.	Unit
$V_{OH}$	Output HIGH Voltage	$I_{OH} = -3.2$ mA $V_{IN} = V_{IH}$ or $V_{IL}$ $V_{CC} = \text{Min.}$	2.4		V
$V_{OL}$	Output LOW Voltage	$I_{OL} = 16$ mA $V_{IN} = V_{IH}$ or $V_{IL}$ $V_{CC} = \text{Min.}$		0.5	V
$V_{IH}$	Input HIGH Voltage	Guaranteed Input Logical HIGH Voltage for all Inputs (Note 1)	2.0		V
$V_{IL}$	Input LOW Voltage	Guaranteed Input Logical LOW Voltage for all Inputs (Note 1)		0.8	V
$V_I$	Input Clamp Voltage	$I_{IN} = -18$ mA, $V_{CC} = \text{Min.}$		-1.2	V
$I_{IH}$	Input HIGH Current	$V_{IN} = 2.7$ V, $V_{CC} = \text{Max.}$ (Note 2)		25	$\mu$ A
$I_{IL}$	Input LOW Current	$V_{IN} = 0.4$ V, $V_{CC} = \text{Max.}$ (Note 2)		-100	$\mu$ A
$I_I$	Maximum Input Current	$V_{IN} = 5.5$ V, $V_{CC} = \text{Max.}$		1	mA
$I_{OZH}$	Off-State Output Leakage Current HIGH	$V_{OUT} = 2.7$ V, $V_{CC} = \text{Max.}$ $V_{IN} = V_{IH}$ or $V_{IL}$ (Note 2)		100	$\mu$ A
$I_{OZL}$	Off-State Output Leakage Current LOW	$V_{OUT} = 0.4$ V, $V_{CC} = \text{Max.}$ $V_{IN} = V_{IH}$ or $V_{IL}$ (Note 2)		-100	$\mu$ A
$I_{SC}$	Output Short-Circuit Current	$V_{OUT} = 0.5$ V, $V_{CC} = \text{Max.}$ (Note 3)	-30	-90	mA
$I_{CC}$	Supply Current	$V_{IN} = 0$ V, Outputs Open ( $I_{OUT} = 0$ mA) $V_{CC} = \text{Max.}$		180	mA

### Notes:

1. These are absolute values with respect to device ground and all overshoots due to system and/or tester noise are included.
2. I/O pin leakage is the worst case of  $I_{IL}$  and  $I_{OZL}$  (or  $I_{IH}$  and  $I_{OZH}$ ).
3. Not more than one output should be tested at a time. Duration of the short-circuit should not exceed one second.  $V_{OUT} = 0.5$  V has been chosen to avoid test problems caused by tester ground degradation.

## CAPACITANCE (Note 1)

Parameter Symbol	Parameter Description		Test Conditions		-10	-15	Unit
					Typ.	Typ.	
C <sub>IN</sub>	Input Capacitance	Pins 1, 13	V <sub>IN</sub> = 2.0 V	V <sub>CC</sub> = 5.0 V T <sub>A</sub> = 25°C f = 1 MHz	6	9	pF
		Others				6	
C <sub>OUT</sub>	Output Capacitance		V <sub>OUT</sub> = 2.0 V		8	9	

**Note:**

1. These parameters are not 100% tested, but are evaluated at initial characterization and at any time the design is modified where capacitance may be affected.

## SWITCHING CHARACTERISTICS over COMMERCIAL operating ranges (Note 2)

PRELIMINARY

Parameter Symbol	Parameter Description		-10		-15		Unit
			Min. (Note 3)	Max.	Min.	Max.	
t <sub>PD</sub>	Input or Feedback to Combinatorial Output		3	10		15	ns
t <sub>S</sub>	Setup Time from Input, Feedback or SP to Clock		8		10		ns
t <sub>H</sub>	Hold Time		0		0		ns
t <sub>CO</sub>	Clock to Output		3	6		10	ns
t <sub>CF</sub>	Clock to Feedback (Note 4)			2.5		2.5	ns
t <sub>AR</sub>	Asynchronous Reset to Registered Output			15		20	ns
t <sub>ARW</sub>	Asynchronous Reset Width		10		15		ns
t <sub>ARR</sub>	Asynchronous Reset Recovery Time		8		10		ns
t <sub>SPR</sub>	Synchronous Preset Recovery Time		8		10		ns
t <sub>WL</sub>	Clock Width	LOW	5		6		ns
t <sub>WH</sub>		HIGH	5		6		ns
f <sub>MAX</sub>	Maximum Frequency (Note 5)	External Feedback	1/(t <sub>S</sub> + t <sub>CO</sub> )	71		50	MHz
		Internal Feedback	1/(t <sub>S</sub> + t <sub>CF</sub> )	95		80	MHz
		No Feedback	1/(t <sub>WH</sub> + t <sub>WL</sub> )	100		83	MHz
t <sub>EA</sub>	Input to Output Enable Using Product Term Control		3	10		15	ns
t <sub>ER</sub>	Input to Output Disable Using Product Term Control		3	10		15	ns

**Notes:**

2. See Switching Test Circuit for test conditions.
3. Output delay minimums are measured under best-case conditions.
4. Calculated from measured f<sub>MAX</sub> internal.
5. These parameters are not 100% tested, but are calculated at initial characterization and at any time the design is modified where frequency may be affected.

2

## ABSOLUTE MAXIMUM RATINGS

Storage Temperature	-65°C to +150°C
Supply Voltage with Respect to Ground	-0.5 V to +7.0 V
DC Input Voltage (-15)	-1.2 V to +7.0 V
DC Input Voltage (-20)	-0.5 V to +5.5 V
DC Output or I/O Pin Voltage	-0.5 V to +7.0 V
DC Input Current (-20)	-30 mA to +5 mA

Stresses above those listed under Absolute Maximum Ratings may cause permanent device failure. Functionality at or above these limits is not implied. Exposure to Absolute Maximum Ratings for extended periods may affect device reliability. Programming conditions may differ. Absolute Maximum Ratings are for system design reference; parameters given are not tested.

## OPERATING RANGES

### Military (M) Devices (Note 1)

Ambient Temperature ( $T_A$ )	
Operating in Free Air	-55°C Min.
Operating Case ( $T_C$ ) Temperature	125°C Max.
Supply Voltage ( $V_{CC}$ ) with Respect to Ground	+4.50 V to +5.50 V

Operating ranges define those limits between which the functionality of the device is guaranteed.

### Notes:

1. Military products are tested at  $T_C = +25^\circ\text{C}$ ,  $+125^\circ\text{C}$ , and  $-55^\circ\text{C}$ ; per MIL-STD-883.

## DC CHARACTERISTICS over MILITARY operating ranges unless otherwise specified (Note 2)

Parameter Symbol	Parameter Description	Test Conditions	Min.	Max.	Unit
$V_{OH}$	Output HIGH Voltage	$I_{OH} = -2 \text{ mA}$ $V_{IN} = V_{IH}$ or $V_{IL}$ $V_{CC} = \text{Min.}$	2.4		V
$V_{OL}$	Output LOW Voltage	$I_{OL} = 12 \text{ mA}$ $V_{IN} = V_{IH}$ or $V_{IL}$ $V_{CC} = \text{Min.}$		0.5	V
$V_{IH}$	Input HIGH Voltage	Guaranteed Input Logical HIGH Voltage for all Inputs (Note 3)	2.0		V
$V_{IL}$	Input LOW Voltage	Guaranteed Input Logical LOW Voltage for all Inputs (Note 3)		0.8	V
$V_I$	Input Clamp Voltage	$I_{IN} = -18 \text{ mA}$ , $V_{CC} = \text{Min.}$		-1.2	V
$I_{IH}$	Input HIGH Current	$V_{IN} = 2.7 \text{ V}$ , $V_{CC} = \text{Max.}$ (Note 4)		25	$\mu\text{A}$
$I_{IL}$	Input LOW Current	$V_{IN} = 0.4 \text{ V}$ , $V_{CC} = \text{Max.}$ (Note 4)		-100	$\mu\text{A}$
$I_I$	Maximum Input Current	$V_{IN} = 5.5 \text{ V}$ , $V_{CC} = \text{Max.}$		1	mA
$I_{ozH}$	Off-State Output Leakage Current HIGH	$V_{OUT} = 2.7 \text{ V}$ , $V_{CC} = \text{Max.}$ $V_{IN} = V_{IH}$ or $V_{IL}$ (Note 4)		100	$\mu\text{A}$
$I_{ozL}$	Off-State Output Leakage Current LOW	$V_{OUT} = 0.4 \text{ V}$ , $V_{CC} = \text{Max.}$ $V_{IN} = V_{IH}$ or $V_{IL}$ (Note 4)		-100	$\mu\text{A}$
$I_{sc}$	Output Short-Circuit Current	$V_{OUT} = 0.5 \text{ V}$ , $V_{CC} = \text{Max.}$ (Note 5)	-30	-90	mA
$I_{cc}$	Supply Current	$V_{IN} = 0 \text{ V}$ , Outputs Open ( $I_{OUT} = 0 \text{ mA}$ ) $V_{CC} = \text{Max.}$		200	mA

### Notes:

2. For APL Products, Group A, Subgroups 1, 2, and 3 are tested per MIL-STD-883, Method 5005, unless otherwise noted.
3.  $V_{IL}$  and  $V_{IH}$  are input conditions of output tests and are not themselves directly tested.  $V_{IL}$  and  $V_{IH}$  are absolute voltages with respect to device ground and include all overshoots due to system and/or tester noise. Do not attempt to test these values without suitable equipment.
4. I/O pin leakage is the worst case of  $I_{IL}$  and  $I_{ozL}$  (or  $I_{IH}$  and  $I_{ozH}$ ).
5. Not more than one output should be tested at a time. Duration of the short-circuit should not exceed one second.  $V_{OUT} = 0.5 \text{ V}$  has been chosen to avoid test problems caused by tester ground degradation.

## CAPACITANCE (Note 1)

Parameter Symbol	Parameter Description		Test Conditions		-15	-20	Unit
					Typ.	Typ.	
C <sub>IN</sub>	Input Capacitance	Pins 1, 13	V <sub>IN</sub> = 2.0 V	V <sub>CC</sub> = 5.0 V T <sub>A</sub> = 25°C f = 1 MHz	6	9	pF
		Others			6		
C <sub>OUT</sub>	Output Capacitance		V <sub>OUT</sub> = 2.0 V		8	9	

**Note:**

- These parameters are not 100% tested, but are evaluated at initial characterization and at any time the design is modified where capacitance may be affected.

## SWITCHING CHARACTERISTICS over MILITARY operating ranges (Note 2)

PRELIMINARY

Parameter Symbol	Parameter Description		-15		-20		Unit
			Min.	Max.	Min.	Max.	
t <sub>PD</sub>	Input or Feedback to Combinatorial Output			15		20	ns
t <sub>S</sub>	Setup Time from Input, or Feedback to Clock		10		17		ns
t <sub>H</sub>	Hold Time		0		0		ns
t <sub>CO</sub>	Clock to Output			10		15	ns
t <sub>CF</sub>	Clock to Feedback (Note 3 and 4)			2.5		13	ns
t <sub>AR</sub>	Asynchronous Reset to Registered Output			20		25	ns
t <sub>ARW</sub>	Asynchronous Reset Width (Note 5)		15		20		ns
t <sub>ARR</sub>	Asynchronous Reset Recovery Time (Note 5)		10		20		ns
t <sub>SPR</sub>	Synchronous Preset Recovery Time (Note 4)		10		20		ns
t <sub>WL</sub>	Clock Width	LOW	6		15		ns
		HIGH	6		15		ns
f <sub>MAX</sub>	Maximum Frequency (Note 6)	External Feedback	1/(t <sub>S</sub> + t <sub>CO</sub> )	50		31.2	MHz
		Internal Feedback	1/(t <sub>S</sub> + t <sub>CF</sub> )	80		33.3	MHz
t <sub>EA</sub>	Input to Output Enable Using Product Term Control (Note 4)			15		20	ns
t <sub>ER</sub>	Input to Output Disable Using Product Term Control (Note 4)			15		20	ns

2

**Notes:**

- See Switching Test Circuit for test conditions. For APL products Group A, Subgroups 9, 10, and 11 are tested per MIL-STD-883, Method 5005, unless otherwise noted.
- Calculated from measured f<sub>MAX</sub> internal.
- These parameters are not 100% tested, but are evaluated at initial characterization and at any time the design is modified where these parameters may be affected.
- t<sub>ARW</sub> and t<sub>ARR</sub> are not directly tested, but are guaranteed by the testing of t<sub>S</sub> and t<sub>AR</sub>.
- These parameters are not 100% tested, but are calculated at initial characterization and at any time the design is modified where frequency may be affected.

## ABSOLUTE MAXIMUM RATINGS

Storage Temperature	-65°C to +150°C
Ambient Temperature with Power Applied	-55°C to +125°C
Supply Voltage with Respect to Ground	-0.5 V to +7.0 V
DC Input Voltage	-0.5 V to +5.5 V
DC Input Current	-30 mA to +5 mA
DC Output or I/O Pin Voltage	-0.5 V to $V_{CC}$ Max.

## OPERATING RANGES

### Commercial (C) Devices

Ambient Temperature ( $T_A$ )	
Operating in Free Air	0°C to +75°C
Supply Voltage ( $V_{CC}$ ) with Respect to Ground	+4.75 V to +5.25 V

Operating ranges define those limits between which the functionality of the device is guaranteed.

Stresses above those listed under Absolute Maximum Ratings may cause permanent device failure. Functionality at or above these limits is not implied. Exposure to Absolute Maximum Ratings for extended periods may affect device reliability. Programming conditions may differ.

## DC CHARACTERISTICS over COMMERCIAL operating ranges unless otherwise specified

Parameter Symbol	Parameter Description	Test Conditions	Min.	Max.	Unit
$V_{OH}$	Output HIGH Voltage	$I_{OH} = -3.2$ mA $V_{IN} = V_{IH}$ or $V_{IL}$ $V_{CC} = \text{Min.}$	2.4		V
$V_{OL}$	Output LOW Voltage	$I_{OL} = 16$ mA $V_{IN} = V_{IH}$ or $V_{IL}$ $V_{CC} = \text{Min.}$		0.5	V
$V_{IH}$	Input HIGH Voltage	Guaranteed Input Logical HIGH Voltage for all inputs (Note 1)	2.0		V
$V_{IL}$	Input LOW Voltage	Guaranteed Input Logical LOW Voltage for all inputs (Note 1)		0.8	V
$V_I$	Input Clamp Voltage	$I_{IN} = -18$ mA, $V_{CC} = \text{Min.}$		-1.2	V
$I_{IH}$	Input HIGH Current	$V_{IN} = 2.7$ V, $V_{CC} = \text{Max.}$ (Note 2)		25	$\mu$ A
$I_{IL}$	Input LOW Current	$V_{IN} = 0.4$ V, $V_{CC} = \text{Max.}$ (Note 2)		-100	$\mu$ A
$I_I$	Maximum Input Current	$V_{IN} = 5.5$ V, $V_{CC} = \text{Max.}$		1	mA
$I_{ozH}$	Off-State Output Leakage Current HIGH	$V_{OUT} = 2.7$ V, $V_{CC} = \text{Max.}$ $V_{IN} = V_{IH}$ or $V_{IL}$ (Note 2)		100	$\mu$ A
$I_{ozL}$	Off-State Output Leakage Current LOW	$V_{OUT} = 0.4$ V, $V_{CC} = \text{Max.}$ $V_{IN} = V_{IH}$ or $V_{IL}$ (Note 2)		-100	$\mu$ A
$I_{sc}$	Output Short-Circuit Current	$V_{OUT} = 0.5$ V, $V_{CC} = \text{Max.}$ (Note 3)	-30	-90	mA
$I_{CC}$	Supply Current	$V_{IN} = 0$ V, Outputs Open ( $I_{OUT} = 0$ mA) $V_{CC} = \text{Max.}$		180	mA

### Notes:

1. These are absolute values with respect to device ground and all overshoots due to system and/or tester noise are included.
2. I/O pin leakage is the worst case of  $I_{IL}$  and  $I_{ozL}$  (or  $I_{IH}$  and  $I_{ozH}$ ).
3. Not more than one output should be tested at a time. Duration of the short-circuit should not exceed one second.  $V_{OUT} = 0.5$  V has been chosen to avoid test problems caused by tester ground degradation.

## CAPACITANCE (Note 1)

Parameter Symbol	Parameter Description	Test Conditions	Typ.	Unit	
C <sub>IN</sub>	Input Capacitance	V <sub>IN</sub> = 2.0 V	V <sub>CC</sub> = 5.0 V	11	pF
			T <sub>A</sub> = 25°C	6	
C <sub>OUT</sub>	Output Capacitance	V <sub>OUT</sub> = 2.0 V	f = 1 MHz	9	

### Note:

1. These parameters are not 100% tested, but are evaluated at initial characterization and at any time the design is modified where capacitance may be affected.

## SWITCHING CHARACTERISTICS over COMMERCIAL operating ranges (Note 2)

Parameter Symbol	Parameter Description	A		Std		Unit
		Min.	Max.	Min.	Max.	
t <sub>PD</sub>	Input or Feedback to Combinatorial Output		25		35	ns
t <sub>S</sub>	Setup Time from Input, Feedback or SP to Clock	20		30		ns
t <sub>H</sub>	Hold Time	0		0		ns
t <sub>CO</sub>	Clock to Output or Feedback		15		25	ns
t <sub>AR</sub>	Asynchronous Reset to Registered Output		30		40	ns
t <sub>ARW</sub>	Asynchronous Reset Width	25		35		ns
t <sub>ARR</sub>	Asynchronous Reset Recovery Time	25		35		ns
t <sub>SPR</sub>	Synchronous Reset Recovery Time	20		30		ns
t <sub>WL</sub>	Clock Width	LOW	15	25		ns
t <sub>WH</sub>		HIGH	15	25		ns
f <sub>MAX</sub>	Maximum Frequency (Note 3)	External Feedback	1/(t <sub>S</sub> + t <sub>CO</sub> )	28.5	18	MHz
t <sub>EA</sub>	Input to Output Enable Using Product Term Control		25		35	ns
t <sub>ER</sub>	Input to Output Disable Using Product Term Control		25		35	ns

### Notes:

2. See Switching Test Circuit for test conditions.
3. These parameters are not 100% tested, but are calculated at initial characterization and at any time the design is modified where frequency may be affected.

## ABSOLUTE MAXIMUM RATINGS

Storage Temperature	-65°C to +150°C
Supply Voltage with Respect to Ground	-0.5 V to +7.0 V
DC Input Voltage	-0.5 V to +5.5 V
DC Output or I/O Pin Voltage	-0.5 V to $V_{CC}$ Max.
DC Input Current	-30 mA to +5 mA
Output Sink Current	100 mA (Note 6)

Stresses above those listed under Absolute Maximum Ratings may cause permanent device failure. Functionality at or above these limits is not implied. Exposure to Absolute Maximum Ratings for extended periods may affect device reliability. Programming conditions may differ. Absolute Maximum Ratings are for system design reference; parameters given are not tested.

## OPERATING RANGES

### Military (M) Devices (Note 1)

Ambient Temperature ( $T_A$ )	
Operating in Free Air	-55°C Min.
Operating Case ( $T_C$ ) Temperature	+125°C Max.
Supply Voltage ( $V_{CC}$ ) with Respect to Ground	+4.50 V to +5.50 V

Operating ranges define those limits between which the functionality of the device is guaranteed.

### Notes:

1. Military products are tested at  $T_C = +25^\circ\text{C}$ ,  $+125^\circ\text{C}$ , and  $-55^\circ\text{C}$  per MIL-STD-883.

## DC CHARACTERISTICS over MILITARY operating ranges unless otherwise specified (Note 2)

Parameter Symbol	Parameter Description	Test Conditions	Min.	Max.	Unit
$V_{OH}$	Output HIGH Voltage	$I_{OH} = -2\text{ mA}$ , $V_{IN} = V_{IH}$ or $V_{IL}$ , $V_{CC} = \text{Min.}$	2.4		V
$V_{OL}$	Output LOW Voltage	$I_{OL} = 12\text{ mA}$ , $V_{IN} = V_{IH}$ or $V_{IL}$ , $V_{CC} = \text{Min.}$		0.5	V
$V_{IH}$	Input HIGH Voltage	Guaranteed Input Logical HIGH Voltage for all Inputs (Note 3)	2.0		V
$V_{IL}$	Input LOW Voltage	Guaranteed Input Logical LOW Voltage for all Inputs (Note 3)		0.8	V
$V_I$	Input Clamp Voltage	$I_{IN} = -18\text{ mA}$ , $V_{CC} = \text{Min.}$		-1.2	V
$I_{IH}$	Input HIGH Current	$V_{IN} = 2.7\text{ V}$ , $V_{CC} = \text{Max.}$ (Note 4)		25	$\mu\text{A}$
$I_{IL}$	Input LOW Current	$V_{IN} = 0.4\text{ V}$ , $V_{CC} = \text{Max.}$ (Note 4)		-100	$\mu\text{A}$
$I_I$	Maximum Input Current	$V_{IN} = 5.5\text{ V}$ , $V_{CC} = \text{Max.}$		1	mA
$I_{OZH}$	Off-State Output Leakage Current HIGH	$V_{OUT} = 2.7\text{ V}$ , $V_{CC} = \text{Max.}$ , $V_{IN} = V_{IH}$ or $V_{IL}$ (Note 4)		100	$\mu\text{A}$
$I_{OZL}$	Off-State Output Leakage Current LOW	$V_{OUT} = 0.4\text{ V}$ , $V_{CC} = \text{Max.}$ , $V_{IN} = V_{IH}$ or $V_{IL}$ (Note 4)		-100	$\mu\text{A}$
$I_{SC}$	Output Short-Circuit Current	$V_{OUT} = 0.5\text{ V}$ , $V_{CC} = \text{Max.}$ (Note 5)	-30	-90	mA
$I_{CC}$	Supply Current	$V_{IN} = 0\text{ V}$ , Outputs Open ( $I_{OUT} = 0\text{ mA}$ ), $V_{CC} = \text{Max.}$		180	mA

### Notes:

2. For APL Products, Group A, Subgroups 1, 2, and 3 are tested per MIL-STD-883, Method 5005, unless otherwise noted.
3.  $V_{IL}$  and  $V_{IH}$  are input conditions of output tests and are not themselves directly tested.  $V_{IL}$  and  $V_{IH}$  are absolute voltages with respect to device ground and include all overshoots due to system and/or tester noise. Do not attempt to test these values without suitable equipment.
4. I/O pin leakage is the worst case of  $I_{IL}$  and  $I_{OZL}$  (or  $I_{IH}$  and  $I_{OZH}$ ).
5. Not more than one output should be tested at a time. Duration of the short-circuit should not exceed one second.  $V_{OUT} = 0.5\text{ V}$  has been chosen to avoid test problems caused by tester ground degradation.
6. Not more than one output should sink 100 mA at a time. Duration should not exceed one second.

## CAPACITANCE (Note 1)

Parameter Symbol	Parameter Description		Test Conditions		Typ.	Unit
C <sub>IN</sub>	Input Capacitance	Pins 1, 13	V <sub>IN</sub> = 2.0 V	V <sub>CC</sub> = 5.0 V T <sub>A</sub> = 25°C	11	pF
		Others			6	
C <sub>OUT</sub>	Output Capacitance		V <sub>OUT</sub> = 2.0 V	f = 1 MHz	9	

### Note:

1. These parameters are not 100% tested, but are evaluated at initial characterization and at any time the design is modified where capacitance may be affected.

## SWITCHING CHARACTERISTICS over MILITARY operating ranges (Note 2)

Parameter Symbol	Parameter Description		A		Std		Unit
			Min.	Max.	Min.	Max.	
t <sub>PD</sub>	Input or Feedback to Combinatorial Output			30		40	ns
t <sub>S</sub>	Setup Time from Input, or Feedback to Clock		25		35		ns
t <sub>H</sub>	Hold Time		0		0		ns
t <sub>CO</sub>	Clock to Output or Feedback			20		25	ns
t <sub>AR</sub>	Asynchronous Reset to Registered Output			35		45	ns
t <sub>ARW</sub>	Asynchronous Reset Width (Note 3)		30		40		ns
t <sub>ARR</sub>	Asynchronous Reset Recovery Time (Note 3)		30		40		ns
t <sub>WL</sub>	Clock Width	LOW	20		30		ns
t <sub>WH</sub>		HIGH	20		30		ns
f <sub>MAX</sub>	Maximum Frequency (Note 4)	External Feedback	1/(t <sub>S</sub> + t <sub>CO</sub> )		22	16.5	MHz
t <sub>EA</sub>	Input to Output Enable Using Product Term Control (Note 5)			30		40	ns
t <sub>ER</sub>	Input to Output Disable Using Product Term Control (Note 5)			30		40	ns

### Notes:

2. See Switching Test Circuit for test conditions.
3. t<sub>ARW</sub> and t<sub>ARR</sub> are not directly tested, but are guaranteed by the testing of t<sub>S</sub> and t<sub>AR</sub>.
4. These parameters are not 100% tested, but are calculated at initial characterization and at any time the design is modified where frequency may be affected.
5. These parameters are not 100% tested, but are evaluated at initial characterization and at any time the design is modified where these parameters may be affected.



**ABSOLUTE MAXIMUM RATINGS**

Storage Temperature	-65°C to +150°C
Ambient Temperature with Power Applied	-55°C to +125°C
Supply Voltage with Respect to Ground	-0.5 V to +7.0 V
DC Input Voltage (Except Pin 5)	-0.5 V to $V_{CC} + 0.5$ V
DC Input Voltage (Pin 5)	-0.6 V to +11.0 V
DC Output or I/O Pin Voltage	-0.5 V to $V_{CC} + 0.5$ V
Static Discharge Voltage	2001 V
Latchup Current ( $T_A = 0^\circ\text{C}$ to $+75^\circ\text{C}$ )	100 mA

Stresses above those listed under Absolute Maximum Ratings may cause permanent device failure. Functionality at or above these limits is not implied. Exposure to Absolute Maximum Ratings for extended periods may affect device reliability. Programming conditions may differ.

**OPERATING RANGES****Commercial (C) Devices**

Ambient Temperature ( $T_A$ )	
Operating in Free Air	0°C to +75°C
Supply Voltage ( $V_{CC}$ ) with Respect to Ground (Except H-25)	+4.75 V to +5.25 V
Supply Voltage ( $V_{CC}$ ) with Respect to Ground (H-25)	+4.5 V to +5.5 V

Operating Ranges define those limits between which the functionality of the device is guaranteed.

**DC CHARACTERISTICS over COMMERCIAL operating ranges unless otherwise specified**

Parameter Symbol	Parameter Description	Test Conditions	Min.	Max.	Unit
$V_{OH}$	Output HIGH Voltage	$I_{OH} = -3.2$ mA $V_{IN} = V_{IH}$ or $V_{IL}$ $V_{CC} = \text{Min.}$	2.4		V
$V_{OL}$	Output LOW Voltage	$I_{OL} = 16$ mA $V_{IN} = V_{IH}$ or $V_{IL}$ $V_{CC} = \text{Min.}$		0.4	V
$V_{IH}$	Input HIGH Voltage	Guaranteed Input Logical HIGH Voltage for all Inputs (Note 1)	2.0		V
$V_{IL}$	Input LOW Voltage	Guaranteed Input Logical LOW Voltage for all Inputs (Note 1)		0.8	V
$I_{IH}$	Input HIGH Leakage Current	$V_{IN} = 5.5$ V, $V_{CC} = \text{Max.}$ (Note 2)		10	$\mu\text{A}$
$I_{IL}$	Input LOW Leakage Current	$V_{IN} = 0$ V, $V_{CC} = \text{Max.}$ (Note 2)		-10	$\mu\text{A}$
$I_{OZH}$	Off-State Output Leakage Current HIGH	$V_{OUT} = 5.5$ V, $V_{CC} = \text{Max.}$ , $V_{IN} = V_{IL}$ or $V_{IH}$ (Note 2)		10	$\mu\text{A}$
$I_{OZL}$	Off-State Output Leakage Current LOW	$V_{OUT} = 0$ V, $V_{CC} = \text{Max.}$ , $V_{IN} = V_{IL}$ or $V_{IH}$ (Note 2)		-10	$\mu\text{A}$
$I_{SC}$	Output Short-Circuit Current	$V_{OUT} = 0.5$ V, $V_{CC} = \text{Max.}$ (Note 3)	-30	-150	mA
$I_{CC}$	Supply Current	$V_{IN} = 0$ V, Outputs Open ( $I_{OUT} = 0$ mA), $V_{CC} = \text{Max.}$			mA
			H	90	
			Q	55	

**Notes:**

- These are absolute values with respect to the device ground and all overshoots due to system and tester noise are included.
- I/O pin leakage is the worst case of  $I_{IL}$  and  $I_{OZL}$  (or  $I_{IH}$  and  $I_{OZH}$ ).
- Not more than one output should be tested at a time. Duration of the short-circuit test should not exceed one second.  $V_{OUT} = 0.5$  V has been chosen to avoid test problems caused by tester ground degradation.

## CAPACITANCE (Note 1)

Parameter Symbol	Parameter Description	Test Conditions		Typ.	Unit
C <sub>IN</sub>	Input Capacitance	V <sub>IN</sub> = 2.0 V	V <sub>CC</sub> = 5.0 V T <sub>A</sub> = 25°C f = 1 MHz	5	pF
C <sub>OUT</sub>	Output Capacitance	V <sub>OUT</sub> = 2.0 V		8	

### Note:

1. These parameters are not 100% tested, but are evaluated at initial characterization and at any time the design is modified where capacitance may be affected.

## SWITCHING CHARACTERISTICS over COMMERCIAL operating ranges (Note 2)

Parameter Symbol	Parameter Description	-15		-25		Unit
		Min.	Max.	Min.	Max.	
t <sub>PD</sub>	Input or Feedback to Combinatorial Output		15		25	ns
t <sub>S</sub>	Setup Time from Input, Feedback or SP to Clock	10		15		ns
t <sub>H</sub>	Hold Time	0		0		ns
t <sub>CO</sub>	Clock to Output		10		15	ns
t <sub>CF</sub>	Clock to Feedback (Note 3)		7		13	ns
t <sub>AR</sub>	Asynchronous Reset to Registered Output		20		25	ns
t <sub>ARW</sub>	Asynchronous Reset Width	15		25		ns
t <sub>ARR</sub>	Asynchronous Reset Recovery Time	10		25		ns
t <sub>SPR</sub>	Synchronous Preset Recovery Time	10		25		ns
t <sub>WL</sub>	Clock Width	LOW	8	13		ns
t <sub>WH</sub>		HIGH	8	13		ns
f <sub>MAX</sub>	Maximum Frequency (Note 4)	External Feedback	1/(t <sub>S</sub> + t <sub>CO</sub> )	50	33.3	MHz
		Internal Feedback	1/(t <sub>S</sub> + t <sub>CF</sub> )	58.8	35.7	MHz
t <sub>EA</sub>	Input to Output Enable Using Product Term Control		15		25	ns
t <sub>ER</sub>	Input to Output Disable Using Product Term Control		15		25	ns

### Notes:

2. See Switching Test Circuit for test conditions.
3. Calculated from measured f<sub>MAX</sub> internal.
4. These parameters are not 100% tested, but are calculated at initial characterization and at any time the design is modified where frequency may be affected.

2

## ABSOLUTE MAXIMUM RATINGS

Storage Temperature	-65°C to +150°C
Ambient Temperature with Power Applied	-55°C to +125°C
Supply Voltage with Respect to Ground	-0.5 V to +7.0 V
DC Input Voltage (Except Pin 5)	-0.5 V to $V_{CC} + 0.5$ V
DC Input Voltage (Pin 5)	-0.6 V to +11.0 V
DC Output or I/O Pin Voltage	-0.5 V to $V_{CC} + 0.5$ V
Static Discharge Voltage	2001 V
Latchup Current ( $T_A = -55^\circ\text{C}$ to $+125^\circ\text{C}$ )	100 mA

Stresses above those listed under Absolute Maximum Ratings may cause permanent device failure. Functionality at or above these limits is not implied. Exposure to Absolute Maximum Ratings for extended periods may affect device reliability. Programming conditions may differ. Absolute Maximum Ratings are for system design reference; parameters given are not tested.

## OPERATING RANGES

### Military (M) Devices (Note 1)

Operating Case Temperature ( $T_C$ )	-55°C to +125°C
Supply Voltage ( $V_{CC}$ ) with Respect to Ground	+4.5 V to +5.5 V

Operating ranges define those limits between which the functionality of the device is guaranteed.

### Note:

1. Military products are tested at  $T_C = +25^\circ\text{C}$ ,  $+125^\circ\text{C}$  and  $-55^\circ\text{C}$ , per MIL-STD-883.

## DC CHARACTERISTICS over MILITARY operating ranges unless otherwise specified (Note 2)

Parameter Symbol	Parameter Description	Test Conditions	Min.	Max.	Unit
$V_{OH}$	Output HIGH Voltage	$I_{OH} = -2.0$ mA $V_{IN} = V_{IH}$ or $V_{IL}$ $V_{CC} = \text{Min.}$	2.4		V
$V_{OL}$	Output LOW Voltage	$I_{OL} = 12$ mA $V_{IN} = V_{IH}$ or $V_{IL}$ $V_{CC} = \text{Min.}$		0.4	V
$V_{IH}$	Input HIGH Voltage	Guaranteed Input Logical HIGH Voltage for all Inputs (Note 3)	2.0		V
$V_{IL}$	Input LOW Voltage	Guaranteed Input Logical LOW Voltage for all Inputs (Note 3)		0.8	V
$I_{IH}$	Input HIGH Leakage Current	$V_{IN} = 5.5$ V, $V_{CC} = \text{Max.}$ (Note 4)		10	$\mu\text{A}$
$I_{IL}$	Input LOW Leakage Current	$V_{IN} = 0$ V, $V_{CC} = \text{Max.}$ (Note 4)		-10	$\mu\text{A}$
$I_{ozH}$	Off-State Output Leakage Current HIGH	$V_{OUT} = 5.5$ V, $V_{CC} = \text{Max.}$ $V_{IN} = V_{IH}$ or $V_{IL}$ (Note 4)		10	$\mu\text{A}$
$I_{ozL}$	Off-State Output Leakage Current LOW	$V_{OUT} = 0$ V, $V_{CC} = \text{Max.}$ $V_{IN} = V_{IH}$ or $V_{IL}$ (Note 4)		-10	$\mu\text{A}$
$I_{sc}$	Output Short-Circuit Current	$V_{OUT} = 0.5$ V $V_{CC} = \text{Max.}$ (Note 5)	-30	-150	mA
$I_{CC}$	Supply Current	$V_{IN} = 0$ V, Outputs Open ( $I_{OUT} = 0$ mA), $V_{CC} = \text{Max.}$		100	mA

### Notes:

2. For APL products, Group A, Subgroups 1, 2 and 3 are tested per MIL-STD-883, Method 5005, unless otherwise noted.
3.  $V_{IL}$  and  $V_{IH}$  are input conditions of output tests and are not themselves directly tested.  $V_{IL}$  and  $V_{IH}$  are absolute voltages with respect to device ground and include all overshoots due to system and/or tester noise. Do not attempt to test these values without suitable equipment.
4. I/O pin leakage is the worst case of  $I_{IL}$  and  $I_{ozL}$  (or  $I_{IH}$  and  $I_{ozH}$ ).
5. Not more than one output should be shorted at a time and duration of the short-circuit should not exceed one second.  $V_{OUT} = 0.5$  V has been chosen to avoid test problems caused by tester ground degradation. This parameter is not 100% tested, but is evaluated at initial characterization and at any time the design is modified where  $I_{sc}$  may be affected.

## CAPACITANCE (Note 1)

Parameter Symbol	Parameter Description	Test Conditions		Typ.	Unit
C <sub>IN</sub>	Input Capacitance	V <sub>IN</sub> = 2.0 V	V <sub>CC</sub> = 5.0 V T <sub>A</sub> = 25°C	8	pF
C <sub>OUT</sub>	Output Capacitance	V <sub>OUT</sub> = 2.0 V	f = 1 MHz	9	

**Note:**

1. These parameters are not 100% tested, but are evaluated at initial characterization and at any time the design is modified where capacitance may be affected.

## SWITCHING CHARACTERISTICS over MILITARY operating ranges (Note 2)

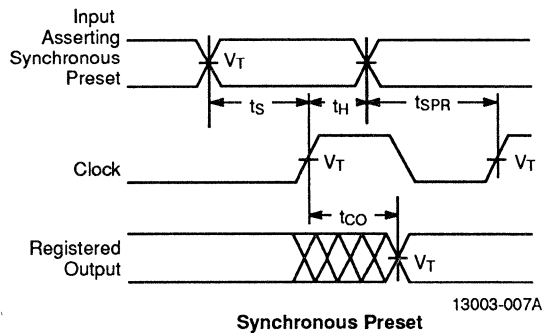
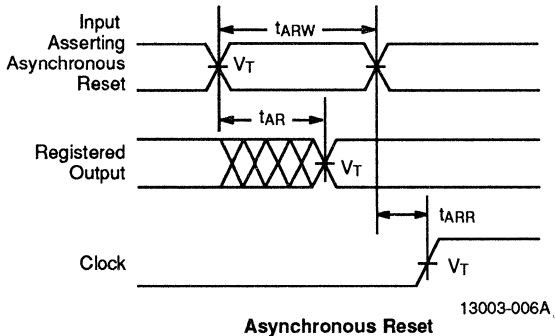
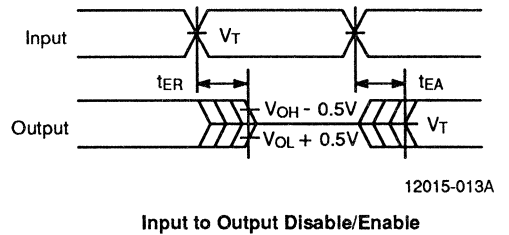
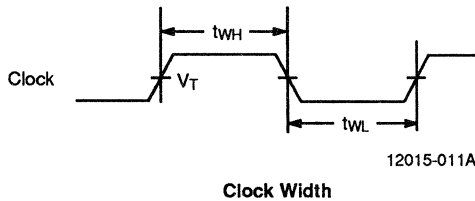
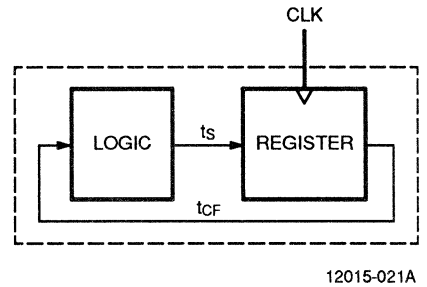
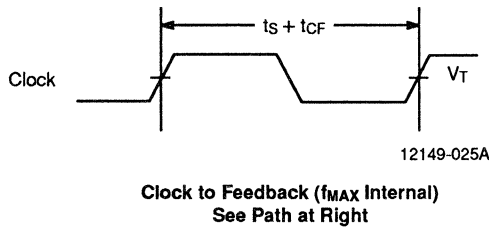
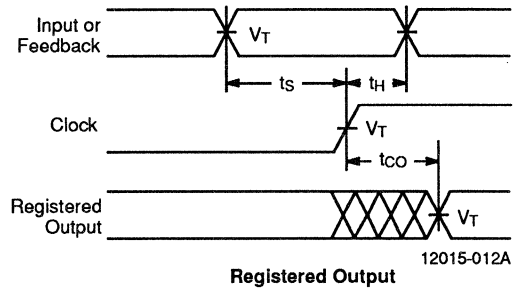
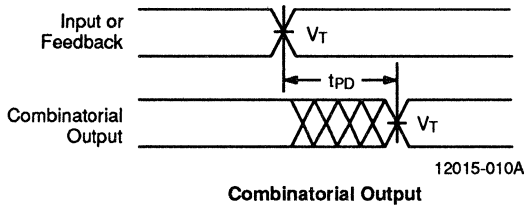
Parameter Symbol	Parameter Description		-25		-30		Unit
			Min.	Max.	Min.	Max.	
t <sub>PD</sub>	Input or Feedback to Combinatorial Output			25		30	ns
t <sub>s</sub>	Setup Time from Input, Feedback or SP to Clock		20		20		ns
t <sub>H</sub>	Hold Time (Note 4)		0		0		ns
t <sub>CO</sub>	Clock to Output			20		20	ns
t <sub>CF</sub>	Clock to Feedback (Note 3)			18		18	ns
t <sub>AR</sub>	Asynchronous Reset to Registered Output			30		35	ns
t <sub>ARW</sub>	Asynchronous Reset Width (Note 4)		25		30		ns
t <sub>ARR</sub>	Asynchronous Reset Recovery Time (Note 4)		25		30		ns
t <sub>SPR</sub>	Synchronous Preset Recovery Time		25		30		ns
t <sub>WL</sub>	Clock Width	LOW	15		15		ns
		HIGH	15		15		ns
f <sub>MAX</sub>	Maximum Frequency (Note 5)	External Feedback	1/(t <sub>s</sub> + t <sub>CO</sub> )	25		25	MHz
		Internal Feedback	1/(t <sub>s</sub> + t <sub>CF</sub> )	26		26	MHz
t <sub>EA</sub>	Input to Output Enable Using Product Term Control (Note 4)			25		30	ns
t <sub>ER</sub>	Input to Output Disable Using Product Term Control (Note 4)			25		30	ns

**Notes:**

2. See Switching Test Circuit for test conditions. For APL products Group A, Subgroups 7, 8, 9, 10, and 11 are tested per MIL-STD-883, Method 5005, unless otherwise noted.
3. Calculated from measured f<sub>MAX</sub> internal.
4. These parameters are not 100% tested, but are evaluated at initial characterization and at any time the design is modified where these parameters may be affected.
5. These parameters are not 100% tested, but are calculated at initial characterization and at any time the design is modified where frequency may be affected.

**2**

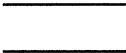




# SWITCHING WAVEFORMS



## Notes:

1.  $V_T = 1.5 V$ .
2. Input pulse amplitude 0 V to 3.0 V.
3. Input rise and fall times 2–5 ns typical. (2–4 ns for 22V10-10)

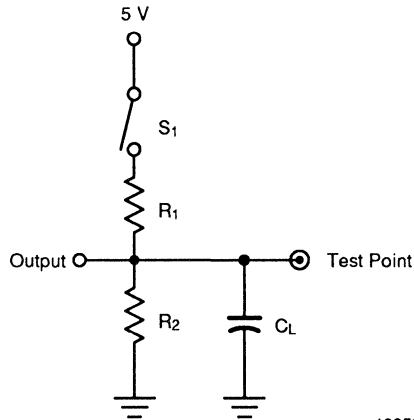
## KEY TO SWITCHING WAVEFORMS

WAVEFORM	INPUTS	OUTPUTS
	Must be Steady	Will be Steady
	May Change from H to L	Will be Changing from H to L
	May Change from L to H	Will be Changing from L to H
	Don't Care; Any Change Permitted	Changing, State Unknown
	Does Not Apply	Center Line is High-Impedance "Off" State

KS000010-PAL

2

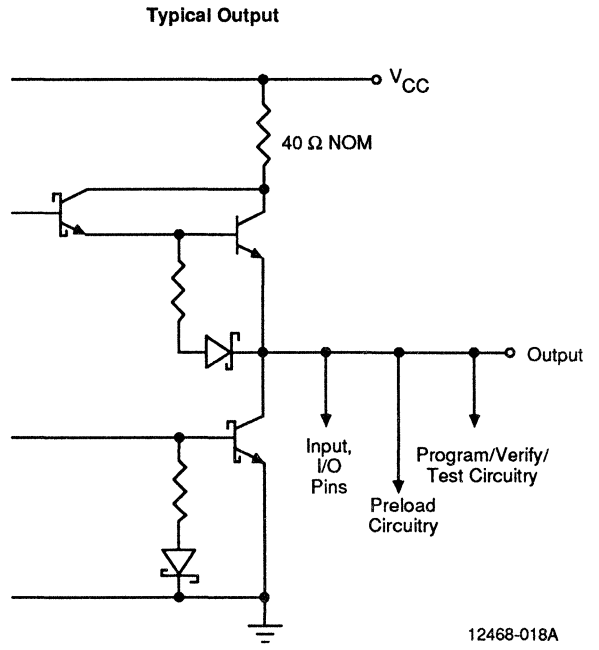
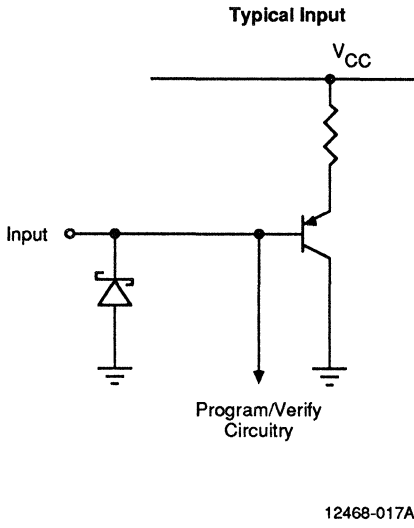
## SWITCHING TEST CIRCUIT



12350-019A

Specification	S <sub>1</sub>	C <sub>L</sub>	Commercial		Military		Measured Output Value
			R <sub>1</sub>	R <sub>2</sub>	R <sub>1</sub>	R <sub>2</sub>	
t <sub>PD</sub> , t <sub>CO</sub> , t <sub>CF</sub>	Closed	50 pF	300 Ω	390 Ω	390 Ω	750 Ω	1.5 V
t <sub>EA</sub>	Z → H: Open Z → L: Closed				CMOS: 338 Ω	CMOS: 248 Ω	1.5 V
t <sub>ER</sub>	H → Z: Open L → Z: Closed	5 pF					H → Z: V <sub>OH</sub> - 0.5 V L → Z: V <sub>OL</sub> + 0.5 V

**INPUT/OUTPUT EQUIVALENT SCHEMATICS**  
**Bipolar Devices Only**



## ENDURANCE CHARACTERISTICS

The PALCE22V10 is manufactured using AMD's advanced Electrically Erasable process. This technology uses an EE cell to replace the fuse link used in bipolar

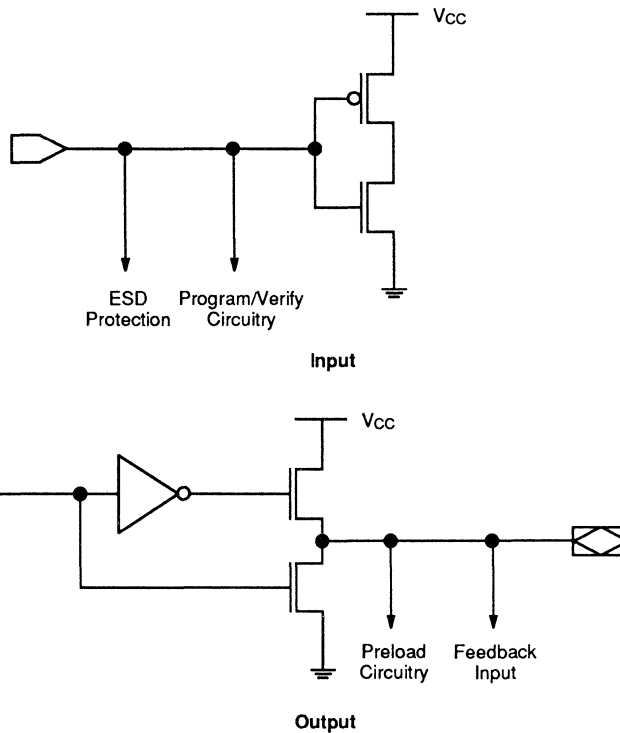
parts. As a result, the device can be erased and reprogrammed – a feature which allows 100% testing at the factory.

### Endurance Characteristics

Symbol	Parameter	Min.	Units	Test Conditions
t <sub>DR</sub>	Min. Pattern Data Retention Time	10	Years	Max. Storage Temperature
		20	Years	Max. Operating Temperature (Military)
N	Min. Reprogramming Cycles	100	Cycles	Normal Programming Conditions

## INPUT/OUTPUT EQUIVALENT SCHEMATICS

### CMOS Devices Only



2

12197-013A



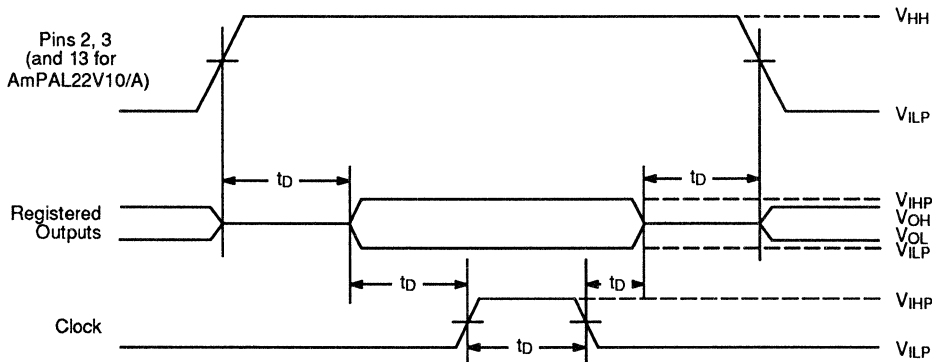
## OUTPUT REGISTER PRELOAD

### Bipolar Devices Only

The preload function allows the registers to be loaded from the output pins. This feature aids functional testing of sequential designs by allowing direct setting of output states. The procedure for preloading follows.

1. Raise  $V_{CC}$  to  $5.0\text{ V} \pm 0.5\text{ V}$ .
2. Set pins 2 and 3 (and 13 for AmPAL22V10/A) to  $V_{HH}$  to disable outputs and enable preload.
3. Apply the desired value ( $V_{ILP}/V_{IHP}$ ) to all registered output pins. Leave combinatorial output pins floating.
4. Clock pin 1 from  $V_{ILP}$  to  $V_{IHP}$ .
5. Remove  $V_{ILP}/V_{IHP}$  from all registered output pins.
6. Lower pins 2 and 3 to  $V_{ILP}$ .
7. Enable the output registers according to the programmed pattern.
8. Verify  $V_{OL}/V_{OH}$  at all registered output pins. Note that the output pin signal will depend on the output polarity.

Parameter Symbol	Parameter Description	Min.	Rec.	Max.	Unit
$V_{HH}$	Super-level input voltage	10	11	12	V
$V_{ILP}$	Low-level input voltage	0	0	0.5	V
$V_{IHP}$	High-level input voltage	2.4	5.0	5.5	V
$t_D$	Delay time	100	200	1000	ns



14004-002A

Output Register Preload Waveform

## OUTPUT REGISTER PRELOAD

### CMOS Devices Only

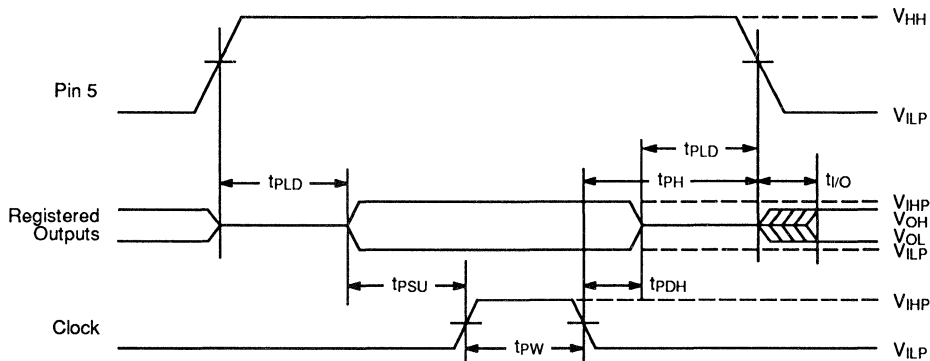
The preload function allows the registers to be loaded from the output pins. This feature aids functional testing of sequential designs by allowing direct setting of output states. The procedure for preloading follows.

1. Raise  $V_{CC}$  to  $5.0\text{ V} \pm 0.5\text{ V}$ .
2. Set pin 5 to  $V_{HH}$  to disable outputs and enable preload.
3. Apply the desired value ( $V_{ILP}/V_{IHP}$ ) to all registered output pins. Leave combinatorial output pins floating.
4. Clock pin 1 from  $V_{ILP}$  to  $V_{IHP}$ .
5. Remove  $V_{ILP}/V_{IHP}$  from all registered output pins.
6. Lower pin 5 to  $V_{ILP}$ .
7. Enable the output registers according to the programmed pattern.
8. Verify  $V_{OL}/V_{OH}$  at all registered output pins. Note that the output pin signal will depend on the output polarity.

Parameter Symbol	Parameter Description	Min.	Rec.	Max.	Unit
$V_{HH}$	Super-level input voltage	9.5	10	10.5	V
$V_{ILP}$	Low-level input voltage	0	0	0.5	V
$V_{IHP}$	High-level input voltage	3.0	4.0	$V_{CC}$	V
$t_{PLD}$	Setup and Hold Data to Preload (Pin 5)	50	50		$\mu\text{s}$
$t_{PSU}$	Data Setup Prior to Applying Preload Latch Pulse	1.0	1.0*		$\mu\text{s}$
$t_{PDH}$	Data Hold After Latch Pulse	1.0	1.0*		$\mu\text{s}$
$t_{PH}$	Mode Hold After Latch Pulse	1.0	1.0*		$\mu\text{s}$
$t_{PW}$	Latch Pulse Width	1.0	1.0*		$\mu\text{s}$
$t_{I/O}$	I/O Valid After Pin 5 Drops from $V_{HH}$ to TTL Levels			100	$\mu\text{s}$
$\frac{dVr}{dt}$	$V_{HH}$ Rising Slew Rate (Pin 5)	10		100	V/ $\mu\text{s}$
$\frac{dVf}{dt}$	$V_{HH}$ Falling Slew Rate (Pin 5)		2.0	3.0	V/ $\mu\text{s}$

\* Recommended value is as close to  $1.0\ \mu\text{s}$  + tolerance as practical, but not less than  $1.0\ \mu\text{s}$ .

2



14004-003A

Output Register Preload Waveform

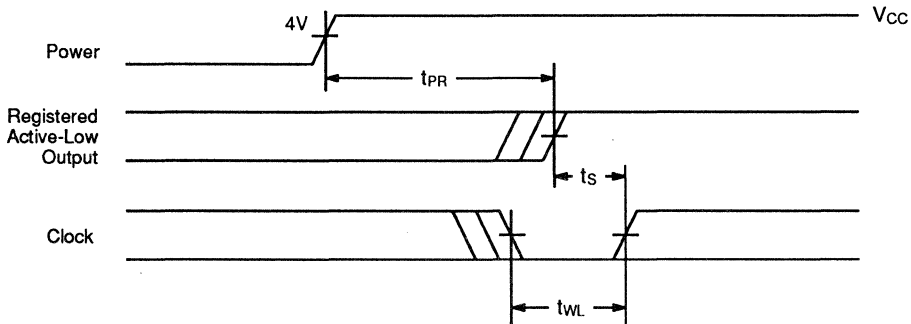
## POWER-UP RESET

The power-up reset feature ensures that all flip-flops will be reset to LOW after the device has been powered up. The output state will depend on the programmed pattern. This feature is valuable in simplifying state machine initialization. A timing diagram and parameter table are shown below. Due to the synchronous operation of the power-up reset and the wide range of ways  $V_{CC}$

can rise to its steady state, two conditions are required to ensure a valid power-up reset. These conditions are:

1. The  $V_{CC}$  rise must be monotonic.
2. Following reset, the clock input must not be driven from LOW to HIGH until all applicable input and feedback setup times are met.

Parameter Symbol	Parameter Description		Max.	Unit
$t_{PR}$	Power-up Reset Time	Bipolar	1	$\mu\text{s}$
		CMOS	10	
$t_s$	Input or Feedback Setup Time	See Switching Characteristics		
$t_{WL}$	Clock Width LOW			



12350-024A

Power-Up Reset Waveform



# PALCE22V10Z-25

Advanced  
Micro  
Devices

Zero Standby Power 24-pin EE CMOS Versatile PAL® Device

## DISTINCTIVE CHARACTERISTICS

- Zero standby power allows battery operation
- 10 macrocells programmable as registered or combinatorial, and active high or active low to match application needs
- Varied product term distribution allows up to 16 product terms per output for complex functions
- Easy design with PALASM® software
- Global asynchronous reset and synchronous preset for initialization
- Power-up reset for initialization and register preload for testability
- Programmable on standard PAL device programmers
- 24-pin SKINNYDIP® and 28-pin PLCC packages save space

## GENERAL DESCRIPTION

The PALCE22V10Z is a zero standby power version of the popular PAL22V10 programmable logic device. Zero standby power (100 µA max) and low operating power allow the PALCE22V10Z to be used in battery-powered systems. The PALCE22V10Z is pin-compatible with the other PAL22V10 devices.

The PALCE22V10Z utilizes Advanced Micro Devices' advanced low-power, high-speed EE CMOS technology. The device provides user-programmable logic for replacing conventional SSI/MSI gates and flip-flops at a reduced chip count.

The PAL device implements the familiar Boolean logic transfer function, the sum of products. The PAL device is a programmable AND array driving a fixed OR array. The AND array is programmed to create custom product

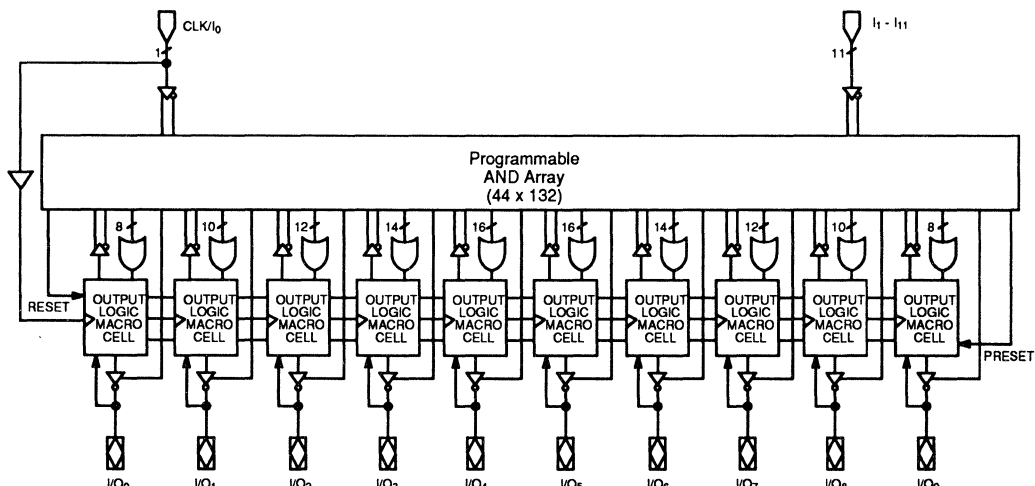
terms, while the OR array sums selected terms at the outputs.

The product terms are connected to the fixed OR array (see Block Diagram). The OR sum of the products feeds the output macrocell. Each macrocell can be programmed as registered or combinatorial, and active high or active low. The output configuration is determined by two bits controlling two multiplexers in each macrocell.

The entire PAL device family is supported by the PALASM software package. The PAL family is programmed on conventional PAL device programmers with appropriate personality and socket adapter modules.

2

## BLOCK DIAGRAM



13003-001A

This document contains information on a product under development at Advanced Micro Devices, Inc. The information is intended to help you evaluate this product. AMD reserves the right to change or discontinue work on this proposed product without notice. PAL, PALASM, and SKINNYDIP are registered trademarks of Advanced Micro Devices. This part is protected by various U.S. and foreign patents owned by Advanced Micro Devices.

Publication # 14001	Rev. A	Amendment 0
Issue Date: January 1989		



# AmPAL23S8-20/25

## 20-Pin PAL<sup>®</sup> Device-Based Sequencer

Advanced  
Micro  
Devices

### DISTINCTIVE CHARACTERISTICS

- 14 Registers
  - 4 Output Logic Macrocells
  - 4 Output Registers
  - 6 Buried State Registers
- 23 possible array inputs and 8 outputs in a 20-pin package
- 33-MHz external/40-MHz internal cycle time
- Variable product term (PT) distribution for increased design flexibility
- Asynchronous and synchronous outputs supported for both Mealy- and Moore-type state-machine implementations
- Individually user-programmable Output Enable (OE) PTs with polarity control
- PTs for observing the buried registers on 6 of the output pins
- Separate PTs for common Synchronous PRESET and common Asynchronous RESET of all registers
- PRELOAD available on all registers for added test capability
- 99.9% post programming functional yield (PPFY)
- Platinum-Silicide fuse technology produces the most reliable bipolar programmable devices available today

### GENERAL DESCRIPTION

The AmPAL23S8 is the first programmable array logic (PAL)-based sequencer device. It utilizes the familiar sum-of-products (AND-OR) logic structure, allowing users to customize logic functions by programming the device for specific applications. The AmPAL23S8 combines the ease of use of the familiar 20-pin PAL devices with the advanced "macrocell" concept introduced in the AmPAL22V10, as well as six Buried State Registers (BSRs).

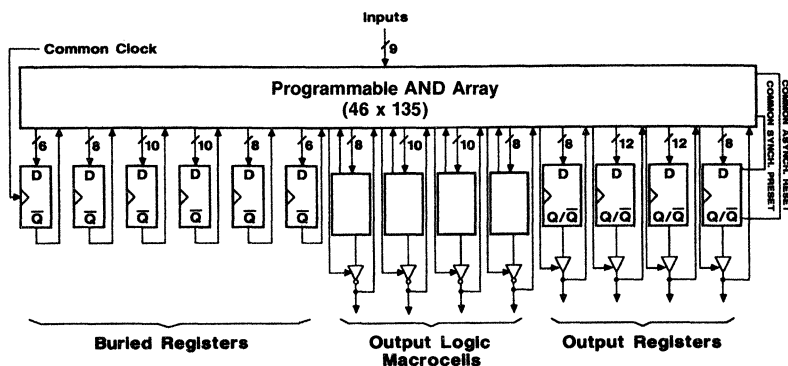
The AmPAL23S8 provides up to twenty-three array inputs and eight outputs. Four of the outputs are Output Logic Macrocells (OLMs) capable of being individually programmed as "combinatorial" or "registered," with active-HIGH or active-LOW polarity on each output. The other four are "registered" outputs, also capable of being programmed for active- HIGH or LOW polarity. All the flexibility on the outputs result in the simplification of logic design. The need to perform "DeMorgan's Law" on equations to have them fit into a PAL device is now a thing of the past. Each of the eight output registers can also be used dynamically as an input or output for greater design flexibility.

The AmPAL23S8 also offers designers increased flexibility and control over Output Enable (OE) functions. Each output is logically controlled by an OE product term (PT), with programmable OE polarity control. This allows the designer to use more complex control than previously available.

The six BSRs provide designers with enhanced logic power for sequencer applications. These registers are not only available to the system designer for use in sequencer applications (without the expense of a valuable I/O pin), but they may also be observed on the output pins during test. The observability of these registers on a programmable-logic sequencer adds to the list of features which make this device unique, simple to design with, and simple to debug.

System operation has been enhanced by the addition of Synchronous PRESET and Asynchronous RESET PTs. The AmPAL23S8 also incorporates the unique capability of PRELOADING the eight output registers and the BSRs to any desired state during testing. This is essential to permit full logical verification during test.

### BLOCK DIAGRAM

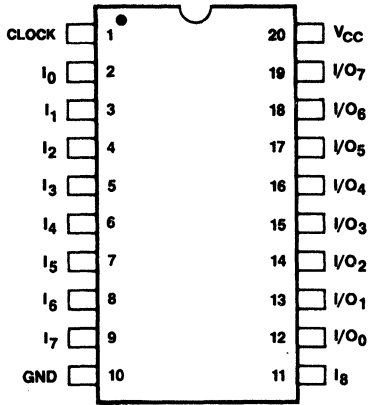


BD006800

# CONNECTION DIAGRAM

## Top View

DIP



CD009870

Note: Pin 1 is marked for orientation.

### Pin Description

VCC = Supply Voltage

GND = Ground

CLOCK = Clock Pin

I<sub>0</sub> - I<sub>8</sub> = Dedicated Input Pins (9)

I/O<sub>0</sub> - I/O<sub>7</sub> = Bidirectional I/O Pins (8)

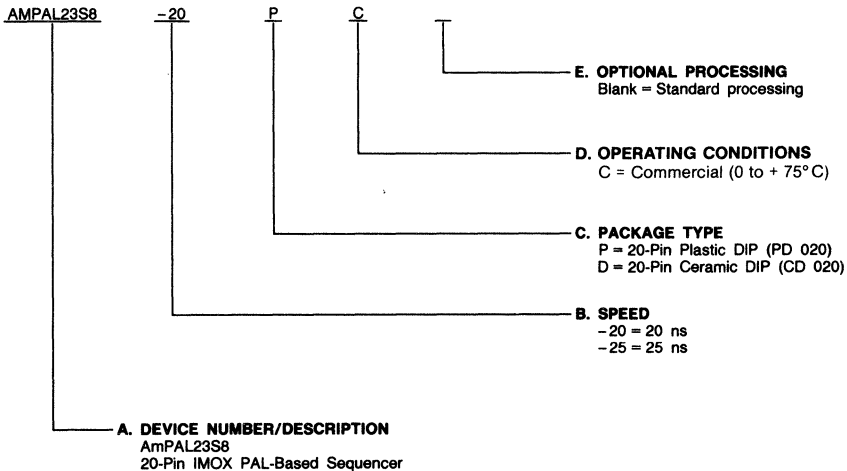
2

# ORDERING INFORMATION

## Standard Products

AMD standard products are available in several packages and operating ranges. The order number (Valid Combination) is formed by a combination of:

- A. Device Number
- B. Speed
- C. Package Type
- D. Operating Conditions
- E. Optional Processing



Valid Combinations	
AMPAL23S8-20	PC, DC
AMPAL23S8-25	PC, DC

Valid Combinations list configurations planned to be supported in volume for this device. Consult the local AMD sales office to confirm availability of specific valid combinations and to check on newly released combinations.

Note: Marked with AMD logo.

---

## FUNCTIONAL DESCRIPTION

The AmPAL23S8 is an advanced bipolar programmable array logic (PAL)-based sequencer. It contains a programmable array organized in the familiar sum-of-products structure. The structure of this device makes it particularly ideal for state machine applications. Any design which employs the use of complex state functions is a prime candidate for the AmPAL23S8.

The block diagram on the first page shows the basic architecture of this device; a maximum of 23 array inputs and 8 outputs are available. The inputs are connected to a programmable AND array containing 135 product terms (PTs), of which 124 are logical PTs and 11 are control PTs. Before programming, the AND gates are connected to both the true and complement of every input. By selectively programming fuses, the AND gates may be connected to only the true input, the complement input, or to neither type of input, establishing a logical "don't care". When both the true and complement fuses are left intact, a logical FALSE results on the output of the AND gate. An AND gate with all fuses blown will assume the logical TRUE state. The outputs of the AND gates are connected to OR gates.

### Variable Product Term (PT) Distribution

The number of AND gates assigned to each OR gate varies in a fixed manner for each output as shown in the logic diagram (Figure 5). The OR gate outputs feed dedicated registers and macrocells. Each OR gate averages approximately ten PTs for output registers and macrocells. This gives the capability of using from eight to twelve logical PTs on one output in a single clock cycle (no feedback necessary). Buried state registers (BSRs) have an average of eight PTs per OR gate, providing the capability of using from six to ten logical PTs in one BSR in a single clock cycle.

### Variable Output Architecture: Output Logic Macrocells (OLMs)

An innovation in logic design is the implementation on the AmPAL23S8 of variable output architecture on four of the outputs. These Output Logic Macrocells (OLMs) are user programmable for a great deal of design flexibility. Each of the four OLMs can be independently programmed for eight distinct configurations. The outputs can be either "registered" or "combinatorial;" they can also be individually programmed for active-HIGH or active-LOW polarity. Finally, the feedback paths which feed through the multiplexer back to the AND array can be programmed so that they originate either from the register or from the I/O pin. From the feedback multiplexer both the true and complement of the output going back to the array are available. All possible configurations of the OLMs are illustrated in Figures 4-1 through 4-8. For maximum flexibility, selection of output polarity and feedback path are kept independent of each other.

### Output Registers

In addition to the four OLMs on the AmPAL23S8, there are also four output registers. The data on the output registers may be fed back to the array. When the output is disabled, the pin may be used as an external input. Since each of the eight outputs can obtain feedback from the pins associated with them, all eight of them provide the advantage of being usable dynamically as either inputs or outputs, significantly increasing design flexibility and possibilities.

### Buried State Registers (BSRs)

The six observable Buried State Registers are one of the key features of the AmPAL23S8. All BSR outputs are fed back to the AND array, but they do not use up an output pin. The state of each BSR is, however, observable on an associated output pin by activating the user-programmable Observability product term as well as the appropriate Output Enable product term.

The extensive user-programmable flexibility enhances the usefulness of this device for different types of state machine implementations. The possibility exists to create both the Mealy and Moore type of design in the same device.

### Programmable Output Polarity

Each output has a user-programmable output polarity fuse which, when blown, indicates that the output will be active HIGH, and when intact, active LOW. The obvious benefit of this enhancement is the increased flexibility of design. With the choice of output polarity, there is no need to DeMorganize equations to fit the device, allowing for more efficient designs both in terms of the amount of time spent in design as well as effective utilization of the device.

For further enhancement of the increased logic power of the AmPAL23S8, each output has a PT to control Output Enable (OE) with programmable polarity.

### PRESET/RESET

To improve functionality at the system level, the AmPAL23S8 has additional RESET and PRESET PTs. One PT controls Output Register and BSR PRESET, and one PT controls the RESET for these registers. When the Synchronous PRESET PT is asserted (HIGH), all registers are loaded with a HIGH on the next LOW-to-HIGH clock transition. When the Asynchronous RESET PT is asserted, all registers are immediately loaded with a LOW, independent of the clock. These functions are particularly useful for applications such as system power-up and RESET.

### PRELOAD

In order to simplify testing, the AmPAL23S8 is designed with PRELOAD circuitry that provides an easy method for testing logical functionality. PRELOAD allows any arbitrary "present state" values to be loaded into the OLMs, BSRs and Output Registers of this device. OLM Registers and BSRs are PRELOADed in separate cycles, allowing them to be PRELOADed with different values. Logic verification sequences can be significantly shortened, and all possible state sequences tested, reducing test time and development costs, and guaranteeing proper functionality in system.

A typical functional test sequence would be to verify all possible state transitions for the device being tested. To verify these transitions requires the ability to set the state registers to an arbitrary "present state" value and to set the device inputs to any arbitrary "present input" value. Once this is done, the state machine is then clocked into a new state, or "next state," which can be checked to validate the transition from the "present state." In this way, any state transition can be checked.

It is obvious that to attempt the debugging of a design using BSRs without the benefit of PRELOAD capability would be quite difficult. The combination of this feature and the BSRs

being observable is virtually indispensable for efficient and trouble-free state machine design.

### Observability

This extra ease of debugging the design comes from the use of the Observability (OBS) PT. The outputs must first be enabled according to the programmed pattern. When the OBS PT is selected, it disables all the Output Registers and Macrocell buffers, and enables the BSR buffers onto the output pins 13 through 18. When the OBS PT is not selected, the Output Registers and Macrocell buffers are enabled and the BSR buffers are disabled. When all the fuses for this PT are intact, (i.e., OBS is not selected), the data from the BSRs will not be visible on the output pins, and the Output Registers and OLMs will be enabled.

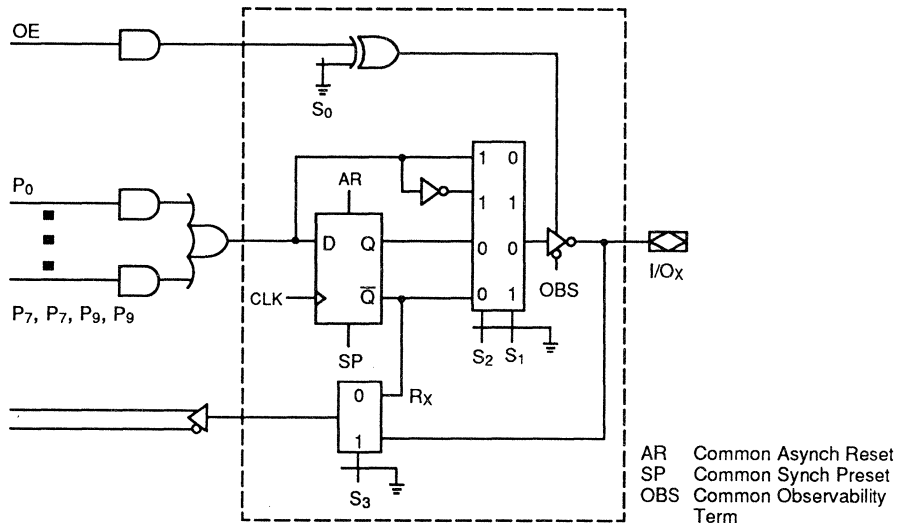
### Processing and Fuse Technology

The AmPAL23S8 is manufactured using Advanced Micro Devices' IMOX oxide isolation process. This advanced

process permits an increase in density and a decrease in internal capacitance resulting in the fastest possible programmable logic devices.

The AmPAL23S8 is fabricated with AMD's fast programming, highly reliable Platinum-Silicide fuse technology. Utilizing an easily implemented programming algorithm, these products can be rapidly programmed to any customized pattern. Extra test words are preprogrammed during manufacturing to ensure extremely high field programming yields (> 98%), and provide extra test paths to achieve excellent parametric correlation.

Platinum-Silicide was selected as the fuse link material to achieve a well controlled melt rate resulting in large, non-conductive gaps that ensure very stable, long term reliability. Extensive operating testing has proven that this low-field, large-gap technology offers high reliability for fusible link programmable logic.



S0	OUTPUT ENABLE POLARITY
0	ENABLED HIGH
1	ENABLED LOW

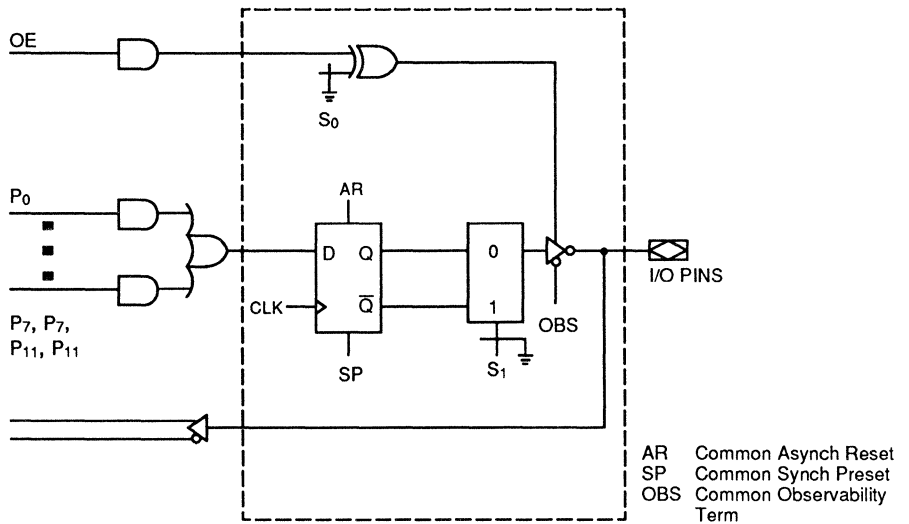
08207-001A

S1	S2	S3	OUTPUT CONFIGURATION
0	0	0	ACTIVE LOW/REG/REG FEEDBACK
0	0	1	ACTIVE LOW/REG/IO FEEDBACK
0	1	0	ACTIVE LOW/COMB/REG FEEDBACK
0	1	1	ACTIVE LOW/COMB/IO FEEDBACK
1	0	0	ACTIVE HIGH/REG/REG FEEDBACK
1	0	1	ACTIVE HIGH/REG/IO FEEDBACK
1	1	0	ACTIVE HIGH/COMB/REG FEEDBACK
1	1	1	ACTIVE HIGH/COMB/IO FEEDBACK

0 = INTACT FUSE  
1 = PROGRAMMED FUSE

Figure 1. Output Logic Macrocell (OLM)





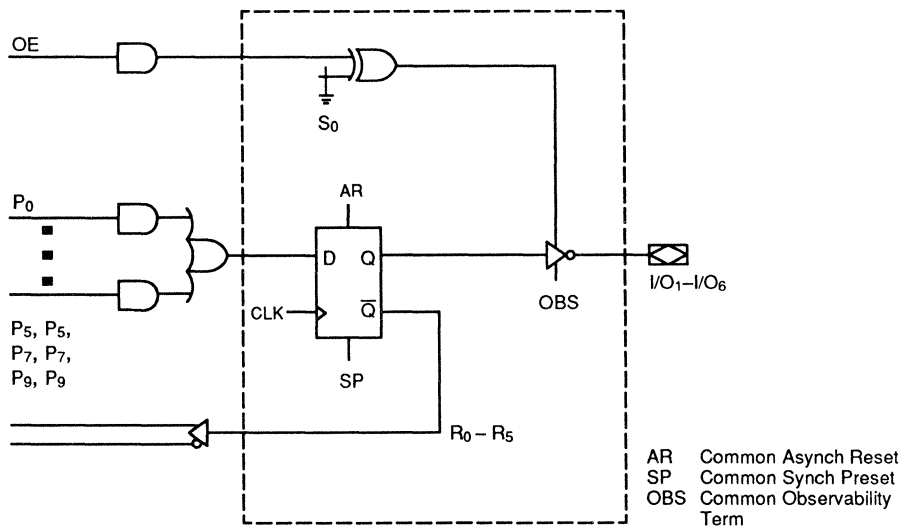
S0	OUTPUT ENABLE POLARITY
0	ENABLED HIGH
1	ENABLED LOW

S1	OUTPUT CONFIGURATION
0	ACTIVE LOW
1	ACTIVE HIGH

0 = INTACT FUSE  
 1 = PROGRAMMED FUSE

08207-002A

Figure 2. Output Register With Polarity

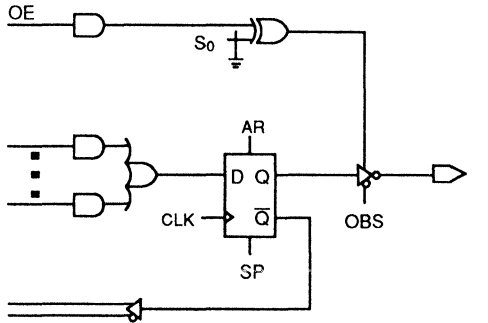


S0	OUTPUT ENABLE POLARITY
0	ENABLED HIGH
1	ENABLED LOW

0 = INTACT FUSE  
 1 = PROGRAMMED FUSE

08207-003A

Figure 3. Buried State Register (BSR)

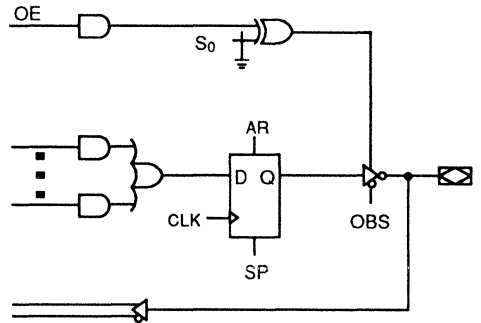


08207-004A

**Output**  
 Active Low  $S_1 = 0$   
 Registered  $S_2 = 0$

**Feedback**  
 Registered  $S_3 = 0$

4-1



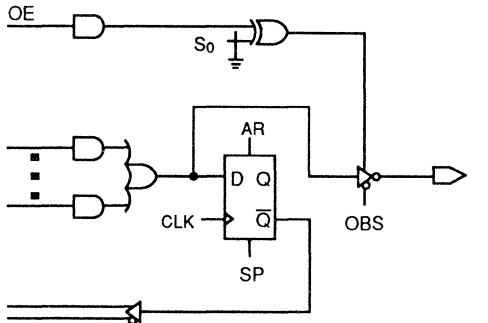
08207-005A

**Output**  
 Active Low  $S_1 = 0$   
 Registered  $S_2 = 0$

**Feedback**  
 I/O Pin  $S_3 = 1$

4-2

2

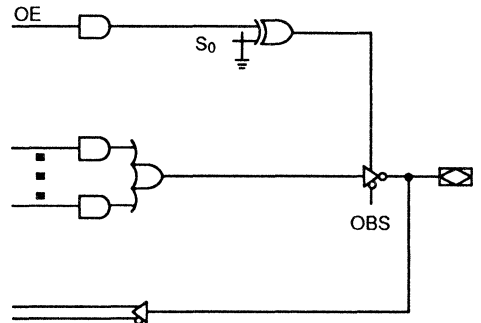


08207-006A

**Output**  
 Active Low  $S_1 = 0$   
 Combinatorial  $S_2 = 1$

**Feedback**  
 Registered  $S_3 = 0$

4-3



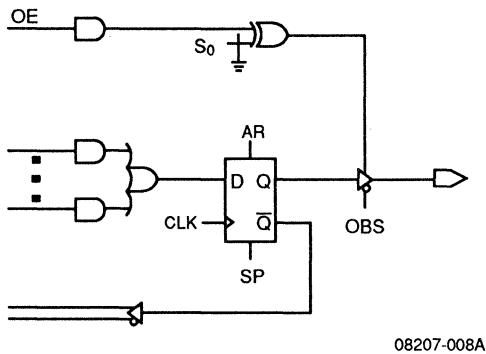
08207-007A

**Output**  
 Active Low  $S_1 = 0$   
 Combinatorial  $S_2 = 1$

**Feedback**  
 I/O Pin  $S_3 = 1$

4-4

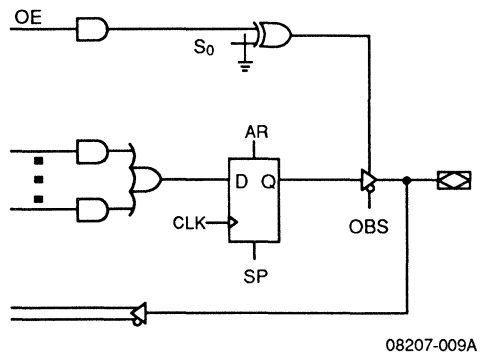
Figure 4. Possible Configurations of the Output Logic Macrocells (OLMs)



**Output**  
 Active High  $S_1 = 1$   
 Registered  $S_2 = 0$

**Feedback**  
 Registered  $S_3 = 0$

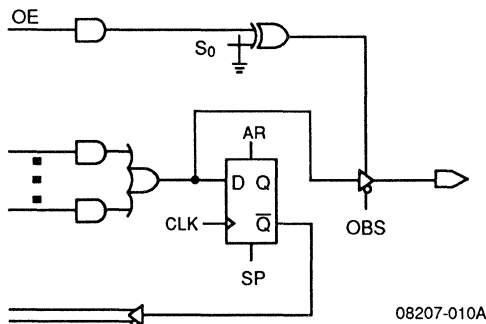
4-5



**Output**  
 Active High  $S_1 = 1$   
 Registered  $S_2 = 0$

**Feedback**  
 I/O Pin  $S_3 = 1$

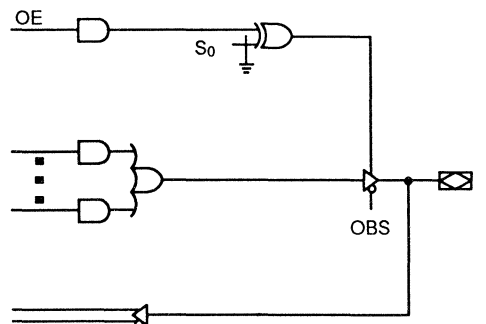
4-6



**Output**  
 Active High  $S_1 = 1$   
 Combinatorial  $S_2 = 1$

**Feedback**  
 Registered  $S_3 = 0$

4-7



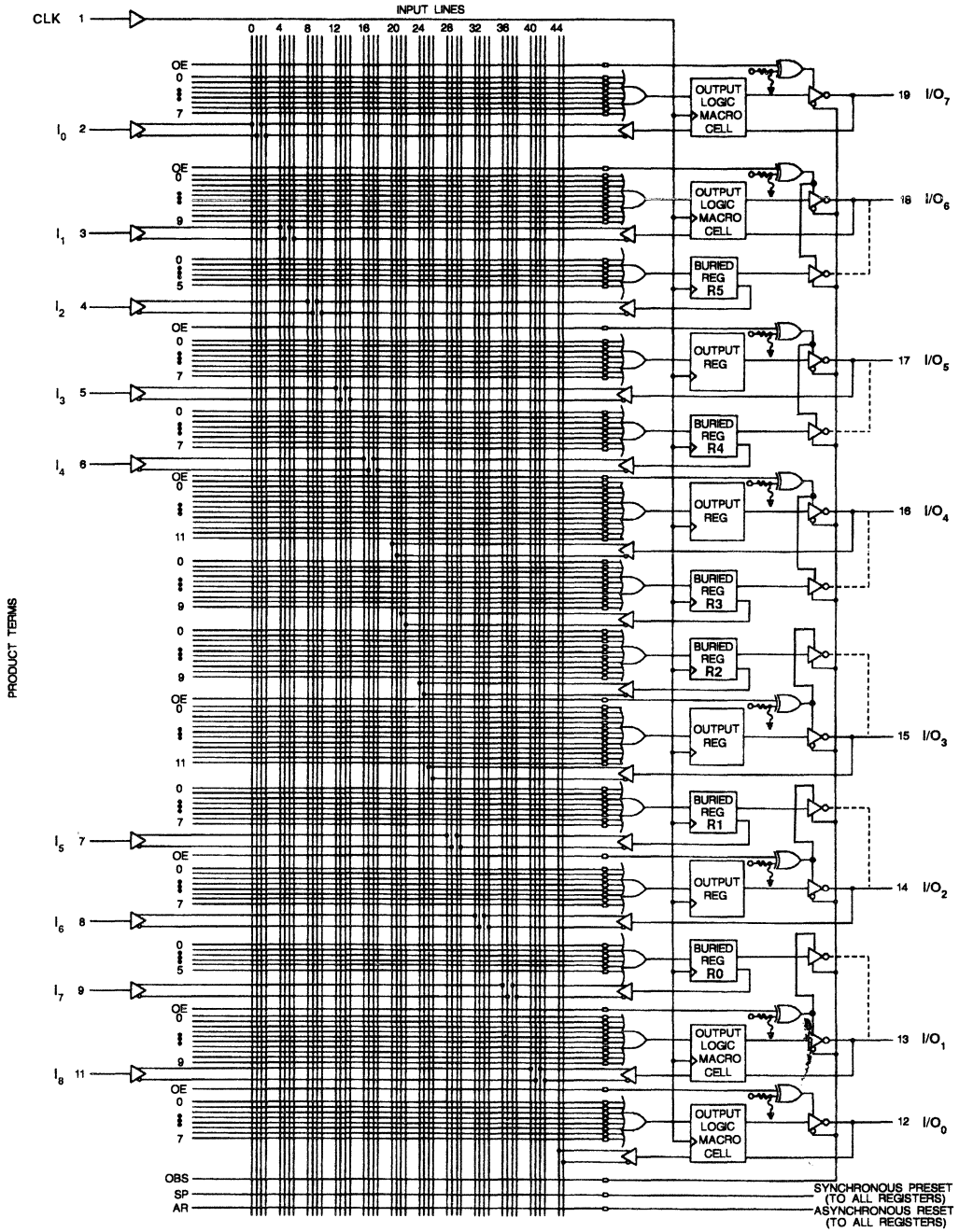
**Output**  
 Active High  $S_1 = 1$   
 Combinatorial  $S_2 = 1$

**Feedback**  
 I/O Pin  $S_3 = 1$

4-8

Figure 4. Possible Configurations of the Output Logic Macrocells (OLMs) (Continued)

**LOGIC DIAGRAM**  
**AmPAL23S8**



**2**

Figure 5.

LD000282

## ABSOLUTE MAXIMUM RATINGS

Storage Temperature	-65°C to +150°C
Ambient Temperature with Power Applied	-55°C to +125°C
Supply Voltage with Respect to Ground	-0.5 V to +7.0 V
DC Input Voltage	-0.5 V to +5.5 V
DC Output or I/O Pin Voltage	-0.5 V to V <sub>CC</sub> Max.
DC Input Current	-30 mA to +5 mA

## OPERATING RANGES

### Commercial (C) Devices

Ambient Temperature (T <sub>A</sub> )	
Operating in Free Air	0°C to +75°C
Supply Voltage (V <sub>CC</sub> ) with Respect to Ground	+4.75 V to +5.25 V

*Operating ranges define those limits between which the functionality of the device is guaranteed.*

*Stresses above those listed under Absolute Maximum Ratings may cause permanent device failure. Functionality at or above these limits is not implied. Exposure to Absolute Maximum Ratings for extended periods may affect device reliability. Programming conditions may differ.*

## DC CHARACTERISTICS over COMMERCIAL operating ranges unless otherwise specified

Parameter Symbol	Parameter Description	Test Conditions	Min.	Max.	Unit
V <sub>OH</sub>	Output HIGH Voltage	I <sub>OH</sub> = -3.2 mA V <sub>IN</sub> = V <sub>IH</sub> or V <sub>IL</sub> V <sub>CC</sub> = Min.	2.4		V
V <sub>OL</sub>	Output LOW Voltage	I <sub>OL</sub> = 16 mA V <sub>IN</sub> = V <sub>IH</sub> or V <sub>IL</sub> V <sub>CC</sub> = Min.		0.5	V
V <sub>IH</sub>	Input HIGH Voltage	Guaranteed Input Logical HIGH Voltage for all Inputs (Note 1)	2.0		V
V <sub>IL</sub>	Input LOW Voltage	Guaranteed Input Logical LOW Voltage for all Inputs (Note 1)		0.8	V
V <sub>I</sub>	Input Clamp Voltage	I <sub>IN</sub> = -18 mA, V <sub>CC</sub> = Min.		-1.2	V
I <sub>IH</sub>	Input HIGH Current	V <sub>IN</sub> = 2.7 V, V <sub>CC</sub> = Max. (Note 2)		25	μA
I <sub>IL</sub>	Input LOW Current	V <sub>IN</sub> = 0.4 V, V <sub>CC</sub> = Max. (Note 2)		-250	μA
I <sub>I</sub>	Maximum Input Current	V <sub>IN</sub> = 5.5 V, V <sub>CC</sub> = Max.		1	mA
I <sub>OZH</sub>	Off-State Output Leakage Current HIGH	V <sub>OUT</sub> = 2.7 V, V <sub>CC</sub> = Max. V <sub>IN</sub> = V <sub>IH</sub> or V <sub>IL</sub> (Note 2)		100	μA
I <sub>OZL</sub>	Off-State Output Leakage Current LOW	V <sub>OUT</sub> = 0.4 V, V <sub>CC</sub> = Max. V <sub>IN</sub> = V <sub>IH</sub> or V <sub>IL</sub> (Note 2)		-100	μA
I <sub>sc</sub>	Output Short-Circuit Current	V <sub>OUT</sub> = 0.5 V, V <sub>CC</sub> = Max. (Note 3)	-30	-90	mA
I <sub>CC</sub>	Supply Current	V <sub>IN</sub> = 0 V, Outputs Open (I <sub>OUT</sub> = 0 mA) V <sub>CC</sub> = Max.		210	mA

### Notes:

1. These are absolute values with respect to device ground and all overshoots due to system and/or tester noise are included.
2. I/O pin leakage is the worst case of I<sub>IL</sub> and I<sub>OZL</sub> (or I<sub>IH</sub> and I<sub>OZH</sub>).
3. Not more than one output should be tested at a time. Duration of the short-circuit should not exceed one second. V<sub>OUT</sub> = 0.5 V has been chosen to avoid test problems caused by tester ground degradation.

## CAPACITANCE (Note 1)

Parameter Symbol	Parameter Description	Test Conditions		Typ.	Unit	
C <sub>IN</sub>	Input Capacitance	Pins 1,11	V <sub>IN</sub> = 2.0 V	V <sub>CC</sub> = 5.0 V T <sub>A</sub> = +25°C	10	pF
		Others				
C <sub>OUT</sub>	Output Capacitance	V <sub>OUT</sub> = 2.0 V		9		

### Note:

1. These parameters are not 100% tested, but are evaluated at initial characterization and at any time the design is modified where capacitance may be affected.

## SWITCHING CHARACTERISTICS over COMMERCIAL operating ranges (Note 2)

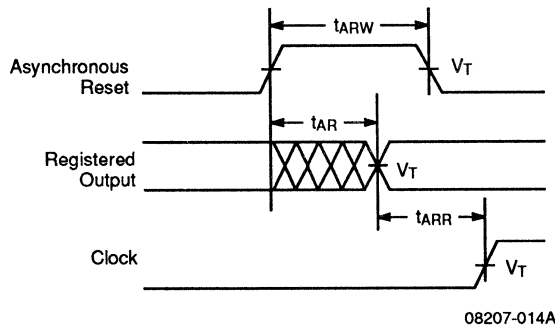
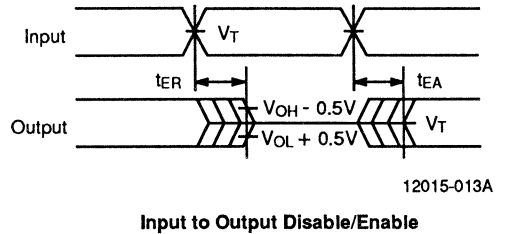
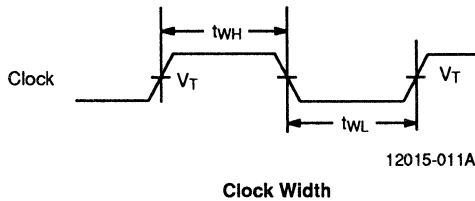
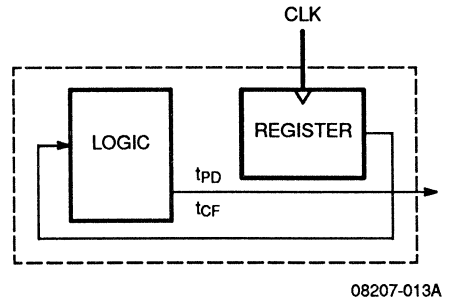
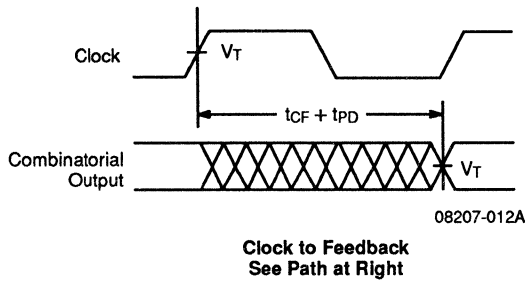
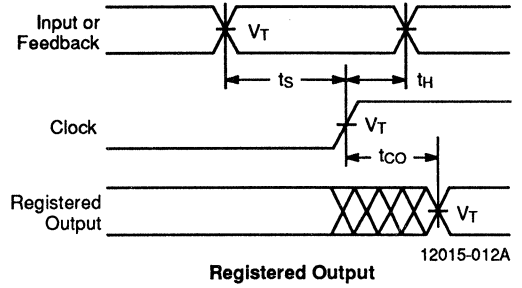
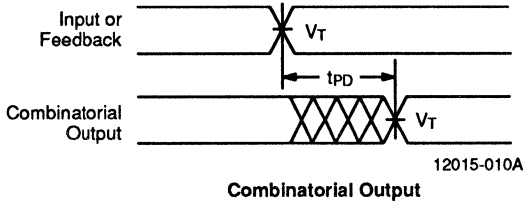
Parameter Symbol	Parameter Description		-20		-25		Unit
			Min.	Max.	Min.	Max.	
t <sub>PD</sub>	Input or Feedback to Combinatorial Output			20		25	ns
t <sub>S</sub>	Setup Time from Input, Feedback, or SP to Clock		17		20		ns
t <sub>H</sub>	Hold Time		0		0		ns
t <sub>CO</sub>	Clock to Output			13		15	ns
t <sub>CF</sub>	Clock to Feedback (Note 3)			8		10	ns
t <sub>AR</sub>	Asynchronous Reset to Registered Output			25		30	ns
t <sub>ARW</sub>	Asynchronous Reset Width		20		25		ns
t <sub>ARR</sub>	Asynchronous Reset Recovery Time		20		25		ns
t <sub>WL</sub>	Clock Width	LOW	12		15		ns
t <sub>WH</sub>		HIGH	12		15		ns
f <sub>MAX</sub>	Maximum Frequency (Note 4)	External Feedback	1/(t <sub>S</sub> + t <sub>CO</sub> )	33		28.5	MHz
		Internal Feedback	1/(t <sub>S</sub> + t <sub>CF</sub> )	40		33	MHz
t <sub>EA</sub>	Input to Output Enable Using Product Term Control			25		28	ns
t <sub>ER</sub>	Input to Output Disable Using Product Term Control			25		28	ns

### Notes:

2. See Switching Test Circuit for test conditions.
3. Calculated from measured clock to combinatorial output.
4. These parameters are not 100% tested, but are calculated at initial characterization and at any time the design is modified where frequency may be affected.

2

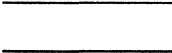


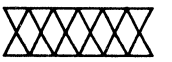
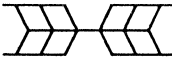
## SWITCHING WAVEFORMS



### Notes:

1.  $V_T = 1.5V$
2. Input pulse amplitude 0 V to 3.0 V
3. Input rise and fall times 2-5 ns typical.

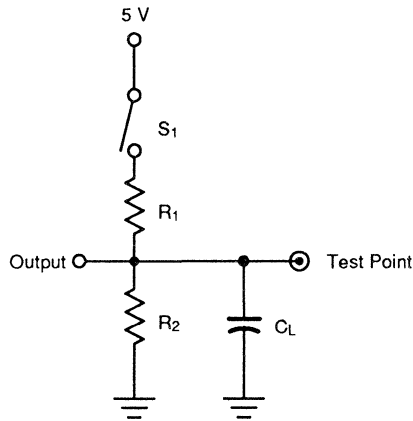
## KEY TO SWITCHING WAVEFORMS

WAVEFORM	INPUTS	OUTPUTS
	Must be Steady	Will be Steady
	May Change from H to L	Will be Changing from H to L
	May Change from L to H	Will be Changing from L to H
	Don't Care; Any Change Permitted	Changing, State Unknown
	Does Not Apply	Center Line is High-Impedance "Off" State

KS000010-PAL

2

## SWITCHING TEST CIRCUIT



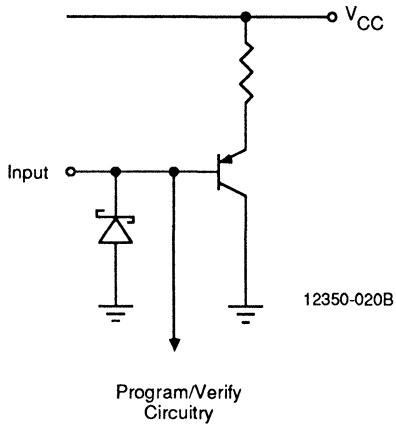
12350-019A

Specification	S <sub>1</sub>	C <sub>L</sub>	R <sub>1</sub>	R <sub>2</sub>	Measured Output Value
t <sub>PD</sub> , t <sub>CO</sub> , t <sub>CF</sub>	Closed	50 pF	300 Ω	390 Ω	1.5 V
t <sub>EA</sub>	Z → H: Open Z → L: Closed				1.5 V
t <sub>ER</sub>	H → Z: Open L → Z: Closed	5 pF			H → Z: V <sub>OH</sub> - 0.5 V L → Z: V <sub>OL</sub> + 0.5 V

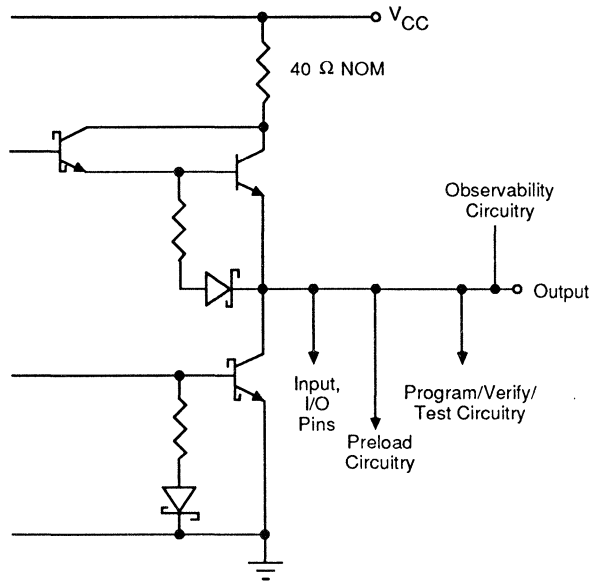


# INPUT/OUTPUT EQUIVALENT SCHEMATICS

Typical Input



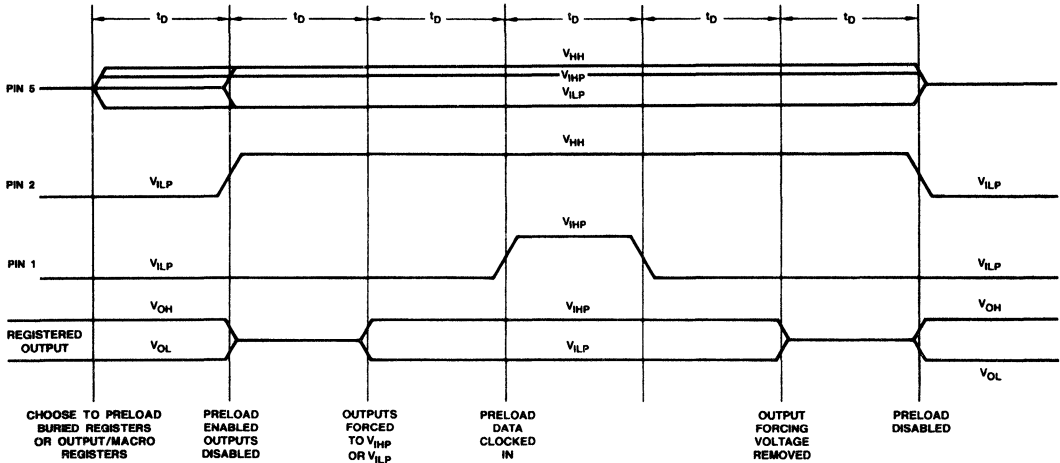
Typical Output



## REGISTER PRELOAD

All AmPAL23S8 registers are provided with circuitry to allow loading each register synchronously with a HIGH or LOW. Output/macrocell registers and buried state registers are PRELOADed in separate cycles allowing output/macrocell registers and buried state registers to be PRELOADed with

different values. PRELOAD will simplify testing since any state can be loaded into the registers to control testing sequences. The pin levels and timing necessary to perform the PRELOAD function are detailed below.



Par.	Min.	Max.
$V_{HH}$	10	12
$V_{ILP}$	0	0.5
$V_{IHP}$	2.4	5.5

Register Selection	Pin 5
Buried	$V_{HH}$
Output/Macro	$\leq V_{IHP}$

Level Forced on Register Output Pin During PRELOAD Cycle	Register State After Cycle
$V_{IHP}$	HIGH
$V_{ILP}$	LOW

WF022292

Output Register Preload Waveform

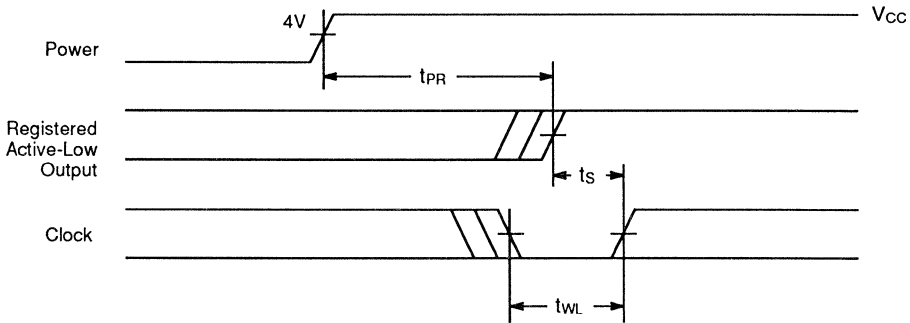
## POWER-UP RESET

The power-up reset feature ensures that all flip-flops will be reset to LOW after the device has been powered up. The output state will depend on the programmed configuration. This feature is valuable in simplifying state machine initialization. A timing diagram and parameter table are shown below. Due to the synchronous operation of the power-up reset and the wide range of ways  $V_{CC}$  can rise to its steady state, two conditions are re-

quired to ensure a valid power-up reset. These conditions are:

1. The  $V_{CC}$  rise must be monotonic.
2. Following reset, the clock input must not be driven from LOW to HIGH until all applicable input and feedback setup times are met.

Parameter Symbol	Parameter Description	Max.	Unit
$t_{PR}$	Power-up Reset Time	1000	ns
$t_s$	Input or Feedback Setup Time	See Switching Characteristics	
$t_{WL}$	Clock Width LOW		



12350-024A

Power-Up Reset Waveform





# PAL24R10-10 Series

## 10 ns 28-pin TTL Programmable Array Logic

### DISTINCTIVE CHARACTERISTICS

- 10 ns maximum propagation delay
- $f_{MAX} = 55.5$  MHz
- 8 ns maximum from clock input to data output
- Center  $V_{CC}$  and GND pins provide clean signals
- 28-pin version of popular architectures: 24L10, 24R10, 24R8, 24R4
- Programmable replacement for high-speed TTL logic
- Power-up reset for initialization
- Register preload for testability
- Easy design with PALASM<sup>®</sup> software
- Programmable on standard PAL<sup>®</sup> device programmers
- 28-pin SKINNYDIP<sup>®</sup> and PLCC packages save space

### GENERAL DESCRIPTION

The PAL24R10-10 Series (PAL24L10-10, PAL24R10-10, PAL24R8-10, PAL24R4-10) is a high-speed 28-pin version of the standard PAL16R8 and PAL20R8 Series. With a 10-ns maximum propagation delay time, the PAL24R10-10 Series provides high speed in a 28-pin TTL PAL device family, making the series ideal for high-performance applications. The PAL24R10-10 Series adds two more inputs and two output or I/O pins to the standard 20R8 Series to take advantage of all the pins in the 28-pin PLCC package.

The family utilizes Advanced Micro Devices' advanced oxide-isolated bipolar process and fuse-link technology. The devices provide user-programmable logic for replacing conventional SSI/MSI gates and flip-flops at a reduced chip count. Power and ground have been placed on the center pins of the device, a configuration that minimizes ground bounce.

The family allows the systems engineer to implement the design on-chip, by opening fuse links to configure AND and OR gates within the device, according to the desired logic function. Complex interconnections between gates, which previously required time-consuming layout, are lifted from the PC board and placed on silicon, where they can be easily modified during prototyping or production.

The PAL device implements the familiar Boolean logic transfer function, the sum of products. The PAL device is a programmable AND array driving a fixed OR array. The AND array is programmed to create custom product terms, while the OR array sums selected terms at the outputs. In addition, the PAL device provides the following options:

- Variable input/output pin ratio
- Programmable three-state outputs
- Registers with feedback

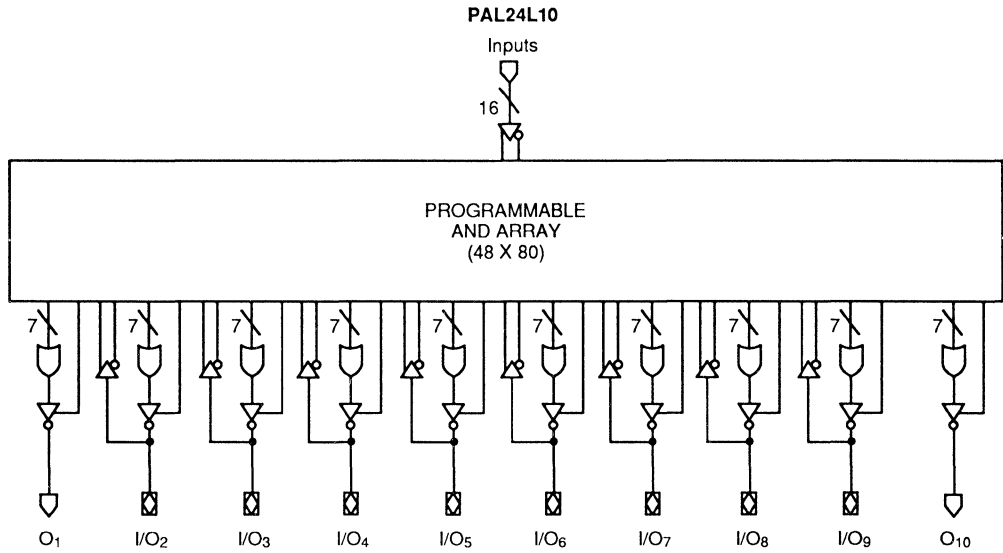
Product terms with all fuses opened assume the logical HIGH state; product terms connected to both true and complement of any single input assume the logical LOW state. Registers consist of D-type flip-flops that are loaded on the LOW-to-HIGH transition of the clock. Unused input pins should be tied to  $V_{CC}$  or GND.

The entire PAL device family is supported by the PALASM software package. The PAL family is programmed on conventional PAL device programmers with appropriate personality and socket adapter modules. Once the PAL device is programmed and verified an additional fuse may be opened to prevent pattern readout. This feature secures proprietary circuits.

### PRODUCT SELECTOR GUIDE

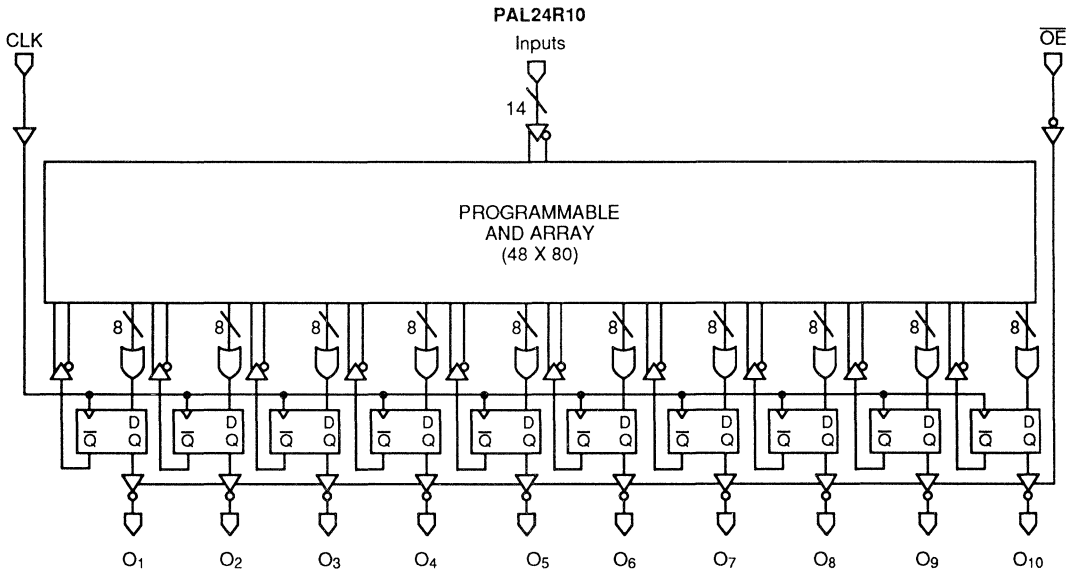
DEVICE	DEDICATED INPUTS	OUTPUTS	PRODUCT TERMS/ OUTPUT	FEEDBACK	ENABLE
PAL24L10-10	16	8 comb. 2 comb.	7 7	I/O –	prog. prog.
PAL24R10-10	14	10 reg.	8	reg.	pin
PAL24R8-10	14	8 reg. 2 comb.	8 7	reg. I/O	pin prog.
PAL24R4-10	14	4 reg. 6 comb.	8 7	reg. I/O	pin prog.

**BLOCK DIAGRAMS**



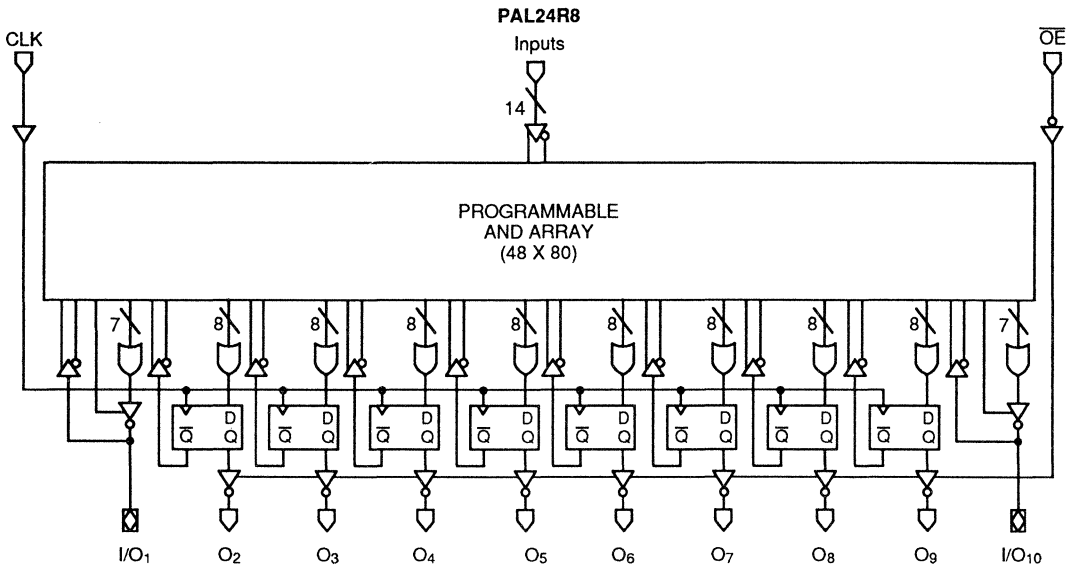
**2**

12721-004A

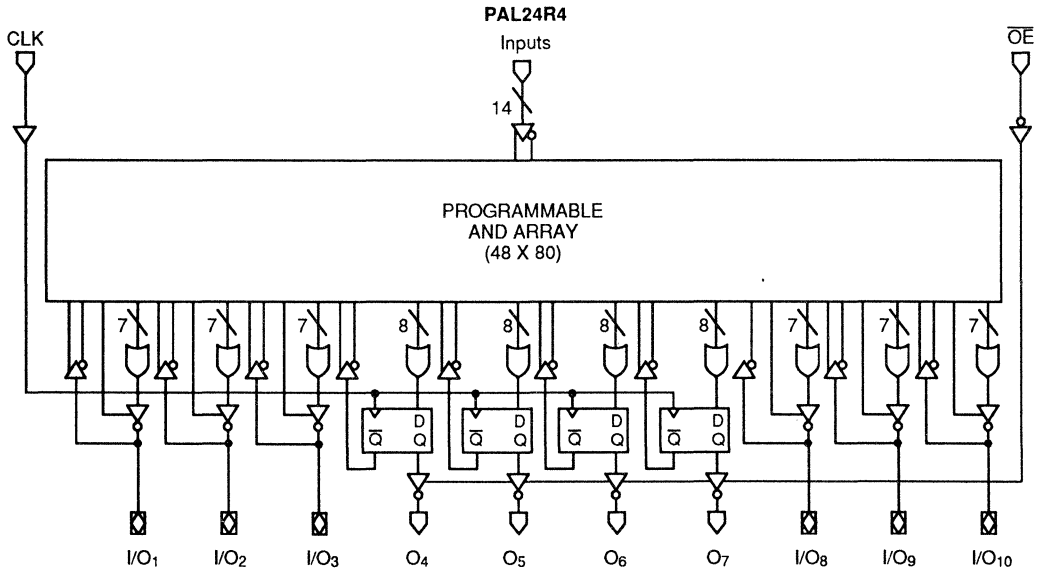


12721-001A

# BLOCK DIAGRAMS



12721-002A

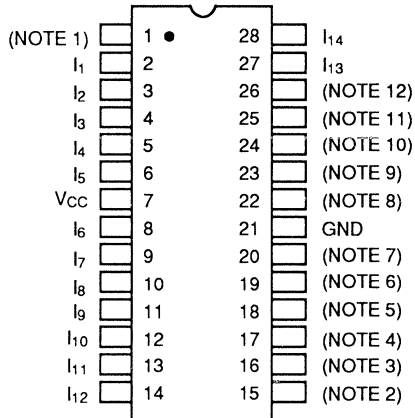


12721-003A

# CONNECTION DIAGRAMS

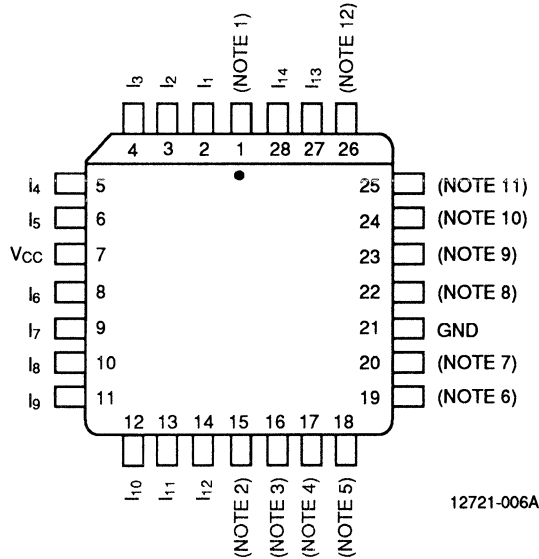
## Top View

**SKINNYDIP**



12721-005A

**PLCC**



12721-006A

**2**

Note	24L10	24R10	24R8	24R4
1	I <sub>0</sub>	CLK	CLK	CLK
2	I <sub>15</sub>	$\overline{OE}$	$\overline{OE}$	$\overline{OE}$
3	O <sub>1</sub>	O <sub>1</sub>	I/O <sub>1</sub>	I/O <sub>1</sub>
4	I/O <sub>2</sub>	O <sub>2</sub>	O <sub>2</sub>	I/O <sub>2</sub>
5	I/O <sub>3</sub>	O <sub>3</sub>	O <sub>3</sub>	I/O <sub>3</sub>
6	I/O <sub>4</sub>	O <sub>4</sub>	O <sub>4</sub>	O <sub>4</sub>
7	I/O <sub>5</sub>	O <sub>5</sub>	O <sub>5</sub>	O <sub>5</sub>
8	I/O <sub>6</sub>	O <sub>6</sub>	O <sub>6</sub>	O <sub>6</sub>
9	I/O <sub>7</sub>	O <sub>7</sub>	O <sub>7</sub>	O <sub>7</sub>
10	I/O <sub>8</sub>	O <sub>8</sub>	O <sub>8</sub>	I/O <sub>8</sub>
11	I/O <sub>9</sub>	O <sub>9</sub>	O <sub>9</sub>	I/O <sub>9</sub>
12	O <sub>10</sub>	O <sub>10</sub>	I/O <sub>10</sub>	I/O <sub>10</sub>

**Note:**

Pin 1 is marked for orientation.

**PIN DESIGNATIONS**

- CLK      Clock
- GND      Ground
- I          Input
- I/O        Input/Output
- O          Output
- $\overline{OE}$       Output Enable
- V<sub>CC</sub>      Supply Voltage

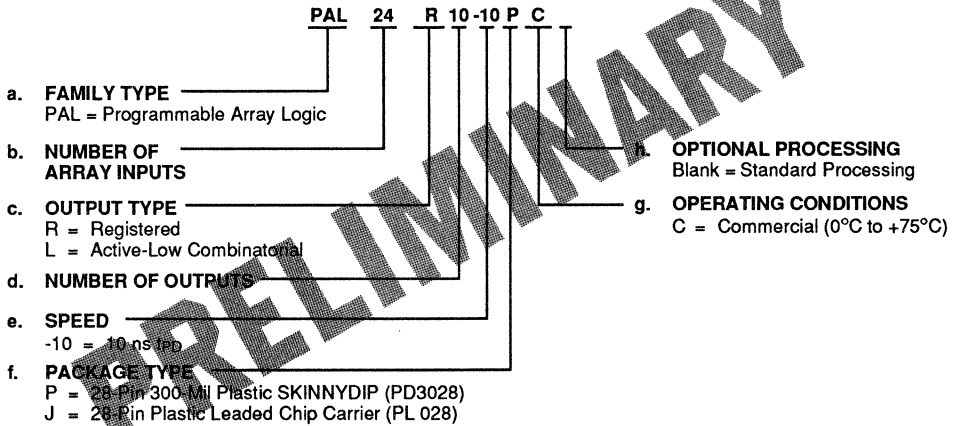


## ORDERING INFORMATION

### Commercial Products

AMD programmable logic products for commercial applications are available with several ordering options. The order number (Valid Combination) is formed by a combination of:

- a. Family Type
- b. Number of Array Inputs
- c. Output Type
- d. Number of Outputs
- e. Speed
- f. Package Type
- g. Operating Conditions
- h. Optional Processing



Valid Combinations	
PAL24L10-10	PC, JC
PAL24R10-10	
PAL24R8-10	
PAL24R4-10	

#### Valid Combinations

The Valid Combinations table lists configurations planned to be supported in volume for this device. Consult the local AMD sales office to confirm availability of specific valid combinations, and to check on newly released combinations.

Note: Marked with AMD logo.

---

## FUNCTIONAL DESCRIPTION

### Standard 28-pin PAL Family

The standard bipolar 28-pin PAL family devices have common electrical characteristics and programming procedures. Four different devices are available, including both registered and combinatorial devices. All parts are produced with a fuse link at each input to the AND gate array, and connections may be selectively removed by applying appropriate voltages to the circuit. Utilizing an easily-implemented programming algorithm, these products can be rapidly programmed to any customized pattern. Information on approved programmers can be found in the Programmer Reference Guide. Extra test words are pre-programmed during manufacturing to ensure extremely high field programming yields, and provide extra test paths to achieve excellent parametric correlation.

### Variable Input/Output Pin Ratio

The registered devices have fourteen dedicated input lines, and each combinatorial output is an I/O pin. The PAL24L10-10 has sixteen dedicated input lines, and eight of the ten combinatorial outputs are I/O pins. Buffers for device inputs have complementary outputs to provide user-programmable input signal polarity. Unused input pins should be tied to  $V_{CC}$  or GND.

### Programmable Three-State Outputs

Each output has a three-state output buffer with three-state control. On combinatorial outputs, a product term controls the buffer, allowing enable and disable to be a function of any product of device inputs or output feedback. The combinatorial output provides a bidirectional I/O pin, and may be configured as a dedicated input if the buffer is always disabled. On registered outputs, an input pin controls the enabling of the three-state outputs.

### Registers with Feedback

Registered outputs are provided for data storage and synchronization. Registers are composed of D-type flip-flops that are loaded on the LOW-to-HIGH transition of the clock input.

### Power-Up Reset

All flip-flops power-up to a logic LOW for predictable system initialization. Outputs of the PAL24R10-10 Series will be HIGH due to the active-low outputs. The  $V_{CC}$  rise must be monotonic and the reset delay time is 1000 ns maximum.

### Register Preload

The register on the PAL24R10-10 Series can be preloaded from the output pins to facilitate functional testing of complex state machine designs. This feature allows direct loading of arbitrary states, making it unnecessary to cycle through long test vector sequences to reach a desired state. In addition, transitions from illegal states can be verified by loading illegal states and observing proper recovery.

### Security Fuse

After programming and verification, a PAL24R10-10 Series design can be secured by programming the security fuse. Once programmed, this fuse defeats read-back of the internal programmed pattern by a device programmer, securing proprietary designs from competitors. When the security fuse is programmed, the array will read as if every fuse is unprogrammed.

### Quality and Testability

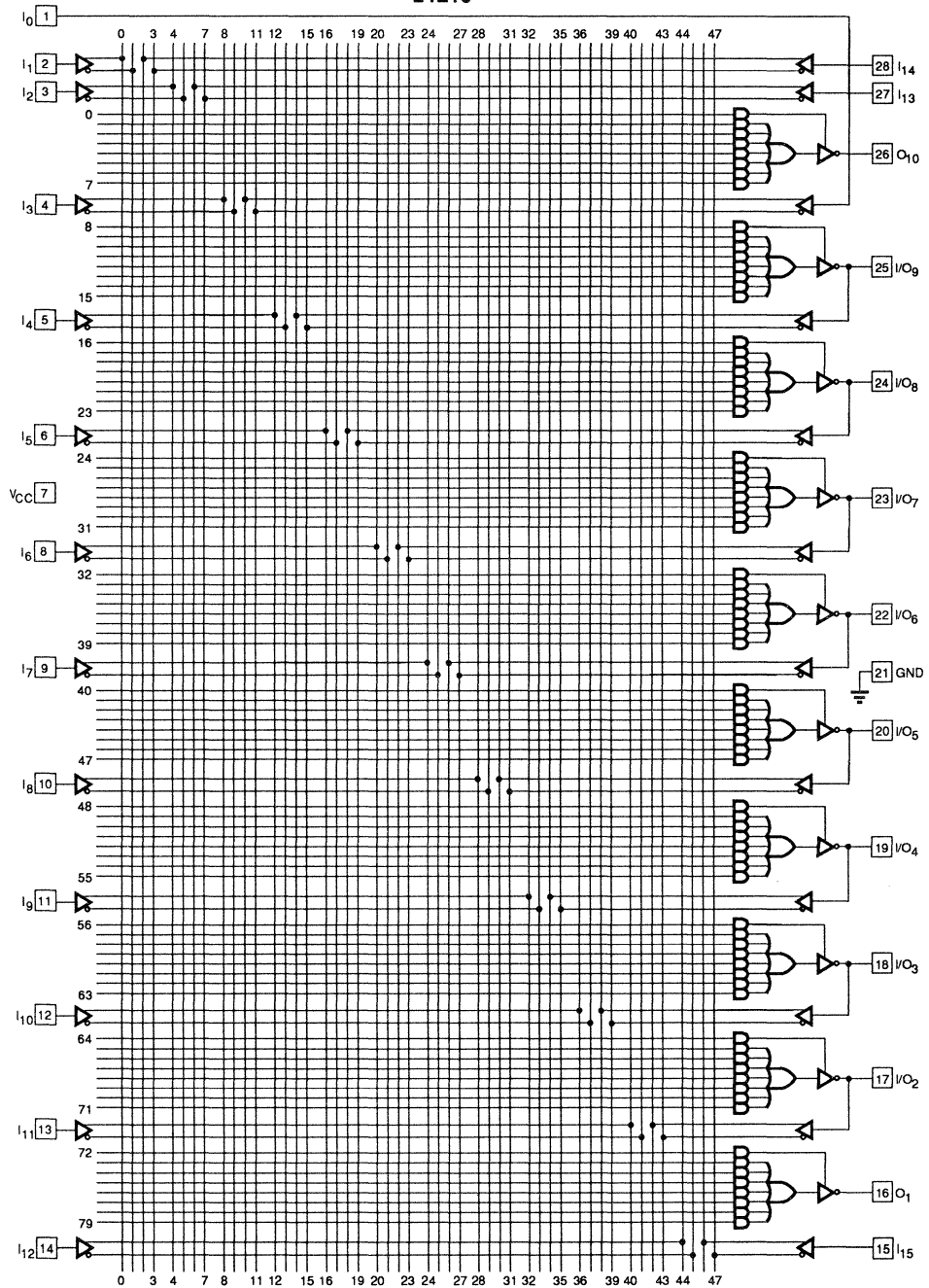
The PAL24R10-10 Series offers a very high level of built-in quality. Extra programmable fuses provide a means of verifying performance of all AC and DC parameters. In addition, this verifies complete programmability and functionality of the device to provide the highest programming yields and post-programming functional yields in the industry.

### Technology

The PAL24R10-10 Series is fabricated with AMD's advanced oxide-isolated bipolar process. This process reduces parasitic capacitances and minimum geometries to provide higher performance. The array connections are formed with proven TiW fuses for reliable operation.

# LOGIC DIAGRAM

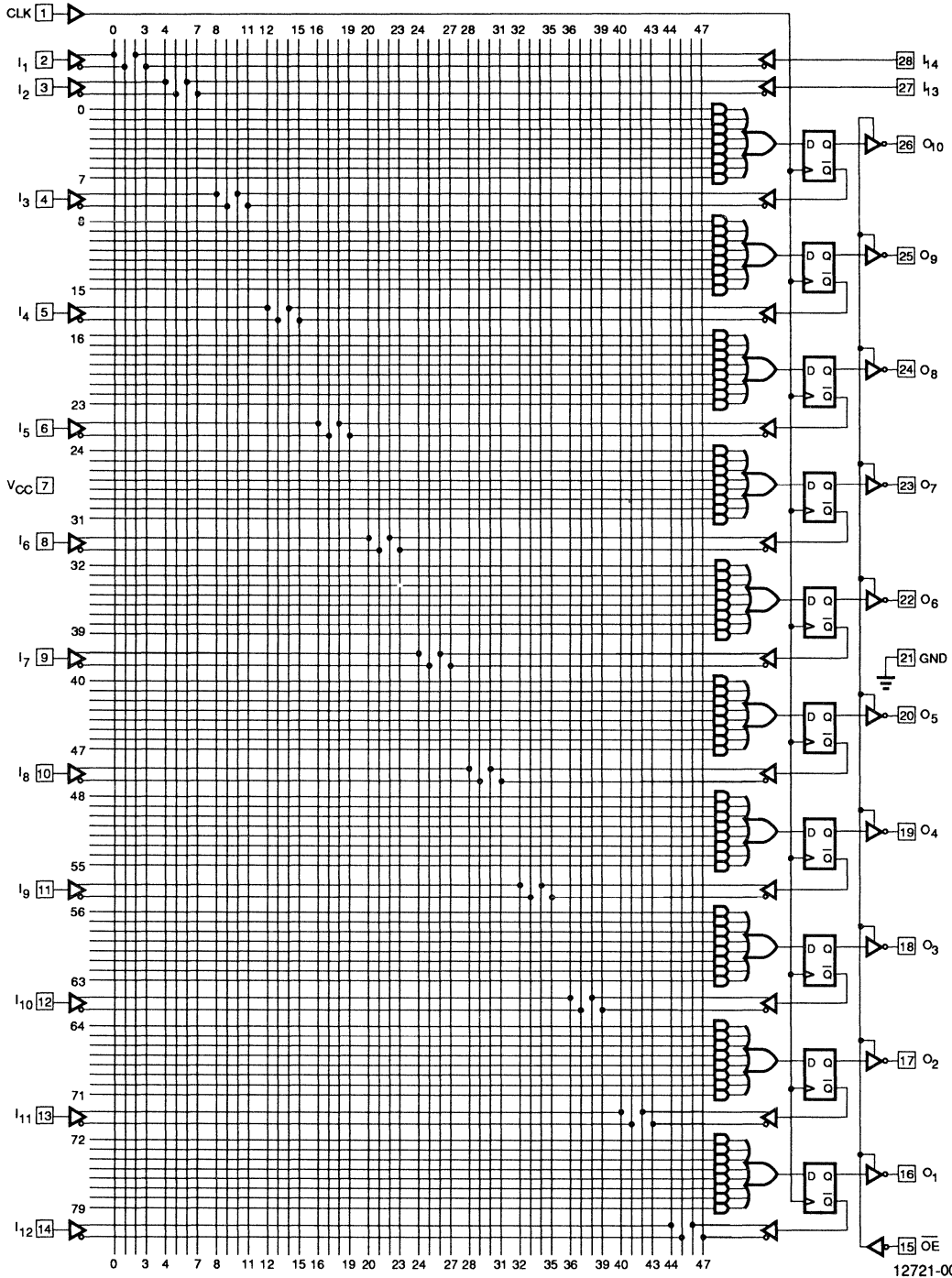
## 24L10



12721-007A

# LOGIC DIAGRAM

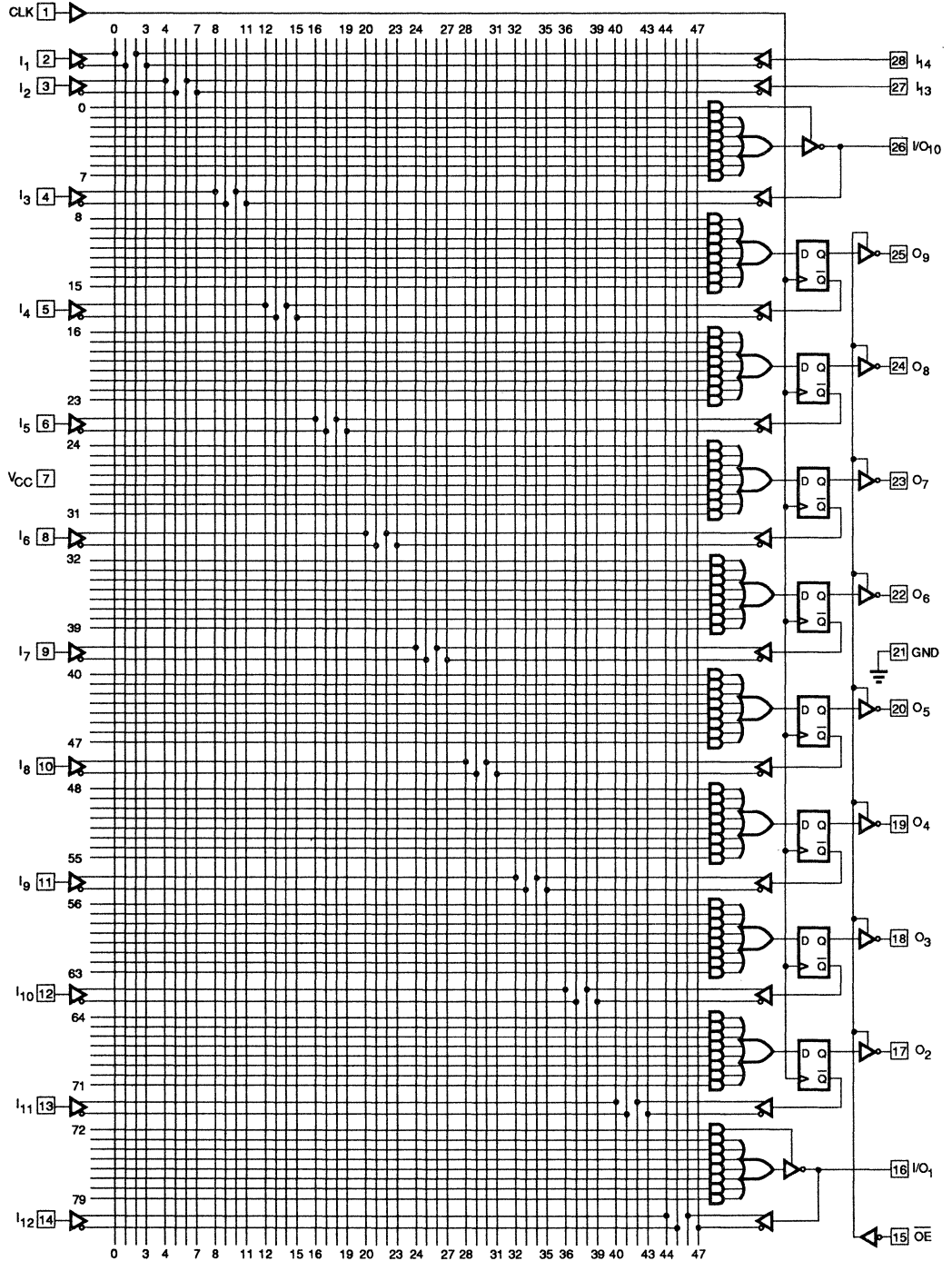
## 24R10



12721-008A

# LOGIC DIAGRAM

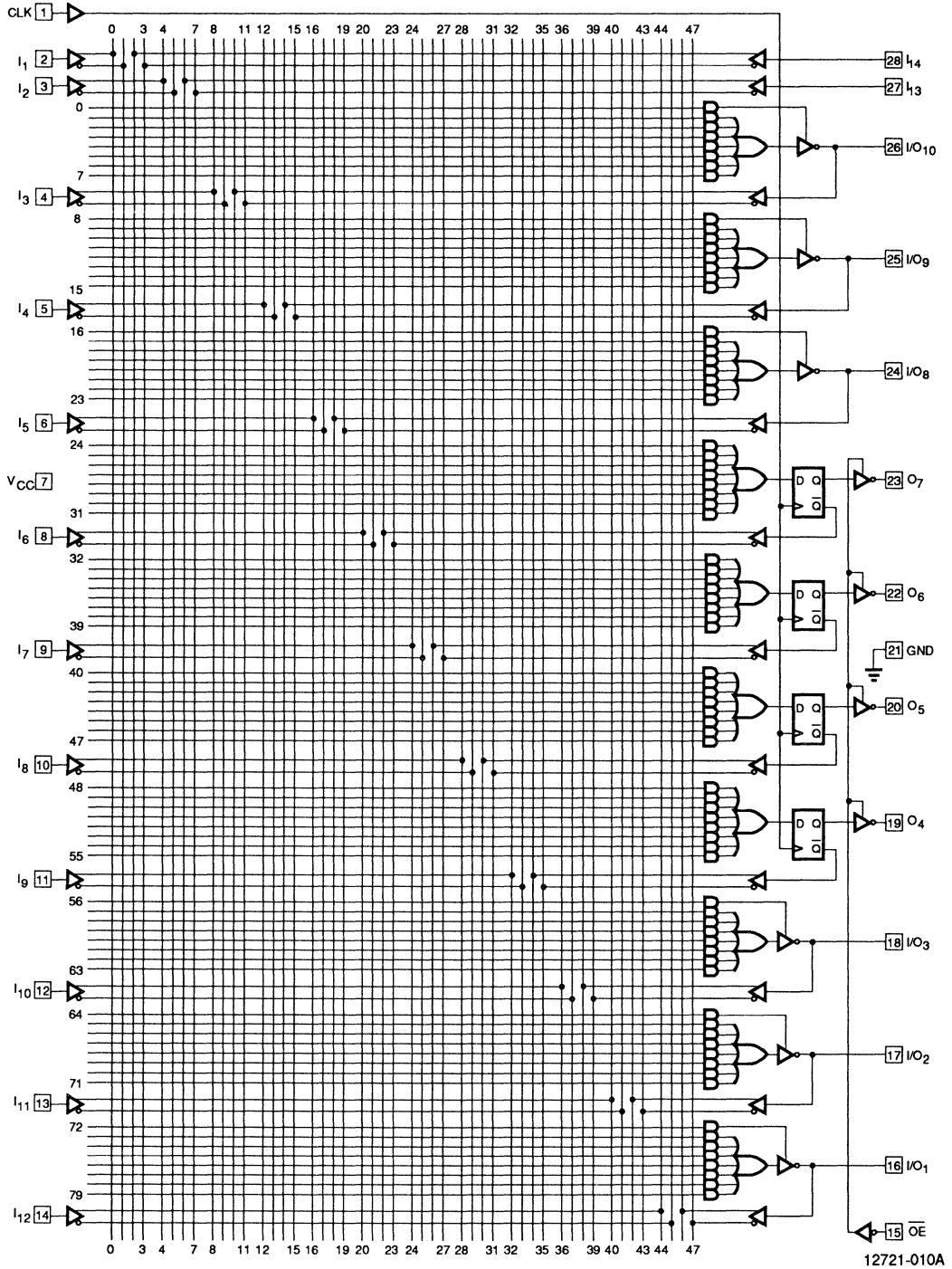
## 24R8



12721-009A

LOGIC DIAGRAM

24R4



2

**ABSOLUTE MAXIMUM RATINGS**

Storage Temperature	-65°C to +150°C
Ambient Temperature with Power Applied	-55°C to +125°C
Supply Voltage with Respect to Ground	-0.5 V to +7.0 V
DC Input Voltage	-1.2 V to $V_{CC} + 0.5$ V
DC Output or I/O Pin Voltage	-0.5 V to $V_{CC} + 0.5$ V
Static Discharge Voltage	2001 V

**OPERATING RANGES****Commercial (C) Devices**

Ambient Temperature ( $T_A$ )	0°C to +75°C
Operating in Free Air	0°C to +75°C
Supply Voltage ( $V_{CC}$ ) with Respect to Ground	+4.75 V to +5.25 V

Operating ranges define those limits between which the functionality of the device is guaranteed.

Stresses above those listed under Absolute Maximum Ratings may cause permanent device failure. Functionality at or above these limits is not implied. Exposure to Absolute Maximum Ratings for extended periods may affect device reliability. Programming conditions may differ.

**DC CHARACTERISTICS over COMMERCIAL operating ranges unless otherwise specified**

Parameter Symbol	Parameter Description	Test Conditions	Min.	Max.	Unit
$V_{OH}$	Output HIGH Voltage	$I_{OH} = -3.2$ mA, $V_{IN} = V_{IH}$ or $V_{IL}$ , $V_{CC} = \text{Min.}$	2.4		V
$V_{OL}$	Output LOW Voltage	$I_{OL} = 24$ mA, $V_{IN} = V_{IH}$ or $V_{IL}$ , $V_{CC} = \text{Min.}$		0.5	V
$V_{IH}$	Input HIGH Voltage	Guaranteed Input Logical HIGH Voltage for all Inputs (Note 1)	2.0		V
$V_{IL}$	Input LOW Voltage	Guaranteed Input Logical LOW Voltage for all Inputs (Note 1)		0.8	V
$V_I$	Input Clamp Voltage	$I_{IN} = -18$ mA, $V_{CC} = \text{Min.}$		-1.2	V
$I_{IH}$	Input HIGH Current	$V_{IN} = 2.7$ V, $V_{CC} = \text{Max.}$ (Note 2)		25	$\mu$ A
$I_{IL}$	Input LOW Current	$V_{IN} = 0.4$ V, $V_{CC} = \text{Max.}$ (Note 2)		-250	$\mu$ A
$I_I$	Maximum Input Current	$V_{IN} = 5.5$ V, $V_{CC} = \text{Max.}$		100	$\mu$ A
$I_{OZH}$	Off-State Output Leakage Current HIGH	$V_{OUT} = 2.7$ V, $V_{CC} = \text{Max.}$ , $V_{IN} = V_{IH}$ or $V_{IL}$ (Note 2)		100	$\mu$ A
$I_{OZL}$	Off-State Output Leakage Current LOW	$V_{OUT} = 0.4$ V, $V_{CC} = \text{Max.}$ , $V_{IN} = V_{IH}$ or $V_{IL}$ (Note 2)		-100	$\mu$ A
$I_{SC}$	Output Short-Circuit Current	$V_{OUT} = 0.5$ V, $V_{CC} = \text{Max.}$ (Note 3)	-30	-130	mA
$I_{CC}$	Supply Current	$V_{IN} = 0$ V, Outputs Open ( $I_{OUT} = 0$ mA), $V_{CC} = \text{Max.}$		210	mA

**Notes:**

- These are absolute values with respect to device ground and all overshoots due to system and/or tester noise are included.
- I/O pin leakage is the worst case of  $I_{IL}$  and  $I_{OZL}$  (or  $I_{IH}$  and  $I_{OZH}$ ).
- Not more than one output should be shorted at a time. Duration of the short-circuit should not exceed one second.  $V_{OUT} = 0.5$  V has been chosen to avoid test problems caused by tester ground degradation.

## CAPACITANCE (Note 1)

Parameter Symbol	Parameter Description	Test Conditions		Typ.	Unit
C <sub>IN</sub>	Input Capacitance	V <sub>IN</sub> = 2.0 V	V <sub>CC</sub> = 5.0 V T <sub>A</sub> = +25°C f = 1 MHz	7	pF
C <sub>OUT</sub>	Output Capacitance	V <sub>OUT</sub> = 2.0 V		8	

### Note:

1. These parameters are not 100% tested, but are evaluated at initial characterization and at any time the design is modified where capacitance may be affected.

## SWITCHING CHARACTERISTICS over COMMERCIAL operating ranges (Note 2)

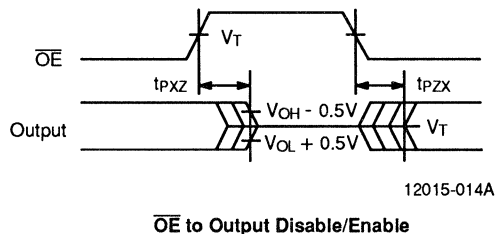
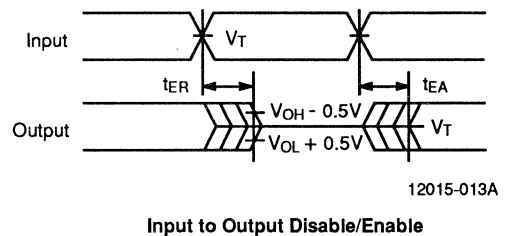
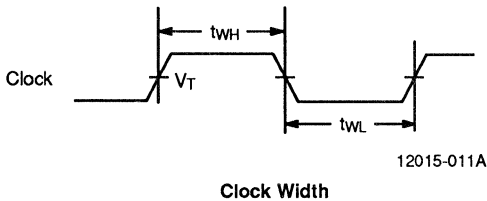
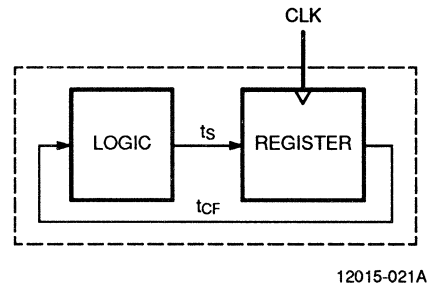
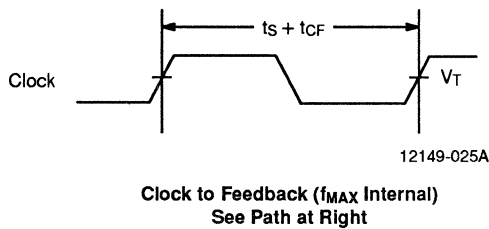
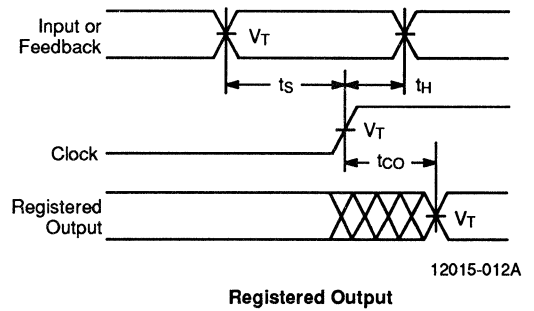
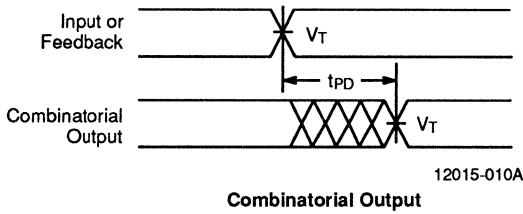
Parameter Symbol	Parameter Description		Min. (Note 3)	Max.	Unit	
t <sub>PD</sub>	Input or Feedback to Combinatorial Output		24L10, 24R8 24R4	3	10	ns
t <sub>S</sub>	Setup Time from Input or Feedback to Clock			10		ns
t <sub>H</sub>	Hold Time			0		ns
t <sub>CO</sub>	Clock to Output			2	8	ns
t <sub>CF</sub>	Clock to Feedback (Note 4)				7	ns
t <sub>WL</sub>	Clock Width	LOW	24R10, 24R8 24R4	7		ns
t <sub>WH</sub>		HIGH		7		ns
f <sub>MAX</sub>	Maximum Frequency (Note 5)	External Feedback	1/(t <sub>S</sub> + t <sub>CO</sub> )	55.5		MHz
		Internal Feedback	1/(t <sub>S</sub> + t <sub>CF</sub> )	58.8		MHz
		No Feedback	1/(t <sub>WH</sub> + t <sub>WL</sub> )	71.4		MHz
t <sub>PZX</sub>	$\overline{OE}$ to Output Enable			1	10	ns
t <sub>PXZ</sub>	$\overline{OE}$ to Output Disable			1	10	ns
t <sub>EA</sub>	Input to Output Enable Using Product Term Control		24L10, 24R8	3	10	ns
t <sub>ER</sub>	Input to Output Disable Using Product Term Control		24R4	3	10	ns

### Notes:

2. See Switching Test Circuit for test conditions.
3. Output delay minimums are measured under best-case conditions.
4. Calculated from measured f<sub>MAX</sub> internal.
5. These parameters are not 100% tested, but are calculated at initial characterization and at any time the design is modified where the frequency may be affected.



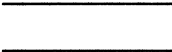



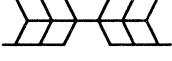
## SWITCHING WAVEFORMS



### Notes:

1.  $V_T = 1.5$  V
2. Input pulse amplitude 0 V to 3.0 V.
3. Input rise and fall times 2–4 ns typical.

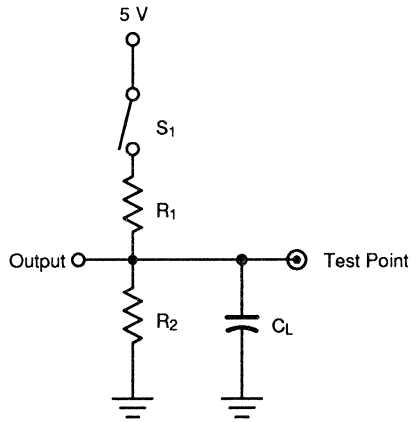
## KEY TO SWITCHING WAVEFORMS

WAVEFORM	INPUTS	OUTPUTS
	Must be Steady	Will be Steady
	May Change from H to L	Will be Changing from H to L
	May Change from L to H	Will be Changing from L to H
	Don't Care; Any Change Permitted	Changing, State Unknown
	Does Not Apply	Center Line is High-Impedance "Off" State

KS00010-PAL

2

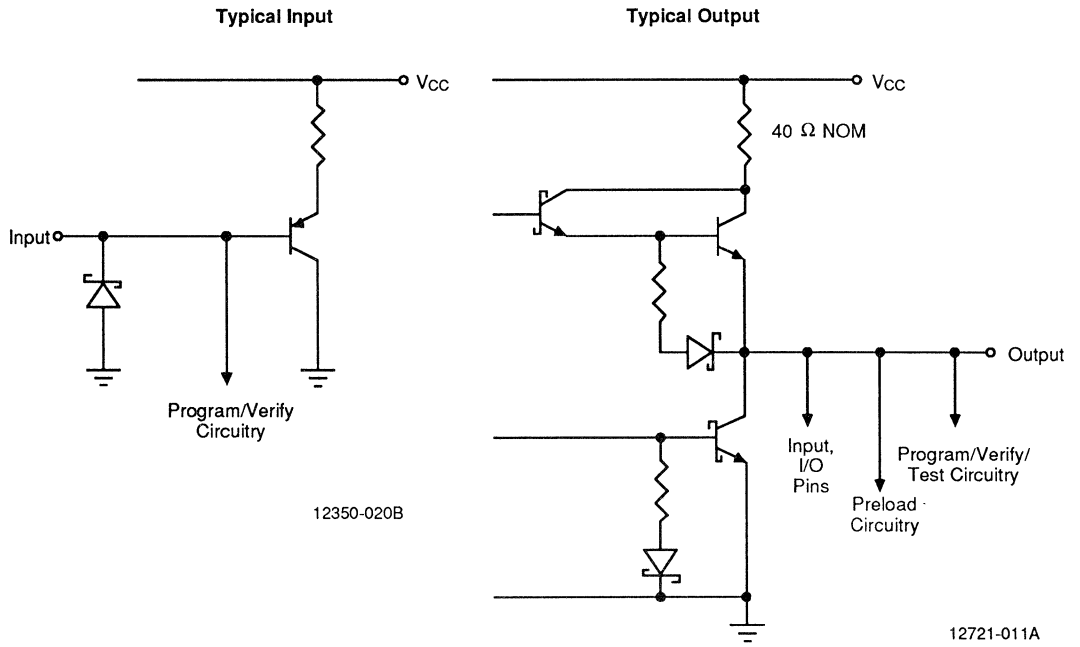
## SWITCHING TEST CIRCUIT



12350-019A

Specification	S <sub>1</sub>	C <sub>L</sub>	Commercial		Measured Output Value
			R <sub>1</sub>	R <sub>2</sub>	
t <sub>PD</sub> , t <sub>CO</sub> , t <sub>CF</sub>	Closed	50 pF	200 Ω	390 Ω	1.5 V
t <sub>PZX</sub> , t <sub>EA</sub>	Z → H: Open Z → L: Closed				1.5 V
t <sub>PXZ</sub> , t <sub>ER</sub>	H → Z: Open L → Z: Closed	5 pF			H → Z: V <sub>OH</sub> - 0.5 V L → Z: V <sub>OL</sub> + 0.5 V

# INPUT/OUTPUT EQUIVALENT SCHEMATICS



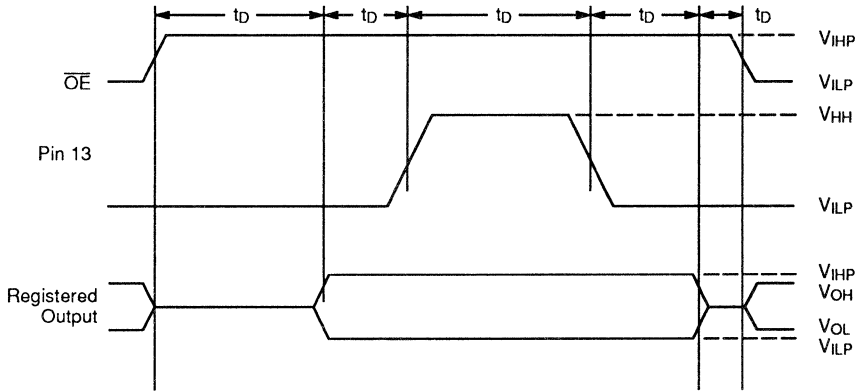
## OUTPUT REGISTER PRELOAD

The preload function allows the register to be loaded from the output pins. This feature aids functional testing of sequential designs by allowing direct setting of output states. The procedure for preloading follows.

1. Raise  $V_{CC}$  to  $V_{CCH}$ .
2. Set  $\overline{OE}$  to  $V_{IHP}$  to disable output registers.
3. Apply either  $V_{IHP}$  or  $V_{ILP}$  to all registered outputs. Use  $V_{IHP}$  to preload a HIGH in the flip-flop; use  $V_{ILP}$  to preload a LOW in the flip-flop. Leave combinatorial outputs floating.
4. Pulse pin 13 to  $V_{HH}$ , then back to  $V_{ILP}$ .
5. Remove  $V_{ILP}/V_{IHP}$  from all registered output pins.
6. Lower  $\overline{OE}$  to  $V_{ILP}$  to enable the output registers.
7. Verify  $V_{OL}/V_{OH}$  at all registered output pins. Note that because of the output inverter, a register that has been preloaded HIGH will provide a LOW at the output.

Parameter Symbol	Parameter Description	Min.	Rec.	Max.	Unit
$V_{HH}$	Super-level input voltage	19.5	20	20.5	V
$V_{ILP}$	Low-level input voltage	0	0	0.5	V
$V_{IHP}$	High-level input voltage	2.4	5.0	5.5	V
$V_{CCH}$	Power supply during preload	4.5	5.0	5.5	V
$t_D$	Delay time	100	200	1000	ns

2



10294-004B

Output Register Preload Waveform

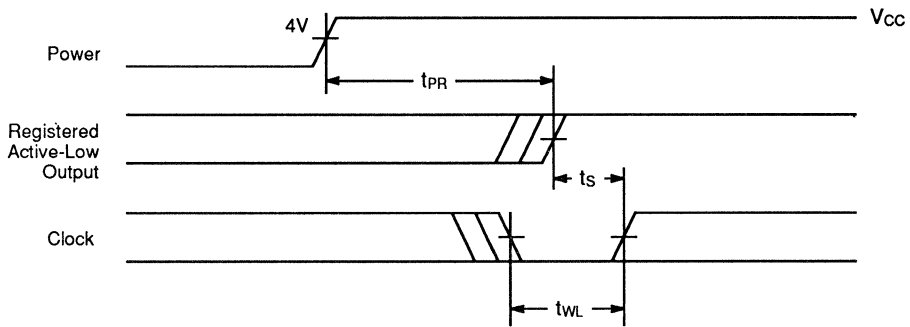
## POWER-UP RESET

The power-up reset feature ensures that all flip-flops will be reset to LOW after the device has been powered up. The output state will be HIGH due to the inverting output buffer. This feature is valuable in simplifying state machine initialization. A timing diagram and parameter table are shown below. Due to the synchronous operation of the power-up reset and the wide range of ways  $V_{CC}$

can rise to its steady state, two conditions are required to ensure a valid power-up reset. These conditions are:

1. The  $V_{CC}$  rise must be monotonic.
2. Following reset, the clock input must not be driven from LOW to HIGH until all applicable input and feedback setup times are met.

Parameter Symbol	Parameter Description	Max.	Unit
$t_{PR}$	Power-up Reset Time	1000	ns
$t_s$	Input or Feedback Setup Time	See Switching Characteristics	
$t_{WL}$	Clock Width LOW		



12350-024A

Power-Up Reset Waveform





# PALCE24V10H-15/25

## EE CMOS 28-Pin Universal Programmable Array Logic

### DISTINCTIVE CHARACTERISTICS

- Electrically erasable CMOS technology provides reconfigurable logic and full testability
- High speed CMOS technology
  - 15-ns propagation delay for “-15” version
  - 25-ns propagation delay for “-25” version
- Outputs individually programmable as registered or combinatorial
- Programmable output polarity
- Programmable enable/disable control
- Preloadable output registers for testability
- Automatic register reset on power-up
- Cost-effective 28-pin plastic SKINNYDIP® and PLCC packages
- Programmable on standard PAL® device programmers
- Supported by PALASM® software
- Fully tested for 100% programming and functional yields and high reliability

### GENERAL DESCRIPTION

The PALCE24V10 is an advanced PAL device built with low-power, high-speed, electrically-erasable CMOS technology. Its macrocells provide a universal device architecture.

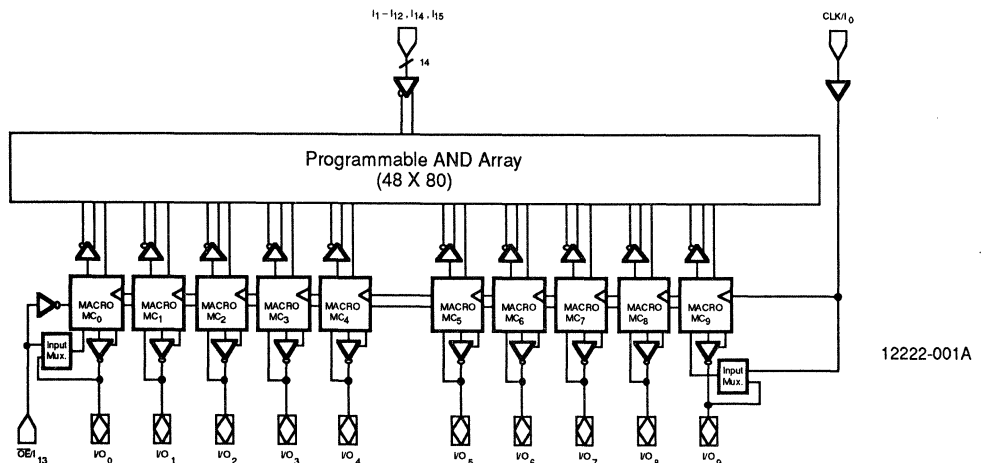
Device logic is automatically configured according to the user's design specification. Design is simplified by PALASM design software, allowing automatic creation of a programming file based on Boolean or state equations. PALASM software also verifies the design and can provide test vectors for the finished device. Programming can be accomplished on standard PAL device programmers.

The PALCE24V10 utilizes the familiar sum-of-products (AND/OR) architecture that allows users to implement

complex logic functions easily and efficiently. Multiple levels of combinatorial logic can always be reduced to sum-of-products form, taking advantage of the very wide input gates available in PAL devices. The equations are programmed into the device through floating-gate cells in the AND logic array that can be erased electrically.

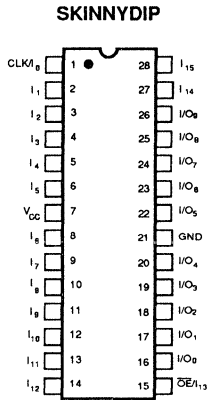
The fixed OR array allows up to eight data product terms per output for logic functions. The sum of these products feeds the output macrocell. Each macrocell can be programmed as registered or combinatorial with an active-high or active-low output. The output configuration is determined by two global bits and one local bit controlling four multiplexers in each macrocell.

### BLOCK DIAGRAM

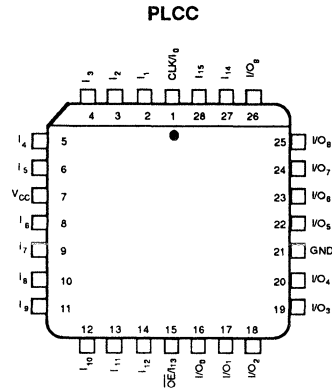


# CONNECTION DIAGRAMS

## Top View



12222-002A



12222-003A

- Pin Designations:
- CLK = Clock
  - GND = Ground
  - I = Input
  - I/O = Input/Output
  - OE = Output Enable
  - Vcc = Supply Voltage

Note: Pin 1 is marked for orientation.



# ORDERING INFORMATION

## Commercial Products

AMD programmable logic products for commercial applications are available with several ordering options. The order number (Valid Combination) is formed by a combination of:

- a. **Family Type**
  - b. **Technology**
  - c. **Number of Array Inputs**
  - d. **Output Type**
  - e. **Number of Flip-Flops**
  - f. **Power**
  - g. **Speed**
  - h. **Package Type**
  - i. **Operating Conditions**
- PAL = Programmable Array Logic  
 CE = CMOS Electrically Erasable  
 V = Versatile  
 H = Half Power (90 mA I<sub>CC</sub>)  
 -15 = 15 ns t<sub>PD</sub>  
 -25 = 25 ns t<sub>PD</sub>
- C = Commercial (0°C to +75°C)  
 P = 28-Pin 300-mil Plastic SKINNYDIP (PD3028)  
 J = 28-Pin Plastic Leaded Chip Carrier (PL 028)

Valid Combinations	
PALCE24V10H-15	PC, JC
PALCE24V10H-25	

### Valid Combinations

The Valid Combinations table lists configurations planned to be supported in volume for this device. Consult the local AMD sales office to confirm availability of specific valid combinations, to check on newly released combinations, and to obtain additional data on AMD's standard military grade products.

Note: Marked with AMD logo.



## FUNCTIONAL DESCRIPTION

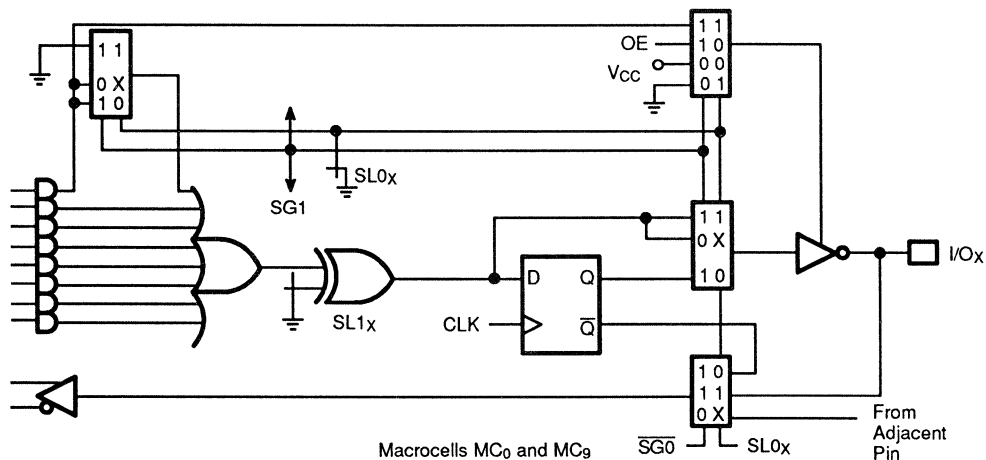
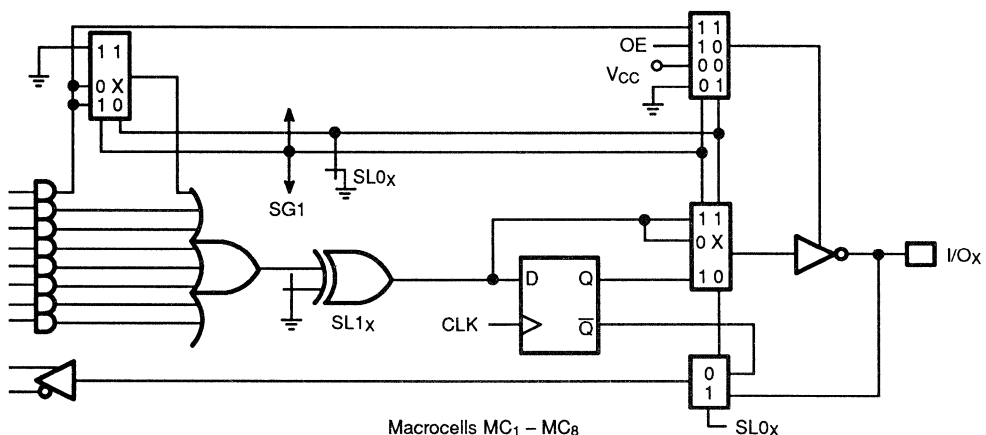
The PALCE24V10 is a universal PAL device. It has ten independently configurable macrocells (MC<sub>0</sub>..MC<sub>9</sub>). Each macrocell can be configured as a registered output, combinatorial output, combinatorial I/O, or dedicated input. The programming matrix implements a programmable AND logic array, which drives a fixed OR logic array. Buffers for device inputs have complementary outputs to provide user-programmable input signal polarity. Pins 1 and 15 serve either as array inputs or as clock (CLK) and output enable (OE) for all flip-flops.

Unused input pins should be tied directly to V<sub>CC</sub> or GND. Product terms with all bits unprogrammed (disconnected) assume the logical HIGH state and product terms with both true and complement of any input signal connected assume a logical LOW state.

The programmable functions on the PALCE24V10 are automatically configured from the user's design specification, which can be in a number of formats. The design

specification is processed by development software to verify the design and create a programming file. This file, once downloaded to a programmer, configures the device according to the user's desired function.

The user is given two design options with the PALCE24V10. First, it can be programmed as an emulated PAL device. This includes the PAL24R10 series. The PAL device programmer manufacturer will supply device codes for the standard PAL architectures to be used with the PALCE24V10. The programmer will program the PALCE24V10 to the corresponding PAL device architecture. This allows the user to use existing standard PAL device JEDEC files without making any changes to them. Alternatively, the device can be programmed directly as a PALCE24V10. Here the user must use the PALCE24V10 device code. This option provides full utilization of the macrocells, allowing non-standard architectures to be built.



PALCE24V10 Macrocell

12222-004A

## Configuration Options

Each macrocell can be configured as one of the following: registered output, combinatorial output, combinatorial I/O or dedicated input. In the registered output configuration, the output buffer is enabled by the  $\overline{OE}$  pin. In the combinatorial configuration, the buffer is either controlled by a product term or always enabled. In the dedicated input configuration, the buffer is always disabled.

The macrocell configurations are controlled by the configuration control word. It contains 2 global bits (SG0 and SG1) and 20 local bits (SL0<sub>0</sub> through SL0<sub>9</sub> and SL1<sub>0</sub> through SL1<sub>9</sub>). SG0 determines whether registers will be allowed. SG1 determines whether the PALCE24V10 will emulate a PAL24R10 family or a simple combinatorial device. Within each macrocell, SL0<sub>x</sub>, in conjunction with SG1, selects the configuration of the macrocell and SL1<sub>x</sub> sets the output as either active low or active high.

The configuration bits work by acting as control inputs for the multiplexers in the macrocell. There are four multiplexers: a product term input, an enable select, an output select, and a feedback select multiplexer. SG1 and SL0<sub>x</sub> are the control signals for all four multiplexers. In MC<sub>0</sub> and MC<sub>9</sub>,  $\overline{SG0}$  is added on the feedback multiplexer.

These configurations are summarized in table 1 and illustrated in figure 2.

If the PALCE24V10 is configured as a combinatorial device, the CLK and  $\overline{OE}$  pins are available as inputs to the array. If the device is configured with registers, the CLK and  $\overline{OE}$  pins cannot be used as data inputs.

## Registered Output Configuration

The control bit settings are SG0 = 0, SG1 = 1 and SL0<sub>x</sub> = 0. There is only one registered configuration. All eight product terms are available as inputs to the OR gate. Data polarity is determined by SL1<sub>x</sub>. SL1<sub>x</sub> is an input to the exclusive-OR gate which is the D input to the flip-flop. SL1<sub>x</sub> is programmed as 1 for inverted output or 0 for non-inverted output. The flip-flop is loaded on the LOW-to-HIGH transition of CLK. The feedback path is from  $\overline{Q}$  on the register. The output buffer is enabled by  $\overline{OE}$ .

## Combinatorial Configurations

The PALCE24V10 has three combinatorial output configurations: dedicated output in a non-registered device, I/O in a non-registered device and I/O in a registered device.

## Dedicated Output in a Non-Registered Device

The control settings are SG0 = 1, SG1 = 0, and SL0<sub>x</sub> = 0. All eight product terms are available to the OR gate. Because the macrocell is a dedicated output, the feedback is not used.

## Dedicated Input in a Non-Registered Device

The control bit settings are SG0 = 1, SG1 = 0 and SL0<sub>x</sub> = 1. The output buffer is disabled. The feedback signal is the I/O pin.

## Combinatorial I/O in a Non-Registered Device

The control settings are SG0 = 1, SG1 = 1, and SL0<sub>x</sub> = 1. Only seven product terms are available to the OR gate. The eighth product term is used to enable the output buffer. The signal at the I/O pin is fed back to the AND array via the feedback multiplexer. This allows the pin to be used as an input.

## Combinatorial I/O in a Registered Device

The control bit settings are SG0 = 0, SG1 = 1 and SL0<sub>x</sub> = 1. Only seven product terms are available to the OR gate. The eighth product term is used as the output enable. The feedback signal is the corresponding I/O signal.

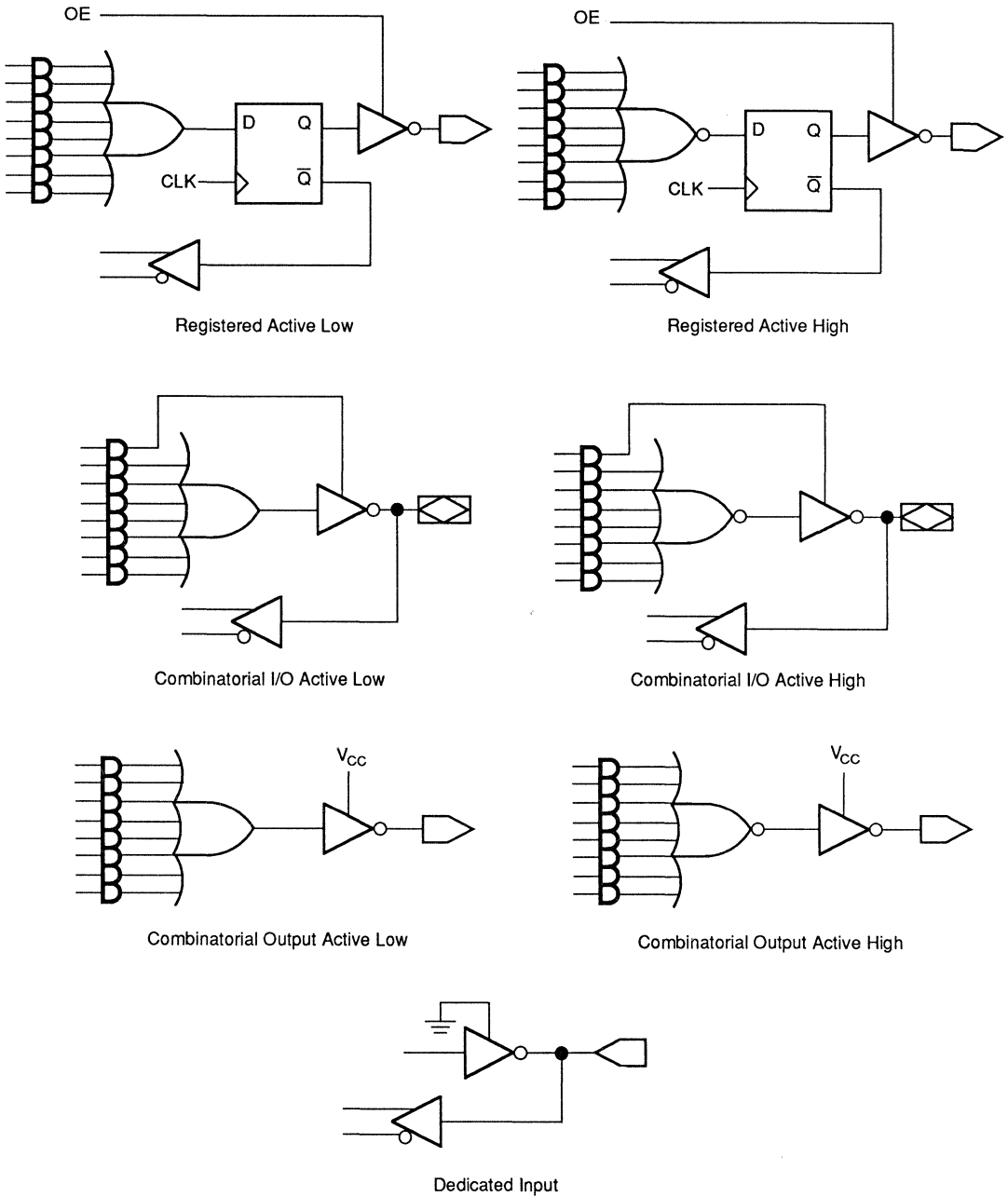
Table 1. Macrocell Configurations

SG0	SG1	SL0 <sub>x</sub>	Cell Configuration	Devices Emulated
<b>Device has registers</b>				
0	1	0	Registered Output	PAL24R10, 24R8, 24R4
0	1	1	Combinatorial I/O	PAL24R8, 24R4
<b>Device has no registers</b>				
1	0	0	Combinatorial Output	Simple Combinatorial
1	0	1	Dedicated Input	Simple Combinatorial
1	1	1	Combinatorial I/O	PAL24L10

## Programmable Output Polarity

The polarity of each macrocell output can be active high or active low, either to match output signal needs or to reduce product terms. Programmable polarity allows Boolean expressions to be written in their most compact form (true or inverted), and the output can still be of the desired polarity. It can also save "DeMorganizing" efforts.

Selection is made through a programmable bit SL1<sub>x</sub> which controls an exclusive-OR gate at the output of the AND/OR logic. The output is active high if SL1<sub>x</sub> is a 0 and active low if SL1<sub>x</sub> is a 1.



12222-005A

Figure 2. Macrocell Configurations

---

## Power-Up Reset

All flip-flops power up to a logic LOW for predictable system initialization. Outputs of the PALCE24V10 depend on whether they are selected as registered or combinatorial. If registered is selected, the output will be HIGH. If combinatorial is selected, the output will be a function of the logic.

## Register Preload

The register on the PALCE24V10 Series can be preloaded from the output pins to facilitate functional testing of complex state machine designs. This feature allows direct loading of arbitrary states, making it unnecessary to cycle through long test vector sequences to reach a desired state. In addition, transitions from illegal states can be verified by loading illegal states and observing proper recovery.

## Security Bit

A security bit is provided on the PALCE24V10 as a deterrent to unauthorized copying of the array configuration patterns. Once programmed, this bit defeats read-

back of the programmed pattern by a device programmer, securing proprietary designs from competitors. However, programming and verification are also defeated by the security bit. The bit can only be erased in conjunction with the array during an erase cycle.

## Electronic Signature Word

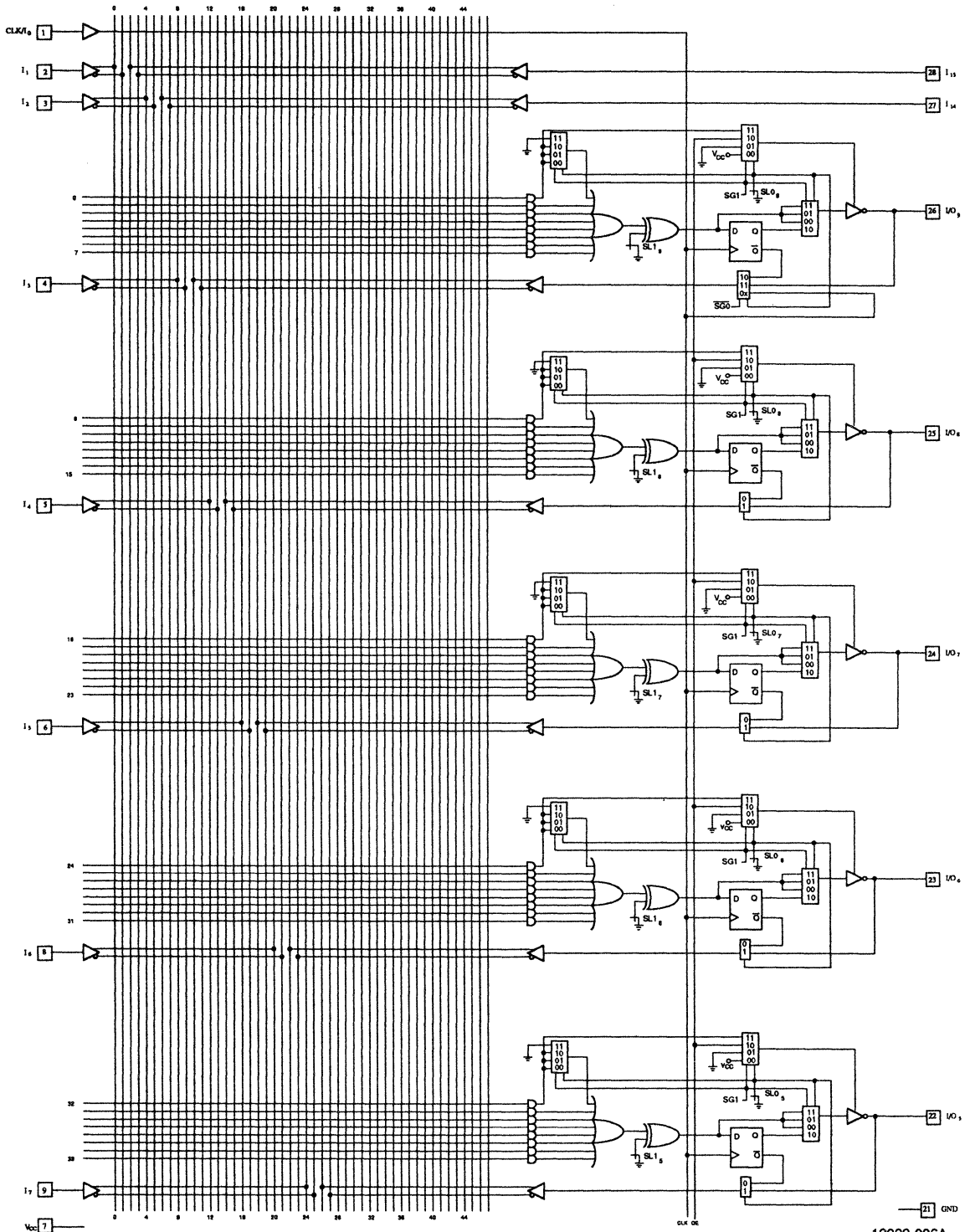
An electronic signature word is provided in the PALCE24V10. It consists of 64 bits of programmable memory that can contain any user-defined data. The signature data is always available to the user independent of the security bit.

## Programming and Erasing

The PALCE24V10 can be programmed on standard logic programmers. Approved programmers are listed in the Programmer Reference Guide.

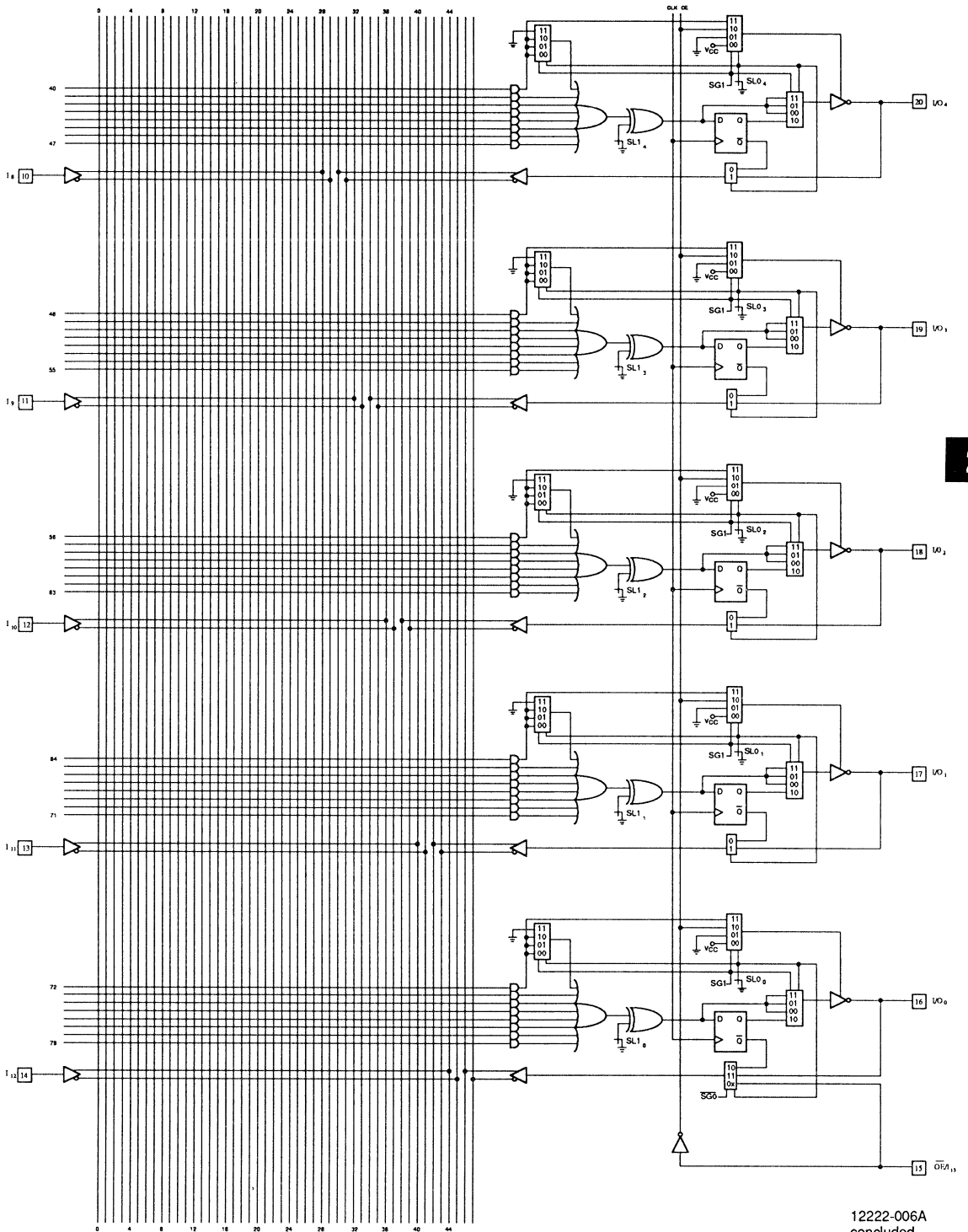
The PALCE24V10 may be erased to reset a previously configured device back to its virgin state. Erasure is automatically performed by the programming hardware. No special erase operation is required.

# LOGIC DIAGRAM



12222-006A

LOGIC DIAGRAM (Continued)



2

12222-006A  
concluded

## ABSOLUTE MAXIMUM RATINGS

Storage Temperature	-65°C to +150°C
Ambient Temperature with Power Applied	-55°C to +125°C
Supply Voltage with Respect to Ground	-0.5 V to +7.0 V
DC Input Voltage	-0.5 V to $V_{CC} + 0.5$ V
DC Output or I/O Pin Voltage	-0.5 V to $V_{CC} + 0.5$ V
Static Discharge Voltage	2001 V
Latchup Current ( $T_A = 0^\circ\text{C}$ to $+75^\circ\text{C}$ )	100 mA

Stresses above those listed under Absolute Maximum Ratings may cause permanent device failure. Functionality at or above these limits is not implied. Exposure to Absolute Maximum Ratings for extended periods may affect device reliability. Programming conditions may differ.

## OPERATING RANGES

### Commercial (C) Devices

Temperature ( $T_A$ ) Operating in Free Air	0°C to +75°C
Supply Voltage ( $V_{CC}$ ) with Respect to Ground	+4.75 V to +5.25 V

Operating ranges define those limits between which the functionality of the device is guaranteed.

## DC CHARACTERISTICS over COMMERCIAL operating ranges unless otherwise specified

Parameter Symbol	Parameter Description	Test Conditions	Min.	Max.	Unit
$V_{OH}$	Output HIGH Voltage	$I_{OH} = -3.2$ mA $V_{IN} = V_{IH}$ or $V_{IL}$ $V_{CC} = \text{Min.}$	2.4		V
$V_{OL}$	Output LOW Voltage	$I_{OL} = 24$ mA $V_{IN} = V_{IH}$ or $V_{IL}$ $V_{CC} = \text{Min.}$		0.5	V
$V_{IH}$	Input HIGH Voltage	Guaranteed Input Logical HIGH Voltage for all Inputs (Note 1)	2.0		V
$V_{IL}$	Input LOW Voltage	Guaranteed Input Logical LOW Voltage for all Inputs (Note 1)		0.8	V
$I_{IH}$	Input HIGH Leakage Current	$V_{IN} = 5.25$ V, $V_{CC} = \text{Max.}$ (Note 2)		10	$\mu\text{A}$
$I_{IL}$	Input LOW Leakage Current	$V_{IN} = 0$ V, $V_{CC} = \text{Max.}$ (Note 2)		-10	$\mu\text{A}$
$I_{OZH}$	Off-State Output Leakage Current HIGH	$V_{OUT} = 5.25$ V, $V_{CC} = \text{Max.}$ $V_{IN} = V_{IH}$ or $V_{IL}$ (Note 2)		10	$\mu\text{A}$
$I_{OZL}$	Off-State Output Leakage Current LOW	$V_{OUT} = 0$ V, $V_{CC} = \text{Max.}$ $V_{IN} = V_{IH}$ or $V_{IL}$ (Note 2)		-10	$\mu\text{A}$
$I_{SC}$	Output Short-Circuit Current	$V_{CC} = \text{Max.}$ $V_{OUT} = 0.5$ V (Note 3)	-30	-130	mA
$I_{CC}$	Supply Current	$V_{IN} = 0$ V, Outputs Open ( $I_{OUT} = 0$ mA) $V_{CC} = \text{Max.}$ , $f = 15$ MHz		90	mA

### Notes:

1. These are absolute values with respect to device ground and all overshoots due to system and/or tester noise are included.
2. I/O pin leakage is the worst case of  $I_{IL}$  and  $I_{OZL}$  (or  $I_{IH}$  and  $I_{OZH}$ ).
3. Not more than one output should be shorted at a time and duration of the short-circuit should not exceed one second.  $V_{OUT} = 0.5$  V has been chosen to avoid test problems caused by tester ground degradation.

## CAPACITANCE (Note 1)

Parameter Symbol	Parameter Descriptions	Test Conditions		Typ.	Unit
C <sub>IN</sub>	Input Capacitance	V <sub>IN</sub> = 2.0 V	V <sub>CC</sub> = 5.0 V, T <sub>A</sub> = 25°C,	5	pF
C <sub>OUT</sub>	Output Capacitance	V <sub>OUT</sub> = 2.0 V	f = 1 MHz	8	pF

### Note:

1. These parameters are not 100% tested, but are evaluated at initial characterization and at any time the design is modified where capacitance may be affected.

## SWITCHING CHARACTERISTICS over COMMERCIAL operating ranges (Note 2)

Parameter Symbol	Parameter Description	-15		-25		Unit
		Min.	Max.	Min.	Max.	
t <sub>PD</sub>	Input or Feedback to Combinatorial Output		15		25	ns
t <sub>S</sub>	Setup Time from Input or Feedback to Clock	12		15		ns
t <sub>H</sub>	Hold Time	0		0		ns
t <sub>CO</sub>	Clock to Output		10		12	ns
t <sub>CF</sub>	Clock to Feedback (Note 3)		8		10	ns
t <sub>WL</sub>	Clock Width	LOW	8	12		ns
t <sub>WH</sub>		HIGH	8	12		ns
f <sub>MAX</sub>	Maximum Frequency (Note 4)	External Feedback 1/(t <sub>S</sub> +t <sub>CO</sub> )	45.5	37		MHz
		Internal Feedback 1/(t <sub>S</sub> +t <sub>CF</sub> )	50	40		MHz
		No Feedback 1/(t <sub>WH</sub> +t <sub>WL</sub> )	62.5	41.6		MHz
t <sub>PZX</sub>	$\overline{OE}$ to Output Enable		15		20	ns
t <sub>PXZ</sub>	$\overline{OE}$ to Output Disable		15		20	ns
t <sub>EA</sub>	Input to Output Enable Using Product Term Control		15		25	ns
t <sub>ER</sub>	Input to Output Disable Using Product Term Control		15		25	ns

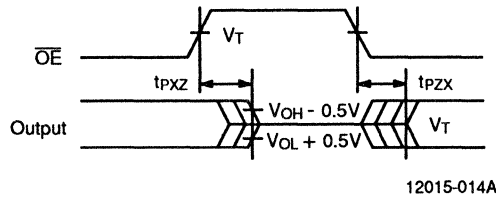
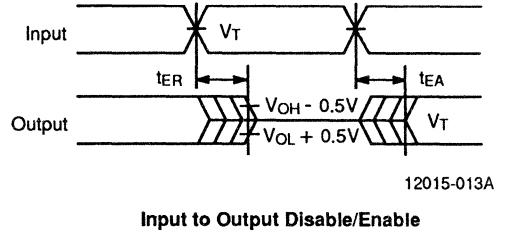
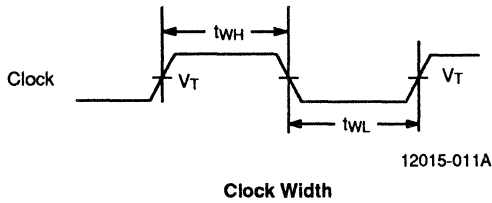
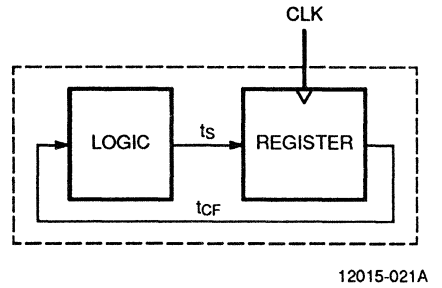
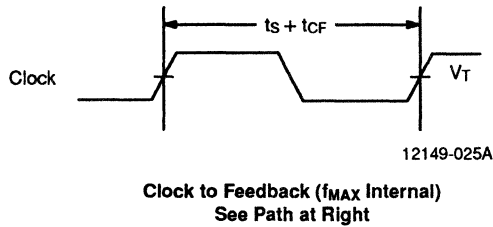
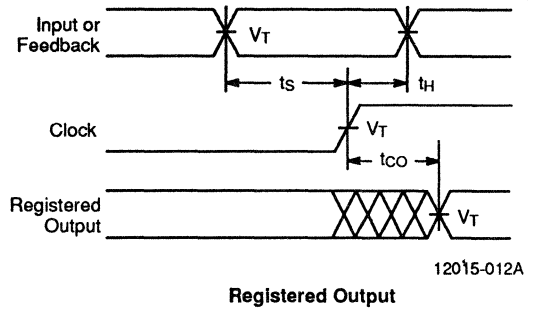
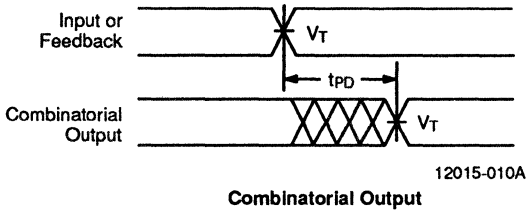
### Notes:

2. See Switching Test Circuit for test conditions.
3. Calculated from measured f<sub>MAX</sub> internal.
4. These parameters are not 100% tested, but are calculated at initial characterization and at any time the design is modified where frequency may be affected.

**2**



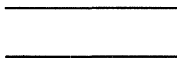



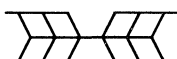
# SWITCHING WAVEFORMS



**Notes:**

1.  $V_T = 1.5\text{ V}$
2. Input pulse amplitude 0 V to 3.0 V.
3. Input rise and fall times 2–5 ns typical.

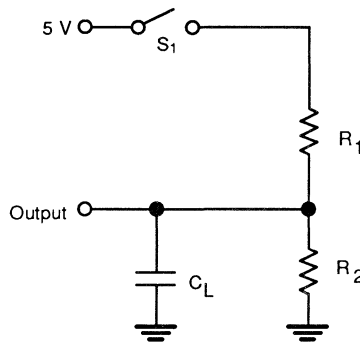
## KEY TO SWITCHING WAVEFORMS

WAVEFORM	INPUTS	OUTPUTS
	Must be Steady	Will be Steady
	May Change from H to L	Will be Changing from H to L
	May Change from L to H	Will be Changing from L to H
	Don't Care; Any Change Permitted	Changing, State Unknown
	Does Not Apply	Center Line is High-Impedance "Off" State

2

KS000010-PAL

## SWITCHING TEST CIRCUIT



Switching Test Circuit

12197-007A

Specification	S <sub>1</sub>	C <sub>L</sub>	R <sub>1</sub>	R <sub>2</sub>	Measured Output Value
t <sub>PD</sub> , t <sub>CO</sub> , t <sub>CF</sub>	Closed	50 pF	200 Ω	390 Ω	1.5 V
t <sub>PZX</sub> , t <sub>EA</sub>	Z → H: Open Z → L: Closed	50 pF	200 Ω	390 Ω	1.5 V
t <sub>PXZ</sub> , t <sub>ER</sub>	H → Z: Open L → Z: Closed	5 pF	200 Ω	390 Ω	H → Z: V <sub>OH</sub> - 0.5 V L → Z: V <sub>OL</sub> + 0.5 V

## ENDURANCE CHARACTERISTICS

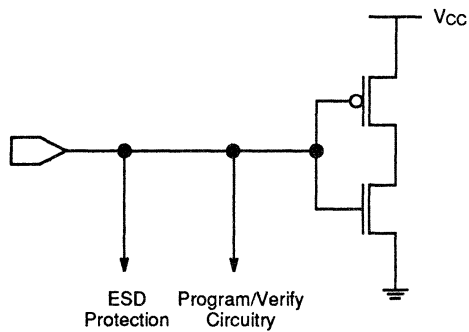
The PALCE24V10 is manufactured using AMD's advanced electrically erasable process. This technology uses an EE cell to replace the fuse link used in bipolar

parts. As a result, the device can be erased and reprogrammed – a feature which allows 100% testing at the factory.

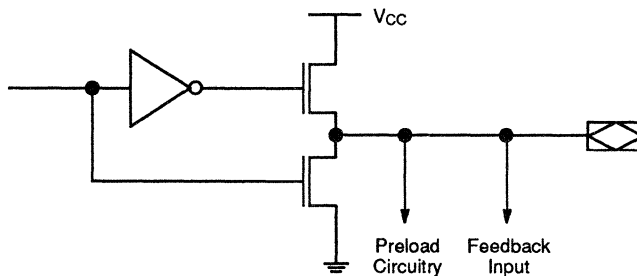
### Endurance Characteristics

Symbol	Parameter	Min.	Units	Test Conditions
t <sub>DR</sub>	Min. Pattern Data Retention Time	10	Years	Max. Storage Temperature
		20	Years	Max. Operating Temperature
N	Min. Reprogramming Cycles	100	Cycles	Normal Programming Conditions

## INPUT/OUTPUT EQUIVALENT SCHEMATICS



Typical Input



Typical Output

12197-013A

## OUTPUT REGISTER PRELOAD

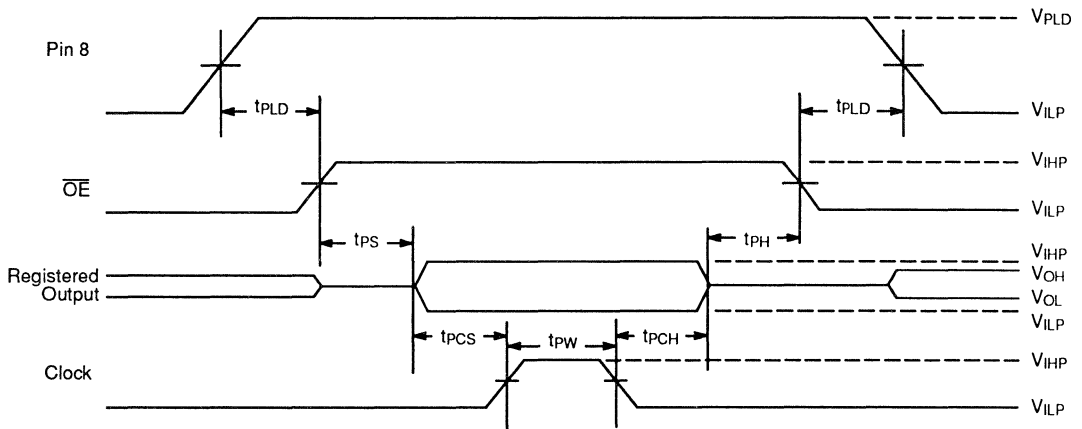
The Preload function allows the registers to be loaded from the output pins. This feature aids functional testing of sequential designs by allowing direct setting of output states. The procedure is as follows.

1. Raise  $V_{CC}$  to  $5.0\text{ V} \pm 0.5\text{ V}$ .
2. Set pin 8 to  $V_{PLD}$ .
3. Set  $\overline{OE}$  HIGH.
4. Apply the desired value ( $V_{IL}/V_{IH}$ ) to all registered output pins. Leave combinatorial output pins floating.

5. Clock pin 1 from  $V_{IL}$  to  $V_{IH}$ .
6. Remove  $V_{IL}/V_{IH}$  from all registered outputs.
7. Enable the output registers by lowering  $\overline{OE}$ .
8. Lower pin 8 to  $V_{IL}/V_{IH}$ .
9. Verify for  $V_{OL}/V_{OH}$  at all registered output pins.  
Note that the output pin signal will be the inverse of the preload data.

Parameter Symbol	Parameter Description	Min.	Rec.	Max.	Unit
$t_{PLD}$	Setup and Hold Time from Preload (pin 8) to $\overline{OE}$	50	50		$\mu\text{s}$
$t_{PS}$	Setup Time from $\overline{OE}$ to Data	1	1		$\mu\text{s}$
$t_{PH}$	Hold Time from Data to $\overline{OE}$	1	1		$\mu\text{s}$
$t_{PCS}$	Setup Time from Data to Clock	1	1		$\mu\text{s}$
$t_{PCH}$	Hold Time from Clock to Data	1	1		$\mu\text{s}$
$dV_r/dt$	$V_{PLD}$ Rising Slew Rate (pin 8)	10		100	$\text{V}/\mu\text{s}$
$dV_f/dt$	$V_{PLD}$ Falling Slew Rate (pin 8)		2	3	$\text{V}/\mu\text{s}$
$V_{PLD}$	Super-Level Input Voltage	13.0	13.5	14.0	V
$V_{IHP}$	High-Level Input Voltage	2.4	5.0	5.5	V
$V_{ILP}$	Low-Level Input Voltage	0	0	0.5	V

2



12015-015A

Output Register Preload Waveform

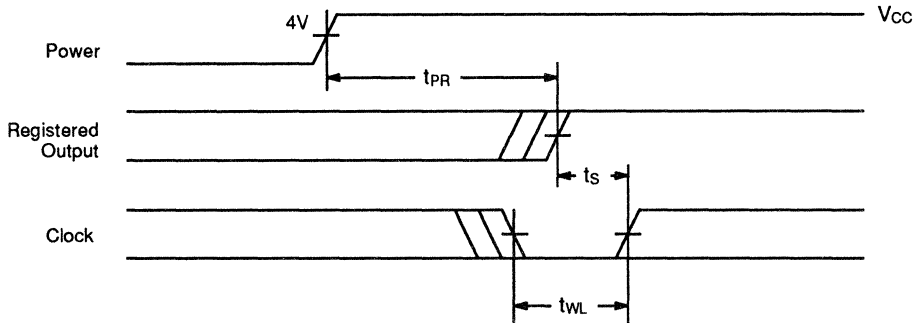
## POWER-UP RESET

The PALCE24V10 has been designed with the capability to reset during system power-up. Following power-up, all flip-flops will be reset to LOW. The output state will be HIGH independent of the logic polarity. This feature provides extra flexibility to the designer and is especially valuable in simplifying state machine initialization. A timing diagram and parameter table are shown below. Due to the synchronous operation of the power-up reset

and the wide range of ways  $V_{CC}$  can rise to its steady state, two conditions are required to insure a valid power-up reset. These conditions are:

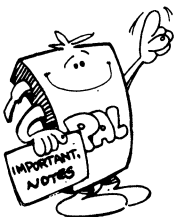
1. The  $V_{CC}$  rise must be monotonic.
2. Following reset, the clock input must not be driven from LOW to HIGH until all applicable input and feedback setup times are met.

Parameter Symbol	Parameter Description	Min.	Max.	Unit
$t_{PR}$	Power-Up Reset Time		10	$\mu s$
$t_s$	Input or Feedback Setup Time	See Switching Characteristics		
$t_{WL}$	Clock Width LOW			



12197-009A

Power-Up Reset Waveforms





# PALCE26V12H-20/25

28-Pin EE CMOS Versatile PAL<sup>®</sup> Device

Advanced  
Micro  
Devices

## DISTINCTIVE CHARACTERISTICS

- 28-pin versatile PAL programmable logic device architecture
- Electrically erasable CMOS technology provides half power (only 105 mA) at high speed (20 ns propagation delay)
- 14 dedicated inputs and 12 input/output macrocells for architectural flexibility
- Macrocells can be registered or combinatorial, and active high or active low
- Varied product term distribution allows up to 16 product terms per output
- Two clock inputs for independent functions
- Global asynchronous reset and synchronous preset for initialization
- Register preload for testability and built-in register reset on power-up
- Space-efficient 28-pin SKINNYDIP<sup>®</sup> and PLCC packages
- Center V<sub>CC</sub> and GND pins to improve signal characteristics
- Supported by PALASM<sup>®</sup> software and other design tools and standard logic programmers

## GENERAL DESCRIPTION

The PALCE26V12H is a 28-pin version of the popular PAL22V10 architecture. Built with low-power, high-speed, electrically-erasable CMOS technology, the PALCE26V12H offers many unique advantages.

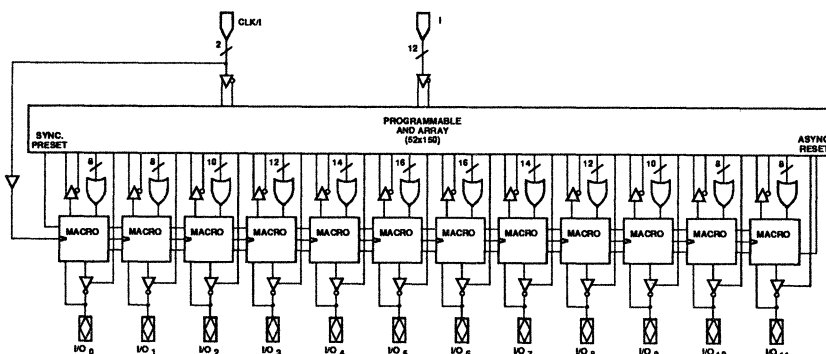
Device logic is automatically configured according to the user's design specification. Design is simplified by PALASM design software from AMD, allowing automatic creation of a programming file based on Boolean or state equations. PALASM software also verifies the design and can provide test vectors for the programmed device. Third-party design tools and logic programmers also support the PALCE26V12H (see Programmer Reference Guide).

The PALCE26V12H utilizes the familiar sum-of-products (AND/OR) architecture that allows users to implement complex logic functions easily and efficiently. Multiple levels of combinatorial logic can always be reduced

to sum-of-products form, taking advantage of the very wide input gates available in PAL devices. The functions are programmed into the device through electrically-erasable floating-gate cells in the AND logic array and the macrocells. In the unprogrammed state, all AND product terms float HIGH. If both true and complement of any input are connected, the term will be permanently LOW.

The product terms are connected to the fixed OR array with a varied distribution from 8 to 16 across the outputs (see Block Diagram). The OR sum of the products feeds the output macrocell. Each macrocell can be programmed as registered or combinatorial, active high or active low, with registered I/O possible. The flip-flop can be clocked by one of two clock inputs. The output configuration is determined by four bits controlling three multiplexers in each macrocell.

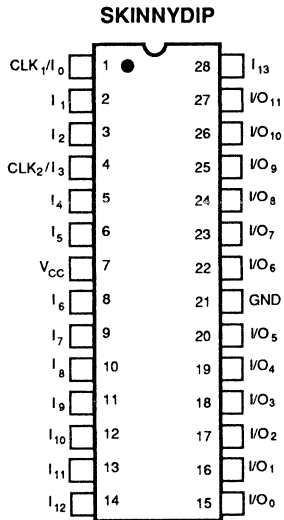
## BLOCK DIAGRAM



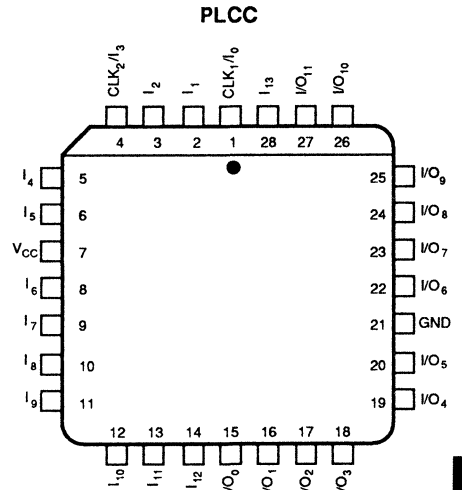
11757-001A

## CONNECTION DIAGRAMS

### Top View



11757-005A



11757-007A

### PIN DESIGNATIONS

CLK	Clock
GND	Ground
I	Input
I/O	Input/Output
Vcc	Supply Voltage

### Note:

Pin 1 is marked for orientation.

**2**

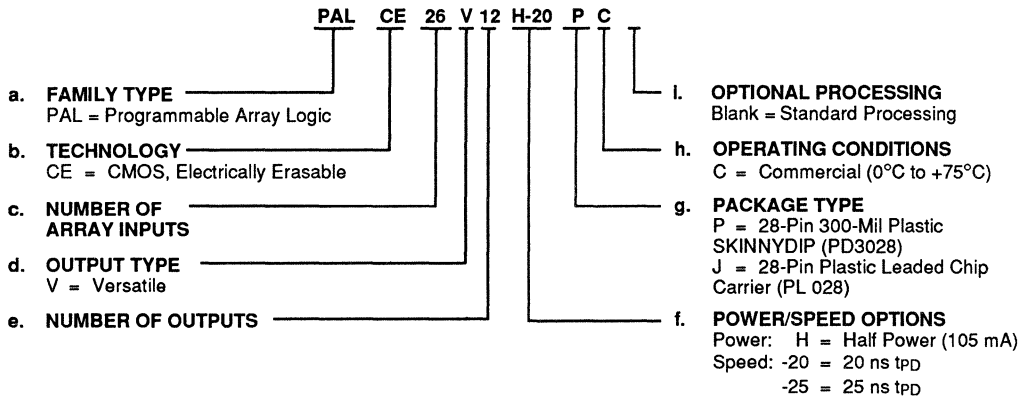


## ORDERING INFORMATION

### Commercial Products

AMD commercial programmable logic products are available with several ordering options. The order number (Valid Combination) is formed by a combination of:

- a. Family Type
- b. Technology
- c. Number of Array Inputs
- d. Output Type
- e. Number of Outputs
- f. Power/Speed Options
- g. Package Type
- h. Operating Conditions
- i. Optional Processing



Valid Combinations	
PALCE26V12H-20	PC, JC
PALCE26V12H-25	

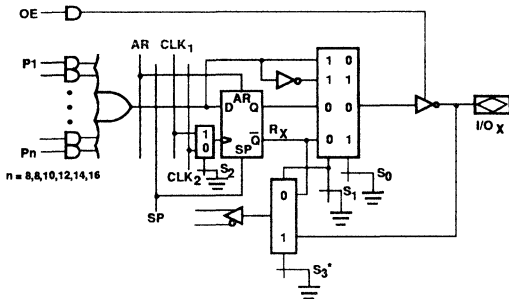
#### Valid Combinations

The Valid Combinations table lists configurations planned to be supported in volume for this device. Consult the local AMD sales office to confirm availability of specific valid combinations, to check on newly released combinations, and to obtain additional data on AMD's standard military grade products.

Note: Marked with AMD logo.

## FUNCTIONAL DESCRIPTION

The PALCE26V12H has fourteen dedicated input lines, two of which can be used as clock inputs. Unused inputs should be tied directly to ground or  $V_{CC}$ . Buffers for device inputs and feedbacks have both true and complementary outputs to provide user-selectable signal polarity. The inputs drive a programmable AND logic array, which feeds a fixed OR logic array.



\* When  $S_3 = 1$  (unprogrammed), the feedback is selected by  $S_1$ .  
 When  $S_3 = 0$  (programmed), the feedback is the opposite of that selected by  $S_1$ .

11757-004A

Figure 1. PALCE26V12H Macrocell

$S_3$	$S_1$	$S_0$	Output Configuration
1	0	0	Registered Output and Feedback, Active Low
1	0	1	Registered Output and Feedback, Active High
1	1	0	Combinatorial I/O, Active Low
1	1	1	Combinatorial I/O, Active High
0	0	0	Registered I/O, Active Low
0	0	1	Registered I/O, Active High
0	1	0	Combinatorial Output, Registered Feedback, Active Low
0	1	1	Combinatorial Output, Registered Feedback, Active High

$S_2$	Clock Input
1	CLK <sub>1</sub> /I <sub>0</sub>
0	CLK <sub>2</sub> /I <sub>3</sub>

1 = Unprogrammed EE bit  
 0 = Programmed EE bit

The OR gates feed the twelve I/O macrocells (see figure 1). The macrocell allows one of eight potential output configurations; registered or combinatorial, active high or active low, with register or I/O pin feedback (see figure

2). In addition, registered configurations can be clocked by either of the two clock inputs.

The configuration choice is made according to the user's design specification and corresponding programming of the configuration bits  $S_0$ - $S_3$ . Multiplexer controls initially float to  $V_{CC}$  (1) through a programmable cell, selecting the "1" path through the multiplexer. Programming the cell connects the control line to GND (0), selecting the "0" path.

## Registered or Combinatorial

Each macrocell of the PALCE26V12H includes a D-type flip-flop for data storage and synchronization. The flip-flop is loaded on the LOW-to-HIGH edge of the selected clock input. Any macrocell can be configured as combinatorial by selecting a multiplexer path that bypasses the flip-flop. Bypass is controlled by bit  $S_1$ .

## Programmable Clock

The clock input for any flip-flop can be selected to be from either pin 1 or pin 4. A 2:1 multiplexer controlled by bit  $S_2$  determines the clock input.

2

## Programmable Feedback

A 2:1 multiplexer allows the user to determine whether the macrocell feedback comes from the flip-flop or from the I/O pin, independent of whether the output is registered or combinatorial. Thus, registered outputs may have internal register feedback for higher speed ( $t_{CF}$  specification applies), or I/O feedback for use of the pin as a direct input ( $t_{CO}$  specification applies). Combinatorial outputs may have I/O feedback, either for use of the signal in other equations or for use as another direct input, or register feedback.

The feedback multiplexer is controlled by the same bit ( $S_1$ ) that controls whether the output is registered or combinatorial, as on the 22V10, with an additional control bit ( $S_3$ ) that allows the alternative feedback path to be selected. When  $S_3 = 1$ ,  $S_1$  selects register feedback for registered outputs ( $S_1 = 0$ ) and I/O feedback for combinatorial outputs ( $S_1 = 1$ ). When  $S_3 = 0$ , the opposite is selected: I/O feedback for registered outputs and register feedback for combinatorial outputs.

## Programmable Enable and I/O

Each macrocell has a three-state output buffer controlled by an individual product term. Enable and disable can be a function of any combination of device inputs or feedback. The macrocell provides a bidirectional I/O pin if I/O feedback is selected, and may be configured as a dedicated input if the buffer is always disabled. This is accomplished by connecting all inputs to the enable term, forcing the AND of the complemented inputs to be always LOW. To permanently enable the outputs, all in-

---

puts are left disconnected from the term (the unprogrammed state).

### **Programmable Output Polarity**

The polarity of each macrocell output can be active high or active low, either to match output signal needs or to reduce product terms. Programmable polarity allows Boolean expressions to be written in their most compact form (true or inverted), and the output can still be of the desired polarity. It can also save "DeMorganizing" efforts.

Selection is controlled by programmable bit  $S_0$  in the output macrocell, and affects both registered and combinatorial outputs. Selection is automatic, based on the design specification and pin definitions. If the pin definition and output equation have the same polarity, the output is programmed to be active high.

### **Preset/Reset**

For initialization, the PALCE26V12 has additional Preset and Reset product terms. These terms are connected to all registered outputs. When the Synchronous Preset (SP) product term is asserted high, the output registers will be loaded with a HIGH or the next LOW-to-HIGH clock transition. When the Asynchronous Reset (AR) product term is asserted high, the output registers will be immediately loaded with a LOW independent of the clock.

Note that preset and reset control the flip-flop, not the output pin. The output level is determined by the output polarity selected.

### **Power-Up Reset**

All flip-flops power up to a logic LOW for predictable system initialization. Outputs of the PALCE26V12H will be HIGH or LOW depending on whether the output is active low or active high, respectively. The  $V_{CC}$  rise must be monotonic, and the reset delay time is 1 ms maximum.

### **Register Preload**

The register on the PALCE26V12H can be preloaded from the output pins to facilitate functional testing of complex state machine designs. This feature allows direct loading of arbitrary states, thereby making it unnecessary to cycle through long test vector sequences to reach a desired state. In addition, transitions from illegal states can be verified by loading illegal states and observing proper recovery.

### **Security Bit**

After programming and verification, a PALCE26V12H design can be secured by programming the security bit. Once programmed, this bit defeats readback of the internal programmed pattern by a device programmer, securing proprietary designs from competitors. Programming the security bit disables preload, and the array will read as if every bit is disconnected. The security bit can only be erased in conjunction with erasure of the entire pattern.

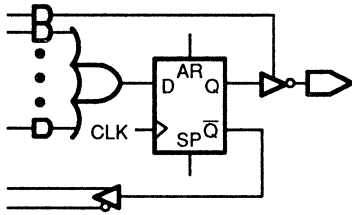
### **Quality and Testability**

The PALCE26V12H offers a very high level of built-in quality. The erasability of the device provides a means of verifying performance of all AC and DC parameters. In addition, this verifies complete programmability and functionality of the device to provide the highest programming yields and post-programming functional yields in the industry.

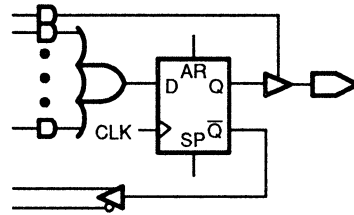
### **Programming and Erasing**

The PALCE26V12 can be programmed on standard logic programmers. Approved programmers are listed in the Programmer Reference Guide.

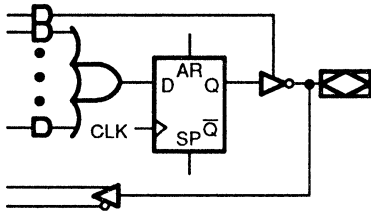
The PALCE26V12 may be erased to reset a previously configured device back to its virgin state. Erasure is automatically performed by the programming hardware. No special erase operation is required.



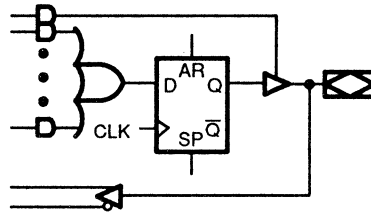
Registered Active-Low Output,  
Register Feedback



Registered Active-High Output,  
Register Feedback



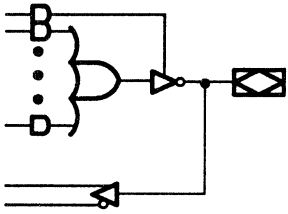
Registered Active-Low I/O



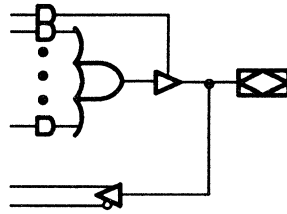
Registered Active-High I/O

**2**

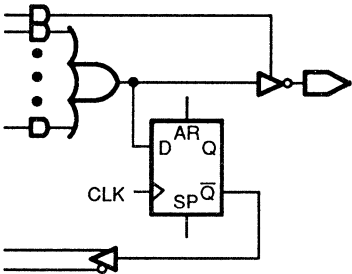
**Registered Outputs**



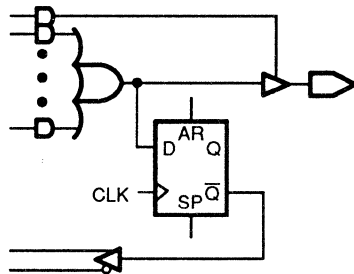
Combinatorial Active-Low I/O



Combinatorial Active-High I/O



Combinatorial Active-Low Output,  
Register Feedback



Combinatorial Active-High Output,  
Register Feedback

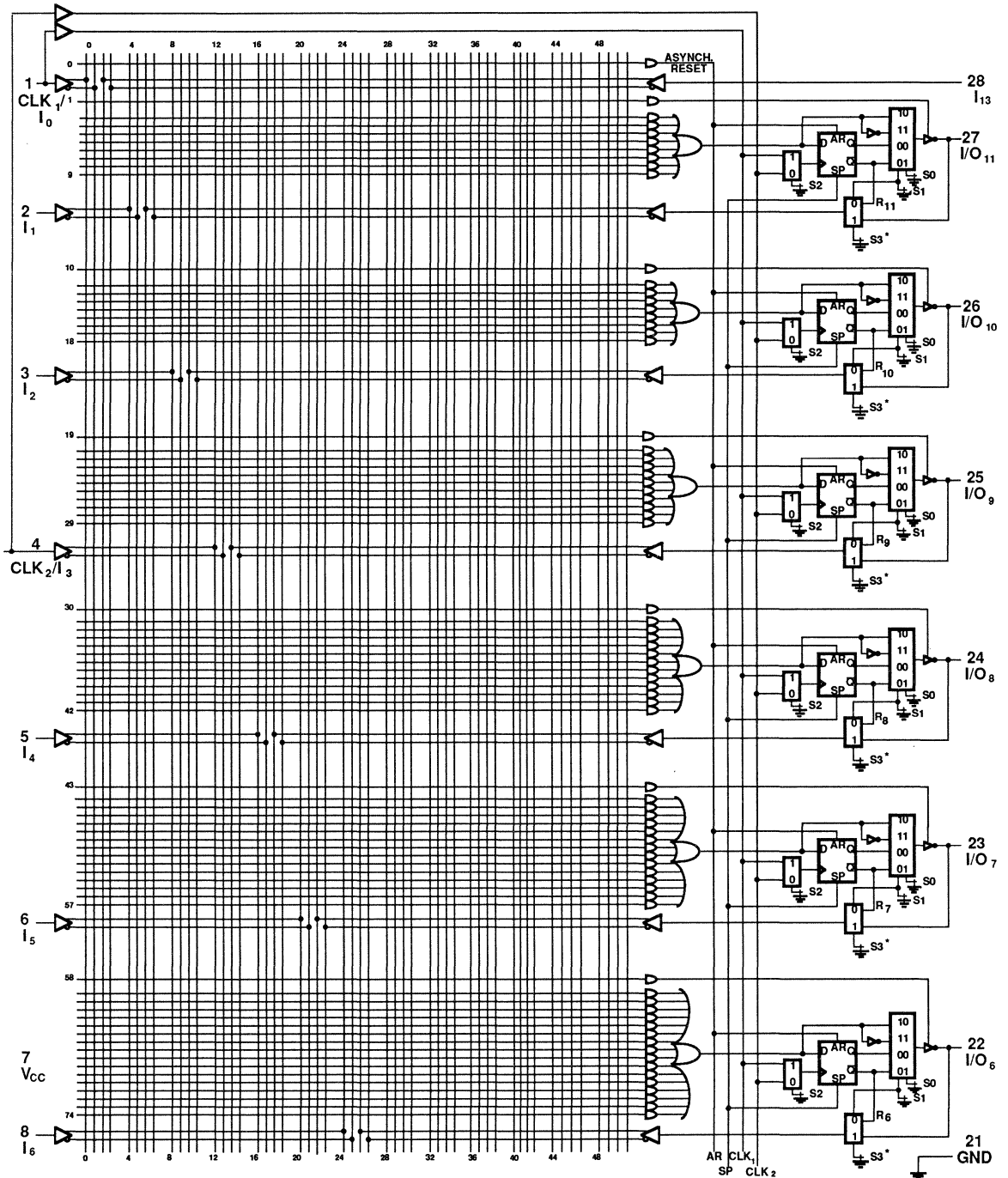
**Combinatorial Outputs**

11757-003A

**Figure 2. PALCE26V12H Macrocell Configuration Options**

# LOGIC DIAGRAM

## PALCE26V12H

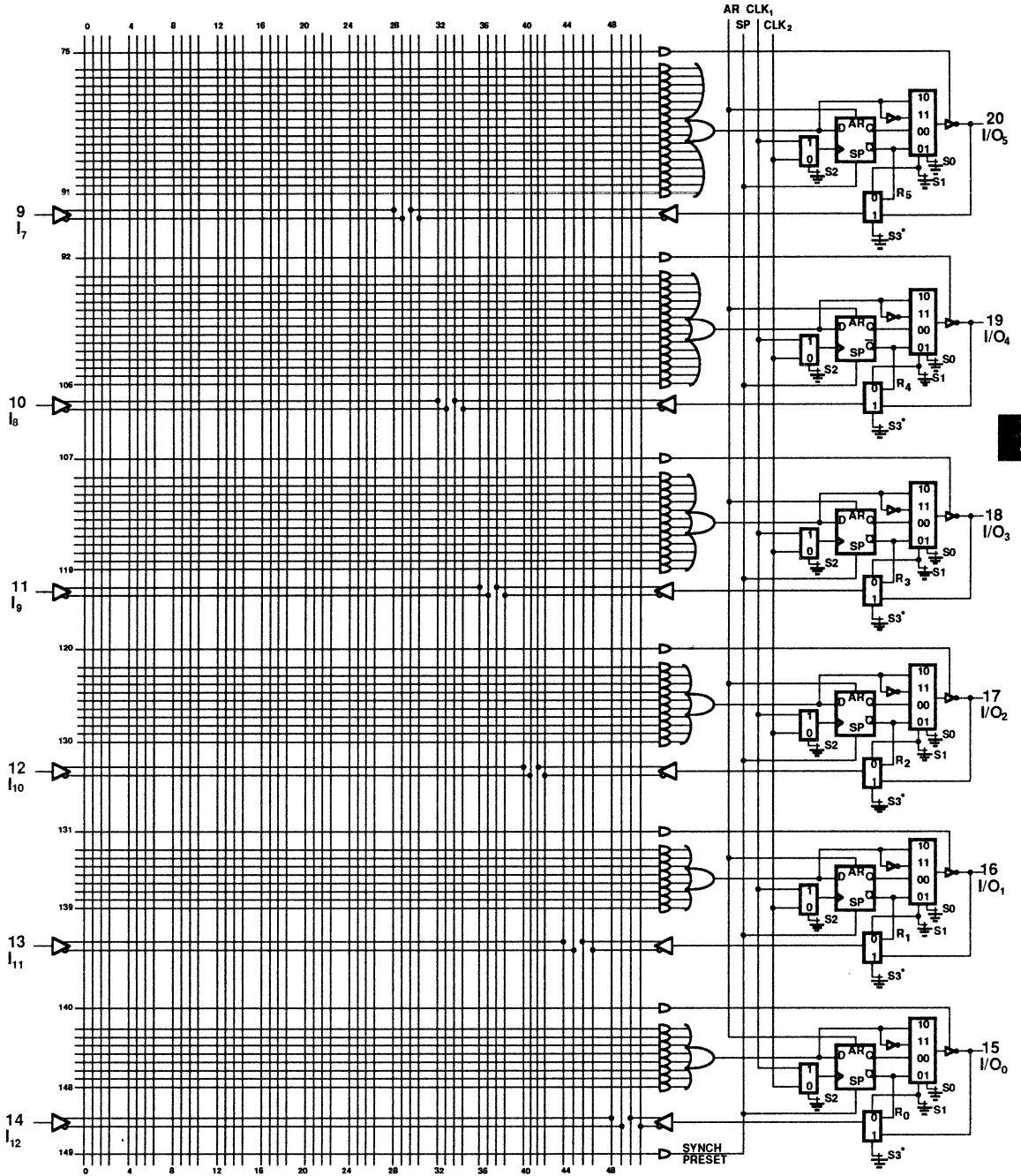


\* When S<sub>3</sub> = 1 (unprogrammed), the feedback is selected by S<sub>1</sub>.  
 When S<sub>3</sub> = 0 (programmed), the feedback is the opposite of that selected by S<sub>1</sub>.

11757-006A

LOGIC DIAGRAM (Continued)

PALCE26V12H



2

\* When  $S_3 = 1$  (unprogrammed), the feedback is selected by  $S_1$ .  
 When  $S_3 = 0$  (programmed), the feedback is the opposite of that selected by  $S_1$ .

11757-006A  
 (Concluded)

## ABSOLUTE MAXIMUM RATINGS

Storage Temperature	-65°C to +150°C
Ambient Temperature with Power Applied	-55°C to +125°C
Supply Voltage with Respect to Ground	-0.5 V to +7.0 V
DC Input Voltage	-0.6 V to +7.0 V
DC Output or I/O Pin Voltage	-0.5 V to $V_{CC} + 0.5$ V
Static Discharge Voltage	2001 V

## OPERATING RANGES

### Commercial (C) Devices

Ambient Temperature ( $T_A$ )	
Operating in Free Air	0°C to +75°C
Supply Voltage ( $V_{CC}$ ) with Respect to Ground	+4.75 V to +5.25 V

Operating ranges define those limits between which the functionality of the device is guaranteed.

Stresses above those listed under Absolute Maximum Ratings may cause permanent device failure. Functionality at or above these limits is not implied. Exposure to Absolute Maximum Ratings for extended periods may affect device reliability. Programming conditions may differ.

## DC CHARACTERISTICS over COMMERCIAL operating ranges unless otherwise specified

Parameter Symbol	Parameter Description	Test Conditions	Min.	Max.	Unit
$V_{OH}$	Output HIGH Voltage	$I_{OH} = -3.2$ mA $V_{IN} = V_{IH}$ or $V_{IL}$ $V_{CC} = \text{Min.}$	2.4		V
$V_{OL}$	Output LOW Voltage	$I_{OL} = 16$ mA $V_{IN} = V_{IH}$ or $V_{IL}$ $V_{CC} = \text{Min.}$		0.4	V
$V_{IH}$	Input HIGH Voltage	Guaranteed Input Logical HIGH Voltage for all Inputs (Note 1)	2.0		V
$V_{IL}$	Input LOW Voltage	Guaranteed Input Logical LOW Voltage for all Inputs (Note 1)		0.8	V
$I_{IH}$	Input HIGH Leakage Current	$V_{IN} = 5.5$ V, $V_{CC} = \text{Max.}$ (Note 2)		10	$\mu$ A
$I_{IL}$	Input LOW Leakage Current	$V_{IN} = 0$ V, $V_{CC} = \text{Max.}$ (Note 2)		-10	$\mu$ A
$I_{OZH}$	Off-State Output Leakage Current HIGH	$V_{OUT} = 5.5$ V, $V_{CC} = \text{Max.}$ $V_{IN} = V_{IH}$ or $V_{IL}$ (Note 2)		10	$\mu$ A
$I_{OZL}$	Off-State Output Leakage Current LOW	$V_{OUT} = 0$ V, $V_{CC} = \text{Max.}$ $V_{IN} = V_{IH}$ or $V_{IL}$ (Note 2)		-10	$\mu$ A
$I_{SC}$	Output Short-Circuit Current	$V_{OUT} = 0.5$ V, $V_{CC} = \text{Max.}$ (Note 3)	-30	-130	mA
$I_{CC}$	Supply Current	$V_{IN} = 0$ V, Outputs Open ( $I_{OUT} = 0$ mA) $V_{CC} = \text{Max.}$		105	mA

### Notes:

1. These are absolute values with respect to device ground and all overshoots due to system and/or tester noise are included.
2. I/O pin leakage is the worst case of  $I_{IL}$  and  $I_{OZL}$  (or  $I_{IH}$  and  $I_{OZH}$ ).
3. Not more than one output should be tested at a time. Duration of the short-circuit should not exceed one second.  $V_{OUT} = 0.5$  V has been chosen to avoid test problems caused by tester ground degradation.

## CAPACITANCE (Note 1)

Parameter Symbol	Parameter Description	Test Conditions		Typ.	Unit
C <sub>IN</sub>	Input Capacitance	V <sub>IN</sub> = 0 V	V <sub>CC</sub> = 5.0 V T <sub>A</sub> = +25°C	5	pF
C <sub>OUT</sub>	Output Capacitance	V <sub>OUT</sub> = 0 V	f = 1 MHz	8	

### Note:

1. These parameters are not 100% tested, but are evaluated at initial characterization and at any time the design is modified where capacitance may be affected.

## SWITCHING CHARACTERISTICS over COMMERCIAL operating ranges (Note 2)

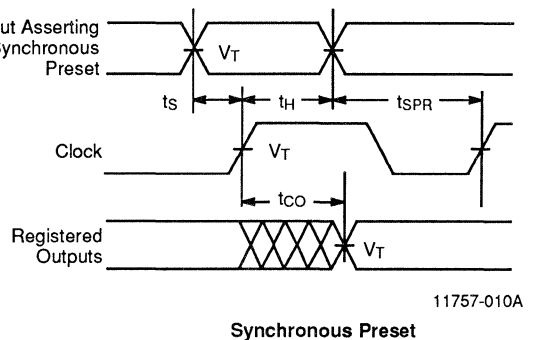
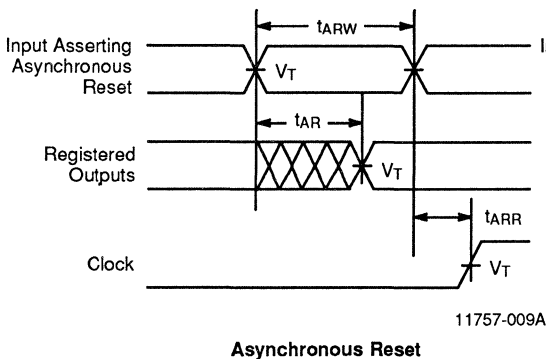
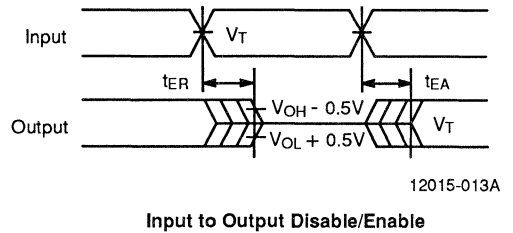
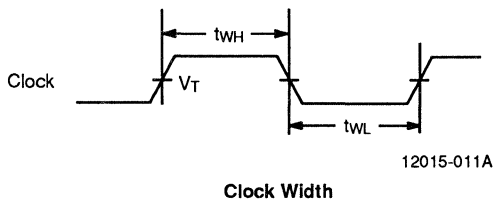
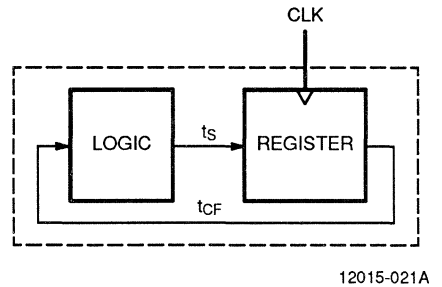
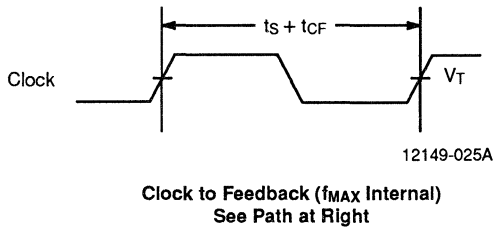
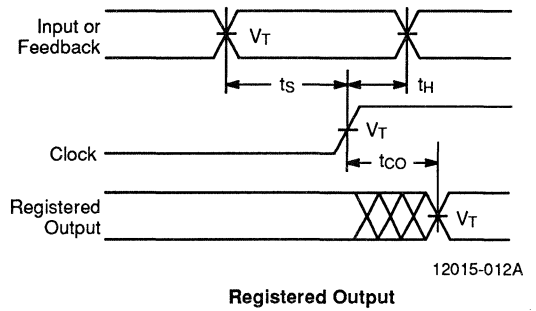
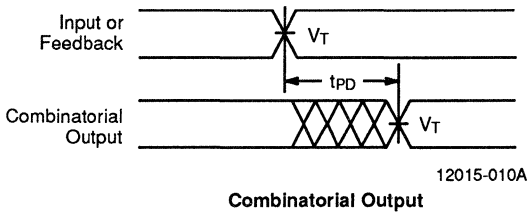
Parameter Symbol	Parameter Description	-20		-25		Unit
		Min.	Max.	Min.	Max.	
t <sub>PD</sub>	Input or Feedback to Combinatorial Output		20		25	ns
t <sub>s</sub>	Setup Time from Input, Feedback, or SP to Clock	13		15		ns
t <sub>H</sub>	Hold Time	0		0		ns
t <sub>CO</sub>	Clock to Output		12		15	ns
t <sub>CF</sub>	Clock to Feedback (Note 3)		10		13	ns
t <sub>AR</sub>	Asynchronous Reset to Registered Output		25		30	ns
t <sub>ARW</sub>	Asynchronous Reset Width	20		25		ns
t <sub>ARR</sub>	Asynchronous Reset Recovery Time	20		25		ns
t <sub>SPR</sub>	Synchronous Preset Recovery Time	13		15		ns
t <sub>WL</sub>	Clock Width	LOW	10	13		ns
t <sub>WH</sub>		HIGH	10	13		ns
f <sub>MAX</sub>	Maximum Frequency (Note 4)	External Feedback	1/(t <sub>s</sub> + t <sub>CO</sub> )	40	33.3	MHz
		Internal Feedback	1/(t <sub>s</sub> + t <sub>CF</sub> )	43	35	MHz
t <sub>EA</sub>	Input to Output Enable Using Product Term Control		20		25	ns
t <sub>ER</sub>	Input to Output Disable Using Product Term Control		20		25	ns

### Notes:

2. See Switching Test Circuit for test conditions.
3. Calculated from measured f<sub>MAX</sub> internal.
4. These parameters are not 100% tested, but are calculated at initial characterization and at any time the design is modified where frequency may be affected.



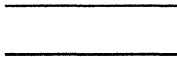



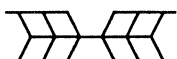
## SWITCHING WAVEFORMS



### Notes:

1.  $V_T = 1.5\text{ V}$
2. Input pulse amplitude 0 V to 3.0 V.
3. Input rise and fall times 2–5 ns typical.

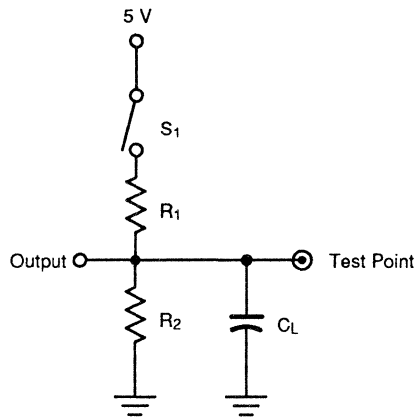
## KEY TO SWITCHING WAVEFORMS

WAVEFORM	INPUTS	OUTPUTS
	Must be Steady	Will be Steady
	May Change from H to L	Will be Changing from H to L
	May Change from L to H	Will be Changing from L to H
	Don't Care; Any Change Permitted	Changing, State Unknown
	Does Not Apply	Center Line is High-Impedance "Off" State

KS000010-PAL

2

## SWITCHING TEST CIRCUIT



12350-019A

Specification	S <sub>1</sub>	C <sub>L</sub>	R <sub>1</sub>	R <sub>2</sub>	Measured Output Value
t <sub>PD</sub> , t <sub>CO</sub> , t <sub>CF</sub>	Closed	50 pF	300 Ω	390 Ω	1.5 V
t <sub>EA</sub>	Z → H: Open Z → L: Closed				1.5 V
t <sub>ER</sub>	H → Z: Open L → Z: Closed	5 pF			H → Z: V <sub>OH</sub> - 0.5 V L → Z: V <sub>OL</sub> + 0.5 V

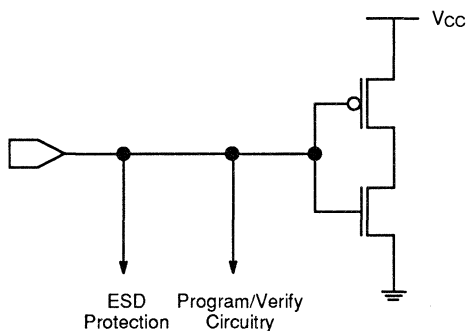
## ENDURANCE CHARACTERISTICS

The PALCE26V12 is manufactured using AMD's advanced Electrically Erasable process. This technology uses an EE cell to replace the fuse link used in bipolar

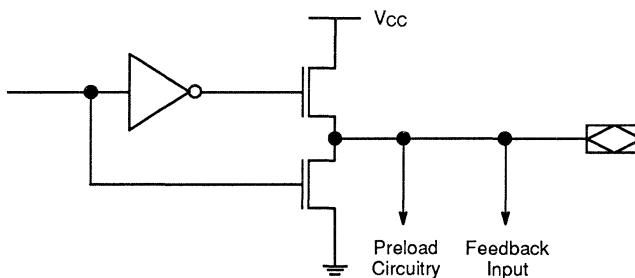
parts. As a result, the device can be erased and reprogrammed – a feature which allows 100% testing at the factory.

Symbol	Parameter	Min.	Unit	Test Conditions
$t_{DR}$	Min. Pattern Data Retention Time	10	Years	Max. Storage Temperature
		20	Years	Max. Operating Temperature
N	Min. Reprogramming Cycles	100	Cycles	Normal Programming Conditions

## INPUT/OUTPUT EQUIVALENT SCHEMATICS



Typical Input



Typical Output

12197-013A

## OUTPUT REGISTER PRELOAD

The PALCE26V12H registered outputs are provided with circuitry to allow loading each register synchronously with either a HIGH or LOW. This feature will simplify testing since any state can be loaded into the registers to control test sequencing.

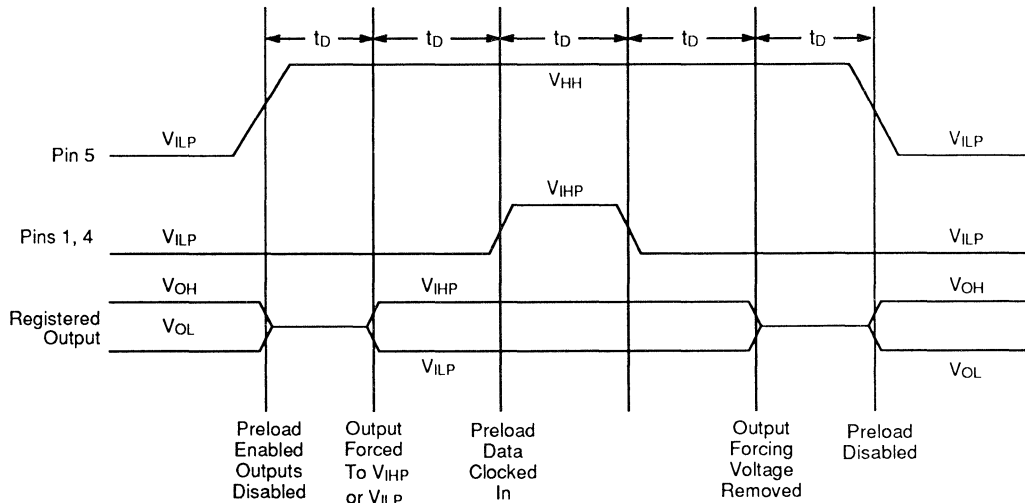
The pin levels and timing necessary to perform the Preload function are detailed below.

1. Raise  $V_{CC}$  to  $5.0\text{ V} \pm 0.5\text{ V}$ .
2. Set pin 5 to  $V_{HH}$  to disable outputs and enable preload.

3. Apply the desired value ( $V_{ILP}/V_{IHP}$ ) to all registered output pins. Leave combinatorial output pins floating.
4. Clock appropriate pins, 1 and/or 4, from  $V_{ILP}$  to  $V_{IHP}$ .
5. Remove  $V_{ILP}/V_{IHP}$  from all registered outputs.
6. Lower pin 5 to  $V_{IL}/V_{IH}$ .
7. Enable outputs according to programmed pattern. Verify for  $V_{OL}/V_{OH}$  at all registered output pins. Note that the output pin signal will depend on the programmed polarity.

Parameter Symbol	Parameter Description	Min.	Rec.	Max.	Unit
$V_{HH}$	Super-level Input Voltage	10.25	10.5	10.75	V
$V_{ILP}$	Low-level Input Voltage	0	0	0.5	V
$V_{IHP}$	High-level Input Voltage	2.4	5.0	5.5	V
$t_D$	Delay Time	10	100		$\mu\text{S}$

Level forced on registered output pin during Preload cycle	Register Q output state after cycle
$V_{IHP}$	HIGH
$V_{ILP}$	LOW



11757-008A

Preload Waveforms

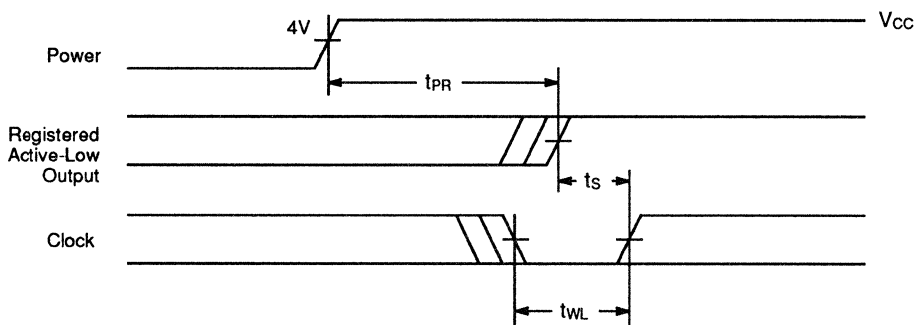
## POWER-UP RESET

The power-up reset feature ensures that all flip-flops will be reset to LOW after the device has been powered up. The output state will depend on the programmed configuration. This feature is valuable in simplifying state machine initialization. A timing diagram and parameter table are shown below. Due to the synchronous operation of the power-up reset and the wide range of ways  $V_{CC}$  can rise to its steady state, two conditions are re-

quired to ensure a valid power-up reset. These conditions are:

1. The  $V_{CC}$  rise must be monotonic.
2. Following reset, the clock input must not be driven from LOW to HIGH until all applicable input and feedback setup times are met.

Parameter Symbol	Parameter Description	Max.	Unit
$t_{PR}$	Power-up Reset Time	1000	ns
$t_s$	Input or Feedback Setup Time	See Switching Characteristics	
$t_{WL}$	Clock Width LOW		



12350-024A

Power-Up Reset Waveform





# PALCE29M16H-25/35

## 24-Pin EE CMOS Programmable Array Logic

### DISTINCTIVE CHARACTERISTICS

- High-performance semicustom logic replacement; Electrically Erasable (E<sup>2</sup>) technology allows reprogrammability
- 16 bidirectional user-programmable I/O logic macrocells for Combinatorial/Registered/Latched operation
- Output Enable controlled by a pin or product terms
- Varied product term distribution for increased design flexibility
- Programmable clock selection with two clocks/latch enables ( $\overline{LE}$ s) and LOW/HIGH clock/ $\overline{LE}$  polarity
- Register/Latch Preload permits full logic verification
- High speed ( $t_{PD} = 25$  ns,  $f_{MAX} = 33$  MHz and  $f_{MAX}$  Internal = 50 MHz)
- Full-function AC and DC testing at the factory for high programming and functional yields and high reliability
- 24-pin 300-mil SKINNYDIP<sup>®</sup> and 28-pin plastic leaded chip carrier packages

### GENERAL DESCRIPTION

The PALCE29M16H is a high-speed, E<sup>2</sup>-based CMOS Programmable Array Logic device designed for general logic replacement in TTL or CMOS digital systems. It offers high speed, low power consumption, high programming yield, fast programming and excellent reliability. Programmable Array Logic (PAL<sup>®</sup>) devices combine

the flexibility of custom logic with the off-the-shelf availability of standard products, providing major advantages over other semicustom solutions such as gate arrays and standard cells, including reduced development time and low up-front development cost.

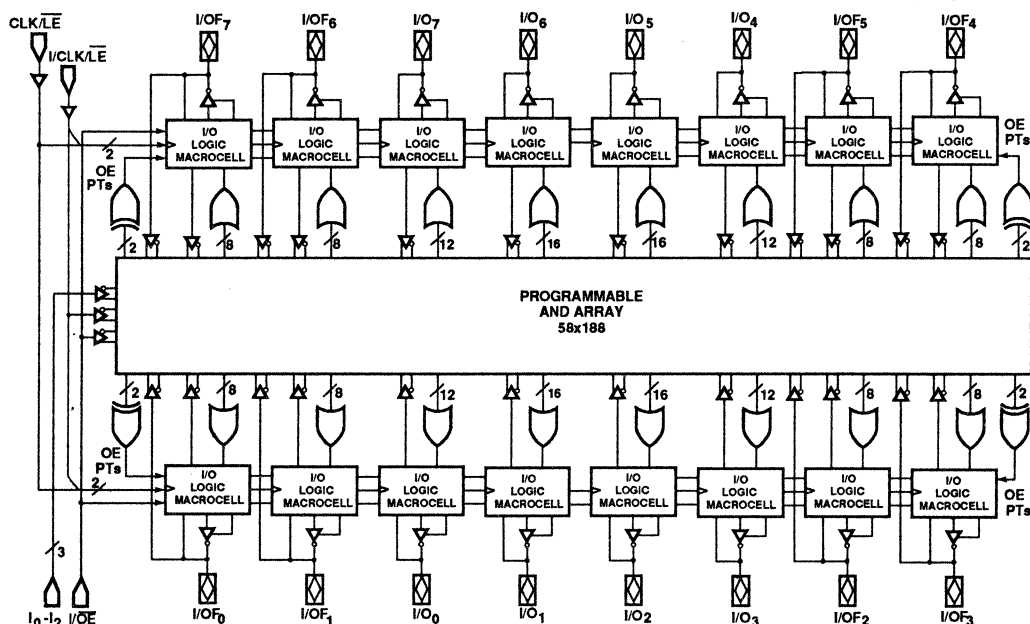


Figure 1. Block Diagram

08740-001A

### GENERAL DESCRIPTION (Continued)

The PALCE29M16H uses the familiar sum-of-products (AND-OR) structure, allowing users to customize logic functions by programming the device for specific applications. It provides up to twenty-nine array inputs and sixteen outputs. It incorporates AMD's unique input/output logic macrocell which provides flexible input/output structure and polarity, flexible feedback selection, multiple Output Enable choices, and a programmable clocking scheme. The macrocells can be individually programmed as "Combinatorial," "Registered," or "Latched" with active-HIGH or active-LOW polarity. The flexibility of the logic macrocells permits the system designer to tailor the device to particular application requirements.

Increased logic power has been built into the PALCE29M16H by providing a varied number of logic product terms per output. Eight outputs have eight prod-

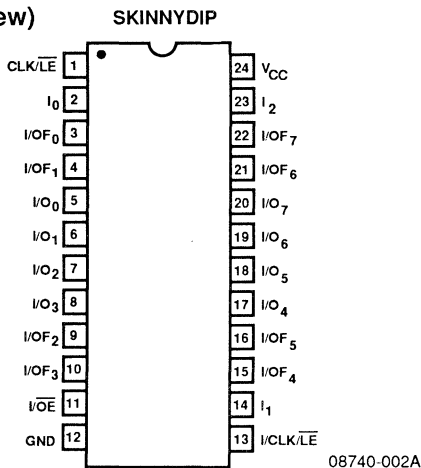
uct terms each, four outputs have twelve product terms each, and the other four outputs have sixteen product terms each. This varied product-term distribution allows complex functions to be implemented in a single PAL device. Each output can be dynamically controlled by a common Output Enable pin or Output Enable product terms per bank of four outputs. Each output can also be permanently enabled or disabled.

System operation has been enhanced by the addition of common asynchronous-PRESET and RESET product terms and a power-up RESET feature. The PALCE29M16H also incorporates PRELOAD and Observability functions which permit full logic verification of the design.

The PALCE29M16H is offered in the space-saving 300-mil SKINNYDIP package as well as the plastic leaded chip carrier package.

### CONNECTION DIAGRAMS

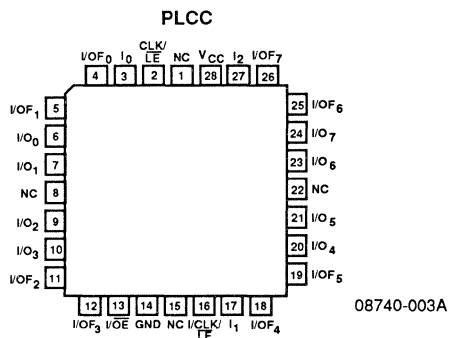
#### (Top View)



08740-002A

**Note:**

Pin 1 is marked for orientation



08740-003A

**Pin Designations:**

- I = Input
- I/O = Input/Output
- I/O F = Input/Output with Dual Feedback
- V<sub>cc</sub> = Supply Voltage
- GND = Ground
- CLK/LE = Clock/Latch Enable
- NC = No Connection

### PIN DESCRIPTION

The following describes the functionality of all the pins on the 24-pin SKINNYDIP. The 28-pin chip carrier has the same functionality with NO CONNECTS on pins 1, 8, 15, 22.

**CLK/LE (PIN 1):** Used as a dedicated clock/latch enable pin for all registers/latches on the device if so selected. (See I/O Logic Macrocell Configurations.) This pin is a clock pin for macrocells configured as registers and a latch enable pin for macrocells configured as latches.

**I/CLK/LE PIN (PIN 13):** Used as dedicated input or as an alternate clock/latch enable pin for all the registers/latches if so selected. (See I/O Logic Macrocell Configurations.) This pin is a clock pin for macrocells configured as registers and a latch enable pin for macrocells configured as latches.

**I/OE PIN (PIN 11):** Used as a dedicated input pin to the AND

array or as the Output Enable control pin (Active LOW) for all macrocells with pin-controlled Output Enable selected.

**I<sub>0</sub>-I<sub>2</sub> (PINS 2, 14, 23):** Dedicated input pins.

**I/O<sub>0</sub>-I/O<sub>7</sub> (PINS 3, 4, 9, 10, 15, 16, 21, 22):** Eight bidirectional I/O pins with two independent feedback paths to the AND array. The first feedback path is a dedicated I/O pin feedback to the AND array for combinatorial input. The second feedback path consists of direct register/latch feedback to the array (see Figure 2b).

**I/O<sub>0</sub>-I/O<sub>7</sub> (PINS 5, 6, 7, 8, 17, 18, 19, 20):** Eight bidirectional I/O pins with user-programmable register/latch or I/O pin feedback to the AND array (see Figure 2a).

**V<sub>cc</sub> (PIN 24):** Supply Voltage.

**GND (PIN 12):** Circuit Ground.

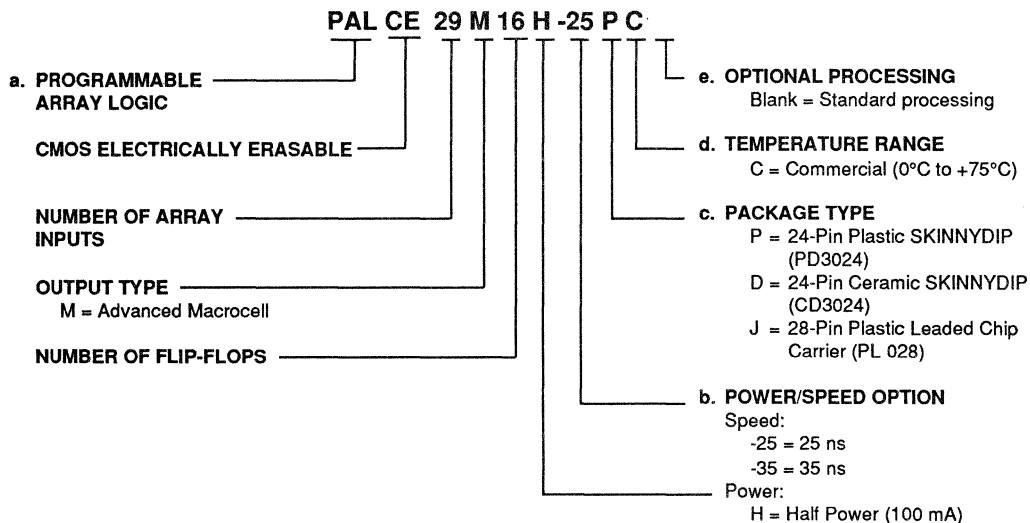


## ORDERING INFORMATION

### Commercial Products

AMD programmable logic products for commercial applications are available in several packages and operating ranges. The order number (Valid Combination) is formed by a combination of:

- a. Device Number
- b. Power/Speed Option
- c. Package Type
- d. Temperature Range
- e. Optional Processing



#### Valid Combinations

Valid Combinations	
PALCE29M16H-25 PALCE29M16H-35	PC, DC, JC

#### Valid Combinations

The Valid Combinations table lists configurations planned to be supported in volume for this device. Consult the local AMD sales office to confirm availability of specific valid combinations, to check on newly released combinations, and to obtain additional data on AMD's standard military grade products.

#### Note:

Marked with AMD logo.

## FUNCTIONAL DESCRIPTION

### Inputs

The PALCE29M16H has twenty-nine inputs to drive each product term (up to fifty-eight inputs with both TRUE and complement versions available to the AND array) as shown in the block diagram in Figure 1. Of these twenty-nine inputs, three are dedicated inputs, sixteen are from eight I/O logic macrocells with two feedbacks, eight are from other I/O logic macrocells with single feedback, one is the  $I/\overline{O}E$  input and one the  $I/CLK/\overline{L}E$  input.

Initially the AND-array gates are disconnected from all the inputs. This condition represents a logical TRUE for the AND array. By selectively programming the  $E^2$  cells, the AND array may be connected to either the TRUE input or the complement input. When both the TRUE and complement inputs are connected, a logical FALSE results at the output of the AND gate.

### Product Terms

The degree of programmability and complexity of a PAL device is determined by the number of connections that form the programmable-AND and OR gates. Each programmable-AND gate is called a product term. The PALCE29M16H has 188 product terms; 176 of these product terms provide logic capability and twelve are architectural or control product terms. Among the twelve control product terms, two are for common Asynchronous-PRESET and RESET, one is for Observability, and one is for PRELOAD. The other eight are common Output Enable product terms. The Output Enable of each bank of four macrocells can be programmed to be controlled by a common Output Enable pin or two AND/XOR product terms. It may be also permanently enabled or permanently disabled.

Each product term on the PALCE29M16H consists of a 58-input AND gate. The outputs of these AND gates are

connected to a fixed-OR plane. Product terms are allocated to OR gates in a varied distribution across the device ranging from eight to sixteen wide, with an average of eleven logic product terms per output. An increased number of product terms per output allows more complex functions to be implemented in a single PAL device. This flexibility aids in implementing functions such as counters, exclusive-OR functions, or complex state machines, where different states require different numbers of product terms.

Common asynchronous-PRESET and RESET product terms are connected to all Registered/Latched inputs/outputs.

When the asynchronous-PRESET product term is asserted (HIGH) all the registers/latches will immediately be loaded with a HIGH, independent of the clock. When the asynchronous-RESET product term is asserted (HIGH) all the registers/latches will be immediately loaded with a LOW, independent of the clock. The actual output state will depend on the macrocell polarity selection. The latches must be in latched mode (not transparent mode) for the RESET/PRESET, PRELOAD, and power-up RESET modes to be meaningful.

### Input/Output Logic Macrocells

The I/O logic macrocell allows the user the flexibility of defining the architecture of each input or output on an individual basis. It also provides the capability of using the associated pin either as an input or an output.

The PALCE29M16H has sixteen macrocells, one for each I/O pin. Each I/O macrocell can be programmed for combinatorial, registered or latched operation (see Figure 2). Combinatorial output is desired when the PAL device is used to replace combinatorial glue logic. Registers are used in synchronous logic applications while latches are used in asynchronous applications.

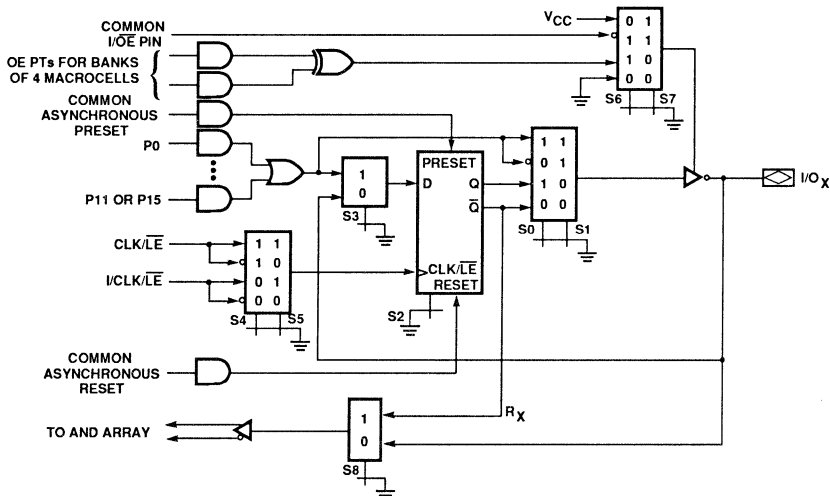


Figure 2a. PALCE29M16H Macrocell (Single Feedback)

08740-004A

The output polarity for each macrocell in each of the three modes of operation is user-selectable, allowing complete flexibility of the macrocell configuration.

Eight of the macrocells ( $I/OF_0$ - $I/OF_7$ ) have two independent feedback paths to the AND array (see Figure 2b). The first is a dedicated I/O pin feedback to the AND array for combinatorial input. The second path consists of a direct register/latch feedback to the array. If the pin is used as a dedicated input using the first feedback path, the register/latch feedback path is still available to the AND array. This path provides the capability of using the register/latch as a buried state register/latch. The other eight macrocells have a single feedback path to the AND array. This feedback is user-selectable as either an I/O pin or a register/latch feedback (see Figure 2a).

Each macrocell can provide true input/output capability. The user can select each macrocell register/latch to be driven by either the signal generated by the AND-OR array or the I/O pin. When the I/O pin is selected as the input, the feedback path provides the register/latch input to the array. When used as an input, each macrocell is also user-programmable for registered, latched, or combinatorial input.

The PALCE29M16H has one dedicated  $CLK/\overline{LE}$  pin and an  $I/CLK/\overline{LE}$  pin. All macrocells have a programmable select to choose between these two pins as the clock or the latch enable signal. These signals are clock signals for macrocells configured as registers and latch enable signals for macrocells configured as latches. The polarity of these  $CLK/\overline{LE}$  signals is also individually programmable. Thus different registers can be driven by different clocks and clock phases.

The Output-Enable mode of each of the macrocells can be selected by the user. The I/O pin can be configured as an output pin (permanently enabled) or as an input pin (permanently disabled). It can also be configured as a dynamic I/O controlled by the Output Enable pin or by two

AND-XOR product terms which are available for each bank of four I/O Logic Macrocells.

### I/O Logic Macrocell Configuration

AMD's unique I/O macrocell offers major benefits through its versatile, programmable input/output cell structure, multiple clock choices, flexible Output Enable and feedback selection. Eight I/O macrocells with single feedback contain nine  $E^2$  cells, while the other eight macrocells contain eight  $E^2$  cells for programming the input/output functions (see Table 1).

$E^2$  cell S1 controls whether the macrocell will be combinatorial or registered/latched. S0 controls the output polarity (active-HIGH or active-LOW). S2 determines whether the input/output is a register or a latch. S3 allows the use of the macrocell as an input register/latch or as an output register/latch. If connected to the usual AND-OR array output, the register/latch is an output connected to the I/O pin. If connected to the I/O pin, the register/latch becomes an input register/latch to the AND array using the feedback data path.

Programmable  $E^2$  cells S4 and S5 allow the user to select one of the four  $CLK/\overline{LE}$  signals for each macrocell. S6 and S7 are used to control Output Enable as pin controlled, two product term controlled, permanently enabled or permanently disabled. S8 controls a feedback multiplexer for the macrocells with a single feedback path only.

Using the programmable  $E^2$  cells S0-S8 various input and output configurations can be selected. Some of the possible configuration options are shown in Figure 3.

In the virgin erased state (charged, disconnected), an architectural cell is said to have a value of "1"; in the programmed state (discharged, connected to GND), an architectural cell is said to have a value of "0."

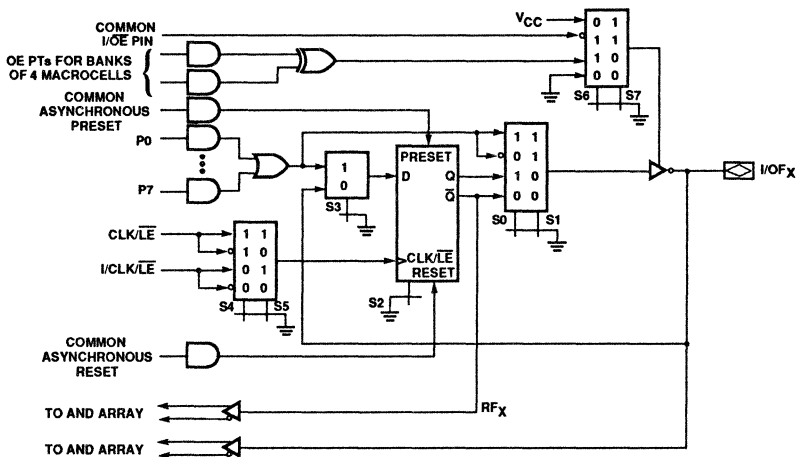


Figure 2b. PALCE29M16H Macrocell (Dual Feedback)

08740-005A

S3	I/O Cell
1	Output Cell
0	Input Cell

S2	Storage Element
1	Register
0	Latch

S1	Output Type
1	Combinatorial
0	Register/Latch

S0	Output Polarity
1	Active LOW
0	Active HIGH

S8	Feedback*
1	Register/Latch
0	I/O

\* Applies to macrocells with single feedback only.

**Table 1a. PALCE29M16H I/O Logic Macrocell Architecture Selections**

**2**

S4	S5	Clock Edge/Latch Enable Level
1	1	CLK/ $\overline{\text{LE}}$ pin positive-going edge, active-LOW LE
1	0	CLK/ $\overline{\text{LE}}$ pin negative-going edge, active-HIGH LE
0	1	$\overline{\text{I}}\text{CLK}/\overline{\text{LE}}$ pin positive-going edge, active-LOW LE
0	0	$\overline{\text{I}}\text{CLK}/\overline{\text{LE}}$ pin negative-going edge, active-HIGH LE

S6	S7	Output Buffer Control
1	1	Pin-Controlled Three-State Enable
1	0	XOR PT-Controlled Three-State Enable
0	1	Permanently Enabled (Output only)
0	0	Permanently Disabled (Input only)

1 = Erased State (Charged or disconnected).

0 = Programmed State (Discharged or connected).

**Table 1b. PALCE29M16H I/O Logic Macrocell Clock Polarity and Output Enable Selections**

## SOME POSSIBLE CONFIGURATIONS OF THE INPUT/OUTPUT LOGIC MACROCELL

(For other useful configurations, please refer to the macrocell diagrams in Figure 2. All macrocell architecture cells are independently programmable).

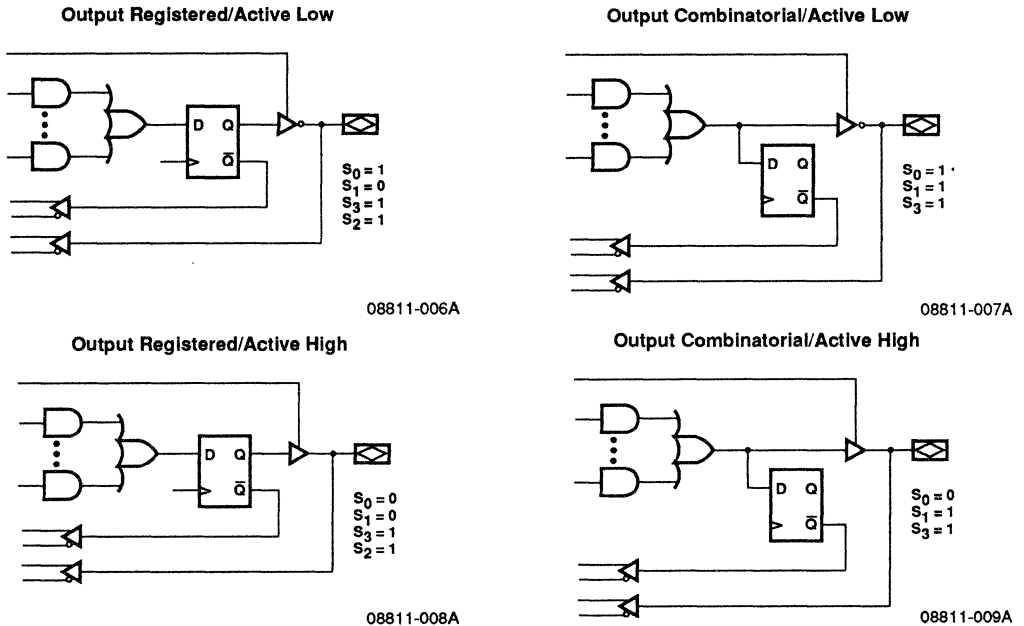


Figure 3a. Dual Feedback Macrocells

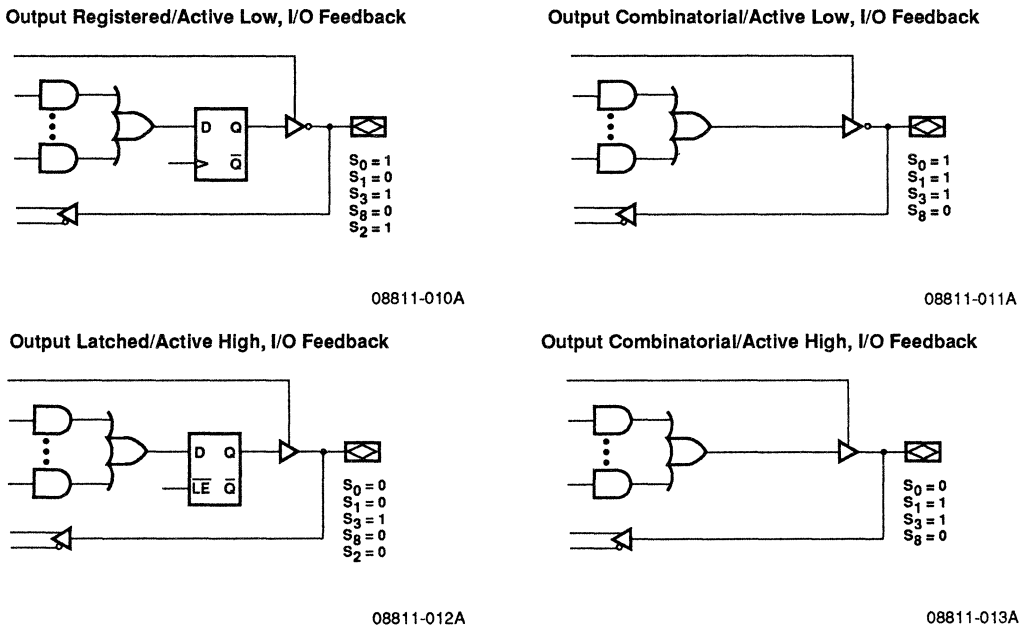
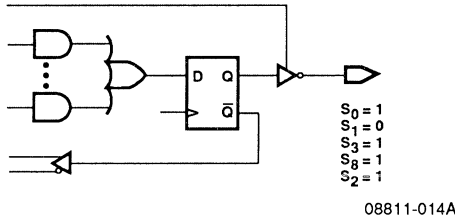


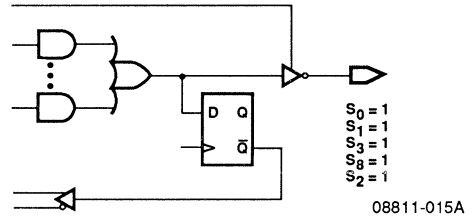
Figure 3b. Single Feedback Macrocells

## POSSIBLE CONFIGURATIONS OF THE INPUT/OUTPUT LOGIC MACROCELL (Continued)

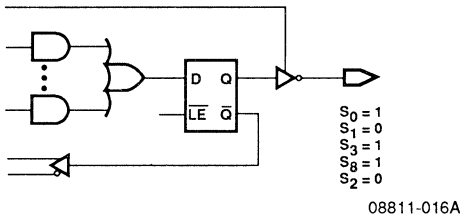
Output Registered/Active Low, Register Feedback



Output Combinatorial/Active Low, Register Feedback



Output Latched/Active Low, Latched Feedback



Output Combinatorial/Active Low, Latched Feedback

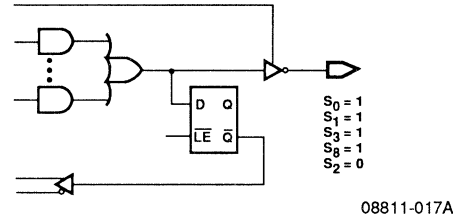


Figure 3b. Single Feedback Macrocells (Continued)

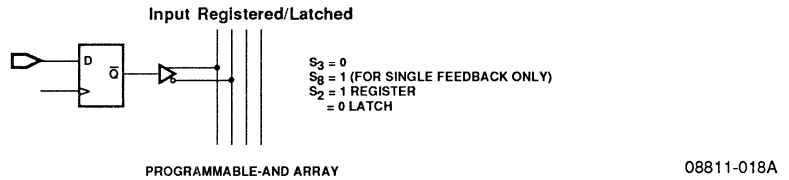


Figure 3c. All Macrocells

## DESIGNED-IN TESTABILITY AND DEBUGGING

### Preload

To simplify testing, the PALCE29M16H is designed with PRELOAD circuitry that provides an easy method for testing logical functionality. Both product term controlled and supervoltage-enabled PRELOAD modes are available. This offers even more test capability than previously implemented in AMD's PAL devices. The TTL-level PRELOAD product term can be useful during debugging, where supervoltages may not be available.

PRELOAD allows any arbitrary state value to be loaded into the registers/latches of the device. A typical functional-test sequence would be to verify all possible state transitions for the device being tested. This requires the ability to set the state registers into an arbitrary "present state" value and to set the device's inputs into an arbitrary "present input" value. Once this is done, the state machine is clocked into a new state, or "next state," which can be checked to validate the transition from the "present state." In this way any transition can be checked.

Since PRELOAD can provide the capability to go directly to any desired arbitrary state, test sequences may be

greatly shortened. Also, all possible states can be tested, thus greatly reducing test time and development costs and guaranteeing proper in-system operation.

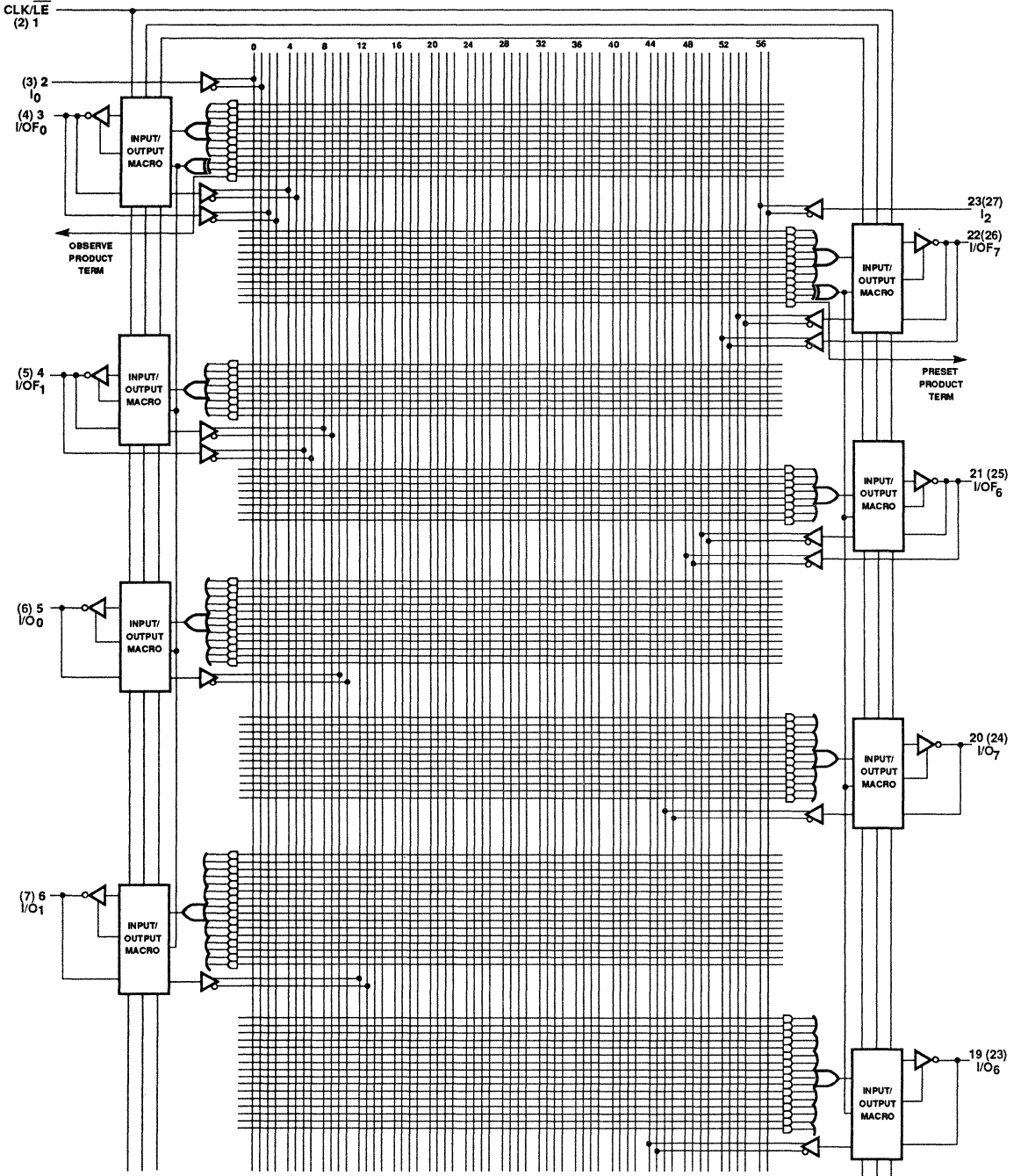
### Observability

The output register/latch observability product term, when asserted, suppresses the combinatorial output data from appearing on the I/O pin and allows the observation of the contents of the register/latch on the output pin for each of the logic macrocells. This unique feature allows for easy debugging and tracing of the buried state machines. In addition, a capability of supervoltage observability is also provided.

### Security Cell

A security cell is provided on each device to prevent unauthorized copying of the user's proprietary logic design. Once programmed, the security cell disables the programming, verification, PRELOAD, and the observability modes. The only way to erase the protection cell is by charging the entire array and architecture cells, in which case no proprietary design can be copied. (This cell should be programmed only after the rest of the device has been completely programmed and verified.)

# LOGIC DIAGRAM DIP (PLCC) Pinouts



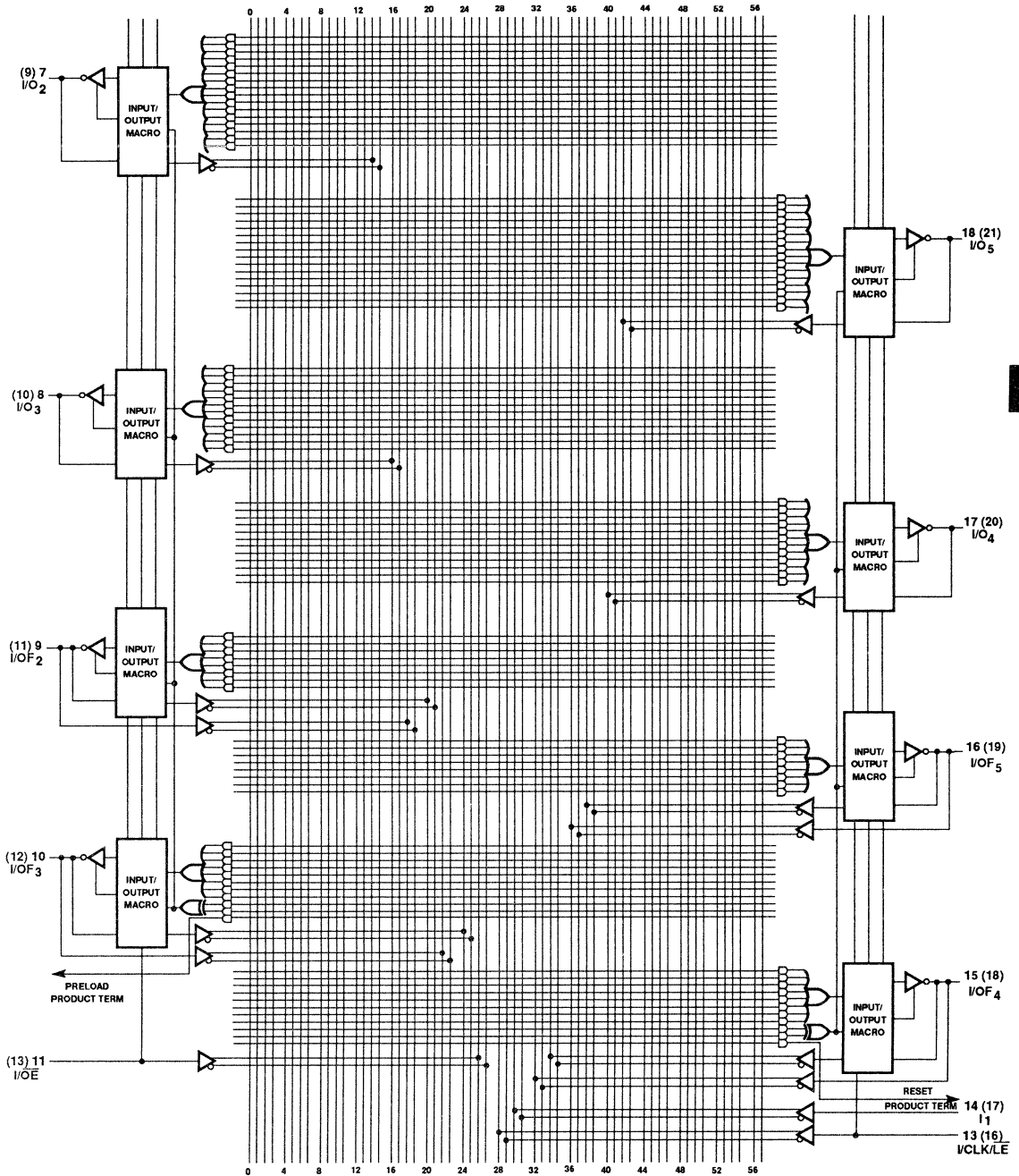
Continued on Next Page

08740-028A

# LOGIC DIAGRAM (Continued)

## DIP (PLCC) Pinouts

Continued From Previous Page



08740-028A  
Concluded



**ABSOLUTE MAXIMUM RATINGS**

Storage Temperature	-65°C to +150°C
Ambient Temperature with Power Applied	-55°C to +125°C
Supply Voltage with Respect to Ground	-0.5 V to +7.0 V
DC Input Voltage (Except Pin I/ $\overline{OE}$ )	-0.5 V to $V_{CC} + 0.5$ V
DC Input Voltage (Pin I/ $\overline{OE}$ )	-0.6 V to +16 V
DC Output or I/O Pin Voltage	-0.5 V to $V_{CC} + 0.5$ V
DC Input Current	-1 mA to +1 mA

**OPERATING RANGES****Commercial (C) Devices**

Ambient Temperature ( $T_A$ )	
Operating in Free Air	0°C to +75°C
Supply Voltage ( $V_{CC}$ ) with Respect to Ground	+4.75 V to +5.25 V

*Operating ranges define those limits between which the functionality of the device is guaranteed.*

*Stresses above those listed under Absolute Maximum Ratings may cause permanent device failure. Functionality at or above these limits is not implied. Exposure to Absolute Maximum Ratings for extended periods may affect device reliability. Programming conditions may differ.*

**DC CHARACTERISTICS over COMMERCIAL operating ranges unless otherwise specified**

Parameter Symbol	Parameter Description	Test Conditions	Min.	Max.	Unit
$V_{OH}$	Output HIGH Voltage	$I_{OH} = -2$ mA $V_{IN} = V_{IH}$ or $V_{IL}$ $V_{CC} = \text{Min.}$	2.4		V
$V_{OL}$	Output LOW Voltage	$I_{OL} = 6$ mA $V_{IN} = V_{IH}$ or $V_{IL}$ $V_{CC} = \text{Min.}$		0.5	V
		$I_{OL} = 4$ mA		0.33	
		$I_{OL} = 20$ $\mu$ A		0.1	
$V_{IH}$	Input HIGH Voltage	Guaranteed Input Logical HIGH Voltage for all Inputs (Note 1)	2.0		V
$V_{IL}$	Input LOW Voltage	Guaranteed Input Logical LOW Voltage for all Inputs (Note 1)		0.8	V
$I_{IH}$	Input HIGH Leakage Current	$V_{IN} = 5.5$ V, $V_{CC} = \text{Max.}$ (Note 2)		10	$\mu$ A
$I_{IL}$	Input LOW Leakage Current	$V_{IN} = 0$ V, $V_{CC} = \text{Max.}$ (Note 2)		-10	$\mu$ A
$I_{OZH}$	Off-State Output Leakage Current HIGH	$V_{OUT} = 5.5$ V, $V_{CC} = \text{Max.}$ $V_{IN} = V_{IH}$ or $V_{IL}$ (Note 2)		10	$\mu$ A
$I_{OZL}$	Off-State Output Leakage Current LOW	$V_{OUT} = 0$ V, $V_{CC} = \text{Max.}$ $V_{IN} = V_{IH}$ or $V_{IL}$ (Note 2)		-10	$\mu$ A
$I_{SC}$	Output Short-Circuit Current	$V_{OUT} = 0.5$ V, $V_{CC} = \text{Max.}$ (Note 3)	-30	-90	mA
$I_{CC}$	Supply Current	$V_{IN} = 0$ V, Outputs Open ( $I_{OUT} = 0$ mA) $V_{CC} = \text{Max.}$		100	mA

**Notes:**

1. These are absolute values with respect to device ground, and all overshoots due to system and/or tester noise are included.
2. I/O pin leakage is the worst case of  $I_{IL}$  and  $I_{OZL}$  (or  $I_{IH}$  and  $I_{OZH}$ ).
3. Not more than one output should be tested at a time. Duration of the short-circuit should not exceed one second.  $V_{OUT} = 0.5$  V has been chosen to avoid test problems caused by tester ground degradation.

---

## CAPACITANCE (Note 1)

Parameter Symbol	Parameter Description	Test Conditions		Typ.	Units
$C_{IN}$	Input Capacitance	$V_{IN} = 0\text{ V}$	$V_{CC} = 5.0\text{ V}$ $T_A = 25^\circ\text{C}$ $f = 1\text{ MHz}$	5	pF
$C_{OUT}$	Output Capacitance	$V_{OUT} = 0\text{ V}$		8	

### Note:

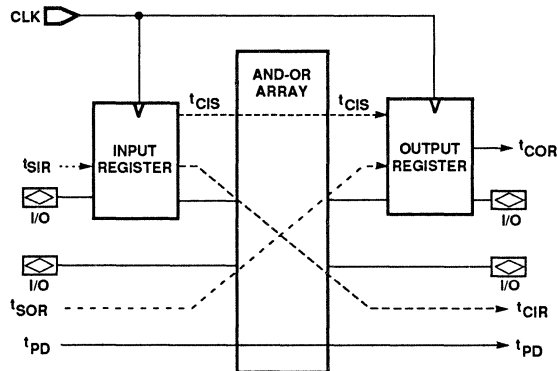
1. These parameters are not 100% tested, but are evaluated at initial characterization and at any time the design is modified where capacitance may be affected.

## SWITCHING CHARACTERISTICS

Over commercial range unless otherwise specified; all values are determined under the loading of one TTL gate and a capacitance of 35 pF.

### Registered Operation

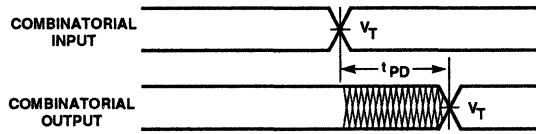
Parameter Symbol	Parameter Description	-25		-35		Unit
		Min.	Max.	Min.	Max.	
<b>Combinatorial Output</b>						
$t_{PD}$	Input or I/O Pin to Combinatorial Output		25		35	ns
<b>Output Register</b>						
$t_{SOR}$	Input or I/O Pin to Output Register Setup	15		20		ns
$t_{COR}$	Output Register Clock to Output		15		20	ns
$t_{HOR}$	Data Hold Time for Output Register	0		0		ns
<b>Input Register</b>						
$t_{SIR}$	I/O Pin to Input Register Setup	2		4		ns
$t_{CIR}$	Register Feedback Clock to Combinatorial Output		28		36	ns
$t_{HIR}$	Data Hold Time for Input Register	6		8		ns
<b>Clock and Frequency</b>						
$t_{CIS}$	Register Feedback to Output Register/Latch Setup	20		30		ns
$f_{MAX}$	Maximum Frequency $1/(t_{SOR} + t_{COR})$	33.3		25		MHz
$f_{MAXI}$	Maximum Internal Frequency $1/t_{CIS}$	50		33.3		MHz
$t_{CWH}$	Pin Clock Width HIGH	8		12		ns
$t_{CWL}$	Pin Clock Width LOW	8		12		ns



08811-020A

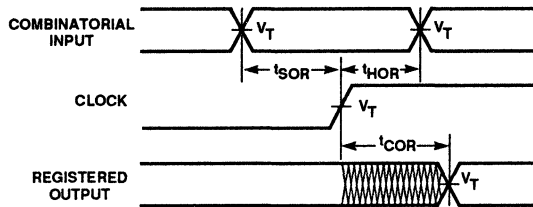
### Input/Output Register Specs

# SWITCHING WAVEFORMS



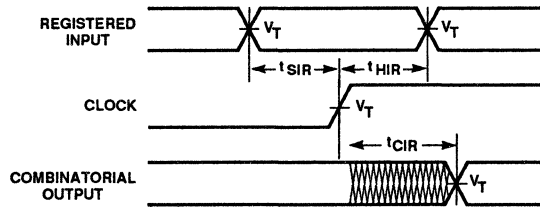
Combinatorial Output

08811-022A



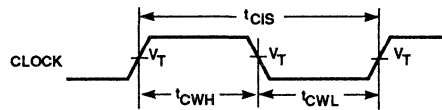
Output Register

08811-023A



Input Register

08811-024A



Clock Width

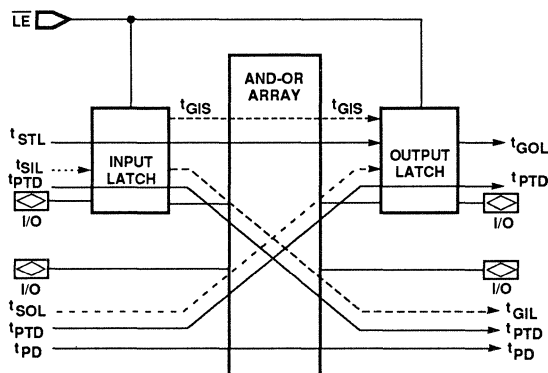
08740-026A

## SWITCHING CHARACTERISTICS (Continued)

Over commercial range unless otherwise specified; all values are determined under the loading of one TTL gate and a capacitance of 35 pF.

### Latched Operation

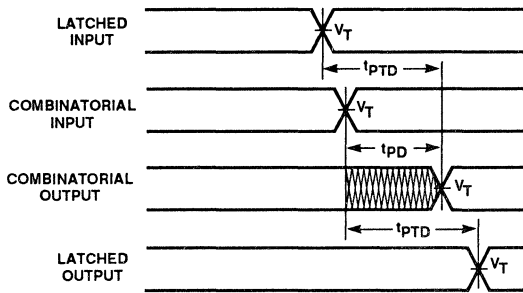
Parameter Symbol	Parameter Description	-25		-35		Unit
		Min.	Max.	Min.	Max.	
<b>Combinatorial Output</b>						
$t_{PD}$	Input or I/O Pin to Combinatorial Output		25		35	ns
$t_{PTD}$	Input or I/O Pin to Output via One Transparent Latch		28		36	ns
<b>Output Latch</b>						
$t_{SOL}$	Input or I/O Pin to Output Latch Setup	15		20		ns
$t_{GOL}$	Latch Enable to Transparent Mode Output		15		20	ns
$t_{HOL}$	Data Hold Time for Output Latch	0		0		ns
$t_{STL}$	Input or I/O Pin to Output Latch Setup via Transparent Input Latch	18		25		ns
<b>Input Latch</b>						
$t_{SIL}$	I/O Pin to Input Latch Setup	2		4		ns
$t_{GIL}$	Latch Feedback, Latch Enable Transparent Mode to Combinatorial Output		28		36	ns
$t_{HIL}$	Data Hold Time for Input Latch	6		8		ns
<b>Latch Enable</b>						
$t_{GIS}$	Latch Feedback to Output Register/Latch Setup	20		30		ns
$t_{GWH}$	Pin Enable Width HIGH	8		12		ns
$t_{GWL}$	Pin Enable Width LOW	8		12		ns



08811-028A

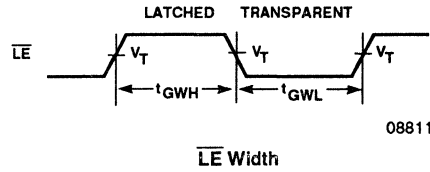
Input/Output Latch Specs

SWITCHING WAVEFORMS (Continued)

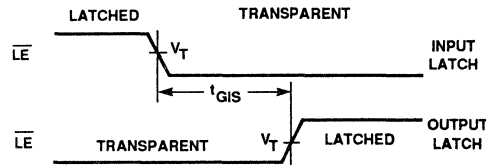


08811-030A

Latch (Transparent Mode)



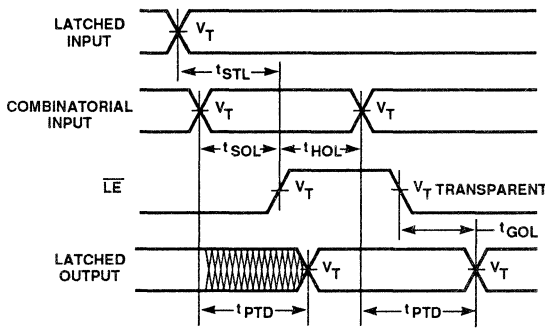
08811-035A



08811-031A

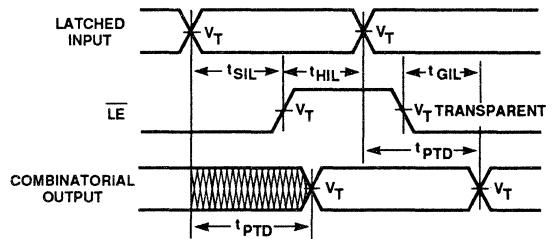
Input and Output Latch Relationship

2



08811-038A

Output Latch



08811-034A

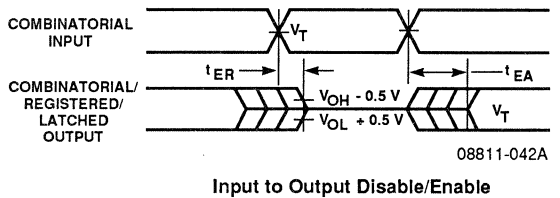
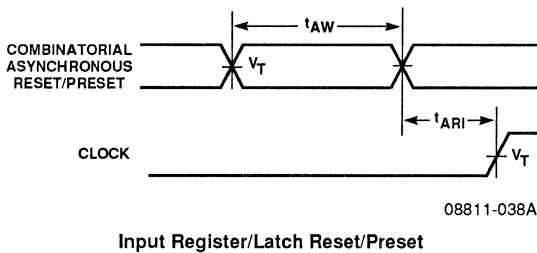
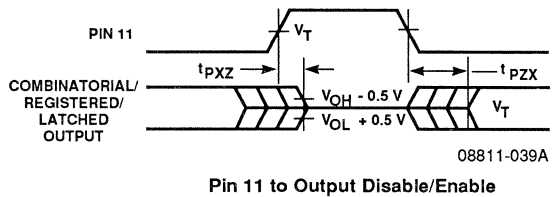
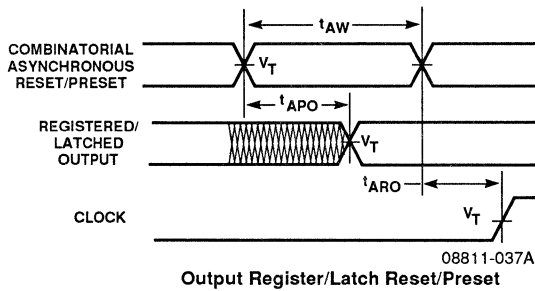
Input Latch

## Reset/Preset, Enable

Parameter Symbol	Parameter Description	-25		-35		Unit
		Min.	Max.	Min.	Max.	
$t_{APO}$	Input or I/O Pin to Output Register/Latch RESET/PRESET		30		40	ns
$t_{AW}$	Asynchronous RESET/PRESET Pulse Width	15		20		ns
$t_{ARO}$	Asynchronous RESET/PRESET to Output Register/Latch Recovery	15		20		ns
$t_{ARI}$	Asynchronous RESET/PRESET to Input Register/Latch Recovery	12		15		ns
<b>Output Enable Operation</b>						
$t_{PZX}$	I/OE Pin to Output Enable		20		30	ns
$t_{PXZ}^*$	I/OE Pin to Output Disable		20		30	ns
$t_{EA}$	Input or I/O to Output Enable via PT		25		35	ns
$t_{ER}^*$	Input or I/O to Output Disable via PT		25		35	ns

\* Output disable times do not include test load RC time constants.

## SWITCHING WAVEFORMS (Continued)



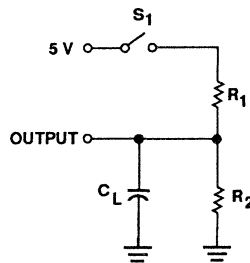
## KEY TO SWITCHING WAVEFORMS

WAVEFORMS	INPUTS	OUTPUTS
	MUST BE STEADY	WILL BE STEADY
	MAY CHANGE FROM H TO L	WILL BE CHANGING FROM H TO L
	MAY CHANGE FROM L TO H	WILL BE CHANGING FROM L TO H
	DON'T CARE; ANY CHANGE PERMITTED	CHANGING; STATE UNKNOWN
	DOES NOT APPLY	CENTER LINE IS HIGH IMPEDANCE "OFF" STATE

KS000010-PAL

2

## SWITCHING TEST CIRCUIT



08811-044A

Specification	Switch $S_1$	$C_L$	$R_1$	$R_2$	Measured Output Value
$t_{PD}, t_{CO}, t_{GO}$	Closed	35 pF	620 $\Omega$	390 $\Omega$	1.5 V
$t_{EA}, t_{PZX}$	Z $\rightarrow$ H: open Z $\rightarrow$ L: closed	35 pF	620 $\Omega$	390 $\Omega$	1.5 V
$t_{ER}, t_{PXZ}$	H $\rightarrow$ Z: open L $\rightarrow$ Z: closed	5 pF	620 $\Omega$	390 $\Omega$	H $\rightarrow$ Z: $V_{OH} - 0.5$ V L $\rightarrow$ Z: $V_{OL} + 0.5$ V



## PRELOAD AND OBSERVABILITY

The PALCE29M16H has special preload and observability modes designed in. The PRELOAD mode is very useful during structured vector testing after programming, while the observe mode allows the designer to see the contents of any buried registers.

The PRELOAD waveform is shown in Figure 6. The PRELOAD registers mode is selected with the mode-select pins, the desired data to be loaded into the registers is placed on the appropriate I/O pins, and a positive pulse on pin 1 is applied. This clocks the new values into the registers, and the device can then be returned to normal operating mode.

The observability function allows the user to observe the outputs of all sixteen registers. To use the observability mode, simply select the observe registers mode with the mode-select pins. The register output is automatically selected (combinatorial mode is off), and the output will

be the true side of the register (Q). The data will be present as long as the mode-select pins access the observe mode (even if pin 11 goes LOW, the output pins will still retain the data out of the registers). To exit the observe mode, simply change the mode-select pins while pin 11 is still at  $V_{PP}$ .

During observability, pin 1 should remain LOW. If pin 1 goes HIGH, the device will interpret this as a clock signal, and the previous data may be lost. As long as pin 1 remains LOW, the state of the registers will not change when going from normal-mode operation to observe mode or back.

Product terms provide an alternative method of enabling preload and observability. The preload and observability product terms, when asserted, perform the same functions as the mode select pins and pin 11.

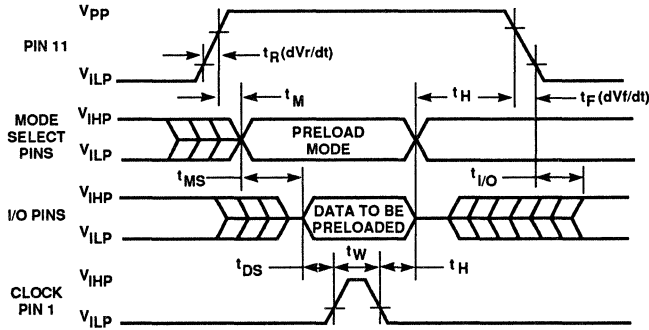


Figure 6. Preload Waveform

08811-040A

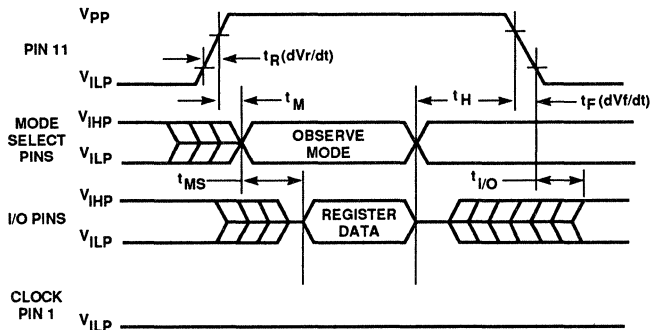


Figure 7. Observability Waveform

08811-041A

## PRELOAD DC ELECTRICAL CHARACTERISTICS ( $T_A = 25^\circ\text{C} \pm 5^\circ\text{C}$ )

Parameter Symbol	Parameter Description	Min.	Rec.	Max.	Unit
$V_{PP}$	PRELOAD Voltage	14.5	15.0	15.5	V
$V_{ILP}$	Input LOW Level During Prog/Verify	0	0	0.5	V
$V_{IHP}$	input HIGH Level During Prog/Verify	3.0	4.0	$V_{CC}$	V
$V_{OL}$	Verify LOW		0.2	0.5	V
$V_{OH}$	Verify HIGH	2.4	3.4		V

### Note:

AC undershoot on any input should be limited to  $-1$  V.

Table 2.

	Pin 23	Pin 14	Pin 13	Pin 2
Preload	L	H	H	L
Observe	H	L	H	H

Table 3. Mode Pins

## PRELOAD AC ELECTRICAL CHARACTERISTICS ( $T_A = 25^\circ\text{C} \pm 5^\circ\text{C}$ )

Parameter Symbol	Parameter Description	Min.	Rec.	Max.	Unit
$t_M$	Setup Before Applying Mode	50	50		$\mu\text{s}$
$t_{MS}$	Mode Setup Prior to Applying Data	1.0	1.0*		$\mu\text{s}$
$t_{DS}$	Data Setup Prior to Applying PRELOAD Latch Pulse	1.0	1.0*		$\mu\text{s}$
$t_H$	Data/Mode Hold After Latch Pulse	1.0	1.0*		$\mu\text{s}$
$t_W$	Data Latch Pulse Width	1.0	1.0*		$\mu\text{s}$
$t_{I/O}$	I/O Valid After Pin 11 Drops from $V_{PP}$ to TTL Levels			100	$\mu\text{s}$
$dV_r/dt$	$V_{PP}$ Rising Slew Rate (Pin 11)	10		100	V/ $\mu\text{s}$
$dV_f/dt$	$V_{PP}$ Falling Slew Rate (Pin 11)		2.0	3.0	V/ $\mu\text{s}$

\* Recommended value is as close to 1.0  $\mu\text{s}$  plus tolerance as practical, but not less than 1.0  $\mu\text{s}$ .

Table 4.

## ENDURANCE CHARACTERISTICS

All PALCE29M16H devices are given multiple erase cycles (endurance cycles) at the factory.

Parameter Symbol	Parameter Description	Value	Unit	Test Conditions
$t_{DR}$	Minimum Pattern Data Retention Time	10	Years	Maximum Storage Temperature
N	Minimum Reprogramming Cycles	100	Cycles	Operating Conditions

## POWER-UP RESET

The registered devices in the AMD PAL Family have been designed with the capability to reset during system power-up. Following power-up, all registers will be reset to LOW. The output state will depend on the polarity of the output buffer and is especially valuable in simplifying state machine initialization. A timing diagram and parameter table are shown below. Due to the asynchronous operation of the power-up reset, and the wide range of ways  $V_{CC}$  can rise to its steady state, two conditions are required to ensure a valid power-up reset. These conditions are:

1. The  $V_{CC}$  rise must be monotonic.

2. Following reset, the clock input must not be driven from LOW to HIGH until all applicable input and feedback setup times are met.

Parameter Symbol	Parameter Description	Min.	Max.	Unit
$t_{PR}$	Power-Up Reset Time		100	$\mu s$
$t_s$	Input or Feedback Setup Time	See Switching Characteristics table		
$t_w$	Clock Width			
$t_R$	$V_{CC}$ Rise Time	500		$\mu s$

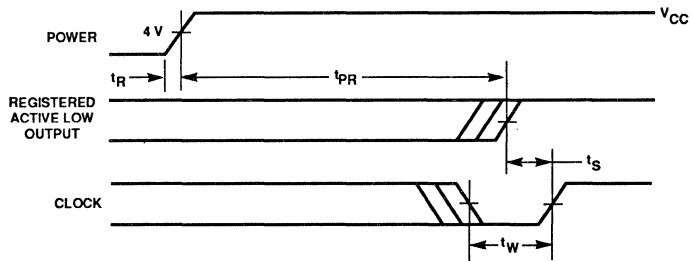
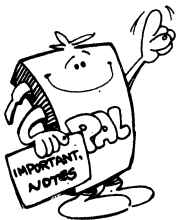


Figure 5. Power-Up Reset Waveform

08811-043A





# PALCE29MA16H-25/35

## 24-Pin EE CMOS Programmable Array Logic

### DISTINCTIVE CHARACTERISTICS

- High-performance semi-custom logic replacement; Electrically Erasable (E<sup>2</sup>) technology allows reprogrammability
- 16 bidirectional user-programmable I/O logic macrocells for Combinatorial/Registered/Latched operation
- Output Enable controlled by a pin or product terms
- Varied product term distribution for increased design flexibility
- Programmable clock selection with common pin clock/latch enable ( $\overline{LE}$ ) or individual product term clock/ $\overline{LE}$  with LOW/HIGH clock/ $\overline{LE}$  polarity
- Register/Latch Preload permits full logic verification
- High speed ( $t_{PD} = 25 \text{ ns}$ ,  $f_{MAX} = 33 \text{ MHz}$  and  $f_{MAX \text{ internal}} = 50 \text{ MHz}$ )
- Full-function AC and DC testing at the factory for high programming and functional yields and high reliability
- 24-pin 300-mil SKINNYDIP<sup>®</sup> and 28-pin plastic leaded chip carrier packages

### GENERAL DESCRIPTION

The PALCE29MA16H is a high-speed, E<sup>2</sup>-based CMOS Programmable Array Logic device designed for general logic replacement in TTL or CMOS digital systems. It offers high speed, low power consumption, high programming yield, fast programming and excellent reliability. Programmable Array Logic (PAL<sup>®</sup>) devices combine

the flexibility of custom logic with the off-the-shelf availability of standard products, providing major advantages over other semicustom solutions such as gate arrays and standard cells, including reduced development time and low up-front development cost.

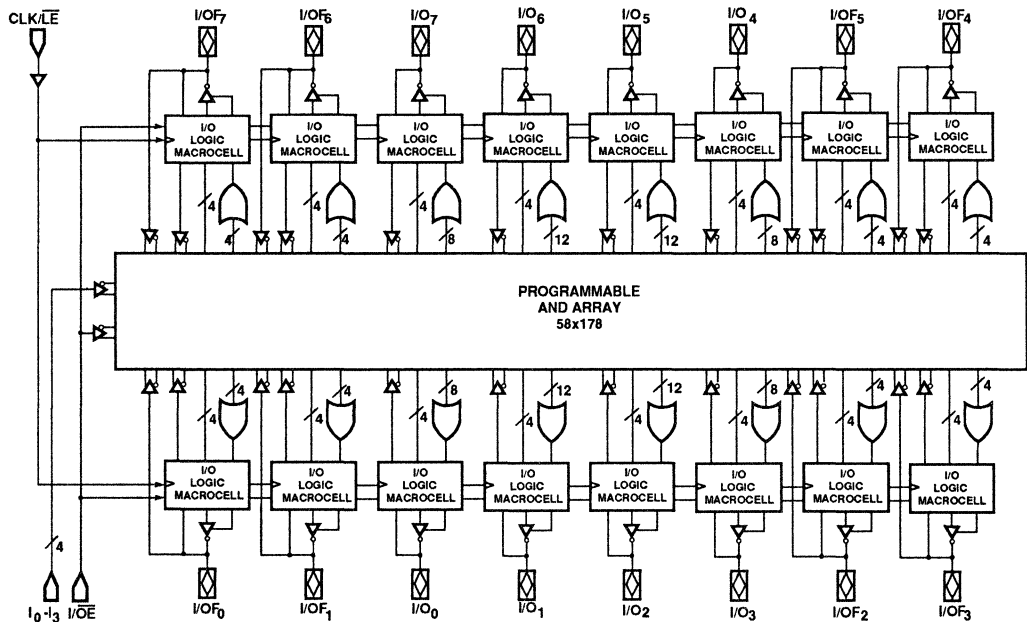


Figure 1. Block Diagram

08811-001A

## GENERAL DESCRIPTION (Continued)

The PALCE29MA16H uses the familiar sum-of-products (AND-OR) structure, allowing users to customize logic functions by programming the device for specific applications. It provides up to twenty-nine array inputs and sixteen outputs. It incorporates AMD's unique input/output logic macrocell which provides flexible input/output structure and polarity, flexible feedback selection, multiple Output Enable choices, and a programmable clocking scheme. The macrocells can be individually programmed as "Combinatorial," "Registered," or "Latched" with active-HIGH or active-LOW polarity. The flexibility of the logic macrocells permits the system designer to tailor the device to particular application requirements.

Increased logic power has been built into the PALCE29MA16H by providing a varied number of logic product terms per output. Eight outputs have four product terms each, four outputs have eight product terms each,

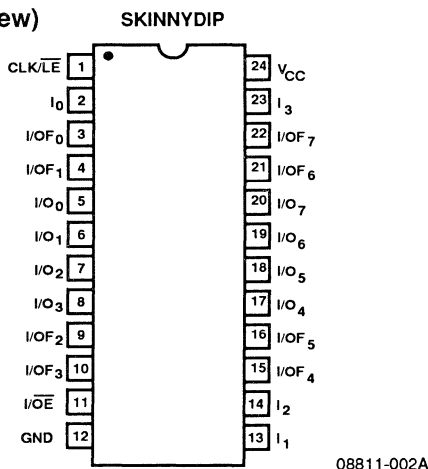
and the other four outputs have twelve product terms each. This varied product-term distribution allows complex functions to be implemented in a single PAL device. Each output can be dynamically controlled by a common Output Enable pin or individual Output Enable product term. Each output can also be permanently enabled or disabled.

System operation has been enhanced by the addition of common asynchronous-PRESET and RESET product terms and a power-up RESET feature. The PALCE29MA16H also incorporates PRELOAD and Observability functions which permit full logic verification of the design.

The PALCE29MA16H is offered in the space-saving 300-mil SKINNYDIP package as well as the plastic leaded chip carrier package.

## CONNECTION DIAGRAMS

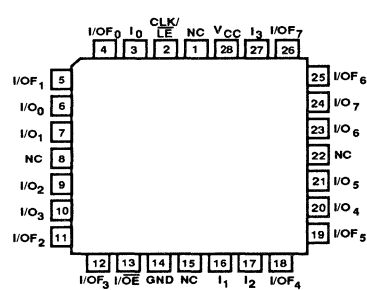
(Top View)



### Note:

Pin 1 is marked for orientation.

PLCC



### Pin Designations:

- I = Input
- I/O = Input/Output
- I/OF = Input/Output with Dual Feedback
- V<sub>CC</sub> = Supply Voltage
- GND = Ground
- CLK/LE = Clock or Latch Enable
- NC = No Connection

## PIN DESCRIPTION

The following describes the functionality of all the pins on the 24-pin SKINNYDIP. The 28-pin chip carrier has the same functionality with NO CONNECTS on pins 1, 8, 15, 22.

**CLK/LE (PIN 1):** Used as a dedicated clock/latch enable pin for all registers/latches on the device if so selected. (See I/O Logic Macrocell Configurations.) This pin is a clock pin for macrocells configured as registers and a latch enable pin for macrocells configured as latches.

**I/OE PIN (PIN 11):** Used as a dedicated input pin to the AND array or as the Output Enable control pin (Active LOW) for all macrocells with pin-controlled Output Enable selected.

**I<sub>0</sub>-I<sub>3</sub> (PINS 2, 13, 14, 23):** Dedicated input pins.

**I/OF<sub>0</sub>-I/OF<sub>7</sub> (PINS 3, 4, 9, 10, 15, 16, 21, 22):** Eight bidirectional I/O pins with two independent feedback paths to the AND array. The first feedback path is a dedicated I/O pin feedback to the AND array for combinatorial input. The second feedback path consists of direct register/latch feedback to the array (see Figure 2b).

**I/O<sub>0</sub>-I/O<sub>7</sub> (PINS 5, 6, 7, 8, 17, 18, 19, 20):** Eight bidirectional I/O pins with user-programmable register/latch or I/O pin feedback to the AND array (see Figure 2a).

**V<sub>CC</sub> (PIN 24):** Supply Voltage

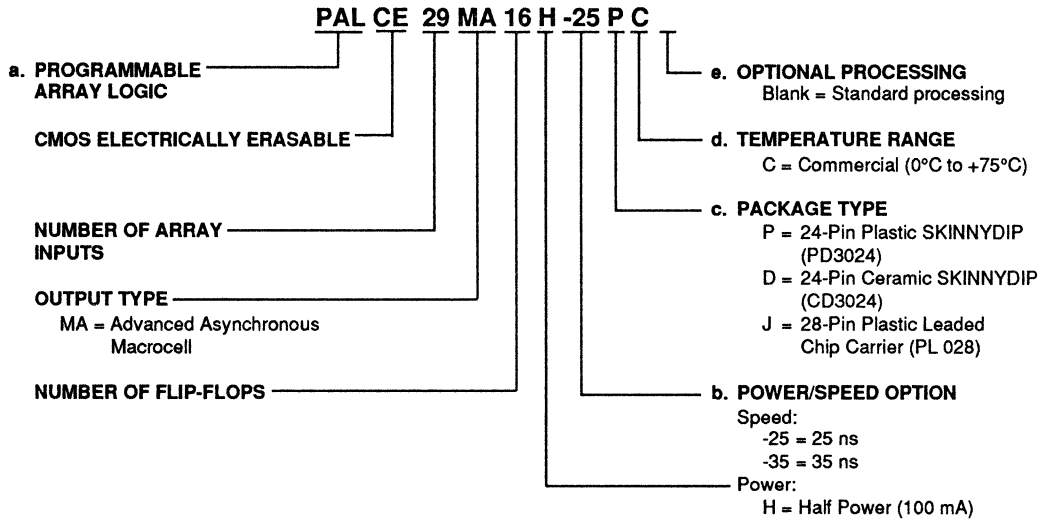
**GND (PIN 12):** Circuit Ground.

## ORDERING INFORMATION

### Commercial Products

AMD programmable logic products for commercial applications are available in several packages and operating ranges. The order number (Valid Combination) is formed by a combination of:

- a. Device Number
- b. Power/Speed Option
- c. Package Type
- d. Temperature Range
- e. Optional Processing



Valid Combinations	
PALCE29MA16H-25	PC, DC, JC
PALCE29MA16H-35	

#### Valid Combinations

The Valid Combinations table lists configurations planned to be supported in volume for this device. Consult the local AMD sales office to confirm availability of specific valid combinations, to check on newly released combinations, and to obtain additional data on AMD's standard military grade products.

**Note:**

Marked with AMD logo.

## FUNCTIONAL DESCRIPTION

### Inputs

The PALCE29MA16H has twenty-nine inputs to drive each product term (up to fifty-eight inputs with both TRUE and complement versions available to the AND array) as shown in the block diagram in Figure 1. Of these twenty-nine inputs, four are dedicated inputs, sixteen are from eight I/O logic macrocells with two feedbacks, eight are from other I/O logic macrocells with single feedback and one is the I/OE input.

Initially the AND-array gates are disconnected from all the inputs. This condition represents a logical TRUE for the AND array. By selectively programming the E<sup>2</sup> cells, the AND array may be connected to either the TRUE input or the complement input. When both the TRUE and complement inputs are connected, a logical FALSE results at the output of the AND gate.

### Product Terms

The degree of programmability and complexity of a PAL device is determined by the number of connections that form the programmable-AND and OR gates. Each programmable-AND gate is called a product term. The PALCE29MA16H has 178 product terms; 112 of these product terms provide logic capability and others are architectural product terms. Among the control product terms, one is for Observability, and one is for PRELOAD. The Output Enable of each macrocell can be programmed to be controlled by a common Output Enable pin or an individual product term. It may also be permanently enabled or permanently disabled. In addition, independent product terms for each macrocell control PRESET, RESET and CLK/L $\bar{E}$ .

Each product term on the PALCE29MA16H consists of a

58-input AND gate. The outputs of these AND gates are connected to a fixed-OR plane. Product terms are allocated to OR gates in a varied distribution across the device ranging from four to twelve wide, with an average of seven logic product terms per output. An increased number of product terms per output allows more complex functions to be implemented in a single PAL device. This flexibility aids in implementing functions such as counters, exclusive-OR functions, or complex state machines, where different states require different numbers of product terms.

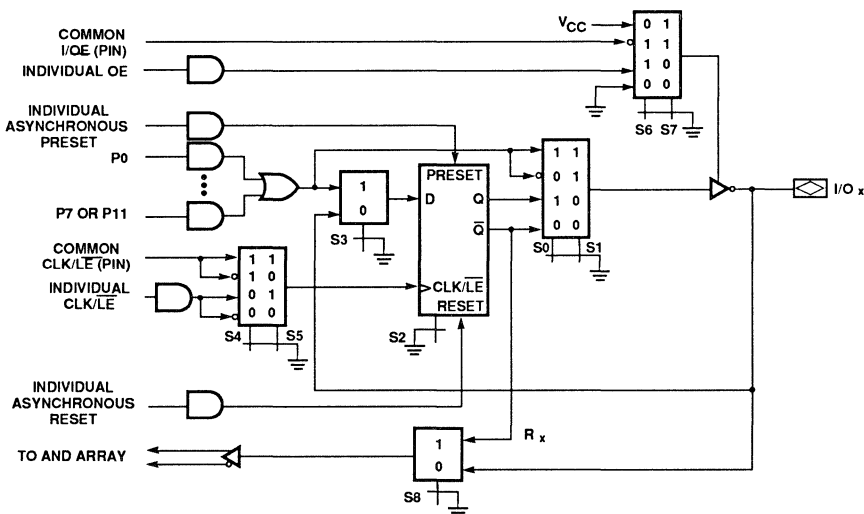
Individual asynchronous-PRESET and RESET product terms are connected to all Registered/Latched inputs/outputs.

When the asynchronous-PRESET product term is asserted (HIGH), the register/latch will immediately be loaded with a HIGH, independent of the clock. When the asynchronous-RESET product term is asserted (HIGH), the register/latch will be immediately loaded with a LOW, independent of the clock. The actual output state will depend on the macrocell polarity selection. The latches must be in latched mode (not transparent mode) for the RESET/PRESET, PRELOAD, and power-up RESET modes to be meaningful.

### Input/Output Logic Macrocells

The I/O logic macrocell allows the user the flexibility of defining the architecture of each input or output on an individual basis. It also provides the capability of using the associated pin either as an input or an output.

The PALCE29MA16H has sixteen macrocells, one for each I/O pin. Each I/O macrocell can be programmed for



08811-004A

Figure 2a. PALCE29MA16H Macrocell (Single Feedback)



combinatorial, registered or latched operation (see Figure 2). Combinatorial output is desired when the PAL device is used to replace combinatorial glue logic. Registers are used in synchronous logic applications while latches are used in asynchronous applications. Registers with product term controlled clocks can also be used in asynchronous applications.

The output polarity for each macrocell in each of the three modes of operation is user-selectable, allowing complete flexibility of the macrocell configuration.

Eight of the macrocells ( $I/OF_0$ - $I/OF_7$ ) have two independent feedback paths to the AND array (see Figure 2b). The first is a dedicated I/O pin feedback to the AND array for combinatorial input. The second path consists of a direct register/latch feedback to the array. If the pin is used as a dedicated input using the first feedback path, the register/latch feedback path is still available to the AND array. This path provides the capability of using the register/latch as a buried state register/latch. The other eight macrocells have a single feedback path to the AND array. This feedback is user-selectable as either an I/O pin or a register/latch feedback (see Figure 2a).

Each macrocell can provide true input/output capability. The user can select each macrocell register/latch to be driven by either the signal generated by the AND-OR array or the I/O pin. When the I/O pin is selected as the input, the feedback path provides the register/latch input to the array. When used as an input, each macrocell is also user-programmable for registered, latched, or combinatorial input.

The PALCE29MA16H has one dedicated CLK/ $\overline{LE}$  pin and an individual CLK/ $\overline{LE}$  product term. All macrocells have a programmable select to choose between these two as the clock or the latch enable signal. These signals are clock signals for macrocells configured as registers

and latch enable signals for macrocells configured as latches. The polarity of these CLK/ $\overline{LE}$  signals is also individually programmable. Thus different registers can be driven by different clocks and clock phases.

The Output-Enable mode of each of the macrocells can be selected by the user. The I/O pin can be configured as an output pin (permanently enabled) or as an input pin (permanently disabled). It can also be configured as a dynamic I/O controlled by the Output Enable pin or by a product term.

### I/O Logic Macrocell Configuration

AMD's unique I/O macrocell offers major benefits through its versatile, programmable input/output cell structure, multiple clock choices, flexible Output Enable and feedback selection. Eight I/O macrocells with single feedback contain nine  $E^2$  cells, while the other eight macrocells contain eight  $E^2$  cells for programming the input/output functions (see Table 1).

$E^2$  cell S1 controls whether the macrocell will be combinatorial or registered/latched. S0 controls the output polarity (active-HIGH or active-LOW). S2 determines whether the input/output is a register or a latch. S3 allows the use of the macrocell as an input register/latch or as an output register/latch. It selects the direction of the data path through the register/latch. If connected to the usual AND-OR array output, the register/latch is an output connected to the I/O pin. If connected to the I/O pin, the register/latch becomes an input register/latch to the AND array using the feedback data path.

Programmable  $E^2$  cells S4 and S5 allow the user to select one of the four CLK/ $\overline{LE}$  signals for each macrocell. S6 and S7 are used to control Output Enable as pin controlled, product term controlled, permanently enabled, or permanently disabled. S8 controls a feedback multiplexer for the macrocells with a single feedback path only.

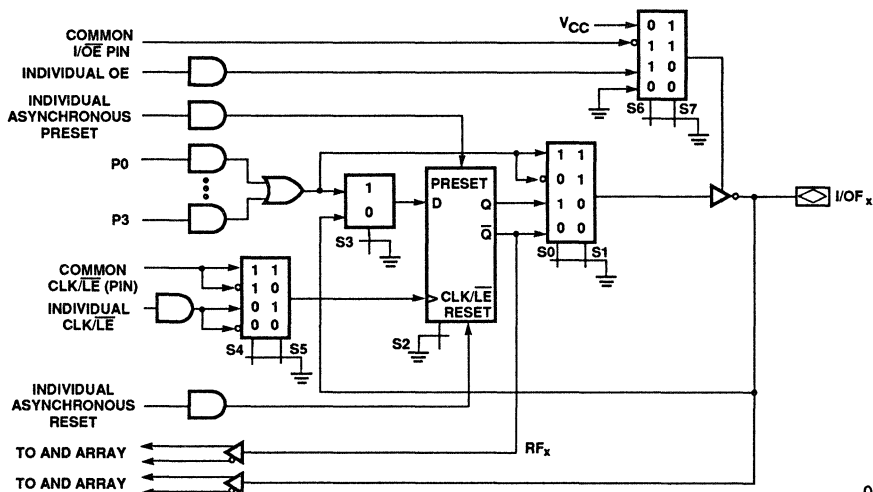


Figure 2b. PALCE29MA16H Macrocell (Dual Feedback)

08811-005A

Using the programmable E<sup>2</sup> cells S0-S8 various input and output configurations can be selected. Some of the possible configuration options are shown in Figure 3.

In the virgin erased state (charged, disconnected), an architectural cell is said to have a value of "1;" in the programmed state (discharged, connected to GND), an architectural cell is said to have a value of "0."

S3	I/O Cell
1	Output Cell
0	Input Cell

S2	Storage Element
1	Register
0	Latch

S1	Output Type
1	Combinatorial
0	Register/Latch

S0	Output Polarity
1	Active LOW
0	Active HIGH

S8	Feedback*
1	Register/Latch
0	I/O

\* Applies to macrocells with single feedback only.

**Table 1a. PALCE29MA16H I/O Logic Macrocell Architecture Selections**

S4	S5	Clock Edge/Latch Enable Level
1	1	CLK/ $\overline{\text{LE}}$ pin positive-going edge, active-LOW LE
1	0	CLK/ $\overline{\text{LE}}$ pin negative-going edge, active-HIGH LE
0	1	CLK/ $\overline{\text{LE}}$ PT positive-going edge, active-LOW LE
0	0	CLK/ $\overline{\text{LE}}$ PT negative-going edge, active-HIGH LE

S6	S7	Output Buffer Control
1	1	Pin-Controlled Three-State Enable
1	0	PT-Controlled Three-State Enable
0	1	Permanently Enabled (Output only)
0	0	Permanently Disabled (Input only)

1 = Erased State (Charged or disconnected).

0 = Programmed State (Discharged or connected).

**Table 1b. PALCE29MA16H I/O Logic Macrocell Clock Polarity and Output Enable Selections**

## SOME POSSIBLE CONFIGURATIONS OF THE INPUT/OUTPUT LOGIC MACROCELL

(For other useful configurations, please refer to the macrocell diagrams in Figure 2. All macrocell architecture cells are independently programmable.)

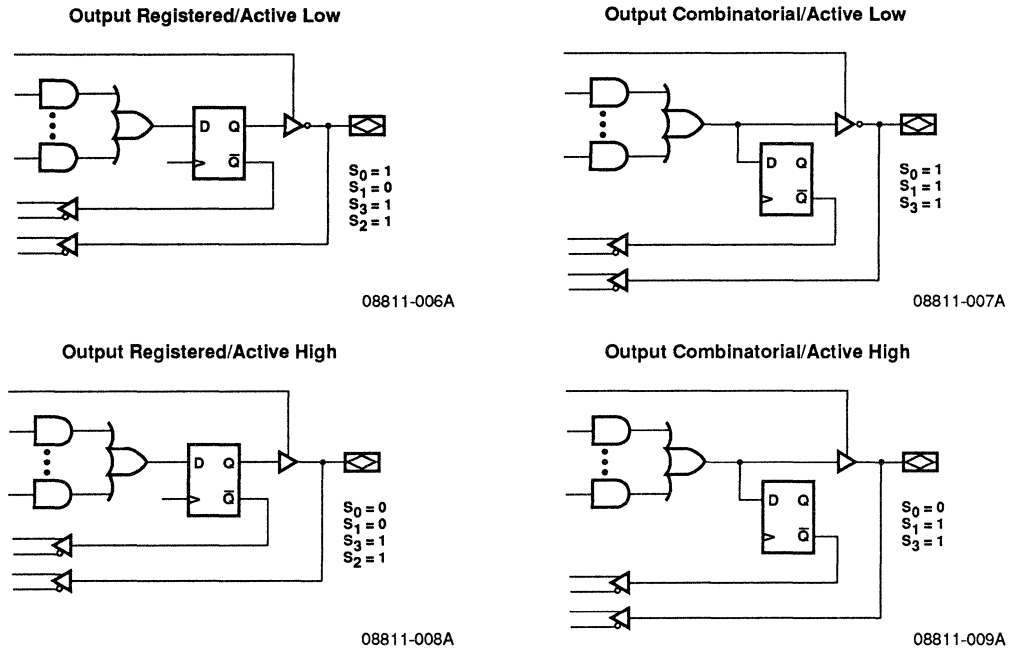


Figure 3a. Dual-Feedback Macrocells

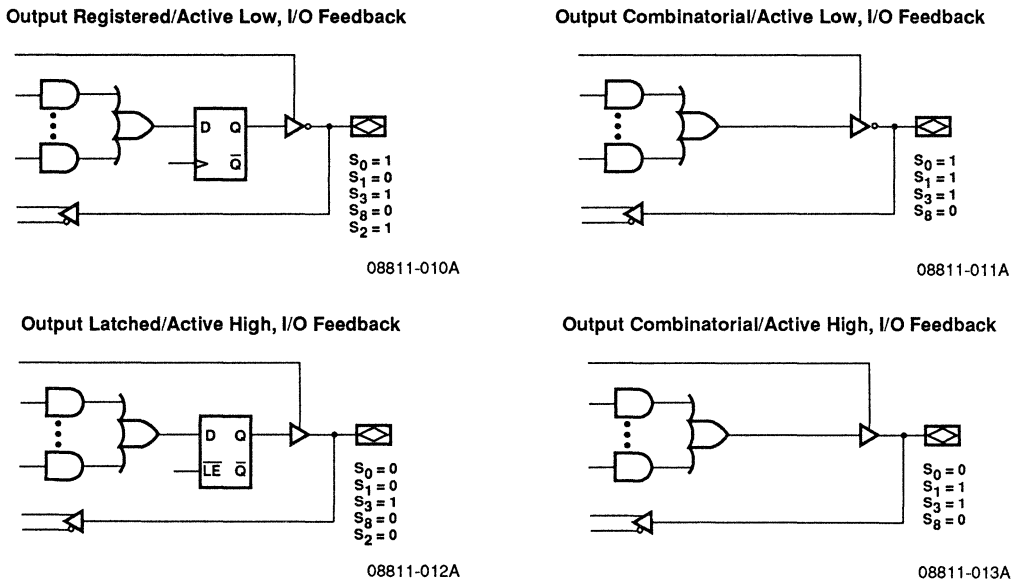
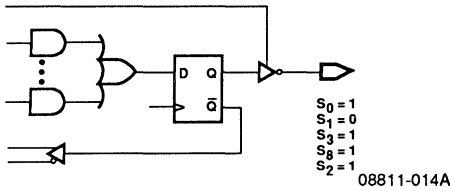


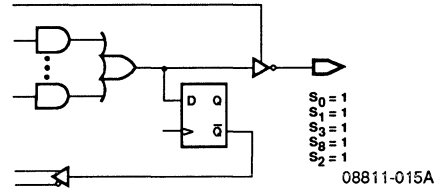
Figure 3b. Single-Feedback Macrocells

## SOME POSSIBLE CONFIGURATIONS OF THE INPUT/OUTPUT LOGIC MACROCELL (Continued)

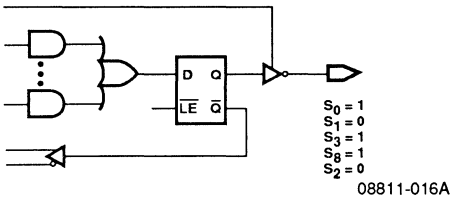
Output Registered/Active Low, Register Feedback



Output Combinatorial/Active Low, Register Feedback



Output Latched/Active Low, Latched Feedback



Output Combinatorial/Active Low, Latched Feedback

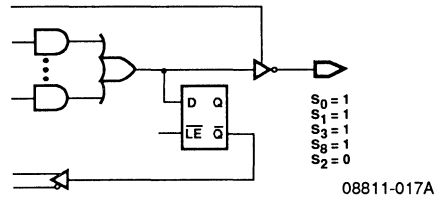


Figure 3b. Single-Feedback Macrocell (Continued)

Input Registered/Latched

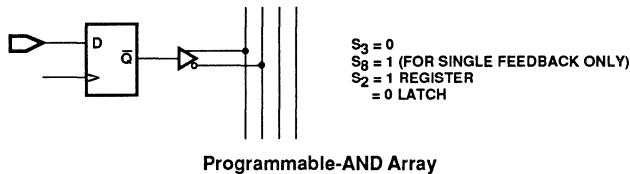


Figure 3c. All Macrocells

## DESIGNED-IN TESTABILITY AND DEBUGGING

### Preload

To simplify testing, the PALCE29MA16H is designed with PRELOAD circuitry that provides an easy method for testing logical functionality. Both product term controlled and supervoltage-enabled PRELOAD modes are available. This offers even more test capability than previously implemented in AMD's PAL devices. The TTL-level PRELOAD product term can be useful during debugging, where supervoltages may not be available.

PRELOAD allows any arbitrary state value to be loaded into the registers/latches of the device. A typical functional-test sequence would be to verify all possible state transitions for the device being tested. This requires the ability to set the state registers into an arbitrary "present state" value and to set the device's inputs into any arbitrary "present input" value. Once this is done, the state machine is clocked into a new state, or "next state", which can be checked to validate the transition from the "present state". In this way any transition can be checked.

Since PRELOAD can provide the capability to go directly to any desired arbitrary state, test sequences may be greatly shortened. Also, all possible states can be tested,

thus greatly reducing test time and development costs and guaranteeing proper in-system operation.

### Observability

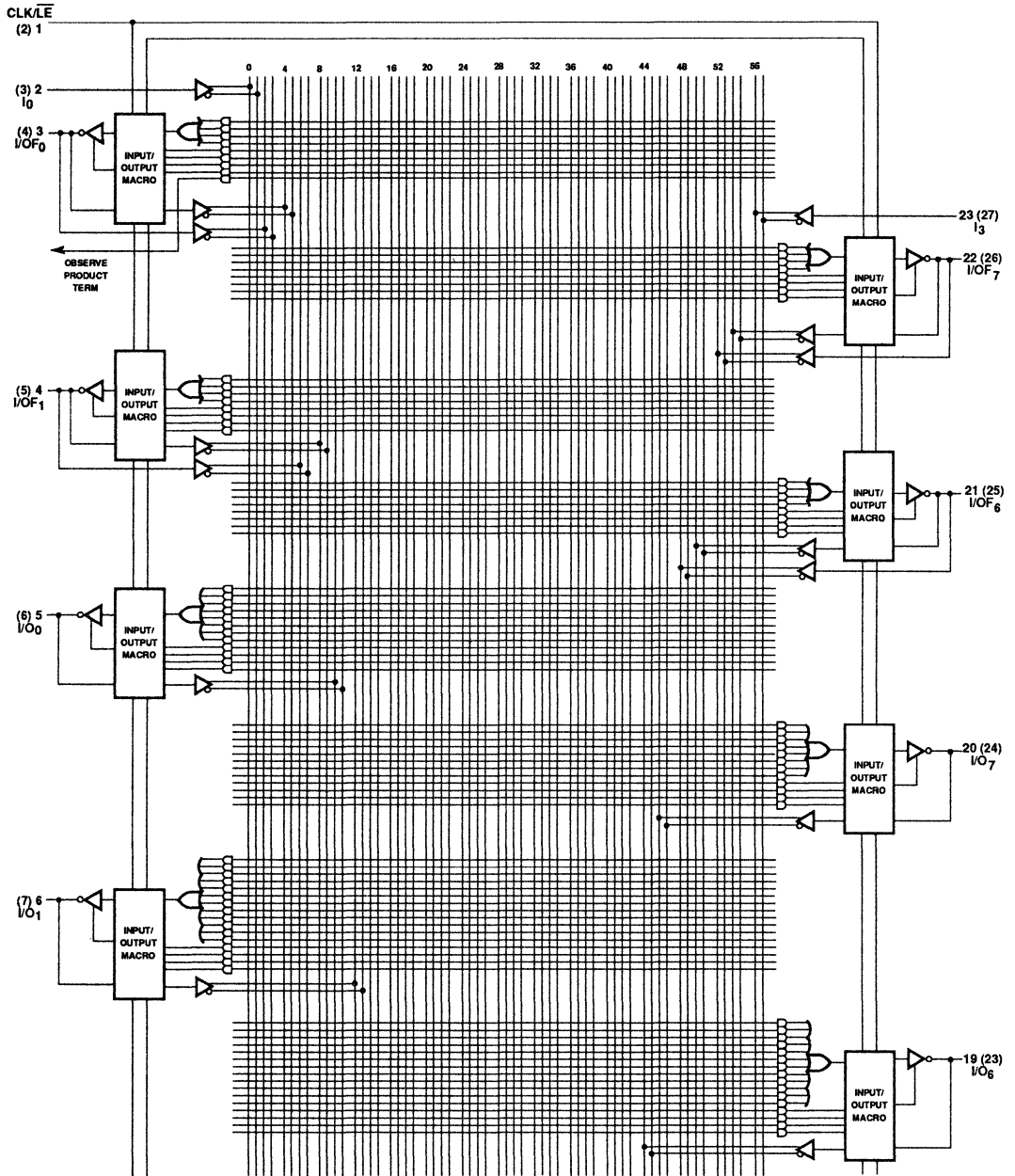
The output register/latch observability product term, when asserted, suppresses the combinatorial output data from appearing on the I/O pin and allows the observation of the contents of the register/latch on the output pin for each of the logic macrocells. This unique feature allows for easy debugging and tracing of the buried state machines. In addition, a capability of supervoltage observability is also provided.

### Security Cell

A security cell is provided on each device to prevent unauthorized copying of the user's proprietary logic design. Once programmed, the security cell disables the programming, verification, PRELOAD, and the observability modes. The only way to erase the protection cell is by charging the entire array and architecture cells, in which case no proprietary design can be copied. (This cell should be programmed only after the rest of the device has been completely programmed and verified.)

# LOGIC DIAGRAM

## SKINNYDIP (PLCC) Pinouts

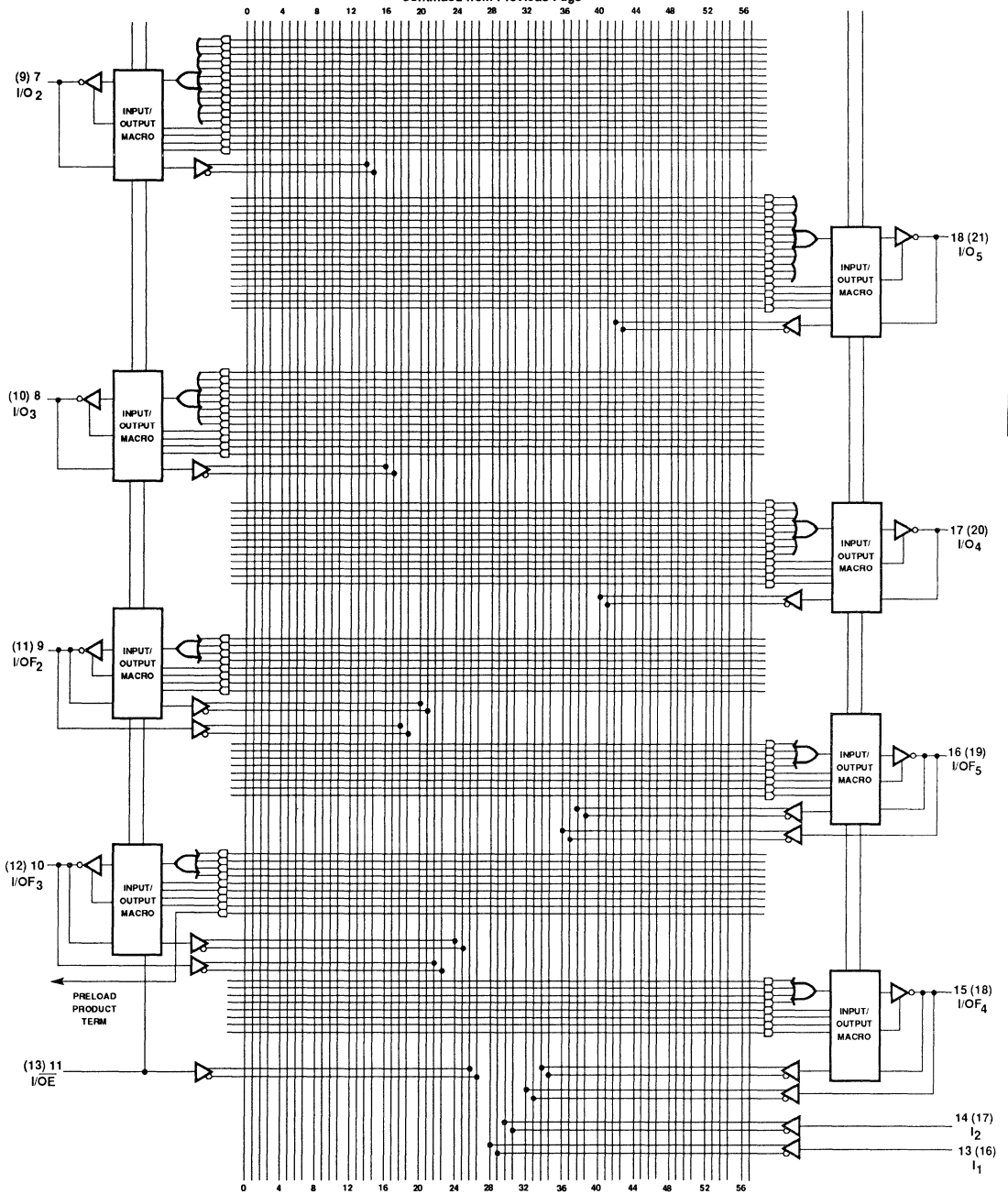


Continued on Next Page

08811-019A

**LOGIC DIAGRAM (Continued)**  
**SKINNYDIP (PLCC) Pinouts**

Continued from Previous Page



**2**

08811-019A  
 (Concluded)

## ABSOLUTE MAXIMUM RATINGS

Storage Temperature	-65°C to +150°C
Ambient Temperature with Power Applied	-55°C to +125°C
Supply Voltage with Respect to Ground	-0.5 V to +7.0 V
DC Input Voltage (Except Pin I/ $\overline{OE}$ )	-0.5 V to $V_{CC} + 0.5$ V
DC Input Voltage (Pin I/ $\overline{OE}$ )	-0.6 V to 16 V
DC Output or I/O Pin Voltage	-0.5 V to $V_{CC} + 0.5$ V
DC Input Current	-1 mA to +1 mA

Stresses above those listed under Absolute Maximum Ratings may cause permanent device failure. Functionality at or above these limits is not implied. Exposure to Absolute Maximum Ratings for extended periods may affect device reliability. Programming conditions may differ.

## OPERATING RANGES

### Commercial (C) Devices

Ambient Temperature ( $T_A$ )	
Operating in Free Air	0°C to +75°C
Supply Voltage ( $V_{CC}$ ) with Respect to Ground	+4.75 V to +5.25 V

Operating ranges define those limits between which the functionality of the device is guaranteed.

## DC CHARACTERISTICS over COMMERCIAL operating ranges unless otherwise specified

Parameter Symbol	Parameter Description	Test Conditions	Min.	Max.	Unit
$V_{OH}$	Output HIGH Voltage	$I_{OH} = -2$ mA $V_{IN} = V_{IH}$ or $V_{IL}$ $V_{CC} = \text{Min.}$	2.4		V
$V_{OL}$	Output LOW Voltage	$I_{OL} = 6$ mA		0.5	V
		$I_{OL} = 4$ mA		0.33	
		$I_{OL} = 20$ $\mu$ A		0.1	
$V_{IH}$	Input HIGH Voltage	Guaranteed Input Logical HIGH Voltage for all Inputs (Note 1)	2.0		V
$V_{IL}$	Input LOW Voltage	Guaranteed Input Logical LOW Voltage for all Inputs (Note 1)		0.8	V
$I_{IH}$	Input HIGH Leakage Current	$V_{IN} = 5.5$ V, $V_{CC} = \text{Max.}$ (Note 2)		10	$\mu$ A
$I_{IL}$	Input LOW Leakage Current	$V_{IN} = 0$ V, $V_{CC} = \text{Max.}$ (Note 2)		-10	$\mu$ A
$I_{OZH}$	Off-State Output Leakage Current HIGH	$V_{OUT} = 5.5$ V, $V_{CC} = \text{Max.}$ $V_{IN} = V_{IH}$ or $V_{IL}$ (Note 2)		10	$\mu$ A
$I_{OZL}$	Off-State Output Leakage Current LOW	$V_{OUT} = 0$ V, $V_{CC} = \text{Max.}$ $V_{IN} = V_{IH}$ or $V_{IL}$ (Note 2)		-10	$\mu$ A
$I_{SC}$	Output Short-Circuit Current	$V_{OUT} = 0.5$ V, $V_{CC} = \text{Max.}$ (Note 3)	-30	-90	mA
$I_{CC}$	Supply Current	$V_{IN} = 0$ V, Outputs Open ( $I_{OUT} = 0$ mA) $V_{CC} = \text{Max.}$		100	mA

### Notes:

1. These are absolute values with respect to device ground, and all overshoots due to system and/or tester noise are included.
2. I/O pin leakage is the worst case of  $I_{IL}$  and  $I_{OZL}$  (or  $I_{IH}$  and  $I_{OZH}$ ).
3. Not more than one output should be tested at a time. Duration of the short-circuit should not exceed one second.  $V_{OUT} = 0.5$  V has been chosen to avoid test problems caused by tester ground degradation.

---

## CAPACITANCE (Note 1)

Parameter Symbol	Parameter Description	Test Conditions		Typ.	Units
$C_{IN}$	Input Capacitance	$V_{IN} = 0\text{ V}$	$V_{CC} = 5.0\text{ V}$ $T_A = 25^\circ\text{C}$ $f = 1\text{ MHz}$	5	pF
$C_{OUT}$	Output Capacitance	$V_{OUT} = 0\text{ V}$		8	

**Note:**

1. These parameters are not 100% tested, but are evaluated at initial characterization and at any time the design is modified where capacitance may be affected.

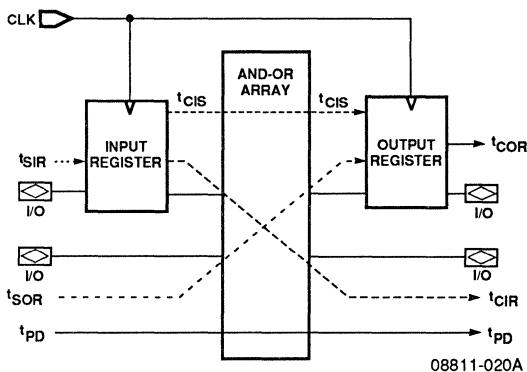


## SWITCHING CHARACTERISTICS

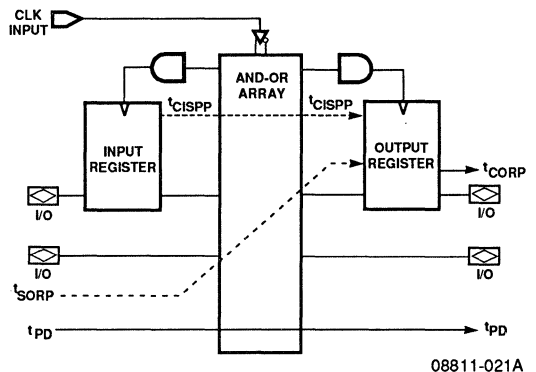
Over commercial range unless otherwise specified; all values are determined under the loading of one TTL gate and a capacitance of 35 pF.

### Registered Operation

Parameter Symbol	Parameter Description	-25		-35		Unit
		Min.	Max.	Min.	Max.	
<b>Combinatorial Output</b>						
$t_{PD}$	Input or I/O Pin to Combinatorial Output		25		35	ns
<b>Output Register - Pin Clock</b>						
$t_{SOR}$	Input or I/O Pin to Output Register Setup	15		20		ns
$t_{COR}$	Output Register Clock to Output		15		20	ns
$t_{HOR}$	Data Hold Time for Output Register	0		0		ns
<b>Output Register - Product Term Clock</b>						
$t_{SORP}$	I/O Pin or Input to Output Register Setup	4		6		ns
$t_{CORP}$	Output Register Clock to Output		29		34	ns
$t_{HORP}$	Data Hold Time for Output Register	10		12		ns
<b>Input Register - Pin Clock</b>						
$t_{SIR}$	I/O Pin to Input Register Setup	2		4		ns
$t_{CIR}$	Register Feedback Clock to Combinatorial Output		28		36	ns
$t_{HIR}$	Data Hold Time for Input Register	6		8		ns
<b>Clock and Frequency</b>						
$t_{CIS}$	Register Feedback (Pin Driven Clock) to Output Register/Latch (Pin Driven) Setup	20		30		ns
$t_{CISPP}$	Register Feedback (PT Driven Clock) to Output Register/Latch (PT Driven) setup	25		30		ns
$f_{MAX}$	Maximum Frequency (Pin Driven) $1/(t_{SOR} + t_{COR})$	33.3		25		MHz
$f_{MAXI}$	Maximum Internal Frequency (Pin Driven) $1/t_{CIS}$	50		33.3		MHz
$f_{MAXP}$	Maximum Frequency (PT Driven) $1/(t_{SORP} + t_{CORP})$	30		25		MHz
$f_{MAXIPP}$	Maximum Internal Frequency (PT Driven) $1/t_{CISPP}$	40		33.3		MHz
$t_{CWH}$	Pin Clock Width HIGH	8		12		ns
$t_{CWL}$	Pin Clock Width LOW	8		12		ns
$t_{CWHP}$	PT Clock Width HIGH	12		15		ns
$t_{CWL P}$	PT Clock Width LOW	12		15		ns

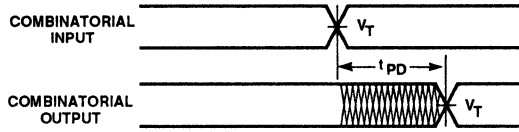


Input/Output Register Specs (Pin CLK Reference)



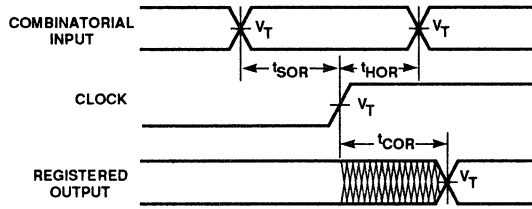
Input/Output Register Specs (PT CLK Reference)

**SWITCHING WAVEFORMS**



08811-022A

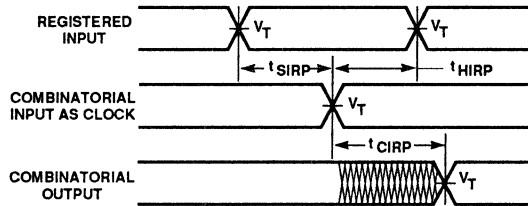
**Combinatorial Output**



08811-023A

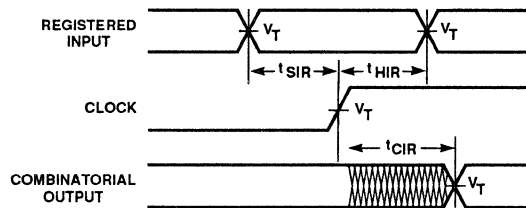


**Output Register (Pin Clock)**



08811-024A

**Output Register (PT Clock)**

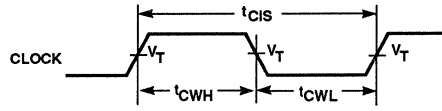


08811-025A

**Input Register**

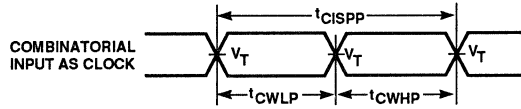
---

## SWITCHING WAVEFORMS (Continued)



08811-026A

Pin Clock Width



08811-027A

PT Clock Width

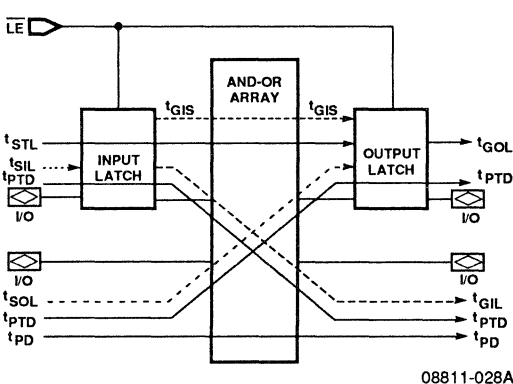
## SWITCHING CHARACTERISTICS (Continued)

Over commercial range unless otherwise specified; all values are determined under the loading of one TTL gate and a capacitance of 35 pF.

### Latched Operation

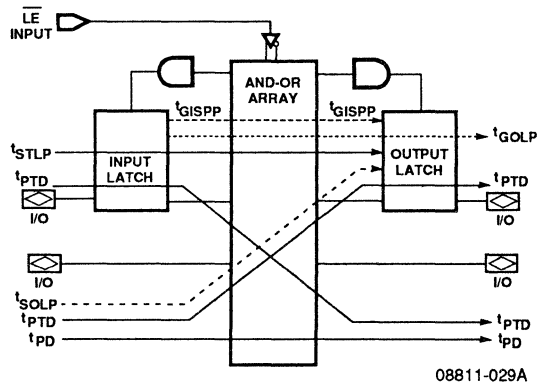
Parameter Symbol	Parameter Description	-25		-35		Unit
		Min.	Max.	Min.	Max.	
<b>Combinatorial Output</b>						
$t_{PD}$	Input or I/O Pin to Combinatorial Output		25		35	ns
$t_{PTD}$	Input or I/O Pin to Output via Transparent Latch		28		36	ns
<b>Output Latch - Pin LE</b>						
$t_{SOL}$	Input or I/O Pin to Output Latch Setup	15		20		ns
$t_{GOL}$	Latch Enable to Transparent Mode Output		15		20	ns
$t_{HOL}$	Data Hold Time for Output Latch	0		0		ns
$t_{STL}$	Input or I/O Pin to Output Latch Setup via Transparent Input Latch	18		25		ns
<b>Output Latch - PT LE</b>						
$t_{SOLP}$	Input or I/O Pin to Output Latch Setup	4		6		ns
$t_{GOLP}$	Latch Enable to Transparent Mode Output		29		34	ns
$t_{HOLP}$	Data Hold Time for Output Latch	10		12		ns
$t_{STLP}$	Input or I/O Pin to Output Latch Setup via Transparent Input Latch	10		15		ns
<b>Input Latch - Pin LE</b>						
$t_{SIL}$	I/O Pin to Input Latch Setup	2		4		ns
$t_{GIL}$	Latch Feedback, Latch Enable Transparent Mode to Combinatorial Output		28		36	ns
$t_{HIL}$	Data Hold Time for Input Latch	6		8		ns
<b>Latch Enable</b>						
$t_{GIS}$	Latch Feedback (Pin Driven) to Output Register/Latch (Pin Driven) Setup	20		30		ns
$t_{GISPP}$	Latch Feedback (PT Driven) to Output Register/Latch (PT Driven) Setup	25		30		ns
$t_{GWH}$	Pin Enable Width HIGH	8		12		ns
$t_{GWL}$	Pin Enable Width LOW	8		12		ns
$t_{GWHP}$	PT Enable Width HIGH	12		15		ns
$t_{GWL P}$	PT Enable Width LOW	12		15		ns

2



08811-028A

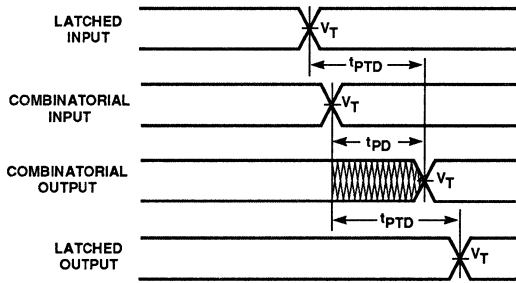
Input/Output Latch Specs (Pin  $\overline{LE}$  Reference)



08811-029A

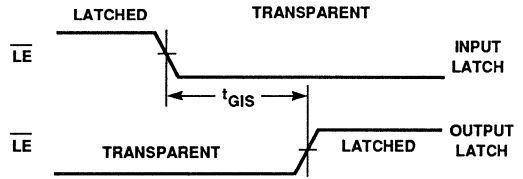
Input/Output Latch Specs (Pin  $\overline{LE}$  Reference)

## SWITCHING WAVEFORMS (Continued)



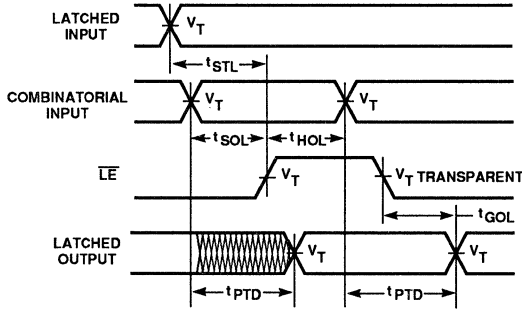
08811-030A

Latch (Transparent Mode)



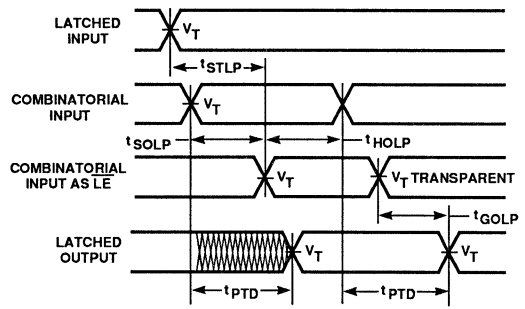
08811-031A

Input/Output Latch Relationship



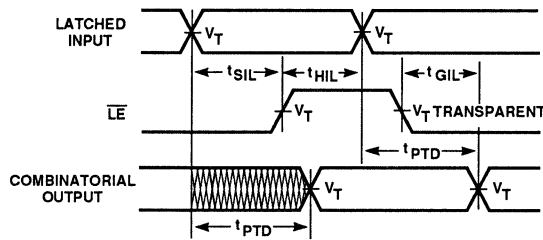
08811-032A

Output Latch (Pin  $\overline{LE}$ )



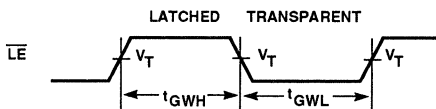
08811-033A

Output Latch (PT  $\overline{LE}$ )



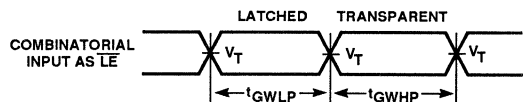
08811-034A

Input Latch (Pin  $\overline{LE}$ )



08811-035A

Pin  $\overline{LE}$  Width



08811-036A

PT  $\overline{LE}$  Width

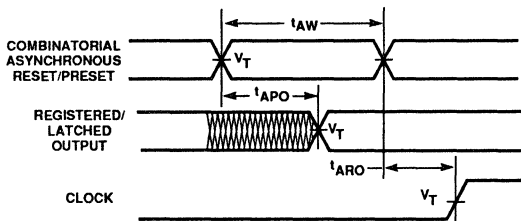
## Reset/Preset, Enable

Parameter Symbol	Parameter Description	-25		-35		Unit
		Min.	Max.	Min.	Max.	
$t_{APO}$	Input or I/O Pin to Output Register/Latch RESET/PRESET		30		40	ns
$t_{AW}$	Asynchronous RESET/PRESET Pulse Width	15		20		ns
$t_{ARO}$	Asynchronous RESET/PRESET to Output Register/Latch Recovery	15		20		ns
$t_{ARI}$	Asynchronous RESET/PRESET to Input Register/Latch Recovery	12		15		ns
$t_{ARPO}$	Asynchronous RESET/PRESET to Output Register/Latch Recovery PT Clock/LE	4		6		ns
$t_{ARPI}$	Asynchronous RESET/PRESET to Input Register/Latch Recovery PT Clock/LE	6		10		ns
<b>Output Enable Operation</b>						
$t_{PZX}$	I/OE Pin to Output Enable		20		30	ns
$t_{PXZ}^*$	I/OE Pin to Output Disable		20		30	ns
$t_{EA}$	Input or I/O to Output Enable via PT		25		35	ns
$t_{ER}^*$	Input or I/O to Output Disable via PT		25		35	ns

\* Output disable times do not include test load RC time constants.

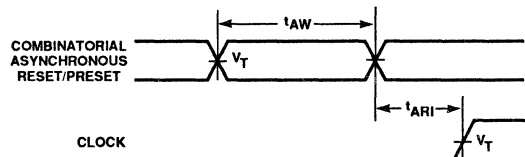
2

## SWITCHING WAVEFORMS (Continued)



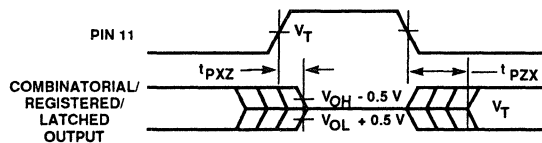
08811-037A

Output Register/Latch Reset/Preset



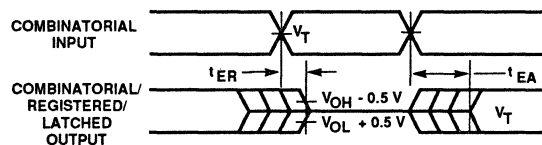
08811-038A

Input Register/Latch Reset/Preset



08811-039A

Pin 11 to Output Disable/Enable



08811-042A

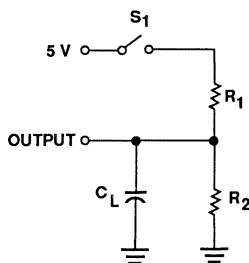
Input to Output Disable/Enable

## KEY TO SWITCHING WAVEFORMS

WAVEFORMS	INPUTS	OUTPUTS
	MUST BE STEADY	WILL BE STEADY
	MAY CHANGE FROM H TO L	WILL BE CHANGING FROM H TO L
	MAY CHANGE FROM L TO H	WILL BE CHANGING FROM L TO H
	DON'T CARE; ANY CHANGE PERMITTED	CHANGING; STATE UNKNOWN
	DOES NOT APPLY	CENTER LINE IS HIGH IMPEDANCE "OFF" STATE

KS000010-PAL

## SWITCHING TEST CIRCUIT



08811-044A

Specification	Switch $S_1$	$C_L$	$R_1$	$R_2$	Measured Output Value
$t_{PD}$ , $t_{CO}$ , $t_{GO}$	Closed	35 pF	620 $\Omega$	390 $\Omega$	1.5 V
$t_{EA}$ , $t_{PZX}$	Z $\rightarrow$ H: open Z $\rightarrow$ L: closed	35 pF	620 $\Omega$	390 $\Omega$	1.5 V
$t_{ER}$ , $t_{PXZ}$	H $\rightarrow$ Z: open L $\rightarrow$ Z: closed	5 pF	620 $\Omega$	390 $\Omega$	H $\rightarrow$ Z: $V_{OH} - 0.5$ V L $\rightarrow$ Z: $V_{OL} + 0.5$ V

## PRELOAD and OBSERVABILITY

The PALCE29MA16H has special preload and observability modes designed in. The PRELOAD mode is very useful during structured vector testing after programming, while the observe mode allows the designer to see the contents of any buried registers.

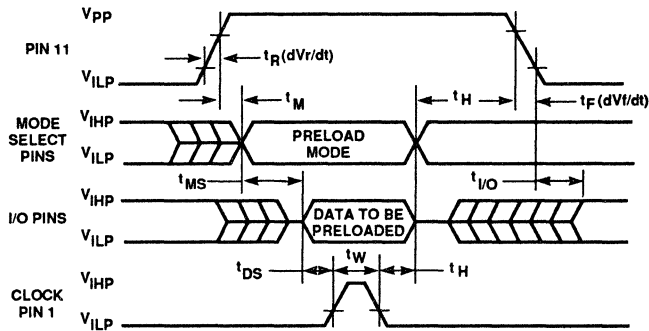
The PRELOAD waveform is shown in Figure 6. The PRELOAD registers mode is selected with the mode-select pins, the desired data to be loaded into the registers is placed on the appropriate I/O pins, and a positive pulse on pin 1 is applied. This clocks the new values into the registers, and the device can then be returned to normal operating mode.

The observability function allows the user to observe the outputs of all sixteen registers. To use the observability mode, simply select the observe registers mode with the mode-select pins. The register output is automatically selected (combinatorial mode is off), and the output will

be the true side of the register (Q). The data will be present as long as the mode-select pins access the observe mode (even if pin 11 goes LOW, the output pins will still retain the data out of the registers). To exit the observe mode, simply change the mode-select pins while pin 11 is still at  $V_{PP}$ .

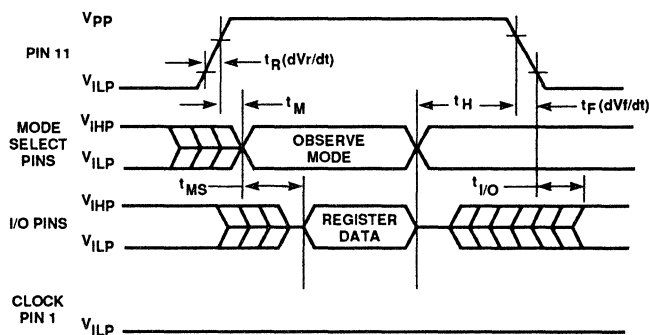
During observability, pin 1 should remain LOW. If pin 1 goes HIGH, the device will interpret this as a clock signal, and the previous data may be lost. As long as pin 1 remains LOW, the state of the registers will not change when going from normal-mode operation to observe mode or back.

Product terms provide an alternative method of enabling preload and observability. The preload and observability product terms, when asserted, perform the same functions as the mode select pins and pin 11.



08811-040A

Figure 6. Preload Waveform



08811-041A

Figure 7. Observability Waveform



## PRELOAD DC ELECTRICAL CHARACTERISTICS ( $T_A = 25^\circ\text{C} \pm 5^\circ\text{C}$ )

Parameter Symbol	Parameter Description	Min.	Rec.	Max.	Unit
$V_{PP}$	PRELOAD Voltage	14.5	15.0	15.5	V
$V_{ILP}$	Input LOW Level During Prog/Verify	0	0	0.5	V
$V_{IHP}$	Input HIGH Level During Prog/Verify	3.0	4.0	$V_{CC}$	V
$V_{OL}$	Verify LOW		0.2	0.5	V
$V_{OH}$	Verify HIGH	2.4	3.4		V

### Note:

AC undershoot on any input should be limited to  $-1$  V.

Table 2.

	Pin 23	Pin 14	Pin 13	Pin 2
Preload	L	H	H	L
Observe	H	L	H	H

Table 3. Mode Pins

## PRELOAD AC ELECTRICAL CHARACTERISTICS ( $T_A = 25^\circ\text{C} \pm 5^\circ\text{C}$ )

Parameter Symbol	Parameter Description	Min.	Rec.	Max.	Unit
$t_M$	Setup Before Applying Mode	50	50		$\mu\text{s}$
$t_{MS}$	Mode Setup Prior to Applying Data	1.0	1.0*		$\mu\text{s}$
$t_{DS}$	Data Setup Prior to Applying PRELOAD Latch Pulse	1.0	1.0*		$\mu\text{s}$
$t_H$	Data/Mode Hold After Latch Pulse	1.0	1.0*		$\mu\text{s}$
$t_W$	Data Latch Pulse Width	1.0	1.0*		$\mu\text{s}$
$t_{IO}$	I/O Valid After Pin 11 Drops from $V_{PP}$ to TTL Levels			100	$\mu\text{s}$
$dVr/dt$	$V_{PP}$ Rising Slew Rate (Pin 11)	10		100	$\text{V}/\mu\text{s}$
$dVf/dt$	$V_{PP}$ Falling Slew Rate (Pin 11)		2.0	3.0	$\text{V}/\mu\text{s}$

\* Recommended value is as close to 1.0  $\mu\text{s}$  plus tolerance as practical, but not less than 1.0  $\mu\text{s}$ .

Table 4.

## ENDURANCE CHARACTERISTICS

All PALCE29MA16H devices are given multiple erase cycles (endurance cycles) at the factory.

Parameter Symbol	Parameter Description	Value	Unit	Test Conditions
$t_{DR}$	Minimum Pattern Data Retention Time	10	Years	Maximum Storage Temperature
N	Minimum Reprogramming Cycles	100	Cycles	Operating Conditions

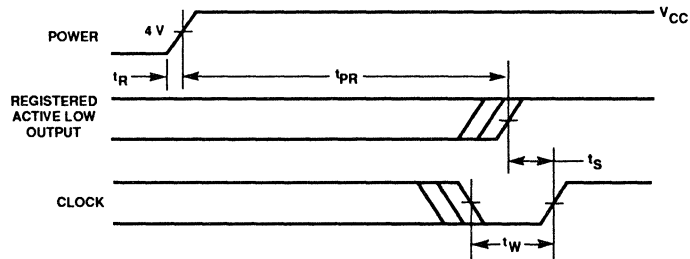
## POWER-UP RESET

The registered devices in the AMD PAL Family have been designed with the capability to reset during system power-up. Following power-up, all registers will be reset to LOW. The output state will depend on the polarity of the output buffer. This feature provides extra flexibility to the designer and is especially valuable in simplifying state machine initialization. A timing diagram and parameter table are shown below. Due to the asynchronous operation of the power-up reset, and the wide range of ways  $V_{CC}$  can rise to its steady state, two conditions are required to ensure a valid power-up reset. These conditions are:

1. The  $V_{CC}$  rise must be monotonic.
2. Following reset, the clock input must not be driven

from LOW to HIGH until all applicable input and feedback setup times are met.

Parameter Symbol	Parameter Description	Min.	Max.	Unit
$t_{PR}$	Power-Up Reset Time		100	$\mu s$
$t_s$	Input or Feedback Setup Time	See Switching Characteristics table		
$t_w$	Clock Width			
$t_R$	$V_{CC}$ Rise Time	500		$\mu s$



08811-043A

Figure 5. Power-Up Reset Waveform



# PAL32VX10/A

## 24-Pin Versatile with XOR Programmable Array Logic

### DISTINCTIVE CHARACTERISTICS

- Increased logic power
  - Up to 32 inputs and 10 outputs
- Dual independent feedback paths allow buried state registers or Input registers
- Programmable flip-flops allow J-K, S-R, T or D types for efficient use of product terms
- 10 input/output macrocells for flexibility
- Programmable registered or combinatorial outputs
- Individual user-programmable output polarity
- Global register asynchronous/synchronous preset/reset
- Automatic register preset on power up
- Preloadable output registers for testability
- Varied product term distribution
  - Up to 16 product terms per output
- 300-mil SKINNYDIP® or PLCC packages
- Pin-compatible superset of PAL22V10

### GENERAL DESCRIPTION

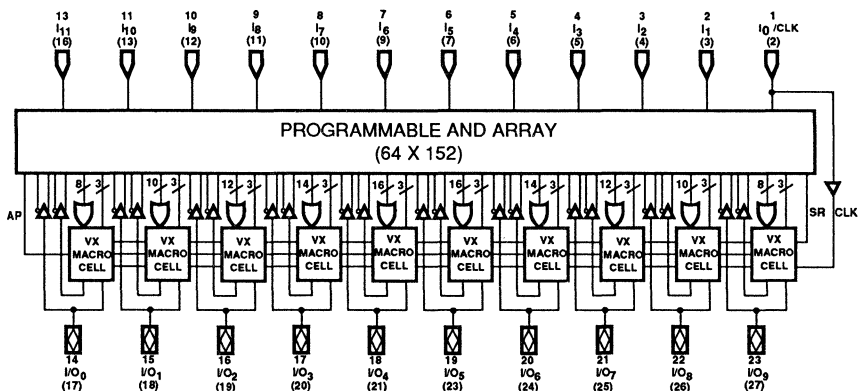
The PAL32VX10/A is a high-density Programmable Array Logic (PAL®) device which implements a sum-of-products transfer function via a user-programmable AND logic array and a fixed OR logic array. Featured are ten highly flexible input/output macrocells which are user-configurable for combinatorial or registered operation. Each flip-flop can be programmed to be either a J-K, S-R, T, or D-type for optimal design of state machines and other synchronous logic. In addition, a unique dual feedback architecture allows I/O capability for each macrocell in both combinatorial and registered configurations. This can be achieved even when register feedback is present, and allows implementation of buried flip-flops while preserving the external macrocell input. The PAL32VX10/A is supplied in a space-saving 300-mil-wide dual in-line package offering a powerful,

space-saving alternative to SSI/MSI logic devices, while providing the advantage of instant prototyping. Security fuses defeat readout after programming and make proprietary designs difficult to copy.

The PAL32VX10/A is fabricated using Advanced Micro Devices' advanced oxide-isolated bipolar process for high speed and low power. TiW fuse links provide high reliability and programming yields. Preloadable output registers facilitate functional testing.

The PAL32VX10/A can be programmed on standard PAL device programmers, fitted with appropriate programming modules and configuration software. Design development is supported by AMD's PALASM® software as well as by other programmable logic CAD tools available from third-party vendors.

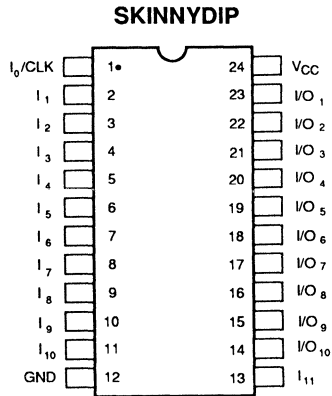
### BLOCK DIAGRAM



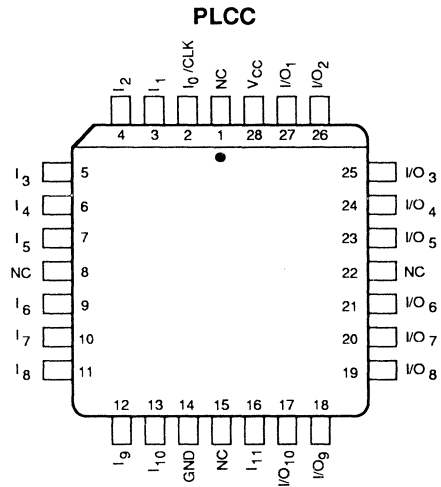
10290-001A

# CONNECTION DIAGRAMS

## Top View



10290-002A



10290-003A



**Note:**

Pin 1 is marked for orientation.

**PIN DESIGNATIONS**

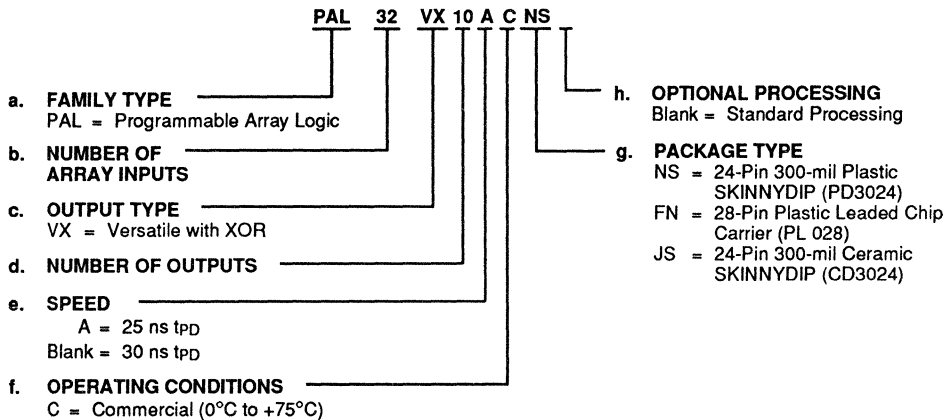
CLK	Clock
GND	Ground
I	Input
I/O	Input/Output
NC	No Connect
V <sub>CC</sub>	Supply Voltage

## ORDERING INFORMATION

### Commercial Products

AMD programmable logic products for commercial applications are available with several ordering options. The order number (Valid Combination) is formed by a combination of:

- a. Family Type
- b. Number of Array Inputs
- c. Output Type
- d. Number of Outputs
- e. Speed
- f. Operating Conditions
- g. Package Type
- h. Optional Processing



#### Valid Combinations

The Valid Combinations table lists configurations planned to be supported in volume for this device. Consult the local AMD sales office to confirm availability of specific valid combinations, and to check on newly released combinations.

Valid Combinations	
PAL32VX10	CNS, CFN, CJS
PAL32VX10A	

Note: Marked with MMI logo.

## FUNCTIONAL DESCRIPTION

The PAL32VX10/A has twelve dedicated input lines and ten programmable I/O macrocells. Pin 1 serves either as an array input or as a clock for all flip-flops. Buffers for device inputs have complementary outputs to provide user-programmable input signal polarity. The fuse matrix implements a programmable AND logic array, which drives a fixed OR logic array.

The high level of flexibility built into each macrocell, shown in Figure 1, allows the PAL32VX10/A to implement over thirty different architecture options. Each macrocell can be individually programmed to implement a variety of combinatorial or registered logic functions.

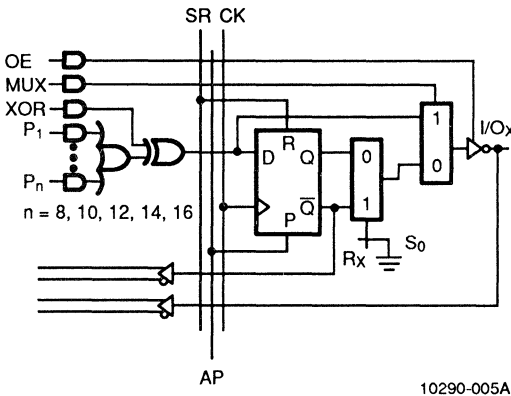


Figure 1. PAL32VX10/A Macrocell

### Dual Output Feedback

Dual feedback paths associated with each macrocell provide independent feedback paths directly into the array from both the flip-flop output and the output pin. Unlike other devices which have a single feedback path, the PAL32VX10/A allows each output to have full I/O capability when configured as either a combinatorial output or a registered output, even if register feedback to the array is used. Thus registers can be loaded from their outputs.

If a macrocell is configured as a dedicated input, by disabling the three-state output buffer, the dual feedback architecture allows use of the associated register as an

input register or as a "buried" state register, avoiding waste of the flip-flop, as shown in Figure 2.

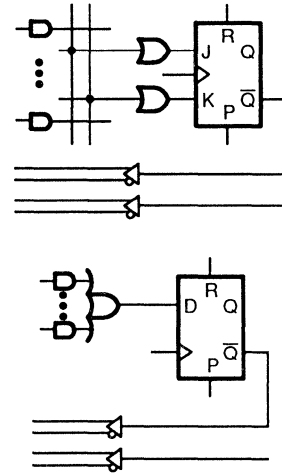


Figure 2. Buried Flip-Flops With Dedicated Inputs

### Programmable Flip-flops

Each output macrocell contains a unique programmable flip-flop consisting of a basic D-type flip-flop driven by an XOR gate. This allows the user to choose the optimal flip-flop for the design, since either J-K, S-R, or T-type flip-flops can be synthesized from such a structure without wasting product terms.

As indicated in the macrocell logic diagram, one input of the XOR gate is connected to a single product term, while the second input is connected to the output of the OR logic array. The XOR gate output feeds the input of the D flip-flop. The way in which the XOR gate is used to synthesize the different flip-flop types is described in detail below.

**D Flip-Flop.** The D flip-flop option is implemented directly. In this configuration, the XOR gate on the input of the flip-flop can be used to program the logic polarity of the transfer function.

**J-K Flip-Flop.** The J-K flip-flop option can be easily synthesized with a more sophisticated manipulation of the XOR gate inputs and the D flip-flop output.

The transfer function of a J-K flip-flop can be mapped in the Karnaugh map of Figure 3, where Q+ represents the next state of the flip-flop:

		Q		
		0	1	
J	K	0	0	(HOLD)
		0	1	(RESET)
1	1	0	1	(TOGGLE)
1	0	1	1	(SET)

10290-007A

Figure 3. J-K Flip-Flop Transfer Function

Dropping the (+) for simplicity, the equivalent Boolean expression for Q+ is:

$$Q = \bar{K} \cdot Q + J \cdot \bar{Q}$$

In general, J and K can be sum-of-product expressions which are provided in the PAL architecture only in active-high form. Thus, a direct implementation of  $\bar{K}$  expressions must invoke a DeMorgan transformation, which can use excessive product terms. This can be avoided by rewriting the equation for Q without inversion on the J or K inputs.

The XOR gate can be used to construct a logically equivalent expression without any inversions on the J or K inputs. The rewritten Boolean expression is:

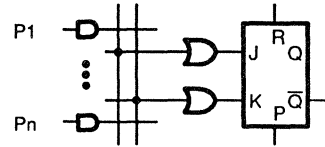
$$Q = Q \text{ :+} (J \cdot \bar{Q} + K \cdot Q)$$

To check that these expressions are logically equivalent, change the XOR to its equivalent sum-of-products form (remember  $A \text{ :+} B = A \cdot \bar{B} + \bar{A} \cdot B$ ) and reduce (using DeMorgan's theorem):

$$\begin{aligned} Q &= Q \cdot (\bar{J} \cdot \bar{Q} + K \cdot Q) + \bar{Q} \cdot (J \cdot \bar{Q} + K \cdot Q) \\ Q &= Q \cdot (\bar{J} + Q) \cdot (\bar{K} + \bar{Q}) + \bar{Q} \cdot J \cdot \bar{Q} + \bar{Q} \cdot K \cdot Q \\ Q &= Q \cdot (\bar{J} \cdot \bar{K} + \bar{J} \cdot \bar{Q} + Q \cdot \bar{K} + Q \cdot \bar{Q}) + J \cdot \bar{Q} \\ Q &= \bar{J} \cdot \bar{K} \cdot Q + \bar{K} \cdot Q + J \cdot \bar{Q} \end{aligned}$$

which simplifies to  $Q = \bar{K} \cdot Q + J \cdot \bar{Q}$

Since J and K are, in general, sums of products, J and K in either expression can be substituted with  $(J1 + J2 + \dots + Jm)$  and  $(K1 + K2 + \dots + Kn-m)$ , where n is the total number of product terms associated with a given output macrocell. Thus, the total n-product term resource is shared between the J and K control inputs (Figure 4). Note that all J terms will contain  $\bar{Q}$  and all K terms will contain Q.



n = 8, 10, 12, 14, 16

10290-008A

Figure 4. J-K Flip-Flop Logic Equivalent; J and K Can Also Be Active-Low

The above discussions have assumed that it was most convenient to "group ones" in the Karnaugh map. Sometimes it takes fewer product terms to "group zeros", i.e., implement the inversion of the desired function. The equations shown in Table 1 are equivalent and can be interchanged to optimize product term utilization. This can be readily proved through logic reductions similar to that above.

J and K active high	$Q = Q \text{ :+} (J \cdot \bar{Q} + K \cdot Q)$
J active high, K active low	$Q = J \cdot \bar{Q} + \bar{K} \cdot Q$
J active low, K active high	$\bar{Q} = \bar{J} \cdot \bar{Q} + K \cdot Q$
J and K active low	$Q = \bar{Q} \text{ :+} (\bar{J} \cdot \bar{Q} + \bar{K} \cdot Q)$

**Note:**

- J = sum of products J1 + J2 + ... + Jm
- K = sum of products K1 + K2 + ... + Kn-m
- n = total number of available product terms for a given macrocell (8 to 16)

Table 1. J-K Flip-Flop Transfer Functions

**S-R Flip-Flop.** The S-R flip-flop has a truth table identical to that of the J-K flip-flop, with the exception that the J = K = 1 (toggle) condition is not allowed. The S-R flip-flop implementation is identical to that of the J-K flip-flop, with J-K replaced by S-R, and the S = R = 1 condition avoided.

**T Flip-Flop.** A T (toggle) flip-flop either holds its state or toggles, depending on the logic state of the T input. The T flip-flop is a subset of the J-K flip-flop and can be considered equivalent to a J-K type with  $J = K$ . The general transfer function and its active-low T equivalent are both given in Table 2.

$Q = Q \oplus T$
$Q = \overline{Q} \oplus \overline{T}$

**Note:**

$T = \text{sum of products } T1 + T2 + T3 + \dots + Tn$

**Table 2. J-K Flip-Flop Transfer Functions**

**Flip-flop Summary**

The PAL32VX10/A can synthesize J-K, S-R, T, and D flip-flops, whichever is most convenient for the application, without sacrificing product terms. Additionally, the synthesized equations can use the active-high or active-low forms of the inputs, allowing the designer to minimize product term requirements.

**Flip-flop Bypass**

Any output in the PAL32VX10/A can be configured to be combinatorial by bypassing the output flip-flop. This is done by setting the output multiplexer to the appropriate state. The multiplexer is controlled by a product term which can be set unconditionally for a permanent combinatorial (all fuses opened, product term high) or registered (all fuses intact, product term low) output configuration, or can be programmed to bypass the output flip-flop “on the fly” allowing signals to be routed directly to output pins under user-specified conditions.

**Varied Product Term Distribution**

An increased number of product terms has been provided in the PAL32VX10/A over previous generation PAL devices. These terms are distributed among the ten macrocells in a varied manner, ranging from eight to sixteen terms per output. The five output pairs have 8, 10, 12, 14, or 16 product terms available for the OR gate within each macrocell. In addition, each macrocell has one XOR product term and two architecture control product terms.

**Programmable I/O**

Each macrocell has a three-state output buffer with programmable three-state control. Control is implemented by a single product term, allowing specification of enable/disable functions controlled by any device input or output. Each macrocell can be configured as a dedi-

cated input by disabling the buffer drive capability. When this is done, the associated register can still be used as an input register or buried state register, due to the independent register feedback path.

**Programmable Preset and Reset**

The ten macrocell flip-flops share common programmable preset and reset control for easy system initialization. The Q outputs of the register will go to the logic LOW state following a LOW-to-HIGH transition on pin 1 ( $I_0$ /CLK) when the synchronous reset (SR) product term is asserted. The register will be forced to the logic HIGH state independent of the clock when the asynchronous preset (AP) product term is asserted.

**Programmable Polarity**

The polarity of each macrocell output can be set active high or active low.

**Combinatorial Outputs.** The XOR gate provides polarity control for combinatorial outputs, with the single product term to the XOR gate controlling the invert/not invert function. With all fuses intact, there is no inversion through the XOR gate, creating an active-low output. Opening all fuses forces the product term high, inverting data and creating an active-high output.

**2**

**Registered Outputs.** Output polarity for registered outputs can be determined in two ways. For D-type registered outputs, polarity can be set by the XOR gate, as is the case with combinatorial outputs. Using this method to set polarity, preset and reset will not be affected.

Polarity, as observed from the output pin, can also be determined by the flip-flop output multiplexer. Note that this does not affect the polarity of the register feedback signal, but does affect preset and reset. By changing the flip-flop output multiplexer, the preset and reset functions are exchanged relative to the controlling product terms.

With the multiplexer fuse intact, the  $\overline{Q}$  output is routed to the output pin, configuring an active-low output. With the multiplexer fuse opened, Q is routed to the output pin and synchronous reset becomes synchronous preset. Similarly, asynchronous reset becomes asynchronous preset.

Polarity options for J-K, S-R, and T flip-flops have been discussed in the section on programmable flip-flops.

**Power-up Preset**

All flip-flops power up to a logic HIGH for predictable system initialization. Outputs of the PAL32VX10/A will be HIGH or LOW depending on the state of the register output multiplexers.



---

## Register Preload

The register on the PAL32VX10/A can be preloaded to facilitate functional testing of complex state machine designs. This feature allows direct loading of arbitrary states, thereby making it unnecessary to cycle through long test vector sequences to reach a desired state. In addition, transitions from illegal states can be verified by loading in illegal states and observing proper recovery.

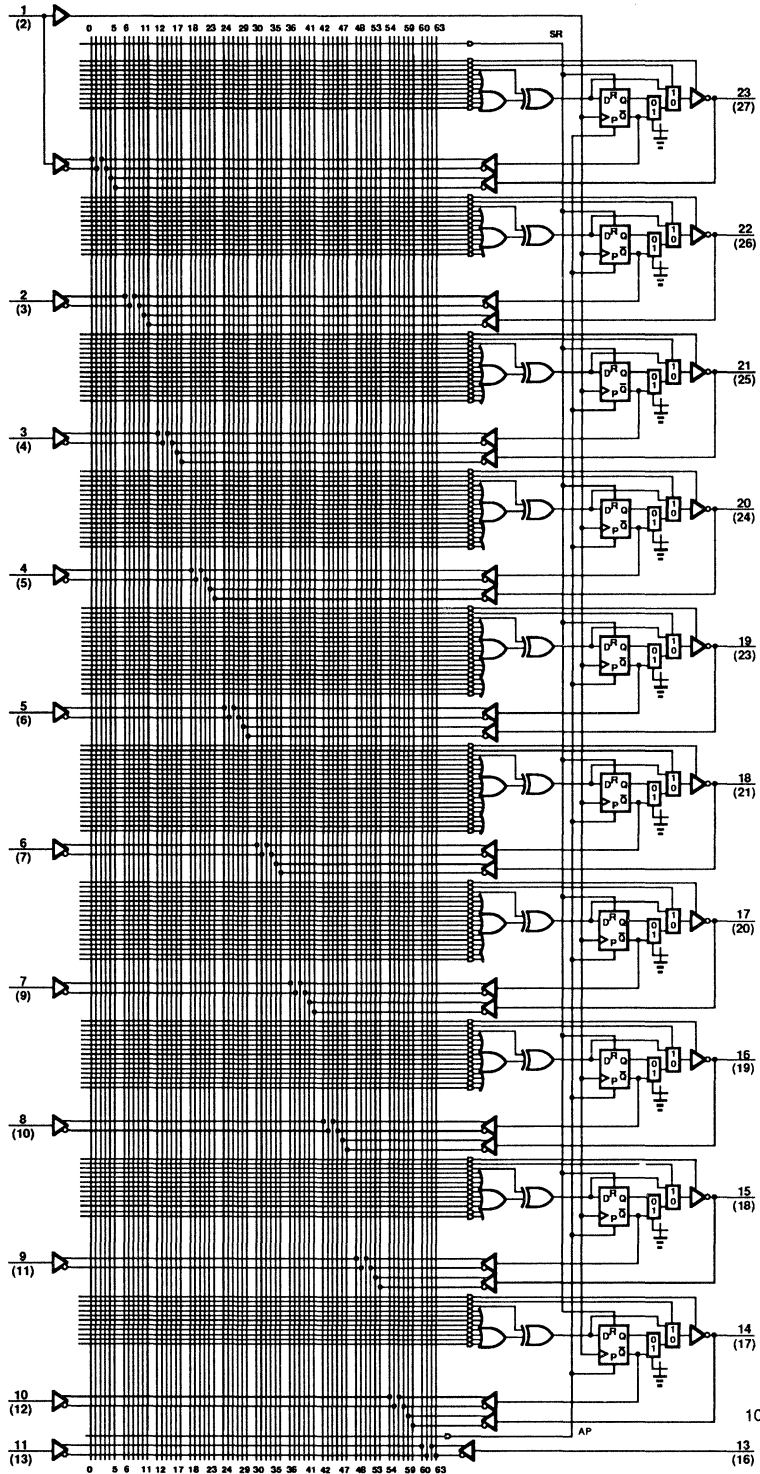
## Security Fuse

After programming and verification, a PAL32VX10/A design can be secured by programming the security fuses. Once programmed, these fuses defeat readback of the internal fuse pattern by a device programmer, making proprietary designs very difficult to copy. The array will read as if every fuse is programmed.

## Quality and Testability

The PAL32VX10/A offers a very high level of built-in quality. Special on-chip test circuitry provides a means of verifying performance of all AC and DC parameters prior to programming. In addition, these built-in test paths verify complete functionality of each device to provide the highest post-programming functional yields in the industry.

**LOGIC DIAGRAM  
SKINNYDIP  
(PLCC) Pinouts**



**2**

10290-004A

**ABSOLUTE MAXIMUM RATINGS**

Storage Temperature	-65°C to +150°C
Ambient Temperature with Power Applied	-55°C to +125°C
Supply Voltage with Respect to Ground	-0.5 V to +7.0 V
DC Input Voltage	-1.5 V to +5.5 V
DC Output or I/O Pin Voltage	5.5 V

**OPERATING RANGES****Commercial (C) Devices**

Ambient Temperature (T <sub>A</sub> )	0°C to +75°C
Operating in Free Air	0°C to +75°C
Supply Voltage (V <sub>CC</sub> ) with Respect to Ground	+4.75 V to +5.25 V

*Operating ranges define those limits between which the functionality of the device is guaranteed.*

*Stresses above those listed under Absolute Maximum Ratings may cause permanent device failure. Functionality at or above these limits is not implied. Exposure to Absolute Maximum Ratings for extended periods may affect device reliability. Programming conditions may differ.*

**DC CHARACTERISTICS over COMMERCIAL operating ranges unless otherwise specified**

Parameter Symbol	Parameter Description	Test Conditions	Min.	Max.	Unit
V <sub>OH</sub>	Output HIGH Voltage	I <sub>OH</sub> = -3.2 mA V <sub>IN</sub> = V <sub>IH</sub> or V <sub>IL</sub> V <sub>CC</sub> = Min.	2.4		V
V <sub>OL</sub>	Output LOW Voltage	I <sub>OL</sub> = 16 mA V <sub>IN</sub> = V <sub>IH</sub> or V <sub>IL</sub> V <sub>CC</sub> = Min.		0.5	V
V <sub>IH</sub>	Input HIGH Voltage	Guaranteed Input Logical HIGH Voltage for all Inputs (Note 1)	2.0		V
V <sub>IL</sub>	Input LOW Voltage	Guaranteed Input Logical LOW Voltage for all Inputs (Note 1)		0.8	V
V <sub>I</sub>	Input Clamp Voltage	I <sub>IN</sub> = -18 mA, V <sub>CC</sub> = Min.		-1.5	V
I <sub>IH</sub>	Input HIGH Current	V <sub>IN</sub> = 2.4 V, V <sub>CC</sub> = Max. (Note 2)		25	μA
I <sub>IL</sub>	Input LOW Current	V <sub>IN</sub> = 0.4 V, V <sub>CC</sub> = Max. (Note 2)		-250	μA
I <sub>I</sub>	Maximum Input Current	V <sub>IN</sub> = 5.5 V, V <sub>CC</sub> = Max.		100	μA
I <sub>OZH</sub>	Off-State Output Leakage Current HIGH	V <sub>OUT</sub> = 2.4 V, V <sub>CC</sub> = Max. V <sub>IN</sub> = V <sub>IH</sub> or V <sub>IL</sub> (Note 2)		100	μA
I <sub>OZL</sub>	Off-State Output Leakage Current LOW	V <sub>OUT</sub> = 0.4 V, V <sub>CC</sub> = Max. V <sub>IN</sub> = V <sub>IH</sub> or V <sub>IL</sub> (Note 2)		-100	μA
I <sub>sc</sub>	Output Short-Circuit Current	V <sub>OUT</sub> = 0.5 V, V <sub>CC</sub> = Max. (Note 3)	-30	-130	mA
I <sub>CC</sub>	Supply Current	V <sub>IN</sub> = 0 V, Outputs Open (I <sub>OUT</sub> = 0 mA) V <sub>CC</sub> = Max.		180	mA

**Notes:**

1. These are absolute values with respect to device ground and all overshoots due to system and/or tester noise are included.
2. I/O pin leakage is the worst case of I<sub>IL</sub> and I<sub>OZL</sub> (or I<sub>IH</sub> and I<sub>OZH</sub>).
3. Not more than one output should be shorted at a time and duration of the short-circuit should not exceed one second. V<sub>OUT</sub> = 0.5 V has been chosen to avoid test problems caused by tester ground degradation.

## CAPACITANCE (Note 1)

Parameter Symbol	Parameter Description	Test Conditions		Typ.	Unit
C <sub>IN</sub>	Input Capacitance	V <sub>IN</sub> = 2.0 V	V <sub>CC</sub> = 5.0 V T <sub>A</sub> = +25°C f = 1 MHz	6	pF
C <sub>OUT</sub>	Output Capacitance	V <sub>OUT</sub> = 2.0 V		11	

### Note:

- These parameters are not 100% tested, but are evaluated at initial characterization and at any time the design is modified where capacitance may be affected.

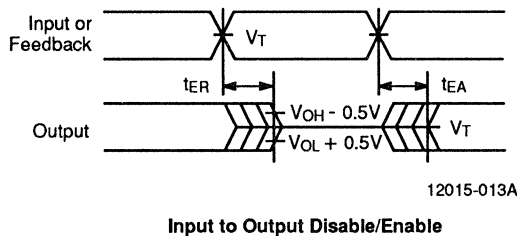
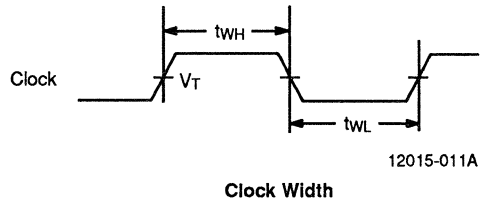
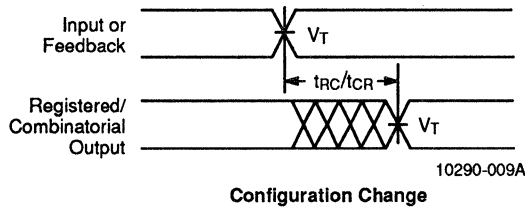
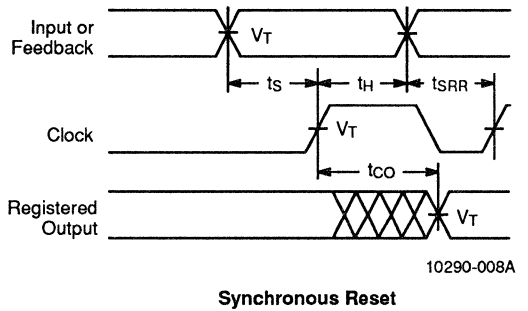
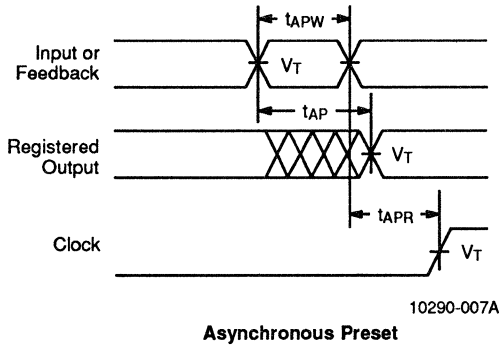
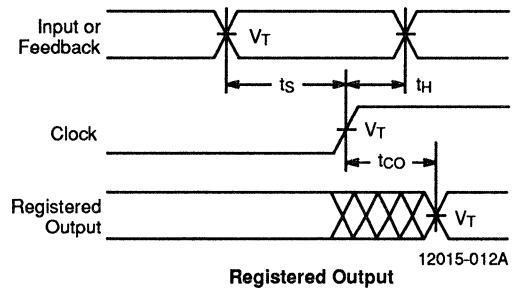
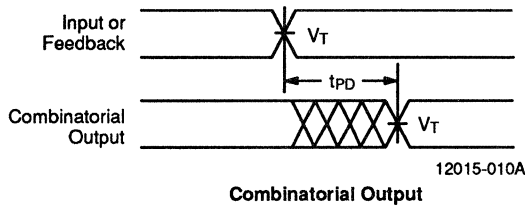
## SWITCHING CHARACTERISTICS over COMMERCIAL operating ranges (Note 2)

Parameter Symbol	Parameter Description		A		Std		Unit
			Min.	Max.	Min.	Max.	
t <sub>PD</sub>	Input or Feedback to Combinatorial Output	Product Terms P <sub>1</sub> -P <sub>n</sub>		25		30	ns
		Product Term XOR		30		35	
t <sub>s</sub>	Setup Time from Input, Feedback, or SP to Clock	Product Terms P <sub>1</sub> -P <sub>n</sub> , SR	25		30		ns
		Product Term XOR	30		35		
t <sub>H</sub>	Hold Time		0		0		ns
t <sub>CO</sub>	Clock to Output			15		15	ns
t <sub>AP</sub>	Asynchronous Preset to Registered Output			25		30	ns
t <sub>APW</sub>	Asynchronous Preset Width		25		30		ns
t <sub>APR</sub>	Asynchronous Preset Recovery Time		25		30		ns
t <sub>SR</sub>	Synchronous Reset Recovery Time		25		30		ns
t <sub>CR</sub>	Input or Feedback to Registered Output from Combinatorial Configuration (Product Term MUX 1 → 0)			90		90	ns
t <sub>RC</sub>	Input or Feedback to Combinatorial Output from Registered Configuration (Product Term MUX 0 → 1)			90		90	ns
t <sub>WL</sub>	Clock Width	LOW		18		20	ns
		HIGH		18		20	
f <sub>MAX</sub>	Maximum Frequency (Note 3)	External Feedback	1/(t <sub>s</sub> + t <sub>CO</sub> )	Product Terms P <sub>1</sub> -P <sub>n</sub>	25	22.5	MHz
		No Feedback	1/(t <sub>WH</sub> + t <sub>WL</sub> )	Product Term XOR	22.2	20	
t <sub>EA</sub>	Input to Output Enable Using Product Term Control			25		30	ns
t <sub>ER</sub>	Input to Output Disable Using Product Term Control			25		30	ns

### Notes:

- See Switching Test Circuit for test conditions.
- These parameters are not 100% tested, but are calculated at initial characterization and at any time the design is modified where the frequency may be affected.

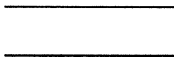



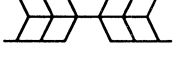
## SWITCHING WAVEFORMS



### Notes:

1.  $V_T = 1.5\text{ V}$
2. Input pulse amplitude 0 V to 3.0 V.
3. Input rise and fall times 2–5 ns typical.

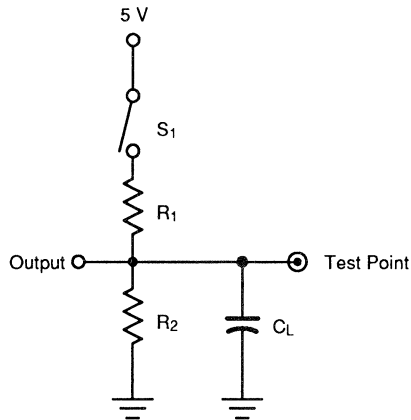
## KEY TO SWITCHING WAVEFORMS

WAVEFORM	INPUTS	OUTPUTS
	Must be Steady	Will be Steady
	May Change from H to L	Will be Changing from H to L
	May Change from L to H	Will be Changing from L to H
	Don't Care; Any Change Permitted	Changing, State Unknown
	Does Not Apply	Center Line is High-Impedance "Off" State

KS000010-PAL

2

## SWITCHING TEST CIRCUIT



12350-019A

Specification	S <sub>1</sub>	C <sub>L</sub>	R <sub>1</sub>	R <sub>2</sub>	Measured Output Value
t <sub>PD</sub> , t <sub>CO</sub>	Closed	50 pF	300 Ω	390 Ω	1.5 V
t <sub>EA</sub>	Z → H: Open Z → L: Closed				1.5 V
t <sub>ER</sub>	H → Z: Open L → Z: Closed	5 pF			H → Z: V <sub>OH</sub> - 0.5 V L → Z: V <sub>OL</sub> + 0.5 V

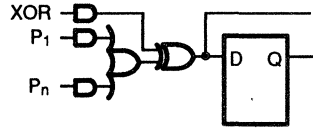
## USE OF XOR PRODUCT TERM

The speed of the PAL32VX10/A is specified according to the use of the Exclusive-OR (XOR) product term in the macrocell. Note that the macrocell data input is a function of the two-input XOR gate, whose inputs are the OR of the product terms  $P_1$ – $P_n$  and the single additional XOR product term (Figure 5).

The specification for the path through the single XOR product term is 5 ns slower than through the  $P_1$ – $P_n$  product terms and the OR gate. As a result, if the single XOR product term is changing, the macrocell data input will not be available until 5 ns later than if only the  $P_1$ – $P_n$  product terms were changing.

This difference between paths affects  $t_{PD}$ ,  $t_s$  and  $f_{MAX}$  (feedback). As a result, these three parameters are

specified both for only the  $P_1$ – $P_n$  product terms changing ("Product terms  $P_1$ – $P_n$ ") and with the single XOR product term changing ("Product term XOR") (See table).



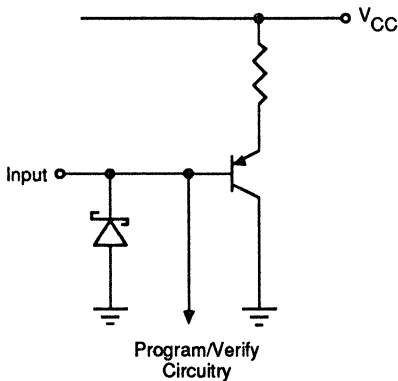
10290-012A

Figure 5. XOR Product Term

Specification		Explanation
$t_{PD}$ , $t_s$ , $f_{MAX}$ (feedback)	Product Terms $P_1$ – $P_n$	If only the $P_1$ – $P_n$ product terms are changing (XOR term is not changing)
	Product Term XOR	If XOR term is changing

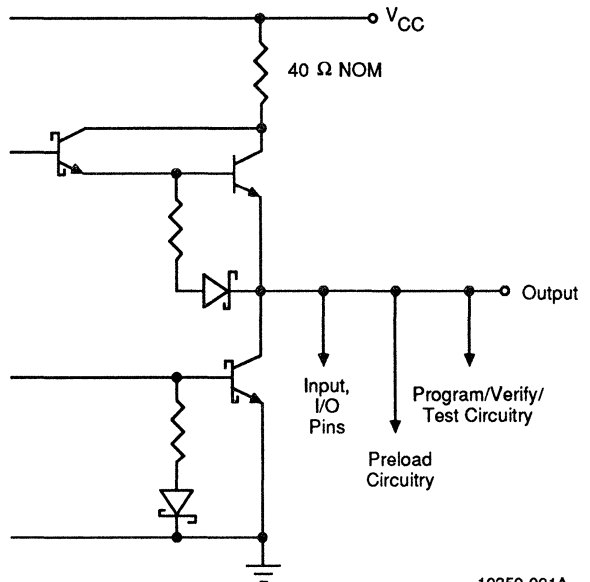
## INPUT/OUTPUT EQUIVALENT SCHEMATICS

Typical Input



12350-020A

Typical Output



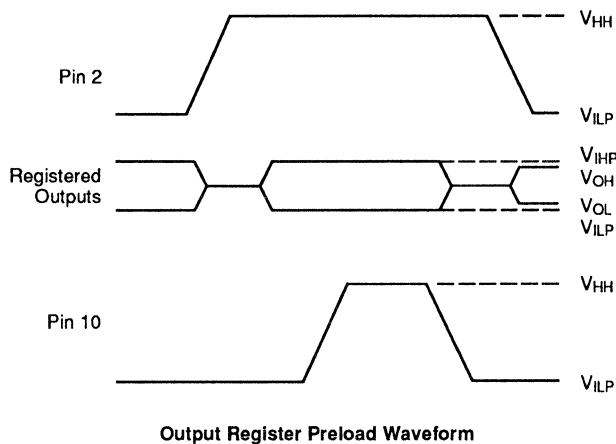
12350-021A

## OUTPUT REGISTER PRELOAD

The Preload function allows the register to be loaded from the output pins. This feature aids functional testing of sequential designs by allowing direct setting of output states. The procedure is as follows:

1. Raise  $V_{CC}$  to 4.5 V.
2. Disable output registers by setting pin 2 to  $V_{HH}$  (12 V).
3. Apply the desired value ( $V_{ILP}/V_{IHP}$ ) to all registered output pins. Leave combinatorial outputs floating.
4. Pulse pin 10 to  $V_{HH}$ , then back to 0 V.
5. Remove  $V_{ILP}/V_{IHP}$  from all registered output pins.
6. Remove high voltage from pin 2.
7. Enable output registers per programmed pattern.
8. Verify  $V_{OL}/V_{OH}$  at all registered output pins.

Parameter Symbol	Parameter Description	Min.	Rec.	Max.	Unit
$V_{HH}$	Super-level input voltage	11	11.5	12	V
$V_{ILP}$	Low-level input voltage	0	0	0.5	V
$V_{IHP}$	High-level input voltage	2.4	5.0	5.5	V



10290-011A

2



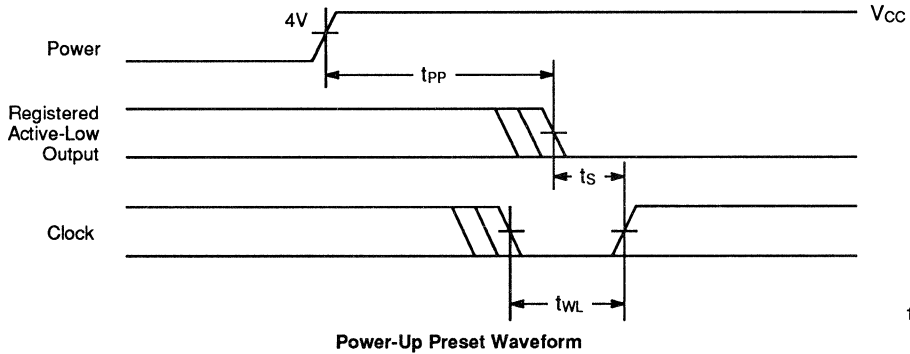
## POWER-UP PRESET

The power-up preset feature ensures that all flip-flops will be preset to HIGH after the device has been powered up. The output state will depend on the programmed configuration. This feature is valuable in simplifying state machine initialization. A timing diagram and parameter table are shown below. Due to the synchronous operation of the power-up preset and the wide range of ways  $V_{CC}$  can rise to its steady state, two condi-

tions are required to insure a valid power-up preset. These conditions are:

1. The  $V_{CC}$  rise must be monotonic.
2. Following preset, the clock input must not be driven from LOW to HIGH until all applicable input and feedback setup times are met.

Parameter Symbol	Parameter Descriptions	Max.	Unit
$t_{PP}$	Power-Up Preset Time	1000	ns
$t_s$	Input or Feedback Setup Time	See Switching Characteristics	
$t_{WL}$	Clock Width LOW		





# PALCE610H-15/25

## EE CMOS High Performance Programmable Array Logic

### DISTINCTIVE CHARACTERISTICS

- **AMD's Programmable Array Logic (PAL®) architecture**
- **Electrically-erasable CMOS technology providing half power (90 mA I<sub>CC</sub>) at high speed**  
-15 = 15 ns t<sub>PD</sub>  
-25 = 25 ns t<sub>PD</sub>
- **Sixteen macrocells with configurable I/O architecture**
- **Registered or combinatorial operation**
- **Registers programmable as D, T, J-K, or S-R**
- **Asynchronous clocking via product term or bank register clocking from external pins**
- **Register preload for testability**
- **Power-up reset for initialization**
- **Space-saving 24-pin SKINNYDIP® and 28-pin PLCC packages**
- **Fully tested for 100% programming yield and high reliability**
- **Easy design with PALASM® software**

### GENERAL DESCRIPTION

The PALCE610 is a general purpose PAL device and is functionally and fuse map equivalent to the EP610. It can accommodate logic functions with up to 20 inputs and 16 outputs. There are 16 I/O macrocells that can be individually configured to the user's specifications. The macrocells can be configured as either registered or combinatorial. The registers can be configured as D, T, J-K, or S-R flip-flops.

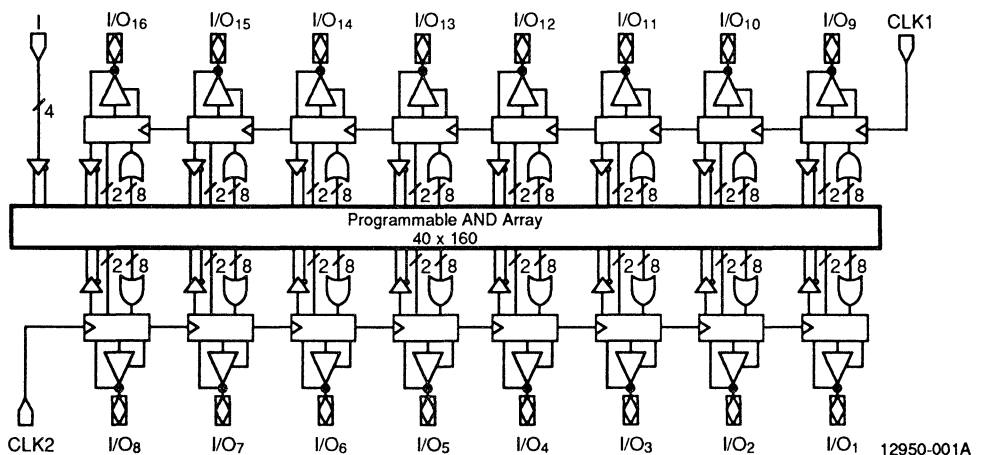
The PALCE610 uses the familiar sum-of-products logic with programmable-AND and fixed-OR structure. Eight product terms are brought to each macrocell to provide logic implementations.

The PALCE610 is manufactured using advanced CMOS EE technology providing high density and low power consumption. Moreover, it is a high-speed device having a worst-case t<sub>PD</sub> of 15 ns. Space-saving 24-pin SKINNYDIP and 28-pin PLCC packages are offered.

This device can be erased and reprogrammed at least 100 times. Data retention is guaranteed for 20 years. Once a device is programmed the security bit can be used to provide protection from copying a proprietary design.

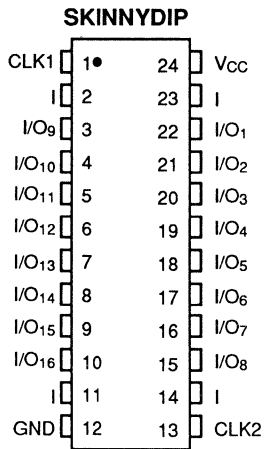
**2**

### BLOCK DIAGRAM

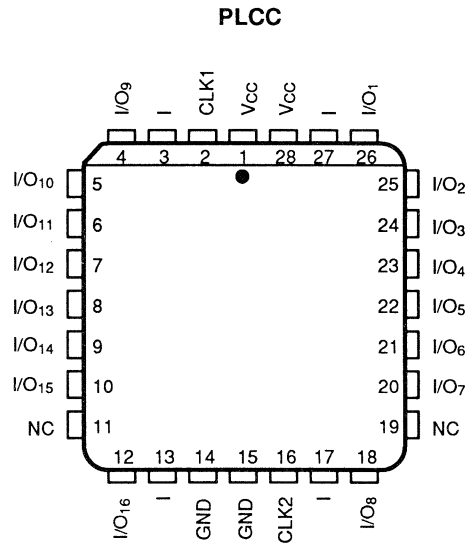


## CONNECTION DIAGRAMS

### Top View



12950-002A



12950-003A

**Note:**

Pin 1 is marked for orientation

### PIN DESIGNATIONS

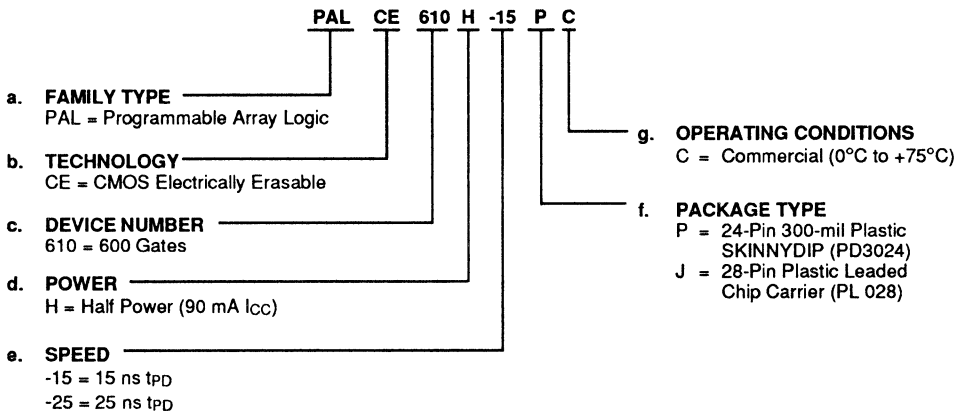
CLK	Clock
GND	Ground
I	Input
I/O	Input/Output
NC	No Connect
V <sub>CC</sub>	Supply Voltage

## ORDERING INFORMATION

### Commercial Products

AMD programmable logic products for commercial applications are available with several ordering options. The order number (Valid Combination) is formed by a combination of:

- a. Family Type
- b. Technology
- c. Device Number
- d. Power
- e. Speed
- f. Package Type
- g. Operating Conditions



Valid Combinations	
PALCE610H-15	PC, JC
PALCE610H-25	

#### Valid Combinations

The Valid Combinations table lists configurations planned to be supported in volume for this device. Consult the local AMD sales office to confirm availability of specific valid combinations, to check on newly released combinations, and to obtain additional data on AMD's standard military grade products.

Note: Marked with AMD logo.

2

## FUNCTIONAL DESCRIPTION

The PALCE610 is a general purpose programmable logic device. It has 16 independently-configurable macrocells. Each macrocell can be configured as either combinatorial or registered. The registers can be D, T, J-K, or S-R type flip-flops. The device has 4 dedicated input pins and 2 clock pins. Each clock pin controls 8 of the 16 macrocells.

The programming matrix implements a programmable AND logic array which drives a fixed OR logic array. Buffers for device inputs have complementary outputs to provide user-programmable input polarity. Unused input pins should be tied to  $V_{CC}$  or ground.

The array uses AMD's electrically erasable technology. An unprogrammed bit is disconnected and a programmed bit is connected. Product terms with all bits unprogrammed assume the logical-HIGH state and product terms with both the TRUE and Complement bits programmed assume the logical-LOW state.

The programmable functions in the PALCE610 are automatically configured from the user's design specifications, which can be in a number of formats. The design specification is processed by development software to verify the design and create a programming file. This file, once downloaded to the programmer, configures the device according to the user's desired function.

### Macrocell Configurations

The PALCE610 macrocell can be configured as either combinatorial or registered I/O. Both the combinatorial and registered configurations have output polarity control. The register can be configured as a D, T, J-K, or S-R type flip-flop. Figure 1 shows the possible configurations.

Each macrocell can select as its clock either the corresponding clock pin or the CLK/OE product term. If the clock pin is selected, the output enable is controlled by the CLK/OE product term. If the CLK/OE product term is selected, the output is always enabled.

### Combinatorial I/O

All 8 product terms are available to the OR gate. The output-enable function is performed by the CLK/OE product term.

### Registered Configurations

There are 4 flip-flop types available: D, T, J-K and S-R.

The registers can be configured as synchronous or asynchronous. In the synchronous configuration, the clock is controlled by the clock input pin. The output enable is controlled by the product term function. In the asynchronous configuration, the clock input is controlled by the product term. The output is always enabled.

### D Flip-Flop

All 8 product terms are available to the OR gate. The D input polarity is controlled by an exclusive-OR gate. For the D flip-flop, the output level is the D-input level at the rising edge of the clock.

D	$Q^n$	$Q^{n+1}$
0	0	0
0	1	0
1	0	1
1	1	1

### T Flip-Flop

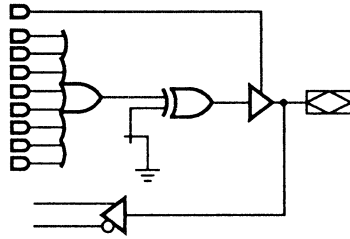
All 8 inputs are available to the OR gate. The T-input polarity is controlled by an exclusive-OR gate. For the T register, the output level toggles when the T input is HIGH and remains the same when the T input is LOW.

T	$Q^n$	$Q^{n+1}$
0	0	0
0	1	1
1	0	1
1	1	0

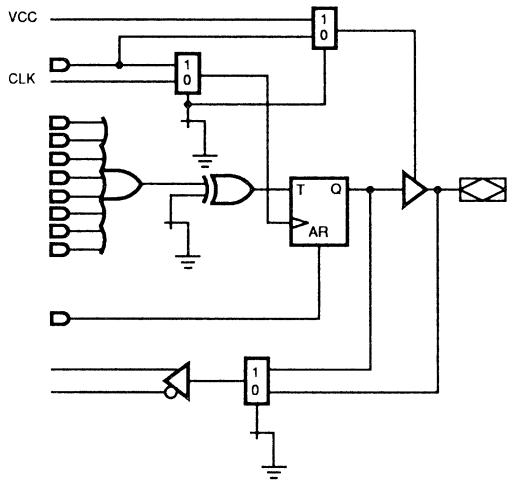
### J-K Flip-Flop

The 8 product terms are divided between the J and K inputs. N product terms go to the J input and 8-N product terms go to the K input, where N can range from 0 to 8. Both the J and K inputs to the flip-flop have polarity control via exclusive-OR gates. The J-K flip-flop rules are shown below.

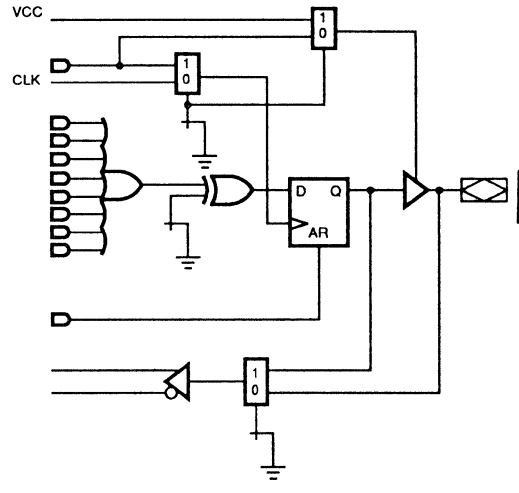
J	K	$Q^n$	$Q^{n+1}$
0	0	0	0
0	0	1	1
0	1	0	0
0	1	1	0
1	0	0	1
1	0	1	1
1	1	0	1
1	1	1	0



Combinatorial

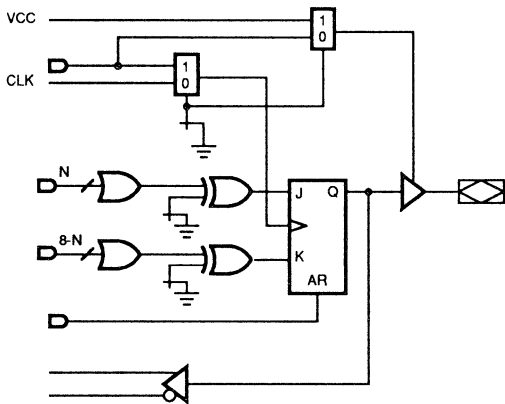


T Register

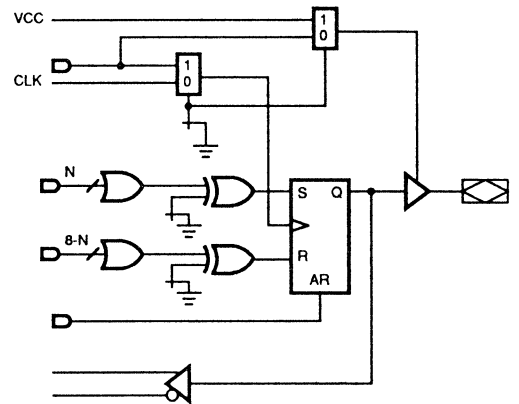


D Register

**2**



J-K Register



S-R Register

12950-004A

Figure 1. Macrocell Configurations

---

## S-R Flip-Flop

The 8 product terms are divided between the S and R inputs. N product terms go to the S input and 8-N product terms go to the R input, where N can range from 0 to 8. Both the S and R inputs to the flip-flop have polarity control via exclusive-OR gates. The S-R flip-flop rules are shown below.

S	R	Q <sup>n</sup>	Q <sup>n+1</sup>
0	0	0	0
0	0	1	1
0	1	0	0
0	1	1	0
1	0	0	1
1	0	1	1
1	1	Not Allowed	

### Asynchronous Reset

All flip-flops have an asynchronous-reset product-term input. When the product term is true, the flip-flop will reset to a logic LOW, regardless of the clock and data inputs.

### Power-Up Reset

All flip-flops power up to a logic LOW for predictable system initialization. Outputs of the PALCE610 depend on whether they are selected as registered or combinatorial. If registered is selected, the output will be LOW. If combinatorial is selected, the output will be a function of the logic. The V<sub>CC</sub> rise must be monotonic and the reset delay time is 1000 ns maximum.

### Register Preload

The register on the PALCE610 can be preloaded from the output pins to facilitate functional testing of complex

state machine designs. This feature allows direct loading of arbitrary states, making it unnecessary to cycle through long test vector sequences to reach a desired state. In addition, transitions from illegal states can be verified by loading illegal states and observing proper recovery.

### Security Bit

After programming and verification, a PALCE610 design can be secured by programming the security bit. Once programmed, this bit defeats readback of the internal programmed pattern by a device programmer, securing proprietary designs from competitors. When the security bit is programmed, preload is disabled and the array is unreadable.

### Technology

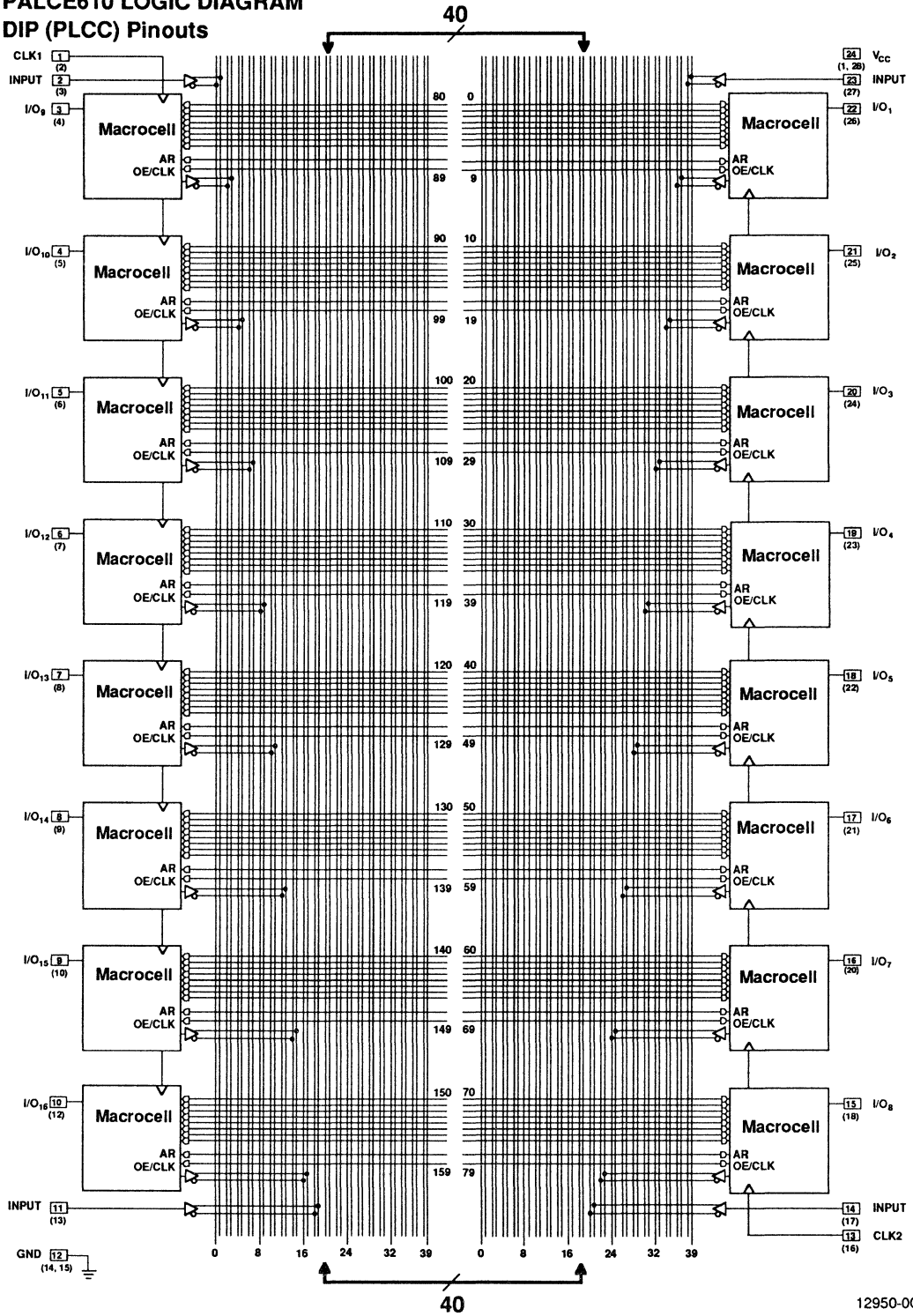
The PALCE610 is manufactured using AMD's advanced Electrically Erasable CMOS process. This technology uses an E<sup>2</sup> cell to replace the fuse link in bipolar parts, and allows AMD to offer lower-power parts of high complexity. In addition, since the E<sup>2</sup> cells can be erased and reprogrammed, these devices can be 100% factory tested before being shipped to the customer.

### Programming and Erasing

The PALCE610 can be programmed on standard logic programmers. Approved programmers are listed in the Programmer Reference Guide.

The PALCE610 may be erased to reset a previously configured device back to its virgin state. Bulk erase is automatically performed by the programming hardware. No special erase operation is required.

# PALCE610 LOGIC DIAGRAM DIP (PLCC) Pinouts



**2**

12950-005A



**ABSOLUTE MAXIMUM RATINGS**

Storage Temperature	-65°C to +150°C
Ambient Temperature with Power Applied	-55°C to +125°C
Supply Voltage with Respect to Ground	-0.5 V to +7.0 V
DC Input Voltage	-0.5 V to $V_{CC} + 0.5$ V
DC Output or I/O Pin Voltage	-0.5 V to $V_{CC} + 0.5$ V
Static Discharge Voltage	2001 V
Latchup Current ( $T_A = 0^\circ\text{C}$ to $+75^\circ\text{C}$ )	100 mA

Stresses above those listed under Absolute Maximum Ratings may cause permanent device failure. Functionality at or above these limits is not implied. Exposure to Absolute Maximum Ratings for extended periods may affect device reliability. Programming conditions may differ.

**OPERATING RANGES****Commercial (C) Devices**

Ambient Temperature ( $T_A$ )	0°C to +75°C
Operating in Free Air	
Supply Voltage ( $V_{CC}$ ) with Respect to Ground	+4.75 V to +5.25 V

Operating ranges define those limits between which the functionality of the device is guaranteed.

**DC CHARACTERISTICS over COMMERCIAL operating ranges unless otherwise specified**

Parameter Symbol	Parameter Description	Test Conditions	Min.	Max.	Unit
$V_{OH}$	Output HIGH Voltage	$V_{IN} = V_{IH}$ or $V_{IL}$ $V_{CC} = \text{Min.}$		2.4	V
			$I_{OH} = -4.0$ mA		
			3.84		V
$V_{OL}$	Output LOW Voltage	$I_{OL} = 8.0$ mA $V_{IN} = V_{IH}$ or $V_{IL}$ $V_{CC} = \text{Min.}$		0.5	V
$V_{IH}$	Input HIGH Voltage	Guaranteed Input Logical HIGH Voltage for all Inputs (Note 1)	2.0		V
$V_{IL}$	Input LOW Voltage	Guaranteed Input Logical LOW Voltage for all Inputs (Note 1)		0.8	V
$I_{IH}$	Input HIGH Leakage Current	$V_{IN} = 5.25$ V, $V_{CC} = \text{Max.}$ (Note 2)		10	$\mu\text{A}$
$I_{IL}$	Input LOW Leakage Current	$V_{IN} = 0$ V, $V_{CC} = \text{Max.}$ (Note 2)		-10	$\mu\text{A}$
$I_{ozH}$	Off-State Output Leakage Current HIGH	$V_{OUT} = 5.25$ V, $V_{CC} = \text{Max.}$ $V_{IN} = V_{IH}$ or $V_{IL}$ (Note 2)		10	$\mu\text{A}$
$I_{ozL}$	Off-State Output Leakage Current LOW	$V_{OUT} = 0$ V, $V_{CC} = \text{Max.}$ $V_{IN} = V_{IH}$ or $V_{IL}$ (Note 2)		-10	$\mu\text{A}$
$I_{sc}$	Output Short-Circuit Current	$V_{OUT} = 0.5$ V, $V_{CC} = \text{Max.}$ (Note 3)	-30	-150	mA
$I_{CC}$	Supply Current	$V_{IN} = 0$ V, Outputs Open ( $I_{OUT} = 0$ mA) $V_{CC} = \text{Max.}$		90	mA

**Notes:**

- These are absolute values with respect to device ground and all overshoots due to system and tester noise are included.
- I/O pin leakage is the worst case of  $I_{IL}$  and  $I_{ozL}$  (or  $I_{IH}$  and  $I_{ozH}$ ).
- Not more than one output should be tested at a time. Duration of the short-circuit should not exceed one second.  $V_{OUT} = 0.5$  V has been chosen to avoid test problems caused by tester ground degradation.

## CAPACITANCE (Note 1)

Parameter Symbol	Parameter Description	Test Conditions		Typ.	Unit
C <sub>IN</sub>	Input Capacitance	V <sub>IN</sub> = 2.0 V	V <sub>CC</sub> = 5.0 V	8	pF
C <sub>OUT</sub>	Output Capacitance	V <sub>OUT</sub> = 2.0 V	T <sub>A</sub> = +25°C f = 1 MHz	8	

### Note:

1. These parameters are not 100% tested, but are evaluated at initial characterization and at any time the design is modified where capacitance may be affected.

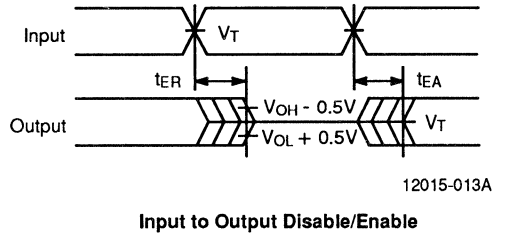
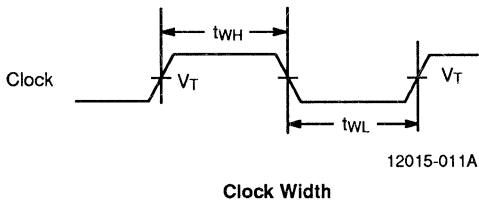
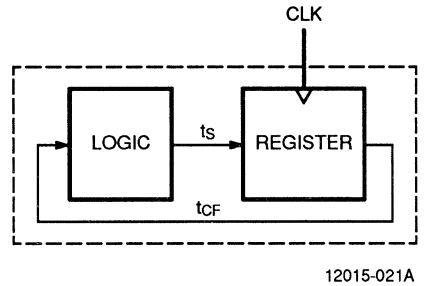
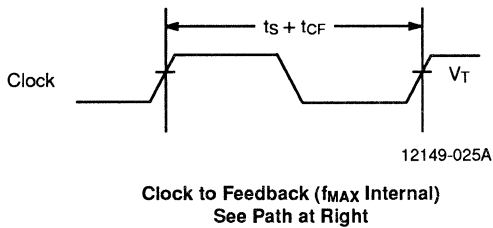
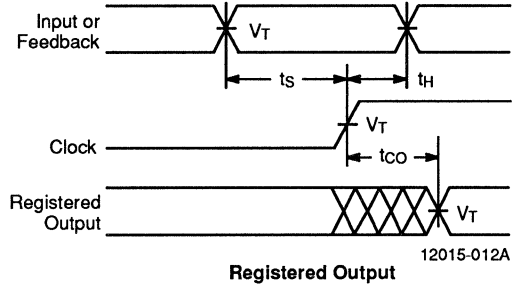
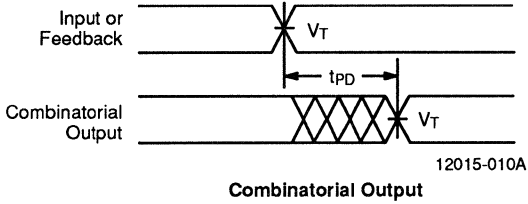
## SWITCHING CHARACTERISTICS over COMMERCIAL operating ranges (Note 2)

Parameter Symbol	Parameter Description		-15		-25		Unit
			Min.	Max.	Min.	Max.	
t <sub>PD</sub>	Input or Feedback to Combinatorial Output			15		25	ns
t <sub>S</sub>	Setup Time from Input or Feedback to Clock		12		15		ns
t <sub>H</sub>	Hold Time		0		0		ns
t <sub>CO</sub>	Clock to Output			10		12	ns
t <sub>CF</sub>	Clock to Feedback (Note 3)			8		10	ns
t <sub>WL</sub>	Clock Width	LOW	8		10		ns
t <sub>WH</sub>		HIGH	8		10		ns
f <sub>MAX</sub>	Maximum Frequency (Note 4)	External Feedback	1/(t <sub>S</sub> + t <sub>CO</sub> )	45.5		37	MHz
		Internal Feedback	1/(t <sub>S</sub> + t <sub>CF</sub> )	50		40	MHz
		No Feedback	1/(t <sub>WH</sub> + t <sub>WL</sub> )	62.5		50	MHz
t <sub>EA</sub>	Input to Output Enable Using Product Term Control			15		25	ns
t <sub>ER</sub>	Input to Output Disable Using Product Term Control			15		25	ns
t <sub>SA</sub>	Setup Time from Input or Feedback to Clock (Note 5)		5		8		ns
t <sub>HA</sub>	Hold Time (Note 5)		9		12		ns
t <sub>COA</sub>	Clock to Output (Note 5)			17		27	ns
t <sub>CFA</sub>	Clock to Feedback (Notes 3 and 5)			16		26	ns
t <sub>WLA</sub>	Clock Width	LOW (Note 5)	8		10		ns
t <sub>WHA</sub>		HIGH (Note 5)	8		10		ns
f <sub>MAXA</sub>	Maximum Frequency (Notes 4 and 5)	External Feedback	1/(t <sub>SA</sub> + t <sub>COA</sub> )	45		28.6	MHz
		Internal Feedback	1/(t <sub>SA</sub> + t <sub>CFA</sub> )	48		29	MHz
		No Feedback	1/(t <sub>WLA</sub> + t <sub>WHA</sub> )	62.5		41.6	MHz

### Notes:

2. See Switching Test Circuit for test conditions.
3. Calculated from measured f<sub>MAX</sub> internal.
4. These parameters are not 100% tested, but are calculated at initial characterization and at any time the design is modified where frequency may be affected.
5. These parameters are measured using the asynchronous product-term clock.

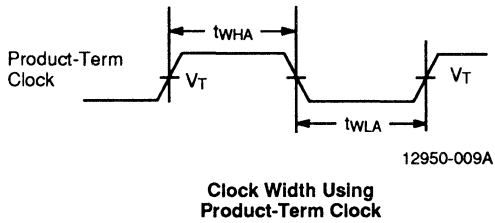
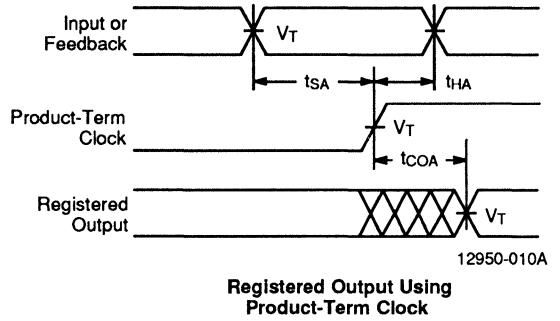
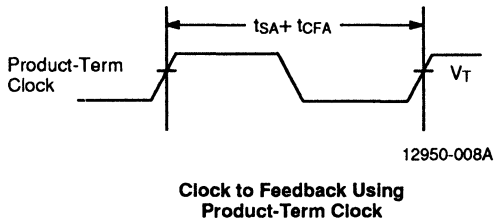
## SWITCHING WAVEFORMS



### Notes:

1.  $V_T = 1.5\text{ V}$
2. Input pulse amplitude 0 V to 3.0 V
3. Input rise and fall times 2–5 ns typical.

## SWITCHING WAVEFORMS (Continued)

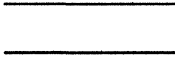

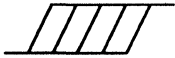
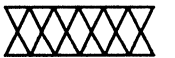



2

### Notes:

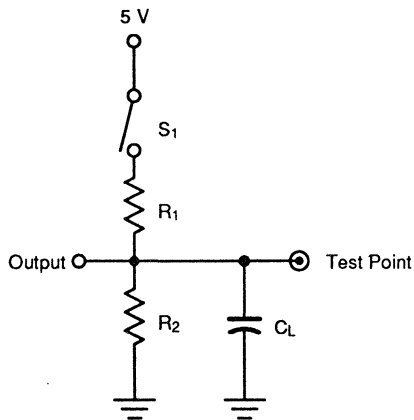
1.  $V_T = 1.5\text{ V}$
2. Input pulse amplitude 0 V to 3.0 V
3. Input rise and fall times 2–5 ns typical.

## KEY TO SWITCHING WAVEFORMS

WAVEFORM	INPUTS	OUTPUTS
	Must be Steady	Will be Steady
	May Change from H to L	Will be Changing from H to L
	May Change from L to H	Will be Changing from L to H
	Don't Care; Any Change Permitted	Changing, State Unknown
	Does Not Apply	Center Line is High-Impedance "Off" State

KS000010-PAL

## SWITCHING TEST CIRCUIT



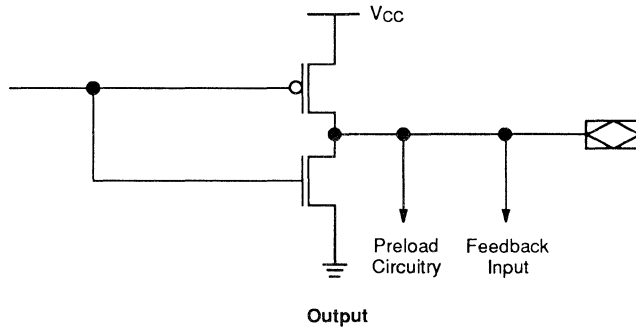
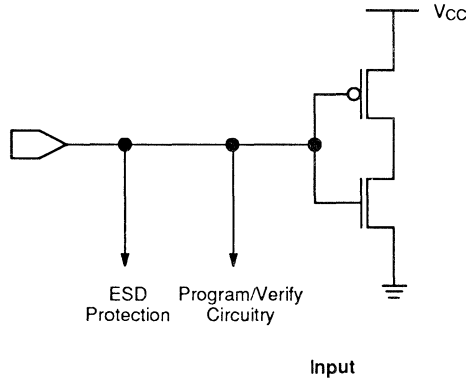
12950-012A

Specification	S <sub>1</sub>	C <sub>L</sub>	R <sub>1</sub>	R <sub>2</sub>	Measured Output Value
t <sub>PD</sub> , t <sub>CO</sub> , t <sub>CF</sub>	Closed	35 pF	855 Ω	340 Ω	1.5 V
t <sub>EA</sub>	Z → H : Open Z → L : Closed	35 pF	855 Ω	340 Ω	1.5 V
t <sub>ER</sub>	H → Z : Open L → Z : Closed	5 pF	855 Ω	340 Ω	H → Z: V <sub>OH</sub> - 0.5 V L → Z: V <sub>OL</sub> + 0.5 V

## ENDURANCE

Symbol	Parameter Description	Test Conditions	Min.	Unit
$t_{DR}$	Pattern Data Retention Time	Max. Storage Temperature	10	Years
		Max. Operating Temperature	20	Years
N	Reprogramming Cycles	Normal Programming Conditions	100	Cycles

## INPUT/OUTPUT EQUIVALENT SCHEMATICS



12950-011A

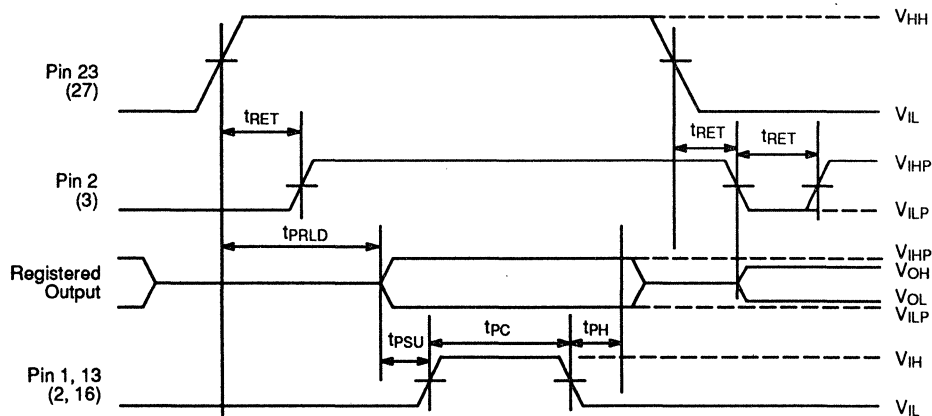
2

## OUTPUT REGISTER PRELOAD

The preload function allows the registers to be loaded from the output pins. This feature aids functional testing of sequential designs by allowing direct setting of output states. The procedure for preloading follows. PLCC pin numbers are indicated in parentheses.

1. Set pin 23 (27) to  $V_{HH}$ .
2. Set pin 2 (3) to  $V_{IHP}$ .
3. Apply the desired value ( $V_{ILP}/V_{IHP}$ ) to all registered output pins. Connect combinatorial output pins to ground.
4. Clock pins 1 and 13 (2 and 16).
5. Remove  $V_{ILP}/V_{IHP}$  from all registered outputs.
6. Lower pin 23 (27) to  $V_{IL}/V_{IH}$ .
7. Verify  $V_{OL}/V_{OH}$  at all registered output pins.
8. Toggle pin 2 (3).
9. Enable per programmed pattern.

Parameter Symbol	Parameter Description	Min.	Rec.	Max.	Unit
$V_{HH}$	Super-Level Input Voltage	8.5	9.0	9.5	V
$V_{ILP}$	Low-Level Input Voltage	0	0	0.5	V
$V_{IHP}$	High-Level Input Voltage	2.4	5.0	5.25	V
$V_{CCH}$	Power Supply During Preload	4.75	5.0	5.25	V
$t_{RET}$	Pin 2 (3) Delay Time	200			ns
$t_{PRLD}$	Preload Input Data Delay	300			ns
$t_{PSU}$	Preload Data Setup Time	100			ns
$t_{PC}$	Preload Clock Width	1000	1000		ns
$t_{PH}$	Preload Data Hold Time	100			ns



12950-006B

Output Register Preload Waveform

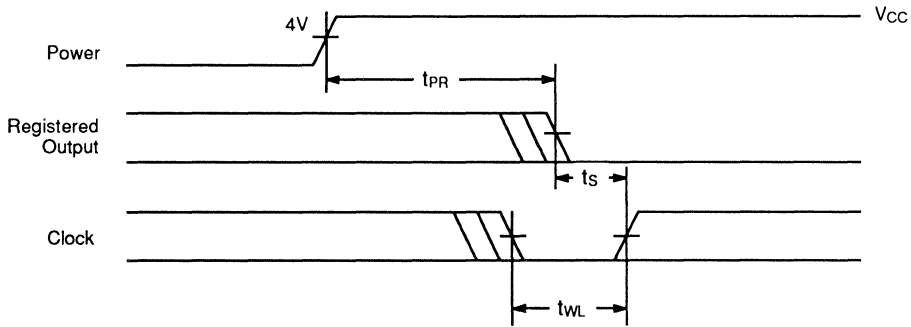
## Power-Up Reset

The power-up reset feature ensures that all flip-flops will be reset to LOW after the device has been powered up. This feature is valuable in simplifying state machine initialization. A timing diagram and parameter table are shown below. Due to the synchronous operation of the power-up reset and wide range of ways  $V_{CC}$  can rise to

its steady state, two conditions are required to insure a valid power-up reset. These conditions are:

1. The  $V_{CC}$  rise must be monotonic.
2. Following reset, the clock input must not be driven from LOW to HIGH until all applicable input and feedback setup times are met.

Parameter Symbol	Parameter Description	Max.	Unit
$t_{PR}$	Power-up Reset Time	1000	ns
$t_S$	Input or Feedback Setup Time	See Switching Characteristics	
$t_{WL}$	Clock Width LOW		

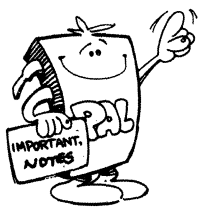


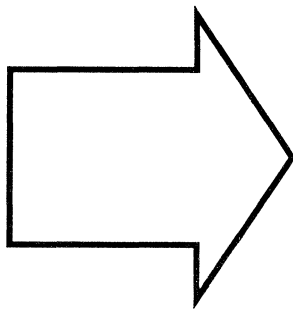
12950-007A

Power-Up Reset Waveform

2







Introduction	<b>1</b>
PAL Device Data Sheets	<b>2</b>
Sequencer Data Sheets	<b>3</b>
ECL/PGA Data Sheets	<b>4</b>
General Information	<b>5</b>
Design and Programming	<b>6</b>
Quality and Reliability	<b>7</b>
Appendices	<b>8</b>

# Sequencer Data Sheets



---

## Programmable Logic Sequencers

<b>105</b>	PLS105-40 .....	3-3
	PLSCE105H-37 .....	3-3
<b>167</b>	PLS167-33 .....	3-21
	PLSCE167H-33 .....	3-21
<b>168</b>	PLS168-33 .....	3-21
	PLSCE168H-33 .....	3-21
<b>30S16</b>	PLS30S16-40 .....	3-40

## Field-Programmable Controllers

<b>151</b>	Am29CPL151H-25/33 .....	3-63
<b>154</b>	Am29CPL154H-25/30 .....	3-98

## Programmable Event Generator

<b>2971</b>	Am2971A (condensed) .....	3-133
-------------	---------------------------	-------



# PLS105-40, PLSCE105H-37

## 28-Pin TTL/CMOS Programmable Logic Sequencer

Advanced  
Micro  
Devices

### DISTINCTIVE CHARACTERISTICS

- Field-programmable replacement for sequential control logic
- Advanced Mealy state machine/sequencer architecture
- Programmable AND/programmable OR array for flexibility
- Full drive: 24 mA  $I_{OL}$ , three-state outputs
- Dedicated hardware features to enhance testability
  - Diagnostic Mode access to buried state register
  - Register Preload and Power-up Preset of all flip-flops
- User-programmable pin for asynchronous flip-flop Preset/Output Enable
- Automatic "Hold" state via S-R flip-flops
- Security bit hides proprietary designs from competitors
- Supported by PALASM<sup>®</sup> software and standard PLD programmers
- Available in 28-pin plastic SKINNYDIP<sup>®</sup> and PLCC packages
- Fabricated with high-performance bipolar and electrically erasable CMOS technology

### GENERAL DESCRIPTION

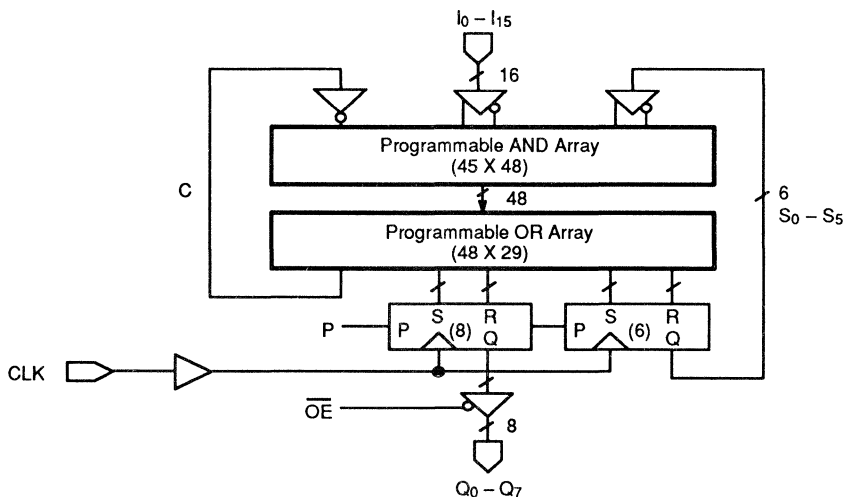
The PLS105 is a field-programmable replacement for sequential logic. The device functions as a Mealy state machine with a registered output. The PLS105 utilizes the familiar AND/OR PLA logic structure to implement sum-of-product equations. Both arrays are user-programmable to implement transition terms causing changes in the internal state register or output register. The PLS105-40 device is fabricated in Advanced Micro Devices' advanced oxide-isolated bipolar process. The

PLSCE105H-37 device is fabricated in a high-speed, EE CMOS process; it offers significant power improvement ( $I_{CC}$  of 100 mA) over competing parts.

The PLS105 device is fully supported by industry-standard CAD tools, including the PALASM design software package. Device programming is accomplished by using standard PLD programmers.

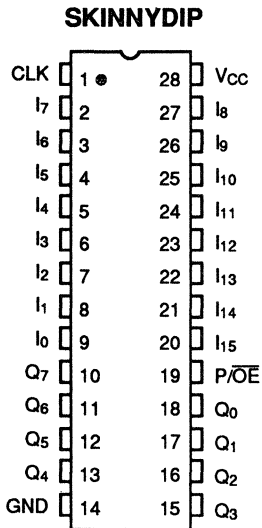
**3**

### BLOCK DIAGRAM



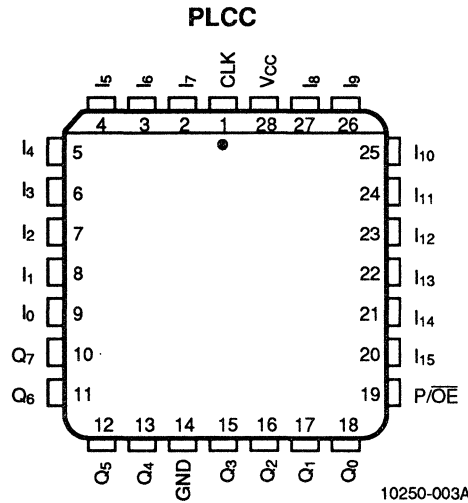
10250-001A

## CONNECTION DIAGRAMS



10250-002A

Note: Pin 1 is marked for orientation



10250-003A

## PIN DESIGNATIONS

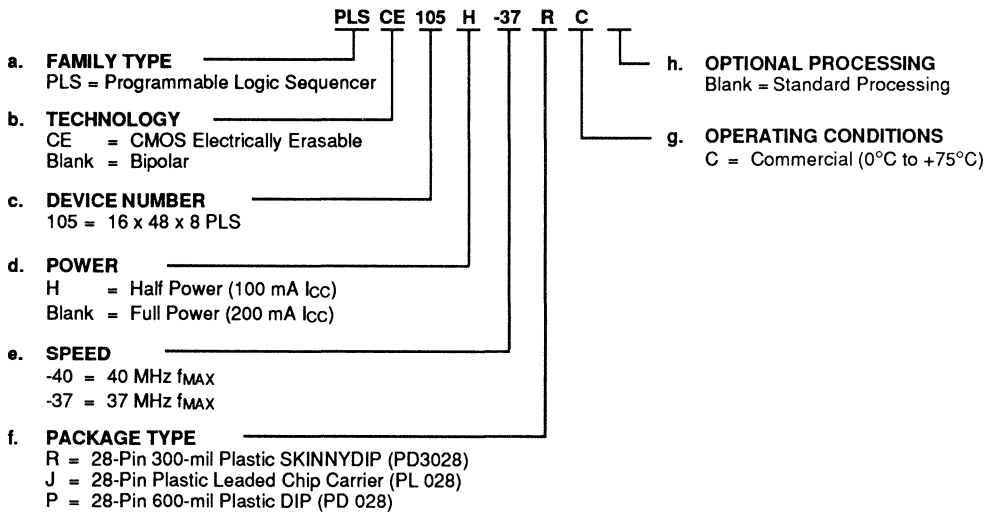
CLK	Output/state register clock
GND	Ground
I <sub>0</sub> -I <sub>15</sub>	Inputs to AND array
P/ $\overline{OE}$	Programmable asynchronous function pin; default is active-high Preset (all registers go HIGH), programmed is active-low Output Enable
Q <sub>0</sub> -Q <sub>7</sub>	Output register outputs
V <sub>cc</sub>	Supply Voltage

## ORDERING INFORMATION

### Commercial Products

AMD programmable logic products for commercial applications are available with several ordering options. The order number (Valid Combination) is formed by a combination of:

- a. Family Type
- b. Technology
- c. Device Number
- d. Power
- e. Speed
- f. Package Type
- g. Operating Conditions
- h. Optional Processing



**3**

Valid Combinations	
PLSCE105H-37	RC, JC, PC
PLS105-40	

#### Valid Combinations

The Valid Combinations table lists configurations planned to be supported in volume for this device. Consult the local AMD sales office to confirm availability of specific valid combinations, to check on newly released combinations, and to obtain additional data on AMD's standard military grade products.

Note: Marked with AMD logo.

## FUNCTIONAL DESCRIPTION

### State Machine Implementation

State machines contain conditional input logic, state memory and output generation logic. The PLS105 device is built around a programmable AND/OR logic array which serves as both conditional input and output generation logic. Forty-eight product or transition terms are found in the AND array. The AND array is driven from several sources: there are sixteen external inputs, six internal feedback signals from the buried state registers, and the complement term.

The OR array drives the output registers, buried state registers, and the complement array term. The PLS105 device offers eight output registers and six buried state registers.

### Architectural Details

Part Number	Pins	Inputs	Flip-Flops	Outputs
PLS105	28	16	14	8

### State and Output Registers

The state and output registers are both implemented with edge-triggered S-R type flip-flops. If neither input is active, the flip-flop will retain its contents when clocked. This free "hold" state saves product terms. The registers may change only on the LOW-to-HIGH transition of the clock pulse. There are eight output registers and six buried state registers on the device.

### Logic Implementation

All transition terms can include True, False, or Don't Care states of the controlling variables. The OR array merges one or more product terms to generate the desired user logic functions for the output and next-state registers. This sharing of OR-terms minimizes the overall logic required to implement complicated control functions.

### Complement Array Term

An internal variable (C) known as the complement array term directly implements the "else" logic clause at any state. This often reduces the number of product terms required for a conditional "else" transition. The complement array can also be used for illegal state recovery and designing modulo counters.

### Initialization

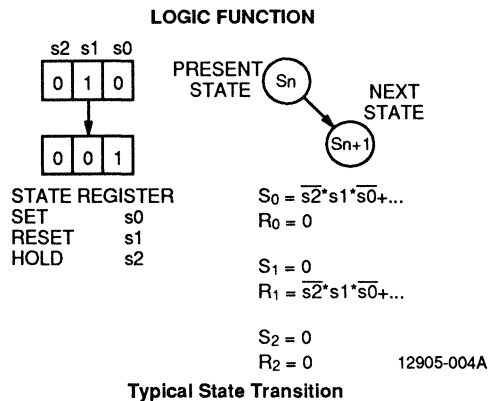
Starting the state machine in a known state is facilitated by power-up preset circuitry which unconditionally loads a "1" into each flip-flop during power-up or by using the asynchronous Preset function. Synchronous transitions to the initial state can be made by having an input be an OR term on all the state register S inputs, and ANDing its complement with all of the R logic terms. Whenever this input is active the machine will synchronously change to the state with all outputs high.

### Output Enable

The Preset input can be converted to a three-state Output Enable function by an architecture bit. Expansion to larger control functions can be accommodated by connecting several PLS devices to a control bus and selectively enabling them to each handle a segment of the control algorithm. This user-programmable option is specified as an auxiliary equation in the design file or optionally by use of a keyword.

### Typical Operation

The details of device operation may be illustrated by the simple state transition indicated. The state register initially contains 010 and will become 001 after the next clock. For this to occur, state bit 0 must be set, state bit 1 must be reset and state bit 2 must hold its value. The transition term fragments listed produce this result. The  $S_0$  and  $R_1$  product terms detect the bit pattern for the current state (010) and produce a logic one. All other terms evaluate to a zero, producing the transition to state 001.



### Security Bit

A security bit is provided on the PLS105 as a deterrent to unauthorized copying of the array configuration patterns. Once programmed, this bit defeats readback of the programmed pattern by a device programmer, securing proprietary designs from competitors.

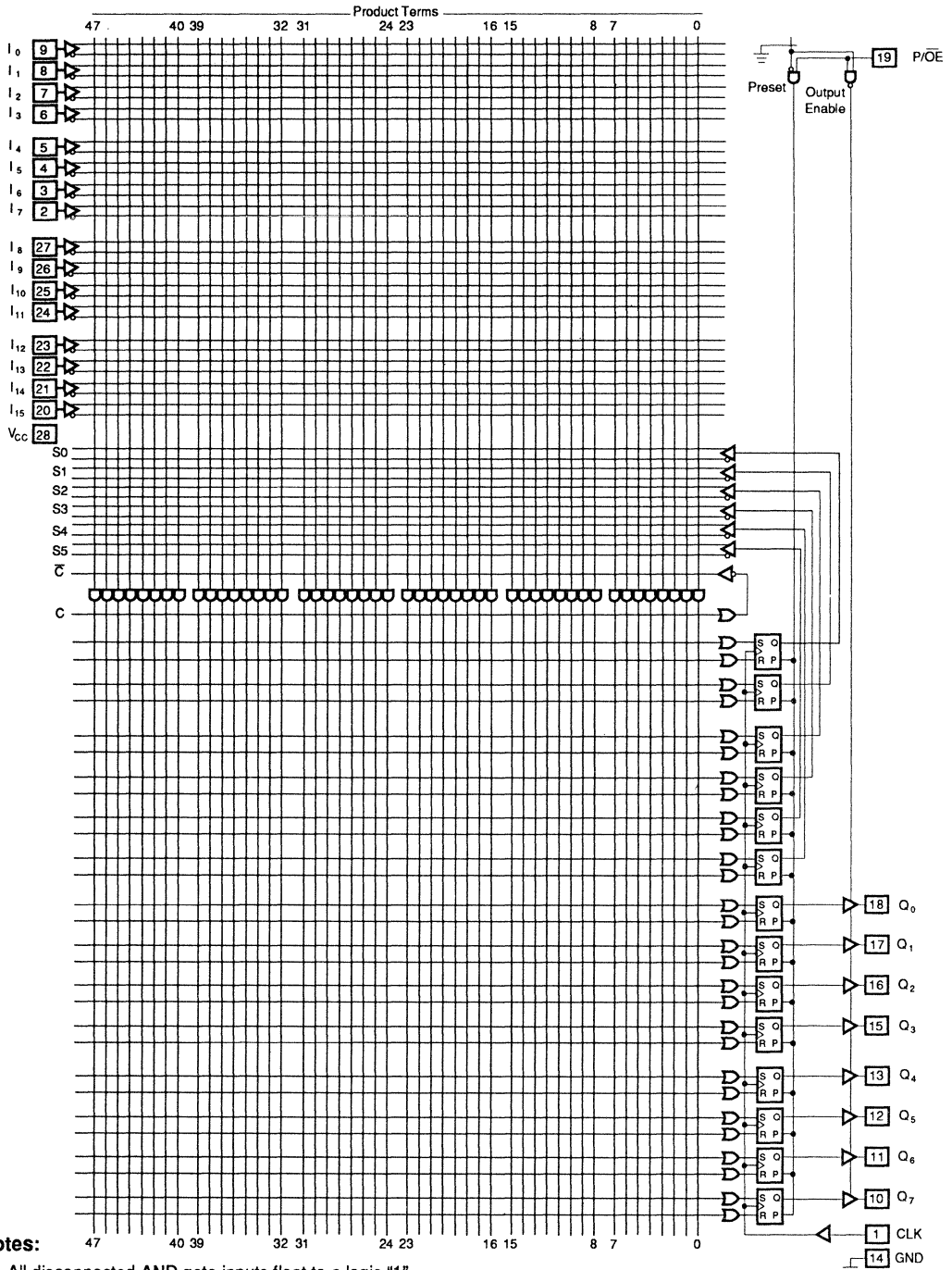
On the PLSCE105, programming and verification are also defeated by the security bit. The bit can only be erased in conjunction with the array during an erase cycle. The security bit also prevents preload and observability.

### Programming and Erasing

The PLS105 can be programmed on standard logic programmers. Approved programmers are listed in the Programmer Reference Guide.

The PLSCE105 may be erased to reset a previously configured device back to its virgin state. Erasure is automatically performed by the programming hardware. No special erase operation is required.

# LOGIC DIAGRAM



3

**Notes:**

1. All disconnected AND gate inputs float to a logic "1".
2. All disconnected OR gate inputs float to a logic "0".

10250-004A



## ABSOLUTE MAXIMUM RATINGS

Storage Temperature	-65°C to +150°C
Ambient Temperature with Power Applied	-55°C to +125°C
Supply Voltage with Respect to Ground	-0.5 V to +7.0 V
DC Input Voltage	-0.5 V to +5.5 V
DC Input Current	-30 mA to +5 mA
DC Output or I/O Pin Voltage	-0.5 to V <sub>CC</sub> Max.

Stresses above those listed under Absolute Maximum Ratings may cause permanent device failure. Functionality at or above these limits is not implied. Exposure to Absolute Maximum Ratings for extended periods may affect device reliability. Programming conditions may differ.

## OPERATING RANGES

### Commercial (C) Devices

Ambient Temperature (T <sub>A</sub> ) Operating in Free Air	0°C to +75°C
Supply Voltage (V <sub>CC</sub> ) with Respect to Ground	+4.75 V to +5.25 V

Operating Ranges define those limits between which the functionality of the device is guaranteed.

## DC CHARACTERISTICS over COMMERCIAL operating ranges unless otherwise specified

Parameter Symbol	Parameter Description	Test Conditions	Min.	Max.	Unit
V <sub>OH</sub>	Output HIGH Voltage	I <sub>OH</sub> = -3.2 mA V <sub>IN</sub> = V <sub>IH</sub> or V <sub>IL</sub> V <sub>CC</sub> = Min.	2.4		V
V <sub>OL</sub>	Output LOW Voltage	I <sub>OL</sub> = 24 mA V <sub>IN</sub> = V <sub>IH</sub> or V <sub>IL</sub> V <sub>CC</sub> = Min.		0.5	V
V <sub>IH</sub>	Input HIGH Voltage	Guaranteed Input Logical HIGH Voltage for all Inputs (Note 1)	2.0	5.5	V
V <sub>IL</sub>	Input LOW Voltage	Guaranteed Input Logical LOW Voltage for all Inputs (Note 1)		0.8	V
V <sub>I</sub>	Input Clamp Voltage	I <sub>IN</sub> = -18 mA, V <sub>CC</sub> = Min.		-1.2	V
I <sub>IH</sub>	Input HIGH Current	V <sub>IN</sub> = 2.4 V, V <sub>CC</sub> = Max. (Note 2)		20	μA
I <sub>IL</sub>	Input LOW Current	V <sub>IN</sub> = 0.4 V, V <sub>CC</sub> = Max. (Note 2)		-250	μA
I <sub>I</sub>	Maximum Input Current	V <sub>IN</sub> = 5.5 V, V <sub>CC</sub> = Max.		25	μA
I <sub>OZH</sub>	Off-State Output Leakage Current HIGH	V <sub>OUT</sub> = 2.7 V, V <sub>CC</sub> = Max., V <sub>IN</sub> = V <sub>IL</sub> or V <sub>IH</sub> (Note 2)		20	μA
I <sub>OZL</sub>	Off-State Output Leakage Current LOW	V <sub>OUT</sub> = 0.4 V, V <sub>CC</sub> = Max. V <sub>IN</sub> = V <sub>IL</sub> or V <sub>IH</sub> (Note 2)		-20	μA
I <sub>SC</sub>	Output Short-Circuit Current	V <sub>OUT</sub> = 0.5 V, V <sub>CC</sub> = Max. (Note 3)	-30	-130	mA
I <sub>CC</sub>	Supply Current	V <sub>IN</sub> = 0 V, Outputs Open (I <sub>OUT</sub> = 0 mA) V <sub>CC</sub> = Max.		200	mA

### Notes:

1. These are absolute values with respect to the device ground and all overshoots due to system and tester noise are included.
2. I/O pin leakage is the worst case of I<sub>IL</sub> and I<sub>OZL</sub> (or I<sub>IH</sub> and I<sub>OZH</sub>).
3. Not more than one output should be tested at a time. Duration of the short-circuit test should not exceed one second. V<sub>OUT</sub> = 0.5 V has been chosen to avoid test problems caused by tester ground degradation.

## CAPACITANCE (Note 1)

Parameter Symbol	Parameter Description		Test Conditions		Typ.	Unit
C <sub>IN</sub>	Input Capacitance	CLK, $\overline{OE}$	V <sub>IN</sub> = 2.0 V	V <sub>CC</sub> = 5.0 V, T <sub>A</sub> = +25°C, f = 1 MHz	12	pF
		Others			7	
C <sub>OUT</sub>	Output Capacitance		V <sub>OUT</sub> = 2.0 V		8	

### Note:

- These parameters are not 100% tested, but are evaluated at initial characterization and at any time the design is modified where capacitance may be affected.

## SWITCHING CHARACTERISTICS over COMMERCIAL operating ranges (Note 2)

Parameter Symbol	Parameter Description			Min.	Max.	Unit
t <sub>s</sub>	Setup Time from Input or Feedback to Clock	Without Complement Array		15		ns
t <sub>sc</sub>	Setup Time from Input or Feedback to Clock	With Complement Array		30		ns
t <sub>H</sub>	Hold Time			0		ns
t <sub>CO</sub>	Clock to Output				10	ns
t <sub>CF</sub>	Clock to Feedback (Note 3)				3	ns
t <sub>AP</sub>	Asynchronous Preset to Output				15	ns
t <sub>APW</sub>	Asynchronous Preset Width			10		ns
t <sub>APR</sub>	Asynchronous Preset Recovery Time			8		ns
t <sub>WL</sub>	Clock Width	LOW		8		ns
t <sub>WH</sub>		HIGH		8		ns
f <sub>MAX</sub>	Maximum Frequency (Note 4)	External Feedback	Without Complement Array	1/(t <sub>s</sub> + t <sub>CO</sub> )	40	MHz
		Internal Feedback		1/(t <sub>s</sub> + t <sub>CF</sub> )	55.5	MHz
External Feedback		With Complement Array	1/(t <sub>sc</sub> + t <sub>CO</sub> )	25	MHz	
Internal Feedback			1/(t <sub>sc</sub> + t <sub>CF</sub> )	30	MHz	
f <sub>MAXC</sub>						
t <sub>PZX</sub>	$\overline{OE}$ to Output Enable				15	ns
t <sub>PXZ</sub>	$\overline{OE}$ to Output Disable				10	ns

### Notes:

- See Switching Test Circuit for test conditions.
- Calculated from measured f<sub>MAX</sub> internal.
- These parameters are not 100% tested, but are calculated at initial characterization and at any time the design is modified where frequency may be affected.

3

## ABSOLUTE MAXIMUM RATINGS

Storage Temperature	-65°C to +150°C
Ambient Temperature with Power Applied	-55°C to +125°C
Supply Voltage with Respect to Ground	-0.5 V to +7.0 V
DC Input Voltage	-0.5 V to +7.0 V
DC Output or I/O Pin Voltage	-0.5 V to +7.0 V
Static Discharge Voltage	2001 V
Latchup Current (T <sub>A</sub> = 0°C to +75°C)	100 mA

Stresses above those listed under Absolute Maximum Ratings may cause permanent device failure. Functionality at or above these limits is not implied. Exposure to Absolute Maximum Ratings for extended periods may affect device reliability. Programming conditions may differ.

## OPERATING RANGES

### Commercial (C) Devices

Ambient Temperature (T <sub>A</sub> )	
Operating in Free Air	0°C to +75°C
Supply Voltage (V <sub>CC</sub> ) with Respect to Ground	+4.75 V to +5.25 V

Operating Ranges define those limits between which the functionality of the device is guaranteed.

## DC CHARACTERISTICS over COMMERCIAL operating ranges unless otherwise specified

Parameter Symbol	Parameter Description	Test Conditions	Min.	Max.	Unit
V <sub>OH</sub>	Output HIGH Voltage	I <sub>OH</sub> = -3.2 mA V <sub>IN</sub> = V <sub>IH</sub> or V <sub>IL</sub> V <sub>CC</sub> = Min.	2.4		V
V <sub>OL</sub>	Output LOW Voltage	I <sub>OL</sub> = 24 mA V <sub>IN</sub> = V <sub>IH</sub> or V <sub>IL</sub> V <sub>CC</sub> = Min.		0.5	V
V <sub>IH</sub>	Input HIGH Voltage	Guaranteed Input Logical HIGH Voltage for all Inputs (Note 1)	2.0		V
V <sub>IL</sub>	Input LOW Voltage	Guaranteed Input Logical LOW Voltage for all Inputs (Note 1)		0.8	V
I <sub>IH</sub>	Input HIGH Leakage Current	V <sub>IN</sub> = 5.25 V, V <sub>CC</sub> = Max. (Note 2)		10	μA
I <sub>IL</sub>	Input LOW Leakage Current	V <sub>IN</sub> = 0 V, V <sub>CC</sub> = Max. (Note 2)		-10	μA
I <sub>OZH</sub>	Off-State Output Leakage Current HIGH	V <sub>OUT</sub> = 5.25 V, V <sub>CC</sub> = Max., V <sub>IN</sub> = V <sub>IL</sub> or V <sub>IH</sub> (Note 2)		10	μA
I <sub>OZL</sub>	Off-State Output Leakage Current LOW	V <sub>OUT</sub> = 0 V, V <sub>CC</sub> = Max. V <sub>IN</sub> = V <sub>IL</sub> or V <sub>IH</sub> (Note 2)		-10	μA
I <sub>sc</sub>	Output Short-Circuit Current	V <sub>OUT</sub> = 0.5 V, V <sub>CC</sub> = Max. (Note 3)	-30	-130	mA
I <sub>CC</sub>	Supply Current	V <sub>IN</sub> = 0 V, Outputs Open (I <sub>OUT</sub> = 0 mA) V <sub>CC</sub> = Max.		100	mA

### Notes:

1. These are absolute values with respect to the device ground and all overshoots due to system and tester noise are included.
2. I/O pin leakage is the worst case of I<sub>IL</sub> and I<sub>OZL</sub> (or I<sub>IH</sub> and I<sub>OZH</sub>).
3. Not more than one output should be tested at a time. Duration of the short-circuit test should not exceed one second. V<sub>OUT</sub> = 0.5 V has been chosen to avoid test problems caused by tester ground degradation.

## CAPACITANCE (Note 1)

Parameter Symbol	Parameter Description	Test Conditions		Typ.	Unit
C <sub>IN</sub>	Input Capacitance	V <sub>IN</sub> = 2.0 V	V <sub>CC</sub> = 5.0 V, T <sub>A</sub> = 25°C, f = 1 MHz	5	pF
C <sub>OUT</sub>	Output Capacitance	V <sub>OUT</sub> = 2.0 V		8	

**Note:**

1. These parameters are not 100% tested, but are evaluated at initial characterization and at any time the design is modified where capacitance may be affected.

## SWITCHING CHARACTERISTICS over COMMERCIAL operating ranges (Note 2)

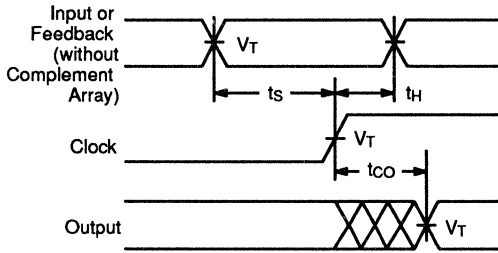
Parameter Symbol	Parameter Description			Min.	Max.	Unit
t <sub>s</sub>	Setup Time from Input or Feedback to Clock	Without Complement Array		17		ns
t <sub>sc</sub>	Setup Time from Input or Feedback to Clock	With Complement Array		30		ns
t <sub>H</sub>	Hold Time			0		ns
t <sub>CO</sub>	Clock to Output				10	ns
t <sub>CF</sub>	Clock to Feedback (Note 3)				3	ns
t <sub>AP</sub>	Asynchronous Preset to Output				15	ns
t <sub>APW</sub>	Asynchronous Preset Width			10		ns
t <sub>APR</sub>	Asynchronous Preset Recovery Time			8		ns
t <sub>WL</sub>	Clock Width	LOW		8		ns
t <sub>WH</sub>		HIGH		8		ns
f <sub>MAX</sub>	Maximum Frequency (Note 4)	External Feedback	Without Complement Array	1/(t <sub>s</sub> + t <sub>CO</sub> )	37	MHz
		Internal Feedback		1/(t <sub>s</sub> + t <sub>CF</sub> )	50	MHz
f <sub>MAXC</sub>		External Feedback	With Complement Array	1/(t <sub>sc</sub> + t <sub>CO</sub> )	25	MHz
		Internal Feedback		1/(t <sub>sc</sub> + t <sub>CF</sub> )	30	MHz
t <sub>PZX</sub>	$\overline{OE}$ to Output Enable				15	ns
t <sub>PXZ</sub>	$\overline{OE}$ to Output Disable				10	ns

**Notes:**

2. See Switching Test Circuit for test conditions.
3. Calculated from measured f<sub>MAX</sub> internal.
4. These parameters are not 100% tested, but are calculated at initial characterization and at any time the design is modified where frequency may be affected.

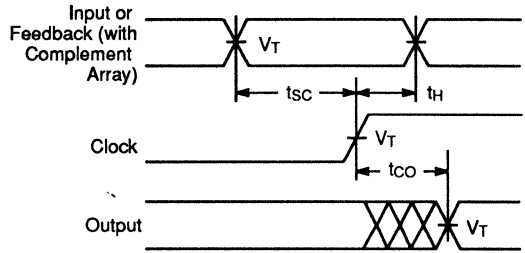
3

## SWITCHING WAVEFORMS



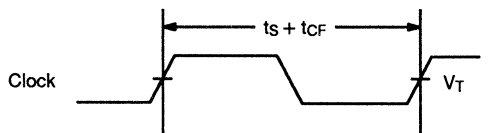
12905-006A

**Registered Output (without Complement Array)**



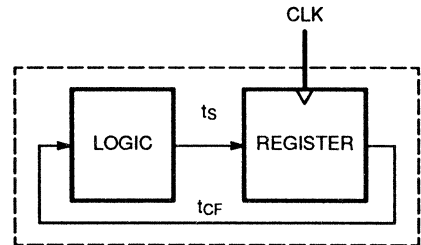
12905-007A

**Registered Output (with Complement Array)**

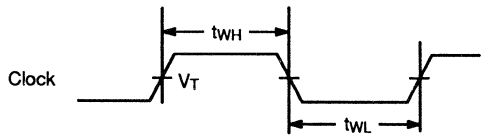


12149-025B

**Clock to Feedback ( $f_{MAX}$  Internal)  
See Path at Right**

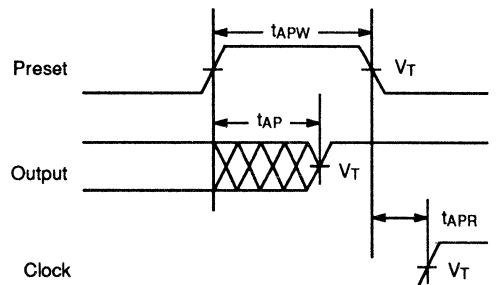


12015-021A



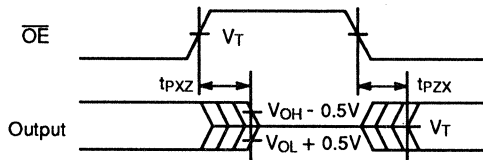
12015-011A

**Clock Width**



12905-009A

**Asynchronous Preset**



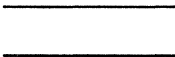



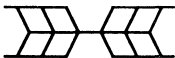
12905-008A

**$\overline{OE}$  to Output Disable/Enable**

### Notes:

1.  $V_T = 1.5\text{ V}$
2. Input pulse amplitude 0 V to 3.0 V.
3. Input rise and fall times 2–5 ns typical.

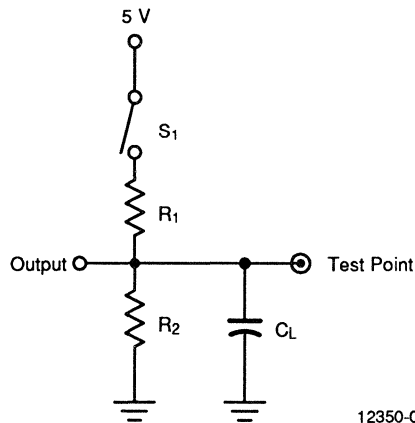
## KEY TO SWITCHING WAVEFORMS

WAVEFORM	INPUTS	OUTPUTS
	Must be Steady	Will be Steady
	May Change from H to L	Will be Changing from H to L
	May Change from L to H	Will be Changing from L to H
	Don't Care; Any Change Permitted	Changing, State Unknown
	Does Not Apply	Center Line is High-Impedance "Off" State

KS000010-PAL

**3**

## SWITCHING TEST CIRCUIT



Specification	S <sub>1</sub>	C <sub>L</sub>	R <sub>1</sub>	R <sub>2</sub>	Measured Output Value
t <sub>CO</sub> , t <sub>CF</sub>	Closed	50 pF	200 Ω	390 Ω	1.5 V
t <sub>PZX</sub>	Z → H: Open Z → L: Closed				1.5 V
t <sub>PXZ</sub>	H → Z: Open L → Z: Closed	5 pF			H → Z: V <sub>OH</sub> - 0.5 V L → Z: V <sub>OL</sub> + 0.5 V

## ENDURANCE CHARACTERISTICS

The PLSCE105 is manufactured using AMD's advanced electrically erasable process. This technology uses an EE cell to replace the fuse link used in bipolar

parts. As a result, the device can be erased and reprogrammed – a feature which allows 100% testing at the factory.

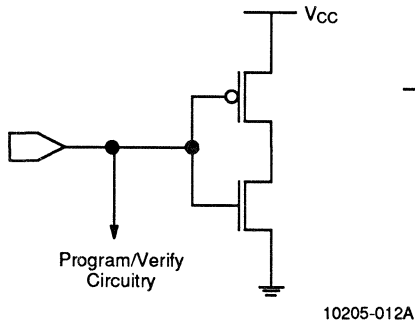
### Endurance Characteristics

Symbol	Parameter	Min.	Units	Test Conditions
t <sub>DR</sub>	Min. Pattern Data Retention Time	10	Years	Max. Storage Temperature (150°C)
		20	Years	Max. Operating Temperature (Military; 125°C)
N	Min. Reprogramming Cycles	100	Cycles	Normal Programming Conditions

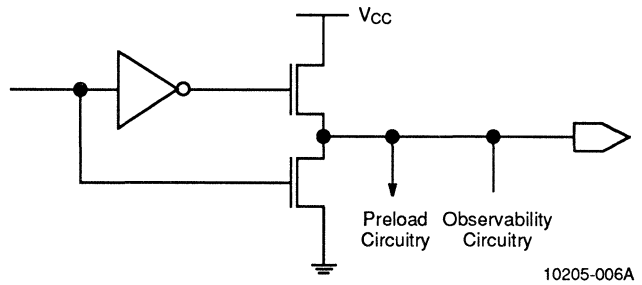
## INPUT/OUTPUT EQUIVALENT SCHEMATICS

### CMOS

Typical Input

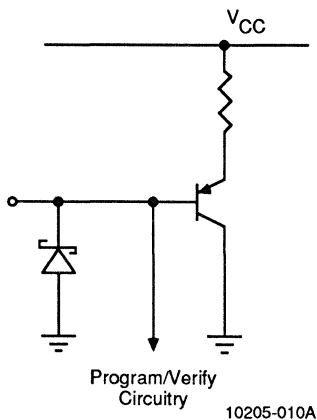


Typical Output

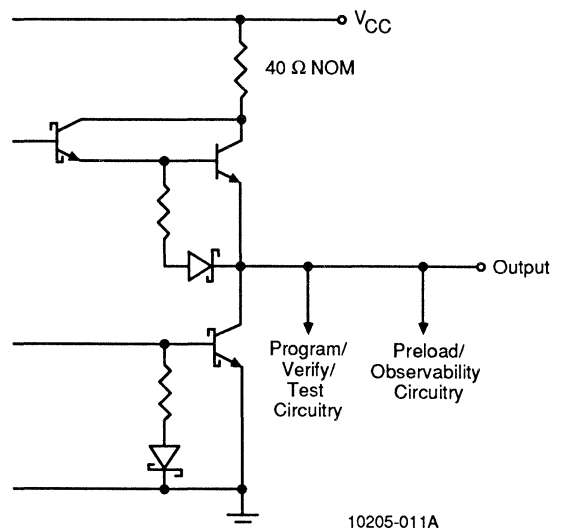


### BIPOLAR

Typical Input



Typical Output



## OUTPUT REGISTER PRELOAD (Bipolar Only)

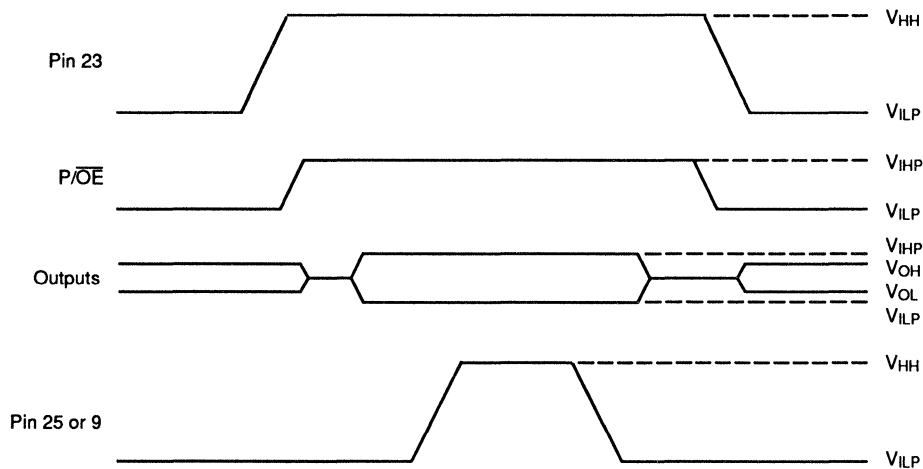
The preload function allows the register to be loaded from the output pins. This feature aids functional testing of sequential designs by allowing direct setting of output states. The procedure for preloading follows.

1. Raise  $V_{CC}$  to  $5.0\text{ V} \pm 0.5\text{ V}$ .
2. Raise pin 23 to  $V_{HH}$ .
3. Disable output pins by raising  $P/\overline{OE}$  to  $V_{IHP}$ .
4. Apply  $V_{IHP}/V_{ILP}$  as desired to all output pins.
5. Pulse pin 25 or pin 9 from  $V_{ILP}$  to  $V_{HH}$  and back to  $V_{ILP}$ . Pin 25 will preload output registers while pin 9 will preload buried state registers.
6. Remove  $V_{ILP}/V_{IHP}$  from output pins.
7. Enable output pins by lowering  $P/\overline{OE}$  pin to  $V_{ILP}$ .
8. Lower pin 23 to  $V_{ILP}$ .

Parameter Symbol	Parameter Description	Min.	Rec.	Max.	Unit
$V_{HH}$	Super-level input voltage	11.5	12	12.5	V
$V_{ILP}$	Low-level input voltage	0	0	0.5	V
$V_{IHP}$	High-level input voltage	2.4	5.0	5.5	V
$t_D$	Delay time	1			$\mu\text{s}$
$dV_r/dt$	$V_{HH}$ Rise Time Slew Rate	10		100	$\text{V}/\mu\text{s}$
$dV_f/dt$	$V_{HH}$ Fall Time Slew Rate		2.0	3.0	$\text{V}/\mu\text{s}$

Preload Data	Preloaded Register
$Q_0-Q_7$	
$D_0-D_7$	$Q_0-Q_7$
$D_0-D_5, X, X$	$S_0-S_5$

3



10205-007A

Output Register Preload Waveform



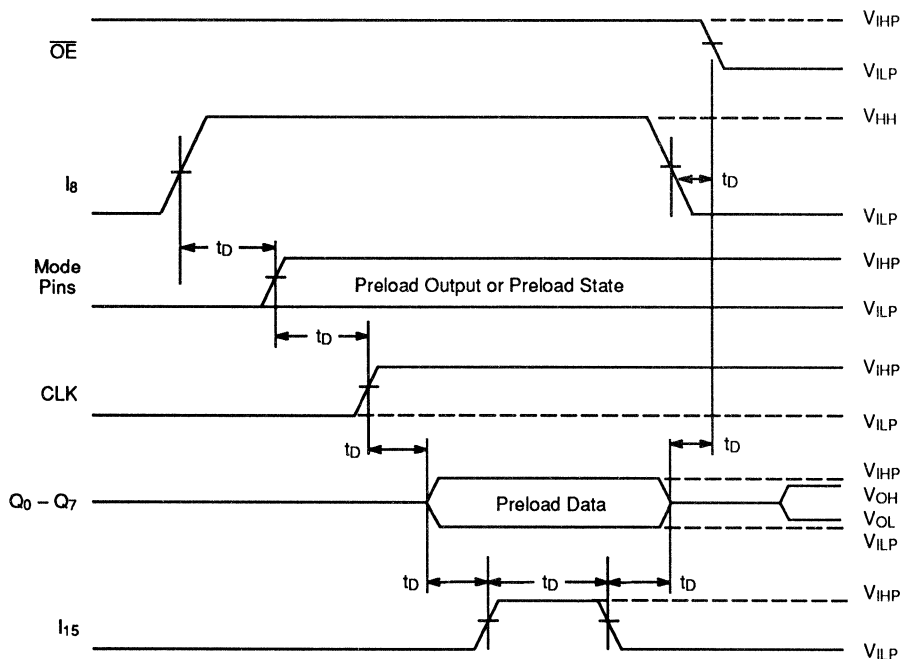
## OUTPUT REGISTER PRELOAD (CMOS Only)

The preload function allows the register to be loaded from the output pins. This feature aids functional testing of sequential designs by allowing direct setting of output states. The procedure for preloading follows.

1. Set  $\overline{OE}$  to  $V_{IHP}$  to disable outputs.
2. With Mode pins LOW raise  $I_8$  to  $V_{HH}$ .
3. Use Mode pins to select Preload Output or Preload State.
4. Raise CLK to  $V_{IHP}$ .
5. Apply either  $V_{IHP}$  or  $V_{ILP}$  to all outputs. Use  $V_{IHP}$  to preload a LOW in the flip-flop; use  $V_{ILP}$  to preload a HIGH in the flop-flop.
6. Pulse  $I_{15}$  from  $V_{ILP}$  to  $V_{IHP}$  to  $V_{ILP}$ .
7. Remove preload data from outputs.
8. Lower  $I_8$  to  $V_{ILP}$ .
9. Lower  $\overline{OE}$  to  $V_{ILP}$  to enable the outputs.
10. Verify  $V_{OL}/V_{OH}$  at all outputs. To verify state registers, use the observability mode.

Parameter Symbol	Parameter Description	Min.	Rec.	Max.	Unit
$V_{HH}$	Super-level input voltage	13.25	13.5	13.75	V
$V_{ILP}$	Low-level input voltage	0	0	0.5	V
$V_{IHP}$	High-level input voltage	4.0	5.0	$V_{CC} + 1$	V
$t_D$	Delay time	1			$\mu$ s
$dV_r/dt$	$V_{HH}$ Rise Time Slew Rate	10		100	V/ $\mu$ s
$dV_f/dt$	$V_{HH}$ Fall Time Slew Rate		2.0	3.0	V/ $\mu$ s

Mode Select Pins				Preload Data	Preloaded Register
$I_9$	$I_{10}$	$I_{11}$	$I_{12}$	$Q_0-Q_7$	
0	1	1	0	$D_0-D_7$	$Q_0-Q_7$
1	1	1	0	$D_0-D_5, X, X$	$S_0-S_5$



10205-008A

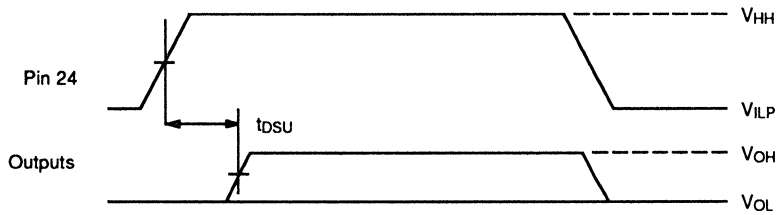
Output Register Preload Waveform

## OBSERVABILITY (Bipolar Only)

The observability function allows the state register to be sent to the output pins. This feature aids functional testing of sequential designs by allowing direct observation of the buried state register. The procedure for observability follows.

1. Apply  $V_{HH}$  to pin 24.
2. Observe  $S_0$ - $S_5$  on pins  $Q_0$ - $Q_5$ .

Parameter Symbol	Parameter Description	Min.	Rec.	Max.	Unit
$V_{HH}$	Super-level input voltage	11.5	12	12.5	V
$t_{DSU}$	Delay time	250			ns



10205-009A

Observability Waveforms

## OBSERVABILITY (CMOS Only)

The observability function allows the state register to be sent to the output pins. This feature aids functional testing of sequential designs by allowing direct observation of the buried state register. The procedure for observability follows.

1. Set  $\overline{OE}$  to  $V_{IHP}$  to disable outputs.

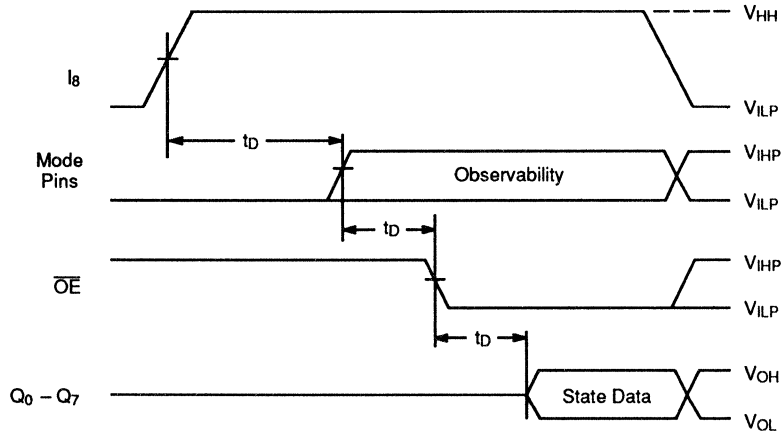
Mode Select Pins				Output Data
$I_9$	$I_{10}$	$I_{11}$	$I_{12}$	$Q_0-Q_7$
0	0	0	1	$S_0-S_5, X, X$

2. With Mode pins LOW raise  $I_8$  to  $V_{HH}$ .

3. Use Mode pins to select Observability.

4. Lower  $\overline{OE}$  to  $V_{ILP}$  to enable the state data to the outputs.

5. Lower  $I_8$  to  $V_{ILP}$ .



Observability Waveforms

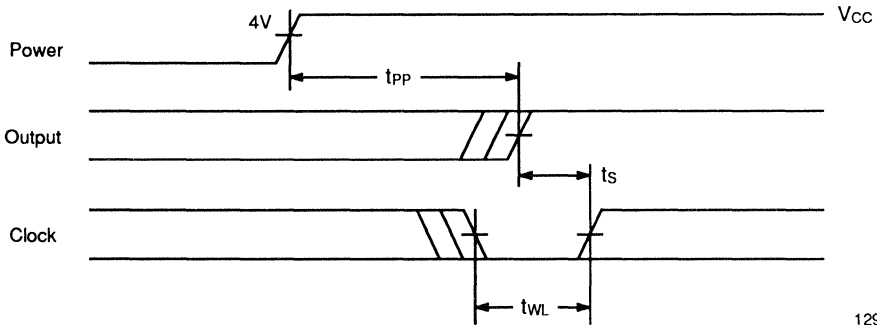
12905-012A

## POWER-UP PRESET

The power-up preset feature ensures that all flip-flops will be preset to HIGH after the device has been powered up. This feature is valuable in simplifying state machine initialization. A timing diagram and parameter table are shown below. Due to the synchronous operation of the power-up preset and the wide range of ways  $V_{CC}$  can rise to its steady state, two conditions are required to ensure a valid power-up preset. These conditions are:

1. The  $V_{CC}$  rise must be monotonic.
2. Following preset, the clock input must not be driven from LOW to HIGH until all applicable input and feedback setup times are met.

Parameter Symbol	Parameter Description	Max.	Unit
$t_{PP}$	Power-up Preset Time	1000	ns
$t_s$	Input or Feedback Setup Time	See Switching Characteristics	
$t_{WL}$	Clock Width LOW		



Power-Up Preset Waveform

12905-013A

3





# PLS167-33, PLSCE167H-33 PLS168-33, PLSCE168H-33

## 24-Pin TTL/CMOS Programmable Logic Sequencers

### DISTINCTIVE CHARACTERISTICS

- Field-programmable replacement for sequential control logic
- Advanced Mealy state machine/sequencer architecture
- Programmable AND/programmable OR array for flexibility
- Full drive: 24 mA  $I_{OL}$ , three-state outputs
- Dedicated hardware features to enhance testability
  - Diagnostic Mode access to buried state register
  - Register Preload and Power-up Preset of all flip-flops
- User-programmable pin for asynchronous flip-flop Preset/Output Enable
- Automatic "Hold" state via S-R flip-flops
- Security bit hides proprietary designs from competitors
- Supported by PALASM<sup>®</sup> software and standard PLD programmers
- Available in 24-pin plastic SKINNYDIP<sup>®</sup> and 28-pin PLCC packages
- Fabricated with high-performance bipolar and electrically erasable CMOS technology

### GENERAL DESCRIPTION

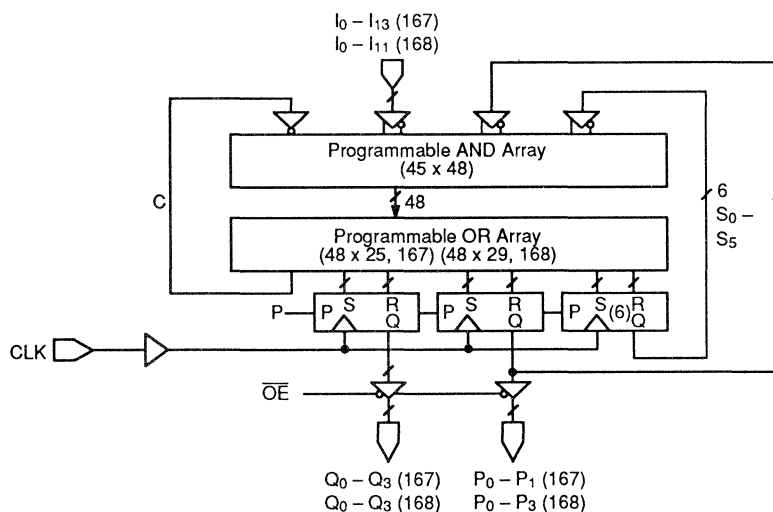
The PLS167 and PLS168 are field-programmable replacements for sequential logic. The devices function as Mealy state machines with a registered output. The PLS utilizes the familiar AND/OR PLA logic structure to implement sum-of-product equations. Both arrays are user-programmable to implement transition terms causing changes in the internal state register or output register. The PLS167/8-33 devices are fabricated in Advanced Micro Devices' advanced oxide-isolated bipolar process. The PLSCE167/8H-37 devices are fabricated

in a high-speed, EE CMOS process; they offer significant power improvement ( $I_{CC}$  of 100 mA) over competing parts.

The PLS devices are fully supported by industry-standard CAD tools, including the PALASM design software package. Device programming is accomplished by using standard PLD programmers.

**3**

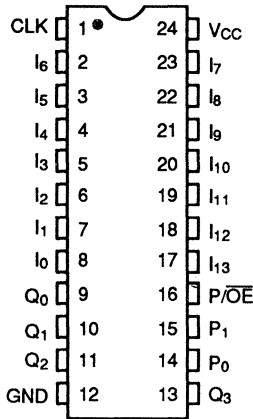
### BLOCK DIAGRAM



14081-001A

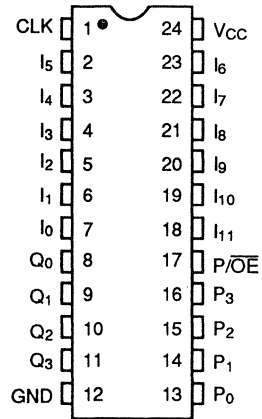
## CONNECTION DIAGRAMS

**PLS167  
SKINNYDIP**



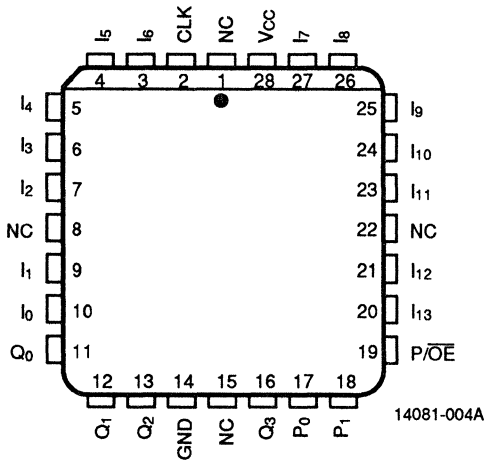
14081-002A

**PLS168  
SKINNYDIP**



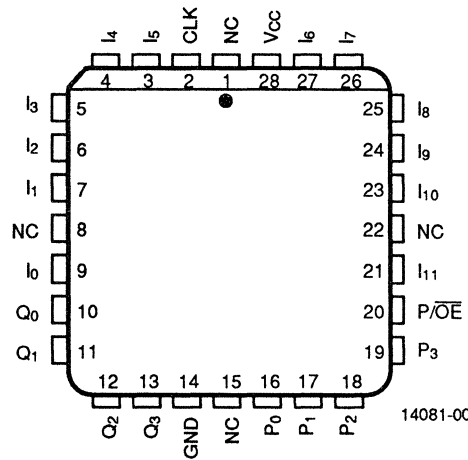
14081-003A

**PLCC**



14081-004A

**PLCC**



14081-005A

## PIN DESIGNATIONS

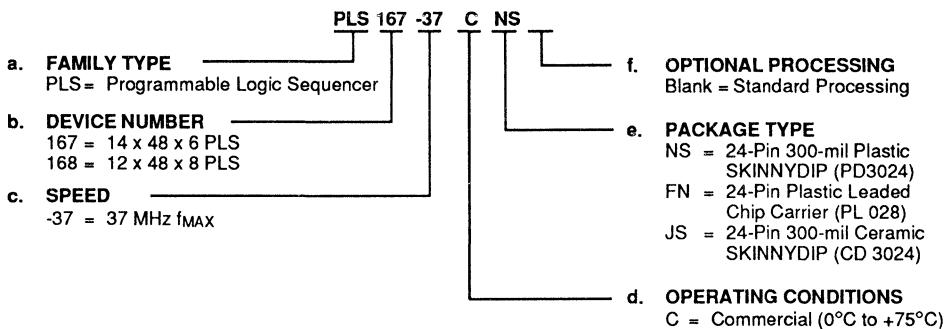
CLK	Output/state register clock
GND	Ground
I	Inputs to AND array
P	Programmable output/state register
P/ $\overline{OE}$	Programmable asynchronous function pin; default is active-high Preset (all registers go HIGH), programmed is active-low Output Enable
Q	Output register outputs
V <sub>CC</sub>	Supply Voltage

## ORDERING INFORMATION

### Commercial Products (Bipolar Only)

AMD programmable logic products for commercial applications are available with several ordering options. The order number (Valid Combination) is formed by a combination of:

- a. Family Type
- b. Device Number
- c. Speed
- d. Operating Conditions
- e. Package Type
- f. Optional Processing



Valid Combinations	
PLS167-37	CNS, CFN, CJS
PLS168-37	

#### Valid Combinations

The Valid Combinations table lists configurations planned to be supported in volume for this device. Consult the local AMD sales office to confirm availability of specific valid combinations, to check on newly released combinations, and to obtain additional data on AMD's standard military grade products.

Note: Marked with MMI logo.

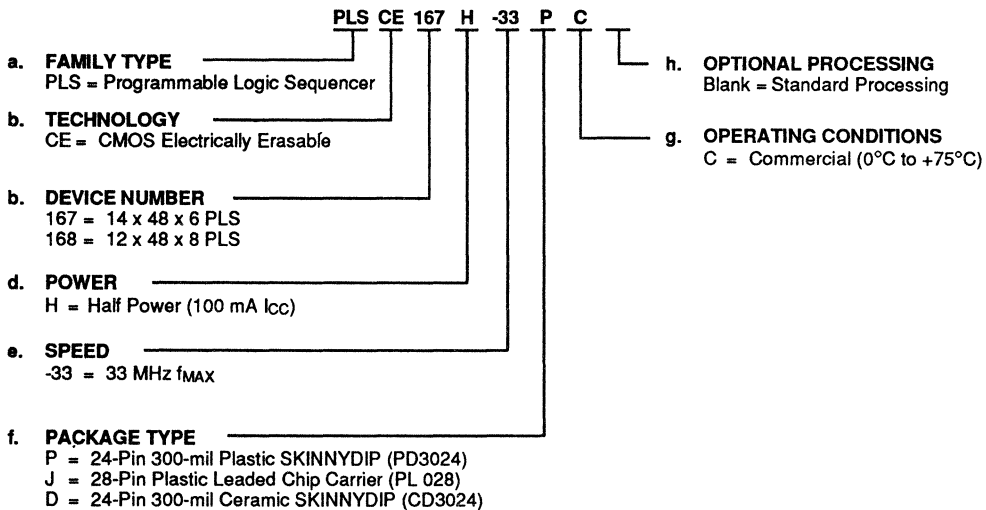


# ORDERING INFORMATION

## Commercial Products (CMOS Only)

AMD programmable logic products for commercial applications are available with several ordering options. The order number (Valid Combination) is formed by a combination of:

- a. Family Type
- b. Technology
- c. Device Number
- d. Power
- e. Speed
- f. Package Type
- g. Operating Conditions
- h. Optional Processing



Valid Combinations	
PLSCE167H-33	PC, JC, DC
PLSCE168H-33	

### Valid Combinations

The Valid Combinations table lists configurations planned to be supported in volume for this device. Consult the local AMD sales office to confirm availability of specific valid combinations, to check on newly released combinations, and to obtain additional data on AMD's standard military grade products.

Note: Marked with AMD logo.

## FUNCTIONAL DESCRIPTION

### State Machine Implementation

State machines contain conditional input logic, state memory and output generation logic. The PLS device is built around a programmable AND/OR logic array which serves as both conditional input and output generation logic. Forty-eight product or transition terms are found in the AND array. The AND array is driven from several sources: there are twelve to fourteen external inputs, six internal feedback signals from the buried state registers, two to four programmable registers, and the complement term.

The OR array drives the output registers, programmable registers, buried state registers, and the complement array term. The PLS device offers six to eight output registers and six buried state registers.

### Architectural Details

Part Number	Pins	Inputs	Flip-Flops	Outputs
PLS167	24	14	12	6
PLS168	24	12	14	8

### State and Output Registers

The state and output registers are both implemented with edge-triggered S-R type flip-flops. If neither input is active, the flip-flop will retain its contents when clocked. This free "hold" state saves product terms. The registers may change only on the LOW-to-HIGH transition of the clock pulse. There are four output registers, two output/buried registers and six buried state registers on the PLS167 device, and two additional output/buried registers on the PLS168 device.

### Logic Implementation

All transition terms can include True, False, or Don't Care states of the controlling variables. The OR array merges one or more product terms to generate the desired user logic functions for the output and next-state registers. This sharing of OR-terms minimizes the overall logic required to implement complicated control functions.

### Complement Array Term

An internal variable (C) known as the complement array term directly implements the "else" logic clause at any state. This often reduces the number of product terms required for a conditional "else" transition. The complement array can also be used for illegal state recovery and designing modulo counters.

### Initialization

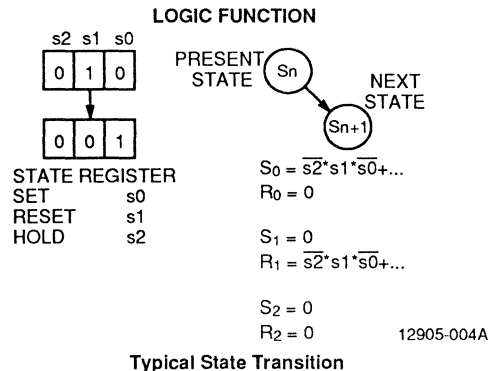
Starting the state machine in a known state is facilitated by power-up preset circuitry which unconditionally loads a "1" into each flip-flop during power-up or by using the asynchronous Preset function. Synchronous transitions to the initial state can be made by having an input be an OR term on all the state register S inputs, and ANDing its complement with all of the R logic terms. Whenever this input is active the machine will synchronously change to the state with all outputs high.

### Output Enable

The Preset input can be converted to a three-state Output Enable function by an architecture bit. Expansion to larger control functions can be accommodated by connecting several PLS devices to a control bus and selectively enabling them to each handle a segment of the control algorithm. This user-programmable option is specified as an auxiliary equation in the design file or optionally by use of a keyword.

### Typical Operation

The details of device operation may be illustrated by the simple state transition indicated. The state register initially contains 010 and will become 001 after the next clock. For this to occur, state bit 0 must be set, state bit 1 must be reset and state bit 2 must hold its value. The transition term fragments listed produce this result. The  $S_0$  and  $R_1$  product terms detect the bit pattern for the current state (010) and produce a logic one. All other terms evaluate to a zero, producing the transition to state 001.



### Security Bit

A security bit is provided on the PLS167/8 as a deterrent to unauthorized copying of the array configuration patterns. Once programmed, this bit defeats readback of the programmed pattern by a device programmer, securing proprietary designs from competitors.

On the PLSC167/8, programming and verification are also defeated by the security bit. The bit can only be erased in conjunction with the array during an erase cycle. The security bit also prevents preload and observability.

### Programming and Erasing

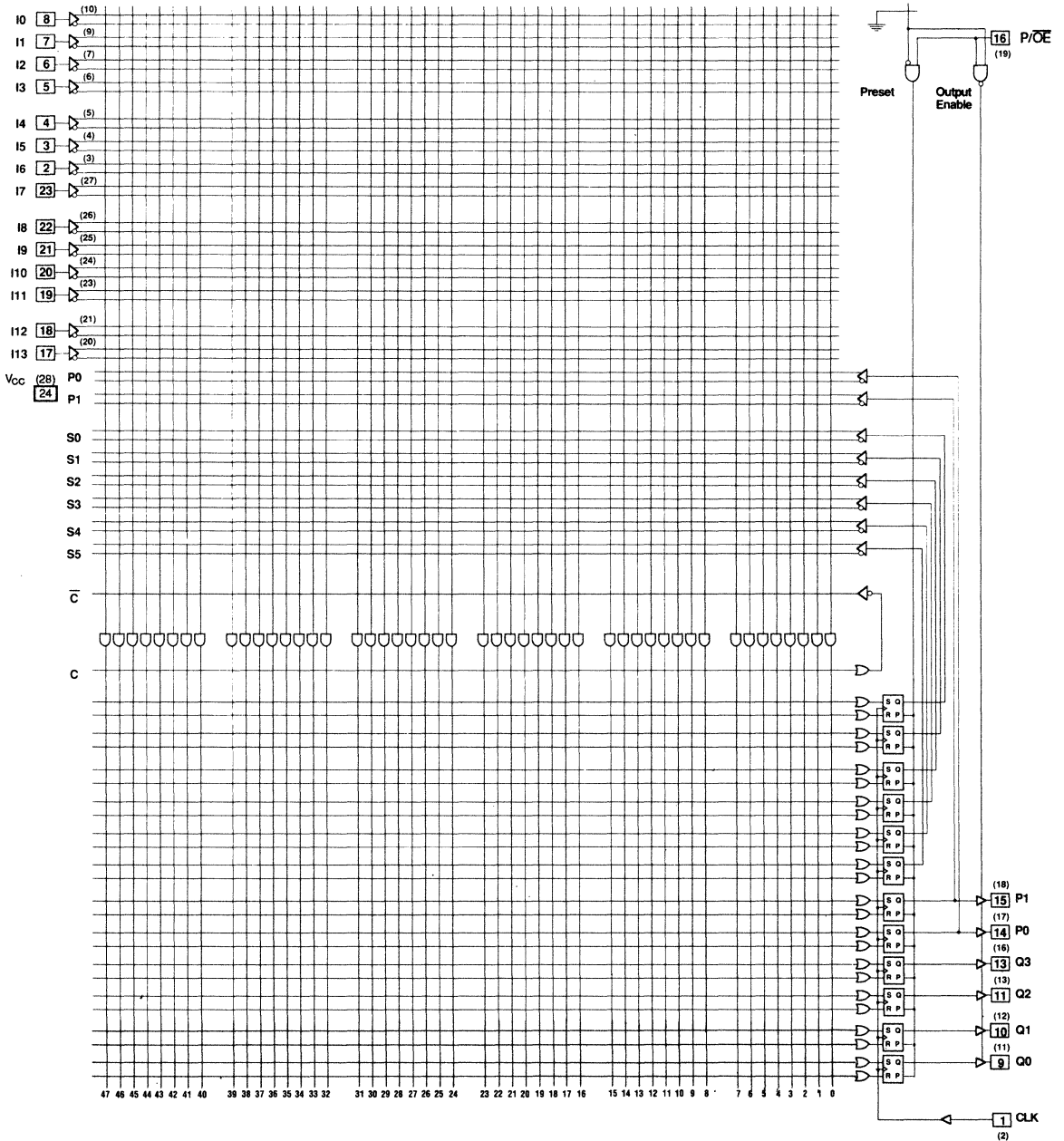
The PLS167/8 can be programmed on standard logic programmers. Approved programmers are listed in the Programmer Reference Guide.

The PLSC167/8 may be erased to reset a previously configured device back to its virgin state. Erasure is automatically performed by the programming hardware. No special erase operation is required.

# PLS167 LOGIC DIAGRAM

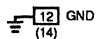
## DIP (PLCC) Pinout

Product Terms



### Notes:

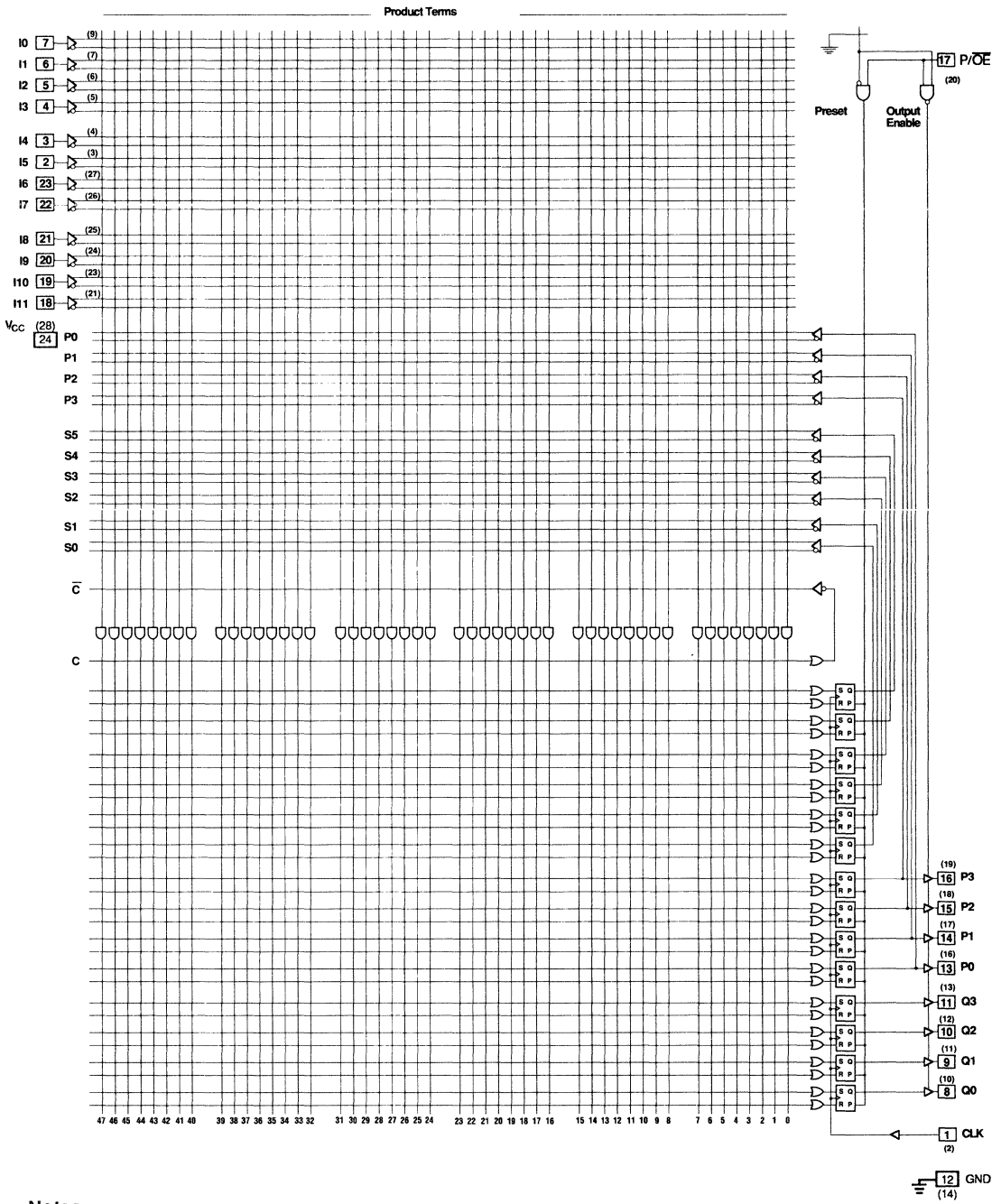
1. All disconnected AND gate inputs float to a logic "1."
2. All disconnected OR gate inputs float to a logic "0."



14081-007A

# PLS168 LOGIC DIAGRAM

## DIP (PLCC) Pinout



**Notes:**

1. All disconnected AND gate inputs float to a logic "1."
2. All disconnected OR gate inputs float to a logic "0."

14081-007A

**ABSOLUTE MAXIMUM RATINGS**

Storage Temperature	-65°C to +150°C
Ambient Temperature with Power Applied	-55°C to +125°C
Supply Voltage with Respect to Ground	-0.5 V to +7.0 V
DC Input Voltage	-0.5 V to +5.5 V
DC Output or I/O Pin Voltage	-0.5 V to +5.5 V
DC Output Current	+16 mA

Stresses above those listed under Absolute Maximum Ratings may cause permanent device failure. Functionality at or above these limits is not implied. Exposure to Absolute Maximum Ratings for extended periods may affect device reliability. Programming conditions may differ.

**OPERATING RANGES****Commercial (C) Devices**

Ambient Temperature (T <sub>A</sub> ) Operating in Free Air	0°C to +75°C
Supply Voltage (V <sub>CC</sub> ) with Respect to Ground	+4.75 V to +5.25 V

Operating Ranges define those limits between which the functionality of the device is guaranteed.

**DC CHARACTERISTICS over COMMERCIAL operating ranges unless otherwise specified**

Parameter Symbol	Parameter Description	Test Conditions	Min.	Max.	Unit
V <sub>OH</sub>	Output HIGH Voltage	I <sub>OH</sub> = -3.2 mA V <sub>IN</sub> = V <sub>IH</sub> or V <sub>IL</sub> V <sub>CC</sub> = Min.	2.4		V
V <sub>OL</sub>	Output LOW Voltage	I <sub>OL</sub> = 24 mA V <sub>IN</sub> = V <sub>IH</sub> or V <sub>IL</sub> V <sub>CC</sub> = Min.		0.5	V
V <sub>IH</sub>	Input HIGH Voltage	Guaranteed Input Logical HIGH Voltage for all Inputs (Note 1)	2.0	5.5	V
V <sub>IL</sub>	Input LOW Voltage	Guaranteed Input Logical LOW Voltage for all Inputs (Note 1)		0.8	V
V <sub>I</sub>	Input Clamp Voltage	I <sub>IN</sub> = -18 mA, V <sub>CC</sub> = Min.		-1.2	V
I <sub>IH</sub>	Input HIGH Current	V <sub>IN</sub> = 2.4 V, V <sub>CC</sub> = Max. (Note 2)		20	μA
I <sub>IL</sub>	Input LOW Current	V <sub>IN</sub> = 0.4 V, V <sub>CC</sub> = Max. (Note 2)		-250	μA
I <sub>I</sub>	Maximum Input Current	V <sub>IN</sub> = 5.5 V, V <sub>CC</sub> = Max.		25	μA
I <sub>OZH</sub>	Off-State Output Leakage Current HIGH	V <sub>OUT</sub> = 2.7 V, V <sub>CC</sub> = Max., V <sub>IN</sub> = V <sub>IL</sub> or V <sub>IH</sub> (Note 2)		20	μA
I <sub>OZL</sub>	Off-State Output Leakage Current LOW	V <sub>OUT</sub> = 0.4 V, V <sub>CC</sub> = Max. V <sub>IN</sub> = V <sub>IL</sub> or V <sub>IH</sub> (Note 2)		-20	μA
I <sub>sc</sub>	Output Short-Circuit Current	V <sub>OUT</sub> = 0.5 V, V <sub>CC</sub> = Max. (Note 3)	-30	-130	mA
I <sub>CC</sub>	Supply Current	V <sub>IN</sub> = 0 V, Outputs Open (I <sub>OUT</sub> = 0 mA) V <sub>CC</sub> = Max.		160	mA

**Notes:**

- These are absolute values with respect to the device ground and all overshoots due to system and tester noise are included.
- I/O pin leakage is the worst case of I<sub>IL</sub> and I<sub>OZL</sub> (or I<sub>IH</sub> and I<sub>OZH</sub>).
- Not more than one output should be tested at a time. Duration of the short-circuit test should not exceed one second. V<sub>OUT</sub> = 0.5 V has been chosen to avoid test problems caused by tester ground degradation.

## CAPACITANCE (Note 1)

Parameter Symbol	Parameter Description	Test Conditions		Typ.	Unit
C <sub>IN</sub>	Input Capacitance	V <sub>IN</sub> = 2.0 V	V <sub>CC</sub> = 5.0 V, T <sub>A</sub> = +25°C, f = 1 MHz	5	pF
C <sub>OUT</sub>	Output Capacitance	V <sub>OUT</sub> = 2.0 V		8	

### Note:

- These parameters are not 100% tested, but are evaluated at initial characterization and at any time the design is modified where capacitance may be affected.

## SWITCHING CHARACTERISTICS over COMMERCIAL operating ranges (Note 2)

Parameter Symbol	Parameter Description			Min.	Max.	Unit
t <sub>S</sub>	Setup Time from Input or Feedback to Clock	Without Complement Array		17		ns
t <sub>SC</sub>	Setup Time from Input or Feedback to Clock	With Complement Array		30		ns
t <sub>H</sub>	Hold Time			0		ns
t <sub>CO</sub>	Clock to Output or Feedback				13	ns
t <sub>AP</sub>	Asynchronous Preset to Output				15	ns
t <sub>APW</sub>	Asynchronous Preset Width			10		ns
t <sub>APR</sub>	Asynchronous Preset Recovery Time			8		ns
t <sub>WL</sub>	Clock Width	LOW		10		ns
t <sub>WH</sub>		HIGH		10		ns
f <sub>MAX</sub>	Maximum Frequency (Note 3)	External Feedback	Without Complement Array	1/(t <sub>S</sub> + t <sub>CO</sub> )	33	MHz
f <sub>MAXC</sub>		External Feedback	With Complement Array	1/(t <sub>SC</sub> + t <sub>CO</sub> )	23	MHz
t <sub>PZX</sub>	OE to Output Enable				12	ns
t <sub>PXZ</sub>	OE to Output Disable				10	ns

### Notes:

- See Switching Test Circuit for test conditions.
- These parameters are not 100% tested, but are calculated at initial characterization and at any time the design is modified where frequency may be affected.

3

## ABSOLUTE MAXIMUM RATINGS

Storage Temperature	-65°C to +150°C
Ambient Temperature with Power Applied	-55°C to +125°C
Supply Voltage with Respect to Ground	-0.5 V to +7.0 V
DC Input Voltage	-0.5 V to +7.0 V
DC Output or I/O Pin Voltage	-0.5 V to +7.0 V
Static Discharge Voltage	2001 V
Latchup Current (T <sub>A</sub> = 0°C to +75°C)	100 mA

Stresses above those listed under Absolute Maximum Ratings may cause permanent device failure. Functionality at or above these limits is not implied. Exposure to Absolute Maximum Ratings for extended periods may affect device reliability. Programming conditions may differ.

## OPERATING RANGES

### Commercial (C) Devices

Ambient Temperature (T <sub>A</sub> )	Operating in Free Air	0°C to +75°C
Supply Voltage (V <sub>CC</sub> ) with Respect to Ground		+4.75 V to +5.25 V

Operating Ranges define those limits between which the functionality of the device is guaranteed.

## DC CHARACTERISTICS over COMMERCIAL operating ranges unless otherwise specified

Parameter Symbol	Parameter Description	Test Conditions	Min.	Max.	Unit
V <sub>OH</sub>	Output HIGH Voltage	I <sub>OH</sub> = -3.2 mA V <sub>IN</sub> = V <sub>IH</sub> or V <sub>IL</sub> V <sub>CC</sub> = Min.	2.4		V
V <sub>OL</sub>	Output LOW Voltage	I <sub>OL</sub> = 24 mA V <sub>IN</sub> = V <sub>IH</sub> or V <sub>IL</sub> V <sub>CC</sub> = Min.		0.5	V
V <sub>IH</sub>	Input HIGH Voltage	Guaranteed Input Logical HIGH Voltage for all Inputs (Note 1)	2.0		V
V <sub>IL</sub>	Input LOW Voltage	Guaranteed Input Logical LOW Voltage for all Inputs (Note 1)		0.8	V
I <sub>IH</sub>	Input HIGH Leakage Current	V <sub>IN</sub> = 5.25 V, V <sub>CC</sub> = Max. (Note 2)		10	μA
I <sub>IL</sub>	Input LOW Leakage Current	V <sub>IN</sub> = 0 V, V <sub>CC</sub> = Max. (Note 2)		-10	μA
I <sub>ozH</sub>	Off-State Output Leakage Current HIGH	V <sub>OUT</sub> = 5.25 V, V <sub>CC</sub> = Max., V <sub>IN</sub> = V <sub>IL</sub> or V <sub>IH</sub> (Note 2)		10	μA
I <sub>ozL</sub>	Off-State Output Leakage Current LOW	V <sub>OUT</sub> = 0 V, V <sub>CC</sub> = Max. V <sub>IN</sub> = V <sub>IL</sub> or V <sub>IH</sub> (Note 2)		-10	μA
I <sub>sc</sub>	Output Short-Circuit Current	V <sub>OUT</sub> = 0.5 V, V <sub>CC</sub> = Max. (Note 3)	-30	-130	mA
I <sub>cc</sub>	Supply Current	V <sub>IN</sub> = 0 V, Outputs Open (I <sub>OUT</sub> = 0 mA) V <sub>CC</sub> = Max.		100	mA

### Notes:

1. These are absolute values with respect to the device ground and all overshoots due to system and tester noise are included.
2. I/O pin leakage is the worst case of I<sub>IL</sub> and I<sub>ozL</sub> (or I<sub>IH</sub> and I<sub>ozH</sub>).
3. Not more than one output should be tested at a time. Duration of the short-circuit test should not exceed one second. V<sub>OUT</sub> = 0.5V has been chosen to avoid test problems caused by tester ground degradation.

## CAPACITANCE (Note 1)

Parameter Symbol	Parameter Description	Test Conditions		Typ.	Unit
C <sub>IN</sub>	Input Capacitance	V <sub>IN</sub> = 2.0 V	V <sub>CC</sub> = 5.0 V, T <sub>A</sub> = 25°C, f = 1 MHz	5	pF
C <sub>OUT</sub>	Output Capacitance	V <sub>OUT</sub> = 2.0 V		8	

### Note:

- These parameters are not 100% tested, but are evaluated at initial characterization and at any time the design is modified where capacitance may be affected.

## SWITCHING CHARACTERISTICS over COMMERCIAL operating ranges (Note 2)

Parameter Symbol	Parameter Description		Min.	Max.	Unit	
t <sub>S</sub>	Setup Time from Input or Feedback to Clock	Without Complement Array	17		ns	
t <sub>SC</sub>	Setup Time from Input or Feedback to Clock	With Complement Array	30		ns	
t <sub>H</sub>	Hold Time		0		ns	
t <sub>CO</sub>	Clock to Output			13	ns	
t <sub>CF</sub>	Clock to Feedback (Note 3)			10	ns	
t <sub>AP</sub>	Asynchronous Preset to Output			15	ns	
t <sub>APW</sub>	Asynchronous Preset Width		10		ns	
t <sub>APR</sub>	Asynchronous Preset Recovery Time		8		ns	
t <sub>WL</sub>	Clock Width	LOW	10		ns	
t <sub>WH</sub>		HIGH	10		ns	
f <sub>MAX</sub>	Maximum Frequency (Note 4)	External Feedback	Without Complement Array	1/(t <sub>S</sub> + t <sub>CO</sub> )	33	MHz
		Internal Feedback		1/(t <sub>S</sub> + t <sub>CF</sub> )	37	MHz
f <sub>MAXC</sub>		External Feedback	With Complement Array	1/(t <sub>SC</sub> + t <sub>CO</sub> )	23	MHz
		Internal Feedback		1/(t <sub>SC</sub> + t <sub>CF</sub> )	25	MHz
t <sub>PZX</sub>	$\overline{OE}$ to Output Enable			12	ns	
t <sub>PXZ</sub>	$\overline{OE}$ to Output Disable			10	ns	

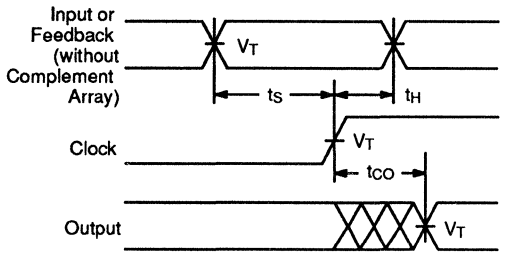
### Notes:

- See Switching Test Circuit for test conditions.
- Calculated from measured f<sub>MAX</sub> internal.
- These parameters are not 100% tested, but are calculated at initial characterization and at any time the design is modified where frequency may be affected.

3

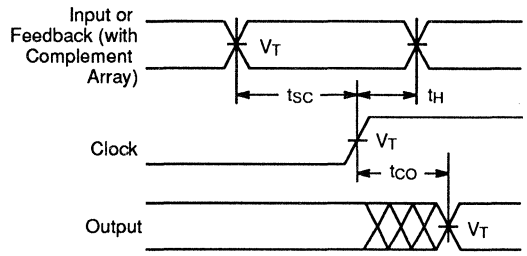


## SWITCHING WAVEFORMS



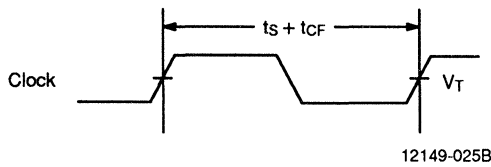
12905-006A

**Registered Output (without Complement Array)**



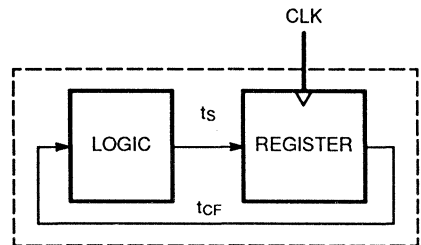
12905-007A

**Registered Output (with Complement Array)**

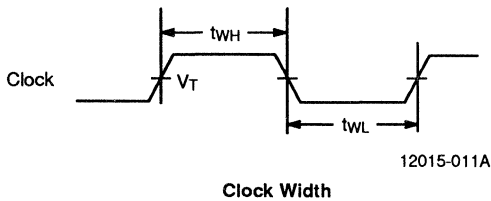


12149-025B

**Clock to Feedback (fMAX Internal)  
See Path at Right**

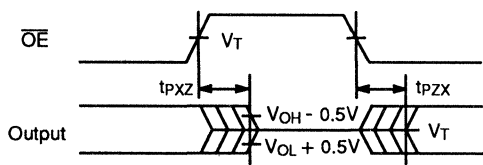


12015-021A



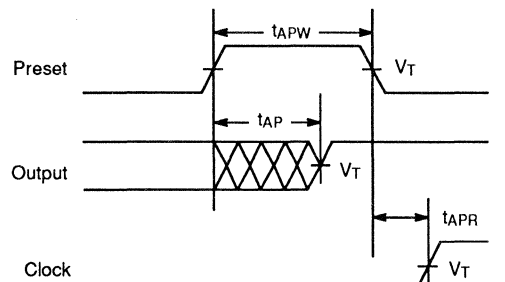
12015-011A

**Clock Width**



12905-008A

**$\overline{OE}$  to Output Disable/Enable**



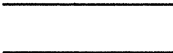



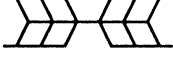
12905-009A

**Asynchronous Preset**

### Notes:

1.  $V_T = 1.5$  V
2. Input pulse amplitude 0 V to 3.0 V.
3. Input rise and fall times 2–5 ns typical.

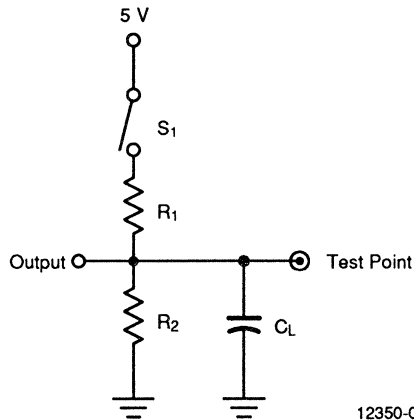
## KEY TO SWITCHING WAVEFORMS

WAVEFORM	INPUTS	OUTPUTS
	Must be Steady	Will be Steady
	May Change from H to L	Will be Changing from H to L
	May Change from L to H	Will be Changing from L to H
	Don't Care; Any Change Permitted	Changing, State Unknown
	Does Not Apply	Center Line is High-Impedance "Off" State

KS000010-PAL

3

## SWITCHING TEST CIRCUIT



Specification	$S_1$	$C_L$	$R_1$	$R_2$	Measured Output Value
$t_{CO}, t_{CF}$	Closed	50 pF	200 $\Omega$	390 $\Omega$	1.5 V
$t_{PZX}$	Z $\rightarrow$ H: Open Z $\rightarrow$ L: Closed				1.5 V
$t_{PXZ}$	H $\rightarrow$ Z: Open L $\rightarrow$ Z: Closed	5 pF			H $\rightarrow$ Z: $V_{OH} - 0.5$ V L $\rightarrow$ Z: $V_{OL} + 0.5$ V

## ENDURANCE CHARACTERISTICS

The PLSCE167/8 is manufactured using AMD's advanced electrically erasable process. This technology uses an EE cell to replace the fuse link used in bipolar

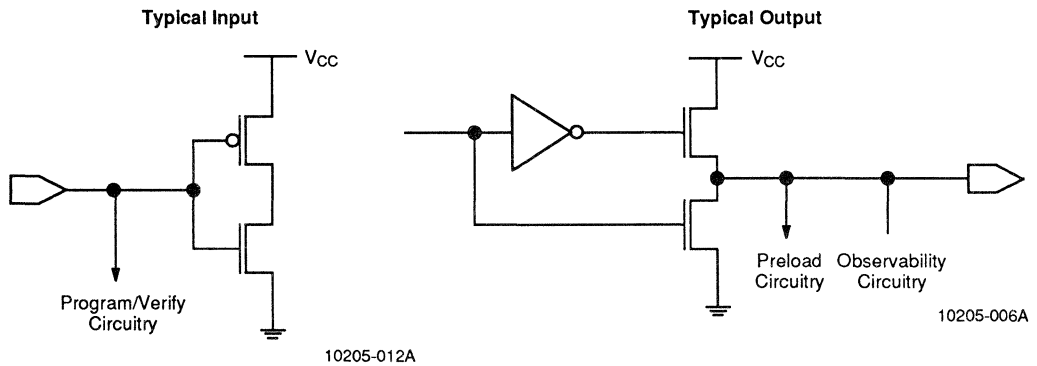
parts. As a result, the device can be erased and reprogrammed – a feature which allows 100% testing at the factory.

### Endurance Characteristics

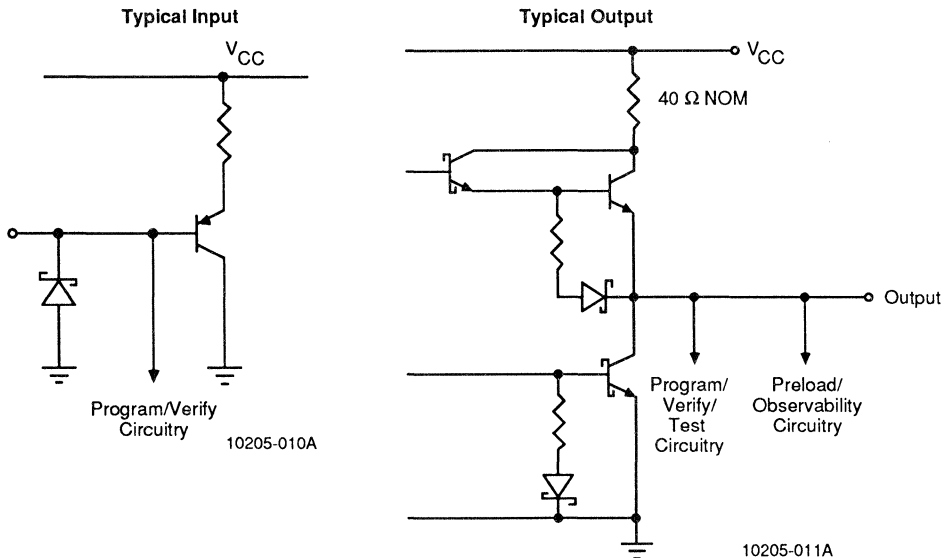
Symbol	Parameter	Min.	Units	Test Conditions
$t_{DR}$	Min. Pattern Data Retention Time	10	Years	Max. Storage Temperature
		20	Years	Max. Operating Temperature (125°C)
N	Min. Reprogramming Cycles	100	Cycles	Normal Programming Conditions

## INPUT/OUTPUT EQUIVALENT SCHEMATICS

### CMOS



### BIPOLAR



## OUTPUT REGISTER PRELOAD (Bipolar Only)

The preload function allows the register to be loaded from the output pins. This feature aids functional testing of sequential designs by allowing direct setting of output states. The procedure for preloading follows.

1. Raise  $V_{CC}$  to  $5.0\text{ V} \pm 0.5\text{ V}$ .
2. Raise pin 19 to  $V_{HH}$ .
3. Disable output pins by raising  $P/\overline{OE}$  pin to  $V_{IHP}$ .
4. Apply  $V_{IHP}/V_{ILP}$  as desired to all output pins.
5. Pulse pin 21 or pin 8/7 from  $V_{ILP}$  to  $V_{HH}$  and back to  $V_{ILP}$ . Pin 21 will preload output registers while pin 8/7 (167/168) will preload buried state registers.
6. Remove  $V_{ILP}/V_{IHP}$  from output pins.
7. Enable output pins by lowering  $P/\overline{OE}$  pin to  $V_{ILP}$ .
8. Lower pin 19 to  $V_{ILP}$ .

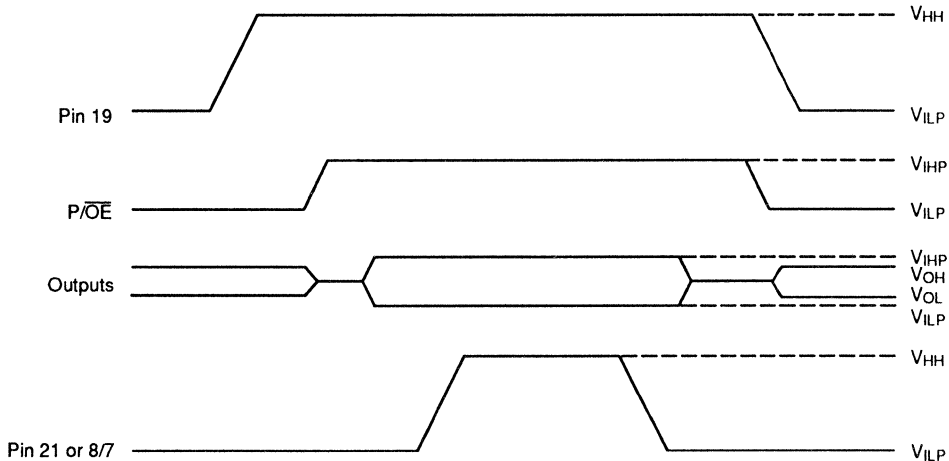
Parameter Symbol	Parameter Description	Min.	Rec.	Max.	Unit
$V_{HH}$	Super-level input voltage	11.5	12	12.5	V
$V_{ILP}$	Low-level input voltage	0	0	0.5	V
$V_{IHP}$	High-level input voltage	2.4	5.0	5.5	V
$t_D$	Delay time	1			$\mu\text{s}$
$dV/dt$	$V_{HH}$ Rise Time Slew Rate	10		100	$\text{V}/\mu\text{s}$
$dV/dt$	$V_{HH}$ Fall Time Slew Rate		2.0	3.0	$\text{V}/\mu\text{s}$

### PLS167

Preload Data	Pulse	Preloaded Register
$Q_0-Q_3, P_0-P_1$		
$D_0-D_5$	Pin 21	$Q_0-Q_3, P_0-P_1$
$D_0-D_5$	Pin 8	$S_0-S_5$

### PLS168

Preload Data	Pulse	Preloaded Register
$Q_0-Q_3, P_0-P_3$		
$D_0-D_7$	Pin 21	$Q_0-Q_3, P_0-P_3$
$X, X, D_2-D_7$	Pin 7	$S_0-S_5$



14081-008A

Output Register Preload Waveform

## OUTPUT REGISTER PRELOAD (CMOS Only)

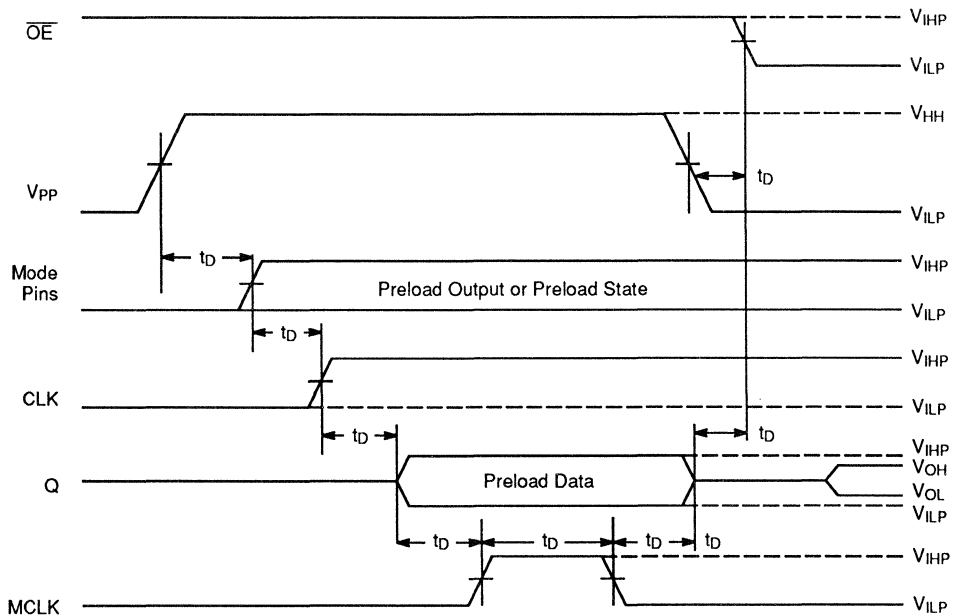
The preload function allows the register to be loaded from the output pins. This feature aids functional testing of sequential designs by allowing direct setting of output states. The procedure for preloading follows.

1. Set  $\overline{OE}$  to  $V_{IHP}$  to disable outputs.
2. With Mode pins LOW raise  $V_{PP}$  to  $V_{HH}$ .
3. Use Mode pins to select Preload Output or Preload State.
4. Raise CLK to  $V_{IHP}$ .
5. Apply either  $V_{IHP}$  or  $V_{ILP}$  to all outputs. Use  $V_{IHP}$  to preload a LOW in the flip-flop; use  $V_{ILP}$  to preload a HIGH in the flop-flop.
6. Pulse MCLK from  $V_{ILP}$  to  $V_{IHP}$  to  $V_{ILP}$ .
7. Remove preload data from outputs.
8. Lower  $V_{PP}$  to  $V_{ILP}$ .
9. Lower  $\overline{OE}$  to  $V_{ILP}$  to enable the outputs.
10. Verify  $V_{OL}/V_{OH}$  at all outputs. To verify state registers, use the observability mode.

Parameter Symbol	Parameter Description	Min.	Rec.	Max.	Unit
$V_{HH}$	Super-level input voltage	13.25	13.5	13.75	V
$V_{ILP}$	Low-level input voltage	0	0	0.5	V
$V_{IHP}$	High-level input voltage	4.0	5.0	$V_{CC} + 1$	V
$t_D$	Delay time	1			$\mu$ S
$dV_r/dt$	$V_{HH}$ Rise Time Slew Rate	10		100	V/ $\mu$ S
$dV_f/dt$	$V_{HH}$ Fall Time Slew Rate		2.0	3.0	V/ $\mu$ S

### Mode Select Pins

MD <sub>0</sub>	MD <sub>1</sub>	MD <sub>2</sub>	MD <sub>3</sub>
0	1	1	0
1	1	1	0



14081-009A

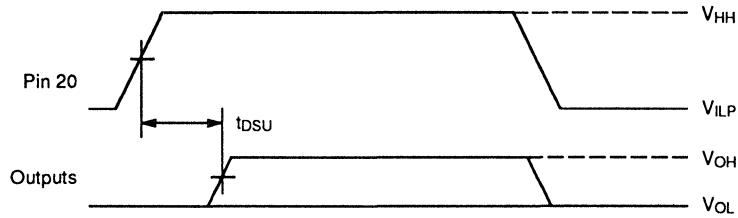
Output Register Preload Waveform

## OBSERVABILITY (Bipolar Only)

The observability function allows the state register to be sent to the output pins. This feature aids functional testing of sequential designs by allowing direct observation of the buried state register. The procedure for observability follows.

1. Apply  $V_{HH}$  to pin 20.
2. Observe  $S_0-S_5$  on pins  $Q_0-Q_3$ ,  $P_0-P_1$  (167) or  $Q_2-Q_3$ ,  $P_0-P_3$  (168).

Parameter Symbol	Parameter Description	Min.	Rec.	Max.	Unit
$V_{HH}$	Super-level input voltage	11.5	12	12.5	V
$t_{DSU}$	Delay time	250			ns



14081-010A

Observability Waveforms

## OBSERVABILITY (CMOS Only)

The observability function allows the state register to be sent to the output pins. This feature aids functional testing of sequential designs by allowing direct observation of the buried state register. The procedure for observability follows.

1. Set  $\overline{OE}$  to  $V_{IHP}$  to disable outputs.

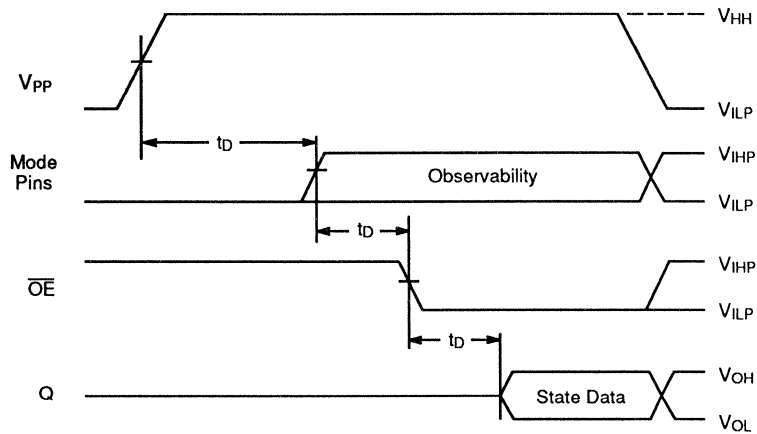
2. With Mode pins LOW raise  $V_{PP}$  to  $V_{HH}$ .

3. Use Mode pins to select Observability.

4. Lower  $\overline{OE}$  to  $V_{ILP}$  to enable the state data to the outputs.

5. Lower  $V_{PP}$  to  $V_{ILP}$ .

Mode Select Pins			
MD <sub>0</sub>	MD <sub>1</sub>	MD <sub>2</sub>	MD <sub>3</sub>
0	0	0	1



Observability Waveforms

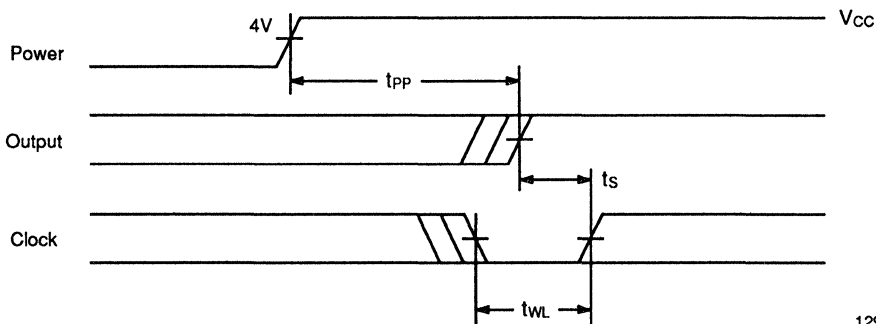
14081-011A

## POWER-UP PRESET

The power-up preset feature ensures that all flip-flops will be preset to HIGH after the device has been powered up. This feature is valuable in simplifying state machine initialization. A timing diagram and parameter table are shown below. Due to the synchronous operation of the power-up preset and the wide range of ways  $V_{CC}$  can rise to its steady state, two conditions are required to ensure a valid power-up preset. These conditions are:

1. The  $V_{CC}$  rise must be monotonic.
2. Following preset, the clock input must not be driven from LOW to HIGH until all applicable input and feedback setup times are met.

Parameter Symbol	Parameter Description	Max.	Unit
$t_{PP}$	Power-up Preset Time	1000	ns
$t_s$	Input or Feedback Setup Time	See Switching Characteristics	
$t_{WL}$	Clock Width LOW		



Power-Up Preset Waveform

12905-013A

3





# PLS30S16-40

## 28-Pin Universal Programmable Logic Sequencer

### DISTINCTIVE CHARACTERISTICS

- **Field-programmable replacement for sequential logic**
  - Eases design and speeds time to market
- **Advanced Mealy state machine architecture**
  - Programmable AND and OR arrays for increased logic capability
  - S-R flip-flops provide automatic hold state
- **64 product terms and 12 state registers allow many states**
- **Up to 12 registered outputs or up to 8 combinatorial outputs**
- **17 inputs including four with synchronizing D-type flip-flops**
- **Two clock inputs and two complement arrays for dual state machines in one device**
- **Enhanced testability**
  - Observability of all buried registers
  - Register Preload of all flip-flops
  - On-chip test array for 100% testability
- **Supported by PALASM<sup>®</sup> software and standard PLD programmers**
- **Available in 28-pin plastic SKINNYDIP<sup>®</sup> and PLCC packages**
- **High performance at 40 MHz  $f_{MAX}$**

### GENERAL DESCRIPTION

The PLS30S16 is an advanced 28-pin field-programmable logic sequencer (PLS). It is a flexible superset of other 28-pin PLS devices with additional logic and additional flexibility. The device functions as a Mealy state machine with either registered or combinatorial outputs. The PLS30S16 utilizes the familiar AND/OR PLA logic structure (17x71x12) to implement Boolean sum-of-product equations.

Up to 17 external inputs drive the AND array, four of which may be registered. Both AND and OR logic arrays are programmable, eliminating redundant terms and restrictions on terms per output. The AND array creates transition terms and the OR array merges terms for state transitions and output logic. Two complement array logic terms are provided to create multiple-pass logic functions. These terms are commonly used to generate the "else" branches for undecoded default transitions.

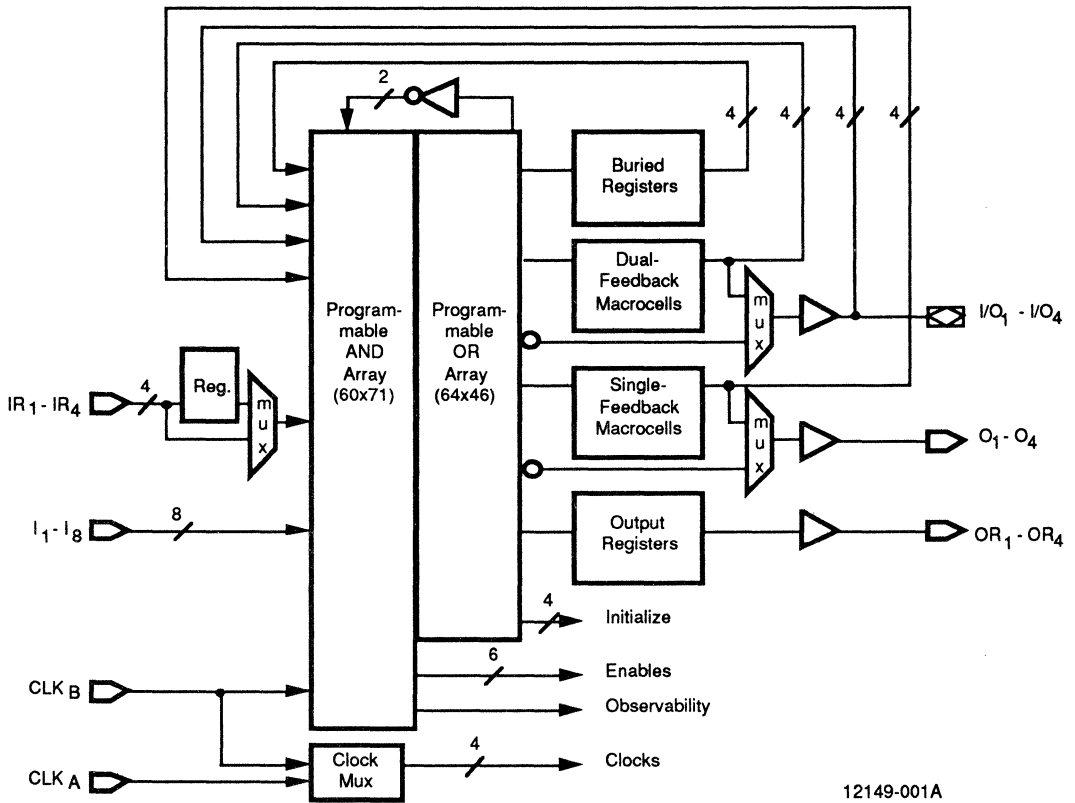
The PLS30S16 has 16 S-R flip-flops, 12 of which drive the AND array as state bits. Four of these flip-flops are part of dual-feedback I/O macrocells; four other macrocells function as either registered or combinatorial outputs. The other two banks of four flip-flops act as dedicated buried register state bits and registered outputs. The clock function is individually selectable for the four banks of flip-flops. Up to 12 outputs can be configured, all of which have three-state buffers controlled by product terms.

The PLS30S16 utilizes AMD's high-speed bipolar process for the best performance. The entire PLS family is fully supported by PALASM design software, enabling verification of the design and conversion to the JEDEC standard programming format. The device is supported by industry-standard programming and development tools.

### AMD PLS FAMILY

Part Number	Pins	Inputs	Product Terms	State Registers	Output Registers	$f_{MAX}$
PLS30S16	28	12-17	64	4-12	4-12	40
PLS105	28	16	48	6	8	40
PLS167	24	14	48	6-8	4-6	33
PLS168	24	12	48	6-10	4-8	33

## BLOCK DIAGRAM



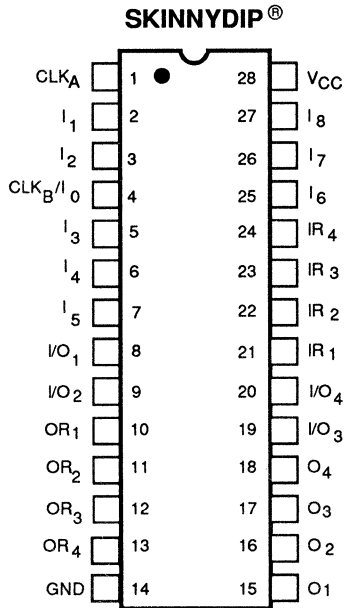
**3**

## Internal Signals

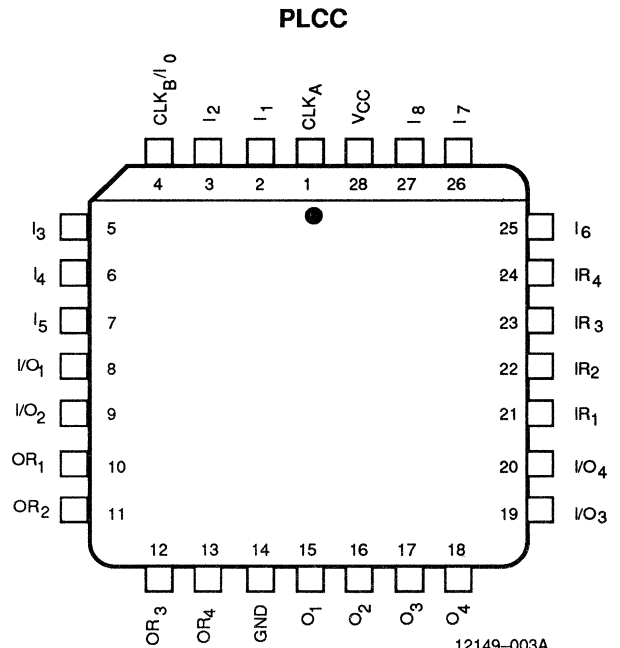
- QI/O<sub>1</sub>-QI/O<sub>4</sub> Registered feedback associated with I/O<sub>1</sub>-I/O<sub>4</sub>
- QO<sub>1</sub>-QO<sub>4</sub> Registered feedback associated with O<sub>1</sub>-O<sub>4</sub>
- Q<sub>1</sub>-Q<sub>4</sub> Buried registers
- CLK<sub>0</sub> Clock for IR<sub>1</sub>-IR<sub>4</sub>
- CLK<sub>1</sub> Clock for QI/O<sub>1</sub>-QI/O<sub>4</sub>
- CLK<sub>2</sub> Clock for OR<sub>1</sub>-OR<sub>4</sub> and Q<sub>1</sub>-Q<sub>4</sub>
- C<sub>0</sub>-C<sub>1</sub> Complement array sum terms
- OBS Observability product term
- OE<sub>1</sub>-OE<sub>4</sub> Output enable product terms for I/O<sub>1</sub>-I/O<sub>4</sub>
- OE<sub>0</sub> Output enable product term for O<sub>1</sub>-O<sub>4</sub>
- OE<sub>R</sub> Output enable product term for OR<sub>1</sub>-OR<sub>4</sub>

## CONNECTION DIAGRAMS

### Top View



12149-002A



12149-003A

Note: Pin 1 is marked for orientation

## PIN DESIGNATIONS

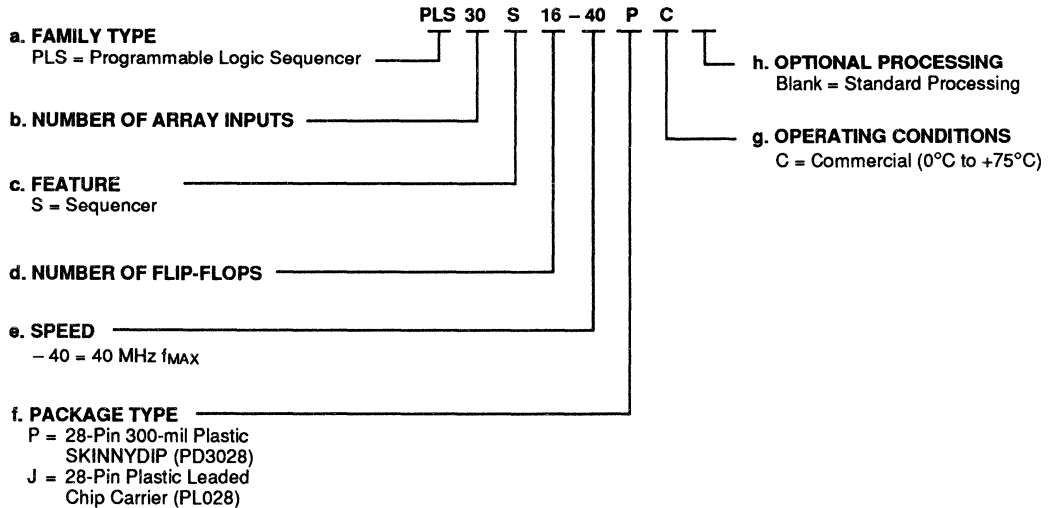
I <sub>1</sub> - I <sub>8</sub>	Inputs
IR <sub>1</sub> -IR <sub>4</sub>	Registered inputs with bypass
I/O <sub>1</sub> -I/O <sub>4</sub>	Registered or combinatorial I/O with dual feedback
O <sub>1</sub> -O <sub>4</sub>	Registered or combinatorial outputs
OR <sub>1</sub> -OR <sub>4</sub>	Registered outputs
CLK <sub>A</sub>	Clock input; clock for O <sub>1</sub> -O <sub>4</sub>
CLK <sub>B</sub> /I <sub>0</sub>	Clock and/or array input
V <sub>CC</sub>	Supply Voltage
GND	Ground

## ORDERING INFORMATION

### Commercial Products

AMD commercial programmable logic products are available with several ordering options. The order number (Valid Combination) is formed by a combination of:

- a. Family Type
- b. Number of Array Inputs
- c. Feature
- d. Number of Flip-flops
- e. Speed
- f. Package Type
- g. Operating Conditions
- h. Optional Processing



Valid Combinations	
PLS30S16-40	PC, JC

#### Valid Combinations

The Valid Combinations table lists configurations planned to be supported in volume for this device. Consult the local AMD sales office to confirm availability of specific valid combinations, to check on newly released combinations, and to obtain additional data on AMD's standard military grade products.

Note: Marked with AMD logo.

**3**

## FUNCTIONAL DESCRIPTION

### State Machine Implementation

State machines contain conditional input logic, state memory and output generation logic. The PLS30S16 is built around a programmable AND/OR logic array which serves as both conditional input and output generation logic. 64 product or transition terms are found in the AND array. It is driven from several sources: 17 external inputs, 12 internal feedbacks from the state registers, and 2 complement terms.

All transition terms can include True, False, or Don't Care conditions of the controlling variables. The OR array merges one or more product terms to generate the desired logic functions for the output and state registers. This sharing of OR terms minimizes the overall logic required to implement complicated control functions. The two internal variables  $C_0 - C_1$  are known as the complement array terms, and can directly implement a default branch (the "else" branch) from any state. Two complement arrays allow the integration of two independent state machines.

### Inputs

The device inputs include the eight dedicated inputs  $I_1 - I_8$ , optionally registered inputs  $IR_1 - IR_4$ ,  $CLK_B$ , and I/O pins  $I/O_1 - I/O_4$ . All signals are complemented on-chip, allowing either true or complement versions in equations. If any input pin is not used, it should be tied to GND or  $V_{cc}$ .

Inputs  $IR_1 - IR_4$  have synchronizing D-type flip-flops to capture transient signals or eliminate potential register setup time violations. The flip-flop is a simple D-type that is loaded on the rising edge of  $CLK_0$  (Figure 1).  $CLK_0$  can be either polarity of either clock input, allowing the input register to be clocked on the opposite phase of the output register clock, or independently of the output register. Each flip-flop can be individually bypassed by programming the multiplexer fuse (SI).

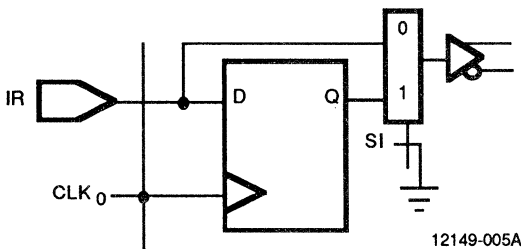


Figure 1a. Input Register

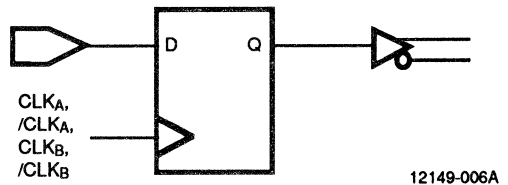


Figure 1b. Input Register Configuration; Registered Input (SI = 1)

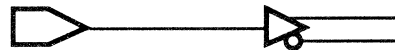


Figure 1c. Input Register Configuration; Combinatorial Input (SI = 0)

$CLK_B$  can be used as a standard array input if not needed as a clock input. If  $CLK_B$  is to be used both as a logic input and as a clock, great care should be taken to avoid setup time violations.

### S-R Flip-flops

The 16 state and output registers are implemented with rising-edge triggered, clocked S-R type flip-flops (Figure 2). The flip-flop goes HIGH after the clock edge if the S (Set) input is HIGH, and LOW if the R (Reset) input is HIGH. If neither input is HIGH, the flip-flop will retain its contents when clocked. This free "hold" state saves product terms. S and R may not be HIGH at the same time. The registers may change only on the LOW-to-HIGH transition of the clock input, which depends on the selection of the clock source.

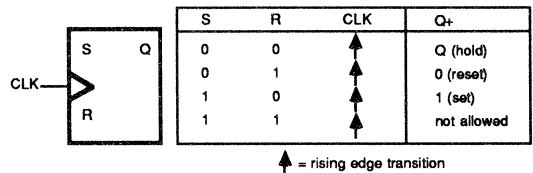


Figure 2. S-R Flip-flop Logic

## Typical Operation

The details of device operation may be illustrated by the simple state transition indicated in Figure 3. The state register initially contains 010 and will become 001 after the next clock. In order for this to occur, state bit Q0 must be set, state bit Q1 must be reset and state bit Q2 must hold its value. For the S-R type flip-flops, the equation fragments listed (in PALASM syntax) produce this result. The Q0.S and Q1.R product terms detect the bit pattern for the current state (010) and produce a logic one, setting Q0 and resetting Q1. All other terms evaluate to a zero, producing the transition to state 001.

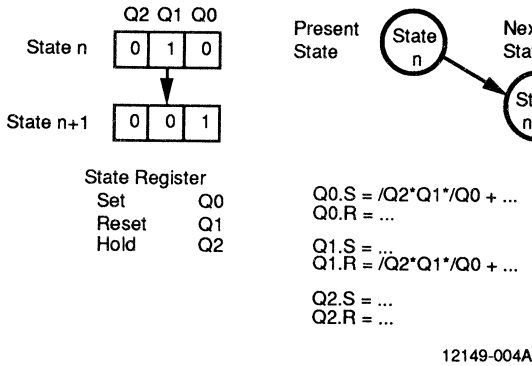


Figure 3. Typical State Transition

## Buried Registers

Q<sub>1</sub>–Q<sub>4</sub> are the four dedicated buried registers (Figure 4). They can be used as state bits, storing the current state and using feedback to the AND array to help determine the next state. All four flip-flops are clocked by CLK<sub>2</sub>, which can be either CLK<sub>A</sub> or CLK<sub>B</sub> according to the Clock Mux.

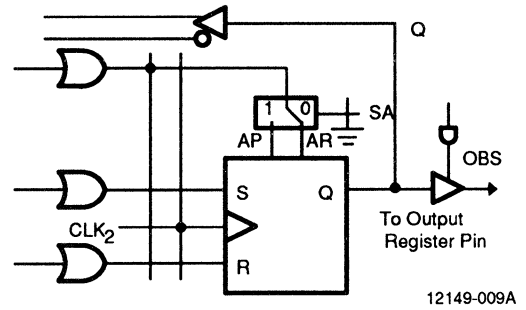


Figure 4. Buried Register

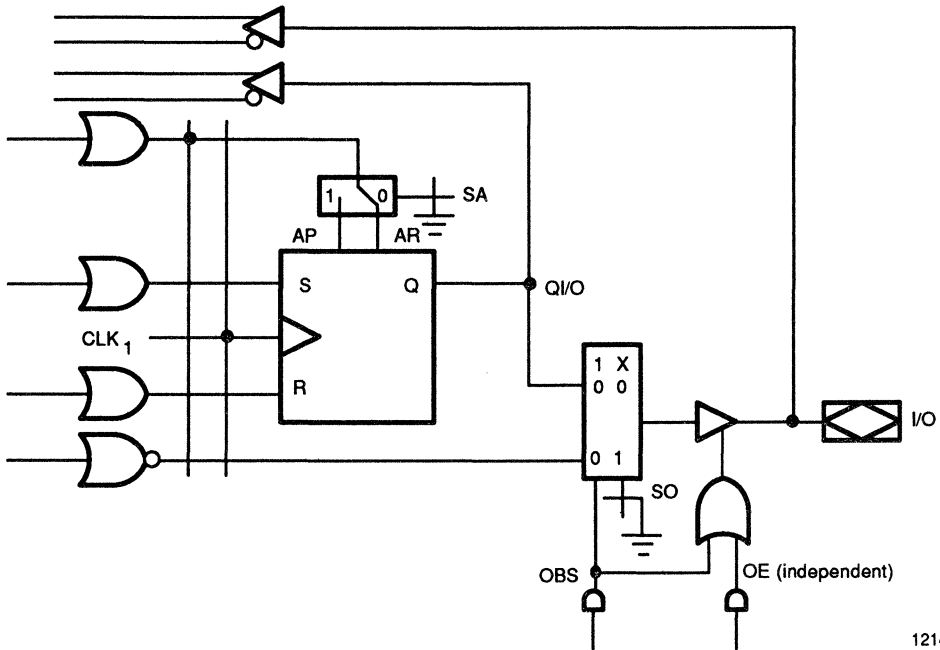
The buried registers Q<sub>1</sub>–Q<sub>4</sub> can be preloaded to any value (see "Register Preload"). Data to be preloaded is placed on pins I/O<sub>1</sub>–I/O<sub>4</sub>, pin 2 is raised to a supervoltage, and CLK<sub>B</sub> is raised. The value in the registers can be examined by Observability (see "Register Observability"). Observability mode is entered either by a supervoltage on pin 21 or assertion of the Observability product term. The data in the buried registers is then sent to output pins OR<sub>1</sub>–OR<sub>4</sub>.

The initialization logic shown, controlled by fuse SA, is discussed later for all registers.

## Dual-Feedback Macrocells

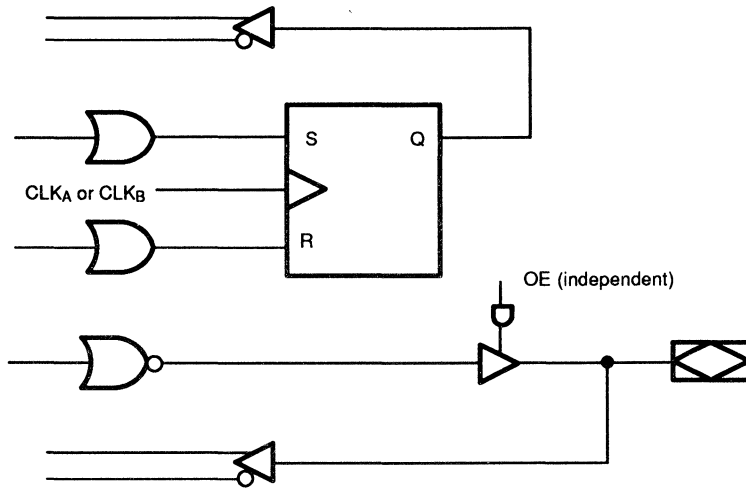
I/O<sub>1</sub>–I/O<sub>4</sub> are the four dual-feedback macrocells (Figure 5). Register bypass is controlled by fuse SO for each macrocell. Feedback from both the flip-flop and the pin allows the same macrocell to function as both a buried state register and a combinatorial I/O or dedicated input.

Note that the combinatorial path is fed by a separate NOR gate, allowing completely independent combinatorial and buried register functions. The buried register signals are named QI/O<sub>1</sub>–QI/O<sub>4</sub>. The flip-flops are clocked by CLK<sub>1</sub>, which can be either CLK<sub>A</sub> or CLK<sub>B</sub> according to the Clock Mux.



12149-010A

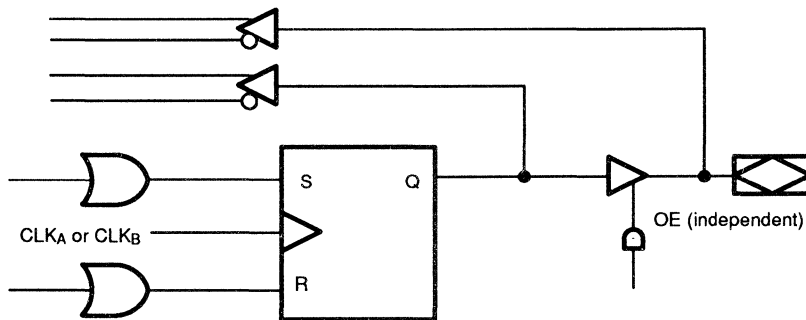
Figure 5a. Dual-Feedback Macrocell



12149-011A

Figure 5b. Dual-Feedback Macrocell Configuration;  
Buried Register and Combinatorial I/O

3



12149-012A

Figure 5c. Dual-Feedback Macrocell Configuration;  
Registered I/O

Each dual-feedback macrocell output has independent output enable control; the outputs  $I/O_1$ – $I/O_4$  are controlled by enable terms  $OE_1$ – $OE_4$ , respectively. With the output disabled, the pin can be used as an additional dedicated input. Dynamic enable control allows the pin to be connected to a bus.

The four flip-flops can be preloaded from the associated pins by raising pin 2 and clocking  $CLK_A$  (see "Register Preload"). The state of the flip-flops can be observed on the pins in Observability mode, even if buried (see "Register Observability").



## Single-Feedback Macrocells

Pins  $O_1$ – $O_4$  provide four additional state registers with either registered or combinatorial outputs (Figure 6). The combinatorial path is independent of the registered

path, allowing separate equations for the state bits and the combinatorial outputs. The flip-flops are clocked by the  $CLK_A$  input. Register bypass is controlled by fuse  $SO$  for each macrocell.

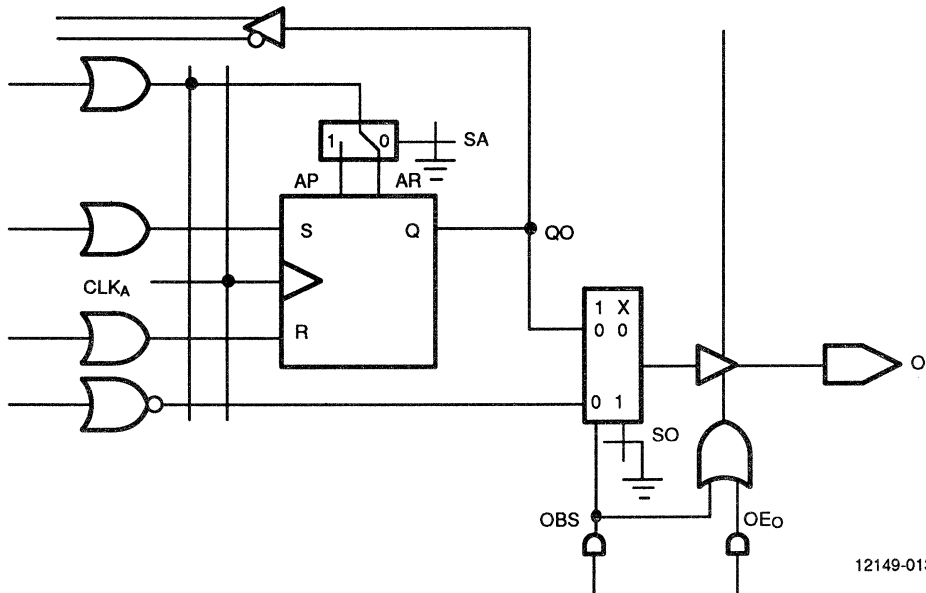
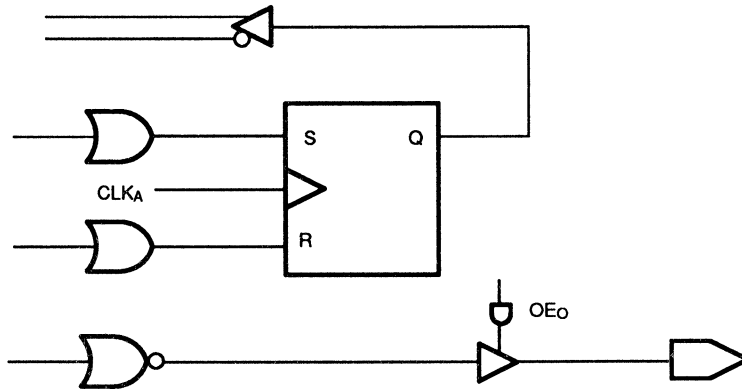
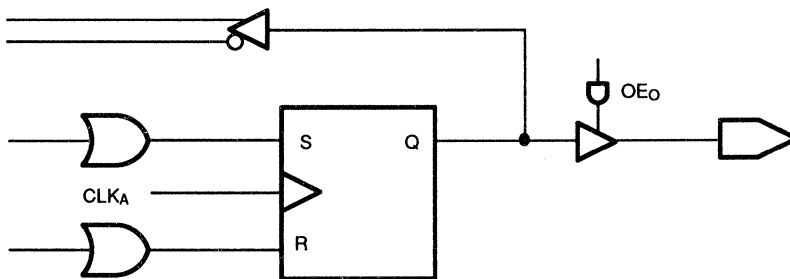


Figure 6a. Single-Feedback Macrocell



12149-014A

**Figure 6b. Single-Feedback Macrocell Configuration;  
Buried Register and Combinatorial Output**



12149-015A

**Figure 6c. Single-Feedback Macrocell Configuration;  
Registered Output with Feedback**

**3**

All four outputs are controlled by a common output enable term,  $OE_o$ . The enable allows connection to a bus.

The associated buried register signals  $QO_1$ – $QO_4$  can be preloaded or observed similarly to  $Q_1$ – $Q_4$  (see “Register Preload”).

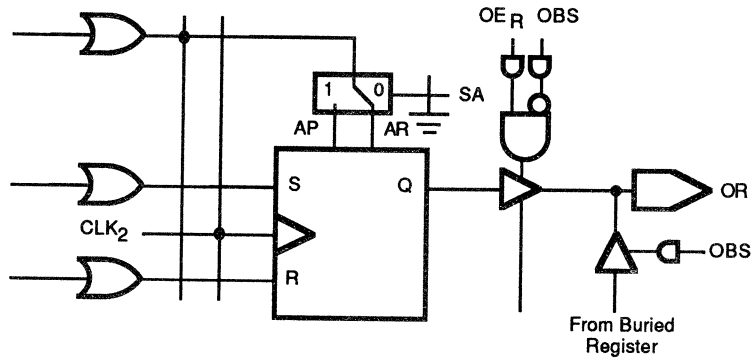


Figure 7. Output Register

12149-016A

### Output Registers

Pins  $OR_1$ – $OR_4$  are dedicated registered outputs (Figure 7). These four flip-flops are clocked on the rising edge of  $CLK_2$ , which can be either  $CLK_A$  or  $CLK_B$ .

The registered outputs are enabled by product term  $OE_R$ , allowing connection to a bus.

The register can be preloaded by placing the data on the pins, raising pin 2, and clocking  $CLK_B$  (see "Register Preload"). Observability is not necessary since the registers cannot be buried. During observability mode, the outputs are replaced with the buried register values  $Q_1$ – $Q_4$ .

### Clock Multiplexer

The clock multiplexer takes the two clock inputs  $CLK_A$  and  $CLK_B$  and creates four separate clocks for the five banks of flip-flops (Figure 8).  $CLK_0$  can be either polarity of  $CLK_A$  or  $CLK_B$ , and is used to clock the input register.  $CLK_1$  can be the rising edge of either clock input, and is used to clock the dual-feedback macrocell register ( $QI/O_1$ – $QI/O_4$ ).  $CLK_2$  also can be either  $CLK_A$  or  $CLK_B$  and is used to clock both the buried register  $Q_1$ – $Q_4$  and the output register  $OR_1$ – $OR_4$ .  $CLK_A$  is directly used to clock the single-feedback macrocell register  $QO_1$ – $QO_4$ . The source for each clock signal is independently controlled by the fuses in the clock mux,  $SC_1$ – $SC_4$  (Table 1).

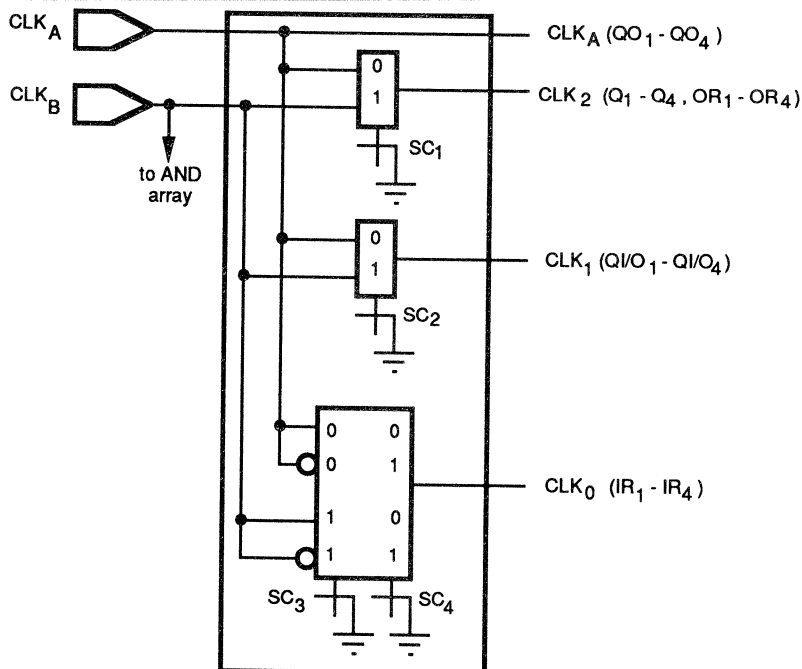


Figure 8. Clock Multiplexer

12149-017A

**Table 1. Clock Mux Logic**

SC <sub>1</sub>	SC <sub>2</sub>	SC <sub>3</sub>	SC <sub>4</sub>	CLK <sub>0</sub> (IR <sub>1</sub> –IR <sub>4</sub> )	CLK <sub>1</sub> (QI/O <sub>1</sub> –QI/O <sub>4</sub> )	CLK <sub>2</sub> (OR <sub>1</sub> –OR <sub>4</sub> , Q <sub>1</sub> –Q <sub>4</sub> )
0	0	X	X	CLK <sub>A</sub>		
0	1	X	X	/CLK <sub>A</sub>		
1	0	X	X	CLK <sub>B</sub>		
1	1	X	X	/CLK <sub>B</sub>		
X	X	0	X		CLK <sub>A</sub>	
X	X	1	X		CLK <sub>B</sub>	
X	X	X	0			CLK <sub>A</sub>
X	X	X	1			CLK <sub>B</sub>

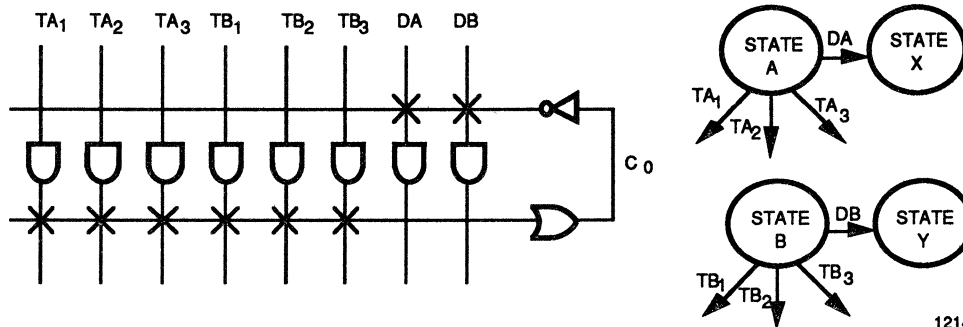
The two clock inputs and clock multiplexer allow two state machines in one device. CLK<sub>A</sub> can be used to clock one state machine consisting of at least QO<sub>1</sub>–QO<sub>4</sub> while the other state machine can consist of any of the other register groups. The two clock inputs also allow the input registers to be clocked independently of the output/buried registers if CLK<sub>0</sub> is made a function of CLK<sub>B</sub>, and CLK<sub>1</sub> and CLK<sub>2</sub> are tied to CLK<sub>A</sub>. The user-selectable polarity option on CLK<sub>0</sub> allows the input registers to be clocked on the opposite edge of the same clock input for the output/state registers.

**Output Enable**

All outputs of the device have three-state buffers. The I/O<sub>1</sub>–I/O<sub>4</sub> pins have individual OE product terms,

OE<sub>1</sub>–OE<sub>4</sub>, allowing the user to individually select the required number of outputs and inputs. The O<sub>1</sub>–O<sub>4</sub> registered or combinatorial outputs have a single OE product term for the bank, OE<sub>O</sub>. Registered outputs OR<sub>1</sub>–OR<sub>4</sub> are bank enabled by product term OE<sub>R</sub>.

Expansion to larger control functions can be accommodated by connecting several PLS devices to a control bus and selectively enabling them to each handle a segment of the control algorithm. Since the product terms are 0 when unprogrammed, all twelve outputs will be disabled in the unprogrammed state.



12149-018A

Figure 9. Complement Array - Implementing Default Transitions

### Complement Array Terms

The two complement array terms ( $C_0$ – $C_1$ ) are simply inverted feedback signals from the OR array to the AND array. The complement array can be used to conserve product terms, especially by implementing default transitions.

For local default transitions, or “else” branches, the input to the complement array term is connected to all of the potential transition product terms ( $TA_1$ – $TA_3$ ) from the given state (A) (Figure 9). When none of these terms is TRUE or HIGH, the  $C_0$  or  $C_1$  signal will be LOW and the inverted feedback will be HIGH. This feedback signal can be connected to a product term that implements the default transition (DA). Since the default product term can also be connected to the state bits that define the present state, the complement array term can be re-

used for every default transition. As a universal default term, the complement array term can be used as an illegal state recovery term. With two complement arrays, it is easier to define two state machines in one device.

### Logic Optimization

The flexibility of the programmable OR array allows two primary advantages over the architecture found in PAL<sup>®</sup> devices. First, no duplication of product terms is required, since the same product term can be part of multiple output equations. In effect, all 64 product terms are available for all equations. In addition, programmable polarity is not needed, since any equation can be DeMorganized to its opposite polarity. Note that registered outputs are active high with respect to the sum term, and combinatorial outputs are active low with respect to the sum term.

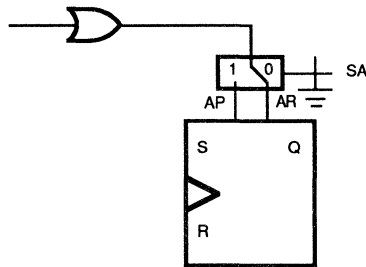


Figure 10a. Initialization

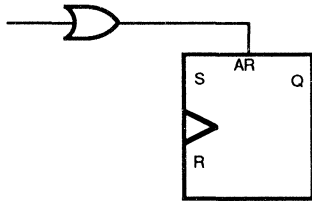


Figure 10b. Initialization;  
Asynchronous Reset (SA = 0)

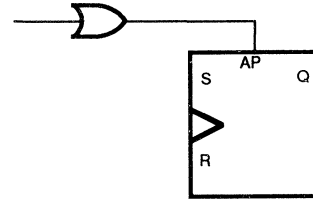


Figure 10c. Initialization;  
Asynchronous Preset (SA = 1)

## Initialization

Starting the state machine in a known state is facilitated by circuitry which unconditionally loads a value into each flip-flop using the asynchronous initialization function, provided by a sum term for each nibble of registers. Individual fuses for each flip-flop (SA) dictate this initial value, either LOW or HIGH (Figure 10). The initialization control can be thought of as a 1:2 demultiplexer that selects Asynchronous Reset (AR) in the unprogrammed state (SA = 0), and Asynchronous Preset (AP) when SA is programmed (SA = 1) (Table 2).

Table 2. Initialization Logic

SA	OR TERM	Q
X	0	Q
0	1	0
1	1	1

Synchronous transitions to the initial state can be made by a suitably programmed product term connected to the flip-flops' S or R inputs, as dictated by the state mapping. Whenever this input is active the machine will synchronously transition to the initial state, on the active edge of the appropriate clock signals.

The initialization terms should not be dependent on the I/O pins, since these signals change during preload and observability.

## Test Features

Testing of the PLS30S16 is enhanced by the dedicated hardware features of register preload and observability. Register preload allows use of an arbitrary test vector set to fully exercise all state transitions and guard against unreachable states and dead-lock loops. Observability provides visibility of the internal state register outputs when strobed by a supervoltage control signal or enabled by the observability product term.

The added features allow complete functional testing; AMD fully guarantees all AC specifications and timing margins.

## Register Preload

All registers on the PLS30S16 can be preloaded from the output pins to facilitate functional testing of complex state machine designs. This feature allows direct loading of arbitrary states, thereby making it unnecessary to cycle through long test vector sequences to reach a desired state. In addition, transitions from illegal states can be verified by loading illegal states and observing proper recovery.

The preload function provides for loading of macrocell registers QO<sub>1</sub>–QO<sub>4</sub> and QI/O<sub>1</sub>–QI/O<sub>4</sub> using CLK<sub>A</sub>, and input registers IR<sub>1</sub>–IR<sub>4</sub> and output registers OR<sub>1</sub>–OR<sub>4</sub> and the buried state registers Q<sub>1</sub>–Q<sub>4</sub> using CLK<sub>B</sub>. Data is placed on the pins associated with the register (buried

---

state registers are loaded using the pins associated with I/O<sub>1</sub>–I/O<sub>4</sub>), and the appropriate pin is clocked.

Preload mode is entered by placing a supervoltage signal on pin 2 (see “Register Preload”). All outputs immediately enter a high-impedance state. Data to be preloaded should be established on the appropriate pins and either CLK<sub>A</sub> or CLK<sub>B</sub> pulsed. Following this, data is removed (high-impedance state) and the preload supervoltage removed.

### Device Observability

In addition to the control offered by preload, testing requires observability of the internal state of the device following a sequence of vectors. The PLS30S16 offers an observability feature that allows the user to send the hidden buried register values to observable output pins.

The PLS30S16 observability can be activated either by a supervoltage level applied to pin 21 or by the OBS product term. The contents of buried registers QO<sub>1</sub>–QO<sub>4</sub>, QI/O<sub>1</sub>–QI/O<sub>4</sub> and Q<sub>1</sub>–Q<sub>4</sub> are placed on the output pins O<sub>1</sub>–O<sub>4</sub>, I/O<sub>1</sub>–I/O<sub>4</sub>, and OR<sub>1</sub>–OR<sub>4</sub>, respectively (see “Register Observability”).

For macrocells that are configured as combinatorial, the observability product term suppresses the selection of the combinatorial output by asserting the macrocell output mux into registered output mode. The observability product term allows the observation of the associated registers by overriding the output enable term and enabling the output buffer.

Note that when the register contents are directed to the pins I/O<sub>1</sub>–I/O<sub>4</sub>, the signals on the pins fed back to the array can change value. If this happens to satisfy the logic

terms associated with device initialization, the contents of some flip-flops may change state. The user is cautioned against using initialization terms involving I/O<sub>1</sub>–I/O<sub>4</sub> when device observability is desired.

### Security Fuse

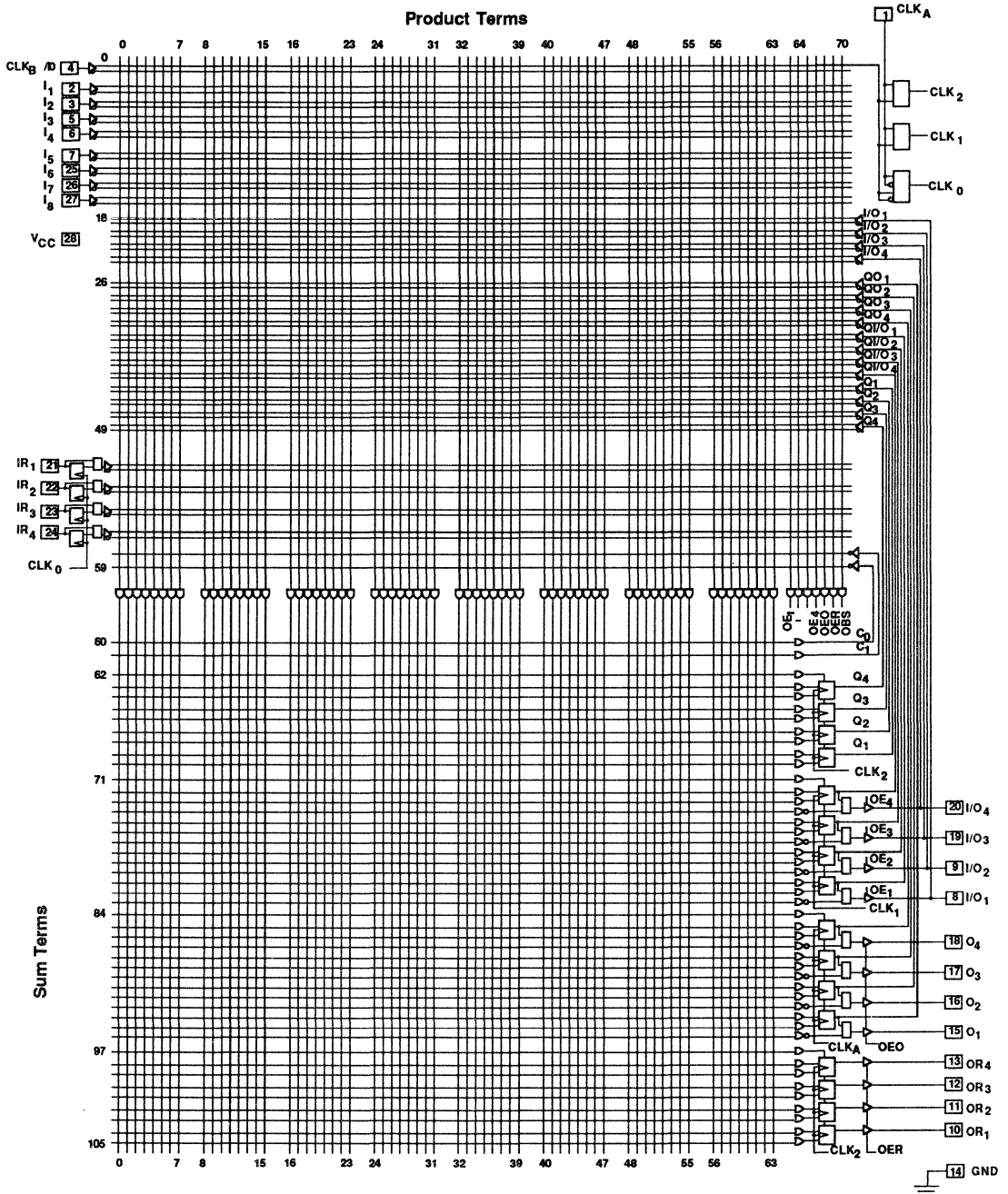
One security fuse in the PLS30S16 is provided to hide proprietary designs from examination by competitors. The security fuse, when programmed, blocks reading of the fuse array, preloading of the registers, and both supervoltage and product-term controlled observability of buried registers. The security fuse is verified by verifying the array as if every fuse were programmed. This security feature gives the user a proprietary circuit which is very difficult to copy.

### Technology

The PLS30S16 utilizes AMD’s oxide-isolated IMOX™ process for the highest speed. The fuses are composed of proven Platinum-Silicide (PtSi) for high programming yields and high reliability. On-chip test fuses and test circuitry allow factory testing of programmability and all DC and switching characteristics.

Fuses are connected in the unprogrammed state and selectively disconnected during programming. AND gates with all inputs connected are permanently LOW while OR gates with all inputs connected are permanently HIGH. A disconnected fuse floats to a logic one in the AND array and a zero in the OR array. AND gates with all inputs disconnected are permanently HIGH while OR gates with all inputs disconnected are permanently LOW.

# LOGIC DIAGRAM



3

- NOTES:**
1. All AND gate inputs with a programmed fuse float to a logic "1"
  2. All OR gate inputs with a programmed fuse float to a logic "0"

12149-020A



## ABSOLUTE MAXIMUM RATINGS

Storage Temperature	-65°C to +150°C
Ambient Temperature with Power Applied	-55°C to +125°C
Supply Voltage with Respect to Ground	-0.5 V to +7.0 V
DC Input Voltage	-1.2 V to $V_{CC} + 0.5$ V
DC Output or I/O Pin Voltage	-0.5 V to $V_{CC} + 0.5$ V
Static Discharge Voltage	2001 V

Stresses above those listed under Absolute Maximum Ratings may cause permanent device failure. Functionality at or above these limits is not implied. Exposure to Absolute Maximum Ratings for extended periods may affect device reliability. Programming conditions may differ.

## OPERATING RANGES

### Commercial (C) Devices

Ambient Temperature ( $T_A$ )	Operating in Free Air	0°C to +75°C
Supply Voltage ( $V_{CC}$ ) with Respect to Ground		+4.75 V to +5.25 V

Operating Ranges define those limits between which the functionality of the device is guaranteed.

## DC CHARACTERISTICS over COMMERCIAL operating ranges unless otherwise specified

Parameter Symbol	Parameter Description	Test Conditions	Min.	Max.	Unit
$V_{OH}$	Output HIGH Voltage	$I_{OH} = -3.2$ mA $V_{IN} = V_{IH}$ or $V_{IL}$ , $V_{CC} = \text{Min.}$	2.4		V
$V_{OL}$	Output LOW Voltage	$I_{OL} = 16$ mA $V_{IN} = V_{IH}$ or $V_{IL}$ , $V_{CC} = \text{Min.}$		0.5	V
$V_{IH}$	Input HIGH Voltage	Guaranteed Input Logical HIGH Voltage for all Inputs (Note 1)	2.0		V
$V_{IL}$	Input LOW Voltage	Guaranteed Input Logical LOW Voltage for all Inputs (Note 1)		0.8	V
$V_I$	Input Clamp Voltage	$I_{IN} = -18$ mA, $V_{CC} = \text{Min.}$		-1.2	V
$I_{IH}$	Input HIGH Current	$V_{IN} = 2.7$ V, $V_{CC} = \text{Max.}$ (Note 2)		25	$\mu$ A
$I_{IL}$	Input LOW Current	$V_{IN} = 0.4$ V, $V_{CC} = \text{Max.}$ (Note 2)		-250	$\mu$ A
$I_I$	Maximum Input Current	$V_{IN} = 5.5$ V, $V_{CC} = \text{Max.}$		1	mA
$I_{OZH}$	Off-State Output Leakage Current HIGH	$V_{OUT} = 2.7$ V, $V_{CC} = \text{Max.}$ , $V_{IN} = V_{IL}$ or $V_{IH}$ (Note 2)		100	$\mu$ A
$I_{OZL}$	Off-State Output Leakage Current LOW	$V_{OUT} = 0.4$ V, $V_{CC} = \text{Max.}$ , $V_{IN} = V_{IL}$ or $V_{IH}$ (Note 2)		-100	$\mu$ A
$I_{SC}$	Output Short-Circuit Current	$V_{OUT} = 0.5$ V, $V_{CC} = \text{Max.}$ (Note 3)	-30	-130	mA
$I_{CC}$	Supply Current	$V_{IN} = 0$ V, Outputs Open ( $I_{OUT} = 0$ mA), $V_{CC} = \text{Max.}$		225	mA

### Notes:

1. These are absolute values with respect to the device ground and all overshoots due to system and/or tester noise are included.
2. I/O pin leakage is the worst case of  $I_{IL}$  and  $I_{OZL}$  (or  $I_{IH}$  and  $I_{OZH}$ ).
3. Not more than one output should be tested at a time. Duration of the short-circuit test should not exceed one second.  $V_{OUT} = 0.5$  V has been chosen to avoid test problems caused by tester ground degradation.

## CAPACITANCE (Note 1)

Parameter Symbol	Parameter Description	Test Conditions		Typ.	Unit
C <sub>IN</sub>	Input Capacitance	V <sub>IN</sub> = 2.0 V	V <sub>CC</sub> = 5.0 V, T <sub>A</sub> = +25°C, f = 1 MHz	5	pF
C <sub>OUT</sub>	Output Capacitance	V <sub>OUT</sub> = 2.0 V		8	

**Note:**

1. These parameters are not 100% tested, but are evaluated at initial characterization and at any time the design is modified where capacitance may be affected.

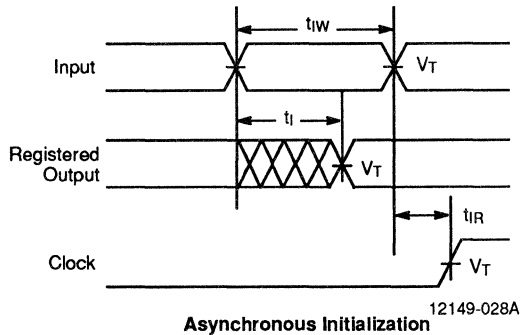
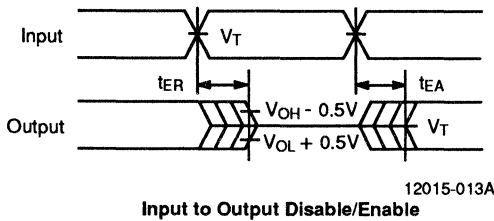
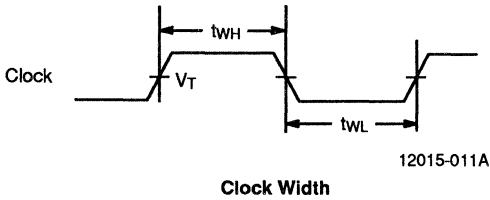
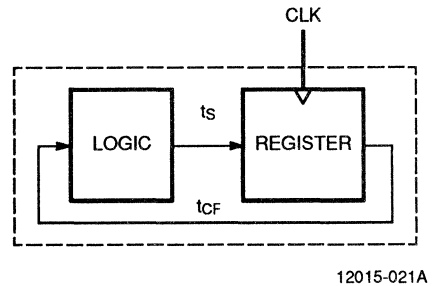
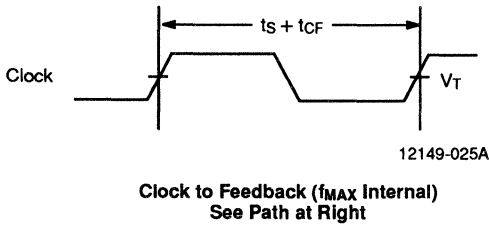
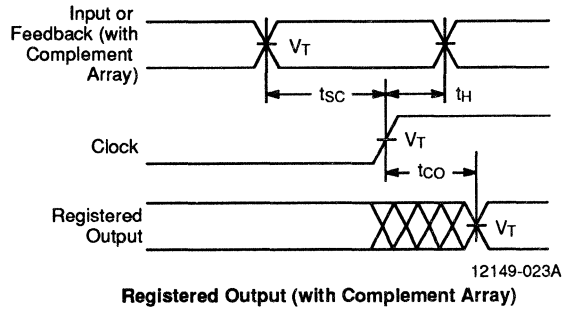
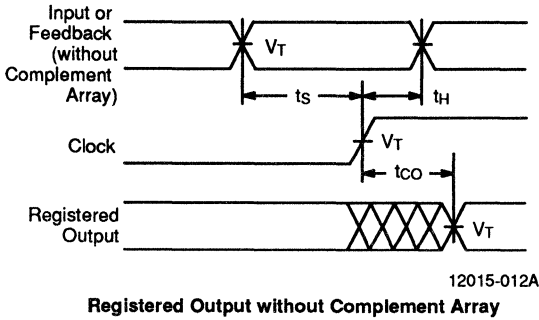
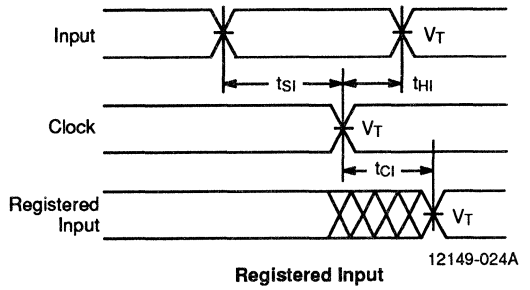
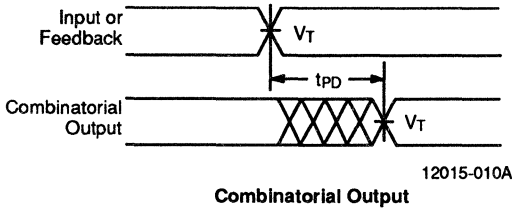
## SWITCHING CHARACTERISTICS over COMMERCIAL operating ranges (Note 2)

Parameter Symbol	Parameter Description		Min.	Max.	Unit	
t <sub>PD</sub>	Input or Feedback to Combinatorial Output			20	ns	
t <sub>s</sub>	Setup Time from Input or Feedback to Clock	Without Complement Array	15		ns	
t <sub>sc</sub>	Setup Time from Input or Feedback to Clock	With Complement Array (Note 3)	30		ns	
t <sub>SI</sub>	Setup Time from Input to Clock (Input Register)		3		ns	
t <sub>H</sub>	Hold Time		0		ns	
t <sub>HI</sub>	Hold Time (Input Register)		2		ns	
t <sub>CO</sub>	Clock to Output			10	ns	
t <sub>CF</sub>	Clock to Feedback (Note 4)			5	ns	
t <sub>CI</sub>	Clock to Input (Input Register)			5	ns	
t <sub>I</sub>	Asynchronous Initialize to Registered Output			25	ns	
t <sub>IW</sub>	Asynchronous Initialize Width		20		ns	
t <sub>IR</sub>	Asynchronous Initialize Recovery Time		20		ns	
t <sub>WL</sub>	Clock Width	LOW	10		ns	
t <sub>WH</sub>		HIGH	10		ns	
f <sub>MAX</sub>	Maximum Frequency (Note 5)	External Feedback	Without Complement Array	1/(t <sub>s</sub> + t <sub>CO</sub> )	40	MHz
		Internal Feedback		1/(t <sub>s</sub> + t <sub>CF</sub> )	50	MHz
f <sub>MAXC</sub>		External Feedback	With Complement Array	1/(t <sub>sc</sub> + t <sub>CO</sub> )	25	MHz
		Internal Feedback		1/(t <sub>sc</sub> + t <sub>CF</sub> )	28.5	MHz
t <sub>EA</sub>	Input to Output Enable			20	ns	
t <sub>ER</sub>	Input to Output Disable			20	ns	

**Notes:**

2. See Switching Test Circuit for test conditions.
3. Add 15 ns to any path for complement array.
4. Calculated from measured f<sub>MAX</sub> internal.
5. These parameters are not 100% tested, but are calculated at initial characterization and at any time the design is modified where frequency may be affected.

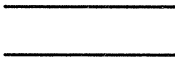



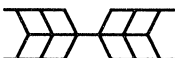
# SWITCHING WAVEFORMS



## Notes:

1.  $V_T = 1.5\text{ V}$
2. Input pulse amplitude 0 V to 3.0 V.
3. Input rise and fall times 2–5 ns typical.

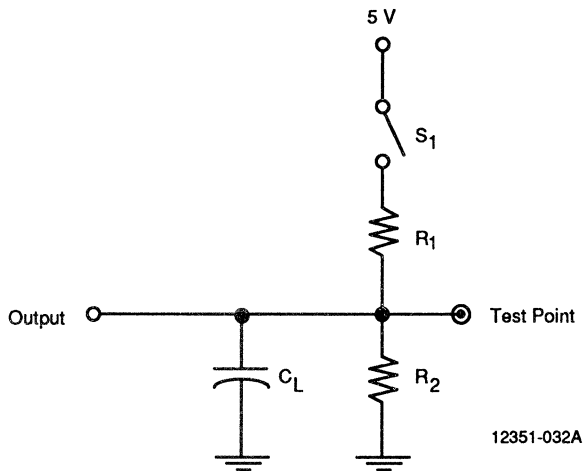
## KEY TO SWITCHING WAVEFORMS

WAVEFORM	INPUTS	OUTPUTS
	Must be Steady	Will be Steady
	May Change from H to L	Will be Changing from H to L
	May Change from L to H	Will be Changing from L to H
	Don't Care; Any Change Permitted	Changing, State Unknown
	Does Not Apply	Center Line is High-Impedance "Off" State

KS000010-PAL

## SWITCHING TEST CIRCUIT

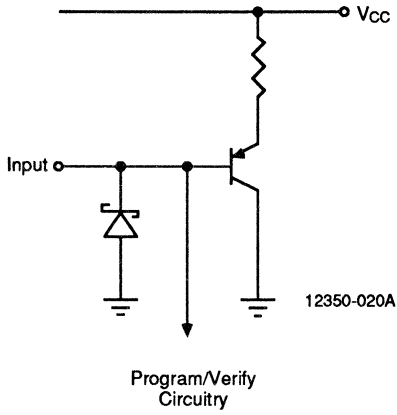
3



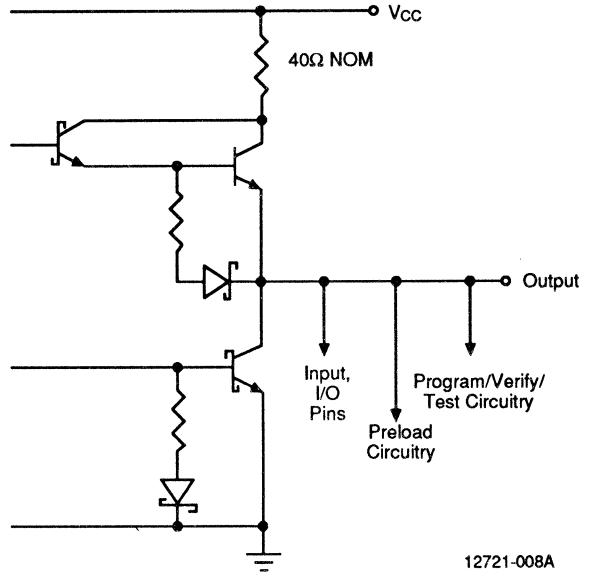
Specification	Switch $S_1$	$C_L$	$R_1$	$R_2$	Measured Output Value
$t_{PD}, t_{CO}, t_{CF}$	Closed	50 pF	300 $\Omega$	390 $\Omega$	1.5 V
$t_{EA}$	Z $\rightarrow$ H: Open Z $\rightarrow$ L: Closed				1.5 V
$t_{ER}$	H $\rightarrow$ Z: Open L $\rightarrow$ Z: Closed	5 pF			H $\rightarrow$ Z: $V_{OH} - 0.5$ V L $\rightarrow$ Z: $V_{OL} + 0.5$ V

# INPUT/OUTPUT EQUIVALENT SCHEMATICS

Typical Input



Typical Output



## REGISTER PRELOAD

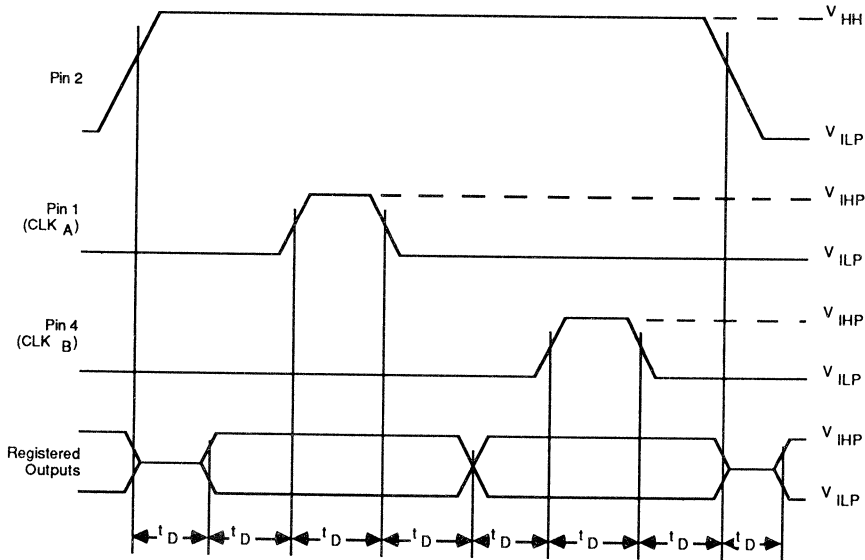
The Preload function allows the registers to be loaded from the output pins. This feature aids functional testing of sequential designs by allowing direct setting of output states. The procedure for preloading follows.

1. Raise  $V_{CC}$  to  $5.0\text{ V} \pm 0.5\text{ V}$ .
2. Raise pin 2 to  $V_{HH}$  (11 V) to disable outputs.
3. Apply the desired value ( $V_{ILP}/V_{IHP}$ ) to outputs. Note that a preloaded HIGH will set the flip-flop HIGH.
4. Pulse the appropriate pin (pin 1 or 4) from  $V_{ILP}$  to  $V_{IHP}$  to  $V_{ILP}$ .
5. Repeat steps 3 and 4 for second set of flip-flops.
6. Remove  $V_{ILP}/V_{IHP}$  from all outputs.
7. Lower pin 2 to  $V_{ILP}$ .
8. Enable outputs per programmed pattern.
9. Verify for  $V_{OL}/V_{OH}$  at all output pins.

Parameter Symbol	Parameter Description	Min.	Rec.	Max.	Unit
$V_{HH}$	Super-level input voltage	10	11	12	V
$V_{ILP}$	Low-level input voltage	0	0.3	0.5	V
$V_{IHP}$	High-level input voltage	2.4	5.0	5.5	V
$V_{CCH}$	Supply voltage during preload	4.5	5.0	5.5	V
$t_D$	Delay time	0.1	1	15	ms

Register to Preload	Data Input	CLKA	CLKB
$Q1/O1-Q4/O4$	$I/O1-I/O4$		L
$QO1-QO4$	$O1-O4$		L
$OR1-OR4$	$OR1-OR4$	L	
$Q1-Q4$	$I/O1-I/O4$	L	
$IR1-IR4$	$IR1-IR4$	L	

3



12149-032A

Preload Waveform

## REGISTER OBSERVABILITY

The Observability function allows the registers to be viewed at the output pins. This feature aids functional testing of sequential designs by allowing direct observation of register states.

During observability, pins 1 and 4 (the clock pins) should remain LOW. If either pin goes HIGH, the registers will be clocked and the previous data may be lost. As long as these pins remain LOW and asynchronous initialization is not asserted, the data in the registers will not change during Observability. Note that when register data is

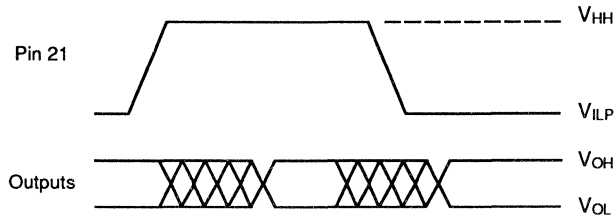
sent to pins I/O<sub>1</sub>–I/O<sub>4</sub>, the data will also affect the pin feedback. Care must be taken that this does not assert asynchronous initialization.

The procedure for observability follows.

1. Raise pin 21 to V<sub>HH</sub> (11 V), or assert Observability term OBS per programmed pattern.
2. Register values will be sent to appropriate outputs.
3. Lower pin 21 or remove OBS term.

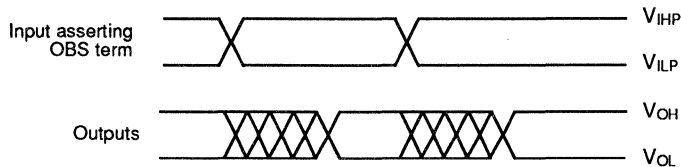
Parameter Symbol	Parameter Description	Min.	Rec.	Max.	Unit
V <sub>HH</sub>	Super-level input voltage	10	11	12	V
V <sub>ILP</sub>	Low-level input voltage	0	0.3	0.5	V
V <sub>IHP</sub>	High-level input voltage	2.4	5.0	5.5	V

Register to Observe	Data Output
QI/O <sub>1</sub> –QI/O <sub>4</sub>	I/O <sub>1</sub> –I/O <sub>4</sub>
QO <sub>1</sub> –QO <sub>4</sub>	O <sub>1</sub> –O <sub>4</sub>
Q <sub>1</sub> –Q <sub>4</sub>	OR <sub>1</sub> –OR <sub>4</sub>



12149-033A

### Supervoltage Observability



### Product Term Observability

12149-034A



# Am29CPL151H-25/33

## CMOS 64-Word Field-Programmable Controller (FPC)

### DISTINCTIVE CHARACTERISTICS

- Implements complex state machines
- High-speed, low-power CMOS EPROM technology
- Functionally equivalent to the bipolar Am29PL141
- Seven conditional inputs (each can be registered as a programmable option), 16 outputs
- Up to 33-MHz maximum frequency
- 64-word by 32-bit CMOS EPROM
- Space-saving 28-pin OTP plastic SKINNYDIP® and PLCC packages and windowed ceramic SKINNYDIP package
- 29 instructions
  - Conditional branching, conditional looping, conditional subroutine call, multiway branch

### GENERAL DESCRIPTION

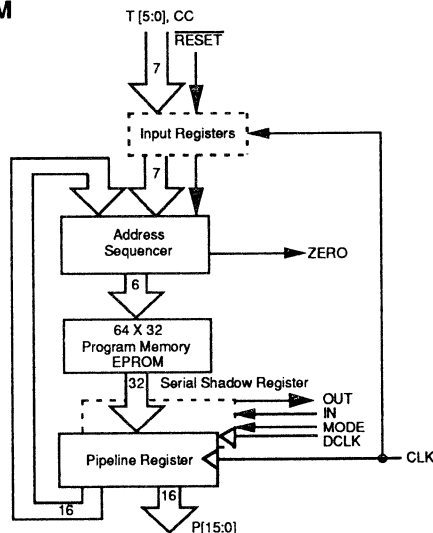
The Am29CPL151 is a CMOS, single-chip Field Programmable Controller (FPC). It allows implementation of complex state machines and controllers by programming the appropriate sequence of instructions. Jumps, loops, and subroutine calls, conditionally executed based on the test inputs, provide the designer with powerful control flow primitives.

Intelligent control may be distributed throughout the system by using FPCs to control various self-contained functional units, such as register file/ALU, I/O, interrupt, diagnostic, and bus control units. An address sequencer, the heart of the FPC, provides the address to an internal 64-word by 32-bit EPROM.

The Am29CPL151 is functionally equivalent to the Am29PL141 but is manufactured in CMOS technology and offers a space-saving 300-mil SKINNYDIP package. A pin-compatible larger FPC is offered as the Am29CPL154 with a deeper 512 x 36 memory and added flexibility.

This UV-erasable and reprogrammable device utilizes proven floating-gate CMOS EPROM technology to ensure high reliability, easy programming, and better than 99.9% programming yields. The Am29CPL151 is offered in both windowed and One-Time Programmable (OTP) packages. OTP plastic SKINNYDIP and PLCC devices are ideal for volume production.

### SIMPLIFIED BLOCK DIAGRAM



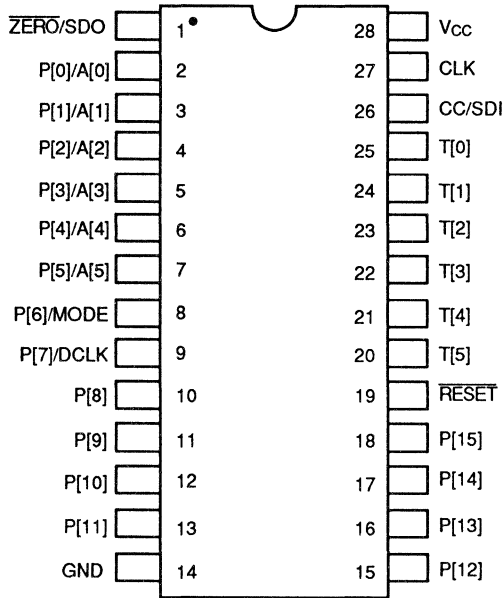
10135-001B



# CONNECTION DIAGRAMS

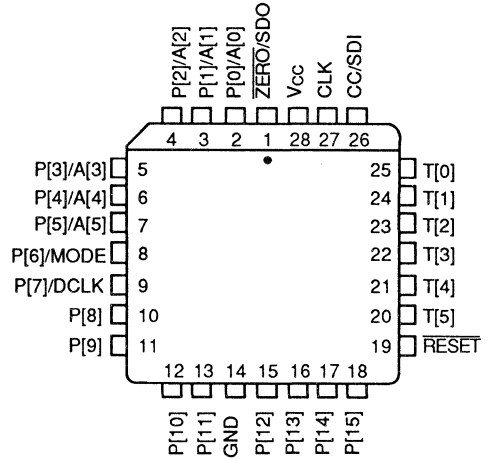
## Top View

**SKINNYDIP**



10135-002B

**PLCC/LCC**



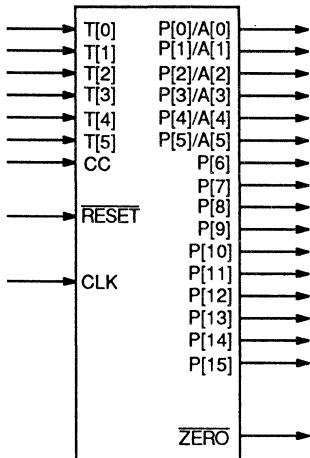
10135-003B

**Note:**

Pin 1 is marked for orientation.

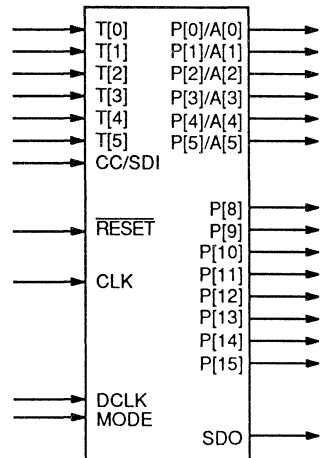
## LOGIC SYMBOLS

**Normal Configuration**



10135-004A

**SSR<sup>®</sup> Diagnostics Configuration**



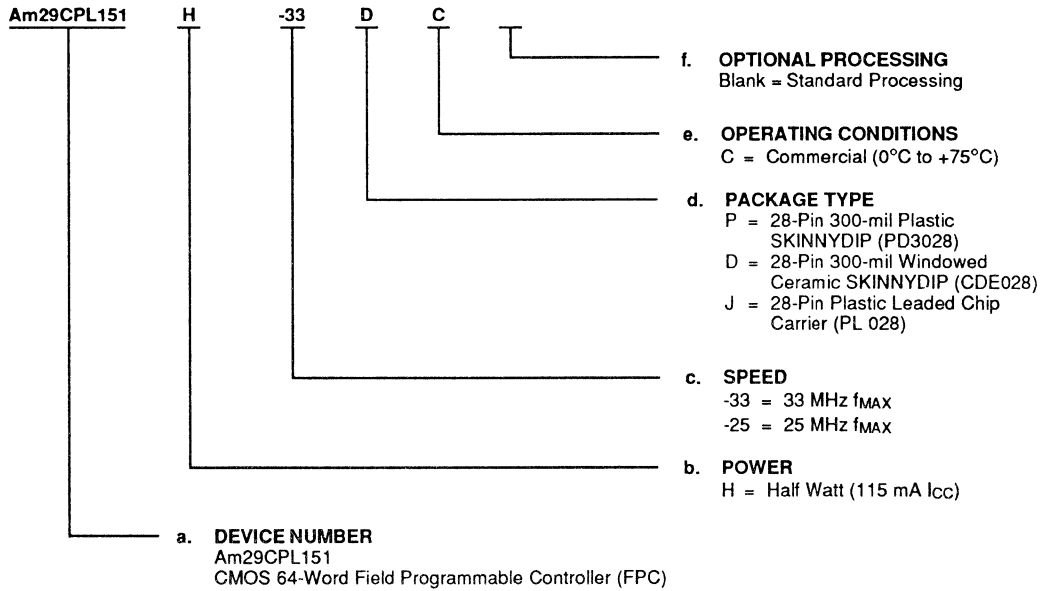
10135-005A

## ORDERING INFORMATION

### Commercial Products

AMD products for commercial applications are available with several ordering options. The order number (Valid Combination) is formed by a combination of:

- a. Device Number
- b. Power
- c. Speed
- d. Package Type
- e. Operating Conditions
- f. Optional Processing



**3**

Valid Combinations	
Am29CPL151H-33	PC, DC, JC
Am29CPL151H-25	

#### Valid Combinations

The Valid Combinations table lists configurations planned to be supported in volume for this device. Consult the local AMD sales office to confirm availability of specific valid combinations, and to check on newly released combinations.

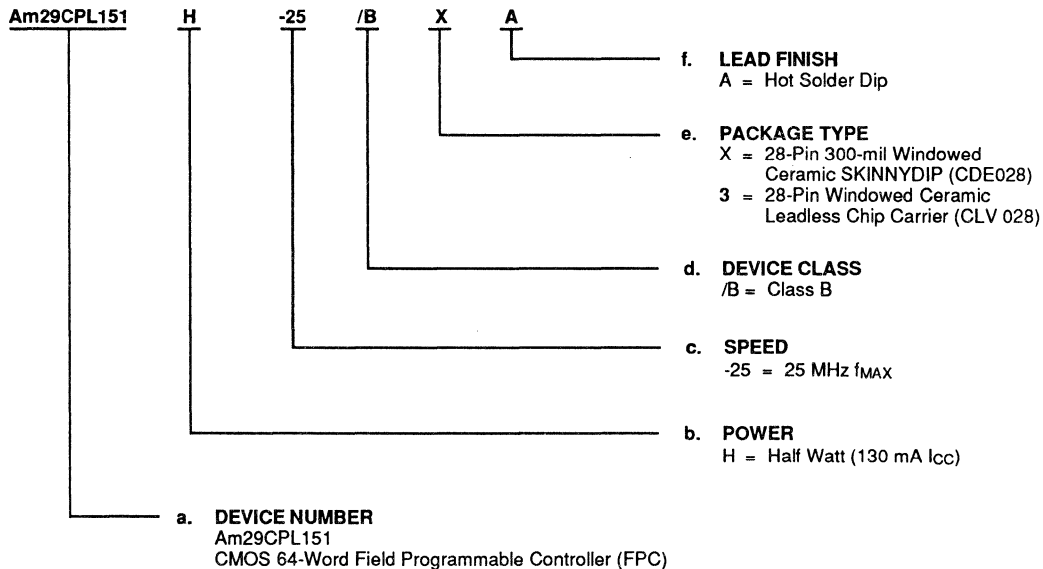
Note: Marked with AMD logo.

## ORDERING INFORMATION

### APL Products

AMD products for Aerospace and Defense applications are available with several ordering options. APL (Approved Products List) products are fully compliant with MIL-STD-883 requirements. The order number (Valid Combination) is formed by a combination of:

- a. Device Number
- b. Power
- c. Speed
- d. Device Class
- e. Package Type
- f. Lead Finish



Valid Combinations	
Am29CPL151H-25	/BXA, /B3A

#### Valid Combinations

The Valid Combinations table lists configurations planned to be supported in volume for this device. Consult the local AMD sales office to confirm availability of specific valid combinations, and to check on newly released combinations.

Note: Marked with AMD logo.

#### Group A Tests

Group A tests consists of Subgroups 1, 2, 3, 7, 8, 9, 10, 11.

---

## PIN DESCRIPTION

### CC [SDI]

#### Optionally Registered Condition Code Test Input

When the TEST (P[24:22]) field of the executing instruction is set to 6 (binary 110), CC is selected to be the conditional input. In SSR diagnostic configuration, CC is also the Serial Data Input (SDI). An EPROM bit associated with this input may be programmed to make this input a registered input. The default state of this input is unregistered.

### CLK

#### Clock Input

The rising edge of the clock latches the program counter, count register (CREG), subroutine register (SREG), pipeline register, and EQ flag. The rising edge of the clock also latches the test input registers, CC register, and the RESET register if their respective configuration bits are set to enable internal synchronizing registers.

### P[15:8]

#### Outputs

The upper eight general-purpose control outputs are enabled by the OE signal from the pipeline register. When OE is HIGH, P[15:8] are enabled, and when LOW, P[15:8] are disabled.

### P[7:6], P[5:0]/A[5:0] [DCLK, MODE]

#### Outputs

The lower eight general-purpose control outputs are permanently enabled. In the SSR diagnostic configuration, P[7] becomes the diagnostic clock input DCLK and P[6] becomes the diagnostic control input MODE. In expand mode (when the EXP bit is programmed) bits P[5:0] become the Program Memory address outputs A[5:0].

### RESET

#### Optionally Registered $\overline{\text{Reset}}$ Input; Active LOW

When the reset input is LOW, the output of the PC MUX is forced to the uppermost program address (63). On the next rising edge of the clock, this address (63) is loaded into the program counter; the instruction at location 63 is loaded into the pipeline register, and the EQ flag is cleared. A programmable configuration bit allows the option of making this a registered input. If  $\overline{\text{RESET}}$  is internally registered, the first rising edge of the clock latches it. On the next rising edge of the clock, the EQ flip-flop is cleared and the contents of memory location 63 are loaded into the pipeline register. The default state of this input is unregistered.

### T[5:0]

#### Optionally Registered Test Inputs

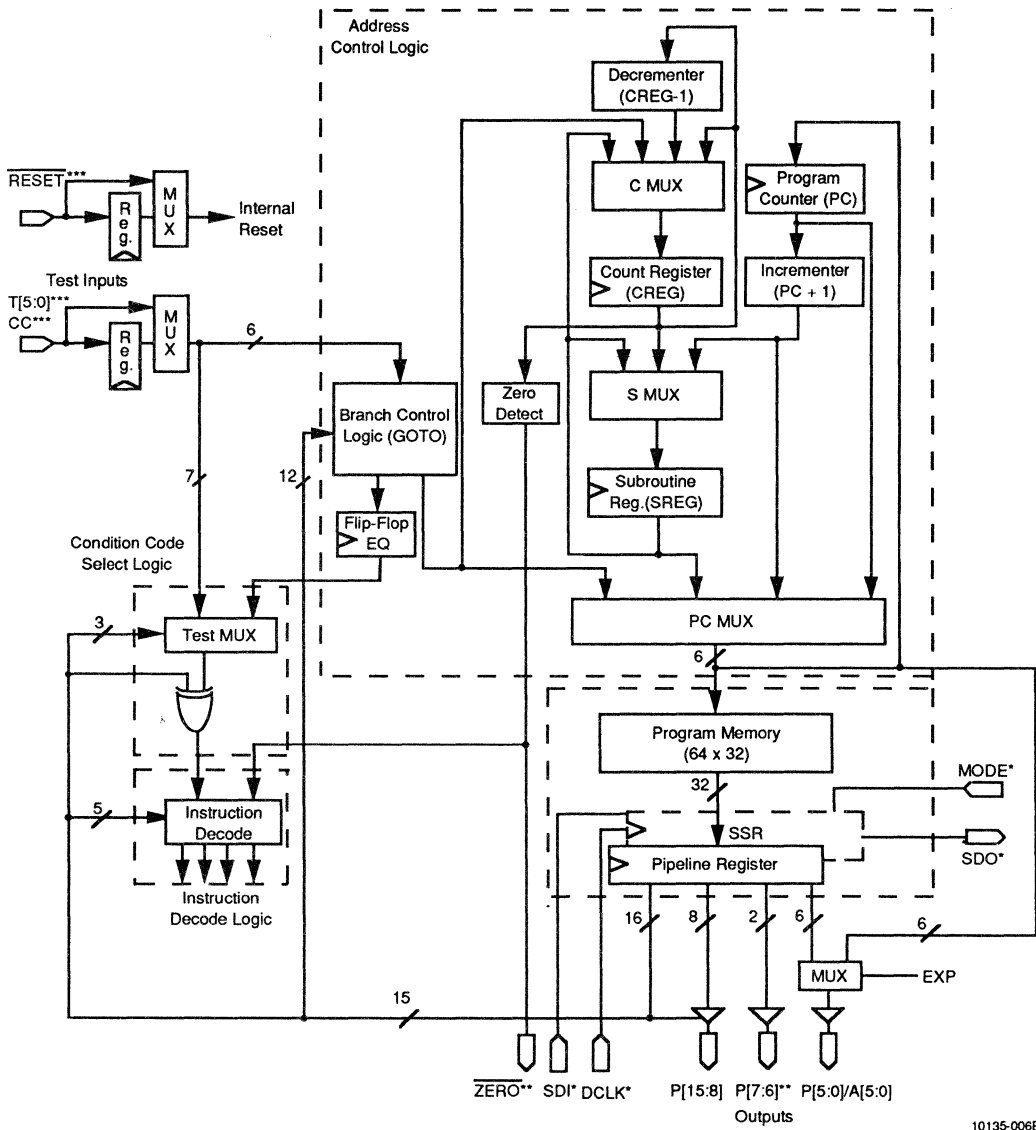
In conditional instructions, the TEST inputs can be used as individual condition codes selected by the TEST field in the pipeline register. The T[5:0] inputs can also be used as a branch address when performing a program branch or as a count value to be loaded into the CREG. Each of these inputs has an EPROM bit associated with it. This bit may be programmed such that the corresponding input becomes a registered input. The default state of these inputs is unregistered.

### $\overline{\text{ZERO}}$ [SDO]

#### Zero Output; Active LOW

A LOW state on the  $\overline{\text{ZERO}}$  output indicates that the CREG value is zero. In the SSR diagnostic configuration,  $\overline{\text{ZERO}}$  becomes the Serial Data Output (SDO). This change is only on the output pin; internally, the zero-detect function is unchanged.





10135-006B

\* These pins available only in SSR mode.  
 \*\* These pins available only in normal mode.  
 \*\*\* Each of the T[5:0], RESET, and CC inputs can be individually registered or left unregistered as a programmable option.

10135-006B

Figure 1. Am29CPL151 Detailed Block Diagram

## FUNCTIONAL DESCRIPTION

Figure 1, the detailed block diagram of the Am29CPL151, shows logic blocks and interconnecting buses that permit parallel performance of different operations in a single instruction. The FPC consists of four main logic blocks: the program memory, address control logic, condition code selection logic, and instruction decode. A fifth optional block is the Serial Shadow Register (SSR).

The program memory contains the user-defined instruction flow and output sequence. The address control logic addresses the program memory. This control logic supports high-level instruction functions including conditional branches, subroutine calls and returns, loops, and multiway branches. The condition code selection logic selects the condition code input to be tested when a conditional instruction is executed. The polarity of the selected condition code input is controlled by the POL bit in the microword. The instruction decode generates the control signals necessary to perform the instruction specified by the instruction part (P[31:16]) of the microword. The SSR enables in-system testing to isolate problems down to the IC level.

### Program Memory

The FPC program memory is a 64-word by 32-bit EPROM with a 32-bit pipeline register at its output. The

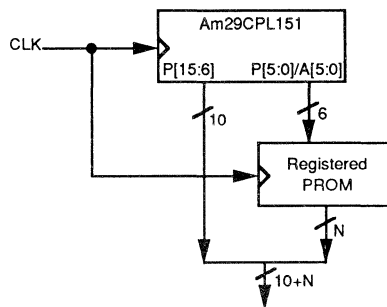
upper 16 bits (P[31:16]) of the pipeline register are internal to the FPC and form the instruction to control address sequencing. The format for instructions is: a one-bit synchronous Output Enable OE, a five-bit OPCODE, a one-bit test polarity select POL, a three-bit TEST condition select field, and a six-bit immediate DATA field. The DATA field is used to provide branch addresses, test input masks, and counter values.

The lower 16 bits (P[15:0]) of the pipeline register are brought out as user-defined, general-purpose control outputs. The upper eight control outputs (P[15:8]) are disabled when OE is programmed as a LOW. The lower eight control bits (P[7:0]) are always enabled. Outputs P[5:0] will contain the next instruction address when the optional EXP EPROM cell is programmed.

### Controlling External PROM

By programming the EXP bit, PC MUX is output over pins P[5:0]/A[5:0]. This feature can be used to extend the width of the output control word when external registered memories are used. In the diagram below, the Am29CPL151 controls external registered PROMs to provide an output control word (10 + N) bits wide (where N is the bit width of the PROMs).

3



10135-038B

Figure 2. Controlling External PROM

---

## Address Control Logic

The address control logic consists of five smaller logic blocks. These are:

PC MUX	–Program counter multiplexer
P CNTR	–Program counter (PC) and incremter (PC + 1)
SUBREG	–Subroutine register (SREG) with subroutine mux (S MUX)
CNTR	–Count register (CREG) with counter mux (C MUX), decremter (CREG–1), and zero detect
GOTO	–Specialized branch control logic

The PC MUX is a six-bit, four-to-one multiplexer. It selects either the PC, PC + 1, SREG, or GOTO output as the next microaddress input to the Program Memory and to the PC. The PC thus always contains the address of the instruction in the pipeline register. During a Reset, the PC MUX output is forced to all ones, selecting location 63 from Program Memory.

The P CNTR block consists of a six-bit register (PC) driving a six-bit combinatorial incremter (PC + 1). Either the present or the incremented values of PC can address the Program Memory. The incremented value of PC can be saved as a subroutine return address. The present PC value can address the Program Memory when waiting for a condition to become valid. PC + 1 addresses the Program Memory for sequential program flow, for unconditional instructions, and as a default for conditional instructions.

The SUBREG block consists of a six-bit, three-to-one multiplexer (S MUX) driving a six-bit register (SREG). The three possible SREG inputs are PC + 1, CREG, and SREG. SREG normally operates as a one-deep stack to save subroutine return addresses. PC + 1 is the input source when performing subroutine calls, and PC MUX is the output destination when performing return from subroutine.

The CNTR block consists of a six-bit, four-to-one multiplexer (C MUX), driving a six-bit register (CREG); a six-bit combinatorial decremter (CREG–1); and a zero-detection circuit. The CNTR logic block is typically used for timing functions and iterative loop counting.

The SUBREG and CNTR can be considered as one logic block because of their unique interaction. Both have the other as an additional input source and output destination. The CREG can therefore be an additional stack location when not used for counting, and the SREG can be a nested-count location when not used as a stack location. Thus the SREG and CREG can operate in three different modes:

1. As a separate one-deep stack and counter
2. As a two-deep stack
3. As a two-deep nested counter

The GOTO logic block serves three functions:

1. It provides a six-bit count value from the DATA field in the pipeline register (P[21:16]) or from the TEST inputs T[5:0] masked by the DATA field P[21:16]. This is represented by T\*M.
2. It provides a branch address from the DATA field in the pipeline register P[21:16] or from the TEST inputs T[5:0] masked by the DATA field P[21:16]. This is represented by T\*M.
3. It compares T[5:0] masked by the MASK field P[21:16], called T\*M, to the CONSTANT field from the pipeline register P[27:22]. If a match occurs, the EQ flip-flop is set. EQ remains unchanged if there is no match. Constant field bits that correspond to masked test bits must be zero.

The EQ flag can be tested by the condition code selection logic. Multiple tests of any group of T inputs in a manner analogous to sum-of-products can be performed since a no-match comparison does not reset the EQ flag. Any conditional branch on EQ will reset the EQ flag. Conditional returns on EQ will not change the EQ flag. RESET input LOW will reset the EQ flag.

Note: A zero in the MASK field blocks the corresponding bit in the TEST field; a one activates the corresponding bit.

The constant field bits that correspond to masked test field bits must be zero. A zero is substituted for masked test field bits. The "POL" bit is a "don't care" when using test inputs to load registers.

Note that when the inputs are internally registered (programmable option) they must meet the register setup time on the cycle preceding the one in which they are to be used.

## Condition Code Selection Logic

The condition code selection logic consists of an eight-to-one multiplexer. The eight test condition inputs are the device inputs CC, T[5:0], and the EQ flag. The TEST field P[24:22] selects one of the eight conditions to test.

The polarity bit POL in the instruction allows the user to test for either a pass or fail condition. Refer to table 1 for details.

Note that when the inputs are internally registered (programmable option) they must meet the register setup time on the cycle preceding the one in which they are to be used.

## Instruction Decode

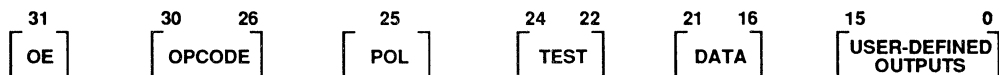
The instruction decoder is a PLA that generates the control for 29 different instructions. The decoder inputs include the OPCODE field P[30:26], the zero detection output from the CNTR, and the selected test condition code from the condition code selection logic.

## Operational Modes

The Am29CPL151 operates as a six-bit microcontroller in normal mode, and there are several configuration bits that can be programmed to modify this normal operation. The EXP bit allows the six program address lines from the PC MUX to be output on the lower six bits of the output pins (P[5:0]) so that a user can expand the width of the control lines by using external registered memo-

ries. The SSR bit allows on-chip diagnostic capabilities for in-system testing. The remaining bits serve to individually select whether the input pins will be unsynchronized or not. The default setting of these bits (unprogrammed,1) will cause each pin to be unsynchronized, and so programming a given bit (to 0) will cause that corresponding input to become internally synchronized.

## Am29CPL151 General Instruction Format



WHERE:

- OE = Synchronous Output Enable for P[15:8].
- OPCODE = A five-bit opcode field for selecting one of the 28 single-data-field instructions.
- POL = A one-bit test condition polarity select (refer to table 1).
- TEST = A three-bit test condition select.

10135-007B

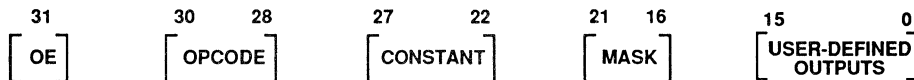
TEST[24:22]	UNDER TEST
000	T [0]
001	T [1]
010	T [2]
011	T [3]
100	T [4]
101	T [5]
110	CC
111	EQ

DATA = A six-bit conditional branch address, test input mask, or counter value field designated as PL in instruction mnemonics.

Table 1

Input Condition Being Tested	POL	Test Result
0	0	Fail
0	1	Pass
1	0	Pass
1	1	Fail

## Am29CPL151 Comparison Instruction Format



WHERE:

- OE = Synchronous Output Enable for P[15:8].
- OPCODE = Compare instruction (binary 100).
- CONSTANT = A six-bit constant for equal-to comparison with T\*M.
- MASK = A six-bit mask field for masking the incoming T[5:0] inputs.

10135-008B



# Am29CPL151 INSTRUCTION SET DEFINITION

• = Other instruction

⊙ = Instruction being described

○ = Register in part

P = Test Pass

F = Test Fail

X,Y are arbitrary values in the CREG or SREG

Opcode	Mnemonic	Description	Execution Example	Register Transfer Description
19	GOTOPL	<p><b>IF (cond) THEN GOTO PL (data)</b>                      Conditional branch to the address in the PL (DATA field). The EQ flag will be reset if the test field selects it and the condition passes.</p>		<p>If (cond = true) Then                      PC = PL(data)                      Else                      PC = PC + 1</p>
0B	GOTOPLZ	<p><b>IF (CREG = 0) THEN GOTO PL (data)</b>                      Conditional branch to the address in the PL (DATA field) when CREG is equal to zero. This instruction does not depend on the pass/fail condition. The EQ flag will be reset if the test field selects it and the CREG is equal to zero.</p>		<p>If (CREG = 0) Then                      PC = PL(data)                      Else                      PC = PC + 1</p>
0F	GOTOTM	<p><b>IF (cond) THEN GOTO TM (data)</b>                      Conditional branch to the address defined by the T*M (T[5:0] under bitwise mask from the DATA field). This instruction is intended for multiway branches. The EQ flag will be reset if the test field selects it and the condition passes.</p>		<p>If (cond = true) Then                      PC = T*M                      Else                      PC = PC + 1</p>
18	FORK	<p><b>IF (cond) THEN GOTO PL (data) ELSE GOTO (SREG)</b>                      Conditional branch to the address in the PL (DATA field) or the SREG. A branch to PL is taken if the condition is true and a branch to SREG if false. The EQ flag will be reset if the test field selects it and the condition passes.</p>		<p>If (cond = true) Then                      PC = PL(data)                      Else                      PC = SREG</p>

# Am29CPL151 INSTRUCTION SET DEFINITION (Continued)

Opcode	Mnemonic	Description	Execution Example	Register Transfer Description
1C	CALPL	<b>IF (cond) THEN CALL PL (data)</b> Conditional jump to subroutine at the address in the PL (DATA field). The PC + 1 is pushed into the SREG as the return address. The EQ flag will be reset if the test field selects it and the condition passes.		If (cond = true) Then SREG = PC + 1 PC = PL(data) Else PC = PC + 1
1D	CALPLN	<b>IF (cond) THEN CALL PL (data), NESTED</b> Conditional jump to subroutine at the address in the PL (DATA field) nested. The SREG and CREG are treated as a two-deep stack, the PC + 1 is pushed into the SREG as the return address, and the previous SREG value is transferred into the CREG as a nested return address. The EQ flag will be reset if the test field selects it and the condition passes.		If (cond = true) Then CREG = SREG SREG = PC + 1 PC = PL(data) Else PC = PC + 1
1E	CALTM	<b>IF (cond) THEN CALL TM (data)</b> Conditional jump to subroutine at the address specified by the T*M (T[5:0] under bitwise mask from the DATA field). The PC + 1 is pushed into the SREG as the return address. The EQ flag will be reset if the test field selects it and the condition passes.		If (cond = true) Then SREG = PC + 1 PC = T*M Else PC = PC + 1
1F	CALTMN	<b>IF (cond) THEN CALL TM (data), NESTED</b> Conditional jump to subroutine at the address specified by the T*M (T[5:0] under bitwise mask from the DATA field) nested. The PC + 1 is pushed into the SREG as the return address, and the previous SREG value is transferred into the CREG as a nested return address. The EQ flag will be reset if the test field selects it and the condition passes.		If (cond = true) Then CREG = SREG SREG = PC + 1 PC = T*M Else PC = PC + 1

# Am29CPL151 INSTRUCTION SET DEFINITION (Continued)

Opcode	Mnemonic	Description	Execution Example	Register Transfer Description
04	LDPL	<b>IF (cond) THEN LOAD PL (data)</b> Conditional load the CREG from the PL (DATA field).		If (cond = true) Then CREG = PL(data) PC = PC + 1 Else PC = PC + 1
05	LDPLN	<b>IF (cond) THEN LOAD PL (data), NESTED</b> Conditional load the CREG from the PL (DATA field) nested. The CREG and SREG are treated as a two-deep nested count register, the previous CREG value is pushed into the SREG as a nested count, and the CREG is loaded from PL.		If (cond = true) Then SREG = CREG CREG = PL(data) PC = PC + 1 Else PC = PC + 1
06	LDTM	<b>IF (cond) THEN LOAD TM (data)</b> Conditional load the CREG from the T*M (T[5:0] inputs under bit-wise mask from the DATA field).		If (cond = true) Then CREG = T*M PC = PC + 1 Else PC = PC + 1
07	LDTMN	<b>IF (cond) THEN LOAD TM (data) NESTED</b> Conditional load the CREG from the T*M (T[5:0] inputs under bit-wise mask from the DATA field) nested. The SREG and CREG are treated as a two-deep nested count register, the previous CREG value is transferred into the SREG, and the CREG is loaded from T*M.		If (cond = true) Then SREG = CREG CREG = T*M PC = PC + 1

## Am29CPL151 INSTRUCTION SET DEFINITION (Continued)

Opcode	Mnemonic	Description	Execution Example	Register Transfer Description
15	PSH	<b>IF (cond) THEN PUSH</b> Conditional push the PC + 1 into the SREG.	<p style="text-align: right;">10135-021A</p>	If (cond = true) Then SREG = PC + 1 PC = PC + 1 Else PC = PC + 1
17	PSHN	<b>IF (cond) THEN PUSH, NESTED</b> Conditional push the PC + 1 into the SREG nested. This microinstruction treats the SREG and CREG as a two-deep stack, PC + 1 is pushed into SREG, and the previous value in SREG is transferred into the CREG.	<p style="text-align: right;">10135-022A</p>	If (cond = true) Then CREG = SREG SREG = PC + 1 PC = PC + 1 Else PC = PC + 1
14	PSHPL	<b>IF (cond) THEN PUSH, LOAD PL (data)</b> Conditional push the PC + 1 into the SREG and load the CREG from the PL (DATA field).	<p style="text-align: right;">10135-023A</p>	If (cond = true) Then CREG = PL(data) SREG = PC + 1 PC = PC + 1 Else PC = PC + 1
16	PSHTM	<b>IF (cond) THEN PUSH, LOAD TM (data)</b> Conditional push the PC + 1 into the SREG and load the CREG from the T*M (T[5:0] under bitwise mask from the DATA field).	<p style="text-align: right;">10135-024A</p>	If (cond = true) Then CREG = T*M SREG = PC + 1 PC = PC + 1 Else PC = PC + 1

3

# Am29CPL151 INSTRUCTION SET DEFINITION (Continued)

Opcode	Mnemonic	Description	Execution Example	Register Transfer Description
02	RET	<b>IF (cond) THEN RET</b> Conditional return from subroutine. The SREG provides the return from subroutine address.		If (cond = true) Then PC = SREG Else PC = PC + 1
03	RETN	<b>IF (cond) THEN RET, NESTED</b> Conditional return from nested subroutine. This instruction treats the SREG and CREG as a two-deep stack providing the SREG value as a return address, and the CREG value as a nested return address that is transferred into the SREG.		If (cond = true) Then PC = SREG SREG = CREG Else PC = PC + 1
00	RETPL	<b>IF (cond) THEN RET, LOAD PL (data)</b> Conditional return from subroutine and load the CREG from the PL (DATA field). The SREG provides the return from subroutine address.		If (cond = true) Then CREG = PL(data) PC = SREG Else PC = PC + 1
01	RETPLN	<b>IF (cond) THEN RET NESTED, LOAD PL (data)</b> Conditional return from nested subroutine and load the CREG from the PL (DATA field). This instruction treats the SREG and CREG as a two-deep stack providing the SREG value as a return address, and the CREG value as a nested return address that is transferred into the SREG.		If (cond = true) Then PC = SREG SREG = CREG CREG = PL(data) Else PC = PC + 1

## Am29CPL151 INSTRUCTION SET DEFINITION (Continued)

Opcode	Mnemonic	Description	Execution Example	Register Transfer Description
09	DEC	<b>IF (cond) THEN DEC</b> Conditional decrement of the CREG.		If (cond = true) Then CREG = CREG - 1 PC = PC + 1 Else PC = PC + 1
0C	DECPL	<b>WHILE (CREG &lt;&gt; 0) WAIT</b> <b>ELSE LOAD PL (data)</b> Conditional Hold until the counter is equal to zero, then load CREG from the PL (DATA field). This instruction is intended for timing waveform generation. If the CREG is not equal to zero, the same instruction is refetched while CREG is decremented. Timing is complete when the CREG is equal to zero, causing the next instruction to be fetched and the CREG to be reloaded from PL. This instruction does not depend on the pass/fail condition.		While (CREG <> 0) CREG = CREG - 1 PC = PC End While CREG = PL(data) PC = PC + 1
0E	DECTM	<b>WHILE (CREG &lt;&gt; 0) WAIT</b> <b>ELSE LOAD TM (data)</b> Conditional Hold until the counter is equal to zero, then load CREG from the T*M (T[5:0]) under bitwise mask from the DATA field). This instruction is intended for timing waveform generation. If the CREG is not equal to zero, the same instruction is refetched while the CREG is decremented. Timing is complete when the CREG is equal to zero, causing the next instruction to be fetched and the CREG to be reloaded from T*M. This instruction does not depend on the pass/fail condition.		While (CREG <> 0) CREG = CREG - 1 PC = PC End While CREG = T*M PC = PC + 1
1B	DECGOPL	<b>If (cond) THEN GOTO PL (data)</b> <b>ELSE WHILE (CREG &lt;&gt; 0) WAIT</b> Conditional Hold/Count. The current instruction will be refetched and the CREG decremented until the condition under test becomes true or the counter is equal to zero. If the condition becomes true, a branch to the address in the PL (DATA field) is executed. If the counter becomes zero without the condition becoming true, a CONTINUE is executed. The EQ flag will be reset if the test field selects it and the condition passes.		While (cond = false) If (CREG <> 0) CREG = CREG - 1 PC = PC Else PC = PC + 1 End While PC = PL (data)

## Am29CPL151 INSTRUCTION SET DEFINITION (Continued)

Opcode	Mnemonic	Description	Execution Example	Register Transfer Description
1A	WAIT	<p><b>IF (cond) THEN GOTO PL (data) ELSE WAIT</b></p> <p>Conditional Hold. The current instruction will be refetched and executed until the condition under test becomes true. When true, a branch to the address in the PL (DATA field) is executed. The EQ flag will be reset if the test field selects it and the condition passes.</p>	<p>10135-033A</p>	<p>If (cond = true) Then  PC = PL (data)  Else  PC = PC</p>
08	LPPL	<p><b>WHILE (CREG &lt; &gt; 0) LOOP TO PL (data)</b></p> <p>Conditional loop to the address in the PL (DATA field). This instruction is intended to be placed at the bottom of an iterative loop. If the CREG is not equal to zero, it is decremented (signifying completion of an iteration), and a branch to the PL (DATA field) (top of the loop) is executed. If the CREG is equal to zero, looping is complete and the next sequential instruction is executed. This instruction does not depend on the pass/fail condition. The EQ flag will be reset if the test field selects it and CREG is not equal to zero.</p>	<p>10135-034A</p>	<p>While (CREG &lt; &gt; 0)  CREG = CREG - 1  PC = PL (data)  End While  PC = PC + 1</p>
0A	LPPLN	<p><b>WHILE (CREG &lt; &gt; 0) LOOP TO PL (data) ELSE NEST</b></p> <p>Conditional loop to the address in the PL (DATA field) nested. The SREG and CREG are treated as a two-deep nested count register, and the instruction is intended to be placed at the bottom of an "inner-nested" iterative loop. If the CREG is not equal to zero, the CREG is decremented (signifying completion of an iteration), and a branch to the PL (DATA field) (top of the inner loop) is executed. If the CREG is equal to zero, the inner loop is complete, and the count value for the outer loop is transferred from the SREG into the CREG. This instruction does not depend on the pass/fail condition. The EQ flag will be reset if the test field selects it and CREG is not equal to zero.</p>	<p>10135-035A</p>	<p>While (CREG &lt; &gt; 0)  CREG = CREG - 1  PC = PL (data)  End While  CREG = SREG  PC = PC + 1</p>

## Am29CPL151 INSTRUCTION SET DEFINITION (Continued)

Opcode	Mnemonic	Description	Execution Example	Register Transfer Description
0D	CONT	<b>CONTINUE</b> The next sequential instruction is fetched unconditionally.		PC = PC + 1
10-13 (100XX binary)	<b>CMP</b>	<b>CMP TM (mask) TO PL (constant)</b> This instruction performs bitwise Exclusive-OR of T*M (T[5:0] under bitwise mask from the MASK field) with CONSTANT (P[27:22]). If T*M equals CONSTANT, the EQ flag is set to one, which may be branched on in a following instruction. If not equal, the EQ flag is unaffected. This allows sequences of compares, in a manner analogous to sum-to-products, to be performed which can be followed by a single conditional branch if one or more of the comparisons are true. Note: The EQ flag is set to zero on reset or when EQ is selected as the test condition in a branch. Conditional returns on EQ leave the flag unchanged. Constant field bits that correspond to masked test field bits must be zero. This instruction does not depend on the pass/fail condition.		Compare T*M and CONSTANT $EQ = ((T[5:0] \text{ .AND. MASK}) \text{ .XNOR. CONSTANT}) \text{ .OR. EQ}$ PC = PC + 1



## INSTRUCTIONS BASED ON TEST CONDITIONS

Op-code	Mnemonic	Assembler Statement	Condition Pass				Condition Fail				Notes
			PC MUX	SREG	CREG	EQ FLAG	PC MUX	SREG	CREG	EQ FLAG	
00	RETPL	IF (cond) THEN RET, LOAD PL (data)	SREG	Hold	Load PL	NC	PC + 1	Hold	Hold	NC	
01	RETPLN	IF (cond) THEN RET NESTED, LOAD PL (data)	SREG	Load CREG	Load PL	NC	PC + 1	Hold	Hold	NC	
02	RET	IF (cond) THEN RET	SREG	Hold	Hold	NC	PC + 1	Hold	Hold	NC	
03	RETN	IF (cond) THEN RET, NESTED	SREG	Load CREG	Hold	NC	PC + 1	Hold	Hold	NC	
04	LDPL	IF (cond) THEN LOAD PL (data)	PC + 1	Hold	Load PL	NC	PC + 1	Hold	Hold	NC	
05	LDPLN	IF (cond) THEN LOAD PL (data), NESTED	PC + 1	Load CREG	Load PL	NC	PC + 1	Hold	Hold	NC	
06	LDTM	IF (cond) THEN LOAD TM (data)	PC + 1	Hold	Load TM	NC	PC + 1	Hold	Hold	NC	
07	LDTMN	IF (cond) THEN LOAD TM (data), NESTED	PC + 1	Load CREG	Load TM	NC	PC + 1	Hold	Hold	NC	
09	DEC	IF (cond) THEN DEC	PC + 1	Hold	DEC	NC	PC + 1	Hold	Hold	NC	
0F	GOTOTM	IF (cond) THEN GOTO TM (data)	TM	Hold	Hold	Reset	PC + 1	Hold	Hold	NC	1
14	PSHPL	IF (cond) THEN PUSH, LOAD PL (data)	PC + 1	PC + 1	Load PL	NC	PC + 1	Hold	Hold	NC	
15	PSH	IF (cond) THEN PUSH	PC + 1	PC + 1	Hold	NC	PC + 1	Hold	Hold	NC	
16	PSHTM	IF (cond) THEN PUSH, LOAD TM (data)	PC + 1	PC + 1	Load TM	NC	PC + 1	Hold	Hold	NC	
17	PSHN	IF (cond) THEN PUSH, NESTED	PC + 1	PC + 1	Load SREG	NC	PC + 1	Hold	Hold	NC	
18	FORK	IF (cond) THEN GOTO PL (data) ELSE GOTO (SREG)	PL	Hold	Hold	Reset	SREG	Hold	Hold	NC	1
19	GOTOPL	IF (cond) THEN GOTO PL (data)	PL	Hold	Hold	Reset	PC + 1	Hold	Hold	NC	1
1A	WAIT	IF (cond) THEN GOTO PL (data) ELSE WAIT	PL	Hold	Hold	Reset	PC	Hold	Hold	NC	1
1C	CALPL	IF (cond) THEN CALL PL (data)	PL	PC + 1	Hold	Reset	PC + 1	Hold	Hold	NC	1
1D	CALPLN	IF (cond) THEN CALL PL (data), NESTED	PL	PC + 1	Load SREG	Reset	PC + 1	Hold	Hold	NC	1
1E	CALTM	IF (cond) THEN CALL TM (data)	TM	PC + 1	Hold	Reset	PC + 1	Hold	Hold	NC	1
1F	CALTMN	IF (cond) THEN CALL TM (data), NESTED	TM	PC + 1	Load SREG	Reset	PC + 1	Hold	Hold	NC	1

Key: PC = Program Counter  
 SREG = Stack Register  
 CREG = Counter Register  
 PL = Pipeline (data) Field  
 TM (data) = Test Inputs Masked by DATA Field  
 TM (mask) = Test Inputs Masked by MASK Field  
 DEC = Decrement  
 NC = No Change

### Notes:

1. If COND = EQ and condition PASSES, reset EQ flag.
2. If COND = EQ and CREG ≠ 0, reset EQ flag.
3. If COND = EQ and CREG = 0, reset EQ flag.
4. Set EQ flag if CONST field = T\*M.

## INSTRUCTIONS DEPENDENT ON CREG

Op-code	Mnemonic	Assembler Statement	CREG = 0				CREG ≠ 0				Notes
			PC MUX	SREG	CREG	EQ FLAG	PC MUX	SREG	CREG	EQ FLAG	
08	LPPL	WHILE (CREG <> 0) LOOP TO PL (data)	PC + 1	Hold	Hold	NC	PL	Hold	DEC	Reset	2
0A	LPPLN	WHILE (CREG <> 0) LOOP TO PL (data), ELSE NEST	PC + 1	Hold	Load SREG	NC	PL	Hold	DEC	Reset	2
0B	GOTOPLZ	IF (CREG = 0) THEN GOTO PL (data)	PL	Hold	Hold	Reset	PC + 1	Hold	Hold	NC	3
0C	DECPL	WHILE (CREG <> 0) WAIT ELSE LOAD PL (data)	PC + 1	Hold	Load PL	NC	PC	Hold	DEC	NC	
0E	DECTM	WHILE (CREG <> 0) WAIT ELSE LOAD TM (data)	PC + 1	Hold	Load TM	NC	PC	Hold	DEC	NC	

## INSTRUCTIONS DEPENDENT ON TEST CONDITION AND CREG VALUE

Op-code	Mnemonic	Assembler Statement	CREG Content	PC MUX	Condition Pass			Condition Fail			Notes	
					SREG	CREG	EQ FLAG	PC MUX	SREG	CREG		EQ FLAG
1B	DECGOPL	IF (cond) THEN GOTO PL (data) ELSE WHILE (CREG <> 0) WAIT	≠ 0	PL	Hold	Hold	Reset	PC	Hold	DEC	NC	1
			= 0	PL	Hold	Hold	Reset	PC + 1	Hold	Hold	NC	

3

## UNCONDITIONAL INSTRUCTIONS

Opcode	Mnemonic	Assembler Statement	PC MUX	SREG	CREG	EQ FLAG	Notes
0D	CONT	CONTINUE	PC + 1	Hold	Hold	NC	
10-13 (Binary 100XX)	CMP	CMP TM (mask) TO PL (constant)	PC + 1	Hold	Hold	Set	4

Key: PC = Program Counter  
 SREG = Stack Register  
 CREG = Counter Register  
 PL = Pipeline (data) Field  
 TM (data) = Test Inputs Masked by DATA Field  
 TM (mask) = Test Inputs Masked by MASK Field  
 DEC = Decrement  
 NC = No Change

### Notes:

1. If COND = EQ and condition PASSES, reset EQ flag.
2. If COND = EQ and CREG ≠ 0, reset EQ flag.
3. If COND = EQ and CREG = 0, reset EQ flag.
4. Set EQ flag if CONST field = T\*M.

## Am29CPL151 SSR Diagnostics Option

As a programmable option, the Am29CPL151 FPC may be configured to contain Serial Shadow Register (SSR) diagnostics capability. SSR diagnostics is a simple, straightforward method of in-system testing to isolate problems down to the IC level.

The SSR diagnostics configuration activates a 32-bit-wide D-type register called a "shadow" register, on the pipeline register inputs. The shadow register can be serially loaded from the SDI pin, parallel loaded from the pipeline register, or held. The pipeline register can be loaded from the Program Memory in normal mode or from the shadow register during diagnostics. A redefinition of four device pins is required to control the different

diagnostics functions. CC also functions as the Serial Data Input (SDI),  $\overline{ZERO}$  becomes the Serial Data Output (SDO), P[7] becomes the diagnostic clock (DCLK), and P[6] becomes the diagnostic mode control (MODE). The various diagnostic and normal modes are shown in table 2.

Serially loading a test instruction into the shadow register and parallel loading the shadow register contents into the pipeline register forces execution of the test instruction. The test result can then be clocked into the pipeline register as in normal operation mode, parallel loaded into the shadow register, and serially shifted out for system diagnostics.

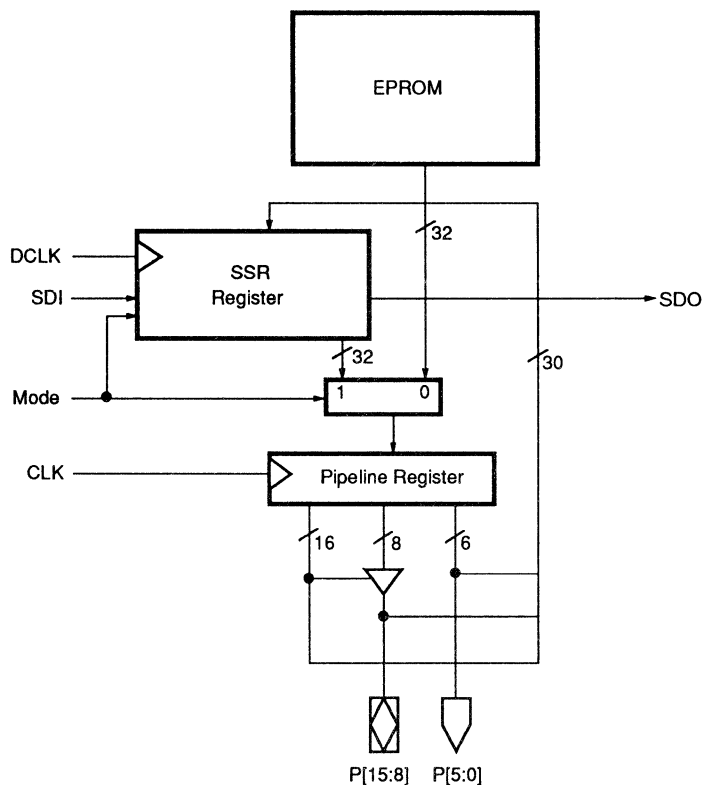
Table 2

Inputs				Outputs			Operation
SDI	MODE	DCLK	CLK	SDO	Shadow Register	Pipeline Register	
X	L	↑	H, L, ↓	S <sub>0</sub>	S <sub>i-1</sub> ← S <sub>i</sub> S <sub>31</sub> ← SDI	Hold	Serial Right-Shift Shadow Register
CC (Note 1)	L	H, L, ↓	↑	S <sub>0</sub>	Hold	P <sub>i</sub> ← EPROM <sub>i</sub>	Normal Operation; Load Pipeline Register from EPROM
L	H	↑	H, L, ↓	L	S <sub>i</sub> ← P <sub>i</sub>	Hold	Load Shadow Register from Pipeline Register (Note 2)
X	H	H, L, ↓	↑	SDI	Hold	P <sub>i</sub> ← S <sub>i</sub>	Load Pipeline Register from Shadow Register
H	H	↑	H, L, ↓	H	Hold	Hold	Hold Shadow Register

### Notes:

1. During normal operation, this pin behaves as the CC input.
2. S<sub>7</sub>, S<sub>6</sub> are undefined. S[15:8] load from the source driving pins P[15:8]. If P[31] in the microword is a ONE, S[15:8] are loaded from the pipeline register. If P[31] in the microword is a ZERO, S[15:8] are loaded from an external source.

Key: H = HIGH  
 L = LOW  
 X = Don't Care  
 ↑ = LOW-to-HIGH transition  
 ↓ = HIGH-to-LOW transition



10135-052A

Figure 3. SSR Diagnostics Logic

### Erasure

In order to fully erase all memory locations, it is necessary to expose the memory array to a standard ultraviolet light source having a wavelength of 2537 angstroms. The minimum recommended dose (UV intensity x exposure time) is 15 Wsec/cm<sup>2</sup>. For a UV lamp with a 12 mW/cm<sup>2</sup> power rating, the exposure time would be about 30 minutes. The device should be located one inch from the source in a direct line.

It should be noted that erasure will begin with exposure to light having wavelengths less than 4000 angstroms. To prevent exposure to sunlight or fluorescent lighting, an opaque label should be affixed over the window after programming.

OTP (One-Time Programmable) Am29CPL151 devices are available in plastic and are ideal for volume production. They can be inventoried unprogrammed and used with current software revisions; there is no window to be covered to prevent light from changing data.

## ABSOLUTE MAXIMUM RATINGS

Storage Temperature	-65°C to +150°C
Ambient Temperature with Power Applied	-55°C to +125°C
Supply Voltage with Respect to Ground	-0.5 V to +7.0 V
DC Input Voltage	-0.5 V to $V_{CC} + 0.5$ V
DC Output or I/O Pin Voltage	-0.5 V to $V_{CC} + 0.5$ V
DC Input Current	-10 mA to +10 mA

Stresses above those listed under Absolute Maximum Ratings may cause permanent device failure. Functionality at or above these limits is not implied. Exposure to Absolute Maximum Ratings for extended periods may affect device reliability. Programming conditions may differ.

## OPERATING RANGES

### Commercial (C) Devices

Ambient Temperature ( $T_A$ )	
Operating in Free Air	0°C to +75°C
Supply Voltage ( $V_{CC}$ ) with Respect to Ground	+4.5 V to +5.5 V

Operating ranges define those limits between which the functionality of the device is guaranteed.

## DC CHARACTERISTICS over COMMERCIAL operating range unless otherwise specified

Parameter Symbol	Parameter Description	Test Conditions	Min.	Max.	Unit
$V_{OH}$	Output HIGH Voltage	$I_{OH} = -3.0$ mA $V_{IN} = V_{IH}$ or $V_{IL}$ $V_{CC} = \text{Min.}$	2.4		V
$V_{OL}$	Output LOW Voltage	$I_{OL} = 16$ mA $V_{IN} = V_{IH}$ or $V_{IL}$ $V_{CC} = \text{Min.}$		0.5	V
$V_{IH}$	Input HIGH Voltage	Guaranteed Input Logical HIGH Voltage for all Inputs (Note 1)	2.0		V
$V_{IL}$	Input LOW Voltage	Guaranteed Input Logical LOW Voltage for all Inputs (Note 1)		0.8	V
$I_{IH}$	Input HIGH Leakage Current	$V_{IN} = V_{CC} - 0.5$ V, $V_{CC} = \text{Max.}$ (Note 2)		10	$\mu$ A
$I_{IL}$	Input LOW Leakage Current	$V_{IN} = 0.5$ V, $V_{CC} = \text{Max.}$ (Note 2)		-10	$\mu$ A
$I_{OZH}$	Off-State Output Leakage Current HIGH	$V_{OUT} = 2.4$ V, $V_{CC} = \text{Max.}$ $V_{IN} = V_{IH}$ or $V_{IL}$ (Note 2)		10	$\mu$ A
$I_{OZL}$	Off-State Output Leakage Current LOW	$V_{OUT} = 0.5$ V, $V_{CC} = \text{Max.}$ $V_{IN} = V_{IH}$ or $V_{IL}$ (Note 2)		-10	$\mu$ A
$I_{CC}$	Supply Current	Outputs Open ( $I_{OUT} = 0$ mA) $V_{CC} = \text{Max.}$			
		CMOS $V_{IN} = \text{GND}$ or $V_{CC}$		105	mA
		TTL $V_{IN} = 0.5$ V or 2.4 V		115	
$C_{PD}$	Power Dissipation Capacitance (Note 3)	$V_{CC} = \text{Max.}$ $T_A = 25^\circ\text{C}$ No Load			100 pF Typical

### Notes:

- These are absolute values with respect to device ground and all overshoots due to system and/or tester noise are included.
- I/O pin leakage is the worst case of  $I_{IL}$  and  $I_{OZL}$  (or  $I_{IH}$  and  $I_{OZH}$ ).
- The dynamic current consumption is:  
 $I_{CC}(\text{Total}) = I_{CC}(\text{Static}) + (C_{PD} + nC_L) V_{CC} (f/2)$ , where  $f$  is the clock frequency,  $C_L$  is the output load capacitance, and  $n$  is the number of loads.

## CAPACITANCE (Note 1)

Parameter Symbol	Parameter Description	Test Conditions		Max.	Unit	
C <sub>IN</sub>	Input Capacitance	RESET	V <sub>IN</sub> = 2.0 V	V <sub>CC</sub> = 4.5 V to 5.5 V T <sub>A</sub> = -55°C to +125°C	25	pF
		Others				
C <sub>OUT</sub>	Output Capacitance	V <sub>OUT</sub> = 2.0 V		15		
		f = 1 MHz		15		

### Note:

1. These parameters are not 100% tested, but are evaluated at initial characterization and at any time the design is modified where capacitance may be affected.

## SWITCHING CHARACTERISTICS over COMMERCIAL operating range (Note 2)

No.	Parameter Symbol	Parameter Description	H-33		H-25		Unit
			Min.	Max.	Min.	Max.	
1	t <sub>CO</sub>	CLK to P[15:0]		12	14	ns	
2		CLK to A[5:0]		28	36	ns	
3		CLK to $\overline{\text{ZERO}}$		21	29	ns	
4	t <sub>s</sub>	T[3:0] to CLK, Registered	8		8	ns	
5		T[5:4] to CLK, Registered	10		10	ns	
6		T[5:0] to CLK, Asynchronous (Note 3)	30		40	ns	
7		CC to CLK, Registered	8		8	ns	
8		CC to CLK, Asynchronous (Note 3)	30		40	ns	
9		$\overline{\text{RESET}}$ to CLK, Registered	12		12	ns	
10		$\overline{\text{RESET}}$ to CLK, Asynchronous (Note 3)	26		40	ns	
11		t <sub>H</sub> (Note 4)	CLK to T[5:0]	0		0	ns
12	CLK to CC		0		0	ns	
13	CLK to $\overline{\text{RESET}}$		0		0	ns	
14	t <sub>PZX</sub>	CLK to P[15:8] Enable		30	40	ns	
15	t <sub>PXZ</sub>	CLK to P[15:8] Disable		30	40	ns	
16	t <sub>WL</sub>	CLK Width	LOW	12	16	ns	
17	t <sub>WH</sub>		HIGH	12	16	ns	
18	t <sub>P</sub>	CLK Period (Note 3)	30		40	ns	
19	f <sub>MAX</sub>	Maximum Frequency (1/t <sub>P</sub> )	33		25	MHz	

### Note:

2. See Switching Test Circuit for test conditions.
3. These parameters are measured indirectly on unprogrammed devices. They are determined as follows:
  - a. Measure delay from input (CC, T[5:0],  $\overline{\text{RESET}}$ , or CLK) to EPROM address out in test mode. This will measure the delay through the sequence logic.
  - b. Measure setup time from T[5:0] input through EPROM test columns to pipeline register in verify test column mode. This will measure the delay through the EPROM and register setup.
  - c. Measure delay from T[5:0] input to EPROM address out in verify test column mode. This will measure the delay through the logic and P[15:0] outputs.

To calculate the desired parameter measurement, the following formula is used:

Measurement (a) + Measurement (b) – Measurement (c)

CLK PERIOD:

$$\text{CLK (a) + (b) - (c) = CLK PERIOD}$$

CC to CLK setup time:

$$\text{CC (a) + (b) - (c) = CC to CLK setup time}$$

T[5:0] to CLK setup time:

$$\text{T[5:0] (a) + (b) - (c) = T[5:0] to CLK setup time}$$

$\overline{\text{RESET}}$  to CLK setup time:

$$\text{RESET (a) + (b) - (c) = RESET to CLK setup time}$$

4. These hold time parameters are tested on a sample basis.

**SWITCHING CHARACTERISTICS over COMMERCIAL operating range (Continued)**

No.	Parameter Symbol	Parameter Description	H-33		H-25		Unit
			Min.	Max.	Min.	Max.	
<b>SSR Configuration</b>							
20	t <sub>PD</sub>	Mode to SDO		20		30	ns
21		SDI to SDO		20		30	ns
22	t <sub>CO</sub>	DCLK to SDO		28		36	ns
23	t <sub>S</sub>	Mode to CLK	11		15		ns
24		Mode to DCLK	11		15		ns
25		SDI to DCLK	11		15		ns
26		P[15:8] to DCLK	11		15		ns
27	t <sub>H</sub> (Note 1)	CLK to Mode	6		6		ns
28		DCLK to Mode	0		0		ns
29		DCLK to SDI	0		0		ns
30		DCLK to P[15:8]	0		0		ns
31	t <sub>WL</sub>	DCLK Width	LOW	15		20	ns
32	t <sub>WH</sub>		HIGH	15		20	ns
33	t <sub>P</sub>	DCLK Period	30		40		ns

**Notes:**

1. These hold time parameters are tested on a sample basis.

## ABSOLUTE MAXIMUM RATINGS

Storage Temperature	-65°C to +150°C
Ambient Temperature with Power Applied	-55°C to +125°C
Supply Voltage with Respect to Ground	-0.5 V to +7.0 V
DC Input Voltage	-0.3 V to $V_{CC} + 0.3$ V
DC Output or I/O Pin Voltage	-0.3 V to $V_{CC} + 0.3$ V
DC Input Current	-10 mA to +10 mA

Stresses above those listed under Absolute Maximum Ratings may cause permanent device failure. Functionality at or above these limits is not implied. Exposure to Absolute Maximum Ratings for extended periods may affect device reliability. Programming conditions may differ. Absolute Maximum Ratings are for system design reference; parameters given are not tested.

## OPERATING RANGES

### Military (M) Devices

Ambient Temperature ( $T_A$ ) Operating in Free Air	-55°C to +125°C
Supply Voltage ( $V_{CC}$ ) with Respect to Ground	+4.5 V to +5.5 V

Operating Ranges define those limits between which the functionality of the device is guaranteed.

### Note:

1. Military products are tested at  $T_C = 25^\circ\text{C}$ ,  $125^\circ\text{C}$ , and  $-55^\circ\text{C}$ .

## DC CHARACTERISTICS over MILITARY operating range unless otherwise specified

Parameter Symbol	Parameter Description	Test Conditions	Min.	Max.	Unit	
$V_{OH}$	Output HIGH Voltage	$I_{OH} = -1.0$ mA $V_{IN} = V_{IH}$ or $V_{IL}$ $V_{CC} = \text{Min.}$	2.4		V	
$V_{OL}$	Output LOW Voltage	$I_{OL} = 12$ mA $V_{IN} = V_{IH}$ or $V_{IL}$ $V_{CC} = \text{Min.}$		0.5	V	
$V_{IH}$	Input HIGH Voltage	Guaranteed Input Logical HIGH Voltage for all Inputs (Note 1)	2.0		V	
$V_{IL}$	Input LOW Voltage	Guaranteed Input Logical LOW Voltage for all Inputs (Note 1)		0.8	V	
$I_{IH}$	Input HIGH Leakage Current	$V_{IN} = V_{CC} - 0.5$ V, $V_{CC} = \text{Max.}$ (Note 2)		10	$\mu\text{A}$	
$I_{IL}$	Input LOW Leakage Current	$V_{IN} = 0.5$ V, $V_{CC} = \text{Max.}$ (Note 2)		-10	$\mu\text{A}$	
$I_{OZH}$	Off-State Output Leakage Current HIGH	$V_{OUT} = 2.4$ V, $V_{CC} = \text{Max.}$ $V_{IN} = V_{IH}$ or $V_{IL}$ (Note 2)		10	$\mu\text{A}$	
$I_{OZL}$	Off-State Output Leakage Current LOW	$V_{OUT} = 0.5$ V, $V_{CC} = \text{Max.}$ $V_{IN} = V_{IH}$ or $V_{IL}$ (Note 2)		-10	$\mu\text{A}$	
$I_{CC}$	Supply Current	Outputs Open ( $I_{OUT} = 0$ mA) $V_{CC} = \text{Max.}$	CMOS	$V_{IN} = \text{GND}$ or $V_{CC}$	120	mA
			TTL	$V_{IN} = 0.5$ V or 2.4 V	130	
$C_{PD}$	Power Dissipation Capacitance (Note 3)	$V_{CC} = \text{Max.}$ $T_A = 25^\circ\text{C}$ No Load	100 pF Typical			

### Notes:

1. These are absolute values with respect to device ground and all overshoots due to system and/or tester noise are included.
2. I/O pin leakage is the worst case of  $I_{IL}$  and  $I_{OZL}$  (or  $I_{IH}$  and  $I_{OZH}$ ).
3. The dynamic current consumption is:  
 $I_{CC}(\text{Total}) = I_{CC}(\text{Static}) + (C_{PD} + nC_L) V_{CC} (f/2)$ , where  $f$  is the clock frequency,  $C_L$  = the output load capacitance, and  $n$  is the number of loads.



## CAPACITANCE (Note 1)

Parameter Symbol	Parameter Description	Test Conditions	Max.	Unit	
C <sub>IN</sub>	Input Capacitance	$\overline{\text{RESET}}$	V <sub>IN</sub> = 2.0 V	V <sub>CC</sub> = 4.5 V to 5.5 V T <sub>A</sub> = -55°C to +125°C f = 1 MHz	25
		Others			15
C <sub>OUT</sub>	Output Capacitance	V <sub>OUT</sub> = 2.0 V			15

### Note:

- These parameters are not 100% tested, but are evaluated at initial characterization and at any time the design is modified where capacitance may be affected.

## SWITCHING CHARACTERISTICS over MILITARY operating range (for APL Products, Group A, Subgroups 9, 10, 11 are tested unless otherwise noted) (Note 2)

No.	Parameter Symbol	Parameter Description	H-25		Unit	
			Min.	Max.		
1	t <sub>CO</sub>	CLK to P[15:0]		20	ns	
2		CLK to A[5:0]		40	ns	
3		CLK to $\overline{\text{ZERO}}$		30	ns	
4	t <sub>S</sub>	T[3:0] to CLK, Registered	10		ns	
5		T[5:4] to CLK, Registered	12		ns	
6		T[5:0] to CLK, Asynchronous (Note 3)	40		ns	
7		CC to CLK, Registered	10		ns	
8		CC to CLK, Asynchronous (Note3)	40		ns	
9		$\overline{\text{RESET}}$ to CLK, Registered	16		ns	
10		$\overline{\text{RESET}}$ to CLK, Asynchronous (Note 3)	40		ns	
11		t <sub>H</sub> (Note 4)	CLK to T[5:0]	0		ns
12			CLK to CC	0		ns
13			CLK to $\overline{\text{RESET}}$	0		ns
14	t <sub>PZX</sub>	CLK to P[15:8] Enable		40	ns	
15	t <sub>PXZ</sub>	CLK to P[15:8] Disable		35	ns	
16	t <sub>WL</sub>	CLK Width	LOW	15	ns	
17			HIGH	15	ns	
18	t <sub>P</sub>	CLK Period (Note 3)	40		ns	
19	f <sub>MAX</sub>	Maximum Frequency (1/t <sub>P</sub> )	25		MHz	

### Note:

- See Switching Test Circuit for test conditions.
- These parameters are measured indirectly on unprogrammed devices. They are determined as follows:
  - Measure delay from input (CC, T[5:0],  $\overline{\text{RESET}}$ , or CLK) to EPROM address out in test mode. This will measure the delay through the sequence logic.
  - Measure setup time from T[5:0] input through EPROM test columns to pipeline register in verify test column mode. This will measure the delay through the EPROM and register setup.
  - Measure delay from T[5:0] input to EPROM address out in verify test column mode. This will measure the delay through the logic and P[15:0] outputs.

To calculate the desired parameter measurement, the following formula is used:

Measurement (a) + Measurement (b) - Measurement (c)

CLK PERIOD:

$$\text{CLK (a) + (b) - (c) = CLK PERIOD}$$

T[5:0] to CLK setup time:

$$\text{T[5:0] (a) + (b) - (c) = T[5:0] to CLK setup time}$$

$\overline{\text{RESET}}$  to CLK setup time:

$$\overline{\text{RESET}} \text{ (a) + (b) - (c) = } \overline{\text{RESET}} \text{ to CLK setup time}$$

CC to CLK setup time:

$$\text{CC (a) + (b) - (c) = CC to CLK setup time}$$

- These hold time parameters are tested on a sample basis.

## SWITCHING CHARACTERISTICS over MILITARY operating range (Continued)

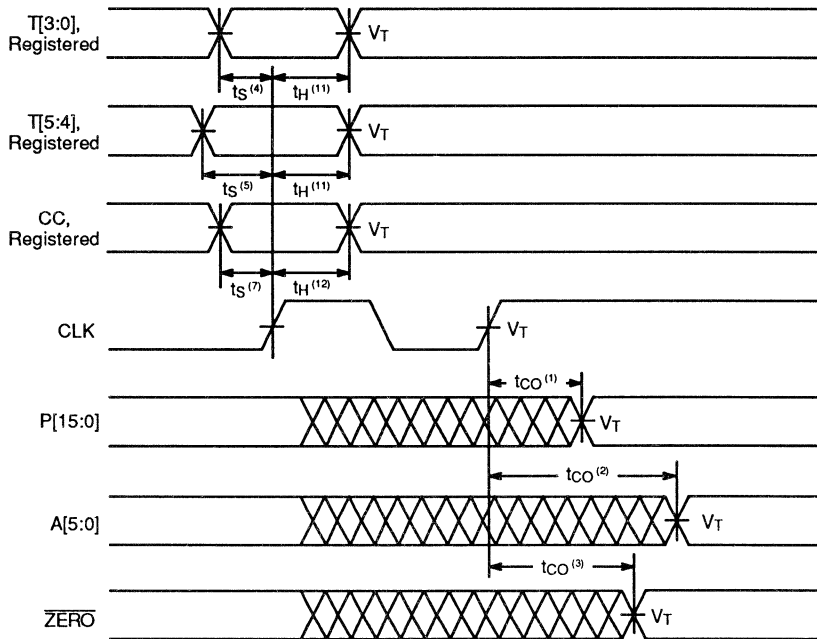
No.	Parameter Symbol	Parameter Description	H-25		Unit
			Min.	Max.	
<b>SSR Configuration</b>					
20	t <sub>PD</sub>	Mode to SDO		30	ns
21		SDI to SDO		30	ns
22	t <sub>CO</sub>	DCLK to SDO		30	ns
23	t <sub>s</sub>	Mode to CLK	25		ns
24		Mode to DCLK	25		ns
25		SDI to DCLK	25		ns
26		P[15:8] to DCLK	25		ns
27	t <sub>H</sub> (Note 1)	CLK to Mode	6		ns
28		DCLK to Mode	0		ns
29		DCLK to SDI	0		ns
30		DCLK to P[15:8]	0		ns
31	t <sub>WL</sub>	DCLK Width	LOW	25	ns
32	t <sub>WH</sub>		HIGH	25	ns
33	t <sub>P</sub>	DCLK Period		60	ns

### Notes:

1. These hold time parameters are tested on a sample basis.

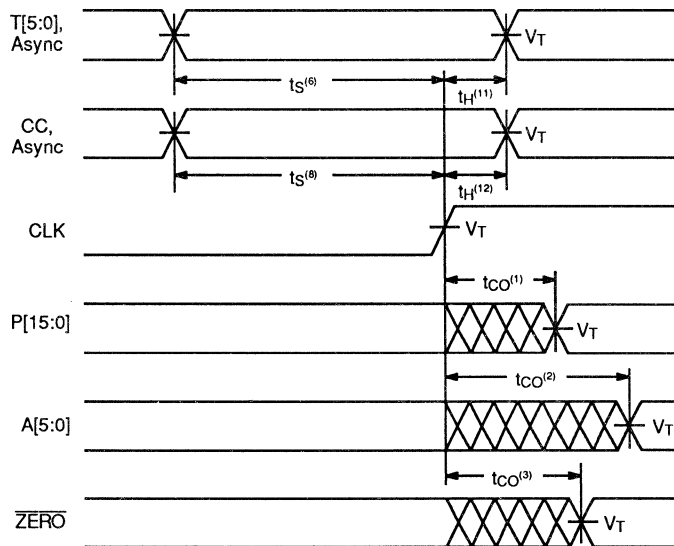
# SWITCHING WAVEFORMS

## Normal Configuration



10135-055A

## Registered Test Inputs

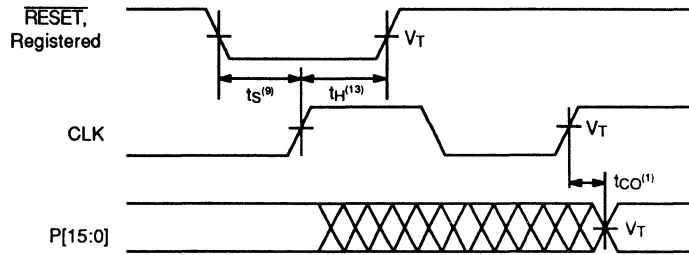


10135-056A

## Asynchronous Test Inputs

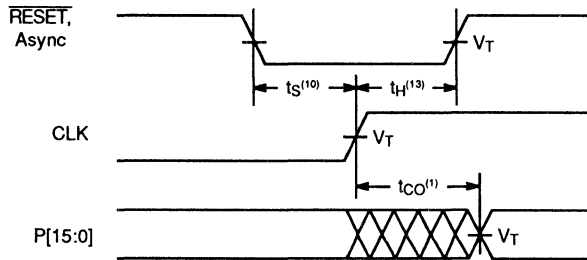
## SWITCHING WAVEFORMS (Continued)

### Normal Configuration



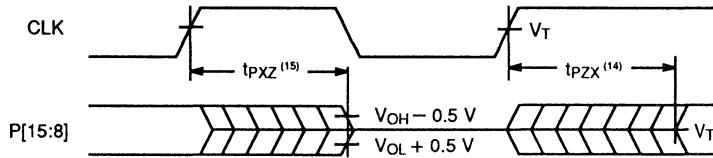
10135-057A

Registered  $\overline{\text{RESET}}$



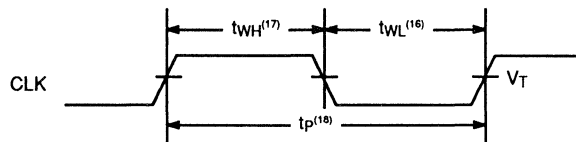
10135-058A

Asynchronous  $\overline{\text{RESET}}$



10135-059A

CLK to Output Disable/Enable

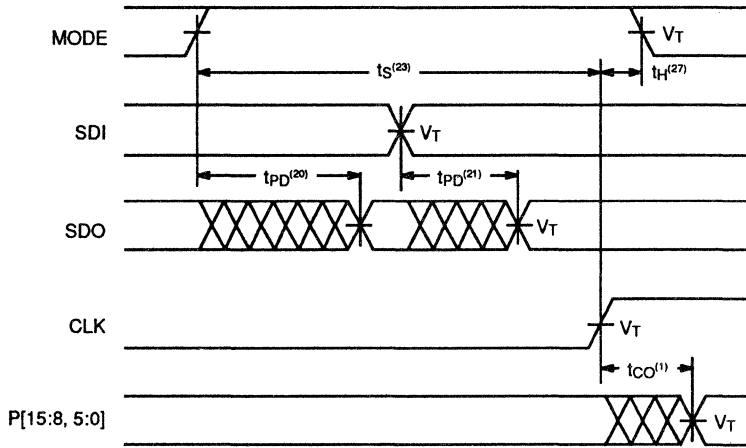


10135-060A

Clock Width/Period

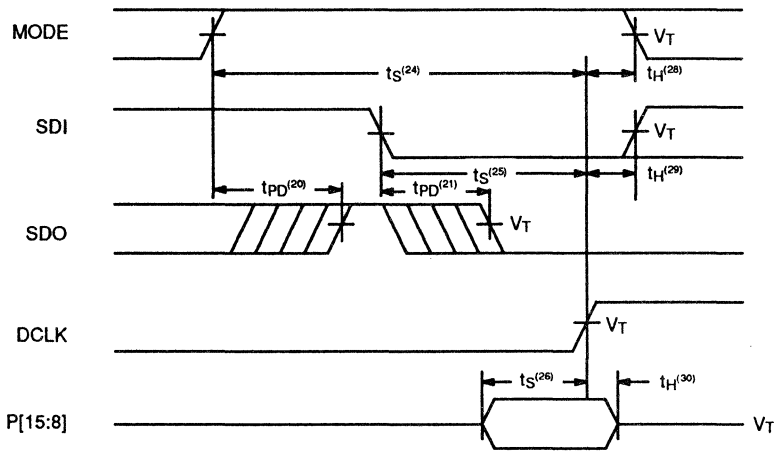
3

**SWITCHING WAVEFORMS (Continued)**  
**SSR Configuration**



10135-061A

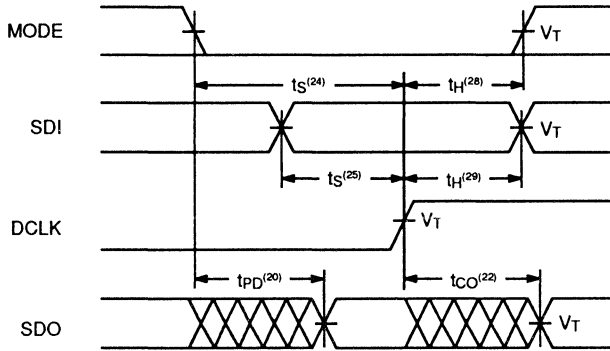
**Load Pipeline Register from Shadow Register**



10135-062A

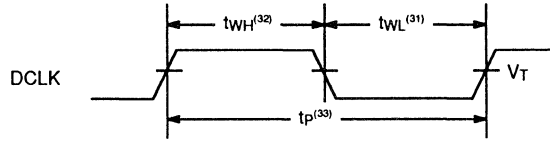
**Load Shadow Register from Pipeline Register and/or Pins**

**SWITCHING WAVEFORMS (Continued)**  
**SSR Configuration**



10135-063A

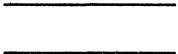



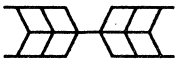
**Shift Shadow Register**



10135-064A

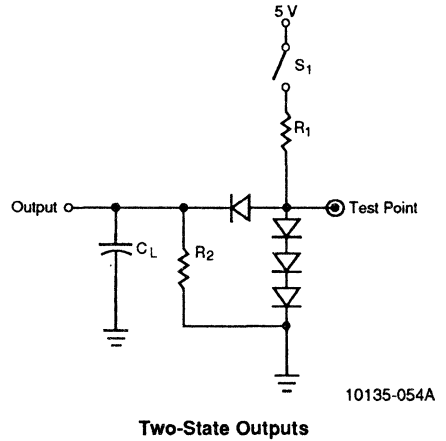
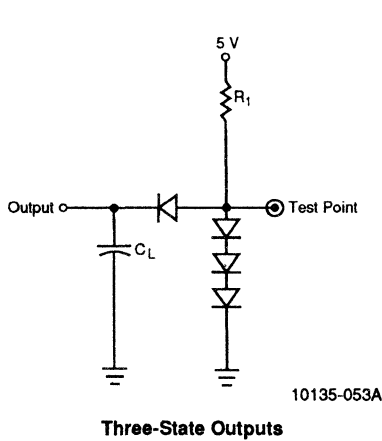
**DCLK Width/Period**

# KEY TO SWITCHING WAVEFORMS

WAVEFORM	INPUTS	OUTPUTS
	Must be Steady	Will be Steady
	May Change from H to L	Will be Changing from H to L
	May Change from L to H	Will be Changing from L to H
	Don't Care; Any Change Permitted	Changing, State Unknown
	Does Not Apply	Center Line is High-Impedance "Off" State

KS000010-PAL

## SWITCHING TEST CIRCUIT



Specification	S <sub>1</sub>	C <sub>L</sub>	Commercial		Military		Measured Output Value
			R <sub>1</sub>	R <sub>2</sub>	R <sub>1</sub>	R <sub>2</sub>	
t <sub>PD</sub> , t <sub>CO</sub>	Closed	50 pF	667 Ω	5 kΩ	667 Ω	5 kΩ	1.5 V
t <sub>px</sub>	Z → H: Open Z → L: Closed						1.5 V
t <sub>pxz</sub>	H → Z: Open L → Z: Closed	5 pF					H → Z: V <sub>OH</sub> - 0.5 V L → Z: V <sub>OL</sub> + 0.5 V

**Note:**

Pulse generator for all pulses: Rate ≤ 1.0 MHz; Z<sub>O</sub> = 50 Ω; t<sub>r</sub> ≤ 2.5 ns.

---

## TEST PHILOSOPHY AND METHODS

The following eight points describe AMD's philosophy for high volume, high speed automatic testing.

1. Ensure that the part is adequately decoupled at the test head. Large changes in  $V_{CC}$  current as the device switches may cause erroneous function failures due to  $V_{CC}$  changes.
2. Do not leave inputs floating during any tests, as they may start to oscillate at high frequency.
3. Do not attempt to perform threshold tests at high speed. Following an output transition, ground current may change by as much as 400 mA in 5–8 ns. Inductance in the ground cable may allow the ground pin at the device to rise by hundreds of millivolts momentarily.
4. Use extreme care in defining point input levels for AC tests. Many inputs may be changed at once, so there will be significant noise at the device pins and they may not actually reach  $V_{IL}$  or  $V_{IH}$  until the noise has settled. AMD recommends using  $V_{IL} \leq 0$  V and  $V_{IH} \geq 3.0$  V for AC tests.
5. To simplify failure analysis, programs should be designed to perform DC, function, and AC tests as three distinct groups of tests.
6. Capacitive Loading for AC Testing

Automatic testers and their associated hardware have stray capacitance that varies from one type of tester to another but is generally around 50 pF. This, of course, makes it impossible to make direct measurements of parameters which call for smaller capacitive load than the associated stray capacitance. Typical examples of this are the so-called "float delays," which measure the propagation delays into the high-impedance state and are usually specified at a load capacitance of 5.0 pF. In these cases, the test is performed at the higher load capacitance (typically 50 pF), and engineering correlations based on data taken with a bench setup are used to predict the result at the lower capacitance.

### 7. Threshold Testing

The noise associated with automatic testing (due to the long, inductive cables) and the high gain of the tested device when in the vicinity of the actual device threshold, frequently give rise to oscillations when testing high-speed circuits. These oscillations are not indicative of a reject device but instead of an overtaxed test system. To minimize this problem, thresholds are tested at least once for each input pin. Thereafter, "hard" high and low levels are used for other tests. Generally this means that function and AC testing are performed at "hard" input levels rather than at  $V_{IL}$  Max. and  $V_{IH}$  Min.

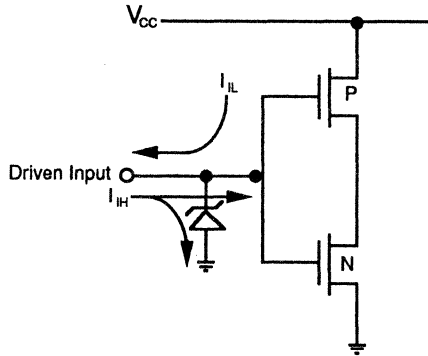
### 8. AC Testing

Occasionally, parameters are specified that cannot be measured directly on automatic testers because of tester limitations. Data input hold times often fall into this category. In these cases, the parameter in question is guaranteed by correlating these tests with other AC tests that have been performed. These correlations are arrived at by the cognizant engineer by using precise bench measurements in conjunction with the knowledge that certain DC parameters have already been measured and are within spec.

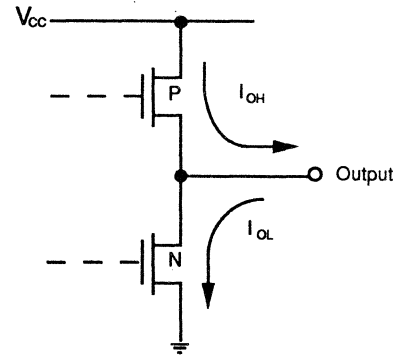
In some cases, certain AC tests are redundant, since they can be shown to be predicted by some other tests which have already been performed. In these cases, the redundant tests are not performed.



## INPUT/OUTPUT EQUIVALENT SCHEMATICS



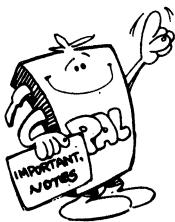
10135-050A



10135-051A

### Thermal Impedance Values ( $\theta_{JA}$ ), Typical

28-Pin Plastic SKINNYDIP (PD3028)	50°C/W
28-Pin Windowed Ceramic SKINNYDIP (CDE028)	40°C/W
28-Pin Plastic Leaded Chip Carrier (PL 028)	55°C/W
28-Pin Windowed Ceramic Leadless Chip Carrier (CLV028)	55°C/W





# Am29CPL154H-25/30

## CMOS 512-Word Field-Programmable Controller (FPC)

### DISTINCTIVE CHARACTERISTICS

- Implements complex state machines
- High-speed, low-power CMOS EPROM technology
- Functional upgrade from the Am29CPL151
- Eight conditional inputs (each can be registered as a programmable option), 16 outputs
- Up to 30-MHz maximum frequency
- 512-word by 36-bit CMOS EPROM
- Space-saving 28-pin OTP plastic SKINNYDIP® and PLCC packages and windowed ceramic SKINNYDIP package
- 28 instructions
  - Conditional branching, conditional looping, conditional subroutine call, multiway branch

### GENERAL DESCRIPTION

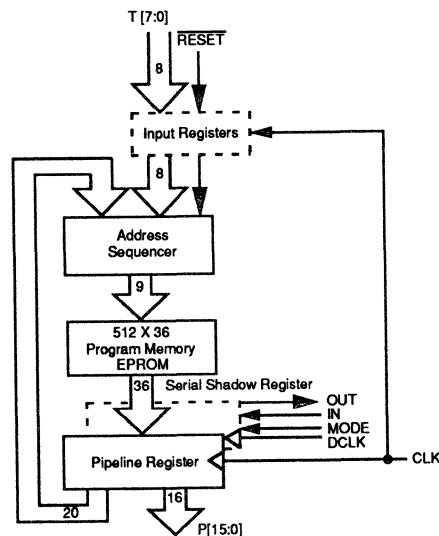
The Am29CPL154 is a CMOS, single-chip Field Programmable Controller (FPC). It allows implementation of complex state machines and controllers by programming the appropriate sequence of instructions. Jumps, loops, and subroutine calls, conditionally executed based on the test inputs, provide the designer with powerful control flow primitives.

Intelligent control may be distributed throughout the system by using FPCs to control various self-contained functional units, such as register file/ALU, I/O, interrupt, diagnostic, and bus control units. An address sequencer, the heart of the FPC, provides the address to an internal 512-word by 36-bit EPROM.

The Am29CPL154 is manufactured in CMOS technology and offers a space-saving 300-mil SKINNYDIP package. A pin-compatible smaller FPC is offered as the Am29CPL151 with a 64 x 32 memory.

This UV-erasable and reprogrammable device utilizes proven floating-gate CMOS EPROM technology to ensure high reliability, easy programming, and better than 99.9% programming yields. The Am29CPL154 is offered in both windowed and One-Time Programmable (OTP) packages. OTP plastic SKINNYDIP and PLCC devices are ideal for volume production.

### SIMPLIFIED BLOCK DIAGRAM

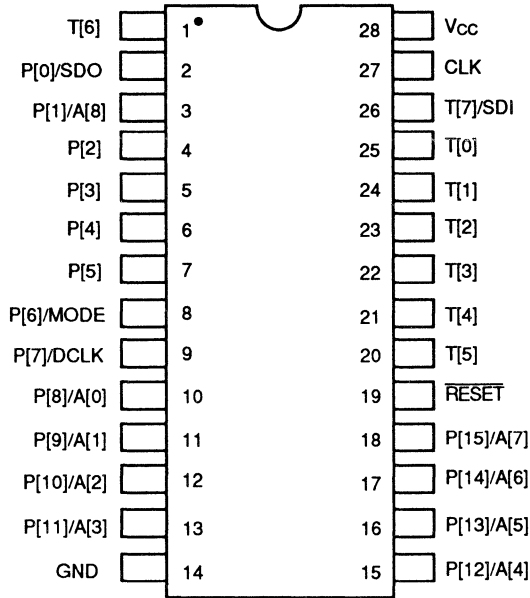


10136-001A

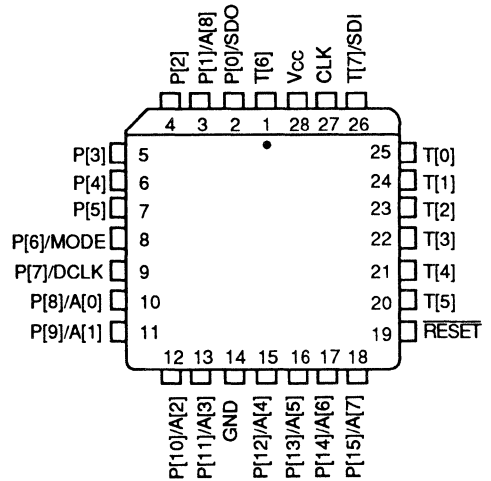
# CONNECTION DIAGRAMS

## Top View

**SKINNYDIP**



**PLCC/LCC**



10136-003A

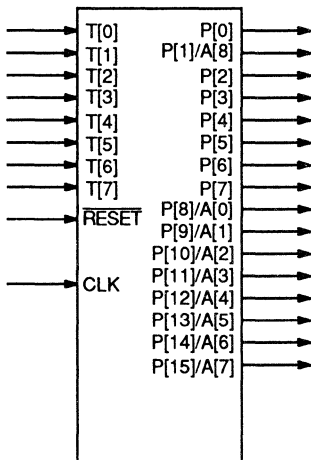
10136-002A

**Note:**

Pin 1 is marked for orientation.

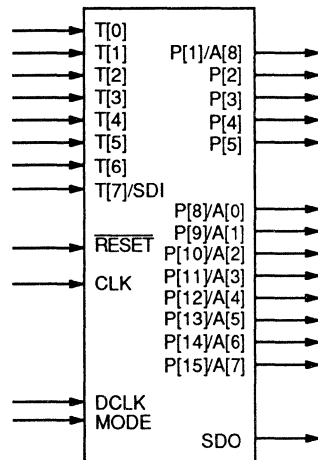
## LOGIC SYMBOLS

**Normal Configuration**



10136-004A

**SSR® Diagnostics Configuration**



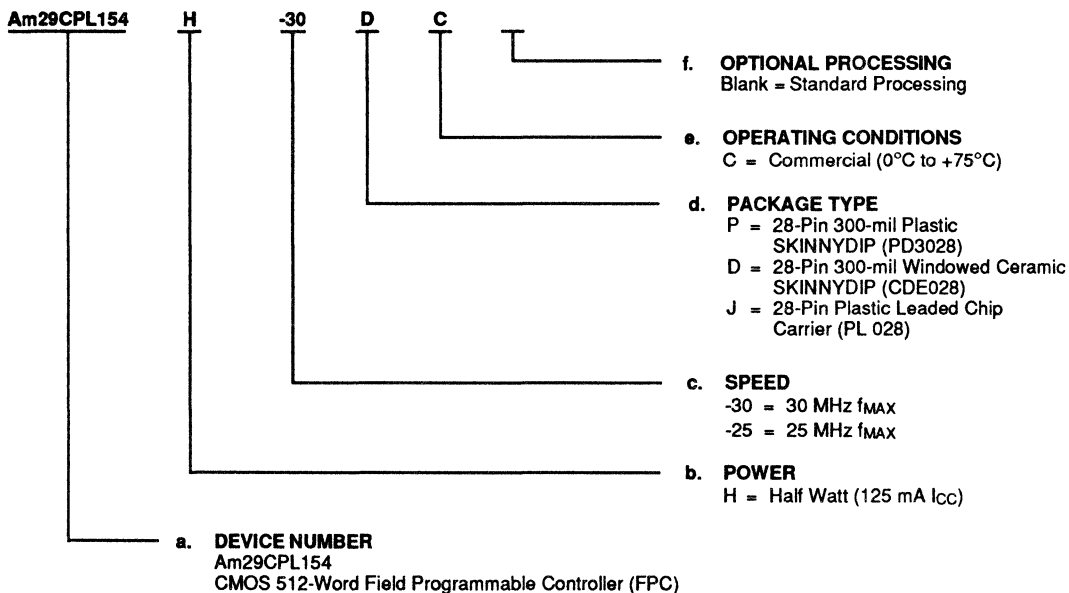
10136-005A

## ORDERING INFORMATION

### Commercial Products

AMD products for commercial applications are available with several ordering options. The order number (Valid Combination) is formed by a combination of:

- a. Device Number
- b. Power
- c. Speed
- d. Package Type
- e. Operating Conditions
- f. Optional Processing



Valid Combinations	
Am29CPL154H-30	PC, DC, JC
Am29CPL154H-25	

#### Valid Combinations

The Valid Combinations table lists configurations planned to be supported in volume for this device. Consult the local AMD sales office to confirm availability of specific valid combinations, and to check on newly released combinations.

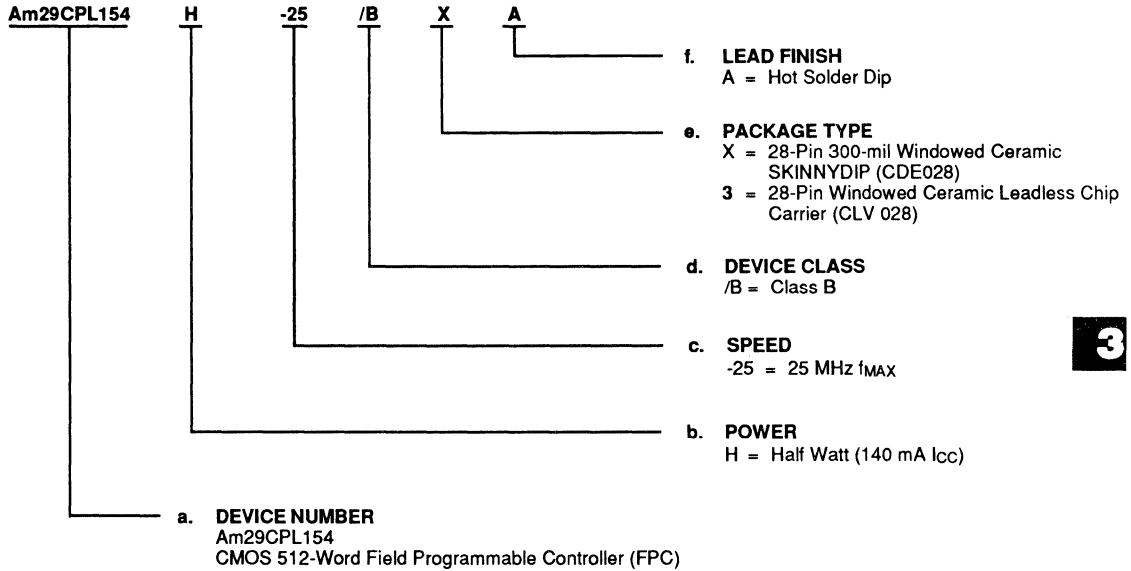
**Note:** Marked with AMD logo.

## ORDERING INFORMATION

### APL Products

AMD products for Aerospace and Defense applications are available with several ordering options. APL (Approved Products List) products are fully compliant with MIL-STD-883 requirements. The order number (Valid Combination) is formed by a combination of:

- a. Device Number
- b. Power
- c. Speed
- d. Device Class
- e. Package Type
- f. Lead Finish



Valid Combinations	
Am29CPL154H-25	/BXA, /B3A

#### Valid Combinations

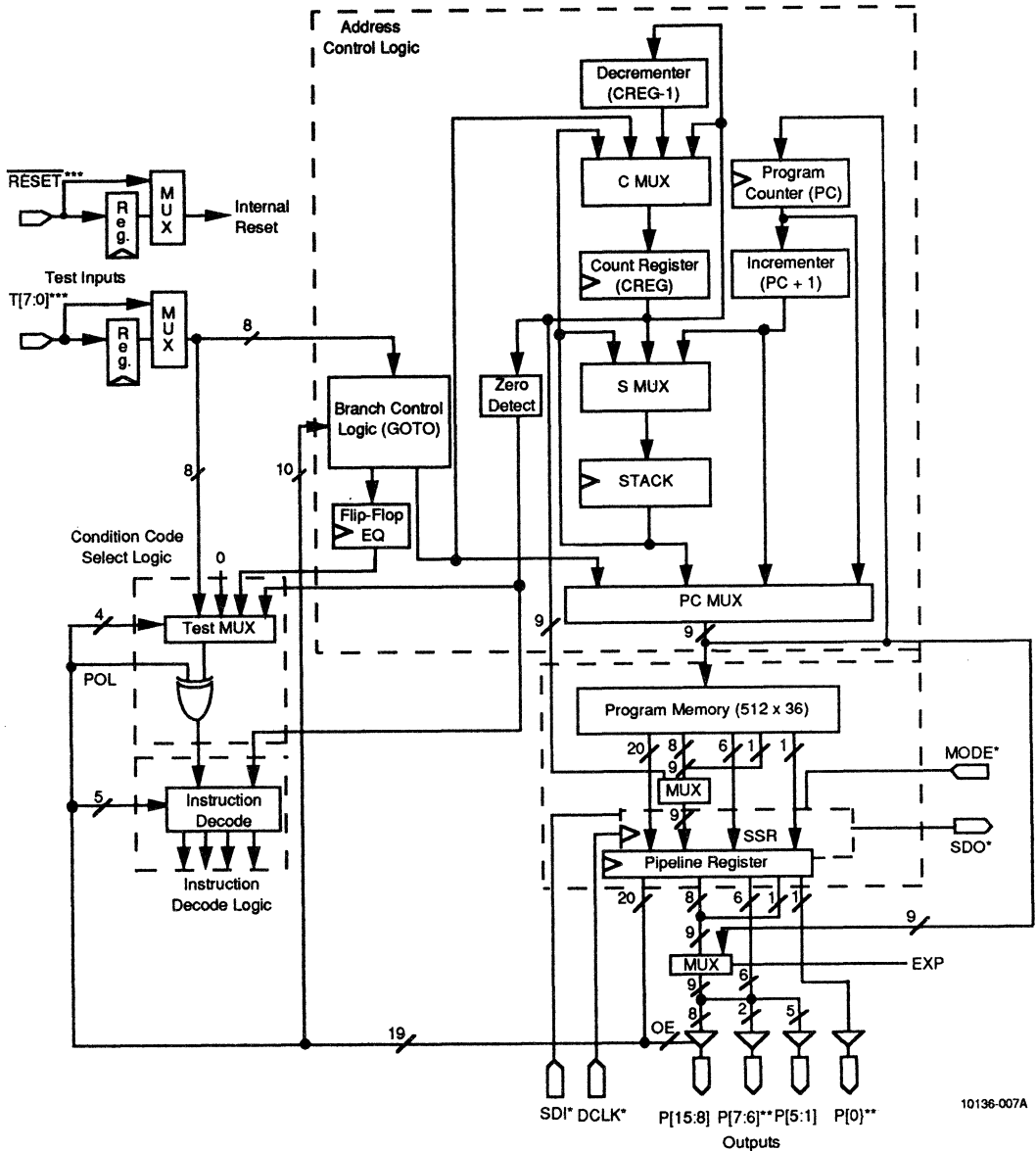
The Valid Combinations table lists configurations planned to be supported in volume for this device. Consult the local AMD sales office to confirm availability of specific valid combinations, and to check on newly released combinations.

**Note:** Marked with AMD logo.

#### Group A Tests

Group A tests consists of Subgroups 1, 2, 3, 7, 8, 9, 10, 11.

3



10136-007A

\* These pins available only in SSR mode.  
 \*\* These pins available only in normal mode.  
 \*\*\* Each of the  $T[7:0]$  and  $\overline{RESET}$  inputs can be individually registered or left unregistered as a programmable option.

10136-007A

Figure 1. Am29CPL154 Detailed Block Diagram

---

## PIN DESCRIPTION

### CLK

#### Clock Input

The rising edge of the clock latches the program counter, count register (CREG), subroutine register (SREG), pipeline register, and EQ flag. The rising edge of the clock also latches the test input registers and the  $\overline{\text{RESET}}$  register if their respective configuration bits are set to enable internal synchronizing registers.

### P[15:8]/A[7:0]

#### Outputs

The upper eight general-purpose control outputs are enabled by the OE signal from the pipeline register. When OE is HIGH, P[15:8] are enabled and when LOW, P[15:8] are disabled.

A controller Expansion (EXP) cell can be programmed to set pins P[1] and P[15:8] to output the program address A[8] and A[7:0] from the PC MUX. These can be used to address external registered memories to provide more control outputs.

The contents of the internal count register (CREG) can also be routed to the control output pins P[1] and P[15:8], using the OUTPUT instruction. Thus, the control outputs can be changed dynamically.

### P[7:0] [DCLK, MODE, SDO]

#### Outputs

The lower eight general-purpose control outputs are permanently enabled. In the SSR diagnostic configuration, P[7] becomes the diagnostic clock input DCLK, P[6] becomes the diagnostic control input MODE, and P[0] becomes the serial Data Output [SDO].

### $\overline{\text{RESET}}$

#### Optionally Registered $\overline{\text{Reset}}$ Input; Active LOW

When the reset input is LOW, the output of the PC MUX is forced to the uppermost program address (511). On the next rising edge of the clock, this address (511) is loaded into the program counter; the instruction at location 511 is loaded into the pipeline register, and the EQ flag is cleared. A programmable configuration bit allows the option of making this a registered input. If  $\overline{\text{RESET}}$  is internally registered, the first rising edge of the clock latches it. On the next rising edge of the clock, the EQ flip-flop is cleared and the contents of memory location 511 are loaded into the pipeline register. The default state of this input is registered.

### T[7:0] [SDI]

#### Optionally Registered Test Inputs

In conditional instructions, the TEST inputs can be used as individual condition codes selected by the TEST field in the pipeline register. The T[7:0] inputs can also be used as a branch address when performing a program branch or as a count value to be loaded into the CREG. When this is done, a ninth bit from the microword is added as the MSB of the test inputs to yield a nine-bit value. Each of these inputs has an EPROM bit associated with it. This bit may be programmed such that the corresponding input becomes an unregistered input. The default state of these inputs is registered. In SSR diagnostics mode, T[7] becomes the Serial Data Input (SDI).

3



## FUNCTIONAL DESCRIPTION

Figure 1, the detailed block diagram of the Am29CPL154, shows logic blocks and interconnecting buses that permit parallel performance of different operations in a single instruction. The FPC consists of four main logic blocks: the program memory, address control logic, condition code selection logic, and instruction decode. A fifth optional block is the Serial Shadow Register (SSR).

The program memory contains the user-defined instruction flow and output sequence. The address control logic addresses the program memory. This control logic supports high-level instruction functions including conditional branches, subroutine calls and returns, loops, and multiway branches. The condition code selection logic selects the condition code input to be tested when a conditional instruction is executed. The polarity of the selected condition code input is controlled by the POL bit in the microword. The instruction decode generates the control signals necessary to perform the instruction specified by the instruction part (P[35:16]) of the microword. The SSR enables in-system testing to isolate problems down to the IC level.

### Program Memory

The FPC program memory is a 512-word by 36-bit EPROM with a 36-bit pipeline register at its output. The upper 20 bits (P[35:16]) of the pipeline register are internal to the FPC and form the instruction to control address sequencing. The format for instructions is: a one-bit synchronous Output Enable OE, a five-bit OPCODE,

a one-bit test polarity select POL, a four-bit TEST condition select field, and a nine-bit immediate DATA field. The DATA field is used to provide branch addresses, test input masks, and counter values.

The lower 16 bits (P[15:0]) of the pipeline register are brought out as user-defined, general-purpose control outputs. The upper eight control outputs (P[15:8]) are disabled when OE is programmed as a LOW. The lower eight control bits (P[7:0]) are always enabled.

Outputs P[1] and P[15:8] will contain the next instruction address when the optional bit EXP is set. The contents of the count register are also available at P[1] and P[15:18] by using the OUTPUT instruction regardless of whether the EXP bit is set.

### Controlling External PROM

By programming the EXP bit, PC MUX is output over pins P[1,15:8]/A[8:0]. This feature can be used to extend the width of the output control word when external registered memories are used. In the diagram below, the Am29CPL154 controls external registered PROMs to provide an output control word (7 + N) bits wide (where N is the bit width of the PROMs).

When the OUTPUT instruction is executed, the CREG contents are output over pins P[1], P[15:8]/A[8], A[7:0] on the following cycle. Consequently, if the CREG contents must be read after programming the EXP cell, the system design should be modified to handle this exception.

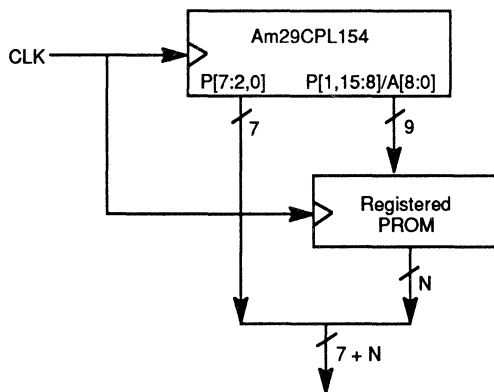


Figure 2. Controlling External PROM

10136-006A

---

## Address Control Logic

The address control logic consists of four smaller logic blocks. These are:

- PC GRP – Program counter multiplexer (PCMUX), program counter register (PC) and combinatorial incremter (PC + 1)
- STACK – 17-word by 9-bit-wide stack with subrou-tine mux (S MUX)
- CNTR – Count register (CREG) with counter mux (C MUX), combinatorial decremter (CREG–1), and zero detect
- GOTO – Multifunction branch control logic

### PC GRP

The PC GRP consists of a 4:1 multiplexer, a program counter (PC) register, and a 9-bit combinatorial incremter (PC + 1). It selects the PC, PC + 1, the branch address, or the top of stack as the next instruction address input to the program memory and the PC.

When  $\overline{\text{RESET}}$  is internally registered, the first clock edge after  $\overline{\text{RESET}}$  goes LOW latches  $\overline{\text{RESET}}$  internally. The next clock edge loads the contents of location 511 decimal into the instruction-pipeline register and clears the EQ flag. A programmable configuration bit allows the option of bypassing the synchronizing register. In this case, after  $\overline{\text{RESET}}$  goes LOW, the output of the PC MUX is forced to all “1”s (address 511 decimal) during the setup time, and the first clock edge loads the contents of location 511 decimal into the instruction-pipeline register and clears the EQ flag. Note: by default, the  $\overline{\text{RESET}}$  input is registered.

### STACK

This 17-deep, 9-bit-wide stack block consists of a 3:1 multiplexer (S MUX) that stores the data into the top-most location of the stack. The STACK register is incremented by one after an item is written onto the STACK (post-incremented) and decremented by one before an item is read from the STACK (pre-decremented). The S MUX chooses from three sources: PC + 1, count register, and the top of the stack (for holding). PC + 1 is the input source when doing subroutine calls. PC MUX is the output destination when a return-from-subroutine instruction is performed. The PSHCNTR and POPCNTR instructions can be used for nested counts up to the depth of the STACK. Table 1 shows how the stack operates when more than 17 values are pushed. Table 2 shows how the stack operates when more than 17 values are popped.

### CNTR

The CNTR block consists of a nine-bit, four-to-one multiplexer (C MUX), driving a nine-bit register (CREG); a six-bit combinatorial decremter (CREG-1); and a zero-detection circuit. The CNTR logic block is typically used for timing functions and iterative loop counting.

The CMUX has the following input sources: top of stack, the branch-logic output, CREG – 1, and the CREG (for holding).

### GOTO

The GOTO logic block serves three functions:

1. It provides a nine-bit count value from the DATA field in the pipeline register (P[24:16]) or from the TEST inputs T[7:0] masked by the DATA field P[23:16]. This is represented by T\*M.
2. It provides a branch address from the DATA field in the pipeline register P[24:16] or from the TEST inputs T[7:0] masked by the 8 LSBs of the DATA field P[23:16]. This is represented by T\*M. The MSB or ninth bit of the branch address will be the MSB of the DATA field.
3. It compares T[7:0] masked by the MASK field P[23:16], called T\*M, to the CONSTANT field from the pipeline register P[31:24]. If a match occurs, the EQ flip-flop is set. EQ remains unchanged if there is no match. Constant field bits that correspond to masked test bits must be zero.

The EQ flag can be tested by the condition code selection logic. Multiple tests of any group of T inputs in a manner analogous to sum-of-products can be performed since a no-match comparison does not reset the EQ flag. Any conditional branch on EQ will reset the EQ flag. Conditional returns on EQ will not change the EQ flag.  $\overline{\text{RESET}}$  input LOW will reset the EQ flag.

Note: A zero in the MASK field blocks the corresponding bit in the TEST field; a one activates the corresponding bit.

The constant field bits that correspond to masked test field bits must be zero. A zero is substituted for masked test field bits. The “POL” bit is a “don’t care” when using test inputs to load registers.

Note that when the inputs are internally registered (programmable option) they must meet the register setup time on the cycle preceding the one in which they are to be used.

### Condition Code Selection Logic

The condition code selection logic consists of a 16:1 multiplexer. The 16 condition inputs are the eight test bits, the EQ flag, CREG ZERO status, and six UNCOND test conditions connected to zero for the unconditional mode. The TEST field in the pipeline register (P[28:25]) selects one of the 16 conditions. If one of the UNCOND is chosen, and the POL bit is a one, the instruction is executed with a “forced PASS” condition. If one of the UNCOND is chosen, and the POL bit is zero, the instruction is executed with a “forced FAIL” condition. See op-code descriptions for more details.

The polarity bit POL in the instruction allows the user to test for either a pass or fail condition. Refer to Table 3 for details.

Note that when the inputs are internally registered (programmable option) they must meet the register setup time on the cycle preceding the one in which they are to be used.

### Instruction Decode

The instruction decoder is a PLA that generates the control for 28 different instructions. The decoder inputs include the OPCODE field P[34:30], the zero detection flag from the CNTR, and the selected test condition code from the condition code selection logic.

### Operational Modes

The Am29CPL154 operates as a nine-bit microcontroller in normal mode, and there are several configuration bits that can be programmed to modify this normal operation. The EXP bit allows the nine program address lines from the PC MUX to be output on the output pins (P[1,15:8]) so that a user can expand the width of the control lines by using external registered memories. The SSR bit allows on-chip diagnostic capabilities for in-system testing. The remaining bits serve to individually select whether the input pins will be synchronized or not. The default setting of these bits (unprogrammed,1) will cause each pin to be synchronized, and so programming a given bit (to 0) will cause that corresponding input to become internally unsynchronized.

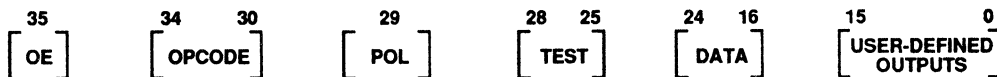
TABLE 1.

STACK LOCATION	PSH	PSH	PSH	PSH	PSH	PSH	PSH	PSH	PSH	PSH	PSH	PSH	PSH	PSH	PSH	PSH	PSH	PSH	PSH
1	1	2	3	4	5	6	7	8	9	10	11	12	13	14	15	16	17	18	19
2	X	1	2	3	4	5	6	7	8	9	10	11	12	13	14	15	16	17	18
3	X	X	1	2	3	4	5	6	7	8	9	10	11	12	13	14	15	16	17
4	X	X	X	1	2	3	4	5	6	7	8	9	10	11	12	13	14	15	16
5	X	X	X	X	1	2	3	4	5	6	7	8	9	10	11	12	13	14	15
6	X	X	X	X	X	1	2	3	4	5	6	7	8	9	10	11	12	13	14
7	X	X	X	X	X	X	1	2	3	4	5	6	7	8	9	10	11	12	13
8	X	X	X	X	X	X	X	1	2	3	4	5	6	7	8	9	10	11	12
9	X	X	X	X	X	X	X	X	1	2	3	4	5	6	7	8	9	10	11
10	X	X	X	X	X	X	X	X	X	1	2	3	4	5	6	7	8	9	10
11	X	X	X	X	X	X	X	X	X	X	1	2	3	4	5	6	7	8	9
12	X	X	X	X	X	X	X	X	X	X	X	1	2	3	4	5	6	7	8
13	X	X	X	X	X	X	X	X	X	X	X	X	1	2	3	4	5	6	7
14	X	X	X	X	X	X	X	X	X	X	X	X	X	1	2	3	4	5	6
15	X	X	X	X	X	X	X	X	X	X	X	X	X	X	1	2	3	4	5
16	X	X	X	X	X	X	X	X	X	X	X	X	X	X	X	1	2	3	4
17	X	X	X	X	X	X	X	X	X	X	X	X	X	X	X	X	1	2	3

TABLE 2.

STACK LOCATION	POP	POP	POP	POP	POP	POP	POP	POP	POP	POP	POP	POP	POP	POP	POP	POP	POP	POP	POP
1	19	18	17	16	15	14	13	12	11	10	9	8	7	6	5	4	3	18	17
2	18	17	16	15	14	13	12	11	10	9	8	7	6	5	4	3	18	17	16
3	17	16	15	14	13	12	11	10	9	8	7	6	5	4	3	18	17	16	15
4	16	15	14	13	12	11	10	9	8	7	6	5	4	3	18	17	16	15	14
5	15	14	13	12	11	10	9	8	7	6	5	4	3	10	17	16	15	14	13
6	14	13	12	11	10	9	8	7	6	5	4	3	18	17	16	15	14	13	12
7	13	12	11	10	9	8	7	6	5	4	3	18	17	16	15	14	13	12	11
8	12	11	10	9	8	7	6	5	4	3	18	17	16	15	14	13	12	11	10
9	11	10	9	8	7	6	5	4	3	18	17	16	15	14	13	12	11	10	9
10	10	9	8	7	6	5	4	3	18	17	16	15	14	13	12	11	10	9	8
11	9	8	7	6	5	4	3	18	17	16	15	14	13	12	11	10	9	8	7
12	8	7	6	5	4	3	18	17	16	15	14	13	12	11	10	9	8	7	6
13	7	6	5	4	3	18	17	16	15	14	13	12	11	10	9	8	7	6	5
14	6	5	4	3	18	17	16	15	14	13	12	11	10	9	8	7	6	5	4
15	5	4	3	18	17	16	15	14	13	12	11	10	9	8	7	6	5	4	3
16	4	3	18	17	16	15	14	13	12	11	10	9	8	7	6	5	4	3	18
17	3	18	17	16	15	14	13	12	11	10	9	8	7	6	5	4	3	18	17

## Am29CPL154 General Instruction Format



10136-008A

**WHERE:**

- OE = Synchronous Output Enable for P[15:8].
- OPCODE = A five-bit opcode field for selecting one of the 27 single-data-field instructions.
- POL = A one-bit test condition polarity select (refer to Table 3).
- TEST = A four-bit test condition select.

TEST[28:25]	UNDER TEST
0000	T [0]
0001	T [1]
0010	T [2]
0011	T [3]
0100	T [4]
0101	T [5]
0110	T [6]
0111	T [7]
1000	EQ
1001	CREG ZERO
1010-1111	UNCONDITIONAL [0]

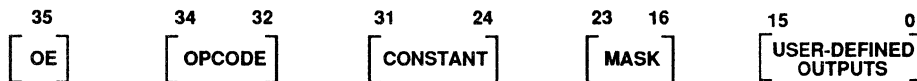
DATA = A nine-bit conditional branch address, test input mask, or counter value field designated as PL in instruction mnemonics.

Table 3

Input Condition Being Tested	POL	Test Result
0	0	Fail
0	1	Pass
1	0	Pass
1	1	Fail



## Am29CPL154 Comparison Instruction Format



10136-009A

**WHERE:**

- OE = Synchronous Output Enable for P[15:8].
- OPCODE = Compare instruction (binary 100).
- CONSTANT = An eight-bit constant for equal-to comparison with T\*M.
- MASK = An eight-bit mask field for masking the incoming T[7:0] inputs.

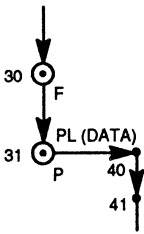
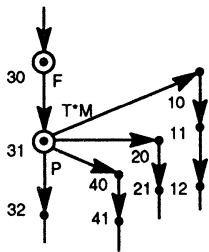
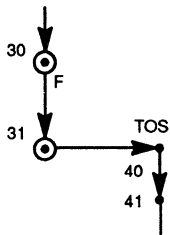
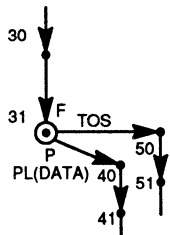
# Am29CPL154 INSTRUCTION SET DEFINITION

- = Other instruction
- ⊙ = Instruction being described
- = Register in part

P = Test Pass

F = Test Fail

X,Y are arbitrary values in the CREG or STACK

Opcode	Mnemonic	Description	Execution Example	Register Transfer Description
19	GOTOPL	<p><b>IF (cond) THEN GOTO PL (data)</b>                      Conditional branch to the address in the PL (DATA field). The EQ flag will be reset if the test field selects it and the condition passes. The instruction is executed with a forced PASS condition if the test field is UNCOND and POL = 1. The instruction is executed with a forced FAIL condition if the test field is UNCOND and POL = 0.</p>		<p>If (cond = true) Then                      PC = PL(data)                      Else                      PC = PC + 1</p>
				10135-009A
IF	GOTOTM	<p><b>IF (cond) THEN GOTO T*M (data)</b>                      Conditional branch to the address defined by the T*M (T[7:0] under bitwise mask from the 8 LSBS of the DATA field). This instruction is intended for multiway branches. The EQ flag will be reset if the test field selects it and the condition passes. The instruction is executed with a forced PASS condition if the test field is UNCOND and POL = 1. The instruction is executed with a forced FAIL condition if the test field is UNCOND and POL = 0. The MSB of the branch address will be the MSB of the DATA field.</p>		<p>If (cond = true) Then                      PC = T*M                      Else                      PC = PC + 1</p>
				10135-011A
03	GOTOSTK	<p><b>IF (cond) THEN GOTO (STACK)</b>                      Conditional branch to the address at the top of the stack, or else continue. The EQ flag will be reset if the test field selects it and the condition passes. The instruction is executed with a forced PASS condition if the test field is UNCOND and POL = 1. The instruction is executed with a forced FAIL condition if the test field is UNCOND and POL = 0.</p>		<p>If (cond = true) Then                      PC = TOS                      Else                      PC = PC + 1</p>
				10136-010A
18	FORK	<p><b>IF (cond) THEN GOTO PL (data) ELSE GOTO (STACK)</b>                      Conditional branch to the address in the PL (DATA field) or the TOS. A branch to PL is taken if the condition is true and a branch to TOS if false. The EQ flag will be reset if the test field selects it and the condition passes. The instruction is executed with a forced PASS condition if the test field is UNCOND and POL = 1. The instruction is executed with a forced FAIL condition if the test field is UNCOND and POL = 0.</p>		<p>If (cond = true) Then                      PC = PL(data)                      Else                      PC = TOS</p>
				10136-011A

# Am29CPL154 INSTRUCTION SET DEFINITION (Continued)

Opcode	Mnemonic	Description	Execution Example	Register Transfer Description
1C	CALPL	<p><b>IF (cond) THEN CALL PL (data)</b>                      Conditional jump to subroutine at the address specified by the PL (DATA field). The PC + 1 is pushed into the TOS as the return address. The EQ flag will be reset if the test field selects it and the condition passes. The instruction is executed with a forced PASS condition if the test field is UNCOND and POL = 1. The instruction is executed with a forced FAIL condition if the test field is UNCOND and POL = 0.</p>		<p>If (cond = true) Then                      STACK = TOS                      TOS = PC + 1                      PC = PL(data)                      Else                      PC = PC + 1</p> <p>10136-012A</p>
1E	CALTM	<p><b>IF (cond) THEN CALL TM (data)</b>                      Conditional jump to subroutine at the address specified by the T*M (T[7:0] under bitwise mask from the 8 LSBs of the DATA field). The PC + 1 is pushed into the TOS as the return address. The EQ flag will be reset if the test field selects it and the condition passes. The instruction is executed with a forced PASS condition if the test field is UNCOND and POL = 1. The instruction is executed with a forced FAIL condition if the test field is UNCOND and POL = 0. The MSB of the branch address will be the MSB of the DATA field.</p>		<p>If (cond = true) Then                      STACK = TOS                      TOS = PC + 1                      PC = T*M                      Else                      PC = PC + 1</p> <p>10136-013A</p>
02	RET	<p><b>IF (cond) THEN RET</b>                      Conditional return from subroutine. The TOS provides the return from subroutine address and the stack is popped. The instruction is executed with a forced PASS condition if the test field is UNCOND and POL = 1. The instruction is executed with a forced FAIL condition if the test field is UNCOND and POL = 0.</p>		<p>If (cond = true) Then                      PC = TOS                      TOS = STACK                      Else                      PC = PC + 1</p> <p>10136-014A</p>
00	RETPL	<p><b>IF (cond) THEN RET, LOAD PL (data)</b>                      Conditional return from subroutine and load the CREG from the PL (DATA field). The TOS provides the return from subroutine address and the STACK is popped. The instruction is executed with a forced PASS condition if the test field is UNCOND and POL = 1. The instruction is executed with a forced FAIL condition if the test field is UNCOND and POL = 0.</p>		<p>If (cond = true) Then                      PC = TOS                      TOS = STACK                      CREG = PL(data)                      Else                      PC = PC + 1</p> <p>10136-015A</p>

# Am29CPL154 INSTRUCTION SET DEFINITION (Continued)

Opcode	Mnemonic	Description	Execution Example	Register Transfer Description
04	LDPL	<p><b>IF (cond) THEN LOAD PL (data)</b>                      Conditional load the CREG from the PL (DATA field). The instruction is executed with a forced PASS condition if the test field is UNCOND and POL = 1. The instruction is executed with a forced FAIL condition if the test field is UNCOND and POL = 0.</p>		<p>If (cond = true) Then                      CREG = PL(data)                      PC = PC + 1                      Else                      PC = PC + 1</p>
06	LDTM	<p><b>IF (cond) THEN LOAD TM (data)</b>                      Conditional load the CREG from the T*M (T[7:0] inputs under bit-wise mask from the 8 LSBS of the DATA field). The instruction is executed with a forced PASS condition if the test field is UNCOND and POL = 1. The instruction is executed with a forced FAIL condition if the test field is UNCOND and POL = 0. The MSB of the branch address will be the MSB of the DATA field.</p>		<p>If (cond = true) Then                      CREG = T*M                      PC = PC + 1                      Else                      PC = PC + 1</p>
15	PSH	<p><b>IF (cond) THEN PUSH</b>                      Conditional push the PC + 1 into the TOS. The instruction is executed with a forced PASS condition if the test field is UNCOND and POL = 1. The instruction is executed with a forced FAIL condition if the test field is UNCOND and POL = 0.</p>		<p>If (cond = true) Then                      STACK = TOS                      TOS = PC + 1                      PC = PC + 1                      Else                      PC = PC + 1</p>
14	PSHPL	<p><b>IF (cond) THEN PUSH, LOAD PL (data)</b>                      Conditional push the PC + 1 into the TOS and load the CREG from the PL (DATA field). The instruction is executed with a forced PASS condition if the test field is UNCOND and POL = 1. The instruction is executed with a forced FAIL condition if the test field is UNCOND and POL = 0.</p>		<p>If (cond = true) Then                      CREG = PL(data)                      STACK = TOS                      TOS = PC + 1                      PC = PC + 1                      Else                      PC = PC + 1</p>

# Am29CPL154 INSTRUCTION SET DEFINITION (Continued)

Opcode	Mnemonic	Description	Execution Example	Register Transfer Description
16	PSHTM	<p><b>IF (cond) THEN PUSH, LOAD TM (data)</b>                      Conditional push the PC + 1 into the TOS and load the CREG from the T*M (T[7:0] under bitwise mask from the 8 LSBs of the DATA field). The instruction is executed with a forced PASS condition if the test field is UNCOND and POL = 1. The instruction is executed with a forced FAIL condition if the test field is UNCOND and POL = 0. The MSB of the branch address will be the MSB of the DATA field.</p>		<p>If (cond = true) Then                      CREG = T*M                      STACK = TOS                      TOS = PC + 1                      PC = PC + 1                      Else                      PC = PC + 1</p>
07	POP	<p><b>IF (cond) THEN POP</b>                      Conditional Pop the TOS. The instruction is executed with a forced PASS condition, if the test field is UNCOND and POL = 1. The instruction is executed with a forced FAIL condition, if the test field is UNCOND and POL = 0.</p>		<p>If (cond = true) Then                      TOS = STACK                      PC = PC + 1                      Else                      PC = PC + 1</p>
05	PSHCNTR	<p><b>IF (cond) THEN PUSH (CREG)</b>                      Conditional push CREG contents to top of stack. The instruction is executed with a forced PASS condition if the test field is UNCOND and POL = 1. The instruction is executed with a forced FAIL condition if the test field is UNCOND and POL = 0.</p>		<p>If (cond = true) Then                      STACK = TOS                      TOS = CREG                      PC = PC + 1                      Else                      PC = PC + 1</p>
17	POPCNTR	<p><b>IF (cond) THEN POP TO (CREG)</b>                      Conditional pop TOS into CREG. The instruction is executed with a forced PASS condition, if the test field is UNCOND and POL = 1. The instruction is executed with a forced FAIL condition, if the test field is UNCOND and POL = 0.</p>		<p>If (cond = true) Then                      CREG = TOS                      TOS = STACK                      PC = PC + 1                      Else                      PC = PC + 1</p>



# Am29CPL154 INSTRUCTION SET DEFINITION (Continued)

Opcode	Mnemonic	Description	Execution Example	Register Transfer Description
0B	DEC	<b>IF (cond) THEN DEC</b> Conditional decrement of the CREG. The instruction is executed with a forced PASS condition if the test field is UNCOND and POL = 1. The instruction is executed with a forced FAIL condition if the test field is UNCOND and POL = 0.		If (cond = true) Then CREG = CREG - 1 PC = PC + 1 Else PC = PC + 1
0C	DECPL	<b>WHILE (CREG &lt;&gt; 0) WAIT ELSE LOAD PL (data)</b> Conditional Hold until the counter is equal to zero, then load CREG from the PL (DATA field). This instruction is intended for timing waveform generation. If the CREG is not equal to zero, the same instruction is refetched while CREG is decremented. Timing is complete when the CREG is equal to zero, causing the next instruction to be fetched and the CREG to be reloaded from PL. This instruction does not depend on the pass/fail condition.		While (CREG <> 0) CREG = CREG - 1 PC = PC End While CREG = PL(data) PC = PC + 1
0E	DECTM	<b>WHILE (CREG &lt;&gt; 0) WAIT ELSE LOAD TM (data)</b> Conditional Hold until the counter is equal to zero, then load CREG from the T*M (T[7:0] under bitwise mask from the 8 LSBs of the DATA field). This instruction is intended for timing waveform generation. If the CREG is not equal to zero, the same instruction is refetched while the CREG is decremented. Timing is complete when the CREG is equal to zero, causing the next instruction to be fetched and the CREG to be reloaded from T*M. This instruction does not depend on the pass/fail condition. The MSB of the branch address will be the MSB of the DATA field.		While (CREG <> 0) CREG = CREG - 1 PC = PC End While CREG = T*M PC = PC + 1
1D	DECGOPL	<b>If (cond) THEN GOTO PL (data) ELSE WHILE (CREG &lt;&gt; 0) WAIT</b> Conditional Hold/Count. The current instruction will be refetched and the CREG decremented until the condition under test becomes true or the counter is equal to zero. If the condition becomes true, a branch to the address in the PL (DATA field) is executed. If the counter becomes zero without the condition becoming true, a CONTINUE is executed. The EQ flag will be reset if the test field selects it and the condition passes. The instruction is executed with a forced PASS condition if the test field is UNCOND and POL = 1. The instruction is executed with a forced FAIL condition if the test field is UNCOND and POL = 0.		While (cond = false) If (CREG <> 0) CREG = CREG - 1 PC = PC Else PC = PC + 1 End While PC = PL (data)

# Am29CPL154 INSTRUCTION SET DEFINITION (Continued)

Opcode	Mnemonic	Description	Execution Example	Register Transfer Description
1A	WAITPL	<p><b>IF (cond) THEN GOTO PL (data) ELSE WAIT</b></p> <p>Conditional Hold. The current instruction will be refetched and executed until the condition under test becomes true. When true, a branch to the address in the PL (DATA field) is executed. The EQ flag will be reset if the test field selects it and the condition passes. The instruction is executed with a forced PASS condition if the test field is UNCOND and POL = 1. The instruction is executed with a forced FAIL condition if the test field is UNCOND and POL = 0.</p>		<p>If (cond = true) Then PC = PL (data) Else PC = PC</p>

10135-033A

1B	WAITTM	<p><b>IF (cond) THEN GOTO TM (data), ELSE WAIT</b></p> <p>Conditional Hold. The current instruction will be refetched and executed until the condition under test becomes true. When the condition is true, a branch to the T*M address (T[7:0] under bitwise mask from the eight LSBs of the DATA field) is executed. The EQ flag will be reset if the test field selects it and the condition passes. The instruction is executed with a forced PASS condition, if the test field is UNCOND and POL = 1. The instruction is executed with a forced FAIL condition, if the test field is UNCOND and POL = 0. The MSB of the branch address will be the MSB of the DATA field.</p>		<p>If (cond = true) Then PC = T*M Else PC = PC</p>
----	--------	--	--	--

10136-023A

08	LPPL	<p><b>WHILE (CREG &lt;&gt; 0) LOOP TO PL (data)</b></p> <p>Conditional loop to the address in the PL (DATA field). This instruction is intended to be placed at the bottom of an iterative loop. If the CREG is not equal to zero, it is decremented (signifying completion of an iteration), and a branch to the PL (DATA field) (top of the loop) is executed. If the CREG is equal to zero, looping is complete and the next sequential instruction is executed. This instruction does not depend on the pass/fail condition. The EQ flag will be reset if the test field selects it and CREG is not equal to zero.</p>		<p>While (CREG &lt;&gt; 0) CREG = CREG - 1 PC = PL (data) End While PC = PC + 1</p>
----	------	--	--	---

10135-034A

# Am29CPL154 INSTRUCTION SET DEFINITION (Continued)

Opcode	Mnemonic	Description	Execution Example	Register Transfer Description
0A	LPTM	<p><b>WHILE (CREG &lt; &gt; 0) LOOP TO TM (data)</b></p> <p>Conditional loop to the address T*M (T[7:0] under bitwise mask from the eight LSBs of the DATA field). This instruction should be placed at the bottom of an iterative loop. If CREG is not equal to zero, it is decremented (signifying completion of an iteration), and a branch to the address specified by T*M (top of the loop) is executed. If CREG is equal to zero, looping is complete and the next sequential instruction is executed. This does not depend on the pass/fail condition. The EQ flag will be reset if the test field selects it and CREG is not equal to zero. The MSB of the branch address will be the MSB of the DATA field.</p>		<p>While (CREG &lt; &gt; 0)            CREG = CREG - 1            PC = T*M            End While            PC = PC + 1</p>
0F	LPSTK	<p><b>WHILE (CREG &lt; &gt; 0) LOOP TO (STACK)</b></p> <p>Conditional loop to the address in the TOS. If CREG ≠ 0, the CREG is decremented and a branch to the TOS address is executed. If the CREG = 0, looping is complete, the stack is popped, and the next sequential instruction is executed. This instruction does not depend on the pass/fail condition. The EQ flag will be reset if the test field selects it and CREG is not equal to zero.</p>		<p>While (CREG &lt; &gt; 0)            CREG = CREG - 1            PC = TOS            End While            TOS = STACK            PC = PC + 1</p>
0D	CONT	<p><b>CONTINUE</b></p> <p>The next sequential instruction is fetched unconditionally. This instruction can be used to reset the EQ flag by selecting EQ in the TEST field.</p>		<p>PC = PC + 1</p>

# Am29CPL154 INSTRUCTION SET DEFINITION (Continued)

Opcode	Mnemonic	Description	Execution Example	Register Transfer Description
01	OUTPUT	<p><b>IF (cond) THEN OUTPUT</b>                      The CREG contents will be output on pins P[1] and P[15:8] during the next clock cycle. Care should be taken to ensure that the outputs are enabled for the next sequential instruction by setting the microcode bit OE = 1. The instruction is executed with a forced PASS condition, if the test field is UNCOND and POL = 1. The instruction is executed with a forced FAIL condition, if the test field is UNCOND and POL = 0.</p>		<p>If (cond = ture) Then                      P[1] and P[15:8] = CREG                      PC = PC + 1                      Else                      PC = PC + 1</p>
10-13 (100XX binary)	CMP	<p><b>TM (mask) TO PL (constant)</b>                      This instruction performs bitwise Exclusive-OR of T*M (T[7:0] under bitwise mask from the MASK field) with CONSTANT (P[31:24]). If T*M equals CONSTANT, the EQ flag is set to one, which may be branched on in a following instruction. If not equal, the EQ flag is unaffected. This allows sequences of compares, in a manner analogous to sum-to-products, to be performed which can be followed by a single conditional branch if one or more of the comparisons are true. Note: The EQ flag is set to zero on reset or when EQ is selected as the test condition in a branch. Conditional returns on EQ leave the flag unchanged. Constant field bits that correspond to masked test field bits must be zero. This instruction does not depend on the pass/fail condition.</p>		<p>Compare T*M and CONSTANT                      EQ = ((T [7:0] .AND.                      MASK)                      .XNOR. CONSTANT)                      .OR. EQ                      PC = PC + 1</p>

## INSTRUCTIONS BASED ON TEST CONDITIONS

Op-code	Mnemonic	Assembler Statement	Condition Pass				Condition Fail				Notes
			PC MUX	STACK	CREG	EQ FLAG	PC MUX	STACK	CREG	EQ FLAG	
00	RETPL	IF (cond) THEN RET, LOAD PL (data)	TOS	Pop	Load PL	NC	PC + 1	Hold	Hold	NC	5
01	OUTPUT	IF (cond) THEN OUTPUT	PC + 1	Hold	Hold	NC	PC + 1	Hold	Hold	NC	1
02	RET	IF (cond) THEN RET	TOS	Pop	Hold	NC	PC + 1	Hold	Hold	NC	5
03	GOTOSTK	IF (cond) THEN GOTO (STACK)	TOS	Hold	Hold	Reset	PC + 1	Hold	Hold	NC	3
04	LDPL	IF (cond) THEN LOAD PL (data)	PC + 1	Hold	Load PL	NC	PC + 1	Hold	Hold	NC	
05	PSHCNTR	IF (cond) THEN PUSH (CREG)	PC + 1	Push CREG	Hold	NC	PC + 1	Hold	Hold	NC	6
06	LDTM	IF (cond) THEN LOAD TM (data)	PC + 1	Hold	Load TM	NC	PC + 1	Hold	Hold	NC	
07	POP	IF (cond) THEN POP	PC + 1	Pop	Hold	NC	PC + 1	Hold	Hold	NC	5
0B	DEC	IF (cond) THEN DEC	PC + 1	Hold	DEC	NC	PC + 1	Hold	Hold	NC	
14	PSHPL	IF (cond) THEN PUSH, LOAD PL (data)	PC + 1	Push PC + 1	Load PL	NC	PC + 1	Hold	Hold	NC	6
15	PSH	IF (cond) THEN PUSH	PC + 1	Push PC + 1	Hold	NC	PC + 1	Hold	Hold	NC	6
16	PSHTM	IF (cond) THEN PUSH, LOAD TM (data)	PC + 1	Push PC + 1	Load TM	NC	PC + 1	Hold	Hold	NC	6
17	POPCNTR	IF (cond) THEN POP TO (CREG)	PC + 1	Pop	Load TOS	NC	PC + 1	Hold	Hold	NC	5
18	FORK	IF (cond) THEN GOTO PL (data) ELSE GOTO (STACK)	PL	Hold	Hold	Reset	TOS	Hold	Hold	NC	3
19	GOTOPL	IF (cond) THEN GOTO PL (data)	PL	Hold	Hold	Reset	PC + 1	Hold	Hold	NC	3
1A	WAITPL	IF (cond) THEN GOTO PL (data) ELSE WAIT	PL	Hold	Hold	Reset	PC	Hold	Hold	NC	3
1B	WAITTM	IF (cond) THEN GOTO TM (data), ELSE WAIT	TM	Hold	Hold	Reset	PC	Hold	Hold	NC	3
1C	CALPL	IF (cond) THEN CALL PL (data)	PL	Push PC + 1	Hold	Reset	PC + 1	Hold	Hold	NC	3,6
1E	CALTM	IF (cond) THEN CALL TM (data)	TM	Push PC + 1	Hold	Reset	PC + 1	Hold	Hold	NC	3,6
1F	GOTOTM	IF (cond) THEN GOTO TM (data)	TM	Hold	Hold	Reset	PC + 1	Hold	Hold	NC	3

Key: PC = Program Counter  
TOS = Top of Stack  
CREG = Counter Register  
PL = Pipeline (data) Field  
TM (data) = Test Inputs Masked by DATA Field  
TM (mask) = Test Inputs Masked by MASK Field  
DEC = Decrement  
NC = No Change

- Notes:**
1. If condition Passes, Output CREG contents on next clock cycle.
  2. If Condition = EQ, reset EQ flag.
  3. If Condition = EQ and Condition Passes, reset EQ flag.
  4. If Condition = EQ and CREG ≠ 0, reset EQ flag.
  5. When Stack is popped, the next value in the Stack is transferred to TOS.
  6. When Stack is pushed, TOS is transferred to next available Stack location before value is written into TOS.
  7. Set EQ Flag if CONST field = T\*M.

## INSTRUCTIONS DEPENDENT ON CREG

Op-code	Mnemonic	Assembler Statement	CREG = 0				CREG ≠ 0				Notes
			PC MUX	STACK	CREG	EQ FLAG	PC MUX	STACK	CREG	EQ FLAG	
08	LPPL	WHILE (CREG < > 0) LOOP TO PL (data)	PC + 1	Hold	Hold	NC	PL	Hold	DEC	Reset	4
0A	LPTM	WHILE (CREG < > 0) LOOP TO TM (data)	PC + 1	Hold	Hold	NC	TM	Hold	DEC	Reset	4
0C	DECPL	WHILE (CREG < > 0) WAIT ELSE LOAD PL (data)	PC + 1	Hold	Load PL	NC	PC	Hold	DEC	NC	
0E	DECTM	WHILE (CREG < > 0) WAIT ELSE LOAD TM (data)	PC + 1	Hold	Load TM	NC	PC	Hold	DEC	NC	
0F	LPSTK	WHILE (CREG < > 0) LOOP TO (STACK)	PC + 1	Pop	Hold	NC	TOS	Hold	DEC	Reset	4

## INSTRUCTIONS DEPENDENT ON TEST CONDITION AND CREG VALUE

Op-code	Mnemonic	Assembler Statement	CREG Content	PC MUX	Condition Pass			Condition Fail			Notes	
					STACK	CREG	EQ FLAG	PC MUX	STACK	CREG		EQ FLAG
1D	DECGOPL	IF (cond) THEN GOTO PL (data) ELSE WHILE (CREG < > 0) WAIT	≠ 0	PL	Hold	Hold	Reset	PC	Hold	DEC	NC	3
			= 0	PL	Hold	Hold	Reset	PC + 1	Hold	Hold	NC	

**3**

## UNCONDITIONAL INSTRUCTIONS

Opcode	Mnemonic	Assembler Statement	PC MUX	STACK	CREG	EQ FLAG	Notes
0D	CONT	CONTINUE	PC + 1	Hold	Hold	NC	2
10-13 (Binary 100XX)	CMP	CMP TM (mask) TO PL (constant)	PC + 1	Hold	Hold	Set	7

Key: PC = Program Counter  
 SREG = Stack Register  
 CREG = Counter Register  
 PL = Pipeline (data) Field  
 TM (data) = Test Inputs Masked by DATA Field  
 TM (mask) = Test Inputs Masked by MASK Field  
 DEC = Decrement  
 NC = No Change

### Notes:

1. If condition Passes, Output CREG contents on next clock cycle.
2. If Condition = EQ, reset EQ flag.
3. If Condition = EQ and Condition Passes, reset EQ flag.
4. If Condition = EQ and CREG ≠ 0, reset EQ flag.
5. When Stack is popped, the next value in the Stack is transferred to TOS.
6. When Stack is pushed, TOS is transferred to next available Stack location before value is written into TOS.
7. Set EQ Flag if CONST field = T\*M.

## Am29CPL154 SSR Diagnostics Option

As a programmable option, the Am29CPL154 FPC may be configured to contain Serial Shadow Register (SSR) diagnostics capability. SSR diagnostics is a simple, straightforward method of in-system testing to isolate problems down to the IC level.

The SSR diagnostics configuration activates a 36-bit-wide D-type register called a "shadow" register, on the pipeline register inputs. The shadow register can be serially loaded from the SDI pin, parallel loaded from the pipeline register, or held. The pipeline register can be loaded from the Program Memory in normal mode or from the shadow register during diagnostics. A redefini-

tion of four device pins is required to control the different diagnostics functions. T[7] also functions as the Serial Data Input (SDI), P[0] becomes the Serial Data Output (SDO), P[7] becomes the diagnostic clock (DCLK), and P[6] becomes the diagnostic mode control (MODE). The various diagnostic and normal modes are shown in table 4.

Serially loading a test instruction into the shadow register and parallel loading the shadow register contents into the pipeline register forces execution of the test instruction. The test result can then be clocked into the pipeline register as in normal operation mode, parallel loaded into the shadow register, and serially shifted out for system diagnostics.

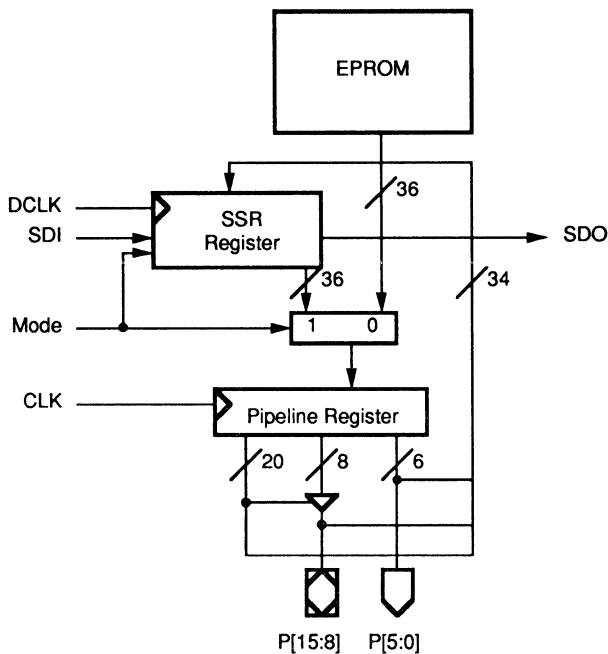
Table 4

Inputs				Outputs			Operation
SDI	MODE	DCLK	CLK	SDO	Shadow Register	Pipeline Register	
X	L	↑	H, L, ↓	S <sub>0</sub>	S <sub>i-1</sub> ← S <sub>i</sub> S <sub>35</sub> ← SDI	Hold	Serial Right – Shift Shadow Register
T [7] (Note 1)	L	H, L, ↓	↑	S <sub>0</sub>	Hold	P <sub>i</sub> ← EPROM <sub>i</sub>	Normal Operation; Load Pipeline Register from EPROM
L	H	↑	H, L, ↓	L	S <sub>i</sub> ← P <sub>i</sub>	Hold	Load Shadow Register from Pipeline Register (Note 2)
X	H	H, L, ↓	↑	SDI	Hold	P <sub>i</sub> ← S <sub>i</sub>	Load Pipeline Register from Shadow Register
H	H	↑	H, L, ↓	H	Hold	Hold	Hold Shadow Register

### Notes:

1. During normal operation, this pin behaves as the T[7] test input.
2. S<sub>7</sub>, S<sub>6</sub> are undefined. S[15:8] load from the source driving pins P[15:8]. If P[35] in the microword is a ONE, S[15:8] are loaded from the pipeline register. If P[35] in the microword is a ZERO, S[15:8] are loaded from an external source.

Key: H = HIGH  
 L = LOW  
 X = Don't Care  
 ↑ = LOW-to-HIGH transition  
 ↓ = HIGH-to-LOW transition



10136-027A

Figure 3. SSR Diagnostics Logic

### Erasure

In order to fully erase all memory locations, it is necessary to expose the memory array to a standard ultraviolet light source having a wavelength of 2537 angstroms. The minimum recommended dose (UV intensity x exposure time) is 15 Wsec/cm<sup>2</sup>. For a UV lamp with a 12 mW/cm<sup>2</sup> power rating, the exposure time would be about 30 minutes. The device should be located one inch from the source in a direct line.

It should be noted that erasure will begin with exposure to light having wavelengths less than 4000 angstroms.

To prevent exposure to sunlight or fluorescent lighting, an opaque label should be affixed over the window after programming.

OTP (One-Time Programmable) Am29CPL154 devices are available in plastic and are ideal for volume production. They can be inventoried unprogrammed and used with current software revisions; there is no window to be covered to prevent light from changing data.



## ABSOLUTE MAXIMUM RATINGS

Storage Temperature	-65°C to +150°C
Ambient Temperature with Power Applied	-55°C to +125°C
Supply Voltage with Respect to Ground	-0.5 V to +7.0 V
DC Input Voltage	-0.3 V to $V_{CC} + 0.3$ V
DC Output or I/O Pin Voltage	-0.3 V to $V_{CC} + 0.3$ V
DC Input Current	-10 mA to +10 mA

Stresses above those listed under Absolute Maximum Ratings may cause permanent device failure. Functionality at or above these limits is not implied. Exposure to Absolute Maximum Ratings for extended periods may affect device reliability. Programming conditions may differ.

## OPERATING RANGES

### Commercial (C) Devices

Ambient Temperature ( $T_A$ )	0°C to +75°C
Operating in Free Air	
Supply Voltage ( $V_{CC}$ ) with Respect to Ground	+4.5 V to +5.5 V

Operating ranges define those limits between which the functionality of the device is guaranteed.

## DC CHARACTERISTICS over COMMERCIAL operating range unless otherwise specified

Parameter Symbol	Parameter Description	Test Conditions	Min.	Max.	Unit	
$V_{OH}$	Output HIGH Voltage	$I_{OH} = -3.0$ mA $V_{IN} = V_{IH}$ or $V_{IL}$ $V_{CC} = \text{Min.}$	2.4		V	
$V_{OL}$	Output LOW Voltage	$I_{OL} = 16$ mA $V_{IN} = V_{IH}$ or $V_{IL}$ $V_{CC} = \text{Min.}$		0.5	V	
$V_{IH}$	Input HIGH Voltage	Guaranteed Input Logical HIGH Voltage for all Inputs (Note 1)	2.0		V	
$V_{IL}$	Input LOW Voltage	Guaranteed Input Logical LOW Voltage for all Inputs (Note 1)		0.8	V	
$I_{IH}$	Input HIGH Leakage Current	$V_{IN} = V_{CC} - 0.5$ V, $V_{CC} = \text{Max.}$ (Note 2)		10	$\mu$ A	
$I_{IL}$	Input LOW Leakage Current	$V_{IN} = 0.5$ V, $V_{CC} = \text{Max.}$ (Note 2)		-10	$\mu$ A	
$I_{OZH}$	Off-State Output Leakage Current HIGH	$V_{OUT} = 2.4$ V, $V_{CC} = \text{Max.}$ $V_{IN} = V_{IH}$ or $V_{IL}$ (Note 2)		10	$\mu$ A	
$I_{OZL}$	Off-State Output Leakage Current LOW	$V_{OUT} = 0.5$ V, $V_{CC} = \text{Max.}$ $V_{IN} = V_{IH}$ or $V_{IL}$ (Note 2)		-10	$\mu$ A	
$I_{CC}$	Supply Current	Outputs Open ( $I_{OUT} = 0$ mA) $V_{CC} = \text{Max.}$	CMOS	$V_{IN} = \text{GND}$ or $V_{CC}$	115	mA
		TTL	$V_{IN} = 0.5$ V or 2.4 V	125		
$C_{PD}$	Power Dissipation Capacitance (Note 3)	$V_{CC} = \text{Max.}$ $T_A = 25^\circ\text{C}$ No Load	100 pF Typical			

### Notes:

- These are absolute values with respect to device ground and all overshoots due to system and/or tester noise are included.
- I/O pin leakage is the worst case of  $I_{IL}$  and  $I_{OZL}$  (or  $I_{IH}$  and  $I_{OZH}$ ).
- The dynamic current consumption is:  
 $I_{CC}(\text{Total}) = I_{CC}(\text{Static}) + (C_{PD} + nC_L) V_{CC} (f/2)$ , where  $f$  is the clock frequency,  $C_L$  = the output load capacitance, and  $n$  is the number of loads.

## CAPACITANCE (Note 1)

Parameter Symbol	Parameter Description	Test Conditions	Max.	Unit	
C <sub>IN</sub>	Input Capacitance	RESET	V <sub>IN</sub> = 2.0 V V <sub>CC</sub> = 4.5 V to 5.5 V T <sub>A</sub> = -55°C to +125°C f = 1 MHz	25	pF
		Others		15	
C <sub>OUT</sub>	Output Capacitance	V <sub>OUT</sub> = 2.0 V	15		

### Note:

- These parameters are not 100% tested, but are evaluated at initial characterization and at any time the design is modified where capacitance may be affected.

## SWITCHING CHARACTERISTICS over COMMERCIAL operating range (Note 2)

No.	Parameter Symbol	Parameter Description	H-30		H-25		Unit
			Min.	Max.	Min.	Max.	
1	t <sub>CO</sub>	CLK to P[15:0]		18		20	ns
2		CLK to A[8:0]		30		36	ns
3	t <sub>s</sub>	T[7:0] to CLK, Registered	8		8		ns
4		T[7:0] to CLK, Asynchronous (Note 3)	33		40		ns
5		RESET to CLK, Registered	12		12		ns
6		RESET to CLK, Asynchronous (Note 3)	30		40		ns
7	t <sub>H</sub> (Note 4)	CLK to T[7:0]	0		0		ns
8		CLK to RESET	0		0		ns
9	t <sub>PZX</sub>	CLK to P[15:8] Enable		33		40	ns
10	t <sub>PXZ</sub>	CLK to P[15:8] Disable		33		40	ns
11	t <sub>WL</sub>	CLK Width	LOW	14		16	ns
12			HIGH	14		16	ns
13	t <sub>P</sub>	CLK Period (Note 3)	33		40		ns
14	f <sub>MAX</sub>	Maximum Frequency (1/t <sub>P</sub> )	30		25		MHz

### Note:

- See Switching Test Circuit for test conditions.
- These parameters are measured indirectly on unprogrammed devices. They are determined as follows:
  - Measure delay from input (T[7:0], RESET, or CLK) to EPROM address out in test mode. This will measure the delay through the sequence logic.
  - Measure setup time from T[7:0] input through EPROM test columns to pipeline register in verify test column mode. This will measure the delay through the EPROM and register setup.
  - Measure delay from T[7:0] input to EPROM address out in verify test column mode. This will measure the delay through the logic and P[15:0] outputs.  
To calculate the desired parameter measurement, the following formula is used:  
Measurement (a) + Measurement (b) – Measurement (c)  
CLK PERIOD:  
CLK (a) + (b) – (c) = CLK PERIOD  
T[7:0] to CLK setup time:  
T[7:0] (a) + (b) – (c) = T[7:0] to CLK setup time  
RESET to CLK setup time:  
RESET (a) + (b) – (c) = RESET to CLK setup time
- These hold time parameters are tested on a sample basis.

**SWITCHING CHARACTERISTICS over COMMERCIAL operating range (Continued)**

No.	Parameter Symbol	Parameter Description	H-30		H-25		Unit
			Min.	Max.	Min.	Max.	
<b>SSR Configuration</b>							
15	t <sub>PD</sub>	Mode to SDO		25		30	ns
16		SDI to SDO		25		30	ns
17	t <sub>CO</sub>	DCLK to SDO		32		36	ns
18	t <sub>s</sub>	Mode to CLK	25		30		ns
19		Mode to DCLK	25		30		ns
20		SDI to DCLK	25		30		ns
21		P[15:8] to DCLK	25		30		ns
22	t <sub>H</sub> (Note 1)	CLK to Mode	6		6		ns
23		DCLK to Mode	0		0		ns
24		DCLK to SDI	0		0		ns
25		DCLK to P[15:8]	0		0		ns
26	t <sub>WL</sub>	DCLK Width	LOW	20		25	ns
27	t <sub>WH</sub>		HIGH	20		25	ns
28	t <sub>P</sub>	DCLK Period		40		50	ns

**Note:**

1. These hold time parameters are tested on a sample basis.

## ABSOLUTE MAXIMUM RATINGS

Storage Temperature	-65°C to +150°C
Ambient Temperature with Power Applied	-55°C to +125°C
Supply Voltage with Respect to Ground	-0.5 V to +7.0 V
DC Input Voltage	-0.3 V to $V_{CC} + 0.3$ V
DC Output or I/O Pin Voltage	-0.3 V to $V_{CC} + 0.3$ V
DC Input Current	-10 mA to +10 mA

Stresses above those listed under Absolute Maximum Ratings may cause permanent device failure. Functionality at or above these limits is not implied. Exposure to Absolute Maximum Ratings for extended periods may affect device reliability. Programming conditions may differ. Absolute Maximum Ratings are for system design reference; parameters given are not tested.

## OPERATING RANGES

### Military (M) Devices

Ambient Temperature ( $T_A$ )	-55°C to +125°C
Operating in Free Air	
Supply Voltage ( $V_{CC}$ ) with Respect to Ground	+4.5 V to +5.5 V

Operating Ranges define those limits between which the functionality of the device is guaranteed.

### Note:

1. Military products are tested at  $T_C = 25^\circ\text{C}$ ,  $125^\circ\text{C}$  and  $-55^\circ\text{C}$ .

## DC CHARACTERISTICS over MILITARY operating range unless otherwise specified

Parameter Symbol	Parameter Description	Test Conditions	Min.	Max.	Unit	
$V_{OH}$	Output HIGH Voltage	$I_{OH} = -1.0$ mA $V_{IN} = V_{IH}$ or $V_{IL}$ $V_{CC} = \text{Min.}$	2.4		V	
$V_{OL}$	Output LOW Voltage	$I_{OL} = 12$ mA $V_{IN} = V_{IH}$ or $V_{IL}$ $V_{CC} = \text{Min.}$		0.5	V	
$V_{IH}$	Input HIGH Voltage	Guaranteed Input Logical HIGH Voltage for all Inputs (Note 1)	2.0		V	
$V_{IL}$	Input LOW Voltage	Guaranteed Input Logical LOW Voltage for all Inputs (Note 1)		0.8	V	
$I_{IH}$	Input HIGH Leakage Current	$V_{IN} = V_{CC} - 0.5$ V, $V_{CC} = \text{Max.}$ (Note 2)		10	$\mu\text{A}$	
$I_{IL}$	Input LOW Leakage Current	$V_{IN} = 0.5$ V, $V_{CC} = \text{Max.}$ (Note 2)		-10	$\mu\text{A}$	
$I_{OZH}$	Off-State Output Leakage Current HIGH	$V_{OUT} = 2.4$ V, $V_{CC} = \text{Max.}$ $V_{IN} = V_{IH}$ or $V_{IL}$ (Note 2)		10	$\mu\text{A}$	
$I_{OZL}$	Off-State Output Leakage Current LOW	$V_{OUT} = 0.5$ V, $V_{CC} = \text{Max.}$ $V_{IN} = V_{IH}$ or $V_{IL}$ (Note 2)		-10	$\mu\text{A}$	
$I_{CC}$	Supply Current	Outputs Open ( $I_{OUT} = 0$ mA) $V_{CC} = \text{Max.}$	CMOS	$V_{IN} = \text{GND}$ or $V_{CC}$	130	mA
			TTL	$V_{IN} = 0.5$ V or 2.4 V	140	
$C_{PD}$	Power Dissipation Capacitance (Note 3)	$V_{CC} = \text{Max.}$ $T_A = 25^\circ\text{C}$ No Load	100 pF Typical			

### Notes:

1. These are absolute values with respect to device ground and all overshoots due to system and/or tester noise are included.
2. I/O pin leakage is the worst case of  $I_{IL}$  and  $I_{OZL}$  (or  $I_{IH}$  and  $I_{OZH}$ ).
3. The dynamic current consumption is:  
 $I_{CC}(\text{Total}) = I_{CC}(\text{Static}) + (C_{PD} + nC_L) V_{CC} (f/2)$ , where  $f$  is the clock frequency,  $C_L$  = the output load capacitance, and  $n$  is the number of loads.

## CAPACITANCE (Note 1)

Parameter Symbol	Parameter Description	Test Conditions	Max.	Unit		
C <sub>IN</sub>	Input Capacitance	$\overline{\text{RESET}}$	V <sub>IN</sub> = 2.0 V	V <sub>CC</sub> = 4.5 V to 5.5 V T <sub>A</sub> = -55°C to +125°C	25	pF
		Others				
C <sub>OUT</sub>	Output Capacitance	V <sub>OUT</sub> = 2.0 V		f = 1 MHz	15	

### Note:

1. These parameters are not 100% tested, but are evaluated at initial characterization and at any time the design is modified where capacitance may be affected.

## SWITCHING CHARACTERISTICS over MILITARY operating range (for APL Products, Group A, Subgroups 9, 10, 11 are tested unless otherwise noted) (Note 2)

No.	Parameter Symbol	Parameter Description	H-25		Unit
			Min.	Max.	
1	t <sub>CO</sub>	CLK to P[15:0]		25	ns
2		CLK to A[8:0]		40	ns
3	t <sub>S</sub>	T[7:0] to CLK, Registered	10		ns
4		T[7:0] to CLK, Asynchronous (Note 3)	40		ns
5		$\overline{\text{RESET}}$ to CLK, Registered	16		ns
6		$\overline{\text{RESET}}$ to CLK, Asynchronous (Note 2)	40		ns
7	t <sub>H</sub> (Note 4)	CLK to T[7:0]	0		ns
8		CLK to $\overline{\text{RESET}}$	0		ns
9	t <sub>PZX</sub>	CLK to P[15:8] Enable		40	ns
10	t <sub>PXZ</sub>	CLK to P[15:8] Disable		35	ns
11	t <sub>WL</sub> t <sub>WH</sub>	CLK Width	LOW	20	ns
12			HIGH	20	ns
13	t <sub>P</sub>	CLK Period (Note 3)	40		ns
14	f <sub>MAX</sub>	Maximum Frequency (1/t <sub>P</sub> )	25		MHz

### Note:

2. See Switching Test Circuit for test conditions.
3. These parameters are measured indirectly on unprogrammed devices. They are determined as follows:
  - a. Measure delay from input (T[7:0],  $\overline{\text{RESET}}$ , or CLK) to EPROM address out in test mode. This will measure the delay through the sequence logic.
  - b. Measure setup time from T[7:0] input through EPROM test columns to pipeline register in verify test column mode. This will measure the delay through the EPROM and register setup.
  - c. Measure delay from T[7:0] input to EPROM address out in verify test column mode. This will measure the delay through the logic and P[15:0] outputs.

To calculate the desired parameter measurement, the following formula is used:

Measurement (a) + Measurement (b) - Measurement (c)

CLK PERIOD:

CLK (a) + (b) - (c) = CLK PERIOD

T[7:0] to CLK setup time:

T[7:0] (a) + (b) - (c) = T[7:0] to CLK setup time

$\overline{\text{RESET}}$  to CLK setup time:

$\overline{\text{RESET}}$  (a) + (b) - (c) =  $\overline{\text{RESET}}$  to CLK setup time

4. These hold time parameters are tested on a sample basis.

**SWITCHING CHARACTERISTICS over MILITARY operating range (Continued)**

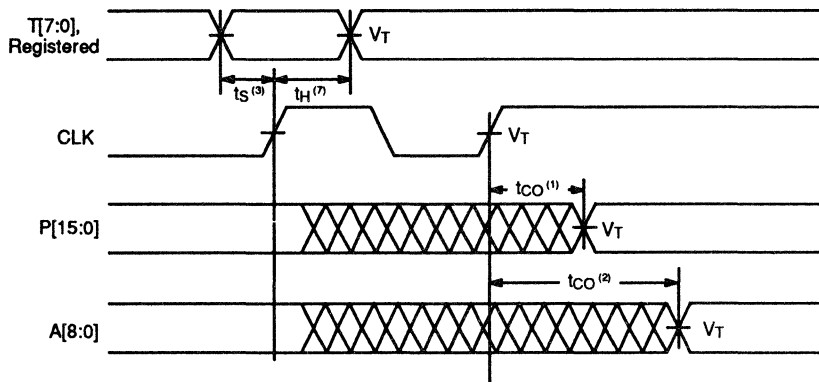
No.	Parameter Symbol	Parameter Description	H-25		Unit
			Min.	Max.	
<b>SSR Configuration</b>					
15	t <sub>PD</sub>	Mode to SDO		30	ns
16		SDI to SDO		30	ns
17	t <sub>CO</sub>	DCLK to SDO		30	ns
18	t <sub>S</sub>	Mode to CLK	30		ns
19		Mode to DCLK	30		ns
20		SDI to DCLK	30		ns
21		P[15:8] to DCLK	30		ns
22	t <sub>H</sub> (Note 1)	CLK to Mode	6		ns
23		DCLK to Mode	0		ns
24		DCLK to SDI	0		ns
25		DCLK to P[15:8]	0		ns
26	t <sub>WL</sub>	DCLK Width	LOW	30	ns
27	t <sub>WH</sub>		HIGH	30	ns
28	t <sub>P</sub>	DCLK Period		60	ns

**Note:**

1. These hold time parameters are tested on a sample basis.

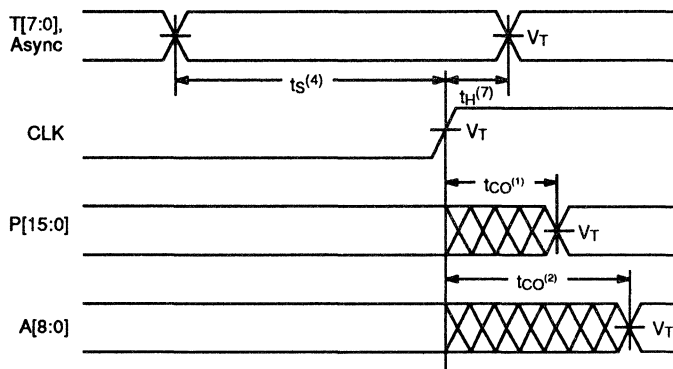
# SWITCHING WAVEFORMS

## Normal Configuration



10136-028A

### Registered Test Inputs

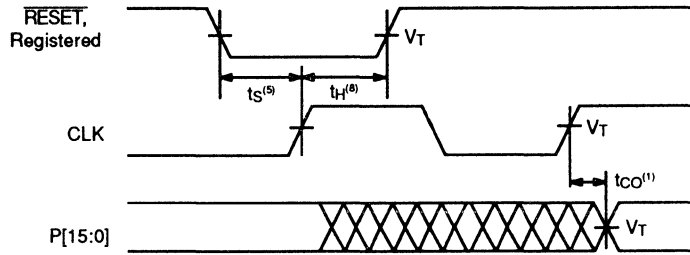


10136-029A

### Asynchronous Test Inputs

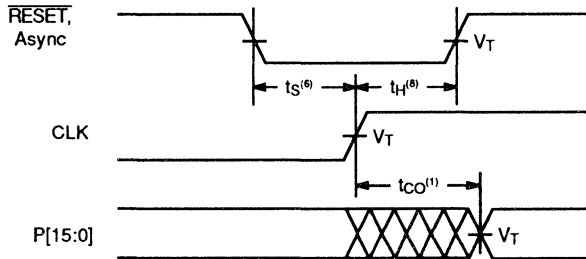
## SWITCHING WAVEFORMS (Continued)

### Normal Configuration



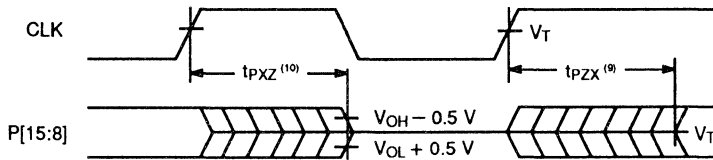
10136-030A

Registered  $\overline{\text{RESET}}$



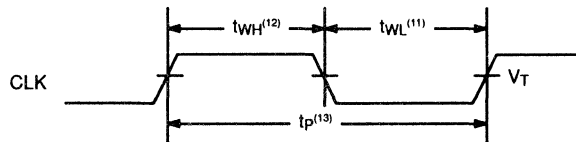
10136-031A

Asynchronous  $\overline{\text{RESET}}$



10136-032A

CLK to Output Disable/Enable



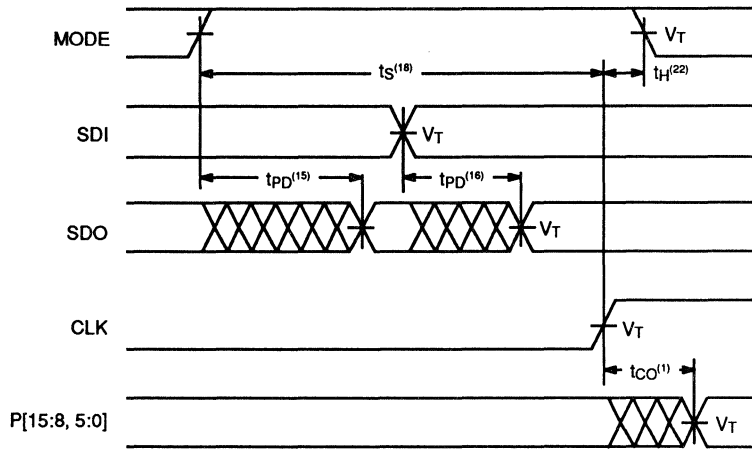
10136-033A

Clock Width/Period

3

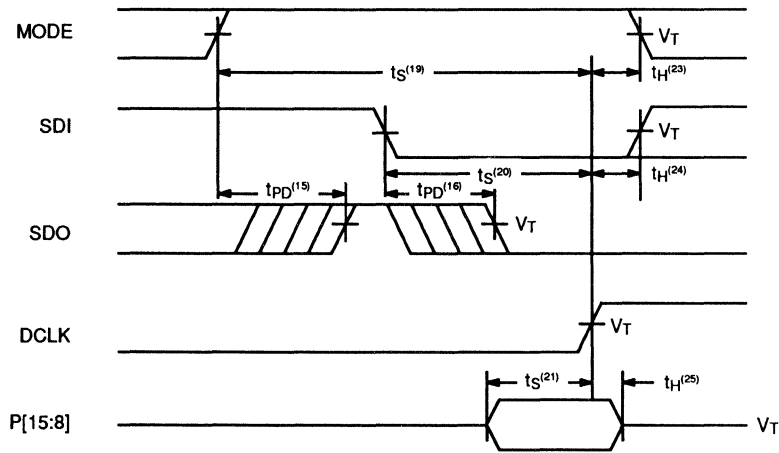


**SWITCHING WAVEFORMS (Continued)**  
**SSR Configuration**



10136-034A

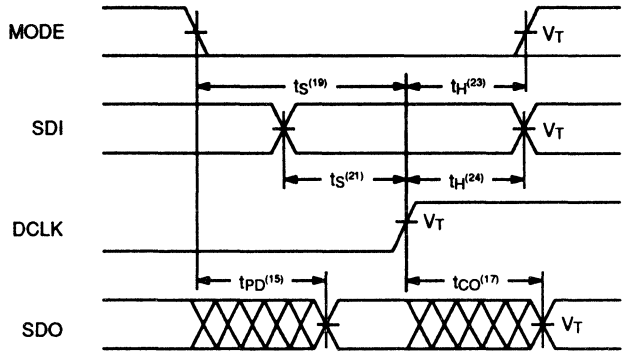
**Load Pipeline Register from Shadow Register**



10136-035A

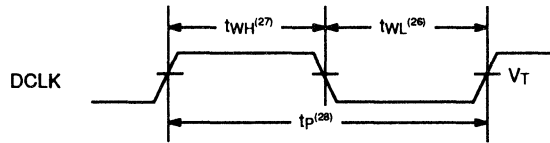
**Load Shadow Register from Pipeline Register and/or Pins**

**SWITCHING WAVEFORMS (Continued)**  
**SSR Configuration**



10136-036A

**Shift Shadow Register**



10136-037A

**DCLK Width/Period**

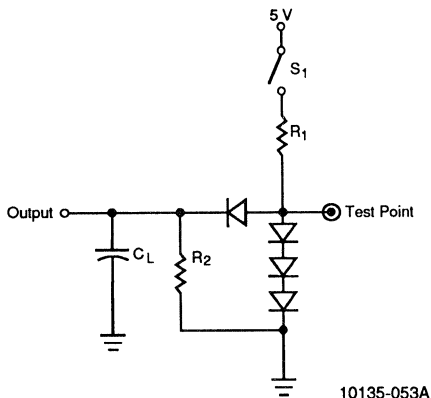
**3**

## KEY TO SWITCHING WAVEFORMS

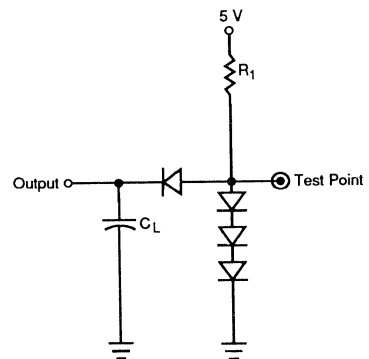
WAVEFORM	INPUTS	OUTPUTS
	Must be Steady	Will be Steady
	May Change from H to L	Will be Changing from H to L
	May Change from L to H	Will be Changing from L to H
	Don't Care; Any Change Permitted	Changing, State Unknown
	Does Not Apply	Center Line is High-Impedance "Off" State

KS000010-PAL

## SWITCHING TEST CIRCUIT



Three-State Outputs



Two-State Outputs

Specification	S <sub>1</sub>	C <sub>L</sub>	Commercial		Military		Measured Output Value
			R <sub>1</sub>	R <sub>2</sub>	R <sub>1</sub>	R <sub>2</sub>	
t <sub>PD</sub> , t <sub>CO</sub>	Closed	50 pF	667 Ω	5 kΩ	667 Ω	5 kΩ	1.5 V
t <sub>PZX</sub>	Z → H: Open Z → L: Closed						1.5 V
t <sub>PXZ</sub>	H → Z: Open L → Z: Closed	5 pF	667 Ω	5 kΩ	667 Ω	5 kΩ	H → Z: V <sub>OH</sub> - 0.5 V L → Z: V <sub>OL</sub> + 0.5 V

**Note:**

Pulse generator for all pulses: Rate ≤ 1.0 MHz; Z<sub>0</sub> = 50 Ω; t<sub>r</sub> ≤ 2.5 ns.

---

## TEST PHILOSOPHY AND METHODS

The following eight points describe AMD's philosophy for high volume, high speed automatic testing.

1. Ensure that the part is adequately decoupled at the test head. Large changes in  $V_{CC}$  current as the device switches may cause erroneous function failures due to  $V_{CC}$  changes.
2. Do not leave inputs floating during any tests, as they may start to oscillate at high frequency.
3. Do not attempt to perform threshold tests at high speed. Following an output transition, ground current may change by as much as 400 mA in 5–8 ns. Inductance in the ground cable may allow the ground pin at the device to rise by hundreds of millivolts momentarily.
4. Use extreme care in defining point input levels for AC tests. Many inputs may be changed at once, so there will be significant noise at the device pins and they may not actually reach  $V_{IL}$  or  $V_{IH}$  until the noise has settled. AMD recommends using  $V_{IL} \leq 0$  V and  $V_{IH} \geq 3.0$  V for AC tests.
5. To simplify failure analysis, programs should be designed to perform DC, function, and AC tests as three distinct groups of tests.
6. Capacitive Loading for AC Testing

Automatic testers and their associated hardware have stray capacitance that varies from one type of tester to another but is generally around 50 pF. This, of course, makes it impossible to make direct measurements of parameters which call for smaller capacitive load than the associated stray capacitance. Typical examples of this are the so-called "float delays," which measure the propagation delays into the

high-impedance state and are usually specified at a load capacitance of 5.0 pF. In these cases, the test is performed at the higher load capacitance (typically 50 pF), and engineering correlations based on data taken with a bench setup are used to predict the result at the lower capacitance.

### 7. Threshold Testing

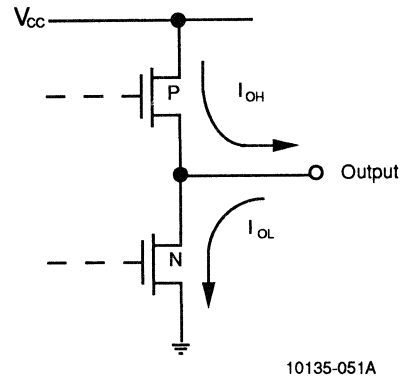
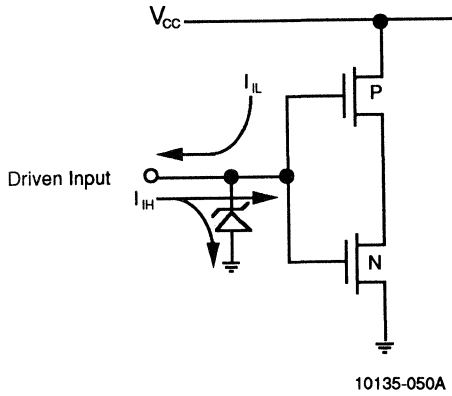
The noise associated with automatic testing (due to the long, inductive cables) and the high gain of the tested device when in the vicinity of the actual device threshold, frequently give rise to oscillations when testing high-speed circuits. These oscillations are not indicative of a reject device but instead of an overtaxed test system. To minimize this problem, thresholds are tested at least once for each input pin. Thereafter, "hard" high and low levels are used for other tests. Generally this means that function and AC testing are performed at "hard" input levels rather than at  $V_{IL}$  Max. and  $V_{IH}$  Min.

### 8. AC Testing

Occasionally, parameters are specified that cannot be measured directly on automatic testers because of tester limitations. Data input hold times often fall into this category. In these cases, the parameter in question is guaranteed by correlating these tests with other AC tests that have been performed. These correlations are arrived at by the cognizant engineer by using precise bench measurements in conjunction with the knowledge that certain DC parameters have already been measured and are within spec.

In some cases, certain AC tests are redundant, since they can be shown to be predicted by some other tests which have already been performed. In these cases, the redundant tests are not performed.

## INPUT/OUTPUT EQUIVALENT SCHEMATICS



### Thermal Impedance Values ( $\theta_{JA}$ ), Typical

28-Pin Plastic SKINNYDIP (PD3028)	50°C/W
28-Pin Windowed Ceramic SKINNYDIP (CDE028)	40°C/W
28-Pin Plastic Leaded Chip Carrier (PL 028)	55°C/W
28-Pin Windowed Ceramic Leadless Chip Carrier (CLV028)	55°C/W



# Am2971A

## Enhanced Programmable Event Generator (PEG)™

Advanced  
Micro  
Devices

### DISTINCTIVE CHARACTERISTICS

- Generates arbitrarily defined output sequences on 12 parallel outputs
- Timing resolution down to 10 ns
- Internal frequency-multiplying Phase-Locked Loop (PLL)
- Crystal-controlled on-chip oscillator
- Programmable trigger polarity and STOP function

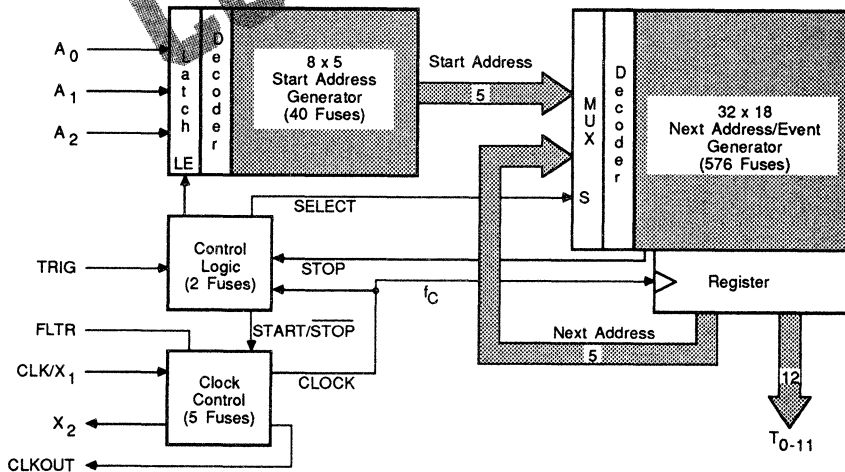
### GENERAL DESCRIPTION

The PEG is a versatile source of 12 simultaneous timing sequences. It can act as a digital substitute for multiple tapped delay lines or as a general-purpose user-programmable waveform generator.

Timing is derived from an external TTL source or an on-chip crystal oscillator, combined with an on-chip pro-

grammable frequency-multiplying PLL and clock divider. This achieves excellent timing resolution, down to 10 ns, from low-cost stable frequency sources of 10 MHz or less. The PEG uses platinum-silicide fuse technology and is programmed similar to any other AMD PROM.

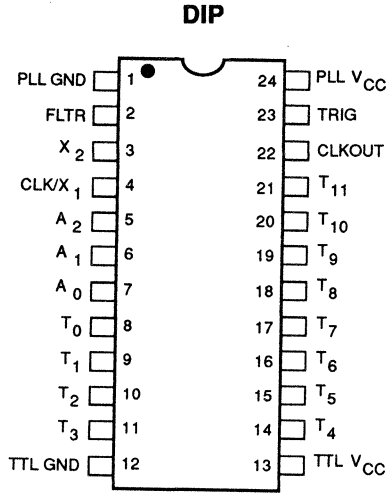
### BLOCK DIAGRAM



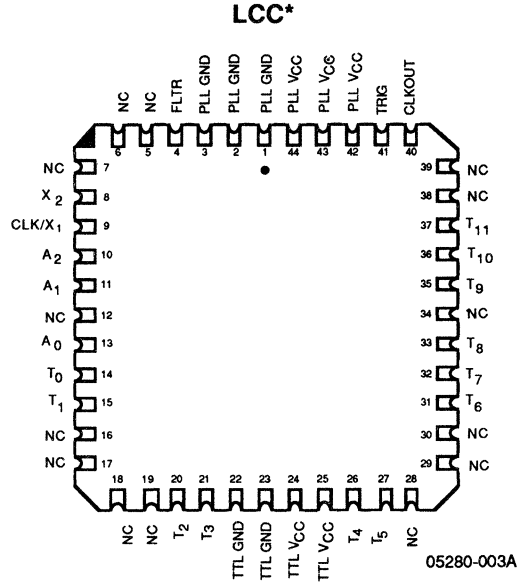
3

05280-001A

## CONNECTION DIAGRAMS



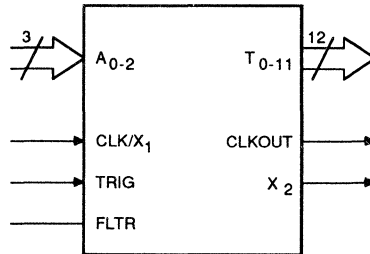
05280-002A



05280-003A

\* Top View, JEDEC type-C package (NC = No Connection)

## LOGIC SYMBOL



Approximate Gate Count: 100

Die Size: 0.173" x 0.257"

05280-004A

## THERMAL CHARACTERISTICS

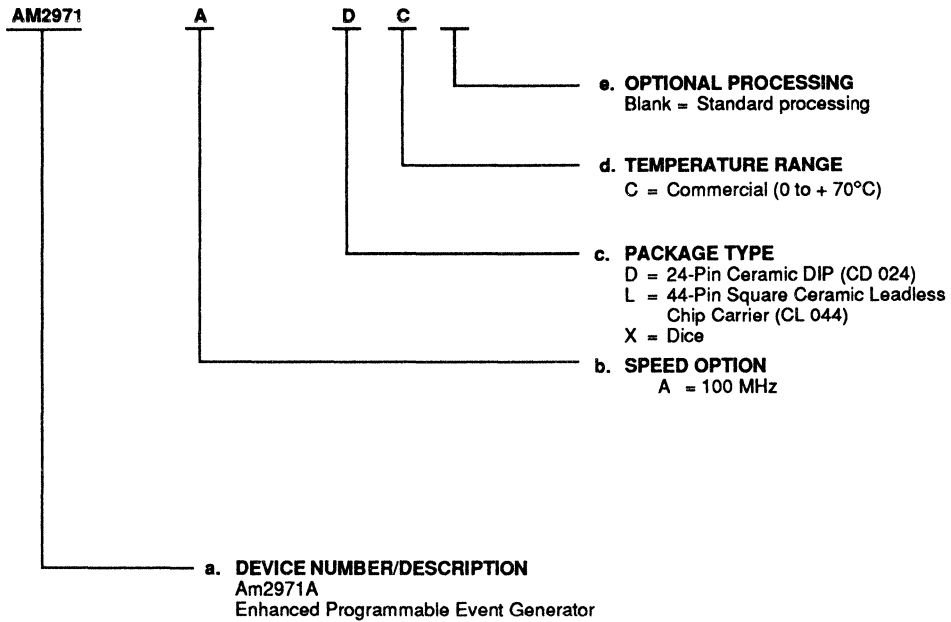
	24-pin Ceramic DIP	44-pin Ceramic LCC	Unit
$\theta_{JC}$ Max.	11	15	$^{\circ}\text{C}/\text{W}$
$\theta_{JA}$ Max.	49	75	$^{\circ}\text{C}/\text{W}$

## ORDERING INFORMATION

### Standard Products

AMD standard products are available in several packages and operating ranges. The order number (Valid Combination) is formed by a combination of:

- a. Device Number
- b. Speed Option (if applicable)
- c. Package Type
- d. Temperature Range
- e. Optional Processing



**3**

Valid Combinations	
AM2971A	DC, LC, XC

#### Valid Combinations

Valid Combinations list configurations planned to be supported in volume for this device. Consult the local AMD sales office to confirm availability of specific valid combinations, to check on newly released combinations, and to obtain additional data on AMD's standard military grade products.

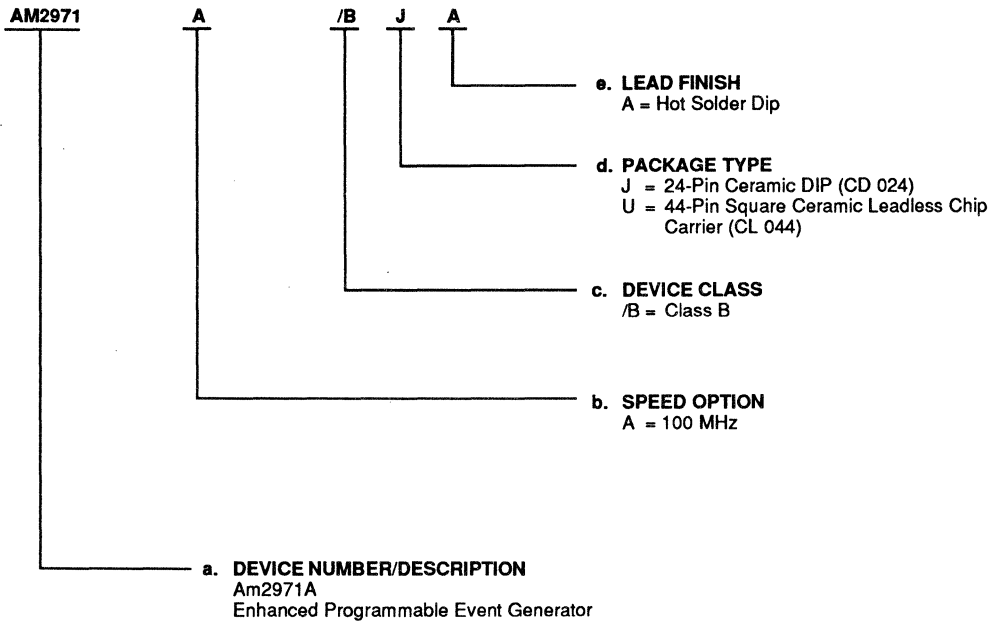


## MILITARY ORDERING INFORMATION

### APL Products

AMD products for Aerospace and Defense applications are available in several packages and operating ranges. APL (Approved Products List) products are fully compliant with MIL-STD-883C requirements. The order number (Valid Combination) is formed by a combination of:

- a. Device Number
- b. Speed Option (if applicable)
- c. Package Type
- d. Temperature Range
- e. Optional Processing



Valid Combinations	
AM2971A	/BJA, /BUA

#### Valid Combinations

Valid Combinations list configurations planned to be supported in volume for this device. Consult the local AMD sales office to confirm availability of specific valid combinations, to check on newly released combinations.

#### Group A Tests

Group A tests consist of Subgroups 1, 2, 3, 7, 8, 9, 10, 11.

---

## PIN DESCRIPTION

$A_0$ – $A_2$

### Addresses (Inputs)

These three bits access the Start Address Generator which contains eight user-programmed start locations. Each cycle starts at the location pointed to by the Start Address Generator word selected by the  $A_0$ – $A_2$  inputs. In the Program Mode, these inputs are unused and may be allowed to float.

### CLK/ $X_1$ and $X_2$ Clock/Crystal (Input/Output)

A TTL-level clock may be applied to the CLK/ $X_1$  input, with the  $X_2$  output left floating, or an AT-cut parallel resonant crystal may be connected between these two pins.

### CLKOUT Output Clock (Output)

CLKOUT is a clock output pin which may be used for system reference. The output frequency for CLKOUT ( $f_o$ ) is fuse-programmable to be either 0.5, 1, or 2 times the input frequency. This output is not valid in the Bypass Mode. In the Program Mode a high-voltage pulse is applied to CLKOUT to blow selected fuses.

### FLTR Filter

This pin is used to connect a 0.47- $\mu$ F filter capacitor between the Phase-Locked Loop and ground when an external crystal is used or the PLL is selected. When clocking the PEG with an external TTL source greater than 10 MHz in the Bypass Mode, this pin should be tied LOW.

---

## FUNCTIONAL DESCRIPTION

The leading edge of the trigger pulse (polarity is fuse-programmable) causes the continuously running internal clock to step through the on-chip PROM addresses, starting at one of eight fuse-programmed locations selected by the  $A_0$ – $A_2$  inputs.

Each addressed PROM location generates a fuse-programmed 12-bit pattern on the  $T_0$ – $T_{11}$  outputs, and internally generates the fuse-programmable next PROM address as well as a fuse-programmable STOP bit, if desired. Since there is no program counter, there is an almost infinite number of ways of programming the PEG for any desired output pattern. The user will most likely choose an ascending address sequence, but this is only one of many arbitrary choices.

The address sequence can loop but cannot execute conditional jumps.

The sequence of operations stops either as a result of the trailing edge of the trigger pulse (if so enabled by a fuse) or by the programmable STOP bit. A new sequence can only be started after the previous sequence has stopped.

The internal clock frequency,  $f_c$  (see Operational Description for an explanation of all internal and external

See Figure 8 for proper device decoupling with the PLL Bypassed.

### $T_0$ – $T_{11}$ Timing Outputs (Outputs; Active HIGH)

These are the twelve timing outputs which follow a user-programmed timing pattern. They are registered for glitch-free operation. In the Program and Verify Modes,  $T_0$ – $T_{10}$  function as address inputs to access each individual fuse.  $T_0$ – $T_5$  serve as Row Address inputs, and  $T_6$ – $T_{10}$  serve as Column Address inputs (see Table 6). After power-up, these outputs are all LOW.  $T_{11}$  functions as data input in the Program Mode and as data output in the Verify Mode.

### TRIG Trigger (Input)

The timing cycle of the PEG can be started by either the rising or falling edge of the start (TRIG) pulse; the polarity is defined as a fuse option (fuse #621) in the TRIGGER POLARITY block. The trailing edge of the start (TRIG) pulse stops the timing sequence if the STOP TRIG fuse (fuse #622) is left unprogrammed (0).

### POWER, GROUND TTL/PLL Power Pair

There are two sets of  $V_{CC}$  and ground pins. One power pair is used by the PLL (Phase-Locked Loop) and the internal ECL circuitry. The other power pair is used by the remainder of the chip (TTL). Surface-mount packages have additional supply connections. All power and grounds must be connected regardless of mode of operation.

3

signal frequencies), is derived from and is proportional to the frequency on the  $X_1$  input, which is either an external TTL signal or the resonant frequency of a crystal connected between  $X_1$  and  $X_2$ . Controlled by programmable fuses, the frequency on  $X_1$  is either used directly or is first multiplied by a factor of 1.25, 2.5, 5, or 10 to generate the internal clock frequency. A clock output is available; its frequency (fuse-programmable) is either half, double, or equal to the frequency on  $X_1$ . This output is not valid in the Bypass Mode.

## Operational Description

### Frequency Definitions

To avoid confusion, the definitions of the various frequencies associated with the PEG are given below:

- $f_i$  = This is the user's Input Frequency into the CLK/ $X_1$  pin.
- $f_o$  = This is the PEG's Output Frequency at the CLKOUT pin. A CLKOUT signal is valid only when the PLL is used.
- $f_c$  = This is the Internal Clock Frequency, which is gated into the event generator state machine.

---

When a timing sequence has been stopped, there is no  $f_c$ .

$f_A$  = This is the Internal Altered Input Frequency, which is equivalent to  $f_c$  in value. This frequency is always generated, but it is not gated to the state machine (thus becoming  $f_c$ ) unless a sequence is started.

$f_{PLL}$  = This is the Phase-Locked Loop Frequency ( $f_1 \times 5$  or  $f_1 \times 10$ ).

## TRIG-to-Output Delay

Operation of the PEG is initiated by a transition (of programmed polarity) on the TRIG input. This transition starts a series of internal events which lead to the clocking of the  $T_0$ – $T_{11}$  output registers and to programmed changes on these outputs.

There are two possible conditions:

If the TRIG transition is synchronous with the frequency on  $X_1$  (i.e.,  $X_1$  is a TTL clock signal and TRIG is synchronized with it), then the TRIG-to-output delay can be well-controlled, but the designer must analyze the timing and programming relationship carefully, as described below.

In the more normal case where TRIG is asynchronous to the frequency on  $X_1$ , the TRIG-to-output delay can be described very simply, but has an unavoidable uncertainty of one internal clock period.

## Trigger Asynchronous

### Start Delay

The delay from the active trigger edge to the first possible change of output pattern on  $T_0$ – $T_{11}$  is the sum of:

- 1) Propagation delays in the trigger circuit plus output driver,
- 2) Up to one clock period of  $f_A$  due to the asynchronous relationship between TRIG and  $f_A$ , and
- 3) One clock period of  $f_A$  (used internally to prevent metastable operation).

### Stop Delay

A timing sequence can be stopped either by the trailing edge of the start (TRIG) pulse (if so enabled by leaving fuse #622 unprogrammed) or by a programmed STOP bit in the Next Address/Event Generator fuse block.

The timing sequence stops when it detects either or both of these conditions. If stopped by a programmed STOP bit, the outputs remain at the level that is programmed in the same address location as the STOP bit. If stopped from the TRIG input, there is a delay equivalent to the starting delay.

## Trigger Synchronous

### Detailed Analysis of the Start and Stop Timing Sequences

The operation of the TRIG function can best be described by a synchronous state machine which uses  $f_A$  as the clock. All transitions occur on the rising clock edge. Figure 1 is the state diagram, Figure 2 the equivalent timing diagram. The state diagram uses the terms "active" and "inactive" edges of TRIG, since the actual polarity of TRIG is user-programmable.

State A is the idle state, after a reset or after operation has stopped for more than two periods of  $f_A$ . In state A, Select and  $f_c$  are HIGH (i.e., the Next Address/Event Generator PROM is addressed from the Start Address Generator PROM), but the output registers are not clocked; they retain their previous value.

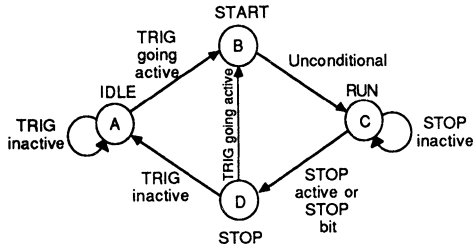
When TRIG goes active, the next rising edge of  $f_A$  forces the state machine into state B and causes  $f_c$  to be equal to  $f_A$ . The output registers are still not clocked.

The next rising edge of  $f_A$  forces the state machine into state C, clocks the output from the Next Address/Event Generator PROM into the output register and forces Select LOW. Subsequent cycles use the registered "next address" output as an address to the Next Address/Event Generator PROM. State C lasts until a STOP condition is encountered.

When a STOP condition is encountered, the next rising edge of  $f_c$  forces the state machine into state D. If TRIG goes active while the state machine is in state D, the next rising edge of  $f_A$  will cause it to go to state B; otherwise it will go to state A.

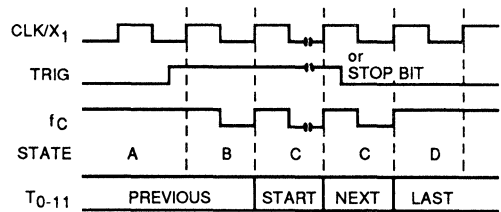
The shortest possible sequence is A-B-C-D-A, staying one  $f_A$  period in states B, C, D.

The fastest possible retrigger goes C-D-B-C, staying one  $f_A$  period in states D and B, at frequencies below 50 MHz. At frequencies greater than 50 MHz, the PEG will stay two clock periods in state D.



05280-005A

Figure 1. State Machine Diagram



05280-006A

Figure 2. State Machine Timing (Bypass Mode)

### Start And Stop Timing Synchronous With $f_i$

The following paragraphs describe in detail the timing relationship and requirements between TRIG and the output changes on  $T_0$ - $T_{11}$ , provided that TRIG is synchronous with  $f_i$ .

#### Bypass Mode ( $f_c = f_i$ )

TRIG must change from inactive to active for a specified setup time before the rising edge on  $X_1$  and must stay active at least until 5 ns after the next subsequent rising edge on  $X_1$ . If the inactive-going edge of TRIG is programmed as a STOP condition, the shortest legitimate TRIG pulse will cause the state machine to cycle from state A to B to C to D, clocking the output register twice (first with the code accessed by the start address, then with the code accessed by the "next address" bits). If TRIG lasts additional  $X_1$  clock periods, the state machine will spend this additional time in state C and the PEG will step through more codes.

#### PLL x5 or x10 Mode

When the  $f_{PLL}$  output is used as  $f_A$ , either 5 or 10 internal

clock cycles occur for every  $f_i$  clock cycle. Since  $f_A$  is phase-synchronized to the rising edge of  $X_1$ , the timing analysis is very similar to the previous one, with  $f_A$  substituted for periods on  $X_1$ . The setup times associated with  $f_i$  also apply to  $f_A$ , since  $f_A$  is in phase with  $f_i$ . If the TRIG setup time with respect to  $X_1$  exceeds one  $f_{PLL}$  period, then the state machine may trigger on the earlier internal clock. Because of the spread of guaranteed device parameters, an uncertainty is introduced. Thus, using the "STOP-from-TRIG" feature to generate a predetermined number of output sequences could result in an incorrect number of transitions (either more or less).

3

#### +2 or +4 Mode

In this mode the rising transitions of  $f_A$  are no longer uniquely related to the rising transitions of  $f_i$  or  $f_{PLL}$ , since the +2 counter can be in either of two starting states and the +4 counter can be in any one of four possible starting states.

The START and STOP sequences, therefore, have an additional unpredictable delay of either a 0 or 1/2 period of  $f_A$  (if +2 is chosen), or either a 0, 1/4, 1/2, or 3/4 period of  $f_A$  (if +4 is chosen).

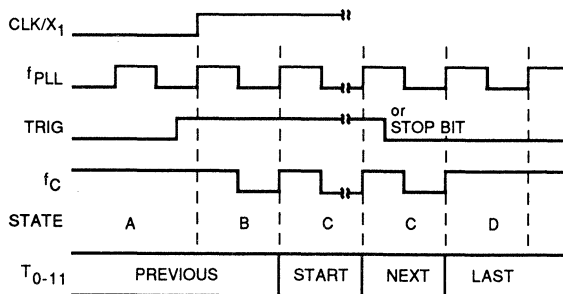


Figure 3. PLL Mode

05280-007A

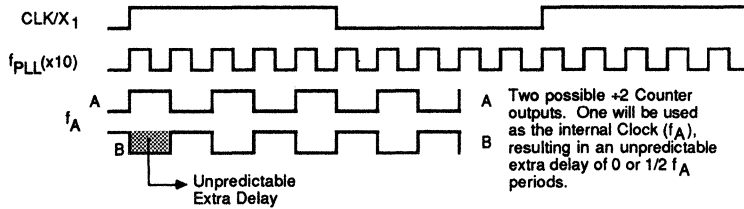


Figure 4. +2 Mode

05280-008A

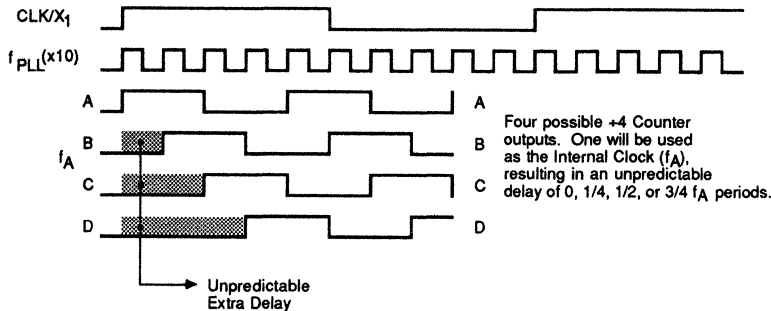


Figure 5. +4 Mode

05280-009A

### Output Skew and Jitter

The twelve timing waveform outputs (T<sub>0</sub>–T<sub>11</sub>) are synchronized internally in an output register in order to minimize output skew.

The guaranteed maximum value for the remaining skew is specified by parameters 6–10 in the Switching Characteristics Table (depending upon the PEG version used and the number and type of transitions).

See Switching Characteristics for tighter skew specifications of certain outputs. More closely matched outputs should be used for more critical timing.

Any oscillator, and especially a Phase-Locked Loop, exhibits a certain amount of jitter — random phase modulation of the internal clock. Such jitter affects all outputs together (synchronously).

Jitter is typically less than ±1.0 ns for the ceramic DIP and Flatpack, and less than ±0.5 ns for the LCC package.

### Output Event Resolution

Each of the twelve timing waveform outputs (T<sub>0</sub>–T<sub>11</sub>) can be programmed to change on any rising edge of the internal clock frequency (f<sub>c</sub>), with the following restrictions:

The Am2971A has a maximum operating frequency of 100 MHz with a TTL source, all outputs in use. An output resolution of 10 ns for transitions of the same output or between transitions of different outputs is obtainable when a maximum of nine outputs (any nine) are switched simultaneously. If more than nine outputs are used, resolution within the same output is 20 ns, and 10 ns between outputs. If a crystal is used to clock the Am2971A, all outputs may be used, but only six outputs (any six) can be programmed to switch simultaneously. The output resolution with six outputs switching can be 10 ns within or between outputs. At internal frequencies less than 85 MHz, there are no programming restrictions (all outputs can switch simultaneously).

**Table 1. Output Resolution  
(Between Successive Transitions of the Same Output)**

Number of outputs switching simultaneously		12, 11, 10	9, 8, 7	6, 5, 4, 3, 2, 1
TTL Clock Source	PLL	20 ns	10 ns	10 ns
	Bypass			
Crystal Clock Source		Not Allowed	Not Allowed	10 ns

**Oscillator**

The Am2971A contains an inverting linear amplifier which can be used as a crystal oscillator. Various types of crystals are available, and the manufacturers' literature should be consulted to determine the appropriate type.

Crystal frequency varies with load capacitance. It is therefore important to match the load specified by the crystal manufacturer for a standard crystal (usually 32 pF), or to specify the load when ordering a special crystal.

The circuit of a typical 1st-harmonic oscillator is shown in Figure 6. The crystal load is comprised of the two 68-pF capacitors effectively in series. This 34 pF approximates the standard 32-pF crystal load. If a closer match is required, one of the capacitors should be replaced with a parallel combination of a fixed capacitor and a trimmer.

A typical crystal specification for use in this circuit is:

- Frequency Range: 2–20 MHz
- Resonance: AT, Parallel Resonant Mode
- Load: 32 pF
- Stability: to match system requirements

In order to eliminate stray pick-up, it is good practice to ground the case of the crystal and to keep all connections as short as possible.

At fundamental frequencies below 6 MHz, the crystal might accidentally operate in 3rd-harmonic mode. To prevent this, a resistor should be added in series with the X<sub>2</sub> pin as shown in the circuit diagram (Figure 6).

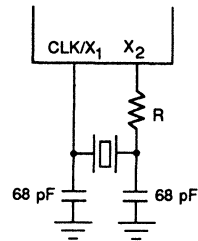
The resistor value should equal the impedance of C:

$$R = XC = \frac{1}{2\pi f \cdot C} = \frac{2342 \Omega}{f(\text{MHz})} \quad \text{Example: } R = 390 \Omega \text{ for 6 MHz}$$

**Design Considerations**

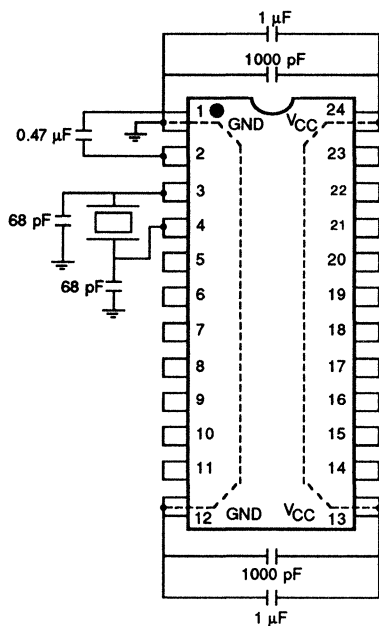
- 1) Oscillator external connections must be less than 1" long—wirewrap is not recommended.
- 2) V<sub>cc</sub> and GND connections to power plane should be less than 1/2" long.
- 3) Effective supply decoupling over a broad frequency range is mandatory (Reference Figures 7 and 8).

**3**



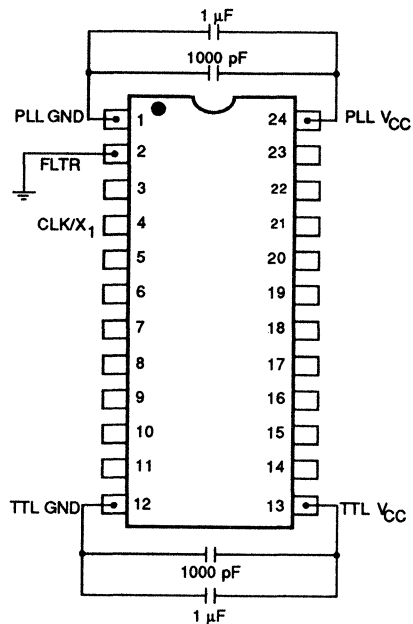
05280-010A

**Figure 6. Am2971A Crystal Oscillator Circuit**



05280-011A

Figure 7. Am2971A Recommended Layout and Decoupling (Crystal Input)



05280-014A

Figure 8. PEG Decoupling With PLL Bypassed

### Bypass Mode Decoupling

When using the PEG with a direct TTL source above 10 MHz with the PLL bypassed, the decoupling shown in Figure 8 is mandatory.

The decoupling of the FLTR (filter) pin is necessary at frequencies higher than 10 MHz because the PLL will attempt to lock onto the incoming clock signal at CLK/X<sub>1</sub>. This can cause anomalies in device operation and increase device jitter. Grounding the FLTR pin will isolate the PLL from the incoming clock and permit proper operation of the PEG.

---

## PEG SUPPORT

### AmPEGASUS

AMD's PEG Adaptor Socket and Universal Software (Am-PEGASUS) is a passive programmer adaptor socket made for use in conjunction with Data I/O Corporation's Model 29/29A/29B Universal Programmer equipped with a UniPak 2/2A/2B adaptor. This passive unit makes use of the generic 2K x 8 PROM socket by reassigning the PROM configuration into a PEG pin configuration and programming algorithm. The socket draws its power from the Model 29 and contains protective circuitry to provide additional safeguards for the UniPak. Additional information can be obtained from the AmPEGASUS User's Manual, PID# 09241A.

### AmPEGPDS

AMD's PEG Programming Development Software (Am-PEGPDS) is a software tool designed to aid the user in creating fuse map in the JEDEC standard for programming a PEG device. The main purpose of the software is to create and translate the input specification into a format that can be accepted by the programmer. The input specification is created by the designer using Am-PEGPDS as an editor. AmPEGPDS is available on a

standard 5-1/4" floppy disk, included in both of the PEG Application Kits described as follows.

### PEG Application Kits

The **PEG Starter Kit** includes:

- Am2971A PEG Data Sheet
- AmPEGPDS
- AmPEGPDS Software User's Manual
- Two PEG Unprogrammed Samples
- Applications Articles
- Am2971A Product Description

The PEG Starter Kit is available free of charge from any AMD Sales Representative.

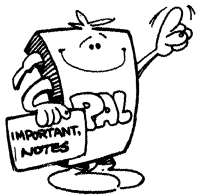
The **PEG Design Kit** includes the **PEG Starter Kit** plus:

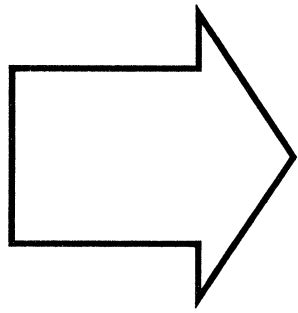
- AmPEGASUS Programming Adaptor Socket (customer to specify DIP or LCC)
- AmPEGASUS Translation Software
- AmPEGASUS User's Manual

Consult your AMD Sales Representative for pricing information on the PEG Design Kit.









<b>Introduction</b>	<b>1</b>
<b>PAL Device Data Sheets</b>	<b>2</b>
<b>Sequencer Data Sheets</b>	<b>3</b>
<b>ECL/PGA Data Sheets</b>	<b>4</b>
<b>General Information</b>	<b>5</b>
<b>Design and Programming</b>	<b>6</b>
<b>Quality and Reliability</b>	<b>7</b>
<b>Appendices</b>	<b>8</b>



---

## ECL PAL Devices

<b>20EG8</b>	PAL10H20EG8-6 .....	4-3
	PAL10020EG8-6 .....	4-3
<b>20EV8</b>	PAL10H20EV8-6 .....	4-17
	PAL10020EV8-6 .....	4-17

## Programmable Gate Array (PGA)

<b>Am2000</b>	Am2064 .....	4-31
<b>Series</b>	Am2018 .....	4-31
<b>(condensed)</b>		
<b>Am3000</b>	Am3020 .....	4-43
<b>Series</b>	Am3030 .....	4-43
<b>(condensed)</b>	Am3042 .....	4-43
	Am3064 .....	4-43
	Am3090 .....	4-43
<b>Am1736/65 (condensed)</b>	.....	4-59



# PAL10H20EG8-6/PAL10020EG8-6

## ECL Latched Programmable Array Logic

Advanced  
Micro  
Devices

### DISTINCTIVE CHARACTERISTICS

- High-performance;  $t_{PD} = 6$  ns
- Eight user-programmable output logic macrocells for latched or combinatorial operation
- A registered version of the device is available as PAL10H20EV8 or PAL10020EV8 (see AMD Publication No. 06176)
- Up to twenty inputs and eight outputs
- Individually user-programmable output polarity
- Varied product-term distribution for increased design flexibility
- Individual product term for output enable
- Asynchronous-RESET and PRESET capability
- Power-up RESET capability
- PRELOAD for improved testability
- Special designed-in test features for factory AC and DC testing
- Proven fuses ensure high programming yield, fast programming and unsurpassed reliability
- 10KH/100K ECL options
- 50-ohm drive with wired-OR capability
- 24-pin 300-mil SKINNYDIP<sup>®</sup> and 28-pin chip carrier packages
- Supported by PALASM<sup>®</sup> software

### GENERAL DESCRIPTION

The PAL10H20EG8/PAL10020EG8 is an advanced bipolar ECL Programmable Array Logic (PAL<sup>®</sup>) device. It uses the familiar sum-of-products (AND-OR) single array logic structure, allowing users to program custom logic functions. Fabricated with AMD's new advanced bipolar oxide-isolation process technology, and utilizing the innovative architectural features of the PAL22V10, the PAL10H20EG8/PAL10020EG8 represents the most advanced ECL PAL device available on the market today.

The PAL10H20EG8/PAL10020EG8 contains up to twenty inputs and eight outputs. It incorporates AMD's unique output logic macrocell (as in the PAL22V10), which allows the user to define and program the architecture of each output on an individual basis. Each output is user-programmable for either latched or combinatorial operation. Each output also has user-programmable output-polarity control, further simplifying the design. The flexibility of the programmable output logic

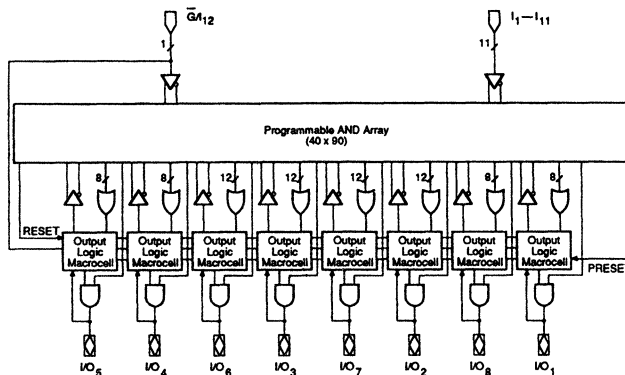
macrocells permits the system designer to tailor the device to particular application requirements.

Increased logic power has been built into the PAL10H20EG8/PAL10020EG8 by providing a varied number of logical product terms per output. Four outputs have twelve logical product terms each, and the other four have eight logical product terms each. This varied allocation of logical product terms allows complex functions to be implemented in a single ECL PAL device. Each output also has a separate output-enable product term.

System operation has been enhanced by the addition of asynchronous-PRESET and RESET product terms for the PAL10H20EG8/PAL10020EG8. These product terms are common to all latched outputs.

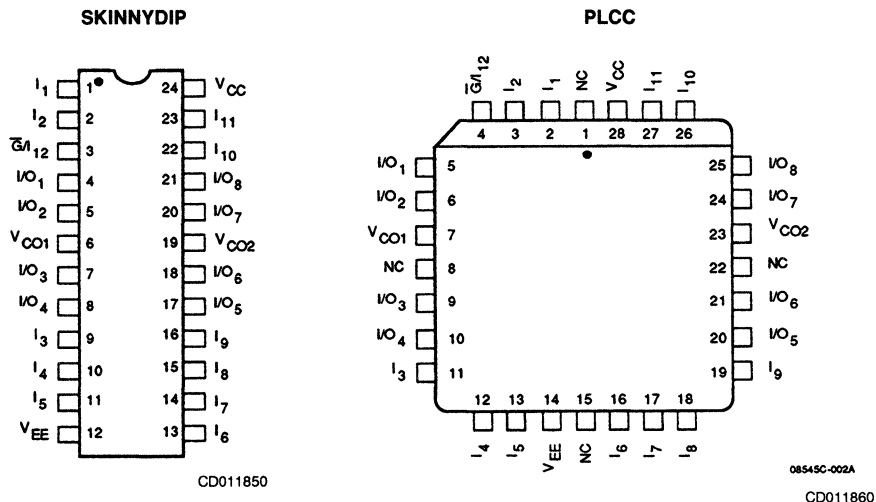
The PAL10H20EG8/PAL10020EG8 incorporates power-up RESET on all latched outputs. It also has the ability to PRELOAD latches to any desired state during testing. PRELOAD permits full logical verification during testing.

### BLOCK DIAGRAM



BD011871

**CONNECTION DIAGRAMS**  
**Top View**



Note: Pin 1 is marked for orientation.

**PIN DESCRIPTION**

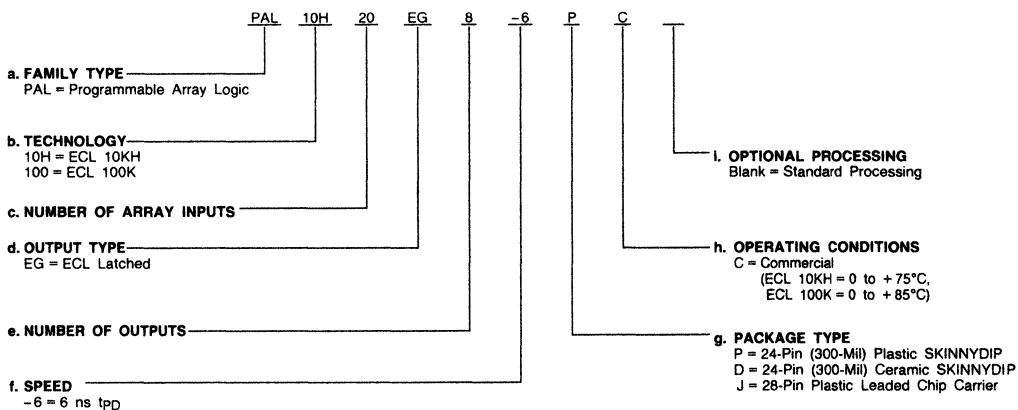
<b>I<sub>1</sub>-I<sub>11</sub></b>	<b>Dedicated Input Pins (11)</b>	<b>V<sub>CC</sub></b>	<b>Circuit Ground</b>
<b>I/O<sub>1</sub>-I/O<sub>8</sub></b>	<b>Bidirectional Input/Output Pins (8)</b>	<b>V<sub>CO1</sub>, V<sub>CO2</sub></b>	<b>Circuit Ground Pins for Outputs (2)</b>
<b><math>\overline{G}/I_{12}</math></b>	<b>Gate or Input Pin</b>	<b>V<sub>EE</sub></b>	<b>Negative Supply Voltage</b>
<b>NC</b>	<b>No Connect</b>		

## ORDERING INFORMATION

### PAL Products

AMD PAL products are available in several packages and operating ranges. The order number (Valid Combination) is formed by a combination of:

- a. Family Type
- b. Technology
- c. Number of Array Inputs
- d. Output Type
- e. Number of Outputs
- f. Speed
- g. Package Type
- h. Operating Conditions
- i. Optional Processing



4

Valid Combinations	
PAL10H20EG8-6	PC, DC, JC
PAL10020EG8-6	

#### Valid Combinations

Valid Combinations list configurations planned to be supported in volume for this device. Consult the local AMD sales office to confirm availability of specific valid combinations, to check on newly released combinations, and to obtain additional data on AMD's standard military grade products.

Note: marked with AMD logo

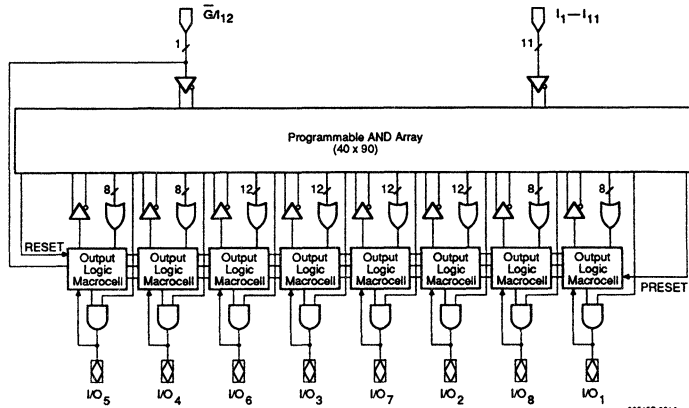
## FUNCTIONAL DESCRIPTION

The PAL10H20EG8/PAL10020EG8 is an advanced bipolar ECL PAL device. It contains a programmable fuse array organized in the familiar sum-of-products (AND-OR) structure.

The block diagram in Figure 1 illustrates the basic architecture of the PAL10H20EG8/PAL10020EG8. There are up to twenty external inputs and eight outputs. The inputs are connected to a programmable-AND array. Initially, the AND gates are connected, via fuses, to both the true and complement of every input. By selective programming of the fuses, the AND

gates may be "connected" to only the true inputs, the complement inputs, or to neither type of input. When both the true and complement fuses are left intact, a logical-FALSE results at the output of the AND gate. An AND gate with all the fuses programmed will assume the logical-TRUE state. The outputs of the AND gates are connected to fixed-OR gates.

There are an average of ten product terms per OR gate (output), distributed in a varied fashion. Four outputs have eight product terms each while the other four have twelve product terms each. This varied distribution of product terms allows more complex logic functions to be implemented.



08545-001A

BD011871

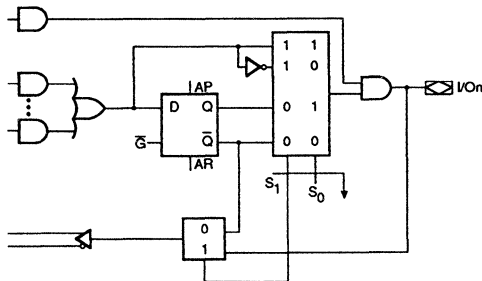
Figure 1. Block Diagram

### Output Logic Macrocells

A useful feature of the PAL10H20EG8/PAL10020EG8 is its versatile programmable output logic macrocell. It allows the user to program the outputs on an individual basis in a very flexible manner.

The PAL10H20EG8/PAL10020EG8 output logic macrocell incorporates a latch that is transparent when  $\bar{G}$  is LOW. As shown in the output logic macrocell diagram, each macrocell

contains two programmable fuses ( $S_0$  and  $S_1$ ) for programming the output functions.  $S_1$  controls whether the output will be latched or combinatorial.  $S_0$  controls the output polarity (active-HIGH or active-LOW). Depending on the states of these two fuses, an individual output operates in one of four modes: Latched/Active-LOW, Latched/Active-HIGH, Combinatorial/Active-LOW, and Combinatorial/Active-HIGH. Each output is also provided with a separate output enable product term.



08545-003A

LS003440

Figure 2. PAL10H20EG8/PAL10020EG8 Output Logic Macrocell

Enable term	$\bar{G}$	D	Active-HIGH Output
L	X	X	L (disable)
H	L	L	L (transparent)
H	L	H	H (transparent)
H	H	X	Q (latch)

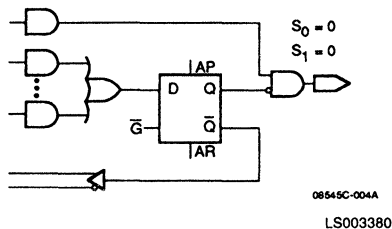


Figure 3-1. Latched/Active-LOW

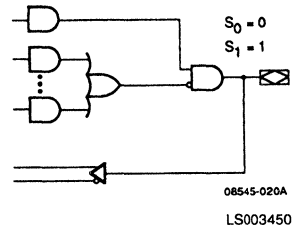


Figure 3-3. Combinatorial/Active-LOW

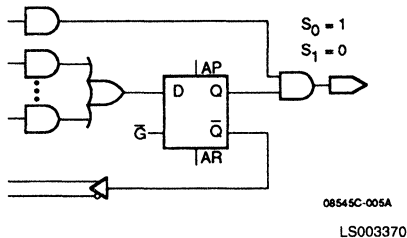


Figure 3-2. Latched/Active-HIGH

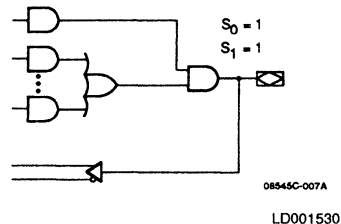


Figure 3-4. Combinatorial/Active-HIGH

S <sub>1</sub>	S <sub>0</sub>	Output Configuration
0	0	Latched/Active-LOW
0	1	Latched/Active-HIGH
1	0	Combinatorial/Active-LOW
1	1	Combinatorial/Active-HIGH

0 = Unprogrammed Fuse  
1 = Programmed Fuse

### Feedback

Another feature of the PAL10H20EG8/PAL10020EG8 output macrocell structure is the flexibility of its feedback selection. The feedback can be from either the I/O line or the latched output. The feedback multiplexer is also controlled by the S<sub>1</sub> fuse. The feedback path changes with the output-mode selection. If the output is selected to be latched, the feedback is latched. If the output is combinatorial, the feedback is from the I/O line. This feature enables the designer to optimally use the device to meet precise application requirements. Additionally, it allows the device to perform control tasks, such as arbitration functions, easily.

### Output Enable

Each of the eight output logic macrocells of the PAL10H20EG8/PAL10020EG8 contains a dedicated product term for the output-enable function. When this product term is asserted LOW, the output is forced into a LOW state, where it remains until the output-enable product term goes HIGH.

### PRESET and RESET

To improve in-system functionality, the PAL10H20EG8/PAL10020EG8 has additional PRESET and RESET product terms. Common asynchronous RESET and PRESET are provided for all the latches of the PAL10H20EG8/PAL10020EG8. When the asynchronous PRESET product

term is asserted HIGH the output latches are loaded with a HIGH and when the RESET product term is asserted HIGH the output latches are loaded with a LOW. For the RESET/PRESET to work the latches should be in latched and not transparent mode. These functions are particularly useful for system power-on and reset. The latches automatically reset at power-up.

### PRELOAD

To simplify testing, the PAL10H20EG8/PAL10020EG8 is designed with PRELOAD circuitry that provides an easy method for testing logic functionality. PRELOAD allows any arbitrary values to be loaded into the PAL device's output latches.

A typical functional-test sequence would be to verify all possible outputs for the device being tested. To verify these transitions requires the ability to set the latches to an arbitrary "present state" value and to set the device inputs to any arbitrary "present input" value. Once this is done, the latch enable is driven transparent to allow logic to determine the "new state" of the outputs. These outputs can then be checked to validate the design.

Without PRELOAD capability, it is difficult and in some cases impossible to load an arbitrary value into the latches. This can lead to logic verification sequences which are either incomplete or excessively long. With PRELOAD capability, logic verification sequences can be greatly shortened, reducing the



test time and the development costs, and guaranteeing proper in-system operation.

### Security Fuse

A security fuse is provided on each PAL10H20EG8/PAL10020EG8 to protect proprietary logic designs. It is programmed at the same time the array is programmed. The security fuse disables the pattern verification circuitry, and is verified by verifying the whole fuse array as if every fuse were programmed. The security fuse also disables preload.

### Fabrication

The PAL10H20EG8/PAL10020EG8 is manufactured using Advanced Micro Devices' new oxide-isolation process. This advanced process offers increased density and reduced internal capacitance resulting in the fastest possible programmable logic devices.

The PAL10H20EG8/PAL10020EG8 is fabricated with AMD's fast-programming and highly-reliable fuse technology. Utilizing an easily implemented programming algorithm, these products can be rapidly programmed to any customized pattern.

### Testing

The PAL10H20EG8/PAL10020EG8 contains many internal test features, including circuitry and extra fuses which allow AMD to test each part before shipping. This ensures extremely high post-programming functional yields. The test fuses are programmed to assure the ability of each part to perform correct programming. There are extra test words which are preprogrammed during manufacturing and tested to ensure correct logic operation and parametric integrity.

### Using the PAL10H20EG8/PAL10020EG8 Device as a State Machine

Latches can be used in the implementation of state machines, but care must be taken in their use. They cannot be treated as if they were registers, which are more common in the TTL PAL devices. Since a latch is a level-sensitive storage device, it is more difficult to control the sequencing of states. In theory, when the gate pin is lowered, the latch can assume a new state. After waiting for the state to stabilize and for the feedback signal to propagate, the new state can be latched. Latching the state delays any further state changes until the next time the gate signal  $\bar{G}$  goes LOW.

### Latches Are Not Registers

The danger in treating a latch just like a register is that a feedback race condition will be explicitly built into the circuit. Enough setup time must be allowed for latching new data, yet if too much delay is allowed, the transparent latch may actually change state twice before being latched. For example, a divide-by-two counter (Figure 4a) may oscillate until the gate pin is raised if too much setup time is provided. The final state will depend on how fast the output was oscillating (Figure 4b), and will be unpredictable.

### Use a Dual-Phase Clock

The usual method of dealing with this problem is to use a dual-phase clock, with two sets of latches. Implementation in the PAL10H20EG8/PAL10020EG8 would require a second device for the opposite phase. The logic must be partitioned such that all latches that are enabled on one phase of the clock feed only latches that are enabled on the opposite phase. This allows operation in a master-slave mode. The implementation can be made by providing one latch merely as a holding element, which can pass the data unchanged to another latch; this is essentially a master-slave register. In such a situation, two latches are needed for each state bit. The divide-by-two counter using a master and a slave is shown in Figure 4c.

If the entire state machine can be partitioned into two groups of state bits such that group 1 states only feed group 2 states and vice versa, then it becomes possible to place logic between the master latch and the slave latch. At that point the terms "master" and "slave" lose significance; each latch may implement a state bit by itself.

### Greater System Speed And Efficiency

This kind of arrangement can sometimes be used to obtain a greater overall system speed than would be possible using

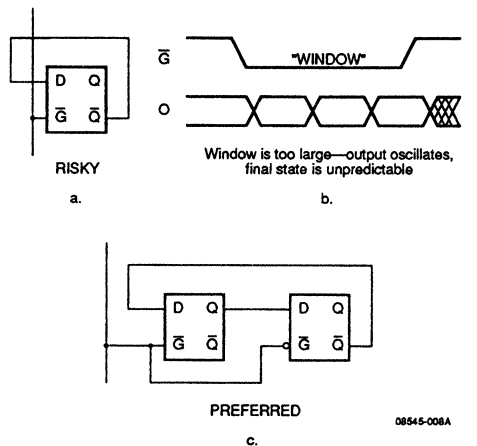
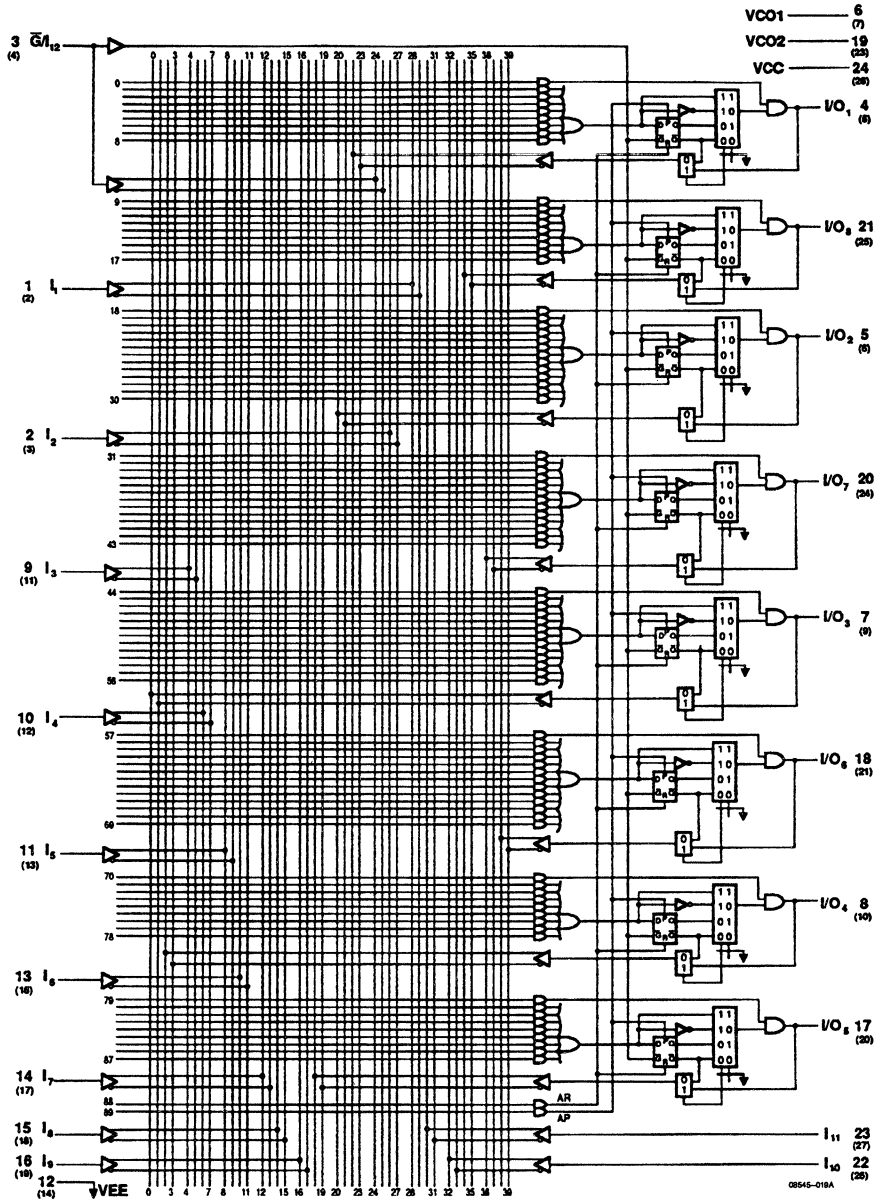


Figure 4. Using a Dual-Phase Clock

registers instead of latches. Since a register is essentially made up of two latches, it can also provide for a more efficient design with latches.

PAL10H20EG8/PAL10020EG8



4

DIP (PLCC) pinouts.

LD001761

Figure 5. Logic Diagram for PAL10H20EG8/PAL10020EG8

## ABSOLUTE MAXIMUM RATINGS

Storage Temperature .....	-65°C to +150°C
Supply Voltage (V <sub>EE</sub> )	
with Respect to Ground .....	-8 V to 0 V
DC Input Voltage	
with Respect to Ground .....	V <sub>EE</sub> to 0 V
Output Current	
-Continuous .....	35 mA
-Surge .....	100 mA

Stresses above those listed under ABSOLUTE MAXIMUM RATINGS may cause permanent device failure. Functionality at or above these limits is not implied. Exposure to absolute maximum ratings for extended periods may affect device reliability. Programming conditions may differ.

## OPERATING RANGES

Commercial (C) Devices — 10KH Devices	
Ambient Temperature (T <sub>A</sub> ) Operating	
Air Flow 500 lfpm .....	0°C to +75°C
Supply Voltage (V <sub>EE</sub> ) .....	-5.46 V to -4.94 V
Commercial (C) Devices — 100K Devices	
Ambient Temperature (T <sub>A</sub> ) Operating	
Air Flow 500 lfpm .....	0°C to +85°C
Supply Voltage (V <sub>EE</sub> ) .....	-4.8 V to -4.2 V

Operating ranges define those limits between which the functionality of the device is guaranteed.

## DC CHARACTERISTICS over COMMERCIAL operating ranges (Notes 1, 2)

### PAL10H20EG8 (10KH) Devices

Parameter Symbols	Parameter Description	Test Conditions		Min.	Max.	Unit	
V <sub>OH</sub>	Output HIGH Voltage	V <sub>IN</sub> = V <sub>IH</sub> (Max.) or V <sub>IL</sub> (Min.)	Loading is 50 Ω to -2.0 V	T <sub>A</sub> = 0°C	-1020	-840	mV
				T <sub>A</sub> = +25°C	-980	-810	
				T <sub>A</sub> = +75°C	-920	-735	
V <sub>OL</sub>	Output LOW Voltage	V <sub>IN</sub> = V <sub>IH</sub> (Max.) or V <sub>IL</sub> (Min.)	Loading is 50 Ω to -2.0 V	T <sub>A</sub> = 0°C	-1950	-1630	mV
				T <sub>A</sub> = +25°C	-1950	-1630	
				T <sub>A</sub> = +75°C	-1950	-1600	
V <sub>IH</sub>	Input HIGH Voltage	Guaranteed Input HIGH Voltage (Note 3)		T <sub>A</sub> = 0°C	-1170	-840	mV
				T <sub>A</sub> = +25°C	-1130	-810	
				T <sub>A</sub> = +75°C	-1070	-735	
V <sub>IL</sub>	Input LOW Voltage	Guaranteed Input LOW Voltage (Note 3)		T <sub>A</sub> = 0°C	-1950	-1480	mV
				T <sub>A</sub> = +25°C	-1950	-1480	
				T <sub>A</sub> = +75°C	-1950	-1450	
I <sub>IH</sub>	Input HIGH Current	V <sub>IN</sub> = V <sub>IH</sub> (Max.)		T <sub>A</sub> = 0°C		300	μA
				T <sub>A</sub> = +25°C		300	
				T <sub>A</sub> = +75°C		300	
I <sub>IL</sub>	Input LOW Current	V <sub>IN</sub> = V <sub>IL</sub> (Min.)		T <sub>A</sub> = 0°C	0.5		μA
				T <sub>A</sub> = +25°C	0.5		
				T <sub>A</sub> = +75°C	0.3		
I <sub>EE</sub>	Power Supply Current	All Inputs and Outputs Open		T <sub>A</sub> = 0°C	-260		mA
				T <sub>A</sub> = +25°C	-260		
				T <sub>A</sub> = +75°C	-260		

- Notes: 1. Designed to meet specifications shown after thermal equilibrium has been established. Guaranteed with transverse air flow exceeding 500 linear feet per minute.
2. The relative values of the specified conditions and limits will be referenced to an algebraic scale. The extremities of the scale are: "Max." the value closest to positive infinity. "Min." the value closest to negative infinity.
3. These are absolute voltages with respect to the device ground pin and include all overshoots due to system and/or tester noise. Do not attempt to test these values without suitable equipment and fixturing.

## DC CHARACTERISTICS over COMMERCIAL operating ranges (Cont'd.) (Notes 1, 2)

### PAL10020EG8 (100K) Devices

Parameter Symbols	Parameter Description	Test Conditions		Min.	Max.	Unit	
V <sub>OH</sub>	Output HIGH Voltage	V <sub>IN</sub> = V <sub>IH</sub> (Max.) or V <sub>IL</sub> (Min.)	Loading is 50 Ω to -2.0 V	V <sub>EE</sub> = -4.2 V	-1025	-880	mV
				V <sub>EE</sub> = -4.5 V	-1025	-880	
				V <sub>EE</sub> = -4.8 V	-1035	-880	
V <sub>OL</sub>	Output LOW Voltage			V <sub>EE</sub> = -4.2 V	-1810	-1605	mV
				V <sub>EE</sub> = -4.5 V	-1810	-1620	
				V <sub>EE</sub> = -4.8 V	-1810	-1620	
V <sub>IH</sub>	Input HIGH Voltage	Guaranteed Input HIGH Voltage (Note 3)		V <sub>EE</sub> = -4.2 V	-1150	-880	mV
				V <sub>EE</sub> = -4.5 V	-1165	-880	
				V <sub>EE</sub> = -4.8 V	-1165	-880	
V <sub>IL</sub>	Input LOW Voltage	Guaranteed Input LOW Voltage (Note 3)		V <sub>EE</sub> = -4.2 V	-1810	-1475	mV
				V <sub>EE</sub> = -4.5 V	-1810	-1475	
				V <sub>EE</sub> = -4.8 V	-1810	-1490	
I <sub>IH</sub>	Input HIGH Current	V <sub>IN</sub> = V <sub>IH</sub> (Max.)		V <sub>EE</sub> = -4.2 V		300	μA
				V <sub>EE</sub> = -4.5 V		300	
				V <sub>EE</sub> = -4.8 V		300	
I <sub>IL</sub>	Input LOW Current	V <sub>IN</sub> = V <sub>IL</sub> (Min.)		V <sub>EE</sub> = -4.2 V	0.5		μA
				V <sub>EE</sub> = -4.5 V	0.5		
				V <sub>EE</sub> = -4.8 V	0.5		
I <sub>EE</sub>	Power Supply Current	All Inputs and Outputs Open		V <sub>EE</sub> = -4.2 V	-285		mA
				V <sub>EE</sub> = -4.5 V	-285		
				V <sub>EE</sub> = -4.8 V	-285		

- Notes: 1. Designed to meet specifications shown after thermal equilibrium has been established. Guaranteed with transverse air flow exceeding 500 linear feet per minute.
2. The relative values of the specified conditions and limits will be referenced to an algebraic scale. The extremities of the scale are:  
 "Max." the value closest to positive infinity.  
 "Min." the value closest to negative infinity.
3. These are absolute voltages with respect to the device ground pin and include all overshoots due to system and/or tester noise. Do not attempt to test these values without suitable equipment and fixturing.

## SWITCHING CHARACTERISTICS over COMMERCIAL operating ranges (Notes 1, 2)

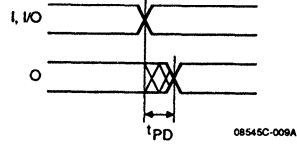
Parameter Symbol	Parameter Description	Min.	Max.	Unit
t <sub>PD</sub>	Input or Feedback to Output		6	ns
t <sub>S</sub>	Input or Feedback Setup Time	4		ns
t <sub>H</sub>	Hold Time	0		ns
t <sub>G</sub>	Gate to Output or Feedback		4	ns
t <sub>AR</sub> /t <sub>AP</sub>	Asynchronous RESET/PRESET to Latched Output		8	ns
t <sub>ARW</sub> /t <sub>APW</sub>	Asynchronous RESET/PRESET Width	6		ns
t <sub>ARR</sub> /t <sub>APR</sub>	Asynchronous RESET/PRESET Recovery Time	6		ns
t <sub>WL</sub>	Gate Width LOW	3		ns
t <sub>EA</sub>	Input to Output Enable		7	ns
t <sub>ER</sub>	Input to Output Disable		7	ns
t <sub>RO</sub>	Output Rise Time (20% - 80%)	0.7	2.2	ns
t <sub>FO</sub>	Output Fall Time (80% - 20%)	0.7	2.2	ns

1. Designed to meet specifications shown after thermal equilibrium has been established. The circuit is in a test socket or mounted on a printed circuit board and transverse air flow greater than 500 linear fpm is maintained.
2. Test conditions: see Setup for Testing Switching Characteristics.

4

## Definitions of Switching Parameters

$t_{PD}$ : Signal propagation delay from an input or an I/O pin through the array to a combinatorial output or a latched output while  $\bar{G}$  is LOW.



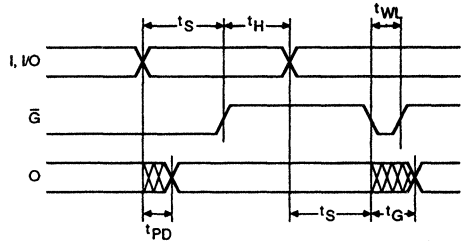
WF027080

$t_S$ : Time that input data must be valid before  $\bar{G}$  goes HIGH in order to latch data.

$t_H$ : Time that input data must be valid after  $\bar{G}$  goes HIGH in order to latch data.

$t_G$ : Delay between lowering  $\bar{G}$  and data appearing at the output.

Note: In order for a signal to appear at the output at a time  $t_G$  after lowering  $\bar{G}$ , the signal must be set up a time  $t_S$  before  $\bar{G}$  is lowered. If this amount of time is not allowed, then the output will change at a time  $t_{PD}$  after the inputs were changed. The  $t_S$  needed is illustrated in the waveforms.



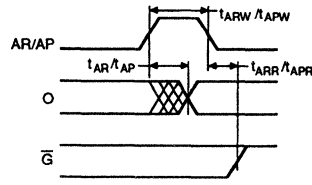
WF027090

$t_{WL}$ : The minimum gate LOW pulse width needed to latch new data.

$t_{AR}/t_{AP}$ : Delay from an input or I/O pin activating asynchronous reset or preset to data appearing at a latched output.

$t_{ARW}/t_{APW}$ : The minimum input or I/O pin pulse width needed to activate asynchronous reset or preset.

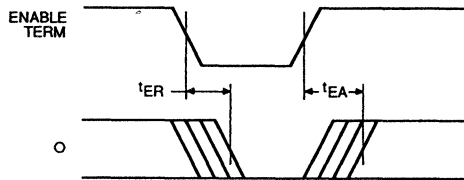
$t_{ARR}/t_{APR}$ : Time that input or I/O pin must inactivate asynchronous reset or preset before  $\bar{G}$  goes LOW in order to pass data.



WF027100

$t_{EA}$ : Delay between input or I/O pin activating enable term and data appearing at outputs.

$t_{ER}$ : Delay between input or I/O pin deactivating enable term and outputs going LOW.

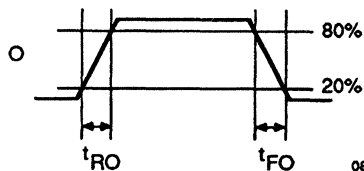


08545C-013A

WF027110

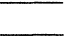


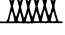
$t_{RO}$ : Time taken for an output signal voltage to swing from 20% to 80% of the full logic swing.

$t_{FO}$ : Time taken for an output signal voltage to swing from 80% to 20% of the full logic swing.



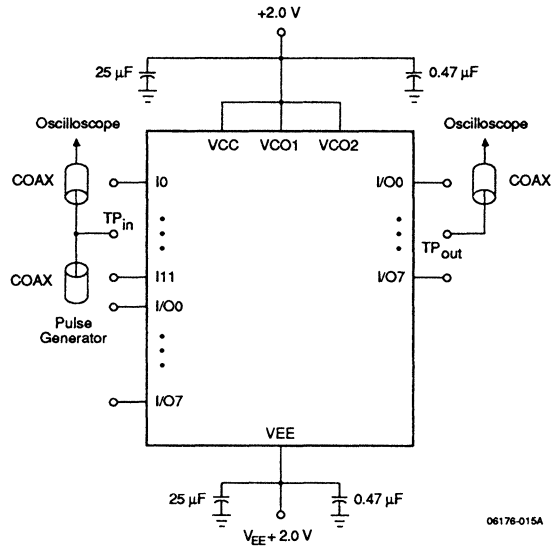
WF025960

## KEY TO SWITCHING WAVEFORMS

WAVEFORM	INPUTS	OUTPUTS
	MUST BE STEADY	WILL BE STEADY
	MAY CHANGE FROM H TO L	WILL BE CHANGING FROM H TO L
	MAY CHANGE FROM L TO H	WILL BE CHANGING FROM L TO H
	DON'T CARE, ANY CHANGE PERMITTED	CHANGING, STATE UNKNOWN

KS000012

## Setup for Testing Switching Characteristics



LS003460

Each oscilloscope channel input should have a  $50\ \Omega$  termination to ground. Oscilloscope bandwidth should be at least 1 GHz.

The pulse generator should be capable of providing 1.5 ns rise and fall times (20% to 80%).

All input and output cables should be equal lengths of matched  $50\ \Omega$  coaxial cable. Wire lengths between input (or I/O) pins and TP<sub>in</sub> or between output pins and TP<sub>out</sub> should be less than 1/4 in. long. Stubs should be avoided if possible; unavoidable stubs should be less than 2 in. long.

Used inputs that are not switching should be forced to  $V_{IL}$  or  $V_{IH}$ .

Outputs that are switching but not sensed should be terminated through  $50\ \Omega$  to ground.

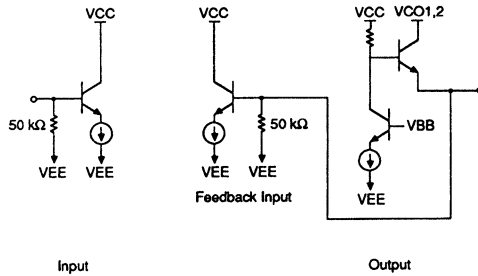
Unused inputs and outputs may be left open.

Note that all voltages are shifted by +2.0 V with respect to normal ECL operating conditions in order to take advantage of the input terminations of the oscilloscope.

Timing thresholds in this configuration are taken to be +0.7 V.

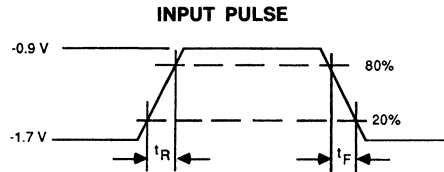
4

## Input and Output Equivalent Schematics



06176C-019A  
TC004760

## SWITCHING TEST WAVEFORM



06176C-014A  
WF023080

$t_R = t_F = 2.2$  ns Max. for 10KH  
 $t_R = t_F = 1.0$  ns Max. for 100K

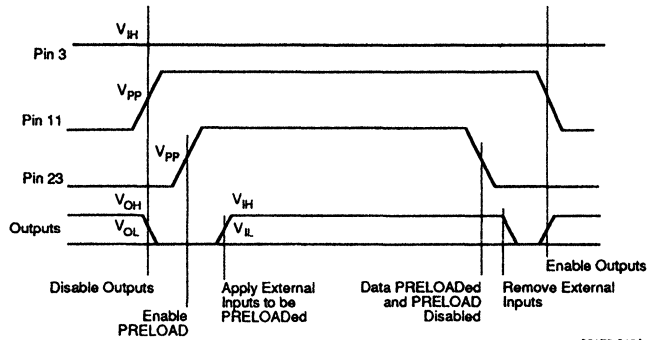
## PRELOAD OF LATCHED OUTPUTS

The PAL10H20EG8/PAL10020EG8 latched outputs are provided with circuitry to allow loading each latch to either a HIGH or LOW state. This simplifies testing since any state can be loaded into the latches to control outputs. The pin levels

necessary to perform the PRELOAD function are detailed below.

PRELOAD is accessed by applying  $V_{PP}$  on pin 23. The data to be preloaded is set on the output pins. Bringing pin 23 back to a logic-LOW level latches the data into the output latches. During PRELOAD the outputs are disabled by a supervoltage on pin 11.

Parameter Symbol	Parameter Description	Min.	Typ.	Max.	Unit
$V_{IH}$	Input HIGH Level During PRELOAD and Verify	-1.1	-0.9	-0.7	V
$V_{IL}$	Input LOW Level During PRELOAD and Verify	-1.85	-1.65	-1.45	V
$V_{PP}$	Voltage Applied to Pins 11 and 23 (DIP)	1.8	2.0	2.2	V



06178-018A  
WF027121

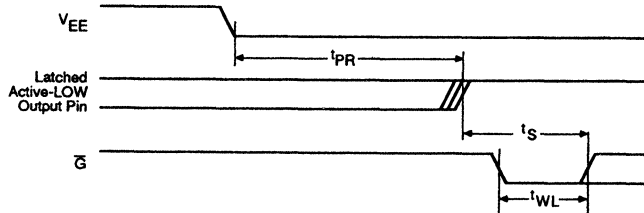
### PRELOAD Timing Waveform

#### POWER-UP RESET

The latches in the PAL10H20EG8/PAL10020EG8 have been designed with the capability to RESET during system power-up. Following power-up, all latches will be LOW. The output state will depend upon the state of the output buffer and the polarity fuse. A timing diagram and a parameter table are shown below. Due to the asynchronous operation of the power-up

RESET and the wide range of ways  $V_{EE}$  can fall to steady state, two conditions are required to insure a valid power-up RESET. These conditions are:

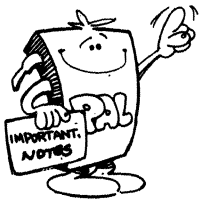
1. The  $V_{EE}$  fall must be monotonic.
2. Following RESET, the gate pin must not be driven LOW until all applicable input and feedback setup times are met.



08545C-018A  
WF027130

Parameter Symbol	Parameter Description	Min.	Typ.	Max.	Unit
$t_{PR}$	Power-Up RESET Time		600	1000	ns
$t_S$	Input or Feedback Setup Time	See Switching Characteristics			
$t_{WL}$	Gate Width LOW				







# PAL10H20EV8-6/PAL10020EV8-6

## ECL Registered Programmable Array Logic

Advanced  
Micro  
Devices

### DISTINCTIVE CHARACTERISTICS

- High-performance;  $t_{PD} = 6$  ns,  $f_{MAX} = 125$  MHz
- Eight user-programmable output logic macrocells for registered or combinatorial operation
- A latched version of the device is available as PAL10H20EG8 or PAL10020EG8 (see AMD Publication No. 08545)
- Up to twenty inputs and eight outputs
- Individually user-programmable output polarity
- Varied product-term distribution for increased design flexibility
- Individual product term for output enable
- Asynchronous-RESET and PRESET capability
- Power-up RESET capability
- PRELOAD for improved testability
- Special designed-in test features for factory AC and DC testing
- Proven fuses ensure high programming yield, fast programming and unsurpassed reliability
- 10KH/100K ECL options
- 50-ohm drive with wired-OR capability
- 24-pin 300-mil SKINNYDIP® and 28-pin plastic chip carrier package
- Supported by PALASM® software

### GENERAL DESCRIPTION

The PAL10H20EV8/PAL10020EV8 is an advanced bipolar ECL Programmable Array Logic (PAL®) device. It uses the familiar sum-of-products (AND-OR) single array logic structure, allowing users to program custom logic functions. Fabricated with AMD's new advanced bipolar oxide-isolation process technology, and utilizing the innovative architectural features of the PAL22V10, the PAL10H20EV8/PAL10020EV8 represents the most advanced ECL PAL device available on the market today.

The PAL10H20EV8/PAL10020EV8 contains up to twenty inputs and eight outputs. It incorporates AMD's unique output logic macrocell (as in the PAL22V10), which allows the user to define and program the architecture of each output on an individual basis. Each output is user-programmable for either registered or combinatorial operation. Each output also has user-programmable output-polarity control, further simplifying the design. The flexibility of the programmable output logic

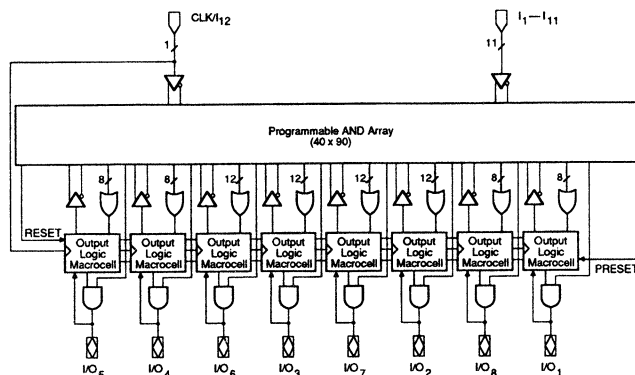
macrocells permits the system designer to tailor the device to particular application requirements.

Increased logic power has been built into the PAL10H20EV8/PAL10020EV8 by providing a varied number of logical product terms per output. Four outputs have twelve logical product terms each, and the other four have eight logical product terms each. This varied allocation of logical product terms allows complex functions to be implemented in a single ECL PAL device. Each output also has a separate output-enable product term.

System operation has been enhanced by the addition of asynchronous-PRESET and RESET product terms for the PAL10H20EV8/PAL10020EV8. These product terms are common to all registered outputs.

The PAL10H20EV8/PAL10020EV8 incorporates power-up RESET on all registered outputs. It also has the ability to PRELOAD registers to any desired state during testing. PRELOAD permits full logical verification during testing.

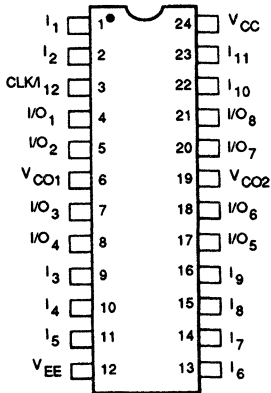
### BLOCK DIAGRAM



08176C-001A  
BD007871

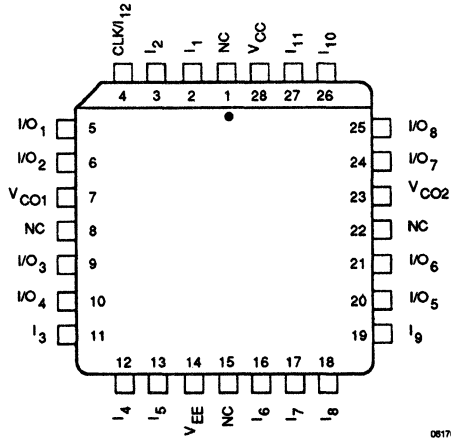
**CONNECTION DIAGRAMS**  
**Top View**

**SKINNYDIP**



CD011400

**PLCC**



00176C-002A  
CD011410

Note: Pin 1 is marked for orientation.

**PIN DESCRIPTION**

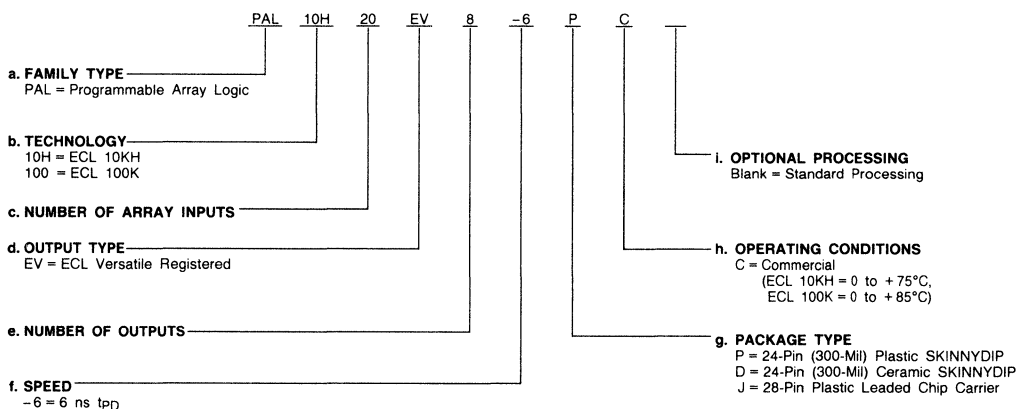
- I<sub>1</sub> - I<sub>11</sub> = Dedicated Input Pins (11)
- I/O<sub>1</sub> - I/O<sub>8</sub> = Bidirectional Input/Output Pins (8)
- CLK/I<sub>12</sub> = Clock or Input Pin
- NC = No Connect
- V<sub>CC</sub> = Circuit Ground
- V<sub>CO1</sub>, V<sub>CO2</sub> = Circuit Ground Pins for Outputs (2)
- V<sub>EE</sub> = Negative Supply Voltage

## ORDERING INFORMATION

### PAL Products

AMD PAL products are available in several packages and operating ranges. The order number (Valid Combination) is formed by a combination of:

- a. Family Type
- b. Technology
- c. Number of Array Inputs
- d. Output Type
- e. Number of Outputs
- f. Speed
- g. Package Type
- h. Operating Conditions
- i. Optional Processing



4

Valid Combinations	
PAL10H20EV8-6	PC, DC, JC
PAL10020EV8-6	

#### Valid Combinations

Valid Combinations list configurations planned to be supported in volume for this device. Consult the local AMD sales office to confirm availability of specific valid combinations, to check on newly released combinations, and to obtain additional data on AMD's standard military grade products.

Note: Marked with AMD logo.

## FUNCTIONAL DESCRIPTION

The PAL10H20EV8/PAL10020EV8 is an advanced bipolar ECL PAL device. It contains a programmable fuse array organized in the familiar sum-of-products (AND-OR) structure.

The block diagram in Figure 1 illustrates the basic architecture of the PAL10H20EV8/PAL10020EV8. There are up to twenty external inputs and eight outputs. The inputs are connected to a programmable-AND array. Initially, the AND gates are connected, via fuses, to both the true and complement of every input. By selective programming of the fuses, the AND

gates may be "connected" to only the true inputs, the complement inputs, or to neither type of input. When both the true and complement fuses are left intact, a logical-FALSE results at the output of the AND gate. An AND gate with all the fuses programmed will assume the logical-TRUE state. The outputs of the AND gates are connected to fixed-OR gates.

There are an average of ten product terms per OR gate (output), distributed in a varied fashion. Four outputs have eight product terms each while the other four have twelve product terms each. This varied distribution of product terms allows more complex logic functions to be implemented.

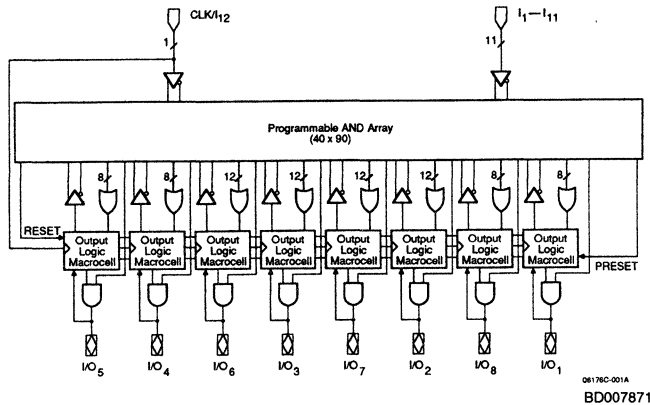


Figure 1. Block Diagram

### Output Logic Macrocells

A useful feature of the PAL10H20EV8/PAL10020EV8 is its versatile programmable output logic macrocell. It allows the user to program the outputs on an individual basis in a very flexible manner.

The PAL10H20EV8/PAL10020EV8 output logic macrocell incorporates an edge-triggered register. As shown in the output logic macrocell diagram, each macrocell contains two

programmable fuses ( $S_0$  and  $S_1$ ) for programming the output functions.  $S_1$  controls whether the output will be registered or combinatorial.  $S_0$  controls the output polarity (active-HIGH or active-LOW). Depending on the states of these two fuses, an individual output operates in one of four modes: Registered/Active-LOW, Registered/Active-HIGH, Combinatorial/Active-LOW, and Combinatorial/Active-HIGH. Each output is also provided with a separate output enable product term.

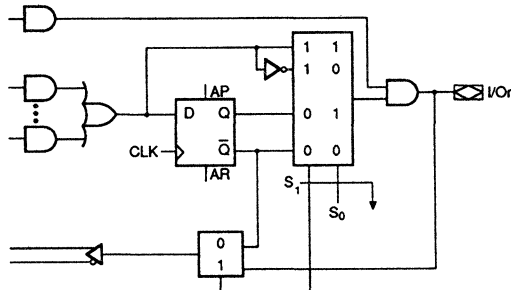


Figure 2. PAL10H20EV8/PAL10020EV8 Output Logic Macrocell

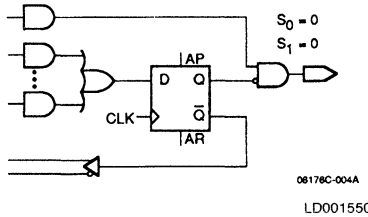


Figure 3-1. Registered/Active-LOW

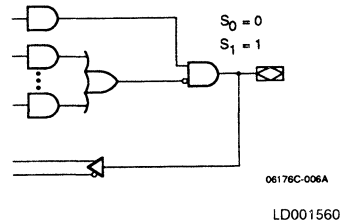


Figure 3-3. Combinatorial/Active-LOW

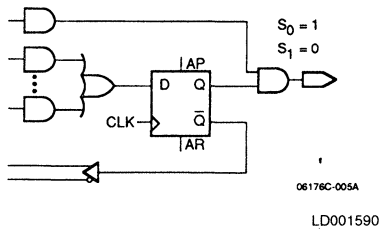


Figure 3-2. Registered/Active-HIGH

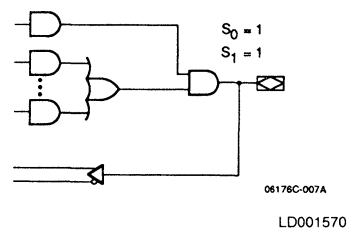


Figure 3-4. Combinatorial/Active-HIGH

S <sub>1</sub>	S <sub>0</sub>	Output Configuration
0	0	Registered/Active-LOW
0	1	Registered/Active-HIGH
1	0	Combinatorial/Active-LOW
1	1	Combinatorial/Active-HIGH

0 = Unprogrammed Fuse  
1 = Programmed Fuse

## Feedback

Another feature of the PAL10H20EV8/PAL10020EV8 output macrocell structure is the flexibility of its feedback selection. The feedback can be from either the I/O line or the registered output. The feedback multiplexer is also controlled by the S<sub>1</sub> fuse. The feedback path changes with the output-mode selection. If the output is selected to be registered, the feedback is registered. If the output is combinatorial, the feedback is from the I/O line. This feature enables the designer to optimally use the device to meet precise application requirements. Additionally, it allows complex control state machines for particular design requirements.

## Output Enable

Each of the eight output logic macrocells of the PAL10H20EV8/PAL10020EV8 contains a dedicated product term for the output-enable function. When this product term is asserted LOW, the output is forced into a LOW state where it remains until the output-enable product term goes HIGH.

## PRESET and RESET

To improve in-system functionality, the PAL10H20EV8/PAL10020EV8 has additional PRESET and RESET product terms. Common asynchronous RESET and PRESET are provided for all the registers of the PAL10H20EV8/PAL10020EV8. When the asynchronous PRESET product

term is asserted HIGH the output registers are loaded with a HIGH; when the RESET product term is asserted HIGH the output registers are loaded with a LOW, both independent of the clock. These functions are particularly useful for system power-on and reset. The registers automatically reset at power-up.

## PRELOAD

To simplify testing, the PAL10H20EV8/PAL10020EV8 is designed with PRELOAD circuitry that provides an easy method for testing logic functionality. PRELOAD allows any arbitrary values to be loaded into the PAL device's output registers.

A typical functional-test sequence would be to verify all possible outputs for the device being tested. To verify these transitions requires the ability to set the state registers to an arbitrary "present state" value and to set the device inputs to any arbitrary "present input" value. Once this is done, the state machine is then clocked into a "next state." The next state is then checked to validate the transition from the present state. In this way any state transition can be checked.

Without PRELOAD capability, it is difficult and in some cases impossible to load an arbitrary present state value into the registers. This can lead to logic verification sequences which are either incomplete or excessively long. With PRELOAD capability, logic verification sequences can be greatly short-

---

ened, reducing the test time and the development costs, and guaranteeing proper in-system operation.

### **Security Fuse**

A security fuse is provided on each PAL10H20EV8/PAL10020EV8 to protect proprietary logic designs. It is programmed at the same time the array is programmed. The security fuse disables the pattern verification circuitry, and is verified by verifying the whole fuse array as if every fuse were programmed. The security fuse also disables preload.

### **Fabrication**

The PAL10H20EV8/PAL10020EV8 is manufactured using Advanced Micro Devices' new oxide-isolation process. This advanced process offers increased density and reduced

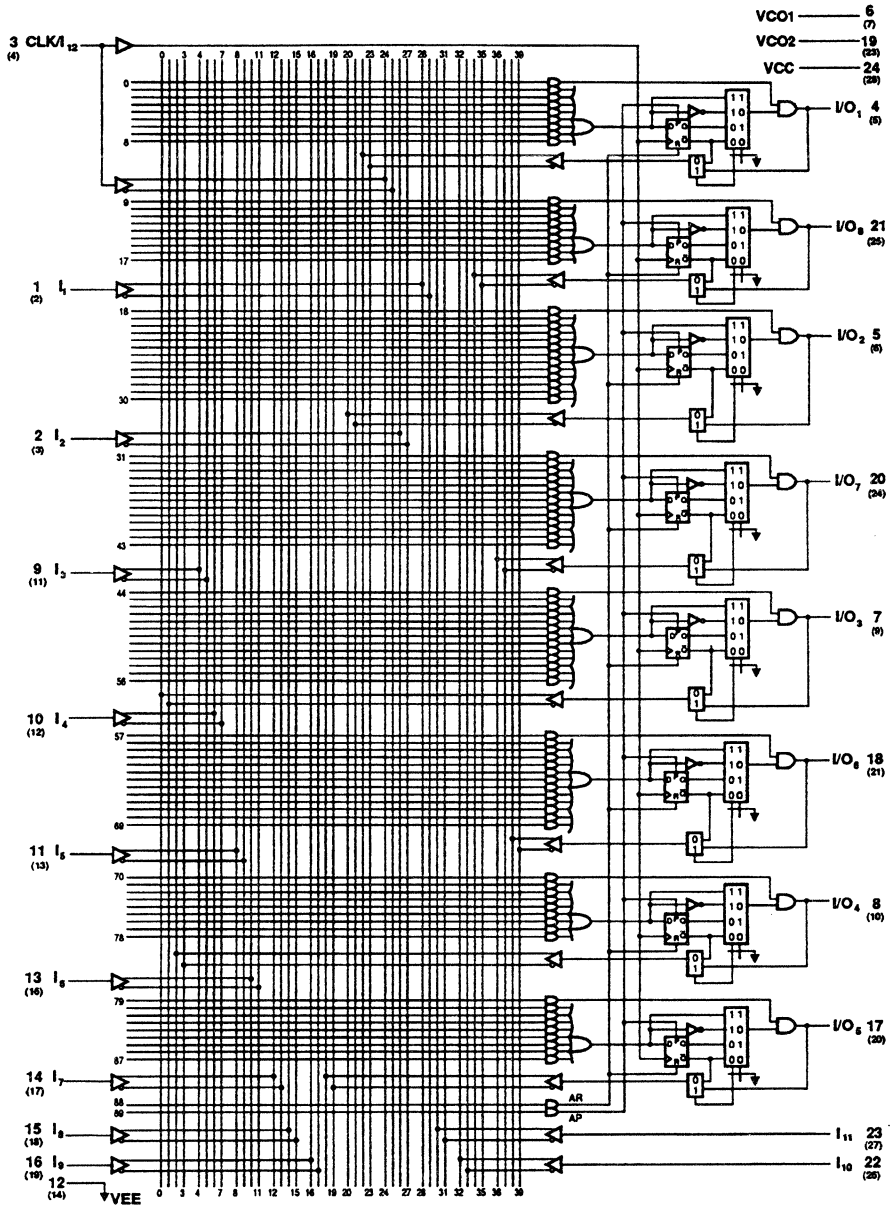
internal capacitance resulting in the fastest possible programmable logic devices.

The PAL10H20EV8/PAL10020EV8 is fabricated with AMD's fast-programming and highly-reliable fuse technology. Utilizing an easily implemented programming algorithm, these products can be rapidly programmed to any customized pattern.

### **Testing**

The PAL10H20EV8/PAL10020EV8 contains many internal test features, including circuitry and extra fuses which allow AMD to test each part before shipping. This ensures extremely high post-programming functional yields. The test fuses are programmed to assure the ability of each part to perform correct programming. There are extra test words which are preprogrammed during manufacturing and tested to ensure correct logic operation and parametric integrity.

PAL10H20EV8/PAL10020EV8



4

DIP (PLCC) pinouts.

LD001751

Figure 4. Logic Diagram for PAL10H20EV8/PAL10020EV8



## ABSOLUTE MAXIMUM RATINGS

Storage Temperature .....	-65°C to +150°C
Supply Voltage (V <sub>EE</sub> )	
with Respect to Ground .....	-8 V to 0 V
DC Input Voltage	
with Respect to Ground .....	V <sub>EE</sub> to 0 V
Output Current	
-Continuous .....	35 mA
-Surge .....	100 mA

Stresses above those listed under ABSOLUTE MAXIMUM RATINGS may cause permanent device failure. Functionality at or above these limits is not implied. Exposure to absolute maximum ratings for extended periods may affect device reliability. Programming conditions may differ.

## OPERATING RANGES

Commercial (C) Devices — 10KH Devices	
Ambient Temperature (T <sub>A</sub> ) Operating	
Air Flow 500 lfpm .....	0°C to +75°C
Supply Voltage (V <sub>EE</sub> ) .....	-5.46 V to -4.94 V
Commercial (C) Devices — 100K Devices	
Ambient Temperature (T <sub>A</sub> ) Operating	
Air Flow 500 lfpm .....	0°C to +85°C
Supply Voltage (V <sub>EE</sub> ) .....	-4.8 V to -4.2 V

Operating ranges define those limits between which the functionality of the device is guaranteed.

## DC CHARACTERISTICS over COMMERCIAL operating ranges (Notes 1, 2)

### PAL10H20EV8 (10KH) Devices

Parameter Symbols	Parameter Description	Test Conditions		Min.	Max.	Unit	
V <sub>OH</sub>	Output HIGH Voltage	V <sub>IN</sub> = V <sub>IH</sub> (Max.) or V <sub>IL</sub> (Min.)	Loading is 50 Ω to -2.0 V	T <sub>A</sub> = 0°C	-1020	-840	mV
				T <sub>A</sub> = +25°C	-980	-810	
				T <sub>A</sub> = +75°C	-920	-735	
V <sub>OL</sub>	Output LOW Voltage	V <sub>IN</sub> = V <sub>IH</sub> (Max.) or V <sub>IL</sub> (Min.)	Loading is 50 Ω to -2.0 V	T <sub>A</sub> = 0°C	-1950	-1630	mV
				T <sub>A</sub> = +25°C	-1950	-1630	
				T <sub>A</sub> = +75°C	-1950	-1600	
V <sub>IH</sub>	Input HIGH Voltage	Guaranteed Input HIGH Voltage (Note 3)		T <sub>A</sub> = 0°C	-1170	-840	mV
				T <sub>A</sub> = +25°C	-1130	-810	
				T <sub>A</sub> = +75°C	-1070	-735	
V <sub>IL</sub>	Input LOW Voltage	Guaranteed Input LOW Voltage (Note 3)		T <sub>A</sub> = 0°C	-1950	-1480	mV
				T <sub>A</sub> = +25°C	-1950	-1480	
				T <sub>A</sub> = +75°C	-1950	-1450	
I <sub>IH</sub>	Input HIGH Current	V <sub>IN</sub> = V <sub>IH</sub> (Max.)		T <sub>A</sub> = 0°C		300	μA
				T <sub>A</sub> = +25°C		300	
				T <sub>A</sub> = +75°C		300	
I <sub>IL</sub>	Input LOW Current	V <sub>IN</sub> = V <sub>IL</sub> (Min.)		T <sub>A</sub> = 0°C	0.5		μA
				T <sub>A</sub> = +25°C	0.5		
				T <sub>A</sub> = +75°C	0.3		
I <sub>EE</sub>	Power Supply Current	All Inputs and Outputs Open		T <sub>A</sub> = 0°C	-260		mA
				T <sub>A</sub> = +25°C	-260		
				T <sub>A</sub> = +75°C	-260		

- Notes: 1. Designed to meet specifications shown after thermal equilibrium has been established. Guaranteed with transverse air flow exceeding 500 linear feet per minute.
2. The relative values of the specified conditions and limits will be referenced to an algebraic scale. The extremities of the scale are: "Max." the value closest to positive infinity. "Min." the value closest to negative infinity.
3. These are absolute voltages with respect to the device ground pin and include all overshoots due to system and/or tester noise. Do not attempt to test these values without suitable equipment and fixturing.

**DC CHARACTERISTICS** over **COMMERCIAL** operating ranges (Cont'd.) (Notes 1, 2)

**PAL10020EV8 (100K) Devices**

Parameter Symbol	Parameter Description	Test Conditions		Min.	Max.	Unit			
V <sub>OH</sub>	Output HIGH Voltage	V <sub>IN</sub> = V <sub>IH</sub> (Max.) or V <sub>IL</sub> (Min.)	Loading is 50 Ω to -2.0 V	V <sub>EE</sub> = -4.2 V	-1025	-880	mV		
				V <sub>EE</sub> = -4.5 V	-1025	-880			
				V <sub>EE</sub> = -4.8 V	-1035	-880			
V <sub>OL</sub>	Output LOW Voltage			V <sub>IN</sub> = V <sub>IH</sub> (Max.) or V <sub>IL</sub> (Min.)	Loading is 50 Ω to -2.0 V	V <sub>EE</sub> = -4.2 V	-1810	-1605	mV
						V <sub>EE</sub> = -4.5 V	-1810	-1620	
						V <sub>EE</sub> = -4.8 V	-1810	-1620	
V <sub>IH</sub>	Input HIGH Voltage	Guaranteed Input HIGH Voltage (Note 3)				V <sub>EE</sub> = -4.2 V	-1150	-880	mV
						V <sub>EE</sub> = -4.5 V	-1165	-880	
						V <sub>EE</sub> = -4.8 V	-1165	-880	
V <sub>IL</sub>	Input LOW Voltage	Guaranteed Input LOW Voltage (Note 3)		V <sub>EE</sub> = -4.2 V	-1810	-1475	mV		
				V <sub>EE</sub> = -4.5 V	-1810	-1475			
				V <sub>EE</sub> = -4.8 V	-1810	-1490			
I <sub>IH</sub>	Input HIGH Current	V <sub>IN</sub> = V <sub>IH</sub> (Max.)		V <sub>EE</sub> = -4.2 V		300	μA		
				V <sub>EE</sub> = -4.5 V		300			
				V <sub>EE</sub> = -4.8 V		300			
I <sub>IL</sub>	Input LOW Current	V <sub>IN</sub> = V <sub>IL</sub> (Min.)		V <sub>EE</sub> = -4.2 V	0.5		μA		
				V <sub>EE</sub> = -4.5 V	0.5				
				V <sub>EE</sub> = -4.8 V	0.5				
I <sub>EE</sub>	Power Supply Current	All Inputs and Outputs Open		V <sub>EE</sub> = -4.2 V	-285		mA		
				V <sub>EE</sub> = -4.5 V	-285				
				V <sub>EE</sub> = -4.8 V	-285				

- Notes: 1. Designed to meet specifications shown after thermal equilibrium has been established. Guaranteed with transverse air flow exceeding 500 linear feet per minute.
2. The relative values of the specified conditions and limits will be referenced to an algebraic scale. The extremities of the scale are:  
 "Max." the value closest to positive infinity.  
 "Min." the value closest to negative infinity.
3. These are absolute voltages with respect to the device ground pin and include all overshoots due to system and/or tester noise. Do not attempt to test these values without suitable equipment and fixturing.

**SWITCHING CHARACTERISTICS over COMMERCIAL operating ranges (Notes 1, 2)**

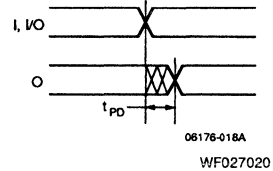
Parameter Symbol	Parameter Description		Min.	Max.	Unit
$t_{PD}$	Input or Feedback to Output			6	ns
$t_s$	Input or Feedback Setup Time		4.5		ns
$t_H$	Hold Time		0		ns
$t_{CO}$	Clock to Output or Feedback			3.5	ns
$t_{AR}/t_{AP}$	Asynchronous RESET/PRESET to Registered Output			8	ns
$t_{ARW}/t_{APW}$	Asynchronous RESET/PRESET Width		6		ns
$t_{ARR}/t_{APR}$	Asynchronous RESET/PRESET Recovery Time		6		ns
$t_{WL}$	Clock Width	LOW	2.5		ns
$t_{WH}$		HIGH	2.5		ns
$f_{MAX}$	Maximum Frequency	External Feedback	$1/(t_s+t_{CO})$	125	MHz
		Internal Feedback		195	MHz
		No Feedback		200	MHz
$t_{EA}$	Input to Output Enable			7	ns
$t_{ER}$	Input to Output Disable			7	ns
$t_{RO}$	Output Rise Time (20% – 80%)		0.7	2.2	ns
$t_{FO}$	Output Fall Time (80% – 20%)		0.7	2.2	ns

**Notes:**

1. Designed to meet specifications shown after thermal equilibrium has been established. The circuit is in a test socket or mounted on a printed circuit board and transverse air flow greater than 500 linear fpm is maintained.
2. Test conditions: see Setup for Testing Switching Characteristics.

## Definitions of Switching Parameters

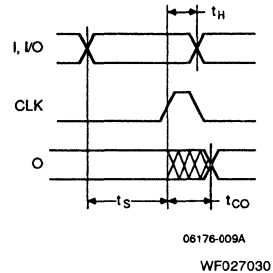
$t_{PD}$ : Signal propagation delay from an input or an I/O pin through the array to a combinatorial output.



$t_S$ : Time that input data must be valid before CLK edge.

$t_H$ : Time that input data must be valid after CLK edge.

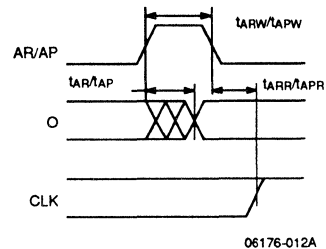
$t_{CO}$ : Delay between clock edge and data appearing at the output.



$t_{AR}/t_{AP}$ : Delay from an input or I/O pin activating asynchronous reset or preset to data appearing at a registered output.

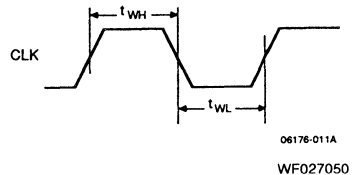
$t_{ARW}/t_{APW}$ : The minimum input or I/O pin pulse width needed to activate asynchronous reset or preset.

$t_{ARR}/t_{APR}$ : Time that input or I/O pin must inactivate asynchronous reset or preset before CLK edge.



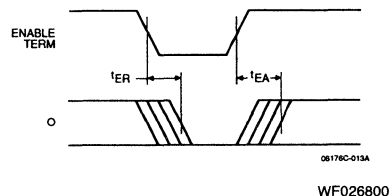
$t_{WL}$ : The minimum LOW clock width.

$t_{WH}$ : The minimum HIGH clock width.



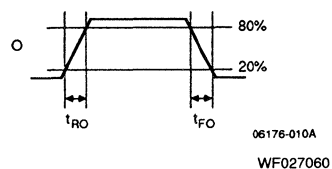
$t_{EA}$ : Delay between input or I/O pin activating enable term and data appearing at outputs.

$t_{ER}$ : Delay between input or I/O pin deactivating enable term and outputs going LOW.

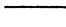
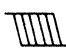

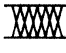


$t_{RO}$ : Time taken for an output signal voltage to swing from 20% to 80% of the full logic swing.

$t_{FO}$ : Time taken for an output signal voltage to swing from 80% to 20% of the full logic swing.

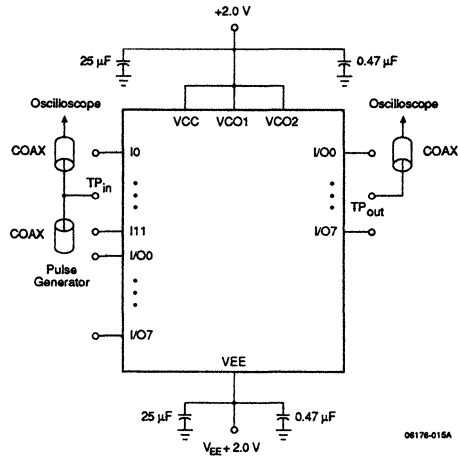


## KEY TO SWITCHING WAVEFORMS

WAVEFORM	INPUTS	OUTPUTS
	MUST BE STEADY	WILL BE STEADY
	MAY CHANGE FROM H TO L	WILL BE CHANGING FROM H TO L
	MAY CHANGE FROM L TO H	WILL BE CHANGING FROM L TO H
	DON'T CARE; ANY CHANGE PERMITTED	CHANGING; STATE UNKNOWN

KS000012

### Setup for Testing Switching Characteristics



08178-015A

LS003460

Each oscilloscope channel input should have a  $50\ \Omega$  termination to ground. Oscilloscope bandwidth should be at least 1 GHz.

The pulse generator should be capable of providing 1.5 ns rise and fall times (20% to 80%).

All input and output cables should be equal lengths of matched  $50\ \Omega$  coaxial cable. Wire lengths between input (or I/O) pins and TP<sub>in</sub> or between output pins and TP<sub>out</sub> should be less than 1/4 in. long. Stubs should be avoided if possible; unavoidable stubs should be less than 2 in. long.

Used inputs that are not switching should be forced to  $V_{IL}$  or  $V_{IH}$ .

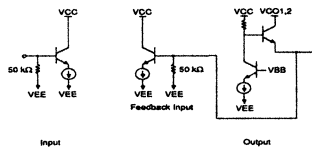
Outputs that are switching but not sensed should be terminated through  $50\ \Omega$  to ground.

Unused inputs and outputs may be left open.

Note that all voltages are shifted by +2.0 V with respect to normal ECL operating conditions in order to take advantage of the input terminations of the oscilloscope.

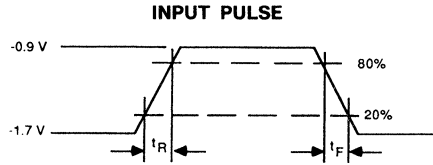
Timing thresholds in this configuration are taken to be +0.7 V.

### Input and Output Equivalent Schematics



08178C-015A

## SWITCHING TEST WAVEFORM



06176C-014A  
WF023080

$t_R = t_F = 2.2 \text{ ns Max. for 10KH}$   
 $t_R = t_F = 1.0 \text{ ns Max. for 100K}$

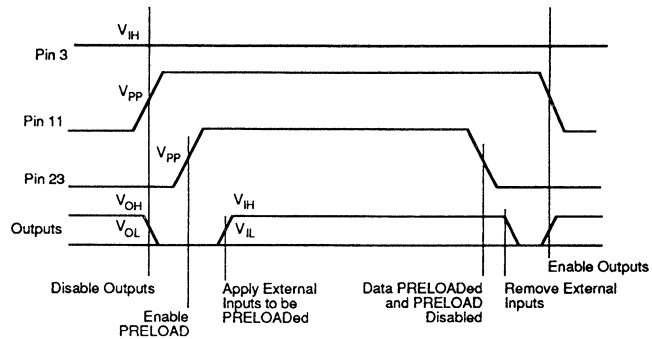
### PRELOAD OF REGISTERED OUTPUTS

The PAL10H20EV8/PAL10020EV8 registered outputs are provided with circuitry to allow loading each register to either a HIGH or LOW state. This simplifies testing since any state can be loaded into the registers to control test sequencing. The pin

levels necessary to perform the PRELOAD function are detailed below.

PRELOAD is accessed by applying  $V_{PP}$  on pin 23. The data to be preloaded is set on the output pins. Bringing pin 23 back to a logic-LOW level loads the data into the output registers. During PRELOAD the outputs are disabled by a supervoltage on pin 11.

Parameter Symbol	Parameter Description	Min.	Typ.	Max.	Unit
$V_{IH}$	Input HIGH Level During PRELOAD and Verify	-1.1	-0.9	-0.7	V
$V_{IL}$	Input LOW Level During PRELOAD and Verify	-1.85	-1.65	-1.45	V
$V_{PP}$	Voltage Applied to Pins 11 and 23 (DIP)	1.8	2.0	2.2	V



06176-018A  
WF027121

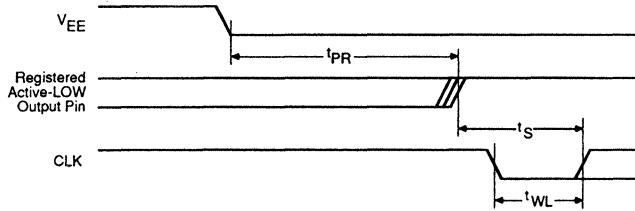
**PRELOAD Waveform**

## POWER-UP RESET

The registers in the PAL10H20EV8/PAL10020EV8 have been designed with the capability to RESET during system power-up. Following power-up, all registers will be LOW. The output state will depend upon the state of the output buffer and the polarity fuse. This feature provides extra flexibility to the designer. A timing diagram and a parameter table are shown below. Due to the asynchronous operation of the power-up

RESET and the wide range of ways  $V_{EE}$  can fall to steady state, two conditions are required to insure a valid power-up RESET. These conditions are:

1. The  $V_{EE}$  fall must be monotonic.
2. Following RESET, the CLK input must not be driven from LOW-to-HIGH until all applicable input and feedback setup times are met.



06176C-017A

WF026070

Parameter Symbol	Parameter Description	Min.	Typ.	Max.	Unit
$t_{PR}$	Power-Up RESET Time		600	1000	ns
$t_S$	Input or Feedback Setup Time	See Switching Characteristics			
$t_{WL}$	Clock Width				



# Am2064/Am2018

## Programmable Gate Array

### DISTINCTIVE CHARACTERISTICS

- Up to 1800 usable gate equivalence for higher board densities
- TTL or CMOS input threshold levels allow for more board flexibility
- Field programmable gate array means easy and quick design modifications
- Reconfigurable device for multiple in-system patterns
- Readback feature allows you to check configuration data

### GENERAL DESCRIPTION

The Logic Cell Array™ (LCA)™ is a high density, CMOS programmable gate array. It is composed of an interior array of logic blocks, surrounded by a ring of I/O interface blocks. Unlike conventional gate arrays, however, the definition of logic functions and interconnections in an LCA device does not require any custom factory fabrication. The configurable logic blocks (CLBs), I/O blocks (IOBs), and interconnection resources of the device are completely user-configurable. Each device is identical until it is configured. When configured, the LCA then begins operating according to the logic defined by the user. An LCA can either load its configuration data automatically from an external EPROM or have the data loaded under microprocessor control. The LCA is configured each time it is powered up, and offers the user the unique benefit of being able to reconfigure in-system at any time during operation.

The Logic Array is a CMOS, static RAM-based device. Static RAM technology is a mature technology that has been in production for years, with millions of operating device hours. Compared to other programming alterna-

tives, static memory provides the best combination of high density, high performance, high reliability, and comprehensive testability. The LCA is the first device to apply the benefits of static RAM technology to overcome the disadvantages of conventional gate arrays. The static memory cells used for the configuration memory of the LCA have been designed specifically for high reliability and noise immunity. The memory cell of the LCA is much more stable than a typical high-speed conventional memory cell.

PGA development system software is available for all phases of the design cycle. From design entry through simulation, both logic and timing, automatic placement and routing, and in-circuit emulation, software that operates on an IBM®-PC-AT™ or compatible system speeds the design process. For users of Daisy™ or Mentor™ workstations, interfaces for PGA design are also available from AMD. A valid workstation interface is available from Valid Logic Systems.



XILINX™, XACT™, XACTOR™, Logic Cell™ Array and LCA™ are trademarks of XILINX Inc. IBM® is a registered trademark of International Business Machines Corporation. PC-AT™ is a trademark of International Business Machines Corporation. Daisy™ is a trademark of Daisy Corporation. Mentor™ is a trademark of Mentor Corporation.

Portion of this Data Sheet reproduced with the permission of XILINX Inc.

Part Number	Logic Capacity (Usable Gates)	Configurable Logic Blocks	Configurable I/O Blocks	Configuration Program (Bits)
Am2064	1200	64	58	12,048
Am2018	1800	100	74	17,888

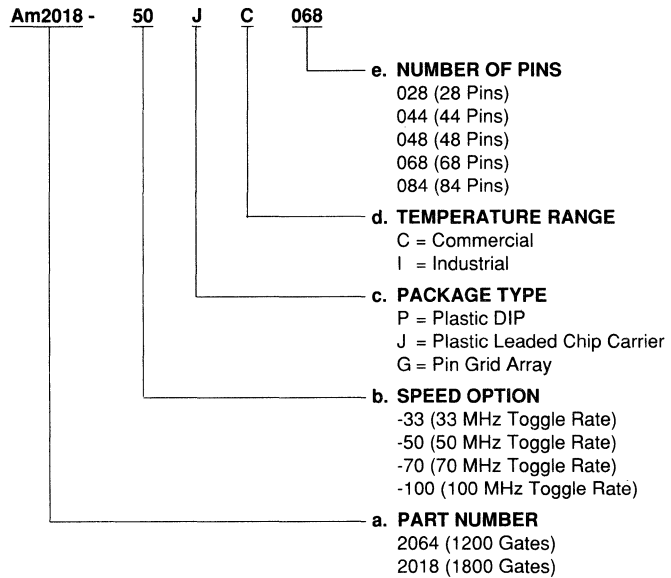


## ORDERING INFORMATION

### Standard Products

AMD standard products are available in several packages and operating ranges. The order number (Valid Combination) is formed by a combination of:

- a. Device Number
- b. Speed Option (if applicable)
- c. Package Type
- d. Temperature Range
- e. Number of Pins



## PACKAGE AVAILABILITY

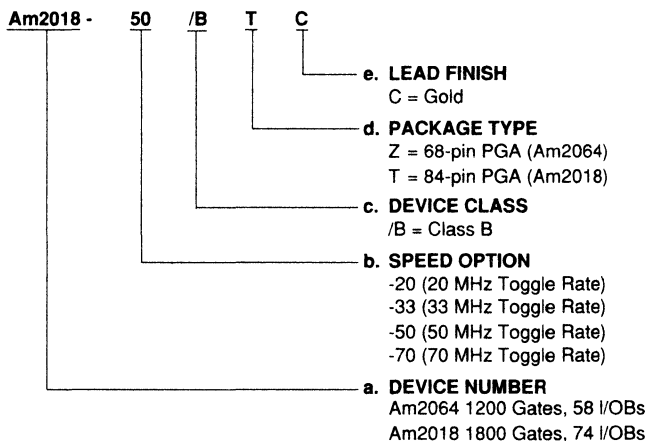
PART NUMBER	28-PIN PLCC	44-PIN PLCC	48-PIN PLASTIC DIP	68-PIN PLCC	68-PIN PGA	84-PIN PLCC	84-PIN PGA
Am2064	X		X	X	X		
Am2018		X		X	X	X	X

## MILITARY ORDERING INFORMATION

### APL Products

AMD products for Aerospace and Defense applications are available in several packages and operating ranges. APL (Approved Products List) products are fully compliant with MIL-STD-883C requirements. The order number (Valid Combination) is formed by a combination of:

- a. Device Number
- b. Speed Option (if applicable)
- c. Device Class
- d. Package Type
- e. Lead Finish



Valid Combinations	
Am2064-20 Am2064-33 Am2064-50	/BZC
Am2018-20 Am2018-33 Am2018-50 Am2018-70	/BTC

### Valid Combinations

Valid Combinations list configurations planned to be supported in volume for this device. Consult the local AMD sales office to confirm availability of specific valid combinations, or to check on newly released valid combinations, and to obtain additional data on AMD's standard military grade products.

### Group A Tests

Group A Tests consist of Subgroups: 1, 2, 3, 7, 8, 9, 10, 11.

## SILICON MENU

AMD Part	Organization	Equivalent Gate Count	Configurable Logic Block	User I/Os	Configuration Program Bits	Max Standby Current (CMOS Inputs)	Max Standby Current (TTL Inputs)	Packages	Max Toggle Rate Between CLBs
Am2064-20	8x8	1200	64	58	12048	10 mA	10 mA	68PGA	20 MHz
Am2018-20	10x10	1800	100	74	17888	15 mA	10 mA	84PGA	20 MHz
Am2064-33	8x8	1200	64	58	12048	10 mA	10 mA	68PGA	33 MHz
Am2018-33	10x10	1800	100	74	17888	15 mA	10 mA	84PGA	33 MHz
Am2064-50	8x8	1200	64	58	12048	10 mA	10 mA	68PGA	50 MHz
Am2018-50	10x10	1800	100	74	17888	15 mA	10 mA	84PGA	50 MHz
Am2018-70	10x10	1800	100	74	17888	15 mA	10 mA	84PGA	70 MHz

---

## FUNCTIONAL DESCRIPTION

The general structure of a Logic Cell Array is shown in Figure 1. The elements of the array include three categories of user-programmable elements: I/O Blocks, Configurable Logic Blocks and Programmable Interconnections. The I/O Blocks provide an interface between the logic array and the device package pins. The Configurable Logic Blocks perform user-specified logic functions, and the interconnect resources are

programmed to form networks that carry logic signals among blocks.

Configuration of the Logic Cell Array is established through a distributed array of memory cells. The PGA Development System generates the program used to configure the Logic Cell Array. The Cell Array includes logic to implement automatic configuration.

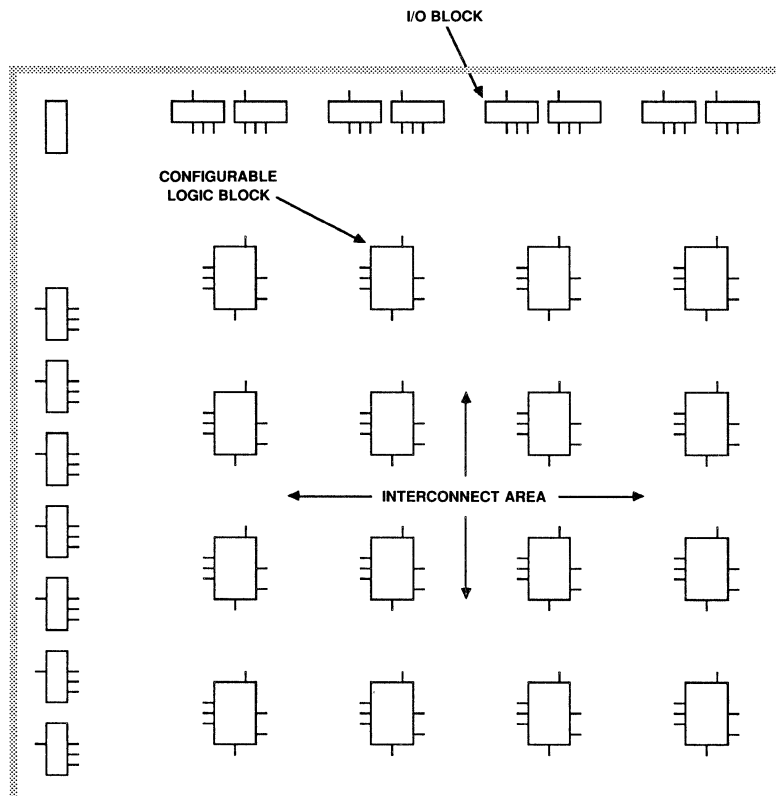


Figure 1. Logic Cell Array Structure

---

### Configuration Memory

The configuration of the Advanced Micro Devices' Logic Cell Array is established by programming memory cells which determine the logic functions and interconnections. The memory loading process is independent of the user logic functions.

The static memory cell used for the configuration memory in the Logic Cell Array has been designed specifically for high reliability and noise immunity. Based on this design, integrity of the LCA configuration memory is assured even under adverse conditions. Compared with other programming alternatives, static memory provides the best combination of high density, high performance, high reliability and comprehensive testability. As shown in Figure 2, the basic memory cell consists of two CMOS inverters plus a pass transistor used for

writing data to the cell. The cell is only written during configuration and only read during readback. During normal operation the pass transistor is "off" and does not affect the stability of the cell. This is quite different from the normal operation of conventional memory devices, in which the cells are continuously read and written.

The outputs  $Q$  and  $\bar{Q}$  control pass-transistor gates directly. The absence of sense amplifiers and the output capacitive load provide additional stability to the cell. Due to the structure of the configuration memory cells, they are not affected by extreme power supply excursions or very high levels of alpha particle radiation. In reliability testing no soft errors have been observed, even in the presence of very high doses of alpha radiation.

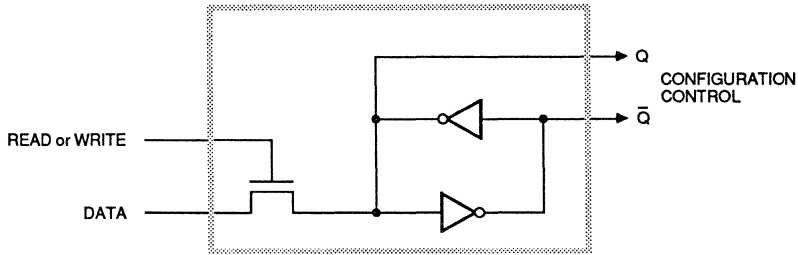


Figure 2. Configuration Memory Cell

### Input/Output Block

Each user-configurable I/O block (IOB) provides an interface between the external package pin of the device and the internal logic. Each I/O block includes a programmable input path and a programmable output buffer. It also provides input clamping diodes to provide protection from electrostatic damage, and circuits to protect the LCA from latch-up due to input currents. Figure 3 shows the general structure of the I/O block.

The input buffer portion of each I/O block provides threshold detection to translate external signals applied to the package pin to internal logic levels. The input buffer threshold of the I/O blocks can be programmed to be compatible with either TTL (1.4 V) or CMOS (2.2 V) levels. The buffered input signal drives both the data input of an edge-triggered D-type flip-flop and one input of a two-input multiplexer. The output of the flip-flop

provides the other input to the multiplexer. The user can select either the direct input path or the registered input, based on the content of the memory cell controlling the multiplexer. The I/O blocks along each edge of the die share common clocks. The flip-flops are reset during configuration as well as by the active-low chip RESET input.

Output buffers in the I/O blocks provide 4-mA drive for high fan-out CMOS or TTL-compatible signal levels. The output data (driving I/O block pin O) is the data source for the I/O block output buffer. Each I/O block output buffer is controlled by the contents of two configuration memory cells which turn the buffer ON or OFF or select logical three-state buffer control. The user may also select the output buffer three-state control (I/O block pin TS). When this I/O block output control signal is HIGH (a logic "1") the buffer is disabled and the package pin is high-impedance.

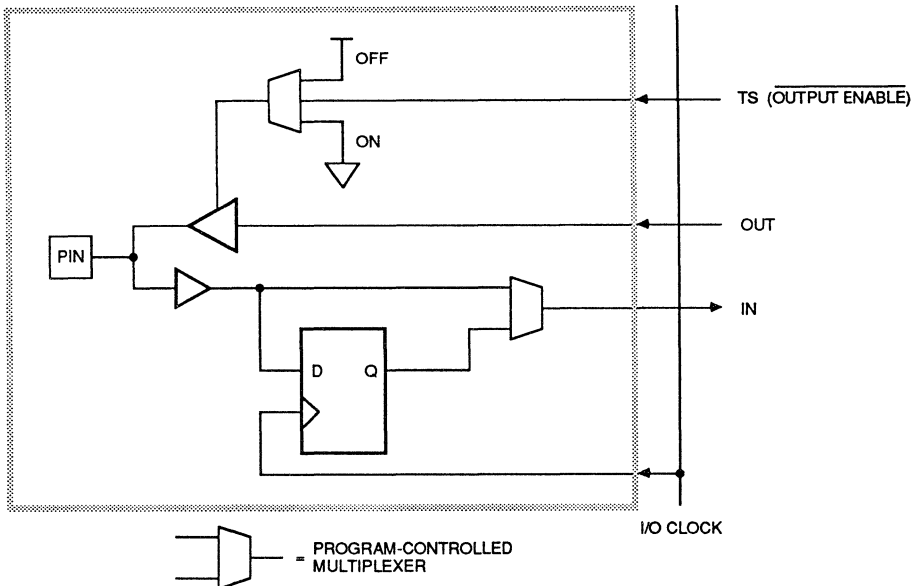


Figure 3. I/O Block

## Configurable Logic Block

An Array of Configurable Logic Blocks (CLBs) provides the functional elements from which the user's logic is constructed. The logic blocks are arranged in a matrix in the center of the device. The Am2064 has sixty-four such blocks arranged in an eight-row by eight-column matrix. The Am2018 has one hundred logic blocks arranged in a ten by ten matrix. Each logic block has

a combinational logic section, a storage element, and an internal routing and control section. Each CLB has four general-purpose inputs; A, B, C, and D; and a special clock input (K), which may be driven from the interconnect adjacent to the block. Each CLB also has two outputs, X and Y, which may drive interconnect networks. Figure 4 shows the resources of a Configurable Logic Block.

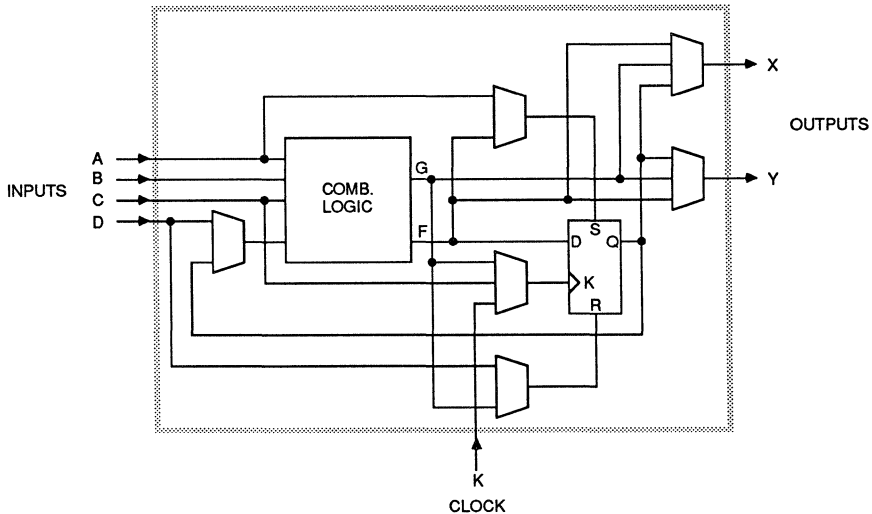


Figure 4. Configurable Logic Block

The logic block combinational logic uses a table look-up memory to implement Boolean functions. This technique can generate any logic function of up to four variables with a high-speed sixteen-bit memory. The propagation delay through the combinational network is independent of the function

generated. Each block can perform any function of four variables or any two functions of three variables each. The variables may be selected from among the four inputs and the block's storage element output "Q". Figure 5 shows various options which may be specified for the combinational logic.

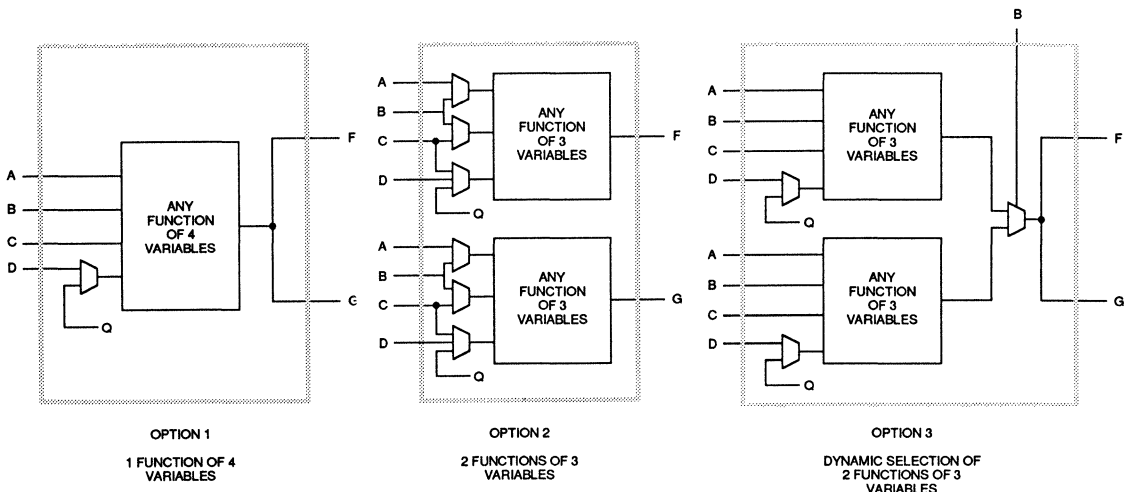


Figure 5. CLB Combinational Logic Options

If the single four-variable configuration is selected (Option 1), the F and G outputs are identical. If the two-function alternative is selected (Option 2), logic functions F and G may be independent functions of three variables each. The three variables can be selected from among the four logic block inputs and its storage element output Q. A third form of the combinatorial logic (Option 3) is a special case of the two-function form in which the B input dynamically selects between the two function tables providing a single merged logic function output. This dynamic selection allows some five-variable functions to be generated from the four block inputs and storage element Q. Combinatorial functions are restricted in that one may not use both its storage element output Q and the input variable of the logic block pin D in the same function.

If used, the storage element in each Configurable Logic Block (Figure 6) can be programmed to be either an edge-sensitive D-type flip-flop or a level-sensitive D latch. The clock or enable for each storage element can be selected from:

- The special-purpose clock input K
- The general-purpose input C
- The combinatorial function G

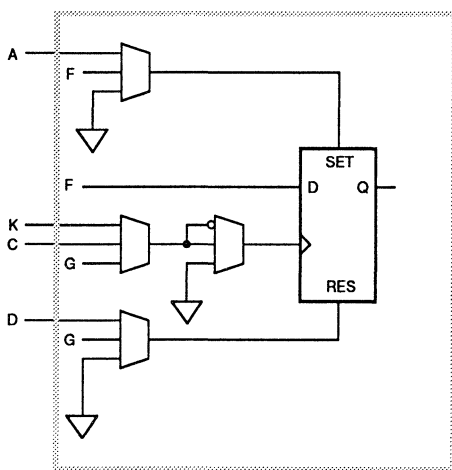


Figure 6. CLB Storage Element

The user may also select the clock active sense within each logic block. This programmable inversion eliminates the need to route both phases of a clock signal throughout the device.

The storage element data input is supplied from the function F output of the combinatorial logic. Asynchronous SET and RESET controls are provided for each storage element. The user may enable these controls independently and select their source. They are active-high inputs and the asynchronous reset is dominant. The storage elements are reset by the active-low chip RESET pin as well as by the initialization phase preceding configuration. If the storage element is not used, it is disabled.

The two block outputs, X and Y, can be driven by either the combinatorial functions, F or G, or the storage element output Q (Figure 4). Selection of the outputs is completely interchangeable and may be made to optimize routing efficiencies of the networks interconnecting the logic blocks and I/O blocks.

### Programmable Interconnect

Programmable Interconnection resources in the Logic Cell Array provide routing paths to connect inputs and outputs of the I/O and logic blocks into desired networks. All interconnections are composed of metal segments, with programmable switching points provided to implement the necessary routing. Three types of resources accommodate different types of networks:

- General purpose interconnect
- Long lines
- Direct connection

### General-Purpose Interconnect

General-purpose interconnect, as shown in Figure 7a, is composed of four horizontal metal segments between the rows and five vertical metal segments between the columns of logic and I/O blocks. Each segment is only the "height" or "width" of a logic block. Where these segments would cross at the intersections of rows and columns, switching matrices are provided to allow interconnections of metal segments from the adjoining rows and columns. Switches in the switch matrices and on block outputs are specially designed transistors, each controlled by a configuration bit.

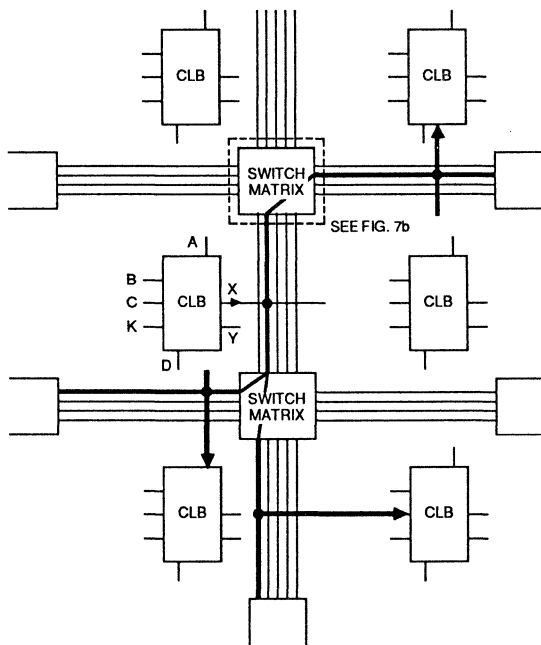
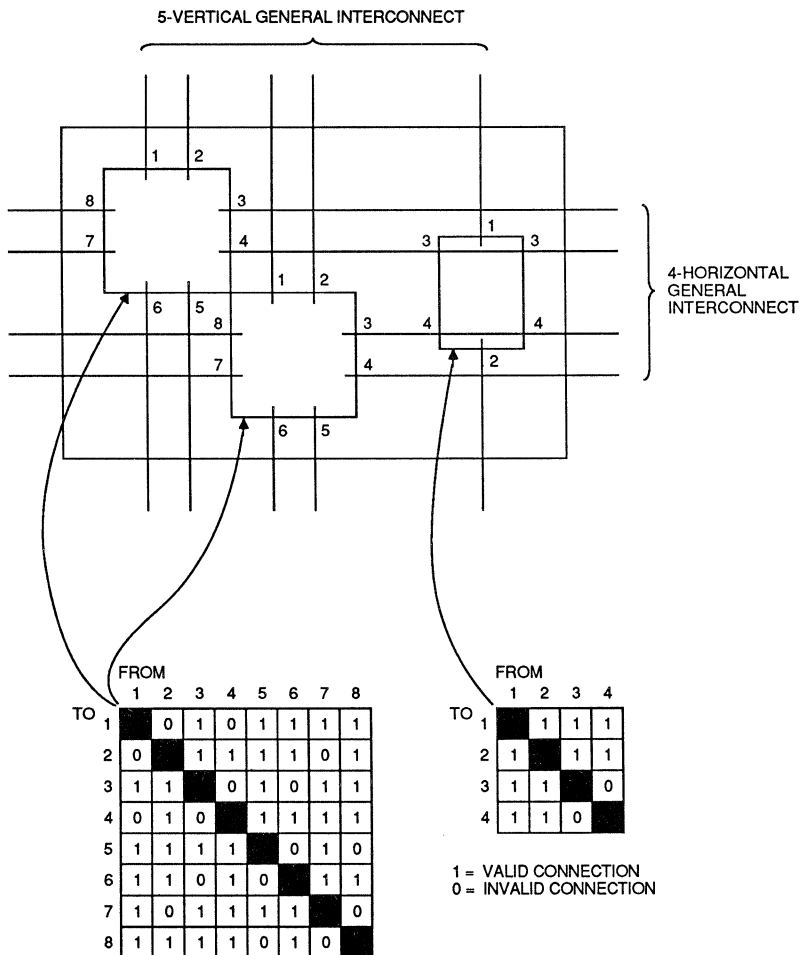


Figure 7a. General-Purpose Interconnect

Logic block output switches provide contacts to adjacent general interconnect segments and therefore to the switching matrix at each end of those segments. A switch matrix can connect an interconnect segment to other segments to form a network. Figure 7a shows the general interconnect used to route a signal from one logic block to three other logic blocks. As shown, combinations of closed switches in a switch matrix allow multiple branches for each network. The inputs of the logic or I/O blocks are multiplexers that can be programmed with configuration bits to select an input network from the adjacent interconnect segments. Since the switch connections to block inputs are unidirectional (as are block outputs) they are usable *only* for input connections. The development system software provides automatic routing of these interconnections. Interactive routing is also available for design optimization. This is accomplished by selecting a network and then toggling the states of the interconnect points by selecting them with the "mouse". In this mode, the connections through the switch matrix may be established by selecting pairs of matrix pins. The switching matrix combinations are indicated in Figure 7b.

Special buffers within the interconnect area provide periodic signal isolation and restoration for higher general interconnect fan-out and better performance. The repowering buffers are bidirectional, since signals must be able to propagate in either direction on a general interconnect segment. Direction controls are automatically established by the Logic Cell Array development system software. Repowering buffers are provided only for the general-purpose interconnect since the direct and long-line resources do not exhibit the same R-C delay accumulation. The Logic Cell Array is divided into nine sections with buffers automatically provided for general interconnect at the boundaries of these sections. These boundaries can be viewed with the development system. For routing within a section, no buffers are used. The delay calculator of the PGA Development System automatically calculates and displays the block, interconnect, and buffer delays for any selected paths.



**Figure 7b. Interconnection Switching Matrix**

## Long Lines

Long lines, shown in Figure 8a, run both vertically and horizontally the height or width of the interconnect area. Each vertical interconnection column has two long lines; each horizontal row has one, with an additional long line adjacent to each set of I/O blocks. The long lines bypass the switch matrices and are intended primarily for signals that must travel a long distance or must have minimum skew among multiple destinations.

A global buffer in the Logic Cell Array is available to drive a single signal to all B and K inputs of logic blocks. Using the global buffer for a clock provides a very low skew, high fan-out synchronized clock for use at any or all of the logic blocks. At each block, a configuration bit for the K input to the block can select this global line as the storage element clock signal. Alternatively, other clock sources can be used.

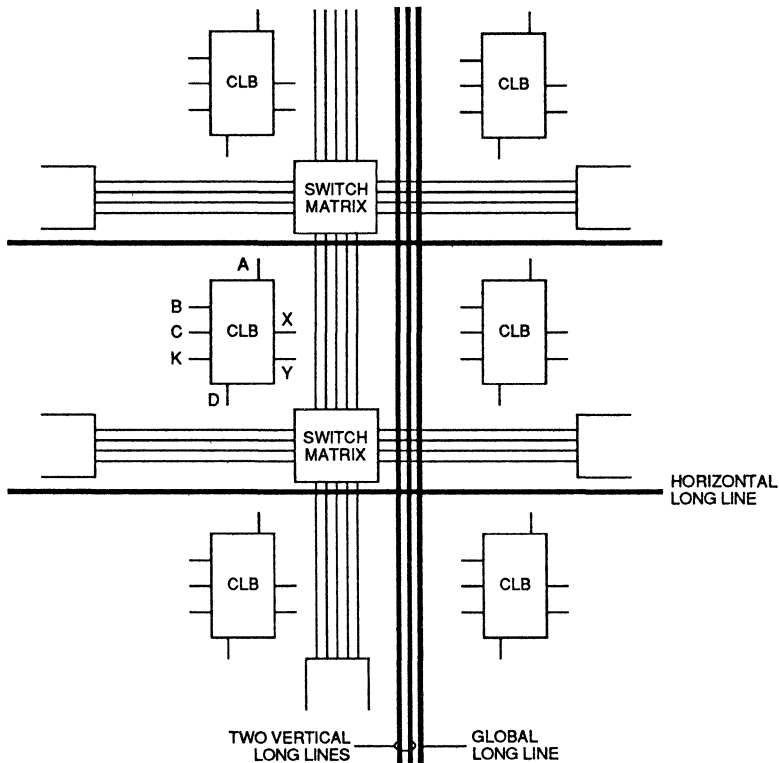


Figure 8a. Long Line Interconnect

A second buffer below the bottom row of the array drives a horizontal long line which, in turn, can drive a vertical long line in each interconnection column. This alternate buffer also has low skew and high fan-out capability. The network formed by this alternate buffer's long lines can be selected to drive the B,

C or K inputs of the logic blocks. Alternatively, these long lines can be driven by a logic or I/O block on a column-by-column basis. This capability provides a common, low-skew clock or control line within each column of logic blocks. Interconnections of these long lines are shown in Figure 8b.



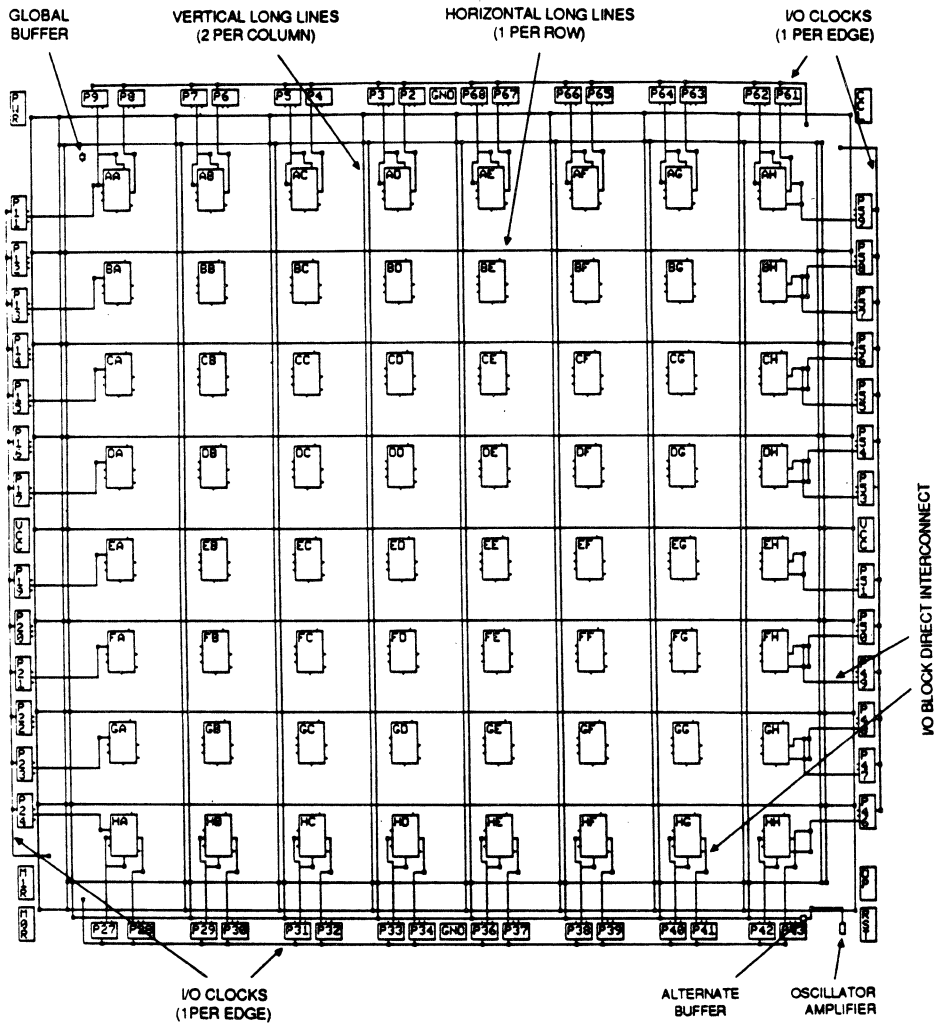


Figure 8b. Am2064 Long Lines, I/O Clocks, I/O Direct Interconnect

## Direct Interconnect

Direct interconnect, shown in Figure 9, provides the most efficient implementation of networks between adjacent logic or I/O blocks. Signals routed from block to block by means of direct interconnect exhibit minimum interconnect propagation and use minimum interconnect resources. For each CLB, the X output may be connected directly to the C or D inputs of the CLB above and to the A or B inputs of the CLB below it. The Y

output can use direct interconnect to drive the B input of the block immediately to its right. Where logic blocks are adjacent to I/O blocks, direct connect is provided to the I/O block input (I) on the left edge of the die, the output (O) on the right edge, or both on I/O blocks at the top and bottom of the die. Direct interconnections of I/O blocks with CLBs are shown in Figure 8b.

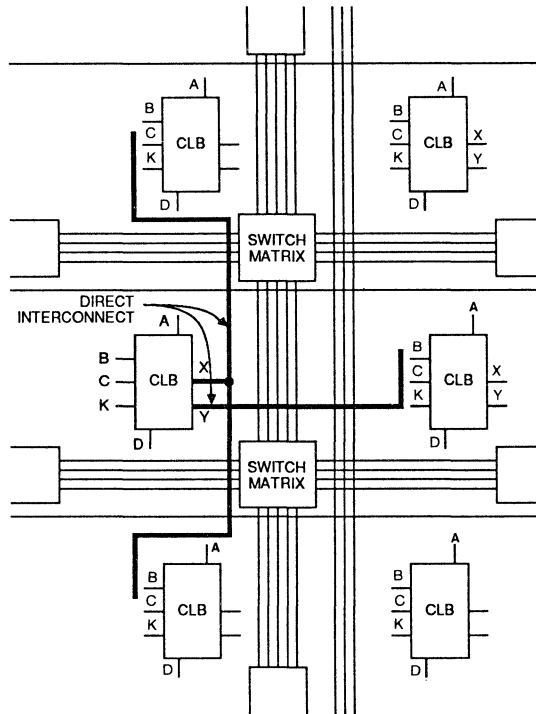
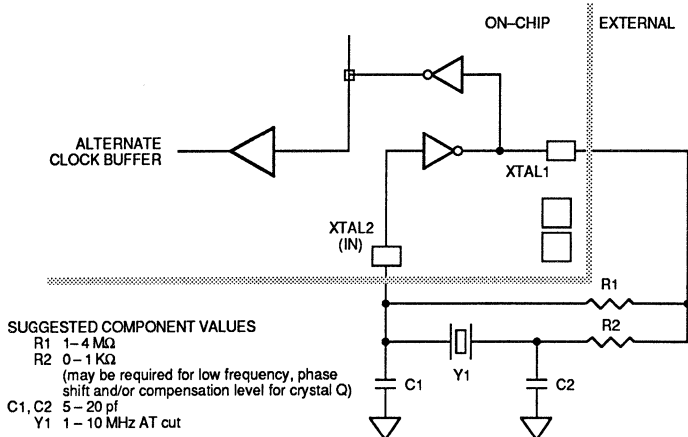


Figure 9. Direct Interconnect

## Crystal Oscillator

An internal high-speed inverting amplifier is available to implement an on-chip crystal oscillator. It is associated with the auxiliary clock buffer in the lower right corner of the die. When configured to drive the auxiliary clock buffer, two special adjacent user I/O blocks are also configured to connect the oscillator amplifier with external crystal oscillator components, as shown in Figure 10. This circuit becomes active before configuration is complete in order to allow the oscillator to stabilize. Actual internal connection is delayed until completion of configuration. The feedback resistor R1 between output and input, biases the amplifier at threshold. It should be as large a value as practical to minimize loading of the crystal. The inversion of the amplifier, together with the R-C networks and crystal, produces the 360-degree phase shift of the Pierce oscillator.

A series resistor R2 may be included to add to the amplifier output impedance when needed for phase-shift control or crystal resistance matching or to limit the amplifier input swing to control clipping at large amplitudes. Excess feedback voltage may be adjusted by the ratio of C2/C1. The amplifier is designed to be used over the range from 1 MHz up to one-half the specified CLB toggle frequency. Use at frequencies below 1 MHz may require individual characterization with respect to a series resistance. Operation at frequencies above 20 MHz generally requires a crystal to operate in a third overtone mode, in which the fundamental frequency must be suppressed by the R-C networks. When the amplifier does not drive the auxiliary buffer, these I/O blocks and their package pins are available for general user I/O.



	XTAL1	XTAL2
28 PLCC	20	17
44 PLCC	29	26
48 DIP	33	30
68 PLCC	46	43
68 PGA	J10	L10
84 PLCC	56	53
84 PGA	K11	L11

**SUGGESTED COMPONENT VALUES**  
 R1 1–4 MΩ  
 R2 0–1 KΩ  
 (may be required for low frequency, phase shift and/or compensation level for crystal Q)  
 C1, C2 5–20 pF  
 Y1 1–10 MHz AT cut

Figure 10. Crystal Oscillator

**Power**

**Power Distribution**

Power for the LCA is distributed through a grid to achieve high noise immunity and isolation between logic and I/O. For packages having more than forty-eight pins, two V<sub>CC</sub> pins and two ground pins are provided (see Figure 11). Inside the LCA, a dedicated V<sub>CC</sub> and ground ring surrounding the logic array provides power to the I/O drivers. An independent matrix of V<sub>CC</sub> and ground lines supplies the interior logic of the device. This power distribution grid provides a stable supply and ground for all internal logic, providing the external package power pins are appropriately decoupled. Typically a 0.1-μF capacitor connected between the

V<sub>CC</sub> and ground pins near the package will provide adequate decoupling.

Output buffers capable of driving the specified 4-mA loads under worst-case conditions may be capable of driving 25 to 30 times that current in a best case. Noise can be reduced by minimizing external load capacitance and reducing simultaneous output transitions in the same direction. It may also be beneficial to locate heavily-loaded output buffers near the ground pads. Multiple VCC and ground pin connections are required for package types which provide them.

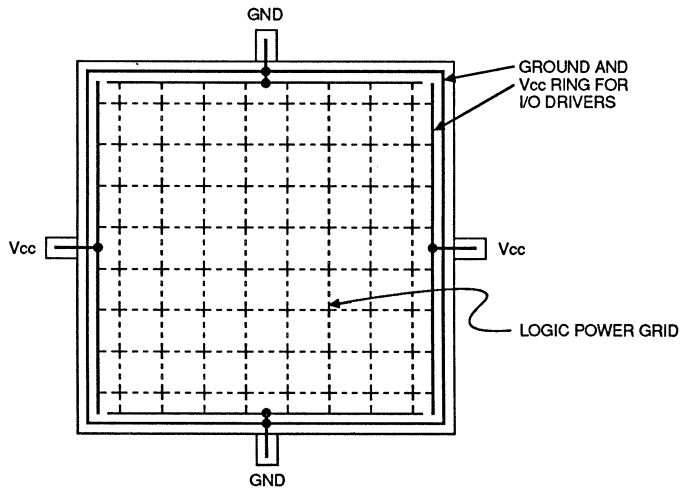


Figure 11. LCA Power Distribution



# Am3020/3030/3042/3064/3090

## Am3000 Series Family of Programmable Gate Arrays

Advanced  
Micro  
Devices

### DISTINCTIVE CHARACTERISTICS

- Second generation user-programmable gate array
- Flexible array architecture
- High performance
  - 50, 70, 100 MHz commercial products
  - 50, 70 MHz military products
- Improved interconnection resources
- Density of up to 9000 gates
- 100% factory pre-tested
- Selectable configuration modes
- 100% compatibility with AMD PGA development tools
- Standard PROM file interface
- Off the shelf availability

### GENERAL DESCRIPTION

The Am3000 Series Logic Cell™ Array (LCA) is a high-performance, second generation user-programmable gate array. The array contains three types of configurable elements that are customized in accordance with the user-defined system design; a perimeter of Input/Output Blocks (IOBs), a core array of Configurable Logic Blocks (CLBs), and interconnection resources.

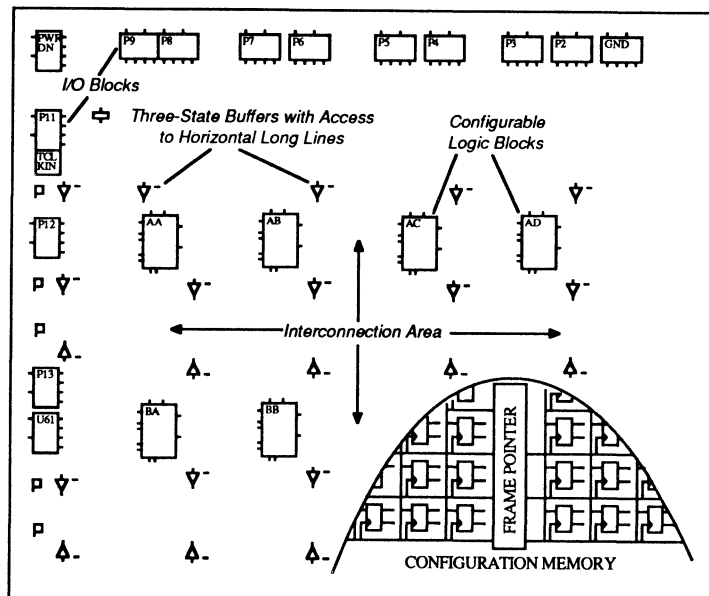
The final configuration of the three main programmable elements is determined by the user and easily

implemented by AMD user-programmable gate array design tools.

AMD's development tools let users produce a complete design, from schematic capture through device customization, on an IBM PC-AT™ compatible computer. LCA macro libraries and interface software are also available to support schematic capture and simulation on popular CAE workstations.

4

### BLOCK DIAGRAM



## PRODUCT SELECTOR GUIDE

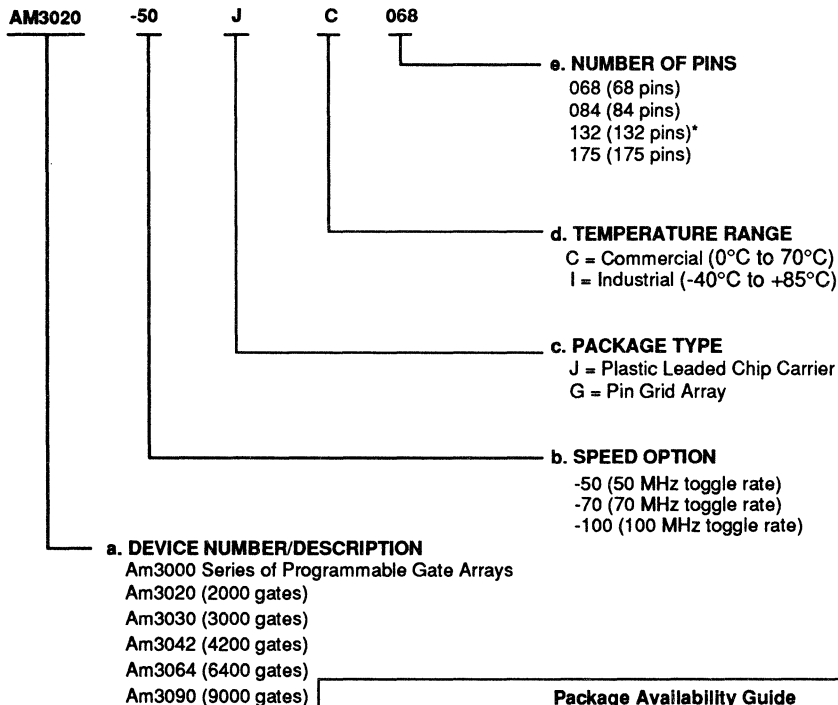
BASIC ARRAY	LOGIC CAPACITY (USABLE GATES)	CONFIGURABLE LOGIC BLOCKS	USER I/OS	PROGRAM DATA (BITS)
Am3020	2000	64	64	14779
Am3030	3000	100	80	22176
Am3042	4200	144	96	30784
Am3064	6400	224	120	46064
Am3090	9000	320	144	64160

## ORDERING INFORMATION

### Standard Products

AMD standard products are available in several packages and operating ranges. The ordering number (Valid Combination) is formed by a combination of:

- a. Device Number
- b. Speed Option (If applicable)
- c. Package Type
- d. Temperature Range
- e. Number of Pins



Package Availability Guide					
	68-pin PLCC	68-pin PGA	84-pin PLCC	84-pin PGA	175-pin PGA
3020	x	x	x	x	
3030			x	x	
3042			x	x	
3064	**	**	**	**	**
3090					x

\*In development

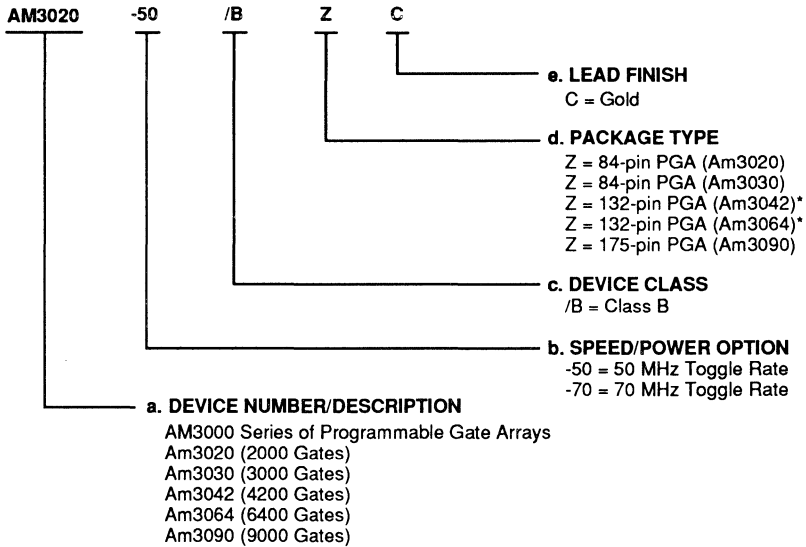
\*\* Package types for the Am3064 are to be determined

## ORDERING INFORMATION

### Military APL Products

AMD products for Aerospace and Defense applications are available in several packages and operating ranges. APL (Approved Products List) products are fully compliant with MIL-STD-883C requirements. The order number (Valid Combination) for APL products is formed by a combination of:

- a. Device Number
- b. Speed/Power Option (if applicable)
- c. Device Class
- d. Package Type
- e. Lead Finish



4

Valid Combinations	
Am3020-50	/BZC
Am3020-70	
Am3030-50	
Am3030-70	
Am3042-50	
Am3042-70	
Am3064-50	
Am3064-70	
Am3090-50	
Am3090-70	

#### Valid Combinations

Valid Combinations list configurations planned to be supported in volume for this device. Consult the local AMD sales office to confirm availability of specific valid combinations, to check on newly released combinations, and to obtain additional data on AMD's standard military grade products.

#### Group A Tests

Group A Tests consist of Subgroups 1, 2, 3, 7, 8, 9, 10, 11.

#### Military Burn-in

Military burn-in is in accordance with the current revision of MIL-STD-883, Test Method 1015, Conditions A through E. Test conditions are selected at AMD's option.

\*In development

---

## ARCHITECTURE

### Functional Description

The perimeter of configurable IOBs provides a programmable interface between the internal logic array and the device package pins. The array of CLBs performs user-specified logic functions. The interconnections are programmed to form networks, carrying logic signals among blocks. This is analogous to printed circuit board traces connecting MSI/SSI packages.

The logic functions of these blocks are determined by programmed look-up tables. Functional options are performed by program-controlled multiplexers. Interconnecting networks between blocks are composed of metal segments joined by program-controlled pass transistors. These LCA functions are activated by a configuration bit stream that is loaded into an internal, distributed array of configuration memory cells. The configuration bit stream is loaded into the LCA device at power-up and can be reloaded on command. The LCA device includes logic and control signals for automatic or passive configuration. Configuration data can be either bit serial or byte parallel. The PGA Development System generates the configuration bit stream used to configure the LCA device. The memory loading process is independent of the user logic functions.

### Configuration Memory

The static memory cell used for the LCA's configuration memory has been designed specifically for high reliability and noise immunity, ensuring integrity even under adverse conditions. Static memory provides the

best combination of high density, high performance, high reliability, and comprehensive testability. As shown below, the basic memory cell consists of two CMOS inverters and a pass transistor, which is used for writing and reading cell data. The cell is only written during configuration and only read during readback. During normal operation, the pass transistor is off and does not affect the stability of the cell. This is quite different from the operation of conventional memory devices, in which the cells are frequently read and re-written.

A static configuration memory cell is loaded with one bit of the configuration bit stream and controls one data selection in the LCA device. The memory cell outputs  $Q$  and  $\bar{Q}$  use full Ground and  $V_{CC}$  levels and provide continuous, direct control. The additional capacitive load, together with the absence of address decoding and sense amplifiers, gives the cell high stability.

Due to the structure of the configuration memory cells, they are not affected by extreme power supply excursions or very high levels of alpha particle radiation. No soft errors have been observed in reliability testing, even in the presence of very high doses of alpha radiation.

The method of loading the configuration data is selectable. Two methods use serial data, while three use byte-wide data. The internal configuration logic uses framing information, which is embedded in the configuration data by the PGA Development System, to direct memory cell loading. The serial data framing and length count preamble provide synchronous, serial, or daisy-chained compatibility with various AMD programmable gate arrays.

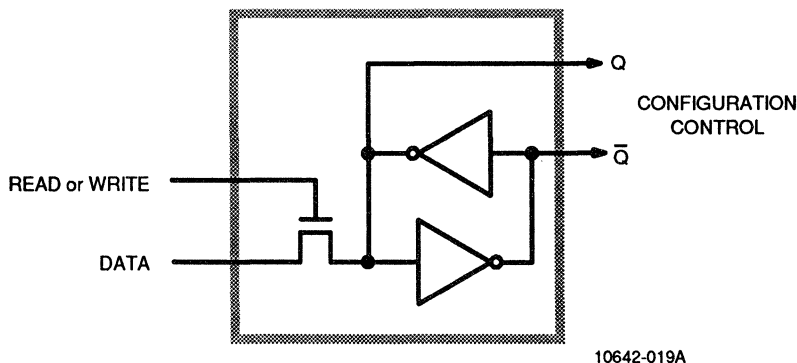


Figure 1. Basic Memory Cell

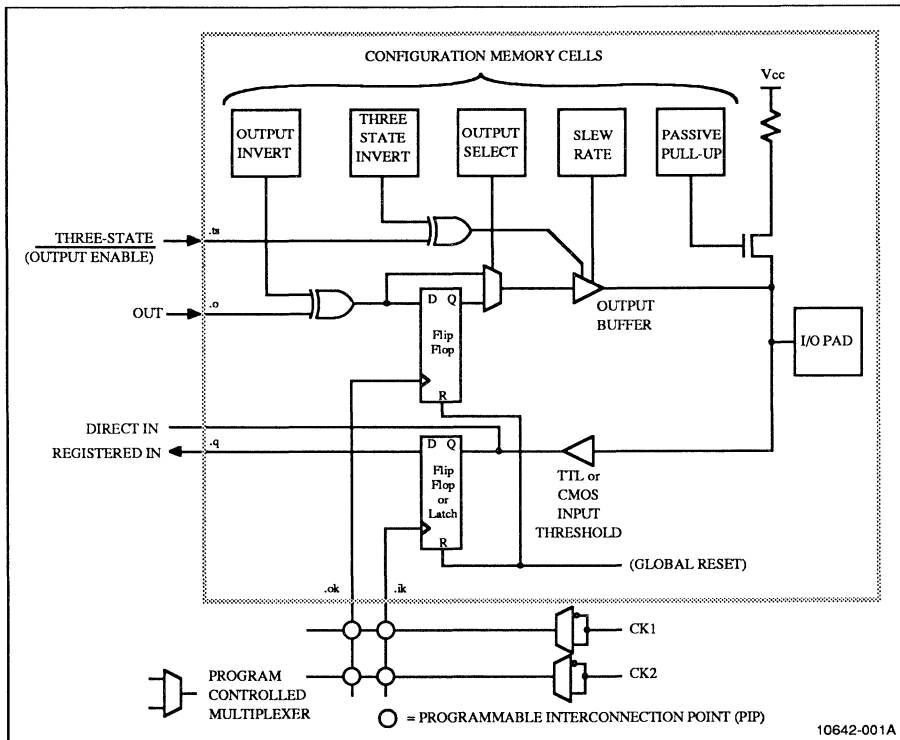
## Input/Output Blocks

Each user-configurable IOB, shown below, provides an interface between the device's external package pin and the internal user logic. Each IOB includes both registered and direct input paths and each provides a programmable three-state output buffer that can be driven by a registered or direct output signal. Configuration options allow a choice of polarity on the output and three-state control signals, a controlled slew rate, and a high impedance pull-up. Each input circuit provides input clamping diodes for electrostatic protection, and circuits to inhibit latch-up produced by input currents.

The input buffer portion of each IOB provides threshold detection to translate external signals applied to the package pin to internal logic levels. The global input-buffer threshold of the IOBs can be programmed for TTL or CMOS voltage levels. The buffered input signal drives the data input of a storage element that can be configured as a positive edge-triggered D flip-flop, or a level-transparent latch. The sense of the clock can be

inverted (negative edge/high transparent) as long as all IOBs on the same clock net use the same clock sense. Clock/load signals, IOB pins .ik and .ok, can be chosen from either of two available metal lines along each die edge. I/O storage elements are reset during configuration or by the active low chip RESET input. Both direct input from IOB pin .i, and registered input from IOB pin .q signals are available for interconnect.

For reliable operation, inputs should have transition times less than 100 ns and should not be left undriven, or floating. Unused CMOS input-pin circuits can be at threshold and produce oscillations. This produces additional power dissipation and system noise. A typical hysteresis of about 300 mV reduces input noise sensitivity. Each user IOB includes a programmable high impedance pull-up resistor that can be selected by the bit stream and which provides a constant HIGH for otherwise undriven package pins. Although the LCA device provides circuitry for input protection against electrostatic discharge, normal CMOS handling precautions should be observed.



4

Figure 2. Input/Output Block



Flip-flop loop delays for the IOB and logic block flip-flops are about 3 ns. This increases reliability, especially for asynchronous clock and data conditions. Short loop delays minimize the probability of a metastable condition, which can result from assertion of the clock during data transitions. Because of the short loop delay in LCA devices, the I/O flip-flops can be used to synchronize external signals applied to the device. Once synchronized in the IOB, the signals can be used internally without regard to their clock-relative timing, except as it applies to the internal logic and routing path delays.

Output buffers of the IOBs provide CMOS-compatible 4 mA source-or-sink drive for high fan-out CMOS or TTL compatible signal levels. The network driving IOB pin .o becomes the registered or direct data source for the output buffer. The three-state control signal, IOB pin .ts, can control output activity. An open-drain type output can be obtained by using the same signal for driving the output and three-state signal nets, so that the buffer output is enabled only for a LOW.

The configuration memory cells, shown in Figure 2, control the optional output register and logical signal inversion, as well as the three-state and slew rate configuration bits. A choice of two clocks is available on each die edge. All user inputs are programmed for TTL or CMOS thresholds.

The IOB includes input and output storage elements and the following I/O options selected by configuration memory cells.

- **Logical inversion of the output** is controlled by one configuration bit per IOB.
- **Logical three-state control** of each IOB output buffer is determined by the states of the configuration data bits that turn the buffer on/off or select the output buffer three-state control interconnection, IOB pin .ts. When this IOB output control signal is HIGH, or logic 1, the buffer is disabled and the package pin is high impedance. Inversion of the buffer three-state control logic sense, output enable, is controlled by an additional configuration data bit.
- **Direct or registered output** is selectable for each IOB. The register uses a positive-edge, clocked flip-flop. The clock source, IOB pin .ok, can be supplied by either of two metal lines, which are available along each die edge. Each of these lines is driven by an invertible buffer.
- **Increased output transition speed** can be selected to satisfy critical nets. Slower transitions reduce capacitive load peak currents of non-critical outputs and minimize system noise.
- **A high impedance pull-up resistor** can be used to prevent floating, unused inputs.

The table below summarizes the I/O options.

INPUTS	OUTPUTS
Direct	Direct/registered
Flip-flop/latch	Inverted/true
CMOS/TTL threshold (chip inputs)	Full speed/slew limited
Optional pull-up resistor	Optional three-state control

## Configurable Logic Blocks

CLBs are the functional elements from which the user's logic is constructed. The logic blocks are arranged in a matrix within the perimeter of IOBs. The Am3020 has 64 such blocks arranged in eight rows and eight columns. The PGA Development System compiles the configuration data, which defines the operation and interconnection of each block. Users can define CLBs and their interconnecting networks by automatic translation from a schematic capture logic diagram or, optionally, by installing library or user macros.

Each CLB has a combinational logic section, two flip-flops, and an internal control section. As shown in the following figure, there are five logic inputs (.a, .b, .c, .d, and .e), a common clock input (.k), an asynchronous direct reset input (.rd), and a clock enable (.ec). All can be driven from the interconnection resources adjacent to the blocks. Each CLB also has two outputs (.x and .y) that can drive interconnection networks.

Data input for either flip-flop within a CLB is supplied from the F or G function outputs of the combinational logic, or the direct data input, .di. Both flip-flops in each CLB share the asynchronous reset, .rd, which, when enabled and HIGH, is dominant over clocked inputs. All flip-flops are reset by the active-LOW chip input, **RESET**, or during the configuration process. The flip-flops share the clock enable (.ec), which, when LOW, recirculates the present states of the flip-flops and inhibits response to the data-in or combinational function inputs on a CLB. The user can enable these control inputs and select their sources. The user also can select the clock net input (.k) and its active sense in each logic block. This programmable inversion eliminates the need to route both phases of a clock signal throughout the device. Flexible routing allows use of common or individual CLB clocking.

The combinational logic portion of the CLB uses a 32-by-1 look-up table to perform Boolean functions. Variables selected from the five logic inputs and two internal block flip-flops are used as table address inputs. The combinational propagation delay through the network is independent of the logic function generated and is spike free for changes in single input variables.

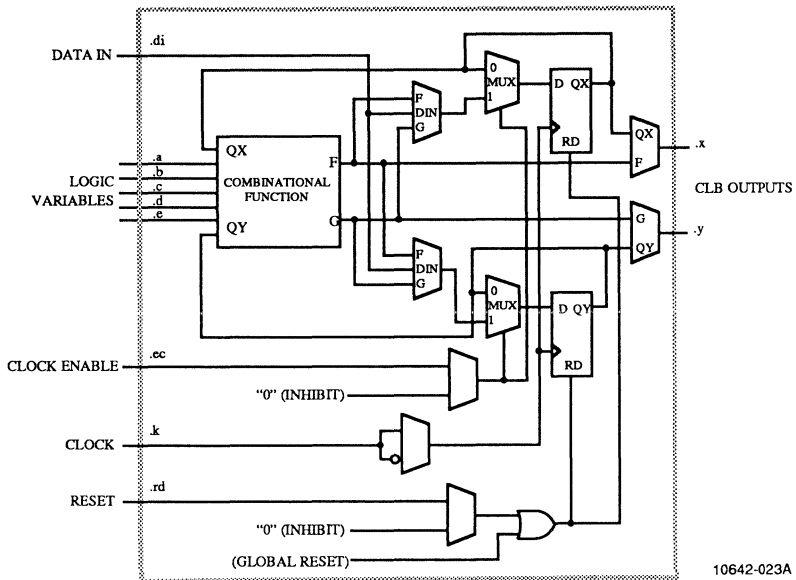


Figure 3. Configurable Logic Block

This technique can generate a single function of five variables, as shown below.

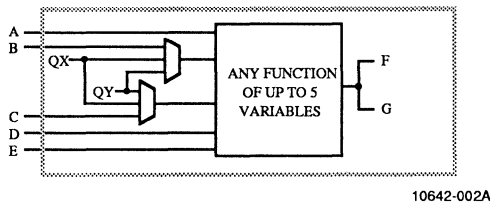


Figure 4. Combinatorial Logic Option 1

It can also generate any two logic functions of up to four variables each.

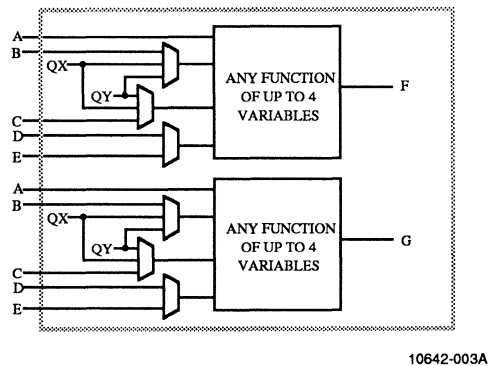
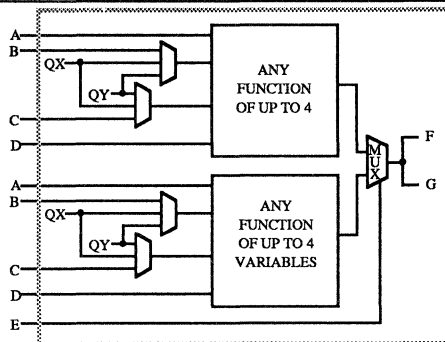


Figure 5. Combinatorial Logic Option 2

It can also generate some functions of seven variables, as shown in the next figure.



10642-004A

Figure 6. Combinatorial Logic Option 3

The partial functions of six or seven variables are generated by the input variable, .e, which dynamically selects between two functions of four different variables. For the two functions of four variables each, the independent results, F and G, can be used as data inputs to either flip-flop or either logic block output. For the single function of five variables and merged functions of six or seven variables, the F and G outputs

are identical. Symmetry of the F and G functions and the flip-flops helps optimize the routing of the networks connecting the logic blocks and IOBs.

The next figure shows a modulo 8 binary counter with parallel enable. It uses one CLB of each type.

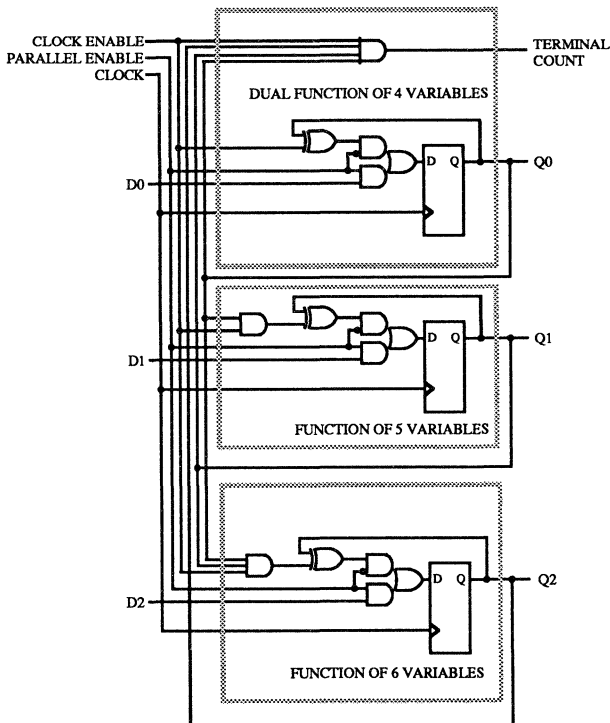


Figure 7. C8BCP Macro (modulo 8 binary counter with parallel enable and clock enable)

---

## INTERCONNECTIONS

### Programmable Interconnections

Programmable interconnection resources in the LCA device provide routing paths to connect inputs and outputs of the I/O and logic blocks into logical networks. Interconnections between blocks are composed of two-layer grid of metal segments. Specially designed

pass transistors, each controlled by a configuration bit, form programmable interconnect points (PIPs) and switching matrices used to implement the necessary connections between selected metal segments and block pins. The figure below provides an example of a routed net.

---

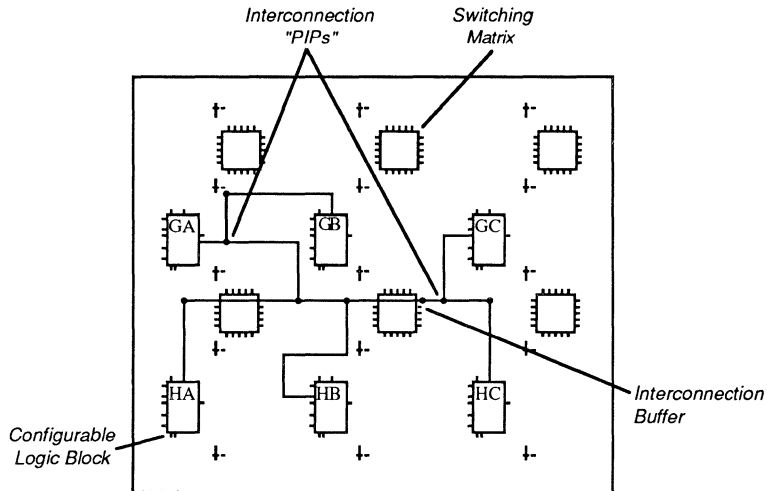


Figure 8. Routing Resources

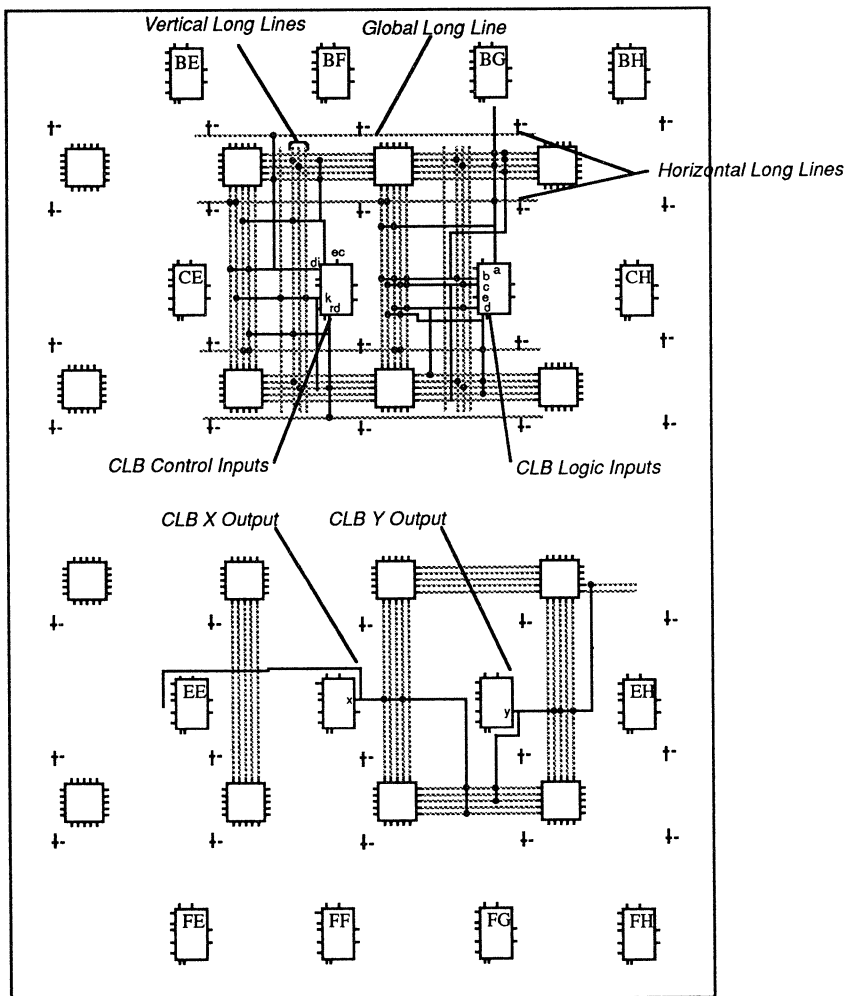
The PGA Development System automatically routes these interconnections. Interactive routing can also be done to optimize the design. The inputs of the CLB or IOB are multiplexers that can be programmed to select an input network from the adjacent interconnection segments.

**Note:** The switch connections to block inputs are usable only for input connection, and not for routing, because they are unidirectional (as are block outputs).

The figure below illustrates routing access to logic block input variables, control inputs, and block outputs.

Three types of metal resources are available for network interconnections.

- General-Purpose Interconnection
- Direct Connection
- Long Lines



10642-005A

Figure 9. Routing Access to Inputs, Outputs

## General-Purpose Interconnections

A general-purpose interconnection, as shown below, consists of a grid of five horizontal and five vertical metal segments located between the rows and columns of CLBs and IOBs. These segments can be connected through switch matrices to form networks for CLB and IOB inputs and outputs.

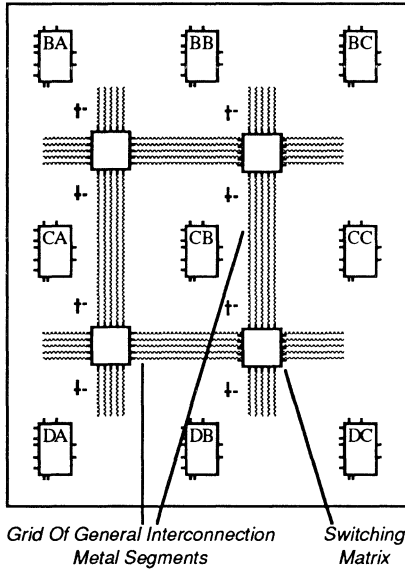


Figure 10. General Purpose Interconnections

Each segment is the height or width of a logic block. Switching matrices join the ends of these segments and allow programmed interconnections between the metal grid segments of adjoining rows and columns. The switches of an unprogrammed device are all non-conducting. The connections through the switch matrix can be made by automatic routing, or by using Editnet to select the desired pairs of matrix pins that are to be connected or disconnected. The legitimate switching matrix combinations for each pin are shown in the next figure, and may be highlighted by the use of the SHOW MATRIX command.

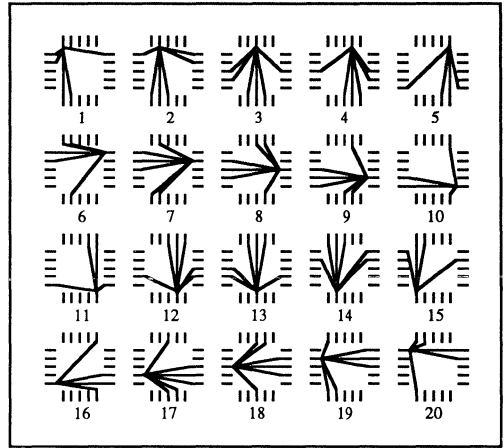


Figure 11. Switch Matrix Interconnection Options

Special buffers in the general interconnection areas are inserted automatically to provide periodic signal isolation and restoration, thus improving performance of lengthy nets. The interconnection buffers can propagate signals in either direction on a general interconnection segment. These bidirectional buffers are above and to the right of the switching matrices, and can be highlighted by the use of the SHOW MATRIX command. The other PIPs adjacent to the matrices are gateways to and from long lines.

4

The PGA Development System automatically defines the buffer direction based on the location of the interconnection network source. The delay calculator of the PGA Development System automatically calculates and displays the block, interconnection, and buffer delays for the selected paths. It can also generate the simulation net list with a worst-case delay model.

---

## Direct Interconnections

A direct interconnection, shown below, provides the most efficient implementation of networks between adjacent CLBs or IOBs. The .x and .y outputs of each CLB have single contact, direct access to inputs of adjacent CLBs.

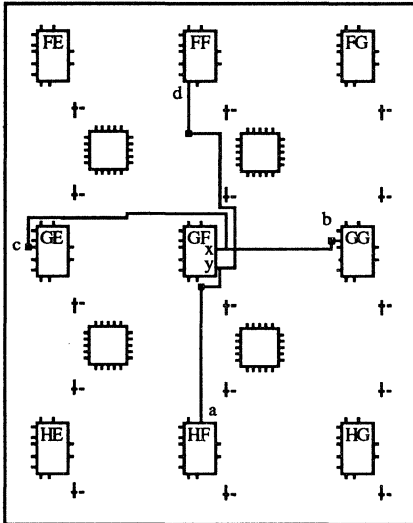


Figure 12. Direct Interconnection

Signals routed from block to block by direct interconnection show minimum interconnection propagation and use no general interconnection resources. For each CLB, the .x output can be connected directly to the .b input of the CLB to its right, and to the .c input of the CLB to its left. The .y output can use a direct interconnection to drive the .d input of the block above, and the .a input of the block below.

Direct interconnection should be used to maximize the speed of high performance portions of logic. Where CLBs are adjacent to IOBs, a direct connection is provided alternately to the IOB inputs (.i) and outputs (.o) on all four edges of the die. The right edge provides additional connections from CLB outputs to adjacent IOBs. Direct interconnections of IOBs and CLBs are shown in the next figure.

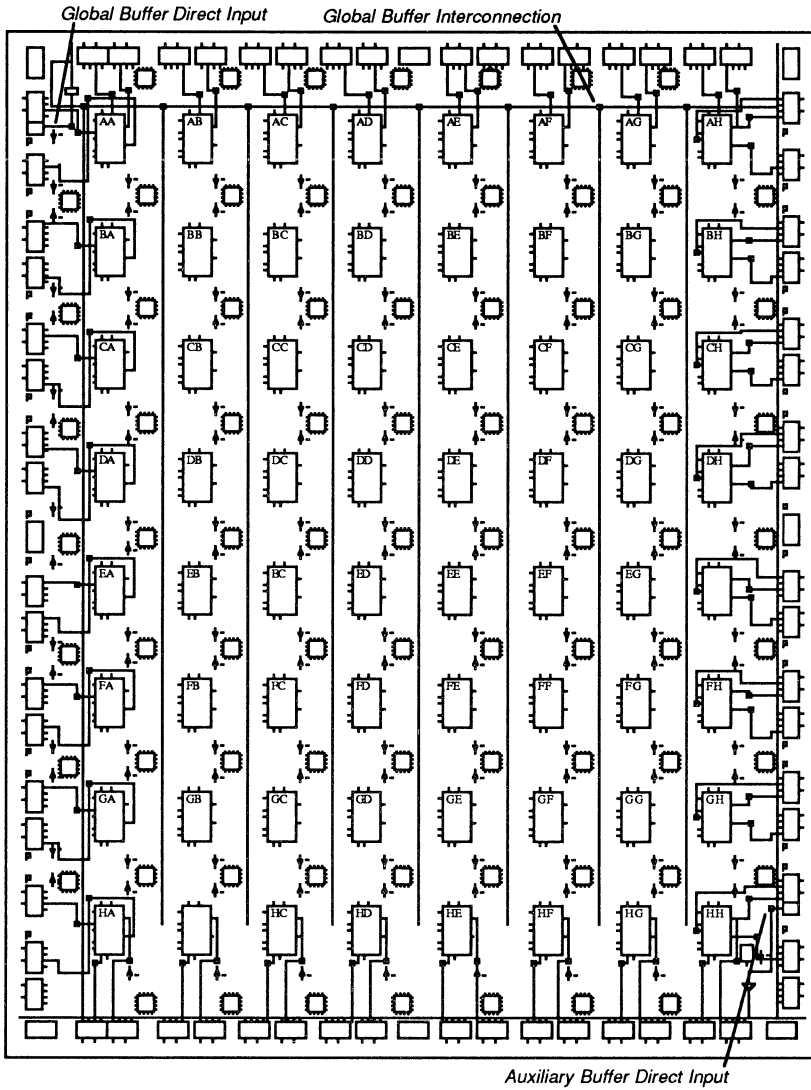


Figure 13. IOB and CLB Direct Interconnections



## Long Lines

Long lines, which bypass the switch matrices, are intended primarily for signals that must travel a long distance, or that must have minimum skew among multiple destinations. Long lines, shown below, run the height or width of the interconnection area. Each interconnection column has three vertical long lines, and each interconnection row has two horizontal long lines. Two additional long lines are adjacent to the outer sets of switching matrices. On the Am3020, the outermost long lines are connectable half-length lines. In all other devices, the vertical long lines in each column are also connectable half-length.

and each interconnection row has two horizontal long lines. Two additional long lines are adjacent to the outer sets of switching matrices. On the Am3020, the outermost long lines are connectable half-length lines. In all other devices, the vertical long lines in each column are also connectable half-length.

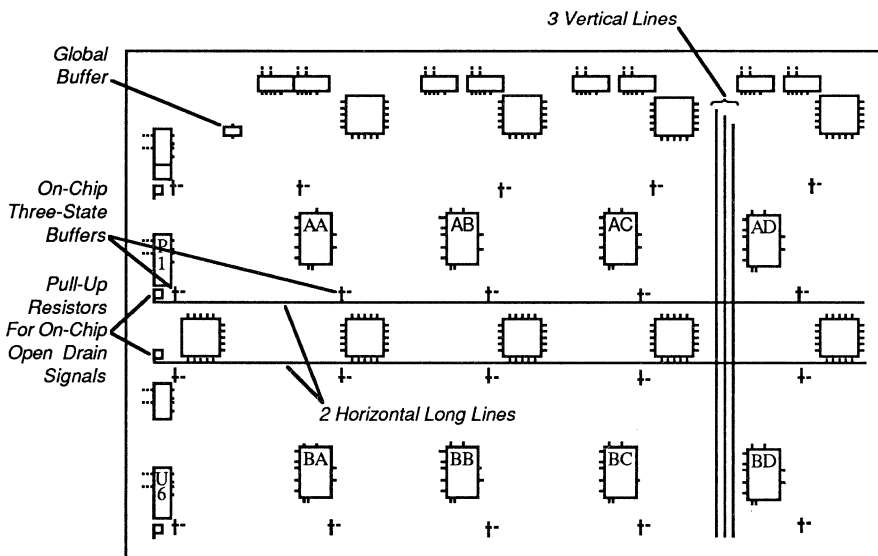
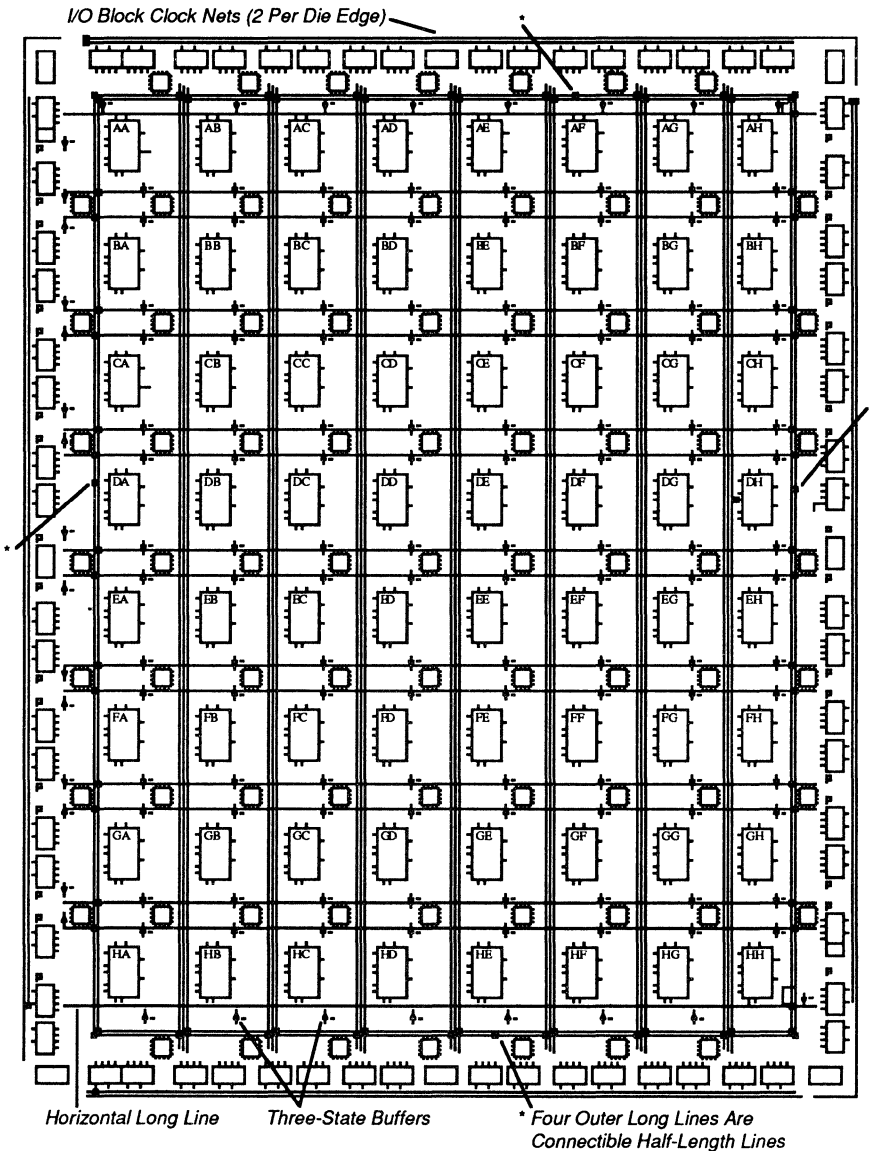


Figure 14. Long Lines

Horizontal and vertical long lines provide high fan-out, low-skew signal distribution in each row and column. The programmable interconnection of long lines is provided at the edges of the routing area. Long lines can be driven by a CLB or IOB output on a column-by-column basis. This provides a common low skew control or

clock line within each column of logic blocks. Interconnections of these long lines are shown in the following figure. Isolation buffers are provided at each input to a long line and are enabled automatically by the PGA Development System when a connection is made.



4

Figure 15. Interconnection of Long Lines

A buffer in the upper left corner of the LCA chip drives a global net available to all .k inputs of logic blocks. Using this global buffer for a clock signal provides a skew free, high fan-out, synchronized clock for use at any, or all, of the I/O and logic blocks. Configuration bits for the .k input to each logic block can select this global line or another routing resource as the clock source for its flip-flops. This net can also be programmed to drive the die edge clock lines for IOB use. TCLKIN is an enhanced speed, CMOS threshold, direct access to this buffer that is available at the second pad from the top of the left die edge.

A buffer in the lower right corner of the array drives a horizontal long line, which can drive programmed connections to a vertical long line in each interconnection column. This alternate buffer also is low skew and high fan-out. The network formed by this alternate buffer's long lines can be selected to drive the .k inputs of the logic blocks. The CMOS threshold, high-speed access to this buffer, BCLKIN, is at the third pad from the bottom of the right die edge.

### Internal Busses

A pair of three-state buffers are located adjacent to each CLB. These let logic drive the horizontal long lines. Any three-state buffer input can be selected to drive the horizontal long line bus by applying a low logic level on its three-state control line. Logical operation of the three-state buffer controls lets them implement wide multiplexing functions. When data drives the inputs, and separate signals drive the three-state control lines, these buffers form multiplexers (three-state buses), as

shown below. In this case, care must be used to prevent contention through multiple active buffers of conflicting levels on a common line:

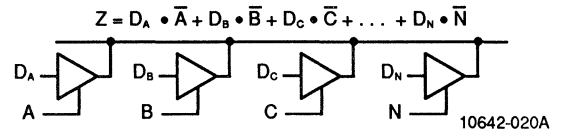


Figure 16. Three-State Buffers Implement a Multiplexer

Control of the three-state input by the same signal that drives the buffer input creates an open drain wired-AND function, as shown below. A logical HIGH on both buffer inputs creates a high impedance with no contention. A logical LOW enables the buffer to drive the long line low. Pull-up resistors are available at each end of the long line to provide a HIGH output when all connected buffers are non-conducting.

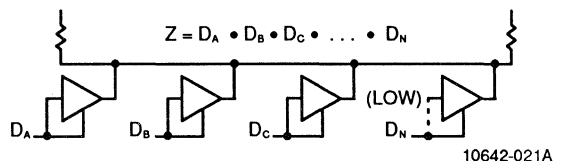


Figure 17. Three-State Buffers Implement a Wired-AND Function

These buffers allow fast, wide gating, optimum speed, and efficient routing of high fan-out signals. The following figure shows three-state buffers, long lines, and pull-up resistors.

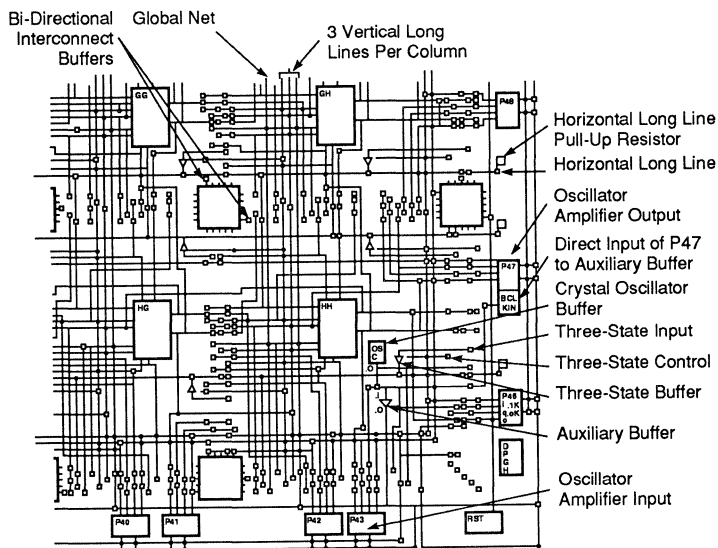


Figure 18. Possible Interconnections in the Lower Right Corner of the Am3020

10642-018A



# Am1736/Am1765

## Serial Configuration PROM

### DISTINCTIVE CHARACTERISTICS

- One-time programmable 36,288 or 65, 536 x 1-bit serial memories designed to store configuration patterns for Logic Cell™ Arrays.
- Simple interface to the AMD LCA™ requires only one user I/O pin on the LCA.
- A single Am1736 supports all members of the Am2000 family and members of the Am3000 family as large as Am3042. The Am1765 supports all Am2000 and Am3000 family members. Both Serial Configuration PROMs support multiple patterns for daisy-chained configurations.
- Low power CMOS EPROM process.
- Cascadable to provide more memory for additional configurations or high-density arrays.
- Storage for multiple configurations for a single Logic Cell Array.
- Space-efficient, 8-pin ceramic DIP package
- Programming supported by leading programmer manufacturers.

### GENERAL DESCRIPTION

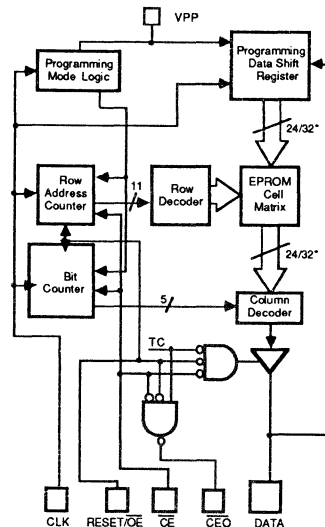
The Am1736 and Am1765 Serial Configuration PROMs (SCP) provide easy-to-use, cost-effective configuration memories for the AMD family of programmable gate arrays. Packaged in an economical 8-pin DIP package, the devices use a simple serial access procedure to configure one or more Logic Cell Arrays (LCA). The 36,288 x 1-bit organization of the Am1736 supplies enough to configure any of the following devices: Am2064, Am2018, Am3020, and Am3042. The Am1765, with its 65,536 x 1-bits, in addition to the parts listed above, also supports the Am3040, Am3064 and Am3090 devices.

Multiple configurations for a single LCA device can be loaded from either SCP. Multiple SCPs can also be cascaded to provide larger memory for more configurations.

The Am1736/65 can be programmed on programming machines supplied by leading manufacturers, including Am081 from AMD. The LCA design file is first compiled into a standard HEX format with the PC-based Design System (AmPGA021). It can be transferred to the programmer through a serial port.

**4**

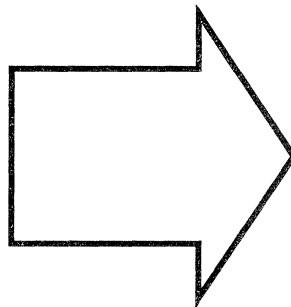
### BLOCK DIAGRAM



\*24-bit word for Am1736  
32-bit word for Am1765

10867-001A





Introduction	<b>1</b>
PAL Device Data Sheets	<b>2</b>
Sequencer Data Sheets	<b>3</b>
ECL/PGA Data Sheets	<b>4</b>
General Information	<b>5</b>
Design and Programming	<b>6</b>
Quality and Reliability	<b>7</b>
Appendices	<b>8</b>

# General Information



---

<b>Military PAL Devices</b> .....	5-3
Military PAL Device/Sequencer/FPGA Menu .....	5-3
JAN 38510 and Standard Military Drawing Program .....	5-6
Standard Processing Flows .....	5-9
Programming Inputs for ProPAL and HAL Devices .....	5-12
DC/AC Parametric Testing .....	5-12
Quality Programs .....	5-13
<b>Electrical Characteristic Definitions</b> .....	5-15
<b>f<sub>MAX</sub> Parameters</b> .....	5-18
<b>Packaging</b>	
Physical Dimensions .....	5-19
Thermal Characteristics .....	5-28

# Military PAL Devices



Advanced Micro Devices' Military Programmable Array Logic (PAL) devices provide state machine and combinatorial logic solutions processed to military criteria. We offer the largest number of Standard Military Drawing PAL products in the industry.

Applications for our configurable PAL architectures include counters, shift registers, accumulators, control sequence generators, decoders, multiplexers, adders, memory mapped I/O and much more. These designs go into radar systems, missile guidance, avionics, airport graphic terminals, parallel processors, military computer hardware, and product obsolescence solutions, just to name a few.

Military PAL devices go where you need:

High Speed	A Series 30 ns	B Series 20 ns	D Series 15 ns	-12 Series 12.5 ns
------------	-------------------	-------------------	-------------------	-----------------------

Power Savings	Half Power 90 mA	Quarter Power 50 mA
---------------	---------------------	------------------------

## Military PAL® Device/ Sequencer/FPGA Menu

### STANDARD PAL DEVICES

FAMILY	PART NUMBER	PACKAGE	TECHNOLOGY	INPUTS	I/O	OUTPUTS	PRODUCT TERMS/OUTPUT	t <sub>PD</sub> ns	f <sub>MAX</sub> MHz	I <sub>CC</sub> mA
16R8	PAL16L8-12	/BRA, /B2A	TTL	10	6 Comb – 2 Comb 4 Comb	2 Comb 8 Reg 6 Reg 4 Reg	7 8 7,8 7,8	12.5	43.4	180
	PAL16R8-12			8						
	PAL16R6-12			8						
	PAL16R4-12			8						
	PAL16L8D	20L,J,W	TTL	8				15	37	180
	PAL16R8D									
	PAL16R6D									
	PAL16R4D									
	PAL16L8B	20L,J,W	TTL	8				20	28.5	180
PAL16R8B										
PAL16R6B										
PAL16R4B										

**5**

Continued on next page.

### PACKAGE DESIGNATORS

MMI Devices	AMD Devices	Package	MMI Devices	AMD Devices	Package
J	BRA/BJA	Ceramic DIP	L	B2A/B3A	Leadless Chip Carrier
JS	BLA/BXA	Ceramic SKINNYDIP	–	G/BZA	Pin Grid Array
			W	BSA/BKA	Ceramic Flatpack

"MMI" devices are those produced by Monolithic Memories, Inc. before the companies merged.



### Military PAL Devices

#### STANDARD PAL DEVICES (continued)

FAMILY	PART NUMBER	PACKAGE	TECHNOLOGY	INPUTS	I/O	OUTPUTS	PRODUCT TERMS/OUTPUT	$t_{PD}$ ns	$f_{MAX}$ MHZ	$I_{CC}$ mA
16R8 (cont'd)	PAL16L8B-2	20L,J,W	TTL	10 8 8 8 8	6 Comb – 2 Comb 4 Comb	2 Comb 8 Reg 6 Reg 4 Reg	7 8 7,8 7,8	30	20	90
	PAL16R8B-2									
	PAL16R6B-2									
	PAL16R4B-2									
	PAL16L8A PAL16R8A PAL16R6A PAL16R4A	20L,J,W	TTL					30	20	180
PAL16L8B-4 PAL16R8B-4 PAL16R6B-4 PAL16R4B-4	20L,J,W	TTL	50	13.3	55					
PAL16L8A-2 PAL16R8A-2 PAL16R6A-2 PAL16R4A-2	20L,J,W	TTL	50	13.3	90					
20R8	PAL20L8-12	/BLA, /B3A	TTL	14 12 12 12	6 Comb – 2 Comb 4 Comb	2 Comb 8 Reg 6 Reg 4 Reg	7 8 7,8 7,8	12.5	43.4	210
	PAL20R8-12									
	PAL20R6-12									
	PAL20R4-12									
	PAL20L8-15 PAL20R8-15 PAL20R6-15 PAL20R4-15	/BLA, /B3A	TTL					15	35.7	210
PAL20L8B PAL20R8B PAL20R6B PAL20R4B	24JS,W, 28L	TTL	20	28.5	210					
PAL20L8A PAL20R8A PAL20R6A PAL20R4A	24JS,W, 28L	TTL	30	20	210					
PAL20L8A-2 PAL20R8A-2 PAL20R6A-2 PAL20R4A-2	24JS,W, 28L	TTL	50	13.3	105					
20X10/ 20L10	PAL20L10A	24JS,W, 28L	TTL	10	10 Comb	–	3	35	15.4	165
	PAL20X10A			10	–	10 RegXOR	4			
	PAL20X8A			10	2 Comb	8 RegXOR	3,4			
	PAL20X4A			10	6 Comb	4 RegXOR	3,4			

## Military PAL Devices

### UNIVERSAL PAL DEVICES

FAMILY	PART NUMBER	PACKAGE	TECHNOLOGY	INPUTS	I/O	PRODUCT TERMS/OUTPUT	FEATURES	t <sub>PD</sub> ns	f <sub>MAX</sub> MHz	I <sub>CC</sub> mA
22V10	PAL22V10-15 PAL22V10-20 AmPAL22V10A AmPAL22V10	/BLA,/B3A, /BKA	TTL	12	10 Macro	8-16	Varied Term Distribution	15 20 30 40	50 31.2 22 16.5	200 200 180 180
	PALCE22V10H-25 PALCE22V10H-30		EE CMOS					25 30	25 25	90 90
20V8	PALCE20V8H-20 PALCE20V8H-25	/BLA,/B3A	EE CMOS	12	8 Macro	8	GAL device equivalent	20 25	33.3 28.6	90 90
	PALCE16V8H-20 PALCE16V8H-25	/BRA,/B2A	EE CMOS	8	8 Macro	8	GAL device equivalent	20 25	33.3 28.6	90 90

### ASYNCHRONOUS PAL DEVICES

FAMILY	PART NUMBER	PACKAGE	TECHNOLOGY	INPUTS	MACRO-CELLS	PRODUCT TERMS/OUTPUT	CLOCK	t <sub>PD</sub> ns	f <sub>MAX</sub> MHz	I <sub>CC</sub> mA
20RA10	PAL20RA10	24JS,W,26L	TTL	10	10	4	Programmable	35	16.7	200

### MEMORY/INSTRUCTION-BASED SEQUENCERS

FAMILY	PART NUMBER	PACKAGE	TECHNOLOGY	INPUTS	OUTPUTS	ARRAY SIZE	FEATURES	f <sub>MAX</sub> MHz	I <sub>CC</sub> mA
Field-Programmable Controllers	Am29CPL151H-25 Am29CPL154H-25	/BXA,/B3A	UV CMOS	8 7	16 Reg	64 x 32 512 x 36	Instruction-based with Counter and Stack	25 25	130 140

5

### FIELD-PROGRAMMABLE GATE ARRAYS

FAMILY	PART NUMBER	PACKAGE	TECHNOLOGY	I/O BLOCKS	CONFIGURABLE LOGIC BLOCKS	FLIP-FLOPS	EQUIVALENT GATES	f <sub>MAX</sub> MHz	I <sub>CC</sub> mA
Logic Cell™ Array 2000 Series	Am2018-70 Am2018-50 Am2018-33	/BTC	CMOS RAM	74	100	174	1800	70 50 33	15
	Am2064-70 Am2064-50 Am2064-33	/BZC	CMOS RAM	58	64	122	1200	70 50 33	10
	Am3020-70 Am3020-50	/BZC	CMOS RAM	64	64	256	2000	70 50	TBD
Logic Cell Array 3000 Series	Am3030-70 Am3030-50	/BZC	CMOS RAM	80	100	360	3000	70 50	TBD
	Am3042-70 Am3042-50	/BZC	CMOS RAM	96	144	480	4200	70 50	TBD
	Am3064-70 Am3064-50	/BZC	CMOS RAM	120	224	668	6400	70 50	TBD
	Am3090-70 Am3090-50	/BZC	CMOS RAM	144	320	928	9000	70 50	TBD

## JAN 38510 and Standard Military Drawing Program

AMD is an active participant in the JAN 38510 and Standard Military Drawing (SMD) Program. The idea behind the SMD Program is to standardize MIL-STD-883, Class B microcircuits where fully qualified JAN product is not available. The advantage to the user is that SMDs are a cost effective alternative to source control drawings and are offered as off-the-shelf stocking items by IC manufacturers participating in the program.

Standard Military Drawings should always be considered to improve availability over source control drawings. It is standard practice at AMD to convert our 883, Class B processing to SMDs

for all products which we are approved to supply. AMD then dual marks these devices with both the SMD number and the Generic Part Number. DESC approved products can then be procured to either part number as standard product through both OEM and Distributor channels.

The following cross reference will allow you to determine the appropriate SMD and JAN Drawing for each PAL device. AMD will continue to work closely with DESC, generating new drawings, which will provide a steady flow of advanced technology products to standardized specifications.

## MIL-M-38510 Slash Sheet Cross Reference for AMD Generic Part Number

M38510	01	02	03	04	05	06	07	08	09	10
503	10H8	12H6	14H4			10L8	12L6	14L4		
504	16L8A	16R8A	16R6A	16R4A			16L8A-2	16R8A-2	16R8A-2	16R4A-2
505	20L8A	20R8A	20R6A	20R4A						

**Military PAL Devices**

**Military SMDs**

MILITARY DRAWING	AMD PART NUMBER	MILITARY DRAWING	AMD PART NUMBER
8103501RA	PAL10H8MJ/883B	84129033A	PAL20R6AML/883B
81035012A	PAL10H8ML/883B	8412903KA	PAL20R6AMW/883B
8103501SA	PAL10H8MW/883B	8412904LA	PAL20R4AMJS/883B
8103502RA	PAL12H6MJ/883B	84129043A	PAL20R4AML/883B
81035022A	PAL12H6ML/883B	8412904KA	PAL20R4AMW/883B
8103502SA	PAL12H6MW/883B	8412905LA	PAL20L10AMJS/883B
8103503RA	PAL14H4MJ/883B	84129053A	PAL20L10AML/883B
81035032A	PAL14H4ML/883B	8412905KA	PAL20L10AMW/883B
8103503SA	PAL14H4MW/883B	8412906LA	PAL20X8AMJS/883B
8103504RA	PAL16H2MJ/883B	84129063A	PAL20X8AML/883B
81035042A	PAL16H2ML/883B	8412906KA	PAL20X8AMW/883B
8103504SA	PAL16H2MW/883B	8412907LA	PAL20X10AMJS/883B
8103505RA	PAL16C1MJ/883B	84129073A	PAL20X10AML/883B
81035052A	PAL16C1ML/883B	8412907KA	PAL20X10AMW/883B
8103505SA	PAL16C1MW/883B	8412908LA	PAL20X4AMJS/883B
8103506RA	PAL10L8MJ/883B	84129083A	PAL20X4AML/883B
81035062A	PAL10L8ML/883B	8412908KA	PAL20X4AMW/883B
8103506SA	PAL10L8MW/883B	8412909LA	PAL20L8A-2MJS/883B
8103507RA	PAL12L6MJ/883B	84129093A	PAL20L8A-2ML/883B
81035072A	PAL12L6ML/883B	8412909KA	PAL20L8A-2MW/883B
8103507SA	PAL12L6MW/883B	8412910LA	PAL20R8A-2MJS/883B
8103508RA	PAL14L4MJ/883B	84129103A	PAL20R8A-2ML/883B
81035082A	PAL14L4ML/883B	8412910KA	PAL20R8A-2MW/883B
8103508SA	PAL14L4MW/883B	8412911LA	PAL20R6A-2MJS/883B
8103509RA	PAL16L2MJ/883B	84129113A	PAL20R6A-2ML/883B
81035092A	PAL16L2ML/883B	8412911KA	PAL20R6A-2MW/883B
8103509SA	PAL16L2MW/883B	8412912LA	PAL20R4A-2MJS/883B
8103607RA	PAL16L8AMJ/883B	84129123A	PAL20R4A-2ML/883B
81036072A	PAL16L8AML/883B	8412912KA	PAL20R4A-2MW/883B
8103607SA	PAL16L8AMW/883B	8506501RA	PAL16L8A-4MJ/883B
8103608RA	PAL16R8AMJ/883B	85065012A	PAL16L8A-4ML/883B
81036082A	PAL16R8AML/883B	85065015A	PAL16L8A-4MW/883B
8103608SA	PAL16R8AMW/883B	8506502RA	PAL16R8A-4MJ/883B
8103609RA	PAL16R6AMJ/883B	85065022A	PAL16R8A-4ML/883B
81036092A	PAL16R6AML/883B	8506502SA	PAL16R8A-4MW/883B
8103609SA	PAL16R6AMW/883B	8506503RA	PAL16R6A-4MJ/883B
8103610RA	PAL16R4AMJ/883B	85065032A	PAL16R6A-4ML/883B
81036102A	PAL16R4AML/883B	8506503SA	PAL16R6A-4MW/883B
8103610SA	PAL16R4AMW/883B	8506504RA	PAL16R4A-4MJ/883B
8103612RA	PAL16R8A-2MJ/883B	85065042A	PAL16R4A-4ML/883B
81036122A	PAL16R8A-2ML/883B	8506504SA	PAL16R4A-4MW/883B
8103612SA	PAL16R8A-2MW/883B	5962-8515501RA	PAL16L8BMJ/883B
8103613RA	PAL16R6A-2MJ/883B	5962-85155012A	PAL16L8BML/883B
81036132A	PAL16R6A-2ML/883B	5962-8515501SA	PAL16L8BMW/883B
8103613SA	PAL16R6A-2MW/883B	5962-8515502RA	PAL16R8BMJ/883B
8103614RA	PAL16R4A-2MJ/883B	5962-85155022A	PAL16R8BML/883B
81036142A	PAL16R4A-2ML/883B	5962-8515502SA	PAL16R8BMW/883B
8103614SA	PAL16R4A-2MW/883B	5962-8515503RA	PAL16R6BMJ/883B
8412901LA	PAL20L8AMJS/883B	5962-85155032A	PAL16R6BML/883B
84129013A	PAL20L8AML/883B	5962-8515503SA	PAL16R6BMW/883B
8412901KA	PAL20L8AMW/883B	5962-8515504RA	PAL16R4BMJ/883B
8412902LA	PAL20R8AMJS/883B	5962-85155042A	PAL16R4BML/883B
84129023A	PAL20R8AML/883B	5962-8515504SA	PAL16R4BMW/883B
8412902KA	PAL20R8AMW/883B	5962-8515505RA	PAL16L8B-2MJ/883B
8412903LA	PAL20R6AMJS/883B	5962-85155052A	PAL16L8B-2ML/883B

**5**

**Military PAL Devices**

**Military SMDs** (Cont'd)

MILITARY DRAWING	AMD PART NUMBER	MILITARY DRAWING	AMD PART NUMBER
5962-8515505SA	PAL16L8B-2MW/883B	5962-8680405KA	PAL20L2MW/883B
5962-8515506RA	PAL16R8B-2MJ/883B	5962-8680406LA	PAL20C1MJS/883B
5962-85155062A	PAL16R8B-2ML/883B	5962-86804063A	PAL20C1ML/883B
5962-8515506SA	PAL16R8B-2MW/883B	5962-8680406KA	PAL20C1MW/883B
5962-8515507RA	PAL16R6B-2MJ/883B	5962-8753001LA	PAL20S10MJS/883B
5962-85155072A	PAL16R6B-2ML/883B	5962-87530013A	PAL20S10ML/883B
5962-8515507SA	PAL16R6B-2MW/883B	5962-8753001KA	PAL20S10MW/883B
5962-8515508RA	PAL16R4B-2MJ/883B	5962-8753002LA	PAL20RS10MJS/883B
5962-85155082A	PAL16R4B-2ML/883B	5962-87530023A	PAL20RS10ML/883B
5962-8515508SA	PAL16R4B-2MW/883B	5962-8753002KA	PAL20RS10MW/883B
5962-8515509RA	PAL16L8DMJ/883B	5962-8753003LA	PAL20RS10MJS/883B
5962-85155092A	PAL16L8DML/883B	5962-87530033A	PAL20RS8ML/883B
5962-8515509SA	PAL16L8DMW/883B	5962-8753003KA	PAL20RS8MW/883B
5962-8515510RA	PAL16R8DMJ/883B	5962-8753004LA	PAL20RS4MJS/883B
5962-85155102A	PAL16R8DML/883B	5962-87530043A	PAL20RS4ML/883B
5962-8515510SA	PAL16R8DMW/883B	5962-8753004KA	PAL20RS4MW/883B
5962-8515511RA	PAL16R6DMJ/883B	5962-8753902LA	PALC22V10H-30MQS/883B
5962-85155112A	PAL16R6DML/883B	5962-8753903LA	PALC22V10H-40MQS/883B
5962-8515511SA	PAL16R6DMW/883B	5962-8767101LA	PAL20L8BMJS/883B
5962-8515512RA	PAL16R4DMJ/883B	5962-87671013A	PAL20L8BML/883B
5962-85155122A	PAL16R4DML/883B	5962-8767101KA	PAL20L8BMW/883B
5962-8515512SA	PAL16R4DMW/883B	5962-8767102LA	PAL20R8BMJS/883B
5962-8605301LA	AmPAL22V10A/BLA	5962-87671023A	PAL20R8BML/883B
5962-86053013A	AmPAL22V10A/B3A	5962-8767102KA	PAL20R8BMW/883B
5962-8605301KA	AmPAL22V10A/BKA	5962-8767103LA	PAL20R6MJS/883B
5962-8605302LA	AmPAL22V10/BLA	5962-87671033A	PAL20R6BML/883B
5962-86053023A	AmPAL22V10/B3A	5962-8767103KA	PAL20R6BW/883B
5962-8605302KA	AmPAL22V10/BKA	5962-8767104LA	PAL20R4BMJS/883B
5962-8605304LX	PAL22V10-20/BLA	5962-87671043A	PAL20R4BML/883B
5962-86053043X	PAL22V10-20/B3A	5962-8767104KA	PAL20R4BMW/883B
5962-8605304KX	PAL22V10-20/BKA	5962-8851501RA	PAL16L8B-4MJ/883B
5962-8680301LA	PAL20RA10MJS/883B	5962-88515012A	PAL16L8B-4ML/883B
5962-86803013A	PAL20RA10ML/883B	5962-8851501SA	PAL16R8B-4MW/883B
5962-8680301KA	PAL20RA10MW/883B	5962-8851502RA	PAL16R8-4MJ/883B
5962-8680401LA	PAL18L4MJS/883B	5962-88515022A	PAL16R8B-4ML/883B
5962-86804013A	PAL18L4ML/883B	5962-8851502SA	PAL16R8B-4MW/883B
5962-8680401KA	PAL18L4MW/883	5962-8851503RA	PAL16R6B-4MJ/883B
5962-8680402LA	PAL12L10MJS/883B	5962-88515032A	PAL16R6B-4ML/883B
5962-86804023A	PAL12L10ML/883B	5962-8851503SA	PAL16R6B-4MW/883B
5962-8680402KA	PAL12L10MW/883B	5962-8851504RA	PAL16R4B-4MJ/883B
5962-8680403LA	PAL14L8MJS/883B	5962-88515042A	PAL16R4B-4ML/883B
5962-86804033A	PAL14L8ML/883B	5962-8851504SA	PAL16R4B-4MW/883B
5962-8680403KA	PAL14L8MW/883B	5962-8867002LA	PALC22V10H-30MJS/883B
5962-8680404LA	PAL16L6MJS/883B	5962-88670023A	PALC22V10H-30ML/883B
5962-86804043A	PAL16L6ML/883B	5962-8867002KA	PALC22V10H-30MW/883B
5962-8680404KA	PAL16L6MW/883B	5962-8837003LA	PALC22V10H-40MJS/883B
5962-8680405LA	PAL20L2MJS/883B	5962-88670033A	PALC22V10H-40ML/883B
5962-86804053A	PAL20L2ML/883B	5962-8867003KA	PALC22V10H-40MW/883B

## Product Introduction Procedures

All new products released by the Military Products Division must successfully pass Mil-Std-883 Class B processing prior to new product announcement. This practice allows us to do checkout of bonding diagrams, electrical test tapes and burn circuits in a manufacturing environment. Programmability is checked when applicable. Our Military Engineering Department reviews electrical data to insure performance and yields to military data sheet limits are acceptable, prior to new product release. This procedure allows MPD to keep manufacturing start-up problems to a minimum on new product orders.

## Standard Processing Flows

MPD Processing and Screening flows are organized to provide a broad selection of processing options, structured around the most commonly requested customer flows.

Standard processing flows for the Military Products Division include:

MPD Modified Level S  
 JAN 38510 Class B  
 Standard Military Drawing Program  
 Mil-Std-883 Class B

In addition, these flows are expanded to provide for factory programming on PAL circuits, when required by our customers.

Major benefits can be realized by ordering product to standard flows whenever possible:

- Minimize need for source control drawings.
- Cost savings on unit cost—no price adders for custom processing.
- Improved lead time—no spec review or negotiation time, plus the ability to pull product from various work-in-process stages or purchase product from finished goods inventory.

For your reference, we have included our Modified Level S flow and our Mil-Std-883 Class B flow.

It is the policy of AMD, to always operate to the most current revision of Mil-M-38510 and Mil-Std-883.

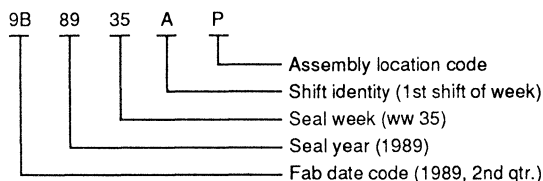
## Manufacturing and Screening Locations

JAN Products, MPD Modified Level "S", and customer orders which call for U.S.A. assembly, are manufactured in our DESC certified lines in Sunnyvale and Santa Clara, California.

MIL-STD-883 Class B products, and orders to source control drawings, where stateside build is not required, are assembled at our Penang, Malaysia facility. This facility is qualified by AMD Quality Department, as well as by many of our customers, to manufacture MIL-STD-883 Class B product. Conformance to MIL-STD-883 requirements is routinely monitored through audits at the Penang facility.

Assembly location as well as fabrication and seal date codes are included in AMD's part marking.

Example:



Assembly Location Codes:

Blank	Sunnyvale
M	Manila
P	Penang

**Military PAL Devices**

**STANDARD MILITARY FLOW CHART**

Screening	Modified Level S	Requirement	Class B	Requirement
	<b>(Per Customer SCD)</b>		<b>MIL-STD-883 Method 5004</b>	
S.E.M.	2018	Sample		
Assembly	USA assembly		Typically offshore assembly	
Non-destruct bond pull	2023	100%		
Die shear/ Destruct bond pull	2019 (sample)	SS = 2 REJ = 0		
Internal visual	2010 cond. A (modified)	100%	2010 cond. B	100%
Temperature cycling	1010	100%	1010	100%
Constant acceleration	2001 test cond. D or E Y1 orientation only	100%	2001 test cond. D or E Y1 orientation only	100%
Particle impact noise detection (PIND)	2020 cond. A only	100%		
Interim electrical parameters	Per application device specification $T_A = 25^\circ\text{C}$ only	100%		
Serialization		100%		
X-Ray	2010 two views X and Y axis only	100%		
Interim electrical (1) parameter	Per applicable device specification $T_A = 25^\circ\text{C}$ only	100%	Per applicable device (1) specification $T_A = 25^\circ\text{C}$ only	100%
Burn In	1015 Cond. D $T_A = +125^\circ\text{C}$ (min) Time = 240 hrs	100%	1015 Cond. C or D	100%
Freeze Out	Option			
Post electrical parameters	Per applicable device specification $T_A = 25^\circ\text{C}$ only (delta's when required)	100%	Per applicable device specification $T_A = 25^\circ\text{C}$ only	100%
Delta calculations (when applicable)	Per applicable device specification			
Percent defect allowable	DC Parameters PDA = 5% or 1 device whichever is greater Functional Parameters PDA = 3% or 1 device whichever is greater		DC Parameters PDA = 5% or 1 device whichever is greater	

(1) Programming and verification are performed at 25°C only.

**Military PAL Devices**

**Standard Military Flow Chart** (Cont'd.)

SCREENING	MODIFIED LEVEL S	REQUIREMENT	CLASS B	REQUIREMENT
	<b>PER CUSTOMER SCD</b>		<b>MIL-STD-883 METHOD 5004</b>	
Final electrical parameters (hot and cold extremes)	Per applicable device specification	100%	Per applicable device specification	100%
Seal A) Fine B) Gross	1014 cond, A or B cond C	100%	1014 cond, A or B cond C	100%
Group A lot	Level S	Per applicable device specification	5005 Class B	Sample every lot
Group B inspection lot Group C Group D External visual	Level S not applicable Level S 2009	As required  As required 100%	5005 Class B 5005 Class B 5005 Class B 2009	Every lot Every 4 qtrs of fab date code Every 52 weeks 100%

(1) Programming and verification are performed at 25°C only.



## Programming Inputs for ProPAL and HAL Devices

1. All patterns require customer approval. Order of preference:
  - Mag Tape\* and one master
  - Floppy Disk\* and one master
  - 2 masters and equation printout or truthable
- \*2. The following is a list describing the different types of Mag Tapes and Floppy Disks that Software Support currently can accept:
  - Standard 8 Inch Floppy Disks formatted RX01/IBM0 (Single-Sided, Single Density) or RX02/IBM2 (Single-Sided, Double Density) or RX03/IBM3 (Double-Sided, Double Density).
  - IBM 5-1/4 Inch Floppy Disks formatted Single-Sided, Double Density or Double-Sided, Double Density  
or
  - Magnetic Tape (Created on VAX/VMS System): Mag Tapes must be in IBM compatible (800 or 1600 BPI) nine track in blocked, unlabeled (card image) format of Files-11 or VAX/VMS Backup format.
  - In all cases, the Tapes or Disks must contain a label indicating all data such as the density, the format, the operating system, the command used to write the files and/or to remove the data from the Tape or Disk, and a listing of the filenames.

## DC/AC Parametric Testing

### 1. VIL/VIH Parametric Information

VIL/VIH parameters are, in effect, input conditions of DC tests and are not directly tested. Functional tests are performed at VIL = 0.4 V and VIH = 2.4 V. VIL is specified at  $\leq 0.8$  V, and VIH is specified at  $\geq 2.0$  V.

### 2. AC Testing/Programming

Advanced Micro Devices offers a large selection of programmable products. For those devices which must be programmed prior to AC Tests and are ordered unprogrammed, Advanced Micro Devices must perform an AC Sample to "guarantee" their AC Performance.

Since the guaranteeing of parameters can be a serious concern for the Military user, we have outlined several approaches to address the AC screening issue.

- Option 1. Advanced Micro Devices can pull a Sample from a lot using our own Standard patterns (designed to blow in excess of 50 percent of the fuses) and perform AC testing at 25°C, 125°C, and -55°C.
  - PAL products processed to Military drawings include programmability samples and AC testing at 25°C, 125°C, and -55°C.
- Option 2. Advanced Micro Devices can program PAL devices using custom patterns submitted by the customer. AC testing is performed as follows:
  - 100% AC at 25°C, -55°C and 125°C and on-line sample for Group A, Subgroups 9, 10, and 11.

On PAL products where custom programming is performed and AC testing is required, additional vector generation and fault coverage analysis is required, as well as AC program generation and checkout. This will result in additional upfront lead time.

## Quality Programs

The Military Product Division quality system conforms to the following Mil-Standards:

- Mil-M-38510, Appendix A, "Product Assurance Program"
- Mil-Q-9858, "Quality Program Requirements"
- Mil-I-45208, "Inspection System Requirements"

AMD facilities in Sunnyvale and Santa Clara are certified by the Defense Electronics Supply Center (DESC), to manufacture and qualify Bipolar PROMs and PAL circuits in accordance with MIL-M-38510 Class B. This certification was a result of a successful audit of our production and quality systems to the stringent requirements of MIL-M-38510.

## Quality Assurance

The Military Products Division ensures outgoing product quality and integrity by performing inspection Lot Group A's and B's per Mil-Std-883 Method 5005, conducting self audits in all areas involved in screening tests per Method 5004 of MIL-STD-883, gating all shipments to our customers, and maintaining a calibration control system in accordance with Mil-Std-45662.

For products requiring programming prior to AC tests, testing is performed utilizing MIL-M-38510 slash sheet sample plans and approved SMD sample plans.

## Product Qualification/Quality Conformance Inspection (QCI)

The Military Products Division has a quality conformance testing program in accordance with MIL-STD-883, Method 5005. Quality Conformance Testing provides necessary feedback and monitors several areas:

- Reliability of Product/Processes
- Vendor Qualification for Raw Materials
- Customer Quality Requirements
- Maintain Product Qualification
- Engineering Monitor on Products/Processes

Standard procedures for new product release specify that AMD, as a minimum, conduct qualification testing per Company Policy specification on Product Reliability Qualification (00-019). Once qualified, each package type (from each assembly line) and device (by technology group as delineated in MIL-M-38510) are incorporated into AMD Quality Conformance Inspection program which utilizes the requirements of MIL-STD-883.

When military programs do not require that QCI data be run on the specific lot shipped, AMD Quality Conformance program allows customers to obtain generic data on all product families manufactured by the Military Products Division. Generic Qualification Data enables customers to eliminate costly qualification and destruct unit charges, and also improves delivery time by a factor of eight to ten weeks. The following product data is available:

## Group B – Package Related Tests

- QCI is performed in line on each inspection lot.
- Purpose: To monitor assembly and device package integrity.

## Group C – Product/Process Related Tests

- Group C is performed based on fab date code, at least every four quarters.
- Life test data may be used to qualify similar technologies.
- Purpose: To monitor the reliability of the process and the parametric performance for each product technology.

## Group D – In-Depth Package Related Tests

- QCI is conducted every 52 weeks using devices which represent the same package construction and lead finish.
- Any device type in the same package type may be used regardless of the specific part number.
- Purpose: To monitor the reliability and integrity of various package materials and assembly processes.

## Process Audits

Process Audits are performed in accordance with Mil-M-38510, Appendix A, (self audits) by the Quality Assurance Department.

## Electrostatic Discharge Control Procedures

The Military Products Division of AMD fully employs static control procedures throughout its facilities.

All manufacturing areas where product is processed or handled, including our Reliability Labs, Engineering Labs, etc., have full static control such as wrist straps, antistatic smocks, grounded stainless steel tables, conductive mats and ion generators wherever necessary.

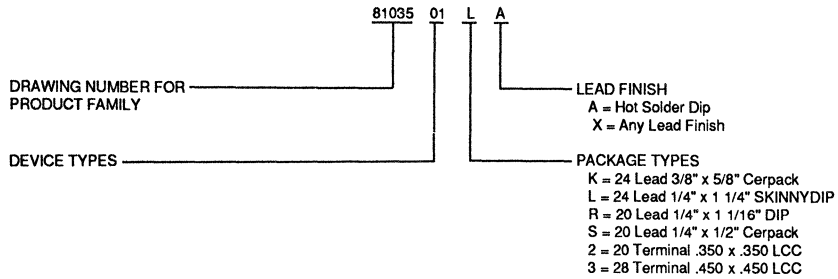
All product is moved throughout our facilities and shipped to customers in static shielded containers.

In addition, MPD distributors must demonstrate that they meet the same stringent standards regarding ESD handling and control procedures as the factory. Individual distributor locations are audited and approved annually by MPD's Quality Assurance Department.

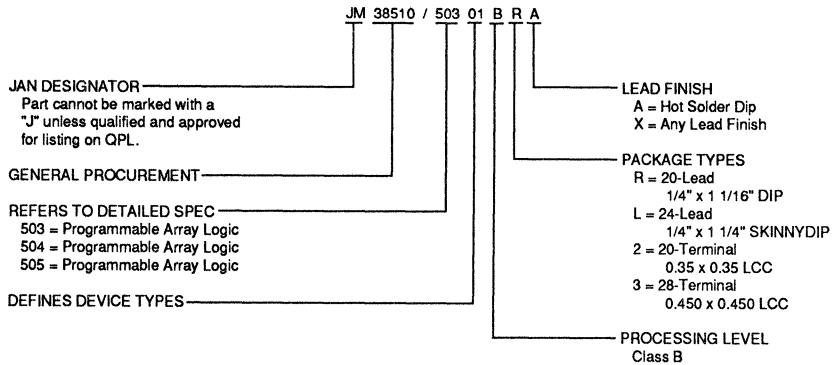
An ESD identifier is marked on all products per MIL-STD-883 1.2.1 b (30). All shipping containers are labeled with an ESD Caution Message. ESD procedures are continually reviewed, to ensure that our customers receive only the highest quality product from the Military Products Division.

## JAN 38510 and STANDARD MILITARY DRAWING PROGRAM

### STANDARD MILITARY DRAWING NUMBERING SYSTEM



### JAN PART NUMBERING SYSTEM



#### PART NUMBER INTERPRETATION:

When ordering to JAN 38510 and Military Drawing numbers, the lead finish designator (last letter in part number) is commonly called out as "X". This is a way of stating that the customer will accept the standard manufacturer's lead finish for the package orders. "X" is not a lead finish designator in itself, therefore, when product is shipped, the actual lead finish designator will be marked on the devices.

# Electrical Characteristic Definitions



	PARAMETER NAME	PARAMETER DEFINITION
<b>TIMING</b>		
$t_{APR}$	Asynchronous Preset Recovery Time	The minimum time after the asynchronous preset becomes inactive to the next input clock triggering edge.
$t_{APW}$	Asynchronous Preset Width	The minimum pulse width required for the asynchronous preset signal.
$t_H$	Hold Time	The minimum time a valid data level is held after clock triggering edge.
$t_{HP}$	Hold Time for Preload	The minimum delay time for data to remain stable after the preload signal becomes inactive. This only applies to TTL-level preload.
$t_{SRR}$	Synchronous Reset Recovery Time	The minimum time between the synchronous reset going inactive and the next input clock triggering edge.
$t_S$	Setup Time, Input or Feedback to Clock	The minimum time a valid data level of input or feedback is stable before the next clock triggering edge.
$t_{SP}$	Data Setup Time for Preload	The minimum time for input data to be stable prior to the preload signal becoming inactive. This only applies to TTL-level preload.
$t_{WH}$	Clock Width High	The minimum width of the clock high from rising edge to the next falling edge. In some cases, simultaneous minimum clock widths (both high and low) will exceed the minimum period of the device.
$t_{WL}$	Clock Width Low	The minimum width of the clock low from falling edge to the next rising edge. In some cases, simultaneous minimum clock widths (both high and low) will exceed the minimum period of the device.
$t_{WP}$	Preload Pulse Width	The minimum pulse width required to preload the registers. This only applies to TTL-level preload.
$t_{AP}$	Asynchronous Preset to Output	The maximum time required to preset the register output after the preset signal is asserted.
$t_{AR}$	Asynchronous Reset to Output	The maximum time required to reset the register output after the reset signal is asserted.
$t_{CF}$	Clock to Feedback	The maximum delay between the time the clock triggering edge is asserted and the signal appears on the feedback.
$t_{CO}$	Clock to Register Output (or Feedback)	The maximum time it takes to obtain a valid data level on the output pin after an input clock triggering edge is applied.
$t_{CR}$	Input or Feedback to Registered Output from Combinatorial Configuration; Output Mux Select 1 to 0	The minimum time from input or feedback to registered output as output mux selection changes from combinatorial to registered output (1 to 0).
$t_{EA}$	Output Enable Time, Clock to Output	The minimum delay between when an input is asserted and the output switches from a high-impedance state to HIGH or LOW logic state.

### Electrical Characteristic Definitions

	PARAMETER NAME	PARAMETER DEFINITION
$t_{ER}$	Output Disable Time, Input to Output	The minimum delay between when an input is asserted and the output switches from a HIGH or LOW logic state to a high-impedance state.
$t_F$	Fall Time	The minimum time for a signal to fall from 80% to 20% of its stabilized high value.
$t_{PD}$	Propagation Delay, Input or Feedback to Combinatorial Output	The time for a signal to propagate from input or feedback to output.
$t_{PR}$	Power-up Reset Time	The minimum time for a registered output signal to be reset after the power is applied.
$t_{PXZ}$	Output Disable Time, OE to Output	The minimum delay between when a dedicated enable signal is asserted and the output switches from a HIGH or LOW logic state to a high-impedance state.
$t_{PZX}$	Output Enable Time, OE to Output	The minimum delay between when a dedicated enable signal is asserted and the output switches from a high-impedance state to a HIGH or LOW logic state.
$t_R$	Rise Time	The minimum time for a signal to rise from 20% to 80% of its stabilized high value.
$t_{RC}$	Input or Feedback to Combinatorial Output from Registered Configuration; Output Mux Select 0 to 1	The minimum time from input or feedback to combinatorial output as output mux selection changes from registered to combinatorial output (0 to 1)
<b>VOLTAGE</b>		
$V_{CC}$	Supply Voltage, Positive Potential	The voltage required across supply and ground terminals of a TTL or CMOS integrated circuit.
$V_{EE}$	Supply Voltage, Negative Potential	The voltage required across supply and ground terminals of an ECL integrated circuit.
$V_I$	Input Clamp Voltage	The maximum input clamp voltage limit on every input pin.
$V_{IH}$	High-Level Input Voltage	The minimum high-level input voltage that is guaranteed to represent a high logic level.
$V_{IL}$	Low-Level Input Voltage	The maximum low-level input voltage that is guaranteed to represent a low logic level.
$V_{OH}$	High-Level Output Voltage	The minimum high logic level guaranteed for all outputs.
$V_{OL}$	Low-Level Output Voltage	The maximum low logic level guaranteed for all outputs.

### Electrical Characteristic Definitions

	PARAMETER NAME	PARAMETER DEFINITION
<b>CURRENT</b>		
$I_{CC}$	Supply Current, Corresponding to $V_{CC}$	The maximum current into the $V_{CC}$ terminal of a TTL or CMOS integrated circuit.
$I_{EE}$	Supply Current, Corresponding to $V_{EE}$	The maximum current into the $V_{EE}$ terminal of an ECL integrated circuit.
$I_i$	Input Current with Maximum Input Voltage	The maximum current into an input pin when the input voltage is applied to the input pin.
$I_{IH}$	High-Level Input Current	The maximum current into an input pin when a logic-high level is applied to the input pin.
$I_{IL}$	Low-Level Input Current	The maximum current into an input pin when a logic-low level is applied to the input pin.
$I_{OH}$	High-Level Output Current	The maximum current into an output pin to guarantee an output logic-high level.
$I_{OL}$	Low-Level Output Current	The maximum current into an output pin to guarantee an output logic-low level.
$I_{SC}$	Output Short-Circuit Current	The current into an output when that output is short-circuited to ground (0.5 V).
$I_{OZH}$	High-Level Leakage Current	The maximum current into a high-impedance state output pin when a high logic level is applied to the output pin.
$I_{OZL}$	Low-Level Leakage Current	The maximum current into a high-impedance state output pin when a low logic level is applied to the output pin.
<b>MISCELLANEOUS</b>		
$C_{IN}$	Input Capacitance	The input pin capacitance at a specified voltage and frequency.
$C_{OUT}$	Output Capacitance	The output or I/O pin capacitance at a specified voltage and frequency.
$T_A$	Operating Free Air Temperature	The ambient homogeneous temperature of the environment during operation.
$T_C$	Operating Case Temperature	The maximum chassis temperature during operation.
$f_{MAX}$	Maximum External Frequency	The $f_{MAX, External}$ is the maximum clocking frequency with external feedback. It is the reciprocal of the clock period ( $t_s + t_{CO}$ ).
$f_{MAX}$	Maximum Internal Frequency	The $f_{MAX, Internal}$ is the maximum clocking frequency with internal feedback. It is the reciprocal of the clock period ( $t_s + t_{CF}$ ).
$f_{MAX}$	Maximum Frequency without Feedback	The $f_{MAX, No Feedback}$ is the maximum clocking frequency with no feedback. It is the reciprocal of the sum of the data setup time ( $t_s$ ) and the data hold time ( $t_h$ ).

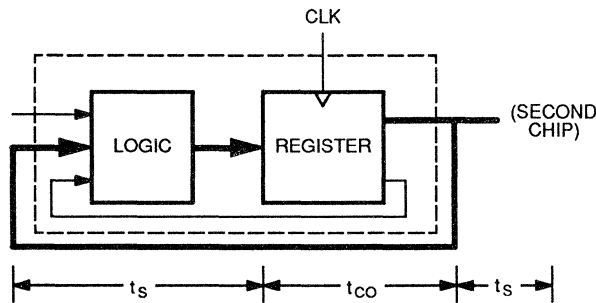


The parameter  $f_{MAX}$  is the maximum clock rate at which the device is guaranteed to operate. Because the flexibility inherent in programmable logic devices offers a choice of clocked flip-flop designs,  $f_{MAX}$  is specified for three types of synchronous designs.

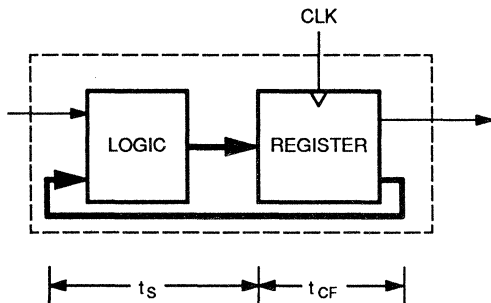
The first type of design is a state machine with feedback signals sent off-chip. This external feedback could go back to the device inputs, or to a second device in a multi-chip state machine. The slowest path defining the period is the sum of the clock-to-output time and the input setup time for the external signals ( $t_s + t_{co}$ ). The reciprocal,  $f_{MAX}$ , is the maximum frequency with external feedback or in conjunction with an equivalent speed device. This  $f_{MAX}$  is designated "f<sub>MAX</sub> external".

The second type of design is a single-chip state machine with internal feedback only. In this case, flip-flop inputs are defined by the device inputs and flip-flop outputs. Under these conditions, the period is limited by the internal delay from the flip-flop outputs through the internal feedback and logic to the flip-flop inputs ( $t_s + t_{cf}$ ). This  $f_{MAX}$  is designated "f<sub>MAX</sub> internal".

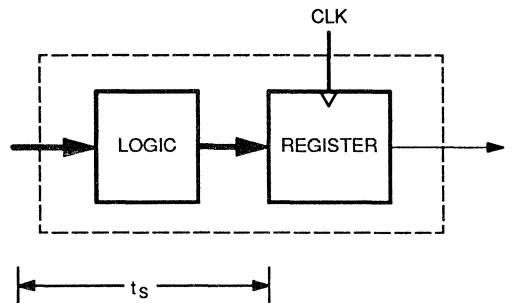
The third type of design is a simple data path application. In this case, input data is presented to the flip-flop and clocked through; no feedback is employed. Under these conditions, the period is limited by the sum of the data setup time and the data hold time ( $t_s + t_h$ ). However, a lower limit for the period of each  $f_{MAX}$  type is the minimum clock period ( $t_{WH} + t_{WL}$ ). Usually, this minimum clock period determines the period for the third  $f_{MAX}$ , designated "f<sub>MAX</sub> no feedback".



f<sub>MAX</sub> External;  $1/(t_s + t_{co})$



f<sub>MAX</sub> Internal;  $1/(t_s + t_{cf})$



f<sub>MAX</sub> No Feedback;  $1/(t_s + t_h)$  or  $1/(t_{WH} + t_{WL})$

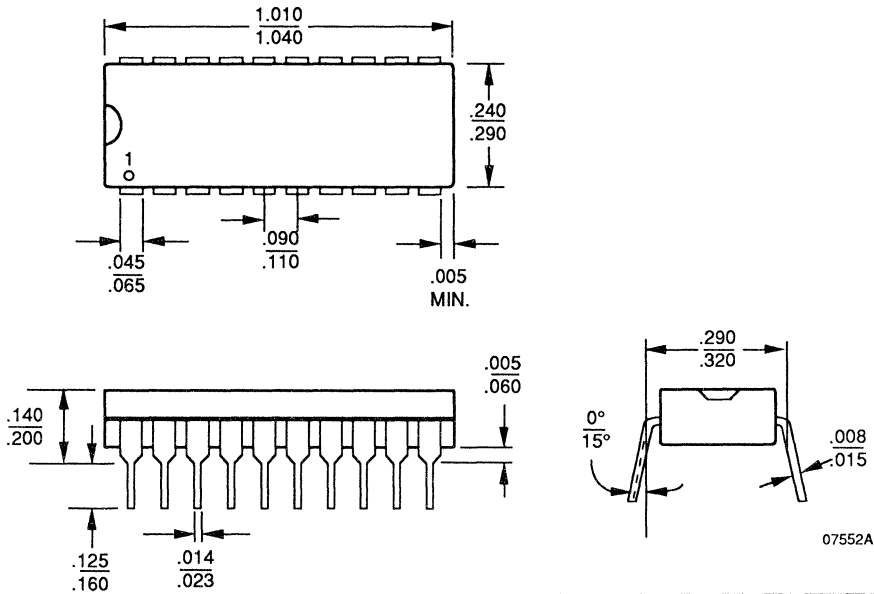
Publication #	Rev.	Amendment	Issue Date
12468	A	/0	1/90

# Physical Dimensions\*

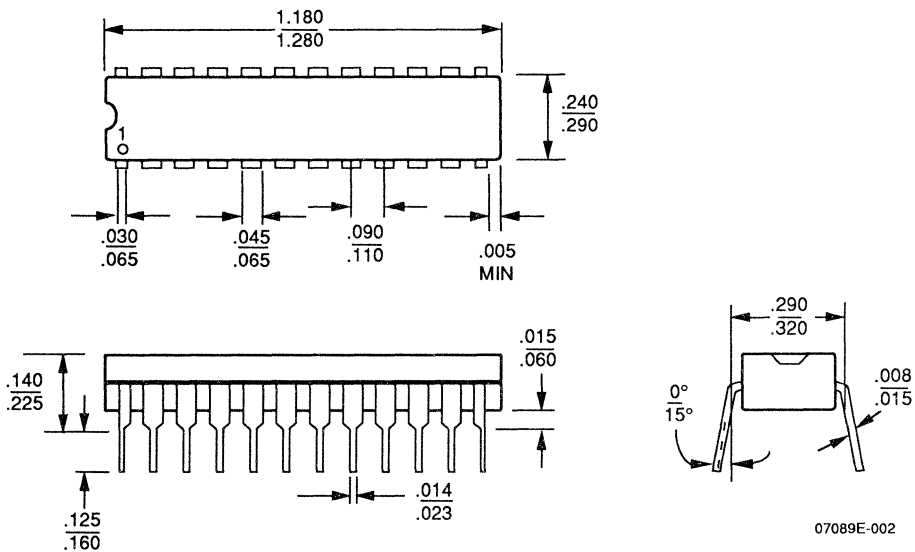


Advanced  
Micro  
Devices

## PD 020 20-Pin Plastic DIP



## PD 3024 24-Pin 300-mil Plastic SKINNYDIP

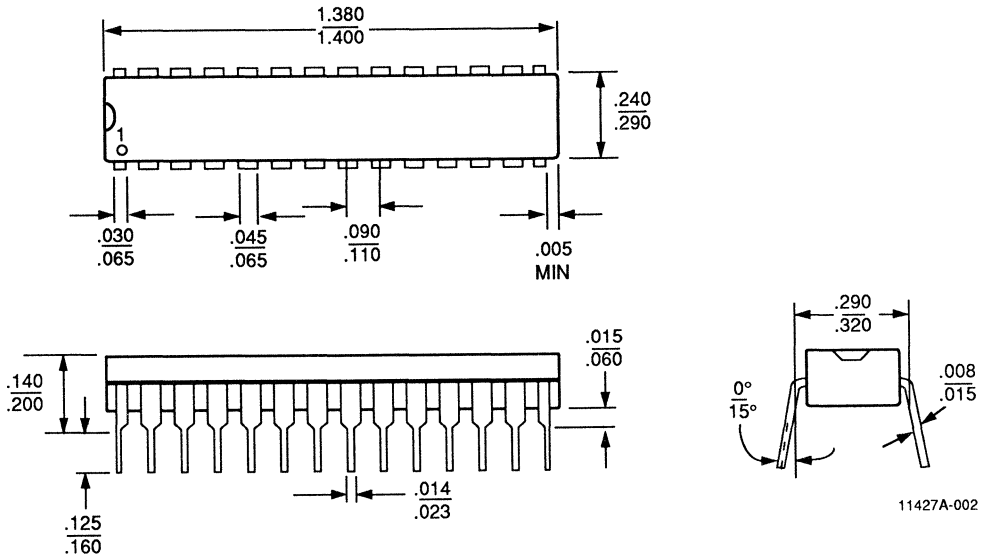


\* For reference only. All dimensions measured in inches. BSC is an ANSI standard for basic space centering.

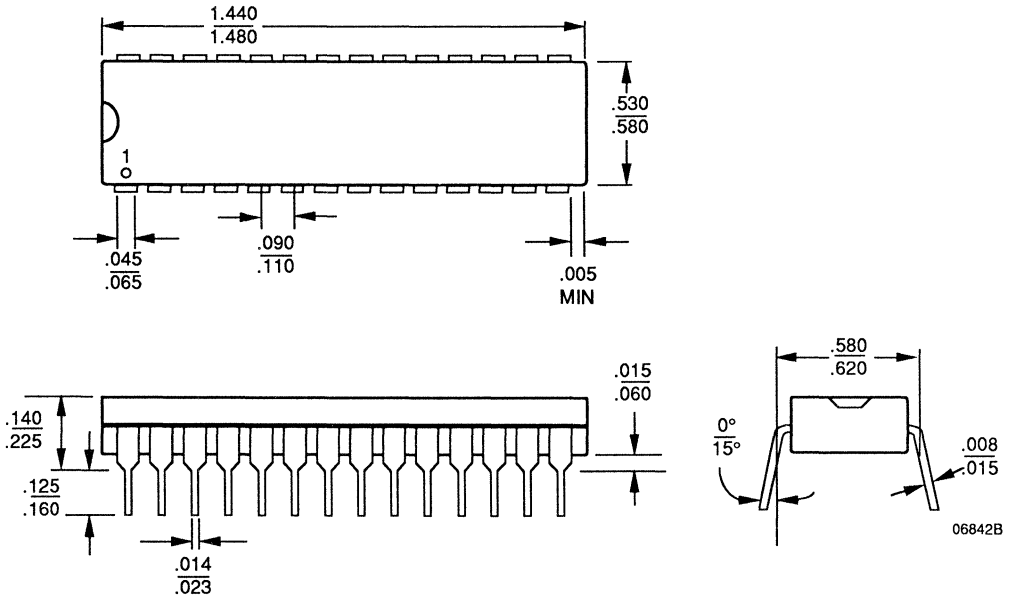


Physical Dimensions

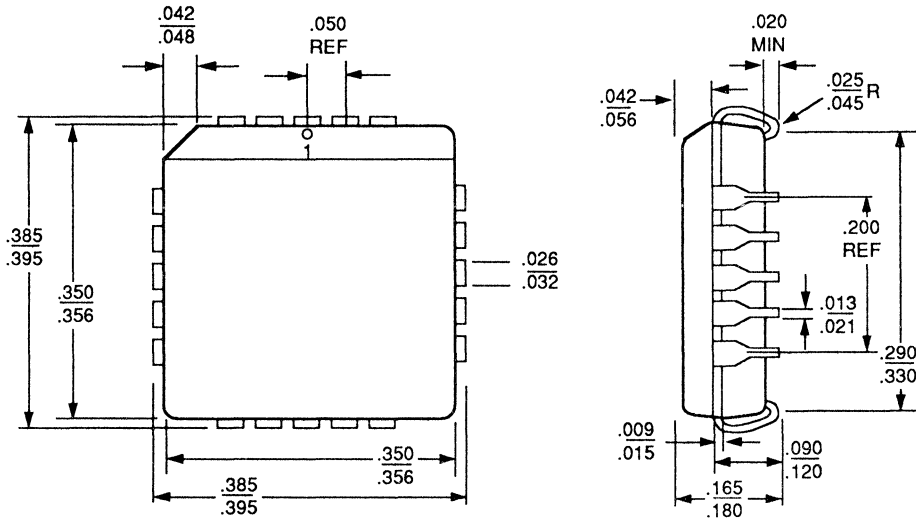
**PD3028**  
**28-Pin 300-mil Plastic SKINNYDIP**



**PD 028**  
**28-Pin Plastic DIP**

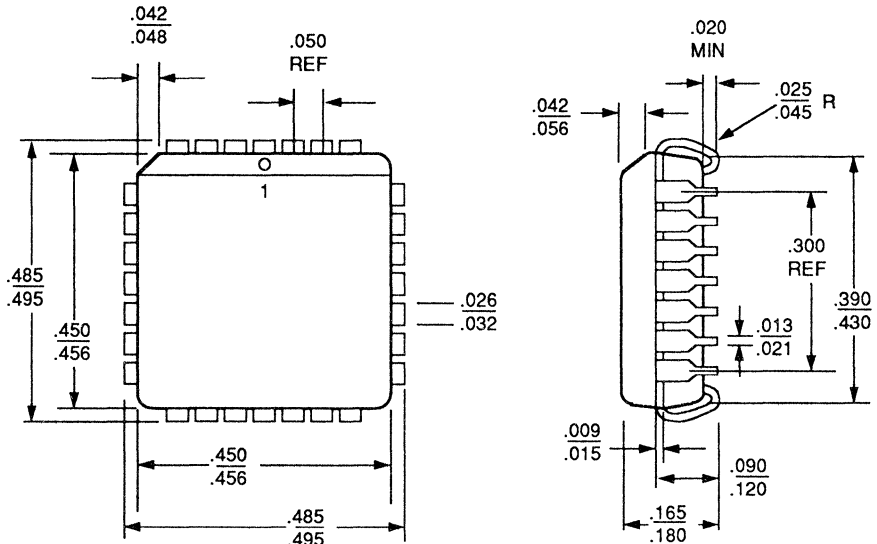


**PL 020**  
**20-Pin Plastic Leaded Chip Carrier**



06970D

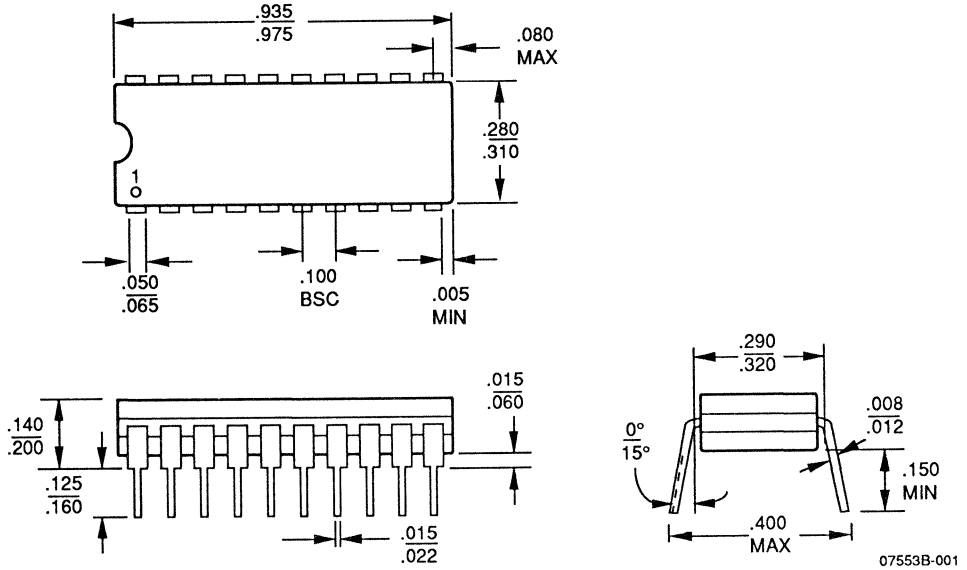
**PL 028**  
**28-Pin Plastic Leaded Chip Carrier**



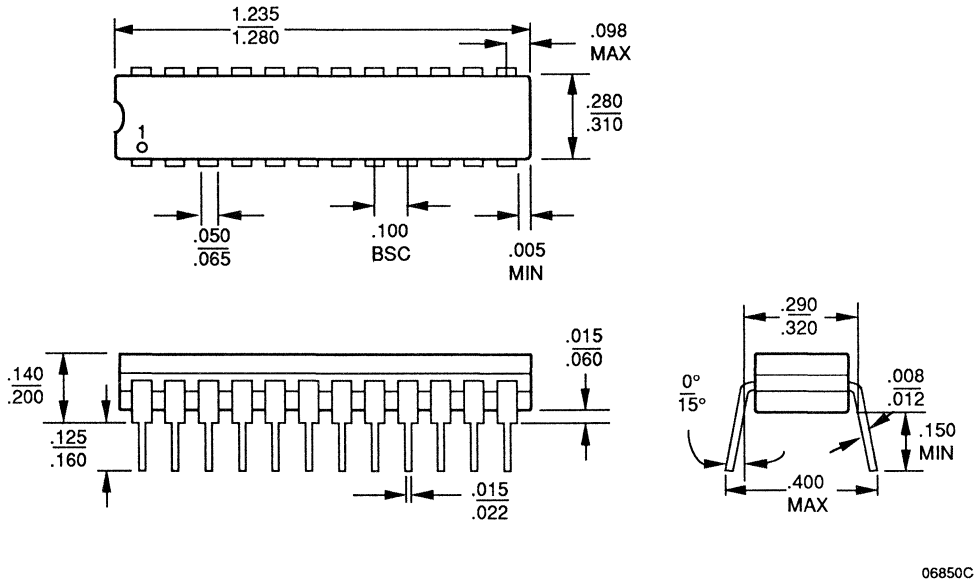
06751E

Physical Dimensions

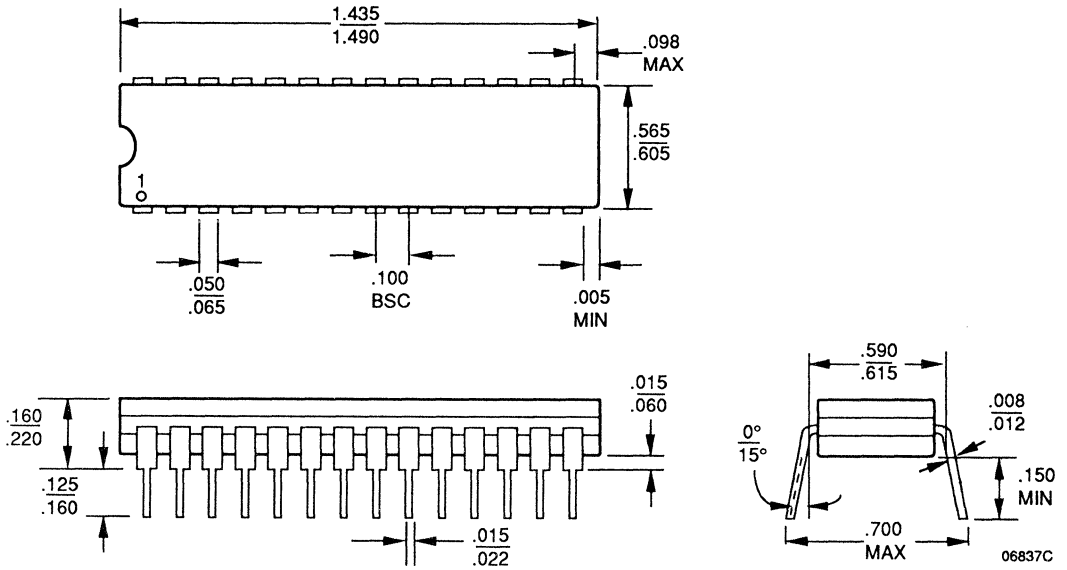
CD 020  
20-Pin Ceramic DIP



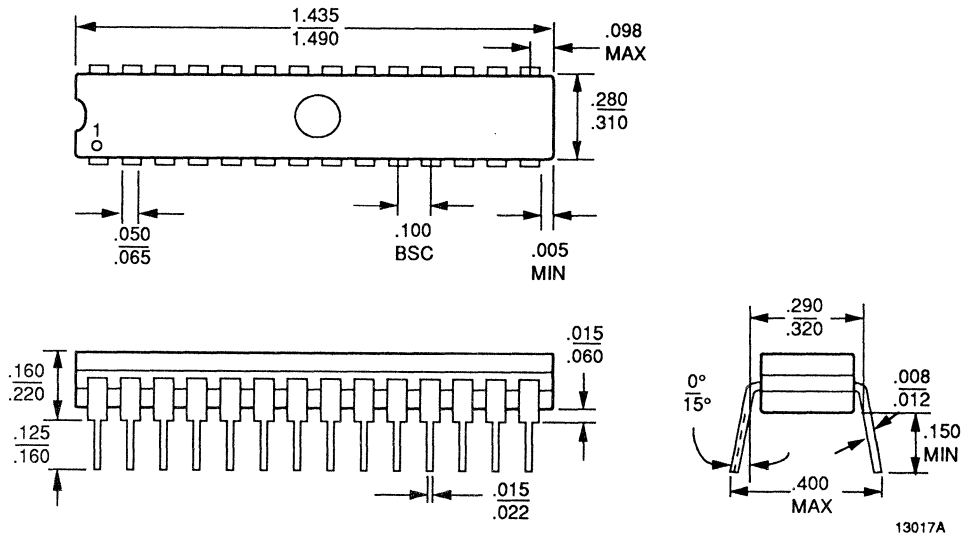
CD3024  
24-Pin 300-mil Ceramic SKINNYDIP



**CD 028**  
**28-Pin Ceramic DIP**

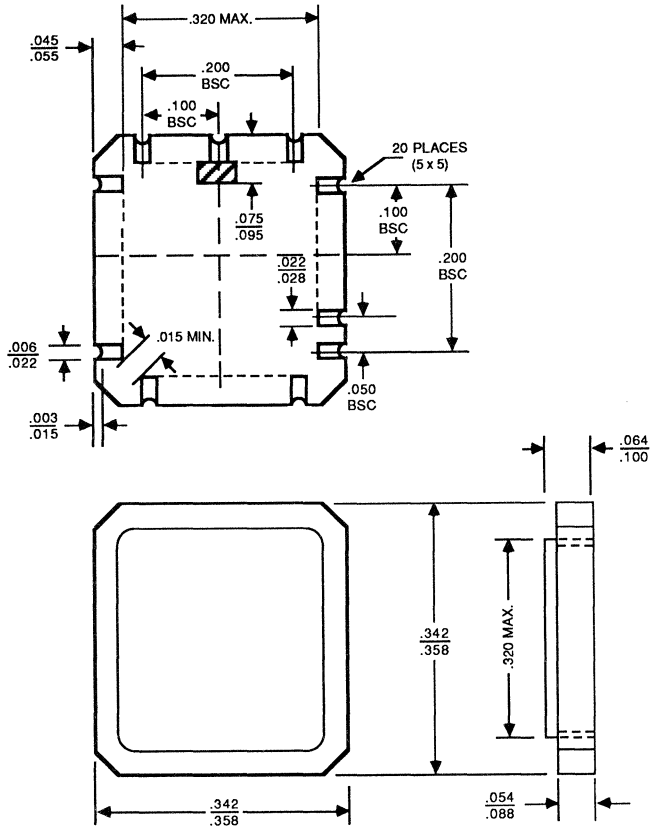


**CDE028**  
**28-Pin 300-mil Ceramic Windowed SKINNYDIP**



Physical Dimensions

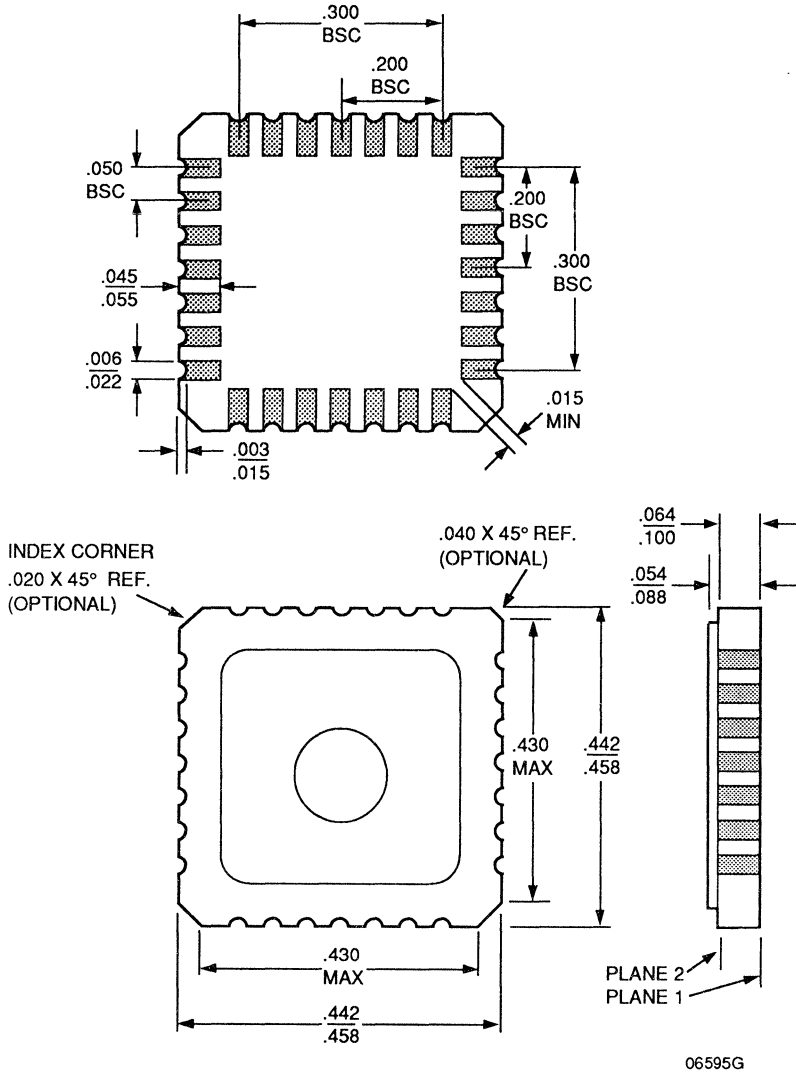
CL 020  
20-Pin Ceramic Leadless Chip Carrier



PID #07318C

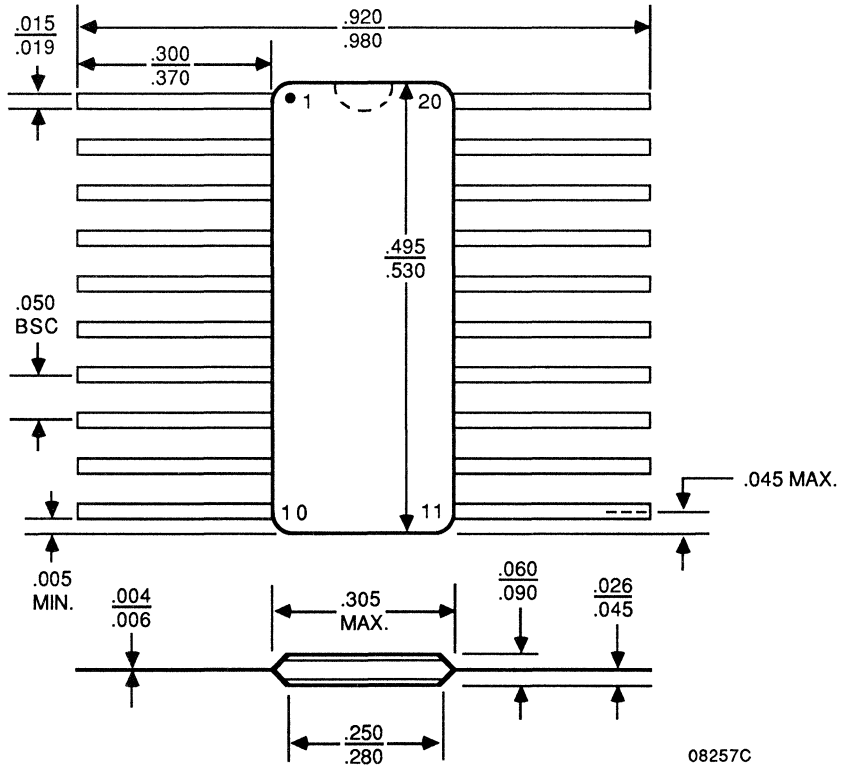
Physical Dimensions

CL 028  
28-Pin Ceramic Leadless Chip Carrier



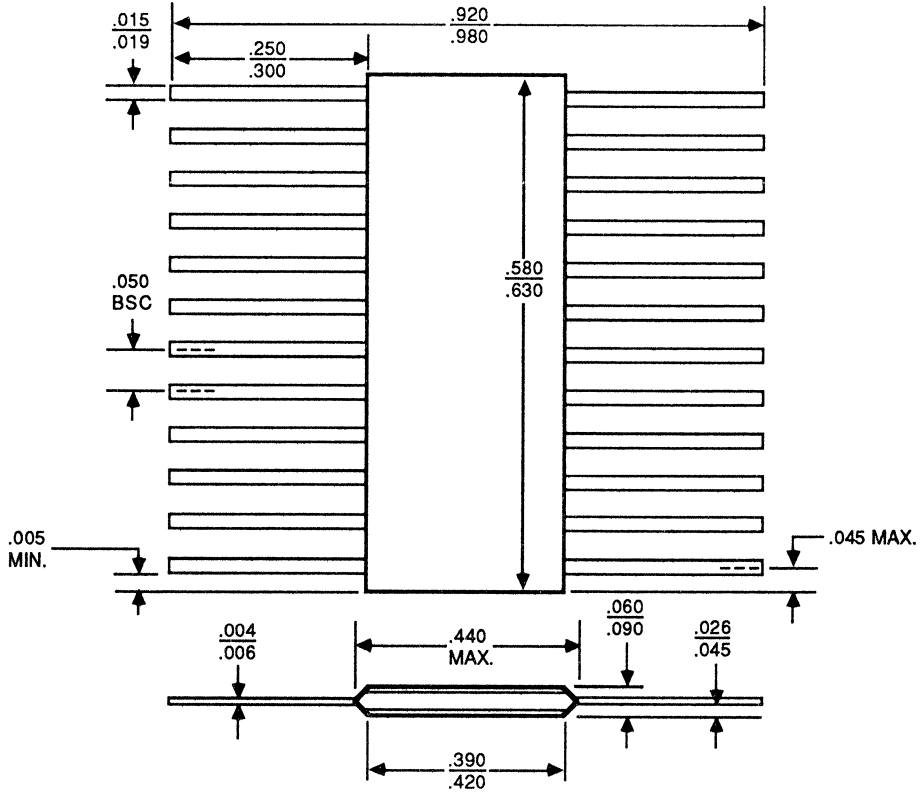
Physical Dimensions

CF 020  
20-Pin Ceramic Flatpack



Physical Dimensions

CFL024  
24-Pin Ceramic Flatpack



PID # 09675B





# Package Thermal Characteristics

## Abstract

Determination of the Thermal Resistance of Packaged Devices is of concern to the designer of new devices and to AMD customers. The Advanced Package and Material Development group has undertaken the task of characterizing current AMD products and quantifying package-related influences on Thermal Resistance. This report describes some of these effects and the technique used to measure Thermal Resistance.

## Definition of Thermal Resistance

The reliability of an integrated circuit is largely dependent on the maximum temperature which the device will attain during operation. Because the stability of a semiconductor junction declines with increasing temperature, knowledge of the thermal properties of the packaged device becomes an important factor during device design. In order to increase the operating lifetime of a given device, the junction temperatures must be minimized. This demands knowledge of the thermal resistance of the completed assembly and specification of the conditions in which the device will function properly. As devices become both smaller and more complex and the requirement for high speed operation becomes more important, heat dissipation will become an ever more critical parameter.

Thermal resistance is defined as the temperature rise per unit power dissipation above some referenced condition. The unit of measure is typically °C/watt. The relationship between junction temperature and thermal resistance is given by:

$$T_J = T_X + P_D \theta_{JX} \quad (1)$$

where:  $T_J$  = junction temperature  
 $T_X$  = reference temperature  
 $P_D$  = power dissipation  
 $\theta_{JX}$  = thermal resistance  
 $X$  = some defined test condition

In general, one of three conditions is defined for measurement of thermal resistance:

- $\theta_{JC}$  – thermal resistance measured with reference to the temperature at some specified point on the package surface.
- $\theta_{JA}$  (still air) – thermal resistance measured with respect to the temperature of a specified volume of still air.
- $\theta_{JA}$  (moving air) – thermal resistance measured with respect to the temperature of air moving at a specified velocity.

The relationship between  $\theta_{JC}$  and  $\theta_{JA}$  is

$$\theta_{JA} = \theta_{JC} + \theta_{CA}$$

where  $\theta_{CA}$  is a measure of the heat dissipation due to natural convection (still air) or forced convection (moving air) and the effect of heat radiation and mounting techniques.  $\theta_{JC}$  is dependent solely on material properties and package geometry;  $\theta_{JA}$  includes the influence of the surface area of the package and environmental conditions. Each of these definitions of thermal resistance is an attempt to simulate some manner in which the package device may be used.

The thermal resistance of a packaged device, however measured, is a summation of the thermal resistances of the individual components of the assembly. These in turn are functions of the thermal conductivity of the component materials and the geometry of the heat flow paths. Like other material properties, thermal conductivity is usually temperature dependent. For alumina and silicon, two common package materials, this dependence can amount to a 30% variation in thermal conductivity over the operating temperature range of the device. The thermal resistance of a component is given by

$$\theta = \frac{L}{K(T)A} \quad (2)$$

where:  $L$  = length of the heat flow path  
 $A$  = cross sectional area of the heat flow path  
 $K(T)$  = thermal conductivity as a function of temperature

and the overall thermal resistance of the assembly (discounting convective effects) will be:

$$\theta = \sum \theta_n = \sum \frac{L_n}{K_n A_n}$$

but since the heat flow path through a component is influenced by the materials surrounding it, determination of  $L$  and  $A$  is not always straightforward.

A second factor that affects the thermal resistance of a packaged device is the power dissipation level and, more particularly, the relationship between power level and die geometry, i.e., power distribution and power density. By rearrangement of equation 1 to

$$P_d = \frac{1}{\theta_{JX}} (T_J - T_X) = \frac{1}{\sum \theta_n} (T_J - T_X) \quad (3)$$

the relationship between  $P_d$  and  $T_J$  can be more clearly seen. Thus, to dissipate a greater quantity of heat for a given geometry,  $T_J$  must increase and, since the individual  $\theta_n$  will also increase with temperature, the increase in  $T_J$  will not be a linear function of increasing power levels.

A third factor of concern is the quality of the material interfaces. In terms of package construction, this relates

specifically to the die attach bond, and for those packages having a heatsink, the heatsink attach bond. The quality of the die attach bond will most severely influence the package thermal resistance as this is the area which first impedes the transfer of heat out of the silicon die. Indeed, it seems likely that the initial thermal response of a powered device can be directly related to the quality of the die attach bond.

### Experimental Method

The technique for measurement of thermal resistance involves the identification of a temperature-sensitive parameter on the device and monitoring this parameter while the device is powered. For bipolar integrated circuits the forward voltage of the substrate isolation diode provides a convenient parameter to measure and has the advantage of a linear dependence on temperature. MOS devices which do not have an accessible substrate diode present greater measurement difficulties and may require simulation through use of a specially designed thermal test die. Choice of the parameter to be measured must be made with some care to ensure that the results of the measurement are truly representative of the thermal state of the device being investigated. Thus measurement of the substrate isolation diode which is generally diffused across the area of the die yields a weighted average of the condition of the individual junctions across the die surface. Measurement of a more local source would yield a less generalized result.

For MOS devices, simulation is accomplished using the thermal test die. The basis for this test die is a 25 mil square cell containing an isolated diode and a 1 KΩ resistor. The resistors are interconnected from cell to cell on the wafer before it is cut into multiple arrays of the basic unit cell. In use the device is powered via the resistors with voltage or current adjusted for the proper level and the voltage drop of the individual diodes is monitored as in the case of actual devices.

Prior to the thermal resistance test, the diode voltage/temperature calibration must be determined. This is done by measuring the forward voltage at 1 mA current level at two different temperatures. The diode calibration factor is then:

$$K_f = \frac{T_2 - T_1}{V_2 - V_1} = \frac{\Delta T}{\Delta V} \tag{4}$$

in units of °C/mV. For most diodes used for this test the voltage/temperature relationship is linear and these two measurement points are sufficient to determine the calibration.

The actual thermal resistance measurement has two alternating phases: measurement and power on. The device under test is pulse powered with an ON duty cycle of 99% and a repetition rate of < 100 Hz. During the brief OFF states the device is reverse-biased with a 1 mA current and the voltage drop is measured. The series of voltage readings are averaged over short periods and compared to the voltage reading obtained before the device was first powered ON. The thermal resistance is then computed as:

$$\theta_{jx} = \frac{K_f(V_f - V_i)}{V_{H,H}} = \frac{K_f \Delta V}{P_D} \tag{5}$$

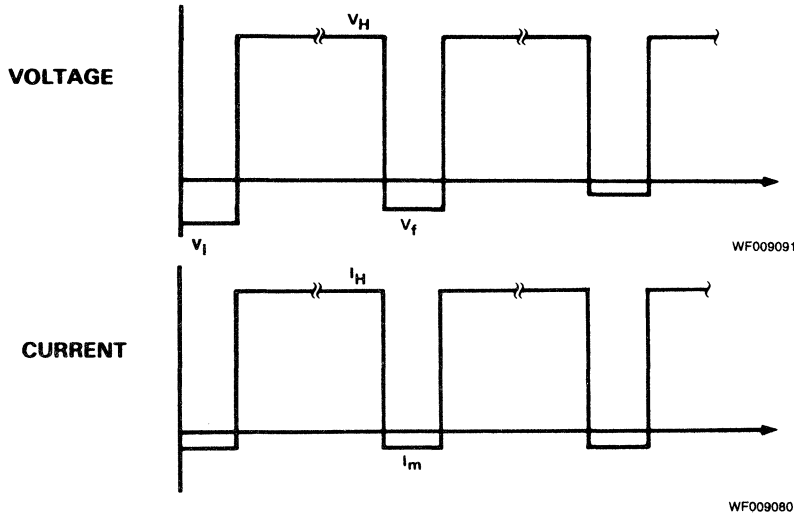
- where:  $K_f$  = calibration factor
- $V_i$  = initial forward voltage value
- $V_f$  = current forward voltage value
- $V_H$  = heating voltage
- $I_H$  = heating current

The pulsing measurement is continued until the device has reached thermal equilibrium and the final value measured is the equilibrium thermal resistance of the device under test.

When the end result desired is  $\theta_{JA}$  (still air), the device and the test fixture (typically a standard burn-in socket) are enclosed in a box containing approximately 1 cubic foot of air. For  $\theta_{JC}$  measurements the device is attached to a large metal heatsink. This ensures that the reference point on the device surface is maintained at a constant temperature. The requirements for measurement of  $\theta_{JA}$  (moving air) are rather more complex and involve the use of a small wind tunnel with capability for monitoring air pressure, temperature and velocity in the area immediately surrounding the device tested. Standardization of this last test requires much careful attention.

5

WAVEFORMS FOR PULSED THERMAL RESISTANCE TEST



WF009080

## Package Thermal Characteristics

---

### Experimental Results

The thermal resistance data included in the attached table was extrapolated from data collected using the procedure outlined in the preceding section. This data has resulted from an ongoing program undertaken by members of the Material Technology Development group.

Updated data will replace the data in this table as each device is measured or revised data becomes available.

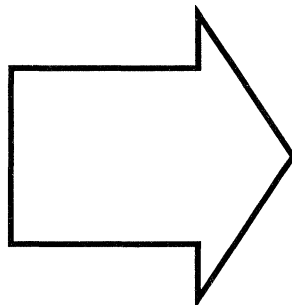
### Thermal Resistance of AMD Products

(Notes 1, 2 and 3)

Package	Pin Count	Material	Type	Device	$\theta_{JA}$	$\theta_{JC}$
PD 020	20	Plastic	DIP	Typical AmPAL23S8	61 56	30 CR
PL 020	20	Plastic	PLCC	Typical	CR	CR
CD 020	20	Ceramic	DIP	Typical AmPAL18P8 AmPAL23S8 AmPAL23S8-30	60 65 59 63	11 9 5 5
CL 020	20	Ceramic	LCC	Typical	61	CR
CFL020	20	Ceramic	Flatpack	Typical	56	CR
PD3024	24	Plastic	SKINNYDIP	Typical AmPAL22V10 PAL22V10-15	60 58 63	CR CR CR
CD3024	24	Ceramic	SKINNYDIP	Typical AmPAL22V10 PAL22V10-15	57 56 58	15 15 8
CFL024	24	Ceramic	Flatpack	Typical AmPAL22V10	85 85	9 4
PD3028	28	Plastic	SKINNYDIP	Typical	CR	CR
PD 028	28	Plastic	DIP	Typical	CR	CR
PL 028	28	Plastic	PLCC	Typical AmPAL22V10 PAL20L8A	58 60 60	CR CR CR
CDE028	28	Ceramic	Windowed SKINNYDIP	Typical	CR	CR
CD 028	28	Ceramic	DIP	Typical	CR	CR
CL 028	28	Ceramic	LCC	Typical AmPAL22V10	CR 63	CR CR

#### Notes:

1. Representative values for each package type — for information only.
2. Any given device may differ from these values. Consult local AMD sales office for specific device information.
3. CR = Consult local AMD Representative
4. DIP = Dual-In-Line Package  
LCC = Leadless Chip Carrier  
PLCC = Plastic Leaded Chip Carrier



Introduction	<b>1</b>
PAL Device Data Sheets	<b>2</b>
Sequencer Data Sheets	<b>3</b>
ECL/PGA Data Sheets	<b>4</b>
General Information	<b>5</b>
Design and Programming	<b>6</b>
Quality and Reliability	<b>7</b>
Appendices	<b>8</b>



---

## Software

Design Software for Programmable Logic .....	6-3
PALASM <sup>®</sup> 90 Software .....	6-6
Am29CPL100 Software .....	6-8
Programmable Gate Array Software .....	6-10
ABEL <sup>™</sup> and PLDlinx <sup>™</sup> .....	6-14
FutureDesigner <sup>™</sup> .....	6-22
CUPL <sup>™</sup> .....	6-25
LOG/iC <sup>™</sup> .....	6-32
PLDesigner <sup>™</sup> .....	6-41

## Programming

Programming .....	6-49
Choosing the Right Programmer .....	6-50
LabPro <sup>™</sup> Programmer .....	6-53
AmPGA081 Configuration PROM Programmer .....	6-55
Programmer Reference Guide .....	6-56
AMD LabPro Programmer .....	6-56
Adams MacDonald Enterprises .....	6-58
Data I/O .....	6-60
Digelec .....	6-63
Kontron .....	6-65
Logical Devices .....	6-67
Micropross .....	6-69
Stag Microsystems .....	6-72
TestPro <sup>™</sup> Centers .....	6-75
ProPAL <sup>™</sup> and HAL <sup>®</sup> Devices Program .....	6-78

## Testability

Testability .....	6-85
Designing Testable Combinatorial Circuits .....	6-86
Designing Testable Sequential Circuits .....	6-92
Designing Testable State Machines .....	6-97
Designing for Testability with SSR <sup>™</sup> Diagnostics .....	6-102
Using Test Vectors .....	6-107
PLDtest Plus <sup>™</sup> and PLDtest <sup>®</sup> .....	6-109
Anvil ATG <sup>™</sup> .....	6-117
Test Generator <sup>™</sup> .....	6-121

## Design Considerations

Terminating High-Speed PAL Devices .....	6-122
Ground Bounce .....	6-131
Metastability .....	6-134
Latchup .....	6-137

# Design Software for Programmable Logic

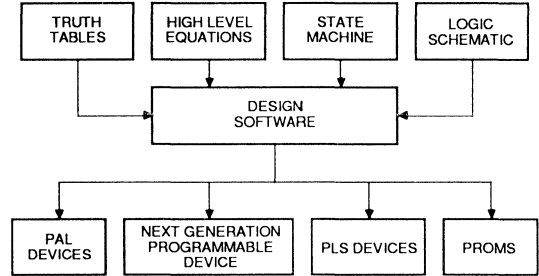


## Introduction

Programmable logic design software translates a custom logic design specification into a format which can be accepted by a programmer (Figure 1).

Programmable logic software is also an excellent tool for design simulation and documentation. Simulation assists in debugging an initial design and helps to ensure that a device will operate as intended the first time instead of requiring multiple design iterations. Documentation is essential for someone other than the original designer to understand a custom programmable logic specification.

This overview will describe the basic components of PLD design software packages, including assistance in logic simulation and testing. Several software packages are available; some are listed at the end of this overview.



602 02

Figure 2. The Compiler

In addition, the high-level description of the design provides flexibility in changing the design if so desired. A designer might initially use a particular type of PLD. Later, when fixes or enhancements are made, the design can be quickly re-compiled for the same device. If the changes require more product terms or an architectural configuration that the chosen PLD cannot support, the function can easily be placed in an alternate device. In many cases this will allow design modifications without altering printed circuit boards which may have already been manufactured.

## Logic Simulation

Most of the PLD software design tools also offer logic simulation. Logic simulation is typically performed to verify the logical design prior to programming an actual device. This may save some of the time spent trouble-shooting a programmable logic design using conventional techniques, using an oscilloscope and logic analyzer.

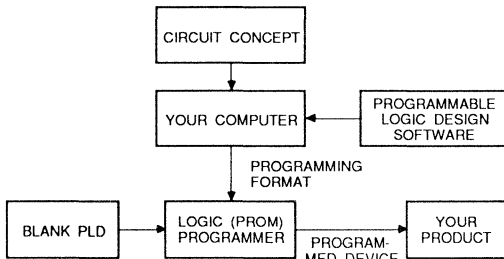
A simulation file consists of stimulus patterns applied to inputs and response patterns expected at outputs. The simulator compares each stimulus/response pattern, or vector, with the logic equations to verify that the expected response agrees with that produced according to the equations.

Not simulating may be of little consequence for simple designs, but for complex designs, especially complex sequential logic, it is well worth the time.

## Testing Programmable Logic

PLD software design tools also assist the designer in testing the PLD after it has been programmed.

Before shipping a PLD, programmability may be verified by the manufacturer by exercising the device's address and programming circuitry on redundant test sites.



602 01

Figure 1. The Programmable Logic Development Cycle

## Design Software for Programmable Logic

PLD design software lets the designer write logic descriptions at a high level, that is, at a level that accurately reflects the design concept. This type of software increases productivity while producing designs that are thoroughly documented.

The software should support all programmable logic device types, all popular logic (PROM) programmers, and a large number of popular development computers. In addition, software products offer a variety of input design formats such as state machines, high-level Boolean equations, truth tables and logic schematics.

A compiler's syntax offers a general and easy description of the desired configuration of the chosen programmable logic device.

Publication #	Rev.	Amendment	Issue Date
14087	A	/0	1/90

## Design Software for Programmable Logic

After the device has been received and programmed by the user, the logic programmer will read the states of all the fuses in the device and compare them with the data stored in the programmer's memory to check the status of the programming matrix, in its verify cycle. If any mismatches are detected, the device is rejected.

However, a correct fuse verify does not guarantee that the device will work properly, since the fixed logic of the device has not been fully tested (Figure 3). To ensure proper operation the device must be functionally tested.

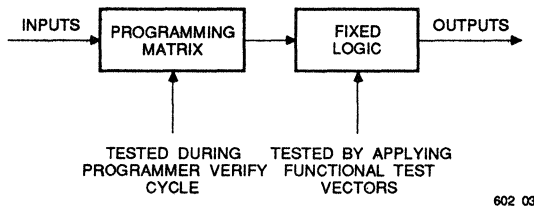


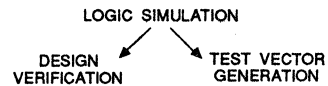
Figure 3. Programmable Logic Device Testing

Functional testing of PLDs involves applying stimulus patterns to a device while looking for the expected response. The test sequence consists of a table of stimulus/response patterns

similar to those used to perform a simulation. PLD software design tools offer the capability of generating these test vectors.

Test vectors are produced by creating a simulation input file containing stimulus/response patterns. After running the simulator to verify the integrity of the vectors, they are appended to the JEDEC down-loadable file which already contains the programming patterns for the particular target device.

We can now see that there are two distinct benefits of logic simulation in working with PLDs:



602 04

## Software Tools

Many different programmable logic design aid software programs are available. Table 1 lists some current suppliers of these design tools. Contact the indicated companies for the status of their particular product.

**Design Software for Programmable Software**

SOFTWARE	VENDOR
PALASM®90 Software (PAL and PLS devices) Am29CPL100 Software (Am29CPL151/4) PEGPDST™ (Am2971) Programmable Gate Array Software (Am2000/3000 Series)	Advanced Micro Devices Contact local sales office
ABEL™ and PLDlinx™ FutureDesigner™ PLDtest® and PLDtest Plus™ (Vector Generation)	Data I/O Corporation 10525 Willows Road N.E. P.O. Box 97046 Redmond, WA 98073-9746 (800) 247-5700 or (206) 881-6444
CUPL™	Logical Devices 1201 E. Northwest 65th Place Fort Lauderdale, FL 33309 (800) 331-7766 or (305) 491-7405
LOG/iC®	ISDATA 800 Airport Road Monterey, CA 93940 (408) 373-7359
PLDesigner®	Minc Inc. 6755 Earl Drive, Suite 200 Colorado Springs, CO 80918 (719) 590-1155
OrCAD/PLD™	OrCAD Systems Corporation 1049 S.W. Baseline Street, Suite 500 Hillsboro, OR 97123 (503) 640-9488
Anvil ATG™ (Vector Generation)	Anvil Software, Inc. 427-3 Amherst Street, Suite 391 Nashua, NH 03063 (603) 891-1995
Test Generator (Vector Generation)	ATG Associates 3415 Merrill Road Aptos, CA 95003 (408) 475-5717

**Table 1. Software Support**





## High-Performance Support Tools

PALASM 90 CAD software is an integral part of the AMD programmable logic solution. As PAL devices and other PLDs have grown more powerful and complex, our team of software engineers has added major enhancements to PALASM software. The goal is to provide timely, state-of-the-art software support for every new PAL device at market introduction. The result is software that enables you to configure a PLD quickly, easily, and effectively.

## Freedom to Express Your Designs in Different Forms

PALASM 90 software offers you increased design flexibility. You have the option of creating your design file with Boolean or State equations. The powerful PAL device design specification syntax has the advantage of being flexible enough for complex designs, without compromising ease-of-use. The basic operators INVERT, AND, OR, and EXCLUSIVE-OR can be used to describe any logic function using Boolean equations. The high-level constructs IF-THEN-ELSE and CASE have been added to the Boolean syntax, along with support of vectored expressions. The syntax for State equations is equally easy to use.

## Powerful Simulator Provides Automatic Testing

PALASM 90 software has a powerful, event-driven simulator that cuts down the margin of design error significantly. It enables simulation of the design before the chip is programmed. This means you can go back and edit the design as many times as you want without wasting a single chip. The simulator's English-like commands allow you to describe functions easily. It performs a validation of your design, and generates vectors from a test sequence that you specify. PALASM 90 software's simulation makes testing of the design an integral part of creating the design. This means that every time you insert a PAL device into the programmer, you can be sure it will be accurately programmed.

## Automatic Logic Reduction for Cost-Effective Design

PALASM 90 software gives you the option of automatically reducing your logic equations, enabling you to utilize your PAL device fully. Now you don't have to go through tedious manual reduction and DeMorganization. The software does the work for you. Reduced logic leads to cost-effective design, since less device space is used. By conserving space, design efficiency is increased, as more complex logic can be packed into the device.

## Edit Programmed Device Designs

PALASM 90 software offers you the unique ability to edit programmed device designs. Its time-saving JEDEC manipulator enables you to read a fuseplot directly from a programmed device, and disassembles the fuse information back to Boolean equations. If you wish to alter the design, you can edit the Boolean equations that the JEDEC manipulator generates.

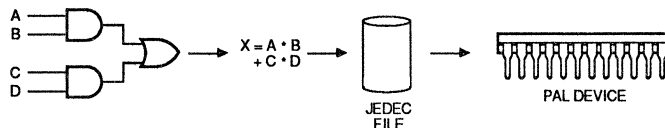
## Easy-to-Use Windowed Interface

The power of PALASM 90 software has been harnessed by a powerful new user interface. Pull-down menu options allow you to modify, assemble, and simulate your design; view any data, including simulation waveforms; and download JEDEC files to a programmer. And, all of the assembly and simulation processes can be chained together so that one command completes the entire process. Errors are flagged on-screen and in a log file for examination later. The result is a smooth, integrated design environment that allows you to design logic easily and efficiently.

## Hardware Support

PALASM 90 software is supported on the following systems:

- IBM-PC/XT/AT, PS/2, and compatibles
- VAX-VMS
- Sun workstations
- Apollo workstations



14088-001A

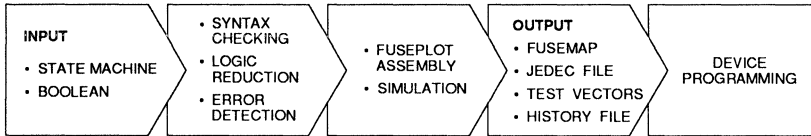
Publication #	Rev.	Amendment	Issue Date
14088	A	/0	1/90

## Documentation

PALASM 90 software is fully documented in its own User's Manual. In addition, a free hotline is provided to answer any questions you may have about the software or about AMD devices. The hotline number is (800) 222-9323.

## Design Software for PLDs

We believe that PALASM 90 software and AMD PLDs are firmly linked. From immediate device support to documentation to field service: PLD support and software support are one and the same. It is through this philosophy that PALASM software has become the world's most widely-used PLD design package, and a natural complement to AMD PLDs.



14088-002A



The Field-Programmable Controller devices (Am29CPL151 and Am29CPL154) are supported by dedicated software that takes advantage of the instruction-based nature of the devices.

ASM14X is the name of the assembler program that accepts the user's design description and creates a programming file. The SIM14X simulator can be used to verify the design before actually programming the device.

## ASSEMBLER FEATURES

The ASM14X Assembler provides high-level microprogramming support for the Am29CPL151/4 Field-Programmable Controllers. High-level language constructs such as IF-THEN-ELSE and WHILE allow the programmer to write microcode in a logical and more conversational syntax. This enhances code documentation because the microcode is expressed in a readable and easy-to-follow format.

### Assembler features include:

- Binary, octal, decimal, and hexadecimal numbers are recognized
- Jump/branch to labels
- Logic equations for control outputs
- Error detection and diagnosis
- Default test condition
- JEDEC standard fuse map output
- Symbol table output

### Statement Formats

The assembler recognizes four statement formats:

1. IF (<cond>) THEN <action> [ELSE <action>]
2. WHILE (CREG <> 0) <action> [ELSE <action>]
3. CONTINUE
4. CMP TM(<mask>) TO PL(<constant>)

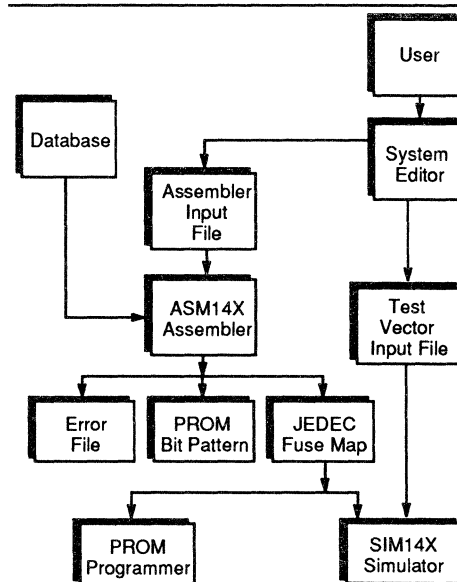
The <cond> refers to the test condition that is evaluated before performing the <action> specified in the statement. The <action> can be opcodes such as GOTO, LOAD, and CALL. See the Am29CPL151/4 data sheets for more details on instruction syntax and device operation.

## SIM14X SIMULATOR

The SIM14X simulator provides complete high-level software simulation for the Am29CPL151/4 devices. The SIM14X simulator uses a JEDEC fuse map file, generated by the ASM14X assembler, and a test-vector file as its inputs. The simulator then computes output signals and compares them against the expected output values specified in the test vector file. If any differences are detected, the simulator flags the errors by placing a "?" under the unmatched output signals.

The SIM14X simulator displays complete status information including all input pin signals, computed and expected output signals, and contents of all internal registers. You can use the interactive mode of operation to specify points in the program to stop and check operations. You can even execute another program during simulation, to run a DOS command that assists in your program development.

In addition to providing break-point and single-step capability, the SIM14X simulator allows you to preload or change all internal registers interactively. Figure 1 shows the simulator/test vector environment.



14089-001A

Figure 1. Simulator/Test Vector Environment

Publication #	Rev.	Amendment	Issue Date
14089	A	/0	1/90

## Simulator Output

Unless you choose otherwise, the simulator displays the contents of all internal registers, OPCODE mnemonics of the current OPCODE field in the pipeline register, and the source of the contents of pipeline register. Also displayed for the instruction in the pipeline register is the value of the condition being tested, whether the instruction passes or fails and T\*M, wherever applicable.

Remember that all inputs, outputs and register values displayed in an output screen are values at a rising clock edge. Each <return> in the single step mode can be thought of as a rising clock edge.

## System Requirements

You need the following hardware and software to use the Assembler and Simulator:

Hardware (minimum configuration):

- an IBM PC/XT or other PC compatible with at least 256K bytes of RAM memory
- PC-DOS Version 2.0 or higher or MS-DOS Version 2.11 or higher
- A word processor to create the assembler source file. Any word processor which produces standard ASCII output files is acceptable. For example, you can use Wordstar in non-document mode.



# Programmable Gate Array Software from AMD

Programmable Gate Arrays (PGAs) from AMD offer you higher levels of system integration with the advantages of user-programmability. AMD also provides a complete range of software packages to support PGA designs.

PGAs incorporate flexible blocks of configurable logic in a matrix fashion interfaced with a network of programmable interconnections. This network of logic blocks is surrounded by a ring of programmable I/O blocks. This unique architecture offers the capability to implement logic designs efficiently and effectively. On-chip logic allows configuration data to be loaded automatically at power-up, or the device can be reconfigured on-the-fly.

Designing with PGAs is done quickly and easily with modular software packages that run on the IBM PC. The software allows you to enter a design, automatically place and route it, and verify function and timing, all within a matter of days. Once you are satisfied with the design, the appropriate configuration data can be created to personalize the device. Configuration data can reside in an EEPROM, EPROM, or ROM on the circuit board or on a floppy or hard disk.

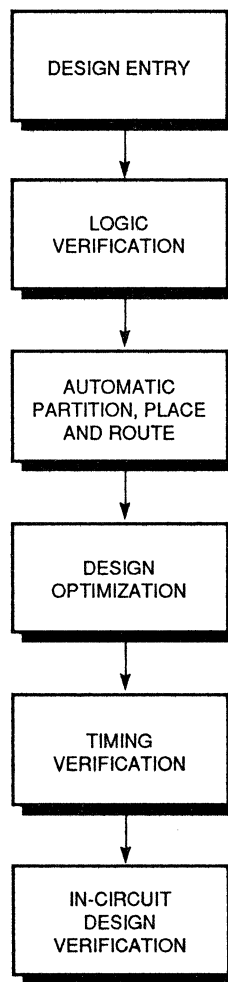
The discussion below outlines the tasks necessary to implement a PGA design. The complete range of software tools available from AMD allows you to accomplish gate array designs to 9000 equivalent gates at your desk, reducing design time, cost, and risk.

## PGA Design Cycle

Designing with PGAs is a simple process, and AMD design tools are available for every phase in the design cycle. The diagram to the right shows the six steps in designing with PGAs.

**Design entry** can be accomplished by using the OrCAD/SDT™ III Schematic Design Tools, available as part of the PGA Bundled Development System (AmPGA151). For users with other schematic capture systems already in place, AMD also offers PGA interfaces to the Mentor™ and DAISY™ workstations and to the FutureNet® Design package. In addition to the interfaces available from AMD, Valid™ workstation interfaces are available from Valid Logic Systems. In all cases, you use the PGA symbol library that is part of your schematic capture interface package.

**Logic verification** is an optional step that can be done at this point in the design cycle through the use of a logic simulator. The PGA Development System with Simulation (AmPGA251) includes the OrCAD/VST™ simulation tool. PC-SILOS™ (AmPGA022) is also available from AMD for simulation. Simulation capabilities are also available from supported CAE systems.



PGA Design Flow

**Automatic partitioning, place and route** is performed by the Automatic Design Implementation (ADI) software, included in each of the bundled development systems. Unused and redundant logic is eliminated and the design is partitioned into PGA resources (logic and I/O blocks). Automatic reduction and partitioning allows designers to immediately determine the PGA size required, during design definition and entry. During the automatic place and route phase of design, users can define timing constraints through critical nets and automatically place and route the total design.

**Design optimization** can be done either by returning to your schematic capture software or through the use of the PGA Design Editor. With the design editor, you can perform such tasks as moving blocks, rerouting nets and adding or deleting logic. A timing calculator, part of the design editor, permits point-to-point timing determinations for critical path analysis.

**Timing verification** is an optional step that can be done once the design has been placed and routed to your satisfaction.

**In-circuit design verification** is done in one of three ways. An in-circuit emulator is available to simulate the circuit (AmPGA028). In addition, during design debug, designers can save time by using the download cable to transfer the configuration program from the PC directly into a PGA under development. Once the design is complete, a PROM file is created to be loaded into a PROM via a PROM programmer.

You iterate these steps until your design is correct. You can quickly correct design errors by making changes in your original design and repeating the subsequent steps. Even if you detect an error during in-circuit design verification, you can make corrections quickly and easily.

### PGA Bundled Development System with Simulation (AmPGA251)

The PGA Bundled Development System offers complete capabilities for the implementation of a Programmable Gate Array design. Packaged together are the OrCAD/SdT III Schematic Design Tools, OrCAD/VST Verification and Simulation Tools, Automatic Design Implementation, and the PGA Development System.

Each part of a bundled PGA system is designed to perform one of the PGA design tasks described above. Below is a summary of the features of each of the components of AMD's bundled PGA software.

#### OrCAD Schematic Design Tools

OrCAD/SdT III is a complete schematic package, designed to place Computer Aided Engineering power at the desk of every engineer. Easy to use menu driven commands make it possible to create, edit, save, and print design schematics. The graphical editing capabilities allow single objects or groups of objects to be easily moved, replicated, or deleted. OrCAD/SdT III can store over 100 individual macros, each executed with a single keystroke.

Designs can be entered hierarchically to manage the complexity of large designs. Designers can flag critical timing paths to ensure that critical signals are routed with minimum delay. A wide range of graphics boards are supported, with an extensive selection of printers and plotters for output.

In addition to the OrCAD/SdT III software, all bundled systems contain the interface necessary to design for PGAs, and the PGA macro library of almost 300 TTL and SSI/MSI standard family equivalents.

#### OrCAD Verification and Simulation Tools

OrCAD/VST is a full-featured, 12-state, event-driven logic simulator, capable of handling designs of 14,000 gates at an evaluation speed of 10,000 events per second, and can simulate more than 2 billion time units. The package integrates a stimulus generator, design linker, and design compiler into a simulation environment. A netlist is all that is required to get started. The link and compile steps are automatically performed, and the stimulus is defined within an integrated pop-up editor, enabling you to initialize signals, generate any kind of clock signal, and perform test vector definition.

Definition of signals that are to be traced or displayed is performed by the Trace Editor. Displays can be defined as signals or buses. Buses can be displayed as binary, octal, decimal or hexadecimal. OrCAD/VST's logic analyzer style format simplifies data analysis. Signals and bus values are easily viewed, displayed as a window into the trace buffer. Four zoom levels enable you to magnify the traces. Up to three markers may be placed on the screen to measure time intervals quickly.

In addition to the OrCAD/VST software, all bundled systems contain the interface necessary to use Simulation and Verification with PGAs, and the PGA macro library of almost 300 TTL and SSI/MSI standard family equivalents.

#### Automatic Design Implementation

The Automatic Design Implementation package enhances the productivity of designers using PGAs by reducing design placement and routing time, and at the same time, maintaining flexibility. Designs that are developed incrementally can take advantage of automatic placement and routing by locking partial PGA layouts in place while automatically placing and routing design additions.

The automatic placement and routing program is extremely flexible. Through placement directives, the user can control the placement process to achieve the best arrangement for a particular design. Routing resources can be specified to minimize clock skews and signal delays for critical paths. The result is faster product development.

#### PGA Design System

The PGA Development System provides users with a complete design and development system for specification and implementation of designs using PGAs. Functional definition of configurable logic blocks (CLBs), input/output blocks (IOBs), and interconnections is performed with a menu-driven interactive graphics editor. Functions are specified by CLB and IOB definitions plus their interconnections. The macro library and user-defined macros enable the user to easily implement complex functions. The check for logic connectivity and design rule violation is easily performed. All unused internal nodes are automatically configured to minimize power dissipation.

Interactive point-to-point timing delay calculation is provided for timing analysis and critical path determination. This ability enables the user to quickly identify and correct timing problems while the design is in progress.



## Programmable Gate Array Software from AMD

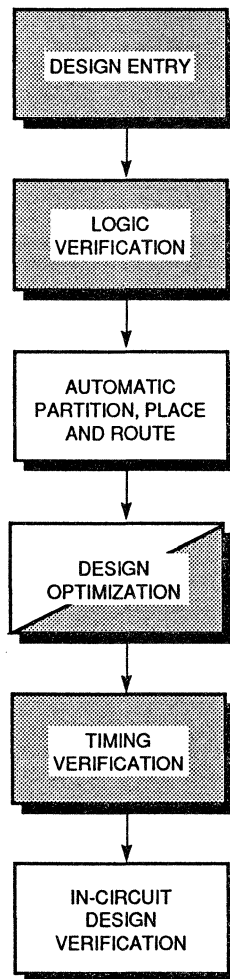
A bundled development system without simulation (AmPGA151) is also available. Each piece of a bundled system may also be purchased individually. In addition, for those users who already have OrCAD software, a package containing only the PGA interface and library provides the necessary components to produce PGA designs using OrCAD tools (AmPGA035 and AmPGA045).

### Workstation Support

With the AmPGA151 and AmPGA251 bundled development packages, AMD provides a complete, PC-based environment in which to design for PGAs. However, support is also available

for a variety of CAE workstation products. In using one of these workstations, you move from the workstation environment to the PC environment and back, depending on the task. Below, in the diagram of the PGA design tasks, the shaded boxes represent tasks performed on the workstation and the white boxes denote PC-based tasks.

Currently, AMD supports workstations from Daisy/Cadnetix, Inc. and Mentor Graphics Corporation. A package is available from AMD for each of these systems, containing the PGA interface and library necessary to design for PGAs. In addition, the PGA interface and library for Valid EDA Systems is available from Valid Logic Systems.



PGA Design Flow

### **Daisy Schematic Capture and Simulation Interfaces (AmPGA133)**

The Daisy interfaces from AMD allow the Daisy workstation user to enter a PGA design. It includes the following features:

- Full support of timing verification through back-annotation to the CLB or gate level
- Macro library of over 100 TTL and standard logic family equivalents
- User control of flagging critical paths
- Use of familiar Daisy design entry methodology
- Output compatibility with PGA Development Software
- Hardware, software support

Hardware platforms:

- IBM PC-AT™
- Daisy

Software:

- DNIX Operating System
- ACE™/DED graphic schematic editors
- DLS™ Logic Simulator
- PGA library

### **Mentor Schematic Capture and Simulation Interfaces (AmPGA134)**

The Mentor interfaces from AMD allow the Mentor workstation user to enter a PGA design. It includes the following features:

- Full support of timing verification through back-annotation to the CLB or gate level
- Use of familiar Mentor design entry methodology
- Macro library of over 100 TTL and standard logic family equivalents
- User control of flagging critical paths
- Output compatibility with PGA Development Software
- Hardware, software support

Hardware:

- All Apollo platforms

Software:

- Apollo Aegis Operating System
- IDEA Applications
- NETED™ Schematic Editor
- QuickSIM™ Logic Simulator

### **Valid Schematic Capture and Simulation Interfaces**

The Valid/PGA interfaces from Valid Logic Systems allow the Valid EDA Systems user to enter a PGA design. It includes the following features:

- Full support of timing verification through back-annotation to the CLB level
- Use of familiar Valid design entry methodology
- Macro library of over 100 TTL and standard logic family equivalents
- Output compatibility with PGA Development Software
- Hardware, software support

Hardware:

- Sun
- Digital
- IBM PC-AT
- Valid

Software:

- ValidGED™ Graphics Editor
- ValidSIM™ Interactive Logic Simulator
- ValidTIME™ Timing Verifier

For more information about the Valid/PGA interface, contact

Valid Logic Systems  
2820 Orchard Parkway  
San Jose, California 95134  
(408) 945-9400

Valid International  
Valid House  
39 Windsor Road  
Slough Berkshire  
SL1 2EE England  
44 (75) 382 0101

Nihon Valid Logic Systems Co., Ltd.  
Tokyo Building  
2-16-8 Minami-Ikebukuro  
Toshima-Ku, Tokyo 171, Japan  
81 3 980 6421





Data I/O offers PLDIInx and ABEL (Advanced Boolean Expression Language); two design tools used to convert high-level design descriptions into optimized PLD implementations. The output of these tools is the JEDEC file (Standard 3A) used in all PLD programmer technology. The JEDEC file, which contains the fusemap (lists of binary values) that reflects the design to be implemented into the target PLD, does not have a format that is practical for describing the design. However, both PLDIInx and ABEL offer practical methods for describing designs to be implemented into one or more PLDs. PLDIInx provides for design entry through schematic diagrams and supporting text, and creates a source file that is passed to ABEL. ABEL also allows design entry, but through equations, state diagrams, and truth tables. In addition, ABEL provides design optimization through logic reduction, and allows simulation and testing of the design before generating the JEDEC file.

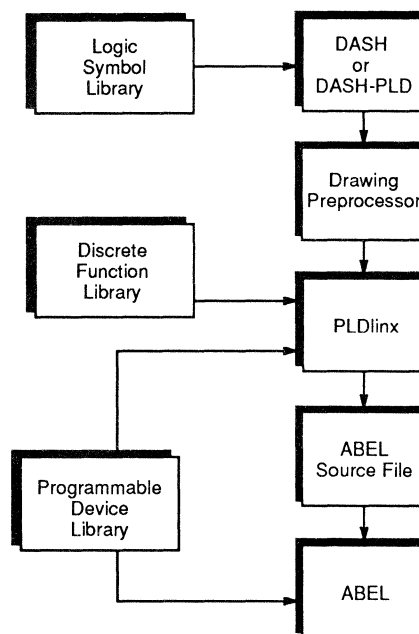
### PLDIInx

The main function of PLDIInx is to process a design that is expressed as a schematic diagram to a form that is an acceptable source file for ABEL. To do this, PLDIInx translates the connectivity data produced from the schematic into Boolean equations that are correctly formatted for input to ABEL. The schematic diagram is drawn using the FutureNet® DASH™ Schematic Entry System (or DASH-PLD, a low-cost PLD-only version of DASH) and its logic symbol library. The resultant drawing file is then processed for application to PLDIInx as indicated in the flow diagram of Figure 1. Generic logic devices, and a subset of TTL devices, are expressed in a discrete function library of Boolean equations that is accessed by PLDIInx. Device descriptions can be added to the library at any time to include new and special devices. The discrete function library, in conjunction with the file produced by the drawing preprocessor, provides PLDIInx with all the information necessary to create Boolean equations that reflect the design. These equations can then be used by ABEL to develop the JEDEC file for the PLD programmer. A second library, containing descriptions of each PLD supported by PLDIInx, is used to verify input and output pin assignments, and to verify that the design is compatible with the chosen programmable logic device.

### Hierarchical Designs

PLDIInx allows you to express designs in a hierarchical manner where designs are drawn as modular design

functions by means of functional block symbols. Modularizing a design by function simplifies design management and reduces processing time when design changes occur. A hierarchical drawing method also allows you to use (include) some common logic functions in your design without the need to draw them repeatedly. In the following example, for instance, a logic function, such as a four-bit counter, or a T-type flip-flop, is entered once and then simply included in the next higher drawing in the hierarchy.



**Figure 1. PLDIInx processes a design that is expressed as a schematic diagram to a form that is used as a source file for input to ABEL.**

An example of a hierarchical design is shown in Figure 2. This illustration shows a top level schematic for a simple 12-bit counter made up of three identical four-bit counters, and that resets to zero when a count of 3456 (decimal) is reached. The four-bit counters are represented by three identical functional blocks named CNT4T that show no internal circuit details, but only inputs, outputs, and interconnections. A declaration box lists the include box named cnt14.inc so that PLDIInx will process the equations and test vectors listed in that box.

Publication #	Rev.	Amendment	Issue Date
14091	A	/0	1/90

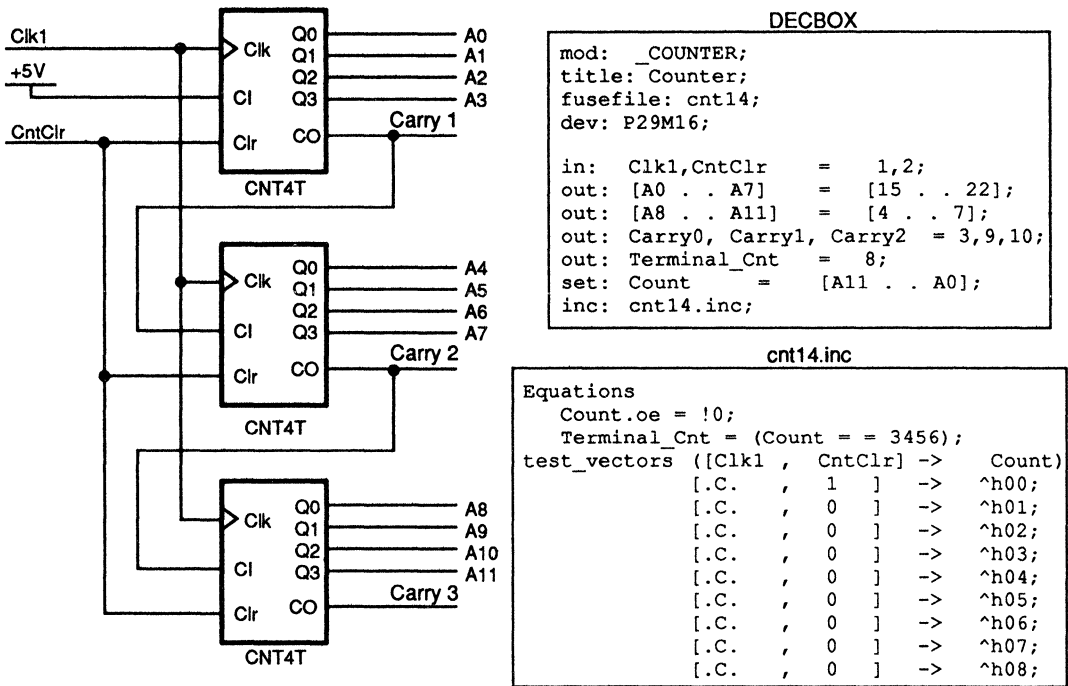


Figure 2. A 12-bit counter consisting of functional blocks and declaration text

The second equation

$$\text{Terminal\_Cnt} = (\text{Count} == 3456)$$

causes the counter to reset to zero at count 3456; otherwise the counter would achieve a count of 4095.

Figure 3 shows the next lower-level drawing. This drawing shows that each of the four-bit counters is made up of four T-type flip-flop functional blocks named TFFR\_D and connected together in a serial fashion. Figure 4 shows the internals of each functional block that represents a T-type flip-flop. The T-type flip-flop is created from the commonly found D-type flip-flop, with feedback connected through an XOR gate. This simple example shows how basic circuit elements can be implemented in functional blocks and then used at a next higher level, which in turn can be implemented into "larger" functional blocks, and so on.

### Mixing Text And Graphics

Figure 2 also shows how PLDlinx can process drawings that describe the design description in both graphics and text form. That is, text and graphics are used to express different aspects of the design, depending on which form is the more suitable when entering the de-

sign by means of the schematic entry system. In the example 12-bit counter that resets at a count of 3456, it is relatively easy to enter the major portion of the design using functional blocks and discrete elements, but not trivial to enter the necessary reset gating to achieve a reset at 3456. The ability to mix text and graphics in the drawings, and have PLDlinx supply the pertinent equations, allows the use of a text entry to declare the full count value of the counter instead of having to enter it graphically on the schematic. This method of declaring the counter using a mixture of graphics and text greatly simplifies the task of entering the design.

All drawings to be processed by PLDlinx contain a declaration box that names the design, the target device, input pin names, output pin names, etc. Text that describes the actual design is also placed in the declaration box, or in an "include" box which is then declared in the declaration box. For example, Figure 2 contains the declaration box named DECBOX which identifies the design and defines the inputs and outputs of the counter, the target device type, and the name of the design. DECBOX also lists the include box named cnt14.inc so that PLDlinx includes the equations and test vectors contained in this box in the ABEL source file.

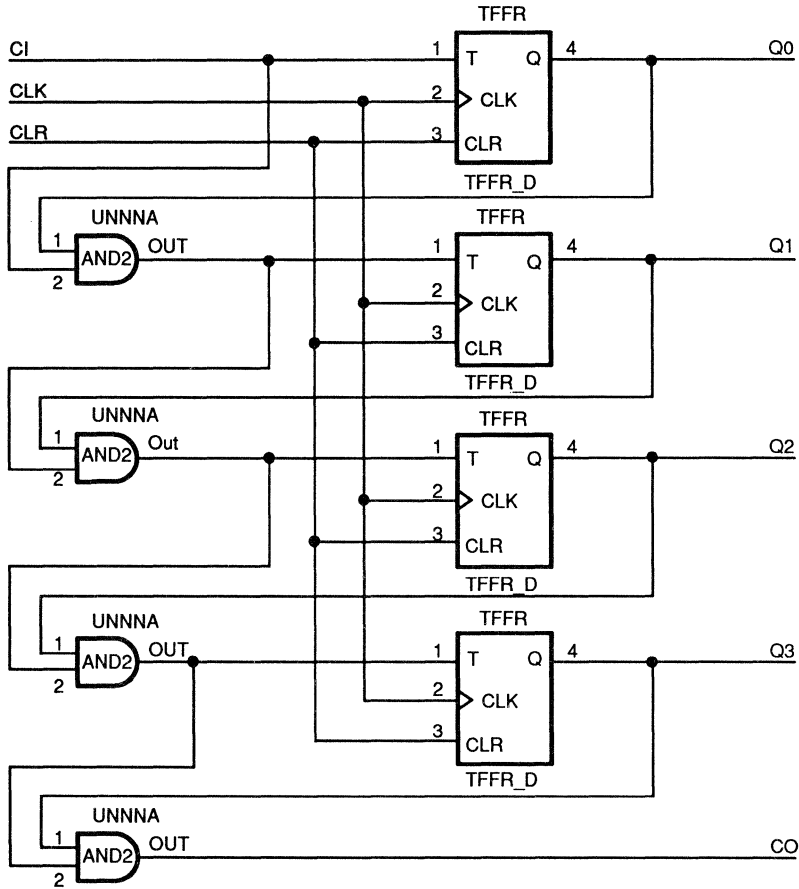


Figure 3. Each four-bit counter is made up of T-type flip-flops

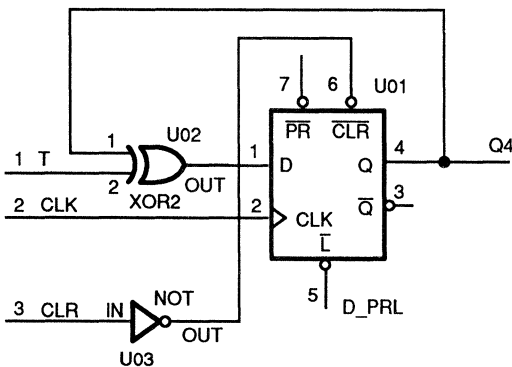


Figure 4. A D-type flip-flop performs T-type functions when the input is fed back through an XOR function

### Partitioning Discrete Logic Into a PLD

PLDlinx can also be used to extract a portion of an existing schematic and place that logic in one or more PLDs. Figure 5 shows a 6809 microprocessor with control ROM, dynamic RAM, I/O decoding, and refresh logic. The non-shaded portion of the schematic shows the I/O and refresh logic which are to be placed in a single 16L8. By adding the following declaration box (Figure 6) to the schematic, the desired portion of the schematic is declared for processing by PLDlinx. The declaration box partitions the schematic by naming the target device and the input/output/bidirectional pin names and numbers. The declaration box also contains the name of a test vector file (decoder.vec) that will be used to test the design later in the simulation stage. When PLDlinx processes the 6809 schematic, it places only the declared portion of the drawing in the source file that will be passed to ABEL.

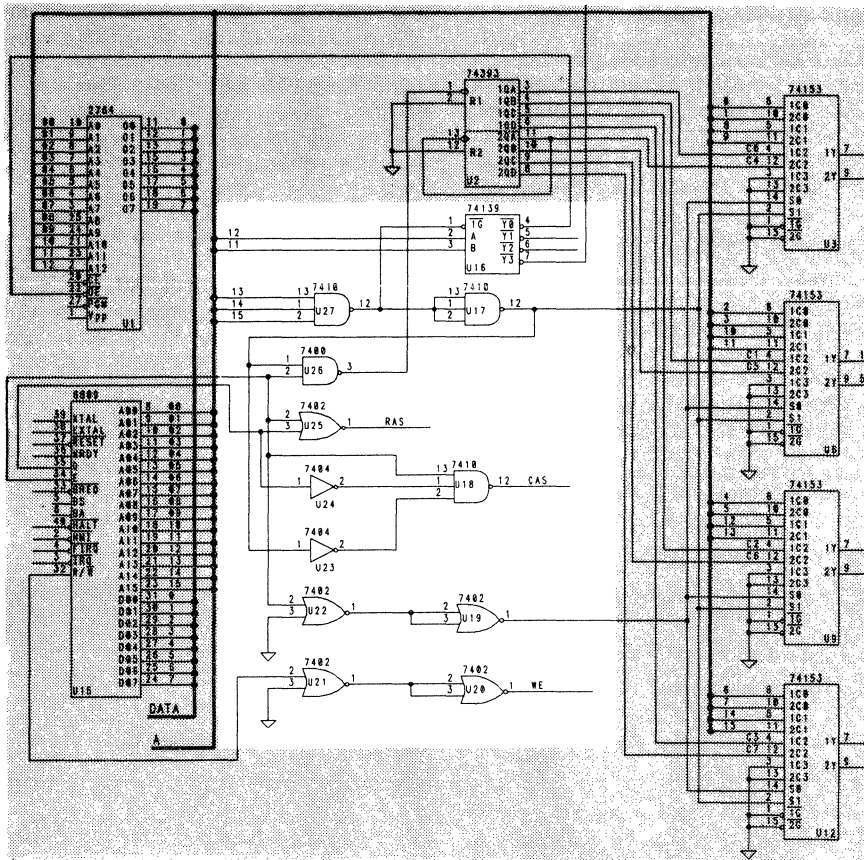


Figure 5. The unshaded I/O and refresh logic can be partitioned into a single PLD

DECBOX02

```

mod: decoder;
title: 6809 microprocessor system;
fusefile: u09;
dev: p1618;
in: [A15..A10] = [1..6];
in: RW,E,Q = 7,8,9;
out: IO = 15;
out: ROM1 = 14;
out: COUNT = 12;
out: BE,CAS,RAS,WE = 13,17,18,19;
bid: DRAM = 16;
inc: decoder. vec;
    
```

U02

Figure 6. This declaration box defines that part of the overall schematic to be implemented in the 16L8 device

### ABEL

ABEL (Advanced Boolean Expression Language) is a complete logic design tool for PAL devices, FPLAs, PROMs, FPLSs, etc., supporting over 200 different architectures, which translates to over 10,000 devices. ABEL incorporates a high-level design language and a set of programs that process logic designs to give correct and efficient designs that can be implemented in a wide variety of logic devices. Designs processed by ABEL are output in JEDEC file format, suitable for downloading to logic device programmers. ABEL will also read JEDEC files and convert them to design source files in its own format. This feature is useful in cases where a JEDEC file already exists for a design to be modified or built upon, and no ABEL source file exists.

## How Designs Are Expressed

The ABEL design language allows the use of design structures that are familiar to designers; high-level equations, Boolean equations, state diagrams, and truth tables. The designer can choose any of these structures or combine them to describe a design. Macros and directives are also available for complex designs.

Design processing by ABEL includes source file syntax checking, automatic logic reduction, automatic design simulation, verification that a design can be implemented in a chosen device, and automatic generation of design documentation. The source file, written as an ASCII file, or generated by PLDInx, can be edited by means of any text editor that produces ASCII files. The source file can also contain test vectors, or name a separate file of vectors to be "included", for simulation of

the design. To perform simulation in a variety of programmable devices, ABEL constructs a software model of the PLD using the fuse information calculated from the reduced logic equations and detailed information about the specific PLD. If a design is too large for a single programmable device, you can use ABEL to split the design into multiple PLDs.

### "COUNT = COUNT + 1" Is Not a Boolean Equation

Figure 7 shows a portion of an ABEL source file that describes part of a design with Boolean equations. Figure 8 shows a portion of the same design expressed with a state machine, while Figure 9 shows a portion described with a truth table. The high-level equation feature of ABEL is shown in Figure 10, a design for a 16-bit counter, where the counter operation is defined by a single non-Boolean equation "count = count+1."

```

equations in muxadd

Score      := Score $ Data $ CarryIn;

CarryOut = Data & Score # (Data # Score) & CarryIn;

is_Ace    = (Card == 1);

Score.RE  = !Clr;
    
```

Figure 7. Expressing a portion of a design with Boolean equations

```

state_diagram in bjack Qstate
State Clear:      Ace      := Low;
                  goto ShowHit;

State ShowHit:    Ace      := Ace;
                  if (CardIn==Low) then AddCard else ShowHit;

State AddCard:    Ace      := Ace;
                  if (is_Ace & !Ace) then Add_10 else Wait;

State Add_10:     Ace      := High;
                  goto Wait;

State Wait:       Ace      := Ace;
                  if (CardOut==Low) then Test_17 else Wait;

State Test_17:    Ace      := Ace;
                  if Hit then ShowHit else Test_22;

State Test_22:    Ace      :=Ace;
                  case !Bust          :ShowStand;
                    Bust & !Ace       :ShowBust;
                    Bust & Ace        :Sub_10;
                  endcase;

State Sub_10:     Ace      := Low;
                  goto Test_17;

State ShowBust:   Ace      := Ace;
                  goto ShowBust;      "Loop until reset

State ShowStand: Ace      := Ace;
                  goto ShowStand;    "Loop until reset
    
```

Figure 8. Expressing a design with a state machine

```

" Digit separation macros
  binary          = 0;           "scratch variable
  clear macro (a) {@const ?a=0};
  inc macro (a) {@const ?a=?a+1;};

truth_table in binbcd
  ( Score -> [BCD2,BCD1])
  clear(binary);
  @repeat 32 {
    binary -> [binary/10,binary%10]; inc(binary);}

truth table in binbcd
  ( Score -> [BCD2,BCD1])
  0 -> [ 0 , 0 ];
  1 -> [ 0 , 1 ];
  2 -> [ 0 , 2 ];
  3 -> [ 0 , 3 ];
  4 -> [ 0 , 4 ];
  5 -> [ 0 , 5 ];
  6 -> [ 0 , 6 ];
  7 -> [ 0 , 7 ];
  8 -> [ 0 , 8 ];
  9 -> [ 0 , 9 ];
  10 -> [ 1 , 0 ];
  11 -> [ 1 , 1 ];
  12 -> [ 1 , 2 ];
      .
      .
      .
  29 -> [ 2 , 9 ];
  30 -> [ 3 , 0 ];
  31 -> [ 3 , 1 ];

```

Figure 9. Expressing a design with a truth table. The upper truth table uses macros and repeat directives to produce the "long-hand" truth table shown in lower portion of the illustration

```

module _cnt16eq

title '4-bit binary counter using equations
Data I/O Corp. 11 Jan 1989'

  cnt16eq device 'P16R8';

"Pins
  Clk,Clr,OE      pin 1, 2,11;
  Q3,Q2,Q1,Q0    pin 14,15,16,17;

"Sets
  Count          = [Q3..Q0];

"Constants for test vectors
  H,L,C,X,Z      = 1, 0, .C., .X., .Z.;

Equations
  Count := (Count + 1) & Clr;

```

Figure 10. An ABEL source file containing a high-level equation to express the operation of a counter

### Automatic Polarity Selection

ABEL provides automatic polarity selection to accommodate devices having programmable polarity. When designing with one or more of these as the target device(s), such as the 22V10, ABEL will try to reduce the design using both polarities, and then use the polarity that results in the fewer number of product terms.

### Automatic Fitting in XOR Devices

When designing with one or more XOR devices, ABEL will form new equations as necessary to accommodate these devices. For example, the equation !Q = !A \$ !B # IC # !D (where ! = not, \$ = XOR, and # = OR) can be implemented in a 32VX10, but will not fit in a 20X8, since the latter device can only exclusive-OR two product terms with two product terms. When given a Boolean equation that contains more than the allowable XOR product terms, ABEL alters the equation to fit the target

device. In this example, ABEL provides the equation !Q = A \$ B & C & D (where & = AND), which can be implemented in the 20X8.

### Viewing Internal Activity of the Design

ABEL also incorporates a "trace" feature that allows you to examine activity within the device. During simulation of the design, ABEL can be made to display a "graphic" representation of the logic levels occurring at various points within the macrocell of the chosen target device, as well as at external pins of the device. This visibility into the internal nodes of the device allows ABEL to serve as a macrocell debugger, displaying the logic levels within the macrocells for given input stimulus to the device. The display provided during this phase of ABEL operation is shown in Figure 11, which indicates the logic levels at the register inputs/outputs at specific times during operation of the design.

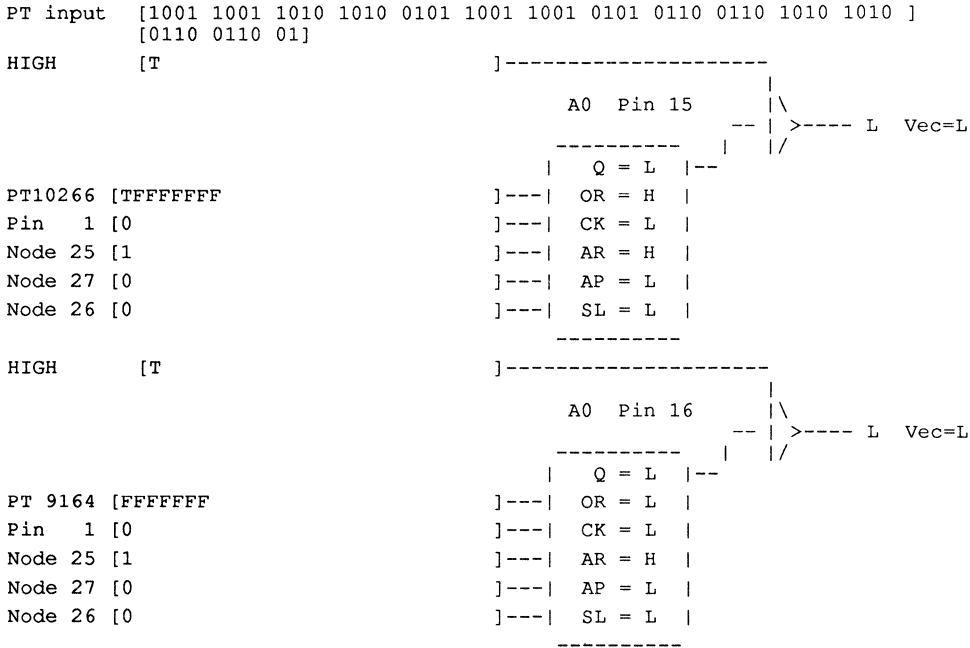


Figure 11. A built-in macrocell debugger provides visibility into the state of the nodes of each macrocell during design simulation (portion of a 29M16 shown)

## The ABEL User Interface

The user interface for ABEL can be either command line oriented or menu driven if the features of Data I/O's Personal Silicon Foundry are used. The graphical interface provided by Personal Silicon Foundry allows you to work with various tools that comprise a complete design

system. PLDlinx and various operating modules of the ABEL package are easily selected on the opening menu shown in Figure 12. PLDlinx is invoked by selecting "Schematic Translation" on the menu, while the different ABEL functions are chosen by means of the "Logic Synthesis" and "Text Editing" (a text editor to create and edit ABEL source files) selections.

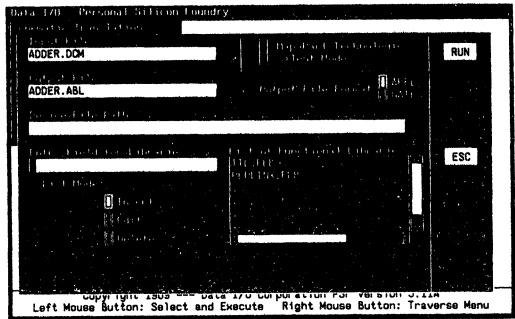
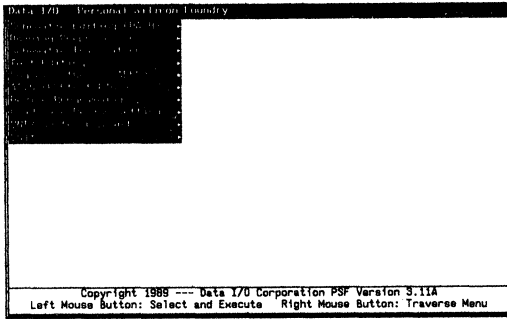


Figure 12. Personal Silicon Foundry Opening and Schematic Translation menus

For more information, contact:  
Data I/O Corporation  
(800) 247-5700 or (206) 881-6444



## FutureDesigner

FutureDesigner from Data I/O is an integrated design entry system which combines industry standard schematic capture, behavioral design entry, and logic synthesis capabilities. FutureDesigner allows the digital design engineer to use any combination of equations, truth tables or state diagrams to describe a design, independent of the target PLD or FPGA. Logic synthesis technology is used to automatically convert the high-level behavioral design description into the proper structural representation for multiple PLD and FPGA implementation.

FutureDesigner includes an interactive user interface, allowing entry errors to be caught immediately. Once a design is entered, it can be quickly verified, thus ensuring that design errors are caught up front. After design verification, reduction and factoring can be automatically performed to produce the most efficient design. Partitioning can also be employed to support multiple PLD or FPGA applications. As output, FutureDesigner produces design documentation and industry standard files for device implementation.

## How A FutureDesigner Design Is Entered

Within FutureDesigner, designs can be entered either structurally with schematics, or behaviorally using equations. Structural descriptions can consist of any collection of generic gates and flip-flops, or any off-the-shelf part that has a Boolean equivalent, including most 7400 series TTL parts. Complex features like partitioning, layered text, and hierarchical design entry are all supported. Design Processing is performed automatically by tracing circuit paths and forming Boolean equations. Intelligent register configuration and utilization is also supported along with the generation of control logic terms.

FutureDesigner also allows behavioral design entry using a forms-based editor. The following entry forms are available:

Form	Purpose
Declarations	Enter set names, pin assignments, etc.
Equations	Aid entry of Boolean equations
Truth Table	Aid entry of truth tables
State Diagrams	Aid entry of state diagram
Simulation	Set parameters, perform simulation
Reduction	Set parameters, perform reduction
Factoring	Set parameters, perform factoring
Partitioning	Define partition, display partitioning data
Schematic	Set parameters, perform schematic generation
PLD Map	Set parameters, create JEDEC file

Each type of form has a predefined format and follows certain rules to make design entry easier, faster, and more accurate. For example, as an engineer enters an equation in the equations form, FutureDesigner checks each signal name against those entered on the declarations form. If a typing or assignment error occurs, an error message appears so the error can be corrected. For instance, entering an input on the output side of an equation would result in an error message, as would the use of an illegal operator or incorrect syntax.

The interactivity of the forms prevents design errors from accumulating in a design, only to be discovered later after much work. More than one form can be displayed on the screen at a time, and all forms are always "active"—that is, available to FutureDesigner for cross-checking of entries and collection of data for further processing.

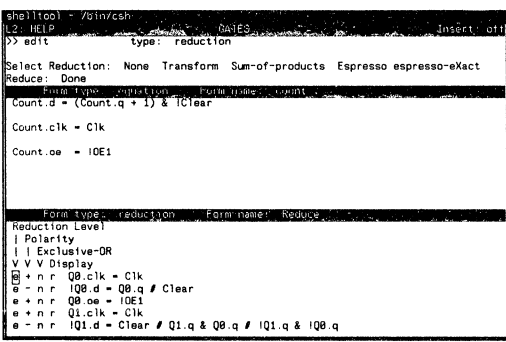


Figure 1. Split Screen Showing Original and Reduced Equations

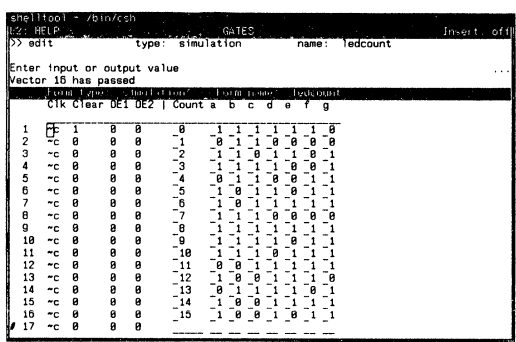


Figure 2. FutureDesigner Simulation In Progress

The top of Figure 1 shows an equation form with three equations that describe the COUNT function of the counter/LED decoder design example. The first equation, “Count.d = (Count.q + 1) & !Clear”, describes the count-up operation that takes place only when Clear is low. Note that a “d” or “q” has been appended to the set name. This notation allows the engineer to explicitly state whether the reference is to the D input or Q output of a D flip-flop. It also provides better control of multiple feedback paths.

The second equation, “Count.clk = Clk”, describes the clocking operation, assigning the clock input of the flip-flops to the Clk signal. The third equation, “Count.or = !OE1”, is for the output enable.

### FutureDesigner Reduction

The lower half of Figure 1 shows reduced equations. Note that reduction parameters can be entered in the four columns to the left of each equation to be reduced.

### FutureDesigner Simulation

A simulation form is shown in Figure 2 for the LED decoder portion of the design. FutureDesigner will fill in the output section of the form automatically. Once the input values are entered, the simulator goes to the design description forms, applies the inputs to the design, obtains output values, and inserts them into the simulation form. (Notice that in Figure 2 roughly half the simulation is complete, so half the values are filled in.) The engineer checks the values to make sure they are correct and can then make them “permanent,” so they may be used for checking future iterations of the design.

Simulation takes place interactively and can be set to stop at the first error. An error message is displayed on the screen so corrections to the design can be made. In fact, because FutureDesigner can display more than one screen at a time, the engineer can simply call up the truth table for the decoder and make the appropriate change without leaving the simulation screen.

### FutureDesigner Factoring

PLDs differ in the number of inputs to their AND and OR gates, the number of product terms, the existence of feedback paths and internal registers, the number of inputs and outputs, and many other items of interest to the engineer. FutureDesigner’s factoring algorithm optimizes the design equations for the gate counts of the target device, creating intermediate equations and multiple levels of logic to do so. This is particularly useful for FPGAs and multi-level logic PLDs.

Figure 3 shows the counter equations before factoring; note that Q3.d requires five product terms. Figure 4 shows the factored equations for the counter outputs. During factoring, one intermediate equation, “cnt@0”, was produced to reduce the number of product terms from five to four. If an internal signal or extra input is available, this intermediate equation can be used. Note also that the intermediate equation introduced one more stage or level into the design (indicated by the [3] next to the equation). In timing-critical designs, such a tradeoff may not work; in other designs, saving one product term may mean cost and/or power savings by allowing the use of a smaller PLD.

6

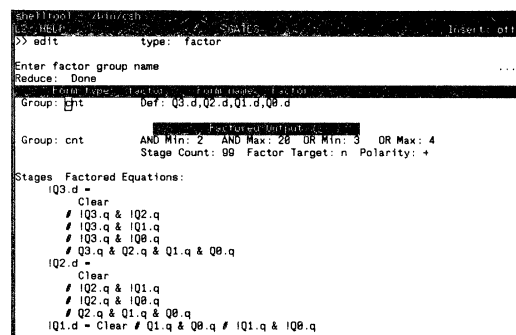


Figure 3. Screen Showing Original Equations

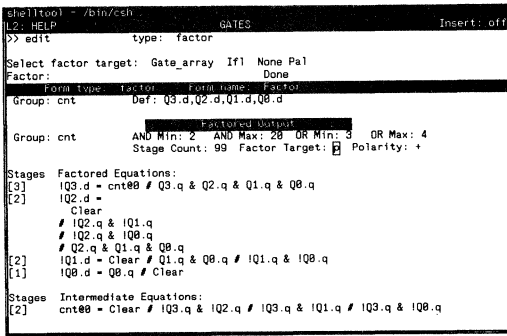


Figure 4. Screen Showing Factored Equations

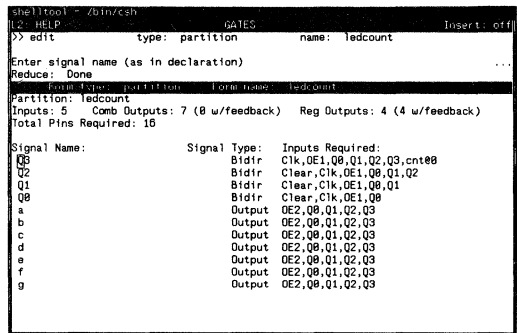


Figure 5. Partitioning Form Used to Partition Large Designs

## FutureDesigner Partitioning

Manually partitioning a PLD design into more than one PLD can be a difficult task. The engineer must determine which inputs and outputs are common to equations to decide what makes a sensible partition. FutureDesigner's partitioning form provides assistance in this task. Figure 5 shows a partitioning form for the full LEDCOUNT design.

The engineer enters design outputs that he thinks are candidates for partitioning. FutureDesigner references the various declaration and design description forms and fills in the required inputs, the required number of combinational and registered outputs, and the total number of pins used by the partition. In this case, it is obvious that there is a natural partition between the count function that produces the Q0 through Q3 outputs, as well as the decoder function.

## Pin and Device Assignment

To this point, the FutureDesigner design description has been completely "technology independent." In other words, the function of the design has been described without regard to the type of device used to implement it. This design could be part of a larger gate array or a complete program for a PLD. In this case, we have a partitioned design for two PLDs and must assign signals to the PLD pins. Figure 6 shows a device and pin assignment form.

## SUMMARY

FutureDesigner is a powerful tool for designs using multiple PLDs or FPGAs. It supports mixed mode design entry, multi-level simulation, logic synthesis and optimization, partitioning and industry standard output formats. It is also completely compatible with Data I/O's entire suite of PLD tools, including ABEL™, PLDtest Plus™, MESA and UniSite™.

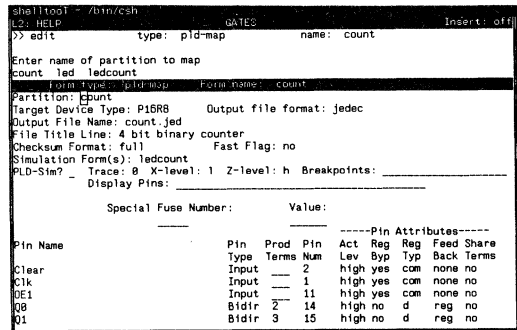


Figure 6. Device and Pin Assignment Form Used When a FutureDesigner Design is Programmed into a PLD

For more information, contact:  
Data I/O Corporation  
(800) 247-5700 or (206) 881-6444

# CUPL™ Universal Compiler for Programmable Logic

Logical Devices, Inc.

## GENERAL

CUPL, the first high level universal development tool for programmable logic devices (PLDs), was initially developed by Assisted Technology, Inc., which was later bought out by P-CAD, Inc., in 1985. In July of 1988, Logical Devices, Inc., acquired the CUPL product line and immediately began updating and enhancing this widely used PLD compiler. In early 1989 Logical Devices released CUPL version 3.0, adding the following improvements:

- **A front end menu system** – A new menu-driven interface was added to the CUPL program to make the program easier to learn and use. The various phases of PLD design development can be stepped through without the need of memorizing command syntax. Menu selections are explained in an on-screen "Message Center," and a tutorial is provided that takes the user from design concept to custom chip.
- **Improved documentation** – The CUPL manual was redone in order to assist both new and experienced users of CUPL in accessing information effectively, and a separate CUPL User's Guide was created that covers the overall flow of data within the program, installation and customer support issues, and a history of CUPL and its improvements.
- **Improved syntax** – A MACRO command has been added which allows users to create their own macros that can define common logic constructs such as adders, decoders, counters, etc. These user-defined macros can be stored in a separate file and called into subsequent design files. A REPEAT command allows indexing of equations, which reduces many redundant statements to a simple indexed loop. CUPL's preprocessor provides string substitution, file inclusion, and conditional compilation.
- **Improved simulation** – CSIM, CUPL's simulation program, will correctly simulate a clock MUX and

asynchronous architectures. Also, the simulation results can now be displayed in waveform output format, which is quite useful for design verification and documentation purposes.

- **Greater Device Support** – Device support is a key issue in the evaluation of a PLD development tool, and this is why CUPL users worldwide have responded so enthusiastically to the support and attention Logical Devices is giving to CUPL. As a major manufacturer of PLD programmers, we have been working closely with device manufacturers for years on device support issues, and this experience is put to good use for CUPL users, especially with all the new PLD offerings being introduced to the marketplace. In addition to the mainstream PLDs, CUPL supports the latest devices with advanced output macrocells such as the AMD PALCE29M16 and PALCE29MA16. CUPL supports all AMD PAL and PLS devices.
- **Compatibility to related CAE software** – CUPL can now be interfaced to schematic capture software such as P-CAD® (PC-CAPS), OrCAD/SDTIII™, Omation (Schema), Wintek (Hi-Wire), Racal-Redac (CADSTAR), CAD Software (PADS-logic), Protel-Schematic, and Phase-Three Logic (CAPFAST).
- **Platform availability** – In addition to standard PC, XT and AT machines, CUPL is also available for UNIX® and VAX®/VMS® installations, and runs on SUN®, HP®/Apollo® and DEC® workstations.
- **Customer Support** – The all-important area of technical support is expertly handled by Logical Devices. An Electronic Bulletin Board System is on-line 24 hours a day, 7 days a week to facilitate transfer of design files and retrieval of up-to-date information. Comprehensive update and maintenance programs are also available.

6

**OVERVIEW OF DATA FLOW**

Figure 1 gives a graphical overview of the flow of data within the CUPL program. Information about the devices supported by CUPL are kept in a device library file, CUPL.DL. First, you create a logic description source file (filename.pld) using the CUPL language to describe the logic you will assign to a PLD. The CUPL compiler generates files to download to a device programmer and files for documentation purposes, depending on the options specified in the source file.

You can also create a test specification file (filename.si)

to verify the logic before programming the device. CSIM compares the expected values in the test file to the actual values in the absolute file (filename.abs) created by CUPL. When simulation is complete without any errors you can specify that the verified test vectors be appended to the download file generated by CUPL, for use with device programmers which handle test vectors. Note that CSIM is separate from the compiler, which means that you can run successive simulations on the same design file without having to re-compile each time. CSIM can optionally display the results of simulation in waveform output format.

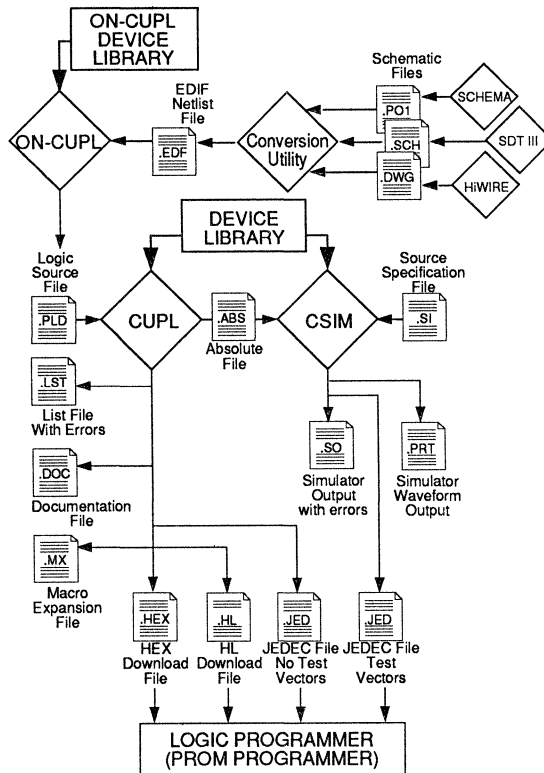


Figure 1

## THE TEMPLATE FILE

TMPL.PLD is a template file provided with the CUPL program that you can use to build your logic source file. The structure of the template file is shown below.

```

Name      <filename>;
Partno    <for this function>;          (This section of the
Date      <date of last change>;       CUPL source file
Revision  <current rev. no.>;          contains keywords
Designer  <your name>;                 which identify the
Company   <your company>;              file for revision and
Assembly  <where PLD is used>;          archival purposes)
Location  <on PC board>;
FORMAT    <output option flags>;
DEVICE    <device mnemonic>;

/*****
/* This space is used for describing the function of the design */
/* and allowable device types. CUPL both promotes and provides */
/* good documentation. Comments can be placed anywhere in the file*/
/*****
/* Allowable Target Device Types: */
/*****

/** Inputs **/

Pin      =      ;      /* (This section is used for      */
Pin      =      ;      /* declaring pin numbers and      */
Pin      =      ;      /* assigning them variable names. */
Pin      =      ;      /*                                  */
Pin      =      ;      /* The exclamation point (!) is   */
Pin      =      ;      /* used to define asserted low    */
Pin      =      ;      /* input and output signals, so   */
Pin      =      ;      /* with CUPL you can always write */
Pin      =      ;      /* equations in positive logic    */
Pin      =      ;      /* regardless of the polarity     */
Pin      =      ;      /* of the signals entering the    */
Pin      =      ;      /* device...                       */

/** Outputs **/

Pin      =      ;      /* ...or whether there are        */
Pin      =      ;      /* inverting buffers at the       */
Pin      =      ;      /* outputs.                        */
Pin      =      ;      /*                                  */
Pin      =      ;      /* When you negate an entire     */
Pin      =      ;      /* expression, CUPL automati-     */
Pin      =      ;      /* cally performs a DeMorgan      */
Pin      =      ;      /* expansion.)                     */

/** Declarations and Intermediate Variable Definitions **/

(This section of the source file is used for making declarations
such as BIT FIELD and NODE declarations, and for writing inter-
mediate variable equations. Bit Field statements allow you to
declare a group of bits to be equal to a single symbolic name which
can then be used in equations. Node statements are used to declare
a variable name for buried state registers and functions.)

/** Logic Equations **/

(This section is for logic equations, which can be written in
state machine, high-level equation (boolean), and truth table
format. The form for logic equations is as follows:
      [!] var[.ext] = exp;
where var is a single variable or list of indexed or non-indexed
variables, ext is an optional extension to assign a function to
the major nodes inside a programmable device, and exp is an expression
consisting of variable names specified elsewhere in the source file.
The [!] symbol is the complement operator, which can be used on either
side of the assignment operator (=).
```

**EXAMPLES**

This example of a 10-state decade counter shows the power of the MACRO and REPEAT capability. By specifying an option flag when compiling this source file,

CUPL will automatically generate the equivalent source file (filename.mx) without the MACRO and REPEAT functions (see Figure 2), which could be used for debugging purposes.

```
Name          COUNTER10;
Partno        CA0018;
Date          05/24/89;
Revision      01;
Designer      Baird;
Company       Logical Devices, Inc.;
Assembly      None;
Location      None;
Device        p16r4;
/*****
/*
/* Decade Counter
/*
/* This is a 10-state up/down decade counter with synchronous
/* clear capability.  An asynchronous ripple carry output is
/* provided for cascading multiple devices.  CUPL state machine
/* syntax is used.
*****/
/* Allowable Target Device Types :  PAL16RP4
*****/
/** Inputs **/

pin 1  = clk;           /* Counter clock           */
pin 2  = clr;           /* Counter clear input     */
pin 3  = dir;           /* Counter direction input */
pin 11 = !oe;          /* Register output enable  */
/** Outputs **/

pin [14..17] = ![Q3..0]; /* Counter outputs       */
pin 18 = !carry;        /* Ripple carry out       */

/** Macro Definition **/
$MACRO COUNTER num statebit up down clear
FIELD COUNT = [statebit{0}..{log2(num) - 1}];
sequence COUNT {
$REPEAT i = [{0}..{num-1}]
present 'b' {i}      if up      next 'b' {(i+1)%num};
                    if down     next 'b' {(num-1+i)%num};
                    if clear    next 'b' {0};
$REPEND
                        out carry;
}
$MEND

/** Declarations and Intermediate Variable Definitions **/
field mode = [clr,dir]; /* declare mode control field */
up = mode:0;           /* define count up mode */
down = mode:1;         /* define count down mode */
clear = mode:[2..3];  /* define count clear mode */

/** Logic Equations **/

/* free running counter */
COUNTER(10, Q, up, down, clear);
```

**Figure 1. Counter Using MACRO and REPEAT**

## CUPL – Universal Compiler for Programmable Logic

```
Name          COUNTER10;
Partno        CA0018;
Date          05/24/89;
Revision      01;
Designer      Baird;
Company       Logical Devices, Inc.;
Assembly     None;
Location     None;
Device       pl6r4;

/*****
/*
/* Decade Counter
/*
/* This is a 10-state up/down decade counter with synchronous
/* clear capability. An asynchronous ripple carry output is
/* provided for cascading multiple devices. CUPL state machine
/* syntax is used.
*****/
/* Allowable Target Device Types : PAL16RP4
*****/

/** Inputs **/

pin 1      = clk;          /* Counter clock
pin 2      = clr;          /* Counter clear input
pin 3      = dir;          /* Counter direction input
pin 11     = !oe;         /* Register output enable

/** Outputs **/

pin [14..17] = ![Q3..0];  /* Counter outputs
pin 18 = !carry;         /* Ripple carry out

/** Macro Definition **/
/** Declarations and Intermediate Variable Definitions **/
field mode = [clr,dir];   /* declare mode control field */
up = mode:0;              /* define count up mode */
down = mode:1;            /* define count down mode */
clear = mode:[2..3];      /* define count clear mode */

/** Logic Equations **/

/* free running counter */
FIELD COUNT = [Q0..3];

sequence COUNT {

present 'b'0   if up      next 'b'1;
                if down   next 'b'1001;
                if clear  next 'b'0;

present 'b'1   if up      next 'b'10;
                if down   next 'b'0;
                if clear  next 'b'0;

present 'b'10  if up      next 'b'11;
                if down   next 'b'1;
                if clear  next 'b'0;
```

Figure 2. Equivalent File without MACRO and REPEAT



```

present 'b'11   if up      next 'b'100;
                 if down   next 'b'10;
                 if clear  next 'b'0;

present 'b'100  if up      next 'b'101;
                 if down   next 'b'11;
                 if clear  next 'b'0;

present 'b'101  if up      next 'b'110;
                 if down   next 'b'100;
                 if clear  next 'b'0;

present 'b'110  if up      next 'b'111;
                 if down   next 'b'101;
                 if clear  next 'b'0;

present 'b'111  if up      next 'b'1000;
                 if down   next 'b'110;
                 if clear  next 'b'0;

present 'b'1000 if up      next 'b'1001;
                 if down   next 'b'111;
                 if clear  next 'b'0;

present 'b'1001 if up      next 'b'0;
                 if down   next 'b'1000;
                 if clear  next 'b'0;
                 out carry;
}

```

**Figure 2. Equivalent File without MACRO and REPEAT (continued)**

---

## HIERARCHICAL DESIGN

As you can see in the above examples, one line of code in the PLD file (COUNTER (10,Q,up,down,clear)) can implement a 10-state counter. You can build your own macro library file (macrolib.m) of basic circuit functions (counters, adders, multiplexers, decoders, etc.) and use them as building blocks for higher-level designs. For example, in the above count10.pld file the MACRO "COUNTER" could be stored in a separate file and then called into the .pld file by using the \$INCLUDE command.

### Example

```

$INCLUDE macrolib.m
COUNTER (10, Q, up, down, clear);

```

will cause CUPL to open the macrolib.m file and extract the COUNTER macro specification into the .pld file. Using the \$INCLUDE command gives you access to all the macro functions defined in the specified macro library.

## Documentation Output Files

The documentation output file (filename.DOC) provides the fully expanded product terms for both intermediate and output pin variables, and a fuse plot and chip diagram. A JEDEC file is created for downloading to a device programmer.

## SIMULATION

An important part of the PLD design process is verifying your logic design before programming the chip. CSIM, the CUPL simulator, is a powerful tool for PLD design verification.

The input to CSIM (filename.si) is a file which contains an order statement and test vectors.

The order statement lists the input and output variables that you want to simulate. The % sign is used for formatting purposes. It inserts spaces between the variable name columns.

The vectors section is used to assign input values to each of the input variables and an expected value to each of the output variables. You can let CSIM determine the output value by assigning a "\*" to the output variable.

After running CSIM a simulation output file (filename.so) will be created which shows the results of the simulation. The simulation results can be displayed in both table and waveform output format.

A hardcopy of the waveform display can be created, which is useful for documentation purposes.

```

Device      p16rp4;
Name        COUNTER10;
Partno      CA0018;
Date        05/24/89;
Revision    01;
Designer    Baird;
Company     Logical Devices, Inc.;
Assembly    None;
Location    None;
Device      p16r4;
    
```

```

/*****
/*
/* Decade Counter
/*
/*****
    
```

```
ORDER:clk,clr,dir,!oe,%2,Q3..0,%1,carry;
```

**VECTORS:**

```

C 100 LLLL L      /* synchronous clear to state 0  */
C 000 LLLH L      /* count up to state 1
C 000 LLHL L      /* count up to state 2
C 000 LLHH L      /* count up to state 3
C 000 LLLL L      /* count up to state 4
C 000 LHLH L      /* count up to state 5
C 000 LHHL L      /* count up to state 6
C 000 LHHH L      /* count up to state 7
C 000 HLLL L      /* count up to state 8
C 000 HLLH H      /* count up to state 9 - carry
C 000 LLLL L      /* count up to state 0
C 010 HLLH H      /* count down to state 9 - carry
C 010 HLLL L      /* count down to state 8
C 010 LHHH L      /* count down to state 7
C 010 LHHL L      /* count down to state 6
C 010 LHLH L      /* count down to state 5
C 010 LLLL L      /* count down to state 4
C 010 LLHH L      /* count down to state 3
C 010 LLHL L      /* count down to state 2
C 010 LLLH L      /* count down to state 1
C 010 LLLL L      /* count down to state 0
C 001 ZZZZ L      /* test tri-state
C 000 LLHL L      /* count up to state 2
C 100 LLLL L      /* synchronous clear to state 0
    
```

**Figure 3. Simulation**

**Logic Minimization**

CUPL supports five levels of logic minimization—"NO-MIN," "Quick-Min," Quine-McCluskey, PRESTO, and enhanced Espresso—selectable by the designer on a pin-by-pin basis. This flexibility can be very important since it is sometimes desirable to maintain redundant logic terms in a design.

automatic test vector generator, PLAdvisor, a device selection program that utilizes user-defined criteria, and PLPartition, which will partition a design too large for a single PLD.

For more information, contact:

Logical Devices, Inc.  
(800) 331-7766 or (305) 491-7405

**New Product Developments**

Logical Devices is developing new products to complement the CUPL compiler. These include TestPLA, an

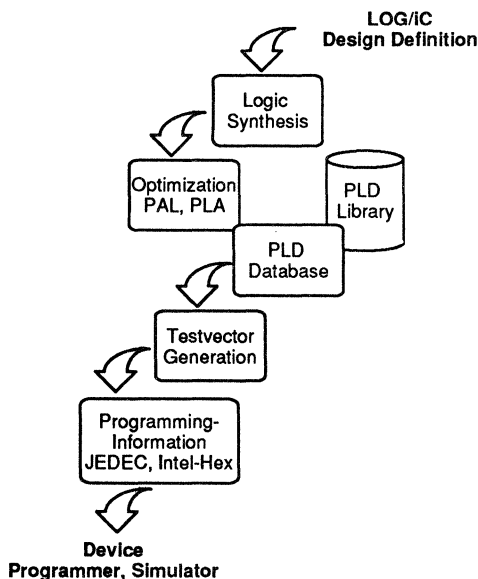
## THE PLD COMPILER

### With a Universal System...

The complexity and number of PLDs is constantly increasing and they are becoming increasingly easy to use as a result of numerous special functions. Only truly manufacturer-independent CAE software, such as LOG/iC, can support all of this. By regularly updating its PLD library, ISDATA<sup>®</sup> makes sure that you are always right up with the latest developments. The LOG/iC PLD compiler provides you with all the advantages of logic synthesis, i.e., circuit definitions independent of the final realization and automatic circuit generation. It is therefore easier to switch between different types and families of circuits.

### ...Optimal Solutions

The two PLD compiler optimizers make the best of your chips. This saves you money, space on the board and makes your circuits more reliable.



14094-001A

Figure 1. LOG/iC Design Definition

LOG/iC makes use of ISDATA's own algorithm *FACT* for PAL structures and the *ESPRESSO* algorithm for PLA structures. LOG/iC automatically computes the logical true and inverted of every function—we call it "*Auto de Morgan*."

### ...and Design Safety

Of course, the automatic generation of *test vectors* belongs to the standards. A product term coverage of 100% has been achieved. The test vectors are automatically inserted into the programming file. LOG/iC produces current data formats, such as the JEDEC format or the Intel HEX format (for PROMs).

### You Need Know Nothing More about PLDs than their Future Functions...

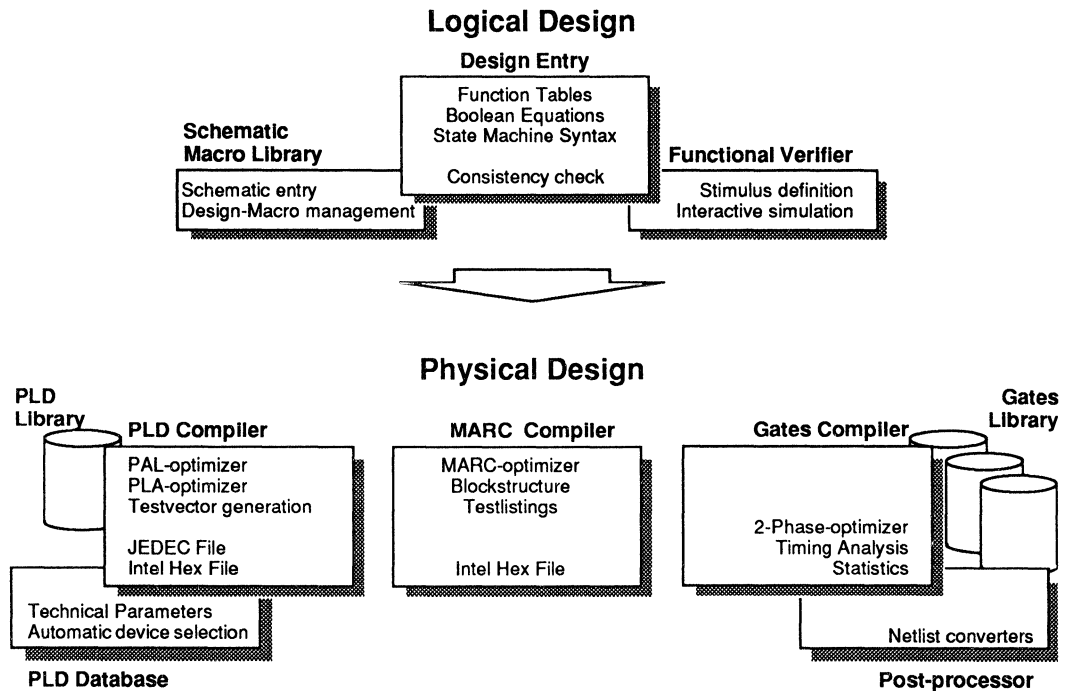
You design the circuit as a whole, regardless of whether this design is to be implemented in one or more devices. Existing designs can be incorporated into new designs. Every functional block can be described with the most suitable syntax. Designs which exist as circuit diagrams can easily be input in the LOG/iC system via the option "Schematic Macro Library (SML)." At this stage it is not necessary to commit yourself to a particular PLD type.

LOG/iC makes every step of the design transparent. The "*Optimization Summary*," for example, tells you how many p terms each function needs. LOG/iC automatically configures the PLD's macro cells. You can, of course, also easily define *Preset*, *Output Enable*, *Clock* and other functions yourself.

After optimization you have to decide on one or more ICs. It is easy to partition the complete design onto suitable, individual ICs. The PLD Data Base, an option to the program, automatically suggests a selection of suitable chips. It is also a practical electronic reference "book."

PLDs are also easy to program. You can, for example, use menus to set all the interface parameters of your device programmer. You don't have to worry about *extensions* and *file names* - the interactive program offers you elegant support. LOG/iC automatically generates the test vectors for testing the circuit on the programmer. You can, of course, add your own test vectors or get test vector files from the Functional Verifier. By the way, with this interesting option you can already "breathe life" into your circuit before even having decided on which implementation to use.

Publication #	Rev.	Amendment	Issue Date
14094	A	/0	1/90



14094-002A

**Figure 2: The LOG/iC Tool Box**  
LOG/iC's tool concept separates the design process into logical design and physical design.

## Process of Development

LOG/iC is a universal design system for digital logic. It puts the emphasis on the logical description of the circuit rather than a specific device. LOG/iC allows you to run sophisticated designs without tying you down to a specific IC.

Circuit descriptions, as well as syntax and consistency checks, can be run without transforming the design into a specific device. This applies also to the circuit simulation performed by the "Functional Verifier," which verifies the logical functioning of the design. There is a specific optimization for each particular device family. The designer's choice of a device is based upon the results of this optimization. Additional support is offered by the "PLD Data Base" that helps select the best-suited type in case of a PLD implementation.

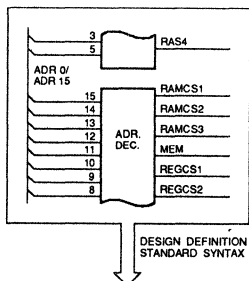
The described procedure allows the user to enter and optimize large designs even if they can't be implemented in one single IC. After optimization, LOG/iC helps to select the best-suited circuit technology and IC type, thus enabling the designer to make best use of the benefits of modern ICs.

## Circuit Definition

LOG/iC offers specific description aids for various designs problems. Its standard syntax preferably describes combinatorial circuits, but it is also possible to describe sequential circuits by means of Boolean equations. The FSM (Finite State Machine) syntax has been created to make the definition of state machines more convenient. Special interface options enable circuits from third-party systems to be fed into LOG/iC in the form of circuit schematics. Together with LOG/iC, any text editor can be used to edit design files.

### Standard Syntax

The basic elements of the standard syntax are Boolean equations and function tables. The format of the equations corresponds to the common standard. All common operators can be used. The equations can be nested in any order. They will automatically be converted into a Sum-of-Products (SOP) format. String substitutions considerably reduce the time spent on editing, and allow the design to be more clearly laid out.



```

*FUNCTION TABLE
$ (ADR[15..0]):MEM, (RAMCS [1..3]), (REGCS [1..4]);
-----
0000H . . 3FFFH: 1, 100, 0000 ; MEMORY NR.1
4000H . . 7FFFH: 1, 010, 0000 ; MEMORY NR.2
8000H . . BFFFH: 1, 001, 0000 ; MEMORY NR.3
C037H : 0, -, 1000 ; S-REGISTER
CC03H : 0, -, 0100 ; F-REGISTER
D0F7H : 0, -, 0010 ; G-REGISTER
EFF3H : 0, -, 0001 ; L-REGISTER
RE8T : 0, -, 0000 ; NOT SELECTED
*END
    
```

14094-003A

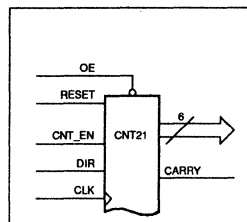
#### Design Definition Standard Syntax

Function tables, basically the most concise way of formatting, can be made even more concise through numbers in arbitrary numeric systems, which can then be merged (hex, decimal, octal, binary). It is possible to partition logical data into a subset of different function tables. In addition, equations and tables can be merged in order to define a circuit. The option "Rest-Definition" and the use of number fields make the function tables particularly concise. As a result, address decoders especially can be conveniently described.

### FSM-Syntax

The FSM-syntax enables you to give a functional description of a synchronous state machine. LOG/iC supports the design of any state machine such as MEALY or MOORE or combinations of the two. Any diagram description can be used as a concept, e.g., flow diagrams or bubble diagrams. These diagrams can easily be transformed into LOG/iC syntax. The basic entry syntax is close to hardware. A number of syntax aids, however, enable circuits to be defined on a high level. Thus you can define input and output vectors and make the design files more understandable by means of the macro-definition. The "range notation" also applies to state

definitions so that counters and similar circuits can be conveniently defined. It is possible to select with a single statement the relevant variables out of a whole set of input variables.



```

* FLOW TABLE
-----
S [1..21], 'CLEAR', 'CAR_0', F1; SYNCHRONOUS RESET
;COUNT UP
S [1..20], 'UP', 'CAR_0', F[2..21];
S21, 'UP', 'CAR_1', F1;
;COUNT DOWN
S [21..2], 'DOWN', 'CAR_0', F[20..1];
S 1, 'DOWN', 'CAR_1', F 21;
-----
*STATE ASSIGNMENT
BINARY
*END
    
```

14094-004A

#### Design Definition State Machine Syntax

### Consistency Check

In addition to the usual syntax check, LOG/iC verifies the logical consistency. At a very early stage of the design flow, inconsistencies are pointed out to the designer. The Consistency Checker reports its results in the form of information, warnings, and errors indicating the line where they occur.

Incompletely specified branches of a state or incomplete function tables are indicated as a warning. Ambiguous outputs of a table, on the other hand, as well as contradictory branches and outputs of a state machine are indicated as an error. The LOG/iC consistency check detects even complex error conditions, such as states that can't possibly be reached by the running circuit.

CIRCUIT DEFINITION  
CONSISTENCY CHECK

```

** WARNING ** STATE 1 INCOMPLETELY DEFINED
** WARNING ** STATE 4 INCOMPLETELY DEFINED
**** INFO **** NO EXIT FROM STATE 4
**** INFO **** STATE 3 CANNOT BE REACHED FROM INITIAL STATE
**** INFO **** STATE 4 CANNOT BE REACHED FROM INITIAL STATE

INCONSISTENT NEXT-STATE ENTRIES IN LINE 1 AND LINE 2
INCONSISTENT CONTROL-VECTORS IN LINE 7 AND LINE 8

*** LOG/iC ERROR TERMINATION: CONSISTENCY-CHECK ***
    
```

14094-005A

#### Consistency Check



If a design is to be realized as a ROM-based controller, the designer chooses one of the seven solutions offered by the optimizer. The necessary programming and structural data are then produced. LOG/IC provides the programming data for PROMs in the Intel-Hex format.

In all module packages, partial designs can be combined in order to be realized in one circuit. But at the same time, LOG/IC also enables the user to partition a design into various devices.

## Test Aid

LOG/IC is an effective tool for the design of circuits, but it also offers many test aids.

For PAL devices, module package 2 automatically generates test vectors for a product-term-oriented test on the programmer. LOG/IC guarantees 100% product term coverage. Module package 1 supports input of user-defined test vectors and includes them into the JEDEC File.

```

CIRCUIT DEFINITION
CONSISTENCY CHECK
VERIFICATION
OPTIMIZATION
REALIZATION
TEST SUPPORT
    ↓
TEST VECTORS:
1: ;
1: ;
1: ;      C      R
          A      E
1: ; C QQ QOR   O G G S   V
1: ; LXQQ QOR   EXN NXEM LRLR MMVC
1: ; K112 34YB ANZD D3TO OOUU UM4C
1: ; -----
1: PN11 11NN NNNN PNNN NNNN NNNN ;
2: 01HH HHNO 101N 011H HNNH NL1N ;
3: C1HH HHHO 101N C11N NNNN NN1N ; 1
4: PNOO 01NN NNNN PNNN NNNN NNNN ;
5: OOLL LHN1 00DN 001L LHNN HN0N ;
6: COLL LLH1 00DN C01N NNNN NN0N ; 2

```

## Test Support

14094-009A

## PAL32VX10 Support

14094-0010A

Gate array circuits undergo a timing analysis after optimization. The results are extensively documented and contain a critical-path analysis. In addition to the microprogram listing, LOG/IC generates additional test lists for MARCs.

## Example of PAL32VX10 Support

The following example demonstrates the ability to use the T-type flip-flop in the PAL32VX10 directly through LOG/IC software. LOG/IC automatically emulates the T-type flip-flop as needed through specific programming of the XOR terms in the PAL32VX10. The following file fully describes a modulus-93 counter.

```

*IDENTIFICATION
BIT STREAM COUNTER FOR 93 BITS (VER.2.1_T-FLIPFLOP)
GÜENTER BIEHL
ISDATA KARLSRUHE, TEL. 0721 693092
*DECLARATIONS
X-VARIABLES = 3
Y-VARIABLES = 1
Z-VARIABLES = 7
*X-NAMES
RESET = 1, DOWN=2, COUNT=3;
*Y-NAMES
CARRY = 1;
*Z-NAMES
QQ[6..0] = [7..1];
*RUN-CONTROL
LISTING = PINOUT, FUSE-PLOT, EQUATIONS;
PROGRAMFORMAT = JEDEC;
*Z-VALUES
S[1..93] = [0..92];
*FLOW-TABLE
;COUNTER WITH 93 STATES AND CARRY SIGNAL
S[1..93], X1=, Y0, F1;      RESET CONDITION
S[1..93], X00=, Y0, F[1..93]; HOLD
S[1..92], X010, Y0, F[2..93]; COUNT UP
S93, X010, Y1, F1; CARRY
S[2..93], X011, Y0, F[1..92]; COUNT DOWN
S1, X011, Y1, F93; CARRY
*STATE-ASSIGNMENT
Z-VALUES;
*PAL
TYPE=PAL32VX10;
*PINS
RESET=3, COUNT=4, DOWN=5,
CARRY=22, QQ[0..6]=[15..21];
*FLI
T-FLIPFLOP
*END

```

## LOG/iC FUNCTIONAL VERIFIER

- Design verification in the logical design phase
- Logical simulation independent of the realization
- High-level language supported generation of stimulus files
- Automatic generation of functional test vectors for the use in the testing field
- Interactive simulation directly on the screen
- Simple, menu-controlled operation
- Circuit development and simulation on the same system with the same user interface
- Verifies synchronous and asynchronous logic

### Realization-Independent Functional Verification

Conventional simulators simulate the function and, at the same time, the detailed timing behavior of the circuit. However, we know from experience that a large number of the errors made during development of a circuit are of purely logical nature. They can be discovered much faster and more easily using a simulation which is directly based on the functional circuit description.

The LOG/iC Functional Verifier operates on this principle. It allows the correct *logical behavior* of a circuit to be verified before the realization has been compiled. Logical errors are therefore discovered in an early stage of development and then it is only a short step to eliminating these errors. You work with this "early warning system" like with a *logic analyzer*.

### Clear and Concise Documentation

The contents of the trace buffer or the parts thereof can be displayed on the screen (on PCs with EGA board, with up to 43 lines):

- as waveforms
- or as binary numbers.

You can print out the following documents:

- a protocol of the whole simulation,
- the list of test vectors,
- or any part of the contents of the trace buffer in varying degrees of detail and print format.

### Interactive- or Program-Controlled Simulation

The LOG/iC Functional Verifier consists of three different parts:

- Design Compiler
- Stimulus Compiler
- Interactive Simulator

The Design Compiler analyzes the LOG/iC design definition and from this creates the *simulation model*. The results of the compilation are stored in intermediate files so that it is necessary to run the compiler only once when generating or changing the design entry.

In addition to the *interactive specification* of stimulus vectors, the LOG/iC Functional Verifier allows *program-controlled generation* of stimuli. A PASCAL-like high-level language supports this. The Stimulus Compiler checks this test program and compiles it into a binary form which can be read by the Interactive Simulator. This allows even large stimulus files to be quickly and easily generated. You can interrupt the program at any time with the command "PAUSE" and continue interactively. The results of the simulation run recorded in a circular trace buffer.

### Technical Data

- Contents of trace buffer: 1024 events
- Number of I/O variables: max. 256 each (PC: 128)
- Supported special functions: Reset, Preset, Output Enable, etc.
- Number of iterations: 99, for simulation of asynchronous state machines

## LOG/iC PLD DATA BASE

- Information about almost all available ROMs and PLD devices
- Structural specifications, parameters, extracts from the logic structure and pinouts are clearly displayed
- Automatic device selection for a given design
- Searches according to specified criteria. Search criteria include all device data. Easy to find second sources
- Menu-controlled operation
- Ideal electronic reference "book"

### Detailed Information about Every Device

The rich selection of PLD devices is, of course, very welcome. The electronics developer is overwhelmed by the enormous range of choice of enticing technical possibilities. This multitude even makes it difficult for PLD insiders and old hands to find the most suitable device with respect to logical structure, electrical data, packaging, etc. for a particular circuit.



The PLD Data Base offers the designer valuable and easy-to-use support for this purpose. The electronic reference "book" saves you from having to leaf through innumerable data books. For every supported PLD device, the PLD Data Base displays the *structure data, physical parameters, manufacturer and technology* on the screen. It also displays an *extract of the fuse plot*, including the macro cell, as well as the *pinout*.

The PLD Data Base is an option to the CAE system LOG/iC. It adds a user interface and a compiler interface to the standard PLD library of the LOG/iC PAL<sup>®</sup> and PLD compilers. The user then has access to the greatly extended library which, in addition to the structure data, contains the technical parameters and technology of almost all available PLDs.

### Automatic Device Selection

If the PLD Data Base is operated with the LOG/iC PLD optimizer, then the values necessary for the realization of the circuit, such as optimization results, pin number, number of bidirectional signals, reset or clock function, are automatically passed on to the data base. The data base then selects – based on the optimization results of the compiler – the most suitable devices and displays a list of all devices which might come in question. If you specify additional properties interactively, such as maximum supply current or switching frequency, then the selection is limited even more. In this way the device most suitable with respect to both its logical structure and its physical values is quickly found.

This automatic search for the optimal devices makes the PLD Data Base a unique tool for PLD development.

### Search for Specified Properties

The parameters of all supported devices stored in the PLD Data Base can be used as search criteria by themselves or combined arbitrarily. For instance the desired properties could be specified as follows:

- number of in- and outputs
- nodes and feedbacks
- number of product terms
- polarity of the outputs
- number of pins
- number and type of special functions
- name of device (also incomplete)
- desired technical properties of a device such as its electrical data, delay times, technology, manufacturer

This also makes it easier to find compatible types: questions such as "Is there a type we can replace the PLD we are now using which uses less current and is packaged in a PLCC?" are immediately answered by the PLD Data Base.

All information about the stored devices can be quickly and easily accessed by the developer. If you select the name of a certain device, then the structural specifications and the parameters appear on two screens. On a third screen you can see an essential extract of the logical structure of the device (macro cell) and the fourth screen contains the pinout of the respective PLD.

### Always up to Date

At present the PLD Data Base supports over 270 PAL/PLA devices and more than 1100 PROM devices. These numbers only include the *structures* of the devices and not the innumerable variants of the devices with respect to *power, speed and packaging*, which are also contained in the data base. As the data base is constantly being supplemented, the user is always up to date. We often offer the support of new devices before the ICs are even on the market.

### LOG/iC SCHEMATIC MACRO LIBRARY (SML)

- Input of schematics via standard CAD
- Old designs can be easily used again
- Extendable library of standard devices
- Hierarchical design with graphics
- Automatic file exchange
- Simple, menu-oriented operation

### Optional Design Entry: Schematic Input

The realization possibilities and methods of electronics have considerably improved in the last few years, but not the basics. Old designs can therefore still be used when clothed in new devices (PLD, arrays). Instead of a new development it is often better to continue to use the old, proven circuit either as a whole or part thereof.

However, a practical problem generally crops up: "How do I get my old designs or parts thereof into the PLD compiler?" This is where the *schematic entry* is the right aid:

"Schematic Macro Library" (SML) now also allows the input of net lists from the third-party systems into LOG/iC, for example from the widely-spread schematic editor, OrCAD.

The SML contains a large number of well-known TTL and CMOS circuits, but also manages the circuits you design yourself. A schematic editor allows industrial circuits as well as your own designs to be graphically connected to each other. LOG/iC then turns it into a PLD or an array. The Schematic Macro Library works with all LOG/iC packages from Release 3.2.

The Schematic Macro Library consists of three components:

- Net List Converter
- Standard Library
- Library Manager

It allows a circuit diagram which has been developed with a CAD system to be converted into a LOG/iC design file.

To do so, the user first draws the circuit design with his CAD system (e.g., OrCAD) into which he can integrate complete existing and new parts. From this, OrCAD then generates a net list of the circuit in *EDIF format*.

SML's net list converter converts this net list into a design file which the LOG/iC compiler "understands." The graphically described function blocks can also be linked to other blocks, making hierarchical designs possible. The same applies for other common schematic editors.

The current version of SML supports OrCAD's schematic editor SDT, and also the editors from Mentor and Viewlogic.

### Extendable Standard Library

The Schematic Macro Library contains a library with a multitude of logical modules which are described in LOG/iC design files. These include almost all ICs from the TTL series 74xx, 74LSxx, 74HCxx, etc., as well as the most important ones from the series CMOS 4000.

The library manager forms the cross-references between devices with the same function but different names. It also manages function macros created by the user, e.g., a library of his old designs. This allows you to work block-oriented with graphics. The contents of the library can be displayed on the screen at any time.

Even without a CAD system, the library is a great help in practice. Even when it is not possible to represent the information graphically, the net lists can be transferred to the LOG/iC compiler.

### Technical Data

- Contents of the library: at present about 1000 TTL and CMOS devices
- Your own designs can be added to the library as macros
- Number of in/outputs of a design: max. 256/256 (PC: 128/128) N.B.: Please note limitations imposed by the CAD system
- Number of blocks per design: max. 100

### Automatic Correspondence with LOG/iC

The Schematic Macro Library is simple to use. It is operated with menus. For example, the CAD system can be *directly accessed* with cursor keys or the mouse from the LOG/iC main menu.

The individual files are automatically exchanged between the CAD system and LOG/iC. The correct net list version is also automatically generated.

Once the net list converter of the SML generates the LOG/iC design file, LOG/iC checks the data in the same way as for any other design entry. Serious errors can be eliminated at an early stage in development. For further work on the circuit design, all common test and processing aids of the LOG/iC system are available.

The schematic input can be arbitrarily mixed with other circuit definitions based on LOG/iC's syntax. In this way it is possible to describe every circuit or part thereof in the syntax most suitable. In addition to the circuit diagram input, LOG/iC "understands":

- function tables
- Boolean equations
- the FSM (finite state machine) syntax

---

**PERFORMANCE OF THE LOG/iC CAE SYSTEM-SUMMARY**


---

• Design Entry	Boolean Equations Truth Tables FSM Consistency Check	Schematics – Circuits – FSM Functional Verification
• Minimization	Proprietary, tailored Algorithms for: PAL: FACT optimizer PLA: BRUNO algorithm	Gates: Two stage optimization
• Transformation into Device Structures	PLD Library with over 275 PLD Architectures PLD Data Base with automatic Chip Selection	Support of all Gate Libs and also LCA devices Insertion of new Microprograms into existing MARC structures
• Support of Test	Automatic Generation of Testvectors for PLDs	Testlistings for MARCs Timing verification for Gates
• Documentation	Extent and Kind of Documentation selectable	Documentation tailored to chosen Device Family
• Integration into CAE Environment	Netlist-Interfaces for Input and Output of Design Data	Communication Module for controlling the Device Programmer Postprocessor Interface

---

**LOG/iC HARDWARE PLATFORMS**


---

Computer	Operating Systems (min. Rel.)	Storage Media
IBM-PC IBM PS/2	DOS (2.0)	5.25" 360 KB 3.5" 720 KB
VAX 730 up to 86xx	VMS (4.2) ULTRIX (2.2)	1600 bpi Magtape
VAX Workstation	mic. VMS (4.2) ULTRIX (2.2)	TK50 Cartridge 1600 bpi Tape
Apollo Workstation DN3xx, 5xx, 6xx DN3000, DN4000	AEGIS (9.5)	0.25" Cartridge Tape
HP9000-318 up	HP-UX (6.01)	0.25" Cartridge Tape
Sun 386i Sun series 3	SunOS SunView	0.25" Cartridge Tape

---

<b>ISDATA</b> 800 Airport Road Monterey, CA 93940 USA Tel: 408-373-7359 Telefax: 408-373-3622	<b>ISDATA GmbH</b> Hald-und-Neu-Str.7 D-7500 Karlsruhe 1 West Germany Tel: 07 21/69 30 92 Teletex: (17) 721170 ihkutb Telefax: 07 21/17 42 63
--	---

---

## Speed Your Logic Designs with Design Synthesis, Architecture Mapping, and Fully Automatic Multi-part Design Partitioning

### AN OVERVIEW OF MINC'S PLDESIGNER

MINC's PLDesigner can reduce the time you spend designing with PLDs. This unique, third-generation design system is different from older, compiler-type tools because:

- There is a single language for all types of devices. You can enter a design independent of the device or set of devices that will eventually be used to implement the design.
- PLDesigner can automatically select the device architecture that is best for implementing a design. This offers you solutions that you may not have considered, including the most sophisticated devices.
- PLDesigner shows you 10 different implementations of the same design. You can then choose the alternative that is best suited for your design.
- If more than one device is required in your design, PLDesigner will automatically divide the design across multiple parts.

The intelligence included with PLDesigner automatically implements a design once it has been functionally described. This allows you to concentrate *on the design* without becoming an expert on hundreds of device architectures. Since PLDesigner is a universal system, there is no need to learn a different language when using a new part.

As a result, PLDesigner makes it easy for designers that are new to PLDs to work with all types of architectures. PLDesigner drastically speeds up the design process for the experienced user by eliminating tedious tasks. And, by offering alternatives to the design implementation, you can be sure that your solution is optimal.

### Design Entry

With the power of PLDesigner's expert system, you now spend most of the design time describing the design instead of searching for suitable devices. Since design entry is now of primary importance, PLDesigner provides many ways of describing the design.

- MINC's high-level Pascal-like language includes self-documenting constructs such as CASE and IF/THEN/ELSE. Truth tables, Boolean expressions, and powerful state machine commands are avail-

able for a wide variety of design structures. The same language is used for all PLDs, including PAL® devices, PROMs, and sequencers.

- Schematic entry supports OrCAD®, P-CAD®, and FutureNet® and other schematic capture systems with the EDIF 2.00 netlist format.
- With PLDesigner's patented waveform entry system, you can describe synchronous input and output waveforms; PLDesigner will synthesize the required implementation logic. This method is ideal for hand-shake control, glue logic, and any other design that can be described with a timing diagram.

These design methods can be combined to form a system. Using the most appropriate entry method, you can enter each section of the design. Each portion, then, is independently simulated and documented. When all the modules have been entered and verified, they can be combined and simulated as a system. At that point, the entire design can be handed to PLDesigner's expert system for architecture mapping.

For example, the front end of a PLD design could be entered using a schematic (perhaps "borrowed" from an existing discrete design). Control circuitry could be described in the language as a state machine, with hand-shaking to other devices described with waveforms. These modules would be combined together to form a system, then partitioned into multiple PLDs, if necessary.

With PLDesigner's unique ability to combine designs, portions of a design can be stored away as a "design library" for use on other projects!

### Eight-bit Bidirectional Shift Register

As an example of the language entry method, consider the following design of an eight-bit bidirectional shifter. Notice the use of IF/THEN/ELSE statements to quickly define the function of the design.

This design requires two PLDs to implement because of the large number of inputs (14) and outputs (9). Your job, however, is simple. Since the design is entered independent of the eventual implementation, it is as easy to enter a 4-bit shift register that would fit into a single device, as it is to implement a 16-bit shift register that could require three devices.

---

```
TITLE          SHIFTER.SRC;
COMMENT       8-bit Bidirectional Shift Register;
FUNCTION      shift;
MACRO        left 1; "left is true
INPUT       d7..d0, shift_in;
INPUT       output_enable, parallel_load, no_shift, direction, reset;
OUTPUT      q7..q0, shift_out CLOCKED_BY sys_clock ENABLED_BY output_enable;
IF (reset)
  THEN
    [q7..q0] = 0; "reset outputs
  ELSE
    IF (parallel_load)
      THEN
        [q7..q0] = [d7..d0]; "load outputs with input data
      ELSE
        IF (no_shift)
          THEN
            [q7..q0] = [q7..q0]; "hold current value
          ELSE
            IF (direction = left)
              THEN
                [shift_out, q7..q0] = [q7..q0, shift_in]; "shift left
              ELSE
                [q7..q0, shift_out] = [shift_in, q7..q0]; "shift right
            END shift; "end of function
  END shift; "end of function
```

---

## Bus Arbiter

Another example of PLDesigner's high-level language is state machine entry. State machines are useful for designing controllers in systems, or any time a sequential algorithm must be implemented in hardware. The fol-

lowing example shows a bus arbiter that grants access to two controllers requesting a bus.

Many state machine designs start as a "bubble diagram." With PLDesigner's language, it is easy to take each bubble in the diagram, and convert it into states for a state machine design.

```

TITLE      ARBITER.SRC;
COMMENT    Bus arbiter to allow a bus to be shared between two processors.
           Processor A has priority in the case of simultaneous requests;

FUNCTION   arbiter;

LOW_TRUE  INPUT  bus_rq_A, bus_rq_B; "bus request A & B
LOW_TRUE  OUTPUT bus_grant_A, bus_grant_B; "bus grant A & B

STATE_MACHINE bus_arbiter;
  CLOCKED_BY sys_clock; "The state bits for this design will be clocked by
                    "sys_clock

STATE idle:
  bus_grant_A = 0;
  bus_grant_B = 0;
  IF (bus_rq_A)
    THEN
      GOTO A_has_bus;
    ELSE
      IF (bus_rq_B) "To get here, A has not requested the bus
        THEN
          GOTO B_has_bus;
        ELSE
          GOTO idle; "To get here, neither processor has requested
                    "the bus

STATE A_has_bus:
  bus_grant_A = 1;
  bus_grant_B = 0;
  IF (bus_rq_A)
    THEN
      GOTO A_has_bus; "A holds onto bus as long as needed
    ELSE
      IF (bus_rq_B) "To get here, A must be finished with the bus
        THEN
          GOTO B_has_bus;
        ELSE
          GOTO idle; "To get here, A has finished with the bus and
                    "B has not requested it.

STATE B_has_bus:
  bus_grant_A = 0;
  bus_grant_B = 1;
  IF (bus_rq_B)
    THEN
      GOTO B_has_bus; "B holds onto bus as long as needed
    ELSE
      IF (bus_rq_A) "To get here, B must be finished with the bus
        THEN
          GOTO A_has_bus;
        ELSE
          GOTO idle; "To get here, B has finished with the bus and
                    "A has not requested it.

END bus_arbiter;"end of state machine
END arbiter; "end of function

```

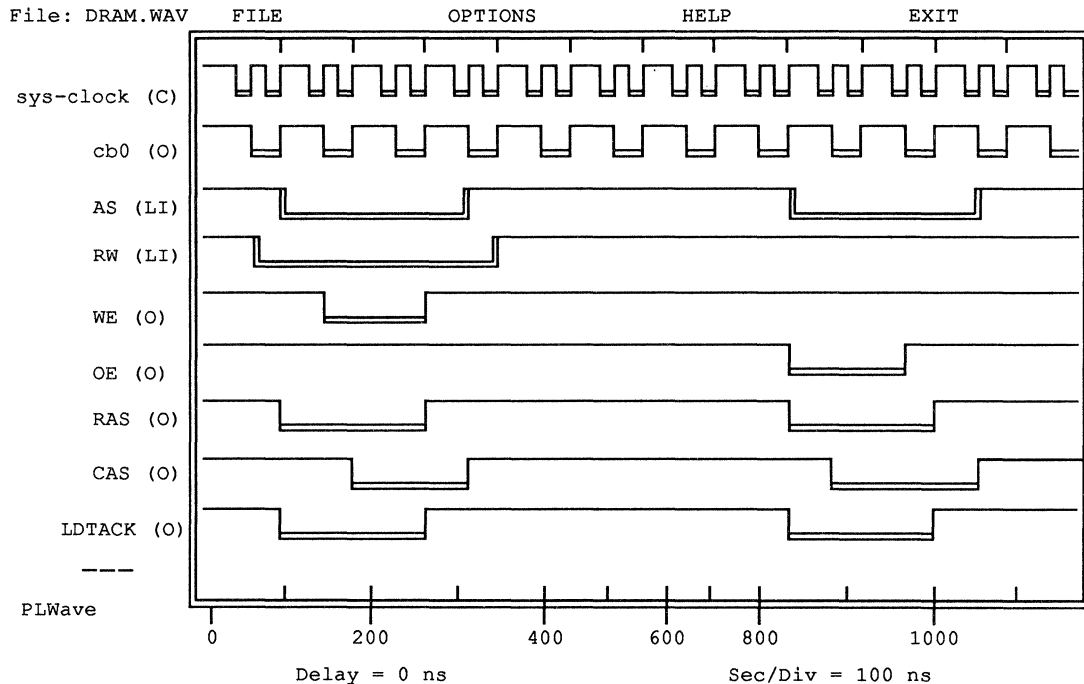
### DRAM Controller for a 68000 Microprocessor

In some cases, the behavior of hardware is in the form of timing diagrams. You will see this most often when interfacing a microprocessor to peripheral devices. When a hardware description is in the form of timing diagrams, PLDesigner's waveform entry method can make entry as easy as drawing the timing diagram!

This design example provides the DRAM control logic for a 68000 microprocessor. The "AS" and "RW" signals

are from the microprocessor, "sys\_clock" is the clock, the LDTACK signal is fed back to the 68000 to terminate the bus cycle, and all other signals are control lines required by the DRAM.

The waveforms are drawn on-screen with a mouse or by stepping along and designating "H" or "L" with the keyboard. PLDesigner's waveform compiler takes the waveforms you have drawn and converts them into the Boolean equations to be fit into PLDs.



## Combining Multiple Designs

Using PLDesigner's unique capability of combining designs, you can merge the bus arbiter in the second ex-

ample with the DRAM controller in the third example to fit them into a single device. To do this, the following file is created:

```
TITLE          COMBINE.SRC;
COMMENT       This combines a bus arbiter and DRAM controller into a single
system;
"Note: sys_clock is the clock used in both designs
FBINCLUDE    'dram';
FBINCLUDE    'arbiter';
```

The designs are automatically combined with the results placed in a single file. If desired, system test commands can be included with this file to simulate the behavior of

the entire system. Once completed, the entire design process is automatically documented, as follows:

```
PLDesigner - (c) Copyright 1987, MINC Incorporated
```

```
EQUATIONS FOR SYSTEM
```

```
INPUT SIGNALS:
```

```
LOW_TRUE GND
HIGH_TRUE VCC
HIGH_TRUE AS
HIGH_TRUE RW
LOW_TRUE BUS_RQ_A
LOW_TRUE BUS_RQ_B
```

```
OUTPUT SIGNALS:
```

```
LOW_TRUE CB0
LOW_TRUE WE
LOW_TRUE OE
LOW_TRUE RAS
LOW_TRUE CAS
LOW_TRUE LDTACK
LOW_TRUE BUS_GRANT_A
LOW_TRUE BUS_GRANT_B
HIDDEN HIGH_TRUE BUS_ARBITER7-S0
HIDDEN HIGH_TRUE BUS_ARBITER7-S1
```

```
REDUCED EQUATIONS:
```

```
CB0.CLK = sys_clock ;
.D = /CB0 ;
WE.CLK = sys_clock ;
.D = /AS*/RW*/OE*/CAS*LDTACK + /CB0*WE ;
OE.CLK = sys_clock ;
.D = /AS*RW*/CAS + CB0*OE ;
RAS.CLK = sys_clock ;
.D = /AS*/CAS + LDTACK*/CB0 + LDTACK*OE ;
CAS.CLK = sys_clock ;
.D = /AS*/RW*WE + /AS*RW*LDTACK ;
LDTACK.CLK = sys_clock ;
.D = /CAS*/AS + /CB0*LDTACK + CAS*OE ;
BUS_GRANT_A.EQN = BUS_ARBITER7-S0*/BUS_ARBITER7-S1 ;
BUS_GRANT_B.EQN = /BUS_ARBITER7-S0*BUS_ARBITER7-S1 ;
BUS_ARBITER7-S0.CLK = sys_clock ;
.D = BUS_RQ_A*/BUS_RQ_B*/BUS_ARBITER7-S0 +
BUS_RQ_A*/BUS_ARBITER7-S1 ;
BUS_ARBITER7-S1.CLK = sys_clock ;
.D = BUS_RQ_B*/BUS_ARBITER7-S1*/BUS_RQ_A +
BUS_RQ_B*BUS_ARBITER7-S1*/BUS_ARBITER7-S0 ;
```



**Device Selection Criteria**

After completing the design entry, you hand your design over to PLDesigner's expert system. PLDesigner does not blindly select devices for you; instead, you specify what a "best" solution is in your environment.

You can declare the criteria that each device must meet (logic family, temperature, speed, manufacturer, package, etc.). You also can select what is more important in

the implementation (cost, speed, number of parts, current consumption, etc.).

Your design philosophy is passed to the partitioning system that performs the architecture mapping, selecting the best device architecture for the design. PLDesigner will select from PROMs, PAL devices, and sequencers in a combination that provides the best solution for your design problem.

**PLDesigner----Partitioning Menu**

System File : COMBINE  
 Available File : MINCLIB.AVL

START PARTITIONING  
 EXIT MENU

EDIT PARTITIONING  
 EDIT DEVICE LIBRARY

	Constraints	Priority (10 max)
Number of Devices :	---	N/A
Logic Family :	TTL	N/A
Manufacturer :	AMD	N/A
Package Type :	DIP	N/A
Temperature :	COM	N/A
Total Price :	N/A	10
Total Size :	N/A	--
Max Prop Delay :	----	--
Min Frequency :	----	--
Max Current Usage :	----	--
User Criteria 1 :	----	--
User Criteria 2 :	----	--

## Implementation Selection

Based on the selection criteria you entered, PLDesigner automatically explores hundreds of combinations of devices to find the top ten solutions to your design problem. When finished, you select the implementation that best meets the project needs. If none of the solutions seem satisfactory, you can change your selection criteria and repeat the process until you're satisfied with the implementation, without modifying your original design.

By exploring different criteria, you are assured that the final implementation you select is the most rigorous solution to your design problem.

In this example, the P20RP8 was selected to provide an economical, one device solution. You might select another solution, based on what you have available in lab stock, or what parts are approved for manufacturing. Or you could select a larger part to allow an upgrade path without changing PC board layout.

### PLDesigner - Partitioning Solution Menu

System Name : COMBINE EXIT

Possible Solutions:

Attempted : 594

Found : 47

==> 1	P20RP8	210ma	40ns	\$2.89
2	P20XRP8	180ma	45ns	\$3.41
3	P20RP6, P16R8	300ma	55ns	\$4.84
4	P20RP8, P16R6	300ma	55ns	\$4.84
5	P20RP10, P16R6	300ma	55ns	\$4.84
6	P20RP4, P16R6	300ma	55ns	\$4.84
7	P20RP6, P16R6	300ma	55ns	\$4.84
8	P20RP8, P16R4	300ma	55ns	\$4.84
9	P20RP10, P16R4	300ma	55ns	\$4.84
10	P20RP4, P16R8	300ma	55ns	\$4.84

Possible Devices:

Partitioning Completed

P16R8 P16R6 P16R4 P16L8 P18P8 P20RP6 P20RP4 P20RP10 P20RP8  
 P22P10 P20R4 P20L8 P20L10 P20R8 P20R6 P22XP10 P20XRP8 P20XRP6  
 P20XRP4 P20XRP10 P22V10C P22V10R

## Device Programming

After you select the final design solution, PLDesigner creates the fuse maps (JEDEC, or others) for the device programmer, including the test vectors created by your system simulation. PLDesigner will automatically partition the device test vectors when partitioning the design. No need to write a separate verification routine for each device. Then, the document file is updated to show the pinouts of the devices to be programmed.

The following figure shows the pinout documentation for the combined arbiter/DRAM controller design.

Note: On the P20RP8, pins 14 and 23 are the only com-

binatorial outputs. PLDesigner recognizes this and assigns these pins to the signals that must be combinatorial (the bus grant signals from the bus arbiter). All the other signals require clocked outputs, so PLDesigner assigns them to pins with D flip-flops. The "BUS\_ARBITER7-S1" and "-S0" signals are state bits automatically created by PLDesigner to implement the arbiter state machine. These could be used as status bits in the design, or ignored as the designer sees fit.

This design nicely demonstrates the power of PLDesigner's architecture mapping, which selects a device with the correct mix of registered and combinatorial outputs to implement the design.

DOCGEN: COMBINE

PINOUT DIAGRAMS

Device 1 - P20RP8\_0

sys_clock	1	[ CLK	Vcc	] 24	
AS	2	[ Input	Biput	] 23	BUS_GRANT_A
RW	3	[ Input	Output	] 22	BUS_ARBITER7-S1
BUS_RQ_A	4	[ Input	Output	] 21	BUS_ARBITER7-S0
BUS_RQ_B	5	[ Input	Output	] 20	RAS
	6	[ Input	Output	] 19	CB0
	7	[ Input	Output	] 18	CAS
	8	[ Input	Output	] 17	LDTACK
	9	[ Input	Output	] 16	OE
	10	[ Input	Output	] 15	WE
	11	[ Input	Biput	] 14	BUS_GRANT_B
	12	[ GND	OE	] 13	GND

## SUMMARY

If you're just starting with PLDs, PLDesigner's automatic device selection and architecture mapping allows you to design without a painful learning curve. And, this powerful toolset allows the experienced PLD designer to quickly evaluate alternatives in implementation.

By offering implementation-independent designs, you concentrate on the design, not the devices. A wide range of input methods actually makes the design process easier, because you are using the entry method that best suits the design. And, you can combine portions of a design to build up an entire PLD system.

Architecture mapping selects the top ten solutions for a design, using the optimal device architecture. This

means you can confidently select the best possible implementation for your design. Fully automatic partitioning of the design and associated test vectors across multiple devices relieves the tedious and time-consuming task of manual dividing of circuits.

PLDesigner is available for the PC and most workstation environments. For more information on MINC design systems, contact:

MINC Incorporated  
 6755 Earl Drive  
 Colorado Springs, CO 80918  
 (719) 590-1155  
 FAX (719) 590-7330



## INTRODUCTION

There are two common situations when a PAL device user wants to program parts:

1. The user has a master device and wants to program the master pattern into new unprogrammed parts from the same or from a different manufacturer.
2. The user has a file that is in JEDEC standard Programmable Logic Data Transfer Format and wants to send the file to a programmer and program parts to that pattern.

All approved programmers can accomplish either of these tasks. You will have to refer to your programmer manual for detailed procedures, but here are some general guidelines:

### Programming with the Use of a Master Device

Suppose you have a master device and you want to program a device of the same type with exactly the same pattern. The master device can be an MMI or AMD device or another manufacturer's functionally equivalent device. Follow these steps:

1. Set the programmer to read (or copy) the master device. This may require having a hardware adaptor for the master and entering a product code unique to the manufacturer and device type.
2. Install the correct adaptor (if required). Enter the appropriate product code information or select the device type from the menu. Then place the master device in the correct socket and read its fuse pattern into the programmer memory. Use whatever operating sequence is required by the programmer for this operation.
3. The pattern is now in the programmer memory and will remain there until the memory is cleared or the programmer power is turned off. Changing an adaptor or product code will not erase the memory. Usually at the end of a copy operation a checksum will be displayed. Make a note of this number. The checksum is a calculated hexadecimal code for the pattern loaded into memory. It can be very helpful in diagnosing any programming problems. If a part is to be re-used frequently as a master device it is a good practice to write the checksum on

the top of the part. Never proceed with programming without checksum agreement after reading a master.

### Error Detection

As a matter of curiosity take the part out of the socket once and read an empty socket. Also read a known blank part (using the right adaptor). Checksums from these two situations will be helpful in diagnosing two common problems when programming from masters:

- Forgetting to lock down the socket lever to make good contact after loading a part
  - Loading an unprogrammed part as a master by mistake.
4. Now prepare the programmer for the device to be programmed with the master pattern loaded into memory. Some programmers require different adaptors for different manufacturer's parts. If the programmer being used has this requirement, be sure to use the proper adaptor for the exact part number to be programmed. Using the wrong adaptor can cause permanent damage to the parts. Always check for adaptor compatibility.
  5. Everything's OK. You have the correct adaptor, the right device code (or have selected the device from the menu) and you wrote down the checksum that you got after loading the master. Now put the programmer in the mode used for programming from its memory and execute the programming operation.

There is some variation in the sequence of events carried out by different programmers during the programming cycle, but all of them program and verify the appropriate fuses to match the pattern in the programmer memory. Such operations as Blank Checks, Illegal Bit Checks, Test Vector Testing, and Security Fuse Programming can be a part of the programming sequence. Check the programmer manufacturer's manual for the availability and appropriate use of these features.

The essential part of the programming cycle is the programming and verification of each fuse followed by a verification of all fuses at both low and high Vcc. At the very end of the programming sequence you will see the checksum for the part you have just programmed. This checksum should agree with the master part checksum. You now have a programmed part that is functionally identical to the master.

## Programming From a JEDEC File

A JEDEC standard file is the output of design software packages used to specify programming pattern information to a programmer. All approved programmers will accept JEDEC files. A JEDEC file is normally generated on a computer by PLD design software. The unique aspect of programming from a JEDEC file is the transfer of the file to the programmer. After the file has been transferred into the programmer, the programming task is identical to programming from a master with one exception. The exception is that design software may be used to prepare test vectors to be applied to a device immediately following the programming cycle. These vectors will be transmitted with the JEDEC fuse file and they have a JEDEC standard format of their own.

General guidelines for transfer of a JEDEC file and programming are as follows:

1. Make sure your file is in the standard JEDEC format. This will not be a problem if you are using software for file preparation that adheres to this standard.
2. Connect the JEDEC file source to the programmer with an RS232 cable. The programmer manual will describe the connection details.
3. Prepare the programmer for receiving a JEDEC file over a link. This will generally involve entering the product code information and putting the programmer in a ready-to-receive mode.
4. Transmit the file from the computer source using commercially available communications software or operating system commands.
5. After transmission a checksum should appear on the programmer display. Part of the JEDEC standard file is a checksum. If the displayed checksum is the same as the JEDEC file generated checksum transmission has been successful.
6. Program a PAL device by first installing the correct adaptor (if needed) and then entering the programming mode. Finally put a part in the socket and execute the programming operation.

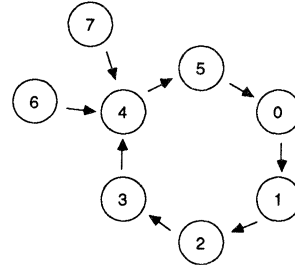
## Register Preload

Register preload is an aid to functional testing of registered PAL devices. Functional testing is usually performed after a device is programmed but before it is installed on the circuit board. Functional testing exercises the functional logic circuitry of a device that is not fully testable prior to programming, providing a higher final quality level for programmable products. For a more thorough discussion of functional testing and related quality issues see the ProPAL and HAL Devices section.

Using register preload, the registers of a device can be "preloaded" to any desired state value. The ability to set the registers to any arbitrary value is extremely useful for testing state machine designs where the output is fed back into the array as an input. It lets the user check for deadlock loops and proper recovery from

illegal states. It also simplifies testing state transitions of states which may be difficult to reach through normal state transitions.

Consider the example of the 6-state counter illustrated in the state machine diagram of Figure 1.



14096-001A

Figure 1.

States 6 and 7 are illegal states, both transitioning to state 4. If the registers of the device are not preloadable, it is difficult to check for recovery from these states since they cannot be reached through normal state transitions. If register preload is available, however, it is a simple matter to write a set of vectors that sets the device to the illegal state and then clocks it and checks proper recovery.

If the device powers up in state 1 and you want to test the transition from state 0 → 1, the only way to check that transition is to write a series of vectors that cycle the device through the state sequence starting at state 1, until the desired state, state 0, is reached. With register preload, reaching state 0 is simply a matter of writing a vector that sets the device to that state.

In general, register preload simplifies the task of writing test vectors for functional testing, and is especially helpful in testing the conditions described in this discussion. However, test vectors written utilizing register preload can provide only a limited amount of functional coverage. Full coverage can only be achieved when the vectors used to test the device simulate actual operating conditions, and preload is not a normal operating condition.

## Programmer Support

Not all programmers support register preload. The programmer guide lists the programmers that do support this feature. For more specific information regarding your programmer, contact the manufacturer.

## Choosing the Right Programmer

Advanced Micro Devices has evaluated and approved several PAL device programmers, and choosing among them is not simple. You must consider many factors. Does the programmer handle all of the devices you will be using? Does it program PAL devices, sequencers, and PROMs? Does it program TTL, EPROM CMOS, EEPROM CMOS, and ECL technology products? How easily is it upgraded for future devices? Does it have provisions for test vectors, accepting JEDEC files, or a handler interface? And what about cost?

## Programming

Programmer	Adams MacDonald			Data I/O			Digelec	Kontron	Logical Devices	Micropross		Stag	
	LabPro	P11	Sprint+	US40	M60A/H	M29	860	EPP-80	ALLPRO	3000	5000	PPZ	ZL30
Features													
Price	V. Low	Low	Low	High	Low	Med.	Low	Med.	Low	Med.	Med.	Med.	Low
Standalone	Yes	Yes	No	Yes	Yes	Yes	Yes	Yes	No	No	Yes	Yes	Yes
Handler	No	No	No	Yes	Yes	No	No	No	No	No	No	No	No
PLCC	No	No	No	Yes	Yes	Yes	Yes	No	No	No	No	No	Yes
Test Vectors	Yes	Yes	Yes	Yes	Yes	Yes	Yes	Yes	Yes	Yes	Yes	Yes	Yes
Preload	Yes	Yes	Yes	Yes	Yes	Yes	Yes	No	Yes	Yes	Yes	No	No
Fingerprint	No	No	No	No	Yes	Yes	No	No	No	No	No	No	No
Fast Program	Yes	No	No	Yes	Yes	No	Yes	No	No	No	No	Yes	Yes
1 Pulse Prog	No	No	No	Yes	Yes	Yes	No	No	No	No	No	No	No
Updates	Pack	PROM	Disk	Disk	PROM	PROM	Pack	PROM	Disk	Disk	Disk	Card	PROM

Despite these variations in features, today's programmers fall into two broad categories, PC-based programmers and standalone programmers. PC-based programmers consist of a board (that plugs into a PC) and an external box with socket(s) for the device being programmed. The plug-in board contains the "intelligence" of the programmer, and, as the name implies, these programmers require a PC for use. Standalone programmers can perform all programming operations without a PC. PC-based programmers are usually lower cost and lower performance design and development tools that support a limited number of devices and have limited capabilities. Standalone programmers offer higher performance (e.g., faster programming), and are oriented to the production environment.

The chart above lists programmer features, as well as current support for some of the newer part types. This information should help you decide on the best programmer for your needs.

### Approved Programmers

Advanced Micro Devices PAL devices are manufactured under strict processing procedures to provide our PAL device users with the highest-quality PAL devices available. We take the same approach in our programmer vendor approval process, and recommend that you choose an approved programmer for your PAL device programming needs.

### The Benefits of Using Approved Programmers

When you choose an approved programmer you gain all the benefits of our thorough vendor evaluation. You can feel confident investing in equipment that will give you consistently reliable results and will be able to support current and future generations of programmable logic devices. When you select an approved programmer you get many benefits:

- Your programmed product is backed by our corporate warranty.
- New features and algorithm updates are quickly implemented.
- Any new programmer software and hardware releases are factory evaluated and approved before release.
- Your equipment will have a long "technical lifetime."
- Through our sales force and Field Applications Engineers you have a factory interface with the programmer vendors to deal with any issues or concerns that might arise.

### The Approval Process

The Programmability Group at Advanced Micro Devices works closely with our programmer vendors to ensure that high-quality programming and testing support is available to all users of our PLDs.

To gain approval a programmer must pass a rigorous series of tests which include:

- Conformity to programming specifications.
- Devices programmed must pass all reliability tests. This reliability testing is performed by Advanced Micro Devices as part of the evaluation.
- Programmer must meet programming yield requirements for both array and security fuse programming.
- Programmer must be able to support JEDEC format files and communication standards.

Programmer vendors are encouraged to support structured test vector testing and preload capability, pin continuity and pre-programming security fuse checking.

### **New Product Support**

Approved programmers must also provide timely support for new products and programming algorithm updates and revisions. This ensures PAL device users that no matter which approved programmer they choose, they can feel confident that it will support the latest and greatest PLDs we have to offer.

Additionally, we work closely with our approved vendors in the development of their new programmers and our new PLDs. This means that their new products will be able to support our future PLD offerings.

### **A Broad Range of Programmers**

We work with a broad range of programmer vendors, so you can find a programmer to suit your engineering needs as well as your

budget. Approved programmers cover the range from economical engineering/design prototyping tools to high-volume production units. We have a worldwide programmer vendor base, so programming support is available no matter where you use PAL devices. Approved programmers are available from American, British, French, German and Japanese vendors.

Our quality and reliability guarantees are made for products programmed with approved programmers only. Use of unapproved programmers voids our corporate warranty and may result in poor manufacturing yields and product performance. The Programmer Reference Guide is a valuable tool. The information it contains can help you obtain consistent, reliable high-quality programming results with your PLDs.

# LabPro™ Programmer

## The Complete and Affordable Programmable Logic System



Advanced programmable logic development tools have just become affordable. Advanced Micro Devices, the programmable logic leader, is proud to announce the LabPro Programmable Logic Development System. Dedicated to Advanced Micro Devices programmable logic devices, it is THE complete, easy-to-use development system, at a very affordable price.

The LabPro system is the programmable logic development system of the future as well as the present. Developed in conjunction with Digelec, Inc., it supports Advanced Micro Devices PLDs — in CMOS, ECL, and TTL technologies — from our state-of-the-art sequencers to our industry standard 24- and 20-pin architecture products, and is designed to be easily updatable for support of our future PLD offerings.

### A COMPLETE DESIGN AND PROGRAMMING SYSTEM

The LabPro system is accompanied by PALASM® Software. Together, they let you go from a logic design idea to a final programmed and tested PLD.

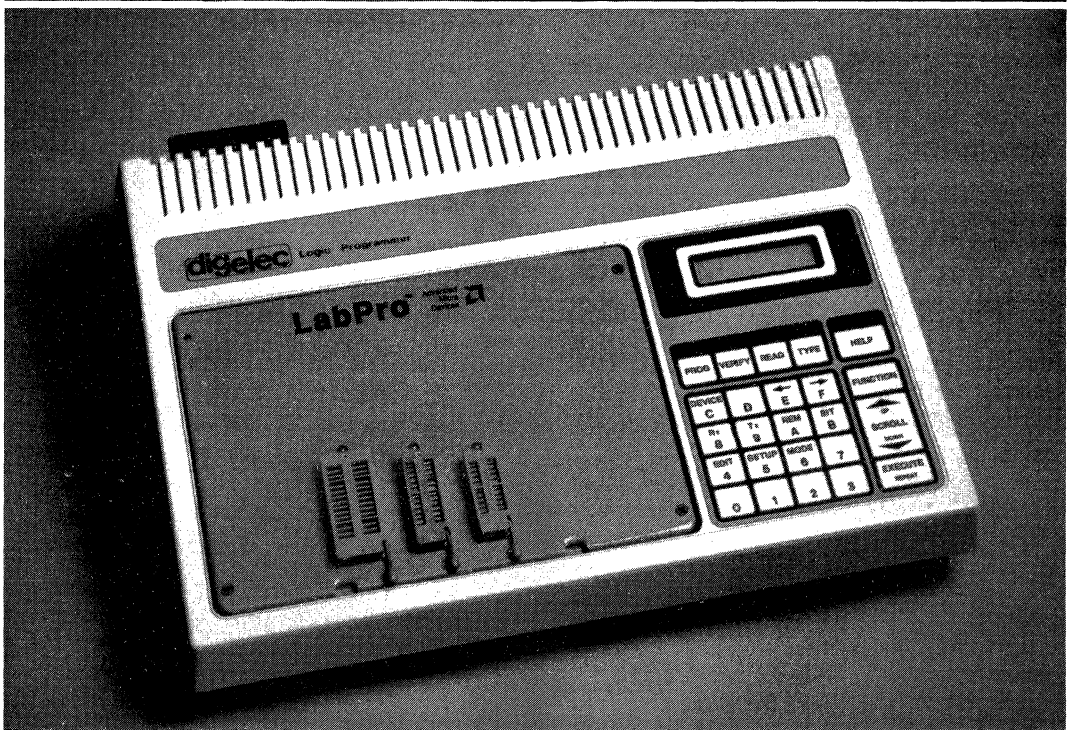
PALASM software supports all Advanced Micro Devices PAL® devices. It accepts all logic design inputs in a variety of logic entry formats. Once your design has been assembled, you can simply transfer your design file to the LabPro system.

### Easy to Use

The LabPro system can be used in the stand-alone mode or with any PC or PC-compatible system utilizing LOGILINK™ software from Digelec.

When used in the stand-alone mode, the LabPro system's 2-line by 16-character alphanumeric LCD display guides the user through all of the operating functions with clear and easy-to-follow instructions.

The four most frequently used functions — PROGRAM, VERIFY, READ and TYPE — can be directly accessed with a single key. The scroll up/down feature allows easy access to all other LabPro system functions.



Publication #	Rev.	Amendment	Issue Date
10279	C	/0	1/90



The on-board HELP function provides simple, immediate assistance during operation, minimizing the need to refer to the user's manual.

The SETUP function lets you set your own programmer setup values, which are stored in non-volatile memory.

### Easy Programming

One keystroke programming makes programming a breeze. If you're operating the LabPro system in the remote mode, LOGILINK software provides a straightforward menu-driven operating mode.

The LabPro system can interface with any computer via its RS-232C serial port, and accepts data in both standard JEDEC and HEX formats.

### Easy Logic Testing

The LabPro system performs a full range of tests before, during and after programming to ensure quality programming.

The built-in test (BIT) automatically checks the programmer when it is powered up. The continuity test checks to ensure that the device being programmed is correctly inserted into the programming socket. After programming, the array verify test automatically performs a fuse-by-fuse comparison check of the programmed device to ensure the correct pattern has been programmed. The functional testing option provides you with structured vector testing capability for up to 2500 test vectors. The LabPro system also supports register preload for preloadable devices.

### Easy to Update

Take advantage of the LabPro System's innovative SOFTPACK™ algorithm update feature. When it's time for an update, simply remove the SOFTPACK cartridge from its slot at the rear of the programmer, replace it with the new one and you're ready to program the latest devices from Advanced Micro Devices.

### Easy to Afford

All of this at a fraction of what you would expect to pay for a complete development system — at a price that's very easy on your budget!

### Don't Settle for Less!

The LabPro system offers a complete solution to your PLD programming needs. The LabPro system is compact, easy-to-use, and versatile. Get the LabPro system from Advanced Micro Devices and get support for the broadest line of PLDs available, from Advanced Micro Devices — the market leader.

### Upwardly Mobile

Should you want to expand your programming capabilities to include other PLD manufacturers, the LabPro system is easily upgradable to a full Digelec Model 860. The Model 860 supports PLDs from a wide range of manufacturers. Contact your Digelec representative for more information.

---

## Specifications

### RS-232C Serial Port

Baud rate: 50–19,200

Parity: None/Odd/Even

Bits: 5, 6, 7, 8

Handshake: XON/XOFF, DSR

Format: JEDEC, HEX

### RAM

Standard: 64K bytes

Optional: 256K bytes

### Device Testing

Blank/Illegal Bit Check, Misplaced/Reversed, Current Overload, Continuity, Checksum, Vector Test (up to 2500), Preload, Array Verify

### Device Packages Supported

20-, 24-, and 28-pin DIPs

## FUNCTIONS

### Device

Program, Verify, Read, Type, Blank/Illegal Bit Check, Checksum, Security Fuse, Test Vectors

### Edit

JEDEC Fuses

Test Vectors

### Communication

Transmit

Receive

### Bit

Built-in Test

### Help

On-Board Help Menu

### General

Dimensions (W x H x D):

37 x 11.5 x 28 cm

14.6 x 4.5 x 11 in

Weight: Net 4.3 kg (9.5 lb)

Shipping: 5.5 kg (12.1 lb)

Power: 110/220 VAC, 50/60 Hz



# AmPGA081

## Configuration PROM Programmer

### DISTINCTIVE CHARACTERISTICS

- Allows uploading, downloading, and saving of PROM files
- Can program and verify patterns
- Programs AMD and Xilinx™ Serial Configuration PROMs
- Programs 36K and 65K Serial Configuration PROMs
- Connects to serial port of IBM® PC-XT™, PC-AT™ or compatible
- Operates from PC via menu-driven software provided with the programming unit
- Accepts data files in any of the three XACT™-supported formats, MCS86, Tekhex and ExorMax

### GENERAL DESCRIPTION

The AmPGA081 Configuration PROM Programmer is designed to support the Am1736 and Am1765 Serial Configuration PROMs, (SCPs) 8-pin SKINNYDIP® PROMs used to configure programmable gate arrays. In addition, the AmPGA081 can also program the XC1736 device from Xilinx Corporation.

The programming unit, controlled using menu-driven, PC-based software, is connected to the serial port of an IBM PC-XT, PC-AT, or compatible. The AmPGA081 software and programmer are self-contained, and can

be installed on a system other than that used for design development, such as one in a manufacturing area.

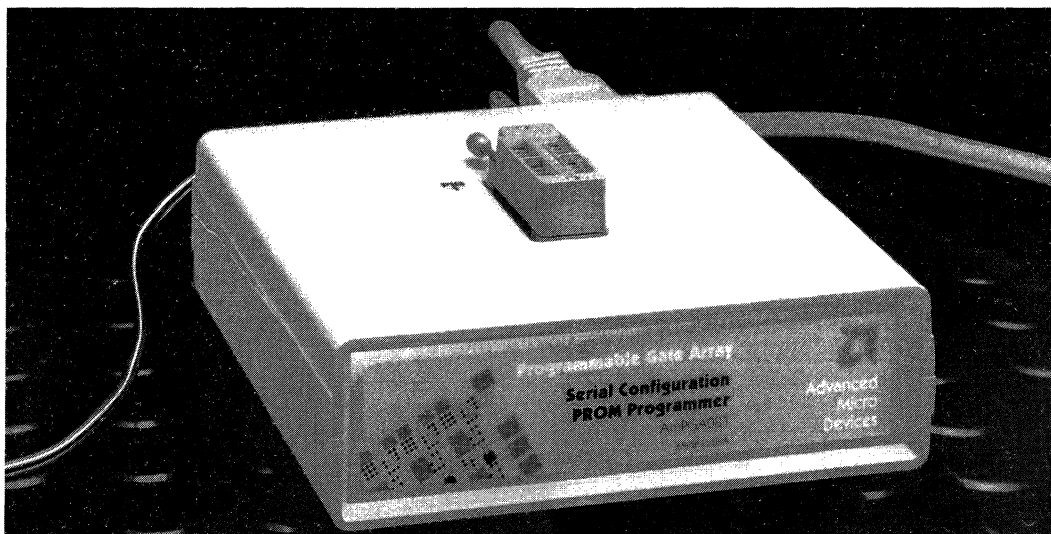
Designers compile their Logic Cell™ Array designs into a standard PROM format using the XACT Design System. The software provided with the AMPGA081 is then used to download the PROM file into the programming unit to program a SCP. PROM files can also be uploaded to the PC. SCPs already programmed can be verified, by comparing the device to a PROM file in RAM. The contents of the PROM can also be saved in RAM.

### ORDERING INFORMATION

Further information is available from your local AMD sales office, authorized representative, or franchised distributor.

**AmPGA081 Configuration PROM Programmer**  
Includes programming unit, power transformer, software and serial cable.

6



# Programmer Reference Guide



**Advanced Micro Devices, Inc.**  
 901 Thompson Place  
 Sunnyvale, CA 94088-3453  
 (800) 222-9323 or (408) 732-2400

## LabPro™ Programmer

Architecture	Part Number	LabPro Revision
10H8	*PAL10H8	A1.0
10L8	*PAL10L8	A1.0
12H6	*PAL12H6	A1.0
12L6	*PAL12L6	A1.0
12L10	*PAL12L10	A1.0
14H4	*PAL14H4	A1.0
14L4	*PAL14L4	A1.0
14L8	*PAL14L8	A1.0
16C1	*PAL16C1	A1.0
16H2	*PAL16H2	A1.0
16H8	*AmPAL16H8	A1.0
16HD8	*AmPAL16HD8	A1.0
16L2	*PAL16L2	A1.0
16L6	*PAL16L6	A1.0
16L8	PAL16L8-7(-12Mil) PAL16L8H-15/D/B PAL16L8/B-2/B-4/A/A-2/A-4 PALC16L8Z *PALC16L8Q *AmPAL16L8	A1.1 A1.0 A1.0 A1.1 A1.0 A1.0
16LD8	*AmPAL16LD8	A1.0
16R4	PAL16R4-7(-12Mil) PAL16R4H-15 PAL16R4D/B PAL16R4/B-2/B-4/A/A-2/A-4 PALC16R4Z *PALC16R4Q *AmPAL16R4	A1.1 A1.0 A1.0 A1.0 A1.1 A1.0 A1.0
16R6	PAL16R6-7(-12Mil) PAL16R6H-15 PAL16R6D/B PAL16R6/B-2/B-4/A/A-2/A-4 PALC16R6Z *PALC16R6Q *AmPAL16R6	A1.1 A1.0 A1.0 A1.0 A1.1 A1.0 A1.0
16R8	PAL16R8-7(-12Mil) PAL16R8H-15 PAL16R8D/B PAL16R8/B-2/B-4/A/A-2/A-4 PALC16R8Z *PALC16R8Q *AmPAL16R8	A1.1 A1.0 A1.0 A1.0 A1.1 A1.0 A1.0

Architecture	Part Number	LabPro Revision
16RA8	PAL16RA8	A1.0
16V8	PALCE16V8H/Q 16V8 as 10H8 16V8 as 10L8 16V8 as 12H6 16V8 as 12L6 16V8 as 14H4 16V8 as 14L4 16V8 as 16H2 16V8 as 16L2 16V8 as 16L8 16V8 as 16R4 16V8 as 16R6 16V8 as 16R8	A1.0 A1.1 A1.1 A1.1 A1.1 A1.1 A1.1 A1.1 A1.0 A1.0 A1.0 A1.0
16X4	*PAL16X4	A1.0
18L4	*PAL18L4	A1.0
18U8	*PALC18U8	A1.1
20C1	*PAL20C1	A1.0
20L2	*PAL20L2	A1.0
20L8	PAL20L8-7(-12Mil) PAL20L8-10(-15Mil)/B-2 PAL20L8B/A/A-2 PALC20L8Z	A1.1 A1.0 A1.0 A1.0
20L10	PAL20L10A AmPAL20L10 *PAL20L10	A1.0 A1.0 A1.0
20R4	PAL20R4-7(-12Mil) PAL20R4-10(-15Mil)/B-2 PAL20R4B/A/A-2 PALC20R4Z	A1.1 A1.0 A1.0 A1.0
20R6	PAL20R6-7(-12Mil) PAL20R6-10(-15Mil)/B-2 PAL20R6B/A/A-2 PALC20R6Z	A1.1 A1.0 A1.0 A1.0
20R8	PAL20R8-7(-12Mil) PAL20R8-10(-15Mil)/B-2 PAL20R8B/A/A-2 PALC20R8Z	A1.1 A1.0 A1.0 A1.0
20RA10	PAL20RA10 PAL20RA10-20 *PALCE20RA10Z	A1.0 A1.0 A1.1
20RS4	*PAL20RS4	A1.0
20RS8	*PAL20RS8	A1.0

Publication #	Rev.	Amendment	Issue Date
14097	A	/0	1/90

Advanced Micro Devices, Inc.

Architecture	Part Number	LabPro Revision
20RS10	*PAL20RS10	A1.0
20S10	*PAL20S10	A1.0
20V8	PALCE20V8H	A1.1
	20V8 as 14L8	A1.1
	20V8 as 16L6	A1.1
	20V8 as 18L4	A1.1
	20V8 as 20L2	A1.1
	20V8 as 20L8	A1.1
	20V8 as 20R4	A1.1
	20V8 as 20R6	A1.1
	20V8 as 20R8	A1.1
20X4	PAL20X4A	A1.0
	*PAL20X4	A1.0
20X8	PAL20X8A	A1.0
	*PAL20X8	A1.0
20X10	PAL20X10A	A1.0
	*PAL20X10	A1.0
22P10	*AmPAL22P10	A1.0
22V10	PAL22V10, AmPAL22V10	A1.0
	*PALC22V10	A1.0
29MA16	PALCE29MA16	A1.1
32VX10	PAL32VX10	A1.0
6L16	*PAL6L16A	A1.0
8L14	*PAL8L14A	A1.0

Notes:

\*Not recommended for new designs – contact AMD for replacement device information.

(-XXMil) = Military suffix.

If part number has no performance suffix, information applies to all options.

Earliest revision shown. Later revisions also can be assumed to support these products.

**Programmer Reference Guide**

**Adams MacDonald Enterprises**  
 800 Airport Road  
 Monterey, CA 93940  
 (408) 373-3607

**P3 Programmer**  
**P11 Programmer**  
**SprintPlus Programmer**

Archite- cture	Part Number	Revision		
		P3	P11	SprintPlus
10H8	*PAL10H8	3.0	1.09	3.2I
10L8	*PAL10L8	3.0	1.09	3.2I
12H6	*PAL12H6	3.0	1.09	3.2I
12L6	*PAL12L6	3.0	1.09	3.2I
12L10	*PAL12L10	3.0	1.09	3.2I
14H4	*PAL14H4	3.0	1.09	3.2I
14L4	*PAL14L4	3.0	1.09	3.2I
14L8	*PAL14L8	3.0	1.09	3.2I
16C1	*PAL16C1	3.0	1.09	3.2I
16H2	*PAL16H2	3.0	1.09	3.2I
16H8	*AmPAL16H8	3.1	1.09	3.2I
16HD8	*AmPAL16HD8	3.1	1.09	3.2I
16L2	*PAL16L2	3.0	1.09	3.2I
16L6	*PAL16L6	3.0	1.09	3.2I
16L8	PAL16L8H-15/D/B	3.0	1.09	3.2I
	PAL16L8/B-2/B-4/A/A-2/A-4	3.0	1.09	3.2I
	PALC16L8Z	—	2.0	3.2I
	*PALC16L8Q	—	2.0	3.2I
	*AmPAL16L8	3.1	1.09	3.2I
16LD8	*AmPAL16LD8	3.1	1.09	3.2I
16P8	PAL16P8A	3.0	1.09	3.2I
16R4	PAL16R4H-15	3.0	2.0	3.2I
	PAL16R4D/B	3.0	1.09	3.2I
	PAL16R4/B-2/B-4/A/A-2/A-4	3.0	1.09	3.2I
	PALC16R4Z	—	2.0	3.2I
	*PALC16R4Q	—	2.0	3.2I
	*AmPAL16R4	3.1	1.09	3.2I
16R6	PAL16R6H-15	3.0	2.0	3.2I
	PAL16R6D/B	3.0	1.09	3.2I
	PAL16R6/B-2/B-4/A/A-2/A-4	3.0	1.09	3.2I
	PALC16R6Z	—	2.0	3.2I
	*PALC16R6Q	—	2.0	3.2I
	*AmPAL16R6	3.1	1.09	3.2I
16R8	PAL16R8H-15	3.0	2.0	3.2I
	PAL16R8D/B	3.0	1.09	3.2I
	PAL16R8/B-2/B-4/A/A-2/A-4	3.0	1.09	3.2I
	PALC16R8Z	—	2.0	3.2I
	*PALC16R8Q	—	2.0	3.2I
	*AmPAL16R8	3.1	1.09	3.2I
16RA8	PAL16RA8	3.0	1.09	3.2I
16RP4	PAL16RP4A	3.0	1.09	3.2I
16RP6	PAL16RP6A	3.0	1.09	3.2I
16RP8	PAL16RP8A	3.0	1.09	3.2I
16X4	*PAL16X4	3.0	1.09	—
18L4	*PAL18L4	3.0	1.09	3.2I
18P8	AmPAL18P8	3.1	1.09	3.2I
18U8	*PALC18U8	—	2.0	3.2I

Adams MacDonald Enterprises

Architecture	Part Number	Revision		
		P3	P11	SprintPlus
20C1	*PAL20C1	3.0	1.09	3.2I
20L2	*PAL20L2	3.0	1.09	3.2I
20L8	PAL20L8-10(-15Mil)/B-2	3.0	2.0	3.2I
	PAL20L8B/A/A-2	3.0	2.0	3.2I
	PALC20L8Z	—	1.09	3.2I
20L10	PAL20L10A	3.0	1.09	3.2I
	AmPAL20L10	—	2.0	—
	*PAL20L10	3.0	1.09	3.2I
20R4	PAL20R4-10(-15Mil)/B-2	3.0	2.0	3.2I
	PAL20R4B/A/A-2	3.0	2.0	3.2I
	PALC20R4Z	—	1.09	3.2I
20R6	PAL20R6-10(-15Mil)/B-2	3.0	2.0	3.2I
	PAL20R6B/A/A-2	3.0	2.0	3.2I
	PALC20R6Z	—	1.09	3.2I
20R8	PAL20R8-10(-15Mil)	3.0	2.0	3.2I
	PAL20R8B/B-2/A/A-2	3.0	2.0	3.2I
	PALC20R8Z	—	1.09	3.2I
20RA10	PAL20RA10-20	3.0	1.09	3.2I
	PAL20RA10	3.0	1.09	3.2I
20RS4	*PAL20RS4	3.0	1.09	—
20RS8	*PAL20RS8	3.0	1.09	—
20RS10	*PAL20RS10	3.0	1.09	—
20S10	*PAL20S10	3.0	1.09	—
20X4	PAL20X4A	3.0	1.09	3.2I
	*PAL20X4	3.0	1.09	3.2I
20X8	PAL20X8A	3.0	1.09	3.2I
	*PAL20X8	3.0	1.09	3.2I
20X10	PAL20X10A	3.0	1.09	3.2I
	*PAL20X10	3.0	1.09	3.2I
22P10	*AmPAL22P10	—	2.0	3.2I
22V10	PAL22V10, AmPAL22V10	3.1	1.09	3.2I
	*PALC22V10	—	2.0	3.2I
23S8	AmPAL23S8	—	2.0	3.2I
32VX10	PAL32VX10	—	—	3.2I
6L16	*PAL6L16A	3.0	—	—
8L14	*PAL8L14A	3.0	—	—
141	*Am29PL141	—	2.0	3.2I
	*Am29LPL141	—	—	3.2I
142	*Am29PL142	—	2.0	—
14R21	*PMS14R21	—	2.0	—

Notes:

\* Not recommended for new designs – contact AMD for replacement device information.

(-XXMil) = Military suffix.

If part number has no performance suffix, information applies to all options.

Earliest revision shown. Later revisions also can be assumed to support these products.

**Programmer Reference Guide**

**Data I/O Corporation**  
 10525 Willows Road N.E.  
 P.O. Box 97046  
 Redmond, WA 98073-9746  
 (800) 247-5700 or (206) 881-6444

**UniSite™ 40 Programmer**  
**Model 60 Programmer**  
**Model 29A/B Programmers**  
**LogicPak™ 303A-V04**

Architecture	Part Number	Family-Pinout Code	Revision					
			UniSite 40		Model 60		Model 29A, 29B LogicPak 303A-V04	
			DIP	PLCC	DIP	PLCC	DIP 303A-011A	PLCC 303A-011B
10H8	*PAL10H8	22-18	1.54	1.5	V05	V12	V01	V03
10L8	*PAL10L8	22-13	1.54	1.5	V05	V12	V01	V01
12H6	*PAL12H6	22-19	1.54	1.5	V05	V12	V01	V03
12L6	*PAL12L6	22-14	1.54	1.5	V05	V12	V01	V01
12L10	*PAL12L10	22-01	1.54	1.5	V05	V12	V01	V01
14H4	*PAL14H4	22-20	1.54	1.5	V05	V12	V01	V03
14L4	*PAL14L4	22-15	1.54	1.5	V05	V12	V01	V01
14L8	*PAL14L8	22-02	1.54	2.3	V05	V12	V01	V01
16C1	*PAL16C1	22-21	1.54	1.5	V05	V12	V01	V03
16H2	*PAL16H2	22-22	1.54	1.5	V05	V12	V01	V03
16H8	*AmPAL16H8	97-25	1.3	2.1	V10	—	V05	V02
16HD8	*AmPAL16HD8	97-25	1.3	—	V10	—	V05	V02
16L2	*PAL16L2	22-16	1.54	1.5	V05	V12	V01	V01
16L6	*PAL16L6	22-03	1.54	2.3	V05	V12	V01	V01
16L8	PAL16L8-7(-12Mil)	20-17	2.7	2.5	V12	—	V05	V03
	PAL16L8H-15/D/B	30-17	2.4	2.4	V09	V13	V09	V01
	PAL16L8B-2/B-4/A/A-2/A-4	22-17	1.54	1.5	V05	V12	V01	V03
	PALC16L8Z	46-17	2.3	—	V13	—	V04	V03
	*PALC16L8Q	DB-17	2.4	—	V11	—	V04	V04
	*AmPAL16L8	97-17	1.3	1.6	V10	V12	V05	V01
16LD8	*AmPAL16LD8	97-17	1.3	—	V10	—	V05	V02
16P8	PAL16P8A	22-30	1.54	—	V05	V12	V01	V01
16R4	PAL16R4-7(-12Mil)	20-81	2.7	2.5	V12	—	V05	V03
	PAL16R4H-15	30-67	2.4	—	V11	V13	V09	V01
	PAL16R4D/B	30-24	2.4	2.4	V13	V13	V09	V04
	PAL16R4B-2/B-4/A/A-2/A-4	22-24	1.54	1.5	V05	V12	V01	V03
	PALC16R4Z	46-24	2.3	—	V13	—	V04	V03
	*PALC16R4Q	DB-24	2.4	—	V11	—	V04	V04
	*AmPAL16R4	97-81	1.3	2.1	V10	V12	V05	V01
16R6	PAL16R6-7(-12Mil)	20-80	2.7	2.5	V12	—	V05	V03
	PAL16R6H-15	30-67	2.4	—	V11	V13	V09	V01
	PAL16R6D/B	30-24	2.4	2.4	V13	V13	V09	V04
	PAL16R6B-2/B-4/A/A-2/A-4	22-24	1.54	1.5	V05	V12	V01	V03
	PALC16R6Z	46-24	2.3	—	V13	—	V04	V03
	*PALC16R6Q	DB-24	2.4	—	V11	—	V04	V04
	*AmPAL16R6	97-80	1.3	2.1	V10	V12	V05	V01
16R8	PAL16R8-7(-12Mil)	20-82	2.7	2.5	V12	—	V05	V03
	PAL16R8H-15	30-67	2.4	—	V11	V13	V09	V01
	PAL16R8D/B	30-24	2.4	2.4	V13	V13	V09	V04
	PAL16R8B-2/B-4/A/A-2/A-4	22-24	1.54	1.5	V05	V12	V01	V03
	PALC16R8Z	46-24	2.3	—	V13	—	V04	V03
	*PALC16R8Q	DB-24	2.4	—	V11	—	V04	V04
	*AmPAL16R8	97-82	1.3	2.1	V10	V12	V05	V01
16RA8	PAL16RA8	22-31	1.54	1.5	V05	V12	V01	V01
16RP4	PAL16RP4A	22-31	1.54	1.5	V05	V12	V01	V01

Programmer Reference Guide

Data I/O Corporation

Architecture	Part Number	Family-Pinout Code	Revision					
			UniSite 40		Model 60		Model 29A, 29B LogicPak 303A-V04	
			DIP	PLCC	DIP	PLCC	DIP 303A-011A	PLCC 303A-011B
16RP6	PAL16RP6A	22-31	1.54	1.5	V05	V12	V01	V01
16RP8	PAL16RP8A	22-31	1.54	1.5	V05	V12	V01	V01
16V8	PALCE16V8H/Q	80-55	2.5	3.0	V14.1	—	V10	V04
	16V8 as 16L8	80-17	2.6	3.0	—	—	—	—
	16V8 as 16R4	80-81	2.6	3.0	—	—	—	—
	16V8 as 16R6	80-80	2.6	3.0	—	—	—	—
	16V8 as 16R8	80-82	2.6	3.0	—	—	—	—
16X4	*PAL16X4	22-24	1.54	1.5	V05	V12	V01	V03
18L4	*PAL18L4	22-04	1.54	1.5	V05	V12	V01	V01
18P8	AmpPAL18P8	97-29	1.3	1.5	V05	V12	V01	V02
18U8	*PALC18U8	DB-2E	2.2	—	V14.1	—	V04	V04
20C1	*PAL20C1	22-12	1.54	2.1	V05	V12	V01	V01
20EG8	PAL10H20EG8	22-6C	2.7	2.7	—	—	—	—
	PAL10020EG8	22-6E	2.7	2.7	—	—	—	—
20EV8	PAL10H20EV8	22-6B	2.7	2.7	—	—	—	—
	PAL10020EV8	22-6D	2.7	2.7	—	—	—	—
20G8	*PAL10H20G8	22-42	2.0	—	—	—	303A-ECL	—
20L2	*PAL20L2	22-05	1.54	1.5	V05	V12	V01	V01
20L8	PAL20L8-7(-12Mil)	20-26	2.6	2.7	—	—	—	—
	PAL20L8-10(-15Mil)/B-2	22-26	1.54	2.7	V05	V12	V01	V01
	PAL20L8B/A/A-2	22-26	1.54	2.1	V05	V12	V01	V03
	PALC20L8Z	46-26	1.54	—	V10	—	V06	V03
20L10	PAL20L10A	22-06	1.54	1.5	V05	V12	V09	V01
	AmpPAL20L10	97-06	2.0	—	V10	—	V03	V04
	*PAL20L10	22-06	1.54	1.5	V05	V12	V09	V01
20P8	*PAL10H20P8	22-42	2.0	—	—	—	303A-ECL	—
20R4	PAL20R4-7(-12Mil)	20-65	2.6	2.7	—	—	—	—
	PAL20R4-10(-15Mil)/B-2	22-68	2.4	2.7	V10	V12	V04	V02
	PAL20R4B/A/A-2	22-27	1.54	1.5	V05	V12	V01	V03
	PALC20R4Z	46-27	1.54	—	V10	—	V06	V03
20R6	PAL20R6-7(-12Mil)	20-66	2.6	2.7	—	—	—	—
	PAL20R6-10(-15Mil)/B-2	22-68	2.4	2.7	V10	V12	V04	V02
	PAL20R6B/A/A-2	22-27	1.54	2.1	V05	V12	V01	V03
	PALC20R6Z	46-27	1.54	—	V10	—	V06	V03
20R8	PAL20R8-7(-12Mil)	20-68	2.6	2.7	—	—	—	—
	PAL20R8-10(-15Mil)/B-2	22-68	2.4	2.7	V10	V12	V04	V02
	PAL20R8B/A/A-2	22-27	1.54	1.5	V05	V12	V01	V03
	PALC20R8Z	46-27	1.54	—	V10	—	V06	V03
20RA10	PAL20RA10-20	22-45	1.54	2.3	V05	V12	V08	—
	PAL20RA10	22-45	1.54	1.5	V05	V12	V09	—
	*PALCE20RA10Z	DE-45	2.3	—	—	—	V06	—
20RS4	*PAL20RS4	22-46	1.54	2.0	V05	V12	V01	V01
20RS8	*PAL20RS8	22-45	1.54	2.3	V05	V12	V01	V01
20RS10	*PAL20RS10	22-44	1.54	2.0	V05	V12	V01	V01
20S10	*PAL20S10	22-43	1.54	1.5	V05	V12	V01	V01



**Programmer Reference Guide**

**Data I/O Corporation**

Architecture	Part Number	Family-Pinout Code	Revision					
			UniSite 40		Model 60		Model 29A, 29B LogicPak 303A-V04	
			DIP	PLCC	DIP	PLCC	DIP 303A-011A	PLCC 303A-011B
20V8	PALCE20V8H	80-57	2.7	—	—	—	—	—
	PAL20V8 as 20L8	80-26	2.7	—	—	—	—	—
	PAL20V8 as 20R4	80-65	2.7	—	—	—	—	—
	PAL20V8 as 20R6	80-66	2.7	—	—	—	—	—
	PAL20V8 as 20R8	80-27	2.7	—	—	—	—	—
20X4	PAL20X4A	22-36	1.54	1.7	V05	V12	V09	V04
	*PAL20X4	22-23	1.54	1.7	V05	V12	V09	V04
20X8	PAL20X8A	22-36	1.54	1.7	V05	V12	V09	V04
	*PAL20X8	22-23	1.54	1.7	V05	V12	V09	V04
20X10	PAL20X10A	22-36	1.54	1.7	V05	V12	V09	V04
	*PAL20X10	22-23	1.54	1.7	V05	V12	V09	V04
22IP6	PAL22IP6-25	22-6A	3.0	—	—	—	—	—
22P10	*AmPAL22P10	97-2B	2.0	—	V10	—	V03	V04
22V10	PAL22V10, AmPAL22V10	97-28	1.3	2.0	V03	V12	V01	V01
	PALCE22V10	80-28	3.0	—	—	—	—	—
	*PALC22V10	DB-28	2.3	—	V12	—	V09	V04
23S8	AmPAL23S8	97-84	2.0	—	V11	—	V04	—
26V12	PALCE26V12	80-4E	2.5	—	—	—	V10	—
29M16	PALCE29M16	60-4B	2.5	—	V10	—	V03	—
29MA16	PALCE29MA16	60-4C	2.4	—	V10	—	V03	—
32VX10	PAL32VX10	22-77	1.54	—	V10	V13	V01	V01
6L16	*PAL6L16A	22-48	1.54	2.2	V05	V12	V01	V01
8L14	*PAL8L14A	22-49	1.54	2.3	V05	V12	V01	V01
105	PLS105	2A-63	2.2	2.2	V11	—	V04	V03
167	PLS167	2A-60	2.2	—	V11	—	V04	V03
168	PLS168	2A-74	2.2	—	V11	—	V04	V03
30S16	PLS30S16	97-A9	2.6	—	—	—	—	—
141	*Am29PL141	97-79	1.5	—	—	—	303A-FPC-V01	—
	*Am29LPL141	97-79	1.5	—	—	—	303A-FPC-V01	—
142	*Am29PL142	97-76	2.0	—	—	—	303A-FPC-V02	—
151	Am29CPL151	94-70	—	—	—	—	V08	—
154	Am29CPL154	94-7E	2.4	—	—	—	V10	—
14R21	*PMS14R21	22-58	2.4	—	—	—	V10	V03
2971	Am2971	97-78	1.55	—	—	—	—	—
1736	Am1736	127-EE	2.6	—	—	—	—	—

**Notes:**

\* Not recommended for new designs – contact AMD for replacement device information.

(-XXMil) = Military suffix.

If part number has no performance suffix, information applies to all options.

Earliest revision shown. Later revisions also can be assumed to support these products.

PLCC support is for standard pinout in data sheet. For non-standard pinouts or other packages, contact Data I/O Corporation or AMD.

**Programmer Reference Guide**

**Digelec, Inc.**  
 22736 Vanowen Street  
 Canoga Park, CA 91307  
 (800) 367-8750 or (818) 887-3755

**System UP 803  
 Model 860**

Architecture	Part Number	Revision			
		System UP 803			Model 860
		Logic Center FAM 52	Adapter	Rev.	
10H8	*PAL10H8	5.4	DA 53	A-3	A1.2
10L8	*PAL10L8	5.4	DA 53	A-3	A1.2
12H6	*PAL12H6	5.4	DA 53	A-3	A1.2
12L6	*PAL12L6	5.4	DA 53	A-3	A1.2
12L10	*PAL12L10	5.4	DA 55	C-1	A1.2
14H4	*PAL14H4	5.4	DA 53	A-3	A1.2
14L4	*PAL14L4	5.4	DA 53	A-3	A1.2
14L8	*PAL14L8	5.4	DA 55	C-1	A1.2
16C1	*PAL16C1	5.4	DA 53	A-3	A1.2
16H2	*PAL16H2	5.4	DA 53	A-3	A1.2
16H8	*AmPAL16H8	5.5	DA 53	A-3	A1.2
16HD8	*AmPAL16HD8	5.5	DA 53	A-3	A1.2
16L2	*PAL16L2	5.4	DA 53	A-3	A1.2
16L6	*PAL16L6	5.4	DA 55	C-1	A1.2
16L8	PAL16L8H-15/D/B	5.4	DA 53	A-3	A1.2
	PAL16L8/B-2/B-4/A/A-2/A-4	5.4	DA 53	A-3	A1.2
	*PALC16L8Q	—	—	—	A1.2
	*AmPAL16L8	5.5	DA 53	A-3	A1.2
16LD8	*AmPAL16LD8	5.5	DA 53	A-3	A1.2
16P8	PAL16P8A	5.4	DA 53	A-3	A1.2
16R4	PAL16R4H-15	5.4	DA 53	C-1	A1.2
	PAL16R4D/B	5.4	DA 53	A-3	A1.2
	PAL16R4/B-2/B-4/A/A-2/A-4	5.4	DA 53	A-3	A1.2
	*PALC16R4Q	—	—	—	A1.2
	*AmPAL16R4	5.5	DA 53	A-3	A1.2
16R6	PAL16R6H-15	5.4	DA 53	C-1	A1.2
	PAL16R6D/B	5.4	DA 53	A-3	A1.2
	PAL16R6/B-2/B-4/A/A-2/A-4	5.4	DA 53	A-3	A1.2
	*PALC16R6Q	—	—	—	A1.2
	*AmPAL16R6	5.5	DA 53	A-3	A1.2
16R8	PAL16R8H-15	5.4	DA 53	C-1	A1.2
	PAL16R8D/B	5.4	DA 53	A-3	A1.2
	PAL16R8/B-2/B-4/A/A-2/A-4	5.4	DA 53	A-3	A1.2
	*PALC16R8Q	—	—	—	A1.2
	*AmPAL16R8	5.5	DA 53	A-3	A1.2
16RA8	PAL16RA8	5.4	DA 53	C-1	A1.2
16RP4	PAL16RP4A	5.4	DA 53	A-3	A1.2
16RP6	PAL16RP6A	5.4	DA 53	A-3	A1.2
16RP8	PAL16RP8A	5.4	DA 53	A-3	A1.2
16V8	PALCE16V8H/Q	—	—	—	A1.4
16X4	*PAL16X4	5.4	DA 53	A-3	A1.2
18L4	*PAL18L4	5.4	DA 55	C-1	A1.2
18P8	AmPAL18P8	5.5	DA 55	B-3	A1.2
20C1	*PAL20C1	5.4	DA 55	C-1	A1.2

**Programmer Reference Guide**

Digelec, Inc.

Architecture	Part Number	Revision				Model 860
		System UP 803				
		Logic Center FAM 52	Adapter	Rev.		
20G8	*PAL10H20G8	5.4	DA 60	A-1	—	
20L2	*PAL20L2	5.4	DA 55	C-1	A1.2	
20L8	PAL20L8-10(-15Mil)/B-2 PAL20L8B/A/A-2 PALC20L8Z	5.4	DA 55	C-1	A1.2	
		5.4	DA 55	C-1	A1.2	
		5.4	DA 55	C-1	A1.2	
20L10	PAL20L10A AmPAL20L10 *PAL20L10	5.4	DA 55	C-1	A1.2	
		5.5	DA 53	A-3	A1.2	
		5.4	DA 55	C-1	A1.2	
20P8	*PAL10H20P8	5.4	DA 60	A-1	—	
20R4	PAL20R4-10(-15Mil)/B-2 PAL20R4B/A/A-2 PALC20R4Z	5.4	DA 55	C-1	A1.2	
		5.4	DA 55	C-1	A1.2	
		5.4	DA 55	C-1	A1.2	
20R6	PAL20R6-10(-15Mil)/B-2 PAL20R6B/A/A-2 PALC20R6Z	5.4	DA 55	C-1	A1.2	
		5.4	DA 55	C-1	A1.2	
		5.4	DA 55	C-1	A1.2	
20R8	PAL20R8-10(-15Mil)/B-2 PAL20R8B/A/A-2 PALC20R8Z	5.4	DA 55	C-1	A1.2	
		5.4	DA 55	C-1	A1.2	
		5.4	DA 55	C-1	A1.2	
20RA10	PAL20RA10 PAL20RA10-20	5.4	DA 55	C-1	A1.2	
		5.4	DA 55	C-1	A1.2	
20RS4	*PAL20RS4	5.4	DA 55	C-1	A1.2	
20RS8	*PAL20RS8	5.4	DA 55	C-1	A1.2	
20RS10	*PAL20RS10	5.4	DA 55	C-1	A1.2	
20S10	*PAL20S10	5.4	DA 55	C-1	A1.2	
20X4	PAL20X4A *PAL20X4	5.4	DA 55	C-1	A1.2	
		5.4	DA 55	C-1	A1.2	
20X8	PAL20X8A *PAL20X8	5.4	DA 55	C-1	A1.2	
		5.4	DA 55	C-1	A1.2	
20X10	PAL20X10A *PAL20X10	5.4	DA 55	C-1	A1.2	
		5.4	DA 55	C-1	A1.2	
22P10	*AmPAL22P10	5.5	DA 53	A-3	A1.2	
22V10	PAL22V10, AmPAL22V10 *PALC22V10	5.5	DA 55	B-3	A1.2	
		—	—	—	A1.2	
32VX10	PAL32VX10	6.54	DA 55	C-1	A1.2	
6L16	*PAL6L16A	6.54	DA 62	—	A1.2	
8L14	*PAL8L14A	6.54	DA 62	—	A1.2	
141	*Am29PL141	—	—	—	A1.1	

Notes:

\* Not recommended for new designs – contact AMD for replacement device information.

(-XXMil) = Military suffix.

If part number has no performance suffix, information applies to all options.

Earliest revision shown. Later revisions also can be assumed to support these products.

PLCC support is for standard pinout in data sheet. For non-standard pinouts or other packages, contact Digelec or AMD.

**Programmer Reference Guide**

**Kontron Electronics**  
 630 Clyde Ave.  
 Mountain View, CA 94039-7230  
 (800) 227-8834 or (415) 965-7020

**System MPP 80S**  
**System EPP-80**

Architecture	Part Number	Revision	
		System MPP 80S Module MOD 21 Adapter	System EPP-80 Module UPM-B
10H8	*PAL10H8	SA-27	1.44
10L8	*PAL10L8	SA-27	1.44
12H6	*PAL12H6	SA-27	1.44
12L6	*PAL12L6	SA-27	1.44
12L10	*PAL12L10	SA-27-1	1.44
14H4	*PAL14H4	SA-27	1.44
14L4	*PAL14L4	SA-27	1.44
14L8	*PAL14L8	SA-27-1	1.44
16C1	*PAL16C1	SA-27	1.44
16H2	*PAL16H2	SA-27	1.44
16H8	*AmPAL16H8	SA-27	1.45
16HD8	*AmPAL16HD8	SA-27	1.45
16L2	*PAL16L2	SA-27	1.44
16L6	*PAL16L6	SA-27-1	1.44
16L8	PAL16L8H-15/D/B	—	1.44
	PAL16L8/B-2/B-4/A/A-2/A-4	SA-27	1.44
	*AmPAL16L8	SA-27	1.45
16LD8	*AmPAL16LD8	SA-27	1.45
16P8	PAL16P8A	—	1.44
16R4	PAL16R4H-15	—	1.44
	PAL16R4D/B	—	1.44
	PAL16R4/B-2/B-4/A/A-2/A-4	SA-27	1.44
	*AmPAL16R4	SA-27	1.45
16R6	PAL16R6H-15	—	1.44
	PAL16R6D/B	—	1.44
	PAL16R6/B-2/B-4/A/A-2/A-4	SA-27	1.44
	*AmPAL16R6	SA-27	1.45
16R8	PAL16R8H-15	—	1.44
	PAL16R8D/B	—	1.44
	PAL16R8/B-2/B-4/A/A-2/A-4	SA-27	1.44
	*AmPAL16R8	SA-27	1.45
16RA8	PAL16RA8	—	1.47
16RP4	PAL16RP4A	—	1.44
16RP6	PAL16RP6A	—	1.44
16RP8	PAL16RP8A	—	1.44
16X4	*PAL16X4	SA-27	1.44
18L4	*PAL18L4	SA-27-1	1.44
18P8	AmPAL18P8	—	1.45
20C1	*PAL20C1	SA-27-1	1.44
20G8	*PAL10H20G8	—	1.47
20L2	*PAL20L2	SA-27-1	1.44
20L8	PAL20L8-10(-15Mil)/B-2	SA-27-1	1.44
	PAL20L8B/A/A-2	SA-27-1	1.44
	PALC20L8Z	—	2.00

**Programmer Reference Guide**

**Kontron Electronics**

Arch- itecture	Part Number	Revision	
		System MPP 80S Module MOD 21 Adapter	System EPP-80 Module UPM-B
20L10	PAL20L10A	SA-27-1	1.44
	*PAL20L10	SA-27-1	1.44
20P8	*PAL10H20P8	—	1.47
20R4	PAL20R4-10(-15Mil)/B-2	SA-27-1	1.44
	PAL20R4B/A/A-2	SA-27-1	1.44
	PALC20R4Z	—	2.00
20R6	PAL20R6-10(-15Mil)/B-2	SA-27-1	1.44
	PAL20R6B/A/A-2	SA-27-1	1.44
	PALC20R6Z	—	2.00
20R8	PAL20R8-10(-15Mil)/B-2	SA-27-1	1.44
	PAL20R8B/A/A-2	SA-27-1	1.44
	PALC20R8Z	—	2.00
20RA10	PAL20RA10	—	1.44
	PAL20RA10-20	—	1.44
20RS4	*PAL20RS4	—	1.44
20RS8	*PAL20RS8	—	1.44
20RS10	*PAL20RS10	—	1.44
20S10	*PAL20S10	—	1.44
20X4	PAL20X4A	SA-27-1	1.44
	*PAL20X4	SA-27-1	1.44
20X8	PAL20X8A	SA-27-1	1.44
	*PAL20X8	SA-27-1	1.44
20X10	PAL20X10A	SA-27-1	1.44
	*PAL20X10	SA-27-1	1.44
22V10	PAL22V10, AmPAL22V10	—	1.45
	*PALC22V10	—	2.00
32VX10	PAL32VX10	—	2.00
6L16	*PAL6L16A	—	2.00
8L14	*PAL8L14A	—	2.00

Notes:

\* Not recommended for new designs – contact AMD for replacement device information.

(-XXMil) = Military suffix.

If part number has no performance suffix, information applies to all options.

Earliest revision shown. Later revisions also can be assumed to support these products.

**Programmer Reference Guide**

**Logical Devices, Inc.**  
 1201 E. Northwest 65th Place  
 Fort Lauderdale, FL 33309  
 (800) 331-7766 or (305) 491-7405

**ALLPRO™ Programmer**

Architecture	Part Number	ALLPRO Revision
10H8	*PAL10H8	1.44CR2
10L8	*PAL10L8	1.44CR2
12H6	*PAL12H6	1.44CR2
12L6	*PAL12L6	1.44CR2
12L10	*PAL12L10	1.44CR2
14H4	*PAL14H4	1.44CR2
14L4	*PAL14L4	1.44CR2
14L8	*PAL14L8	1.44CR2
16C1	*PAL16C1	1.44CR2
16H2	*PAL16H2	1.44CR2
16H8	*AmPAL16H8	1.44CR2
16HD8	*AmPAL16HD8	1.44CR2
16L2	*PAL16L2	1.44CR2
16L6	*PAL16L6	1.44CR2
16L8	PAL16L88-7(-12Mil) PAL16L8H-15/D/B PAL16L8/B-2/B-4/A/A-2/A-4 *PALC16L8Q *AmPAL16L8	1.48C 1.44CR2 1.44CR2 1.48C 1.44CR2
16LD8	*AmPAL16LD8	1.44CR2
16P8	PAL16P8A	1.44CR2
16R4	PAL16R4-7(-12Mil) PAL16R4H-15 PAL16R4D/B PAL16R4/B-2/B-4/A/A-2/A-4 *PALC16R4Q *AmPAL16R4	1.48C 1.44CR2 1.44CR2 1.44CR2 1.48C 1.44CR2
16R6	PAL16R6-7(-12Mil) PAL16R6H-15 PAL16R6D/B PAL16R6/B-2/B-4/A/A-2/A-4 PALC16R6Q *AmPAL16R6	1.48C 1.44CR2 1.44CR2 1.44CR2 1.48C 1.44CR2
16R8	PAL16R8-7(-12Mil) PAL16R8H-15 PAL16R8D/B PAL16R8/B-2/B-4/A/A-2/A-4 *PALC16R8Q *AmPAL16R8	1.48C 1.44CR2 1.44CR2 1.44CR2 1.48C 1.44CR2

Architecture	Part Number	ALLPRO Revision
16RA8	PAL16RA8	1.44CR2
16RP4	PAL16RP4A	1.44CR2
16RP6	PAL16RP6A	1.44CR2
16RP8	PAL16RP8A	1.44CR2
16X4	*PAL16X4	1.44CR2
18L4	*PAL18L4	1.44CR2
18P8	AmPAL18P8	1.48C
18U8	*PALC18U8	1.48C
20C1	*PAL20C1	1.44CR2
20L2	*PAL20L2	1.44CR2
20L8	PAL20L8-10(-15Mil)/B-2 PAL20L8B/A/A-2 PALC20L8Z	1.44CR2 1.44CR2 1.44CR2
20L10	PAL20L10A AmPAL20L10 *PAL20L10	1.44CR2 1.48C 1.44CR2
20R4	PAL20R4-10(-15Mil)/B-2 PAL20R4B/A/A-2 PALC20R4Z	1.44CR2 1.44CR2 1.44CR2
20R6	PAL20R6-10(-15Mil)/B-2 PAL20R6B/A/A-2 PALC20R6Z	1.44CR2 1.44CR2 1.44CR2
20R8	PAL20R8-10(-15Mil)/B-2 PAL20R8B/A/A-2 PALC20R8Z	1.44CR2 1.44CR2 1.44CR2
20RA10	PAL20RA10 PAL20RA10-20 *PALCE20RA10Z	1.44CR2 1.44CR2 1.48C
20RS4	*PAL20RS4	1.44CR2
20RS8	*PAL20RS8	1.44CR2
20RS10	*PAL20RS10	1.44CR2
20S10	*PAL20S10	1.44CR2
20X4	PAL20X4A *PAL20X4	1.44CR2 1.44CR2
20X8	PAL20X8A *PAL20X8	1.44CR2 1.44CR2
20X10	PAL20X10A *PAL20X10	1.44CR2 1.44CR2

Logical Devices, Inc.

Architecture	Part Number	ALLPRO Revision
22P10	*AmPAL22P10	1.48C
22V10	PAL22V10, AmPAL22V10	1.48C
	*PALC22V10	1.48C
23S8	AmPAL23S8	1.48C
26V12	PALCE26V12	1.48C
29M16	PALCE29M16	1.48C
29MA16	PALCE29MA16	1.48C
32VX10	PAL32VX10	1.44CR2
6L16	*PAL6L16A	1.44CR2
8L14	*PAL8L14A	1.44CR2
141	*Am29PL141	1.48C
	*Am29LPL141	1.48C
142	*Am29PL142	1.48C
151	Am29CPL151	1.48C
154	Am29CPL154	1.48C
2971	Am2971	1.48C

Notes:

\* Not recommended for new designs – contact AMD for replacement device information.

(-XXMil) = Military suffix.

If part number has no performance suffix, information applies to all options.

Earliest revision shown. Later revisions also can be assumed to support these products.

**Programmer Reference Guide**

**Micropross**

Parc d'Activite des Pres  
5, rue Denis-Papin  
59650 Villeneuve d'Ascq  
France  
20 47 90 20

**ROM 5000 Programmer**  
**ROM 3000 Programmer**

Archite- cture	Part Number	Revision	
		ROM 5000	ROM 3000
10H8	*PAL10H8	3.5	5.83
10L8	*PAL10L8	3.5	5.83
12H6	*PAL12H6	3.5	5.83
12L6	*PAL12L6	3.5	5.83
12L10	*PAL12L10	3.5	5.83
14H4	*PAL14H4	3.5	5.83
14L4	*PAL14L4	3.5	5.83
14L8	*PAL14L8	3.5	5.83
16C1	*PAL16C1	3.5	5.83
16H2	*PAL16H2	3.5	5.83
16H8	*AmPAL16H8	—	5.83
16HD8	*AmPAL16HD8	—	5.83
16L2	*PAL16L2	3.5	5.83
16L6	*PAL16L6	3.5	5.83
16L8	PAL16L8-7(-12Mil)	—	5.83
	PAL16L8H-15	3.5	5.83
	PAL16L8D/B	3.5	5.83
	PAL16L8/B-2/B-4/A/A-2/A-4	3.5	5.83
	*PALC16L8Q	—	5.83
	*AmPAL16L8	3.5	5.83
16LD8	*AmPAL16LD8	—	5.83
16P8	PAL16P8A	3.5	5.83
16R4	PAL16R4-7(-12Mil)	—	5.83
	PAL16R4H-15	3.5	5.83
	PAL16R4D/B	3.5	5.83
	PAL16R4/B-2/B-4/A/A-2/A-4	3.5	5.83
	*PALC16R4Q	—	5.83
	*AmPAL16R4	3.5	5.83
16R6	PAL16R6-7(-12Mil)	—	5.83
	PAL16R6H-15	3.5	5.83
	PAL16R6D/B	3.5	5.83
	PAL16R6/B-2/B-4/A/A-2/A-4	3.5	5.83
	*PALC16R6Q	—	5.83
	*AmPAL16R6	3.5	5.83
16R8	PAL16R8-7(-12Mil)	—	5.83
	PAL16R8H-15	3.5	5.83
	PAL16R8D/B	3.5	5.83
	PAL16R8/B-2/B-4/A/A-2/A-4	3.5	5.83
	*PALC16R8Q	—	5.83
	*AmPAL16R8	3.5	5.83
16RA8	PAL16RA8	4.6	5.83
16RP4	PAL16RP4A	3.5	5.83
16RP6	PAL16RP6A	3.5	5.83
16RP8	PAL16RP8A	3.5	5.83
16X4	*PAL16X4	3.5	5.83
18L4	*PAL18L4	3.5	5.83



Micropross

Architecture	Part Number	Revision	
		ROM 5000	ROM 3000
18P8	AmPAL18P8	—	5.83
18U8	*PALC18U8	—	5.83
20C1	*PAL20C1	3.5	5.83
20G8	*PAL10H20G8	4.6	5.83
20L2	*PAL20L2	3.5	5.83
20L8	PAL20L8-10(-15Mil)/B-2	3.5	5.83
	PAL20L8B/A/A-2	3.5	5.83
	PALC20L8Z	—	5.83
20L10	PAL20L10A	3.5	5.83
	AmPAL20L10	—	5.83
	*PAL20L10	3.5	5.83
20P8	*PAL10H20P8	4.6	5.83
20R4	PAL20R4-10(-15Mil)/B-2	3.5	5.83
	PAL20R4B/A/A-2	3.5	5.83
	PALC20R4Z	—	5.83
20R6	PAL20R6-10(-15Mil)/B-2	3.5	5.83
	PAL20R6B/A/A-2	3.5	5.83
	PALC20R6Z	—	5.83
20R8	PAL20R8-10(-15Mil)/B-2	3.5	5.83
	PAL20R8B/A/A-2	3.5	5.83
	PALC20R8Z	—	5.83
20RA10	PAL20RA10	3.5	5.83
	PAL20RA10-20	3.5	5.83
	*PALCE20RA10Z	—	5.83
20RS4	*PAL20RS4	3.5	5.83
20RS8	*PAL20RS8	3.5	5.83
20RS10	*PAL20RS10	3.5	5.83
20S10	*PAL20S10	3.5	5.83
20X4	PAL20X4A	3.5	5.83
	*PAL20X4	3.5	5.83
20X8	PAL20X8A	3.5	5.83
	*PAL20X8	3.5	5.83
20X10	PAL20X10A	3.5	5.83
	*PAL20X10	3.5	5.83
22IP6	PAL22IP6-25	—	5.83
22P10	*AmPAL22P10	—	5.83
22V10	PAL22V10, AmPAL22V10	—	5.83
	*PALC22V10	4.6	5.83
23S8	AmPAL23S8	—	5.83
29M16	PALCE29M16	—	5.83
29MA16	PALCE29MA16	—	5.83
32VX10	PAL32VX10	4.51	5.83

Micropross

Architecture	Part Number	Revision	
		ROM 5000	ROM 3000
6L16	*PAL6L16A	4.6	5.83
8L14	*PAL8L14A	4.6	5.83
105	PLS105	—	5.83
167	PLS167	—	5.83
168	PLS168	—	5.83
141	*Am29PL141	—	5.83
142	*Am29PL142	—	5.83
151	Am29CPL151	—	5.83
14R21	*PMS14R21	—	5.83

Notes:

\* Not recommended for new designs – contact AMD for replacement device information.

(-XXMil) = Military suffix.

If part number has no performance suffix, information applies to all options.

Earliest revision shown. Later revisions also can be assumed to support these products.

**Programmer Reference Guide**

**Stag Microsystems**  
 1600 Wyatt Drive  
 Suite 3  
 Santa Clara, CA 95054  
 (408) 988-1118

**ZL30 Programmer**  
**PPZ Module Zm2200 Programmer**

Architecture	Part Number	Family-Pinout Code	Revision	
			ZL30	PPZ Module Zm2200
10H8	*PAL10H8	20-20	30A01	14
10L8	*PAL10L8	20-25	30A01	14
12H6	*PAL12H6	20-21	30A01	14
12L6	*PAL12L6	20-26	30A01	14
12L10	*PAL12L10	21-50	30A01	14
14H4	*PAL14H4	20-22	30A01	14
14L4	*PAL14L4	20-27	30A01	14
14L8	*PAL14L8	21-51	30A01	14
16C1	*PAL16C1	20-24	30A01	14
16H2	*PAL16H2	20-23	30A01	14
16H8	*AmPAL16H8	90-35	30A27	18
16HD8	*AmPAL16HD8	90-37	30A27	18
16L2	*PAL16L2	20-28	30A01	14
16L6	*PAL16L6	21-52	30A01	12
16L8	PAL16L8-7(-12Mil)	95933	30A31	37
	PAL16L8H-15/D/B	22-29	30A10	12
	PAL16L8/B-2/B-4/A/A-2/A-4	20-29	30A01	14
	PALC16L8Z	25-29	30A31	—
	*PALC16L8Q	24-29	30A29	36
	*AmPAL16L8	90-29	30A27	18
16LD8	*AmPAL16LD8	90-36	30A27	18
16P8	PAL16P8A	20-38	30A01	15
16R4	PAL16R4-7(-12Mil)	95932	30A31	37
	PAL16R4H-15	22932	30A15	12
	PAL16R4D/B	22-32	30A10	12
	PAL16R4/B-2/B-4/A/A-2/A-4	20-32	30A01	14
	PALC16R4Z	25-32	30A31	—
	*PALC16R4Q	24-32	30A29	36
	*AmPAL16R4	90-32	30A27	18
16R6	PAL16R6-7(-12Mil)	95931	30A31	37
	PAL16R6H-15	22931	30A15	12
	PAL16R6D/B	22-31	30A10	12
	PAL16R6/B-2/B-4/A/A-2/A-4	20-31	30A01	14
	PALC16R6Z	25-31	30A31	—
	*PALC16R6Q	24-31	30A29	36
	*AmPAL16R6	90-31	30A27	18
16R8	PAL16R8-7(-12Mil)	95930	30A31	37
	PAL16R8H-15	22930	30A15	12
	PAL16R8D/B	22-30	30A10	12
	PAL16R8/B-2/B-4/A/A-2/A-4	20-30	30A01	14
	PALC16R8Z	25-30	30A31	—
	*PALC16R8Q	24-30	30A29	36
	*AmPAL16R8	90-30	30A27	18
16RA8	PAL16RA8	20-19	30A10	36
16RP4	PAL16RP4A	20-13	30A01	15
16RP6	PAL16RP6A	20-12	30A01	15

Stag Microsystems

Architecture	Part Number	Family-Pinout Code	Revision	
			ZL30	PPZ Module Zm2200
16RP8	PAL16RP8A	20-11	30A01	15
16V8	PALCE16V8H/Q	95009	30A35	—
	16V8 as 10H8	95020	30A35	—
	16V8 as 10L8	95025	30A35	—
	16V8 as 12H6	95021	30A35	—
	16V8 as 12L6	95026	30A35	—
	16V8 as 14H4	95022	30A35	—
	16V8 as 14L4	95027	30A35	—
	16V8 as 16H2	95023	30A35	—
	16V8 as 16H8	95035	30A35	—
	16V8 as 16L2	95028	30A35	—
	16V8 as 16L8	95029	30A35	—
	16V8 as 16P8	95038	30A35	—
	16V8 as 16R4	95032	30A35	—
	16V8 as 16R6	95031	30A35	—
	16V8 as 16R8	95030	30A35	—
	16V8 as 16RP4	95013	30A35	—
16V8 as 16RP6	95012	30A35	—	
16V8 as 16RP8	95011	30A35	—	
16X4	*PAL16X4	20-33	30A01	14
18L4	*PAL18L4	21-53	30A01	12
18P8	AmPAL18P8	90-10	30A31	18
18U8	*PALC18U8	24193	30A32	37
20C1	*PAL20C1	21-55	30A01	12
20L2	*PAL20L2	21-54	30A01	12
20L8	PAL20L8-7(-12Mil)	95-56	30A05	—
	PAL20L8-10(-15Mil)/B-2	21-56	30A32	12
	PAL20L8B/A/A-2	21-56	30A01	12
	PALC20L8Z	24-56	30A30	33
20L10	PAL20L10A	21-60	30A01	36
	AmPAL20L10	91-60	30A21	33
	*PAL20L10	21-60	30A01	36
20R4	PAL20R4-7(-12Mil)	95-59	30A05	—
	PAL20R4-10(-15Mil)/B-2	21-59	30A32	12
	PAL20R4B/A/A-2	21-59	30A01	12
	PALC20R4Z	24-59	30A30	33
20R6	PAL20R6-7(-12Mil)	95-58	30A05	—
	PAL20R6-10(-15Mil)/B-2	21-58	30A32	12
	PAL20R6B/A/A-2	21-58	30A01	12
	PALC20R6Z	24-58	30A30	33
20R8	PAL20R8-7(-12Mil)	95-57	30A05	—
	PAL20R8-10(-15Mil)/B-2	21-57	30A32	12
	PAL20R8B/A/A-2	21-57	30A01	12
	PALC20R8Z	24-57	30A30	33
20RA10	PAL20RA10	21-77	30A10	36
	PAL20RA10-20	21-77	30A10	36
	*PALCE20RA10Z	25-57	30A32	—

Stag Microsystems

Architecture	Part Number	Family-Pinout Code	Revision	
			ZL30	PPZ Module Zm2200
20RS4	*PAL20RS4	21-78	30A01	26
20RS8	*PAL20RS8	21-79	30A01	26
20RS10	*PAL20RS10	21-80	30A01	26
20S10	*PAL20S10	21-81	30A01	26
20V8	PALCE20V8H	94069	30A35	—
	20V8 as 14L8	94051	30A35	—
	20V8 as 16L6	94052	30A35	—
	20V8 as 18L4	94053	30A35	—
	20V8 as 20L2	94054	30A35	—
	20V8 as 20L8	94056	30A35	—
	20V8 as 20R4	94059	30A35	—
	20V8 as 20R6	94058	30A35	—
	20V8 as 20R8	94057	30A35	—
20X4	PAL20X4A	21-63	30A01	36
	*PAL20X4	21-63	30A01	36
20X8	PAL20X8A	21-62	30A01	36
	*PAL20X8	21-62	30A01	36
20X10	PAL20X10A	21-61	30A01	36
	*PAL20X10	21-61	30A01	36
22P10	*AmPAL22P10	91121	30A21	33
22V10	PAL22V10, AmPAL22V10	91-70	30A31	35
	*PALC22V10	24070	30A26	33
23S8	AmPAL23S8	90128	30A26	36
29M16	PALCE29M16	94135	—	37
29MA16	PALCE29MA16	94136	—	37
32VX10	PAL32VX10	21-66	30A27	23
105	PLS105	21-02	30A29	37
167	PLS167	21-91	30A29	37
168	PLS168	21-97	30A29	37
141	*Am29PL141	92-92	—	20
14R21	*PMS14R21	21139	30A22	28

Notes:

\* Not recommended for new designs – contact AMD for replacement device information.

(-XXMil) = Military suffix.

If part number has no performance suffix, information applies to all options.

Earliest revision shown. Later revisions also can be assumed to support these products.

PLCC support is for standard pinout in data sheet. For non-standard pinouts or other packages, contact Stag Microsystems or AMD.



## TESTPRO CERTIFICATION MEANS:

- AMD-written procedures
- AMD-trained operators
- ESD-protected facilities
- Programming on AMD-approved Data I/O programmers
- Functional testing on a proprietary AutoVec™ 2850 tester from Exatron
- Regular quality audits by AMD

If you buy programmable array logic (PAL<sup>®</sup>) devices in volume through distribution, you already know about AMD, and it's a good bet that our outstanding ICs have played a part in the success of your products. Now we have something new called TestPro.

The AMD TestPro Centers for distributors represent more than continuing excellence from the world's largest supplier of programmable products. TestPro is a comprehensive system for delivering factory-quality devices to you.

TestPro provides a dramatic increase in PAL device quality. You'll decrease manufacturing costs. Fewer device failures will mean lower system rework costs, and TestPro ICs can be incorporated into your systems with a minimum of handling and a maximum of confidence.

## Why Functional Testing Is Important

AMD invented the PAL device in 1978, and engineered key enhancements. Distributor TestPro Centers represent a synthesis of the techniques and expertise in programming, testing and handling that have become our mainstay in supplying thousands of customers with tens of millions of superior devices.

PAL devices have three main components: the fuse array, programming and verification circuitry, and functional circuitry.

The fuse array contains device logic and is programmed through the programming circuitry. Then the pattern in the fuse array is checked via the verification circuitry. Functional circuitry is used in the actual device operation.

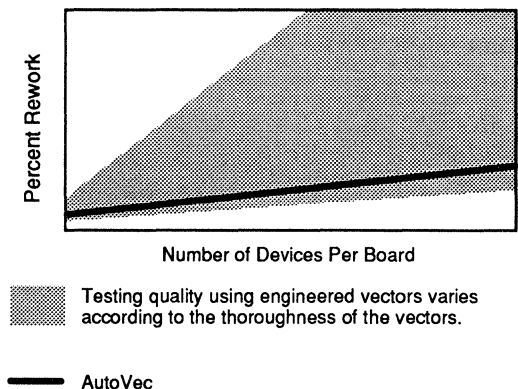
The programming and verification circuitry are thoroughly tested prior to shipment from the factory by a combination of opening test fuses or exercising every fuse. In addition, much design and testing effort goes into functionally testing each PAL device prior to shipment. Since there is almost an infinite number of logic combinations that can be chosen for your logic, "complete" functional verification is impractical. As a result, a small percentage of PAL devices that pass array verification when you program them can still be non-functional. These devices are called post-programming functional rejects. Although small in number, these rejects can turn into board-level rejects unless they are identified and removed.

One way to verify the functionality of PAL devices is to generate and use test vectors, but the quality of the resulting testing is dependent on the quality of these "engineered" vectors. As an alternative, AMD, in cooperation with Exatron and Data I/O, has created a better solution. The result is a sophisticated programming and test system that utilizes a Data I/O 60H programmer in concert with an Exatron Autovec tester.

Immediately after the Data I/O 60H programs each part, the Exatron Autovec exercises it with a million-plus pseudo random vectors. AutoVec testing is as consistent and effective as the best of engineered vectors and more cost-effective.

6

**Percent Board Rework vs Number of Devices Per Board**



## TestPro Centers

AMD provides a 120-page TestPro operations and procedures manual that serves as a reference in operating TestPro. The manual incorporates techniques that minimize electrostatic discharge (ESD) effects, specifies certified programming steps and regulates marking and quality assurance efforts.

The AMD-approved distributor personnel assigned to TestPro facilities are expert programming center operators. In-depth training programs for these operators are backed by regular AMD site inspections and periodic re-training and recertification.

All in all, the combination of the right hardware, trained operators, effective procedures, and AMD certification allows you to eliminate the costs of programming, vector generation, testing and marking (labeling). The reduction in handling also results in fewer rejects and less mixing.

### The Big Payoff

All board production can benefit from high-quality components. The more PAL devices per board and the higher the rework cost, the more benefit you will derive from TestPro quality.

Some typical numbers for the identified savings are shown below:

	User Typical Cost/Unit	TestPro Cost/Unit
Program and Test	\$.25 — 1.00 <sup>1</sup>	\$.25 — .75 <sup>2</sup>
Marking	\$.10 — .20	
Board Rework Cost	\$.25 — .50 <sup>1</sup>	Negligible
<u>Elimination of Sockets</u>	<u>\$.25 — .50</u>	<u>0</u>
<b>Total</b>	<b>\$.85 — 2.20</b>	<b>\$.25 — .75</b>

**Note:**

<sup>1</sup> Depends on what kind of testing you do

<sup>2</sup> Depends on quantity, lot size, initiation fee, etc.

All this and you avoid the costs of misprogramming or mismarking.

Only you know what your exact situation is, but the following work sheet will help you quantify your savings.

### Board Cost Savings Work Sheet

	Example	Your Numbers
Total Number of PLDs Per Board	(a) 20	_____
Total Cost of Unprogrammed Devices	(b) \$ 40	_____
Your Cost Per Unit of Programming, Testing and Marking	(c) \$.60	_____
Component Cost if you Program	(d)=(b)+(a)(c) \$ 52	_____
Total Cost of TestPro Components	(e) \$ 47	_____
Cost Savings of TestPro Devices at the Component Level	(f)=(d)-(e) \$ 5	_____
Rework Elimination Savings (Decrease in Failure Rate Multiplied by Rework Cost)	(g) \$ 7	_____
Savings From Elimination of Sockets	(h) \$ 7	_____
<b>Overall Savings</b>	<b>(f)+(g)+(h) \$ 19</b>	<b>_____</b>

### With TestPro PAL Devices, You Get:

- Reduced system rework costs
- Manufacturing cost savings
- Less incoming inspection due to higher quality devices

**AMD TestPro Centers**

**ARIZONA**

HAMILTON/AVNET—CHANDLER (602) 961-6400

**CALIFORNIA**

ANTHEM—CHATSWORTH (818) 700-1000  
 ANTHEM—IRVINE (714) 768-4444  
 ANTHEM—SAN JOSE (408) 453-1200  
 ARROW/KIERULFF—SUNNYVALE (408) 745-6600  
 ARROW/KIERULFF—TUSTIN (714) 838-5422  
 HAMILTON/AVNET—GARDENA (213) 217-6700  
 HAMILTON/AVNET—SUNNYVALE (408) 743-3000  
 SCHWEBER—IRVINE (714) 863-0200  
 SCHWEBER—SAN JOSE (408) 432-7171  
 WYLE—SANTA CLARA (408) 727-2500  
 WYLE—IRVINE (714) 851-9953

**COLORADO**

ANTHEM—ENGLEWOOD (303) 790-4500  
 ARROW/KIERULFF—ENGLEWOOD (303) 790-4444  
 WYLE—THORNTON (303) 457-9953

**GEORGIA**

ARROW/KIERULFF—NORCROSS (404) 449-8252  
 SCHWEBER—NORCROSS (404) 449-9170

**KENTUCKY**

HAMILTON/AVNET—LEXINGTON (606) 259-1475

**MASSACHUSETTS**

ANTHEM—WILMINGTON (508) 657-5170  
 ARROW/KIERULFF—WILMINGTON (508) 658-0900  
 HAMILTON/AVNET—PEABODY (508) 532-3701  
 SCHWEBER—BEDFORD (617) 275-5100

**MINNESOTA**

ARROW/KIERULFF—EDINA (612) 830-1800  
 SCHWEBER—EDEN PRAIRIE (612) 941-5280

**NEW YORK**

ARROW/KIERULFF—BROOKHAVEN (516) 924-9400

**OREGON**

ALMAC—BEAVERTON (503) 629-8090  
 ANTHEM—BEAVERTON (503) 643-1114

**TEXAS**

ARROW/KIERULFF—CARROLLTON (214) 380-6464  
 SCHWEBER—DALLAS (214) 247-6300  
 WYLE—RICHARDSON (214) 235-9953

**CANADA**

HAMILTON/AVNET—MISSISSAUGA (416) 677-7432



# ProPAL™ and HAL® Devices Program



ProPAL and HAL devices are programmable logic devices that are programmed, marked and functionally tested by Advanced Micro Devices. Our functional testing offers the user board-ready product at quality levels as stringent as 50 PPM, providing significant benefits in both quality and manufacturing cost savings. The ProPAL and HAL Device Program provides system manufacturers a risk free migration path from system prototype to full production with extremely high quality, board-ready devices.

## ProPAL Devices

ProPAL (Programmed PAL®) devices are simply PAL devices that the factory programs and tests for you. You receive a fully functional device without having to do any programming and testing, and still have the flexibility to handle design changes easily.

## HAL Devices

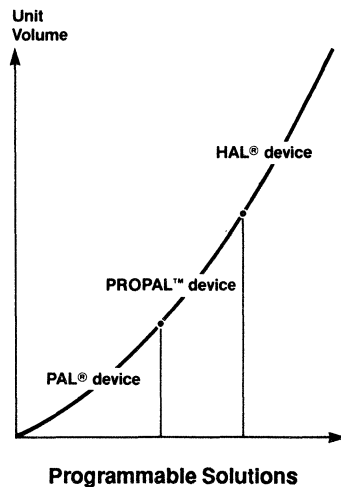
HAL (Hard Array Logic) devices are to PAL devices as ROMs are to PROMs. Instead of fuses in the logic array, your pattern is implemented using metal links that are masked in during wafer fabrication.

## Should You Use a ProPAL or HAL Device?

PAL devices offer the flexibility and convenience needed for prototyping your innovative designs. They provide a means for designing an efficient system by integrating functions and saving you board space. For design, prototyping and low volume production, it makes sense to program and test your own PAL devices. You always have the option of making last minute design tweaks as you fine tune your system design.

Once your production volumes begin to ramp up to higher volumes our ProPAL and HAL device offerings provide some cost-effective alternatives.

At modest initial volumes ProPAL devices provide the best solution by eliminating the need for the customer to program and test while retaining enough flexibility to accommodate design changes. We offer two different testing options for ProPAL devices which are described below. A detailed technical description of what these testing options involve follows in the functional testing section.



The AutoVec™ option provides a cost effective solution for low volume business (as few as 250 devices/pattern) at a typical quality level of 500-700 Parts Per Million (PPM).

When your volumes reach a moderate volume of a few thousand devices per year for each pattern, AC-functionally tested ProPAL devices provide the right solution. AC-functionally tested provides 50 PPM level quality. Of course the AutoVec option is available for these larger volumes, but larger volume business is usually best handled with the AC-functionally testing option.

When you feel that your design has stabilized and your production volume has ramped up to several thousand devices per year, HAL devices are the most cost effective way to purchase your programmable logic. All HAL devices are fully AC-functionally tested and also have demonstrated quality levels of better than 50 PPM.

## The Importance of Functional Testing

Programming is final manufacturing, and the quality of a programmed device must be verified by thorough testing. After programming, a device is "array verified." This verification checks the fuse array to verify that the pattern programmed into the device is correct. However, array verification does not guarantee functionality. Devices can pass this verification but fail in the circuit board. These are called post-programming functional rejects. Post-programming functional testing simulates

Publication #	Rev.	Amendment	Issue Date
10276	B	/0	1/90

Table 1.

Alternative	Board Level PPM	Comments
1. Fuse Verification Only	5000–10,000	Lowest quality level available. Part of standard programming sequence. No additional costs, insertions.
2. Simple Pseudo-Random Vectors	2000–3000	Gross functionality test. Relatively unsophisticated, has difficulty with complex (e.g. state machine) patterns. Simple, minimal operator expertise required.
3. Third Party Software Generated Vector Testing	1000–2000	Requires engineering time and expertise, additional equipment (usually PC-based). Uses “structured vectors” that test for possible faults – but will typically not cover all faults.
4. AutoVec Testing	500–700	Extremely sophisticated signature analysis testing. Tests almost all PLDs and possible patterns. Simple, requires minimal operator expertise.
5. AMD Full AC-Functional and Threshold Testing	50–100	Available only through the AMD factory. Highest quality testing available. Quality is a result of many years and tens of millions of units experience. All HAL devices are fully AC-functionally tested.

the actual operation of the device to verify functionality. This testing detects these functional rejects before they get into your system. The typical post-programming functional reject rate for PAL devices is about 0.5–1.0%, or 5000–10,000 PPM. Our AC-functional testing options for ProPAL and HAL devices offer 50-PPM quality levels.

Table 1 lists typical quality levels provided by the various testing alternatives available, from no functional testing to full AC-functional testing.

Alternatives (1), (2) and (3) are commercially available. The PLD user can easily purchase the equipment and/or software for these alternatives, or obtain them as value added services through distribution.

AutoVec testing, alternative (4), is available from the AMD factory or through AMD certified distributor TestPro™ centers. AMD is developing a nation-wide network of these centers to make this level of quality easily available to any PLD user who wants it.

Full AC-functional testing is available only through the AMD factory. This level of testing represents state-of-the-art testing and quality, providing the end user with near zero-defect board level quality.

### ProPAL and HAL Device Functional Testing

Thorough functional testing is at the heart of our ProPAL and HAL device program. We offer a range of programming and testing options. These are discussed in detail in this section.

All functional testing of PAL devices starts with some type of test vectors, but the similarity ends there, because when it comes to functional testing of PAL devices, all vectors are not alike. They range in complexity from simple, short pseudo-random testing sequences (e.g., Data I/O's Fingerprint™ Test) to sophisticated structured vectors generated by expensive software programs used interactively by dedicated test engineers.

We offer a sophisticated brand of signature analysis testing and two types of structured vector testing. The signature analysis testing is performed on the AutoVec tester. The structured vector testing option is AC-functional vector-testing. AC-functional testing includes full functional and DC threshold testing plus functional testing for AC conditions. The following is a brief description of just what these testing options are and what they yield in final quality.

### AutoVec Testing

The AutoVec tester is an extremely sophisticated signature analysis tester. It generates a sequence of up to 20 million vectors via a proprietary hardware-based pseudo-random vector generation algorithm. These vectors provide a typical quality level of 500-700 PPM for finished product.

AutoVec testing requires less engineering interaction and setup time than AC-functional testing (while still providing excellent quality levels), allowing for more flexible business conditions. These more flexible business conditions include lowered NREs and reduced minimum volume requirements.

### AC-Functional Testing

The AC-functional testing option offers the highest level of quality in the ProPAL and HAL device program. This exceptional quality is a result of the increasingly sophisticated structured test vectors and test equipment used for testing.

When generating vectors for this level of testing we start with a proprietary transistor level schematic of the device under test. With this we can model internal gate level stuck-at-faults. Most other vector generation packages use inexact models — such as logic diagram representations — as the basis for vector generation. With our proprietary exact device representation it is possible to cover all possible faults of the internal gates (where these faults can occur).

AMD's Proprietary Software TGEN also checks for tri-state faulting. This is in addition to the stuck-at-1 or stuck-at-0 faulting tested for by most commercially available test packages and conventional testing methods.

Finally, TGEN is used to check the design for potential design problems (e.g., race conditions). Additional vectors are added as needed to test for these and guarantee reproducible test results.

In the process AMD test engineers interactively add vectors until 100% of the detectable faults are covered. The end result: guaranteed 90% fault coverage on every pattern we test, with typical fault coverage > 95%. If 90%

fault coverage cannot be obtained, our Field Application Engineers will work with the customer to improve the testability of the design, or we will continue processing your product upon receipt of a waiver.

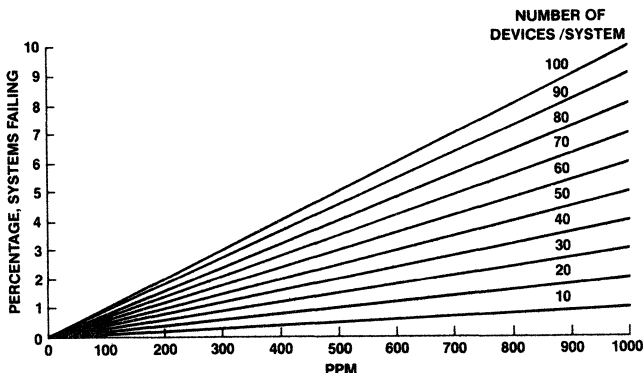
At this point the vectors provide coverage for DC-functional conditions. The functional testing coverage is now extended to AC testing. AMD test engineers, working with additional proprietary in-house "intelligent" software, use these vectors as the basis for generating their AC test vectors. For high quality AC testing, the design must be considered. Multiple feedback paths must be accounted for in the testing sequence. These "intelligent" software packages "learn" the design and flag the test engineer when special AC testing considerations are found. In this iterative process the engineer adds vectors to cover AC testing conditions. Typically, the number of DC functional vectors is doubled or tripled for full AC testing coverage. This expanded set of vectors is incorporated into a test program that does DC testing, functional, threshold-functional and AC-functional all at the VCC extremes. The end result is excellent system level quality with a board level reject rate less than 50 PPM.

### Quality and Cost Savings

The quality and cost savings benefits the ProPAL and HAL device program offers are substantial. The investment the PAL device user makes in ProPAL and HAL devices yields a significant return in product quality and manufacturing savings.

The quality is a result of our many years and millions of units of experience in the design, manufacture, programming and testing of PAL devices. This experience lets us provide PAL device users finished quality levels as stringent as 50 PPM.

PERCENT OF SYSTEMS FAILING vs NUMBER OF DEVICES/SYSTEM, PPM



**Table 2. Manufacturing Yield for Various Component Quality Levels**

Devices/ System	5	10	25	50	100
<b>PPM</b>					
50	99.975%	99.95%	99.87%	99.75%	99.5%
500	99.75%	99.5%	98.8%	97.5%	95%
5000	97.5%	95.1%	88%	78%	61%
10,000	95.1%	91.5%	78%	61%	37%

The reduced manufacturing costs are derived from the high quality provided by ProPAL and HAL devices (quality that results in increased manufacturing yield) and reduced component processing and handling costs.

The manufacturing yield (the number of working systems produced as a percentage of total number of systems produced) is a function of the quality of the components in a system. Figure 1 is a plot of the relationship between component quality and manufacturing yield. It is a graphic illustration of what is intuitively clear — as the quality of the components in a system improves, the manufacturing yield for that system improves.

Additional manufacturing cost savings come in the form of reduced processing and handling costs. Purchasing pre-programmed and functionally tested devices direct from the factory eliminates the need for the user to perform any programming or functional testing. This eliminates the need for the user to carry all the associated overhead:

- Programming (programmer equipment cost, floor space, maintenance and calibration, operator costs)
- Labeling/stripping/marking (equipment cost, floor space, maintenance, operator costs)
- Vector generation (computer/software costs, engineering costs)
- Testing (equipment costs, operator costs)
- Elimination of sockets (which allows for auto-insertion)

When ProPAL and HAL devices are utilized, handling-related rejects are virtually eliminated. We have historically found this to be one of the largest sources of rejects. Mixed device types, mixed bit patterns, mixed reject and good devices, bent leads and ESD damaged devices can all result in board level failures, failures that can be avoided with ProPAL and HAL devices. ProPAL and HAL devices come programmed, marked and fully tested, ready to go directly from the shipping box to the production floor.

The following example does not take into account a few items:

- The cost of programming, testing and marking for the PAL device user. As discussed previously, this includes labor costs, equipment costs, maintenance and calibration costs as well as other variable costs.
- Increases in production efficiency. These increases result from the reduced number of handling steps required, the ability to use auto-insertion and other manufacturing flow issues.
- The programming/test charges associated with ProPAL and HAL devices services.

**A Cost Savings Example**

A system manufacturer produces 2000 systems per month, each having 10 PAL devices (total 20,000 PAL devices/month). This manufacturer's cost of diagnosing and reworking a non-functional system (at system test) is \$150. What cost benefits does the ProPAL and HAL Device Program offer this manufacturer?

**Case I**

No functional testing is performed — 5000 PPM board level quality.

- Manufacturing yield (from Table 2) = 95.1%
- 4.9% or 98 systems/month require rework.
- At \$150/system, total rework costs/month are:  $98 \times \$150 = \$14,700$
- At 20,000 devices/month, rework costs are:  $\$14,700/20,000 = \$0.73/\text{device}$ .

**Case II**

- AutoVec testing is performed — 500 PPM board level quality.
- Manufacturing yield (from Table 2) = 99.5%.
- 0.5% or 10 systems/month require rework.
- At \$150/system, total rework costs/month are:  $10 \times \$150 = \$1500$ .

---

## ProPAL and HAL Device Program

---

- At 20,000 devices/month, rework costs are:  
 $\$1500/20,000 = \$0.08/\text{device}$ .

### Case III

- AC-functional testing is performed — 50 PPM board level quality.
- Manufacturing yield (from Table 2) = 99.975%.
- 0.025% or < 1 system/month require rework.
- At \$150/system, total rework costs/month are:  
< \$150.
- At 20,000 devices/month, rework costs are:  
<  $\$150/20,000 = \$0.01/\text{device}$ .

### Cost Savings (utilizing):

- AutoVec testing:  $\$0.73 - \$0.08 = \$0.65/\text{device}$ .
- AC-functional testing:  $\$0.73 - \$0.01 = \$0.72/\text{device}$ .

---

The cost of doing programming varies from manufacturer to manufacturer. Generally, unless a manufacturer does high volume programming, this cost can be substantial.

Additionally, other manufacturing cost benefits are also realized. If PAL devices are being socketed, the high quality levels of ProPAL and HAL devices allow for elimination of those sockets and the utilization of auto-insertion in the manufacturing flow. Board ready devices also lend themselves more readily to just-in-time or ship-to-stock purchasing and manufacturing programs.

Finally the total costs of reworking systems must be considered. As systems become increasingly complex and dense, utilizing surface mount and increasingly sophisticated CAD/CAM technology, testing and reworking defective systems becomes increasingly expensive. Using high quality components minimizes this expense.

The cost of ProPAL and HAL device services depends on a number of factors (device type, volume, device base price). It is typically much less than it costs a manufacturer to program and test devices, not to mention the savings realized through the increased quality.

When you utilize our ProPAL and HAL Device Program you're getting tremendous quality and manufacturing cost benefits — semicustom product without many of the risks:

- You can prototype your system and start production with standard PAL devices.

- The Non-Recurring Engineering (NRE) charges for ProPAL and HAL devices are far lower than those normally required for a semi-custom circuit, and can be amortized over your first production quantity.
- You save on the cost of programming and testing devices. This also shortens your production cycle, since you can plug the devices into the socket with no additional processing.
- You save on the costs of generating test programs and functionally testing devices. All devices are fully functionally tested before they leave the factory.
- We provide you with custom marking. This saves you the added expense of stripping the mark from standard devices and remarking them with your own mark.
- You eliminate handling errors. When you use ProPAL and HAL devices, you are receiving board ready product. No need to program, mark or test. And the elimination of these extra processing steps means the elimination of many handling steps, which can be the number one cause of defective components.
- You eliminate or reduce board and system level reworking. The high quality levels provided by our ProPAL and HAL device offerings significantly reduces board reworking costs.

## How Can You Take Advantage of This?

The following are some guidelines which you can use to help convert your designs to ProPAL and HAL devices.

### 1. Send in Your Design

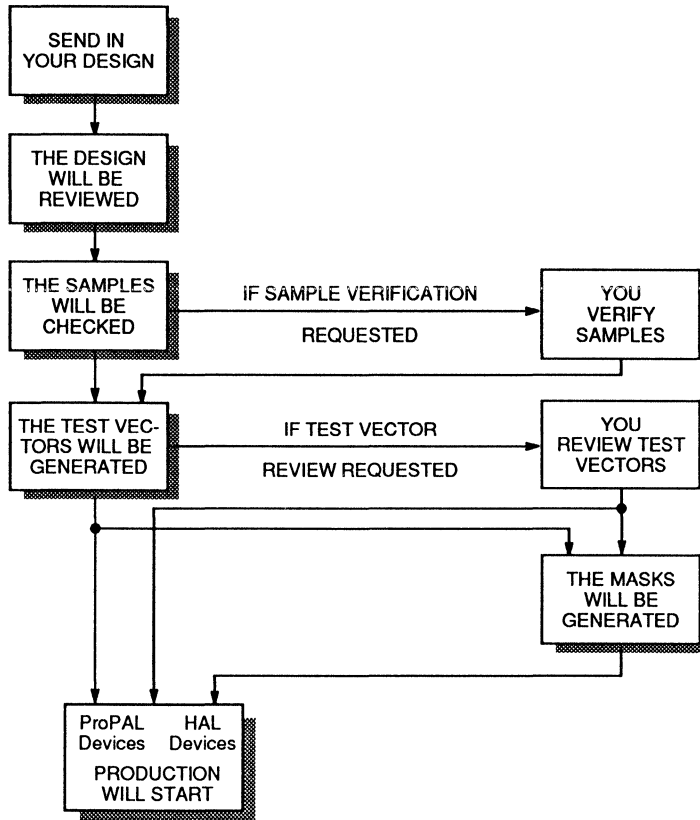
You will need to provide your logic equations from either PALASM<sup>®</sup>, ABEL<sup>™</sup> or CUPL<sup>™</sup> on magnetic media\*.

When AMD generates vectors for use in functionally testing your pattern, "seed" vectors are helpful, although not necessary in providing the foundation upon which the final test vectors will be based.

If provided, a master PAL device containing your design can be used by AMD to verify that the pattern you submitted has been correctly processed. If you cannot provide an AMD master PAL device, AMD will accept your design inputs and provide ProPAL samples for your approval.

---

\* Floppy disks are accepted in standard DEC<sup>®</sup>RT-11 (RX01) or RSX-11M<sup>®</sup>, files 11 format, or an IBMPC<sup>™</sup> 5 1/4 in. diskette. IBM compatible (800 or 1600 BPI) nine track magnetic tapes are accepted in unlabeled (card image), files-11, or VAX VMS<sup>®</sup> backup format. If magnetic media absolutely cannot be provided, legible printout (signed and dated) from PALASM software will be accepted. Please note that magnetic media are required if you have more than 50 vectors.



**2. AMD Will Verify the Design**

Upon receiving your design package, AMD will enter your design into their computer and verify that there are no format or syntax problems. A fuse map will be generated, and verification sample ProPAL devices programmed.

If any questions are encountered at this stage, they will be resolved with you before any further processing takes place.

**3. AMD Will Check Samples**

If you have approved immediate production of your devices, AMD will make a fuse-for-fuse comparison between the verification samples and the master device you provide. If there are no discrepancies, test generation will be started immediately (or upon receipt of your purchase order).

If you prefer to verify programmed sample ProPAL devices prior to initiating production, AMD can provide them for your approval before proceeding further. Verifi-

cation sample approval is also needed when no master devices are provided.

**4. AMD Will Generate Test Vectors**

Next, a functional test sequence is generated using TGEN™, a proprietary software package. Any seed vectors you provide will be used to help initiate test generation. TGEN will check for race conditions, monitor fault coverage and systematically add vectors until test coverage goals are met.

AMD has a test quality standard that sets as a minimum goal 90% coverage of all stuck-at faults. If acceptable coverage cannot be obtained, ways of increasing the testability of the design may have to be considered before AMD can process the pattern.

When suitable test coverage is obtained, as is normally the case, there is no need for you to be involved with vector generation. If, however, you wish to approve the test vectors before production units are generated, the vectors will be made available to you.

### 5. AMD Will Generate Production Units

After an acceptable test sequence has been generated, AMD will generate the appropriate HAL mask and manufacture the devices. Or in the case of a ProPAL device, AMD will arrange to program and test blank units.

### Having Your Devices Marked

The standard mark consists of the device type, the package type, the date code, and logo.

If you wish, you can have the standard marking replaced by a custom marking. The logo and date code are standard, but any other markings, such as your part number

or revision number, can be as you desire. The character and line limitations for the most common packages are in Table 3.

If the package you want is not listed, your local representative can help you determine the guidelines you need.

### Contacts

When you are ready to put the power of the factory to work for you, just contact your local sales representative. And let us take care of your production programming, testing, and marking needs.

---

Table 3.

---

<b>PLASTIC</b>	20 pin (300 mil)	2 lines/13 characters per line
	24 pin (300 mil)	2 lines/17 characters per line
<b>CERDIP</b>	20 pin (300 mil)	2 lines/16 characters per line
	24 pin (300 mil)	2 lines/17 characters per line
<b>PLCC</b>	20 lead	4 lines/11 characters per line
	28 lead	5 lines/12 characters per line

---



## INTRODUCTION

With digital logic design, it is all too easy to design a circuit which merely implements a specified function. When production starts it is suddenly found that the circuit cannot be tested, or perhaps that tests cannot be performed economically. Dealing with this situation can, at the very least, have a negative impact on the introduction of the system into the marketplace.

Potential headache can be avoided by taking test issues into consideration during the initial design. Instead of just designing a circuit which implements a specified function, which is the bare minimum that must be accomplished, that function needs to be implemented in a manner which can be tested.

The purpose of this section is to establish the notion of testability and its importance, and then to provide ways of avoiding the most common untestable circuits. The issues will be discussed primarily in the context of logic design in PLD's, although they are also relevant for general logic design.

After testability has been discussed for general circuits, some specific testability circuitry on the Am29CPL151/4 devices will be discussed. Finally, test vectors will be reviewed. Various kinds of vectors are mentioned, and the general tools available for vector generation will be summarized.

## Defining Testability — A Qualitative Look

A completely testable design is one in which any and all device faults can be systematically detected.

First note that the issue is one of devices, not designs. The design itself must work as specified; that is the main job of the design engineer. Once the design is implemented in a device, the issue is how to test the device to make sure that the design has been correctly implemented. Throughout this paper, then, it will be assumed that a particular design works as is; we will just be addressing its testability.

The easiest and most effective means of testing a circuit is through a systematic series of tests. A random set of tests may also do well, but does not yield much information regarding the testability of a circuit itself. No number of random (or systematic) vectors can test an inherently untestable circuit.

In order to be able to perform a systematic test sequence, every part of the circuit under test must be accessible, so that it can be controlled. Only then can each node be forced high or low as needed. This is essentially a requirement of complete *controllability* of the circuit.

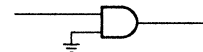
In order to be able to detect faults every part of the circuit must also be visible to the outside world, so that the results of each test can be observed. In this manner, each node can be inspected to determine its logic level. This requires complete *observability*.

These are, of course, the age-old issues of controllability and observability, which are as important for digital logic circuits as they are for so many other kinds of systems. If any portion of a circuit is uncontrollable or unobservable, then the testability of the entire circuit is compromised.

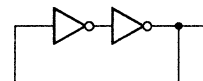
Figure 1 shows a couple of completely untestable circuits. The integrity of the top input in Figure 1a can never be verified. No matter whether it is shorted to ground, to  $V_{CC}$ , or whether it is functioning correctly, the output will be the same. That is to say, any faults on the top input cannot be observed at the output.

The circuit in Figure 1a would appear pretty useless as is. It is possible, however, that instead of being directly grounded, the second input may be driven by some distant signal, possibly on a different PC board, which happens to be a logic low. If you cannot bring this line to a logic high, then it might as well be grounded.

The circuit in Figure 1b essentially has no input. This circuit can be thought of as a latch, but there is no way to change its logic state. Therefore, it is completely uncontrollable.



a. Unobservable



b. Uncontrollable

14099-001A

Figure 1. Untestable Circuits

## Quantifying Testability

In theory, if we want to quantify the testability of a given circuit, we might first attempt to make a list of all possible things that could go wrong with a circuit (no matter how unlikely), and then verify that all such "faults" can be tested, in all combinations and permutations. But for a circuit of any significance whatsoever, it will rapidly become apparent that this is not a practical solution.



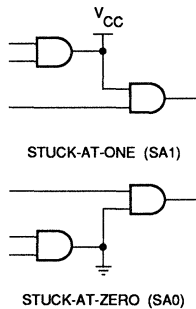
What we need instead is a measure which can give an empirically reliable indication of the testability of a circuit, or of the quality of a given set of tests. There are several different such measures, but the most popular of these is the *single stuck-at faults* model.

There are several ways of analyzing circuits for single stuck-at faults. For very large circuits, various *testability analysis* schemes have been developed. However, for smaller circuits, especially of the size that would be put into a PLD, the more common method uses simulation.

### Simulating Single Stuck-At Faults

A given circuit is first simulated. The quality of the simulation is important; the more complete the simulation the better. A thorough simulation can then serve as a benchmark test sequence later. In this way, the fault simulation procedure also allows us to measure the quality of a given simulation, or set of tests, in addition to the testability of the circuit.

The results of the simulation are recorded. Next, one node in the circuit is modeled with a “*stuck-at*” fault — either *stuck-at-one* (SA1) or *stuck-at-zero* (SA0), as shown in Figure 2. The circuit is now resimulated. If the simulation results of the modified circuit are different from the simulation results of the good circuit, then the fault was detected. If not, then we have a faulty circuit which appears to operate correctly.



14099-002A

Figure 2. Single “Stuck-At” Faults

This procedure is repeated for each node, one node at a time (hence the name “single” stuck-at faults). The nodes are modeled with both SA1 and SA0 faults, so that for N nodes, we will have 2N simulations. If of those 2N simulations, D of them produced simulation results different from those of the original circuit, then we say that this simulation tested this circuit with a test coverage of  $D/(2N) \times 100\%$ . Whereas this specifically tests only for single faults, experience shows that it is also a good test for multiple stuck-at faults.

### Undetected Faults

Why are some of the faults not detected? For simple combinatorial logic, there are two basic reasons: either the simulation was not complete enough to find the fault, or the circuit itself cannot be tested for the fault. So when an undetected fault is located, the first step taken is to add vectors to the simulations which will

exercise the node being tested. By doing this, we gradually improve the quality of the simulation, and thus the quality of the test sequence that we can use in production.

It is possible that certain nodes will have undetectable faults for which no new vectors can be added. These are the result of an untestable design. It is the joint job of the test and design engineers to generate a test sequence that is as complete as possible. It is the design engineer’s responsibility to provide a circuit which is testable. If both of these responsibilities are carried out, the result will be a testable circuit which can be tested with an exhaustive test sequence. This will yield the highest quality system. Note, however, that the overall responsibility is shared between the design and test engineers.

Needless to say, this process of analyzing the testability of a circuit is not done all by hand; software aids are used. There are many different kinds of programs that run on many different kinds of systems, ranging from PCs to workstations to mainframes. Some of them are standalone programs; others are integrated into larger overall environments. Their specific capabilities also vary, but in general, they can simulate a given circuit with a given set of vectors; analyze the test coverage that the vectors provide for the circuit; and generate new tests, either from scratch or by improving on the coverage of a few manually generated “seed” vectors. Most can also point out potential problems areas of a circuit, such as race conditions and logic hazards.

Finally, one frequently asked question is “So what if there is a fault that can never be detected. Who cares?” Theoretically, this question is not unreasonable. However, most companies will not feel comfortable telling a customer “We only tested half of the system, but if anything goes wrong with the other half, you’ll never notice it.” In addition, as will be seen, many untestable circuits occur as a result of poor design practices.

Testability issues for sequential circuits have implications far beyond the test bed. Indeed, failure to take these issues into account can greatly affect the normal performance of a system. The key for state machines is controllability. The challenge is to make all elements of the circuit controllable, both for testing and for general functionality.

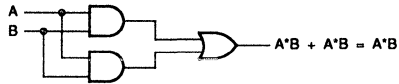
### Designing Testable Combinatorial Circuits

All of the previous procedures dealt mostly with the ways in which existing circuits are treated. However, if a finished circuit is found to be untestable, then it must be redesigned for testability. An easier approach is to design for testability from the beginning. Unfortunately there is no direct recipe for a testable design. There are, however, many common ways of making a circuit untestable. Most of this section is devoted to pointing out such problems.

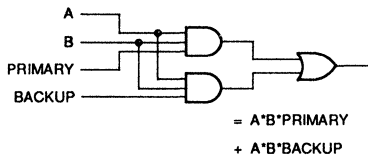
The simplest kind of problem is *redundant logic*. Figure 3a shows one such circuit. It has a purely redundant product term. If the output of either of the product terms is stuck low, for any reason, then as long as the other product term is good, the fault will never be visible at the output.

This may initially look like a benefit, since we have what we could call a “primary” circuit with a “backup.” One can cover up some of the failures of the other (but not all failures). If this kind of

redundancy is truly desired, this is not the way to achieve it. When you ship out this circuit, you do not know if you really have a working primary and backup. The primary may already be malfunctioning; since it was never tested, you will never know. If you want useful, reliable redundancy, test circuitry must be added, as in Figure 3b, so that each part of the circuit can be independently tested.



a. A Purely Redundant Circuit

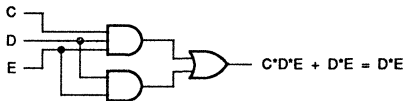


b. Testable Redundant Circuit

14099-003A

Figure 3. Making Redundancy Testable

Figure 4 shows another redundant circuit. Although the product terms are not identical, the larger AND gate is really redundant. Any stuck-low faults at the output of this gate are not detectable.

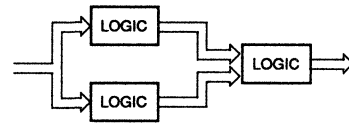


14099-004A

Figure 4. Circuit with a Redundant 3-Input AND Gate

## Reconvergent Fanout

Redundant logic is a special case of what is called *reconvergent fanout*. This is a term that refers to circuits that have inputs splitting up, going through independent logic paths, and then reconverging to form a single output, as shown in Figure 5. When this happens, it is very easy to introduce untestable nodes. It may not be easy to identify where such nodes are.

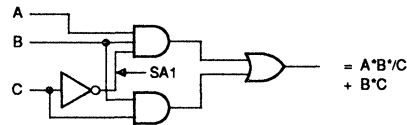


FANS OUT RECONVERGES

14099-005A

Figure 5. Reconvergent Fanout

Figure 6 is an example of a reconvergent circuit. The inputs are shared between two different product terms, which are eventually summed. This circuit appears harmless enough, but it turns out that the node indicated by "SA1" cannot be tested for a stuck-at-one condition. In other words, there is no way that we can guarantee that that node is operating correctly.



14099-006A

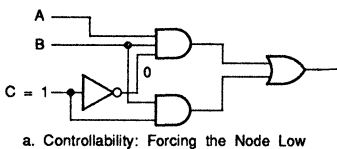
Figure 6. A Reconvergent Circuit with an Untestable Node

It is worth analyzing this circuit a bit more closely. This will give some insight into the kinds of analyses that are necessary when evaluating circuits and generating tests, and into the ways in which untestable nodes are created.

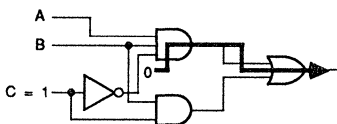
If we wish to prove that the node in question is not stuck high, then we must force it low and prove that we were successful in doing so. Thus we have two requirements: forcing the node low, and seeing the logic low on the output —controlling and observing the node.

6

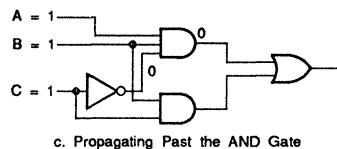
First we raise input C high to force the node to a logic low condition, as in Figure 7a. This satisfies our controllability requirement. Next we need to provide a way to propagate this logic low to the output (Figure 7b). This is referred to as *sensitizing a path* to the output. The first step is to get the logic low past the AND gate. But if either input A or B is low, then the output of the AND gate will be low regardless of the node being tested. Thus we must force both A and B to a logic high, so that if there is a low on the output of the AND gate, we will know for sure that it came from the node we are testing. This is shown in Figure 7c.



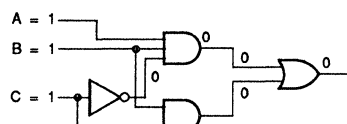
a. Controllability: Forcing the Node Low



b. Observability: Sensitizing a Path to the Output



c. Propagating Past the AND Gate



d. Propagating Past the OR Gate Sets Up an Impossible Condition

14099-007A

Figure 7. Analyzing Testability

Next we wish to get the logic low through the OR gate to the output. To do this, we must insure that the second OR input is always low; if it is high, then the output of the OR gate will be high regardless of the node being tested. If we can keep the lower OR input low, then if the node we are testing was successfully forced into a low condition, then the output will be low. Otherwise the output will be high. This can be seen in Figure 7d.

How do we keep the lower OR input low? By making the output of the lower AND gate low, which can be done by setting one of its inputs low. However, we have already required that all of the inputs be high. Thus we have required a set of conditions that cannot be met. One of three things will result:

1. The lower AND gate has both inputs high, and therefore keeps the lower OR input high. In this case, we may have been successful in forcing the node under test low, but we cannot see it at the output.
2. We bring input B low, allowing the lower OR input to go low. However, now the output of the upper AND gate will always be low. So we will see a low at the output, but we cannot be sure exactly where the low came from.
3. We bring input C low, allowing the lower OR input to go low. However, now we are no longer forcing the node under test low.

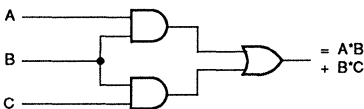
So we can either force the node low, but cannot see the low at the output; or, we can see a low at the output but cannot be sure of its source; or, we cannot force the node itself low. In any case, we will never be able to guarantee that the node under test is not stuck high.

Note that the two "independent logic blocks" which generate the signals that eventually reconverge are testable by themselves; they are just AND gates. It is only when we hook them together via the OR gate that the overall circuit becomes untestable. Thus *the testability of individual portions of a circuit does not guarantee that the entire circuit will be testable when the testable pieces are all connected.*

We can minimize this circuit using the following steps:

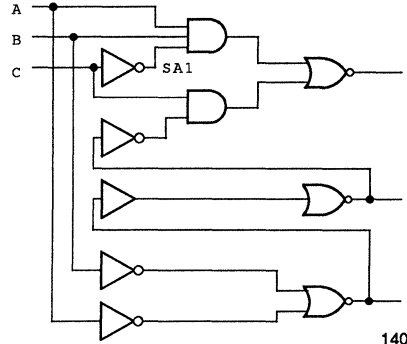
$$\begin{aligned} A^*B^*C + B^*C &= A^*B^*C + B^*C + A^*B^*B \text{ (by consensus)} \\ &= A^*B^*C + B^*C + A^*B \\ &= A^*B + B^*C \end{aligned}$$

Thus the node we were trying to test is really not needed in the logic. The resultant circuit is shown in Figure 8, and is completely testable.



14099-008A

Figure 8. The Minimized Circuit is Testable



14099-009A

Figure 9. A Messy Reconvergent Circuit

Not all reconvergent circuits are so simple. Figure 9 shows a more complicated reconvergent circuit. Here some signals have to travel through several levels of logic to reach their final destination. This introduces considerable skew into the circuit, and will produce glitches on the outputs during certain transitions. In addition to this, there is again a stuck-at-one fault that cannot be tested.

Circuits like this can result from the design iteration process, as a designer tries to debug a circuit. By adding this and that, eventually the circuit works. But it is a mess, has poor timing characteristics, and is untestable. A little analysis of the logic itself shows that:

the bottom output is  
 $(\overline{A} + \overline{B}) = A^*B$

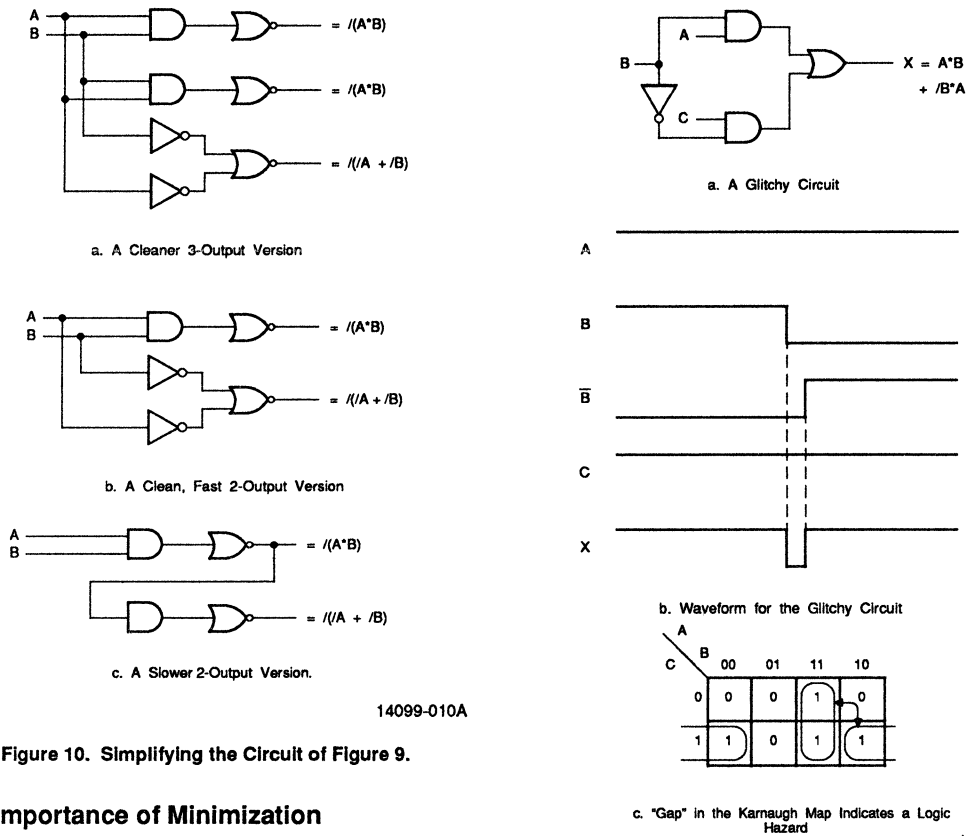
thus the middle output is  
 $(\overline{A^*B}) = \overline{A} + \overline{B}$

which makes the top output

$$\begin{aligned} \overline{(A^*B^*C + C^*(\overline{A} + \overline{B}))} &= \overline{(A^*B^*C + A^*B^*C)} \\ &= \overline{(A^*B)} \\ &= \overline{A} + \overline{B} \end{aligned}$$

That is, the top two outputs are actually the same, and the third output is just the inverse of the top two. As convoluted as the original circuit looks, the logic itself is actually trivial. So if three outputs are really needed for some reason, we can generate them independently, as in Figure 10a. If only two outputs are needed, it is even easier. Figures 10b and 10c show two possibilities.

These circuits are much easier to understand, their timing characteristics are better, and they are completely testable.



14099-010A

Figure 10. Simplifying the Circuit of Figure 9.

14099-011A

Figure 11. Examining a Glitchy Circuit

## The Importance of Minimization

The common factor behind all of the untestable circuits we have examined is the fact that all of them were not minimal. By minimizing the logic, we made the circuits testable. This is true in general: *UNMINIMIZED LOGIC CANNOT BE FULLY TESTED.*

Very often, especially when designing with PLDs, an attempt is made to minimize logic only to the point where it fits into a particular PLD. Any further minimization is considered an academic waste of time. This is a grave misconception. Getting rid of all extra product terms, and eliminating all extra literals on the remaining product terms has real value. Failing to do so will result in untestable nodes in the circuit.

Minimizing is not always enjoyable, since hand techniques are usually too tedious, and Karnaugh maps are essentially useless for more than four or five inputs. However, computers have long been used to minimize logic. In particular, PALASM® software (version 2.22 and later) has a minimization routine which can minimize logic automatically before assembly.

## Logic Hazards

One occasional side effect of minimization can be the introduction of *glitches* into a circuit. Figure 11a shows such a "glitchy" circuit. The waveform in Figure 11b shows that under steady-state conditions, as long as inputs A and C are high, the output is high

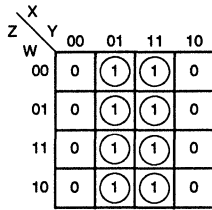
regardless of B. However, as B changes from high to low, causing the top product term to shut off and the bottom one to turn on, the inverter adds a bit of delay to the path that will turn on the lower product term. Thus the top term may shut off before the bottom one gets a chance to turn on. In this case, we have two logic low signals going into the OR gate, giving a low on the output. As soon as the lower product term turns on, the output goes back high, but not before the appearance of the high-low-high glitch.

Figure 11c shows the Karnaugh map for this circuit. It is minimal, but there are two product terms which do not overlap; they are "adjacent" in one location. These represent the two AND gates in the circuit diagram. The arrows indicate the troublesome transition: when A and C are high, and when B changes from high to low or the reverse. We can intuitively think of this as a "gap" between the two adjacent product terms, in which a glitch may occur.

Note that glitching is not a certainty. It is called a *hazard* because in certain situation, given certain timing situations, there is a chance that a glitch will occur.

Note also that the glitch is not really caused by the minimization process itself, but is caused by these "gaps" in the Karnaugh map. Unminimized logic with such gaps may also be glitchy.

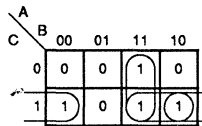
A PROM is a good example of such a circuit. PROMs can be used to implement any logic function of their inputs. However, regardless of the function, it is implemented in a completely unminimized fashion, using complete minterms. So even a function as simple as the one in Figure 12 (which could be implemented using a single product term, grouping all 1's into a single cell) is implemented with each 1 in its own cell. Thus there is a gap between every cell, meaning that every transition is a potential glitch. PROMs are notoriously glitchy, and it is for this reason that the output of a PROM is actually undefined until its access time has elapsed.



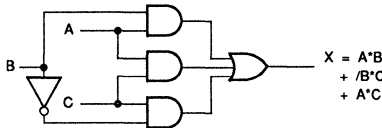
14099-012A

Figure 12. In a PROM, Every Transition Can Glitch

If we go back to the Karnaugh map in Figure 11c, we see that we can eliminate the gap — and the glitch — by adding a product term which overlaps both existing product terms and covers the gap. This is shown in Figure 13a, with the resultant circuit shown in Figure 13b.



a. A Redundant Product Term Can Eliminate the Glitch



b. A Glitch-Free, but Untestable Circuit

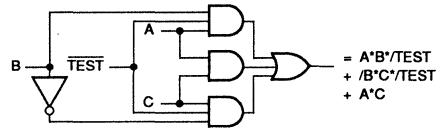
14099-013A

Figure 13. Eliminating Glitches

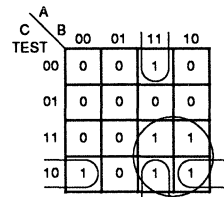
This circuit is no longer glitchy. Unfortunately, it is also no longer testable, since we have added in a redundant product term that cannot be tested (try it yourself). In order to have a circuit that is both testable and glitch-free, we must add a test input to the circuit

which we can use to shut off the outside gates, isolating the middle gate for testing (Figure 14a). When the circuit is operating normally, the extra input is kept at a logic high condition, where it does not interfere with the basic logic function.

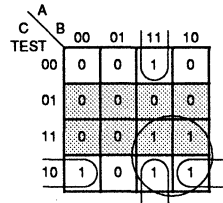
The Karnaugh map for this circuit is shown in Figure 14b. Note that all product terms overlap, but now the circuit is minimal. The size of the Karnaugh map has doubled, since we added another input. But if we isolate just that portion which corresponds to the test input being high, which is the normal operating mode (see Figure 14c), it looks exactly like the map of Figure 13a. Of course we should expect this, since we do not want the addition of a test circuit to affect the basic function.



a. A Testable, Glitch-Free Circuit



b. Karnaugh Map



c. Karnaugh Map Showing Non-Test-Mode Portion

14099-014A

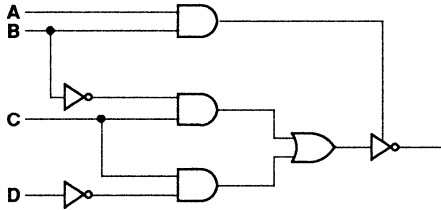
Figure 14. Making a Glitch-Free Circuit Testable

Thus, in general, these types of glitches can be eliminated first by adding some redundant logic to get rid of the gaps in the Karnaugh map, and then by adding a test input to make the circuit testable.

### Using Output Enable

Most state machine PLDs are equipped with an enable pin for disabling the outputs. This is a key feature when the circuit board is to be tested in a bed-of-nails tester. When the devices driven by the PLD are tested, it is recommended that the PLD be disabled so that there is no output level contention. Since the enable pin is usually grounded to keep outputs permanently enabled, it can instead be made available for use during testing.

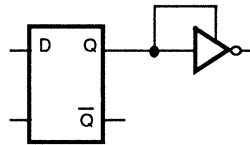
Note that for combinatorial devices, there is generally no output enable pin. The disabling feature is instead implemented through a product term. This feature is called programmable three-state. Designing the part such that the outputs can be disabled during bed-of-nails testing is also encouraged for these combinatorial designs.



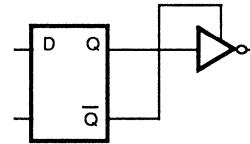
10483A-171

Figure 15. Untestable combinatorial circuit with programmable three-state

The user must be especially aware of the observability of outputs with programmable output three-state. In figure 15, input B controls both the basic circuit logic and the three-state control logic. Therefore, any function which involves B in a LOW state will not be observable, since the output will not be on. Figure 16a is a simplified representation of a register whose output cannot be observed because the three-state buffer is disabled when the output is LOW. Likewise, the circuitry in figure 16b cannot be observed when the flip-flop output is HIGH. The user must make sure that an output will not be disabled when the results of a test are to be observed.



a. LOW state observable



b. HIGH state unobservable

14099-015A

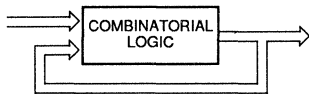
Figure 16. Untestable registered output with programmable three-state

## Designing Testable Sequential Circuits

The design of sequential circuits involves considerations above and beyond those required for simple combinatorial circuits. Latches and oscillators are circuits which appear combinatorial, but which use feedback to introduce sequential properties. State machines use flip-flops and feedback to generate what can be complex sequential circuits.

### Feedback

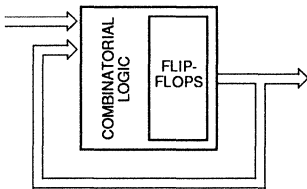
Whereas combinatorial circuits depend only on the conditions of present inputs, *sequential* circuits depend on both present conditions and past behavior to determine future behavior. This is made possible primarily by *feedback*. Feedback takes an output signal and routes it back for use as an input to the same circuit, as shown in Figure 17. We now have a situation where an output depends on itself; this can introduce new testability problems.



14099-016A

Figure 17. Logic with Feedback

Most sequential circuits (under varying circumstances also called *state machines*, *finite state machines*, and *sequencers*) make use of *flip-flops* as memory elements. These memory elements serve to remember a past condition (called a *state*) so that a future decision can be made based on it. This state is then fed back as input. With PLDs, the flip-flops and combinatorial logic are contained within a single device, as shown in Figure 18.



14099-017A

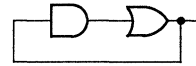
Figure 18. Structure of a Sequential PLD

Of course, the effects of feedback may have to be considered even when there are no flip-flops. The circuit in Figure 17 has feedback, but has no flip-flops. Such a circuit will either function as a *latch* or as an *oscillator*, as will be seen.

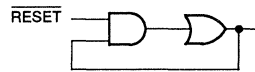
Before we look into the special needs of circuits with feedback, bear in mind that all of the testability criteria discussed for combinatorial logic still hold. The blocks of combinatorial logic shown in Figures 17 and 18 must be testable by themselves. What we will discuss here are issues which must be considered in addition to the issues involving combinatorial logic.

## Latches

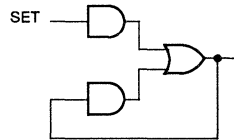
A combinatorial logic circuit which uses positive feedback is a latch. The simplest possible latch is shown in Figure 19a. The output is fed back as an input in its TRUE form. This means, of course, that the output will stay at its present level; hence the name "latch."



a. Completely Uncontrollable



b. Cannot Set Output HIGH



c. Cannot Reset Output LOW

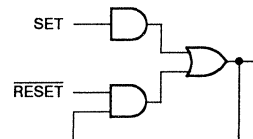
14099-018A

Figure 19. Uncontrollable Latches

The circuit as shown is clearly not useful, since it will always remain in its power-up state. If another input is added, as in Figure 19b, a HIGH output could be made to go LOW by setting the RESET input LOW. However, once the output goes LOW, there is no way to make it go HIGH again. Likewise, the circuit could be modified as in Figure 19c. Now a LOW output can be made HIGH by setting the SET input HIGH. However, once HIGH, the output can never be made to go back LOW.

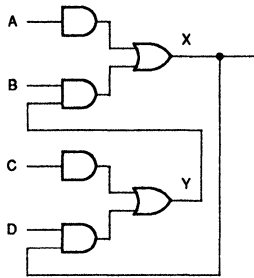
### Controllable latches

For a latch to be useful, it must be completely controllable. The previous latches cannot be completely controlled. In order for a latch to be controllable, it must have both SET and RESET controls, as shown in Figure 20.



14099-019A

Figure 20. A Controllable Latch

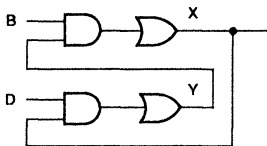


$$\begin{aligned}
 X &= A + B \cdot Y \\
 &= A + B \cdot (C + D \cdot X) \\
 &= A + B \cdot C + B \cdot D \cdot X
 \end{aligned}$$

} SET

} RESET

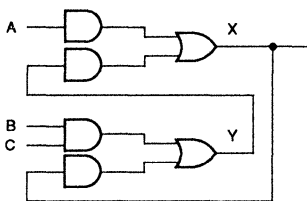
a. Latch with SET and RESET



$$\begin{aligned}
 X &= B \cdot Y + B \cdot D \cdot X \\
 &= B \cdot D \cdot X
 \end{aligned}$$

} RESET

b. Latch with RESET Only



$$\begin{aligned}
 X &= A + Y \\
 &= A + B \cdot C + X
 \end{aligned}$$

} SET

c. Latch with SET Only

14099-020A

Figure 21. More Complex Latches

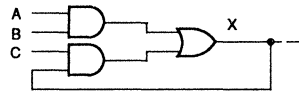
In PLDs, a latch can be detected by simplifying the logic for each function. If an output is a function of itself in TRUE form, then it is a latch. To be controllable,

- product terms containing the feedback should have at least one other direct input in the product (providing RESET control).
- there should be at least one product term with no feedback (providing SET control).

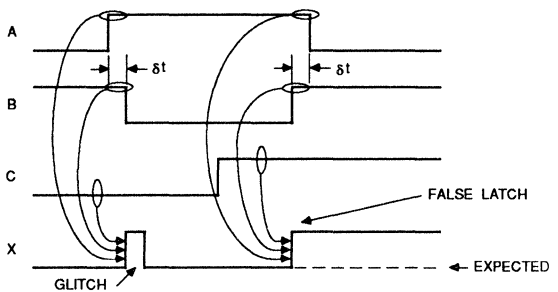
The circuit in Figure 21a provides an example. At first it is not immediately obvious that the circuit is a latch, but when the logic is simplified, we see that indeed it is. It is controllable since it has both SET and RESET controls. If the logic were as shown in Figures 21b or 21c, the latch would be uncontrollable under some circumstances.

**Latch hazards**

The circuit of Figure 20 can be generalized to have several inputs on both the set and reset controls. Such a circuit is shown in Figure 22. In this case, we have two inputs on the set AND gate. If the two set inputs A and B change from 0 and 1 to 1 and 0, respectively, then there will be a glitch or a false latch at the output if both inputs were 1 at some time during the transition (Figure 22). For this transition, it is important to make sure that the 1-0 transition be made before the 0-1 transition to avoid anomalous output behavior. Merely delaying one input will not help, since it will delay both rising and falling transitions.



a. Circuit



b. Glitch and False Latch

14099-021A

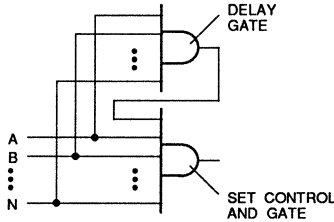
Figure 22. A Latch with More Complex SET Logic

The simplest solution to this problem is the use of an edge-triggered flip-flop to synchronize the signals. This will eliminate any such glitches. If a flip-flop cannot be used, it is possible to delay reaction to a "11" condition to make sure that such a condition is not transitory. A circuit that accomplishes this is

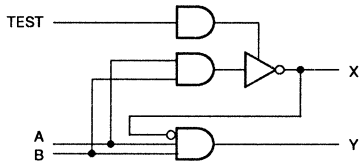


## Testability

shown in Figure 23a. This is relatively efficient in that only one delay circuit is required regardless of the number of inputs used on the set control (within the limits of the size of the AND gate). It will require an extra output on a PAL device.



a. Circuit Which Delays "11...1" signals



b. Testable Delay Circuit

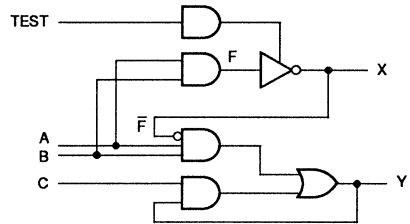
14099-022A

**Figure 23. Delay Circuit**

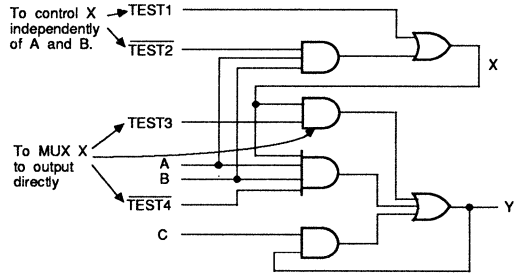
This delay circuit will delay the effect of an "11" input by an extra propagation delay. However, it also provides a window of one propagation delay which will screen out any transitory "11" conditions that occur within that window. This allows up to one propagation delay's worth of skew between inputs during a transition from "01" to "10."

Because we have introduced redundancy, the circuit must be modified to be testable. If the circuit is implemented in a combinatorial PAL device, then programmable three-state can be used to test the circuit, as shown in figure 23b. By enabling output X, the redundant circuit can be observed without regard to Y. Then, to test Y, output X is disabled and then the pin is used as an input to drive the circuitry for Y directly. This provides a simple means of testing the circuit, but it only works if pin X can be measured and driven. The complete circuit is shown in figure 24a.

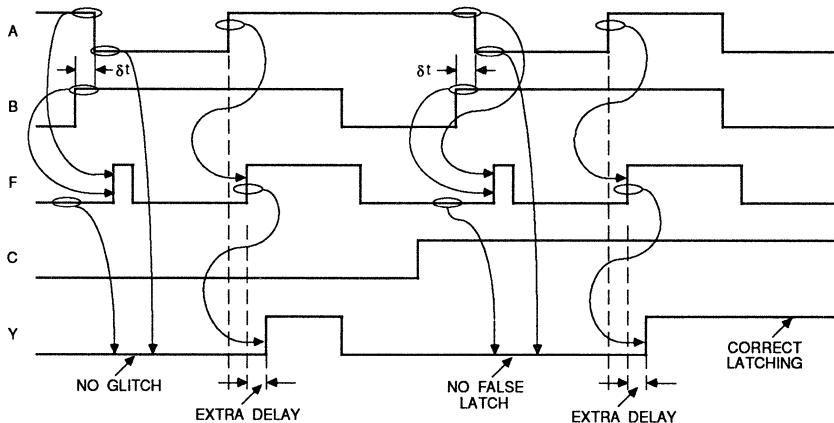
If node X is not so accessible, then additional circuitry and test inputs must be added. In the worst case, if node X is completely inaccessible, the resulting testable circuit is shown in figure 24b.



a. Complete Latch Circuit



b. Circuit if Node X is Completely Inaccessible



c. Latch Circuit Behavior

14099-023A

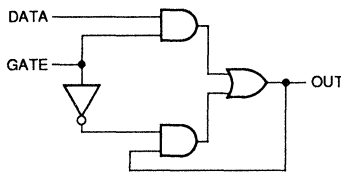
**Figure 24. A Testable Glitch-Free Latch**

Note that although the three-state capability is not needed, the circuit requires two extra gates, and, worst of all, four test inputs.

Figure 24c shows the behavior of either of the testable glitch-free latches.

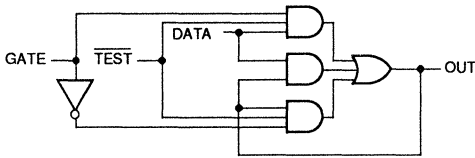
**Transparent latches**

Many designers like to use PLDs to design standard D-type "transparent" latches. A D-type latch is a very simple circuit, shown in basic form in Figure 25a. As it turns out, however, this is a glitchy circuit of the type discussed in the combinatorial section. The problem is compounded in this case, since, given the right timing, the glitch can actually be latched; the glitching problem is no longer transitory. If this type of circuit is desired, it must be designed to be both glitch-free and testable; the resultant circuit is shown in Figure 25b.



$$OUT = GATE \cdot DATA + \neg GATE \cdot OUT$$

a. Glitchy



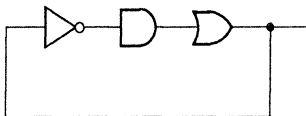
$$OUT = GATE \cdot DATA \cdot \neg TEST + \neg GATE \cdot OUT \cdot \neg TEST + DATA \cdot OUT$$

b. Glitch-Free and Testable 14099-024A

Figure 25. D-Type Transparent Latches

**Oscillators**

Circuits whose outputs are fed back in TRUE form are latches. If the outputs are fed back in COMPLEMENT form, then the circuit is an oscillator. A simple oscillator circuit is shown in Figure 26.



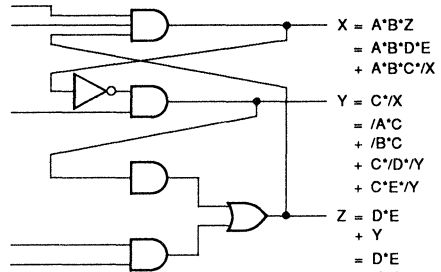
14099-025A

Figure 26. A Simple Oscillator

Latches are very often useful in circuits; oscillators rarely are. Crystals and other specialized oscillators are useful when it is necessary to generate a clock signal, for example. Trying to build

an oscillator out of standard logic or PLDs will not yield a very predictable, accurate oscillator; where these circuits occur, it is usually by accident.

An oscillatory circuit may not always be obvious. It also may not oscillate all of the time. The oscillator shown in Figure 26 is uncontrollable; it always oscillates. However, just as we can design controllable latches, we can also design controllable oscillators (on purpose or by accident). This means that there may be an oscillator hidden in the circuit which will sometimes oscillate and sometimes be stable. Such a circuit is shown in Figure 27a.



a. Complete Circuit

$$X = A \cdot B \cdot D \cdot E + \neg A \cdot B \cdot C \cdot \neg X$$

TERM 1  
TERM 1

b. The Equation for X

14099-026A

Figure 27. A Conditional Oscillator

**Detecting oscillators**

The oscillator in the circuit is not obvious. But if we simplify the logic completely, we can see that output X depends on  $\neg X$ ; output Y depends on  $\neg Y$ ; and output Z depends on  $\neg Z$ . Since the outputs are fed back to themselves in COMPLEMENT form, the circuit constitutes an oscillator.

This circuit will sometimes be stable. If we examine the logic function determining X, we see that it has two product terms, shown in Figure 27b. Term 1 is independent of  $\neg X$ ; term 2 is dependent on  $\neg X$ . If inputs A, B, D, and E are all TRUE, then term 1 becomes TRUE, and the output stays HIGH regardless of the status of the rest of the circuit. It is thus stable. However, if signals D and/or E are LOW, then term 1 will be FALSE. If, at the same time, input C is HIGH, then, as long as the output X is LOW, term 2 will be TRUE, making the output HIGH (which makes the product term FALSE, which makes the output LOW, etc.). That is, the circuit oscillates.

In this manner, we can identify the conditions under which a conditional oscillator will oscillate. The mere presence of an oscillator is usually an indication that the circuit needs to be changed. It may be that the circuit only oscillates under conditions that could never possibly exist. One must be very certain of the impossibility of such a condition, however, if a conditional oscillator is to be tolerated. In addition, a thorough test sequence will usually expose a circuit to conditions that it may never encounter in a real system. Thus oscillators may interfere with the test process even if they do not disrupt the system.

### Using a Programmable Clock

When using the programmable clock on an asynchronous device, caution must be exercised with data setup. Refer to figure 28a, where A and B are primary inputs. One setup time ( $t_{s\text{u}}$ ) after signal A goes active, signal B goes active, clocking signal A into the register. In figure 28b, B is a primary input but signal A is fed back from another register. In this case it may be harder to ensure that the proper setup time is allowed before signal B is asserted, possibly causing improper information to be clocked into the register.

This is a simplified scenario. It does not take into account the product term on the clock, which can be programmed with a

combination of any of the array inputs. A complex clock term can be a hidden source of frequently-violated setup time when feedback terms are used. Always be aware of which input or combination of inputs and feedbacks will clock each register, and calculate setup time backwards from the last input which will assert the clock term. This is the best and probably the easiest method for determining when data must be made available at the D input of the register.

This is an important testability issue because with a programmable clock, the tester may no longer be in control of the clock timing. Automatic test equipment is capable of handling the timing for dedicated clock pins, but the programmable clock feature does not allow the tester the luxury of a single controlled clock pulse.

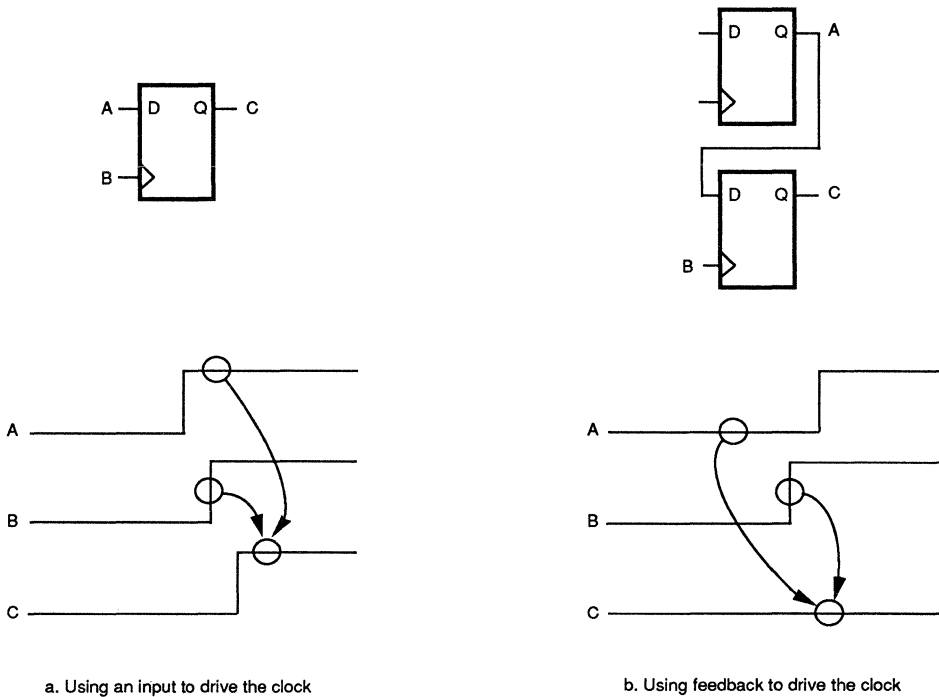


Figure 28. Using a programmable clock

14099-027A

## Designing Testable State Machines

State machines have their own set of controllability issues. These essentially boil down to the concepts of *initialization* and *illegal states*.

### State machine Initialization

The nature of a state machine is that there is a well-defined sequence of states through which the machine will traverse as it operates. This implies the existence of a "first" state. Of course, these initial states vary from design to design. One obvious problem is the fact that many flip-flops — especially older varieties — do not power up in a predictable state.

### Power-up initialization

Flip-flops that truly power up into a random state must be initialized explicitly. Lately, however, flip-flops have become available which have "power-up reset". This allows the flip-flops to power up into a predictable state every time. This is helpful when the power-up state also happens to be the initial state. But even if it is not the initial state, a predictable initialization sequence can bring the state machine into its start-up state.

Unfortunately, such initialization schemes rely on the ability of the device to initialize itself when being powered up. If the system needs to be re-initialized, it will have to be completely turned off and then turned on again. Anyone who has had to turn off a computer in order to reboot will know that this is not an elegant way of re-initializing. By building initialization into the design, a means of performing a "warm boot" is provided. It is for this reason that initialization must be considered along with all other aspects of the design.

Some devices, such as the PAL32VX10/A, the PAL22V10, and other PAL devices, have mechanisms specifically designed for initializing a state machine. These are usually in the form of global preset and reset product terms. By programming the conditions for initialization onto such terms, the device can be re-initialized at any time. Other devices, like the PLS devices, have pins which can be dedicated as preset pins.

### Including Initialization in a design

Some of the simpler devices do not have specific provisions for initialization. However, the need is still present in these devices; here the initialization should be included in the design. This is a very simple process; it can be added in after all of the other design

details have been worked out. Adding initialization will use up one input pin and potentially one product term on some outputs; this can affect the choice of device for the design.

To provide initialization in an otherwise complete design when Boolean equations are being used:

- determine the start-up state.
- assign each bit as being initialized active or inactive, based on the desired start-up state.
- if a bit is to be initialized inactive, add "/INIT" to every product term for that bit.
- if a bit is to be initialized active, add one product term consisting solely of "INIT."

Here we have assumed that the initialization pin has been called "INIT." "Active" would mean HIGH for an active high device; LOW for an active low device. "Inactive" is just the reverse.

The equation in Figure 29a can be initialized inactive as shown in Figure 29b, or active as shown in Figure 29c. Initialization is accomplished by asserting the INIT pin and clocking once. This "cookbook" approach is very reliable.

$$Q0 := Q1 \cdot Q2 + Q2' \cdot Q3$$

a. Uninitializable

$$Q0 := Q1 \cdot Q2' \cdot \text{INIT} + Q2' \cdot Q3' \cdot \text{INIT}$$

b. Initialized Inactive

$$Q0 := Q1 \cdot Q2 + Q2' \cdot Q3 + \text{INIT}$$

c. Initialized Active

14099-028A

Figure 29. Designing In Initialization

PALASM software also makes it possible to design state machines with a special syntax which essentially allows the state diagram to be transferred directly into a design file. For devices which have no dedicated initialization features, the initialization branches should be explicitly built into the state diagram. The software then performs the remainder of the processing needed.

**Illegal states**

A state machine is formed by using a set of flip-flops to remember states, and assigning a code to each state. Since there are  $2^n$  different codes that can be assigned to a group of  $n$  flip-flops, there is a good chance that some codes may not be used. For example, if a state machine is to have 6 states, 2 flip-flops will not be sufficient; 3 are needed. But 3 flip-flops allow 8 states, which will result in 2 unused states (see Figure 30).

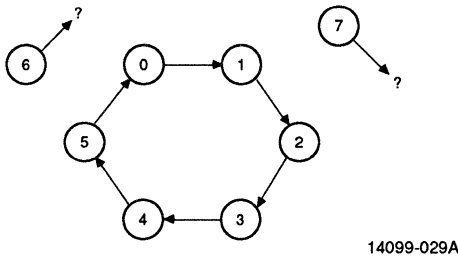


Figure 30. Illegal States

Assuming that the state machine has been designed correctly, there is no reason why these extra states should ever be entered; therefore they are called "illegal" states. Unfortunately, situations do occur, thanks to noise and other unpredictable occurrences, which result in the state machine being in an illegal state. When this happens, the immediate need is to return to a normal sequence of states: *there must be a predictable means of getting from any illegal states into a legal state.*

Illegal state recovery is a controllability issue which actually affects functionality more than it affects testability. But the concepts used for functionality and testing are so closely related that it is worth treating here.

**Recovering from illegal states**

There are three basic ways to get out of an illegal state:

- re-initialize
- make sure that one can continue clocking until the machine recovers
- design the machine such that the start-up state is reached from any illegal state in one clock cycle, independent of any conditional inputs

Of course, re-initializing will take the machine back into its start-up state from any state, legal or illegal (Figure 31). The disadvantage here is that outside control is needed to force initialization.

Very often, a path will exist which eventually takes the state machine back into a normal sequence (Figure 32). These paths are not usually designed in; they just happen to be there. In fact, if D-type flip-flops are used, it is surprisingly difficult to get a "closed" set of illegal states (that is, a set such that once one of the illegal states is entered, the machine will forever remain in

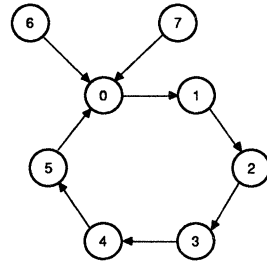


Figure 31. Using Initialization to Recover

14099-030A

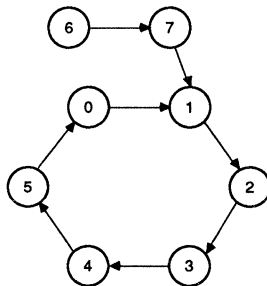


Figure 32. Cycling Back to a Legal State

14099-031A

illegal states) by accident. In most cases, there will be a path which eventually leads back to a legal state. In these cases, merely clocking enough times will cause the machine to recover.

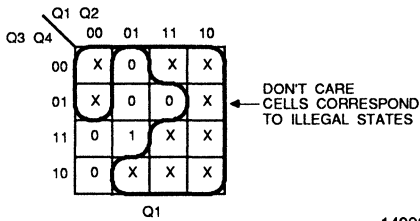
The drawback here is that one does not know ahead of time how many clock cycles will be needed. This necessitates some built-in way of knowing just when a legal state has been re-entered. And once that state has been reached, further cycling may be needed to get to a point where operation can resume.

**Designing-in one-step recovery**

The most predictable way of dealing with illegal states is to provide a one-step path back to a legal state. Depending on the state desired, more or less work may be involved to do this. For PAL devices, we can consider three cases:

- all illegal states go to state 00...0
- all illegal states go to one state other than 00...0
- each illegal state goes to some legal state

The cause of poor illegal state recovery can be illustrated conceptually with Karnaugh maps (although realistically, Karnaugh maps are often not used). When calculating the equations for a particular bit, it is tempting to use Don't Care cells from the Karnaugh map (Figure 33) to simplify the logic. The success of illegal state recovery depends on how these Don't Care cells are treated.

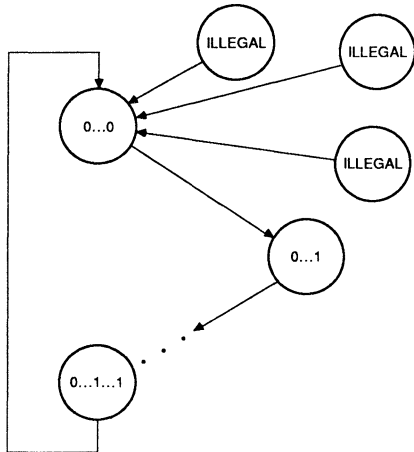


14099-032A

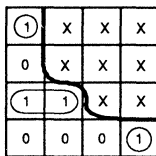
Figure 33. Illegal State

Recovering Into state 00...0

This is the simplest case; it is illustrated in Figure 34. It is accomplished by not using any illegal states to generate the logic for any of the bits. Since most PAL devices have only D-type flip-flops, a bit will go HIGH only as a result of legal states. Any illegal states will cause all bits to be LOW.



a. State Diagram



b. Karnaugh Map

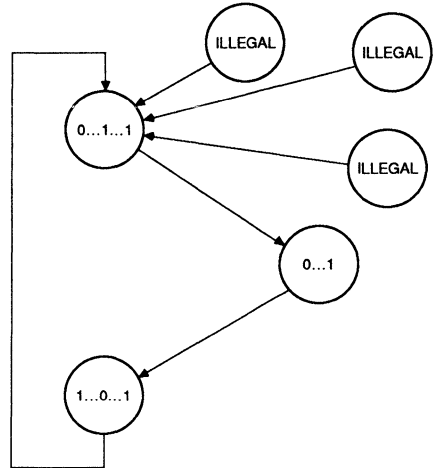
14099-033A

Figure 34. Recovering to State 0...0

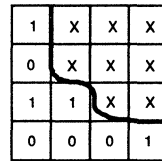
This procedure does not work when J-K or T-type flip-flops are used. In fact, it is deadly. Whereas a D-type flip-flop defaults to LOW, J-K and T-type flip-flops hold their present state as a default. Thus if illegal states are not considered in the transfer functions, an illegal state will cause the state machine to be locked up in that state.

Recovering into one fixed state

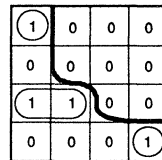
This case is shown in Figure 35a. The procedure can be illustrated conceptually with a Karnaugh map. It must first be decided which legal state will be entered, and the resultant value of each



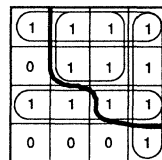
a. State Diagram



b. Karnaugh Map for Bit Qn



c. Bit Qn Recovers to 0



d. Bit Qn Recovers to 1

14099-034A

Figure 35. Recovering to a State Other Than 0...0

state bit. The Don't Care cells for each bit are then filled with the corresponding next state bit value; if the next state for a bit is to be 1, then Don't Care cells are filled with 1's for that bit's Karnaugh map; the procedure for a 0-bit is analogous. The equations are now taken by including either all Don't Care cells if filled with 1's, or none of them if filled with 0's. This procedure is illustrated in Figures 35b, c, and d.

When Karnaugh maps are not used, the same result can be obtained by explicitly considering all illegal states. When calculating the Boolean equations for:

- a bit that will be 0 after recovery, *no* illegal states should be included.
- a bit that will be 1 after recovery, *all* illegal states should be included.

When J-K flip-flops are used, then the transfer function for either J or K — but not both — will include all illegal states.

- If a bit is to be HIGH after recovery, *J* should account for all illegal states; *K* should account for none.
- If a bit is to be LOW after recovery, *K* should account for all illegal states; *J* should account for none.

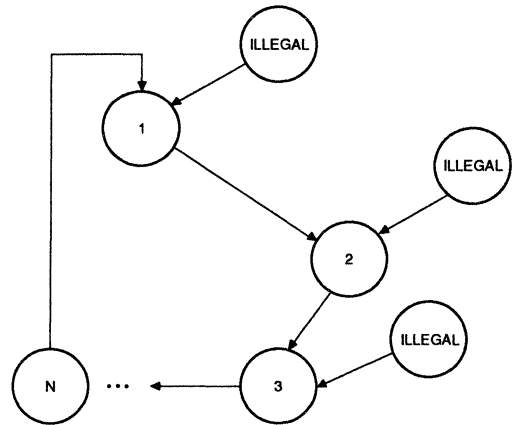
This must be done explicitly for J-K flip-flops even if state 0...0 is the recovery state.

When T-type flip-flops are used, there is no easy way out; any recovery must be explicitly designed-in as part of the original function.

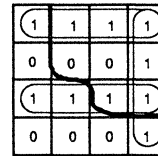
### Recovering Into Any Legal State

The third case allows one to fill in the Don't Care cells of a Karnaugh map in such a way that some legal next state is always reached in one clock cycle, but such that the 1's and 0's are placed to keep the logic functions simple. This is shown in Figure 36. The disadvantage here is that since different illegal states result in a different legal state, some additional cycling may be required to allow operation to resume.

When Karnaugh maps are not used, this can be implemented more simply by explicitly including the illegal states as part of the



a. State Diagram



b. Karnaugh Map

14099-035A

**Figure 36. Recovery Such That Logic Functions Are As Simple As Possible**

complete state diagram. This is especially simple if the state machine input format for PALASM software is being used.

### Default transitions

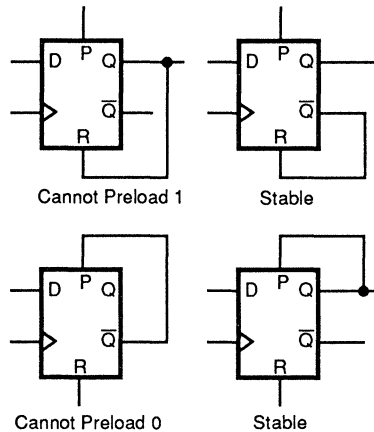
In PLS devices, the complement array can serve as a way of recovering from illegal states. In a design, only legal branches are defined. When in an illegal state, since no legal branch is active, the complement array is activated, allowing for some default state to be reached.

## Testability

### Testing illegal state recovery

One of the difficulties of designing illegal state recovery into a circuit is the fact that it is difficult to test. Because the state is illegal, it is impossible to force the circuit into such a state. The use of register preload circumvents this problem. With preload, any state — legal or illegal — can be loaded into the register. If an illegal state is loaded, then the circuit can be tested to verify that correct recovery does indeed occur.

The use of preload must be considered carefully with devices having programmable asynchronous preset and reset features. If these are driven by feedback from an output, then situations can occur where preloading one state immediately causes a preset or reset to the opposite state (Figure 37). There are two alternatives: either avoid preloading such states, or include a control input in the preset and/or reset product terms which can disable the feature when testing.



Stable Case: Can preload any state  
Other Cases: Preloading any state will cause PRESET  
or RESET to opposite state.

Figure 37. Preloading Registers with PRESET and RESET



## Designing for Testability With SSR™ Diagnostics

Today's more complex circuits and systems are becoming prohibitively expensive to test using standard methods. Serial Shadow Register (SSR) diagnostics (also referred to as Diagnostics-On-Chip™, or DOC™) is a test feature provided in several of Advanced Micro Devices' chips as a means of increasing testability at the system, board, and chip levels. SSR is especially useful in the Am29CPL151 and Am29CPL154 sequencers.

## SSR Architecture

Testability consists of two basic elements: controllability and observability. In a sequential (registered) system, these two elements are lost when a register is not directly accessible. In Figure 38a, the first register is not observable and the last register is not controllable. Figure 38b shows that the addition of a scan path through each register, as in the SSR method, provides the direct access for controllability and observability, which ensures complete testability.

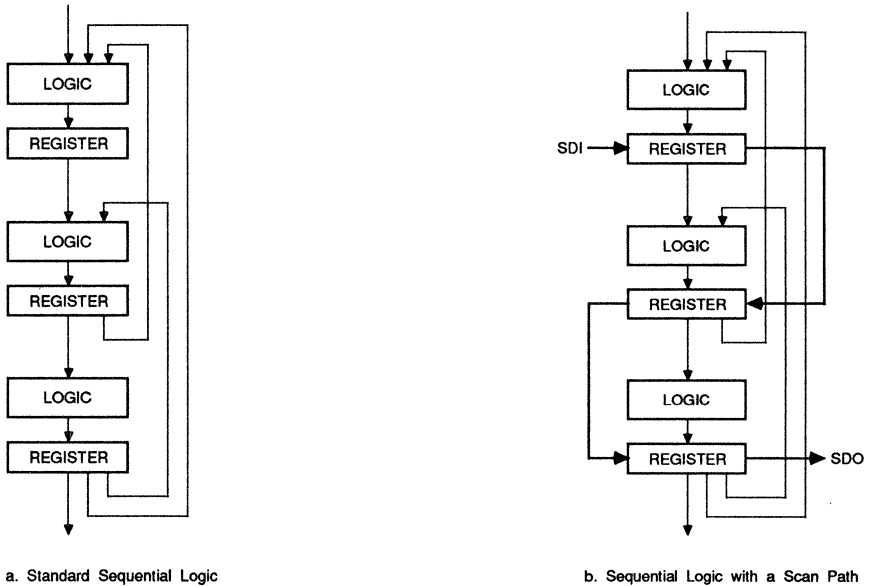


Figure 38. Testability Can Be Increased by Providing Direct Access to All Registers

14099-037A

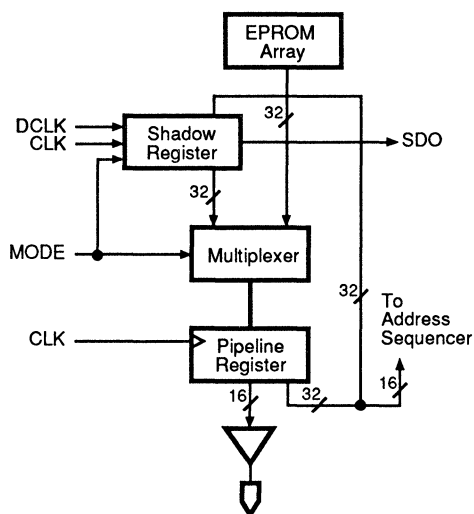
## Testability

The heart of the SSR circuitry is the shadow register (see Figure 39). The shadow register is a serial/parallel register, equivalent in length to the pipeline register. It is called a shadow register because it is invisible to the device during normal operation. It is clocked by its own clock input, DCLK.

In normal mode (MODE input is LOW), the shadow register operates as a serial shift register (see Figure 40). The Serial Data

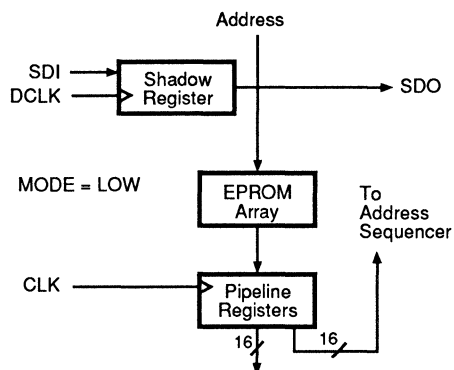
Input is SDI, and the Serial Data Output is SDO. The pipeline register can operate at the same time while MODE is LOW.

In diagnostic mode (MODE is HIGH), the shadow register operates as a parallel register (see Figure 41). It can be parallel loaded from or to the pipeline register by clocking the receiving register. A swap can be performed by clocking both at the same time.



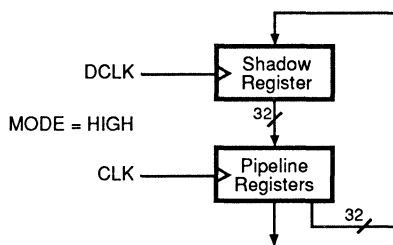
14099-038A

Figure 39. SSR Circuitry in the Am29CPL151



14099-039A

Figure 40. The Shadow Register Operates as an Independent Shift Register when MODE is LOW



14099-040A

Figure 41. The Shadow Register Can Parallel Transfer its Contents to and from the Pipeline Register when MODE is HIGH

## Testability

INPUTS				OUTPUTS			OPERATION
MODE	SDI	CLK	DCLK	Pipeline	Shadow	SDO	
L	X	↑	*	$P_n \leftarrow \text{PROM}$	HOLD	S0	Load pipeline register from EPROM array
L	X	*	↑	HOLD	$S_{n-1} \leftarrow S_n$ $S_{31} \leftarrow \text{SDI}$	S0	Shift shadow register data
L	X	↑	↑	$P_n \leftarrow \text{PROM}$	$S_{n-1} \leftarrow S_n$ $S_{31} \leftarrow \text{SDI}$	S0	Load pipeline register from EPROM array while shifting shadow register data
H	X	↑	*	$P_n \leftarrow S_n$	HOLD	SDI	Load pipeline register from shadow register
H	L	*	↑	HOLD	$S_n \leftarrow Q_n$	SDI	Load shadow register from pipeline register
H	H	*	↑	HOLD	HOLD	SDI	No operation†

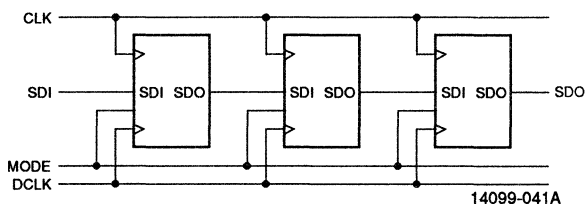
\* Clock must be steady or falling.

† Reserved operator for '818 8-Bit Diagnostic Register.

**Figure 42. SSR Diagnostics Function Table**

All of the functions of the SSR circuitry are described in the function table (Figure 42).

SSR allows access to all 32 pipeline flip-flops in the Am29CPL151 through the serial path, requiring only four pins. A programmable option allows the four SSR control pins to be used. Pins CC, ZERO, P[7], and P[6] become SDI, SDO, DCLK, and MODE, respectively. These four pins can be controlled directly, or can be connected to other SSR circuits in series. A series connection of several SSR circuits allows the same four signals to address an unlimited number of flip-flops on a board or system (Figure 43).



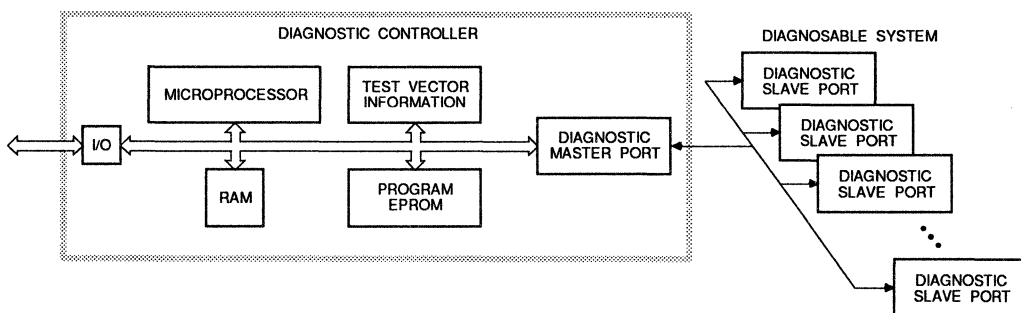
**Figure 43. Example Architecture for Use of System-Level Diagnostics**

A typical test would be performed as follows:

1. Test vector shifted into shadow register(s)
2. Test vector parallel transferred to pipeline register(s)
3. Device/system clocked desired number of times to run test

4. Test results parallel transferred to shadow register(s)
5. Test results shifted out of shadow register(s)

Note that while shifting, the system can return to normal operation. In addition, while test results are being shifted out, a new test vector can be shifted in.



**Figure 44. Example Architecture for Use of System-Level Diagnostics**

### System-Level Testing

At the system level, SSR provides the ability for a diagnostic controller to monitor the interior status of a system. The diagnostic controller could control several scan loops, selecting the loops required for the test needed (Figure 44).

However, many key products, such as microprocessors, are not available with the SSR function and cannot be part of the scan path. This limits the use of SSR for full system-level testing to selected manufacturers who can use this additional testability as an enhancement to a larger system-level testability strategy.

In addition, little support is available for writing the test vectors that can be run through the SSR scan path. The software that is available is expensive and runs on large computers only. This is another factor that limits the use of SSR on a system level. On the board or chip levels, however, test vectors are much easier to generate and can even be found by running vectors through a known good unit.

A complete system-level test would require that most of the devices in the system incorporate SSR circuitry. Other devices in the SSR family are shown in Figure 45. Devices with circuitry

PART NUMBER	DESCRIPTION
Am29CPL151	64-state sequencer
Am29CPL154	512-state sequencer
Am27S85/A	16-K Diagnostic PROM
Am29818	8-bit register

Figure 45. SSR Products Family

equivalent to the SSR format are available from several other suppliers as well. Also, many gate array and standard cell manufacturers offer standard functions similar to the SSR scan path and can easily be included in custom designs, including boundary scan.

### Board-Level Testing

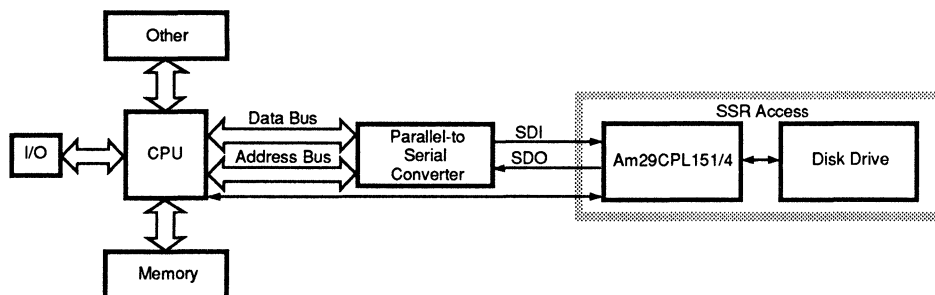
SSR in the Am29CPL151/4 is especially useful at the board, or functional, level. The Am29CPL151/4 will usually form the heart of a function, such as a peripheral controller. In addition, it often will serve to off-load the main Central Processing Unit (CPU) and be partially controlled by the CPU. SSR allows direct control of the Am29CPL151/4 device, bypassing a difficult-to-control CPU and taking command of whatever function the Am29CPL151/4 performs (Figure 46). Here, on-board diagnostics can be easily done with the Am29CPL151/4. The alternative is to dedicate edge-connector signals to the SSR path.

The SSR circuitry provides access to the Am29CPL151/4's pipeline register. This can be used to set the outputs to a given state, in order to test the effect on the devices surrounding the Am29CPL151/4. Or, the pipeline register can be set to a given state and then left to run freely, to verify functionality. If combined with control of the device inputs, the sequencer can be stepped through a number of states, to test the response of the surrounding logic. This is especially useful for bed-of-nails board-level testing; the Am29CPL151/4 can be tested completely without having to be backdriven.

### Device-Level Testing

On the device level, the SSR circuitry effectively provides a preload function for the register. Instead of loading the register from the outputs, as with standard PAL devices, the register is preloaded from the shadow register. Preload is necessary for testing the device functionality, since the buried flip-flops must be set to a known condition before the device can be tested.

6



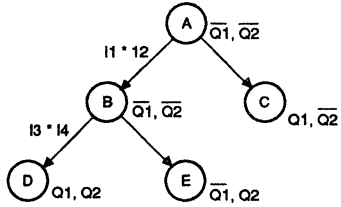
14099-043A

Figure 46. SSR Allows Direct Access to Peripheral Elements in a System, Bypassing the CPU

## Testability

The SSR circuitry allows more than just a preload equivalent, however. It also allows observation of the pipeline register, which contains all of the state information. Thus, an individual state transition may be tested by preloading the desired state, setting

the inputs, clocking the device, and then observing the resulting state in the pipeline register. State transitions which do not result in a change in outputs are thus easily tested (Figure 47).



14099-044A

Figure 47. Buried Flip-Flop Observability Is Required to Verify the Transition from A to B.

## Using Test Vectors

Digital systems are generally tested by applying a sequence of test vectors. A test vector is a group of signals which are applied (forced) and measured (sensed) on a device or a board. The vector thus defines all inputs and expected outputs for a given test. As we have noted, the sequence of tests performed greatly affects the quality of the overall tests, as measured by the fault coverage.

In general, we can talk in terms of three kinds of vectors. *Simulation* (or application) vectors, *functional* test vectors and *signature* test vectors.

Simulation vectors are generated during the design process. Their main purpose is to help the designer verify that the design has been correctly implemented. They represent the way in which the circuit was intended to operate. When PALASM software (or almost any other PLD design software package) is used, simulation may be performed prior to programming a device. The software simulates the operation of the circuit, and then generates vectors from the simulation, adding the vectors to the JEDEC file. These vectors can then be used for testing by programmers that have the capability of performing functional tests.

While simulation vectors may be adequate for verifying that the design is operating as expected, they generally do not provide very extensive test coverage. For this reason, we distinguish functional test vectors from simulation vectors.

It is very difficult to generate a complete set of functional test vectors by hand; computer programs are generally used instead. The simulation vectors are often used as a basis for generating a more comprehensive set of functional test vectors; in this capacity, the simulation vectors serve as *seed* vectors. There are many programs which perform this function although many of the programs require larger computers and take a long time to run. AMD also generates functional test vectors for patterns that are used in ProPAL and HAL devices.

More recently, programs which run on the IBM PC-compatible computers have been developed to generate vectors for use in testing PLDs. Most well-known among these are PLDtest™ from Data I/O Corp., and Anvil ATG™ software. These programs use

the programming information in the JEDEC file to generate tests.

On most patterns, they can generate test sequences of high quality. If complex internal feedback is used in a particular design, then some manual test generation may still be needed to improve the test coverage. Both of these programs support the use of register preload for initializing states; the Anvil and PLDtest Plus packages can also generate tests for devices which do not have the preload feature.

While functional vectors provide more extensive tests, they may not exercise the circuit in the manner in which it was meant to be used. Thus, for example, a conditional oscillator in a circuit (as discussed previously) may not be a problem during simulation, since the conditions causing oscillation are not thought to be possible by the designer. However, the functional vectors will take all situations (some of which may not be physically possible) into account in the tests. Thus more subtle design problems may become apparent when functional test vectors are generated.

Signature vectors are random vectors which are first applied to a device which is known to be good in order to generate a "signature". This same set of vectors is then applied to a device of unknown quality; if the same signature results, the device is said to be good; if a different signature results, then the device is assumed to be faulty.

Signature vectors can vary greatly in the quality of testing they can provide. Since they are generated with no knowledge of the circuit being tested, many more vectors must be used to perform a good test. The quality of the test depends on the circuit being tested, the number of vectors used, the speed with which the tests are applied, and the algorithm used to generate the vectors. The tester must also be able to apply a preload sequence to devices that have registers; otherwise two devices may power up into two different states. In that case, both devices will generate different signatures even if both are good devices.

Quality signature testing can be very cost effective, since no advance knowledge of a device pattern is needed. This reduces the amount of resources that must be dedicated to test vector generation.

The different types of vectors are summarized in Table 1 below.

TYPE OF VECTOR	PURPOSE	GENERATED BY:
Simulation (Application)	Used for verifying whether or not a design will operate as expected when implemented.	Sequence defined by the design engineer, usually by hand. Actual vectors generated by design software, placed in the JEDEC file.
Functional	Used for verifying that a device is operating correctly.	Usually generated by a computer program such as PLDtest or Anvil ATG. The simulation vectors can be used as seed vectors
Signature	Used for verifying that a device is operating correctly without functional vectors.	The tester generates the test sequence during the test.

Table 1. Test vectors

### SUMMARY

The time to start considering ways of testing a circuit is before the circuit has been designed. The key to testability lies in the way the circuit is implemented.

Basic combinatorial logic can be made completely testable simply by minimizing logic. It is not even necessary to analyze the circuit for redundancy or reconvergent fanout; automatically minimizing all logic will eliminate any occurrences.

Where a sequential circuit is generated from simple feedback paths in the logic, the circuit must be analyzed as a combinatorial circuit. All combinatorial logic must be included to determine whether the circuit is a latch or an oscillator. If a latch is desired, it should be completely controllable. If an oscillator is found, it is probably not desired, and will generally indicate a mistake in the design. If a conditional oscillator is to be tolerated, one must be sure that the oscillation conditions can never occur, and that the test procedure will not cause oscillation.

In general, combinatorial circuits should be analyzed completely for the presence of latches and oscillators (wanted or unwanted). This can be done by simplifying each combinatorial logic block to see whether any signal ultimately depends on itself.

When the sequential nature of a circuit is derived through the use of flip-flops to generate a state machine, the two key issues are

initialization and illegal state recovery. A combination of device features and careful circuit design will yield circuits that can behave predictably even in unexpected situations.

SSR is a testability feature that is useful in the Am29CPL151/4; it may be used on multiple levels: system, board, and chip. While the system-level uses may be restricted by the limited availability of support products, the board or functional-level uses are exceptionally handy when the Am29CPL151/4 acts as a local controller. And on the device level, the SSR circuitry provides a means of accessing the buried flip-flops within the device for functional testing.

It is important to analyze the testability of a circuit before committing it too far. Thus any changes can be made early on. In particular, if the test analysis software points out any logic hazards in your circuit, you can easily remedy them by modifying the design.

These simple steps, taken early in the design phase, can help avoid later redesigns, and ultimately provide a higher quality system.

Finally, the ultimate test quality depends also on the quality of the test sequence used for production, functional test vectors and high quality signature tests will provide you with the highest confidence in the quality of your system.

**INTRODUCTION**

Data I/O Corporation currently offers two PLD (programmable logic device) testing tools, PLDtest Plus and PLDtest. These tools are both capable of automatic test vector generation (ATVG) used in testing of manufacturing defects in PLDs and for performing design-for-testability (DFT) analysis. PLDtest has been in existence

for several years and is primarily used for pre-loadable and combinatorial PLDs, while PLDtest Plus, introduced in April of 1989, is used for both non-pre-loadable and pre-loadable devices. PLDtest Plus contains all the features found in PLDtest, with additional features required for in-circuit testing. This makes PLDtest Plus useful for both component-level and board-level testing of PLDs. With extensive DFT features, PLDtest Plus and PLDtest

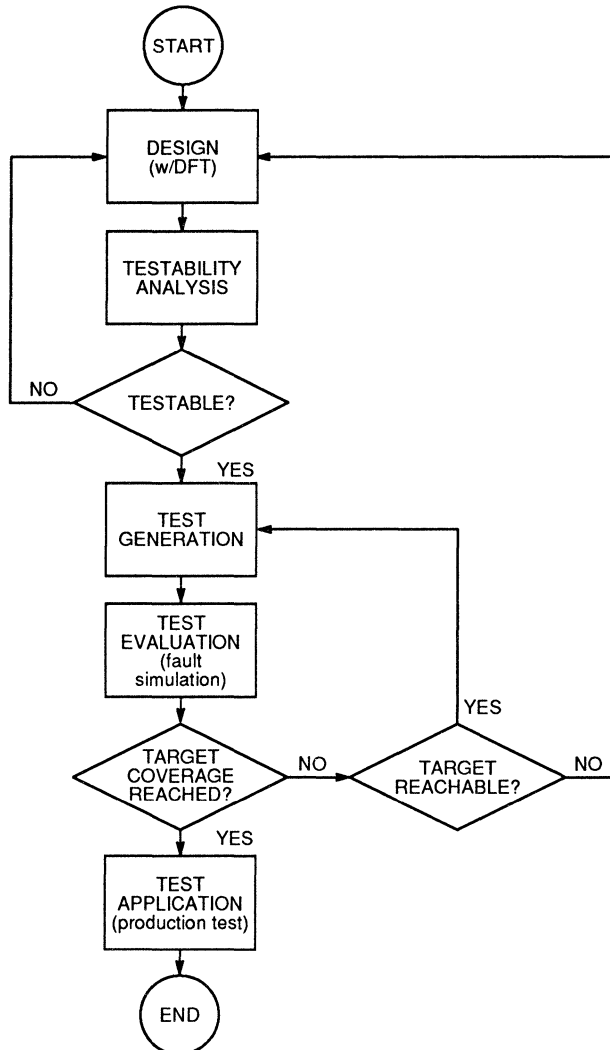


Figure 1. Design and Test Development Activities



are valuable tools for test and design engineers working with PLDs to meet the product quality objectives as well as to reduce management's concern over high costs in testing.

Where do PLDtest Plus and PLDtest fit in the design cycle? As shown in Figure 1, both tools can be used in the design phase, the prototype verification phase, and the testing phase of a product's life-cycle. In the early design phase, PLDtest Plus and PLDtest analyze the testability of the design by fault grading the design engineer's seed (design verification) vectors. This analysis determines fault coverage and identifies untestable faults, as well as portions of the design with low testability. The result of this analysis can be used as an aid in redesign for testability. Seed vectors can also be corrected automatically to ensure all test vectors work correctly. Fault grading is the function that PLDtest Plus performs to determine the exact amount of device test coverage provided by the user-supplied seed vectors. Fault coverage is a measure of how effective a set of test vectors is in detecting potential faults in a PLD.

In the prototype verification and testing phases, PLDtest Plus provides meaningful fault coverage when generating test vectors for all PLDs, including pre-loadable and non-pre-loadable PLDs, and PLDs that power up to known and unknown states. A powerful initialization algorithm is used to drive all initializable devices to a known state from any power-up states so that maximum testability can be achieved for both component and in-circuit testing.

## GENERAL DESCRIPTION

PLDtest Plus and PLDtest accept files in the industry-standard JEDEC 3A format as input. The only information needed from the user is the fuse map of the PLD used. The output format produced by PLDtest Plus and PLDtest include both the JEDEC 3A format and the ABEL "include" format. As indicated in Figure 2, interfaces with industry-standard logic programmers and ATEs are also provided for functional testing as well as AC and DC parametric testing.

Currently these tools run on a variety of hardware platforms and operating systems including MS-DOS™, PC-DOS, VAX®-VMS®, SUN-3/4™, and Apollo®/Mentor™.

PLDtest Plus and PLDtest perform automatic test vector generation, fault grading, and testability analysis of the device under design or test. PLDtest Plus and PLDtest support a wide selection of devices, including the most popular non-pre-loadable registered devices, pre-loadable registered devices, and combinatorial devices. For a PLD design and device, with or without the pre-loadable feature, PLDtest Plus will:

- Determine how many possible faults there are in the device.
- Determine how many of those faults can be tested.
- Generate automatically the best set of minimum-length vectors to test those faults.

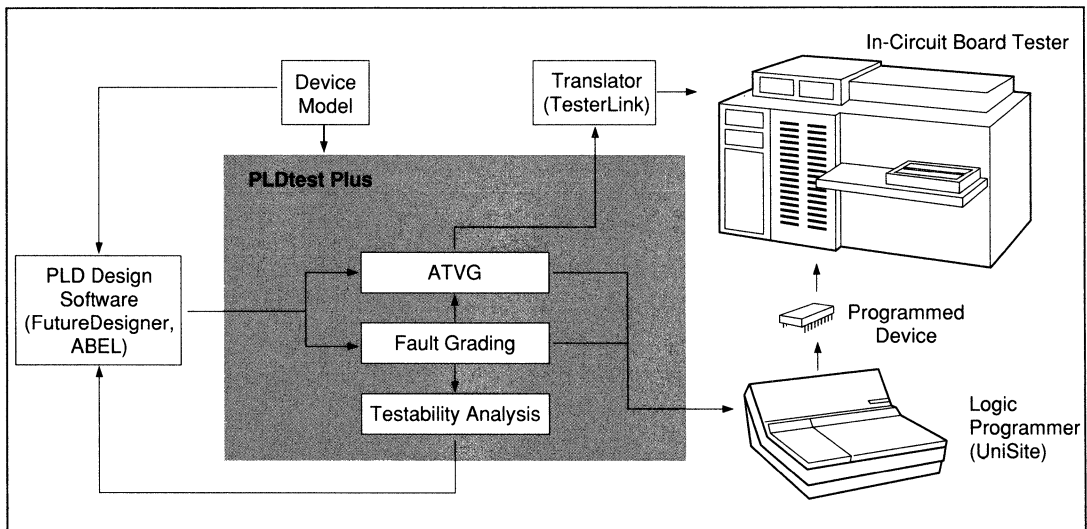


Figure 2. PLDtest Plus Interfaces with Industry-standard Logic Programmers and ATEs

- Generate the best set of test vectors in minimum real time.
- Provide a true and meaningful indication of fault coverage.

For designers, PLDtest Plus analyzes the testability of a circuit design and identifies untestable portions. For test engineers, it verifies that each programmed device is an accurate copy of the master.

### Automatic Test Vector Generation

PLDtest Plus, using advanced and efficient algorithms, accelerates the generation of test vectors from days to minutes. PLDtest Plus supplements user-supplied test vectors or creates new test vectors, as required to achieve the maximum test coverage for the design, and for the targeted device.

### Fault Grading

Fault grading determines how many points in the device could potentially fail when programmed with the intended design. Potential failures in PLDs are classified as device faults, parametric faults, or logic design faults. Device faults associated with the device's silicon elements are identified by PLDtest Plus in an output listing. The design faults can include fuses, the AND array, the OR array, input/output drivers/buffers, and registers. Any potential faults that go undetected by test vectors are also listed. Undetected faults require the generation of additional test vectors or possibly redesigning the logic equations for testability.

### Design for Testability

Both PLDtest Plus and PLDtest contain design for testability features. The program will report if oscillation or race and hazard conditions are detected in the design. If there is low fault coverage, you can run an option to detect and report illegal states. If no illegal states exist, then low coverage is due to logic redundancy, oscillation, or a race and hazard condition. You can check the equations generated for the product terms to determine untested product terms. A modification of the design may be necessary to achieve higher fault coverage.

An option is available to automatically correct user-supplied seed vectors. If seed vectors are included, you can specify whether or not you want PLDtest Plus to correct faulty vectors. The initialization algorithm built into the program initializes registered non-preloadable devices to a known state from any unknown state for testing. It can also detect non-initializable designs and generate vectors from power-up states of all-high or all-low. Other design-for-testability features include print-out of Boolean equations, testability per product terms, and illegal states in finite state machines (FSMs).

## UNDERSTANDING AND USING PLDtest PLUS AND PLDtest

### Fault Coverage and Fault Grading

The fault coverage reported by PLDtest Plus is the percentage of faults detected among all potential faults. The fault coverage can be used to measure the design for testability of the design. PLDtest Plus performs fault grading by using a fault model, and produces detailed documentation that shows specifically which test vectors test which faults for Stuck at 1 conditions and Stuck at 0 conditions. Figure 3 is an example of the report file produced by PLDtest Plus.

The report file includes information such as the input file name and the device type. If you were generating new test vectors along with fault grading, it will tell you if you included the seed vectors or if you generated a complete new set of vectors. It will also tell you if the program generated test vectors for a preloadable or non-preloadable PLD, and if non-preloadable, then what state was specified for the output registers to power up to; high, low or unknown. Next in the report file is a summary of the potential faults located within the device (how many fuses were left intact along which a signal can pass from input to output) and how many were detected by the test vectors, how many seed vectors and how many new vectors were generated.

Later in the output file is a detailed list of which vectors covered which fuses for stuck at conditions of stuck-at-0 and stuck-at-1. If PLDtest Plus or the user-supplied seed vectors detected 100% fault coverage, each fuse used in the device would be listed twice; once for a stuck-at-1 condition and once for a stuck-at-0 condition. Any fuses not detected by a test vector for one of the stuck at conditions would be listed under Undetected Faults in the report file. So how do these report files relate to actual fuse maps in the JEDEC. Look at the implementation of a design to find out. Figure 4 is an ABEL™ source file for a test case that uses only one output and two inputs.

Figure 5 shows how the equation  $!Out := (A \& !Out) \# (A \& B)$  gets mapped into the device. In this example the output "Out" is connected to pin 19 and the inputs "A" and "B" are connected to pins 2 and 3. Figure 3 shows that pin 2 connects to the first two columns, the noninverting to column 0 and the inverting to column 1. Pin 19 feedback, which is considered an input, connects to the next two columns, the noninverting to column 2 and the inverting to column 3. Pin 3 connects to the next pair of columns, the noninverting to column 4 and the inverting to column 5. This device can use up to a maximum of 16 inputs at a time for each product term. The example also shows that there are eight possible product terms, or OR terms, which can be used for each output.

### PLDtest Plus and PLDtest

PLDtest Plus Version 1.12

PLDtest Plus Setup Configuration...

Input file: RMICZO.JED  
Device type: P16R4  
Including seed vectors.  
Determine fault coverage of seed vectors.  
Generating test vectors for non-preloadable device.  
Power up state of registers will be all Low's.  
Output file: RMICZO.JDN  
Report file: RMICZO.RPT

Summary

```
!Pin15 = ((!(Pin2) [*]  
# Pin15_QN) [* ]));  
!Pin16 = ((!(Pin2) & !(Pin15_QN) [*]  
# !(Pin16_QN) & !(Pin15_QN) [*]  
# Pin2 & Pin16_QN & Pin15_QN) [* ]));  
* = Full Testability  
No Illegal Register States discovered.  
Fault coverage: 100.0%  
Seed Vector Coverage: 0.0%  
Detected faults: 18 Seed vectors: 0  
Undetected faults: 0 Generated vectors: 13  
Total known faults: 18 Total vector count: 13  
Circuit is initializable.  
Initialization vector sequence:  
V0001 C0XXXXXXXXNOZZHLXHZZN  
V0002 C0XXXXXXXXNOZZHLLHZZN  
PLDtest Plus complete. Time: 0:00:05
```

Detected Faults

Generated Vectors

Vector 1				
S-A-0 fuse:	832	846	850	1074
Pin Number:	16	16	16	15
Vector 2				
S-A-0 fuse:	783	787		
Pin Number:	16	16		
S-A-1 fuse:	1025	1074		
Pin Number:	15	15		
Vector 3				
Vector 4				
S-A-1 fuse:	787	846		
Pin Number:	16	16		
Vector 5				
S-A-1 fuse:	783	801	850	
Pin Number:	16	16	16	
Vector 6				
Vector 7				
Vector 8				
S-A-1 fuse:	819			
Pin Number:	16			
... Edited ...				
Vector 13				
S-A-1 fuse:	832			
Pin Number:	16			

Undetected Faults

Figure 3. Sample Report File

```

module fault flag '-r3';
title 'Example to demonstrate PLDtest Plus fault model'
u1 device 'p16r8';
A,B,OUT pin 2,3,19;
equations
!OUT := (A & !OUT) # (A & B);
end
    
```

Figure 4. ABEL Source File

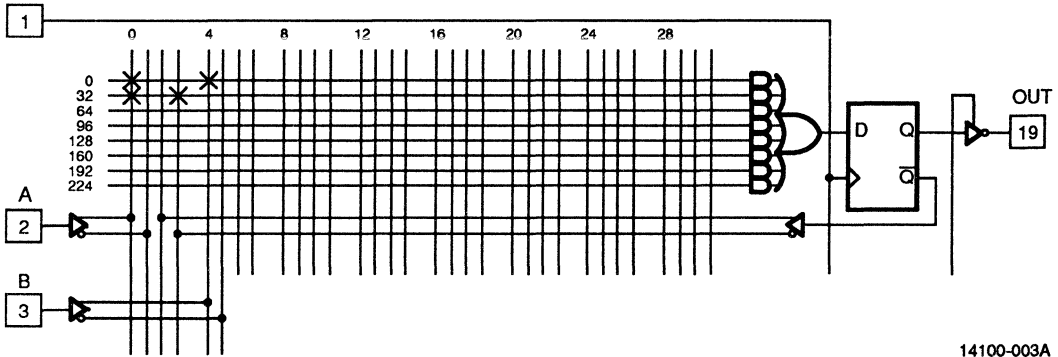


Figure 5. !OUT:= (A & !OUT) # (A & B) Equation as Mapped Into a 16R8

The first term is actually the first OR term in the equation,  $A \& !Out$ . That means that the first and the fourth fuses are left intact and all the rest in this row are opened. This leaves the noninverting input from pin 2 (fuse 0) and the inverting feedback from pin 19, IQ (fuse 3), connected to this product term. The second term,  $A \& B$ , gets mapped into the second product term; "A" again in the first column (fuse 32), and the B in the fifth column (fuse 36).

As the report file in Figure 3 shows, there is 100% fault detection. The generated vectors test two types of potential faults in a PLD. By "potential faults," we mean all those faults that can occur in a PLD due to its manufacturing process or any other reasons. They do not necessarily occur in a given device, but PLDtest Plus generates vectors to detect them if they do occur. In other words, each intact fuse along these critical paths, or paths which signals can take to get from the input to the output, gets tested twice, once for a stuck-at-0 and once for a stuck-at-1. The report file tells us that test vector number 1 tests fuses 32 and 36 for a stuck-at-0 condition. Test vector 3 tests fuse numbers 0 and 32 for stuck-at-1 conditions, vector 6 tests fuses 0 and 3 for stuck-at-0 conditions and vector 9 tests fuses 3 and 36 for stuck-at-1 conditions. The faults associated with the inputs and outputs of the AND gates and the OR gates, tristates and registers along the output path are equivalent to the stuck-at-faults for these fuses (i.e., they can be detected by applying inputs to detected faults associated with a fuse and see the results at an output pin).

What about the rest of the fuses which were opened in each product term that is being used, how do we test those? There are four possible cases to consider. First, a blown fuse is actually intact and connected to  $V_{cc}$ . This is a minor case as unused inputs are pulled high anyway for unused AND gate inputs. Second, an opened fuse is connected and tied to ground. This is equivalent to a stuck-at-0 fault. These faults will be detected because as long as we generate enough vectors to test even one used AND gate, or toggle the output once, we have ensured that no opened fuse is actually intact and tied to ground. If there was an unused fuse tied to ground, the output could never toggle.

The last two cases are where the unused and opened fuse is actually left intact and tied to the input pin or the inversion of the input pin. The test vectors will test one of these two cases. Even if a "don't care" condition existed on all of the unused inputs, there would be an actual value, either a logic 1 or a logic 0, placed on these pins during software simulation, and by the actual device tester. Since the value placed on these pins by the device tester is unknown, it is unknown which condition will be tested, the pin itself or its inversion; but one of the two will be tested. The end result is that we test 75% of the unused fuses in the used product terms. In the cases that we can't test, where an unused and opened fuse is actually left intact and tied to the input pin, or the inversion of the input pin, there is an excellent chance that the fuse verify will catch it anyway if you are using a Data I/O

programmer, since these programmers run the fuse verification automatically.

### Initialization

PLDtest Plus generates test vectors that can be used by a programmer and/or a board tester to detect manufacturing and component defects in PLDs. Non-preloadable PLDs can be broken down further into devices in which the output registers power up to a known state of all logic 1's or 0's (highs or lows), or power up into some unknown state. If the target PLD powers up to an unknown state then we must first generate an initialization sequence. The capability to generate test vectors for PLDs that power up to both a known or an unknown state is one of the major strengths of PLDtest Plus.

Initialization is the process of applying a sequence of vectors (V1, V2, ..., VN) to the inputs of a registered PLD so that the device will go from any state (a set of register values) when the first vector is applied, to a common or known state after the last vector is applied. This sequence of vectors is called the "initialization sequence" or sometimes "homing sequence." For example, a two-register PLD can have maximum four states (00, 01, 10, 11). To initialize it, a set of vectors has to be found that drives it from any of the four power-up states to a common final state. The PLDtest Plus initialization algorithm initializes registered non-preloadable devices to a known state for testing. Preloadable and combinatorial devices do not require initialization.

### Example

An ABEL state description is shown in Figure 6 for a two-bit, four-state, design. This example will transition from state s0 to state s2 when the input D is equal to logic 1. If D is equal to logic 0, it will remain in state s0. When in state s1, depending on D, it will either go to state s3 or state s0. When in state s2, whatever the logical value of D, it will go to state s1. Finally, in state s3 it will go to either state s0 when D is logic 1, or state s1 when D is logic 0.

```
state s0: case(D==1) :s2;
         (D==0) :s0;
endcase;
state s1: case(D==1) :s3;
         (D==0) :s0;
endcase;
state s2: case(D==1) :s1;
         (D==0) :s1;
endcase;
state s3: case(D==1) :s0;
         (D==0) :s1;
endcase;
```

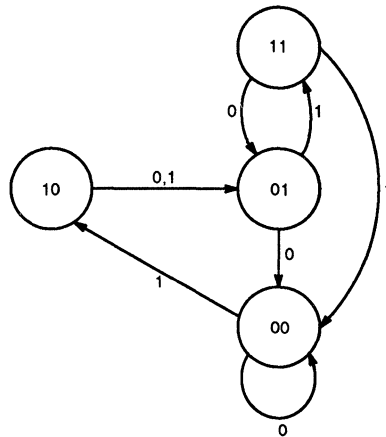
Figure 6. ABEL Design Description

The initialization sequence that PLDtest Plus generates for this test case is shown below. It comprises two test vectors and will take this circuit from any of the four defined states to a single state; in this case to state s0. Notice that in the test vector sequence it applies the logic value of 0's on pin 2 (this is the D input) in test vectors 1 and 2. Note that pins 14 and 15 are both being tested for L, or logic low, after the initialization sequence.

```
V0001 C0XXXXXXXXN0XXXXLXXXXN
V0002 C0XXXXXXXXN0XXXXLXXXXN
```

Figure 7 shows the bubble diagram for this circuit and more clearly defines the sequence of state transitions as defined by the ABEL example. The state values are inside each circle, and the 1 or 0 on the arrow shows the transitions from state to state depending on the logic level of input D. If a sequence of two 0's are applied to the D input, no matter what state you start from, it will always end up in the state s0 (00). This is initialization.

Why is this ability to initialize a PLD important? Not all circuits can be initialized and non-preloadable devices which are non-initializable cannot be tested from an unknown power-up state. This is important from a designer's standpoint because it affects the ability of the system to operate, such as when a microprocessor needs to put the PLD into a known state. The software engineer can also use the initialization sequence in his code to initialize the PLD in-circuit.



14100-004A

Figure 7. Bubble Chart

To a test engineer, the non-initializable device presents a number of problems. Initialization is important because it directly impacts testability of the PLD involved. The fault coverage for a non-initializable device is generally lower compared to that of an initializable device and therefore the reliability requirements in terms of percent of fault coverage may not be satisfied. For a non-initializable device, there is no initialization sequence of

vectors that can be used to reinitialize or resynchronize test vectors. If the generated vectors have to be segmented due to vector length limitations of a particular device programmer or automatic test equipment, then the test will have to be cut at the point where the vectors reach the upper limit of the test equipment. If using initialization sequences, the engineer can cut the test after one such test sequence, then load more vectors to finish the test process. Also, in doing a series of tests on different PLDs on a board, the PLDs would be tested individually and power must be cycled between device tests in order to satisfy the power-up state requirements for a non-initializable device. This is because all the vectors generated were based on a specific power-up state.

Finally, knowing if a circuit is initializable is important to the production engineer because it will determine what type of PLD is ultimately selected, one which powers up to a known state, or one that powers up to an unknown state. This will have a direct impact on the options a purchasing agent has when procuring devices.

Not all circuits are initializable; it is possible for as little as one-half of the PLDs tested to be initializable. Figure 8 is the ABEL description for a non-initializable circuit. The single control input, D, will either cause this circuit to advance to the next state or remain in the current state.

```
state s0: case (D==1) :s1;
           (D==0) :s0;
           endcase;
state s1: case (D==1) :s2;
           (D==0) :s1;
           endcase;
state s2: case (D==1) :s0;
           (D==0) :s2;
           endcase;
```

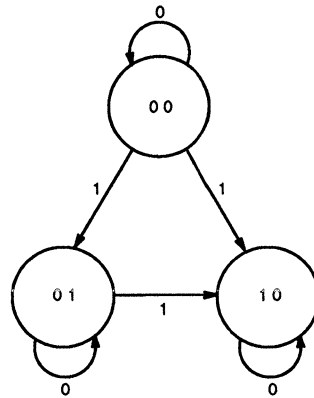
Figure 8. ABEL Description, Non-Initializable State Machine

Note that it is impossible to generate a sequence of vectors that will take this circuit from any of the three displayed states to a single state. Figure 9 clearly shows the interaction of the states and state transitions. We can only test this circuit from a known power-up state, either all 1's or all 0's.

The addition of a reset condition in the original logic description would cure this problem. The decision has to be made to use a device that powers up to a known state, all highs or all lows, or redesign this circuit so that it can be initialized.

When generating test vectors from a known power-up state, the actual power up state can also have an impact on the testability of a design. Using PLDtest Plus can help you determine which device to select.

Before a particular vendor is selected, run PLDtest Plus from both power up high and low and get a difference on



14100-005A

Figure 9. Non-Initializable State Machine

fault coverage. This data can then be used to select a device, from the same vendor or a different one, with a power-up state that satisfies testability requirements.

Specific device power-up state information can be found in the device manufacturers' Data Books or Device Specification Sheets. Once this information is obtained and provided as input to PLDtest Plus, the product will search for vectors starting from the user specified power-up states instead of searching for an initialization sequence.

PLDtest Plus always tests for the initializability of a design as the first step in the automatic test vector generation process. PLDtest Plus does not need user-supplied seed vectors (to test the design) to initialize a PLD, but if seed vectors are provided, PLDtest Plus will generate additional vectors following the seed vectors and will generate an initialization sequence of vectors independent of the seed vectors.

6

### Boolean Equations for Pins

Boolean equations for each output pin are written to show testability for product terms. The equations are written to the report file, and specify whether each product term is fully tested, partially tested, or not tested by the seed and/or generated vectors. With the testability information thus provided, the user can go back to the design equations of the PLD involved to make the necessary changes to improve testability.

### Illegal States in FSMs

As an option, detected illegal states for finite state machine design are written to the report file. The user can thus understand why a design may have low testability if too many illegal states are detected in the design, since the faults associated with these states are generally not detectable.

### Pins Reported for Stuck-at Faults

In the report file, pin numbers are given below the fuse numbers for each stuck-at fault. The pin numbers refer to the output pin where the fault was detected. This information indicates that all faults along the critical path from the fuse number to the pin number are detected with that vector.

### COMPARING PLDtest PLUS AND PLDtest

PLDtest Plus is a new product which handles both preloadable and non-preloadable PLDs, as indicated in Figure 10, while PLDtest handles only preloadable and pure combinatorial PLDs (e.g., P16L8).

Preloadable PLDs have built-in circuitry to allow registers to be set to 0s or 1s as required for testing. A super-voltage is applied to the appropriate pins to force the registers into the desired states. Once all registers are set to known states, the test generation problems are similar to that of combinatorial circuits. Heuristic techniques have been developed to allow efficient test generation for pre-loadable PLDs, and the vectors thus generated normally achieve high fault coverage.

A pre-loadable PLD allows all state transitions in a finite state machine to be tested thoroughly because the FSM can be set to any initial state, including an illegal state. Access to these illegal states makes it possible to detect faults that would not normally be detectable. As a result, higher fault coverage can be achieved.

Because the registers can be directly loaded into any desired state, a long initialization sequence of vectors is not needed to drive the registers into a state to detect faults, and therefore a minimum number of vectors are usually generated for pre-loadable PLDs. In a component tester, or a PLD programmer with pre-load capability, the test vectors perform well. However, pre-loadable PLDs cannot always be used in an in-circuit testing environment since the super-voltage applied to the pins in a PLD sometimes damages other devices connected to it. PLDtest Plus was designed specifically to generate test vectors for non-pre-loadable PLDs.

### PLDtest PLUS AND PLDtest DEVICE SUPPORT LIST

AMD Part No.	
16L8	20R6
16R4	20R8
16R6	20X10A
16R8	20X4A
18P8	20X8A
20L10	22P10
20L8	22V10
20R4	

For more information, contact:

Data I/O Corporation  
(800) 247-5700 or (206) 881-6444

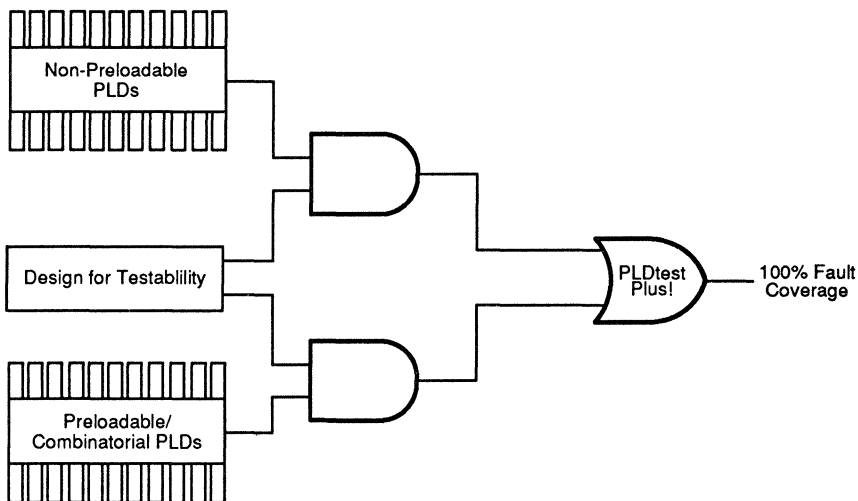


Figure 10. PLDtest Plus Capabilities

14100-006A

## AUTOMATIC TEST VECTORS FOR PROGRAMMABLE LOGIC DEVICES

Anvil ATG software, from Anvil Software, Inc., automatically generates high-coverage functional test vectors for all types of Programmable Logic Devices (PLDs), including PAL® devices, programmable logic sequencers, and other architectures. These vectors are applied after programming, either on the programmer, on a device tester, or during in-circuit testing. Testing the PLDs individually, prior to functional board test or system test, results in large savings in testing, diagnosis, repair, and inventory costs.

The Anvil ATG product is composed of an event-driven time-based simulator, concurrent fault simulator, general-purpose automatic test vector generator, a menu interface, and support programs. It is written in C and currently runs on PC-XT™, PC-AT™ and compatibles with 640K RAM and 4MB available disk space, 386-based PCs, and VAX®/VMS® systems. Support for additional host computers will be available in the future.

### Functional Tests, No Preload

Anvil ATG software produces functional tests that operate the device as it will be used in the final application. No preload, "jam load," or other testing shortcut is used.

### High Fault Coverage

Anvil ATG software typically achieves 90–100% detection, even on highly sequential designs (such as state machines) and designs where feedback creates memory (as in a 16L8). Faults considered are:

- Logic gates stuck-at-0 and stuck-at-1
- Programmed (opened) fuses faulted intact
- Intact fuses faulted programmed

Faults that are undetectable (due to redundancy or because they are in unused circuitry) are removed automatically so they do not obscure the true fault coverage. A typical 16R8 design has about 1200 detectable faults, while a typical 22V10 design has 3500 detectable faults.

### Reliable and Repeatable Tests

Anvil ATG software monitors the effects of tester skew during simulation and masks out any output states that

are not reliable and repeatable. In addition, any conflicts between the tester and chip are identified and fixed automatically. Any vectors provided by the user are checked for races, conflicts and other problems, and are corrected automatically.

### Flexibility

The test generation algorithms support a wide variety of design practices, including multiple clocks, feedback-induced memory elements, asynchronous presets and resets, and any macrocell configuration. Good results are obtained even for asynchronous 20RA10 designs. Test generation uses a general-purpose proprietary algorithm that is fault-driven and uses critical path analysis techniques.

### Vector Minimization

Three user-selectable levels of vector minimization solve problems with older testers that have limited vector memory.

### Easy to Use

Anvil ATG software is operated through a simple menu and fill-in-the-form interface. The menu can be bypassed in order to run a series of jobs in batch mode without operator attention. An easy-to-read manual is provided with the software, complete with an example, descriptions of the options, and suggestions of how to configure the software most appropriately to match your test equipment and test philosophy.

Run-times for 20-pin PAL devices are typically just a few minutes on a fast PC.

### Industry-standard Interfaces

Anvil ATG software reads the fuse information from the JEDEC standard fuse file which all commercial design software produces and which all programming equipment reads. When the vectors have been generated, they are written back to the JEDEC file, again using the industry-standard formats.

### Model Libraries

The Anvil ATG products are available in a variety of configurations and prices, based on the number of models



and feature set needed for a particular application. Models available include the following AMD devices:

16L8	16R8	16R6	16R4
20L8	20R8	20R6	20R4
20L10	20X10	20X8	20X4
16V8	20V8	18P8	22P10
16RA8	20RA10		
22V10	26V12*	32VX10*	23S8
105	167	168	
10H/10020EV8		10H/10020EG8	

\* These models require 386 or VAX/VMS configurations.

Other models will be developed as needed by customers:

24L10	24R10	24R8	24R4
24V10	22IP6	29M16*	30S16*

\* These models require 386 or VAX/VMS configurations.

## Tester Support

Translators are available for the following testers:

Sentry, GR 1732, GR125, IMS  
GR227x, Schlumberger, Teradyne L200  
HP3065/3070, Logue McDonald

Call Anvil for information on these and other testers.

Since a PLD may be constrained by surrounding circuitry on the circuit board, Anvil ATG software can be told which pins are tied high, low, together or are inaccessible, and generate vectors for an in-circuit tester accordingly.

In-circuit board test support includes automatic generation of digital guarding vectors (inhibits and disables).

The power-up state may be specified by the user as "unknown," "all registers low," or "all registers high." Seed vectors may be provided to assist with uninitializable designs.

## Update Service

Updates during the first year are included with the product purchase. The update service includes bug fixes and enhancements to the software, documentation and individual models plus telephone support. New models and major new software capability are not included in the update service — they are considered new products.

## ANSWERS TO COMMON QUESTIONS ABOUT ANVIL ATG SOFTWARE

### Why does Anvil ATG Software use the JEDEC fuse maps instead of equations?

The reason we use the JEDEC fuse map is to allow us to get better accuracy and to avoid incompatibility problems with the many different equation formats that different designers use. The fuse maps tell us the state of every fuse as it is actually programmed in the device. The Boolean equations do not necessarily tell us the exact fuse pattern, because different optimization techniques can be performed by different equation compilers and result in different arrangements of the fuse bits. We feel that you should test the devices exactly as they are programmed in order to get the best test yields.

The other major reason we prefer the JEDEC fuse map is that there are many different equation formats. The JEDEC fuse map format, on the other hand, is an industry standard. All programming equipment reads this JEDEC format and all PLD design software produces this JEDEC format. It is therefore a reliable source to get the information that we need to generate the test vectors.

### Why does Anvil ATG software consider so many faults?

Anvil ATG software allows the user to choose what classes of faults are to be considered. Some users may just want to look at, or test for, logic faults whereas others may want a functional test for each of the fuse states. Anvil ATG software can create functional tests to check each intact or programmed fuse. We believe that the most thorough test for a programmable logic device will test each fuse to make sure that it is not incorrectly programmed, or partially programmed, or that there is no short or other defect in the vicinity of the fuse. If you look at the construction of most PLDs, you will realize that most of the chip area is consumed by the fuse array. This means that the fuse array is the most likely place for failures to occur.

Another factor to consider is that programmable logic devices can have a defect rate ranging up to one percent, even after the fuses are read back on a programmer. This means that it is desirable to test for as many faults inside the PLD as possible. That is precisely why Anvil ATG software offers the user the option of testing for thousands of faults inside even small PLDs.

## Why isn't fuse verify on the programmer good enough?

Fuse verification on the programmer is done through the same fuse addressing logic as used during programming. A fault in the fuse addressing logic could cause the wrong fuse to be programmed, but the fuse state would look right during readback because the same faulty addressing logic would be used.

Another common problem not caught by fuse readback is programming the wrong part. If a 16R8 is used instead of a 16L8, the fuse readback will pass but the part will not behave as desired in the end application.

Vectors produced by Anvil ATG software will catch both of these failures and many others that are missed by fuse verification on the programmer.

## What causes PLD defects?

PLD defect rates typically run up to 1% after programming and fuse verification on the programmer. The actual rate depends on manufacturer, programmer calibration, device handling, and lot-to-lot variations. These defect rates can even occur on some lots from manufacturers who test erasable devices prior to shipment. Some of the reasons for defects are:

- Programming equipment needs to be recalibrated regularly.
- The manufacturer does a generic test, whereas optimum quality is obtained by testing with the specific fuse pattern used in the final application. Manufacturers of erasable parts can only program and test for a limited number of the many possible patterns.
- Devices get mislabeled.
- Wrong device types are sometimes used (e.g., 16L8 instead of 16R8).
- Infant mortality failures are only observable after burn-in.
- Fuses sometimes are not programmed completely, thereby leaving shorts or timing faults. This is particularly likely to be true if the PLD does not make good contact in the programming socket due to dirt or an old socket.

## How many vectors does Anvil ATG software create?

The number of vectors created by the software depends on the option settings selected by the user. The user can specify the maximum number of vectors, such as 1023, to accommodate the limitations of some testers and programmers. A second way to control the number of vectors is by selecting the groups of faults to be considered. If the user wants to test for each programmed fuse

faulted intact, there will be twice as many vectors generated than if the user just wants to consider logic faults and intact fuses faulted programmed. Anvil ATG software can also accommodate testers that allow multiple bursts. By specifying the tester burst size, vectors will be produced in one or more bursts as necessary.

Anvil Software has recently made improvements to minimize further the number of vectors produced. The types of optimizations performed include: (a) superimposing vectors so that several parts of the chip can be tested simultaneously, and (b) removing vectors that are duplicates or do not detect any faults. Other optimizations are performed during the vector generation to detect as many faults as possible in the early vectors of the test.

## How do I know it will work on my parts?

Anvil Software has a number of ways to allow you to evaluate the capabilities of our software. Our customers have generated test vectors for more than 20,000 PLD designs, and several customers have each done more than a thousand PLD designs. We have observed success rates higher than ninety percent on a typical mix of programmable logic designs, and we are willing to put you in touch with some current customers so you can hear about their experiences first hand. Our No Charge Benchmark Test offer allows you to send two JEDEC files and we will generate test vectors for them and send you the results.

## Will Anvil ATG software be able to support next year's devices?

There are two aspects of how Anvil Software does business that keeps its customers current with the latest technology. The first is our model development program, where we will develop a model for a new PLD device as soon as a customer is willing to provide us with a purchase order and some sample designs to allow us to verify the correctness of our simulation model.

The other aspect of the way we do business is the annual update service that we offer to our customers. This service allows customers to telephone with questions, to send us PLD designs that they are having difficulties with, and allows them to receive the latest improvements to the software and models that they have purchased from us. This means that when we improve the test generator to work well on a new generation of devices, these customers will receive the improvements.

We depend on our customers to tell us which devices are most important to do and we have found that we have consistently kept up with the devices that are in volume manufacturing. For a complete list of models that we have completed or are under consideration, call Anvil for our latest model status.

**How long does the vector generator take to run?**

The run time depends on the clock rate of your computer, the number of faults selected, and the complexity of the design. Typical 20-pin PAL devices with logic and intact fuse faults selected, where the design is typical complexity, take between one and five minutes to run on a 20-MHz 386 computer. More complicated devices such as a 22V10 can take several times as long, and, if you wish to consider programmed fuses faulted intact, you can expect to spend twice as much computer time.

The main trade-off that we have made is based on our assumption that users are willing to spend a few extra

minutes of CPU time in order to save hours of debug time on the tester. It can be very time-consuming to track down strange behavior on the tester due to races or other problems in test vectors. Anvil ATG software produces test vectors that will run correctly on the tester with no debug, no races and no other problems.

**Contact:**

Anvil Software, Inc.  
427-3 Amherst Street, Suite 391  
Nashua, NH 03063  
(603) 891-1995

ATG Associates has provided Test Generator in response to the need for a fully functional Automatic Test Generation package, which provides:

- High fault coverage
- Fast operation
- Coverage for a wide range of PAL® Devices
- Cost-effective Test Generation

Test Generator works with any valid JEDEC file, with or without existing test vectors. It also works with any PAL device regardless of whether or not the device supports preload.

## FEATURES

- Proprietary algorithm provides high coverage with significantly reduced run times
- Runs on any IBM PC™ compatible running DOS 3.0 or higher
- Supports devices that do not have preload and/or power-up reset capability

- For customer concerned about using supervoltage initialization or preload on their parts the following options are supported:
  - No use of supervoltages
  - Use only at beginning of vectors (once)
  - Use when necessary
- Generates vectors for all AMD PAL devices
- Has easy-to-use menu interface
- Convenient batch mode allows user to queue up to 50 jobs to run unattended
- Supports testing of three-state outputs and preset/reset of internal registers
- JEDEC to Boolean disassembly for any supported device

For further information contact:

ATG Associates  
Customer Service  
3415 Merrill Road  
Aptos, CA 95003  
(408) 475-5717

Device: 16R8      File: L10.JED      Directory: C:\ATG2

File                  Run                  View

```
Generate Vectors
JEDEC -> Boolean
Create Queue
Run Queue
```

Select Option or Press <ESC> to quit

### Test Generator Menu Interface



## INTRODUCTION

As system speeds have increased, designers have been requesting increasingly higher performance from their PAL devices. In the past, it has been possible for manufacturers to increase the device speed merely by reducing the internal delays of the part. Now, however, it has become impossible to design a 7.5-ns device with 4- or 5-ns rise and fall times, so the rise and fall times have been decreased to help speed up the devices.

Once the rise and fall times of a signal have dropped to a time that approximates the actual propagation delay of the signal on the wire, the realm of transmission lines has been entered. When this happens, the signal may become distorted due to reflections on the line. If severe enough, these reflections can cause such problems as gross overshoot and undershoot, extended ringing, crosstalk, and increased high-frequency emissions.

The reflections are caused by discontinuities in the impedance of the signal path, otherwise known as "impedance mismatches." In digital circuits, these usually occur at the end of the line; therefore, this becomes an issue of terminating the signals correctly. This application note will describe termination fundamentals, and compare the two basic termination schemes: serial termination and parallel termination.

## Transmission Line Model

A transmission line can be represented by a lumped constant RLC circuit of unit length, as shown in figure 1.

When dealing with digital circuitry on a pc board, both the resistive and conductive components are usually insignificant, and are ignored during transmission-line calculations. Called a lossless and loadless transmis-

sion line, this model can be represented by the following differential equation:

$$\frac{d^2}{dx^2} v = L_0 C_0 \frac{d^2}{dt^2} v \quad (1)$$

where:  $v$  = velocity

$x$  = displacement along the line

$t$  = time

$L_0$  = inductance per unit length of the transmission line

$C_0$  = capacitance per unit length of the transmission line.

Using convolution and Fourier analysis, the solution of this differential equation is as follows:

$$v = \frac{1}{\sqrt{L_0 C_0}} \quad (2)$$

The propagation delay,  $t_{PD}$ , of a unit length is therefore expressed as

$$t_{PD} = \sqrt{L_0 C_0} \quad (3)$$

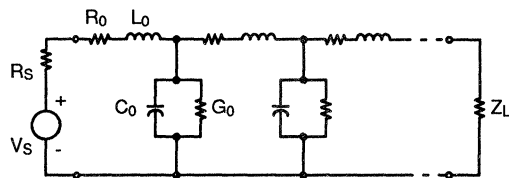
The inductance and capacitance in the presence of a ground plane are a function of the dielectric medium and pc-board layout. Unit values of the inductance and capacitance can be measured by an LC meter. In general, transmission line effects can be simulated in both time and frequency domains with the SPICE circuit-analysis program.

## Transmission Line Geometries

Circuit interconnections for high-speed digital systems generally include the following types:

- connectors
- wire over a ground plane
- twisted pair
- coaxial cable
- microstrip line
- strip line

Connectors generally cause wave-shape distortion when transition times are under 1 ns. The transmission-line effects of wire over a ground plane are uncontrollable; this type of interconnection is usually used for



14103-001A

Figure 1. Equivalent Circuit of a Transmission Line

prototypes only. Twisted pair and coaxial cable are generally reserved for applications such as differential lines and video cable. The remaining two types of interconnections, microstrip and strip line, are the most practical for high-speed digital systems and will be discussed here in detail.

A microstrip line (figure 2a) is a metal-strip conductor on the pc board, separated from a conducting plane with a dielectric medium. The characteristic impedance  $Z_0$ , which is the ratio of voltage to current for a traveling wave at any given point and instant, is

$$Z_0 = \frac{87}{\sqrt{e_r + 1.41}} \ln \left( \frac{5.98 d}{0.8 w + t} \right), \quad (4)$$

where  $e_r$  is the dielectric constant of the board material. This equation is fairly accurate for a  $w/d$  ratio between 0.1 and 3.0 and for  $e_r$  between 1 and 15. For G-10 fiber-glass epoxy boards,  $e_r$  is about 5.0.

The equations for inductance per foot,  $L_0$ , and propagation delay per foot of the line,  $t_{PD}$ , are

$$L_0 = Z_0^2 C_0 \quad \text{and} \quad (5)$$

$$t_{PD} = 1.017 \sqrt{0.475 e_r + 0.67} \quad \text{ns/ft}, \quad (6)$$

where  $C_0$  is capacitance per foot.

A strip line (figure 2b) is a metal-strip conductor centered in a dielectric medium between two conducting

planes. The characteristic impedance,  $Z_0$ , is

$$Z_0 = \frac{60}{\sqrt{e_r}} \ln \left( \frac{4b}{0.67 \pi w (0.8 + \frac{t}{w})} \right). \quad (7)$$

This equation is fairly accurate for

$$\frac{w}{b-t} < 0.35 \quad (8) \quad \text{and} \quad \frac{t}{b} < 0.25. \quad (9)$$

The equations for inductance per foot and propagation delay per foot of the line are

$$L_0 = Z_0^2 C_0 \quad \text{and} \quad (10)$$

$$t_{PD} = 1.02 \sqrt{e_r}. \quad (11)$$

The characteristic impedance of both microstrip and strip lines can be held within 5% if all the variables ( $e_r$ ,  $w$ ,  $d$ ,  $t$ ) are controlled. Also, note that the propagation delay of both microstrip and strip lines is not a function of the pc board geometry, but of the dielectric constant only.

### Reflections on the Transmission Line

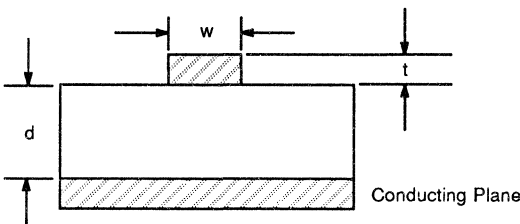
Reflections on the transmission line are caused by a discontinuity of the line impedances, and are a major source of noise in digital systems. The discontinuity can appear as an input device, another circuit, a connector, or another transmission line.

Figure 3 shows the signal reflection and flow-through at the impedance discontinuity between transmission lines TL1 and TL2. The voltage reflection at the point of discontinuity travels back through TL1 with a magnitude of  $\rho V_i$ , where  $\rho$  is the reflection coefficient and  $V_i$  is the incident-wave voltage.

The reflection coefficient is the ratio of voltage in the reflected wave to that in the incident wave as follows:

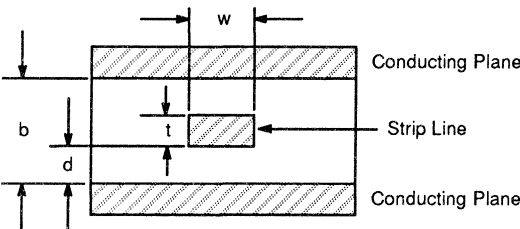
$$\rho = \frac{V_r}{V_i}. \quad (12)$$

6



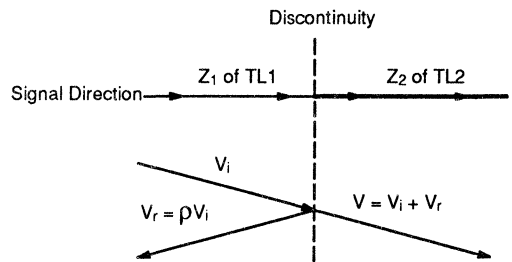
14103-002A

Figure 2a. Cross Section for Microstrip Line



14103-003A

Figure 2b. Cross Section for Strip Line



14103-004A

Figure 3. Signal Reflection at a Discontinuity



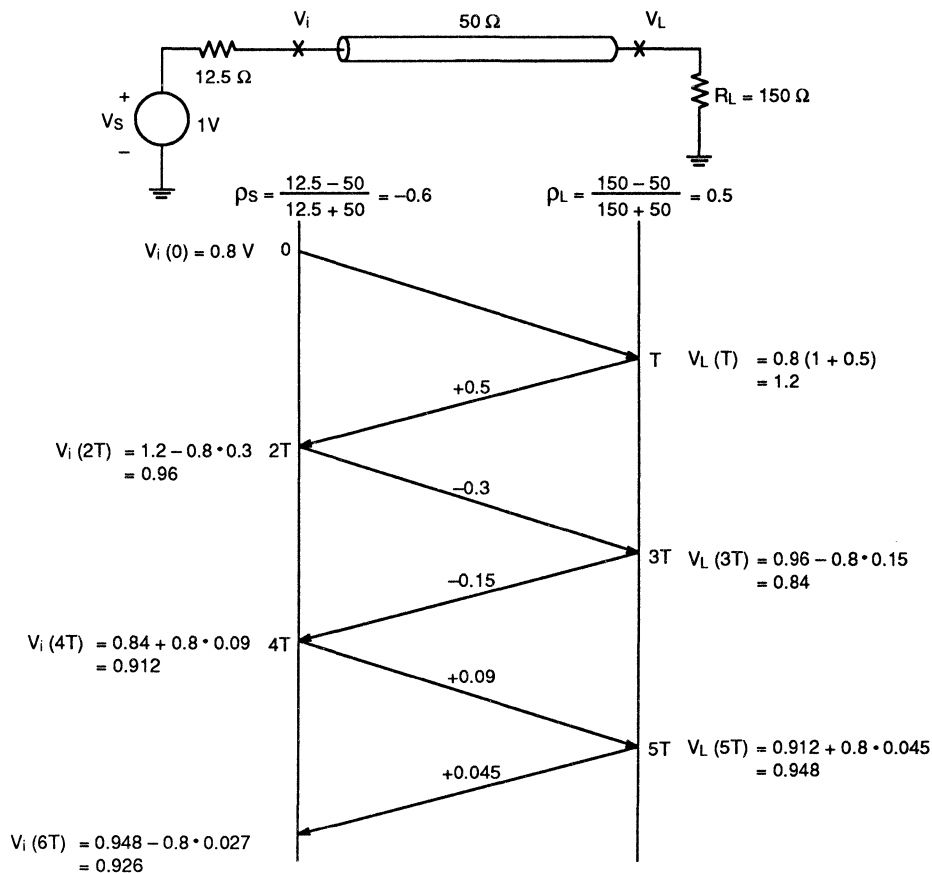
## Terminating High-Speed PAL Devices

The voltage  $V_i$  is the result of a voltage division between the source impedance  $Z_s$  and the line impedance  $Z_0$ . The voltage at each time interval is the algebraic sum of the reflection voltages from the top to the specific diagonal line. For example, the voltage at  $4T$  is

$$V_i(0)(1 + \rho_L + \rho_L \rho_s + \rho_L^2 \rho_s + \rho_L^2 \rho_s^2), \quad (16)$$

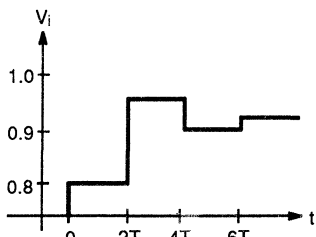
where:  $\rho_s$  is the reflection coefficient at the source, and  $\rho_L$  is the reflection coefficient at the load.

Figure 5a is a numerical example of the lattice diagram; note that  $V_i$  and  $V_L$  eventually reach the same steady-state voltage, as shown in figures 5b and 5c.



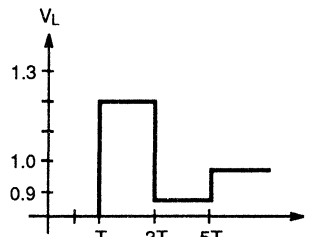
14103-006A

Figure 5a. Numerical Example of Lattice Diagram



14103-007A

Figure 5b. Voltage at  $V_i$



14103-008A

Figure 5c. Voltage at  $V_L$

6



Only the transmission line effects that cause severe overshoot or undershoot need to be addressed. The rest, as long as they do not degrade the signal or interfere with data transmission, can be ignored.

The terms "overshoot" and "undershoot" are often used in different ways by different people. For this discussion, overshoot is defined as a transient voltage that is outside the expected steady-state logic-HIGH to logic-LOW range; that is, a signal transition that passes, or overshoots, its destination. This can happen on a rising edge or a falling edge. Undershoot is a transient voltage that is inside the expected steady-state logic-HIGH to logic-LOW range. Undershoot normally follows overshoot as the signal tries to stabilize itself, over corrects, and crosses over its destination in the other direction.

The degree of overshoot depends on the ratio of the edge speed of the driving gate,  $t_R$ , to the propagation delay of the line,  $\tau$ . Empirical results show that small changes in the  $t_R/\tau$  ratio or the decrease in length of the transmission line can cause a significant change in overshoot. Table 1 provides the percent overshoot corresponding to various  $t_R/\tau$  ratios in a system<sup>(2)</sup> with  $R_0 = 5 \Omega$ ,  $R_L = 4.6 \text{ k}\Omega$ , and  $Z_0 = 75 \Omega$ . This ratio is directly proportional to the edge speed and inversely proportional to the length of the transmission line. Therefore, the faster PAL device families require shorter line lengths to provide the same  $t_R/\tau$  ratio as the slower families, which can have relatively longer line lengths.

The tolerable amount of overshoot varies with the type of device being driven. Conservatively, let us assume that less than 25% is tolerable for typical TTL devices. Then, from table 1, a design with edge rate four times the transmission line propagation delay  $t_{PD}$  is considered to be a reliable design. In addition, such bus standards as the EIA Standard RS 422/232 Bus require a 4-to-1 ratio of edge rate to line propagation delay.

As we saw in equation (3), the intrinsic capacitance  $C_0$  and inductance  $L_0$  determine the speed of signal

$t_R : \tau$	% overshoot at the end of loaded line
1 : 1	87%
2 : 1	63%
3 : 1	30%
4 : 1	10%
6 : 1	5%
8 : 1	0

Table 1. % Overshoot due to Transmission Line Effects

transmission on an unloaded line. For a loaded line, the distributed capacitance  $C_d$ , which is calculated by adding the input capacitances of all the receiving gates, must be included in the propagation-delay calculation.

$$t_{PD}' = \sqrt{L_0 (C_0 + C_d)} = t_{PD} \sqrt{\left(1 + \frac{C_d}{C_0}\right)} \quad (17)$$

Therefore, the signal propagation down the line is delayed by a factor of

$$\sqrt{\left(1 + \frac{C_d}{C_0}\right)} \quad (18)$$

### Terminating Transmission Lines

As we have seen, faster signal edge rates can be accommodated most easily by shortening line length to keep the  $t_R/\tau$  ratio at 4:1 or greater. If lines cannot be shortened enough to provide this ratio, termination techniques must be used to reduce the impedance mismatches. Without proper termination, severe undershoot or overshoot may violate the system noise margins, cause unexpected device behavior, or damage the device.

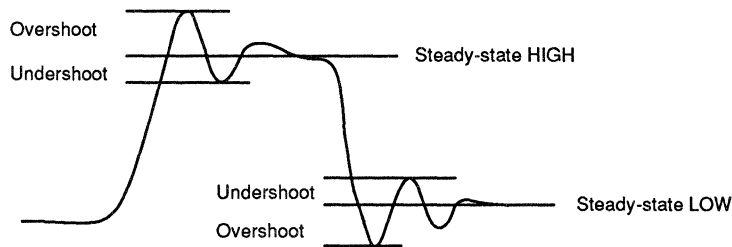
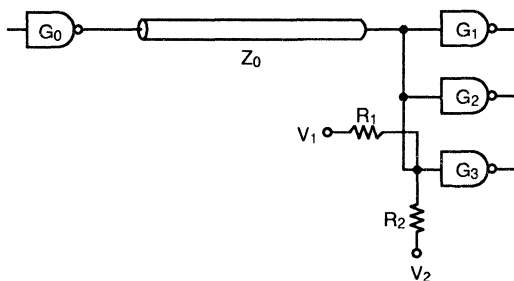


Figure 6. Overshoot and Undershoot Terminology

## Terminating High-Speed PAL Devices



14103-010A

**Figure 7a. Lumped Load Termination**

	V <sub>1</sub>	V <sub>2</sub>	R <sub>1</sub>	R <sub>2</sub>
TTL, CMOS	5 V	GND	2Z <sub>0</sub>	2Z <sub>0</sub>
ECL	GND	-5.2 V	1.63 Z <sub>0</sub>	2.60 Z <sub>0</sub>

**Figure 7b. Resistor Values for Different Logic Families**

There are several different ways of terminating transmission lines. The two most efficient and most widely used schemes are parallel and serial termination.

### Parallel Termination

Parallel termination is used for driving lumped loads or high-speed circuits. Using this technique, the Thevenin equivalent of terminating resistors R<sub>1</sub> and R<sub>2</sub> should be the same as the line impedance. A typical parallel termination scheme is shown in figure 7a. Resistor values for different logic families are given in figure 7b. Daisy-chained routing is suggested for pc design to reduce complicated multi-level reflections. In this example, fanout equals three, and parallel resistors are inserted on the last gate input or at the end of the daisy chain. Fanout is limited by the current that driving gate G<sub>0</sub> can sink from the input gates G<sub>1</sub> - G<sub>3</sub>.

The parallel-termination technique in figure 7a uses dual resistors and a single power supply. It is possible to use a single resistor with a Thevenin equivalent of the two resistors. This would require a second power supply which is usually not available, and therefore would be costly.

Parallel termination is also used for driving distributed loads, but the termination resistor values are determined by calculating an impedance adjustment. The adjusted impedance, which is usually different from the intrinsic line impedance, depends on the load distribution along the transmission line, and determines the value of the termination resistors.

Figure 8 shows a 12-inch 64-Ω microstrip transmission line with a distributed fanout of 3. Each load has an input capacitance of 6 pF.

With a lumped load and receiving gates grouped in a daisy chain at the end of the transmission line as in figure 7a, R<sub>1</sub> and R<sub>2</sub> should be equal to 64 Ω × 2 = 128 Ω. However, with a distributed load, an adjusted line impedance Z<sub>0</sub>' must be calculated. For a microstrip line with ε<sub>r</sub> = 4.7, the propagation delay is 1.77 ns/ft.; therefore, the adjusted line impedance for the example is calculated as follows.

Since

$$C_0 = \frac{t_{PD}}{Z_0} = \frac{1.77 \text{ ns/ft}}{64 \Omega} = 2.30 \text{ pF/inch}, \quad (19)$$

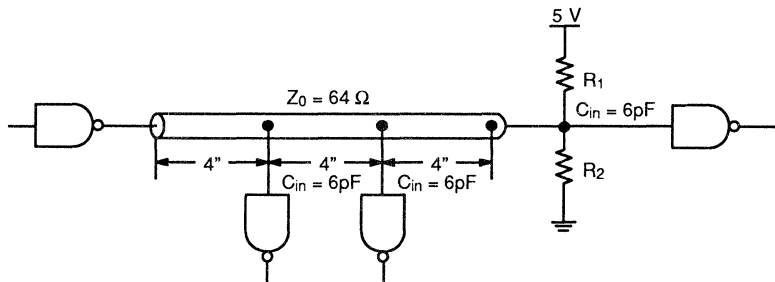
hence,

$$C_d = \frac{6 \text{ pF} \times 3}{12 \text{ in}} = 1.5 \text{ pF/inch}. \quad (20)$$

Therefore,

$$Z_0' = \frac{Z_0}{\sqrt{1 + \frac{C_d}{C_0}}} = \frac{64 \Omega}{\sqrt{1 + \frac{1.5}{2.3}}} = 49.8 \Omega. \quad (21)$$

In this case, R<sub>1</sub> = R<sub>2</sub> = 2 Z<sub>0</sub>' = 100 Ω (approximately).



14103-011A

**Figure 8. Distributed Loads with Parallel Termination**

### Serial Termination

A series resistor  $R_S$  is useful for dampening overshoot and ringing on longer lines. With serial termination,  $R_S$  plus the gate output impedance  $R_O$  should be equal to the line impedance  $Z_0$ . Since this technique is quite straightforward and applicable to all logic families, most interconnections with uncontrollable line impedance (lines in conjunction with connectors, a circuit board layout without a ground plane, wire-wrapped connections, or lines associated with back plane) use this scheme.

Serially-terminated lines display characteristic AC behavior as the signal switches. Figure 9a shows a simple circuit with a driving gate  $G_0$  connected to gate  $G_1$  with a fanout of 1, via a transmission line with line impedance  $Z_0$ . Presumably, as voltage  $V_A$  changes from HIGH to LOW at time  $t_1$  (see figure 9b),  $V_B$  changes simultaneously, as follows:

$$\Delta V_B = \Delta V_A \frac{Z_0}{R_O + R_S + Z_0} \quad (22)$$

Since  $R_S$  is chosen such that  $R_O + R_S = Z_0$ , equation (22) yields

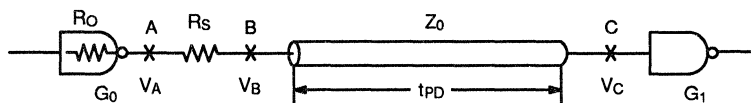
$$\Delta V_B = 1/2 \Delta V_A, \quad (23)$$

a 50% voltage drop.

After the signal has traveled the length of the transmission line, it is reflected back at the impedance discontinuity. In general, the input impedance of the load will be orders of magnitude greater than the line impedance. If we assume this, then from equation (15) we see that the reflection coefficient will be near unity; that is, the signal will be almost entirely reflected. Thus the incident and reflected waves will combine to provide a low voltage at point C.

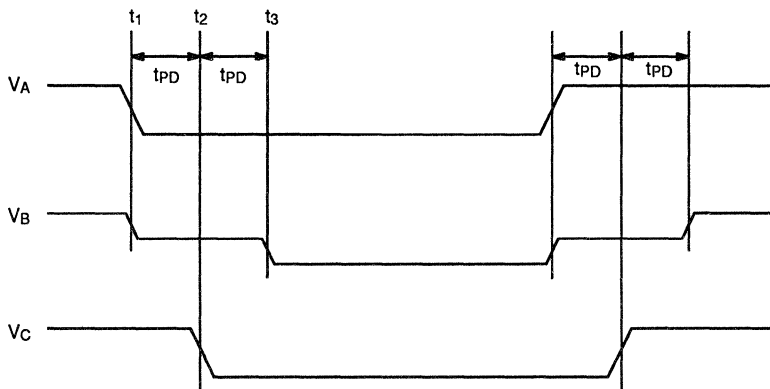
As the reflected wave travels back up the transmission line, it eventually brings point B LOW. Since  $R_O = R_S$ , there is no impedance mismatch at the source, and the reflection is absorbed. This is confirmed by equation (15), which shows that the reflection coefficient is 0 at the source.

The reverse process occurs when the signal changes from LOW to HIGH, as shown in figure 9b.



14103-012A

Figure 9a. Example of Serial Termination



14103-013A

Figure 9b. Voltage Waveforms of Serial Termination

Because of this behavior, loads cannot be distributed along the transmission line. They must all be lumped together at the end of the line. To compensate for the slower speed of the serial termination scheme with lumped loading at the end, one can add more transmission lines as shown in figure 10. Additional parallel transmission lines, with less fanout per line, provide more speed than a single transmission line with more fanout. However, the total fanout should never exceed the current-sinking capacity of the driving gate.

The value of  $R_S$  is

$$R_S = Z_0 - nR_O, \quad (24)$$

where  $n$  is the number of parallel transmission lines. Note that this equation limits the number of parallel lines possible, since  $R_S$  will be negative if  $n$  is too large.

### Comparison Between Parallel and Serial Termination Schemes

- Serial termination consumes less power than the single-power-supply parallel termination technique across the entire frequency spectrum. This is primarily because series termination does not add a DC load to the drivers.
- Parallel termination requires two resistors or one resistor with two power supplies. Serial termination requires one resistor per transmission line.
- With series termination, distributed loading cannot be used along the line because of the 50% voltage drop discussed above. With parallel termination, the waveform is undistorted along the entire transmission line, so that the loads can be distributed anywhere along the line as long as the terminating

resistor values are adjusted. In either case, fanout is limited by the current-driving capability of the driving gate.

- If a long line is required or if power consumption is a concern, serial termination can be more advantageous. When speed is a main factor, parallel termination is better. Loading a long transmission line does not increase the  $t_{PD}$  of the driving gate nor its edge rate. However, it does increase the line capacitance, and consequently the line propagation delay. It has been proven<sup>(1)</sup> that delay time with loading increases twice as much with series termination as with parallel termination.

### Board Layout Techniques for Transmission Lines

Once the type of transmission line is determined, board layout becomes critical. The following guidelines will help keep signals clean.

- Keep signal interconnections as short as possible to increase the  $t_R/\tau$  ratio.
- Provide a separate signal plane; at least one ground plane and one power plane are recommended.
- Include a 0.1- $\mu\text{F}$  decoupling capacitor as close as possible to the ground plane and the  $V_{CC}$  pin on each high-speed logic device.
- Provide both 0.1- $\mu\text{F}$  ceramic high-frequency and 100- $\mu\text{F}$  electrolytic low-frequency filtering capacitors on the power inputs to the board.
- Use wide line spacing between high-speed lines to avoid crosstalk.

6

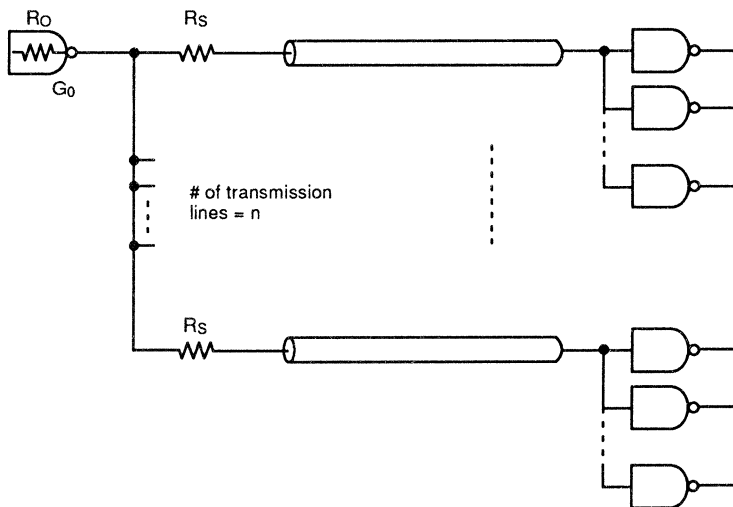


Figure 10. Serial Termination with Multiple Transmission Lines

- Do not exceed maximum AC loading specifications, which include capacitive and current loading.
- Avoid anything that might cause an impedance mismatch on the line, such as sharp corners or discontinuities on the conducting plane.
- Such critical lines as edge-triggered signals or high-current driving signals should be separated from ordinary level-sensitive signals. In addition, sensitive circuitry, such as a clock oscillator, should have a separate ground to minimize noise interference.

### CONCLUSION

As logic speed increases, edge rates becomes sharper; however, transmission line speeds remain the same if loading is not changed. Therefore, to avoid increased ringing, the maximum line length must shrink. As a result, if a line longer than the maximum permissible line

length is required, proper termination must be provided. These careful design practices will ensure that your signals are clean, providing your system with better performance and reliability.

### REFERENCES

- (1) William R. Blood, Jr. "ECL Systems Design Handbook," Motorola Semiconductor Products Inc., Mesa, AZ, May, 1983 (fourth edition); Chapters 3 and 7.
- (2) K. M. True, "Reflections: Computations and Waveforms," The Interface Handbook, Fairchild Corp., Mountain View, CA, 1975, Chapter 3.
- (3) Ramo, Whinnery, and Van Duzer, "Fields and Waves in Communication Electronics," John Wiley & Sons, 1965, Chapter 1.



## INTRODUCTION

The development of fast PAL<sup>®</sup> devices has increased the importance of analog considerations the digital designer has been able to overlook in the past. One of these is ground bounce. Ground bounce refers to the ringing on an output signal when one or more outputs on the same device are being switched from HIGH to LOW. This ringing can be in excess of 3 V. The system cannot consider the data valid until the ringing settles to below the  $V_{IL}$  of the receiving devices. The ringing in a fast device can last so long that a slower device with less ground bounce could actually be a faster solution.

The phenomenon of ground bounce is associated with the inductance and resistance of the ground connection in the integrated circuit. As there is always some inductance and resistance, ground bounce cannot be totally eliminated; however, it can be reduced to a level tolerable to the system.

This article will discuss the mechanism of ground bounce in CMOS circuitry and the utilization of slew-rate control used by AMD to keep ground bounce down to reasonable limits.

## Mechanism

Figure 1 shows a schematic of an output driver and load including parasitic elements. The load capacitor is charged to the HIGH-level voltage. When the transistor turns on, the capacitor discharges into the transistor and lead impedance. The resultant RLC circuit will have a damped ringing (Figure 2). The peak amplitude depends on the edge rate of the switch and the RLC values, while the frequency of the ringing and the rate of decay depend only on the RLC values.

The ringing caused by a single output switching is normally below the LOW-threshold voltage. However, the voltage at the ground pad of the device is proportional to the number of outputs switching simultaneously. In addition, the voltage at the ground pad is coupled to any LOW output through its output transistor. Therefore, if enough outputs switch, ringing on the ground pad will be coupled to LOW outputs, causing the detection of false HIGHS.

Most PAL devices used today have relatively low output drive current: 16 mA or 24 mA. It is tempting to think that the low current level will somehow limit the switching en-

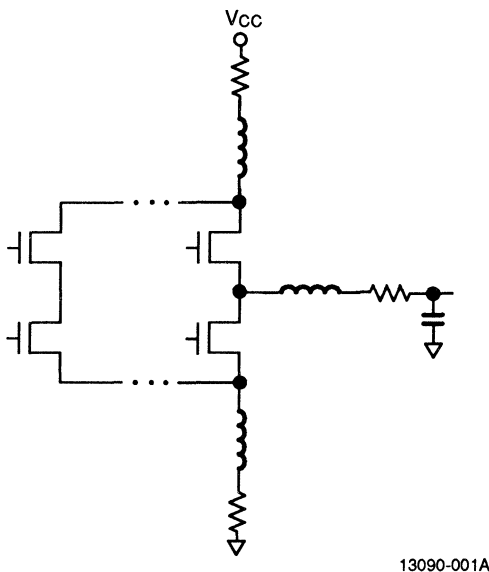


Figure 1. Simplified Schematic of an Output Driver

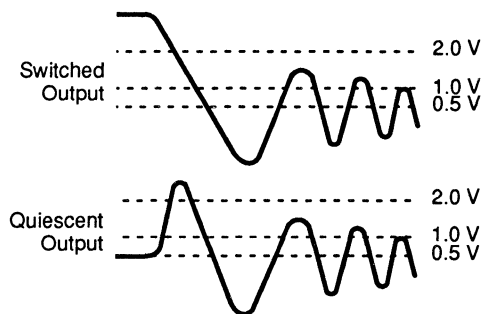


Figure 2. Ground Bounce

ergy and therefore ground bounce. Actually, even a low-power transistor can pass a relatively large current. The transistor I-V curve in Figure 3a shows that a MOS transistor designed for 16 mA at 0.5 V will pass 90 mA at 3.0 V. Figure 3b shows the V/I path when the output transistor switches between HIGH and LOW. Notice that the transistor switches from 3.5 V at 0 mA to 3.0 V at 90 mA. If eight outputs were to switch simultaneously, 90 mA X 8, or 720 mA, would flow through the ground lead.

This sudden current surge is actually self-limiting. As the ground-pad voltage rises due to the high current change, the internal  $V_{DS}$  and the available gate bias voltage are reduced, lowering the drive current. However, the ringing can still exceed 3 V.

### Controlled Edge Rate

The parameters that influence ground bounce are the inductances and resistances of the device, the capacitance of the load, and the edge rate. Of these, the only one that the chip manufacturer can directly control is the edge rate.

Turning on the output-driver transistor is equivalent to switching the charged load capacitor to ground. This can be represented by a step-voltage source in series with the capacitor (Figure 4a). Slowing down the rate that the output transistor can turn on changes the voltage source from a step to a ramp (Figure 4b). With a

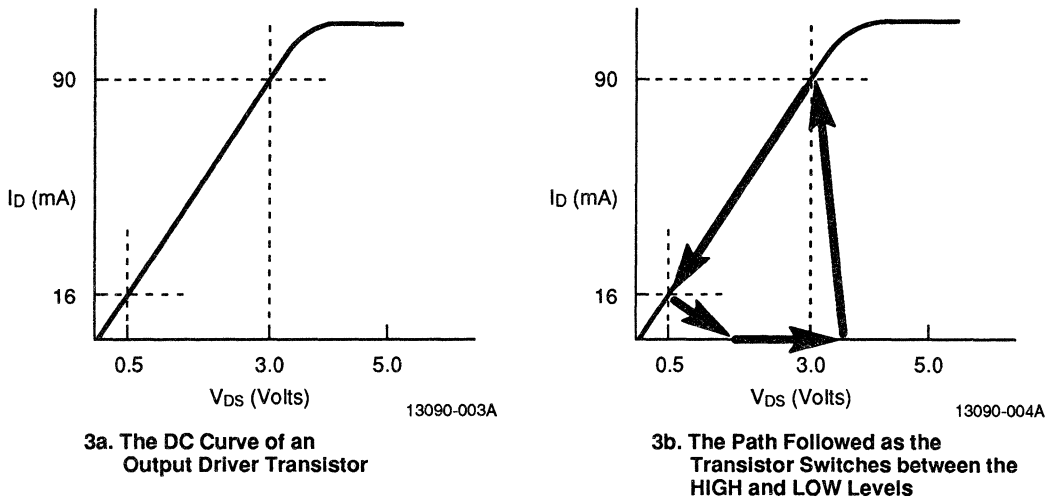


Figure 3.

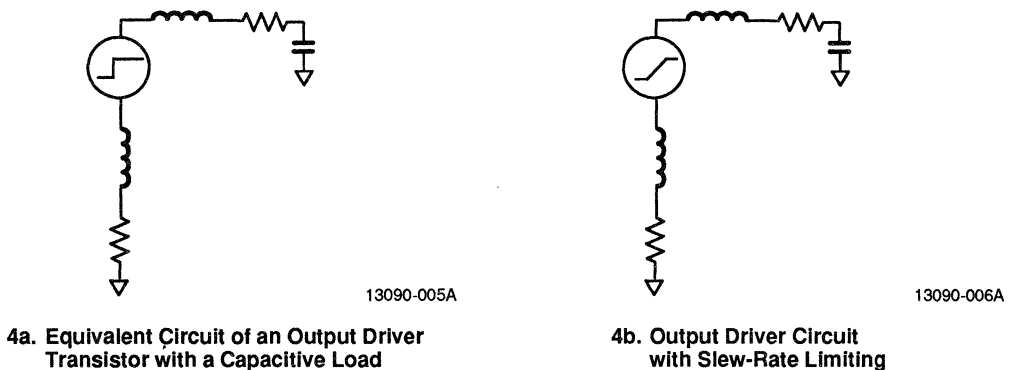


Figure 4.

## Ground Bounce

shallower slope, less energy is available for ringing and the ground-bounce amplitude is reduced.

A Spice simulation (Figure 5) illustrates the effect. The device without risetime control will have a very high charging current with a large  $di/dt$ :  $2.1 \times 10^7$  A/s. Risetime control reduces the  $di/dt$  about 25%. This will result in a corresponding reduction in the voltage that can develop across the ground inductance.

AMD has a proprietary technique that slows the edge rate of the output transistor, thereby reducing the amplitude of the ringing. Slowing down the fall time will add about a nanosecond to the output delay, but the system speed will still be greatly increased. On a high-capacitance load, a non-edge-rate-controlled device could ring for more than 25 ns. The additional delay required to allow for the ringing would be intolerable.

### System Ground Bounce Solutions

There are some things that the system designer can do to reduce the ground bounce to a tolerable level.

1) Use AMD PAL devices that incorporate edge rate control. This the first line of defense against ground-

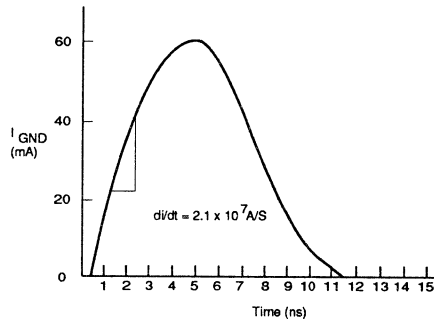
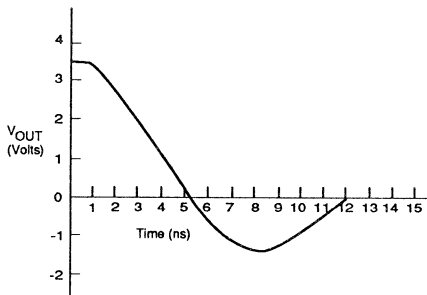
bounce-related problems, and the most effective.

2) Use shorter lead packages. The bonding wires in a PLCC are 1/4 the length of the ground bonding wire in a DIP. The inductance is reduced proportionally. Any reduction in inductance will reduce the amplitude of the ringing.

Some devices have center power and ground pins. The ground pin will be substantially shorter and have a proportionately reduced inductance. This will reduce the coupling between outputs. A good example is the PALCE26V12.

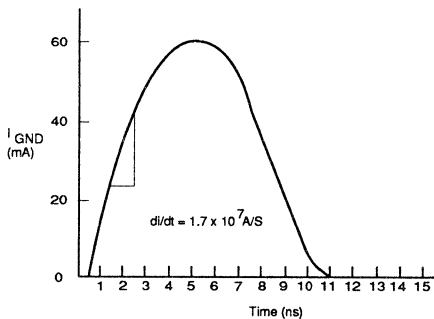
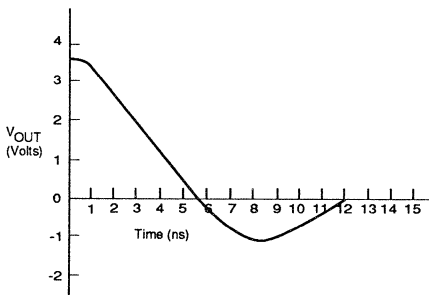
3) Reduce capacitive loading. Capacitive loading in any system should be reduced as much as possible. This may involve consideration of the transmission line characteristics of the layout.

4) Limit the number of outputs switching simultaneously. If the load naturally has high-capacitance such as a bus or memory board would, ground bounce can be reduced by limiting the number of outputs that can switch simultaneously in a single device. Many system designers consider 4 to be an acceptable upper limit.



13090-007A

### 5a. Without Risetime Control



13090-008A

### 5b. With Risetime Control

Figure 5. Effect of Risetime Control

6





## INTRODUCTION

A significant number of digital systems must deal with inputs not synchronized to their own internal clocks. These asynchronous signals can arise from any of the various asynchronous protocols, such as are often used in bus designs; they can be the result of trying to share signals from systems with different clocks; or they may be the response of a system user, who is of course not synchronized with the system. The result can be metastability, a problem which can plague unwary designers. It is not a newly discovered phenomenon, but is normally dealt with somewhat qualitatively, and, unfortunately, is usually ignored as much as possible.

## Causes of Metastability

The flip-flop setup time is the parameter that is most often at the root of metastability. The setup time is basically a requirement that data be made available at the input to the flip-flop before the clock signal arrives. The data must not only be there, but must also be stable.

In a PAL<sup>®</sup> device, the use of an array for the data adds to the setup time. The data passes through the array on its way to the flip-flop (Figure 1). The clock signal, on the other hand, goes directly from the clock pin to the flip-flop. Its path is much shorter than the data path. The setup time is therefore essentially a requirement that the data signal must be given more time to get to the flip-flop before the clock signal.

If the published setup time is satisfied, the data arrives at the flip-flop well before the clock, and the output to the flip-flop will change as desired (Figure 2). If the setup time is violated, then no guarantee can be made about what the output will do. The output may be normal, since the published setup time is a worst-case number. However, if the timing between the clock and data is just right, the output will be unstable for some time before it

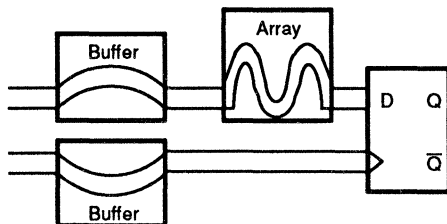


Figure 1. The clock and data paths in a PAL device

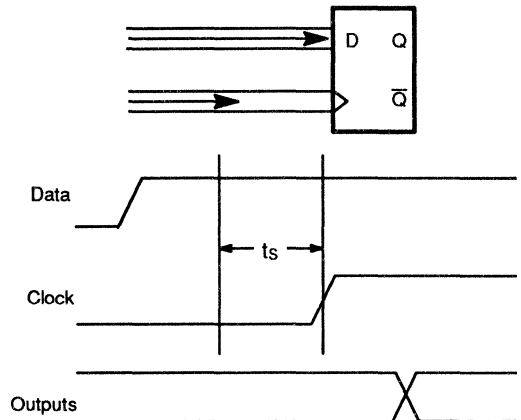


Figure 2. Output response when the setup time is satisfied

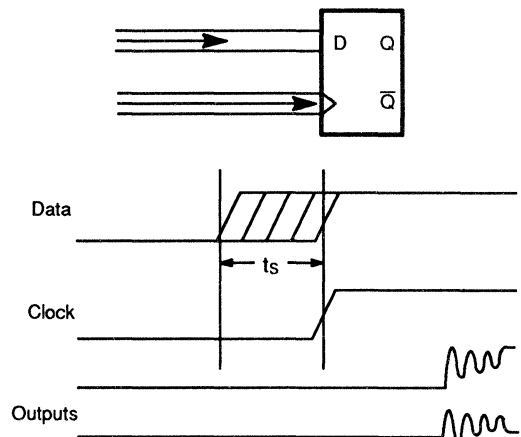


Figure 3. Possible output response when the setup time is violated

settles into some state. Neither the time the output remains unstable nor the final state is predictable (Figure 3). This condition is metastability.

## Ways of Dealing with Metastability

The most common way of dealing with this problem is to synchronize the inputs with an extra flip-flop (Figure 4). If the first flip-flop goes metastable, hopefully the delay between clock pulses will allow the ringing to die down

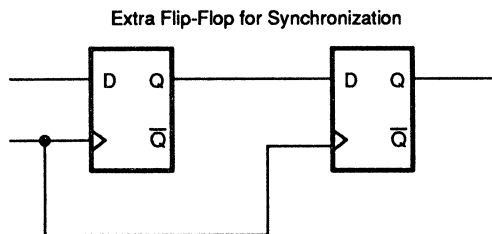


Figure 4. Dual synchronizer

before clocking into the next flip-flop. This improves the chances of having good data in the second flip-flop.

This method is not without its costs. Each extra stage of flip-flop means an extra clock delay of the data which must be absorbed by the system. Moreover it is not fool-proof. The possibility of metastability is reduced, but not eliminated. A flip-flop can go metastable if the preceding stage does not recover quickly enough.

The best way to avoid metastability is to avoid synchronization when possible. Many applications, such as bus arbitration schemes, use synchronization not because synchronization itself is necessary, but because until now it has provided the only convenient way to store data. This unfortunately takes a system that is inherently asynchronous and adds some synchronizing elements in the middle. If some way could be found to eliminate the synchronizing clock, the setup time would be eliminated, taking with it the major cause of metastability.

### The PAL221P6

To help designers avoid unnecessary synchronization, AMD has developed the Interface Protocol Asynchronous Cell™ (IPAC) PAL device: the PAL221P6. The key to the IPAC device lies in the edge-triggered S-R and 2-T flip-flop macrocells. With the S-R flip-flop (Figure 5), the output goes true on the rising edge of the S input and false on the rising edge of the of the R input. With the 2-T flip-flop (Figure 6), the output toggles on the rising edge of either T input; the T inputs are completely independent. For both flip-flop types, the major implication is that the need for a clock has been eliminated — since the output is triggered by the rising edge of the data, the data itself has become the clock. Therefore this device has no setup time.

The benefits of the IPAC device can be demonstrated by a simple interface design. A microprocessor generates a chip select signal (CSL) which is converted to a peripheral request (REQL). REQL is removed when the peripheral responds with a grant signal (GRANTL). The conventional approach is to register REQL. The device could go metastable either because of CSL or GRANTL, since both are asynchronous (Figure 7).

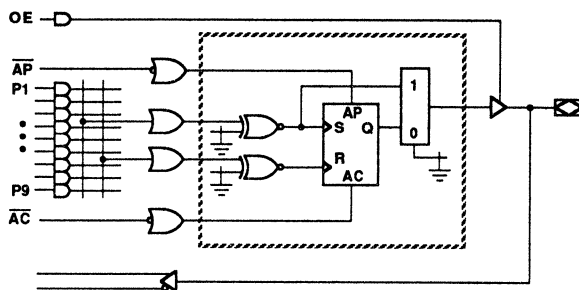


Figure 5. Edge-triggered S-R macrocell

10483A-401

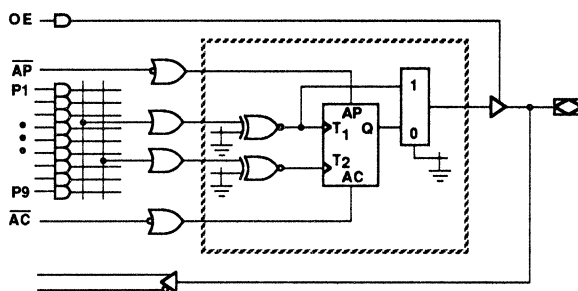


Figure 6. Edge-triggered 2-T macrocell

10483A-354

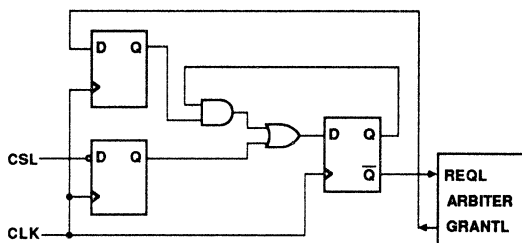


Figure 7. Interface design: conventional solution

10483A-358B

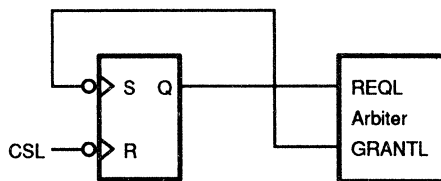


Figure 8. Interface design: the IPAC device solution

With the IPAC device, REQL is generated at the falling edge of CSL and removed at the falling edge of GRANTL. This is done using only one S-R flip-flop. Because S and R are in essence their own clock inputs, there is no possibility of metastability (Figure 8). In addition, since no intervening synchronizing stage is needed, a clock cycle delay has been eliminated.

### Summary

Metastability can occur in a number of different kinds of asynchronous systems, usually due to the inability to guarantee that the setup time of the flip-flops will be satisfied. In standard synchronous systems, where the setup time (along with all other timing requirements) is specifically designed in, metastability will never be a problem.

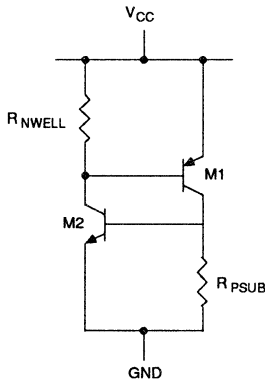
In some situations, metastability is caused by the need to interface systems with different clocks. In this case, it will never be possible to completely eliminate the possibility of metastability. Instead, the designer must take steps to reduce the probability of a system failure due to metastability.

In other systems, however, signal storage is necessary, but synchronization is not. In this kind of design, the cause of metastability can be eliminated by using the PAL22IP6, which provides edge-triggered S-R and 2-T flip-flops. Because these flip-flops have no separate clocks, there is no setup time, and the major source of metastability has been eliminated.



## Latchup Circuit

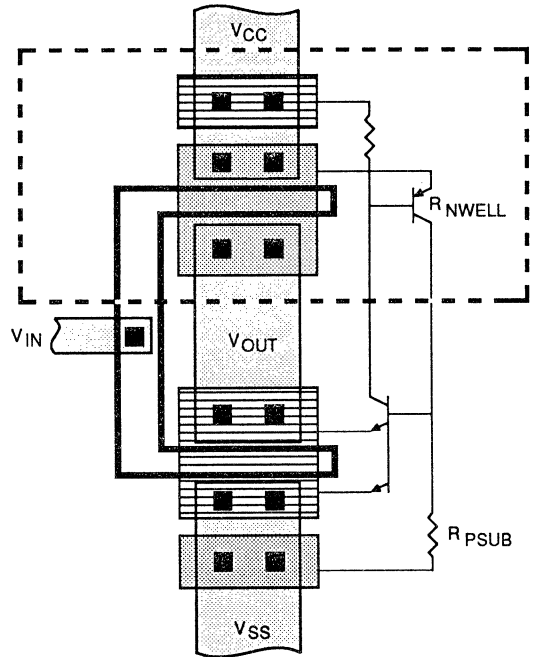
Latchup is caused by an SCR (Silicon Controlled Rectifier) circuit. Fabrication of CMOS integrated circuits with bulk silicon processing creates a parasitic SCR structure. The behavior of this SCR is similar in principle to a true SCR. These structures result from the multiple diffusions needed for the formation of complementary MOS transistors in CMOS processing. The SCR structure consists of a four layer device formed by diffused PNP regions. These four layers create parasitic bipolar transistors illustrated in Figure 1.



14105-001A

Figure 1

Figure 2a shows a typical CMOS inverter layout with the schematic of the parasitic bipolar SCR structure. Figure 2b is a cross sectional representation of the CMOS inverter, again with the schematic of the bipolar SCR structure.



- ACTIVE DIFFUSION - P TYPE
- ACTIVE DIFFUSION - N TYPE
- N-WELL
- POLYSILICON GATE
- METAL INTERCONNECT
- CONTACT

14105-002A

Figure 2a

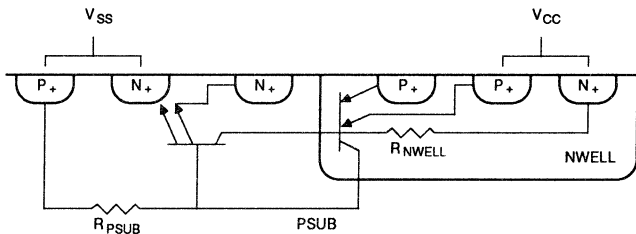


Figure 2b

14105-003A

Any CMOS diffusion can become part of the parasitic SCR structure, since all of these parts are interconnected through the bulk silicon substrate resistance. Other parasitic resistors shown result from doped regions of the semiconductor. The magnitude to which the resistors resist current flow depends upon geometric size and doping level.

As illustrated in Figure 1, the complementary PNP and NPN transistors are cross-coupled, having common base-collector regions. The vertical PNP device, M1, has its base composed of the N-well diffusion while the emitter and collector are formed from P-type source-drain and substrate regions, respectively. The lateral bipolar transistor, M2, base is the P substrate with emitter and collector junctions formed from N-type source-drain and N-well diffusions, respectively.

**Latchup Conditions**

Under normal bias conditions the SCR conducts only leakage current and the SCR structure is in the blocking state. However, as current flows across any of the parasitic resistors, a voltage drop is developed, turning on the parasitic bipolar base-emitter junction. The forward bias condition of this junction allows collector current to flow in the bipolar transistor. This collector current flows across the base-emitter resistor of the complementary bipolar transistor, creating a voltage sufficient to turn on the transistor.

A regenerative loop is now created between the complementary bipolar transistors such that current conduction becomes self-sustaining. Even after removal of the stimulus that triggered this action, the current conduction can continue. This region of operation is a high-current, low-resistance condition characteristic of a four layer PNPN structure. This is referred to as latchup. Once initiated, the excessive latchup current can permanently damage an integrated circuit by fusing metal lines or destroying junctions.

**Causes Of Latchup**

Latchup may be initiated in numerous ways. Just the critical causes frequently encountered in a system environment will be discussed. These include power up, supply overvoltage, and overshoot/undershoot at device pins.

**Power-Up**

Caution must be exercised when powering up CMOS ICs to avoid driving device pins before the supply voltage has been applied to the circuit. Placing a device or board in a "hot socket" will create this situation. When subjected to hot socket insertion, voltage conditions at the device pins are uncertain such that the input diodes may be forward biased. Forward biasing the input diodes with a delayed or uncontrolled application of  $V_{CC}$  could cause the device to latch up. Advanced Micro Devices' CMOS circuits have substantial immunity to hot-socket power up, but since this condition is uncertain, and difficult to characterize, test, and guarantee, it should be avoided.

**Supply Overvoltage**

Supply levels exceeding the absolute maximum rating can cause a CMOS circuit to latch up. Elevated supply voltage may cause internal junctions to break down, producing substrate current capable of triggering latchup. Latchup is just one of the reasons overvoltage should be avoided; other undesirable effects may result from this.

**Overshoot/Undershoot**

Generally the I/O pins experience the noisiest electrical environment. Fast switching signals with a large capacitive load may overshoot, creating a transient forward bias condition at the I/O junction. These junction diodes are illustrated in Figures 3 and 4. Typically this is where latchup is most likely to be induced. Proper design of the input and output buffers is essential to minimize the risk of latchup due to overshoot.

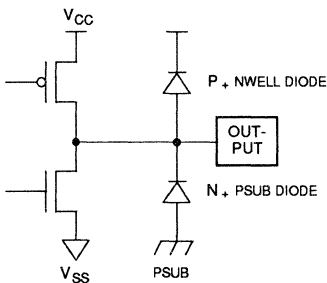


Figure 3

14105-004A

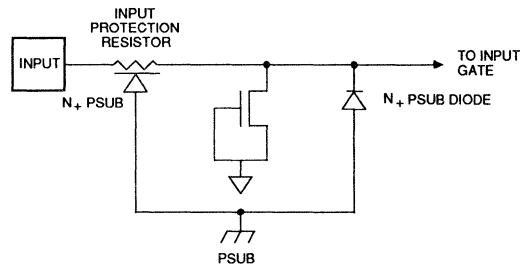


Figure 4

14105-005A

## Latchup

### Testing For Latchup

Advanced Micro Devices characterizes the latchup sensitivity of its devices before they are released to the market. Testing is done in such a way as to completely cover every possible latchup condition, including  $V_{CC}$  overvoltage, pin overcurrent, and pin overvoltage.

#### $V_{CC}$ Overvoltage Test

The  $V_{CC}$  overvoltage test is applied to all power ( $V_{CC}$ ) pins. The test is performed at the highest guaranteed operating temperature of the device. All inputs and I/Os acting as inputs are tied to ground or  $V_{CC}$  depending on the device logic, and outputs and I/Os acting as outputs are floating (open).

$V_{CC}$  max is applied to the  $V_{CC}$  pin. A positive high voltage pulse is then applied to the  $V_{CC}$  pin and returned to  $V_{CC}$  max. The occurrence of latchup is detected if the voltage across the device is less than  $V_{CC}$  max, and the current through the device is greater than the normal DC operating current.

#### Pin Overcurrent Test

The pin overcurrent test is performed on every output, I/O pin, and non-current-limited input pin. Non-current-limited inputs are inputs which present a diode-like (or otherwise "infinite") current characteristic for input voltages in the range  $(GND - 5 V) < V_{in} < (V_{CC} + 5 V)$ .

The pin overcurrent test is performed at the highest guaranteed operating temperature of the device. Input pins and I/O pins acting as inputs (which are not under test) are tied to ground or

$V_{CC}$  depending on the device logic, and outputs and I/Os acting as outputs should be floating (open).  $V_{CC}$  max is applied to the  $V_{CC}$  pin.

One pin is tested at a time. A three-state output under test should be disabled. A non-three-state output type under test should be a logic High when applying a positive current and a logic Low when applying a negative current. An I/O pin should be placed into the input mode.

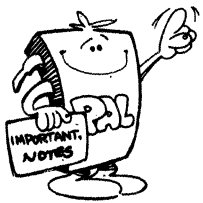
A high current pulse is then applied to the pin under test. The magnitude of the pulse is stepped until latchup is induced. Both positive and negative currents are tested. Latchup is observed as described previously. The sensitivity of the device is the worst case sensitivity found on any pin of the device.

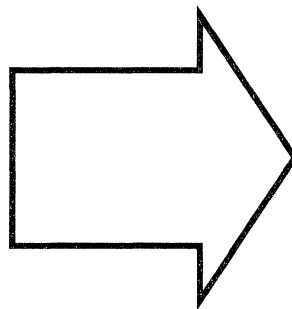
#### Pin Overvoltage Test

The pin overvoltage test is performed on current-limited inputs. Current-limited inputs are inputs which present a resistor-like (or otherwise "limited") current characteristic for input voltages in the range  $(GND - 5 V) < V_{in} < (V_{CC} + 5 V)$ .

The pin overvoltage test is performed at the highest guaranteed operating temperature of the device. Input pins and I/O pins acting as inputs (which are not under test) are tied to ground or  $V_{CC}$  depending on the device logic, and outputs and I/Os acting as outputs are floating (open).  $V_{CC}$  max is applied to the  $V_{CC}$  pin.

One pin is tested at a time. Both positive and negative voltage pulses are applied to the pin under test. Latchup is observed as described previously. The sensitivity of the device is the worst-case sensitivity found on any pin of the device.





Introduction	<b>1</b>
PAL Device Data Sheets	<b>2</b>
Sequencer Data Sheets	<b>3</b>
ECL/PGA Data Sheets	<b>4</b>
General Information	<b>5</b>
Design and Programming	<b>6</b>
Quality and Reliability	<b>7</b>
Appendices	<b>8</b>





---

Oxide-Isolated Bipolar Technology .....	7-3
Reliability .....	7-3
Testability .....	7-9
ECL Technology .....	7-15
EE CMOS Technology .....	7-20
Product Assurance .....	7-21
Test and Finish Operations .....	7-26



## IMOX™ PRODUCT TECHNOLOGY AND RELIABILITY

In order to meet the next generation requirements for speed and density in PAL devices, an advanced bipolar technology has been developed called IMOX-III. Although IMOX-III represents a major breakthrough which will allow further scaling to the sub-micron region, the technology also shares many features in common with prior generations of technology, IMOX-II and IMOX-IIS.

The revolutionary breakthrough of IMOX-III is the use of reactive-ion-etched grooves, called slots, to isolate the transistors. These slots are 1.5 microns wide, over 6 microns deep, and are filled with dielectric material (Figure 1). Because the transistors are not isolated by junctions, space for depletion spreading is not necessary. Also, since the slots are etched anisotropically, thicker EPI layers can be isolated without increasing the isolation widths. Essentially, no density penalty is paid to achieve high breakdown voltages. Higher breakdown voltages are needed to support the programming voltages required to program fuses in bipolar PAL devices.

Smaller device sizes translate into faster circuits through smaller die sizes and reduced capacitances of active devices and metal interconnect. Another advantage of the slot isolation is reduced collector to substrate capacitance, which offers improved performance in many circuit configurations.

Overall, the IMOX-III process is a major step forward from IMOX-IIS. In addition to the slot isolation, stepper lithography and

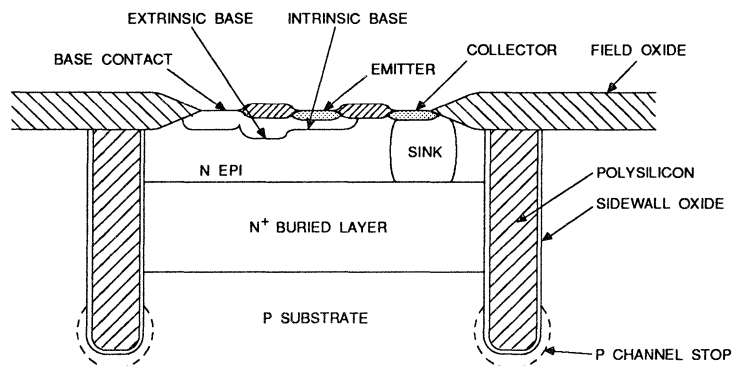
dry metal and via etching have been implemented, resulting in a dramatic reduction in device sizes. The slot isolation allows the silicon pitch to be reduced by one-third. The steppers and plasma metal etching allow the metal pitch to be shrunk by one-third also. Furthermore, the IMOX-III process was designed with a 20% shrink in mind. This scaling can be accomplished simply by shrinking the masks.

The IMOX-III process shares many familiar features with its predecessor, IMOX-IIS. Oxide-walled bases and emitters are used to reduce the size and parasitic capacitances of transistors. Ion implanted emitters and bases are used to achieve the profile control necessary for high performance transistors. The reliability of the transistor structure used in IMOX-III has been proven over millions of hours of high-temperature tests on products that use IMOX-II and IMOX-IIS processes.

Another key feature familiar to users of older generation IMOX PAL devices is the fuse technology. IMOX-III uses platinum silicide fuses, identical to the fuse technology used on older generation IMOX PAL devices. Programming yields are the highest possible, and programming times are extremely short (about 300 ns).

The IMOX-III technology also features two levels of metallization, as does IMOX-II and IMOX-IIS. However, with IMOX-III technology, both layers are stepper-defined and plasma-etched.

IMOX-III technology will enable third and fourth generations of PAL devices that will be significantly faster and more complex than the current devices. It will also reduce the cost of the new



14106-001A

Figure 1. Slot Isolation

devices by significantly reducing die sizes or allowing more features to be added without increasing present die sizes. Faster and more complex PAL devices will permit system designers to build advanced computers, communications systems and instrumentation systems at a much lower cost.

### IMOX Product Reliability

IMOX bipolar Programmable Array Logic (PAL) devices are based on two key technologies with many years of high volume production experience behind them.

1. IMOX—The basic process technology employed is IMOX, an advanced ion-implanted, oxide-isolated structure. IMOX provides very high performance devices with predictable manufacturing yields. It has accumulated many millions of hours of life test history through its application to the Am27S series of PROMs and the Am2900 family of bipolar microprocessors.
2. Platinum-silicide fuses—This fuse structure was originally developed for use on junction-isolated PROMs. It quickly established a standard of excellence for high programming yields and long-term reliability. Several years ago it was applied to a new generation of ultra high performance PROMs based on the IMOX process.

This combination of IMOX and platinum-silicide fuses has an outstanding record of reliability which has been verified repeatedly through in-house life testing and by high-reliability customer qualification testing and system use.

IMOX PAL devices are fabricated with this same combined process technology. Not only is the technology for building PAL devices and PROMs the same, but also the programming algorithm and programming circuitry used to program the platinum-silicide fuses are the same in all characteristics of importance. The result is that the conditions seen by an IMOX PAL device fuse are the same as those seen by an IMOX PROM fuse.

Due to the common process technology, fuse design and fuse programming circuitry design, reliability and programming yield results are expected to be the same for PAL devices and PROMs. Data accumulated to date on PAL devices confirms this expectation.

This report describes the characteristics of the platinum-silicide fuse and programming conditions for the fuse, along with a description of the ongoing reliability monitor program.

### Platinum-Silicide Fuse

#### Fusing Technique

IMOX PAL circuits are designed to use a programming algorithm which minimizes the requirements on the programmer yet allows the circuit to program the platinum silicide links quickly and reliably.

The sequence of events to program a fuse are:

1.  $V_{CC}$  power is applied to the chip.
2. The address of the fuse to be programmed is selected by TTL levels on the appropriate address pins.
3. The outputs are disabled. (Pin 1 serves this purpose on PAL devices).
4. The programming voltage is then applied to one output.
5. A fuse enable is accomplished by raising an input to a level above normal TTL operating voltage. (Pin 11 is used for this on PAL devices.) This action gates the current flow through the proper fuse, resulting in an open fuse in a few microseconds.
6. The output programming voltage is lowered and then removed.
7. The device is enabled and clocked if required. The output state then indicates whether successful programming has occurred. If programming has not occurred a sequence of much longer pulses is applied until programming occurs.
8. The sequence of 2 through 7 is repeated for each bit that must be programmed.

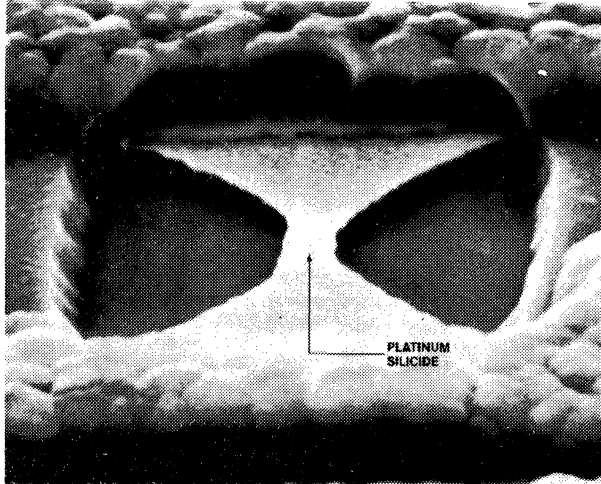
There are several advantages to this technique. First, the two high current power sources, VCC and the voltage applied to the output, do not have critical timing requirements. As the programming current is gated through the fuse actively, there is no dependence on the rise rate of the programming voltage. A fast application of programming current is desirable for optimum programming. Since the output programming voltage does not have to be applied rapidly, breakdown and latchback problems attributed to fast voltage rise times on the output are avoided.

This programming procedure has a second major advantage. If the fuse does not open during the first programming pulse, longer programming pulses are used. With the platinum-silicide fuse, long programming pulses may be safely applied with no danger of developing a reliability problem. The algorithm can therefore be designed to minimize the time required to program by using a fast first pulse followed by a longer pulse if needed to program the occasional fuse that does not open with the first short pulse. Most devices do program satisfactorily with all short pulses.

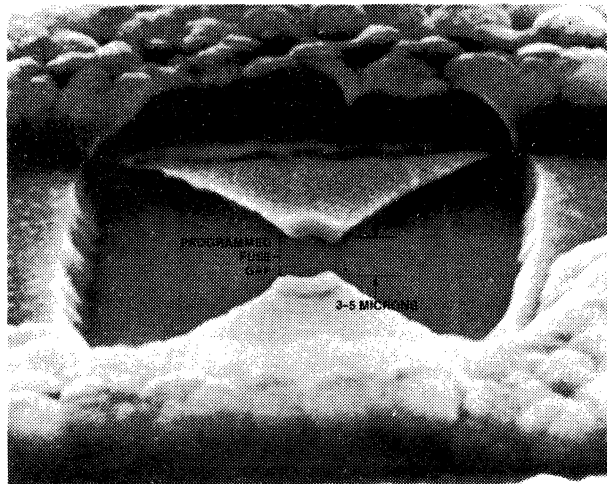
**Fuse Characteristics**

When a fast (less than 500 ns rise time) current pulse is applied to a fuse, the fuse voltage rises abruptly to a value determined by the room temperature resistance. However, it then quickly falls to a value of approximately 2 V. This value is nearly independent of the applied current. During the period of time the fuse is molten, the fuse current drops very abruptly to zero indicating the separation of the platinum-silicide into two distinct sections.

Scanning Electron Microscope photographs of the resulting fuses (Figure 2) indicate that the typical case is a sharp clean separation in excess of a micron. This separation occurs in the center of the fuse because the "bow-tie" structure (Figure 3) concentrates the energy density in the center away from the aluminum interconnect lines. The energy density in the center of the fuse creates temperatures substantially greater than those required to melt the silicide. Melted material is then "wicked" from the center of the fuse to either side due to surface tension.



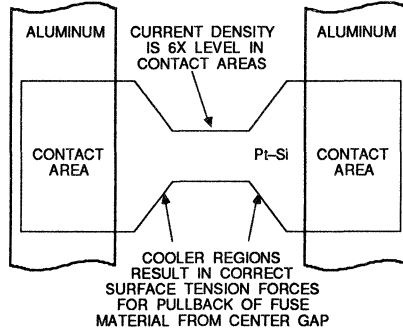
**Unprogrammed Fuse**



**Programmed Fuse**

**Figure 2. Scanning Electron Microscope Photo—Unprogrammed and Programmed Fuses**

## Oxide-Isolated Bipolar Technology



14106-002A

**Figure 3. Bow-Tie Fuse Design**

### Reliability Testing Data

Data on the reliability of PAL and PROM devices with platinum-silicide fuses is gathered via the Reliability Monitor Program (RMP). The RMP is an ongoing program conducted on all device types across all product lines, and is designed to ensure that all IMOX devices meet acceptable reliability levels. A summary of the RMP tests for hermetic and plastic molded packages are shown in Tables 1 and 2.

Data on IMOX PAL and PROM devices has been gathered over millions of device hours and more than 40 billion fuse hours of high temperature operating life tests (HTOL). The life test circuits used in this work conform to MIL-STD-883 method 1005 conditions C and D. This data indicates a projected unit failure rate (at 60% confidence) of 0.0002%/1000 hrs. at 70°C.

Results of the IMOX RMP are updated periodically and can be obtained through inquiry to any of the Sales Offices listed in the back of this handbook.

TEST	CONDITIONS	TYPICAL SAMPLE SIZE
Infant Mortality	160 hours at 125°C ambient. Initial and end-point electrical tests.	300
Operating Life	1000 hrs (1160 total) at 125°C ambient. Initial and end-point electrical tests.	120
Temperature Cycle	1000 cycles, (-65°C to 150°C), 30 min/cycle. End-point-hermeticity and electrical tests.	50*
150°C Operating Cycle	1000 hours at 150°C ambient. Initial and end-point electrical tests.	50

\* These units are hermetically tested prior to commencement of test.

**Table 1. Reliability Monitor Program for Devices in Hermetic Packages**

TEST	CONDITIONS	TYPICAL SAMPLE SIZE
Infant Mortality	160 hours at 125°C or 85°C ambient (T <sub>j</sub> <150°C nominal). Initial and end-point electrical tests.	300
Operating Life	1000 hrs (1160 total) @ 125°C or 85°C ambient (T <sub>j</sub> <150°C, nominal). Initial & end-point electrical tests.	120
Temperature And Humidity	85°C/85% RH/low power bias, 500 hours and 1000 hrs. Initial, interim, and end-point electrical tests.	50
Temperature Cycle	1000 cycles: -65°C to 150°C, 30 minutes/cycle. High temperature (75°C min) functional end-point electrical test.	50
Pressure Cooker	121°C, 15 psi, 160 hours, unbiased, initial end-point electrical test.	50

**Table 2. Reliability Monitor Program for Devices in Molded Packages**

## MONOX 3™ OXIDE-ISOLATED PROCESS

The MONOX 3 process is an evolution of the junction-isolated process used in the popular 15 nanosecond PAL family. The 15 ns PAL device process is a shallow-junction, ion-implanted, diffused isolation technology.

When the time came to advance PAL device speed through improved process technology, the decision was made to evolve from and benefit from the proven reliability, simplicity, and manufacturability of the 15 ns PAL device process. Only fully recessed oxide isolation and stepper design rules were to be added for the new technology. The fully recessed oxide isolation technology to be used had already been proven in earlier processes.

### MONOX 3 Process Description

The unique feature of MONOX 3 is the isolation structure (patent pending) which combines the best features of fully recessed oxide isolation (FULROX) and diffused isolation, while maintaining a very dense structure. The advantages of FULROX, low capacitance and high density, are well known to the industry.

Diffused isolation has an important advantage for transistors that are driven hard into saturation, as in the case where minimum size array transistors are used to program fuses in PAL devices. In this case, substantial current is injected into the substrate, and this may adversely affect nearby circuitry. While this substrate injection can be reduced in FULROX, it has an adverse effect on capacitance and perhaps density.

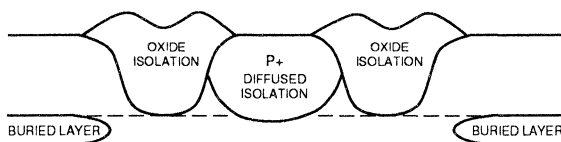
In MONOX 3, the diffused portion of the isolation acts as an excellent substrate contact and as a sink for the injected substrate current. This permits the FULROX to be optimized both for density and for low capacitance, lower than is typical for industry-standard oxide isolation. The typical density disadvantages of diffused isolation are minimized by containing the diffusion within the FULROX. This isolation structure results in a die that is

substantially smaller than some trench-isolated products, and that has lower capacitance than other oxide-isolated products.

Other features of the MONOX 3 process are:

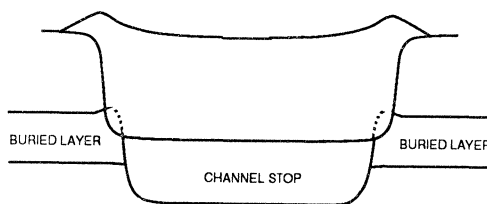
- Fully ion implanted except for buried layer—This permits excellent control of the layers for a consistent product, and permits a base width of 2000Å which yields a cutoff frequency  $f_t$  of 4.3 gigaHertz.
- High-pressure oxidation—This is used for the recessed isolation to minimize process temperature and crystal defects.
- Oxide walling all devices—This eliminates potential leakage paths that might cause reliability problems.
- Planarization of the isolation "bird's head" shape—This improves lithography and metal step coverage.
- N+ and P+ sink diffusions—These lower parasitic resistances.
- Dry (plasma) etch—This improves control and density of most layers including metal.
- Platinum silicide Schottky diodes—These prevent saturation of the logic transistors for improved speed.
- Titanium Tungsten fuses—These are simple and reliable.
- Double layer metal, with intermetal planarization—The first metal pitch is 4.5 microns and the second layer metal pitch is 6.0 microns.
- Stepper lithography with 1.5 micron minimum design rules (1.3 micron fuses)—This not only makes the die more compact, but significantly improves the fuse programming (see next section).

7



14106-003A

MONOX 3 Isolation



14106-004A

Typical Oxide Isolation

## Oxide-Isolated Bipolar Technology

### MONOX 3 Fuse Technology

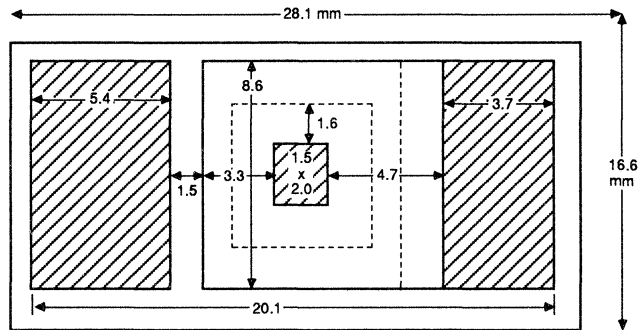
The fuse technology in MONOX 3 is Titanium Tungsten (TiW). This fuse technology has been used for years in millions of chips that have proven to be the industry's most reliable programmable logic parts.

In MONOX 3 the fuses are further enhanced by using stepper lithography to print them 1.3 microns wide. This significantly lowers the programming current from 70 milliamps to 35 milliamps maximum. A lower programming current means less

power and heat are needed, leading to increased reliability and a denser chip design.

### MONOX 3 Summary

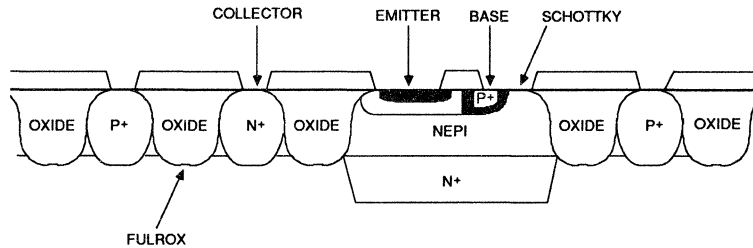
In conclusion, MONOX 3 was designed to be and is both high-performance and simple. Only thirteen masking layers, two diffusion cycles, and four oxidation cycles are used. This yields a process that competes with, and out-performs, other currently available programmable logic technologies. The relatively few steps needed to manufacture MONOX 3 devices mean fewer potential problems and increased reliability.



AREA 466.5  $\mu^2$

14106-005A

### MONOX 3



### NPN Transistor

14106-006A

## PRODUCT TESTABILITY

Thorough testing of programmable logic devices by the manufacturer is important to both the performance of programmable logic and its cost of use.

Field programmable logic devices are different from other semiconductor products in that the user must complete the manufacturing process by programming and functionally testing the parts.

Programming is normally accomplished on commercially available programming equipment. Functional testing may be performed on a programmer, on automatic test equipment or at the board or system level. Figure 4 illustrates where device failure detection can occur. Clearly, the cost implications of failure become more serious with each advancing step.

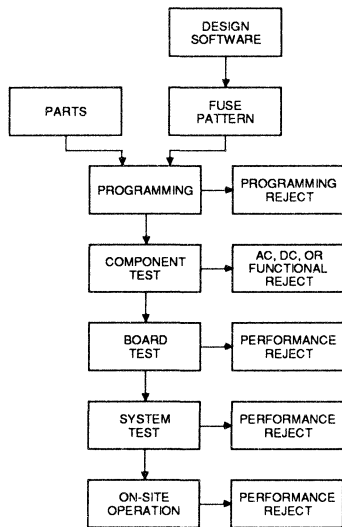


Figure 4.

14106-007A

As a result of assuming the responsibility of programming and test, the user gains all the benefits of a custom function with the cost and availability advantages of a standard product. However, the user must also deal with those parts that do not program successfully or do not function to advertised specifications after programming.

Testing before shipping can make a difference to the user in:

1. Programming yield
2. Post-programming functional yield (PPFY)
3. Uniformity of performance

This paper describes the techniques used on IMOX process PAL devices to allow testing of these three important attributes on every device before shipment to the user.

## Programming Yield

Programming yield is the measure of the success of the programming operation. Large volume users of programmable logic keep records of the programming yield history of their suppliers' parts. Programming yield is considered by these users to be an important element in judging the overall suitability of different suppliers' parts.

## Post-Programming Functional Yield

Experienced PROM and EPROM users are sometimes puzzled by the fact that not all programmable logic devices function correctly even though they have successfully completed a programming operation and fuse verification check.

With PROMs, a one-for-one relationship exists between address states and programming elements (which can be fuses, floating gate MOS devices, open-base NPN transistors, etc.) That is, the state of each output for each address is dependent on the condition of only one fuse. Sensing a desired fuse state after programming therefore practically guarantees correct functional operation (at least at the voltage and temperature conditions of the programming operation).

With programmable logic devices the relationship between programming success and post-programming functionality is not one-for-one. Except for the simplest of patterns and devices, the relationship is highly complex. Feedback buffers allow the creation of more than one level of logic; latches, counters, shift registers, and even oscillators can be created. Special fuse functions such as polarity control, output enables, register/combinatorial path selection and buried registers complicate the relationship further.

This is the power of programmable logic—but the testing challenge that results from this versatility can be substantial. Logic states for programmable logic devices can depend on multiple fuses. The fuse verification procedure that examines each fuse uniquely is therefore not sufficient, as it is with PROMs, for guaranteeing functionality.

All programmable logic devices contain special on-chip programming circuitry and modes to allow programming and verification of each individual fuse. The complexity of programming may vary significantly, but all have one thing in common—successful programming by itself cannot guarantee functionality.

The user's job does not end then with the programming operation. To be assured of a functional part, a comprehensive set of test vectors must be applied to the part. Many device programmers accept test vectors along with fuse programming vectors and will apply the test vectors to the part following the programming operation. The PRELOAD feature greatly simplifies the test generation problem for registered parts.



## Uniformity of Performance

The buyer of a programmable logic part has the right to expect that the performance specifications appearing on the manufacturer's data sheet will be met for all legitimate applications of the part. This applies to each and every logic path and function.

A glance at the logic diagram for an unprogrammed part shows that, with the array in its unprogrammed state, no amount of activity of the inputs can make any output switch. Without any programmed fuses, the AND gates see both the true and complement of all inputs.

If post-programming performance is to be guaranteed with absolute confidence, test circuitry must be provided to allow each path to be tested to data sheet performance.

## Approach to Designing in Testability in PAL Devices

The approach to the design of programmable logic was strongly influenced by the goal to provide users with the best programming yield, post-programming functional yield, and uniformity of performance.

Designing programmable logic can be viewed as a three-dimensional task involving high-performance logic design, fuse programming circuit design and test circuit design.

The first dimension is the design of a high-performance logic circuit with SSI/MSI competitive switching speeds and very high output drive for bus environments.

The second dimension of programmable logic design is the programming circuit design. The emphasis of this design is to provide circuitry that will deliver large programming currents to individual fuses. Special decoders, demultiplexers, buffers and mode select circuitry are needed. The circuits need not be fast since programming occurs at microsecond speeds. Because the circuitry is not used after programming, it is desirable that it consume power only during programming and not during operation. Since large voltages are required to generate programming current, survival under high voltage is also required. All of these requirements are quite different from the logic circuit requirements but must be achieved within the same part.

Testability is the third dimension of programmable logic design. This overlay of circuitry provides the means to exercise the part through all of the possible paths that might be activated by programming. Test circuitry is also needed to insure that the programming circuitry will function properly. Testability is thus important to achieving high programming yields, post-programming functionality, and performance to data sheet specifications through all possible paths.

The unique challenge of programmable logic design is to integrate these three dimensions in the most efficient manner.

## Testability in the Programming Circuitry

Good programming yields are in the high ninety percent range. Advanced Micro Devices PAL device programming yields are typically higher than 98%.

Three things contribute to the high success rate in programming IMOX fuses:

1. Uniform fuse cross sections.
2. Pretesting of the current delivery and sink capability of column drivers and row drivers through use of wafer sort test pads.
3. Sample fusing of test rows.

## Uniformity of Fuse Cross Sections

The IMOX process gives consistently uniform platinum-silicide fuse cross sections. Uniformity is monitored by measuring fuse resistance test patterns on a sample basis in every wafer lot. The data is processed for mean and standard deviation and trend plots are maintained. Material not meeting fuse width control limits is scrapped.

## Testing for Fusing Current Delivery Capability

On every IMOX PAL device there are two extra pads that are probed at wafer sort. These extra pads are used to gain access to the fuse array for special testing at wafer sort. The connection of these pads to the fuse array is shown in Figure 5.

The programming process involves selection of individual column and row drivers to deliver and sink programming current through selected fuses. The extra test pads allow easy access for individually testing the source and sink capability of each column and row driver. Also a reverse leakage check of all of the Schottky diodes in the array is possible by applying bias between the pads. Without the test pads, all of these tests would be impossible or would have to be accomplished in a less direct and less effective manner.

## Sample Programming

To further assure programmability, the IMOX PAL devices include an extra test input buffer with fuses connected to each of the array columns.

Programming one test buffer fuse per column accomplishes two important things. First, a sample fuse has been programmed using each of the column drivers. The sample fuse is exactly the same dimension as all of the normal array fuses, and the test buffer drivers sinking the programming current are identical to all of the normal drivers. Before shipment each IMOX PAL device has had a sample of fuses programmed on the test buffer.

The second purpose in programming the sample fuses is to create a pattern for AC and functional testing.

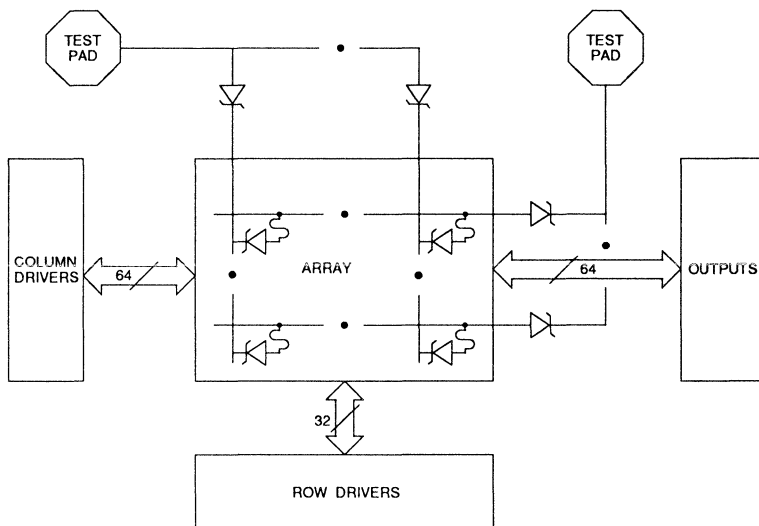


Figure 5.

14106-008A

### Testability to Guarantee Functionality After Programming

A typical PAL device, the PAL16R4, is shown in Figure 6. Not shown in the logic diagram are the components located at each horizontal and vertical line intersection. For IMOX PAL devices, a fuse and a Schottky diode reside at each cross point as shown in Figure 5.

The horizontal or "Product Term" line is then the common anode connection for a 32-wide diode AND gate. The user's job is to figure out which of the 32 inputs should be connected to the AND gates. The inputs not needed must be disconnected by programming the fuse shown in series with the diode.

The obvious problem from a manufacturer's test standpoint is: How can it be guaranteed through testing that the device will work after fuses are programmed? If the only logic in the device were that shown in Figure 7, testing would be nearly impossible. With 16 LOW levels and 16 HIGH levels presented to each AND gate, the LOWs win. All 64 AND outputs are thus always stuck LOW, and there is no way to get the output to toggle for AC or DC test purposes. This is the raw state of any device before programming.

### Necessary Testability Requirements

Something more is needed in every PAL device to assure close to 100% functional yield after programming. The IMOX PAL devices have an overlay of test circuitry that accomplishes the following:

1. Each input and feedback buffer can be checked for functionality.
2. Each of the AND gates can be switched HIGH and LOW and uniquely sensed by an output.

These two tests are necessary to the guarantee of close to 100% post-programming functional yield.

Under normal operating conditions the test circuitry is inactive and consumes very little power. Supervoltages cause it to come alive. Supervoltages are levels substantially higher than Vcc so that under normal operating conditions accidental activation of a test mode cannot occur.

In this paper a double line on the input side of a logic symbol indicates that the HIGH level must be a supervoltage to activate it.

### Checking the Input and Feedback Buffers

Functionality of the input and feedback buffers is checked with the aid of the extra AND gate dedicated to this function. Figure 7 illustrates the AND gate and its associated enabling circuitry.

The non-inverting or true side of each input and feedback buffer is connected to the special test AND gate. The AND gate is activated by a supervoltage on one of the input pins. The function actually takes two activating inputs to implement since the use of one for activation prevents that pin from being tested for functionality. Having an alternate pin to activate the function solves this problem.

Only the non-inverting side of each buffer is hooked up to the AND gate because each buffer is constructed from two inverters in series. The first inverter must work for the second one to work, so that checking the second one is sufficient to prove that they both work.

The feedback from the output used for the test cannot be fed to the test AND gate; such a connection would make the test output oscillate. For this reason its feedback input is not connected and is tested by creating another test AND gate on a different output and routing it there.

7

# Oxide-Isolated Bipolar Technology

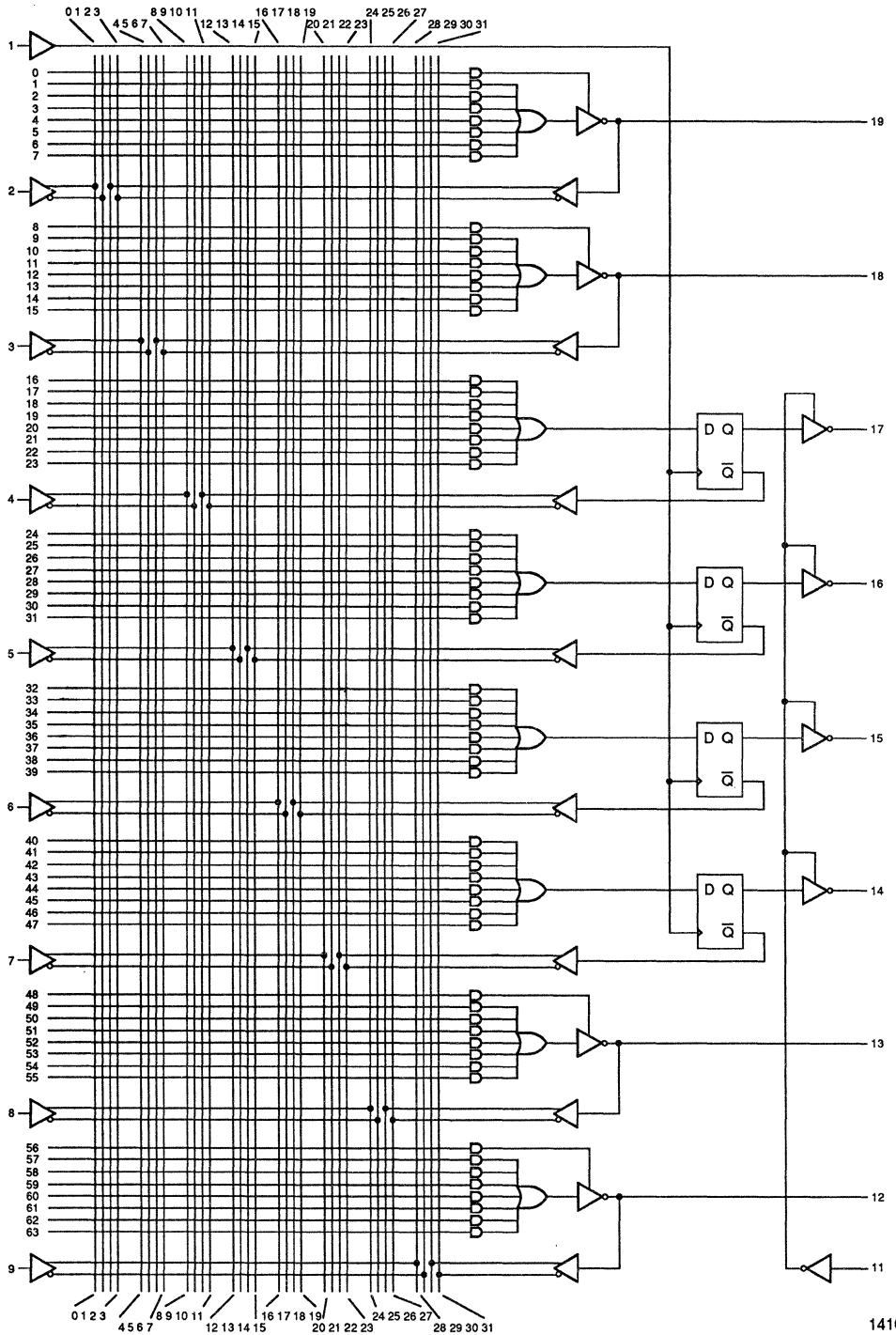


Figure 6.

14106-009A

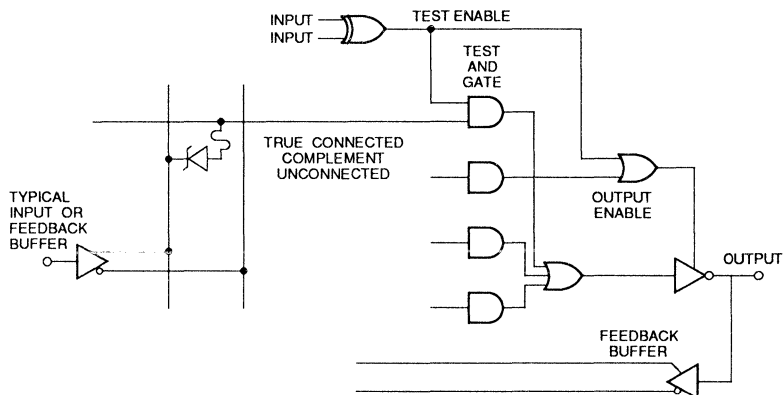


Figure 7.

14106-010A

Since the special AND gate used to test all of the buffers is identical to those used in the normal operating path, switching each input through this path provides the means for testing the switching performance of each buffer.

### Testing the AND Gates

The next important test requirement is to make sure that all of the AND gates work and will switch at data sheet speeds. This test challenge is little more complex.

What is needed in this case is:

1. A means of decoding one AND gate at a time in each output.
2. A way to force all input and feedback buffers to a HIGH level on both true and complement outputs.
3. A special input of identical design to a normal input that can be used to switch the decoded AND gates.

These requirements are met by the circuitry shown in Figure 8.

The decoder to select one AND gate at a time in each output serves a dual purpose. It is the same decoder that provides unique selection of product term lines for programming and fuse verification. It responds to binary combinations of TTL signals at three input pins; only one of the eight outputs will go high at a time, thereby isolating each AND gate.

The special test input that is used in this mode also serves a dual purpose. It was mentioned earlier in this paper that a program-

ming sample was performed on each part. This special test input is the input that carries the test fuses. During the sample programming operation the fuses are programmed in a pattern that allows switching of all 64 AND gates, one in each output, for each of the eight decode states.

The input to the special buffer for AND gate testing is one of the normal input pins, but the buffer is inactive for normal operation and must be activated by supervoltage levels applied to two other inputs.

The supervoltage levels also provide the signal to force all of the buffer outputs HIGH, which is one of the three necessary requirements for AND gate testing.

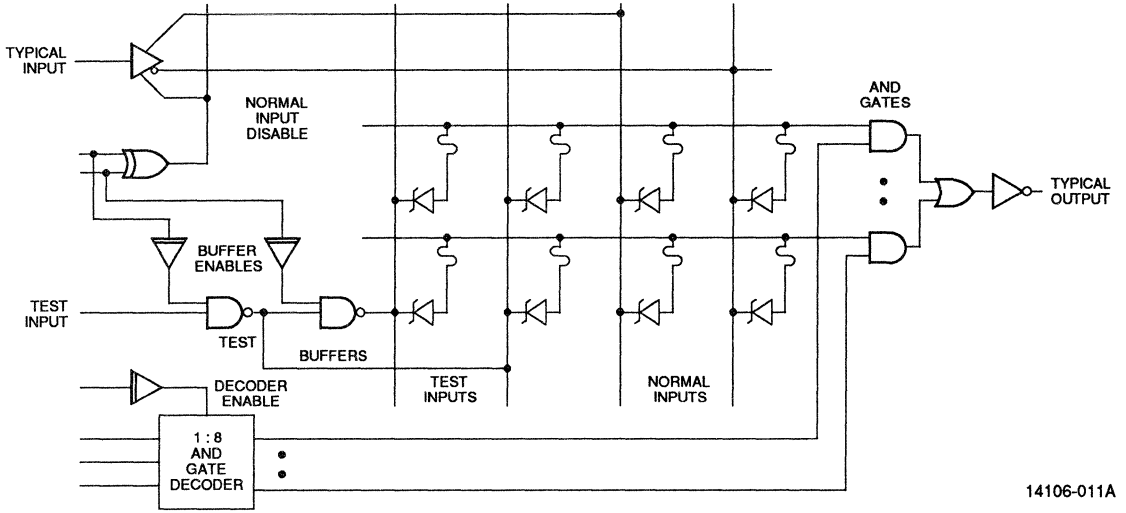
Since the design of the special buffer is identical to all of the normal input buffers, it serves as a surrogate buffer for speed-testing all of the AND gates. In the AND gate test mode, all eight outputs are switched at once, since one AND gate is selected in each output. For registered outputs the AND gate switching path provides a means of testing setup and hold times.

### SUMMARY

All IMOX programmable logic devices have designed-in testability and are achieving yields of greater than 98% for programming and better than 99.9% functional and AC test yields after programming. Even higher goals have been set for future products.

7

Oxide-Isolated Bipolar Technology



14106-011A

Figure 8.



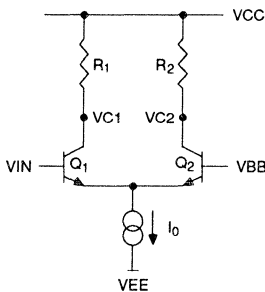
Emitter-Coupled Logic (ECL) delivers high speed, high input impedance, and low output impedance. These features are ideal for system designers who want to improve system performance. ECL achieves high speed by operating the transistor in a non-saturation mode, so that the storage-time delay associated with saturating logic is not present. When high input impedance is combined with low output impedance, large fan-in and fan-out can be achieved; in addition, low-impedance transmission lines can be driven.

## Current Switch

The differential amplifier (Figure 1) is the basic building block for ECL logic; it functions as a current switch. Current  $I_o$  is steered either through resistor  $R_1$  or  $R_2$  depending on the input voltage ( $V_{IN}$ ). A difference of 150 mV between  $V_{IN}$  and  $V_{BB}$  will cause the current  $I_o$  to flow entirely through the transistor with the higher base-emitter voltage ( $V_{BE}$ ), due to the exponential relationship between the collector current and  $V_{BE}$ .

When  $V_{IN}$  is 150 mV less than the reference voltage ( $V_{BB}$ ), the collector voltage of  $Q_2$  ( $VC_2$ ) will equal  $V_{CC} - I_o R$  when  $R_1 = R_2 = R$ , and the collector voltage of  $Q_1$  ( $VC_1$ ) will equal  $V_{CC}$ . When  $V_{IN}$  equals  $V_{BB}$ , the two collector currents will be equal and  $VC_1 = VC_2 = V_{CC} - I_o R/2$ . When  $V_{IN}$  is 150 mV higher than  $V_{BB}$ ,  $VC_1 = V_{CC} - I_o R$ , and  $VC_2 = V_{CC}$ . Although the switching threshold is 300 mV centered about  $V_{BB}$ , the signal swing is made larger (approximately 850 mV) to provide noise immunity and to provide for differences between input thresholds of one circuit and output voltage levels of another. The values of  $R$  and the current source are chosen to determine the voltage swing and ensure the charging and discharging of parasitic capacitances at a given switching rate.

If we consider  $V_{CC}$  to be a high logic level, and  $V_{CC} - I_o R$  to be a low logic level, then  $VC_1$  will always be the inverse of  $VC_2$ . That is, they are complementary outputs.



## Emitter-Follower

To keep the current switch out of saturation,  $V_{IN}$  must not be greater than  $V_{CC} - \alpha I_o R$ . For matched switching speed the voltage swing should be centered around  $V_{BB}$ , which must also be below  $V_{CC} - \alpha I_o R$  by at least one half the voltage swing. To meet these restrictions, an emitter-follower is added to the current switch (Figure 2). This shifts the level of  $VC_1$  and  $VC_2$  down by a diode, and allows the logic gate to have compatible input and output levels. The emitter-follower also isolates the collector switch nodes from the output load, and provides the low output impedance that is beneficial to this logic family. On outputs, the emitter-follower can drive a 50  $\Omega$  load to  $-2.0$  V. This allows a terminated transmission line, preventing reflections.

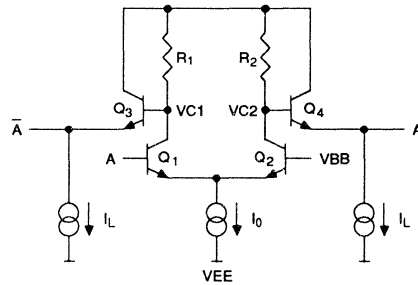


Figure 2. Gate with Emitter-Followers

## OR Logic

The buffered switch in Figure 2 functions as a buffer or an inverter. By adding a second input transistor to the buffered switch (Figure 3a), a wired-AND of the collector impedances is formed at  $VC_1$ . By using DeMorgan's rule, this AND function is inverted into the NOR of the two inputs. The inverse of  $VC_1$ , the OR function, is generated at  $VC_2$ .

7

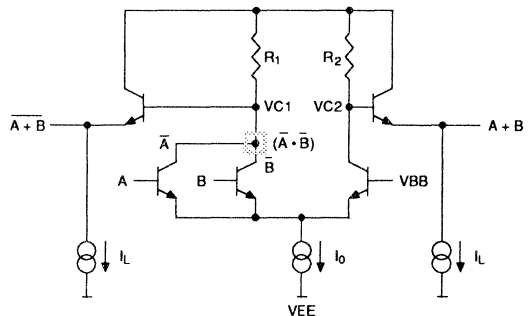
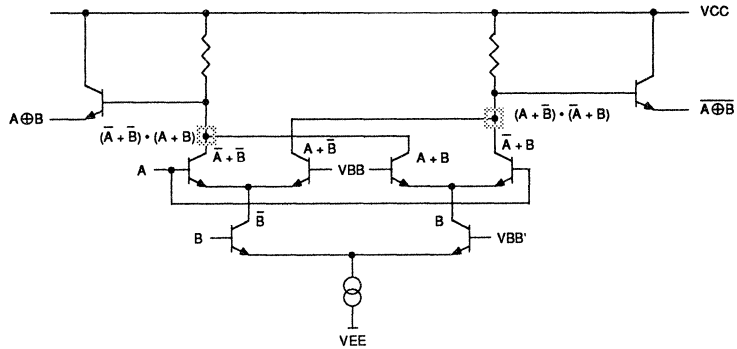


Figure 3a. OR/NOR Gate

Additional parallel input transistors can be added to this gate to create multiple input gates (Figures 3b and 3c). The limit of the number of parallel input transistors is set by the speed of the gate; additional input transistors add more capacitance to the collector switch node forming the NOR logic. Given enough capacitance difference between the two collector switch nodes, a skew in the two outputs will occur.

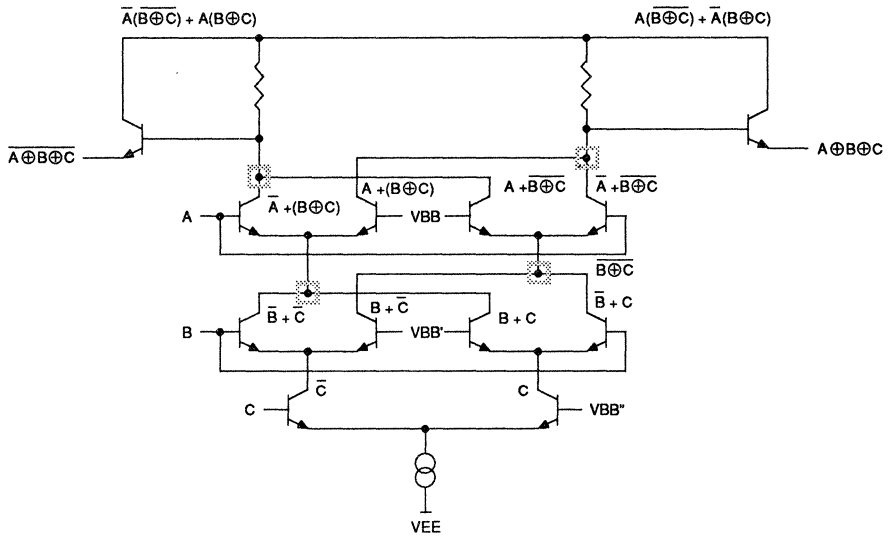
### Current Source

The current source used in 10KH and 100K ECL circuits is illustrated in Figure 4. The source current  $I_s$  is set by the reference voltage  $V_{CS}$ , the emitter resistor  $R_3$ , and the base-emitter voltage of  $Q_3$ .  $V_{CS}$  is internally generated and is at a fixed voltage with respect to the negative supply  $VEE$ . The source current is



14107-004A

Figure 3b. 2-Input XOR/XNOR Gate



14107-005A

Figure 3c. 3-Input XOR/XNOR Gate

independent of the VEE supply voltage because of this fixed voltage. The output levels are primarily determined by the collector voltages of  $Q_1$  and  $Q_2$ . As discussed earlier, these voltages are  $VCC - \alpha I_0 R$  or  $VCC_2$ . This relationship between the output levels and the source current makes the output levels practically insensitive to VEE variations. Thus these ECL circuits are said to be voltage compensated. The variation of output voltages with respect to VEE for the 10KH and 100K families is shown in Table 1.

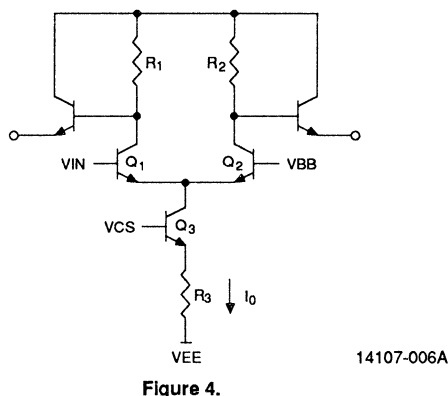


Figure 4.

	10KH	100K
$\Delta V_{OH} / \Delta V_{EE}$ mV/V	-20	7
$\Delta V_{OL} / \Delta V_{EE}$ mV/V	20	15
$\Delta V_{BB} / \Delta V_{EE}$ mV/V	10	10

Table 1. Voltage Sensitivity

### Input Threshold Regulation

The input threshold region is centered around VBB. VBB is internally generated and is at a fixed voltage with respect to the positive supply VCC. Variations in VEE have minimal effect in the value of VBB. The relationship between VBB and VEE is also shown in Table 1.

### 10KH Temperature Tracking

The output levels of 10KH circuits vary over temperature. The input threshold voltage VBB also varies over temperature to track the output variation. The temperature tracking characteristics of the 10KH output levels and input thresholds are shown in Table 2.

	10KH	100K
$\Delta V_{OH} / \Delta T$ mV/°C	1.3	<0.1
$\Delta V_{OL} / \Delta T$ mV/°C	0.5	<0.1
$\Delta V_{BB} / \Delta T$ mV/°C	1.0	<0.1

Table 2. Temperature Sensitivity

### 100K Temperature Compensation

The output levels and input thresholds of 100K circuits are temperature compensated. The input threshold is compensated in the bias network by referencing it to the extrapolated energy band-gap voltage of silicon ( $VGO = 1.3$  V), which is generated in an on-chip regulator. The output levels are compensated by a cross-connect network in the current switch and a temperature-regulated current-source driver (Figure 5). The cross-connect network adds a negative temperature coefficient to the base of  $Q_4$  when the true output of the gate is in the VOH state, which compensates for the positive temperature coefficient developed by the base-emitter junction of  $Q_4$ . Additionally this same circuit adds a positive temperature coefficient to the base of  $Q_4$  when the gate is in the VOL state, thereby compensating for the dominant negative coefficient introduced by the gate's current source. The temperature dependence of the 100K output levels and input thresholds is shown in Table 2.

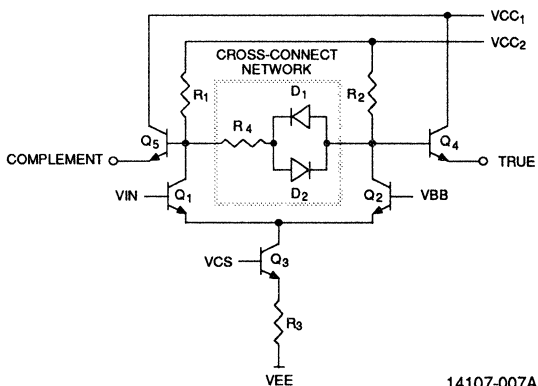


Figure 5. Output Temperature Compensation

### Voltage Supply Range

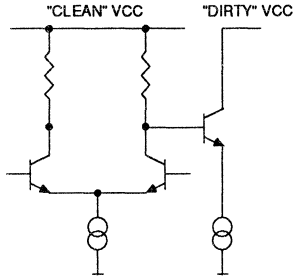
Because the outputs switch high currents very rapidly, they can generate a lot of noise on the VCC line. The circuitry operates with small voltage swings, so this noise can disrupt the rest of the circuit. For this reason, multiple VCC lines are used to isolate the internal "clean" VCC from the VCC that drives the outputs, (Figure 6). If the device has many outputs, several "dirty" VCC pins may be used. As a general rule, provide one VCC for each group of four outputs.

Because of the necessity for a clean VCC supply, it is desirable to connect it to the most stable voltage in a system, which is normally ground. Thus VEE is normally negative. The normal ECL VEE supply ranges are shown in Table 3.

	NOMINAL (V)	RANGE
10KH	-5.2	±0.5%
100K	-4.5	±0.3 V

Table 3.





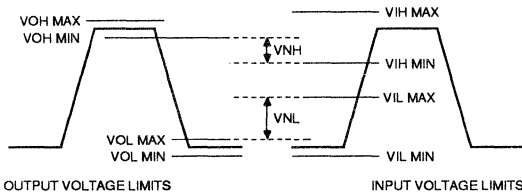
14107-008A

Figure 6.

### Noise Margins

Noise margins between circuits with different supply voltages do not degrade more than 30 mV because of the insensitivity of both the output voltage and the threshold voltage to changes in VEE. This simplifies the requirements for the system power regulation and distribution. The minimum noise margin is defined by the difference between the Min VOH and Min VIH, or VNH, and the difference between the Max VOL and Max VIL, or VNL (Figure 7).

In Table 4 the input and output electrical characteristics are shown for the 10KH family. Both VNH and VNL are 150 mV for two parts at the same temperature. With one part at 0°C driving another part at 75°C the VNL drops to 50 mV. This happens because the input thresholds and output voltages of 10KH circuits are not temperature compensated. The 100K circuits have temperature compensation and provide better noise margin for parts operating at different temperatures. Table 5 shows this; notice that input and output characteristics are specified for difference in power supply and not in temperature as is Table 4 for 10KH characteristics. The worst-case VNH for 100K parts is 115 mV. This occurs when one part has a VEE of -4.8 V and is driving a part whose VEE is at -4.2 V. The worst-case VNL for 100K parts is also 115mV. This occurs when one part has a VEE of -4.2 V and is driving a part whose VEE is at -4.8 V. The system designer must also take into account any variations in VCC from one part to the other as this will have direct affect on the system performance with respect to noise.



14107-009A

Figure 7. Noise Margins

### 10KH Electrical Characteristics $V_{EE} = -5.2 V \pm 5\%$ , Outputs Terminated With $50 \Omega$ to $-2.0 V$

SYMBOL	PARAMETER	0°		25°		75°		UNIT
		MIN	MAX	MIN	MAX	MIN	MAX	
$V_{OH}$	High output voltage	-1.02	-0.84	-0.98	-0.81	-0.92	-0.735	V dc
$V_{OL}$	Low output voltage	-1.95	-1.63	-1.95	-1.63	-1.95	-1.60	V dc
$V_{IH}$	High input voltage	-1.17	-0.84	-1.13	-0.81	-1.07	-0.735	V dc
$V_{IL}$	Low input voltage	-1.95	-1.48	-1.95	-1.48	-1.95	-1.45	V dc

Table 4. 10KH Input and Output Characteristics

## ECL Technology

### 100K Electrical Characteristics $0^{\circ}\text{C} < T_A < 85^{\circ}\text{C}$ , Outputs Terminated With $50\ \Omega$ to $-2.0\ \text{V}$

SYMBOL	PARAMETER	TEST CONDITIONS			UNIT	
		$V_{EE}$ (V)	MIN	TYP		MAX
$V_{OH}$	High output voltage	-4.2	-1.025	—	-0.880	Vdc
		-4.5	-1.025	-0.995	-0.880	
		-4.8	-1.035	—	-0.880	
$V_{OL}$	Low output voltage	-4.2	-1.810	—	-1.605	Vdc
		-4.5	-1.810	-1.705	-1.620	
		-4.8	-1.810	—	-1.620	
$V_{IH}$	High input voltage	-4.2	-1.150	—	-0.880	Vdc
		-4.5	-1.165	—	-0.880	
		-4.8	-1.165	—	-0.880	
$V_{IL}$	Low input voltage	-4.2	-1.810	—	-1.475	Vdc
		-4.5	-1.810	—	-1.475	
		-4.8	-1.810	—	-1.490	

Table 5. 100K Input and Output Characteristics



In addition to bipolar TTL and ECL and UV CMOS technologies, AMD programmable logic devices are manufactured using an advanced CMOS EEPROM-based technology. This technology offers the advantages of low power, low cost, and electrical reprogrammability for customer prototyping and code changes. In addition, since the EE cells can be reprogrammed, these devices can be 100% tested at the factory before being shipped to the customer.

Most AMD CMOS PAL<sup>®</sup> devices are manufactured with a high-performance, electrically erasable process technology called EE2. This technology has been specifically designed to fulfill the following requirements of fast programmable logic:

1. High performance
2. Low cost, high manufacturability
3. High reliability
4. Improvement path through scalability

EE2 is a single-poly double-metal CMOS process that uses an AMD-patented EE cell. This cell has a very high coupling ratio (>80%) and separate read and write paths to optimize programmability and reduce the parasitic capacitance in the speed path. Table 1 summarizes EE2's main characteristics.

**Table 1. EE2 Technology Summary**

CMOS N well	
Substrate	Grounded
Polysilicon	Single
Metal	Double
Minimum Feature Size	1.2 μ
Gate Length on Wafer	1.2 μ
Gate Oxide	225 Å
Contact Dimension on Wafer	1.8 μ
Metal 1 Pitch	4.0 μ
Metal 2 Pitch	4.8 μ

The single-poly solution has been chosen for the following reasons.

## COST AND MANUFACTURABILITY

Being a single-poly process, the number of masking steps is reduced. The process is very comparable to high-performance, high-volume logic and SRAM processes. This allows the devices to benefit from the economies of scale and extremely high yields associated with high-volume manufacturing.

## PERFORMANCE

The single-poly solution makes it easier to implement very tight dimension controls, required for high performance, in high-volume manufacturing.

## RELIABILITY

With the single-poly solution, the traditional interpoly dielectric is replaced by a high-quality gate oxide. The thermal stress on the tunnel oxide is reduced by the absence of interpoly dielectric and second-poly deposition steps. This increases both data retention and endurance.

AMD specifies an endurance of 100 cycles for EE2-based CMOS PAL devices, which is sufficient for logic applications. The data retention specification is 20 years at the absolute maximum operating temperature and 10 years at the absolute maximum storage temperature.

## SCALABILITY

Being very close in architecture to a standard high-performance logic process, EE2 will very easily benefit from the progress made on technology drivers such as SRAMs. This guarantees a smooth evolution from one generation to another, providing higher performance and lower cost.

In summary, by considerably simplifying the process, the single-poly solution allows the use of very high-performance CMOS technology for low-cost programmable logic devices.



## INTRODUCTION

Product Assurance consists of Quality Control, Reliability Assurance, Quality Assurance for Military Products and Quality Assurance for Commercial Products.

### Quality Assurance

Quality Assurance for the Commercial Products includes customer support and failure analysis, outgoing inspection and factory support, document control and quality information.

In order to support customers, QA provides actual data generated during various monitors and inspections throughout the factory. Non-proprietary data is available upon request. If the specific data is not immediately available, experiments can be run to collect the necessary information subject to resource and time limitations.

Another aspect of customer support is the performance of failure analyses. Failure analyses are broken down into three levels. Level 1 analysis consists of failure verification using an automatic tester. The result is only whether or not the device under test is good or bad with a datalog pointing out the potential failure mode. Level 2 analysis consists of Level 1 plus the verification at a bench top setup which results in confirmation of the failure mode with detailed specific data. Level 3 adds to Level 2 a decap and physical analysis to isolate the failure mechanism. Advanced Micro Devices has the capability to perform the total analysis in house, but occasionally sends analyses to outside sources whenever circumstances deem it necessary. Quality Engineering goals for cycle time are to complete Level 1 analyses within seven days, Level 2 within 14 days, and Level 3 within 30 days.

Not all customers want or need a full Level 3 analysis every time. The level can be specified at the time of submission. A failure analysis should be requested through the Sales person or Field Applications Engineer (FAE). A failure analysis request form will be completed at that time and the request form and suspected failure(s) will be forwarded to Quality Assurance.

Upon completion of the analysis, a formal report will be made to the requester. The report will summarize the results of the analysis and enumerate the steps followed in performing the analysis. In most cases, a statement of the corrective action taken to prevent future occurrences will be included for valid failures. In those cases where no failing condition is found, the device(s) and report are forwarded to the requester.

Quality Assurance supports the factory with periodic auditing of the various processes, areas and products. The Discrepant Material Reporting system (DMR) provides the factory feedback on the level of quality it is producing as well as providing protection to our customers via a gating of the product. The Quality Inspection group takes a 200 piece sample (.065% AQL for lot

sizes according to Mil-HDBK-105D) from each production lot for visual and mechanical testing and electrical testing. The lot is returned to production for rescreening if a defective unit is found in the sample. The results of the inspections are summarized and reported weekly. Through programs aimed at solving the causes of the defects, Advanced Micro Devices has improved quality levels significantly.

As a customer, you can learn from our experience. Our data suggests that handling is the number one cause of defective material. Whether it is human handling or not, the product flows should be engineered so as to minimize the number of separate handling steps. By ordering completed product in even box quantities, no handling should be necessary after the product has been packaged by the factory. Product can be placed into boards upon receipt.

By placing product directly into boards without incoming inspection and handling, ship-to-stock has been accomplished. Ship-to-stock, also known as dock-to-stock or certification, is an electronics industry goal. It accomplishes minimum cost objectives of our customers. The ship-to-stock decision is a customer decision that is based on the confidence one has in their supplier to provide consistent, high quality. Advanced Micro Devices has mechanisms in place to support ship-to-stock programs and has a generic recipe for the certification process for those who would like to get a head start on a such a program. Refer to the outline of Guidelines for Product Certification.

### Quality Improvement Programs

The Product Quality Objective is divided into the following components:

- Reliability
- Electrical Performance
- Programmability
- External Visual/Mechanical
- Internal Die Visual
- Total Quality Process
- Quality Partnership Program

### Reliability

The reliability program consists of new product, package and process qualifications, qualifications of product, package and process changes, and product, package, and process monitors. Most reliability testing is performed on site in Santa Clara.

Qualification requirements are generally customer driven. Advanced Micro Devices has developed a procedural specification that attempts to cover most of the requirements of our numerous customers. Most test methods follow the Mil-Std 883 method if applicable.

7

Publication #	Rev.	Amendment	Issue Date
14109	A	/0	1/90

---

## Product Assurance

The most common stresses are operating life, temperature cycling, and temperature and humidity testing. Advanced Micro Devices performs operating life at 125 degrees Celsius, 5.25V Vcc, and 1000 hours per method 1005, condition D. In some instances the time will be extended for information only. Operating life is performed dynamically by applying 100KHz to the inputs of the devices under stress. Interim readouts are generally made after 168 hours. The junction temperature is kept below 175 degrees Celsius. Temperature cycling is performed from -65 to 150 degrees Celsius for 100 cycles per method 1010, condition C.

Temperature and humidity, usually referred to as 85/85 testing, is performed with devices biased. Both Vcc and ground are held at ground potential while the rest of the pins are biased to 5 volts. The name 85/85 comes from the temperature and humidity settings of 85 degrees Celsius and 85% relative humidity. Devices are stressed for 1000 hours.

Many other stress tests are performed including ESD testing. Advanced Micro Devices has a complete ESD control program in all post wafer fabrication areas. All necessary facilities are in place and training is carried out on a routine basis. Audits are also made of the manufacturing areas to ensure adequate control is maintained at all times.

The monitor program is intended to continually look at production products, packages and processes. Each month a series of product, package, and process combinations are selected to be monitored. Each quarter one product from each process and package is thus checked. Any defects are analyzed in the manner previously presented.

Whenever a major change is made to a product, process, or package, a re-qualification test is run. In addition to requalification, notification is made through the sales organization to those customers that have such notification requirements. Advanced Micro Devices generally notifies customers at least 90 days prior to implementation of a major change.

All the data are summarized and published twice per year in the Reliability Report. Copies of the report are available upon request.

### Electrical and Visual/Mechanical Quality

The basis of the quality improvement program has been thorough analysis of and corrective action for defective units found in four main areas. The Discrepant Material Reporting system stems from outgoing sampling performed by the QA Inspection group on each production lot of devices. QA uses a 0.065% AQL sampling plan per Mil Std 105D which generally results in a 200 piece sample. Any lot with a defect in the sample is returned to manufacturing for rescreening.

The Parts Per Million monitor is a unique effort to emulate the results that our customers find by using our products. The significant feature of the monitor is that the parts utilized are pulled from finished goods, the point closest to the customer but still within the factory. Devices are tested at room and hot temperature to arrive at an electrical PPM and visually inspected to arrive at a visual/

mechanical PPM. In addition, samples are sent for programming and static burn in. In this way programming yield and infant mortality information are generated.

Defective devices from either of these factory locations are analyzed, summarized and have corrective actions generated by manufacturing and engineering. Formal reports are made to corporate management in the bimonthly Product Quality Review, which is a general meeting dedicated to reporting progress toward quality goals.

Two sources of customer feedback are the Customer Material Returns and failure analysis systems. Customer Material Returns (CMR) are generally returns by customers who are concerned with receiving credit or replacement of defective units they have found. These units are verified by a level 1 analysis as explained previously and summarized weekly and monthly in formal reports to management.

The fourth area of feedback is through the failure analysis system which has already been presented.

The results of the efforts have been the steady reduction in PPM levels to below 250ppm electrical, below 500ppm visual/mechanical, and below 0.1% infant mortality failures.

### Programmability

In addition to improving product quality, we have improved programming yields to higher levels. Improvement has come through algorithm revisions, random defect reduction, redesigns of products and programmer qualification. Once we began focusing on the programmer suppliers, we were able to better understand their programming processes and work much more closely with them to develop optimal programming algorithms. While this in itself helped to improve yields, we also made some design "tweaks" and manufacturing improvements that contributed further toward reaching levels generally above 99.5%. Post programming functionality was also improved.

Some of the issues that should be considered when considering performing your own programming are to maintain adequate calibration of programmers including replacing sockets after 10,000 insertions, inventory handling costs, human handling errors, and lack of post programming testing. Advanced Micro Devices can provide programmed product with minimum cost and handling that falls below 100ppm. This can be a significant reduction in the cost of quality and make it easier to move to a just-in-time manufacturing system.

### Internal Die Visual

It is Advanced Micro Devices' intent to supply die quality that meets or exceeds the Mil-Std 883, method 2010, class B. Toward this goal, Advanced Micro Devices has made significant improvements through random defect reduction in our manufacturing areas and through the use of statistical process control techniques. Significant defect reduction was gained by automating the assembly process to remove human handling. Similarly, automation in the wafer fabrication areas has also been effective. One significant improvement was made by putting pelicles on all

---

## Product Assurance

---

photolithographic wafer masks. In addition to preserving the plate indefinitely, the pelicle causes any particle that should happen to fall onto the plate to be out of focus on the wafer. Therefore, a perfect print is made every time.

Die visual quality has improved to over 97% conformance to method 2010, class B in molded packages and to 100% conformance in hermetic packages. The die visual improvement has also contributed to the improvement in infant mortality and the improvement in programming and post programming functionality.

### Total Quality Process

Up to this point, the discussion has centered around detection and inspection to find quality problems and fix them. However, the long term trend is toward prevention. Statistical process control is a preventive measure that allows for building in quality by quickly heading off problems before they occur. Statistical process control (SPC) is the mainstay of a total quality approach.

Total Quality means the molding of attitudes through continual education, training and awareness in all areas, and to establish SPC in all manufacturing areas. The vehicles for accomplishing total quality are the bimonthly Product Quality Review, Quality Improvement Teams, Deming seminars, in house SPC training, use of SPC consultants, and an automatic data collection and analysis.

The actual use of SPC in manufacturing can be seen in both the U. S. and in the assembly facility in Penang, Malaysia. The assembly areas are leading the way with on line monitoring and real time charting in most operations. The wafer manufacturing areas have attained various levels of penetration.

The future holds more automation in store for SPC. We have implemented a computer integrated system of data collection and analysis that will eventually allow for on line analysis, automatic data collection and automatic line control. We will be pushing ahead with more Taguchi techniques and with an SPC program to address non-production areas. And the bottom line will be to reduce our cost of quality through reduction in inspection and detection costs and to eliminate rework.

### Quality Partnership Program

Several years ago Advanced Micro Devices developed the Quality Partnership Program in order to facilitate quality improvement through enhanced feedback from a few customers that had good reporting mechanisms in place. Today, the program is basically the same with one very important exception. Advanced Micro Devices has attained quality levels below 250ppm as we measure ourselves. Through pareto analysis of your supplier base, you may not want to make the commitment necessary to sustain a true partnership relationship with a supplier that does not rank as one of your problems. But if you should, we are always ready to participate toward mutual improvement in quality. We have mechanisms in place to provide rapid and thorough failure analysis and outgoing inspection data on a regular basis. All that is needed is a commitment from our customers to provide us with rapid feedback and to be willing to work in tandem toward zero defects and minimum costs. The usual result of a successful partnership is reaching ship-to-stock and building a working relationship based upon trust and mutual understanding.

The quality programs described have been in existence for several years. The results have been dramatic. You will find us to be very honest and responsive to your needs. If you should need some information, please don't hesitate to contact us.

## **GUIDELINES FOR PRODUCT CERTIFICATION**

### **Characteristic Accountability**

- Process Flow
- Product Specification
- Monitors and Controls
- Place of Manufacture
- Establish Correlation

### **First Article Inspection**

- Electrical Conformance
- Visual/Mechanical Conformance
- Variables Data

### **Lot Monitoring Inspection**

- Lot Acceptance or Defect Rate Maintenance
- Period of Time or Number of Lots Criteria

### **Factory Audit**

- Customer

### **Certification**

- Certification Maintenance Program
- Disqualification and Recertification Program
- Periodic Reports, Data, and Timely Feedback
- Special Outgoing Inspection and Verification
- Change Notification

## **PRODUCT ASSURANCE**

### **Quality Assurance-Military**

- Facility Certification
- QPL Qualifications
- JEDEC 13/13.2 (Gov't Liason Committee)
- 38510 Quality Conformance Inspection

### **Product Acceptance**

- Electrical Test Gates
- Visual/Mechanical Gates
- Traceability Verification
- Government/Customer Liason
- Final Outgoing Inspection
- Inspection Activity Reporting
- Verifies Conformance With MIL-M-38510 QCI Requirements

### **Quality Assurance Eng.**

- Self Audits
- Corrective Action
- Calibration Control

- Customer Return Disposition, Reports and Failure Analysis
- Technical Resource
- Major Programs Support
- Division Quality Assessment Program
- Quality Partnership Program
- Configuration Control

### **Reliability Assurance Eng.**

- Customer/Gov't Quality Conformance Inspection
- Package, Process and Reliability Studies (New/Revised)
- Division/Reliability Reporting
- CECC Reliability Programs

### **Quality Control**

- Incoming Inspection/Vendor Evaluations, Ratings and Corrective Action
- In-Line Procedural Audits (Fab Through Final Seal)
- In-Line Operational Audits (Fab Through Final Seal)
- In-Process Wafer Fab Inspection
- In-Process Wafer Sort Inspection
- In-Process Assembly Inspection
- Offshore Assembly Surveillance
- Offshore/Surveillance Correlation Program
- Analytical Lab Services (Di Water, Chemical Analysis)
- Environmental Audits (Temp., RH, Particle Counts and Flow Hood Velocity)
- In-Process CSI/GSI
- Quality Engineering Failure Analysis
- Statistical Control, Product Quality Analysis

### **Quality Assurance-Commercial**

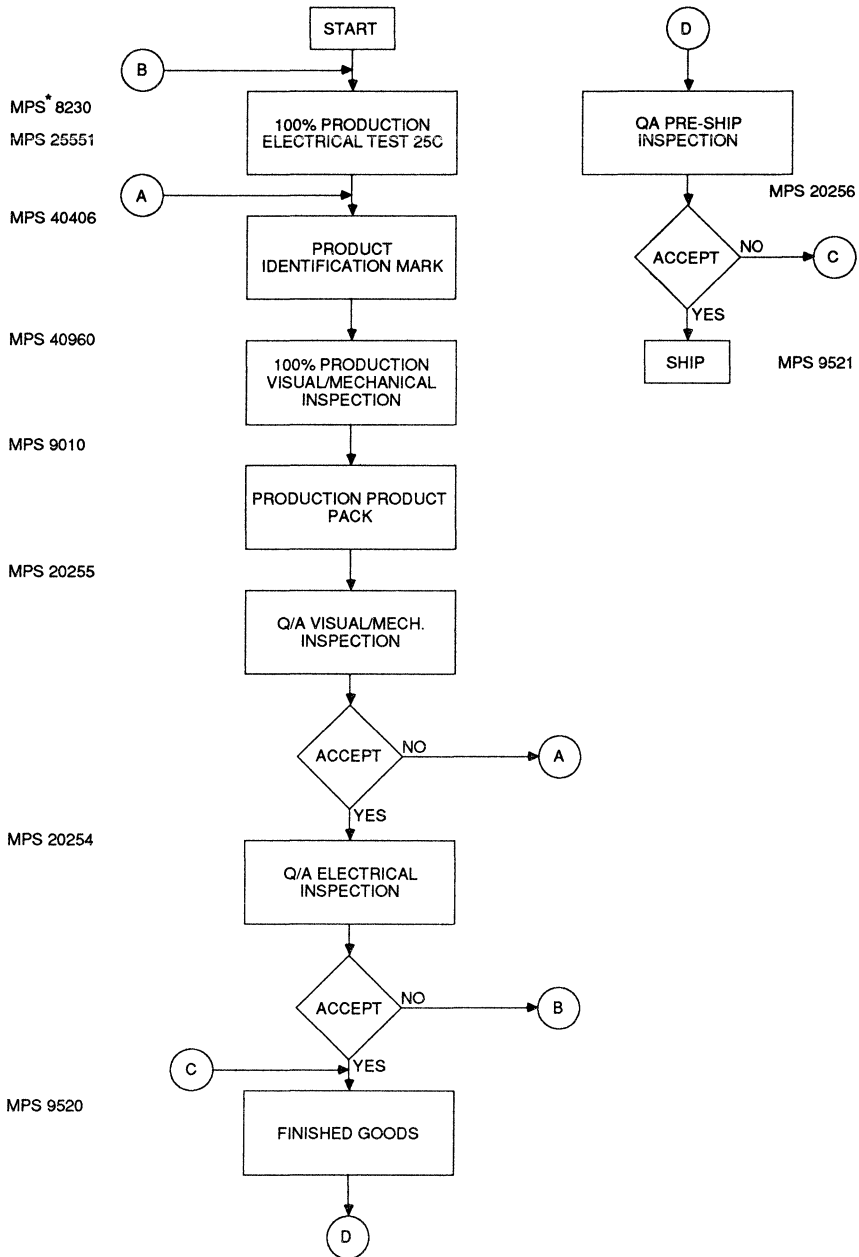
- Self Auditing
- Customer Material Returns Analysis and Corrective Action
- Discrepant Material Analysis and Corrective Action
- Technical Support
- Major Program Support
- PPM Monitor Support
- Quality Partnership Program
- Electrical Test Inspection
- Visual/Mechanical Inspection
- Final Outgoing Inspection
- Inspection Activity Reporting
- Commercial Traceability
- Conformance Verification of Special Commercial Specifications
- Document Control (Commercial)

### **Reliability Assurance**

- Device/Design Qual (New/Revised)
- Package Qualification (New/Revised)
- Process Qualification (New/Revised)
- On-Going Device/Package Reliability Monitors
- Extended and Accelerated Life Testing
- Qualification Test Lab Per MIL-STD-883 Method 5005
- 38510 Device Qualification and 883 Quality Conformance
- Failure Analysis Lab (SEM/EDAX and Engineering Services)
- Early Failure Mode Detection and Corrective Action
- Reliability Reports (In-House and Field)

Product Assurance

STANDARD POST ASSEMBLY PROCESS FLOW



\* Internal Manufacturing Process Specification Number





# Test and Finish Operations

Advanced Micro Devices' test and finish operations utilize state of the art electronic testing equipment as well as Electro-Static Discharge safeguards in all handling areas. Inventory is maintained and controlled via computerized database systems assuring one of the best on-time delivery systems in the industry. The product quality is monitored continually throughout the process to provide feedback necessary to support factory corrective actions.

## Electrical Testing/Pre Burn-In

The electrical test of integrated circuits starts long before a batch of parts is dispatched to the test area. Product and process characterizations must be performed to understand the parametric distributions and the test conditions that are necessary to provide full compliance to datasheet specification. When the customer order requires programming, functional test vectors are computer generated and evaluated for array coverage. Test software is validated for performance margin before being handed over to the Test area for use in production. The electrical test software is maintained through revision control and sign-off procedures.

Devices are delivered to the Test area for initial electrical testing. The product is 100% production tested to guarantee the databook requirements and functionality. The parameters specified include electrical and switching characteristics. In addition Advanced Micro Devices performs these tests at various ambient temperatures in order to eliminate marginal devices. Additionally, test program forcing conditions and test limits have been guard-banded to reduce the effects of system variability and parameter shift at temperature. All test equipment is calibrated to standards traceable to the National Bureau of Standards.

For reduced costs and improved quality due to the elimination of human handling errors, Advanced Micro Devices is incorporating bulk loading equipment into the Test and Finish areas. These machines can load and unload product from a handler with great speed, efficiency, and accuracy.

## Burn-In

Semiconductor failures over time are known to manifest themselves during the earliest stages of useful life. This phenomenon is known as "Infant Mortality." During burn-in, stresses are applied that accelerate failure for those devices which are prone to Infant Mortality. The elimination of these failures not only improves the

reliability, but also results in substantial cost savings for system manufacturers by reducing rework and repair loading.

Typical conditions for burn-in are:

Static Condition C  
Temperature: 125°C  
V<sub>cc</sub>: 5.25 V

The typical infant mortality phase is defined as 168 hours, with 75% of the defectives found in the first 48 hours.

Advanced Micro Devices has reduced mechanical handling defects during board load and unload by utilizing robotic handling/loading equipment.

## Electrical Test/Post Burn-In

The devices which are burned-in are again electrically tested to remove any failures that are a result of the Burn-in accelerated stresses. Production and engineering monitors have shown that the typical failure rate for this stress is approximately 0.05%.

## Marking

The devices are marked to provide identification of part number, AMD or MMI logo, assembly location, and date codes. In addition to standard marking, special customer required items are available. A photolithographic process is used to produce exceptional character clarity. Every lot is tested for marking permanency.

Traceability of all raw materials, equipment, operators and processes are identified by two unique date code numbers found on the top and bottom of the package. A six-digit code marked on the top-side of the device allows traceability of the test and finish operations, and an eight-digit bottom-side code for traceability of assembly processing and raw materials back to wafer lot.

## Visual/Mechanical Inspection

Visual and Mechanical inspection is performed on all production units. The inspection includes package outline dimensions, and lead and marking quality. With the aid of production monitors and statistical process controls, marginal processes are eliminated.

Publication #	Rev.	Amendment	Issue Date
14110	A	/0	1/90

### **Pack**

Packaging of devices is no simple matter. One must provide mechanical strength, and identification of contents as well as electrical protection (from ESD). Advanced Micro Devices utilizes carbon impregnated boxes for the intermediate containers of a shipment, which act as faraday cages in dissipating the built-up electro-static charges. The box label has printed on it the part number, package type, quantity of devices, QA stamp of acceptance, specification number, date of pack, and bit pattern (if programmed). Many of the above items are also printed in machine-readable bar code format to assist in product movement and control.

### **Quality Assurance Visual/ Mechanical and Electrical Inspections**

The Quality Assurance department sample inspects the devices to a 0.065% AQL sample plan in accordance to Mil-HDBK-105D.

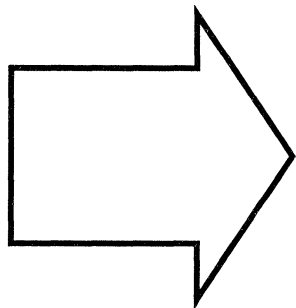
The visual/mechanical inspection consists of physical dimension checks along with lead, marking, and packaging verification to ensure quality.

Paperwork is also reviewed for accurate and complete processing to specification and customer requirement.

The devices are electrically tested to databook and/or specific customer conditions and limits to validate the electrical and functional integrity.

Any non-conformities that are found during QA inspection are verified and tracked through the appropriate product/assembly engineering group to obtain corrective action. This information along with inspection volume and failure rates is reported to management, operations and engineering regularly for long-term trend visibility and improvement.





Introduction	<b>1</b>
PAL Device Data Sheets	<b>2</b>
Sequencer Data Sheets	<b>3</b>
ECL/PGA Data Sheets	<b>4</b>
General Information	<b>5</b>
Design and Programming	<b>6</b>
Quality and Reliability	<b>7</b>
Appendices	<b>8</b>

# Appendices



---

AMD PLD Conversion Chart .....	8-3
Glossary .....	8-4
Worldwide Application Support .....	8-10
Sales Offices .....	8-11
Distributors .....	8-12

# AMD PLD Conversion Chart



This conversion chart lists all AMD PAL<sup>®</sup> devices and other PLDs that have been removed from the previous version of this data book. These products are either not recommended for new designs or discontinued, and have appropriate replacement devices listed. For details and assistance in converting from any of these devices, or for any questions you may have, contact your local AMD sales office.

Not Recommended for New Designs	Use Instead
PAL10H20G8 PAL10H20P8	PAL10H20EG8
PAL10H8 PAL10L8 PAL12H6 PAL12L6 PAL14H4 PAL14L4 PAL16H2 PAL16L2	PALCE16V8
PAL16C1	Contact AMD
PAL12L10	PALCE22V10
PAL14L8 PAL16L6 PAL18L4 PAL20L2	PALCE20V8
PAL20C1	PALCE22V10
PAL16L8A-4 PAL16R4A-4 PAL16R6A-4 PAL16R8A-4	PALCE16V8Q
PALC16L8Q PALC16R4Q PALC16R6Q PALC16R8Q	PALCE16V8Q
PALC16L8Z PALC16R4Z PALC16R6Z PALC16R8Z	PALCE16V8Z
AmPAL16L8 (all options) AmPAL16R4 AmPAL16R6 AmPAL16R8	PALCE16V8

Not Recommended for New Designs	Use Instead
PAL16P8A PAL16RP4A PAL16RP6A PAL16RP8A	PALCE16V8
PAL16X4	Contact AMD
AmPAL18P8Q	PALCE16V8Q
PALC18U8	PALCE16V8Q
PAL20L8Z PAL20R4Z PAL20R6Z PAL20R8Z	PALCE22V10Z
PALC/E20RA10Z	PAL20RA10
AmPAL20RP4 (all options) AmPAL20RP6 AmPAL20RP8	PALCE20V8
AmPAL20RP10	PALCE22V10
PAL20S10 PAL20RS4 PAL20RS8 PAL20RS10	PALCE22V10
AmPAL20XP10 (all options) AmPAL20XRP4 AmPAL20XRP6 AmPAL20XRP8 AmPAL20XRP10	PALCE22V10
PAL22RX8A	PAL32VX10A
PALC22V10	PALCE22V10
PAL32R16	PALCE29M16
PAL8L14A PAL6L16A	Contact AMD
PMS14R21/A	Am29CPL151
Am29PL141 Am29LPL141 Am29CPL141	Am29CPL151
Am29PL142 Am29CPL142 Am29CPL152 Am29CPL144	Am29CPL154
ZHAL™ Family	PALCE16V8Z PALCE22V10Z





**10KH** (adj.) A family of ECL devices. Circuits are temperature compensated. See also: ECL, 100K, temperature compensation.

**100K** (adj.) A family of ECL devices. Circuits are both temperature and voltage compensated. They have lower power dissipation and higher speed than their 10KH counterparts. See also: ECL, temperature compensation, voltage compensation, power dissipation, 10KH.

## A

**active high** (adj.) See polarity.

**active low** (adj.) See polarity.

**ALS** (adj.) Advanced Low-power Schottky TTL family. Characterized as a lower power version of the AS family, and actually faster and lower power than the LS family. See also: AS, LS, TTL, Schottky TTL.

**AND** 1. (adj.) One of the three elementary logic functions. Result of the AND operation is true if and only if all operands are true. 2. (v.t.) To perform the AND operation.

**AS** (adj.) Advanced Schottky TTL family. High-speed versions of the standard Schottky TTL family. Generally use oxide isolated technology for very high speed. See also: Schottky TTL, TTL, oxide isolation.

**assertive high** (adj.) Same as "active high". See polarity.

**assertive low** (adj.) Same as "active low". See polarity.

**astable** (adj.) Describes a system which has no stable state. Such a system will oscillate. Astable circuits can be used to generate timing and synchronizing clock signals. See also: bistable, monostable.

**asynchronous** 1. (adj.) Describes a sequential logic system wherein operations are not synchronized to a common clock. 2. (adj.) Describes signals whose behavior and timing are completely unrelated to a particular clock. Such signals can either be random or based on another clock which has a different frequency. 3. (adj.) Describes a communication protocol whereby the timing of various operations is not determined by a system clock, but rather by events whose relationships are known, but whose exact timing cannot be precisely predicted. See also: sequential, clock, synchronous.

## B

**BCD** (n.) Binary Coded Decimal. Decimal numbers in 4-bit binary.

**binary** (adj.) Having only two possible states, which can be variously called on/off, 1/0, true/false, high/low, etc.

**bipolar** (adj.) One of the two basic types of transistor. In logic design, used for TTL, ECL, and PL families. See also: TTL, ECL, PL, MOS.

**bistable** (adj.) Describes a system which has 2 stable states. Any other state is unstable, and will eventually change to one of the stable states. A flip-flop is the most common electronic bistable circuit. See also: flip-flop, astable, monostable.

**bit** 1. (n.) Binary Digit. One unit of binary information. 2. (n.) A measure of the storage capacity of a memory chip. See also: binary.

**blank** (adj.) Describes the state of a programmable cell after manufacturing, and before any programming, or, in the case of an erasable device, after erasure. Opposite of "programmed". See also: programmable cell, programmed, program, erase.

**buffer** (n.) A logic gate which performs the logic identity function; i.e., the input is passed through unchanged. Used to isolate various parts of a system, or to provide voltage or current amplification.

## C

**chip** (n.) A single piece of semiconductor material which contains an integrated circuit. Sometimes called a die if not in a package. See also: integrated circuit, die, package.

**clock** 1. (adj.) A signal used to synchronize the operation of a system. 2. (adj.) An input to a clocked flip-flop. The flip-flop will not change state until an appropriate pulse appears at the clock input. 3. (n.) A circuit which generates a clock signal. 4. (v.t.) To pulse the clock signal or the clock input of a clocked flip-flop. See also: flip-flop, clocked flip-flop.

**clocked flip-flop** (n.) A flip-flop that does not change state until a clock signal is received. See also: flip-flop, unclocked flip-flop, clock.

**CMOS** (n., adj.) Complementary MOS. A type of circuit which makes use of both N-channel and P-channel MOS transistors. Many CMOS logic circuits consume no power when not actually switching. See also: MOS, NMOS, PMOS, standby power.

**combinational** (adj.) See combinatorial.

**combinatorial** (adj.) Refers to a logic circuit which implements logic functions of present input signals only. Also called combinational. See also: sequential.

## Glossary

---

**complement** 1. (adj.) Refers to a signal which is identical to some reference signal, except that it is of opposite polarity. Opposite of "true". 2. (v.t.) To invert. See also: true, polarity, invert.

**complementary** (adj.) Refers to logic device outputs which implement identical logic functions, but with opposite polarities. Used on some PLDs and ECL devices. See also: polarity, PLD, ECL.

### D

**decimal** (adj.) Based on the number 10.

**die** (n.; plural: dice) Same as a chip, particularly before being placed in a package. See also: chip, package.

**digit** (n.) Any number from 0 to 9.

**DIP** (n.) Dual In-line Package. The most common integrated circuit package. It is rectangular in shape, with widths ranging from .300 inch to .900 inch, and has vertical leads along the length. Available for up to 64 pins. See also: integrated circuit, package.

**disable** 1. (v.t.) To turn off a three-state output. 2. (v.t.) To inhibit another function, such as "disabling the clock". See also: three-state, enable.

**download** 1. (v.t.) To pass data from one machine to a less complex machine. 2. (n.) The act of downloading data. See also: upload.

### E

**ECL** (n., adj.) Emitter Coupled Logic family. An extremely high speed family of bipolar logic and memory devices. See also: bipolar.

**EE cell (E<sup>2</sup> cell)** (n.) A floating gate cell which can be both programmed and erased with electrical signals.

**EEPROM** (n.) Electrically Erasable Programmable Read-Only Memory. A nonvolatile read-only memory device which can be erased and reprogrammed, both with special electrical signals. See also: program, erase, EPROM, PROM, ROM, RAM, non-volatile.

**enable** 1. (v.t.) To turn on a three-state output. 2. (adj.) By itself, usually refers to a pin which is used to enable a three-state output. Also called "output enable". 3. (adj.) Used with other function names, indicates a qualifier or inhibitor of the function. For example, "clock enable" is a function which qualifies the clock function. 4. (v.t.) To allow a signal which has been disabled to function; for example, "enabling the clock" removes any restraint which may disable the clock signal. See also: three-state, disable.

**EPROM** (n.) Erasable Programmable Read-Only Memory. A non-volatile read-only memory device which can be erased and

reprogrammed. Erasure is accomplished by exposing the die to ultraviolet light for a period of time. Die must be packaged in a windowed package to allow erasure. See also: program, erase, EPROM, PROM, ROM, RAM, non-volatile, windowed package.

**erase** 1. (v.t.) To return a programmed device to its blank state. Opposite of "program". 2. (v.t.) To return an individual programmable cell to its blank state. See also: blank, programmable cell, program.

**ESD** (n.) Electrostatic Discharge. The natural physical event of the transferring of electrical charges. If uncontrolled, ESD can destroy or degrade both CMOS and bipolar semiconductor devices with inadequate on-chip protection circuitry and/or insufficient packaging and handling protection. See also: ESDS Device, CMOS, bipolar.

**ESDS Device** (n.) Electrostatic Discharge Sensitive Device. A device which is sensitive to damage at certain levels of ESD. Three classes exist at ESD levels of up to 1999V, to 3999V and above 4000V. See also: ESD.

### F

**finite state machine (FSM)** (n.) A machine which can be in one of a finite number of states. Often used for logic circuits which sequence through various states. Such a circuit is referred to as sequential. See also: sequential.

**flip-flop** (n.) A bistable digital circuit. The simplest variety is called an S-R flip-flop. Other types are J-K, T, and D-type. May be unlocked or clocked. See also: bistable, unlocked flip-flop, clocked flip-flop.

**floating gate** (n.) A gate on an MOS transistor which is not connected to anything. Used to store charge; forms the basis of UV cells and EE cells. See also: MOS, gate, UV cell, EE cell.

**FPGA** 1. (n.) Field Programmable Gate Array. A high-density PLD with multiple levels of logic and programmable interconnect. 2. (n.) Field Programmable Gate Array. An array of logic gates whose configuration can be programmed by the customer. The gates are often NAND gates, but can also be NOR gates. See also: gate, program, NAND, NOR.

**FPLA** (n.) Field Programmable Logic Array. See PLA.

**FPLS** (n.) Field Programmable Logic Sequencer. A programmable logic device which is intended for sequencing or state machine applications. See also: finite state machine.

**functionally complete** (adj.) Refers to a logic operation or group of operations from which any complex logic function can be built. The NAND and NOR operators are functionally complete. See also: NAND, NOR.

**fuse** (n.) As used in programmable logic, usually refers to a lateral metal link fuse. See also: lateral fuse.



**fuse map** (n.) A graphic representation of the contents of a PLD. The state of each connection (fuse or other programmable cell) is represented, usually with "X" indicating an intact connection, and "-" indicating an open connection. See also: PLD, programmable cell.

## G

**gate** 1. (n.) A fundamental logic element. The elementary gates provide NOT, AND, and OR logic functions. 2. (n.) The control terminal of a gated D-type latch. See also: latch, gated latch.

**gate array** (n.) A logic device which consists of an array of logic gates (usually NAND) which can be interconnected during fabrication. A custom metallization pattern is used to configure the desired functions. See also: gate, NAND, metallization.

**gate equivalency** (n.) A rough measure of the complexity of a digital logic integrated circuit. Indicates the approximate number of discrete logic gates that would be needed to implement the same function. See also: gate.

**gated latch** (n.) Generally refers to an unlocked D-type flip-flop which has a control signal called a gate. When the gate is "open", the flip-flop output follows the data input. When the gate is "closed", the output holds its current state. Also called a transparent latch. See also: flip-flop, unlocked flip-flop, gate, latch.

## H

**HAL® device** (n.) Hard Array Logic device. A version of a PAL device which is configured during fabrication with a custom metallization pattern. HAL is a registered trademark of Advanced Micro Devices. See also: PAL device, metallization.

## I

**I<sup>2</sup>L (IIL)** (n., adj.) Integrated Injection Logic. A less common bipolar logic design technique which, when used, is found primarily in portions of LSI and VLSI circuits. See also: bipolar, LSI, VLSI.

**integrated circuit** (n.) An electronic device which has many transistors and other semiconductor components integrated onto one piece of silicon. Often abbreviated IC.

**invert** (v.t.) To perform the logical NOT function on a digital signal. To reverse the polarity of a digital signal. See also: polarity, NOT.

**inverter** (n.) A logic gate which performs logical inversion, or the NOT operation. See also: gate, NOT.

**I/O (Input/Output)** 1. (n.) The methods and equipment used to pass information into and/or out of a system or device. 2. (adj.) On a programmable logic device, a pin which can function as an input and/or an output.

## J

**JEDEC** 1. (n.) Joint Electronic Device Engineering Council. A council which creates, approves, arbitrates, and/or oversees industry standards for electronic devices. 2. (adj.) In programmable logic, refers to a computer file containing information about the programming of a device. The file format is a JEDEC-approved standard. Used for downloading to programmers. See also: program, programmer, download.

**junction isolation** (n.) A bipolar integrated circuit fabrication technique which uses P-N junctions to isolate transistors. This is the original integrated circuit technology, and is being supplanted by oxide isolation in places where speed is critical. See also: oxide isolation, bipolar.

## K

**Karnaugh map (K-map)** (n.) A graphic tool for minimizing sum-of-products or product-of-sums logic functions. Useful for up to six logic variables. See also: sum-of-products, product-of-sums.

## L

**latch** 1. (n.) A type of flip-flop. Means different things to different people. In general, an unlocked flip-flop. Sometimes used to refer specifically to a gated D-type flip-flop. 2. (v.t.) To capture a signal in a latch. See also: flip-flop, unlocked flip-flop, gate, gated latch.

**latch up** (v.t.) To enter the latch-up condition. See also: latch-up.

**latch-up** (n.) A condition in which a circuit draws uncontrolled amounts of current, and certain voltages are forced, or "latched-up" to some level. Used especially in reference to CMOS devices, which can latch up if the operating conditions are violated. See also: CMOS, latch up.

**lateral fuse** (n.) A thin metal link which is disconnected when programmed. Connected in the blank state, disconnected in the programmed state. Usually just called a "fuse". See also: program, programmed, blank.

**LCC** (n.) Leadless Chip Carrier. A ceramic integrated circuit package having no leads. Connection is made to metal contacts which are flush with the package. See also: integrated circuit, lead, package.

**lead** (n.) [ $\bar{l}ed$ ] A metal conductor which provides a connection from the inside of an integrated circuit package to the outside world for soldering or other mounting techniques. See also: integrated circuit.

**logic array** (n.) Generally an array of programmable cells which attach inputs to logic gates of a specified type. See also: program, gate, programmable cell.

## Glossary

**logic simulation** (n.) A means whereby a logic design can be evaluated on a computer before actually being built. The computer simulates the behavior of the components to predict the behavior of the overall circuit.

**LS** (adj.) Low-power Schottky TTL family. Lower power version of the standard Schottky TTL family. See also: TTL, Schottky TTL.

**LSI** (adj.) Large-Scale Integration. A rough measure of the complexity of a digital circuit. Characterized as having 100–5000 gate equivalents for logic chips, or 1K–16K bits for memory chips. See also: gate equivalent, bit, VLSI, SSI, MSI.

### M

**macrocell** (n.) Typically the output cell of a PLD, containing a flip-flop and path multiplexers.

**maxterm** (n.) A sum in the canonical product-of-sums form. Each maxterm contains every input variable, in either true or complemented form. See also: product-of-sums, true, complement.

**metallization** (n.) The process of connecting the various elements of an integrated circuit or printed circuit board by placing a layer of metal over the entire wafer or board, and then selectively etching away unwanted metal. A photolithographic mask defines the pattern of connections. See also: integrated circuit, wafer, printed circuit board.

**minterm** (n.) A product in the canonical sum-of-products form. Each minterm contains every input variable, either in true or complemented form. See also: sum-of-products, true, complement.

**monolithic** (adj.) In the electronics industry, refers to a circuit which has been integrated onto one semiconductor chip. Integrated circuits are monolithic by definition. See also: integrated circuit.

**monostable** (adj.) Describes a system which has 1 stable state. Any other state is unstable, and will eventually change to the stable state. The most common monostable circuit is a “one-shot”. See also: bistable, astable.

**MOS** (n., adj.) Metal-Oxide-Semiconductor transistor. One of the two basic types of transistor. In logic design, used for NMOS, PMOS, and CMOS families. See also: NMOS, PMOS, CMOS, bipolar.

**MSI** (adj.) Medium-Scale Integration. A rough measure of the complexity of a digital logic circuit. Characterized as having 10–100 gate equivalents. See also: gate equivalent, SSI, LSI, VLSI.

### N

**NAND** (adj.) Not AND. A commonly used logic gate which is equivalent to an AND gate followed by an inverter. The NAND

logic operation is functionally complete. See also: gate, inverter, functionally complete, AND.

**negative logic** (n.) A physical implementation of logic wherein a low voltage level represents a logic 1, or “true”, and a high voltage level represents a logic 0, or “false”. See also: positive logic, polarity.

**NMOS** (n., adj.) N-channel MOS. A type of circuit which makes exclusive use of N-channel MOS transistors. See also: MOS, PMOS, CMOS.

**non-volatile** (adj.) Refers to memory devices which do not lose their contents when power is removed. See also: volatile.

**NOR** (adj.) Not OR. A logic gate which is equivalent to an OR gate followed by an inverter. The NOR logic operation is functionally complete. See also: gate, inverter, functionally complete, OR.

**NOT** (adj.) One of the three elementary logic functions. Unary operation whose result is true if and only if the operand is false.

### O

**OR** 1. (adj.) One of the three elementary logic functions. Result of the OR operation is false if and only if all operands are false.  
2. (v.t.) To perform the OR operation.

**OTP** (adj.) One-Time Programmable. Refers to programmable devices which are UV-erasable, but which are not packaged in windowed packages. As a result, there is no way to erase the device, making it programmable only once. See also: program, erase, UV-erasable, windowed package.

**oxide isolation** (n.) A bipolar integrated circuit fabrication technique which uses silicon dioxide to isolate transistors. This results in higher speed and density. See also: junction isolation, bipolar.

### P

**package** (n.) The encasement which protects a die and provides convenient electrical contact to the die. Materials used are generally ceramic or plastic compounds. There is a variety of shapes and sizes. See also: die.

**PAL® device** (n.) Programmable Array Logic device. A PLD which implements logic via a programmable AND logic array driving a fixed OR logic array. PAL is a registered trademark of Advanced Micro Devices. See also: program, logic array, sum-of-products, PLD, AND, OR.

**PLA** (n.) Programmable Logic Array. A programmable logic device which implements sum-of-products logic via a programmable AND logic array driving a programmable OR logic array. See also: program, logic array, sum-of-products, AND, OR.

**PLCC** (n.) Plastic Leaded Chip Carrier. A molded plastic integrated circuit package with leads shaped like a “J” (J-leads). Intended for surface mounting. See also: integrated circuit, lead, surface mounting, package.

---

## Glossary

---

**PLD** (n.) Programmable Logic Device. Generic term for a logic device whose function can be configured by the customer after purchase. See also: program.

**PMOS** (n., adj.) P-channel MOS. A type of circuit which makes exclusive use of P-channel MOS transistors. See also: MOS, NMOS, CMOS.

**polarity** (n.) Specifies the sense of "active" and "inactive", or "true" and "false" in a digital signal. "Active high" represents "true" as a high signal; "active low" represents "true" as a low signal.

**positive logic** (n.) A physical implementation of logic wherein a high voltage level represents a logic 1, or "true", and a low voltage level represents a logic 0, or "false". See also: negative logic, polarity.

**power dissipation** (n.) The amount of electrical power used by a device. Calculated as the product of the operating voltage and current. Measured in watts (W) or milliwatts (mW), as appropriate. Sometimes incorrectly used to refer to the operating current only.

**printed circuit board (PC board, PCB)** (n.) A board for assembling electrical components. Component connections are made by metal traces which have been fabricated through a metallization process. See also: trace, metallization.

**product-of-sums (POS)** (adj.) A representation of a logic function where the input signals are individually inverted (if necessary), then ORed together to form sums which are ANDed together. Any combinatorial logic function can be represented in product-of-sums form. See also: sum-of-products, combinatorial, AND, OR.

**product term (pterm, p-term)** (n.) An AND gate in a PLD which implements sum-of-products logic. See also: sum-of-products, PLD, AND, gate.

**product term sharing** (n.) See product term steering.

**product term steering** (n.) A means whereby product terms in a PAL device can be routed to one of two device outputs, instead of being dedicated only to one output. Sometimes called "product term sharing". See also: product term, PAL device.

**program** 1. (v.t.) As used in programmable logic, to configure a blank device so that it can perform some desired function. Applies to memory and logic devices. Opposite of "erase". 2. (v.t.) To change an individual programmable cell from a blank state to a programmed state. See also: blank, programmable cell, programmed, erase.

**programmable cell** (n.) Any of a variety of cells which can be altered by applying certain electrical signals. Various types are lateral and vertical fuses, UV cells, E<sup>2</sup> cells, and even RAM cells. All but RAM cells are non-volatile. See also: lateral fuse, vertical fuse, UV cell, E<sup>2</sup> cell, RAM cell, non-volatile, volatile.

**programmed** (adj.) Describes the state of a programmable cell or device after programming. Opposite of "blank".

**programmer** (n.) A device or machine used for configuring, or "programming", PLDs or PROMs. See also: program, PLD, PROM.

**PROM** (n.) Programmable Read-Only Memory. A nonvolatile memory device whose contents are programmed by the customer. Once programmed, it cannot be erased. Also functions as a PLD with a fixed AND logic array which drives a programmable OR logic array. See also: program, erase, EEPROM, EPROM, ROM, RAM, non-volatile, AND, OR, logic array.

## R

**RAM** (n.) Random-Access Memory. Sometimes called read/write memory. A type of memory device which can be written to and read at any time. Such memory is volatile. Actually a misnomer, since most types of memories can be accessed randomly. The distinguishing feature is the fact that RAM is designed specifically to be written to in normal usage. See also: ROM, volatile.

**RAM cell** (n.) A cell which is used make one bit of volatile memory in a RAM. Can also form the basis of a programmable logic connectivity array. See also: RAM, volatile.

**ROM** (n.) Read-Only Memory. A nonvolatile memory device which has its contents defined when manufactured. No changes can be made to the memory contents. See also: PROM, EPROM, EEPROM, RAM, non-volatile.

## S

**Schottky TTL** (adj.) Family of TTL devices which make use of Schottky diodes for higher speed. See also: TTL.

**security fuse** (n.) APLD feature which allows a user to "secure" the PLD after programming. This prevents subsequent copying of the contents of the PLD. See also: PLD, program.

**semicustom** (adj.) Refers to a circuit which has been partially designed by the device vendor, and partially designed, or configured, by the customer. Primary types are PLDs, gate arrays, and standard cell circuits. See also: PLD, gate array, standard cell.

**sequential** (adj.) Refers to a logic circuit whose operation depends both on present input signals and previous operations, or states. Requires some kind of memory (usually flip-flops) for remembering past states. See also: flip-flop, combinatorial.

**SSI** (adj.) Small Scale Integration. A rough measure of the complexity of a digital logic circuit. Characterized as having less than 10 gate equivalents. See also: gate equivalent, MSI, LSI, VLSI.

**standard cell** (n.) A method of designing semicustom or full custom circuits whereby predefined cells are brought together to provide the specified function. Unlike gate arrays, all fabrication steps are customized, instead of just the metallization step. See also: semicustom, gate array, metallization.

## Glossary

---

**standby power** (n.) The power consumed by a device when none of the device inputs are switching. Usually used in reference to CMOS devices, many of which consume practically no standby power. See also: CMOS.

**sum-of-products (SOP)** (adj.) A representation of a logic function where the input signals are individually inverted (if necessary), then ANDed together to form products which are ORed together. Any combinatorial logic function can be represented in sum-of-products form. See also: product-of-sums, combinatorial, AND, OR.

**surface mounting** (n.) A printed circuit board assembly technique whereby the integrated circuit packages are placed on the board with no leads protruding through to the other side. Packages can thus be mounted on both sides of the board. See also: printed circuit board, lead, through-hole mounting.

**synchronous** 1. (adj.) Describes a sequential logic system wherein all operations are synchronized to a common clock. 2. (adj.) Describes signals whose behavior and timing are synchronized to a clock. 3. (adj.) Describes a communication protocol whereby the timing of various operations is determined by a system clock. See also: sequential, clock, asynchronous.

## T

**temperature compensation** (n.) A circuit feature which allows some electrical characteristics to remain relatively constant with some variation in operating temperature.

**three-state** (adj.) A type of logic device output which can be in one of three-states: HIGH, LOW, and OFF, or High-Z (high impedance). When enabled (on), performs as a normal binary output. When disabled (off), acts as an open pin. See also: enable, disable, binary.

**through-hole mounting** (n.) A printed circuit board assembly technique whereby the leads of the various components extend through holes in the board. These leads are then soldered from the opposite side of the board. See also: printed circuit board, lead, surface mounting.

**trace** 1. (n.) During logic simulation, the behavior of a signal or group of signals. The results can sometimes be stored in a "trace file" on disk for later analysis. 2. (n.) A thin layer of metal on a printed circuit board which provides connections between components. Performs the function of a wire. See also: logic simulation, printed circuit board.

**transparent latch** (n.) See gated latch.

**TRI-STATE®** (adj.) See three-state. TRI-STATE is a registered trademark of National Semiconductor Corp.

**true** (adj.) Refers to a signal which is identical to some reference signal, with the same polarity. Opposite of "complement". See also: complement, polarity.

**TTL** (adj.) Transistor-Transistor Logic family. The most widely used family of bipolar logic devices. The name refers to the particular circuit design technique used. See also: bipolar.

## U

**unlocked flip-flop** (n.) A flip-flop that changes state as soon as the appropriate control signals are applied. See also: flip-flop, clocked flip-flop.

**upload** 1. (v.t.) To pass data from one machine to a more complex machine. 2. (n.) The act of uploading data. See also: download.

**UV cell** (n.) A floating gate cell which can be erased by exposure to ultraviolet (UV) light. See also: floating gate, erase.

**UV-erasable** (adj.) Refers to devices or programmable cells which can be erased when exposed to ultraviolet (UV) light for a period of time. See also: programmable cell, erase.

## V

**vertical fuse** (n.) A transistor arranged such that the emitter and base are shorted together when programmed. Disconnected in the blank state, connected in the programmed state. See also: program, programmed, blank.

**VLSI** (adj.) Very Large Scale Integration. A rough measure of the complexity of a digital circuit. Characterized as having 5000 or more gate equivalents for logic chips, or 16K or more bits for memory chips. See also: gate equivalent, bit, SSI, MSI, LSI.

**volatile** (adj.) Refers to memory devices which lose their contents when power is removed. See also: non-volatile.

**voltage compensation** (n.) A circuit feature which allows some electrical characteristics to remain relatively constant with some variation in the supply voltage.

## W

**wafer** (n.) A round slice of very pure silicon which is used in the fabrication of integrated circuits. Several circuits can be built on one wafer. See also: integrated circuit.

**windowed package** (n.) A package which has a quartz window in the lid directly over the die. This makes it possible to expose the die to ultraviolet light for erasing the device. See also: erase, die, package.



The Worldwide Application Support Group is dedicated to making sure that the customer's need for technical support is met.

It is the job of Applications Engineering to ensure that the customer engineer is familiar with our product line, that they have the information and tools necessary to get the appropriate part designed in, and that they have access to technical support throughout the lifetime of their product.

Support is provided by two groups:

**Field Applications Engineers**—With Applications Engineers located in our field sales offices throughout the world, our customers always have access to an engineer when they have problems or questions. Working with Sales, our engineers teach seminars showing customers how to use our new parts, assist them during their design when technical questions come up, and provide troubleshooting support to help eliminate problems which might

occur when the design reaches production. Call your local Sales Office for an FAE in your area.

**Factory Applications Support**—This group, located within the factory, is responsible for centralized technical support of all AMD's products. Their duties include developing seminars for training of FAEs and customers, and hosting the twice yearly Applications Conference. They are responsible for the coordination of customer training and giving the factory an insight into the customer's point of view.

Additionally, the Factory Applications Support Group provides customer support for technical questions via a toll-free number: (800) 222-9323 (listed on the back of all databooks). This department is manned from 7:00 A.M. to 5:30 P.M. (Pacific time) Monday to Friday. Currently 80% of the questions are answered on the first call, 20% within 24 hours.

---

<i>Publication #</i>	<i>Rev.</i>	<i>Amendment</i>	<i>Issue Date</i>
14111	A	/0	1/90

## Sales Offices

**North American**

ALABAMA	(205) 882-9122
ARIZONA	(602) 242-4400
CALIFORNIA,	
Culver City	(213) 645-1524
Newport Beach	(714) 752-6262
Roseville	(916) 786-6700
San Diego	(619) 560-7030
San Jose	(408) 452-0500
Woodland Hills	(818) 992-4155
CANADA, Ontario,	
Kanata	(613) 592-0060
Willowdale	(416) 224-5193
COLORADO	(303) 741-2900
CONNECTICUT	(203) 264-7800
FLORIDA,	
Clearwater	(813) 530-9971
Ft. Lauderdale	(305) 776-2001
Orlando (Casselberry)	(407) 830-8100
GEORGIA	(404) 449-7920
ILLINOIS,	
Chicago (Itasca)	(312) 773-4422
Naperville	(312) 505-9517
KANSAS	(913) 451-3115
MARYLAND	(301) 796-9310
MASSACHUSETTS	(617) 273-3970
MICHIGAN	(313) 347-1522
MINNESOTA	(612) 938-0001
NEW JERSEY,	
Cherry Hill	(609) 662-2900
Parsippany	(201) 299-0002
NEW YORK,	
Liverpool	(315) 457-5400
Poughkeepsie	(914) 471-8180
Rochester	(716) 272-9020
NORTH CAROLINA	(919) 878-8111
OHIO,	
Columbus (Westerville)	(614) 891-6455
Dayton	(513) 439-0470
OREGON	(503) 245-0080
PENNSYLVANIA	(215) 398-8006
SOUTH CAROLINA	(803) 772-6760
TEXAS,	
Austin	(512) 346-7830
Dallas	(214) 934-9099
Houston	(713) 785-9001

**International**

BELGIUM, Bruxelles	TEL (02) 771-91-42
	FAX (02) 762-37-12
	TLX 846-61028
FRANCE, Paris	TEL (1) 49-75-10-10
	FAX (1) 49-75-10-13
	TLX 263282F
WEST GERMANY,	
Hannover area	TEL (0511) 736085
	FAX (0511) 721254
	TLX 922850
München	TEL (089) 4114-0
	FAX (089) 406490
	TLX 523883
Stuttgart	TEL (0711) 62 33 77
	FAX (0711) 625187
	TLX 721882
HONG KONG,	
Wanchai	TEL 852-5-8654525
	FAX 852-5-8654335
	TLX 67955AMDAPHX
ITALY, Milan	TEL (02) 3390541
	(02) 3533241
	FAX (02) 3498000
	TLX 843-315286
JAPAN,	
Kanagawa	TEL 462-47-2911
	FAX 462-47-1729
Tokyo	TEL (03) 345-8241
	FAX (03) 342-5196
	TLX J24064AMDTKOJ
Osaka	TEL 06-243-3250
	FAX 06-243-3253

**International (Continued)**

KOREA, Seoul	TEL 822-784-0030
	FAX 822-784-8014
LATIN AMERICA,	
Ft. Lauderdale	TEL (305) 484-8600
	FAX (305) 485-9736
	TLX 5109554261 AMDFTL
NORWAY, Hovik	TEL (03) 010156
	FAX (02) 591959
	TLX 79079HBCN
SINGAPORE	TEL 65-3481188
	FAX 65-3480161
	TLX 55650 AMDMMI
SWEDEN,	
Stockholm	TEL (08) 733 03 50
(Sundbyberg)	FAX (08) 733 22 85
	TLX 11602
TAIWAN	TEL 886-2-7213393
	FAX 886-2-7723422
	TLX 886-2-7122066
UNITED KINGDOM,	
Manchester area	TEL (0925) 828008
(Warrington)	FAX (0925) 827693
	TLX 851-628524
London area	TEL (0483) 740440
(Woking)	FAX (0483) 756196
	TLX 851-859103

**North American Representatives**

CANADA	
Burnaby, B.C.	
DAVETEK MARKETING	(604) 430-3680
Calgary, Alberta	
DAVETEK MARKETING	(403) 291-4984
Kanata, Ontario	
VITEL ELECTRONICS	(613) 592-0060
Mississauga, Ontario	
VITEL ELECTRONICS	(416) 676-9720
Lachine, Quebec	
VITEL ELECTRONICS	(514) 636-5951
IDAHO	
INTERMOUNTAIN TECH MKTG, INC	(208) 888-6071
ILLINOIS	
HEARTLAND TECH MKTG, INC	(312) 577-9222
INDIANA	
Huntington - ELECTRONIC MARKETING	
CONSULTANTS, INC	(317) 921-3450
Indianapolis - ELECTRONIC MARKETING	
CONSULTANTS, INC	(317) 921-3450
IOWA	
LORENZ SALES	(319) 377-4666
KANSAS	
Merriam - LORENZ SALES	(913) 384-6556
Wichita - LORENZ SALES	(316) 721-0500
KENTUCKY	
ELECTRONIC MARKETING	
CONSULTANTS, INC	(317) 921-3452
MICHIGAN	
Birmingham - MIKE RAICK ASSOCIATES	(313) 644-5040
Holland - COM-TEK SALES, INC	(616) 399-7273
Novi - COM-TEK SALES, INC	(313) 344-1409
MISSOURI	
LORENZ SALES	(314) 997-4558
NEBRASKA	
LORENZ SALES	(402) 475-4660
NEW MEXICO	
THORSON DESERT STATES	(505) 293-8555
NEW YORK	
East Syracuse - NYCOM, INC	(315) 437-8343
Woodbury - COMPONENT	
CONSULTANTS, INC	(516) 364-8020
OHIO	
Centerville - DOLFUSS ROOT & CO	(513) 433-6776
Columbus - DOLFUSS ROOT & CO	(614) 885-4844
Strongsville - DOLFUSS ROOT & CO	(216) 238-0300
PENNSYLVANIA	
DOLFUSS ROOT & CO	(412) 221-4420
PUERTO RICO	
COMP REP ASSOC, INC	(809) 746-6550
UTAH, R <sup>2</sup> MARKETING	(801) 595-0631
WASHINGTON	
ELECTRA TECHNICAL SALES	(206) 821-7442
WISCONSIN	
HEARTLAND TECH MKTG, INC	(414) 792-0920

Advanced Micro Devices reserves the right to make changes in its product without notice in order to improve design or performance characteristics. The performance characteristics listed in this document are guaranteed by specific tests, guard banding, design and other practices common to the industry. For specific testing details, contact your local AMD sales representative. The company assumes no responsibility for the use of any circuits described herein.



Advanced Micro Devices, Inc. 901 Thompson Place, P.O. Box 3453, Sunnyvale, CA 94088, USA  
Tel: (408) 732-2400 • TWX: 910-339-9280 • TELEX: 34-6306 • TOLL FREE: (800) 538-8450  
APPLICATIONS HOTLINE TOLL FREE: (800) 222-9323 • (408) 749-5703

© 1989 Advanced Micro Devices, Inc.  
8/9/89  
Printed in USA

## U.S. AND CANADIAN DISTRIBUTORS

**ALABAMA**

Arrow/Kierulff Electronics  
1015 Henderson Road  
Huntsville, Alabama 35805  
Tel: (205) 837-6955

Hamilton/Avnet Electronics  
49-40 Research Drive  
Huntsville, Alabama 35805  
Tel: (205) 837-7210  
TWX: 810-726-2162

Schweber Electronics  
4910-J Corporate Drive  
Huntsville, Alabama 35805  
Tel: (205) 895-0480

**ARIZONA**

Anthem Electronics  
1727 E. Weber Drive  
Tempe, Arizona 85281  
Tel: (602) 966-6600  
FAX: 602-996-4826

Arrow/Kierulff Electronics  
4134 E. Wood Street  
Phoenix, Arizona 85040  
Tel: (602) 437-0750  
FAX: 602-252-9109

Hamilton/Avnet Electronics  
30 S. McKemy Avenue  
Chandler, Arizona 85226  
Tel: (602) 961-6400  
TWX: 910-951-1535  
FAX: 602-961-4555

Schweber Electronics  
11049 N. 23rd Drive  
Phoenix, Arizona 85029  
Tel: (602) 997-4874  
TWX: 910-950-1174

Wyle Labs/EMG  
4141 E. Raymond, Suite 1  
Phoenix, Arizona 85040  
Tel: (602) 437-2088

**CALIFORNIA**

Anthem Electronics  
9131 Oakdale Avenue  
Chatsworth, California 91311  
Tel: (818) 700-1000

Anthem Electronics  
1 Oldfield  
Irvine, California 92718-2809  
Tel: (714) 768-4444  
FAX: 714-380-4747

Anthem Electronics  
580 Menlo Drive, Suite 8  
Rocklin, California 95677  
Tel: (916) 824-9744

Anthem Electronics  
9369 Carroll Park Drive  
San Diego, California 92121  
Tel: (619) 453-4871  
FAX: 619-546-7893

Anthem Electronics  
1040 E. Brokaw Road  
San Jose, California 95131  
Tel: (408) 453-1200  
FAX: 408-452-2242

Arrow/Kierulff Electronics  
2961 Dow Avenue  
Tustin, California 92680  
Tel: (714) 838-5422  
TWX: 910-595-2861

Arrow/Kierulff Electronics  
9511 Ridgehaven Court  
San Diego, California 92123  
Tel: (619) 565-4800  
TWX: 910-335-1195

Arrow/Kierulff Electronics  
19748 Dearborn Street  
Chatsworth, California 91311  
Tel: (818) 701-7500  
TWX: 910-493-2086

Arrow/Kierulff Electronics  
10824 Hope Street  
Cypress, California 90630  
Tel: (714) 220-6300  
FAX: 714-821-8420

Arrow/Kierulff Electronics  
521 Weddell Drive  
Sunnyvale, California 94089  
Tel: (408) 745-6600  
TWX: 910-339-9371

Arrow/Kierulff Electronics  
1180 Murphy Avenue  
San Jose, California 95131  
Tel: (408) 947-3550

Elmo Semiconductor Corp.  
7590 N. Glenoaks Boulevard  
Burbank, California 91504-1052  
Tel: (818) 768-7400  
TWX: 910-321-2943

Hamilton/Avnet Electronics  
350 McCormick Avenue  
Irvine Industrial Complex  
Costa Mesa, California 92626  
Tel: (714) 754-6111  
TWX: 910-595-1928

Hamilton/Avnet Electronics  
3170 Pullman Street  
Costa Mesa, California 92626  
Tel: (714) 614-4100  
TWX: 910-595-1928

Hamilton/Avnet Electronics  
21150 Califa Street  
Woodland Hills, California 91367  
Tel: (818) 594-0404

Hamilton/Avnet Electronics  
4103 Northgate Boulevard  
Sacramento, California 95834  
Tel: (916) 920-3150

Hamilton/Avnet Electronics  
4545 Viewridge Avenue  
San Diego, California 92123  
Tel: (619) 571-7500  
TWX: 910-335-1216

Hamilton/Avnet Electronics  
1175 Bordeaux Drive  
Sunnyvale, California 94089  
Tel: (408) 743-3300  
TWX: 910-339-9332

Hamilton Electro Sales  
10950 W. Washington Boulevard  
Culver City, California 90230  
Tel: (213) 558-2000  
TWX: 910-340-6364  
910-340-7073  
TELEX: 66-43-29  
66-43-31

Hamilton/Avnet Electronics  
1361 "B" W. 190th Street  
Gardena, California 90248  
Tel: (213) 217-6700  
TWX: 910-340-7073  
FAX: 213-327-3794

Schweber Electronics  
17822 Gillette  
Irvine, California 92714  
Tel: (714) 863-0200  
TWX: 910-595-1720

Schweber Electronics  
90 E. Tasman  
San Jose, California 95134  
Tel: (408) 432-7171  
FAX: 408-943-0623

Schweber Electronics  
3265 Ramos Circle  
Sacramento, California 95827  
Tel: (916) 364-0222  
FAX: 916-364-1938

Schweber Electronics  
26707 W. Agoura Road  
Calabasas, California 91302  
Tel: (818) 880-9686  
FAX: 818-880-4687

Schweber Electronics  
371 Van Ness Way, Suite 100  
Torrance, California 90501  
Tel: (213) 320-8090  
FAX: 213-320-0896

Schweber Electronics  
Carroll Ridge Business Center  
6750 Nancy Ridge Road  
Suite D&E, Bldg. 7  
San Diego, California 92121  
Tel: (619) 450-0454

Wyle Labs/EMG  
26677 Agoura Road  
Calabasas, California 91302  
Tel: (818) 880-9000  
TWX: 310-372-0232  
FAX: 818-880-5510

Wyle Labs/EMG  
124 Maryland Street  
El Segundo, California 90245  
Tel: (213) 322-1763  
TWX: 910-348-7140  
FAX: 213-322-8100

Wyle Labs/EMG  
Orange County Division  
17872 Cowan  
Irvine, California 92714  
Tel: (714) 863-9953  
TWX: 910-595-1572

Wyle Labs/EMG  
18910 Teller Avenue  
Irvine, California 92715  
Tel: (714) 851-9953  
TWX: 310-371-9127

Wyle Labs/EMG  
2951 Sunrise Boulevard, Suite 175  
Rancho Cordova, California 95742  
Tel: (916) 638-5282  
TWX: 310-371-9279

Wyle Labs/EMG  
9525 Chesapeake Drive  
San Diego, California 92123  
Tel: (619) 565-9171  
TWX: 910-335-1590

Wyle Labs/EMG  
3000 Bowers Avenue  
Santa Clara, California 95052  
Tel: (408) 727-2500  
TWX: 910-338-0296

**CANADA**

Arrow Electronics  
4050 Jean Talon Ouest  
Montreal, Quebec  
Canada H4P 1W1  
Tel: (514) 735-5511  
TWX: 05-255-90

Arrow Electronics  
4585 Canada Way, Suite 208  
Burnaby, British Columbia  
Canada V5G 4L6  
Tel: (604) 291-2986  
FAX: 604-291-6023

Arrow Electronics  
1093 Meyerside Drive, Unit 2  
Mississauga, Ontario  
Canada L5T 1M4  
Tel: (416) 670-7769

Arrow Electronics  
36 Antares Drive, Unit 100  
Nepean, Ontario  
Canada K2E 7W5  
Tel: (613) 226-6903

Arrow Electronics  
500 Jean Baptiste, Suite 280  
Quebec City, Quebec  
Canada G2E 59R  
Tel: (418) 871-7500

Future Electronics  
3220 5<sup>th</sup> Avenue N.E.  
Calgary, Alberta  
Canada T2A 5N1  
Tel: (403) 235-5325

Future Electronics  
82 St. Regis Crescent North  
Downsview, Ontario  
Canada M3J 1Z3  
Tel: (416) 638-4771  
TWX: 610-491-1470

Future Electronics  
5312 Calgary Trail  
Edmonton, Alberta  
Canada T6H 4J8  
Tel: (403) 438-2858

Future Electronics  
Baxter Centre  
1050 Baxter Road  
Ottawa, Ontario  
Canada K2C 3P2  
Tel: (613) 820-8313  
TWX: 610-563-1697

Future Electronics  
237 Hymus Boulevard  
Pointe Claire, Quebec  
Canada H9R 5C7  
Tel: (514) 694-7710  
FAX: (514) 695-3707  
TELEX: 82-3554  
05-823555

Future Electronics  
1990 Boulevard Charest Ouest  
Suite 190  
St. Foy, Quebec  
Canada G1N 4K8  
Tel: (418) 682-8092

Future Electronics  
1695 Boundary Road  
Vancouver, British Columbia  
Canada V5K 4X7  
Tel: (604) 294-1166

Future Electronics  
106 King Edward [Century]  
Winnipeg, Manitoba  
Canada R3H 0N8  
Tel: (204) 786-7711

Hamilton/Avnet Electronics  
6845 Rexwood Road, Units 3-5  
Mississauga, Ontario  
Canada L4V 1R2  
Tel: (416) 677-7432  
TWX: 610-492-8867

Hamilton/Avnet Electronics  
190 Colonnade Road  
Nepean, Ontario  
Canada K2E 7J5  
Tel: (613) 226-1700  
TWX: 610-562-1906

Hamilton/Avnet Electronics  
2816 21st Street, N.E.  
Calgary, Alberta  
Canada T2E 6Z2  
Tel: (403) 250-9380  
TWX: 610-821-2286

Hamilton/Avnet Electronics  
2795 Halpern  
St. Laurent, Quebec  
Canada H4S 1P8  
Tel: (514) 335-1000  
TWX: 610-421-3731

Hamilton/Avnet Electronics  
2550 Boundary Road, Suite 115  
Burnaby, British Columbia  
Canada V5M 3Z3  
Tel: (604) 437-6667  
TELEX: 04-356351

Zentronics Limited  
1355 Meyerside Drive  
Mississauga, Ontario  
Canada L5T 1C9  
Tel: (416) 564-9600  
FAX: 416-564-8320

Zentronics Limited  
155 Colonnade Road S., #17/18  
Nepean, Ontario  
Canada K2E 7K1  
Tel: (613) 226-8840  
FAX: 613-226-6352

Zentronics Limited  
217 McCaffery Street  
Ville St. Laurent, Quebec  
Canada H4T 1N3  
Tel: (514) 737-2804  
FAX: 514-737-5212

Zentronics Limited  
6815 8th Street, N.E. #100  
Calgary, Alberta  
Canada T2E 7H7  
Tel: (403) 295-8838

Zentronics Limited  
11400 Bridgeport Road, #108  
Richmond, British Columbia  
Canada V6X 1T2  
Tel: (604) 273-5575  
FAX: 604-273-2413

## U.S. AND CANADIAN DISTRIBUTORS (Continued)

**COLORADO**

Anthem Electronics  
373 Inverness Drive  
Englewood, Colorado 80112  
Tel: (303) 790-4500  
FAX: 303-790-4532

Arrow/Kierulff Electronics  
7060 S. Tucson Way  
Englewood, Colorado 80112  
Tel: (303) 790-4444  
FAX: 303-790-0188

Hamilton/Avnet Electronics  
9605 Maroon Circle, Suite 200  
Englewood, Colorado 80112  
Tel: (303) 799-0663  
FAX: 303-799-7801

Schweber Electronics  
Highland Technical Business Park  
8955 E. Nichols Avenue, Suite 200  
Englewood, Colorado 80112  
Tel: (303) 799-0258  
FAX: 303-799-0730

Wyle Labs/EMG  
451 East 124th Avenue  
Thornton, Colorado 80241  
Tel: (303) 457-9953  
TWX: 910-936-0770

**CONNECTICUT**

Anthem Electronics  
61 Mattatuck Heights  
Waterbury, Connecticut 06705  
Tel: (203) 596-3201  
FAX: 203-596-3232

Arrow/Kierulff Electronics  
12 Beaumont Road  
Wallingford, Connecticut 06492  
Tel: (203) 265-7741  
TWX: 710-476-0162

Hamilton/Avnet Electronics  
Commerce Park  
Commerce Drive  
Danbury, Connecticut 06810  
Tel: (203) 797-2800  
TWX: 710-456-9974

Schweber Electronics  
115 Hurley Road  
Oxford, Connecticut 06483  
Tel: (203) 264-4700  
FAX: 203-264-4998

**FLORIDA**

Arrow/Kierulff Electronics  
37 Skyline Drive, Suite 3101  
Lake Mary, Florida 32746  
Tel: (407) 323-0252  
FAX: 407-323-3189

Arrow/Kierulff Electronics  
400 Fairway Drive  
Deerfield Beach, Florida 33441  
Tel: (305) 429-8200  
FAX: 305-428-3991

Arrow/Kierulff Electronics  
El Monte Mall  
Third Floor, Suite 2  
Hato Rey, Puerto Rico 00918  
Tel: (809)764-4384  
FAX: 809-764-3479

Hamilton/Avnet Electronics  
2801 N.W. 15th Way  
Ft. Lauderdale, Florida 33069  
Tel: (305) 971-2900  
TWX: 510-956-3097

Hamilton/Avnet Electronics  
3247 Tech Drive North  
St. Petersburg, Florida 33716  
Tel: (813) 573-3930  
TWX: 810-863-0374

Hamilton/Avnet Electronics  
6947 University Boulevard  
Winter Park, Florida 32792  
Tel: (407) 628-3888  
TWX: 810-853-0322

Schweber Electronics  
317 S. North Lake Boulevard  
Suite 1024  
Altamonte Springs, Florida 32701  
Tel: (407) 331-7555  
TWX: 810-848-0052

Schweber Electronics  
7243 Bryan Dairy Road  
Largo, Florida 34647  
Tel: (813) 541-5100  
FAX: 813-541-2855

Schweber Electronics  
3665 Park Central Boulevard  
Pompano Beach, Florida 33064  
Tel: (305) 977-7511  
TWX: 510-954-0304

**GEORGIA**

Arrow/Kierulff Electronics  
4250-E River Green Parkway  
Duluth, Georgia 30136  
Tel: (404) 497-1300

Hamilton/Avnet Electronics  
5825 D Peachtree Corners East  
Norcross, Georgia 30092  
Tel: (404) 447-7500  
TWX: 810-766-0432

Schweber Electronics  
303 Research Drive, Suite 210  
Norcross, Georgia 30092  
Tel: (404) 449-9170  
TWX: 810-766-1592

**ILLINOIS**

Arrow/Kierulff Electronics  
1140 West Thorndale Avenue  
Itasca, Illinois 60143  
Tel: (312) 250-0500  
FAX: 312-250-0916

Hamilton/Avnet Electronics  
1130 Thorndale Avenue  
Bensenville, Illinois 60106  
Tel: (312) 860-7780  
TWX: 910-227-0600

Schweber Electronics  
904 Cambridge  
Elk Grove Village, Illinois 60007  
Tel: (312) 364-3750  
TWX: 910-222-3453

**INDIANA**

Arrow/Kierulff Electronics  
7108 Lakeview Parkway W. Drive  
Indianapolis, Indiana  
Tel: (317) 243-9353  
TWX: 810-341-3119

Hamilton/Avnet Electronics  
485 Grady Drive  
Carmel, Indiana 46032  
Tel: (317) 299-2071  
FAX: 317-299-2379

**IOWA**

Arrow/Kierulff Electronics  
375 Collins Road N.E.  
Cedar Rapids, Iowa 52402  
Tel: (319) 395-7230

Hamilton/Avnet Electronics  
915 33rd Avenue S.W.  
Cedar Rapids, Iowa 52404  
Tel: (319) 362-4757  
TWX: 910-525-1316

Schweber Electronics  
5270 Park Place N.E.  
Cedar Rapids, Iowa 52402  
Tel: (319) 373-1417

**KANSAS**

Arrow/Kierulff Electronics  
8208 Melrose, Suite 210  
Lenexa, Kansas 66214  
Tel: (913) 541-9542  
FAX: 913-541-0328

Hamilton/Avnet Electronics  
15313 W. 95th Street  
Lenexa, Kansas 66219  
Tel: (913) 888-8900  
TWX: 910-743-0005

Schweber Electronics  
10300 W. 103rd Street, Suite #200  
Overland Park, Kansas 66214  
Tel: (913) 492-2921

**KENTUCKY**

Hamilton/Avnet Electronics  
805 A Newtown Circle  
Lexington, Kentucky 40511  
Tel: (606) 259-1475

**MARYLAND**

Anthem Electronics  
9020 A Mendenhall Court, Suite E  
Columbia, Maryland 21045  
Tel: (301) 995-6640  
FAX: 301-621-8270

Arrow/Kierulff Electronics  
8300 Guilford Drive  
Columbia, Maryland 21046  
Tel: (301) 995-6002  
TWX: 910-236-9005

Hamilton/Avnet Electronics  
6822 Oak Hall Lane  
Columbia, Maryland 21045  
Tel: (301) 995-3500  
TWX: 710-862-1861  
TELEX: 8-79-68

Schweber Electronics  
9800-H Patuxent Woods  
Columbia, Maryland 21046  
Tel: (301) 596-7800  
FAX: 301-596-7821

**MASSACHUSETTS**

Anthem Electronics  
36 Jonspin Road  
Wilmington, Massachusetts 01887  
Tel: (508) 657-5170  
FAX: 508-657-6008

Arrow/Kierulff Electronics  
25 Upton Drive  
Wilmington, Massachusetts 01887  
Tel: (508) 935-5134  
FAX: 508-694-1754

Hamilton/Avnet Electronics  
10D Centennial Drive  
Peabody, Massachusetts 01960  
Tel: (508) 532-3701

Schweber Electronics  
25 Wiggins Avenue  
Bedford, Massachusetts 01730  
Tel: (617) 275-5100  
FAX: 617-275-7912

Serex Labs  
72 Cherry Hill Drive  
Beverly, Massachusetts 01915-0288  
Tel: (508) 927-5820

**MICHIGAN**

Arrow/Kierulff Electronics  
Haggerty Tech Center  
19880 Haggerty Road  
Livonia, Michigan 48152  
Tel: (313) 462-2290  
TWX: 313-462-2686

Arrow/Kierulff Electronics  
3510 Roger B. Chaffee Drive S.E.  
Grand Rapids, Michigan 49508  
Tel: (616) 243-0912

Hamilton/Avnet Electronics  
41650 Gardenbrook Road  
Suite 100  
Novi, Michigan 48050  
Tel: (313) 347-4270

Hamilton/Avnet Electronics  
2215 29th Street, S.E.  
Space A-5  
Grand Rapids, Michigan 49508  
Tel: (616) 243-8805  
TWX: 910-242-2983

Schweber Electronics  
31478 Industrial Road, Suite 3  
Livonia, Michigan 48150  
Tel: (313) 525-8100

**MINNESOTA**

Arrow/Kierulff Electronics  
5230 W. 73rd Street  
Edina, Minnesota 55435  
Tel: (612) 830-1800  
TWX: 910-576-3125

Hamilton/Avnet Electronics  
12400 Whitewater Drive  
Minnetonka, Minnesota 55343  
Tel: (612) 932-0600  
TWX: 910-576-2720

Schweber Electronics  
7424 W. 78th Street  
Edina, Minnesota 55435  
Tel: (612) 941-5280  
TWX: 910-576-3167

**MISSOURI**

Arrow/Kierulff Electronics  
2380 Schuetz Road  
St. Louis, Missouri 63146  
Tel: (314) 567-6888  
TWX: 910-764-0882

Hamilton/Avnet Electronics  
741 Goddard Avenue  
Chesterfield, Missouri 63005  
Tel: (314) 537-1600

Schweber Electronics  
502 Earth City Expressway  
Suite #203  
Earth City, Missouri 63045  
Tel: (314) 739-0526  
FAX: 314-739-5268

**NEW HAMPSHIRE**

Arrow/Kierulff Electronics  
3 Perimeter Road  
Manchester, New Hampshire 03103  
Tel: (603) 668-6968  
TWX: 710-220-1684

Hamilton/Avnet Electronics  
444 E. Industrial Park Drive  
Manchester, New Hampshire 03103  
Tel: (603) 624-9400  
TWX: 710-474-3255

Schweber Electronics  
Bedford Farms Bldg. #6  
Kilton & South River Road  
Manchester, New Hampshire 03102  
Tel: (603) 625-2250  
TWX: 710-220-7572

**NEW JERSEY**

Anthem Electronics  
311 Route 46 West  
Fairfield, New Jersey 07006  
Tel: (201) 227-7960  
FAX: 201-227-9246

Arrow/Kierulff Electronics  
4 East Stow Road, Unit 11  
Marlton, New Jersey 08053  
Tel: (215) 928-1800  
TWX: 710-897-0829

Arrow/Kierulff Electronics  
6 Century Drive  
Parsippany, New Jersey 07054  
Tel: (201) 538-0900  
TWX: 710-734-4403

Hamilton/Avnet Electronics  
1 Keystone Avenue, Bldg. 36  
Cherry Hill, New Jersey 08003  
Tel: (609) 424-0100  
TWX: 710-940-0262

Hamilton/Avnet Electronics  
10 Industrial Road  
Fairfield, New Jersey 07006  
Tel: (201) 575-3390  
TWX: 710-734-4388

Schweber Electronics  
43 Route 46 East  
Pine Brook, New Jersey 07058  
Tel: (201) 227-7880

**NEW MEXICO**

Arrow/Kierulff Electronics  
2460 Alamo Avenue S.E.  
Albuquerque, New Mexico 87107  
Tel: (505) 884-2950  
FAX: 505-884-2959

Electronic Devices, Inc.  
8325-A Washington N.E.  
Albuquerque, New Mexico 87113  
Tel: (505) 822-1300  
FAX: 505-822-1411



**U.S. AND CANADIAN DISTRIBUTORS (Continued)**

Hamilton/Avnet Electronics  
2524 Baylor Drive S.E.  
Albuquerque, New Mexico 87106  
Tel: (505) 765-1500  
TWX: 910-989-0614

**NEW YORK**

Anthem Electronics  
47 Mall Drive  
Commack, New York 11725  
Tel: (516) 864-6600

Arrow/Kierulff Electronics  
25 Hub Drive  
Melville, New York 11747  
Tel: (516) 694-6800  
TWX: 510-224-6155

Arrow/Kierulff Electronics  
3375 Brighton Henrietta Townline  
Rochester, New York 14623  
Tel: (716) 427-0300  
TWX: 510-263-4766

Arrow/Kierulff Electronics  
20 Oser Avenue  
Hauppauge, New York 11788  
Tel: (516) 231-1000  
TWX: 510-227-6623

Hamilton/Avnet Electronics  
103 Twin Oaks Drive  
Syracuse, New York 13206  
Tel: (315) 437-2642  
TWX: 710-541-0959

Hamilton/Avnet Electronics  
933 Motor Parkway  
Hauppauge, New York 11788  
Tel: (516) 231-9800  
TWX: 510-224-6166

Hamilton/Avnet Electronics  
2060 Townline Road  
Rochester, New York 14623  
Tel: (716) 475-9130  
TWX: 510-253-5470

Schweber Electronics  
3 Town Line Circle  
Rochester, New York 14623  
Tel: (716) 424-2222  
TWX: 710-541-0601

Schweber Electronics  
Jericho Turnpike  
Westbury, New York 11590  
Tel: (516) 334-7474  
TWX: 510-222-9470  
510-222-3660

**NORTH CAROLINA**

Arrow/Kierulff Electronics  
5240 Greens Dairy Road  
Raleigh, North Carolina 27604  
Tel: (919) 876-3132  
TWX: 510-928-1856

Arrow/Kierulff Electronics  
938 Burke Street  
Winston-Salem, North Carolina 27101  
Tel: (919) 725-8711  
TWX: 510-931-3169

Hamilton/Avnet Electronics  
3510 Spring Forest Road  
Raleigh, North Carolina 27604  
Tel: (919) 878-0819  
TWX: 510-928-1836

Schweber Electronics  
1 Commerce Center  
5285 North Boulevard  
Raleigh, North Carolina 27604  
Tel: (919) 876-0000  
TWX: 510-928-0531

**OHIO**

Arrow/Kierulff Electronics  
7620 McEwen Road  
Centerville, Ohio 45459  
Tel: (513) 435-5563  
TWX: 810-459-1611

Arrow/Kierulff Electronics  
6238 Cochran Road  
Solon, Ohio 44139  
Tel: (216) 248-3990  
TWX: 810-427-9408

Arrow/Kierulff Electronics  
7461 Worthington Galena Road  
Columbus, Ohio 43085  
Tel: (614) 436-0928  
FAX: 614-888-8673

Hamilton/Avnet Electronics  
30325 Bainbridge Road, Bldg. A  
Solon, Ohio 44139  
Tel: (216) 349-5100  
FAX: 216-831-2469

Hamilton/Avnet Electronics  
954 Senate Drive  
Dayton, Ohio 45459  
Tel: (513) 439-6700  
TWX: 810-450-2531

Hamilton/Avnet Electronics  
777 Brookseidge Boulevard  
Westerville, Ohio 43081  
Tel: (614) 882-7004

Schweber Electronics  
23880 Commerce Park Road  
Beachwood, Ohio 44122  
Tel: (216) 464-2970  
TWX: 810-427-9441

Schweber Electronics  
7865 Paragon Road, Suite 210  
Dayton, Ohio 45459  
Tel: (513) 439-1800

**OKLAHOMA**

Arrow/Kierulff Electronics  
12111 E. 51st Street, Suite 101  
Tulsa, Oklahoma 74146  
Tel: (918) 252-7537

Hamilton/Avnet Electronics  
12121 E. 51st Street, Suite 102  
Tulsa, Oklahoma 74146  
Tel: (918) 252-7297

Schweber Electronics  
4150 S. 100th East Avenue  
Suite 102  
Tulsa, Oklahoma 74146  
Tel: (918) 622-8000

**OREGON**

Almac Electronics  
1885 N.W. 169th Place  
Beaverton, Oregon 97006  
Tel: (503) 629-8090  
TWX: 910-467-8743  
FAX: 503-645-0611

Anthem Electronics  
9705 S.W. Sunshine Court, #900  
Beaverton, Oregon 97005  
Tel: (503) 643-1114  
FAX: 503-626-7928

Arrow/Kierulff Electronics  
1800 N.W. 167th Place, Suite 145  
Beaverton, Oregon 97006  
Tel: (503) 645-8456  
FAX: 503-645-8056

Hamilton/Avnet Electronics  
9409 S.W. Nimbus  
Beaverton, Oregon 97005  
Tel: (503) 627-0201

Wyle Labs/EMG  
5250 N.E. Elam Young Parkway  
Suite 600  
Hillsboro, Oregon 97214  
Tel: (503) 640-6000  
TWX: 910-460-2203

**PENNSYLVANIA**

Anthem Electronics  
355 Business Center Drive  
Horsham, Pennsylvania 19044  
Tel: (215) 443-5150  
FAX: 215-675-9875

Arrow/Kierulff Electronics  
650 Seco Road  
Monroeville, Pennsylvania 15146  
Tel: (412) 856-7000  
TWX: 710-797-3894

Hamilton/Avnet Electronics  
2800 Liberty Avenue, Building E  
Pittsburgh, Pennsylvania 15222  
Tel: (412) 281-4150  
TWX: 710-670-1127

Schweber Electronics  
900 Business Center Drive  
Prudential Business Campus  
Horsham, Pennsylvania 19044  
Tel: (215) 441-0600  
FAX: 215-675-8412

Schweber Electronics  
1000 R.I.D.C. Plaza, Suite 203  
Pittsburgh, Pennsylvania 15238  
Tel: (412) 782-1600

**TEXAS**

Arrow/Kierulff Electronics  
2227 W. Braker Lane  
Austin, Texas 78758  
Tel: (512) 835-4180  
TWX: 910-874-1348

Arrow/Kierulff Electronics  
3220 Commander Drive  
Carrollton, Texas 75006  
Tel: (214) 380-6464  
TWX: 910-860-5377

Arrow/Kierulff Electronics  
10899 Kinghurst Drive, Suite 100  
Houston, Texas 77099  
Tel: (713) 530-4700  
TWX: 910-880-4439

Hamilton/Avnet Electronics  
1807 A W. Braker Lane  
Austin, Texas 78758  
Tel: (512) 837-8911  
TWX: 910-874-1319

Hamilton/Avnet Electronics  
4850 Wright Road, Suite 190  
Stafford, Texas 77477  
Tel: (713) 240-7733  
TWX: 910-881-5523

Hamilton/Avnet Electronics  
4004 Belt Line Road, Suite 200  
Dallas, Texas 75244  
Tel: (214) 404-9906  
FAX: 214-308-8109

Schweber Electronics  
11500 Metric, Suite 410  
Austin, Texas 78758  
Tel: (512) 339-0088  
FAX: 512-832-5921

Schweber Electronics  
4202 Beltway Drive  
Dallas, Texas 75234  
Tel: (214) 661-5010  
TWX: 910-860-5493

Schweber Electronics  
10625 Richmond Avenue  
Suite 100  
Houston, Texas 77042  
Tel: (713) 784-3600  
TWX: 910-881-4836

Wyle Labs/EMG  
4030 W. Braker Lane, Suite 330  
Austin, Texas 78759  
Tel: (512) 345-8853  
TAX: 512-345-9330

Wyle Labs/EMG  
1810 N. Greenville Avenue  
Richardson, Texas 75081  
Tel: (214) 235-9953

Wyle Labs/EMG  
11001 S. Wilcrest, Suite 100  
Houston, Texas 77099  
Tel: (713) 879-0053

**UTAH**

Anthem Electronics  
1279 W. 2200 South  
Salt Lake City, Utah 84119  
Tel: (801) 973-8555  
FAX: 801-973-8909

Arrow/Kierulff Electronics  
1946 W. Parkway Boulevard  
Salt Lake City, Utah 84119  
Tel: (801) 973-6813  
FAX: 801-972-0200

Hamilton/Avnet Electronics  
1585 W. 2100 South  
Salt Lake City, Utah 84119  
Tel: (801) 972-2800  
TWX: 910-925-4018

Wyle Labs/EMG  
1325 W. 2200 South, Suite E  
West Valley City, Utah 84119  
Tel: (801) 974-9953  
TWX: 910-917-4040

**WASHINGTON**

Almac Electronics  
14360 S.E. Eastgate Way  
Bellevue, Washington 98007  
Tel: (206) 643-9992  
TWX: 910-444-2067  
FAX: 206-746-7425

Anthem Electronics  
5020 148th Avenue NE, Suite 103  
Redmond, Washington 98052  
Tel: (206) 881-0850  
FAX: 206-885-4041

Arrow/Kierulff Electronics  
19450 68th Avenue South  
Kent, Washington 98032  
Tel: (206) 575-4420  
FAX: 206-575-4427

Hamilton/Avnet Electronics  
Redmond Science Park, Bldg. C  
17761 N.E. 78th Place  
Redmond, Washington 98052  
Tel: (206) 881-6697  
FAX: 206-867-0159

Wyle Labs/EMG  
15385 N.E. 90th  
Redmond, Washington 98052  
Tel: (206) 881-1150  
FAX: 206-881-1567

**WISCONSIN**

Arrow/Kierulff Electronics  
200 N. Patrick Boulevard  
Brookfield, Wisconsin 53005  
Tel: (414) 792-0150  
TWX: 910-262-1193

Hamilton/Avnet Electronics  
20875 Crossroads Circle  
Waukesha, Wisconsin 53186  
Tel: (414) 784-4510  
TWX: 910-262-1182

Schweber Electronics  
3050 Calhoun Road  
New Berlin, Wisconsin 53151  
Tel: (414) 784-9020

## INTERNATIONAL SALES REPRESENTATIVES AND DISTRIBUTORS

**AUSTRALIA**

R and D Electronics  
P.O. Box 206  
Burwood 3125  
Victoria  
Tel: 61-3-2888911  
TELEX: AA 33288 (RADET)

R and D Electronics  
P.O. Box 57  
Crow's Nest N.S.W. 2065  
Sydney  
Tel: (61) 439-5488

**AUSTRIA**

EBV Elektronik GmbH  
Diefenbachgasse 35/6  
A-1150 Wien  
Tel: 43 222 838519

Ing E. Steiner  
Hummelgasse 14  
A-1130 Wien  
Tel: 43 222 827474-0  
TELEX: 135026

**BELGIUM**

Arcobel NV  
Terlindenhoofstraat 36, Bus 7  
P.O. Box 110  
2060 Antwerpen-Merksem  
Tel: 32 3 646 70 48  
TELEX: 73026

D & D Electronics PVBA  
Viide Olympiadelaan 93  
2020 Antwerp

EBV Elektronik  
Brucargo Bldg. 724  
B-1931 Zaventum

**BRAZIL**

Icoron  
Avenue Mutinga 3650  
6 to Andar 05110  
San Paulo SP  
FAX: 011-55-11-833-2781

**DENMARK**

C-88 A. S.  
Kokkedal Industipark 42A  
DK-2980 Kokkedal  
Tel: 45 2 24 48 68

**FINLAND**

Field Oy  
Nittylampolku 10  
SF-00620 Helsinki  
Tel: 358 0 7571011  
TELEX: 122022  
FAX: 358 0 798853

**FRANCE**

A2M  
13, Rue de la République  
F-83170 Brignoles  
Tel: 33 94 59 22 93  
TELEX: 404695

**A2M**

6, Avenue du Général de Gaulle  
Hall A BP n 9  
F-78152 Le Chesnay  
Tel: 39 54 91 13  
TELEX: 6988376F

**A2M-Sud Est**

2, Place de l'Europe  
F-38290 St. Quentin Fallavier  
Lyon  
Tel: 33 74 94 43 33  
TELEX: 900738

**A2M-Sud Ouest**

Parc d'Activité Caderea  
Avenue J.F. Kennedy  
Bat E  
F-33700 Mérignac  
Tel: 33 56 34 10 97  
TELEX: 560578

**A2M - Bretagne**

Z. A. Str. Meen  
St. Quay  
22700 - Perros Guirec  
Tel: 33 96 91 17 43  
TELEX: 950313F

**A2M**

1 Bld De Nancy  
F-67000 Strasbourg  
Tel: 33 87 75 51 80  
TELEX: 890041

**Celdis**

Contreda - Avenue Daurat  
31700 - Blagnac  
Tel: 33 61 71 11 22  
TELEX: 532103

**Celdis**

67 rue Bataille  
69008 - Lyon  
Tel: 33 78 76 32 38  
TELEX: 375446

**Celdis**

4 A 8, Allée De Vierge  
Silic 561  
94653 - Rungis Cedex  
Tel: 33 1 45 60 58 00  
TELEX: 200485

**Datadis**

10-12 rue Emile Landrin  
92100-Boulogne

**Datadis**

73 Avenue du Chateau d' Eau  
33700 - Mérignac

**RTF**

13 rue Lhote  
F-33000 Bordeaux  
Tel: 33 56 52 99 59  
TELEX: 560627

**RTF**

9, rue de Paris  
35510 Cesson Sevigne  
Tel: 33 99 83 84 85  
TELEX: 741127

**RTF**

Av. De La Mairie  
F-31320 Esqualquens  
Tel: 33 61 81 57  
TELEX: 520927

**RTF**

9, rue d'Arcueil  
F-94520 Gentilly BF 78  
Tel: 33 46 64 11 01  
TELEX: 201069

**RTF**

Provence Cote D'Azur  
5, Bld Gabriel  
13004 - Marseille  
Tel: 33 91 95 75 45

**RTF**

23, Av. Du Granier  
Zac Les Bealieres  
38240 Meylan

**RTF**

Parc Club Du Moulin A Vent Bat G  
32, Rue Du Docteur Levy  
69200 - Venissieux  
Rhône - Auvergne  
Tel: 33 78 00 07 26

**GERMANY**

Astronic GmbH  
Dormorsbacher Str. 8  
8750 Aschaffenburg  
Tel: 49 6021 61763  
TELEX: 5213059

**Astronic GmbH**

Parkstr. 92  
46300 Bochum 6  
Tel: 49-2327-88074  
TELEX: 820403

**Astronic GmbH**

Winzener Str. 47 D  
D-8000 München 40  
Tel: 49 89 30 90 31  
TELEX: 521687

**EBV Elektronik GmbH**

Kiebitzrain 18  
D-3006 Burgwedel 1/Hannover  
Tel: 49 5139 8087-0  
TELEX: 943694

**EBV Elektronik GmbH**

Schenckstrasse 99  
D-6000 Frankfurt Main 90  
Tel: (069) 78 50 37  
TELEX: 413590

**EBV Elektronik GmbH**

Viersener Str. 24  
D-4040 Neuss  
Tel: 49 2101 530072  
TELEX: 8517605

**EBV Elektronik GmbH**

Oberweg 6  
D-8025 Unterhaching b. München  
Tel: 089 61105-1  
TELEX: 524535

**EBV Elektronik GmbH**

Weimarstrasse 48  
7000 Stuttgart 1  
Tel: 49-711-61910-0  
TELEX: 722271

**Electronic 2000**

Otto-Suhr-Allee 9  
1000 Berlin 10  
Tel: 49 30 3417081  
TELEX: 185323

**Electronic 2000**

Heinrich-Hertz, Str. 34  
D-4000 Dusseldorf-Erk.  
Tel: 49-211-204091  
TELEX: 8586810

**Electronic 2000**

Schmidt Str. 49  
6000 Frankfurt/M1  
Tel: 49 69 730481  
TELEX: 4189486

**Electronic 2000**

Benz Str. 1  
7016 Gerlingen  
Tel: 49 7156 24091  
TELEX: 7245265

**Electronic 2000**

Überseering 25  
2000 Hamburg 60  
Tel: 49 40 6304081  
TELEX: 2164921

**Electronic 2000**

Stahlgruberring 12  
8000 München 82  
Tel: 49 89 42001-0  
TELEX: 522561

**Electronic 2000**

Aeussere Sulzbacher Str. 37  
8500 Nurnberg 20  
Tel: 49 911 595058  
TELEX: 626495

**Mueller Wuppertal**

Verein Str. 17  
D-5600 Wuppertal  
Tel: 49 202 426016  
TELEX: 8591543

**Spoerle Electronic**

Gneisenau Strasse 2  
1000 Berlin 61  
Tel: 49-30 693 4090  
TELEX: 18029

**Spoerle Electronic**

Hilde Brandstr. 11  
D-4600 Dortmund 13  
Tel: 49-231-21801-0  
TELEX: 822555

**Spoerle Electronic**

Max-Planck Str. 1-3  
D-6072 Dreieich  
Tel: 49-6103-304-0  
TELEX: 417972

**Spoerle Electronic**

Volksparkestr. 62  
D-2000 Hamburg 54  
Tel: 49-40 54 0091-0  
TELEX: 2164536

**Spoerle Electronic**

Fohringer Allee  
D-8043 Unterföhring b. München  
Tel: 49-89-959990  
TELEX: 5216379

**Spoerle Electronic**

Hoelener Str. 100  
D-8510 Fuerth b. Nurnberg  
Tel: 49-911-78710  
TELEX: 622996

**Spoerle Electronic**

Hopfigheimer Str. 10  
D-7120 Bietigheim b. Stuttgart  
Tel: 49-7142-70003-0  
TELEX: 724287

**HONG KONG**

Tektron Electronics  
1702 Bank Centre  
636 Nathan Road  
Kowloon  
Tel: 3 880 629  
FAX: 852-3-7805871

**INDIA**

Capicorn Systems  
1430 Tully Road, Suite 405  
San Jose, California 95122  
Tel: (408) 294-2833

**IRELAND**

Lycio Ltd.  
The Diamond  
Malahide  
County Dublin  
Tel: 353 1 450966  
TELEX: 31407  
FAX: 353 1 453625

**New England Tech Sales Ltd**

Stonehaven  
Dublin Road  
Malahide  
County Dublin  
Tel: 353 1 450635  
TELEX: 31407

**ISRAEL**

Amtronics Ltd  
10 Huberman Street  
P.O. Box 1276  
IL-64075 Tel Aviv  
Tel: 972 3 227857  
TELEX: 342229

**ITALY**

Cramer Italia S.p.A.  
Via Ferrarese 10/2  
40126 Bologna  
Tel: 39 61 372 777  
TELEX: 522870

**Cramer Italia S. p. a.**

Via San Simeoniano 2  
20121 Milano  
Tel: 39 2 809326  
TELEX: 313164

**Cramer Italia S. p. a.**

Via Consalvo 107  
80125 Napoli Fuorigrotta  
Tel: 39 81 614045  
TELEX: 722275

**Cramer Italia S. p. a.**

Via Cristoforo Colombo 134  
00147 Roma  
Tel: 39 6 517981  
TELEX: 611517

**Cramer Italia S. p. a.**

Corso Traino 109  
10135 Torino  
Tel: 39 11 6192087  
TELEX: 211252

**Kontron S. p. a.**

Via Vallombrosa 19  
50127 Firenze  
Tel: 39 55 4377871

**Kontron S. p. a.**

Via G. Fantoli 16 15  
1-20138 Milano  
Tel: 39 2 50721  
TELEX: 312288

**Kontron S. p. a.**

Via Marie Curie, 20  
41100 Modena  
Tel: 39 59 356080

## INTERNATIONAL SALES REPRESENTATIVES AND DISTRIBUTORS (Continued)

Kontron S. p. A.  
Via F. Ingoli 80  
I-00100 Acilia Roma  
Tel: 8171239 8184259  
TELEX: 820350

Kontron S. p. A.  
Corso Appio Claudio, 5  
I-10143 Torino  
Tel: 011 746191 7495253

Kontron S. p. A.  
Via Montenovegno, 12  
36100 Vicenza  
Tel: 39 444 571993

Silverstar S. p. A.  
Via Del Porto 30  
I-40122 Bologna  
Tel: 39 51 522231

Silverstar S. p. A.  
Via A. Maria Salvini  
7/B, 50133 Firenze  
Tel: 39 51 522231

Silverstar S. p. A.  
Via Del Gracchi 20  
I-20146 Milano  
Tel: 39 2-4996  
TELEX: 332189

Silverstar S. p. A.  
Via G. Franco 2/E  
35010 Padova

Silverstar S. p. A.  
Via Paisiello 30  
I-00198 Roma  
Tel: 39 6-844 88 41  
TELEX: 610511

Silverstar S. p. A.  
Piazza Adriano 9  
I-10139 Torino  
Tel: 39 11-440275 6  
TELEX: 220181

**JAPAN**  
Asahi Glass Company, Ltd.  
2-1-2, Marunouchi  
Chiyoda-ku, Tokyo 100  
Tel: 03-218-5814  
TELEX: 81-3-212-0568

Dainichi Contronics  
Seiwakai Bldg.  
7-12-, 3-chome, Misaki-cho  
Chiyoda-ku, Tokyo 101  
Tel: 03 265-7381  
TELEX: 2722204 Dainic J  
FAX: 03-234-8660

Intermix Inc.  
Shinjuku Hamada Bldg.  
7-4-7 Nishi Shinjuku  
Shinjuku-ku, Tokyo 160  
Tel: 03-369-1101  
FAX: 03-366-8566

Kanematsu Electronics Corp.  
Shuwa Shinagawa Bldg.  
3-25-33, Takasawa  
Minato-ku, Tokyo 180  
Tel: 03-447-4141

Matsushita Elect Trading Co  
4-3-2 Minami Sembu  
Minami-ku  
Osaka 542  
Tel: 06-282-5590  
TELEX: 522-8771-METOSKJ

Microtek, Inc.  
Itoh Bldg.  
7-9-17, Nishi-Shinjuku  
Shinjuku-ku, Tokyo 160  
Tel: 03-371-1811  
TELEX: J27466

Nihon Denshikizai Co., Ltd.  
2-20-10 Minamikaneda  
Suita-shi, Osaka 564  
Tel: 06-585-8707  
FAX: 06-330-6814

Synderdyne Inc.  
3-24, Sakuragaoka, machi  
Shibuya-ku, Tokyo 150  
Tel: 03-461-9311  
FAX: 03-461-9854

Tokyo Electron Ltd.  
Shinjuku-Normura-Bldg.  
1-26-2, Nishi-Shinjuku-ku  
Tokyo 160  
Tel: (03) 343-4411

**KOREA**  
ENC  
#1602-4, Shucho-Dong  
Kang Nam -Ku  
Seoul  
Tel: 82-2-582-5996

Gold Star Semiconductor Ltd.  
Kuk Dong Building  
60-1 Chongmu-ro 3-KA, Jung-Gu  
C.P.O. Box 9495  
Seoul 100  
Tel: 82 2 274 3219  
TELEX: GOLD SEC K22767 27923

**NETHERLANDS**  
Arcobel BV  
Griekenweg 25  
P.O. Box 344  
NL-5340 AH Oss  
Tel: 04120 30335  
TELEX: 37489

**NORWAY**  
OTE Komponent  
Postboks 102 Tveita  
N-0617 Oslo 6  
Tel: 47 2 26 9955  
TELEX: 78955

**SINGAPORE**  
Dynamar Computer Products LTD.  
109 Defu Lane 10  
Hougang Avenue 3  
Singapore 1953

Impact Sound (Pte) Ltd.  
7500A Beach Road  
#09-322 The Plaza  
Singapore 0719  
Tel: 65-295-4604  
TELEX: RS 39142 Impact

**SOUTH AFRICA**  
Promiject Pty. Ltd.  
275 Kent Avenue  
P.O. Box 1184  
Randburg 2125

**SPAIN**  
Kontron S.A.  
Gran Via De Carlos III, 94-10-1  
E-08028 Barcelona  
Tel: 34-3-33 07713  
TELEX: 52220

Kontron S.A.  
Avenida Ejercito, 87  
E-48015 Bilbao  
Tel: 34-4-4478189

Kontron S.A.  
C/ Salvatierra N5  
E-28034 Madrid  
Tel: 34-1-729 1155  
TELEX: 23382

Sagitron, S.A. Importaciones  
Ronda General Mitre 200  
E-08006 Barcelona  
Tel: 34 3 2126583  
TELEX: 97317

Sagitron, S.A. Importaciones  
Castello 25.2  
E-Madrid-1  
Tel: 34 1 4026085  
TELEX: 43819

**SWEDEN**  
Gösta Bäckstrom (AB)  
Box 11026  
S-220 11 Lund  
Tel: 46-15-03-45  
Gösta Bäckstrom (AB)  
Box 12009  
Alstromergata 22  
S10221 Stockholm  
Tel: 46-8-541080  
TELEX: 10135

Naxab  
Box 4115  
S-17104 Solna

**SWITZERLAND**  
Kontron AG  
Components Division  
Bernstrasse Sud 169  
CH-8010 Zurich  
Tel: 41-1-4354111  
TELEX: 45-822 196

**TAIWAN**  
ASEC  
7F No. 344/1 Min-Sheng  
East Road  
Taipei  
Tel: (02) 505-7025  
FAX: 02-501 1524

Wei Kang Ind. Co. Ltd.  
Rm. 32, Fl. 7  
No. 126, Sec 4  
Nanking E Road  
P.O. Box 17-304  
Taipei  
Tel: 2-7763512

**UNITED KINGDOM**  
Alpha Electronic Components, Ltd.  
Jubilee House  
Jubilee Road  
Letchworth,  
Hertfordshire SG7 1QJ  
Tel: 44-462-480888  
TELEX: 826505

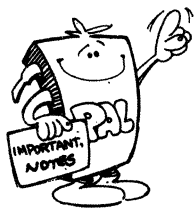
Axiom  
Turnpike Road  
Cressex Estate  
High Wycombe Buckinghamshire  
HP12 3NR  
Tel: 44 494 461616

Kudos/Thame Ltd.  
55 Suttons Park  
London Road  
Reading  
Berkshire RG6 1AZ  
Tel: 44-734-351010  
TELEX: 847575

Macro Marketing Ltd.  
Burnham Lane  
Slough  
Berkshire SL1 6LN  
Tel: 44-6286-4383  
TELEX: 847945

Rapid Silicon Ltd.  
Rapid House  
Denmark Street  
High Wycombe  
Buckinghamshire  
HP1 2ER  
Tel: 44-494-442266  
TELEX: 837931









## Asynchronous PAL Devices

Product	Pins	Technology	t <sub>PD</sub> (ns)	I <sub>CC</sub> (mA)	Description	Page
PAL16RA8	20	TTL	30	170	Asynchronous macrocell	2-62
PAL20RA10	24	TTL	20-30	200	Asynchronous macrocell	2-153
PAL22IP6	24	TTL	25	210	Edge-triggered flip-flops	2-212

## Other PAL Devices

Product	Pins	Technology	t <sub>PD</sub> (ns)	I <sub>CC</sub> (mA)	Description	Page
Am/PAL20L10	24	TTL	15-30	105-210	10 combinatorial outputs	2-188
PAL20X10	24	TTL	30	180	XOR registers	2-188
PAL20X8						
PAL20X4						
PAL32VX10	24	TTL	25-30	180	J-K, dual feedback macros	2-376
AmPAL23S8	20	TTL	20-25	210	6 buried registers, macros	2-266

## Sequencers

Product	Pins	Technology	f <sub>MAX</sub> (MHz)	I <sub>CC</sub> (mA)	Description	Page
PLS105	28	TTL	40	200	PLS sequencer	3-3
PLS167	24	TTL	33	160	PLS sequencer	3-21
PLS168	24	TTL	33	160	PLS sequencer	3-21
PLS30S16	28	TTL	40	225	PLS with macrocells	3-40
Am2971	28	TTL	100	425	Prog. Event Generator	3-133

## Programmable Gate Arrays

Product	Pins	Technology	f <sub>MAX</sub> (MHz)	I <sub>CC</sub> (mA)	Description	Page
Am2018/64	28-84	CMOS RAM	33-100	5	Programmable Gate Array	4-31
Am3020/30/ 42/90	68-175	CMOS RAM	50-70	1-3	Programmable Gate Array	4-43

(Continued on inside front cover)





**ADVANCED  
MICRO  
DEVICES, INC.**

901 Thompson Place  
P.O. Box 3453  
Sunnyvale,

California 94088-3453

(408) 732-2400

TWX: 910-339-9280

TELEX: 34-6306

TOLL-FREE

(800) 538-8450

**APPLICATIONS  
HOTLINE**

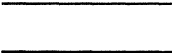



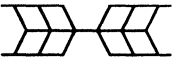
(800) 222-9323

(408) 749-5703

Printed in USA

10173B

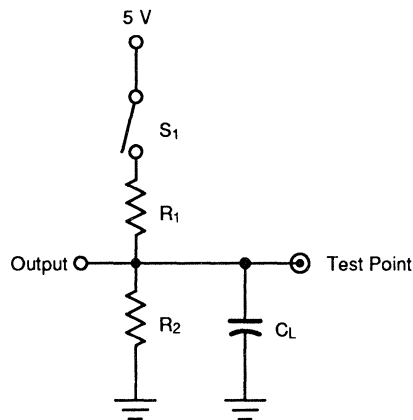
## KEY TO SWITCHING WAVEFORMS

WAVEFORM	INPUTS	OUTPUTS
	Must be Steady	Will be Steady
	May Change from H to L	Will be Changing from H to L
	May Change from L to H	Will be Changing from L to H
	Don't Care; Any Change Permitted	Changing, State Unknown
	Does Not Apply	Center Line is High-Impedance "Off" State

KS000010-PAL

2

## SWITCHING TEST CIRCUIT

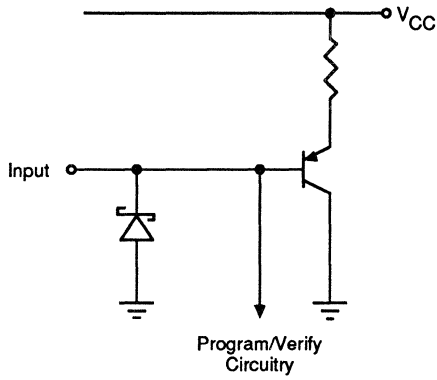


12350-019A

Specification	S <sub>1</sub>	C <sub>L</sub>	R <sub>1</sub>	R <sub>2</sub>	Measured Output Value
t <sub>PD</sub>	Closed	50 pF	200 Ω	390 Ω	1.5 V
t <sub>EA</sub>	Z → H: Open Z → L: Closed				1.5 V
t <sub>ER</sub>	H → Z: Open L → Z: Closed	5 pF			H → Z: V <sub>OH</sub> - 0.5 V L → Z: V <sub>OL</sub> + 0.5 V

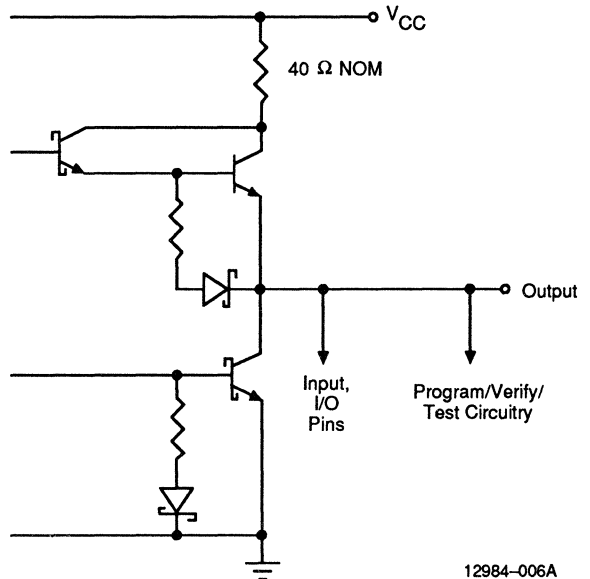
# INPUT/OUTPUT EQUIVALENT SCHEMATICS

Typical Input



12350-020B

Typical Output



12984-006A



**ADVANCED  
MICRO  
DEVICES, INC.**

901 Thompson Place  
P.O. Box 3453  
Sunnyvale,  
California 94088-3453  
(408) 732-2400  
TWX: 910-339-9280  
TELEX: 34-6306  
TOLL-FREE  
(800) 538-8450

**APPLICATIONS  
HOTLINE**  
(800) 222-9323  
(408) 749-5703