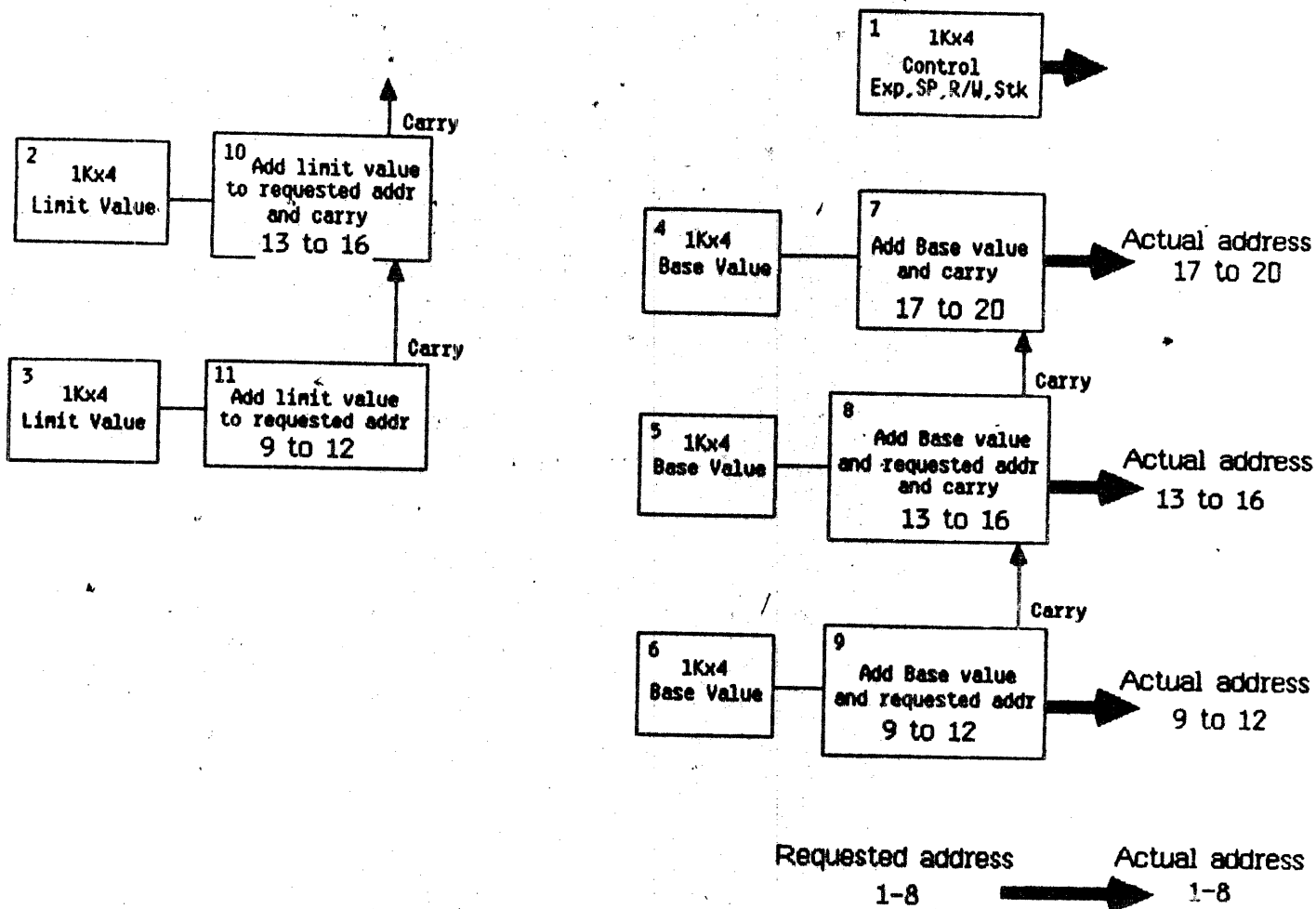


Whopper

MMU Structure



1 to 6 tested by Ram tests.

Failure is either 1Kx4 RAM, LS245 transceiver, or LS373 xxx.

Displayed error will show RAM, LS245, and then LS373 (In that order).

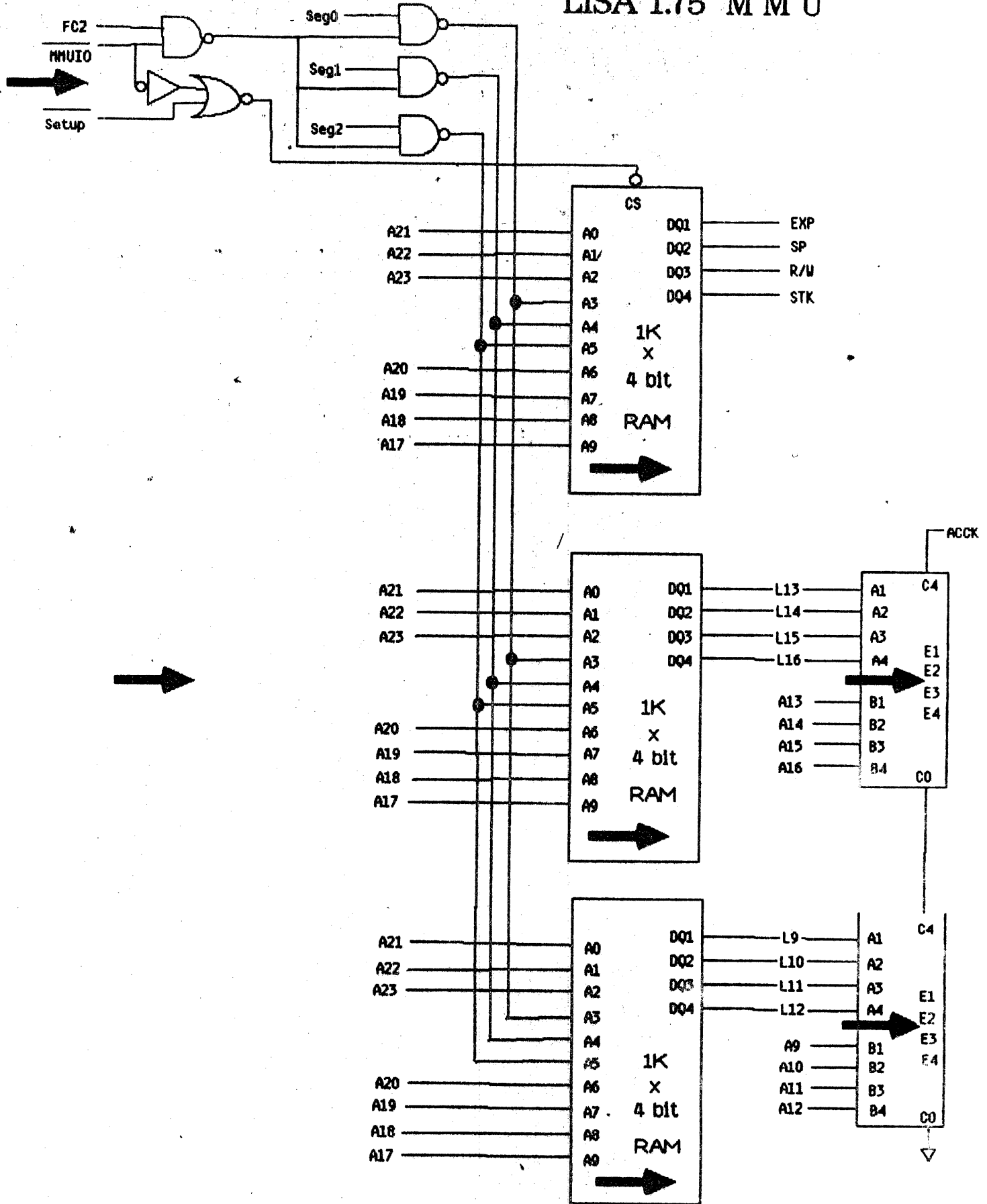
7 to 9 tested by functional tests, addresses actually accessed must agree with those expected.

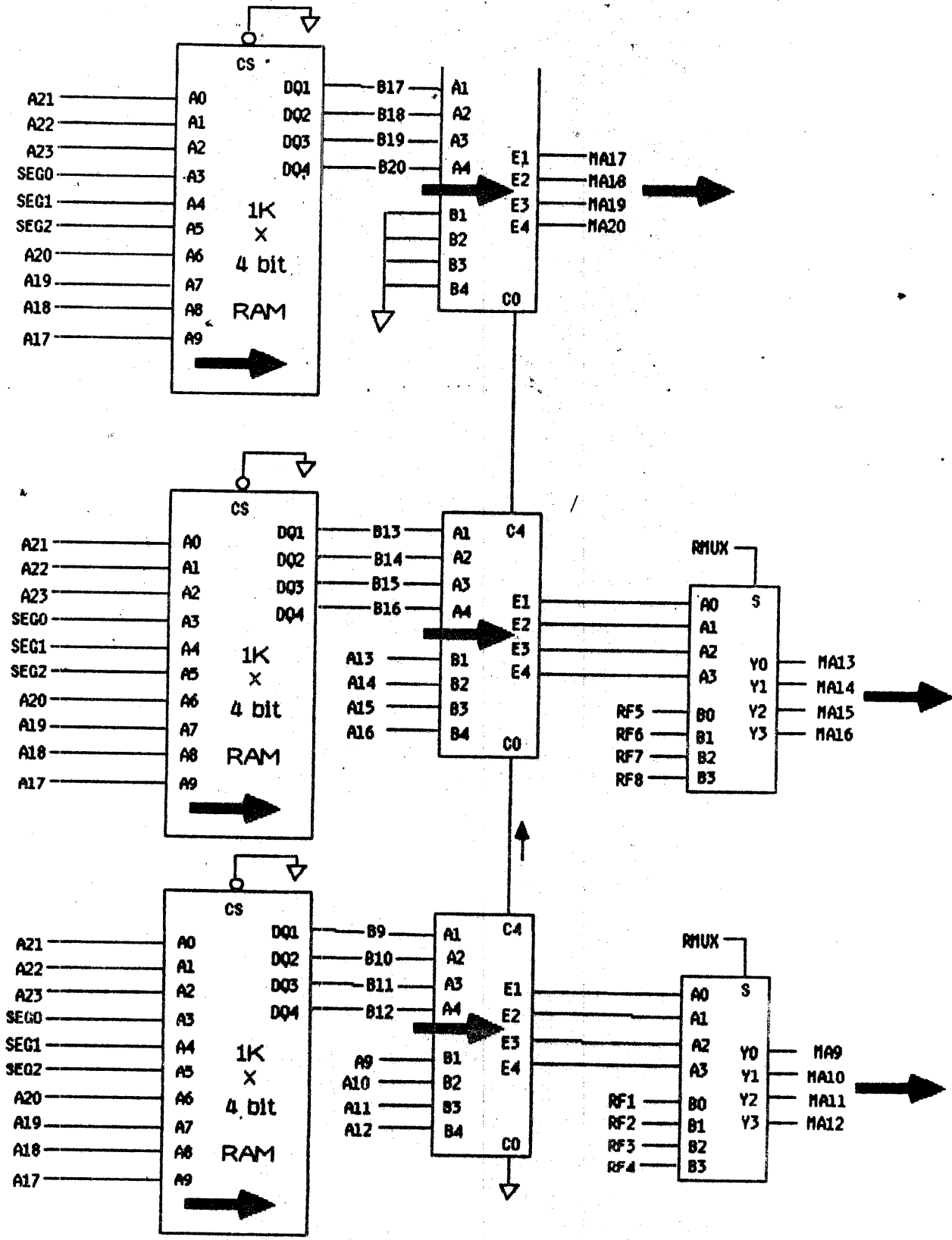
The failure will display the 283 Addr.

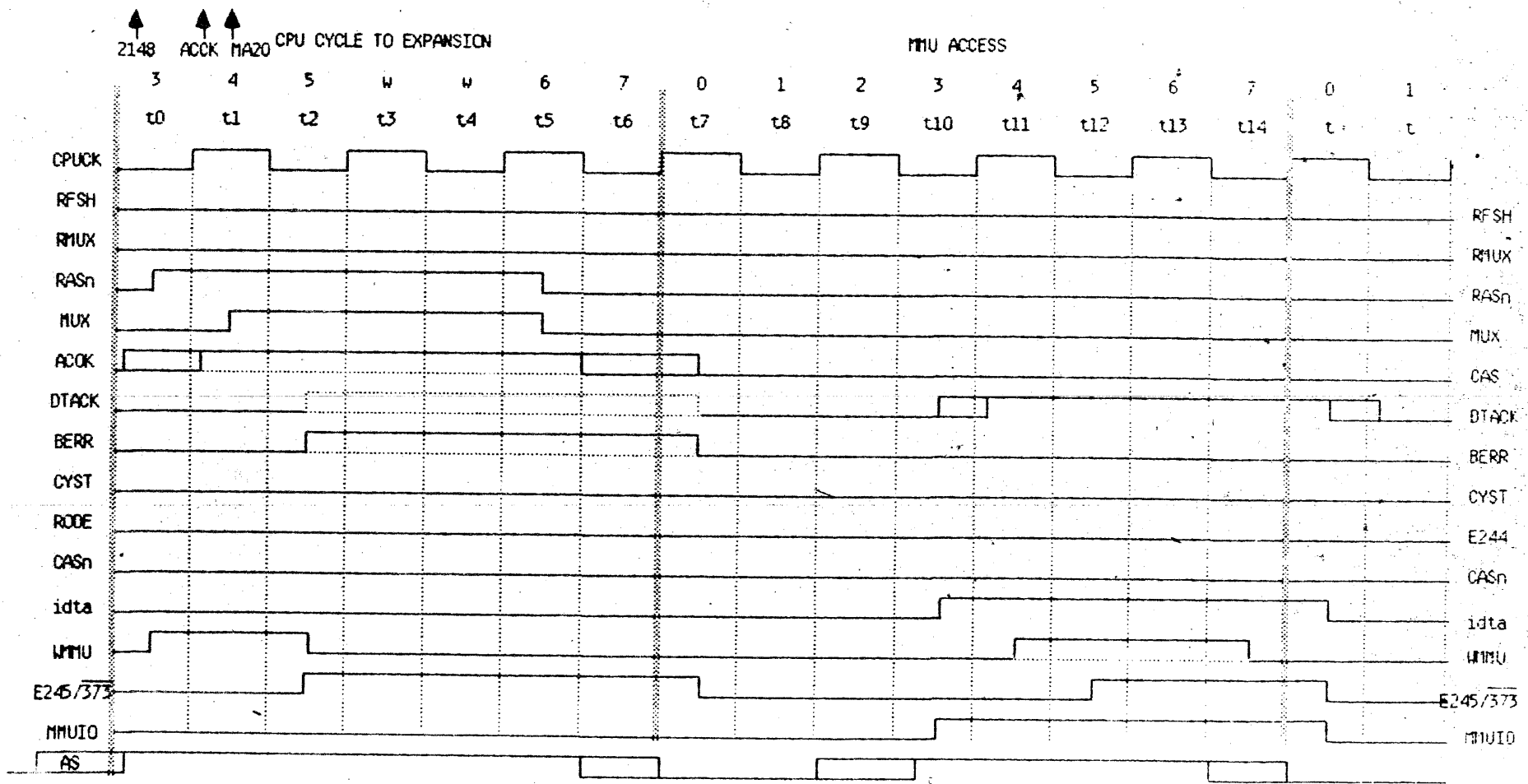
10 to 11 by functional tests, limit failures and legal values are both used to determine if the adders are working correctly.

The failure will display the 283 Addr.

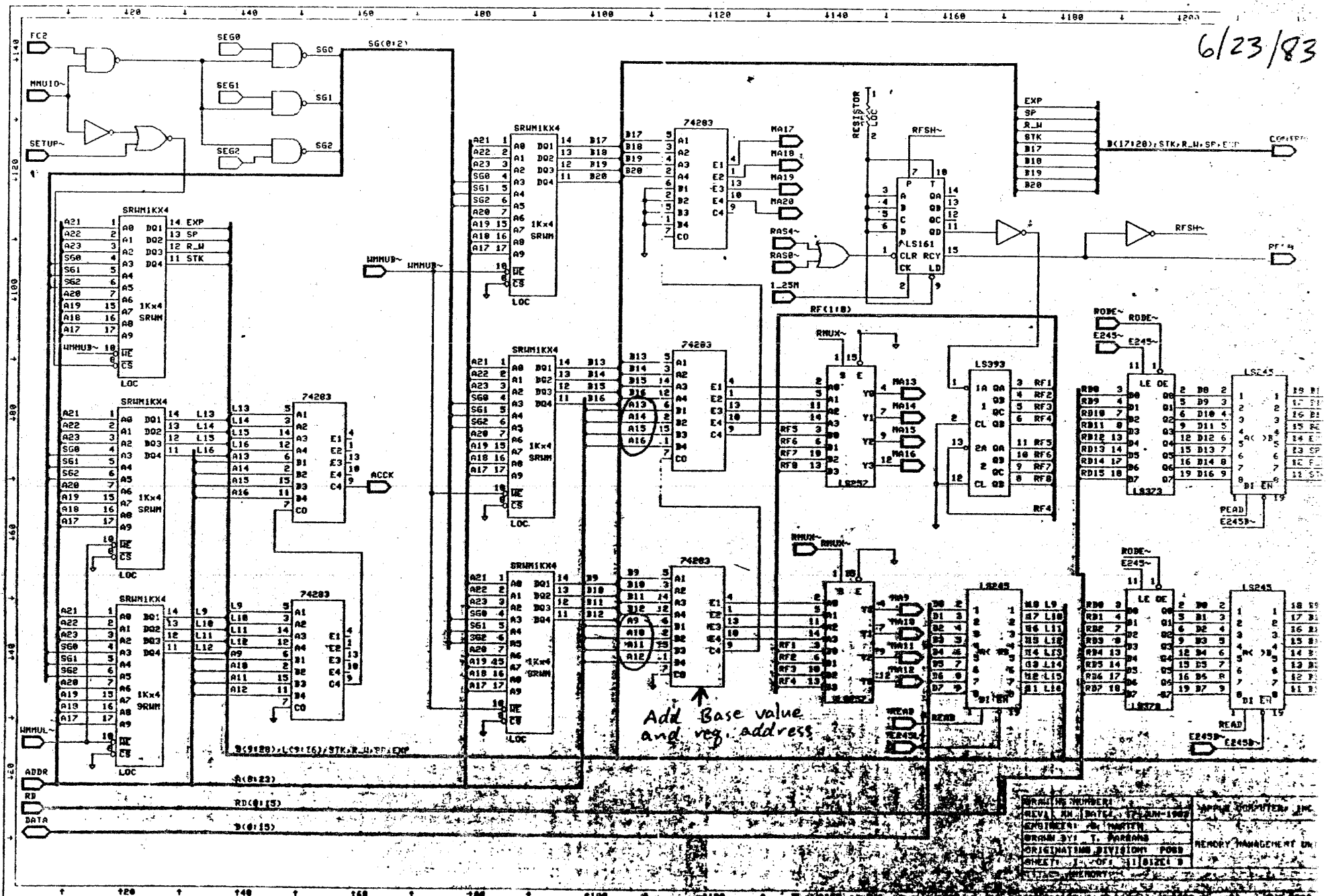
LISA 1.75 M M U



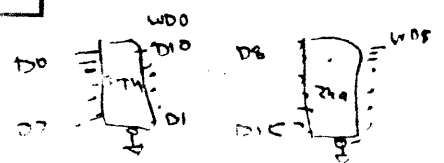
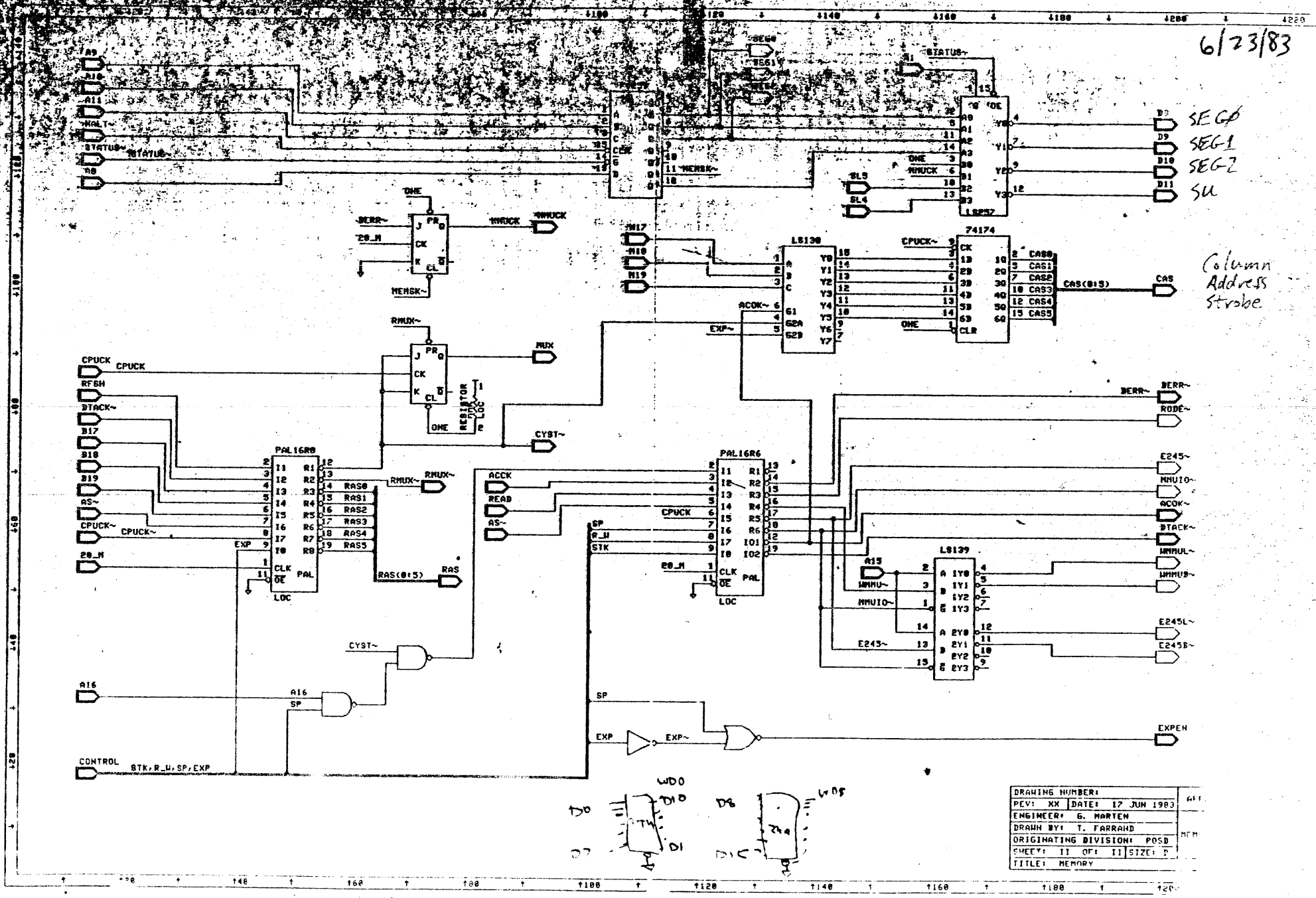




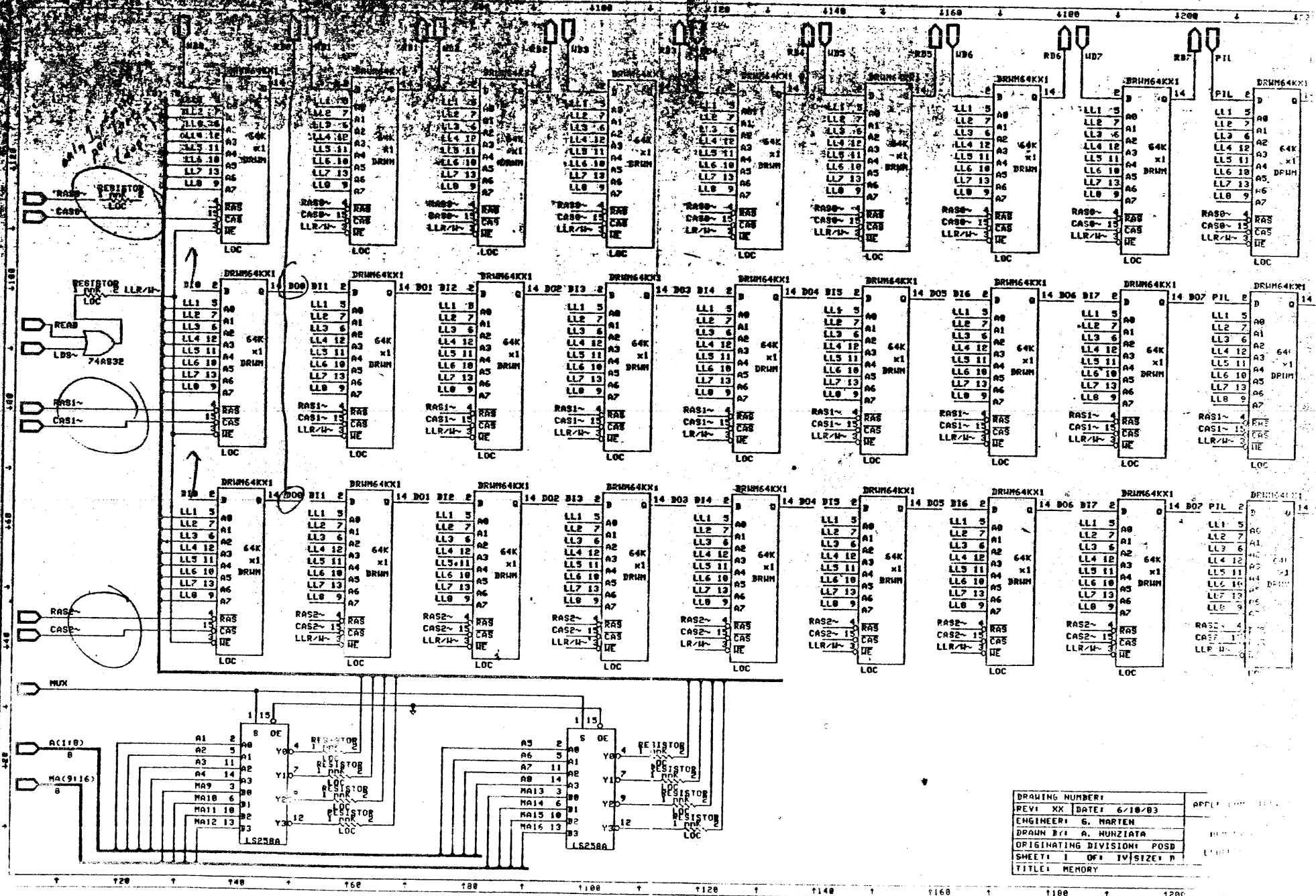
6/23/83



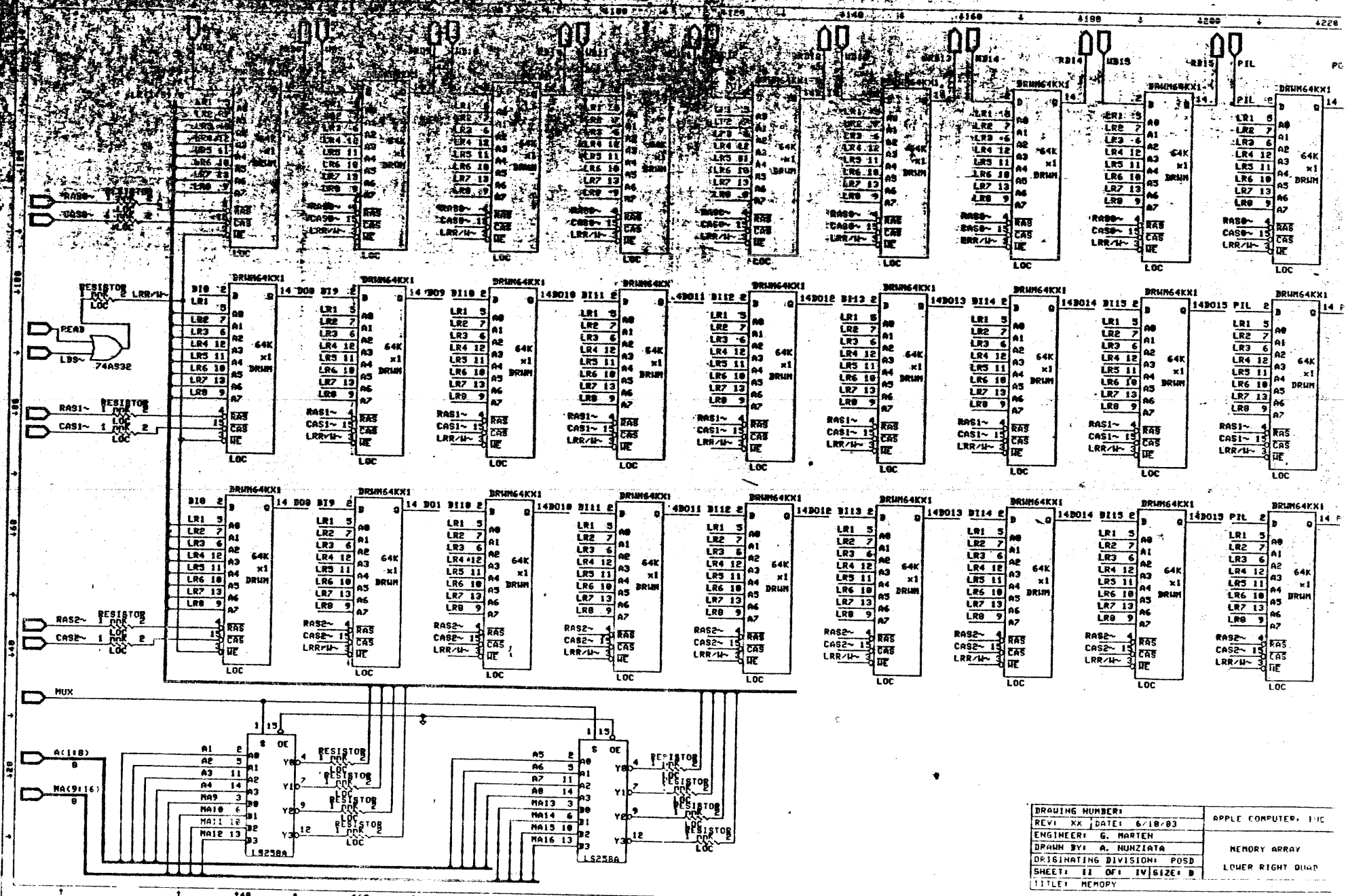
6/23/83



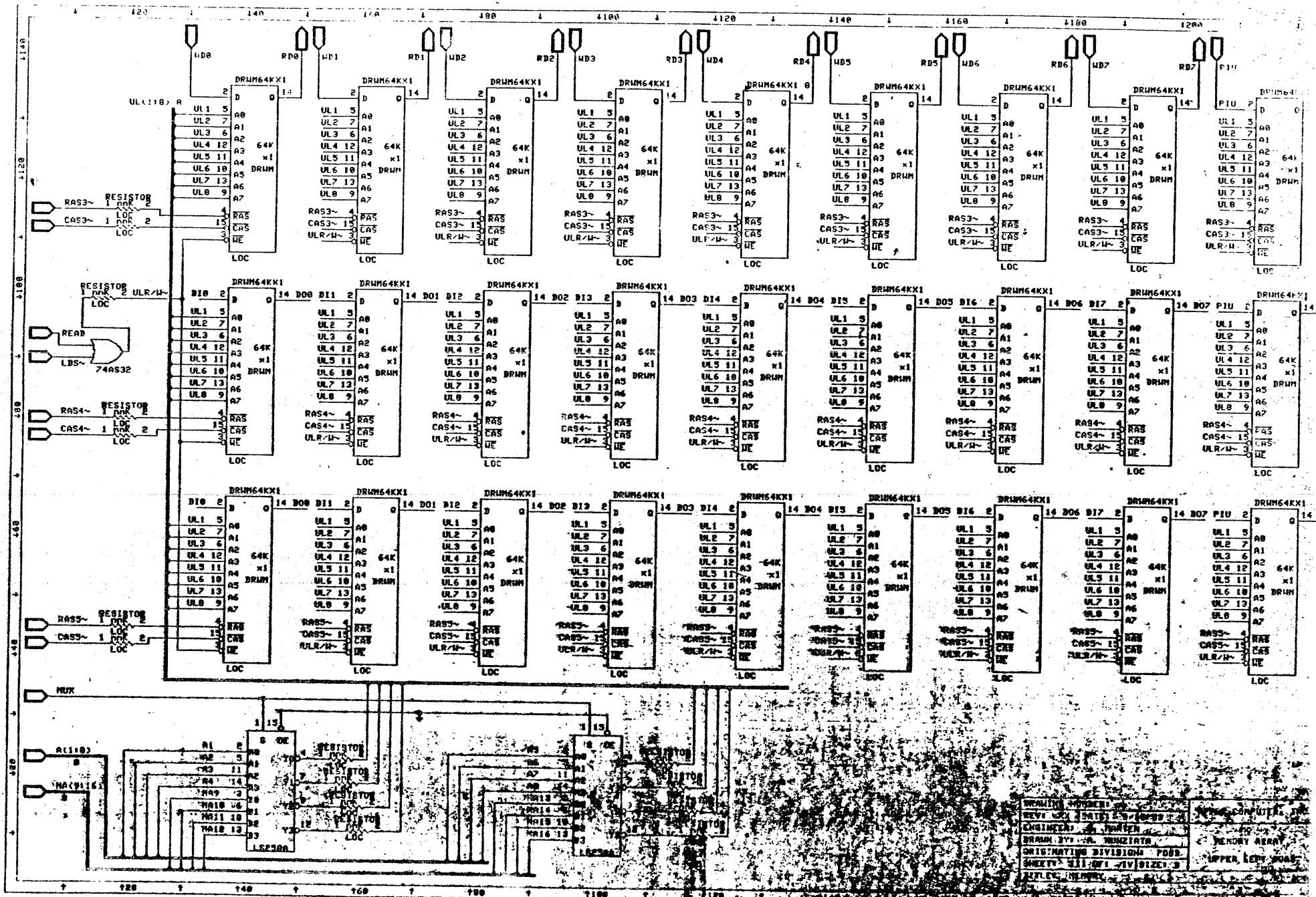
DRAWING NUMBER:		
REV:	XX	DATE: 17 JUN 1983
ENGINEER:		G. MARTEN
DRAWN BY:		T. FARRAND
ORIGINATING DIVISION:		POSD
SHEET:		11 OF 11 SIZE: F
TITLE:		MEMORY



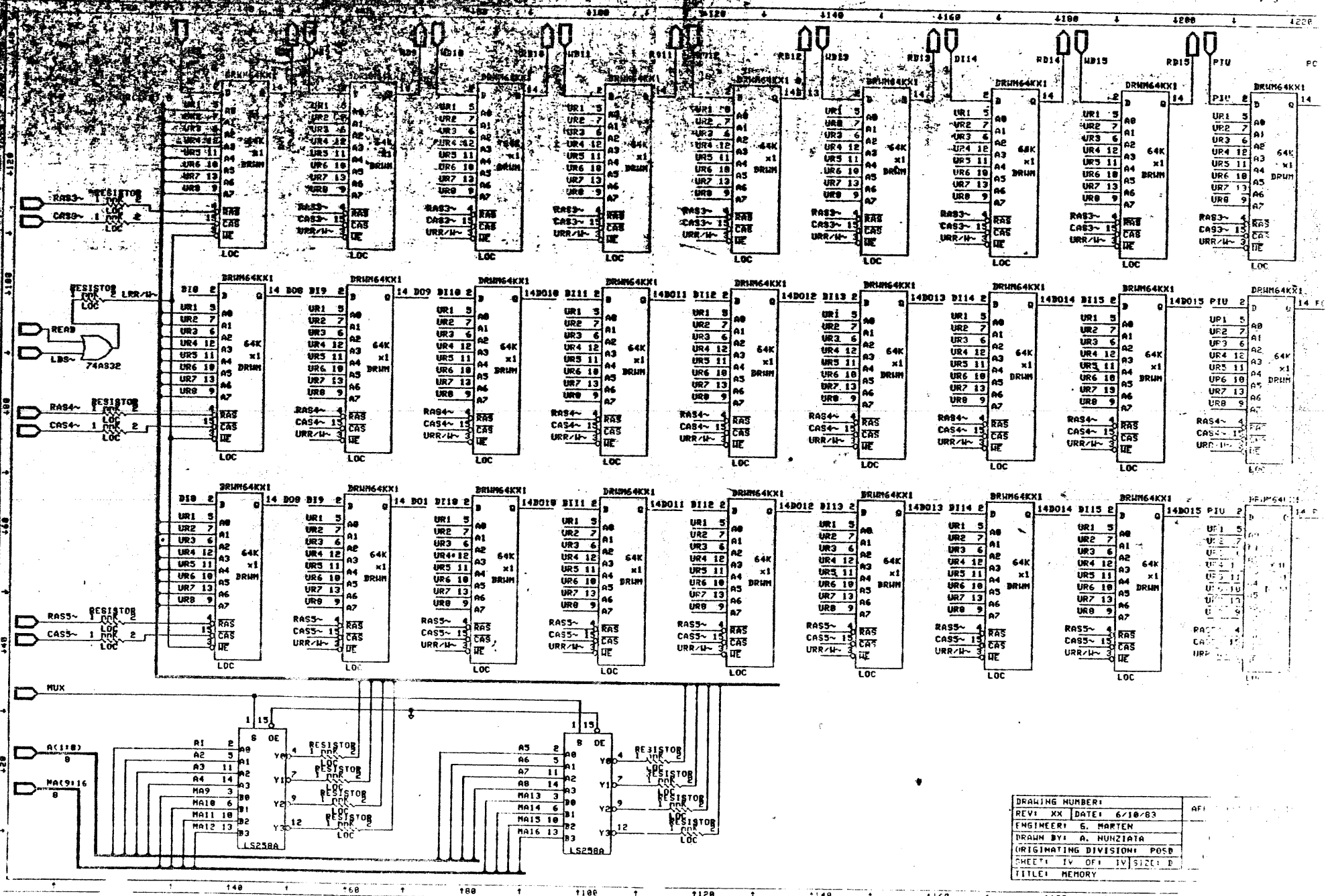
DRAWING NUMBER:	REV: XX	DATE: 6/10/83	APPL: []
ENGINEER:	G. MARTEN		
DRAWN BY:	A. NUNZIATA		
ORIGINATING DIVISION:	POSD		
SHEET:	1 OF 1 (SIZE: D)		
TITLE:	MEMORY		



DRAWING NUMBER:		APPLE COMPUTER, INC
REVI XX	DATE: 6/18/83	
ENGINEER: G. MARTEN		
DIPAM BY: A. HUNZIATA		MEMORY ARRAY
ORIGINATING DIVISION: POSD		LOWER RIGHT DIMD
SHEET: 11 OF 14		
TITLE: MEMORY		



DRAWING NUMBER: 111-111-111-111
 REV: 1
 ENGINEER: J. J. JENSEN
 DRAWN BY: W. W. WILSON
 ORIGINATING DIVISION: PDB
 SHEET: 111-111-111-111
 TITLE: MEMORY ARRAY



DRAWING NUMBER:	AFI
REV: XX	DATE: 6/10/83
ENGINEER: G. MARTEN	
DRAWN BY: A. NUNZIATA	
ORIGINATING DIVISION: POSB	
SHEET: IV OF IV	SIZE: D
TITLE: MEMORY	

1.75 MMU And RAM Timing

