

Burroughs Corporation		WESTLAK PLANT WESTLAKE VILLAGE, CALIF. 91360 U.S. AMERICA		PREP ELYNCH 12/16/76	PAGE A-2161 7139	REV A
PROPERTY OF BURROUGHS CORPORATION NOT TO BE REPRODUCED OR USED FOR MANUFACTURING PURPOSES EXCEPT BY BURROUGHS UNDER OR PRIOR WRITTEN CONSENT		TITLE FT AND R INDEX		APPRO [Signature]	PAGE 1 OF 5	
REV	CONTROL DOC & NO	DISSEM	CHRD	APPD & DATE	PAGE	LINE OR NO
A	ER 62742	CCQ	ES			
REVISION DESCRIPTION						
INITIAL RELEASE						
CLASS CODE 4-0205						

TABLE OF CONTENTS

<u>PART NUMBER</u>	<u>REV.</u>	<u>DESCRIPTION</u>	<u>PAGE</u>
2161 7139	A	T & F DOCUMENT INDEX	1-5
2857 1594	E	ASSY DRAWING TREE	6-7
2161 8251	C	SYSTEM BLOCK DIAGRAM	8-9
2161 9317	C	SYSTEM CABLING DIAGRAM	10
2857 4366	A	SYSTEM BLOCK DIAGRAM S.S.	11-12
2857 4374	A	SYSTEM CABLING DIAGRAM	13
2161 9309	A	UNIT LOCATION CHART	14-19
2162 4226	E	LOGIC FLOW CHART	20-94
2857 3764	C	PLUGGABLE LOCATION CHART	95
2162 5470	B	SCHEM-A.C. POWER DISTRIBUTION	96
2162 0372	G	SCHEM-POWER SUPPLY	97
2161 9572	F	SCHEM-VOLTAGE REGULATOR	98
2857 2626	B	SCHEM-1/O CARD	99-102
2162 3863	C	SCHEM-D.C. VOLTAGE MONITOR	103
2161 7204	F	SCHEM-SECTOR GENERATOR	104
2161 7287	F	SCHEM-DRIVE CONTROL 1	105-106
2857 2428	A	SCHEM-DRIVE CONTROL 11	107
2162 1834	F	SCHEM-DRIVE CONTROL 111	108
2161 7360	C	SCHEM- SERVO PREAMP	109-110
2857 4291	A	SCHEM- SERVO PREAMP S.S.	111-112
2857 2824	A	SCHEM COMPARE	113
2857 1842	D	SCHEM-PRESENT ADDRESS REGISTER	114
2857 4044	A	SCHEM-WRITE ENCODER	115-116
2162 3962	D	SCHEM-TIMING REC. UNIT.	117
2162 4010	F	SCHEM-DATA DISCRIMINATOR	118
2857 4184	A	SCHEM-DATA DISCRIMINATOR S.S.	119
2161 7444	E	SCHEM-LPC CORRUPT	120

2857 4150	A	SCHEM-LPC CORRUPT S.S.	121	2857 2634	02	I/O MODULE PWBA DS	186-191
2162 4069	B	SCHEM-ECC GENERATOR	122	2163 1205	05	POWER SUPPLY PWBA	192-195
2162 0620	E	SCHEM-ECC TIMING	123-124	2161 7170	23	COMMON ELECTRONICS MOD KIT	196-198
2857 3665	A	SCHEM-R/W MACHINE	125-126	2162 3830	07	D. C. VOLTAGE MONITOR PWBA	199-202
2857 2576	C	SCHEM-PADDLE CARD 1	127-128	2857 2717	04	SECTOR GENERATOR PWBA	203-205
2161 7493	D	SCHEM-PADDLE CARD LL	129	2857 2048	02	DRIVER CONTROL I PWBA	206-208
2162 4150	B	SCHEM-PR AMP MODULE	130	2857 2410	02	DRIVER CONTROL II PWBA	209-211
2161 7915	D	SCHEM-READ/WRITE AMP	131	2162 1800	08	DRIVER CONTROL III PWBA	212-214
2857 4176	A	SCHEM-READ/WRITE AMP S.S.	132	2161 7345	04	SERVO PREAM PWBA	215-218
2161 8194	D	SCHEM-WRITE DRIVER	133	2857 4283	01	SERVO PREAM PWBA SS	219-221
2162 0968	G	SCHEM-XDCR AMP	134	2857 1610	04	ADDRESS COMPARE PWBA	222-224
2857 1354	C	SCHEM-SERVO AMP	135	2857 1776	04	PRESENT ADDRESS REG. PWBA	225-227
2162 4101	B	SCHEM-INTERFACE BORD	136-137	2857 4036	01	WRITE ENCONDER PWBA	228-230
2161 7949	C	SCHEM-TEMP COMP	138	2857 1685	05	TIMING RECOV. UNIT PWBA	231-234
2161 8434	D	SCHEM-SWITCH PANEL	139	2163 2682	05	DATA DISCRIMINATOR PWBA	235-237
2161 8706	A	INTERFACE TIMING DIAGRAM	140-147	2163 1627	03	LPC CURRUPT PWBA	238-240
PRINTED WIRING BOARD ASSEMBLIES							
2161 7832	08	MODULE KIT SPINDLE	148-149	2857 4143	01	LPC CURRUPT PWBA SS	241-242
2161 7881	07	READ/WRITE AMP PWBA	150-153	2857 1677	02	ECC GENERATOR PWBA	243-245
2163 0660	04	WRITE DRIVER PWBA	154-157	2857 1255	03	ECC TIMING PWBA	246-248
2163 0249	07	XDCR AMP PWBA	158-161	2857 3640	01	R/W MACHINE PWBA	249-251
2857 1487	03	SERVO AMP PWBA	162-166	2857 2584	02	PADDLE CARD I ASSY	252-253
2857 3921	01	INTERFACE BD PWBA	167-168	2857 2527	03	PADDLE CARD I PWBA	254-255
2161 7923	05	TEMP COMP. PWBA	169-172	2163 0538	03	PADDLE CARD II ASSY SS.	256-257
2162 4127	07	POWER AMP MODULE PWBA	173-175	2162 2931	05	PADDLE CARD II PWBA SS.	258-259
2162 7013	06	VOLTAGE REGUL. TOR PWBA	176-179	2163 0520	03	PADDLE CARD II ASSY DS.	260-261
2857 3061	01	I/O MODULE PWBA S.S.	180-185	2162 2949	05	PADDLE CARD II PWBA DS.	262-263

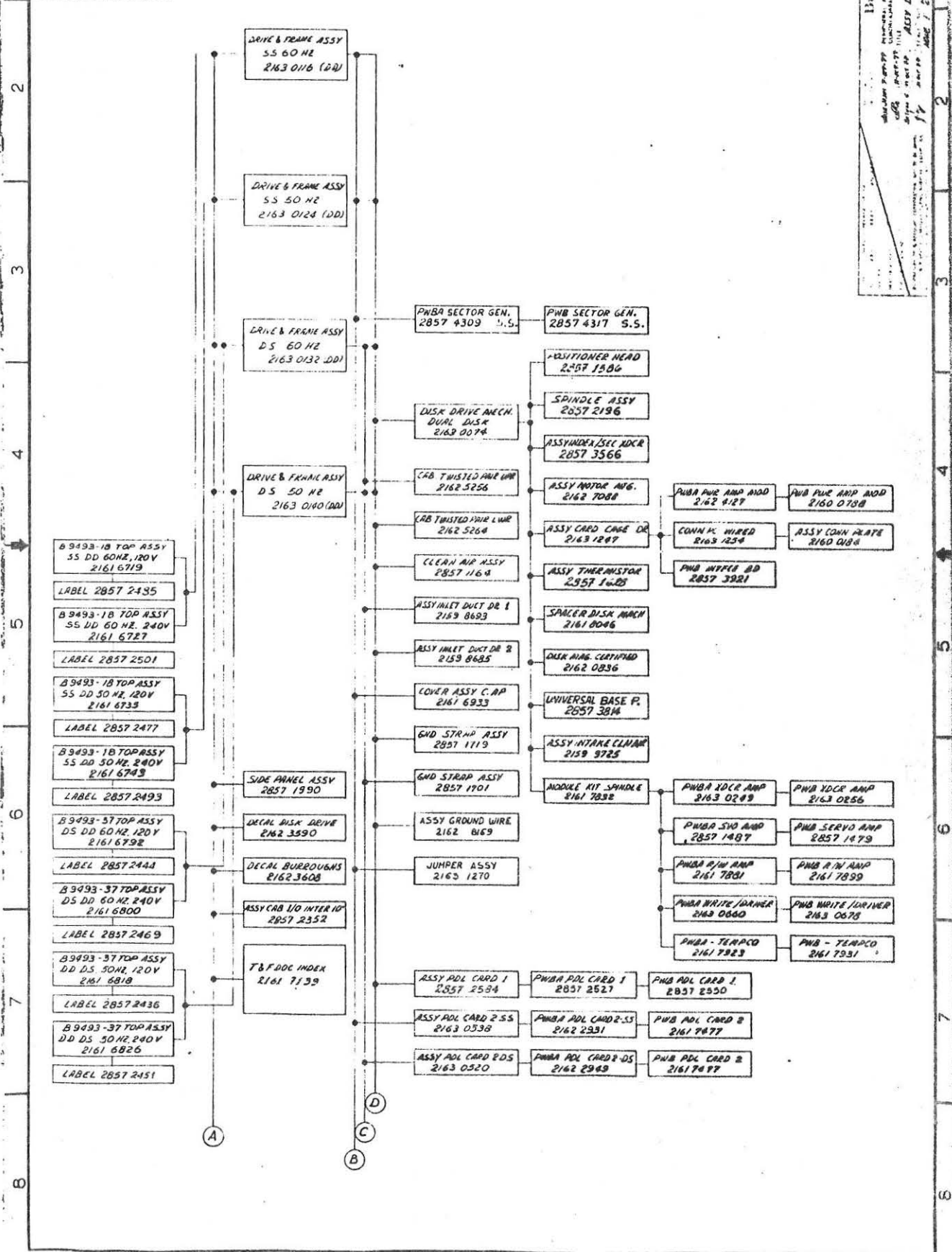
OTHER ASSYS

Page 5 of 5

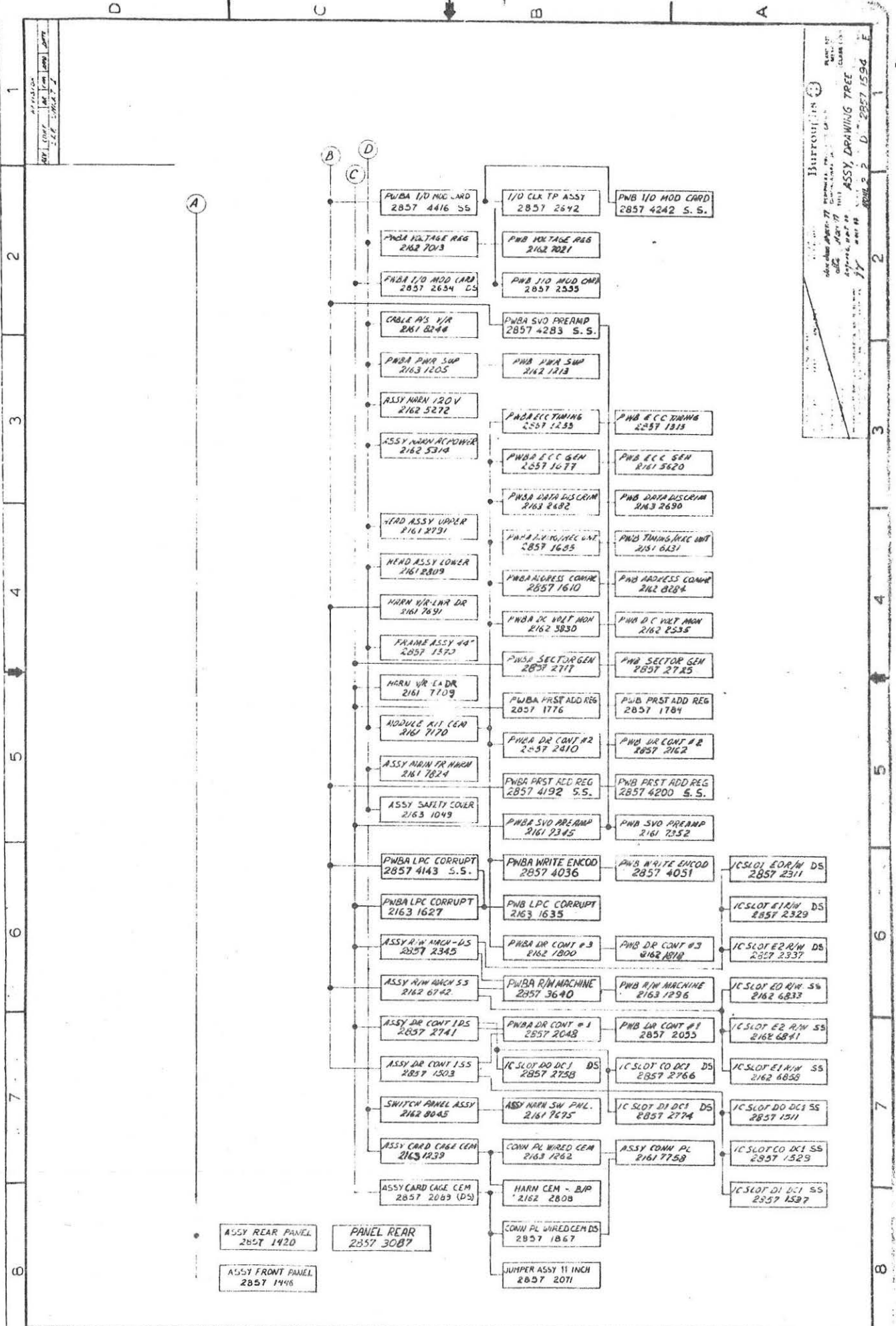
2162 8045	C	SWITCH PANEL ASSY	264-266
2163 0587	B	CIRCUIT LIST-SPINDLE CARD CAGE	267-268
2163 0595	B	WIRE LIST-SPINDLE CARD CAGE	
2163 0603	B	PIN LIST-SPINDLE CARD CAGE	272-273
2163 0611	D	CIRCUIT LIST-COMMON ELEC. MOD.	274-280
2857 1818	D	CIRCUIT LIST-COMMON ELEC. MOD.	281-287
2163 0629	D	WIRE LIST-COMMON ELEC. MOD.	288-297
2857 1826	D	WIRE LIST-COMMON ELEC. MOD. DS.	298-307
2163 0637	D	PIN LIST-COMMON ELEC. MOD.	308-314
2857 1834	D	PIN LIST-COMMON ELEC. MOD. DS.	315-321
2161 7691	A	HARN- REG. BOARD TO LOWER DRIVER SS.	322-323
2161 8293	A	WIRE LIST-REG. BOARD TO LOWER DR. SS.	324-326
2161 7709	A	HARN-REG. BOARD TO BOT DM. DS.	327-328
2161 8301	A	WIRE LIST-REG. BOARD TO BOTH DR. DS.	329-331
2161 7824	B	HARN-MAIN FRAME	332-334
2161 8400	B	WIRE LIST-MAIN FRAME	335-337
2161 7675	B	HARN-SWITCH PANEL	338-339
2161 8426	C	WIRE LIST-SWITCH PANEL	340-342
2161 8244	B	HARN-PR SUPPLE TO REG. BOARD	343-344
2162 2808	C	HARN-CEM BACKPLANE	345-346
2162 5272	B	CABLE 120V	347-348

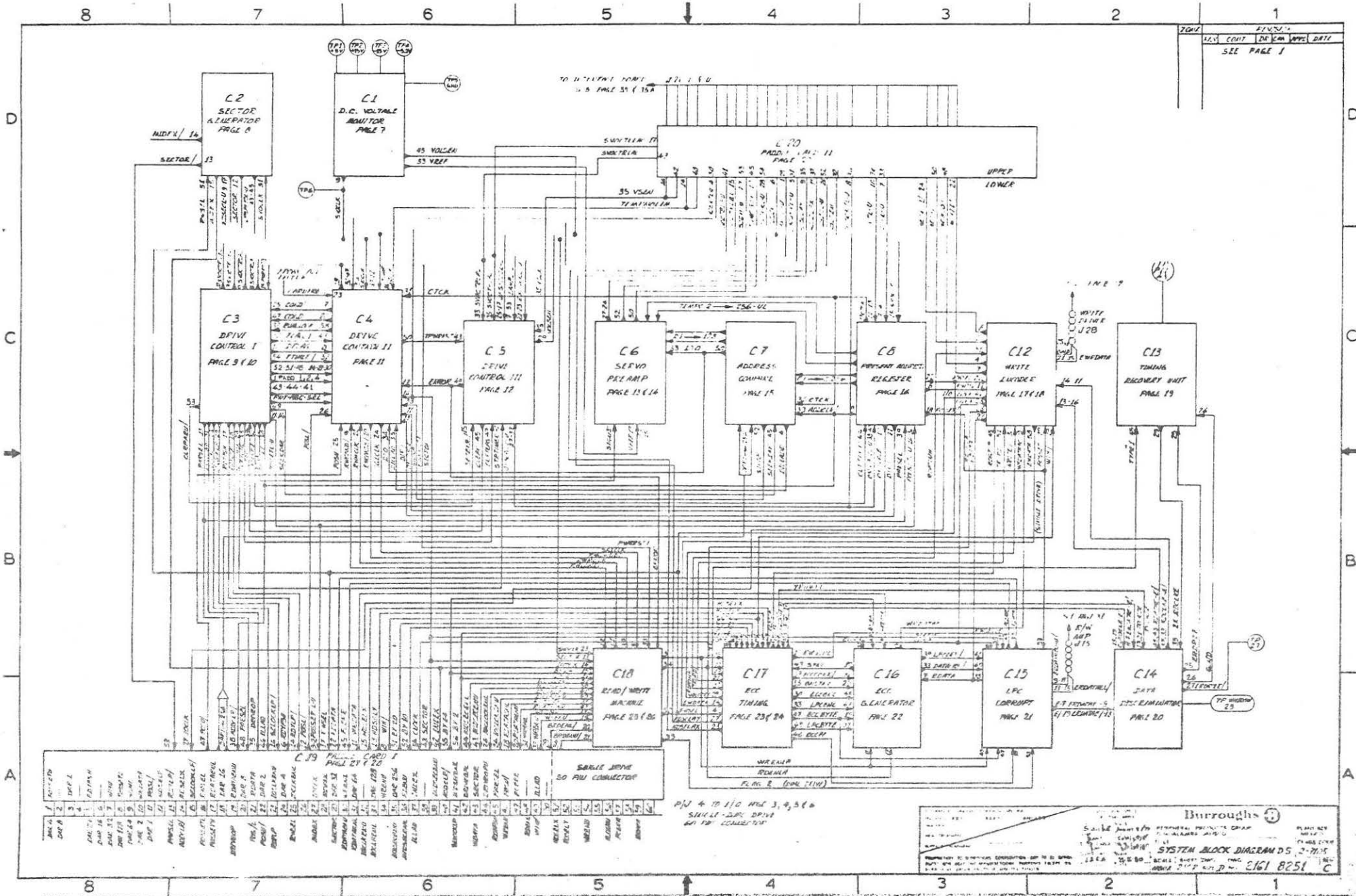
REV. 1000
 PART NO. 2163 0116
 A 10534 INITIAL RELEASE
 B 2163 0116
 C 2163 0124
 D 2163 0132
 E 2163 0140

BURROUGHS
 MODEL 7 8000
 PART NO. 2163 0116
 A 10534 INITIAL RELEASE
 B 2163 0116
 C 2163 0124
 D 2163 0132
 E 2163 0140



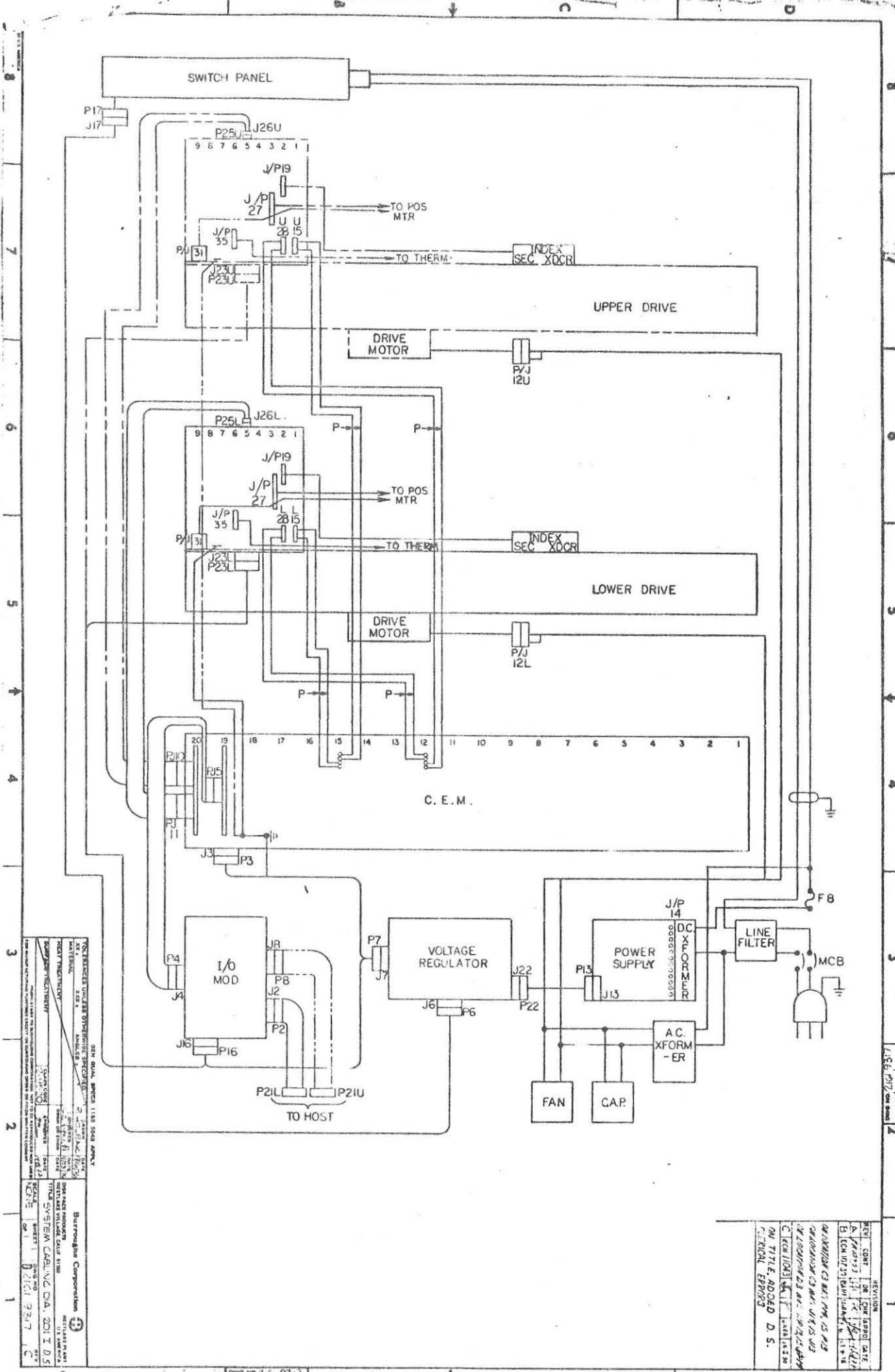
1
2
3
4
5
6
7
A
B
C
D
E





NO.	FUNCTION
1	DATA
2	DATA
3	DATA
4	DATA
5	DATA
6	DATA
7	DATA
8	DATA
9	DATA
10	DATA
11	DATA
12	DATA
13	DATA
14	DATA
15	DATA
16	DATA
17	DATA
18	DATA
19	DATA
20	DATA
21	DATA
22	DATA
23	DATA
24	DATA
25	DATA
26	DATA
27	DATA
28	DATA
29	DATA
30	DATA
31	DATA
32	DATA
33	DATA
34	DATA
35	DATA
36	DATA
37	DATA
38	DATA
39	DATA
40	DATA
41	DATA
42	DATA
43	DATA
44	DATA
45	DATA
46	DATA
47	DATA
48	DATA
49	DATA
50	DATA
51	DATA
52	DATA
53	DATA
54	DATA
55	DATA
56	DATA
57	DATA
58	DATA
59	DATA
60	DATA
61	DATA
62	DATA
63	DATA
64	DATA

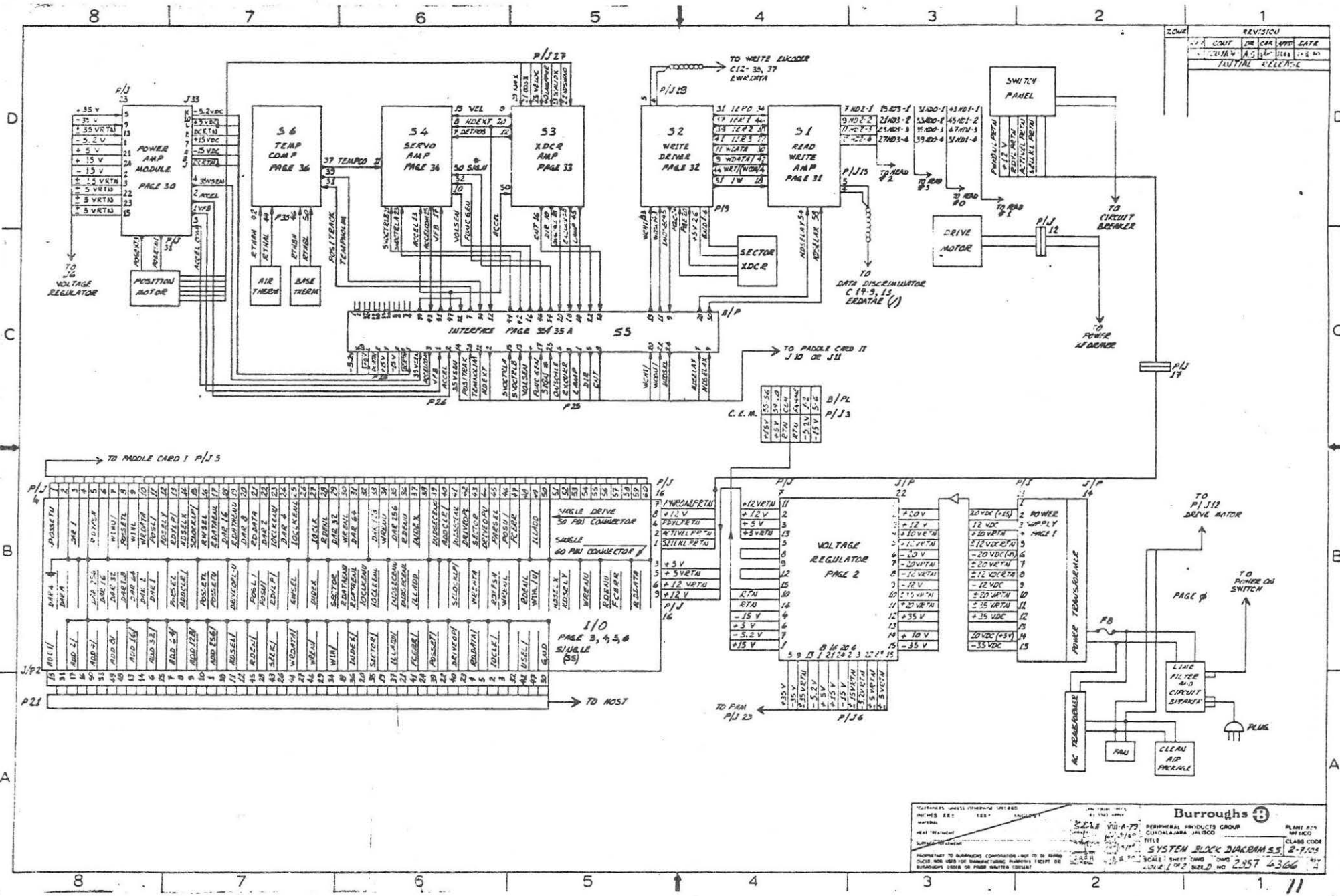
SYSTEM BLOCK DIAGRAM DS 2-7135



NOT EXCEEDS UNDERSTANDING SPECIFICATIONS
 MATERIAL
 SUPPLIER'S INSTRUCTIONS
 BURROUGHS CORPORATION
 1100 N. 17TH ST.
 PITTSBURGH, PA. 15222
 (412) 781-1000
 1977

REV.	DATE	BY	CHKD.	DESCRIPTION
1	11/16/77	J. J. [unclear]	[unclear]	INITIAL DESIGN
2	12/1/77	[unclear]	[unclear]	REVISIONS
3	12/1/77	[unclear]	[unclear]	REVISIONS
4	12/1/77	[unclear]	[unclear]	REVISIONS
5	12/1/77	[unclear]	[unclear]	REVISIONS
6	12/1/77	[unclear]	[unclear]	REVISIONS
7	12/1/77	[unclear]	[unclear]	REVISIONS
8	12/1/77	[unclear]	[unclear]	REVISIONS
9	12/1/77	[unclear]	[unclear]	REVISIONS
10	12/1/77	[unclear]	[unclear]	REVISIONS
11	12/1/77	[unclear]	[unclear]	REVISIONS
12	12/1/77	[unclear]	[unclear]	REVISIONS
13	12/1/77	[unclear]	[unclear]	REVISIONS
14	12/1/77	[unclear]	[unclear]	REVISIONS
15	12/1/77	[unclear]	[unclear]	REVISIONS
16	12/1/77	[unclear]	[unclear]	REVISIONS
17	12/1/77	[unclear]	[unclear]	REVISIONS
18	12/1/77	[unclear]	[unclear]	REVISIONS
19	12/1/77	[unclear]	[unclear]	REVISIONS
20	12/1/77	[unclear]	[unclear]	REVISIONS
21	12/1/77	[unclear]	[unclear]	REVISIONS
22	12/1/77	[unclear]	[unclear]	REVISIONS
23	12/1/77	[unclear]	[unclear]	REVISIONS
24	12/1/77	[unclear]	[unclear]	REVISIONS
25	12/1/77	[unclear]	[unclear]	REVISIONS
26	12/1/77	[unclear]	[unclear]	REVISIONS
27	12/1/77	[unclear]	[unclear]	REVISIONS
28	12/1/77	[unclear]	[unclear]	REVISIONS
29	12/1/77	[unclear]	[unclear]	REVISIONS
30	12/1/77	[unclear]	[unclear]	REVISIONS
31	12/1/77	[unclear]	[unclear]	REVISIONS
32	12/1/77	[unclear]	[unclear]	REVISIONS
33	12/1/77	[unclear]	[unclear]	REVISIONS
34	12/1/77	[unclear]	[unclear]	REVISIONS
35	12/1/77	[unclear]	[unclear]	REVISIONS
36	12/1/77	[unclear]	[unclear]	REVISIONS
37	12/1/77	[unclear]	[unclear]	REVISIONS
38	12/1/77	[unclear]	[unclear]	REVISIONS
39	12/1/77	[unclear]	[unclear]	REVISIONS
40	12/1/77	[unclear]	[unclear]	REVISIONS
41	12/1/77	[unclear]	[unclear]	REVISIONS
42	12/1/77	[unclear]	[unclear]	REVISIONS
43	12/1/77	[unclear]	[unclear]	REVISIONS
44	12/1/77	[unclear]	[unclear]	REVISIONS
45	12/1/77	[unclear]	[unclear]	REVISIONS
46	12/1/77	[unclear]	[unclear]	REVISIONS
47	12/1/77	[unclear]	[unclear]	REVISIONS
48	12/1/77	[unclear]	[unclear]	REVISIONS
49	12/1/77	[unclear]	[unclear]	REVISIONS
50	12/1/77	[unclear]	[unclear]	REVISIONS

10



REVISION					
NO.	DATE	BY	CHK	APP	DATE
1	10-2-60	AS	SP	SP	10-2-60
TUTIAL KELLEHE					

Burroughs

SCALE: 1/8" = 1"

PERIPHERAL PRODUCTS GROUP

GUANAJAMA, PUERTO RICO

TITLE: SYSTEM BLOCK DIAGRAM 55

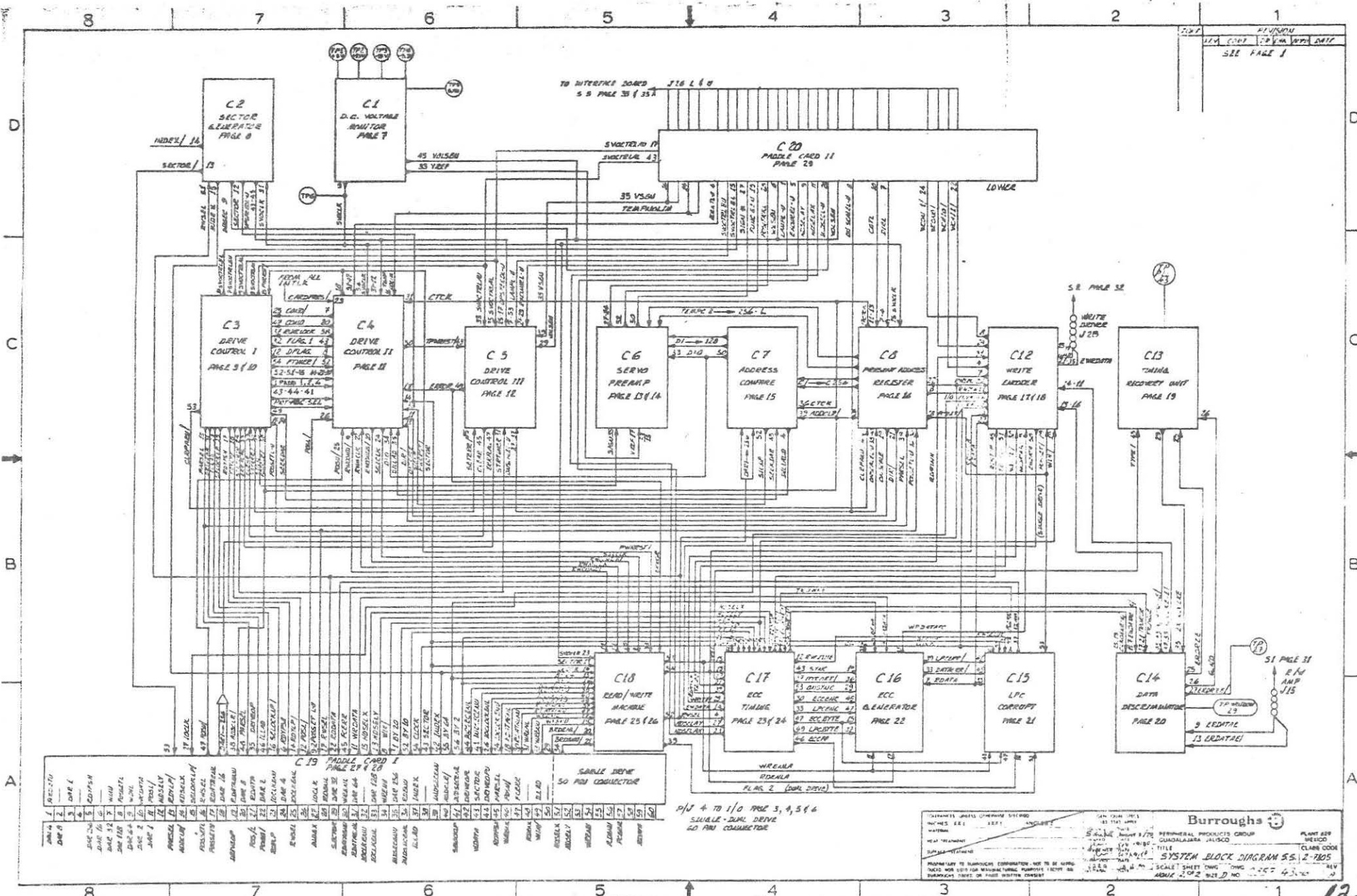
CLASS CODE: 2-7-105

SCALE: SHEET 1 OF 2

DATE: 10-2-1962

DWG NO: 2257-4366

REV: 1



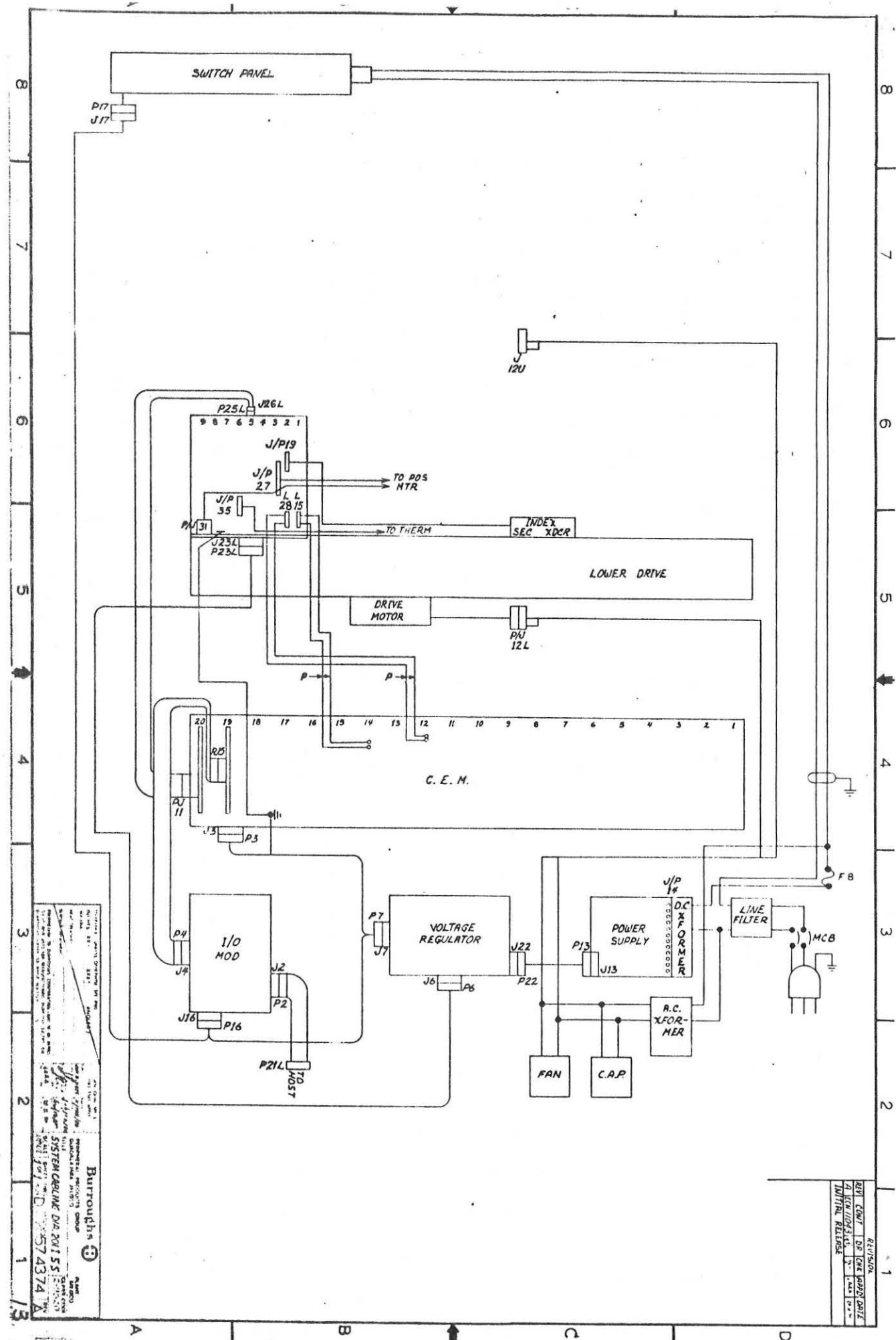
AREA	1	2	3	4	5	6	7	8	9	10	11	12	13	14	15	16	17	18	19	20	21	22	23	24	25	26	27	28	29	30	31	32	33	34	35	36	37	38	39	40	41	42	43	44	45	46	47	48	49	50
AREA 1	DRIVE 1	DRIVE 2	DRIVE 3	DRIVE 4	DRIVE 5	DRIVE 6	DRIVE 7	DRIVE 8	DRIVE 9	DRIVE 10	DRIVE 11	DRIVE 12	DRIVE 13	DRIVE 14	DRIVE 15	DRIVE 16	DRIVE 17	DRIVE 18	DRIVE 19	DRIVE 20	DRIVE 21	DRIVE 22	DRIVE 23	DRIVE 24	DRIVE 25	DRIVE 26	DRIVE 27	DRIVE 28	DRIVE 29	DRIVE 30	DRIVE 31	DRIVE 32	DRIVE 33	DRIVE 34	DRIVE 35	DRIVE 36	DRIVE 37	DRIVE 38	DRIVE 39	DRIVE 40	DRIVE 41	DRIVE 42	DRIVE 43	DRIVE 44	DRIVE 45	DRIVE 46	DRIVE 47	DRIVE 48	DRIVE 49	DRIVE 50

Burroughs

PERIPHERAL PRODUCTS GROUP
 QUADALAZAR, JALISCO
 TITLE: SYSTEM BLOCK DIAGRAM 55-2-705
 SCALE: SHEET 0000 0000 2-55 43700
 DATE: 11/20/60
 SIZE: D NO. 43700

PLANT 809
 WESCO
 CLASS CODE

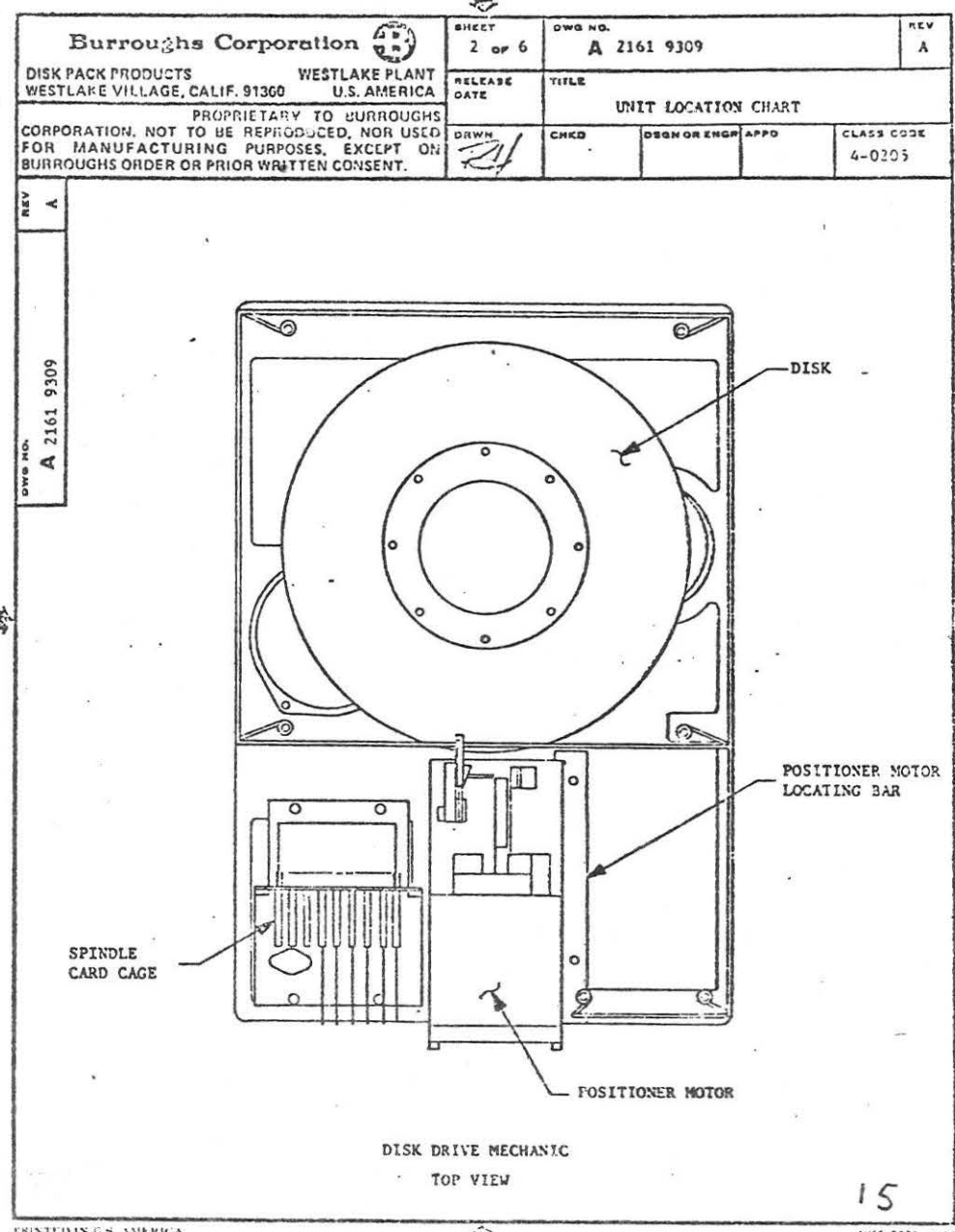
PROPERTY TO BURROUGHS CORPORATION. NOT TO BE REPRODUCED OR TRANSMITTED IN ANY FORM OR BY ANY MEANS, ELECTRONIC OR MECHANICAL, INCLUDING PHOTOCOPYING, RECORDING, OR BY ANY INFORMATION STORAGE AND RETRIEVAL SYSTEM.




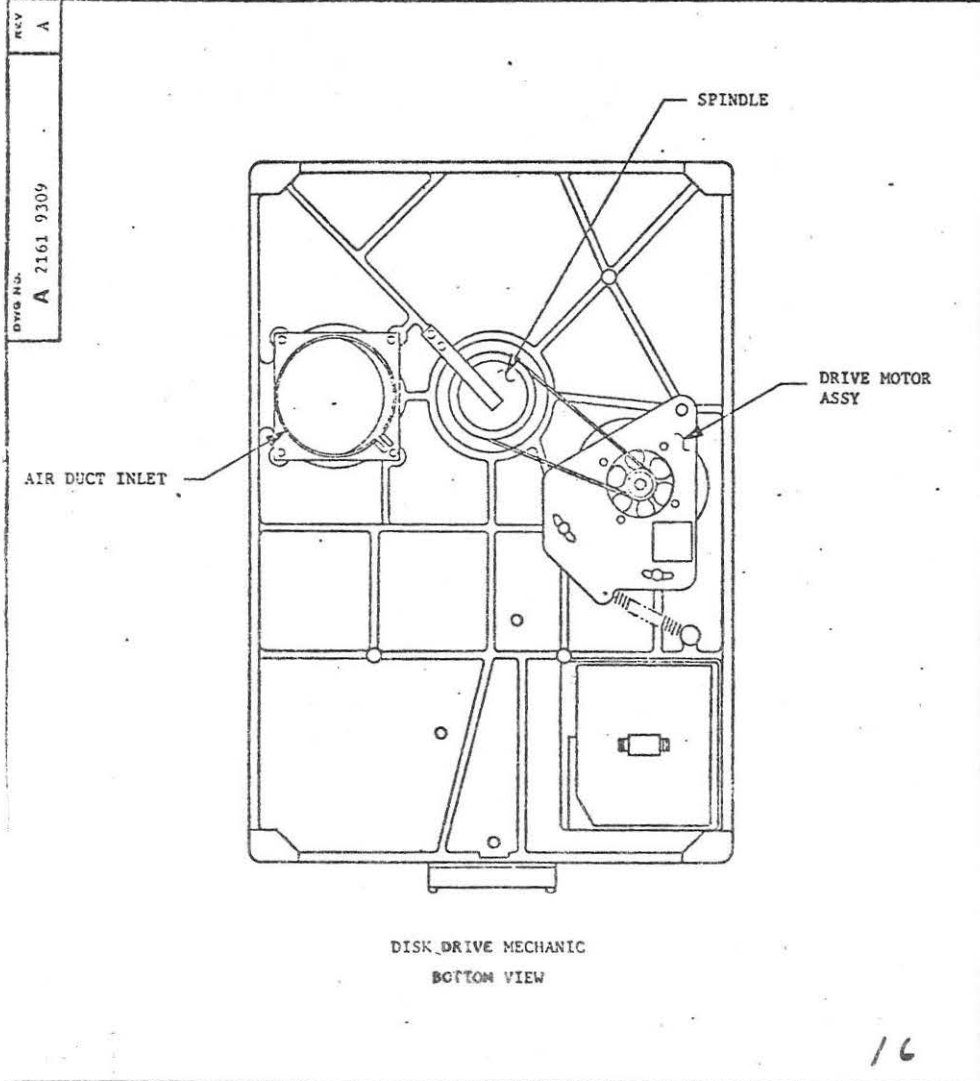
Burroughs
 SYSTEMS DIVISION
 SYSTEMS GROUP
 SYSTEMS ENGINEERING
 SYSTEMS DESIGN
 SYSTEMS TESTING
 SYSTEMS MAINTENANCE
 SYSTEMS SUPPORT
 SYSTEMS TRAINING
 SYSTEMS OPERATIONS
 SYSTEMS SECURITY
 SYSTEMS COMPLIANCE
 SYSTEMS RISK MANAGEMENT
 SYSTEMS ARCHITECTURE
 SYSTEMS INTEGRATION
 SYSTEMS TRANSFORMATION
 SYSTEMS INNOVATION
 SYSTEMS SUSTAINABILITY
 SYSTEMS RESILIENCE
 SYSTEMS AGILITY
 SYSTEMS SCALABILITY
 SYSTEMS FLEXIBILITY
 SYSTEMS SECURITY
 SYSTEMS COMPLIANCE
 SYSTEMS RISK MANAGEMENT
 SYSTEMS ARCHITECTURE
 SYSTEMS INTEGRATION
 SYSTEMS TRANSFORMATION
 SYSTEMS INNOVATION
 SYSTEMS SUSTAINABILITY
 SYSTEMS RESILIENCE
 SYSTEMS AGILITY
 SYSTEMS SCALABILITY
 SYSTEMS FLEXIBILITY


REVISION
 NO. 1
 DATE 1/15/55
 INITIAL RELEASE

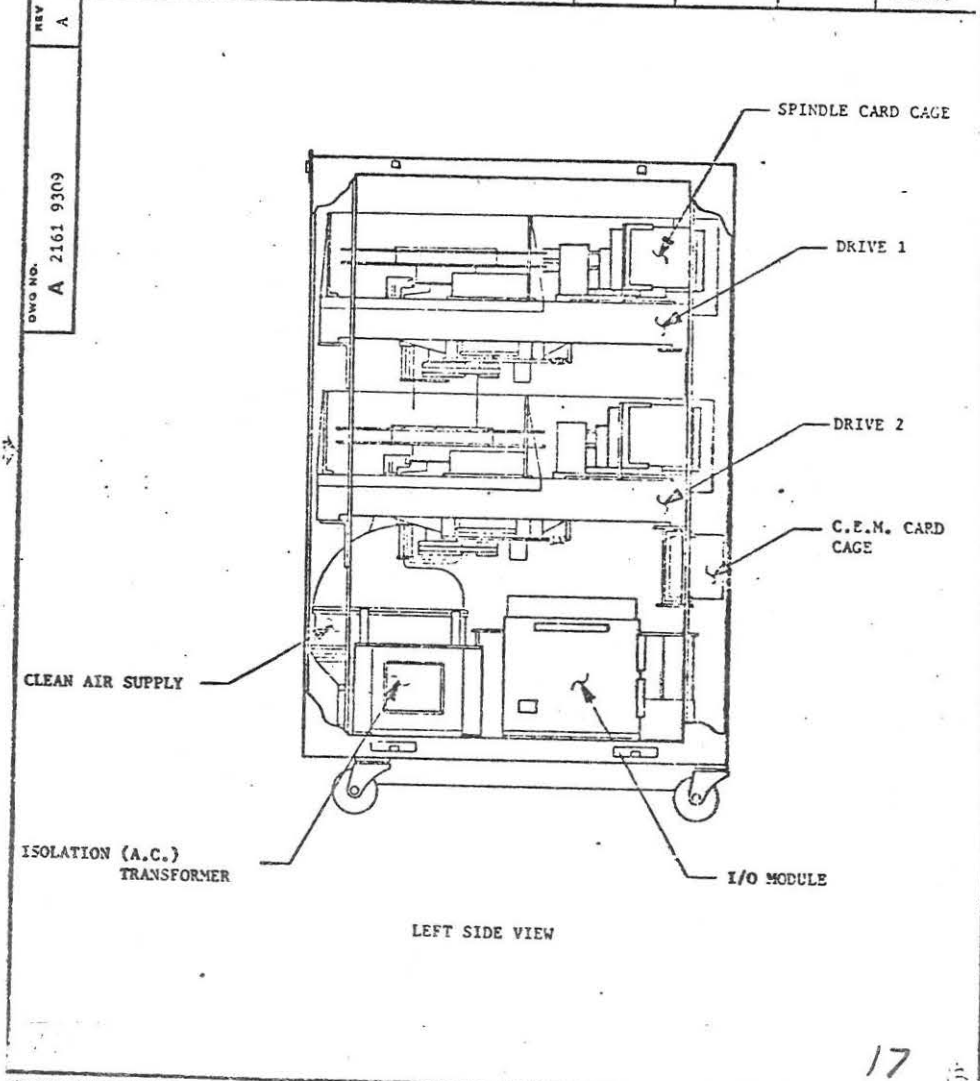
Burroughs Corporation		PREP. <i>R. Houlton</i>	PROJ.	A- 2161 9309	REV A
DISK PACK PRODUCTS WESTLAKE PLANT WESTLAKE VILLAGE, CALIF. 91360 U.S. AMERICA		CNCKD <i>CE J. J. J.</i>	APPD	PAGE 1 OF 6	
PROPRIETARY TO BURROUGHS CORPORATION. NOT TO BE REPRODUCED NOR USED FOR MANUFACTURING PURPOSES EXCEPT ON BURROUGHS ORDER OR PRIOR WRITTEN CONSENT.					TITLE
					UNIT LOCATION CHART
REV	CONTROL DOC & NO	DEPTSMN	CNCKD	APPD & DATE	PAGE, LINE OR 1
A	<i>ER 21742</i>	<i>217</i>	<i>CE</i>		
					CLASS CODE
					4-0205
INITIAL ISSUE					



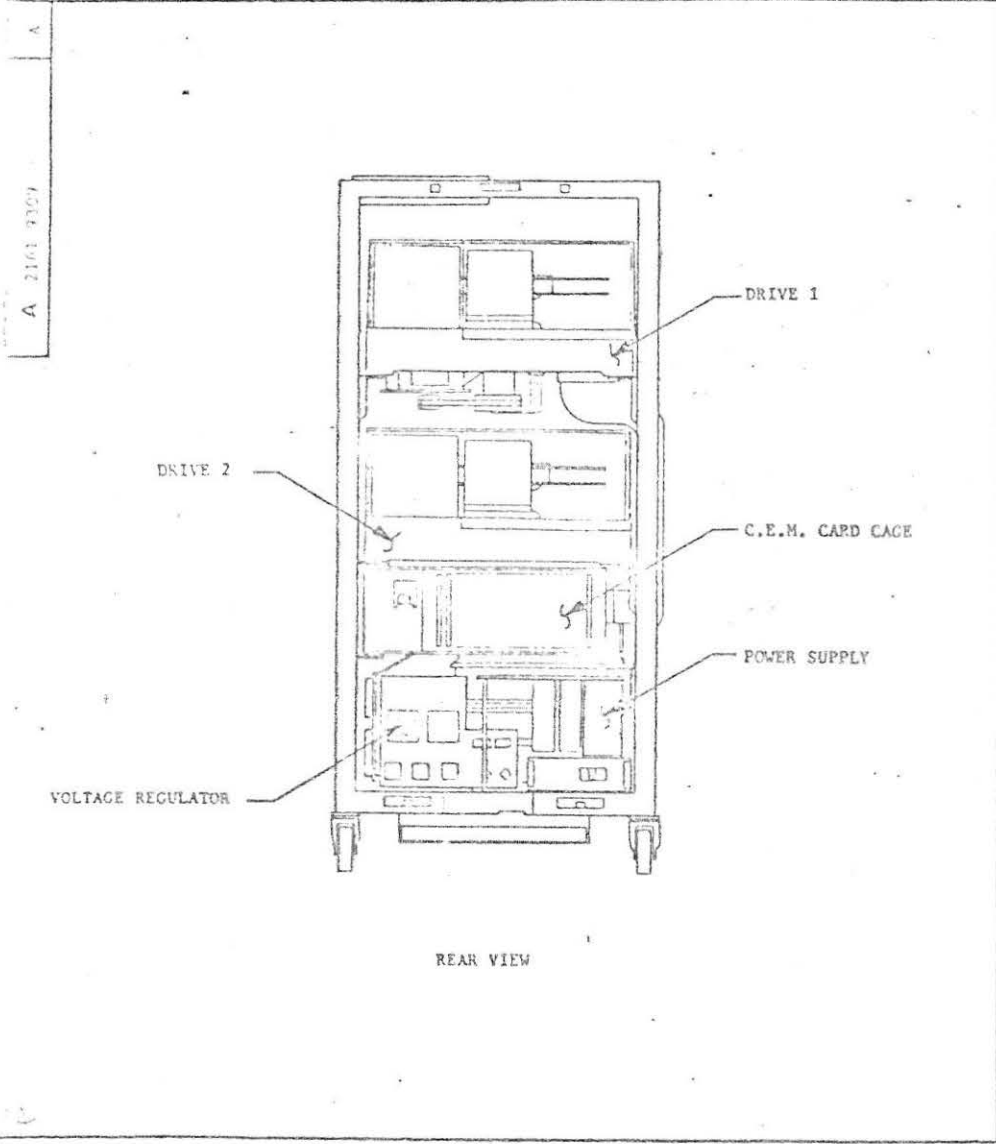
Burroughs Corporation 		SHEET	DWG NO.	REV
DISK PACK PRODUCTS WESTLAKE PLANT WESTLAKE VILLAGE, CALIF. 91360 U.S. AMERICA		3 OF 6	A 2161 9309	A
RELEASE DATE	TITLE			
	UNIT LOCATION CHART			
PROPRIETARY TO BURROUGHS CORPORATION. NOT TO BE REPRODUCED, NOR USED FOR MANUFACTURING PURPOSES, EXCEPT ON BURROUGHS ORDER OR PRIOR WRITTEN CONSENT.				
DRWN	CHKD	DSGN OR ENGR	APPD	CLASS CODE
<i>RL</i>				4-0205



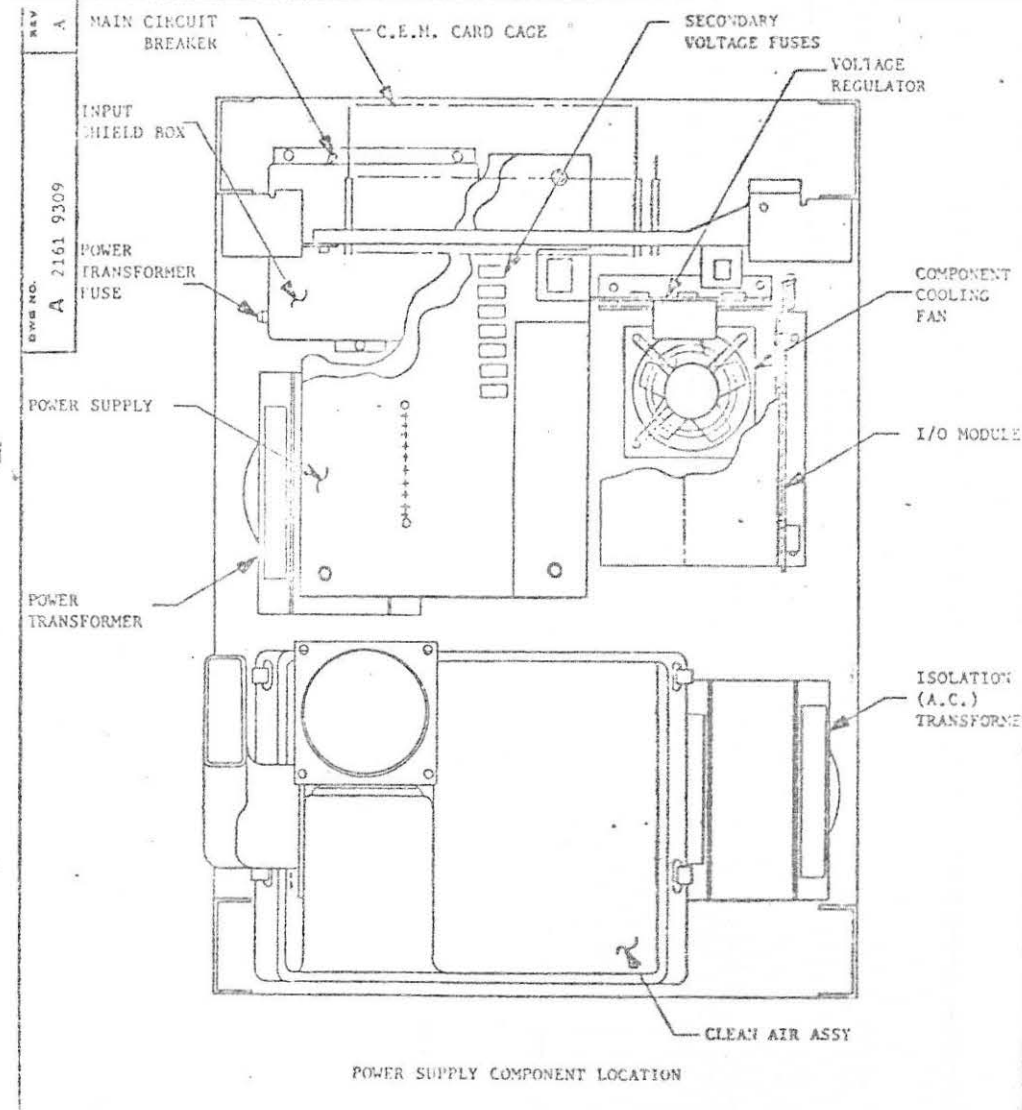
Burroughs Corporation 		SHEET	DWG NO.	REV
DISK PACK PRODUCTS WESTLAKE PLANT WESTLAKE VILLAGE, CALIF. 91360 U.S. AMERICA		4 OF 6	A 2161 9309	A
RELEASE DATE	TITLE			
	UNIT LOCATION CHART			
PROPRIETARY TO BURROUGHS CORPORATION. NOT TO BE REPRODUCED, NOR USED FOR MANUFACTURING PURPOSES, EXCEPT ON BURROUGHS ORDER OR PRIOR WRITTEN CONSENT.				
DRWN	CHKD	DSGN OR ENGR	APPD	CLASS CODE
<i>RL</i>				4-0205



Burroughs Corporation		SHEET	DWG NO.	REV
DISK PACK PRODUCTS WESTLAKE PLANT WESTLAKE VILLAGE CALIF 91360 U.S. AMERICA		5 OF 6	A 2161 9309	A
PROPRIETARY TO BURROUGHS CORPORATION. NOT TO BE REPRODUCED, NOR USED FOR MANUFACTURING PURPOSES, EXCEPT ON BURROUGHS ORDER OR PRIOR WRITTEN CONSENT.		RELEASE DATE	TITLE	
			UNIT LOCATION CHART	
DRWN	CHKD	DESIGNOR	ENGR	APPRO
				CLASS CODE
				4-0205



Burroughs Corporation		SHEET	DWG NO.	REV
DISK PACK PRODUCTS WESTLAKE PLANT WESTLAKE VILLAGE, CALIF. 91360 U.S. AMERICA		6 OF 6	A 2161 9309	A
PROPRIETARY TO BURROUGHS CORPORATION. NOT TO BE REPRODUCED, NOR USED FOR MANUFACTURING PURPOSES, EXCEPT ON BURROUGHS ORDER OR PRIOR WRITTEN CONSENT.		RELEASE DATE	TITLE	
			UNIT LOCATION CHART	
DRWN	CHKD	DESIGNOR	ENGR	APPRO
				CLASS CODE
				4-0205



Burroughs Corporation		PREP <i>CEL</i>	PROJ <i>A-21624226</i>	REV <i>AE</i>
WESTLAKE PLANT WESTLAKE VILLAGE, CALIF 91360 U.S. AMERICA		CHKD	APPD	PAGE 1 CONT ON 75
PROPRIETARY TO BURROUGHS CORPORATION NOT TO BE REPRODUCED OR USED FOR MANUFACTURING PURPOSES EXCEPT ON BURROUGHS ORDER OR PRIOR WRITTEN CONSENT			TITLE LOGIC FLOW CHART	
REV	CONTROL DOC & NO	DFTSMN	CHKD	APPD & DATE
				PAGE
				LINE OR CR
				REVISION DESCRIPTION
				CLASS CODE 2-9520
A	ER 6760	CEL		
B	RCN 10457	<i>10/21/77</i>		
C	RCN 10525	<i>10/21/77</i>		
D	RCN 10553	<i>10/21/77</i>		
E	RCN 10733	<i>12/21/78</i>		
PAGE 30 & 31 CHANGES ON PAGES 49 THRU 65 CHANGES. PAGES QTY WAS: 69 ON PAGES 2 THRU 30 CHANGES, PAG. QTY WAS 70 ON PAGES 15 THRU 28 CHANGES, PAGES 37, 38, 41, 42 CHANGES, QTY WAS 73				

PRINTED IN U.S. AMERICA

WES 1025 1-76

20

Burroughs Corporation		PREP <i>CEL</i>	PROJ <i>A-21624226</i>	REV <i>E</i>
WESTLAKE PLANT WESTLAKE VILLAGE, CALIF 91360 U.S. AMERICA		CHKD	APPD	PAGE 2 OF 75
PROPRIETARY TO BURROUGHS. NOT TO BE REPRODUCED OR USED FOR MANUFACTURING PURPOSES EXCEPT ON BURROUGHS ORDER OR PRIOR WRITTEN CONSENT.			TITLE LOGIC FLOW CHART	

THIS FLOW CHART CORRESPONDS TO
THE FOLLOWING SET OF PROMS

DRIVE CONTROL I D S PAGE 3

2857 2758 IC SLOT D 0
2857 2786 IC SLOT C 0
2857 2774 IC SLOT D 1

R/W MACHINE D S PAGE 33

2857 2311 IC SLOT E 0
2857 2329 IC SLOT E 1
2857 2337 IC SLOT E 2


DRIVE CONTROL I S S PAGE 54

2857 1511 IC SLOT D 0
2857 1529 IC SLOT C 0
2857 1537 IC SLOT D 1

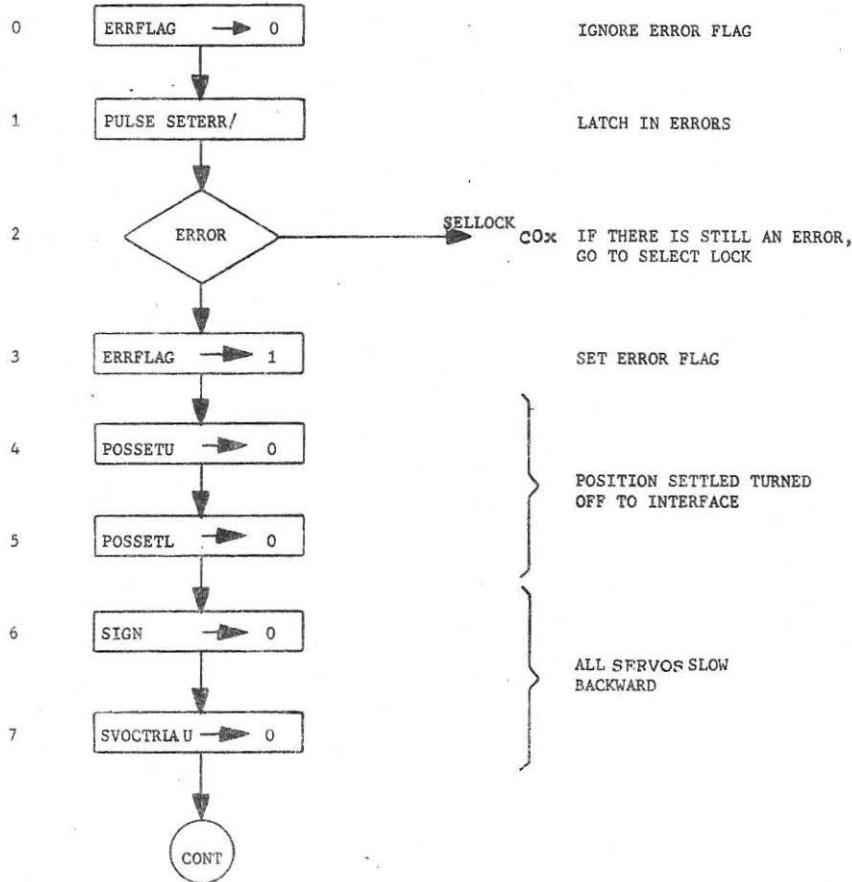
R/W MACHINE S S PAGE 71


2162 6833 IC SLOT E 0
2162 6858 IC SLOT E 1
2162 6841 IC SLOT E 2

21

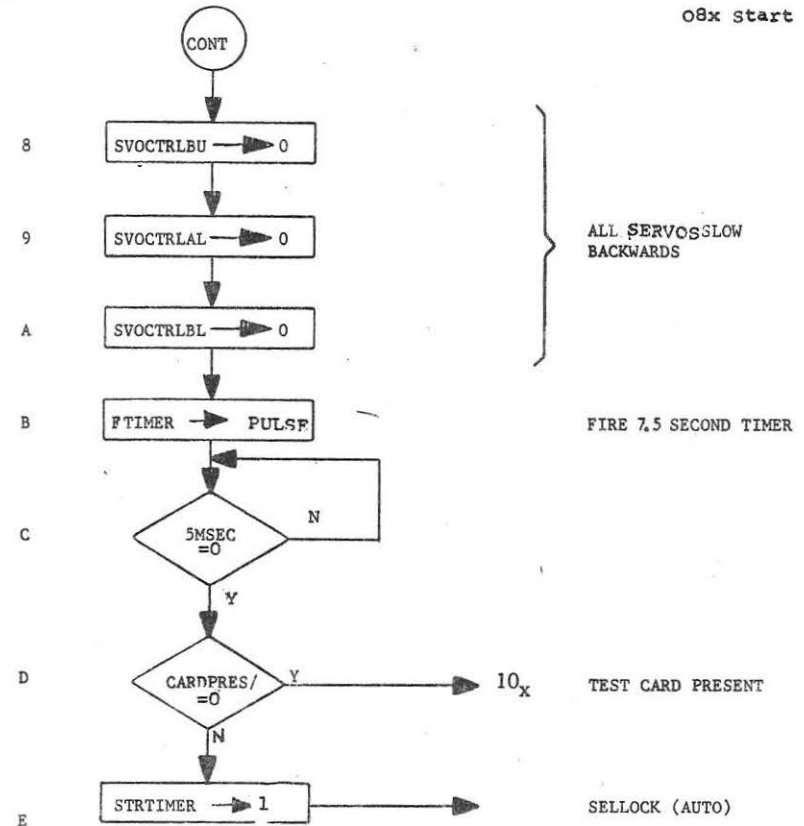
Burroughs Corporation  DISK PACK PRODUCTS WESTLAKE PLANT WESTLAKE VILLAGE, CALIF. 91380 U.S. AMERICA	PREP <i>CCE</i>	PROJ	A 2162 422.6 <i>E</i>
	CHKD	APPD	PAGE 3 OF 75
PROPRIETARY TO BURROUGHS. NOT TO BE REPRODUCED OR USED FOR MANUFACTURING PURPOSES EXCEPT ON BURROUGHS ORDER OR PRIOR WRITTEN CONSENT.			TITLE LOGIC FLOW CHART

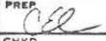
00x Start Drive Control



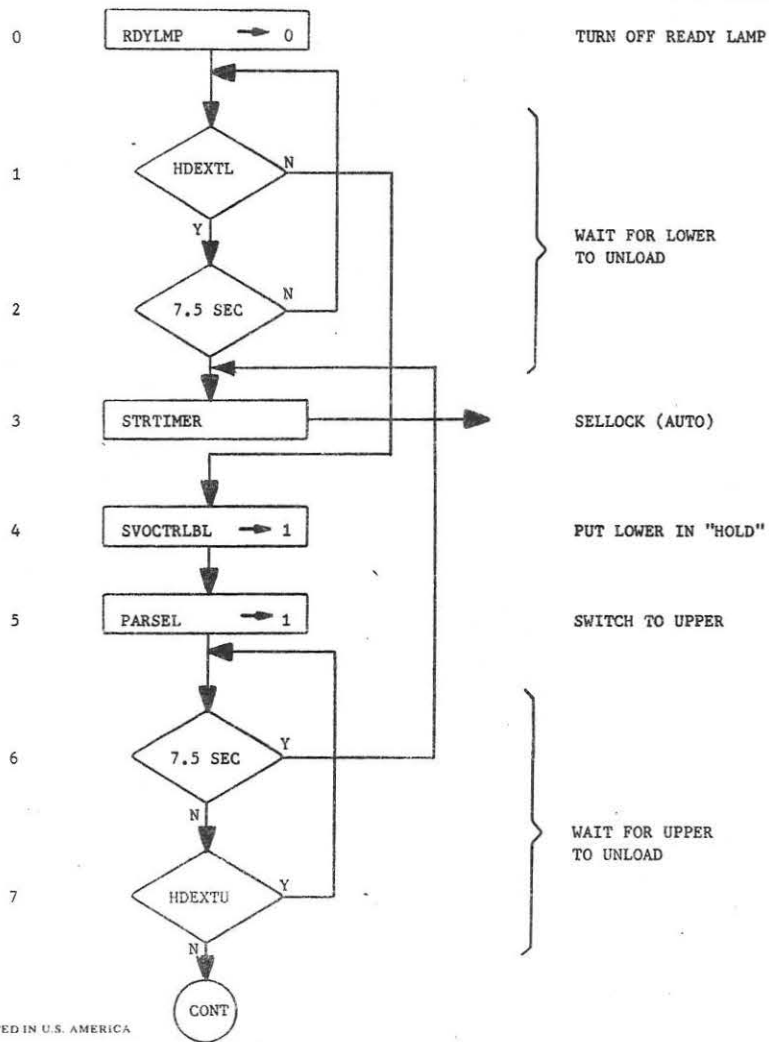
Burroughs Corporation  DISK PACK PRODUCTS WESTLAKE PLANT WESTLAKE VILLAGE, CALIF. 91380 U.S. AMERICA	PREP <i>CCE</i>	PROJ	A 2162 422.6 <i>E</i>
	CHKD	APPD	PAGE 4 OF 75
PROPRIETARY TO BURROUGHS. NOT TO BE REPRODUCED OR USED FOR MANUFACTURING PURPOSES EXCEPT ON BURROUGHS ORDER OR PRIOR WRITTEN CONSENT.			TITLE LOGIC FLOW CHART

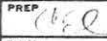
08x start



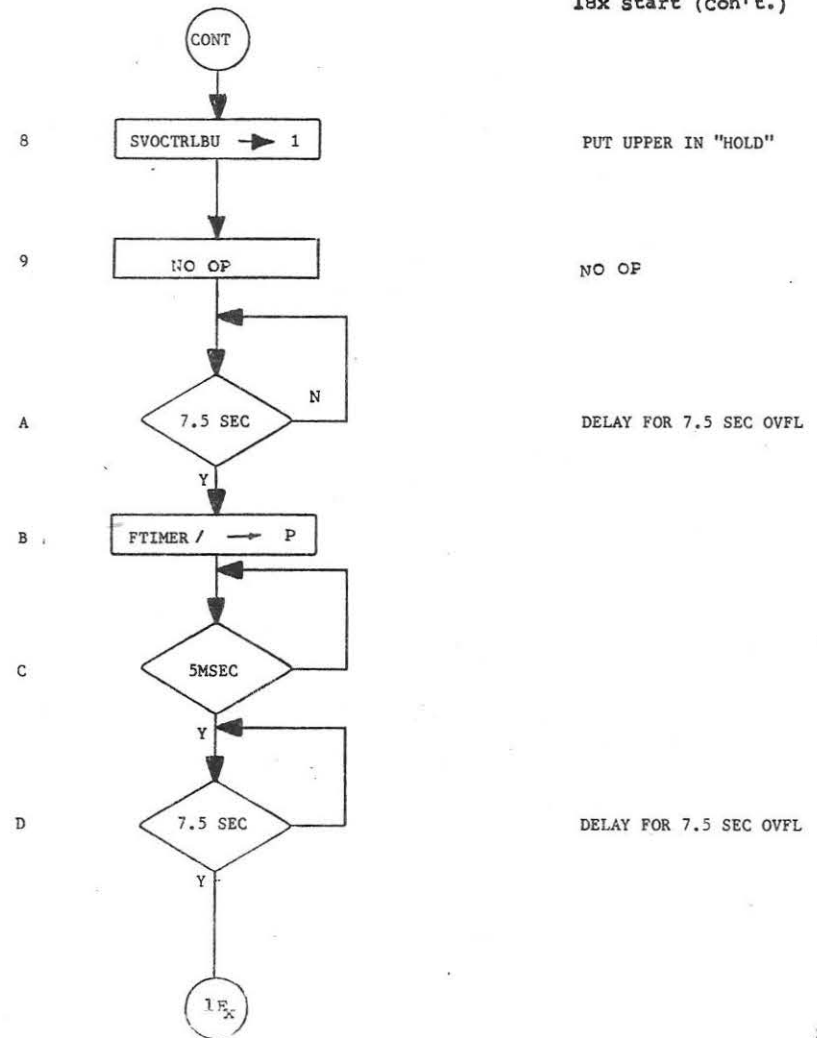
Burroughs Corporation <small>DISK PACK PRODUCTS WESTLAKE VILLAGE, CALIF 91360</small>	<small>PREP</small> 	<small>PROJ</small> 	<small>A 2162 4226</small>	<small>E</small>
	<small>CHKD</small> 	<small>APPD</small> 	<small>PAGE 5 of 75</small>	
<small>PROPRIETARY TO BURROUGHS. NOT TO BE REPRODUCED OR USED FOR MANUFACTURING PURPOSES EXCEPT ON BURROUGHS ORDER OR PRIOR WRITTEN CONSENT.</small>		<small>TITLE</small> LOGIC FLOW CHART		

10x start (con't.)



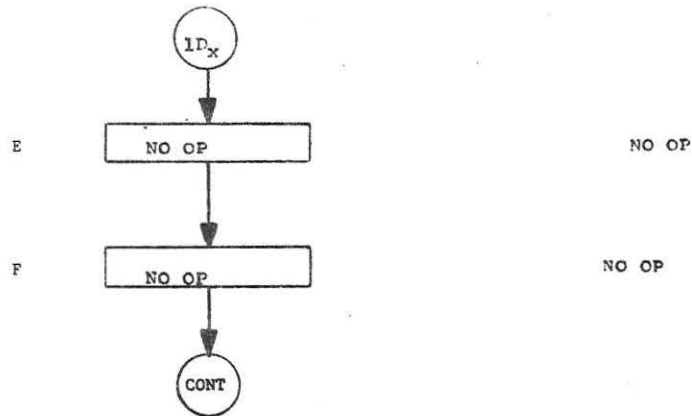
Burroughs Corporation <small>DISK PACK PRODUCTS WESTLAKE VILLAGE, CALIF 91360</small>	<small>PREP</small> 	<small>PROJ</small> 	<small>A 2162 4226</small>	<small>E</small>
	<small>CHKD</small> 	<small>APPD</small> 	<small>PAGE 6 of 75</small>	
<small>PROPRIETARY TO BURROUGHS. NOT TO BE REPRODUCED OR USED FOR MANUFACTURING PURPOSES EXCEPT ON BURROUGHS ORDER OR PRIOR WRITTEN CONSENT.</small>		<small>TITLE</small> LOGIC FLOW CHART		

18x start (con't.)



Burroughs Corporation DISK PACK PRODUCTS WESTLAKE VILLAGE, CALIF 91360 WESTLAKE PLANT U.S. AMERICA	PREP	PROJ	A2162 4226	E
	CHKD	APPD	PAGE 7 OF 75	
PROPRIETARY TO BURROUGHS. NOT TO BE REPRODUCED OR USED FOR MANUFACTURING PURPOSES EXCEPT ON BURROUGHS ORDER OR PRIOR WRITTEN CONSENT.		TITLE LOGIC FLOW CHART		

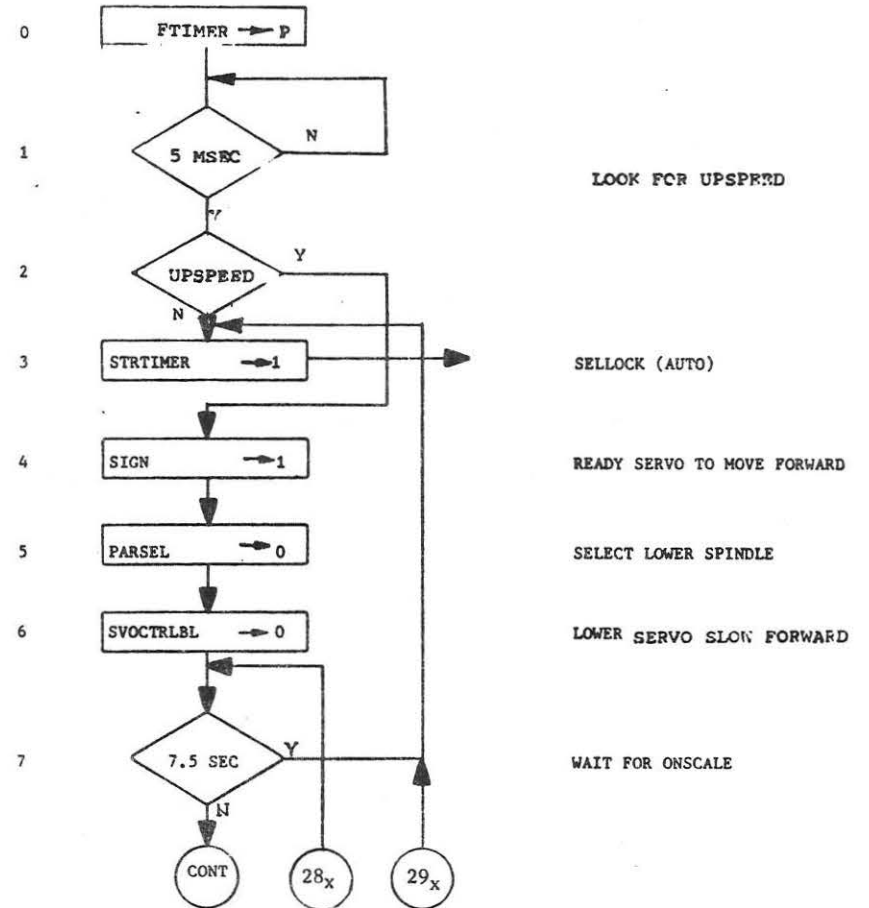
1E START (CON'T.)



Burroughs Corporation DISK PACK PRODUCTS WESTLAKE VILLAGE, CALIF 91360 WESTLAKE PLANT U.S. AMERICA	PREP	PROJ	A2162 4226	E
	CHKD	APPD	PAGE 8 OF 75	
PROPRIETARY TO BURROUGHS. NOT TO BE REPRODUCED OR USED FOR MANUFACTURING PURPOSES EXCEPT ON BURROUGHS ORDER OR PRIOR WRITTEN CONSENT.		TITLE LOGIC FLOW CHART		

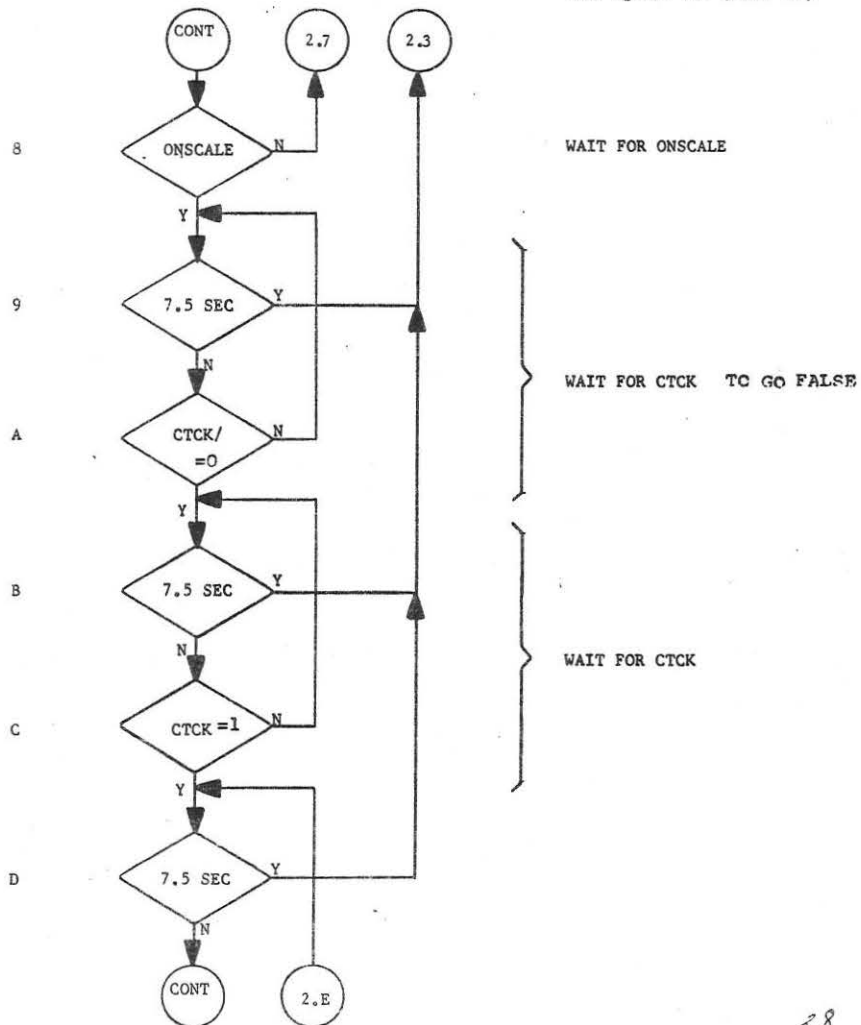
20x Cycle Up

20x Cycle Up



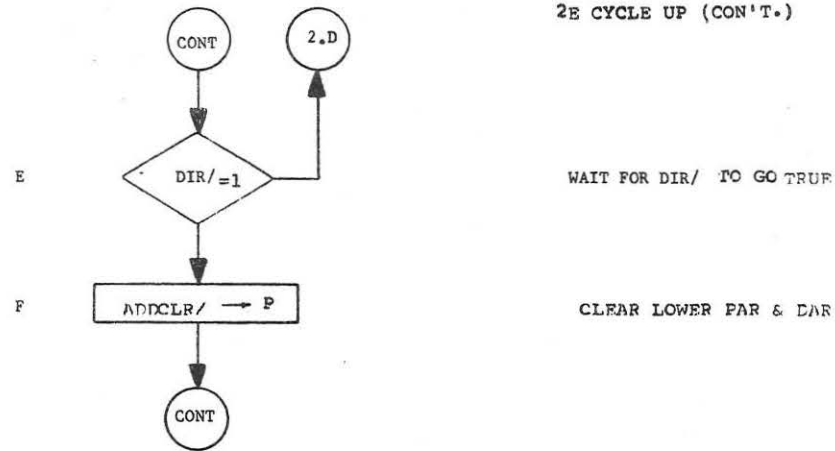
Burroughs Corporation DISK PACK PRODUCTS WESTLAKE VILLAGE, CALIF. 91360	PREP <i>CEL</i>	PROJ A2162 4226 <i>E</i>	PAGE 9 OF 75
	WESTLAKE PLANT U.S. AMERICA	APPD	
PROPRIETARY TO BURROUGHS. NOT TO BE REPRODUCED OR USED FOR MANUFACTURING PURPOSES EXCEPT ON BURROUGHS ORDER OR PRIOR WRITTEN CONSENT.			TITLE LOGIC FLOW CHART

28x cycle UP (con't.)

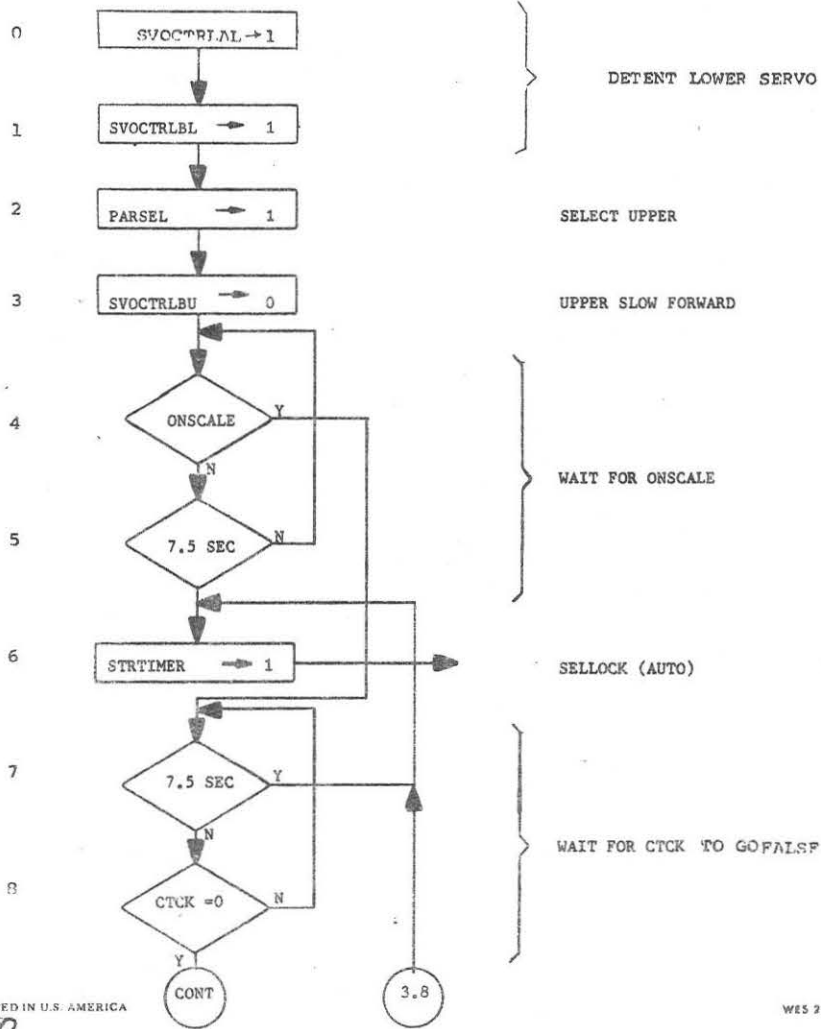


Burroughs Corporation DISK PACK PRODUCTS WESTLAKE VILLAGE, CALIF. 91360	PREP <i>CEL</i>	PROJ A2162 4226 <i>E</i>	PAGE 10 OF 75
	WESTLAKE PLANT U.S. AMERICA	APPD	
PROPRIETARY TO BURROUGHS. NOT TO BE REPRODUCED OR USED FOR MANUFACTURING PURPOSES EXCEPT ON BURROUGHS ORDER OR PRIOR WRITTEN CONSENT.			TITLE LOGIC FLOW CHART

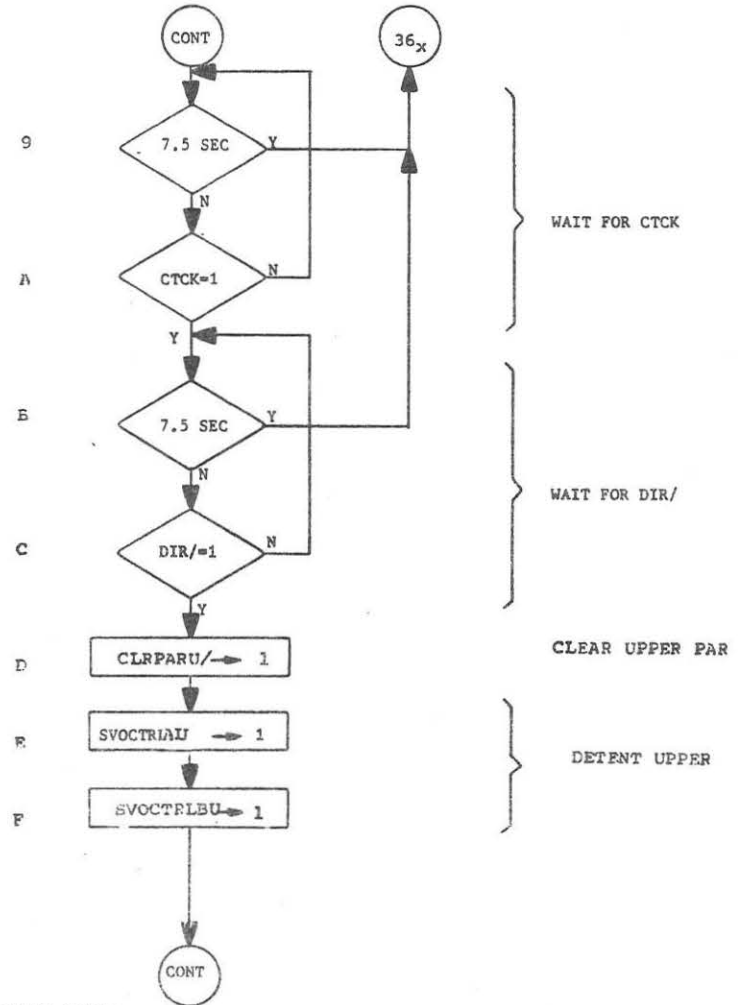
2E CYCLE UP (CON'T.)



30x CYCLE UP (CON'T.)

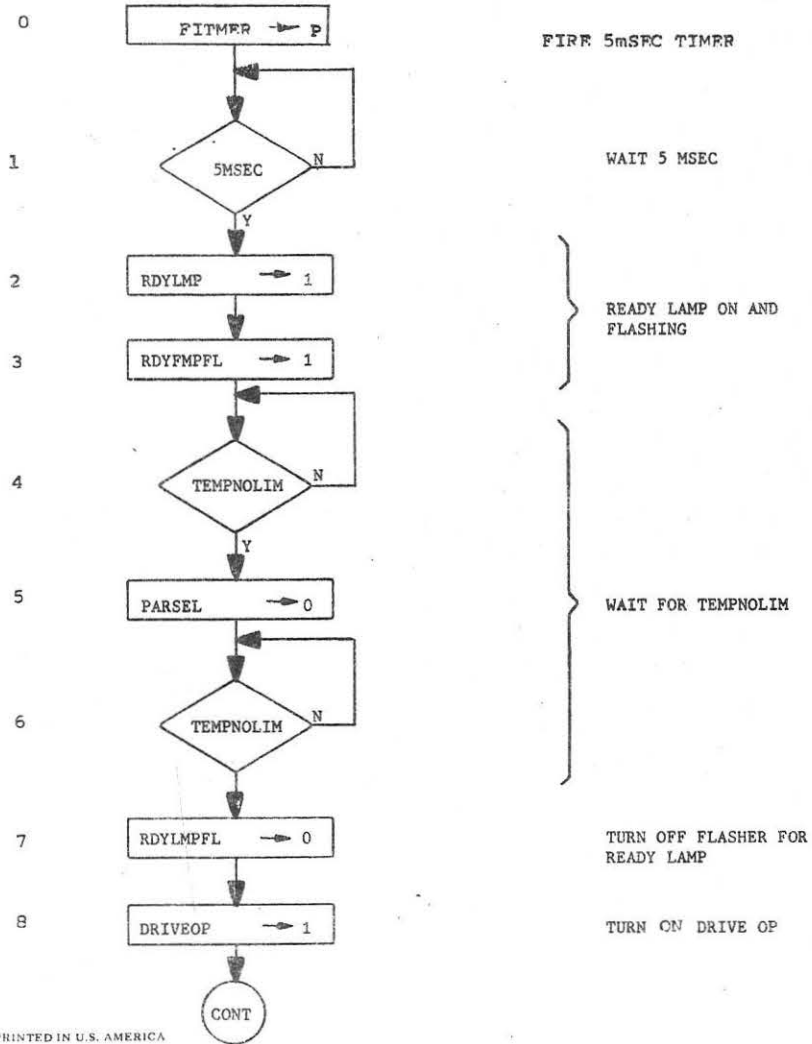


38x CYCLE UP (CON'T.)



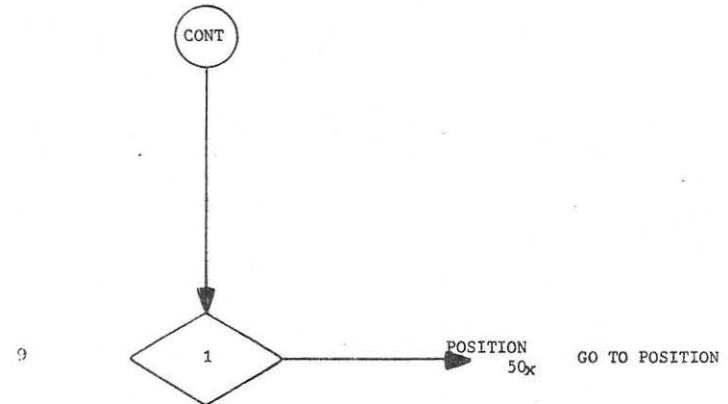
Burroughs Corporation DISK PACK PRODUCTS WESTLAKE VILLAGE, CALIF 91360	PREP <i>CEL</i>	PROJ	A2162 4226 <i>6</i>
	CHKD	APPD	PAGE 13 of 75
PROPRIETARY TO BURROUGHS. NOT TO BE REPRODUCED OR USED FOR MANUFACTURING PURPOSES EXCEPT ON BURROUGHS ORDER OR PRIOR WRITTEN CONSENT.			TITLE LOGIC FLOW CHART

40x CYCLE UP (CON'T)

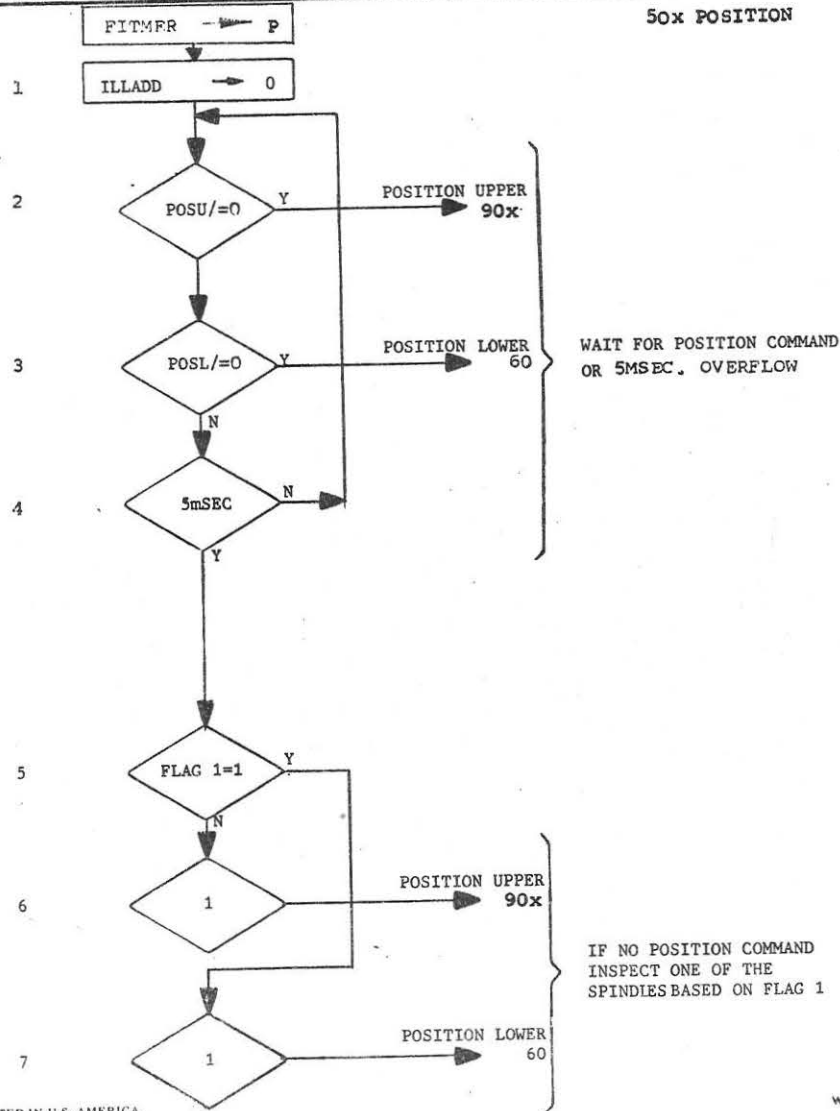


Burroughs Corporation DISK PACK PRODUCTS WESTLAKE VILLAGE, CALIF 91360	PREP <i>140</i>	PROJ	A2162 4226 <i>6</i>
	CHKD	APPD	PAGE 14 of 75
PROPRIETARY TO BURROUGHS. NOT TO BE REPRODUCED OR USED FOR MANUFACTURING PURPOSES EXCEPT ON BURROUGHS ORDER OR PRIOR WRITTEN CONSENT.			TITLE LOGIC FLOW CHART

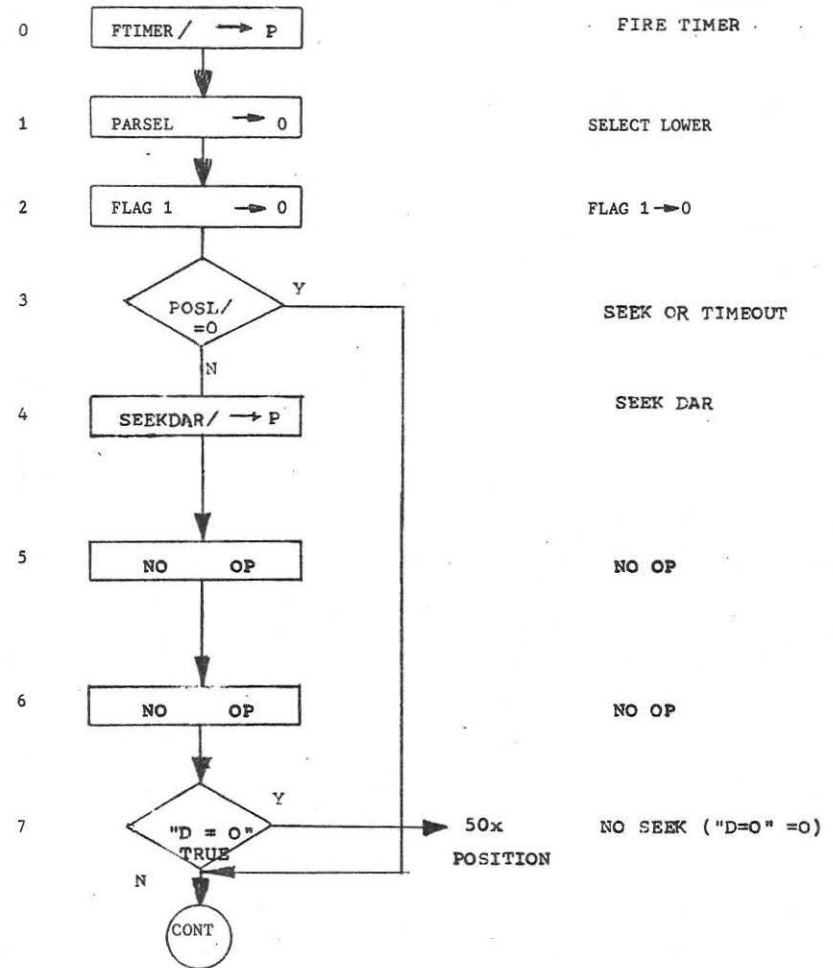
48x CYCLE UP (CON'T.)



50x POSITION

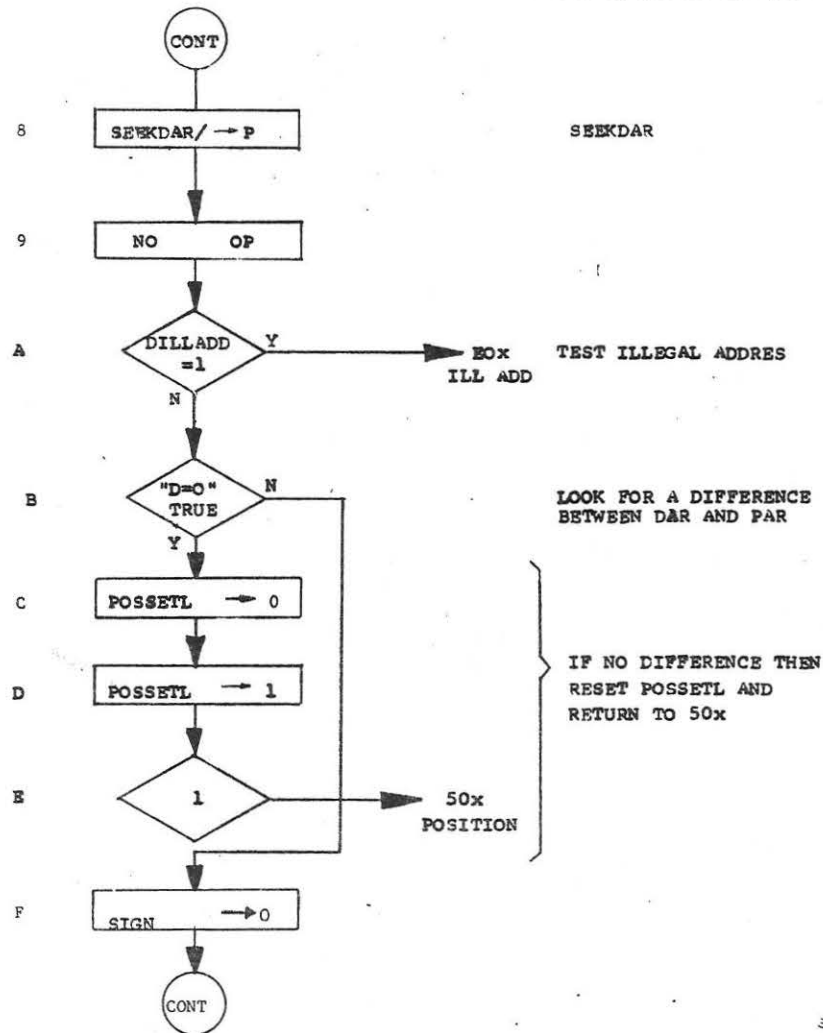


60x POSITION LOWER



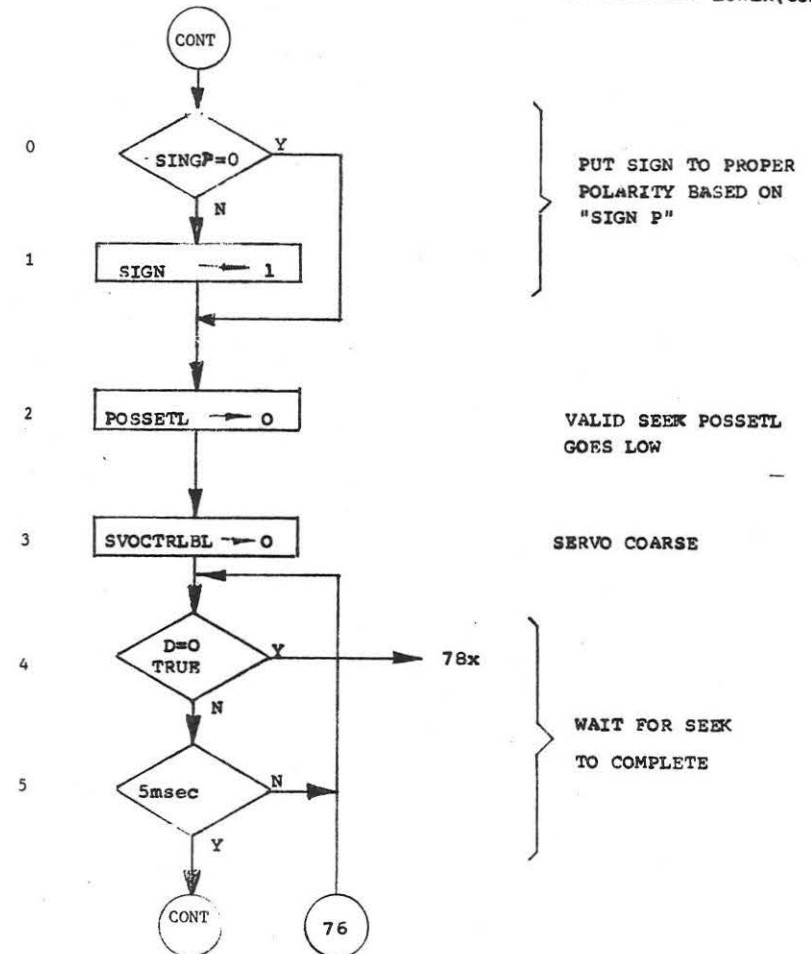
Burroughs Corporation DISK PACK PRODUCTS WESTLAKE VILLAGE, CALIF. 91360 WESTLAKE PLANT U.S. AMERICA	PREP <i>CE</i>	PROJ	A21624226 <i>E</i>
	CHKD	APPD	PAGE 17 OF 75
PROPRIETARY TO BURROUGHS. NOT TO BE REPRODUCED OR USED FOR MANUFACTURING PURPOSES EXCEPT ON BURROUGHS ORDER OR PRIOR WRITTEN CONSENT.			TITLE LOGIC FLOW CHART

68x POSITION LOWER (CON'T.)



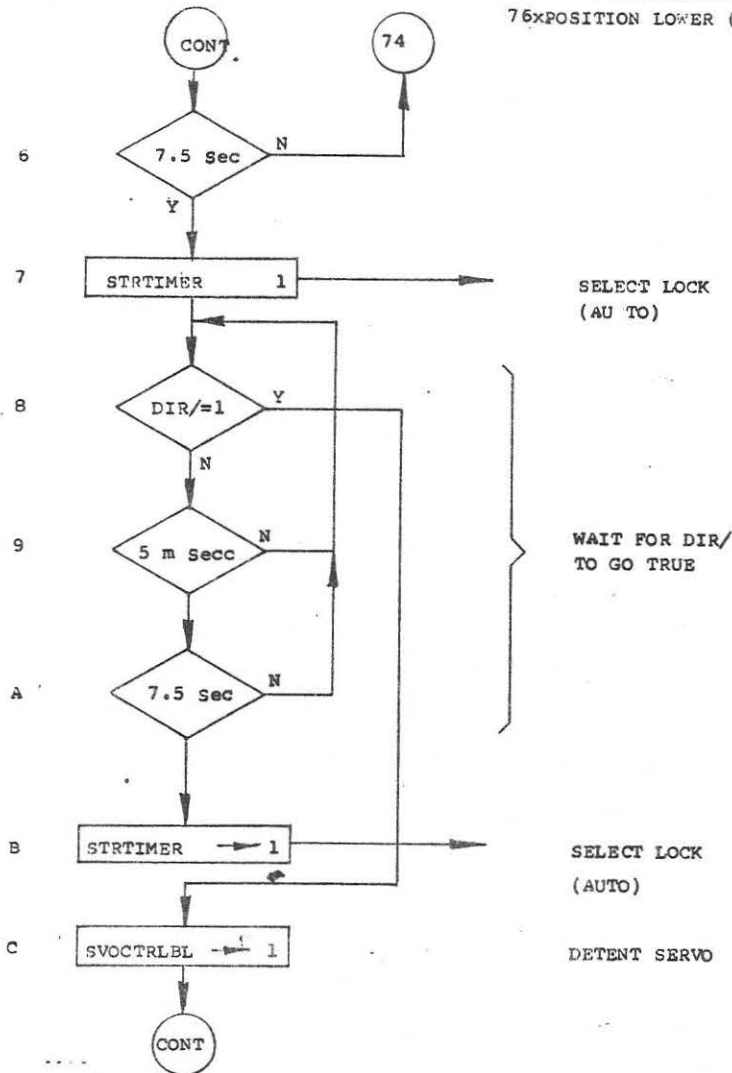
Burroughs Corporation DISK PACK PRODUCTS WESTLAKE VILLAGE, CALIF. 91360 WESTLAKE PLANT U.S. AMERICA	PREP <i>CE</i>	PROJ	A21624226 <i>E</i>
	CHKD	APPD	PAGE 18 OF 75
PROPRIETARY TO BURROUGHS. NOT TO BE REPRODUCED OR USED FOR MANUFACTURING PURPOSES EXCEPT ON BURROUGHS ORDER OR PRIOR WRITTEN CONSENT.			TITLE LOGIC FLOW CHART

70x POSITION LOWER (CON'T.)



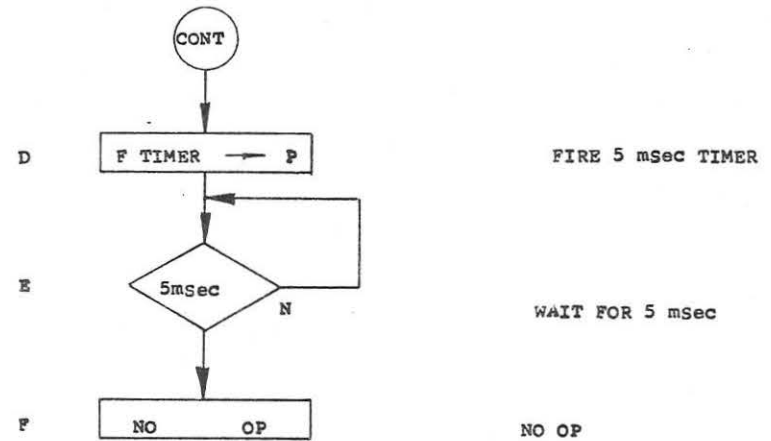
Burroughs Corporation <small>WESTLAKE PLANT WESTLAKE VILLAGE, CALIF. 91360 U.S. AMERICA</small>	PREP <i>CEL</i>	PROJ	A 2102 4226 E PAGE 19 of 75
	CHKD	APPD	
<small>PROPRIETARY TO BURROUGHS. NOT TO BE REPRODUCED OR USED FOR MANUFACTURING PURPOSES EXCEPT ON BURROUGHS ORDER OR PRIOR WRITTEN CONSENT.</small>		TITLE LOGIC FLOW CHART	

76x POSITION LOWER (CON'T)



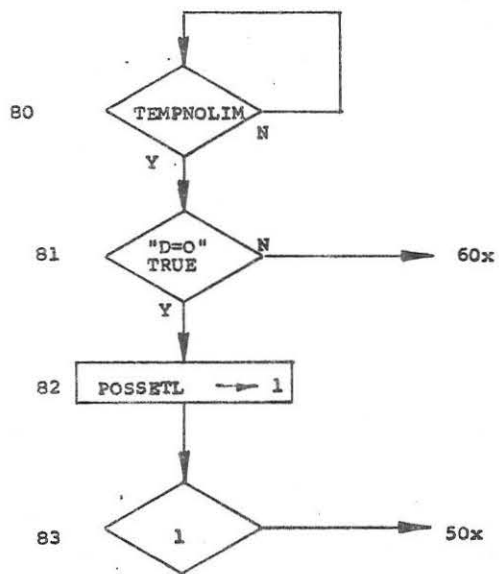
Burroughs Corporation <small>WESTLAKE PLANT WESTLAKE VILLAGE, CALIF. 91360 U.S. AMERICA</small>	PREP <i>CEL</i>	PROJ	A 2102 4226 E PAGE 20 of 75
	CHKD	APPD	
<small>PROPRIETARY TO BURROUGHS. NOT TO BE REPRODUCED OR USED FOR MANUFACTURING PURPOSES EXCEPT ON BURROUGHS ORDER OR PRIOR WRITTEN CONSENT.</small>		TITLE LOGIC FLOW CHART	

7Dx POSITION LOWER (CON'T)



Burroughs Corporation <small>WESTLAKE PLANT WESTLAKE VILLAGE, CALIF 91360 U.S. AMERICA</small>	PREP <i>1EL</i>	PROJ	A 2162 4226
	CHKD	APPD	PAGE 21.75
<small>PROPRIETARY TO BURROUGHS. NOT TO BE REPRODUCED OR USED FOR MANUFACTURING PURPOSES EXCEPT ON BURROUGHS ORDER OR PRIOR WRITTEN CONSENT.</small>		TITLE LOGIC FLOW CHART	

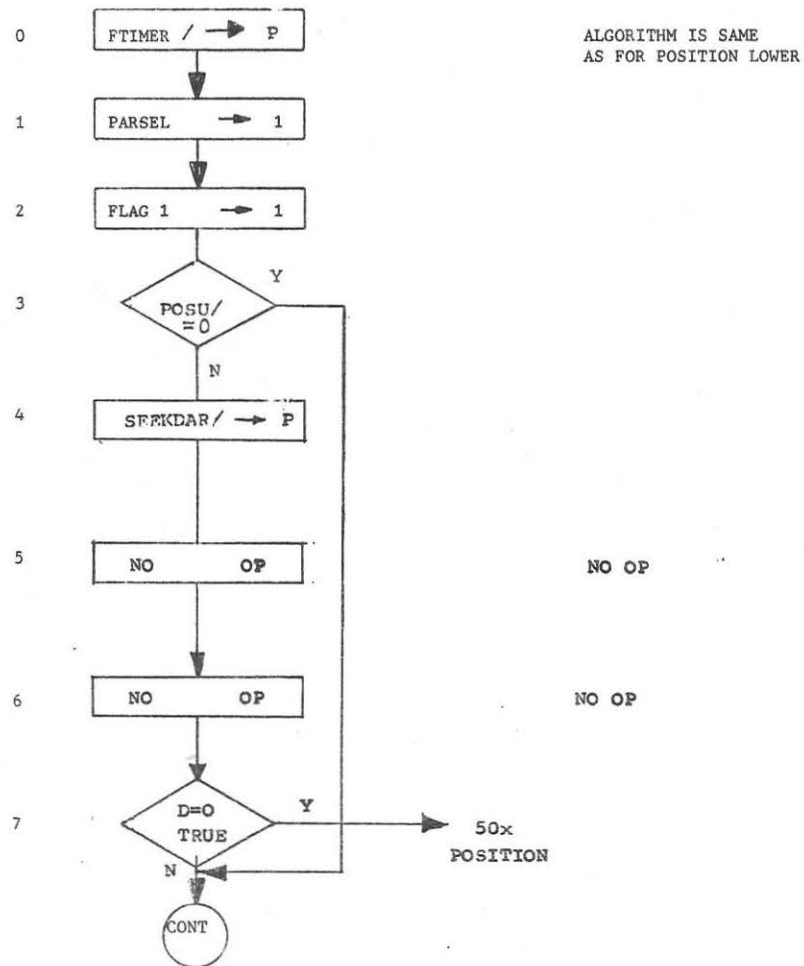
80x POSITION LOWER (CON'T)



UNCONDITIONAL

Burroughs Corporation <small>DISK PACK PRODUCTS WESTLAKE VILLAGE, CALIF 91360 WESTLAKE PLANT U.S. AMERICA</small>	PREP	PROJ	A 2162 4226
	CHKD	APPD	PAGE 22 OF 75
<small>PROPRIETARY TO BURROUGHS. NOT TO BE REPRODUCED OR USED FOR MANUFACTURING PURPOSES EXCEPT ON BURROUGHS ORDER OR PRIOR WRITTEN CONSENT.</small>		TITLE LOGIC FLOW CHART	

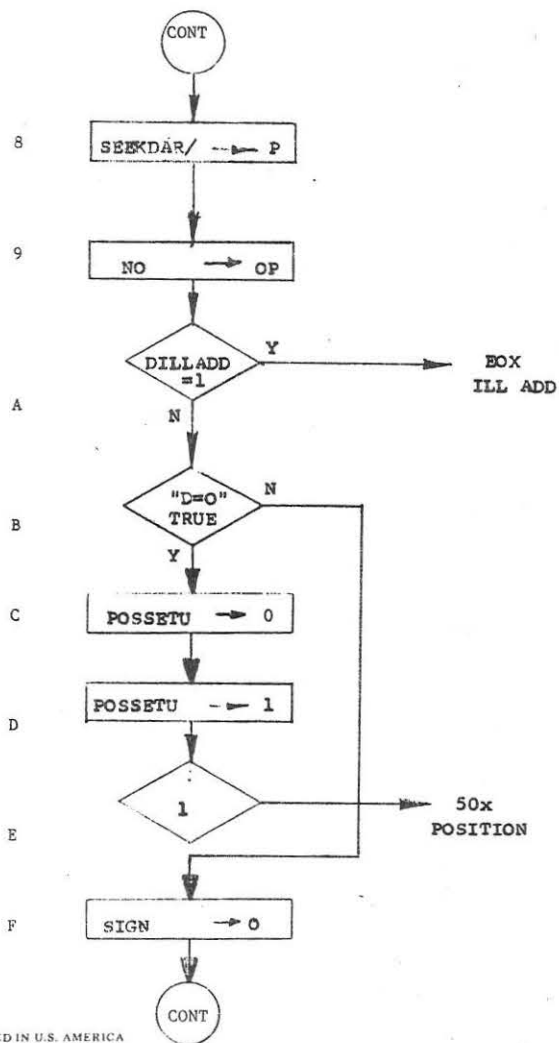
90x POSITION UPPER



Burroughs Corporation <small>DISK PACK PRODUCTS WESTLAKE PLANT WESTLAKE VILLAGE CALIF 91360 U.S. AMERICA</small>	PREP	PROJ	A2162 4226	5
	CHKD	APPD	PAGE 23 OF 75	
<small>PROPRIETARY TO BURROUGHS. NOT TO BE REPRODUCED OR USED FOR MANUFACTURING PURPOSES EXCEPT ON BURROUGHS ORDER OR PRIOR WRITTEN CONSENT.</small>		TITLE LOGIC FLOW CHART		

88x Position Upper (con't.)

88x POSITION UPPER (CON'T.)

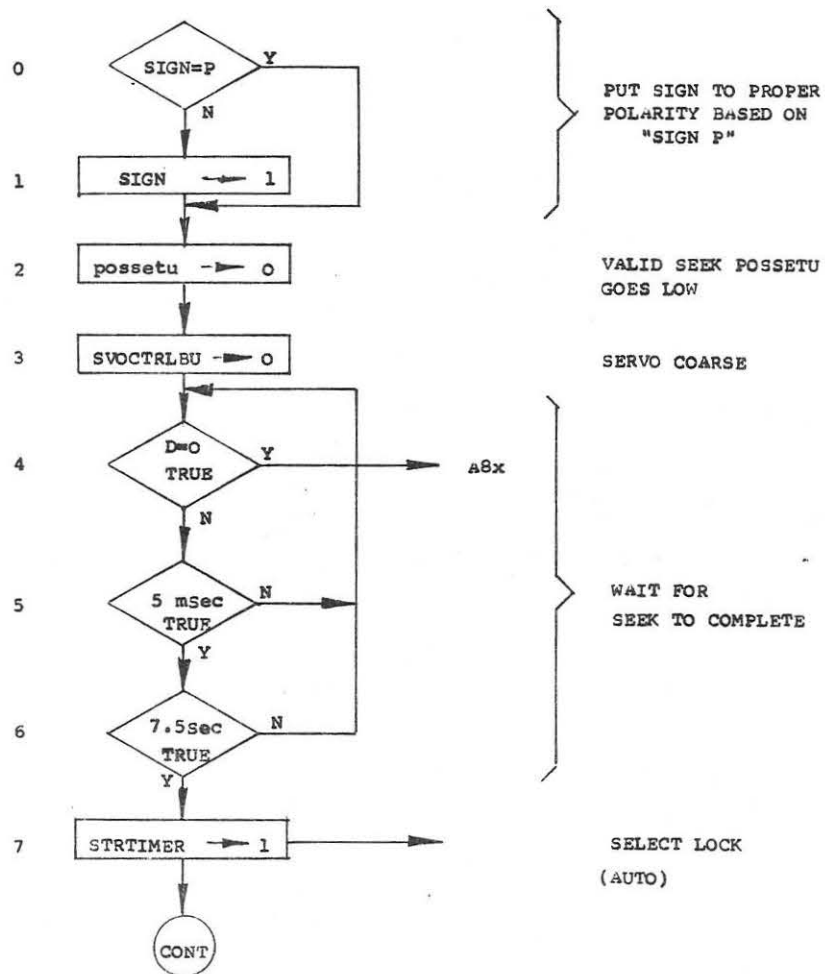


PRINTED IN U.S. AMERICA

42
WES 2389 4-73

Burroughs Corporation <small>WESTLAKE PLANT WESTLAKE VILLAGE CALIF 91360 U.S. AMERICA</small>	PREP	PROJ	A 2162 4226	2
	CHKD	APPD	PAGE 24 OF 75	
<small>PROPRIETARY TO BURROUGHS. NOT TO BE REPRODUCED OR USED FOR MANUFACTURING PURPOSES EXCEPT ON BURROUGHS ORDER OR PRIOR WRITTEN CONSENT.</small>		TITLE LOGIC FLOW CHART		

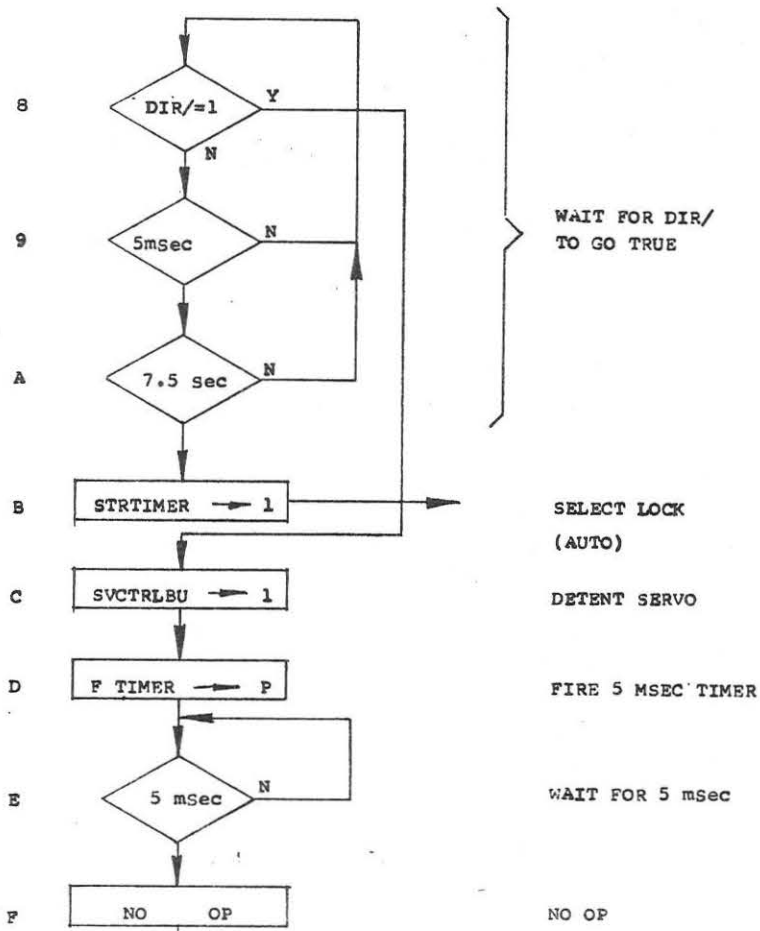
AOX POSITION UPPER (CON'T)



73

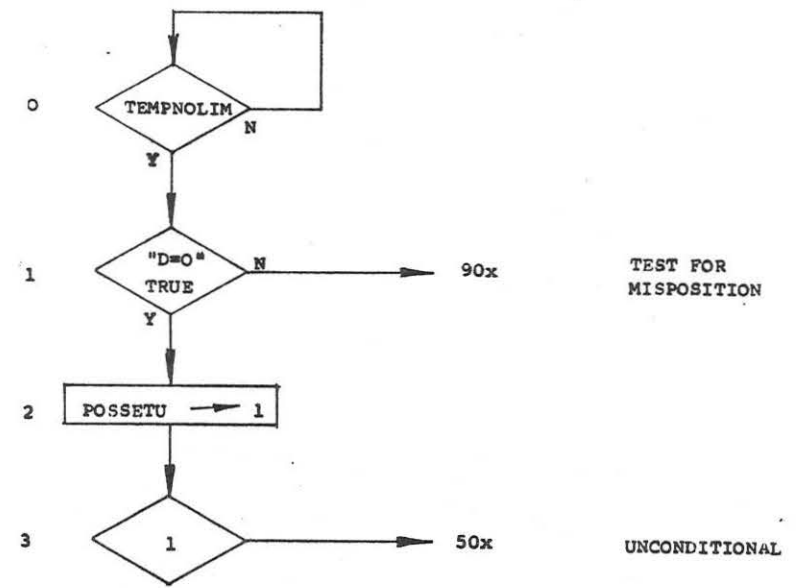
Burroughs Corporation WESTLAKE PLANT WESTLAKE VILLAGE, CALIF 91360 U.S. AMERICA	PREP	PROJ	A2162 4226 E PAGE 25 of 75
	CHKD	APPD	
PROPRIETARY TO BURROUGHS. NOT TO BE REPRODUCED OR USED FOR MANUFACTURING PURPOSES EXCEPT ON BURROUGHS ORDER OR PRIOR WRITTEN CONSENT.		TITLE LOGIC FLOW CHART	

ABx POSITION UPPER (CON'T.)



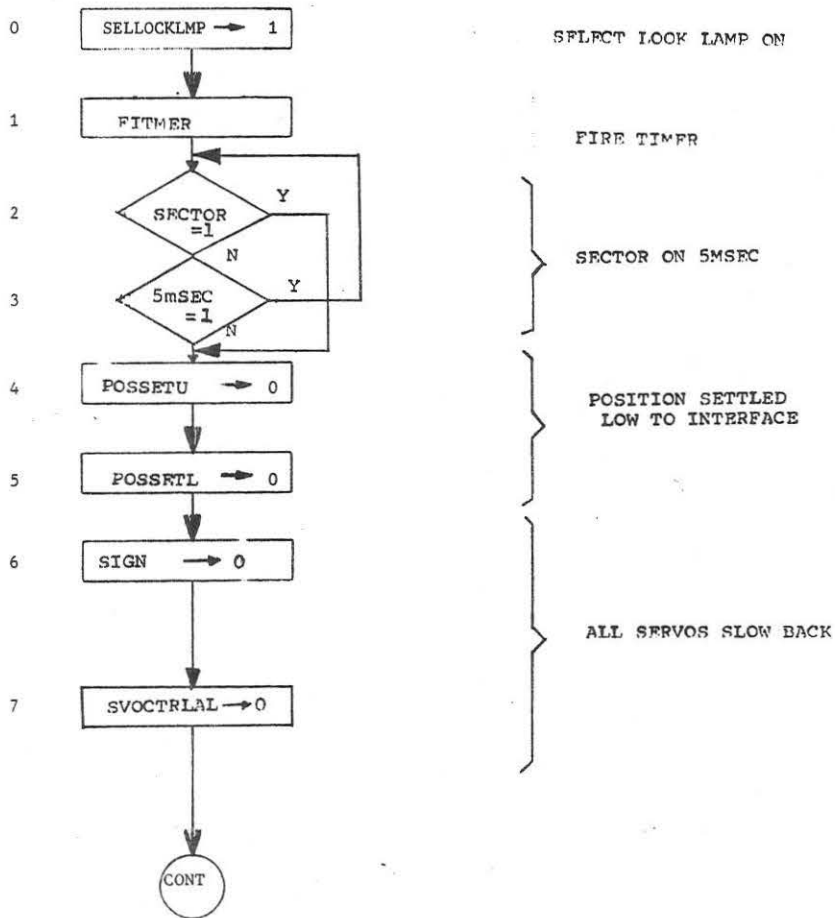
Burroughs Corporation WESTLAKE PLANT WESTLAKE VILLAGE, CALIF 91360 U.S. AMERICA	PREP	PROJ	A2162 4226 E PAGE 26 of 75
	CHKD	APPD	
PROPRIETARY TO BURROUGHS. NOT TO BE REPRODUCED OR USED FOR MANUFACTURING PURPOSES EXCEPT ON BURROUGHS ORDER OR PRIOR WRITTEN CONSENT.		TITLE LOGIC FLOW CHART	

BBx POSITION UPPER (CON'T.)



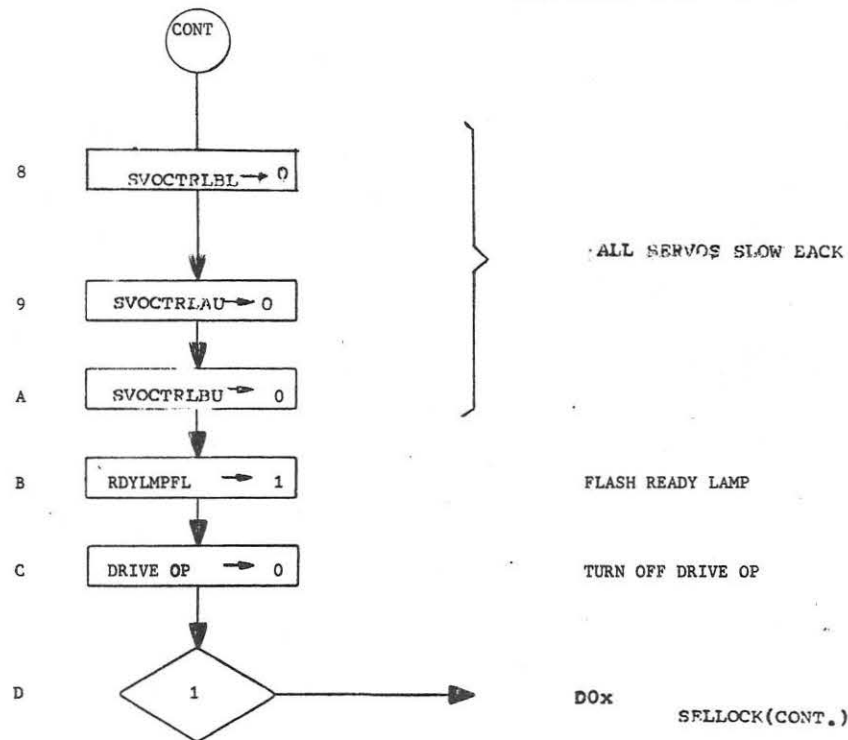
Burroughs Corporation DISK PACK PRODUCTS WESTLAKE VILLAGE, CALIF. 91380 WESTLAKE PLANT U.S. AMERICA	PREP	PROJ	A 2162 4226 E
	CHKD	APPD	PAGE 27 OF 75
PROPRIETARY TO BURROUGHS. NOT TO BE REPRODUCED OR USED FOR MANUFACTURING PURPOSES EXCEPT ON BURROUGHS ORDER OR PRIOR WRITTEN CONSENT.			TITLE LOGIC FLOW CHART

CO SELECT LOCK



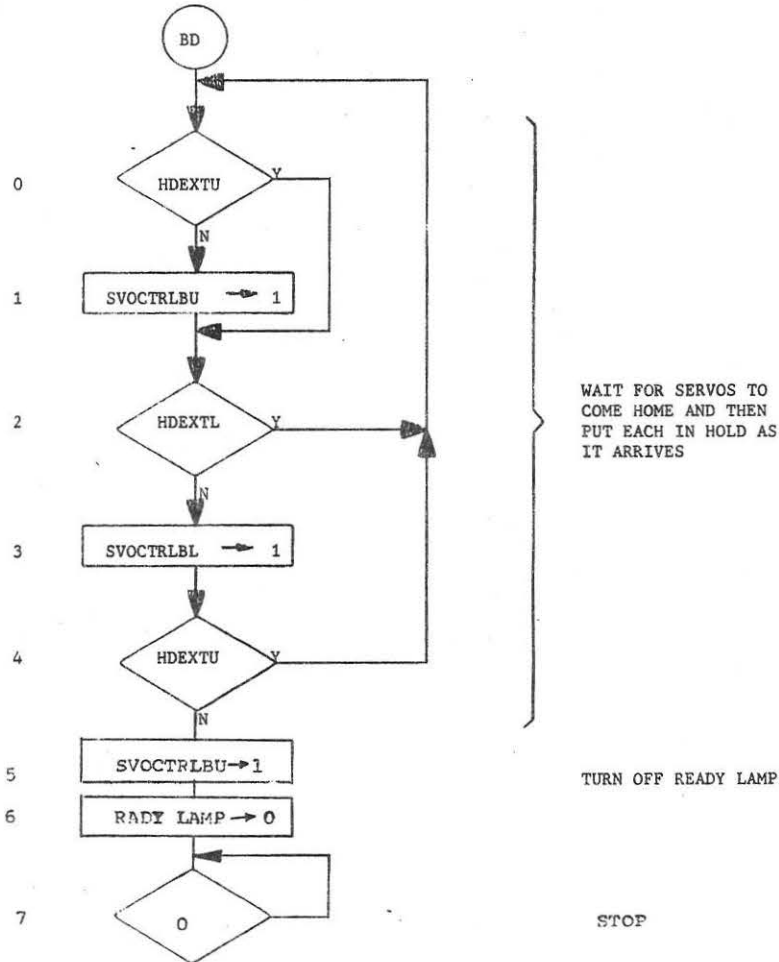
Burroughs Corporation DISK PACK PRODUCTS WESTLAKE VILLAGE, CALIF. 91380 WESTLAKE PLANT U.S. AMERICA	PREP	PROJ	A 2162 4226 E
	CHKD	APPD	PAGE 28 OF 75
PROPRIETARY TO BURROUGHS. NOT TO BE REPRODUCED OR USED FOR MANUFACTURING PURPOSES EXCEPT ON BURROUGHS ORDER OR PRIOR WRITTEN CONSENT.			TITLE LOGIC FLOW CHART

C8x SELECT LOCK (CON'T.)



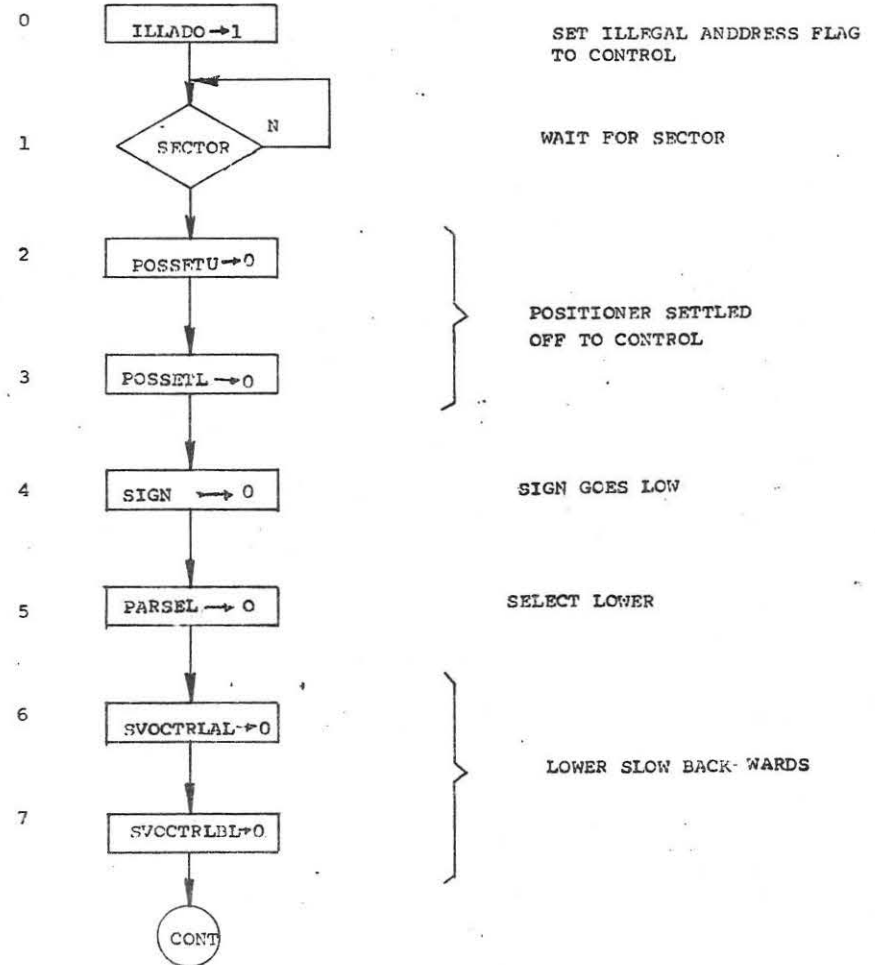
Burroughs Corporation <small>DISK PACK PRODUCTS WESTLAKE VILLAGE, CALIF. 91360</small>	PREP	PROJ	A21624226	E
	<small>WESTLAKE PLANT U.S. AMERICA</small>	CHKD	APPD	PAGE 29 OF 75
<small>PROPRIETARY TO BURROUGHS. NOT TO BE REPRODUCED OR USED FOR MANUFACTURING PURPOSES EXCEPT ON BURROUGHS ORDER OR PRIOR WRITTEN CONSENT.</small>		TITLE LOGIC FLOW CHART		

DOX SELECT LOCK (CON'T.)



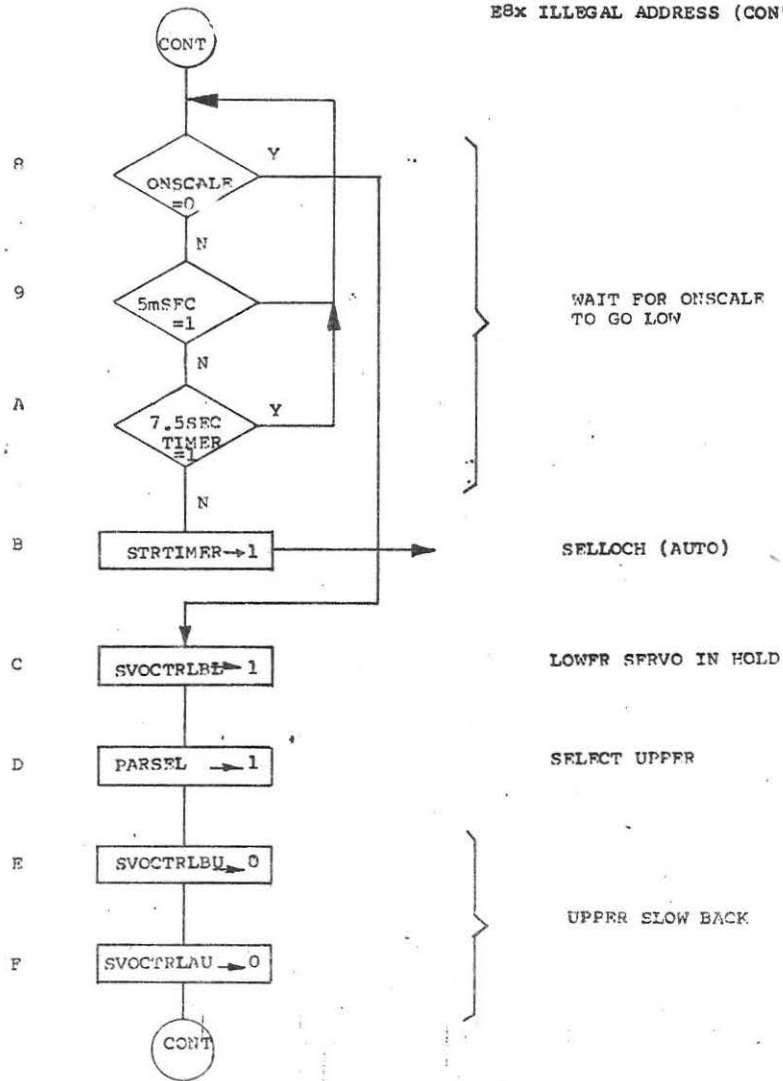
Burroughs Corporation <small>WESTLAKE PLANT WESTLAKE VILLAGE, CALIF. 91360</small>	PREP	PROJ	A21624226	E
	<small>U.S. AMERICA</small>	CHKD	APPD	PAGE 30 OF 75
<small>PROPRIETARY TO BURROUGHS. NOT TO BE REPRODUCED OR USED FOR MANUFACTURING PURPOSES EXCEPT ON BURROUGHS ORDER OR PRIOR WRITTEN CONSENT.</small>		TITLE LOGIC FLOW CHART		

BOX ILLEGAL ADDRESS



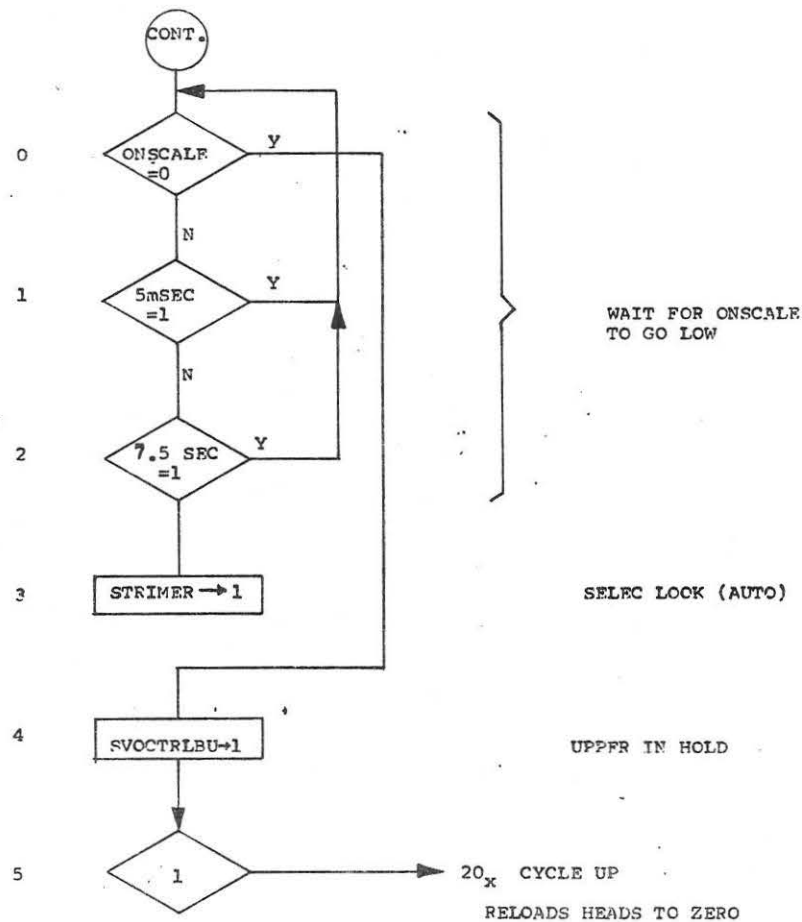
Burroughs Corporation WESTLAKE PLANT WESTLAKE VILLAGE, CALIF. 91360 U.S. AMERICA	PREP	PROJ	A2162 4226 E
	CHKD <i>NAFew 10/12/76</i>	APPD	PAGE 31 of 75
PROPRIETARY TO BURROUGHS. NOT TO BE REPRODUCED OR USED FOR MANUFACTURING PURPOSES EXCEPT ON BURROUGHS ORDER OR PRIOR WRITTEN CONSENT.			
TITLE		LOGIC FLOW CHART	

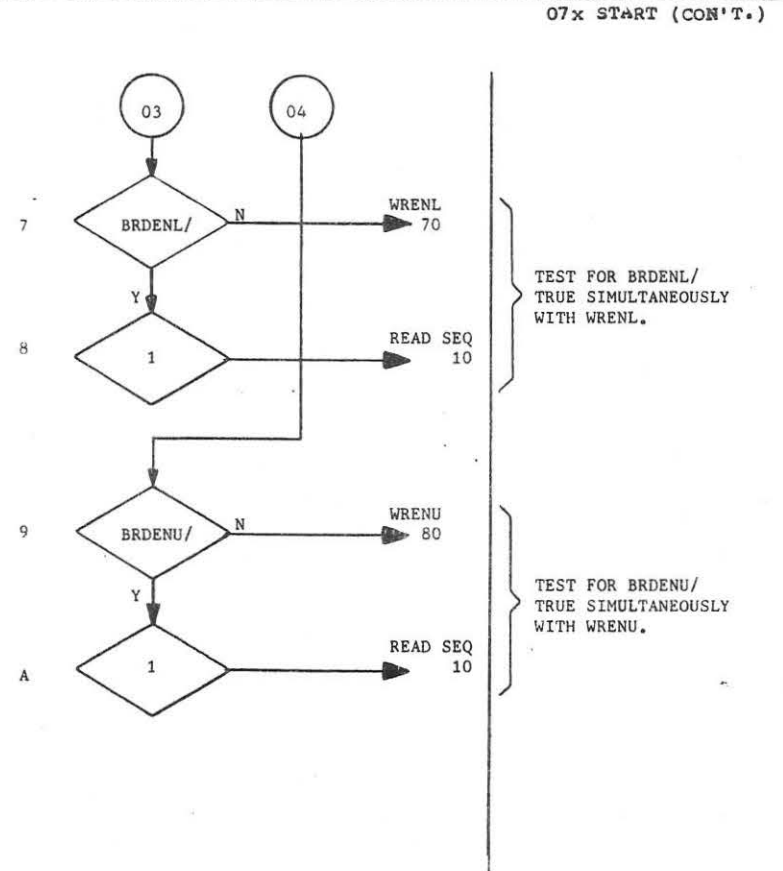
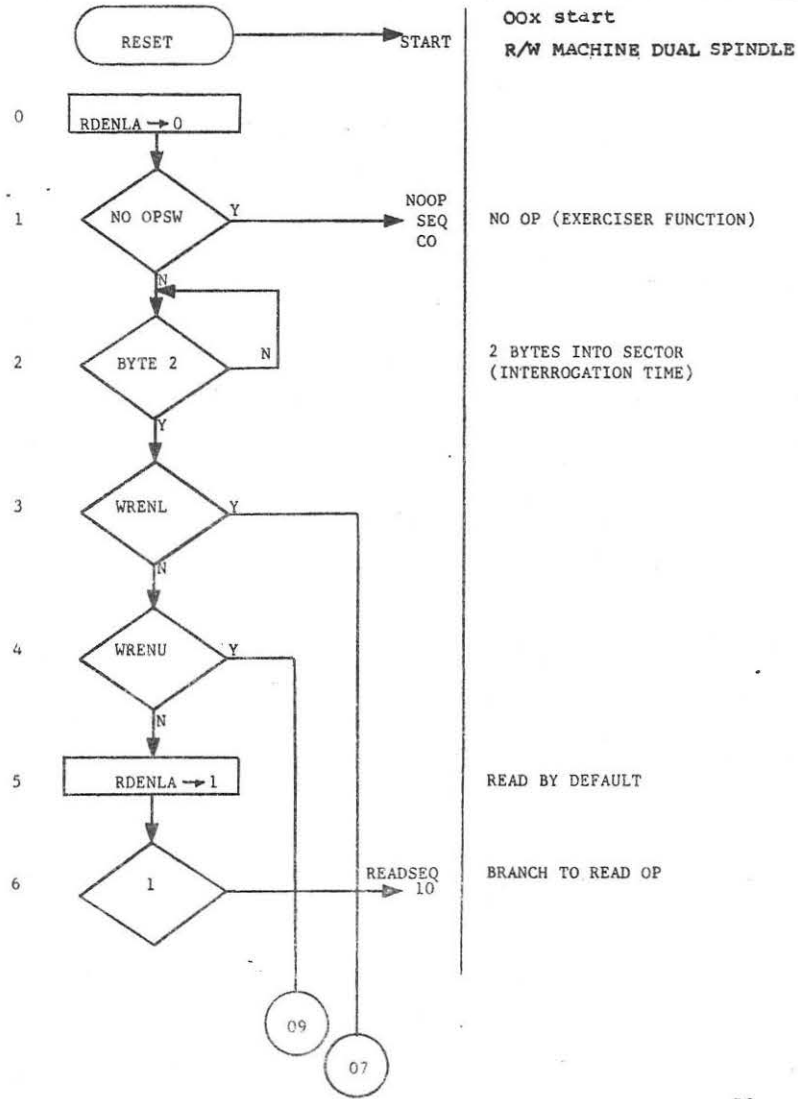
8x ILLEGAL ADDRESS (CON'T.)



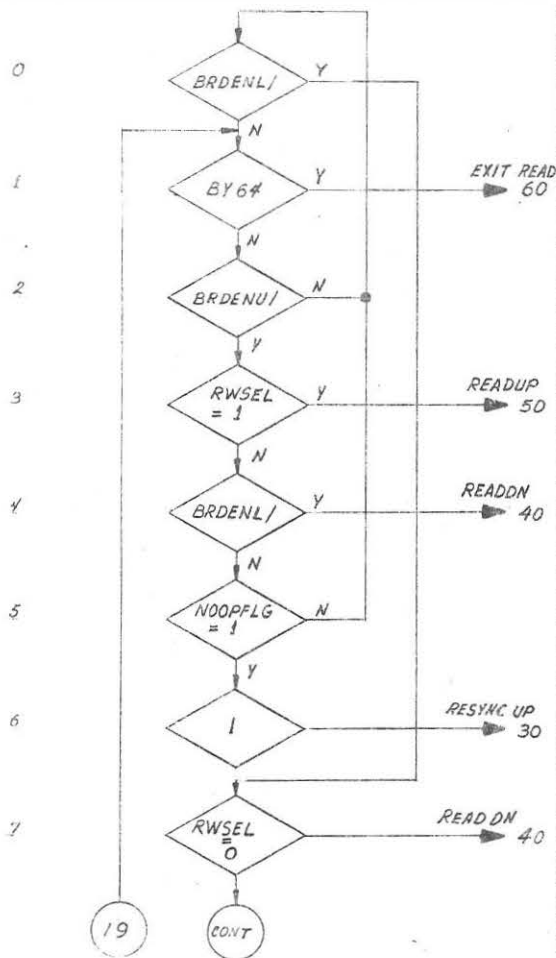
Burroughs Corporation WESTLAKE PLANT WESTLAKE VILLAGE, CALIF. 91360 U.S. AMERICA	PREP	PROJ	A2162 4226 E
	CHKD <i>NAFew 10/12/76</i>	APPD	PAGE 32 of 75
PROPRIETARY TO BURROUGHS. NOT TO BE REPRODUCED OR USED FOR MANUFACTURING PURPOSES EXCEPT ON BURROUGHS ORDER OR PRIOR WRITTEN CONSENT.			
TITLE		LOGIC FLOW CHART	

FOX ILLEGAL ADDRESS (CON'T.)





Burroughs Corporation WESTLAKE PLANT WESTLAKE VILLAGE, CALIF. 91360 U.S. AMERICA	PREP	PROJ	A2162 42216 E
	CHKD	APPD	PAGE 35 OF 75
PROPRIETARY TO BURROUGHS. NOT TO BE REPRODUCED OR USED FOR MANUFACTURING PURPOSES EXCEPT ON BURROUGHS ORDER OR PRIOR WRITTEN CONSENT.			TITLE LOGIC FLOW CHART



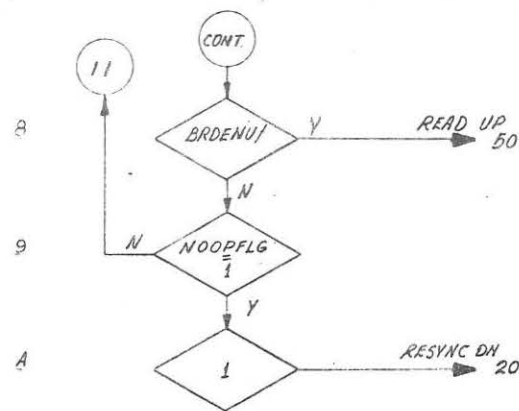
LOREAD SEG. (DEFAULT)

TEST FOR READ ENABLES ON I/O CABLE. IF NONE, EXIT AT BYTE 48 IN SECTOR (SIGNAL NAME "BY64")

BRDENU/=0 IS RWSEL CORRECT? IF YES GO TO READ OP. DN. UPPER (RWSEL = 1 FOR UPPER = 0 FOR LOWER SPINDEL)

IF RWSEL IS 1 IS BRDENL/ ACTIVE? IF YES READ LOWER IF NO TEST NOOPFLG. IF YES CHANGE SPINDLES. "RESYNC UP" IS ROUTINE.

Burroughs Corporation WESTLAKE PLANT WESTLAKE VILLAGE, CALIF. 91360 U.S. AMERICA	PREP	PROJ	A2162 42216 E
	CHKD	APPD	PAGE 36 OF 75
PROPRIETARY TO BURROUGHS. NOT TO BE REPRODUCED OR USED FOR MANUFACTURING PURPOSES EXCEPT ON BURROUGHS ORDER OR PRIOR WRITTEN CONSENT.			TITLE LOGIC FLOW CHART



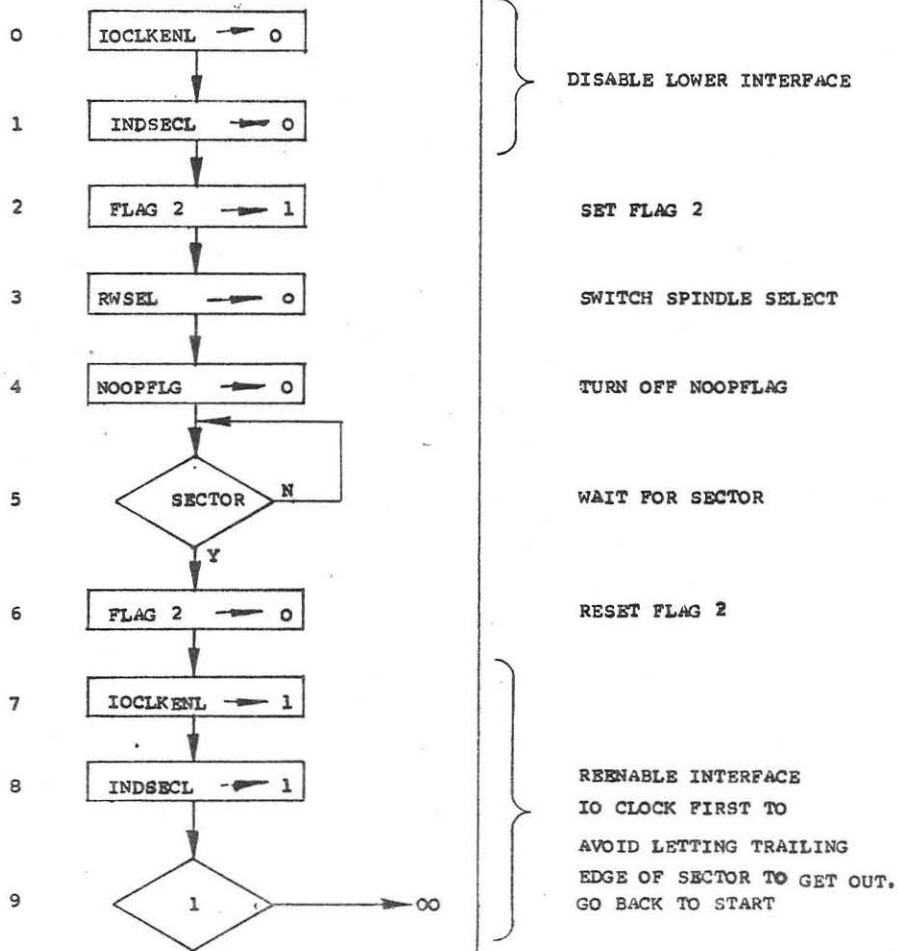
18 READ SEG. (CON'T.)

BRDENL/=0 IS RWSEL CORRECT? IF NOT, IS BRDENU/ SET? IF NOT IS NO OP FLAG SET? IF RWSEL IS CORRECT READ LOWER SPINDLES. IF NOT AND NO OP FLAG IS SET THEN CHANGE SPINDLES. "RESYNC DN" IS ROUTINE.

GO TO "RESYNC" ROUTINE

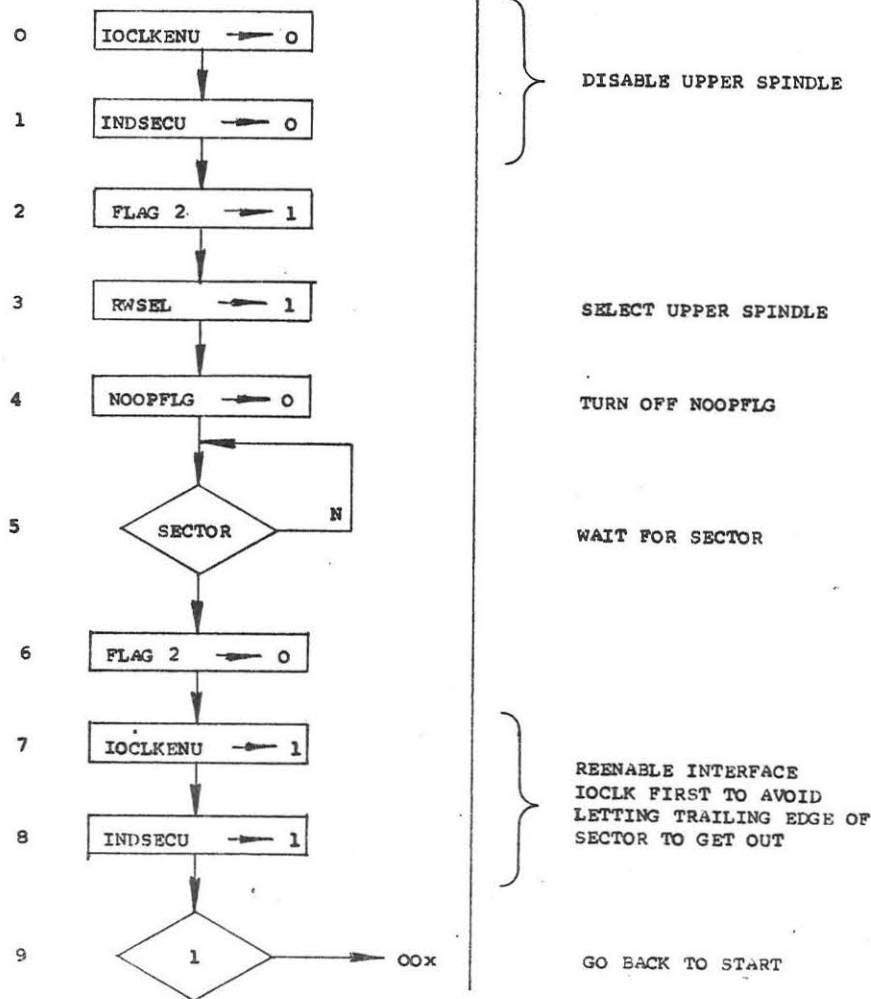
Burroughs Corporation <small>WESTLAKE PLANT WESTLAKE VILLAGE, CALIF. 91360 U.S. AMERICA</small>	PREP <i>CEL</i>	PROJ	A 2162 4226 E
	CHKD	APPD	PAGE 37 of 75
<small>PROPRIETARY TO BURROUGHS. NOT TO BE REPRODUCED OR USED FOR MANUFACTURING PURPOSES EXCEPT ON BURROUGHS ORDER OR PRIOR WRITTEN CONSENT.</small>		TITLE LOGIC FLOW CHART	

20x RESYNC DN



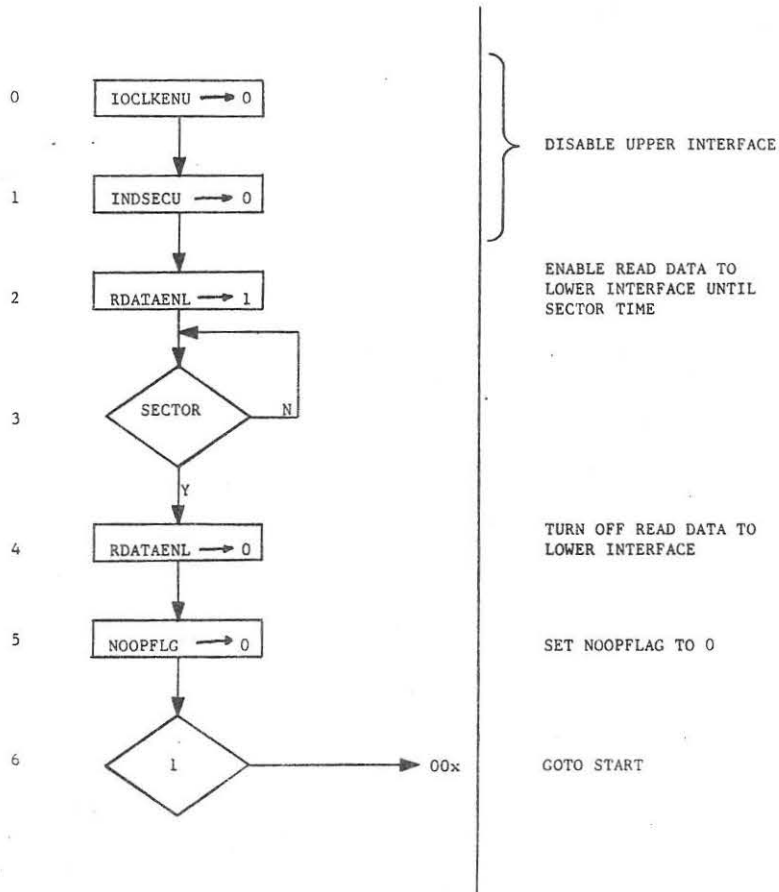
Burroughs Corporation <small>WESTLAKE PLANT WESTLAKE VILLAGE, CALIF. 91360 U.S. AMERICA</small>	PREP <i>CEL</i>	PROJ	A 2162 4226 E
	CHKD	APPD	PAGE 38 of 75
<small>PROPRIETARY TO BURROUGHS. NOT TO BE REPRODUCED OR USED FOR MANUFACTURING PURPOSES EXCEPT ON BURROUGHS ORDER OR PRIOR WRITTEN CONSENT.</small>		TITLE LOGIC FLOW CHART	

30x RESYNCP



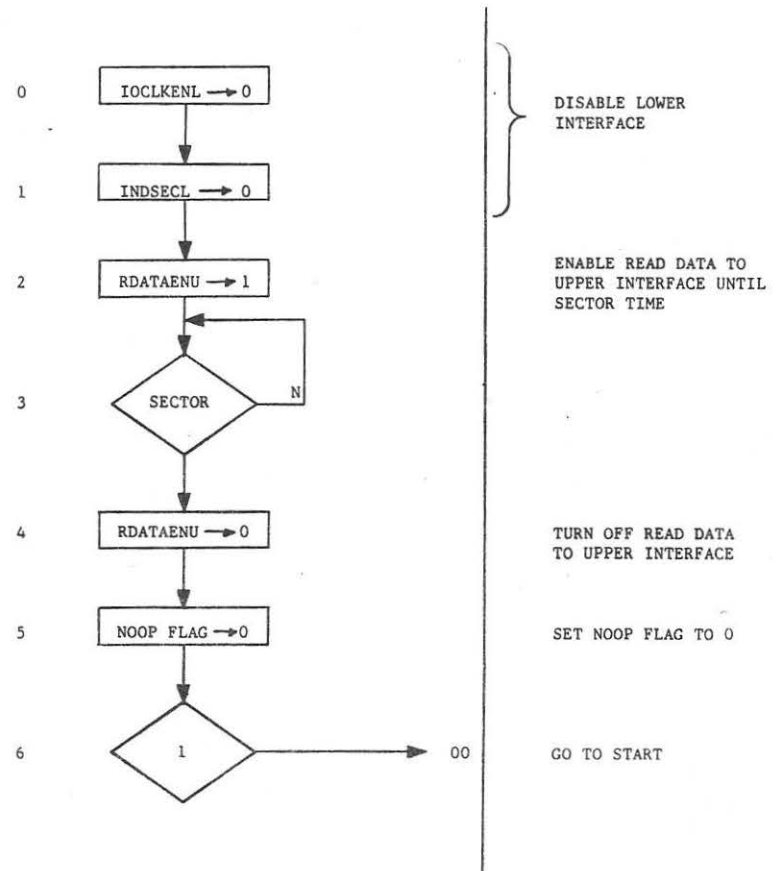
Burroughs Corporation <small>WESTLAKE PLANT WESTLAKE VILLAGE, CALIF 91360 U.S. AMERICA</small>	PREP	PROJ	A 2162 4226 E
	CHKD	APPD	PAGE 39 OF 75
<small>PROPRIETARY TO BURROUGHS. NOT TO BE REPRODUCED OR USED FOR MANUFACTURING PURPOSES EXCEPT ON BURROUGHS ORDER OR PRIOR WRITTEN CONSENT.</small>		TITLE LOGIC FLOW CHART	

40x READ DN



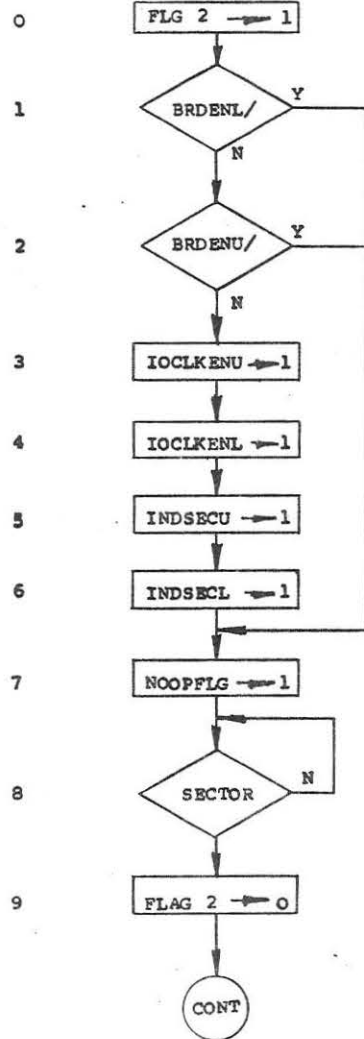
Burroughs Corporation <small>WESTLAKE PLANT WESTLAKE VILLAGE, CALIF 91360 U.S. AMERICA</small>	PREP	PROJ	A 2162 4226 E
	CHKD	APPD	PAGE 40 OF 75
<small>PROPRIETARY TO BURROUGHS. NOT TO BE REPRODUCED OR USED FOR MANUFACTURING PURPOSES EXCEPT ON BURROUGHS ORDER OR PRIOR WRITTEN CONSENT.</small>		TITLE LOGIC FLOW CHART	

50x READUP



Burroughs Corporation <small>WESTLAKE PLANT WESTLAKE VILLAGE, CALIF 91360 U.S. AMERICA</small>	PREP <i>CEL</i>	PROJ	A 2162 4226 K
	CHKD	APPD	PAGE 41 of 75
<small>PROPRIETARY TO BURROUGHS. NOT TO BE REPRODUCED OR USED FOR MANUFACTURING PURPOSES EXCEPT ON BURROUGHS ORDER OR PRIOR WRITTEN CONSENT.</small>		TITLE LOGIC FLOW CHART	

60x EXIT RD



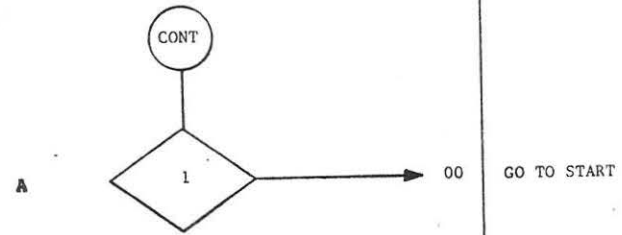
IF THERE IS STILL A READ INSTRUCTION AT THE INTERFACE (TO THE UNSELECTED SPINDLE) SET NOOPFLAG AND GO TO START. OTHERWISE ENABLE BOTH INTERFACES FIRST BEFORE GOING TO START.

60

PRINTED IN U.S. AMERICA

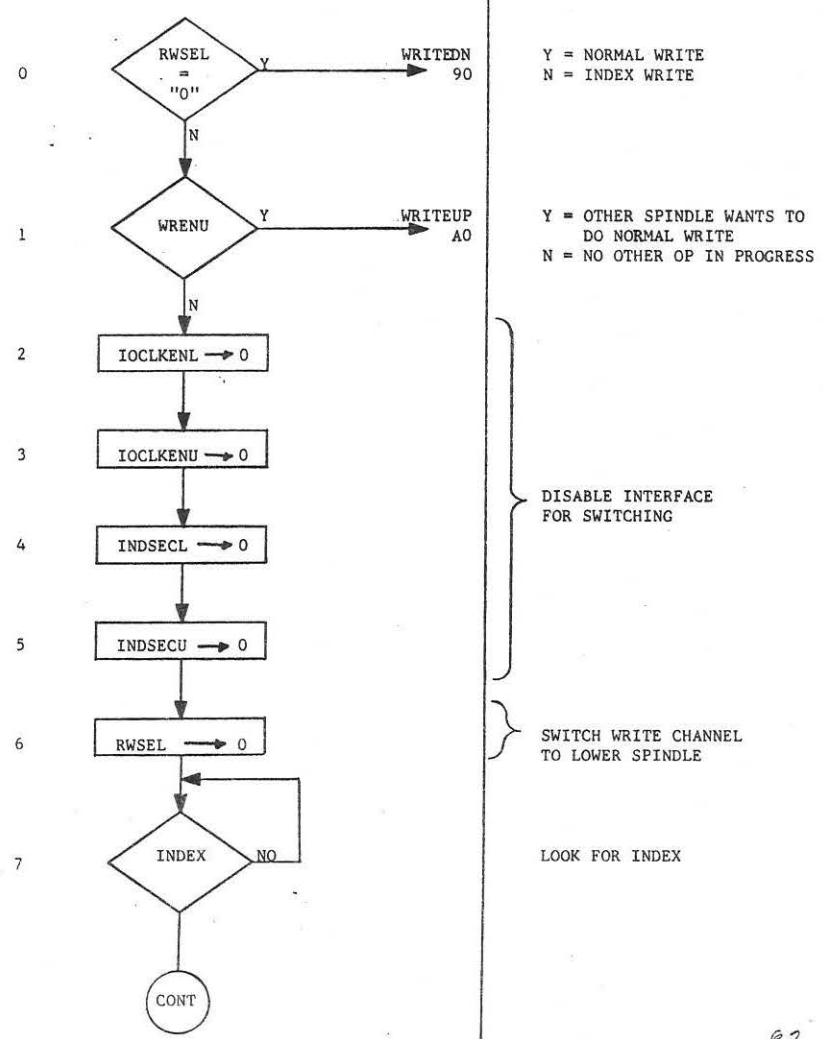
Burroughs Corporation <small>WESTLAKE PLANT WESTLAKE VILLAGE CALIF 91360 U.S. AMERICA</small>	PREP	PROJ	A 2162 4226 K
	CHKD	APPD	PAGE 42 of 75
<small>PROPRIETARY TO BURROUGHS. NOT TO BE REPRODUCED OR USED FOR MANUFACTURING PURPOSES EXCEPT ON BURROUGHS ORDER OR PRIOR WRITTEN CONSENT.</small>		TITLE LOGIC FLOW CHART	

EXIT RD (CON'T.)

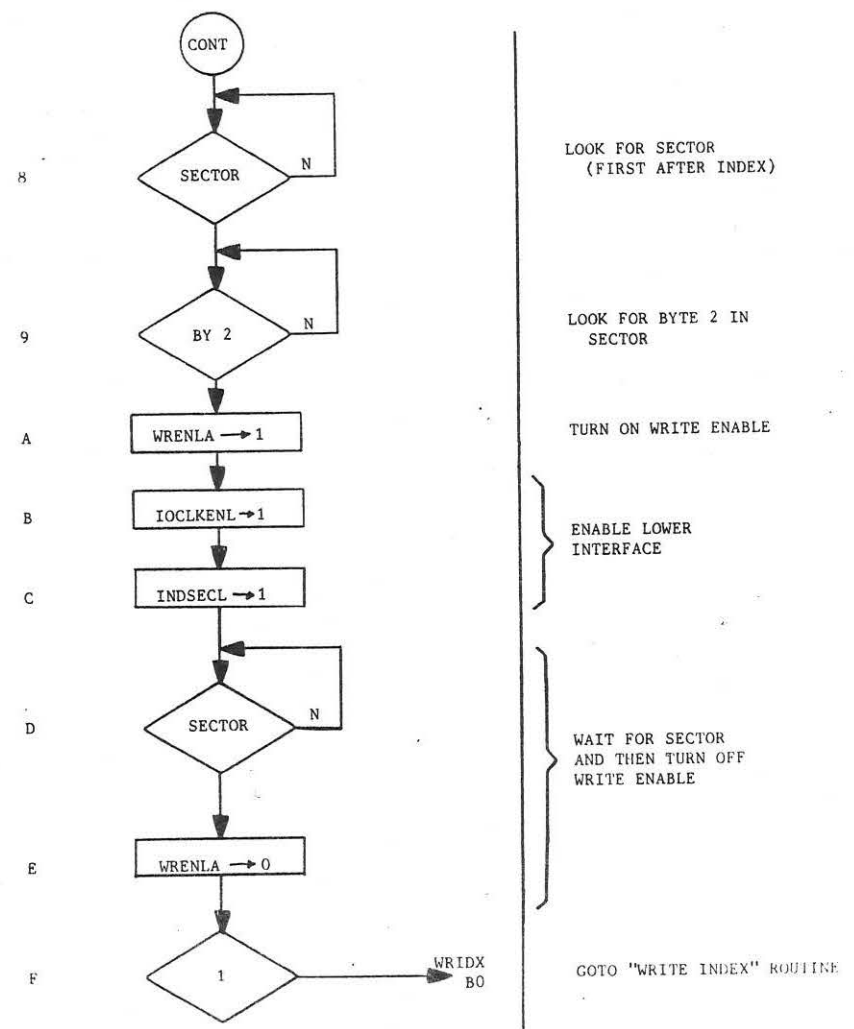


61
WES 2389 4-73

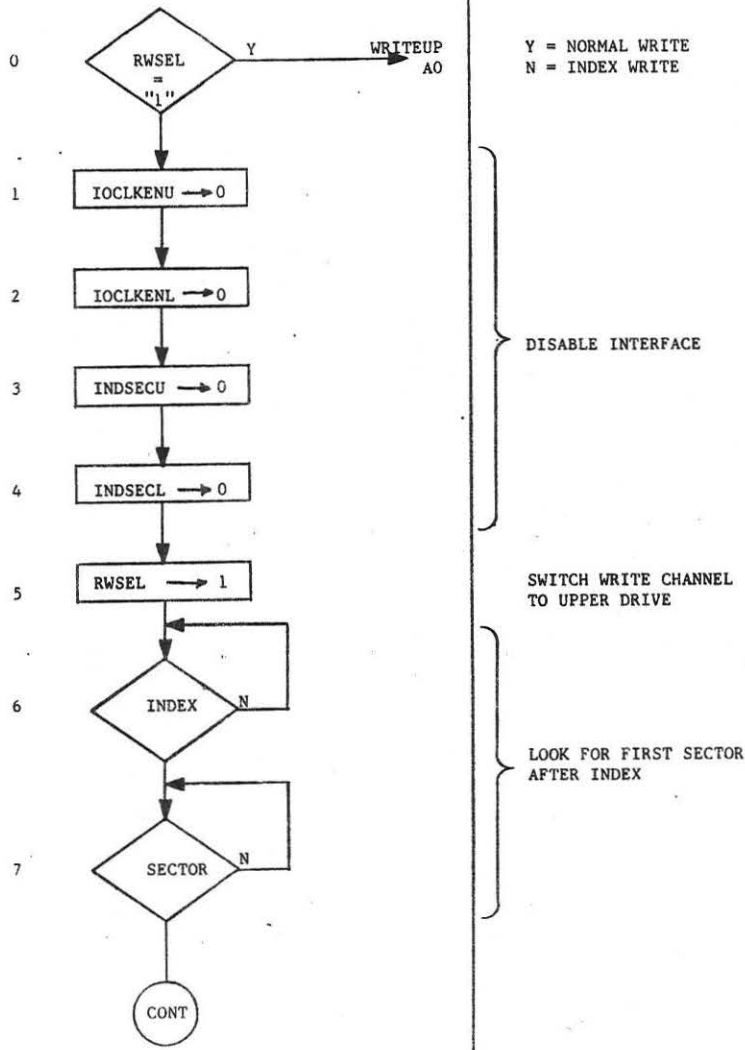
70 (WRENL = 1)



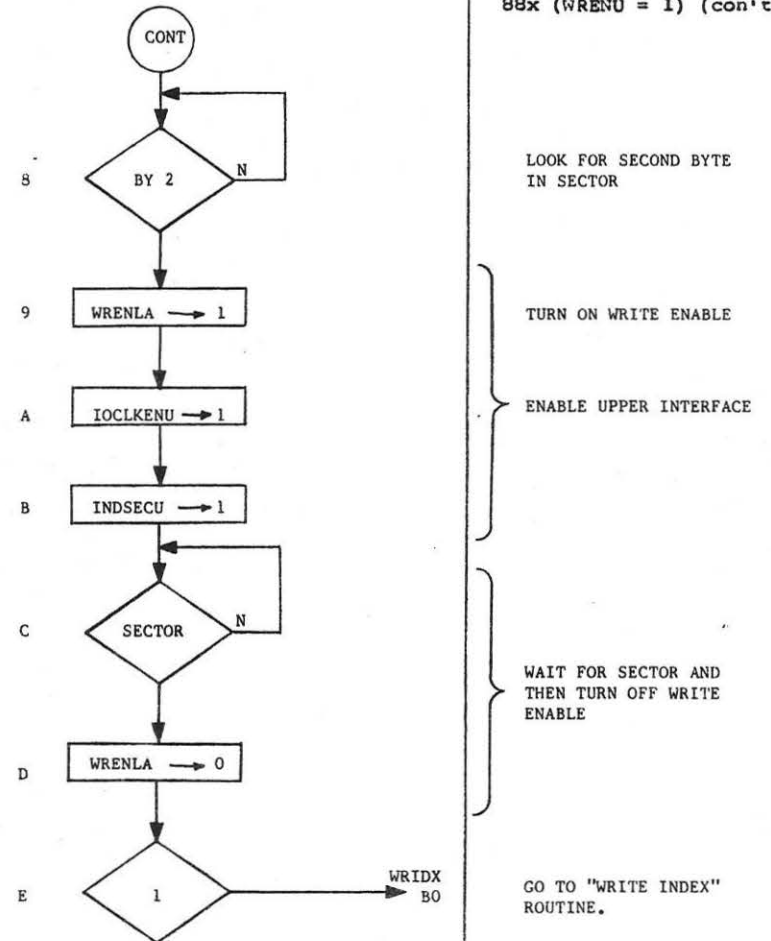
78x (WRENL = 1) (con't)



80x (WRENII = 1)



88x (WRENU = 1) (con't)

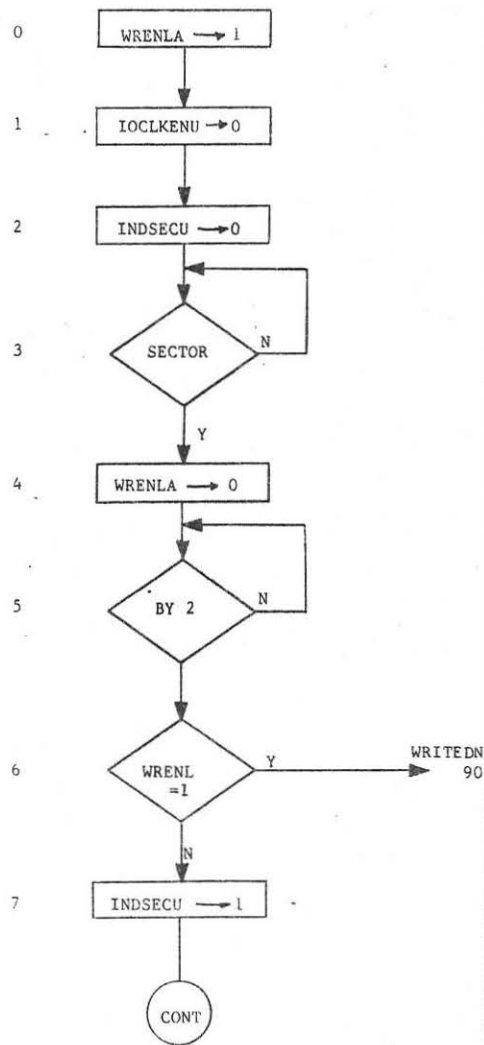


Burroughs Corporation <small>WESTLAKE PLANT WESTLAKE VILLAGE, CALIF 91360 U.S. AMERICA</small>	PREP	PROJ	A 2162 4826 E
	CHKD	APPD	PAGE 47 OF 75
<small>PROPRIETARY TO BURROUGHS. NOT TO BE REPRODUCED OR USED FOR MANUFACTURING PURPOSES EXCEPT ON BURROUGHS ORDER OR PRIOR WRITTEN CONSENT.</small>		TITLE	
		LOGIC FLOW CHART	

Burroughs Corporation <small>WESTLAKE PLANT WESTLAKE VILLAGE, CALIF 91360 U.S. AMERICA</small>	PREP	PROJ	A 2162 4826 E
	CHKD	APPD	PAGE 48 OF 75
<small>PROPRIETARY TO BURROUGHS. NOT TO BE REPRODUCED OR USED FOR MANUFACTURING PURPOSES EXCEPT ON BURROUGHS ORDER OR PRIOR WRITTEN CONSENT.</small>		TITLE	
		LOGIC FLOW CHART	

90x (WRITEDN)

98x (WRITEDN) (con't)



TURN ON WRITE ENABLE TO DRIVE (LOWER)

DISABLE UPPER SPINDLE INTERFACE

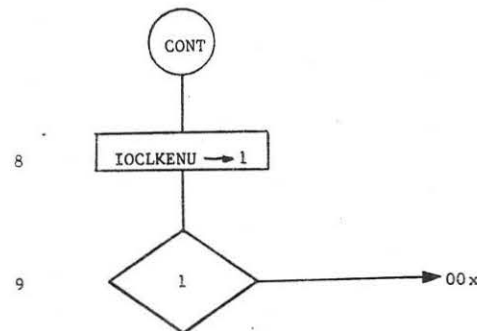
WAIT FOR SECTOR

Y = WRITE NEXT SECTOR
N = EXIT BACK TO START

WAIT FOR BYTE 2

TURN OFF WRITE ENABLE

ENABLE SECTORS TO UPPER INTERFACE

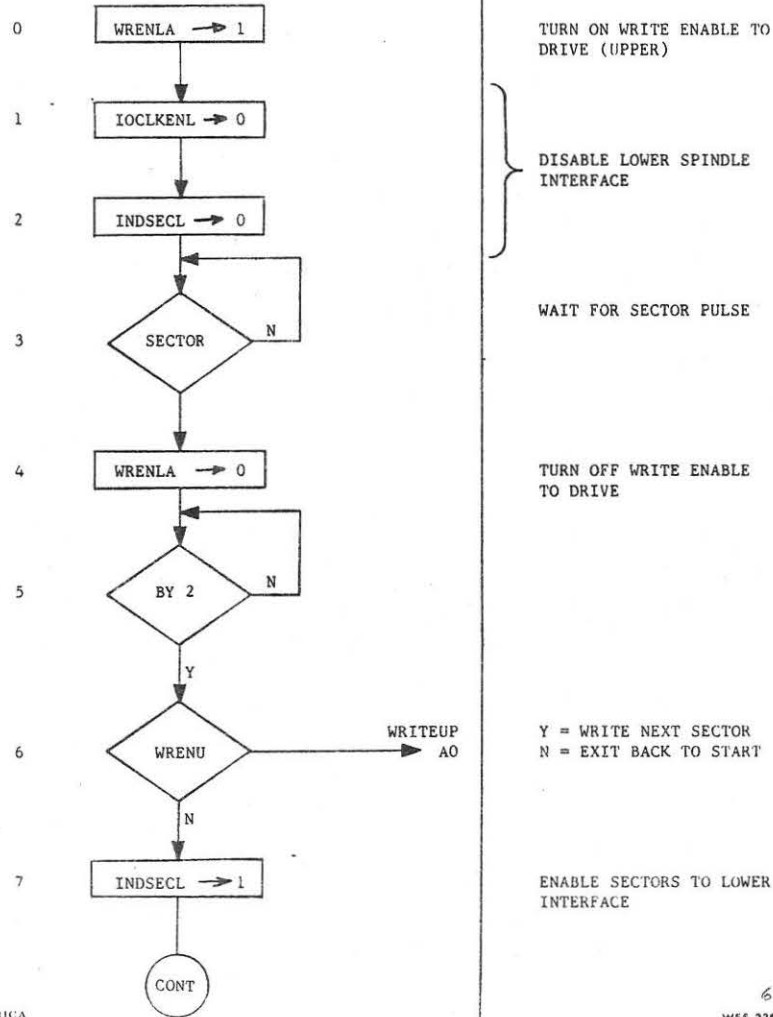


ENABLE CLOCKS TO LOWER INTERFACE

GO BACK TO START

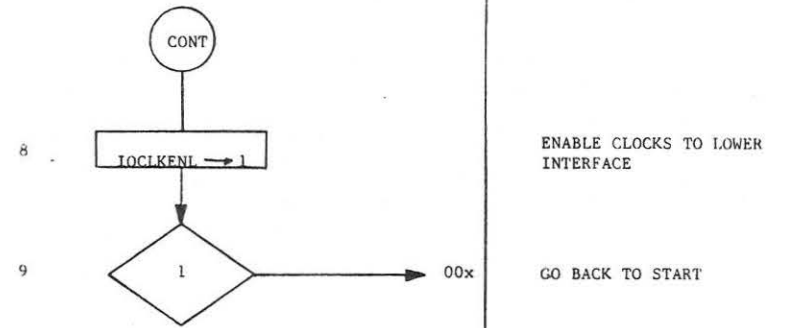
Burroughs Corporation <small>WESTLAKE PLANT WESTLAKE VILLAGE, CALIF 91360 U.S. AMERICA</small>	PREP	PROJ	A 2167-4226 15
	CHKD	APPD	PAGE 49 of 75
<small>PROPRIETARY TO BURROUGHS. NOT TO BE REPRODUCED OR USED FOR MANUFACTURING PURPOSES EXCEPT ON BURROUGHS ORDER OR PRIOR WRITTEN CONSENT.</small>			TITLE LOGIC FLOW CHART

A0x (WRITE UP)

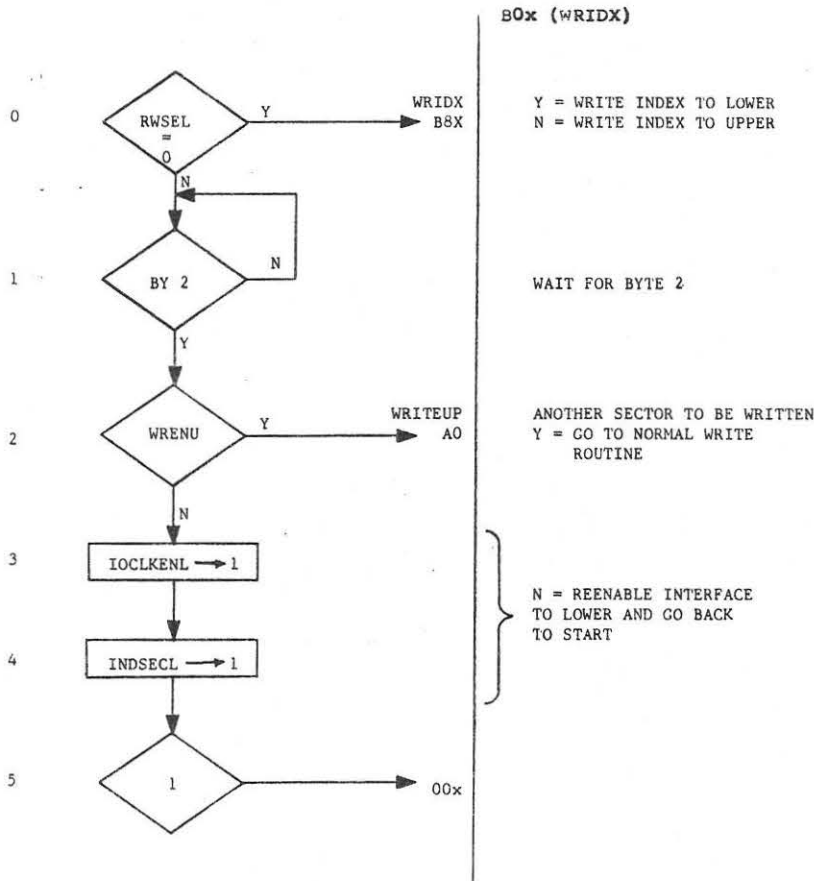


Burroughs Corporation <small>WESTLAKE PLANT WESTLAKE VILLAGE, CALIF 91360 U.S. AMERICA</small>	PREP	PROJ	A 2167-4226 15
	CHKD	APPD	PAGE 50 of 75
<small>PROPRIETARY TO BURROUGHS. NOT TO BE REPRODUCED OR USED FOR MANUFACTURING PURPOSES EXCEPT ON BURROUGHS ORDER OR PRIOR WRITTEN CONSENT.</small>			TITLE LOGIC FLOW CHART

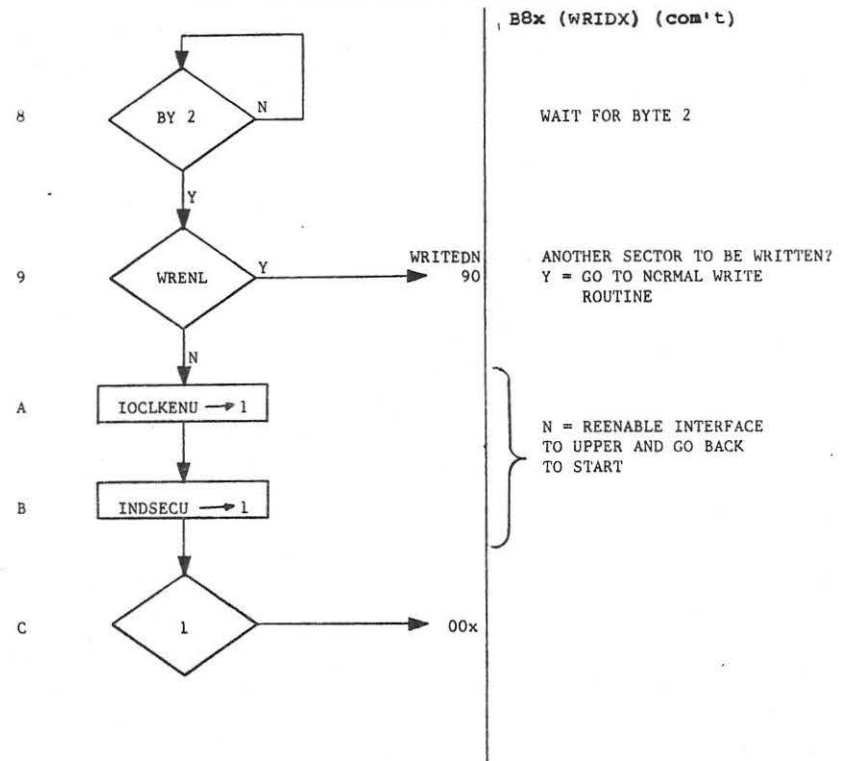
A8x (WRITE UP) (con't)



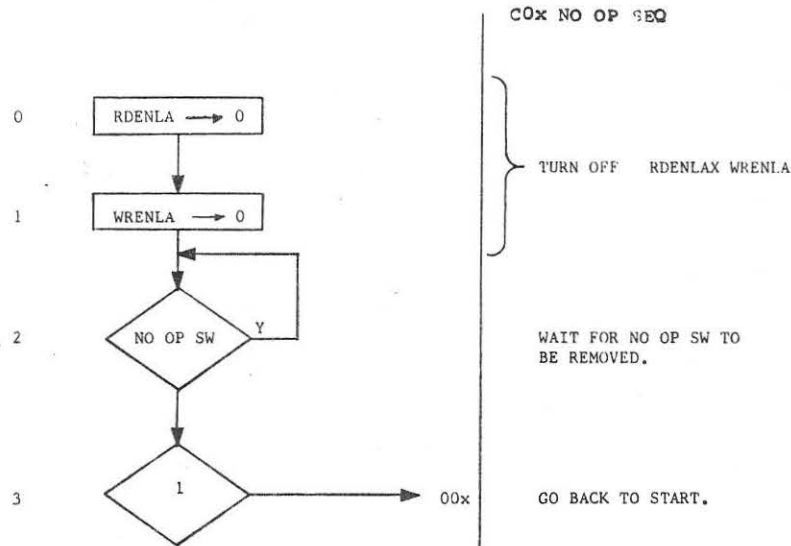
Burroughs Corporation <small>WESTLAKE PLANT WESTLAKE VILLAGE, CALIF 91360 U.S. AMERICA</small>	PREP	PROJ	A2162 4226
	CHKD	APPD	PAGE 51 of 75
<small>PROPRIETARY TO BURROUGHS. NOT TO BE REPRODUCED OR USED FOR MANUFACTURING PURPOSES EXCEPT ON BURROUGHS ORDER OR PRIOR WRITTEN CONSENT.</small>			TITLE LOGIC FLOW CHART



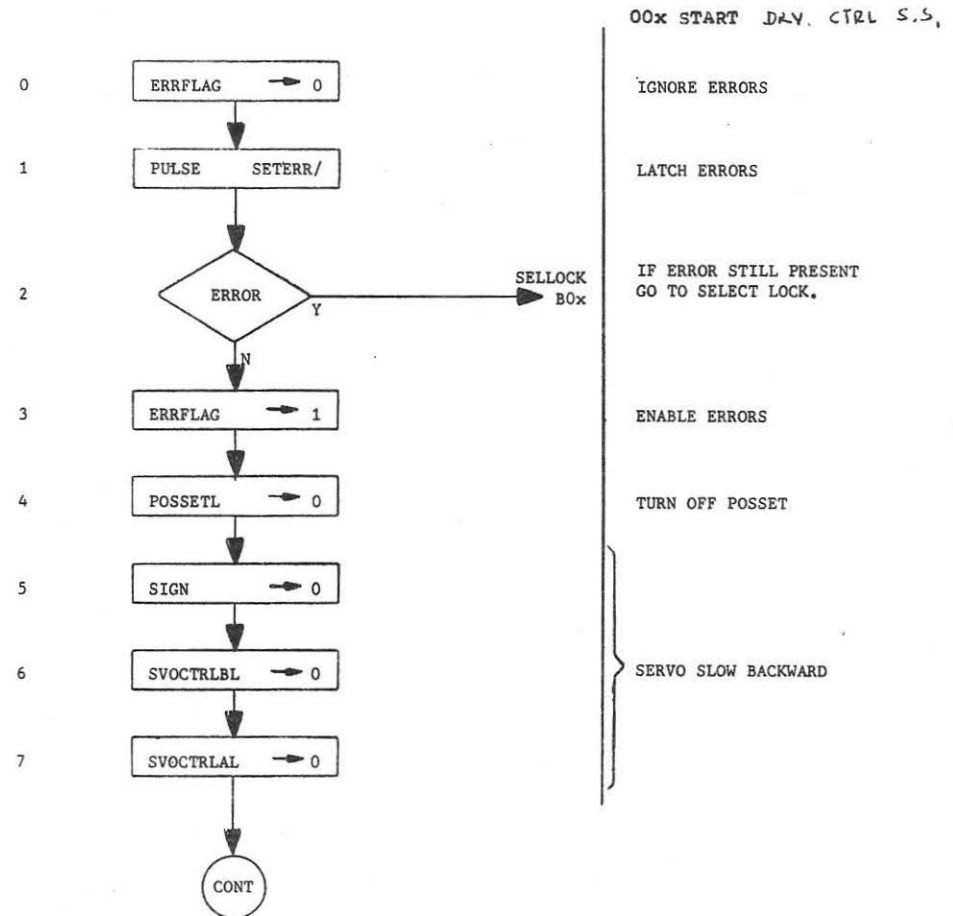
Burroughs Corporation <small>WESTLAKE PLANT WESTLAKE VILLAGE, CALIF 91360 U.S. AMERICA</small>	PREP	PROJ	A2162 4226
	CHKD	APPD	PAGE 52 of 75
<small>PROPRIETARY TO BURROUGHS. NOT TO BE REPRODUCED OR USED FOR MANUFACTURING PURPOSES EXCEPT ON BURROUGHS ORDER OR PRIOR WRITTEN CONSENT.</small>			TITLE LOGIC FLOW CHART



Burroughs Corporation <small>WESTLAKE PLANT WESTLAKE VILLAGE, CALIF. 91360 U.S. AMERICA</small>	PREP	PROJ	A 2162-4876
	CHKD	APPD	PAGE 53 of 75
<small>PROPRIETARY TO BURROUGHS. NOT TO BE REPRODUCED OR USED FOR MANUFACTURING PURPOSES EXCEPT ON BURROUGHS ORDER OR PRIOR WRITTEN CONSENT.</small>			TITLE LOGIC FLOW CHART

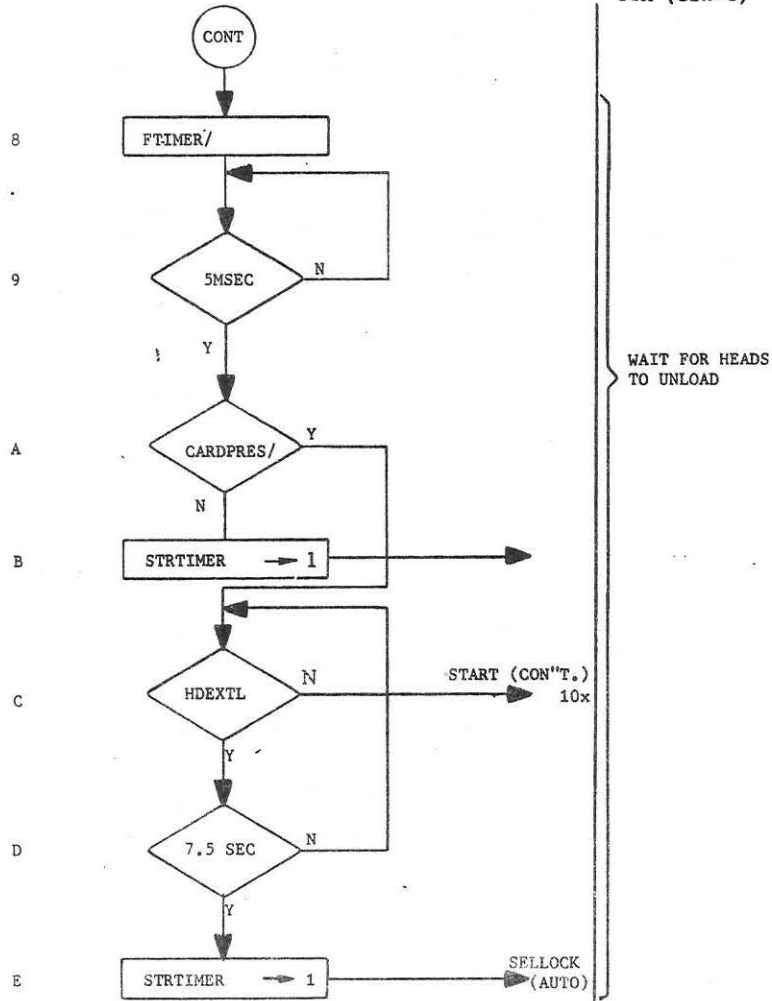


Burroughs Corporation <small>DISK PACK PRODUCTS WESTLAKE VILLAGE, CALIF. 91360 U.S. AMERICA</small>	PREP	PROJ	A2162 4876
	CHKD	APPD	PAGE 54 of 75
<small>PROPRIETARY TO BURROUGHS. NOT TO BE REPRODUCED OR USED FOR MANUFACTURING PURPOSES EXCEPT ON BURROUGHS ORDER OR PRIOR WRITTEN CONSENT.</small>			TITLE LOGIC FLOW CHART



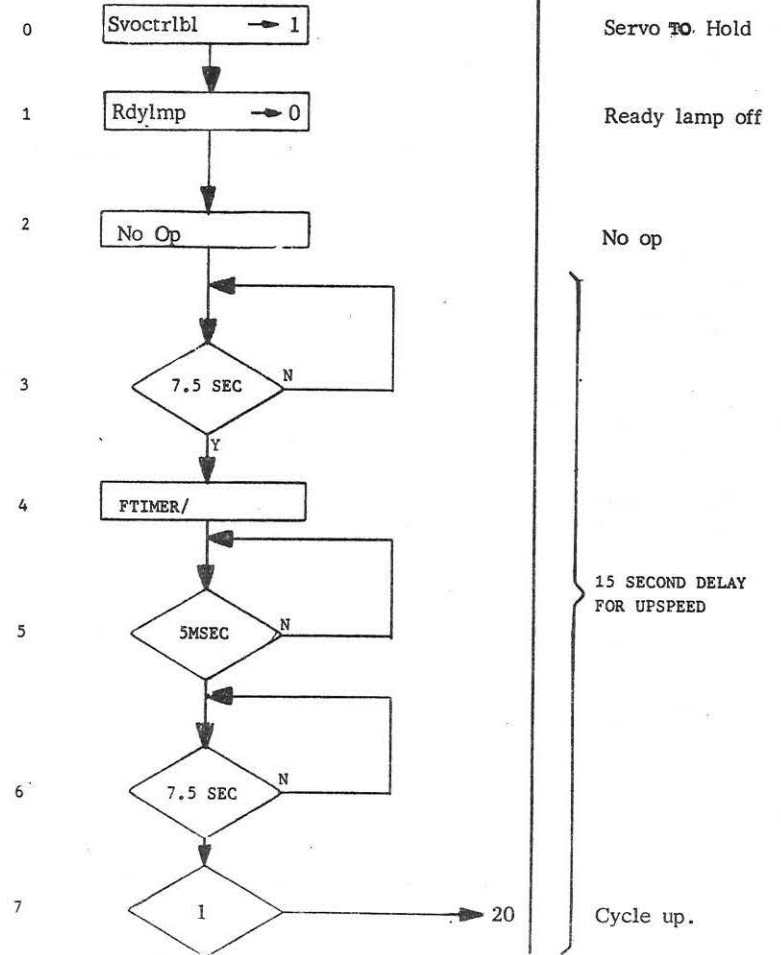
Burroughs Corporation <small>DISK PACK PRODUCTS WESTLAKE VILLAGE, CALIF. 91360 U.S. AMERICA</small>	PREP	PROJ	A2162 4226 <i>E</i> PAGE 55 OF 75
	CHKD	APPD	
<small>PROPRIETARY TO BURROUGHS. NOT TO BE REPRODUCED OR USED FOR MANUFACTURING PURPOSES EXCEPT ON BURROUGHS ORDER OR PRIOR WRITTEN CONSENT.</small>			TITLE LOGIC FLOW CHART

08x (con't)



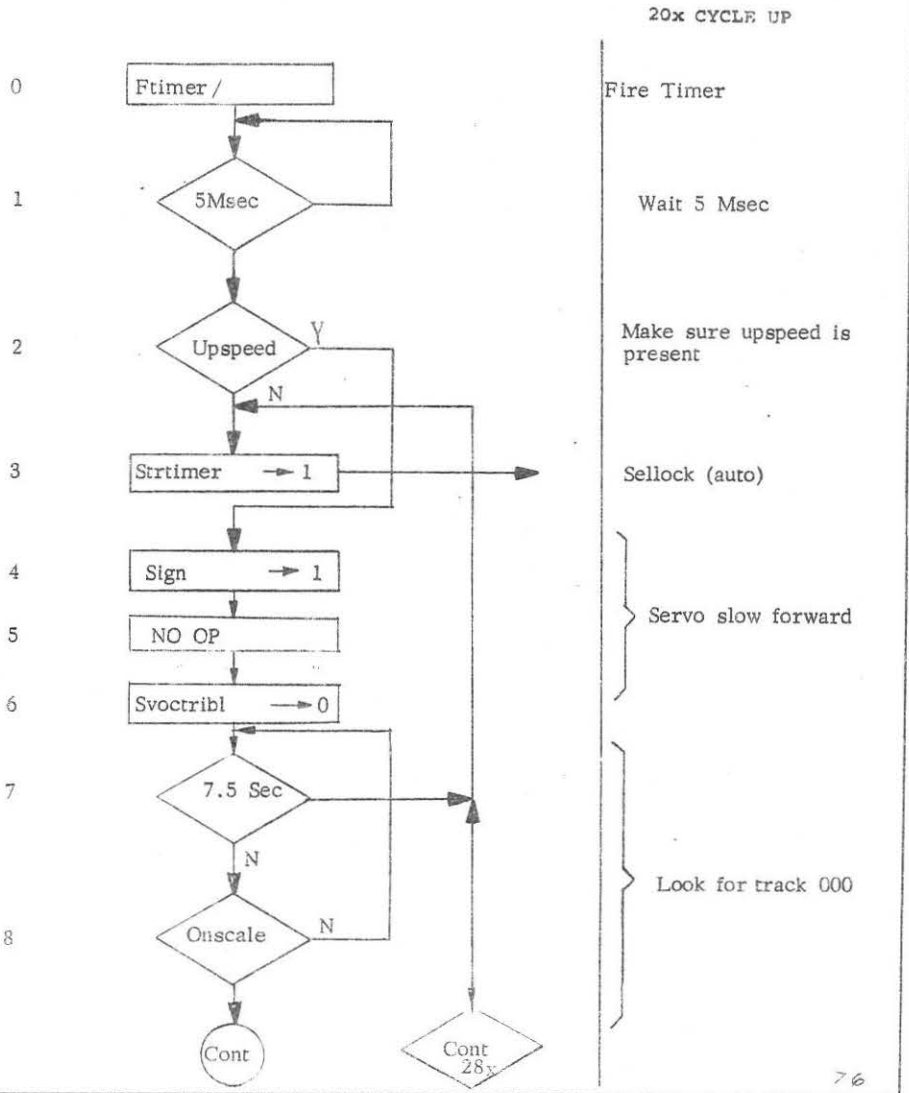
Burroughs Corporation <small>DISK PACK PRODUCTS WESTLAKE VILLAGE, CALIF. 91360 U.S. AMERICA</small>	PREP	PROJ	A2162 4226 <i>E</i> PAGE 56 OF 75
	CHKD	APPD	
<small>PROPRIETARY TO BURROUGHS. NOT TO BE REPRODUCED OR USED FOR MANUFACTURING PURPOSES EXCEPT ON BURROUGHS ORDER OR PRIOR WRITTEN CONSENT.</small>			TITLE LOGIC FLOW CHART

10x START (con't)



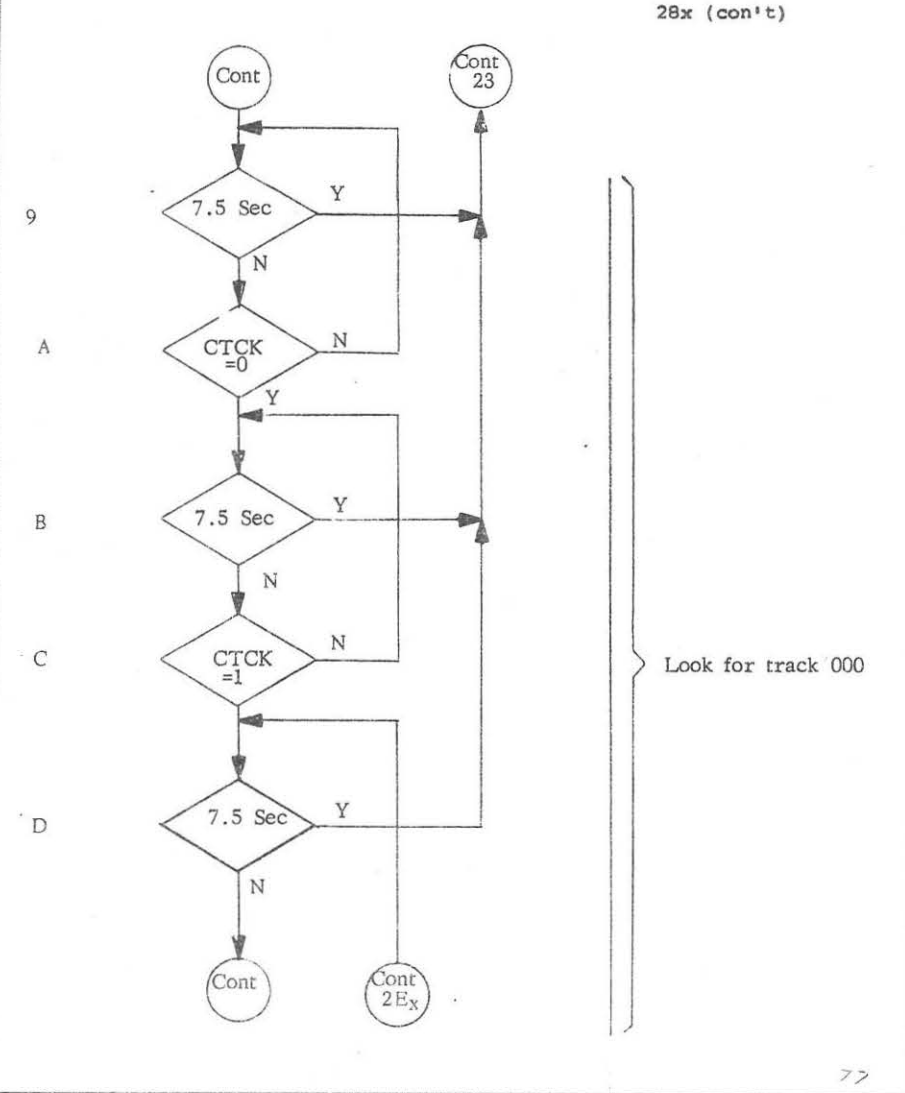
PROPRIETARY TO BURROUGHS CORPORATION. NOT TO BE REPRODUCED NOR USED FOR MANUFACTURING PURPOSES EXCEPT ON BURROUGHS ORDER OR PRIOR WRITTEN CONSENT.

TITLE
LOGIC FLOW CHART



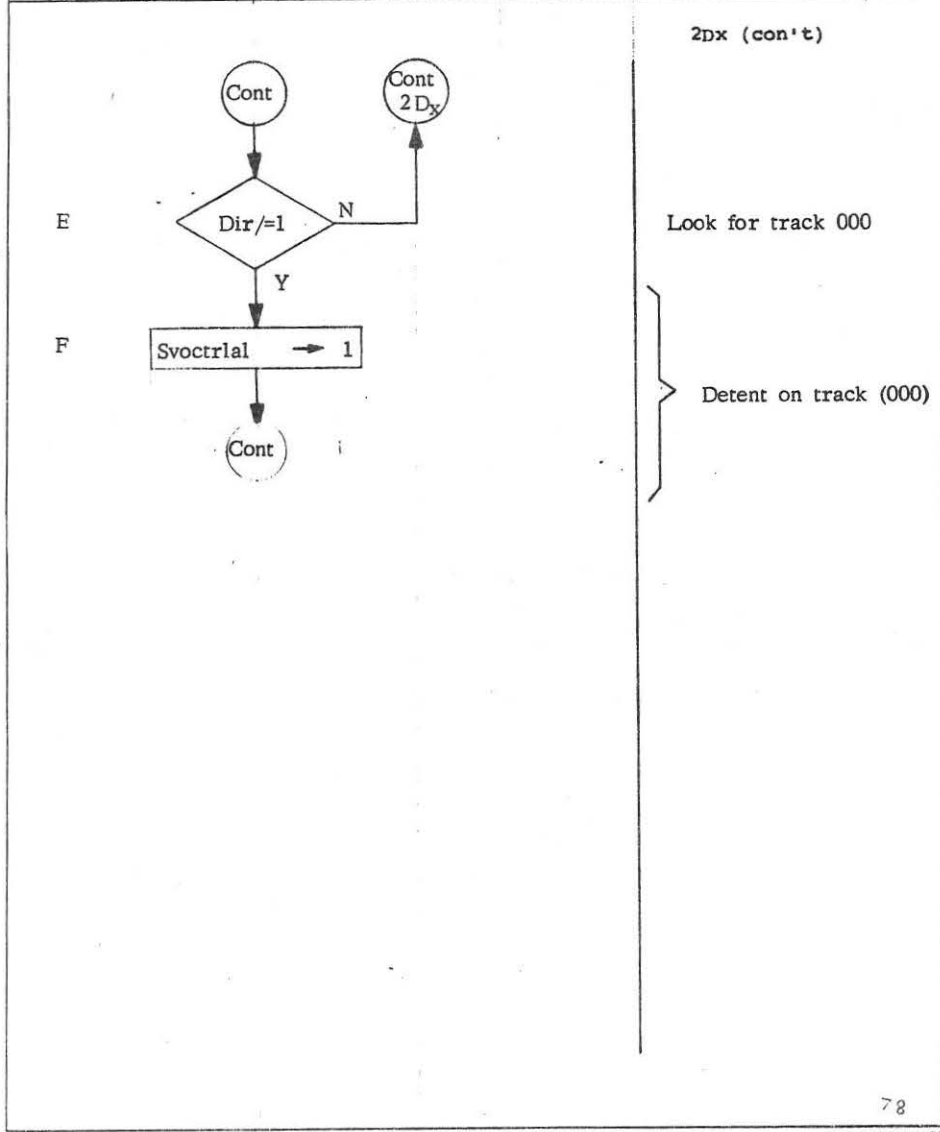
PROPRIETARY TO BURROUGHS CORPORATION. NOT TO BE REPRODUCED NOR USED FOR MANUFACTURING PURPOSES EXCEPT ON BURROUGHS ORDER OR PRIOR WRITTEN CONSENT.

TITLE
LOGIC FLOW CHART



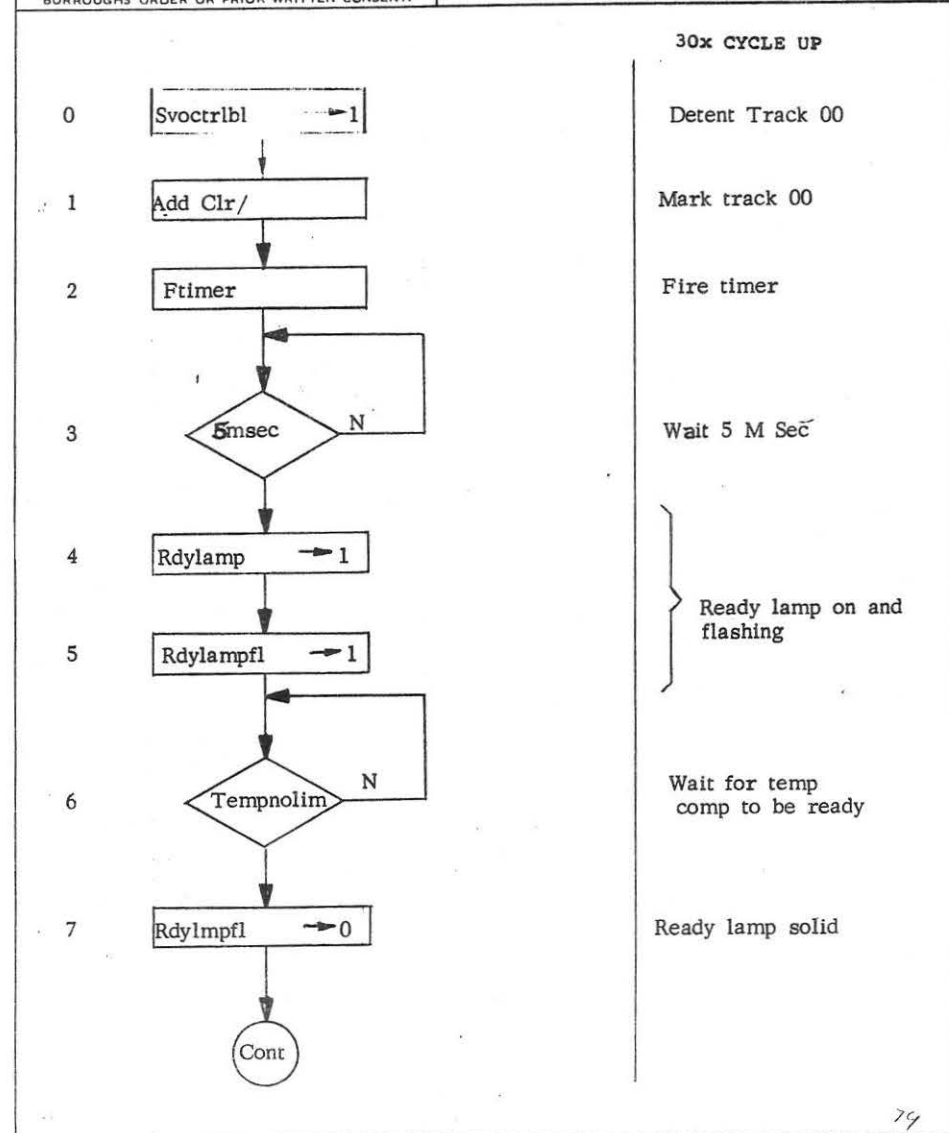
PROPRIETARY TO BURROUGHS CORPORATION. NOT TO BE REPRODUCED NOR USED FOR MANUFACTURING PURPOSES EXCEPT ON BURROUGHS ORDER OR PRIOR WRITTEN CONSENT.

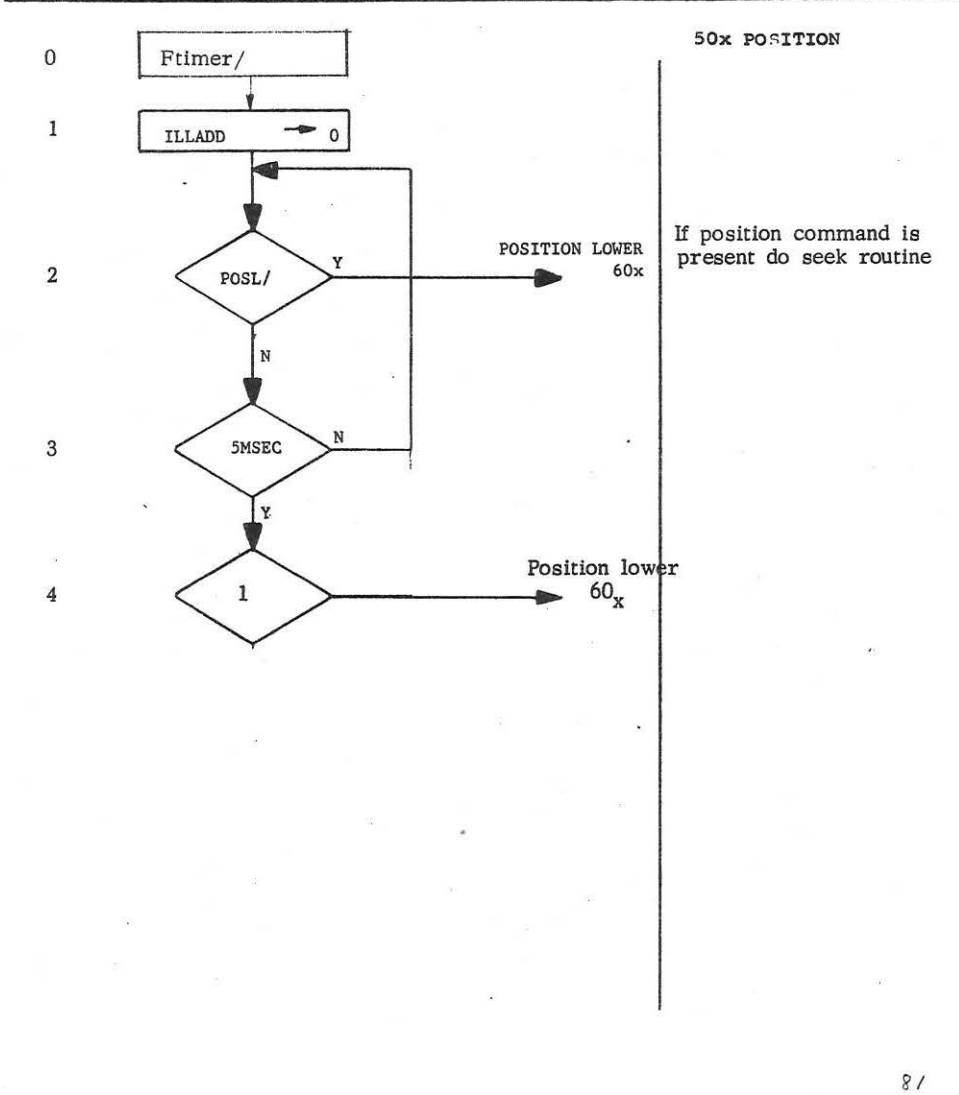
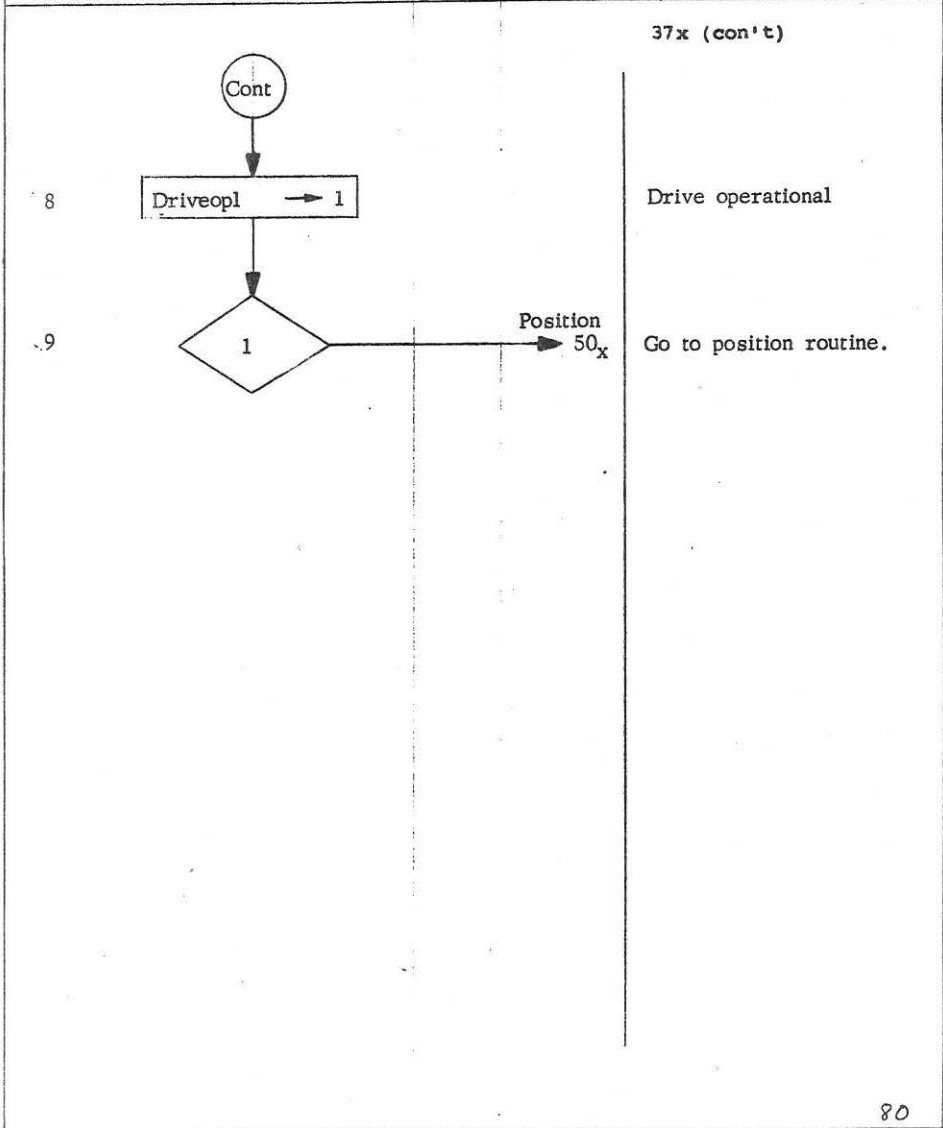
TITLE LOGIC FLOW CHART



PROPRIETARY TO BURROUGHS CORPORATION. NOT TO BE REPRODUCED NOR USED FOR MANUFACTURING PURPOSES EXCEPT ON BURROUGHS ORDER OR PRIOR WRITTEN CONSENT.

TITLE LOGIC FLOW CHART

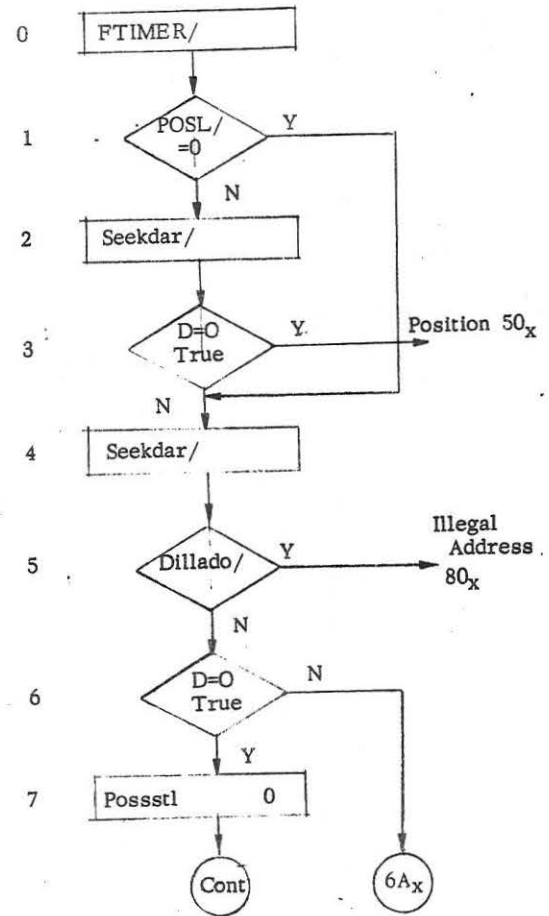




PROPRIETARY TO BURROUGHS CORPORATION. NOT TO BE REPRODUCED NOR USED FOR MANUFACTURING PURPOSES EXCEPT ON BURROUGHS ORDER OR PRIOR WRITTEN CONSENT.

TITLE
LOGIC FLOW CHART

60x POSITION LOWER

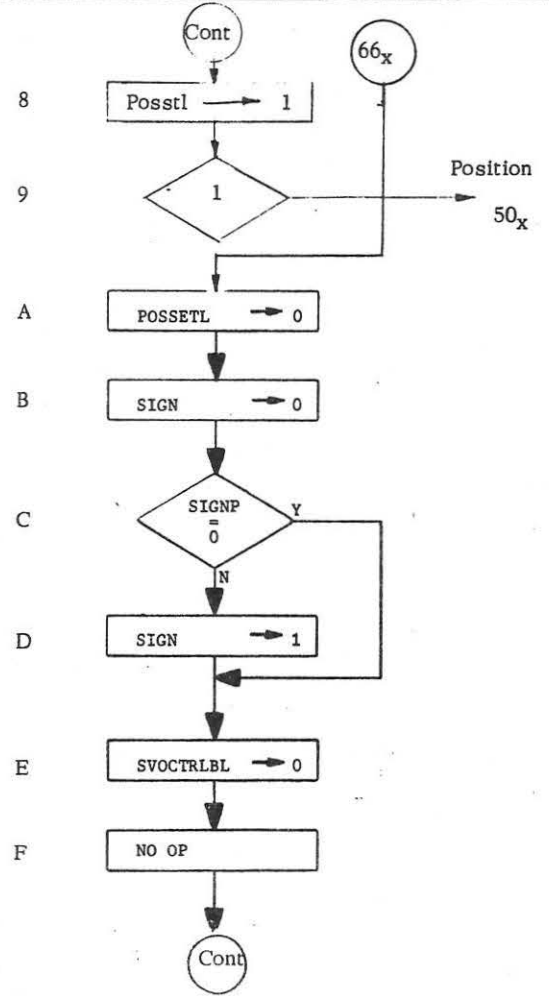


Fire Timer
Position from seek or timer.
Seek to dar
No seek D=0
Seek to dar
Look for illegal address
Look for difference between dar and par
If no difference the reset position settled line to control.

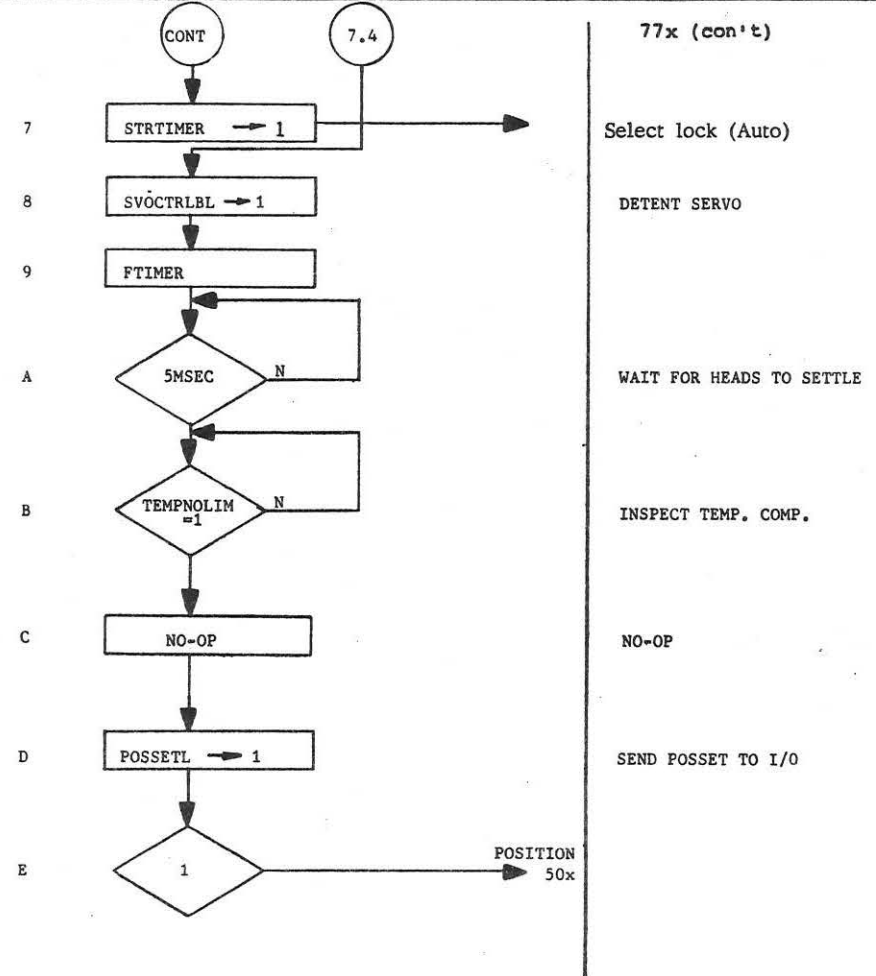
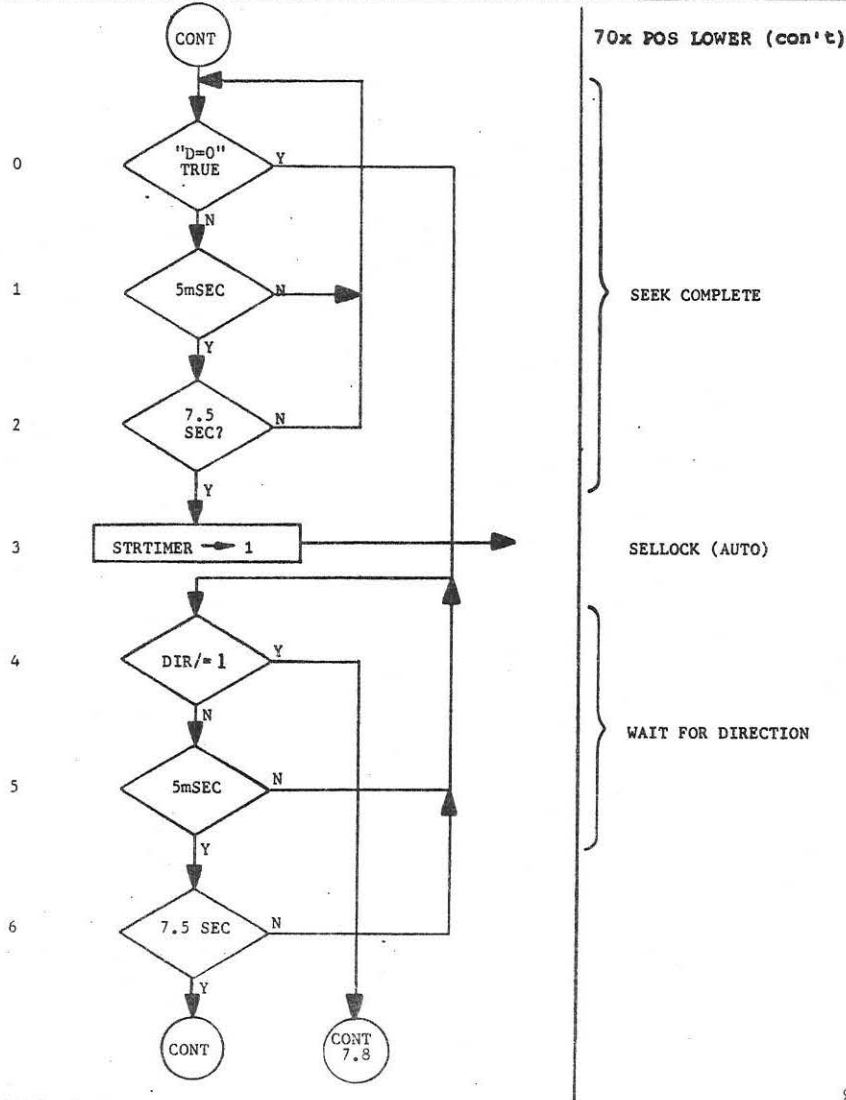
PROPRIETARY TO BURROUGHS. NOT TO BE REPRODUCED OR USED FOR MANUFACTURING PURPOSES EXCEPT ON BURROUGHS ORDER OR PRIOR WRITTEN CONSENT.

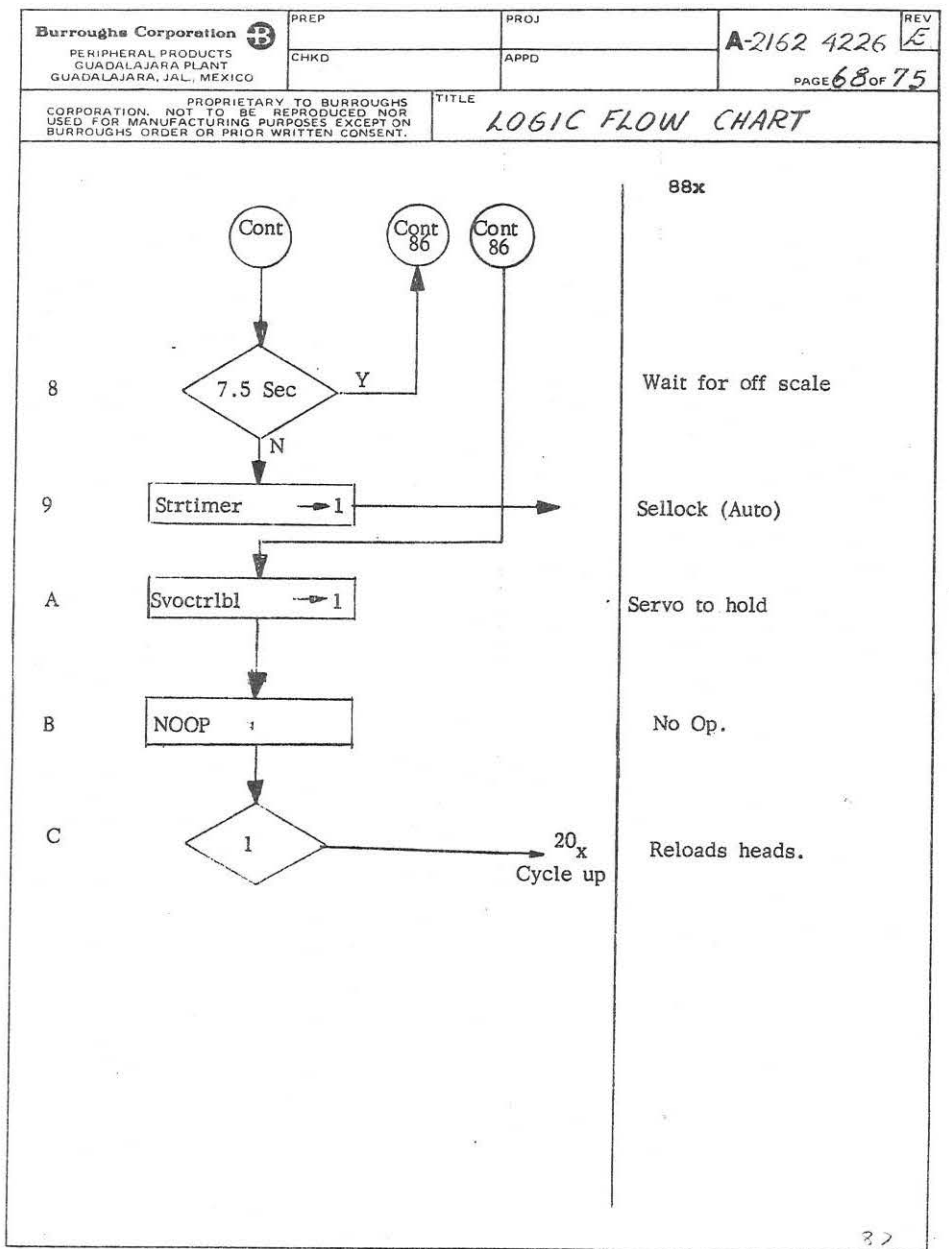
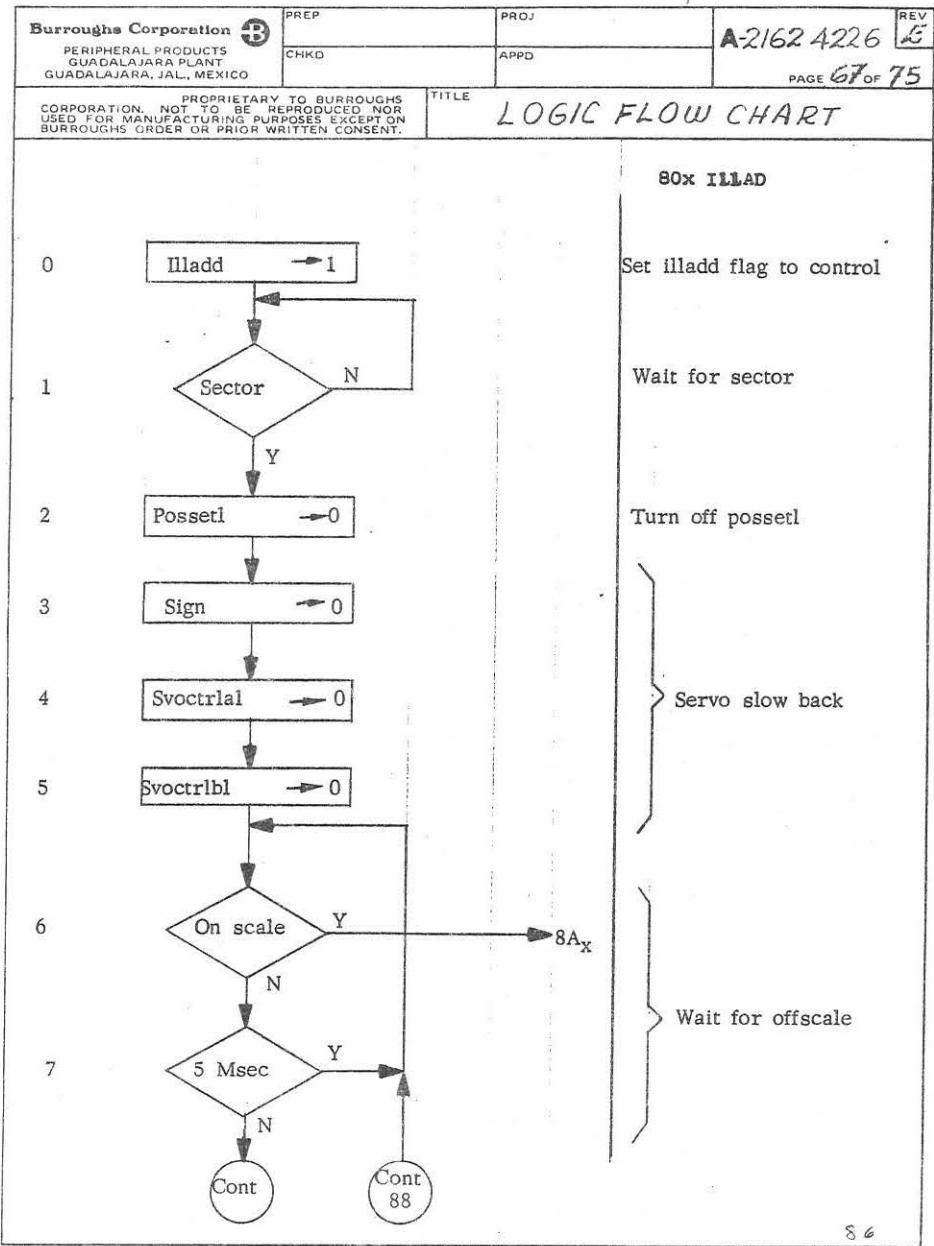
TITLE
LOGIC FLOW CHART

68x (con't)

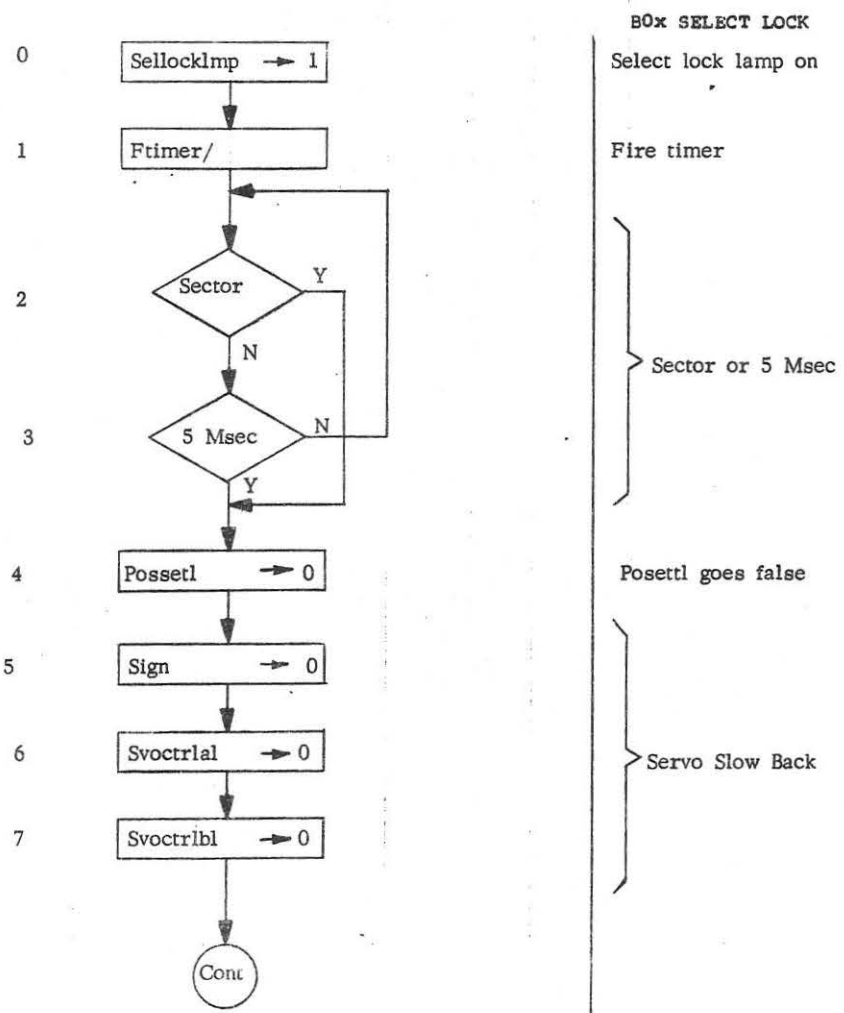


Go to position
VALID SEEK-POSSET GOES LOW
SELECT DIRECTION
SERVO TO COARSE



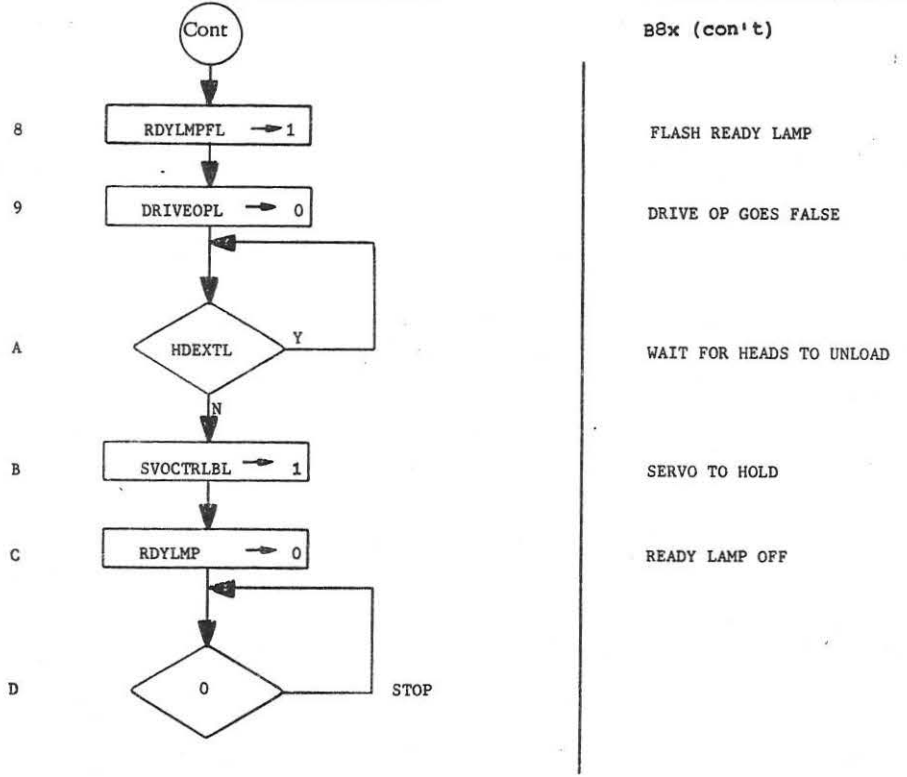


TITLE
LOGIC FLOW CHART

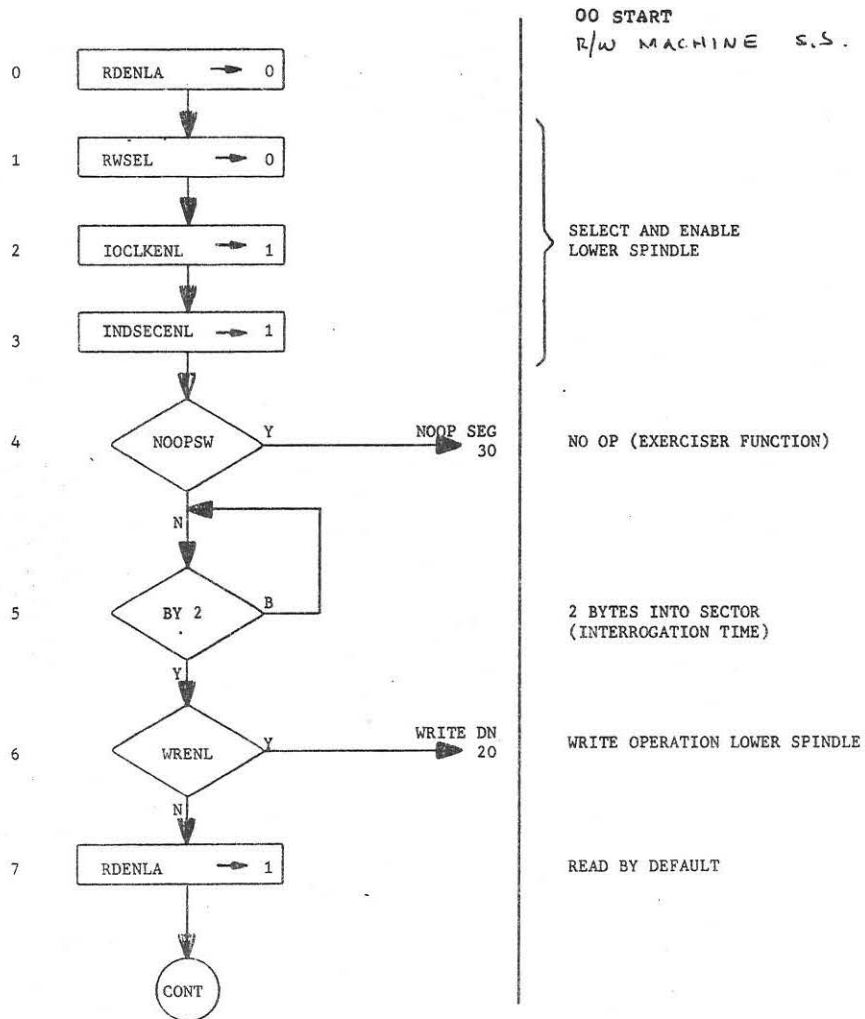


89

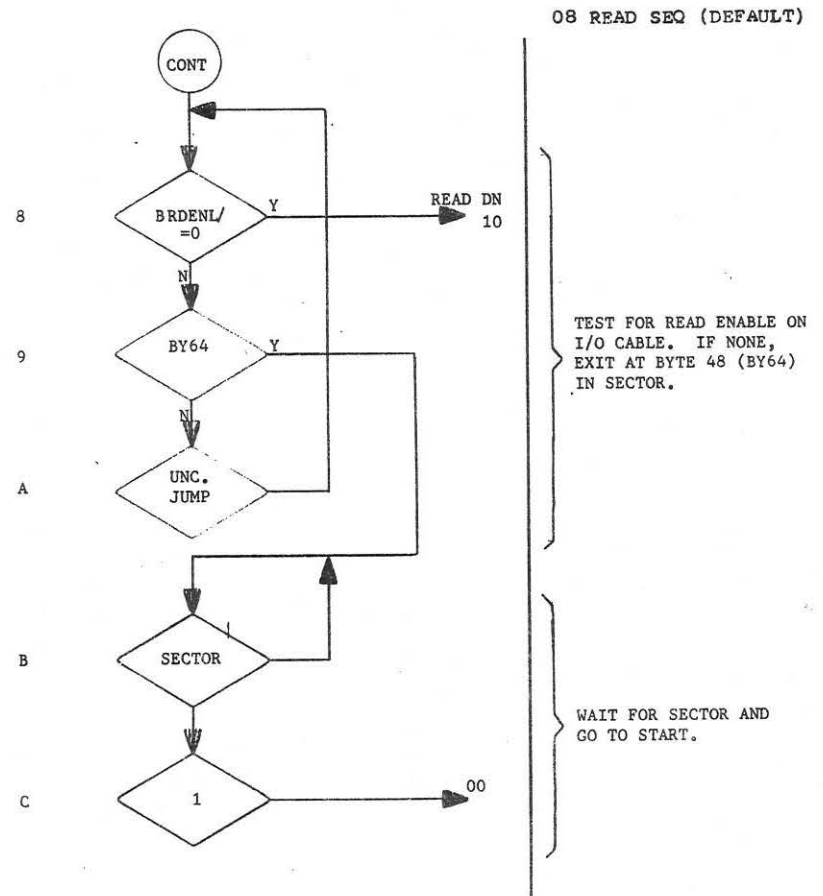
TITLE
LOGIC FLOW CHART



Burroughs Corporation <small>DISK PACK PRODUCTS WESTLAKE VILLAGE, CALIF 91360</small> <small>WESTLAKE PLANT U.S. AMERICA</small>	PREP	PROJ	A2162 4226 <i>LE</i>
	CHKD	APPD	PAGE 71 OF 75
<small>PROPRIETARY TO BURROUGHS. NOT TO BE REPRODUCED OR USED FOR MANUFACTURING PURPOSES EXCEPT ON BURROUGHS ORDER OR PRIOR WRITTEN CONSENT.</small>		TITLE	
LOGIC FLOW CHART			

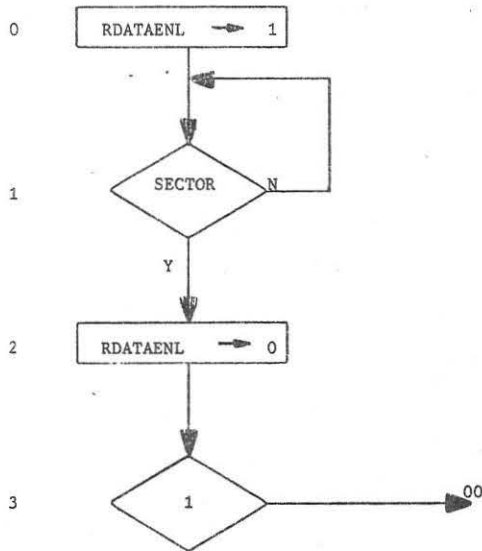


Burroughs Corporation <small>DISK PACK PRODUCTS WESTLAKE VILLAGE, CALIF 91360</small> <small>WESTLAKE PLANT U.S. AMERICA</small>	PREP	PROJ	A2162 4226 <i>LE</i>
	CHKD	APPD	PAGE 72 OF 75
<small>PROPRIETARY TO BURROUGHS. NOT TO BE REPRODUCED OR USED FOR MANUFACTURING PURPOSES EXCEPT ON BURROUGHS ORDER OR PRIOR WRITTEN CONSENT.</small>		TITLE	
LOGIC FLOW CHART			



Burroughs Corporation DISK PACK PRODUCTS WESTLAKE VILLAGE, CALIF 91360	PREP	PROJ	A2162 4226 E
	CHKD	APPD	PAGE 73 OF 75
PROPRIETARY TO BURROUGHS. NOT TO BE REPRODUCED OR USED FOR MANUFACTURING PURPOSES EXCEPT ON BURROUGHS ORDER OR PRIOR WRITTEN CONSENT.			TITLE LOGIC FLOW CHART

10 READ DN



ENABLE LOWER SPINDLE DATA

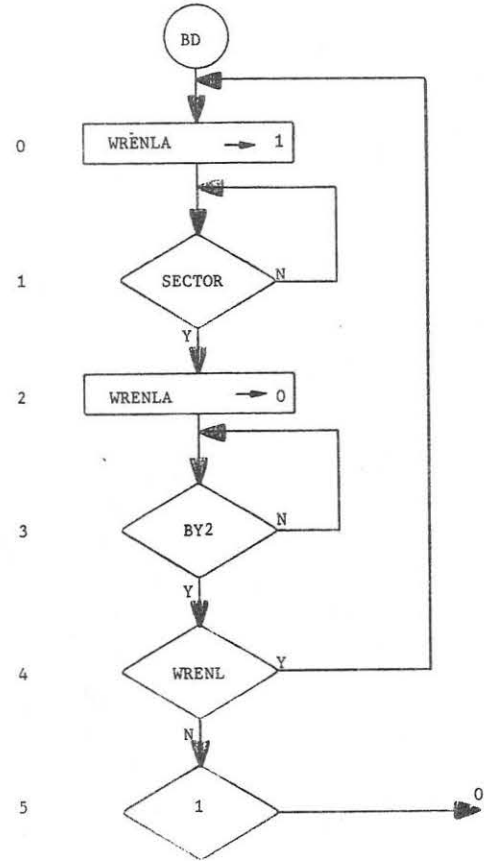
WAIT FOR SECTOR

DISABLE LOWER SPINDLE DATA

GO TO START

Burroughs Corporation DISK PACK PRODUCTS WESTLAKE VILLAGE, CALIF 91360	PREP	PROJ	A2162 4226 E
	CHKD	APPD	PAGE 74 OF 75
PROPRIETARY TO BURROUGHS. NOT TO BE REPRODUCED OR USED FOR MANUFACTURING PURPOSES EXCEPT ON BURROUGHS ORDER OR PRIOR WRITTEN CONSENT.			TITLE LOGIC FLOW CHART

20 WRITE DOWN



ENABLE WRITE TO LOWER SPINDLE

WAIT FOR SECTOR

DISABLE WRITE TO LOWER SPINDLE

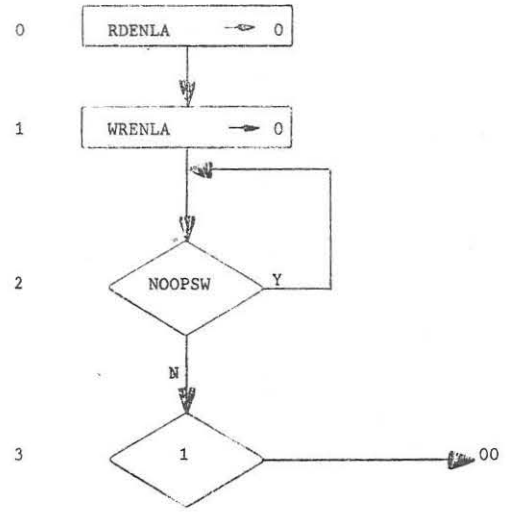
WAIT FOR BYTE 2 OF SECTOR

Y = WRITE NEXT SECTOR
N = GO TO START

GO TO START

Burroughs Corporation <small>DISK PACK PRODUCTS WESTLAKE PLANT WESTLAKE VILLAGE CALIF 91360 U.S. AMERICA</small>	PREP	PROJ	A 210-24376 4
	CHKD	APPD	PAGE 75 OF 75
<small>PROPRIETARY TO BURROUGHS. NOT TO BE REPRODUCED OR USED FOR MANUFACTURING PURPOSES EXCEPT ON BURROUGHS ORDER OR PRIOR WRITTEN CONSENT.</small>		TITLE LOGIC FLOW: H.A. T	

30 NO OP SEQ



TURN OFF READ AND WRITE

WAIT FOR NOOPSW TO BE REMOVED.

GO TO START