

Burroughs

B 9247
LINE PRINTER

(INCLUDES 400/750/1100 LPM STYLES)

TECHNICAL MANUAL
VOLUME 2

ILLUSTRATED
PARTS CATALOG

THIS MANUAL REPLACES ALL PREVIOUS EDITIONS OF FORM 1058054

FIELD ENGINEERING PROPRIETARY DATA

FIELD ENGINEERING PROPRIETARY DATA

The information contained in this document is proprietary to Burroughs Corporation. The information or this document is not to be reproduced, shown, or disclosed outside Burroughs Corporation without written permission of the Patent Division.

This material is furnished for Burroughs Field Engineering Personnel, and is not furnished to customers except under special License Agreement.

THIS DOCUMENT IS THE PROPERTY OF AND SHALL BE RETURNED TO BURROUGHS CORPORATION, BURROUGHS PLACE, DETROIT, MICHIGAN 48232, U.S.A.

Burroughs cannot accept any financial or other responsibilities that may be the result of your use of this information or software material, including direct, indirect, special or consequential damages. There are no warranties extended or granted by this document or software material.

The information contained herein is subject to change without notice. Revisions may be issued to advise of such changes and/or additions.

The revised edition of this manual, dated October 1982, incorporated the following PCN's:

PCN's 1058054-001 thru 1058054-010

Correspondence regarding this publication should be forwarded using the Remarks form at the back of the manual, or may be addressed directly to TIO Central Documentation, Burroughs Corporation, 13001 Eckles Road, Plymouth, Michigan 48170, U.S.A.

LIST OF EFFECTIVE PAGES

PAGE	ISSUE
iii	Original
iv	Blank
v thru vi	Original
1-1 thru 1-73	Original
1-74	Blank

INDEX	Page No.
Actuator Base Assembly	1-46
Bonnet and Internal Covers, Early Style	1-15
Bonnet and Internal Covers, Restyled	1-17
Case Panels, Early Style-Front View	1-1
Case Panels, Early Style-Rear View	1-2
Case Panels, Restyled-Front View	1-4
Case Panels, Restyled-Front Inner View	1-5
Case Panels, Restyled-Rear View	1-6
Electrical Components Used On P.C. Cards	1-70
End of Paper Switch and Paper Clamp Assembly	1-32
Form Stacker Assembly-Restyled	1-10
Form Thickness Control	1-44
Format Decouple Mechanism	1-29
Format Tape Reader-Cartridge Type	1-20
Format Tape Reader-Fixed Type	1-22
Fuse Board, Ballast and Static Transformer-Restyled	1-19
Main Frame, Left Side and Front-Early Style	1-11
Main Frame, Right Side and Front-Early Style	1-13
Oilers	1-45
Paper Advance Assembly With Operator Controls	1-29
Paper Clamp Disable Switch	1-16
Paper Drive System-Early Style	1-38
Paper Drive System-Restyled	1-40
Paper Guide and Sound Cover ("BUSTLE")	1-8
Paper Guide and Sound Cover ("BUSTLE")-Restyled	1-9
Paper Moving Detector	1-41
Paper Tractors, Form Self Align	1-42
Paper Tractors, Standard	1-41
Power Supply P.C. Card	1-69
Power Supply P.C. Card	1-73
Power Supply (1087 8544) Assembly-50/60Hz	1-63
(1433 7000) Assembly-50/60Hz	1-68
(1438 4168) Assembly-50/60Hz	1-72
(2117 3067) Assembly-50/60Hz	1-66
Printed Circuit Cards	
400/750 LPM-MOD 1	1-58
400/750 LPM-MOD 2	1-59
400/LPM (MOD-3) AND 750 LPM (MOD 2/3)	1-60
750/1100 LPM (MOD5)	1-62
1100LPM (MOD 1,2,4,3)	1-61
Rear Paper Guide Assembly	1-7
Ribbon Drive-Single Motor System	1-34
Ribbon Drive-Two Motor System	1-36
Ribbon Reverse Mechanism	1-36
Ribbon Shield	1-29
Type Block Chain and Module Assy-4/6 Character Block	1-48
4 Character-Type Block and Train Configuration Chart	1-50
6 Character-Type Block and Train Configuration Chart	1-55
Type Module Body and Guide Assembly	1-49
Yoke Assembly Closed-Early Style	1-23
Yoke Assembly Closed-Restyled	1-27
Yoke Clamp Mechanism	1-31
Yoke Open-Early Style	1-25

Model Identification Chart (Serial Numbers are approximate)

400 LPM

M O D 1	9247-2 T/U 1090 0439 S/N 760001 to 760339
M O D 2	9247-2 T/U 2117 0022 S/N 760340 to 760618
M O D 3	9247-12 T/U 2117 0162 S/N 760619 & Up

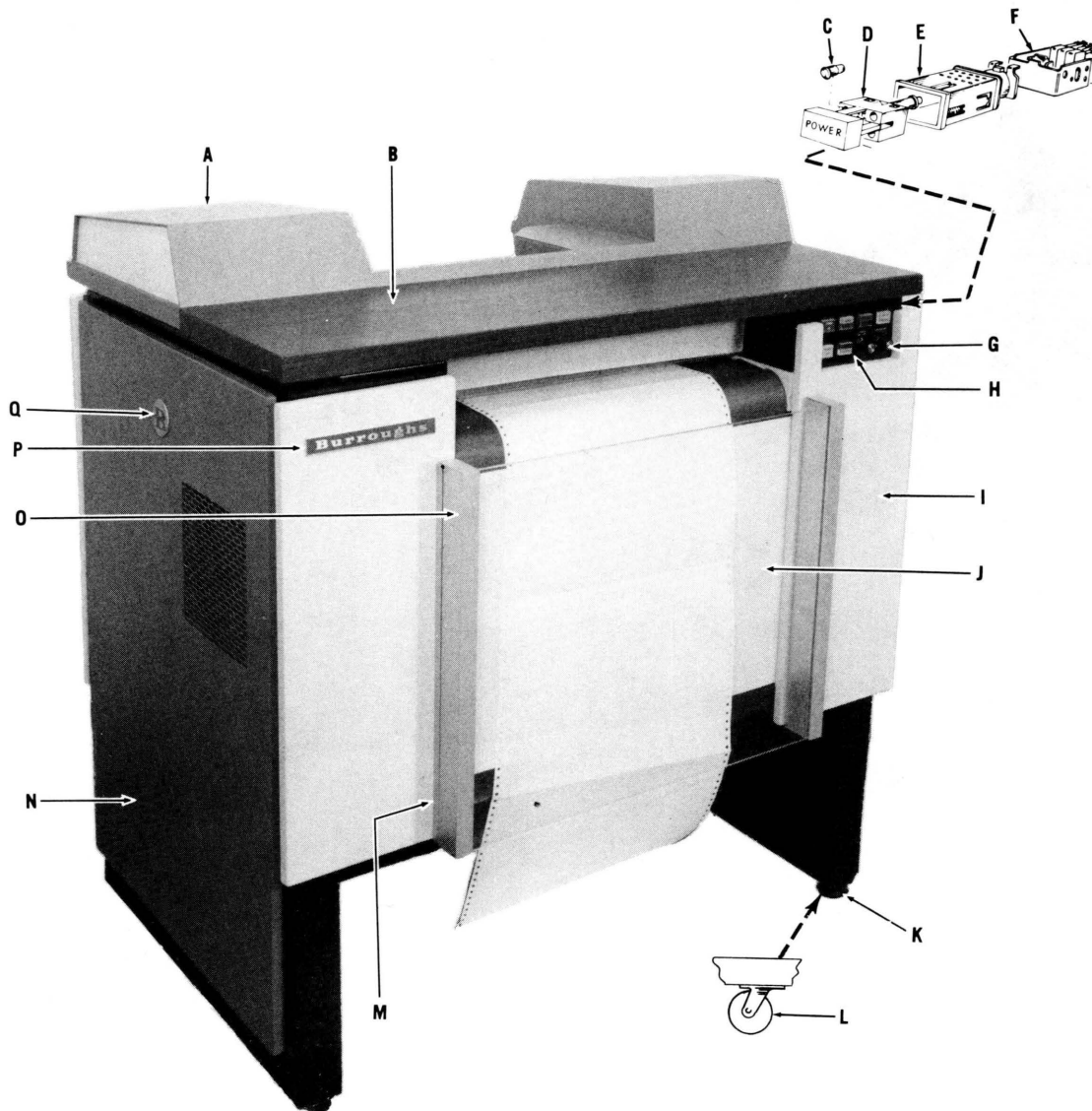
750 LPM

M O D 1	9247-3 T/U 1090 0447 S/N 770001 to 770509
M O D 2	9247-3 T/U 2117 0030 S/N 770510 to 770584
M O D 3	9247-13 T/U 2117 0170 S/N 770585 to 771122
M O D 4	9247-13 T/U 2117 1301 S/N 771123 to 772620
M O D 5	9247-13 T/U 2723 1828 S/N 156035131 & Up

1100 LPM

M O D 1	9247-14 T/U 2101 0947 S/N 780001 to 780022
M O D 2	9247-14 T/U 2117 1319 S/N 780023 to 780865
M O D 3	9247-14 T/U 2117 1699 S/N 780866 to 781625
NO MOD 4	
M O D 5	9247-14 T/U 2723 1836 S/N 156102378 & Up

CASE PANELS, EARLY STYLE (400/750 LPM - MOD. 1, 2) - FRONT VIEW (PLATE 1)



TC3336

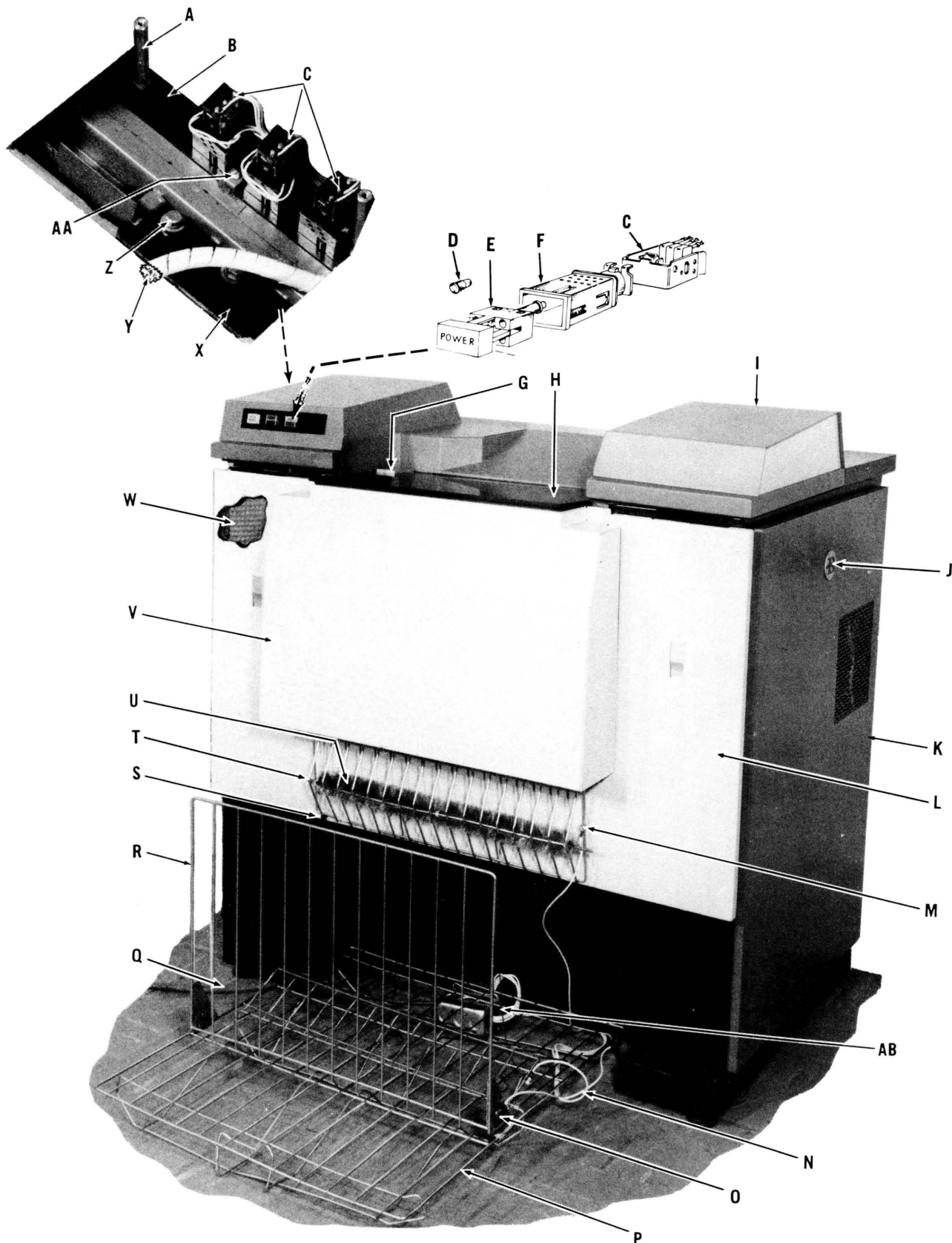
A	--- ---	rear bonnet
	1087 2695	blue, 710
	2105 6882	gray, 231
B	--- ---	front bonnet
	1087 2687	walnut
	2105 6908	gray, 230
C	1064 9366	lamp
D	--- ---	button
	1086 8693	PAPER PRINT
	1086 8701	ERROR OVERRIDE
	1087 5359	POWER OFF
	1087 5367	POWER ON
	1088 1506	SKIP TO HEADING
	1088 1514	START-STOP
E	1080 7667	two lamp housing
	1081 6700	four lamp housing
F	1088 1480	switch-POWER ON
	1088 1498	switch, all others
G	1087 7090	indicator knob, use:
		1087 4451 switch
		1501 1992 bearing spacer
H	1087 2125	switch bracket, use:
		1256 2427 screw
		1256 7467 lockwasher
		1256 8051 washer

PART NUMBERS (PLATE 1)

I	--- ---	front panel
	2105 6890	blue, 710
	1087 2406	gray, 231
		use:
		1087 2422 latch assembly
		1256 4530 screw
		1256 8036 washer
		1256 7459 lockwasher
		1256 5271 nut
J	2105 6742	plastic sheet
K	1087 6472	leveling screw
L	--- ---	swivel caster
	1087 6860	3" (76.2 mm) high
	2116 8018	2½" (63.5 mm) high
		use:
		1087 6589 bracket, right
		1087 6878 bracket, left
		1087 6852 tie plate
		1087 7561 screw
		1256 8093 washer
		1256 7483 lockwasher
		1256 5404 nut

	1087 6597	stationary caster, use:
		1086 8560 bracket
		1256 4712 screw
		1256 8051 washer
		1256 7467 lockwasher
		1256 5271 nut
M	2105 6783	bracket, use:
		1256 1312 screw
		1256 8051 washer
		1256 7467 lockwasher
		1256 5271 nut
N	2105 7005	left panel, blue 710
O	2105 6726	door assembly, includes:
		1087 3503 magnetic strip
		2108 2052 plate, upper
		2105 6742 plate, front
		2108 2060 plate, lower
P	1479 5769	name plate, use:
		1256 5925 speed nut
Q	--- ---	medallion
	2472 6044	red
	1907 5738	blue
		use:
		1256 5925-speed nut
		1472 4454 background plate

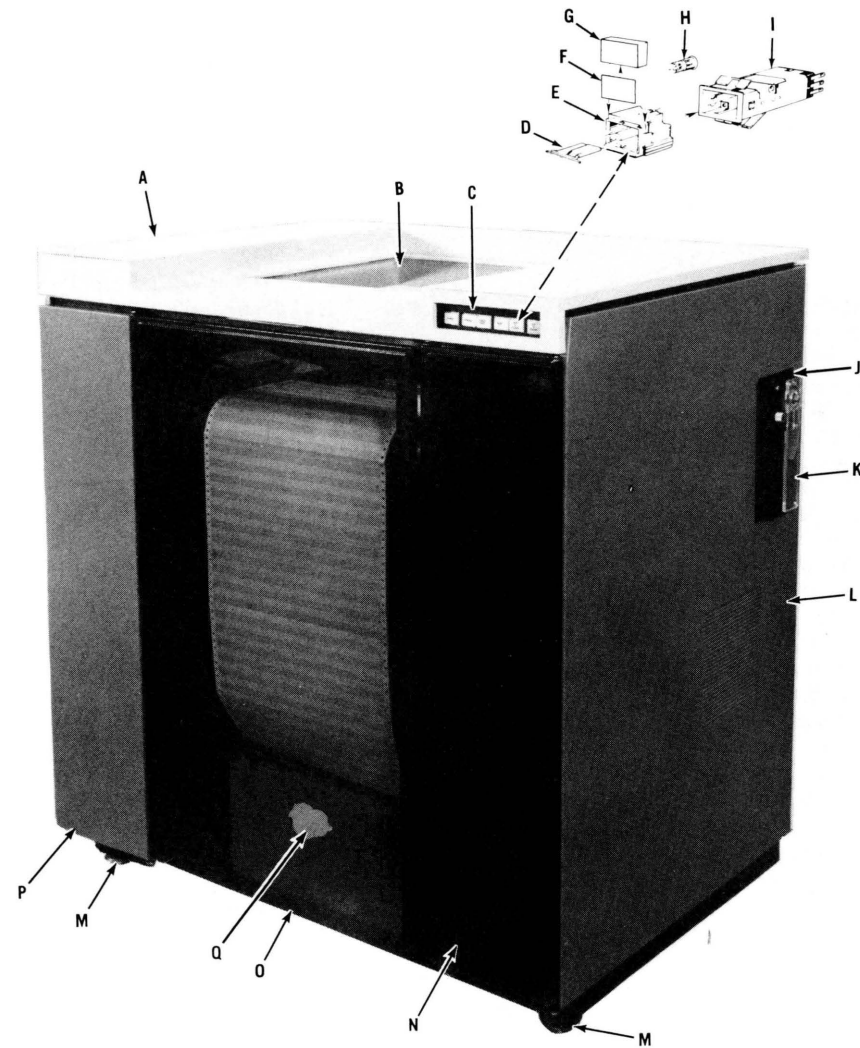
CASE PANELS, EARLY STYLE (400/750 LPM - MOD. 1, 2) - REAR VIEW (PLATE 2)



PART NUMBERS (PLATE 2)

A	1086 9022	standoff	N	1087 7272	harness, paper stacker
B	--- ---	blank, switch panel	O	1256 0868	screw, use:
	1087 3321	blue, 710		1321 2881 nut	
	2105 6759	gray, 231	P	1064 3781	paper stacker base, use:
	1087 3313	three hole switch panel		1064 0167 arch support	
C	1088 1498	switch	Q	--- ---	power cable
D	1064 9366	lamp		1087 6829	105-115V, 60 Hz
E	--- ---	button		2110 7347	200-240V, 60 Hz
	1086 8693	PAPER PRINT		2107 6518	100-240V, 50 Hz
	1088 1506	SKIP TO HEADING	R	1064 0159	paper stacker divider
	1088 1514	START-STOP	S	1008 1693	rubber bumper
F	1080 7667	two lamp housing	T	2103 8930	rear paper guide
	1081 6700	four lamp housing	U	1087 0707	static eliminator, use:
G	2103 9144	pivot bracket, use:	V	2104 8715	1087 7322 jumper wire
		1256 0348 screw			rear cover assembly, use:
		1256 7996 washer			2104 8731 latch, right
		1256 7426 lockwasher			2104 8756 latch, left
H	2105 6940	shield assembly, use:			1256 0868 screw
		2105 6015 pivot shaft			1256 8010 washer
		1256 7467 lockwasher			1256 7442 lockwasher
		1320 8343 washer			1256 5248 nut
I	--- ---	rear bonnet	W	2105 6973	right panel assembly (blue, 710) use:
	1087 2695	blue, 710			2104 0654 insert, panel
	2105 6882	gray, 231			2104 0647 cartridge guard, 12 channel
J	--- ---	medallion			2116 4900 decal
	2472 6044	red } use:	X	1087 2703	hinge
	1913 1812	blue }	Y	2108 5586	harness, Rear Control Panel
		1256 5925 speed nut			(400/750 LPM-Mod. 1, 2), use:
		1472 4454 background plate			1009 7343 spiral wrap
K	2105 7005	left panel assembly, blue 710	Z	1311 7437	screw, use:
L	1087 2489	rear panel assembly (shown) gray, 231			1256 7483 lockwasher
	--- ---	beginning with 400 LPM, S/N 760008 } use:			1256 8093 washer
		750 LPM, S/N 770066 }	AA	1256 0850	screw, use:
		2105 7013 rear panel assembly, gray 231			1256 7442 lockwasher
		1527 2883 latch	AB	1317 1186	box, use:
		2105 6965 latch plate			1088 2660 connector
		1256 1130 screw			1088 2652 cover
		1256 8036 washer			
		1256 7459 lockwasher			
		1256 5271 nut			
M	1256 0850	screw, use:			
		1009 0132 jumper			
		1321 2881 nut			

CASE PANELS, RESTYLED - FRONT VIEW (PLATE 3)
(STARTING WITH 400/750 LPM MOD. 3 AND 1100 LPM MOD. 1)

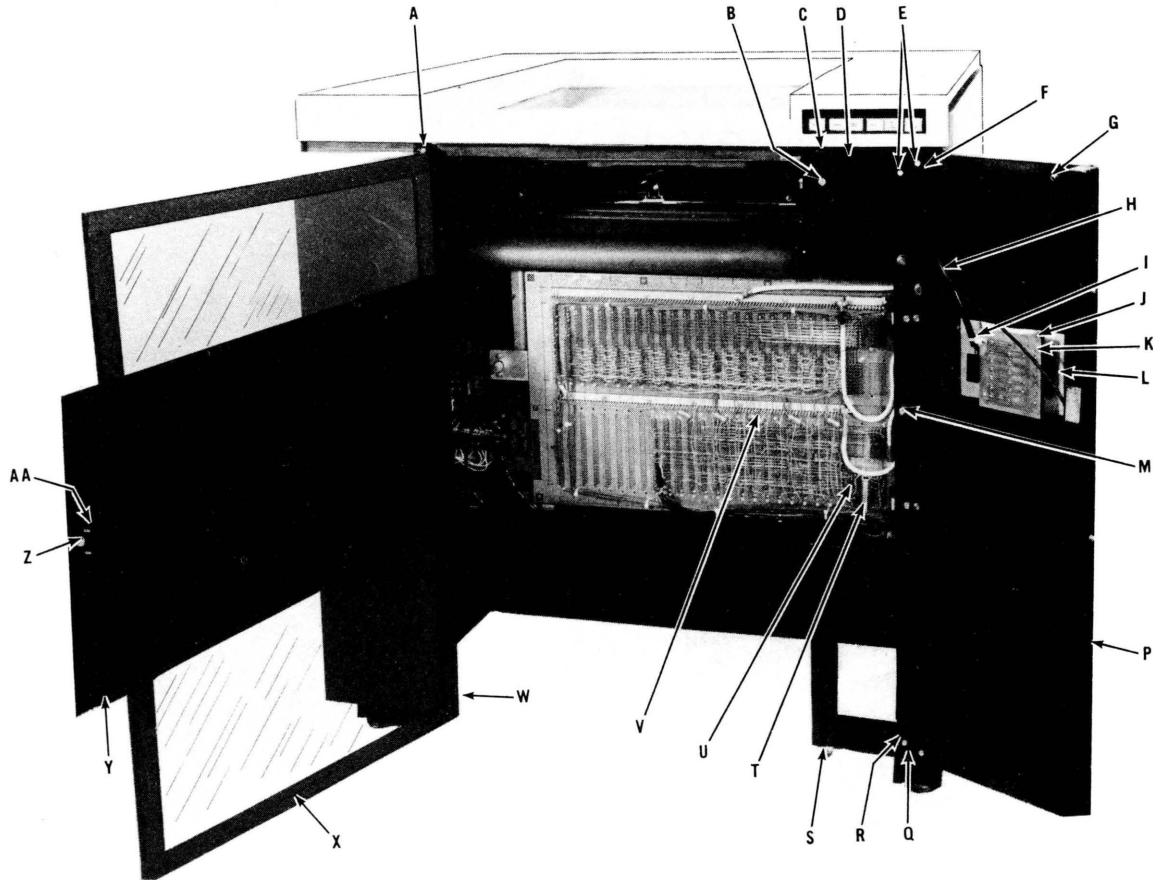


TC3338

PART NUMBERS (PLATE 3)

A	2107 7466	bonnet only	1269 5581	DPDT (silver contact)	2733 5694	panel bracket
	2101 6654	complete bonnet assembly, includes B	1269 5524	for power	2733 5702	door bracket
B	2107 7862	glass, use: 2107 3580 retainer 1256 1106 screw 1256 7459 lockwasher 1256 8036 flatwasher	J	2104 0647	2733 5785	hinge pin
C	2107 8233	support assembly	K	-----	2733 5793	magnet retainer
D	----	lamp divider, included in E	L	2107 7490	M	1087 6472
E	1269 5607	housing, lamp		right panel assembly (illustrated) (blue 710), all styles except 750/1100 LPM Mod. 5	----	leveling screw (shown)
F	----	filter, full display		750/1100 LPM Mod. 5, use the following tape reader door and enclosure parts (not illustrated):	2116 8018	swivel caster
G	1269 5649	red		1105 6280 E ring	2726 9885	single wheel } use: twin wheel }
	1269 5664	white		1255 5249 screw, flathead		2712 4346 screw
	----	lens, cap		1256 1122 screw, panhead		1256 8093 washer
	1269 5672	POWER		1256 7459 lockwasher		1256 7483 lockwasher
	1269 5698	OVERRIDE		1256 8036 washer	N	1256 5404 nut
	1269 5714	SINGLE PRINT		1920 2670 latch		annunciator panel/glass assembly, use:
	1269 5680	READY		2733 5686 door, tape reader		2116 5030 magnetic catch
	1269 5706	SKIP TO HEADING				1088 0151 screw
H	1064 9366	lamp, 28V			O	2107 3739
I	----	switch unit assembly				door assembly, includes glass panel and 2108 1674 decal
					P	2107 7581
						left panel assembly (gray 258), use: 2107 7854 panel latch
					Q	2717 3244
						paper stand

CASE PANELS, RESTYLED - FRONT INNER VIEW (PLATE 4)
(STARTING WITH 400/750 LPM MOD. 3 AND 1100 LPM MOD. 1)

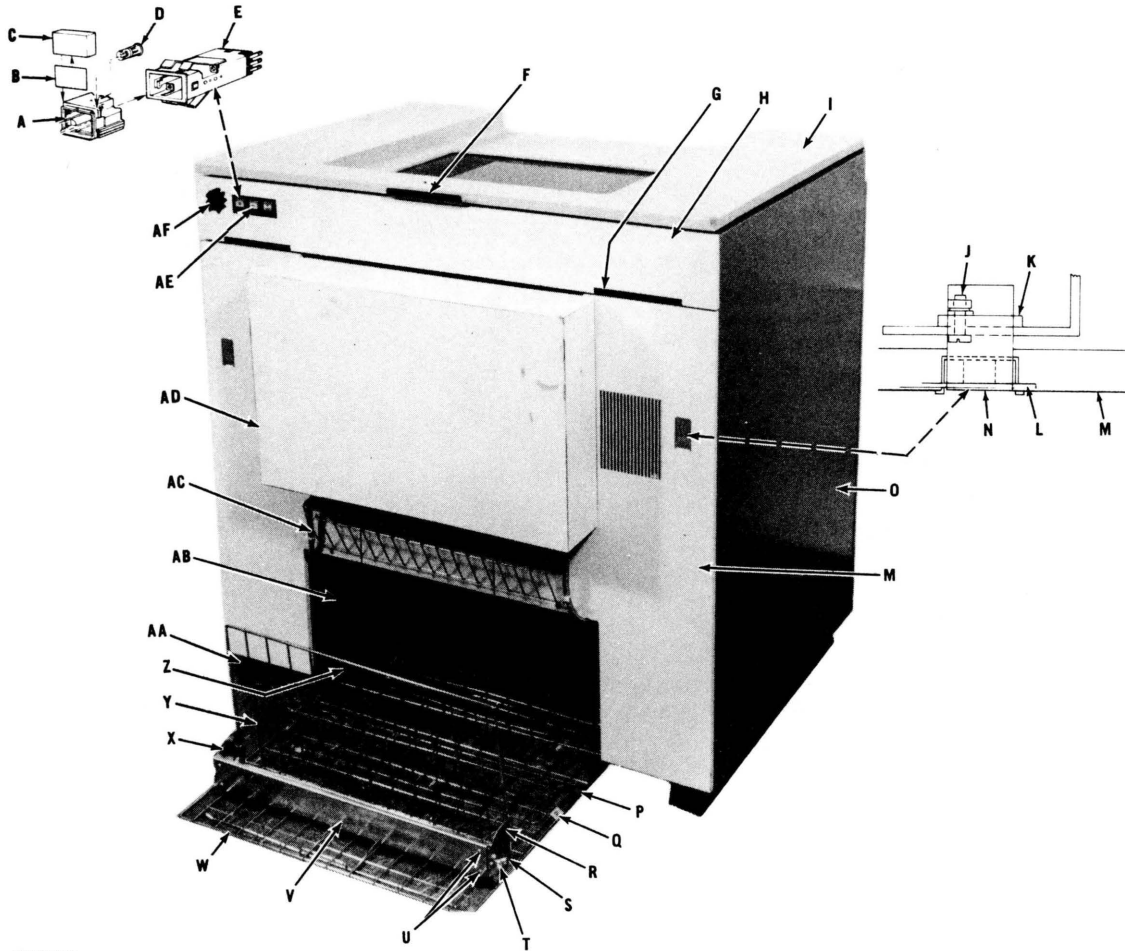


TC3339

PART NUMBERS (PLATE 4)

A	2107 3663	bracket, use: 1105 4368 bearing 1256 8051 flatwasher 1256 7467 lockwasher 1256 5271 nut	L	2712 3462	annunciator assembly	Y	--- ---	false door, before: S/N 771716-004 (750 LPM) S/N 781236-004 (1100 LPM)
B	2712 4452	shoulder screw, use: 1337 7908 spacer 1256 7442 lockwasher 1256 5248 nut	M	1080 7964	latch stud, use: 1523 9270 nut			steel door (pivot type), use: 2107 9967 bracket, upper 2107 9975 bracket, lower 1342 6796 washer 1256 4720 screw 1256 8051 washer 1256 7467 lockwasher 1256 5271 nut 1066 9224 insulation
C	2107 7953	fastener assembly	P	2107 3747	annunciator panel/glass assembly, use: 2116 5030 magnetic catch 1088 0151 screw		2107 7896	
D	2107 8233	switch support assembly, use: 2712 9626 screw	Q	2107 3655	hinge bracket, use: 1105 4368 bearing 1535 3048 spacer			plastic door (fixed type), use: 1256 1635 screw 1256 5404 nut 1064 0985 standoff 1256 8051 washer 1256 7467 lockwasher 1256 5289 nut 2116 4595 interlock switch (roller type actuator) 1256 0397 screw 1256 7426 lockwasher 1256 5206 nut 2729 4925 screw, sems
E	1256 4712	screw, use: 1256 8051 flatwasher 1256 7467 lockwasher 1256 5271 nut	R	1256 4720	screw, use: 1256 8051 flatwasher 1256 7467 lockwasher 1256 5271 nut		---	false door, after: S/N 771715-004 (750 LPM) S/N 781235-004 (1100 LPM)
F	2107 7722	bracket	S	2107 8191	latch, use: 1010 4289 spacer 2108 1021 spring washer 1344 5622 lockwasher 1256 5263 nut		2717 9670	
F-1	2756 2990	capacitor assembly, use: 1256 5271 nut 1256 7723 washer, internal tooth 1256 7467 washer, split	T	1064 6214	capacitor, 250uf,30V			
G	2107 7946	harness, front control panel	U	1088 3569	50 pin connector, use: 1522 5246 spacer 1256 2252 screw 1256 7442 lockwasher 1256 8010 flatwasher 1256 5743 nut			
H	--- --- 2108 5519 2108 9552	1100 LPM 450/750 LPM, includes: 2729 4339 character switch assy.	V	1267 9395	capacitor, 220 uf,10V			
I	1523 9213	cable clamp, use: 1256 7996 washer	W	2726 8275	hinge bracket, use: 2726 8291 pivot post 1256 5420 nut 1256 7491 lockwasher 1256 8135 washer		Z	2107 7938
J	1256 0330	screw, use: 1256 7426 lockwasher	X	2107 3739	front door assembly		AA	1256 1122
K	2108 2086	printed circuit card, includes: 1127 7787 resistor, 510 ohm, 2W ±5% 1706 4940 lamp						1344 5622 lockwasher 2107 7565 nut

CASE PANELS, RESTYLED - REAR VIEW (PLATE 5)
(STARTING WITH 400/750 LPM MOD. 3 AND 1100 LPM MOD. 1)

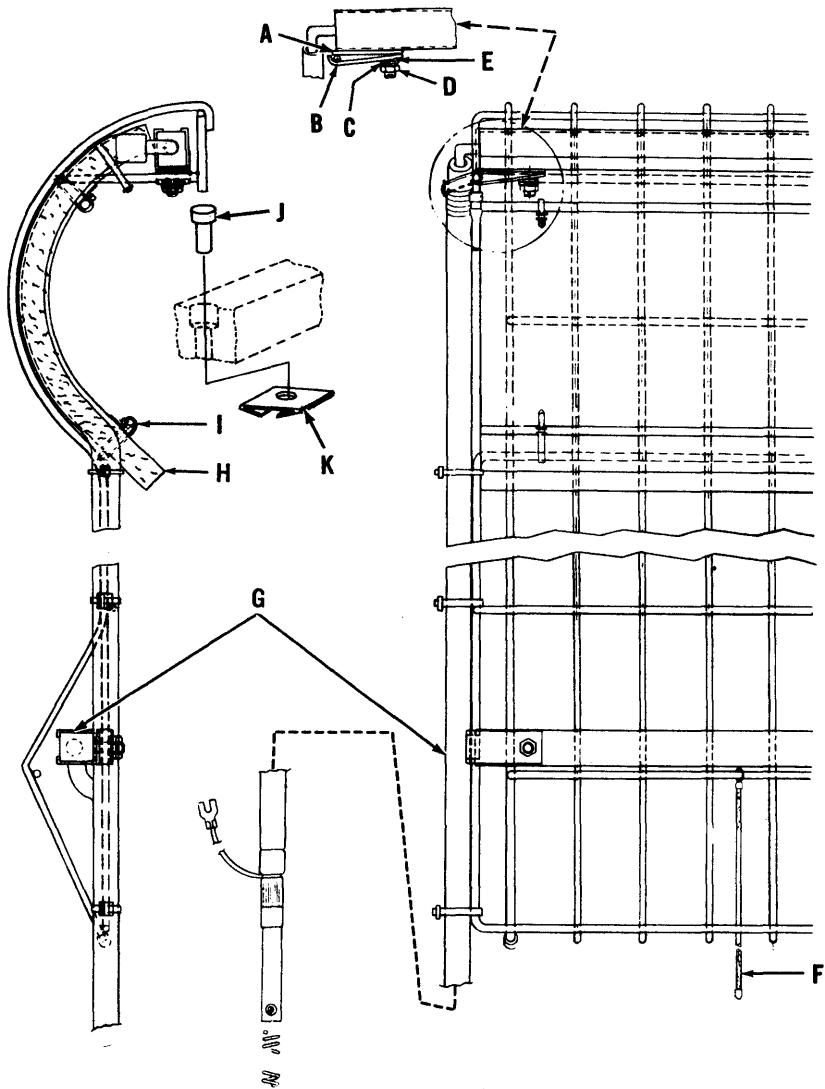


TC3340

PART NUMBERS (PLATE 5)

A	1269 5607	lamp housing	I	2101 6654	complete bonnet assembly		
B	1269 5664	filter, white	J	1256 1130	screw, use:		1256 7459 lockwasher
C	----	lens cap			1256 8036 flatwasher	V	2105 7088
	1269 5680	READY			1256 7459 lockwasher	W	2105 7021
	1269 5706	SKIP TO HEADING			1256 5263 nut		2101 6837
	1269 5714	SINGLE PRINT	K	2105 6965	latch plate		complete assembled form
D	1064 9366	lamp, 28V	L	1527 2891	spacer		stacker, includes P thru Z,
E	1269 5524	switch assembly, use:	M	2733 6163	rear panel assembly, use:		AB
		2108 5568 harness, rear			2729 9122 panel latch, RH (Mod.5)	X	2105 7047
		control panel			2729 9114 panel latch, LH (Mod.5)	Y	2103 9540
F	-----	handle, no longer available, use:	N	1527 2883	latch	Z	2105 7054
		2107 7649 striker plate	O	2107 7557	left panel assembly (blue 710)	AA	----
		1255 4903 screw	P	1064 0167	arch support		power cable
		1256 7442 lockwasher	Q	2103 9565	hold down plate, use:		105-115V } 60 Hz
		1256 5248 nut			2103 9573 plate		200-240V } 60 Hz
G	2116 8729	hinge, use:			1256 1106 screw		100-240V, 50 Hz
		1255 5470 screw	R	2105 7070	1256 8036 flatwasher	AB	2105 7062
		1256 8051 flatwasher	S	2105 8300	1256 7459 lockwasher	AC	----
		1256 7467 lockwasher			1256 5263 nut		front guide
		1256 5271 nut			1256 8010 flatwasher		refer to REAR PAPER
		2107 7706 block			1760 9926 nylok screw		GUIDE ASSEMBLY, see
		1256 8010 flatwasher					Index
		1256 8010 flatwasher				AD	----
		1760 9926 nylok screw					refer to PAPER GUIDE
H	2107 7680	panel, rear access, use:					AND SOUND COVER, see
		2107 7656 left	T	1063 9268	left hand support		Index
		2107 7664 right	U	1256 1106	pivot pin, use:	AE	2108 5162
		1256 0843 screw			1337 1893 flatwasher		panel insert assembly, use:
		1256 7442 lockwasher			1337 2313 wavy washer		1256 5248 nut
					1255 3186 "E" ring		1256 7442 lockwasher
					wingnut		1256 8010 flatwasher
					screw, use:	AF	2107 8217
					1256 8036 flatwasher		switch guard, use:
							1256 0843 screw
							1256 7442 lockwasher.

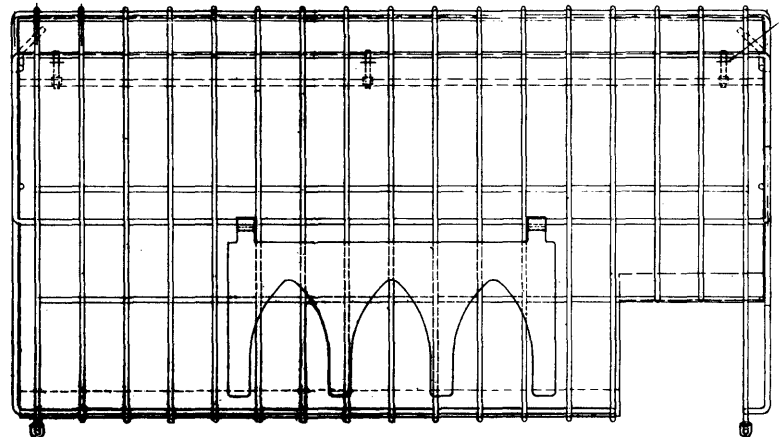
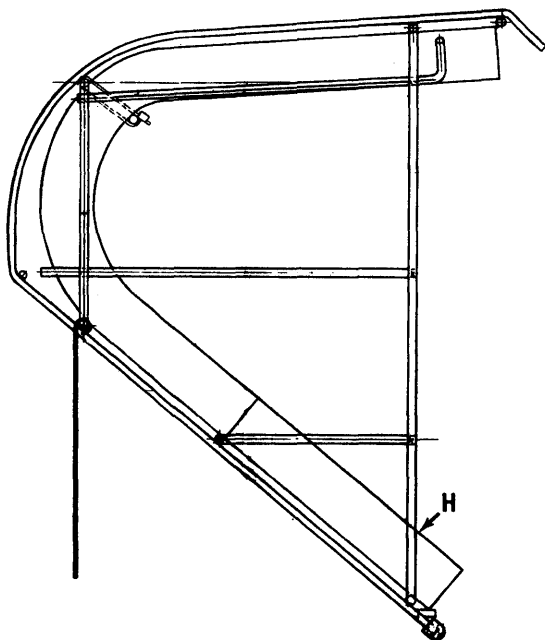
REAR PAPER GUIDE ASSEMBLY (PLATE 6)



PART NUMBERS (PLATE 6)

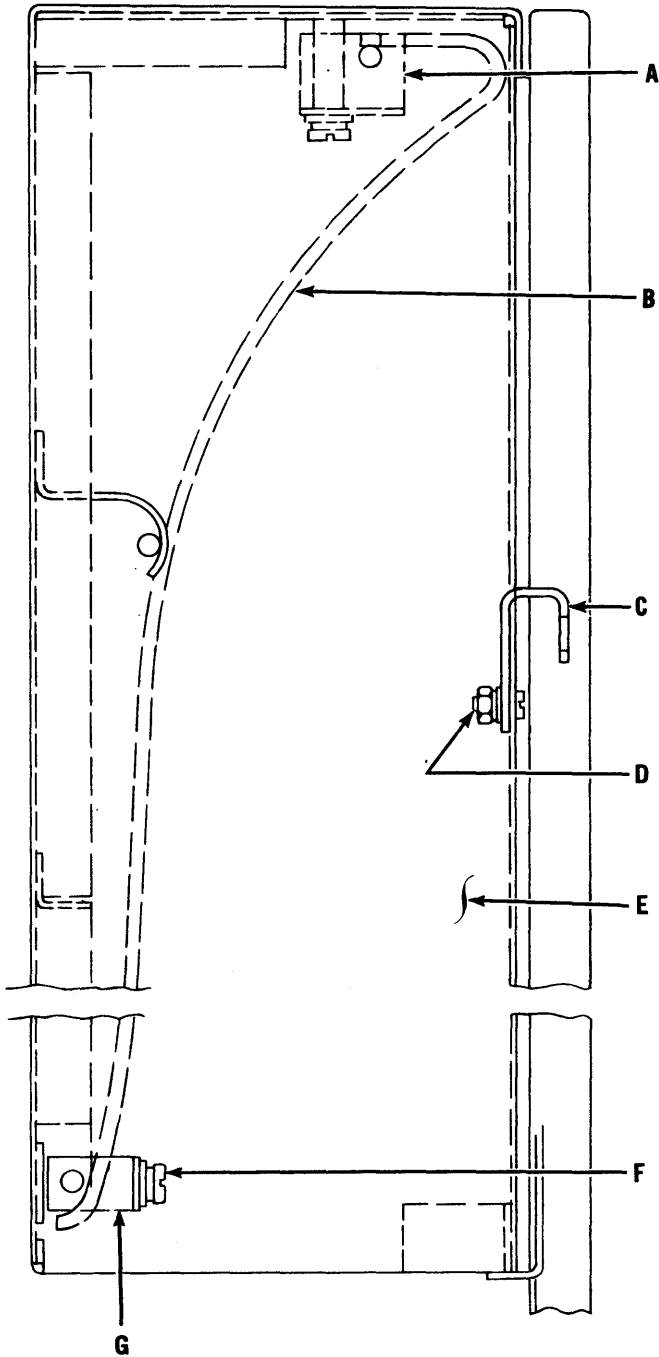
—	—	complete rear paper guide assembly:
—	—	old style, no longer available
2733	4234	restyled
A	2108 7382	clamp, use: 1522 3027 washer (2)
B	2108 7390	clamp
C	1256 7442	lockwasher
D	1256 5248	nut
E	1256 8010	plain washer
F	1008 5991	chain assembly
G	2108 7358	static bar, use: 2726 9547 mounting bracket
H	—	insulation:
	2104 9457	old style
	2733 2535	restyled
I	1472 3944	retaining strap
J	2717 3764	adapter
K	1256 5933	speed nut

OLD STYLE



RESTYLED

PAPER GUIDE AND SOUND COVER ("BUSTLE") (PLATE 7)

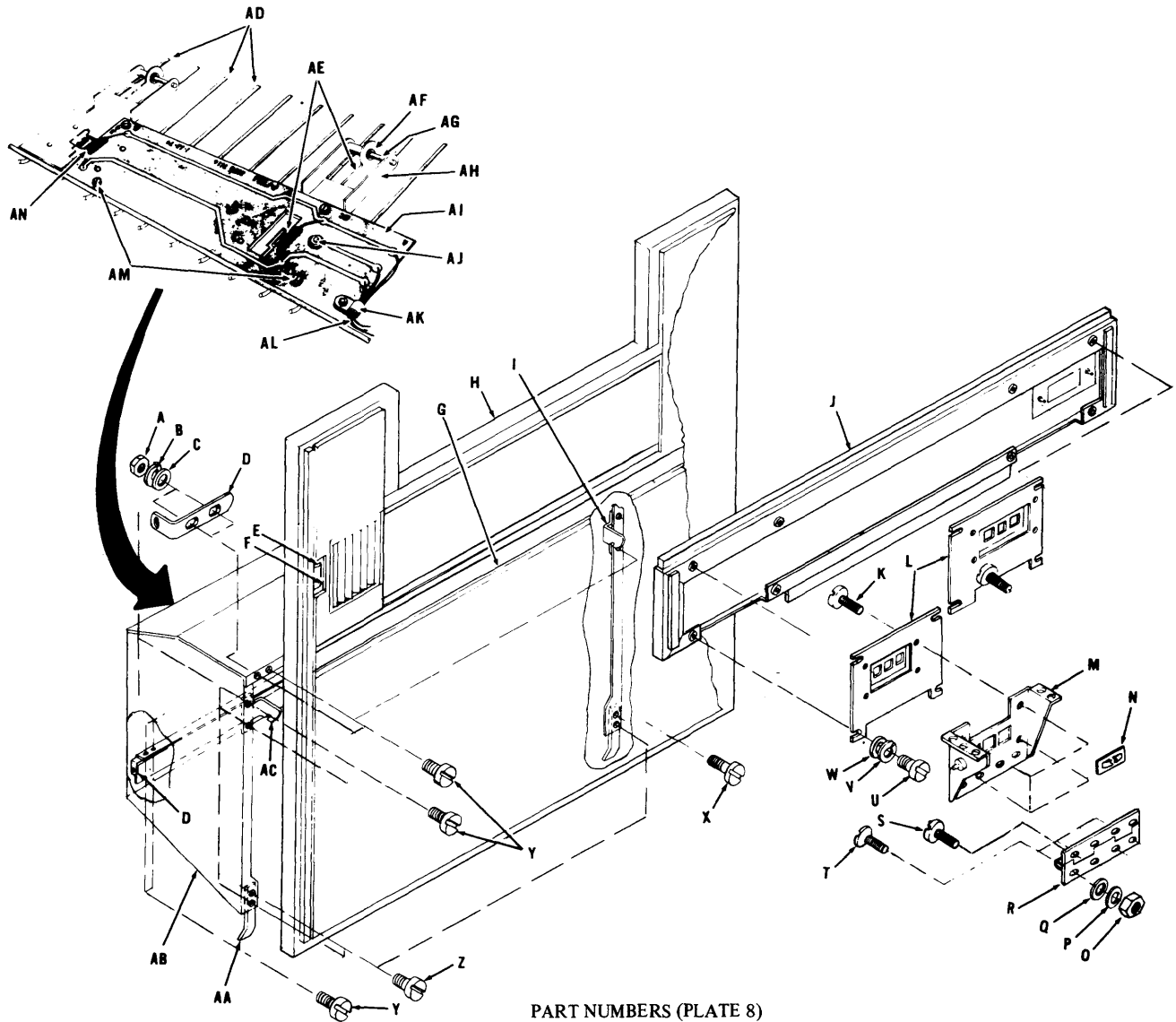


PART NUMBERS (PLATE 7)

2101 6670	complete paper guide/cover assembly, includes A thru G
A	2104 8772 angle
B	2107 7458 paper guide
C	--- --- latch
	2104 8731 right hand
	2104 8756 left hand
D	1256 0868 screw, use: 1256 8010 flatwasher 1256 7442 lockwasher 1256 5248 nut
E	2107 7441 rear sound cover ("bustle")
F	1256 1296 screw, use: 1256 7467 lockwasher 1256 8051 washer
G	2104 8780 angle

TC3341

PAPER GUIDE AND SOUND COVER ("BUSTLE") - RESTYLED (PLATE 8)

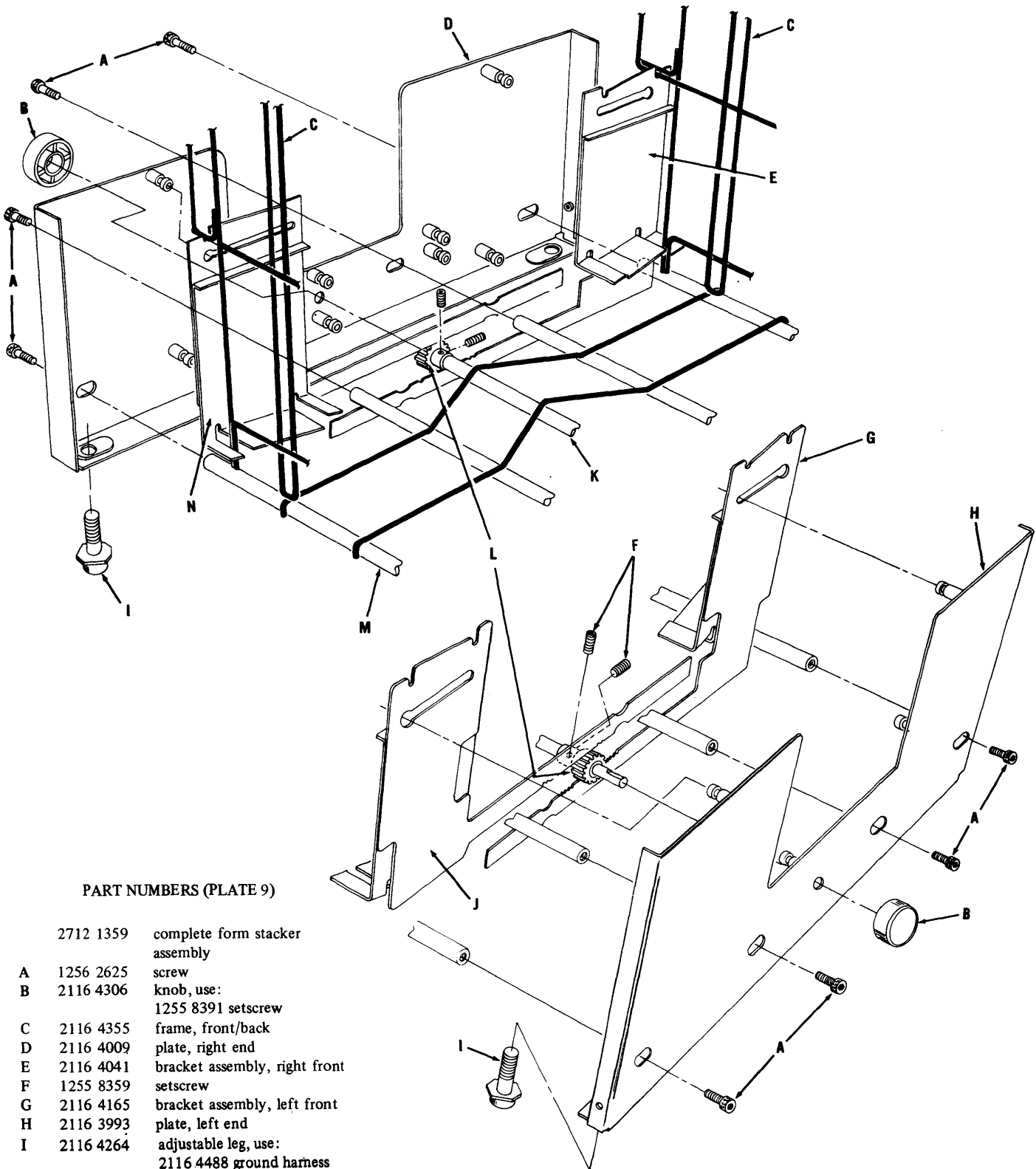


PART NUMBERS (PLATE 8)

TC3342

A	1256 5248	nut	Q	1256 8051	washer
B	1256 7442	lockwasher	R	2116 8729	hinge, adjustable
C	1256 8010	washer	S	1256 1312	screw
D	2116 4405	bracket	T	1255 5439	screw
E	1527 2883	latch	U	1256 1106	screw
F	1527 2891	spacer	V	1256 7459	lockwasher
G	----	stiffener, included in H	W	1256 8036	washer
H	2733 6163	rear panel assembly	X	1256 0884	screw
I	2116 4249	right latch, use: 2116 4223 right arm, on frame	Y	1256 0868	screw
J	2116 8711	panel assembly (fixed)	Z	1256 0876	screw
K	1256 1098	screw	AA	2116 4397	bracket
L	2116 8703	inner panel, 8" long	AB	1066 8762	rear cover assembly, includes A thru D, Y thru AC
M	—	bracket	AC	2116 4256	left latch, use: 2116 4231 left arm, on frame
	2107 3804	left	AD	2116 4363	paper guide
	2107 3796	right	AE	2116 4835	arm assembly
N	2107 7565	nut	AF	1255 3152	retaining ring
O	1256 5271	nut	AG	2116 4843	shaft
P	1256 7467	lockwasher	AH	2116 4777	sensing arm
			AI	2116 4793	P.C. card, includes AK, AL, AN
			AJ	1256 0355	screw, use: 2116 4819 clamp 1256 7996 washer 1256 7426 lockwasher 1256 5701 nut
			AK	1323 9371	clip, use: 1256 0868 screw 1256 8010 washer 1256 5248 nut
			AL	2116 5394	harness, sound cover
			AM	1256 0330	screw, use: 1256 7426 lockwasher 1256 7996 washer
			AN	1087 5946	reed switch

FORM STACKER ASSEMBLY - RESTYLED (PLATE 9)

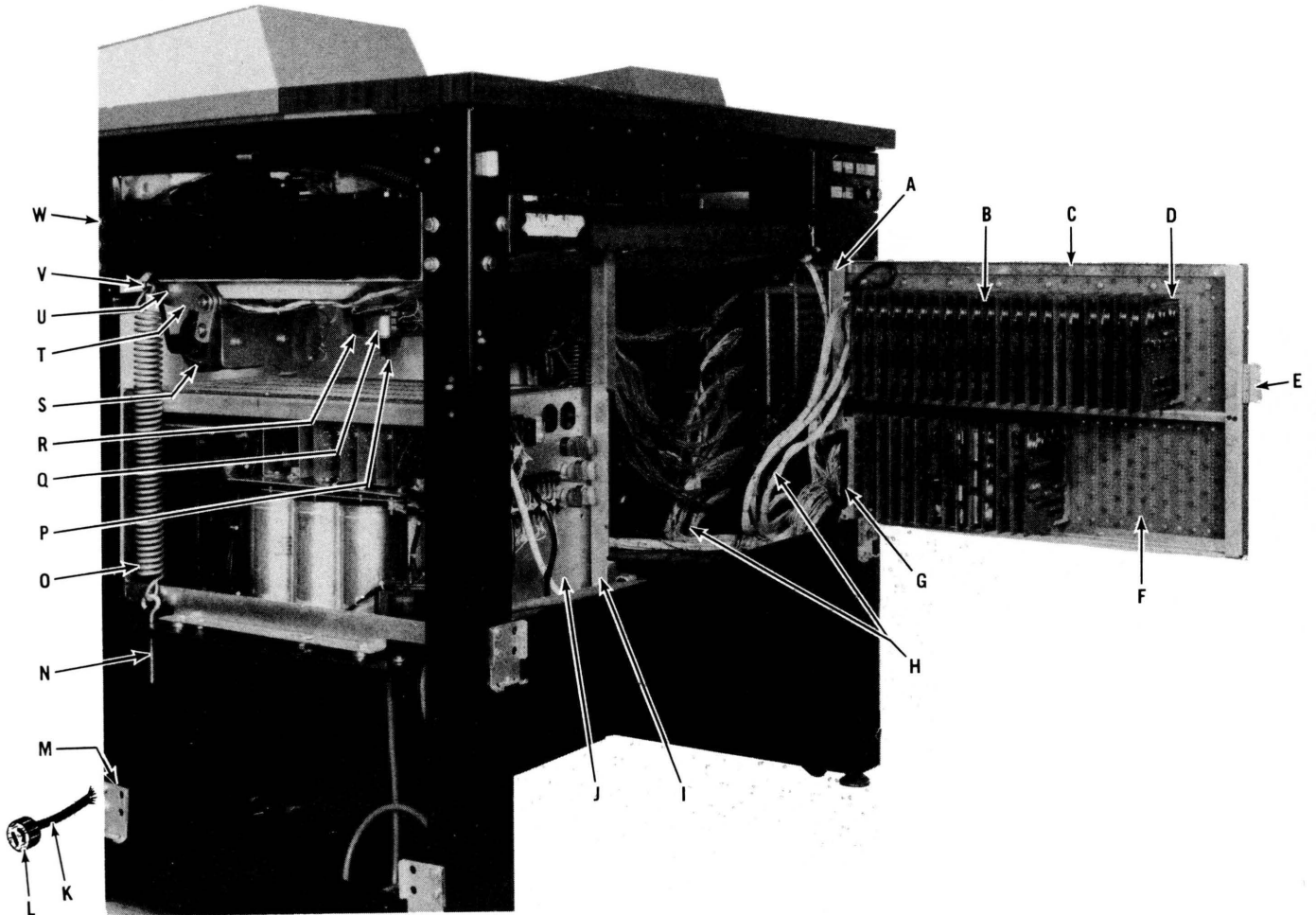


PART NUMBERS (PLATE 9)

2712 1359	complete form stacker assembly
A 1256 2625	screw
B 2116 4306	knob, use: 1255 8391 setscrew
C 2116 4355	frame, front/back
D 2116 4009	plate, right end
E 2116 4041	bracket assembly, right front
F 1255 8359	setscrew
G 2116 4165	bracket assembly, left front
H 2116 3993	plate, left end
I 2116 4264	adjustable leg, use: 2116 4488 ground harness
J 2116 4140	bracket assembly, left back
K 2116 4314	shaft, adjusting
L 2116 4173	spur gear
M 2116 4348	frame, bottom
N 2116 4124	bracket assembly, right back

TC3343

MAIN FRAME, LEFT SIDE AND FRONT - EARLY STYLE (400/750 LPM - MOD. 1, 2) (PLATE 10)



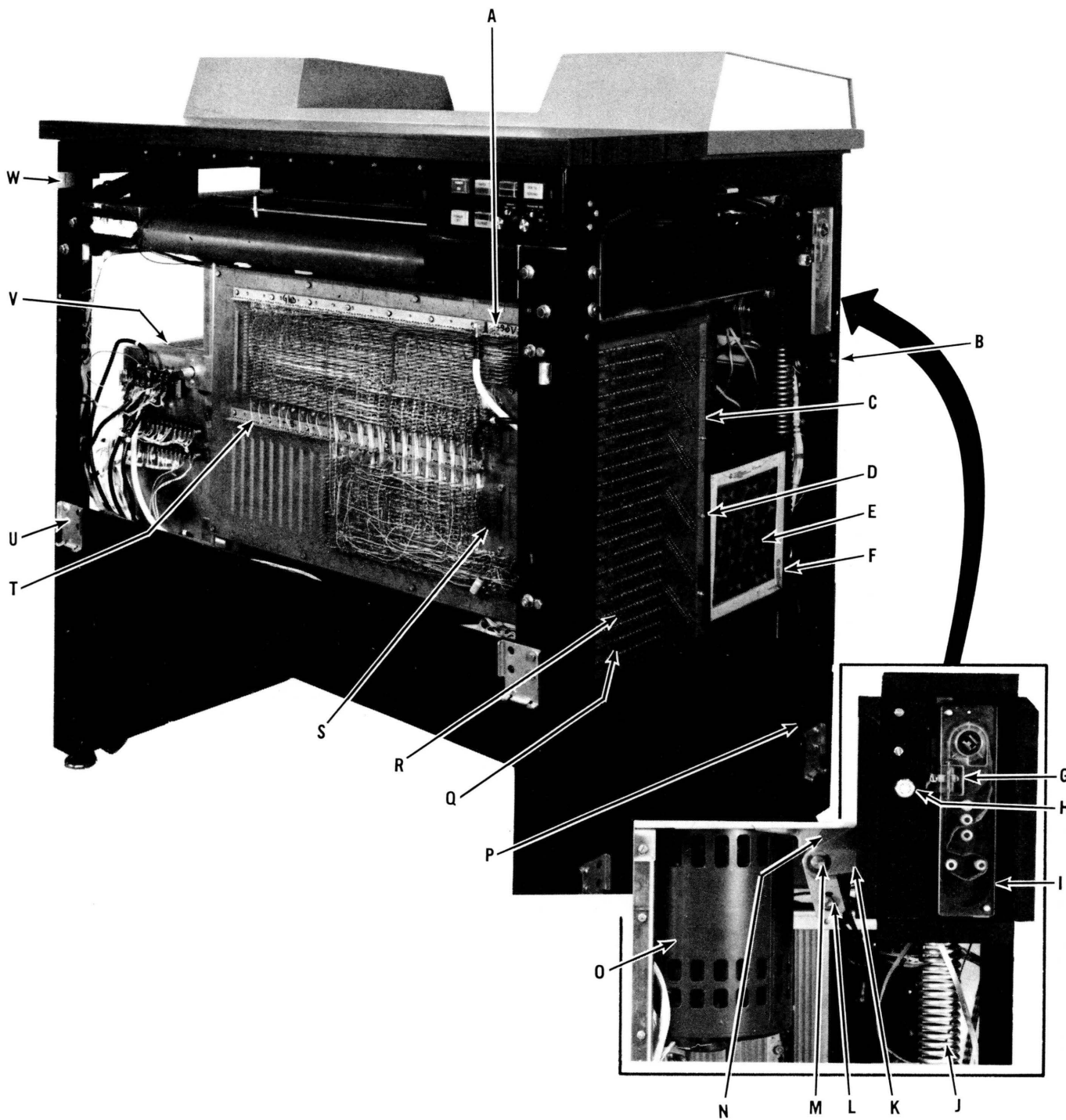
TC3344

PART NUMBERS ON NEXT PAGE

PART NUMBERS (PLATE 10)

A	1088 3569	connector, use: 1522 5246 spacer 1257 0917 screw 1256 8010 washer 1256 7442 lockwasher 1256 5743 nut	J	1087 8544	complete power supply	
B	-----	refer to PRINTED CIRCUIT CARDS, see Index	K	--- ---	power cable	
C	1087 1432	gate assembly, use: 1087 1465 hinge 1087 1507 pivot pin 1255 1909 retaining ring 1087 1499 block 1256 1122 screw 1256 8036 washer 1256 7459 lockwasher 1256 5263 nut		1087 6829 2110 7347 2107 6518	105-115V, 60 Hz 200-240V, 60 Hz 100-240V, 50 Hz	} includes L
D	1901 1204	connector, use: 1900 0959 self tapping screw	L	--- ---	plug, wall	
E	1087 1481	bracket, use: 1001 1468 adjustable latch 1256 0884 screw 1256 8010 washer 1256 7442 lockwasher 1256 5248 nut		1339 0620 1147 1380 2105 7955	for 105-115V cable for 200-240V cable for 100-240V cable	
F	1086 1524	back plane board, use: 1088 0151 self tapping screw	M	1087 2398	bracket, use: 1256 1312 screw 1256 8093 washer 1256 8051 washer 1337 2206 lockwasher 1256 5271 nut	
G	1087 4428	mounting bracket, use: 1256 1098 screw 1256 8010 washer 1256 7442 lockwasher 1256 5248 nut	N	1086 3900	spring hook, use: 1256 5404 nut 1256 8093 washer	
H	--- ---	harness - fuse board to logic gate	O	1086 2928	extension spring	
	1087 7108	750 LPM	P	1087 5516	bracket, use: 1082 0637 spring 1087 5896 washer	
	1086 9014	400 LPM	Q	--- ---	refer to YOKE CLAMP MECHANISM - See Index	
I	1087 2364	gate support, use: 1087 2356 support bracket 1256 1122 screw 1256 8036 washer 1256 7459 lockwasher 1256 5263 nut 1087 2273 bracket	R	2717 8136	bracket (plastic), use: 1256 2468 screw 1256 7467 lockwasher 1256 8069 washer	
			S	2723 1026	paper motion motor, 50/60 Hz	
			T	1086 2571	bellcrank	
			U	1086 2886	shoulder screw, use: 1086 2860 spacer 1086 3215 spacer	
			V	2717 1065	hook	
			W	1256 6279	screw, use: 1256 7491 lockwasher 1256 8119 washer	

MAIN FRAME, RIGHT SIDE AND FRONT - EARLY STYLE (400/750 LPM - MOD. 1, 2)(PLATE 11)



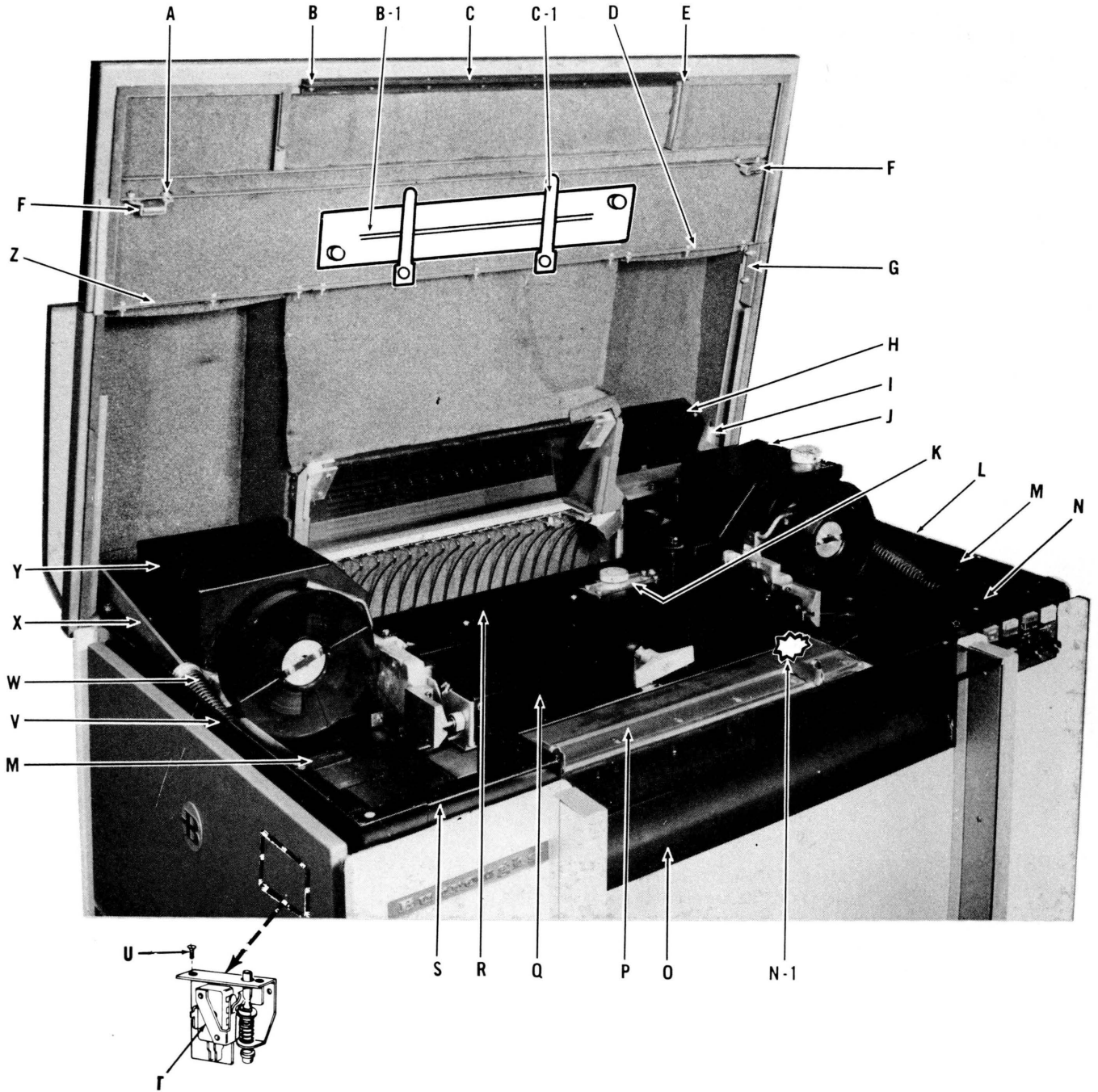
TC3345

PART NUMBERS ON NEXT PAGE

PART NUMBERS (PLATE 11)

A	1087 8551	buss bar, use: 1087 8569 insulator 1256 1338 screw 1256 8010 washer 1256 5271 nut	M	1086 3223	pin, use: 1255 3210 "E" ring
B	2104 2445	interlock switch, use: 1473 1715 button 1256 0348 screw, for plunger 1255 4903 mounting screw	N	1086 3272	link, use: 1086 3264 pin
C	1087 3776	bracket, use: 1087 3768 bracket, side 2108 0122 bracket, top 1256 1122 screw 1256 8036 washer 1256 7459 lockwasher 1307 2517 spacer 1256 5263 nut	O	1086 6416	synchronous motor (50/60 Hz), use: 2726 7913 suppressor assembly 2717 4531 motor resistor assembly 1087 0422 motor shield (metal) 2726 2443 motor shield (plastic) 1256 6477 screw 1256 7509 lockwasher 1256 8135 washer 2108 7341 RFI filter 1103 7488 clip (for filter)
D	1256 0850	screw, use: 1256 7442 lockwasher 1256 5248 nut	P	---- -- 1087 6829 2110 7347 2107 6518	power cable 105-115V, 60 Hz 200-240V, 60 Hz 100-240V, 50 Hz
E	1102 0492	filter	Q	---- -- 1087 4584 1087 4592	fuse board assembly 750 LPM Mod. 1, 2 400 LPM Mod. 1, 2
F	2105 6411	fan mounting bracket, use: 1256 1122 screw 1256 7459 lockwasher 1256 5263 nut	R	1083 9256	includes: 1087 4089 fuse clip 1087 3958 connector fuse, .6 amp
	1087 7918	fan, use: 1256 1155 screw 1256 8036 washer 1256 7459 lockwasher 1256 5263 nut 2717 7492 grill, fan	S	1088 3569	50 pin connector, use: 1522 5246 spacer 1256 2252 screw 1256 7442 lockwasher 1256 8010 washer 1256 5743 nut
G	--- --	refer to FORMAT TAPE READER-CARTRIDGE TYPE, see Index	T	1087 4220	buss bar, use: 1256 0884 screw 1086 8750 insulator 1320 9176 insulator bushing 1256 8010 washer 1256 7442 lockwasher 1256 5248 nut
H	2105 8540	knob, use: 1255 8094 setscrew 2103 7551 eccentric stud 1342 6689 washer 1521 7086 spring 1255 1909 retaining ring	U	1087 2398	bracket, use: 1256 1312 screw 1256 8093 washer 1256 8051 washer 1337 2206 lockwasher 1256 5271 nut
I	-----	format tape cartridge (FE Supply Sales item)	V	---- --	refer to POWER SUPPLIES, see Index
J	1086 2928	extension spring, use: 2717 1065 hook	W	1087 2968	latch spring
K	1086 2571	bellcrank assembly			
L	1086 3843	pin, use: 1255 3194 "E" ring			

BONNET AND INTERNAL COVERS - EARLY STYLE (400/750 LPM - MOD. 1, 2) (PLATE 12)



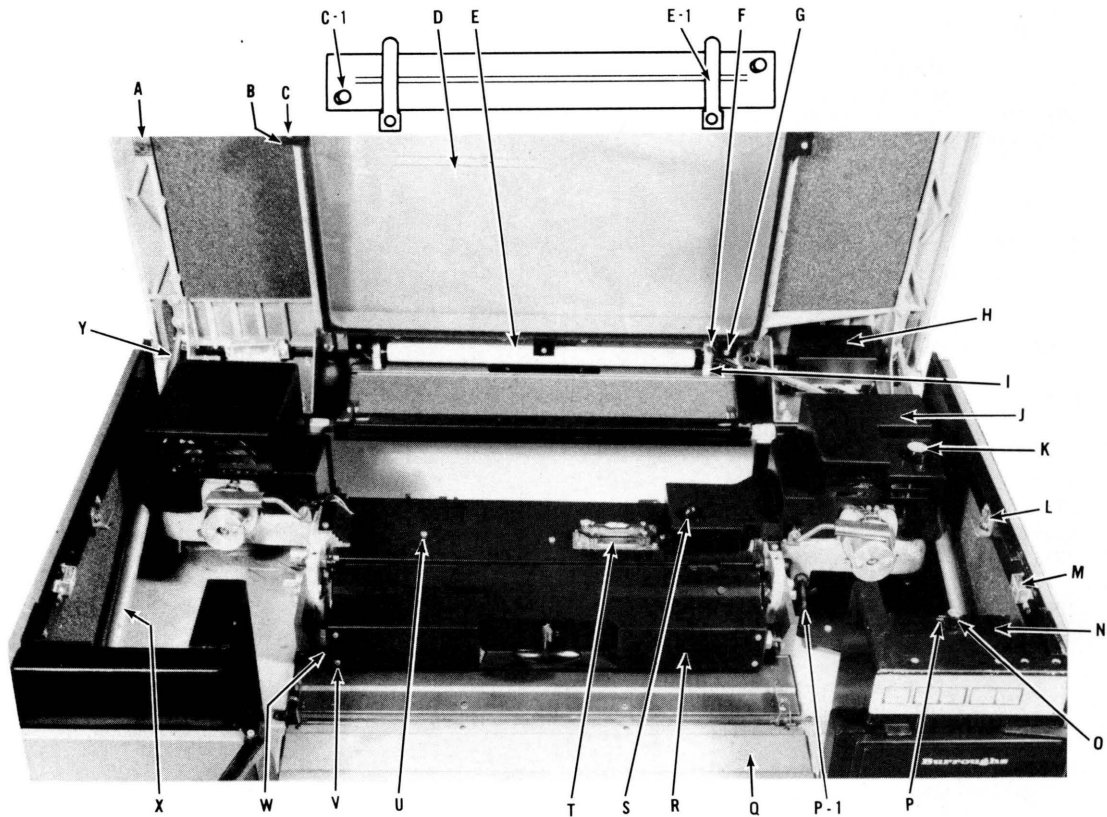
TC3346

PART NUMBERS ON NEXT PAGE

PART NUMBERS (PLATE 12)

A	1256 0868	screw, use: 1256 8010 washer 1256 7442 washer 1256 5248 nut	L	1087 2117	bonnet stand (right rear)
B	1117 5569	screw, use: 1256 5248 nut	M	2103 9920	magnetic plate, use: 1255 5264 screw 1256 8036 washer 1256 7459 lockwasher 1256 5263 nut
B-1	2117 2218	print alignment scale assembly, includes: 2116 3548 scale only 2116 2995 knob 1256 1122 screw 2116 3498 washer 2116 2987 pin	N	1087 4527	shield, use: 1255 4903 screw
C	2103 8997	extrusion, use: 1256 0884 screw 1256 7442 lockwasher 1256 8010 washer 1256 5248 nut	N-1	2729 6995	switch, Paper Clamp Disable, use: 2729 6771 switch bracket 1257 1790 screw 1256 8010 washer 1256 7442 lockwasher 1256 5248 nut
C-1	2116 3696	finger (to store print alignment scale, for 400/750 LPM-Mod. 1, 2)	O	1086 7729	guide plate, use: 1105 7296 screw
D	1256 0884	screw, use: 1256 7442 lockwasher 1256 8010 washer 1256 5248 nut	P	2729 8355	plate assembly, use: 1105 7296 mounting screw
E	2103 8963	seal retainer, use: 2103 8971 neoprene seal	Q	2103 5654	cover, use: 1256 0843 screw 1256 7723 lockwasher
F	1314 1056	magnetic catch	R	1087 4311	yoke cover, use: 1256 1106 screw 2107 9595 oil pad 2712 1243 plate
G	1087 7140	tie bar, use: 1256 8036 washer 1256 7459 lockwasher 1256 5263 nut	S	1087 1820	bonnet stand (left front)
H	1086 9030	cover, use: 1256 0868 screw 1256 7442 lockwasher	T	2104 2445	interlock switch, use: 1473 1715 button 1256 0348 screw, for plunger screw
I	2105 8888	bracket, use: 2105 8896 guide stud 1256 8093 washer 1256 7483 lockwasher 1256 5404 nut	U	1255 4903	bonnet stand (left rear)
	---	for mounting, use: 1256 6097 screw 1256 7483 lockwasher 1256 8093 washer	V	1087 2109	compression spring
J	1087 4303	cover, use: 1256 1106 screw	W	1087 4170	linkage, use: 1087 4139 swivel bracket 1087 4154 pin 1255 1909 retaining ring
K	-----	refer to OILERS, see Index	X	1087 4337	cover, use: 1256 1270 screw 1256 7467 lockwasher 1256 8051 washer 2105 6452 standoff
			Y	1086 9717	sealer strip
			Z	1087 2919	

BONNET AND INTERNAL COVERS, RESTYLED (PLATE 13)
(STARTING WITH 400/750 LPM MOD. 3 AND 1100 LPM MOD. 1)



TC3347

PART NUMBER (PLATE 13)

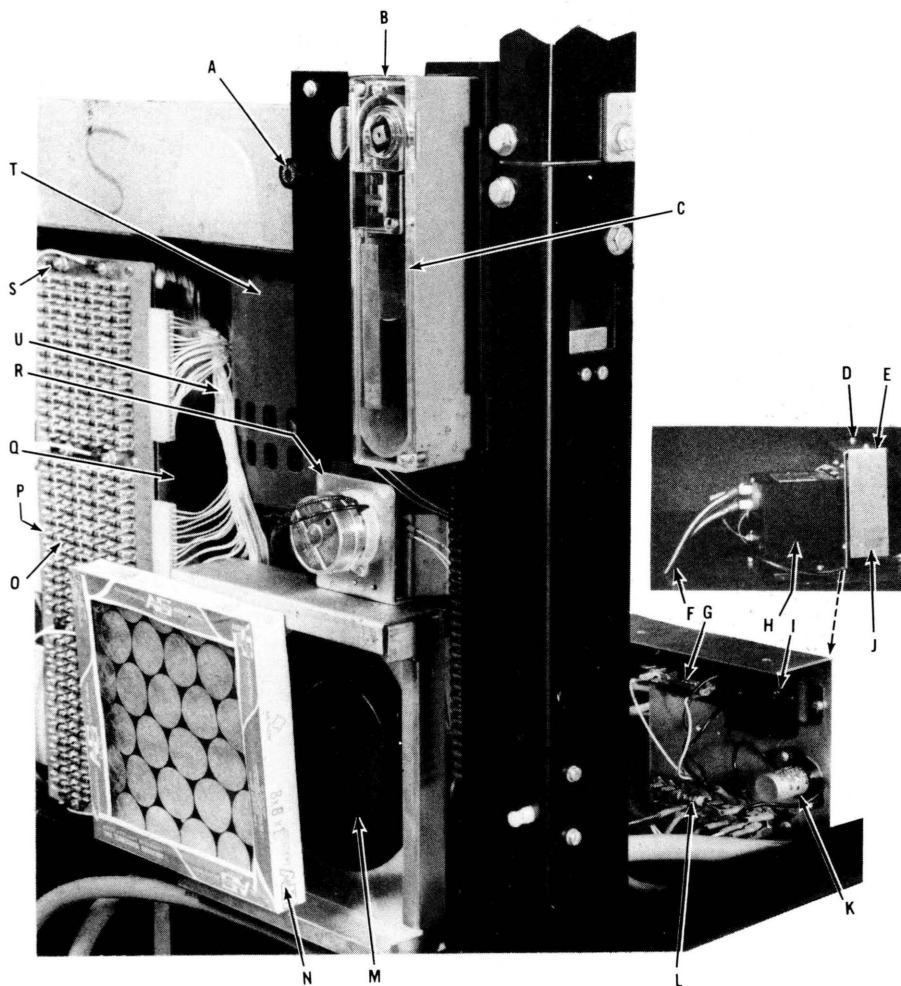
A	2717 9183	striker plate, use: 1256 1106 screw 1256 7459 lockwasher 1256 8036 flatwasher	H	2107 8217	switch guard, use: 1256 1080 screw 1256 7442 lockwasher
B	2107 3580	retainer	I	2107 3622	light bracket, use: 1256 1080 screw 1256 7459 lockwasher 1256 8036 flatwasher
C	2712 0351	screw, use: 1256 7459 lockwasher 1256 8036 flatwasher	---	---	1523 9213 cable clamp 1256 0876 screw 1256 8010 washer 1256 7442 lockwasher 1256 5248 nut
C-1	2117 2218	print alignment scale assembly, includes: 2116 3548 scale 2116 2995 knob 1256 1122 screw 2116 3498 washer 2116 2987 pin	J	2733 0265	plastic yoke cover (cover with oiler hole not available, microwell oiler must be installed. See RIN R6328-078 for 400/750 LPM or R3201-045 for 1100 LPM), after: S/N 760971 - 400 LPM S/N 77119 - 750 LPM S/N 780200 - 1100 LPM before: S/N 760972 - 400 LPM S/N 771120 - 750 LPM S/N 780201 - 1100 LPM use: 2116 3357 cover (R.H.) 1087 4311 cover (center) 2116 3340 cover (L.H.) 2116 3449 bracket (for LH cover) 1256 1122 screw 1256 8036 washer 1256 7731 lockwasher 1256 5263 nut
D	2107 7862	bonnet glass			
E	1064 1223	lamp, fluorescent			
E-1	2116 3530	finger (to store print alignment scale), 750 LPM Mod. 3 and up, and all 1100 LPM's			
F	2108 6798	lamp holder, use: 1256 0900 screw 1256 8010 flatwasher 1256 7442 lockwasher 1256 5248 nut			
G	2108 5659	lamp harness, use: 2116 0072 cable clamp 1256 8036 flatwasher 1256 7459 lockwasher 1256 5263 nut			

PART NUMBERS CONTINUED ON NEXT PAGE

PART NUMBERS (PLATE 13) (CONTINUED)

K	-- --	refer to FORM THICKNESS	T	-- --	oil reservoir assembly, refer to OILERS
L	-- --	CONTROL, see Index	U	-- --	screw
	2733 2766	panel fastener		2726 4365	shoulder screw for plastic cover
	2107 7938	shoulder screw (to hold Mod. 5 panel)	V	1256 0843	screw, use:
		panel latch (prior to Mod. 5 units), use:			1256 7723 lockwasher
		1256 1122 screw	W	2108 2300	housing assembly, use:
		1344 5622 lockwasher			1256 2427 screw
		2107 7565 nut			2107 7326 eccentric spacer
M	2712 9188	magnetic catch, use:			1320 8269 washer
		2717 8821 bracket			1256 7467 lockwasher
		1256 1114 screw			2107 7318 screw
		1257 4133 nut	X	2101 6662	counter balance assembly,
N	2107 7839	shield, use:			includes:
		1255 4887 screw			1255 0471 spring pin
O	1087 7090	indicator knob, use:			2107 3838 arm, sleeve
		1087 5011 rotary switch (train set)			2107 3846 spring sleeve
		2108 1732 potentiometer (phasing)			2107 3861 screw
P	-- --	decals			2107 7276 compression
	2729 3596	phasing control			spring, before:
	2108 8505	character sets			S/N 761002 - 400 LPM
	2733 0794	character sets/phasing			S/N 771457 - 750 LPM
P-1	-- --	post:			S/N 780784 - 1100 LPM
	1086 7190	prior to Mod. 5			2726 6741 counterbalance assembly,
	2726 8028	Mod. 5			after:
		use:			S/N 761001 - 400 LPM
		1320 8285 spacer (Mod. 5 only)			S/N 771456 - 750 LPM
		1087 9955 roller			S/N 780783 - 1100 LPM
		1255 1909 retaining clip	Y	1255 3178	retaining clip, use:
Q	1086 7729	guide plate, before:			1320 8301 washer, before:
		S/N 761002 - 400 LPM			S/N 761002 - 400 LPM
		S/N 771457 - 750 LPM			S/N 771457 - 750 LPM
		S/N 780784 - 1100 LPM			S/N 780784 - 1100 LPM
	2712 5889	guide plate, after:			1256 1312 screw, use:
		S/N 761001 - 400 LPM			1256 8051 washer
		S/N 771456 - 750 LPM			1256 7467 lockwasher
		S/N 780783 - 1100 LPM			1256 5271 nut, after:
		use: 1105 7296 screw			S/N 761001 - 400 LPM
R	2733 7708	cover/handle assembly, one piece			S/N 771456 - 750 LPM
		plastic also replaces "U" shaped			S/N 780783 - 1100 LPM
		handle, use:			
		2726 4837 screw/washer assembly			
		1255 5256 screw			
S	2729 5377	knob (replaces round-head knob illustrated), use:			
		1255 8128 setscrew			
		1256 5248 nut			
		2712 4171 shaft			
		1320 9788 bearings			

FUSE BOARD, BALLAST AND STATIC TRANSFORMER - RESTYLED (PLATE 14)
(STARTING WITH 400/750 LPM MOD. 3 AND 1100 LPM MOD. 1)



	2717 8698	plate, mount	
	1256 0900	screw (2)	
	1256 8010	washer (2)	
	1256 7442	lockwasher (2)	
	1256 5248	nut (2)	
	2105 6411	mount, fan	
	1256 1106	screw (4)	
	2107 7565	tinnerman nut	
N	1102 0492	filter	
O	1083 9256	fuse, .6 amp	
P	----	fuse board assembly	
	2723 2644	750 LPM Mod. 3, 4	
	2723 2651	1100 LPM Mod. 1, 2, 3	
		includes:	
		1083 9256 fuse, .6A	
		2726 4498 fuse clips	
	2116 1047	400 LPM Mod. 3, includes:	
		1087 4089 fuse clips	
Q	----	bracket	
	2108 7630	before S/N	
		761175 - 400 LPM	
		771598 - 750 LPM	
		781092 - 1100 LPM	
		after S/N	
		761174 - 400 LPM	
		771597 - 750 LPM	
		781091 - 1100 LPM	
	2717 1693	cycle timer assembly	
		(50/60 Hz) includes	
		switch/motor, use:	
		1256 1106 screw	
		1256 7459 lockwasher	
		1256 5263 nut	
		2729 5310 cam	
S	1256 0926	screw, use:	
		2108 8067 standoff	
		1256 8010 washer	
		1256 7442 lockwasher	
		1256 5248 nut	
T	1086 6416	synchronous motor	
		(50/60 Hz) use:	
		2717 4531 motor resistor	
		assembly	
		1087 0442 motor shield (metal)	
		2726 2443 motor shield (plastic)	
		1256 6477 screw	
		1256 7509 lockwasher	
		1256 8135 washer	
		2108 7341 RFI filter	
		1103 7488 clip (for filter)	
U	----	harness assembly, fuse board	
	2116 0809	400 LPM	
	2116 0783	750/1100 LPM	

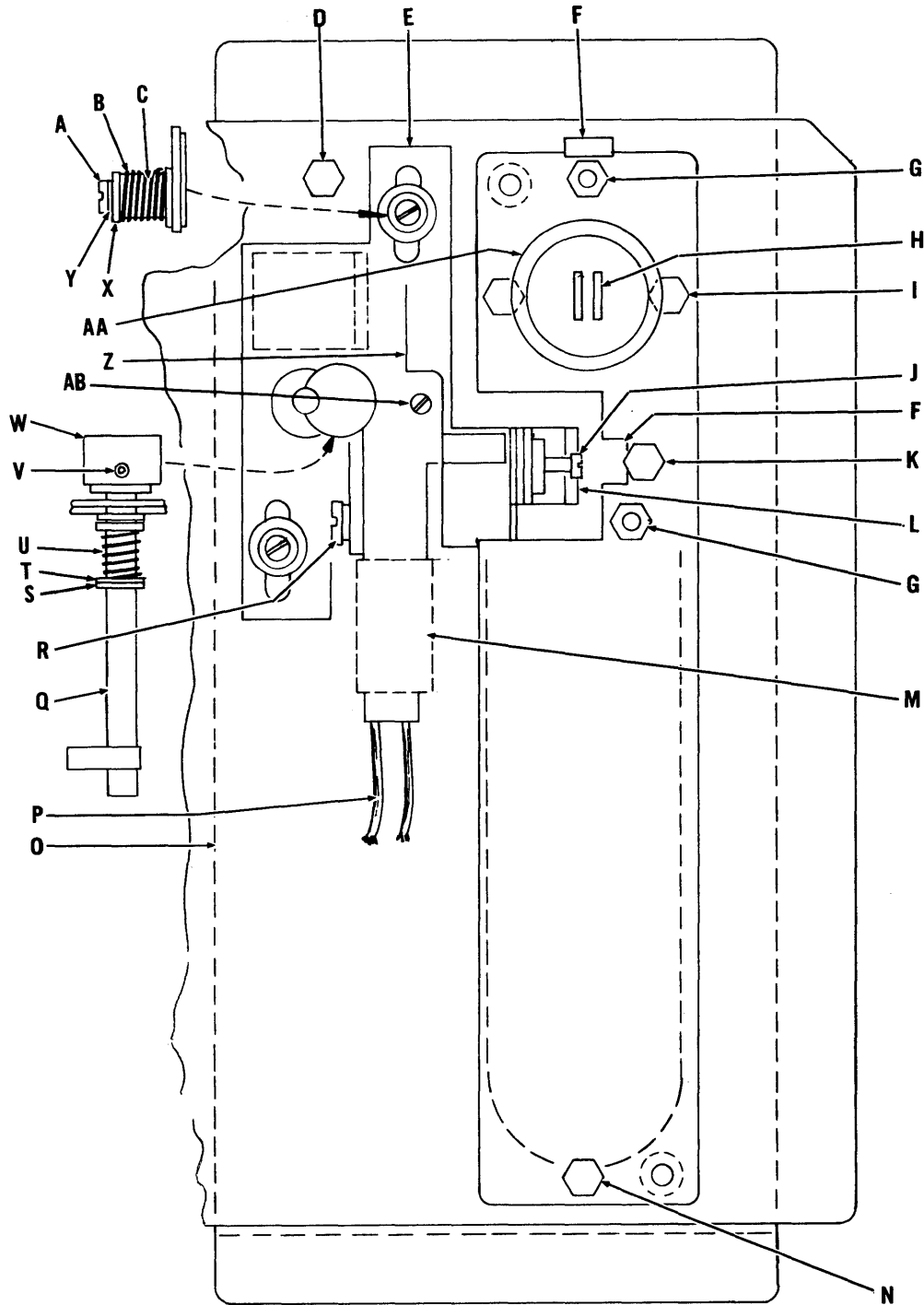
TC3348

PART NUMBERS (PLATE 14)

A,B,C, ----	refer to FORMAT TAPE READER, CARTRIDGE TYPE, see Index	2108 6855	60 Hz	} use:
		2108 6863	50 Hz	
D 1256 1106	screw, use:		1256 0884 screw	
	1256 7442 lockwasher		1256 7442 lockwasher	
E ----	bracket	J 2108 5683	1256 8010 washer	
2108 5675	use 2108 3209 A.C. relay, 280V, 10A	K 1064 1215	cover	
2756 4756	use 2114 5461 A.C. relay, 250V, 55A		starter, use:	
	use mounting hardware:		2108 6871 socket	
	1256 0942 screw	L 2108 6889	1256 0918 screw	
	1256 7442 lockwasher		1256 7442 lockwasher	
F 2108 5667	A.C. cable		1256 8010 washer	
G 1323 8126	fuse (1 amp.), use:	M 1087 7918	R.F. choke assembly, use:	
	1477 3840 fuse block		2010 5268 terminal block	
	1256 0884 screw		1256 0918 screw	
	1256 7442 lockwasher		1256 7442 lockwasher	
H 2108 9164	static transformer (50/60 Hz) use:		1256 8010 washer	
	1256 1320 screw		fan (shown), 50/60 Hz, use:	
	1256 8051 washer		2717 7492 guard, fan	
	1256 5271 nut		1256 1155 screw	
I ----	ballast assembly	1310 2645	1256 8036 washer	
			1256 7459 lockwasher,	
			1256 5263 nut	
			fan (400 LPM after S/N	
			761108), 50/60 Hz, use:	

FORMAT TAPE READER, CARTRIDGE TYPE (PLATE 15)

(see also FORMAT TAPE READER, FIXED TYPE)



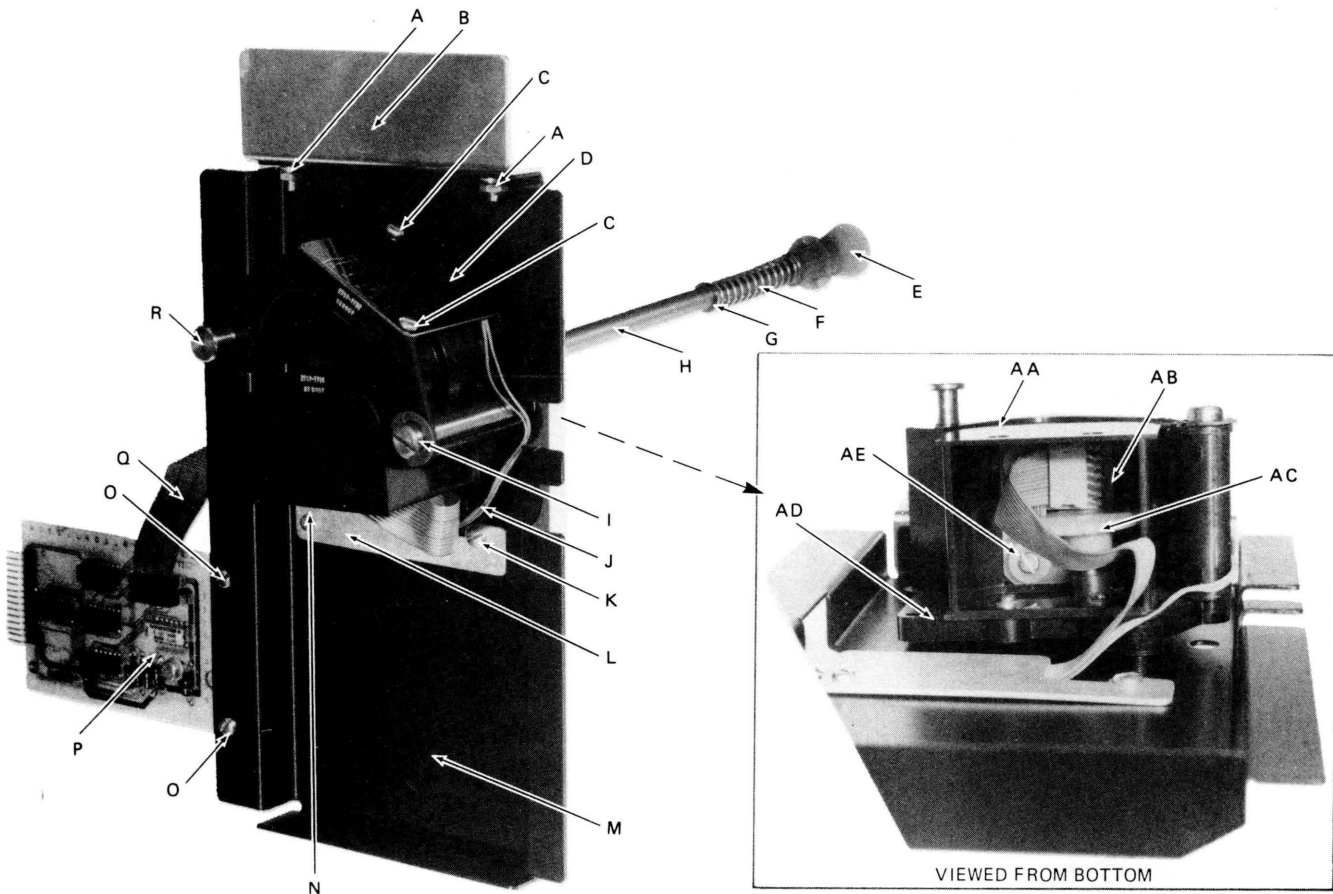
TC3349

PART NUMBERS (PLATE 15)

A	1256 0926	screw	-----	bearing
B	2103 8294	compression spring, use: 2103 8310 spacer	-----	retaining ring
C	2107 7433	sleeve		use:
D	2103 7569	stand-off, use: 1256 1080 screw 1256 7459 lockwasher		2726 7558 coupler, plastic 2116 3720 compression spring 2726 7566 spring retainer 2726 4340 driven cone, plastic
E	-----	bracket assembly	I	1476 2595
	2103 7429	400/750 LPM mod. 1, 2, 3, 1100 LPM Mod. 1	J	1256 0322
	2729 4321	750 LPM Mod. 4, 1100 LPM Mod. 2, 3	K	2103 7387
F	1084 0841	spring	L	2103 7536
G	2756 8781	screw guide post	M	2103 7411
H	-----	format drive shaft	---	---
	2103 7601	9.1 inch/231 mm shaft only (units without format decouple), for: 400/750 LPM Mod. 1, 2, 3, and 1100 LPM Mod. 1, use: 1084 1724 coupler 1256 2104 screw, socket head 1313 9274 key 1320 9978 bearing		2101 5029
	2116 3373	10.4 inch/264 mm with keyslot (units with format decouple and metal coupler), for: 750 LPM Mod. 4 and 1100 LPM Mod. 2, 3, use: 2116 3373 shaft 1320 9978 bearing 2116 3407 spacer 1255 3194 retaining ring use: 2116 3720 compression spring 2726 2732 tubing		2117 4362
		*----- coupler, metal 2116 3852 key, woodruff *----- driven cone, metal	N	2103 7387
	2117 4842	10.4 inch/264 mm without keyslot (units with format decouple and plastic coupler), for: 750 LPM Mod. 4 and 1100 LPM Mod. 2, 3, includes: ----- shaft	O	2103 7403
			P	2104 2544
			Q	2103 7551
			R	1256 1478
			S	1255 1909
			T	1342 6689
			U	1521 7086
			V	1255 8094
			W	2105 8540
			X	1501 3014
			Y	1256 7442
			Z	2717 7344
			AA	2717 7351
			AB	1086 5715
				<u>NOT ILLUSTRATED</u>
				2729 1780 format tape splicer assembly

* Part is no longer available. If replacement is necessary, use the 2117 4842 format drive shaft/bearing assembly and associated parts (listed)

FORMAT TAPE READER - FIXED TYPE (PLATE 16)

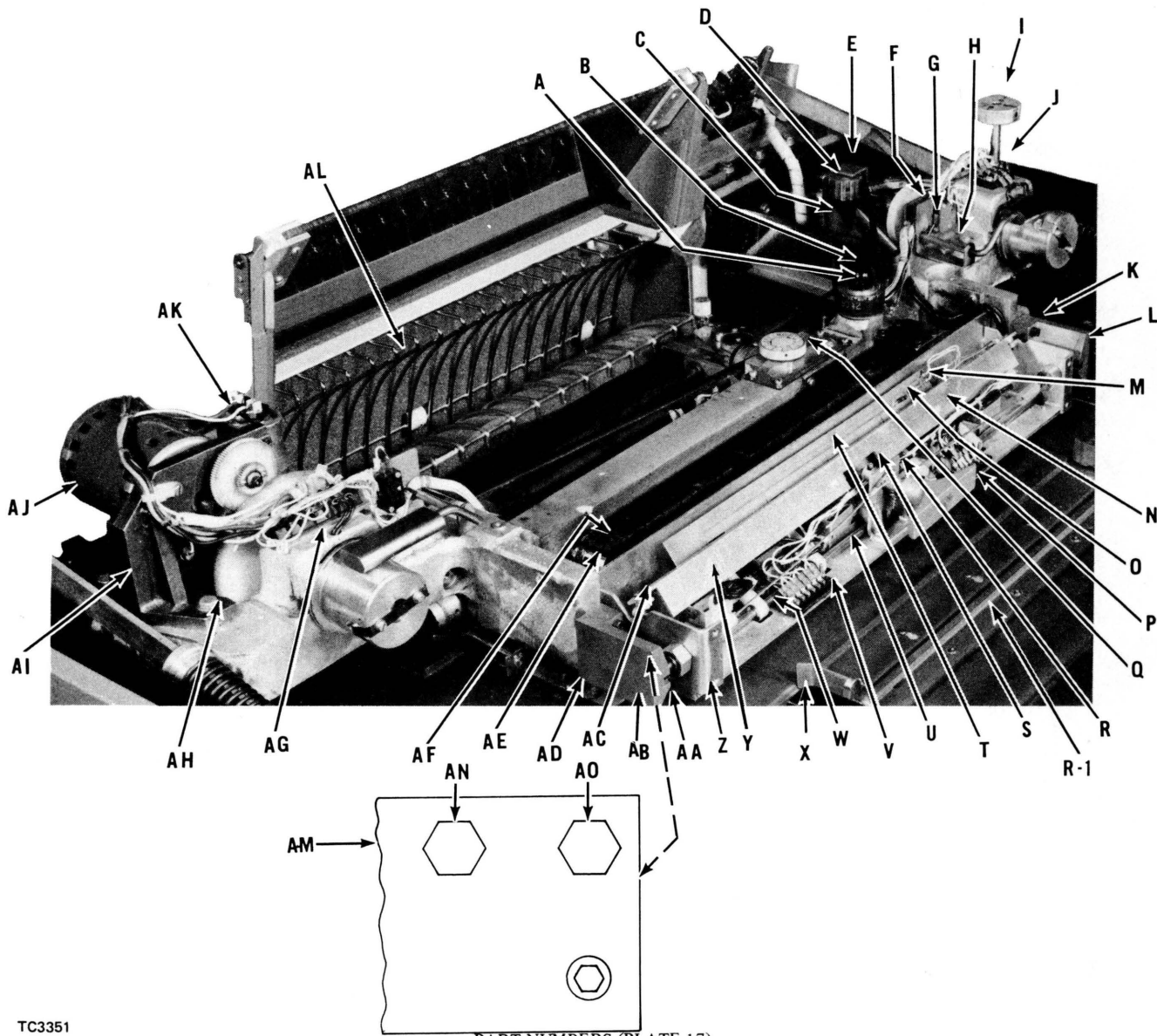


TC3350

PART NUMBERS (PLATE 16)

	2732 0308	complete tape reader assembly, includes D, I, Q, R, AA, AB and AD. Note: for tape reader hinged door and enclosure parts, refer to CASE PANELS, RESTYLED - FRONT VIEW (parts are listed with right panel assembly)	M	2733 5660	mounting bracket
			N	1256 0884	screw
			O	1256 1155	screw, use: 1256 8036 washer 1256 7459 lockwasher 1256 5263 nut 1447 9604 spacer
A	1256 1122	screw, use: 1256 8036 washer 1256 7459 lockwasher 1256 5263 nut	P	2729 3661	PCB, "Format Tape Reader"
B	2733 5769	striker plate	Q	2726 5925	ribbon cable
C	1256 0868	screw	R	2717 7203	latch pin, use: 1063 8443 compression spring 1255 3152 retaining ring
D	2729 8959	decals plate	AA	2733 4184	top and bottom lens assembly (matched pair)
E	2726 7558	driven cone, use: 2726 4340 driver cone 1256 2203 setscrew	AB	2717 6916	LED PCB and photo transistor PCB (matched pair)
F	2116 3720	spring	AC	2729 1012	sprocket, use: 1255 7716 setscrew
G	2726 7566	hex spring retainer	AD	2729 6896	tape reader plate, use: 1256 0355 screw 1256 7426 lockwasher 1256 7996 washer
H	2117 4842	shaft and bearing assembly	AE	2717 7757	spacer, use: 1256 0868 screw
I	2729 6904	pivot pin, use: 1255 3202 retaining ring 1080 1520 wavy washer			
J	1256 2344	socket head screw			
K	1256 1122	screw			
L	2733 6312	clamp plate			

YOKE ASSEMBLY, CLOSED - EARLY STYLE (SINGLE RIBBON DRIVE MOTOR UNITS) (PLATE 17)



TC3351

PART NUMBERS (PLATE 17)

A	--- ---	pulley	D	2726 1288	timing pulley (50/60 Hz), use:
	2726 1239	12 teeth (60 Hz), for 400/750/1100 LPM			1255 8573 setscrew
	1086 9626	10 teeth (50 Hz), for 400/750/1100 LPM			1313 5983 key
		and superior print machines			*2726 1387 pulley/shaft assembly (1100 LPM)
		1340 6392 setscrew			*2726 1395 pulley/shaft assembly (400/750 LPM)
B	2729 5377	knob, use:			1320 9788 bearing (upper and lower)
		1255 8128 setscrew			1086 1144 housing
		1256 5248 nut			2726 2666 plate
		2712 4171 shaft			1256 2674 screw
		1320 9788 bearings			1256 7483 lockwasher
C	--- ---	timing belt	E	2105 3301	1256 8093 washer
	1338 5042	60 Hz, for 400/750/1100 LPM			belt guide, use:
		and superior print machines			1256 0850 screw
	1086 1292	50 Hz, for 400/750 LPM/1100 LPM	F	1087 3727	1256 7442 lockwasher
		and superior print machines			bracket (right), use:
					1256 1312 screw
					1256 8051 washer
					1256 7467 lockwasher

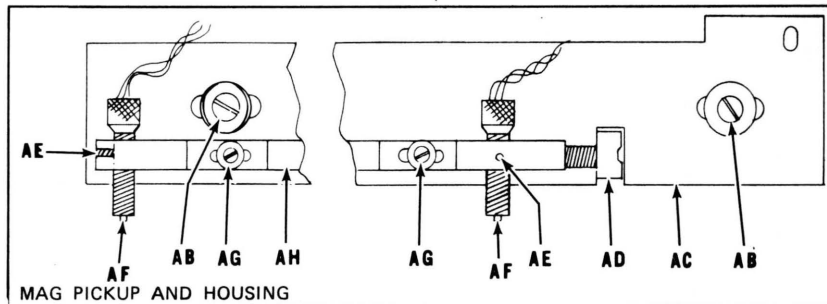
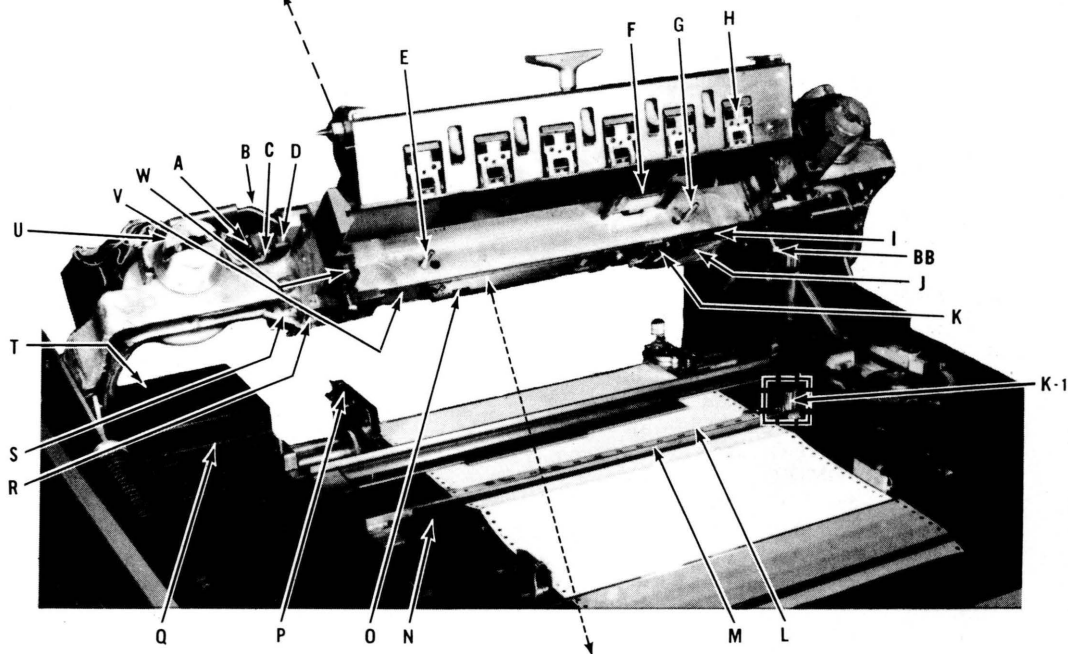
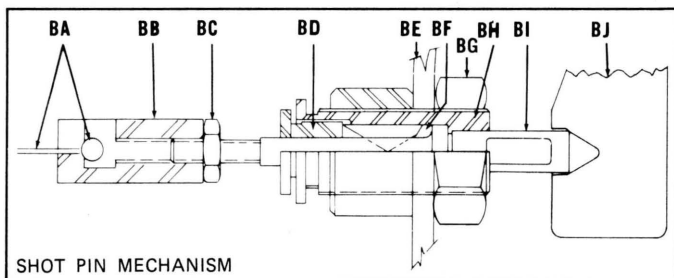
* There are two 1320 9788 bearings used in the jackshaft: the lower one is furnished with this assembly, the upper one must be ordered separately.

PART NUMBERS CONTINUED ON NEXT PAGE

PART NUMBERS (PLATE 17) CONTINUED

G	1255 0539	pin	AA	2103 5480	cam block (left), before S/N B760010 & B770081 use:
H	1087 4550	sensing arm (right), use: 1256 9224 retaining ring			1256 2443 screw
I	----	see FORM THICKNESS CONTROL, for details			1256 7467 lockwasher
J	1321 3731	terminal block, use: 1256 0884 screw 1256 8010 washer 1256 7442 lockwasher	AB	1086 3926	dust cover plate, use: 1063 4806 screw 1087 7306 cover plate 2105 0018 beam
K	1256 2443	screw, use: 1256 7467 lockwasher	AC	1256 0868	screw, use: 1256 7442 lockwasher
L	2103 5548	cam block (right), before S/N B760010 & B770081	AD	2732 0506	ribbon shield/guide assembly, includes: 2729 9668 stainless steel shield 2729 9460 rear plate 1256 7442 lockwasher 1256 5248 nut 1256 8036 washer
M	1101 5211	capacitor, 1uf, 35V, ±5%			for mounting, use: 2733 7609 bracket, left 2733 7591 bracket, right 1256 2682 screw 1256 7483 lockwasher 2729 9650 pivot shaft 1255 3186 retaining ring 2733 1958 ground wire assembly
N	1256 1346	screw, use: 2103 5613 spacer 1256 8051 washer 1256 7467 lockwasher 1256 5271 nut			
O	1265 4059	resistor, 120 ohm, .50W, ±5%	AE	2717 2451	belt, type block
P	2105 6197	yoke handle, use: 2105 6205 handle shaft 2105 6189 spacer	AF	----	see 4 CHARACTER-TYPE BLOCK AND TRAIN CONFIGURATION CHART, for details
Q	1086 5822	adjustment shaft assembly, includes: 1087 5953 decal 1255 3194 "E" ring	AG	2105 8862	plate, use: 1255 4903 screw 1103 4493 terminal block 1256 0900 screw 2116 8554 tinnerman nut
R	1256 0405	screw, use: 1256 7996 washer 1256 7426 lockwasher 1256 5206 nut	AH	1320 6313	screw, use: 1256 7483 lockwasher 1256 8093 washer
R-1	1086 9410	guide shaft, use: 1105 7288 screw	AI	2105 6148	motor bracket
S	1255 0455	spring pin	AJ	----	refer to RIBBON DRIVE-SINGLE MOTOR SYSTEM, see Index
T	1087 6027	printed circuit card, includes M, O and 1087 5946 reed switch	AK	1477 4731	capacitor, use: 1087 9781 bracket 1107 4440 cover 1256 7723 lockwasher 1256 8010 washer
U	2103 5639	shaft	AL	2104 8442	paper guide, use: 2104 8772 angle 2104 8780 angle
V	1520 3060	terminal block, use: 2103 8849 cover 1255 4069 screw 1091 8837 locknut 1256 5180 nut	AM	---	cam block, after S/N B760009 and B770081
W	1087 5912	switch arm assembly, use: 1255 3178 retaining ring			left hand right hand
X	2116 9404	paper guide (left or right), use: 2717 9837 locking spring	AN	2107 7342	eccentric screw, use: 1256 8051 washer 1256 7467 lockwasher
Y	2103 5621	bracket	AO	2107 7359	shoulder screw, use: 1256 8101 washer 1256 7491 lockwasher
Z	2108 2300	housing assembly (after S/N B760009 and B 770080) use: 1256 2427 screw 2107 7326 eccentric spacer 1320 8269 washer 1256 7467 lockwasher 2107 7318 screw			
	----	before S/N B760010 and B770081, use: 2103 5522 housing assembly 1256 2450 screw 2103 8526 spacer 1256 7467 lockwasher			

YOKE OPEN - EARLY STYLE (PLATE 18)
(SINGLE RIBBON DRIVE MOTOR UNITS)



TC3352

PART NUMBERS (PLATE 18)

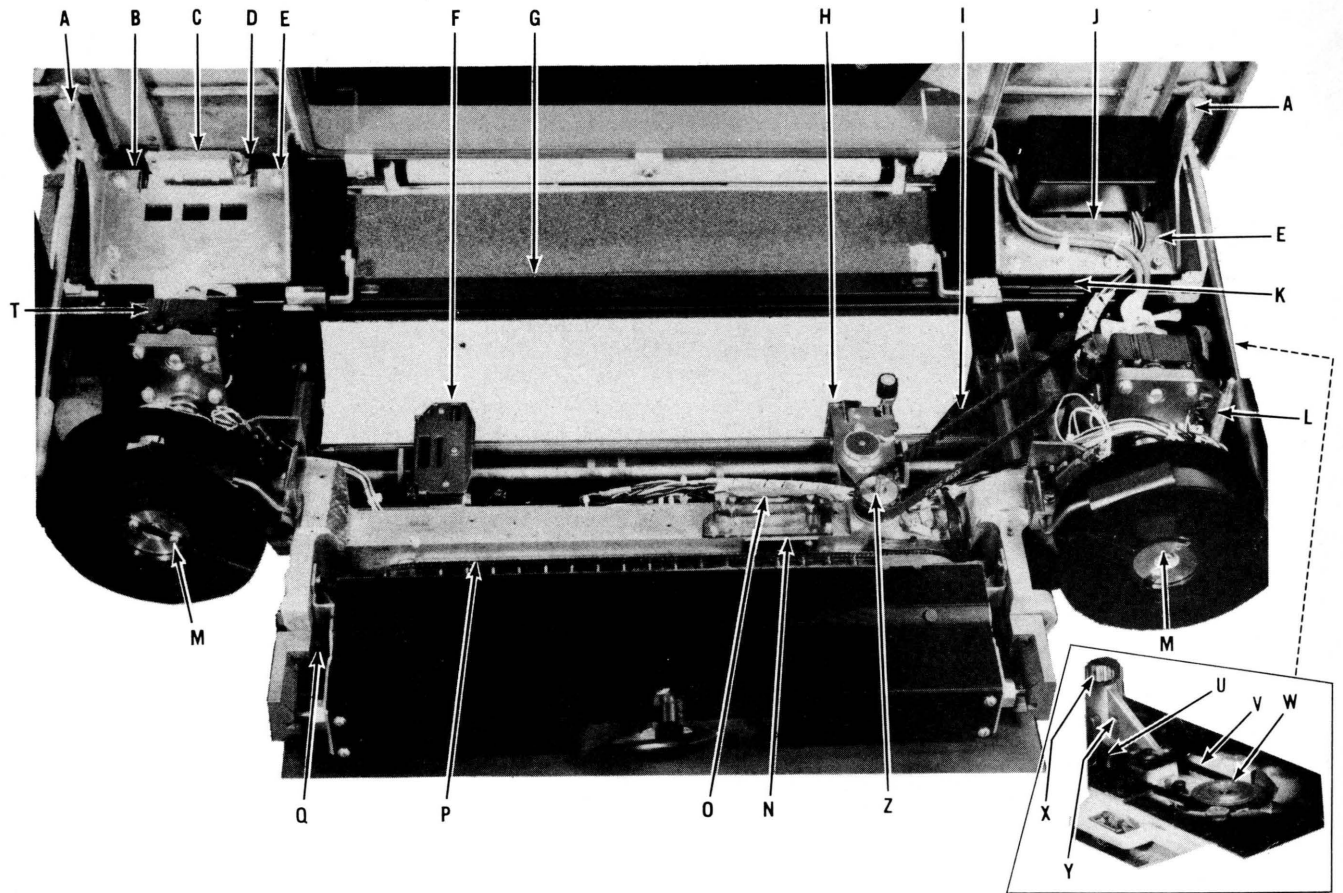
A	2116 4595	microswitch, use: 1256 0181 screw 1256 7400 lockwasher 1256 7970 washer 1256 5180 nut	G	— —	locating pin (round): for steel yoke 1086 1490 for aluminum yoke 2712 1268
B	1087 4568	sensing arm (left), use: 1256 9224 retaining ring	H	— —	refer to END OF PAPER SWITCH AND PAPER CLAMP ASSEMBLY, see Index
C	1255 0539	pin	I	1086 1078	spur gear, use: 1255 8540 setscrew 1313 8359 key
D	1087 3735	bracket (left), use: 1256 1312 screw 1256 8051 washer 1256 7467 lockwasher	J	1087 6290	gear guard, use: 1087 6308 felt strip 1256 1106 screw 1256 7459 lockwasher 1256 8036 washer
E	— —	locating pin (diamond shaped): 1086 1482 for steel yoke 2760 2069 for aluminum yoke			
F	— —	refer to OILERS, see Index			

PART NUMBERS CONTINUED ON NEXT PAGE

PART NUMBERS (PLATE 18) CONTINUED

K	1063 6827	switch, use: 1256 0157 screw 1256 7400 lockwasher 1256 5180 nut 2105 4572 mounting plate 1256 1098 screw 1256 7459 lockwasher	T	1086 3728	cover, use: 1256 2435 screw 1256 7467 lockwasher 1087 3396 plate
K-1	- -	refer to YOKE CLAMP MECHANISM - see Index	U	— —	refer to RIBBON CLUTCH ASSEMBLY - RIGHT/LEFT, see Index
L	2108 6764	scale (mylar), use: 2116 6343 filler strip	V	2107 9546	oil pad retainer, use: 2107 9587 oil pad 1256 0850 screw 1256 7442 lockwasher 1256 8010 washer
M	— —	ribbon shield - the style of ribbon shield illustrated is no longer available. For first time replacement, refer to RIN 6328-038 (400/750 LPM) or RIN 3201-007 (1100 LPM) and use:	W	1087 2836	magnet, use: 2729 0048 shoulder screw
	2117 5005	ribbon shield and scale kit - for 400/750 Mod. 1 and Mod. 2	AB	1086 5541	shoulder screw, use: 1086 6515 washer 1337 2313 wavy washer
	2723 1547	ribbon shield and scale kit - for 400/750 Mod. 3 For individual replacement parts after kit installation, refer to PAPER ADVANCE ASSEMBLY, WITH OPERATOR CONTROLS, see Index	AC	1087 9609	slide
N	1086 3926	dust cover, use: 2105 0018 dust cover beam	AD	1087 9591	adjusting screw setscrew
O	1086 5491	leaf spring, use: 1256 0157 screw 1256 7459 lockwasher	AE	— —	for amplified pickup for non-amplified pickup magnetic pickup assembly
P	1087 4394	tractor assembly	AF	— —	non-amplified amplified
Q	1256 2492	screw, use: 1256 7467 lockwasher	AG	1256 2120	screw, use: 1256 7996 washer
R	2726 2575	shaft, use: 1256 4365 screw 1256 7442 lockwasher 1256 8010 washer	AH	— —	housing assembly illustrated
S	— —	guide plates		1087 9617	for amplified pickup, use: 2726 2492 guide plate
	2116 1633	left (shown), use: 2116 1641 shaft 2116 1658 roller 1256 9216 ring, grip	BA	2733 7963	for non-amplified pickup cable assembly
	2712 4254	right side, plate for mounting, use: 1256 2625 screw 1256 7483 lockwasher 1256 8093 washer	BB	2103 5555	adjustment block
	— —		BC	1256 5248	nut
			BD	2103 5530	adjusting screw
			BE	— —	housing assembly
				2103 5522	before S/N B760010 and B770081
				2108 2300	after S/N B760009 and B770080
			BF	2103 5514	compression spring
			BG	2103 5795	hex nut
			BH	2103 5506	spring cartridge
			BI	2103 5498	plunger shaft
			BJ	2103 5548	right cam block
				2103 5480	left cam block

YOKE ASSEMBLY - CLOSED, RESTYLED (TWO RIBBON DRIVE MOTOR UNITS) (PLATE 19)



TC3353

PART NUMBERS (PLATE 19)

A	1256 1486	screw, use: 1256 7467 lockwasher 1256 8051 flatwasher	I	---- ----	timing belt	O	2105 8573	adjustment shaft assy., includes: 2105 8581 knob 1257 2202 setscrew 2105 8565 decal
B	2107 3804	left hinge bracket, use: 2733 7740 decal		1338 5042	68 teeth, for 60 Hz, 400/750/1100 LPM and superior print machines	P	---- ----	see TYPE BLOCK CHAIN/MODULE ASSEMBLY for different combinations
C	2103 7700	magnetic catch, use: 1256 0868 screw 1256 7442 lockwasher 1256 8010 flatwasher		1086 1292	67 teeth, for 50 Hz, 400/750/1100 LPM and superior print machines	Q	2107 9546	oil pad retainer, use: 2107 9587 oil pad 1256 0850 screw 1256 7442 lockwasher 1256 8010 flatwasher
D	2107 7631	bracket assembly, use: 1256 0868 screw 1256 7442 lockwasher 1256 5248 nut	J	2107 3796	hinge bracket, right	T	-----	refer to RIBBON DRIVE (LEFT/RIGHT) - TWO MOTOR SYSTEM, see Index
E	1256 1122	screw, use: 1256 7459 lockwasher 1256 5263 nut	K	2116 8729	non-adjustable bonnet hinge, use: 1255 5470 screw 1256 8051 washer 1256 7467 lockwasher 1256 5271 nut 1103 7462 cable clamp 1255 5488 screw	*U	-----	shaft/pulley assembly (50/60 Hz)
F	1087 4394	tractor assembly (left) see PAPER TRACTORS, FORM SELF ALIGN for details	L	-----	refer to FORMS THICKNESS CONTROL, see Index		2726 1395	27 teeth for 400/750 LPM
G	2107 7672	rear inner panel assembly, 39" long	M	---- ----	see RIBBON CLUTCH ASSEMBLY (LEFT/RIGHT) RESTYLED for details		2726 1387	31 teeth for 1100 LPM and all units with Superior Print feature, includes: 1320 9788 bearing 1313 8359 key 1501 1992 bearing spacer
H	---- ----	tractor assembly (right) see PAPER TRACTORS, FORM SELF ALIGN for details	N	-----	refer to OILERS, see Index			

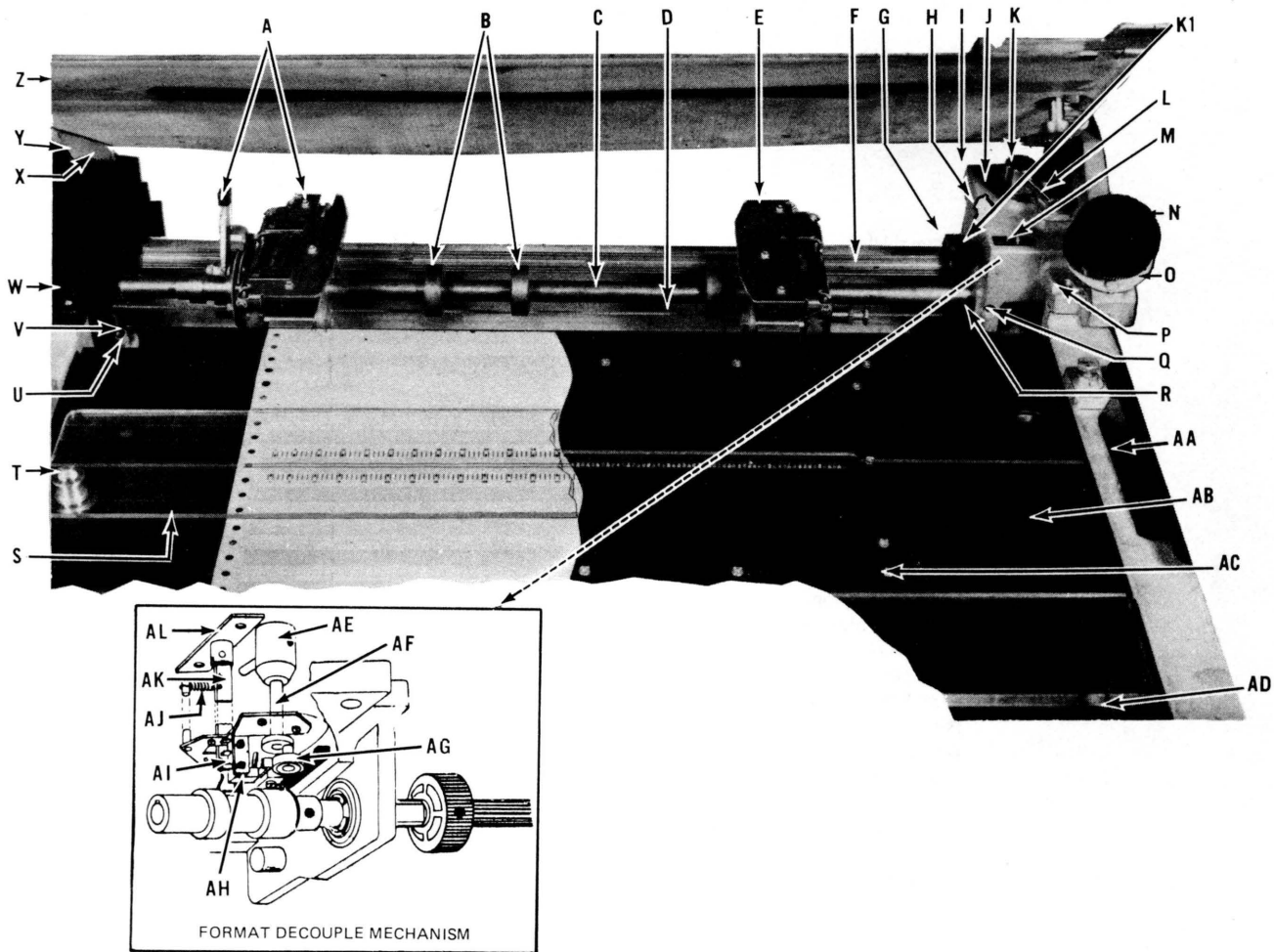
* There are two 1320 9788 bearings used in the jackshaft: the lower one is furnished with this assembly, the upper one must be ordered separately.

PART NUMBERS CONTINUED ON NEXT PAGE

PART NUMBERS (PLATE 19) CONTINUED

V	----	----	timing belt
	1086	3124	68 teeth (60/50 Hz), for 400/750 LPM machines
	1338	5422	72 teeth (60/50 Hz), for 1100 LPM machines
	1087	5268	64 teeth (60/50 Hz), for 400/750/1100 LPM superior print machines
W	----	----	pulley
	2726	1379	24 teeth (60/50 Hz), for 400/750 LPM machines
	2726	0736	30 teeth (60/50 Hz), for 1100 LPM machines
	1086	2290	12 teeth (60/50 Hz), for 400/750/1100 LPM superior print machines
X	2726	1288	pulley -- 12 teeth (60/ 50 Hz), for 400/750/ 1100 LPM and superior print machines, use: 1255 8557 setscrew 1313 5983 key
Y	--	--	jackshaft housing, shaft and pulley assembly, includes X, U and :
	1090	6949	1086 1144 housing 400/750 LPM
	1090	8085	1100 LPM Use: 2726 2666 plate 2712 4171 screw 1320 9788 lockwasher 1086 1078 washer
Z	----	----	pulley
	2726	1239	12 teeth (60 Hz), for 400/750/1100 LPM and superior print machines
	1086	9626	10 teeth (50 Hz), for 400/750/1100 LPM and superior print machines Use: 1340 6392 setscrew 2712 4171 shaft 1320 9788 bearing 1086 1078 spur gear

PAPER ADVANCE ASSEMBLY, WITH OPERATOR CONTROLS (PLATE 20)



PART NUMBERS (PLATE 20)

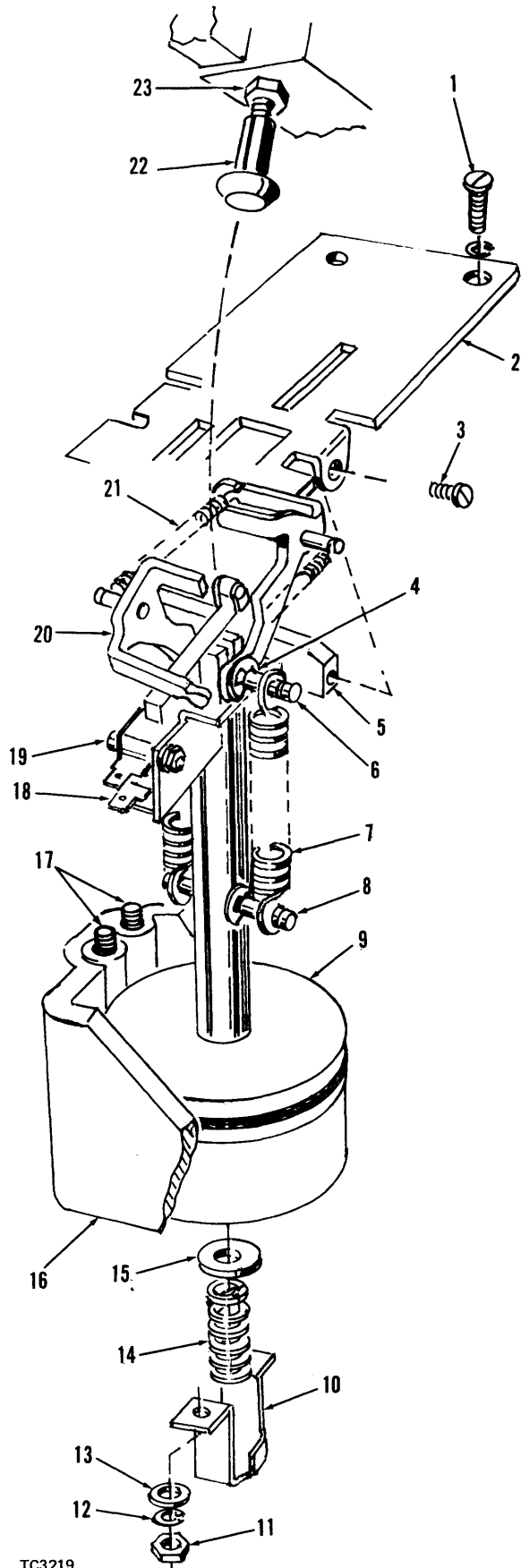
A	2116 3332	tractor/lock assembly (left), for 750/1100 LPM	I	2116 3886 2726 0660	metal } cover Assy., use: plastic }	P	1256 2435	screw, use: 1256 7467 lockwasher		
B	1086 9337	guide, paper			2116 4181	switch bracket	Q	1255 8714	retaining clip	
C	2116 4066	support shaft, paper motion			1256 7442	lockwasher	R	1255 3210	retaining clip	
D	2116 1849	cable assembly, use: 2116 2078 slotted screw 2116 2102 setscrew			1256 8010	washer	S	2117 2218	print alignment scale assembly, includes T and: 2116 3548 scale	
E	2116 3134	tractor assembly (right) for 750/1100 LPM			1256 0165	screw				
F	2116 3365	spline drive shaft	J	2110 7123	decals (unlock)	1256 7400	lockwasher	Γ	2116 2995	knob, use: 1256 1122 screw 2116 3498 washer 2116 2987 pin
G	2116 5311	hand knob, use: 1255 8433 setscrew	K	2116 3845	handle assembly, use: 1255 8391 setscrew 2729 4354 eccentric shaft 2729 4362 roller 1255 3152 E-ring	1256 5180	nut	U	1256 1312	screw, use: 1320 9838 pulley 1001 9941 nut
H	2116 3795	guide hub assembly, use: 1256 0868 screw (4 used) 1256 7442 lockwasher (4 used) 1519 3873 dowel pin 2726 2435 arm 2116 3753 compression spring 2116 3597 guide plate	K-1	1087 4469	bearing, use: 1255 3442 retaining ring	1256 4365	screw	V	2116 1948	cover plate
			L	2116 3761	stop block, use: 1256 0918 screw 1256 7442 lockwasher	1256 8010	washer	W	1255 5447	screw, use: 1256 8036 washer 1256 7442 lockwasher
			M	2110 7115	decals (lock)	1256 5248	nut	X	1255 4903	screw, use: 1256 8036 washer 1256 7442 lockwasher
			N	2712 2860	knob, includes setscrew	1256 7442	lockwasher	Y	2729 9460	guide plate
			O	2117 3059	friction strap/shaft assembly, use: 2712 4536 pulley 1256 4365 screw 1256 7442 lockwasher 1256 8010 washer					

PART NUMBERS CONTINUED ON NEXT PAGE

PART NUMBERS (PLATE 20) CONTINUED

Z	2732 0506	ribbon shield/guide assembly, includes: 2729 9668 stainless steel shield 2729 9460 rear plate 1256 7442 lockwasher 1256 5248 nut 1256 8036 washer for mounting, use: 2733 7609 bracket, left 2733 7591 bracket, right 1256 2682 screw 1256 7483 lockwasher 2729 9650 pivot shaft, 1 inch/25 mm long 2712 0393 pivot shaft, 1.62 inch/4.05 mm long 1255 3186 retaining ring 2733 1958 ground wire assembly				after S/N: 760896 (400 LPM) 771183 (750 LPM) 780853 (1100 LPM) screw
	-- --	for mounting, use: 2733 7609 bracket, left 2733 7591 bracket, right 1256 2682 screw 1256 7483 lockwasher 2712 0393 shaft, pivot 1255 3186 retaining ring 2733 1958 ground wire assembly	AC	1063 4806		
			AD	2116 9404		paper guide (RH & LH), use: 2717 9837 locking spring
			AE	2116 3845		handle assembly, use: 1255 8391 set screw
			AF	2729 4354		eccentric shaft
			AG	2729 4362		roller, use: 1255 3152 retaining ring
			AH	2116 4207		switch, use: 1256 0165 screw 1256 7400 lockwasher 1256 5180 nut
			AI	— — 2116 4181 2726 0579		switch bracket: illustrated later design use mounting hardware: 1256 0348 screw 1256 5206 nut
AA	--- --- 1087 0442 2726 2443	cover metal plastic	AJ	1340 8943		spring
AB	--- --- 1086 3926	dust cover plate before S/N: 760897 (400 LPM) 771184 (750 LPM) 780853 (1100 LPM)	AK	2726 2435		arm
			AL	2116 3795		guide hub, use: 1519 3873 pin 1256 0868 screw 1256 7442 lockwasher

YOKE CLAMP MECHANISM (PLATE 20A)

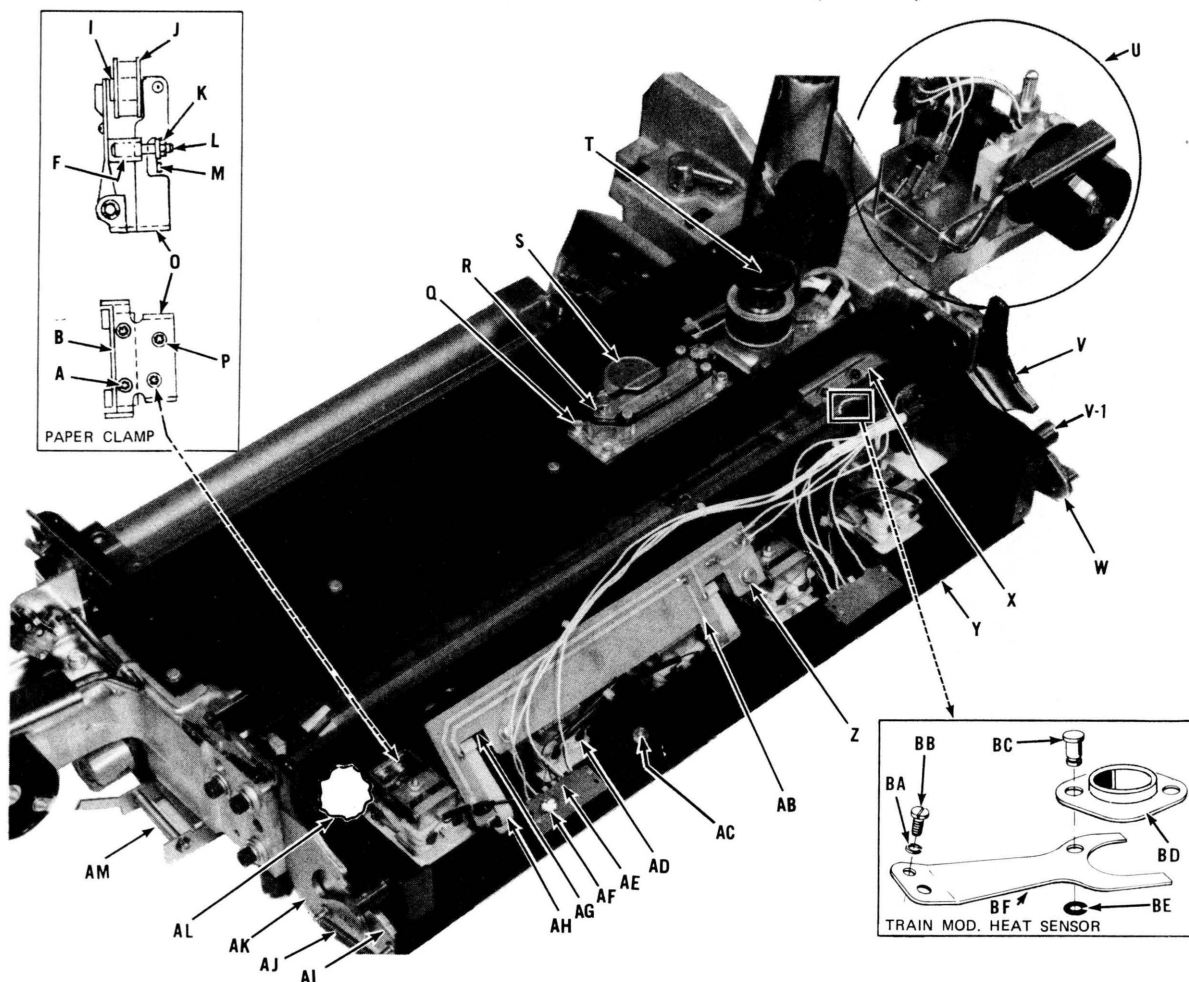


PART NUMBERS (PLATE 20A)

1	1256 0918	screw, use: 2116 8554 nut, tinnerman
2	— —	bracket 1087 6019 left 1087 6738 right
3	2726 4845	screw
4	1255 3152	retaining ring
5	2726 4373	yoke latch cam
6	1087 5482	pivot pin
7	1316 6541	spring
8	1087 5474	spring pin
9	— —	solenoid assembly: 2712 2316 with plug type connector 1086 9485 with ring lug terminals
10	1087 5516	bracket
11	1256 5289	nut
12	1256 7467	lockwasher
13	1256 8051	washer
14	1082 0637	compression spring
15	1087 5896	washer, use: 1255 3152 retaining ring
16	2717 8136	solenoid support
17	1256 2468	screw, use: 1256 7467 lockwasher 1256 8069 washer
18	1086 8768	switch
19	1256 0181	screw, use: 1256 7400 lockwasher 1256 7970 washer 1256 5180 nut
20	1087 5441	claw assembly
21	2108 5253	spring
22	1087 5425	latch post
23	1256 5404	nut

TC3219

END OF PAPER SWITCH AND PAPER CLAMP ASSEMBLY (PLATE 21)



TC3354

PART NUMBERS (PLATE 21)

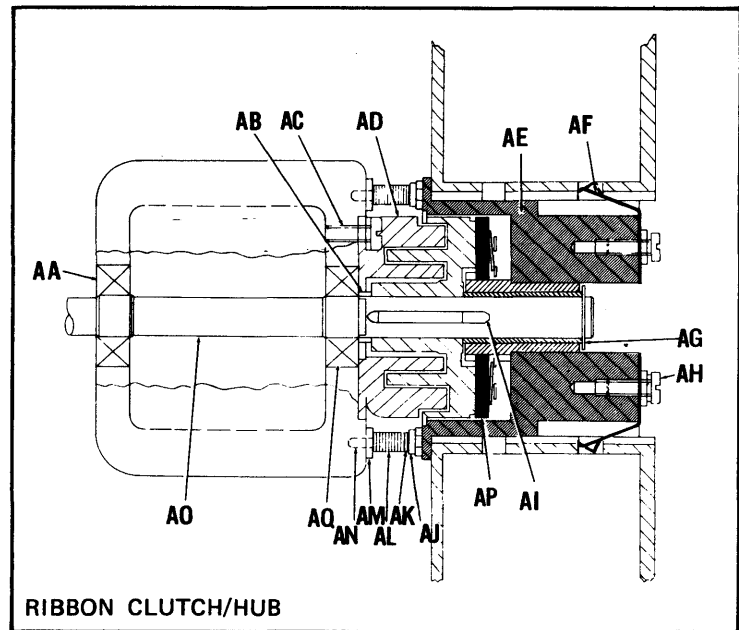
A	2726 5818	screw, use: 2717 0935 bar nut	S	2116 2896	adjustment shaft assembly includes: 2116 2466 decal	AB	-----	switch, "End of Paper" all machines prior to Mod. 5 use: 2116 2375 PCB, includes: 1101 5211 capacitor, 1 uF, 35V
B	1091 8019	adjustable stop	T	2729 5377	knob, use: 1255 8128 setscrew 1256 5248 nut 2712 4171 shaft 1320 9788 bearings		1087 5946	all machines beginning with Mod. 5 use mounting hardware: 1256 0397 screw 1256 7426 lockwasher 1256 5206 nut
F	1084 7895	spring	U	----	refer to RIBBON DRIVE - TWO MOTOR SYSTEM, see Index		2733 5736	
I	-----	residual shim	V	2717 4556	clamp, use: 2116 2045 retaining ring post, use: 1256 7491 lockwasher 1256 8119 washer 1256 5420 nut	AC	1255 5256	screw
J	2729 4289	coil assembly	V-1	2717 2626	2717 2857	AD	1255 4069	screw, use: 1256 5180 nut 1091 8837 locknut
K	1256 5248	nut, use: 1256 7442 lockwasher	W	2717 2857	2717 2873 shoulder screw 2717 2832 spacer	AE	2103 8849	cover
L	1084 7903	screw, adjusting	X	----	refer to TYPE BLOCK CHAIN AND MODULE ASSEMBLY, see Index	AF	1520 3060	block, terminal
M	1084 7994	plate	Y	2110 7164	housing assembly, use: 2733 7708 cover/handle assembly 2726 4837 screw/washer 1255 5256 screw screw, use: 1256 7467 lockwasher 1256 8051 washer	AG	2108 9115	bracket, use: 1255 4259 screw 1256 7996 washer 1256 7426 lockwasher 1256 5206 nut
O	2723 1034	paper clamp kit (allows conversion from ring lug terminals to pluggable), includes: 2117 4735 pluggable paper clamp assembly 2116 1369 connector housing 2208 5229 contacts (2) 2104 5844 cable strap 1920 2209 cable mount	Z	1256 1460		AH	1087 5912	switch arm assembly, use: 1255 3178 retaining ring bracket, use: 2107 7318 screw 2717 2832 spacer
P	1256 2344	screw, use: 1256 8036 washer				AI	2717 2865	
Q	1256 4373	1091 7144 lock plate screw, use: 1256 7442 lockwasher 1256 8010 washer						
R	----	oil reservoir assembly, refer to OILERS						

PART NUMBERS CONTINUED ON NEXT PAGE

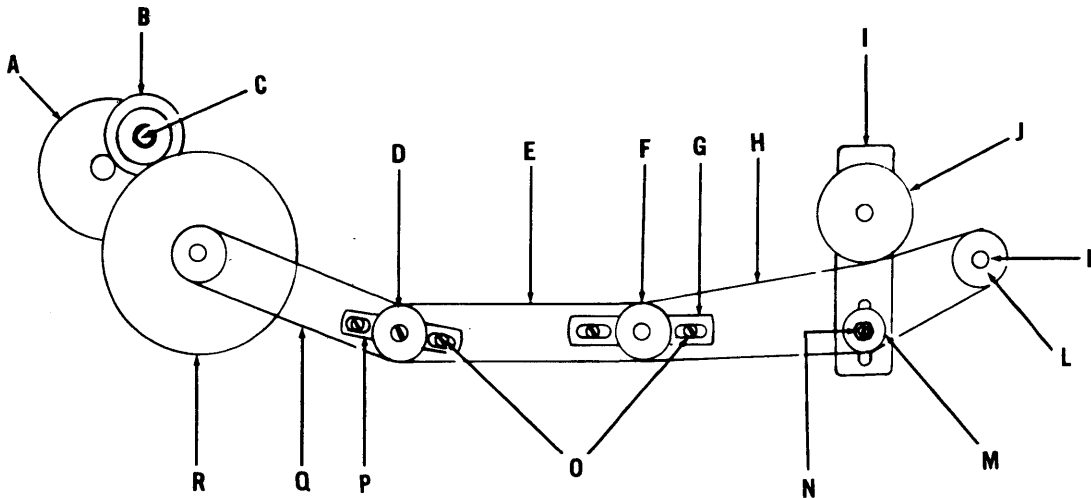
PART NUMBERS (PLATE 21) CONTINUED

AJ	2717 2170	spring
AK	2717 4549	clamp, use: 2116 2045 retaining ring
AL	2729 5021	switch Paper Clamp Disable, use mounting hardware: 1256 0389 screw 1256 7426 lockwasher 1256 5602 nut 2733 0927 switch bracket, use mounting hardware: 1256 0389 screw 1256 7426 lockwasher 1256 5602 nut
AM	-----	refer to RIBBON DRIVE-TWO MOTOR SYSTEM, see Index
BA	1256 7426	lockwasher
BB	1256 0330	screw
BC	2116 4454	pin
BD	2729 2895	thermostat
BE	1255 3137	retaining ring
BF	2116 4447	spring

RIBBON DRIVE - SINGLE MOTOR SYSTEM (PLATE 22)



RIBBON CLUTCH/HUB



TC3355

PART NUMBERS (PLATE 22)

A	1086 4890	ribbon drive motor, 50/60 Hz	L	2104 3104	pulley, use: 1255 8151 setscrew
B	2104 3005	gear, spur	M	1087 9724	pulley, idler
C	1256 4597	screw, use: 2105 3855 hub 1256 7459 lockwasher 1256 8028 washer 2107 8100 spacer	N	1087 2018	pulley stud, use: 1256 8051 washer 1256 7467 lockwasher 1256 5271 nut 2116 1336 harness guard
D	2105 5298	pulley, use: 1255 1925 retaining ring	O	1256 2344	screw, use: 1256 8036 washer 1256 7459 lockwasher
E	1086 9394	timing belt, 165 teeth	P	2712 7422	bracket, pulley
F	2104 3096	pulley, use: 1255 1909 retaining ring	Q	1086 9402	timing belt, 63 teeth
G	1087 9740	bracket, pulley	R	2104 3161	pulley/gear assembly, use: 1255 8151 setscrew
H	1504 2567	timing belt, 145 teeth	AA	1255 0034	bearing
I	1087 6761	idler bracket, use: 1256 1296 screw	AB	1320 8640	washer
J	1086 3595	nylon roller, use: 1255 1925 retaining ring	AC	1256 1106	screw, use: 1256 7459 lockwasher
K	1086 3629	shaft			

PART NUMBERS CONTINUED ON NEXT PAGE

PART NUMBERS (PLATE 22) CONTINUED

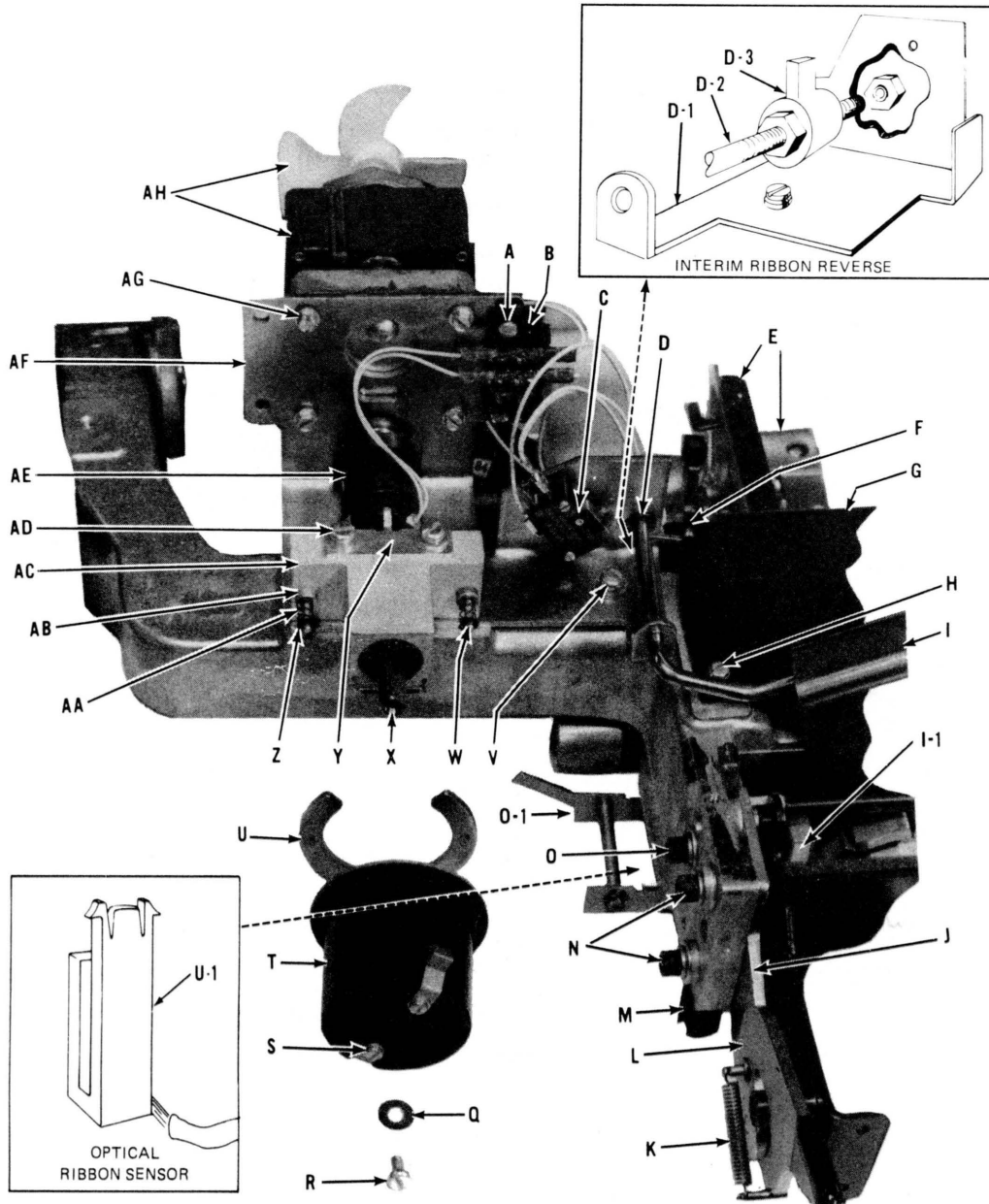
AD	— —	clutch assembly
	1087 6688	before S/N 760594 (400 LPM)
		S/N 770617 (750 LPM)
		S/N 780005 (1100 LPM)
	2108 8364	after S/N 760593 (400 LPM)
		S/N 770616 (750 LPM)
		S/N 780004 (1100 LPM)
AE	— —	clutch hub, not available separately, refer to kit at end of text
AG	1255 1958	retaining ring, use:
		1034 5528 washer
AH	1256 0843	screw, use:
		1256 8010 washer
AI	1314 3466	key
AJ	2756 3253	brake shoe
AK	1105 6322	retaining ring
AL	2726 2377	spring, compression
AM	1307 2517	spacer
AN	2726 2369	shoe pin
AO	— —	clutch shaft (shown), before S/N:
		760594 (400 LPM)
		770617 (750 LPM)
		780005 (1100 LPM)
	1086 3504	left hand
	1086 3629	right hand
	— —	clutch shaft assembly, after S/N:
		760593 (400 LPM)
		770616 (750 LPM)
		780004 (1100 LPM)
	2717 4903	left hand } includes:
	2717 4911	right hand }
		1073 1289 bearing
		use:
		2107 6617 bearing housing
		1255 0042 bearing
		2107 6633 set collar
		1321 7393 setscrew
		1314 3466 key
		2726 5453 washer
		1255 1958 retaining ring
		1034 5528 spacer
AP	2712 0435	clutch plate, slotted
AQ	1255 0042	bearing

PARTS NOT ILLUSTRATED

2723 0374	ribbon hub kit, prior to S/N:
	760828 (400 LPM)
	771120 (750 LPM)
	780202 (1100 LPM)
	Contains AE (2ea.), AJ (2ea.) and AN (4ea.):
	For later units, refer to RIBBON DRIVE - TWO MOTOR SYSTEM, see Index

1087
 2104 3005
 2105 3855
 1256 4597

RIBBON DRIVE - TWO MOTOR SYSTEM (PLATE 23)



PART NUMBERS (PLATE 23)

A	1256 0900	screw, use: 1256 8010 washer 1256 7442 lockwasher 1256 5248 nut	D-2	- -	ribbon reverse arm: right left
B	1342 8560	terminal block	D-3	2733 3822	switch actuator, use: 1256 5412 nut
C	2116 4595	microswitch, use: 1256 0181 screw 1256 7970 washer 1256 7400 lockwasher 1256 5180 nut	E	2116 3332	tractor/lock assembly, left
D	1256 9224	retaining ring	F	1255 0539	spring pin
D-1	- -	bracket (use with plastic bracket AF): right left	G	1087 4311	cover, center
	2733 0687	right	H	1256 1106	screw, use: 1256 7731 lockwasher
	2733 0695	left	I	- -	ribbon sensing arm for units before S/N: 760619 (400 LPM) 771988 (750 LPM) 781355 (1100 LPM)
		use mounting hardware: 1256 1304 screw 1256 7467 lockwasher 1256 8051 washer		2726 3300	right
				2726 3318	left
					for later units, see D-2

PART NUMBERS CONTINUED ON NEXT PAGE

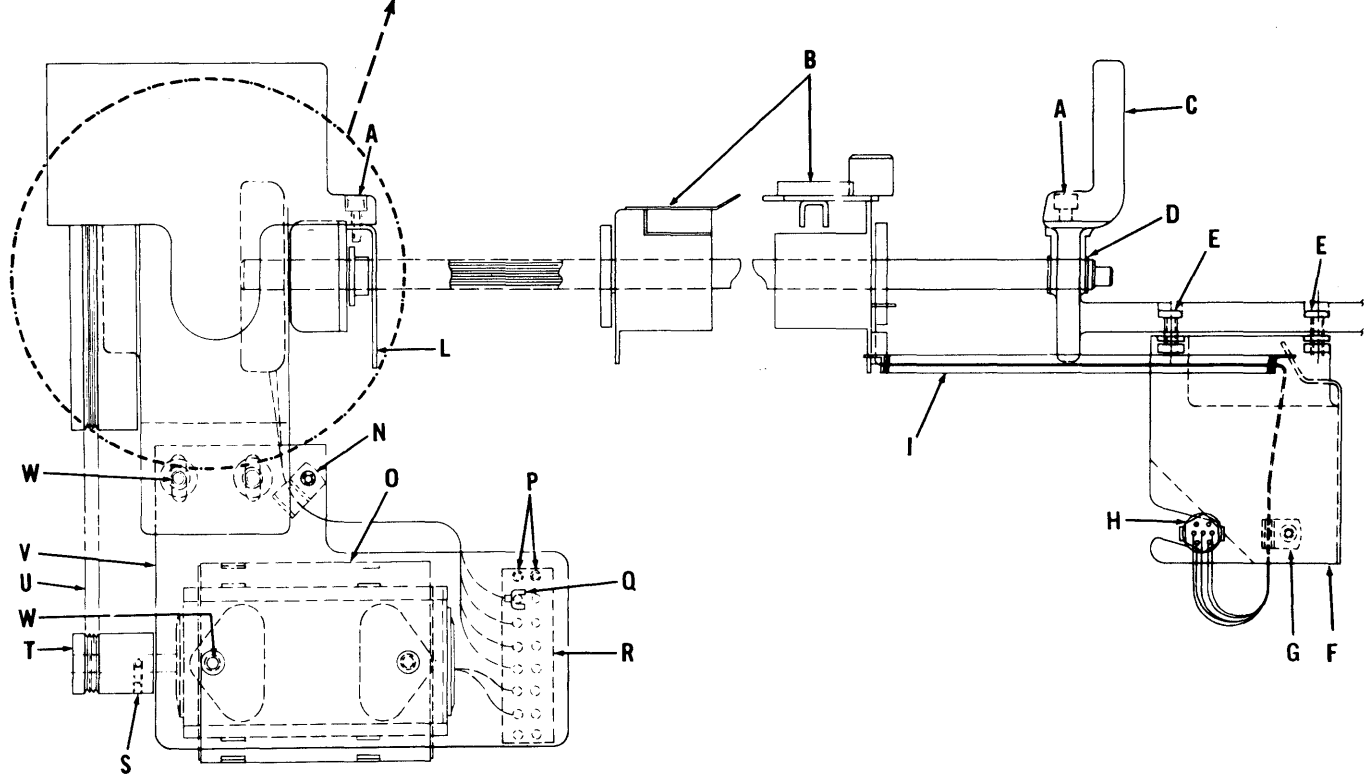
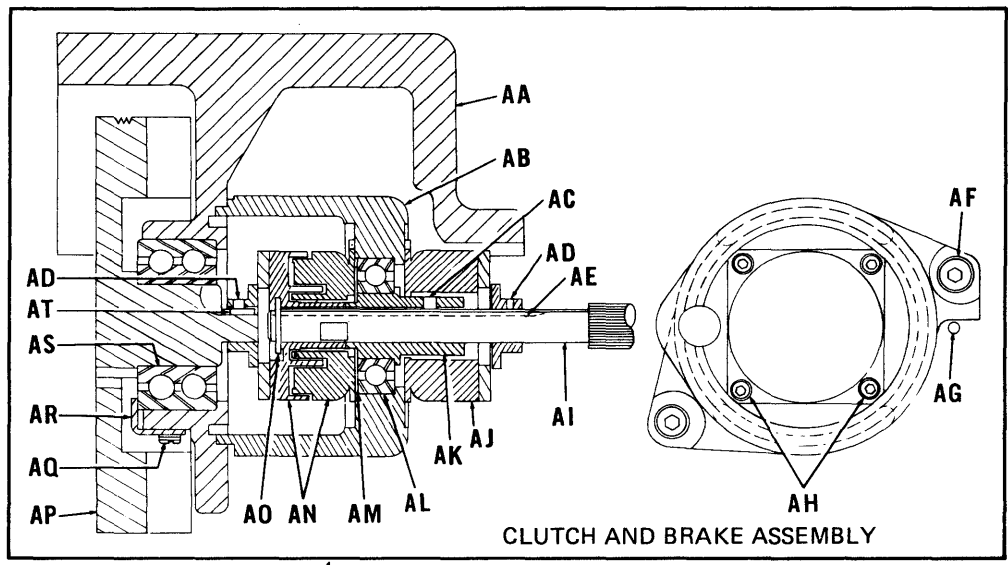
PART NUMBERS (PLATE 23) CONTINUED

I-1	2107 9546	retainer, use:	2733 4895	plastic, full circle (use with plastic bracket AF)
J	— —	2107 9587 pad	U-1 2733 4424	optical ribbon sensor, included in 0-1 (Mod. 5)
	2717 2865	bracket assembly	V 1256 1304	screw, use:
		left (shown), use:		1256 7467 lockwasher
		2107 7318 screw		1256 8051 washer
		2717 2832 spacer		shoe pin:
	2717 2857	right, use:	W — —	steel, use with steel shoe U
		2717 2873 shoulder screw		2733 2568
		2717 2832 spacer		2733 4903
K	2717 2170	spring	X — —	plastic, use with plastic shoe U
L	— —	clamp assembly		shaft:
	2717 4549	left (shown) } use:		2733 1321
	2717 4556	right }		2108 3878
		2116 2045 retaining ring		use with plastic bracket AF
M	1087 2836	magnet, use:		use with metal bracket AF and use:
		2729 0048 shoulder screw		1255 0034 bearing (2 used)
N	1256 2799	screw, use:		2108 5428 spacer (.1"/2.5mm long)
		1256 7483 lockwasher		1255 1958 retaining ring
		2108 8844 washer		2108 3589 spacer (.708"/17.7mm long)
O	1256 2799	screw, use:	Y 2108 5436	1317 7712 washer
		1256 7483 lockwasher	Z 1105 6322	1320 8509 retaining ring (2 used)
		1256 8093 washer	AA — —	bracket
O-1	— —	ribbon guide assembly (LH)		retaining ring
	2117 2028	prior to Mod. 5, includes:		compression spring:
		2726 2575 guide shaft		use with steel pin W
		1256 4365 screw		use with plastic pin W
		1256 7442 lockwasher	AB 1307 2517	spacer
		1256 8010 washer	AC — —	housing block
		2116 1641 roller shaft		after S/N 761134 (400 LPM)
		2116 1658 roller		S/N 771567 (750 LPM)
		1256 9216 grip ring		S/N 781025 (1100 LPM)
		2116 1633 guide plate (LH)		before S/N 761135 (400 LPM)
	2117 4578	beginning with Mod. 5, includes:		S/N 771568 (750 LPM)
		2726 2575 guide shaft		S/N 781026 (1100 LPM)
		1256 4365 screw		use:
		1256 7442 lockwasher		2712 6945 housing
		1256 8010 washer	AD 1256 1379	2733 6155 screw
		2116 1641 roller shaft		2733 3376 spring, compression
		2116 1658 roller		1337 8211 washer
		1256 9216 grip ring		screw, use:
		2116 1633 guide plate (LH)	AE — —	1256 7467 lockwasher
		2733 4424 optical ribbon sensor		1256 8051 washer
		ribbon guide assembly (RH) - not illustrated		clutch assembly:
	1090 8424	prior to Mod. 5, includes:		for Mod. 5 units
		2726 2575 shaft		for all other units
		1256 4365 screw		use:
		1256 7442 lockwasher		2729 8207 spacer, rubber
		1256 8010 washer		mounting bracket:
		2712 4254 guide plate (RH)	AF — —	steel, left
	2117 4560	beginning with Mod. 5, includes:		steel, right
		2726 2575 shaft		thermal plastic (left or right), use:
		1256 4365 screw		1256 8051 washer (between motor and bracket)
		1256 7442 lockwasher	AG 2300 4567	screw
		1256 8010 washer	AH 2733 6387	motor assembly (50/60 Hz), includes:
		2726 7996 guide plate RH		2733 2865 fan blade
		2733 4424 optical ribbon sensor		
Q	1256 7467	lockwasher		
R	1256 1270	screw		
S	1256 0843	screw, use:		
		1256 8010 washer		
T	2726 1544	ribbon hub		
U	— —	brake shoe:		
	2733 1727	steel, full circle (use with steel bracket AF)		

PARTS NOT ILLUSTRATED:

2723 0382 ribbon hub kit, for use only on units with plastic bracket AF, beginning with S/N:
760828 (400 LPM)
771120 (750 LPM)
780202 (1100 LPM)
Contains U (2 ea.), T (2 ea.), W (4 ea.), AA (4 ea.) and 2733 6155 screw, ribbon spring (4 ea.)

PAPER DRIVE SYSTEM - EARLY STYLE (PLATE 24)



TC3356

PART NUMBERS (PLATE 24)

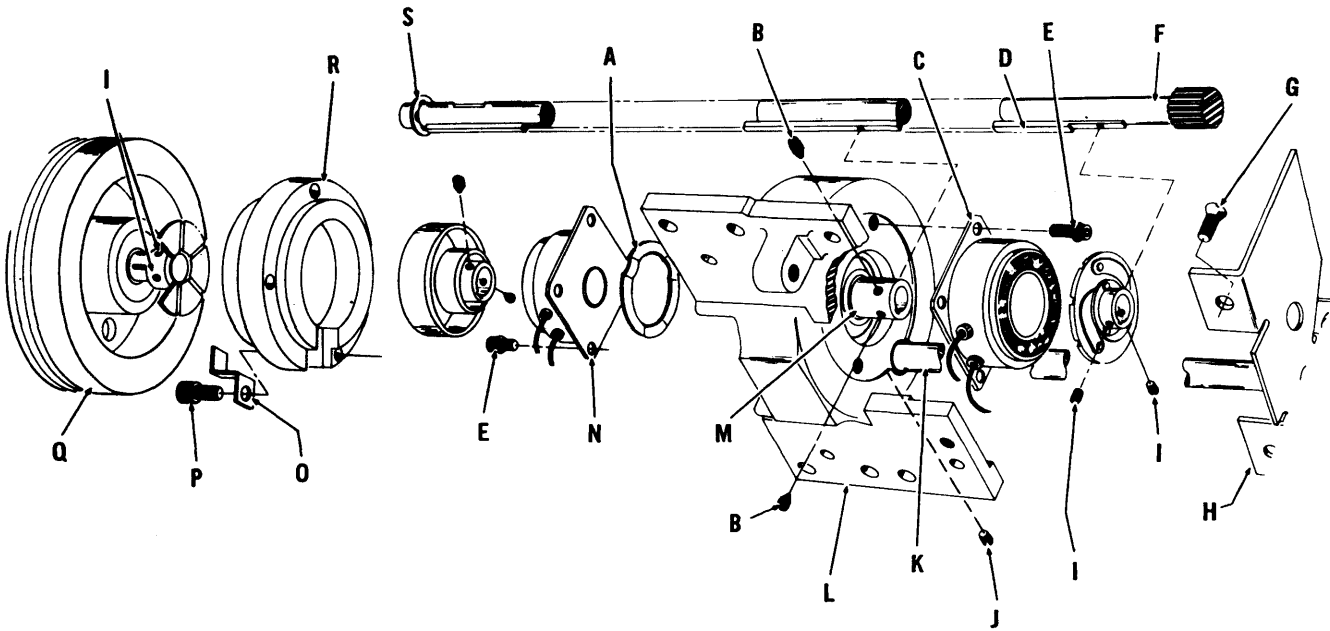
A	1256 2435	screw, use: 1256 7467 lockwasher	F	1086 7455	bracket
B	—	tractor assembly, refer to PAPER TRACTORS, FORM SELF-ALIGN or PAPER TRACTORS, STANDARD, see Index	G	1321 7930	cable clamp, use: 1256 0546 screw 1256 7434 lockwasher 1337 2180 "D" washer
C	1086 3785	bearing retainer cover	H	1321 3970	socket connector
D	1255 3442	retaining ring, use: 1087 4469 ball bearing	I	1086 7356	extension spring, use: 2717 8177 spring post
E	1256 1304	screw, use: 1256 7467 lockwasher 1256 8051 washer 1256 5271 nut	L	1087 3396	cover plate
			N	1323 9389	cable clamp, use: 1256 0546 screw 1256 7434 lockwasher 1337 2180 "D" washer

PART NUMBERS CONTINUED ON NEXT PAGE

PART NUMBERS (PLATE 24) CONTINUED

O	2723 1026	motor assembly (50/60 Hz)	AA	1086 3728	brake/clutch cover
P	1256 0876	screw, use: 1256 7442 lockwasher	AB	1086 3777	retaining cage
Q	1029 8776	terminal lug	AC	1255 8367	setscrew
R	1002 3968	terminal block, use: 1084 4884 cover strip 1002 8595 clip	AD	1255 8375	setscrew
S	1255 8151	setscrew	AE	1086 4106	spline shaft key
T	1086 6440	pulley .875" or 22.22 mm (dia.) 1.37" or 34.8 mm (long)	AF	1256 2633	socket head screw, use: 1256 7483 lockwasher
	2107 2392	.898" or 22.81 mm (dia.) 1.19" or 30.23 mm (long)	AG	1101 6847	dowel pin
	2107 3630	1.05" or 25.53 mm (dia.) 1.37" or 34.8 mm (long)	AH	1256 2336	socket head screw, use: 1256 7459 lockwasher
	2108 5113	1.078" or 27.38 mm (dia.) 1.19" or 30.23 mm (long)	AI	1086 3983	drive shaft
U	1086 6457	belt (20.5" or .520 m)	AJ	1087 6696	brake assembly, includes: 1255 8375 setscrew
V	1086 6424	motor mounting plate shown	AK	1086 3892	bearing hub
	2105 6718	new constr., use: 1256 0900 screw 1256 8010 washer 1323 9397 cable clamp 1256 7442 lockwasher 1256 5248 nut 2471 1723 capacitor (5uF, 330 VAC)	AL	1255 0067	ball bearing, use: 1255 2022 retaining ring
W	1256 2633	screw, use: 1256 7483 lockwasher 1256 8093 washer	AM	1087 8528	spring washer
			AN	1087 6704	clutch assembly, use: 1256 2336 socket head screw 1256 7459 lockwasher
			AO	1255 3194	"E" ring
			AP	2717 7484	flywheel/pulley assembly, includes ball bearing
			AQ	1256 0835	screw, use: 1256 7442 lockwasher 1319 9310 washer
			AR	1086 3991	bearing retainer
			AS	_____	ball bearing, part of "P"
			AT	2105 6155	square key

PAPER DRIVE SYSTEM - RESTYLED (PLATE 25)



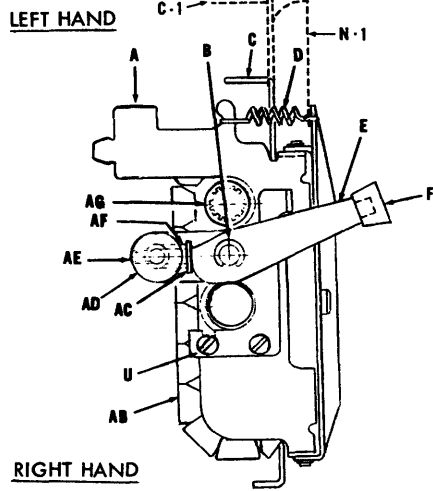
TC3357

PART NUMBERS (PLATE 25)

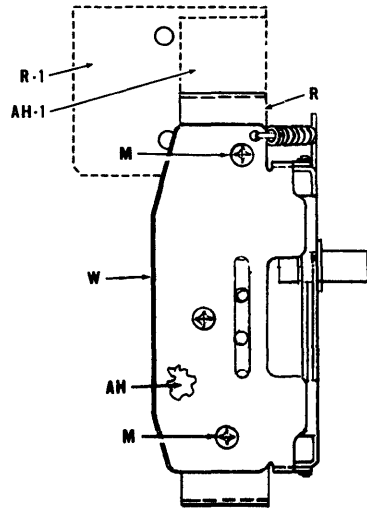
NOTE
For paper drive motor and belt, refer to
**PAPER DRIVE SYSTEM - EARLY
STYLE**, see Index.

A	1087 8528	wavy washer	I	1255 8375	setscrew
B	1255 8367	setscrew	J	1255 8433	setscrew
C	— —	brake assembly:	K	— —	support shaft
	2729 7043	Mod. 5 (pluggable), includes:		2116 4066	units with format decouple
		1436 1026 contact pin, use:		1087 2729	all others, use:
	1087 6696	2118 9733 connector			1086 9337 paper support
		all other units, includes:			("donut")
		1034 8746 terminal	L	2105 6692	housing, use:
D	1086 4106	key			2105 6700 cover
E	1256 2336	socket head screw, use:	M	2105 4770	bearing hub, use:
		1256 7459 lockwasher			1255 0067 bearing
F	— —	splined drive shaft	N	— —	1255 2022 retaining ring
	2116 3365	units with format decouple		2729 7050	clutch assembly:
	1086 3983	all others			Mod. 5 (pluggable), includes:
G	1255 5447	flat head screw			1436 1026 contact pin, use:
H	— —	end plate			2118 9733 connector
	2116 1948	units without format decouple		1087 6704	all other units, includes:
	2105 4853	units with format decouple,	O	2105 4804	1034 8746 terminal
		use:			bearing retainer
		1320 9838 pulley	P	1256 2377	socket head screw
		1256 1312 screw	Q	2717 7393	flywheel assembly, includes:
		1001 9941 nut			1087 4477 bearing
					use:
					2105 6155 square key
					1086 6457 belt
			R	2105 7039	retaining cage
			S	1255 3194	retaining ring

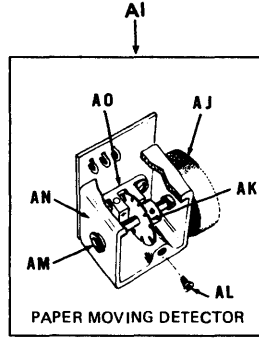
PAPER TRACTORS, STANDARD (PLATE 26)



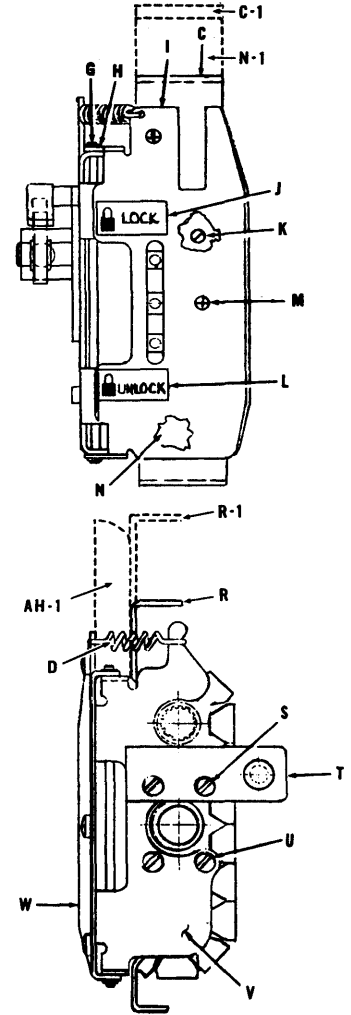
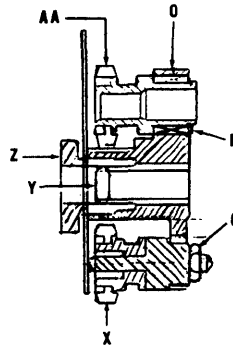
LEFT HAND



RIGHT HAND



PAPER MOVING DETECTOR

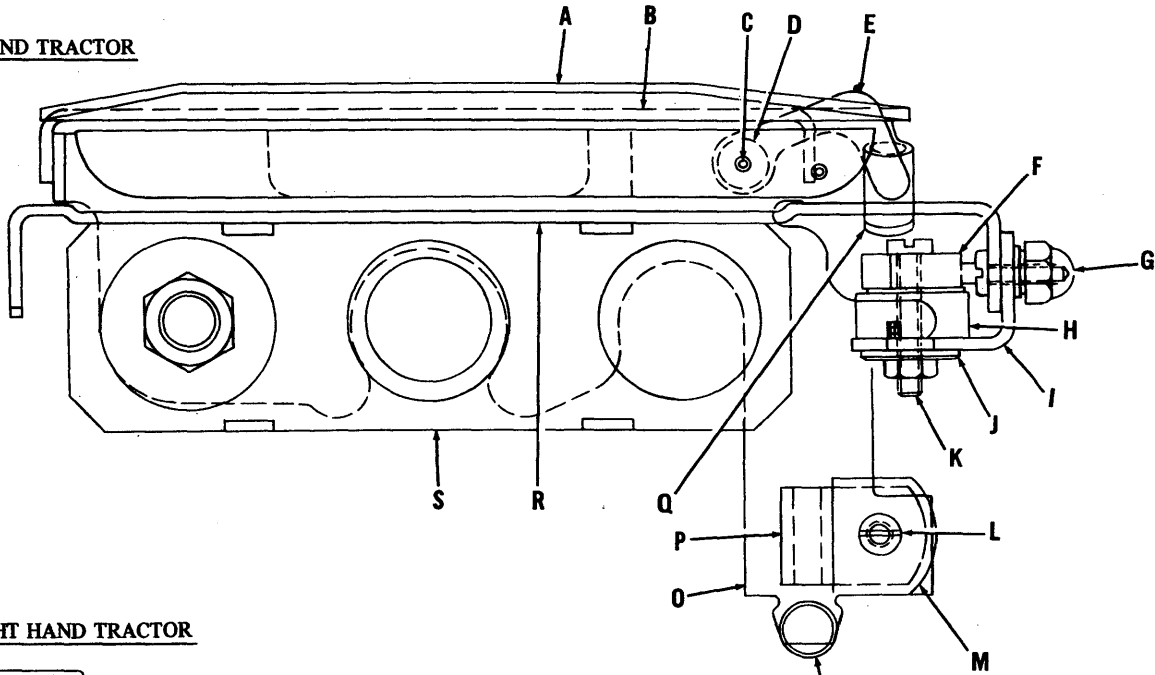


PART NUMBERS (PLATE 26)

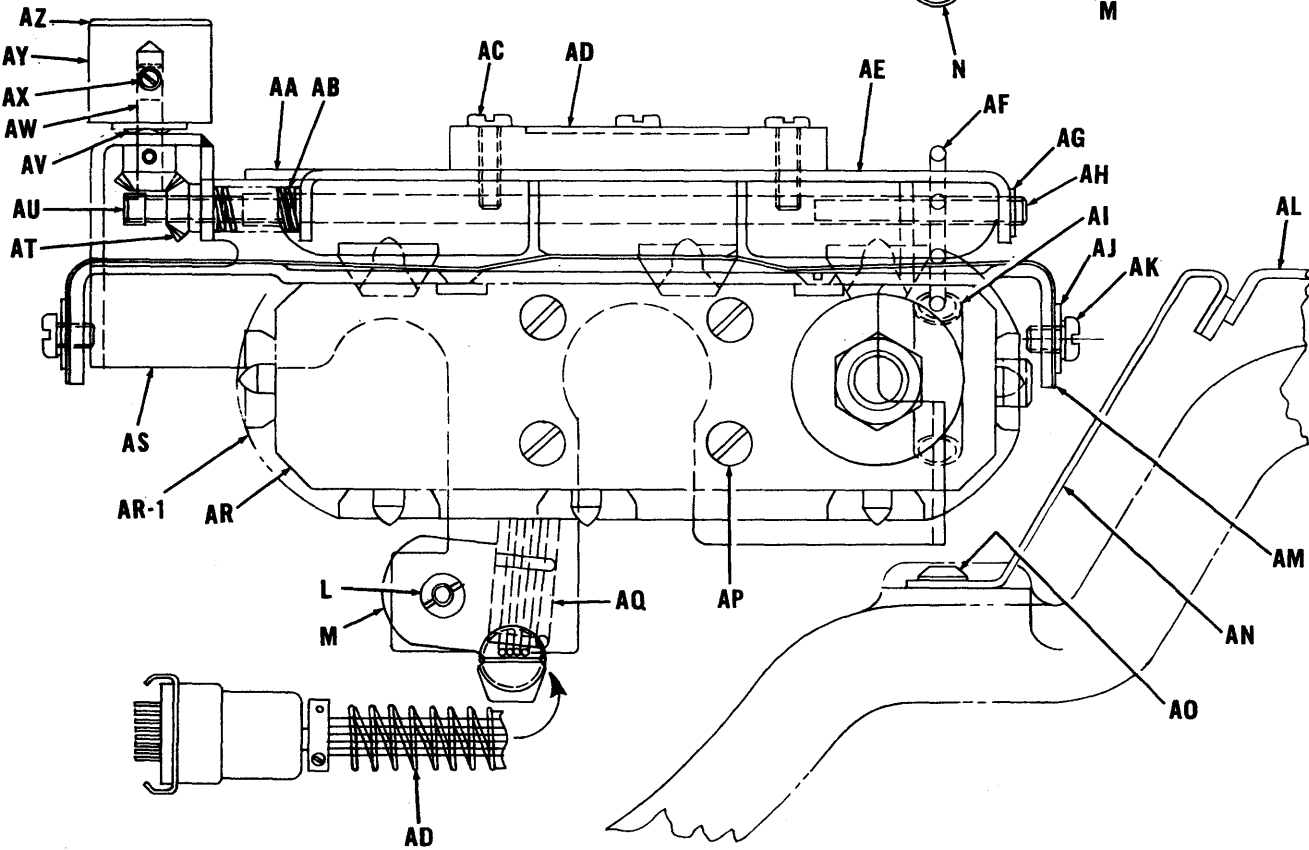
complete tractor assemblies	K	2712 4577	screw, flat head	AC	2712 2944	pressure button
— — left hand:	L	2110 7123	decals	AD	2712 3579	plate assembly
1087 4394 with locking thumbwheel	M	2040 4232	screw use:	AE	1340 6392	setscrew
2116 3332 with locking lever, for units without paper moving detection	N	2729 6938	2726 5404 neoprene washer	AF	1316 6749	spring, compression
2726 5313 with locking lever, for units with paper moving detection	N-1	2726 5404	pressure strip, left	AG	— —	hub/sleeve assembly
— — right hand	O	2712 5145	pressure strip/finger assy.		2712 5103	left
2110 8550 with locking thumb wheel	P	1110 2597	pressure strip (left), for units with paper moving detection		2712 5111	right
2116 3134 for units with format decouple and without paper moving detection	Q	1338 7394	roller bearing	AH	2729 6920	pressure strip (right), use:
2726 5305 for units with paper moving detection	R	2116 0239	clip	AH-1	2726 2724	2712 5137 spacer
A 2712 1151 hinge plate	R-1	2726 2716	nut, use:	AI	2117 4446	pressure strip (right), for units with paper moving detection
B 1255 1925 clip	S	1256 0348	1256 8127 washer			complete paper moving detector assembly, includes AJ, AK, AM thru AO
C 2116 0247 side plate (left), use:	T	2712 0922	side plate (right), use:	AJ	2729 4800	foam wheel assembly
— — for short side plate, use:	U	2712 4593	2712 4577 screw, for mounting	AK	2717 4176	sensor disc, use:
2107 6708 guide bracket	V	2712 4569	for short side plate, use:	AL	1255 4226	1255 7518 setscrew
1256 7426 lockwasher	W	1091 8225	2107 6716 guide bracket extender	AM	2726 4977	flathead screw (for mounting to tractor)
1256 0322 screw	X	2712 5061	1256 7426 lockwasher	AN	2717 4093	shaft, foam wheel, use:
C-1 2726 2781 slide plate (left), for units with paper moving detection	Y	2712 5053	1256 0322 screw	AO	2726 4548	1255 3129 retaining ring
D 2105 0869 spring	Z	1087 5524	slide plate (right), for units with paper moving detection			cover, sensor
E 2116 1427 lever	AA	2712 5129	screw, use:			sensor assembly, includes cable and:
F 2116 2029 button	AB	2104 3328	1256 7426 lockwasher			2756 3634 optical switch
G 2712 3611 pin			bracket, cable			2726 4555 PCB
H 1255 3129 clip			1256 0322 screw			1086 7356 spring
I 1087 4378 plate, pressure			ring			1256 0330 screw
J 2110 7115 decal			locking thumb wheel			1256 7707 washer
			idler/pulley assembly			1256 5206 nut
			link/belt assembly, includes:			
			2105 0737 link/pin			

PAPER TRACTORS, FORM SELF ALIGN (PLATE 27)

LEFT HAND TRACTOR



RIGHT HAND TRACTOR



TC3358

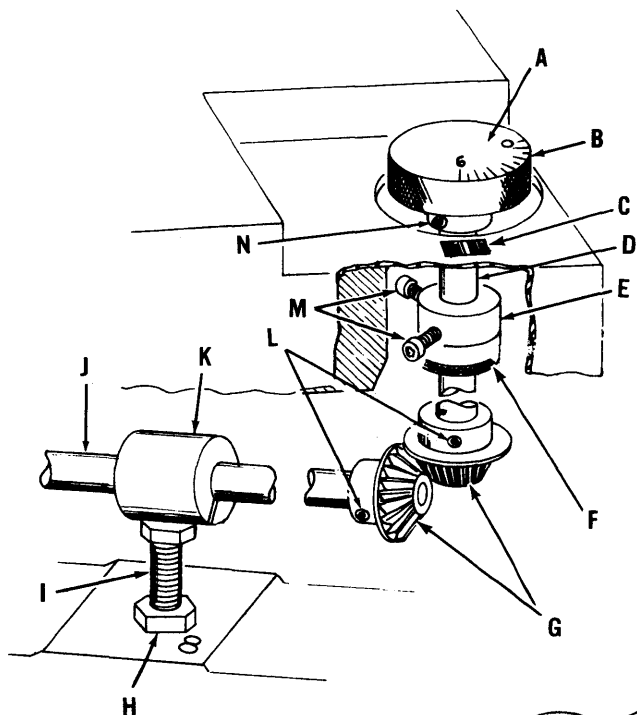
PART NUMBERS ON NEXT PAGE

PART NUMBERS (PLATE 27)

A	1087 4378	pressure plate	AB	1091 6229	compression spring
B	1087 4386	pressure strip	AC	1256 0363	screw
	2729 8215	pressure strip/finger assembly	* AD	1087 7082	sensor and harness assembly
C	1255 0489	pin, spring	* AE	2105 6551	paper guide, use: 1084 5030 screw
D	1342 6812	collar	AF	1084 3514	spring hook
E	1087 7041	arm	AG	1255 3129	clip
F	1087 7033	magnet	AH	1084 4793	shaft
G	1507 0345	nut, use: 1256 7426 lockwasher 1256 7996 washer 1256 0348 screw	AI	1340 9966	spring
H	1320 8434	washer	AJ	1087 3255	spring clamp
I	1087 7058	bracket	AK	1256 0322	screw, use: 1256 7426 lockwasher
J	1064 9184	washer (phenolic)	AL	1086 3926	dust cover plate
K	1256 0397	screw, use: 1321 9050 solder lug 1064 9184 washer 1256 7426 lockwasher 1256 5206 nut	AM	1087 3263	guide spring
L	1256 0348	screw, use: 1256 7426 lockwasher	AN	2733 5371	rear access plate
M	1337 2180	"D" washer	AO	1105 7296	screw
N	1086 7356	extension spring	AP	1323 8720	screw
O	2712 1151	hinge	AQ	1321 7930	cable clamp
P	1323 9264	cable clamp	AR	--- --- 2110 8550	tractor assembly, right for 400 LPM before S/N 760176 750 LPM before S/N 777015 1100 LPM before S/N 781215
Q	1084 0452	spring			for later units refer to PAPER TRACTORS, STANDARD - see Index
R	1087 4873	side plate	AR-1	2104 3328	belt and link assembly
S	--- --- 1087 4394	tractor assembly, left for 400 LPM before S/N 760176 750 LPM before S/N 777015 1100 LPM before S/N 781215		2105 0737	link and pin
	--- ---	for later units refer to PAPER TRACTORS, STANDARD - see Index	AS	1084 5261	shaft and bracket assembly, includes AB, AG, AH, AT, AU
AA	1084 3522	top plate, use: 1084 4843 decal	AT	1084 3175	gear
			AU	1084 4819	lock nut
			AV	1337 2131	wavy washer
			AW	1084 4157	shaft assembly
			AX	1255 7757	setscrew
			AY	2105 8482	knurled knob, includes AZ
			AZ	1091 6161	decal

*NOTE: on removal of: AD (1087 7082) use 2116 0486 cover plate } use 1256 0330 screw (2 used)
AE (2105 6551) use 2116 0494 guide }

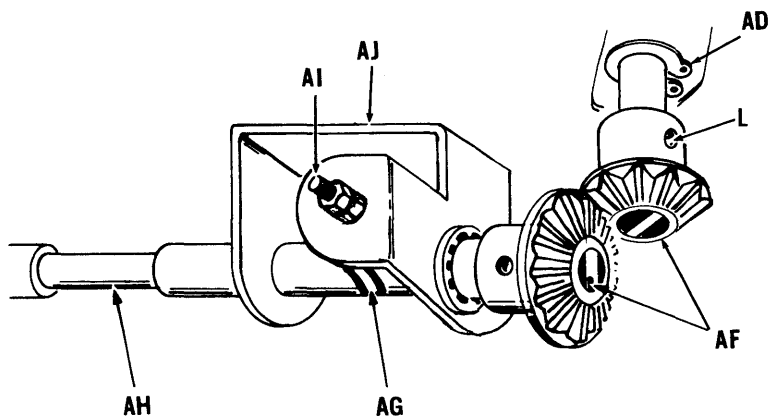
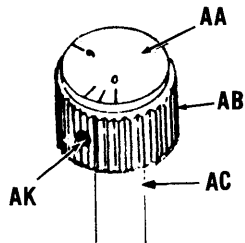
FORM THICKNESS CONTROL (PLATE 28)



PART NUMBERS (PLATE 28)

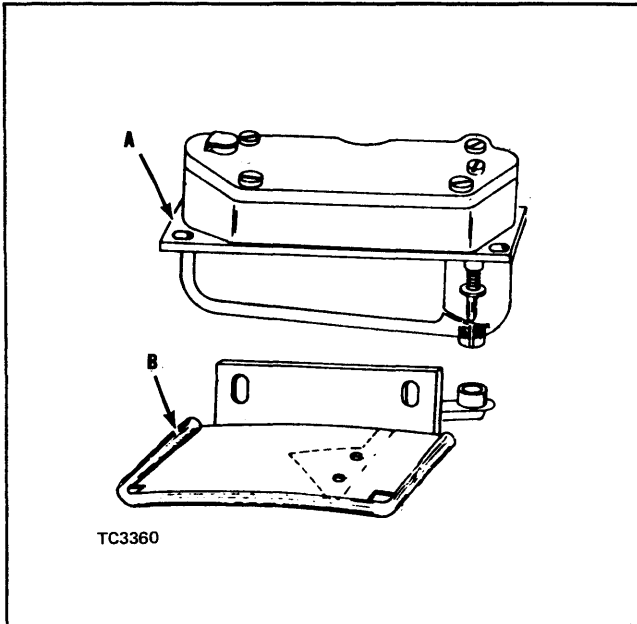
A	2107 7474	decal, stamped 0, 1, 3, 6	
B	1087 4196	knob	
C	2105 8516	decal, pointer	
D	1087 4683	shaft	
E	---- ----	collar	
	2116 9388	before S/N 760839 (400 LPM) 771091 (750 LPM) 780203 (1100 LPM)	} use:
	2717 0927	after S/N 760838 (400 LPM) 771090 (750 LPM) 780202 (1100 LPM)	
F	2105 9050	1256 2237 screw washer, rubber	
G	---- ----	miter gear	
	1087 4709	before S/N 760535 (400 LPM) 770586 (750 LPM)	
	2108 3126	after S/N 760534 (400 LPM) 770585 (750 LPM) 780004 (1100 LPM)	
H	1256 5412	nut	
I	---- ----	screw	
	2726 2351	(shown)	
	1086 6614	(old constr)	
J	---- ----	cam shaft assembly, includes G, L	
	1086 5681	before S/N 760535 (400 LPM) 770586 (750 LPM)	
	-----	use separate components AH and AF for all other units.	
K	1086 5640	block, use: 1086 5715 screw	
L	1255 8391	setscrew	
M	---- ----	setscrew	
	1256 2435	5/8 inch/15.63 mm long	
	1256 2443	3/4 inch/18.75 mm long	
N	1255 8375	setscrew	
AA	-----	decal, forms thickness	
	2733 0802	marked 0, 1, 3, 6	
	2733 0760	marked O thru MAX	
AB	2105 8342	knob	
AC	2108 3605	shaft, use: 1105 6306 grip ring 2717 7583 cam 1088 5937 setscrew	
AD	1255 3194	"E" ring	
AF	2108 3126	miter gear	
AG	2116 7739	friction strap	
AH	2116 4322	camshaft, only	
	2117 2861	camshaft assembly, includes AE thru AJ	
AI	1256 4589	screw, use: 1256 8036 washer 1256 5263 nut	
AJ	2116 7770	bracket, use: 1256 4555 screw 1256 7459 lockwasher 1256 8036 washer	
AK	1255 8359	setscrew	

ALTERNATE CONSTRUCTION

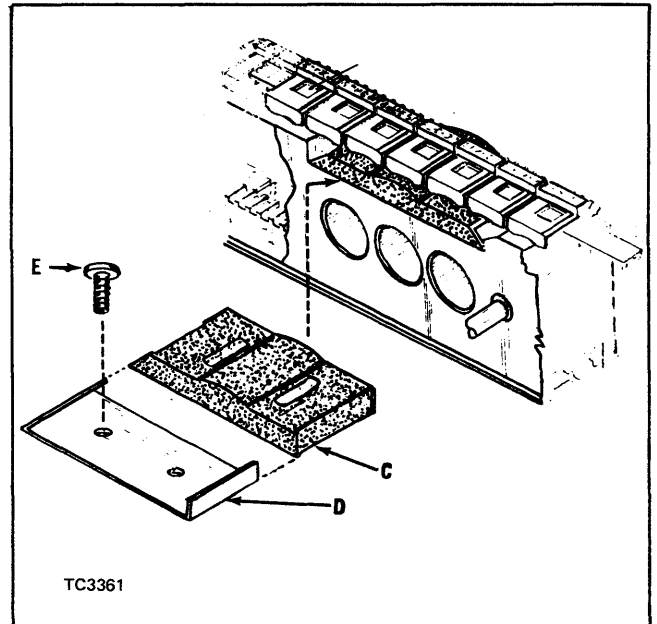


TC3359

OILERS (PLATE 29)



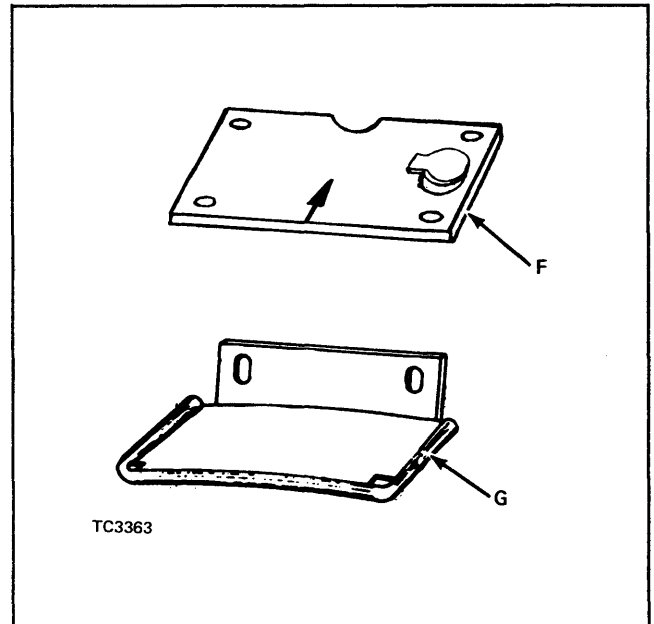
POWERED OILER



MICROWELL OILER

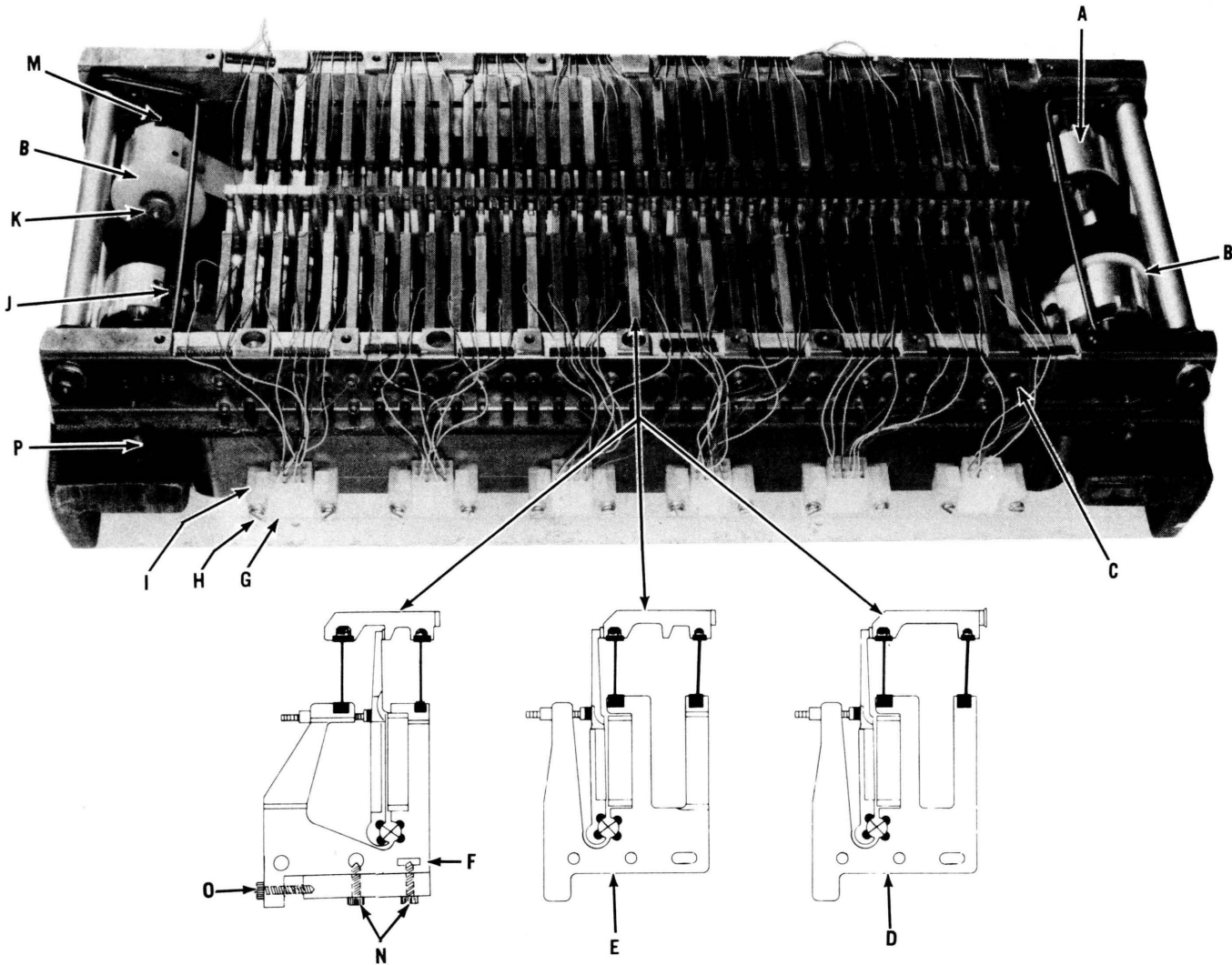
PART NUMBERS (PLATE 29)

- | | | |
|---|-----------|--|
| A | 2116 4561 | oil reservoir assembly, includes solenoid , use:
1256 4373 screw
1256 7442 lockwasher
1256 8010 washer |
| B | 2723 1521 | powered oiler assembly, use:
1256 0868 screw
1256 7442 lockwasher
1256 8010 washer |
| C | 2729 6656 | oil pad |
| D | 2729 6664 | retainer |
| E | 1255 4242 | screw, flathead |
| F | 2105 5397 | oil well cover assembly, use:
1086 5814 gasket
1087 7165 oil level indicator
1256 4373 screw
1256 7442 lockwasher
1256 8010 washer
1322 2831 grommet |
| G | 2107 9462 | non-powered oiler assembly |



NON-POWERED OILER

ACTUATOR BASE ASSEMBLY (PLATE 30)



TC3362

PART NUMBERS (PLATE 30)

Complete field replacement actuator base assembly:

- 2725 0174 400 LPM (see note)
- 2725 0182 750/1100 LPM (see note)

NOTE: These actuator base assemblies are the "short lead" type (actuator leads go to a plug on the actuator base as illustrated). If the actuator base assembly being replaced is the "long lead" type (actuator wires go directly to the fuse board), the appropriate fuse-board and actuator base to fuse-board harness, listed below, will also be required;

- 2116 0783 harness, actuator base to fuse board (750/1100 LPM)
- 2117 4800 fuse board assembly (1100 LPM)
- 2117 4818 fuse board assembly (750 LPM)
- 2116 0809 harness, actuator base to fuse board (400 LPM)
- 2101 7546 fuse board assembly (400 LPM)

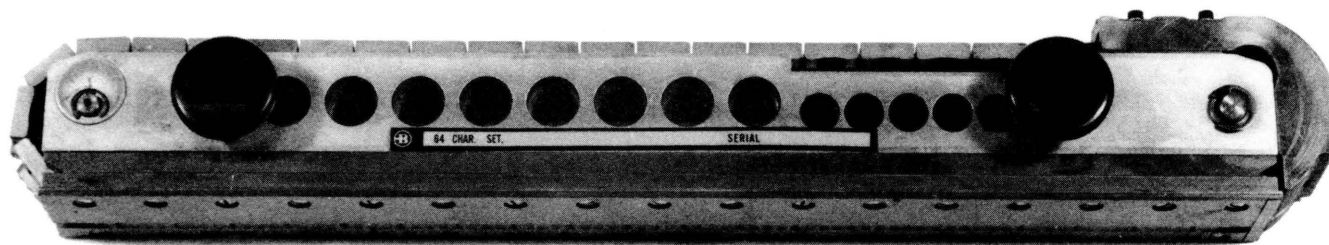
- | | | |
|---|--|--|
| <ul style="list-style-type: none"> A 1091 1717 B 2116 0916 C 2733 6296 D ----- 2116 1120 ----- 2116 1120 2725 2204 ----- 2116 1138 ----- 2116 1138 2725 2204 E ----- ----- 2116 1104 ----- 2116 1104 2725 2204 | <ul style="list-style-type: none"> tape guide assembly, use:
1255 8078 setscrew
spool and tape assembly screw/washer assembly double face, actuator assembly
with short leads with long leads, replace with:
actuator, with short leads extension cable/connector
assembly short leads with long leads, replace with:
actuator, with short leads extension cable/connector
assembly single face, actuator assembly with armature at rear
of interposer with short leads with long leads, replace with:
actuator, with short leads extension cable/connector
assembly | <ul style="list-style-type: none"> } interposer face,
offset left (rear) } interposer face,
offset right (front) |
|---|--|--|

PART NUMBERS CONTINUED ON NEXT PAGE

PART NUMBERS (PLATE 30) CONTINUED

F	-----	single face, actuator assembly with armature at center of interposer
	2116 1112	with short leads
	-----	with long leads, replace with:
	2116 1112	actuator, with short leads
	2725 2204	extension cable/connector assembly
G	2108 6574	female connector, use: 2108 6582 male connector 2116 1146 connector puller 2108 9321 pin, for short leads 1087 3586 pin, for long leads
H	1256 0926	screw
I	2108 6392	connector retainer
J	1063 4616	spring and holder assembly, includes: 1340 9123 spring
K	1084 9644	knurled nut
M	1084 9594	threaded post
N	2733 6296	screw/washer assembly
O	1256 2146	screw (black)
	2108 8349	screw (cadium)
P	-----	for mounting actuator base, use: 1256 2633 screw 1086 4510 pin 1087 5144 washer, plain 1087 6365 brass washer 1256 7483 lockwasher

TYPE BLOCK CHAIN AND MODULE ASSEMBLY - 4/6 CHARACTER BLOCK (PLATE 31)



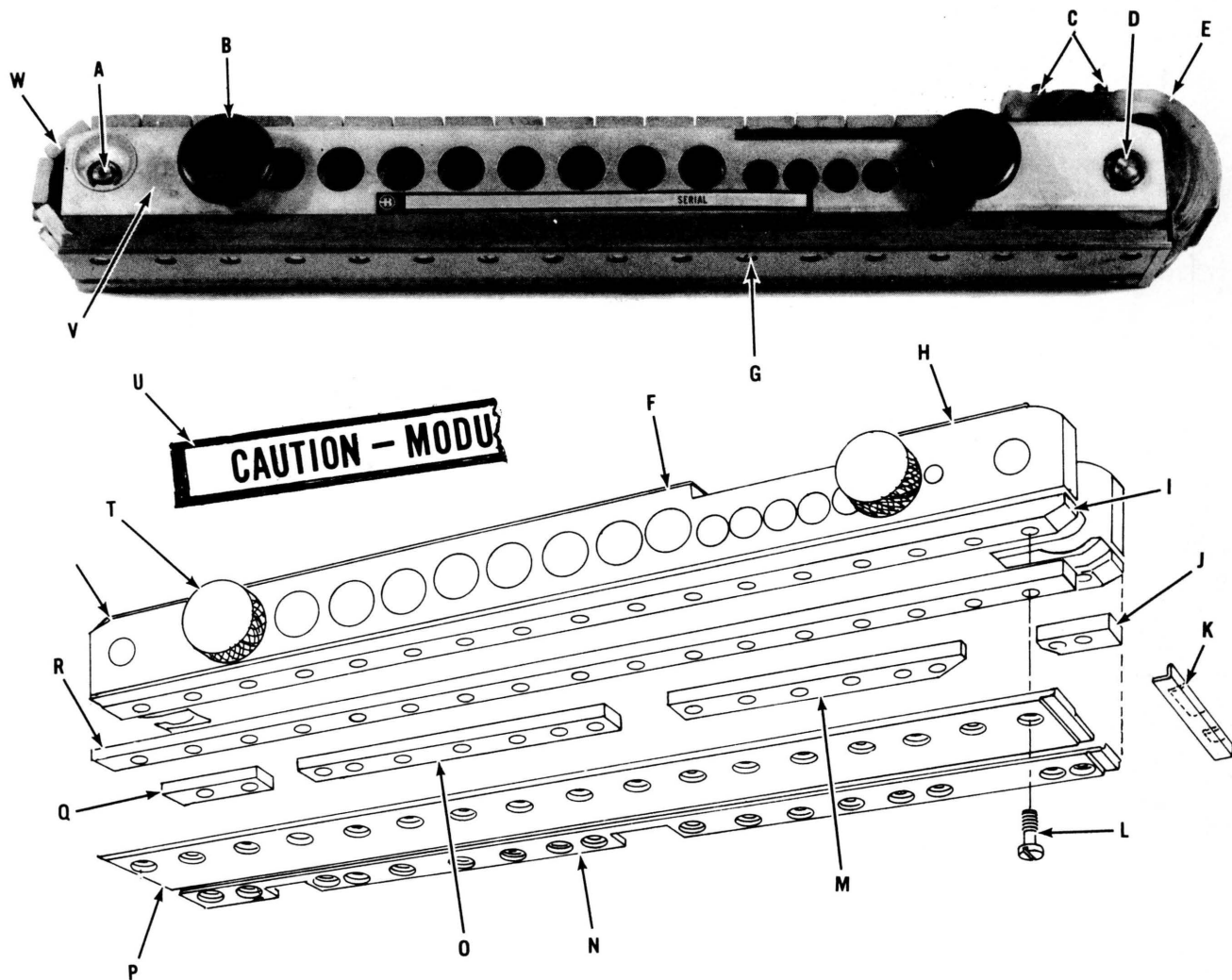
TC3364

PART NUMBERS (PLATE 31)

NOTE: Refer to 4/6 CHARACTER TYPE BLOCK & TRAIN CONFIGURATION CHARTS, for individual type blocks.

4 CHARACTER TYPE BLOCK MODULE	PART NUMBER	6 CHARACTER TYPE BLOCK MODULE	PART NUMBER
<u>16 Character Set</u> - EBCDIC-3	1090 1825	<u>18 Character Set</u> - EBCDIC	2117 0741
<u>48 Character Set</u> - B300/B500	1090 2963	<u>48 Character Set</u> - B300/B500	2117 0774
- EBCDIC-3	2117 1376	- EBCDIC	2117 1665
- FORTRAN	2734 2013	- FORTRAN	2734 2013
- RPG	2101 0368	- HEBRAIC	2734 4126
<u>64 Character Set</u> - ANSCII-3	1090 2922	- RPG	2117 0816
- ANSCII-2	1090 3532	<u>72 Character Set</u> - ANSCII	2101 1267
- ARABIC	2734 0108	- BCL	2101 1242
- ARABIC/LATIN NUM	2734 0116	- DANISH	2101 1234
- BCL	1090 2880	- EBCDIC	2101 1176
- BRAZILIAN	2117 0725	- FINNISH	2101 1226
- DANISH/NORWEGIAN	2101 0434	- HEBRAIC	2732 0613
- DENMARK OCR-B	2117 0717	- OCR-A ALPHA/NUM	2723 1570
- EBCDIC-3	2101 5821	- OCR-A NUMERIC	2101 1812
- EBCDIC-2	2101 0475	- OCR-B ALPHA/NUM	2723 1588
- FRENCH/BELGIUM	1090 3409	- OCR-B NUMERIC	2101 1820
- GREEK	2117 1996	- PORTUGUESE/LATIN	2101 1200
- GERMAN/AUSTRIAN	1090 3425	- SPANISH/LATIN	2101 1218
- HEBRAIC	2734 0132	- SWEDISH	2117 0824
- ITALIAN	1090 3441	- TURKISH	2101 1259
- OCR-A NUMERIC	1090 2930	- U.K. B3500	2101 1184
- OCR-B NUMERIC	1090 2948	- U.K. B6500	2101 1192
- PORTUGUESE/LATIN	1090 2849	<u>96 Character Set</u> - EBCDIC	2117 0758
- SPANISH/LATIN-2	1090 3474	- HEBRAIC	2732 0605
- SPANISH/LATIN-3	1090 2856	- KATAKANA	2117 0808
- SWEDEN OCR-B	2117 0709		
- SWEDISH/FINNISH-2	1090 3466		
- SWEDISH/FINNISH-3	1090 2864		
- TURKISH	2117 1640		
- UNITED KINGDOM	1090 3417		
- U.K. B3500	1090 2823		
- U.K. B6500	1090 2831		
- YUGOSLAVIAN	2101 0459		
<u>96 Character Set</u> - ANSCII-2	1090 3946		
- ARABIC	2734 0082		
- ARABIC/LATIN NUM	2734 0090		
- EBCDIC-3	1090 1841		
- KATAKANA	1090 2971		

TYPE MODULE BODY AND GUIDE ASSEMBLY (PLATE 32)



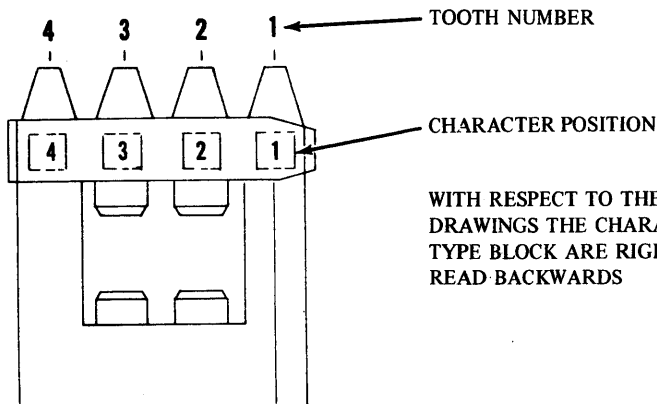
TC3365

PART NUMBERS (PLATE 32)

NOTE: to assemble train module use 1622 1350 guide locator tool

A	2108 1856	shaft, use: 1256 9562 retaining ring 1255 8540 setscrew 1086 9543 bearing 2110 8758 spacer 2108 1849 pulley 1087 2877 eccentric cam 1256 1270 screw 1256 7467 lockwasher 1256 8069 washer 1087 2034 spline socket screw 2110 8212 eccentric screw	G	1111 4634	screw
B	2110 8048	knob/screw assembly, use: 1337 1570 washer	H	2116 9651	wear plate, use: 1256 2203 screw 1256 7442 lockwasher
C	1256 2245	screw, use: 1256 7442 lockwasher	I	1087 2885	guide
D	2116 0353	shaft, use: 1086 9543 bearing 2108 1849 pulley 2116 0346 spacer 1256 9562 retaining ring	J	1086 2894	space bar
E	2107 4927	end guide	K	2726 4886	ribbon guard
F	2116 9669	wear plate, use: 1255 4887 screw	L	1257 3424	screw
			M	1086 4007	space bar
			N	1086 2936	rear lower guide
			O	1086 4015	space bar
			P	1087 2992	lower guide
			Q	1086 2902	space bar
			R	1086 2910	space bar
			S	2116 9677	type module body
			T	1086 0187	knob/screw assembly
			U	2726 3037	decal (caution)
			V	2717 8268	type module body (1 piece), use: 2712 4619 train ID shoulder screw (1100 LPM) 2717 8516 train ID shoulder screw (400/750 LPM)
			W	2717 2451	timing belt

4 CHARACTER - TYPE BLOCK AND TRAIN CONFIGURATION CHART (PLATE 33) - PAGE 1



TC3366

*CONSTR. TYPE "A" (NO NOTCH)

CONSTR. TYPE	NOTCH ON TOOTH NO.	CONSTR. TYPE	NOTCH ON TOOTH NO.
B	2	J	1, 2, 3
C	2, 3	K	4
D	2, 4	L	1, 4
E	2, 3, 4	M	1, 2, 4
F	1	N	3, 4
G	1, 2	O	1, 3, 4
H	3	P	1, 2, 3, 4
I	1, 3		

TYPE BLOCK REF. NO.	CHARACTER POSITION				TYPE BLOCK PART NO.	CONSTR. TYPE
	NO. 1 CHAR.	NO. 2 CHAR.	NO. 3 CHAR.	NO. 4 CHAR.		
1	0	1	2	3	2105 1370	B
1	0	1	2	3	2729 7480	C
1	0	1	2	3	2729 7415	D
2	4	5	6	7	2105 1388	A
2	4	5	6	7	2729 7290	B
2	4	5	6	7	2729 7316	C
2	4	5	6	7	2729 7308	D
2	4	5	6	7	2729 7324	E
2	4	5	6	7	2729 7332	F
2	4	5	6	7	2729 7373	G
2	4	5	6	7	2729 7274	H
2	4	5	6	7	2729 7357	I
2	4	5	6	7	2729 7472	J
2	4	5	6	7	2729 7266	K
2	4	5	6	7	2729 7340	L
2	4	5	6	7	2729 7381	M
2	4	5	6	7	2729 7282	N
2	4	5	6	7	2729 7464	O
2	4	5	6	7	2729 7407	P
3	8	9	.	\$	2105 1396	A
4	*	-	,	?	2105 1404	A
5	+	A	B	C	2105 1412	A
6	D	E	F	G	2105 1420	A
7	H	I	J	K	2105 1438	A
8	L	M	N	O	2105 1446	A
9	P	Q	R	S	2105 1453	A
10	T	U	V	W	2105 1461	A
11	X	Y	Z	(2105 1479	A
12)	:	@	"	2105 1487	A
13	[<	&]	2105 1495	A
14	;	/	%	>	2105 1503	A
15	#	=			2105 1511	A
16	—	!	i	—	2717 7831	A
17	.	a	b	c	2105 1537	A
18	d	e	f	g	2105 1545	A
19	h	i	j	k	2105 1552	A
20	l	m	n	o	2105 1560	A
21	p	q	r	s	2105 1578	A
22	t	u	v	w	2105 1586	A
23	x	y	z	{	2105 1594	A
24	~	[}	■	2105 1602	A
25	#	=	\	}	2105 1610	A
26	-	!	f	^	2717 7849	A
27	8	9	.	°	2105 1636	A

TYPE BLOCK REF. NO.	CHARACTER POSITION				TYPE BLOCK PART NO.	CONSTR. TYPE
	NO. 1 CHAR.	NO. 2 CHAR.	NO. 3 CHAR.	NO. 4 CHAR.		
28	†	-	,	ク	2105 1644	A
29	X	Y	Z	ク	2105 1651	A
30	レ	ワ	ケ	ハ	2107 5494	A
31	>	=	+	ン	2116 5535	A
32	ロ	.	イ	ス	2107 5429	A
33	ソ	フ	チ	ワ	2105 1719	A
34	テ	ト	ナ	ニ	2116 5543	A
35	ヌ	ル	フ	ハ	2105 1735	A
36	セ	フ	ハ	ホ	2105 1743	A
37	C	レ	フ	ル	2105 1750	A
38	8	9	.	ル	2105 1768	A
39	#	=	—	!	2105 1776	A
40	-	!	,	\$	2717 7856	A
41	レ	=	#	!	2105 1792	A
42	-	!	,	—	2717 7864	A
43	£	<	&	A	2105 1818	A
44	-	!	0	—	2717 7872	A
45	~	=	!	!	2105 1834	A
46	8	9	.	A	2105 1842	A
47)	:	0	"	2105 1859	A
48	'A'	=	!	!	2105 1867	A
49)	:	0	"	2105 1875	A
50	Æ	=	!	←	2105 1883	A
51	A	O	-	U	2717 7880	A
52	#	=	\	←	2105 1909	A
53	†	X	≥	≤	2105 1917	A
54)	/	=	\	2105 1925	A
55)	/	@	#	2105 1933	A
56)	:	0	"	2105 1941	A
57	i	<	TL	0	2712 1524	A
58	¢	/	%	>	2105 1966	A
59	#	=	!	!	2712 1532	A
60	-	!	!	!	2717 7930	A
61	マ	シ	ル	★	2105 1990	A
62	モ	ワ	ル	ヨ	2105 2006	A
63	ミ	リ	ル	ヨ	2105 2014	A
64	@	A	B	C	2107 2962	A
65	X	Y	Z	&	2107 2970	A
66	/	%	≠	!	2107 2988	A
67	+	()	:	2107 5049	A
68	//		<]	2107 5056	A
69	:	>	=	\	2107 5064	A
70	■	-	!	^	2717 7898	A
71	x	y	z	■	2107 5080	A

PART NUMBERS CONTINUED ON NEXT PAGE

4 CHARACTER-TYPE BLOCK AND TRAIN CONFIGURATION CHART (PLATE 33) CONTINUED-PAGE 2

TYPE BLOCK REF. NO.	CHARACTER POSITION				TYPE BLOCK PART NO.	CONSTR TYPE
	NO. 1 CHAR	NO. 2 CHAR	NO. 3 CHAR	NO. 4 CHAR		
72	{	/]	~	2107 5098	A
73	£	A	B	C	2107 5106	A
74		-	!	~	2717 7906	A
75	;	>	=	~	2107 5130	A
76		-	!	\$	2747 7914	A
77	/	%	N	'	2107 5155	A
78	Ø	A	B	C	2107 5171	A
79	/	%	Æ	-	2717 7922	A
80	;	>	=		2107 5197	A
81	←	Ä	Ö	Ü	2107 5205	A
82	8	9	.	Ü	2107 5213	A
83	#	=	£		2107 2327	A
84	Ö	A	B	C	2107 5221	A
85	/	%	Ä	'	2107 5239	A
86	8	9	.	Fr	2107 5247	A
87	ä	A	B	C	2107 5254	A
88	8	9	.	Č	2107 5262	A
89	Z	A	B	C	2107 5270	A
90	/	%	š	'	2107 5288	A
91	8	9	.	ř	2107 5296	A
92	Ä	A	B	C	2107 5304	A
93	/	%	š	'	2107 5312	A
94]	@	P	=>	2107 5403	A
95	≠	/	*	>	2116 5527	A
96	\	a	b	c	2105 2345	A
97	8	9	.	Ä	2110 7776	A
98	Ä	=	#		2110 7784	A
99	Æ	Ø	,	U	2110 7792	A
100	Æ	=	←		2110 7727	A
101	"	£	<]]	2116 6921	A
102	0	1	2	3	2105 7880	B
102	0	1	2	3	2729 7423	D
103	4	5	6	7	2105 7898	A
103	4	5	6	7	2729 7431	D
104	8	9	.	\$	2105 7906	A
105	[⌈	&]]	2105 7922	A
106	;	/	%	ř	2105 7930	A
107	#	⌈	\		2105 7948	A
108	0	1	2	3	2105 8151	B
108	0	1	2	3	2729 7449	D
109	4	5	6	7	2105 8169	A
109	4	5	6	7	2729 7456	C
109	4	5	6	7	2729 7365	O
109	4	5	6	7	2729 7399	J
110	8	9	.	\$	2105 8177	A
111	[<	&]]	2105 8193	A
112	+	A	B	C	2105 8185	A
113	:	/	%	>	2105 8201	A
114	#	=	\		2108 1187	A
115	8	9	.	ß	2717 3418	A
116	*	-	,	Ω	2717 3442	A
117)	:	@	Δ	2717 3459	A
118	^	φ	&	Π	2717 3467	A
119	≡	/	%	Ψ	2717 3475	A
120	\$!	θ	Σ	2717 3483	A
121	Γ	=	\	Π	2717 3491	A
122	0	1	2	3	2736 3050	B
123	4	5	6	7	2736 1013	A
124	8	9	.	\$	2736 1021	A
125	*	-	,	?	2736 1039	A
126	+	A	B	C	2736 1047	A
127	D	E	F	G	2736 1054	A

TYPE BLOCK REF. NO.	CHARACTER POSITION				TYPE BLOCK PART NO.	CONSTR TYPE
	NO. 1 CHAR	NO. 2 CHAR	NO. 3 CHAR	NO. 4 CHAR		
128	H	I	J	K	2736 1062	A
129	L	M	N	O	2736 1070	A
130	P	Q	R	S	2736 1088	A
131	T	U	V	W	2736 1096	A
132	X	Y	Z	(2736 1104	A
133)	:	@	"	2736 1112	A
134	[<	&]]	2736 1120	A
135	;	/	%	>	2736 1138	A
136	#	=	\		2736 1146	A
137	_	!	'	~	2736 1153	A
138	0	1	2	3	2736 3027	D
139	4	5	6	7	2736 3035	E
140	0	1	2	3	2736 0007	A
141	4	5	6	7	2736 0015	A
142	8	9	.	\$	2736 0023	A
143	*	-	,	?	2736 0031	A
144	+	A	B	C	2736 0049	A
145	D	E	F	G	2736 0056	A
146	H	I	J	K	2736 0064	A
147	L	M	N	O	2736 0072	A
148	P	Q	R	S	2736 0080	A
149	T	U	V	W	2736 0098	A
150	X	Y	Z	(2736 0106	A
151)	:	@	"	2736 0114	A
152	[<	&]]	2736 0122	A
153	;	/	%	>	2736 0130	A
154	#	=	\		2736 0148	A
155	_	!	'	~	2736 0155	A
156	0	1	2	3	2736 3001	D
157	4	5	6	7	2736 3019	C
158	.	1	2	3	2736 8141	B
159	.	1	2	3	2736 8174	A
160	.	1	2	3	2736 8182	E
161	ε	ο	ϒ	γ	2736 8158	A
162	ε	ο	ϒ	γ	2736 8190	I
163	ε	ο	ϒ	γ	2736 8208	L
164	λ	ρ	σ	τ	2736 8166	A
165	÷	-	l	?	2736 8018	A
166	+	+	±	+	2736 8026	A
167	∴	∴	∴	∴	2736 8034	A
168	→	→	→	→	2736 8042	A
169	→	→	→	→	2736 8059	A
170	→	→	→	→	2736 8067	A
171	→	→	→	→	2736 8075	A
172	→	→	→	→	2736 8083	A
173	→	→	→	→	2736 8091	A
174	→	→	→	→	2736 8109	A
175	→	/	%	9	2736 8117	A
176	→	=	o	→	2736 8125	A
177	→	-	•	•	2736 8133	A
178	8	9	.	l	2736 8000	A
179	4	5	7	6	2736 0254	A
180	@	"	%	/	2736 0262	A
181	→	→	→	→	2736 0270	A
182	→	1	2	Π	2736 0288	A
183	0	'	7	3	2736 0296	A

CONTINUED ON NEXT PAGE

4 CHARACTER -TYPE BLOCK AND TRAIN CONFIGURATION CHART (PLATE 33) - CONTINUED - PAGE 3

TYPE BLOCKS - CONTINUED

TYPE BLOCK REF. NO.	CHARACTER POSITION				TYPE BLOCK PART NO.	CONSTR TYPE
	NO. 1 CHAR	NO. 2 CHAR	NO. 3 CHAR	NO. 4 CHAR		
184	7	7	J	□	2736 0304	A
185	∏	T	∩	∩	2736 0312	A
186	∅	∪	∩	∩	2736 0320	A
187	∩	∩	∩	∩	2736 0338	A
188	(+	:)	2736 0346	A
189	=	[]	&	2736 0353	A
190	{	!		· }	2736 0361	A
191	<	'	\	>	2736 0379	A
192	-	•	;	■	2736 0387	A
193	#	A	B	C	2736 0395	A
194	X	Y	Z	∩	2736 0403	A
195)	<	>	"	2736 8216	A

16 CHARACTER ARRANGEMENT

TYPE BLOCK POSITION ON BELT	EBCDIC -3
1, 5, 9, 13, etc thru 45	1
2, 6, 10, 14 etc thru 46	2
3, 7, 11, 15 etc thru 47	3
4, 8, 12, 16 etc thru 48	4

48 CHARACTER ARRANGEMENT

TYPE BLOCK POSITION ON BELT	EBCDIC -3	RPG	B300 B500
1,13,25,37	1	1	1
2,14,26,38	2	2	2
3,15,27,39	3	3	3
4,16,28,40	4	4	4
5,17,29,41	5	64	5
6,18,30,42	6	6	6
7,19,31,43	7	7	7
8,20,32,44	8	8	8
9,21,33,45	9	9	9
10,22,34,46	10	10	10
11,23,35,47	11	65	11
12,24,36,48	12	66	55

96 CHARACTER ARRANGEMENT

TYPE BLOCK POSITION ON BELT	EBCDIC -3	ANSII -2	KATA-KANA	HEBRAIC	ARABIC 2734 0090	ARABIC 2734 0082
1,25	1	1	1	108	1	158
2,26	2	2	2	179	2	161
3,27	3	3	27	142	178	164
4,28	4	4	28	143	165	165
5,29	5	64	5	180	166	166
6,30	6	6	6	181	167	167
7,31	7	7	7	182	168	168
8,32	8	8	8	183	169	169
9,33	9	9	9	184	170	170
10,34	10	10	10	185	171	171
11,35	11	65	29	186	172	172
12,36	12	66	30	187	173	173
13,37	13	67	94	188	174	174
14,38	14	68	95	189	175	175
15,39	15	69	31	190	176	176
16,40	16	70	32	191	177	177
17,41	17	96	33	192	64	64
18,42	18	18	34	193	6	6
19,43	19	19	35	145	7	7
20,44	20	20	36	146	8	8
21,45	21	21	61	147	9	9
22,46	22	22	62	148	10	10
23,47	23	71	63	149	11	11
24,48	24	72	37	194	195	195

NOTE: Numbers listed under various character arrangements is the type block reference number.

PART NUMBERS CONTINUED ON NEXT PAGE

4 CHARACTER – TYPE BLOCK AND TRAIN CONFIGURATION CHART (PLATE 33) CONTINUED – PAGE 4

NOTE: Numbers listed under various character arrangements is the type block reference number.

64 CHARACTER ARRANGEMENT

TYPE BLOCK POSITION ON BELT	EBCDIC -3	EBCDIC -2	ANSCH -3	ANSCH -2	BCL	BRAZIL	DENMARK	DENMARK / NORWAY	FRENCH / BELGIUM	GERMAN / AUSTRIAN	ITALY	LATIN / PORTUGAL
1,17,33	1	1	1	1	1	1	1	1	1	1	1	1
2,18,34	2	2	2	2	2	2	2	2	2	2	2	2
3,19,35	3	3	3	3	3	91	46	46	86	82	3	3
4,20,36	4	4	4	4	4	4	4	4	4	4	4	4
5,21,37	5	64	5	64	5	92	5	78	87	84	73	5
6,22,38	6	6	6	6	6	6	6	6	6	6	6	6
7,23,39	7	7	7	7	7	7	7	7	7	7	7	7
8,24,40	8	8	8	8	8	8	8	8	8	8	8	8
9,25,41	9	9	9	9	9	9	9	9	9	9	9	9
10,26,42	10	10	10	10	10	10	10	10	10	10	10	10
11,27,43	11	65	11	65	11	65	11	65	65	65	65	11
12,28,44	12	66	12	66	12	93	49	79	66	85	66	12
13,29,45	13	67	13	67	13	67	13	67	67	67	67	43
14,30,46	14	68	14	68	14	68	14	68	68	68	68	14
15,31,47	15	69	25	69	52	69	50	80	69	69	69	69
16,32,48	16	74	26	70	53	74	51	81	74	74	74	44

64 CHARACTER ARRANGEMENT

TYPE BLOCK POSITION ON BELT	LATIN / SPAIN-3	LATIN / SPAIN-2	OCR "A" NUM.	OCR "B" NUM.	FINLAND -3	SWEDEN/ FINLAND -2	TURKEY	UK	UK B3500	UK B6500	YUGO-SLAVIA	DENMARK OCR "B" NUMERIC	SWEDEN OCR "B" NUMERIC
1, 17, 33	1	1	102	108	1	1	1	1	1	1	1	108	108
2, 18, 34	2	2	103	109	2	2	2	2	2	2	2	109	109
3, 19, 35	3	3	104	110	46	46	3	38	38	3	88	97	97
4, 20, 36	4	4	4	4	4	4	4	4	4	4	4	4	4
5, 21, 37	5	64	55	112	5	84	5	64	5	5	89	112	112
6, 22, 38	6	6	6	6	6	6	6	6	6	6	6	6	6
7, 23, 39	7	7	7	7	7	7	7	7	7	7	7	7	7
8, 24, 40	8	8	8	8	8	8	8	8	8	8	8	8	8
9, 25, 41	9	9	9	9	9	9	9	9	9	9	9	9	9
10, 26, 42	10	10	10	10	10	10	10	10	10	10	10	10	10
11, 27, 43	11	65	11	11	11	65	11	65	11	11	65	11	11
12, 28, 44	12	77	12	12	47	85	56	66	12	12	90	49	47
13, 29, 45	13	67	105	111	13	67	57	67	13	13	67	111	111
14, 30, 46	14	68	106	113	14	68	58	68	14	14	68	113	113
15, 31, 47	69	69	107	114	48	69	59	75	39	41	69	100	98
16, 32, 48	16	74	16	16	16	74	60	76	40	42	74	51	99

64 CHARACTER ARRANGEMENT

TYPE BLOCK POSITION ON BELT	GREEK	OCR-A ALPHA-NUMERIC (WITHOUT I.D.)	OCR-A ALPHA-NUMERIC (WITH I.D.)	OCR-B ALPHA-NUMERIC (WITHOUT I.D.)	OCR-B ALPHA-NUMERIC (WITH I.D.)	DENMARK (OCR B) NUMERIC
1, 17, 33	1	122	138	140	156	108
2, 18, 34	2	123	139	141	157	109
3, 19, 35	115	124	124	142	142	97
4, 20, 36	116	125	125	143	143	4
5, 21, 37	5	126	126	144	144	112
6, 22, 38	6	127	127	145	145	6
7, 23, 39	7	128	128	146	146	7
8, 24, 40	8	129	129	147	147	8
9, 25, 41	9	130	130	148	148	9
10, 26, 42	10	131	131	149	149	10
11, 27, 43	11	132	132	150	150	11
12, 28, 44	117	133	133	151	151	49
13, 29, 45	118	134	134	152	152	111
14, 30, 46	119	135	135	153	153	113
15, 31, 47	121	136	136	154	154	100
16, 32, 48	120	137	137	155	155	51

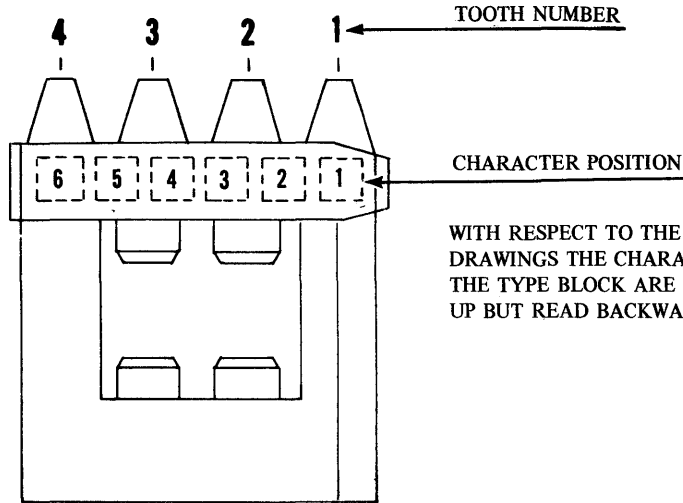
PART NUMBERS CONTINUED ON NEXT PAGE

4 CHARACTER - TYPE BLOCK AND TRAIN CONFIGURATION CHART (PLATE 33) CONTINUED - PAGE 5

64 CHARACTER ARRANGEMENT

TYPE BLOCK POSITION ON BELT	SWEDEN (OCR B) NUMERIC	HEBRAIC	ARABIC 2734 0108	ARABIC LATIN NUM 2734 0116
1, 17, 33	108	108	158	1
2, 18, 34	109	179	161	2
3, 19, 35	97	142	164	178
4, 20, 36	4	143	165	165
5, 21, 37	112	180	166	166
6, 22, 38	6	181	167	167
7, 23, 39	7	182	168	168
8, 24, 40	8	183	169	169
9, 25, 41	9	184	170	170
10, 26, 42	10	185	171	171
11, 27, 43	11	186	172	172
12, 28, 44	49	187	173	173
13, 29, 45	111	188	174	174
14, 30, 46	113	189	175	175
15, 31, 47	98	190	176	176
16, 32, 48	99	191	177	177

6 CHARACTER - TYPE BLOCK AND TRAIN CONFIGURATION CHART (PLATE 34) - PAGE 1



TC3367

*CONSTR. TYPE "A" (NO NOTCH)

CONSTR TYPE	NOTCH ON TOOTH NO.	CONSTR TYPE	NOTCH ON TOOTH NO.
B	2	J	1, 2, 3
C	2, 3	K	4
D	2, 4	L	1, 4
E	2, 3, 4	M	1, 2, 4
F	1	N	3, 4
G	1, 2	O	1, 3, 4
H	3	P	1, 2, 3, 4
I	1, 3		

TYPE BLOCK REF. NO.	CHARACTER POSITION						TYPE BLOCK PART NO.	CONSTR TYPE
	NO. 1 CHAR	NO. 2 CHAR	NO. 3 CHAR	NO. 4 CHAR	NO. 5 CHAR	NO. 6 CHAR		
1	0	2	3	5	6	8	2108 2375	A
2	9	\$	@	4	"	7	2108 2383	A
3	1	.	*	-	,	?	2108 2391	A
4	B	C	D	G	H	I	2108 2409	A
5	M	N	O	P	Q	R	2108 2417	A
6	S	T	U	W	X	Z	2108 2425	A
7	A	E	F	K	L	J	2108 2433	A
8	V	Y)	:	(+	2108 2441	A
9	<	&	%	#	=	-	2108 2458	A
10	¤	■	¢	/	a	b	2108 2466	A
11	[]	>	\		!	2108 2474	A
12	'	{	•	}	_	;	2717 5918	A
13	c	i	d	j	e	l	2108 3464	A
14	m	n	o	p	q	r	2108 3472	A
15	s	u	w	x	y	z	2108 3480	A
16	g	f	h	v	t	k	2108 3498	A
17	9	£	@	4	"	7	2108 5840	A
18	[]	>	-		!	2108 5923	A
19	<	&	%	#	=	\$	2108 5931	A
20	<	&	%	£	=	-	2108 5949	A
21	[]	>	#	!		2108 5956	A
22	0	2	3	5	6	8	2108 5964	B
23	9	£	@	4	"	7	2108 6319	C
24	0	2	3	5	6	8	2108 5972	D
25	9	À	Ö	4	"	7	2108 6327	I
26	9	\$	@	4	"	7	2108 5980	F
27	9	\$	@	4	"	7	2108 5998	B
28	9	\$	@	4	"	7	2108 6004	G
29	V	Y	&	%	/	@	2108 6624	A
30	9	\$	@	4	"	7	2108 6046	K
31	9	\$	@	4	"	7	2108 6053	L

TYPE BLOCK REF. NO.	CHARACTER POSITION						TYPE BLOCK PART NO.	CONSTR TYPE
	NO. 1 CHAR	NO. 2 CHAR	NO. 3 CHAR	NO. 4 CHAR	NO. 5 CHAR	NO. 6 CHAR		
32	9	À	Ø	4	"	7	2116 7218	O
33	9	\$	@	4	"	7	2108 6343	M
34	9	\$	@	4	"	7	2108 6079	P
35	9	\$	@	4	"	7	2108 6087	D
36	9	\$	@	4	"	7	2108 6095	E
37	9	\$	=	4	\	7	2108 6350	H
38	Ç	Ã	>	\		!	2116 8117	A
39	Õ	{	•	}	_	;	2717 5926	A
40	<	&	%	Ñ	=	-	2108 6129	A
41	9	À	Ö	4	"	7	2108 6145	A
42	<	&	%	Ä	=	-	2108 6152	A
43	9	À	Ø	4	"	7	2116 7242	A
44	<	&	%	Æ	=	Ü	2116 7267	A
45	[]	>	←		Ö	2116 7275	A
46	_	{	•	}	Ä	;	2717 5934	A
47	9	\$	@	4	"	7	2108 6202	A
48	<	l	%	#	=	§	2108 6210	A
49	i	ö	>	[]	2712 1565	A
50	ü	{	•	}	_	Ç	2717 5942	A
51	V	Y)	/	(+	2108 6244	A
52	9	\$	=	4	\	7	2108 6251	A
53	9	\$	@	4	#	7	2108 6269	A
54	<	&	%	#	=	^	2108 6277	A
55	[]	>	\	←	x	2108 6285	A
56	≥	{	•	}	_	;	2717 5959	A
57	<	&	%	#	=	≤	2108 6301	A
58	9	\$	@	4	#	7	2108 6368	N
59	9	\$	#	4	'	7	2108 6376	B
60	9	\$	#	4	'	7	2108 6384	A

CONTINUED ON NEXT PAGE

6 CHARACTER - TYPE BLOCK AND TRAIN CONFIGURATION CHART (PLATE 34) CONTINUED - PAGE 2

TYPE BLOCK REF. NO.	CHARACTER POSITION						TYPE BLOCK PART NO.	CONST. TYPE
	NO. 1 CHAR	NO. 2 CHAR	NO. 3 CHAR	NO. 4 CHAR	NO. 5 CHAR	NO. 6 CHAR		
61								
62	9	\$	@	4	"	7	2712 0468	D
63	┘	•	*	-	，	?	2712 0476	A
64	[]	┘	\		!	2712 0484	A
65	┘	&	%	#	┘	┘	2712 0492	A
66								
67	9	\$	@	4	"	7	2712 0518	C
68	1	•	*	-	，	?	2116 7226	A
69	[]	>	\		!	2712 0542	A
70	<	&	%	#	=	┘	2712 0559	A
71								
72	9	\$	@	4	"	7	2712 0575	A
73	9	\$	@	4	"	7	2712 0583	A
74								
75								
76								
77								
78								
79								
80								
81								
82								
83								
84								
85								
86								
87	9	=	@	4	"	7	2116 6814	A
88	9	=	@	4	"	7	2116 6822	K
89	I	カ	ケ	コ	ア	シ	2116 6848	A
90	キ	サ	ソ	セ	イ	ス	2116 6855	A
91	ソ	タ	チ	ツ	テ	ト	2116 6863	A
92	ナ	ニ	ヌ	ネ	ノ	ハ	2116 6871	A
93	ヒ	フ	ハ	ホ	マ	ミ	2116 6889	A
94	ム	メ	モ	フ	ユ	ヨ	2116 6897	A
95	ラ	リ	ル	ロ	レ	ワ	2116 6905	A
96								
97	V	Y)	:	(+	2116 7259	A
98								
99	1	•	*	-	，	?	2116 7226	A
100	<	>	○	オ	ク	ウ	2116 6830	A
101	0	2	3	5	6	8	2116 7200	B
102	9	Ä	Ö	4	"	7	2116 7341	N
103	<	&	%	Ä	=	Ü	2116 7366	A
104	[]	>	#		Ø	2116 7440	A
105	'	{	•	}	Æ	;	2116 7457	A
106	9	Ä	Ö	4	"	7	2116 7465	A

TYPE BLOCK REF. NO.	CHARACTER POSITION						TYPE BLOCK PART NO.	CONST. TYPE
	NO. 1 CHAR	NO. 2 CHAR	NO. 3 CHAR	NO. 4 CHAR	NO. 5 CHAR	NO. 6 CHAR		
107	□	2	3	5	6	8	2736 7929	D
108	9	\$	@	4	"	7	2736 7937	E
109	┘	•	*	-	，	?	2736 5022	A
110	M	N	O	P	Q	R	2736 5030	A
111	B	C	D	G	H	I	2736 5048	A
112	V	Y)	:	(+	2736 5055	A
113	A	E	F	K	L	J	2736 5063	A
114	S	T	U	W	X	Z	2736 5071	A
115	┘	&	%	#	┘	┘	2736 5089	A
116	α	>	¢	/	<	=	2736 5097	A
117	[]	H	\		!	2736 5105	A
118	'	{	•	}	-	;	2736 5113	A
119	□	2	3	5	6	8	2736 5006	A
120	9	\$	@	4	"	7	2736 5014	A
121	0	2	3	5	6	8	2736 7945	D
122	9	\$	@	4	"	7	2736 7952	C
123	1	•	*	-	，	?	2736 4025	A
124	M	N	O	P	Q	R	2736 4033	A
125	B	C	D	G	H	I	2736 4041	A
126	V	Y)	:	(+	2736 4058	A
127	A	E	F	K	L	J	2736 4066	A
128	S	T	U	W	X	Z	2736 4074	A
129	<	&	%	#	=	┘	2736 4082	A
130	α	■	¢	/	a	b	2736 4090	A
131	[]	>	\		!	2736 4108	A
132	'	{	•	}	-	;	2736 4116	A
133	0	2	3	5	6	8	2736 4009	A
134	9	\$	@	4	"	7	2736 4017	A
135	0	2	3	5	6	8	2736 7002	E
136	-	9	1	7	4	\$	2736 7010	A
137	-	9	1	7	4	\$	2736 7028	D
138	-	9	1	7	4	\$	2736 7036	C
139	-	9	1	7	4	\$	2736 7044	B
140	@	*	•	，	"	?	2736 7051	A
141	∩	%	7	/	Π	ψ	2736 7069	A
142	N	┘	λ	T	Π	Π	2736 7077	A
143	θ	┘	1	┘	Υ	Σ	2736 7085	A
144	□	Π	'	7	┘	∇	2736 7093	A
145	┘	Y	┘	J	9	9	2736 7101	A
146	■	\	•	┘	#	=	2736 7119	A
147	<	[!	']	>	2736 7127	A
148	&	{		;	}	-	2736 7135	A
149	0	2	3	5	6	8	2736 6939	C
150	9	\$	=	4	"	7	2736 4165	A
151	9	\$	=	4	"	7	2736 6921	B

CONTINUED ON NEXT PAG

6 CHARACTER - TYPE BLOCK AND TRAIN CONFIGURATION CHART (PLATE 34) CONTINUED - PAGE 3

NOTE: Numbers listed under various character arrangements is the type block reference number.

48 CHARACTER ARRANGEMENT

TYPE BLOCK POSITION ON BELT	EBCDIC	FORT-RAN	RPG	B300 B500	HEBRAIC
1	22	149	24	22	135
2	27	151	59	58	139
3	3	3	3	3	140
4, 12, 20, 28, 36, 44	5	5	5	5	141
5, 13, 21, 29, 37, 45	4	4	4	4	142
6, 14, 22, 30, 38, 46	8	51	29	51	143
7, 15, 23, 31, 39, 47	7	7	7	7	144
8, 16, 24, 32, 40, 48	6	6	6	6	145
9, 17, 25, 33, 41	1	1	1	1	133
10, 18, 26, 34, 42	2	52	60	53	136
11, 19, 27, 35, 43	3	3	3	3	140

18 CHARACTER ARRANGEMENT

TYPE BLOCK POSITION ON BELT	EBCDIC
1	22
2	30
3	82
4, 7, 10, 13, 16	
19, 22, 25, 28, 31	
34, 37, 40, 43, 46	1
5, 8, 11, 14, 17,	
20, 23, 26, 29, 32,	
35, 38, 41, 44, 47	2
6, 9, 12, 15, 18,	
21, 24, 27, 30, 33,	
36, 39, 42, 45, 48	3

72 CHARACTER ARRANGEMENT

TYPE BLOCK POSITION ON BELT	EBCDIC	ANSII	OCR "A" NUM	OCR "B" NUM	ALPHA-NUM		BCL	DEN-MARK	FINLAND	LATIN/ PORTUGAL	LATIN/ SPAIN	SWEDEN	HEBRAIC
					OCR "A"	OCR "B"							
1	22	22	61	66	107	121	22	101	22	22	22	96	135
2	35	34	62	67	108	122	28	32	25	26	31	102	133
3, 15, 27, 39	3	3	63	68	109	123	3	99	3	3	3	99	136
4, 16, 28, 40	5	5	5	5	110	124	5	5	5	5	5	5	137
5, 17, 29, 41	4	4	4	4	111	125	4	4	4	4	4	4	140
6, 18, 30, 42	8	8	8	97	112	126	8	97	8	8	8	97	141
7, 19, 31, 43	7	7	7	7	113	127	7	7	7	7	7	7	142
8, 20, 32, 44	6	6	6	6	114	128	6	6	6	6	6	6	143
9, 21, 33, 45	9	54	65	70	115	129	57	44	42	9	40	103	144
10, 22, 34, 46	10	10	10	10	116	130	10	10	10	10	10	10	145
11, 23, 35, 47	11	11	64	69	117	131	55	45	11	38	11	104	146
12, 24, 36, 48	12	12	12	12	118	132	12	46	12	39	12	105	147
13, 25, 37	1	1	71	98	119	133	1	98	1	1	1	98	148
14, 26, 38	2	2	72	73	120	134	2	43	41	2	2	106	126

72 CHARACTER ARRANGEMENT

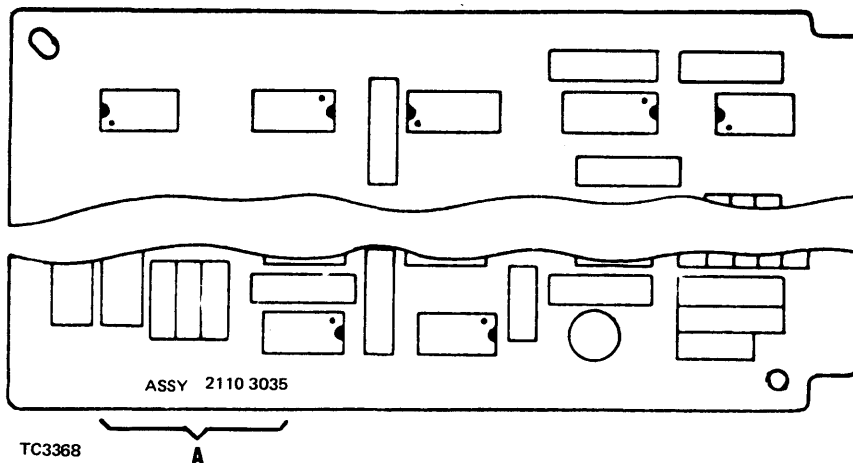
TYPE BLOCK POSITION ON BELT	OCR-A ALPHA NUMERIC	OCR-B ALPHA NUMERIC	TURKEY	UK B3500	UK B6500
1	119	133	22	22	22
2	107	121	33	23	36
3, 15, 27, 39	120	134	3	3	3
4, 16, 28, 40	108	122	5	5	5
5, 17, 29, 41	109	123	4	4	4
6, 18, 30, 42	110	124	8	8	8
7, 19, 31, 43	111	125	7	7	7
8, 20, 32, 44	112	126	6	6	6
9, 21, 33, 45	113	127	48	19	20
10, 22, 34, 46	114	128	10	10	10
11, 23, 35, 47	115	129	49	18	21
12, 24, 36, 48	116	130	50	12	12
13, 25, 37	117	131	1	1	1
14, 26, 38	118	132	47	17	2

96 CHARACTER ARRANGEMENT

TYPE BLOCK POSITION ON BELT	EBCDIC	KATA-KANA	HEBRAIC
1,	24	24	135
2		88	138
2, 18, 34	2		
3	3	3	140
4, 20, 36	5	5	141
5, 21, 37	4	4	142
6, 22, 38	8	51	143
7, 23, 39	7	7	144
8, 24, 40	6	6	145
9, 25, 41	9	100	146
10, 26, 42	10	89	147
11, 27, 43	11	90	148
12, 28, 44	12	91	126
13, 29, 45	13	92	124
14, 30, 46	14	93	125
15, 31, 47	15	94	127
16, 32, 48	16	95	128
17, 33	1	1	133
18, 34		87	136
19, 35	3	3	140

PART NUMBERS CONTINUED ON NEXT PAGE

PRINTED CIRCUIT CARDS – 400/750 LPM – (MOD.1) (PLATE 35)
(For Top Unit Numbers 1090 0439 and 1090 0447)



P.C. Cards may be ordered using eight-digit assembly numbers marked on the component side of card (Item A above) or as listed below.

(Use 1088 8261 large card bumper or 2717 7716 small card bumper as required.)

CARD NAME	PART NUMBER
Chain Timing:	
400 LPM	2108 1369
750 LPM	2108 1377
Clutch and Brake:	2108 0510
(machines without RIN 6328-001)	1086 1003
Column Counter:	
132 column	1086 0922
Format Control and Motion Detector	2729 8405
Format Input Register	2110 8634
Format Memory Counter:	
before S/N 770105 (750 LPM)	2107 6997
after S/N 760001 (400 LPM) }	2110 8600
S/N 770104 (750 LPM) }	
Format Memory Counter (Superior Quality Option)	2116 0049
Hammer Driver:	
Odd columns, 6 circuits	2116 1773
Even columns, 6 circuits	2116 1740
Hammer Driver Control and Lamp Amp	2107 6690
Hammer Driver Control and Lamp Amp (Superior Quality Option)	2107 6682
Interface	2729 5534
Magnetic Pick-Up and Photo Amplifier:	
before S/N 760366 (400 LPM) }	1086 0989
S/N 770530 (750 LPM) }	
after S/N 760365 (400 LPM) }	2110 8618
S/N 770529 (750 LPM) }	
400/750 LPM, with non-amplified pickups	2756 2867

CARD NAME	PART NUMBER
Magnetic Pickup/Photo Amplifier (Superior Quality Option)	2110 8626
for amplified pickups	2110 8626
for non-amplified pickups	2756 2875
Paper Advance Control	
400 LPM	1086 6077
750 LPM	2717 6551
Paper Advance Control (Superior Quality Option):	2717 6569
Print Check and Chain Motor	1086 8313
Print Check and Ribbon Control:	
132 column, before S/N 760952 (400 LPM)	1087 0079
S/N 771314 (750 LPM)	
132 column, after S/N 760951 (400 LPM)	2717 2972
S/N 771313 (750 LPM)	
Paper Clamp	2116 3035
old style board use: 1051 4393 fuse .75 amp	
new style board use: 1083 9256 fuse .6 amp	
1321 8631 fuse 2 amp	
Paper Clamp Logic (for individual fusing of paper clamps)	2729 4545
Reset Control	2717 6577
Solenoid Control	2116 2060
12 Channel Format Logic	2104 2429

PRINTED CIRCUIT CARDS – 400/750 LPM (MOD 2) (PLATE 36)
 (For Top Unit Numbers 2117 0022 and 2117 0030)

CARD NAME	PART NUMBER
Chain Timing	
400 LPM	2712 2282
750 LPM	2712 2290
Chain and Ribbon Control:	
132 column before S/N 760952 (400 LPM)	2107 3341
S/N 771314 (750 LPM)	
132 column after S/N 760951 (400 LPM)	2726 9588
S/N 771313 (750 LPM)	
Clutch Brake Solenoid Control	2116 2581
Column Counter Hammer Control:	
132 col. – before S/N 761226 (400 LPM) and	2107 6120
771592 (750 LPM).	
132 col. (Sup. Print Opt.) – before S/N 771592	2107 6211
(750 LPM)	
132 col. – after S/N 761225 (400 LPM) and	2717 8565
771591 (750 LPM).	
132 col. (Sup. Print Opt.) – after S/N 771591	2717 8581
(750 LPM).	
Format Register and Counter:	
400 LPM, before S/N 760958 } 750 LPM, before S/N 771327 }	2110 8782
400 LPM, after S/N 760957 } 750 LPM, after S/N 771326 }	2116 9024
Hammer Driver Even Columns:	
2 circuits	2116 2326
4 circuits	2116 2334
8 circuits	2116 2342
Hammer Driver Odd Columns:	
2 circuits	2116 2482
4 circuits	2116 3001
8 circuits	2116 3019
Interface	2729 5674
Intensity Control	2717 8011
Magnetic Pick-Up and Photo Amplifier	2110 8196
Lamp Amplifier	2108 9420
Paper Advance Control:	
400 LPM	2116 8836
750 LPM	2116 8828
Superior Quality Option	2116 8844
Paper Clamp Logic	2116 3092
Paper Clamp Logic (for individual fusing of paper clamps)	2729 4529
Oiler Control	2116 4280
Reset Control:	
400 LPM, before S/N 760958 } 750 LPM, before S/N 771327 }	2107 8852
400 LPM, after S/N 760957 } 750 LPM, after S/N 771326 }	2116 9248
Train ID	2116 6368
12 Channel Format Logic:	
400 LPM before S/N 760958	2107 8944
750 LPM before S/N 771715	
400 LPM after S/N 760957	
750 LPM after S/N 771714	2729 2986

PRINTED CIRCUIT CARDS – 400 LPM (MOD. 3) AND 750 LPM (MOD. 2/3)(PLATE 37)
(For Top Unit Numbers 2117 0162, 2117 0170 and 2117 1301)

CARD NAME	PART NUMBER
Automatic Phase Control, Single Speed:	
For non-amplified pickups	2756 4038
Auto Phase Control 750/1100 Mod. 5	2756 4442
Chain Timing:	
400 LPM	2107 6146
750 LPM	2712 2290
Chain and Ribbon Control:	
400 LPM before S/N 760952 } 750 LPM before S/N 771314 }	2107 3341
400 LPM after S/N 760951 } ref. RIN R3201-020 750 LPM after S/N 771313 } or RIN R6328-051	2726 9588
Clutch Brake Solenoid Control	2116 2581
Column Counter Hammer Control:	
132 col. – before S/N 761226 (400 LPM) and 771592 (750 LPM).	2107 6120
132 col. (Sup. Print Opt.) – before S/N 771592 (750 LPM).	2107 6211
132 col. – after S/N 761225 (400 LPM) and 771591 (750 LPM).	2717 8565
132 col. (Sup. Print Opt.) – after S/N 771591 (750 LPM).	2717 8581
Error Detector	2107 8886
Format Register and Counter:	
400 LPM, before S/N 760958 } 750 LPM, before S/N 771327 }	2110 8782
400 LPM, after S/N 760957 } 750 LPM, after S/N 771326 }	2116 9024
Hammer Driver Even Columns:	
2 circuits	2116 2326
4 circuits	2116 2334
8 circuits	2116 2342
Hammer Driver Odd Columns:	
2 circuits	2116 2482
4 circuits	2116 3001
8 circuits	2116 3019
Interface	2729 5674
Intensity Control	2717 8011
Lamp Amplifier	2108 9420
Magnetic Pick-Up and Photo Amplifier	2110 8196
Oiler Control	2116 4280
Paper Advance Control:	
400 LPM	2116 8836
750 LPM	2116 8828
Superior Print Quality	2116 8844
Paper Clamp	2116 3092
Paper Clamp Logic (for individual fusing of paper clamps)	2729 4529
Reset Control:	
400 LPM, before S/N 760958 } 750 LPM, before S/N 771327 }	2107 8852
400 LPM, after S/N 760957 } 750 LPM, after S/N 771326 }	2116 9248
Train ID	2116 6368
12 Channel Format Logic:	
400 LPM before S/N 760958 } 750 LPM before S/N 771715 }	2107 8944
400 LPM after S/N 760957 } 750 LPM after S/N 771714 }	2729 2986

PRINTED CIRCUIT CARDS – 1100 LPM (MOD. 1, 2 & 3) (PLATE 38)
 (For Top Unit Numbers 2101 0947, 2117 1319 and 2117 1699)

CARD NAME	PART NUMBER
Chain and Ribbon Control:	
before S/N 780630	2107 3341
after S/N 780629	2726 9588
Clutch Brake Solenoid Control	2116 2581
Column Counter and Train I.D.:	
132 column option, before S/N 780866	2108 2961
after S/N .780865	2116 7499
Column Control	2107 8126
Column Decoder	2108 5196
Format Register and Counter	2116 9024
Format Control and Motion Detect	2726 4423
Hammer Driver	2116 2714
Hammer Driver Control:	
before S/N 781099	2107 7912
after S/N 781098	2717 8664
Interface	2729 5666
Intensity Control	2717 8029
Magnetic Pickup and Photo Amplifier (non-amplified pickups) reference LIN 3201-015R	2756 4137
Oiler Control	2116 4280
Paper Advance Control	2116 8802
Paper Advance Control (Superior Quality Option)	2116 8810
Paper Clamp	2116 3092
Paper Clamp Logic (for individual fusing of clamps)	2729 4529
Print Scan and Lamp Amplifier	2717 8656
Reset Control	2116 9248
12 Channel Format Logic:	
before S/N 781223	2107 8944
after S/N 781222	2729 2986

PRINTED CIRCUIT CARDS - 750/1100 LPM MOD. 5 (PLATE 39)

(For Top Unit Numbers 1123 1109 and 2723 1117)

CARD NAME	PART NUMBER
Auto Phase Control	2756 4442
Chain Ribbon Control	2729 4958
Clutch Brake	2729 3877
Column Address Control	2756 4483
Column Address Control and Decoder (750 LPM only)	2756 4525
Column Decoder (1100 LPM only)	2733 2436
Error Detect	2726 4712
Form Control and Motion Detect	2726 4795
Fuseboard	2729 5138
Hammer Driver - 16 Ckts.	2733 8045
Hammer Driver - 17 Ckts.	2733 8037
Interface	2729 3067
Jumper Card	2733 2345
Paper Advance Control	2729 2945
Paper Clamp and Yoke Sol. Control	2729 2754
Print Scan, Train ID and Hammer Clk (750 LPM)	2733 6528
Print Scan, Train ID and Hammer Clk (1100 LPM)	2733 6510
Reset Control	2729 3158

POWER SUPPLY (1087 8544) ASSEMBLY - 50/60 HZ (PLATE 40)
(For Top Unit Numbers 1090 0439, 1090 0447, 2117 0022, 2117 0030)

NOTE: Components listed are for schematics 2104 0159 and 2116 8307.

DESCRIPTION	SCHEMATIC DESIGNATION	PART NUMBER
CAPACITORS		
.01uf 100V	C6, 31	1321 9449
.01uf 200V	C22	1087 0012
.02uf 100V	C2, 10	1088 5895
.47uf 600VDC	C39, 41	2108 7366
.56 uf 15V	C24	1760 6120
.1 uf 100V	C23	2116 8539
1uf 10V	C4, 8, 11 thru 15, 23 thru 27, 35, 37, 38, 40	2105 3137
1.4uf 125V	C46	1707 1820
1.2uf 660VAC	C29	1434 7553
40uf 16V	C47	1089 6140
50uf 6.4V		1088 5762
120uf 30V	C30	1083 3002
250uf 15V	C5	1083 2996
250uf 64V	C42	1087 4949
300uf 10V	C45	2105 6643
300uf 30V	C9	2105 0745
400uf 40V	C34	1083 2947
750uf 10V	C1, 44	2105 3129
750uf 50V	C43	1520 5362
1,000uf 50V	C32, 33	2116 1708
5,000uf 15V	C7	1083 2921
12,500uf 125V	C28	2104 0464
20,000uf 15V	C3	1086 9964
20,000uf 40V	C16	1086 9980
20,000uf 100V	C17 thru 21	2104 0456
DIODES		
CR10D1	CR1, 2, 3, 4, 7, 8, 9, 14 thru 26, 29 thru 38	1080 6180
CR1N3616	CR5, 6, 12, 13	1080 6412
CR1N5172	CR10, 11	1087 0145
CR1N3620	CR18, 19, 27, 28	1083 8720
1N3618	CR17, 39	1087 0129
33142 (1 amp, 200V)	CR40, 41	1083 3010
ZENER DIODES		
CR1N1956A	Z1, 2, 5, 6	1088 5648
CR1N4744A	Z3	2104 0043
CR1N1960A	Z4	1083 8886
IN936A	Z7	2116 8521
CR1N968B	Z8	1086 9857
CR1N1962A	Z9	2105 3111
CR1N4742A	Z10	1088 9954
INTEGRATED CIRCUITS		
Voltage Regulator	IC1, 2	2103 9961
RESISTORS		
.05 ohms 10W 1%	R239	1001 9925
.2 ohms 5W 10%	R41, 42	1084 0478
.3 ohms 5W 10%	R110, 111	2104 0282
1 ohm 3W 5%	R73, 151 thru 157	2104 0191
1 ohm 50W 10%	R147	2104 0340
15 ohms 10W 10%	R175, 177	1086 9881
20 ohms .5W 5%	R37, 105, 143	1265 3481
22 ohms .5W 5%	R67	1265 3515
25 ohms 50W 10%	R176	1196 7395
50 ohms 5W 10%	R109	2104 0274
50 ohms 50W 10%	R148, 174,	1086 9873
50 ohms 100W 10%	R179	2104 0431
75 ohms 160W 10%	R178	2105 6635
100 ohms 1W 1%	R10, 19, 29, 53	1083 3127
100 ohms 3W 5%	R160, 161, 162	1100 1187

POWER SUPPLY (1087 8544) ASSEMBLY (PLATE 40) CONTINUED – PAGE 2

DESCRIPTION	SCHEMATIC DESIGNATION		PART NUMBER	
100 ohms	.5W	5%	R69, 70, 213, 214, 23, 32	1265 3994
120 ohms	.5W	5%	R163, 225, 226	1265 4059
150 ohms	.5W	5%	R167	1265 4117
150 ohms	3W	5%	R40, 212	1087 5573
180 ohms	.5W	5%	R12, 20, 30, 58	1265 4174
180 ohms	3W	5%	R173	2100 7646
200 ohms	.5W	5%	R38, 39, 106, 107, 144, 145	1265 4208
200 ohms	.75W	1%	R54	1083 8779
200 ohms	1W	1%	R3, 16	1083 3135
205 ohms	1W	1%	R8, 17, 27, 46	2104 0142
220 ohms	.5W	5%	R198, 215, 217, 218, 234	1265 4232
250 ohms	3W	5%	R221	2104 0407
300 ohms	.5W	5%	R45	1265 4323
301 ohms	.5W	1%	R1,55	1088 5747
330 ohms	.5W	5%	R184, 185, 200, 204, 225, 233	1265 4356
400 ohms	50W	10%	R149	2104 0357
402 ohms	.5W	1%	R7, 48, 169, 171	1083 3168
453 ohms	.5W	1%	R78	1087 5649
470 ohms	.5W	5%	R64, 74, 81, 88, 113, 126, 146, 193, 224	1265 4471
500 ohms	.75W	10%	R115	2116 8547
500 ohms	3W	5%	R85	2104 0209
510 ohms	.5W	5%	R13, 66, 199, 235	1265 4505
680 ohms	.5W	5%	R86, 124, 201, 219, 220, 232	1265 4596
715 ohms	1W	1%	R6	1083 3184
750 ohms	3W	5%	R108	1087 5581
750 ohms	.5W	5%	R194, 226	1265 4620
750 ohms	1W	1%	R51, 52	1087 0376
806 ohms	.5W	1%	R97	2104 0241
820 ohms	.5W	5%	R168	1265 4653
909 ohms	.5W	1%	R116	1087 5672
910 ohms	.5W	5%	R22	1265 4687
953 ohms	.5W	1%	R135, 190	2104 0332
1K		1%	R26, 35, 60	1083 9124
1K	.5W	5%	R21, 33, 36, 44, 56, 62, 63, 65, 68, 72, 82, 89, 99, 101, 104, 128, 137, 139, 142, 186, 187, 192, 195, 204, 207, 208, 209, 216, 224, 227	1265 4711
1.2K	.5W	5%	R100, 138, 183	1265 4778
1.5K	.5W	1%	R102, 103, 140, 141, 181, 182	2104 0266
1.5K	.5W	5%	R11, 14, 90, 222	1265 4836
1.5K	3W	5%	R127	1083 9140
1.74K	.5W	1%	R76	1087 5680
1.8K	.5W	5%	R92, 130	1265 4893
1.82K	.5W	1%	R25, 61	1083 9108
2K	.5W	5%	R71, 172, 197, 203, 231	1265 4927
2K	5W	10%	R123	2104 0316
2.1K	1W	1%	R95	2104 0233
2.2K	.5W	5%	R98, 136	1265 4950
2.4K	.5W	5%	R87, 125, 211	1265 4984
2.7K	.5W	5%	R117, 228	1265 5015
3K	.5W	5%	R191, 237, 238	1265 5049
3.3K	.5W	5%	R57, 84	1265 5072
3.6K	.5W	5%	R166, 205, 206	1265 5106
3.6K	3W	5%		1087 5615
4.3K	3W	5%	R114	2104 0308
4.99K	.5W	1%	R94, 132	2104 0225
5K	3W	5%	R43	1100 3621
5.1K	.5W	5%	R165	1265 5221
5.6K	.5W	5%	R24, 31, 91, 129, 196, 202, 210, 230, 236	1265 5254
6.2K	.5W	5%	R223	1265 5288
6.49K	1W	1%	R34	2104 0175

PART NUMBERS CONTINUED ON NEXT PAGE

POWER SUPPLY (1087 8544) ASSEMBLY (PLATE 40) CONTINUED - PAGE 3

DESCRIPTION	SCHMATIC DESIGNATION	PART NUMBER
RESISTORS (CONTINUED)		
9.1K .5W 5%	R83, 118	1265 5403
10K 1W 1%	R5, 50, 80	2104 0134
10K .5W 5%	R59	1265 5437
10K 3W 5%	R121	1087 5623
12K 1W 5%	R119	1266 0288
13.7K .5W 1%	R133, 188	2104 0324
750K .5W 5%	R194	1265 4620
VARIABLE RESISTORS		
200Ω .75W 10%	R2, 9, 18, 28, 47, 77, 54, 96, 115, 134, 170	1083 8779
1K .75W 10%	R120, 189	2104 0290
2K .75W 10%	R4, 49, 79, 93, 131	1083 8852
SILICON CONTROL RECTIFIERS		
1.6 amp 50V	SCR2 thru 5, 13, 14	2103 9953
1.6 amp 100V	SCR10	2104 0027
1.6 amp 200V	SCR8, 9	2103 9938
8 amp 25V	SCR1	1088 6984
8 amp 50V	SCR6, 7	2103 9946
8 amp 200V	SCR12	2104 0076
25 amp 100V	SCR11	2108 4173
TRANSISTORS		
NPN 5W	Q1, 15, 20, 23 thru 26, 58, 74	1083 3929
NPN 200MW	Q2 thru 10, 18, 27, 28, 29, 31, 32, 33, 41, 42, 43, 45, 46, 47, 59, 60, 62, 63, 69 thru 72	2104 0001
PNP 200MW	Q11, 16, 17, 21, 30, 34, 44, 48, 61, 64 thru 68	2104 0019
NPN 25W	Q12, 35	1083 3911
NPN 115W	Q13, 14, 22, 36, 37, 75	2104 0068
NPN 5W	Q19, 38, 39, 40, 49	2103 9995
NPN 150W	Q50 thru 57	2104 0118
PNP 5W	Q73	1083 8746
TRIAC		
2N5446	TR1, 2	2105 9431

DESCRIPTION	SCHMATIC DESIGNATION	PART NUMBER
CIRCUIT BREAKER		
2 pole	CB1	1086 7711
FUSES		
.5 amp 250V	F6, 9, 10	2104 0597
1 amp 250V	F8	1102 7935
2 amp 130V	F2	2100 7604
2 amp 250V	F7	2104 0589
6 amp 130V	F3	1083 3820
8 amp 130V	F1	2104 0548
10 amp 130V	F4	1080 6487
10 amp 250V	F5	1110 1995
INDICATING HOLDERS		
12 volt	I1, 2	2104 0605
24 volt	I6, 13	2104 0613
125 volt	I5, 7, 14	1001 6301
TRANSFORMERS		
8281-001	T1	1087 0434
8315-001	T2	2104 0639
PRINTED CIRCUIT CARDS		
4315-002	PC1 (sch. 2104 0159)	2105 5009
4315-012	PC1 (sch. 2116 8307)	2116 8315
4315-003	PC2 (sch. 2104 0159)	2105 5017
4315-013	PC2 (sch. 2116 8307)	2116 8323
4315-004	PC3 (sch. 2104 0159)	2105 5025
4315-014	PC3 (sch. 2116 8307)	2116 8331
4315-005	PC4 (sch. 2104 0159)	2105 5033
4315-015	PC4 (sch. 2116 8307)	2116 8349
4315-006	PC5 (sch. 2104 0159)	2105 5041
4315-006	PC5 (sch. 2116 8307)	2105 5041
4315-007	PC6 (sch. 2104 0159)	2105 5058
4315-017	PC6 (sch. 2116 8307)	2116 8356
4315-008	PC7 (sch. 2104 0159)	2105 5066
4315-008	PC7 (sch. 2116 8307)	2105 5066
REED RELAY		
5 volt	K1, 2	2108 4165
FILTER		
RFI		2108 7341

POWER SUPPLY (2117 3067) ASSEMBLY – 50/60 HZ (PLATE 41)
(formerly 2108 2094)

(For Top Unit Numbers 2101 0947, 2117 0162, 2117 0170, 2117 1301, 2117 1319, 2117 1699)

NOTE: This part is interchangeable with 1438 4168 power supply; also components listed are for schematic 2108 8141 and 2116 0817.

DESCRIPTION	SCHEMATIC DESIGNATION	PART NUMBER	DESCRIPTION	SCHEMATIC DESIGNATION	PART NUMBER
CAPACITORS			RESISTORS (continued)		
.01uf 100V	C31	1321 9449	50 ohm 100W 10%	R179	2104 0431
.01uf 200V	C22	1087 0012	75 ohm 160W 10%	R178	2105 6635
.02uf 100V	C10	1088 5895	100 ohm 1W 1%	R10, 19, 29	1083 3127
.05uf 50V 20%	C2	2116 8596	100 ohm .5W 5%	R23, 32, 69, 70, 213, 214	1265 3994
.1uf 500V	C48	1321 9670	100 ohm 3W 5%	R160, 161, 162	1100 1187
.47uf 600V	C39, 41	2108 7366	120 ohm .5W 5%	R159, 163, 225, 226	1265 4059
1uf 10V	C4, 8, 11 thru 15, 23 thru 27, 35, 37, 38, 40	2105 3137	150 ohm .5W 5%	R167	1265 4117
2uf 25V	C5	2712 3199	150 ohm 3W 5%	R40, 212	1087 5573
12uf 660VAC	C29	1434 7553	150 ohm 50W 5%	R179	2116 5550
14uf 125V	C46	1707 1820	180 ohm .5W 5%	R12, 20, 30	1265 4174
30uf 25VDC	C49	2108 8414	180 ohm 3W 5%	R173	2100 7646
40uf 16VDC	C47	1089 6140	200 ohm 1W 1%	R3, 16	1083 3135
120uf 30V	C30	1083 3002	200 ohm .5W 5%	R38, 39, 106, 107, 144, 145	1265 4208
250uf 64V	C42	1087 4949	205 ohm 1W 5%	R8, 17, 27	2104 0142
300uf 10V	C45	2105 6643	220 ohm .5W 5%	R198, 215, 217, 218, 234	1265 4232
300uf 30V	C9	2105 0745	250 ohm 3W 5%	R221	2104 0407
320uf 6.4V	C36	2105 3145	301 ohm 1W 1%	R1	1088 5747
400uf 40V	C34	1083 2947	330 ohm .5W 5%	R184, 185, 200, 204, 233	1265 4356
750uf 10V	C1, 44	2105 3129	400 ohm 50W 10%	R149	2104 0357
750uf 50V	C43	1520 5362	402 ohm 1W 1%	R7, 169, 171	1083 3168
1,000uf 50V	C32, 33	2116 1708	453 ohm 1W 1%	R78	1087 5649
12,500uf 125V	C28	2104 0464	470 ohm .5W 5%	R64, 74, 81, 88, 113, 126, 146, 193, 224	1265 4471
20,000uf 40V	C16	1086 9980	500 ohms 3W 5%	R85	2104 0209
20,000uf 100V	C17 thru 21	2104 0456	510 ohm .5W 5%	R13, 66, 199, 235	1265 4505
40,000uf 15V	C3	2108 8406	680 ohm .5W 5%	R86, 124, 201, 219, 220, 232	1265 4596
DIODES			715 ohm 1W 1%	R6	1083 3184
CR10D1	CR1 thru 4, 9, 14 thru 26, 29 thru 36	1080 6180	750 ohm 3W 5%	R108	1087 5581
CR1N3616	CR5, 6, 12, 13	1080 6412	750 ohm .5W 5%	R194	1265 4620
CR1N3620	CR27, 28	1083 8720	806 ohm 1W 1%	R97	2104 0241
ZENER DIODES			820 ohm .5W 5%	R168	1265 4653
CR1N1956A	Z1, 2, 6	1088 5648	909 ohm 1W 1%	R116	1087 5672
CR1N4744A	Z3	2104 0043	910 ohm .5W 5%	R22	1265 4687
1N936A	Z7, 8	2116 8521	953 ohm 1W 1%	R135, 190	2104 0332
1N4746A	Z9, 12	1083 3077	1K 1W 1%	R26, 35	1083 9124
CR1N4742A	Z10	1088 9954	1K .5W 5%	R21, 33, 36, 44, 65, 68, 82, 89, 99, 101, 104, 128, 137, 139, 142, 186, 187, 192, 195, 207, 208, 209, 216, 227	1265 4711
INTEGRATED CIRCUIT			1.2K .5W 5%	R100, 138, 183	1265 4778
Voltage Regulator	IC2	2103 9961	1.3K 1W 1%	R15	2105 3178
RESISTORS			1.5K .5W 1%	R102, 103, 140, 141, 181, 182	2104 0266
.05 ohm 10W 1%	R239	1001 9925	1.5K .5W 5%	R11, 14, 90, 222	1265 4836
.1 ohm 5W 10%	R41, 42	1088 5663	1.5K 3W 5%	R127	1083 9140
.3 ohm 5W 10%	R110, 111	2104 0282	1.74K 1W 1%	R76	1087 5680
1 ohm 3W 5%	R151 thru 157	2104 0191	1.8K .5W 5%	R92, 130	1265 4893
1 ohm 50W 10%	R147	2104 0340	1.82K .5W 1%	R25	1083 9108
15 ohm 10W 10%	R175, 177	1086 9881	2K .5W 5%	R71, 172, 197, 203, 238	1265 4927
20 ohm .5W 5%	R37, 105, 143	1265 3481	2K 5W 10%	R123	2104 0316
22 ohm .5W 5%	R67	1265 3515	2.1K 1W 1%	R95	2104 0233
25 ohm 50W 10%	R176	1196 7395	2.2K .5W 5%	R98, 136	1265 4950
50 ohm 5W 10%	R109	2104 0274	2.4K .5W 5%	R87, 125, 211	1265 4984
50 ohm 50W 5%	R148, 174	2116 1716	2.7K .5W 5%	R117, 228	1265 5015

PART NUMBERS CONTINUED ON NEXT PAGE

POWER SUPPLY (2117 3067) ASSEMBLY (PLATE 41) CONTINUED – PAGE 2

DESCRIPTION	SCHEMATIC DESIGNATION		PART NUMBER	DESCRIPTION	SCHEMATIC DESIGNATION		PART NUMBER
RESISTORS (continued)							
3K .5W 5%	R191, 231, 237		1265 5049	TRIAC			
3.3K .5W 5%	R84		1265 5072	2N5446	TR1, 2		2105 9431
3.6K .5W 5%	R166, 205, 206		1265 5106	CIRCUIT BREAKER			
3.6K 3W 5%	R114		1087 5615	2 Pole	CB1		1086 7711
4.3K 3W 5%	R122		2104 0308	FUSES			
4.99K 1W 1%	R94, 132		2104 0225	.5 amp 250V	F6, 7, 9, 10		2104 0597
5K 3W 5%	R43		1100 3621	1 amp 250V	F8		1084 3035
5.6K .5W 5%	R24, 31, 91, 129, 196, 202, 210, 230, 236		1265 5254	6 amp 130V	F3		1083 3820
6.2K .5W 5%	R223		1265 5288	15 amp 65V	F1		2116 0098
6.49K 1W 1%	R34		2104 0175	10 amp 130V	F4		1080 6487
9.1K .5W 5%	R83, 118		1265 5403	10 amp 250V	F5		1110 1995
10K 1W 1%	R5, 80		2104 0134	INDICATING HOLDERS			
10K 3W 5%	R121		1087 5623	12 volt	I1		2104 0605
12K 1W 5%	R119		1266 0288	24 volt	I3, 6		2116 1724
13.7K 1W 1%	R133, 188		2104 0324	125 volt	I4, 5, 7		1001 6301
1 MEG .5W 5%	R240		1265 6872	TRANSFORMERS			
VARIABLE RESISTORS							
200 ohm .75W 10%	R2, 9, 18, 28, 77, 96, 115, 134, 170		1083 8779	8377-001	T1		2108 8398
1K .75W 10%	R120, 189		2104 0290	8315-001	T2		2104 0639
2K .75W 10%	R4, 79, 93, 131		1083 8852	PRINTED CIRCUIT CARDS			
SILICON CONTROL RECTIFIERS							
1.6 amp 50V	SCR2 thru 5, 13, 14		2103 9953	4412-002	PC1 (sch. 2108 8141)		2116 1690
1.6 amp 100V	SCR10		2104 0027	4410-012	PC1 (sch. 2116 0817)		2116 2250
1.6 amp 200V	SCR8, 9		2103 9938	4412-003	PC2 (sch. 2108 8141)		2116 1682
8 amp 25V	SCR1		1088 6984	4315-004	PC3 (sch. 2108 8141)		2105 5025
8 amp 50V	SCR6, 7		2103 9946	4315-014	PC3 (sch. 2116 0817)		2116 8331
8 amp 200V	SCR12		2104 0076	4315-005	PC4 (sch. 2108 8141)		2105 5033
25 amp 100V	SCR11		2108 4173	4315-015	PC4 (sch. 2116 0817)		2116 8349
REED RELAY							
5 volt	K1, 2		2108 4165	4315-006	PC5 (sch. 2108 8141)		2105 5041
TRANSISTORS							
NPN 5W	Q1, 20, 23 thru 26, 58, 74		1083 3929	4315-006	PC5 (sch. 2116 0817)		2105 5041
NPN 200 MW	Q2 thru 10, 27, 28, 29, 31, 32, 33, 41, 42, 43, 45, 46, 47, 59, 62, 63, 69 thru 72, 76, 77, 78		2104 0001	4412-007	PC6 (sch. 2108 8141)		2116 1674
PNP 200MW	Q11, 21, 30, 34, 44, 48, 61, 64 thru 68		2104 0019	4410-007	PC6 (sch. 2116 0817)		2116 2268
NPN 25W	Q12, 35		1083 3911	4315-008	PC7 (sch. 2108 8141)		2105 5066
NPN 115W	Q13, 14		2108 8372	4315-008	PC7 (sch. 2116 0817)		2105 5066
NPN 5W	Q19, 38, 39, 40, 49		2103 9995	3900-242-ID	PC8 (sch. 2108 8141)		2108 8380
NPN 115W	Q36, 37, 75		2104 0068				
NPN 150W	Q50 thru 57		2104 0118				
PNP 5W	Q73		1083 8746				

POWER SUPPLY (1433 7000) ASSEMBLY – 50/60 HZ (PLATE 42)
(formerly 2108 2094)

(For all Top Units. Reference RIN R6328-067 for retrofitting into 400/750 Mod. 1 and 2 units.)

NOTE: This part is interchangeable with 1438 4168 power supply; also, components listed are for schematic 1432 2200.

DESCRIPTION	SCHEMATIC DESIGNATION	PART NUMBER	DESCRIPTION	SCHEMATIC DESIGNATION	PART NUMBER
CAPACITORS			SILICON CONTROL RECTIFIERS		
12uF 660 VAC	C223	1434 7553	SCR, 2N682	SCR 201, 202	1432 3828
47uF 600V	C201, 202, 203	1433 3736	SCR.	SCR 203	1435 6265
1uF 35V	C211, 212, 213	1101 5211	TRANSISTORS		
4.7uF 16V	C216, 217, 218	1432 3737	2N3771	Q201, 202	1101 8736
220uF 63V	C215	1433 3405	2N3773	Q206 thru 213	1432 3729
300uF 30V	C210	1437 7592	40250	Q203, 205	1119 7977
750uF 50V	C214	1433 0922	Power	Q204	1440 8637
4,000uF 15V	C209	1432 3810	TRIAC		
10,000uF 25V	C204	1432 3786	2N5446	TR201, 202, 203	2105 9431
12,000uF 125V	C207, 208	1433 0906	TRANSFORMERS		
20,000uF 15V	C205	1433 0898	Constant Volt	T201	1432 4123
21,500uF 40V	C206	1433 0856	Pilot	T202	1432 3513
25,000uF 95V	C219, 220, 221, 222	1433 0914	CIRCUIT BREAKER		
DIODES			2 Pole, 20A 250V	CB1	1086 7711
1N1199A	D201 thru 204	1471 4745	FUSES		
1N1204A	D205, 206, 207	1126 3365	10 amp 130V	F2	1080 6487
ZENER DIODE			10 amp 250V	F4	1110 1995
1N2986	Z201	1703 8654	15 amp 65V	F1	2116 0098
RESISTORS			15 amp	F3	2473 8536
.05 ohm 10W 3%	R210	1432 4149	INDICATING HOLDERS		
.1 ohm 5W 1%	R211, 212, 214	1432 3901	16V (amber)	I1	1439 5628
1 ohm 3W 1%	R217 thru 223	1196 5001	32V (clear)	I2	2104 0613
1 ohm 50W 1%	R224	2104 0340	125V (clear)	I3, 4	1439 5636
15 ohm 10W 10%	R227, 229	1086 9881	PRINTED CIRCUIT CARD		
15 ohm .5W 5%	R216	1265 3390	Power Supply PCB:	PCB1 (for components refer to POWER SUPPLY P.C. CARD - see Index.)	
25 ohm 50W 10%	R228	1196 7395	reference RIN R3201-047 or RIN R6328-080		
27 ohm 2W 5%	R209	1265 8381	CONNECTORS, SINGLE EDGE		
50 ohm 50W 10%	R230	1086 9873	5 pos.	J4	1433 0062
75 ohm 160W 10%	R226	2105 6635	14 pos.	J1	1432 5880
100 ohm .5W 5%	R215	1265 3994	22 pos., use:	J2, 3	1431 8513
120 ohm .5W 5%	R201, 202, 203	1265 4059	contacts, single edge		1432 6581
150 ohm 3W 10%	R205	1087 5573	MISC COMPONENTS		
150 ohm 50W 10%	R225	1266 6905	warning label, chassis		1440 7928
750 ohm 3W 10%	R204, 206	1087 5581	terminal block	TB4	1433 8271
1000 ohm ½W 1%	R213, 231, 232	1114 8822	terminal block cover		
4.3K 5W 5%	R207, 208	1266 6145	use: 1440 1657 clip		1440 1772

POWER SUPPLY P.C. CARD (PLATE 43)

1432 3455 complete printed circuit card, no longer available,
order individual components.

(for: 1433 7000 power supply and schematic #1432 2200
1438 4168 power supply and schematic #1438 4200)

DESCRIPTION	SCHEMATIC DESIGNATION	PART NUMBER	DESCRIPTION	SCHEMATIC DESIGNATION	PART NUMBER
CAPACITORS			RESISTORS (Continued)		
.002uF 100V	C8, 12, 15	1104 7917	1,330 ohm ½W 1%	R86, 103	1114 8855
.01uF 100V 1%		1433 0278	1,470 ohm ½W 1%	R39, 49, 52, 95	1114 8863
.05uF 100V	C14, 16, 23	1431 8398	1,620 ohm ½W 1%	R86	1114 8897
.1uF 20V	C13	1105 6900	1,780 ohm ½W 1%	R44, 86	1114 8889
1uF 25V	C24, 25	1196 6579	1,960 ohm ½W 1%	R86	1114 8897
1uF 35V	C4, 9, 18	1101 5211	2,150 ohm ½W 1%	R64, 73	1114 8905
4.7uF 16V	C5, 17	1432 3737	2,370 ohm ½W 1%	R81	1114 8913
6.8uF 35V	C11	1267 9155	3,480 ohm ½W 1%	R114	1114 8954
22uF 25V	C7, 10	1433 1029	3,830 ohm ½W 1%	R47, 114	1114 8962
100uF 25V	C1, 2	1432 3604	4,220 ohm ½W 1%	R51, 114	1114 8970
1000uF 16V	C3, 6	1432 5567	4,640 ohm ½W 1%	R114	1114 8988
DIODE			5,110 ohm ½W 1%	R99, 114	1114 8996
1N4004	D1 thru 12, 14 thru 25, 27, 28, 29	1126 3779	5,620 ohm ½W 1%	R19, 102, 113, 114	1114 9002
1N4154	D30, 31	1471 4703	6,190 ohm ½W 1%	R79, 114	1114 9010
LED 1.6V 10MA	LED 1, 2, 3	1432 3919	6,810 ohm ½W 1%	R84, 114	1114 9028
ZENER DIODES			8,250 ohm ½W 1%	R87	1114 9044
1N748A	Z2, 3, 7	1675 7312	10,000 ohm ½W 1%	R88, 117	1114 9069
1N749A	Z4	1705 2960	14,700 ohm ½W 1%	R90	1114 9101
1N759A	Z5, 8	1675 7445	16,500 ohm ½W 1%	R90	1268 8677
1N4733A	Z1	1477 3469	16,900 ohm ½W 1%	R90	1268 8685
1N4739A	Z10	1084 2698	17,400 ohm ½W 1%	R90	1268 8693
1N5235 B	Z6	1434 9518	17,800 ohm ½W 1%	R90	1114 9127
1N5237B	Z9	2040 8498	18,000 ohm ½W 1%	R90	1117 9306
INTEGRATED CIRCUIT			18,700 ohm ½W 1%	R90	1268 8701
UA723C/MC1723CG	IC1, 2, 3	1479 8011	19,100 ohm ½W 1%	R90	1268 8321
OPTO Coupler	H1, 2	2201 4260	19,600 ohm ½W 1%	R90	1114 9135
RESISTORS			28,700 ohm ½W 1%	R75, 18	1114 9176
10 ohm ½W 5%	R21, 35	1265 3275	56,200 ohm ½W 1%	R45, 74, 105	1114 9242
15 ohm ½W 1%	R89, 116	1265 3390	68,100 ohm ½W 1%	R22, 115	1114 9267
22 ohm ½W 5%	R104	1265 3515	90,900 ohm ½W 1%	R101	1114 9291
47 ohm ½W 5%	R53, 76	1265 3754	1K ½W 5%	R4, 15, 24, 28, 61, 65, 66, 72, 96, 97	1265 4711
90.9 ohm ½W 1%	R59	1114 8566	1K 75W 4T	R50, 80, 100	1432 4008
100 ohm ½W 5%	R32, 54, 62, 118	1265 3994	1.2K ½W 5%	R41, 91	1265 4778
120 ohm ½W 5%	R1, 2, 58	1265 4059	1.5K ½W 5%	R26, 29, 92	1265 4836
196 ohm ½W 1%	R60	1114 8640	1.8K ½W 5%	R55	1265 4893
200 ohm 3W 1%	R48	1196 5548	2K ½W 5%	R5, 8, 77, 78	1265 4927
215 ohm ½W 1%	R60, 31	1114 8657	2.2K ½W 5%	R110	1265 4950
220 ohm 3W 1%	R106	1196 5555	3.3K ½W 5%	R34, 42	1265 5072
221 ohm ½W 1%	R60	1114 8665	4.3K 3W 1%	R69	1196 6017
237 ohm ½W 1%	R60	1114 8673	4.7K ½W 5%	R16, 68	1265 5197
240 ohm ½W 5%	R108	1265 4265	6.8K ½W 5%	R20, 43	1265 5312
260 ohm ½W 1%	R60	1114 8681	7.5K 3W 1%	R37	1196 6116
270 ohm ½W 5%	R30, 46	1265 4299	10K ½W 5%	R56, 82	1265 5437
287 ohm ½W 1%	R60	1114 8699	10K 3W 1%	R107	1196 6157
316 ohm ½W 1%	R60	1114 8905	12K ½W 5%	R25	1265 5494
330 ohm ½W 5%	R93, 94	1256 4365	22K ½W 5%	R17, 109	1265 5676
348 ohm ½W 1%	R60	1114 8913	SILICON CONTROL RECTIFIER		
470 ohm ½W 5%	R6, 7, 14, 23, 27, 57, 71, 83, 85, 111, 112	1265 4471	1.6 amp 50V	SCR1 thru 6	1439 2146
560 ohm ½W 5%	R12, 13	1265 4539	TRANSISTORS		
562 ohm ½W 1%	R67	1114 8764	2N2102A	Q1, 2, 4, 14, 20	1116 6535
681 ohm ½W 1%	R98	1114 8780	2N2369	Q12, 15, 17	1109 5924
750 ohm ½W 1%	R98	1114 8798	2N3439	Q21	1432 4107
825 ohm ½W 1%	R98	1114 8806	2N3504	Q7, 8, 9, 11, 13, 16, 18	1120 0482
909 ohm ½W 1%	R33, 44	1114 8814	2N6211		2014 7856
1,000 ohm ½W 1%	R86	1114 8822	FS19761	Q5, 6, 10	1119 8132
1,100 ohm ½W 1%	R86, 98	1114 8830	6640	Q22	1437 5042
1,210 ohm ½W 1%	R63, 86		FUSES		
			.1 amp	F5	1321 8524

ELECTRICAL COMPONENTS USED ON P.C. CARDS (PLATE 44)

DESCRIPTION	PART NUMBER
CAPACITORS	
470pF 200V 5%	1101 2309
1000pF 100V 5%	1104 8022
1200pF 100V 5%	1101 2614
1500pF 50V	2300 5598
4700pF 100V 10%	1101 2762
.001uF 100V 10%	1100 9503
.002uF 100V 5%	1104 7917
.0015uF 100V 5%	1101 2622
.01uF 100V 5%	1101 2663
.01uF 100V 10%	1100 9461
.02uF 50V	2300 5739
.02uF 100V 10%	1100 9479
.027uF 35V 5%	1101 5021
.033uF 100V 5%	1519 0184
.047uF 20V 10%	1101 5476
.056uF 35V 5%	1101 5062
.047uF 100V 10%	1104 7883
.068uF 35V 5%	1101 5070
.1uF 35V 5%	1101 5096
.1uF 50V	2300 5820
.1uF 200V 5%	1104 4179
.15uF 35V 5%	1101 5112
.15uF 100V 10%	1105 6421
.18uF 35V 5%	1101 5120
.25uF 50V 20%	1701 0232
.25uF 100V 10%	1002 0048
.27uF 35V 5%	1101 5146
.27uF 80V 10%	1127 6086
.39uF 35V 5%	1101 5161
.47uF 35V 5%	1101 5179
.5uF 50V -15+20%	1104 5648
.82uF 35V 5%	1101 5203
1uF 35V 5%	1101 5211
1.2uF 35V 5%	1101 5229
2.7uF 35V 5%	1101 5260
3.3uF 20V 5%	1101 4859
5.6uF 35V 5%	1101 5310
6.8uF 35V 5%	1101 5328
6.8uF 35V 20%	1267 9155
9.1uF 35V 5%	1101 5435
10uF 20V 10%	2010 0749
10uF 25V 10%	1900 1643
22uF 10V 10%	2010 0723
22uF 35V 5%	1101 5385
27uF 35V 5%	1101 5393
39uF 20V 5%	1101 4776
47uF 6V 20%	1267 9254
47uF 20V 5%	1101 4875
120uF 10V 10%	1064 4516
120uF 25V +30-20%	1064 4474
220uF 10V 20%	1267 9395
DIODES	
1N457	1321 6205
1N4738A	1471 5015
1N4743A	1472 8604
1N2069	1316 4769
1N5350A	1087 7553
CR1	1627 1124
Type 2 (general purpose)	1316 4751

DESCRIPTION	PART NUMBER
INTEGRATED CIRCUITS	
NOTE: The part number for ordering integrated circuits are stamped on the I.C. chip itself and/or noted on the schematic of the P.C. Card.	
RESISTORS	
7.5 ohms 1.5W 1%	1634 9466
24 ohms ½W 5%	1265 3549
27 ohms ½W 5%	1265 3572
33 ohms ½W 5%	1268 1961
39 ohms ½W 5%	1265 3705
47 ohms 5W 1%	1001 9453
51 ohms ½W 5%	1268 2019
56 ohms ½W 5%	1268 2027
82 ohms ½W 5%	1265 3937
100 ohms ¼W 5%	1265 3978
100 ohms ½W 5%	1265 3994
120 ohms ½W 5%	1268 2100
125 ohms 5W 1%	1001 9214
150 ohms ½W 5%	1268 2126
169 ohms ½W 1%	1266 9206
200 ohms ½W 5%	1268 2159
220 ohms ½W 5%	1268 2167
249 ohms ½W 1%	1266 9289
330 ohms ½W 5%	1268 2209
330 ohms 3W 1%	1001 9271
365 ohms ¼W 1%	1266 9362
470 ohms ½W 5%	1265 4471
510 ohms ¼W 5%	1265 4497
510 ohms ½W 5%	1268 2258
510 ohms 2W 5%	1268 4569
560 ohms ½W 5%	1265 4539
680 ohms ½W 5%	1265 4596
750 ohms ¼W 5%	1268 1284
820 ohms ½W 5%	1265 4653
1690 ohms 1%	1268 8438
1K ½W 1%	1114 8822
1K ¼W 5%	1268 1318
1K ½W 5%	1268 2324
1K 1W 5%	1268 3439
2K ½W 1%	1268 2399
2.7K ½W 5%	1265 5015
2.7K ½W 5%	1268 2423
3.6K ½W 5%	1268 2456
5.1K ½W 5%	1268 2498
5.11K ¼W 5%	1266 9917
5.11K ½W 5%	1114 8996
5.6K ½W 5%	1265 5254
6.04K ¼W 1%	1267 4032
6.2K ½W 5%	1265 5288
7.5K ¼W 1%	1266 9990
8.2K ½W 5%	1268 2548
10K ¼W 1%	1267 0055
10K ¼W 5%	1265 5411
10K ½W 5%	1265 5437
10K ½W 5%	1268 2563
15K ½W 5%	1268 2605
15K ½W 5%	1265 5551
17.4K ½W 1%	1268 8693
17.8K ¼W 1%	1267 0170
18.2K ¼W 5%	1267 4214
20K ½W 5%	1268 2639

PART NUMBERS CONTINUED ON NEXT PAGE

ELECTRICAL COMPONENTS USED ON P.C. CARDS (PLATE 44) CONTINUED

DESCRIPTION	PART NUMBER
RESISTORS (continued)	
24K ½W 5%	1265 5700
27K ½W 5%	1265 5718
27K ½W 5%	1265 5734
30K ½W 5%	1265 5767
36K 1%	1114 9408
36K ½W 5%	1265 5825
38.3K ½W 1%	1267 0337
38.3K ½W 1%	1114 9200
39K ½W 5%	1265 5858
45.3K ½W 1%	1267 4396
49.9K ½W 1%	1267 4388
100K ½W 5%	1268 2803
200K ½W 1%	1268 9212
240K ½W 5%	1265 6427
301K ½W 1%	1268 9337
470K ½W 5%	1265 6633
VARIABLE RESISTORS	
20 ohms 1W 5%	1117 8282
1K ½W 10%	1064 4441
5K ½W 10%	1064 4458
10K ½W 10%	1064 4508
20K 1W 10%	1322 2781
50K 1W 10%	1322 2641
100K 1W 10%	1119 5922
RESISTOR PACKAGES	
200 & 510 ohms 2%	2116 1583
30K 2%	2116 1591
TRANSISTORS	
2N491	1320 0928
2N2405	1080 7584
2N2647	1080 5174
2N3015	1471 4794
2N3055	1080 5364
2N3055 Amplifier assembly	2717 0372
2N3108	1473 4255
2N3110	1471 4786
2N3904	1084 9792
2N3906	1084 9784
Darlington (Mod. 1, 2)	2116 2110
Darlington, with rivet (Mod. 1, 2)	2712 3124
Darlington (Mod. 3)	2733 5579
Darlington, with rivet (Mod. 3)	2733 5587
CHOKE	
2.5 MH	1080 7592
FUSES	
.125 amp	1102 7976
.6 amp	1083 9256
2 amp	1321 8631
MISC. COMPONENTS	
socket, power transistor	1435 6331

POWER SUPPLY (1438 4168) ASSEMBLY – 50/60 HZ (PLATE 45)

(For all Top Units. Reference RIN R6328-067 for retrofitting into 400/750 Mod. 1 and 2 units.)

DESCRIPTION	SCHEMATIC DESIGNATION	PART NUMBER	DESCRIPTION	SCHEMATIC DESIGNATION	PART NUMBER
CAPACITORS			TRANSISTORS		
12uF 660 VAC	C223	1434 7553	2N3771	Q201, 202	1101 8736
.47uF 600V	C201, 202	1433 3736	2N3773	Q206 thru 209	1432 3729
1uF 35V	C211, 212	1101 5211	40250	Q203, 205	1119 7977
4.7uF 16V	C216, 217, 218	1432 3737	Power	Q204	1440 8637
220uF 63V	C215	1433 3405	TRIAC		
300uF 30V	C210	1437 7592	2N5446	TR201, 202, 203	2105 9431
750uF 50V	C214	1433 0922	TRANSFORMERS		
4,000uF 15V	C209	1432 3810	Constant Volt	T201	1432 4123
10,000uF 25V	C204	1432 3786	Pilot	T202	1435 7669
12,000uF 125V	C207, 208	1433 0906	CIRCUIT BREAKER		
20,000uF 15V	C205	1433 0898	2 Pole, 20A 250V	CB1	1086 7711
21,500uF 40V	C206	1433 0856	FUSES		
25,000uF 95V	C219, 220, 222	1433 0914	10 amp 130V	F2	1080 6487
DIODES			10 amp 250V	F4	1110 1995
1N1199A	D201 thru 204	1471 4745	15 amp 65V	F1	1432 3679
1N1204A	D205, 206, 207	1126 3365	15 amp	F3	2473 8536
ZENER DIODE			INDICATING HOLDERS		
1N2986	Z201	1703 8654	16V (amber)	I1	1439 5628
RESISTORS			32V (clear)	I2	2104 0613
.05 ohm 10W 3%	R210	1432 4149	125V (clear)	I3, 4	1439 5636
.1 ohm 5W 1%	R211, 212, 214	1432 3901	PRINTED CIRCUIT CARD		
1 ohm 3W 1%	R217 thru 219	1196 5001	Power Supply PCB:	PCB1 (for components refer to POWER SUPPLY P.C. CARD - see Index.)	1439 9802
1 ohm 50W 1%	R224	2104 0340	reference RIN R3201-047 or RIN R6328-080		
15 ohm 10W 10%	R227, 229	1086 9881	Connector, double edge		1436 4111
15 ohm .5W 5%	R216	1265 3390	Contacts, double edge		1437 5653
25 ohm 50W 10%	R228	1433 9568	MISC. COMPONENTS		
27 ohm 2W 5%	R209	1265 8381	Fan (115V), 50/60 Hz		1310 2645
50 ohm 50W 10%	R230	1086 9873	Plug, Cord Assembly		2103 9904
75 ohm 160W 10%	R226	2105 6635	Shield (circuit breaker)		2729 6177
100 ohm .5W 5%	R215	1265 3994	Socket, Power Transistor		1435 6331
120 ohm .5W 5%	R201, 202	1265 4059	Bushing, nylon	TO-3	1432 4024
150 ohm 3W 10%	R205	1087 5573	Bushing, nylon	TO-66	1432 4016
150 ohm 50W 10%	R225	1266 6905	Insulator	TO-3	1435 9962
750 ohm 3W 10%	R204, 206	1087 5581	Insulator	TO-66	1435 9970
1000 ohm ½W 1%	R213, 231, 232	1114 8822			
4.3K 5W 5%	R207, 208	1266 6145			
SILICON CONTROL RECTIFIERS					
SCR, 2N682	SCR 201, 202	1432 3828			
SCR	SCR 203	1435 6265			

POWER SUPPLY P.C. CARD (PLATE 46)

1439 9802 Complete assembled printed circuit card (reference RIN R3201-047 or R6328-080) for 1433 7000 power supply and schematic #1432 2200; 1438 4168 power supply and schematic #1438 4200.

DESCRIPTION	SCHEMATIC DESIGNATION	PART NUMBER	DESCRIPTION	SCHEMATIC DESIGNATION	PART NUMBER
CAPACITORS			RESISTORS (Continued)		
.002uF 100V	C8, 12, 15	1104 7917	1,100 ohm ½W 1%	R86	1114 8830
.05uF 100V	C14, 16, 23	1431 8398	1,200 ohm ½W 5%	R41, 91	1265 4778
.1uF 20V	C13	1105 6900	1,210 ohm ½W 1%	R63, 86	1114 8848
1uF 25V	C24, 25, 26	1196 6579	1,330 ohm ½W 1%	R86	1114 8855
1uF 35V	C4, 9, 18	1101 5211	1,470 ohm ½W 1%	R39, 49, 52, 95	1114 8863
4.7uF 16V	C5, 17	1432 3737	1,500 ohm ½W 5%	R26, 29, 92	1265 4836
6.8uF 35V	C11	1267 9155	1,620 ohm ½W 1%	R86	1114 8871
22uF 25V	C7, 10	1433 1029	1,780 ohm ½W 1%	R86	1114 8889
100uF 25V	C1, 2	1432 3604	1,800 ohm ½W 5%	R55	1265 4893
1000uF 16V	C3, 6	1432 5567	1,960 ohm ½W 1%	R86	1114 8897
DIODE			2,000 ohm ½W 5%	R5, 8, 77, 78	1265 4927
1N4004	D1 thru 12, 14 thru 25, 27, 28, 29	1126 3779	2,000 ohm ½W 1%	R124	1114 9432
1N4154	D33, 31, 32	1471 4703	2,150 ohm ½W 1%	R64, 73	1114 8905
LED 1.6V 10MA	LED 1, 2, 3	1432 3919	2,200 ohm ½W 5%	R110	1265 4950
ZENER DIODES			2,370 ohm ½W 1%	R81	1114 8913
1N748A	Z2, 3, 7	1675 7312	3,300 ohm ½W 5%	R34, 42	1265 5072
1N749A	Z4	1705 2960	3,480 ohm ½W 1%	R114	1114 8954
1N759A	Z5, 8	1675 7445	3,830 ohm ½W 1%	R47, 114	1114 8962
1N4733A	Z1	1477 3469	4,220 ohm ½W 1%	R51, 114	1114 8970
1N4739A	Z10	1084 2698	4,300 ohm 3W 1%	R69	1196 6017
1N5221B	Z12	1436 3261	4,300 ohm 5W 5%	R18, 69	1266 6145
1N5235 B	Z6	1434 9518	4,640 ohm ½W 1%	R114	1114 8988
1N5237B	Z9	2040 8498	4,700 ohm ½W 5%	R16, 68	1265 5197
INTEGRATED CIRCUIT			5,110 ohm ½W 1%	R99, 114	1114 8996
UA723C/MC1723CG	IC1, 2, 3	1479 8011	5,620 ohm ½W 1%	R19, 113	1114 9002
OPTO Coupler	H1, 2	2201 4260	6,190 ohm ½W 1%	R79, 114	1114 9010
RESISTORS			6,800 ohm ½W 5%	R20, 43	1265 5312
1.5 ohm ½W 5%	R126	1432 0949	6,810 ohm ½W 1%	R84, 114	1114 9028
10 ohm ½W 5%	R21, 35, 70	1265 3275	7,500 ohm 3W 1%	R37	1196 6116
15 ohm ½W 1%	R89, 116	1265 3390	8,250 ohm ½W 1%	R87	1114 9044
22 ohm ½W 5%	R104	1265 3515	10,000 ohm ½W 1%	R88, 117	1114 9069
47 ohm ½W 5%	R53, 76	1265 3754	10,000 ohm ½W 5%	R56, 82	1265 5437
90.9 ohm ½W 1%	R59	1114 8566	10,000 ohm 3W 1%	R107	1196 6157
100 ohm ½W 5%	R32, 54, 62, 118	1265 3994	12,000 ohm ½W 5%	R25	1265 5494
120 ohm ½W 5%	R1, 2, 58	1265 4059	14,700 ohm ½W 1%	R90	1114 9101
120 ohm 5W 1%	R70	1117 6062	22,000 ohm ½W 5%	R17, 109	1265 5676
196 ohm ½W 1%	R60	1114 8640	28,700 ohm ½W 1%	R75	1114 9176
200 ohm 3W 1%	R48	1196 5548	31,600 ohm ½W 1%	R102	1114 9184
215 ohm ½W 1%	R60, 31	1114 8657	56,200 ohm ½W 1%	R45, 74, 105	1114 9242
220 ohm 3W 1%	R106	1196 5555	68,100 ohm ½W 1%	R22, 115	1114 9267
221 ohm ½W 1%	R60	1114 8665	90,900 ohm ½W 1%	R101	1114 9291
237 ohm ½W 1%	R60	1114 8673	POTENTIOMETER		
240 ohm ½W 5%	R108	1265 4265	1,000 ohm ½W 10%	R50, 80, 100	1432 4008
261 ohm ½W 1%	R60	1114 8681	SILICON CONTROL RECTIFIER		
270 ohm ½W 5%	R30, 46	1265 4299	1.6 amp 50V	SCR1 thru 6	1439 2146
287 ohm ½W 1%	R60	1114, 8699	TRANSISTORS		
316 ohm ½W 1%	R60	1114 8707	2N2102A	Q1, 2, 4, 14, 20	1116 6535
330 ohm ½W 5%	R93, 94	1265 4356	2N2369	Q12, 15, 17	1109 5924
348 ohm ½W 1%	R60	1114 8715	2N3439/3440	Q21	1432 4107
357 ohm ½W 1%	R75	1268 8222	2N3504	Q7, 8, 9, 11, 13, 16, 18	1120 0482
470 ohm ½W 5%	R6, 7, 14, 23, 27, 57, 71, 83, 85, 111, 112	1265 4471	FS19761	Q5, 6, 10	1119 8132
560 ohm ½W 5%	R12, 13	1265 4539	6640	Q22	1437 5042
562 ohm ½W 1%	R67	1114 8764	SS1966	Q14	1534 8899
909 ohm ½W 1%	R33, 44, 98	1114 8814	FUSES		
1,000 ohm 1W 5%	R125	1268 3439	.1 amp	F5	1321 8524
1,000 ohm ½W 1%	R86	1114 8822	P. C. CARD		
1,000 ohm ¼W 2%	R233	1111 8734	+95V regulator switching	PCB3	1440 5658
1,000 ohm ½W 5%	R4, 15, 24, 28, 61, 65, 66, 72, 96, 97	1265 4711			

Documentation Evaluation Form

Title: _____

Form No: _____
Date: _____

Burroughs Corporation is interested in receiving your comments
and suggestions regarding this manual. Comments will be utilized
in ensuing revisions to improve this manual.

Please check type of Suggestion:

Addition

Deletion

Revision

Error

Comments:

From:

Name _____

Title _____

Company _____

Address _____

Phone Number _____

Date _____

Remove form and mail to:

Burroughs Corporation
Documentation Dept. TIO - Central
13001 Eckles Rd.
Plymouth, Mich. 48170 U.S.A.