

PROPRIETARY DATA

THE INFORMATION CONTAINED IN THIS DOCUMENT IS PROPRIETARY TO BURROUGHS CORPORATION. THE INFORMATION OR THIS DOCUMENT IS NOT TO BE REPRODUCED, DISCLOSED NOR USED FOR MANUFACTURING PURPOSES. THIS INFORMATION IS FURNISHED FOR THE PURPOSE OF PLANNING INSTALLATION AND/OR MAINTAINING THE EQUIPMENT DELIVERED BY BURROUGHS CORPORATION OR ITS SUBSIDIARIES.

ANY REPRODUCTION OF THIS MATERIAL SHALL ONLY BE MADE WITH THE WRITTEN PERMISSION OF THE PATENT DIVISION OF BURROUGHS CORPORATION, BURROUGHS PLACE, DETROIT, MICHIGAN 48232.

BDI-30 / 40 / 70 PROCESSOR

CONTENTS

2795 2084	9	02-08-77	EI	BACKPLANE CIRCUIT LIST
2797 1522	2	12-03-76		CONTROLLER PIN LAYOUT
2795 1425	6	10-07-77		WIRING SCHEMATIC, BASE POWER SUPPLY
	3	12-21-77	DD	
2797 2389	5	04-01-77		HARNESS, PRIMARY PSU A.C. DISTRIBUTION
	3	12-21-77	DD	
2797 2421	5	03-11-77		HARNESS, SECONDARY PSU A.C. DISTRIBUTION
	3	12-21-77	DD	
2797 2439	4	04-01-77		HARNESS, FAN
2795 0427	1	09-03-76		SCHEMATIC, -3V & -12V REGULATOR
		04-15-77	EI	
2795 0393	1	09-03-76		SCHEMATIC, +5V REGULATOR
2795 0369	1	09-03-76		SCHEMATIC, +12V REGULATOR & CONTROLS
	1	02-11-77	EI	
		03-14-77	EI	
2795 1540	5	05-06-77		HARNESS, REGULATOR PRIMARY PSU
		06-20-77	EI	
2795 1532	4	05-06-77		HARNESS, REGULATOR SECONDARY PSU
2795 1508	3	10-08-76		HARNESS, FILTER PRIMARY PSU
2795 1474	4	09-03-76		HARNESS, FILTER SECONDARY PSU
2797 1936	6	08-22-77		HARNESS, PRIMARY PSU D.C. DISTRIBUTION
2797 2413	4	08-22-77		HARNESS, SECONDARY PSU D.C. DISTRIBUTION
2795 1482	4	09-03-76		HARNESS, MISCELLANEOUS
2797 2405	1	06-14-77		HARNESS, MINI DISK A.C.
2797 0466	4	02-25-77		HARNESS, MINI DISK D.C.
2571 9733	4	03-04-77		
	3	12-13-77	DD	HARNESS, MINI DISK A.C.
	6	06-10-77		
2571 6945	6	06-10-77		HARNESS, DISC CONTROLLER
1879 4420	1	06-11-74		HARNESS, MASTER TO SLAVE SIG
2574 5639	5	03-18-77		HARNESS, M.T.C. (FEMALE JACK SCREW)
2797 0276	5	03-18-77		HARNESS, M.T.C. (MALE JACK SCREW)
	3	05-13-77	EI	
2574 2867	4	10-07-77		HARNESS, SELF SCAN AC
2571 6572	5	11-03-75		HARNESS, DATA COMM
2797 2512	6	04-01-77		HARNESS, KEYBOARD & DISPLAY
1848 7983	5	09-10-76		SCHEMATIC, KSI CONTROLLER
2571 4288	2	08-19-76		SCHEMATIC, WIDE LINE PRINTER
2571 2027	5	12-03-76		SCHEMATIC, CWM
1847 4296	5	03-01-75		SCHEMATIC, ADC
1848 3354	3	05-17-76		SCHEMATIC, ADCC
1846 8975	2	09-13-74		SCHEMATIC, PCF CONTROLLER
	2	11-28-74	EI	
		02-05-75	EI	
		03-02-76	EI	

PAGE	CHANGE TYPE	ER DATE
1	ECN 01334	09-26-77
2	ECN 01334	09-26-77
3	ECN 01334	09-26-77
4	ECN 01334	09-26-77

PAGE

DWG. NO.

Burroughs Corporation		SYSTEM		DWG. NO.
SYSTEMS M & E GROUP PLYMOUTH, MICHIGAN 48170		PLYMOUTH PLANT U.S. AMERICA		2797 6091PL
PROPRIETARY TO BURROUGHS CORP. - NOT TO BE REPRODUCED, NOR USED FOR MANUFACTURING PURPOSES EXCEPT ON BURROUGHS ORDER OR PRIOR WRITTEN CONSENT		DRAWN	CHECKED	REV LETTER
		APPROVED	RELEASED 8-24-77	PAGE 1 of 4

CONTENTS

2571 4858	4	06-21-77	SCHEMATIC, 180 CPS PCF-DEV CONT. BOARD 1
	2	10-10-77 EI	
2571 4866	4	12-03-76	SCHEMATIC, 180 CPS PCF-DEV CONT. BOARD 2
2571 1961	4	04-04-75	SCHEMATIC, SOFT CONTROLLER 1
2571 1979	3	10-03-75	SCHEMATIC, SOFT CONTROLLER 2
2571 1987	4	04-16-76	SCHEMATIC, SOFT CONTROLLER 3
2574 5423	4	11-30-76	SCHEMATIC, SOFT CONTROLLER A
	1	04-21-77 EI	
2574 5431	5	08-31-76	SCHEMATIC, SOFT CONTROLLER B
2571 4692	4	11-24-75	SCHEMATIC, DISK 2
	4	11-26-75 EI	
		12-05-76 EI	
		12-10-75 EI	
		12-19-75 EI	
		04-20-76 EI	
		05-24-77 EI	
2571 4684	4	04-21-76	SCHEMATIC, DISK 1
	4	08-09-76 EI	
2797 3858	4	10-28-77	SCHEMATIC, DISK 1 (2011)
2797 3866	4	10-28-77	SCHEMATIC, DISK 2 (2011)
2571 2233	3	12-03-76	SCHEMATIC, MTC 1
2571 2241	4	12-03-76	SCHEMATIC, MTC 2
2797 1019	3	01-01-77	SCHEMATIC, MEM EXT CONT
2797 0417	5	09-30-76	SCHEMATIC, PROCESSOR A
2797 0375	4	09-30-76	SCHEMATIC, PROCESSOR B
2571 9386	2	10-30-76	SCHEMATIC, MEMORY INTERFACE 1 ROM
2571 9436	3	09-30-76	SCHEMATIC, MEMORY INTERFACE 2
	3	11-23-76 EI	
2625 1405	3	11-09-76 REV B	SCHEMATIC, 16K x 9 STORAGE BOARD
2571 1466	2	07-04-75	SCHEMATIC, ROM 5K x 10
2571 5038	3	12-03-76	SCHEMATIC, CTDI
2571 8388	3	05-17-76	SCHEMATIC, CHANNEL EXPANDER
2574 2008	4	12-03-76	SCHEMATIC, SDC-1
2574 6272	4	10-15-76	SCHEMATIC, SDC A
2574 6314	4	10-15-76	SCHEMATIC, SDC B


PD6 SELF-SCAN

2797 0912	1	07-01-77	SCHEMATIC, PD6 SS PS
2797 0318	4	09-26-77	SCHEMATIC, PD6 CONTROLLER
2797 5507	5	09-26-77	SCHEMATIC, SSD "B" CONTROLLER
2797 5234	3	07-14-77	HARNESS, PD6
2797 5267	5	08-22-77	HARNESS, PD6 PROCESSOR

REVISED DATE 9-26-77

PAGE

DWG. NO.

Burroughs Corporation SYSTEMS M & E GROUP
PLYMOUTH, MICHIGAN 48170PLYMOUTH PLANT
U. S. AMERICA

TITLE

SYSTEM

DWG. NO.

DRAWN

CHECKED

2797 6091PL

APPROVED

RELEASED

8-24-77

REV LETTER

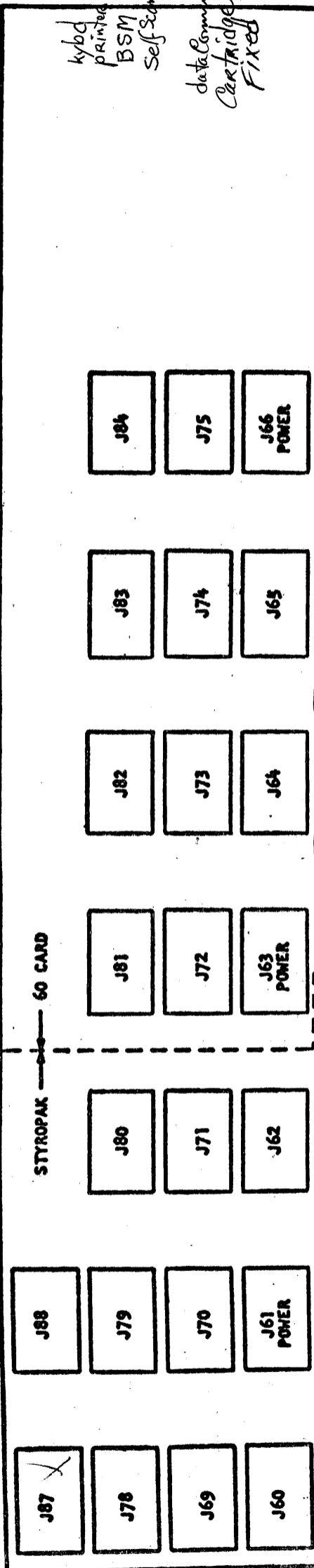
PAGE

2 of 4

PROPRIETARY TO BURROUGHS CORP -- NOT TO BE REPRODUCED, NOR USED FOR MANUFACTURING PURPOSES EXCEPT ON BURROUGHS ORDER OR PRIOR WRITTEN CONSENT

B01-30/40/70 (180 CPS) BACKPLANE CONFIGURATION MAP WITH CASSETTE & DISC

CM. ADDRESS NO.	REQUEST LINE PIN	DT
0	DT3T	DT4W
1	DT3P	DT4H
2	DT4Q	DT3C
3	DT4S	DT4G
4	DT4T	DT3J
5	DT4R	DT4K
6	DT3R	DT3Q
7	DT3S	DT4L



DESCRIPTION	ASSY NO.	CH. NO.	ER DATE	CONN NO.	ER DATE
ROM SLS/9 MTR	2571 1656		10-17-74		W6
R/W0(12K BOT)	2625 4995		REV 5		W3
R/W1(16K)	2625 1371		REV 5		W0
R/W2					V7**
R/W3					V4**
R/W4					V1**
R/W5					U8**
R/W6					U5**
R/W7					U2**
MEM INTFC 2	2571 9528	SSC11-23-76 9-30-76			
MEM INTFC 1	2797 0581	10-30-74			
PROCESSOR B	2797 0359		9-30-76		T6
PROCESSOR A	2797 0433	SSC 12-21-76 9-30-76			T3
MEM. EXT.*					T0**
SOFT CONT. 3 MTC ROM MK2	2574 2586		SSC 10-4-76 8-19-76	S	S4
SOFT CONT. 2	2574 1042		5-28-76	BJ84	S1
SOFT CONT. 1	2574 1034	2	5-28-76	B	R8
MTC 2 CONT.	2574 1109		12-3-76	BJ75	R5
MTC 1 CONT.	2574 0325		12-3-76	SJ65	R2
DISK 1	2571 4601	4	SSC 8-9-76 8-19-76	B	Q9
DISK 2	2571 4619		9-30-77	BJ74	Q6
PROM 180 CPS PRINTER	2574 2388		8-19-76	S	Q0
SOFT CONT. 2	2574 1042		5-29-76	BJ64	P7
SOFT CONT. 1	2574 1034	1	5-28-76	BJ73	P4
180 CPS PCF 1 64 ASCII	2571 4742		SSC 9-29-76 8-19-76	SJ82	N8
180 CPS 2	2571 4759		SSC 3-15-76 5-28-76	BJ72	N5
ADCC(57.6KHz)	1846 6888	5	7-1-75	B	N2**
CWM	2574 1075		1-27-77	BJ81	M9**
WLP CONT.	2571 4247	6	SSC 10-6-77 12-3-76	BJ71	M6**
DISK 1(201I)	2797 6158	7	10-28-77	BJ62	M0**
DISK 2(201I)	2797 3825		10-28-77	BJ80	L7**
SELF SCAN CONTR A PD6	2797 0292	3	9-26-77	BJ70	L1**
SELF SCAN CONTR B PD6	2797 5465		9-26-77	BJ79	K8**
KSIC	2574 1786	0	SSC 11-4-77 9-10-76	BJ78	I4

NOTES: MAP SHOWS LATEST SSC DATES. ALL PREVIOUS REQUIRED STOCK CORRECTIONS HAVE BEEN INCORPORATED.
 1. MFG. REF. 2574 6447 BLANK MAP.
 2. * - DENOTES PWB REQUIRED FOR MORE THAN 60 KB R/W MEMORY.
 3. ** - DENOTES FACTORY INSTALLABLE OPTIONS WHICH MAY NOT BE PRESENT.
 4.

DESCRIPTION ASSY NO. CH. NO. ER DATE CONN NO.

REVISED DATE 9-26-77

Burroughs Corporation SYSTEMS & I GROUP PLYMOUTH PLANT PLYMOUTH, MICHIGAN 48170		PLYMOUTH PLANT U.S. AMERICA		TITLE SYSTEM		DWG. NO. 2797 6091PL	
PROPRIETARY TO BURROUGHS CORP. - NOT TO BE REPRODUCED, NOT USED FOR MANUFACTURING PURPOSES EXCEPT ON BURROUGHS ORDER OR PRIOR WRITTEN CONSENT		DRAWN		CHECKED		REV LETTER	
APPROVED		RELEASED 8-24-77		REV LETTER		PAGE 4 of 4	

UNIVERSAL CONTROLLER I/F. (B. D. S.)

	BACKPLANE TOP		BACKPLANE BOTTOM	
	SIDE 1	SIDE 2	SIDE 1	SIDE 2
A	0V	+5V	-12V	+5V
B	I/O - 23	I/O - 24	I/O - 33	I/O - 34
C	I/O - 21	I/O - 22	I/O - 31	I/O - 32
D	I/O - 19	I/O - 20	I/O - 29	I/O - 30
E	I/O - 17	I/O - 18	I/O - 27	I/O - 28
F	I/O - 15	I/O - 16	I/O - 25	I/O - 26
G	I/O - 13	I/O - 14	PHI 1H/	PHI 2H/
H	I/O - 11	I/O - 12	C1 GND	RAM CLK/
I	I/O - 9	I/O - 10	PHI 1L/	PHI 2L/
J	I/O - 7	I/O - 8	C2 GND	SPARE
K	I/O - 5	I/O - 6	CLOCK (SPARE)	CLOCK (SPARE)
L	I/O - 3	I/O - 4	IOX	DIR
M	I/O - 1	I/O - 2	INIT	CONT
N	SPARE POWER	SPARE POWER	JOX	ADDR
P	+5V	+12V	FRZ	RQST
Q	+24V	-12V	DOUT 0	DIN 0
R	I/O - 49	I/O - 50	DOUT 1	DIN 1
S	I/O - 47	I/O - 48	DOUT 2	DIN 2
T	I/O - 45	I/O - 46	DOUT 3	DIN 3
U	I/O - 43	I/O - 44	DOUT 4	DIN 4
V	I/O - 41	I/O - 42	DOUT 5	DIN 5
W	I/O - 39	I/O - 40	DOUT 6	DIN 6
X	I/O - 37	I/O - 38	DOUT 7	DIN 7
	I/O - 35	I/O - 36	16 KHz	-3V
	0V	ADDR	0V	+5V

PIN LAYOUT PERIPHERAL CONTROLLERS WITH B.D.S. INTERFACE



DEVICE CONTROLLER I/F. (DRIVEN BY SOFT CONTROLLER.)

	BACKPLANE TOP		BACKPLANE BOTTOM	
	SIDE 1	SIDE 2	SIDE 1	SIDE 2
A	0V	+5V	-12V	+5V
B	I/O - 23	I/O - 24	I/O - 33	I/O - 34
C	I/O - 21	I/O - 22	I/O - 31	I/O - 32
D	I/O - 19	I/O - 20	I/O - 29	I/O - 30
E	I/O - 17	I/O - 18	I/O - 27	I/O - 28
F	I/O - 15	I/O - 16	I/O - 25	I/O - 26
G	I/O - 13	I/O - 14	PHI 1H/	PHI 2H/
H	I/O - 11	I/O - 12	C1 GND	RAM CLK
I	I/O - 9	I/O - 10	PHI 1L/	PHI 2L/
J	I/O - 7	I/O - 8	C2 GND	SPARE
K	I/O - 5	I/O - 6	CLOCK (SPARE)	CLOCK (SPARE)
L	I/O - 3	I/O - 4	IOX	DIR/
M	I/O - 1	I/O - 2	INIT	CONT/
N	SPARE POWER	SPARE POWER	SPARE	SPARE
P	+5V	+12V	FRZ/	SPREQ/
Q	RESERVED FOR +24V	-12V	DVY 0	SPADD 0
R	I/O - 49	I/O - 50	DVY 1	SPADD 1
S	I/O - 47	I/O - 48	DVY 2	SPADD 2
T	I/O - 45	I/O - 46	DVY 3	SPADD 3
U	I/O - 43	I/O - 44	DVY 4	
V	I/O - 41	I/O - 42	DVY 5	SPTOX
W	I/O - 39	I/O - 40	DVY 6	SPDIR/
X	I/O - 37	I/O - 38	DVY 7	SPCONT/
Y	I/O - 35	I/O - 36	16 KHZ/	-3V
Z	0V	ADDR	0V	+5V

PIN LAYOUT DEVICE CONTROLLERS

ADDR-0..	FV7R	FV1M	FR0Q	FS8T	DIN7....	DI2.....	DVY0-4..	DVY6-2..
* DT3T	FW0R	FV4M	FR6Q	FT1T	FI5X	* DT7T	FJ0Q	* FN8W
F15H	FW3R	FV7M	FR9Q	* FT7T	F18X	FU3D	* FK2Q	FQ0W
FT1N	FW7M	FW0M	FS2Q		FJ4X	FU6D		
		FW3M	FS8Q	DIN4....	FJ7X	FU9D	DVY1-1..	DVY6-3..
ADDR-1..	A6/.....		FT1Q	F15U	FK0X	FV2D	* FR2R	FL4W
DT3P	* DU3S	CLKI/...	* FT7Q	F18U	FK6X	FV5D	FS4R	* FM3W
FQ4N	FW6Q	DT0M		FJ4U	FK9X	FV8D		
		DU3Q	DIN1....	FJ7U	FL2X	FW1D	DVY1-2..	DVY6-4..
ADDR-2..	A7/.....	* DU5J	F15R	FK0U	FL8X	FW4D	* FN8R	FJ0W
DT4Q	* DU2T		F18R	FK6U	FM1X		FQ0R	* FK2W
FS8N	FW6R	CLKP/...	FJ4R	FK9U	* FM7X	DI3.....		
		DT6Q	FJ7R	FL2U	FN0X	* DT6T	DVY1-3..	DVY7-1..
ADDR-4..	AB/.....	* DU5R	FK0R	FL8U	FN3X	FU3F	FL4R	* FR2X
DT4T	* DU2S	FT7D	FK6R	FM1U	FN6X	FU6F	* FM3R	FS4X
FR9N	FW6K		FK9R	* FM7U	FN2X	FU9F		
		CLKU/...	FL2R	FN0U	FP5X	FV2F	DVY1-4..	DVY7-2..
ASELP...	A9/.....	DT6P	FL8R	FN3U	FP8X	FV5F	FJ0R	* FN8X
FT1C	* DU2I	* DU6P	FM1R	FN6U	FQ4X	FV8F	* FK2R	FQ0X
* FT3G	FW7L		* FM7R	FP2U	FQ7X	FW1F		
		CLRM....	FN0R	FP5U	FR0X	FW4F	DVY2-1..	DVY7-3..
AO/.....	BDR/.....	* FT4K	FN3R	FP8U	FR6X		* FR2S	FL4X
* DU2F	DUSH	FT6F	FN6R	FQ4U	FR9X	DI4.....	FS4S	* FM3X
FU3P	* FTOE		FP2R	FQ7U	FS2X	* DT7U	DVY2-2..	DVY7-4..
FU6P	FW6N	CRYD/...	FP5R	FR0U	FS8X	FU2G	* FN8S	FJ0X
FU9P		FT4P	FP8R	FR6U	FT1X	FU5G	FQ0S	* FK2X
FV2P	BD0/.....	* FT6N	FQ4R	FR9U	* FT7X	FU8G		
FV5P	* DT1E		FQ7R	FS2U		FV1G	DVY2-3..	DOUT0...
FV8P	FW3I	CONT/...	FR0R	FS8U	DIR/.....	FV4G	FL4S	FI4Q
FW1P	FW4I	F15M	FR6R	FT1U	F15L	FV7G	* FM3S	FI7Q
FW4P		F18M	FR9R	* FT7U	F18L	FW0G		FJ3Q
FW6P	BD1/.....	FJ1H	FS2R		FJ1L	FW3G	DVY2-4..	FJ6Q
	* DTOE	FJ4M	FS8R	DIN5....	FJ4L		FJ0S	FJ9Q
A1/.....	FW0I	FJ7M	FT1R	F15V	FJ7L	DI5.....	* FK2S	FK5Q
* DU3I	FW1I	FK0M	* FT7R	F18V	FK0L	* DT6U	FU2E	FK8Q
FU3R		FK3M		FJ4V	FK3L	FU2E	FU5E	FL1Q
FU6R	BD2/.....	FK6M	DIN2....	FJ7V	FK6L	FU8E	FU8E	FL7Q
FU9R	* DT1D	FK9M	F15B	FK0V	FK9L	FS4T	* FR2T	FN0Q
FV2R	FV7I	FL2M	F18S	FK6V	FL2L	FV4E	FS4T	* FM6Q
FV5R	FV8I	FL5M	FJ4S	FK9V	FL5L	FV7E	DVY3-2..	FN9Q
FV8R		FL8M	FJ7S	FL2V	FL8L	FW0E	* FN8T	FN2Q
FW1R	BD3/.....	FM1M	FK0S	FL8V	FM1L	FN3E	FQ0T	FN5Q
FW4R	* DT0D	FM4M	FK6S	FM1V	FM4L			FP1Q
FW7R	FV4I	* FM7M	FK9S	* FM7V	* FM7L	DI6.....	DVY3-3..	FP4Q
	FV5I	FN0M	FL2S	FN0V	FN0L	* DT7V	FL4T	FP7Q
A2/.....		FN3M	FL8S	FN3V	FN3L	FU3E	* FM3T	FQ3Q
* DU3G	BD4/.....	FN6M	FM1S	FN6V	FN6L	FU6E		FQ6Q
FU2P	* DT1C	FN9M	* FM7S	FP2V	FN9L	FU9E	DVY3-4..	FQ9Q
FU5P	FV1I	FP2M	FN0S	FP5V	FP2L	FV2E	FJ0T	FR5Q
FU8P	FV2I	FP5M	FN3S	FP8V	FP5L	FV5E	* FK2T	FR8Q
FV1P		FP8M	FN6S	FQ4V	FP8L	FV8E	DVY4-1..	FS1Q
FV4P	BD5/.....	FQ1M	FP2S	FQ7V	FQ1L	FW1E	* FR2U	FT0Q
FV7P	* DT0C	FQ4M	FP5S	FR0V	FQ4L	FW4E	FS4U	* FT6Q
FW0P	FU8I	FQ7M	FP8S	FR6V	FQ7L			
FW3P	FU9I	FR0M	FQ4S	FR9V	FR0L	DI7.....	DVY4-2..	DOUT1...
FW6M		FR3M	FQ7S	FS2V	FR3L	* DT6V	* FN8U	FI4R
	BD6/.....	FR6M	FR0S	FS8V	FR6L	FU2F	* FN8U	FI7R
A3/.....	* DT1B	FR9M	FR6S	FT1V	FR9L	FU5F	FQ0U	FJ3R
* DU2G	FU5I	FS2M	FR9S	* FT7V	FS2L	FU8F		FJ6R
FU2Q	FU6I	FS5M	FS2S		FS5L	FV1F	DVY4-3..	FJ9F
FU5Q		FS8M	FS8S	DIN6....	FS8L	FV4F	FL4U	FK5K
FU8Q	BD7/.....	FT1M	FT1S	F15W	FT1L	FW0F	* FM3U	FK8R
FV1Q	* DT0B	* FT7N	* FT7S	F18W	* FT7P	FW3F	DVY4-4..	FL1R
FV4Q	FU2I			FJ4W			FJ0U	FL7R
FV7Q	FU3I	CONTL-M/	DIN3....	FJ7W	DI0.....		* FK2U	FM0R
FW0Q		FT4T	F15T	FK0W	* DT7S	DI8.....		* FM6R
FW3Q	BY0/.....	* FT7E	F18T	FK6W	FU2D	* DT7R	DVY5-1..	FM9R
FW7N	* DU2W		FJ4T	FK9W	FU5D	FU3G	* FR2V	FN2R
	DU5N	DINO....	FJ7T	FL2W	FU8D	FU6G	FS4V	FN5R
A4/.....	FW7P	F15Q	FK0T	FL8W	FV1D	FU9G		FP1R
* DU3H		F18Q	FK6T	FM1W	FV4D	FV2G	DVY5-2..	FP4R
FU3Q	BY1/.....	FJ4Q	FK9T	* FM7W	FV7D	FV5G	* FN8V	FP7R
FU6Q	* DU3W	FJ7Q	FL2T	FN0W	FW0D	FV8G	FQ0V	FQ3R
FU9Q	FW6J	FK0Q	FL8T	FN3W	FW3D	FW1G		FQ6R
FV2Q		FK6Q	FM1T	FN6W		FW4G	DVY5-3..	FQ9R
FV5Q	BY2/.....	FK9Q	* FM7T	FP2W	DI1.....		FL4V	FR5R
FV8Q	* DU3V	FL2Q	FN0T	FP5W	* DT6S	DVY0-1..	* FM3V	FR8R
FW1Q	FW7J	FL8Q	FN3T	FP8W	FU2C	* FR2Q		FS1R
FW4Q		FM1Q	FN6T	FQ4W	FU5C	FS4Q	DVY5-4..	FS7R
FW7Q	BY3/.....	* FM7Q	FP2T	FQ7W	FU8C		FJ0V	FT0R
	* DU2X	FN0Q	FP5T	FR0W	FV1C		* FK2V	* FT6R
A5/.....	FW7K	FN3Q	FP8T	FR6W	FV4C	DVY0-2..		
* DU2H		FN6Q	FQ4T	FR9W	FV7C	* FN8Q		
FU2R	CAS.....	FP2Q	FQ7T	FS2W	FW0C	FQ0Q	DVY6-1..	
FU5R	* DU6B	FP5Q	FR0T	FS8W	FW3C		* FR2W	
FU8R	FU2M	FP8Q	FR6T	FT1W		DVY0-3..	FS4W	
FV1R	FU5M	FQ4Q	FR9T	* FT7W		FL4Q		
FV4R	FU8M	FQ7Q	FS2T			* FM3Q		

* INCLUDES EI PROJ. 56702 GP. 664 DATE 2-8-77 EI NO. 61688

Burroughs Corporation

PLYMOUTH

PLANT

PLYMOUTH, MICHIGAN 48170

U.S. AMERICA

TITLE
SYSTEM
DRAWN
E. R.
REV. AA

BACK PLANE CIRCUIT LIST
BD1-30/40 90 CARD 16K MEMORY BOARDS
INCLUDES E.I. PROJ. 56702 GP. 664 DATE 2-8-77
03-14-77

DRWG. NO.

PAGE 01

2795 2084

DOUT2...	FJ6V	D01.....	FU8T	FK5H	GRDCJ0..	GRDCP7..	GRDEJ3..	GRDEM7..
FI4S	FJ9V	DT7L	FV1T	FK8H	* CJOD	* CP7D	DJ3Z	DM7Z
FI7S	FK5V	FU2U	FV4T	FL1H	DJOA	DP7A	* EJ3B	* EM7B
FJ3S	FK8V	FU5U	FV7T	FL4H				
FJ6S	FL1V	FU8U	FW0T	FL7H	GRDCJ1..	GRDCQ0..	GRDEJ4..	GRDEM9..
FJ9S	FL7V	FV1U	FW3T	FM0H	CJ1D	* CQ0D	DJ4Z	DM9Z
FK5S	FM0V	FV4U	* FW7T	FM3H	* DISB	DQ0A	* EJ4B	* EM9B
FK8S	* FM6V	FV7U		FM6H	IJ1D			
FL1S	FM9V	FW0U	D09.....			GRDCQ3..	GRDEJ6..	GRDEN0..
FL7S	FN2V	FW3U	DT6R	GND2....	GRDCJ3..	* CQ3D	DJ6Z	DN0Z
FM0S	FN5V	* FW6W	* FW6S	FM9J	* CJ3D	DQ3A	* EJ6B	* EN0B
* FM6S	FP1V			FN2J	DJ3A			
FM9S	FP4V	D02.....	EX.....	FN5J		GRDCQ6..	GRDEJ7..	GRDEN2..
FN2S	FP7V	DT7K	* FT3R	FN8J	GRDCJ4..	* CQ6D	DJ7Z	DN2Z
FN5S	FQ3V	FU3T	FT7J	FP1J	CJ4D	DQ6A	* EJ7B	* EN2B
FP1S	FQ6V	FU6T		FP4J	* DISD			
FP4S	FQ9V	FU9T	FRZ/....	FP7J	IJ2E	GRDCQ9..	GRDEJ9..	GRDEN5..
FP7S	FR5V	FV2T	* DU3F	FQ0J		* CQ9D	* DJ9Z	DN5Z
FQ3S	FR8V	FV5T	FI4P	FQ3J	GRDCJ6..	DQ9A	* EJ9B	* EN5B
FQ6S	FS1V	FV8T	FI7P	FQ6J	* CJ6D			
FQ9S	FS7V	FW1T	FJ0P	FQ9J	DJ6A	GRDCR2..	GRDEK0..	GRDEN6..
FR5S	* FT6V	FW4T	FJ3P	FR2J		* CR2D	DK0Z	DN6Z
FR8S		* FW7W	FJ6P	FR5J	GRDCJ9..	DR2A	* EK0B	* EN6B
FS1S	DOUT6...		FJ9P	FR8J	* CJ9D			
FS7S	FI4W	D03.....	FK2P	FS1J	DJ9A	GRDCR5..	GRDEK2..	GRDEN8..
FT0S	FI7W	DT7I	FK5P	FS4J		* CR5D	DK2Z	DN8Z
* FT6S	FJ3W	FU3W	FK8P	FS7J	GRDCK2..	DR5A	* EK2B	* EN8B
	FJ6W	FU6W	FL1P	* GN3B	* CK2D			
DOUT3...	FJ9W	FU9W	FL4P	GT1B	DK2A	GRDCR8..	GRDEK3..	GRDEN9..
FI4T	FK5W	FV2W	FL7P			* CR8D	DK3Z	DN9Z
FI7T	FK8W	FV5W	FM0P	GND2SP..	GRDCK5..	DR8A	* EK3B	* EN9B
FJ3T	FL1W	FV8W	FM3P	FI4J	* CK5D			
FJ6T	FL7W	FW1W	* FM6P	FI7J	DK5A	GRDCS1..	GRDEK5..	GRDEP1..
FJ9T	FM0W	FW4W	FM9P	FJ0J		* CS1D	DK5Z	DP1Z
FK5T	* FM6W	* FW7X	FN2P	FJ3J	GRDCK8..	DS1A	* EK5B	* EP1B
FK8T	FM9W		FN5P	FJ6J	* CK8D			
FL1T	FN2W	D04.....	FN8P	FJ9J	DK8A	GRDCS4..	GRDEK6..	GRDEP2..
FL7T	FN5W	DT6D	FP1P	FK2J		* CS4D	DK6Z	DP2Z
FM0T	FP1W	FU3U	FP4P	FK5J	GRDCL1..	DS4A	* EK6B	* EP2B
* FM6T	FP4W	FU6U	FP7P	FK8J	* CL1D			
FM9T	FP7W	FU9U	FQ0P	FL1J	DL1A	GRDCS7..	GRDEK8..	GRDEP4..
FN2T	FQ3W	FV2U	FQ3P	FL4J		* CS7D	DK8Z	DP4Z
FN5T	FQ6W	FV5U	FQ6P	FL7J	GRDCL4..	DS7A	* EK8B	* EP4B
FP1T	FQ9W	FV8U	FQ9P	FM0J	* CL4D			
FP4T	FR5W	FW1U	FR2P	FM3J	DL4A	GRDCT0..	GRDEK9..	GRDEP5..
FP7T	FR8W	FW4U	FR5P	FM6J		* CT0D	DK9Z	DP5Z
FQ3T	FS1W	* FW7U	FR8P	GIB8	GRDCL7..	DT0A	* EK9B	* EP5B
FQ6T	FS7W		FS1P	GM4B	* CL7D			
FQ9T	* FT6W	D05.....	FS4P		DL7A	GRDCT3..	GRDEL1..	GRDEP7..
FR5T		DT7D	FS7P	GND3....		* CT3D	DL1Z	DP7Z
FR8T	DOUT7...	FU2X	FT0P	* EU6B	GRDCM0..	DT3A	* EL1B	* EP7B
FS1T	FI4X	FU5X	* FT6H	FU2N	* CM0D			
FS7T	FI7X	FU8X		FU5N	DM0A	GRDCT6..	GRDEL2..	GRDEP8..
FT0T	FJ3X	FV1X	GND1....	FU8N		* CT6D	DL2Z	DP8Z
* FT6T	FJ6X	FV4X	* DN3Z	FV1N	GRDCM3..	DT6A	* EL2B	* EP8B
	FJ9X	FV7X	DT1Z	FV4N	* CM3D			
DOUT4...	FK5X	FW0X	* EN3B	FV7N	DM3A	GRDCU2..	GRDEL4..	GRDEQ0..
FI4U	FK8X	FW3X	ET1B	FW0N		* CU2D	DL4Z	DQ0Z
FI7U	FL1X	* FW7V	FM9H	FW3N	GRDCM6..	DU2A	* EL4B	* EQ0B
FJ3U	FL7X		FN2H		* CM6D			
FJ6U	FM0X	D06.....	FN5H	GND4....	DM6A	GRDCU5..	GRDEL5..	GRDEQ1..
FJ9U	* FM6X	DT6E	FN8H	* EV8B		* CU5D	DL5Z	DQ1Z
FK5U	FM9X	FU2V	FP1H	FU3N	GRDCM9..	DU5A	* EL5B	* EQ1B
FK8U	FN2X	FU5V	FP4H	FU6N	* CM9D			
FL1U	FN5X	FU8V	FP7H	FU9N	DM9A	GRDCU9..	GRDEL7..	GRDEQ3..
FL7U	FP1X	FV1V	FQ0H	FV2N		BT5D	DL7Z	DQ3Z
FM0U	FP4X	FV4V	FQ3H	FV5N	GRDCN2..	* CU9D	* EL7B	* EQ3B
* FM6U	FP7X	FV7V	FQ6H	FV8N	* CN2D			
FM9U	FQ3X	FW0V	FQ9H	FW1N	DN2A	GRDEI4..	GRDEL8..	GRDEQ4..
FN2U	FQ6X	FW3V	FR2H	FW4N		DI4Z	DL8Z	DQ4Z
FN5U	FQ9X	* FW6V	FR5H		GRDCN5..	* EI4B	* EL8B	* EQ4B
FP1U	FR5X		FR8H	GRDCI4..	* CN5D			
FP4U	FR8X	D07.....	FS1H	* CI4D	DN5A	GRDEI5..	GRDEMO..	GRDEQ6..
FP7U	FS1X	DT7E	FS4H	DI4A		DI5Z	DM0Z	DQ6Z
FQ3U	FS7X	FU3V	FS7H		GRDCN8..	* EI5B	* EM0B	* EQ6B
FQ6U	* FT6X	FU6V		GRDCI5..	* CN8D			
FQ9U		FU9V	GND1SP..	CI5D	DN8A	GRDEI7..	GRDEM1..	GRDEQ7..
FR5U	D00.....	FV2V	DI8Z	* DI4B		DI7Z	DM1Z	DQ7Z
FR8U	DT7M	FV5V	DM4Z	IJ1C	GRDCP1..	* EI7B	* EM1B	* EQ7B
FS1U	FU2W	FV8V	EI8B		* CP1D			
FS7U	FU5W	FW1V	EM4B	GRDCI7..	DP1A	GRDEJO..	GRDEM3..	GRDEQ9..
FT0U	FU8W	FW4V	FI4H	* CI7D		DJ0Z	DM3Z	DQ9Z
* FT6U	FV1W	* FW6U	FI7H	DI7A	GRDCP4..	* EJ0B	* EM3B	* EQ9B
	FV4W		FJ0H		* CP4D			
DOUT5...	FV7W	D08.....	FJ3H	GRDCI8..	DP4A	GRDEJ1..	GRDEM6..	
FI4V	FW0W	DT7Y	FJ6H	CI8D		DJ1Z	DM6Z	
FI7V	FW3W	FU2T	FJ9H	* DI4C		* EJ1B	* EM6B	
FJ3V	* FW7S	FUST	FK2H	IJ1A				

Burroughs Corporation

PLYMOUTH

PLANT

PLYMOUTH, MICHIGAN 48170

U.S. AMERICA

PROPERTY OF BURROUGHS CORP.--NOT TO BE REPRODUCED NOR USED FOR MANUFACTURING PURPOSES EXCEPT ON BURROUGHS ORDER OR PRIOR WRITTEN CONSENT

TITLE
SYSTEM
DRAWN
E. R.
REV. AA

BACKPLANE CIRCUIT LIST
BD1-30/40 90 CARD 16K MEMORY BOARDS
INCLUDES E.I. PROJ.56702 GP.664 DATE 2-8-77
03-14-77

DRWG. NO.

PAGE 02

2795 2084

GRDER0.. DR0Z * ER0B	GRDEV4.. * EV4B FV4A	GRDGN8.. FN8Z * GN8B	GRDGV7.. FV7Z * GV7B	I/01-87. * DJ9M HJ5A	I/011-60 BJ3A * DJ0H	I/012-64 BQ3B * DP8H	I/013-69 AJ3C * DJ3G	I/014-71 AM3D * DM7G
GRDER2.. DR2Z * ER2B	GRDEV7.. * EV7B FV7A	GRDGP1.. FP1Z * GP1B	GRDGV0.. FV0Z * GV0B	I/01-88. * DK2M HLOA	I/011-62 BM3A * DM0H	I/012-65 BR8B * DR3H	I/013-70 AK8C * DL1G	I/014-72 AN8D * DM6G
GRDER3.. DR3Z * ER3B	GRDEW0.. * EW0B FW0A	GRDGP4.. FP4Z * GP4B	GRDGV3.. FW3Z * GV3B	I/010-60 BJ4E * DJ1I	I/011-64 BQ3A * DP7H	I/012-69 AJ3B * DJ4H	I/013-71 AM3C * DM6G	I/014-73 AQ3D * DP5G
GRDER5.. DR5Z * ER5B	GRDEW3.. * EW3B FW3A	GRDGP7.. FP7Z * GP7B	GRDGV6.. FW6Z * GV6B	I/010-62 BM4E * DM1I	I/011-65 BR8A * DR2H	I/012-70 AK8B * DL2H	I/013-72 AN8C * DN5G	I/014-74 AR8D * DQ7G
GRDER6.. DR6Z * ER6B	GRDEW6.. * EW6B FW6A	GRDQ00.. FQ0Z * GQ0B	I/01-60. BJ5A * DJ0M	I/010-64 BQ4E * DP8I	I/011-69 AJ3A * DJ3H	I/012-71 AM3B * DM7H	I/013-73 AQ3C * DP4G	I/014-75 AT3D * DR6G
GRDER8.. DR8Z * ER8B	GRDGI7.. FI7Z * GI7B	GRDQ03.. FQ3Z * GQ3B	I/01-62. BM5A * DM0M	I/010-65 BR9E * DR3I	I/011-70 AK8A * DL1H	I/012-72 AN8B * DN6H	I/013-74 AR8C * DQ6G	I/014-78 * DI5G IJ3D
GRDER9.. DR9Z * ER9B	GRDGJ0.. FJ0Z * GJ0B	GRDQ06.. FQ6Z * GQ6B	I/01-64. BQ5A * DP7M	I/010-69 AJ4E * DJ4I	I/011-71 AM3A * DM6H	I/012-73 AQ3B * DP5H	I/013-75 AT3C * DR5G	I/014-79 * DK9G IK8D
GRDES1.. DS1Z * ES1B	GRDGJ3.. FJ3Z * GJ3B	GRDQ09.. FQ9Z * GQ9B	I/01-65. BS0A * DR2M	I/010-70 AK9E * DL2I	I/011-72 AN8A * DNSH	I/012-74 AR8B * DQ7H	I/013-78 * DI4G IJ3C	I/014-80 * DL8G IM3D
GRDES2.. DS2Z * ES2B	GRDGJ6.. FJ6Z * GJ6B	GRDGR2.. FR2Z * GR2B	I/01-69. AJ5A * DJ3M	I/010-71 AM4E * DM7I	I/011-73 AQ3A * DP4H	I/012-75 AT3B * DR6H	I/013-79 * DK8G IK8C	I/014-81 * DN0G IN8D
GRDES4.. DS4Z * ES4B	GRDGJ9.. FJ9Z * GJ9B	GRDGR5.. FR5Z * GR5B	I/01-70. ALO0A * DL1M	I/010-72 AN9E * DM6I	I/011-74 AR8A * DQ6H	I/012-78 * DI5H IJ3B	I/013-80 * DL7G IM3C	I/014-82 * DN9G IQ3D
GRDES5.. DS5Z * ES5B	GRDGK2.. FK2Z * GK2B	GRDGR8.. FR8Z * GR8B	I/01-71. AM5A * DM6M	I/010-73 AQ4E * DP5I	I/011-75 AT3A * DR5H	I/012-79 * DK9H IK8B	I/013-81 * DM9G IN8C	I/014-83 * DQ4G IR8D
GRDES7.. DS7Z * ES7B	GRDGK5.. FK5Z * GK5B	GRDGS1.. FS1Z * GS1B	I/01-72. APO0A * DN5M	I/010-74 AR9E * DQ7I	I/011-78 * DI4H IJ3A	I/012-80 * DL8H IM3B	I/013-82 * DN8G IQ3C	I/014-84 * DS2G IT3D
GRDES8.. DS8Z * ES8B	GRDGK8.. FK8Z * GK8B	GRDGS4.. FS4Z * GS4B	I/01-73. AQ5A * DP4M	I/010-75 AT4E * DR6I	I/011-79 * DK8H IK8A	I/012-81 * DN0H IN8B	I/013-83 * DQ3G IR8C	I/014-87 * DK0G HJ3D
GRDET0.. DT0Z * ET0B	GRDGL1.. FL1Z * GL1B	GRDGS7.. FS7Z * GS7B	I/01-74. AS0A * DQ6M	I/010-78 * DI5I IJ4E	I/011-80 * DL7H IM3A	I/012-82 * DN9H IQ3B	I/013-84 * DS1G IT3C	I/014-88 * DK3G HK8D
GRDET3.. DT3Z * ET3B FT3A	GRDGL4.. FL4Z * GL4B	GRDGT0.. FT0Z * GT0B	I/01-75. AT5A * DR5M	I/010-79 * DK9I IK9E	I/011-81 * DM9H IN8A	I/012-83 * DQ4H IR8B	I/013-87 * DJ9G HJ3C	I/015-60 BJ3E * DJ0F
GRDET4.. DT4Z * ET4B FT4A	GRDGL7.. FL7Z * GL7B	GRDGT3.. FT3Z * GT3B	I/01-78. * DI4M IJ5A	I/010-80 * DL8I IM4E	I/011-82 * DN8H IQ3A	I/012-84 * DS2H IT3B	I/013-88 * DK2G HK8C	I/015-62 BM3E * DM0F
GRDET6.. DT6Z * ET6B FT6A	GRDGM0.. FM0Z * GM0B	GRDGT6.. FT6Z * GT6B	I/01-79. * DK8M ILOA	I/010-81 * DN0I IN9E	I/011-83 * DQ3H IR8A	I/012-87 * DK0H HJ3B	I/014-60 BJ3D * DJ1G	I/015-64 BQ3E * DP7F
GRDEU2.. DU2Z * EU2B FU2A	GRDGM3.. FM3Z * GM3B	GRDGU2.. FU2Z * GU2B	I/01-80. * DL7M IM5A	I/010-82 * DN9I IQ4E	I/011-84 * DS1H IT3A	I/012-88 * DK3H HK8B	I/014-62 * DM1G BM3D	I/015-65 BR8E * DR2F
GRDEU5.. DU5Z * EU5B FU5A	GRDGM6.. FM6Z * GM6B	GRDGU5.. FU5Z * GU5B	I/01-81. * DM9M IPOA	I/010-83 * DQ4I IR9E	I/011-87 * DJ9H HJ3A	I/013-60 BJ3C * DJ0G	I/014-64 BQ3D * DP8G	I/015-69 AJ3E * DJ3F
GRDEU8.. DU8Z * EU8B FU8A	GRDGN2.. FN2Z * GN2B	GRDGV1.. FV1Z * GV1B	I/01-82. * DN8M IQ5A	I/010-84 * DS2I IT4E	I/011-88 * DK2H HK8A	I/013-62 BM3C * DM0G	I/014-65 BR8D * DR3G	I/015-70 AK8E * DL1F
GRDEV1.. * EV1B FV1A	GRDGN5.. FN5Z * GN5B	GRDGV4.. FV4Z * GV4B	I/01-84. * DS1M IT5A	I/010-88 * DK3I HK9E	I/012-62 BM3B * DM1H	I/013-65 BR8C * DR2G	I/014-70 AK8D * DL2G	

Burroughs Corporation

PLYMOUTH  PLANT

PLYMOUTH, MICHIGAN 48170

U.S. AMERICA

TITLE
SYSTEM
DRAWN
E. R.
REV. AA

BACK PLANE CIRCUIT LIST
BD1-30/40 90 CARD 16K MEMORY BOARDS
INCLUDES E.I. PROJ. 56702 GP. 664 DATE 2-8-77
03-14-77

DRWG. NO.

PAGE 03

2795 2084

I/015-72 AN8E * DN5F	I/016-74 AR7A * DQ7F	I/017-78 * DI4E IJ2B	I/018-80 * DL8E IM2C	I/019-82 * DN8D IQ2D	I/02-84. * DS2M IT5B	I/020-88 * DK3D HK7E	I/022-62 BM1B * DM1C	I/023-65 BR6C * DR2B
I/015-73 AQ3E * DP4F	I/016-75 AT2A * DR6F	I/017-79 * DK8E IK7B	I/018-81 * DNOE IN7C	I/019-83 * DQ3D IR7D	I/02-87. * DK0M HJ5B	I/021-60 BJ1A * DJ0C	I/022-64 BQ1B * DP8C	I/023-69 AJ1C * DJ3B
I/015-74 AR8E * DQ6F	I/016-78 * DI5F IJ2A	I/017-80 * DL7E IM2B	I/018-82 * DN9E IQ2C	I/019-84 * DS1D IT2D	I/02-88. * DK3M HLOB	I/021-62 BM1A * DM0C	I/022-65 BR6B * DR3C	I/023-70 AK6C * DL1B
I/015-75 AT3E * DR5F	I/016-79 * DK9F IK7A	I/017-81 * DM9E IN7B	I/018-83 * DQ4E IR7C	I/019-87 * DJ9D HJ2D	I/020-60 BJ2E * DJ1D	I/021-64 BQ1A * DP7C	I/022-69 AJ1B * DJ4C	I/023-71 AM1C * DM6B
I/015-78 * DI4F IJ3E	I/016-80 * DL8F IM2A	I/017-82 * DN8E IQ2B	I/018-84 * DS2E IT2C	I/019-88 * DK2D HK7D	I/020-62 BM2E * DM1D	I/021-65 BR6A * DR2C	I/022-70 AK6B * DL2C	I/023-72 AN6C * DN5B
I/015-79 * DK8F IK8E	I/016-81 * DNOF IN7A	I/017-83 * DQ3E IR7B	I/018-87 * DK0E HJ2C	I/02-60. BJ5B * DJ1M	I/020-64 BQ2E * DP8D	I/021-69 AJ1A * DJ3C	I/022-71 AM1B * DM7C	I/023-73 AQ1C * DP4B
I/015-80 * DL7F IM3E	I/016-82 * DN9F IQ2A	I/017-84 * DS1E IT2B	I/018-88 * DK3E HK7C	I/02-62. BM5B * DM1M	I/020-65 BR7E * DR3D	I/021-70 AK6A * DL1C	I/022-72 AN6B * DN6C	I/023-74 AR6C * DQ6B
I/015-81 * DM9F IN8E	I/016-83 * DQ4F IR7A	I/017-87 * DJ9E HJ2B	I/019-60 BJ2D * DJ0D	I/02-64. BQ5B * DP8M	I/020-69 AJ2E * DJ4D	I/021-71 AM1A * DM6C	I/022-73 AQ1B * DP5C	I/023-75 AT1C * DR5B
I/015-82 * DN8F IQ3E	I/016-84 * DS2F IT2A	I/017-88 * DK2E HK7B	I/019-62 BM2D * DM0D	I/02-65. BS0B * DR3M	I/020-70 AK7E * DL2D	I/021-72 AN6A * DN5C	I/022-74 AR6B * DQ7C	I/023-78 (GRDC15..)
I/015-83 * DQ3F IR8E	I/016-87 * DK0F HJ2A	I/018-60 BJ2C * DJ1E	I/019-64 BQ2D * DP7D	I/02-69. AJ5B * DJ4M	I/020-71 AM2E * DM7D	I/021-73 AQ1A * DP4C	I/022-75 AT1B * DR6C	I/023-79 * DK8B IK6C
I/015-84 * DS1F IT3E	I/016-88 * DK3F HK7A	I/018-62 BM2C * DM1E	I/019-65 BR7D * DR2D	I/02-70. AL0B * DL2M	I/020-72 AN7E * DN6D	I/021-74 AR6A * DQ6C	I/022-78 * DI5C IJ1B	I/023-80 * DL7B IM1C
I/015-87 * DJ9F HJ3E	I/017-60 BJ2B * DJ0E	I/018-64 BQ2C * DP8E	I/019-69 AJ2D * DJ3D	I/02-71. AM5B * DM7M	I/020-73 AQ2E * DP5D	I/021-75 AT1A * DR5C	I/022-79 * DK9C IK6B	I/023-81 * DM9B IN6C
I/015-88 * DK2F HK8E	I/017-62 BM2B * DM0E	I/018-65 BR7C * DR3E	I/019-70 AK7D * DL1D	I/02-72. APOB * DN6M	I/020-74 AR7E * DQ7D	I/021-78 (GRDC18..)	I/022-80 * DL8C IM1B	I/023-82 * DN8B IQ1C
I/016-60 BJ2A * DJ1F	I/017-64 BQ2B * DP7E	I/018-69 AJ2C * DJ4E	I/019-71 AM2D * DM6D	I/02-73. AQ5B * DP5M	I/020-75 AT2E * DR6D	I/021-79 * DK8C IK6A	I/022-81 * DN0C IN6B	I/023-83 * DQ3B IR6C
I/016-62 BM2A * DM1F	I/017-65 BR7B * DR2E	I/018-70 AK7C * DL2E	I/019-72 AN7D * DN5D	I/02-74. AS0B * DQ7M	I/020-78 (GRDCJ4..)	I/021-80 * DL7C IM1A	I/022-82 * DN9C IQ1B	I/023-84 * DS1B IT1C
I/016-64 BQ2A * DP8F	I/017-69 AJ2B * DJ3E	I/018-71 AM2C * DM7E	I/019-73 AQ2D * DP4D	I/02-75. AT5B * DR6M	I/020-79 * DK9D IK7E	I/021-81 * DM9C IN6A	I/022-83 * DQ4C IR6B	I/023-87 * DJ9B HJ1C
I/016-65 BR7A * DR3F	I/017-70 AK7B * DL1E	I/018-72 AN7C * DN6E	I/019-74 AR7D * DQ6D	I/02-78. * DI5M IJ5B	I/020-80 * DL8D IM2E	I/021-82 * DN8C IQ1A	I/022-84 * DS2C IT1B	I/023-88 * DK2B HK6C
I/016-69 AJ2A * DJ4F	I/017-71 AM2B * DM6E	I/018-73 AQ2C * DP5E	I/019-75 AT2D * DR5D	I/02-79. * DK9M ILOB	I/020-81 * DN0D IN7E	I/021-83 * DQ3C IR6A	I/022-87 * DK0C HJ1B	I/024-60 BJ1D * DJ1B
I/016-70 AK7A * DL2F	I/017-72 AN7B * DN5E	I/018-74 AR7C * DQ7E	I/019-78 (I0192678)	I/02-80. * DL8M IM5B	I/020-82 * DN9D IQ2E	I/021-84 * DS1C IT1A	I/022-88 * DK3C HK6B	I/024-62 BM1D * DM1B
I/016-71 AM2A * DM7F	I/017-73 AQ2B * DP4E	I/018-75 AT2C * DR6E	I/019-79 * DK8D IK7D	I/02-81. * DN0M IPOB	I/020-83 * DQ4D IR7E	I/021-87 * DJ9C HJ1A	I/023-60 BJ1C * DJ0B	I/024-64 BQ1D * DP8B
I/016-72 AN7A * DN6F	I/017-74 AR7B * DQ6E	I/018-78 * DI5E IJ2C	I/019-80 * DL7D IM2D	I/02-82. * DN9M IQ5B	I/020-84 * DS2D IT2E	I/021-88 * DK2C HK6A	I/023-62 BM1C * DM0B	I/024-65 BR6D * DR3B
I/016-73 AQ2A * DP5F	I/017-75 AT2B * DR5E	I/018-79 * DK9E IK7C	I/019-81 * DM9D IN7D	I/02-83. * DQ4M IS0B	I/020-87 * DK0D HJ2E	I/022-60 BJ1B * DJ1C	I/023-64 BQ1C * DP7B	I/024-69 AJ1D * DJ4B

Burroughs Corporation

PLYMOUTH



PLANT

PLYMOUTH, MICHIGAN 48170

U.S. AMERICA

TITLE
SYSTEM
DRAWN
E. R.
REV. AA

BACK PLANE CIRCUIT LIST
BD1-30/40 90 CARD 16K MEMORY BOARDS
INCLUDES E.I. PROJ. 56702 GP. 664 DATE 2-8-77
03-14-77

DRWG. NO.

PAGE 04

2795 2084

I/024-70 AK6D * DL2B	I/025-72 AN6E * FNSF	I/026-74 AR5A * FQ7F	I/027-78 * FI4E IJ0B	I/028-80 * FL8E IM0C	I/029-82 * FN8D IQ0D	I/03-84. * DS1L IT5C	I/030-88 * FK3D HK5E	I/032-62 BL9B * FM1C
I/024-71 AM1D * DM7B	I/025-73 AQ1E * FP4F	I/026-75 ATOA * FR6F	I/027-79 * FK8E IK5B	I/028-81 * FN0E IN5C	I/029-83 * FQ3D IR5D	I/03-87. * DJ9L HJ5C	I/031-60 BI9A * FJ0C	I/032-64 BP9B * FP8C
I/024-72 AN6D * DN6B	I/025-74 AR6E * FQ6F	I/026-78 (I0192678) I/026-79 * FK9F IK5A	I/027-80 * FL7E IM0B	I/028-82 * FN9E IQ0C	I/029-84 * FS1D IT0D	I/03-88. * DK2L HL0C	I/031-62 BL9A * FM0C	I/032-65 BR4B * FR3C
I/024-73 AQ1D * DP5B	I/025-75 AT1E * FR5F	I/026-80 * FL8F IM0A	I/027-81 * FM9E IN5B	I/028-83 * FQ4E IR5C	I/029-87 * FJ9D HJ0D	I/030-60 BJ0E * FJ1D	I/031-64 BP9A * FP7C	I/032-69 AI9B * FJ4C
I/024-74 AR6D * DQ7B	I/025-78 * FI4F IJ1E	I/026-81 * FN0F IN5A	I/027-82 * FN8E IQ0B	I/028-84 * FS2E IT0C	I/029-88 * FK2D HK5D	I/030-62 BM0E * FM1D	I/031-65 BR4A * FR2C	I/032-70 AK4B * FL2C
I/024-75 AT1D * DR6B	I/025-79 * FK8F IK6E	I/026-82 * FN9F IQ0A	I/027-83 * FQ3E IR5B	I/028-87 * FK0E HJ0C	I/03-60. BJ5C * DJ0L	I/030-64 BQ0E * FP8D	I/031-69 AI9A * FJ3C	I/032-71 AL9B * FM7C
I/024-78 (GRDCJ1..)	I/025-80 * FL7F IM1E	I/026-83 * FQ4F IR5A	I/027-84 * FS1E IT0B	I/028-88 * FK3E HK5C	I/03-62. BM5C * DM0L	I/030-65 BR5E * FR3D	I/031-70 AK4A * FL1C	I/032-72 AN4B * FN6C
I/024-79 * DK9B IK6D	I/025-81 * FM9F IN6E	I/026-84 * FS2F IT0A	I/027-87 * FJ9E HJ0B	I/029-60 BJ0D * FJ0D	I/03-64. BQ5C * DP7L	I/030-69 AJ0E * FJ4D	I/031-71 AL9A * FM6C	I/032-73 AP9B * FP5C
I/024-80 * DL8B IM1D	I/025-82 * FN8F IQ1E	I/026-87 * FK0F HJ0A	I/027-88 * FK2E HK5B	I/029-62 BM0D * FM0D	I/03-65. BS0C * DR2L	I/030-70 AK5E * FL2D	I/031-72 AN4A * FN5C	I/032-74 AR4B * FQ7C
I/024-81 * DN0B IN6D	I/025-83 * FQ3F IR6E	I/026-88 * FK3F HK5A	I/028-60 BJ0C * FJ1E	I/029-64 BQ0D * FP7D	I/03-69. AJ5C * DJ3L	I/030-71 AM0E * FM7D	I/031-73 AP9A * FP4C	I/032-75 AS9B * FR6C
I/024-82 * DN9B IQ1D	I/025-84 * FS1F IT1E	I/027-60 BJ0B * FJ0E	I/028-62 BM0C * FM1E	I/029-65 BR5D * FR2D	I/03-70. AL0C * DL1L	I/030-72 AN5E * FN6D	I/031-74 AR4A * FQ6C	I/032-78 * FI5C II9B
I/024-83 * DQ4B IR6D	I/025-87 * FJ9F HJ1E	I/027-64 BQ0B * FP7E	I/028-64 BQ0C * FP8E	I/029-69 AJ0D * FJ3D	I/03-71. AM5C * DM6L	I/030-73 AQ0E * FP5D	I/031-75 AS9A * FR5C	I/032-79 * FK9C IK4B
I/024-84 * DS2B IT1D	I/025-88 * FK2F HK6E	I/027-62 BM0B * FM0E	I/028-65 BR5C * FR3E	I/029-70 AK5D * FL1D	I/03-72. APOC * DN5L	I/030-74 AR5E * FQ7D	I/031-78 * FI4C II9A	I/032-80 * FL8C IL9B
I/024-87 * DK0B HJ1D	I/026-60 BJ0A * FJ1F	I/027-64 BQ0B * FP7E	I/028-69 AJ0C * FJ4E	I/029-71 AM0D * FM6D	I/03-73. AQ5C * DP4L	I/030-75 AT0E * FR6D	I/031-79 * FK8C IK4A	I/032-81 * FN0C IN4B
I/024-88 * DK3B HK6D	I/026-62 BM0A * FM1F	I/027-65 BR5B * FR2E	I/028-70 AK5C * FL2E	I/029-72 AN5D * FN5D	I/03-74. AS0C * DQ6L	I/030-78 * FI5D IJ0E	I/031-80 * FL7C IL9A	I/032-82 * FN9C IP9B
I/025-60 BJ1E * FJ0F	I/026-64 BQ0A * FP8F	I/027-69 AJ0B * FJ3E	I/028-71 AM0C * FM7E	I/029-73 AQ0D * FP4D	I/03-75. AT5C * DR5L	I/030-79 * FK9D IK5E	I/031-81 * FM9C IN4A	I/032-83 * FQ4C IR4B
I/025-62 BM1E * FM0F	I/026-65 BR5A * FR3F	I/027-70 AK5B * FL1E	I/028-72 AN5C * FN6E	I/029-74 AR5D * FQ6D	I/03-78. * DI4L IJ5C	I/030-80 * FL8D IM0E	I/031-82 * FN8C IP9A	I/032-84 * FS2C IS9B
I/025-64 BQ1E * FP7F	I/026-69 AJ0A * FJ4F	I/027-71 AM0B * FM6E	I/028-73 AQ0C * FP5E	I/029-75 AT0D * FR5D	I/03-79. * DK8L IL0C	I/030-81 * FN0D IN5E	I/031-83 * FQ3C IR4A	I/032-87 * FK0C HI9B
I/025-65 BR6E * FR2F	I/026-70 AK5A * FL2F	I/027-72 AN5B * FN5E	I/028-74 AR5C * FQ7E	I/029-78 * FI4D IJ0D	I/03-80. * DL7L IM5C	I/030-82 * FN9D IQ0E	I/031-84 * FS1C IS9A	I/032-88 * FK3C HK4B
I/025-69 AJ1E * FJ3F	I/026-71 AM0A * FM7F	I/027-73 AQ0B * FP4E	I/028-75 AT0C * FR6E	I/029-79 * FK8D IK5D	I/03-81. * DM9L IP0C	I/030-83 * FQ4D IR5E	I/031-87 * FJ9C HI9A	I/033-60 BI9C * FJ0B
I/025-70 AK6E * FL1F	I/026-72 AN5A * FN6F	I/027-74 AR5B * FQ6E	I/028-78 * FI5E IJ0C	I/029-80 * FL7D IM0D	I/03-82. * DN8L IQ5C	I/030-84 * FS2D IT0E	I/031-88 * FK2C HK4A	I/033-62 BL9C * FM0B
I/025-71 AM1E * FM6F	I/026-73 AT0B * FR5E	I/027-75 AT0B * FR5E	I/028-79 * FK9E IK5C	I/029-81 * FM9D IN5D	I/03-83. * DQ3L IS0C	I/030-87 * FK0D HJ0E	I/032-60 BI9B * FJ1C	

Burroughs Corporation

PLYMOUTH



PLANT

PLYMOUTH, MICHIGAN 48170

U.S. AMERICA

TITLE
SYSTEM
DRAWN
E. R.
REV. AA

BACKPLANE CIRCUIT LIST
BD1-30/40 90 CARD 16K MEMORY BOARDS
INCLUDES E.I. PROJ.56702 GP.664 DATE 2-8-77
03-14-77

DRWG. NO.

PAGE 05

2795 2084

I/033-64 BP9C * FP7B	I/034-69 AI9D * FJ4B	I/035-71 AL9E * DM6Y	I/036-73 AP8A * DP5Y	I/037-75 AS8B * DR5X	I/038-79 * DK9X IK3C	I/039-81 * DM9W IN3D	I/04-83. * DQ4L IS0D	I/040-87 * DK0W HI8E
I/033-65 BR4C * FR2B	I/034-70 AK4D * FL2B	I/035-72 AN4E * DN5Y	I/036-74 AR3A * DQ7Y	I/037-78 * DI4X II8B	I/038-80 * DL8X IL8C	I/039-82 * DN8W IP8D	I/04-84. * DS2L IT5D	I/040-88 * DK3W HK3E
I/033-69 AI9C * FJ3B	I/034-71 AL9D * FM7B	I/035-73 AP9E * DP4Y	I/036-75 AS8A * DR6Y	I/037-79 * DK8X IK3B	I/038-81 * DN0X IN3C	I/039-83 * DQ3W IR3D	I/04-87. * DK0L HJ5D	I/041-60 BI7A * DJ0V
I/033-70 AK4C * FL1B	I/034-72 AN4D * FN6B	I/035-74 AR4E * DQ6Y	I/036-78 * DI5Y II8A	I/037-80 * DL7X IL8B	I/038-82 * DN9X IP8C	I/039-84 * DS1W IS8D	I/04-88. * DK3L HL0D	I/041-62 BL7A * DM0V
I/033-71 AL9C * FM6B	I/034-73 AP9D * FP5B	I/035-75 AS9E * DR5Y	I/036-79 * DK9Y IK3A	I/037-81 * DM9X IN3B	I/038-83 * DQ4X IR3C	I/039-87 * DJ9W HI8D	I/040-60 BI8E * DJ1W	I/041-64 BP7A * DP7V
I/033-72 AN4C * FN5B	I/034-74 AR4D * FQ7B	I/035-78 * DI4Y II9E	I/036-80 * DL8Y IL8A	I/037-82 * DN8X IP8B	I/038-84 * DS2X IS8C	I/039-88 * DK2W HK3D	I/040-62 BL8E * DM1W	I/041-65 BR2A * DR2V
I/033-73 AP9C * FP4B	I/034-75 AS9D * FR6B	I/035-79 * DK8Y IK4E	I/036-81 * DN0Y IN3A	I/037-83 * DQ3X IR3B	I/038-87 * DK0X HI8C	I/04-60. BJ5D * DJ1L	I/040-64 BP8E * DP8W	I/041-69 AI7A * DJ3V
I/033-74 AR4C * FQ6B	I/034-78 * FI5B II9D	I/035-80 * DL7Y IL9E	I/036-82 * DN9Y IP8A	I/037-84 * DS1X IS8B	I/038-88 * DK3X HK3C	I/04-62. BM5D * DM1L	I/040-65 BR3E * DR3W	I/041-70 AK2A * DL1V
I/033-75 AS9C * FR5B	I/034-79 * FK9B IK4D	I/035-81 * DM9Y IN4E	I/036-83 * DQ4Y IR3A	I/037-87 * DJ9X HI8B	I/039-60 BI8D * DJ0W	I/04-64. BQ5D * DP8L	I/040-69 AI8E * DJ4W	I/041-71 AL7A * DM6V
I/033-78 * FI4B II9C	I/034-80 * FL8B IL9D	I/035-82 * DN8Y IP9E	I/036-84 * DS2Y IS8A	I/037-88 * DK2X HK3B	I/039-62 BL8D * DM0W	I/04-65. BS0D * DR3L	I/040-70 AK3E * DL2W	I/041-72 AN2A * DN5V
I/033-79 * FK8B IK4C	I/034-81 * FN0B IN4D	I/035-83 * DQ3Y IR4E	I/036-87 * DK0Y HI8A	I/038-60 BI8C * DJ1X	I/039-64 BP8D * DP7W	I/04-69. AJ5D * DJ4L	I/040-71 AL8E * DM7W	I/041-73 AP7A * DP4V
I/033-80 * FL7B IL9C	I/034-82 * FN9B IP9D	I/035-84 * DS1Y IS9E	I/036-88 * DK3Y HK3A	I/038-62 BL8C * DM1X	I/039-65 BR3D * DR2W	I/04-70. AL0D * DL2L	I/040-72 AN3E * DN6W	I/041-74 AR2A * DQ6V
I/033-81 * FM9B IN4C	I/034-83 * FQ4B IR4D	I/035-87 * DJ9Y HI9E	I/037-60 BI8B * DJ0X	I/038-64 BP8C * DP8X	I/039-69 AI8D * DJ3W	I/04-71. AM5D * DM7L	I/040-73 AP8E * DP5W	I/041-75 AS7A * DR5V
I/033-82 * FN8B IP9C	I/034-84 * FS2B IS9D	I/035-88 * DK2Y HK4E	I/037-62 BL8B * DM0X	I/038-65 BR3C * DR3X	I/039-70 AK3D * DL1W	I/04-72. APOD * DN6L	I/040-74 AR3E * DQ7W	I/041-78 * DI4V II7A
I/033-83 * FQ3B IR4C	I/034-87 * FK0B HI9D	I/036-60 BI8A * DJ1Y	I/037-64 BP8B * DP7X	I/038-69 AI8C * DJ4X	I/039-71 AL8D * DM6W	I/04-73. AQ5D * DP5L	I/040-75 AS8E * DR6W	I/041-79 * DK8V IK2A
I/033-84 * FS1B IS9C	I/034-88 * FK3B HK4D	I/036-62 BL8A * DM1Y	I/037-65 BR3B * DR2X	I/038-70 AK3C * DL2X	I/039-72 AN3D * DN5W	I/04-74. AS0D * DQ7L	I/040-78 * DI5W II8E	I/041-80 * DL7V IL7A
I/033-87 * FJ9B HI9C	I/035-60 BI9E * DJ0Y	I/036-64 BP8A * DP8Y	I/037-69 AI8B * DJ3X	I/038-71 AL8C * DM7X	I/039-73 AP8D * DP4W	I/04-75. AT5D * DR6L	I/040-79 * DK9W IK3E	I/041-81 * DM9V IN2A
I/033-88 * FK2B HK4C	I/035-62 BL9E * DM0Y	I/036-65 BR3A * DR3Y	I/037-70 AK3B * DL1X	I/038-72 AN3C * DN6X	I/039-74 AR3D * DQ6W	I/04-78. * DI5L IJ5D	I/040-80 * DL8W IL8E	I/041-82 * DN8V IP7A
I/034-60 BI9D * FJ1B	I/035-64 BP9E * DP7Y	I/036-69 AI8A * DJ4Y	I/037-71 AL8B * DM6X	I/038-73 AP8C * DP5X	I/039-75 AS8D * DR5W	I/04-79. * DK9L ILOD	I/040-81 * DN0W IN3E	I/041-83 * DQ3V IR2A
I/034-62 BL9D * FM1B	I/035-65 BR4E * DR2Y	I/036-70 AK3A * DL2Y	I/037-72 AN3B * DN5X	I/038-74 AR3C * DQ7X	I/039-78 * DI4W II8D	I/04-80. * DL8L IM5D	I/040-82 * DN9W IP8E	I/041-84 * DS1V IS7A
I/034-64 BP9D * FP8B	I/035-69 AI9E * DJ3Y	I/036-71 AL8A * DM7Y	I/037-73 AP8B * DP4X	I/038-75 AS8C * DR6X	I/039-79 * DK8W IK3D	I/04-81. * DN0L IPOD	I/040-83 * DQ4W IR3E	I/041-87 * DJ9V HI7A
I/034-65 BR4D * FR3B	I/035-70 AK4E * DL1Y	I/036-72 AN3A * DN6Y	I/037-74 AR3B * DQ6X	I/038-78 * DI5X II8C	I/039-80 * DL7W IL8D	I/04-82. * DN9L IQ5D	I/040-84 * DS2W IS8E	

Burroughs Corporation

PLYMOUTH



PLANT

PLYMOUTH, MICHIGAN 48170

U.S. AMERICA

TITLE
SYSTEM
DRAWN
E. R.
REV. AA

B A C K P L A N E C I R C U I T L I S T
BD1-30/40 90 CARD 16K MEMORY BOARDS
INCLUDES E.I. PROJ. 56702 GP. 664 DATE 2-8-77
03-14-77

DRWG. NO.

PAGE 06

2 7 9 5 2 0 8 4

I/041-88 * DK2V HK2A	I/043-62 BL7C * DMOU	I/044-65 BR2D * DR3U	I/045-70 AK2E * DL1T	I/046-72 AN1A * DN6T	I/047-74 AR1B * DQ6S	I/048-78 * DI5S II6C	I/049-80 * DL7R IL6D	I/05-82. * DN8K IQ5E
I/042-60 BI7B * DJ1V	I/043-64 BP7C * DP7U	I/044-69 AI7D * DJ4U	I/045-71 AL7E * DM6T	I/046-73 AP6A * DP5T	I/047-75 AS6B * DR5S	I/048-79 * DK9S IK1C	I/049-81 * DM9R IN1D	I/05-83. * DQ3K ISOE
I/042-62 BL7B * DM1V	I/043-65 BR2C * DR2U	I/044-70 AK2D * DL2U	I/045-72 AN2E * DN5T	I/046-74 AR1A * DQ7T	I/047-78 * DI4S II6B	I/048-80 * DL8S IL6C	I/049-82 * DN8R IP6D	I/05-84. * DS1K IT5E
I/042-64 BP7B * DP8V	I/043-69 AI7C * DJ3U	I/044-71 AL7D * DM7U	I/045-73 AP7E * DP4T	I/046-75 AS6A * DR6T	I/047-79 * DK8S IK1B	I/048-81 * DNOS IN1C	I/049-83 * DQ3R IR1D	I/05-87. * DJ9K HJ5E
I/042-65 BR2B * DR3V	I/043-70 AK2C * DL1U	I/044-72 AN2D * DN6U	I/045-74 AR2E * DQ6T	I/046-78 * DI5T II6A	I/047-80 * DL7S IL6B	I/048-82 * DN9S IP6C	I/049-84 * DS1R IS6D	I/05-88. * DK2K HLOE
I/042-69 AI7B * DJ4V	I/043-71 AL7C * DM6U	I/044-73 AP7D * DP5U	I/045-75 AS7E * DR5T	I/046-79 * DK9T IK1A	I/047-81 * DM9S IN1B	I/048-83 * DQ4S IR1C	I/049-87 * DJ9R HI6D	I/050-60 BI6E * DJ1R
I/042-70 AK2B * DL2V	I/043-72 AN2C * DN5U	I/044-74 AR2D * DQ7U	I/045-78 * DI4T II7E	I/046-80 * DL8T IL6A	I/047-82 * DN8S IP6B	I/048-84 * DS2S IS6C	I/049-88 * DK2R HK1D	I/050-62 BL6E * DM1R
I/042-71 AL7B * DM7V	I/043-73 AP7C * DP4U	I/044-75 AS7D * DR6U	I/045-79 * DK8T IK2E	I/046-81 * DNOT IN1A	I/047-83 * DQ3S IR1B	I/048-87 * DKOS HI6C	I/05-60. BJ5E * DJOK	I/050-64 BP6E * DP8R
I/042-72 AN2B * DN6V	I/043-74 AR2C * DQ6U	I/044-78 * DI5U II7D	I/045-80 * DL7T IL7E	I/046-82 * DN9T IP6A	I/047-84 * DS1S IS6B	I/048-88 * DK3S HK1C	I/05-62. BM5E * DMOK	I/050-65 BR1E * DR3R
I/042-73 AP7B * DP5V	I/043-75 AS7C * DR5U	I/044-79 * DK9U IK2D	I/045-81 * DM9T IN2E	I/046-83 * DQ4T IR1A	I/047-87 * DJ9S HI6B	I/049-60 BI6D * DJOR	I/05-64. BQ5E * DP7K	I/050-69 AI6E * DJ4R
I/042-74 AR2B * DQ7V	I/043-78 * DI4U II7C	I/044-80 * DL8U IL7D	I/045-82 * DN8T IP7E	I/046-84 * DS2T IS6A	I/047-88 * DK2S HK1B	I/049-62 BL6D * DMOR	I/05-65. BSOE * DR2K	I/050-70 AK1E * DL2R
I/042-75 AS7B * DR6V	I/043-79 * DK8U IK2C	I/044-81 * DNOU IN2D	I/045-83 * DQ3T IR2E	I/046-87 * DKOT HI6A	I/048-60 BI6C * DJ1S	I/049-64 BP6D * DP7R	I/05-69. AJ5E * DJ3K	I/050-71 AL6E * DM7R
I/042-78 * DI5V II7B	I/043-80 * DL7U IL7C	I/044-82 * DN9U IP7D	I/045-84 * DS1T IS7E	I/046-88 * DK3T HK1A	I/048-62 BL6C * DM1S	I/049-65 BR1D * DR2R	I/05-70. ALOE * DL1K	I/050-72 AN1E * DN6R
I/042-79 * DK9V IK2B	I/043-81 * DM9U IN2C	I/044-83 * DQ4U IR2D	I/045-87 * DJ9T HI7E	I/047-60 BI6B * DJOS	I/048-64 BP6C * DP8S	I/049-69 AI6D * DJ3R	I/05-71. AM5E * DM6K	I/050-73 AP6E * DP5R
I/042-80 * DL8V IL7B	I/043-82 * DN8U IP7C	I/044-84 * DS2U IS7D	I/045-88 * DK2T HK2E	I/047-62 BL6B * DMOS	I/048-65 BR1C * DR3S	I/049-70 AK1D * DL1R	I/05-72. APOE * DNSK	I/050-74 AR1E * DQ7R
I/042-81 * DN0V IN2B	I/043-83 * DQ3U IR2C	I/044-87 * DKOU HI7D	I/046-60 BI6A * DJ1T	I/047-64 BP6B * DP7S	I/048-69 AI6C * DJ4S	I/049-71 AL6D * DM6R	I/05-73. AQ5E * DP4K	I/050-75 AS6E * DR6R
I/042-82 * DN9V IP7B	I/043-84 * DS1U IS7C	I/044-88 * DK3U HK2D	I/046-62 BL6A * DM1T	I/047-65 BR1B * DR2S	I/048-70 AK1C * DL2S	I/049-72 AN1D * DN5R	I/05-74. ASOE * DQ6K	I/050-78 * DI5R II6E
I/042-83 * DQ4V IR2B	I/043-87 * DJ9U HI7C	I/045-60 BI7E * DJOT	I/046-64 BP6A * DP8T	I/047-69 AI6B * DJ3S	I/048-71 AL6C * DM7S	I/049-73 AP6D * DP4R	I/05-75. AT5E * DR5K	I/050-79 * DK9R IK1E
I/042-84 * DS2V IS7B	I/043-88 * DK2U HK2C	I/045-62 BL7E * DMOT	I/046-65 BR1A * DR3T	I/047-70 AK1B * DL1S	I/048-72 AN1C * DN6S	I/049-74 AR1D * DQ6R	I/05-78. * DI4K IJ5E	I/050-80 * DL8R IL6E
I/042-87 * DK0V HI7B	I/044-60 BI7D * DJ1U	I/045-64 BP7E * DP7T	I/046-69 AI6A * DJ4T	I/047-71 AL6B * DM6S	I/048-73 AP6C * DP5S	I/049-75 AS6D * DR5R	I/05-79. * DK8K ILOE	I/050-81 * DNOR IN1E
I/042-88 * DK3V HK2B	I/044-62 BL7D * DM1U	I/045-65 BR2E * DR2T	I/046-70 AK1A * DL2T	I/047-72 AN1B * DN5S	I/048-74 AR1C * DQ7S	I/049-78 * DI4R II6D	I/05-80. * DL7K IM5E	I/050-82 * DN9R IP6E
I/043-60 BI7C * DJOU	I/044-64 BP7D * DP8U	I/045-69 AI7E * DJ3T	I/046-71 AL6A * DM7T	I/047-73 AP6B * DP4S	I/048-75 AS6C * DR6S	I/049-79 * DK8R IK1D	I/05-81. * DM9K IPOE	

Burroughs Corporation

PLYMOUTH



PLANT

PLYMOUTH, MICHIGAN 48170

U.S. AMERICA

TITLE
SYSTEM
DRAWN
E. R.
REV. AA

BACK PLANE CIRCUIT LIST
BD1-30/40 90 CARD 16K MEMORY BOARDS
INCLUDES E.I. PROJ. 56702 GP. 664 DATE 2-8-77
03-14-77

DRWG. NO.

PAGE 07

2795 2084

I/050-83	I/06-87.	I/08-60.	I/09-64.	FM9M	KYB/....	MTD0....	FN2G	FROG
* DQ4R	* DK0K	BJ4C	BQ4D	FN2M	FT3T	DT6L	FN5G	FR3G
IR1E	HJ4A	* DJ1J	* DP7I	FN5M	* FT7F	* DU2V	FN8G	FR6G
I/050-84	I/06-88.	I/08-62.	I/09-65.	FN8M	LT/.....	MTD1....	FP1G	FR9G
* DS2R	* DK3K	BM4C	BR9D	FP1M	* DT7C	DT6J	FP4G	FS2G
IS6E	HK9A	* DM1J	* DR2I	FP4M	FT3L	* DU3U	FP7G	FS5G
I/050-87	I/07-60.	I/08-64.	I/09-69.	FP7M	MA0.....	MTD2....	FQ0G	FS8G
* DK0R	BJ4B	BQ4C	AJ4D	FQ0M	DU3N	DT7J	FQ3G	FT1G
HI6E	* DJ0J	* DP8J	* DJ3I	FQ3M	* FT4F	* DU2U	FQ6G	PHI2HP/.
I/050-88	I/07-62.	I/08-65.	I/09-70.	FQ6M	MA1.....	MTD3....	FQ9G	DT3V
* DK3R	BM4B	BR9C	AK9D	FQ9M	DU2M	DT6K	FR2G	* DU6T
HK1E	* DM0J	* DR3J	* DL1I	FR2M	* FT4G	* DU3Y	FR5G	PHI2L/..
I/06-60.	I/07-64.	I/08-69.	I/09-71.	FR5M	MA10....	MTD4....	FR8G	* DU6X
BJ4A	BQ4B	AJ4C	AM4D	FR8M	* DT3X	DT7G	FS1G	F15I
* DJ1K	* DP7J	* DJ4J	* DM6I	FS1M	DU2R	* DU2N	FS4G	FIBI
I/06-62.	I/07-65.	I/08-70.	I/09-72.	FS4M	MA11....	MTD5....	FS7G	FJ1I
BM4A	BR9B	AK9C	AN9D	FS7M	* DT3Y	DT7H	FT0G	FJ4I
* DM1K	* DR2J	* DL2J	* DN5I	FT0M	DU3R	* DU3P	PHI1HP/.	FJ7I
I/06-64.	I/07-69.	I/08-71.	I/09-73.	* FT6L	MA12....	MTD6....	DT4V	FK0I
BQ4A	AJ4B	AM4C	AQ4D	IOX.....	* DT3W	DT7F	* DU5S	FK3I
* DP8K	* DJ3J	* DM7J	* DP4I	FI4L	DU6K	* DU2Q	PHI1L/..	FK6I
I/06-65.	I/07-70.	I/08-72.	I/09-74.	FI7L	MA13....	MTD7....	* DU6Y	FK9I
BR9A	AK9B	AN9C	AR9D	FJ0L	DU5K	DT6F	FI4I	FL2I
* DR3K	* DL1J	* DN6J	* DQ6I	FJ3L	* FT3C	* DU2P	FI7I	FL5I
I/06-69.	I/07-71.	I/08-73.	I/09-75.	FJ6L	MA14....	MTD8....	FJ0I	FL8I
AJ4A	AM4B	AQ4C	AT4D	FJ9L	DT1J	DT6Y	FJ3I	FM1I
* DJ4K	* DM6J	* DP5J	* DR5I	FK2L	* DT4W	* DU3X	FJ6I	FM4I
I/06-70.	I/07-72.	I/08-74.	I/09-78.	FK5L	DU6L	MTD9....	FJ9I	* FM7I
AK9A	AN9B	AR9C	* DI4I	FK8L	MA15....	DT6X	FK2I	FN0I
* DL2K	* DN5J	* DQ7J	IJ4D	FL1L	DT0J	* DU2Y	FK5I	FN3I
I/06-71.	I/07-73.	I/08-75.	I/09-79.	FL4L	DU5L	MTRSEL..	FK8I	FN6I
AM4A	AQ4B	AT4C	* DK8I	FL7L	* FT4B	* BT5C	FL1I	FN9I
* DM7K	* DP4J	* DR6J	IK9D	FM0L	MA2.....	DT7W	FL4I	FP2I
I/06-72.	I/07-74.	I/08-78.	I/09-80.	FM3L	DU3M	FW7I	FL7I	FP5I
AN9A	AR9B	* DI5J	* DL7I	* FM6L	* FT3F	NM45....	FM0I	FP8I
* DN6K	* DQ6J	IJ4C	IM4D	FM9L	MA3.....	* FT4W	FM3I	FR1I
I/06-73.	I/07-75.	I/08-79.	I/09-81.	FN2L	DU2L	FT7L	FM6I	FQ4I
AQ4A	AT4B	* DK9J	* DM9I	FN5L	* FT3E	NM46....	FM9I	FQ7I
* DP5K	* DR5J	IK9C	IN9D	FN8L	MA4.....	* FT3X	FN2I	FROI
I/06-74.	I/07-78.	I/08-80.	I/09-82.	FP1L	DU2K	FT6M	FN5I	FR3I
AR9A	* DI4J	* DL8J	* DN8I	FP4L	* FT4D	NM47....	FN8I	FR6I
* DQ7K	IJ4B	IM4C	IQ4D	FP7L	MA5.....	* FT4X	FP1I	FR9I
I/06-75.	I/07-79.	I/08-81.	I/09-83.	FQ0L	DU2J	FT7I	FP4I	F82I
AN9A	AR9B	* DI5J	* DL7I	FQ3L	* FT3D	NST.....	FP7I	FS5I
* DN6K	* DQ6J	IJ4C	IM4D	FQ6L	MA6.....	* FT4U	FQ0I	FS8I
I/06-76.	I/07-80.	I/08-82.	I/09-84.	FQ9L	DU3K	FT7G	FQ3I	PWRN/...
AM4A	AQ4B	AT4C	* DK9J	FR2L	* FT4C	NM48....	FQ6I	FT3K
* DP5K	* DR5J	IK9C	IN9D	FR5L	MA7.....	* FT3X	FQ9I	* FT6I
I/06-77.	I/07-81.	I/08-83.	I/09-85.	FR8L	DU3J	FT6M	FR2I	PWRNPS/.
AQ4A	* DK8J	* DN0J	* DQ3I	FR9L	* FT4E	PARITY..	FR5I	* BT5E
* DR6K	IK9B	IN9C	IR9D	FS1L	MA8.....	DT4U	FR8I	FT7H
I/06-78.	I/07-82.	I/08-84.	I/09-86.	FS4L	DU3L	* DU5V	FS1I	RAMCLK..
AR9A	* DI4J	* DL8J	* DN8I	FS7L	MA9.....	DT6W	FS4I	* DU5T
* DQ7K	IJ4B	IM4C	IQ4D	* FT6K	* DT4Y	* DU5Q	FS7I	F15H
I/06-79.	I/07-83.	I/08-87.	INIT....	IO192678	DU3T	FI4G	PHI2DHP/	F18H
AT4A	* DK8J	* DN0J	FI4M	* DI4D	MA6.....	FI7G	DT3U	FJ1H
* DR6K	IK9B	IN9C	FI7M	* FI5F	DU3K	FT4R	* DU6W	FJ4H
I/06-80.	I/07-84.	I/08-88.	I/09-89.	IJ0A	* FT4C	PHIPP/..	* DU6Q	FJ7H
AM4A	AQ4B	AT4C	IT4D	IJ2D	MA7.....	DT4U	FI5G	FK0H
I/06-81.	I/07-85.	I/08-90.	I/09-91.	JOX.....	DU3J	FT4R	FI8G	FK3H
* DN0K	* DQ3J	* DK0J	FI4M	FI4N	* FT4E	PHI2H/..	FJ1G	FK6H
IN9A	IR9B	HJ4C	FI7M	FI7N	MA8.....	DT4U	FJ4G	FK9H
I/06-82.	I/07-86.	I/08-92.	I/09-93.	FJ0M	* DT4X	* DU5V	FJ7G	FL2H
* DN9K	* DS1J	* DK3J	* DJ9I	FJ3M	DU3L	PHI1H/..	FK0G	FL5H
IQ4A	IT4B	HK9C	HJ4D	FJ6M	MA9.....	DT6W	FK3G	FL8H
I/06-83.	I/07-87.	I/09-90.	I/09-94.	FJ9M	* DT4Y	* DU5Q	FK6G	FM1H
* DQ4K	* DJ9J	BJ4D	FK5M	FK9M	DU3T	FI4G	FK9G	FM4H
IR9A	HJ4B	* DJ0I	FK8M	FL1N	MEN.....	FI7G	FL2G	* FM7H
I/06-84.	I/07-88.	I/09-92.	I/09-96.	FL7N	DT1L	FJ0G	FL5G	FN0H
* DS2K	* DK2J	BM4D	FL4M	FM0N	* DU2D	FJ3G	FL8G	FN3H
IT4A	HK9B	* DM0I	FL7M	FM6N	FT7C	FJ6G	FM1G	FN6H
I/050-83	I/06-87.	I/08-60.	I/09-64.	FM9N	FT0M	FJ9G	FM4G	FN9H
* DQ4R	* DK0K	BJ4C	BQ4D	FN2N	* FT6L	FK2G	* FM7G	FP2H
IR1E	HJ4A	* DJ1J	* DP7I	FN5N	MEN-M/..	FK5G	FN0G	FP5H
I/050-84	I/06-88.	I/08-62.	I/09-65.	FP1M	FT4Q	FK8G	FN3G	FP8H
* DS2R	* DK3K	BM4C	BR9D	FP4M	* FT6C	FL1G	FN6G	FQ1H
IS6E	HK9A	* DM1J	* DR2I	FP7M	MREQ....	FL4G	FN9G	FQ4H
I/050-87	I/07-60.	I/08-64.	I/09-69.	FQ0M	* DU3D	FL7G	FP2G	FQ7H
* DK0R	BJ4B	BQ4C	AJ4D	FQ3M	* FT4L	FM0G	FP5G	FROH
HI6E	* DJ0J	* DP8J	* DJ3I	FQ6M	MA10....	FM3G	FP8G	FR3H
I/050-88	I/07-62.	I/08-65.	I/09-70.	FQ9M	* DT3X	* FM6G	FQ1G	FR6H
* DK3R	BM4B	BR9C	AK9D	FR2M	DU2R	FM9G	FQ4G	FR9H
HK1E	* DM0J	* DR3J	* DL1I	FR5M	MA11....	PHI1HP/.	FQ7G	FS2H
I/06-60.	I/07-64.	I/08-69.	I/09-71.	FR8M	* DT3Y	DT4V	PHI2HP/.	
BJ4A	BQ4B	AJ4C	AM4D	FS1M	DU3R	* DU5S	DT3V	
* DJ1K	* DP7J	* DJ4J	* DM6I	FS4M	MA12....	PHI1L/..	* DU6T	
I/06-62.	I/07-65.	I/08-70.	I/09-72.	FS7M	* DT3W	* DU6Y		
BM4A	BR9B	AK9C	AN9D	FT0M	DU6K	FI4I		
* DM1K	* DR2J	* DL2J	* DN5I	* FT6L	MA13....	FI7I		
I/06-64.	I/07-69.	I/08-71.	I/09-73.	IOX.....	DU5K	FJ0I		
BQ4A	AJ4B	AM4C	AQ4D	FI4L	* FT3C	FJ3I		
* DP8K	* DJ3J	* DM7J	* DP4I	FI7L	MA14....	FJ6I		
I/06-65.	I/07-70.	I/08-72.	I/09-74.	FJ0L	DT1J	FJ9I		
BR9A	AK9B	AN9C	AR9D	FJ3L	* DT4W	FK2I		
* DR3K	* DL1J	* DN6J	* DQ6I	FJ6L	DU6L	FK5I		
I/06-69.	I/07-71.	I/08-73.	I/09-75.	FJ9L	MA15....	FK8I		
AJ4A	AM4B	AQ4C	AT4D	FK2L	DT0J	FL1I		
* DJ4K	* DM6J	* DP5J	* DR5I	FK5L	DU5L	FL4I		
I/06-70.	I/07-72.	I/08-74.	I/09-78.	FK8L	* FT4B	FL7I		
AK9A	AN9B	AR9C	* DI4I	FL1L	MA2.....	FM0I		
* DL2K	* DN5J	* DQ7J	IJ4D	FL4L	DU3M	FM3I		
I/06-71.	I/07-73.	I/08-75.	I/09-79.	FL7L	* FT3F	FM6I		
AM4A	AQ4B	AT4C	* DK8I	FM0L	MA3.....	FM9I		
* DM7K	* DP4J	* DR6J	IK9D	FM3L	DU2L	FN2I		
I/06-72.	I/07-74.	I/08-78.	I/09-80.	* FM6L	* FT3E	FN5I		
AN9A	AR9B	* DI5J	* DL7I	FM9L	MA4.....	FN8I		
* DN6K	* DQ6J	IJ4C	IM4D	FN2L	DU2K	FP1I		
I/06-73.	I/07-75.	I/08-79.	I/09-81.	FN5L	* FT4D	FP4I		
AQ4A	AT4B	* DK9J	* DM9I	FN8L	MA5.....	FP7I		
* DP5K	* DR5J	IK9C	IN9D	FP1L	DU2J	FQ0I		
I/06-74.	I/07-78.	I/08-80.	I/09-82.	FP4L	* FT3D	FQ3I		
AR9A	* DI4J	* DL8J	* DN8I	FP7L	MA6.....	FQ6I		
* DQ7K	IJ4B	IM4C	IQ4D	FQ0L	DU3K	FQ9I		
I/06-75.	I/07-79.	I/08-81.	I/09-83.	FQ3L	* FT4C	FR2I		
AM4A	AQ4B	AT4C	* DK9J	FQ6L	MA7.....	FR5I		
* DR6K	IK9B	IN9C	IN9D	FQ9L	DU3J	FR8I		
I/06-76.	I/07-80.	I/08-82.	I/09-84.	FR2L	* FT4E	FS1I		
AQ4A	AT4B	* DK9J	* DM9I	FR5L	MA8.....	FS4I		
* DP5K	* DR5J	IK9C	IN9D	FR8L	DT4U	FS7I		
I/06-77.	I/07-81.	I/08-83.	I/09-85.	FR9L	* DU5V	PHI2DHP/		
AR9A	* DI4J	* DL8J	* DN8I	FS1L	PHIPP/..	DT3U		
* DQ7K	IJ4B	IM4C	IQ4D	FS4L	DT4U	* DU6W		
I/06-78.	I/07-82.	I/08-84.	I/09-86.	FS7L	PHI2H/..	FT7G		
AM4A	AQ4B	AT4C	* DK9J	* FT6K	* DU6Q			
I/06-79.	I/07-83.	I/08-87.	I/09-89.	IO192678	FI5G			
AN9A	AR9B	HJ4C	IT4D	* DI4D	FI8G			
I/06-80.	I/07-85.	I/08-90.	I/09-91.	* FI5F	FK0H			
AM4A	AQ4B	AT4C	IT4D	IJ0A	FK3H			
I/06-81.	I/07-86.	I/08-92.	I/09-93.	IJ2D	FK6H			
* DN0K	* DQ3J	* DK0J	FI4M	JOX.....	FK9H			
IN9A	IR9B	HJ4C	FI7M	FI4N	FL2H			
I/06-82.	I/07-87.	I/08-94.	I/09-95.	FI7N	FL5H			
* DN9K	* DS1J	* DK3J	* DJ9I	FJ0M	FL8H			
IQ4A	IT4B	HK9C	HJ4D	FJ3M	FM1H			
I/06-83.	I/07-88.	I/09-92.	I/09-96.	FJ6M	FM4H			
* DQ4K	* DJ9J	BJ4D	FK5M	FJ9M	* FM7H			
IR9A	HJ4B	* DJ0I	FK8M	FK9M	FN0H			
I/06-84.	I/07-89.	I/09-94.	I/09-98.	FL1M	FN3H			
* DS2K	* DK2J	BM4D						

F85H	SPADD1-4	SPREQ/-2	FU8B	FJ0A	FS8Y	BT0B	DQ4A	BK2C
FS8H	FJ1R	* FN9P	FU8Y	FJ3A	FT1Y	BT0C	DQ6P	BK2D
	* FK3R	FQ1P	FV1B	FJ6A	FT3Y	DR5P	DQ7A	BK2E
RAS/.....			FV1Y	FJ9A		DR6A	DQ9P	BK3A
* DU6C	SPADD2-1	SPREQ/-3	FV4B	FK2A	3V-SP...	DR8P	DR0A	BK3B
FU3B	* FR3S	FL5P	FV4Y	FK5A	BK6A	DR9A	DR2P	BK3C
FU6B	FS5S	* FM4P	FV7B	FK8A	FI5Y	DS1P	DR3A	BK3D
FU9B			FV7Y	FL1A	FI8Y	DS2A	FI5A	BK3E
FV2B	SPADD2-2	SPREQ/-4	FW0B	FL4A	FJ1Y	DS4P	FI5Z	BK4D
FV5B	* FN9S	FJ1P	FW0Y	FL7A	FJ4Y	DS5A	FP2A	BK4E
FV8B	FQ1S	* FK3P	FW3B	FM0A	FJ7Y	DS7P	FP2Z	DI7P
FW1B			FW3Y	FM3A	FK0Y	DS8A	FP3A	DI8A
FW4B	SPADD2-3	STBY/...		FM6A	FK3Y	DT1A	FP5Z	DJ0P
	FL5B	* DU3E	12V-.....		FK6Y	DT4A	FP8A	DJ1A
RD/.....	* FM4S	DU5F	* BN8B	12VSP...	FK9Y	DT7A	FP8Z	DJ3P
* DT6B			BN9A	BK5D	FL2Y	DU3A	FQ1A	DJ4A
FT4M	SPADD2-4	TFZ/.....	BN9B	BK5E	FL5Y	DU3Z	FQ1Z	DJ6P
	FJ1S	FT3P	BT3A	DI5P	FL8Y	DU6A	FQ4A	DJ7A
RDWT....	* FK3S	* FT6B	BT3B	DI8P	FM1Y	DU6Z	FQ4Z	DJ9P
* DU3C			BT4A	DJ1P	FM4Y	FR6A	FQ7A	DK0A
* FT4J	SPADD3-1	UMCP0...	BT4B	DJ4P	FM7Y	FR6Z	FQ7Z	DK2P
	* FR3T	FT1B	DN0Q	DJ7P		FR9A	FR0A	DK3A
REF.....	FS5T	* FT4H	DN3Q	DK0P	4KB0/...	FR9Z	FR0Z	DK5P
DT0K			DN6Q	BK3P	* DU6D	FS2A	FR3A	DK6A
* DU2B	SPADD3-2	UMCP1...	DN9Q	DK6P	FT1F	FS2Z	FR3Z	DK8P
FT7M	* FN9T	FT0B	DP2Q	DK9P	FU3J	FS5A		DK9A
FU2H	FQ1T	* FT3H	DP5Q	DL2P	FU6J	FS5Z	5V3.....	DL1P
FU5H			DP8Q	DL5P	FU9J	FS8A	* BN2B	DL2A
FU8H	SPADD3-3	UMCP2...	DQ1Q	DL8P	FV2J	FS8Z	BN2C	DL4P
FV1H	FL5T	FT0C	DQ4Q	DM1P	FV5J	FT1A	BN2D	DL5A
FV4H	* FM4T	* FT4I	DQ7Q	DM4P	FV8J	FT1Z	BN2E	F18A
FV7H			DR0Q	DM7P	FW1J	FT4Z	BN3A	F18Z
FW0H	SPADD3-4	UST.....	DR3Q			FT7A	BN3B	FJ1A
FW3H	FJ1T	DT7P	DR6Q	16KHZ/..	4KB1/...	FT7Z	BN3C	FJ1Z
	* FK3T	* FT3J	DR9Q	* DU5U	* DU6F	FU3A	BN3D	FJ4A
REQ-0...			DS2Q	FI4Y	FU2K	FU3H	BN3E	FJ4Z
DT4N	SPCONT/1	WE.....	DS5Q	FI7Y	FU5K	FU3Z	DM9P	FJ7A
FI5P	* FR3X	* DU6U	DS8Q	FJ0Y	FU8K	FU6A	DN0A	FJ7Z
	FS5X	FU3M	DT1Q	FJ3Y	FV1K	FU6H	DN2P	FK0A
REQ-1...		FU6M	DT4B	FJ6Y	FV4K	FU6Z	DN3A	FK0Z
DT4H	SPCONT/2	FU9M	FM9A	FJ9Y	FV7K	FU9A	DN5P	FK3A
FQ4P	* FN9X	FV2M	FN2A	FK2Y	FN0K	FU9H	DN6A	FK3Z
	FQ1X	FV5M	FN5A	FK5Y	FW4J	FU9Z	DN8P	FK6A
REQ-2...		FV8M	FN8A	FK8Y		FV2A	DN9A	FK6Z
DT3G	SPCONT/3	FW1M	FP1A	FL1Y	4KB2/...	FV2H	FN0A	FK9A
FS8P	FL5X	FW4M	FP4A	FL4Y	* DU5E	FV2Z	FN0Z	FK9Z
	* FM4X		FP7A	FL7Y	FU3K	FV5A	FN3A	FL2A
REQ-4...			FQ0A	FM0Y	FU6K	FV5H	FN3Z	FL2Z
DT3J	SPCONT/4	WT/.....	FQ3A	FM3Y	FU9K	FV5Z	FN6A	FL5A
FR9P	FJ1X	* DT7B	FQ6A	* FM6Y	FV2K	FV8A	FN6Z	FL5Z
	* FK3X	FT3M	FQ9A	FM9Y	FV5K	FV8H	FN9A	
RG/.....			FR2A	FN2Y	FV8K	FV8Z	FN9Z	
* DT6C	SPDIR/-1	1K/.....	FR5A	FNSY	FW1K	FW1A		
FT4N	* FR3W	DT7X	FR8A	FN8Y	FW3K	FW1H	5V3SP...	BK9B
	FS5W	DU6N	FS1A	FP1Y		FW1Z	BK9C	BK9D
SF30....			FS4A	FP4Y	4KB3/...	FW4A	BK9E	BK9F
* FT3V	SPDIR/-2	1MS/.....	FS7A	FP7Y	* DU5D	FW4H	BK9G	BK9H
FT7B	* FN9W	* DU3B	FT0A	FQ0Y	FU2J	FW4Z	BK9I	BK9J
	FQ1W	DU6R	FT4Y	FQ3Y	FU5J	FW7A	BK9K	BK9L
SPADD0-1			FU3Y	FQ6Y	FU8J	FW7Z	BK9M	BK9N
* FR3Q	SPDIR/-3	12V.....	FU6Y	FQ9Y	FV1J		BK9O	BK9P
FS5Q	FL5W	* BT3C	FU9Y	FR2Y	FV4J	5V2.....	BK9Q	BK9R
	* FM4W	BT3D	FV2Y	FR5Y	FV7J	BN5A	BK9S	BK9T
SPADD0-2		BT4C	FV5Y	FR8Y	FW0J	BN5B	BK9U	BK9V
* FN9Q	SPDIR/-4	BT4D	FV8Y	FS1Y	FW4K	* BN5C	BK9W	BK9X
FQ1Q	FJ1W	BT4E	FW1Y	FS4Y		BN5D	BK9Y	BK9Z
	* FK3W	DN0P	FW4Y	FS7Y		BN5E	BK9AA	BK9AB
SPADD0-3		DN3P			5V1.....	BN6A	BK9AC	BK9AD
FL5Q	SPIOX-1.	DN6P	12V-SP..	3V-.....	* BS6A	BN6B	BK9AE	BK9AF
* FM4Q	* FR3V	DN9P	BK7D	BPOA	BS6B	BN6C	BK9AG	BK9AH
	FS5V	DP2P	BK7E	* BPOB	BS6C	BN6D	BK9AI	BK9AJ
SPADD0-4		DP5P	DI5Q	DT3B	BS6D	BN6E	BK9AK	BK9AL
FJ1Q	SPIOX-2.	DP8P	DI8Q	FN0Y	BS6E	BN6F	BK9AM	BK9AN
* FK3Q	* FN9V	DQ1P	DJ1Q	FN3Y	BS7A	BN6G	BK9AO	BK9AP
	FQ1V	DQ4P	DJ4Q	FN6Y	BS7B	BN6H	BK9AQ	BK9AR
SPADD1-1		DQ7P	DJ7Q	FN9Y	BS7C	BN6I	BK9AS	BK9AT
* FR3R	SPIOX-3.	DR0P	DK0Q	FP2Y	BS7D	BN6J	BK9AU	BK9AV
FS5R	FL5V	DR3P	DK3Q	FP5Y	BS7E	BN6K	BK9AW	BK9AX
	* FM4V	DR6P	DK6Q	FP8Y	BS8A	BN6L	BK9AY	BK9AZ
SPADD1-2		DR9P	DK9Q	FQ1Y	BS8B	BN6M	BK9BA	BK9BB
* FN9R	SPIOX-4.	DS2P	DL2Q	FQ4Y	BS8C	BN6N	BK9BC	BK9BD
FQ1R	FJ1V	DS5P	DL5Q	FQ7Y	BS8D	BN6O	BK9BE	BK9BF
	* FK3V	DS8P	DL8Q	FR0Y	BS8E	BN6P	BK9BG	BK9BH
SPADD1-3		DT1P	DM1Q	FR3Y	BS9A	BN6Q	BK9BI	BK9BJ
FL5R	SPREQ/-1	FU2B	DM4Q	FR6Y	BS9B	BN6R	BK9BK	BK9BL
* FM4R	* FR3P	FU2Y	DM7Q	FR9Y	BS9C	BN6S	BK9BM	BK9BN
	FS5P	FU5B	FI4A	FS2Y	BS9D	BN6T	BK9BO	BK9BP
		FU5Y	FI7A	FS5Y	BS9E	BN6U	BK9BQ	BK9BR
					BT0A	BN6V	BK9BS	BK9BT

Burroughs Corporation

PLYMOUTH



PLANT

PLYMOUTH, MICHIGAN 48170

U.S. AMERICA

PROPERTY OF BURROUGHS CORP.-NOT TO BE REPRODUCED NOR USED FOR MANUFACTURING PURPOSES EXCEPT ON BURROUGHS ORDER OR PRIOR WRITTEN CONSENT

TITLE SYSTEM DRAWN E. R.

REV. AA

BACKPLANE CIRCUIT LIST
BD1-30/40 90 CARD 16K MEMORY BOARDS
INCLUDES E.I. PROJ.56702 GP.664 DATE 2-8-77
03-14-77

DRWG. NO.

PAGE 09 (LAST)

2795 2084

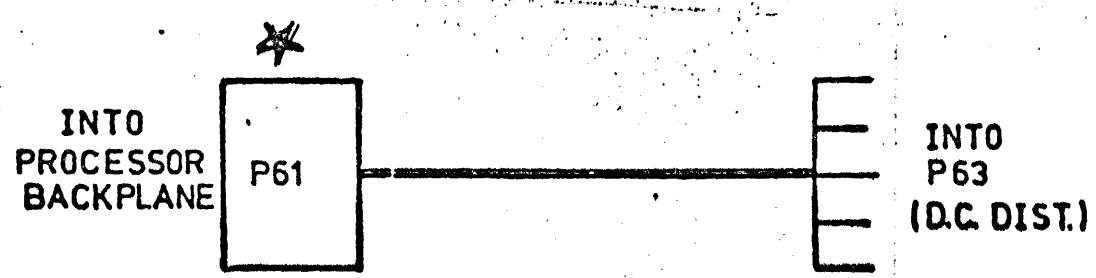
ORIGINAL

BURROUGHS MACHINES LTD CLUMBERHALL SCOTLAND		PROPRIETARY TO BURROUGHS - NOT TO BE REPRODUCED OR USED FOR MANUFACTURING PURPOSES EXCEPT ON BURROUGHS ORDER OR PRIOR WRITTEN CONSENT.				DESIGN CONTROL 308	DWG N ^o . 2797 1902	REV. A
DESIGNER D.G.	DATE JAN 24 77	DRAWN R.M.	DATE JAN 24 77	APPROVED	DATE	TITLE:- BACKPLANE POWER JUMPER		
CHECKED BY	DATE	COMPONENTS	DATE	CLASS CODE	DWG. SIZE	DWG. TYPE WL.	SHEET 1 OF 3	RELEASED:- FEB. 18. 77 ECN. 00559

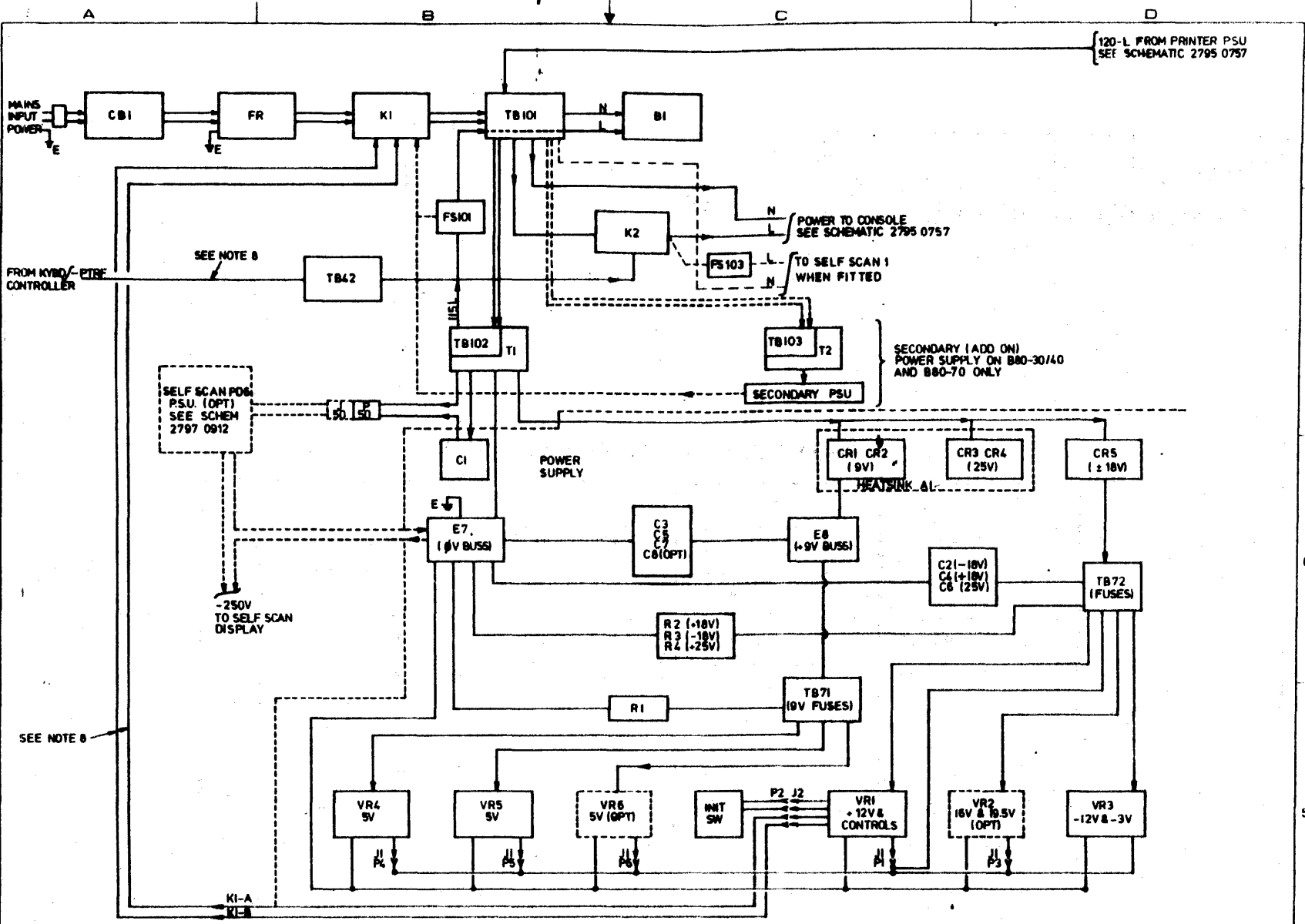
* EI 62069
 PJ 56702
 GRP 1298 ADD TO
 ER DATE 1-16-78

ORIGINAL

BURROUGHS MACHINES LTD CLUMBERHALL SCOTLAND		PROPRIETARY TO BURROUGHS - NOT TO BE REPRODUCED OR USED FOR MANUFACTURING PURPOSES EXCEPT ON BURROUGHS ORDER OR PRIOR WRITTEN CONSENT.				DESIGN CONTROL 308	DWG N ^o . 2797 1902	REV. A
DESIGNER D.G.	DATE JAN 24 77	DRAWN RM	DATE JAN 24 77	APPROVED	DATE JAN 24 77	TITLE:- BACKPLANE POWER JUMPER		
CHECKED BY	DATE	COMPONENTS	DATE	CLASS CODE	DWG. SIZE	DWG. TYPE WL.	SHEET 2 OF 3	RELEASED:- FEB. 18. 77



* EI 62069
 PJ 56702
 GRP 1298 ADD TO
 ER DATE 1-16-78



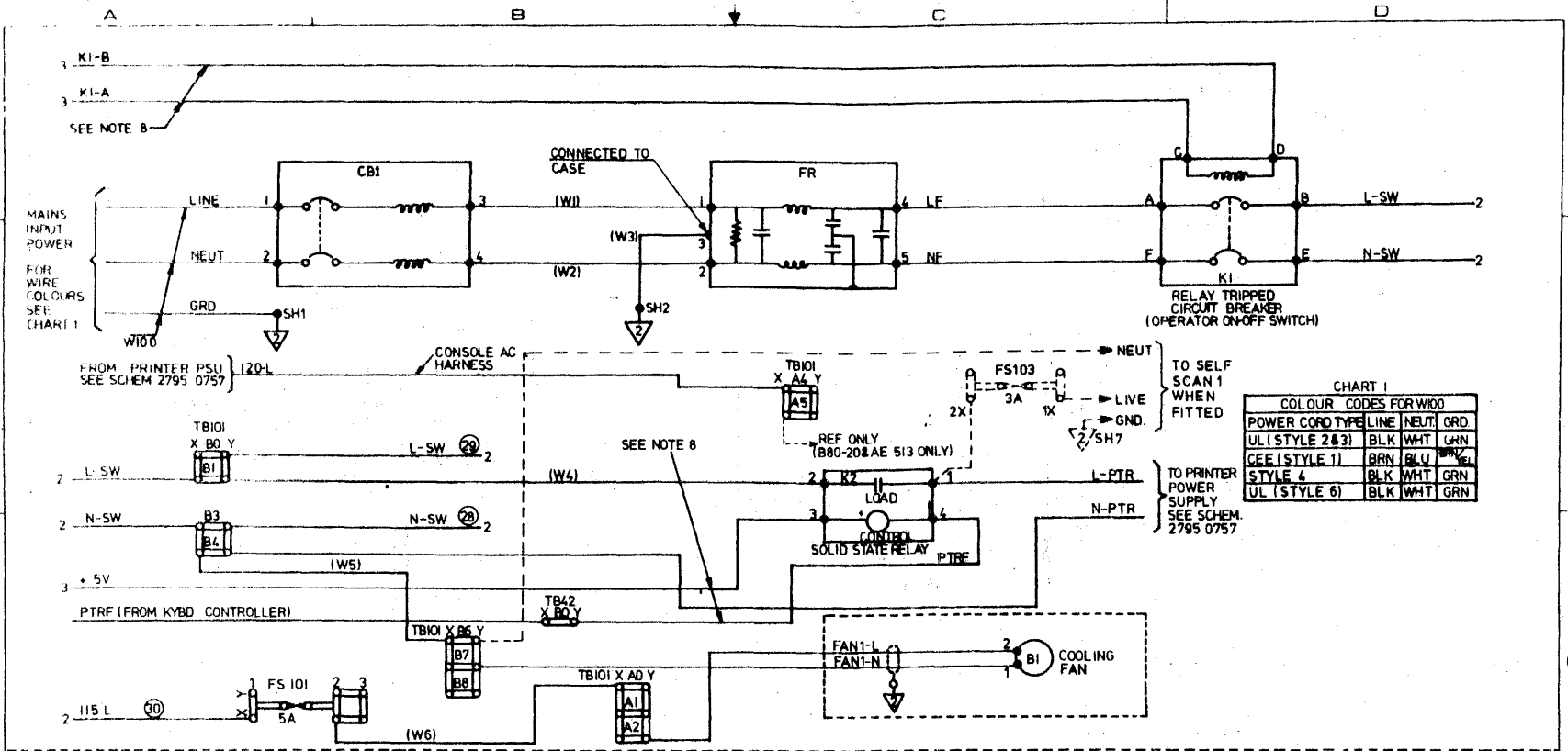
BLOCK DIAGRAM FOR TC5110, TC5113, AE501 & AE511. ALSO SHOWING SECONDARY PSU FOR LARGER MACHINES

NOTES:

- DC PANEL
 - AC PANEL
 - GRID BUSS
 - BACKPLANE
 - SELF SCAN PDS PSU
- DASHED LINES INDICATE OPTIONS
- CIRCLED NUMBERS INDICATE TAGGED WIRES
- NAMES NOT IN PARENTHESES ARE SYSTEM SIGNAL NAMES. NAMES IN PARENTHESES ARE ABBREVIATIONS OR OTHER INFORMATION.
- CODES USED FOR DENOTING COMPONENT PART NUMBERS ARE AS FOLLOWS:

TRANSISTORS	DIODES
A 1471 4802	A 2795 1409
B 1537 8551	B 1471 4729
C 2571 1003	C 2571 0658
	D 2795 1342
- WIRES IDENTIFIED BY 'W' NUMBERS INDICATE PART NUMBERS AS FOLLOWS:
 - W1, W2 2797 3452 (CB1-20 AMP OR 30AMP) 2574 2800 (CB1 = 12 AMP)
 - W3 2574 2768
 - W4 2574 3006
 - W5 2574 2784
 - W12, W6 2574 2776
 - W7 2571 3561
 - W8 2574 2750
 - W9, W10, W11 1104 1365
 - W20 2795 1557
- ABBREVIATIONS
 - PWB = PRINTED WIRING BOARD
 - INTNL = INTERNATIONAL
 - 16K = 16K MEMORY CONSTRUCTION
 - 16K/ = NOT REQUIRED FOR 16K MEMORY CONSTRUCTION
- WIRING DENOTED IS PART OF THE DC DISTRIBUTION HARNESS AND NOT PART OF THE DC POWER SUPPLY HARNESS

PAGE	DESCRIPTION	ER DATE	REV.
1	BLOCK DIAGRAM INDEX & NOTES		B
2	AC SECTION, TC5110, TC5113, AE501 & AE511		B
2A	AC SECTION 880-20 & AE513		B
2B	AC SECTION 880-30/40 & 880-70		B
3	DC SECTION		B
3A	DC SECTION (16K)		B
4	DC SECTION & VISUAL AIDS		B



DOMESTIC 60 Hz

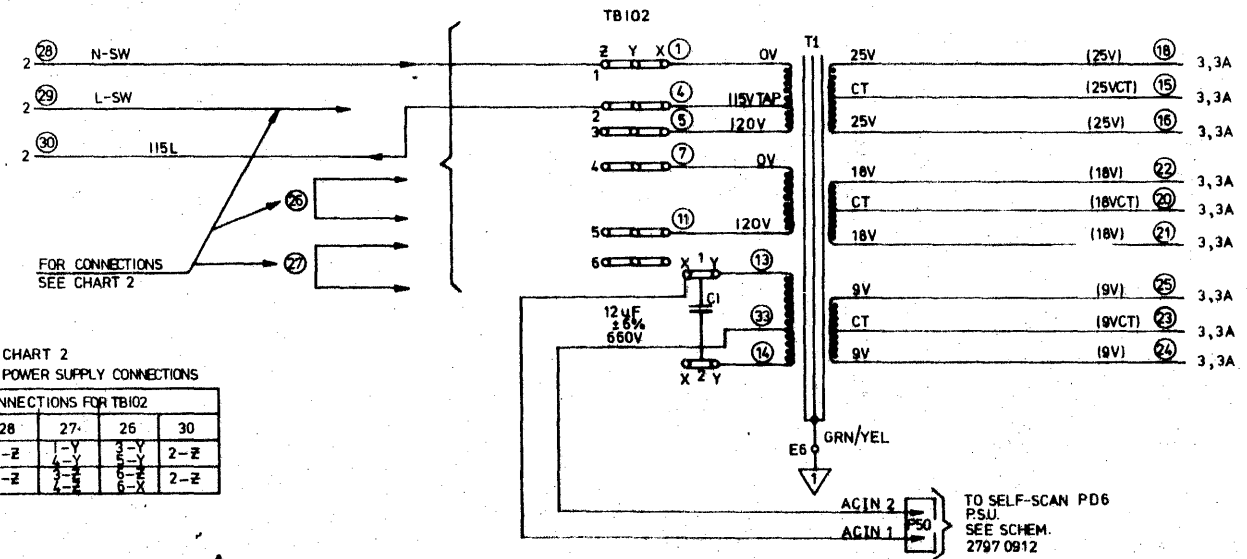


CHART 2 60 Hz DOMESTIC POWER SUPPLY CONNECTIONS

MAINS POWER VOLTAGE DESIGNATION	29	28	27	26	30
120 V	3-Z	1-Z	1-Y	3-Y	2-Z
240 V	5-Z	1-Z	3-Z	6-Z	2-Z

INTERNATIONAL 50 Hz / 60 Hz

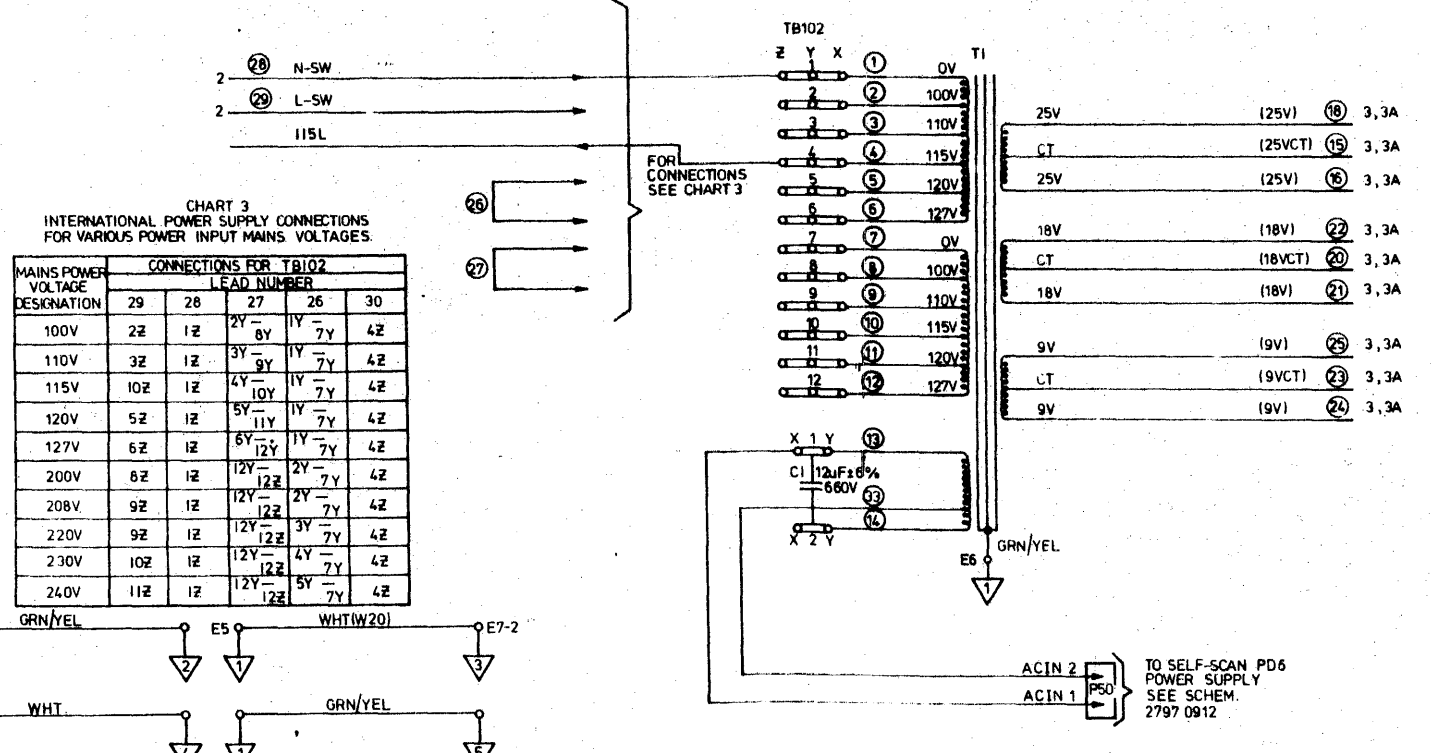


CHART 3 INTERNATIONAL POWER SUPPLY CONNECTIONS FOR VARIOUS POWER INPUT MAINS VOLTAGES.

MAINS POWER VOLTAGE DESIGNATION	CONNECTIONS FOR TB102 LEAD NUMBER				
	29	28	27	26	30
100V	2Z	1Z	2Y	1Y	4Z
110V	3Z	1Z	3Y	1Y	4Z
115V	10Z	1Z	4Y	1Y	4Z
120V	5Z	1Z	5Y	1Y	4Z
127V	6Z	1Z	6Y	1Y	4Z
200V	8Z	1Z	12Y	2Y	4Z
208V	9Z	1Z	12Y	2Y	4Z
220V	9Z	1Z	12Y	3Y	4Z
230V	10Z	1Z	12Y	4Y	4Z
240V	11Z	1Z	12Y	5Y	4Z

THIS PAGE FOR TC5110, TC 5113, AE501, & AE511 MACHINES ONLY.

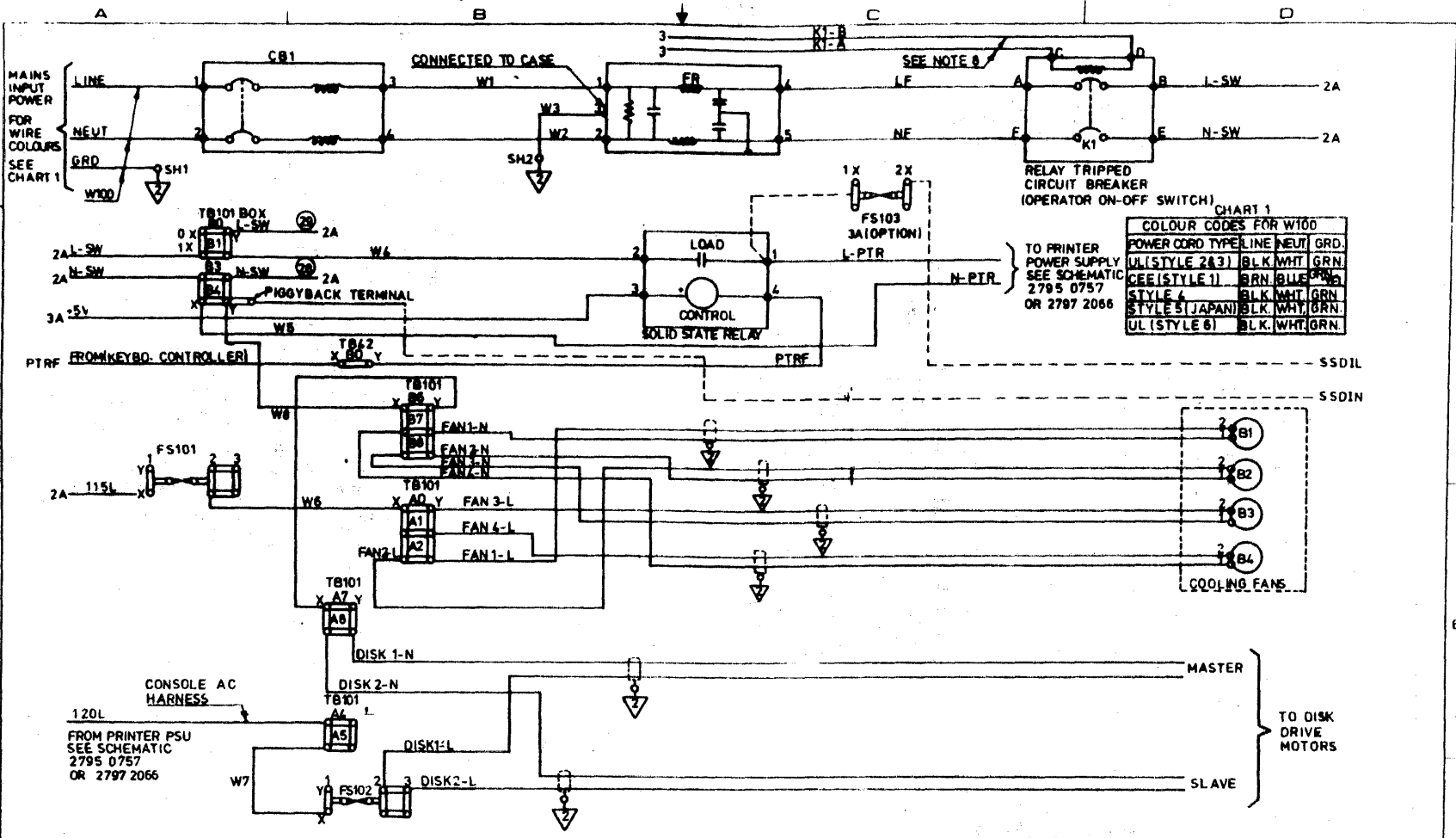


CHART 1
COLOUR CODES FOR W100

POWER CORD TYPE	LINE	NEUT	GRD.
UL (STYLE 2 & 3)	BLK	WHT	GRN
CEE (STYLE 1)	BRN	BLU	GRN
STYLE 4	BLK	WHT	GRN
STYLE 5 (JAPAN)	BLK	WHT	GRN
UL (STYLE 6)	BLK	WHT	GRN

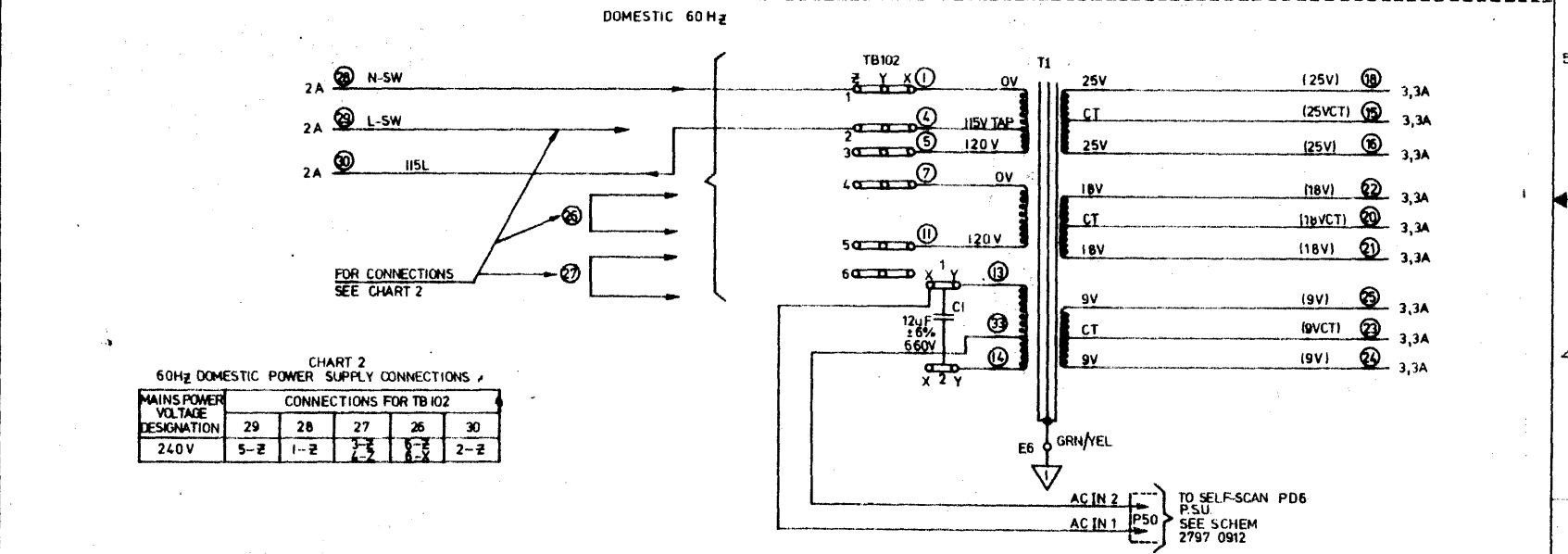


CHART 2
60 Hz DOMESTIC POWER SUPPLY CONNECTIONS

MAINS POWER VOLTAGE DESIGNATION	CONNECTIONS FOR TB102				
	29	28	27	26	30
240V	5-Z	1-Z	7-Z	8-Z	2-Z

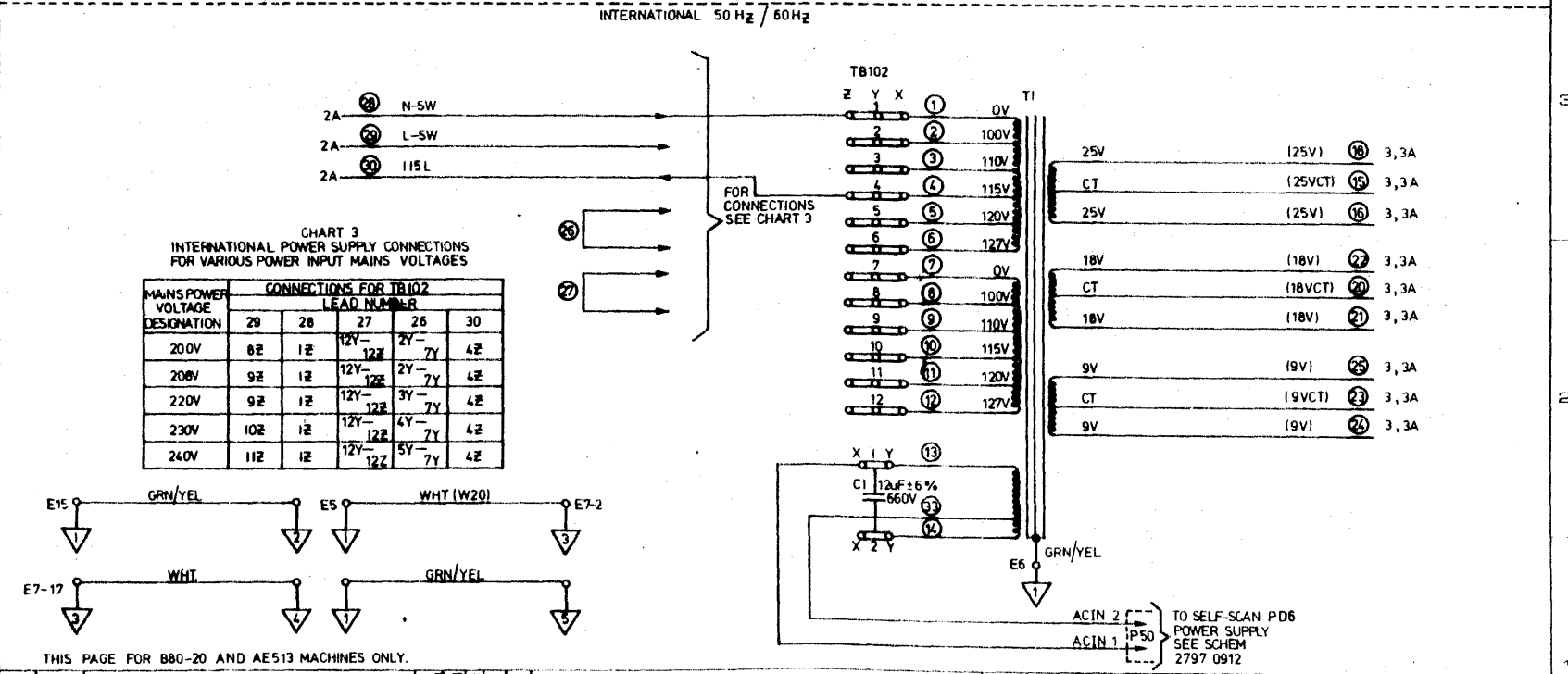
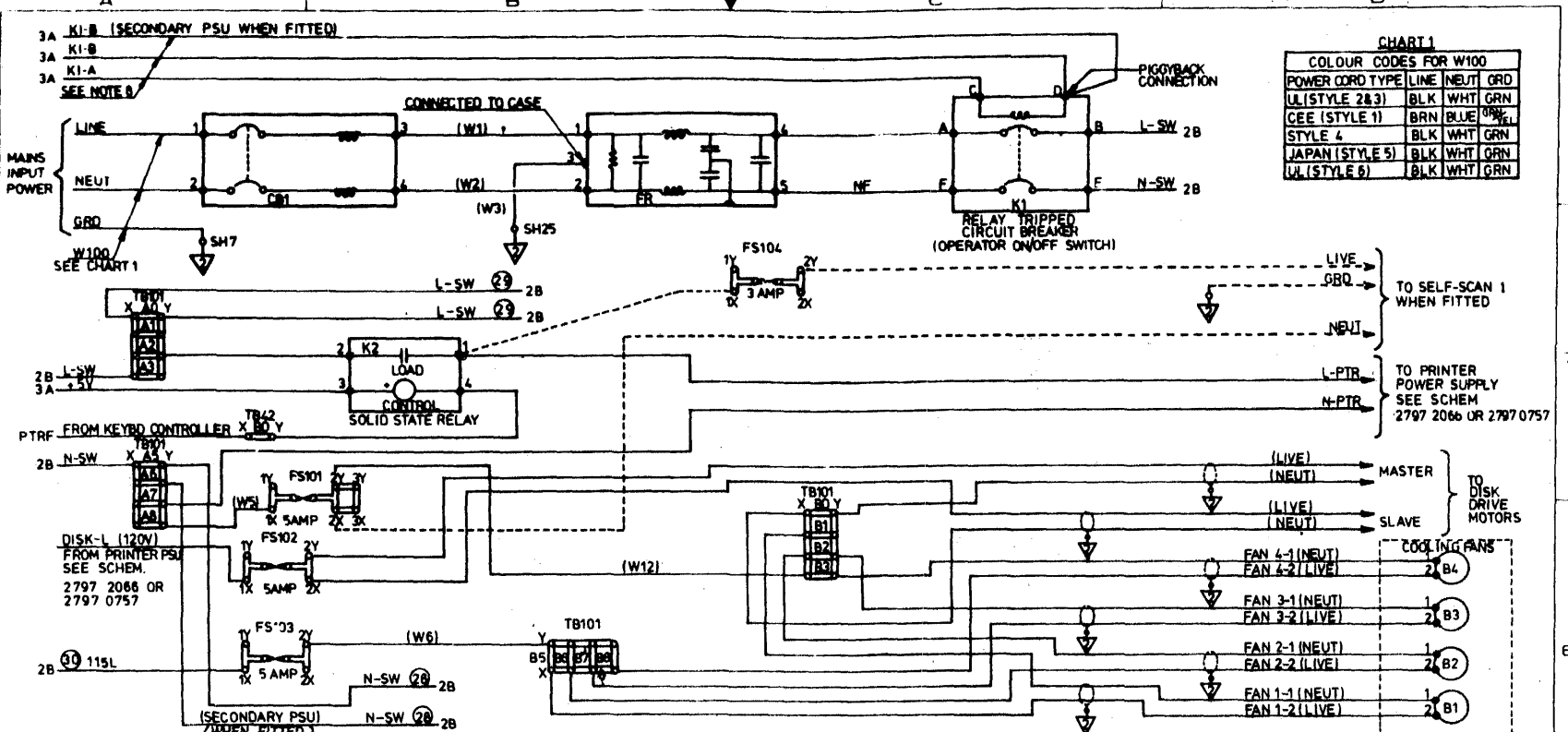
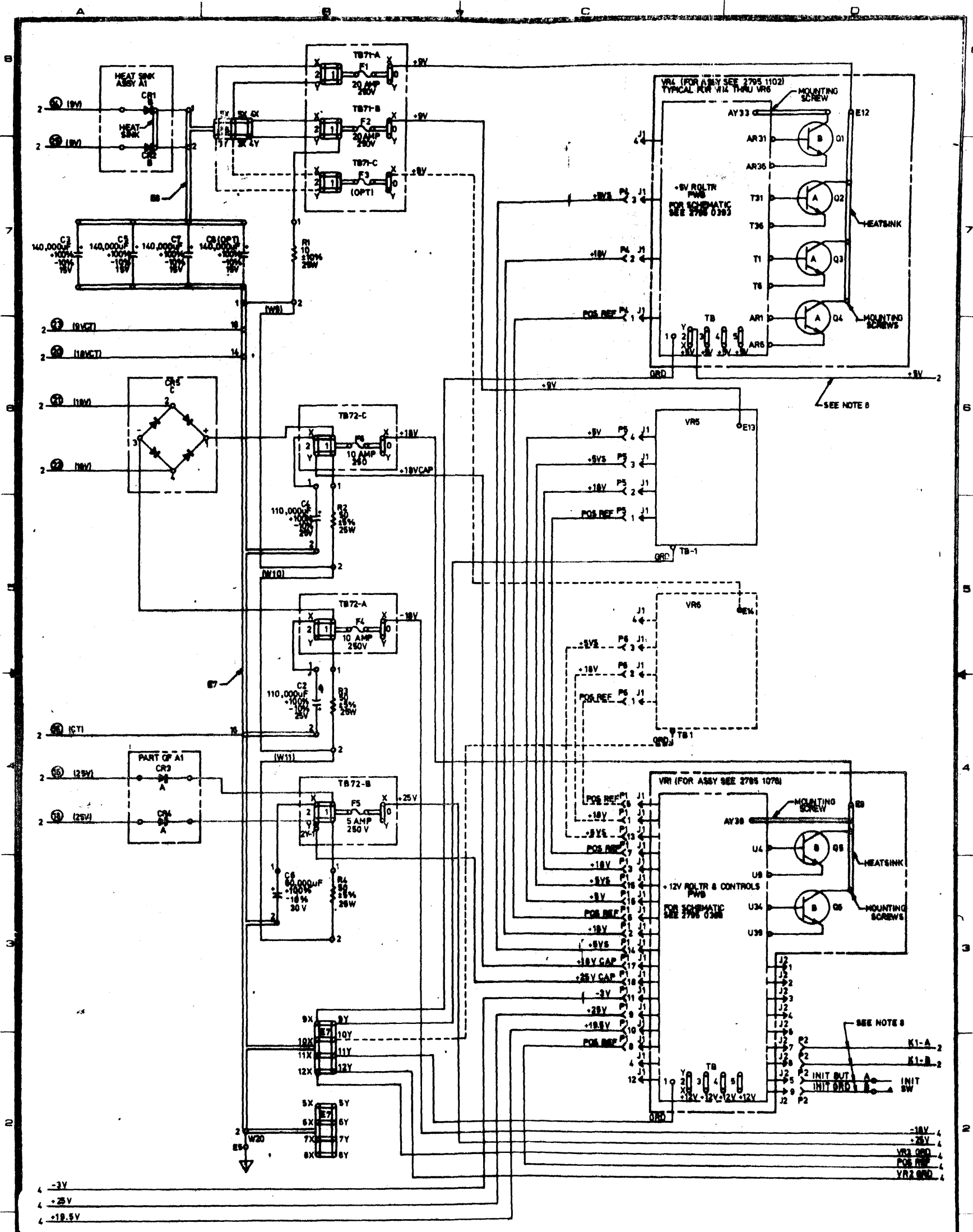


CHART 3
INTERNATIONAL POWER SUPPLY CONNECTIONS FOR VARIOUS POWER INPUT MAINS VOLTAGES

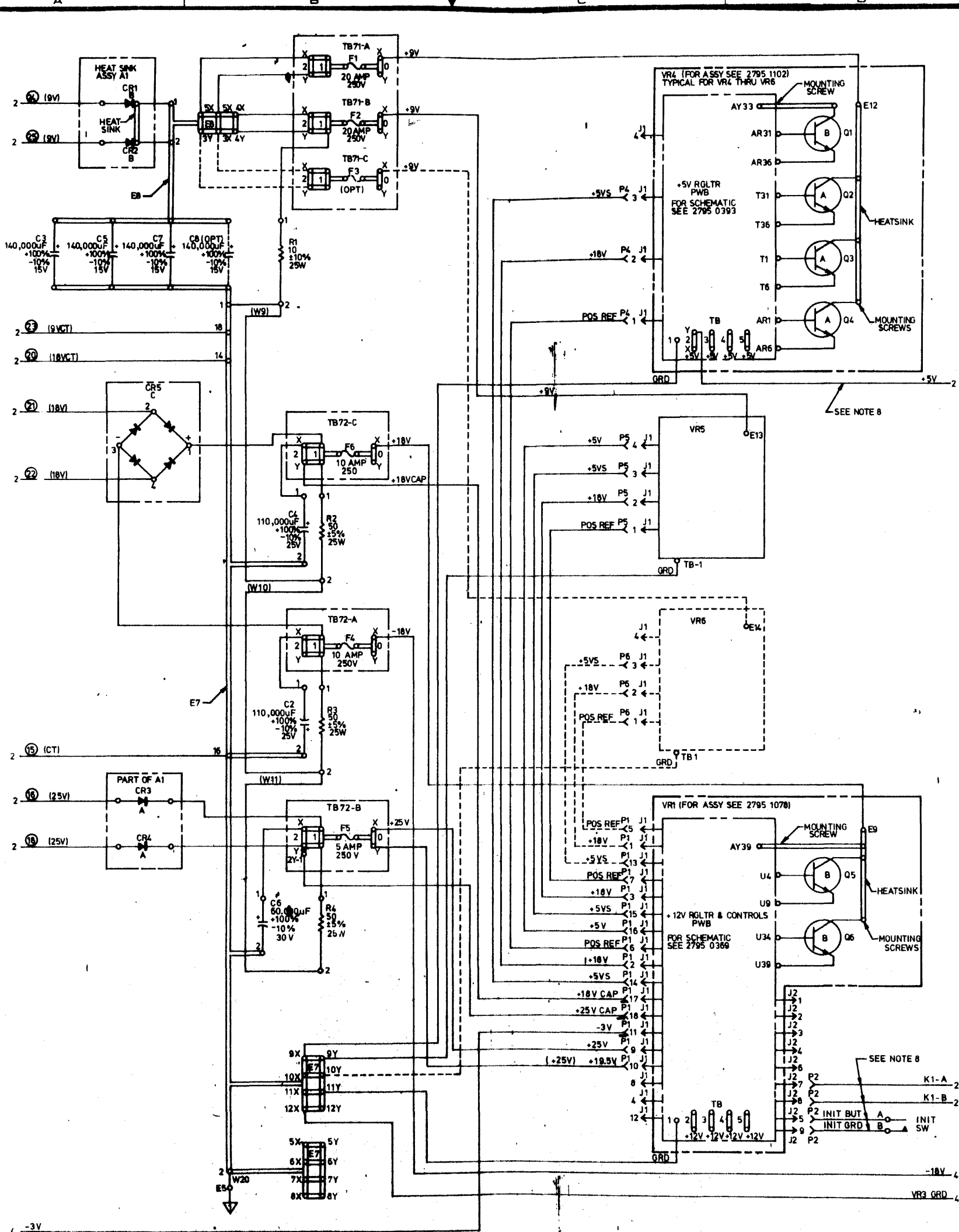
MAINS POWER VOLTAGE DESIGNATION	CONNECTIONS FOR TB102 LEAD NUMBER				
	29	28	27	26	30
200V	8Z	1Z	12Z	2Y	4Z
208V	9Z	1Z	12Z	2Y	4Z
220V	9Z	1Z	12Z	3Y	4Z
230V	10Z	1Z	12Z	4Y	4Z
240V	11Z	1Z	12Z	5Y	4Z





THIS PAGE FOR TC5110, TC5113, AE501 & AE511 MACHINES ONLY.

3 2795 1425 2795 1425	RELEASED SEP 3 1976	BURROUGHS <small>SMALL SYSTEMS DIVISION BURROUGHS MACHINES LIMITED CUMBERNAULD, SCOTLAND, U.K.</small>	DGN CONTROL 308	TITLE SCHEMATIC, BASE POWER SUPPLY (DC SECTION)			
	DESIGNED BY J. R. OAKS	DATE OCT 27 1975	APPROVED J. R. OAKS	DATE OCT 27 1975	DRAWN J. R. OAKS	DATE OCT 27 1975	
	CHECKED BY J. R. OAKS	DATE OCT 27 1975	ENG COMP J. R. OAKS	DATE OCT 27 1975	DRG SIZE A1	CLASS CODE 2-9520	INVT B
	DRAWING NO. 2795 1425	PARTIAL B	PROPRIETARY TO BURROUGHS NOT TO BE REPRODUCED NOR USED FOR MANUFACTURING PURPOSES EXCEPT ON BURROUGHS ORDER OR PRIOR WRITTEN CONSENT	DATE OCT 27 1975	DRG SIZE A1	CLASS CODE 2-9520	INVT B

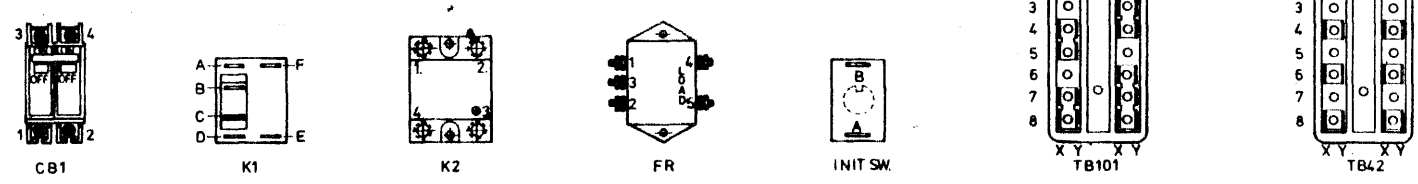
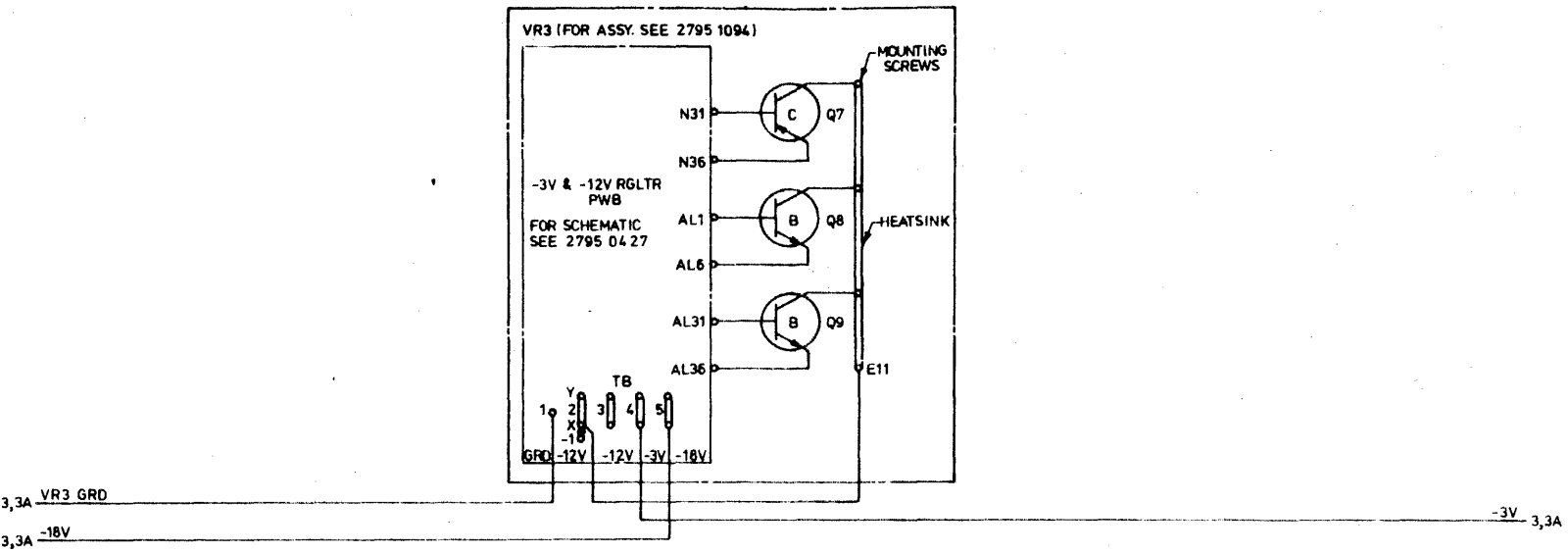
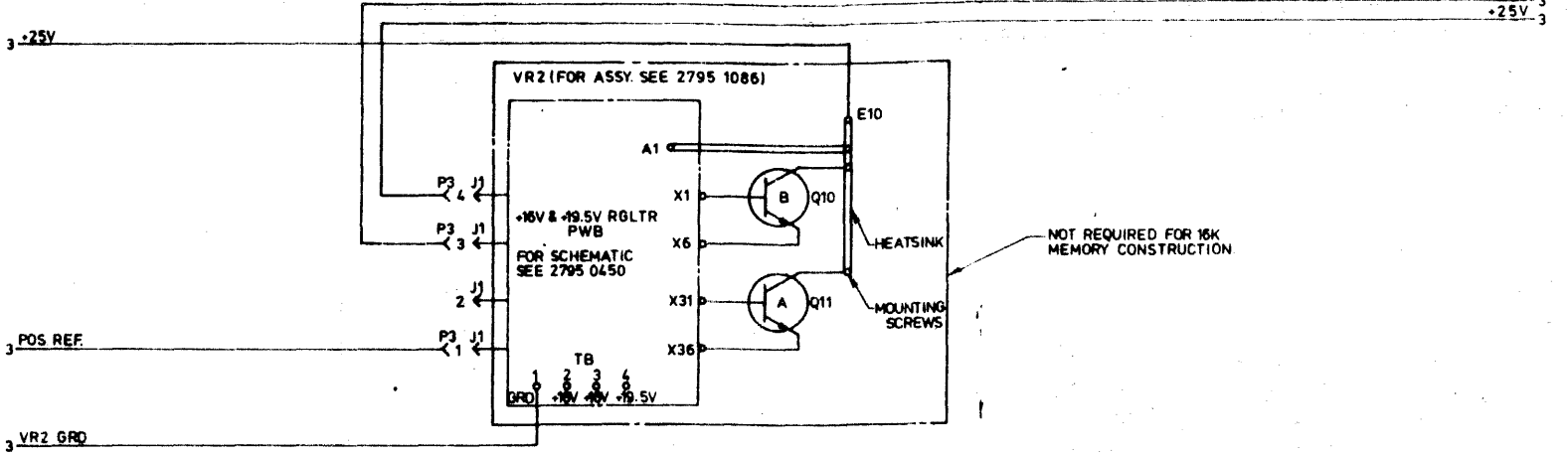


THIS PAGE FOR B80-20, AE513, B80-30/40 & B80-70 MACHINES ONLY.

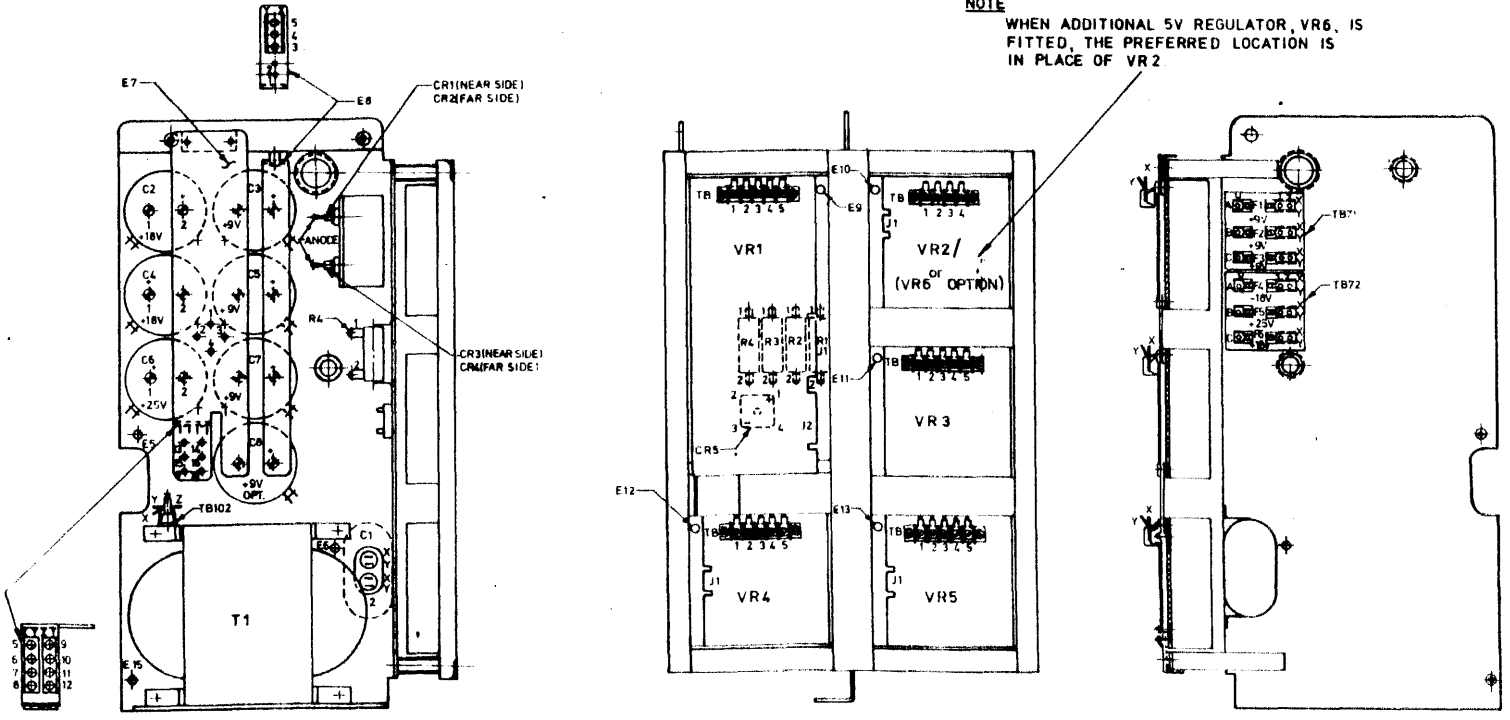
2795 1425 3A OF 3A	OCT 27 1977 2795 1425	Burroughs <small>SMALL SYSTEMS DIVISION BURROUGHS MACHINES LIMITED LUMBERHALL, SCOTLAND, U.K.</small>	DESGN CONTROL OR DESGN ENGR <i>K. Burns</i>	DATE 11/10/77	DRAWN DATE	DRAWING NO. 2795 1425
			APPROVED DATE 11/11/77	CHECKED DATE	2795 1425	
PROPRIETARY TO BURROUGHS. NOT TO BE REPRODUCED NOR USED FOR ANY PURPOSES WITHOUT THE WRITTEN PERMISSION OF BURROUGHS.			DRG. NO. A1	REV. NO. 2-9520	REV. NO. B	REV. NO. 3A

INPUTS

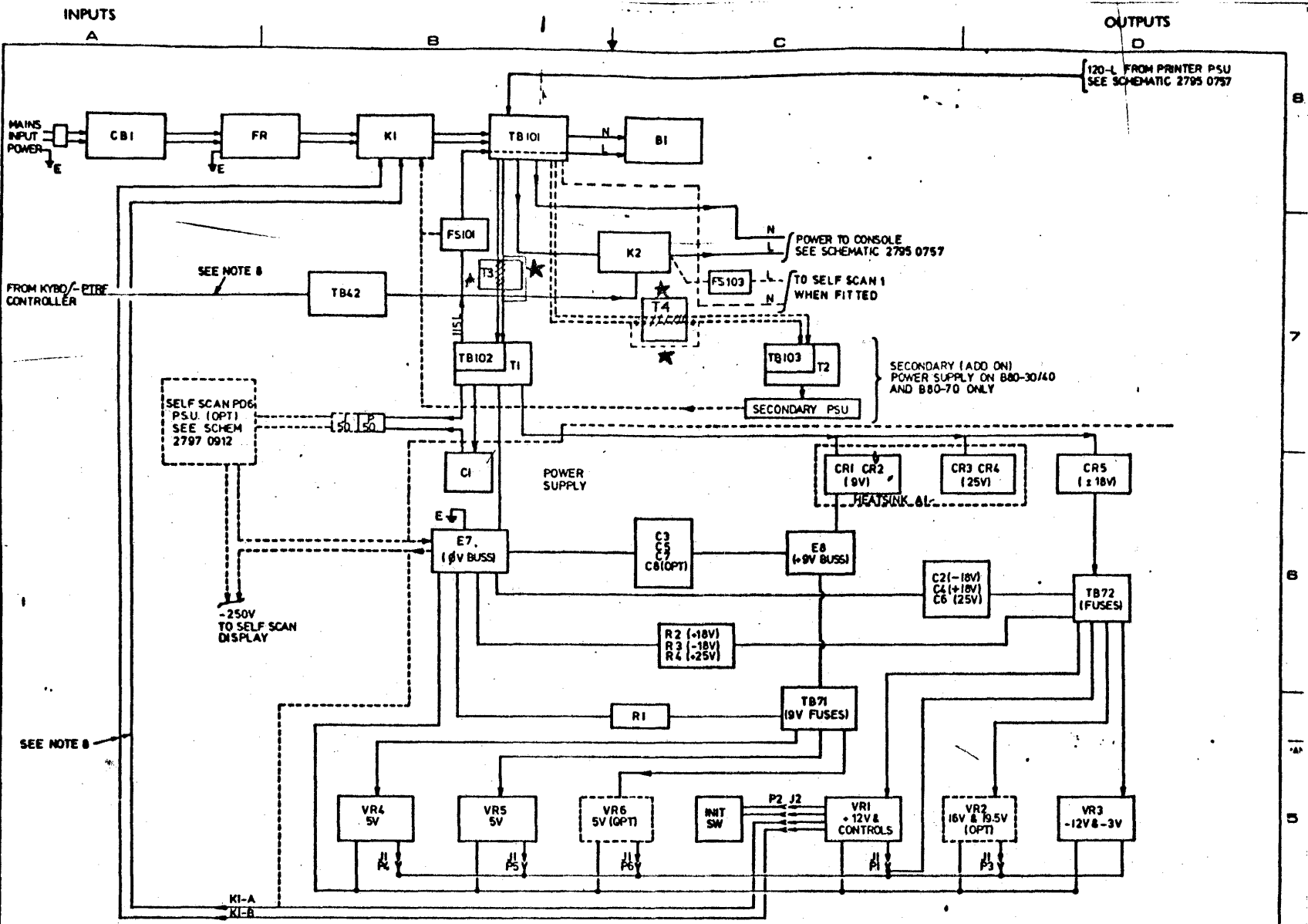
OUTPUTS



NOTE
WHEN ADDITIONAL 5V REGULATOR, VR6, IS
FITTED, THE PREFERRED LOCATION IS
IN PLACE OF VR 2



DRAWING NO. 2795 1425 PAGE 4 OF 4	RELEASED SEP 3 76 ER DATE REV ECN 07220 B TTKHU 4 OCT 77	Burroughs SMALL SYSTEMS DIVISION BURROUGHS MACHINES LIMITED CUMBERNAULD, SCOTLAND, G.A.	DESIGN CONTROL JOB DSGN ENGR APPROVED ENL. CORR.	TITLE SCHEMATIC, BASE POWER SUPPLY (DC SECTION & VISUAL AIDS)	DATE DRAWN DATE CHECKED DATE DRG. NO. A 2-95-1	2795 1425 B
	PROPRIETARY TO BURROUGHS NOT TO BE REPRODUCED NOR USED FOR MANUFACTURING PURPOSES EXCEPT ON BURROUGHS ORDER OR PRIOR WRITTEN CONSENT			DATE DATE DATE	DATE DATE DATE	4
				DATE DATE DATE	DATE DATE DATE	4
				DATE DATE DATE	DATE DATE DATE	4



BLOCK DIAGRAM FOR TC5110, TC5113, AE501 & AE511, ALSO SHOWING SECONDARY PSU FOR LARGER MACHINES

NOTES:

- DC PANEL
 - AC PANEL
 - GRD BUSS
 - BACKPLANE
 - SELF SCAN PDS PSU
- DASHED LINES INDICATE OPTIONS
- CIRCLED NUMBERS INDICATE TAGGED WIRES
- NAMES NOT IN PARENTHESIS ARE SYSTEM SIGNAL NAMES. NAMES IN PARENTHESIS ARE ABBREVIATIONS OR OTHER INFORMATION.
- CODES USED FOR DENOTING COMPONENT PART NUMBERS ARE AS FOLLOWS:

TRANSISTORS		DIODES	
A	1271 4802	A	2795 1409
B	1537 6551	B	1471 4729
C	2571 1003	C	2571 0658
		D	2795 1342
- WIRES IDENTIFIED BY 'W' NUMBERS INDICATE PART NUMBERS AS FOLLOWS:

W1, W2	2797 3452 (CBI-20 AMP OR 30AMP) 2574 2800 (CBI-12 AMP)
W3	2574 2768
W4	2574 3005
W5	2574 2784
W12, W6	2574 2776
W7	2571 3561
W8	2574 2750
W9, W10, W11	1104 1365
W20	2795 1557
- ABBREVIATIONS

PWB	= PRINTED WIRING BOARD
INTNL	= INTERNATIONAL
16K	= 16K MEMORY CONSTRUCTION
16K/	= NOT REQUIRED FOR 16K MEMORY CONSTRUCTION
- WIRING DENOTED IS PART OF THE DC DISTRIBUTION HARNESS AND NOT PART OF THE DC POWER SUPPLY HARNESS

PAGE	DESCRIPTION	ER DATE	REV.
1	BLOCK DIAGRAM INDEX & NOTES		B
2	AC SECTION, TC5110, TC5113, AE501 & AE511		B
2A	AC SECTION B80-20 & AE513		B
2B	AC SECTION B80-30/40 & B80-70		B
3	DC SECTION		B
3A	DC SECTION (16K)		B
4	DC SECTION & VISUAL AIDS		B

DD 62048
 PLYMOUTH DESIGN DEVIATION ★ J.W.
 PROJECT 56702
 GROUP 1392
 DATE 12-21-77 R.B.
 PAGES 1 & 2B AFFECTED
 PAGE 2C ADDED

INPUTS

OUTPUTS

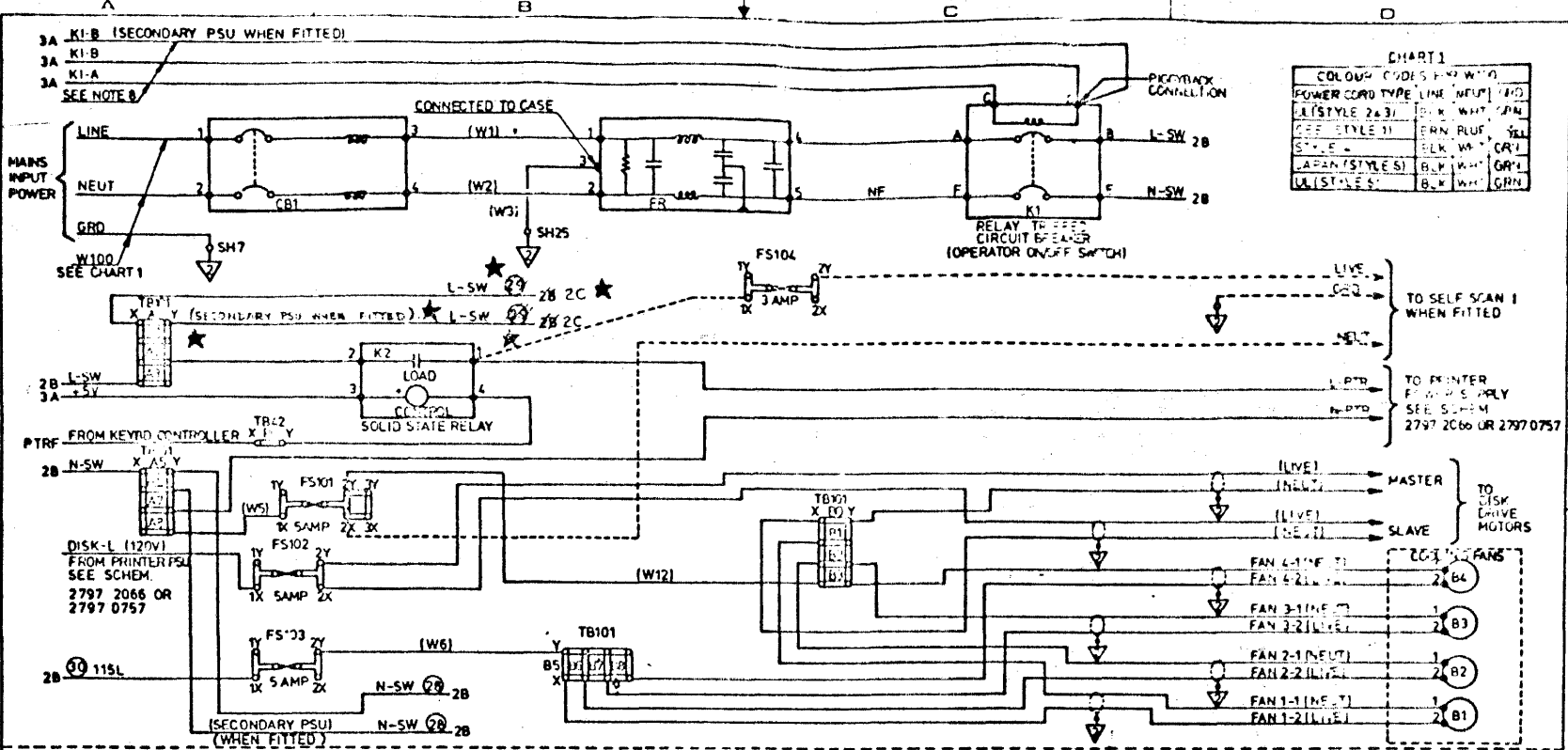


CHART 1

POWER CORD TYPE	LINE	NEUT	GRD
UL (STYLE 2 & 3)	BLK	WHT	GRN
SEE (STYLE 1)	BRN	BLU	YEL
SEE (STYLE 4)	BLK	WHT	GRN
JAPAN (STYLE 5)	BLK	WHT	GRN
UL (STYLE 6)	BLK	WHT	GRN

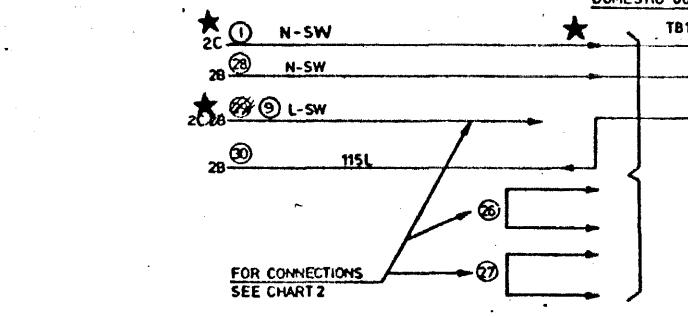


CHART 2

60 Hz DOMESTIC POWER SUPPLY CONNECTIONS

MAINS POWER VOLTAGE DESIGNATION	CONNECTIONS FOR T1102 (OR T1103 ON SECONDARY PSU)			
	29	28	27	26
240VRMS	5-Z	1-Z	3-Z	2-Z

INTERNATIONAL 50 Hz / 60 Hz

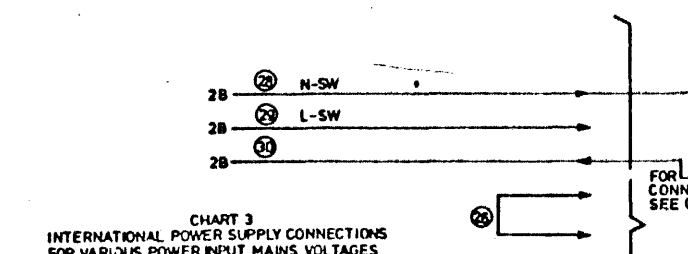
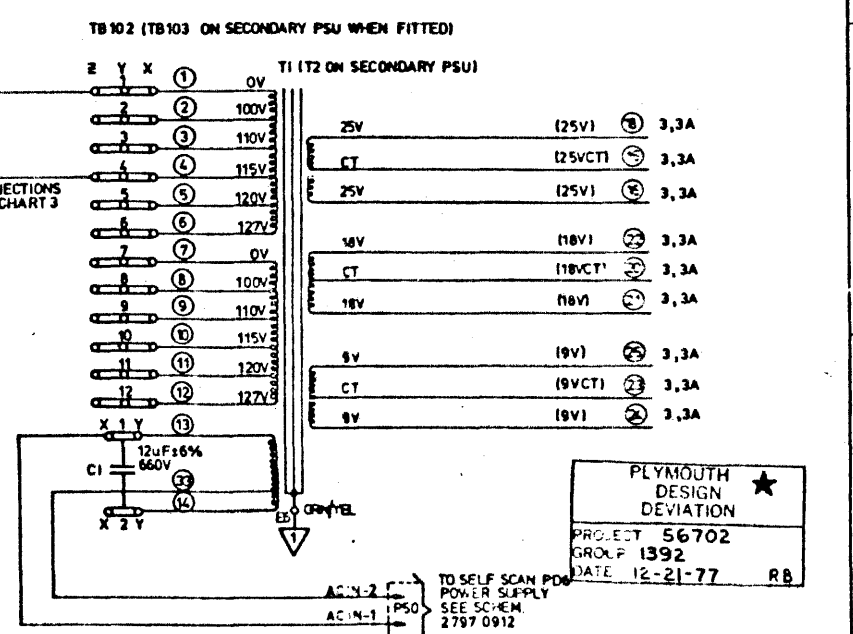


CHART 3

INTERNATIONAL POWER SUPPLY CONNECTIONS FOR VARIOUS POWER INPUT MAINS VOLTAGES

MAINS POWER VOLTAGE DESIGNATION	CONNECTIONS FOR T1102 (OR T1103 ON SECONDARY PSU)			
	29	28	27	26
200VRMS	8Z	1Z	12Z	7Y
208V	9Z	1Z	12Z	7Y
220V	9Z	1Z	12Z	7Y
230V	10Z	1Z	12Z	7Y
240V	11Z	1Z	12Z	7Y
254V	12Z	1Z	12Z	7Y

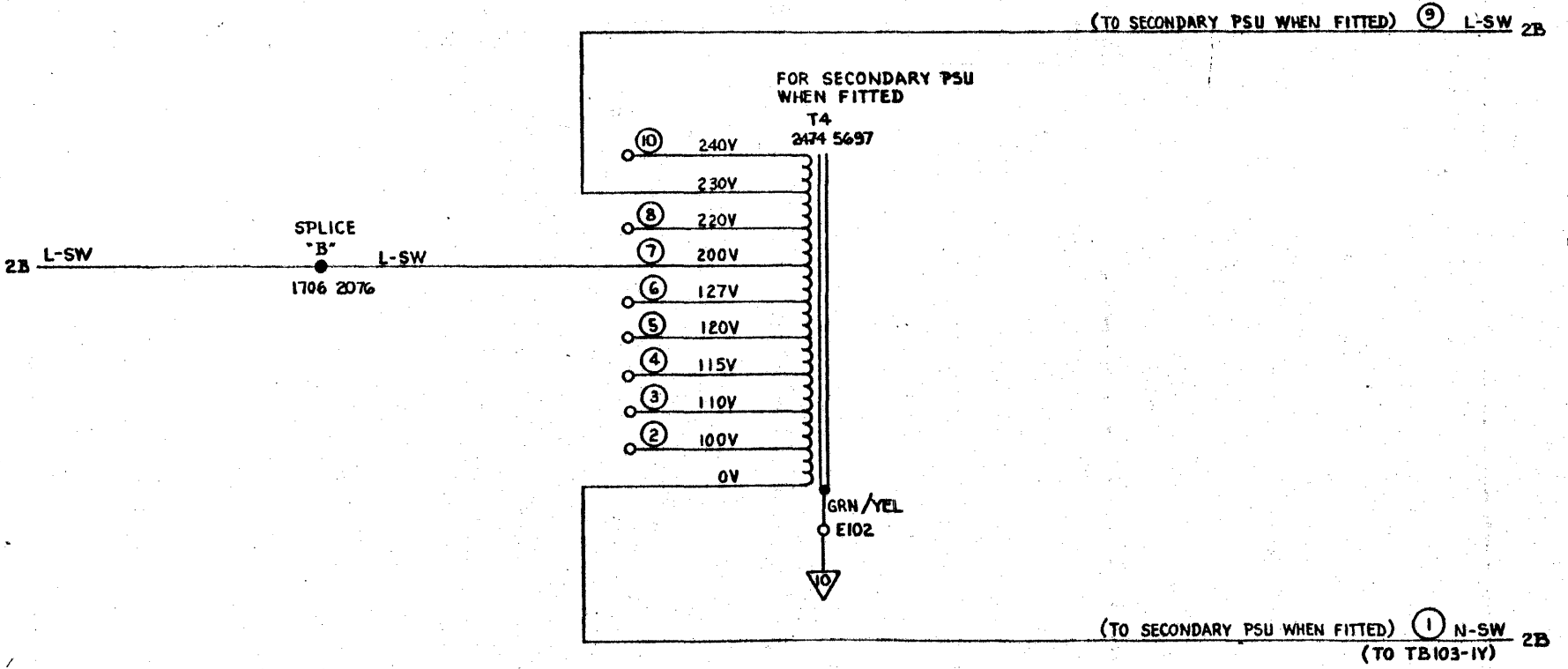
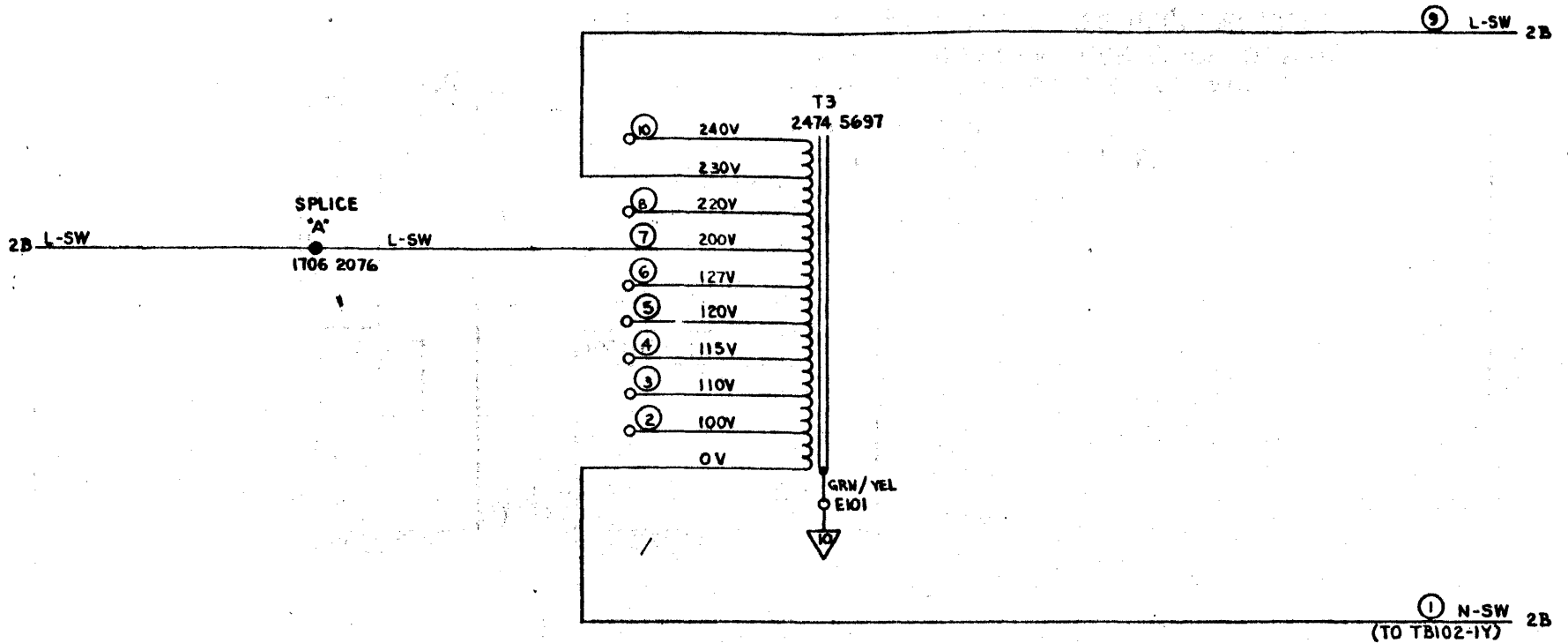


PLYMOUTH DESIGN DEVIATION

PROJECT 56702

GROUP 1392

DATE 12-21-77 RB



NOTES:

1. UNUSED TERMINALS ON T3 AND T4 MUST BE COVERED WITH HOUSING RECEPTACLE 1471 972B AND TIED BACK WITH 1091 8605 STRAPS
2. CVT TRANSFORMERS T1&T2 MUST BE CONNECTED FOR 240V AC INPUT

PLYMOUTH DESIGN DEVIATION ★
 PROJECT 56702
 GROUP 1392
 DATE 12-21-77 RB

DWG. NO. 2795 1425 ★
 PAGE 2C

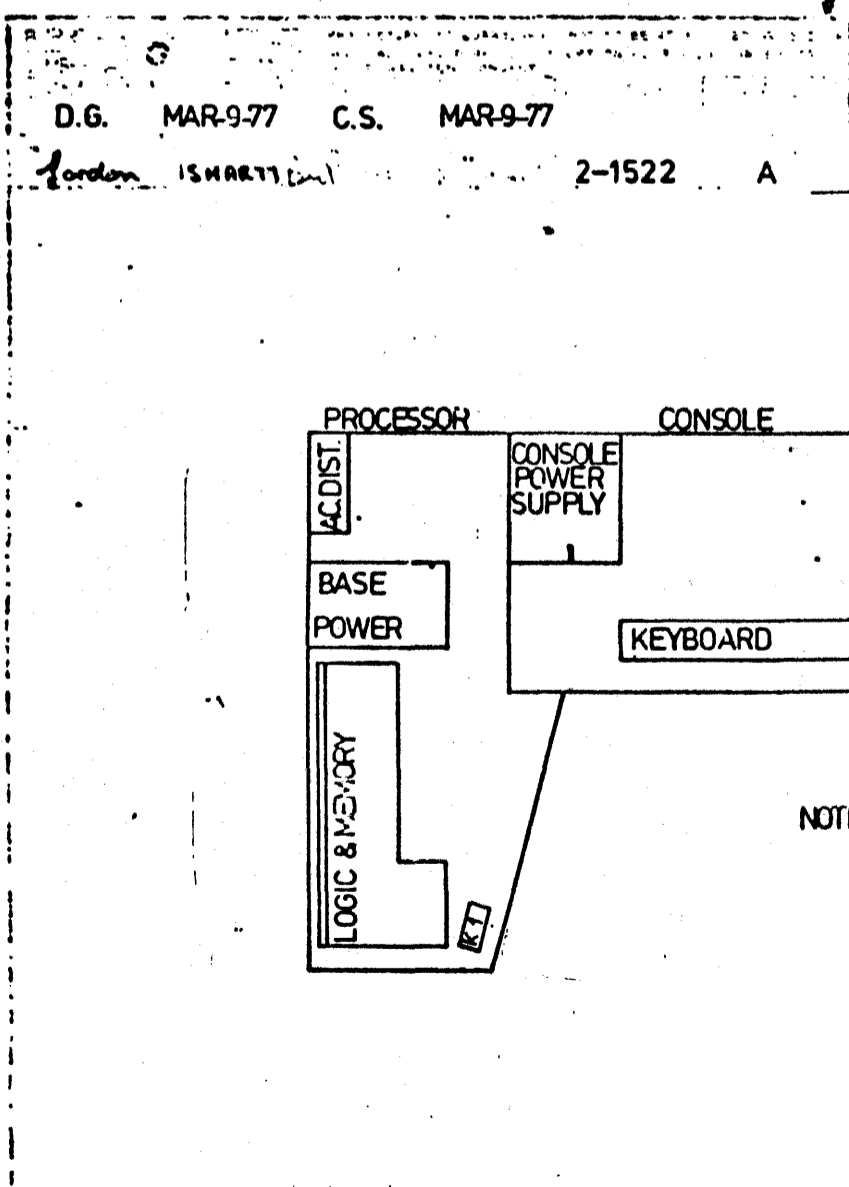
Burroughs Corporation		TITLE WIRING SCHEMATIC, BASE POWER SUPPLY AC SECTION	
SMALL SYSTEMS GROUP	PLYMOUTH PLANT	SYSTEM	DWG. NO.
PLYMOUTH, MICHIGAN 48170	U. S. AMERICA	DRAWN	2795 1425 ★
PROPRIETARY TO BURROUGHS CORP. - NOT TO BE REPRODUCED, NOR USED FOR MANUFACTURING PURPOSES EXCEPT ON BURROUGHS ORDER OR PRIOR WRITTEN CONSENT		CHECKED	PAGE 2C
		APPROVED	REV LETTER

ORIGINAL

D.G.	MAR-9-77	C.S.	MAR-9-77
<i>London</i>	ISHARTY	2-1522	A

2797 2389	REV A
BASIC A.C. DIST.	
1 5	APRIL 1-77 MFG.
ER. 00686 MFG.	
C.S. APR.-1-77	

ORIGINAL



2797 2389	REV A
BASIC A.C. DIST.	
2 5	APRIL 1-77 MFG.

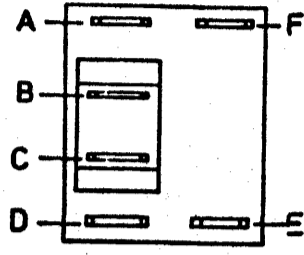
NOTE:-

1. TERMINATIONS MUST MEET SPEC. DWG. 81F.
2. WIRE MUST BE U.L. & C.S.A. LABELED. REFER TO APPLICATION GUIDE D65-01 FOR STYLE AND TYPE REQUIREMENTS.

ORIGINAL

D.G. MAR-9-77 C.S. MAR-9-77
 adm 15 MAR 77 2-1522 A

DWG NO 2797 2389 REV A
 TITLE BASIC AC. DIST.
 3 of 5 APRIL 1-77 MFG

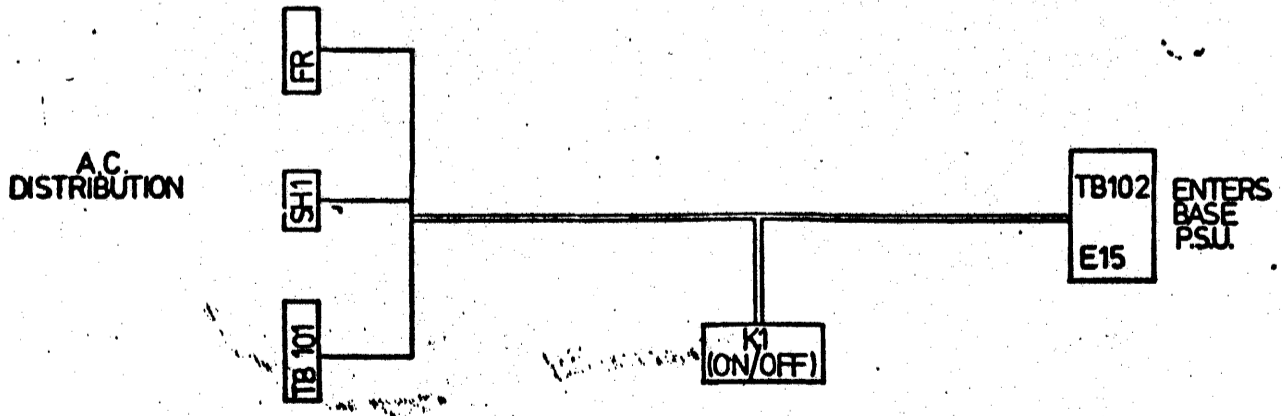


K1
ON/OFF SWITCH

ORIGINAL

D.G. MAR-9-77 C.S. MAR-9-77
 adm 15 MAR 77 2-1522 A

DWG NO 2797 2389 REV A
 TITLE BASIC AC. DIST.
 4 of 5 APRIL 1-77 MFG



ORIGINAL

BU... DES... P.D.	DESIGN CONTROL 308	DWG NO 2797 2889	REV A
...	...	TITLE BASIC A.C. HARNESS	SHEET 5 of 5
...	RELEASED - APRIL 1-77

SIGNAL NAME
I-SW	2576 2162 REF	TB101-AOX	1527 0192		TR102-112*	1527 0192	2206 8381
N-SW	"	TB101-ABY	"		TR102-12	"	2206 8381
GND		SH 1	1515 0527		E15	1515 0527	2206 8399
I-F		FR 4	1321 0258	2571 1185 REF	K1-A	1527 0192	2206 8167
N-F		FR 5	"	"	K1-F	"	"
I-SW	2576 2162 REF	TB101-AIX	1527 0192	"	K1-B	"	"
N-SW	"	TB101-A5X	"	"	K1-E	"	"
Proc. GND		SH 4	1515 0527		Proc GND	1515 0527	2206 8399
I. FWH		FS103-1X	1527 0192		TB102-42*	1527 0192	2206 8381
*NOTE: THESE CONNECTIONS ARE FOR 240V 50HZ MACHINES							
FOR OTHER VOLTAGES OR LINE FREQUENCIES SEE 2795 1425 LINE VOLTAGE SETTING CHART.							
FOR B10-0 PROCESSOR.							

D.G. MAR-9-77 C.S. MAR-9-77		2797 2389		REV A
GADM 15 MAR 77 Bu 2-1522 A		BASIC A.C. DIST.		
		1 5	APRIL 1-77 MFG	
		ER. 00686		MFG
		C.S. APR.-1-77		

DD 62048

PLYMOUTH DESIGN DEVIATION	★
PROJECT 56702	OTWR
GROUP 1392	
DATE 12-21-77	RB

JW

SHEETS 1, 4 & 5 AFFECTED

D.G. MAR-9-77 C.S. MAR-9-77		2797 2389		REV A
GADM 15 MAR 77 Bu 2-1522 A		BASIC A.C. DIST.		
		6 of 5	APRIL 1-77 MFG	

AC DISTRIBUTION

```

graph LR
    FR[FR] --- Bus
    SH1[SH1] --- Bus
    TB101[TB101] --- Bus
    Bus --- K1[K1 ON/OFF]
    Bus --- T3[T3]
    Bus --- TB102[TB102]
    TB102 --- E15[E15]
    E15 --- PSU[ENTERS BASE PSU]
    style FR stroke-dasharray: 5 5
    style SH1 stroke-dasharray: 5 5
    style TB101 stroke-dasharray: 5 5
    style K1 stroke-dasharray: 5 5
    style T3 stroke-dasharray: 5 5
    style TB102 stroke-dasharray: 5 5
    style E15 stroke-dasharray: 5 5
    style PSU stroke-dasharray: 5 5
  
```


PLYMOUTH DESIGN DEVIATION	★
PROJECT 56702	
GROUP 1392	
DATE 12-21-77	RB

BURROU	DESIGN CONTROL 308	DWG NY 2797 2389	REV A
DES. NO. P.D.	TITLE - BASIC A.C. HARNESS	RELEASED - APRIL 1-77	
CHEK REF	CHECK TYPE	CHECK 5	5

SIGNAL NAME	CONNECTOR	FROM	TO	TERMINAL	WIRE	TYPE
L-SW	2576 2162 REF	TR101-AOX	1527 0192	★	SPLICE A TR102-17	1706 2076 REF TR102-17 ★
N-SW	"	TR101-ASY	"		TR102-17	"
GND		SH 1	1515 0527		E15	1515 0527
L-F		FR 4	1321 9258	2571 1185 REF	K1-A	1471 9129 1527 0192
N-F		FR 5	"	"	K1-F	"
L-SW	2576 2162 REF	TR101-AX	1527 0192	"	K1-B	"
N-SW	"	TR101-AX	"	"	K1-E	"
Proc. GND		SH 4	1515 0527		Proc GND	1515 0527
L. Fans		FS103-1X	1527 0192		TR102-42*	1527 0192
*NOTE: THESE CONNECTIONS ARE FOR 240V 50HZ MACHINES						
FOR OTHER VOLTAGES OR LINE FREQUENCIES SEE 2795 1-25 WIRE VOLTAGE SETTING CHART.						
FOR B10-0 PROCESSOR.						

PLYMOUTH
DESIGN
DEVIATION ★

PROJECT 56702
GROUP 1392
DATE 12-21-77 RB

BURROUGHS MACHINES LTD GLASGOW SCOTLAND		PROPRIETARY TO BURROUGHS - NOT TO BE REPRODUCED OR USED FOR MANUFACTURING PURPOSES EXCEPT ON BURROUGHS ORDER OR PRIOR WRITTEN CONSENT.				DESIGN CONTROL 308	DWG No. 2797 2421	REV. A
DESIGNED BY	DATE	DRAWN JTH	DATE FEB 11, 77	APPROVED	DATE 14 FEB 77	TITLE: SECONDARY PSU. DC. DISTRIBUTION.		
CHECKED BY	DATE	COMPONENTS	DATE	CLASS CODE 2-1522	DWG. SIZE	DWG. TYPE W.L.	SHEET 1 OF 4	RELEASED: - MAR 11, 77 ER 00638 MFG

BURROUGHS MACHINES LTD GLASGOW SCOTLAND		PROPRIETARY TO BURROUGHS - NOT TO BE REPRODUCED OR USED FOR MANUFACTURING PURPOSES EXCEPT ON BURROUGHS ORDER OR PRIOR WRITTEN CONSENT.				DESIGN CONTROL 308	DWG No. 2797 2421	REV. A
DESIGNED BY	DATE	DRAWN JTH	DATE FEB 11, 77	APPROVED	DATE 14 FEB 77	TITLE: SECONDARY PSV. AC. DISTRIBUTION.		
CHECKED BY London	DATE 14 FEB 77	COMPONENTS	DATE	CLASS CODE 2-1522	DWG. SIZE	DWG. TYPE	SHEET 2 OF 4	RELEASED: - MAR 11, 77 ER 00638 MFG


```

    graph TD
      subgraph PROCESSOR
        AC_DIST[AC DIST.]
        BASE_POWER[BASE POWER SUPPLY]
        LOGIC_MEMORY[LOGIC & MEMORY]
        SEC_POWER[SECONDARY POWER SUPPLY]
      end
      subgraph CONSOLE
        CONSOLE_POWER[CONSOLE POWER SUPPLY]
        KEYBOARD[KEYBOARD]
      end
      SEC_POWER --- CONSOLE_POWER
  
```

NOTE. TERMINATIONS MUST MEET
SPEC. DRG. 81 F.

BURROUGHS MACHINES LTD GLIMBERTON SCOTLAND		PROPRIETARY TO BURROUGHS - NOT TO BE REPRODUCED OR USED FOR MANUFACTURING PURPOSES EXCEPT ON BURROUGHS ORDER OR PRIOR WRITTEN CONSENT.				DESIGN CONTROL 308	DWG No. 2797 2421	REV. A
DESIGN OR ENG	DATE	DRAWN JTH	DATE FEB.11.77	APPROVED /	DATE 12-21-77	TITLE: SECONDARY PSU. AC DISTRIBUTION.		
CHECKED BY	DATE	COMPONENTS (200)	DATE (11)	CLASS CODE 2-1522	DWG. SIZE	DWG. TYPE W.L.	SHEET 1 OF 4	RELEASED:- MAR1177 MFG. ER 00638

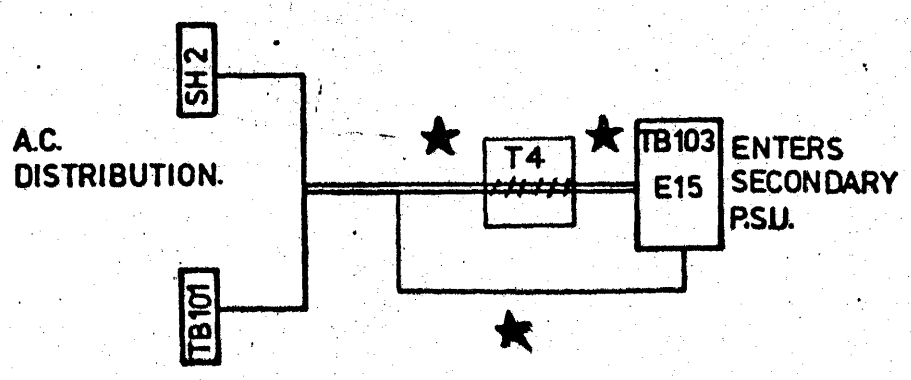
MFG

DD 62048
PLYMOUTH DESIGN DEVIATION ★
PROJECT 56702 -TMR
GROUP 1392
DATE 12-21-77 R.B.
SHEETS 1,344 AFFECTED

J.O.

BURROUGHS MACHINES LTD GLIMBERTON SCOTLAND		PROPRIETARY TO BURROUGHS - NOT TO BE REPRODUCED OR USED FOR MANUFACTURING PURPOSES EXCEPT ON BURROUGHS ORDER OR PRIOR WRITTEN CONSENT.				DESIGN CONTROL 308	DWG No. 2797 2421	REV. A
DESIGN OR ENG	DATE	DRAWN JTH	DATE FEB.11.77	APPROVED /	DATE 12-21-77	TITLE: SECODARY PSU. AC DISTRIBUTION.		
CHECKED BY	DATE	COMPONENTS (200)	DATE (11)	CLASS CODE 2-1522	DWG. SIZE	DWG. TYPE W.L.	SHEET 3 OF 4	RELEASED:- MAR.11.77 MFG. ER 00638

MFG

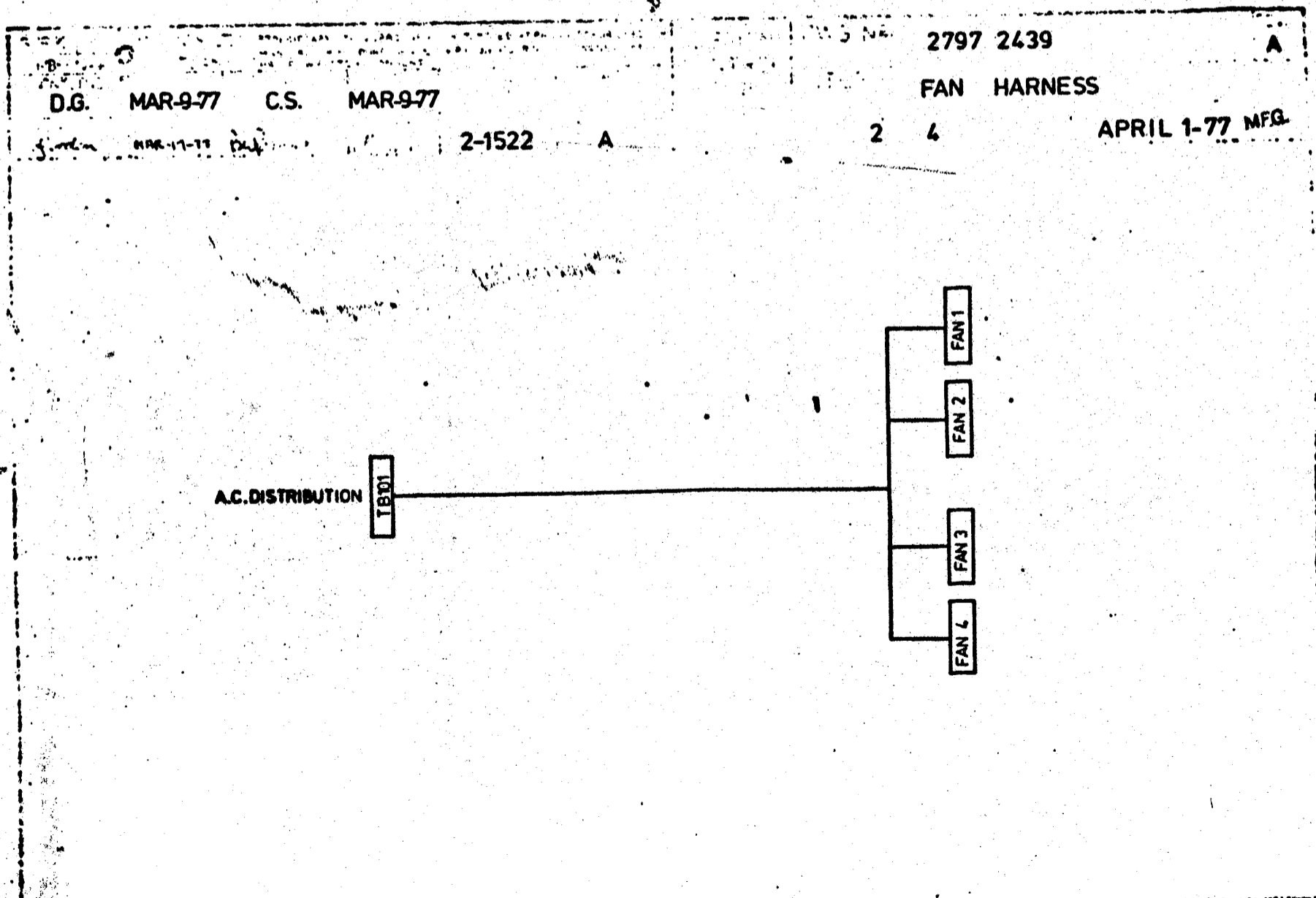


PLYMOUTH DESIGN DEVIATION ★
PROJECT 56702
GROUP 1392
DATE 12-21-77 R.B.

ORIGINAL

DESIGN		DWG NO.		2797 2439		REV.
D.G.		CS.		FAN HARNESS		A
MAR-9-77		MAR-9-77				
MAR-17-77		2-1522		1 4		APRIL 1-77 MFG.
				E.R. 00686		
				C.S. APR-1-77		MFG.

ORIGINAL



ORIGINAL

D.G. MAR-9-77 C.S. MAR-9-77

DWG No.

2797 2439

REV. A

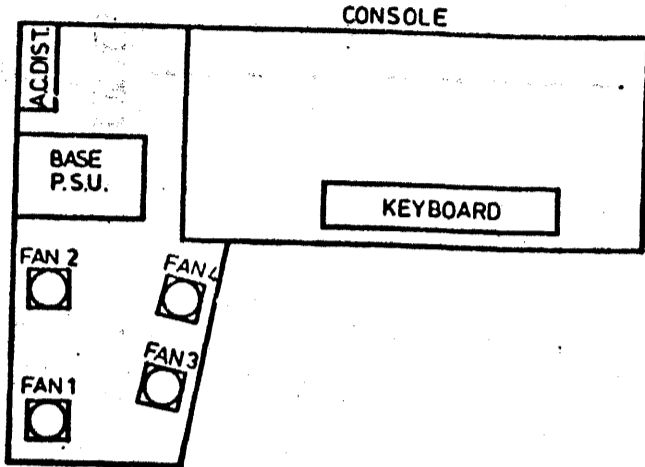
FAN HARNESS.

MAR-17-77

2-1522 A

3 4

APRIL 1-77 MFG.

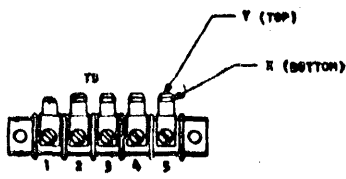
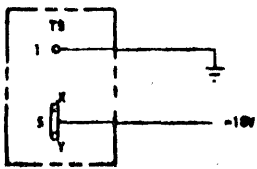
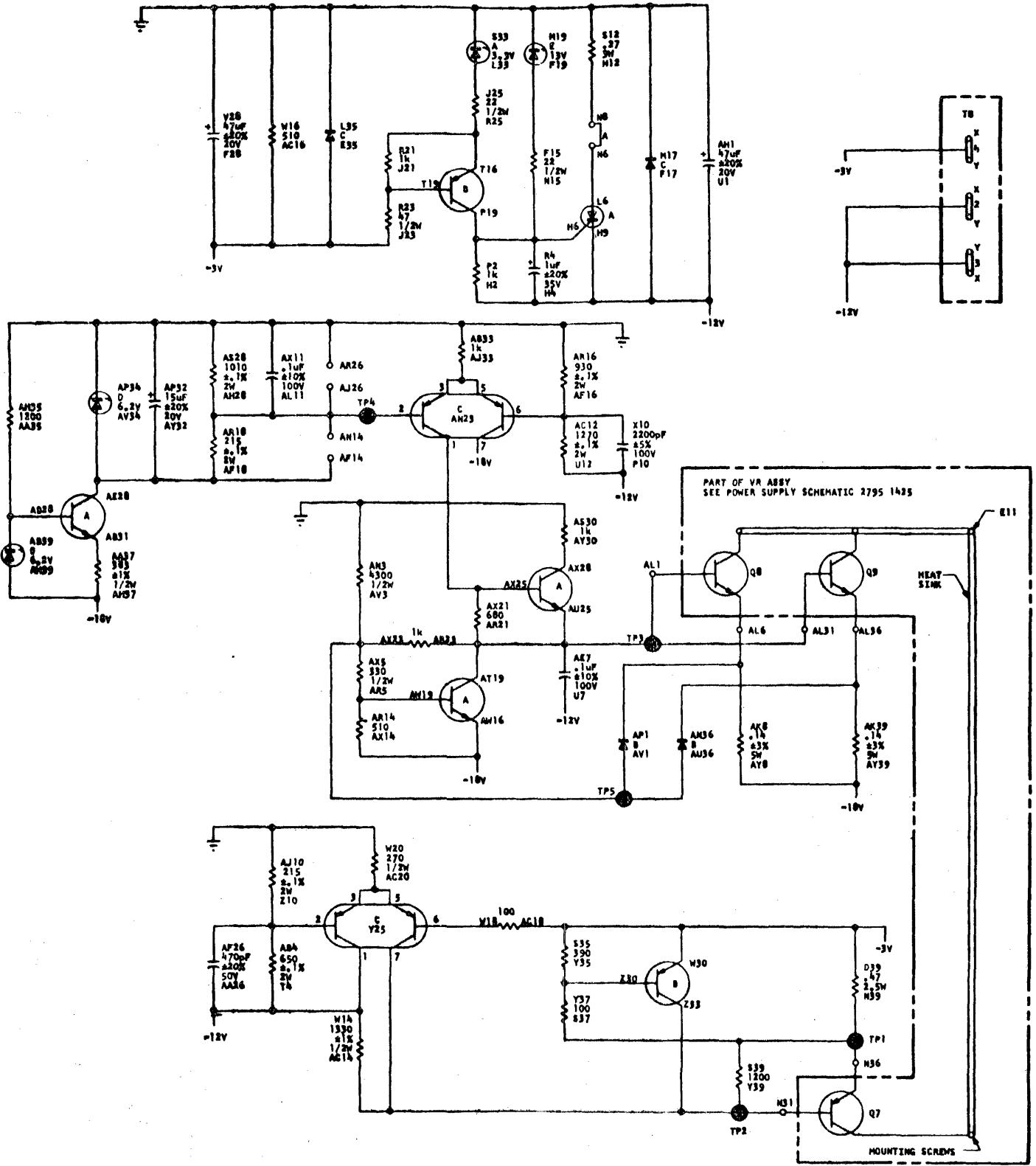


NOTE:

1. TERMINATIONS MUST MEET SPECIFICATION DRAWING 81F
2. WIRE MUST BE U.L. & C.S.A. LABELLED. REFER TO APPLICATION GUIDE D6501 FOR STYLE AND TYPE REQUIREMENTS.

ORIGINAL

DESIGN CONTROL 308				CWG No. 2797 2439		REV. A	
TITLE: FAN HARNESS				SHEET 4 OF 4		RELEASED: APRIL 1-77	
SIGNAL NAME				TERMINAL		WIRE	
FAN 1-1	2576 2162 REF	TH101-BIX	1471 9892	FAN 1-A	1471 2911 1111 3834		
FAN 1-2	"	TH101-B5K	"	FAN 1-B	"	1029 0351	
SCREEN	2797 0763	SII 16	1535 2032	-	NONE	1944 31911	
FAN 2-1	2576 2162 REF	TH101-B5K	1471 9892	FAN 2-A	1471 2911 1111 3834		
FAN 2-2	"	TH101-B5K	1471 9892	FAN 2-B	"	1029 0351	
SCREEN	2797 0763	SH-17	1535 2032	-	NONE	1944 31911	
FAN 3-1	2576 2162 REF	TH101-B5K	1471 9892	FAN 3-A	1471 2911 1471 3834		
FAN 3-2	"	TH101-B5K	"	FAN 3-B	"	1029 0351	
SCREEN	2797 0763	SII 16	1535 2032	-	NONE	1944 31911	
FAN 4-1	2576 2162 REF	TH101-B5K	1471 9892	FAN 4-A	1471 2911 1471 3834		
FAN 4-2	"	TH101-B5K	"	FAN 4-B	"	1029 0351	
SCREEN	2797 0763	SII 17	1535 2032	-	NONE	1944 31911	



NOTES:

1. FOR ASSEMBLY SEE 2795 0410 E.R. DATE

2. CODES USED FOR DENOTING COMPONENT PART NUMBERS ARE AS FOLLOWS:

TRANSISTORS	DIODES	THYRISTOR
A - 1471 4786	A - 1110 2979	A - 2571 0708
B - 1471 4828	B - 1471 4709	
C - 2571 0682	C - 1471 4737	
	D - 1479 7997	
	E - 2571 1169	

JUMPER

A - 1536 3674

UNLESS OTHERWISE SPECIFIED:
ALL RESISTANCE VALUES ARE IN OHMS, 5% 1/W

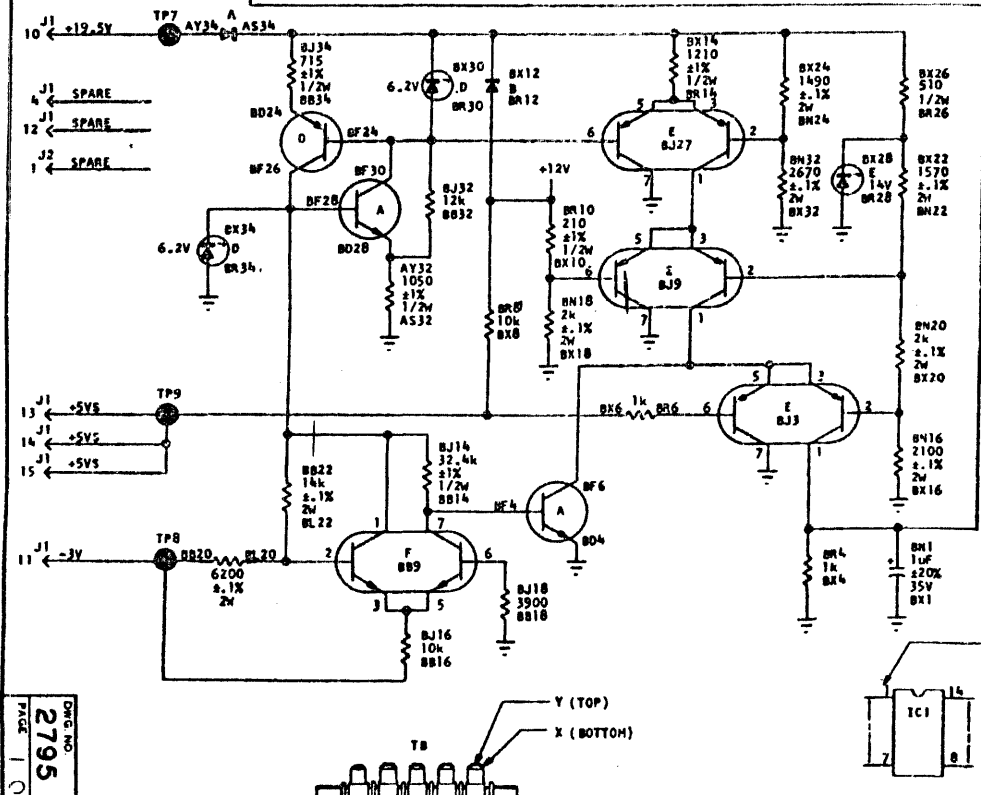
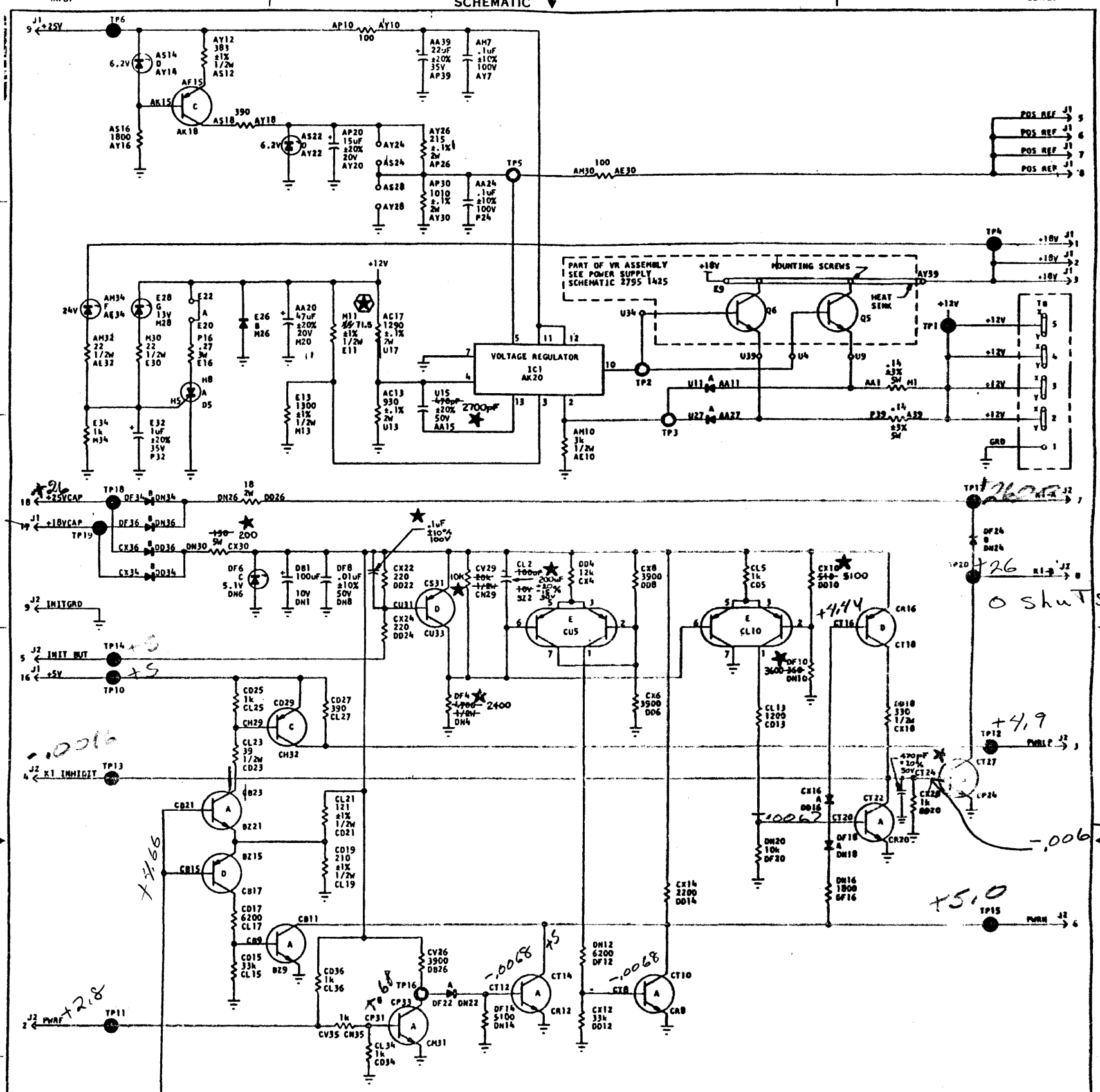
2795 0427

PAGE	E.R. DATE	REV
1	00125	A

805-10

Burrhoughs Corporation		PLANT NO 308	TITLE SCHEMATIC, BOARD, -3V & -12V RGLTR	U.S. CODE
SMALL SYSTEMS GROUP PLYMOUTH PLANT U.S. AMERICA		308	DATE 1-26-76	DWG NO 2795 0427
DRAWN S. MAXFIELD		CHECKED J. H. 5-7-76	APPROVED [Signature]	RELEASED SEP-3-76
PROPERTY TO BURROUGHS CORP - NOT TO BE REPRODUCED NOR USED FOR MANUFACTURING PURPOSES EXCEPT ON BURROUGHS ORDER OR PRIOR WRITTEN CONSENT			REV LETTER	PAGE 1 OF 1

SCHEMATIC

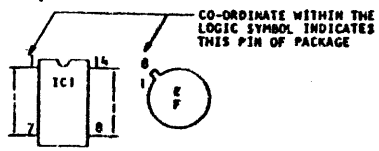


- NOTES:**
- FOR ASSEMBLY SEE 2795 0344 E.A. DATE
 - COOLS USED FOR DENOTING COMPONENT PART NUMBERS ARE AS FOLLOWS:
- | I.C.'S | | TRANSISTORS | | DIODES | |
|--------|-------------|-------------|-------------|--------|-------------|
| IC3 | - 2571 1037 | A | - 1471 4778 | A | - 1471 4703 |
| | | B | - 1471 4786 | B | - 1471 4737 |
| | | C | - 1471 4828 | C | - 1477 3469 |
| | | D | - 1477 3451 | D | - 1479 2997 |
| | | E | - 2571 0652 | E | - 1534 8287 |
| | | F | - 2571 0997 | F | - 1627 1891 |
| | | | | G | - 2571 1169 |
- THYRISTOR**
A - 2571 0708
- JUMPER**
A - 1536 3674

UNLESS OTHERWISE SPECIFIED:
ALL RESISTANCE VALUES ARE IN OHMS, .5%, 1/4W

E.I. 61779
PLYMOUTH ENGINEERING INSTRUCTION
PROJECT 52785
GROUP 12
DATE 3-14-77
PAGE 1 AFFECTED

E.I. 61695
PLYMOUTH ENGINEERING INSTRUCTION
PROJECT 52785
GROUP 9
DATE 2-17-77
PAGE 1 AFFECTED



DWG NO. 2795 0369
 PAGE 1 OF 1

PAGE	E.A. DATE	REV
1	00145	A

Burroughs Corporation SMALL SYSTEMS GROUP PLYMOUTH MICHIGAN 48170		PLANT NO. 308 SYSTEM		TITLE SCHEMATIC, BOARD, +12V REGTR & CONTROLS		CLASS CODE 25520	
PROPRIETARY TO BURROUGHS CORP. - NOT TO BE REPRODUCED, NOR USED FOR MANUFACTURING PURPOSES EXCEPT ON BURROUGHS ORDER OR PRIOR WRITTEN CONSENT		DRAWN S. PHIBFIELD 4-29-76 APPROVED J. W. WINS		CHECKED J.M. 5-7-76 RELEASED SEP-3-76		DWG NO. 2795 0369 PAGE 1 OF 1	

BDS-9

o shuts off

+4.9

-0.062

+5.0

Burroughs Corporation		PLYMOUTH PLANT		PLYMOUTH, MICHIGAN		DWG NO. 2795 1540	
<small>PROPRIETARY TO BURROUGHS CORP. — NOT TO BE REPRODUCED NOR USED FOR MANUFACTURING PURPOSES EXCEPT ON BURROUGHS ORDER OR PRIOR WRITTEN CONSENT.</small>							
DSGN OR ENGR	DATE	CHECKED	DATE	APPROVED	DATE	TITLE	
WIRA	6-1-76	J Hill	6-16-76	[Signature]	6-29-76	HARNES, REGULATOR	
LABORATORY	DATE	COMPONENTS	DATE	CLASS CODE	REV. DATE	RELEASED	OCT-8-76

ER 00186
 ECN 00799
 P.B. MAY 6-77
 SHEET 2 ALTERED

DWG. NO. 2795 1540

NOTES:

- FOR SCHEMATIC SEE 2795 1425
- TERMINATIONS MUST MEET SPEC DWG 81F
- REF DESIGNATIONS AND REF PART NUMBERS MAY NOT BE VALID FOR ALL SYSTEMS

UNLESS OTHERWISE SPECIFIED:

WIRE COLOR IS WHITE
 WIRE CODE 24=24 AWG, 7/32 STRANDING
 1944 3191 WHITE
 WIRE CODE 20=20 AWG, 10/30 STRANDING
 1940 9192 WHITE
 WIRE CODE 16=16 AWG, 26/30 STRANDING
 2206 8498 WHITE
 WIRE CODE 14=14 AWG, 41/30 STRANDING
 2206 8381 WHITE

*** INDEX ***

REF DES	DESCRIPTION	PART NUMBER(S)	REV NO.
E7	BUS BAR	2795 0955, REF	
E9	HEAT SINK	1256 0843, REF	
E11	HEAT SINK	1256 0843, REF	
E12	HEAT SINK	1256 0843, REF	
E13	HEAT SINK	1256 0843, REF	
E14	HEAT SINK	1256 0843, REF	

REV NO. B

DO NOT SCALE
 GEN QUAL SPECS APPLY

ORIGINAL

Burroughs Corporation		PLYMOUTH PLANT		PLYMOUTH, MICHIGAN		DWG NO. 2795 1540	
<small>PROPRIETARY TO BURROUGHS CORP. — NOT TO BE REPRODUCED NOR USED FOR MANUFACTURING PURPOSES EXCEPT ON BURROUGHS ORDER OR PRIOR WRITTEN CONSENT.</small>							
DSGN OR ENGR	DATE	CHECKED	DATE	APPROVED	DATE	TITLE	
WIRA	6-1-76	J Hill	6-16-76	[Signature]		HARNES, REGULATOR	
LABORATORY	DATE	COMPONENTS	DATE	CLASS CODE	REV. DATE	RELEASED	OCT-8-76

DWG. NO. 2795 1540

*** INDEX ***
 (Continued)

REF DES	DESCRIPTION	PART NUMBER(S)	REV NO.
TB71	FUSE BLOCK	1472 5196, REF	
TB72	FUSE BLOCK	1472 5196, REF	
VR1TB	9 TERM TB	2795 1367, REF	
VR3TB	9 TERM TB	2795 1367, REF	
VR4TB	9 TERM TB	2795 1367, REF	
VR5TB	9 TERM TB	2795 1367, REF	
VR6TB	9 TERM TB	2795 1367, REF	
P1	18S PWB CONN	1532 8099	
P4	4S PWB CONN	1083 1360	
P5	4S PWB CONN	1083 1360	
P6	4S PWB CONN	1083 1360	
	TERMINATOR	1471 9892	15 REQD
	TERMINATOR	1472 1070	6 REQD
	TERMINATOR	1472 8109	1 REQD
	TERMINATOR	1532 8040	25 REQD
	TERMINATOR	2473 2075	5 REQD
	DECAL ON CONN.	1532 8099(P1)	2797 2959
	" " "	1083 1360(P4)	2797 2983
	" " "	1083 1360(P5)	2797 2991
	" " "	1083 1360(P6)	2797 3007

ORIGINAL

Burrage Corporation		PLYMOUTH PLANT		PLYMOUTH, MICHIGAN		DWG. NO.	2795 1540
<small>PROPRIETARY TO BURRAGE CORP. - NOT TO BE REPRODUCED NOR USED FOR MANUFACTURING PURPOSES EXCEPT ON INDIVIDUAL ORDER OR PRIOR WRITTEN CONSENT.</small>							
DESIGN OR ENGR	DATE	CHECKED	DATE	APPROVED	DATE	TITLE	SHEET
WIRA	6-1-76	J. Hill	6-16-76	[Signature]	6-29-76	HARNES, REGULATOR	5
LABORATORY	DATE	COMPONENTS	DATE	CLASS CODE	REV. DATE	RELEASED	
						OCT-8-76	

DWG. NO. 2795 1540

NOTES:

- FOR SCHEMATIC SEE 2795 1425
- TERMINATIONS MUST MEET SPEC DWG 81F
- REF DESIGNATIONS AND REF PART NUMBERS MAY NOT BE VALID FOR ALL SYSTEMS

UNLESS OTHERWISE SPECIFIED:

- WIRE COLOR IS WHITE
- WIRE CODE 24-24 AWG, 7/32 STRANDING
1944 3191 WHITE
- WIRE CODE 20-20 AWG, 10/30 STRANDING
1940 9192 WHITE
- WIRE CODE 16-16 AWG, 26/30 STRANDING
2206 8498 WHITE
- WIRE CODE 14-14 AWG, 41/30 STRANDING
2206 8381 WHITE

★ INDICATES CHANGES
PRODUCT ENGINEERING
K. Barrie 20 JUN 77

*** INDEX ***

REF DES DESCRIPTION PART NUMBER(S) REV NO.

NOTE: "REF" INDICATES PARTS ARE NOT PART OF HARNES B

E7	BUS BAR	2795 0955, REF	
E9	HEAT SINK	1256 0843, REF	
E11	HEAT SINK	1256 0843, REF	
E12	HEAT SINK	1256 0843, REF	
E13	HEAT SINK	1256 0843, REF	
E14	HEAT SINK	1256 0843, REF	

STOCK CORRECTED

DO NOT SCALE
GEN QUAL SPECS APPLY

Burrage Corporation		PLYMOUTH PLANT		PLYMOUTH, MICHIGAN		DWG. NO.	2795 1540
<small>PROPRIETARY TO BURRAGE CORP. - NOT TO BE REPRODUCED NOR USED FOR MANUFACTURING PURPOSES EXCEPT ON INDIVIDUAL ORDER OR PRIOR WRITTEN CONSENT.</small>							
DESIGN OR ENGR	DATE	CHECKED	DATE	APPROVED	DATE	TITLE	SHEET
WIRA	6-1-76	J. Hill	6-16-76			HARNES, REGULATOR	2 of 5
LABORATORY	DATE	COMPONENTS	DATE	CLASS CODE	REV. DATE	RELEASED	
						OCT-8-76	

DWG. NO. 2795 1540

★ INDICATES CHANGES
PRODUCT ENGINEERING
K. Barrie 20 JUN 77

*** INDEX ***
(Continued)

REF DES	DESCRIPTION	PART NUMBER(S)	REV NO.
TB71	FUSE BLOCK	1472 5196, REF	B
TB72	FUSE BLOCK	1472 5196, REF	
VR1TB	9 TERM TB	2795 1367, REF	
VR3TB	9 TERM TB	2795 1367, REF	
VR4TB	9 TERM TB	2795 1367, REF	
VR5TB	9 TERM TB	2795 1367, REF	
VR6TB	9 TERM TB	2795 1367, REF	
P1	18S PWB CONN	1532 8099	
P4	4S PWB CONN	1083 1360	
P5	4S PWB CONN	1083 1360	
P6	4S PWB CONN	1083 1360	
	TERMINATOR	1471 9892	15 REQD
	TERMINATOR	1472 1070	6 REQD
	TERMINATOR	1472 8109	1 REQD
	TERMINATOR	1532 8040	25 REQD
	TERMINATOR	2473 2075	5 REQD
	DECAL ON CONN.	1532 8099(P1)	2797 2959
		1083 1360(P4)	2797 2993
		1083 1360(P5)	2797 2991
		1083 1360(P6)	2797 3007

WIRE NO.	WIRE CODE	WIRE COLOR	WIRE LG	MARK WIRE	SLEEVING	TERMI-NATOR	FROM	TO	TERMI-NATOR	SLEEVING	MARK WIRE	REV NO.
1	20				-	1532 8040	P1-1	P6-2	1532 8040	-		
2	20				-	1532 8040	P1-2	P4-2	1532 8040	-		
3	20				-	1532 8040	P1-3	P5-2	1532 8040	-		
4	24				-	1532 8040	P1-5	P6-1	1532 8040	-		
5	24				-	1532 8040	P1-6	P4-1	1532 8040	-		
6	24				-	1532 8040	P1-7	P5-1	1532 8040	-		
7	24				-	1532 8040	P1-9	TB72-BOX	1471 9892	-		
8	24				-	1532 8040	P1-10	TB72-BOY	1471 9892	-		
9	24				-	1532 8040	P1-11	VR3TB-4X	1471 9892	-		
10	24				-	1532 8040	P1-13	P6-3	1532 8040	-		
11	24				-	1532 8040	P1-14	P4-3	1532-8040	-		
12	24				-	1532 8040	P1-15	P5-3	1532 8040	-		
13	24				-	1532 8040	P1-16	P5-4	1532 8040	-		
14	24				-	1532 8040	P1-17	TB72-C2Y	1471 9892	-		
15	20				-	1532 8040	P1-18	TB72-B2Y-1	1471 9892	-		
16	20				-	1471 9892	VR1TB-1	E7-11Y	1471 9892	-		
17	20				-	1471 9892	VR3TB-1	E7-12X	1471 9892	-		
18	20				-	1471 9892	VR4TB-1	E7-9X	1471 9892	-		
19	20				-	1471 9892	VR5TB-1	E7-9Y	1471 9892	-		
20	20				-	1471 9892	VR6TB-1	E7-10Y	1471 9892	-		

* INDICATES CHANGE
 PRODUCT ENGINEERING
 K. Barrie 20 JUN. 77
 EI 00994

HARNESS, REGULATOR
BURROUGHS CORP.-PLYMOUTH PLANT-

RELEASE DATE OCT-8-76
REV. B

PART NO. 2795 1540
SHEET 3 OF 5

WIRE NO.	WIRE CODE	WIRE COLOR	WIRE LG	MARK WIRE	SLEEVING	TERMI-NATOR	FROM	TO	TERMI-NATOR	SLEEVING	MARK WIRE	REV NO.
21	16				-	1472 8109	VR3TB-2X	E11	2473 2075	-		B
22	16				-	1472 1070	VR3TB-5X	TB72-AOX	1472 1070	-		
23	14				-	1472 1070	TB71-AOX	E12	2473 2075	-		
24	14				-	1472 1070	TB71-BOX	E13	2473 2075	-		
25	14				-	1472 1070	TB71-COX	E14	2473 2075	-		
26	16				-	1472 1070	TB72-COX	E9	2473 2075	-		

* INDICATES CHANGES
 PRODUCT ENGINEERING
 K. Barrie 20 JUN. 77
 EI 00994

HARNESS, REGULATOR
BURROUGHS CORP.-PLYMOUTH PLANT-

RELEASE DATE OCT-8-76
REV

PART NO. 2795 1540
SHEET 4 OF 5

WIRE NO.	WIRE CODE	WIRE COLOR	WIRE LG	MARK WIRE	SLEEVING	TERMI-NATOR	FROM	TO	TERMI-NATOR	SLEEVING	MARK WIRE	REV NO.
1	20				-	1532 8040	P1-1	P6-2	1532 8040	-		
2	20				-	1532 8040	P1-2	P4-2	1532 8040	-		
3	20				-	1532 8040	P1-3	P5-2	1532 8040	-		
4	24				-	1532 8040	P1-5	P6-1	1532 8040	-		
5	24				-	1532 8040	P1-6	P4-1	1532 8040	-		
6	24				-	1532 8040	P1-7	P5-1	1532 8040	-		
7	24				-	1532 8040	P1-9	TB72-B0X	1471 9892	-		
8	24				-	1532 8040	P1-10	TB72-B0Y	1471 9892	-		
9	24				-	1532 8040	P1-11	VR3TB-4X	1471 9892	-		
10	24				-	1532 8040	P1-13	P6-3	1532 8040	-		
11	24				-	1532 8040	P1-14	P4-3	1532 8040	-		
12	24				-	1532 8040	P1-15	P5-3	1532 8040	-		
13	24				-	1532 8040	P1-16	P5-4	1532 8040	-		
14	24				-	1532 8040	P1-17	TB72-C2Y	1471 9892	-		
15	20				-	1532 8040	P1-18	TB72-B2Y-1	1471 9892	-		
16	20				-	1471 9892	VR1TB-1	E7-11Y	1471 9892	-		
17	20				-	1471 9892	VR3TB-1	E7-12X	1471 9892	-		
18	20				-	1471 9892	VR4TB-1	E7-13X	1471 9892	-		
19	20				-	1471 9892	VR5TB-1	E7-9Y	1471 9892	-		
20	20				-	1471 9892	VR6TB-1	E7-10Y	1471 9892	-		

HARNESS, REGULATOR
BURROUGHS CORP.-PLYMOUTH PLANT-

RELEASE DATE OCT-8-76
REV. B

PART NO. 2795 1540
SHEET 3 OF 5

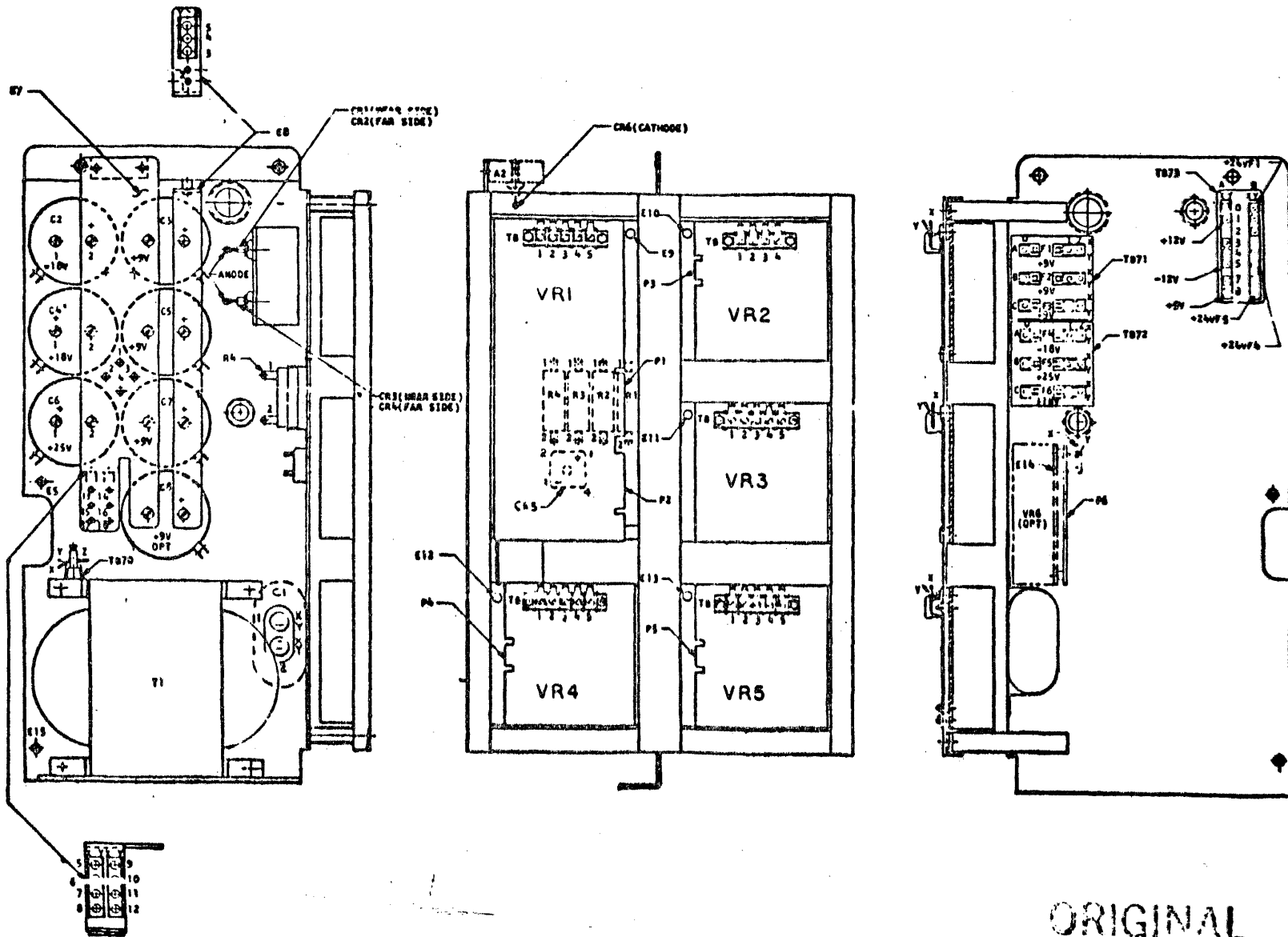
WIRE NO.	WIRE CODE	WIRE COLOR	WIRE LG	MARK WIRE	SLEEVING	TERMI-NATOR	FROM	TO	TERMI-NATOR	SLEEVING	MARK WIRE	REV NO.
21	16				-	1472 8109	VR3TB-2X	E11	2473 2075	-		B
22	16				-	1472 1070	VR3TB-5X	TB72-A0X	1472 1070	-		
23	14				-	1472 1070	TB71-A0X	E12	2473 2075	-		
24	14				-	1472 1070	TB71-B0X	E13	2473 2075	-		
25	14				-	1472 1070	TB71-C0X	E14	2473 2075	-		
26	16				-	1472 1070	TB72-C0X	E9	2473 2075	-		

ORIGINAL

HARNESS, REGULATOR
BURROUGHS CORP.-PLYMOUTH PLANT-

RELEASE DATE OCT-8-76
REV

PART NO. 2795 1540
SHEET 4 OF 5



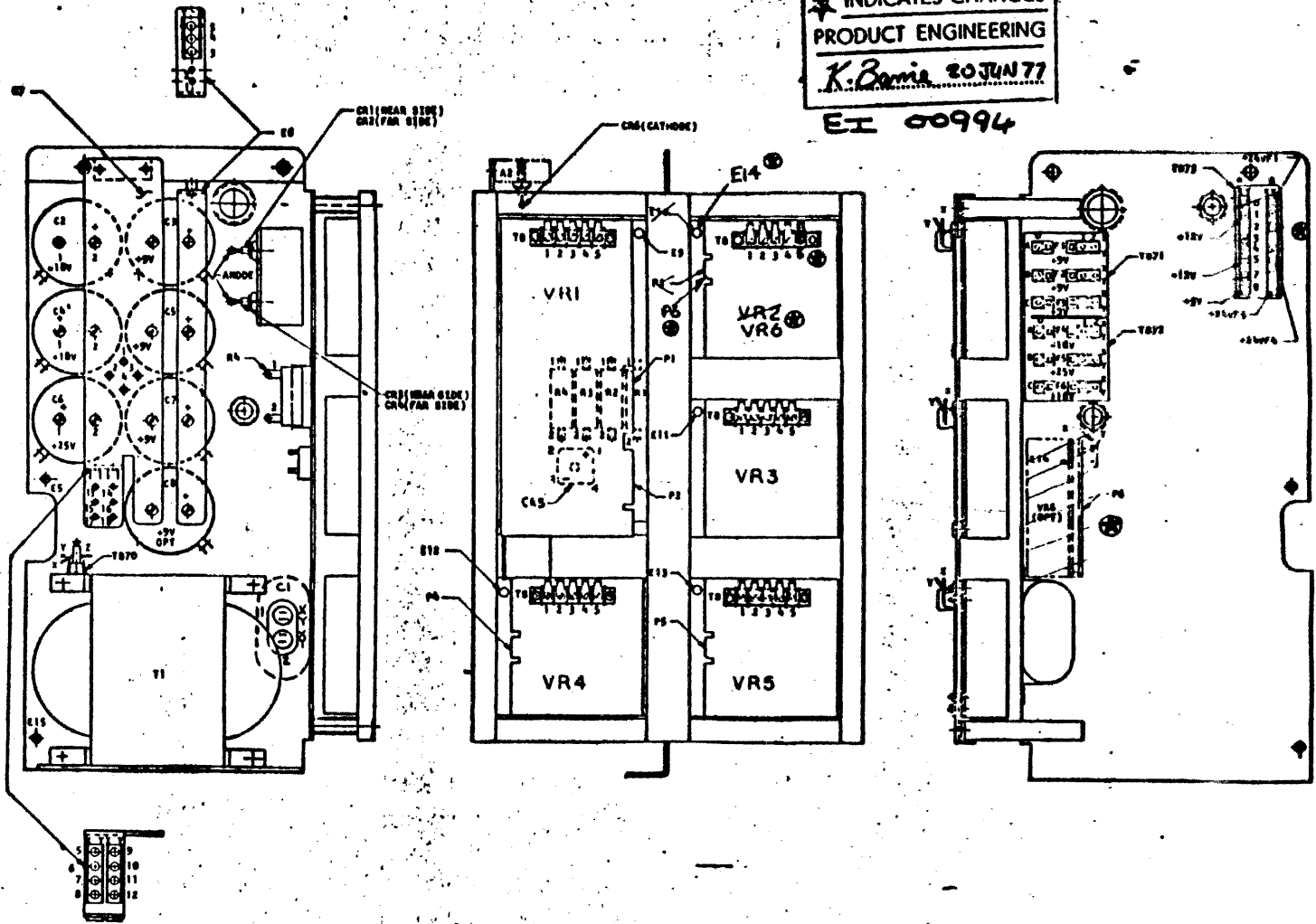
HARNES. REGULATOR
 BURROUGHS CORP.-PLYMOUTH PLANT

RELEASE DATE OCT-8-76
 REV B

ORIGINAL
 PART NO. 2795 1540
 SHEET 5 OF 5

★ INDICATES CHANGES
 PRODUCT ENGINEERING
K. Bania 20 JUN 77

EI 00994



HARNES . REGULATOR
 RURROUGHS CORP.-PLYMOUTH PLANT

RELEASE DATE OCT-8-76
 REV B

PART NO. 2795 1540
 SHEET 5 OF 5

Burrage Corporation		PLYMOUTH PLANT		PLYMOUTH, MICHIGAN		DWG. NO. 2795 1532
<small>PROPRIETARY TO BURROUGHS CORP. - NOT TO BE REPRODUCED NOR USED FOR MANUFACTURING PURPOSES EXCEPT ON BURROUGHS ORDER OR PRIOR WRITTEN CONSENT.</small>						
DESIGN OR ENGR	DATE	CHECKED	DATE	APPROVED	DATE	TITLE
WIRA	6-1-76	J. Hill	6-16-76	[Signature]	6-29-76	HARNES REGULATOR
LABORATORY	DATE	COMPONENTS	DATE	CLASS CODE	REV. DATE	RELEASED
					A	MAR.11-77

ER. 00638 MFG
 ECN 00799 MFG B
 P.B. MAY 6-77
 SHEET 2 ALTERED

NOTES:

- FOR SCHEMATIC SEE 2795 1425
- TERMINATIONS MUST MEET SPEC DWG 81F
- REF DESIGNATIONS AND REF PART NUMBERS MAY NOT BE VALID FOR ALL SYSTEMS

UNLESS OTHERWISE SPECIFIED:

WIRE COLOR IS WHITE
 WIRE CODE 24=24 AWG, 7/32 STRANDING
 1944 3191 WHITE
 WIRE CODE 20=20 AWG, 10/30 STRANDING
 1940 9192 WHITE
 WIRE CODE 16=16 AWG, 26/30 STRANDING
 2206 8498 WHITE
 WIRE CODE 14=14 AWG, 41/30 STRANDING
 2206 8381 WHITE

*** INDEX ***

REF DES	DESCRIPTION	PART NUMBER(S)	REV NO.
E7	BUS BAR	2795 0955, REF	
E9	HEAT SINK	1256 0843, REF	
E11	HEAT SINK	1256 0843, REF	
E12	HEAT SINK	1256 0843, REF	
E13	HEAT SINK	1256 0843, REF	

NOTE: "REF" INDICATES PARTS ARE NOT PART OF HARNESS

DO NOT SCALE
 GEN QUAL SPECS APPLY

ORIGINAL

Burrage Corporation		PLYMOUTH PLANT		PLYMOUTH, MICHIGAN		DWG. NO. 2795 1532
<small>PROPRIETARY TO BURROUGHS CORP. - NOT TO BE REPRODUCED NOR USED FOR MANUFACTURING PURPOSES EXCEPT ON BURROUGHS ORDER OR PRIOR WRITTEN CONSENT.</small>						
DESIGN OR ENGR	DATE	CHECKED	DATE	APPROVED	DATE	TITLE
WIRA	6-1-76	J. Hill	6-16-76	[Signature]		HARNES REGULATOR
LABORATORY	DATE	COMPONENTS	DATE	CLASS CODE	REV. DATE	RELEASED
				2-1522	A	MAR.11-77 MFG

DWG. NO. 2795 1532

*** INDEX ***
 (Continued)

REF DES	DESCRIPTION	PART NUMBER(S)	REV NO.
TB71	FUSE BLOCK	1472 5195, REF	B
TB72	FUSE BLOCK	1472 5196, REF	
VR1TB	9 TERM TB	2795 1367, REF	
VR3TB	9 TERM TB	2795 1367, REF	
VR4TB	9 TERM TB	2795 1367, REF	
VR5TB	9 TERM TB	2795 1367, REF	
P1	18S PWB CONN	1532 8099	
P4	4S PWB CONN	1083 1360	
P5	4S PWB CONN	1083 1360	
	TERMINATOR	1471 9892	13 REQD
	TERMINATOR	1472 1070	5 REQD
	TERMINATOR	1472 8109	1 REQD
	TERMINATOR	1532 0040	19 REQD
	TERMINATOR	1473 0075	4 REQD
	DECAL ON CONN	1532 8099 (P1) 2797 2959	
		1083 1360 (P4) 2797 2983	
		1083 1360 (P5) 2797 2991	

ORIGINAL

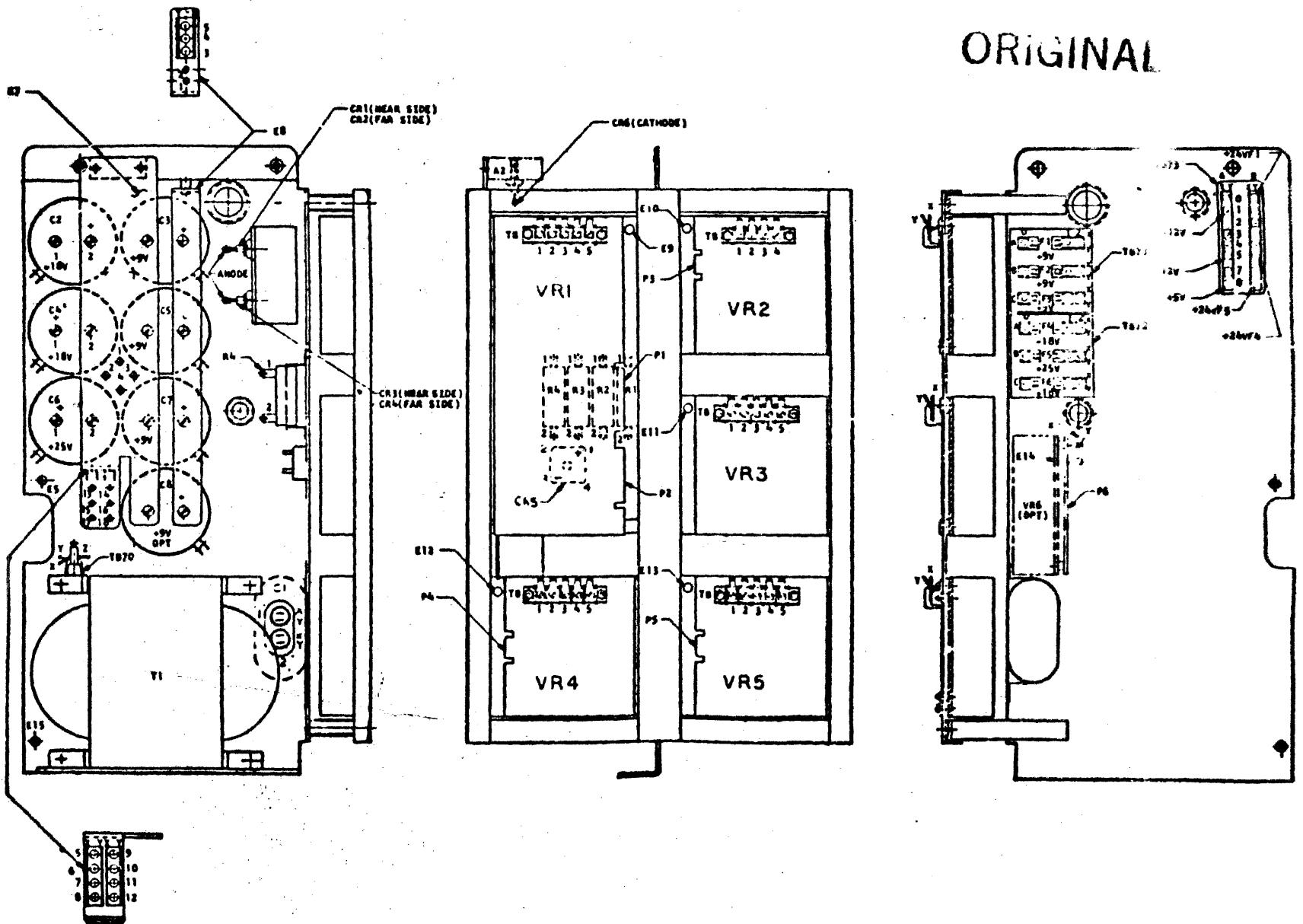
WIRE NO.	WIRE CODE	WIRE COLOR	WIRE LG	MARK WIRE
1	20			
2	20			
3	24			
4	24			
5	24			
6	24			
7	24			
8	24			
9	24			
10	24			
11	20			
12	20			
13	20			
14	20			
15	20			
16	20			
17	10			
18	16			
19	14			
20	14			
21	16			

SLEEVING	TERMI-NATOR	FROM	TO	TERMI-NATOR	SLEEVING	MARK WIRE
-	1532 8040	P1-2	P4-2	1532 8040	-	
-	1532 8040	P1-3	P5-2	1532 8040	-	
-	1532 8040	P1-6	P4-1	1532 8040	-	
-	1532 8040	P1-7	P5-1	1532 8040	-	
-	1532 8040	P1-9	TB72-BOX	1471 9892	-	
-	1532 8040	P1-10	TB72-C2Y	1471 9892	-	
-	1532 8040	P1-11	VR3TB-4X	1471 9892	-	
-	1532 8040	P1-14	P4-3	1532 8040	-	
-	1532 8040	P1-15	P5-3	1532 8040	-	
-	1532 8040	P1-16	P5-4	1532 8040	-	
-	1532 8040	P1-17	TB72-C2Y	1471 9892	-	
-	1532 8040	P1-18	TB72-B2Y-1	1471 9892	-	
-	1471 9892	VR1TB-1	E7-11Y	1471 9892	-	
-	1471 9892	VR3TB-1	E7-12X	1471 9892	-	
-	1471 9892	VR4TB-1	E7-9X	1471 9892	-	
-	1471 9892	VR5TB-1	E7-9Y	1471 9892	-	
-	1472 8109	VR3TB-2X	E11	2473 2075	-	
-	1472 1070	VR3TB-5X	TB72-AOX	1472 1070	-	
-	1472 1070	TB71-AOX	E12	2473 2075	-	
-	1472 1070	TB71-BOX	E13	2473 2075	-	
-	1472 1070	TB72-COX	E9	2473 2075	-	

ORIGINAL

HARNESS, REGULATOR
BURROUGHS CORP.-PLYMOUTH PLANT-

RELEASE DATE-MAR.11-77 PART NO. 2795 1532
REV. B SHEET 3 OF 4



ORIGINAL

HARNESS, REGULATOR
BURROUGHS CORP.-PLYMOUTH PLANT

RELEASE DATE MAR 11-77
REV. B

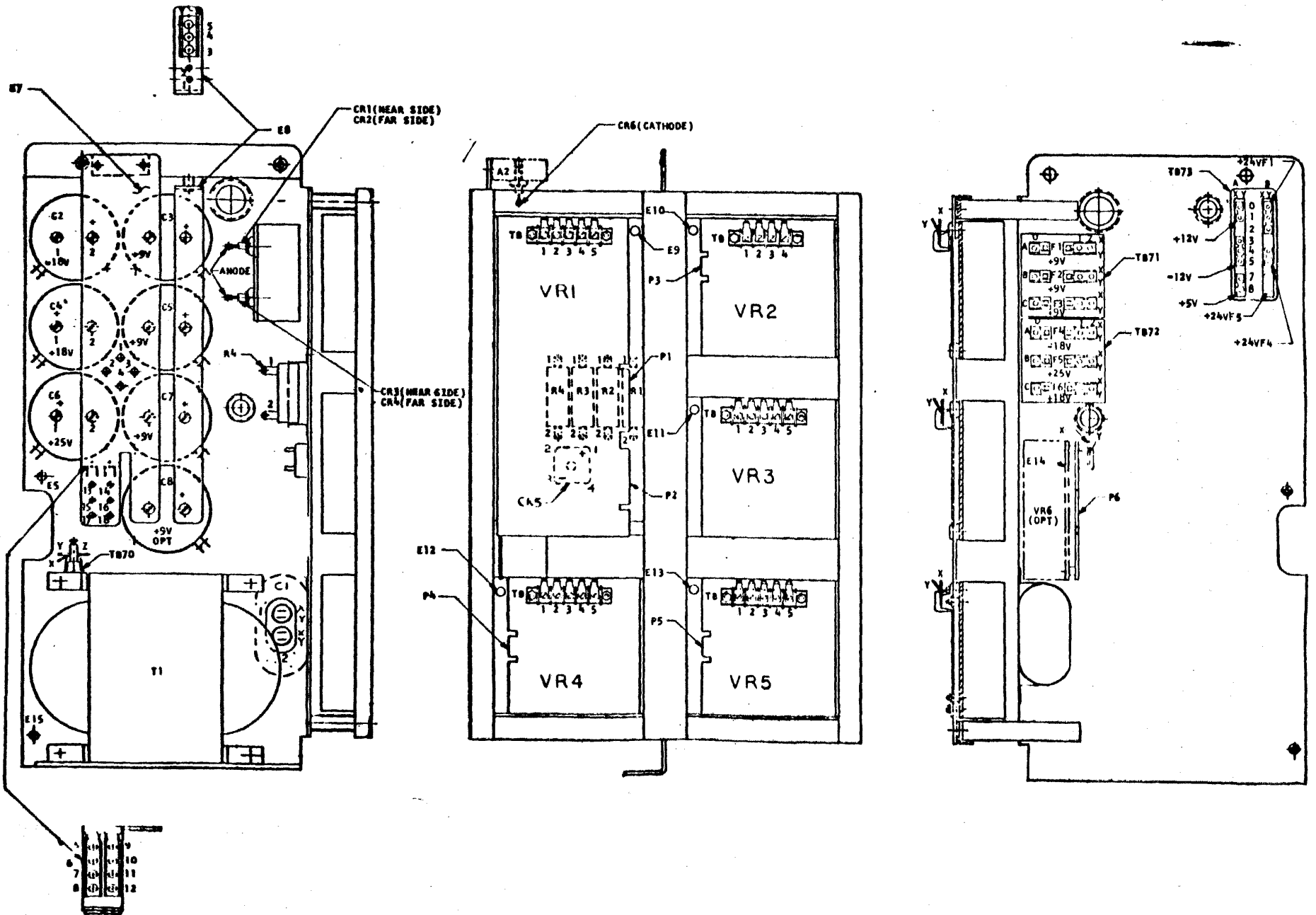
PART NO. 2795 1532
SHEET 4 OF 4

WIRE NO.	WIRE CODE	WIRE COLOR	WIRE LG	MARK WIRE	SLEEVING	TERMI-NATOR	FROM	TO	TERMI-NATOR	SLEEVING	MARK WIRE	REV NO.
1	10				-	1527 0192	TB71-A2X	E8-5X	1527 0192	-		
2	10				-	1527 0192	TB71-A2Y	E8-5Y	1527 0192	-		
3	10				-	1527 0192	TB71-B2X	E8-4X	1527 0192	-		
4	10				-	1527 0192	TB71-B2Y	E8-4Y	1527 0192	-		
5	10				-	1527 0192	TB71-C2X	E8-3X	1527 0192	-		
6	10				-	1527 0192	TB71-C2Y	E8-3Y	1527 0192	-		
7	14				-	1472 1070	TB72-A2X	C2-1	1515 0527	-		
8	14				-	1472 1070	TB72-B2X	C6-1	1515 0527	-		
9	14				-	1472 1070	TB72-C2X	C4-1	1515 0527	-		

HARNES, FILTER
BURROUGHS CORP.-PLYMOUTH PLANT-

RELEASE DATE OCT-8-76
REV

PART NO. 2795 1508
SHEET 2 of 3
EROC/16



HARNES, FILTER
BURROUGHS CORP.-PLYMOUTH PLANT

RELEASE DATE OCT-8-76
REV

PART NO. 2795 1508
SHEET 3 OF 3
2795

Burroughs Corporation		PLYMOUTH PLANT		PLYMOUTH, MICHIGAN		DWG. NO. 2795 1508
<small>PROPERTY TO BURROUGHS CORP. — NOT TO BE REPRODUCED NOR USED FOR MANUFACTURING PURPOSES EXCEPT ON BURROUGHS ORDER OR PRIOR WRITTEN CONSENT.</small>						SHEET 1 OF 3
DSGN OR ENGR WIRA	DATE 6-1-76	CHECKED J. Hill	DATE 6-16-76	APPROVED [Signature]	DATE 6-22-76	TITLE HARNES, FILTER
LABORATORY	DATE	COMPONENTS	DATE	CLASS CODE	REV. DATE	RELEASED OCT-8-76
						ER 00186 MFG

DWG. NO. 2795 1508

NOTES:

1. FOR SCHEMATIC SEE 2795 1425
2. TERMINATIONS MUST MEET SPEC DWG 81F
3. REF DESIGNATIONS AND REF PART NUMBERS MAY NOT BE VALID FOR ALL SYSTEMS

UNLESS OTHERWISE SPECIFIED:

WIRE COLOR IS WHITE
 WIRE CODE 14=14 AWG, 41/30 STRANDING
 2206 8381 WHITE
 WIRE CODE 10=10 AWG, 105/30 STRANDING
 2206 8167 WHITE

*** INDEX ***

REF DES	DESCRIPTION	PART NUMBER(S)	REV NO.
NOTE: "REF" INDICATES PARTS ARE NOT PART OF HARNES			
C2	CAPACITOR	2571 0666, REF	
C4	CAPACITOR	2571 0666, REF	
C6	CAPACITOR	1471 4646, REF	
E8	BUS BAR	2795 0963, REF	
TB71	FUSE BLOCK	1472 5196, REF	
TB72	FUSE BLOCK	1472 5196, REF	
	TERMINATOR	1472 1070 3 REQD	
	TERMINATOR	1515 0527 3 REQD	
	TERMINATOR	1527 0192 12 REQD	

DO NOT SCALE
 GEN QUAL SPECS APPLY

2795 1474 A

CHECKED J.HILL		DATE 6-16-76	DESIGN OR ENGR WIRA	DATE 6-1-76
APPROVED		DATE	DATE	DATE
TITLE HARNNESS, FILTER.		DESIGN CONTROL 308	DWG TYPE A	DWG SIZE A
SHEET 3 OF 4		DWG NO 2795 1474	CLASS CODE 2-1522	RELEASE DATE SEPT-3-76

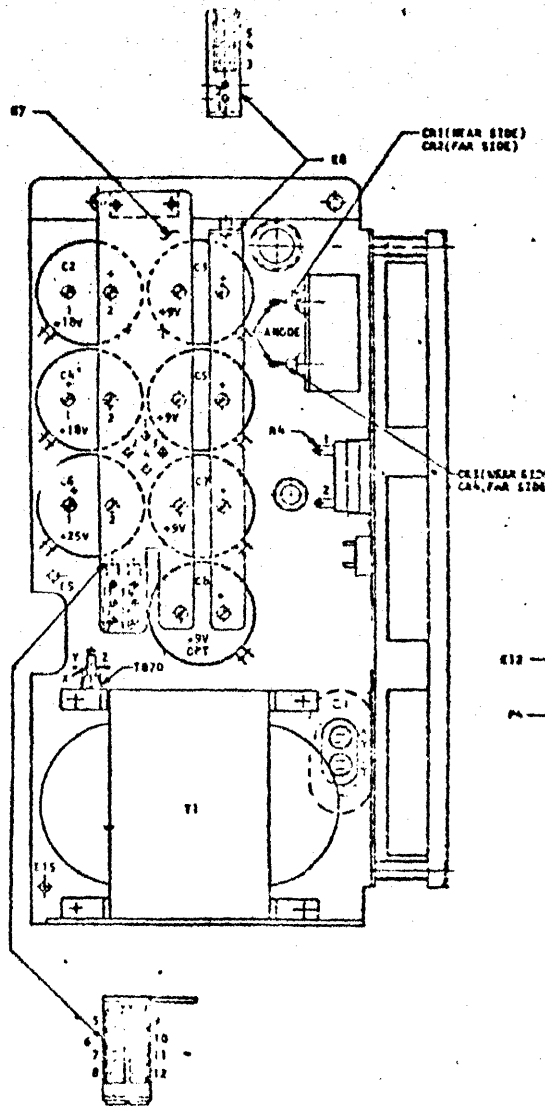
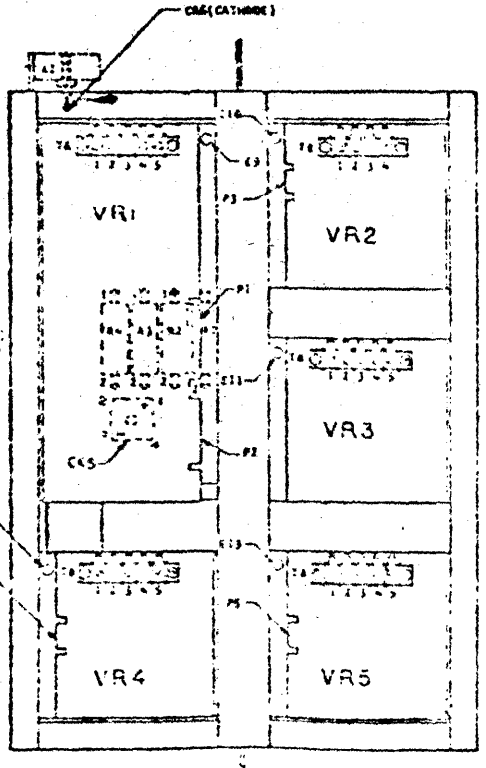
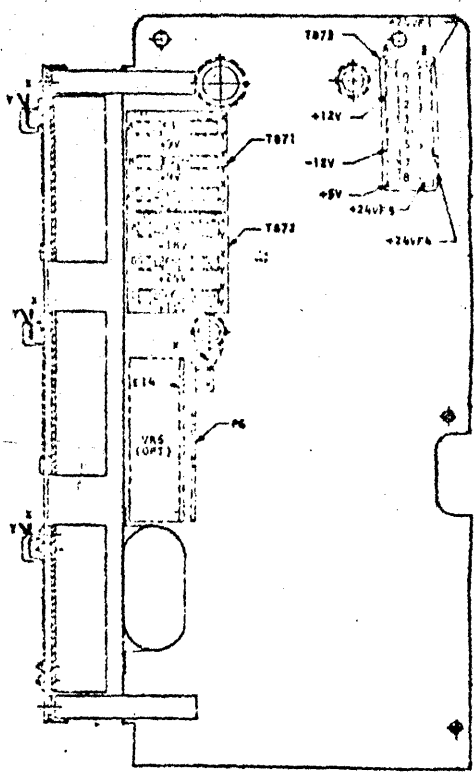
WIRE NO.	WIRE CODE	WIRE COLOR	WIRE LG	MARK WIRE	REV NO.	SLEEVING	TERMI-NATOR	FROM	TO	TERMI-NATOR	SLEEVING	MARK WIRE
1	10					-	1527 0192	TB71-A2X	E8-5X	1527 0192	-	
2	10					-	1527 0192	TB71-A2Y	E8-5Y	1527 0192	-	
3	10					-	1527 0192	TB71-B2X	E8-4X	1527 0192	-	
4	10					-	1527 0192	TB71-B2Y	E8-4Y	1527 0192	-	
5	14					-	1472 1070	TB72-A2X	C2-1	1515 0527	-	
6	14					-	1472 1070	TB72-B2X	C6-1	1515 0527	-	
7	14					-	1472 1070	TB72-C2X	C4-1	1515 0527	-	

SCOTLAND
MACHINES LTD
NOT TO BE REPRODUCED OR USED FOR MANUFACTURING PURPOSES EXCEPT ON BARRON'S ORDER OR PRIOR WRITTEN CONSENT.

PROPRIETARY TO BARRON'S - NOT TO BE REPRODUCED OR USED FOR MANUFACTURING PURPOSES EXCEPT ON BARRON'S ORDER OR PRIOR WRITTEN CONSENT.

2795 1474 A

CHECKED J.HILL		DATE 6-16-76	DESIGN OR ENGR WIRA	DATE 6-1-76
APPROVED		DATE	DATE	DATE
TITLE HARNNESS, FILTER.		DESIGN CONTROL 308	DWG TYPE A	DWG SIZE A
SHEET 4 OF 4		DWG NO 2795 1474	CLASS CODE 2-1522	RELEASE DATE SEP-3-76



SCOTLAND
MACHINES LTD
NOT TO BE REPRODUCED OR USED FOR MANUFACTURING PURPOSES EXCEPT ON BARRON'S ORDER OR PRIOR WRITTEN CONSENT.

PROPRIETARY TO BARRON'S - NOT TO BE REPRODUCED OR USED FOR MANUFACTURING PURPOSES EXCEPT ON BARRON'S ORDER OR PRIOR WRITTEN CONSENT.

LUMBERNAULD SCOTLAND
 NOT TO BE REPRODUCED OR USED FOR MANUFACTURING PURPOSES EXCEPT ON BURROUGHS ORDER OR PRIOR WRITTEN CONSENT.

SHEET 1 of 4		DWG. NO. 2795 1474		REV. A
TITLE HARNESS, FILTER.				
DESIGN CONTROL 308	DWG. TYPE	DWG. SIZE A	CLASS CODE 2-1522	RELEASE DATE SEP-3-76
ER. 00145	MFC			

DRAWN	DATE	DESIGN OR ENGR	DATE
		WIRA	6-1-76
CHECKED J. HILL	DATE 6-16-76	APPROVED	DATE

DWG. NO. 2795 1474
 REV. A

FORM PLY 115-R
 J&H PRODUCTS 1M 12-75 61615

Burroughs Corporation		PLYMOUTH PLANT		PLYMOUTH, MICHIGAN		DWG. NO. 2795 1474	REV. A
<small>PROPRIETARY TO BURROUGHS CORP. - NOT TO BE REPRODUCED NOR USED FOR MANUFACTURING PURPOSES EXCEPT ON BURROUGHS ORDER OR PRIOR WRITTEN CONSENT.</small>							
DSGN OR ENGR	DATE	CHECKED	DATE	APPROVED	DATE	SHEET 2 of 4	
WIRA	6-1-76	J. Hill	6-16-76	[Signature]	6-22-76	TITLE HARNESS, FILTER	
LABORATORY	DATE	COMPONENTS	DATE	CLASS CODE	REV. DATE	RELEASED	SEP-3-76
				2-1522			

DWG. NO. 2795 1474

NOTES:
 1. FOR SCHEMATIC SEE 2795 1425
 2. TERMINATIONS MUST MEET SPEC DWG 81F
 3. REF DESIGNATIONS AND REF PART NUMBERS MAY NOT BE VALID FOR ALL SYSTEMS

UNLESS OTHERWISE SPECIFIED:
 WIRE COLOR IS WHITE
 WIRE CODE 14=14 AWG, 41/30 STRANDING
 2206 8381 WHITE
 WIRE CODE 10=10 AWG, 105/30 STRANDING
 2206 8167 WHITE

*** INDEX ***

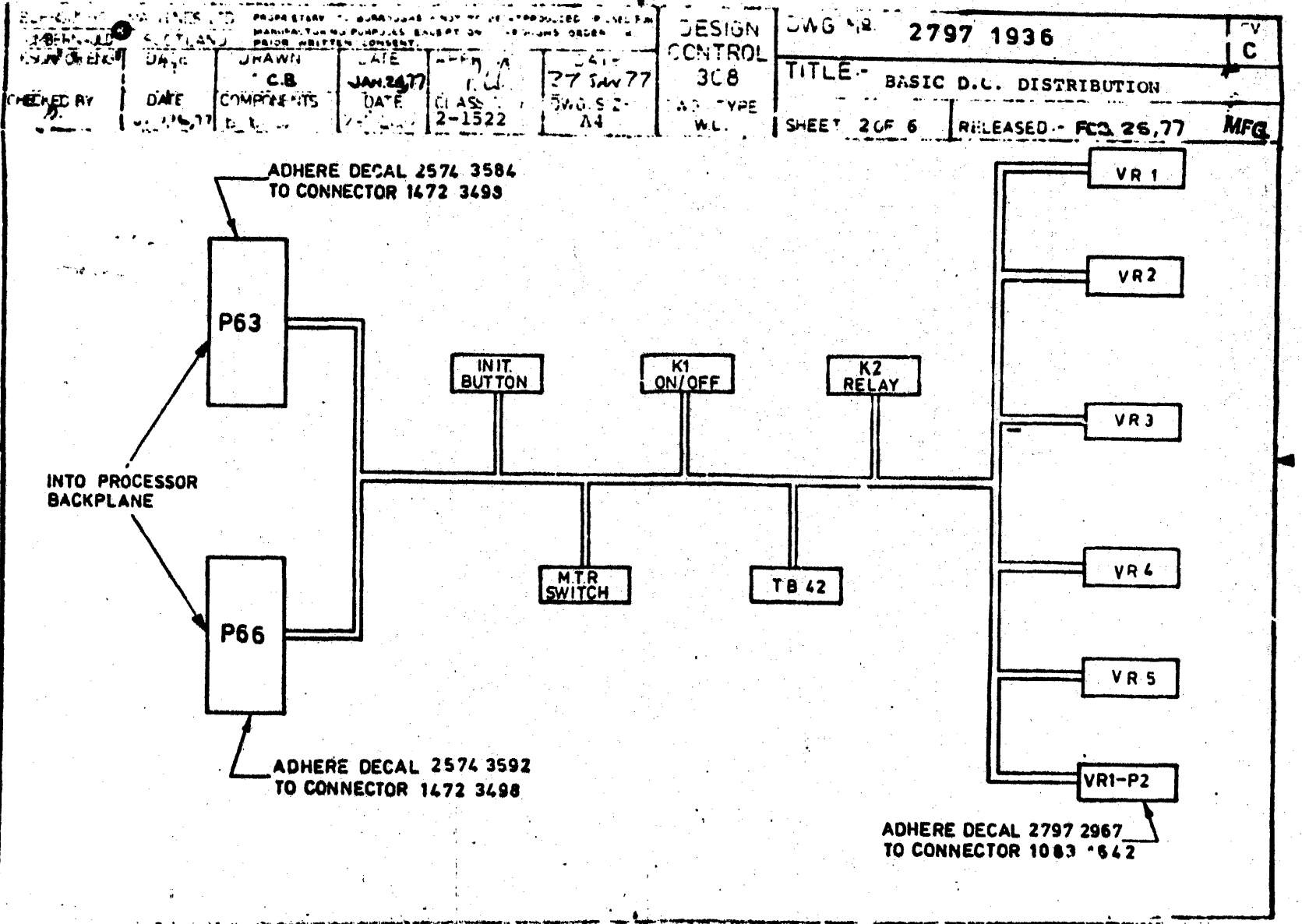
REF DES	DESCRIPTION	PART NUMBER(S)	REV NO. A
NOTE: "REF" INDICATES PARTS ARE NOT PART OF HARNESS			
C2	CAPACITOR	2571 0666, REF	
C4	CAPACITOR	2571 0666, REF	
C6	CAPACITOR	1471 4646, REF	
E8	BUS BAR	2795 0963, REF	
TB71	FUSE BLOCK	1472 5196, REF	
TB72	FUSE BLOCK	1472 5196, REF	
	TERMINATOR	1472 1070	3 REQD
	TERMINATOR	1515 0527	3 REQD
	TERMINATOR	1527 0192	8 REQD

DO NOT SCALE
 GEN QUAL SPECS APPLY

Duplicate

<small>PROPERTY OF BURROUGHS AND DI. REPRODUCED OR USED FOR MANUFACTURING PURPOSES EXCEPT BY BURROUGHS ORDER OR PRIOR WRITTEN CONSENT</small>				DESIGN CONTROL	DWG NO. 2797 1936	C
CHECKED BY	DATE	COMMENTS	CLASS CODE	DWG SIZE	W. TYPE	
JAN 26, 77			2-1522	A4		
SHEET 1 OF 6					RELEASED - FEB. 25, 77	MFG
					ECN 00560	MFG
					ECN 00805	MFG B
					P.B. MAY 6-77	
					SHEETS 2,5,&6 ALTERED	
					ECN 01028	MFG C
					H.P. AUG. 22, 77.	
					SHEETS 2,5,&6 ALTERED	

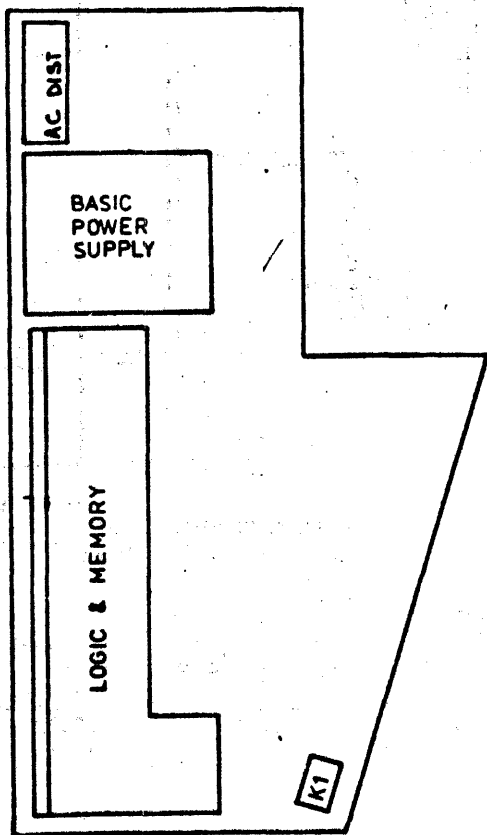
Duplicate



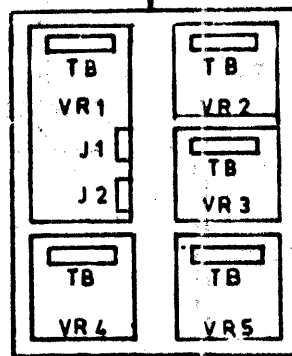
Duplicate

BURROUGHS MACHINES LTD GUMBRALL SCOTLAND		PROPERTY TO BURROUGHS - NOT TO BE REPRODUCED OR USED FOR MANUFACTURING PURPOSES EXCEPT ON BURROUGHS ORDER OR PAID WRITTEN CONSENT				DESIGN CONTROL 308	DWG No 2797 1936	C
DESIGNED BY	DATE	DRAWN C.B.	DATE JAN.24.77	APPROVED R.L.	DATE 27 JAN 77	TITLE BASIC D.C. DISTRIBUTION	SHEETS OF 6	RELEASED FEB.25.77
CHECKED BY	DATE	COMPONENTS	DATE	CLASS CODE 2-1522	DWG SIZE A4	DWG TYPE WL		MFG

PROCESSOR



NOTE: WIRE MUST BE U.L. AND C.S.A. LABELED REFER TO APPLICATION GUIDE D65-01 FOR STYLE AND TYPE REQUIREMENTS.



POWER SUPPLY - SIDE VIEW

NOTE: TERMINATIONS MUST MEET SPECIFICATION DRAWING 8.1 F

Duplicate

BURROUGHS MACHINES LTD GUMBRALL SCOTLAND		PROPERTY TO BURROUGHS - NOT TO BE REPRODUCED OR USED FOR MANUFACTURING PURPOSES EXCEPT ON BURROUGHS ORDER OR PAID WRITTEN CONSENT				DESIGN CONTROL 308	DWG No 2797 1936	C
DESIGNED BY	DATE	DRAWN C.B.	DATE JAN.24.77	APPROVED R.L.	DATE 27 JAN 77	TITLE BASIC D.C. DISTRIBUTION	SHEETS OF 6	RELEASED FEB.25.77
CHECKED BY	DATE	COMPONENTS	DATE	CLASS CODE 2-1522	DWG SIZE A4	DWG TYPE WL		MFG

SIGNAL NAME	FROM			TO		
	CONNECTOR	CODE	TERMINAL	CONNECTOR	CODE	TERMINAL
-3V	2795 0344 REF	VR3-TB4Y	1471 9884	1472 3498	P63-1	1471 5635 1940 9590
-12V	2795 0410 REF	VR3-TB3X	1471 9884	1472 3498	P63-11	1471 5635 1940 9598
-12V	" "	VR3-TB3X	1472 8109	" "	P63-6	" " " "
-12V	" "	VR3-TB3Y	1471 9884	" "	P66-11	" " " "
-12V	" "	VR3-TB3Y	1472 8109	" "	P66-6	" " " "
+12V	2795 0344 REF	VR1-TB2X	1471 9884	" "	P63-14	" " " "
+12V	" "	VR1-TB2Y	" "	" "	P63-9	" " " "
+12V	" "	VR1-TB3X	" "	" "	P66-14	" " " "
+12V	" "	VR1-TB3Y	" "	" "	P66-9	" " " "
+5V-A	2795 0377 REF	VR4-TB3X	" "	" "	P66-41	" " " "
+5V-A	" "	VR4-TB3Y	" "	" "	P66-42	" " " "
+5V-A	" "	VR4-TB4X	" "	" "	P66-43	" " " "

Duplicate

BURROUGHS MACHINES LTD CLIFFENWALD SCOTLAND		PROPRIETARY TO BURROUGHS - NOT TO BE REPRODUCED OR USED FOR MANUFACTURING PURPOSES EXCEPT ON BURROUGHS ORDER OR PRIOR WRITTEN CONSENT				DESIGN CONTROL 308	DWG NO. 2797 1936	TITLE - BASIC D.C. DISTRIBUTION		REV C
DESIGNER	DATE	DRAWN C.B.	DATE JAN 24 77	APPROVED J.L.	DATE 27 JAN 77					
CHECKED BY	DATE	COMPONENTS	DATE	CLASS CODE 2-1522	DWG NO.	DWG TYPE W.L.	SHEET 5 OF 6	RELEASED FEB. 25.77	MFG.	
SIGNAL NAME	FROM			TO			WIRE			
	CONNECTOR	CODE	TERMIN.	CONNECTOR	CODE	TERMIN.				
+5V-A	2795 0377 REF	VR4-TB 4Y	1471 9884	1472 3498	P66-44	1471 5635	1940 9598			
+5V-A	" " "	VR4-TB 5X	" "	" "	P66-45	" "	" "			
+5V-B	" " "	VR5-TB 3X	" "	" "	P63-26	" "	" "			
+5V-B	" " "	VR6-TB 3Y	" "	" "	P63-27	" "	" "			
+5V-B	" " "	VR5-TB 4X	" "	" "	P63-28	" "	" "			
+5V-B	" " "	VR5-TB 4Y	" "	" "	P63-29	" "	" "			
+5V-B	" " "	VR5-TB 5X	" "	" "	P63-30	" "	" "			
PWRNPS/	1083 1642	VR1-P2-6	1532 8040	1472 3498	P66-5	1472 0726	1944 3191			
MTRSEL	2472 6523 REF	MTRSW-A	1475 2911	" "	P66-3	" "	" "			
MTRSELR	" " "	" " -B	" "	" "	P66-4	" "	" "			
KI-A	1083 1642	VR1-P2-7	1532 8040	2571 1185 REF	KI-C	1471 9892	1944 3191			

Duplicate

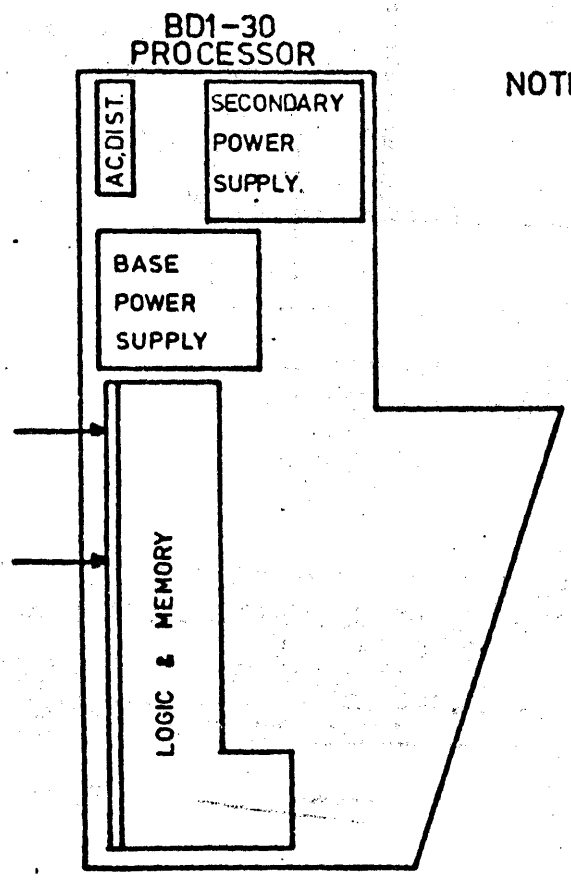
BURROUGHS MACHINES LTD CLIFFENWALD SCOTLAND		PROPRIETARY TO BURROUGHS - NOT TO BE REPRODUCED OR USED FOR MANUFACTURING PURPOSES EXCEPT ON BURROUGHS ORDER OR PRIOR WRITTEN CONSENT				DESIGN CONTROL 308	DWG NO. 2797 1936	TITLE - BASIC D.C. DISTRIBUTION		REV C
DESIGNER	DATE	DRAWN C.B.	DATE JAN 24 77	APPROVED J.L.	DATE 27 JAN 77					
CHECKED BY	DATE	COMPONENTS	DATE	CLASS CODE 2-1522	DWG NO.	DWG TYPE W.L.	SHEET 6 OF 6	RELEASED FEB. 25.77	MFG.	
SIGNAL NAME	FROM			TO			WIRE			
	CONNECTOR	CODE	TERMIN.	CONNECTOR	CODE	TERMIN.				
INIT SW-2	1083 1642	VR1-P2-9	1532 8040	1472 5071 REF	INT SW-B	1472 3688	1944 3191			
+5V-B	2795 0377 REF	VR5-TB 5Y	1471 9892	2797 0797 REF	K2-3	1535 2032	" "			
PWRLP	1083 1642	VR1-P2-3	1532 8040	1479 8829 REF	TB42-AOY	1471 9892	" "			
INIT SW-1	1083 1642	VR1-P2-5	1532 8040	1472 5071 REF	INT SW-A	1472 3688	" "			
KI-B	1083 1642	VR1-P2-8	1532 8040	2571 1185 REF	KI-D	1471 9892	" "			

Duplicate

BURROUGHS MACHINES LTD GLASGOW SCOTLAND		PROPRIETARY TO BURROUGHS - NOT TO BE REPRODUCED OR USED FOR MANUFACTURING PURPOSES EXCEPT ON BURROUGHS ORDER OR PRIOR WRITTEN CONSENT.				DESIGN CONTROL	DWG No. 2797 2413	REV. C
DESIGN OR ENG	DATE	DRAWN JTH	DATE FEB.11.77	APPROVED [Signature]	DATE 14 FEB 77	308	TITLE:- SECONDARY PSU DC DISTRIBUTION	
CHECKED BY [Signature]	DATE 2.16.77	COMPONENTS [Signature]	DATE	CLASS CODE 2-1522	DWG. SIZE	DWG. TYPE W.L.	SHEET 1 OF 4	RELEASED:- MAR.11,77 MFG.
							ER 00638	
							ECN 00806 MFG. B	
							P.B. MAY 6-77	
							SHEETS 3&4 ALTERED	
							ECN 01028 MFG. C	
							H.P. AUG. 22,77.	
							SHEETS 3,& 4 ALTERED	

Duplicate

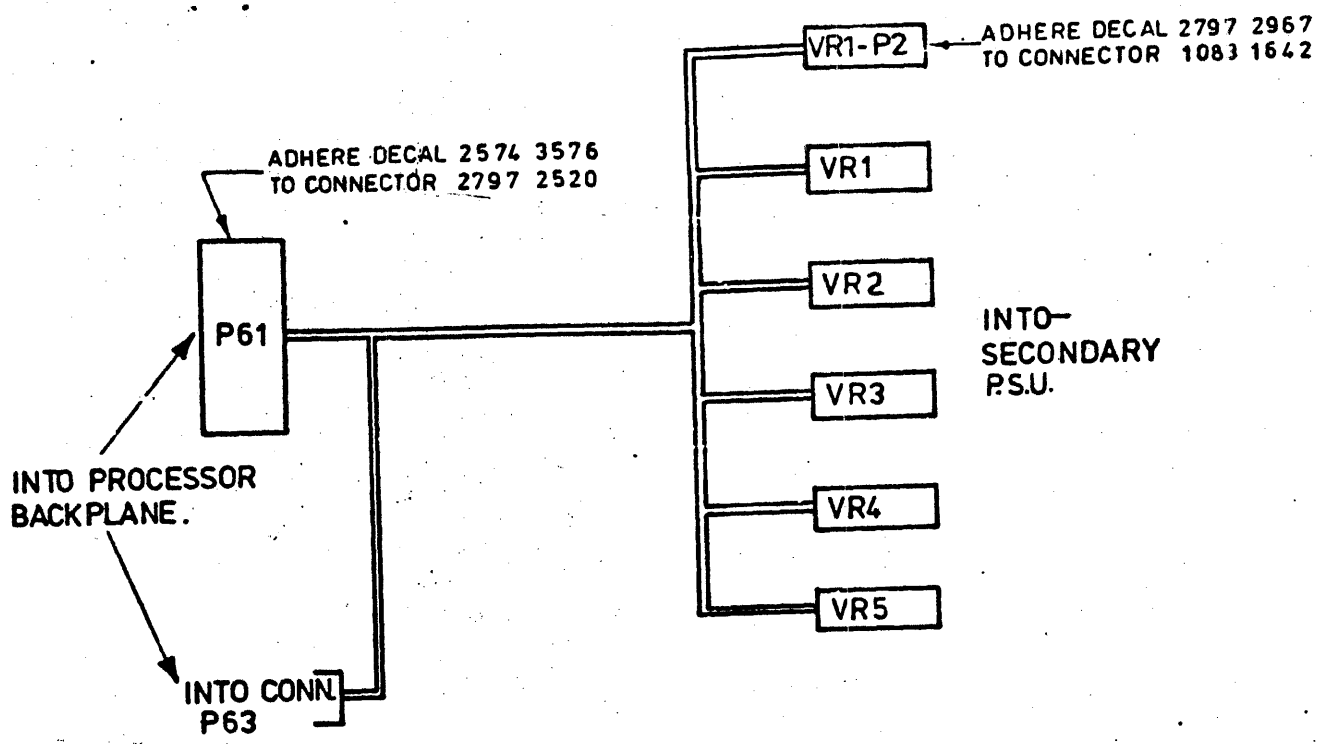
BURROUGHS MACHINES LTD GLASGOW SCOTLAND		PROPRIETARY TO BURROUGHS - NOT TO BE REPRODUCED OR USED FOR MANUFACTURING PURPOSES EXCEPT ON BURROUGHS ORDER OR PRIOR WRITTEN CONSENT.				DESIGN CONTROL	DWG No. 2797 2413	REV. C
DESIGN OR ENG	DATE	DRAWN JTH.	DATE FEB.11.77	APPROVED [Signature]	DATE 14 FEB 77	308	TITLE:- SECONDARY PSU DC. DISTRIBUTION.	
CHECKED BY [Signature]	DATE 14 FEB 77	COMPONENTS [Signature]	DATE 14/2/77	CLASS CODE 2-1522	DWG. SIZE	DWG. TYPE W.L.	SHEET 2 OF 4	RELEASED:- MAR.11,77 MFG.
							ER 00638	



NOTE TERMINATIONS MUST MEET
SPEC. DRG. 81F.
WIRE MUST BE UL & C.S.A.
LABELLED. REFER TO
APPLICATION GUIDE D65-01
FOR STYLE & TYPE REQUIREMENTS.

Duplicate

BURROUGHS MACHINES LTD GLIMBERTON SCOTLAND		PROPRIETARY TO BURROUGHS - NOT TO BE REPRODUCED OR USED FOR MANUFACTURING PURPOSES EXCEPT ON BURROUGHS ORDER OR PRIOR WRITTEN CONSENT.				DESIGN CONTROL 308	DWG No. 2797 2413	REV. C
DESIGNED BY J. Gordon	DATE 14 FEB 77	DRAWN JTH	DATE FEB 11 77	APPROVED JL	DATE 14 FEB 77	TITLE: SECONDARY PSV DC DISTRIBUTION		
CHECKED BY J. Gordon	DATE 14 FEB 77	COMPONENTS (K1, P61)	DATE 14 FEB 77	CLASS CODE 2-1522	DWG. SIZE	DWG. TYPE W.L.	SHEET 3 OF 4	RELEASED: - MAR. 11, 77. MFG ER 00638



Duplicate

BURROUGHS MACHINES LTD GLIMBERTON SCOTLAND		PROPRIETARY TO BURROUGHS - NOT TO BE REPRODUCED OR USED FOR MANUFACTURING PURPOSES EXCEPT ON BURROUGHS ORDER OR PRIOR WRITTEN CONSENT.				DESIGN CONTROL 308	DWG No. 2797 2413	REV. C
DESIGNED BY J. Gordon	DATE 14 FEB 77	DRAWN JTH	DATE FEB 11 77	APPROVED JL	DATE 14 FEB 77	TITLE: SECONDARY PSU DC DISTRIBUTION		
CHECKED BY J. Gordon	DATE 14 FEB 77	COMPONENTS (K1, P61)	DATE 11 FEB 77	CLASS CODE 2-1522	DWG. SIZE	DWG. TYPE W.L.	SHEET 4 OF 4	RELEASED: - MAR. 11, 77. MFG ER 00638

SIGNAL NAME	FROM			TO			WIRE
	CONNECTOR	CODE	TERMINAL	CONNECTOR	CODE	TERMINAL	
+5V-C	2797 2520	P61-6	1471 5635	2795 0377 Ref	VR1-TB3X	1471 9884	1940 9598
+5V-C	"	P61-7	"	"	VR4-TB3Y	"	"
+5V-C	"	P61-8	"	"	VR4-TB4X	"	"
+5V-C	"	P61-9	"	"	VR4-TB4Y	"	"
+5V-C	"	P61-10	"	"	VR4-TB5X	"	"
+5V-D	"	P61-41	"	"	VR5-TB3X	"	"
+5V-D	"	P61-42	"	"	VR5-TB3Y	"	"
+5V-D	"	P61-43	"	"	VR5-TB4X	"	"
+5V-D	"	P61-44	"	"	VR5-TB4Y	"	"
+5V-D	"	P61-45	"	"	VR5-TB5X	"	"
+12V	"	P61-29	"	2795 0344 Ref.	VR1-TB2X	"	"
-12V	"	P61-19	"	2795 0410 Ref.	VR3-TB3X	"	"
-3V	"	P61-21	"	"	VR3-TB4Y	"	"
+5V-C	"	P61-1	"	1472 3498 Ref	P63-46	1471 5635	"
+5V-C	"	P61-2	"	"	P63-47	"	"
K1-B	2571 1185 Ref.	K1-D	1472 8109	1083 1642	VR1-P2-B	1532 8040	"

Burroughs Corporation		PLYMOUTH PLANT		PLYMOUTH, MICHIGAN		DWG. NO. 2795 1482	REV. A
<small>PROPRIETARY TO BURROUGHS CORP. - NOT TO BE REPRODUCED NOR USED FOR MANUFACTURING PURPOSES EXCEPT ON BURROUGHS ORDER OR PRIOR WRITTEN CONSENT.</small>							
DSGN OR ENGR	DATE	CHECKED	DATE	APPROVED	DATE	SHEET 2 OF 4	
WIRA	6-1-76	J. Hill	6-16-76	[Signature]	6-22-76	TITLE HARNESS, MISC	
LABORATORY	DATE	COMPONENTS	DATE	CLASS CODE	REV. DATE	RELEASED	SEP-3-76
				2-1522			

DWG. NO. 2795 1482

- NOTES:
- FOR SCHEMATIC SEE 2795 1425
 - TERMINATIONS MUST MEET SPEC DWG 81F
 - REF DESIGNATIONS AND REF PART NUMBERS MAY NOT BE VALID FOR ALL SYSTEMS

UNLESS OTHERWISE SPECIFIED:

WIRE COLOR IS WHITE
 WIRE CODE 20=20 AWG, 10/30 STRANDING
 1940 9192 WHITE
 WIRE CODE 14=14 AWG, 41/30 STRANDING
 2206 8381 WHITE

*** INDEX ***

REF DES	DESCRIPTION	PART NUMBER(S)	REV NO.
NOTE: "REF" INDICATES PARTS ARE NOT PART OF HARNESS			
CR5	RECTIFIER ASSY	2571 0658,	REF
E7	BUS BAR	2795 0955,	REF
R1	RESISTOR	1266 6731,	REF
R2	RESISTOR	1266 6814,	REF
R3	RESISTOR	1266 6814,	REF
R4	RESISTOR	1266 6814,	REF
TB71	FUSE BLOCK	1472 5196,	REF
TB72	FUSE BLOCK	1472 5196,	REF
	TERMINATOR	SOLDER	5 REQD
	TERMINATOR	1471 9892	4 REQD
	TERMINATOR	1472 1070	4 REQD
	TERMINATOR	1535 2032	1 REQD

DO NOT SCALE
 GEN QUAL SPECS APPLY

BURROUGHS MACHINES LTD		PROPRIETARY TO BURROUGHS - NOT TO BE REPRODUCED NOR USED FOR MANUFACTURING PURPOSES EXCEPT ON BURROUGHS ORDER OR PRIOR WRITTEN CONSENT.		SHEET 1 OF 4	DWG NO. 2795 1482	REV. A
TITLE HARNESS, MISC						
DRAWN	DATE	DESIGN OR ENGR	DATE	DESIGN CONTROL	DWG TYPE	DWG SIZE
		WIRA	6-1-76	308		A
CHECKED	DATE	APPROVED	DATE	CLASS CODE	RELEASE DATE	
J. HILL				2-1522	SEPT-3-76	

DWG. NO. 2795 1482

ER00145 MFG.

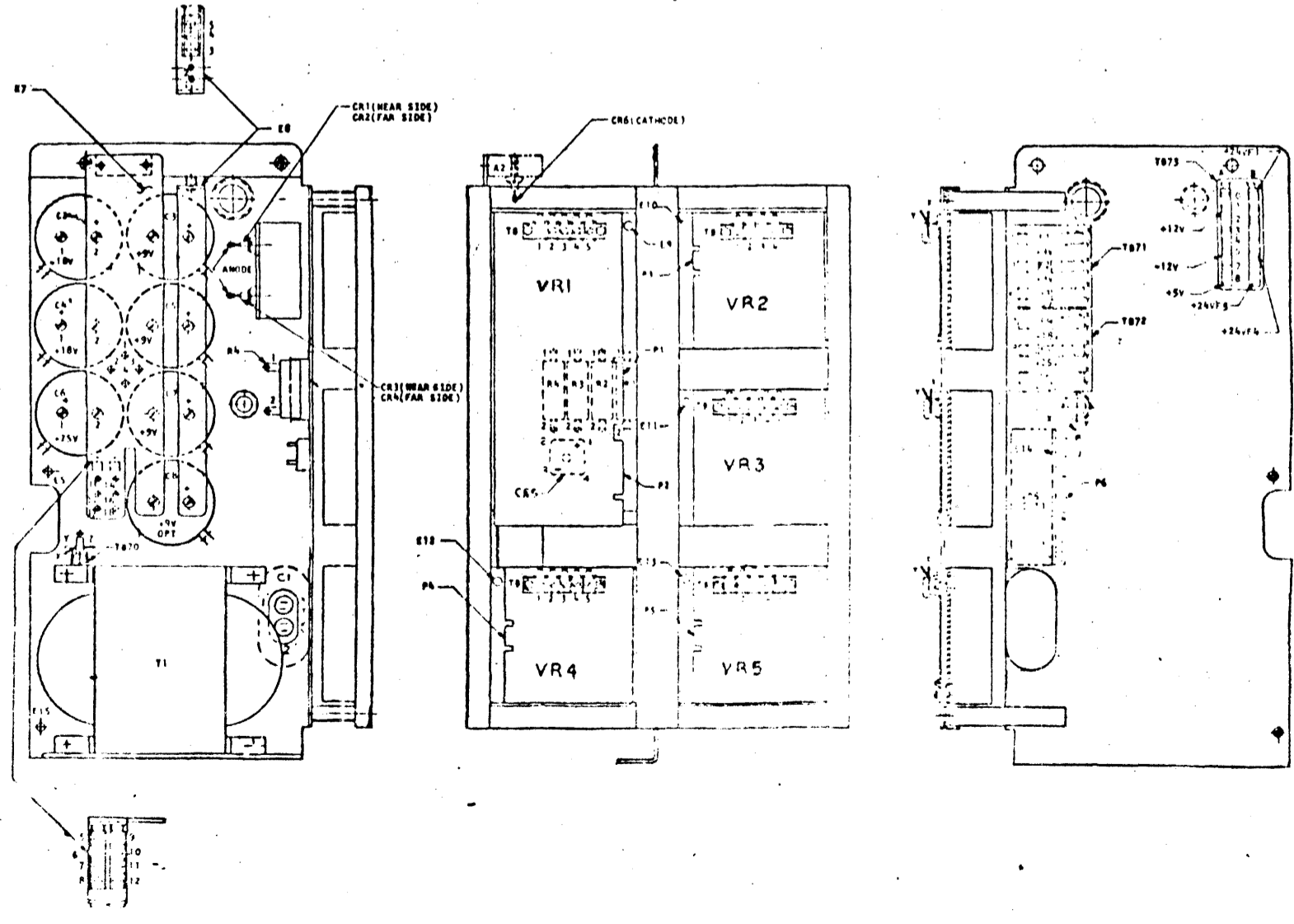
2795 1482 A

PROPRIETARY TO BURROUGHS-SCOTTLAND	SHEET 3 OF 4	DWG NO. 2795 1482	REV. A
TITLE: HARNNESS, MISC	DESIGN CONTROL: 308	DWG TYPE: A	DWG SIZE: A
CLASS CODE: 2-1522	RELEASE DATE: SEP-3-76	DATE: 6-16-76	DESIGNER: WIRA
DATE: 6-1-76	APPROVER:	DATE: 6-16-76	DESIGNER: WIRA

WIRE NO.	WIRE CODE	WIRE COLOR	WIRE LG	MARK WIRE	REV NO.	SLEEVING	TERMI-NATOR	FROM	TO	TERMI-NATOR	SLEEVING	MARK WIRE	REV NO.
1	20					-	1471 9892	TB71-B1Y	R1-1	SOLDER	-		
2	14					-	1472 1070	TB72-A1X	CR5-3	1472 1070	-		
3	20					-	1471 9892	TB72-A1Y	R3-1	SOLDER	-		
4	20					-	1471 9892	TB72-B1Y	R4-1	SOLDER	-		
5	14					-	1472 1070	TB72-C1X	CR5-1	1472 1070	-		
6	20					-	1471 9892	TB72-C1Y	R2-1	SOLDER	-		
7	20					-	SOLDER	R1-2	E7-1	1535 2032	-		

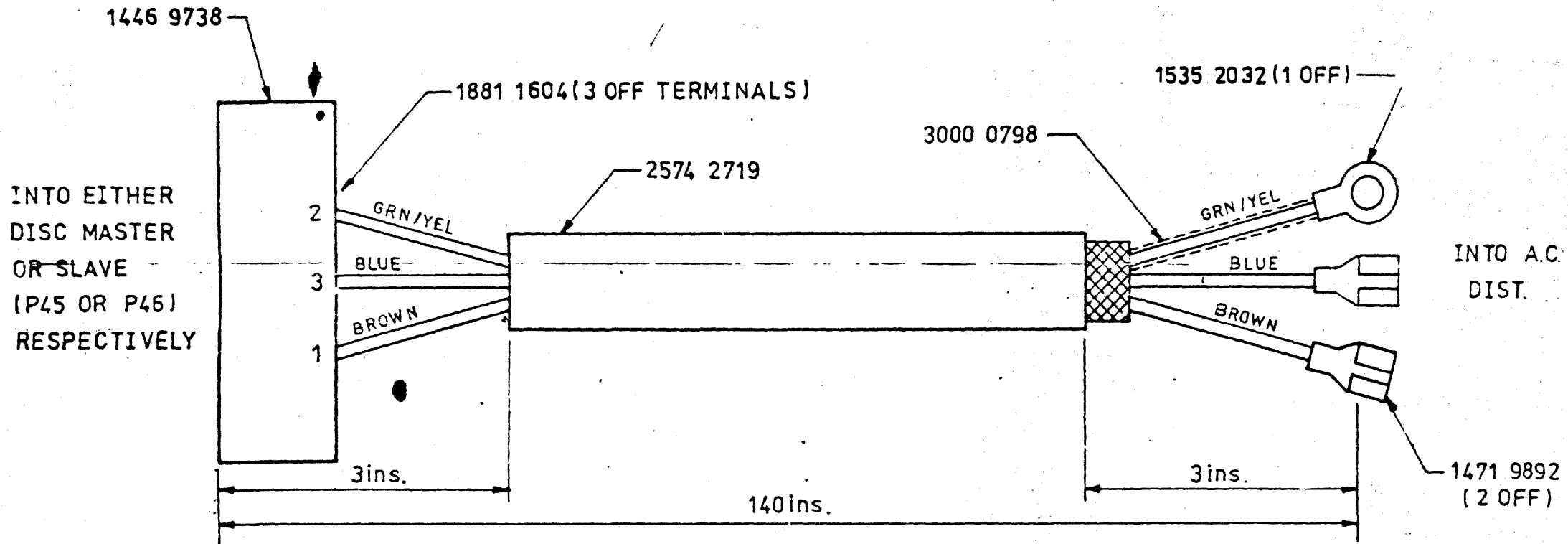
2795 1482 A

PROPRIETARY TO BURROUGHS-SCOTTLAND	SHEET 4 OF 4	DWG NO. 2795 1482	REV. A
TITLE: HARNNESS, MISC	DESIGN CONTROL: 308	DWG TYPE: A	DWG SIZE: A
CLASS CODE: 2-1522	RELEASE DATE: SEP-3-76	DATE: 6-16-76	DESIGNER: WIRA
DATE: 6-1-76	APPROVER:	DATE: 6-16-76	DESIGNER: WIRA



INCHES MILLIMETRES

NO. MFG
 RELEASED JUN 14 77
 ER. 00929 MFG



INTO EITHER
 DISC MASTER
 OR SLAVE
 (P45 OR P46)
 RESPECTIVELY

INTO A.C.
 DIST.

CONNECTIONS AT A.C. DISTRIBUTION END

	GRN/YEL & SCREEN	BLUE	BROWN
MASTER	SH18	TB101-BOY	FS102-2Y
SLAVE	SH19	TB101-BOX	FS102-2X

TOLERANCES, UNLESS OTHERWISE SPECIFIED			GEN. QUAL. SPECS 1183 5543 APPLY		DESIGN CONTROL 308	CLASSIFICATION CODE	LAYOUT No		
INCHES .XX ±	.XXX ±	ANGLES ±	DRAWN C.McF	DATE MAR.17.77		Burroughs SMALL SYSTEMS DIVISION BURROUGHS MACHINES LIMITED CUMBERNAULD, SCOTLAND, U.K.			
m.m. X.X ±	X.XX ±	ANGLES ±	CHECKED	DATE MAY 16 77					
MATERIAL			DESIGNED BY D.G.	DATE MAY 16 77	TECHNICAL SERVICES			TITLE MINI DISC A.C. CABLE	
HEAT TREATMENT			APPROVED	DATE	MATERIAL & HEAT TREATMENT			SCALE	DWG SIZE A3
SURFACE TREATMENT					APPD	DATE	DWG No 2797 2405		
PROPRIETARY TO BURROUGHS. NOT TO BE REPRODUCED NOR USED FOR MANUFACTURING PURPOSES EXCEPT ON BURROUGHS' ORDER OR PRIOR WRITTEN CONSENT									

ORIGINAL

2797 0466

REV A

MINI DISK D.C. HARNESS

C.B. JAN 24, 77

27 31 77

21522 A4.

1 4

FEB. 26, 77

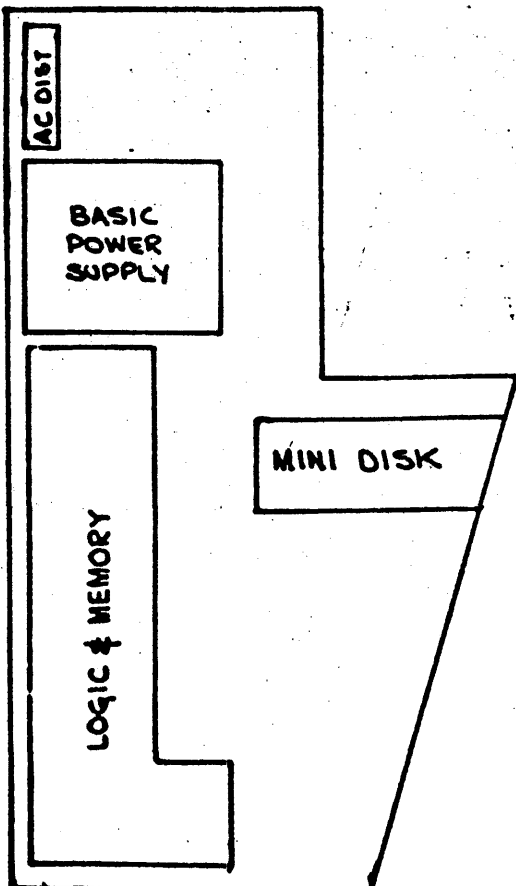
MFG

ECN 00560 MFG

ORIGINAL

BUSHBY MACHINES LTD		PROPERTY TO BU 13685 - NOT TO BE REPRODUCED OR USED FOR MANUFACTURE PURPOSES EXCEPT ON SURROUNDS ORDER OR PRICE WRITTEN CONSENT				DESIGN CONTROL 308	DWG NO. 2797 0466	REV A
DESIGNED BY	DATE	DRAWN BY	DATE	APPROVED BY	DATE	TITLE: MINI DISK D.C. HARNESS		
Y	JAN 24 77	C.B.	JAN 24 77			CLASS CODE 21522	DWG. SIZE A4.	DWG. TYPE WL.
						SHEET 2 OF 4	RELEASED:- FEB 26, 77	MFG

PROCESSOR:



NOTE:- TERMINATIONS MUST MEET SPEC.DWG
 WIRE MUST BE UL & CSA LABELLED
 REFER TO APPLICATION GUIDE D65
 FOR STYLE & TYPE REQUIREMENTS

C.B. JAN 24 77

2797 0466

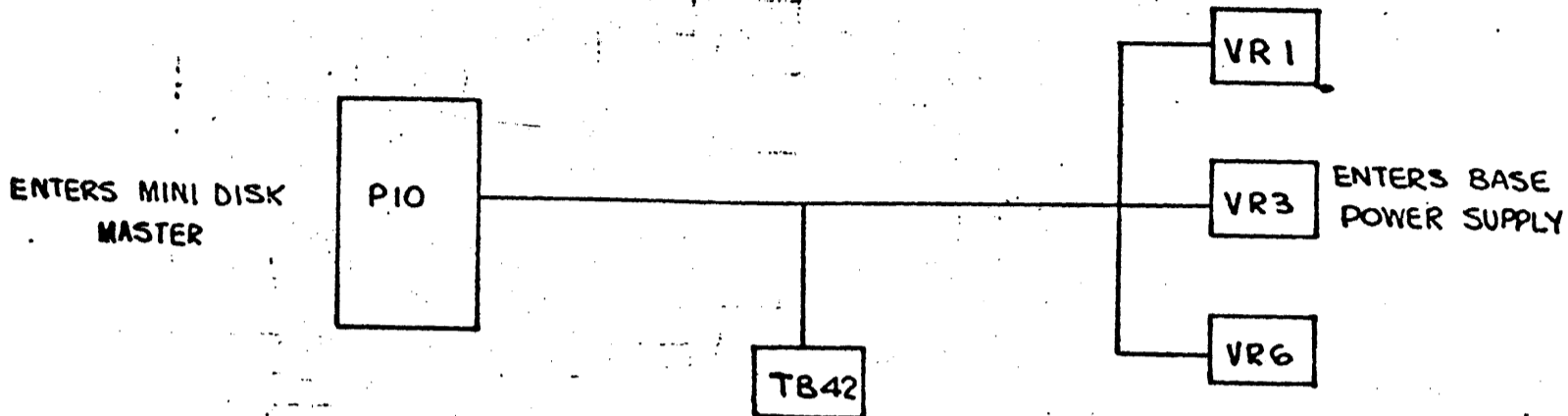
A

MINI DISK D.C. HARNESS

21522 A4

3 4

FEB 26 77 MFG



BUREAU		DESIGNED BY		DATE		DRAWN		DATE		APPROVED		DATE		DESIGN CONTROL		DWG NO.		REV	
CUB		SUG		JAN 24 77		JAN 24 77		JAN 24 77		JAN 24 77		JAN 24 77		308		2797 0466		A	
CHECKED BY		DATE		COMMENTS		DATE		CLASS CODE		DWG SIZE		DWG TYPE		SHEET 4 OF 4		RELEASED:-			
26		26				2-1522		A4		WL									
SIGNAL NAME	CONNECTOR	FROM	TO	CONNECTOR	TO	TERMINAL	WIRE												
+5VB	1103 8486 1266 8463	P10-8	1101 6359	2795 0377 REF	VR6-TB5Y	1471 9884	1940 9192												
+12V	"	P10-5	"	2795 0344 REF	VR1-TB4Y	" "	" "												
-12V	"	P10-4	"	" " "	VR3-TB2X	" "	" "												
+24V	"	P10-6	"	1479 8829 REF	TB42-A4Y	" "	" "												
0V	"	P10-2	"	-			1940 9192												
0V	"	P10-7	"	-	E7-6Y	1472 1070	" "												
0V	"	P10-3	"	-			" "												

ORIGINAL

BURROUGHS MACHINES LTD GUMBERNAULD SCOTLAND		PROPRIETARY TO BURROUGHS - NOT TO BE REPRODUCED OR USED FOR MANUFACTURING PURPOSES EXCEPT ON BURROUGHS ORDER OR PRIOR WRITTEN CONSENT.				DESIGN CONTROL 308	DWG No. 2571 9733	REV. G
DESIGN OR ENG ^g P.D.	DATE JUL 2 75	DRAWN P.D.	DATE JUL 2 75	APPROVED <i>[Signature]</i>	DATE 4 2 75	TITLE:- MINI DISK A.C. HARNESS		
CHECKED BY	DATE	COMPONENTS	DATE	CLASS CODE 2-1522	DWG. SIZE A	DWG. TYPE W.L.	SHEET 1 OF 4	
							RELEASED:- AUG 20-75	MFG
							P.B. OCT-30-75	B
							SHEET 3&4 ALTERED	MFG
							R.M. FEB, 6, 76. MFG	C
							SHEET. 4 ALTERED.	
							JMS MAY 19-76	D
							SHEET. 4 ALTERED	MFG
							ECN 00139	E
							A.R. AUG. 30, 76	
							SHEET 4 ALTERED	
							ECN 00534	F
							C.B. JAN. 27, 77	MFG
							SHEET . ALTERED	
							ECN 00622	G
							C.B. MAR. 4 . 77 <i>P.D.</i>	MFG
							SHEET 4 ALTERED	

ORIGINAL

BURROUGHS MACHINES LTD GUMBERNAULD SCOTLAND		PROPRIETARY TO BURROUGHS - NOT TO BE REPRODUCED OR USED FOR MANUFACTURING PURPOSES EXCEPT ON BURROUGHS ORDER OR PRIOR WRITTEN CONSENT.				DESIGN CONTROL 308	DWG No. 2571 9733	REV. G
DESIGN OR ENG ^g P.D.	DATE JUL 2 75	DRAWN P.D.	DATE JUL 2 75	APPROVED <i>[Signature]</i>	DATE 4 2 75	TITLE:- MINI DISK A.C. HARNESS		
CHECKED BY	DATE	COMPONENTS	DATE	CLASS CODE 2-1522	DWG. SIZE A	DWG. TYPE W.L.	SHEET 2 OF 4	
							RELEASED:- AUG. 20-75	MFG


```

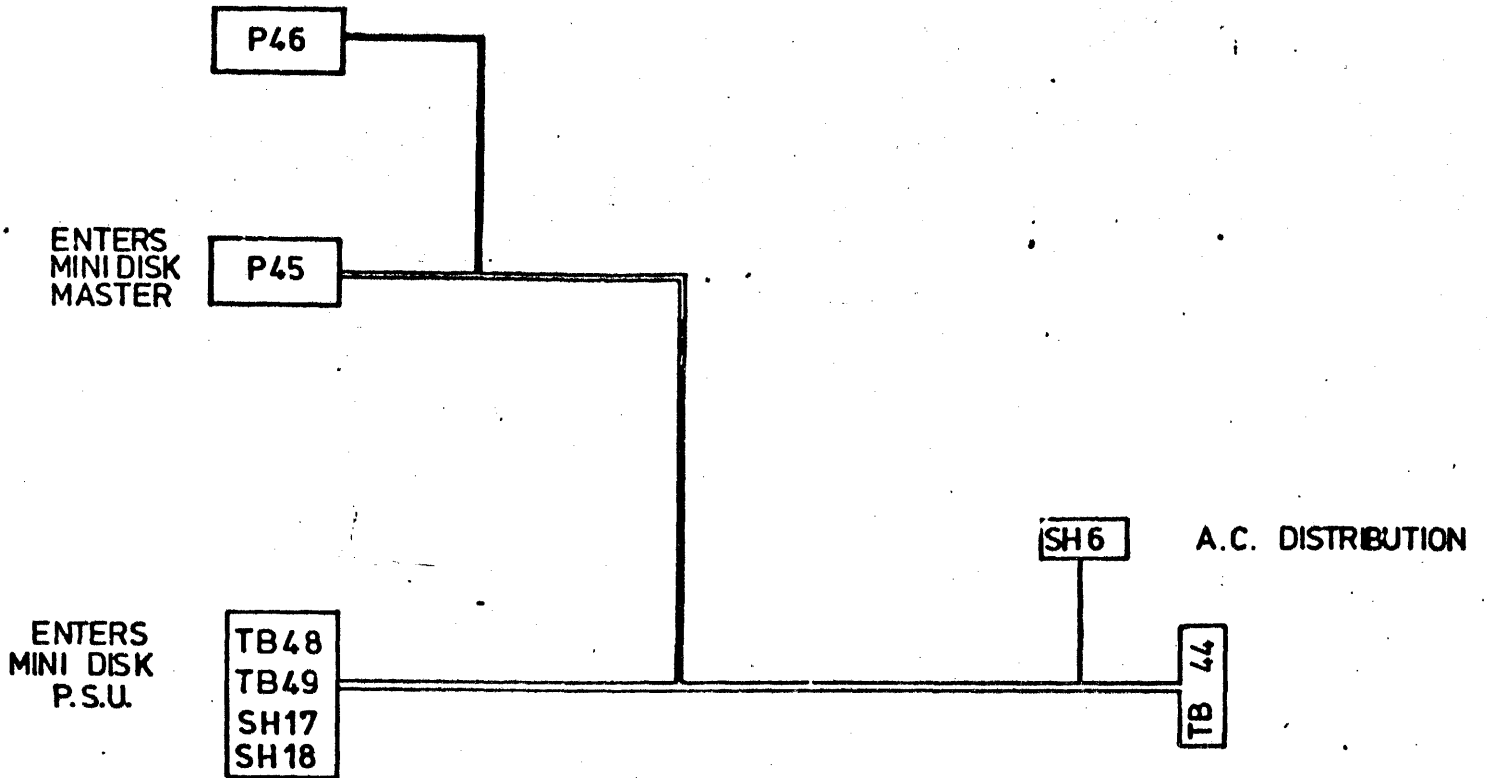
    graph TD
      P2[PERIPH 2 POWER SUPPLY] --- ACP[AC P.S.U.]
      P1[PERIPH 1 POWER SUPPLY] --- ACP
      ACP --- BPS[BASIC POWER SUPPLY]
      BPS --- ACD[AC DIST.]
      ACD --- MD[MINI DISK]
      ACD --- LM[LOGIC & MEMORY]
      MD --- LM
      LM --- PR[PROCESSOR]
  
```

PROCESSOR

NOTE:-
TERMINATIONS MUST MEET
SPEC. DWG. 81F

ORIGINAL

BURROUGHS MACHINES LTD CUMBERNALL SCOTLAND		PROPRIETARY TO BURROUGHS - NOT TO BE REPRODUCED OR USED FOR MANUFACTURING PURPOSES EXCEPT ON BURROUGHS ORDER OR PRIOR WRITTEN CONSENT.				DESIGN CONTROL 308	DWG No. 2571 9733	REV. G
DESIGN OR ENG. P.D.	DATE JUL 2.75	DRAWN P.D.	DATE JUL 2.75	APPROVED <i>[Signature]</i>	DATE 4 July 75	TITLE:- MINI DISK A.C. HARNESS		
CHECKED BY	DATE	COMPONENTS	DATE	CLASS CODE 2-1522	DWG. SIZE A	DWG. TYPE W.L.	SHEET 3 OF 4	RELEASED:- AUG. 20-75 MFG



ORIGINAL

BURROUGHS MACHINES LTD CUMBERNALL SCOTLAND		PROPRIETARY TO BURROUGHS - NOT TO BE REPRODUCED OR USED FOR MANUFACTURING PURPOSES EXCEPT ON BURROUGHS ORDER OR PRIOR WRITTEN CONSENT.				DESIGN CONTROL 308	DWG No. 2571 9733	REV. G
DESIGN OR ENG. P.D.	DATE JUL 2.75	DRAWN P.D.	DATE JUL 2.75	APPROVED <i>[Signature]</i>	DATE 4 July 75	TITLE:- MINI DISK A.C. HARNESS		
CHECKED BY	DATE	COMPONENTS	DATE	CLASS CODE 2-1522	DWG SIZE A	DWG. TYPE W.L.	SHEET 4 OF 4	RELEASED:- AUG. 20-75 MFG

SIGNAL NAME	FROM				TO			WIRE
	CONNECTOR	CODE	TERMINAL	CONNECTOR	CODE	TERMINAL		
L-PR	2106 2286 REF	TB49-1X	1471 9884	2576 2162 REF	TB44A6X	1471 9884	1940 9598	
N-SW	" " "	TB48-4X	" "	" " "	TB44A1Y	" "	" "	
GND	STUD	SH17	2470 5352	STUD	SH6	2470 5352	1940 9697	
DISK -L	2106 2286 REF	TB48-4Y	1471 9892	1446 9738	45-1	1877 7599	BR	
" -L	1446 9738	46-1	1881 1604				BR	
" -N	2106 2286 REF	TB48-1Y	1471 9892		"	45-3	"	BL 2574 2719
" -N	1446 9738	46-3	1881 1604				BL	
GND	STUD ②	SH18	1535 2032	"	45-2	"	GY	
GND	1446 9738	46-2	1881 1604					

NOTES:- 1. THESE CONNECTIONS ARE FOR 240V MACHINES. FOR OTHER VOLTAGES REFER TO 2574 2818 VOLTAGE SETTING CHART FOR B30-0 PROCESSOR.
2. SCREEN AND GY ARE CRIMPED TOGETHER AT MINI DISK POWER SUPPLY END. SCREEN IS UNCONNECTED AT DISK.

ORIGINAL

BURROUGHS MACHINES LTD GLASGOW SCOTLAND		PROPERTY TO BURROUGHS - NOT TO BE REPRODUCED OR USED FOR MANUFACTURING PURPOSES EXCEPT ON BURROUGHS ORDER OR PRIOR WRITTEN CONSENT				DESIGN CONTROL 308	DWG NO. 2571 9733	REV. G
DESIGN OR ENG. P.D.	DATE JUL 2 75	DRAWN P.D.	DATE JUL 2 75	APPROVED <i>[Signature]</i>	DATE 4 26 75	TITLE: MINI DISK A.C. HARNESS		
CHECKED BY	DATE	COMPONENTS	DATE	CLASS CODE 2-1522	DWG SIZE A	DWG TYPE WL	SHEET 1 OF 4	RELEASED: AUG 20-75

P.B. OCT-30-75	B
SHEET 3&4 ALTERED	
R.M. FEB, 6, 76.	C
SHEET 4 ALTERED.	
JMS MAY 19-76	D
SHEET 4 ALTERED.	
ECN 00139	E
A.R. AUG. 30, 76	
SHEET 4 ALTERED	
ECN 00534	F
C.B. JAN. 27, 77	
SHEET . ALTERED	
ECN 00622	G
C.B. MAR. 4 . 77 <i>PD</i>	
SHEET 4 ALTERED	

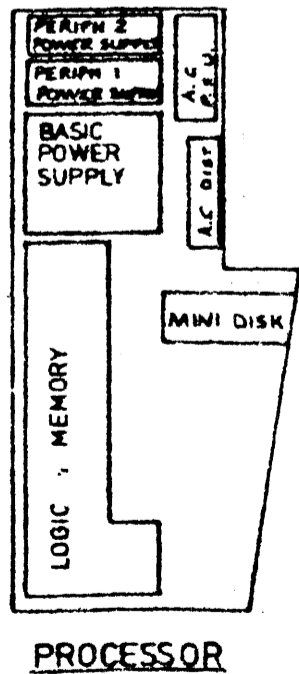
D.D.# 62042

★ PLYMOUTH
DESIGN
DEVIATION

PROJECT 56702
GROUP # 1389
DATE 12-13-77

★ SHEETS #3 & #4 AFFECTED

BURROUGHS MACHINES LTD GLASGOW SCOTLAND		PROPERTY TO BURROUGHS - NOT TO BE REPRODUCED OR USED FOR MANUFACTURING PURPOSES EXCEPT ON BURROUGHS ORDER OR PRIOR WRITTEN CONSENT				DESIGN CONTROL 308	DWG NO. 2571 9733	REV. G
DESIGN OR ENG. P.D.	DATE JUL 2 75	DRAWN P.D.	DATE JUL 2 75	APPROVED <i>[Signature]</i>	DATE 4 26 75	TITLE: MINI DISK A.C. HARNESS		
CHECKED BY	DATE	COMPONENTS	DATE	CLASS CODE 2-1522	DWG SIZE A	DWG TYPE WL	SHEET 2 OF 4	RELEASED: AUG 20-75



D.D.# 62042

★ PLYMOUTH
DESIGN
DEVIATION

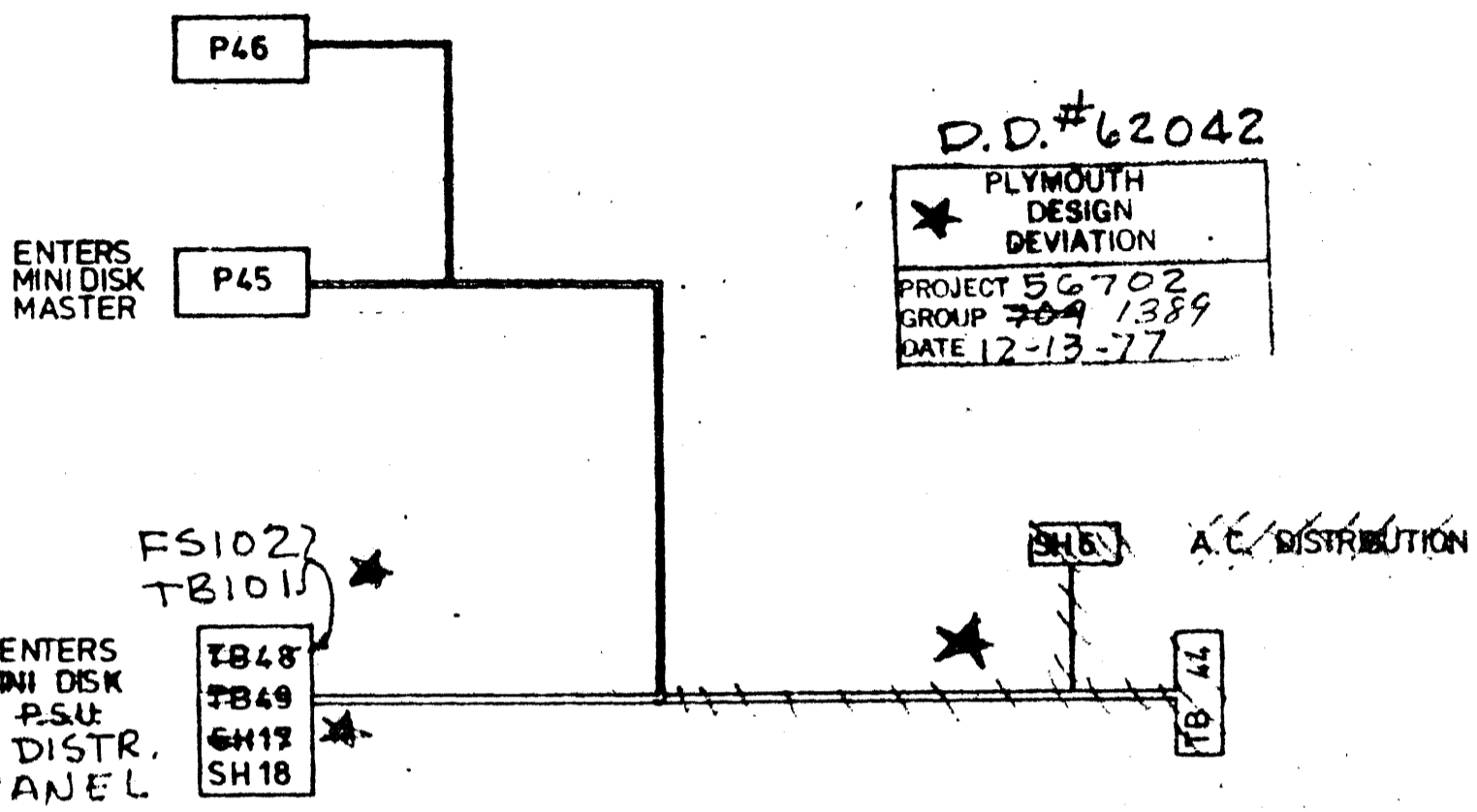
PROJECT 56702
GROUP # 1389
DATE 12-13-77

NOTE - TERMINATIONS MUST MEET SPEC. DWG. 81F

★ SHEETS #3 & #4 AFFECTED

ORIGINAL

BURROUGHS MACHINES LTD GLASGOW SCOTLAND		PROPRIETARY TO BURROUGHS - NOT TO BE REPRODUCED OR USED FOR MANUFACTURING PURPOSES EXCEPT ON BURROUGHS ORDER OR PRIOR WRITTEN CONSENT.				DESIGN CONTROL 308	DWG No. 2571 9733	REV. G
DESIGN OR ENG. P.D.	DATE JUL 27 75	DRAWN P.D.	DATE JUL 27 75	APPROVED <i>[Signature]</i>	DATE 4 July 75	TITLE: MINI DISK A.C. HARNESS		
CHECKED BY	DATE	COMPONENTS	DATE	CLASS CODE 2-1522	DWG. SIZE A	DWG. TYPE W.L.	SHEET 3 OF 4	RELEASED: AUG. 20-75



BURROUGHS MACHINES LTD GLASGOW SCOTLAND		PROPRIETARY TO BURROUGHS - NOT TO BE REPRODUCED OR USED FOR MANUFACTURING PURPOSES EXCEPT ON BURROUGHS ORDER OR PRIOR WRITTEN CONSENT.				DESIGN CONTROL 308	DWG No. 2571 9733	REV. G
DESIGN OR ENG. P.D.	DATE JUL 27 75	DRAWN P.D.	DATE JUL 27 75	APPROVED <i>[Signature]</i>	DATE 4 July 75	TITLE: MINI DISK A.C. HARNESS		
CHECKED BY	DATE	COMPONENTS	DATE	CLASS CODE 2-1522	DWG. SIZE A	DWG. TYPE W.L.	SHEET 4 OF 4	RELEASED: AUG. 20-75

SIGNAL NAME	FROM			TO			WIRE
	CONNECTOR	CODE	TERMINAL	CONNECTOR	CODE	TERMINAL	
L-PR	2106 2286 REF	TB49-1X	1471 9884	2576 2162 REF	TB44 A6X	1471 9884	1940 9598
N-SW	"	TB48-4X	"	"	TB44A1Y	"	"
GND	STUD	SH17	2470 5352	STUD	SH6	2470 5352	1940 9697
DISK -L	2106 2286 REF	TB48-4Y	1471 9892	1446 9738	45-1	1877 7599	BR
" -L	1446 9738	46-1	1881 1604	"	"	"	BR
" -N	2106 2286 REF	TB48-1Y	1471 9892	"	45-3	"	BL 2574 2719
" -N	1446 9738	46-3	1881 1604	"	"	"	BL
GND	STUD ②	SH18	1535 2032	"	45-2	"	GY
GND	1446 9738	46-2	1881 1604	"	"	"	GY

D.D.# 62042
PLYMOUTH DESIGN DEVIATION
PROJECT 56702
GROUP 709 1389
DATE 12-13-77

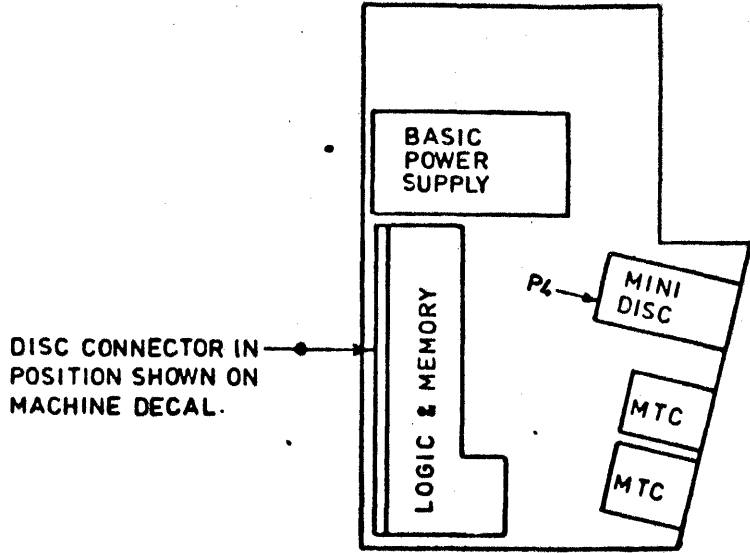
NOTES: 1. THESE CONNECTIONS ARE FOR 240V MACHINES. FOR OTHER VOLTAGES REFER TO 2574 2818 VOLTAGE SETTING CHART FOR B30-0 PROCESSOR.
2. SCREEN AND G/Y ARE CRIMPED TOGETHER AT MINI DISK POWER SUPPLY END. SCREEN IS UNCONNECTED AT DISK.

BURROUGHS MACHINES LTD DUMBERNAULD SCOTLAND		PROPRIETARY TO BURROUGHS - NOT TO BE REPRODUCED OR USED FOR MANUFACTURING PURPOSES EXCEPT ON BURROUGHS ORDER OR PRIOR WRITTEN CONSENT.				DESIGN CONTROL 308	DWG No. 2571 6945	REV. E
DESIGN OR ENG	DATE	DRAWN	DATE	APPROVED <i>JWS</i>	DATE 11/5/75	TITLE: DISC CONTROLLER HARNESS		
CHECKED BY	DATE	COMPONENTS	DATE	CLASS CODE 2-1522	DWG. SIZE A	DWG TYPE WL.	SHEET 1 OF 6	RELEASED: APR. 30-75 MFG.
							II. SEPT. 12.75. MFG.	B
							SHEET 4 ALTERED	
							P.B. JAN. 26-76 MFG.	C
							SHEETS 4, 5 & 6 ALTERED.	
							ECN 00805 MFG.	D
							P.B. MAY 6-77	
							SHEET 2 ALTERED	
							ECN 00891 MFG.	E
							C.B. JUNE 10 77	
							SHEETS 4 5 & 6 ALTERED	

BURROUGHS MACHINES LTD DUMBERNAULD SCOTLAND		PROPRIETARY TO BURROUGHS - NOT TO BE REPRODUCED OR USED FOR MANUFACTURING PURPOSES EXCEPT ON BURROUGHS ORDER OR PRIOR WRITTEN CONSENT.				DESIGN CONTROL 308	DWG No. 2571 6945	REV. E
DESIGN OR ENG	DATE	DRAWN	DATE	APPROVED <i>JWS</i>	DATE 11/5/75	TITLE: DISC CONTROLLER HARNESS		
CHECKED BY	DATE	COMPONENTS <i>11/5/75</i>	DATE <i>11/5/75</i>	CLASS CODE 2-1522	DWG. SIZE A	DWG TYPE WL.	SHEET 2 OF 6	RELEASED: APR. 30-75 MFG.
<p>INTO PROCESSOR BACKPLANE</p> <p>DISC</p> <p>P4</p> <p>INTO MINI DISK MASTER</p> <p>ADHERE DECAL 2797 2942 TO CONNECTOR 1472 3498</p>								

BURROUGHS MACHINES LTD CUMBERNAULD SCOTLAND		PROPRIETARY TO BURROUGHS - NOT TO BE REPRODUCED OR USED FOR MANUFACTURING PURPOSES EXCEPT ON BURROUGHS ORDER OR PRIOR WRITTEN CONSENT.				DESIGN CONTROL 308	DWG No. 2571 6945	REV. E
DESIGN OR ENG	DATE	DRAWN	DATE	APPROVED <i>DWB</i>	DATE 1/5/75	TITLE: DISC CONTROLLER HARNESS		
CHECKED BY	DATE	COMPONENTS	DATE	CLASS CODE 2-1522	DWG. SIZE A	DWG. TYPE WL.	SHEET 3 OF 6	RELEASED: APR. 30-75

PROCESSOR



NOTE:-

TERMINATIONS MUST MEET SPECIFICATION DRAWING 81F.

WIRE MUST BE U.L. AND C.S.A. LABELED REFER TO APPLICATION GUIDE D65-01 FOR STYLE AND TYPE REQUIREMENTS.

ORIGINAL

BURROUGHS MACHINES LTD CUMBERNAULD SCOTLAND		PROPRIETARY TO BURROUGHS - NOT TO BE REPRODUCED OR USED FOR MANUFACTURING PURPOSES EXCEPT ON BURROUGHS ORDER OR PRIOR WRITTEN CONSENT.				DESIGN CONTROL 308	DWG No. 2571 6945	REV. E
DESIGN OR ENG	DATE	DRAWN	DATE	APPROVED <i>DWB</i>	DATE 1/5/75	TITLE: DISC CONTROLLER HARNESS.		
CHECKED BY	DATE	COMPONENTS	DATE	CLASS CODE 2-1522	DWG. SIZE A	DWG. TYPE WL.	SHEET 4 OF 6	RELEASED: APR. 30th/75

SIGNAL NAME	FROM			TO			WIRE
	CONNECTOR	CODE	TERMINAL	CONNECTOR	CODE	TERMINAL	
HEADSEL/	1472 3498	DISC-14	1472 0726	1101 6334 AND 1266 8505	P4-11	1878 2227	Or 2572 7066
" GND	" "	19	" "	" "	12	" "	Wht. "
DSEEK/	" "	15	" "	" "	43	" "	Or "
" GND	" "	20	" "	" "	26	" "	Wht. "
RDEN/	" "	21	" "	" "	45	" "	Or "
" GND	" "	26	" "	" "	28	" "	Wht. "
WRITTEN/	" "	22	" "	" "	46	" "	Or "
" GND	" "	27	" "	" "	29	" "	Wht. "
WRDATA/	" "	23	" "	" "	44	" "	Or "
" GND	" "	28	" "	" "	27	" "	Wht. "
OPERAT/	" "	42	" "	" "	40	" "	Or "
" GND	" "	47	" "	" "	23	" "	Wht. "
ONCYL/	" "	33	" "	" "	39	" "	Or "
" GND	" "	38	" "	" "	22	" "	Wht. "
READAT/	" "	(35)	" "	" "	(4)	" "	Or "
" GND	" "	40	" "	" "	5	" "	Wht. "
DATCLI/	" "	43	" "	" "	2	" "	Or "
" GND	" "	48	" "	" "	3	" "	Wht. "

ORIGINAL

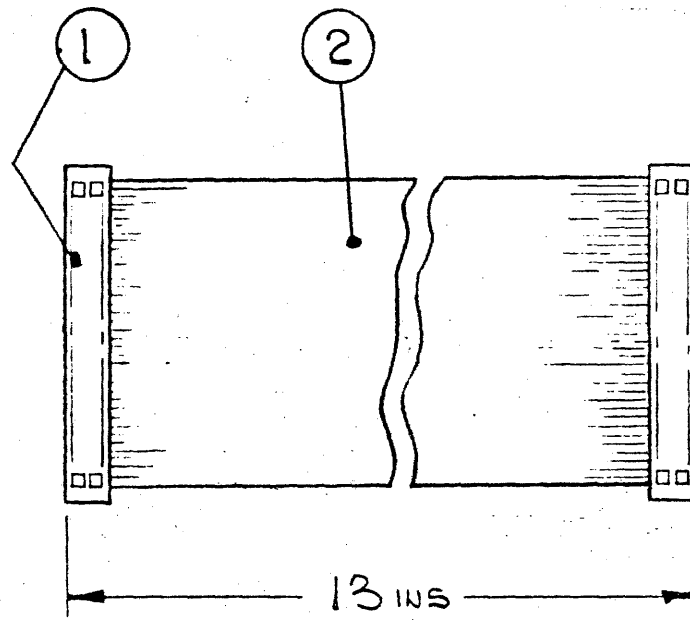
BURROUGHS MACHINES LTD CUMBERNAULD SCOTLAND						PROPRIETARY TO BURROUGHS - NOT TO BE REPRODUCED OR USED FOR MANUFACTURING PURPOSES EXCEPT ON BURROUGHS ORDER OR PRIOR WRITTEN CONSENT.		DESIGN CONTROL 308	DWG No. 2571 6945	REV. E
DESIGN OR ENG	DATE	DRAWN	DATE	APPROVED <i>[Signature]</i>	DATE 1/5/75			TITLE:- DISC CONTROLLER HARNESS.		
CHECKED BY	DATE	COMPONENTS	DATE	CLASS CODE 2-1522	DWG. SIZE A	DWG. TYPE WL.	SHEET 5 OF 6	RELEASED:- Apr. 30th/75.		
SIGNAL NAME	FROM			TO			WIRE			
	CONNECTOR	CODE	TERMINAL	CONNECTOR	CODE	TERMINAL				
UNIT SEL	1472 3498	DISC-24	1472 0726	1101 6334 & 1266 8505	P4-47	1878 2227	Or 2572 7066			
" GND	"	"	-29	"	"	30	"	"	Wht.	"
ADD01/	"	"	1	"	"	15	"	"	Or	"
" GND	"	"	6	"	"	31	"	"	Wht.	"
ADD02/	"	"	2	"	"	17	"	"	Or	"
" GND	"	"	7	"	"	16	"	"	Wht.	"
ADD04/	"	"	3	"	"	50	"	"	Or	"
" GND	"	"	8	"	"	33	"	"	Wht.	"
ADD08/	"	"	4	"	"	49	"	"	Or	"
" GND	"	"	9	"	"	48	"	"	Wht.	"
ADD16/	"	"	5	"	"	13	"	"	Or	"
" GND	"	"	10	"	"	14	"	"	Wht.	"
ADD32/	"	"	11	"	"	6	"	"	Or	"
" GND	"	"	16	"	"	25	"	"	Wht.	"
ADD64/	"	"	12	"	"	7	"	"	Or	"
" GND	"	"	17	"	"	8	"	"	Wht.	"

BURROUGHS MACHINES LTD CUMBERNAULD SCOTLAND						PROPRIETARY TO BURROUGHS - NOT TO BE REPRODUCED OR USED FOR MANUFACTURING PURPOSES EXCEPT ON BURROUGHS ORDER OR PRIOR WRITTEN CONSENT.		DESIGN CONTROL 308	DWG No. 2571 6945	REV. E
DESIGN OR ENG	DATE	DRAWN	DATE	APPROVED <i>[Signature]</i>	DATE 1/5/75			TITLE:- DISC CONTROLLER HARNESS.		
CHECKED BY	DATE	COMPONENTS	DATE	CLASS CODE 2-1522	DWG. SIZE	DWG. TYPE WL.	SHEET 6 OF 6	RELEASED:- Apr. 30th/75.		
SIGNAL NAME	FROM			TO			WIRE			
	CONNECTOR	CODE	TERMINAL	CONNECTOR	CODE	TERMINAL				
IP1NO/	1472 3498	DISC-32	1472 0726	1101 6334 & 1266 8505	P4-30	1878 2227	Or 2572 7066			
" GND	"	"	37	"	"	22	"	"	Wht.	"
IPSEC/	"	"	31	"	"	35	"	"	Or	"
" GND	"	"	36	"	"	19	"	"	Wht.	"
LL ADD	"	"	41	"	"	37	"	"	Or	"
" GND	"	"	46	"	"	21	"	"	Wht.	"
SKINC/	"	"	34	"	"	41	"	"	Or	"
" GND	"	"	39	"	"	24	"	"	Wht.	"
HRDATA	"	"	25	"	"	34	"	"	Or	"
" GND	"	"	30	"	"	18	"	"	Wht.	"
ADD28/	"	"	13	"	"	9	"	"	Or	"
" GND	"	"	18	"	"	10	"	"	Wht.	"
ADD256/	"	"	44	"	"	1	"	"	Or	"
" GND	"	"	49	"	"	38	"	"	Wht.	"

REVISIONS

REV	NO.	DRAWN	CHK	APPD	DATE
A	GC 290	RBY			6/11/74

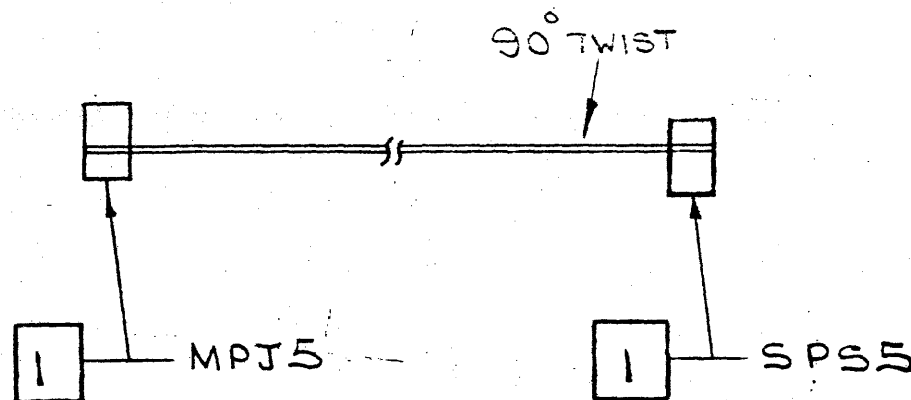
INITIAL RELEASE **IFG**



NOTES

1

PERM^T MARK 18794420 ON SURFACE
SHOWN USING .125 HIGH CHARACTERS
COLOUR BLACK



GEN QUAL SPECS 1183-5543 APPLY

TOLERANCES UNLESS OTHERWISE SPECIFIED

XX ± XXX ±

ANGLES ± °

DRAWN
R B THOMSON
DATE
27-11-73

CHECKED
[Signature]
DATE
10 JUN 74

DSGN OR ENGR
[Signature]
DATE
10 JUN 74

APPROVED
[Signature]
DATE
11 JUN 74

Burroughs **B**

BURROUGHS MACHINES LTD. GLENROTHES SCOTLAND UK

TITLE
CABLE ASSY

CLASS CODE
2-1531

PROPRIETARY TO BURROUGHS NOT TO BE REPRODUCED NOR USED FOR
MANUFACTURING PURPOSES EXCEPT ON BURROUGHS ORDER OR PRIOR WRITTEN CONSENT

SCALE

SHEET
1 OF 1

DWG NO

B-18794420

REV
A

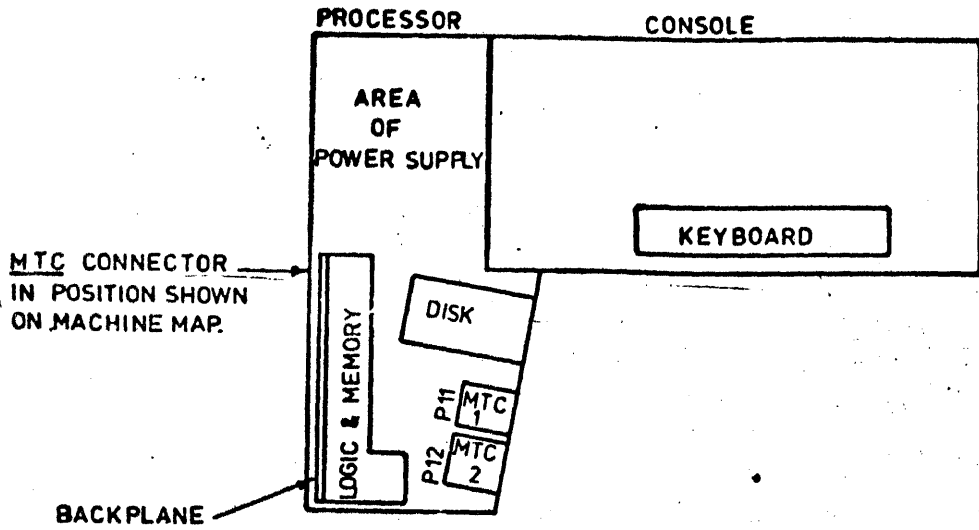
BURROUGHS MACHINES		PROPRIETARY TO BURROUGHS MACHINES CO. NOT TO BE REPRODUCED OR TRANSMITTED IN ANY FORM OR BY ANY MEANS, ELECTRONIC OR MECHANICAL, INCLUDING PHOTOCOPYING, RECORDING, OR BY ANY INFORMATION STORAGE AND RETRIEVAL SYSTEM.			2574 5639		C
DESIGN/RENG [®]	DATE	DRAWN	DATE	BY	TITLE		
		JMS	5/3/76	JMS	T.T.C. HARNESS (FEMALE JACK S		
CHECKED BY	DATE	MARKETS	DATE	BY	SHEET 1 OF 5	RELEASED - MAY 7-76 MFG	

MFG.

MFG.

ECN . 00470
 A.R. DEC. 17.76
 SHEETS 1 THRU
 ECN 00665
 A.R. MAR. 18.77
 SHTS. 3, 4 & 5 A

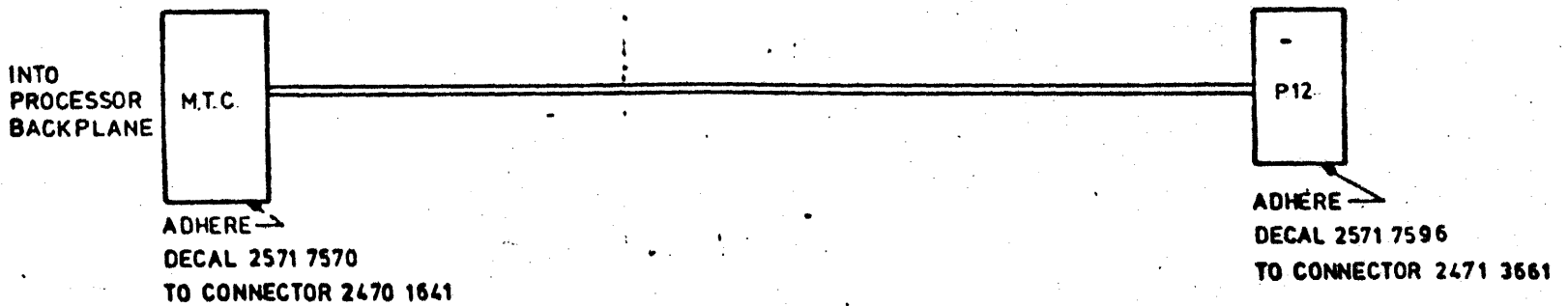
BUREAU OF AERONAUTICS PROPERTY OF BUREAU OF AERONAUTICS - NOT TO BE REPRODUCED OR TRANSMITTED IN ANY FORM OR BY ANY MEANS, ELECTRONIC OR MECHANICAL, WITHOUT PERMISSION OF THE BUREAU OF AERONAUTICS.				DESIGN CONTROL 308		DWG NO. 25745639		REV. C
DESIGNER/ETD	DATE	DRAWN	DATE	APPROVED	DATE	TITLE - M.T.C. HARNESS (FEMALE JACK SCREW)		
CHECKED BY	DATE	APPROVED	DATE	APPROVED	DATE	SHEET 2 OF 5	-- DATE: MAY 7-76	
			2-1522	A	A			



NOTE:-
 TERMINATIONS MUST MEET
 SPECIFICATION DRAWING 81F.

WIRE MUST BE U.L. AND C.S.A.
 LABELED REFER TO APPLICATION
 GUIDE D65-01 FOR STYLE AND
 TYPE REQUIREMENTS.

BUREAU OF AERONAUTICS PROPERTY OF BUREAU OF AERONAUTICS - NOT TO BE REPRODUCED OR TRANSMITTED IN ANY FORM OR BY ANY MEANS, ELECTRONIC OR MECHANICAL, WITHOUT PERMISSION OF THE BUREAU OF AERONAUTICS.				DESIGN CONTROL 308		DWG NO. 25745639		REV. C
DESIGNER/ETD	DATE	DRAWN	DATE	APPROVED	DATE	TITLE - M.T.C. HARNESS (FEMALE JACK SCREW)		
CHECKED BY	DATE	APPROVED	DATE	APPROVED	DATE	SHEET 3 OF 5	-- DATE: MAY 7-76	
			2-1522	A	A			

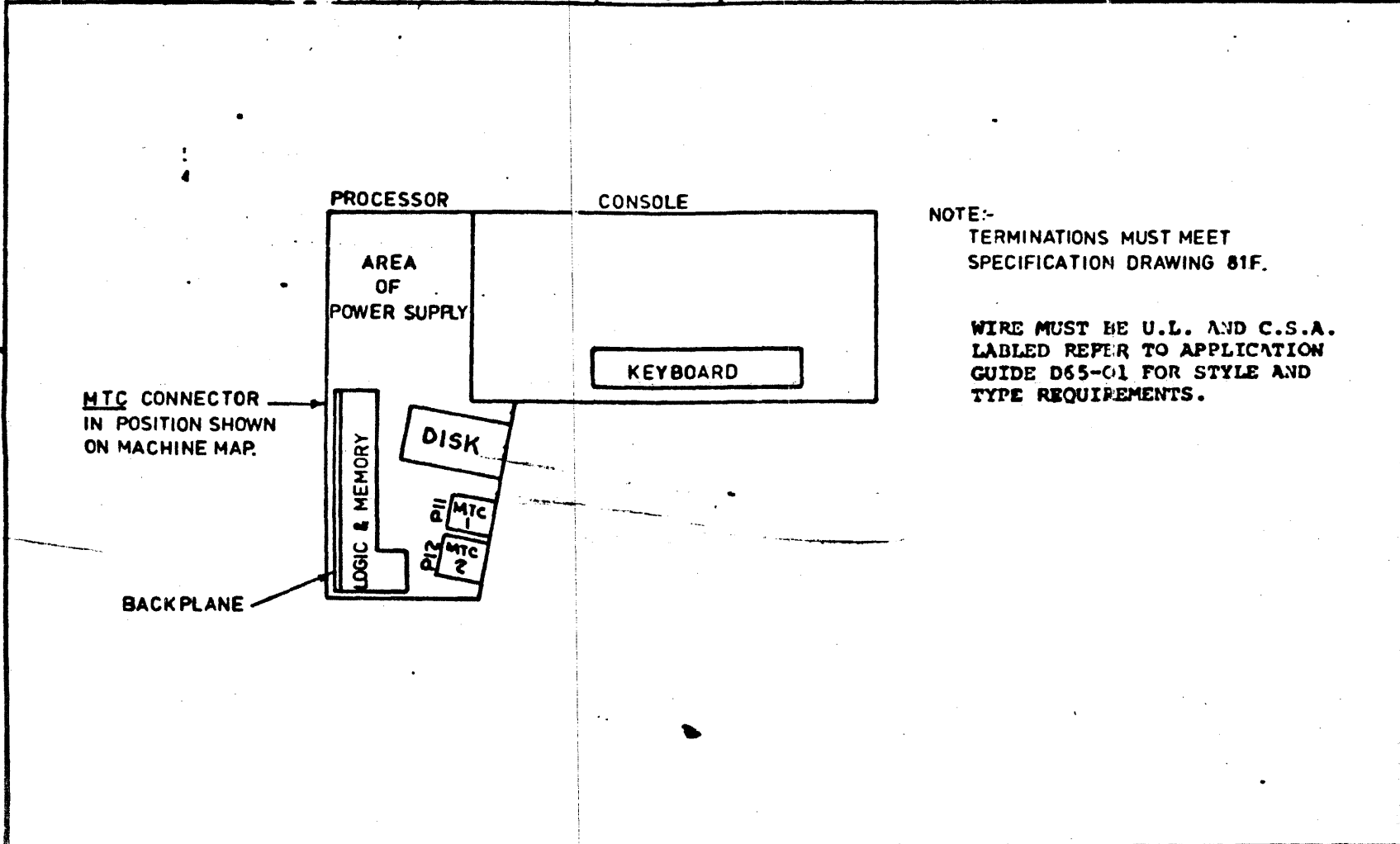


ADD POLARIZING KEY 24705238
 BETWEEN PIN P8 13 ON
 P12 (CONNECTOR 2471 3681)
 ONE REQD

BURROUGHS MACHINES LTD CUMBERNAULD SCOTLAND		PROPRIETARY TO BURROUGHS - NOT TO BE REPRODUCED OR USED FOR MANUFACTURING PURPOSES EXCEPT ON BURROUGHS ORDER OR PRIOR WRITTEN CONSENT.				DESIGN CONTROL 308	DWG NO. 2797 0276	REV. B
DESIGN OR ENG	DATE	DRAWN C.B.	DATE Nov 26, 76	APPROVED	DATE	TITLE:- M.T.C. HARNESS(MALE JACK SCREW)		
CHECKED BY <i>Jordan</i>	DATE	COMPONENTS	DATE	CLASS CODE	DWG. SIZE	DWG. TYPE W.L.	SHEET 1 OF 5	RELEASED:- DEC.10.76

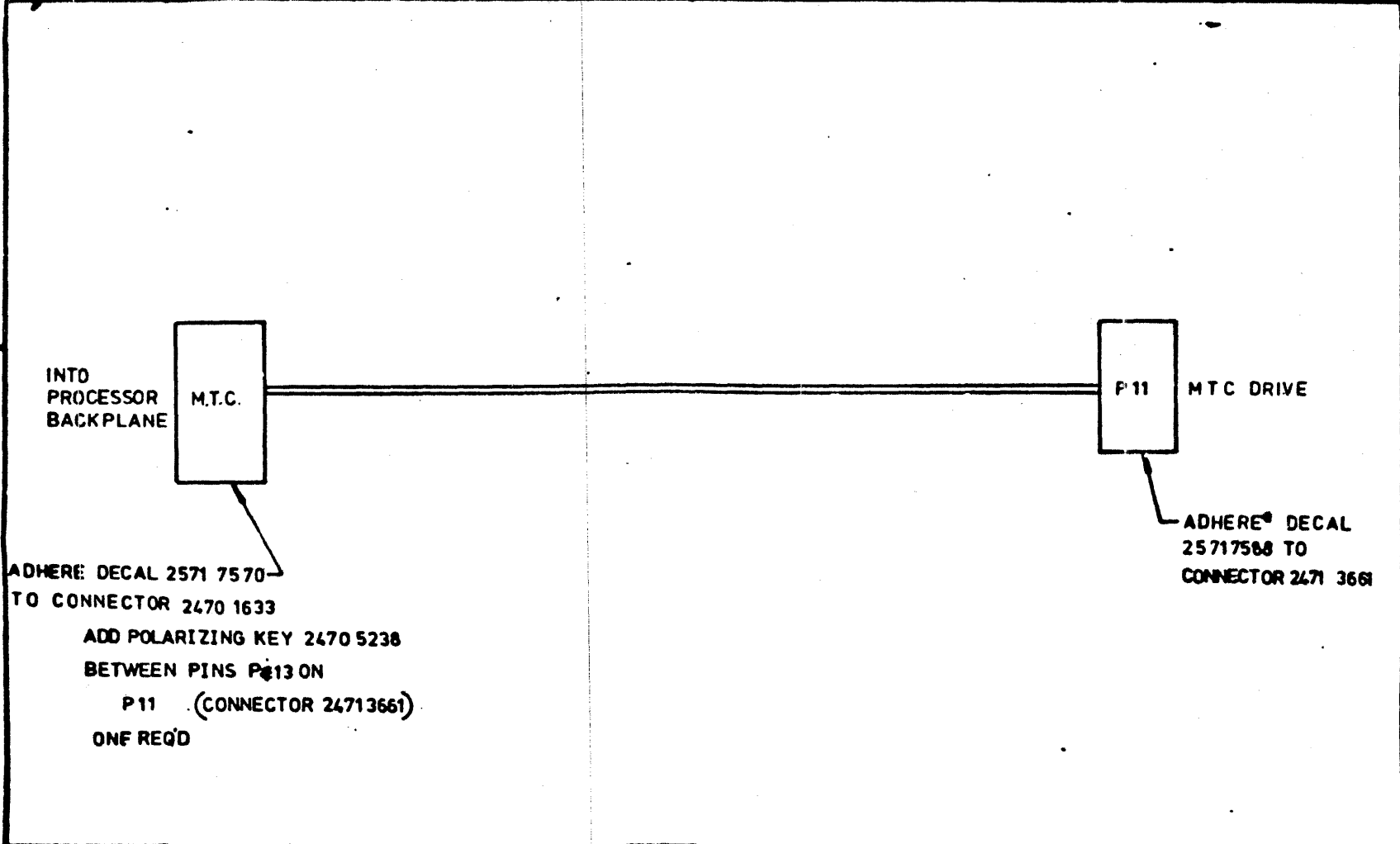
ECN 00455 MFG.
 ECN 00663 B
 C.B. MAR.18,77
 SHEETS 4 & 5 MFG.
 ALTERED J.

BURROUGHS MAHINES <small>PROPRIETARY TO BURROUGHS - NOT TO BE REPRODUCED OR USED FOR MANUFACTURING PURPOSES EXCEPT ON ORDER FROM BURROUGHS</small>					DESIGN CONTROL	DWG NO.	REV.
DESIGN OR ENG.	DATE	DRAWN	DATE	CLASS. CODE	ATC	2797 0276	B
CHECKED BY	DATE	COMPONENTS	DATE	CLASS. CODE	DWG. SIZE	TITLE -	
<i>J. G. ...</i>				2-1522	A	M.T.C. HARNESS (MALE JACK SCREW)	
					DWG. TYPE	SHEET 2 OF 5	RELEASED DEC 10 76 MFG.




ORIGINAL

BURROUGHS MAHINES <small>PROPRIETARY TO BURROUGHS - NOT TO BE REPRODUCED OR USED FOR MANUFACTURING PURPOSES EXCEPT ON ORDER FROM BURROUGHS</small>					DESIGN CONTROL	DWG NO.	REV.
DESIGN OR ENG.	DATE	DRAWN	DATE	CLASS. CODE	ATC	2797 0276	B
CHECKED BY	DATE	COMPONENTS	DATE	CLASS. CODE	DWG. SIZE	TITLE -	
<i>Gardner</i>				2-1522	A	M.T.C. HARNESS. (MALE JACK SCREW)	
					DWG. TYPE	SHEET 3 OF 5	RELEASED DEC 10 76 MFG.



BURROUGHS MACHINES LTD DUMBERGOLD SCOTLAND		PROPRIETARY TO BURROUGHS - NOT TO BE REPRODUCED OR USED FOR MANUFACTURING PURPOSES EXCEPT ON BURROUGHS ORDER OR PRIOR WRITTEN CONSENT				DESIGN CONTROL 308	DWG NR. 2797 0276	PAGE B
DESIGNER	DATE	DRAWN C.B.	DATE Nov 20, 76	APPROVED	DATE	TITLE - MTC HARNESS (MALE JACK SCREW)		
CHECKED BY <i>gadar</i>	DATE	COMPONENTS	DATE	CLASS CODE	DWG. SIZE	DWG. TYPE HL	SHEET 1 OF 5	RELEASED - DEC 10, 76 MFG.

ECN 00455 MFG.
ECN 00663 B
C.B. MAR 18, 77
SHEETS 4 & 5 MFG.
ALTERED

EI 61844

 BURROUGHS JM
 ENGINEERING
 INSTRUCTION
 DIRECTOR MFG.
 11034
 5-13-77
 SHEET 4 & 5 AFFECTED

[Handwritten scribbles]

★ PLYMOUTH JM
 ENGINEERING
 INSTRUCTION
 PROJECT 56702
 GROUP 1034
 DATE 5-13-77 MFG

BURROUGHS MACHINES LTD		PROPRIETARY TO BURROUGHS - NOT TO BE REPRODUCED OR USED FOR MANUFACTURING PURPOSES EXCEPT ON BURROUGHS ORDER OR PRIOR WRITTEN CONSENT				DESIGN CONTROL	DWG No.	REV.
TIMBERNAULT ST. JACQUES						308	2797 0276	B
DESIGN OR ENG	DATE	DRAWN	DATE	APPROVED	DATE	TITLE: "T.C. HARNESS. (MALE JACK SCREW)		
		C.B.	Nov. 20, 76					
CHECKED BY	DATE	COMPONENTS	DATE	CLASS CODE	DWG SIZE	DWG TYPE	SHEET	RELEASED
Jordan				2-1522	A	WL	4 OF 5	DEC 10 76
SIGNAL NAME	FROM				TO			WIRE
	CONNECTOR	CODE	TERMINAL	CONNECTOR	CODE	TERMINAL		
OV	*2571 1490 2471 3664	P	11-A	2471 3216	24701633	MTC-1	1471 5635	1940 9598
OV	" "	"	11-1	" "	" "	MTC-2	" "	" "
+12V	" "	"	11-B	" "	" "	MTC-3	" "	" "
OV	" "	"	11-2	" "	" "	MTC-4	" "	" "
-12V	" "	"	11-C	" "	" "	MTC-5	" "	" "
R2	" "	"	11-X	" "	" "	MTC-10	" "	" "
TRWL	" "	"	11-E	2105 5223	" "	MTC-15	1472 0726	1944 3191
TWIL	" "	"	11-F	" "	" "	MTC-14	" "	3000 0970
OV	" "	"	11-6	" "	" "	MTC-9	" "	" "
TWCP	" "	"	11-H	" "	" "	MTC-13	" "	3000 0970
OV	" "	"	11-7	" "	" "	MTC-8	" "	" "
RCL	" "	"	11-J	" "	" "	MTC-16	" "	1944 3191
TML	" "	"	11-K	" "	" "	MTC-17	" "	" "
HSL	" "	"	11-L	" "	" "	MTC-18	" "	" "
FOL	" "	"	11-M	" "	" "	MTC-19	" "	" "
BOL	" "	"	11-N	" "	" "	MTC-20	" "	" "
OV	" "	"	11-14	" "	" "	MTC-7	" "	3000 0970
TRCP	" "	"	11-R	" "	" "	MTC-12	" "	" "

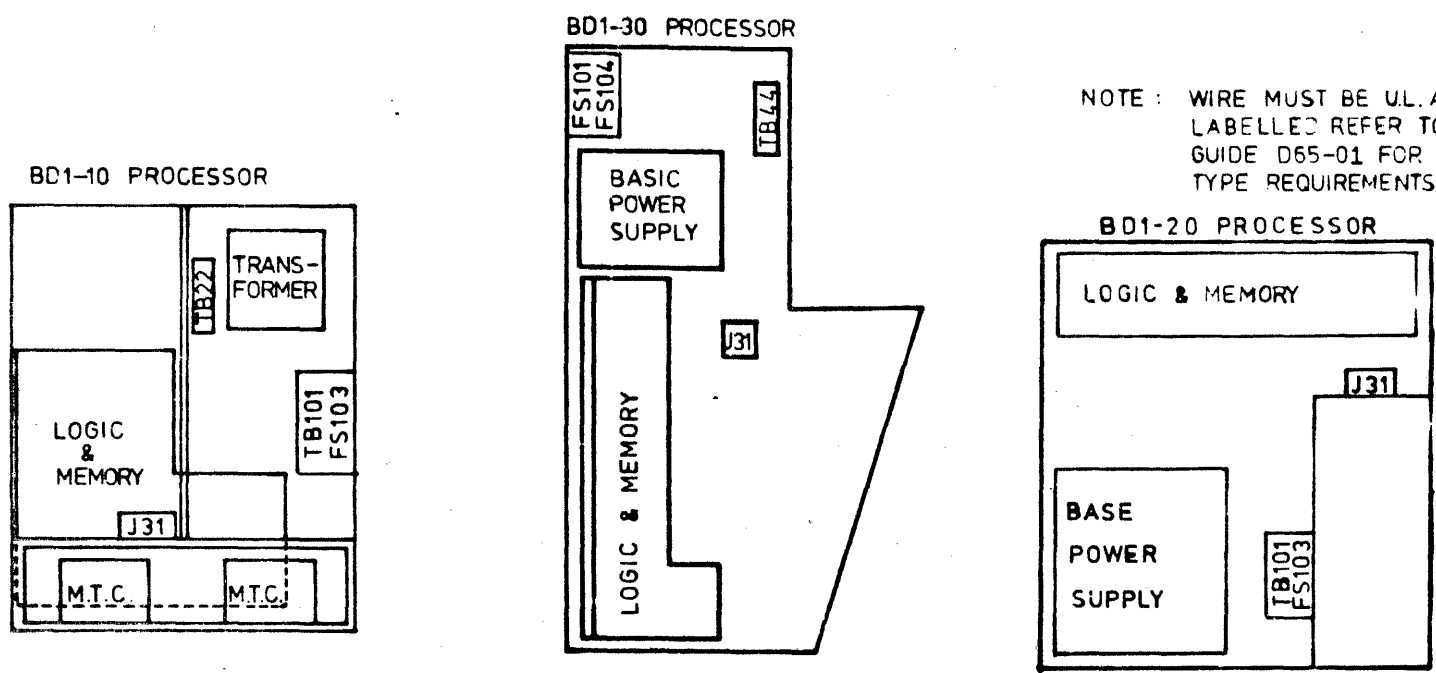
★ PLYMOUTH JM
 ENGINEERING
 INSTRUCTION
 PROJECT 56702
 GROUP 1034
 DATE 5-13-77 MFG

BURROUGHS MACHINES LTD		PROPRIETARY TO BURROUGHS - NOT TO BE REPRODUCED OR USED FOR MANUFACTURING PURPOSES EXCEPT ON BURROUGHS ORDER OR PRIOR WRITTEN CONSENT				DESIGN CONTROL	DWG No.	REV.
TIMBERNAULT ST. JACQUES						308	2797 0276	B
DESIGN OR ENG	DATE	DRAWN	DATE	APPROVED	DATE	TITLE: "T.C. HARNESS. (MALE JACK SCREW)		
		C.B.	Nov. 20, 76					
CHECKED BY	DATE	COMPONENTS	DATE	CLASS CODE	DWG SIZE	DWG TYPE	SHEET	RELEASED
Jordan						WL	5 OF 5	DEC 10 76
SIGNAL NAME	FROM				TO			WIRE
	CONNECTOR	CODE	TERMINAL	CONNECTOR	CODE	TERMINAL		
CSL	*2571 1490 2471 3664	P	11-P	2105 5223	24701633	MTC-21	1472 0726	1944 3191
TRIP	" "	"	11-S	" "	" "	MTC-11	" "	3000 0970
OV	" "	"	11-15	" "	" "	MTC-6	" "	" "
CLPL	" "	"	11-T	" "	" "	MTC-22	" "	1944 3191
TRRL	" "	"	11-U	" "	" "	MTC-23	" "	" "
TRRL	" "	"	11-V	" "	" "	MTC-24	" "	" "
TRRL	" "	"	11-W	" "	" "	MTC-25	" "	" "

BURROUGHS MACHINES LTD DUMFRIES & GALLOWAY SCOTLAND		PROPRIETARY TO BURROUGHS - NOT TO BE REPRODUCED OR USED FOR MANUFACTURING PURPOSES EXCEPT ON BURROUGHS ORDER OR PRIOR WRITTEN CONSENT				DESIGN CONTROL 308	DWG No. 2574 2867	REV. C
DESIGNED BY	DATE	DRAWN C.S.	DATE 15-8-76	APPROVED	DATE	TITLE - SELFSCAN AC. HARNESS		
CHECKED BY	DATE	COMPONENTS	DATE	CLASS CODE 2-1522	DWG. SIZE	DWG. TYPE	SHEET 1 OF 5	RELEASED - SEPT-10-76
							ECN 00134	
							ECN 00534	B
							C.B JAN. 27.77 SHEET 4 ALTERED	
							ECN 01220	C
							A.R OCT. 7, 77 SHTS. 2,3 & 4 ALTERED	
							SHT. 5 ADDED	

BURROUGHS MACHINES LTD DUMFRIES & GALLOWAY SCOTLAND		PROPRIETARY TO BURROUGHS - NOT TO BE REPRODUCED OR USED FOR MANUFACTURING PURPOSES EXCEPT ON BURROUGHS ORDER OR PRIOR WRITTEN CONSENT				DESIGN CONTROL 308	DWG No. 2574 2867	REV. C
DESIGNED BY	DATE	DRAWN C.S.	DATE 15-8-76	APPROVED	DATE	TITLE - SELFSCAN AC. HARNESS		
CHECKED BY	DATE	COMPONENTS	DATE	CLASS CODE 2-1522	DWG. SIZE	DWG. TYPE	SHEET 2 OF 5	RELEASED - SEPT-10-76
<div style="display: flex; align-items: center; justify-content: center;"> <div style="border: 1px solid black; padding: 5px; margin-right: 20px;">J31</div> <div style="border: 1px solid black; padding: 5px; margin-right: 20px;">—</div> <div style="border: 1px solid black; padding: 5px;"> TB22 & E2 ON BD1-10 (OLD P.S.) TB44 & SH8 ON BD1-30/C.S.P.S. TB101 FS103 & SH7 ON BD1-10/20 (PLYMOUTH P.S.) FS101, FS104 & SH9 ON BD1-30 (PLYMOUTH P.S.) </div> <div style="margin-left: 20px;">ON AC. DISTRIBUTION</div> </div>								

BURROUGHS MACHINES LTD CUMBERNAULD SCOTLAND		PROPRIETARY TO BURROUGHS - NOT TO BE REPRODUCED OR USED FOR MANUFACTURING PURPOSES EXCEPT ON BURROUGHS ORDER OR PRIOR WRITTEN CONSENT				DESIGN CONTROL 308	DWG No. 2574 2867	REV. C
DESIGN OR ENG	DATE C.S.	DRAWN 15-8-76	DATE	APPROVED	DATE	TITLE - SELFSCAN AC. HARNESS		
CHECKED BY	DATE	COMPONENTS	DATE	CLASS CODE 2-1522	DWG. SIZE	DWG. TYPE W.L.	SHEET 3 OF 5	RELEASED - SEPT-10-76



NOTE: WIRE MUST BE U.L. AND C.S.A. LABELLED REFER TO APPLICATION GUIDE D65-01 FOR STYLE AND TYPE REQUIREMENTS

NOTE:- TERMINATIONS MUST MEET SPECIFICATION DRAWING 81F.

BURROUGHS MACHINES LTD CUMBERNAULD SCOTLAND		PROPRIETARY TO BURROUGHS - NOT TO BE REPRODUCED OR USED FOR MANUFACTURING PURPOSES EXCEPT ON BURROUGHS ORDER OR PRIOR WRITTEN CONSENT				DESIGN CONTROL 308	DWG No. 2574 2867	REV. C
DESIGN OR ENG	DATE C.S.	DRAWN 15-8-76	DATE	APPROVED <i>JWS</i>	DATE 16 Aug 76	TITLE - SELFSCAN AC. HARNESS		
CHECKED BY	DATE	COMPONENTS	DATE	CLASS CODE 2-1522	DWG. SIZE	DWG. TYPE W.L.	SHEET 4 OF 5	RELEASED - SEPT-10-76

SIGNAL NAME	CONNECTOR	FROM CODE	TERMINAL	CONNECTOR	TO CODE	TERMINAL	WIRE
BD1-10 CONNECTIONS (WITH OLD P.S.U)							
LINE	1471 9900	J3-H	1472 0726	NONE	TB22-B3X	1471 9892	
NEUT	" "	-K	" "	"	-A2X	" "	2574 2719
GND	" "	-R	" "	"	E 2	3000 0798 1321 9159	
SCREEN	---	---	NO CONNECTION	"			
BD1-30 CONNECTIONS (WITH CORAL SPRINGS P.S.U)							
LINE	1471 9900	J3-H	1472 0726	"	TB44-A7X	1471 9892	
NEUT	" "	-K	" "	"	-A2Y	" "	2574 2719
GND	" "	-R	" "	"	SH8	3000 0798 1321 9159	
SCREEN	---	---	---	"			

BURROUGHS MACHINES LTD CUMBERNALL SCOTLAND		PROPRIETARY TO BURROUGHS - NOT TO BE REPRODUCED OR USED FOR MANUFACTURING PURPOSES EXCEPT ON BURROUGHS ORDER OR PRIOR WRITTEN CONSENT.				DESIGN CONTROL 308	DWG No. 2574 2867	REV. C
DESIGN OR ENG	DATE C.S.	DRAWN 15-8-76	DATE	APPROVED <i>J. H. S.</i>	DATE <i>17 Aug 76</i>	TITLE - SELFSCAN A.C. HARNESS		
CHECKED BY	DATE	COMPONENTS <i>Be. Jones</i>	DATE <i>17 Aug 76</i>	CLASS CODE 2-1522	DWG SIZE	DWG TYPE	SHEET 5 OF 5	RELEASED - SEPT-10-76
SIGNAL NAME	FROM			TO			WIRE	
	CONNECTOR	CODE	TERMINAL	CONNECTOR	CODE	TERMINAL		
BD1-10 CONNECTIONS (WITH PLYMOUTH P.S.U)								
LINE	1471 9900	J3-H	1472 0726	NONE	FS103-1X	1471 9892		
NEUT	" "	-K	" "	"	TB101-B6Y	" "	2574 2719	
GND	" "	-R	" "	"	SH7	3000 0798 1321 9159		
SCREEN	—	—	NO CONNECTION	"				
BD1-20 CONNECTIONS (WITH PLYMOUTH P.S.U)								
LINE		J3-H	1472 0726	"	FS103-2X	1471 9892		
NEUT		-K	"	"	TB101-B4Y	" "	2574 2719	
GND		-R	"	"	SH7	3000 0798 1321 9159		
SCREEN		—	—	"				
BD1-30 CONNECTIONS (WITH PLYMOUTH P.S.U)								
LINE		J3-H	1472 0726	"	FS104-1X	1471 9892		
NEUT		-K	"	"	FS101-2Y	" "	2574 2719	
GND		-R	"	"	SH9	3000 0798 1321 9159		
SCREEN		—	—	"				

<small>PROPRIETARY TO BURROUGHS - NOT TO BE REPRODUCED OR USED FOR MANUFACTURING PURPOSES EXCEPT ON BURROUGHS ORDER OR WITH WRITTEN CONSENT</small>						DESIGN CONTROL 308	DWG No. 2571 6572	REV B
DRAWN DW	DATE APR 15-75	APPROVED <i>[Signature]</i>	DATE 11/5/75	TITLE - DATA COMM. HARNESS - C		SHEET 1 OF 5		RELEASED - APRIL 15-75
RECEIVED BY	DATE	COMMENTS	DATE	CLASS CODE 2-1522	DWG SIZE A	DWG TYPE WL	P.B. NOV. 3-75 SHEETS 4&5 ALTERED	

<small>PROPRIETARY TO BURROUGHS - NOT TO BE REPRODUCED OR USED FOR MANUFACTURING PURPOSES EXCEPT ON BURROUGHS ORDER OR WITH WRITTEN CONSENT</small>						DESIGN CONTROL 308	DWG No. 2571 6572	REV B
DRAWN DW	DATE APR 15-75	APPROVED <i>[Signature]</i>	DATE 11/5/75	TITLE - DATA COMM. HARNESS - C		SHEET 2 OF 5		RELEASED APRIL 15-75
RECEIVED BY	DATE	COMMENTS	DATE	CLASS CODE 2-1522	DWG SIZE A	DWG TYPE WL	NOTE:- TERMINATIONS MUST MEET SPECIFICATION DRAWING 81F WIRE MUST BE U.L. AND C.S.A. LABELED REFER TO APPLICATION GUIDE D65-01 FOR STYLE AND TYPE REQUIREMENTS.	

PROCESSOR CONSOLE

D.C. CONNECTOR IN POSITION SHOWN ON MACHINE BACKPLANE MAP.

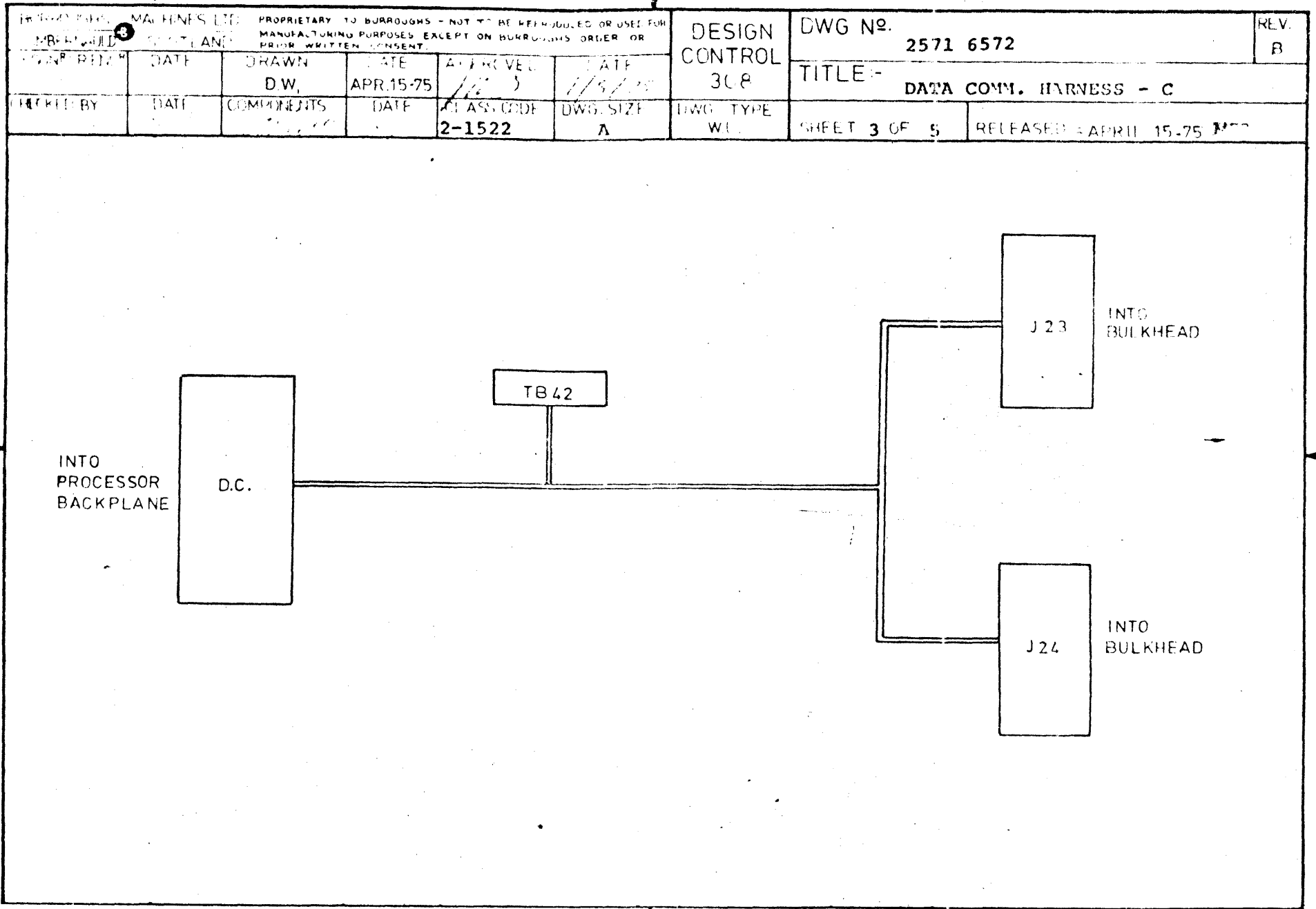
BACKPLANE

TB42

J23 & J24 ON 'OPERATOR DISCONNECT' CONNECTOR PANEL

NOTE:-
TERMINATIONS MUST MEET SPECIFICATION DRAWING 81F

WIRE MUST BE U.L. AND C.S.A. LABELED REFER TO APPLICATION GUIDE D65-01 FOR STYLE AND TYPE REQUIREMENTS.



BURROUGHS MACHINES LTD SCOTLAND		PROPRIETARY TO BURROUGHS - NOT TO BE REPRODUCED OR USED FOR MANUFACTURING PURPOSES EXCEPT ON BURROUGHS ORDER OR PRIOR WRITTEN CONSENT.				DESIGN CONTROL 308	DWG No. 2571 6572	REV. B
DATE	DRAWN D.W.	DATE	APPROVED	DATE		TITLE:- DATA COMM. HARNESS - C		
11/5/75		APR.15-75	<i>[Signature]</i>	11/5/75		SHEET 4 OF 5		
HECKED BY	DATE	COMPONENTS	DATE	CLASS CODE	DWG SIZE	DWG TYPE	RELEASED - APRIL 15-75	
				2-1522	A	WL		

SIGNAL NAME	FROM			TO			WIRE
	CONNECTOR	CODE	TERMINAL	CONNECTOR	CODE	TERMINAL	
SLSTBYD	1472 3498	DC-1	1472 0726	1473 3422	J24-V	1472 0726	1944 3191
DSRU	" "	DC-2	" "	1473 3430	J23-Y	" "	
RCARU	" "	DC-3	" "	" "	J23-K	" "	
DSRD	" "	DC-5	" "	1473 3422	J24-Y	" "	"
CLRSNDD	" "	DC-6	" "	" "	J24-x	" "	"
RCARD	" "	DC-7	" "	" "	J24-r	" "	
CLRSNDU	" "	DC-9	" "	1473 3430	J23-S	" "	"
TRDATAD	" "	DC-10	" "	1473 3422	J24-III	" "	"
RCDATAU	" "	DC-11	" "	1473 3430	J23-X	" "	"
SLSTBYU	" "	DC-13	" "	" "	J23-V	" "	"
TRCLKU	" "	DC-15	" "	" "	J23-T	" "	
RCCLKU	" "	DC-16	" "	" "	J23-BB	" "	
TRCLKD	" "	DC-17	" "	1473 3422	J24-T	" "	
RCCLKD	" "	DC-18	" "	" "	J24-BB	" "	
TRDATAU	" "	DC-19	" "	1473 3430	J23-Z	" "	
RCARI	" "	DC-21	" "	1471 8829 REF	TB42-A2Y	1471 9892	
RCDATAD	" "	DC-22	" "	1473 3422	J24-EE	1472 0726	
SLCLKDD	" "	DC-23	" "	" "	J24-n	" "	

ORIGINAL

2797 2512

A

D.G. MAR-9-77 C.S. MAR-9-77

KEYBOARD & DISPLAY HARNESS

MAR-17-77 2-1522 A

1 of 6

APRIL 1-77 MFG.

ER. 00686
C.S. APR-1-77 MFG.

ORIGINAL

2797 2512

A

D.G. MAR-9-77 C.S. MAR-9-77

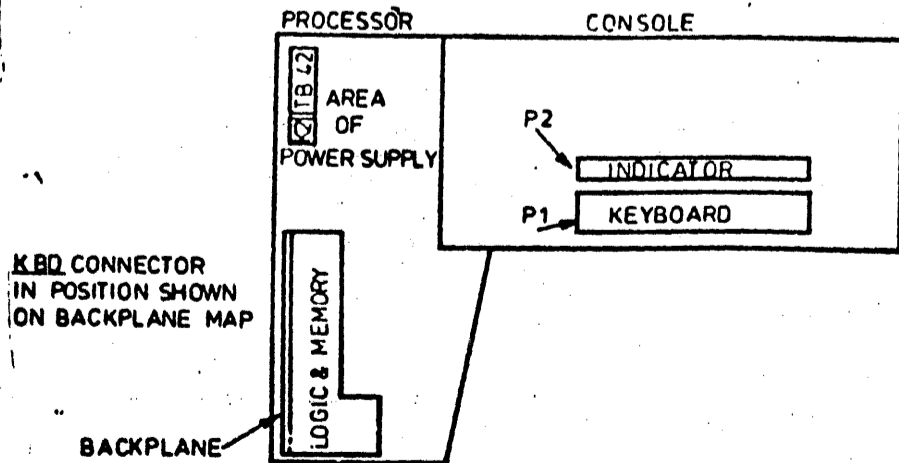
KEYBOARD & DISPLAY HARNESS.

MAR-17-77 2-1522 A

2 of 6

APR. 1-77

MFG.



NOTE:-

1. TERMINATIONS MUST MEET SPECIFICATION DRAWING 81F.
2. WIRE MUST BE U.L. AND C.S.A. LABELED REFER TO APPLICATION GUIDE D65-01 FOR STYLE AND TYPE REQUIREMENTS.
3. POL KEY 2571 2092(2)
POSITION 6 ON P2
POSITION 13 ON P1
4. TENSION PINS 1534 3957(3)
POSITION 7 ON P1
POSITION 7 ON P2
POSITION H ON P2

ORIGINAL

2797 2512

A

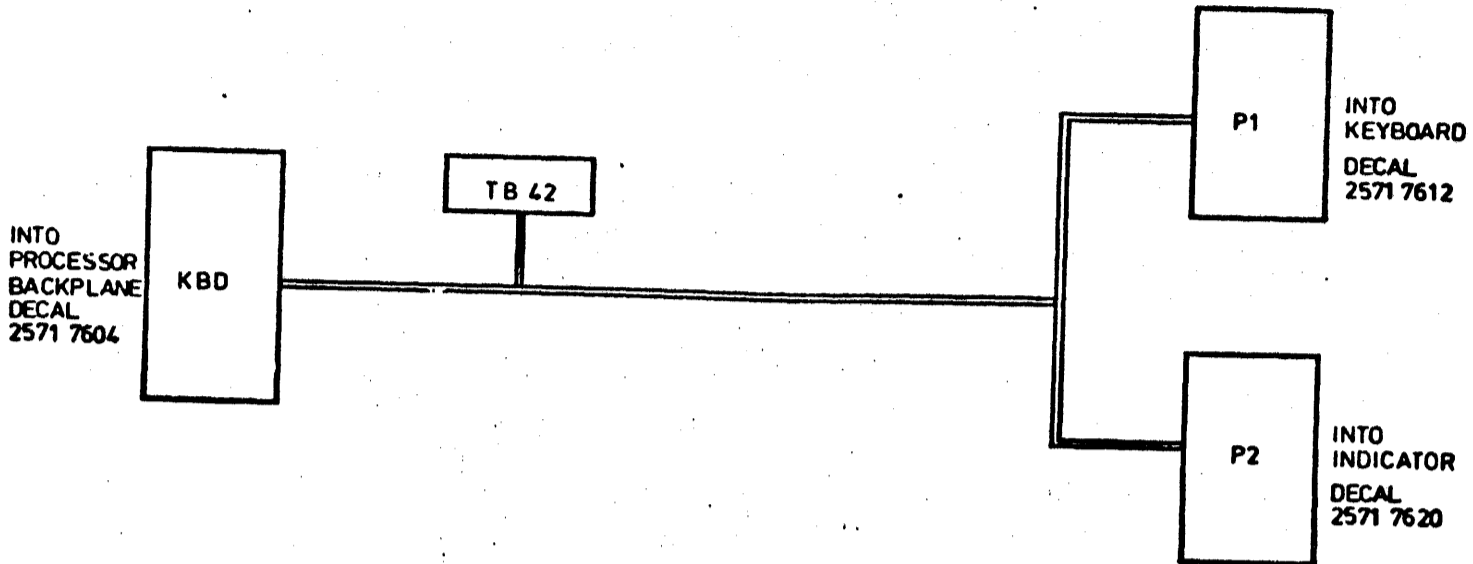
D.G. MAR-9-77 CS. MAR-9-77

KEYBOARD & DISPLAY HARNESS.

3 of 6 2-1522 A

3 of 6

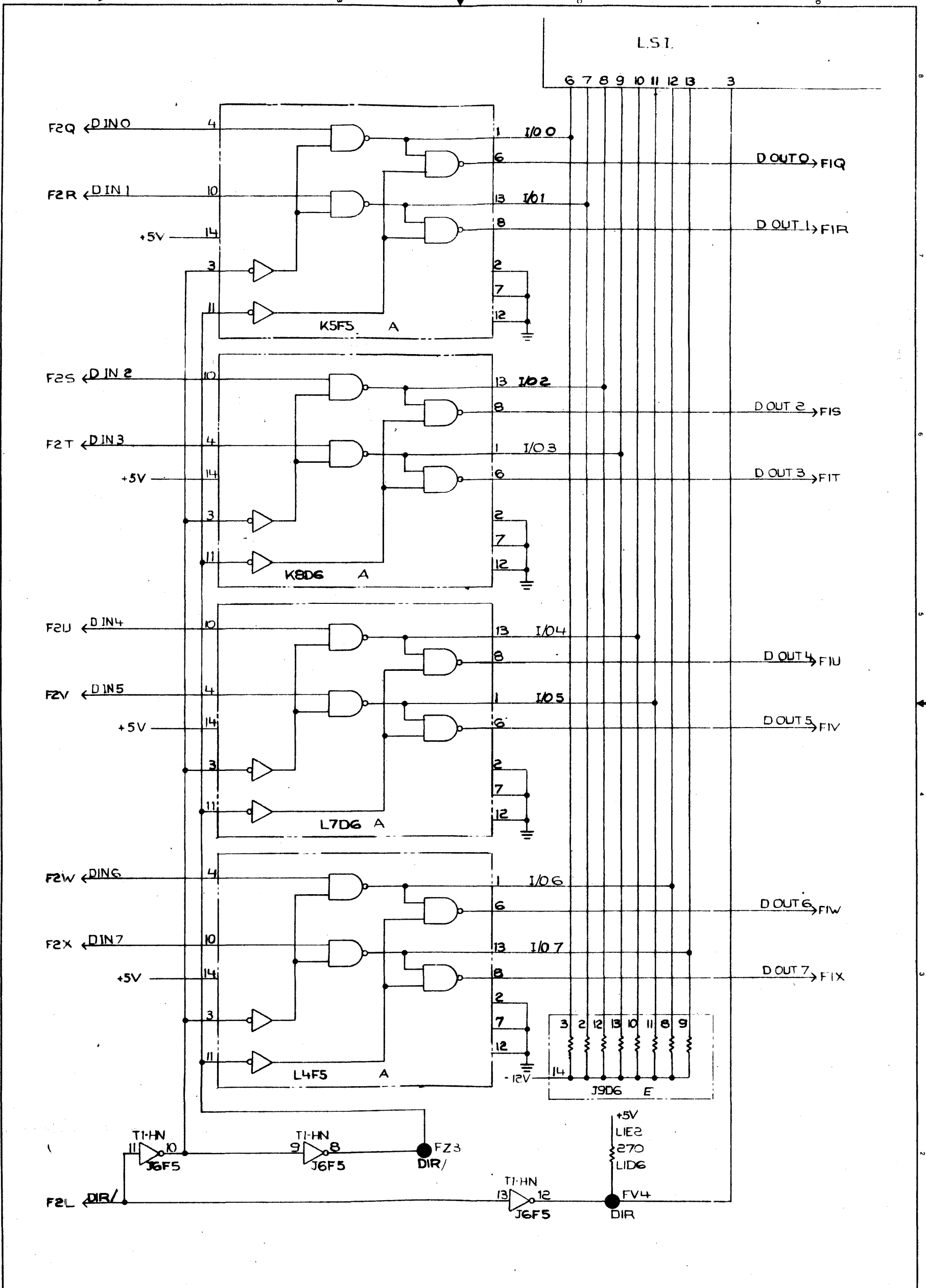
APRIL 1-77 MFG.



2797 2512

ORIGINAL

BURROUGHS MACHINES LTD CLUMBERNAULD SCOTLAND		PROPRIETARY TO BURROUGHS - NOT TO BE REPRODUCED OR USED FOR MANUFACTURING PURPOSES EXCEPT ON BURROUGHS ORDER OR PRIOR WRITTEN CONSENT.				DESIGN CONTROL 308	DWG NO. 2797 2512	REV. A
DESIGNED BY	DATE	DRAWN	DATE	APPROVED	DATE	TITLE:- KEYBOARD & DISPLAY HARNESS		
Checked by	MAR 17 77	SS	MAR 11 77			DWG. TYPE W.L.	SHEET 3 OF 6	RELEASED:- APRIL 1-77 MFG.
SIGNAL NAME	CONNECTOR	FROM CODE	TERMINAL	CONNECTOR	TO CODE	TERMINAL	WIRE	
+5V	1472 3498	KBD-34	1472 0721	2571 0880	P1-5	2105 5223	1944 3191	
0V	"	KBD-32	"	"	P1-11	"	"	
-12V	"	KBD-33	"	"	P1-N	"	"	
PHI-2L	"	KBD-28	"	"	P1-L	"	"	
AVL	"	KBD-7	"	"	P1-14	"	"	
STROBE	"	KBD-11	"	"	P1-F	"	"	
KBD0	"	KBD-17	"	"	P1-C	"	"	
KBD1	"	KBD-12	"	"	P1-C	"	"	
KBD2	"	KBD-10	"	"	P1-J	"	"	
KBD3	"	KBD-17	"	"	P1-F	"	"	
KBD4	"	KBD-15	"	"	P1-A	"	"	
KBD5	"	KBD-16	"	"	P1-D	"	"	
KBD6	"	KBD-8	"	"	P1-K	"	"	
KBD7	"	KBD-14	"	"	P1-H	"	"	
BANK A	"	KBD-40	1071 8864	2571 0880	P2-15	2105 5223	1940 9122	
BANK B	"	KBD-44	"	"	P2-11	"	"	
BANK C	"	KBD-48	"	"	P2-14	"	"	
BANK D	"	KBD-50	"	"	P2-12	"	"	

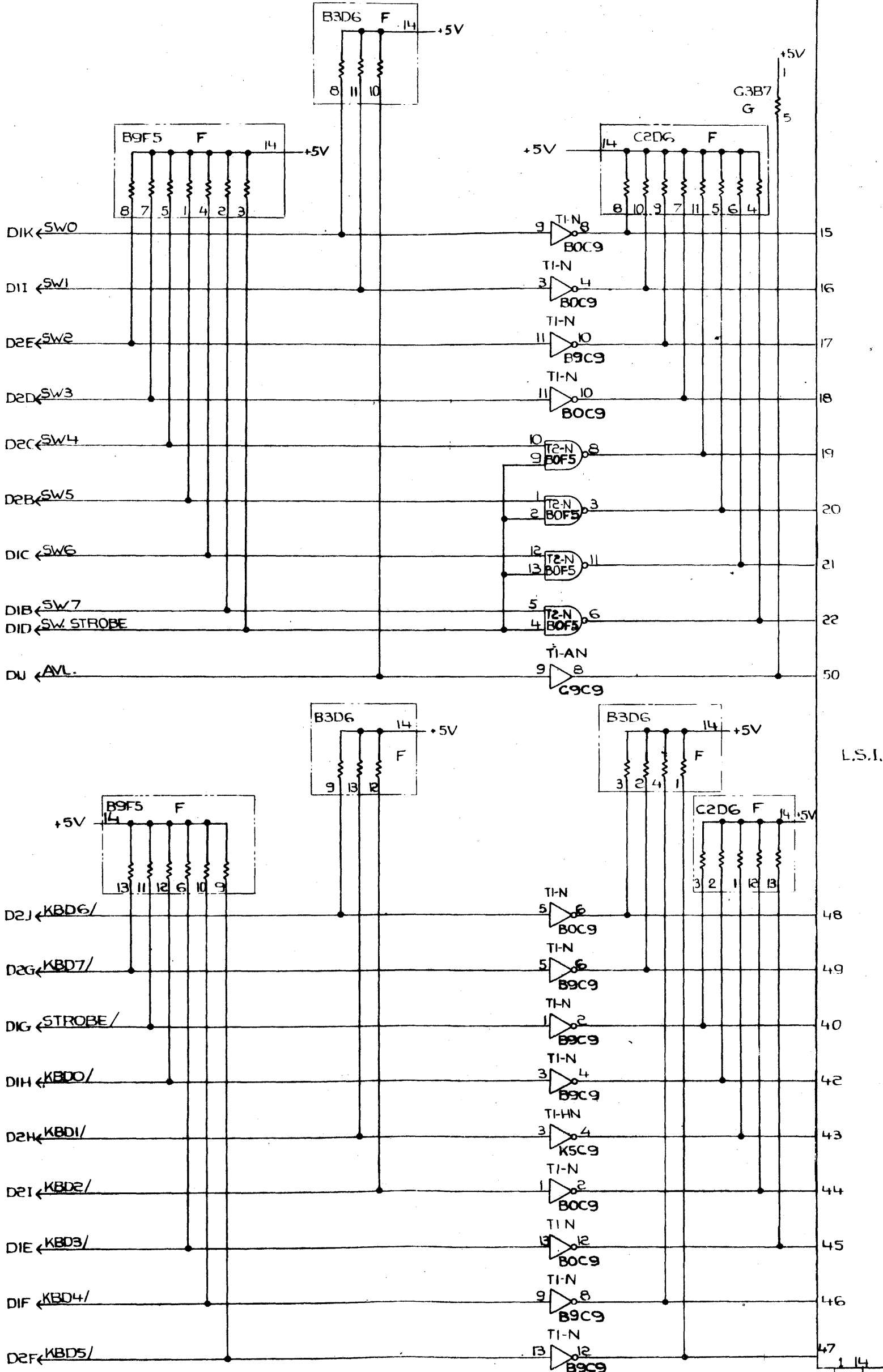


DWG NO
18487983
REV
A

CLASS CODE: 2-9520

Compagnie Belge Burroughs USINE DE SENEFFE SENEFFE BELGIUM		TITLE SCHEMATIC K.S.I. CONTROLLER	
PROPRIETARY TO BURROUGHS CORP - NOT TO BE REPRODUCED, NOR USED FOR MANUFACTURING PURPOSES WITHOUT BURROUGHS ORDER OR PRIOR WRITTEN CONSENT		SYSTEM TC 4000 DRAWN R. EDART APPROVED G. HALTR. AS	DWG NO 1848 7983 CHECKED F. Dumoulin 0807 75 RELEASED 09-10-76 REV LETTER A PAGE 2 of 5



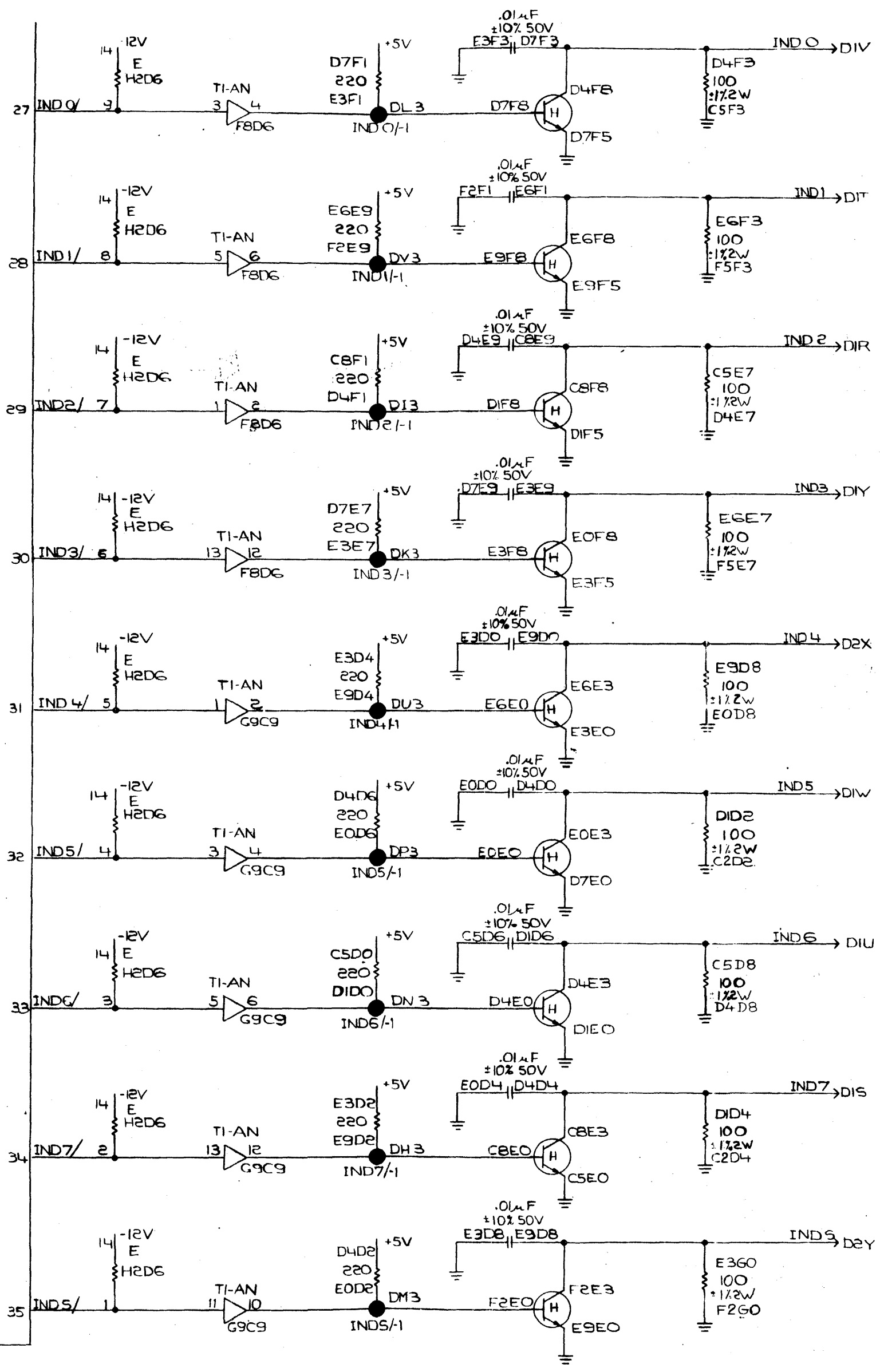


18487983 A REV 3 of 5

CLASS CODE: 2-9520

Compagnie Belge Burroughs		TITLE SCHEMATIC KSI CONTROLLER	
USINE DE SENEFFE		SYSTEM TC 4000	DWG. NO. 18487983
SENEFFE BELGIUM		DRAWN R. EDART	CHECKED <i>F. Dumoulin</i> DROR-25
PROPRIETARY TO BURROUGHS CORP. - NOT TO BE REPRODUCED NOR USED FOR MANUFACTURING PURPOSES EXCEPT ON BURROUGHS ORDER OR PRIOR WRITTEN CONSENT		APPROVED <i>S. M. A. M. A.</i>	RELEASED <i>F. Dumoulin</i> DROR-25
		APPROVED <i>S. M. A. M. A.</i>	REV. LETTER A
		09-10-76	PAGE 3 5

DS

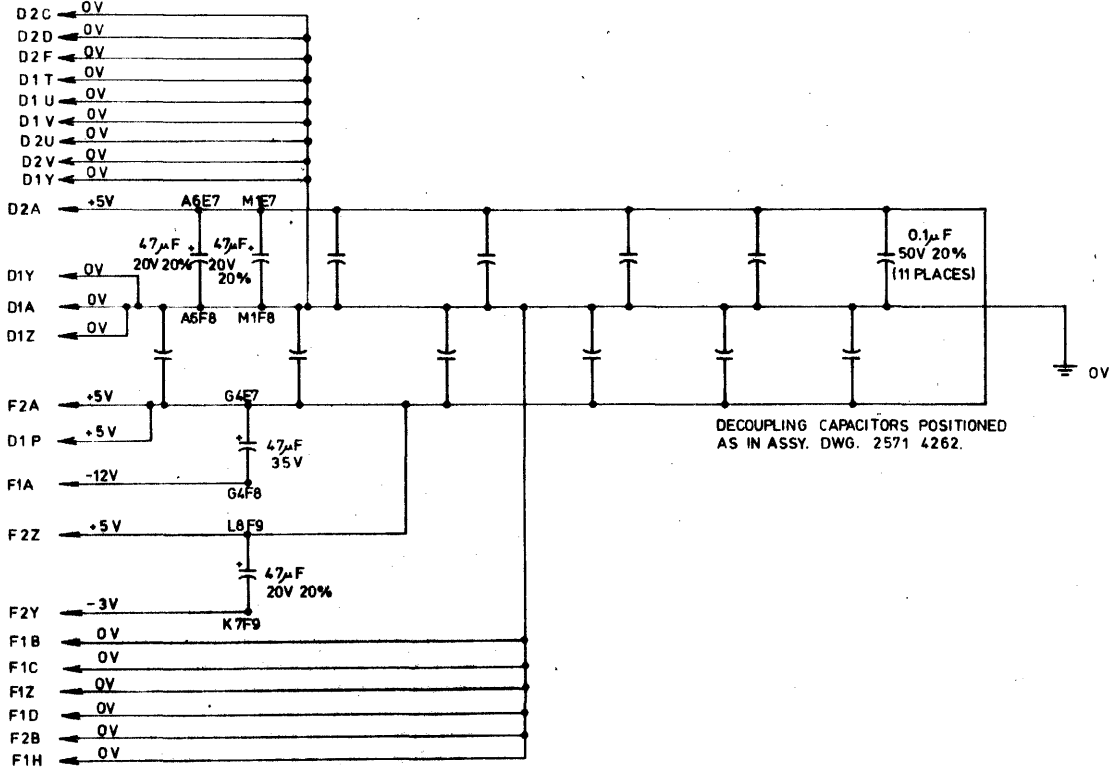
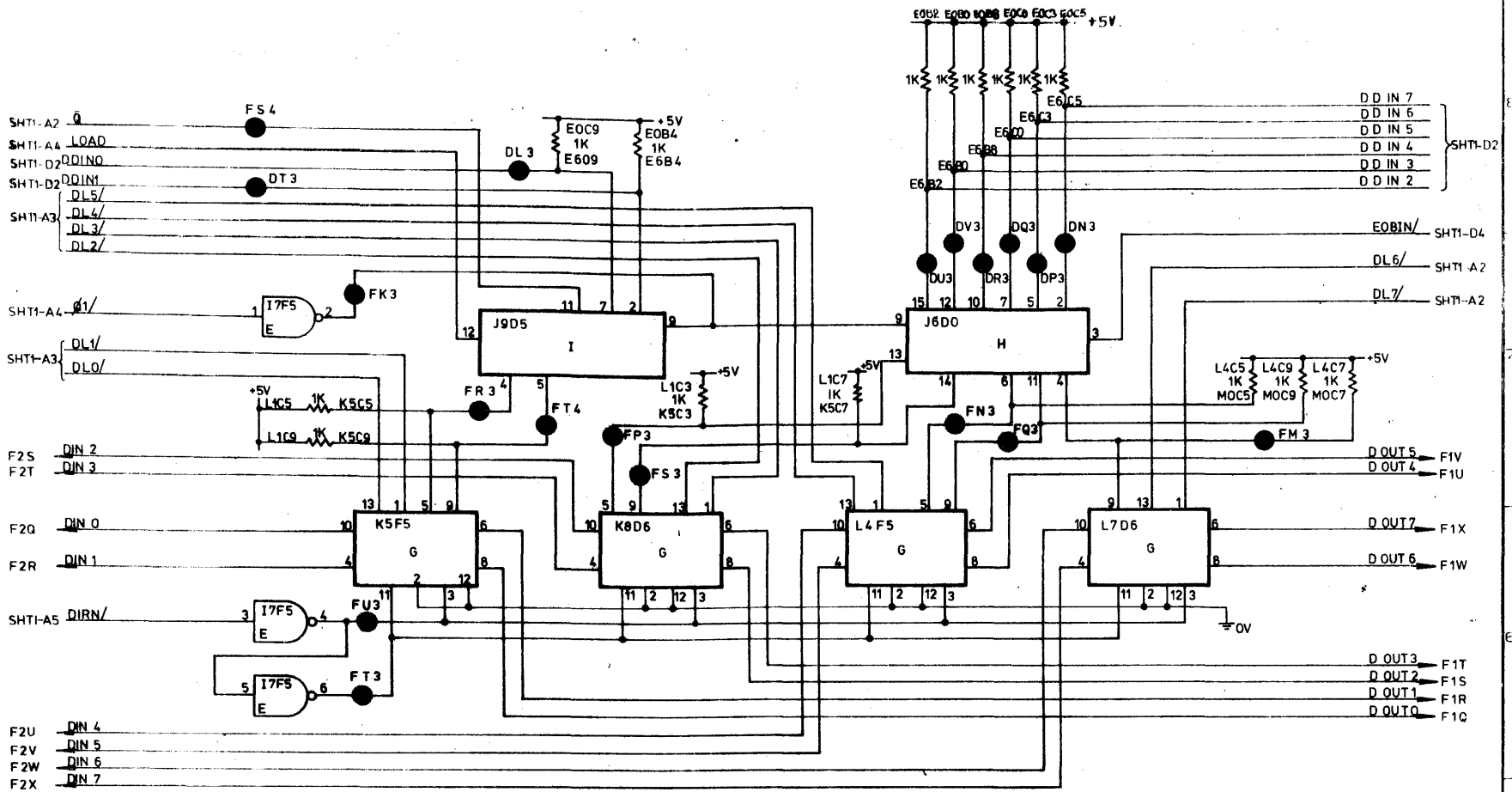


L.S. 1

DWG NO
18487983
REV
A

CLASS CODE: 2-9520

Compagnie Belge Burroughs		TITLE SCHEMATIC K.S.I. CONTROLLER	
USINE DE SENEFFE		SYSTEM TC 4000	
SENEFFE BELGIUM		DRAWN R. EDART	
PROPERTY TO BURROUGHS CORP. - NOT TO BE REPRODUCED OR USED IN MANUFACTURING PURPOSES WITHOUT BURROUGHS CORPORATION PRIOR WRITTEN CONSENT		CHECKED <i>Dumoulin</i>	
		APPROVED <i>S. J. R. A.</i>	
		RELEASED 09-10-76	
		REV LETTER A	
		PAGE 4 of 5	



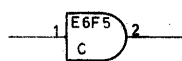
DECOUPLING CAPACITORS POSITIONED AS IN ASSY. DWG. 2571 4262.

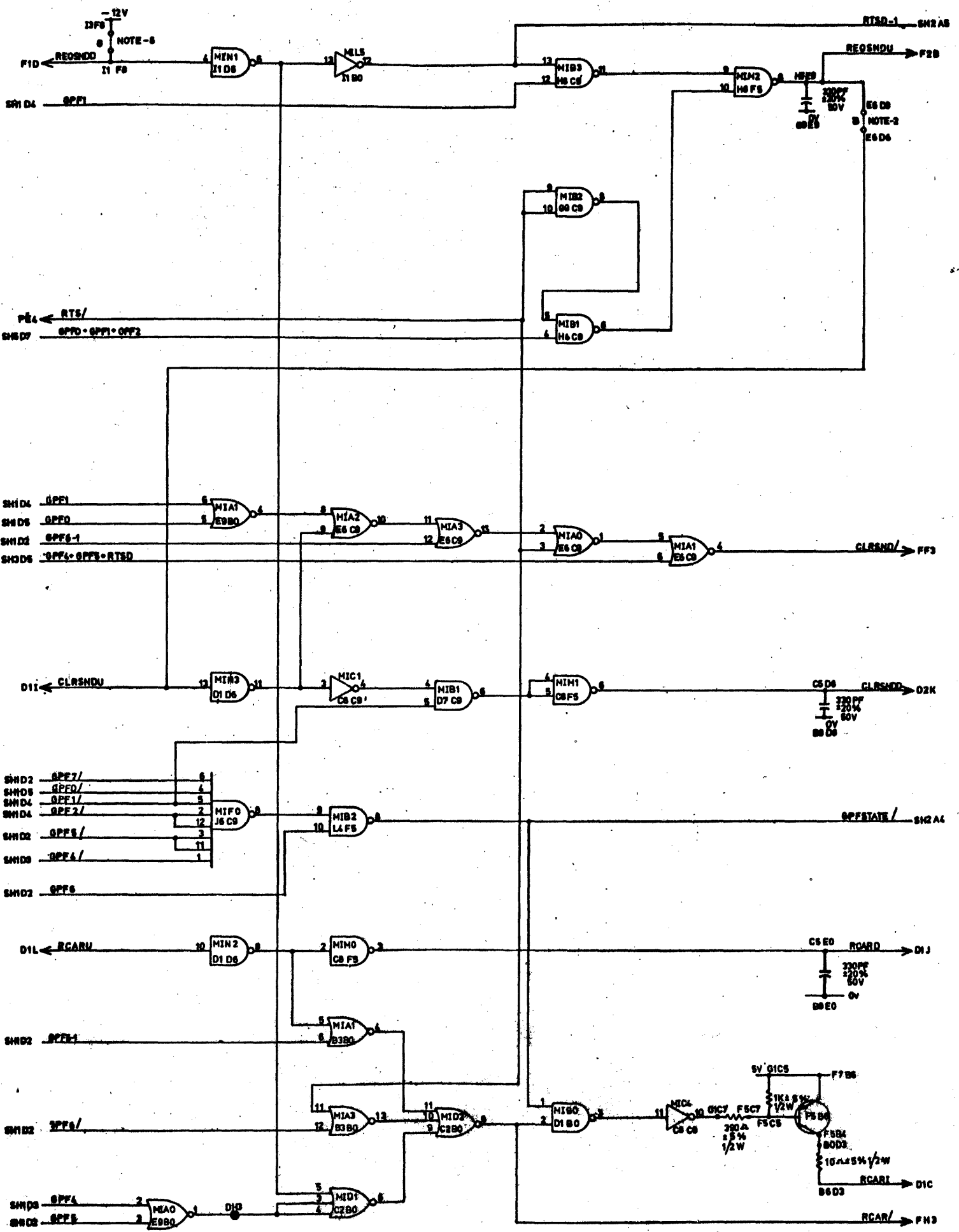
NOTES:-

- 1) FOR ASSEMBLY SEE 2571 4262
- 2) CODES USED FOR COMPONENT PART NUMBERS AS FOLLOWS:-

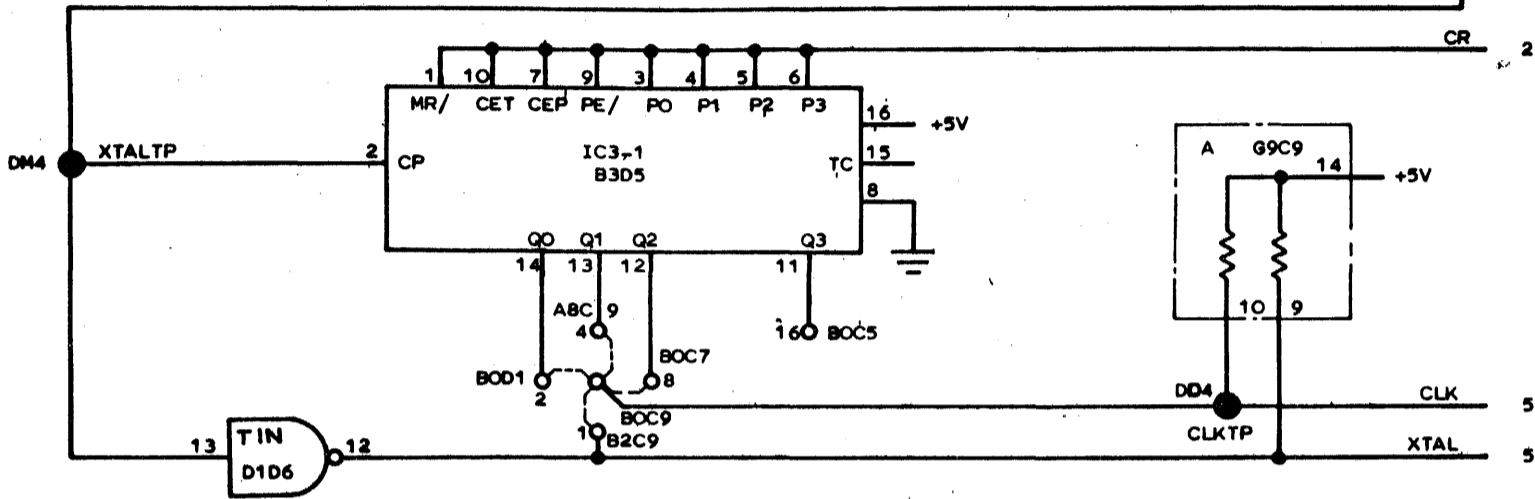
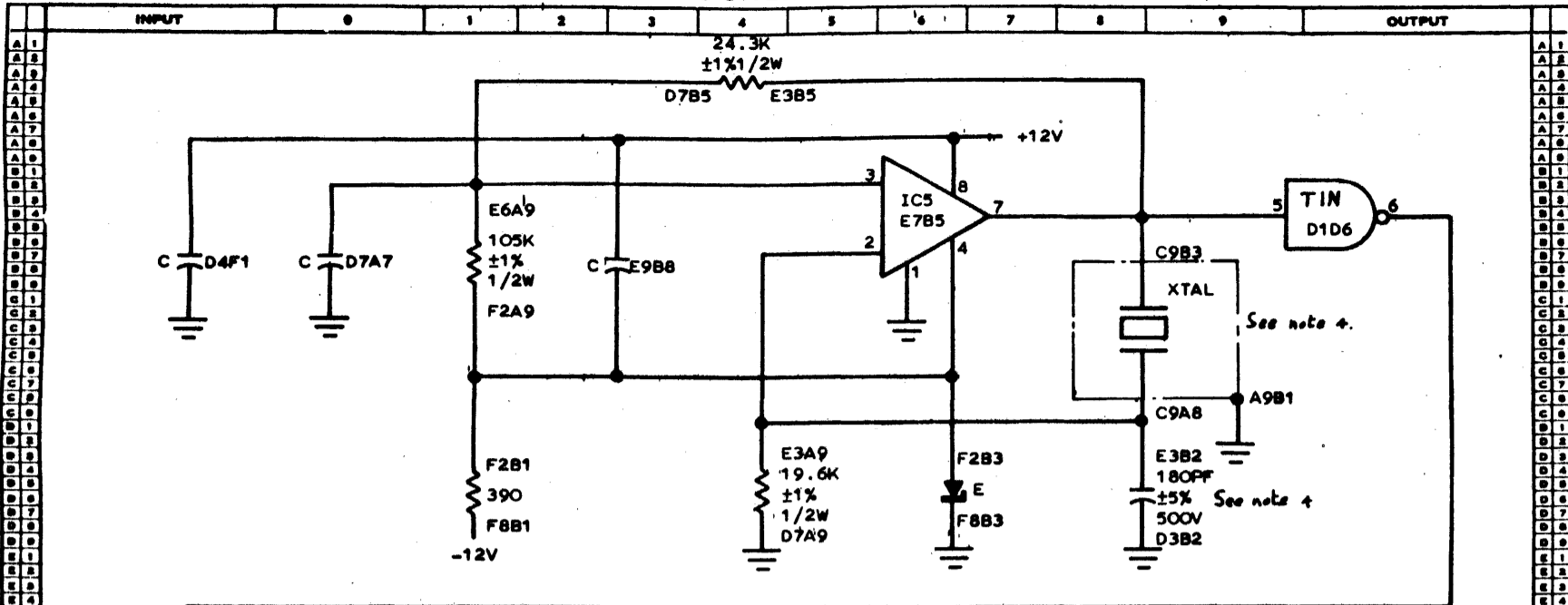
A	1268	6860
B	1447	3532
C	2600	1669
D	1646	5229
E	1479	7971
F	1674	4963
G	2571	0104
H	1449	1260
I	1449	1278
- 3) UNLESS OTHERWISE SPECIFIED RESISTANCE VALUES ARE IN OHMS.
- 4) ALL FRONTPLANE PINS INDICATED WITH AN ASTERISK MUST MATCH WITH FRONTPLANE PINS OF ASSEMBLY LOCATED IN ADJACENT CARD SLOT. SEE APPLICABLE CARD LOCATION CHART.
- 5) WHEN 2 CHANNEL OPERATION REQUIRED REMOVE LINKS AT F2F9, F201 & D7C7, D1C7. WHEN 12 CHANNEL OPERATION REQUIRED REMOVE LINKS AT D7C5, D1C5 & F8F9, F8G1.

SPARES

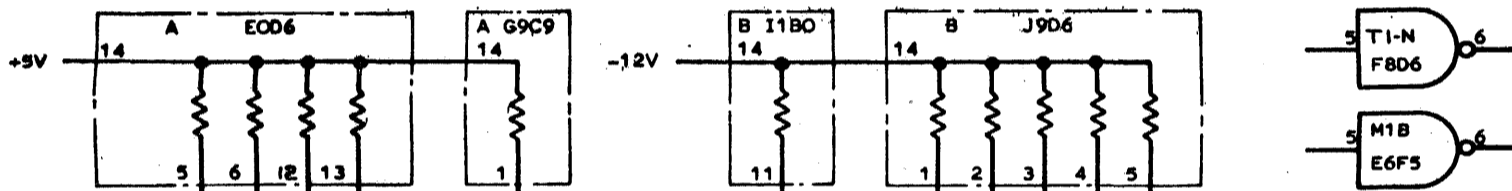




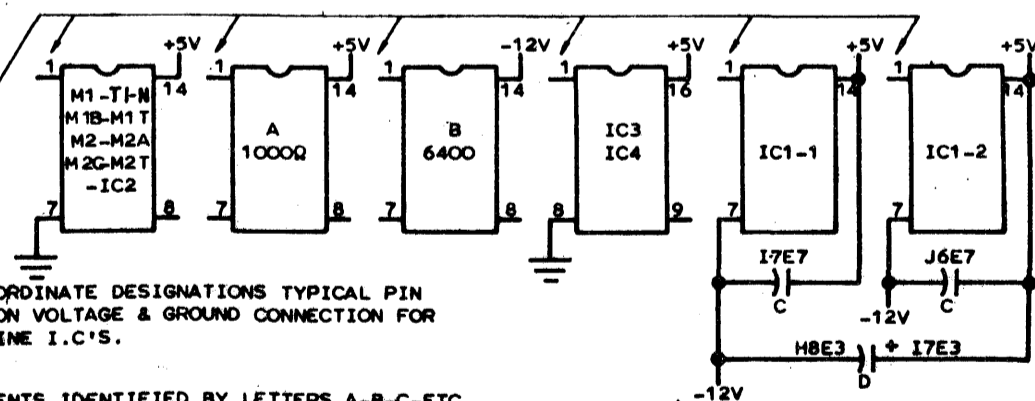
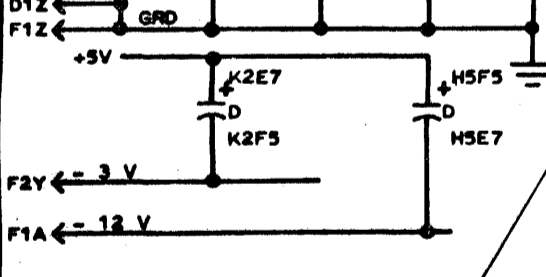
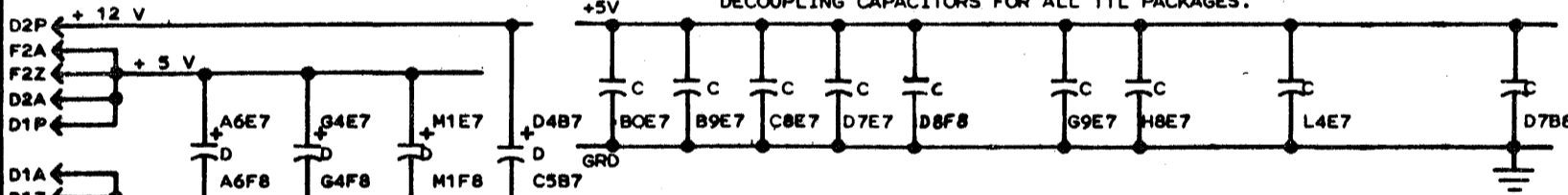
SCHEMATIC



SPARES



DECOUPLING CAPACITORS FOR ALL TTL PACKAGES.



LOGIC CO-ORDINATE DESIGNATIONS TYPICAL PIN ORIENTATION VOLTAGE & GROUND CONNECTION FOR DUAL IN LINE I.C.'S.

NOTES

- 1) COMPONENTS IDENTIFIED BY LETTERS A-B-C-ETC INDICATE PARTS NUMBERS AS FOLLOWS.
- 2) UNLESS OTHERWISE SPECIFIED ALL RESISTANCE VALUES ARE IN OHMS $\pm 5\%$ 1/2W.

I.C. PACKAGES
M1 : 1471 4356
TIN : 1447 3532
M1B : 1674 4963

M1T : 1479 7971
M2 : 1471 4364
M2A : 1447 3516
M2C : 1741 1521
M2T : 1479 0240
IC1 : 1846 5229
IC2 : 2472 2548
IC3 : 1447 3771
IC4 : 2472 5566
IC5 : 1471 4406
LSI : 1845 9875

PAGE	ER : DATE	REV.
1	3-1-75	A
2	3-1-75	A
3	3-1-75	A
4	3-1-75	A
5	3-1-75	A

SOCKET

G : FOR LSI 1532 8123
H : CLOCK DRIVER 1535 4996

RESISTOR PKG

A : 1000R 1846 4610
B : 6400R 1846 5203

CAPA

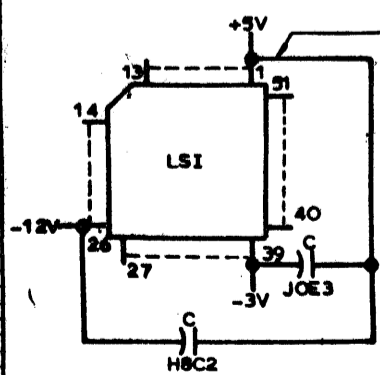
C : $.1\mu F$ +80% 50V : 1846 9627
-20%
D : $6.8\mu F$ $\pm 20\%$ 35V : 1267 9155

DIODE

E : 1471 4687

3) FOR DETAIL SEE 1847 4270 FOR ASS'Y SEE 1847 4262
ELEMENT VALUE DEPENDS ON OPERATION FREQUENCY. SEE SPEC 1847 4268.

USER PLANT 203

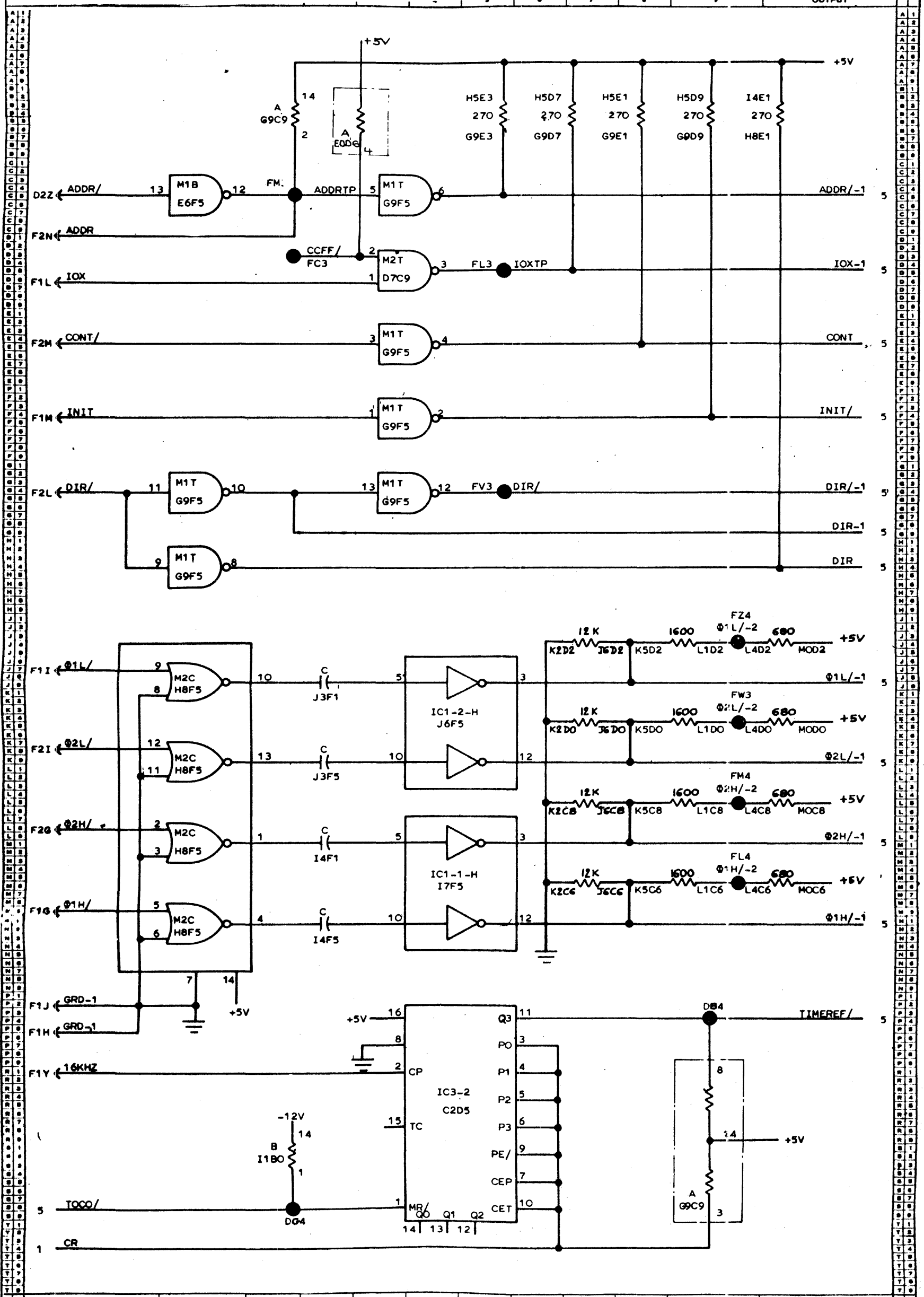


ECN00085
 10-29-76
 NO DWG CHANGE
 REVISION LEVEL
 UPDATE ONLY
 FROM REV TO REV A

Compagnie Belge Burroughs USINE DE SENEFFE SENEFFE BELGIUM	TITLE SCHEMATIC, CARD ADC SYSTEM TC 4000 DRAWN B. RIZZO APPROVED <i>A.S. W</i>	CLASS CODE 2.9520 DWG. NO. 1847 4296 PAGE 1 OF 5. REV. LETTER A
---	---	--

PROPERTY OF BURROUGHS CORP. - NOT TO BE REPRODUCED NOR USED FOR MANUFACTURING PURPOSES EXCEPT ON BURROUGHS ORDER OR PRIOR WRITTEN CONSENT





Compagnie Belge Burroughs

USINE DE SENEFFE



SENEFFE BELGIUM

TITLE SCHEMATIC, CARD ADC
 SYSTEM TC 4000
 DRAWN B. RIZZO
 APPROVED *A.S. Rizzo*

CHECKED T. NGUYEN
 RELEASED 03-07-75

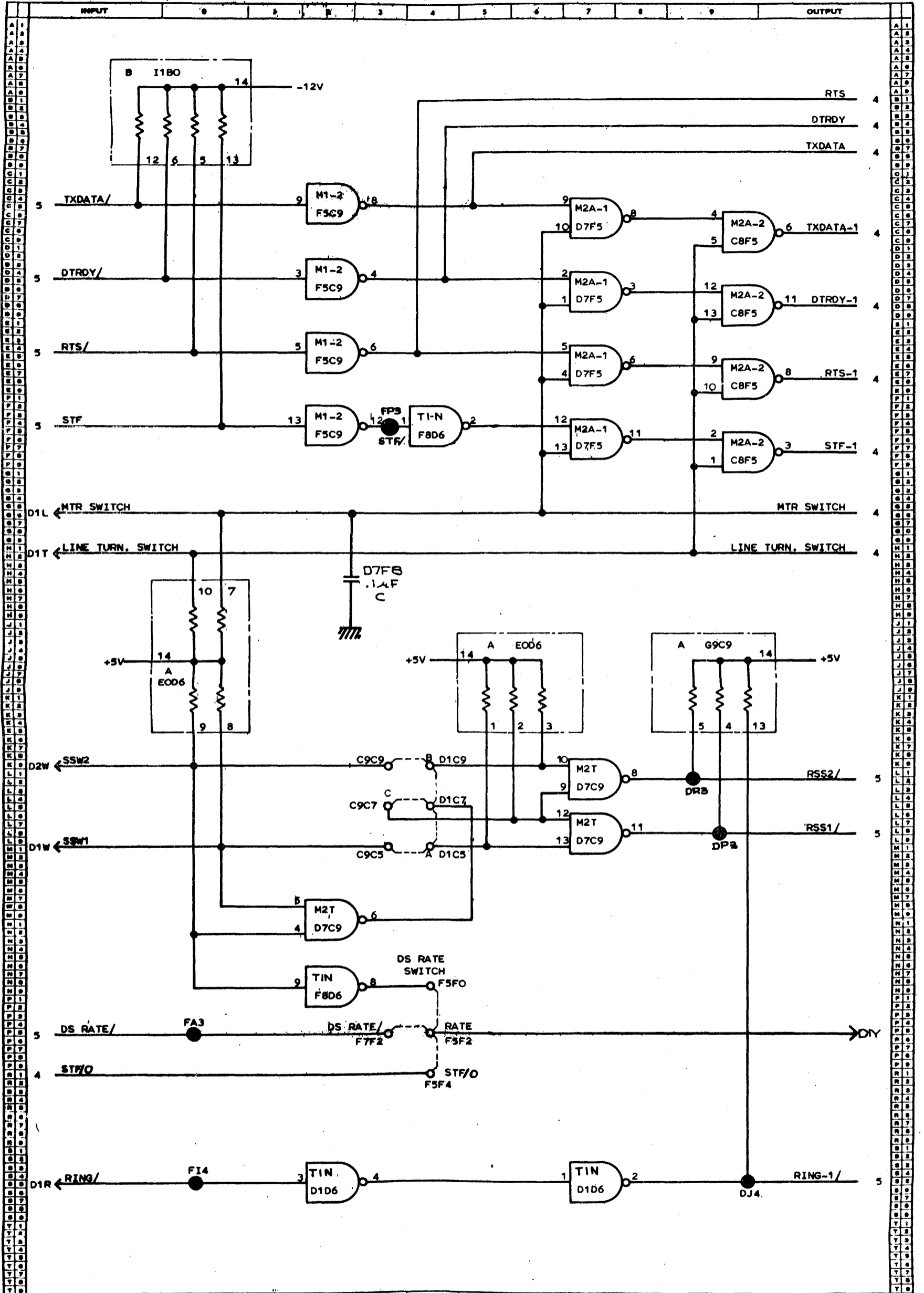
DWG. NO. 1847 4296
 PAGE 2 OF 5.
 REV. LETTER A

PROPERTY OF BURROUGHS CORP. - NOT TO BE REPRODUCED NOR USED FOR MANUFACTURING PURPOSES EXCEPT AS BURROUGHS ORS OR PRIOR WRITTEN CONSENT

MFG

1000 3 70 - B. VANBOVEN, Lab

SCHEMATIC

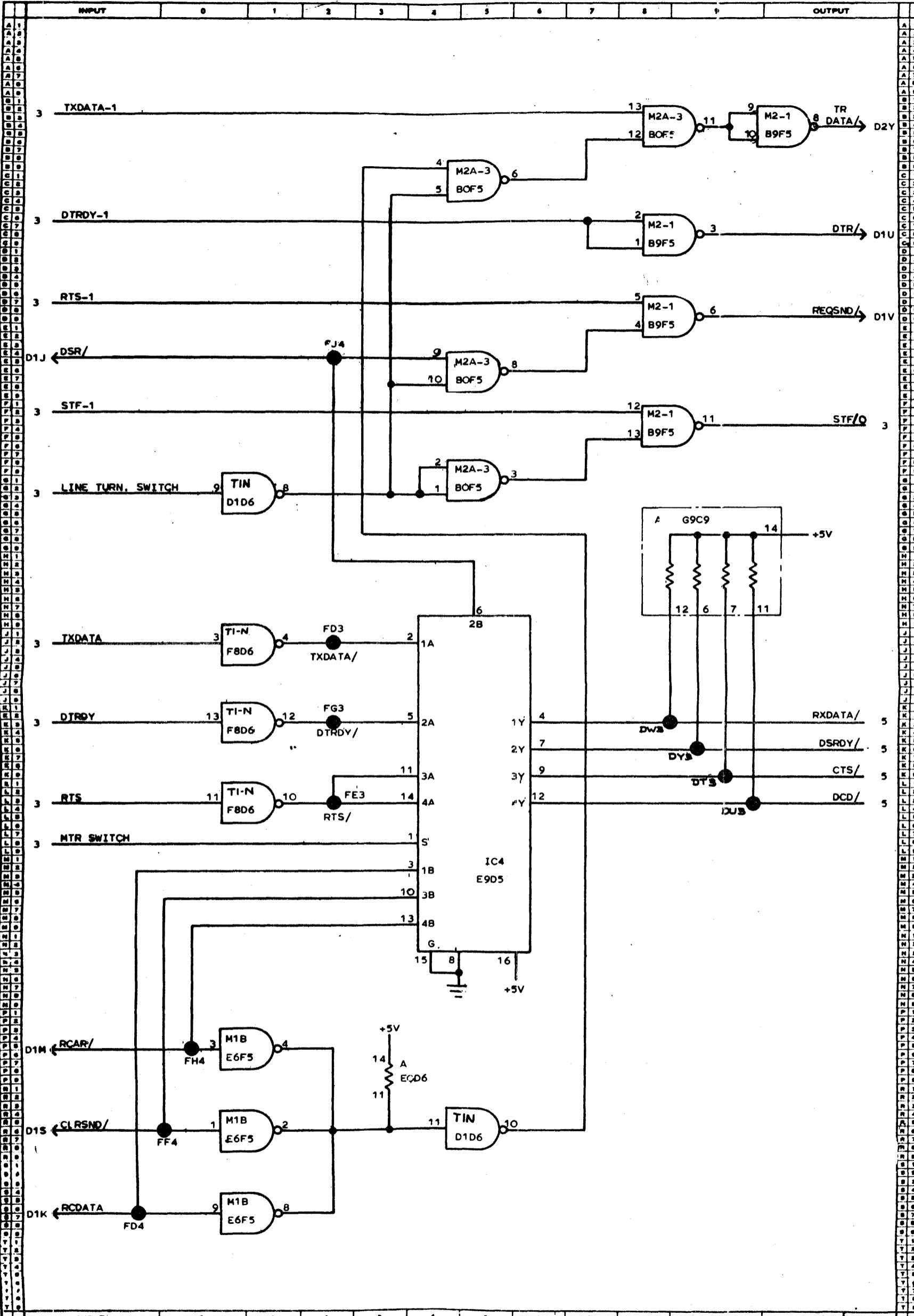


INPUT
0
1
2
3
4
5
6
7
8
9
OUTPUT

Compagnie Belge Burroughs USINE DE SENEFFE SENEFFE BELGIUM	TITLE SCHEMATIC, CARD ADC SYSTEM TC 4000 DRAWN B. RIZZO APPROVED <i>A.S. 6/75</i>	DWG. NO. 847 4296 PAGE 3 OF 5. REV. LETTER A
---	--	--

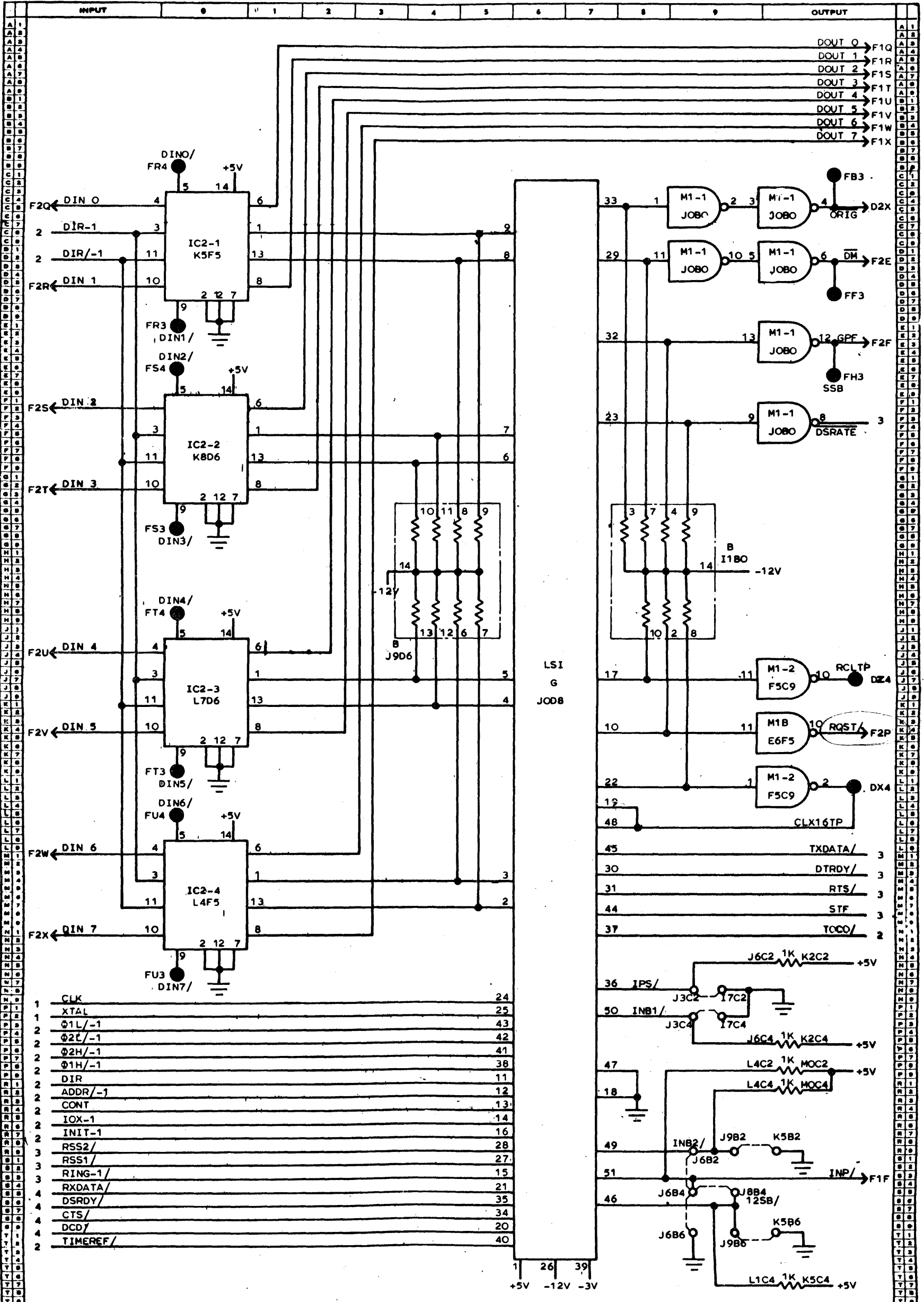
PROPERTY OF BURROUGHS CORP. - NOT TO BE REPRODUCED NOR USED FOR MANUFACTURING PURPOSES WITHOUT BURROUGHS CORP. PRIOR WRITTEN CONSENT

SCHEMATIC



Compagnie Belge Burroughs USINE DE SENEFFE SENEFFE BELGIUM	TITLE SCHEMATIC, CARD ADC SYSTEM TC 4000 DRAWN B. RIZZO APPROVED <i>AS</i>	DWG. NO. 18474296 PAGE 4 OF 5. CHECKED T. NGUYEN RELEASED 03-01-75 REV. LETTER A
---	---	--

SCHEMATIC



1	CLK	24
1	XTAL	25
2	Φ1L/-1	43
2	Φ2L/-1	42
2	Φ2H/-1	41
2	Φ1H/-1	38
2	DIR	11
2	ADDR/-1	12
2	CONT	13
2	IOX-1	14
2	INIT-1	16
2	RSS2/	28
2	RSS1/	27
3	RING-1/	15
4	RXDATA/	21
4	DSRDY/	35
4	CTS/	34
4	DCDY/	20
2	TIMERE/	40

Compagnie Belge Burroughs

USINE
DE SENEFFE



SENEFFE
BELGIUM

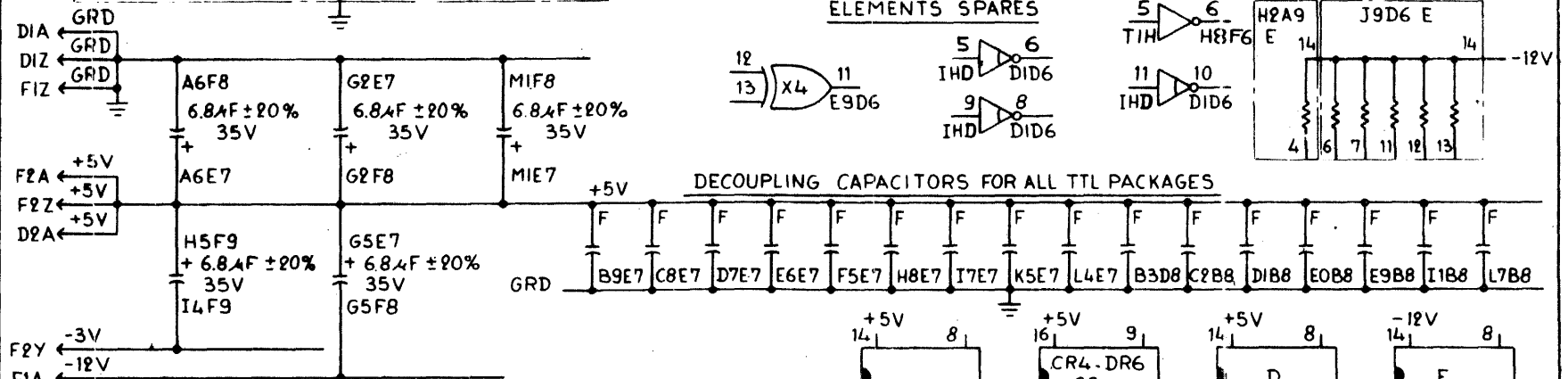
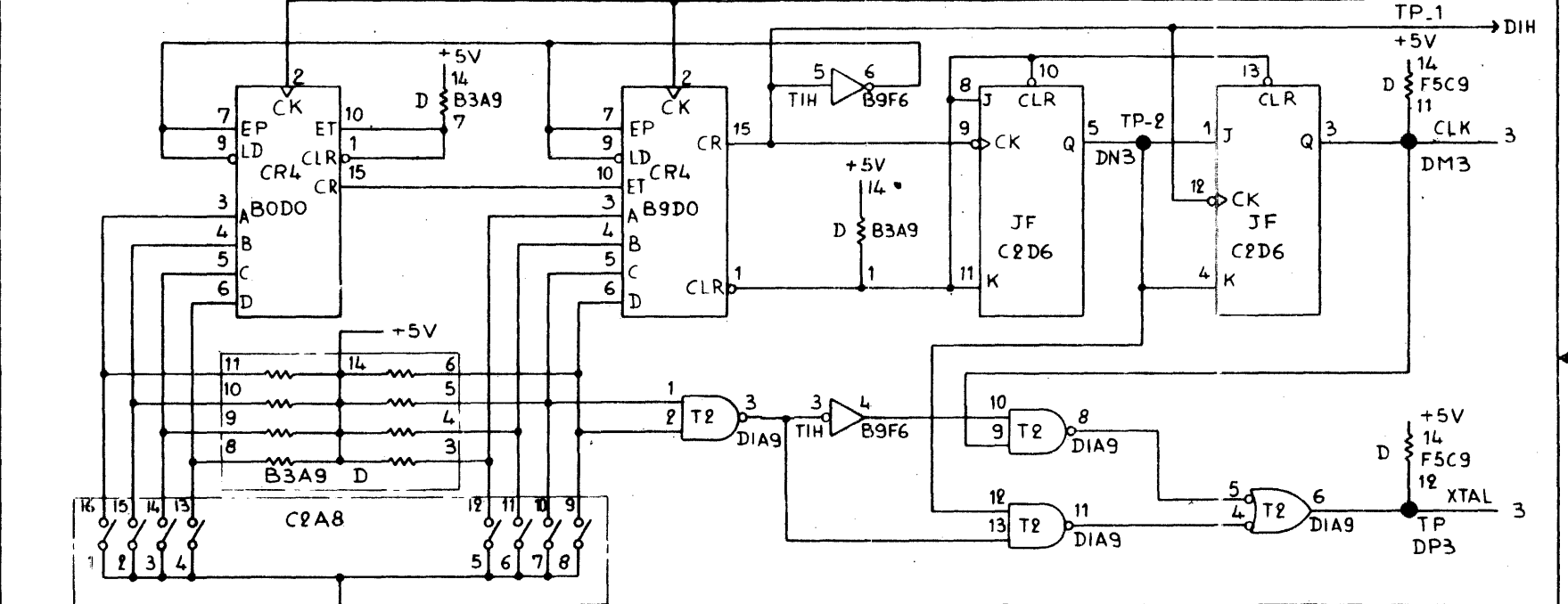
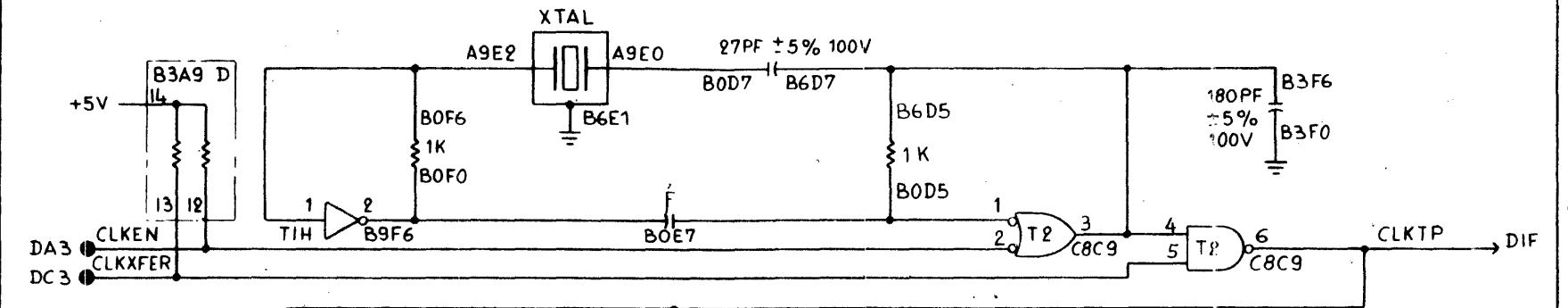
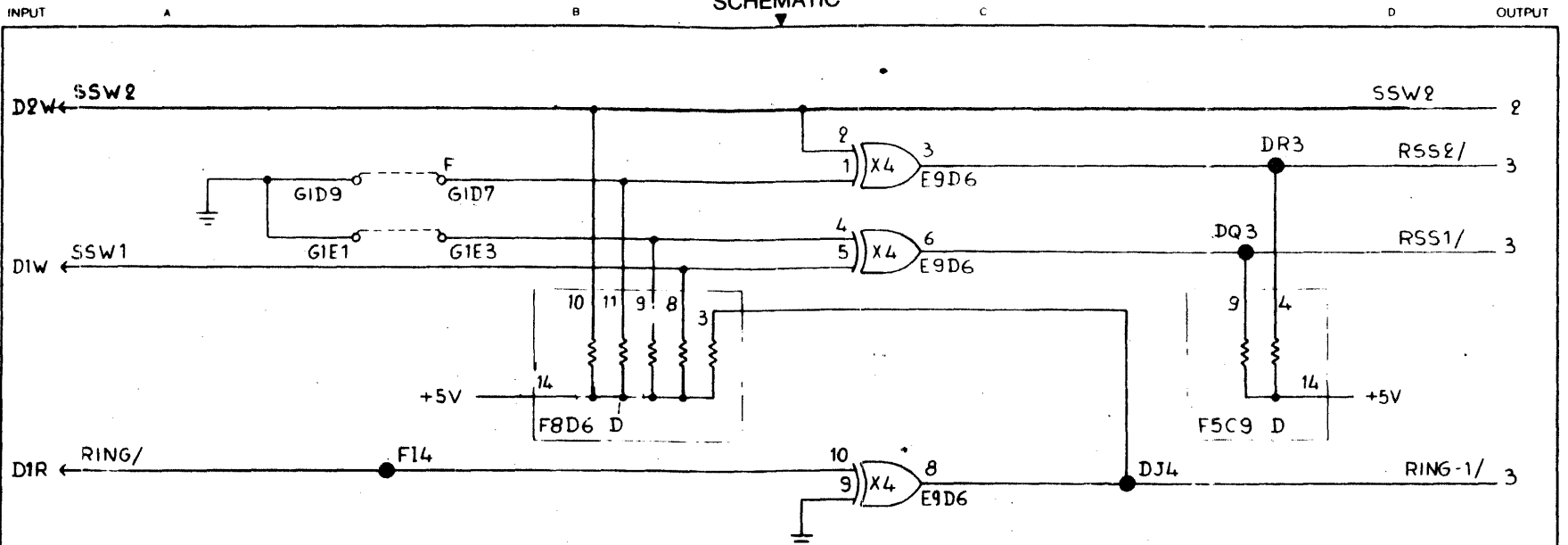
TITLE SCHEMATIC, CARD ADC
SYSTEM TC 4000
DRAWN B. RIZZO
APPROVED *A.S. Col*

CHECKED T. NGUYEN
RELEASED 03-01-75
MFG

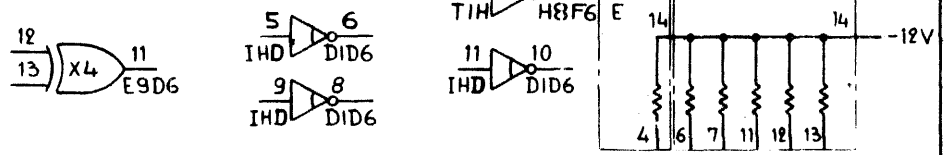
DWG. NO. 1847 4296
PAGE 5 OF 5.
REV. LETTER A

PROPERTY OF BURROUGHS CORP. - NOT TO BE REPRODUCED NOR USED FOR MANUFACTURING PURPOSES EXCEPT ON BURROUGHS ORDER OR PRIOR WRITTEN CONSENT

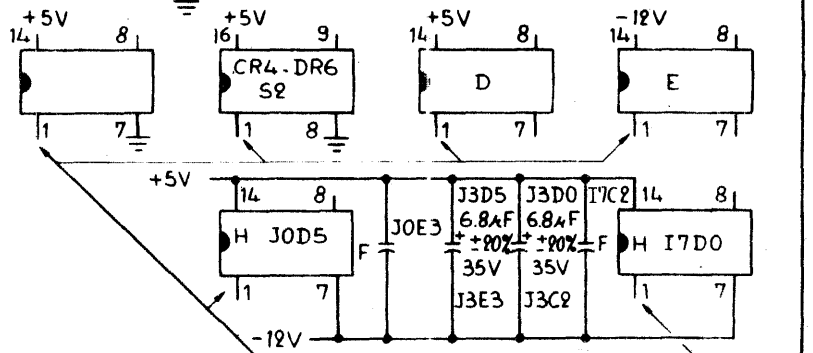
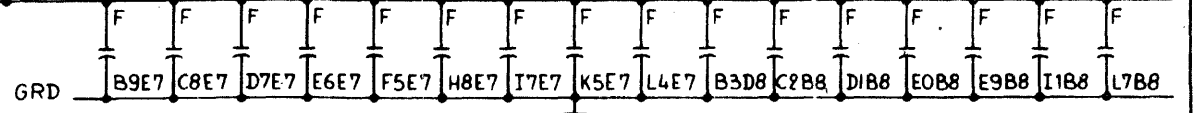
SCHEMATIC



ELEMENTS SPARES



DECOUPLING CAPACITORS FOR ALL TTL PACKAGES



NOTES

- COMPONENTS IDENTIFIED BY LETTERS A-B-C ETC. INDICATE PARTS NUMBERS AS FOLLOWS
- UNLESS OTHERWISE SPECIFIED ALL RESISTANCE VALUES ARE IN OHMS ± 5% 1/2 W.
- FOR DETAIL SEE 1848 3370
FOR ASSEMBLY SEE 1848 3347
FOR ARTWORK SEE 1848 3362

IC PACKAGES:

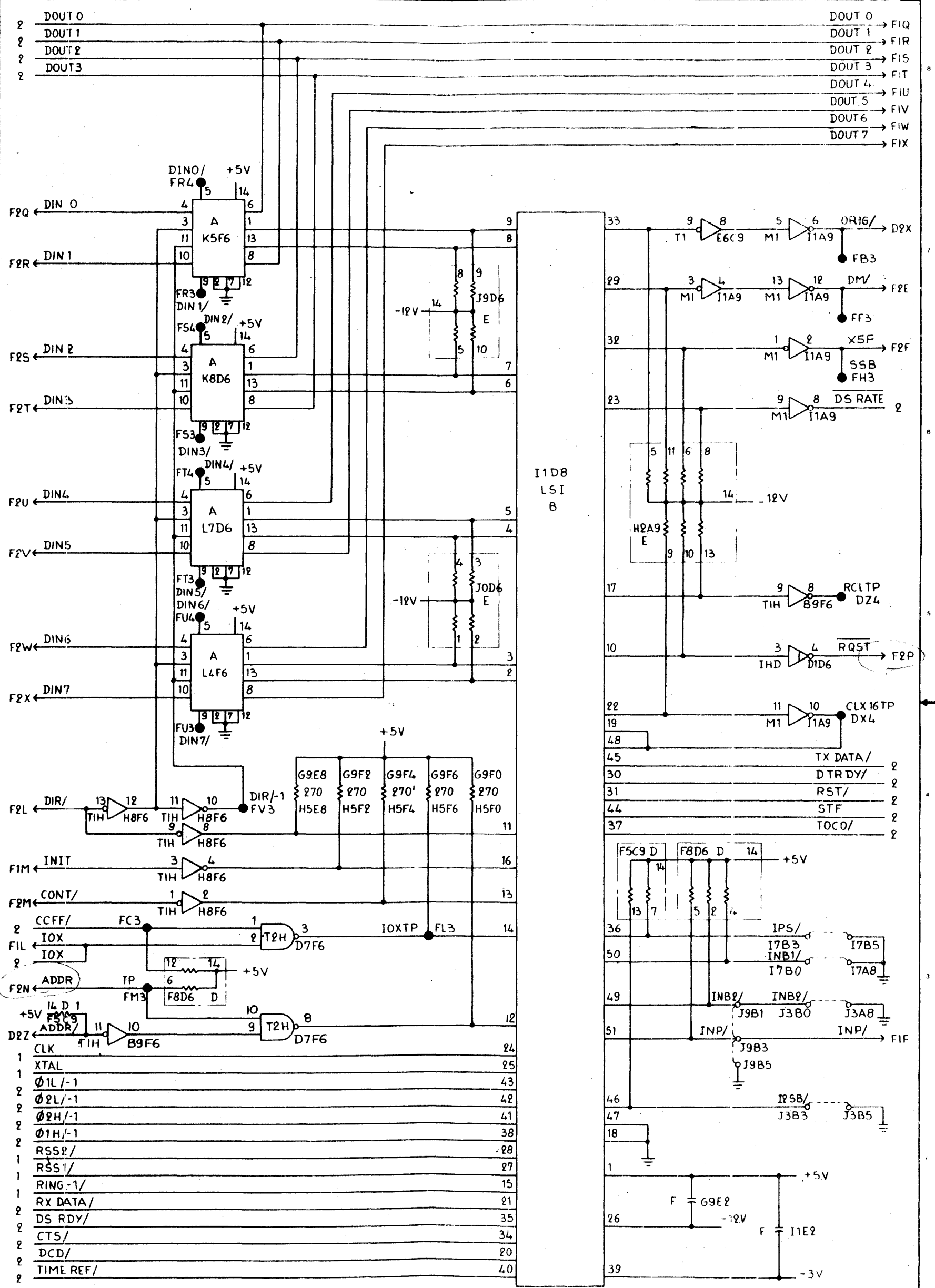
A 2472 2548	IHD 1674 4963	S2 1447 3797
G 1848 4576	T2 1447 3516	JF 1447 3615
H 1846 5229	T2H 1479 0240	RESISTORS PKG
M1 1471 4356	B2C 1447 3581	D 2106 4827
M2 1471 4364	X4 1447 3698	E 1847 9964
T1 1447 3532	CR4 1447 3771	DIODE
TIH 1479 7971	DR6 1449 1260	1L714703

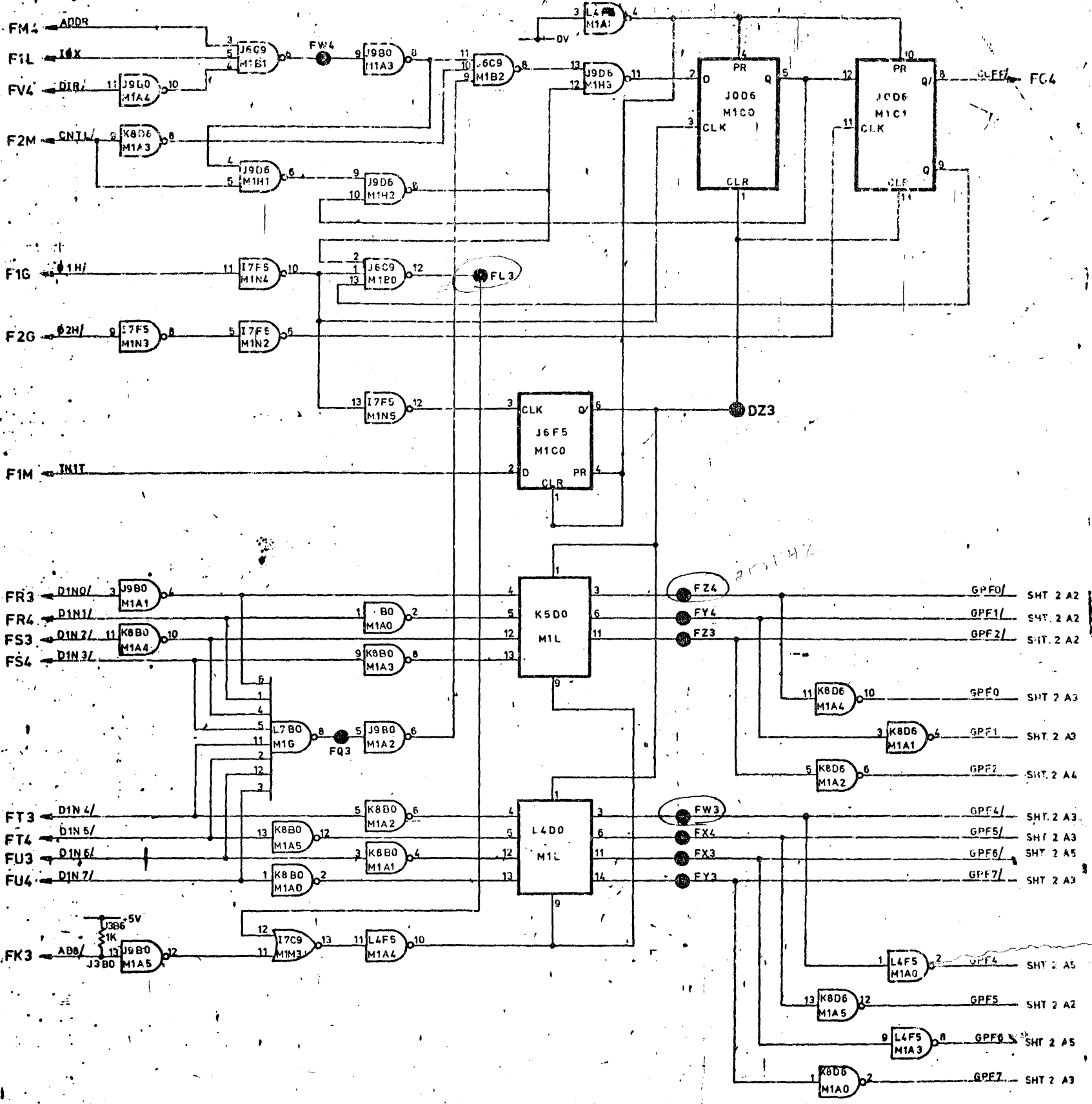
SOCKET

- B: 51 PINS : 1532 8123
- C: 14 PINS : 1535 4996
- CAPA
- F: .14F +80% -20% 50V 1846 9627

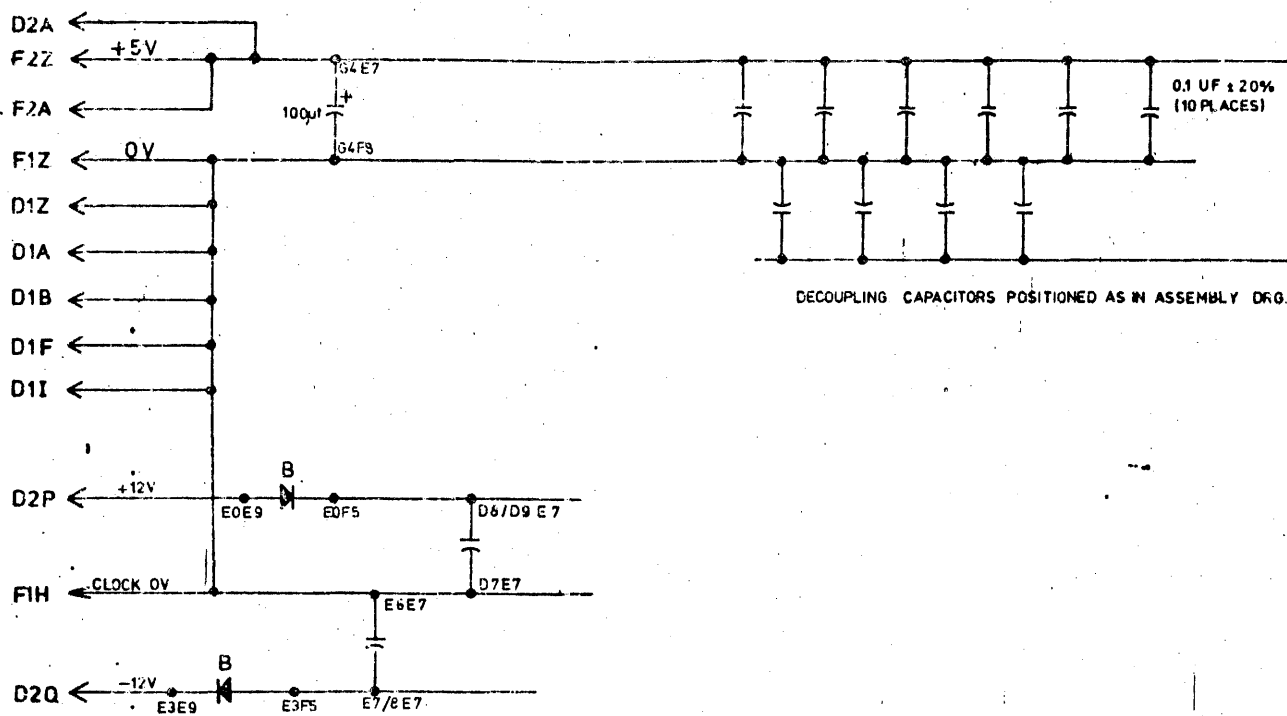
LOGIC CO-ORDINATE DESIGNATIONS TYPICAL PIN ORIENTATION VOLTAGE & GROUND CONNECTION FOR DUAL IN LINE I C'S.

1848 3354 SHEET 1 OF 3	Compagnie Belge Burroughs		SENEFFE BELGIUM		USINE DE SENEFFE		
	RELEASED 05-17-76 E.M. DATE REV	TITLE SCHEMATIC CARD ADCC				DWG No 1848 3354	
	DRAWN B RIZZO CHECKED DSON SYST P. GRANSART DESIGN ELECT T. NGUYEN APPROVED	DATE 01-30-76 06-29-76 08-23-76		CLASS CODE 2-9520		REV A	
	PROPRIETARY TO BURROUGHS CORP. NOT TO BE REPRODUCED NOR USED FOR MANUFACTURING PURPOSES EXCEPT ON BURROUGHS ORDER OR PRIOR WRITTEN CONSENT.				SHEET 1 OF 3		

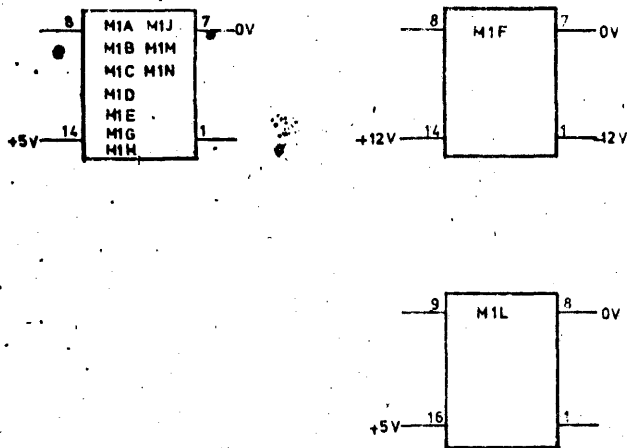




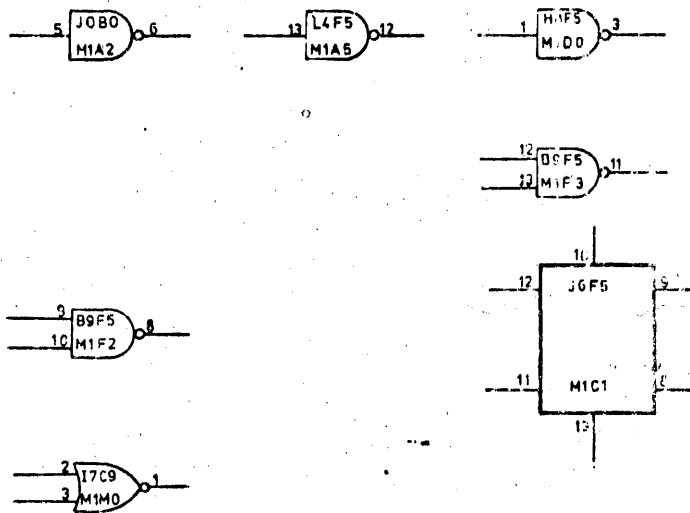
N N N
 F L, M W, Z
 Comp



DECOUPLING CAPACITORS POSITIONED AS IN ASSEMBLY DRG. 2571 5020



SPARES



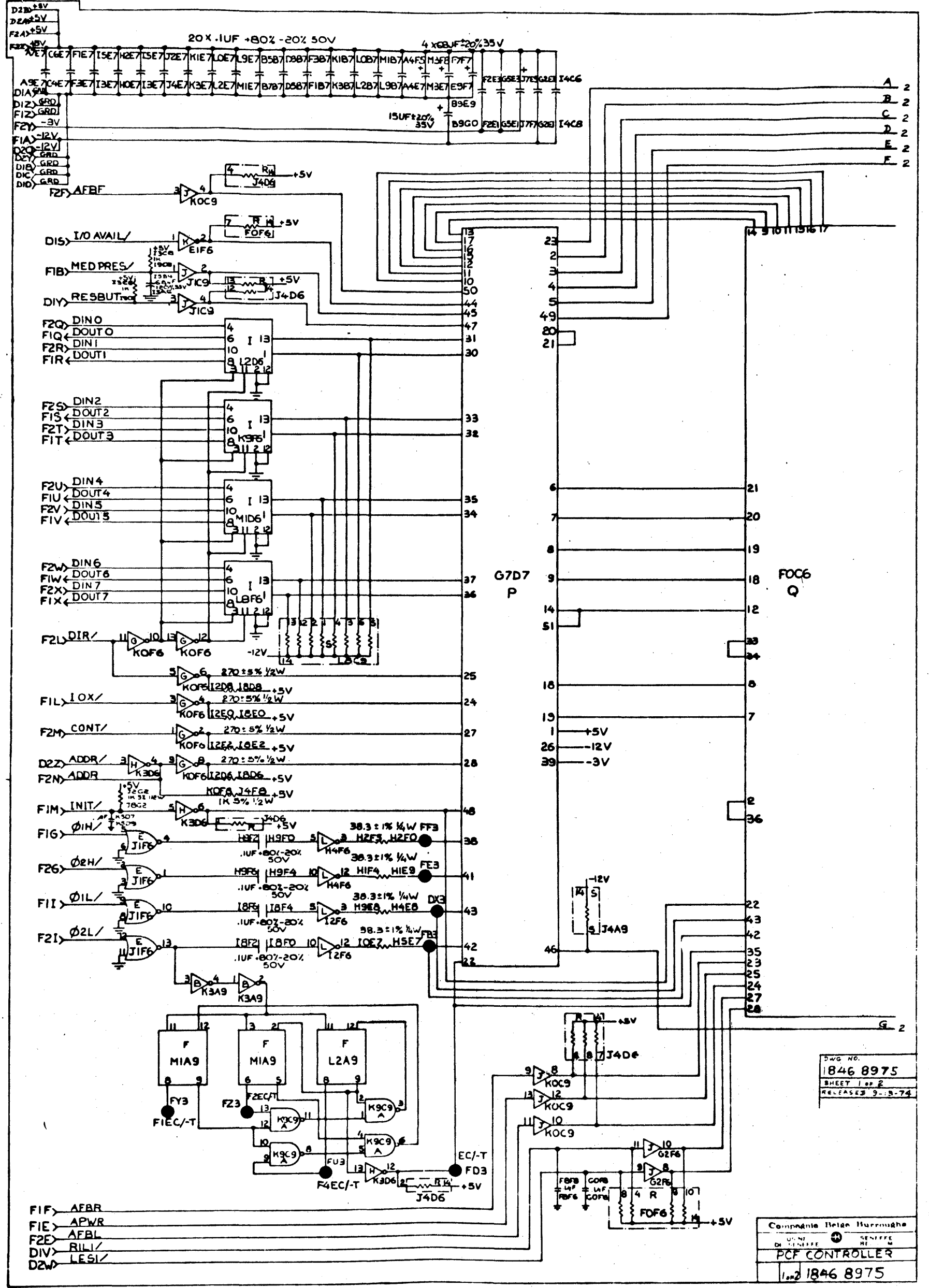
NOTES

- FOR ASSEMBLY SEE 2571 5020
- UNLESS OTHERWISE SPEC. RESISTANCE VALUES ARE IN OHMS $\pm 5\% \frac{1}{2}W$
- CODES FOR COMPONENT PART NO. ARE AS FOLLOWS

TRANSISTORS	
M1A	1447 3532
M1B	1447 3540
M1C	1447 3607
M1D	2470 7044
M1E	2600 4929
M1F	1534 9616
M1G	1447 3573
M1H	1447 3516
M1J	1447 3565
M1L	1449 1278
M1M	2600 4911
M1N	1479 7971

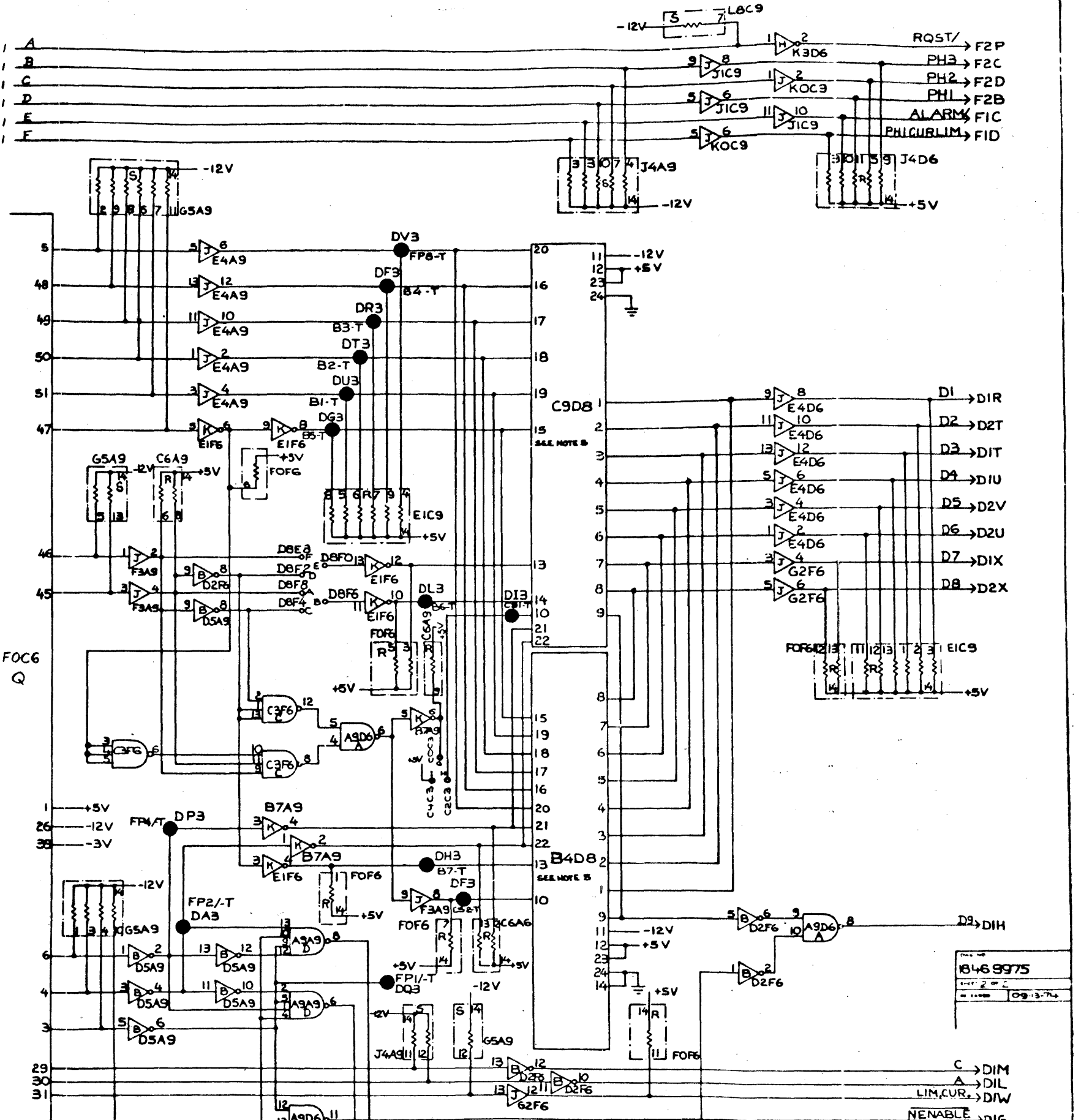
DIODES	
A	1477 3451
B	1471 4778
C	1471 4828
A	1471 4703
B	1471 4661
C	1110 2373
D	1471 4737

- LAST DIGIT OF I.C. CODE INDICATES ITS ELEMENT NO.
- THESE COMPONENTS THE NETWORK PULLDOWN RESISTOR AND DIODE ARE ADDED AT THE CONTROLLER PARTS LIST LEVEL TO BE INSTALLED ON THE CARD AT INSTALLATION TIME ON ONLY ONE MACHINE IN A T.D. NETWORK



DWG NO.
1846 8975
 SHEET 1 OF 2
 RELEASED 9-3-74

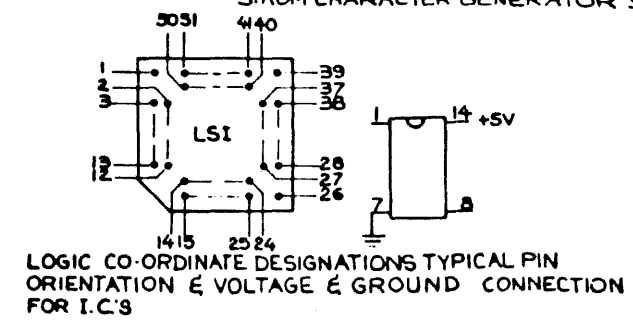
Company: **Belco Harrington**
 UNIT: **PCF**
 SHEET: **1846 8975**



1846 9975
 2 OF 2
 09-13-74

- NOTES
 COMPONENTS IDENTIFIED BY LETTERS A,B,C,...
 INDICATE PARTS NUMBERS AS FOLLOWS
- | | |
|--------------|--------------------|
| A. 1447 3516 | L. 1846 5229 |
| B. 1447 3532 | |
| C. 1447 3540 | |
| D. 1447 3565 | LSI'S P. 1845 9883 |
| E. 1741 1521 | Q. 1845 9891 |
| F. 1447 3607 | R. 1846 4610 |
| G. 1479 7971 | S. 1846 4081 |
| H. 1674 4963 | |
| I. 2472 2548 | |
| J. 2600 1669 | |
| K. 2600 1685 | |

UNLESS OTHERWISE SPECIFIED ALL RESISTORS
 VALUES ARE IN OHMS 1/2 WATT ±5%
 3. FOR DETAIL SEE 1846 8983
 4. FOR ASSY SEE 1846 8991
 5. ROM CHARACTER GENERATOR SEE PL 1846 9304



CLASS CODE 20013

TECHNICAL DESIGNED APPROVAL

FRISQUE

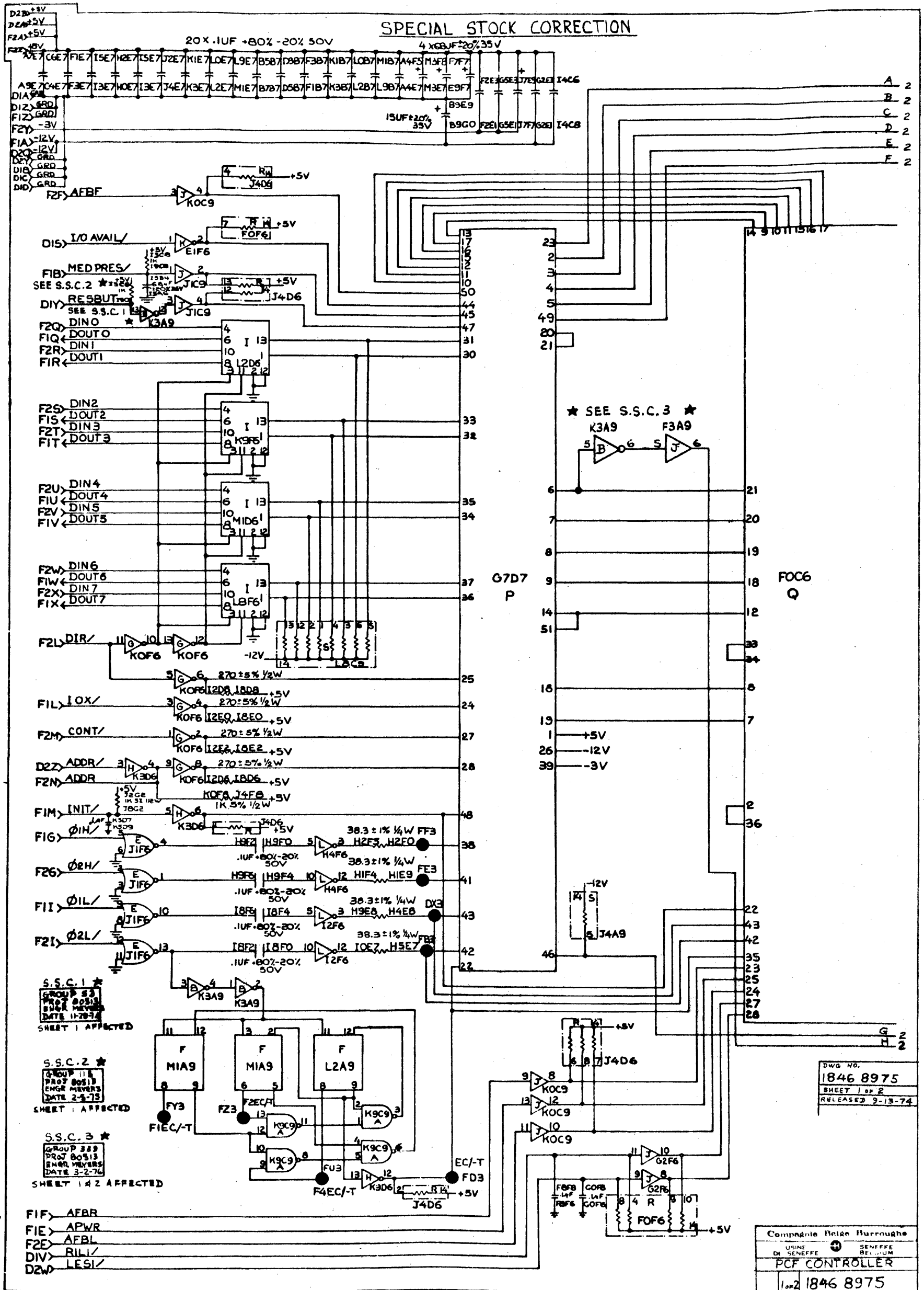
Compagnie Industrielle Hurronghe

USINE DE GENEFVE

PCF CONTROLLER

1846 8975

SPECIAL STOCK CORRECTION



S.S.C. 1 ★
 GROUP 53
 PROJ 80513
 ENGR MEYERS
 DATE 11-28-74
 SHEET 1 AFFECTED

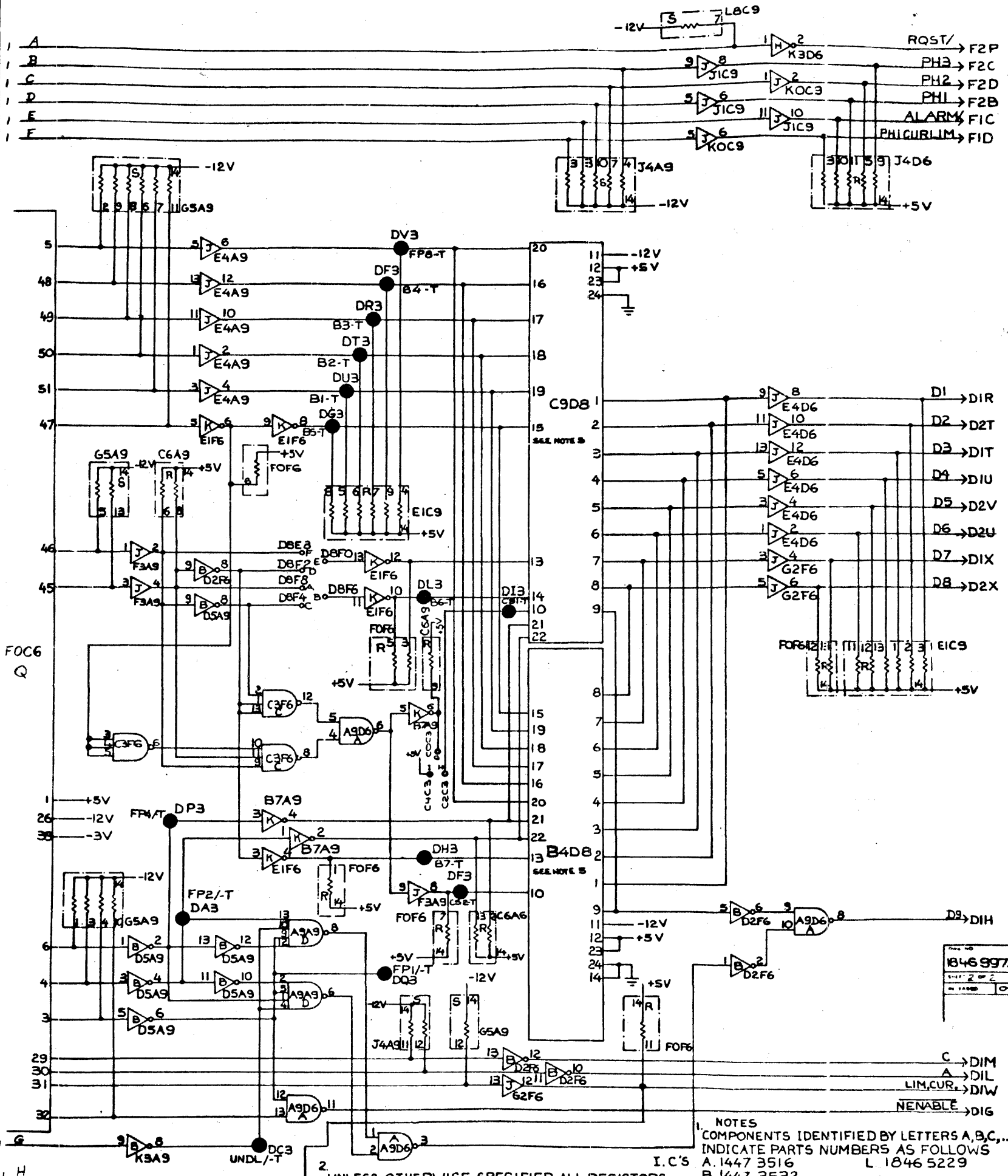
S.S.C. 2 ★
 GROUP 115
 PROJ 80513
 ENGR MEYERS
 DATE 2-5-73
 SHEET 1 AFFECTED

S.S.C. 3 ★
 GROUP 339
 PROJ 80513
 ENGR MEYERS
 DATE 3-2-74
 SHEET 1 A2 AFFECTED

DWG NO.
1846 8975
 SHEET 1 OF 2
 RELEASED 9-13-74

Compagnie Belge Burroughs
 USINE DE SENEFFE SENEFFE BELGIUM
PCF CONTROLLER
 102 1846 8975

SPECIAL STOCK CORRECTION



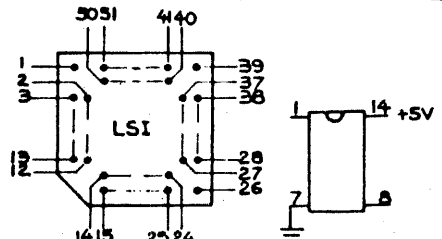
FOC6
Q

SEE S.S.C.3 *

UNLESS OTHERWISE SPECIFIED ALL RESISTORS
VALUES ARE IN OHMS 1/2 WATT ±5%
3. FOR DETAIL SEE 1846 8983
4. FOR ASSY SEE 1846 8991
5. ROM CHARACTER GENERATOR SEE PL 1846 9304

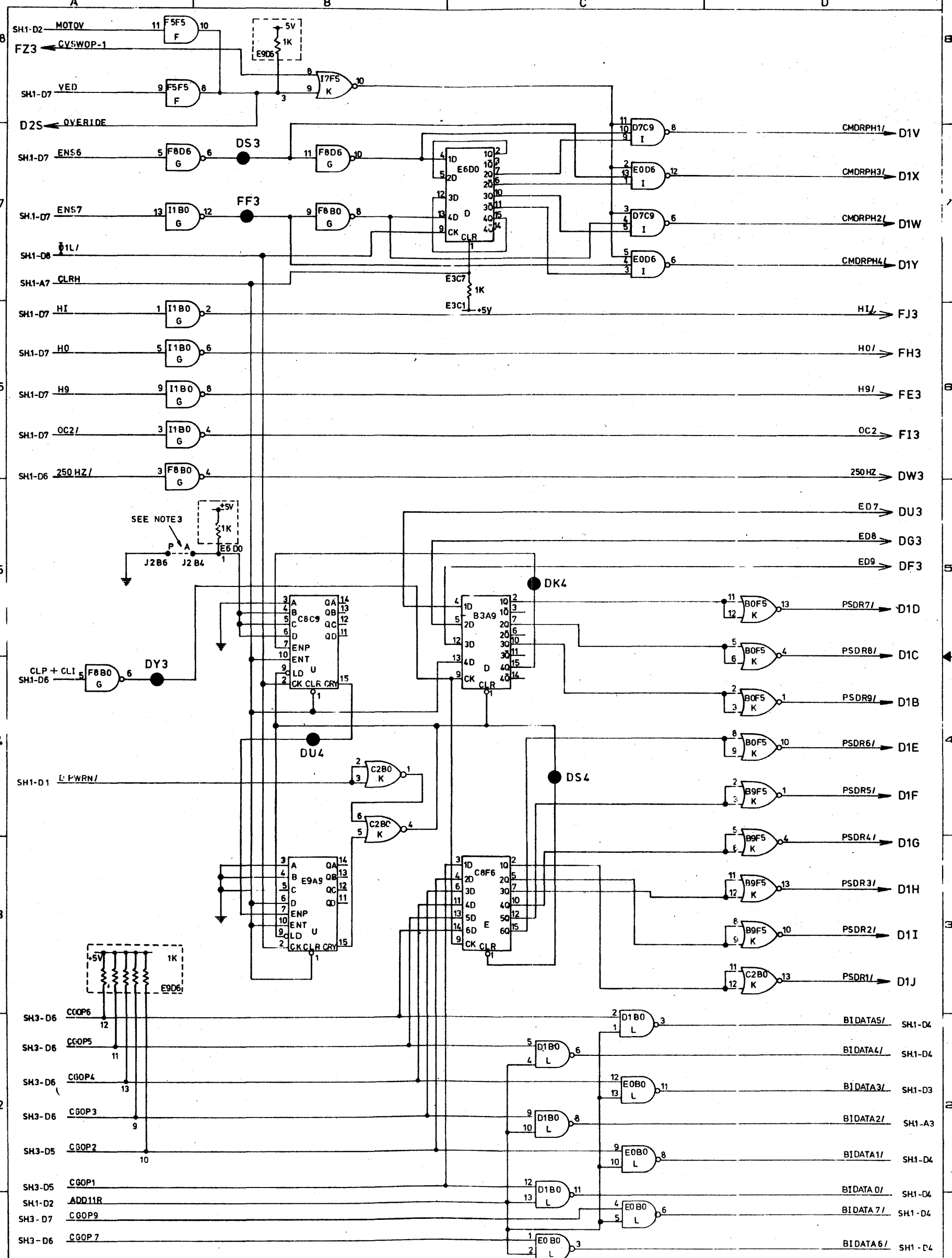
- NOTES**
COMPONENTS IDENTIFIED BY LETTERS A, B, C, ...
INDICATE PARTS NUMBERS AS FOLLOWS
- | | |
|--------------|--------------------|
| A. 1447 3516 | L. 1846 5229 |
| B. 1447 3532 | |
| C. 1447 3540 | |
| D. 1447 3565 | LSI'S P. 1845 9883 |
| E. 1741 1521 | Q. 1845 9891 |
| F. 1447 3607 | R. 1846 4610 |
| G. 1479 7971 | S. 1846 4081 |
| H. 1674 4963 | |
| I. 2472 2548 | |
| J. 2600 1669 | |
| K. 2600 1685 | |

S.S.C.3 *
GROUP 333
PROT 80513
ENGL HAVRE
DATE 3-2-76



LOGIC CO-ORDINATE DESIGNATIONS TYPICAL PIN
ORIENTATION & VOLTAGE & GROUND CONNECTION
FOR I.C'S

CLASS CODE 210723		GEN QUAL SPECS APPLY	
REVISIONAL DATA		TECHNICAL SERVICES APPROVAL	
TOLERANCES UNLESS OTHERWISE NOTED		FRISQUE 000000	
2 PLACE DEC 3		3 PLACE DEC 3	
MATERIAL		MATERIAL	
HEAT TREATMENT		HEAT TREATMENT	
SURFACE TREATMENT		SURFACE TREATMENT	
PROPERTY OF BOURGEOIS		NOT TO BE REPRODUCED OR USED FOR ANY	
FACTURING PURPOSES EXCEPT IN BOURGEOIS CABLE OR PRIOR WRITTEN		CONSENT	
Comptie Belge Hurrenruhe		SENEFFE BELGIUM	
USINE		SENEFFE	
PCF CONTROLLER		PCF CONTROLLER	
1846 8975		1846 8975	



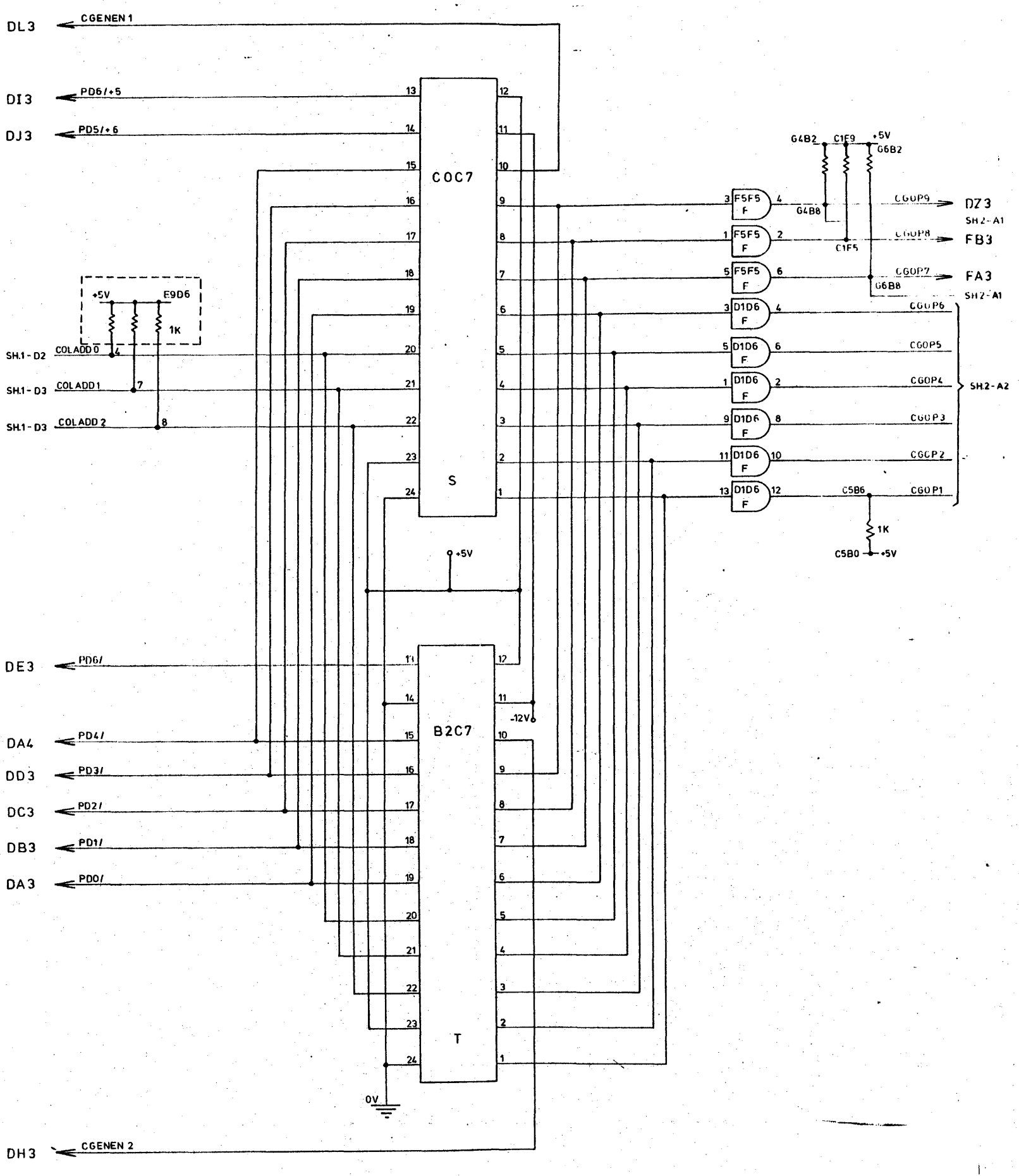
REV	DATE	BY	CHKD	REASON
1	12 JUN 75	H		
2	12 JUN 75	H		
3	12 JUN 75	H		
4	12 JUN 75	H		
5	12 JUN 75	H		
6	12 JUN 75	H		
7	12 JUN 75	H		
8	12 JUN 75	H		
9	12 JUN 75	H		
10	12 JUN 75	H		
11	12 JUN 75	H		
12	12 JUN 75	H		
13	12 JUN 75	H		
14	12 JUN 75	H		
15	12 JUN 75	H		
16	12 JUN 75	H		
17	12 JUN 75	H		
18	12 JUN 75	H		
19	12 JUN 75	H		
20	12 JUN 75	H		

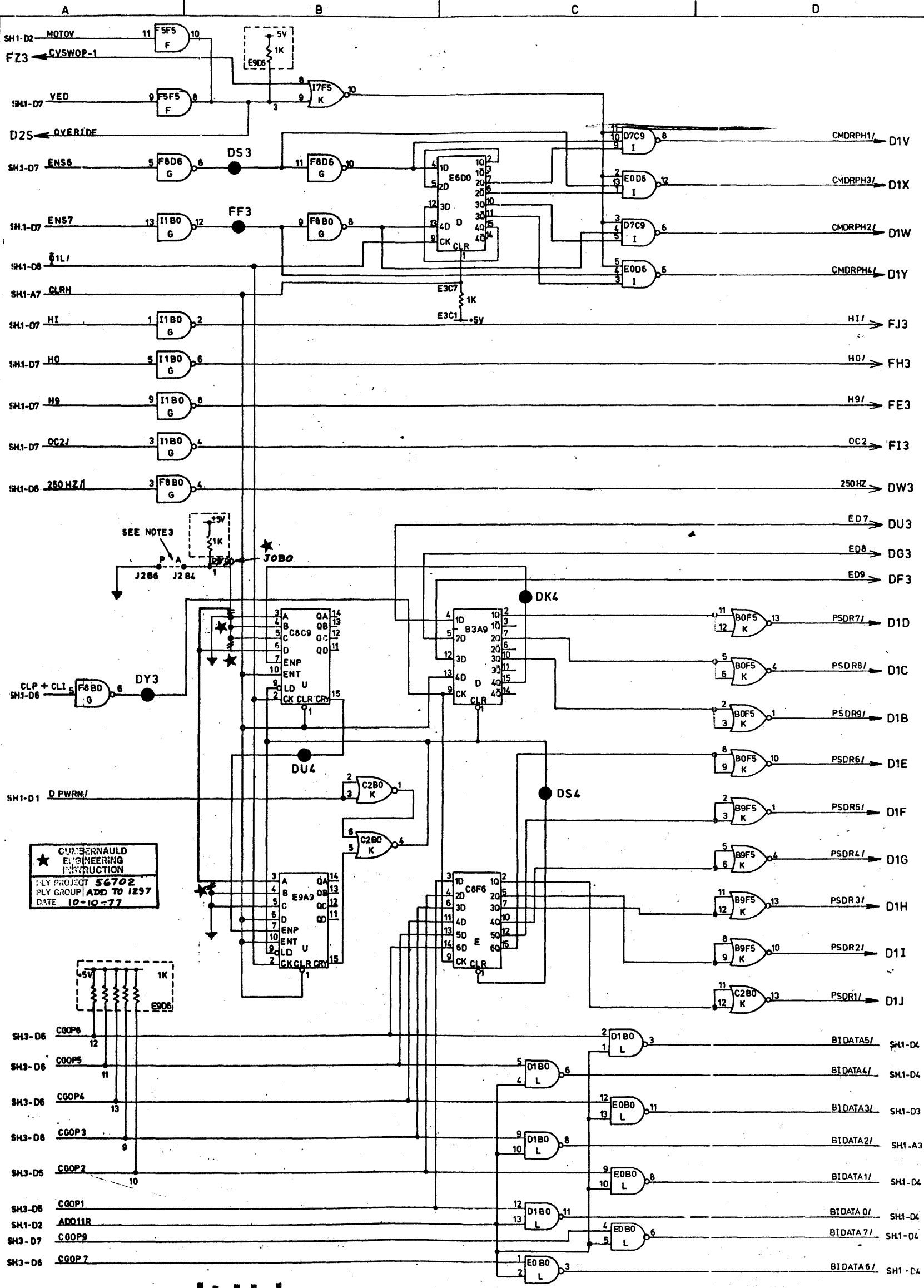
Burroughs

BURROUGHS MACHINES LIMITED
CUMBERNAULD, SCOTLAND, U.K.

TITLE 180 CPS PCF-DEV. CONT. BOARD 1 SCHEMATIC			
ENG DES <i>P.C. Fink</i>	DATE OCT 24/75	DRAWN A.G.K.	DATE SEP 11-75
APPROVED <i>[Signature]</i>	DATE OCT 24/75	CHECKED [Signature]	DATE SEP 11-75
ENG COMP	DATE	DRG SIZE	CLASS CODE 2-9520
DRAWING No 2571 4858		REV H	PAGE 2 of 4

PROPRIETARY TO BURROUGHS. NOT TO BE REPRODUCED NOR USED FOR MANUFACTURING PURPOSES EXCEPT ON BURROUGHS ORDER OR PRIOR WRITTEN CONSENT





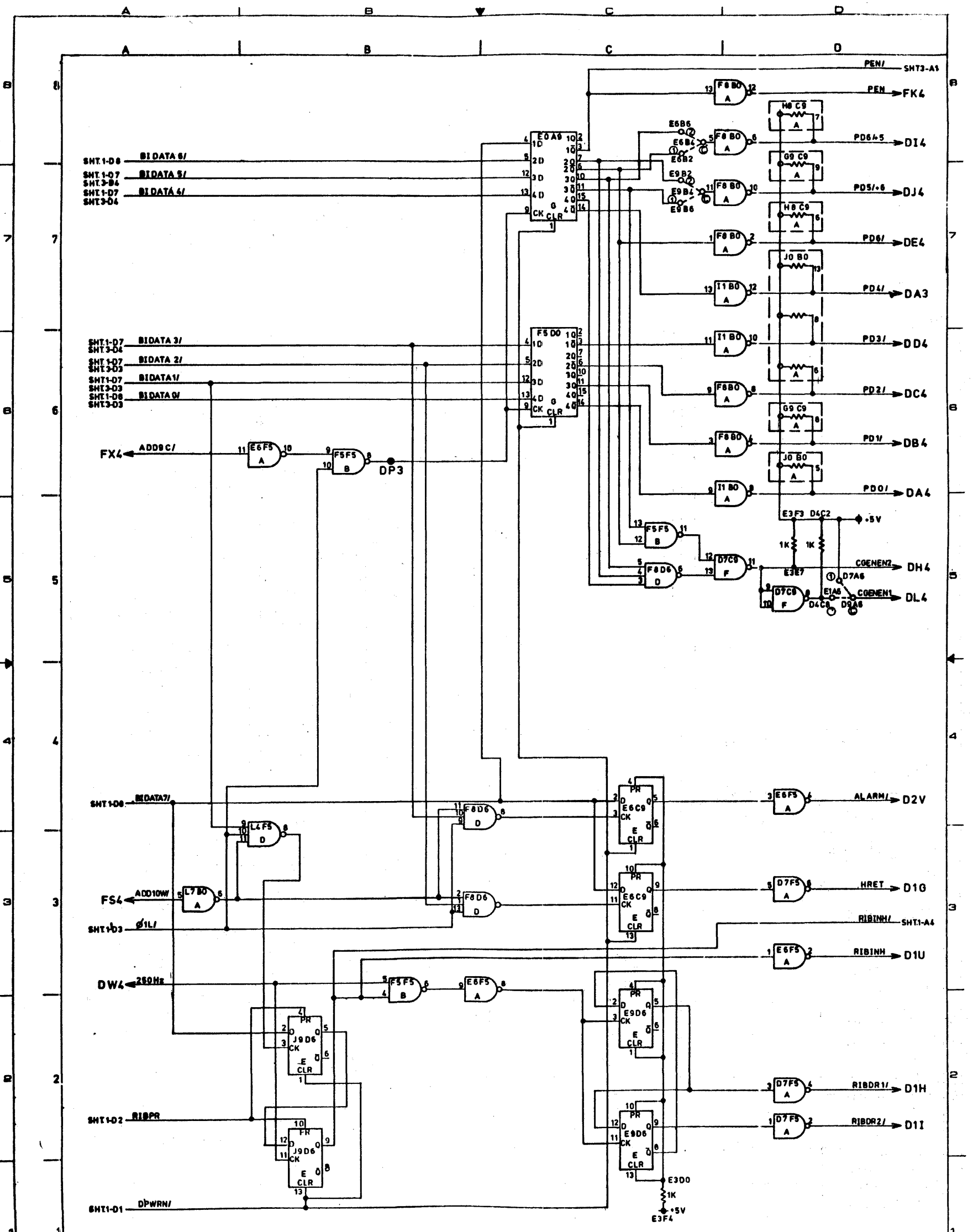
★ CURBERNAULD
 ENGINEERING
 INSTRUCTION
 PLY PROJECT 56702
 PLY GROUP ADD TO 1297
 DATE 10-10-77

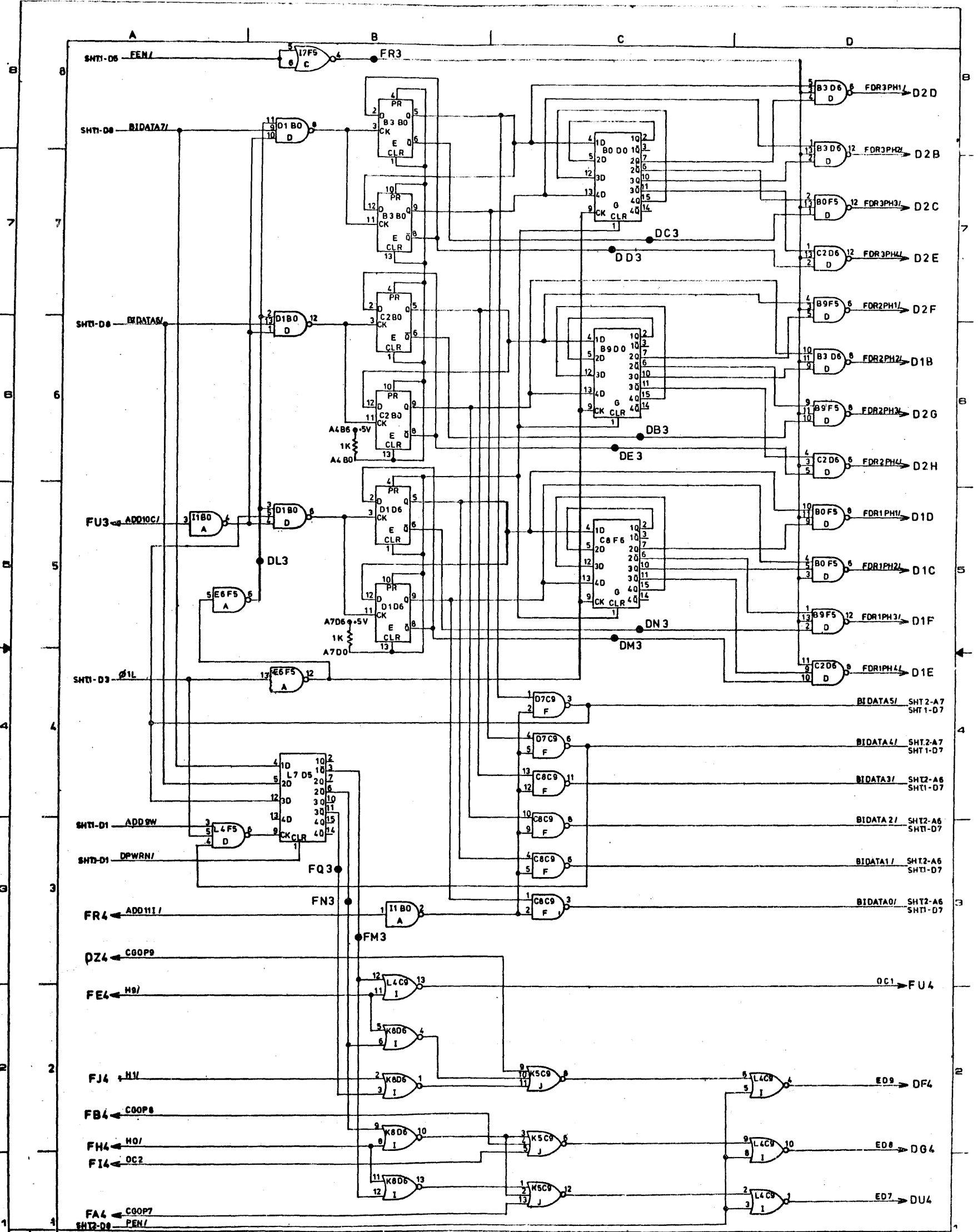
2571 4858
 2nd L

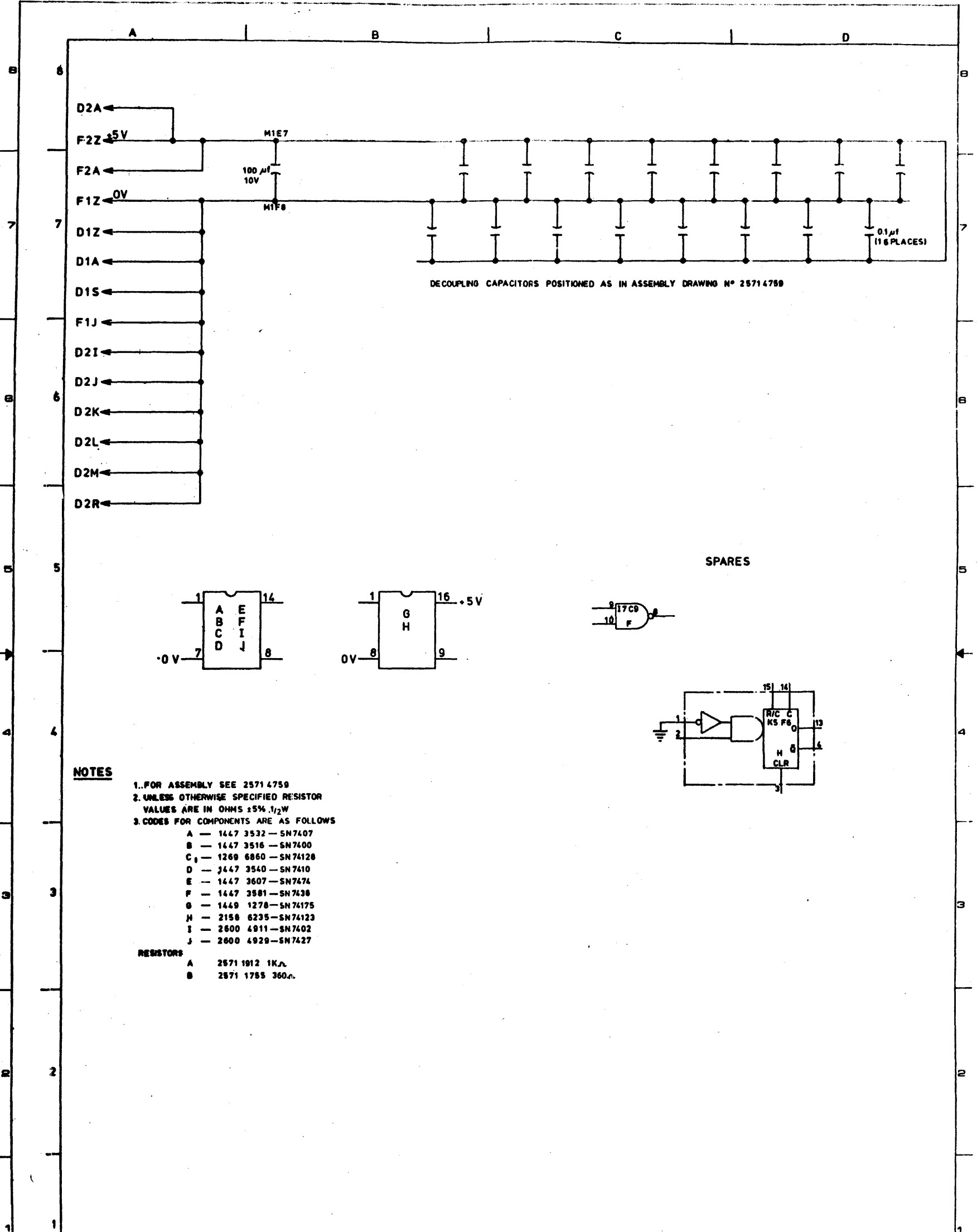


180 CPS PCF-DEV. CONT. BOARD 1 SCHEMATIC			
ENG. DES. J.C. Farley	DATE OCT 24/75	DESIGNED BY A.G.K.	DATE SEP 11-75
APPROVED A.G.K.	DATE OCT 24/75	CHECKED	DATE
ENG. COMP.	DATE	DRG. SIZE	CLASS CODE 2-9520
DRAWING NO. 2571 4858		REV.	PAGE 2 OF 4

PROPRIETARY TO BURROUGHS. NOT TO BE REPRODUCED NOR USED FOR MANUFACTURING PURPOSES EXCEPT ON BURROUGHS ORDER OR PRIOR WRITTEN CONSENT.

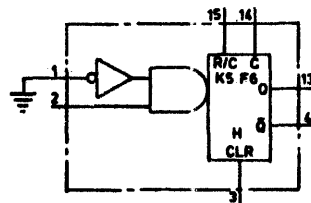
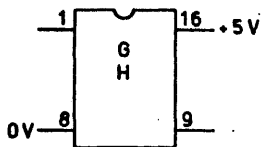
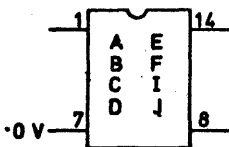






DECOUPLING CAPACITORS POSITIONED AS IN ASSEMBLY DRAWING N° 2571 4759

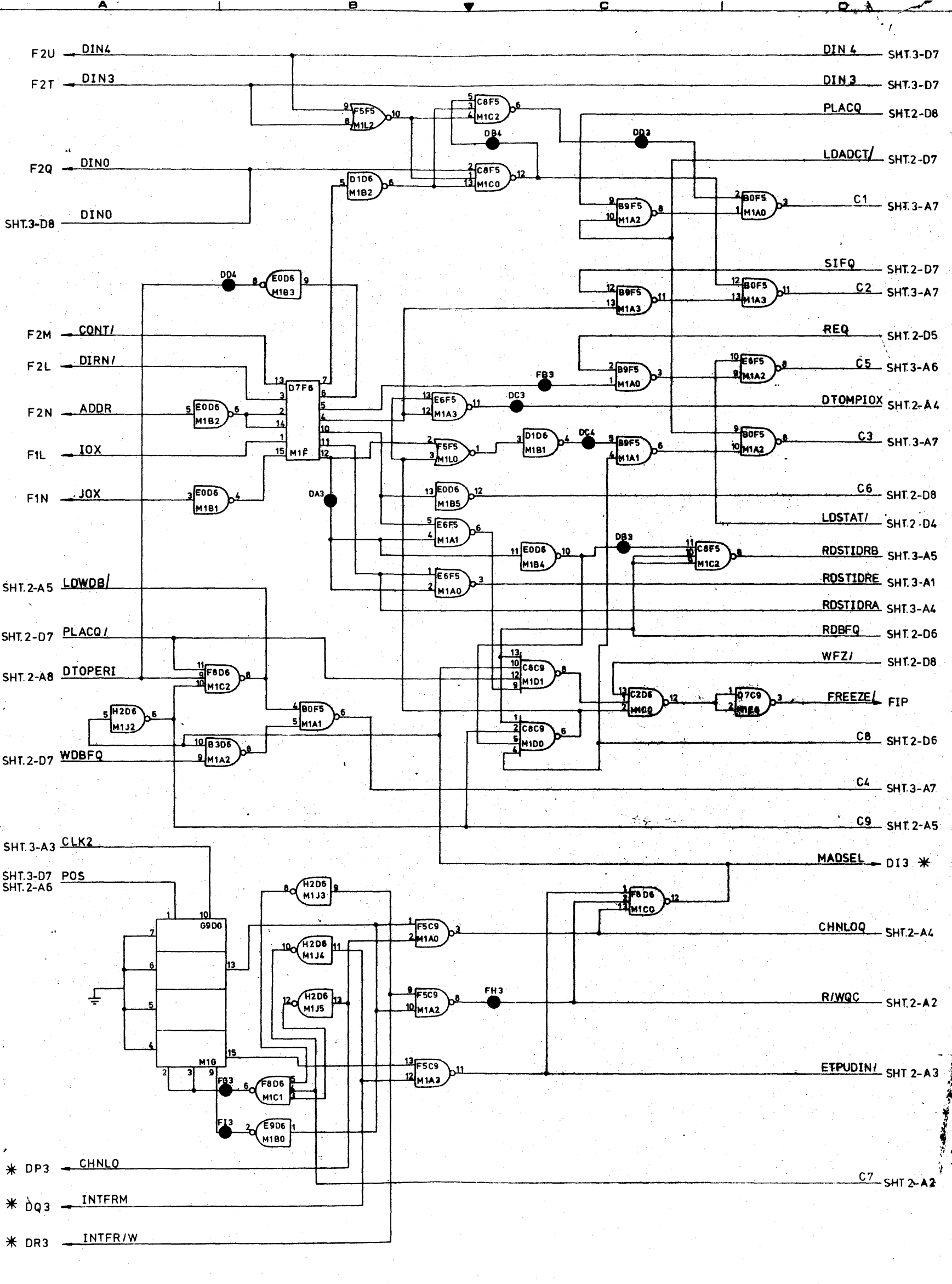
SPARES



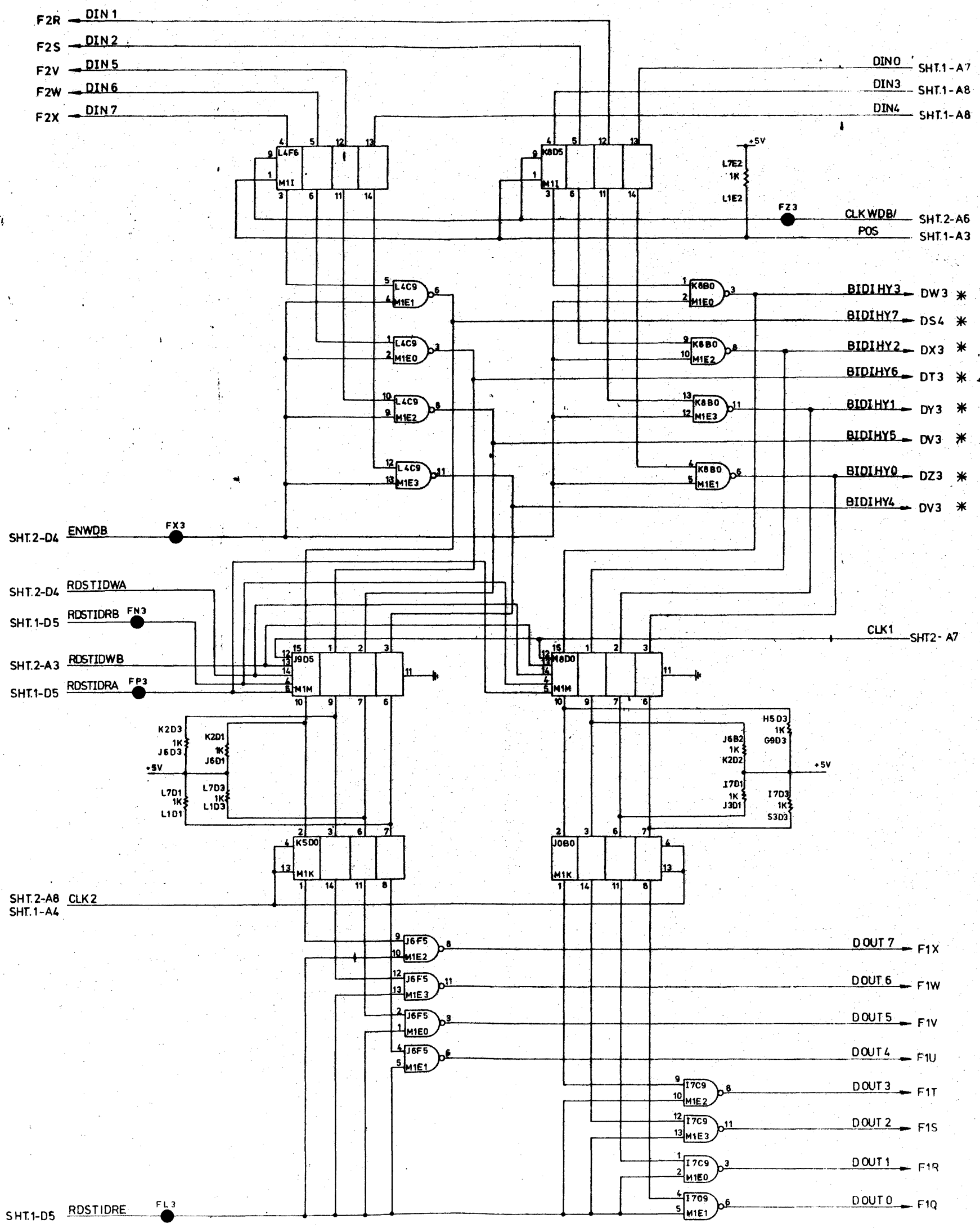
NOTES

1. FOR ASSEMBLY SEE 2571 4759
 2. UNLESS OTHERWISE SPECIFIED RESISTOR VALUES ARE IN OHMS ±5% 1/2W
 3. CODES FOR COMPONENTS ARE AS FOLLOWS
- A — 1447 3532 — SN7407
 - B — 1447 3516 — SN7400
 - C₁ — 1269 6860 — SN74128
 - D — 1447 3540 — SN7410
 - E — 1447 3607 — SN7474
 - F — 1447 3581 — SN7438
 - G — 1449 1278 — SN74175
 - H — 2158 6235 — SN74123
 - I — 2600 4911 — SN7402
 - J — 2600 4929 — SN7427

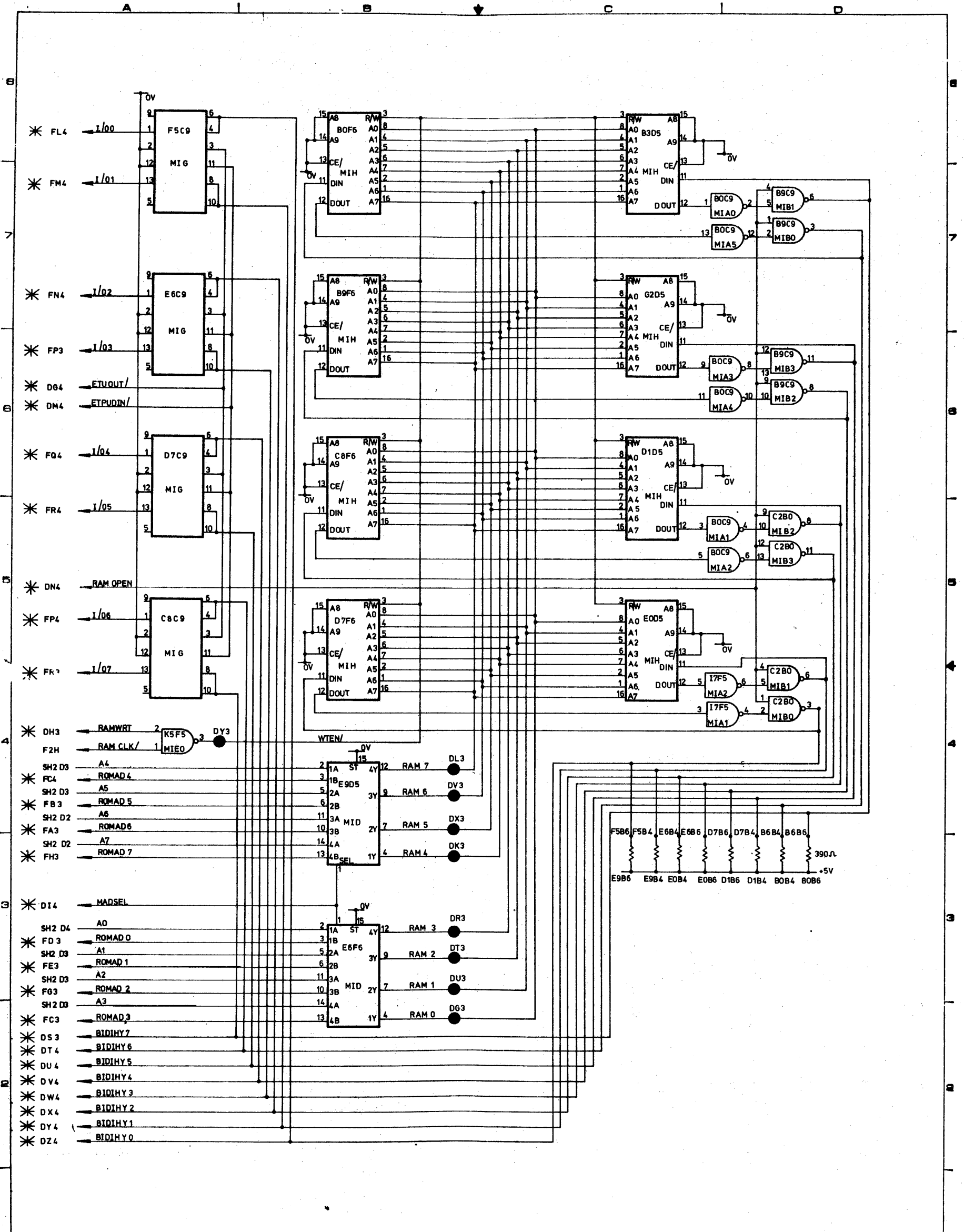
- RESISTORS**
- A 2571 1812 1K Ω
 - B 2571 1755 360 Ω

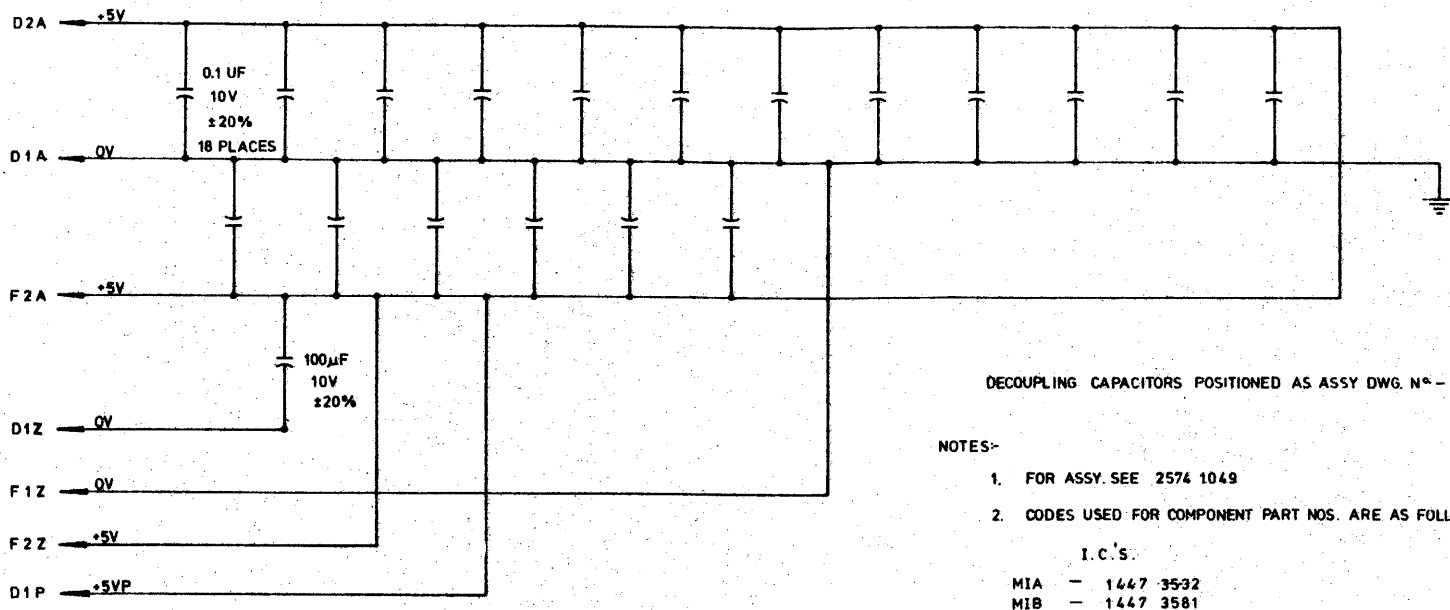


A B C D



DRAWING No. 2571 1961	PAGE 3 of 4	ALTO	1	APR/75	D	RELEASED NOV-1-74 PAGE ER DATE REV 1283 JAN-8-75 ALTO MAR 675 C B	Burroughs BURROUGHS MACHINES LIMITED CUMBERNAULD, SCOTLAND, U.K.	TITLE SOFT CONTROLLER 1 SCHEMATIC				DRAWING No. 2571 1961
		ENGR. DES.	DATE	DRAWN	DATE			DATE 25/11/74 CHECKED M.A.R. DATE 18/11/74				
		J.B.	AUG. 10. 74	P.D./P.B.	25 NOV-74							
PROPRIETARY TO BURROUGHS. NOT TO BE REPRODUCED NOR USED FOR MANUFACTURING PURPOSES EXCEPT ON BURROUGHS ORDER OR PRIOR WRITTEN CONSENT.		ENGR. COMP.	DATE	DWG. SIZE	CLASS CODE	REV.	D	PAGE	3 of 4			





DECOUPLING CAPACITORS POSITIONED AS ASSY DWG. N^o - 2574 1049

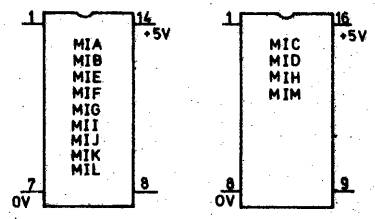
NOTES:-

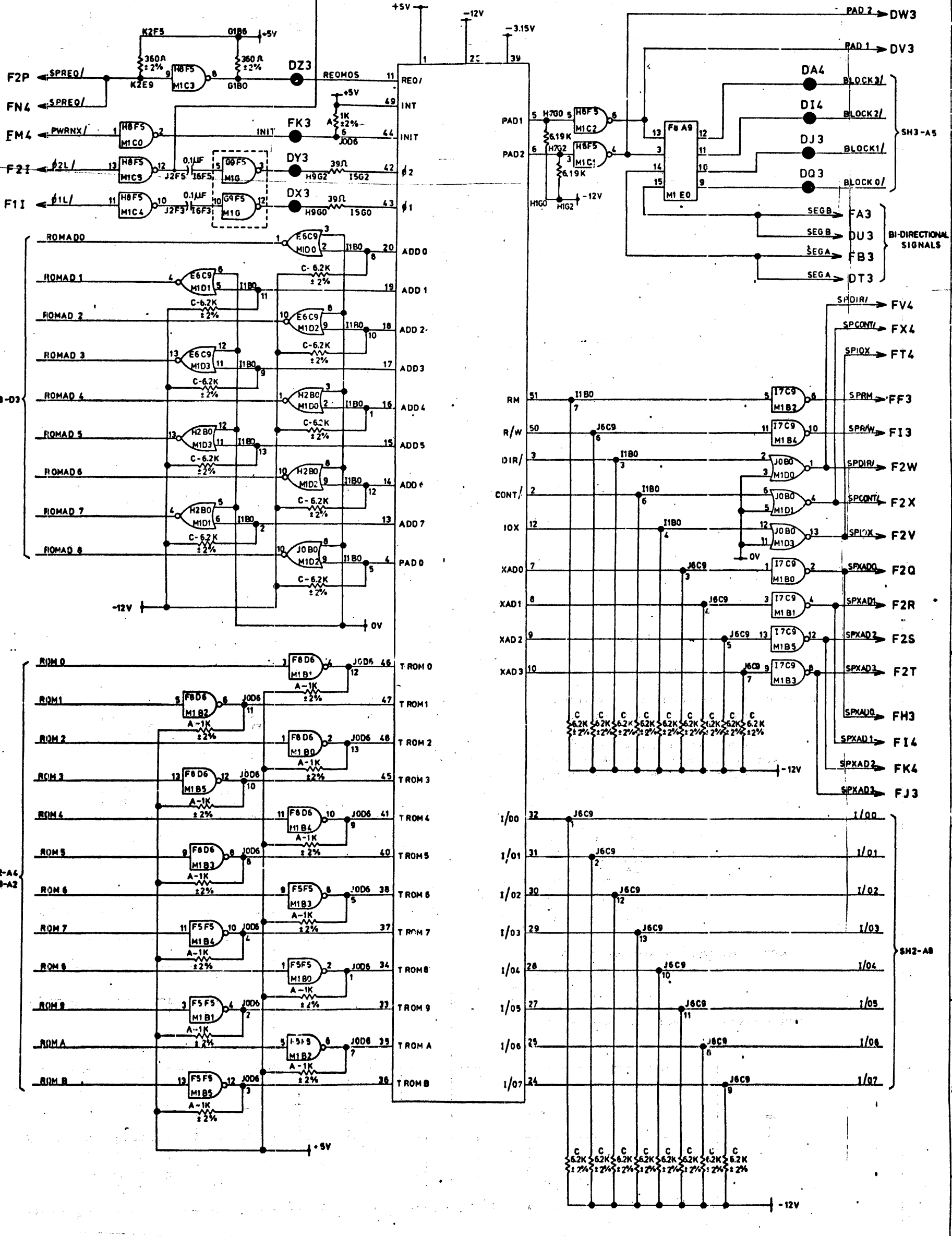
1. FOR ASSY. SEE 2574 1049
2. CODES USED FOR COMPONENT PART NOS. ARE AS FOLLOWS:-

I.C.'S

MIA	-	1447	3532
MIB	-	1447	3581
MIC	-	1447	3771
MID	-	1447	3797
MIE	-	1447	9596
MIF	-	1479	7971
MIG	-	2571	0104
MIH	-	2571	1854
MIJ	-	1447	3516
MIK	-	2600	4911
MIL	-	2600	4929
MIM	-	1449	1278

3. LAST DIGIT OF I.C. CODES INDICATES ITS ELEMENT N^o
4. UNLESS OTHERWISE SPECIFIED ALL RESISTANCES IN OHMS.
5. ALL FRONTPLANE PINS INDICATED WITH AN ASTERISK MUST MATE WITH FRONTPLANE PINS OF ASSEMBLIES (ASSY. NOS. 2574 1059 AND 2574 1034) LOCATED IN ADJACENT CARD SLOTS. SEE APPLICABLE CARD LOCATION CHART.





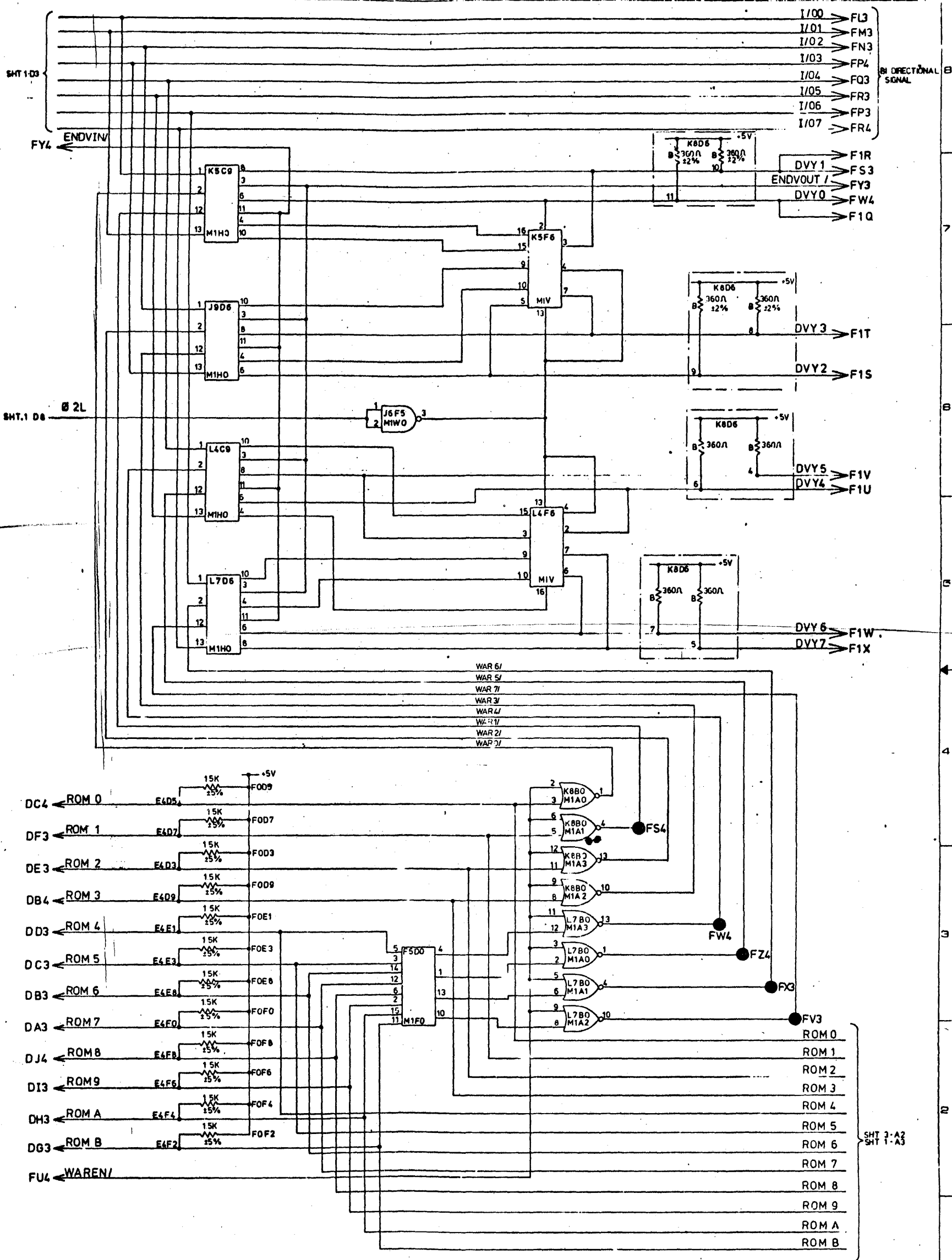
2571 1987



BURROUGHS MACHINE LIMITED
CUPERTINO, CALIF., U.S.A.

SOFT CONTROLLER 3 SCHEMATIC			
ENG. DES.	DATE	DRAWN	DATE
J.B.	AUG. 0. 74	HLN/A.G.K.	
APPROVED	DATE	CHECKED	DATE
ENG. COMP.	DATE	URG. SIZE	CLASS CODE

DRAWING NO. 2571 1987
REV. K
PAGE 1 of 4



8 DIRECTIONAL SIGNAL

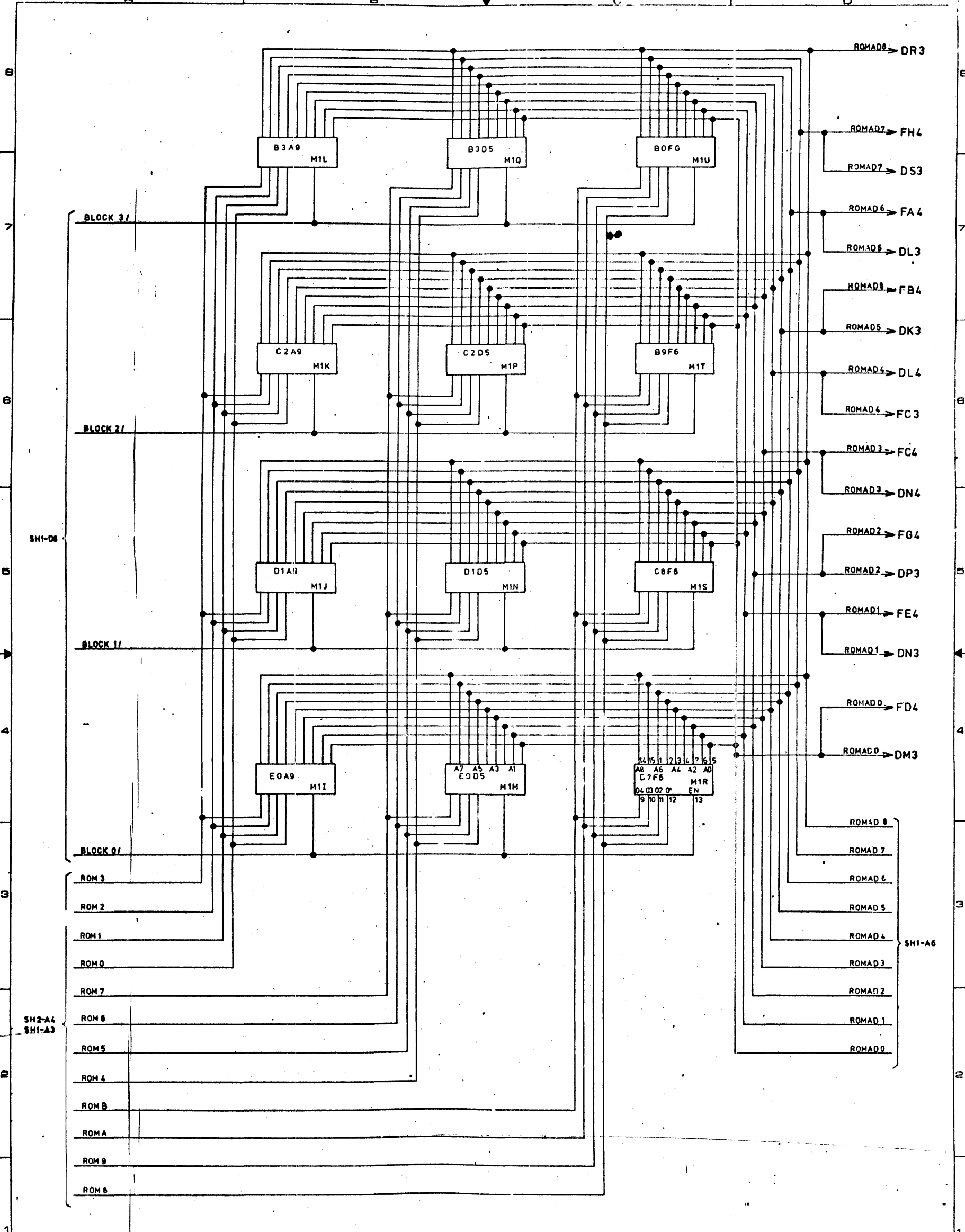
SHT 3-A2
SHT 1-A3



TITLE SOFT CONTROLLER 3 SCHEMATIC				DRAWING No. 2571 1987	
ENG DES J B	DATE AUG 10 74	DRAWN HLN / A K	DATE	REV	PAGE
APPROVED	DATE	CHECKED	DATE	K	204
ENG COMP	DATE	PRG B/T	CLASS CODE		

PROPRIETARY TO BURROUGHS NOT TO BE REPRODUCED NOR USED FOR MANUFACTURING PURPOSES EXCEPT ON BURROUGHS ORDER OR PRIOR WRITTEN CONSENT

2571 1987	204
DEC 1974	
MAR 1975	
JUN 1975	
AUG 1975	
OCT 1975	
NOV 1975	
DEC 1975	
DEC 1975	
MAR 1976	
APR 1976	

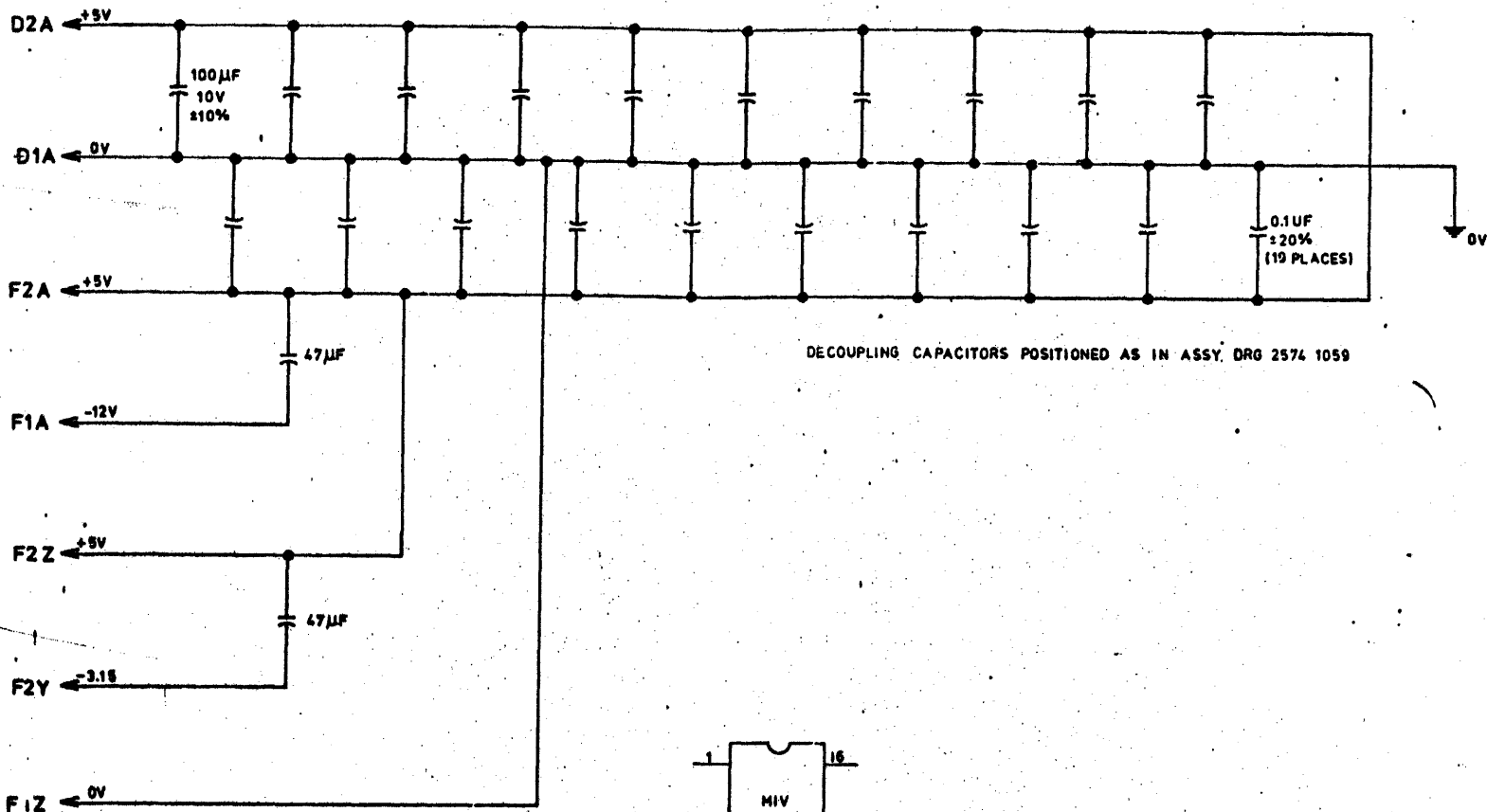


SH1-D8

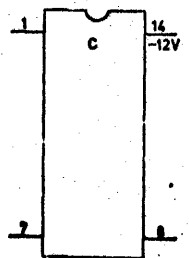
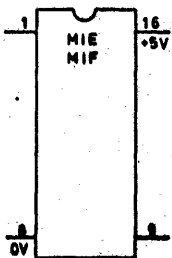
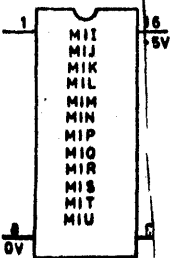
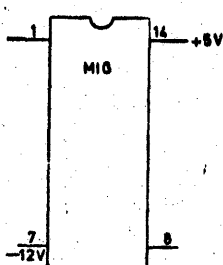
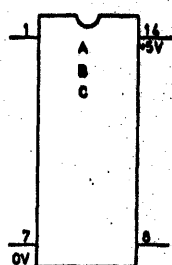
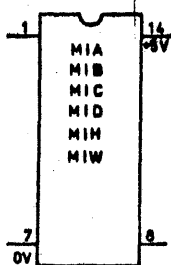
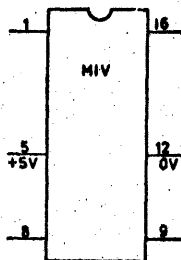
SH2-A4
SH1-A3

SH1-A6

DRAWING No. 2571 1987 PAGE 3 of 4	DESIGNED NOV/11/76	Burroughs		SOFT CONTROLLER 3 SCHEMATIC			
	PAID EA DATE REV 3 DEC 87 B 4 MAR 75 C 6 JUN 75 D 2 AUG 75 E 1 OCT 75 F 7 NOV 75 G 4 DEC 75 H 4 MAR 76 J 4 APR 76 K	TITLE ENG. DES J.B. DATE AUG.10.74 APPROVED [Signature] DATE 1/24/74 ENG COMP DATE		DRAWN HLN/ABK CHECKED MGR DATE 29/11/74		DRAWING No. 2571 1987	
	PROPRIETARY TO BURROUGHS NOT TO BE REPRODUCED NOR USED FOR MANUFACTURING WITHOUT BURROUGHS ORDER OR PRIOR WRITTEN CONSENT.		DATE		CLASS CODE		
			DATE		REV K PAGE 3 of 4		



DECOUPLING CAPACITORS POSITIONED AS IN ASSY. DRG 2574 1059



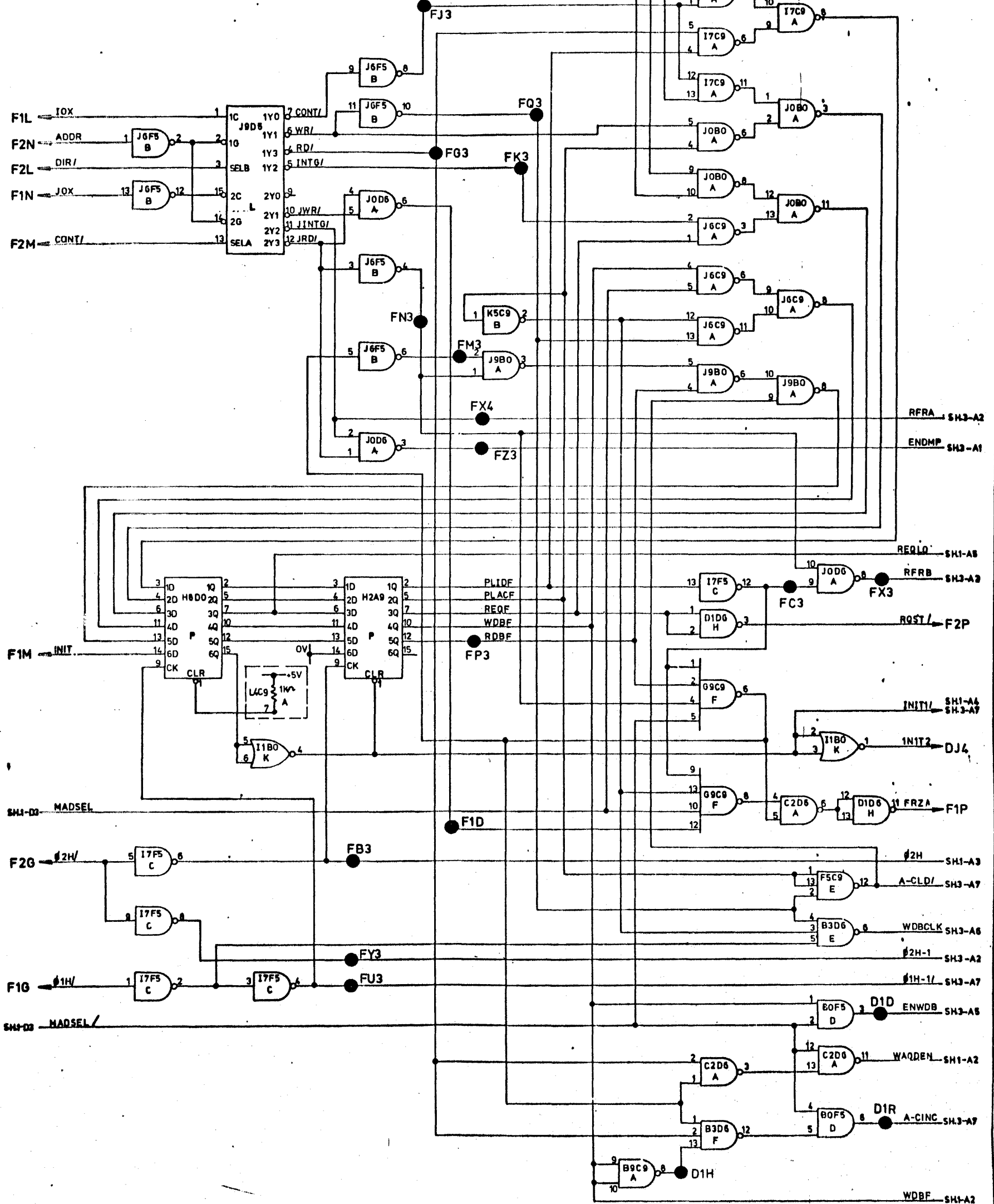
NOTES

- FOR ASSEMBLY SEE 2574 1059
- CODES USED FOR COMPONENT PART NOS ARE AS FOLLOWS:-

I C S		I C S			RESISTORS	
		MTC	SDC	180 CPS	A	
MIA	2600 4911	M11 2571 2555	2574 2065	2574 5290		2571 1912
MIB	1447 3532	M1J 2571 2563	2574 2073	2574 5308		2571 1763
MIC	1479 7971	M1K 2571 2571	2574 2081	2574 5316		2571 0252
MID	1269 6860	M1L 2571 2589	NOT REQUIRED	NOT REQUIRED		
MIE	1447 3722	M1M 2571 2597	2574 2099	2574 5324		
MIF	2600 1677	M1N 2571 2605	2574 2107	2574 5332		
MIG	2571 0237	M1P 2571 2613	2574 2115	2574 5340		
MIH	2571 0104	M1Q 2571 2621	NOT REQUIRED	NOT REQUIRED		
MIV	1269 6936	M1R 2571 2639	2574 2123	2574 5357		
MIW	1447 9596	M1S 2571 2647	2574 2131	2574 5365		
		M1T 2571 2654	2574 2149	2574 5373		
		M1U 2571 2662	NOT REQUIRED	NOT REQUIRED		

- LAST DIGIT OF IC CODES INDICATES ITS ELEMENTS NO
- UNLESS OTHERWISE SPECIFIED ALL RESISTANCES IN OHMS
- 12 PROMS. ARE REQUIRED FOR MTC.
9 PROMS ARE REQUIRED FOR SDC.
9 PROMS ARE REQUIRED FOR 180 CPS

SH3-07 DIN3-0
 SH3-07 DIN3-1
 SH1-06 SPCONT/
 SH1-03 RFWB



RFRB SH3-A2

ENDMP SH3-A1

REQLO SH1-A8

RFRB SH3-A2

RQST/ F2P

INIT1 SH1-A4

SH3-A7

INIT2 DJ4

FRZA F1P

2H SH1-A3

A-CLD/ SH3-A7

WDBCLK SH3-A6

2H-1 SH3-A2

1H-1/ SH3-A7

ENWDB SH3-A5

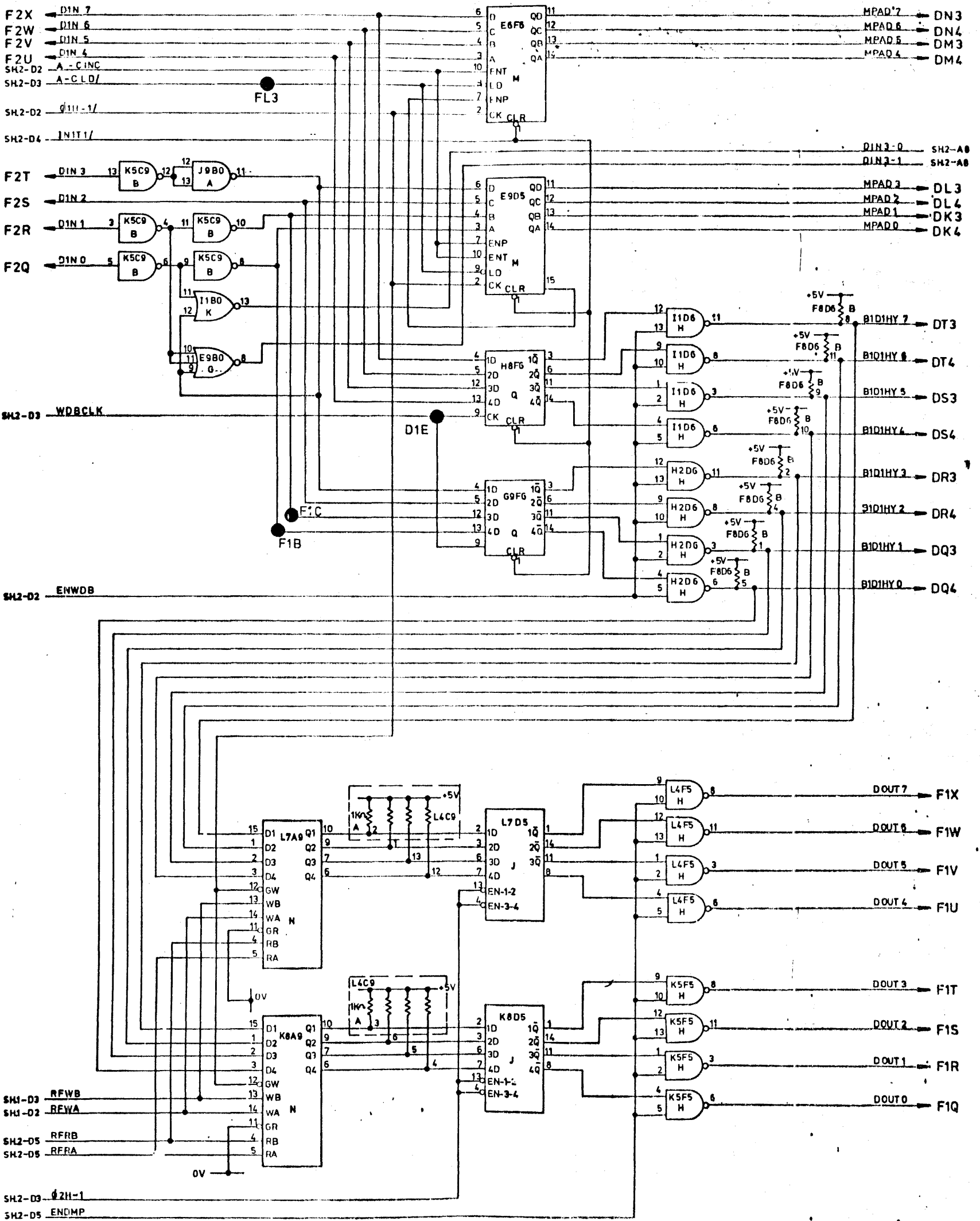
WAQDEN SH1-A2

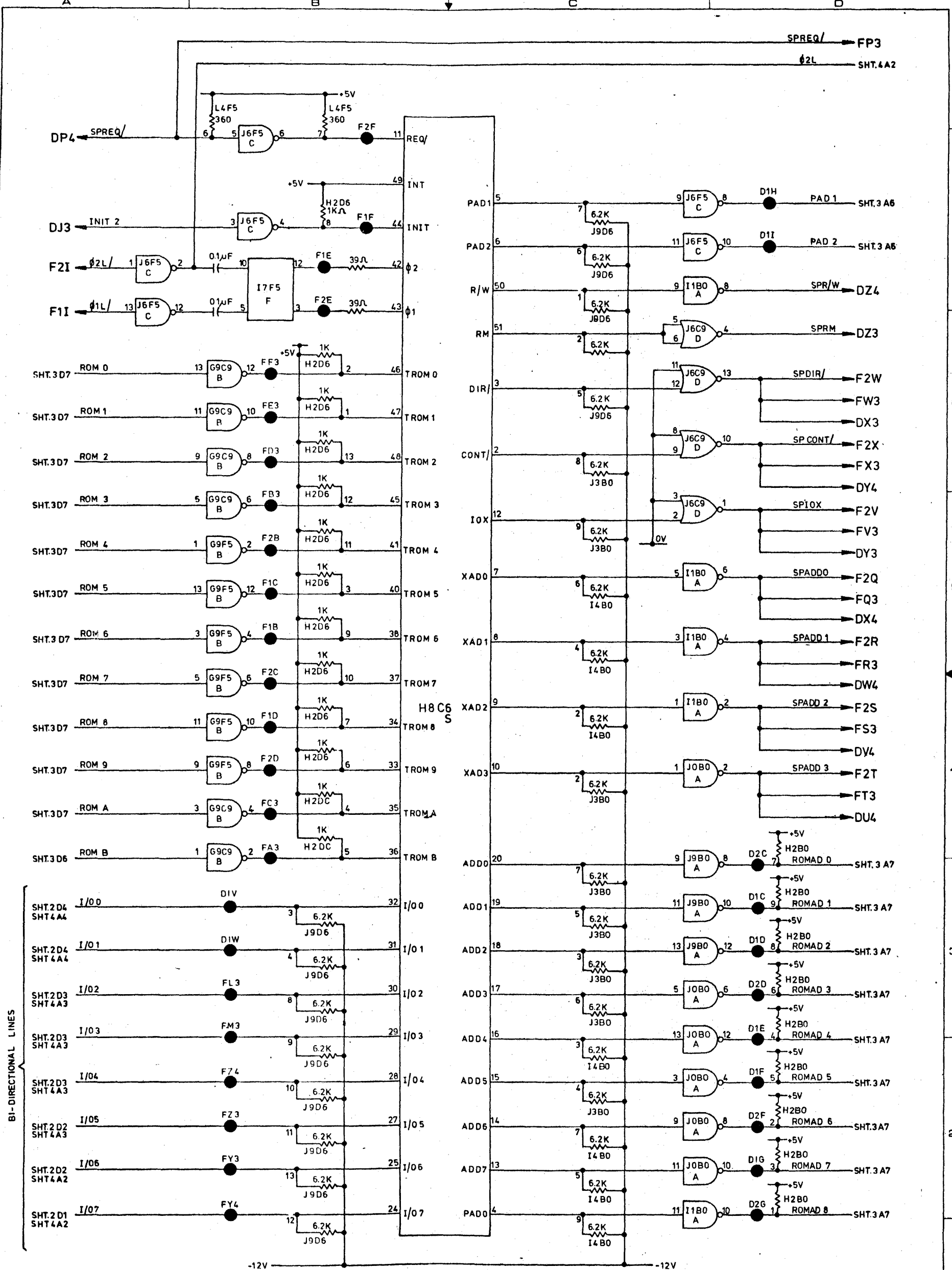
DIR A-CINC SH3-A7

WDBF SH1-A2

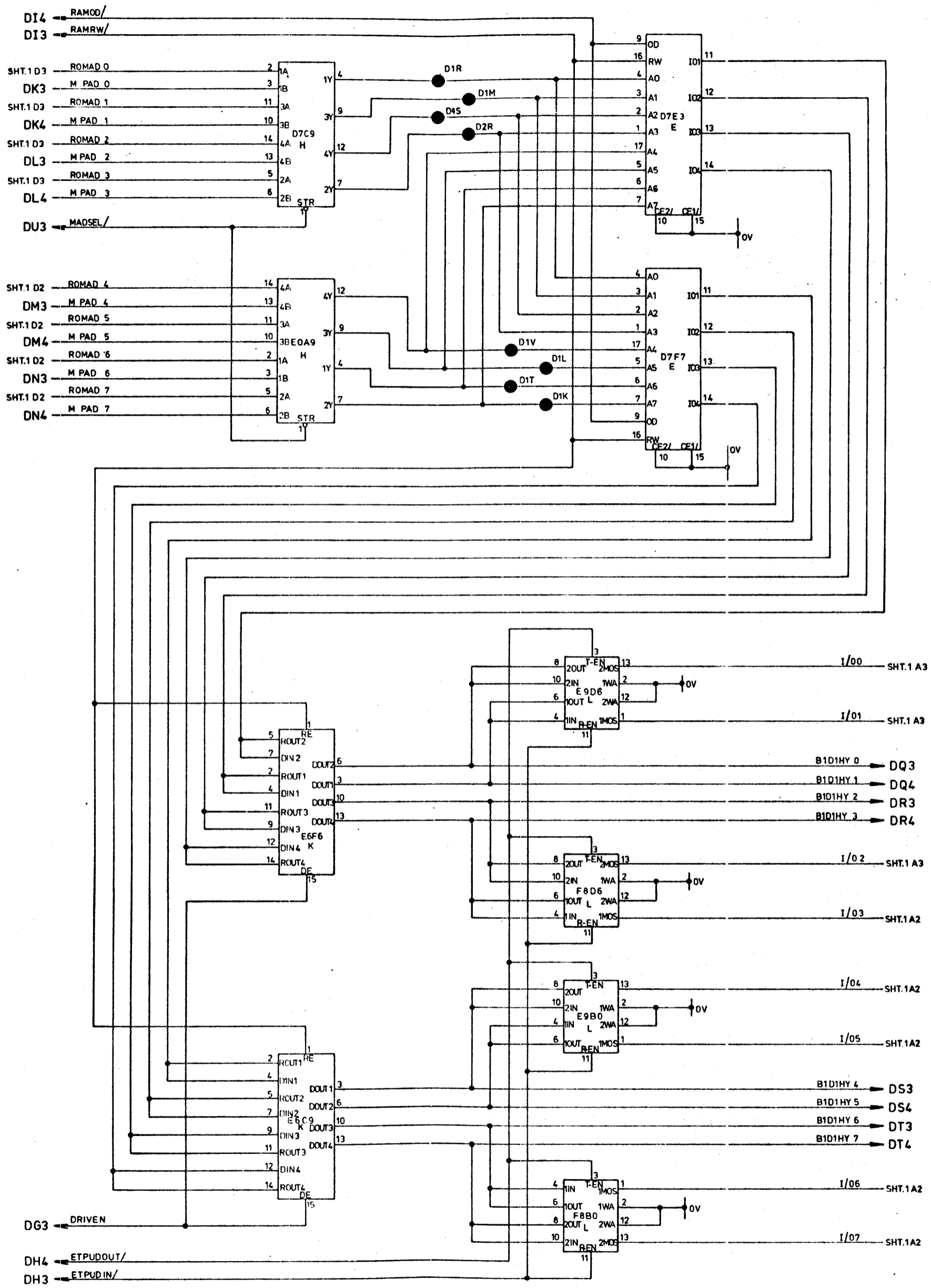
ORIGINAL

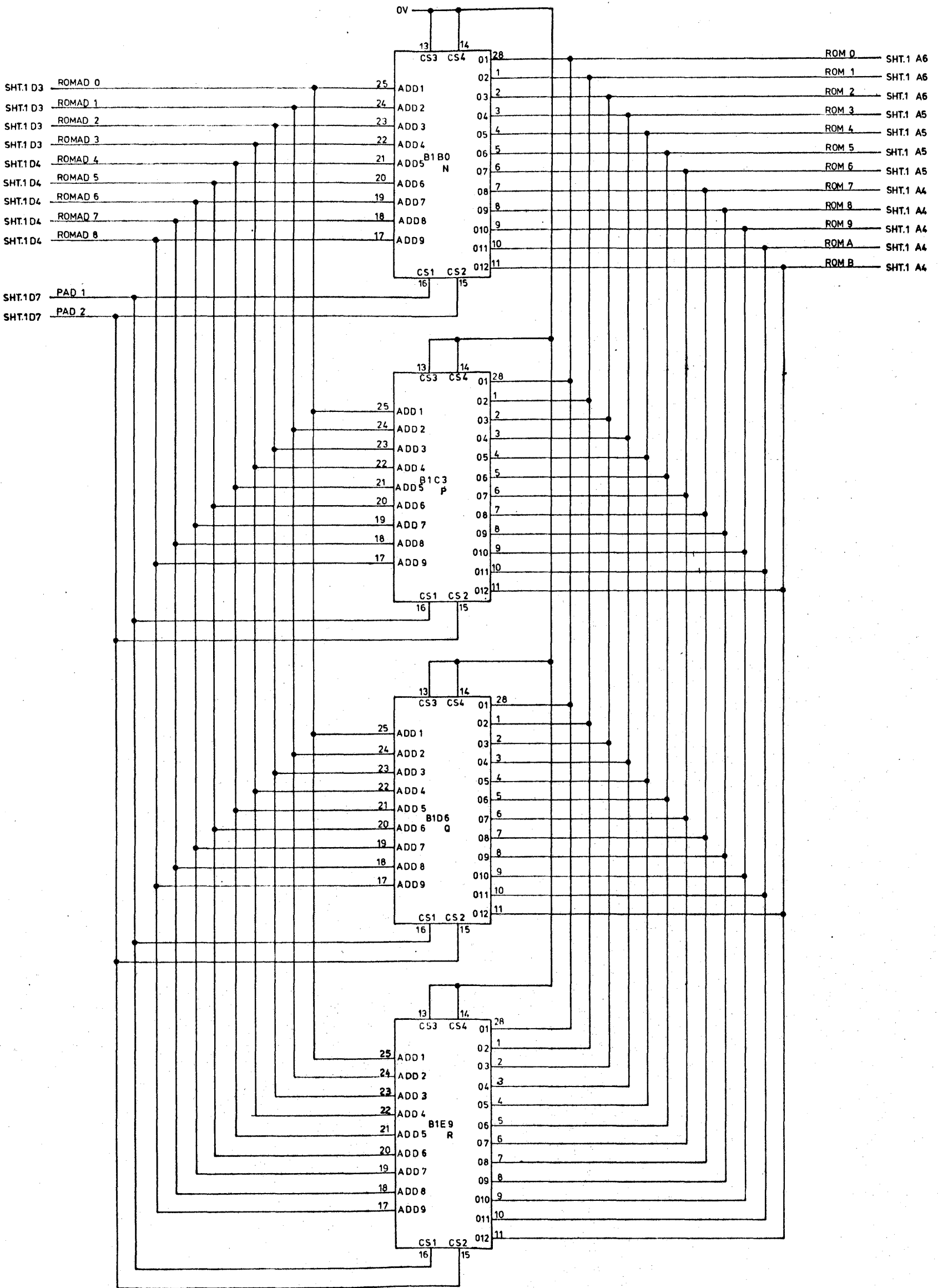
2574 5423 2574 5423	ECN 00092 ECN 00495	RELEASED AUG 31 1976 PACKED IN DATE REV	Burroughs SMALL SYSTEMS DIVISION BURROUGHS MACHINES LIMITED CUMBERNAULD, SCOTLAND, U.K.		DSN CONTROL 308	TITLE SCHEMATIC SOFT CONTROLLER 'A'		DRAWING No 2574 5423		
			DESIGNED <i>R. Reid</i>	DATE 4/5/76	DRAWN RNC	DATE MAY 7 76	APPROVED DATE	CHECKED DATE	CLASS CODE 2-9520	REV B
PROPRIETARY TO BURROUGHS NOT TO BE REPRODUCED NOR USED FOR MANUFACTURING PURPOSES EXCEPT ON BURROUGHS ORDER OR PRIOR WRITTEN CONSENT.					ENG COMP DATE	DRG SIZE A1	CLASS CODE 2-9520	REV B	PAU 2	4





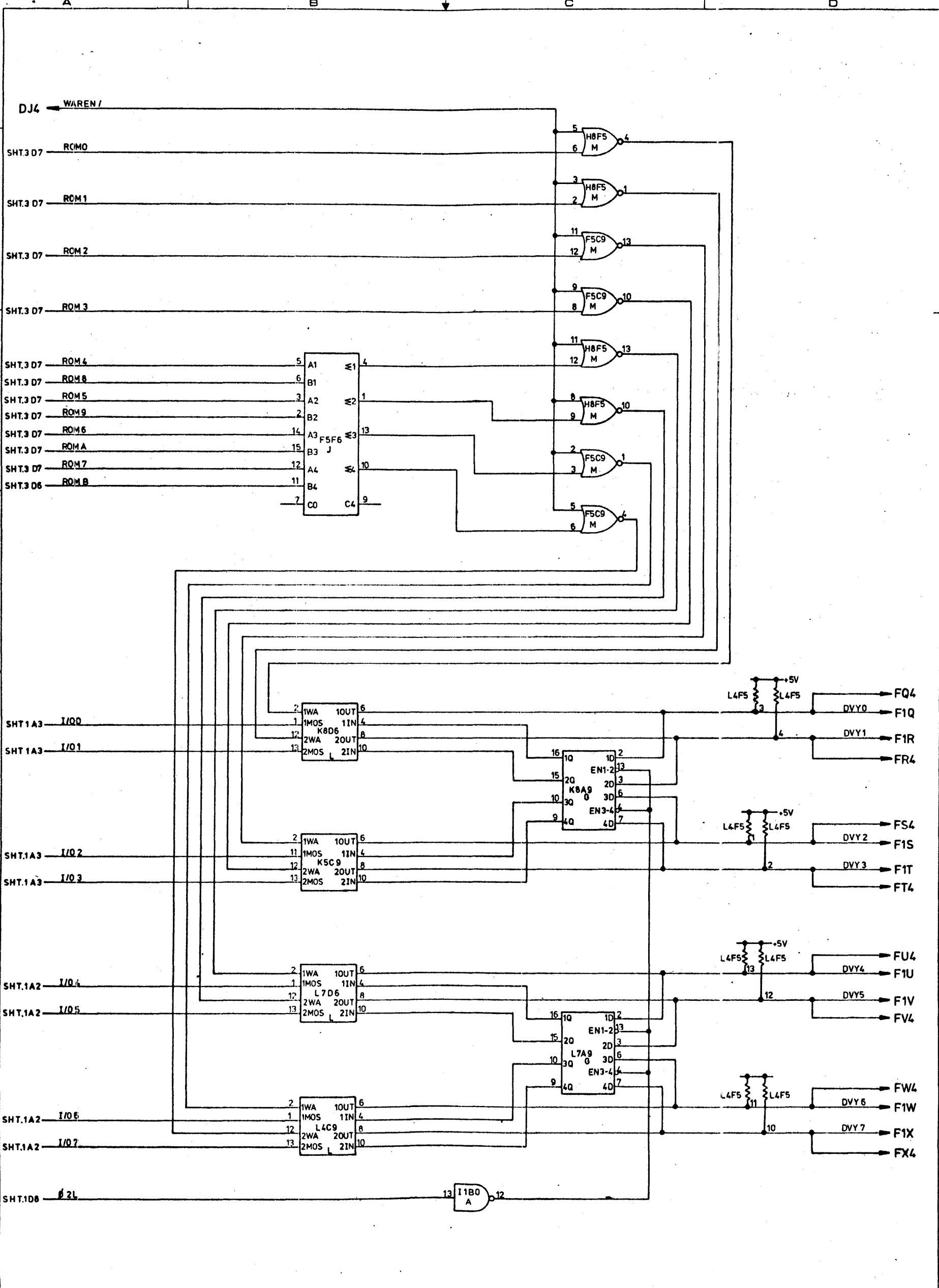
BI-DIRECTIONAL LINES





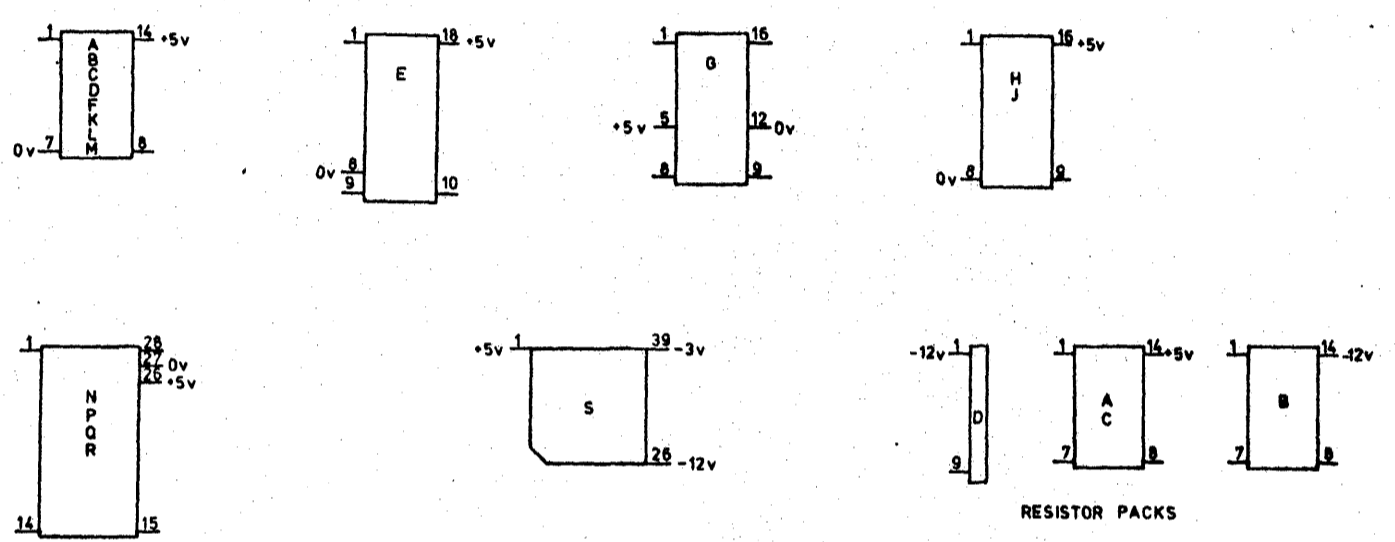
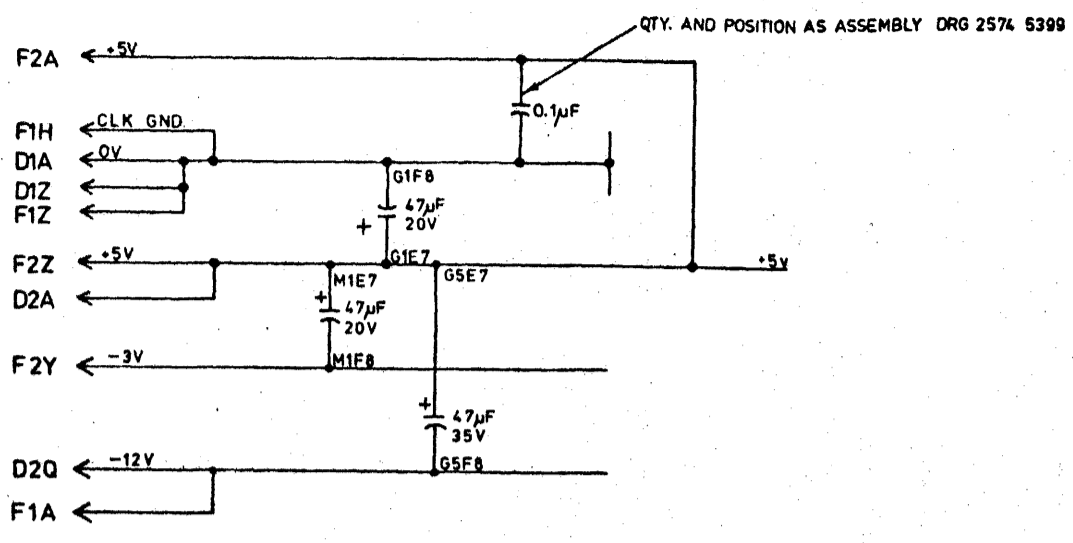
INPUTS

OUTPUTS



2574 5431 4 of 5	ECN 00094 AUG 31, 76	Burroughs SMALL SYSTEMS DIVISION BURROUGHS MACHINES LIMITED CUMBERNAULD, SCOTLAND, U.K.	DESIGNER R. Reid	DATE 14/5/76	DRAWN J.R.L.	DATE APR. 9-76	DRAWING No. 2574 5431	
			APPROVED [Signature]	DATE 27/7/76	CHECKED	DATE	CLASS CODE 2-9520	REV A
PROPRIETARY TO BURROUGHS NOT TO BE REPRODUCED NOR USED FOR MANUFACTURING PURPOSES - KEPT ON BURROUGHS ORDER OR PRIOR WRITTEN CONSENT			ENG. COMP.	DATE	DRG. SIZE A1	CLASS CODE 2-9520	REV A	PAGE 4 of 5

DS



NOTES:-

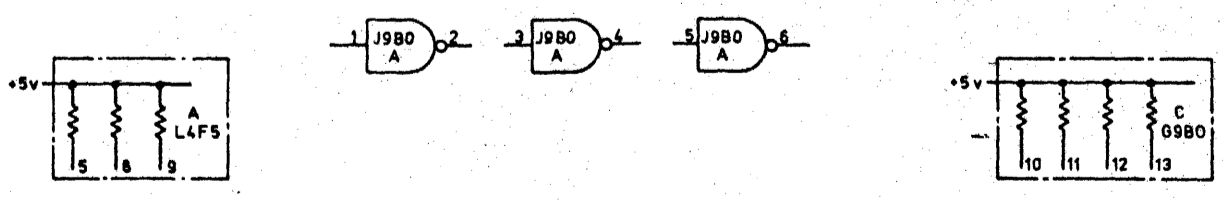
- 1) FOR ASSEMBLY SEE 2574 5399 & 2574 5480 (180 PCF)
2574 5399 & 2574 5498 (SDC)
2574 5399 & 2574 5464 (MTC)
- 2) CODES USED FOR COMPONENT PART Nos. ARE AS FOLLOWS:-

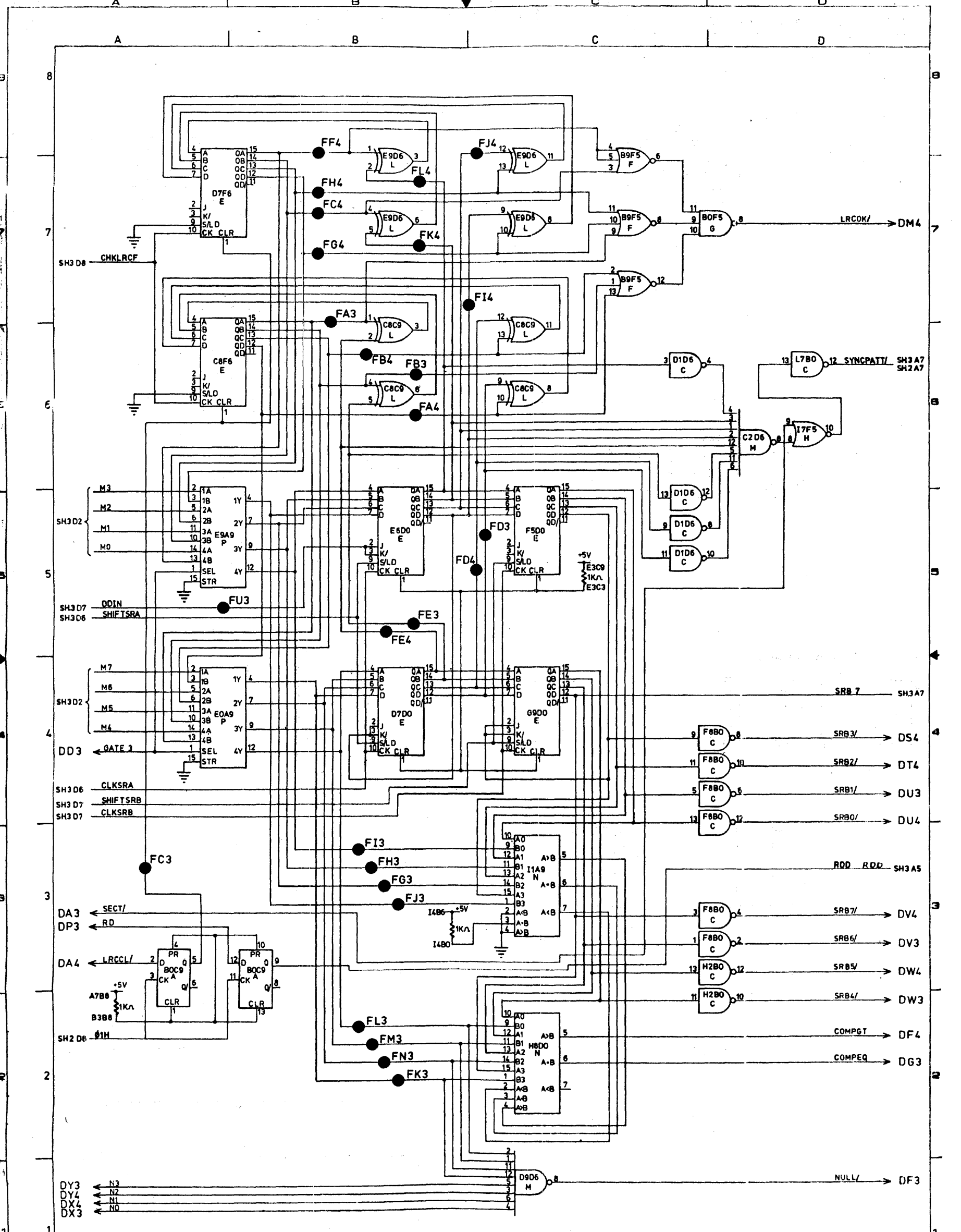
I.C.'s		RESISTORS	
A	SN 7404 1447 3537	A	360Ω 2571 1763
B	SN 74LS04 1269 6886	B	6.2KΩ 2571 0252
C	SN 74H04 1479 7971	C	1.0KΩ 2571 1912
D	SN 74128 1269 6860	D	6.2KΩ 2571 9923
E	256X4 RAM 1847 5558		
F	MMH0026 2571 0237		
G	SN 7475 1269 6936		
H	SN 74157 1447 3797		
J	SN 74283 2600 1677		
K	8T26 1847 4882		
L	BDNSWITCH 2571 0104		
M	SN 740 1447 3516		
N	512x12ROM SEE TABLE		
P	512x12ROM SEE TABLE		
Q	512x12ROM SEE TABLE		
R	512x12ROM SEE TABLE		
S	T.P.U. CHIP 1846 9909		

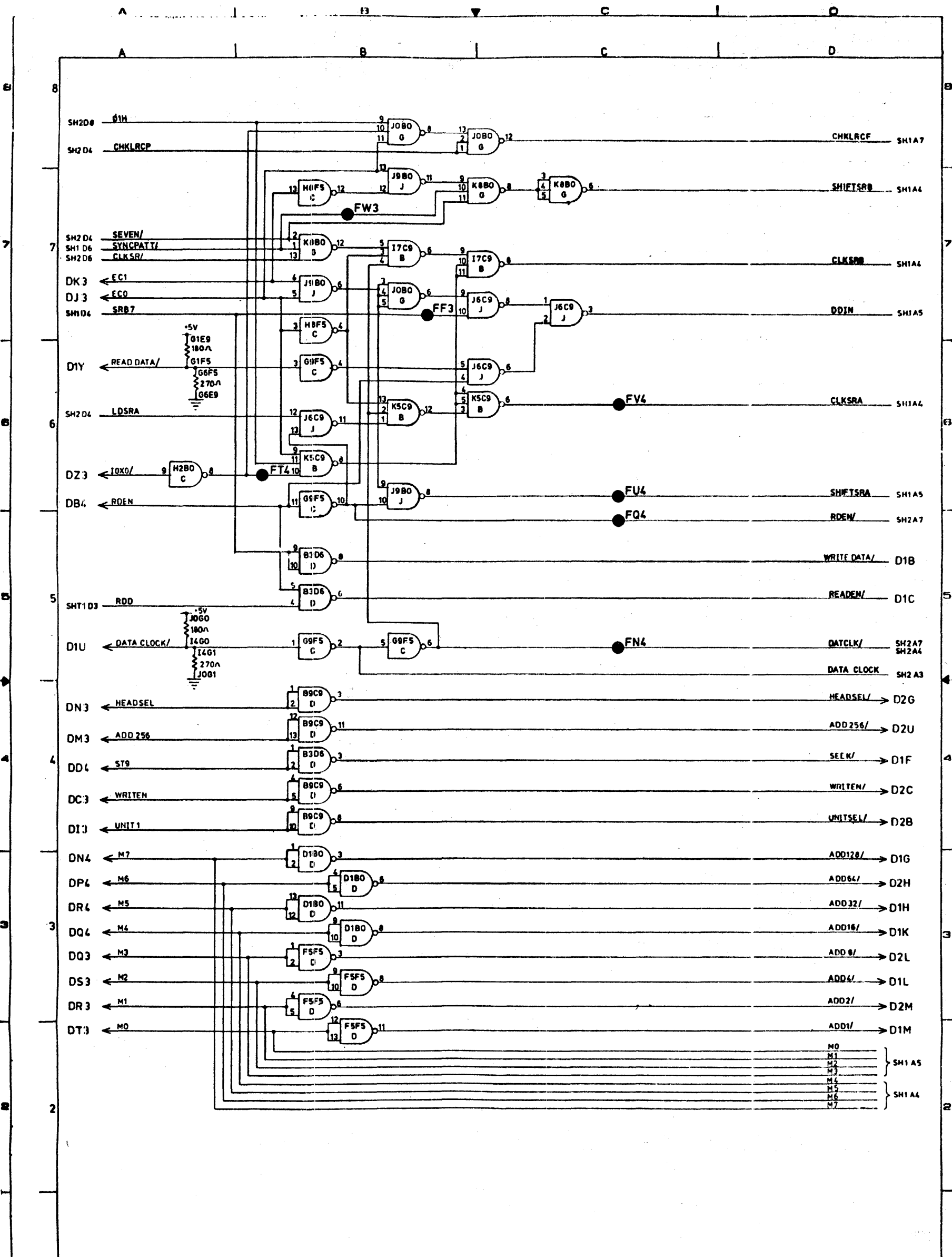
I.C.	180 PCF	SDC	MTC
N	2571 9287	2574 2248	2574 3972
P	2571 9295	2574 2255	2574 3980
Q	2571 9303	2574 2263	2574 3998
R	NOT USED	NOT USED	2574 4004

3) UNLESS OTHERWISE SPECIFIED ALL RESISTOR VALUES ARE IN OHMS.

SPARES

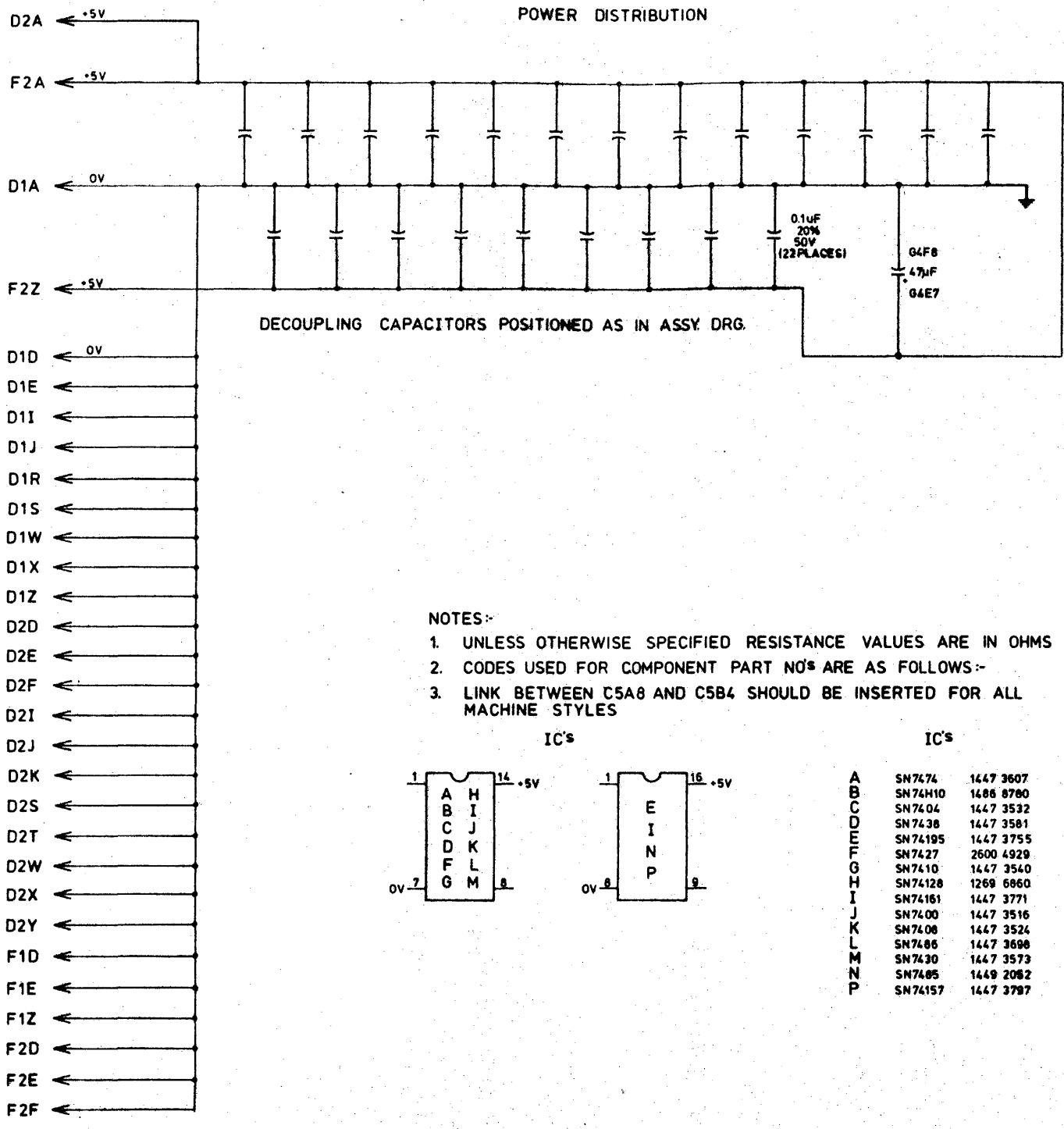






- M0
 - M1
 - M2
 - M3
 - M4
 - M5
 - M6
 - M7
- } SH1 A5
} SH1 A4

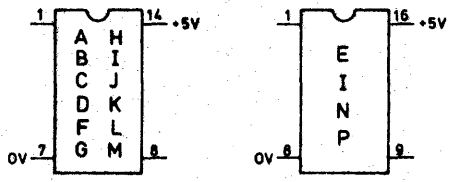
POWER DISTRIBUTION



NOTES:-

1. UNLESS OTHERWISE SPECIFIED RESISTANCE VALUES ARE IN OHMS
2. CODES USED FOR COMPONENT PART NO'S ARE AS FOLLOWS:-
3. LINK BETWEEN C5A8 AND C5B4 SHOULD BE INSERTED FOR ALL MACHINE STYLES

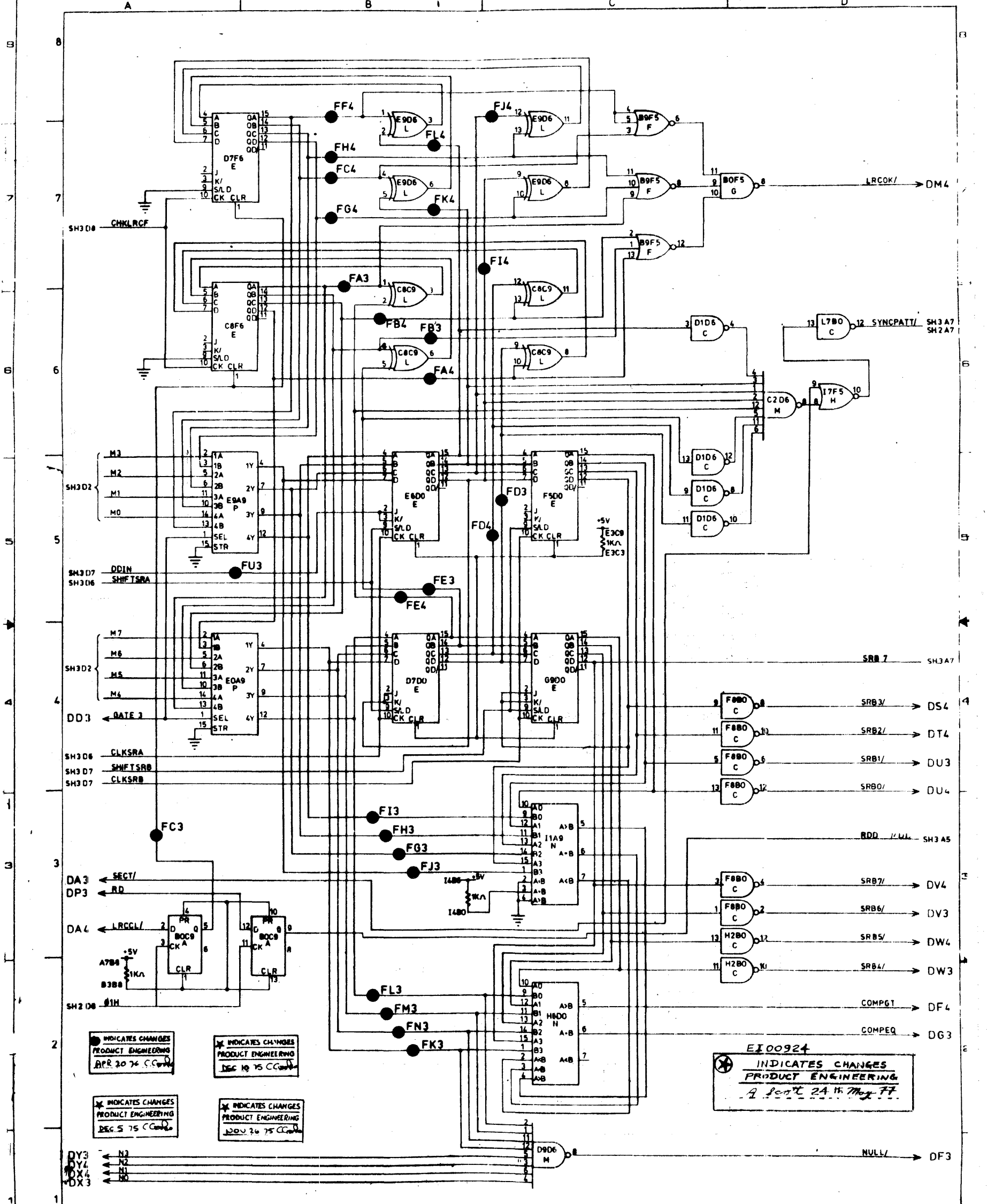
IC's



IC's

A	SN7474	1447 3607
B	SN74H10	1486 8780
C	SN7404	1447 3532
D	SN7438	1447 3581
E	SN74195	1447 3755
F	SN7427	2600 4929
G	SN7410	1447 3540
H	SN74128	1268 6860
I	SN74161	1447 3771
J	SN7400	1447 3516
K	SN7408	1447 3524
L	SN7486	1447 3698
M	SN7430	1447 3573
N	SN7485	1448 2082
P	SN74157	1447 3797

STOCK CORRECTED



INDICATES CHANGES
PRODUCT ENGINEERING
APR 20 76 C.C.

INDICATES CHANGES
PRODUCT ENGINEERING
DEC 10 75 C.C.

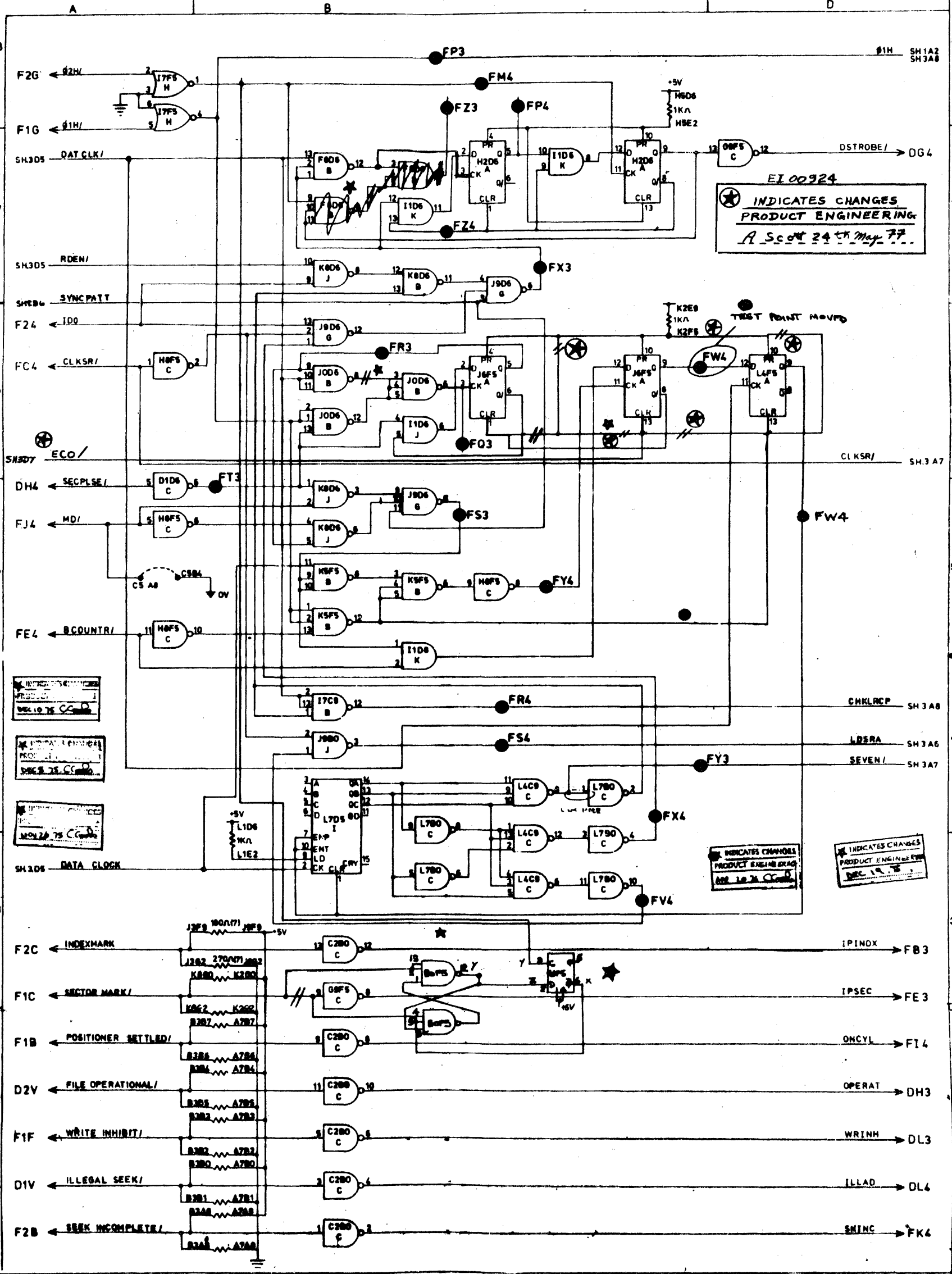
INDICATES CHANGES
PRODUCT ENGINEERING
DEC 5 75 C.C.

INDICATES CHANGES
PRODUCT ENGINEERING
NOV 26 75 C.C.

E100924
INDICATES CHANGES
PRODUCT ENGINEERING
A Sept 24 75 May FF

STOCK CORRECTED

SH 1A2
SH 3A8



EI 00924
 ★ INDICATES CHANGES
 PRODUCT ENGINEERING
 A. Scott 24 May 77

★ INDICATES CHANGES
 PRODUCT ENGINEERING
 DEC 19 75

★ INDICATES CHANGES
 PRODUCT ENGINEERING
 DEC 19 75

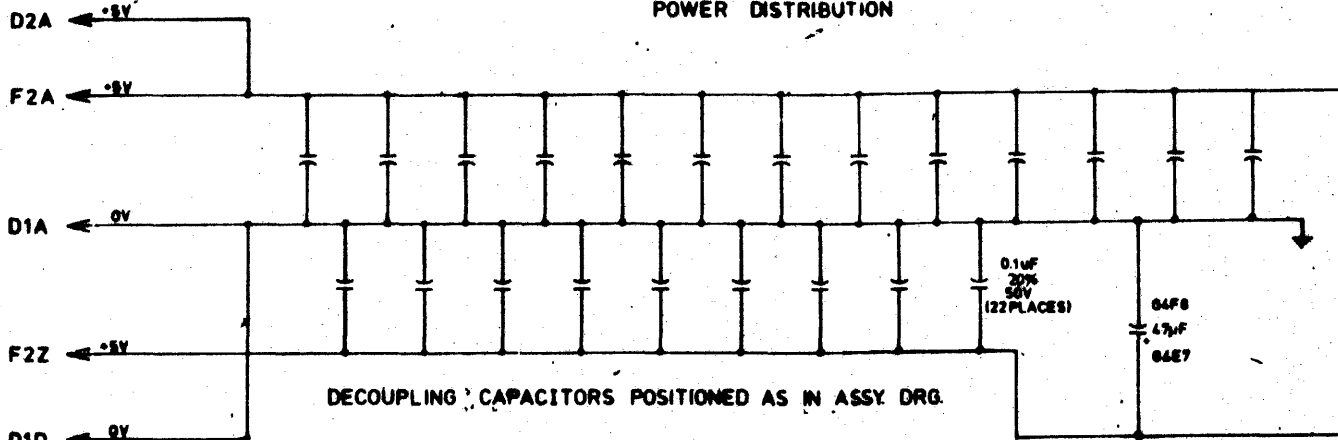
INDICATES CHANGES
 PRODUCT ENGINEERING
 DEC 19 75

INDICATES CHANGES
 PRODUCT ENGINEERING
 DEC 19 75

INDICATES CHANGES
 PRODUCT ENGINEERING
 DEC 19 75

STOCK CORRECTED

POWER DISTRIBUTION

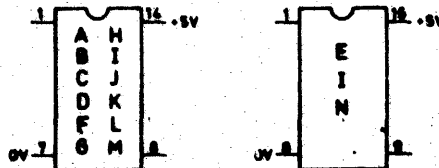


DECOUPLING CAPACITORS POSITIONED AS IN ASSY DRG.

NOTES:-

1. UNLESS OTHERWISE SPECIFIED RESISTANCE VALUES ARE IN OHMS
2. CODES USED FOR COMPONENT PART NOS ARE AS FOLLOWS:-
3. LNK BETWEEN C5A8 AND C5B4 SHOULD BE INSERTED FOR ALL MACHINE STYLES

IC'S



IC'S

A	SN7474	1447 3887
B	SN74M10	1406 8788
C	SN7404	1447 3532
D	SN7438	1447 3581
E	SN74195	1447 3755
F	SN7427	2800 4829
G	SN7410	1447 3540
H	SN74128	1288 6880
I	SN74161	1447 3771
J	SN7400	1447 3516
K	SN7408	1447 3524
L	SN7406	1447 3888
M	SN7430	1447 3573
N	SN7405	1448 2882
P	SN74157	1447 3787

- D2A ← +8V
- F2A ← +8V
- D1A ← 0V
- F2Z ← +8V
- D1D ← 0V
- D1E ←
- D1I ←
- D1J ←
- D1R ←
- D1S ←
- D1W ←
- D1X ←
- D1Z ←
- D2D ←
- D2E ←
- D2F ←
- D2I ←
- D2J ←
- D2K ←
- D2S ←
- D2T ←
- D2W ←
- D2X ←
- D2Y ←
- F1D ←
- F1E ←
- F1Z ←
- F2D ←
- F2E ←
- F2F ←

INDICATES CHANGES
PRODUCT ENGINEERING
A. SCOTT 24th May 77

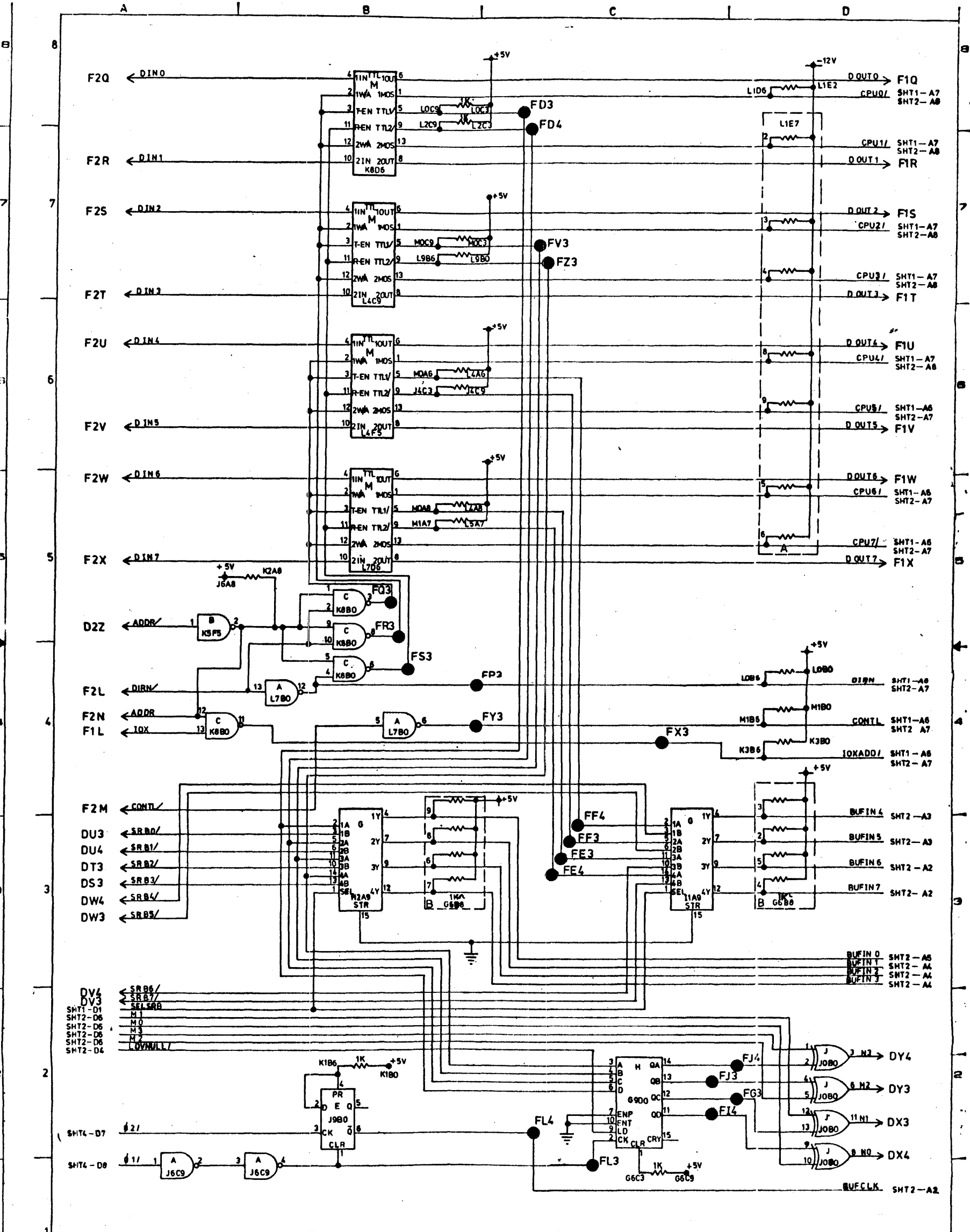
INDICATES CHANGES
PRODUCT ENGINEERING
A. SCOTT 24th May 77

INDICATES CHANGES
PRODUCT ENGINEERING
A. SCOTT 24th May 77

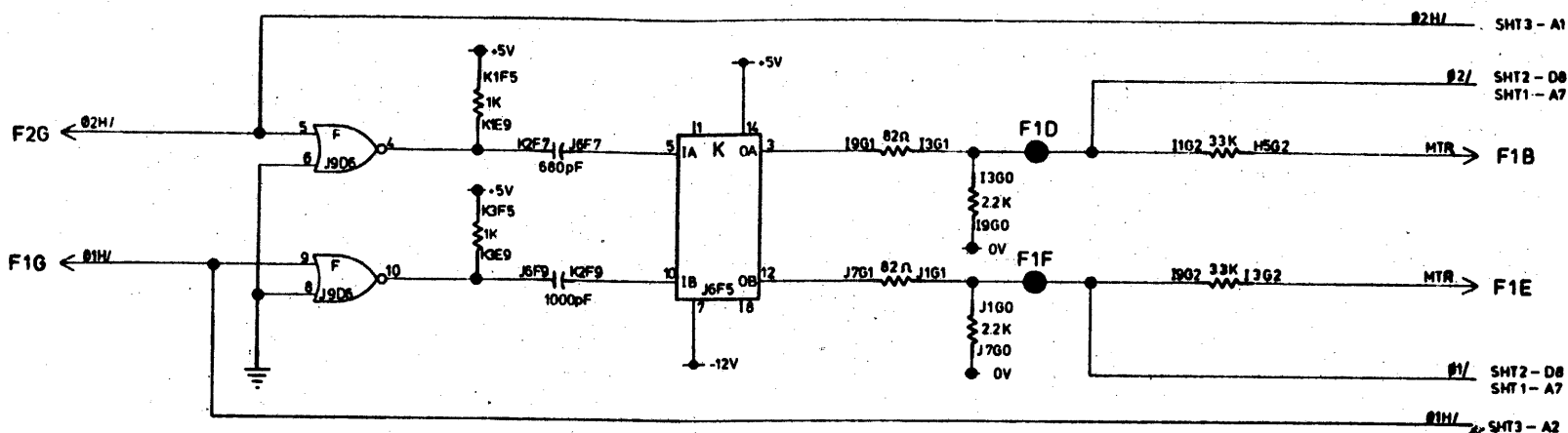
INDICATES CHANGES
PRODUCT ENGINEERING
A. SCOTT 24th May 77

INDICATES CHANGES
DEC 19 77

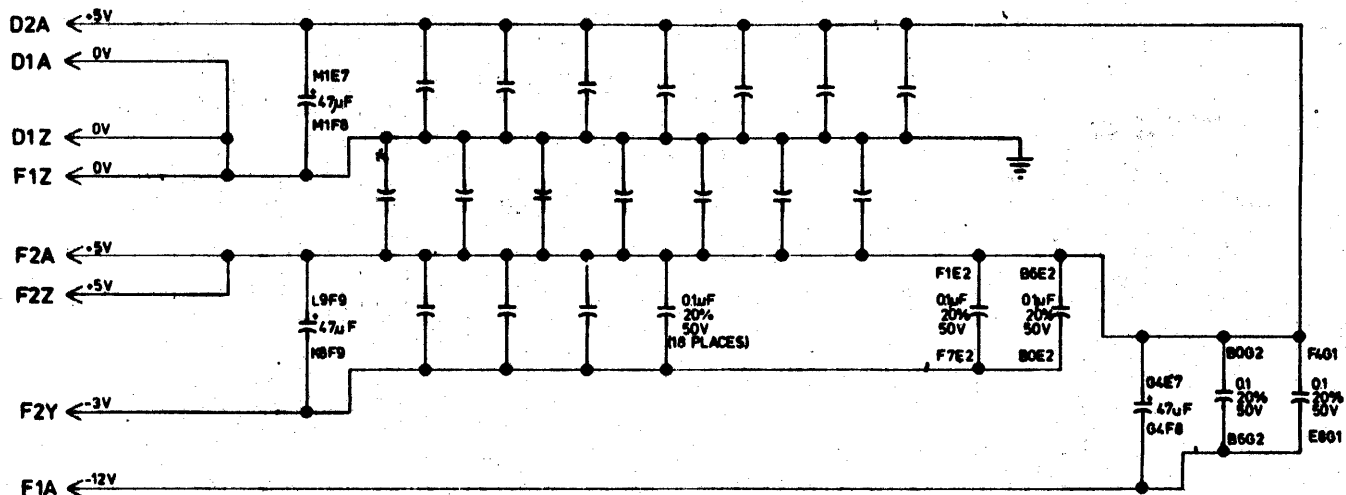
EI 00924
INDICATES CHANGES
PRODUCT ENGINEERING
A. SCOTT 24th May 77



CLOCK DISTRIBUTION.



POWER DISTRIBUTION.

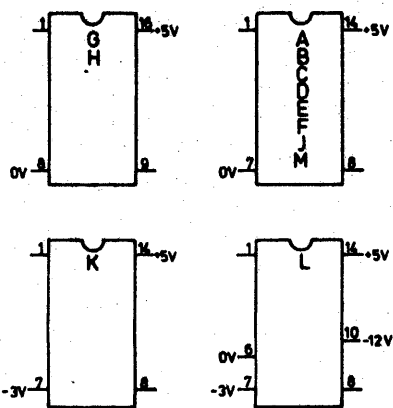


DECOUPLING CAPACITORS POSITIONED AS IN ASSY. DRG.

NOTES

- FOR L.S.I. ASSY. SEE :- 2571 4601
- CODES USED FOR COMPONENT PART NOS ARE AS FOLLOWS :-

IC'S



IC'S

IC'S	SN	1447	3532
A	7404	1447	3532
B	7406	1447	4963
C	7400	1447	3516
D	7410	1447	3540
E	7474	1447	3607
F	74128	1269	6860
G	74157	1447	3797
H	74161	1447	3771
J	7486	1447	3698
K	MH 0026	1846	5229
L	MOS SHIFT REGISTER	2571	5418
M	TX/PX	2571	0104

LSI'S

LSI'S	2574	3162
A	2574	3162
B	2574	3170
C	2574	3186

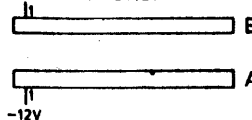
RESISTOR PACKS.

RESISTOR PACKS.	6.2K	2571	9923
A	6.2K	2571	9923
B	1KΩ	2571	9915

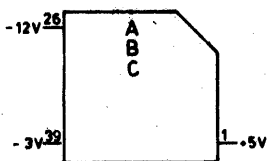
- UNLESS OTHERWISE SPECIFIED RESISTANCE VALUES ARE IN OHMS.

- FOR 9489-1 DISK LEAVE LINKS A,B,C,D OUT
- FOR 9480-21 DISK PUT IN LINKS D & A
- 9480-11 LINK D
- 9481-11 LINK A
- 9489-2 LINK B
- 9480-22 LINKS D,A,B
- 9480-12 LINKS D & B
- 9481-12 LINKS A & B

RESISTOR PACKS.



LSI'S



2571 4684

Burroughs

SCHEMATIC. DISK 1. P.C.B.

DATE	DATE	DATE	DATE
DESIGNED	DATE	DRAWN RNC/JTH	DATE OCT 14 '75
APPROVED	DATE	CHECKED	DATE
DATE	DATE	DATE	DATE

DRAWING NO. 2571 4684

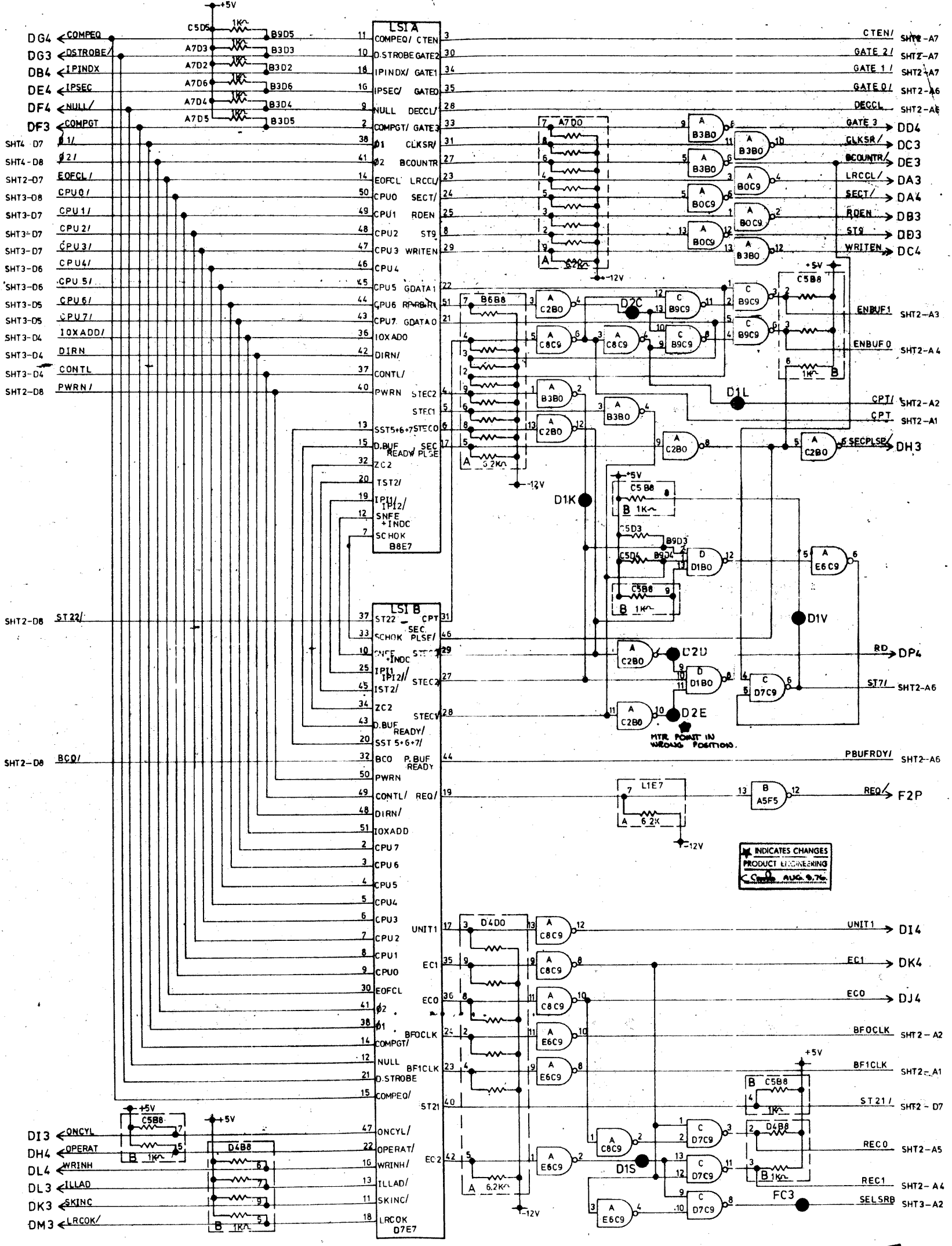
CLASS CODE 2-9520

REV D-1

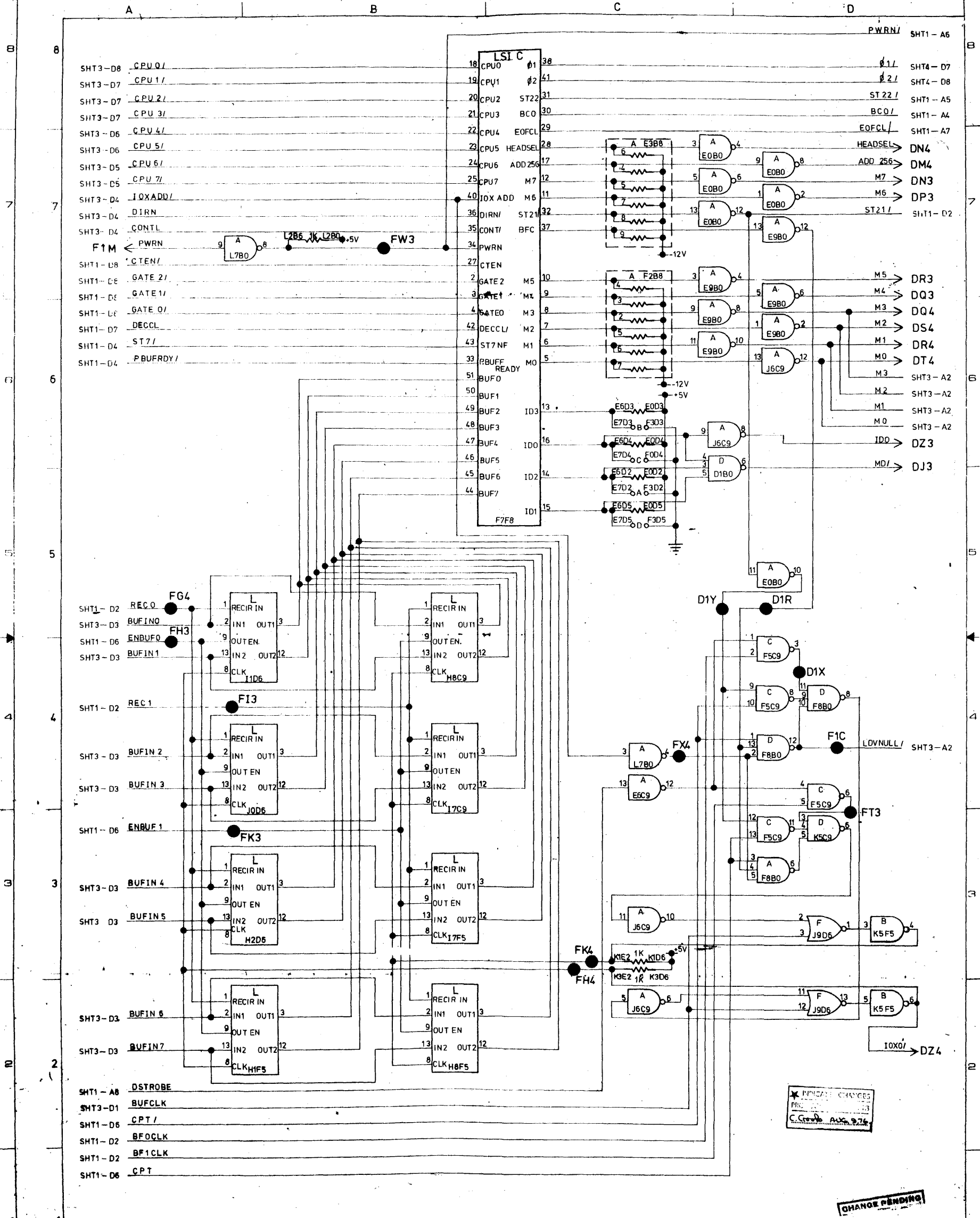
PAGE 4 of 4

PROPRIETARY TO BURROUGHS NOT TO BE REPRODUCED NOR USED FOR MANUFACTURING PURPOSES EXCEPT ON BURROUGHS ORDER OR PRIOR WRITTEN CONSENT

STOCK CORRECTION ★

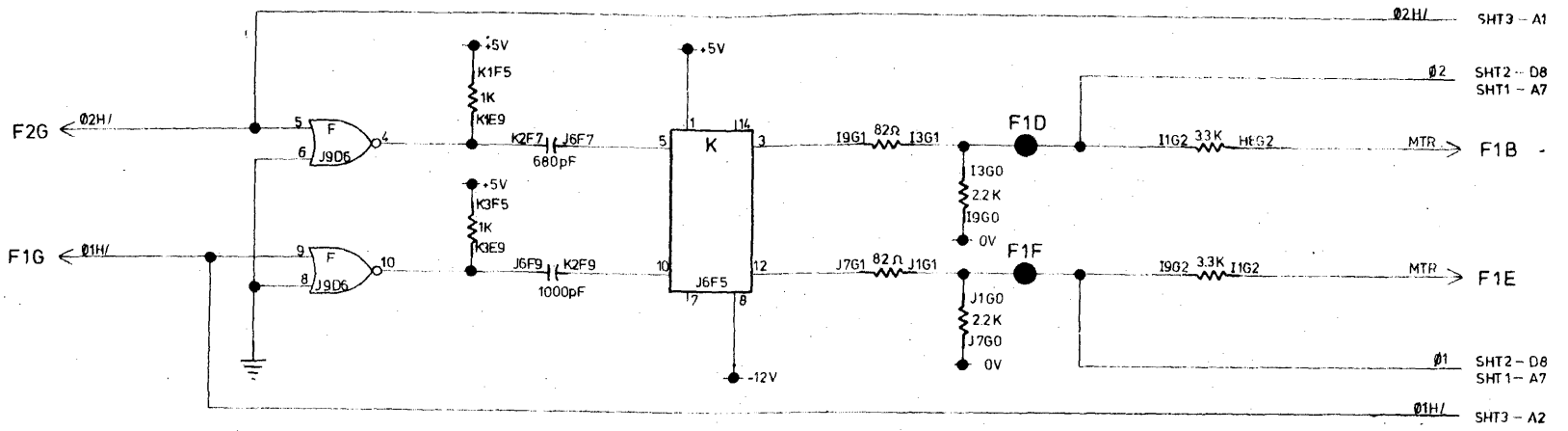


STOCK CORRECTION *

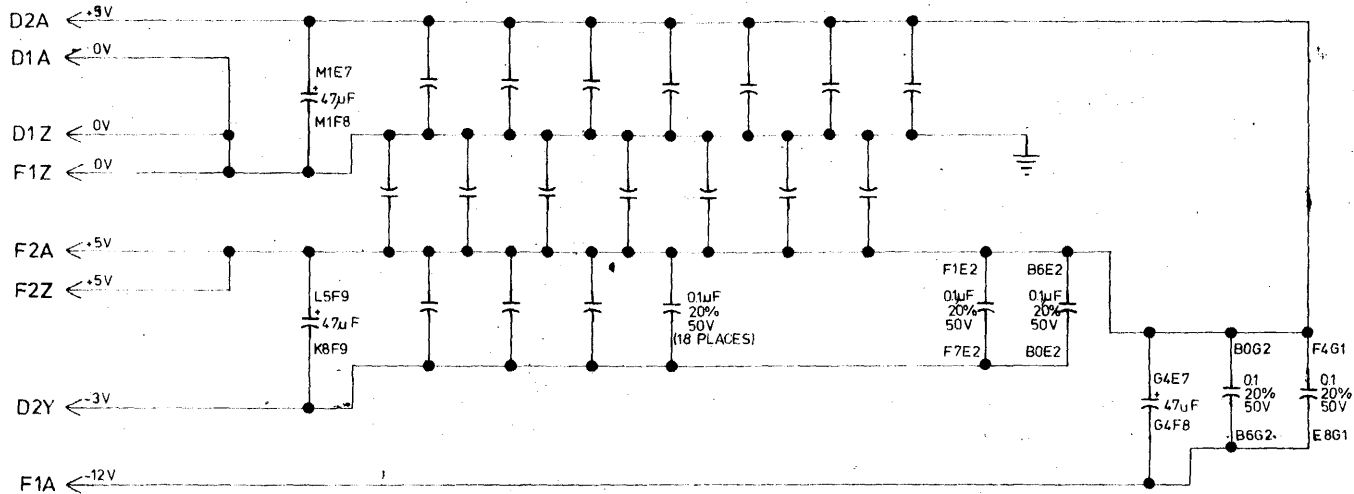


STOCK CORRECTION. ★

CLOCK DISTRIBUTION.



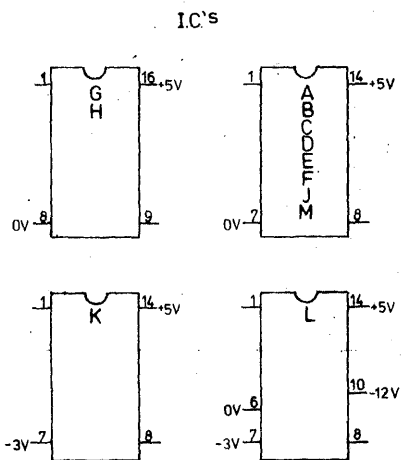
POWER DISTRIBUTION.



DECOUPLING CAPACITORS POSITIONED AS IN ASSY. DRG..

NOTES

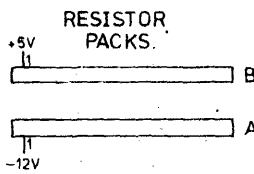
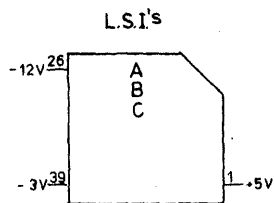
- FOR L.S.I. ASSY. SEE - 2571 4601
- CODES USED FOR COMPONENT PART NOS ARE AS FOLLOWS -



IC'S		L.S.I'S		RESISTOR PACKS.	
A	SN 7404 1447 3532	A	2571 3835	A	6.2K 2571 9923
B	SN 7406 1674 4963	B	2571 3868	B	1KΩ 2571 9915
C	SN 7400 1447 3516		2571 3801		
D	SN 7410 1447 3540				
E	SN 7474 1447 3607				
F	SN 74128 1269 6860				
G	SN 74157 1447 3797				
H	SN 74161 1447 3771				
J	SN 7486 1447 3698				
K	MH 0026 2571 0237				
L	MOS SHIFT REGISTER 2571 5418				
M	TX/PIX 2571 0104				

★ INDICATE CHANGES
PRODUCT ENGINEERING
C. G. B. AUG 9, 76

- UNLESS OTHERWISE SPECIFIED RESISTANCE VALUES ARE IN OHMS.



- FOR 9489-1 DISK LEAVE LINKS A, B, C, D OUT
- FOR 9480-21 DISK PUT IN LINKS D & A
- 9480-11 " " " LINK D
- 9481-11 " " " LINK A
- 9489-2 " " " LINK B
- 9480-22 " " " LINKS D & B
- 9480-12 " " " LINKS D & B
- 9481-12 " " " LINKS A & B

July Pkg. 2.76
CHANGE PENDING

Burroughs
BURROUGHS MACHINES LIMITED
CUMBERNAULD, SCOTLAND, U.K.

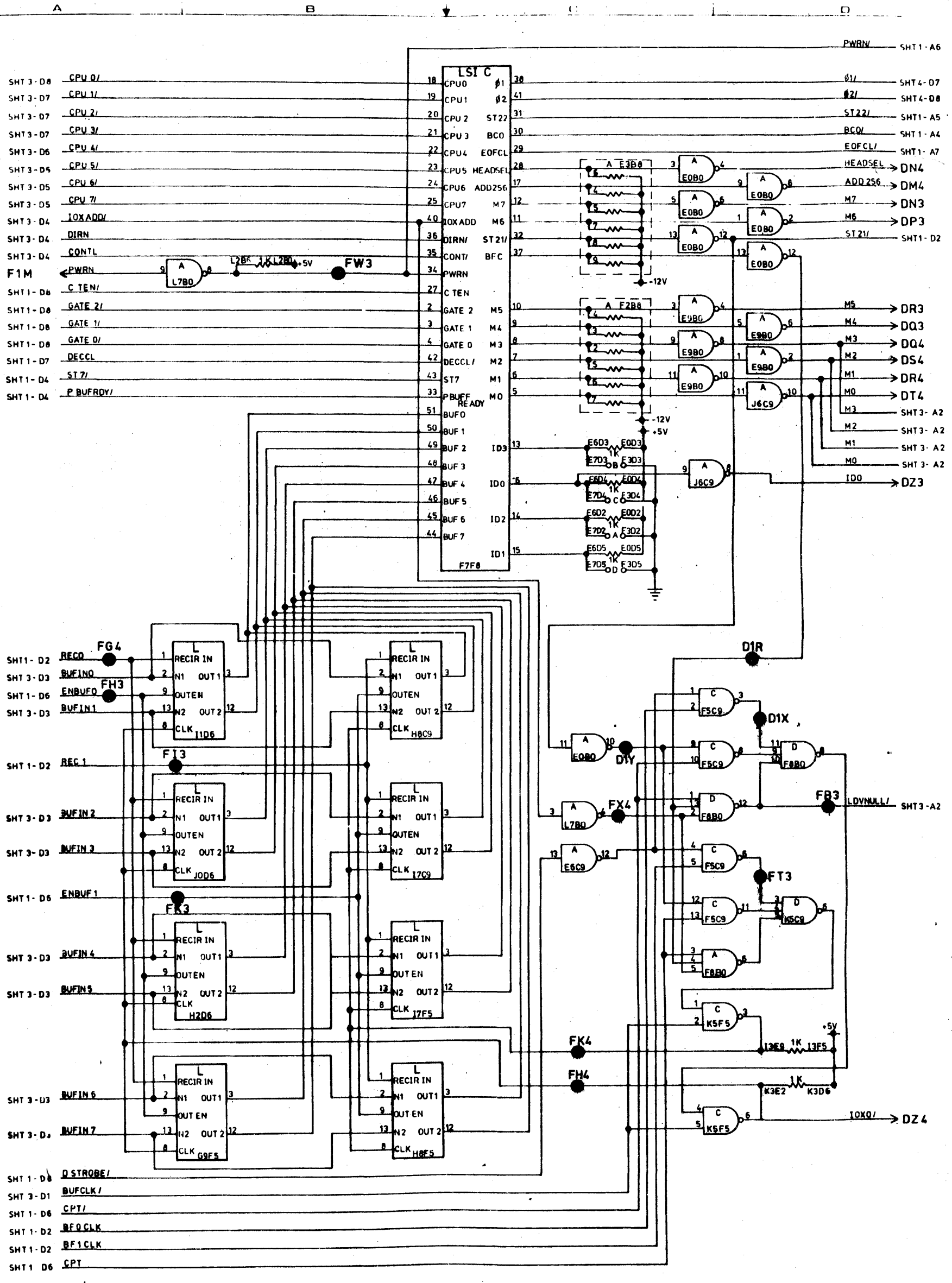
SCHEMATIC DISK 1, P.C.B.

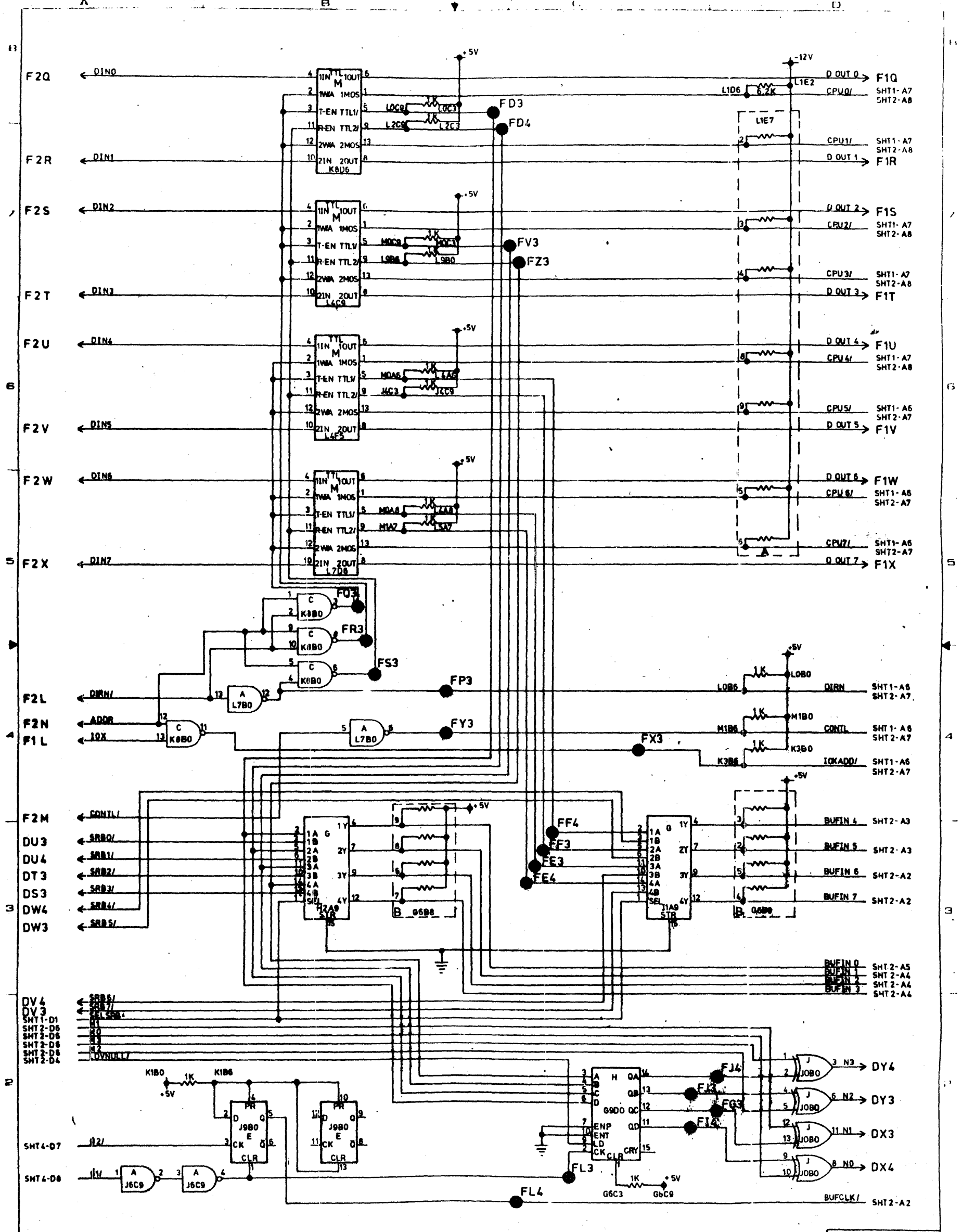
ENG. DES.	DATE	DRAWN	DATE
CRC	24 75	RNC/JTH	OCT 14 75
APPROVED	DATE	CHECKED	DATE
(SIGN)	24 75		
ENG. COMP.	DATE		

PROPRIETARY TO BURROUGHS. NOT TO BE REPRODUCED FOR USE IN ANY MANUFACTURING PURPOSES EXCEPT ON BURROUGHS ORDER OR PRIOR WRITTEN CONSENT.

2571 4684

4 of 4

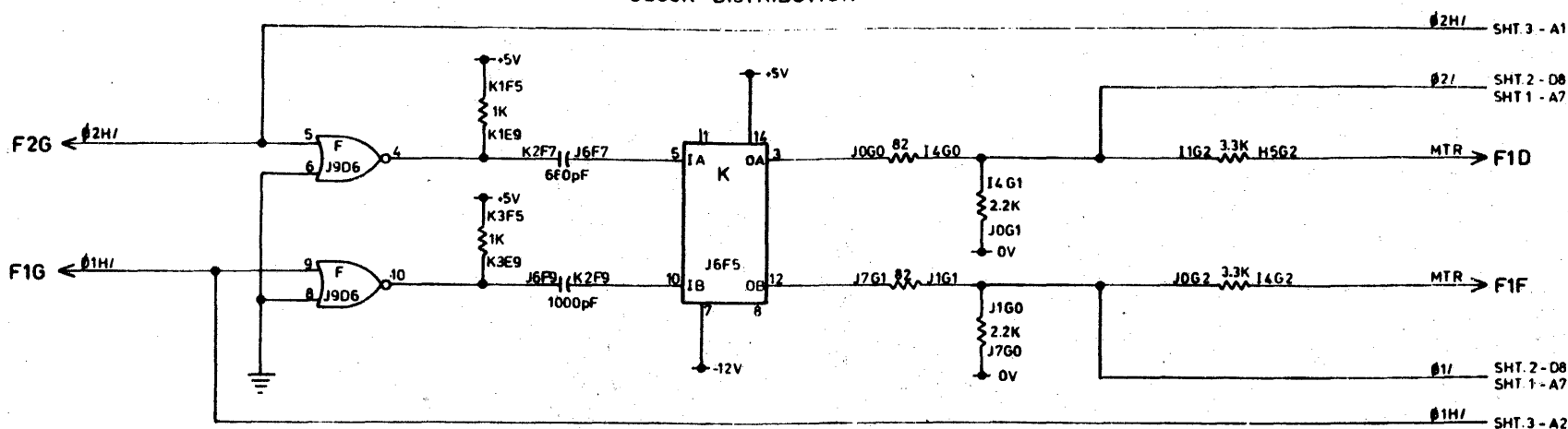




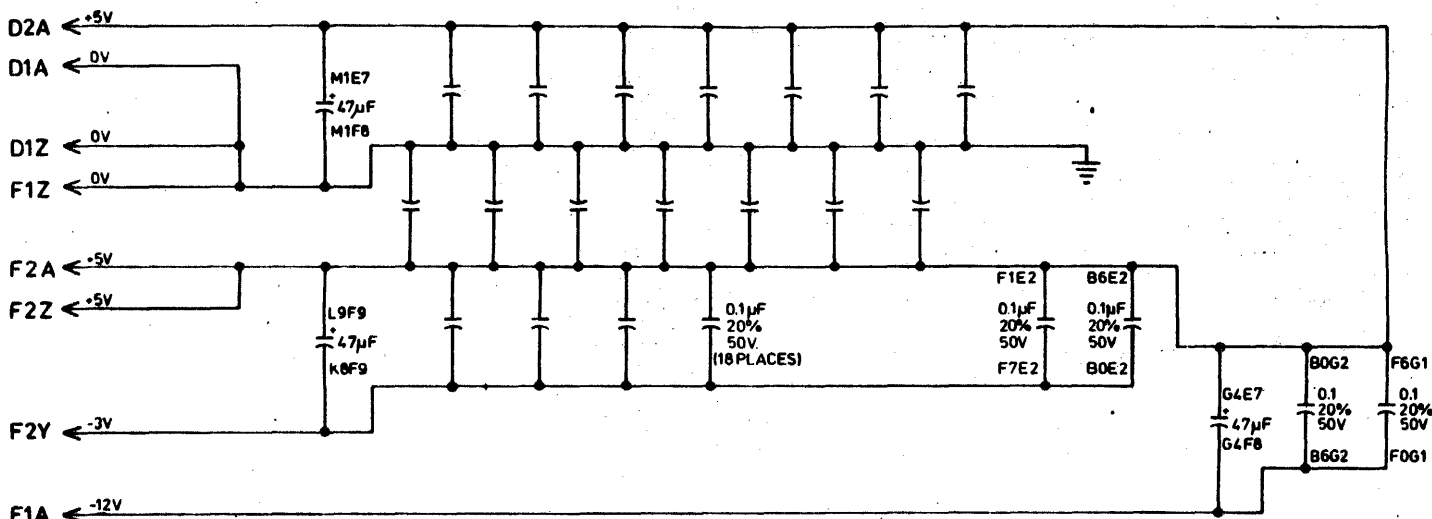
CT PROGRAMME *Dwell*

2797 3858	ER 0128	OCT 28 77	 BURROUGHS SYSTEMS DIVISION BURROUGHS MANUFACTURING LIMITED LONDON W8 5AH	DATE: JUN 29 77 BY: CH/AR CHECKED:	DATE: JUN 29 77 BY:	DATE:	DATE:	2797 3858
				APPROVED:	DATE:	DATE:	DATE:	A

CLOCK DISTRIBUTION

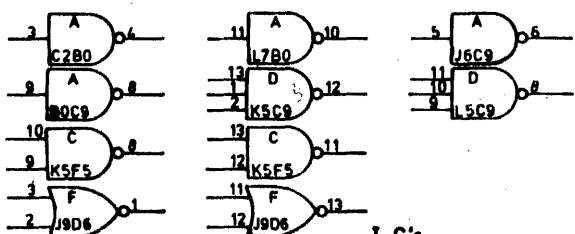


POWER DISTRIBUTION

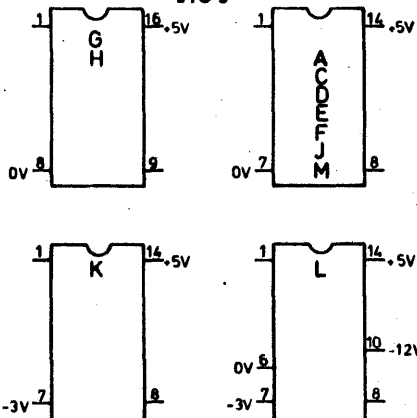


DECOUPLING CAPACITORS POSITIONED AS IN ASSY. DRG.

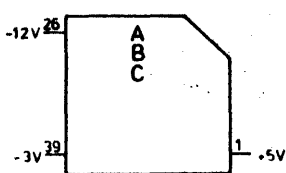
SPARE GATES



I.C.'s



L.S.I.'s



NOTES:-

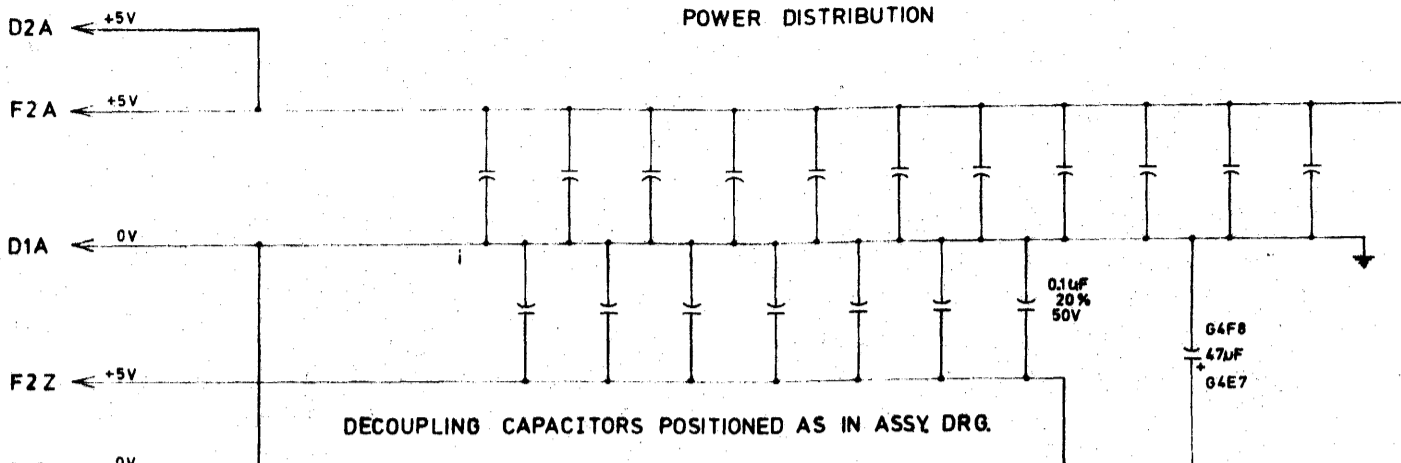
- 1. FOR T.T.L. ASSY. SEE> 2797 3817
- 2. CODES USED FOR COMPONENT PART NOS. ARE AS FOLLOWS:-

I.C.'s		L.S.I.'s		RESISTOR PACKS	
A	SN 7404	1447	3532	A	6.2K 2571 9923
B	SN 7400	1447	3516	B	1K 2571 9915
C	SN 7410	1447	3540		
D	SN 7474	1447	3607		
E	SN 74128	1269	6860		
F	SN 74157	1447	3797		
G	SN 74161	1447	3771		
H	SN 7486	1447	3698		
J	MH 0026	1846	5229		
K	MOS SHIFT REGISTER	2571	5418		
L					
M	TX/PX	2571	0104		

3. UNLESS OTHERWISE SPECIFIED RESISTANCE VALUES ARE IN OHMS.

DISK	NO OF CONTROLLERS	LINKS		
		IN	OUT	
9489 - 1	1	---	A, B, C, D	
9480 - 21		A, D	B, C	
9480 - 11		D	A, B, C	
9481 - 11		A	B, C, D	
9489 - 2		B	A, C, D	
9480 - 22		A, B, D	C	
9480 - 12		B, D	A, C	
9481 - 12		A, B	C, D	
9493 - 18		A, B, C, D	---	
9493 - 9		A, C, D	B	
9493 - 28		1	A, B, C, D	---
		2	A, C, D	B
9493 - 37	1	A, B, C, D	---	
	2	A, B, C, D	---	

CT PROGRAMME Dinsell

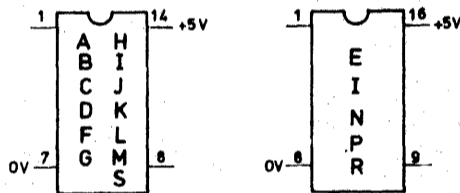


- D2A ← +5V
- F2A ← +5V
- D1A ← 0V
- F2Z ← +5V
- D1D ← 0V
- D1E ←
- D1I ←
- D1J ←
- D1R ←
- D1S ←
- D1W ←
- D1X ←
- D1Z ←
- D2D ←
- D2E ←
- D2F ←
- D2I ←
- D2J ←
- D2K ←
- D2S ←
- D2T ←
- D2W ←
- D2X ←
- D2Y ←
- F1D ←
- F1E ←
- F1Z ←
- F2D ←
- F2E ←
- F2F ←

NOTES:

1. FOR ASSEMBLY SEE 2797 3825
2. UNLESS OTHERWISE SPECIFIED RESISTANCE VALUES ARE IN OHMS
3. CODES USED FOR COMPONENT PART NO'S ARE AS FOLLOWS:-
4. CONNECT LINKS C/M AT (G1E2, G1D6) & (B5E9, B5F5) FOR ALL MACHINE STYLES

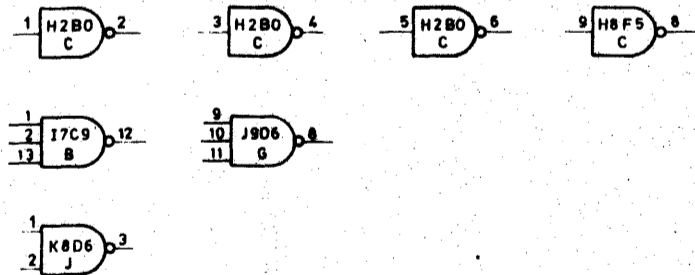
IC's



IC's

A	SN7474	1447 3607
B	SN74H10	1486 8780
C	SN7404	1447 3532
D	SN7438	1447 3581
E	SN74195	1447 3755
F	SN7427	2800 4929
G	SN7410	1447 3540
H	SN74128	1269 6860
I	SN74161	1447 3771
J	SN7400	1447 3516
K	SN7408	1447 3524
L	SN7486	1447 3688
M	SN7430	1447 3573
N	SN7485	1449 2052
P	SN74157	1447 3797
R	SN74175	1449 1278
S	SN74S04	2800 1495

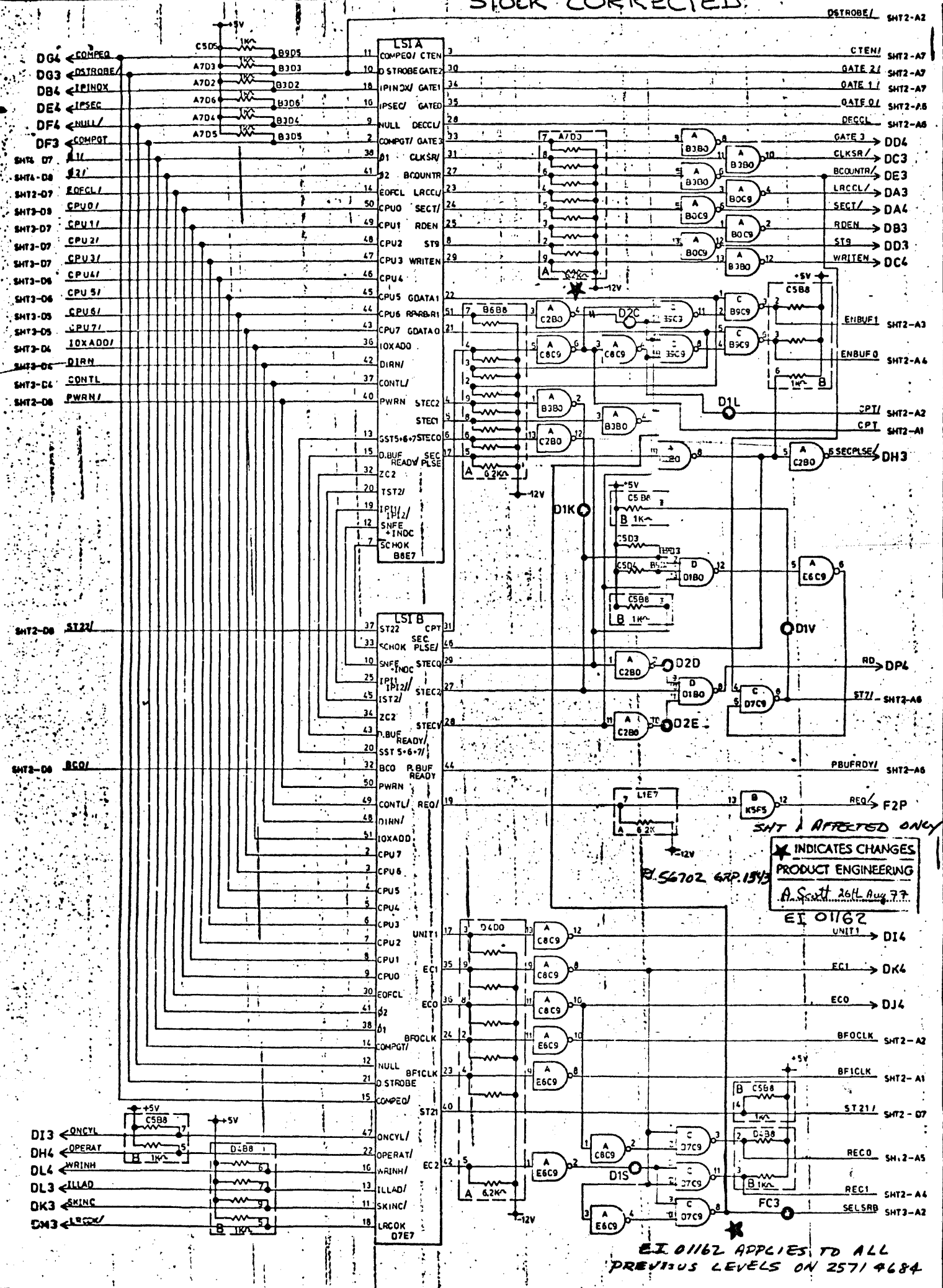
SPARE GATES



CT PROGRAMME *Dough*

2797 3861 4 of 4	RELEASED OCT 28 77	SMALL SYSTEMS DIVISION BURROUGHS MACHINES LIMITED GUMBRNAULD, SCOTLAND, U.K.	DESIGN CONTROL JOB	TITLE DISK 2 SCHEMATIC (201 I)		DRAWING NO. 2797 3866		
	ER 07292 A		DESIGN ENGR DATE OCT 13, 77	DRAWN L.F.	DATE OCT 13, 77	CHECKED DATE	CLASS CODE 2-0502	REV A
	PROPRIETARY TO BURROUGHS NOT TO BE REPRODUCED NOR USED FOR MANUFACTURING PURPOSES WITHOUT BURROUGHS' PRIOR WRITTEN CONSENT		ENG COMP DATE	DRG SIZE A1	REV A	PAGE 4 of 4		
	DISK 2 SCHEMATIC (201 I)							

STOCK CORRECTED



LSIA

11	COMPEO/ CTEN	3
10	D STROBE GATE 2	30
18	IPINX/ GATE 1	34
16	IPSEC/ GATED	35
9	NULL DECC/	28
2	COMPGT/ GATE 3	33
30	B1 CLKSR/	31
41	B2 BCUNTR	27
14	EOFL LRCCL	23
50	CPU0 SECT/	24
49	CPU1 R DEN	25
48	CPU2 ST9	8
47	CPU3 WRITEN	29
46	CPU4	
45	CPU5 GDATA1	22
44	CPU6 RPAR/R1	51
43	CPU7 GDATA0	21
36	IOXADD	
42	DIRN/	
37	CONTL/	
40	PWRN STEC2	
13	STEC1	
15	D.BUF SEC PLSE	
32	ZC2	
20	TST2/	
19	IPINX/	
12	SNFE INDC	
7	SCHOK B8E7	

LSIB

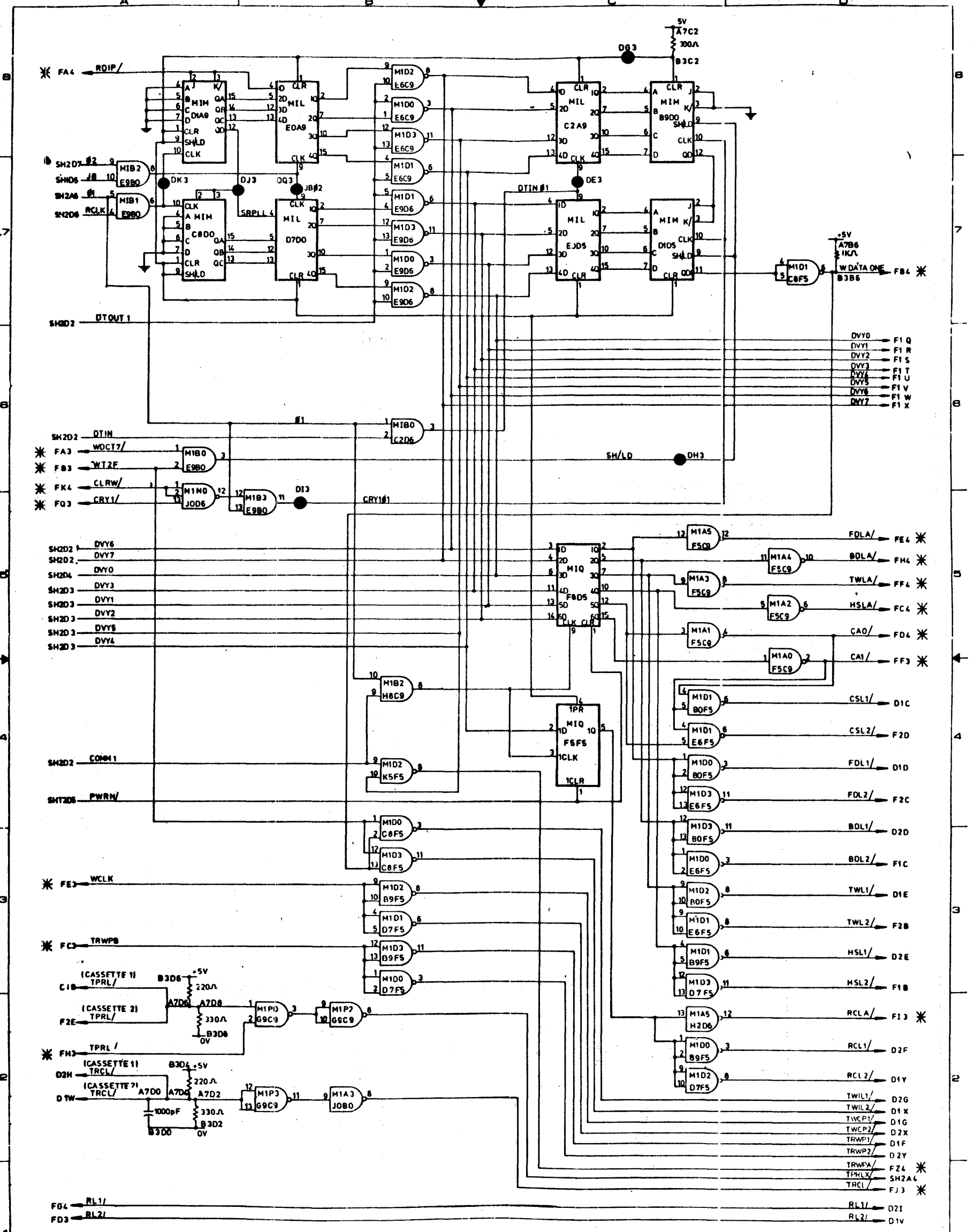
37	ST22 CPT	31
33	SCHOK SEC PLSE	16
10	SNFE INDC STECO	29
25	IPINX/ STEC2	27
45	IST2/	
34	ZC2 STECV	28
43	D.BUF READY/	
20	SST 5-6-7/	
32	BCO R.BUF READY	44
50	PWRN	
49	CONTL/ REQ/	19
48	DIRN/	
51	IOXADD	
2	CPU7	
3	CPU6	
4	CPU5	
5	CPU4	
6	CPU3	
7	CPU2	
17	CPU1	
35	CPU0	
9	EC1	
20	EOFL	
41	B2	
38	B1	
14	BF1CLK	
12	NULL	
21	D STROBE	
15	COMPEO/ ST21	40
47	ONCVL/	
22	OPERAT/	
16	WRINH/	
13	ILLAD/	
11	SKINC/	
18	LRCOK D7E7	

SHT 1 AFFECTED ONLY
 * INDICATES CHANGES
 PRODUCT ENGINEERING
 A. Smith 26th Aug 77
 EI 0162

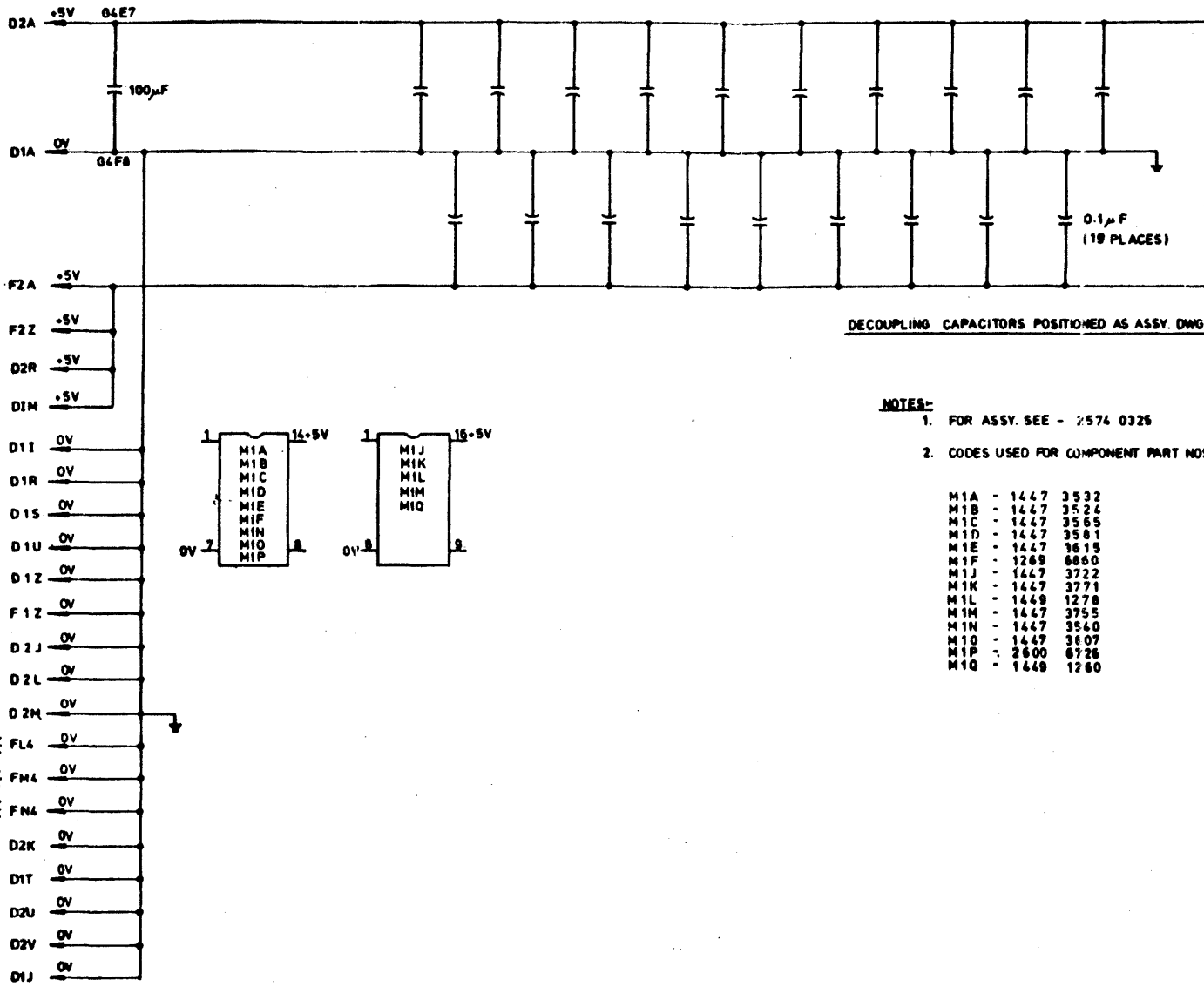
EI 0162 APPLIES TO ALL PREVIOUS LEVELS ON 2571 4684

EI File with B. Ange

ORIGINAL



2571 2233	REV 1 of 3	ECN 00402 3 DEC 378 E	ALT 2 AUG 398 D	ALD 123 MAY 295 C	ALT 123 MAR 275 B	REV 104/29 7L	RELEAS 104/29 7L	SEND CHANGE Burroughs TO BURROUGHS MACHINES LIMITED CURRYMOUND, SCOTLAND, U.K. DE-HEPPE	TITLE M.T.C. I SCHEMATIC.			
									SNO DES M.R. APPROVED DATE SHE CODE	DATE 16 OCT 74 10/16/74	DRAWN R.M. CHECKED DATE 11/10/74	DATE 16 OCT 74 DEC-20-74
PROPRIETARY TO BURROUGHS NOT TO BE REPRODUCED NOR USED FOR MANUFACTURING PURPOSES EXCEPT ON BURROUGHS ORDER OR PRIOR WRITTEN CONSENT								DATE 12/11/74	DES DES 2-9520	CLASS CODE 2-9520	REV E	PAGE 1 of 3



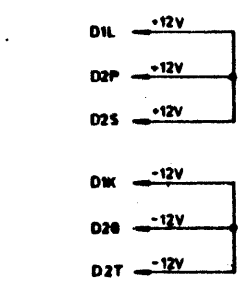
DECOUPLING CAPACITORS POSITIONED AS ASSY. DWG. - 2574 0325

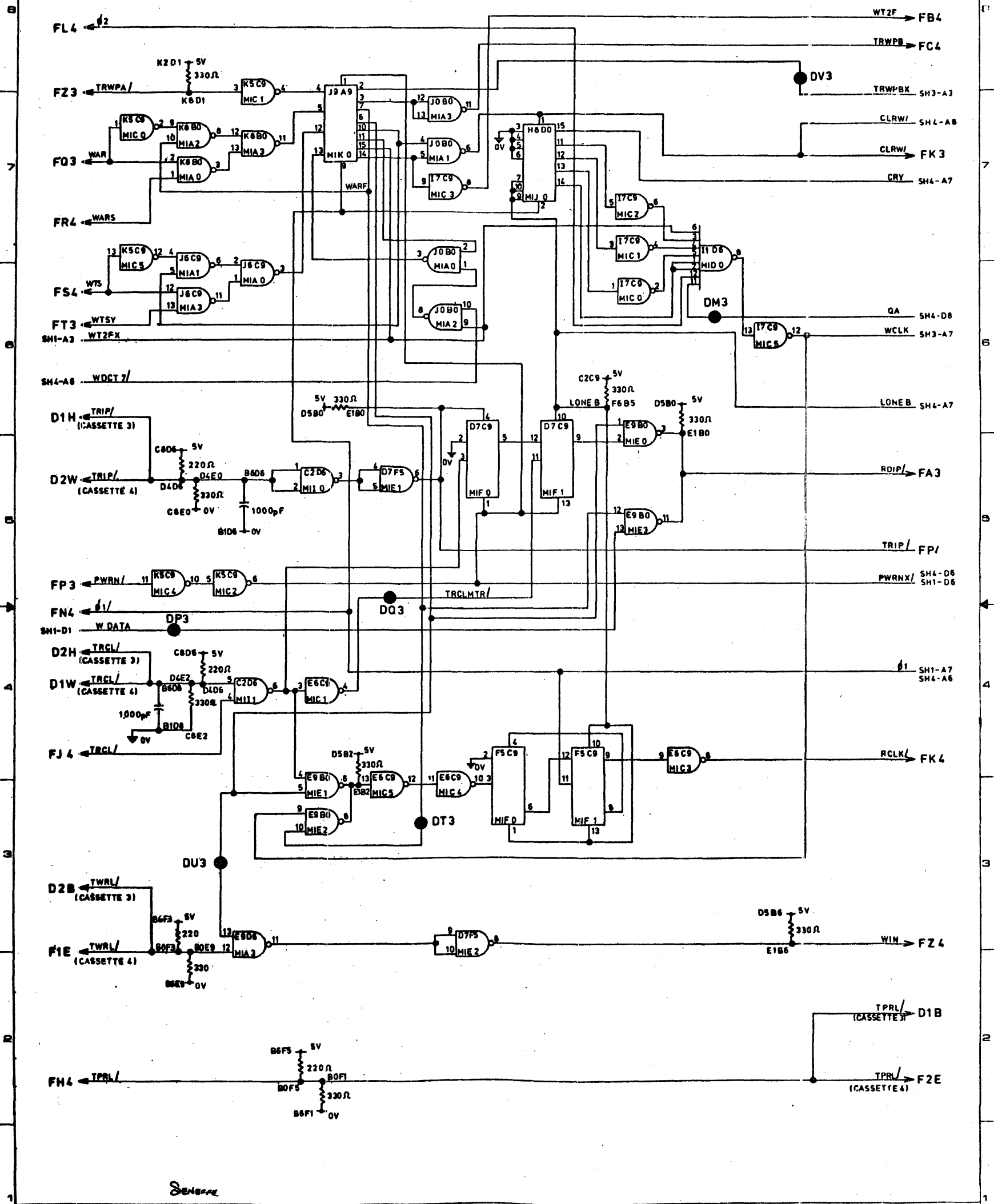
NOTES:-

- FOR ASSY. SEE - 2574 0325
- CODES USED FOR COMPONENT PART NOS. ARE AS FOLLOWS:-

M1A	-	1447	3532
M1B	-	1447	3524
M1C	-	1447	3565
M1D	-	1447	3581
M1E	-	1447	3615
M1F	-	1269	6860
M1J	-	1447	3722
M1K	-	1447	3771
M1L	-	1449	1278
M1M	-	1447	3755
M1N	-	1447	3540
M1P	-	2800	6726
M1Q	-	1449	1260

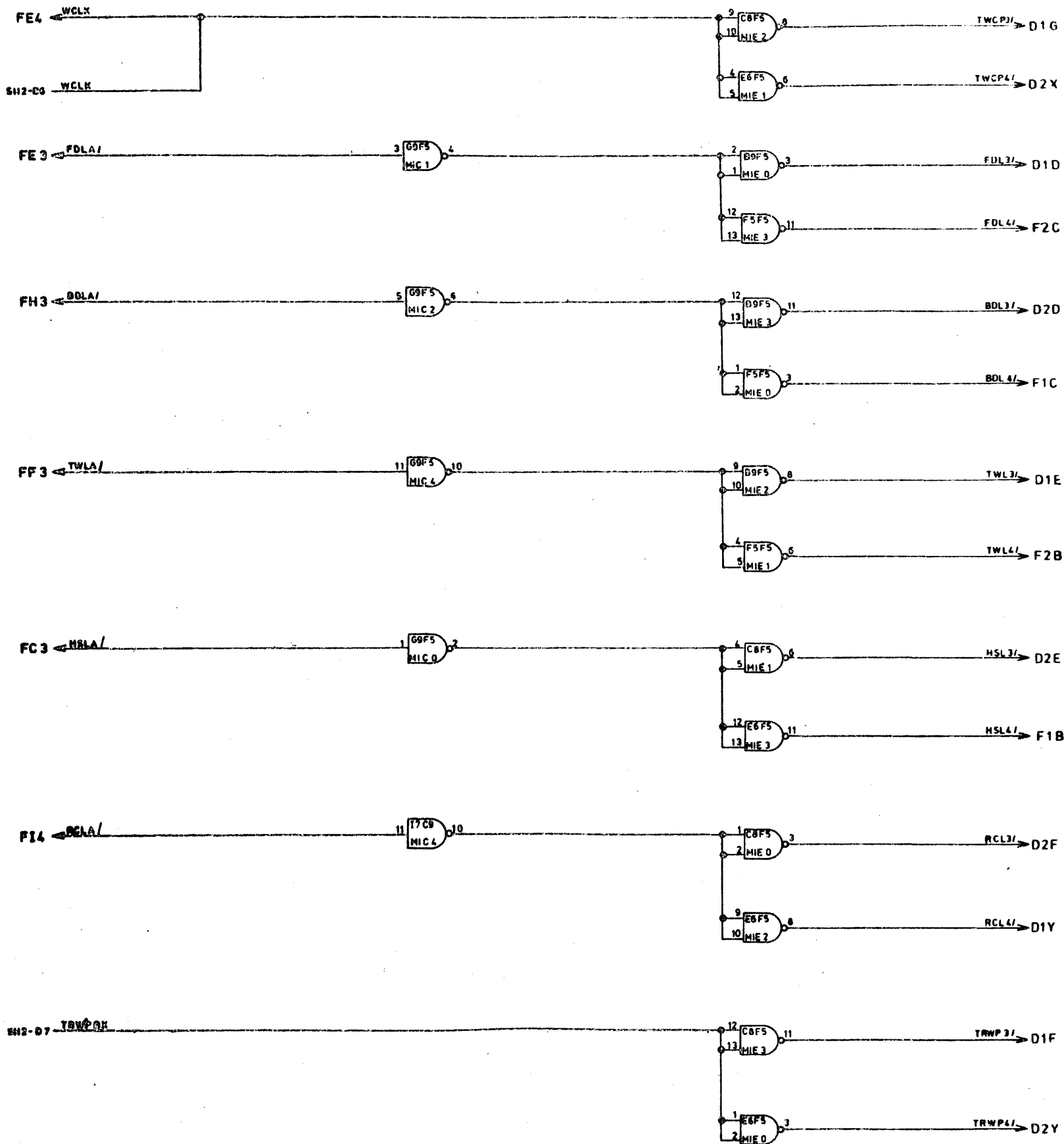
- LAST DIGIT OF I.C. CODE INDICATES ITS ELEMENT NUMBER.
- ALL FRONTPLANE PINS INDICATED WITH AN ASTERISK MUST MATE WITH FRONTPLANE PINS OF ASSEMBLY LOCATED IN ADJACENT CARD SLOT. SEE APPLICABLE CARD LOCATION CHART.





SENBAK

DS

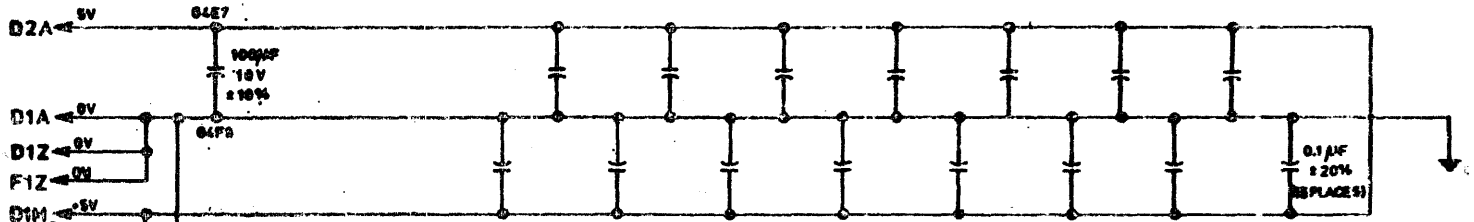
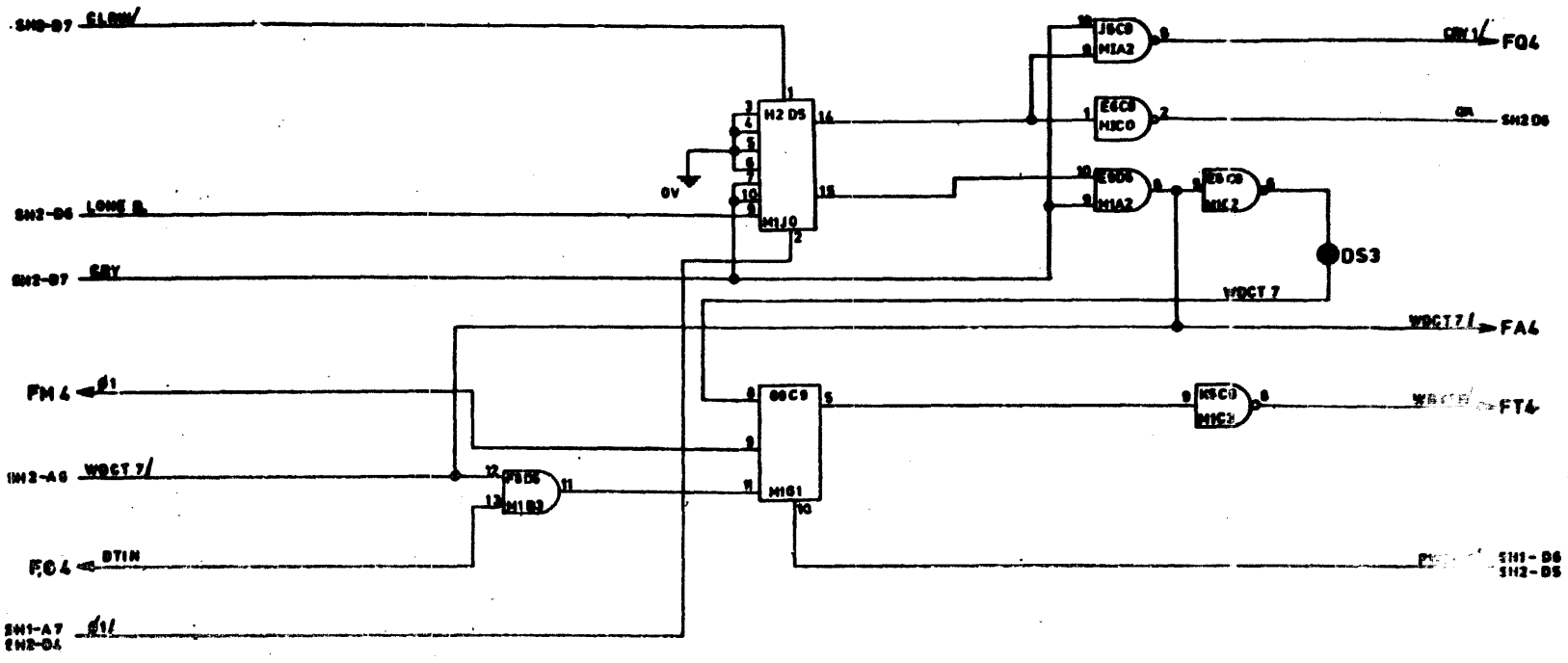


Burroughs
 BURROUGHS PARSONS LIMITED
 CURROGANNA, SCOTLAND, U.K.

MTC II SCHEMATIC

2571 2241 3 of 4	DESIGNED BY J.H.B.	DATE DEC 2 76	DRAWN BY H.L.M./A.G.K.	DATE DEC 2 76	DRAWING NO. 2571 2241
	CHECKED BY S.M.A.	DATE DEC 16 76	CHECKED BY J.M.S.	DATE DEC 11 76	REV C
	DATE DEC 27 76	CLASS CODE C	DATE DEC 27 76	CLASS CODE C	PAGE 3 of 4
	ECN 001021 ALT B	ECN 001021 ALT C	ECN 001021 ALT B	ECN 001021 ALT C	ECN 001021 ALT B

PROPRIETARY TO BURROUGHS NOT TO BE REPRODUCED NOR USED FOR MANUFACTURING PURPOSES EXCEPT ON BURROUGHS ORDER OR PRIOR WRITTEN CONSENT



DECOUPLING CAPACITORS POSITIONED AS IN ASSY. BRG. NO. 2574 1109

NOTES

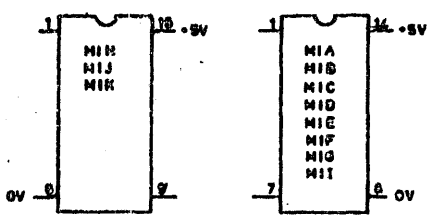
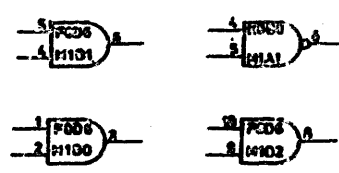
1. FOR ASSEMBLY SEE: 2574 1109
2. CODES USED FOR COMPONENT PART NOS. ARE AS FOLLOWS:

IC S

MIA	1447	3516
MIB	1447	3524
MIC	1447	3532
MID	1447	3573
MIE	1447	3581
MIF	1447	3607
MIG	1447	3615
MIH	1447	3722
MII	2000	6726
MIJ	1447	3771
MIX	1440	1270

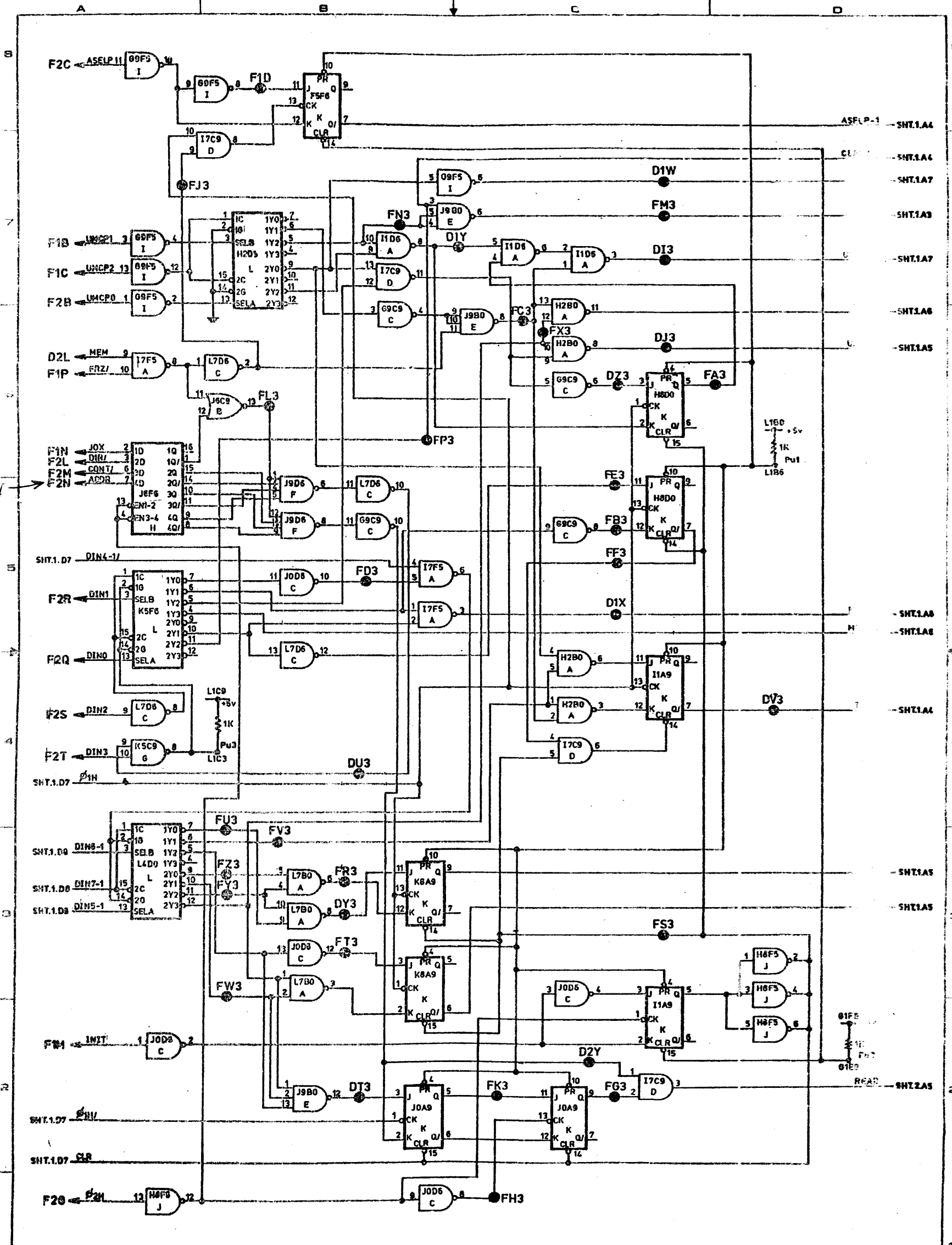
3. LAST DIGIT OF IC CODE INDICATES ITS ELEMENT NO
4. UNLESS OTHERWISE SPECIFIED ALL RESISTANCES ARE IN OHMS

SPARES

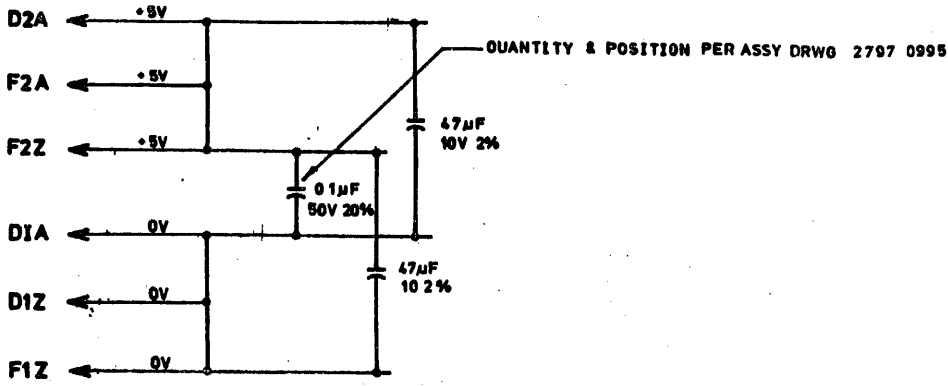


INPUTS

OUTPUTS



2797 1019 2 of 3	REVISION JAN 177	DESIGN CONTROL 300	TITLE MEMORY EXTENSION CONTROLLER		
	DRAWN BY J.M.C.A.	DATE 12-2-77	GRABED R.M.	DATE 10/1/78	DRAWING NO. 2797 1019
	APPROVED J.M.C.A.	DATE 10-1-77	CHECKED A.I.	DATE 10-1-77	CLASS CODE 2-9520
	PROPRIETARY TO BURROUGHS. NOT TO BE REPRODUCED NOR USED FOR MANUFACTURING PURPOSES EXCEPT ON BURROUGHS ORDER OR PRIOR WRITTEN CONSENT.	REV. A	PAGE 2 of 3		



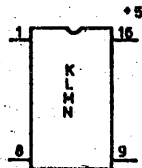
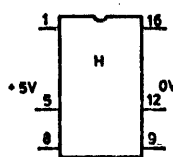
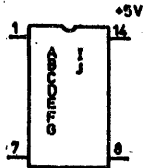
NOTE :-

1. FOR ASSY. SEE 2797 0995
2. CODES LISTED FOR COMPONENT PART NOS ARE AS FOLLOWS.

I.C.'s

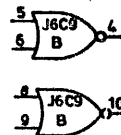
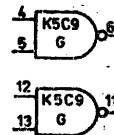
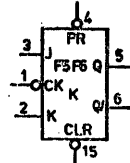
A	-	SN7400	-	1447 3516
B	-	SN7402	-	2600 4911
C	-	SN7404	-	1447 3532
D	-	SN7400	-	1447 3524
E	-	SN7410	-	1447 3540
F	-	SN7420	-	1447 3565
G	-	SN7438	-	1447 3581
H	-	SN7475	-	1269 6936
I	-	SN74LS04	-	1269 6886
J	-	SN7404	-	2600 1495
K	-	SN74S112	-	2602 7417
L	-	SN74155	-	1447 3722
M	-	SN74157	-	1447 3797
N	-	SN74194	-	1948 5036

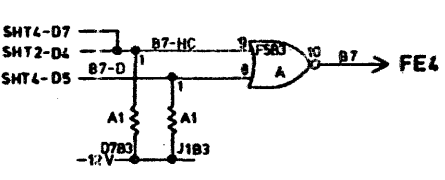
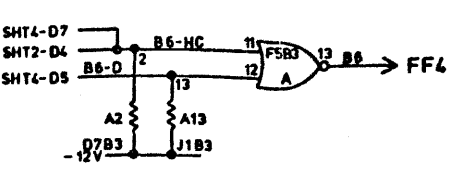
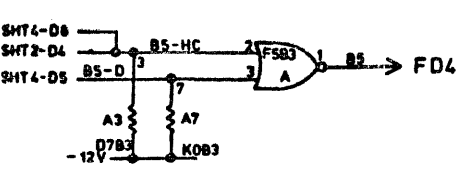
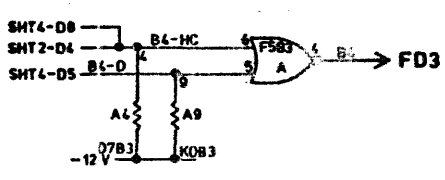
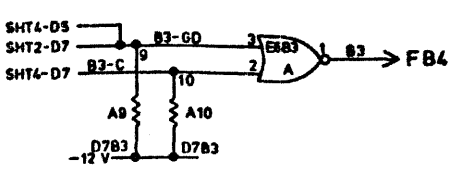
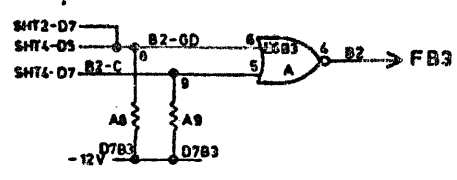
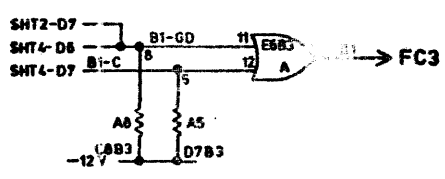
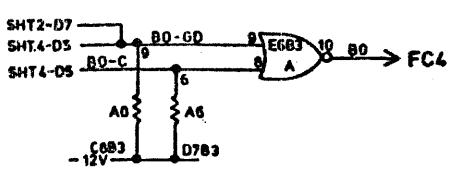
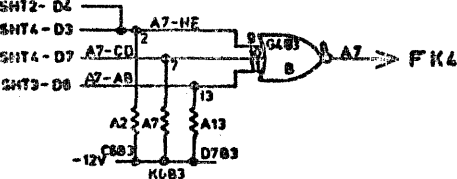
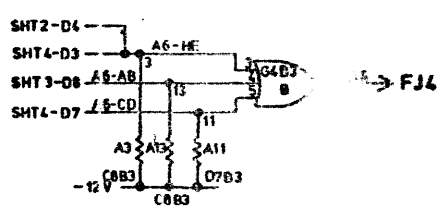
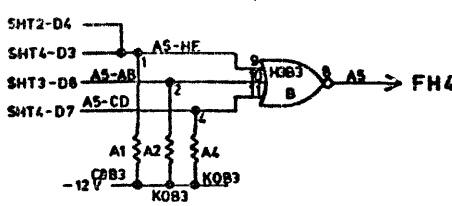
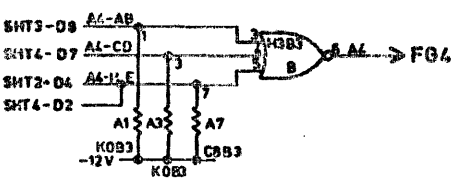
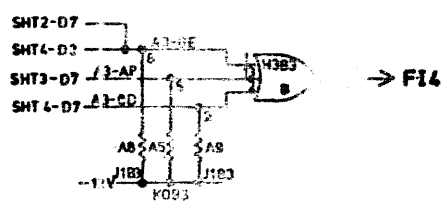
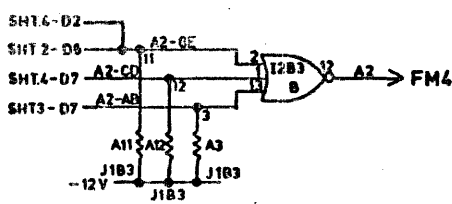
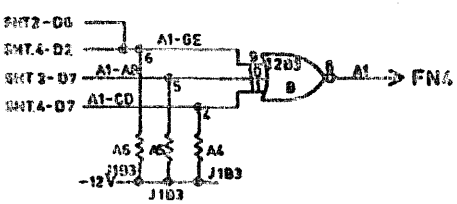
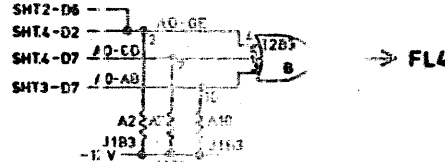
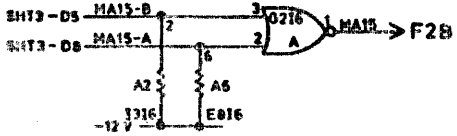
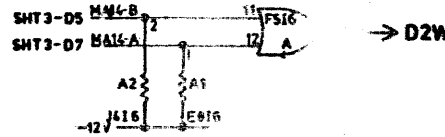
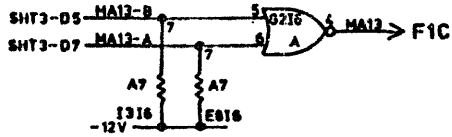
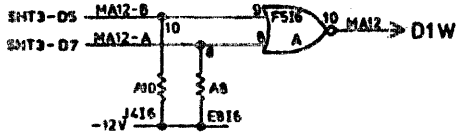
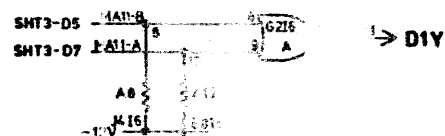
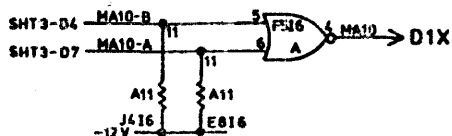
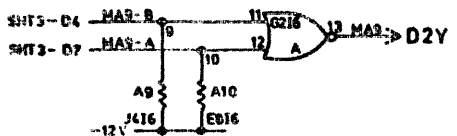
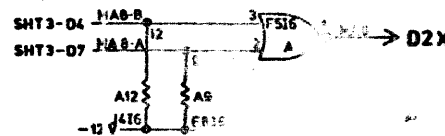
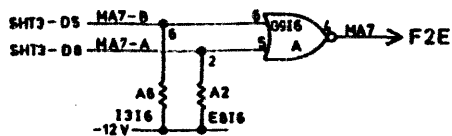
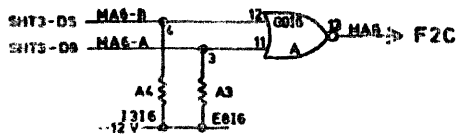
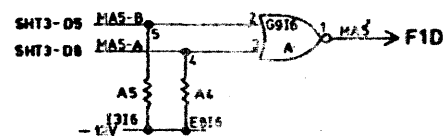
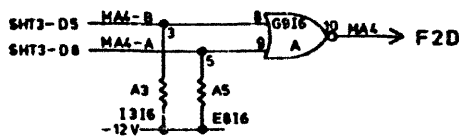
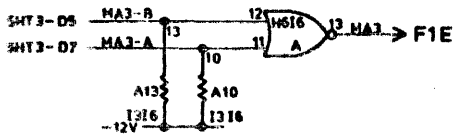
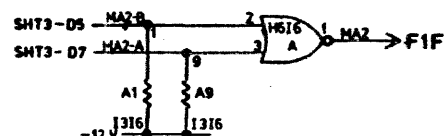
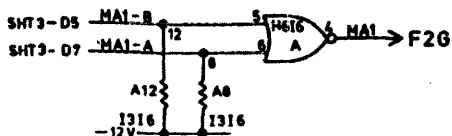
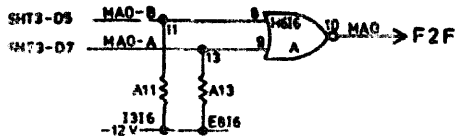
3. UNLESS OTHERWISE STATED ALL RESISTANCE VALUES ARE IN OHMS.

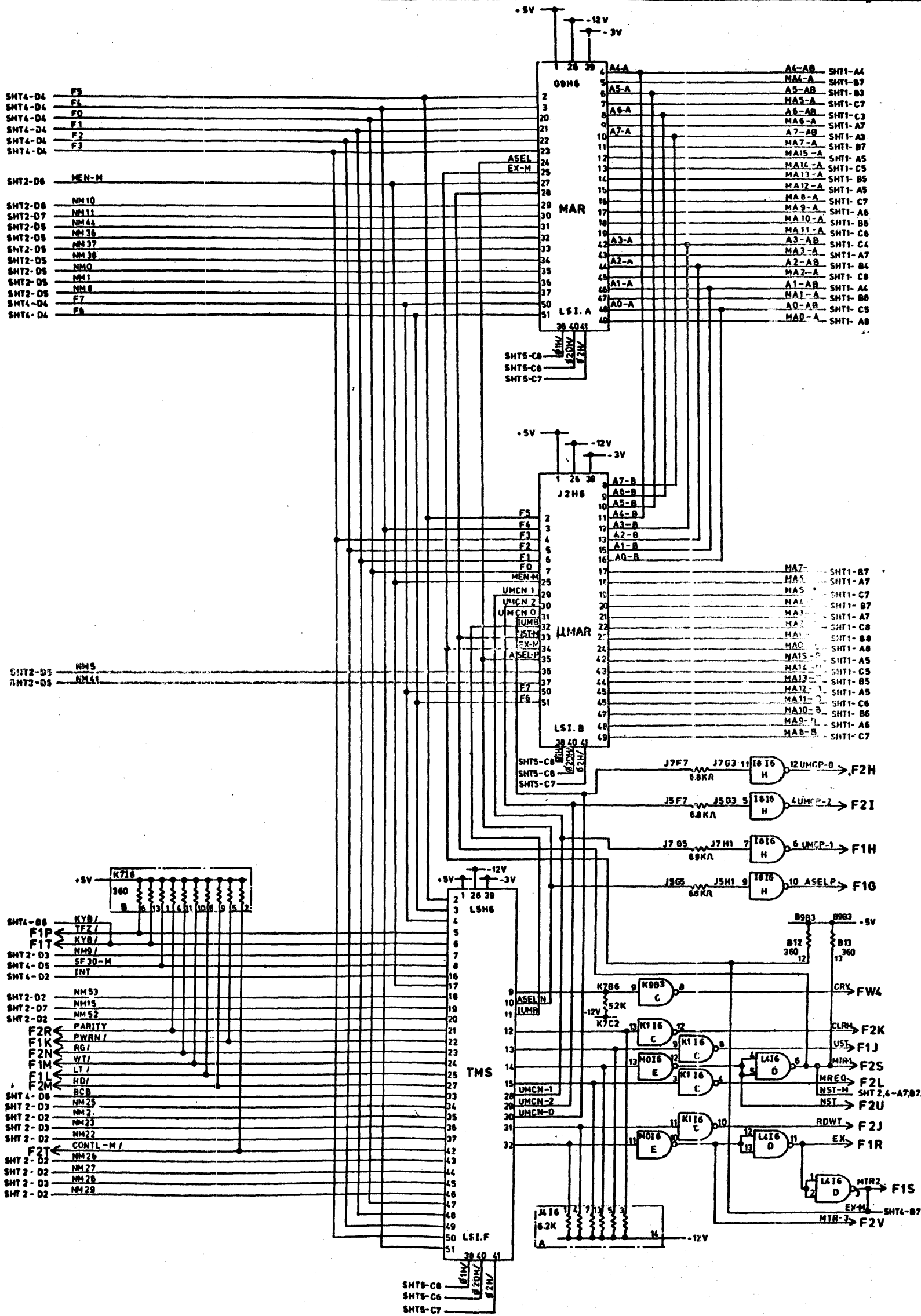


RESISTORS
1K.Ω. 5% 1/2W - 1268 2324

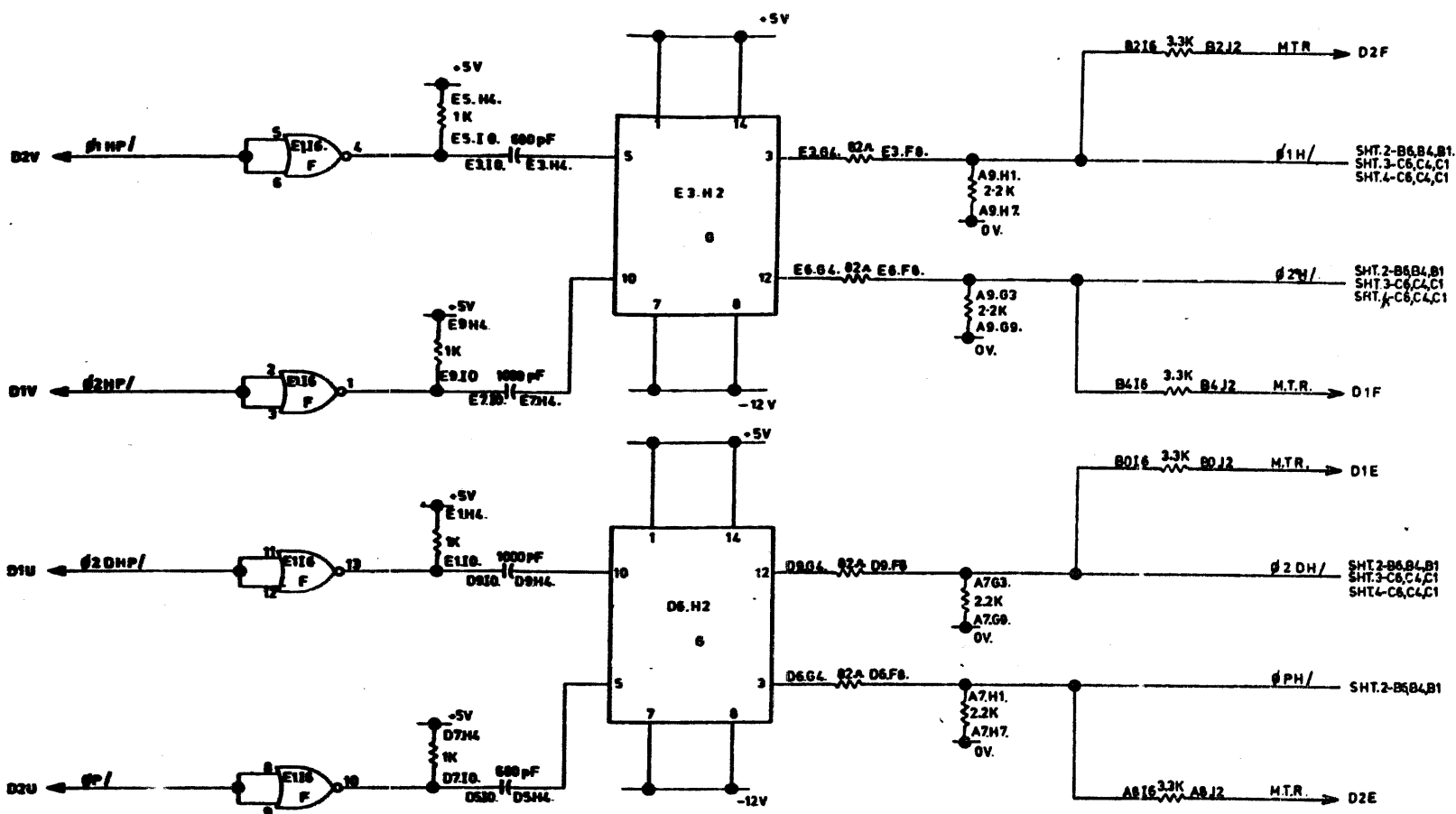
SPARE



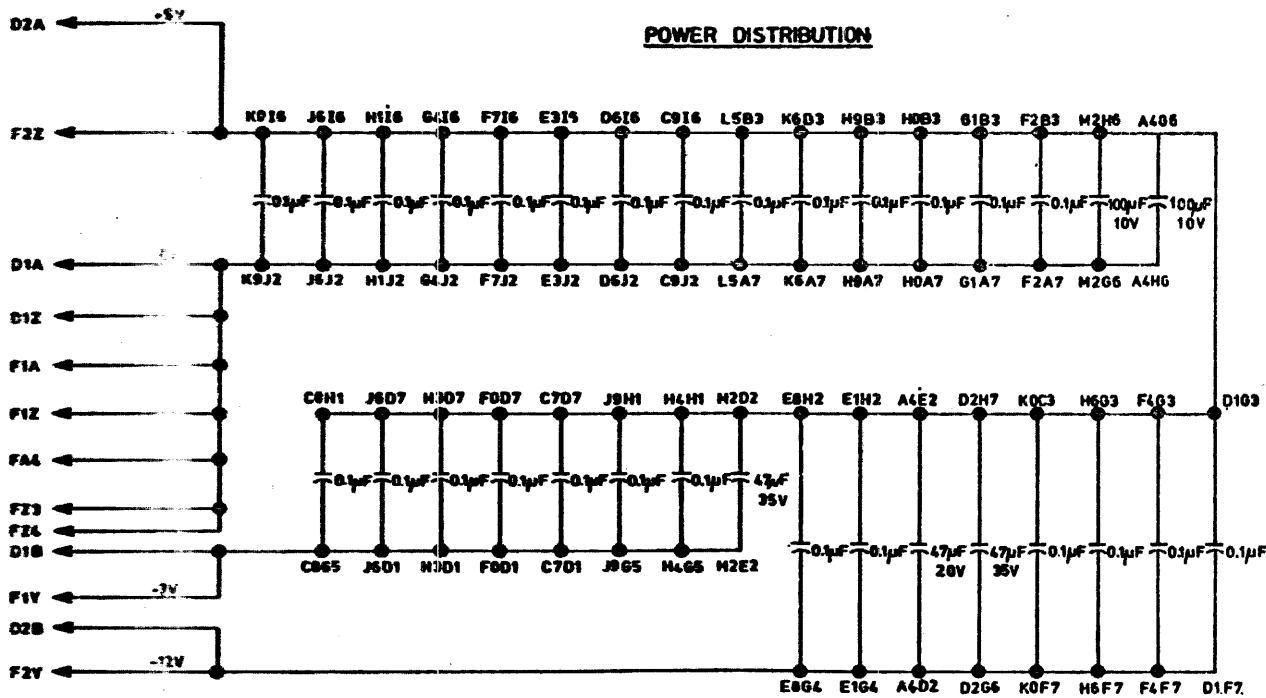




CLOCK DISTRIBUTION



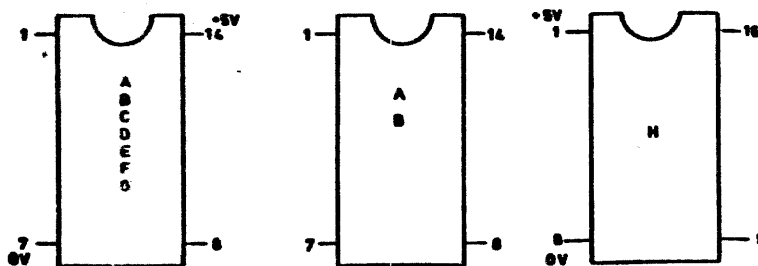
POWER DISTRIBUTION



NOTES

- FOR ASSEMBLY SEE -- 2797 0433 (LSI)
- CODES USED FOR COMPONENT PART NOS ARE AS FOLLOWS:-

IC'S		LSI'S		RESISTORS	
A	1269 6878	A	2571 0047	A (6.2K/A)	2571 0252
B	1269 6894	B	2571 0013	B (360/A)	2571 1783
C	1474 3532	C	2571 0039		
D	2600 1487	D	2571 0024		
E	2600 1495	E	2571 0054		
F	1741 1521	F	2571 0062		
G	1846 5220	G	2571 0401		
H	2581 0408	H	2571 0088		
		I	2571 0096		



NOTE

ON A PIN 14 - -12V
ON B PIN 14 - +5V

- UNLESS OTHERWISE SPECIFIED:
RESISTANCE VALUES ARE IN OHMS.



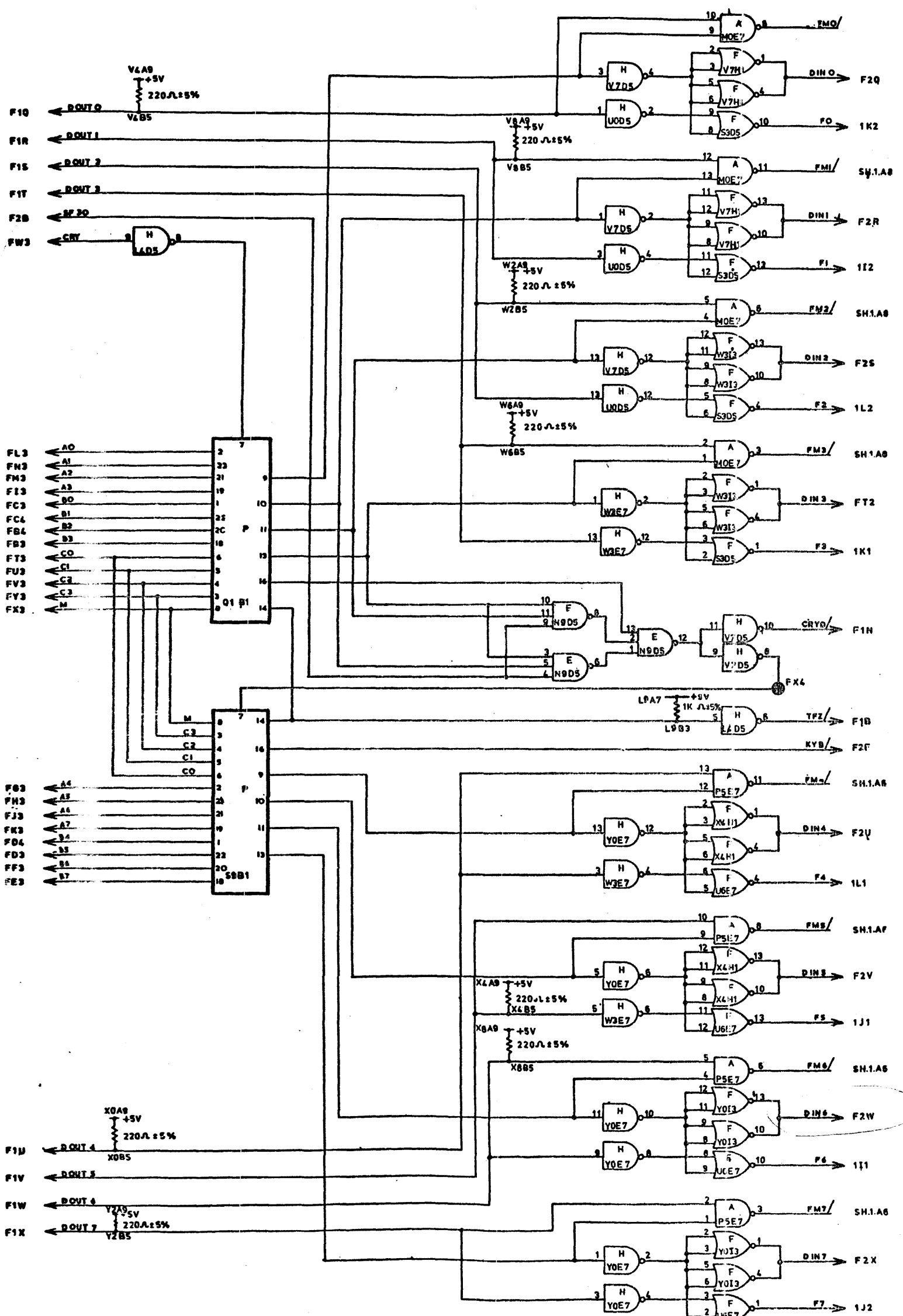
SCHMATIC PROCESSOR A PCB

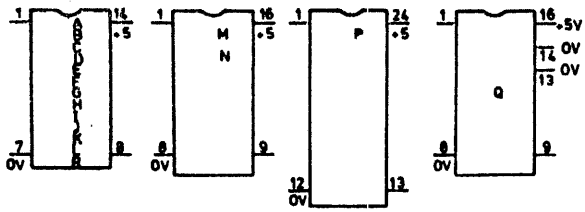
DATE	BY	DATE	BY	DATE	BY
SEP 12 76	J.C.M.C.A.	SEP 12 76	HLN	SEP 12 76	R.G.

2797 0417

PROPRIETARY TO BURROUGHS. NOT TO BE REPRODUCED OR USED FOR MANUFACTURING PURPOSES EXCEPT BY BURROUGHS UNDER OR FROM WRITTEN CONSENT.

2797 0417





NOTES:-

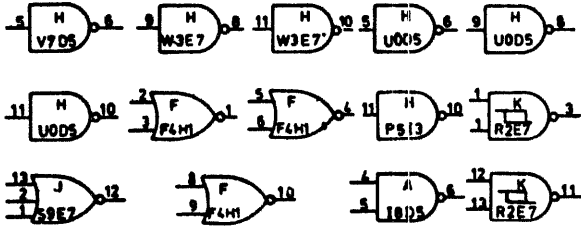
1. FOR ASSEMBLY SEE 2797 0359
2. CODES USED FOR COMPONENT NOS. ARE AS FOLLOWS:

I.C.S.

- A SN 7400
- B SN 7404
- C SN 7474
- D SN 7437
- E SN 74H10
- F SN 74128
- G SN 74500
- H SN 74504
- I SN 74574
- J SN 7427
- K SN 74132
- L SN 74502
- M SN 74157
- N SN 74175
- P SN 74181
- Q 256 - 4 PROM.
- R SN 74180

3 UNLESS OTHERWISE SPECIFIED ALL RESISTANCES IN OHMS.

SPARES



BURROUGHS MACHINE LIMITED
CUPRESSVALE, SCOTLAND, U.K.

PROCESSOR 'B' SCHEMATIC.

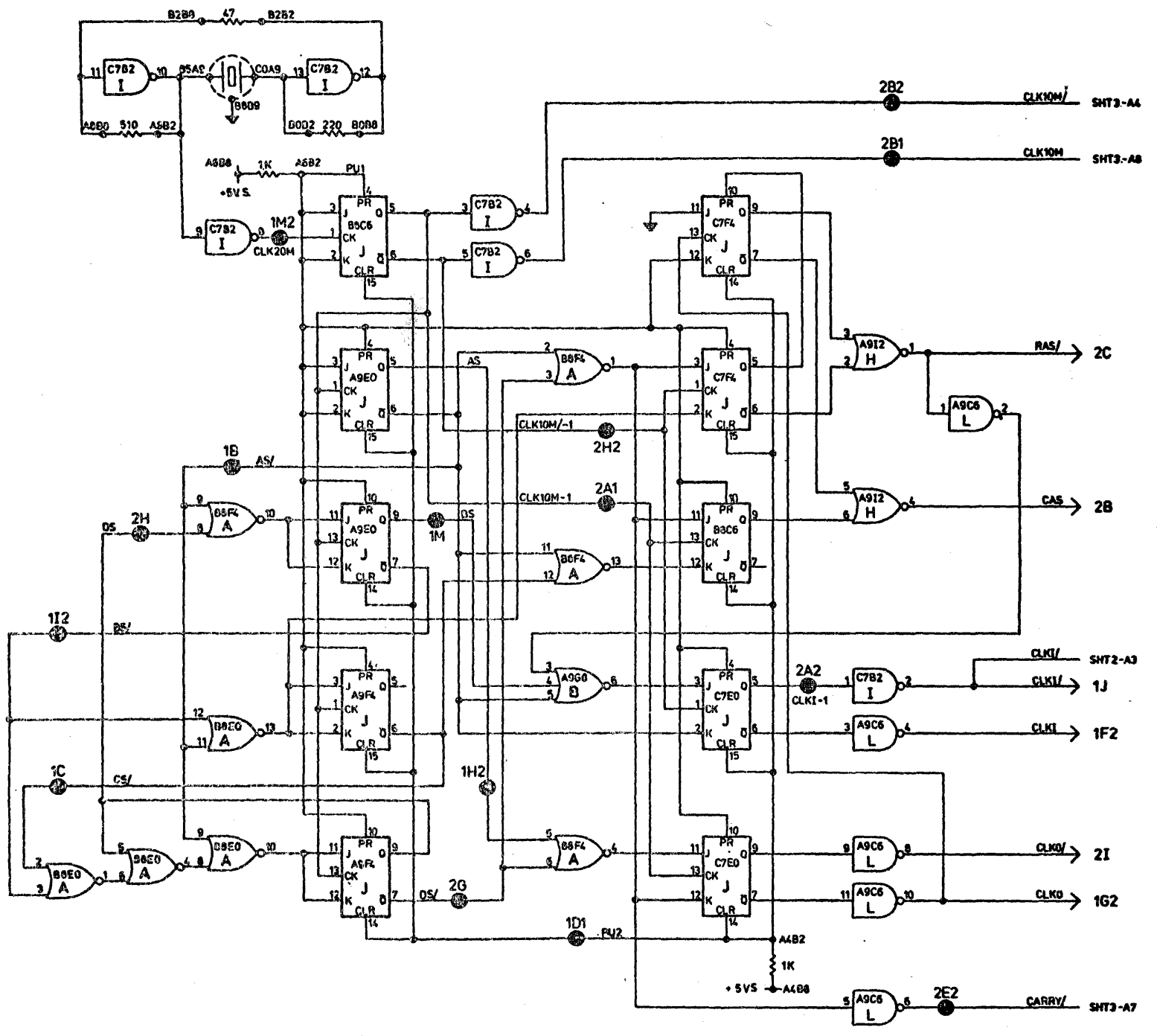
ENG. NO.	DATE	DRAWN	CHECK'D	DATE	DRAWN'S NO.
		RNC		SEPT 12 76	2797 0375
APPROVED	DATE	CHECK'D	DATE		
<i>[Signature]</i>	2 Nov 76				
DES. COMP.	DATE	DES. NO.	CLASS CODE	REV	PAGE
		A1	2-9520	A	6 of 6

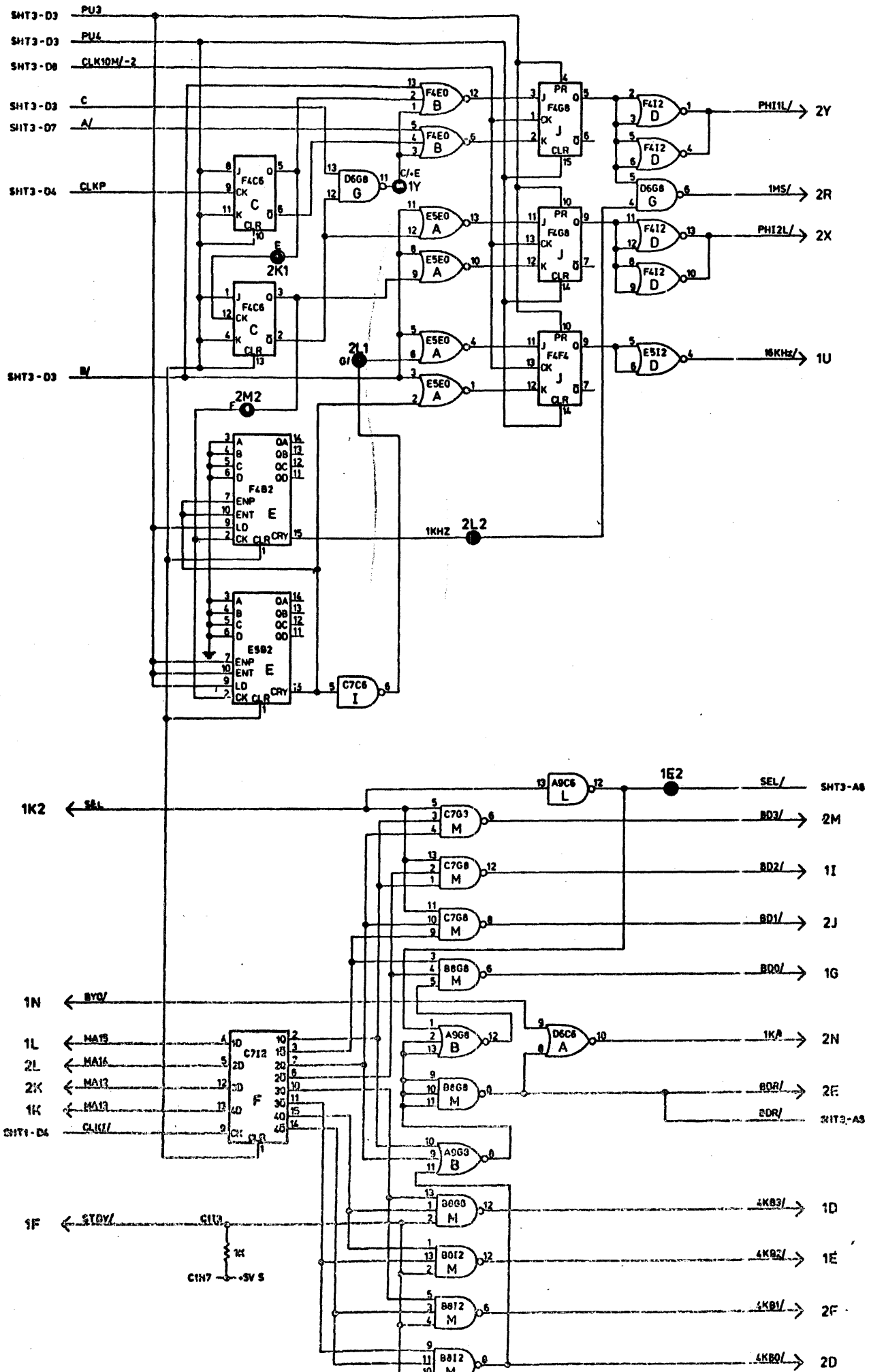
PROPRIETARY TO BURROUGHS. NOT TO BE REPRODUCED NOR USED FOR MARKETING PURPOSES EXCEPT ON BURROUGHS ORDER OR PRIOR WRITTEN CONSENT.

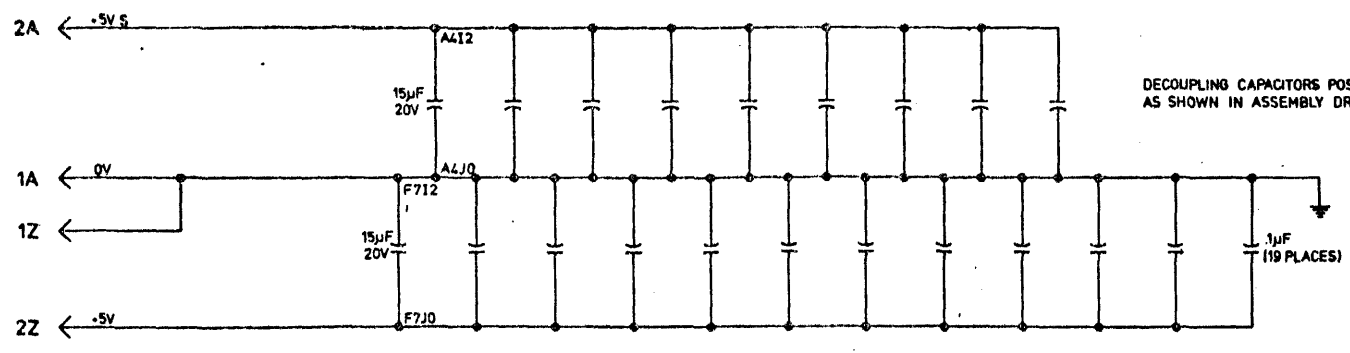
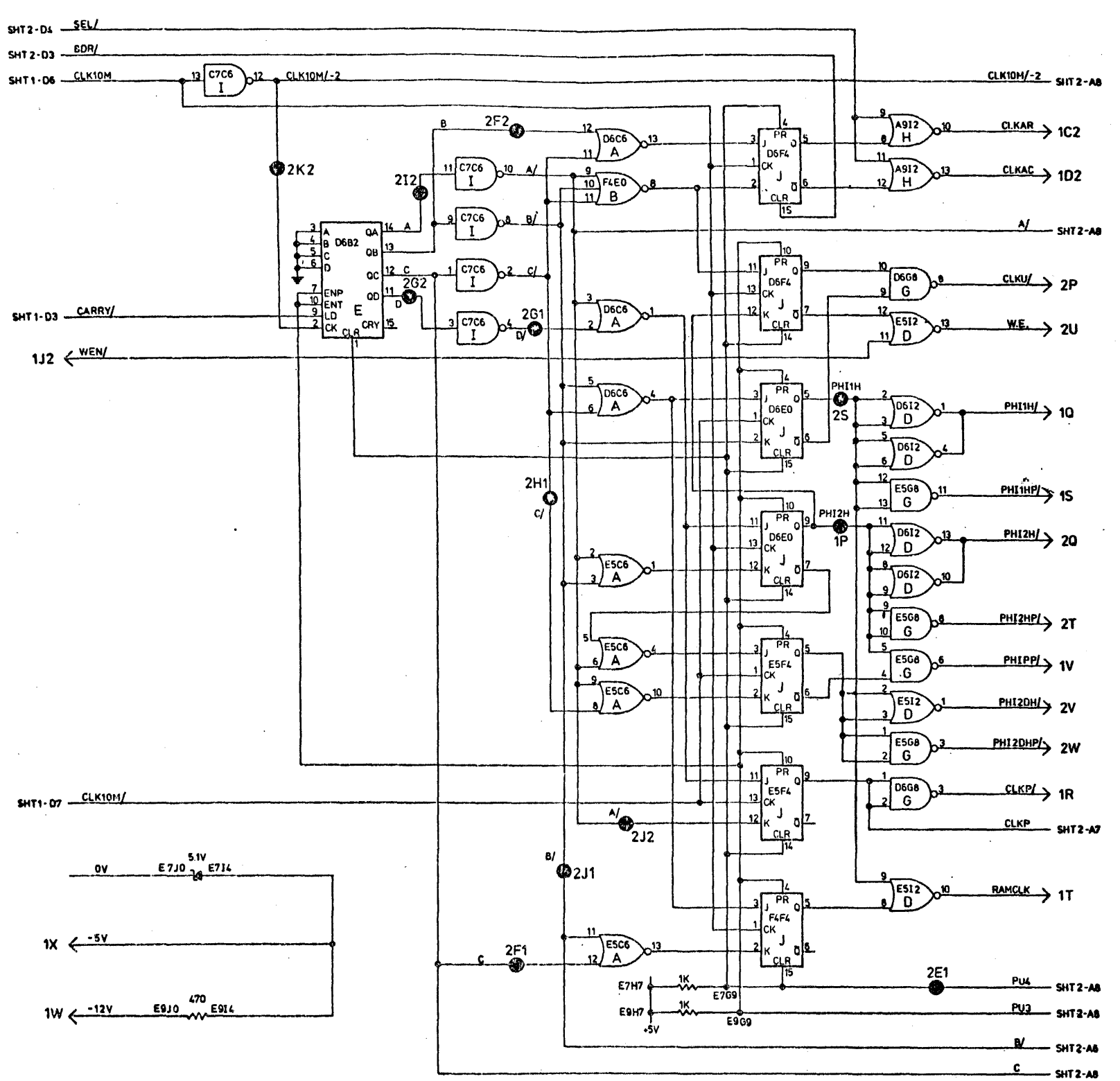
2797 0375

ECN 00378

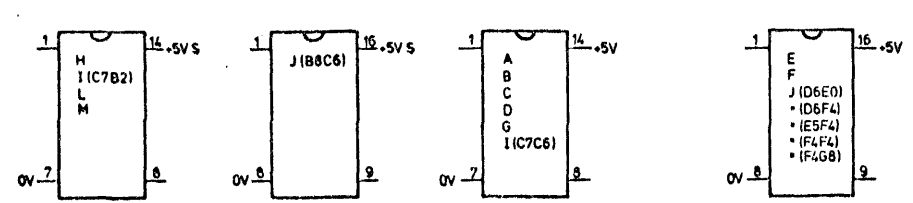
RELEASING DATE: SEPT 20 76







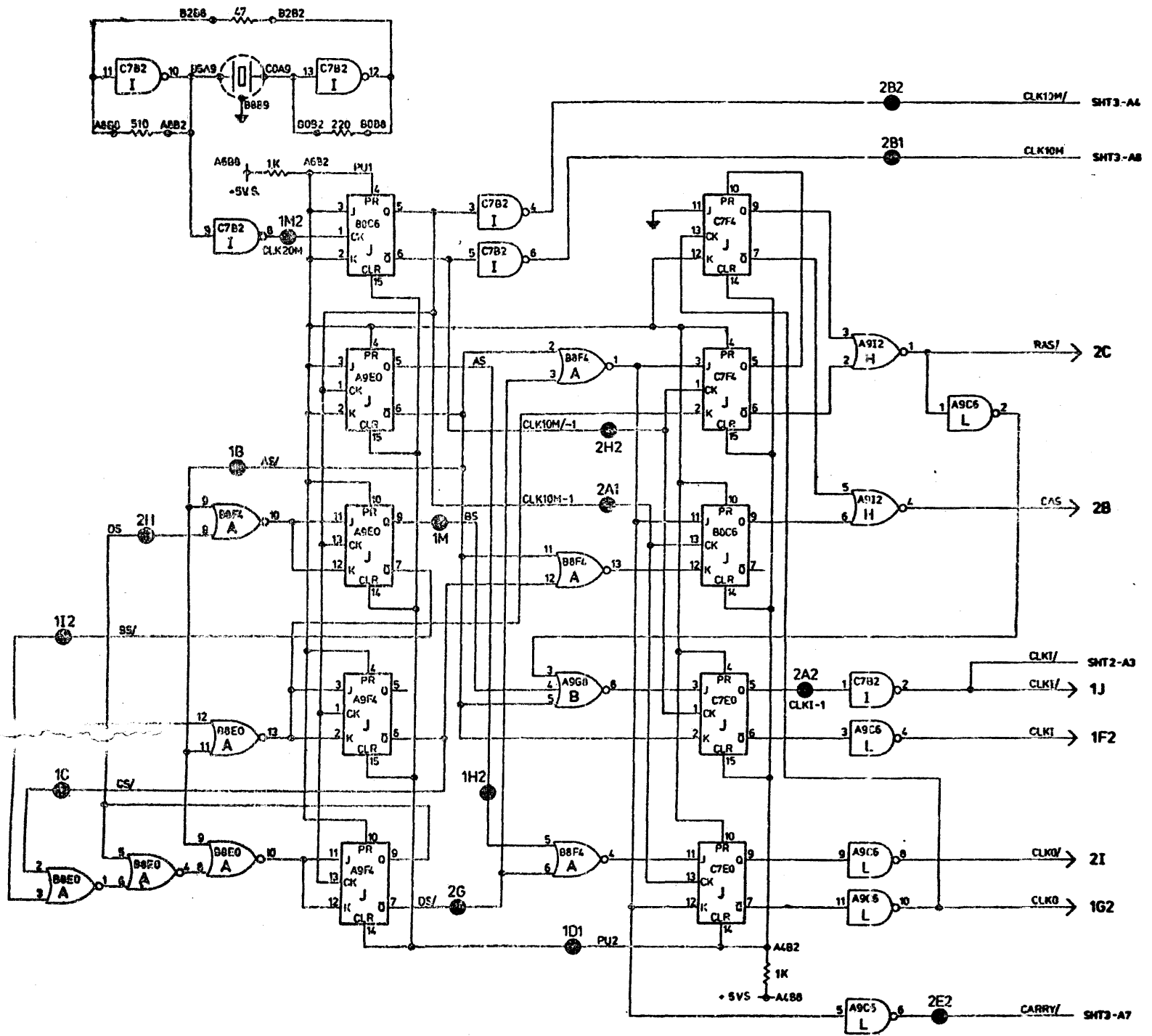
DECOUPLING CAPACITORS POSITIONED AS SHOWN IN ASSEMBLY DRAWING



NOTE 1. FOR ASSEMBLY SEE
 2. CODES USED FOR COMPONENT PART NOS ARE AS FOLLOWS.

I.C.S.				
A.	SN7402	2600 4911	I SN74S04	2600 1495
B.	SN7427	2600 4929	J SN74S112	2602 7417
C.	SN74107	1447 3615	L SN7404	1447 3532
D.	SN74128	1269 6860	M SN7410	1447 3540
E.	SN74161	1447 3771		
F.	SN74175	1449 1278		
G.	SN74500	2600 1487		
H.	SN74502	2602 7334		

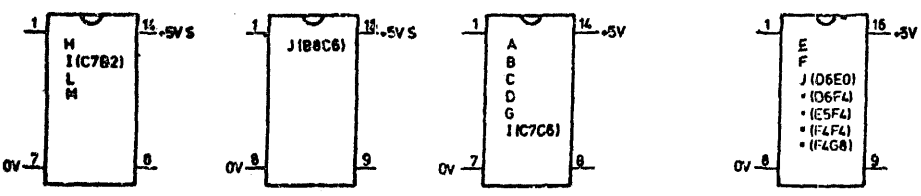
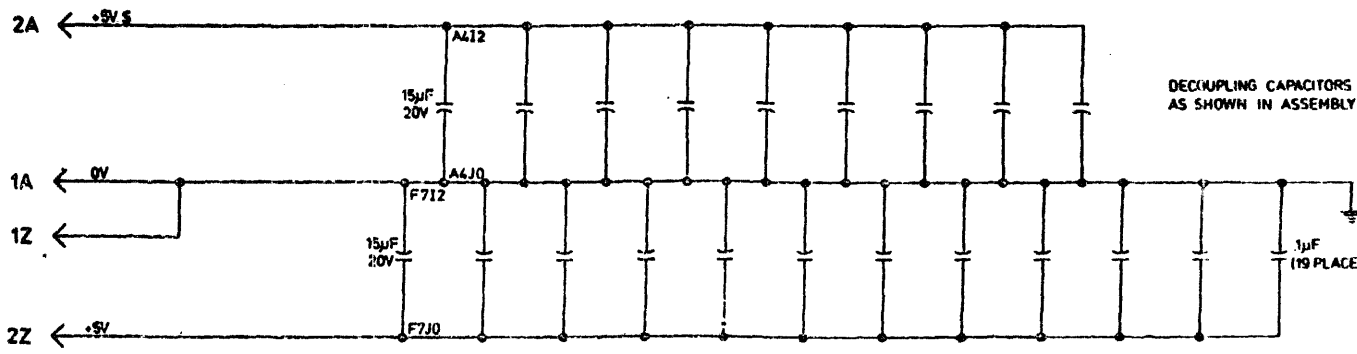
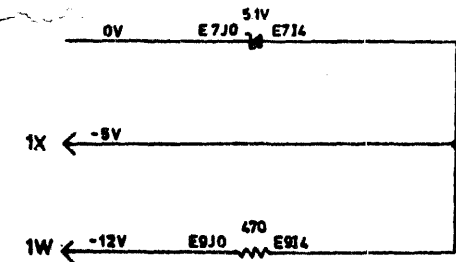
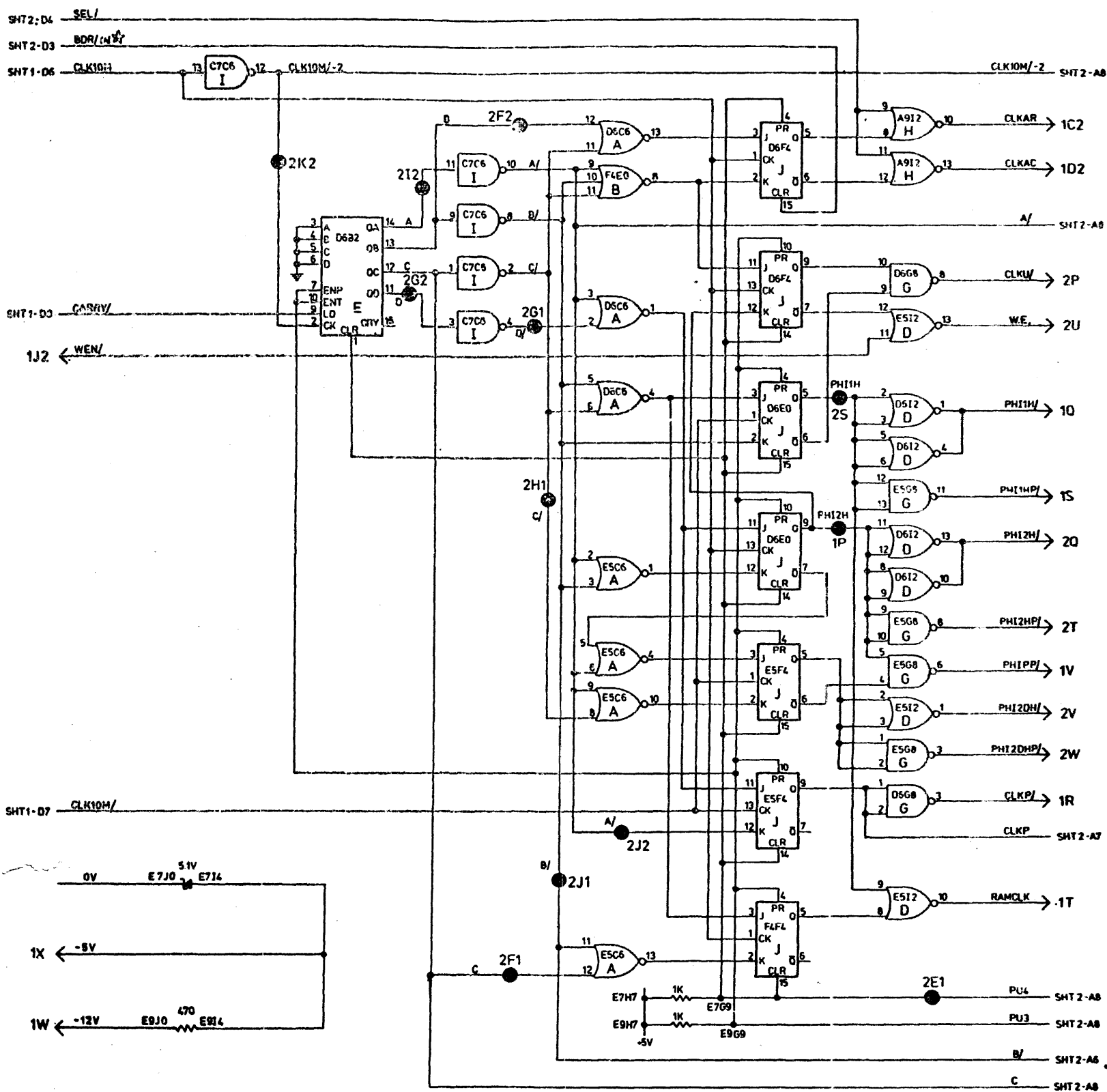
3. ALL RESISTANCES ARE IN OHMS.



E100472
 ★ CUMBERNAULD
 ENGINEERING
 INSTRUCTION
 PLY PROJECT 56702
 PLY GROUP 532
 DATE 11-23-76

PAGE 2 + 3 AFFECTED

DS



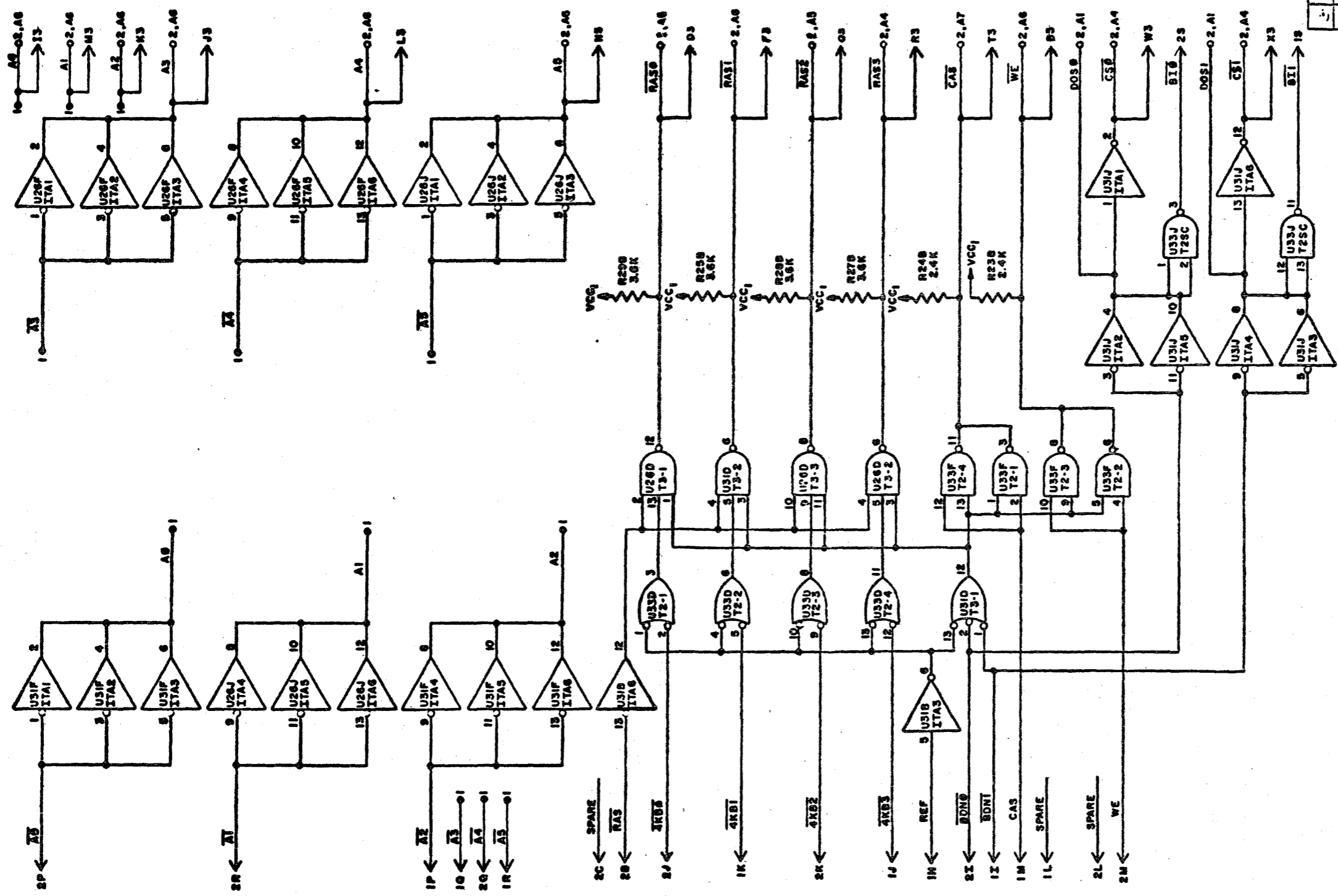
NOTE 1 FOR ASSEMBLY SEE
 2 CODES USED FOR COMPONENT PART NOS ARE AS FOLLOWS

IC	Part No.	Part No.	Part No.
A	SN7402	2600 4911	I SN74504
B	SN7427	2600 4929	J SN74512
C	SN74107	1447 3615	L SN7404
D	SN74128	1269 6860	M SN7410
E	SN74161	1447 3771	
F	SN74175	1449 1278	
G	SN74500	2600 1187	
H	SN74502	2602 7334	

3. ALL RESISTANCES ARE IN OHMS

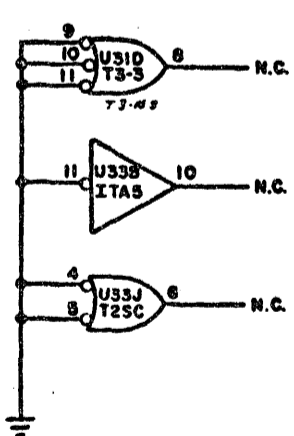
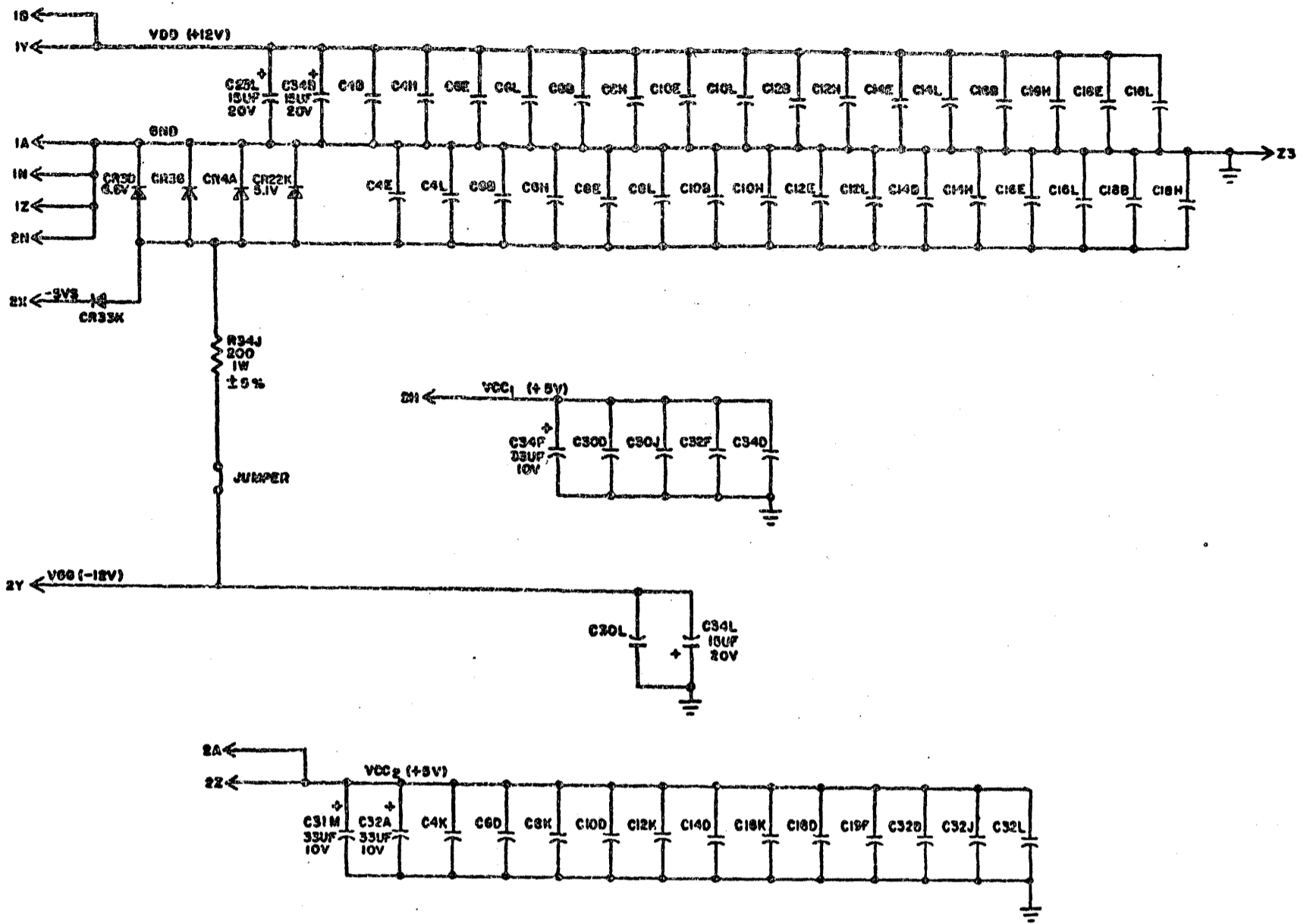
E100472
 CUMBERNAULD
 ENGINEERING
 INSTRUCTION
 A/PY PROJECT 56702
 PLY GROUP 532
 DATE 11-23-76

ZONE	REV	DATE	BY
A	1	10/15/66	...
B	1	11/15/66	...



- NOTES:**
- UNLESS OTHERWISE SPECIFIED: CAPACITANCE VALUES ARE 0.1UF, ±20%, 50V. RESISTANCE VALUES ARE IN OHMS, ±5%, 1/4W.
 - FOR ASSEMBLY DWG SEE 26251371. FOR MASTER DWG SEE 26251389. FOR ARTWORK DWG SEE 26251397.
 - FOR I.C. MODULES U31L, U33B, U33J, U33L VOLTAGES ARE APPLIED AS FOLLOWS: PIN 7-GND, PIN 14-VCC₂(+5V).
 - FOR I.C. MODULES U26D, U26F, U26J, U31B, U31D, U31F, U31J, U33., U33F VOLTAGES ARE APPLIED AS FOLLOWS: PIN 7-GND, PIN 14-VCC₁(+5V).
 - THE DESIGNATION (35) INDICATES THAT THE CONNECTION WHICH IS SHOWN ONLY TO U3B GOES TO ALL 35 MEMORY MODULES ON SHEET 2.
 - THE DESIGNATION (9) INDICATES THAT THE CONNECTION WHICH IS SHOWN ONLY TO THE FIRST MEMORY MODULE IN A GIVEN ROW, GOES TO ALL 9 MEMORY MODULES IN THAT ROW.
 - THE DESIGNATION (6) INDICATES THAT THE CONNECTION WHICH IS SHOWN ONLY TO THE FIRST MEMORY MODULES OF ALL ROWS GOES TO THE FIRST 4 MEMORY MODULES IN EACH ROW.
 - THE DESIGNATION (20) INDICATES THAT THE CONNECTION WHICH IS SHOWN ONLY TO THE FIFTH MEMORY MODULE OF ALL ROWS GOES TO THE LAST 5 MEMORY MODULES OF EACH ROW.
 - SYMBOL DEFINITIONS:**
 A) EXAMPLE A5 - 1 - SOLID CIRCLE DENOTES THIS LINE IS IN COMMON WITH ANOTHER LINE OF SAME MNEMONIC APPEARING ON SAME SHEET. THE NUMBER DENOTES HOW MANY PLACES THIS LINE GOES ON THAT SHEET.
 B) EXAMPLE CS1 - 2 - OPEN CIRCLE DENOTES THIS LINE IS IN COMMON WITH ANOTHER LINE OF SAME MNEMONIC APPEARING ON SHEET 2 ZONE INDICATED (SH.2, ZONE A4).

2625 1371		B80		APPROVED BY: [Signature]	
DATE: 10/15/66		BY: [Signature]		REVISION: 1	
DRAWN BY: [Signature]		CHECKED BY: [Signature]		DATE: 11/15/66	
DESIGNED BY: [Signature]		APPROVED BY: [Signature]		DATE: 10/15/66	
BUREAU OF ELECTRONIC RESEARCH AND DEVELOPMENT		MILITARY ELECTRONICS DIVISION		WRIGHT-PATTERSON AIR FORCE BASE, OHIO	
CONTRACT NO. 33(01) 1-66-00000-0000		PROJECT NO. 16KX9		TASK NO. B80	
BUREAU OF ELECTRONIC RESEARCH AND DEVELOPMENT		MILITARY ELECTRONICS DIVISION		WRIGHT-PATTERSON AIR FORCE BASE, OHIO	
D 08241		2625 1405		B	
2-9520		1 OF 3			



Z C LOCATION	PART NUMBER
U26F, U26J, U31B, U31F, U31J, U33B	2623 9160
U31L, U33J, U33L	2602 3259
U26D, U31D	1447 3540
U33D, U33F	1447 3516
MEMORY CHIPS U3D TO U3H, U3L TO U3E, U3H TO U3H, U3L TO U3L	2623 8948

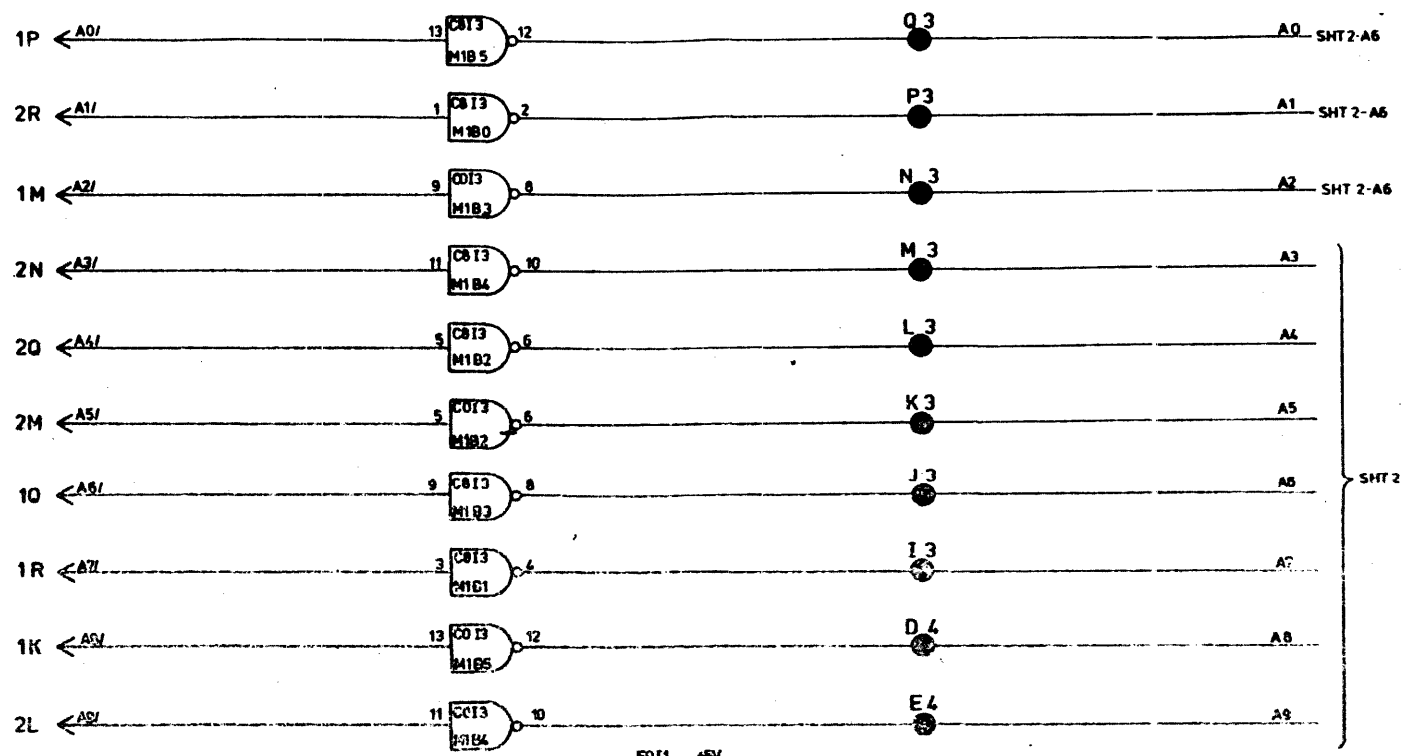
REV	DESCRIPTION	DATE
1	INITIAL DESIGN	10/1/68
2	REVISED FOR MANUFACTURING	10/1/68
3	REVISED FOR MANUFACTURING	10/1/68
4	REVISED FOR MANUFACTURING	10/1/68
5	REVISED FOR MANUFACTURING	10/1/68
6	REVISED FOR MANUFACTURING	10/1/68
7	REVISED FOR MANUFACTURING	10/1/68
8	REVISED FOR MANUFACTURING	10/1/68
9	REVISED FOR MANUFACTURING	10/1/68
10	REVISED FOR MANUFACTURING	10/1/68
11	REVISED FOR MANUFACTURING	10/1/68
12	REVISED FOR MANUFACTURING	10/1/68
13	REVISED FOR MANUFACTURING	10/1/68
14	REVISED FOR MANUFACTURING	10/1/68
15	REVISED FOR MANUFACTURING	10/1/68
16	REVISED FOR MANUFACTURING	10/1/68
17	REVISED FOR MANUFACTURING	10/1/68
18	REVISED FOR MANUFACTURING	10/1/68
19	REVISED FOR MANUFACTURING	10/1/68
20	REVISED FOR MANUFACTURING	10/1/68

Barough's Corporation
16K X 9
B80 STORAGE BOARD
SCHEMATIC

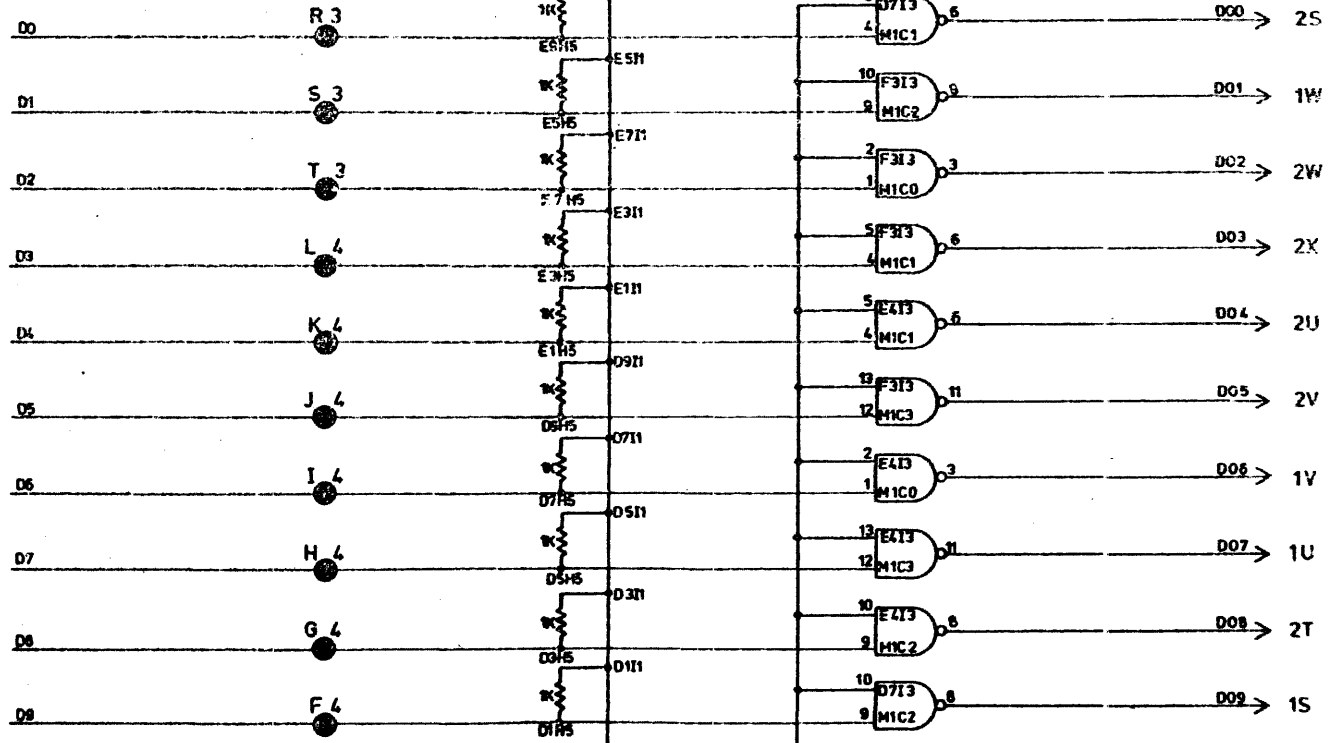
08241 2625 1405

REV	DESCRIPTION	DATE
1	INITIAL DESIGN	10/1/68
2	REVISED FOR MANUFACTURING	10/1/68
3	REVISED FOR MANUFACTURING	10/1/68
4	REVISED FOR MANUFACTURING	10/1/68
5	REVISED FOR MANUFACTURING	10/1/68
6	REVISED FOR MANUFACTURING	10/1/68
7	REVISED FOR MANUFACTURING	10/1/68
8	REVISED FOR MANUFACTURING	10/1/68
9	REVISED FOR MANUFACTURING	10/1/68
10	REVISED FOR MANUFACTURING	10/1/68
11	REVISED FOR MANUFACTURING	10/1/68
12	REVISED FOR MANUFACTURING	10/1/68
13	REVISED FOR MANUFACTURING	10/1/68
14	REVISED FOR MANUFACTURING	10/1/68
15	REVISED FOR MANUFACTURING	10/1/68
16	REVISED FOR MANUFACTURING	10/1/68
17	REVISED FOR MANUFACTURING	10/1/68
18	REVISED FOR MANUFACTURING	10/1/68
19	REVISED FOR MANUFACTURING	10/1/68
20	REVISED FOR MANUFACTURING	10/1/68

PRODUCTION RELEASE E.E. 308
CHANGES ARE EXTENSIVE
SEE ECM 04392

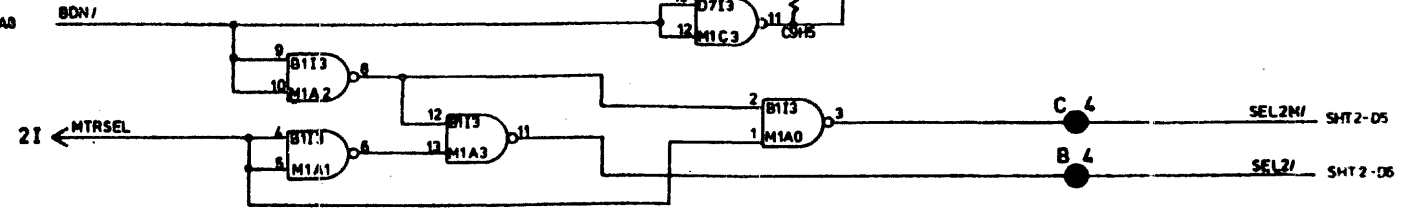


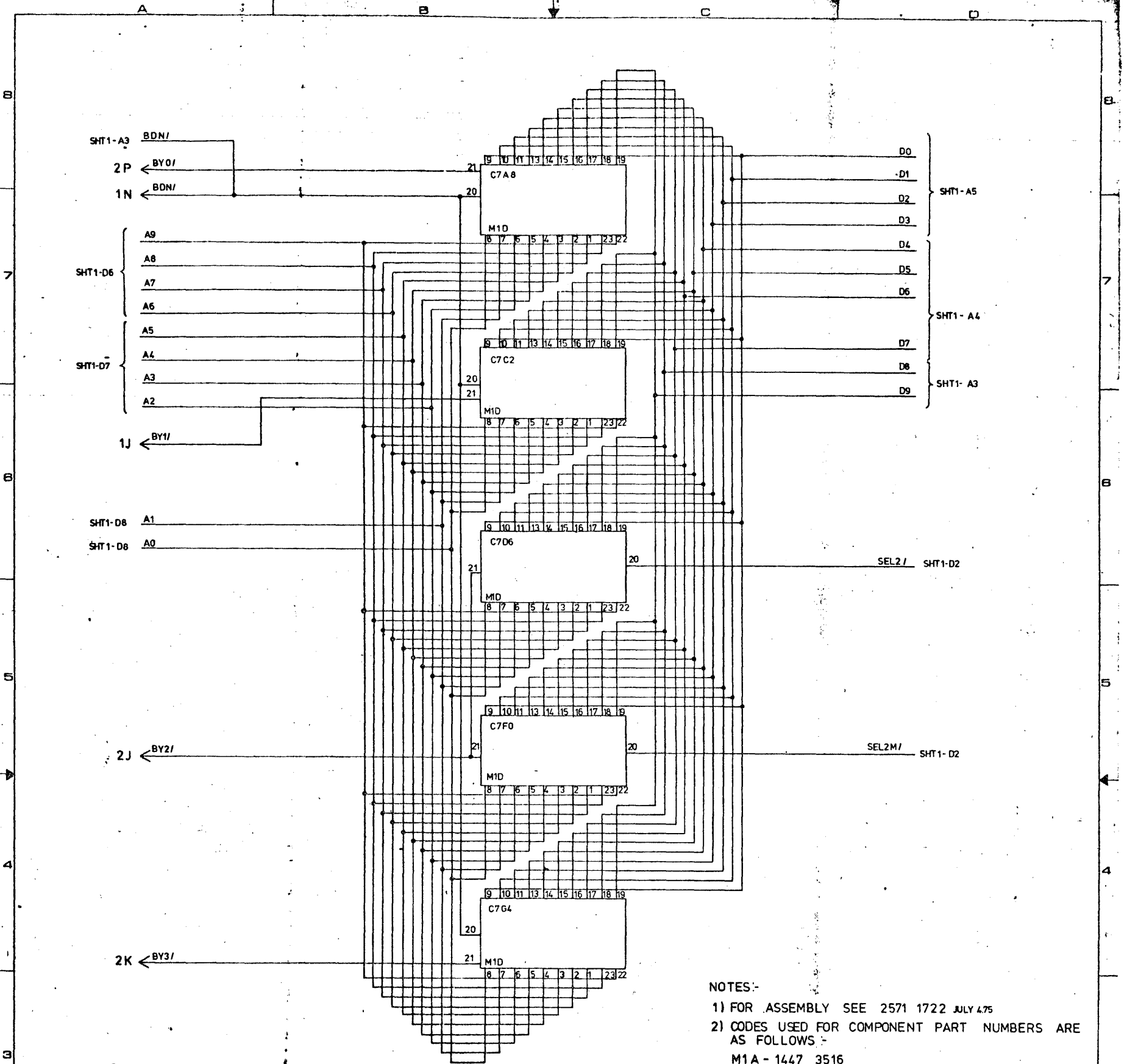
SHT2-D8



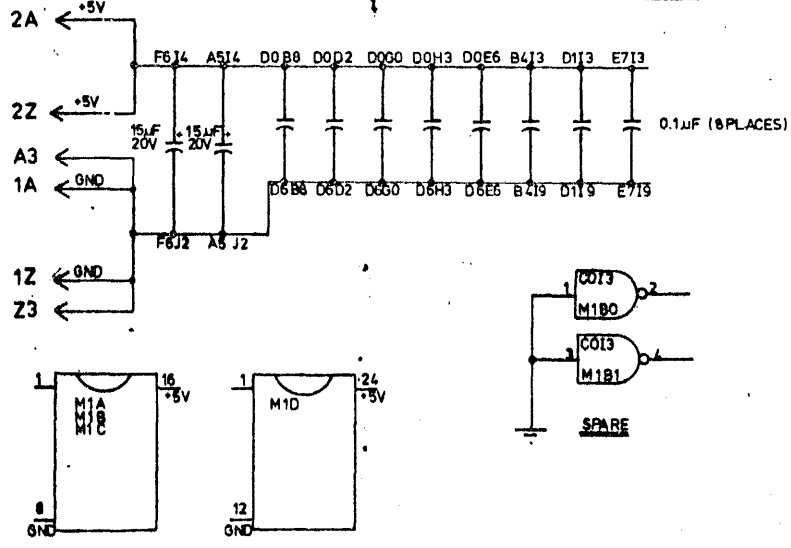
SHT2-D6

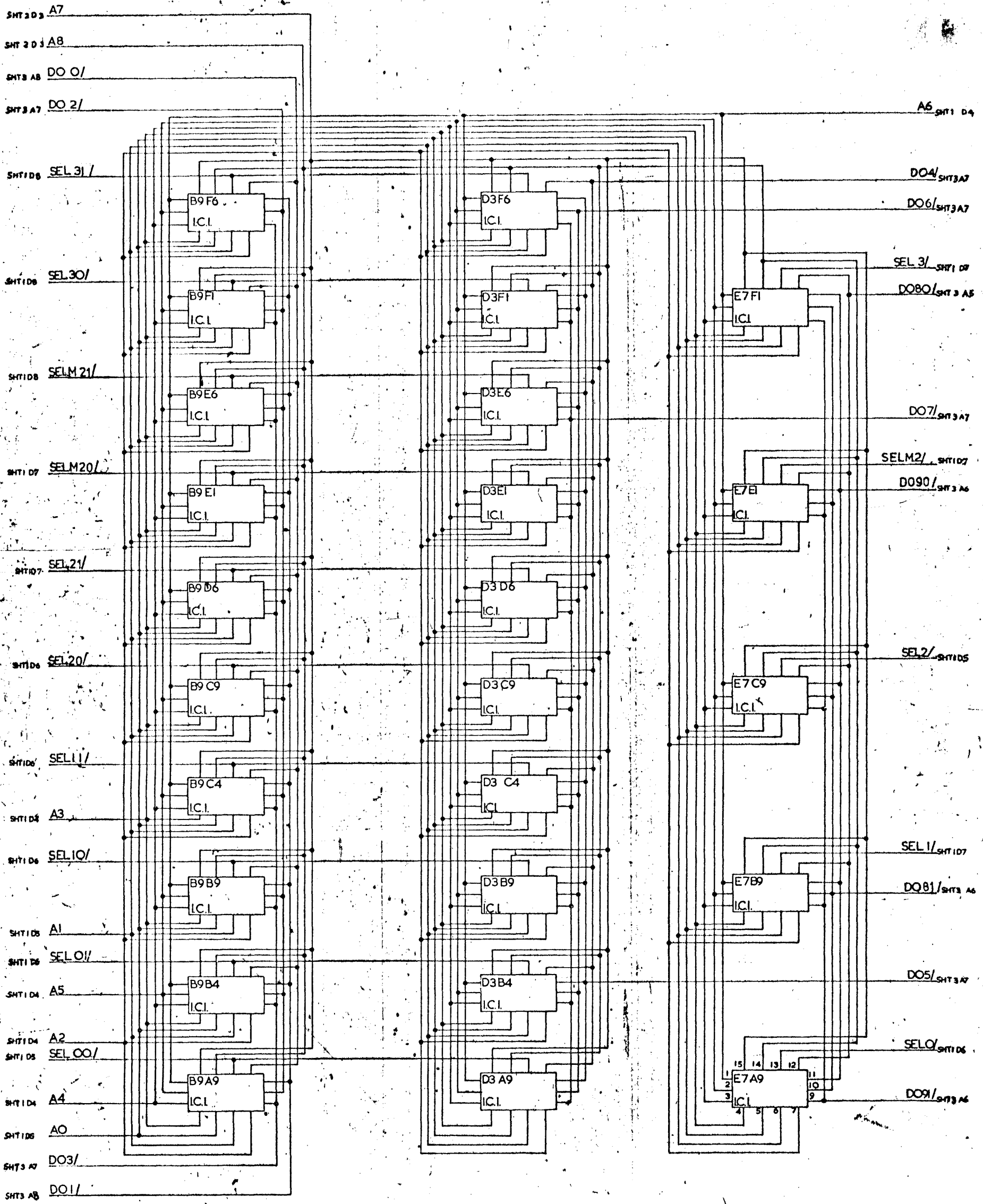
SHT2-A8



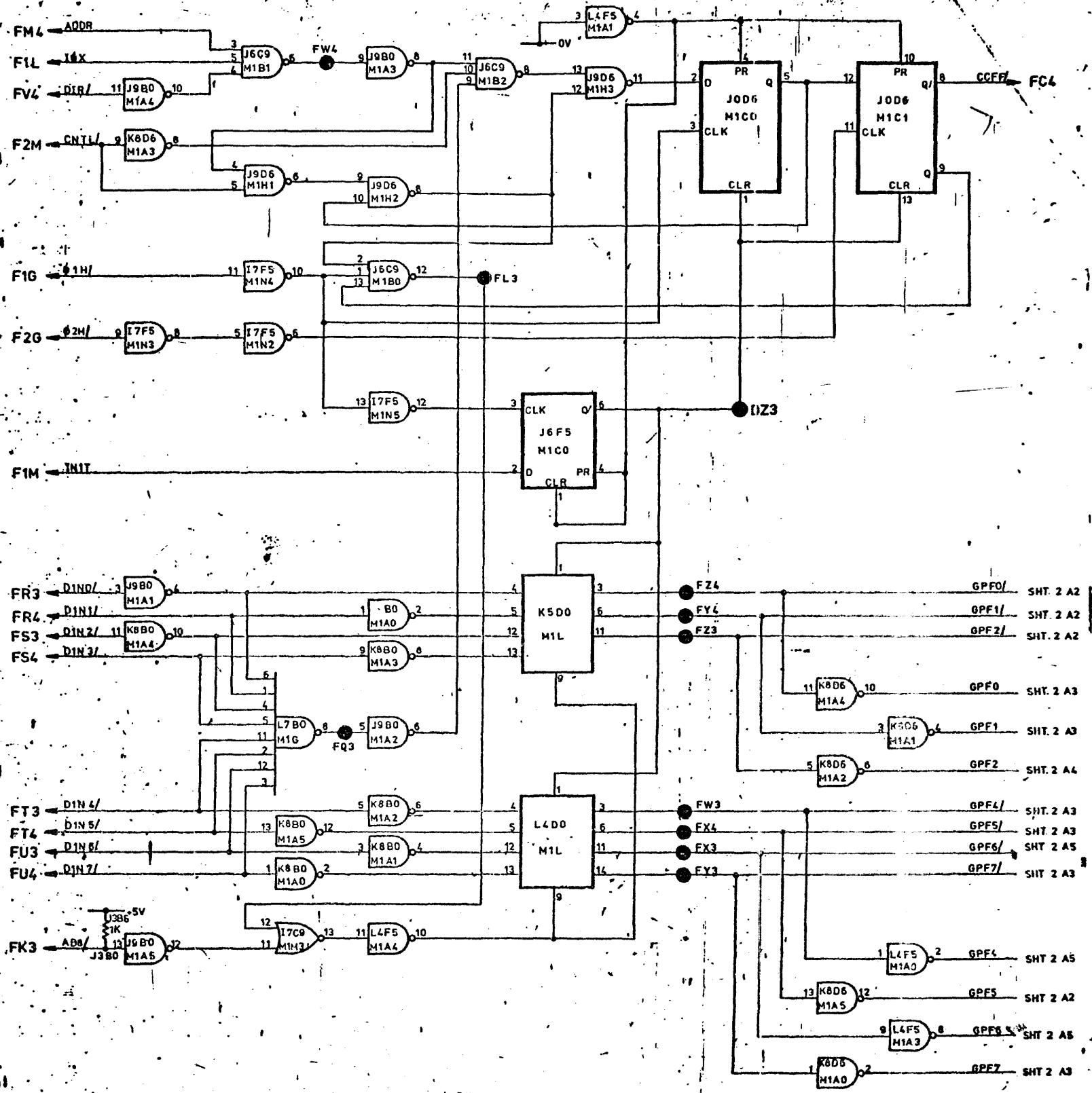


- NOTES:-
- 1) FOR ASSEMBLY SEE 2571 1722 JULY 475
 - 2) CODES USED FOR COMPONENT PART NUMBERS ARE AS FOLLOWS:-
 M1A - 1447 3516
 M1B - 1447 3532
 M1C - 1447 3581
 M1D - SEE RELEVANT ASSEMBLY DRAWING.
 - 3) LAST DIGIT OF I.C. CODE INDICATES ITS ELEMENT N^o
 - 4) UNLESS OTHERWISE SPECIFIED RESISTANCE VALUES ARE IN OHMS.
 - 5) ALL FRONTPLANE PINS INDICATED WITH AN ASTERISK MUST MATE WITH FRONTPLANE PINS OF ASSEMBLY LOCATED IN ADJACENT CARD SLOT, SEE APPLICABLE CARD LOCATION CHART.



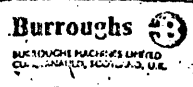


25711748 2 of 3	DATE: 1/11/74 BY: J.M.S. CHECKED: J.M.S. REV: 1	RELEASED: OCT 1974	TITLE: 5K 10 BIT PROM SCHEMATIC				
			ENG DES: RTMG	DATE: MAY 29 74	DRAWN: P.D.	DATE: MAY 30 74	DRAWING NO.: 25711748
PROPRIETARY TO BURROUGHS. NOT TO BE REPRODUCED NOR USED FOR MANUFACTURING PURPOSES EXCEPT ON BURROUGHS ORDER OR PRIOR WRITTEN CONSENT.			APPROVED: [Signature]	DATE: 10/01/74	CLASS CODE: 29520	REV: E	PAGE: 2 of 3

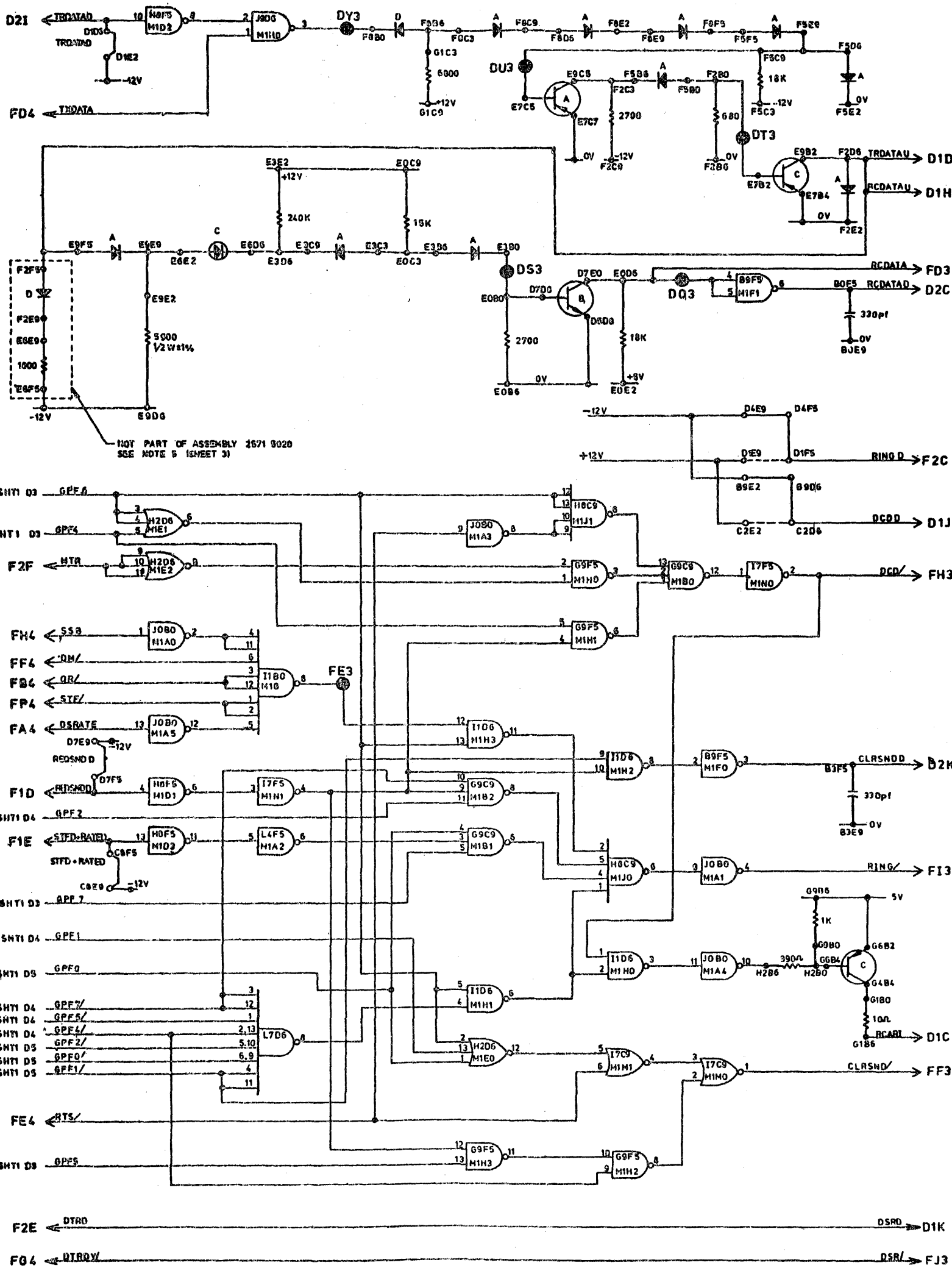


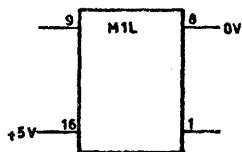
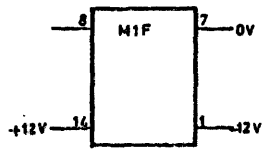
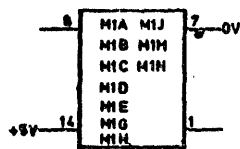
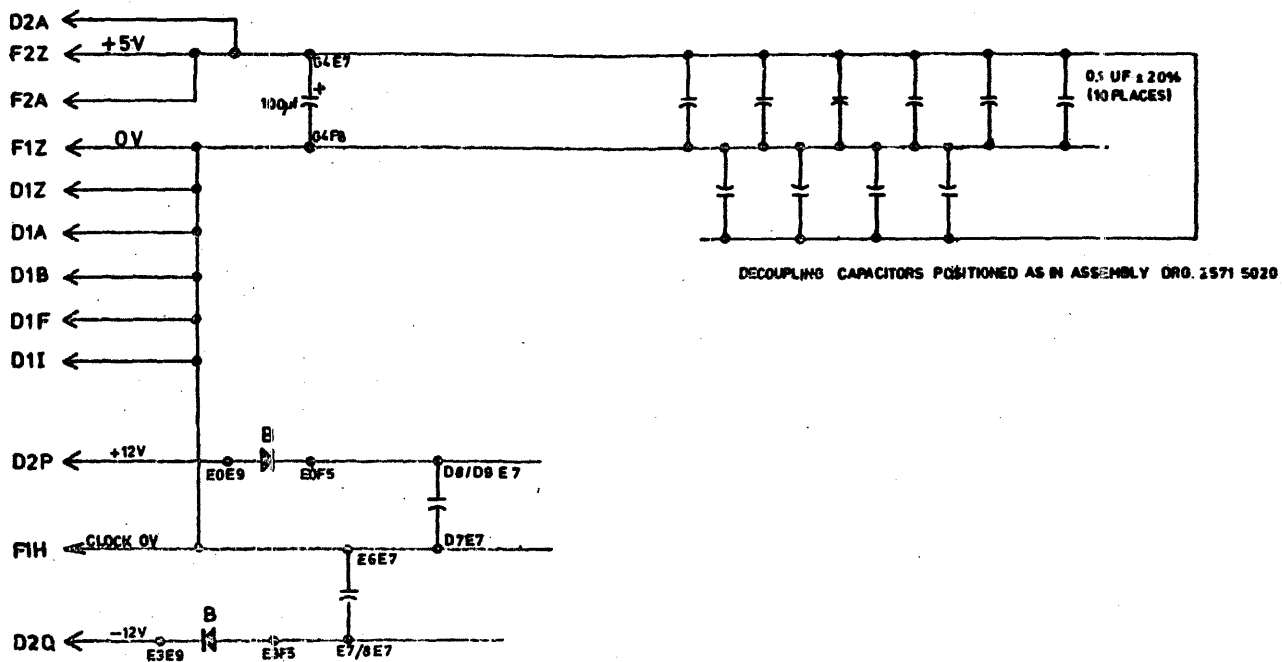
ORIGINAL

2571.5038 1 of 3	ECL 00102 E 3 DEC 26	21 JUL 17 D	23 DEC 0025 C	23 DEC 0025 B	23 DEC 0025 A	MFG 1 5 6 7 8	DATE JUNE 6 75	DESIGNER RNC	DATE JUNE 6 75	DRAWING NO. 2571 5038	E	173	SCHEMATIC CTDI	
													DATE JUNE 6 75	DATE JUNE 6 75

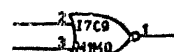
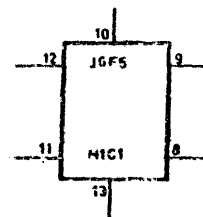
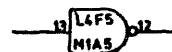
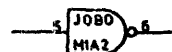


BURROUGHS CORPORATION
CLEVELAND, OHIO 44115, U.S.A.





SPARES



NOTES

- FOR ASSEMBLY SEE 2571 5020
- UNLESS OTHERWISE SPEC. RESISTANCE VALUES ARE IN OHMS ± 5% 1/2W
- CODES FOR COMPONENT PART NO. ARE AS FOLLOWS

M1A — 1447 3532	
M1B — 1447 3540	
M1C — 1447 3607	
M1D — 2470 7044	
M1E — 2600 4929	
M1F — 1534 9616	
M1G — 1447 3573	
M1H — 1447 3516	
M1J — 1447 3565	
M1L — 1449 1278	
M1M — 2600 4911	
M1N — 1479 7971	

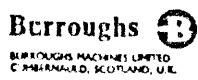
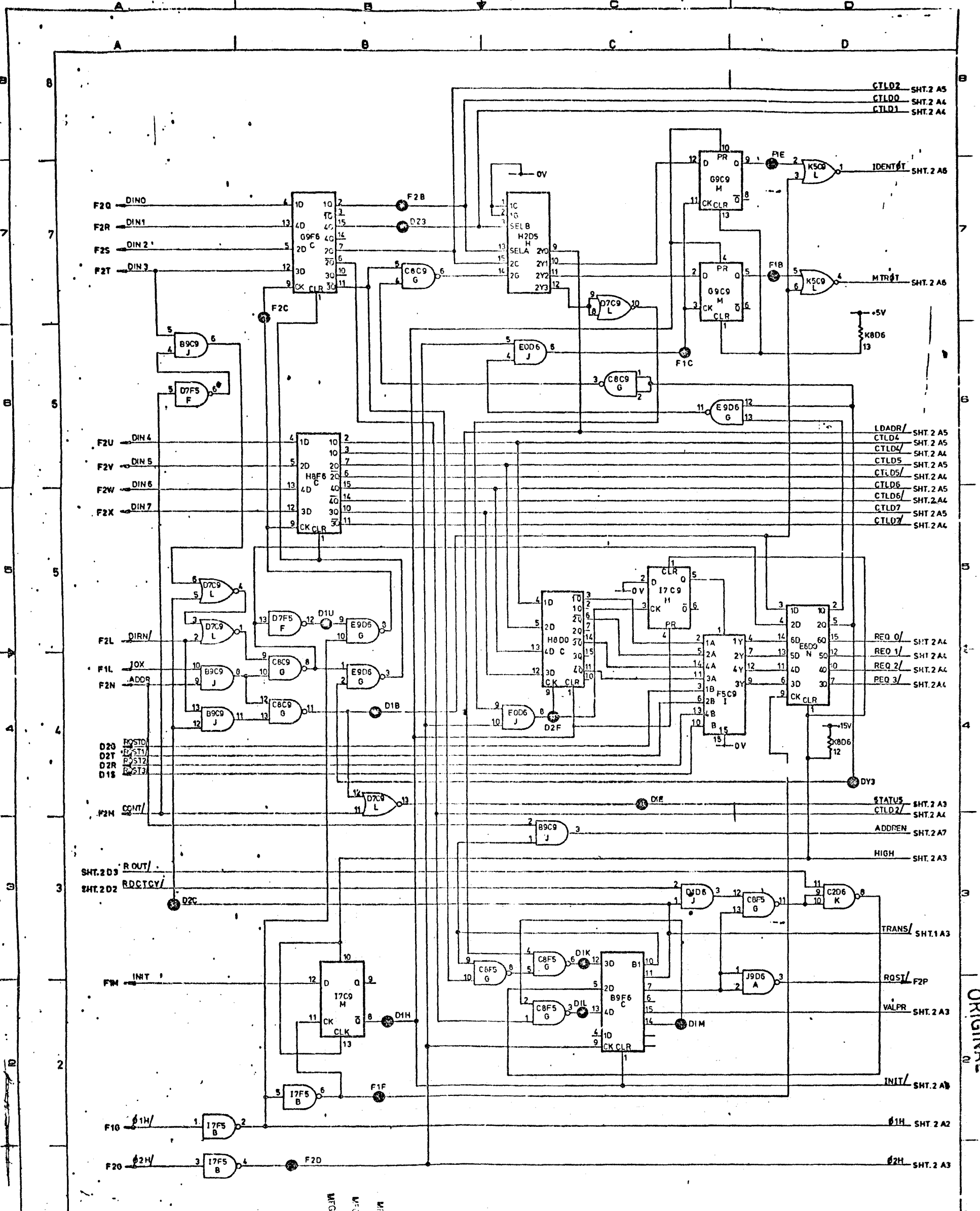
TRANSISTORS

A — 1477 3451
B — 1471 4778
C — 1471 4028

DIODES

A — 1471 4703
B — 1471 4661
C — 1110 2373
D — 1471 4737

- LAST DIGIT OF IC CODE INDICATES ITS ELEMENT NO.
- THESE COMPONENTS THE NETWORK PULLDOWN RESISTOR AND DIODE ARE ADDED AT THE CONTROLLER PARTS LIST LEVEL TO BE INSTALLED ON THE CARD AT INSTALLATION TIME ON ONLY ONE MACHINE IN A TDI NETWORK



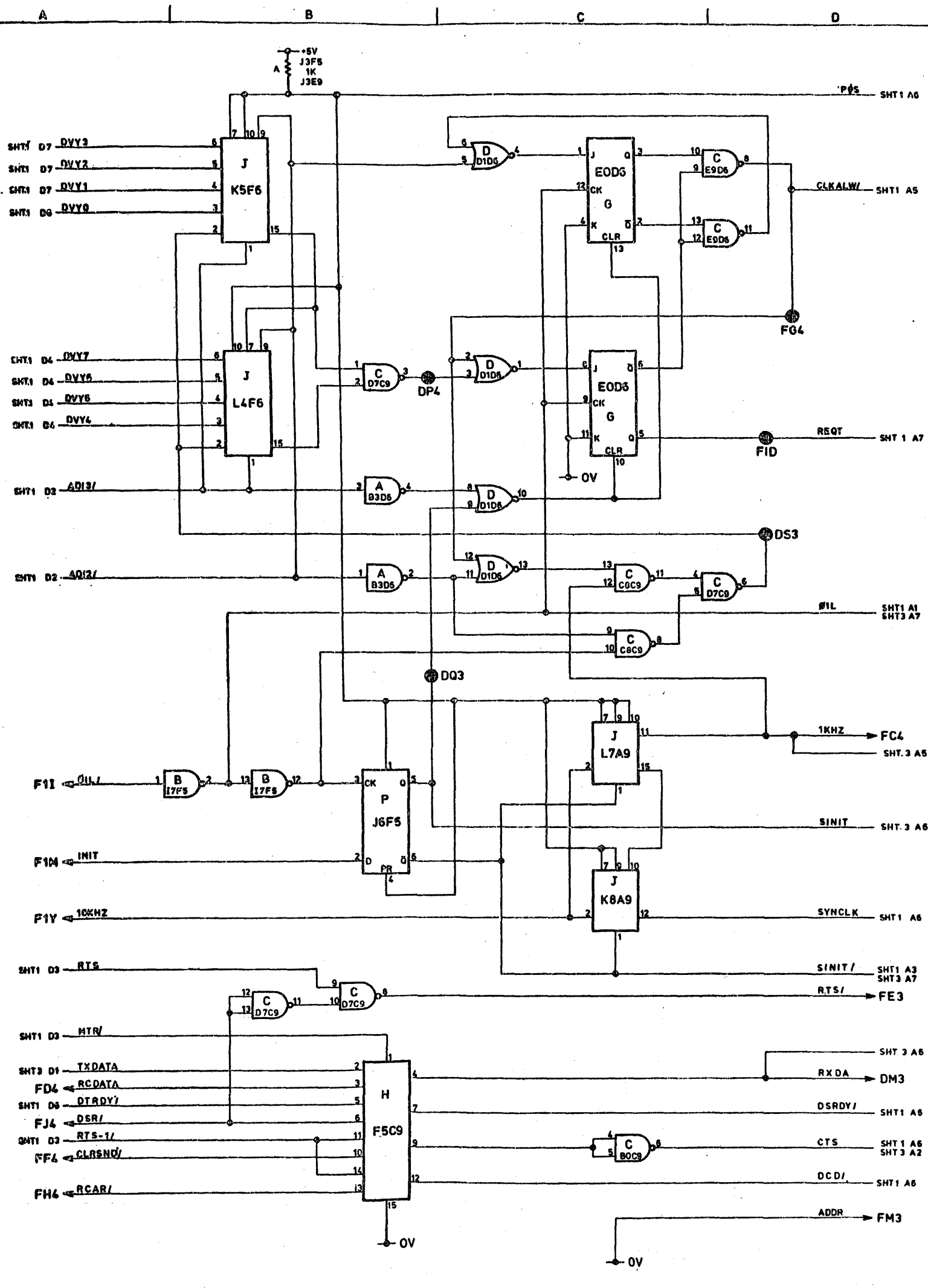
SCHMATIC CHANNEL EXPANDER

ENG DES <i>R. Brown</i>	DATE APR-23-76	DRAWN J.R.L.	DATE APR-12-76	DRAWING No. 2571 8388
APPROVED	DATE	CHECKED	DATE	
ENG COMP	DATE	DRG #22	CLASS CODE	REV B PAGE 1 of 3

PROPRIETARY TO BURROUGHS NOT TO BE REPRODUCED NOR USED FOR MANUFACTURING PURPOSES EXCEPT ON BURROUGHS ORDER OR PRIOR WRITTEN CONSENT

DRAWING No. 2571 8388
 PART 1 of 3
 DATE MAY 17 76
 MFG. M.F.S.
 1.2 EDC-0005 B
 2.3 ER-0001 A

ORIGINAL



2574 2008
2 of 6

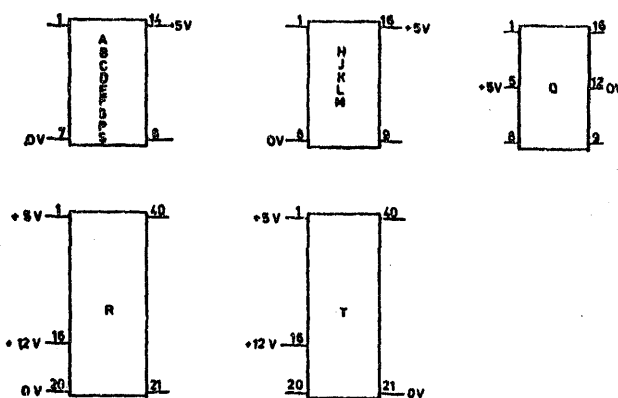
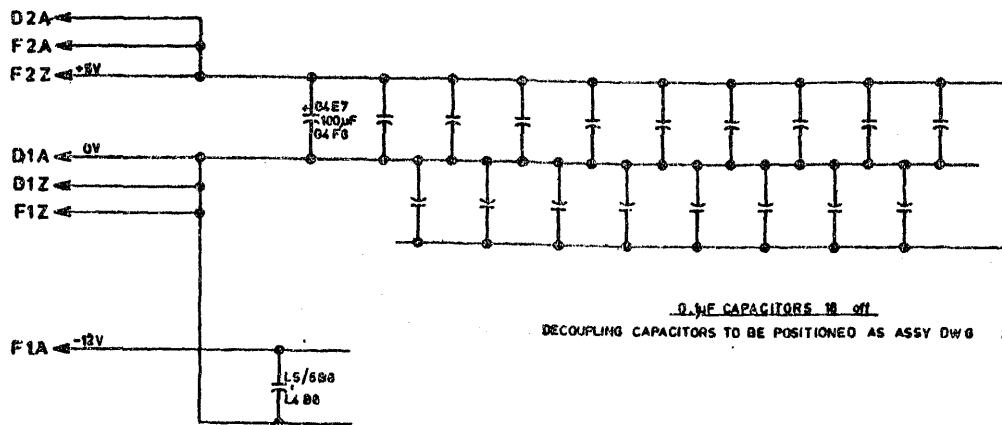
REVISED: SEPT 2-75
 4 SPRTS B
 123 03175 C
 234 03175 C
 345 03175 C
 4 DEC 176



PROPRIETARY TO BURROUGHS NOT TO BE REPRODUCED NOR USED FOR MANUFACTURE

SCHEMATIC SDC-1			
DES. NO.	DATE	DRAWN	DATE
2574 2008	AUG 14 '75	J. R. L.	AUG 14 '75
APPROVED	DATE	CHECKED	DATE
DES. COMP.	DATE	DES. SIZE	CLASS CODE
REV	E	PART	244

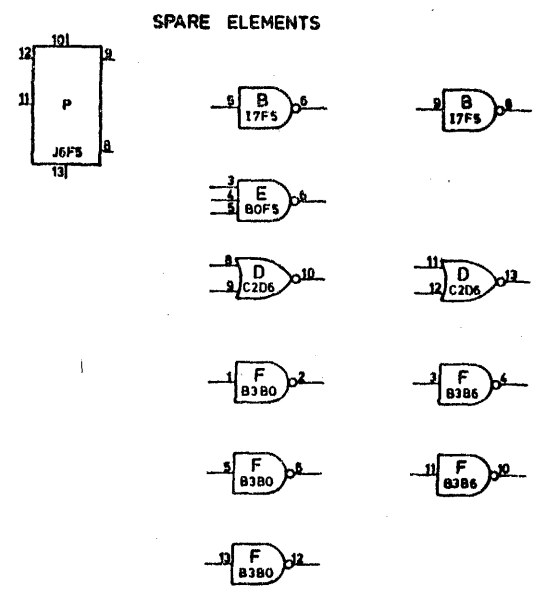
DS

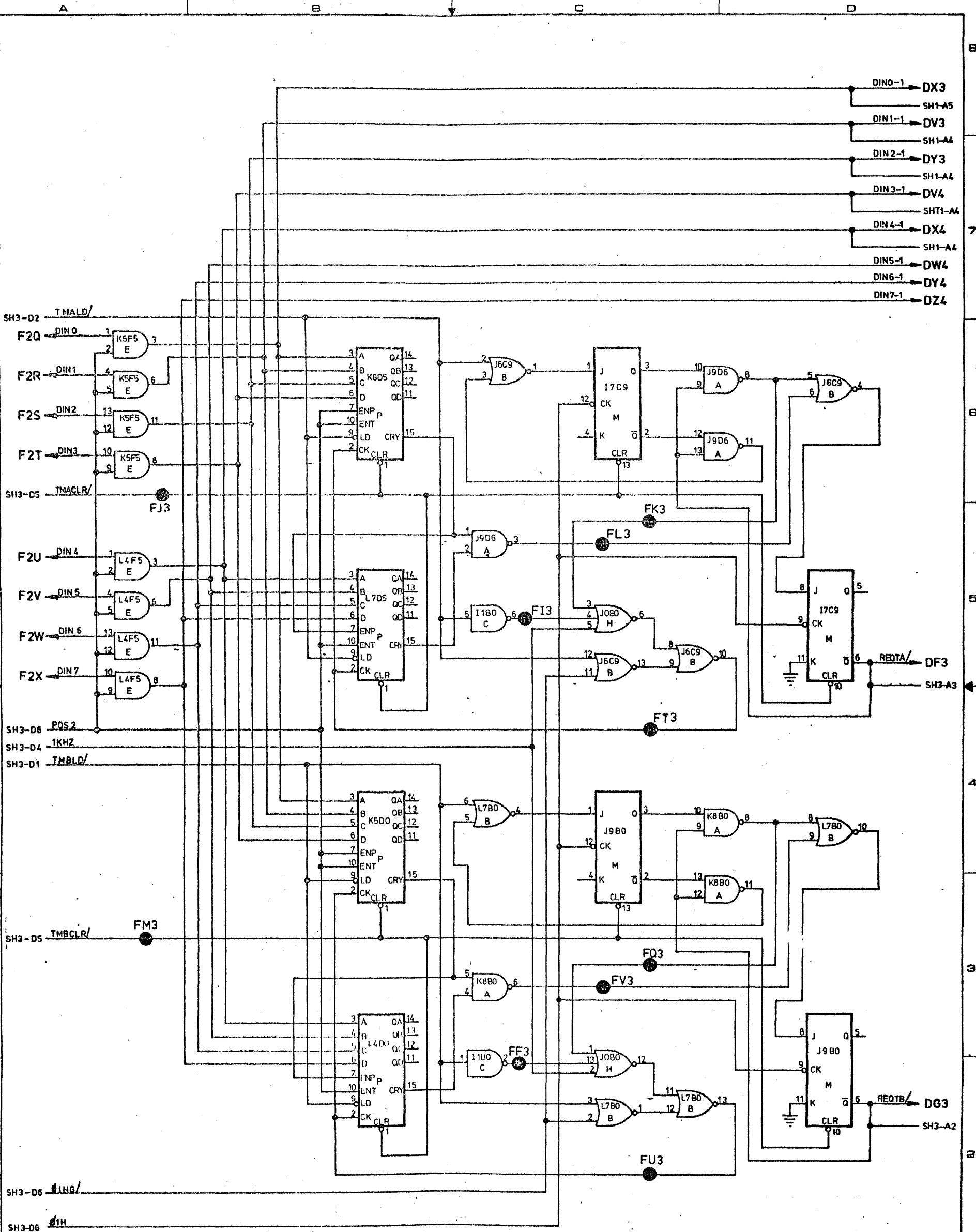


I.C. CODE	PART NO.	TYPE
A	1447 3532	7404
B	1479 7971	74H04
C	1447 3516	7400
D	2600 4911	7402
E	1447 3540	7410
F	1674 4963	7406
G	1447 3615	74107
H	1447 3797	74157
J	1447 3771	74161
K	1447 3722	74155
L	1449 1260	74174
M	1449 1278	74175
P	1447 3607	7474
Q	1269 6936	7475
R	2571 9980	PR1472B
T	2571 8672	PT1462B
S	1447 3581	7438

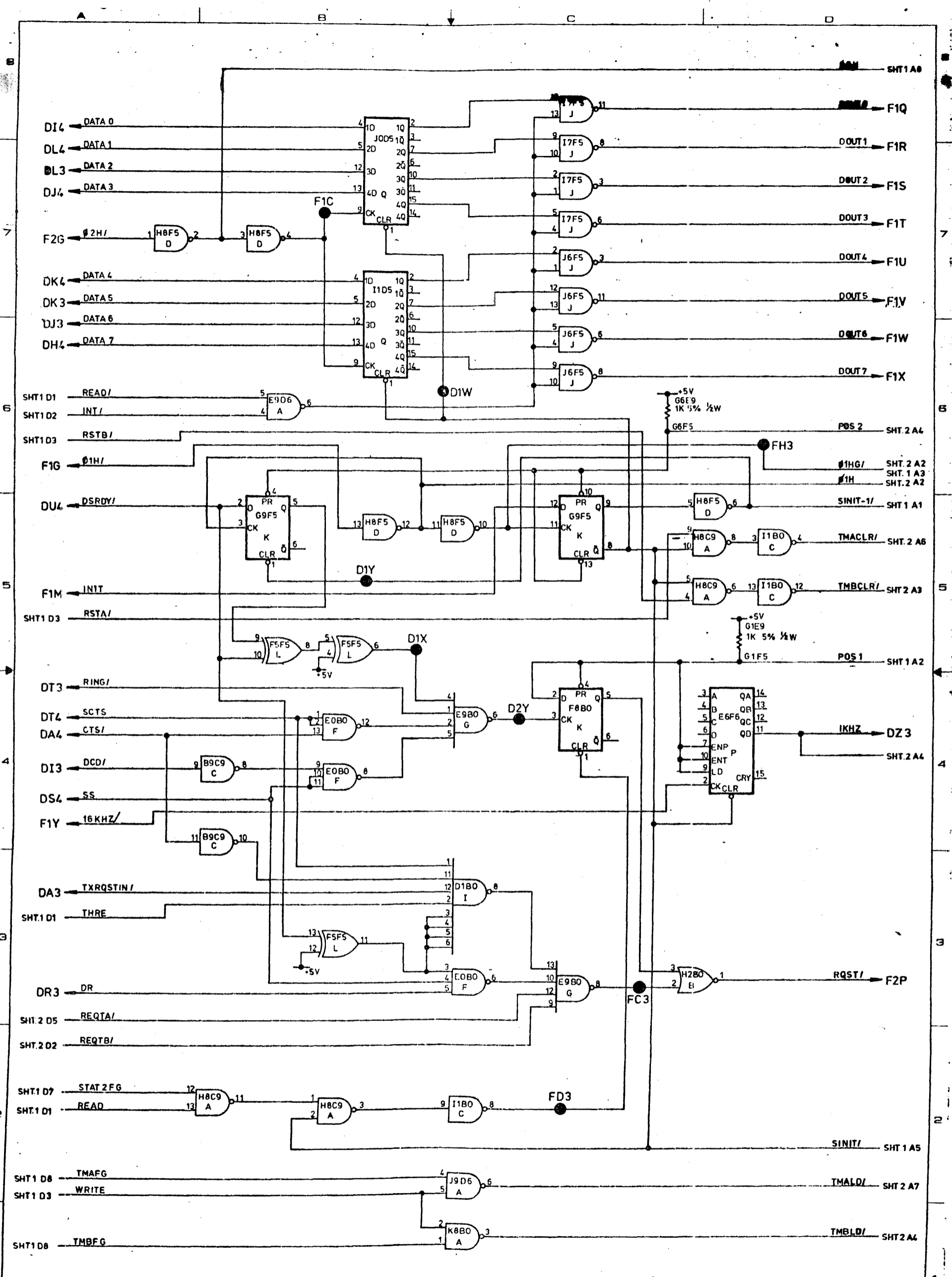
RESISTOR CODE	PART NO.
A	1268 2324
B	1268 2407

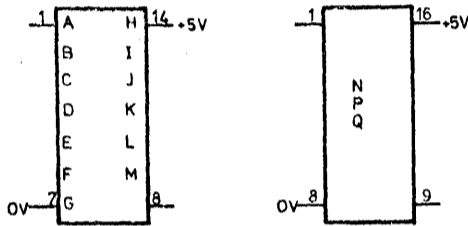
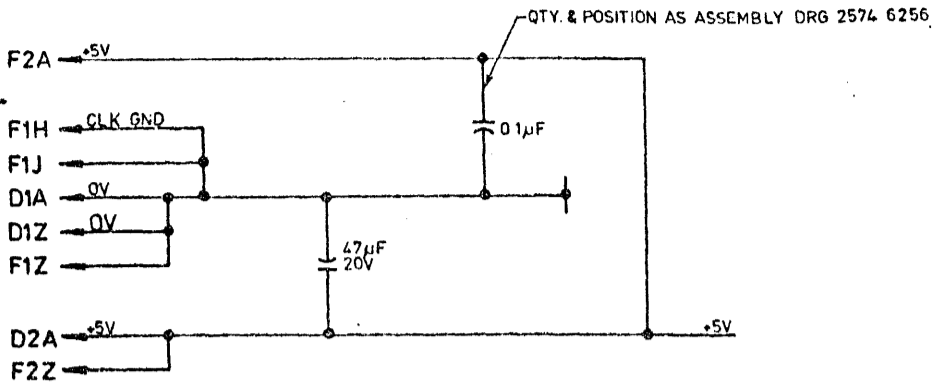
- NOTES**
- FOR ASSY SEE 2574 1992
 - UNLESS OTHERWISE STATED RESISTANCE VALUES ARE IN OHMS
 - CODES FOR COMPONENT PART NOS. ARE AS SHOWN OPPOSITE
 - LINKS 'Y' TO BE FITTED IF USED WITH A 'BOLC' BOARD



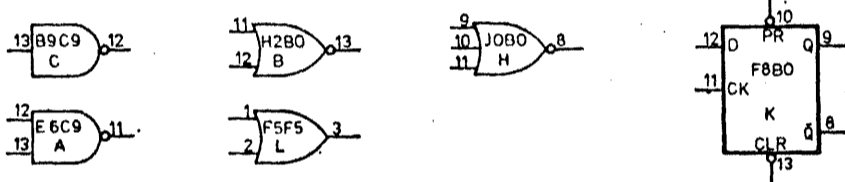


SH3-D2 T MALD/
 F2Q DIN 0
 F2R DIN 1
 F2S DIN 2
 F2T DIN 3
 SH3-D5 TMACLR/
 F2U DIN 4
 F2V DIN 5
 F2W DIN 6
 F2X DIN 7
 SH3-D6 PQS 2
 SH3-D4 1KHZ
 SH3-D1 TMBLD/
 SH3-D5 TMBCLR/
 SH3-D6 1LHG/
 SH3-D8 1H





SPARE GATES

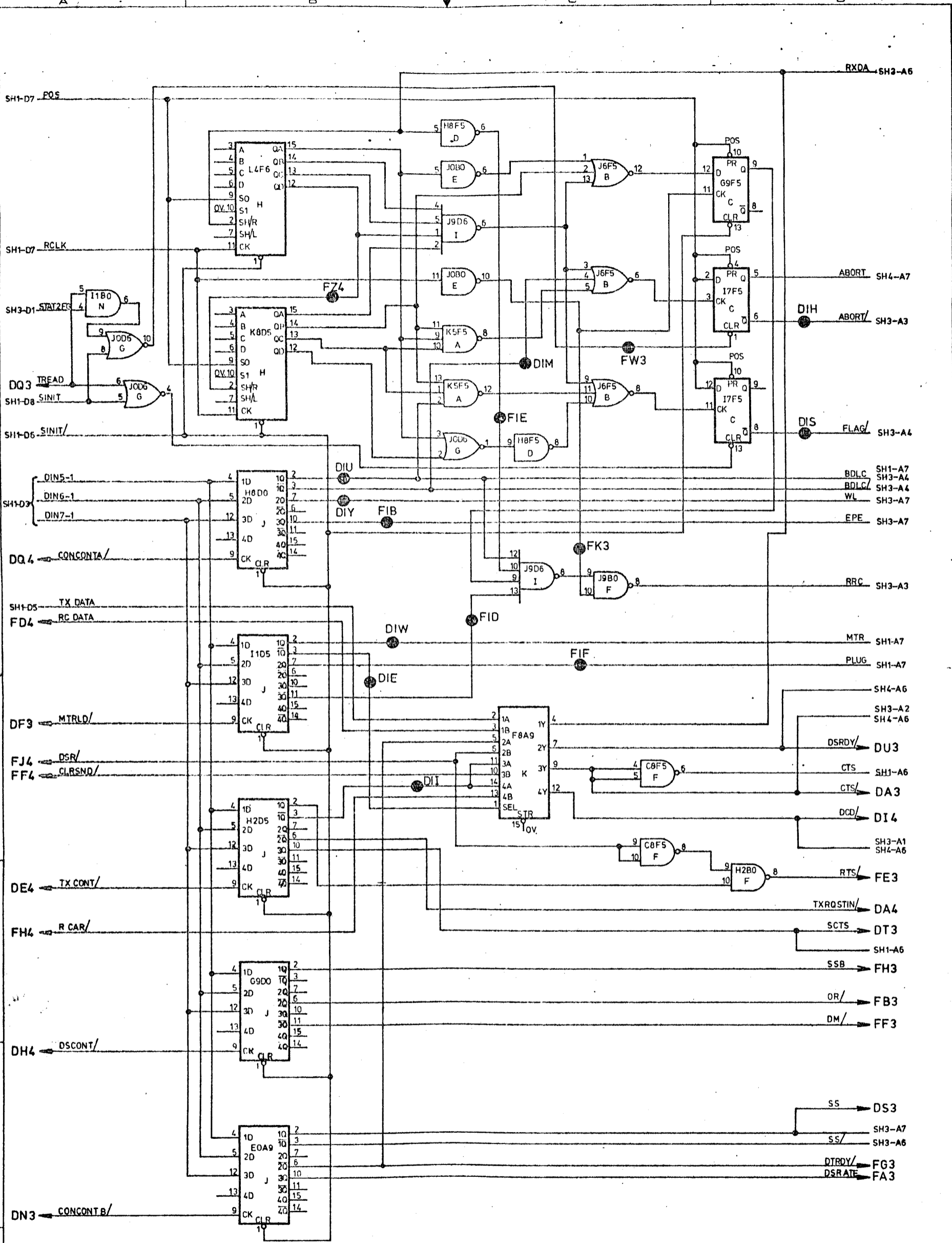


NOTES:-

- 1) FOR ASSEMBLY SEE 2574 6256
- 2) CODES USED FOR COMPONENT PART Nos. AS FOLLOWS:-

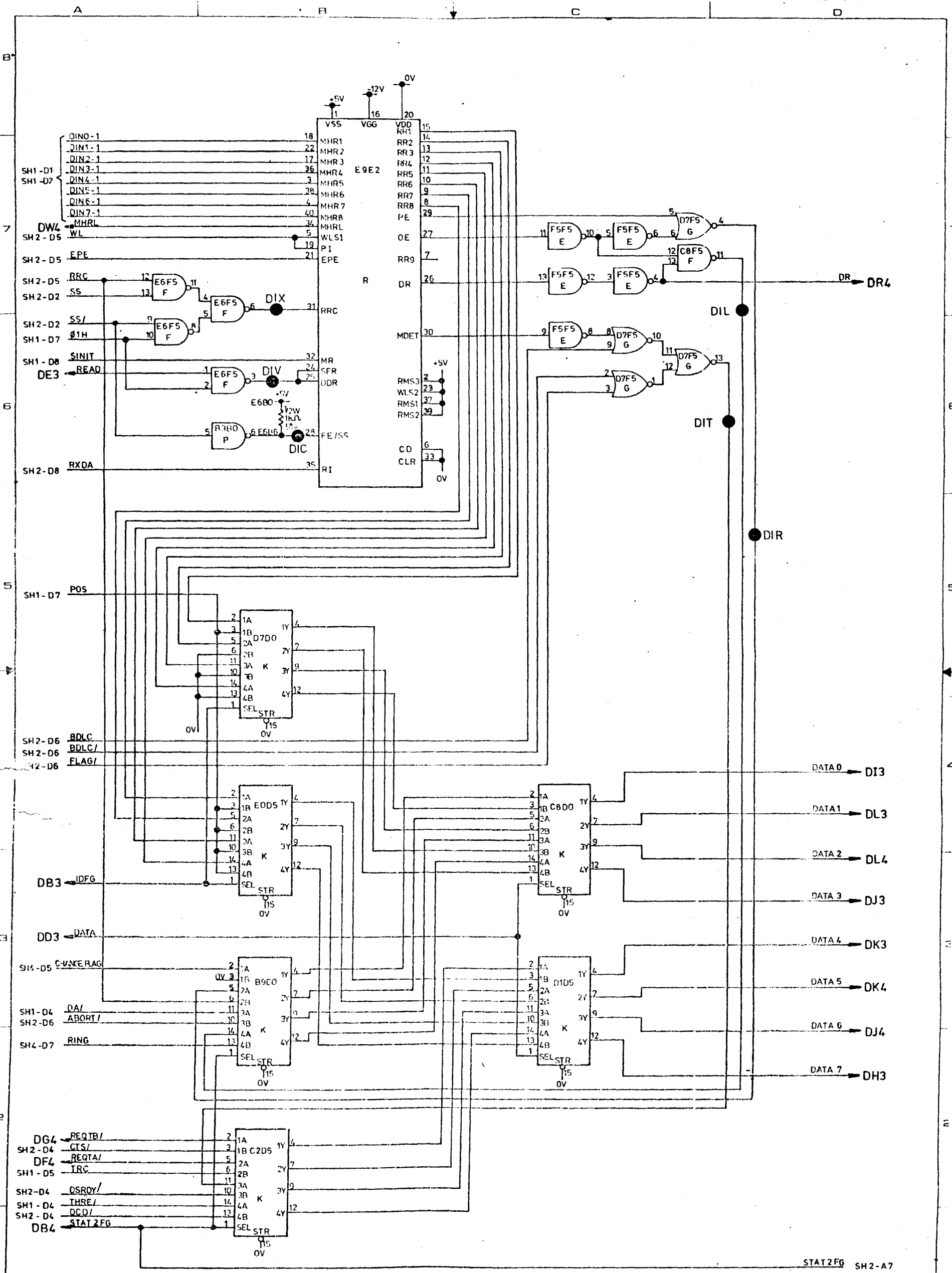
I.C.s		RESISTORS	
A	SN 7400 1447 3516	A	1KΩ 1268 2324
B	7402 2600 4911		
C	7404 1447 3532		
D	74H04 1479 7971		
E	7408 1447 3524		
F	7410 1447 3540		
G	7420 1447 3565		
H	7427 2600 4929		
I	7430 1447 3573		
J	7438 1447 3581		
K	7474 1447 3607		
L	7486 1447 3698		
M	74107 1447 3615		
N	74155 1447 3722		
P	74161 1447 3771		
Q	74175 1449 1278		

3) UNLESS OTHERWISE SPECIFIED ALL RESISTANCE VALUES ARE IN OHMS.



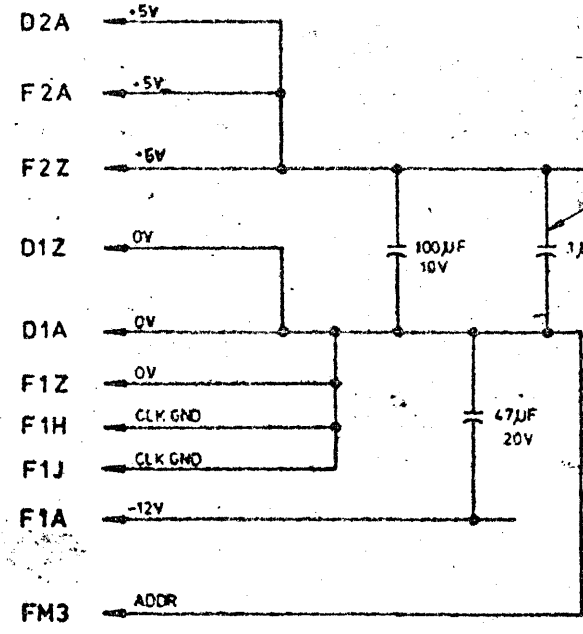
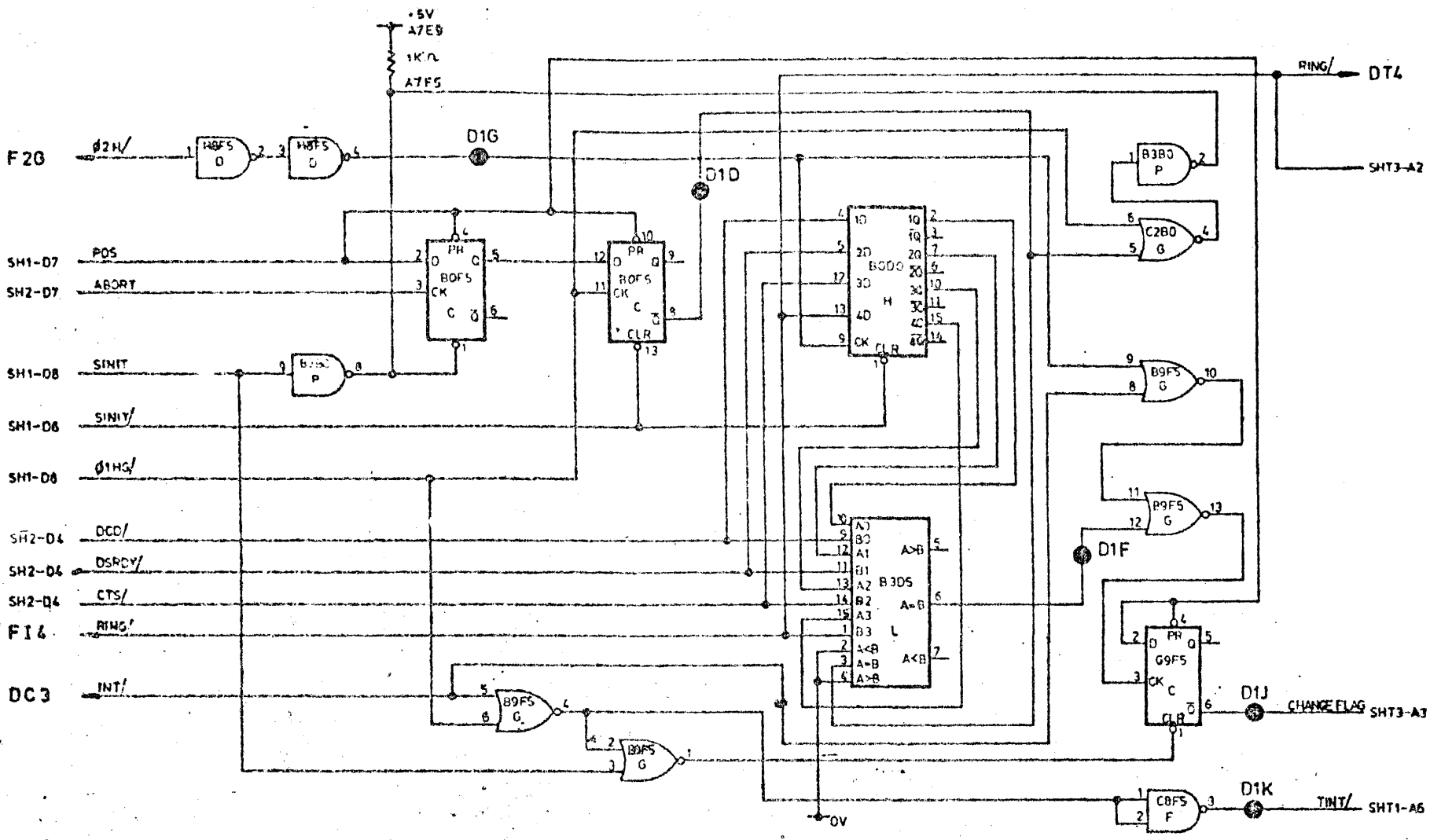
2574 6314 2 of 4	ER 0025 OCT 15 76	Burroughs		SCHEMATIC SDCB.					
		<small>SMALL SYSTEMS DIVISION BURROUGHS MACHINES LIMITED CUMBERNAULD SCOTLAND U.K.</small>		DESIGNER M.R.	DATE APR 30 76	DRAWN RNC	DATE SEP 28 76	DRAWING NO. 2574 6314	
		APPROVED <i>[Signature]</i>		DATE APR 30 76	CHECKED M.R.	DATE SEP 30 76	CLASS. CODE 2-9520		REV A
		ENG. COMP.		DATE	DRG. SGT A1	CLASS. CODE 2-9520	REV A	PAGE 2 OF 4	

DS

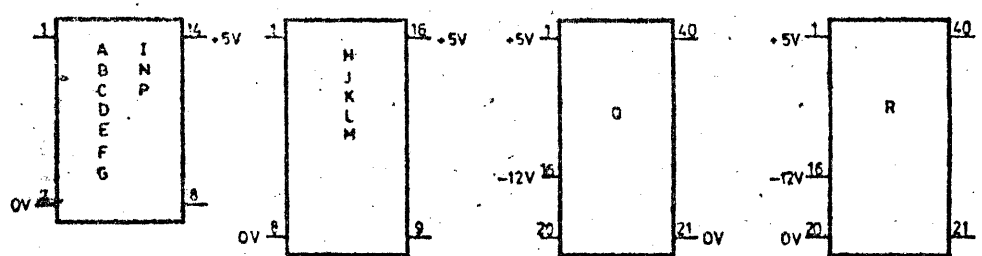


STAT2FG SH2-A7

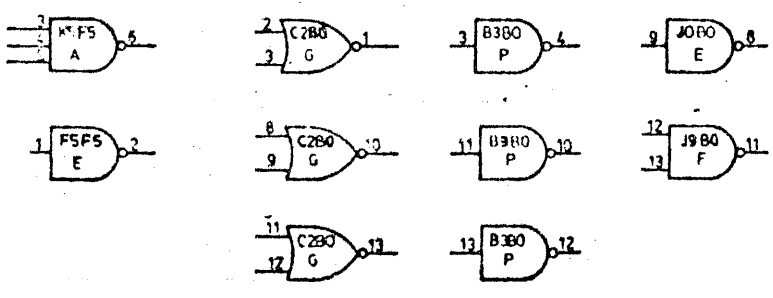
2574 6314 3 of 4	ER 00215 0011576	Burroughs <small>SMALL SYSTEMS DIVISION BURROUGHS MACHINES LIMITED CUMBERNAULD, SCOTLAND, U.K.</small>		(DSGN CONTROL) TITLE SCHEMATIC S.D.C.B.		
		OWNED BY MR	DATE -	DRAWN BY RNC	DATE SEP 28 76	DRAWING No. 2574 6314
		APPROVED BY <i>[Signature]</i>	DATE Sept 30-76	CHECKED BY MOA	DATE SEP 30 76	REV A
		ENG. LEAD -	DATE -	DRG. NO. A1	FILE NO. 2-9520	PAGE 3 of 4



QUANTITY & POSITION AS PER ASSY. DRG. 2574 6298.



SPARE GATES



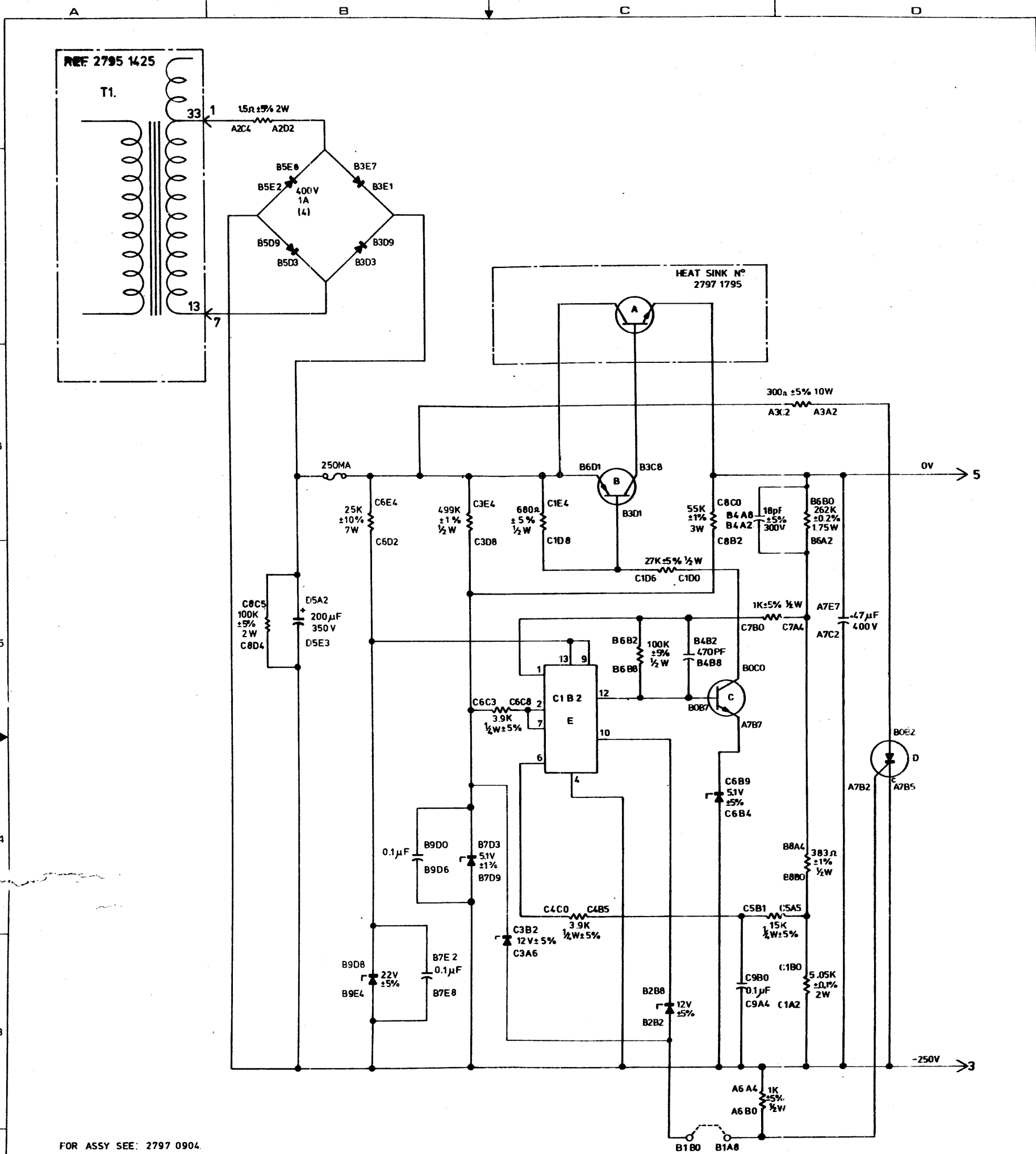
NOTES

- 1 FOR ASSEMBLY SEE - 2574 6298 REV A
- 2 CODES LISTED FOR COMPONENT PART NOS AS FOLLOWS -

IC'S			
A	SN 7410	1447	3540
B	7427	2600	4929
C	7474	1447	3527
D	74HC04	1479	7971
E	7404	1447	3532
F	7400	1447	3515
G	7402	2600	4911
H	74194	1948	5036
I	7420	1471	3565
J	74175	1449	1279
K	74157	1447	3797
L	7485	1449	2052
M	7430	1447	3573
N	7408	1447	3524
P	7406	1574	4963
Q	PT 1482B	TRANSMITTER	2571 9972
R	PT 1472B	RECEIVER	2571 9980

RESISTORS
1KΩ 5% 1/4W 1268 2324

3 UNLESS OTHERWISE STATED ALL RESISTOR VALUES ARE IN OHMS



FOR ASSY SEE: 2797 0904.

COMPONENT IDENTIFICATION

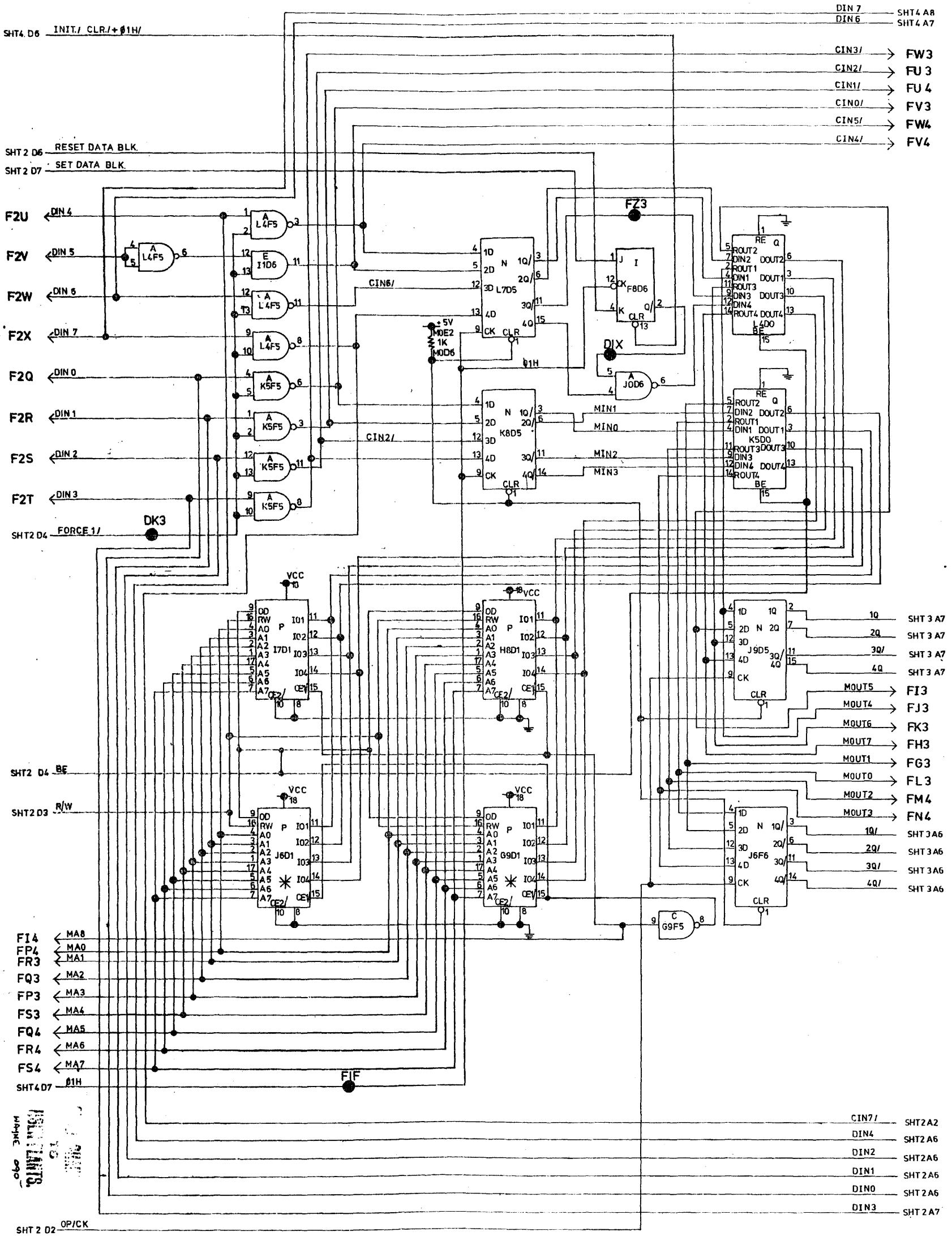
- TRANSISTOR:
- A - BUX 16A 2797 1969
- B - 2N5416 2797 1821
- C - 2N3439 2797 1837
- D - S 2600D 2797 5010

I.C.
E - JMD747 1536 7360

DRAWING NO. 2797 0912	PAGE 1 OF 1	ECN 00761 1 APR 15 77 K.K.	ER 00591 A	PAGE 1	RELEASED JAN 31 77	 SMALL SYSTEMS DIVISION BURROUGHS MACHINES LIMITED CUMBERNAULD SCOTLAND U.K.	DSGN CONTROL JOB	TITLE SCHEMATIC, SELF SCAN POWER SUPPLY
							DSGN ENGR K.B. APPROVED <i>[Signature]</i> ENG & COMP DATE	DATE OCT. 14. 76 DATE 7-77 DATE

INPUTS

OUTPUTS

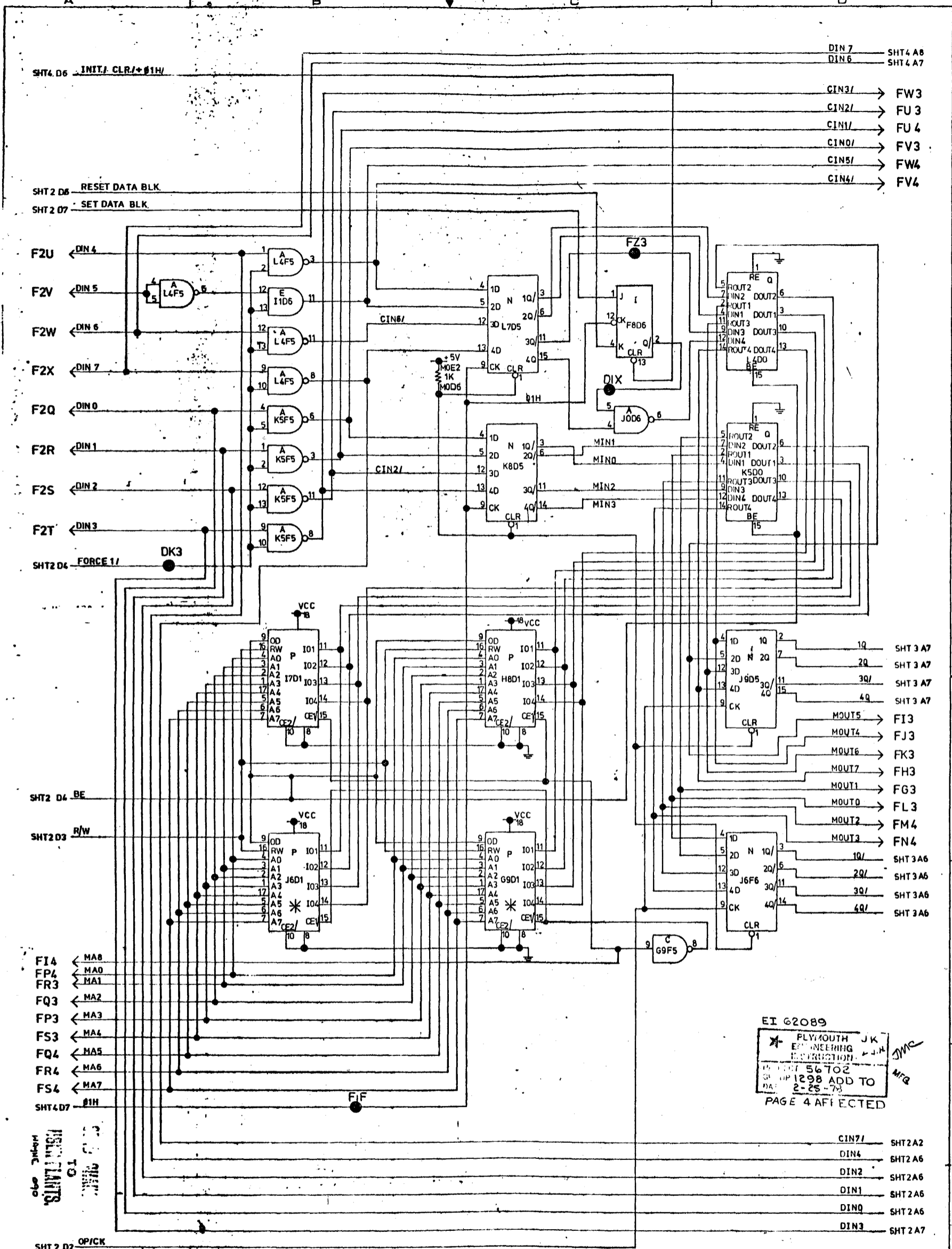


NOTE: * CHIPS ONLY FOR 12X40

DRAWING NO. 2797 0318 PAGE 1 of 4	ECN NO. 00872 ECN DATE 23 MAR 2077 ECN 0134 23 MAR 2077 SER 27	RELEASED NOV 20 76	Burroughs SMALL SYSTEMS DIVISION BURROUGHS MACHINES LIMITED CUMBERNAULD SCOTLAND, U.K.	DSGN CONTROL 308	TITLE SCHEMATIC - SELF SCAN CONTROLLER 'A' (IP06)		
		ER 00522		DSGN ENGR <i>B. L.</i>	DATE Dec 67	DRAWN HLN/JTH	DATE SEP 24 76
		REV		APPROVED	DATE	CHECKED <i>B. L.</i>	DATE Dec 67
		C		ENG COMP	DATE	DRG SIZE A1	CLASS CODE 2-9520
PROPRIETARY TO BURROUGHS NOT TO BE REPRODUCED NOR USED FOR MANUFACTURING PURPOSES EXCEPT ON BURROUGHS ORDER OR PRIOR WRITTEN CONSENT.				DWT 2797 0318	REV C		

INPUTS

OUTPUTS



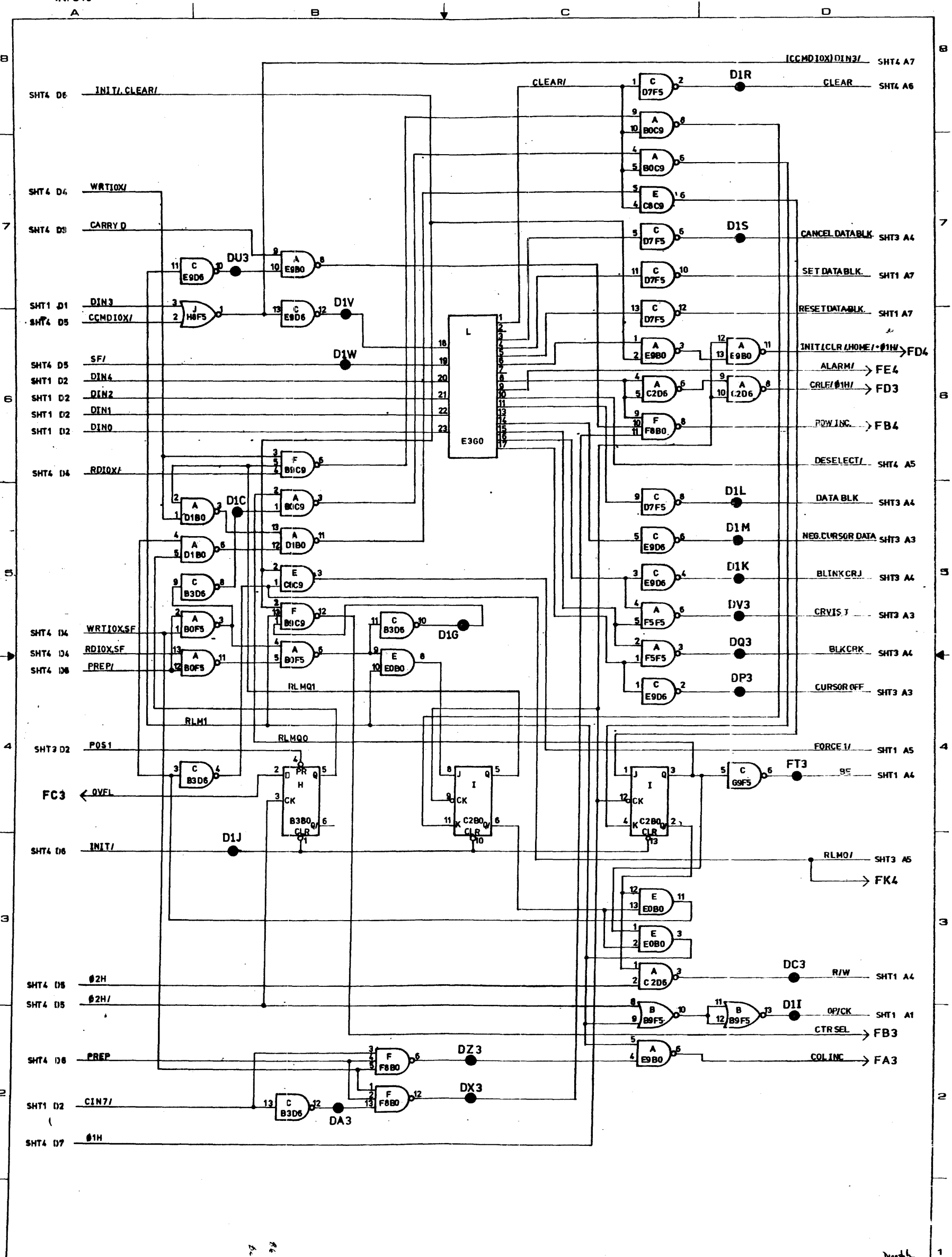
EI 62089
 * PLYMOUTH JK
 ENGINEERING
 INSTRUCTION
 PART 56702
 SHIP 1298 ADD TO
 DA 2-25-73
 PAGE 4 AFFECTED

NOTE: * CHIPS ONLY FOR 12X40

DRAWING NO. 2797 0318	REV. C	DATE 23.6 MAY 2077 B	ECN 01334	REV. C	RELEASED NOV 30 76	PAGE 1 OF 4	SMALL SYSTEMS DIVISION BURROUGHS MACHINES LIMITED CUMBERNAULD, SCOTLAND, U.K.	DESIGNER P. B.	DATE DEC 6 '76	DRAWN HLN/JTH	DATE SEP 24 76	DRAWING NO. 2797 0318
								APPROVED S. J.	DATE DEC 6 '76	CHECKED J. B.	DATE DEC 6 '76	CLASS CODE 2-9520

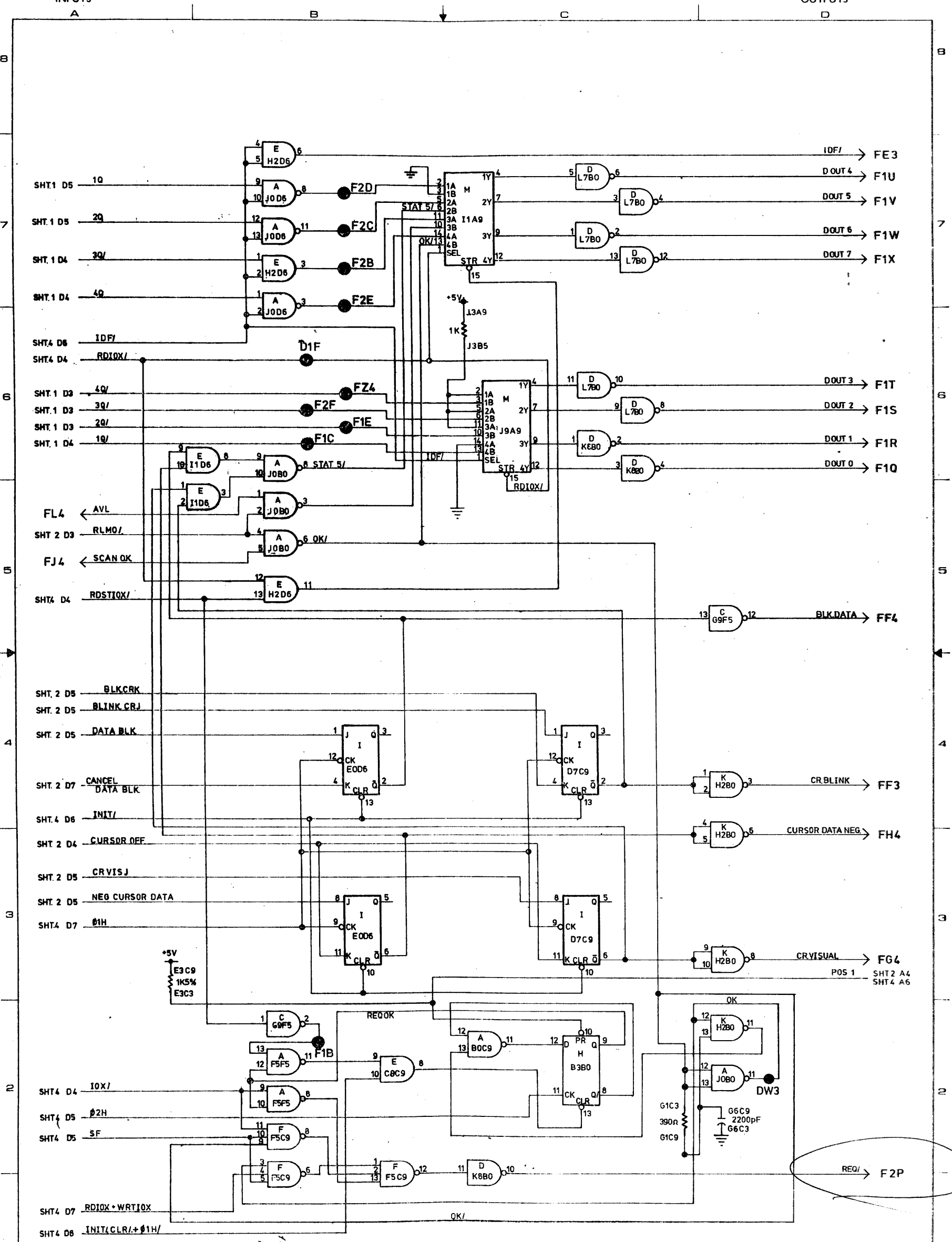
INPUTS

OUTPUTS

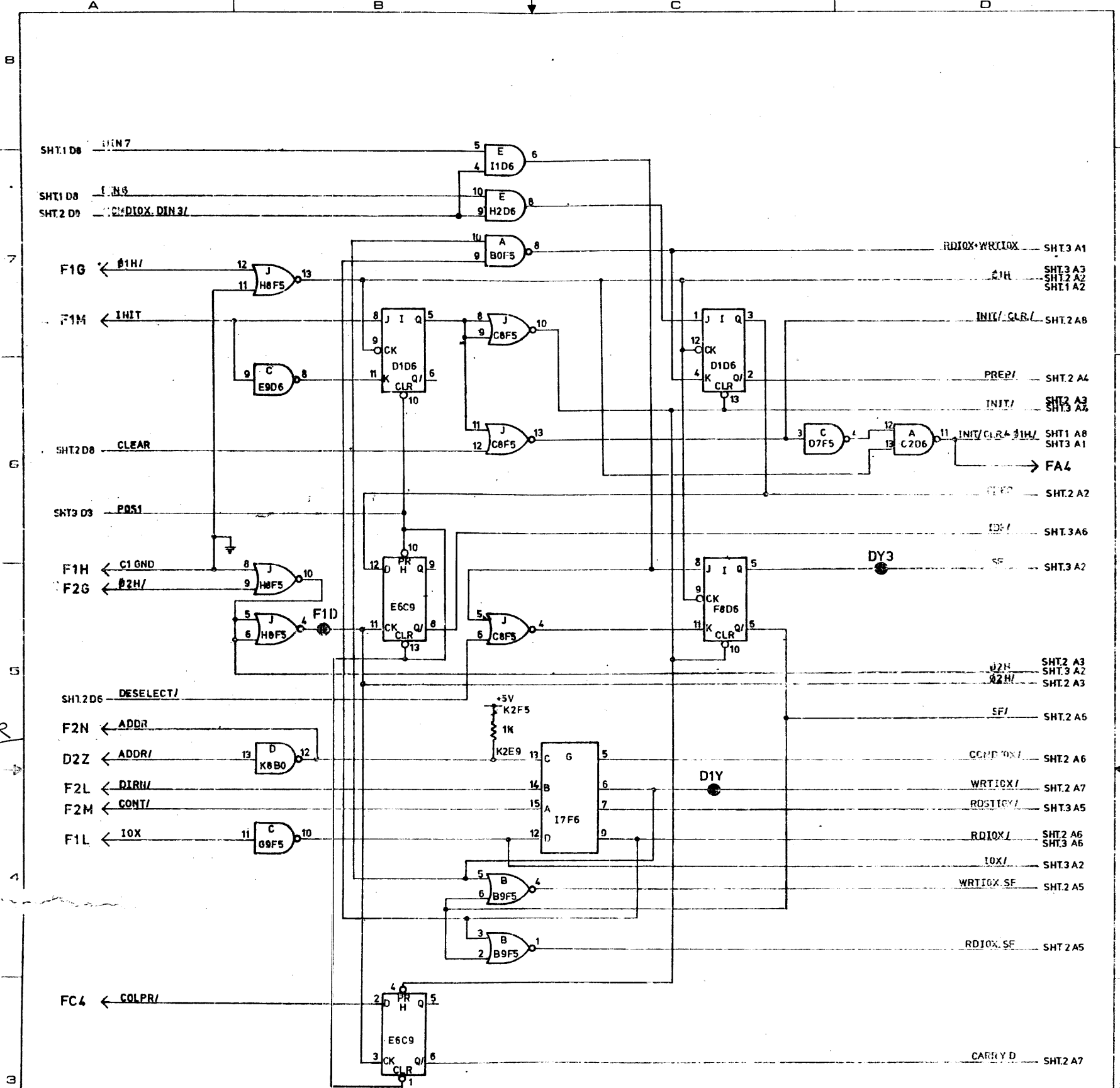


DRAWING No. 2797 0318	PAGE 2 of 4	ECN 00872 2.3.4 MAR 2072 B	ECN 01334 1.24 SEP 2877 C	PAGE ER DATE 00522	RELEASED NOV 30/76	 SMALL SYSTEMS DIVISION BURROUGHS MACHINES LIMITED CUMBERNAULD, SCOTLAND, U.K.	DSGN CONTROL 308	TITLE SCHEMATIC - SELF SCAN CONTROLLER 'A' (P06)	DATE DEC 6 76	DRW HLN/JTH	DATE SEP 24 76	DRAWING No. 2797 0318
							APPROVED B. H. L.	CHECKED A. H. L.	DATE 7/1	DATE DEC 6 76	REV C	CLASS CODE 2-9520

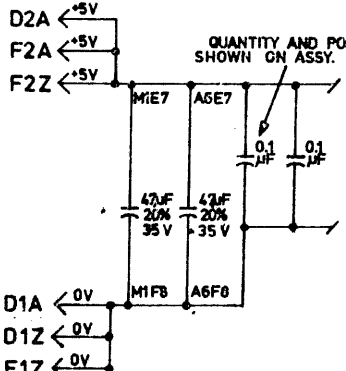
PROPRIETARY TO BURROUGHS. NOT TO BE REPRODUCED NOR USED FOR MANUFACTURING PURPOSES EXCEPT ON BURROUGHS ORDER OR PRIOR WRITTEN CONSENT.



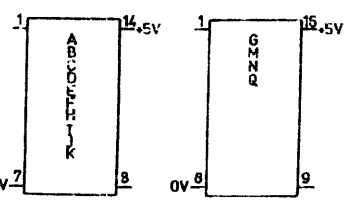
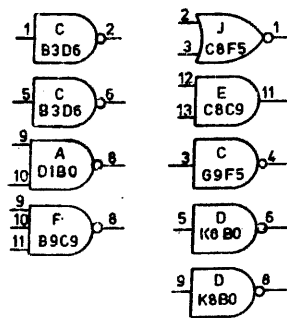
DRAWING NO. 2797 0318 PAGE 3 OF 4	ECN 00872 ECN 01337 124 SEP 27/77	ER 00522 23 MAY 2077 B	RELEASED NOV 30/76 PAGE FOR DATE REV	Burroughs SMALL SYSTEMS DIVISION BURROUGHS MACHINES LIMITED CUMBERNAULD, SCOTLAND, U.K.	DSGN CONTROL 308 DSGN/ENGR CHECKED APPROVED ENG. COMP.	TITLE SCHEMATIC - SELF SCAN CONTROLLER 'A' (PD61)	DATE 21. 6. 76	DRAWN/HLN/JTH DATE 12. 5. 76	DATE 21. 6. 76	DRAWING NO. 2797 0318	CLASS CODE 2-9520	REV C	PAGE 3 OF 4
	PROPRIETARY TO BURROUGHS. NOT TO BE REPRODUCED NOR USED FOR MANUFACTURING PURPOSES EXCEPT ON BURROUGHS ORDER OR PRIOR WRITTEN CONSENT												
	DSGN/ENGR DATE CHECKED DATE APPROVED DATE ENG. COMP.												
	TITLE DATE DRAWN/HLN/JTH DATE DATE DRAWING NO. CLASS CODE REV PAGE												



Folder



SPARE GATES



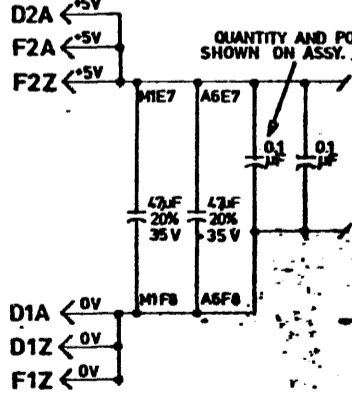
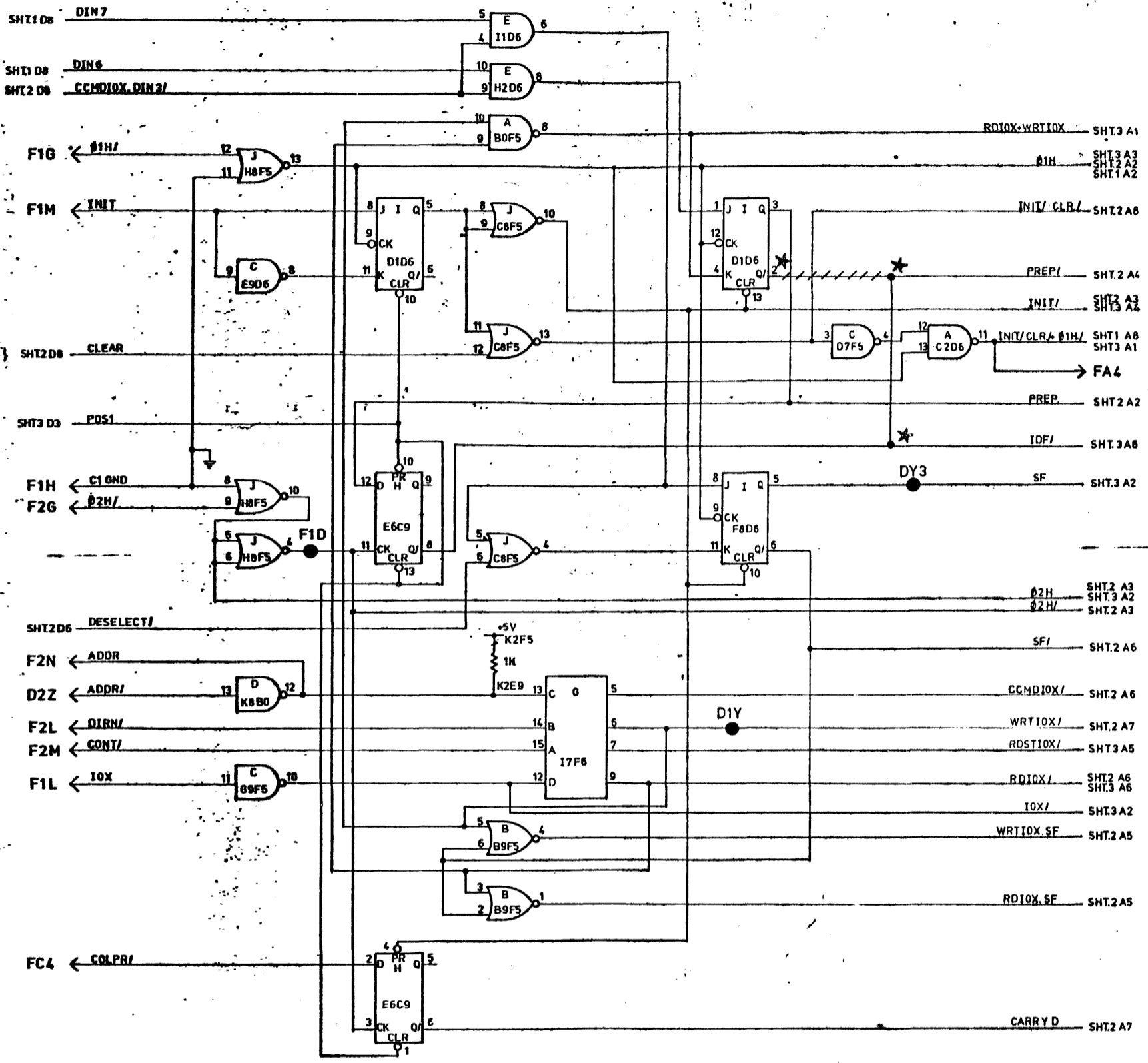
NOTES:
 1. FOR ASSY. SEE 2797 0292 REV.D
 2. CODES USED FOR COMPT PART N^o AS FOLLOWS:

A	SN 7400	1447 3516
B	" 7402	2600 4911
C	" 7404	1447 3532
D	" 7406	1674 4963
E	" 7408	1447 3524
F	" 7410	1447 3540
G	" 7442	1449 2581
H	" 7474	1447 3507
I	" 74107	1447 3515
J	" 74128	1269 6860
K	" 74132	2600 5726
L	" 74154	1535 7155
M	" 74157	1447 3797
N	" 74175	1449 1278
P	2564 RAM	1847 5558
Q	8T 26	1847 4882

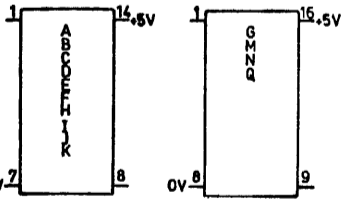
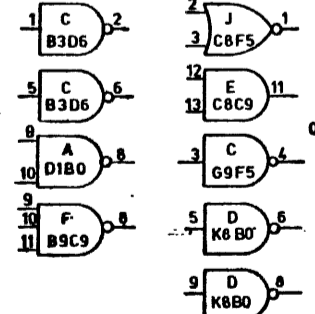
DRAWING NO. 2797 0318	REV. A	DATE 12/24 SEP 77	BY C	ECN 01334	REV. B	RELEASED NOV 30 76	PAGE 1 OF 1	SMALL SYSTEMS DIVISION BURROUGHS MACHINES LIMITED CUMBERNAULD, SCOTLAND, U.K.	DSGN CONTROL 308	TITLE SCHEMATIC - SELF SCAN CONTROLLER	DATE SEP 24, 76	DRAWING NO. 2797 0318
									DSGN ENGR APPROVED FIG. COMP	DATE DATE DATE	DRN HLN/JTH CHECKED DATE CLASS CODE 2-9520	DATE DATE DATE

INPUTS

OUTPUTS



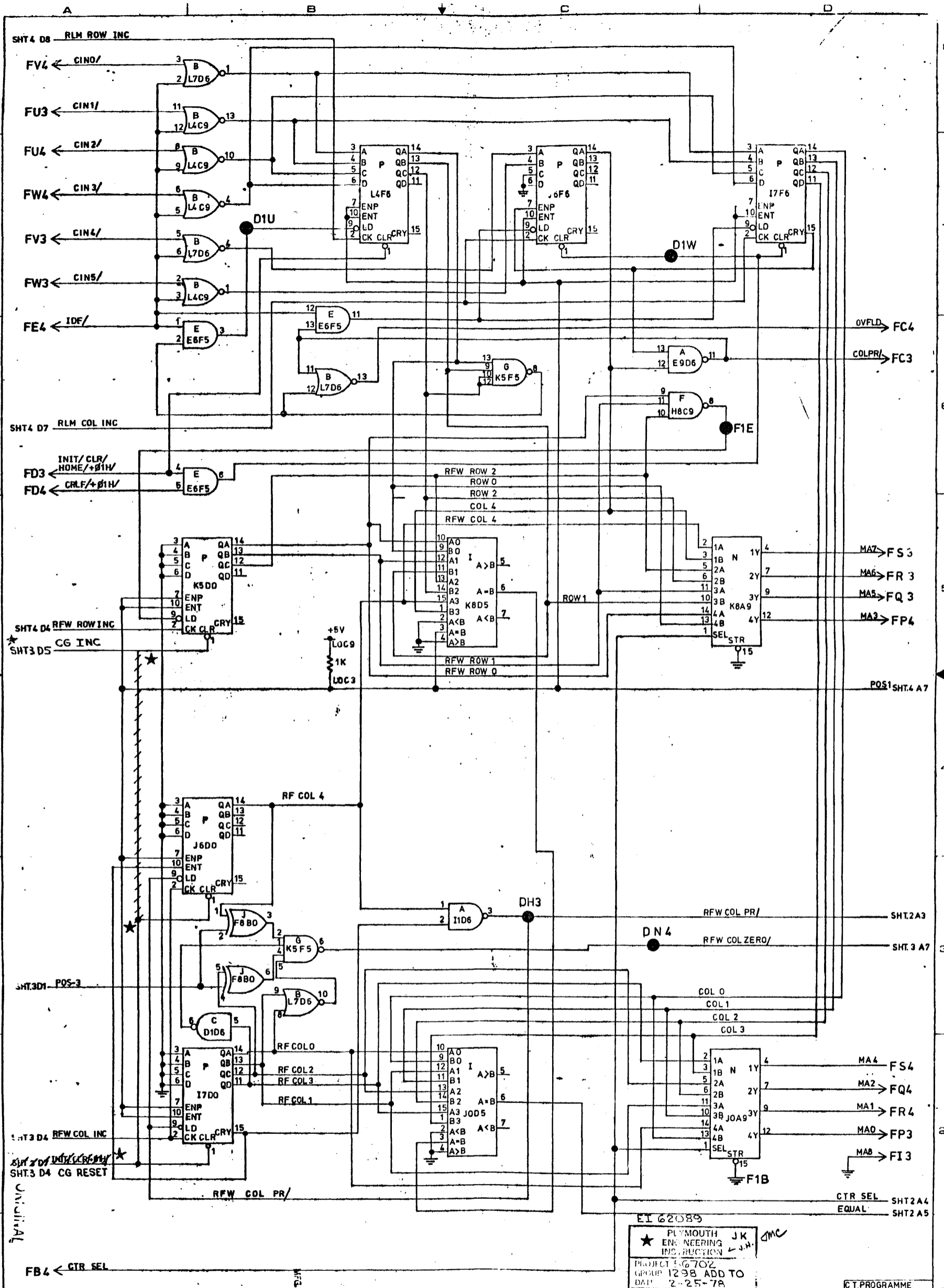
SPARE GATES

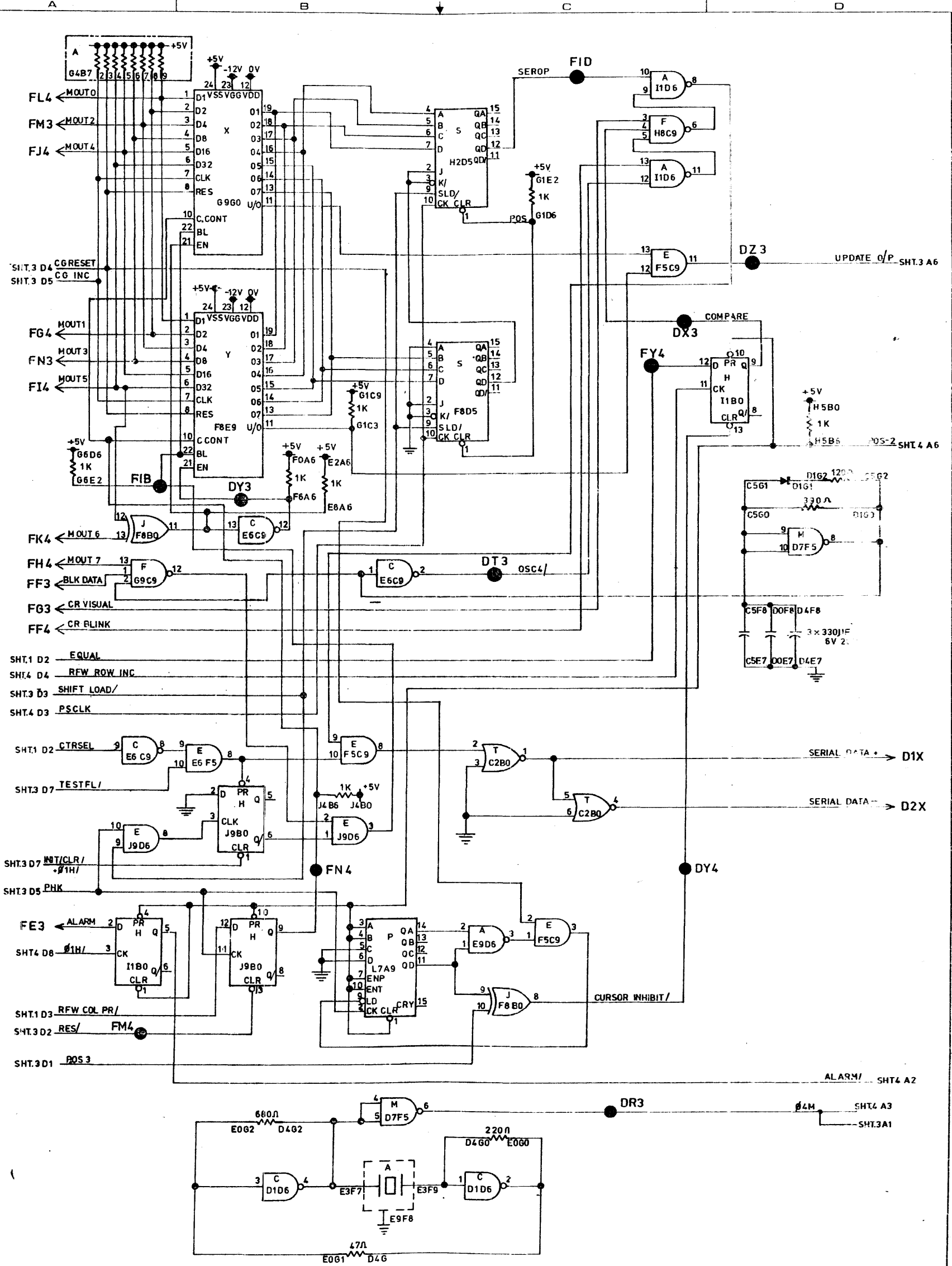


- NOTES:
 1 FOR ASSY. SEE 2797 0292 REV.D
 2. CODES USED FOR COMPT PART N° AS FOLLOWS:
- | IC | SN | 7400 | 1447 3516 |
|----|-----------|-----------|-----------|
| B | 7402 | 2600 4911 | |
| C | 7404 | 1447 3532 | |
| D | 7406 | 1674 4963 | |
| E | 7408 | 1447 3524 | |
| F | 7410 | 1447 3540 | |
| G | 7442 | 1449 2581 | |
| H | 7474 | 1447 3607 | |
| I | 74107 | 1447 3615 | |
| J | 74128 | 1269 6860 | |
| K | 74132 | 2600 6726 | |
| L | 74154 | 1535 7155 | |
| M | 74157 | 1447 3797 | |
| N | 74175 | 1449 1278 | |
| P | 256x4 RAM | 1847 5558 | |
| Q | 8T26 | 1847 4882 | |

★ PLYMOUTH JK
 ENGINEERING
 CONSULTANTS
 UNIT 56702
 UNIT 298 ADD TO
 15-2-25-78

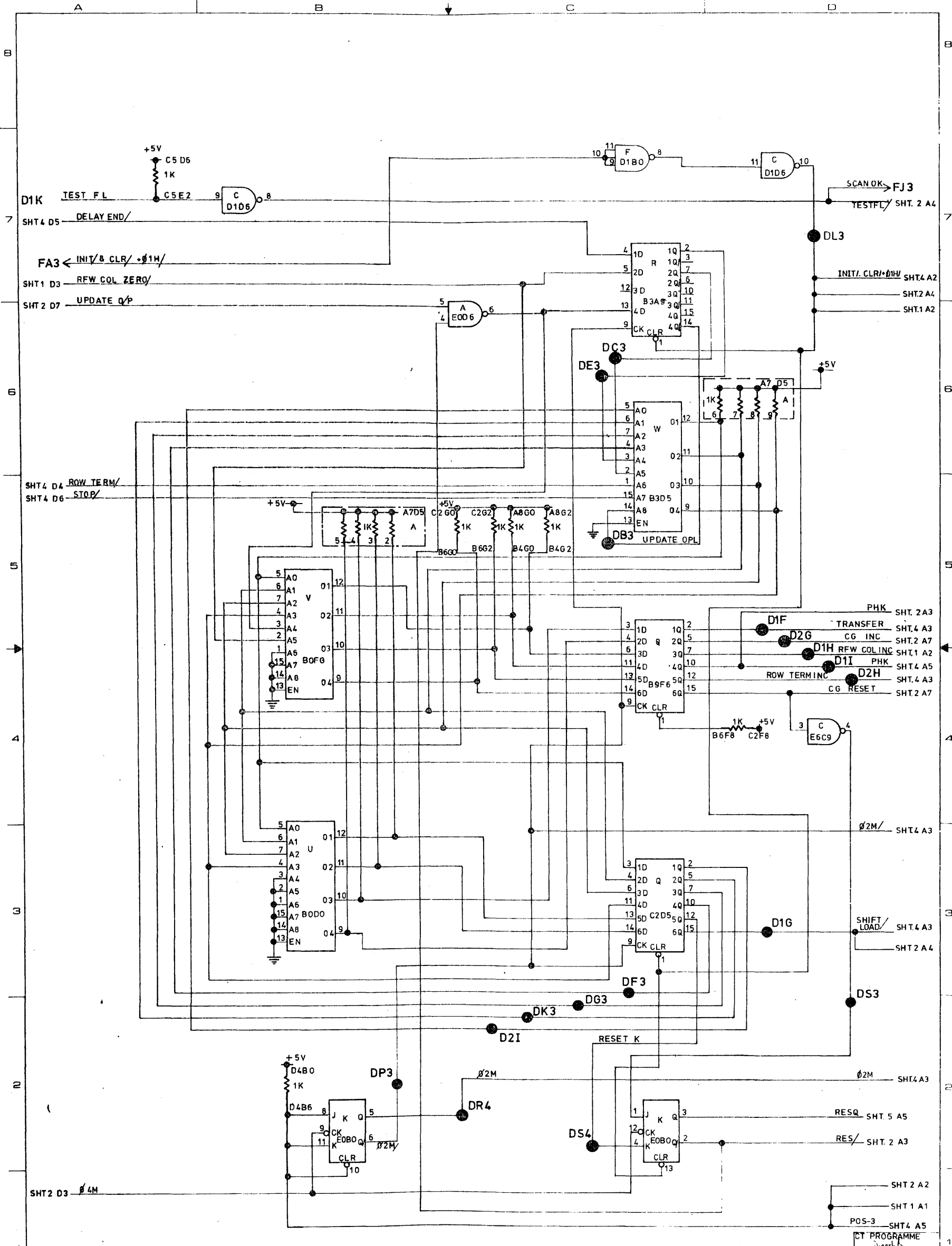
DRAWING NO. 2797 0318	REV. 4 of 4			DSGN CONTROL TITLE: SCHEMATIC - SELF SCAN CONTROLLER 'A' (P06)		
		SMALL SYSTEMS DIVISION BURROUGHS MACHINES LIMITED CUMBERNAULD, SCOTLAND, U.K.	DATE: DEC 6 '76 DATE: DEC 6 '76 DATE: DEC 6 '76	DRAWN: HLN/JTH CHECKED: B DRG SIZE: A1	DATE: SEP 24, 76 DATE: SEP 24, 76 CLASS CODE: 2-9520	DRAWING NO. 2797 0318
		MILITARY NOV 30 '76 ER 00522 ECN 00872 ECN 01334 ECN 01334 1231 SEP 20 '77	DATE: DEC 6 '76 DATE: DEC 6 '76 DATE: DEC 6 '76	DATE: SEP 24, 76 DATE: SEP 24, 76 CLASS CODE: 2-9520	REV: C PAGE: 4 of 4	DSGN CONTROL TITLE: SCHEMATIC - SELF SCAN CONTROLLER 'A' (P06)
		PROPRIETARY TO BURROUGHS NOT TO BE REPRODUCED NOR USED FOR MANUFACTURING PURPOSES EXCEPT ON BURROUGHS ORDER OR PRIOR WRITTEN CONSENT.	DATE: DEC 6 '76 DATE: DEC 6 '76 DATE: DEC 6 '76	DATE: SEP 24, 76 DATE: SEP 24, 76 CLASS CODE: 2-9520	REV: C PAGE: 4 of 4	DSGN CONTROL TITLE: SCHEMATIC - SELF SCAN CONTROLLER 'A' (P06)





CT PROGRAMME

DRAWING NO. 2797 5507 PAGE 2 OF 5	RELEASED SEP 26 1977	 SMALL SYSTEMS DIVISION BURROUGHS MACHINES LIMITED CUMBERNAULD, SCOTLAND, U.K.	DSGN CONTROL NO. DATE	TITLE SCHEMATIC SELF SCAN CONTROLLER 'B' P D 6	DRAWN BY HP	DATE SEPT. 9, 77	DRAWING NO. 2797 5507
	MADE IN DATE REV ECN 01324		APPROVED DATE 21.10.77	CHECKED DATE	CLASS CODE 2-9520	REV A	PAGE 2 OF 5
	PROPRIETARY TO BURROUGHS NOT TO BE REPRODUCED NOR USED FOR MANUFACTURING PURPOSES EXCEPT ON BURROUGHS ORDER OR PRIOR WRITTEN CONSENT		DATE 21.10.77	DRG 1/2E A1	CLASS CODE 2-9520	REV A	PAGE 2 OF 5
	PROPRIETARY TO BURROUGHS NOT TO BE REPRODUCED NOR USED FOR MANUFACTURING PURPOSES EXCEPT ON BURROUGHS ORDER OR PRIOR WRITTEN CONSENT		DATE 21.10.77	DRG 1/2E A1	CLASS CODE 2-9520	REV A	PAGE 2 OF 5



INPUTS

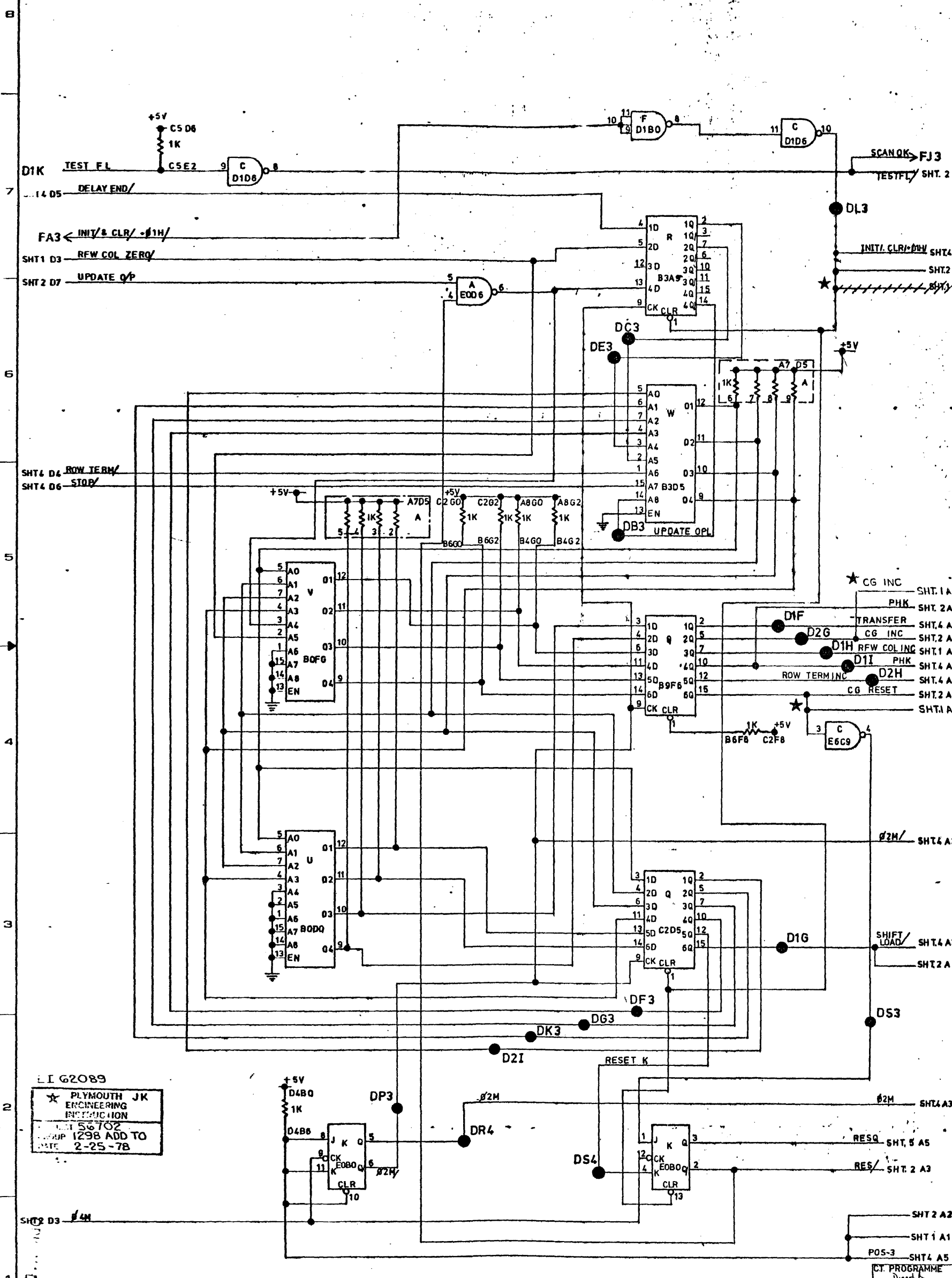
OUTPUTS

A

B

C

D

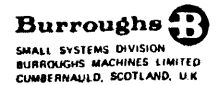


EI 62089
 ★ PLYMOUTH JK
 ENGINEERING
 INSTRUCTIONS
 PART 56702
 GROUP 1298 ADD TO
 DATE 2-25-78

SHT 2 D3 #4H

DRAWING No.
 2797 5507
 PAGE 3 of 5

RELEASED
 SEP 25 1977
 MADE IN DATE REV.
 ENCL 03332



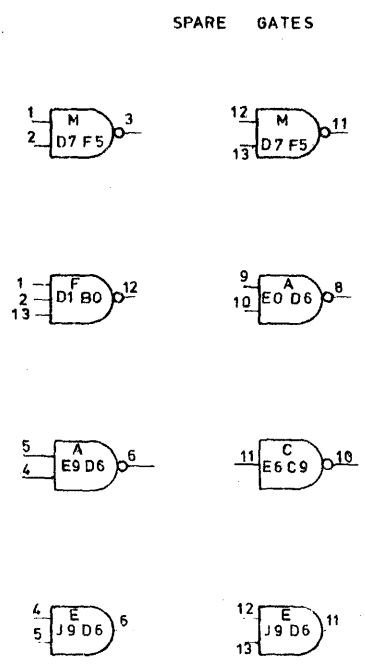
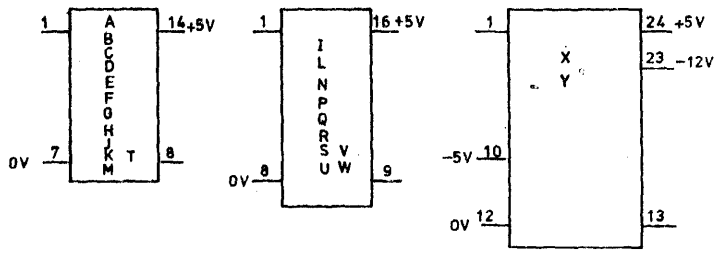
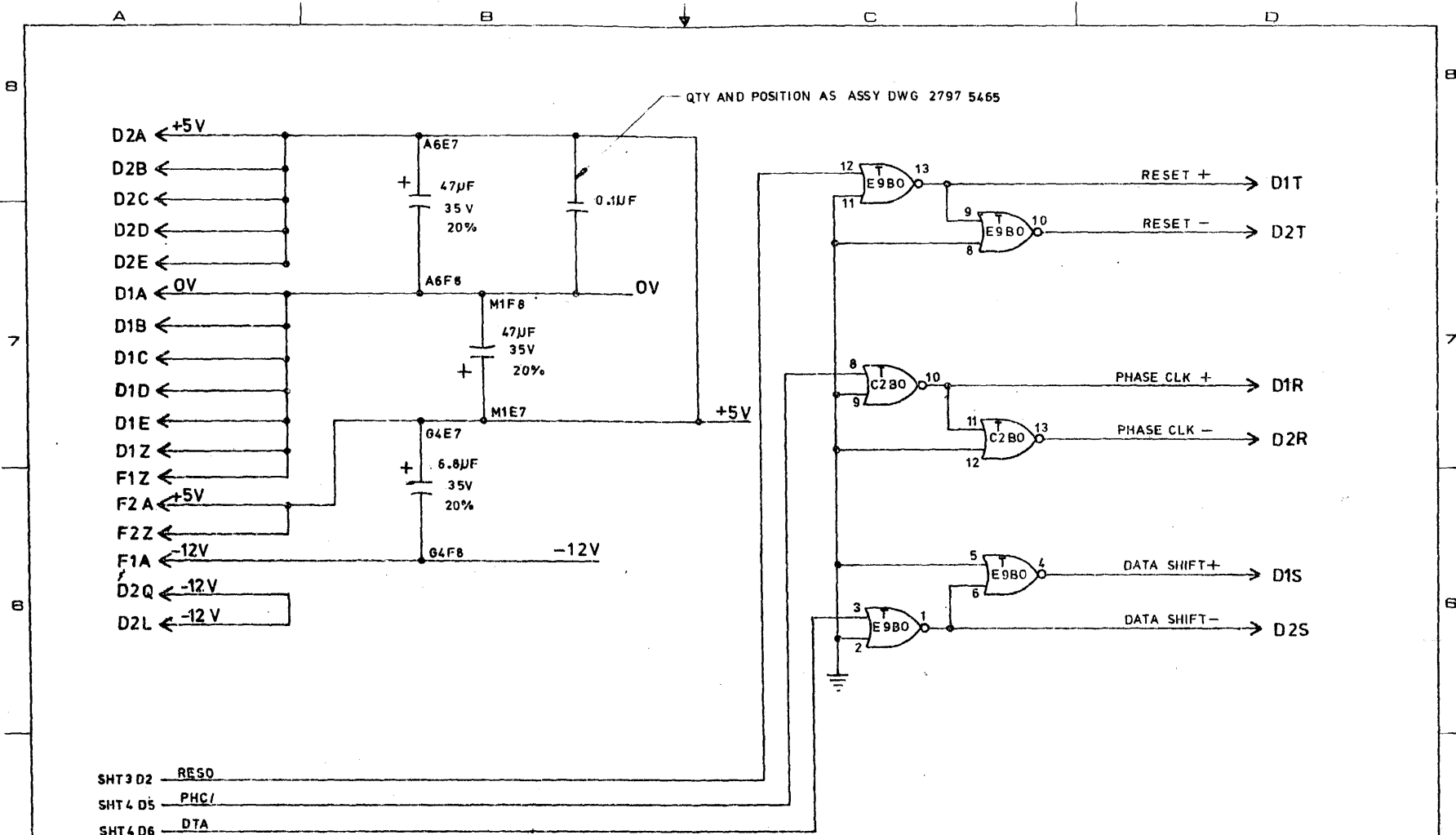
SMALL SYSTEMS DIVISION
 BURROUGHS MACHINES LIMITED
 CUMBERNAULD, SCOTLAND, U.K.

PROPRIETARY TO BURROUGHS. NOT TO BE REPRODUCED NOR USED FOR MANUFACTURING PURPOSES EXCEPT ON BURROUGHS ORDER OR PRIOR WRITTEN CONSENT.

DSGN CONTROL		TITLE			
308		SCHEMATIC SELF SCAN CONTROLLER 'B' PD 6			
DSGN/ENGR	DATE	DRAWN	CHECKED	DATE	DRAWING No.
86	20/10/77	HP		SEPT. 977	2797 5507
APPROVED	DATE				
	21.10.77				
ENG. COMP.	DATE	DRG. SIZE	CLASS CODE	REV.	PAGE
		A1	2-9520	A	3 of 5

INPUTS

OUTPUTS



NOTES:-

- FOR ASSEMBLY SEE:- 2797 0805 (64 CHAR ASCII), 2797 0813 (128CHAR EUROPEAN), 2797 0821 (128CHAR KAWASE), 2797 0839 (128CHAR SSD CONT 'B' RUSSIA & GREECE)
- CODE USED FOR COMPONENT PART NOS AS FOLLOWS:-

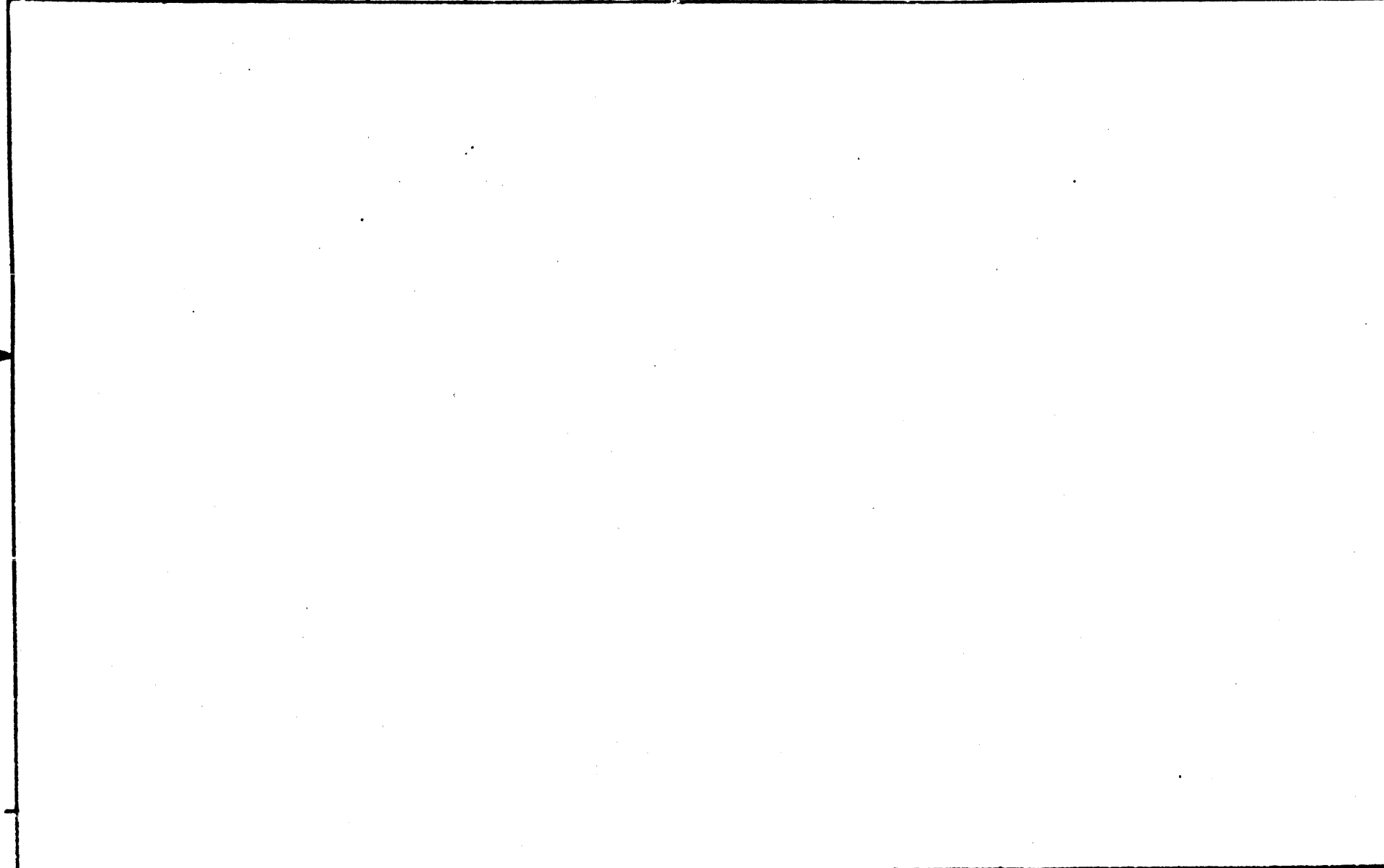
IC'S		RESISTORS PKG	
A	SN7400	—	1447 3516
B	SN7402	—	2600 4911
C	SN7404	—	1447 3532
D	SN7406	—	1674 4863
E	SN7408	—	1447 3524
F	SN7410	—	1447 3540
G	SN7420	—	1447 3565
H	SN7474	—	1447 3607
I	SN7485	—	1449 2052
J	SN7486	—	1447 3698
K	SN74107	—	1447 3615
L	SN74123	—	2158 6235
M	SN74132	—	2600 6726
N	SN74157	—	1447 3797
P	SN74161	—	1447 3771
Q	SN74174	—	1449 1260
R	SN74175	—	1449 1278
S	SN74195	—	1447 3755
T	SN74128	—	1269 6860
U	SSDII O/P PROM 'B'	2797	5499
V	SSDII O/P PROM 'A'	2797	5481
W	SSDII STATE PROM	2797	5473

TRANSISTORS	
A	1846 0741

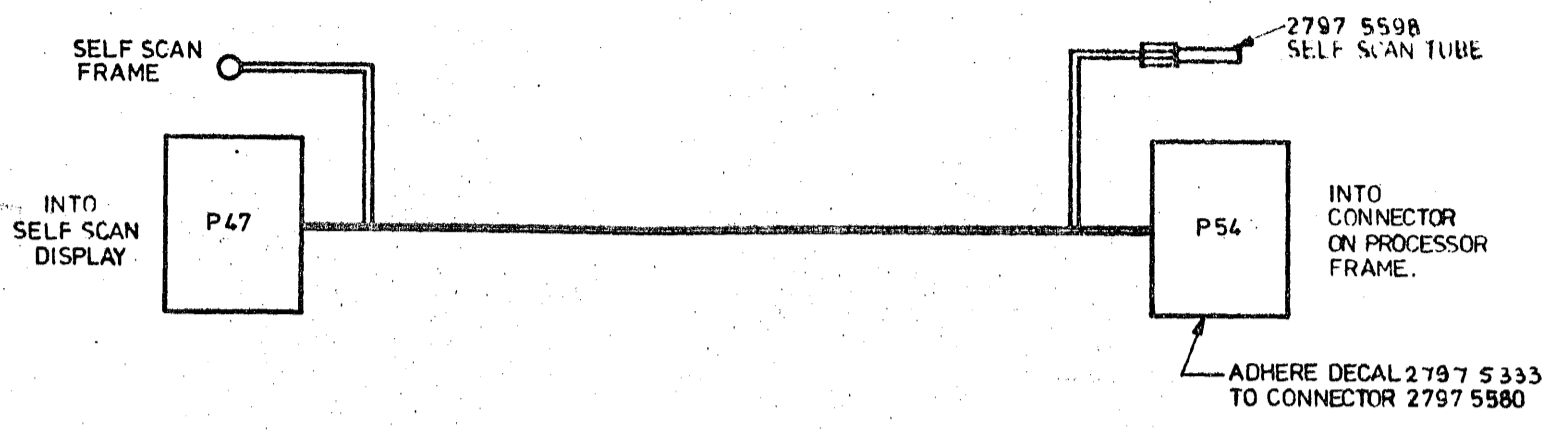
DIODES	
A	IN4154 1471 4703
B	IN4001 1471 4737
C	ZENER 1627 2262

CRYSTAL	
A	1846 8272

BURROUGHS MACHINES LTD GLASGOW SCOTLAND		PROPRIETARY TO BURROUGHS - NOT TO BE REPRODUCED OR USED FOR MANUFACTURING PURPOSES EXCEPT ON BURROUGHS ORDER OR PRIOR WRITTEN CONSENT.				DESIGN CONTROL 308		DWG No. 2797 5234		REV. A
DESIGN OR ENG	DATE	DRAWN C.S.	DATE JUL-6-77	APPROVED	DATE	TITLE:- PD6 HARNESS			ECN 01057	
CHECKED BY	DATE	COMPONENTS	DATE	CLASS CODE 1-9135	DWG. SIZE	DWG. TYPE W.L.	SHEET 1 OF 3	RELEASED:- MFG	JUL.14, 77.	



BURROUGHS MACHINES LTD CUMBERNAULD SCOTLAND		PROPRIETARY TO BURROUGHS - NOT TO BE REPRODUCED OR USED FOR MANUFACTURING PURPOSES EXCEPT ON BURROUGHS ORDER OR PRIOR WRITTEN CONSENT.				DESIGN CONTROL 308	DWG No. 2797 5234	REV. A
DESIGN OR ENG	DATE	DRAWN C.S.	DATE JUL-6-77	APPROVED	DATE 14-7-77	TITLE:- PD6 HARNESS	ECN 01057	
CHECKED BY	DATE	COMPONENTS	DATE	CLASS CODE 1-9135	DWG. SIZE	DWG. TYPE W.L.	SHEET 2 OF 3	
						RELEASED:-	JUL. 14, 77.	



- NOTE:-
1. HEAT SHRINK SLEEVING 1377 2355 IS TO BE SHRUNK OVER HARNESS BEFORE ENTERING TUBULAR STAND ASSEMBLY.
 2. TERMINATIONS MUST MEET SPECIFICATION DRAWING 81F.
 3. P47 TO BE ATTACHED AFTER HARNESS HAS BEEN PLACED IN 2795 4452 TUBE AS PART OF ASSEMBLY 2795 4437 OR 2795 4445.

BURROUGHS MACHINES LTD CUMBERNAULD SCOTLAND		PROPRIETARY TO BURROUGHS - NOT TO BE REPRODUCED OR USED FOR MANUFACTURING PURPOSES EXCEPT ON BURROUGHS ORDER OR PRIOR WRITTEN CONSENT.				DESIGN CONTROL 308	DWG No. 2797 5234	REV. A
DESIGN OR ENG	DATE	DRAWN C.S.	DATE JUL-6-77	APPROVED	DATE 14-7-77	TITLE:- PD6 HARNESS	ECN 01057	
CHECKED BY	DATE	COMPONENTS	DATE	CLASS CODE 1-9135	DWG. SIZE	DWG. TYPE W.L.	SHEET 3 OF 3	
						RELEASED:-	JUL. 14, 77.	

SIGNAL NAME	FROM			TO			WIRE
	CONNECTOR	CODE	TERMINAL	CONNECTOR	CODE	TERMINAL	
SERIAL DATA+	2797 5150 REF	P47-7	1745 6625	2797 5580	P54-A	1472 0734	OR 2572 7066
SERIAL DATA-	" " "	P47-6	" "	" "	P54-B	" "	WH " "
DATA SHIFT +	" " "	P47-9	" "	" "	P54-C	" "	OR " "
DATA SHIFT -	" " "	P47-8	" "	" "	P54-D	" "	WH " "
PHASE CLK +	" " "	P47-13	" "	" "	P54-E	" "	OR " "
PHASE CLK -	" " "	P47-10	" "	" "	P54-F	" "	WH " "
RESET +	" " "	P47-5	" "	" "	P54-H	" "	OR " "
RESET -	" " "	P47-3	" "	" "	P54-J	" "	WH " "
GND	" " "	P47-18	1745 6641	" "	P54-P	1474 2878	1940 9192
GND	" " "	P47-20	" "	" "	P54-R	" "	" "
-12V	" " "	P47-16	" "	" "	P54-S	" "	" "
+5V	" " "	P47-11	" "	" "	P54-T	" "	" "
+5V	" " "	P47-12	" "	" "	P54-U	" "	" "
-250V	" " "	P47-2	" "	" "	P54-a	" "	" "
FRAME GND	" " "	Self scan frame	2470 5352	" "	P54-X	1472 0817	1940 9697
TUBE END	" " "	TUBE	2797 5598	" "	P54-W	" "	" "

REV
A

2797 5267

BDI-30/40/50/70 PD6 HARNESS

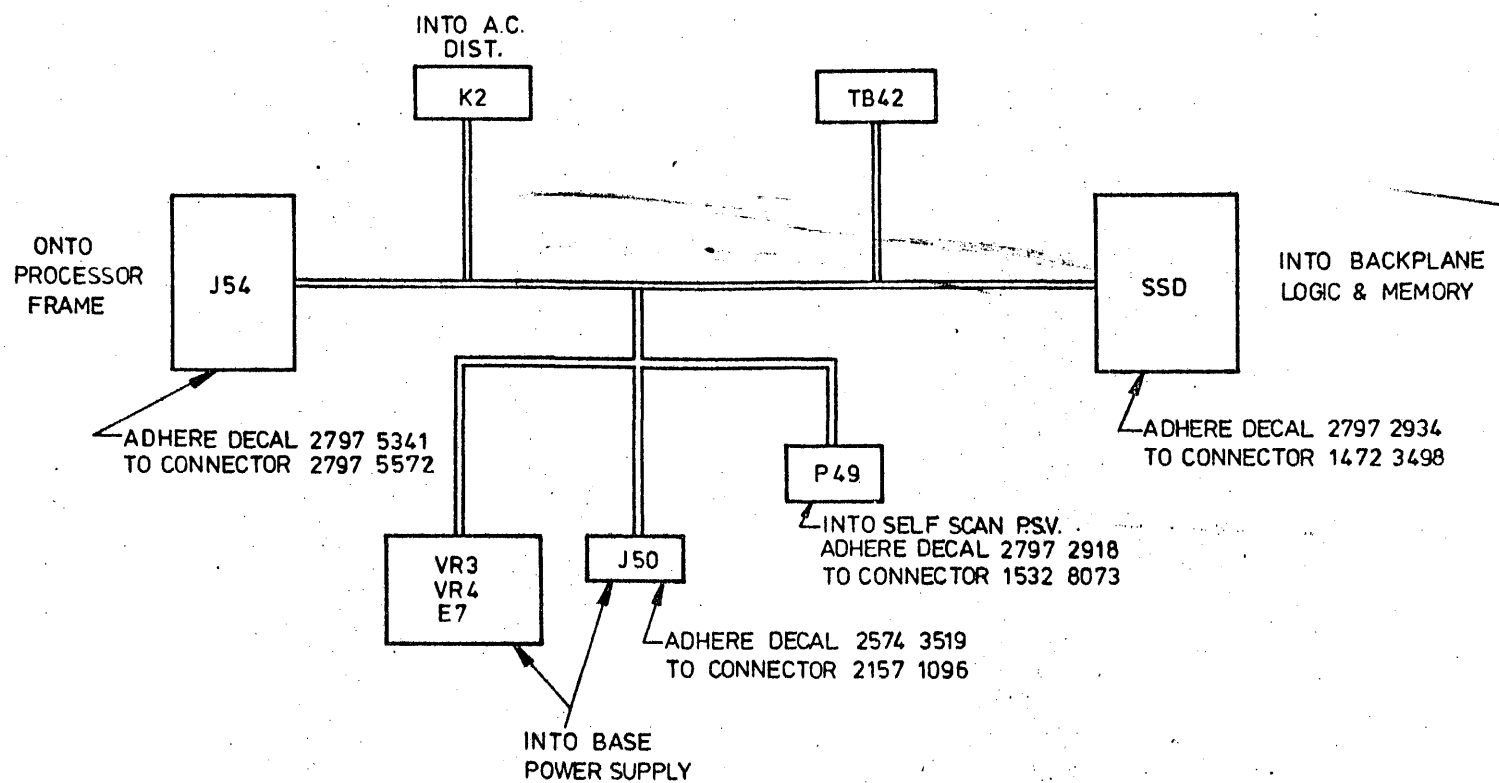
CHECKED BY	DATE	COMPONENTS	DATE	CU-NO CODE	DWG. TYP.	WELL
		C.S.	JUL-6-77	1-9135		

SHEET 1 OF 5

AUG. 22, 77.

ER 01108

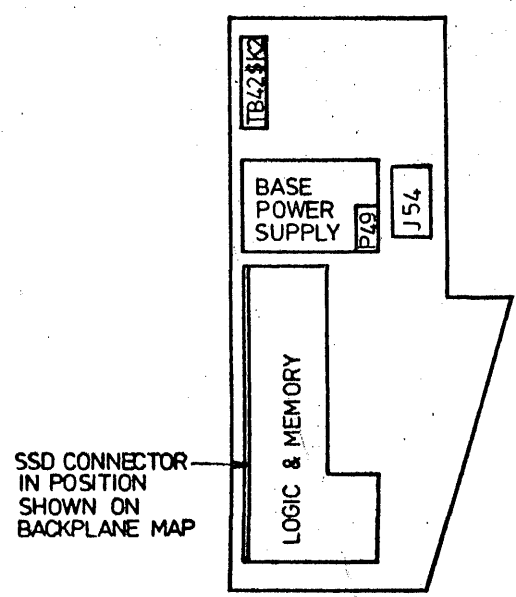
DESIGN CONTROL 308		DWG No. 2797 5267		REV A	
TITLE - BDI-30/40/50/70 PD6 HARNESS		SHEET 2 OF 5		RELEASED AUG. 22, 77.	
CHECKED BY	DATE	COMPONENTS	DATE	CLASS CODE	DWG SIZE
		C.S.	JUL-6-77	1-9135	
APPROVED	DATE				



- NOTES:-
1. USE 2 OFF 1256 1270 SCREWS TO ATTACH CONNECTOR 2797 5572 (J54) TO PROCESSOR FRAME.
 2. TERMINATIONS MUST MEET SPECIFICATION DRAWING 81F.
 3. WIRE MUST BE UL. & CSA. LABELLED. REFER TO APPLICATION GUIDE D65-01 FOR STYLE AND TYPE REQUIREMENTS.

DESIGN CONTROL 308		DWG No. 2797 5267		REV A	
TITLE - BDI-30/40/50/70 PD6 HARNESS		SHEET 3 OF 5		RELEASED AUG. 22, 77.	
CHECKED BY	DATE	COMPONENTS	DATE	CLASS CODE	DWG SIZE
		C.S.	JUL-6-77	1-9135	
APPROVED	DATE				

BDI-30 PROCESSOR



SIDE VIEW OF BASE POWER SUPPLY

