



CDC[®]
COMPUTER SYSTEMS

SECTION 3
PERIPHERAL EQUIPMENT DATA

SITE PREPARATION MANUAL

New features, as well as changes, deletions, and additions to information in this manual, are indicated by bars in the margins or by a dot near the page number if the entire page is affected. A bar by the page number indicates pagination rather than content has changed.

REVISION RECORD	
REVISION	DESCRIPTION
01 (7-1-69)	Preliminary edition.
02 (8-30-70)	Engineering Change Order 26074, publications change only. The following pages are revised: 11, 13, 14, 813/814-1, 853/854-1, 915-1, and 935-1. The following pages are added: 1777-1, 2; 3518-1, 2; and 3528-1, 2.
03 (12-15-71)	Engineering Change Order 30318, publication change only. The following pages are revised: 1716-1, 1718-1, 1726-1, 1728-1, 1729/1729-2-1, 1732-1, 1738-1, 1740-1, 1742-1, 3234/363X-1.
04 (11-2-72)	Engineering Change Order 32548, publication change only. Pages iii, iv, v, 1, 5 through 21 A-1, A-2, B-1, B-2, C-1, C-2, D-1, D-2, H-1, V-1, V-2, 1729/1729-2-1 are revised. Pages H-2, 60X-1, 60X-2, 853/854-1, 853/854-2, 1716-1, 1718-1, 1721/1722-1, 1723/1724-1, 1738-1, 1738-2, 1740-1, 3234/363X-1, 3234/363X-2, 363X-1, Table of Peripheral Equipment and Controller divider are deleted. Pages 3, 4, 23, A-3, A-4, A-5, A-6, B-3, B-4, C-3, C-4, H-3, H-4, V-3, V-5, V-6, 407-1-1, 407-1-2, 417-1-1, 417-1-2, 417-1-3, 417-1-4, 603/604/606/607-1, 603/604/606/607-2, 657-X/659-X-1, 657-X/659-X-2, 852/853/854-1, 852/853/854-2, 3632/3633/3634/3635-1, 3632/3633/3634/3635-2, 7629-1/7629-2-1, 7629-1/7629-2-2, 7638-1-1 through 7638-1-6 are added.
05 (12-4-74)	Engineering Change Order 35933. The following pages are revised; 7, 21; the following pages are added: 22, 819-1, 819-2, 7639-1 and 7639-2.
06 (1-21-75)	Engineering Change Order 36024. Pages 4 and 1777-1 are revised. Page 415-30-1 and 415-30-2 are added.
07 (6-6-75)	Manual revised; includes Engineering Change Order 36300 (publications change only). Pages 7, 8, 20, 21, and 22 are revised. Pages 844-2-1, 844-2-2, 844-21/41-1, 844-21/41-2, 7X54-1/2-1, 7X54-1/2-2, 7X54-21/22/41/42-1, 7X54-21/22/41/42-2, 10304-1/2-1, and 10304-1/2-2 are added.
08 (12-15-75)	Engineering Change Order 36697, changes included in revision A.
09 (12-15-75)	Engineering Change Order 36696, no change to manual.
A (12-15-75)	Manual released; this edition obsoletes all previous editions by Engineering Change Order 36844.
B (2-10-77)	Manual revised; this edition obsoletes all previous editions by Engineering Change Order 37693.
C (8-30-77)	Manual revised; includes Engineering Change Order 38463. Pages v, 2-9, 2-22, and 2-23 are revised. Pages 7152-1 (1 of 2) and 7152-1 (2 of 2) are added.
D (1-16-78)	Manual revised; includes Engineering Change Order 38666. This edition obsoletes all previous editions.
Publication No. 60275300	

REVISION LETTERS I, O, Q AND X ARE NOT USED

Address comments concerning this manual to:
Control Data Corporation
Publications and Graphics Division
4201 North Lexington Avenue
St. Paul, Minnesota 55112

© 1969, 1970, 1971, 1972, 1974, 1975, 1977, 1978, 1979, 1981, 1982
 by Control Data Corporation
 All rights reserved
 Printed in the United States of America

or use Comment Sheet in the back of this manual.

REVISION RECORD (CONT'D)

REVISION	DESCRIPTION
E (4-27-78)	Manual revised; includes Engineering Change Order 38962. Pages v, 2-9, 2-24, 819-1-1, 819-1-2, 7639-1/2/21/22-1, and 7639-1/2/21/22-2 are revised. Pages 819-11/21-1 and 819-11/21-2 are added.
F (4-6-79)	Manual revised; includes Engineering Change Order 39899. Pages v, vi, 2-9, 2-10, 2-23, 2-27, and 2-28 are revised. Pages 2-10.1/2-10.2, 885 (1 of 2), 885 (2 of 2), 7155 (1 of 2), and 7155 (2 of 2) are added.
G (4-24-79)	Manual revised; includes Engineering Change Order 39447. Page 7639-1/2/21/22 (2 of 2) is revised.
H (8-7-79)	Manual revised; includes Engineering Change Order 40408. Pages vi, 2-28, 7880-1/65125-1 (1 of 4) through 7880-1/65125-1 (4 of 4), and 7881-1/65126-1 and 7882-1/65127-1 (1 of 4) through 7882-1/65127-1 (4 of 4) are revised.
J (12-17-79)	Manual revised; includes Engineering Change Order 40796, publications change only. Pages v, 2-21, 2-22, 2-28, 7021-31/41 (1 of 2), 7021-31/41 (2 of 2), 7021-32/42 (1 of 2), and 7021-32/42 (2 of 2) are revised. Page 2-22.1/2-22.2 is added.
K (03-16-81)	Manual revised; includes Engineering Change Order 42262. Pages 304B8 (Contents), 304B9 (Contents), 304E5 (2-23), 304E6 (2-24), 307G5 (7155-1/11/12/13/14 - 1 of 2), and 307G6 (7155-1/11/12/13/14 - 2 of 2) are revised.
L (01-08-82)	Manual revised; includes Engineering Change Order 42973. Pages 304B7, 304B8, and 304B9 (Contents) are revised. Pages 305E1, 305E2 (380-11-1 of 2, 2 of 2), 305E3, 305E4 (380-12-1 of 2, 2 of 2), 305E5, 305E6 (380-14-1 of 2, 2 of 2), and 305E7 through 305E9 (380-110/170/200/239/370-1 of 3, 2 of 3, 3 of 3) are added.
M (05-10-82)	Manual revised; includes Engineering Change Order 43513. Pages 304B8 (Contents), 304B9 (Contents), 304D2 (2-10.1/2-10.2), 304E5 (2-23), 304E6 (2-24), 304-308H12 (Contents), 304-308H13 (Contents), 305E1 (380-11-1 of 2), 305E3 (380-12-1 of 2), 305E5 (380-14-1 of 2), 306E7 (885-11/12/42-1 of 2), 306E8 (885-11/12/42-2 of 2), 308C9 (7155-1/11/12/13/14-1 of 2), and 308C10 (7155-1/11/12/13/14-2 of 2) are revised. Page 304E7 (2-24.1/2-24.2) is added.
N (09-27-82)	Manual revised; includes Engineering Change Order 43862. Pages 306B11 (819-11/21-1 of 2) and 306B12 (819-11/21-2 of 2) are revised.
P (01-14-83)	Manual revised; includes Engineering Change Order 44116. Pages 306E7 (885-11/12/42-1 of 2), and 308C9 (7155-1/11/12/13/14/401-1 of 2) are revised.
Publication No. 60275300	

PREFACE

Control Data Corporation maintains a Computer Facility Planning and Construction Division to assist the customer in preparing his site for a computer system installation. To aid in preparing the site for the installation, Control Data publishes this and other site preparation manuals. The manuals provide system and individual equipment references for use before and after the installation.

The manuals are divided into two groups: Computer Systems and Minicomputer Systems (refer to the Site Preparation Publication Index on the following page). For computer systems manuals, sections 1 through 4 are required; for minicomputer systems manuals, sections 1 through 3 are required to document the site preparation information for a specific system. The Site Environmental Maintenance Handbook is useful after completion of the site preparation phase. A more detailed description of the sections and handbook follows.

Control Data urges the customer to consult local authorities if the requirements in the manual conflict with local building, electrical, or fire codes or ordinances. Any deviations from the manual procedures in section 1 through 4, except to comply with local codes or ordinances, must be approved by the Computer Facility Planning and Construction Division.

SECTION 1. GENERAL INFORMATION

Section 1 details computer installation information that is common to more than one computer system. There are three separate section 1 manuals: one applies to minicomputer systems, † one applies to small-scale computer systems, †† and one applies to large- and medium-scale computer systems. ††† A section 1 manual contains information on:

- Site planning procedures
- Equipment layout
- Signal cabling layout and location
- Maintenance personnel area
- Building and environmental requirements
- Paper tape punch card and magnetic recording media storage
- Fire and security precautions
- Grounding systems
- Switchgear, converters, and system power requirements

† CONTROL DATA® MP-17, SYSTEM 17, CYBER 18, 1500 equipment, and similar systems.

†† CONTROL DATA® SC1700, 1700, 8090, 160-A, CYBER 1000, and similar systems.

††† CONTROL DATA® 3000, 6000, 7000, CYBER 170, STAR, and similar systems.

†††† Includes terminator power supply.

SECTION 2. SYSTEM DATA

Section 2 contains information related to the physical and environmental specifications of a specific computer system. A section 2 manual contains:

- Specifications for the computer system including the number, function, and placement of system cabinets and/or units
- Equipment data sheets that detail system power and environmental requirements, individual equipment dimensions, and physical configurations
- Electrical schematics that document typical external power connections among the system equipment and between the system and electrical switchgear.

SECTION 3. PERIPHERAL EQUIPMENT DATA

Section 3 documents only peripheral equipment that connects to more than one type, series, or family of computers. There are two section 3 manuals: one applies to minicomputer systems, and one applies to all other peripherals. A section 3 manual contains:

- A table of peripheral controllers and equipment that gives a brief description of each peripheral unit and indicates its cabinet type
- Equipment data sheets that include power and environmental requirements and the physical configuration and dimensions of each piece of equipment

SECTION 4. MONITORING AND POWER DATA

Section 4 contains physical, electrical, and environmental data related to wall-mounted panels. †††† Additionally, this section contains data on motor-generator sets used with computing systems. A section 4 manual is divided into the following parts.

- Wall-mounted panels
- Wall-mounted panel data sheets
- Wall-mounted panel schematics
- Electric Machinery motor-generator set data sheets
- Kato motor-generator set data sheets

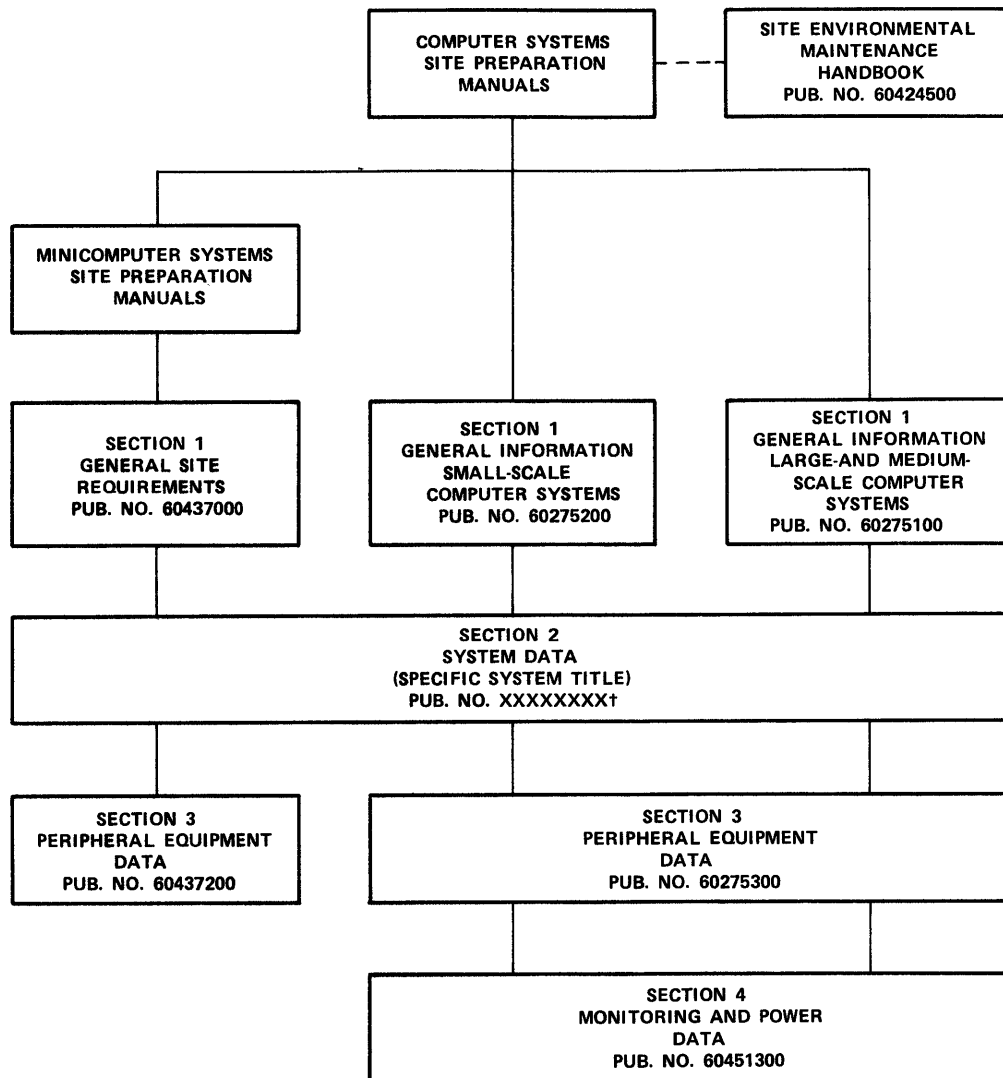
SITE ENVIRONMENTAL MAINTENANCE HANDBOOK

This manual contains information applicable to the computer system site. It describes site maintenance recommendations and procedures necessary for reliable computer operations and minimum suggested maintenance schedules and guidelines.

The Site Environmental Maintenance Handbook applies mainly to medium- and large-scale computer sites; however, parts of the handbook are

applicable to small-scale and minicomputers systems. The handbook contains:

- Guidelines and recommendations for the proper implementation of general site maintenance such as cleanliness, floor coverings, and safety
- Guidelines and recommendations for the proper implementation of technical site maintenance such as environmental control, water treatment and handling, cabling, lighting, and power



SITE PREPARATION PUBLICATION INDEX

†REFER TO THE LITERATURE DISTRIBUTION SERVICES (LDS) CATALOG FOR APPROPRIATE SYSTEM PUBLICATION NUMBER.

CONTENTS

PART 1. INTRODUCTION	841-22 Multiple Disk Drive Module
PART 2. TABLE OF PERIPHERAL EQUIPMENT AND CONTROLLERS	844-2 Disk Storage Unit
PART 3. PERIPHERAL EQUIPMENT DATA SHEETS	844-21 Disk Storage Unit
Type A Peripheral Controller Cabinet	844-41/44 Disk Storage Unit
Type B Peripheral Controller Cabinet	885-11/12/42 Disk Storage Unit
Type C Peripheral Controller Cabinet	915 Optical Character Page Reader
Type D Peripheral Controller Cabinet	921-1 OCR Document Reader
1700 Horizontal Auxiliary Cabinet	955-1 OCR Page and Document Reader
1700 Vertical Auxiliary Cabinet	1713 Teletypewriter
161 On-Line I/O Typewriter	1713-2/3/5 Teletypewriter
165-2 Incremental Plotter	1713-4 Teletypewriter
170 Card Punch Controller	1717-1 Data Set Controller
358-1/2/3/4 Transceiver	1726-1 Card Reader Controller
362-1/2 Telegraphic Level Converter	1728 Card Reader - Punch Controller
364-1/2 Communications Multiplexer	1729-2 Card Reader
364-4 Communications Multiplexer	1732-A/B Magnetic Tape Controller
380-1 Trunk Interface Option	1733-1 Disk Storage Drive Controller
380-11/12/14 Enclosures	1735 Page Reader Controller
380-32 Memory Option	1738 Disk Storage Drive Controller
380-110 Network Access Device - DEC PDP 11 host	1738-A Disk Pack Controller
380-111 NAD/DEC Device Interface Option	1739-1 Cartridge Disk Subsystem
380-170 Network Access Device - CDC CYBER 70/170/6000 host	1742 Line Printer with Control
380-200 Network Access Device - CDC CYBER 200 host	1745-1 Local Terminal Controller
380-239 Network Access Device - 7639/819 Disk Storage Subsystem	1745-11/12/13/14 Local Terminal Controller
380-370 Network Access Device - IBM 360/370 host	1746-1 Single Station Entry/Display
405 Card Reader	1747 Data Set Controller
407-1 Card Reader	1748/1748-2 Multiplexer Controller
415 Card Punch	1751-A/C/D/E/F/G/H/J Drum Interface and Storage
415-30 Card Punch Controller	1752-1/2/3/4 Drum Subsystem
430 Card Reader	1777-1/2 Paper Tape Station
501 Line Printer	3121 Magnetic Tape Controller
505 Line Printer	3234 Disk Storage Controller
512 Line Printer	3254 OCR Line Printer with Control
517-1 Train Printer	3254-2 OCR Line Printer with Control
580-12 Train Printer Subsystem	3266 Communication Terminal Control
580-16 Train Printer Subsystem	3270-A Transfer Switch Controller
580-20 Train Printer Subsystem	3270-B Transfer Switch Controller
603/604/607 Magnetic Tape Transport	3275 Data Set Controller
604-2/607-2 Magnetic Tape Transport	3290-2 Inquiry/Retrieval Controller
608/609 Magnetic Tape Transport	3290-4/21/22/23/24 Local Display Controller
657-X/659-X Magnetic Tape Transport	3316-1 Multiplexer Controller
667-2/3/4 and 669-2/3/4 Magnetic Tape Transport	3387-1 A/D Interface Controller
667-2/3/4 and 679-2/3/4/5/6/7 Magnetic Tape Transport	3516-1 Multiplexer Controller
819-1 Disk Storage Unit	3518 Magnetic Tape Controller
819-11/21 Disk Storage Unit	3518-1/2/3 Magnetic Tape Controller
821-1/2 Disk File	3521-1 Magnetic Tape Controller
821-1/2 Hydraulic Cabinet	3521-2 Magnetic Tape Controller
841-3 Multiple Disk Drive	3528 Magnetic Tape Controller
841-4 Multiple Disk Drive	3528-1/2/3 Magnetic Tape Controller
841-5 Multiple Disk Drive	3553-1/2 Mass Storage Controller
841-6 Multiple Disk Drive	3553-2 Mass Storage Controller
841-7 Multiple Disk Drive	3554-1 Mass Storage Controller
841-8 Multiple Disk Drive	3624 Magnetic Tape Controller
841-11 Multiple Disk Drive Module	3691 Paper Tape Reader Punch
841-12 Multiple Disk Drive Module	3694 Paper Tape Reader Punch
841-21 Multiple Disk Drive Module	6638 Disk System
	6671-2/3 Data Set Controller
	6673 Data Set Controller
	6674 Data Set Controller
	6676 Data Set Controller
	6681 Data Channel Converter
	7021-1 Magnetic Tape Controller
	7021-2 Magnetic Tape Controller
	7021-21 Magnetic Tape Controller
	7021-22 Magnetic Tape Controller

7021-31/41 Magnetic Tape Controller
7021-32/42 Magnetic Tape Controller
7054-1 Mass Storage Controller
7054-1/2 Mass Storage Controller
7054-21/22/41/42 Mass Storage Controller
7152-1 Disk/Magnetic Tape Controller
7154-1/2/3/4 Mass Storage Controller
7155-1/11/12/13/14/401 Mass Storage Controller
10397-1 Channel Access Option
10398-1 844 Drive Option
10399-1 Four FMD Option
7618-1 Magnetic Tape Controller
7622-1 Magnetic Tape Controller
7622-2 Magnetic Tape Controller
7628-1 Magnetic Tape Controller
7629-1/2 Magnetic Tape Controller
7638-1 Disk File System
7639-1/2/21/22 Mass Storage Controller
7654-1 Mass Storage Controller
7654-1/2 Mass Storage Controller
7654-21 Mass Storage Controller

8063 Data Set Controller
8065 Teletypewriter Line Controller
8066 Communications Terminal Controller
8076 Communications Terminal Controller
8194 Magnetic Tape Controller
8196 Input/Output Teletypewriter
8197 Data Set Controller
8291 Paper Tape Punch
8299 Paper Tape Reader
8529 Data Set Controller
10304-1/2 Mass Storage Extender
10333-1 Double Density Option
10396-1 Two Channel Access
10397-1 Additional Channel Option
10398-1/2 Access Option
10399-1/2 Four Drive Expansion Option
7880-1/65125-1 Mass Storage Coupler
7880-1/65125-1 Mass Storage Adapter
7881-1/65126-1 Cartridge Storage Unit
7882-1/65127-1 Mass Storage Transport

PART 1

INTRODUCTION

INTRODUCTION

This manual contains data on peripheral equipment and controllers which work in conjunction with and under the control of computers but are not part of the computers.

- Table of peripheral equipment and controllers.
- Peripheral equipment data sheets

The table of peripheral equipment and controllers, lists products by product numbers, briefly describes the products, and identifies the product cabinets. The product numbers are in ascending numerical order. Each of the product numbers is followed by a product description that briefly specifies the product's capabilities. The description is

not intended for use in any contractual agreement. The products are physically identified as having self-contained cabinets or as mounting in a cabinet of another product.

The peripheral equipment data sheets provide physical, electrical, and environmental data for the products with self-contained cabinets. Data for products mounted in other product cabinets is combined with the data sheets for those products. Most of the data sheets include an outline drawing and a photograph of the product. The data sheets are placed in the manual in ascending order of product numbers which are located at the top of the sheets. Data sheets common to the same equipment are grouped by sheet numbers, such as 1 of 2, 2 of 2, or 1 of 4, 2 of 4, 3 of 4.

PART 2

**TABLE OF PERIPHERAL EQUIPMENT
AND CONTROLLERS**

Product Number	Description	Cabinet
Various	Type A Peripheral Controller: General cabinet used to house various products.	Stand-alone
Various	Type B Peripheral Controller: General cabinet used to house various products.	Stand-alone
Various	Type C Peripheral Controller: General cabinet used to house various products.	Stand-alone
Various	Type D Peripheral Controller: General cabinet used to house various products.	Stand-alone
Various	1700 Horizontal Auxiliary Cabinet: General cabinet used to house various products.	Stand-alone
Various	1700 Vertical Auxiliary Cabinet: General cabinet used to house various products.	Stand-alone
161	On-Line I/O Typewriter: Provides input at normal typing speed and output at 10 to 12 characters per second.	Stand-alone
165-2	Incremental Plotter: High speed, two-axis recorder that plots one variable against another and permits direct, on-line communication with the computer.	
170	Card Punch Controller: Provides communication path to an IBM 523 Card Punch.	Stand-alone
177	Card Reader Controller: Provides communication path to a 405 Card Reader.	Housed in a 405 Card Reader cabinet
302	Communications Expansion Module: Expands (by a factor of eight) the number of 8136 Communication Terminal Controllers that may connect to a 1748 Master Communications Terminal Controller; uses additional level of addressing.	Housed in an 8137 Communications Expansion Unit cabinet
311-B	Data Set Adapter: Permits direct connection between 8066, 8136, 301, 304-1, 1748, or 3316-1 associated controllers and Bell System 201A Data Set; duplex mode and switch network or private line operation.	Housed in a 3266 MUX cabinet
311-2	Data Set Adapter: Synchronous operation, 8-bit characters, interfaces to AT and T 201A, 2018, 301B, or 301C Data Set; 600 to 40,800 bps; selectable codes.	Housed in a 3266 MUX cabinet
312-B	Data Set Adapter: Permits direct connection between 8066, 8136, 3266, 1749 Communication Terminal Controllers and Bell System Data Set 201A, 202C, or 202D with 801 Automatic Calling Unit; three basic operational modes are selectable - ASCII, IBM 4 of 8, and universal; characters are sampled in 8-bit bytes.	Housed in a 3266 MUX cabinet

Product Number	Description	Cabinet
314	Data Set Adapter: Asynchronous operation, automatic dialing, automatic answering, 5- to 8-bit characters, interfaces to AT and T 103A Data Set with 801 Automatic Calling Unit; 300 bits per second; half- or full-duplex mode; switched network.	Housed in a 3266 MUX cabinet
319	Data Set Adapter: Asynchronous operation; automatic dialing; 5- to 8-bit characters; interfaces to AT and T 202 Data Set with 801C Automatic Calling Unit; 600 to 1800 bps; half-duplex mode, switched network or private line.	Housed in a 3266 MUX cabinet
323	Teletypewriter Terminal Unit: Asynchronous operation; 5- to 8-bit characters; interfaces 60- to 100-word per minute simplex teletype line; up to 200 bps.	Housed in a 3266 MUX cabinet
331	Data Set Adapter: Asynchronous operation; up to 1200 bps; full-duplex mode.	Housed in a 3266 MUX cabinet
358-1	Transceiver: Asynchronous modem; RS-232C interface; rate of 9600 bauds or less on unswitched, metallic line pairs or coaxial cable only; point-to-point or multipoint; half-duplex two-wire or full-duplex four-wire up to 1 mile; not compatible with voice frequency telephone circuits.	Stand-alone
358-2	Transceiver: Synchronous modem; RS-232C interface; rate of 1200/2400/9600 bps; switch selectable; for use on unswitched, metallic line pairs or coaxial cable only, point-to-point or multipoint; half-duplex two-wire or full-duplex four-wire up to 1 mile; not compatible with voice frequency telephone circuits.	Stand-alone
358-3	Transceiver: Synchronous modem; 40.8k or 163.2k bps switch selectable; for use on unswitched, metallic line pairs or coaxial cable only; point-to-point or multipoint; half-duplex two-wire or full-duplex four-wire up to 1 mile; interface similar to AT and T 301 Data Sets; not compatible with voice frequency telephone circuits.	Stand-alone

Product Number	Description	Cabinet
358-4	Transceiver: Synchronous modem; 50 or 200k bps; switch selectable; for use on unswitched, metallic line pairs or coaxial cable only; point-to-point or multipoint; half-duplex two-wire or full-duplex four-wire up to 1 mile; interface similar to that of AT and T 301 Data Sets; not compatible with voice frequency telephone circuits.	Stand-alone
361-1	Communications Adapter: Dedicated full- or half-duplex, nonsynchronous adapter with EIA RS 232-C interface to AT and T 103 or 102 Data Set or equivalent modems; requires one address of a 364 Communications Multiplexer; data byte sizes are adjustable from 5 to 8 bits and are transmitted to communications facilities at rates of 50 to 3000 bauds.	Housed in a 364-1 or 364-4 Communications Multiplexer
361-2	Communications Adapter: Dedicated simplex receive-only nonsynchronous adapter with EIA RS 232-C interface to AT and T 103 or 102 Data Set or equivalent modems; requires one address of a 364 Communications Multiplexer; data byte sizes are adjustable from 5 to 8 bits and are received over communications facilities at rates of 50 to 2000 bauds.	Housed in a 364-1 or 364-4 Communications Multiplexer
361-3	Communications Adapter: Dedicated simplex send-only nonsynchronous adapter with EIA RS 232-C interface to AT and T 103 or 102 Data Set or equivalent modems; requires one address of a 364 Communications Multiplexer; data byte sizes are adjustable from 5 to 8 bits and are transmitted over communications facilities at rates of 50 to 2000 bauds.	Housed in a 364-1 or 364-4 Communications Multiplexer
361-4	Communications Adapter: Full- or half-duplex nonsynchronous adapter with EIA RS 232-C interface to AT and T 103 or 102 Data Set or equivalent modems; requires two addresses in a 364 Communications Multiplexer; computer controlled auto answering; disconnect modem carrier and status; selectable character parity and field adjustable from 5 to 8 bits transmitted from 50 to 2000 bauds.	Housed in a 364-1 or 364-4 Communications Multiplexer
361-5	Communications Adapter: Full- or half-duplex synchronous adapter with EIA RS 232-C or current mode interface, Bell type 301; requires two addresses in a 364 Communications Multiplexer; computer controlled auto answering; disconnect modem carrier and status; selectable character and longitudinal logical sum parity or universal mode; data is 8-bit bytes transmitted at 600 to 230.4k bps, depending on the modem and system limitations.	Housed in a 364-1 or 364-4 Communications Multiplexer

Product Number	Description	Cabinet
361-6	Communications Adapter: Full- or half-duplex synchronous adapter with EIA 232-C or current mode interface, Bell type 301; requires two addresses in a 364 Communications Multiplexer; computer controlled auto answering; disconnect modem carrier and status; selectable character and cyclic message parity or universal mode; data is 8-bit bytes transmitted at 600 to 230.4k bps.	Housed in a 364-1 or 364-4 Communications Multiplexer
361-7	Communications Adapter: Control adapter which requires one address in a 364 Communications Multiplexer; interfaces either an 801A or 801C unit and allows computer controlled automatic dialing into the DDD switched telephone network; one unit required for each dialer controlled.	Housed in a 364-1 or 364-4 Communications Multiplexer
362-X	Telegraphic Level Converter: Communications subsystem component used to provide isolation and level conversion between a nonsynchronous communications adapter with RS 232-C interface and a 120-volt, 20 to 60 milliampere, unipolar or bipolar telegraphic line.	
362-1	This unit interfaces up to 16 four-wire duplex lines; has spare rack space for up to three 362-2 units.	Stand-alone
362-2	This unit interfaces up to 16 four-wire duplex lines; rack mounted.	Housed in a 362-1 Telegraphic Level Converter cabinet
364-X	Communications Multiplexer: Communications subsystem component that provides an interface to a data channel or multiplexer controller and fan-in/fan-out logic to several communications adapters mounted in the multiplexer.	
364-1	This unit is an eight-address multiplexer that interfaces a 1748, 3316, or 3516 Multiplexer Controller; up to three additional 364-2 units can mount in this cabinet.	Stand-alone
364-2	This unit is a modular, eight-address multiplexer that interfaces a 1748, 3316, or 3516 Multiplexer Controller; mounts in a 364-1 for expansion beyond 16 addresses.	Housed in a 364-1 Communications Multiplexer
364-4	This unit is an eight-address multiplexer that interfaces a 17XX A/Q channel; up to three additional 364-5 units can mount in this cabinet.	Stand-alone
364-5	This unit is an eight-address multiplexer that interfaces a 17XX A/Q channel; mounts in a 364-4 for expansion beyond 16 addresses.	Housed in a 361-1-12 Communications Multiplexer

Product Number	Description	Cabinet
380-XXX	Network access devices (NADs) and options used in a Loosely Coupled Network (LCN) subsystem that enable a variety of mainframes and peripheral devices to communicate in a local network.	
380-1	Trunk Interface Option: provides an additional trunk access to a NAD. Three options may be added to the 380-170/370 NADs. Two options may be added to the 380-110 NAD.	Three boards and a data set housed in a 380-XXX NAD
380-11	Enclosure: accommodates one equipment.	Mounted on customer furnished table
380-12	Enclosure: accommodates two equipments.	Stand-alone
380-14	Enclosure: accommodates four equipments.	Stand-alone
380-32	Memory Option: increases memory by 32K bytes (16K words). Two options may be added to the 380-110/170/370 NADs.	Board housed in a 380-XXX NAD
380-110	NAD-DEC: provides connection between one DEC PDP 11 Unibus and one LCN trunk.	Housed in a 380-XX enclosure
380-111	NAD/DEC Device Interface Option: controls data transfer between the DEC PDP 11 mainframe and the 380-110. Three options may be added to the 380-110.	One board in the 380-110 NAD and two boards in the DEC PDP 11.
380-170	NAD - CDC CYBER 170: provides connection between one 12-bit CYBER/6000 series data channel and one LCN trunk.	Housed in a 380-XX enclosure
380-200	NAD - CDC CYBER 200: provides connection between one CYBER 205 Station Channel Adapter (SCA) and two LCN trunks.	Housed in a 380-XX enclosure
380-239	NAD - 7639/819 Disk Storage Subsystem: provides connection between one 7639/819 disk storage subsystem and two LCN trunks.	Housed in a 380-XX enclosure
380-370	NAD - IBM: provides connection between one IBM block mux channel and one LCN trunk.	Housed in a 380-XX enclosure



Product Number	Description	Cabinet
405	Card Reader: 12 cpm (80 column cards); 1600 cpm (51 column cards); photoelectric dual-column read; pneumatic card separation and stacking; 4000 card hopper; 4000 card stacker; 240 card secondary stacker for limited sorting or rejecting.	Stand-alone
407-1	Card Reader: Reads 1200 cpm (80 column); 4000 card hopper; 4000 card stacker capacity; 240 card secondary stacking capacity for limited sorting or rejecting.	Stand-alone
415	Card Punch: 250 cpm (80 column card); programmable offset stacking; 1200 card hopper; 1500 card stacker; read check after punch.	Stand-alone
415-30	Card Punch/Controller: 250 cpm (80 column); programmable offset stacking; 1200 card hopper; 1500 card stacker capacity; read check after punch; buffer memory (80 12-bit word capacity).	Stand-alone
430	Card Reader - Punch: Reads 500 cpm; punches 100 to 460 cpm (80 to single column punch); programmable offset stacking; 1200 card hopper; 1300 card stacker.	Stand-alone
501	Line Printer: Drum printer; 1000 lpm using 48 characters only; 800 lpm using all 64 characters; skips 25 ips at 6 lpi; 136 columns; modified standard gothic font; selectable half-speed printing.	Stand-alone
505	Line Printer: Drum printer; prints 500 lpm; skips 25 ips; 6 lpi, 136 columns, 64 characters.	Stand-alone
512	Line Printer: Train printer, prints 1200 lpm using 48-character train; skips 70 ips at 6 lpi or 60 ips at 8 lpi; 136 columns.	Stand-alone
517-1	Train Printer: Prints 1200 lpi using 48-character train; skips 70 ips at 6 lpi or 60 ips at 8 lpi; 136 columns.	Stand-alone
580-XX	Train Printer Subsystem: Prints specified lines per minute with a 48-character train; 135 columns with 6 or 8 lpi spacing; includes a powered stacker; controller with one line buffer; train image storage; error checking; requires 596 Train Cartridge.	Stand-alone
580-12	Prints up to 1200 lpm.	Stand-alone
580-16	Prints up to 1600 lpm.	Stand-alone
580-20	Prints up to 2000 lpm.	Stand-alone
595-1	Train Cartridge: 63 printing characters plus space; same as 501 printer character set; modified standard gothic font.	Housed in a 51X printer

Product Number	Description	Cabinet
595-2	Train Cartridge: 48 printing characters plus space; same as IBM -AN- arrangement; modified standard gothic font; will not handle all character codes generated by standard software systems.	Housed in a 51X printer
595-3	Train Cartridge: 48 printing characters plus space; same as IBM -HN- arrangement; modified standard gothic font; will not handle all character codes generated by standard software systems.	Housed in a 51X printer
595-4	ASCII Train Cartridge: Array cartridge contains six sets of characters which, in combination, comprise the 63 different characters of the CDC 64-character subset of ASCII 3.4, revision I.	Housed in a 51X printer
595-5	Train Cartridge: 63 printing characters plus space; array cartridge contains six sets of characters which are comprised of the center four columns of the ASCII code table.	Housed in a 51X, 733-XXX printer
595-6	Train Cartridge: 94 printing characters plus space; array cartridge is comprised of the six right-most columns of the ASCII code table; array includes upper-case and lower-case characters.	Housed in a 51X, 733-XXX printer
596-1	Train Cartridge: 63 printing characters plus space; same character set as 501 and 595-01; modified standard gothic font.	Housed in a 580 Printer
596-2	Train Cartridge: 48 printing characters plus space; same character set as 595-02 and IBM -AN- modified standard gothic font.	Housed in a 580 Printer
596-3	Train Cartridge: 48 printing characters plus space; same as 595-03 and IBM -HN- arrangement; modified standard gothic font; will not handle all character codes generated by standard software systems.	Housed in a 580 Printer
596-4	Train Cartridge: Contains six character sets which, in combination, comprise the 63 different characters of the CDC 64-character subset of ASCII 3.4 revision I; same characters as 595-04.	Housed in a 580 Printer
596-5	Train Cartridge: 63 characters plus space; array cartridge contains six sets of characters which are comprised of the center four columns of the ASCII code table; ASCII 3.4 revision I subset; same characters as 595-05.	Housed in a 580 Printer
596-6	Train Cartridge: 94 characters plus space; array is comprised of the six right-most columns of the ASCII code table; array includes upper-case and lower-case characters; same characters as 595-06.	Housed in a 580 Printer

Product Number	Description	Cabinet
603	Magnetic Tape Transport: 7 tracks, 75 ips; 200 bpi and 566 bpi; 15 kHz and 14.7 kHz transfer rates.	Stand-alone
604	Magnetic Tape Transport: 7 tracks; 75 ips; 200 bpi, 556 bpi, and 800 bpi; 15 kHz, 41.7 kHz, and 60 kHz transfer rates; read forward and reverse.	Stand-alone
604-2	Magnetic Tape Transport: Seven tracks, 15k, 41.7k, and 60k 6-bit characters per second at 200 bpi, 556 bpi, and 800 bpi; reads and writes at 75 ips; forward or reverse read.	Stand-alone
607	Magnetic Tape Transport: 7 tracks; 150 ips; 200 bpi, 556 bpi, and 800 bpi; 30 kHz, 83.3 kHz, and 120 kHz transfer rates; read forward and reverse.	Stand-alone
607-2	Magnetic Tape Transport: 7-tracks; 150 ips; 200 bpi, 556 bpi, and 800 bpi; 30 kHz, 83.3 kHz, and 120 kHz; read forward and reverse.	Stand-alone
608	Magnetic Tape Transport: 7 tracks; reads/writes at 37.5 ips; 200 bpi, 556 bpi, and 800 bpi; 7.5k, 20.8k, and 30k characters per second transfer rates; forward and reverse read, rewinds at 150 ips.	Stand-alone
609	Magnetic Tape Transport: 9 tracks; reads/writes at 37.5 ips; 800 bpi; 30k 8-bit characters per second transfer rate; forward and reverse read; rewinds at 210 ips.	Stand-alone
657-1	Magnetic Tape Transport: 7 tracks; reads/writes at 37.5 ips; 200 bpi, 556 bpi, and 800 bpi; 7.5k, 20.8k, and 30k 6-bit characters per second transfer rates; forward and reverse read; NRZI recording.	Stand-alone
657-2	Magnetic Tape Transport: 7 tracks; reads/writes at 75 ips; 200 bpi, 556 bpi, and 800 bpi; 15k, 14.7k, and 60k 6-bit characters per second transfer rates; forward and reverse read; NRZI recording.	Stand-alone
657-3	Magnetic Tape Transport: 7 tracks; reads/writes at 112.5 ips; 200 bpi, 556 bpi, and 800 bpi; 22.5k, 62.5k, 90k 6-bit characters per second transfer rates; forward and reverse read, NRZI recording.	Stand-alone
657-4	Magnetic Tape Transport: 7 tracks; reads/writes at 150 ips; 200 bpi, 556 bpi, and 800 bpi; 30k, 83.3k, and 120k 6-bit characters per second transfer rates; forward and reverse read; NRZI recording.	Stand-alone

Product Number	Description	Cabinet
659-1	Magnetic Tape Transport: 9 tracks; reads/writes at 37.5 ips; 800 bpi NRZI recording; 1600 bpi phase encoded recording; 30k and 60k 8-bit characters per second transfer rates; forward and reverse read.	Stand-alone
659-2	Magnetic Tape Transport: 9 tracks; reads/writes at 75 ips; 800 bpi NRZI recording; 1600 bpi phase encoded recording, 60k and 120k 8-bit characters per second transfer rates; forward and reverse read.	Stand-alone
659-3	Magnetic Tape Transport: 9 tracks; reads/writes at 112.5 ips; 800 bpi NRZI recording; 1600 bpi phase encoded recording; 90k and 180k 8-bit characters per second transfer rates; forward and reverse read.	Stand-alone
659-4	Magnetic Tape Transport: 9 tracks; reads/writes 150 ips; 800 bpi NRZI recording; 1600 bpi phase encoded recording; 120k and 240k 8-bit characters per second transfer rates; forward and reverse read.	Stand-alone
667-2	Magnetic Tape Transport: Single capstan unit; 7-track; 556 cpi and 800 cpi; NRZI recording; 55.6k and 80k 6-bit characters per second transfer rates; 100 ips tape speed; forward and reverse read; rewinds at 50 ips.	Stand-alone
667-3	Magnetic Tape Transport: Single capstan unit; 7-track; 556 cpi and 800 cpi NRZI recording; 83.4k and 120k 6-bit characters per second transfer rates; 150 ips tape speed; forward and reverse read; rewinds at 50 ips.	Stand-alone
667-4	Magnetic Tape Transport: Single capstan unit; 7-track; 556 cpi and 800 cpi NRZI recording; 111.2k and 160k 6-bit characters per second transfer rates; 200 ips tape speed; forward and reverse read; rewinds at 45 ips. (667-2/3/4 also have 200 cpi read only capability.)	Stand-alone
669-2	Magnetic Tape Transport: Single capstan unit; 9-track; 800 cpi NRZI recording and 1600 cpi phase-encoded recording; 80k and 160k 8-bit characters per second transfer rates; 100 ips tape speed; forward and reverse read; rewinds at 60 ips.	Stand-alone
669-3	Magnetic Tape Transport: Single capstan unit; 9-track; 800 cpi NRZI recording and 1600 cpi phase-encoded recording; 120k and 240k 8-bit characters per second transfer rates; 150 ips tape speed; forward and reverse read; rewinds at 50 ips.	Stand-alone

Product Number	Description	Cabinet
669-4	Magnetic Tape Transport: Single capstan unit; 9-track; 800 cpi NRZI recording and 600 cpi phase-encoded recording; 160k and 320k 8-bit characters per second transfer rates; 200 ips tape speed; forward and reverse read; rewinds at 45 ips.	Stand-alone
67X-X	Magnetic Tape Units: The tape units used in the system are comprised of two types, 7- and 9-track units and nine models within the types (three 7-track and six 9-track models).	Stand-alone
677-2/3/4	Magnetic Tape Units: These 7-track tape units are comprised of three models, each operating at a recording density of 556-800 cpi in a NRZI mode. The 677-2 operates at 100 ips, the 677-3 at 150 ips, and the 677-4 at 200 ips tape speed.	Stand-alone
679-2/3/4	Magnetic Tape Unit: Single capstan unit, 9-track. Each model has recording densities of 800 cpi, NRZI or 1600 cpi, phase encoded. The 679-2 has 100 ips tape speed, 679-3 has 150 ips tape speed and the 679-4 has 200 ips tape speed.	Stand-alone
679-5/6/7	Magnetic Tape Unit: Single capstan unit, 9-track. Each model has a recording density of 1600 cpi, phase encoded or 6250 cpi, group coded. The 679-5 has 100 ips tape speed, 679-6 has 150 ips tape speed and the 679-7 has 200 ips tape speed.	Stand-alone
819-1	Disk Storage Unit: Capacity of 2.4×10^9 data bits; data organized into 4-bit parallel bytes; transfer rate 38.7 MHz (4-bit byte); average latency 8.33 milliseconds; disk speed 3600 rpm ± 2 percent.	Stand-alone
819-11/21	Disk Storage Unit: The 819-11 has a capacity of 2.4×10^9 data bits and the 819-21 of 5×10^9 data bits; data organized into 4-bit parallel bytes; transfer rate 38.7 MHz (4-bit byte); average latency 8.33 milliseconds; disk speed 3600 rpm ± 2 percent.	Stand-alone
821-X	Data File: 640 6-bit characters per second. 20 sectors per track, 10 to 140 milliseconds positioning time, 1750 rpm nominal and 240 kHz transfer rate.	
821-1	This unit has a 419 million-character capacity and one access mechanism.	Stand-alone
821-2	This unit has an 838 million-character capacity and two independent access mechanisms.	Stand-alone

Product Number	Description	Cabinet
841-XX	Multiple Disk Drive Module: Contains the specified number of disk drives; each drive has a capacity of 35.6 million 6-bit characters; 25 to 135 milliseconds positioning time, 2400 rpm; 420k characters per second transfer rate; sectored with 640 or 644 characters per sector, 14 sectors per track, 200 tracks per surface, and 20 surfaces per drive; uses 871 Disk Pack, which is not included.	Stand-alone
841-3	Multiple Disk Drive: Three on-line drives.	Stand-alone
841-4	Multiple Disk Drive: Four on-line drives.	Stand-alone
841-5	Multiple Disk Drive: Five on-line drives	stand-alone
841-6	Multiple Disk Drive: Six on-line drives.	Stand-alone
841-7	Multiple Disk Drive: Seven on-line drives.	Stand-alone
841-8	Multiple Disk Drive: Eight on-line drives.	Stand-alone
841-11	Multiple Disk Drive Module: One drive and one controller connection.	Stand-alone
841-12	Multiple Disk Drive Module: Two drives and one controller connection.	Stand-alone
841-21	Multiple Disk Drive Module: One drive and two controller connections.	Stand-alone
841-22	Multiple Disk Drive Module: Two drives and two controller connections.	Stand-alone
844-2	Disk Storage Unit: Dual access unit which transfers data between one or the other mass storage controllers connected and an 881 Disk Pack (mounted in the unit); unit serves the controllers on a one-at-a-time basis; provides 711, 841, 536 bits of storage (in a sectored format) on 404 tracks; 10- to 55-millisecond positioning time (30 milliseconds average); 6.8 million bps transfer rate at 3600 rpm; the 844-2 and 844-21 are functionally identical.	Stand-alone
844-21	Disk Storage Unit: Maximum capacity of 869 million bits when used in an unsectored format or 712 million bits with 24 sectors per track, 404 tracks, 10- to 55-millisecond positioning time, 30 ms average, 6.8 million bps transfer rate, 3600 rpm; has voice coil actuator; uses prewritten servo tracks; controls located on top of cabinet; requires one 881 Disk Pack with 19 data and one servo surface.	
844-41/44	Disk Storage Unit: Dual access unit which transfers data between one or the other mass storage controllers connected and an 883 Disk Pack (mounted in the unit); serves the controllers on a one-at-a-time basis; provides 1, 423, 683, 072 bits of storage (in a sectored format) on 808 tracks; 10- to 55-millisecond positioning time (30 ms average); 6.451 million bps transfer rate at 3600 rpm.	

Product Number	Description	Cabinet
885-11	<p>Disk Storage Unit: Two independent spindles with nonremovable head/disk assemblies. Sector capacity of 4152 million bits or 692 million 6-bit characters per spindle. Positioning time is 10 to 50 milliseconds, 25 milliseconds average, 9.58 million bps burst transfer rate, 3600 rpm; provides one access for 7155 controller per spindle. Standard option 10396-1 converts 885-11 to 885-12.</p>	Stand-alone
885-12	<p>Disk Storage Unit: Same as 885-11 except contains accesses for two 7155 controllers per spindle.</p>	Stand-alone
885-42	<p>Disk Storage Unit: Same as 885-11 except that it provides a 38.32 million bps transfer rate, and provides access for two 7155-401 controllers per spindle.</p>	Stand-alone
915	<p>Optical Character Page Reader: Document width of 4.5 to 12 inches; document length of 2.5 to 14 inches; 11 inches maximum scan width; 6 lpi maximum line density; reads 370 characters per second; fanfold capabilities.</p>	Stand-alone

Product Number	Description	Cabinet
921-1	OCR Document Reader: High-speed document reader for reading single line of numeric information; can be equipped with one or two character fonts (numerics and special character only); desired character fonts can be selected from standard option series 10275, maximum throughput of 1200 documents per minute; document length from 4.5 to 9.0 inches; document height from 2.6 to 4.5 inches; handles nonintermixed paper weights between 14 and 38 pounds and 90-pound index card stack; contains single output staker pocket.	Stand-alone
955-1	OCR Page and Document Reader: Has integral controller, reads pages and documents prepared by typewriters and line printers, reads the entire 57-character ANSI OCR-A size I font plus a character cancel, delete line, and zero filled character; can accommodate up to three optional numeric matrices, handles documents of 18 to 38 pounds, substance weight varying in width from 4-7/8 to 11-1/8 inches and in length from 3-1/4 to 12-5/8 inches; feeds documents from nonintermixed stack, input hopper, and output staker; can accommodate 4-inch stack of documents; 750 characters per second instantaneous read rate; 5 documents per second maximum document throughput.	Stand-alone
1713	Teletypewriter: 35 keyboard send/receive; 10 characters per second; 64 character; 72 characters per line; includes paper tape reader, paper tape punch, and controller.	Stand-alone
1713-2	Teletypewriter: 35 keyboard send/receive; 100 words per minute; includes control and remote mode selection, keyboard, printer, paper tape punch; uses 64-character subset of ASCII 68.	Stand-alone
1713-3	Teletypewriter: 35 keyboard send/receive with control and remote selection; 100 words per minute; includes keyboard, printer, paper tape reader, paper tape punch; uses 64-character subset of ASCII 68.	Stand-alone
1713-4	Teletypewriter: 33 keyboard send/receive; 100 words per minute; includes keyboard, printer, paper tape reader, paper tape punch; uses 64-character subset of ASCII.	Stand-alone
1713-5	Teletypewriter: 35 keyboard send/receive; 100 words per minute; includes keyboard, printer, paper tape reader, paper tape punch; uses 64-character subset of ASCII.	Stand-alone
1716	Coupling Data Channel: Provides for information transfer between two 1704 computers and up to eight shared peripheral controllers; uses direct storage access; 16-bit word size.	Housed in a 1700 vertical auxiliary cabinet

Product Number	Description	Cabinet
1717-1	Data Set Controller: Synchronous full-duplex operation; 8-bit characters; up to 50k bps; interfaces 1700 to autodin network; provides MIL - STD - 1888 low-level interface to data communication equipment.	Housed in a 1700 vertical auxiliary cabinet
1718	SATELLITE® Coupler: Permits information transfer between 1700 data channel and 3000 data channel; 12-bit parallel data transfer.	Housed in a 1700 vertical auxiliary cabinet
1726-1	Card Reader Controller: Permits direct connection of 405 Card Reader from one 1700 data channel; includes full card buffer; Hollerith to ASCII code conversion for 64 characters.	Housed in a 405 Card Reader cabinet
1728	Card Reader - Punch Controller: Permits direct connection of a 430 Card Reader/Punch with a standard 1700 data channel.	Housed in a 430 Card Reader/Punch cabinet
1729-2	Card Reader: Photoelectric with light/dark read checking; 330 cpm (80 column); 1200 card hopper; 1300 card stacker; connects to standard 1700 A/Q channel.	Self-contained
1731	Magnetic Tape Controller: Permits reading and writing of any one of eight 601 Magnetic Tape Transports; single channel connection; 7-bit data transfer.	Housed in a 601 Magnetic Tape Transport cabinet
1732-3	Magnetic Tape Controller: Controls any combination of one to four tape transports, 7 or 9 track; requires 10300-2 Phase Encoding Option for 1600 bpi phase-encode capability.	Housed in four preassigned positions in 1784-1 or 1784-2 Computer
1732-A/B	Magnetic Tape Controller: Permits reading and writing on any combination of eight 608 or 609 Magnetic Tape Transports; single channel connection; includes assembly/dis-assembly and cyclic redundancy check.	Stand-alone
1733-1	Disk Storage Drive Controller: Single channel connection; controls up to eight disk storage drives; uses direct storage access; standard software controls up to two disk drives; QSS software required for controlling three through eight disk drives.	Housed in a Type B Peripheral Controller cabinet
1735	Page Reader Controller: Permits connection of one 915 Optional Character Page Reader to a single 1700 Data Channel.	Housed in a 915 Page Reader cabinet
1738	Disk Storage Drive Controller: Single channel connection; controls one or two disk storage drives, uses direct storage access.	Housed in a 1700 vertical auxiliary cabinet
1738-A	Disk Pack Controller: Permits connection of one or two 853 Disk Storage Drives to one data channel.	Housed in a Type A Peripheral Controller cabinet.
1738-B	Disk Pack Controller: Permits connection of one or two 853 Disk Storage Drives to one data channel.	Housed in a 1700 vertical cabinet.

Product Number	Description	Cabinet
1739-1	Cartridge Disk Subsystem: Includes a cartridge disk drive and control channel; stores 1.1 million words on a fixed disk plus 1.1 million words on a removable disk.	Stand-alone
1740	Printer Controller: Controls 501 High-Speed Line Printer; includes full-line buffer; accepts ASCII characters; operates from one data channel.	Housed in a 1700 vertical auxiliary cabinet
1742	Line Printer and Controller: Drum printer; single channel connection; prints 20 lpm; skips 20 ips; 6 or 8 lpi; 136 columns; full line buffer; 64 characters.	Stand-alone
1745-1	Inquiry/Retrieval Controller: Single channel connection; controls 211 Display/Entry Station and/or 218 Output Station (up to a total of 12); ASCII compatible character set.	Stand-alone
1745-11	Local Terminal Controller: 20 line by 50 character display format.	Stand-alone
1745-12	Local Terminal Controller: 13 line by 80 character display format.	Stand-alone
1745-13	Local Terminal Controller: Contains storage and control for up to 12 display/entry stations; ASCII coding; 20 line by 50 character display format; includes full edit features.	Stand-alone
1745-14	Local Terminal Controller: 13 line by 80 character display format, includes full edit features.	Stand-alone
1746-1	Single Station Entry/Display: 6 by 8 inch display area; standard display format is 20 lines of 50 characters; ASCII compatible character set; single channel connection; includes keyboard, 1000-character buffer and character generator.	Stand-alone
1747	Data Set Controller: Synchronous operation, 12-bit characters; interfaces to AT and T 301B Data Set; 40.8k bps; half-duplex mode; includes error detecting cyclic code logic compatible with 6673, 6674, 3274, and 8529 controllers.	Housed in a Type A Peripheral Controller cabinet
1748	Multiplexer Controller: Controls addressing and direct exchange of data between 1700 computer storage and 8136 Communications Terminal Controller; connects to 1700 direct storage access and to 1705 Data Channel; provides connections for up to four 8136 controllers or 304-1 Communications Multiplexers or up to eight 302 or 303-1 expansion units.	Stand-alone

Product Number	Description	Cabinet
1748-2	Multiplexer Controller: Controls addressing and direct exchange of data between either a 1700 or 1774 Computer and a 304-1, 364-1, 364-2, or 364-3 Communications Multiplexer; up to four 304-1 Communications Multiplexers, or up to eight of the others can be attached; up to eight 303-1 communications expansion units can be attached.	Stand-alone
1751-X	Drum Interface and Storage: Single-channel connection; 32,768 16-bit words; 8 ms average access time; 125k words/second transfer rate; uses direct storage access; word addressable.	
1751-A	This unit has a 65,536-word capacity.	Stand-alone
1751-C	This unit has a 131,072-word capacity.	Stand-alone
1751-D	This unit has a 196,608-word capacity.	Stand-alone
1751-E	This unit has a 262,144-word capacity.	Stand-alone
1751-F	This unit has a 327,680-word capacity.	Stand-alone
1751-G	This unit has a 393,216-word capacity.	Stand-alone
1751-H	This unit has a 458,752-word capacity.	Stand-alone
1751-J	This unit has a 524,288-word capacity.	Stand-alone
1752-X	Drum Subsystem: Provides from 196,608 to 1,572,864 16-bit data words of storage; 8.7 ms average access time; 183 words per second transfer rate; sector addressable with 96 words per sector; 32 sectors per track; uses direct storage access to memory; single-channel connection; includes controller.	
1752-1	This unit has a 196,608-word capacity.	Stand-alone
1752-2	This unit has a 589,824-word capacity.	Stand-alone
1752-3	This unit has a 1,179,648-word capacity.	Stand-alone
1752-4	This unit has a 1,572,864-word capacity.	Stand-alone
1777-1/-2	Paper Tape Station: Reads 5-, 7-, or 8-level tape at 400 characters per second; punches 150 characters per second; includes common control cabinet and power supply.	Stand-alone
1778-1	Paper Tape Reader Handler: Provides servo take-up operations and rewind operations in either forward or reverse at 200 ips for the 1777 Paper Tape Station.	Housed in a 1774 cabinet

Product Number	Description	Cabinet
1778-2	Paper Tape Punch Handler: Provides servo supply and take-up mechanisms for the 1777 Paper Tape Station.	Housed in a 1774 cabinet
3121	Magnetic Tape Controller: Permits reading and writing on one or two model 609 Magnetic Tape Transports; single-channel connection; operates in character mode only; contains industry-compatible cyclic redundancy generation and checking.	Stand-alone
3195	Page Reader Controller: Single-channel connection; controls one page reader; 160-character buffer.	Housed in a 915 controller
3228	Magnetic Tape Controller: Permits reading and writing any one of four 604 or 607 Magnetic Tape Transports; operates from one standard channel.	Housed in half of a Type C Peripheral Controller cabinet
3229	Magnetic Tape Controller: Permits reading and writing of any one of eight 604 or 607 Magnetic Tape Transports; operates from one standard channel.	Housed in half of Type C Peripheral Controller cabinet
3234	Disk Storage Controller: Permits direct connection of 853 or 854 Disk Storage Drive and 813 or 814 Disk Files in any configuration up to eight access mechanisms; operates from one or two time-shared series 3000 Data Channels.	Housed in a Type B Peripheral Controller cabinet
3245	Card Punch Controller: Permits direct connection with 415 Card Punch or IBM 523 Card Punch from one standard channel.	Housed in a Type A (or larger) Peripheral Controller cabinet
3248	Card Reader Controller: Permits direct connection of 405 Card Reader from one standard channel; includes BCD conversion and checking.	Housed in a 405 Card Reader cabinet
3254	OCR Line Printer With Control: Drum printer; single-channel connection; prints 300 lpm; skips 20 ips; 6 or 8 lpi; 136 columns; full-line buffer; 64 characters.	Stand-alone
3254-2	OCR Line Printer With Control: Drum printer; single-channel connection; prints 300 lpm; skips 20 ips; 6 or 8 lpi; 136 columns; full-line buffer; 64 characters; stylized ASCSO CR font and Rabinow special characters.	Stand-alone
3256	Line Printer Controller: Permits direct connection of 501 High-Speed Line Printer from one standard channel; full-line buffer.	Housed in a Type B (or larger) Peripheral Controller cabinet

Product Number	Description	Cabinet
3266	Communication Terminal Control: Single-channel connection; controls up to four 312B Data Set Adapters; up to eight 311B, 313, 314, 317, 318, or 319 Data Set Adapters; up to sixteen 321 Teletypewriter Terminal Units or 330, 331, or 332-1 Data Set Adapters or up to thirty-two 323 Teletype Terminal Units.	Housed in a 3266 MUX cabinet
3270-A	Transfer Switch Controller: Two-channel connections; controls up to four transfer switches; manual switching only.	Housed in a Type A Peripheral Controller cabinet
3270-B	Transfer Switch Controller: Two-channel connections; controls up to eight transfer switches; manual switching only.	Housed in a Type B Peripheral Controller cabinet
3275	Data Set Controller: Synchronous operation; 6-bit characters; interfaces with AT and T 201 or 301 Data Set; 2k to 40.8k bps; half-duplex mode; self-contained cyclic code generating and checking logic provides hardware error detection.	Housed in a Type A Peripheral Controller cabinet
3290-2	Inquiry/Retrieval Controller: Contains storage and control for display/entry stations, associated output stations, and data set adapter/pollers, up to a total of 12, including a maximum of two pollers.	Stand-alone
3290-XX	Local Terminal Controller: Contains storage and control for up to 12 terminal stations.	
3290-4	This unit has a 20-line by 50-character display format.	Stand-alone
3290-21	This unit has a 20-line by 50-character display format.	Stand-alone
3290-22	This unit has a 13-line by 80-character display format.	Stand-alone
3290-23	This unit has a 20-line by 50-character display format.	Stand-alone
3290-24	This unit has a 13-line by 80-character display format.	Stand-alone
3316-1	Multiplexer Controller: Controls up to four 304-1 Communications Multiplexers or up to eight 303-1 expansion units or combination; requires a dedicated 12-bit channel; direct memory access; variable message length buffering on per line basis; interrupt queuing; three code conversion tables; programmable interrupt, priority, and buffer chaining.	Housed in a Type B Peripheral Controller cabinet
3387-1	A/D Interface Controller: Connects to 3X06 or 3X07 data channel to provide control of 1556, 1544, and 1553; provides capability to control 1567 Simultaneous Sample-and-Hold unit; provides for expansion of up to 64 analog or digital I/O channels.	Housed in a Type C Peripheral Controller cabinet

Product Number	Description	Cabinet
3423	Magnetic Tape Controller: Permits independent reading and writing on any two of eight magnetic tapes simultaneously; can operate from two standard I/O channels or data channel converters; controls one to eight 604 or 607 Magnetic Tape Transports without intermix.	Housed in a Type C or D Peripheral Controller cabinet
3446	Card Punch Controller: Permits direct connection of 415 Card Reader from one standard channel; full-card buffer; BCD conversion; checking.	Housed in a 405 Card Reader cabinet
3446-2	Card Punch Controller: Permits direct connection with 415 Card Punch from one 3000-type channel; full-card buffer and checking; includes capability to translate 6-bit internal BCD codes to enable punching a 64-character subset of ASCII Hollerith card codes.	Stand-alone
3447	Card Reader Controller: Permits direct connection of 405 Card Reader from one standard channel; full-card buffer; BCD conversion; checking.	Housed in a 405 Card Reader cabinet
3447-2	Card Reader Controller: Permits direct connection of 405 Card Reader from one 3000-type channel; full card buffer; BCD conversion checking; includes capability to read and translate a 64-character subset of ASCII Hollerith card codes to 6-bit internal BCD codes.	Housed in a 405 Card Reader cabinet
3458	Line Printer Controller: Permits direct connection of one IBM 1403 Printer (Model 3); full-line buffer; operates from one standard channel.	Housed in a Type C (or larger) Peripheral Controller cabinet
3516-1	Multiplexer Controller: Provides control for up to four 304-1 Communications Multiplexers or up to eight 303-1 Communication Expansion Units or a combination of those units; provides direct transfer of data to and from up to 265k words of 3500 core storage; requires a dedicated 12-bit channel; features variable message length, buffering on a per line basis, interrupt queuing, three-code conversion tables, programmable priority interrupt selection, and buffer chaining.	Housed in a Type B Peripheral Controller cabinet
3518	Magnetic Tape Controller: Single-channel connection; controls up to eight 657 or 659 Magnetic Tape Transports (intermixed); provides code conversion; 200, 556, and 800 bpi; NRZI recording.	Stand-alone
3518-1	Magnetic Tape Controller: Single-channel connection; controls up to eight model 657 tape units; 200 bpi, 556 bpi, and 800 bpi; NRZI recording.	Stand-alone

Product Number	Description	Cabinet
3518-2	Magnetic Tape Controller: Single-channel connection; controls up to eight model 657 or 659 tape units (intermixed); provides code conversion; 200 bpi, 556 bpi, and 800 bpi; NRZI recording.	Stand-alone
3518-3	Magnetic Tape Controller: Single-channel connection; controls up to eight model 657 or 659 tape units (intermixed); provides code conversion; 200 bpi, 556 bpi, and 800 bpi; NRZI recording and 1600 bpi, phase encoded.	Stand-alone
3521-1	Magnetic Tape Controller: Single-channel connection to one control; permits read/write on any of eight model 667 or 669 (in any combination or mix) tape units; contains a programmable processor; will read/write 556/800 cpi; NRZI recording and 1600 cpi, phase encoded. 669-4 is supported on 3500 systems only. Will read 200 cpi NRZI. Required controlware is provided in binary form only.	Stand-alone
3521-2	Magnetic Tape Controller: Single-channel connection to each of two controls; permits simultaneous read/write on any two of eight model 667 or 669 (in any combination or mix) tape units; contains two programmable processors; will read/write 556/800 cpi; NRZI recording and 1600 cpi, phase encoded. 669-4 is supported on 3500 systems only; will read 200 cpi NRZI. Required controlware is provided in binary form only.	Stand-alone
3528	Magnetic Tape Controller: Two independent-channel connections; controls up to eight magnetic tape transports; 200 bpi, 556 bpi, and 800 bpi; NRZI recording.	Stand-alone
3528-1	Magnetic Tape Controller: Two independent-channel connections; controls up to eight model 657 tape units; 200 bpi, 556 bpi, and 800 bpi; NRZI recording.	Stand-alone
3528-2	Magnetic Tape Controller: Two independent-channel connections; controls up to eight model 657 or 659 tape units (intermixed); provides code conversion; 200 bpi, 556 bpi, and 800 bpi; NRZI recording.	Stand-alone
3528-3	Magnetic Tape Controller: Two independent-channel connections; controls up to eight model 657 or 659 tape units (intermixed); provides code conversion; 200 bpi, 556 bpi, and 800 bpi; NRZI recording and 1600 bpi, phase encoded.	Stand-alone
3553-1	Mass Storage Controller: Two-channel connections; controls up to eight on-line access data files or multiple disk drives.	Stand-alone

Product Number	Description	Cabinet
3553-2	Mass Storage Controller: Two-channel connections; controls up to eight access data files or multiple disk drives; single-sector buffer.	Stand-alone
3554-1	Mass Storage Controller: Controls up to eight 844-21 Disk Storage Units; connects to one standard I/O channel; dual access to disk storage units requires a second mass storage controller.	Stand-alone
3555-1	Line Printer Controller: Interfaces a 512 Line Printer to one standard series 3000 data channel; includes full-line buffer; train image storing; checking.	Housed in a 512 Train (Line) Printer cabinet
3624	Magnetic Tape Controller: Permits independent reading and writing of any four of sixteen 606 or 607 Magnetic Tape Transports simultaneously; can operate from four standard channels; one to 16 transports can attach.	Stand-alone
3644	Card Punch Controller: Permits direct connection to 415 Card Punch or IBM 523 Card Punch from two standard channels; full-card buffer; checking.	Housed in a Type B (or larger) Peripheral Controller cabinet
3649	Card Reader Controller: Permits direct connection of 405 Card Reader from two standard channels; full-card buffer; BCD conversion; checking.	Housed in a 405 Card Reader cabinet
3659	Line Printer Controller: Permits direct connection of 501 High-Speed Line Printer from two standard channels or data channel converters; full-line buffer.	Housed in a Type B (or larger) Peripheral Controller cabinet
3681	Data Channel Converter: 12-bit data exchange, converts 160, 160A, or 8090 I/O signals to 3000-type data channel signals to allow 3000 series equipment to be used on 160, 160A, or 8090.	Housed in half of a Type A Peripheral Controller cabinet
3682	SATELLITE® Coupler: Permits direct connection between two 3000-type 12-bit data channels.	Housed in half of a Type A Peripheral Controller cabinet
3691	Paper Tape Reader Punch: Reads 350 characters per second; five, seven, or eight levels; single-channel connection.	Stand-alone
3694	Paper Tape Reader Punch: Reads 1000 characters per second; punches 120 characters per second; five, seven, or eight levels; two-channel connections.	Stand-alone

Product Number	Description	Cabinet
6638	Disk System: Includes disk file, controller, and hydraulic cabinets; large capacity disk file and controller; disk file capacity dependent upon record size (131 million 6-bit characters using a record size of 640 characters, 167 million 6-bit characters using a record size 4084 characters); two independent positioning controls and time-shared access from two standard channels; 25 to 110 milliseconds positioning time; 1180 rpm nominal; 1.68 MHz transfer rate.	Stand-alone (three cabinets)
6671	Data Set Controller: Controls one to 16 AT and T 103 (110 bps) or AT and T 201 (2000, 2400, or 4800 bps) Data Sets or equivalent, or any combinations of these; attaches to one 6000 channel; at remote sites terminal device using compatible data sets can be used.	Housed in a Type B Peripheral Controller cabinet
6671-2	Data Set Controller: Controls one to 16 AT and T 103 and 201 Data Sets or equivalent in any combination; attaches to one standard 6000 channel.	Housed in a Type B Peripheral Controller cabinet
6671-3	Data Set Controller: Controls up to 16 asynchronous or synchronous data sets; connects to one standard I/O channel; connects to AT and T 103, 201, and 202 or equivalent.	Housed in a Type B Peripheral Controller cabinet
6673	Data Set Controller: Controls two AT and T 301B Data Sets; synchronous operation; 12-bit characters; 40,800 bps; single-channel connection; attaches to one standard 6000 channel.	Housed in a Type B Peripheral Controller cabinet
6674	Data Set Controller: Controls four AT and T 301B Data Sets (40,800 bps); attaches to one standard 6000 channel.	Housed in two Type B Peripheral Controller cabinets
6676	Data Set Controller: Controls one to 64 AT and T 103 Data Sets (110 bps) located at the central computer site; attaches to one standard 6000 channel; remote sites use compatible data sets to connect model 33 or 35 teletypes.	Housed in a Type B Peripheral Controller cabinet
6681	Data Channel Converter: Permits 6000 series computers to use 3000 series peripheral equipment.	Housed in a Type A, B, or C Peripheral Controller cabinet
6681-2	Data Channel Converter: Permits 3000 series peripheral equipment to be connected to either a CDC CYBER or 6000 series data channel; houses transmission parity generation and checking logic necessary for CDC CYBER 170.	Stand-alone
6683	SATELLITE [®] Coupler: Two couplers permit direct connection between two 12-bit 6000 series data channels.	Housed in a Type A, B, or C Peripheral Controller cabinet

Product Number	Description	Cabinet
6683-2	SATELLITE [®] Coupler: Two couplers permit direct connection between two 12-bit CDC CYBER or 6000 series data channels or used with one 7000 SATELLITE [®] Coupler; permits direct connection between a 6000 series data channel and one 7000 series data channel; contains transmission parity generation and checking logic necessary for CDC CYBER 170.	Housed in a Type A (maximum of 2), Type B (maximum of 4) or Type C (maximum of 6) Peripheral Controller cabinet
7021-1	Magnetic Tape Controller: Single-channel connection to one control; permits read/write on any one of eight 667 and 669 (intermixed) tape units; reads/writes 556/800 cpi; NRZI recording and 1600 cpi phase encoded; reads 200 cpi NRZI; includes a programmed processor; controlware is in binary form only.	Stand-alone
7021-2	Magnetic Tape Controller: Single-channel connection to each of two controls; permits simultaneous read/write on any two of eight 667 and 669 (intermixed) tape units; reads/writes 556/800 cpi NRZI recording and 1600 cpi phase encoded; reads 200 cpi NRZI; includes two programmed processors; controlware is in binary form only.	Stand-alone
7021-21	Magnetic Tape Controller: Single-channel connection to one control; permits read/write on any one of eight 667 and 669 (intermixed) tape units; reads/writes 556/800 cpi NRZI recording and 1600 cpi phase encoded; reads 200 cpi NRZI; contains a programmable processor; controlware is in binary form only.	Stand-alone
7021-22	Magnetic Tape Controller: Single-channel connection to each of two controls; permits simultaneous read/write on any two of eight 667 and 669 (intermixed) tape units; reads/writes 556/800 cpi NRZI recording and 1600 cpi phase encoded; reads 200 cpi NRZI; controlware is in binary form only.	Stand-alone
7021-31	Magnetic Tape Controller: Housed in a single cabinet. Interfaces between a single 6000, lower CYBER 70, or CYBER 170 data channel and up to eight 67X tape units in any combination or mix. The 7021-31 consists of the channel interface, memory and sequencer, tape control unit and the tape unit matrix for 9-track, 1600 cpi, phase encoded recording, 9-track, 6250 cpi, group coded recording capability, or 7- and 9-track, 556/800 cpi NRZI recording capabilities. It can read 200 cpi recording.	Stand-alone
7021-41	Magnetic Tape Controller: Housed in a single cabinet. Interfaces between a single 6000, lower CYBER 70, or CYBER 170 data channel and up to eight 67X tape units in any combination or mix. The 7021-41 consists of the channel interface, memory and sequencer, tape control unit and the tape unit matrix for 9-track, 1600 cpi, phase encoded recording, or 7- and 9-track, 556/800 cpi NRZI recording capabilities. It can read 200 cpi recording.	Stand-alone

Product Number	Description	Cabinet
7021-32	<p>Magnetic Tape Controller: Housed in two stand-alone cabinets generally referred to as the Host Processor and the Remote Processor cabinets. These cabinets are interconnected via a 25 ft. (7.62m) signal cable permitting the Remote Processor cabinet to communicate with the Host Processor cabinet. The Host Processor cabinet interfaces up to eight 67X-X tape units (in any combination or mix). Each of the two cabinets (Host and Remote) interface to a single 6000, lower CDC CYBER 70, or CYBER 170 data channel, permitting to interface to the eight tape units. The controller is capable of handling 7- and 9-track, 556/800 cpi NRZI recording and 9-track 1600 cpi phase encoded recording. It can read 200 cpi recording.</p>	Stand-alone
7021-42	<p>Magnetic Tape Controller: Housed in two stand-alone cabinets generally referred to as the Host Processor and the Remote Processor cabinets. These cabinets are interconnected via a 25 ft. (7.62m) signal cable permitting the Remote Processor cabinet to communicate with the Host Processor cabinet. The Host Processor cabinet interfaces up to eight 67X-X tape units (in any combination or mix). Each of the two cabinets (Host and Remote) interface to a single 6000, lower CDC CYBER 70, or CYBER 170 data channel, permitting an interface to the eight tape units. The controller is capable of handling 7- and 9-track 556/800 cpi NRZI recording and 9-track 1600 cpi phase encoded recording. It can read 200 cpi recording.</p>	Stand-alone
7054-1	<p>Mass Storage Controller: Interfaces from two to eight 844-2 or 844-21 Disk Storage Units, in any combination, with one standard CDC 6000 or CDC CYBER 70 series I/O channel.</p>	Stand-alone
7054-2	<p>Mass Storage Controller: Interfaces from two to eight 844-2 or 844-21 Disk Storage Units, in any combination, with two standard CDC 6000 or CDC CYBER 70 series I/O channels; serves the I/O channels on a one-at-a-time basis.</p>	Stand-alone
7054-21	<p>Mass Storage Controller: Interfaces from two to eight 844-2 or 844-21 Disk Storage Units, in any combination, with one standard CDC 6000 or CDC CYBER 70 or CYBER 170 I/O channel. The 7054-21 is the same as the 7054-1 except that it is able to check parity on the CDC CYBER 170 series I/O channel.</p>	Stand-alone
7054-22	<p>Mass Storage Controller: Interfaces from two to eight 844-2 or 844-21 Disk Storage Units, in any combination, with two standard CDC 6000 or CDC CYBER 70 or CDC CYBER 170 series I/O channel. The 7054-22 is the same as the 7054-2 except that it is able to check parity on the CDC CYBER 170 series I/O channel.</p>	Stand-alone
7054-41	<p>Mass Storage Controller: Interfaces from two to eight 844-2, 844-21, or 844-41 Disk Storage Units, in any combination, with one standard CDC 6000 or CDC CYBER 70 or CDC CYBER 170 series I/O channel. The 7054-41 is the same as the 7054-1/-21 except that it houses the 10333-1 double density option to permit operation with double density 844-41 Disk Storage Units.</p>	Stand-alone

Product Number	Description	Cabinet
7054-42	<p>Mass Storage Controller: Interfaces from two to eight 844-2, 844-21, 844-41 Disk Storage Units, in any combination, with two standard CDC 6000 or CDC CYBER 70 or CYBER 170 I/O channels. The 7054-42 is the same as the 7054-2/-22 except it houses the 10333-1 double density option to permit operation with 844-41 double density units.</p>	Stand-alone

Product Number	Description	Cabinet
7152-1	<p>Mass Storage and Magnetic Tape Controller: Controls up to four 844 disk storage units and four 66x magnetic tape units on independent single I/O channel connections. Intermix of DSU types (844-X or 844-XX) on one controller is permissible. A minimum of two DSUs is recommended. Requires at least one 669 configured on the controller for deadstart. Applies to CDC CYBER 170 only. Receives from: CDC CYBER 171, 172, 173, 174, 175, and sends to: 667-2/3/4, 669-2/3/4, and 844-2/21/4X.</p>	Stand-alone
7154-X	<p>Mass Storage Controller: Allows specified number of CDC CYBER 70/170/6000 I/O channels to access up to eight disk storage units. Capacity of each 844-2 or 844-21 is 118M 6-bit characters. The capacity of each 844-4X is 236M 6-bit characters. Intermix of DSU types on one controller is permissible. A minimum of two DSUs is recommended. Two controllers are required for dual access operation to the DSUs. Allows system transfers at one-to-one interface (full tracking) on a CDC CYBER 170 channel.</p>	Stand-alone
7154-1	<p>Mass Storage Controller: Connects to one channel.</p>	
7154-2	<p>Mass Storage Controller: Connects to two channels.</p>	
7154-3	<p>Mass Storage Controller: Connects to three channels.</p>	
7154-4	<p>Mass Storage Controller: Connects to four channels.</p>	
7155-XX	<p>Mass Storage Controller: Allows up to four CDC CYBER 70/70/6000 I/O channels to access up to four 885 disk storage units (eight spindles). 10398, 10399, and 10397 standard options allow 844-4x disk units, additional 885 disk units, and additional I/O channel accesses to be added to the sub-system.</p>	Stand-alone
7155-1/11	<p>Mass Storage Controllers: Connect to one channel.</p>	
7155-12	<p>Mass Storage Controller: Connects to two channels.</p>	
7155-13	<p>Mass Storage Controller: Connects to three channels.</p>	
7155-14	<p>Mass Storage Controller: Connects to four channels.</p>	
7155-401	<p>Mass Storage Controller/Direct Extended Memory Access (DEMA) - allows one CDC CYBER 170 I/O channel and one Extended Semiconductor Memory (ESM) port to access up to four 885 disk storage units (eight spindles). Each 885-11/12/42 spindle is 692 million six-bit characters.</p> <p>Data from/to the 885-42 is transmitted via DEMA to the ESM low-speed port only. Data from/to the 885-11/12 is transmitted via the CYBER 170 I/O channel. Two 7155 controllers are required for dual access operation to the 885 spindle.</p>	Stand-alone

Product Number	Description	Cabinet
7618-1	Magnetic Tape Controller: Connects to one 7602-1 Peripheral Processor; controls up to eight 657 and 659 (intermixed) Magnetic Tape Transports; provides code conversion; 200 cpi, 556 cpi, and 800 cpi NRZI recording and 1600 cpi phase encoded.	Stand-alone
7622-1	Magnetic Tape Controller: Two-channel connection to one control; permits read/write on any one of eight 667 and 669 (intermixed) Magnetic Tape Transports; reads/writes 556/800 cpi NRZI recording and 1600 cpi phase encoded; reads 200 cpi NRZI; includes a programmed processor; controlware is in binary form only.	Stand-alone
7622-2	Magnetic Tape Controller: Two-channel connections to each of two controls; permits simultaneous read/write on any two of eight 667 and 669 (intermixed) Magnetic Tape Transports; reads/writes 556/800 cpi NRZI recording and 1600 cpi phase encoded; reads 200 cpi NRZI; includes two programmed processors; controlware is in binary form only.	Stand-alone
7628-1	Magnetic Tape Controller: Connects to one or two 7602-1 Peripheral Processors; controls up to eight 657 and 659 (intermixed) Magnetic Tape Transports; provides code conversion; 200 cpi, 556 cpi, and 800 cpi, NRZI recording and 1600 cpi phase encoded.	Stand-alone
7629-1	Magnetic Tape Controller: Permits reading or writing with any one of eight CDC 65X 7-track tape transports connected in series; operates through two CDC 7000 full duplex data channels; 200 cpi, 556 cpi, 800 cpi densities in NRZI.	Stand-alone
7629-2	Magnetic Tape Controller: Permits reading or writing with any two of eight CDC 65X 7-track tape transports connected in parallel; operates from two CDC 7000 PPUs; 200 cpi, 556 cpi, 800 cpi densities in NRZI.	Stand-alone
7638-1	Disk File System: Includes disk file, two peripheral controllers, and hydraulic cabinet; provides 4.8 billion bits; has two read/write controls each with time-shared access to two independent channels; 42 MHz peak bit transfer rate.	Stand-alone
7639-1/2/21/22	Mass Storage Controller: Provides a hardware interface between a 7000-type PPU and a CDC model 819 Disk Storage Unit. Houses four PPU accesses; no more than two PPUs from the same mainframe can be attached; contains four DSU accesses; maintains a 3.1 MHz transfer rate on the channel.	Stand-alone
7654-1/-21	Mass Storage Controller: Interfaces from two to eight 844-2 or 844-21 Disk Storage Units, in any combination, with two pairs of standard CDC 7000 or CDC CYBER 70 model 76 series I/O channels. The 7654 serves each pair of I/O channels on a one-at-a-time basis. (Each pair of I/O channels is connected to the same computer.) The 7654-1 and 7654-21 are functionally identical.	Stand-alone

Product Number	Description	Cabinet
7681-1	Data Channel Converter: Permits 3000 series peripheral equipment to be attached to a 7602-1 Peripheral Processor; OSS software only.	Housed in a Type A or B Peripheral Controller cabinet.
7683	SATELLITE Coupler: Used with one 6683-1 or 6683-2 SATELLITE Coupler to permit direct connection between one 7602-1 Peripheral Processor Unit and one CDC CYBER 70, CDC CYBER 170, or 6000 data channel.	Housed in a Type B Peripheral Controller cabinet.
8019-1	OCR Document Reader Controller: Single-channel connection for controlling one optical document reader. Provides interface to 8092 Teleprogrammer.	Housed in a 921 cabinet

Product Number	Description	Cabinet
8022	Page Reader Controller: Consists of necessary circuitry for data and control signal generation and transmission between the 915 Page Reader and 160A or equivalent computer.	Housed in a 915 cabinet
8063	Data Set Controller: Connects to Bell Telephone 201A or 201B Data Sets; has 12-bit word register; an 8063 must be used at a remote location.	Housed in a DCT cabinet
8065	Typewriter Line Controller: Connects 8081 Computer to five- or eight-level; 60, 75, or 100 word per minute full-duplex teletype line; has 8-bit character register.	Housed in a DCT cabinet
8066	Communication Terminal Control: Controls up to four 312B Data Set Adapters, up to eight 311B 313, 314, 317, 318, 319, or 331 Data Set Adapters, up to sixteen 321 Teletypewriter Terminal Units or 330 Data Set Adapters, up to thirty-two 323 Teletypewriter Terminal Units.	Housed in a 3266 MUX cabinet
8071	Magnetic Tape Synchronizer: Provides communication path with up to four 603 Magnetic Tape Transports.	Housed in an 8081 Central Computer cabinet†
8072	Magnetic Tape Synchronizer: Provides communication path with up to eight 606 Magnetic Tape Transports.	Housed in an 8081 Central Computer cabinet†
8073	Paper Tape Punch: Prepares full perforated tape at speeds up to a standard speed of 63.3 characters per second; includes power supply.	Housed in an 8081 Central Computer cabinet†
8074	Paper Tape Reader: Photoelectric; reads up to 350 characters per second of five-, seven-, or eight-level tapes of standard widths.	Housed in an 8081 Central Computer cabinet†
8076	Communication Terminal Control: Controls up to sixteen 321 Teletypewriter Terminal Units or up to thirty-two 323 Teletypewriter Terminal Units; operates from one normal channel; requires an appropriate 8909 when used with telegraph terminals.	Housed in a 3266 MUX cabinet
8094	Peripheral Equipment Adapter: Connects up to five peripheral devices with 12-bit interface to 8092 and provides operator selection of peripheral equipment.	Housed in an 8092 cabinet
8095	Transmission Control Panel: Stand-up control panel allowing computer operator to control 8092 system by means of rotary switches, visual displays, and pushbutton switches.	Housed in an 8092 cabinet

† Refer to the 8090 System Data Manual, publication number 60275500.

Product Number	Description	Cabinet
8096	Input/Output Teletypewriter: Uses model 33 teletypewriter; includes 10 character per second paper tape reader and paper tape punch; single-channel connection.	Panel logic is housed in a model 33, teletype is part of 906 OCR system
8194	Magnetic Tape Controller: Single-channel connection; controls up to four tape units.	Stand-alone
8196	Input/Output Teletypewriter: Uses model 35 teletypewriter; includes paper tape reader and paper tape punch, single-channel connection; provides keyboard page printer.	Panel logic is housed in a model 35, teletype is part of 906 OCR system
8197	Data Set Controller: Interfaces 8092, 160A, 8081 Computers to Bell System Data Set 201A and 201B; communicates with another 8197 or 311B Data Set Adapter; can be operated half-duplex at 2000 bps or full-duplex at 2000 or 2480 bps; odd, even, or no-parity generation and detection is provided under operator control; when the 8197 provides parity, data transfer between computer and 8197 is in 7-bit characters; with no hardware parity data transfer is in 8-bit characters.	Housed in a DCT cabinet
8271-B	Transfer Switch: Manually switches peripheral controllers between two 3X06 data channels; functionally, two inputs and two outputs are provided when the switch is not activated - input A is connected to output A and input B is connected to output B; when the switch is activated, input A is connected to output B and input B is connected to output A; one switch transfers both the status and the data cable of each channel; for use on standard 3000 series data channels only; requires 3270A or B transfer switch controller.	Housed in a 3270 A or B cabinet
8271-2	Transfer Switch: Manually switches peripheral controllers between two data channels; used on 1700, 3000, 6000, CDC CYBER 70 or 170 series computers; requires a 3270-A or 3270-B Transfer Switch Controller.	Housed in a 3270 A or B cabinet
8291	Paper Tape Punch: Punches 110 characters per second.	Housed in a DCT cabinet
8299	Paper Tape Reader: Reads 350 characters per second, five-, six-, seven- or eight-level paper tape; single-channel connection.	Housed in a DCT cabinet
8529	Data Set Controller: Permits direct connection to AT and T Data Set 301; self-contained cyclic code generating and checking logic provides hardware error detection; operates in half-duplex mode only; an 8529, 3275, or 6675 can be used at the other end of the transmission facility.	Housed in a Type A Peripheral Controller cabinet

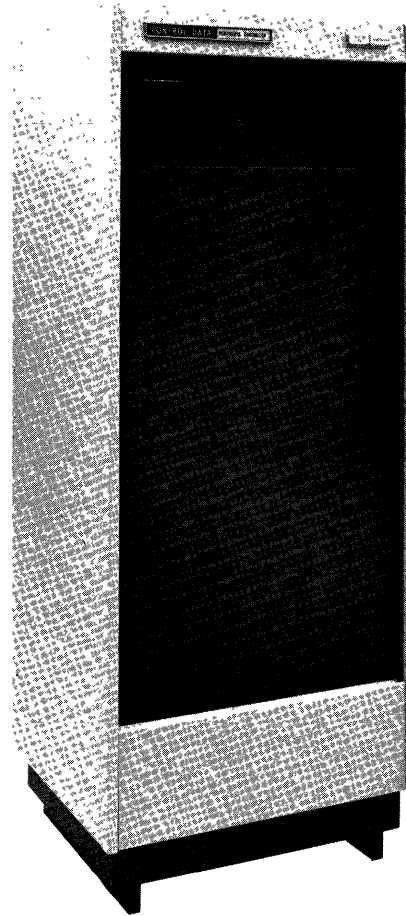
Product Number	Description	Cabinet
8909-G	Test Board Drawer: Provides isolation of 321 or 323 Teletypewriter Terminal Unit from teletype line; permits use of various line test and monitoring equipment; fits into 1749 or 3266 Communications Terminal Controller; accomodates up to eight full-duplex teletype lines; does not provide line current for telegraphic facility when communications company is not involved; use with 1749 or 3266 does not reduce maximum terminal capacity of CTC.	Housed in any 304-1, 3266, 1749, 8066 or 8076 cabinet
10285-1	Dual Channel Switch Option: Converts a single-channel 7054-1/21/41 Mass Storage Controllers to dual-channel 7054-2/22/42 Mass Storage Controllers.	Housed in 7X54 Controller cabinet
10304-1	844 Mass Storage Extender: Interfaces to two of the 7X54-X interface cables; provides connection of up to 16, 844 Disk Storage Units; up to two 10304-1/2 Mass Storage Extender cabinets can be connected to a single 7X54-X controller to provide connection to a maximum of sixty-four 844 Disk Storage Units; the 844-41 Disk Storage Units must connect directly to the controller and not to the extenders.	Stand-alone
10304-2	844 Mass Storage Extender (used in conjunction with the 10304-1): Interfaces to two additional 7X54-X interface cables; provides connection of up to 16 additional 844 Disk Storage Units; up to two 10304-1/2 Mass Storage Extender Cabinets can be connected to a single 7X54-X controller to provide connection to a maximum of sixty-four 844 Disk Storage Units; the 844-41 Disk Storage Units must connect directly to the controller and not to the extenders.	Housed in a 10304-1 cabinet
10333-1	Double Density Option: Permits operation of 7054-41 and 7054-42 Mass Storage Controllers with double density 844-41 Disk Storage Units.	Housed in a 7054 Controller cabinet
10396-1	885 Two Channel Access: Provides a second 7155 controller connection to both spindles of an 885-11. Makes the equipment equivalent to an 885-12.	Housed in 885-11 cabinet
10397-1	7155-1 Additional Channel Option: Provides an additional I/O channel connection to a 7155-1 controller; up to three of these options can be added to the controller.	Housed in 7155-1 cabinet
10398-1	7155-844-x Access Option: Provides an access in the 7155-1 controller for up to eight 844-41 or 844-44 disk storage units. The capacity of an 844-4x is 236 million 6-bit characters. Field installable only.	Housed in 7155-1 cabinet
10398-2	Same as 10398-1 except is not field installable.	
10399-1	7155-885 Four Drive Expansion Option: Provides an access in the 7155 for up to four 885-11/12 disk storage units (eight spindles). Capacity of each 885 spindle is 692 million 6-bit bytes. Field installable only.	Housed in 7155-1 cabinet
10399-2	Same as 10399-1 except is not field installable.	

Product Number	Description	Cabinet
10447-1	Magnetic Tape Controller: Field upgrade of a 7021-41 to the equivalent of 7021-31. Features 9-track 6250 cpi, group coded recording capability.	Housed in a 7021-41 cabinet
10447-2	Magnetic Tape Controller: Field upgrade of a 7021-42 to the equivalent of 7021-32. Features 9-track 6250 cpi, group coded recording capability.	Housed in a 7021-42 cabinet
7880-1/ 65125-1	Mass Storage Controller: Consists of one CDC CYBER Mass Storage Coupler and one CDC CYBER Mass Storage Adapter. The coupler interfaces two 6000 or CDC CYBER PPU channels to one adapter on a time-shared basis. Coupler has a 4K, 24-bit data buffer memory. Adapter attaches to up to eight devices (7881-1/65126-1 and/or 7882-1/65127-1). Adapter microprogram controls attached 7881-1/65126-1 and 7882-1/65127-1 units. Adapter contains one data path with 9-track GCR format capability to pass data to 7882-1/65127-1 units.	Coupler and adapter each stand-alone
7881-1/ 65126-1	Cartridge Storage Unit (CSU): Consists of a storage module capable of holding 2000 65132-1 tape cartridges, a 2-axis selector module, and two drawers used to enter and remove cartridges. Includes alternate path feature and 500 65132-1 cartridges. Electrically interfaces with 7880-1/65125-1 Mass Storage Controller. Mechanically attaches to 7882-1/65127-1 Mass Storage Transport. A minimum of two and a maximum of four transports can be attached to a CSU.	Stand-alone
7882-1/ 65127-1	Mass Storage Transport: Contains an interstation drive for moving cartridges within the transport, an automatic tape load/unload mechanism, and movable read/write head for accessing eight data stream pairs. Moves tape up to 129 inches per second and has 6250 bytes per inch group coded recording format capability. Interfaces with 7880-1/65125-1 Mass Storage Controller. Attaches mechanically to 7881-1/65126-1 CSU.	Stand-alone
10390-1/ 65128-1	Mass Storage Controller 16 Device Addressing Option: Increases the number of allowable device connections of 7880-1/65125-1 Mass Storage Controller from eight to sixteen; can be installed in the field.	Resides in 7880-1/ 65125-1
10391-1/ 65129-1	Mass Storage Controller Channel Access Option: Provides two additional PP channel connections to a Mass Storage Controller; can be installed in the field.	Resides in 7880-1/ 65125-1
10392-1/ 65130-1	Mass Storage Transport Alternate Path Option: Allows the connection of one 7882-1/65127-1 Mass Storage Transport to two 7880-1/65125-1 Mass Storage Controllers. Provides an alternate path from a transport and allows switching to another controller. One option can be added to a transport; can be installed in the field.	Resides in 7882-1/ 65127-1

PART 3

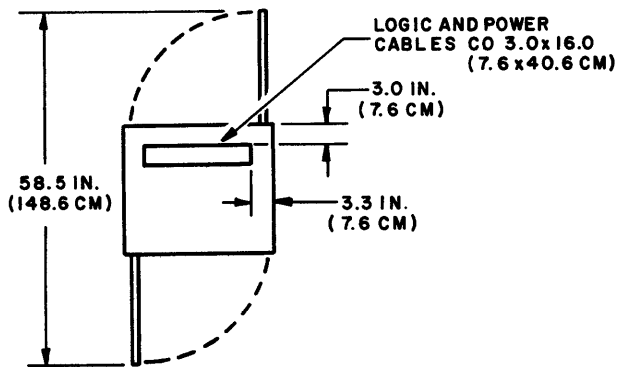
**PERIPHERAL EQUIPMENT
DATA SHEETS**

TYPE A PERIPHERAL CONTROLLER CABINET



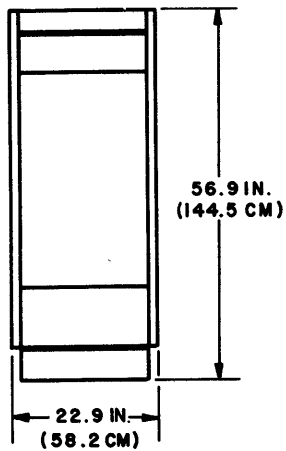
2460

PLAN

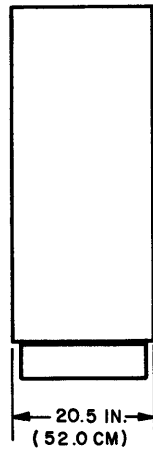


TYPICAL MODULE ARRANGEMENTS WITHIN CABINET

FRONT



SIDE



6683-1

7683-1

OR

WHERE UNITS ARE LOCATED
IN SEPERATE CABINETS

6683-1

7683-1

2AW14A

TYPE A PERIPHERAL CONTROLLER CABINET

(Containing combinations of: 3681, 3682, or a 3245)

Width	22.9	in (582 mm)	Weight	Refer to table on sheet 3 of 5
Depth	20.5	in (520 mm)	Supported by	2 legs
Height	56.9	in (1445 mm)		

For maximum width/depth, all doors extended, refer to sheet 1 of 5.

Power consumption, steady state, maximum:

This cabinet uses 1 of 4 power supply types listed in the table on sheet 3 of 5.

Circuit breakers:

Refer to table on sheet 3 of 5.

Power connector locations above cabinet base:

2 in (51 mm)

Control Data signal cables:	Quantity:	Standard length:	Maximum length:
3681/3682 to I/O chan of ctl cmpr	2	20 ft (6.1 m)	50 ft (15.2 m)
3245 to I/O chan of ctl cmpr	8	20 ft (6.1 m)	50 ft (15.2 m)
	2	20 ft (6.1 m)	200 ft (60.2 m)
	2	50 ft (15.2 m)	200 ft (60.2 m)
	2	30 ft (9.1 m)	200 ft (60.2 m)

Distance from internal signal cable connectors to floor: 8.3 in (211 mm)

External terminator power connection required: no yes (40 V dc)

Environmental considerations:

Type of cooling, internal fan

Source of cooling, room air

Air required at inlet if plenum-cooled,

Heat rejection rate, maximum	<table style="border: none; vertical-align: middle;"> <tr> <td style="border: none;">{</td> <td style="border: none;">to air, Refer to table on sheet 3 of 5</td> <td style="border: none;">}</td> </tr> <tr> <td style="border: none;">{</td> <td style="border: none;">to water, N/A</td> <td style="border: none;">}</td> </tr> </table>	{	to air, Refer to table on sheet 3 of 5	}	{	to water, N/A	}
{	to air, Refer to table on sheet 3 of 5	}					
{	to water, N/A	}					

Permissible range of room relative humidity, 35 % to 60 %

	Maximum	Recommended	Minimum	Dew Point Limitation
Operating temperature (ambient or plenum inlet temperature)	74 °F (23.3 °C)	71 °F (21.7 °C)	62 °F (16.7 °C)	N/A °F (°C)
Storage temperature	120 °F (48.9 °C)		0 °F (-17.8 °C)	

TYPE A PERIPHERAL CONTROLLER CABINET

ALTERNATE POWER SUPPLIES FOR TYPE A CABINET

Type Power Supply	Weight (max)	Power Consumption (max)	Circuit Breaker Size †	Heat Rejection Rate (max)
50 Hz, 115 V, 1 phase	478 lb (216 kg)	1.58 kVA for 50 Hz, 115 V, 1 phase	One 15 A for 50 Hz, 1 phase	3930 Btu/hr (1151 W)
50/60 Hz, 115 V, 1 phase	485 lb (220 kg)	1.299 kVA for 50/ 60 Hz, 1 phase	One 15 A for 50/60 Hz, 1 phase	2280 Btu/hr (668 W)
60 Hz, 115 V, 1 phase	478 lb (216 kg)	1.521 kVA for 60 Hz, 115 V, 1 phase	One 15 A for 60 Hz, 1 phase	3730 Btu/hr (1092 W)
400 Hz, 208 V, 3 phase	440 lb (200 kg)	0.346 kVA for 400 Hz, 208 V, 3 phase	One 15 A for 400 Hz, 1 phase	1485 Btu/hr (435 W)

†Some cabinets have two 20-A circuit breakers for the 50/60-Hz 1-phase power. The additional circuit breaker controls power to a convenience outlet.

TYPE A PERIPHERAL CONTROLLER CABINET

(Containing a 6683 or 7683 SATELLITE® Coupler)

Width	22.9	in (582 mm)	Weight	440 lb (200 kg)
Depth	20.5	in (520 mm)	Supported by 2 legs	
Height	56.9	in (1445 mm)		

For maximum width/depth, all doors extended, refer to sheet 1 of 5.

Power consumption, steady state, maximum:

400 Hz, 208 V, 3 phase, 0.4 kVA
 and $\left\{ \begin{array}{l} 60 \text{ Hz, } 120 \text{ V, } 1 \text{ phase, } 0.1 \text{ kVA} \\ \text{or} \\ 50 \text{ Hz, } 120 \text{ V, } 1 \text{ phase, } 0.1 \text{ kVA} \end{array} \right\}$

Circuit breakers:

400 Hz, 15 A, 3 phase
 and $\left\{ \begin{array}{l} 60 \text{ Hz, } 15 \text{ A, } 1 \text{ phase} \\ \text{or} \\ 50 \text{ Hz, } 15 \text{ A, } 1 \text{ phase} \end{array} \right\}$

Power connector locations above cabinet base:

Terminal strip 12 in (305 mm)
 Terminal strip }
 Terminal strip } 12 in (305 mm)

Control Data signal cables:	Quantity:	Standard length:	Maximum length:
6683 to central computer	2	5 ft (1.5 m)	5 ft (1.5 m)
6683 to central computer	2	70 ft (21.3 m)	70 ft (21.3 m)
6683 to 7683/6683	1	50 ft (15.2 m)	200 ft (60.2 m) [†]
7683 to central computer	2	50 ft (15.2 m)	50 ft (15.2 m)
7683 to 6683/7683	1	3 ft (0.9 m)	200 ft (60.2 m) [†]

Distance from internal signal cable connectors to floor: 20 in (508 mm)
 External terminator power connection required: yes (40 V dc)

Environmental considerations:

Type of cooling, internal fan
 Source of cooling, room air

Heat rejection rate, maximum $\left\{ \begin{array}{l} \text{to air, } 1650 \text{ Btu/h (} 483 \text{ W) } \\ \text{to water, N/A} \end{array} \right\}$

Permissible range of room relative humidity, 25 % to 75 %

	Maximum	Recommended	Minimum	Dew Point Limitation
Operating temperature (ambient or plenum inlet temperature)	78 °F (25.5 °C)	72 °F (22 °C)	62 °F (16.5 °C)	N/A °F (°C)
Storage temperature	125 °F (51 °C)		-20 °F (-29 °C)	

[†]Up to 1000 ft (305 m) maximum with degradation of transfer rate. Beyond 50 ft (15.2 m), consult CDC systems manager.

TYPE A PERIPHERAL CONTROLLER CABINET

(Containing up to two 7681-1 Data Channel Converters)

Width	22.9	in (582 mm)	Weight	440	lb (200 kg)
Depth	20.5	in (520 mm)	Supported by 2 legs		
Height	56.9	in (1445 mm)			

For maximum width/depth, all doors extended, refer to floor plan layout.

Power consumption, steady state, maximum:

400 Hz, 208 V, 3 phase, 0.4 kVA
 and $\left\{ \begin{array}{l} 60 \text{ Hz, } 120 \text{ V, } 1 \text{ phase, } 0.1 \text{ kVA} \\ \text{or} \\ 50 \text{ Hz, } 120 \text{ V, } 1 \text{ phase, } 0.1 \text{ kVA} \end{array} \right\}$

Circuit breakers:

400 Hz, 15 A, 3 phase
 and $\left\{ \begin{array}{l} 60 \text{ Hz, } 15 \text{ A, } 1 \text{ phase} \\ \text{or} \\ 50 \text{ Hz, } 15 \text{ A, } 1 \text{ phase} \end{array} \right\}$

Power connector locations above cabinet base:

Terminal strip	12 in (305 mm)
Terminal strip	} 12 in (305 mm)
Terminal strip	

Control Data signal cables:	Quantity:	Standard length:	Maximum length:
7681-1 to central computer	2	50 ft (15.4 m)	50 ft (15.4 m)

Distance from internal signal cable connectors to floor: 20 in (508 mm)

External terminator power connection required: yes (40 V dc)

Environmental considerations:

Type of cooling, internal fan

Source of cooling, room air

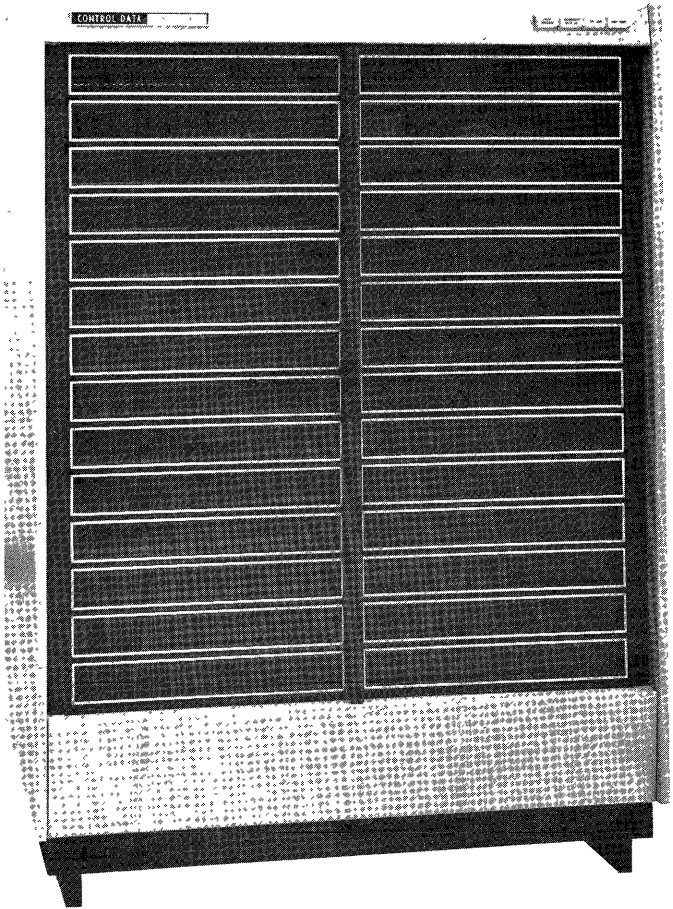
Heat rejection rate, maximum $\left\{ \begin{array}{l} \text{to air, } 1650 \text{ Btu/h (} 484 \text{ W) } \\ \text{to water, N/A} \end{array} \right\}$

Permissible range of room relative humidity, 25 % to 75 %

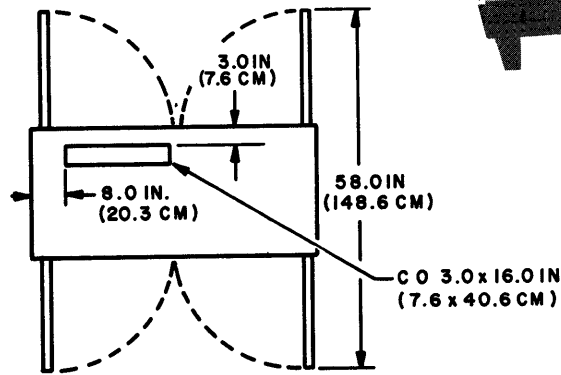
	Maximum	Recommended	Minimum	Dew Point Limitation
Operating temperature (ambient or plenum inlet temperature)	78 °F (25.5 °C)	72 °F (22 °C)	62 °F (16.5 °C)	N/A °F (°C)
Storage temperature	125 °F (51 °C)		-20 °F (-29 °C)	

TYPE B PERIPHERAL CONTROLLER CABINET

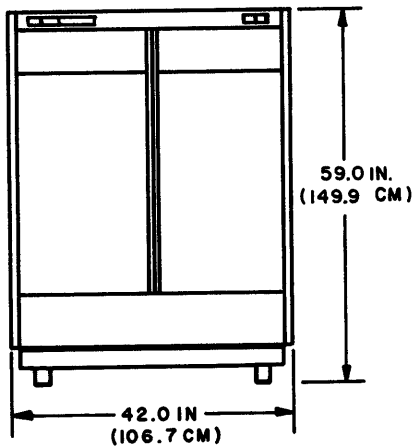
(Containing combinations of: 3245, 3256, 3446, 3637, 3644, 3659, 3681, 3682)



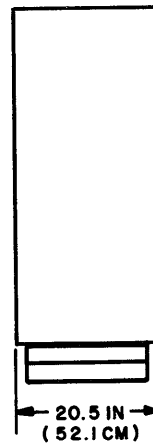
PLAN



FRONT



SIDE



2AW5A

TYPE B PERIPHERAL CONTROLLER CABINET

(Containing combinations of: 3245, 3256, 3446, 3637, 3644, 3659, 3681, 3682)

Width	42.0	in (1067 mm)	Weight	Refer to table on sheet 3 of 6.
Depth	20.5	in (521 mm)	Supported by	2 legs
Height	59.0	in (1499 mm)		

For maximum width/depth, all doors extended, refer to sheet 1 of 6.

Power consumption, steady state, maximum:

This cabinet uses 1 of 4 power supply types listed in the table on sheet 3 of 6.

Circuit breakers:

Refer to table on sheet 3 of 6.

Power connector locations above cabinet base:

Terminal strips 2 in (51 mm)

Control Data signal cables:	Quantity:	Standard length:	Maximum length:
B cabinet to I/O chan of ctl cmpr	2	20 ft (6.1 m)	200 ft (61 m)
B cabinet to I/O chan of ctl cmpr	8	20 ft (6.1 m)	50 ft (15.4 m)

Distance from internal signal cable connectors to floor: 8.3 in (211 mm)

External terminator power connection required: yes (40 V dc)

Environmental considerations:

Type of cooling, internal fan

Source of cooling, room air

Heat rejection rate, maximum $\left\{ \begin{array}{l} \text{to air, Refer to table on sheet 3 of 6.} \\ \text{to water, N/A} \end{array} \right\}$

Permissible range of room relative humidity, 35 % to 60 %

	Maximum	Recommended	Minimum	Dew Point Limitation
Operating temperature (ambient or plenum inlet temperature)	74 °F (23.3 °C)	71 °F (21.7 °C)	62 °F (16.7 °C)	N/A °F (°C)
Storage temperature	120 °F (48.9 °C)		0 °F (-17.8 °C)	

TYPE B PERIPHERAL CONTROLLER CABINET

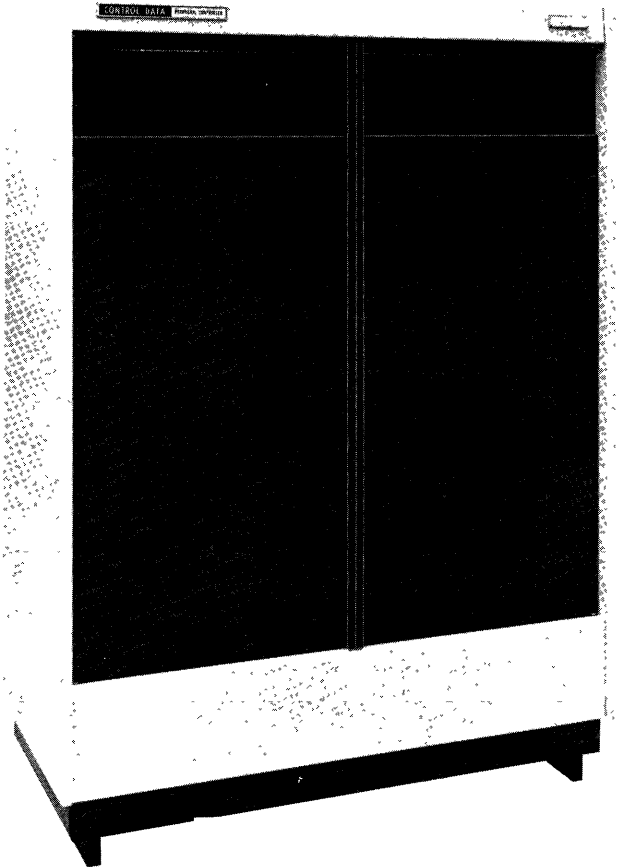
ALTERNATE POWER SUPPLIES FOR TYPE B CABINET

Type Power Supply	Weight (max)	Power Consumption (max)	Circuit Breaker Size†	Heat Rejection Rate (max)
50 Hz, 115 V, 1 phase	676 lb (307 kg)	1.58 kVA for 50 Hz, 115 V, 1 phase	One 15 A for 50 Hz, 1 phase	4860 Btu/hr (1424W)
50/60 Hz, 115 V, 1 phase	683 lb (310 kg)	1.299 kVA for 50/60 Hz, 115 V, 1 phase	One 15 A for 50/60 Hz, 1 phase	2810 Btu/hr (823W)
60 Hz, 115 V, 1 phase	676 lb (307 kg)	1.521 kVA for 60 Hz, 115 V, 1 phase	One 15 A for 60 Hz, 1 phase	4660 Btu/hr (1365W)
400 Hz, 208 V, 3 phase	659 lb (298 kg)	0.692 kVA for 400 Hz, 208 V, 3 phase	One 15 A for 400 Hz, 3 phase	2865 Btu/hr (839W)

†Some cabinets have two 20-A circuit breakers for the 50/60-Hz 1-phase power. The additional circuit breaker controls power to a convenience outlet.

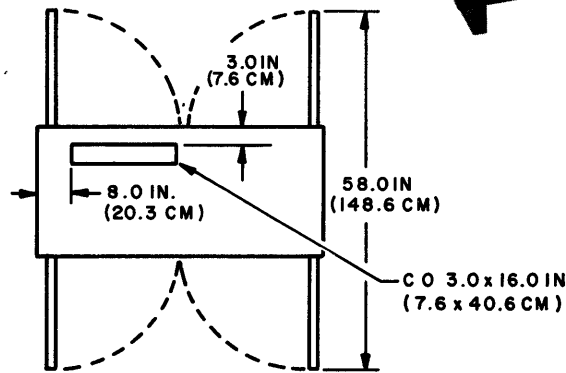
TYPE B PERIPHERAL CONTROLLER CABINET

(Containing combinations of: 6683, 7683, or a 7681-1)

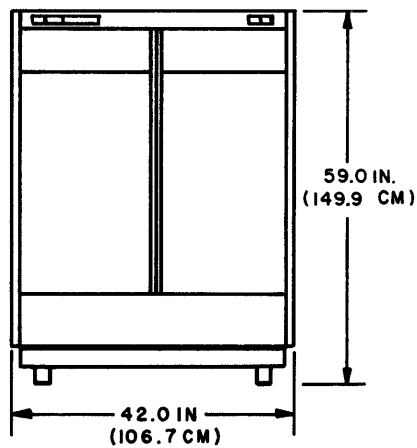


2462

PLAN



FRONT



SIDE



2AW5A

TYPE B PERIPHERAL CONTROLLER CABINET

(Containing combinations of: 6683, 6684-2, 7683, or a 7681-1)

Width	42.0	in (1067 mm)	Weight	700	lb (320 kg)
Depth	20.5	in (521 mm)	Supported by 2 legs		
Height	59.0	in (1499 mm)			

For maximum width/depth, all doors extended, refer to sheet 5 of 6.

Power consumption, steady state, maximum:

NOTE

400 Hz, 208 V, 3 phase, 0.9 kVA
 and { 60 Hz, 120 V, 1 phase, 0.3 kVA
 or
 50 Hz, 120 V, 1 phase, 0.3 kVA }

The 60-Hz or 50-Hz power is 0.4 kVA for the 6683 and 7683.

Circuit breakers:

400 Hz, 15 A, 3 phase
 and { 60 Hz, 15 A, 1 phase
 or
 50 Hz, 15 A, 1 phase }

Power connector locations above cabinet base:

Terminal strip 12 in (305 mm)
 Terminal strip } 12 in (305 mm)
 Terminal strip

Control Data signal cables:

Quantity:

Standard length:

Maximum length:

6683-2/6684-2 to ctl cmpr	2	5 ft (1.5 m)	5 ft (1.5 m)
6683-2/6684-2 to ctl cmpr	2	70 ft (21.3 m)	70 ft (21.3 m)
6683 to 7683/6683	1†	50 ft (15.4 m)	200 ft (60.2 m)††
7683 to central computer	2	50 ft (15.4 m)	50 ft (15.4 m)
7681 to central computer	2	50 ft (15.4 m)	50 ft (15.4 m)
7683 to 6683/7683	1	3 ft (0.9 m)	200 ft (61 m)††

Distance from internal signal cable connectors to floor: 8.3 in (211 mm)

External terminator power connection required: yes (40 V dc)†††

Environmental considerations:

Type of cooling, internal fan

Source of cooling, room air

Heat rejection rate, maximum { to air, 3700 Btu/h (1084 W)
 to water, N/A }

Permissible range of room relative humidity, 25 % to 75 %

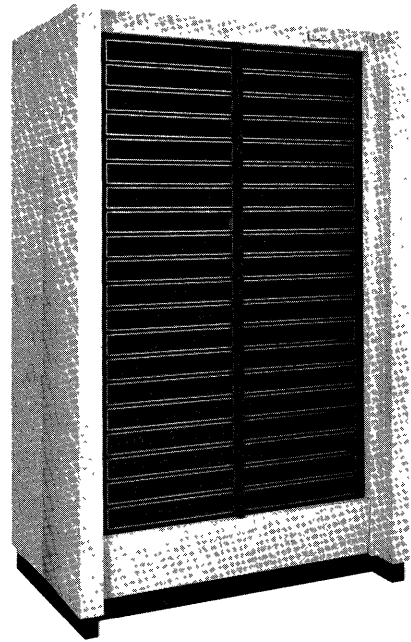
	Maximum	Recommended	Minimum	Dew Point Limitation
Operating temperature (ambient or plenum inlet temperature)	78 °F (25.5 °C)	72 °F (22 °C)	62 °F (16.5 °C)	N/A °F (°C)
Storage temperature	125 °F (51 °C)		-20 °F (-29 °C)	

† Applicable if 7683 and 6683 are located in separate cabinets.

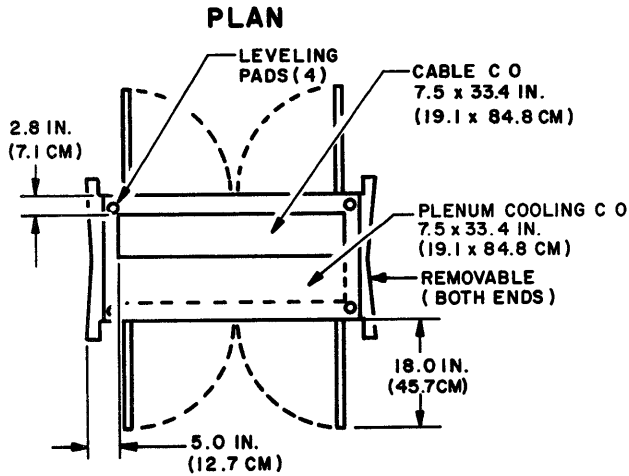
†† Up to 50 ft (15.2 m) maximum with degradation of transfer rate. Beyond 50 ft (15.2 m), consult CDC system manager.

††† Except 7681-1, which does not require 40 Vdc.

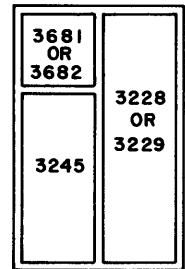
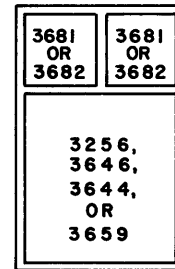
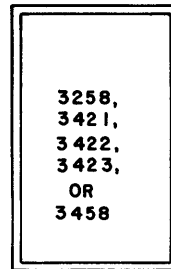
TYPE C PERIPHERAL CONTROLLER CABINET



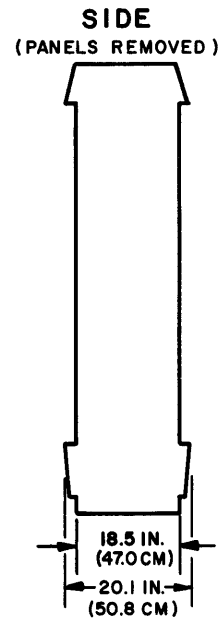
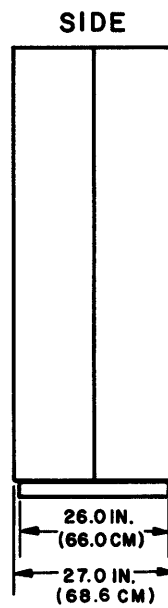
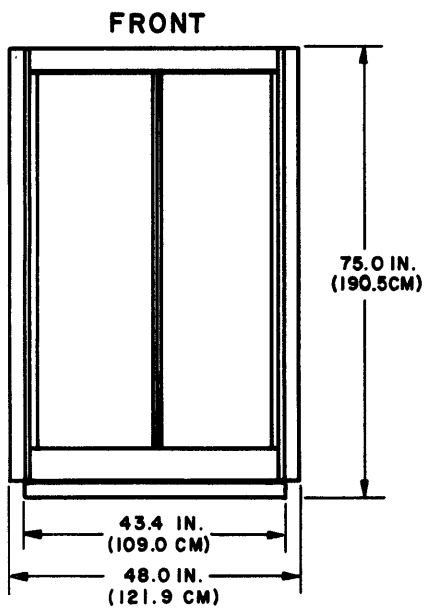
1421



TYPICAL MODULE ARRANGEMENTS WITHIN CABINETS



NOTE: CABINETS SHIPED WITH END SKINS REMOVED.
CABINETS MOUNTED END-TO-END, USE ONLY TWO END SKINS.



2AWIA

TYPE C PERIPHERAL CONTROLLER CABINET

(Containing combinations of: 3228, 3229, 3245, 3256, 3421, 3422,
3423, 3446, 3644, 3458, 3659, 3681, 3682)

Width	48.0 in (1219 mm)	Weight	Refer to table on sheet 3 of 4.
Depth	27.0 in (686 mm)	Supported by	4 leveling pads
Height	75.0 in (1905 mm)		

For maximum width/depth, all doors extended, refer to sheet 1 of 4.

Power consumption, steady state, maximum:

This cabinet uses 1 of 2 power supply types listed in the table on sheet 3 of 4.

Circuit breakers:

Refer to table on sheet 3 of 4

Power connector locations above cabinet base:

2 in (51 mm)

Control Data signal cables:	Quantity:	Standard length:	Maximum length:
C cabinet to I/O chan of ctl cmptr	2	50 ft (15.4 m)	200 ft (61 m)

Distance from internal signal cable connectors to floor: 8.3 in (211 mm)

External terminator power connection required: yes (40 V dc)

Environmental considerations:

Type of cooling, internal fan

Source of cooling, room air

Heat rejection rate, maximum { to air, Refer to table on sheet 3 of 4.
to water, N/A }

Permissible range of room relative humidity, 35 % to 60 %

	Maximum	Recommended	Minimum	Dew Point Limitation
Operating temperature (ambient or plenum inlet temperature)	74 °F (23.3 °C)	71 °F (21.7 °C)	62 °F (16.7 °C)	N/A °F (°C)
Storage temperature	120 °F (48.9 °C)		0 °F (-17.8 °C)	

TYPE C PERIPHERAL CONTROLLER CABINET

ALTERNATE POWER SUPPLIES FOR TYPE C CABINET

Type Power Supply	Weight (max)	Power Consumption (max)	Circuit Breaker Size†	Heat Rejection Rate (max)
50/60 Hz, 115/208 V, 1 phase/3 phase	1015 lb (462 kg)	0.023 kVA for 50/60 Hz, 115V, 1 phase and 2.38 kVA for 50/60 Hz, 208V, 3 phase	One 15 A for 50/60 Hz, 1 phase or one 15 A for 50/60 Hz, 3 phase	5275 Btu/hr (1546W) maximum
400 Hz, 115/208 V, 1 phase/3 phase	1020 lb (462 kg)	0.033 kVA for 50/60 Hz, 115 V, 1 phase and 1.04 kVA for 400 Hz, 208 V, 3 phase	One 15 A for 50/60 Hz, 1 phase or one 15 A for 400 Hz, 3 phase	3725 Btu/hr (1091W) maximum
†Some cabinets have two 20-A circuit breakers for the 50/60-Hz 1-phase power. The additional circuit breaker controls power to a convenience outlet.				

TYPE C PERIPHERAL CONTROLLER CABINET

(Containing 7600 Tape Controller, part of 7611 Peripheral Station)

Width	48.0 in (1219 mm)	Weight	1020 lb (460 kg)
Depth	27.0 in (686 mm)	Supported by 4 leveling pads	
Height	75.0 in (1905 mm)		

For maximum width/depth, all doors extended, refer to sheet 1 of 4.

Power consumption, steady state, maximum:

400 Hz, 208 V, 3 phase, 1.0 kVA
 and $\left\{ \begin{array}{l} 60 \text{ Hz, } 120 \text{ V, } 1 \text{ phase, } 0.5 \text{ kVA} \\ \text{or} \\ 50 \text{ Hz, } 120 \text{ V, } 1 \text{ phase, } 0.5 \text{ kVA} \end{array} \right\}$

Circuit breakers:

400 Hz, 15 A, 3 phase
 and $\left\{ \begin{array}{l} 60 \text{ Hz, } 15 \text{ A, } 1 \text{ phase} \\ \text{or} \\ 50 \text{ Hz, } 15 \text{ A, } 1 \text{ phase} \end{array} \right\}$

Power connector locations above cabinet base:

Terminal strip	12 in (305 mm)
Terminal strip	} 12 in (305 mm)
Terminal strip	

Control Data signal cables:	Quantity:	Standard length:	Maximum length:
Tape controller to equipment controller	4 or 8	50 ft (15.4 m)	50 ft (15.4m)

Distance from internal signal cable connectors to floor: 15 in (381 mm)

External terminator power connection required: no

Environmental considerations:

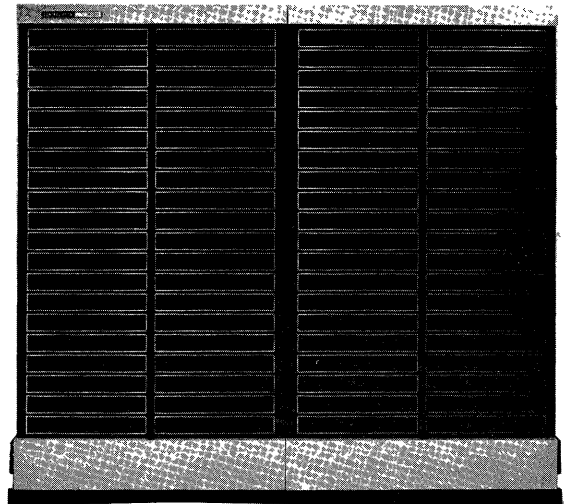
Type of cooling, internal fan
 Source of cooling, room air

Heat rejection rate, maximum $\left\{ \begin{array}{l} \text{to air, } 5100 \text{ Btu/h (} 1494 \text{ W) } \\ \text{to water, N/A} \end{array} \right\}$

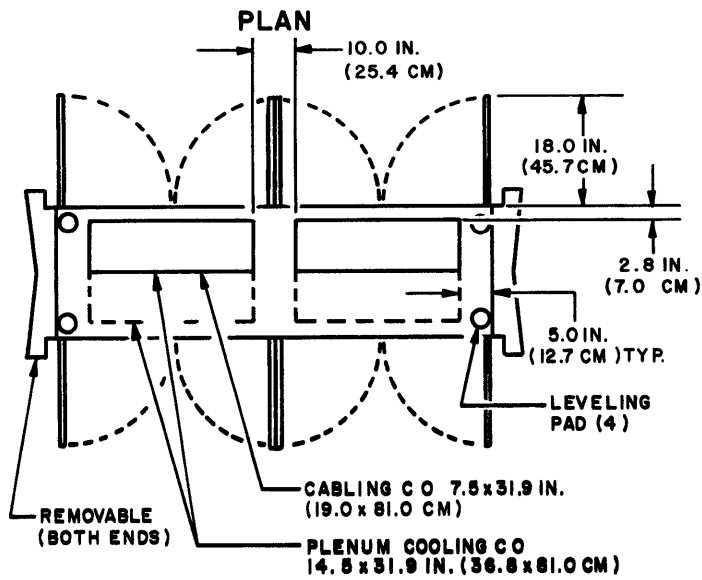
Permissible range of room relative humidity, 35 % to 60 %

	Maximum	Recommended	Minimum	Dew Point Limitation
Operating temperature (ambient or plenum inlet temperature)	74 °F (23.5 °C)	72 °F (22 °C)	62 °F (16.5 °C)	N/A °F (°C)
Storage temperature	150 °F (65 °C)		-30 °F (-34 °C)	

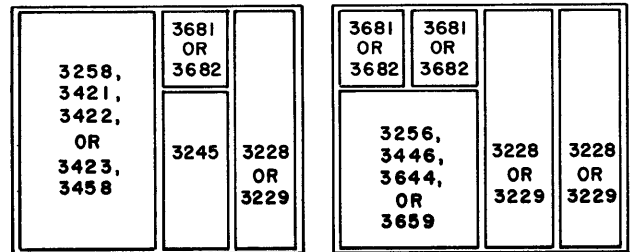
TYPE D PERIPHERAL CONTROLLER CABINET



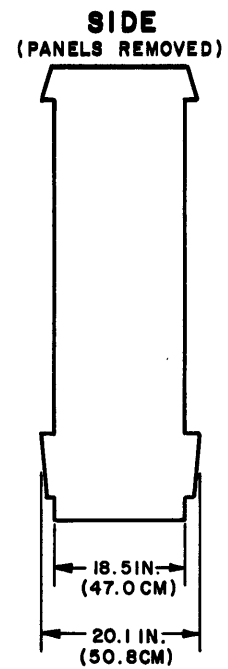
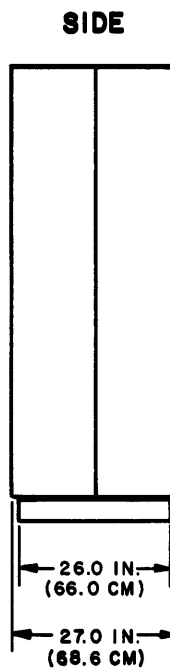
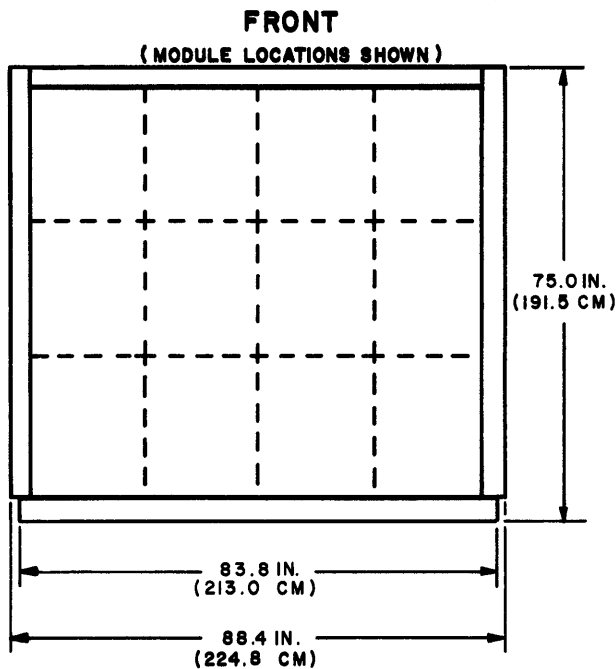
838



TYPICAL MODULE ARRANGEMENTS WITHIN CABINETS



NOTE: CABINETS ARE SHIPPED WITH END SKINS REMOVED. CABINETS MOUNTED END-TO-END, USE ONLY TWO (2) END SKINS.



2AW9A

TYPE D PERIPHERAL CONTROLLER CABINET

(Contains combinations of: 3228, 3229, 3245, 3256, 3258, 3421,
3422, 3423, 3446, 3458, 3459, 3644, 3681, 3682)

Width	88.4 in (2248 mm)	Weight	1415 lb (641 kg)
Depth	27.0 in (686 mm)	Supported by 4 leveling pads	
Height	75.0 in (1905 mm)		

For maximum width/depth, all doors extended, refer to sheet 1 of 2.

Power consumption, steady state, maximum:

400 Hz, 208 V, 3 phase, 2.08 kVA
 and $\left\{ \begin{array}{l} 60 \text{ Hz, } 120 \text{ V, } 1 \text{ phase, } 0.066 \text{ kVA} \\ \text{or} \\ 50 \text{ Hz, } 120 \text{ V, } 1 \text{ phase, } 0.066 \text{ kVA} \end{array} \right\}$

Circuit breakers:

400 Hz, 15 A, 3 phase
 and $\left\{ \begin{array}{l} 60 \text{ Hz, } 15 \text{ A, } 1 \text{ phase} \dagger \\ \text{or} \\ 50 \text{ Hz, } 15 \text{ A, } 1 \text{ phase} \end{array} \right\}$

Power connector locations above cabinet base:

Terminal strip	12 in (305 mm)
Terminal strip	} 12 in (305 mm)
Terminal strip	

Control Data signal cables:	Quantity:	Standard length:	Maximum length:
D cabinet to I/O chan of ctl comptr	2	50 ft (15.4 m)	200 ft (61 m)

Distance from internal signal cable connectors to floor: 8.3 in (211 mm)

External terminator power connection required: yes (40 V dc)

Environmental considerations:

Type of cooling, internal fan

Source of cooling, room air

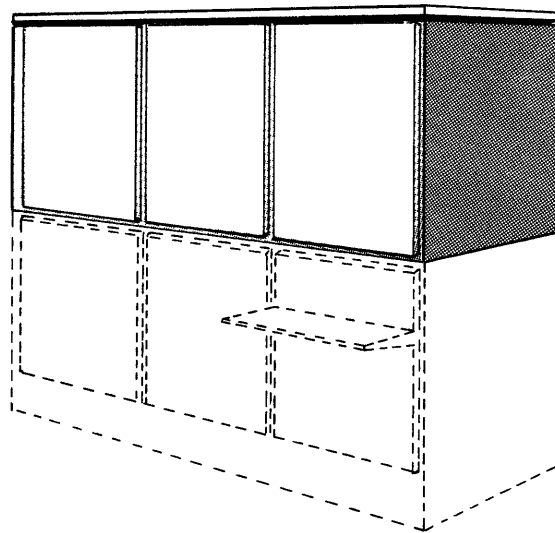
Heat rejection rate, maximum $\left\{ \begin{array}{l} \text{to air, } 6962 \text{ Btu/h (} 2040 \text{ W) } \\ \text{to water, N/A} \end{array} \right\}$

Permissible range of room relative humidity, 35 % to 60 %

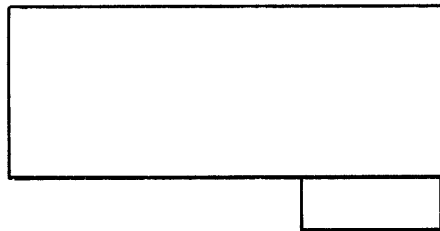
	Maximum	Recommended	Minimum	Dew Point Limitation
Operating temperature (ambient or plenum inlet temperature)	74 °F (23.3 °C)	71 °F (21.7 °C)	62 °F (16.7 °C)	N/A °F (°C)
Storage temperature	120 °F (48.9 °C)		0 °F (-17.8 °C)	

† Some cabinets have two 20-A circuit breakers. One of the circuit breakers controls a convenience outlet.

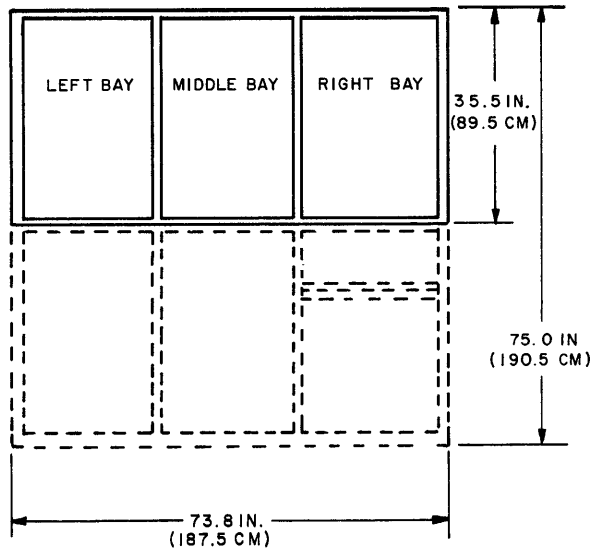
1700 HORIZONTAL AUXILIARY CABINET



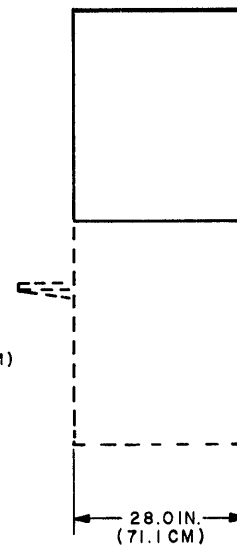
PLAN



FRONT



SIDE



2AW7A

1700 HORIZONTAL AUXILIARY CABINET

(Containing combinations of: 1721, 1722, 1723, 1724, 1729)

Width	73.8	in (1875 mm)	Weight	1750	lb (792 kg)
Depth	28.0	in (711 mm)	Mounts on top of a 1700 Central Computer Cabinet		
Height	75.0	in (1905 mm)			

For maximum width/depth, all doors extended, refer to sheet 1 of 3.

Power consumption, steady state, maximum:

Power requirements included with data for 1700 Central Computer.
Refer to 1700 Computer System Manual, publication number 60275000.

Circuit breakers:

Circuit breaker requirements included with data for 1700 Central Computer. Refer to 1700 Computer System Manual, publication number 60275000.

Control Data signal cables:	Quantity:	Standard length:	Maximum length:
1729 to 1707	2	30 ft (9.1 m)	200 ft (60.2 m)
Interrupt cables:			
1729 to 1706	3	30 ft (9.1 m)	200 ft (60.2 m)

Distance from internal signal cable connectors to floor: 55 in (1397 mm) †
External terminator power connection required: no X yes (40 V dc) ††

Environmental considerations:

Type of cooling, internal fan
Source of cooling, room air

Heat rejection rate, maximum $\left\{ \begin{array}{l} \text{to air, } 10,500 \text{ Btu/h (} 3077 \text{ W) } \\ \text{to water, N/A} \end{array} \right\}$

Permissible range of room relative humidity, 40 % to 60 %

(Permissible relative humidity for 1729 is 30% to 75%.)

Operating temperature Refer to sheet 3 of 3.

Storage temperature Refer to sheet 3 of 3.

†Average distance, specific distance depends on equipment type.
††Supplied from central computer cabinet.

1700 HORIZONTAL AUXILIARY CABINET

The following temperature specifications are peculiar to the products listed. All other specifications for the products are included in the maximum values for the central computer with the horizontal auxiliary cabinet.

1721 Paper Tape Reader

1722 Paper Tape Reader with Handler (mounts in auxiliary cabinet, middle bay)

	Maximum	Recommended	Minimum	Dew Point Limitation
Operating temperature	120 °F (48.9 °C)	75 °F (23.9 °C)	30 °F (-1.1 °C)	N/A °F (°C)
Storage temperature	150 °F (65.6 °C)		-30 °F (-34.4 °C)	

1723 Paper Tape Punch

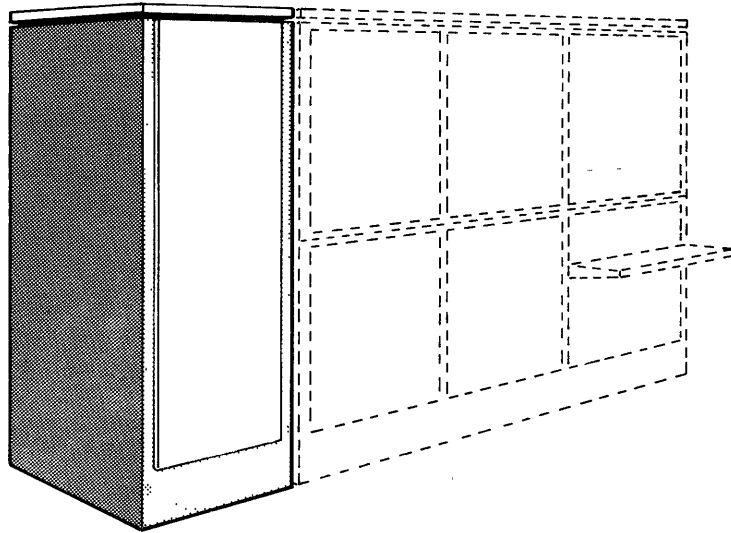
1724 Paper Tape Punch with Handler (mounts in auxiliary cabinet, right bay)

	Maximum	Recommended	Minimum	Dew Point Limitation
Operating temperature	90 °F (32.2 °C)	75 °F (23.9 °C)	68 °F (15.5 °C)	N/A °F (°C)
Storage temperature	120 °F (48.9 °C)		0 °F (-17.8 °C)	

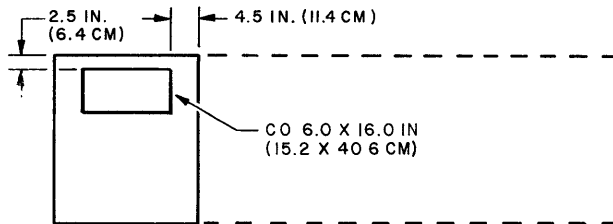
1729 Card Reader (mounts in auxiliary cabinet, left bay)

	Maximum	Recommended	Minimum	Dew Point Limitation
Operating temperature	95 °F (36 °C)	75 °F (23.9 °C)	60 °F (15.5 °C)	N/A °F (°C)
Storage temperature	125 °F (51.7 °C)		0 °F (-17.8 °C)	

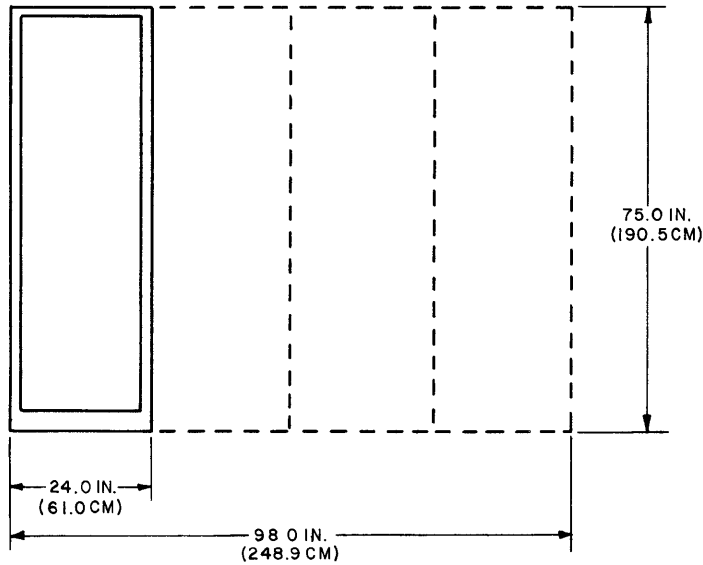
1700 VERTICAL AUXILIARY CABINET



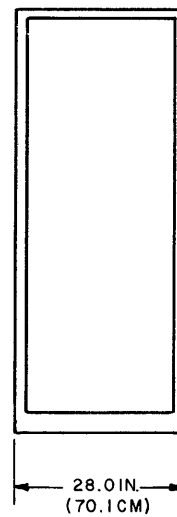
PLAN



FRONT



SIDE



2AW8A

1700 VERTICAL AUXILIARY CABINET

(Containing combinations of: 1706, 1716, 1718, 60128)

Width	24.0	in (610 mm)	Weight	600	lb (272 kg)
Depth	28.0	in (711 mm)	Supported by	4 leveling pads	
Height	75.0	in (1905 mm)			

For maximum width/depth, all doors extended, refer to **sheet 1 of 5**.

Power consumption, steady state, maximum:

400 Hz, Refer to table on sheet 3 of 5
60 Hz, 120 V, 1 phase, 0.2 kVA

Circuit breakers:

400 Hz, 15 A, 3 phase †
60 Hz, 15 A, 1 phase

Power connector locations above cabinet base:

Terminal strip	5 in (127 mm)	
Terminal strip	}	5 in (127 mm)

Control Data signal cables:	Quantity:	Standard length:	Maximum length:
1704 to 1706	4	10 ft (3.0 m)	200 ft (60.2 m)
1704 to 1706	1	10 ft (3.0 m)	200 ft (60.2 m)
1704 to 1716	8	20 ft (6.1 m)	200 ft (60.2 m)
1704 to 1716	2	20 ft (6.1 m)	200 ft (60.2 m)
1706 to 1718	4	30 ft (9.1 m)	200 ft (60.2 m)
1706 to 1718	1	30 ft (9.1 m)	200 ft (60.2 m)
1706 to 60128	2	30 ft (9.1 m)	200 ft (60.2 m)
1706 to 60128	1	30 ft (9.1 m)	200 ft (60.2 m)

Distance from internal signal cable connectors to floor: 50 in (1270 mm)

External terminator power connection required: yes (40 V dc)

Environmental considerations:

Type of cooling, **internal fans**
Source of cooling, **room air**

Heat rejection rate, maximum { to air, 3500 Btu/h (1026 W)
to water, N/A }

Permissible range of room relative humidity, 10 % to 80 %

	Maximum	Recommended	Minimum	Dew Point Limitation
Operating temperature (ambient or plenum inlet temperature)	120 °F (48.9 °C)	72 °F (22.2 °C)	40 °F (4.4 °C)	N/A °F (°C)
Storage temperature	160 °F (71.2 °C)		-30 °F (-34.4 °C)	

†Circuit breaker optional, may not be required if power connections are within 15 ft (4.6 m) of 2-kVA motor-generator set.

1700 VERTICAL AUXILIARY CABINET

CABINET POWER REQUIREMENTS AND PRODUCT COMBINATIONS

Product	kVA (400 Hz Power)	Cabinet Rows† Required	Product Combinations (Number of Products Per Column) That May Mount in One Cabinet
1706	0.35	6	1 2 3 1 1 1
1716	0.60	10	1 1
1718	0.20	5	1 1
60128	0.35	6	1 1 1
1738-B	0.60	All	1
† Cabinet rows are 3 in (76.2 mm) high. Cabinets built before 1968 have 16 rows. Cabinets built in 1968 and later have 18 rows.			

1700 VERTICAL AUXILIARY CABINET

(Containing a 1738-B)

Width	24.0 in (610 mm)	Weight	600 lb (272 kg)
Depth	28.0 in (711 mm)	Supported by 4 leveling pads	
Height	75.0 in (1905 mm)		

For maximum width/depth, all doors extended, refer to sheet 1 of 5.

Power consumption, steady state, maximum:

400 Hz, 208 V, 3 phase, 0.6 kVA
60 Hz, 120 V, 1 phase, 0.2 kVA

Circuit breakers:

400 Hz, 15 A, 3 phase †
60 Hz, 15 A, 1 phase

Power connector locations above cabinet base:

Terminal strip	5 in (127 mm)
Terminal strip	5 in (127 mm)

Control Data signal cables:	Quantity:	Standard length:	Maximum length:
1738-B to 1706	6	30 ft (9.1 m)	200 ft (60.2 m)
Interrupt cables:			
1738-B to 1706	1	30 ft (9.1 m)	200 ft (60.2 m)
1738-B to 85X	1	30 ft (9.1 m)	50 ft (15.2 m)

Distance from internal signal cable connectors to floor: 50 in (1270 mm)
External terminator power connection required: yes (40 V dc)

Environmental considerations:

Type of cooling, internal fan

Source of cooling, room air

Heat rejection rate, maximum $\left\{ \begin{array}{l} \text{to air, } 3500 \text{ Btu/h (} 1026 \text{ W) } \\ \text{to water, N/A} \end{array} \right\}$

Permissible range of room relative humidity, 40 % to 60 %

	Maximum	Recommended	Minimum	Dew Point Limitation
Operating temperature (ambient or plenum inlet temperature)	80 °F (27.2 °C)	75 °F (23.9 °C)	62 °F (16.7 °C)	N/A °F (°C)
Storage temperature	120 °F (48.9 °C)		0 °F (-17.8 °C)	

† Circuit breaker optional, may not be required if power connections are within 15 ft (4.6 m) of 2-kVA motor-generator set.

1700 VERTICAL AUXILIARY CABINET

(Containing a 1740 Printer Controller)

Width	24.0	in (610 mm)	Weight	650	lb (295 kg)
Depth	28.0	in (711 mm)	Supported by	4 leveling pads	
Height	75.0	in (1905 mm)			

For maximum width/depth, all doors extended, refer to sheet 1 of 5.

Power consumption, steady state, maximum:

400 Hz, 208 V, 1 phase, 0.5 kVA
 and $\left\{ \begin{array}{l} 60 \text{ Hz, } 120 \text{ V, } 1 \text{ phase, } 0.1 \text{ kVA} \\ \text{or} \\ 50 \text{ Hz, } 120 \text{ V, } 1 \text{ phase, } 0.1 \text{ kVA} \end{array} \right\}$

Circuit breakers:

400 Hz, 15 A, 3 phase
 and $\left\{ \begin{array}{l} 60 \text{ Hz, } 15 \text{ A, } 1 \text{ phase} \\ \text{or} \\ 50 \text{ Hz, } 15 \text{ A, } 1 \text{ phase} \end{array} \right\}$

Power connector locations above cabinet base:

Terminal strip	5 in (127 mm)
Terminal strip	}
Terminal strip	

Control Data signal cables:	Quantity:	Standard length:	Maximum length:
1740 to 1704	2	40 ft (12.2 m)	200 ft (60.2 m)
1740 to 501 or 505	4	40 ft (12.2 m)	120 ft (36.6 m)
1740 to 1704	3	30 ft (9.1 m)	200 ft (60.2 m)

Distance from internal signal cable connectors to floor: 18 in (457 mm) †
 External terminator power connection required: yes (40 V dc)

Environmental considerations:

Type of cooling, internal fan
 Source of cooling, room air

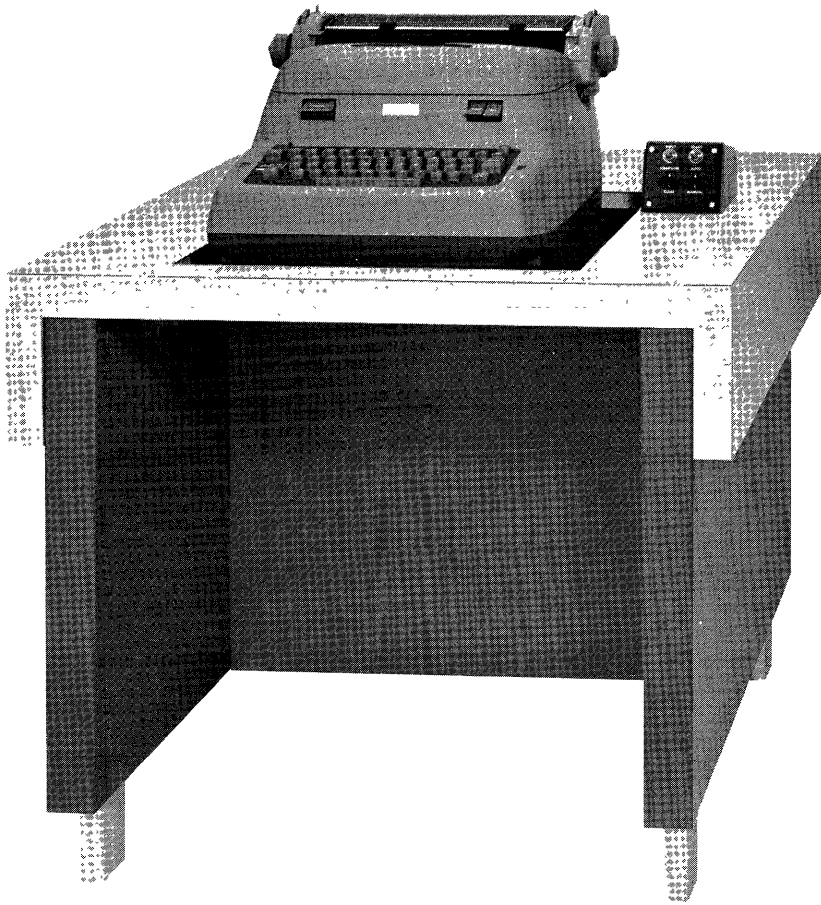
Heat rejection rate, maximum $\left\{ \begin{array}{l} \text{to air, } 2000 \text{ Btu/h (} 586 \text{ W) } \\ \text{to water, N/A} \end{array} \right\}$

Permissible range of room relative humidity, 30 % to 80 %

	Maximum	Recommended	Minimum	Dew Point Limitation
Operating temperature (ambient or plenum inlet temperature)	90 °F (32.2 °C)	72 °F (22.2 °C)	60 °F (15.7 °C)	N/A °F (°C)
Storage temperature	80 °F (26.7 °C)		-30 °F (-34.4 °C)	

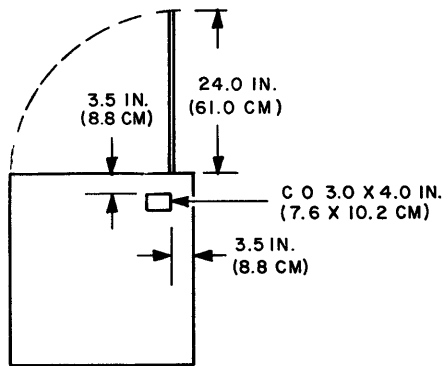
† Average distance; specific distance depends on equipment type.

161 ON-LINE I/O TYPEWRITER

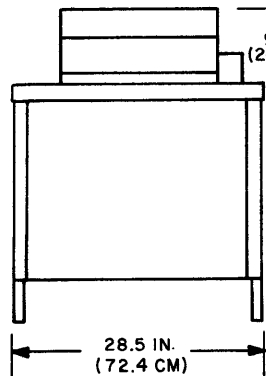


345

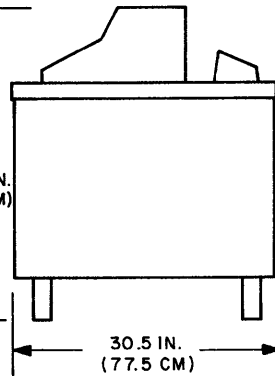
PLAN



FRONT



SIDE



2AW51A

161 ON-LINE I/O TYPEWRITER

Width	28.5	in (724 mm)	Weight	350	lb (160 kg)
Depth	30.5	in (775 mm)	Supported by	4 vertical legs	
Height	36.5	in (927 mm)			

For maximum width/depth, all doors extended, refer to floor plan layout.

Power consumption, steady state, maximum:

60 Hz, 115 V, 1 phase, 0.4 kVA
 or
 50 Hz, 115 V, 1 phase, 0.4 kVA

Circuit breakers:

60 Hz, 15 A, 1 phase
 or
 50 Hz, 15 A, 1 phase

Power connector locations above cabinet base:

Terminal strip	}	3 in (76.2 mm) †
Terminal strip		

Control Data signal cables:	Quantity:	Standard length:	Maximum length:
Logic cables	2	20 ft (6.1 m)	50 ft (15.2 m)

Distance from internal signal cable connectors to floor: 30 in (762 mm) †

External terminator power connection required: no

Environmental considerations:

Type of cooling, internal fan
 Source of cooling, room air

Heat rejection rate, maximum $\left\{ \begin{array}{l} \text{to air, } 1095 \text{ Btu/h (} 321 \text{ W) } \\ \text{to water, N/A} \end{array} \right\}$

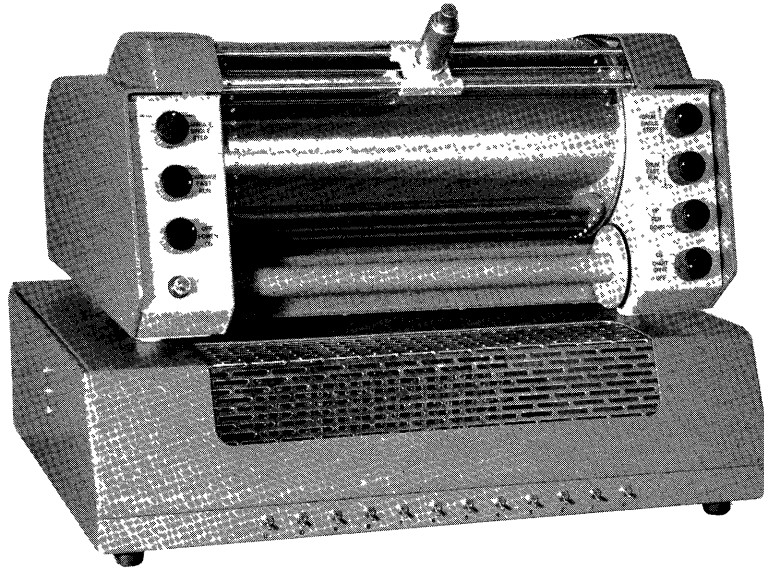
Permissible range of room relative humidity, 35 % to 60 %

	Maximum	Recommended	Minimum	Dew Point Limitation
Operating temperature (ambient or plenum inlet temperature)	78 °F (25.6 °C)	72 °F (22.2 °C)	62 °F (16.7 °C)	N/A °F (- °C)
Storage temperature	120 °F (48.9 °C)		0 °F (-17.8 °C)	

† Estimated

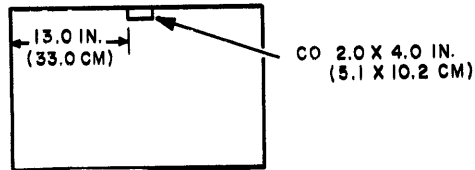
165-2 INCREMENTAL PLOTTER

(Photo shows plotter without table)

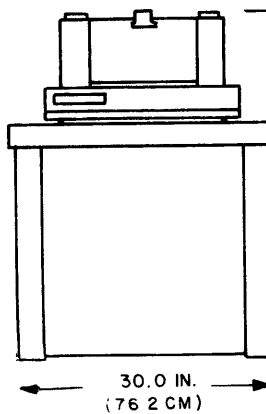


443

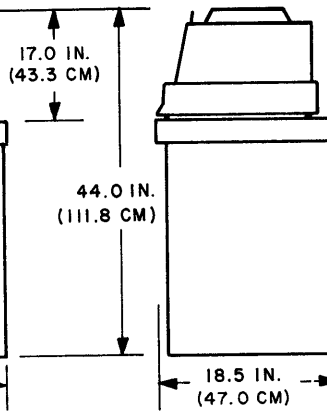
PLAN



FRONT



SIDE



2AW50A

165-2 INCREMENTAL PLOTTER

Width	30.0	in (762 mm)	Weight	100 lb (45 kg)
Depth	18.5	in (470 mm)	Supported by	4 leveling pads
Height	4.40	in (1118 mm)		

For maximum width/depth, all doors extended, refer to floor plan layout.

Power consumption, steady state, maximum:

60 Hz, 115 V, 1 phase, 0.2 kVA
 or
 50 Hz, 115 V, 1 phase, 0.2 kVA

Circuit breakers:

60 Hz, 15 A, 1 phase
 or
 50 Hz, 15 A, 1 phase

Power connector locations above cabinet base:

Locking connector }
 Locking connector } †

Control Data signal cables:	Quantity:	Standard length:	Maximum length:
Logic cable	2	20 ft (6.11 m)	50 ft (15.2 m)

Distance from internal signal cable connectors to floor: 20 in (508 mm)

External terminator power connection required: no

Environmental considerations:

Type of cooling, internal fan

Source of cooling, room air

Heat rejection rate, maximum $\left\{ \begin{array}{l} \text{to air, 500 Btu/h (147 W)} \\ \text{to water, N/A} \end{array} \right\}$

Permissible range of room relative humidity, 35 % to 60 %

	Maximum	Recommended	Minimum	Dew Point Limitation
Operating temperature (ambient or plenum inlet temperature)	78 °F (25.6 °C)	72 °F (22.2 °C)	62 °F (16.7 °C)	N/A °F (- °C)
Storage temperature	120 °F (48.9 °C)		0 °F (-17.8 °C)	

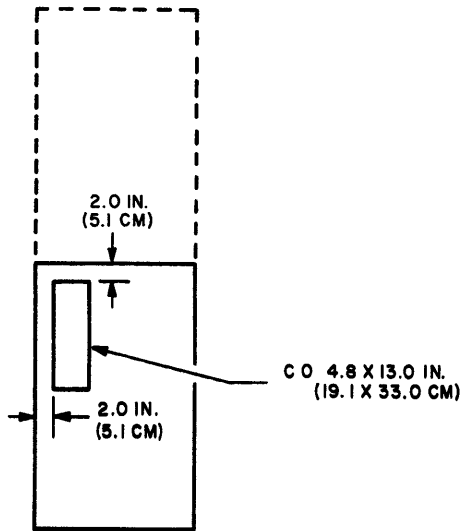
† Power cord extends 3 ft (1 m) from base of cabinet.

170 CARD PUNCH CONTROLLER

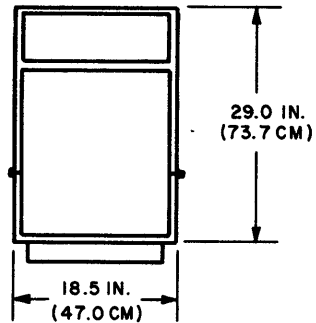


669

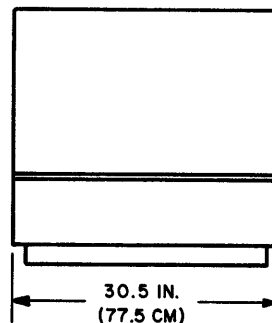
PLAN



FRONT



SIDE



2AW42A

170 CARD PUNCH CONTROLLER

Width	18.5	in (470 mm)	Weight	240	lb (109 kg)
Depth	30.5	in (775 mm)	Supported by	frame	
Height	29.0	in (737 mm)			

For maximum width/depth, all doors extended, refer to floor plan layout.

Power consumption, steady state, maximum:

60 Hz, 115 V, 1 phase, 0.8 kVA
 or
 50 Hz, 115 V, 1 phase, 0.8 kVA

Circuit breakers:

Power connector locations above cabinet base:

60 Hz, 15 A, 1 phase
 or
 50 Hz, 15 A, 1 phase

Terminal strip
 Terminal strip } 8 in (203 mm) †

Control Data signal cables:	Quantity:	Standard length:	Maximum length:
Controller to mainframe logic cable	2	20 ft (6.1 m)	50 ft (15.2 m)

Distance from internal signal cable connectors to floor: 8 in (203 mm) †

External terminator power connection required: no

Environmental considerations:

Type of cooling, internal fan
 Source of cooling, room air

Heat rejection rate, maximum $\left\{ \begin{array}{l} \text{to air, } 2185 \text{ Btu/h (} 640 \text{ W) } \\ \text{to water, N/A} \end{array} \right\}$

Permissible range of room relative humidity, 35 % to 60 %

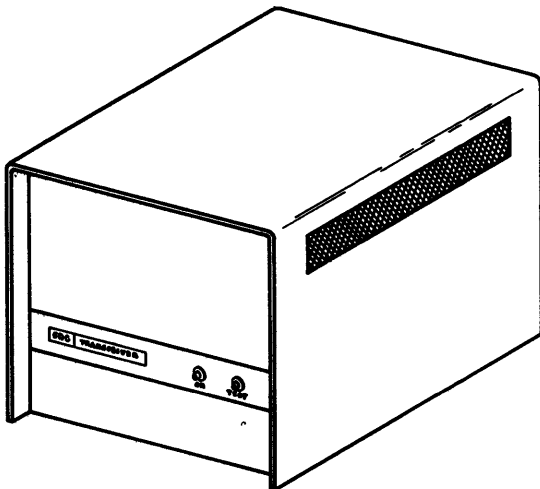
	Maximum	Recommended	Minimum	Dew Point Limitation
Operating temperature (ambient or plenum inlet temperature)	78 °F (25.6 °C)	72 °F (22.2 °C)	62 °F (16.7 °C)	N/A °F (- °C)
Storage temperature	120 °F * (48.9 °C)		0 °F * (17.8 °C)	

† Estimated

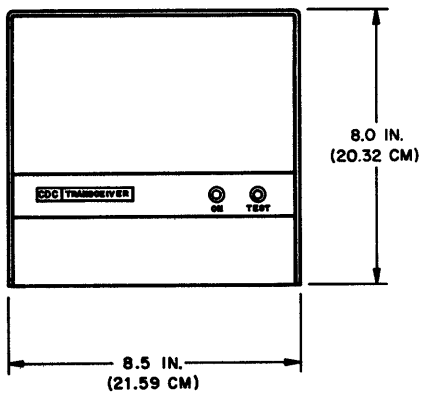
358-1/2/3/4 TRANSCEIVER



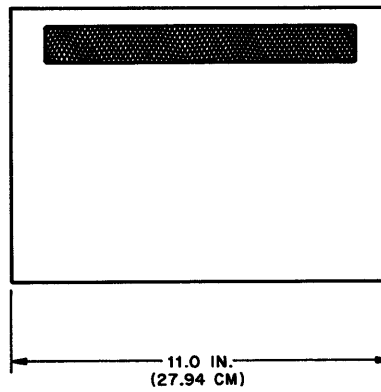
PLAN



FRONT



SIDE



2AW77A

358-1/2/3/4 TRANSCEIVER

Width	8.5 in (216 mm)	Weight	12 lb (6 kg)
Depth	11.0 in (279 mm)	Supported by	4 feet
Height	8.0 in (203 mm)		

For maximum width/depth, all doors extended, refer to floor plan layout.

Power consumption, steady state, maximum:

$\left\{ \begin{array}{l} 60 \text{ Hz, } 120 \text{ V, } 1 \text{ phase, } 0.1 \text{ kVA} \\ \text{or} \\ 50 \text{ Hz, } 220 \text{ V, } 1 \text{ phase, } 0.1 \text{ kVA} \end{array} \right\}$

Circuit breakers:

60 Hz, 15 A, 1 phase
 or
 50 Hz, 15 A, 1 phase

Power connector locations above cabinet base:

6-ft detachable
 power cord-
 standard 3-prong
 (use for both)

} 6 in (152 mm)

Control Data signal cables:	Quantity:	Standard length:	Maximum length:
N/A			

Distance from internal signal cable connectors to floor: N/A

External terminator power connection required: no yes

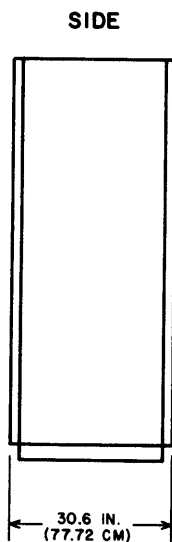
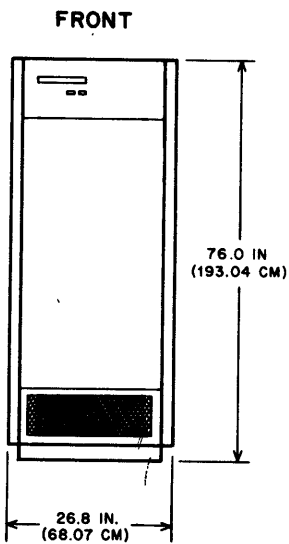
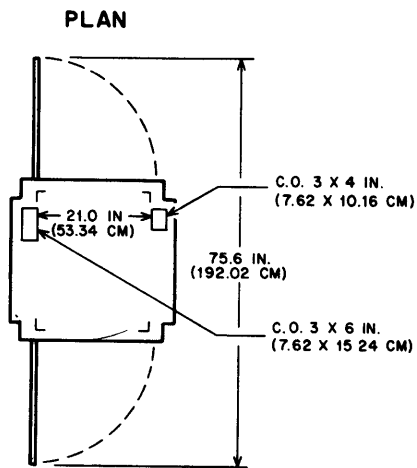
Environmental considerations:

Type of cooling, convection
 Source of cooling, room air

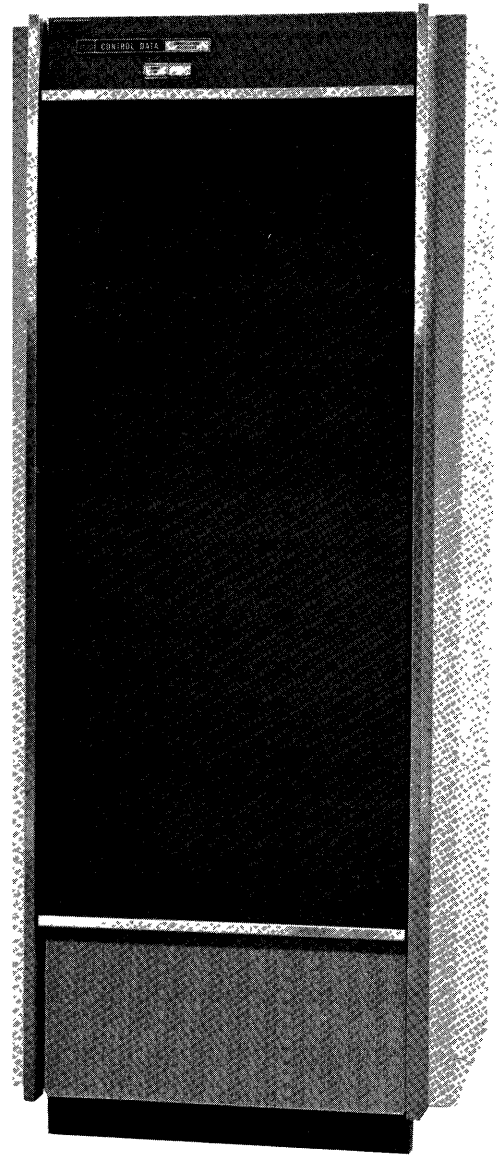
Heat rejection rate, maximum $\left\{ \begin{array}{l} \text{to air, } 306 \text{ Btu/h (} 90 \text{ W) } \\ \text{to water, N/A} \end{array} \right\}$

	Maximum	Recommended	Dew Point Limitation
Operating temperature (ambient or plenum inlet temperature)	120 °F (48.9 °C)	72 °F (22.2 °C)	32 °F (0 °C)
Storage temperature	150 °F (65.6 °C)		N/A °F (°C)
		-30 °F (-34.4 °C)	

362-1/2 TELEGRAPHIC LEVEL CONVERTER



2AW83A



362-1/2 TELEGRAPHIC LEVEL CONVERTER

Width	26.8	in (681 mm)	Weight	550	lb (240 kg)
Depth	30.6	in (777 mm)	Supported by leveling pads		
Height	76.0	in (1930 mm)			

For maximum width/depth, all doors extended, refer to floor plan layout.

Power consumption, steady state, maximum:

60 Hz, 120 V, 1 phase, .7 kVA
 or
 50 Hz, 220 V, 1 phase, .7 kVA

Circuit breakers:

60 Hz, 15 A, 1 phase
 or
 50 Hz, 15 A, 1 phase

Power connector locations above cabinet base:

Terminal strip	}	50 in (1270 mm)
Terminal strip		

Control Data signal cables:	Quantity:	Standard length:	Maximum length:
To communication adapters	1-16 25 p	25 ft (7.6 m)	50 ft (15.2 m)

Distance from internal signal cable connectors to floor: 60 in (1524 mm)

External terminator power connection required: no

Environmental considerations:

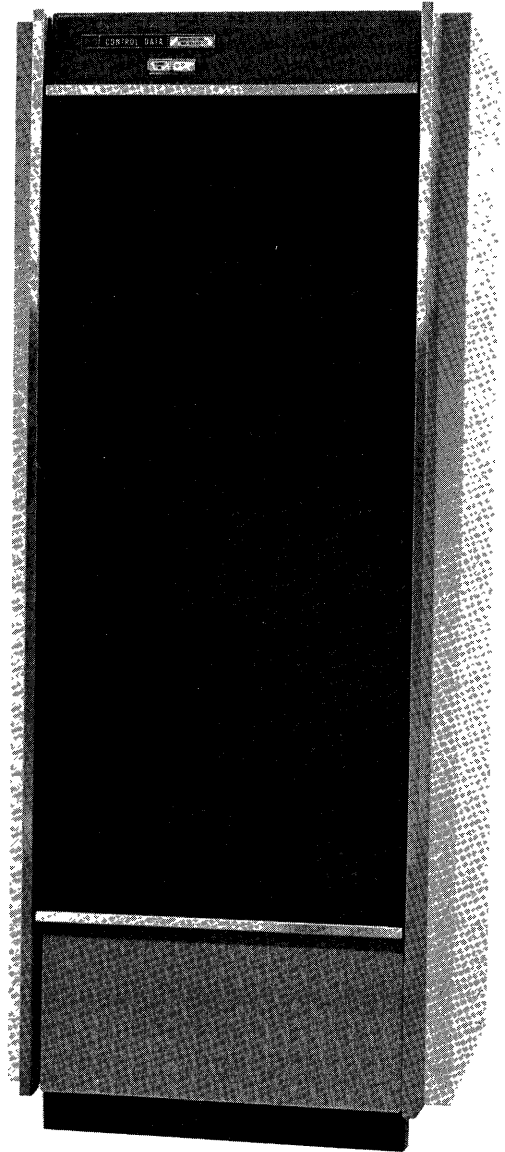
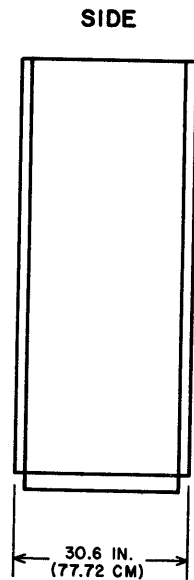
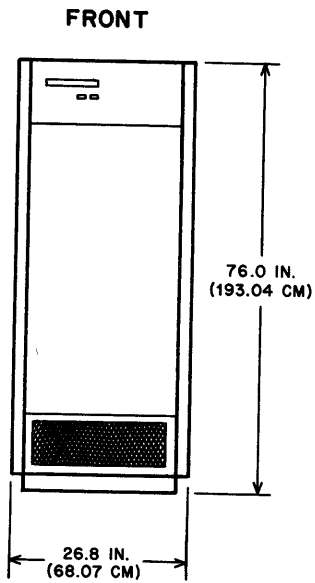
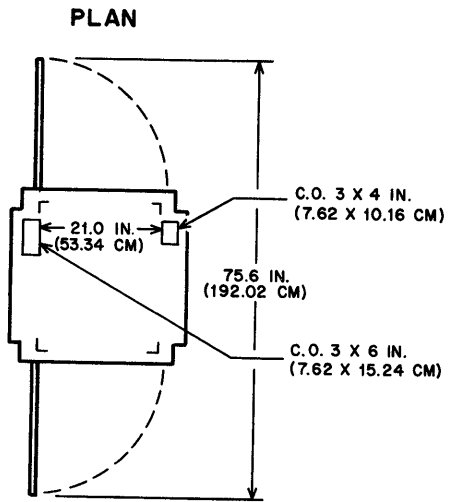
Type of cooling, internal fan

Source of cooling, room air

Heat rejection rate, maximum	{	to air, 2150 Btu/h (630 W)	}
		to water, N/A	

	Maximum	Recommended	Minimum	Dew Point Limitation
Operating temperature (ambient or plenum inlet temperature)	110 °F (43.3 °C)	72 °F (22.2 °C)	40 °F (4.4 °C)	N/A °F (°C)
Storage temperature	150 °F (65.6 °C)		-30 °F (-34.4 °C)	

364-1/2 COMMUNICATIONS MULTIPLEXER



2AW83A

364-1/2 COMMUNICATIONS MULTIPLEXER

Width	26.8	in (681 mm)	Weight	550 lb (240 kg)
Depth	30.6	in (777 mm)	Supported by	4 leveling pads
Height	76.0	in (1930 mm)		

For maximum width/depth, all doors extended, refer to floor plan layout.

Power consumption, steady state, maximum:

60 Hz, 120 V, 1 phase, 1.0 kVA
 or
 50 Hz, 220 V, 1 phase, 1.0 kVA

Circuit breakers:

Power connector locations above cabinet base:

60 Hz, 15 A, 1 phase
 or
 50 Hz, 15 A, 1 phase

Terminal strip
 Terminal strip } 50 in (1270 mm)

Control Data signal cables:	Quantity:	Standard length:	Maximum length:
3000 I/O to multiplexer	01 61 p	30 ft (9.1 m)	200 ft (60.9 m)
Multiplexer to multiplexer	01 61 p	03 ft (.9 m)	

Distance from internal signal cable connectors to floor: 60 in (1524 mm)

External terminator power connection required: yes (40 V dc)

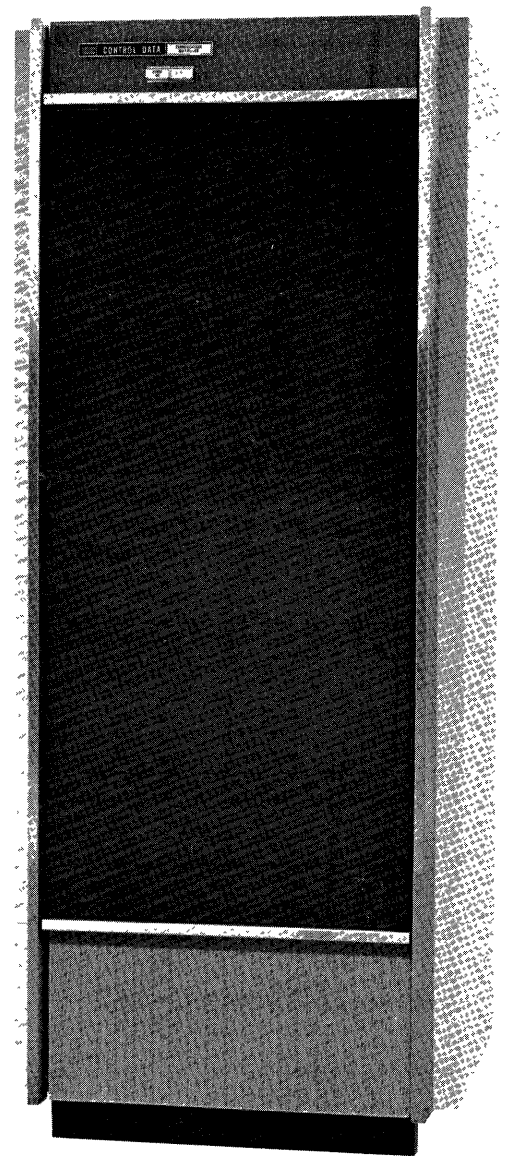
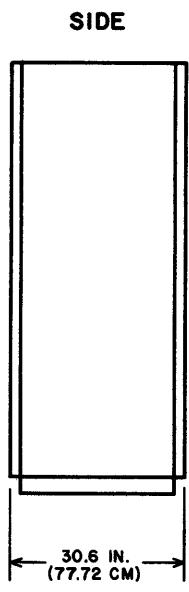
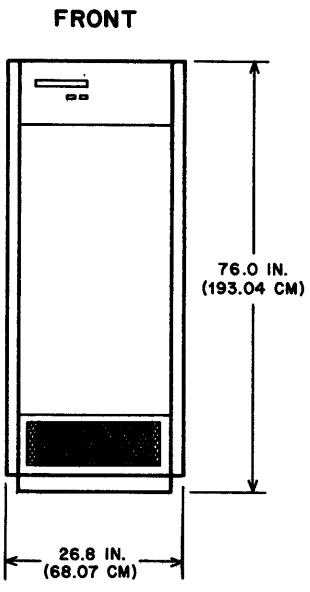
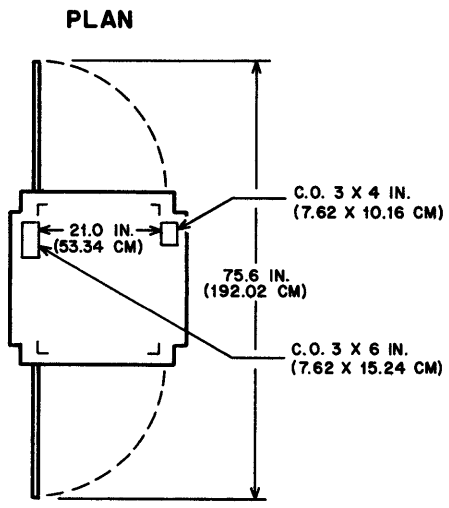
Environmental considerations:

Type of cooling, internal fan
 Source of cooling, room air

Heat rejection rate, maximum { to air, 3000 Btu/h (879 W) }
 { to water, N/A }

	Maximum	Recommended	Minimum	Dew Point Limitation
Operating temperature (ambient or plenum inlet temperature)	110 °F (43.3 °C)	72 °F (22.2 °C)	40 °F (4.4 °C)	N/A °F (°C)
Storage temperature	150 °F (65.6 °C)		-30 °F (-34.4 °C)	

364-4 COMMUNICATIONS MULTIPLEXER



2AW83A

364-4 COMMUNICATIONS MULTIPLEXER

Width	26.8	in (681 mm)	Weight	550	lb (240 kg)
Depth	30.6	in (777 mm)	Supported by	4 leveling pads	
Height	76.0	in (1930 mm)			

For maximum width/depth, all doors extended, refer to floor plan layout.

Power consumption, steady state, maximum:

60 Hz, 120 V, phase, 1.0 kVA
 or
 50 Hz, 220 V, phase, 1.0 kVA

Circuit breakers:

60 Hz, 15 A, 1 phase
 or
 50 Hz, 15 A, 1 phase

Power connector locations above cabinet base:

Terminal strip }
 Terminal strip } 50 in (1270 mm)

Control Data signal cables:	Quantity:	Standard length:	Maximum length:
1700 I/O to multiplexer	02 61 p	30 ft (9.1 m)	200 ft (60.9m)
Multiplexer to multiplexer	02 61p	03 ft (.9 m)	
1700 I/O to multiplexer	01 03	30 ft (9.1 m)	200 ft (60.9m)

Distance from internal signal cable connectors to floor: 60 in (1524 mm)
 External terminator power connection required: yes (40 V dc)

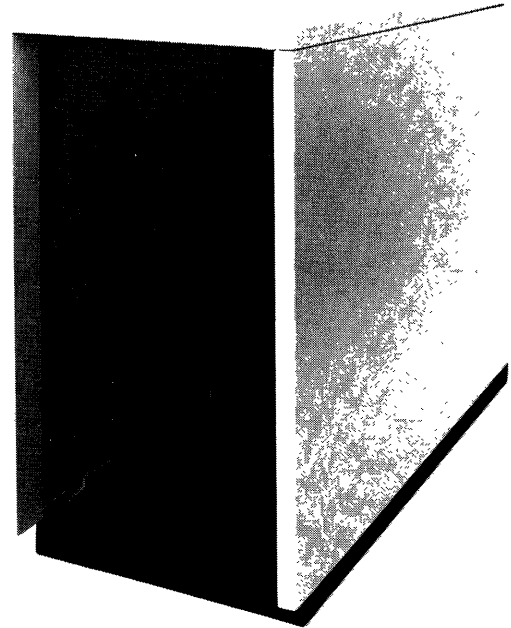
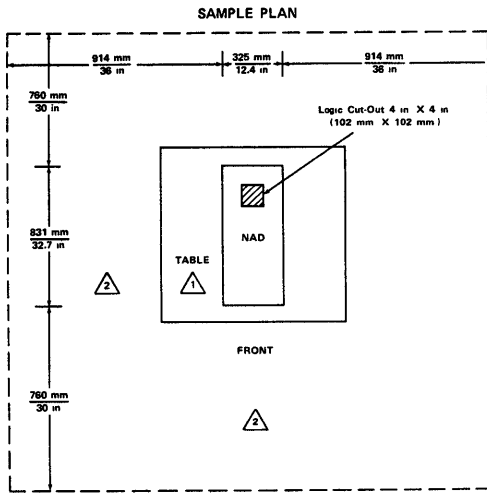
Environmental considerations:

Type of cooling, internal fan
 Source of cooling, room air

Heat rejection rate, maximum $\left\{ \begin{array}{l} \text{to air, } 3000 \text{ Btu/h (} 879 \text{ W) } \\ \text{to water, N/A} \end{array} \right\}$

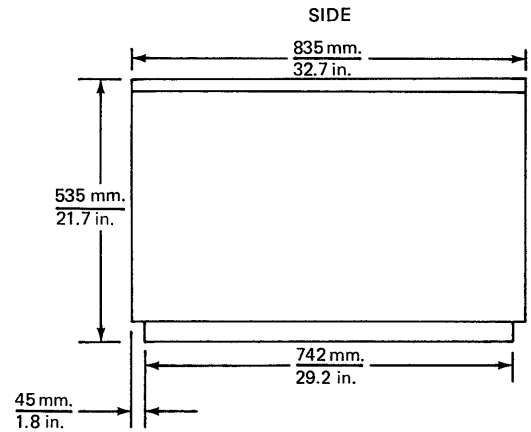
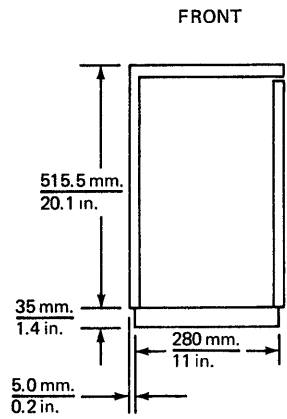
	Maximum	Recommended	Minimum	Dew Point Limitation
Operating temperature (ambient or plenum inlet temperature)	110 °F (43.3 °C)	72 °F (22.2 °C)	40 °F (4.4 °C)	N/A °F (°C)
Storage temperature	150 °F (65.6 °C)		-30 °F (-34.4 °C)	

380-11 ENCLOSURE



NOTES

- 1 THE MINIMUM CHARACTERISTICS FOR THE CUSTOMER FURNISHED TABLE ARE AS FOLLOWS
 - LENGTH - 35 in (889 mm) MINIMUM
 - WIDTH - 36 in (914 mm) MINIMUM
 - HEIGHT - 24 in (610 mm) MINIMUM, 36 in (914 mm) MAXIMUM
 - SUPPORT WEIGHT - 170 lb (77 kg) MINIMUM
 THESE DIMENSIONS AND SUPPORT WEIGHT ARE FOR THE NAD/SINGLE ENCLOSURE ONLY
- 2 THE 380 - XXX REQUIRES ACCESS SPACE TO SWITCHES/CABLES ON THE FRONT/BACK PANELS AND FOR MAINTENANCE PERSONNEL
- 3 THE TABLE IS NOT INCLUDED IN THE FRONT/SIDE VIEWS



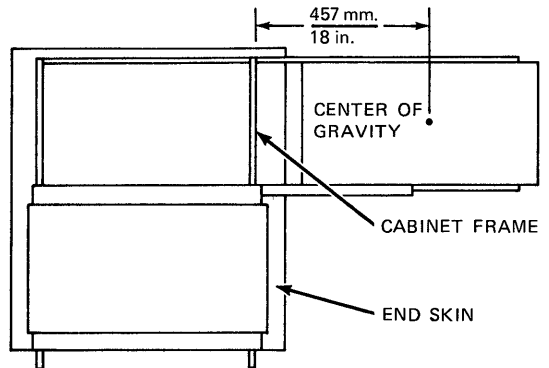
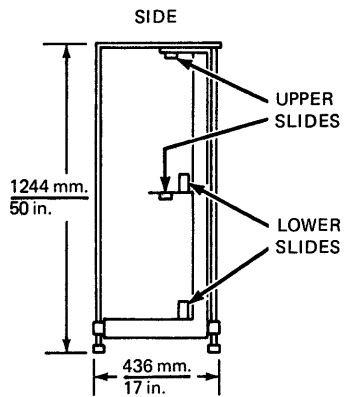
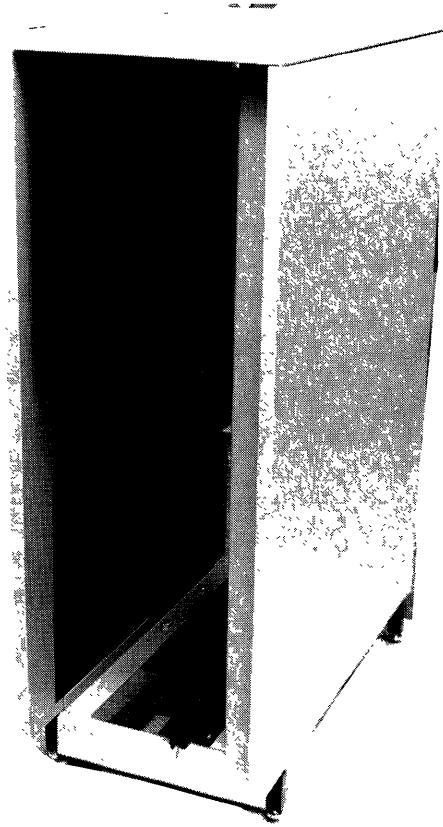
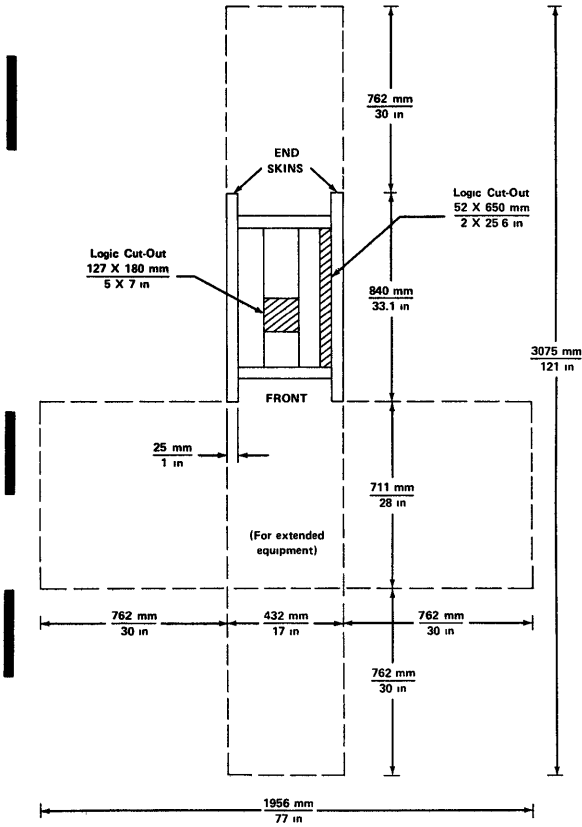
380-11 ENCLOSURE

Width	12.4 in (325 mm)	Weight	22 lb (9.9 kg)
Depth	32.7 in (835 mm)	Supported by	frame
Height	21.7 in (535 mm)		

For maximum width/depth, needed for operation and maintenance, refer to sample plan layout.

For power, cooling, and environmental data, refer to the data sheet for the product within the enclosure.

380-12 ENCLOSURE



380-12 ENCLOSURE

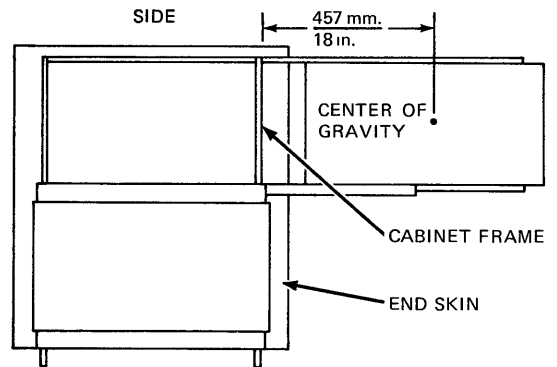
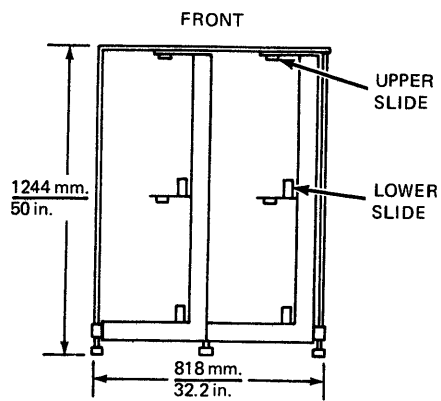
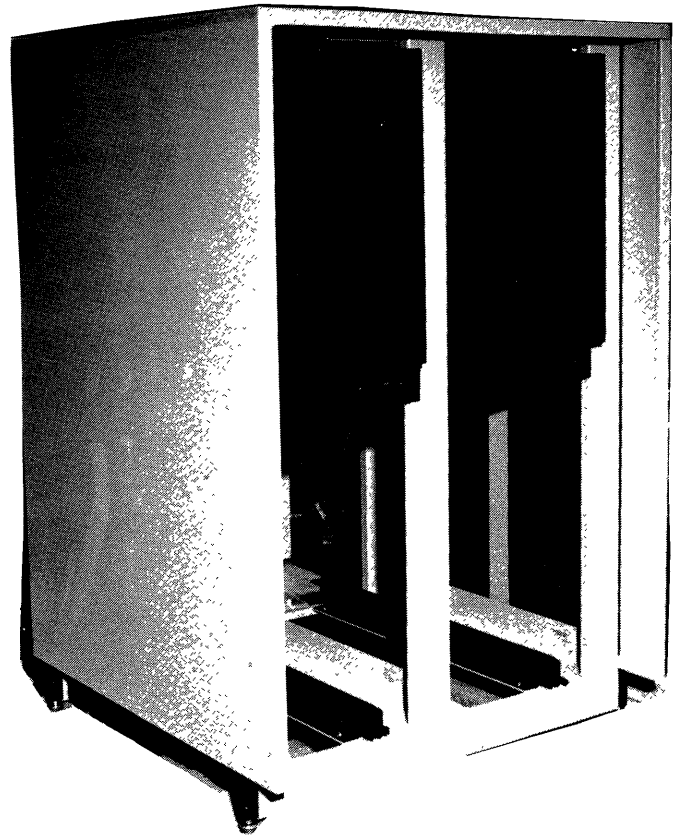
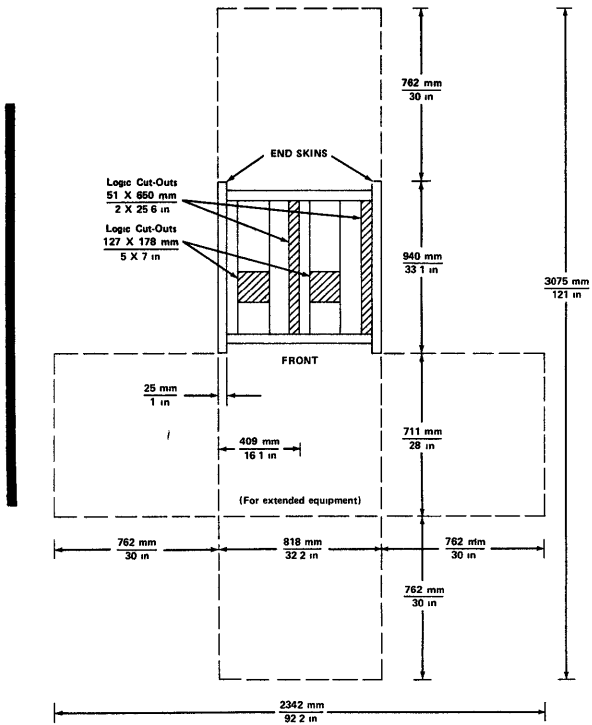
Width	17.0 in (432 mm)	Weight	272 lb (123 kg)†
Depth	33.1 in (840 mm)	Supported by	4 leveling pads
Height	50.0 in (1244 mm)		

For maximum width/depth needed for operation and maintenance, refer to floor plan layout.

For power, cooling, and environmental data, refer to the data sheet for the product within the enclosure.

† The weight is only for the enclosure.

380-14 ENCLOSURE



380-14 ENCLOSURE

Width 32.2 in (818 mm)

Depth 33.1 in (840 mm)

Height 50.0 in (1244 mm)

Weight 502 lb (228 kg)[†]

Supported by 4 leveling pads

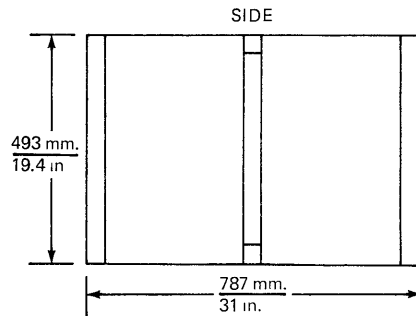
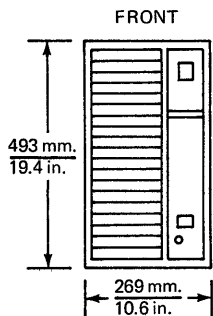
For maximum width/depth needed for operation and maintenance, refer to floor plan layout.

For power, cooling, and environmental data, refer to the data sheet for the product within the enclosure.

[†] The weight is only for the enclosure.

**380-110/170/200/239/370
NETWORK ACCESS DEVICE (NAD)**

SITE PLANNING INFORMATION IS
INCLUDED IN THE DATA SHEET
FOR THE ENCLOSURE.



**380-110/170/200/239/370
NETWORK ACCESS DEVICE (NAD)**

Width	10.6 in (269 mm)†	Weight	130 lb (64 kg)†
Depth	31.0 in (787 mm)†	Supported by	frame
Height	19.4 in (493 mm)†		

† For maximum width/depth refer to floor plan layout.

Power consumption, steady state, maximum:

and $\left\{ \begin{array}{l} 60 \text{ Hz, } 115 \text{ V, } 1 \text{ phase, } 1.2 \text{ kVA} \\ \text{or} \\ 50 \text{ Hz, } 230 \text{ V, } 1 \text{ phase, } 1.2 \text{ kVA} \end{array} \right\}$

Circuit breakers:

and $\left\{ \begin{array}{l} 60 \text{ Hz, } 15 \text{ A, } 1 \text{ phase} \\ \text{or} \\ 50 \text{ Hz, } 15 \text{ A, } 1 \text{ phase} \end{array} \right\}$

Control Data signal cables:	Quantity	Std. length	Max. length	Min. length
<u>Ⓐ from NAD device interface to mainframe/peripheral</u>				
380-110	1-4	50 ft. (15.3m)	N/A	N/A
380-170	2	65 ft. (19.8m) for 170 mainframe	N/A	N/A
380-200/239	2	70 ft. (21.3m) for 6000/70 mainframe	N/A	N/A
380-370	2-6	50 ft. (15.3m)	100 ft. (30.5m)	20 ft. (6.1m)
		60 ft. (18.3m)	100 ft. (30.5m)	10 ft. (3.1m)

Ⓑ from NAD data set to trunk (drop cable)

380-110	1-3	50 ft. (15.3m)	N/A	N/A
380-170/370	1-4			
380-200/239	2			

Ⓒ trunk††

If using 1/2" multi-drop:†††

380-110	1-3	N/A	3000 ft. (915m)	8 ft. (2.4m)
380-170/370	1-4			
380-200/239	2			

If using 1/2" point-to-point:

380-110	1-3	N/A	3000 ft. (915m)	††††
380-170/370	1-4			
380-200/239	2			

If using 1/4" multi-drop:†††

380-110	1-3	N/A	1000 ft. (305m)	8 ft. (2.4m)
380-170/370	1-4			
380-200/239	2			

If using 1/4" point-to-point:

380-110	1-3	N/A	1000 ft. (305m)	††††
380-170/370	1-4			
380-200/239	2			

**380-110/170/200/239/370
NETWORK ACCESS DEVICE (NAD)**

External terminator power connection required: X no yes (V dc)

Environmental considerations:

Type of cooling, internal fans

Source of cooling, room air

Air required at inlet if plenum-cooled, N/A ft³/min (m³/h)

Heat rejection rate, maximum { 3565 Btu/h (1045 W) }
 to air, Btu/h (W)
 to water, N/A Btu/h (W)

Permissible range of room relative humidity (operating) 20% to 80%

Permissible range of room relative humidity (non-operating) 5% to 95%

	Maximum	Recommended	Minimum	Dew Point Limitation
Operating temperature (ambient or plenum inlet temperature)	104 °F (40 °C)	70 °F (22 °C)	50 °F (10 °C)	79 °F (26.2 °C)
Storage temperature	140 °F (60 °C)		-40 °F (-40 °C)	

†Dimensions are for NADs without enclosures.

††Lengths do not include 50 ft. (15.3 m) drop cable between the trunk coupler and NAD.

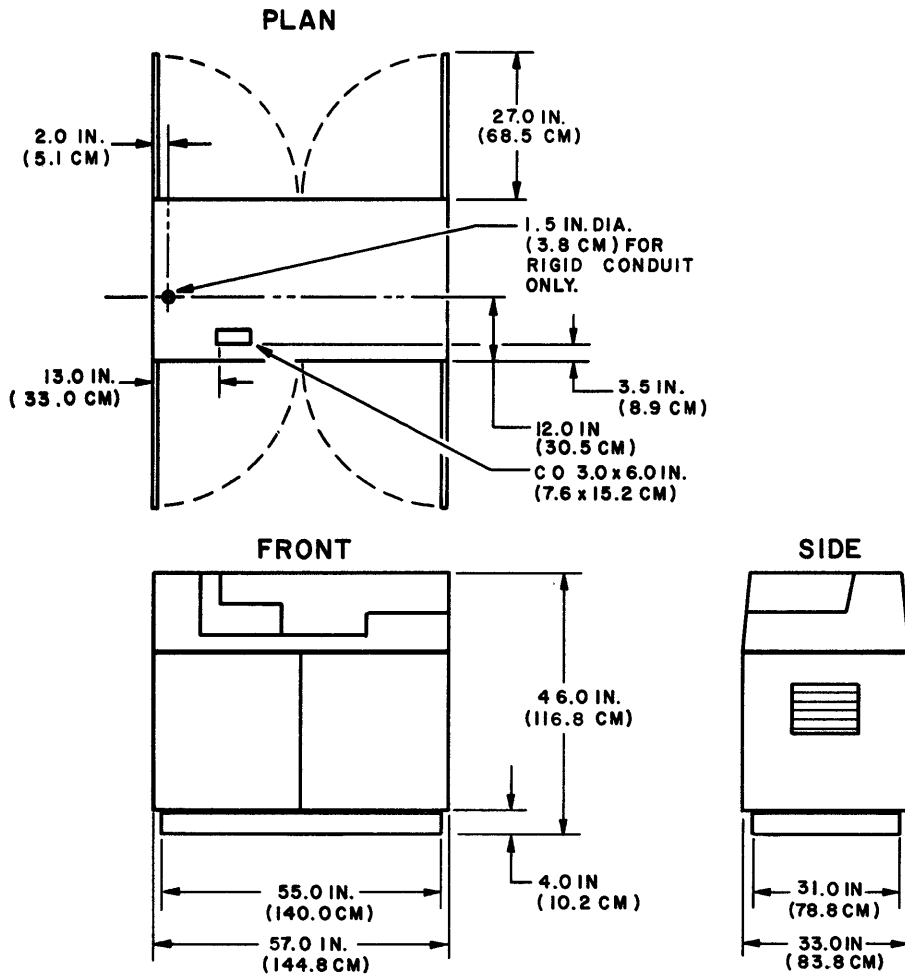
†††The minimum distance between trunk couplers is 8 ft. (2.4 m).

††††No main trunk cable is required. The minimum length is the 50-ft. (15.3 m) drop cable shipped with each NAD.

405 CARD READER



2685



2AW12A

405 CARD READER

Width	57.0	in (1448 mm)	Weight	1020 lb (463 kg)
Depth	33.0	in (838 mm)	Supported by	4 casters
Height	46.0	in (1168 mm)		

For maximum width/depth, all doors extended, refer to floor plan layout.

Power consumption, steady state, maximum;

and $\left\{ \begin{array}{l} 60 \text{ Hz, } 208 \text{ V, } 3 \text{ phase, } 3.4 \text{ kVA} \\ \text{or} \\ 50 \text{ Hz, } 208 \text{ V, } 3 \text{ phase, } 3.4 \text{ kVA} \end{array} \right\}$

Circuit breakers:

Power connector locations above cabinet base:

and $\left\{ \begin{array}{l} 60 \text{ Hz, } 15 \text{ A, } 3 \text{ phase} \\ \text{or} \\ 50 \text{ Hz, } 15 \text{ A, } 3 \text{ phase} \end{array} \right\}$

Locking connector }
Locking connector } 60 in (1524 mm)

Control Data signal cables:	Quantity:	Standard length:	Maximum length:
Controller to I/O Chan	2	30 ft (9.2 m)	50 ft (15.4 m)

Distance from internal signal cable connectors to floor: 10 in (254 mm)
External terminator power connection required: yes (40 V dc) †

Environmental considerations:

Type of cooling, internal fan
Source of cooling, room air

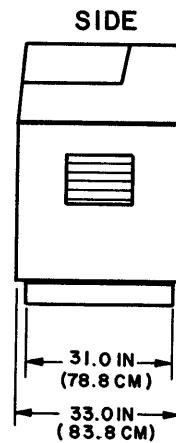
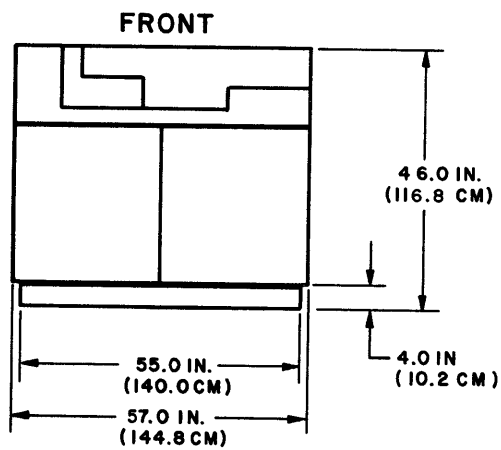
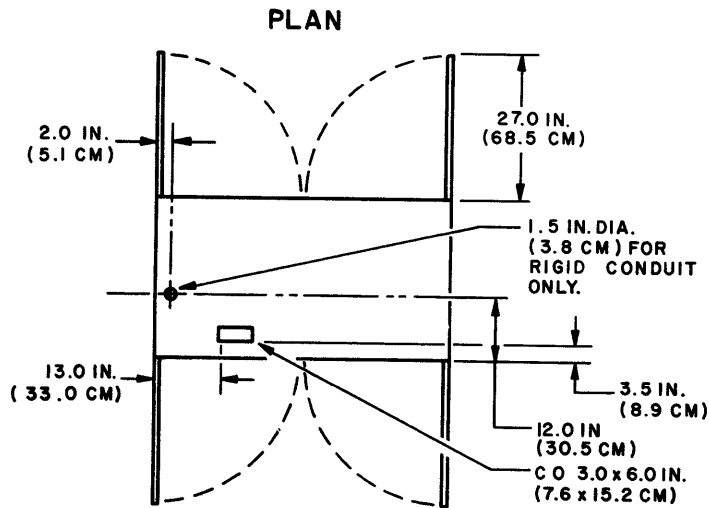
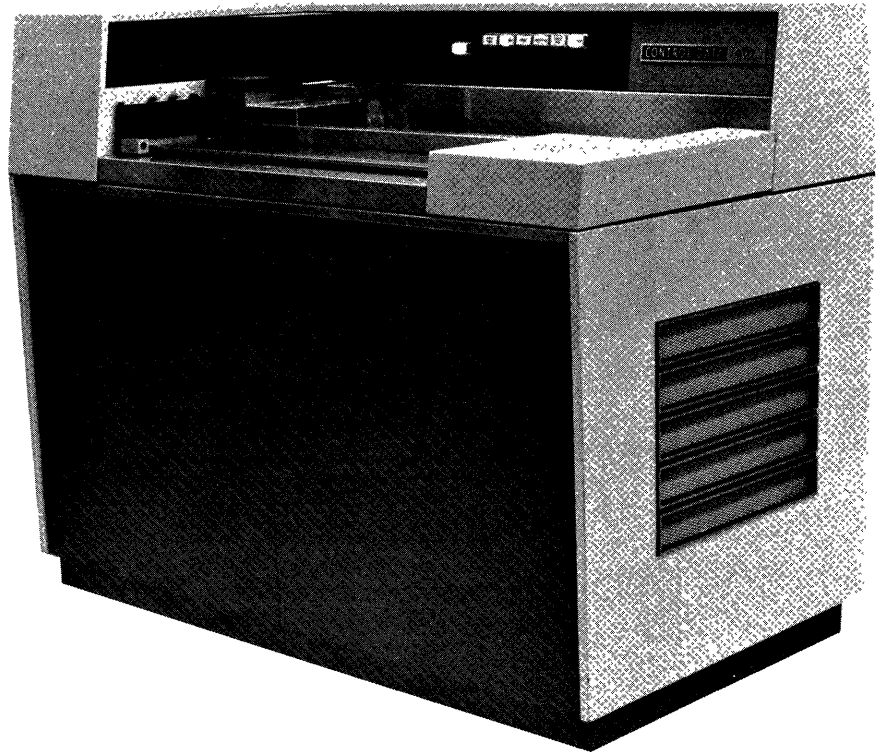
Heat rejection rate, maximum $\left\{ \begin{array}{l} \text{to air, } 9000 \text{ Btu/h (} 2637 \text{ W) } \\ \text{to water, N/A} \end{array} \right\}$

Permissible range of room relative humidity, 35 % to 60 %

	Maximum	Recommended	Minimum	Dew Point Limitation
Operating temperature (ambient or plenum inlet temperature)	74 °F (23.3 °C)	72 °F (22.2 °C)	62 °F (16.7 °C)	N/A °F (°C)
Storage temperature	120 °F (48.9 °C)		-30 °F (-34.4 °C)	

† For controller only.

407-1 CARD READER



2AW12A

407-1 CARD READER

Width	57.0	in (1448 mm)	Weight	1020 lb (463 kg)
Depth	33.0	in (838 mm)	Supported by	4 casters and 4 leveling pads
Height	46.0	in (1168 mm)		

For maximum width/depth, all doors extended, refer to floor plan layout.

Power consumption, steady state, maximum:

60 Hz, 208 V, 3 phase, 3.4 kVA
 or
 50 Hz, 208 V, 3 phase, 3.4 kVA

Circuit breakers:

60 Hz, 15 A, 3 phase
 or
 50 Hz, 15 A, 3 phase

Power connector locations above cabinet base:

Locking connector }
 Locking connector } 60 in (1524 mm)

Control Data signal cables:	Quantity:	Standard length:	Maximum length:
407-1 to equipment controller	2	50 ft (15.2 m)	50 ft (15.4 m)

Distance from internal signal cable connectors to floor: 18 in (457 mm)

External terminator power connection required: no

Environmental considerations:

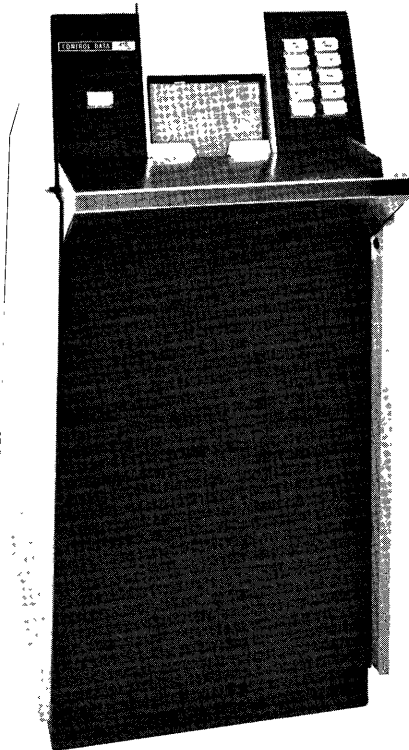
Type of cooling, internal fans
 Source of cooling, room air

Heat rejection rate, maximum { to air, 9000 Btu/h (2637 W)
 { to water, N/A }

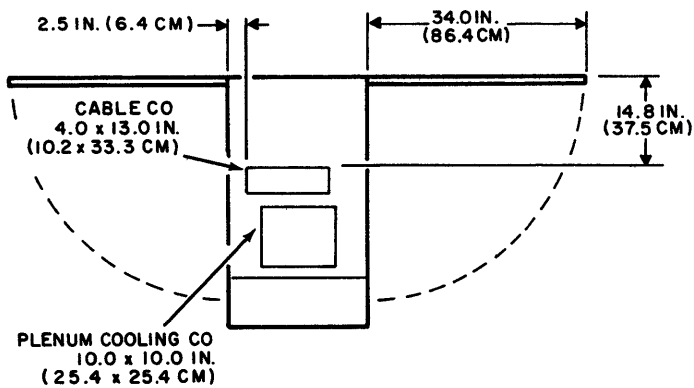
Permissible range of room relative humidity, 35 % to 60 %

	Maximum	Recommended	Minimum	Dew Point Limitation
Operating temperature (ambient or plenum inlet temperature)	74 °F (23.5 °C)	72 °F (22 °C)	62 °F (16.5 °C)	N/A °F (- °C)
Storage temperature	130 °F (54 °C)		0 °F (-18 °C)	

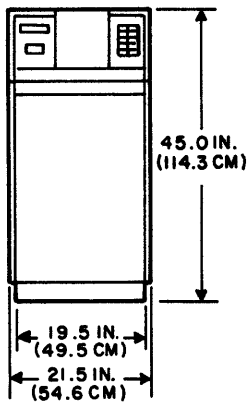
415 CARD PUNCH



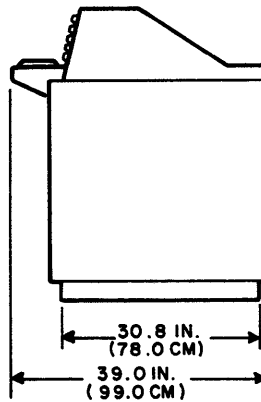
PLAN



FRONT



SIDE



2AW68A

415 CARD PUNCH

Width	21.5 in (546 mm)	Weight	568 lb (258 kg)
Depth	39.0 in (990 mm)	Supported by	4 casters
Height	45.0 in (1143 mm)		

For maximum width/depth, all doors extended, refer to floor plan layout.

Power consumption, steady state, maximum:

and $\left\{ \begin{array}{l} 60 \text{ Hz, } 115 \text{ V, } 1 \text{ phase, } 1.1 \text{ kVA} \\ \text{or} \\ 50 \text{ Hz, } 115 \text{ V, } 1 \text{ phase, } 1.1 \text{ kVA} \end{array} \right\}$

Circuit breakers:

Power connector locations above cabinet base:

and $\left\{ \begin{array}{l} 60 \text{ Hz, } 15 \text{ A, } 1 \text{ phase} \\ \text{or} \\ 50 \text{ Hz, } 15 \text{ A, } 1 \text{ phase} \end{array} \right\}$

Locking connector
Locking connector } N/A

Control Data signal cables:	Quantity:	Standard length:	Maximum length:
415 to controller	8	20 ft (6.1 m)	50 ft (15.4 m)

Distance from internal signal cable connectors to floor: 24 in (610 mm)

External terminator power connection required: no

Environmental considerations:

Type of cooling, internal fan

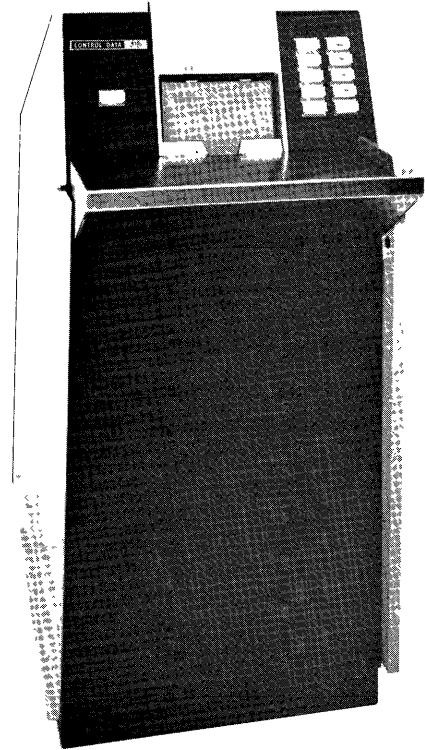
Source of cooling, room air

Heat rejection rate, maximum $\left\{ \begin{array}{l} \text{to air, } 3000 \text{ Btu/h (} 879 \text{ W) } \\ \text{to water, N/A} \end{array} \right\}$

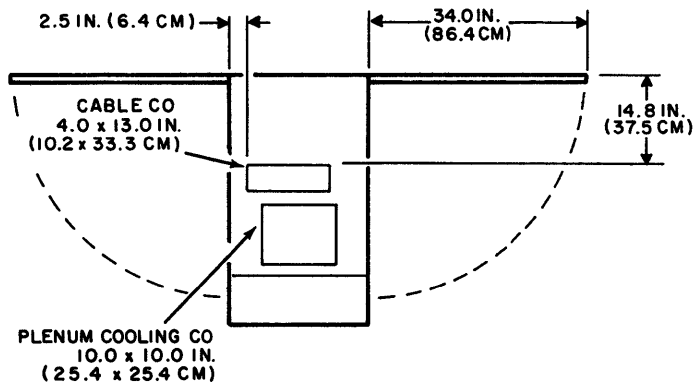
Permissible range of room relative humidity, 35 % to 60 %

	Maximum	Recommended	Minimum	Dew Point Limitation
Operating temperature (ambient or plenum inlet temperature)	74 °F (23.3 °C)	72 °F (22.2 °C)	62 °F (16.7 °C)	N/A °F (- °C)
Storage temperature	120 °F (48.9 °C)		-30 °F (-34.4 °C)	

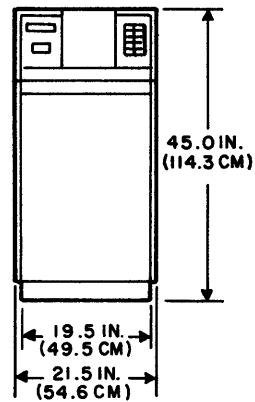
415-30 CARD PUNCH CONTROLLER



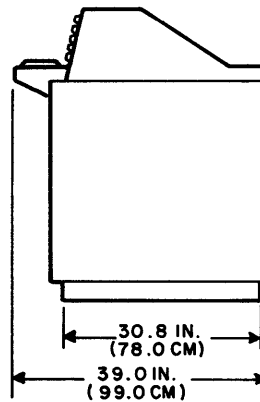
PLAN



FRONT



SIDE



2AW68A

415-30 CARD PUNCH CONTROLLER

Width	21.5 in (546 mm)	Weight	570 lb (258.5kg)
Depth	39.0 in (990 mm)	Supported by	4 casters
Height	45.0 in (1143 mm)		

For maximum width/depth, all doors extended, refer to floor plan layout.

Power consumption, steady state, maximum:

400 Hz, V, phase, kVA
 and $\left\{ \begin{array}{l} 60 \text{ Hz, } 120 \text{ V, } 1 \text{ phase, } 1.5 \text{ kVA} \\ \text{or} \\ 50 \text{ Hz, } 120 \text{ V, } 1 \text{ phase, } 1.5 \text{ kVA} \end{array} \right\}$

Circuit breakers:

Power connector locations above cabinet base:

and $\left\{ \begin{array}{l} 60 \text{ Hz, } 15 \text{ A, } 1 \text{ phase} \\ \text{or} \\ 50 \text{ Hz, } 15 \text{ A, } 1 \text{ phase} \end{array} \right\}$

Terminal strip }
 Terminal strip } 10 in (254 mm)

Control Data signal cables:	Quantity:	Standard length:	Maximum length:
415-30 to 3000 Data Channel	2	40 ft (12.2 m)	200 ft (61 m)

Distance from internal signal cable connectors to floor: 24 in (610 mm)
 External terminator power connection required: yes (40 V dc)

Environmental considerations:

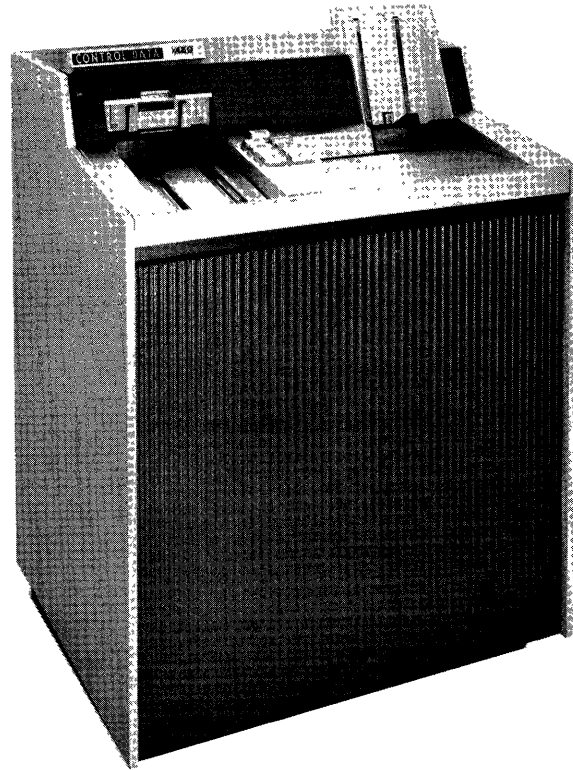
Type of cooling, internal fan
 Source of cooling, room air

Heat rejection rate, maximum $\left\{ \begin{array}{l} \text{to air, } 3585 \text{ Btu/h (} 1050 \text{ W) } \\ \text{to water, N/A} \end{array} \right\}$

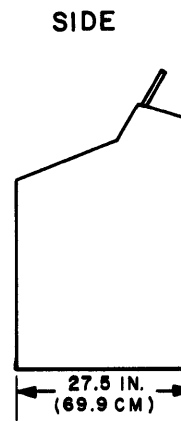
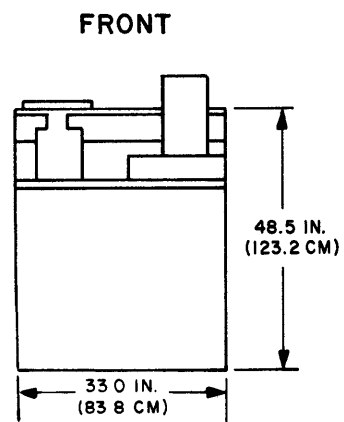
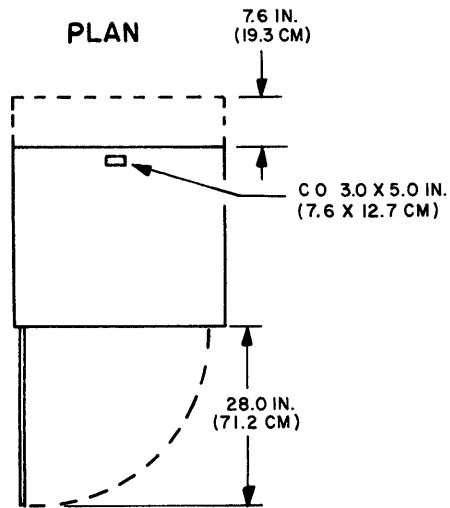
Permissible range of room relative humidity, 35 % to 60 %

	Maximum	Recommended	Minimum	Dew Point Limitation
Operating temperature (ambient or plenum inlet temperature)	90 °F (32 °C)	72 °F (22 °C)	59 °F (15 °C)	N/A °F (°C)
Storage temperature	122 °F (-50 °C)		14 °F (-10 °C)	

430 CARD READER



2769



2AW41A

430 CARD READER

Width	33.0	in (838 mm)	Weight	500	lb (227 kg)
Depth	27.5	in (699 mm)	Supported by 4 casters, 4 leveling pads		
Height	48.5	in (1232 mm)			

For maximum width/depth, all doors extended, refer to floor plan layout.

Power consumption, steady state, maximum:

60 Hz, 115 V, 1 phase, 1.1 kVA
 or
 50 Hz, 115 V, 1 phase, 1.1 kVA

Circuit breakers:

60 Hz, 15 A, 1 phase
 or
 50 Hz, 15 A, 1 phase

Power connector locations above cabinet base:

Locking connector	}	N/A
Locking connector		

Control Data signal cables:	Quantity:	Standard length:	Maximum length:
N/A			

Distance from internal signal cable connectors to floor:	15.5 in (394 mm)
External terminator power connection required:	yes (40 V dc) †

Environmental considerations:

Type of cooling, internal fan
 Source of cooling, room air

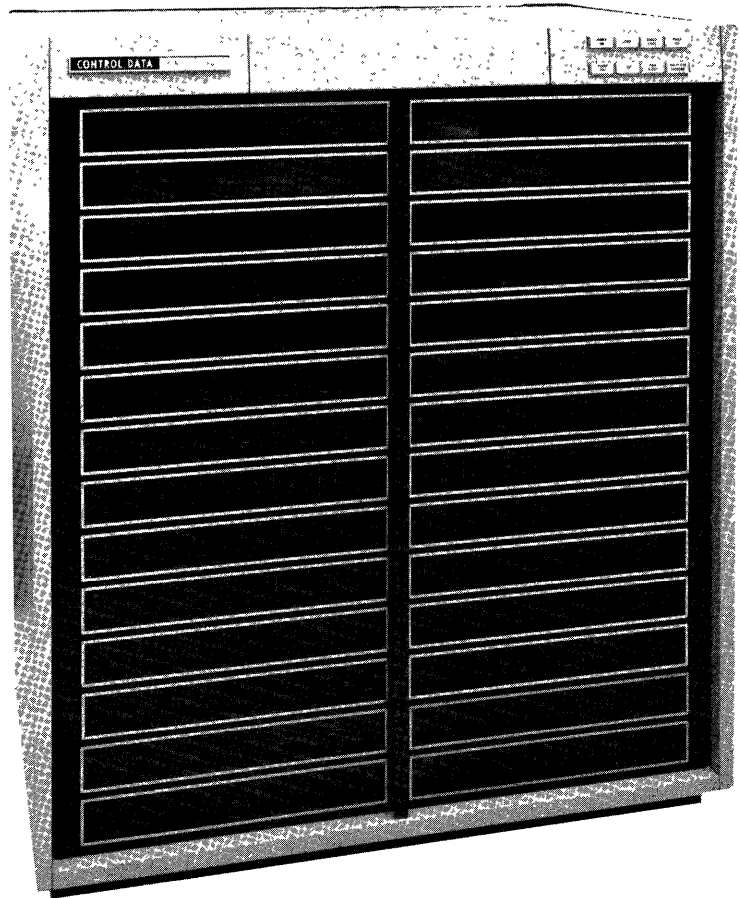
Heat rejection rate, maximum	}	to air, 2600 Btu/h (762 W)
		to water, N/A

Permissible range of room relative humidity, 25 % to 75 %

	Maximum	Recommended	Minimum	Dew Point Limitation
Operating temperature (ambient or plenum inlet temperature)	90 °F (32.2 °C)	72 °F (22.2 °C)	55 °F (12.8 °C)	N/A °F (- °C)
Storage temperature	150 °F (65.6 °C)		-45 °F (-42.8 °C)	

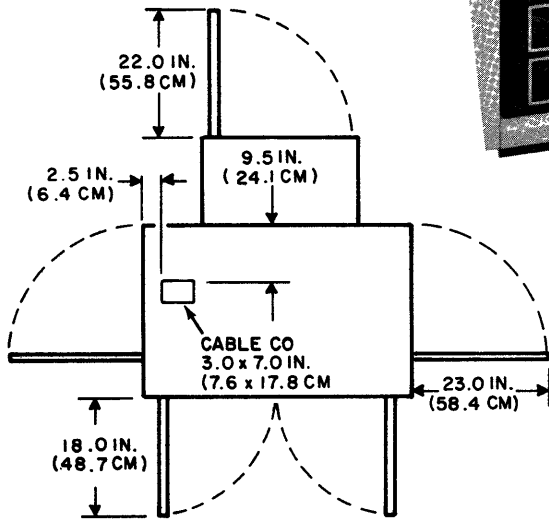
† Controller only.

501 LINE PRINTER



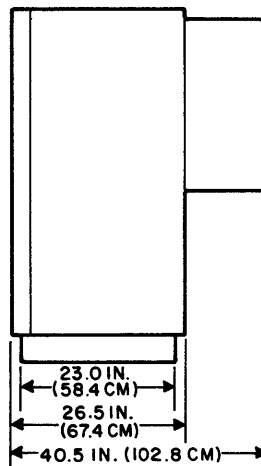
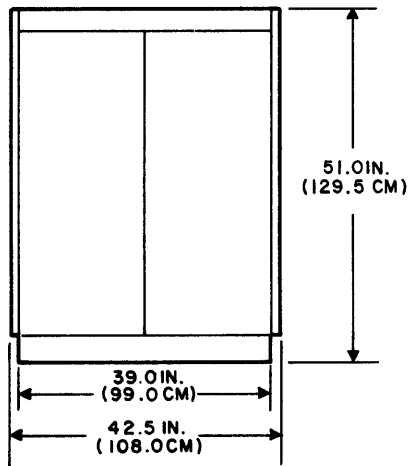
1613

PLAN



FRONT

SIDE



2AW65A

501 LINE PRINTER

Width	42.5	in (1080 mm)	Weight	1280	lb (580 kg)
Depth	40.5	in (1028 mm)	Supported by	4 casters	
Height	51.0	in (1295 mm)			

For maximum width/depth, all doors extended, refer to floor plan layout.

Power consumption, steady state, maximum:

$\left\{ \begin{array}{l} 60 \text{ Hz, } 208 \text{ V, } 3 \text{ phase, } 1.8 \text{ kVA} \\ \text{or} \\ 50 \text{ Hz, } 208 \text{ V, } 3 \text{ phase, } 1.8 \text{ kVA} \end{array} \right.$

Circuit breakers:

Power connector locations above cabinet base:

$\left\{ \begin{array}{l} 60 \text{ Hz, } 15 \text{ A, } 3 \text{ phase} \\ \text{or} \\ 50 \text{ Hz, } 15 \text{ A, } 3 \text{ phase} \end{array} \right.$

Locking connector
 Locking connector } N/A

Control Data signal cables: Quantity: Standard length: Maximum length:
 N/A

Distance from internal signal cable connectors to floor: N/A

External terminator power connection required: no

Environmental considerations:

Type of cooling, internal fan

Source of cooling, room air

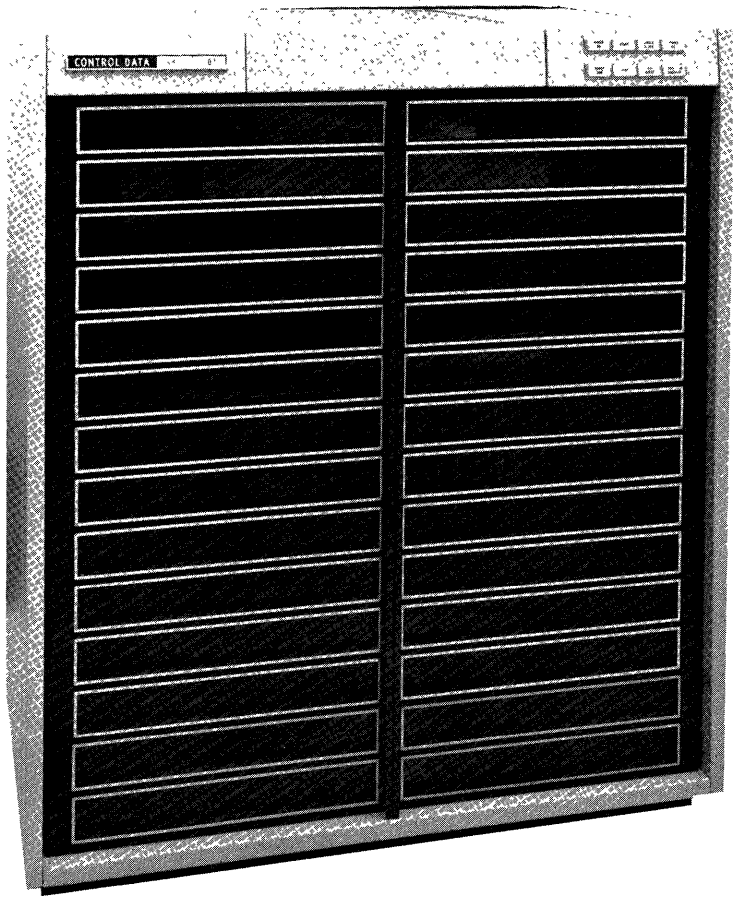
Heat rejection rate, maximum $\left\{ \begin{array}{l} \text{to air, } 5325 \text{ Btu/h (} 1560 \text{ W) } \\ \text{to water, N/A} \end{array} \right.$

Permissible range of room relative humidity, 35 % to 60 %

	Maximum	Recommended	Minimum	Dew Point Limitation
Operating temperature (ambient or plenum inlet temperature)	74 °F (23.3 °C)	72 °F (22.2 °C)	62 °F (16.7 °C)	N/A °F (- °C)
Storage temperature	120 °F† (48.9 °C)		0 °F † (17.8 °C)	

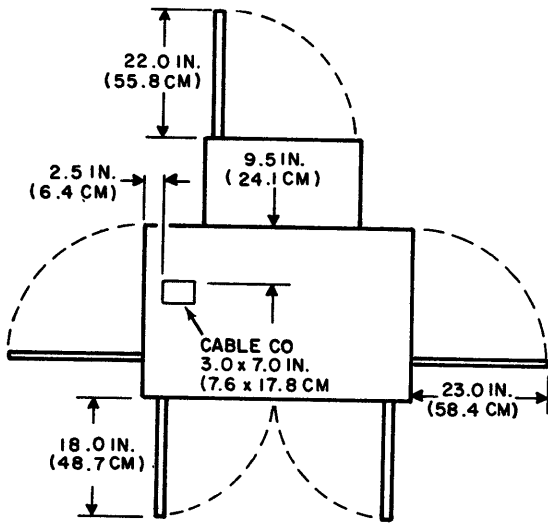
†Estimated

505 LINE PRINTER

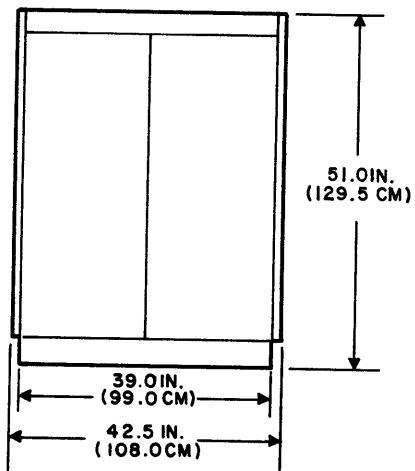


1613

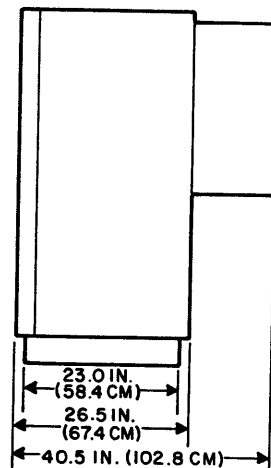
PLAN



FRONT



SIDE



2AW65A

505 LINE PRINTER

Width	42.5	in (1080 mm)	Weight	1280	lb (580 kg)
Depth	40.5	in (1028 mm)	Supported by	4 casters	
Height	51.0	in (1295 mm)			

For maximum width/depth, all doors extended, refer to floor plan layout.

Power consumption, steady state, maximum:

60 Hz, 208 V, 3 phase, 1.8 kVA
or
50 Hz, 208 V, 3 phase, 1.8 kVA

Circuit breakers:

Power connector locations above cabinet base:

{ 60 Hz, 15 A, 3 phase
or
50 Hz, 15 A, 3 phase

Locking connector } N/A
Locking connector }

Control Data signal cables: Quantity: Standard length: Maximum length:
N/A

Distance from internal signal cable connectors to floor: N/A

External terminator power connection required: no

Environmental considerations:

Type of cooling, internal fan
Source of cooling, room air

Heat rejection rate, maximum { to air, 5325 Btu/h (1560 W)
to water, N/A }

Permissible range of room relative humidity, 35 % to 60 %

	Maximum	Recommended	Minimum	Dew Point Limitation
Operating temperature (ambient or plenum inlet temperature)	74 °F (23.3 °C)	72 °F (22.2 °C)	62 °F (16.7 °C)	N/A °F (- °C)
Storage temperature	120 °F † (48.9 °C)		0 °F † (-17.8 °C)	

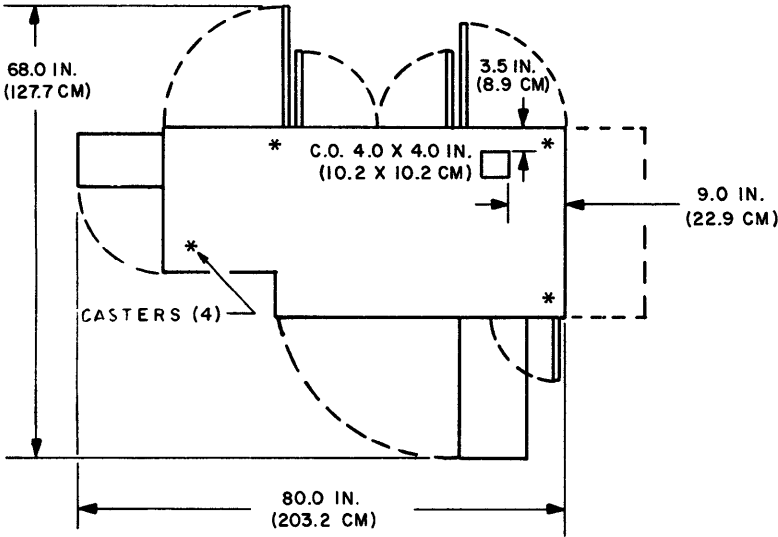
† Estimated

512 LINE PRINTER

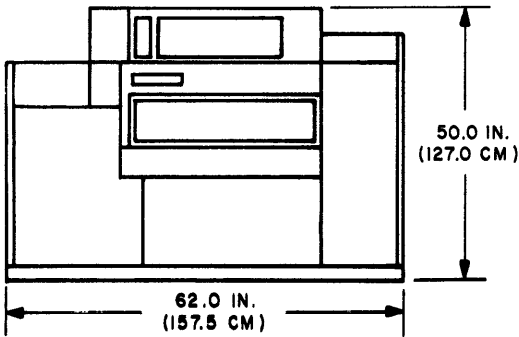


512

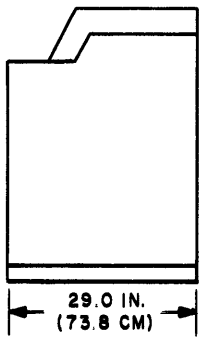
PLAN



FRONT



SIDE



2AW53A

512 LINE PRINTER

Width	62.0	in (1575 mm)	Weight	1000 lb (454 kg)
Depth	29.0	in (737 mm)	Supported by	4 casters
Height	50.0	in (1270 mm)		

For maximum width/depth, all doors extended, refer to floor plan layout.

Power consumption, steady state, maximum:

400 Hz, 208 V, 3 phase, 0.3 kVA
 and $\left\{ \begin{array}{l} 60 \text{ Hz, } 208 \text{ V, } 3 \text{ phase, } 2.5 \text{ kVA} \\ \text{or} \\ 50 \text{ Hz, } 380 \text{ V, } 3 \text{ phase, } 2.5 \text{ kVA} \end{array} \right\}$

Circuit breakers:

400 Hz, 15 A, 3 phase
 and $\left\{ \begin{array}{l} 60 \text{ Hz, } 15 \text{ A, } 3 \text{ phase} \\ \text{or} \\ 50 \text{ Hz, } 15 \text{ A, } 3 \text{ phase} \end{array} \right\}$

Power connector locations above cabinet base:

Terminal strip	18 in (457 mm)
Locking connector	}
Locking connector	

Control Data signal cables:	Quantity:	Standard length:	Maximum length:
To central computer	2	30 ft (9.1 m)	200 ft (61 m)

Distance from internal signal cable connectors to floor: 30 in (762 mm)
 External terminator power connection required: yes (40 V dc)

Environmental considerations:

Type of cooling, internal fan
 Source of cooling, room air

Heat rejection rate, maximum $\left\{ \begin{array}{l} \text{to air, } 6200 \text{ Btu/h (} 1817 \text{ W) } \\ \text{to water, N/A} \end{array} \right\}$

Permissible range of room relative humidity, 30 % to 80 %

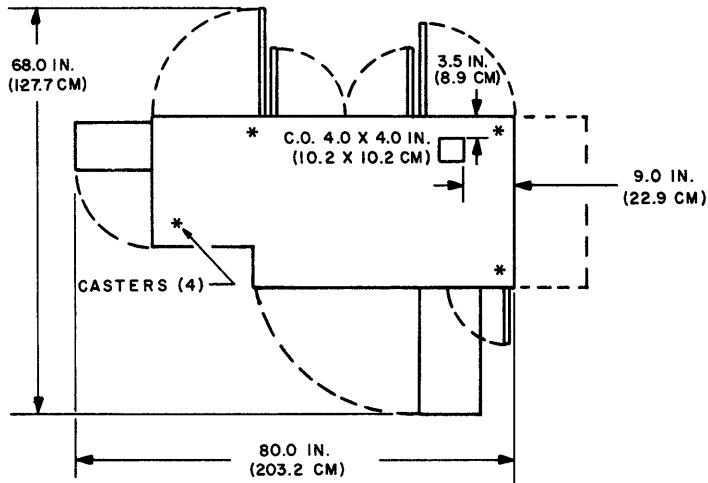
	Maximum	Recommended	Minimum	Dew Point Limitation
Operating temperature (ambient or plenum inlet temperature)	90 °F (32 °C)	72 °F (22.2 °C)	60 °F (15.5 °C)	N/A °F (- °C)
Storage temperature	130 °F (54 °C)		-30 °F (-34 °C)	

†Located on a drop cable below the base of the cabinet.

517-1 TRAIN PRINTER

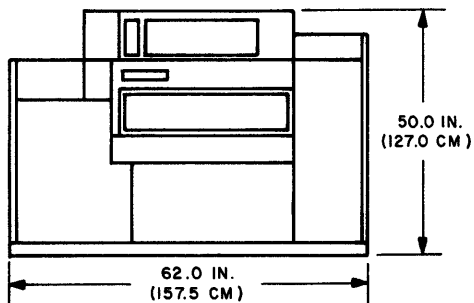


PLAN

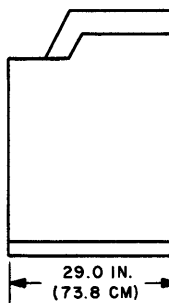


512

FRONT



SIDE



2AW53A

517-1 TRAIN PRINTER

Width	62.0	in (1575 mm)	Weight	1000 lb (454 kg)
Depth	29.0	in (737 mm)	Supported by	4 casters
Height	50.0	in (1270 mm)		

For maximum width/depth, all doors extended, refer to floor plan layout.

Power consumption, steady state, maximum:

60 Hz, 208 V, 3 phase, 2.5 kVA
 or
 50 Hz, 380 V, 3 phase, 2.5 kVA

Circuit breakers:

Power connector locations above cabinet base:

{ 60 Hz, 15 A, 3 phase
 or
 50 Hz, 15 A, 3 phase

Terminal strip
 Terminal strip

Control Data signal cables:	Quantity:	Standard length:	Maximum length:
N/A			

Distance from internal signal cable connectors to floor:

External terminator power connection required: N/A

Environmental considerations:

Type of cooling, internal fans

Source of cooling, room air

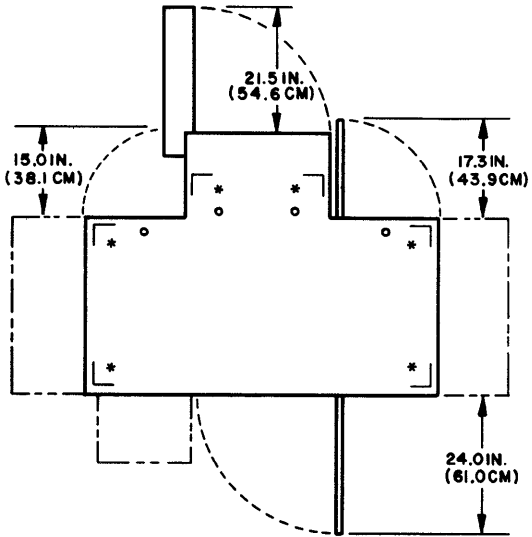
Heat rejection rate, maximum	{	to air, 6200 Btu/h (1817 W)	}
		to water, N/A	

	Maximum	Recommended	Minimum	Dew Point Limitation
Operating temperature (ambient or plenum inlet temperature)	90 °F (32 °C)	72 °F (22.2 °C)	60 °F (15.5 °C)	N/A °F (°C)
Storage temperature	130 °F (54 °C)		-30 °F (-34.4 °C)	

580-12 TRAIN PRINTER SUBSYSTEM

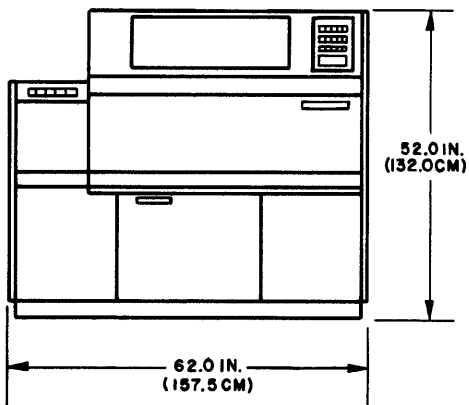


PLAN

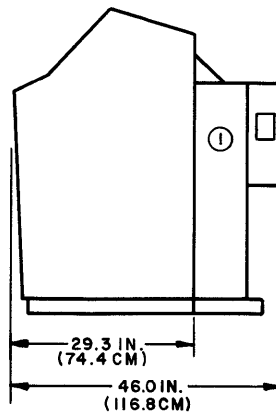


NOTE:
 ① STACKER REMOVABLE FOR MOVING PRINTER.

FRONT



SIDE



2AW59A

580-12 TRAIN PRINTER SUBSYSTEM

Width	62.0	in (1575 mm)	Weight	1500	lb (682 kg)
Depth	46.0	in (1168 mm)	Supported by frame,	4 casters	
Height	52.0	in (1320 mm)			

For maximum width/depth, all doors extended, refer to floor plan layout.

Power consumption, steady state, maximum:

and $\left\{ \begin{array}{l} 60 \text{ Hz, } 208 \text{ V, } 3 \text{ phase, } 3.3 \text{ kVA} \\ \text{or} \\ 50 \text{ Hz, } 208 \text{ V, } 3 \text{ phase, } 3.3 \text{ kVA} \end{array} \right\}$

Circuit breakers:

Power connector locations above cabinet base:

and	$\left\{ \begin{array}{l} 60 \text{ Hz, } 20 \text{ A, } 3 \text{ phase} \\ \text{or} \\ 50 \text{ Hz, } 20 \text{ A, } 3 \text{ phase} \end{array} \right\}$	Terminal strip	} 60 in (1524 mm)†
		Terminal strip	

Control Data signal cables:	Quantity:	Standard length:	Maximum length:
Logic	2	40 ft (12.2 m)	200 ft (61 m)

Distance from internal signal cable connectors to floor: 30 in (762 mm)

External terminator power connection required: yes (40 V dc)

Environmental considerations:

Type of cooling, internal fan

Source of cooling, room air

Heat rejection rate, maximum $\left\{ \begin{array}{l} \text{to air, } 9010 \text{ Btu/h (} 2640 \text{ W) } \\ \text{to water, N/A } \end{array} \right\}$

Permissible range of room relative humidity, 30 % to 80 %

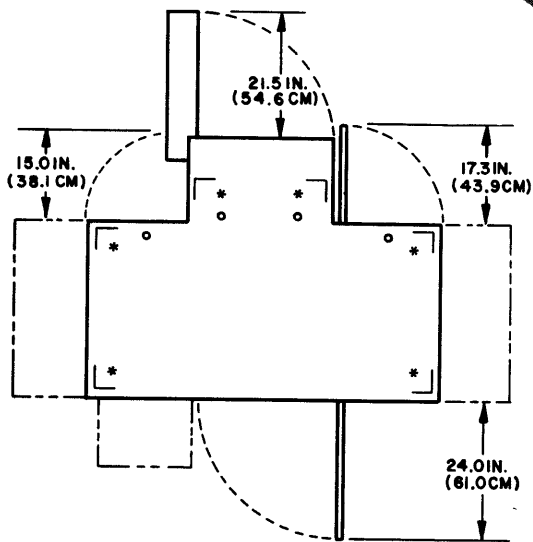
	Maximum	Recommended	Minimum	Dew Point Limitation
Operating temperature (ambient or plenum inlet temperature)	90 °F (32.2 °C)	72 °F (22 °C)	60 °F (15.6 °C)	N/A °F (°C)
Storage temperature	150 °F (65.6 °C)		-30 °F (-34 °C)	

†Estimated

580-16 TRAIN PRINTER SUBSYSTEM

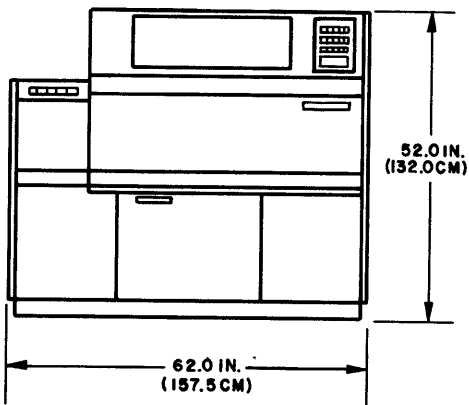


PLAN

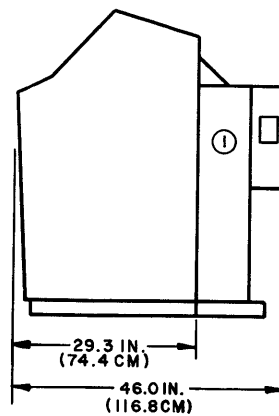


NOTE:
 ① STACKER REMOVABLE FOR MOVING PRINTER.

FRONT



SIDE



2AW59A

580-16 TRAIN PRINTER SUBSYSTEM

Width	62.0	in (1575 mm)	Weight	1500	lb (682 kg)
Depth	46.0	in (1168 mm)	Supported by frame,	4 casters	
Height	52.0	in (1320 mm)			

For maximum width/depth, all doors extended, refer to floor plan layout.

Power consumption, steady state, maximum:

and $\left\{ \begin{array}{l} 60 \text{ Hz, } 208 \text{ V, } 3 \text{ phase, } 4.0 \text{ kVA} \\ \text{or} \\ 50 \text{ Hz, } 380 \text{ V, } 3 \text{ phase, } 4.0 \text{ kVA} \end{array} \right\}$

Circuit breakers:

Power connector locations above cabinet base:

and	$\left\{ \begin{array}{l} 60 \text{ Hz, } 20 \text{ A, } 3 \text{ phase} \\ \text{or} \\ 50 \text{ Hz, } 20 \text{ A, } 3 \text{ phase} \end{array} \right\}$	Terminal strip	$\left. \vphantom{\begin{array}{l} 60 \text{ Hz, } 20 \text{ A, } 3 \text{ phase} \\ \text{or} \\ 50 \text{ Hz, } 20 \text{ A, } 3 \text{ phase} \end{array}} \right\} 60 \text{ in (} 1524 \text{ mm) †}$
		Terminal strip	

Control Data signal cables:	Quantity:	Standard length:	Maximum length:
Logic	2	40 ft (12.2 m)	200 ft (61 m)

Distance from internal signal cable connectors to floor:	30 in (762 mm) †
External terminator power connection required:	yes (40 V dc)

Environmental considerations:

Type of cooling, internal fan
Source of cooling, room air

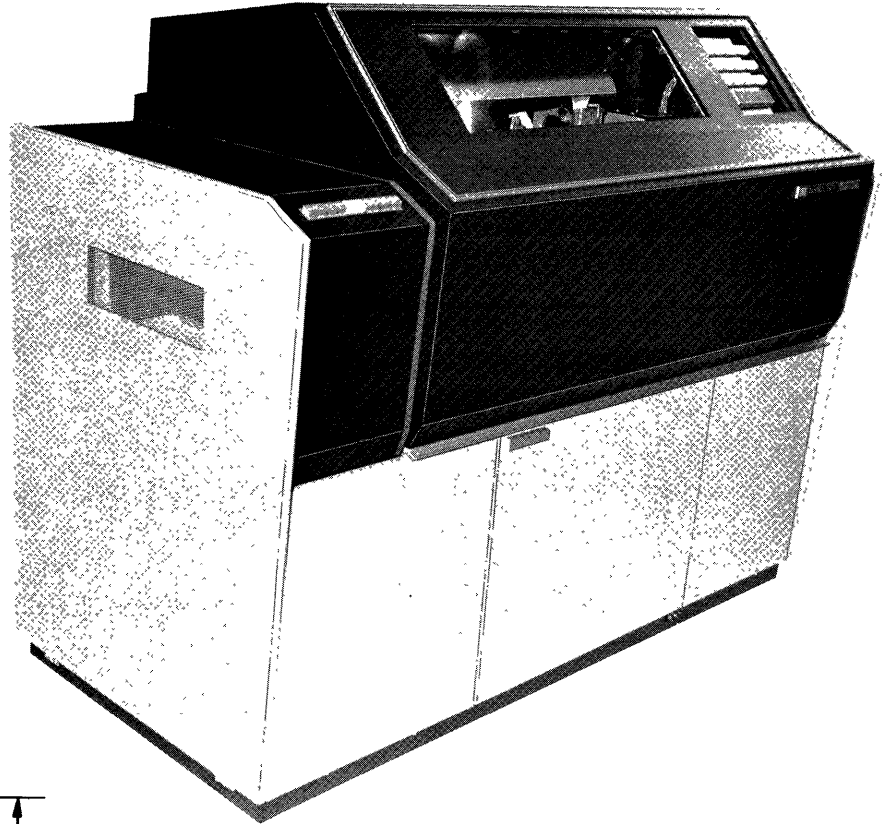
Heat rejection rate, maximum	$\left\{ \begin{array}{l} \text{to air, } 10,920 \text{ Btu/h (} 3200 \text{ W) } \\ \text{to water, N/A} \end{array} \right\}$
------------------------------	--

Permissible range of room relative humidity, 30 % to 80 %

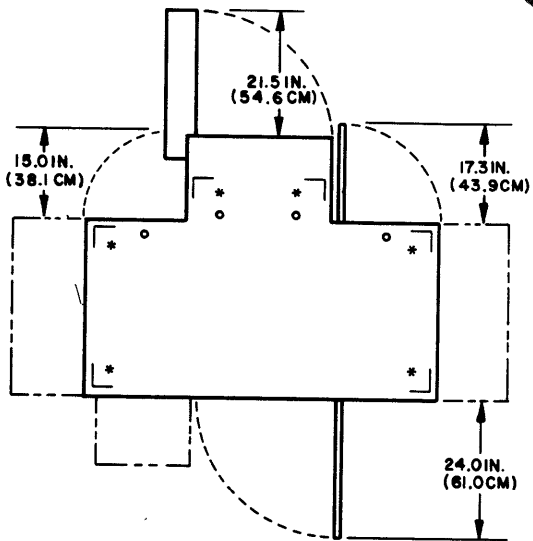
	Maximum	Recommended	Minimum	Dew Point Limitation
Operating temperature (ambient or plenum inlet temperature)	90 °F (32.2 °C)	72 °F (22 °C)	60 °F (15.6 °C)	N/A °F (- °C)
Storage temperature	150 °F (65.6 °C)		-30 °F (-34 °C)	

†Estimated

580-20 TRAIN PRINTER SUBSYSTEM



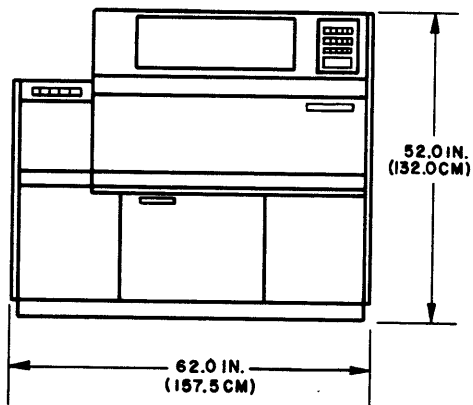
PLAN



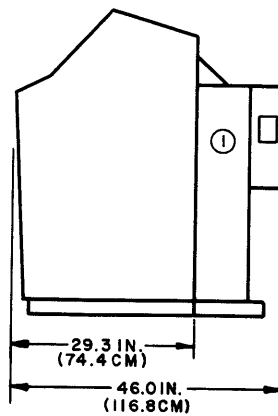
NOTE:

- ① STACKER REMOVABLE FOR MOVING PRINTER.

FRONT



SIDE



2AW59A

580-20 TRAIN PRINTER SUBSYSTEM

Width	62.0	in (1575 mm)	Weight	1500	lb. (682 kg)
Depth	46.0	in (1168 mm)	Supported by frame,	4 casters	
Height	52.0	in (1321 mm)			

For maximum width/depth, all doors extended, refer to floor plan layout.

Power consumption, steady state, maximum:

and $\left\{ \begin{array}{l} 60 \text{ Hz, } 208 \text{ V, } 3 \text{ phase, } 5.2 \text{ kVA} \\ \text{or} \\ 50 \text{ Hz, } 380 \text{ V, } 3 \text{ phase, } 5.2 \text{ kVA} \end{array} \right\}$

Circuit breakers:

Power connector locations above cabinet base:

and	$\left\{ \begin{array}{l} 60 \text{ Hz, } 30 \text{ A, } 3 \text{ phase} \\ \text{or} \\ 50 \text{ Hz, } 30 \text{ A, } 3 \text{ phase} \end{array} \right\}$	Terminal strip	$\left. \begin{array}{l} \\ \\ \end{array} \right\} 60 \text{ in (} 1524 \text{ mm) †}$
		Terminal strip	

Control Data signal cables:	Quantity:	Standard length:	Maximum length:
Logic	2	40 ft (12.2 m)	200 ft (61 m)

Distance from internal signal cable connectors to floor: 30 in (762 mm) †

External terminator power connection required: yes (40 V dc)

Environmental considerations:

Type of cooling, internal fan

Source of cooling, room air

Heat rejection rate, maximum $\left\{ \begin{array}{l} \text{to air, } 15,000 \text{ Btu/h (} 440 \text{ W) } \\ \text{to water, N/A} \end{array} \right\}$

Permissible range of room relative humidity, 30 % to 80 %

	Maximum	Recommended	Minimum	Dew Point Limitation
Operating temperature (ambient or plenum inlet temperature)	90 °F (32.2 °C)	72 °F (22 °C)	60 °F (15.6 °C)	N/A °F (- °C)
Storage temperature	150 °F (65.6 °C)		-30 °F (-34 °C)	

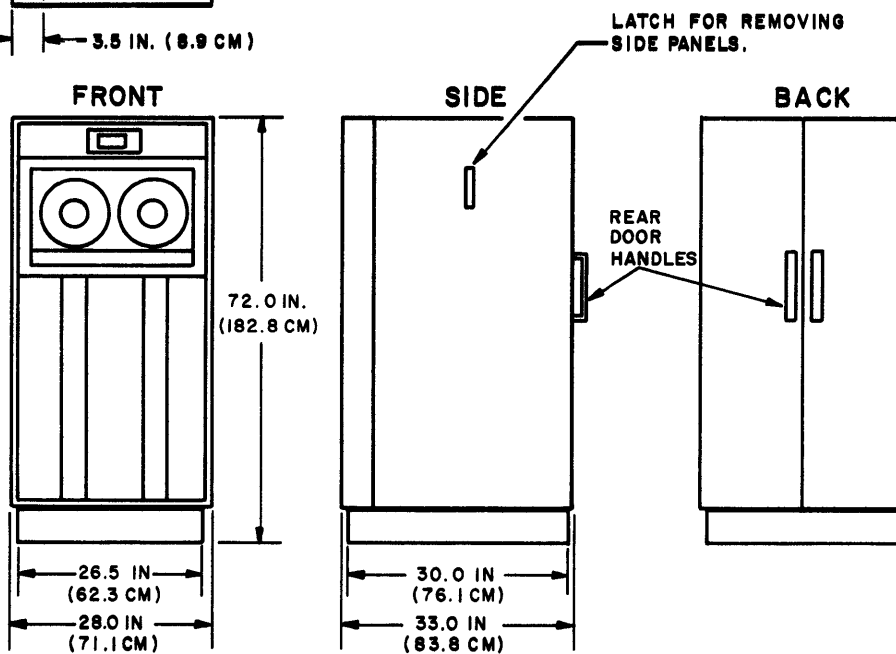
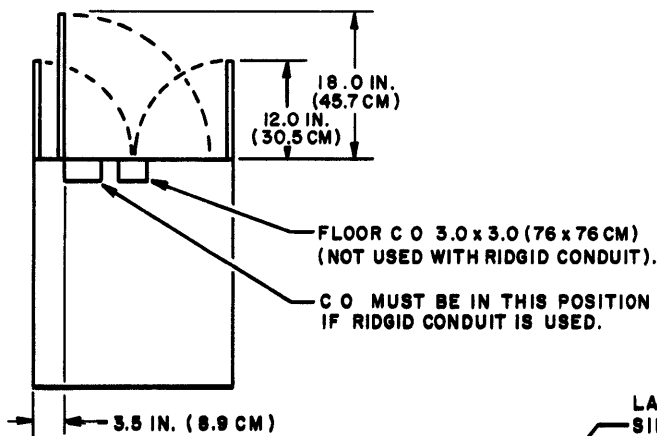
†Estimated

603/604/607 MAGNETIC TAPE TRANSPORT



1611

PLAN



2AW13 A

603/604/607 MAGNETIC TAPE TRANSPORT

Width	28.0 in (711 mm)	Weight	1200 lb (545 kg)
Depth	33.0 in (838 mm)	Supported by 4 casters	
Height	72.0 in (1828 mm)		

For maximum width/depth, all doors extended, refer to floor plan layout.

Power consumption, steady state, maximum:

and $\left\{ \begin{array}{l} 60 \text{ Hz, } 208 \text{ V, } 3 \text{ phase, } 4.0 \text{ kVA} \\ \text{or} \\ 50 \text{ Hz, } 208 \text{ V, } 3 \text{ phase, } 4.0 \text{ kVA} \end{array} \right\}$

Circuit breakers:

Power connector locations above cabinet base:

and	$\left\{ \begin{array}{l} 60 \text{ Hz, } 20 \text{ A, } 3 \text{ phase} \\ \text{or} \\ 50 \text{ Hz, } 20 \text{ A, } 3 \text{ phase} \end{array} \right\}$	$\left. \begin{array}{l} \text{Twist-lock} \\ \text{Twist-lock} \end{array} \right\}$	36 in (914 mm)
-----	---	---	-----------------

Control Data signal cables:	Quantity:	Standard length:	Maximum length:
60X to tape controller	2	40 ft (12.2 m)	50 ft (15.4 m)

Distance from internal signal cable connectors to floor: 50 in (1270 mm)

External terminator power connection required: no

Environmental considerations:

Type of cooling, internal fans

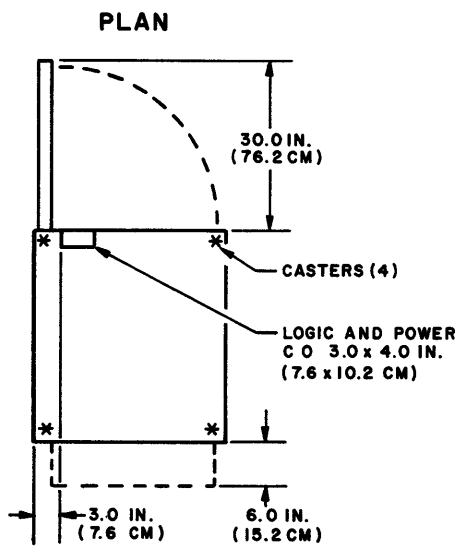
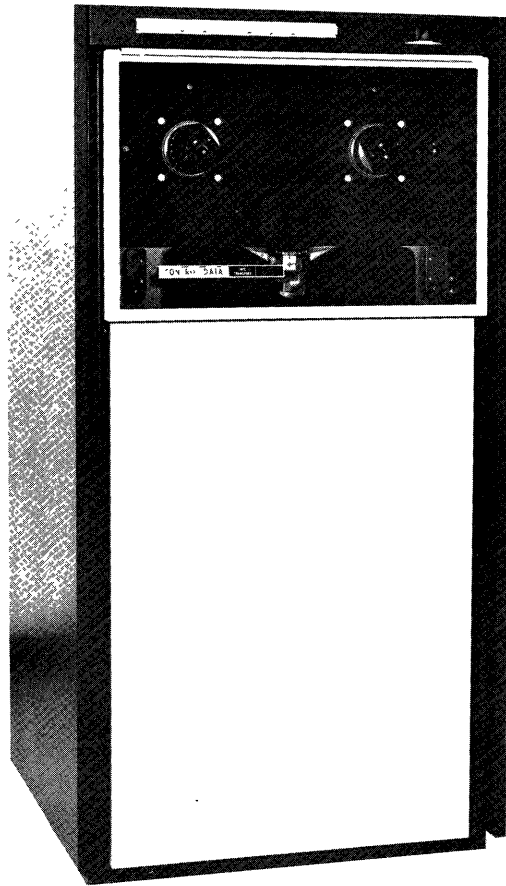
Source of cooling, room air

Heat rejection rate, maximum $\left\{ \begin{array}{l} \text{to air, } 10,000 \text{ Btu/h (} 2930 \text{ W) } \\ \text{to water, N/A} \end{array} \right\}$

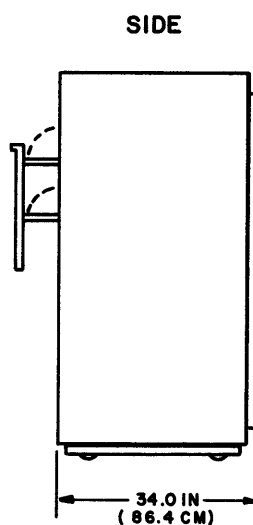
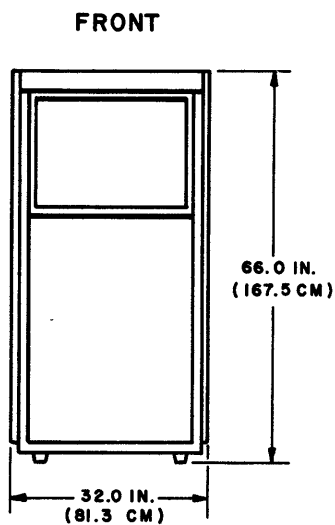
Permissible range of room relative humidity, 35 % to 60 %

	Maximum	Recommended	Minimum	Dew Point Limitation
Operating temperature (ambient or plenum inlet temperature)	74 °F (23.5 °C)	72 °F (22 °C)	62 °F (16.5 °C)	N/A °F (°C)
Storage temperature	120 °F (49 °C)		-30 °F (-34 °C)	

604-2/607-2 MAGNETIC TAPE TRANSPORT



1611-CN
OR
6156-CN



2AW3A

604-2/607-2 MAGNETIC TAPE TRANSPORT

Width	32.0	in (813 mm)	Weight	1000	lb (455 kg)
Depth	34.0	in (864 mm)	Supported by	4 casters	
Height	66.0	in (1676 mm)			

For maximum width/depth, all doors extended, refer to floor plan layout.

Power consumption, steady state, maximum:

and $\left\{ \begin{array}{l} 60 \text{ Hz, } 208 \text{ V, } 3 \text{ phase, } 2.5 \text{ kVA} \\ \text{or} \\ 50 \text{ Hz, } 208 \text{ V, } 3 \text{ phase, } 2.5 \text{ kVA} \end{array} \right\}$

Circuit breakers:

Power connector locations above cabinet base:

and $\left\{ \begin{array}{l} 60 \text{ Hz, } 20 \text{ A, } 3 \text{ phase} \\ \text{or} \\ 50 \text{ Hz, } 20 \text{ A, } 3 \text{ phase} \end{array} \right\}$

Locking connection

Locking connection

Control Data signal cables:	Quantity:	Standard length:	Maximum length:
Controller to tape transport	02 24 p	40 ft (12.2 m)	50 ft (15.4 m)

Distance from internal signal cable connectors to floor: 48 in (1219 mm)

External terminator power connection required: no

Environmental considerations:

Type of cooling, internal fans

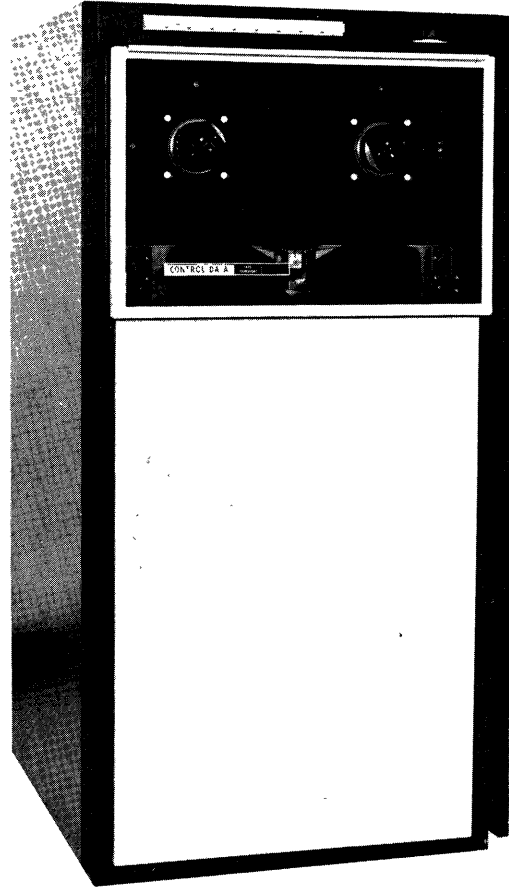
Source of cooling, room air

Heat rejection rate, maximum $\left\{ \begin{array}{l} \text{to air, } 6825 \text{ Btu/h (} 2000 \text{ W) } \\ \text{to water, N/A} \end{array} \right\}$

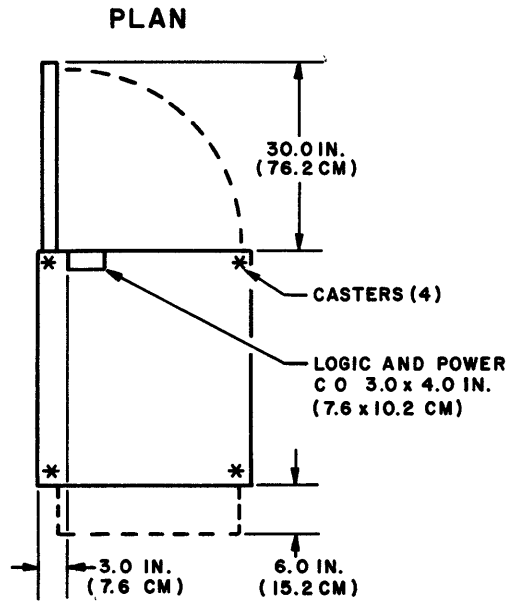
5000 maximum altitude modification required between 5000 and 7000 feet

	Maximum	Recommended	Minimum	Dew Point Limitation
Operating temperature (ambient or plenum inlet temperature)	90 °F (32.2 °C)	72 °F (22.2 °C)	60 °F (15.6 °C)	N/A °F (°C)
Storage temperature	150 °F (65.6 °C)		-30 °F (-34.4 °C)	

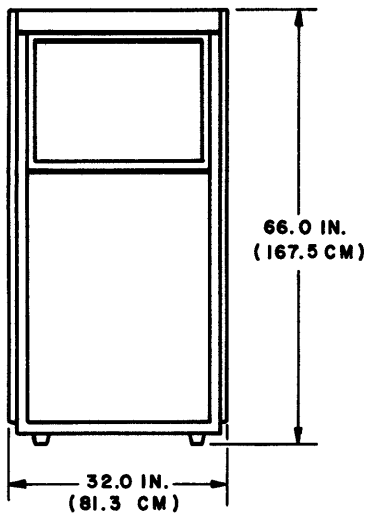
608/609 MAGNETIC TAPE TRANSPORT



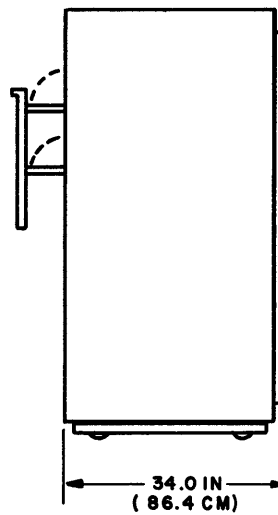
6156-CN



FRONT



SIDE



2AW3A

608/609 MAGNETIC TAPE TRANSPORT

Width	32.0 in (813 mm)	Weight	1100 lb (499 kg)
Depth	34.0 in (864 mm)	Supported by 4 casters	
Height	66.0 in (1675 mm)		

For maximum width/depth, all doors extended, refer to floor plan layout.

Power consumption, steady state, maximum:

and $\left\{ \begin{array}{l} 60 \text{ Hz, } 208 \text{ V, } 3 \text{ phase, } 2.5 \text{ kVA} \\ \text{or} \\ 50 \text{ Hz, } 208 \text{ V, } 3 \text{ phase, } 2.5 \text{ kVA} \end{array} \right\}$

Circuit breakers:

Power connector locations above cabinet base:

and $\left\{ \begin{array}{l} 60 \text{ Hz, } 15 \text{ A, } 3 \text{ phase} \\ \text{or} \\ 50 \text{ Hz, } 15 \text{ A, } 3 \text{ phase} \end{array} \right\}$	Locking connector	} 21 in (533 mm)
	Locking connector	

Control Data signal cables:	Quantity:	Standard length:	Maximum length:
60X to tape controller	2	15 ft (4.6 m)	50 ft (15.4 m)

Distance from internal signal cable connectors to floor: 48 in (1219 mm)

External terminator power connection required: no

Environmental considerations:

Type of cooling, internal fans

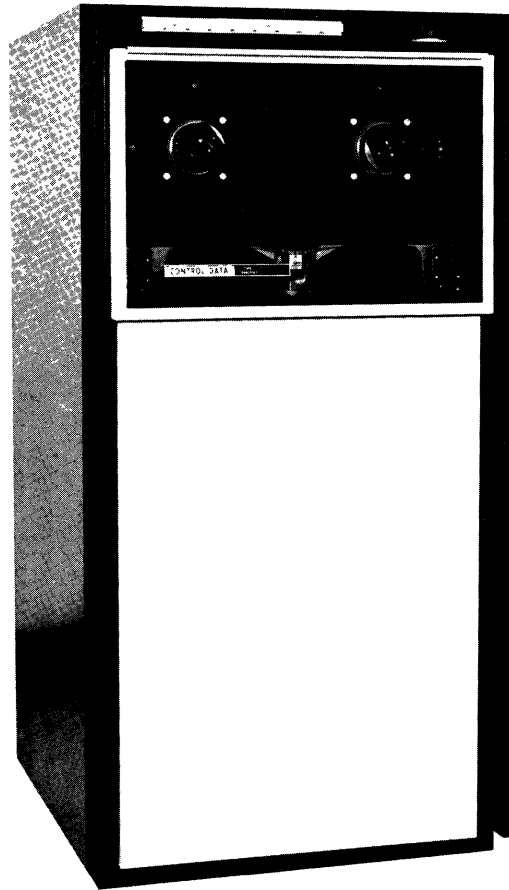
Source of cooling, room air

Heat rejection rate, maximum $\left\{ \begin{array}{l} \text{to air, } 6825 \text{ Btu/h (} 2000 \text{ W) } \\ \text{to water, N/A} \end{array} \right\}$

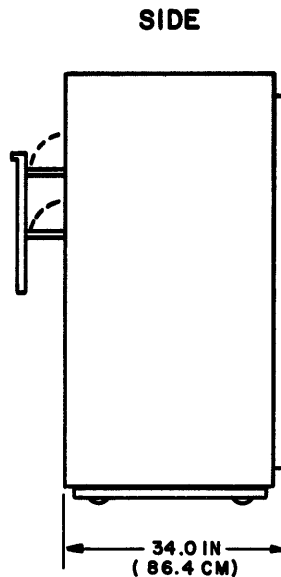
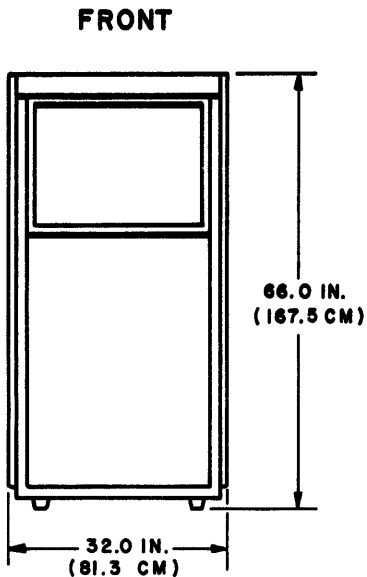
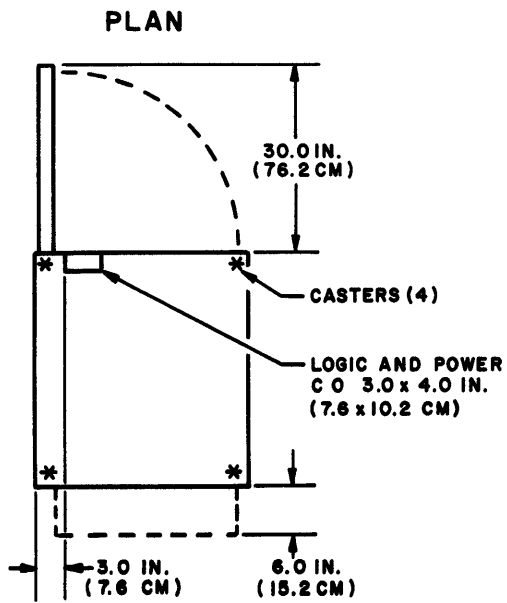
Permissible range of room relative humidity, 30 % to 80 %

	Maximum	Recommended	Minimum	Dew Point Limitation
Operating temperature (ambient or plenum inlet temperature)	90 °F (32.2 °C)	72 °F (22.2 °C)	60 °F (15.6 °C)	N/A °F (°C)
Storage temperature	150 °F (65.6 °C)		-30 °F (-34 °C)	

657-X/659-X MAGNETIC TAPE TRANSPORT



6156-CN



2AW3A

657-X/659-X MAGNETIC TAPE TRANSPORT

Width	32.0	in (813 mm)	Weight	1000	lb (454 kg)
Depth	34.0	in (864 mm)	Supported by	4 casters	
Height	66.0	in (1675 mm)			

For maximum width/depth, all doors extended, refer to floor plan layout.

Power consumption, steady state, maximum:

60 Hz, 208 V, 3 phase, 4.0 kVA
 or
 50 Hz, 208 V, 3 phase, 4.0 kVA

Circuit breakers:

Power connector locations above cabinet base:

$\left\{ \begin{array}{l} 60 \text{ Hz, } 20 \text{ A, } 3 \text{ phase} \\ \text{or} \\ 50 \text{ Hz, } 20 \text{ A, } 3 \text{ phase} \end{array} \right.$	$\left. \begin{array}{l} \text{Locking connector} \\ \text{Locking connector} \end{array} \right\}$	$36 \text{ in (} 914 \text{ mm)}$
--	---	------------------------------------

Control Data signal cables:	Quantity:	Standard length:	Maximum length:
657-X/659-X to 7629-1	1†	40 ft (12.2 m)	20 ft (6.2 m)
657-X/659-X to 7629-2	1	40 ft (12.2 m)	120 ft (36.2 m)

Distance from internal signal cable connectors to floor: 50 in (1270 mm)

External terminator power connection required: no

Environmental considerations:

Type of cooling, Forced air (internal fans)

Source of cooling, Ambient room air

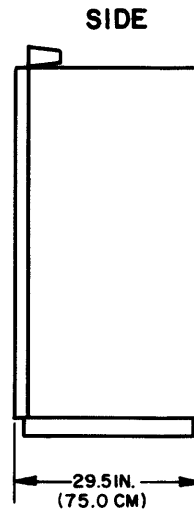
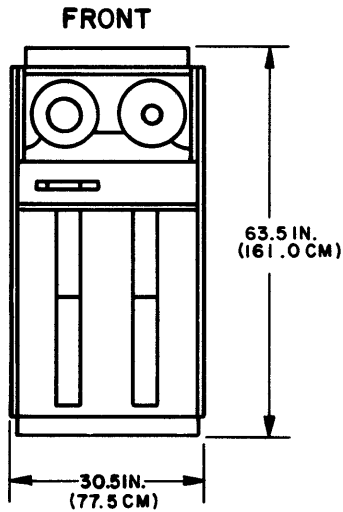
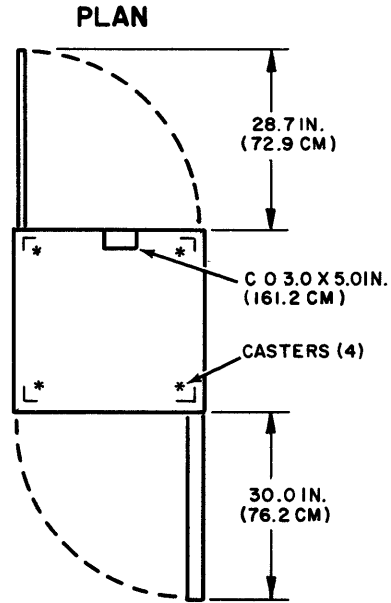
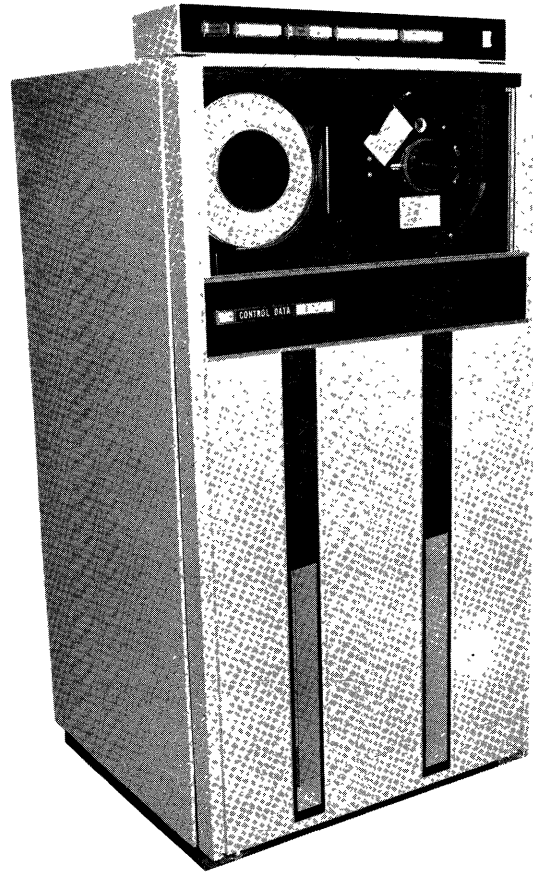
Heat rejection rate, maximum $\left\{ \begin{array}{l} \text{to air, } 11,000 \text{ Btu/h (} 3223 \text{ W)} \\ \text{to water, N/A} \end{array} \right.$

Permissible range of room relative humidity, 35 % to 60 %

	Maximum	Recommended	Minimum	Dew Point Limitation
Operating temperature (ambient or plenum inlet temperature)	74 °F (23.5 °C)	72 °F (22 °C)	62 °F (16.5 °C)	N/A °F (°C)
Storage temperature	120 °F (49 °C)		-30 °F (-34 °C)	

† To the first 657-X/659-X only. Additional 657-X/659-X are daisy-chained, using 15-ft (3.7 m) maximum length cable.

667-2/3/4 AND 669-2/3/4 MAGNETIC TAPE TRANSPORT



2AW57A

667-2/3/4 AND 669-2/3/4 MAGNETIC TAPE TRANSPORT

Width	30.5 in (775 mm)	Weight	900 lb (410 kg)
Depth	29.5 in (750 mm)	Supported by	4 casters
Height	63.5 in (1610 mm)		

For maximum width/depth, all doors extended, refer to floor plan layout.

Power consumption, steady state, maximum:

and $\left\{ \begin{array}{l} 60 \text{ Hz, } 208 \text{ V, } 3 \text{ phase, } 3.0 \text{ kVA} \\ \text{or} \\ 50 \text{ Hz, } 208 \text{ V, } 3 \text{ phase, } 3.0 \text{ kVA} \end{array} \right\}$

Circuit breakers:

and $\left\{ \begin{array}{l} 60 \text{ Hz, } 15 \text{ A, } 3 \text{ phase} \\ \text{or} \\ 50 \text{ Hz, } 15 \text{ A, } 3 \text{ phase} \end{array} \right\}$

Power connector locations above cabinet base:
72-inch line cord from
lower rear of cabinet
and locking connector } N/A

Control Data signal cables:	Quantity:	Standard length:	Maximum length:
Logic cable	1	50 ft (15.4 m)	125 ft (38.1m)

Distance from internal signal cable connectors to floor: 10 in (254 mm)

External terminator power connection required: no

Environmental considerations:

Type of cooling, internal fan

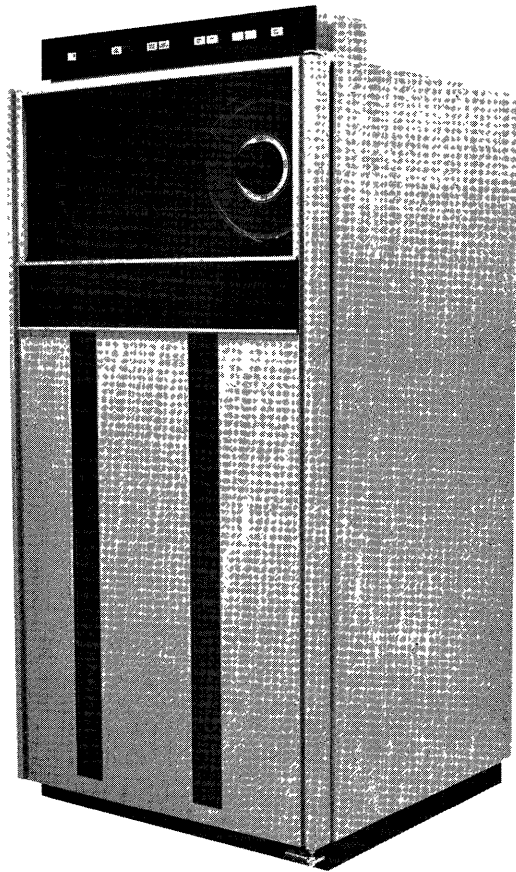
Source of cooling, room air

Heat rejection rate, maximum $\left\{ \begin{array}{l} \text{to air, } 8190 \text{ Btu/h (} 2400 \text{ W) } \\ \text{to water, N/A} \end{array} \right\}$

Permissible range of room relative humidity, 30 % to 80 %

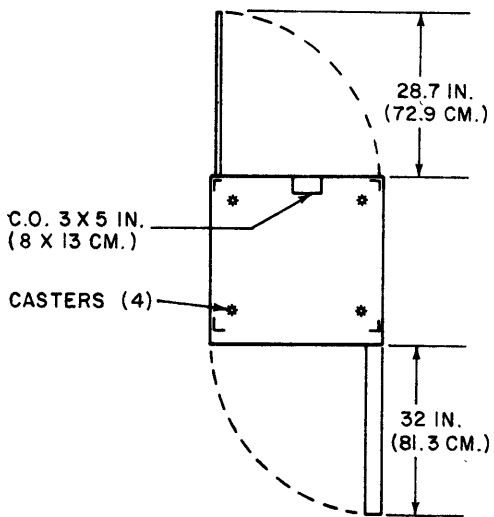
	Maximum	Recommended	Minimum	Dew Point Limitation
Operating temperature (ambient or plenum inlet temperature)	90 °F (32.2 °C)	72 °F (22.2 °C)	60 °F (15.6 °C)	N/A °F (°C)
Storage temperature	150 °F (65.6 °C)		-30 °F (-34 °C)	

677-2/3/4, 679-2/3/4/5/6/7 MAGNETIC TAPE TRANSPORT

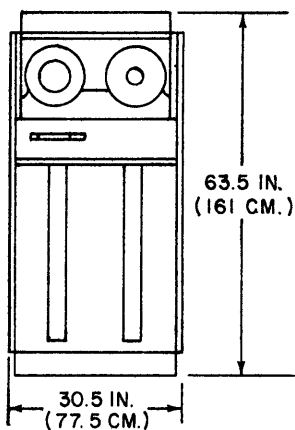


677-2/3/4 AND 679-2/3/4/5/6/7
MAGNETIC TAPE TRANSPORT

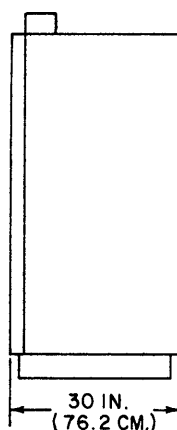
PLAN



FRONT



SIDE



677-2/3/4, 679-2/3/4/5/6/7 MAGNETIC TAPE TRANSPORT

Width	30.5 in (775 mm)	Weight	900 lb (408 kg)
Depth	30.0 in (762 mm)	Supported by	4 casters
Height	63.5 in (1610 mm)		

For maximum width/depth, all doors extended, refer to floor plan layout.

Power consumption, steady state, maximum:

$\left\{ \begin{array}{l} 60 \text{ Hz, } 208 \text{ V, } 3 \text{ phase, } 2.9 \text{ kVA} \\ \text{or} \\ 50 \text{ Hz (See) V, } 3 \text{ phase, } 2.9 \text{ kVA} \\ \text{note} \end{array} \right.$

NOTE

Nominal input voltage range
selectable via internal taps:
60 Hz = 208/230 V
50 Hz = 380/398/415/423 V

Circuit breakers:

and $\left\{ \begin{array}{l} 60 \text{ Hz, } 15 \text{ A, } 3 \text{ phase} \\ \text{or} \\ 50 \text{ Hz, } 15 \text{ A, } 3 \text{ phase} \end{array} \right.$

Power connector locations above cabinet base:

No power cord supplied; power connector
(furnished) at tape unit power supply box is:
60 Hz - 4 - Pin (4-wire) P/N 95884201
50 Hz - 8 - Pin (5-wire) P/N 95884303

Control Data signal cables:	Quantity:	Standard length:	Maximum length:
67X to host processor	1 per tape unit	50 ft (15.4 m)	200 ft (61 m)

Distance from internal signal cable connectors to floor: 36 in (914 mm)

External terminator power connection required: X no

Environmental considerations:

Type of cooling, forced air (internal fan)

Source of cooling, ambient room air

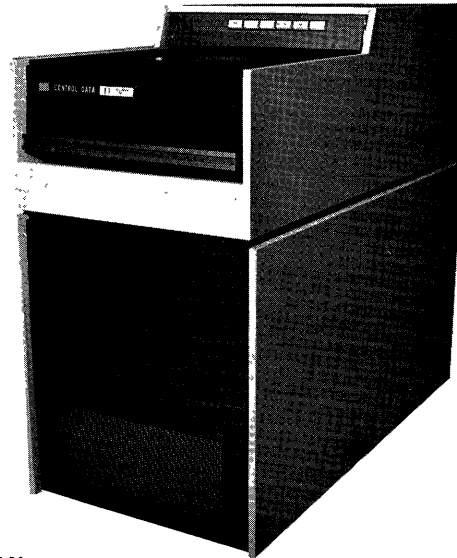
Heat rejection rate, maximum $\left\{ \begin{array}{l} \text{to air, } 7920 \text{ Btu/h (} 2321 \text{ W) } \\ \text{to water, } \text{N/A} \end{array} \right.$

Permissible range of room relative humidity, 20 % to 80 %

	Maximum	Recommended	Minimum	Dew Point Limitation
Operating temperature (ambient or plenum inlet temperature)	90 °F (32.2 °C)	72 °F (22.2 °C)	60 °F (15.6 °C)	N/A °F (°C)
Storage temperature	122 °F (50 °C)		14 °F (-10 °C)	

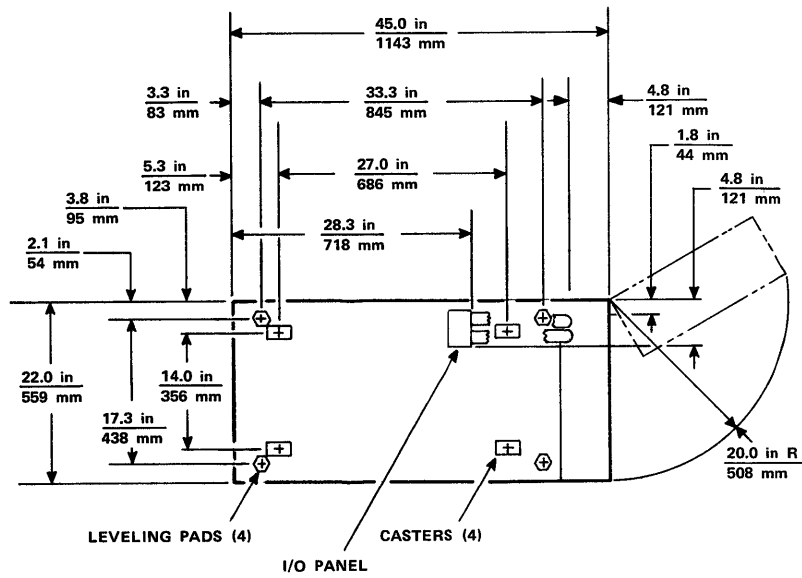
Maximum operating altitude: 7000 ft (2130 m) with adjustment required above 3000 ft (915 m).

819-1 DISK STORAGE UNIT



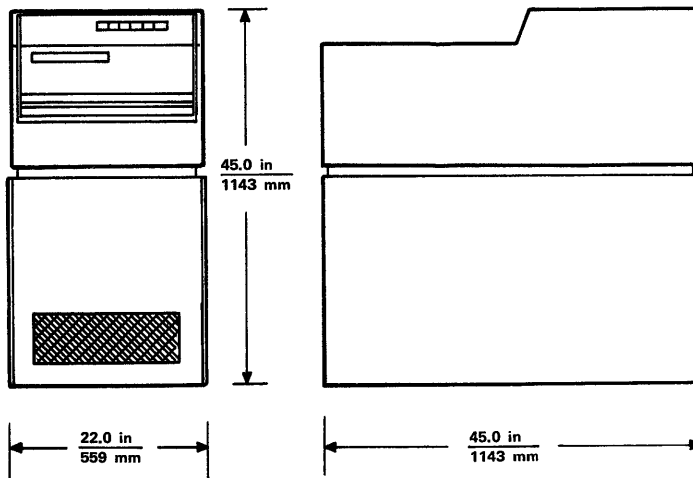
6350

PLAN



FRONT

SIDE



2AW67A

819-1 DISK STORAGE UNIT

Width 22.0 in (559 mm)

Weight 800 lb (363 kg)

Depth 45.0 in (1143 mm)

Supported by 4 leveling pads

Height 45.0 in (1143 mm)

For maximum width/depth, all doors extended, refer to floor plan layout.

Power consumption, steady state, maximum:

60 Hz, 208 V, 3 phase, 5.0 kVA

Circuit breakers:

Power connector locations above cabinet base:

60 Hz, 20 A, 3 phase

Locking connector 4 in (102 mm)

Control Data signal cables:

Quantity:

Standard length:

Maximum length:

Controller/DSU

2

50 ft (15.4 m)

60 ft (18.3 m)

Distance from internal signal cable connectors to floor: 4 in (102 mm)

External terminator power connection required: no

Environmental considerations:

Type of cooling, internal fan

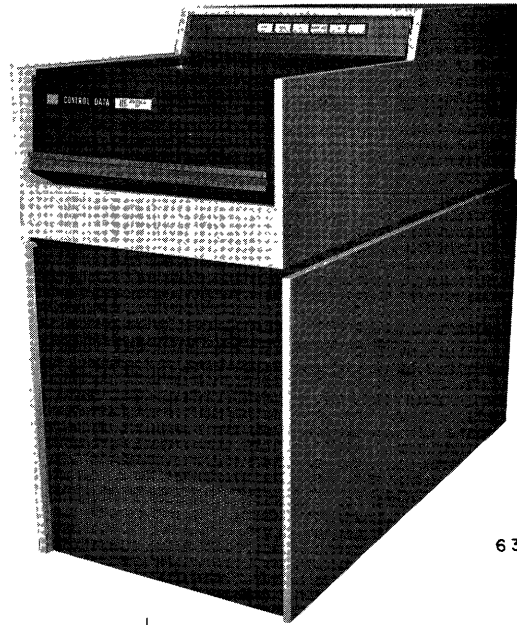
Source of cooling, room air

Heat rejection rate, maximum $\left\{ \begin{array}{l} \text{to air, } 10,000 \text{ Btu/h (} 2930 \text{ W) } \\ \text{to water, N/A} \end{array} \right\}$

Permissible range of room relative humidity, 30 % to 80 %

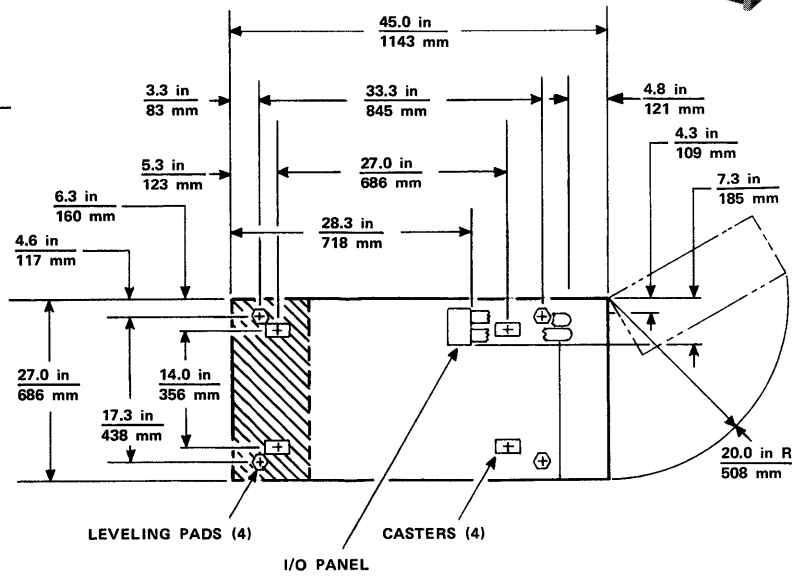
	Maximum	Recommended	Minimum	Dew Point Limitation
Operating temperature (ambient or plenum inlet temperature)	90 °F (32.2 °C)	75 °F (23.9 °C)	60 °F (15.6 °C)	N/A °F (°C)
Storage temperature	150 °F (65.6 °C)		-30 °F (-34.4 °C)	

819-11/21 DISK STORAGE UNIT



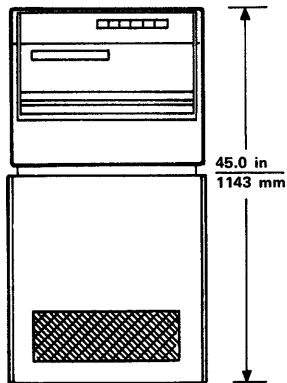
6350

PLAN

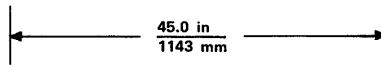
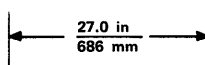
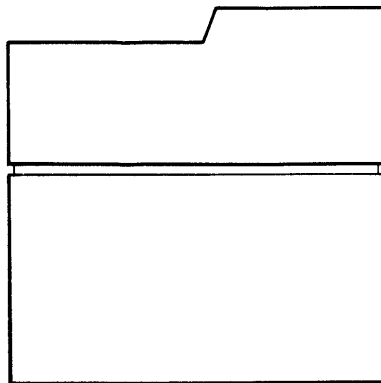


NOTE:
REQUIRED COOL AIR AREA—
SEE NOTE UNDER TYPE/
SOURCE OF COOLING,
SHEET 2 OF 2.

FRONT



SIDE



2AW67B

819-11/21 DISK STORAGE UNIT

Width	27.0	in (686 mm)	Weight	800	lb (363 kg)
Depth	45.0	in (1143 mm)	Supported by 4 leveling pads		
Height	45.0	in (1143 mm)			

For maximum width/depth, all doors extended, refer to floor plan layout.

Power consumption, steady state, maximum:

60 Hz, 208 V, 3 phase, 5.0 kVA

Circuit breakers:

50 Hz, 20 A, 3 phase

Power connector locations above cabinet base:

Locking connector 4 in (102 mm)

Control Data signal cables:	Quantity:	Standard length:	Maximum length:
Controller/DSU	2	50 ft (15.4 m)	60 ft (18.3 m)

Distance from internal signal cable connectors to floor: 4 in (102 mm)

External terminator power connection required: no

Environmental considerations:

Type of cooling, internal fan on all 819s (except those with the filter in front) where raised floor "under floor cooling" is used. Either perforated floor panel or register grills must be located immediately under the front of the disk storage unit - See Plan View)

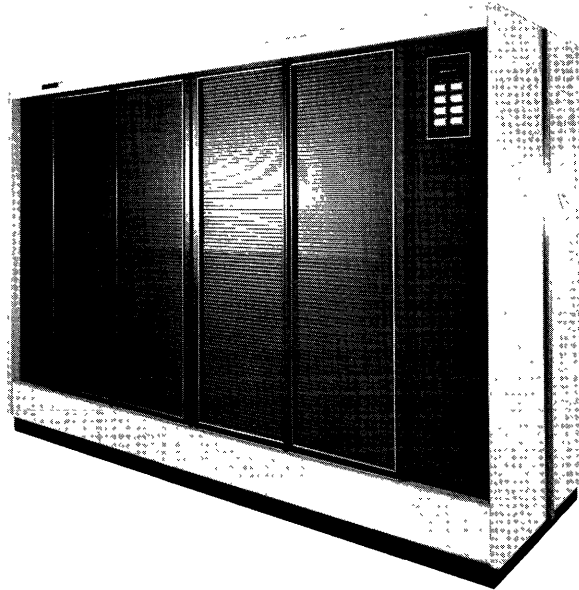
Source of cooling, room air

Heat rejection rate, maximum	{	to air, 10,000	Btu/h (2930 W)
	}	to water, N/A	Btu/h (W)

Permissible range of room relative humidity, 30 % to 80 %

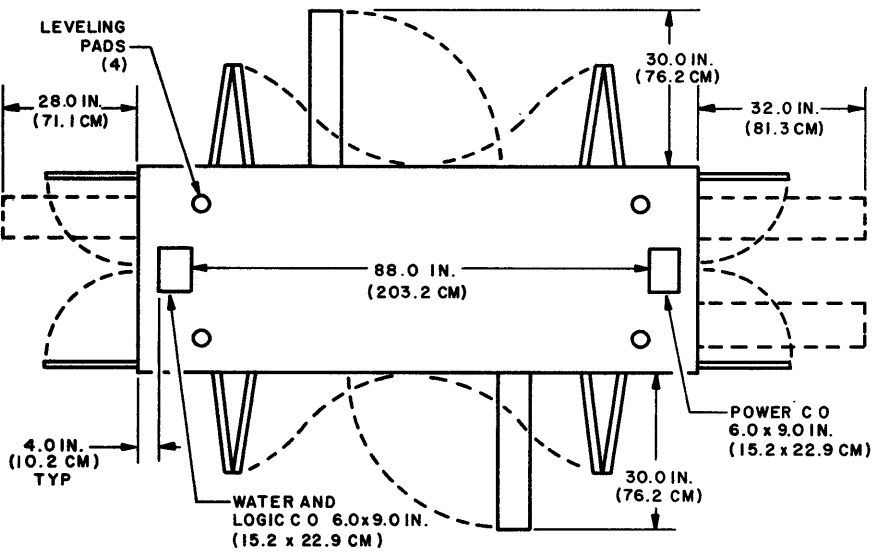
	Maximum	Recommended	Minimum	Dew Point Limitation
Operating temperature (ambient or plenum inlet temperature)	90 °F (32.2 °C)	75 °F (23.9 °C)	60 °F (15.6 °C)	N/A °F (°C)
Storage temperature	150 °F (65.6 °C)		-30 °F (-34.4 °C)	

821-1/2 DISK FILE

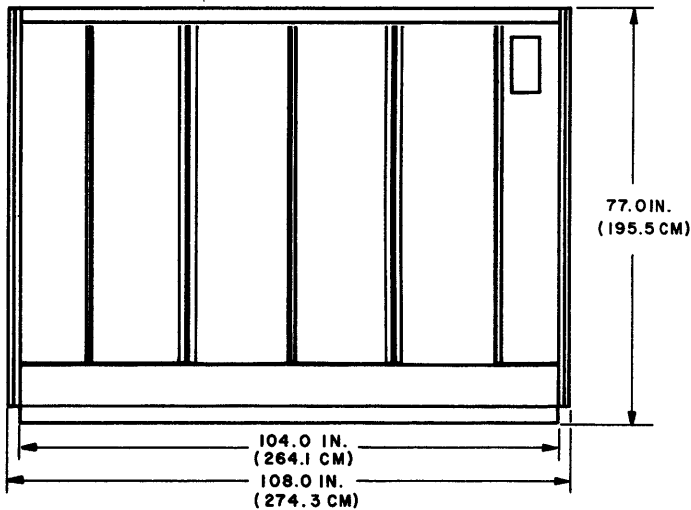


6197

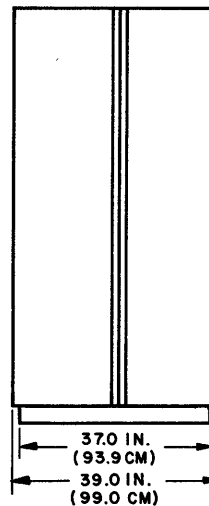
PLAN



FRONT



SIDE



2AW6A

821-1/2 DISK FILE

Width 108.0 in (2743 mm)	Weight 4800 lb (2177 kg)
Depth 39.0 in (990 mm)	Supported by 4 leveling pads
Height 77.0 in (1955 mm)	

For maximum width/depth, all doors extended, refer to floor plan layout.

Power consumption, steady state, maximum:

60 Hz, 208 V, 3 phase, 12 kVA

Circuit breakers:

Power connector locations above cabinet base:

60 Hz, 50 A, 3 phase

Terminal strip 20 in (508 mm)

Control Data signal cables:	Quantity:	Standard length:	Maximum length:
N/A			

Distance from internal signal cable connectors to floor:	N/A
--	-----

External terminator power connection required:	yes (40 V dc)
--	----------------

Environmental considerations:

Type of cooling, internal fan and water cooled heat exchanger
Source of cooling, room air and building water supply

Heat rejection rate, maximum	{ to air, 6550 to water, 26,215	Btu/h (1919 W) Btu/h (7681 W)
------------------------------	------------------------------------	--------------------------------------

Permissible range of room relative humidity, 20 % to 80 %

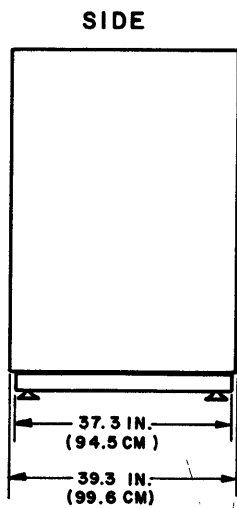
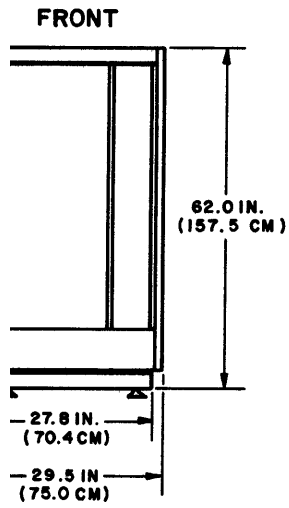
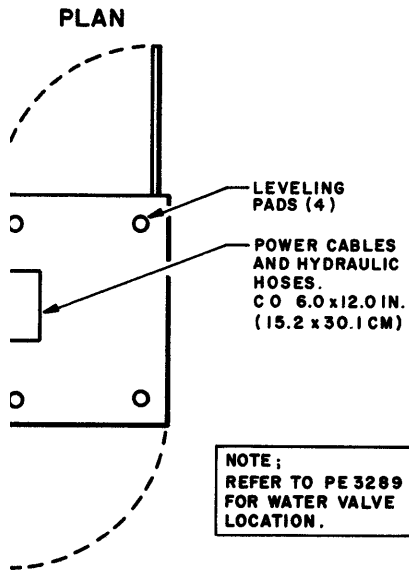
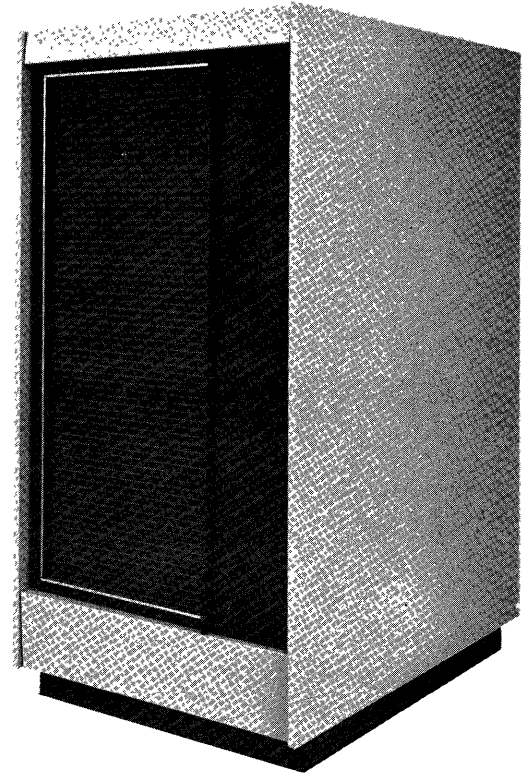
	Maximum	Recommended	Minimum	Dew Point Limitation
Operating temperature (ambient or plenum inlet temperature)	78 °F (25.5 °C)	72 °F (22 °C)	60 °F (15.5 °C)	N/A °F (°C)
Storage temperature	125 °F (51.7 °C)		-30 °F (-34.5 °C)	

	Inlet Temperature		Flow Rate		Head Loss	
	°F	°C	gal (U.S. liquid)/min	litre/min	lbf/in ²	kPa
Water flow and temperature requirements	80	22.6	7.0	26.6	33	227.5
	70	21.1	6.0	22.8	25	172.4
	60	15.6	5.0	19.0	18	124.1
	50	10.0	4.5†	17.1	14	96.5

Maximum operating altitude 10,000 ft (3048 m) above sea level

† Required minimum supply.

821-1/2 HYDRAULIC CABINET



2AW4A

821-1/2 HYDRAULIC CABINET

Width	29.5	in (749 mm)	Weight	1000 lb (454 kg)
Depth	39.3	in (998 mm)	Supported by	4 leveling pads
Height	62.0	in (1575 mm)		

For maximum width/depth, all doors extended, refer to floor plan layout.

Power consumption, steady state, maximum:

60 Hz, 208V, 3 phase, 4.5 kVA

Circuit breakers:

Power connector locations above cabinet base:

60 Hz, 30 A, 3 phase	Locking connector	N/A
----------------------	-------------------	-----

Control Data signal cables:	Quantity:	Standard length:	Maximum length:
	N/A		

Distance from internal signal cable connectors to floor:

External terminator power connection required: no

Environmental considerations:

Type of cooling, natural convection and water-cooled heat exchanger

Source of cooling, room air and building water supply

Heat rejection rate, maximum	<table style="border: none;"> <tr> <td style="padding: 0 10px;">to air,</td> <td style="padding: 0 10px;">2455</td> <td style="padding: 0 10px;">Btu/h (719 W)</td> </tr> <tr> <td style="padding: 0 10px;">to water,</td> <td style="padding: 0 10px;">9835</td> <td style="padding: 0 10px;">Btu/h (2882 W)</td> </tr> </table>	to air,	2455	Btu/h (719 W)	to water,	9835	Btu/h (2882 W)	
to air,	2455	Btu/h (719 W)						
to water,	9835	Btu/h (2882 W)						
Permissible range of room relative humidity,	20 % to 80 %							

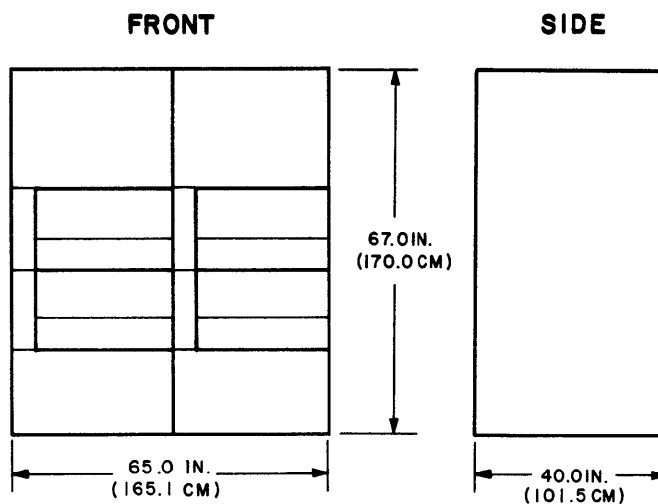
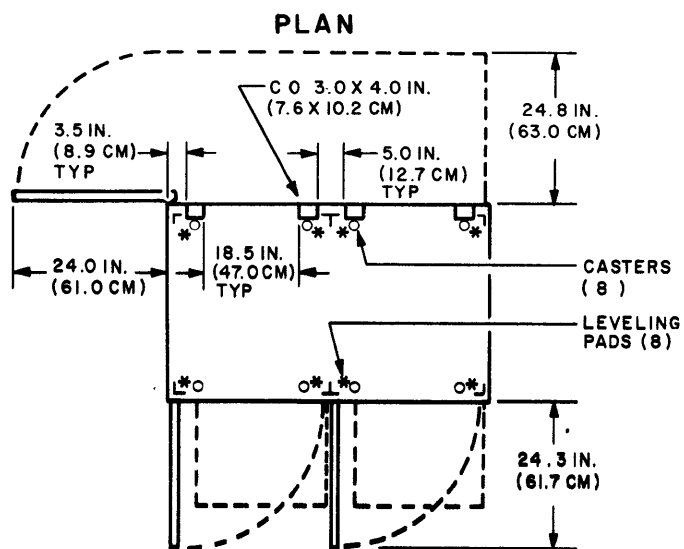
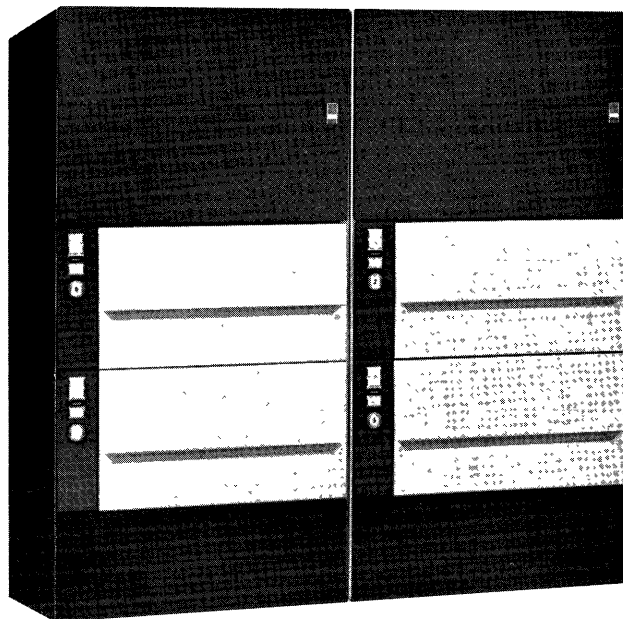
	Maximum	Recommended	Minimum	Dew Point Limitation
Operating temperature (ambient or plenum inlet temperature)	78 °F (25.5 °C)	72 °F (22 °C)	60 °F (15.5 °C)	N/A °F (°C)
Storage temperature	125 °F (51.7 °C)		-30 °F (-34.5 °C)	

	Inlet Temperature		Flow Rate		Head Loss	
	°F	°C	gal (U.S. liquid)/min	litre/min	lbf/in ²	kPa
Water flow and temperature requirements	65	18.4	1.5	5.7	9	62.1
	60	15.6	1.0	3.8	7 †	48.3
	50	10.0	1.0	3.8	7 †	48.3

Maximum operating altitude 10,000 ft (3048 m) above sea level

†Required minimum supply pressures, 11 lbf/in² (75.8 kPa)

841-3 MULTIPLE DISK DRIVE



2AW16A

841-3 MULTIPLE DISK DRIVE

Width	65.0 in (1651 mm)	Weight	2070 lb (940 kg)
Depth	40.0 in (1015 mm)	Supported by 4 casters, 4 leveling pads	
Height	67.0 in (1700 mm)		

For maximum width/depth, all doors extended, refer to floor plan layout.

Power consumption, steady state, maximum:

and $\left\{ \begin{array}{l} 60 \text{ Hz, } 208 \text{ V, } 3 \text{ phase, } 5.0 \text{ kVA} \\ \text{or} \\ 50 \text{ Hz, } 208 \text{ V, } 3 \text{ phase, } 5.0 \text{ kVA} \end{array} \right\}$

Circuit breakers: 2 required

Power connector locations above cabinet base:

and $\left\{ \begin{array}{l} 60 \text{ Hz, } 15 \text{ A, } 3 \text{ phase} \\ \text{or} \\ 50 \text{ Hz, } 15 \text{ A, } 3 \text{ phase} \end{array} \right\}$	Locking connector	} N/A
	Locking connector	

Control Data signal cables:	Quantity:	Standard length:	Maximum length:
To control A cable	1	50 ft (15.4 m)	180 ft (54.9 m)
To control B cable	1	50 ft (15.4 m)	70 ft (21.3 m)
To adjacent unit	1	6 ft (1.8 m)	6 ft (1.8 m)

Distance from internal signal cable connectors to floor: 56 in (1422 mm)

External terminator power connection required: no

Environmental considerations:

Type of cooling, internal fan

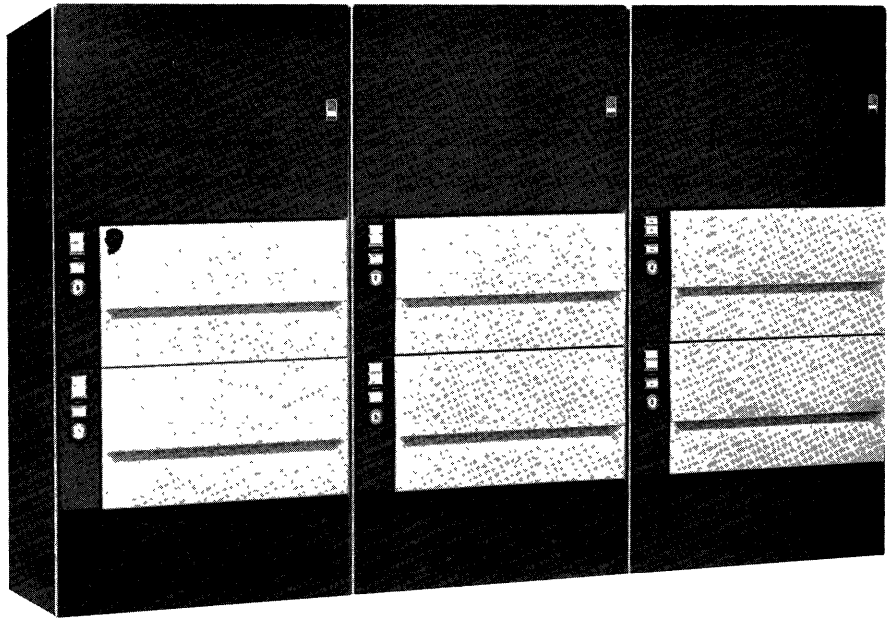
Source of cooling, room air

Heat rejection rate, maximum $\left\{ \begin{array}{l} \text{to air, } 12360 \text{ Btu/h (} 3621 \text{ W) } \\ \text{to water, N/A} \end{array} \right\}$

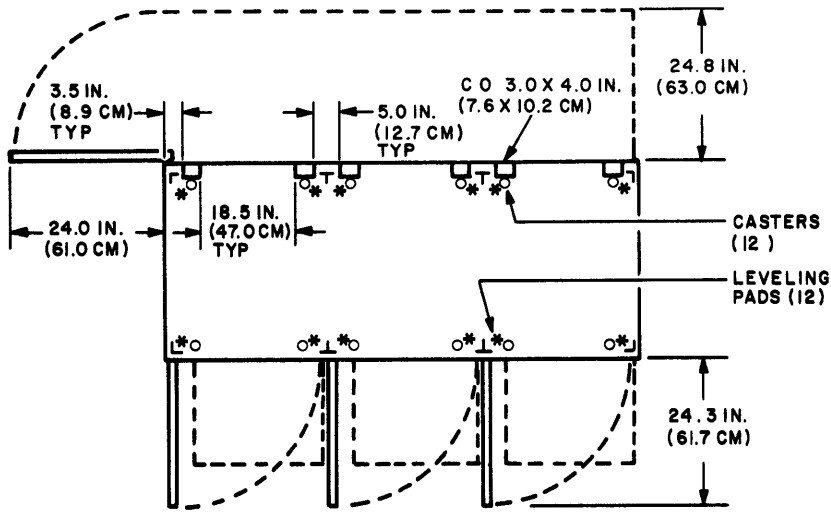
Permissible range of room relative humidity, 10 % to 80 %

	Maximum	Recommended	Minimum	Dew Point Limitation
Operating temperature (ambient or plenum inlet temperature)	90 °F (32.2 °C)	72 °F (22.2 °C)	30 °F (-1.1 °C)	N/A °F (°C)
Storage temperature	150 °F (65.5 °C)		-30 °F (-34.4 °C)	

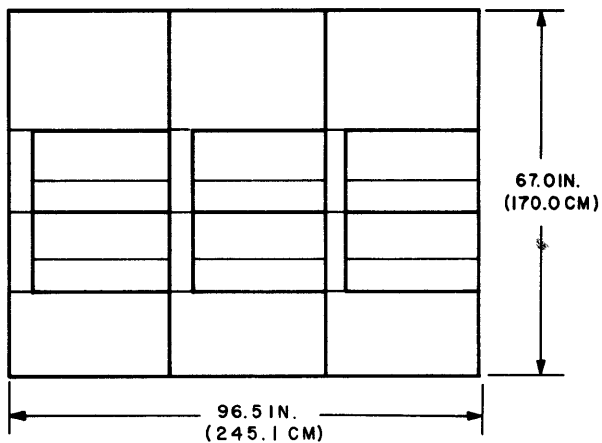
841-4 MULTIPLE DISK DRIVE



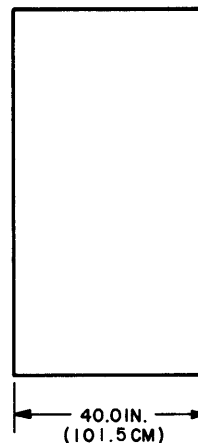
PLAN



FRONT



SIDE



2AW19A

841-4 MULTIPLE DISK DRIVE

Width	96.5 in (2451 mm)	Weight	2940 lb (1330 kg)
Depth	40.0 in (1015 mm)	Supported by 4 casters, 4 leveling pads	
Height	67.0 in (1700 mm)		

For maximum width/depth, all doors extended, refer to floor plan layout.

Power consumption, steady state, maximum:

and $\left\{ \begin{array}{l} 60 \text{ Hz, } 208 \text{ V, } 3 \text{ phase, } 6.1 \text{ kVA} \\ \text{or} \\ 50 \text{ Hz, } 208 \text{ V, } 3 \text{ phase, } 6.1 \text{ kVA} \end{array} \right\}$

Circuit breakers: 3 required

Power connector locations above cabinet base:

and $\left\{ \begin{array}{l} 60 \text{ Hz, } 15 \text{ A, } 3 \text{ phase} \\ \text{or} \\ 50 \text{ Hz, } 15 \text{ A, } 3 \text{ phase} \end{array} \right\}$ Locking connector } N/A
 Locking connector

Control Data signal cables:	Quantity:	Standard length:	Maximum length:
To control A cable	1	50 ft (15.4 m)	180 ft (54.9 m)
To control B cable	1	50 ft (15.4 m)	70 ft (21.3 m)
To adjacent unit	1	6 ft (1.8 m)	6 ft (1.8 m)

Distance from internal signal cable connectors to floor: 56 in (1422 mm)

External terminator power connection required: no

Environmental considerations:

Type of cooling, internal fan

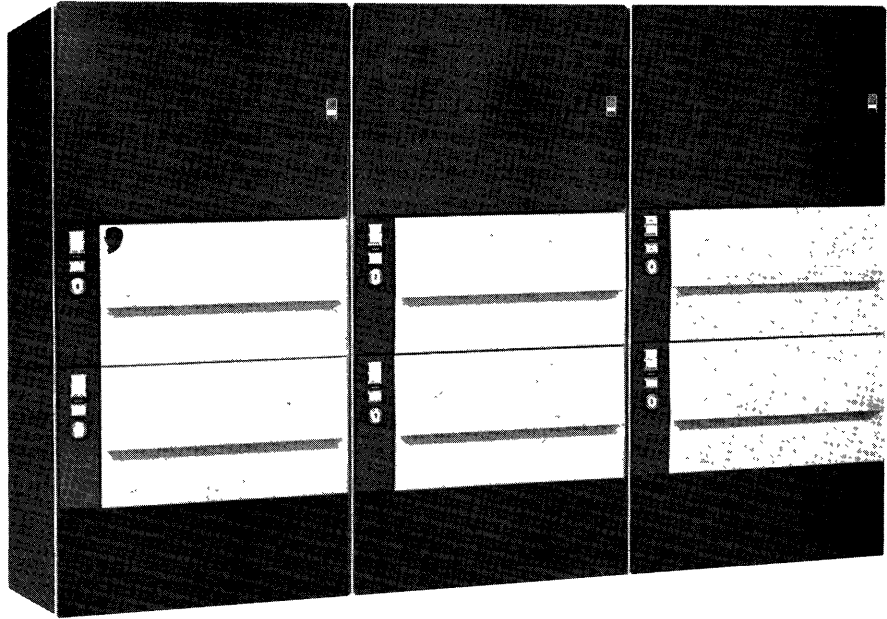
Source of cooling, room air

Heat rejection rate, maximum $\left\{ \begin{array}{l} \text{to air, } 15460 \text{ Btu/h (} 4530 \text{ W) } \\ \text{to water, N/A} \end{array} \right\}$

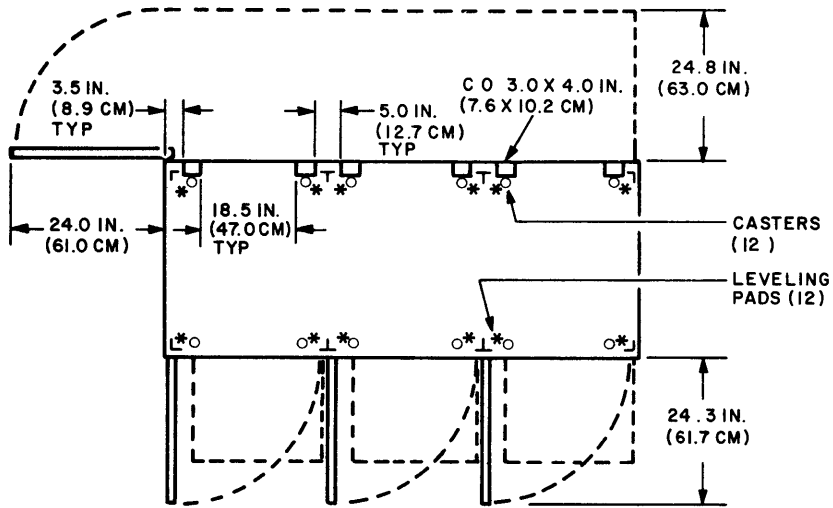
Permissible range of room relative humidity, 10 % to 80 %

	Maximum	Recommended	Minimum	Dew Point Limitation
Operating temperature (ambient or plenum inlet temperature)	90 °F (32.2 °C)	72 °F (22.2 °C)	30 °F (-1.1 °C)	N/A °F (°C)
Storage temperature	150 °F (65.5 °C)		-30 °F (-34.4 °C)	

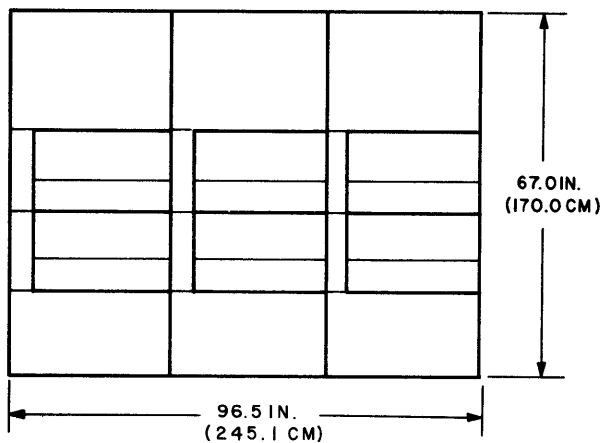
841-5 MULTIPLE DISK DRIVE



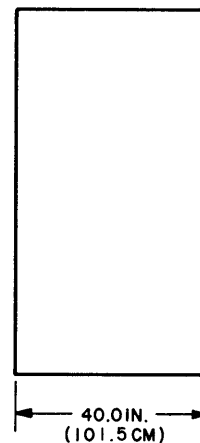
PLAN



FRONT



SIDE



2AW19A

841-5 MULTIPLE DISK DRIVE

Width	96.5 in (2451 mm)	Weight	3100 lb (1410 kg)
Depth	40.0 in (1015 mm)	Supported by 4 casters, 4 leveling pads	
Height	67.0 in (1700 mm)		

For maximum width/depth, all doors extended, refer to floor plan layout.

Power consumption, steady state, maximum:

and $\left\{ \begin{array}{l} 60 \text{ Hz, } 208 \text{ V, } 3 \text{ phase, } 7.6 \text{ kVA} \\ \text{or} \\ 50 \text{ Hz, } 208 \text{ V, } 3 \text{ phase, } 7.6 \text{ kVA} \end{array} \right\}$

Circuit breakers: 3 required

Power connector locations above cabinet base:

and $\left\{ \begin{array}{l} 60 \text{ Hz, } 15 \text{ A, } 3 \text{ phase} \\ \text{or} \\ 50 \text{ Hz, } 15 \text{ A, } 3 \text{ phase} \end{array} \right\}$ Locking connector } N/A
 Locking connector

Control Data signal cables:	Quantity:	Standard length:	Maximum length:
To control A cable	1	50 ft (15.4 m)	180 ft (54.9 m)
To control B cable	1	50 ft (15.4 m)	70 ft (21.3 m)
To adjacent unit	1	6 ft (1.8 m)	6 ft (1.8 m)

Distance from internal signal cable connectors to floor: 56 in (1422 mm)

External terminator power connection required: no

Environmental considerations:

Type of cooling, internal fan

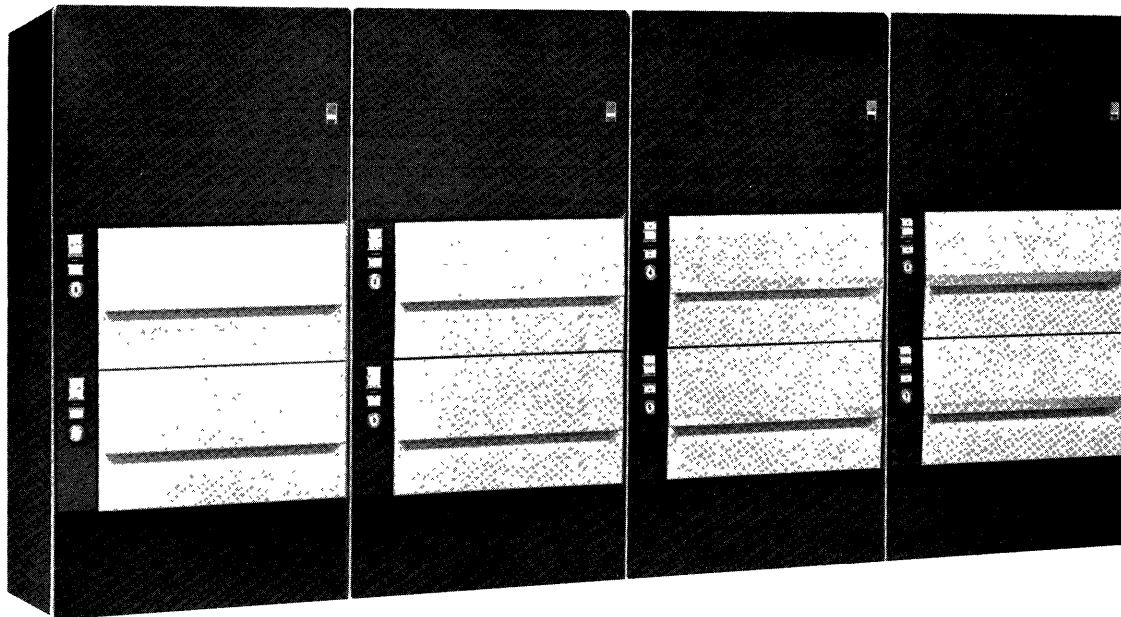
Source of cooling, room air

Heat rejection rate, maximum $\left\{ \begin{array}{l} \text{to air, } 19465 \text{ Btu/h (} 5703 \text{ W) } \\ \text{to water, N/A} \end{array} \right\}$

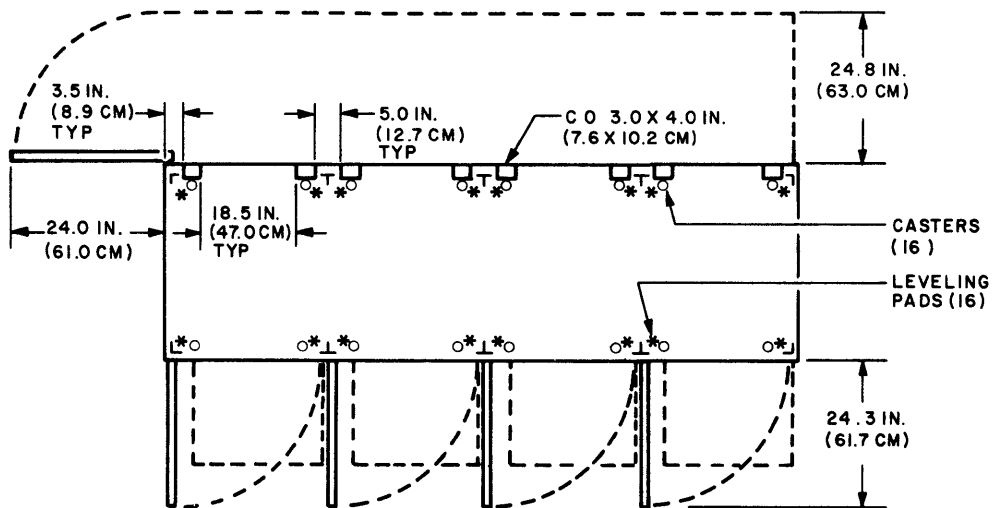
Permissible range of room relative humidity, 10 % to 80 %

	Maximum	Recommended	Minimum	Dew Point Limitation
Operating temperature (ambient or plenum inlet temperature)	90 °F (32.2 °C)	72 °F (22.2 °C)	30 °F (-1.1 °C)	N/A °F (°C)
Storage temperature	150 °F (65.5 °C)		-30 °F (-34.4 °C)	

841-6 MULTIPLE DISK DRIVE

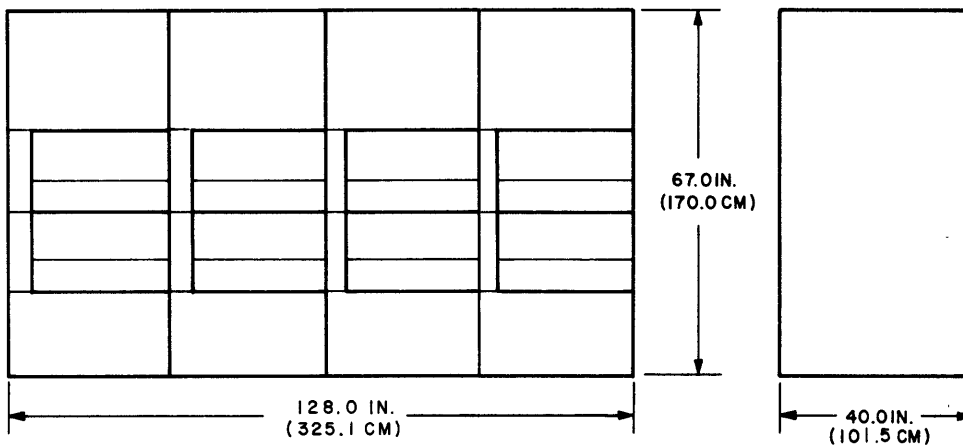


PLAN



FRONT

SIDE



2AWIBA

841-6 MULTIPLE DISK DRIVE

Width	128.0 in (3251 mm)	Weight	3970 lb (1800 kg)
Depth	40.0 in (1015 mm)	Supported by 4 casters, 4 leveling pads	
Height	67.0 in (1700 mm)		

For maximum width/depth, all doors extended, refer to floor plan layout.

Power consumption, steady state, maximum:

and $\left\{ \begin{array}{l} 60 \text{ Hz, } 208 \text{ V, } 3 \text{ phase, } 8.7 \text{ kVA} \\ \text{or} \\ 50 \text{ Hz, } 208 \text{ V, } 3 \text{ phase, } 8.7 \text{ kVA} \end{array} \right\}$

Circuit breakers: 4 required

Power connector locations above cabinet base:

and $\left\{ \begin{array}{l} 60 \text{ Hz, } 15 \text{ A, } 3 \text{ phase} \\ \text{or} \\ 50 \text{ Hz, } 15 \text{ A, } 3 \text{ phase} \end{array} \right\}$

Locking connector } N/A
Locking connector }

Control Data signal cables:	Quantity:	Standard length:	Maximum length:
To control A cable	1	50 ft (15.4 m)	180 ft (54.9 m)
To control B cable	1	50 ft (15.4 m)	70 ft (21.3 m)
To adjacent unit	1	6 ft (1.8 m)	6 ft (1.8 m)

Distance from internal signal cable connectors to floor: 56 in (1422 mm)

External terminator power connection required: no

Environmental considerations:

Type of cooling, internal fan

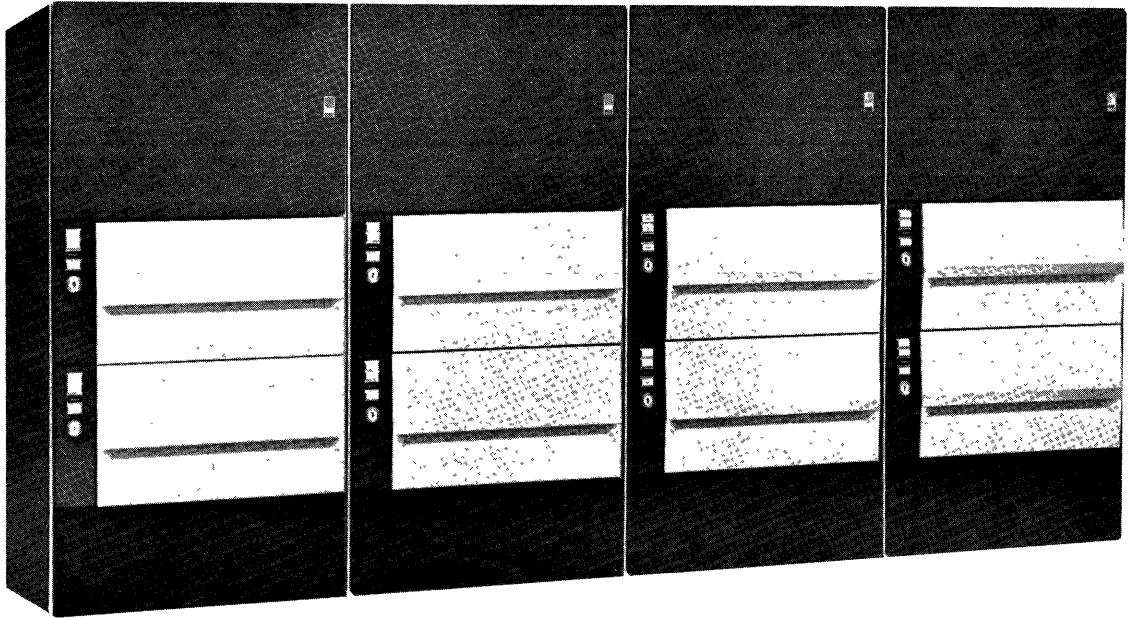
Source of cooling, room air

Heat rejection rate, maximum $\left\{ \begin{array}{l} \text{to air, } 22270 \text{ Btu/h (} 6525 \text{ W) } \\ \text{to water, N/A} \end{array} \right\}$

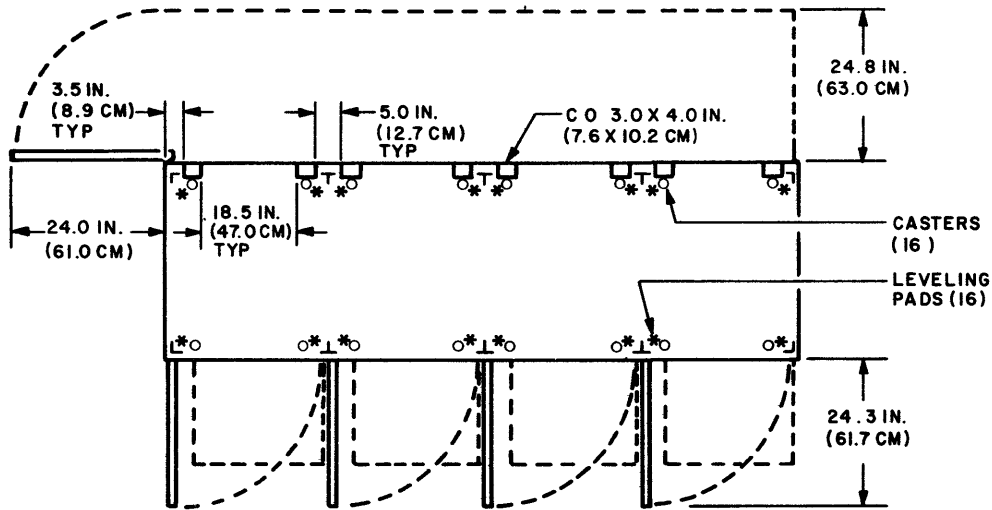
Permissible range of room relative humidity, 10 % to 80 %

	Maximum	Recommended	Minimum	Dew Point Limitation
Operating temperature (ambient or plenum inlet temperature)	90 °F (32.2 °C)	72 °F (22.2 °C)	30 °F (-1.1 °C)	N/A °F (°C)
Storage temperature	150 °F (65.5 °C)		-30 °F (-34.4 °C)	

841-7 MULTIPLE DISK DRIVE

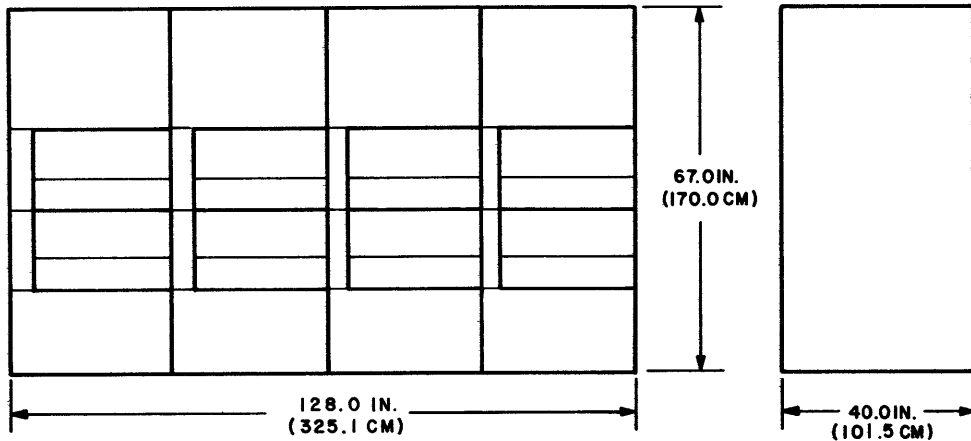


PLAN



FRONT

SIDE



2AW18A

841-7 MULTIPLE DISK DRIVE

Width 128.0 in (3251 mm)
 Depth 40.0 in (1015 mm)
 Height 67.0 in (1700 mm)

Weight 4130 lb (1870 kg)
 Supported by 4 casters, 4 leveling pads

For maximum width/depth, all doors extended, refer to floor plan layout.

Power consumption, steady state, maximum:

and $\left\{ \begin{array}{l} 60 \text{ Hz, } 208 \text{ V, } 3 \text{ phase, } 10.1 \text{ kVA} \\ \text{or} \\ 50 \text{ Hz, } 208 \text{ V, } 3 \text{ phase, } 10.1 \text{ kVA} \end{array} \right\}$

Circuit breakers: 4 required

Power connector locations above cabinet base:

and $\left\{ \begin{array}{l} 60 \text{ Hz, } 15 \text{ A, } 3 \text{ phase} \\ \text{or} \\ 50 \text{ Hz, } 15 \text{ A, } 3 \text{ phase} \end{array} \right\}$

Locking connector } N/A
 Locking connector }

Control Data signal cables:	Quantity:	Standard length:	Maximum length:
To control A cable	1	50 ft (15.4 m)	180 ft (54.9 m)
To control B cable	1	50 ft (15.4 m)	70 ft (21.3 m)
To adjacent unit	1	6 ft (1.8 m)	6 ft (1.8 m)

Distance from internal signal cable connectors to floor: 56 in (1422 mm)

External terminator power connection required: no

Environmental considerations:

Type of cooling, internal fan

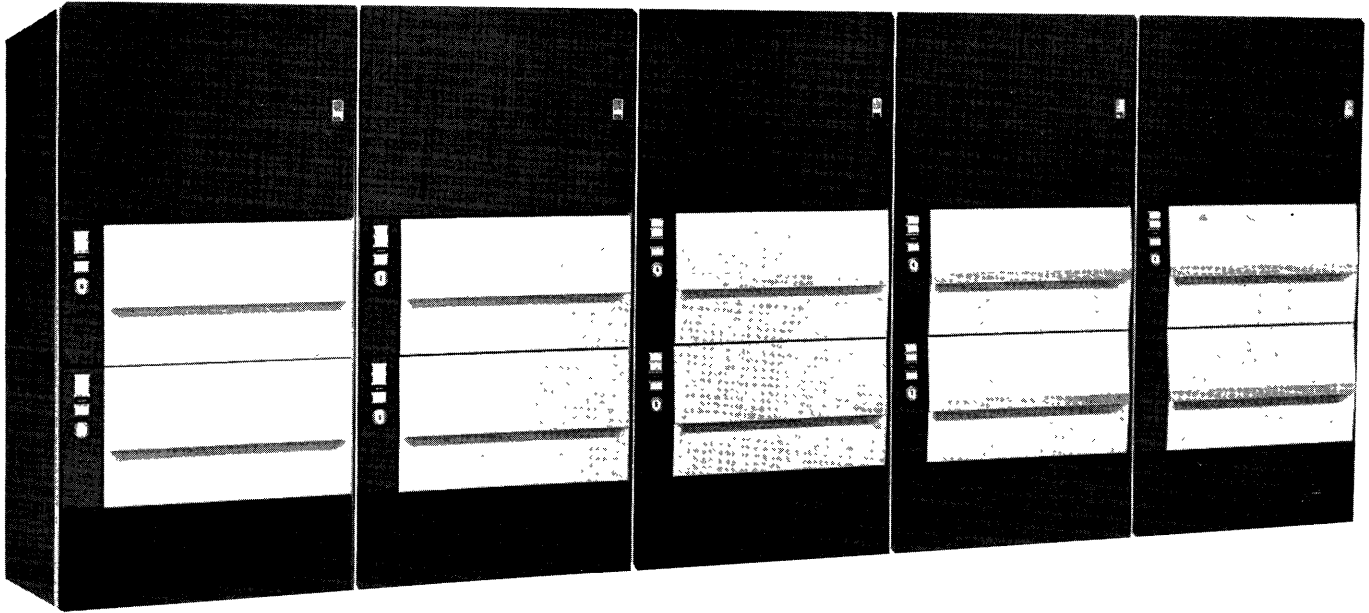
Source of cooling, room air

Heat rejection rate, maximum $\left\{ \begin{array}{l} \text{to air, } 25850 \text{ Btu/h (} 7574 \text{ W) } \\ \text{to water, N/A} \end{array} \right\}$

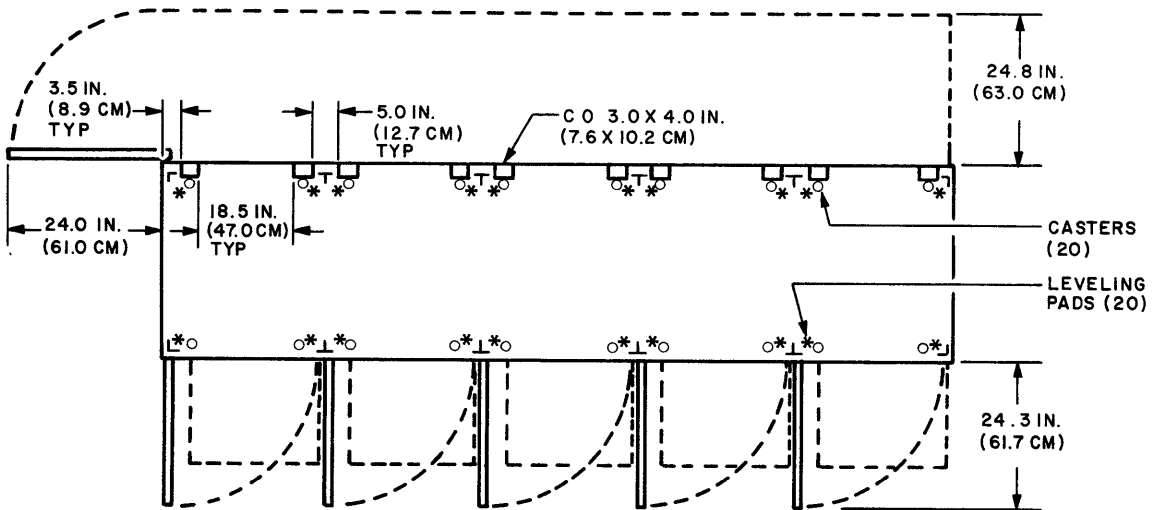
Permissible range of room relative humidity, 10 % to 80 %

	Maximum	Recommended	Minimum	Dew Point Limitation
Operating temperature (ambient or plenum inlet temperature)	90 °F (32.2 °C)	72 °F (22.2 °C)	30 °F (-1.1 °C)	N/A °F (°C)
Storage temperature	150 °F (65.5 °C)		-30 °F (-34.4 °C)	

841-8 MULTIPLE DISK DRIVE



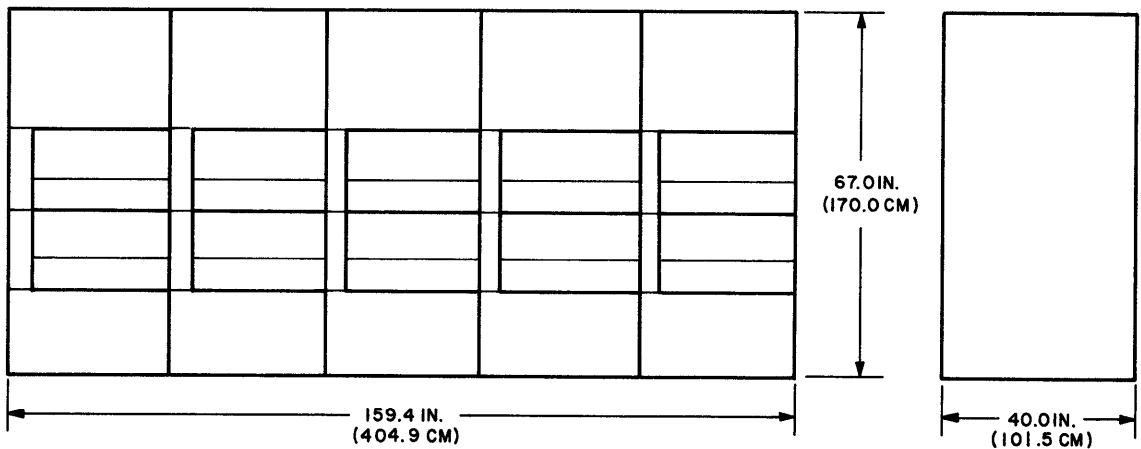
PLAN



2AW28A

FRONT

SIDE



841-8 MULTIPLE DISK DRIVE

Width 159.4 in (4049 mm)	Weight 5000 lb (2270 kg)
Depth 40.0 in (1015 mm)	Supported by 4 casters, 4 leveling pads
Height 67.0 in (1700 mm)	

For maximum width/depth, all doors extended, refer to floor plan layout.

Power consumption, steady state, maximum:

and $\left\{ \begin{array}{l} 60 \text{ Hz, } 208 \text{ V, } 3 \text{ phase, } 11.2 \text{ kVA} \\ \text{or} \\ 50 \text{ Hz, } 208 \text{ V, } 3 \text{ phase, } 11.2 \text{ kVA} \end{array} \right\}$

Circuit breakers: 5 required

Power connector locations above cabinet base:

and $\left\{ \begin{array}{l} 60 \text{ Hz, } 15 \text{ A, } 3 \text{ phase} \\ \text{or} \\ 50 \text{ Hz, } 15 \text{ A, } 3 \text{ phase} \end{array} \right\}$	Locking connector } N/A
	Locking connector }

Control Data signal cables:	Quantity:	Standard length:	Maximum length:
To control A cable	1	50 ft (15.4 m)	180 ft (54.9 m)
To control B cable	1	50 ft (15.4 m)	70 ft (21.3 m)
To adjacent unit	1	6 ft (1.8 m)	6 ft (1.8 m)

Distance from internal signal cable connectors to floor: 56 in (1422 mm)

External terminator power connection required: no

Environmental considerations:

Type of cooling, internal fan

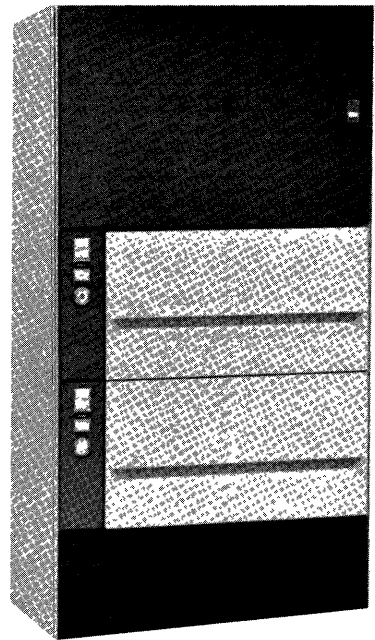
Source of cooling, room air

Heat rejection rate, maximum $\left\{ \begin{array}{l} \text{to air, } 27820 \text{ Btu/h (} 8151 \text{ W) } \\ \text{to water, } \text{N/A} \end{array} \right\}$

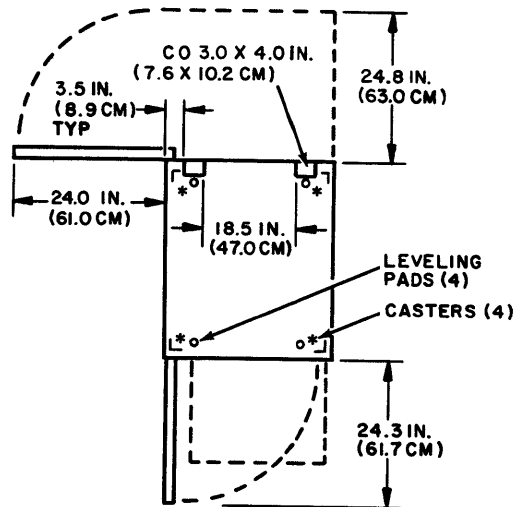
Permissible range of room relative humidity, 10 % to 80 %

	Maximum	Recommended	Minimum	Dew Point Limitation
Operating temperature (ambient or plenum inlet temperature)	90 °F (32.2 °C)	72 °F (22.2 °C)	30 °F (-1.1 °C)	N/A °F (°C)
Storage temperature	150 °F (65.5 °C)		-30 °F (-34.4 °C)	

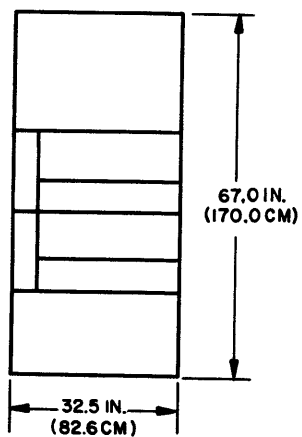
841-11 MULTIPLE DISK DRIVE MODULE



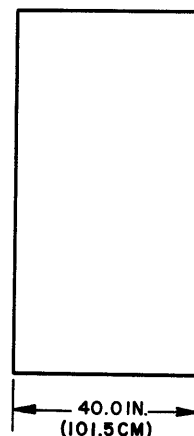
PLAN



FRONT



SIDE



2AW63A

841-11 MULTIPLE DISK DRIVE MODULE

Width	32.5	in (826 mm)	Weight	890	lb (405 kg)
Depth	40.0	in (1015 mm)	Supported by	4 casters	
Height	67.0	in (1700 mm)			

For maximum width/depth, all doors extended, refer to floor plan layout.

Power consumption, steady state, maximum:

and $\left\{ \begin{array}{l} 60 \text{ Hz, } 208 \text{ V, } 3 \text{ phase, } 1.5 \text{ kVA} \\ \text{or} \\ 50 \text{ Hz, } 208 \text{ V, } 3 \text{ phase, } 1.5 \text{ kVA} \end{array} \right\}$

Circuit breakers:

Power connector locations above cabinet base:

and $\left\{ \begin{array}{l} 60 \text{ Hz, } 15 \text{ A, } 3 \text{ phase} \\ \text{or} \\ 50 \text{ Hz, } 15 \text{ A, } 3 \text{ phase} \end{array} \right\}$

Locking connector } N/A
Locking connector }

Control Data signal cables:	Quantity:	Standard length:	Maximum length:
841-11 to controller	1	45 ft (13.7 m)	100 ft (30.5 m)
841-11 to adjacent unit	1	6 ft (1.8 m)	100 ft (30.5 m)

Distance from internal signal cable connectors to floor: 56 in (1422 mm)

External terminator power connection required: no

Environmental considerations:

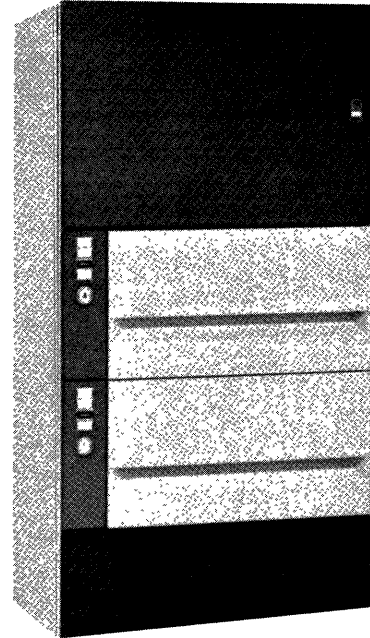
Type of cooling, internal fan
Source of cooling, room air

Heat rejection rate, maximum $\left\{ \begin{array}{l} \text{to air, } 4095 \text{ Btu/h (} 1200 \text{ W) } \\ \text{to water, N/A} \end{array} \right\}$

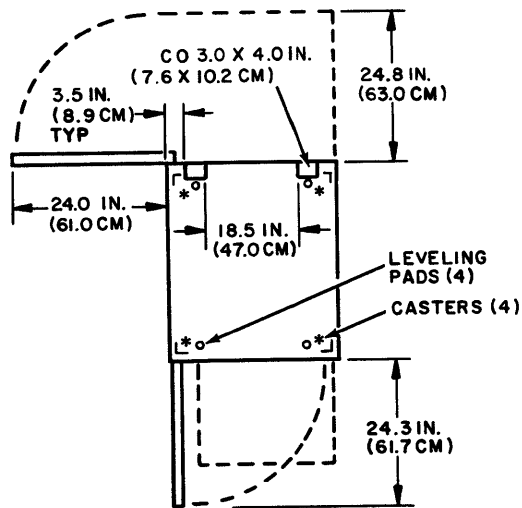
Permissible range of room relative humidity, 10 % to 80 %

	Maximum	Recommended	Minimum	Dew Point Limitation
Operating temperature (ambient or plenum inlet temperature)	90 °F (32.2 °C)	72 °F (22.2 °C)	30 °F (-1.1 °C)	N/A °F (°C)
Storage temperature	150 °F (65.5 °C)		-30 °F (-34.4 °C)	

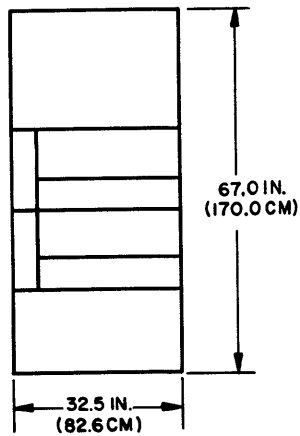
841-12 MULTIPLE DISK DRIVE MODULE



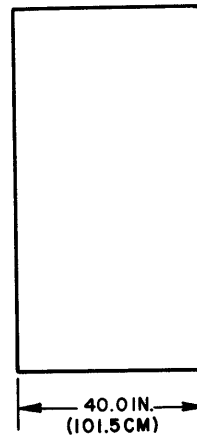
PLAN



FRONT



SIDE



2AW63A

841-12 MULTIPLE DISK DRIVE MODULE

Width	32.5	in (826 mm)	Weight	1050	lb (520 kg)
Depth	40.0	in (1015 mm)	Supported by	4 casters, 4 leveling pads	
Height	67.0	in (1700 mm)			

For maximum width/depth, all doors extended, refer to floor plan layout.

Power consumption, steady state, maximum:

and $\left\{ \begin{array}{l} 60 \text{ Hz, } 208 \text{ V, } 3 \text{ phase, } 2.5 \text{ kVA} \\ \text{or} \\ 50 \text{ Hz, } 208 \text{ V, } 3 \text{ phase, } 2.5 \text{ kVA} \end{array} \right\}$

Circuit breakers:

Power connector locations above cabinet base:

and	$\left\{ \begin{array}{l} 60 \text{ Hz, } 15 \text{ A, } 3 \text{ phase} \\ \text{or} \\ 50 \text{ Hz, } 15 \text{ A, } 3 \text{ phase} \end{array} \right\}$	Locking connector	} N/A
		Locking connector	

Control Data signal cables:	Quantity:	Standard length:	Maximum length:
841-12 to controller	1	45 ft (13.7 m)	100 ft (30.5 m)
841-12 to adjacent unit	1	6 ft (1.8 m)	100 ft (30.5 m)

Distance from internal signal cable connectors to floor: 56 in (1422 mm)

External terminator power connection required: no

Environmental considerations:

Type of cooling, internal fan

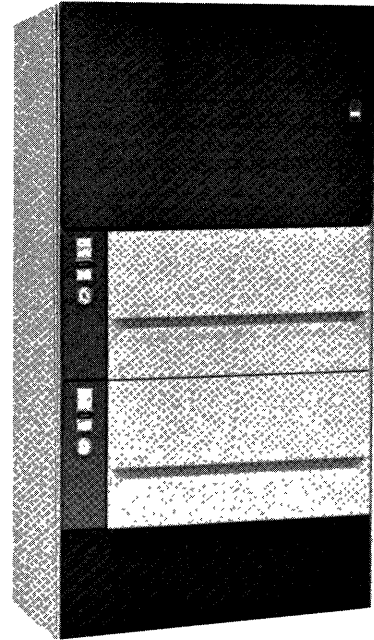
Source of cooling, room air

Heat rejection rate, maximum $\left\{ \begin{array}{l} \text{to air, } 6825 \text{ Btu/h (} 2000 \text{ W) } \\ \text{to water, N/A} \end{array} \right\}$

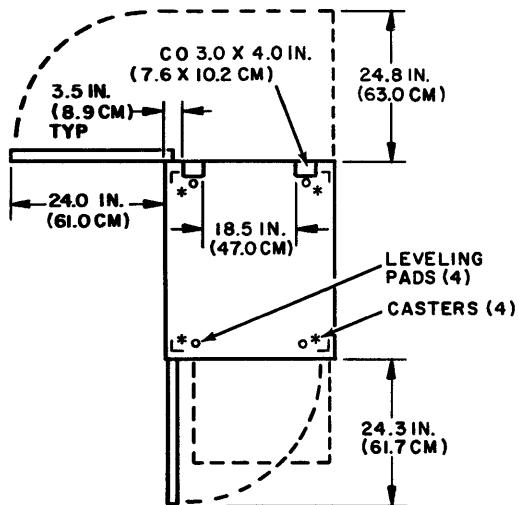
Permissible range of room relative humidity, 10 % to 80 %

	Maximum	Recommended	Minimum	Dew Point Limitation
Operating temperature (ambient or plenum inlet temperature)	90 °F (32.2 °C)	72 °F (22.2 °C)	30 °F (-1.1 °C)	N/A °F (°C)
Storage temperature	150 °F (65.5 °C)		-30 °F (-34.4 °C)	

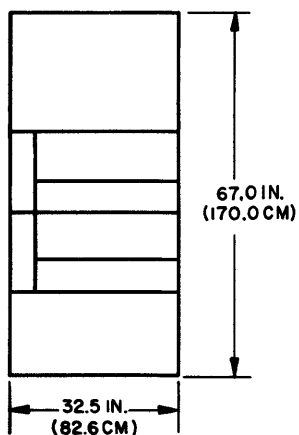
841-21 MULTIPLE DISK DRIVE MODULE



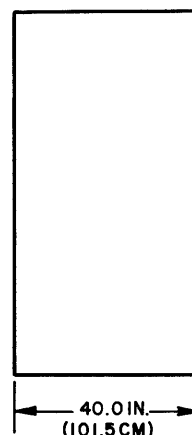
PLAN



FRONT



SIDE



2AW63A

841-21 MULTIPLE DISK DRIVE MODULE

Width	32.5 in (826 mm)	Weight	890 lb (405 kg)
Depth	40.0 in (1015 mm)	Supported by	4 casters, 4 leveling pads
Height	67.0 in (1700 mm)		

For maximum width/depth, all doors extended, refer to floor plan layout.

Power consumption, steady state, maximum:

and $\left\{ \begin{array}{l} 60 \text{ Hz, } 208 \text{ V, } 3 \text{ phase, } 1.5 \text{ kVA} \\ \text{or} \\ 50 \text{ Hz, } 208 \text{ V, } 3 \text{ phase, } 1.5 \text{ kVA} \end{array} \right\}$

Circuit breakers:

Power connector locations above cabinet base:

and $\left\{ \begin{array}{l} 60 \text{ Hz, } 15 \text{ A, } 3 \text{ phase} \\ \text{or} \\ 50 \text{ Hz, } 15 \text{ A, } 3 \text{ phase} \end{array} \right\}$	Locking connector	}	N/A
	Locking connector		

Control Data signal cables:	Quantity:	Standard length:	Maximum length:
841-21 to controller	2	45 ft (13.7 m)	100 ft (30.5 m)
841-21 to adjacent unit	2	6 ft (1.8 m)	100 ft (30.5 m)

Distance from internal signal cable connectors to floor: 56 in (1422 mm)

External terminator power connection required: no

Environmental considerations:

Type of cooling, internal fan

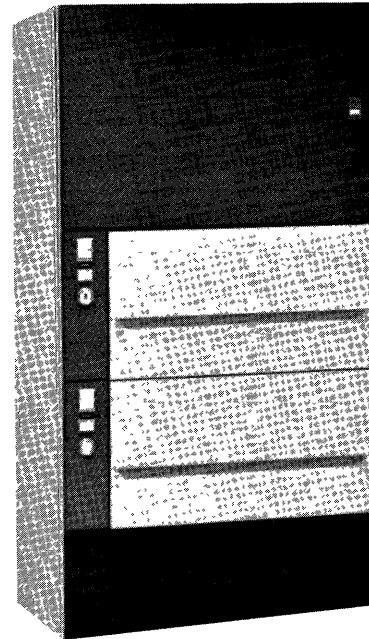
Source of cooling, room air

Heat rejection rate, maximum $\left\{ \begin{array}{l} \text{to air, } 4095 \text{ Btu/h (} 1200 \text{ W) } \\ \text{to water, N/A} \end{array} \right\}$

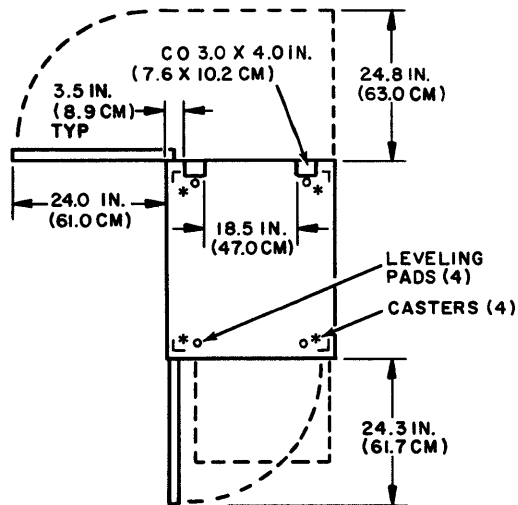
Permissible range of room relative humidity, 10 % to 80 %

	Maximum	Recommended	Minimum	Dew Point Limitation
Operating temperature (ambient or plenum inlet temperature)	90 °F (32.2 °C)	72 °F (22.2 °C)	30 °F (-1.1 °C)	N/A °F (°C)
Storage temperature	150 °F (65.5 °C)		-30 °F (-34.4 °C)	

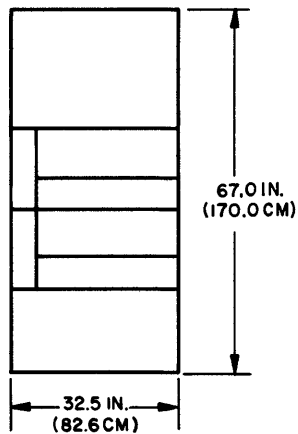
841-22 MULTIPLE DISK DRIVE MODULE



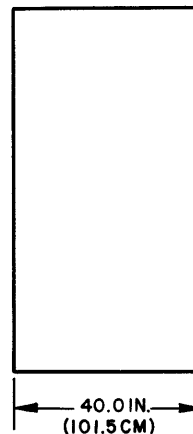
PLAN



FRONT



SIDE



2AW63A

841-22 MULTIPLE DISK DRIVE MODULE

Width	32.5 in (826 mm)	Weight	1050 lb (520 kg)
Depth	40.0 in (1015 mm)	Supported by	4 casters, 4 leveling pads
Height	67.0 in (1700 mm)		

For maximum width/depth, all doors extended, refer to floor plan layout.

Power consumption, steady state, maximum:

and $\left\{ \begin{array}{l} 60 \text{ Hz, } 208 \text{ V, } 3 \text{ phase, } 2.5 \text{ kVA} \\ \text{or} \\ 50 \text{ Hz, } 208 \text{ V, } 3 \text{ phase, } 2.5 \text{ kVA} \end{array} \right\}$

Circuit breakers:

Power connector locations above cabinet base:

and	$\left\{ \begin{array}{l} 60 \text{ Hz, } 15 \text{ A, } 3 \text{ phase} \\ \text{or} \\ 50 \text{ Hz, } 15 \text{ A, } 3 \text{ phase} \end{array} \right\}$	Locking connector	} N/A
		Locking connector	

Control Data signal cables:	Quantity:	Standard length:	Maximum length:
841-22 to controller	2	45 ft (13.7 m)	100 ft (30.5 m)
841-22 to adjacent unit	2	6 ft (1.8 m)	100 ft (30.5 m)

Distance from internal signal cable connectors to floor: 56 in (1422 mm)

External terminator power connection required: no

Environmental considerations:

Type of cooling, internal fan

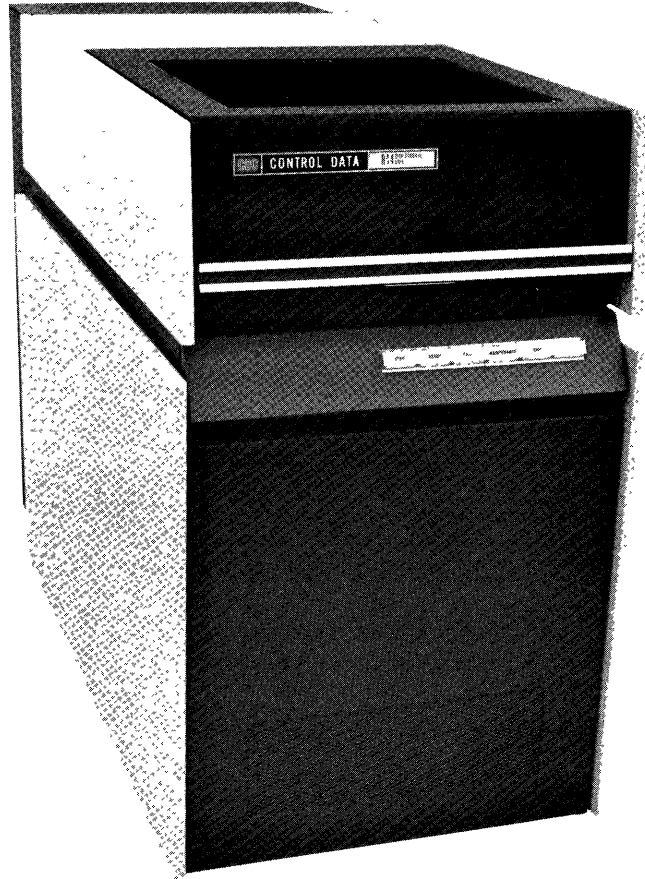
Source of cooling, room air

Heat rejection rate, maximum $\left\{ \begin{array}{l} \text{to air, } 6825 \text{ Btu/h (} 2000 \text{ W) } \\ \text{to water, N/A} \end{array} \right\}$

Permissible range of room relative humidity, 10 % to 80 %

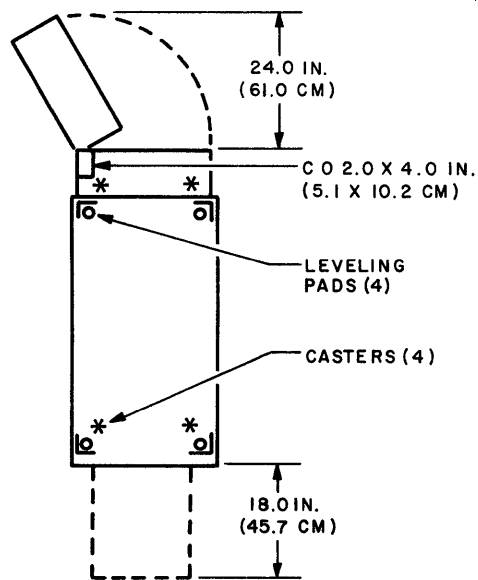
	Maximum	Recommended	Minimum	Dew Point Limitation
Operating temperature (ambient or plenum inlet temperature)	90 °F (32.2 °C)	72 °F (22.2 °C)	30 °F (-1.1 °C)	N/A °F (°C)
Storage temperature	150 °F (65.5 °C)		-30 °F (-34.4 °C)	

844-2 DISK STORAGE UNIT

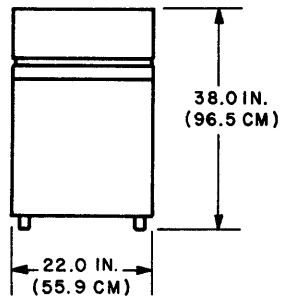


6203

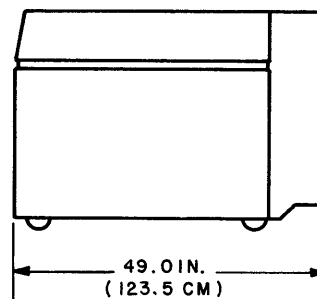
PLAN



FRONT



SIDE



2AW24A

844-2 DISK STORAGE UNIT

Width	22.0 in (559 mm)	Weight	700 lb (315 kg)
Depth	49.0 in (1235 mm)	Supported by	4 casters
Height	38.0 in (965 mm)		

For maximum width/depth, all doors extended, refer to floor plan layout.

Power consumption, steady state, maximum:

and $\left\{ \begin{array}{l} 60 \text{ Hz, } 208 \text{ V, } 1 \text{ phase, } 1.6 \text{ kVA} \\ \text{or} \\ 50 \text{ Hz, } 220 \text{ V, } 1 \text{ phase, } 1.7 \text{ kVA} \end{array} \right\}$

Circuit breakers:

Power connector locations above cabinet base:

and $\left\{ \begin{array}{l} 60 \text{ Hz, } 20 \text{ A, } 1 \text{ phase} \\ \text{or} \\ 50 \text{ Hz, } 20 \text{ A, } 1 \text{ phase} \end{array} \right\}$

Locking connector }
Locking connector } 12 in (305 mm)

Control Data signal cables:	Quantity:	Standard length:	Maximum length:
Controller to disk drive unit	2	50 ft (15.4 m)	75 ft (23 m)

Distance from internal signal cable connectors to floor: 12 in (305 mm)

External terminator power connection required: no

Environmental considerations:

Type of cooling, internal fan

Source of cooling, room air

Heat rejection rate, maximum $\left\{ \begin{array}{l} \text{to air, } 4370 \text{ Btu/h (} 1280 \text{ W) } \\ \text{to water, N/A} \end{array} \right\}$

Permissible range of room relative humidity, 20 % to 80 %

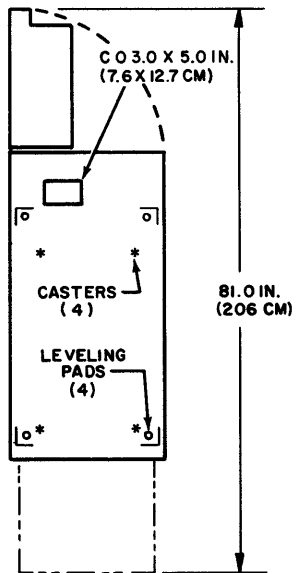
	Maximum	Recommended	Minimum	Dew Point Limitation
Operating temperature (ambient or plenum inlet temperature)	90 °F (32.2 °C)	75 °F (23.9 °C)	60 °F (15.6 °C)	N/A °F (°C)
Storage temperature	150 °F (65.5 °C)		-30 °F (-34.4 °C)	

Maximum operating altitude 10,000 ft (3048 m) above sea level.

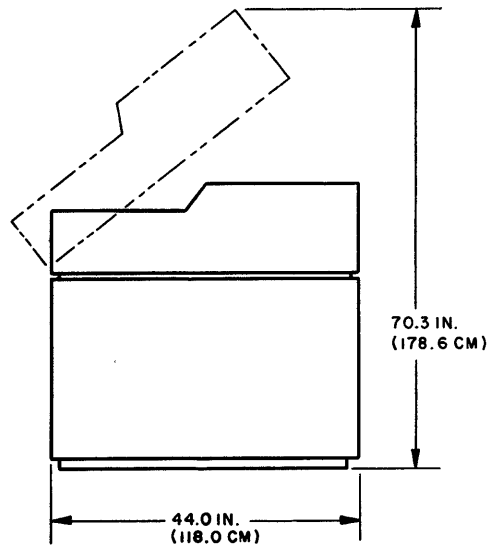
844-21 DISK STORAGE UNIT



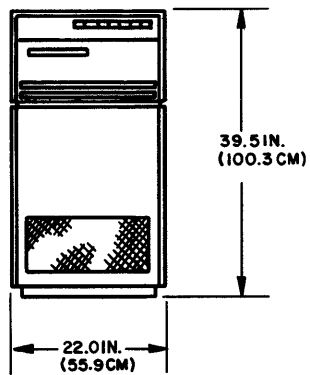
PLAN



SIDE



FRONT



2AW58A

844-21 DISK STORAGE UNIT

Width	22.0 in (559 mm)	Weight	700 lb (315 kg)
Depth	44.0 in (1118 mm)	Supported by	4 casters, 4 leveling pads
Height	39.5 in (1003 mm)		

For maximum width/depth, all doors extended, refer to floor plan layout.

Power consumption, steady state, maximum:

and $\left\{ \begin{array}{l} 60 \text{ Hz, } 208 \text{ V, } 1 \text{ phase, } 1.35 \text{ kVA} \\ \text{or} \\ 50 \text{ Hz, } 220 \text{ V, } 1 \text{ phase, } 1.65 \text{ kVA} \end{array} \right\}$

Circuit breakers:

Power connector locations above cabinet base:

and	$\left\{ \begin{array}{l} 60 \text{ Hz, } 20 \text{ A, } 1 \text{ phase} \\ \text{or} \\ 50 \text{ Hz, } 50 \text{ A, } 1 \text{ phase} \end{array} \right\}$	Locking connector	$\left. \begin{array}{l} \\ \\ \end{array} \right\}$
		Locking connector	

Control Data signal cables:	Quantity:	Standard length:	Maximum length:
Controller to disk drive unit	2	50 ft (15.4 m)	75 ft (23 m)

Distance from internal signal cable connectors to floor: 10 in (254 mm)

External terminator power connection required: no

Environmental considerations:

Type of cooling, internal fans

Source of cooling, room air

Heat rejection rate, maximum $\left\{ \begin{array}{l} \text{to air, } 4500 \text{ Btu/h (} 1320 \text{ W) } \\ \text{to water, N/A} \end{array} \right\}$

Permissible range of room relative humidity, 20 % to 80 %

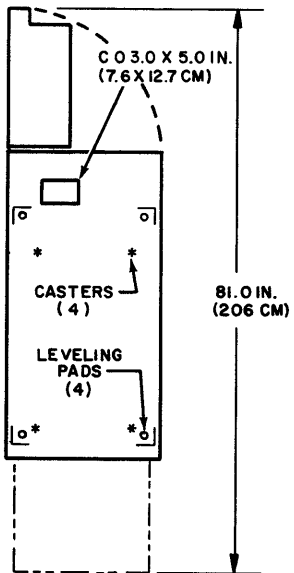
	Maximum	Recommended	Minimum	Dew Point Limitation
Operating temperature (ambient or plenum inlet temperature)	90 °F (32.2 °C)	75 °F (23.9 °C)	60 °F (15.6 °C)	N/A °F (°C)
Storage temperature	150 °F (65.5 °C)		-30 °F (-34.4 °C)	

Maximum operating altitude 10,000 ft (3048 m) above sea level.

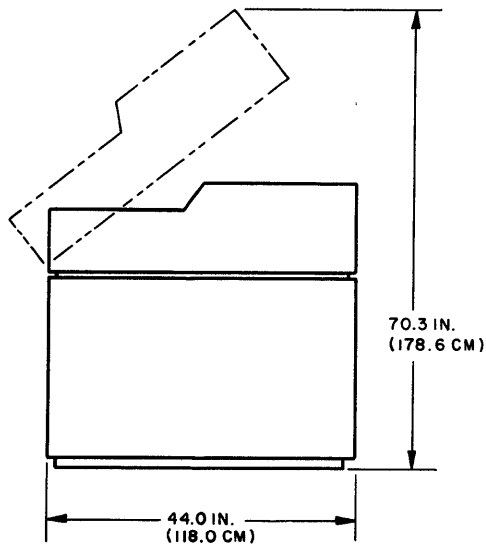
844-41/44 DISK STORAGE UNIT



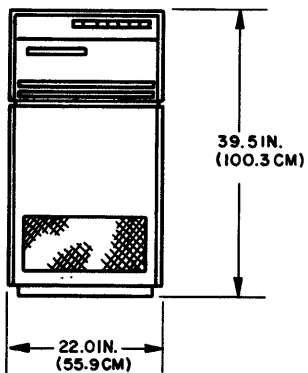
PLAN



SIDE



FRONT



2AW58A

844-41/44 DISK STORAGE UNIT

Width	22.0 in (559 mm)	Weight	700 lb (315 kg)
Depth	44.0 in (1118 mm)	Supported by 4 casters, 4 leveling pads	
Height	39.5 in (1003 mm)		

For maximum width/depth, all doors extended, refer to floor plan layout.

Power consumption, steady state, maximum:

400 Hz, 208 V, 3 phase, 0.5 kVA
 and $\left\{ \begin{array}{l} 60 \text{ Hz, } 208 \text{ V, } 1 \text{ phase, } 1.35 \text{ kVA} \\ \text{or} \\ 50 \text{ Hz, } 220 \text{ V, } 1 \text{ phase, } 1.65 \text{ kVA} \end{array} \right\}$

Circuit breakers:

400 Hz, 15 A, 3 phase
 and $\left\{ \begin{array}{l} 60 \text{ Hz, } 20 \text{ A, } 1 \text{ phase} \\ \text{or} \\ 50 \text{ Hz, } 20 \text{ A, } 1 \text{ phase} \end{array} \right\}$

Power connector locations above cabinet base:

Terminal strip	}	N/A
Locking connector		
Locking connector		

Control Data signal cables:	Quantity:	Standard length:	Maximum length:
Controller to disk drive unit	2	50 ft (15.4 m)	75 ft (23 m)

Distance from internal signal cable connectors to floor: 10 in (254 mm)

External terminator power connection required: no

Environmental considerations:

Type of cooling, internal fan
 Source of cooling, room air

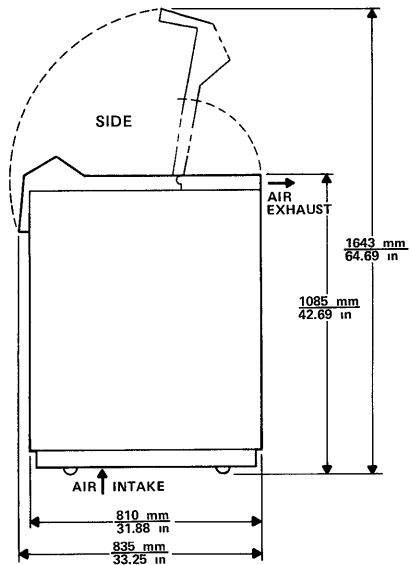
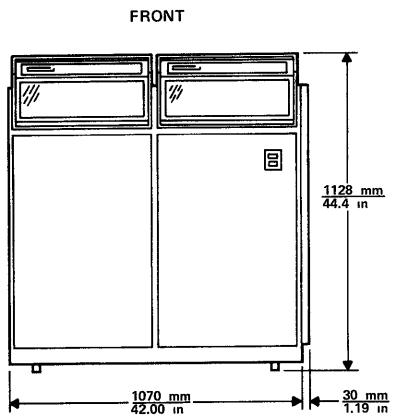
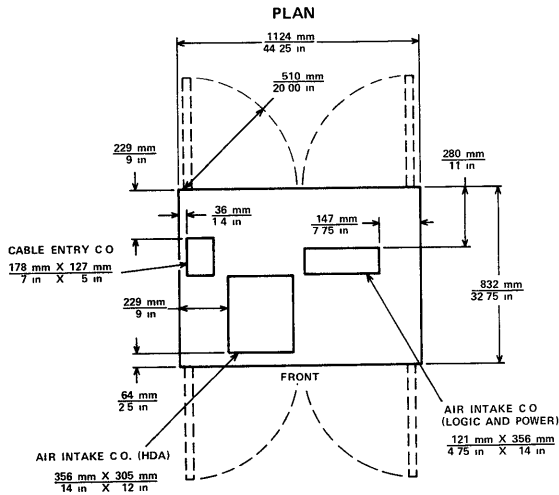
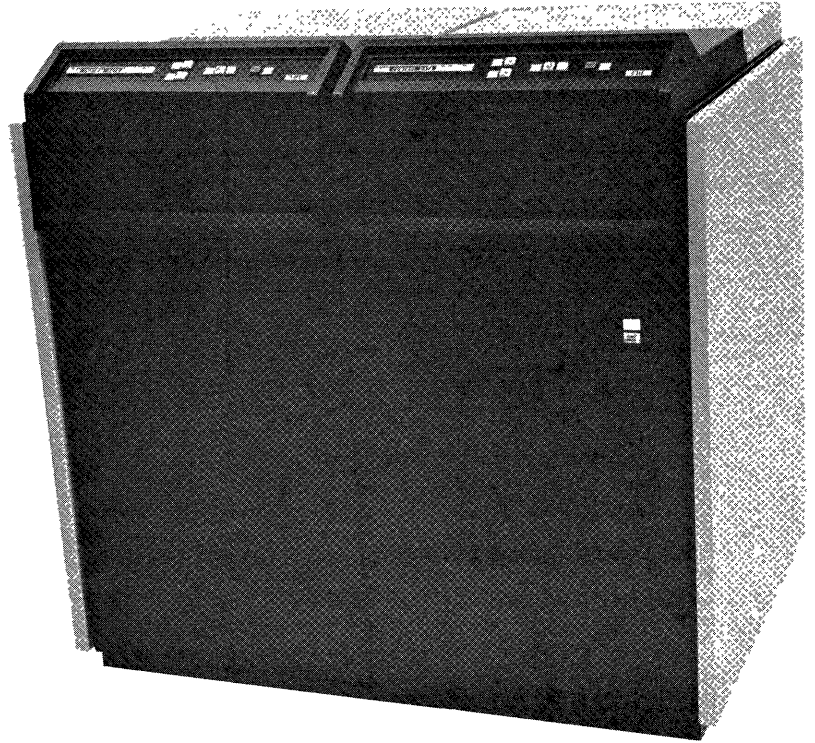
Heat rejection rate, maximum $\left\{ \begin{array}{l} \text{to air, } 5390 \text{ Btu/h (} 1579 \text{ W) } \\ \text{to water, N/A} \end{array} \right\}$

Permissible range of room relative humidity, 20 % to 80 %

	Maximum	Recommended	Minimum	Dew Point Limitation
Operating temperature (ambient or plenum inlet temperature)	90 °F (32.2°C)	75 °F (23.9°C)	60 °F (15.6°C)	N/A °F (°C)
Storage temperature	150 °F (65.5°C)		-30 °F (-34.4°C)	

Maximum operating altitude, 6000 ft (1829 m) above sea level.

885-11/12/42 DISK STORAGE UNIT



885-11/12/42 DISK STORAGE UNIT

Width 42.0 in (1067 mm)
 Depth 33.3 in (846 mm)
 Height 44.4 in (1128 mm)

Weight 1080 lb (490 kg)
 Supported by 4 casters and 4 leveling pads each
 with a diameter of 1.75 inches.

For maximum width/depth, all doors extended, refer to floor plan layout.

Power consumption, steady state, maximum:

400 Hz, 208 V, 3 phase, 1.62 kVA
 and { 60 Hz, 208 V, 3 phase, 2.16 kVA
 or
 50 Hz, 380 V, 3 phase, 2.16 kVA }

NOTE
 220/240 VAC single phase or 380/
 415 VAC three phase 50 Hz input
 may be used.

Circuit breakers:

400 Hz, 15 A, 3 phase
 and { 60 Hz, 15 A, 3 phase
 or
 50 Hz, 15 A, 3 phase }

Power connector locations above cabinet base:

terminal strip 10 in (254 mm)
 terminal strip } 10 in (254 mm)
 terminal strip }

Control Data signal cables:	Quantity:	Standard length:	Maximum length:
Controller to 885	1	50 ft (15.2 m)	75 ft (22.9 m)

Distance from internal signal cable connectors to floor: 36 in (914 mm)

External terminator power connection required: X no yes (V dc)

Environmental considerations:

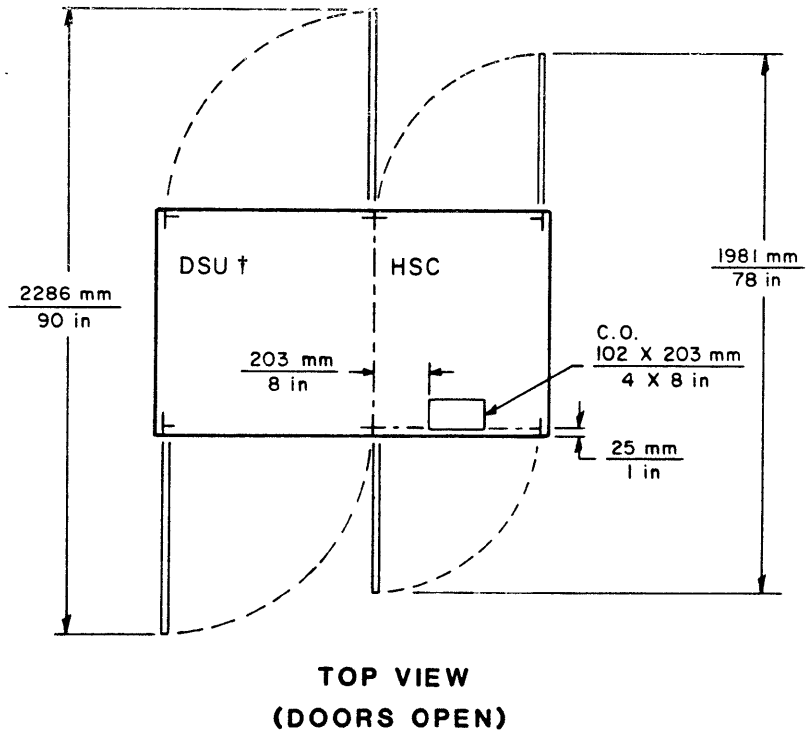
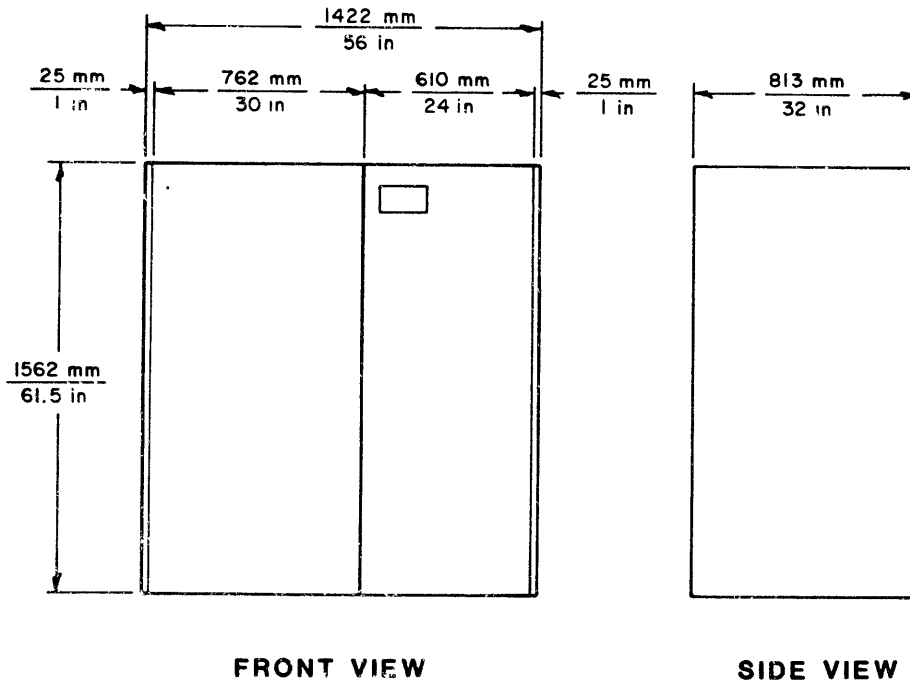
Type of cooling, forced air (internal fans)

Source of cooling, ambient room air

Heat rejection rate, maximum at +10% voltage margins	{	to air,	10752	Btu/h (3150 W)
		to water,	N/A	Btu/h (W)
Permissible range of room relative humidity,		35 % to 60 %		

	Maximum	Recommended	Minimum	Dew Point Limitation
Operating temperature (ambient or plenum inlet temperature)	90°F (32.2°C)	72°F (22.2°C)	59°F (15°C)	N/A °F (°C)
Storage temperature	95°F (35°C)		50°F (10°C)	

895-1 DISK STORAGE UNIT W/HSC



† The DSU can be located on either the left or right side of the HSC.

895-1 DISK STORAGE UNIT W/HSC

Width 56.0 in (1422 mm)
 Depth 32.0 in (813 mm)
 Height 61.5 in (1562 mm)

Weight 1400 lb (635 kg)
 Supported by casters with leveling pads.

For maximum width/depth, all doors extended, refer to floor plan layout.

Power consumption, steady state, maximum:

and $\left\{ \begin{array}{llll} 400 \text{ Hz,} & - \text{ V,} & - \text{ phase} & - \text{ kVA} \\ 60 \text{ Hz,} & 208 \text{ V,} & 3 \text{ phase} & 2.8 \text{ kVA} \\ \text{or} & & & \\ 50 \text{ Hz,} & 220 \text{ V,} & 3 \text{ phase} & 2.8 \text{ kVA} \end{array} \right.$

Circuit breakers:

and $\left\{ \begin{array}{llll} 400 \text{ Hz,} & - \text{ A,} & - \text{ phase} & \\ 60 \text{ Hz,} & 40 \text{ A,} & 3 \text{ phase} & 60 \text{ Hz power cord} \\ \text{or} & & & \\ 50 \text{ Hz,} & 40 \text{ A,} & 3 \text{ phase} & \end{array} \right.$

Power connectors:

Russell-Stoll (female) 7428 (CDC 94253009)
 Russell-Stoll (male) 7328 (CDC 94253010)

Control Data signal cables:	Quantity:	Standard length:	Maximum length:
EPO (must be ordered separately)	2	20 ft (6.1 m)	N/A

Distance from internal signal cable connectors to floor: N/A

Internal terminator power connection required: no

Environmental considerations:

Type of cooling: Internal fan

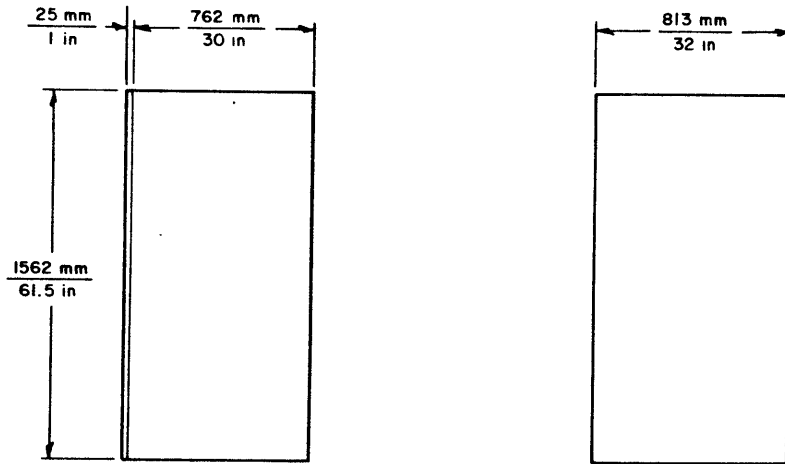
Source of cooling: Ambient air

Heat rejection rate, maximum $\left\{ \begin{array}{l} \text{to air,} \\ \text{to water,} \end{array} \right. \begin{array}{l} 7841 \text{ BTU/hr (2297 W)} \\ \text{N/A} \end{array}$

Permissible range of room relative humidity, 5% to 95%

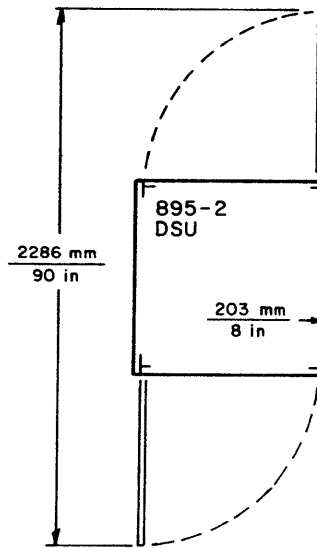
	Maximum	Recommended	Minimum	Dew-Point Limitation
Operating temperature (ambient or plenum inlet temperature)	32.2 °C (90 °F)	22.2 °C (72 °F)	15.0 °C (59 °F)	N/A °C (N/A °F)
Storage temperature	70 °C (158 °F)		-40 °C (-40 °F)	

895-2 DISK STORAGE UNIT



FRONT VIEW

SIDE VIEW



**TOP VIEW
(DOORS OPEN)**

895-2 DISK STORAGE UNIT

Width 30.0 in (762 mm)
 Depth 32.0 in (813 mm)
 Height 61.5 in (1562 mm)

Weight 1000 lb (454 kg)
 Supported by casters with leveling pads.

For maximum width/depth, all doors extended, refer to floor plan layout.

Power consumption, steady state, maximum:

and $\left\{ \begin{array}{llll} 400 \text{ Hz,} & - \text{ V,} & - \text{ phase} & - \text{ kVA} \\ 60 \text{ Hz,} & 208 \text{ V,} & 3 \text{ phase} & 2.4 \text{ kVA} \\ \text{or} & & & \\ 50 \text{ Hz,} & 220 \text{ V,} & 3 \text{ phase} & 2.4 \text{ kVA} \end{array} \right.$

Circuit breakers:

and $\left\{ \begin{array}{llll} 400 \text{ Hz,} & - \text{ A,} & - \text{ phase} & \\ 60 \text{ Hz,} & \text{A,} & \text{phase} & \text{Power received from head of string controller.} \\ \text{or} & & & \\ 50 \text{ Hz,} & \text{A,} & \text{phase} & \end{array} \right.$

Control Data signal cables:	Quantity:	Standard length:	Maximum length:
	N/A	N/A	N/A

Distance from internal signal cable connectors to floor: N/A

Internal terminator power connection required: no

Environmental considerations:

Type of cooling: Internal fan

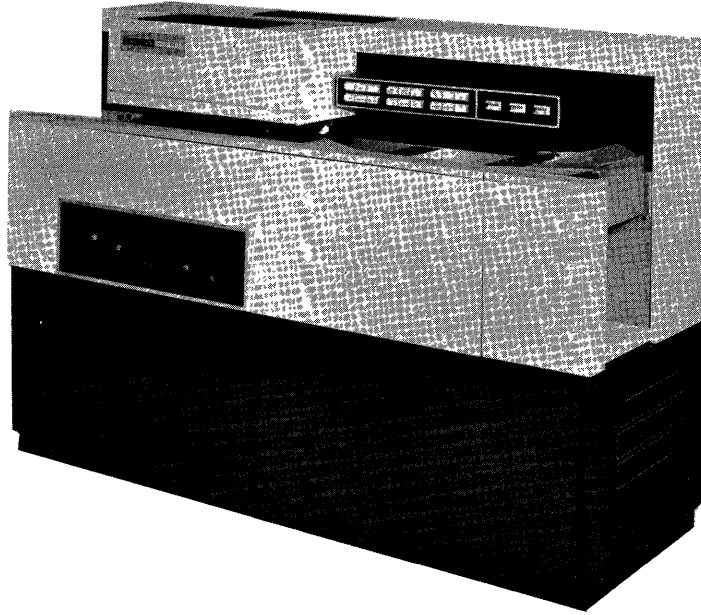
Source of cooling: Ambient air

Heat rejection rate, maximum $\left\{ \begin{array}{l} \text{to air,} \\ \text{to water,} \end{array} \right. \left. \begin{array}{l} 6598 \text{ BTU/hr (1933 W)} \\ \text{N/A} \end{array} \right\}$

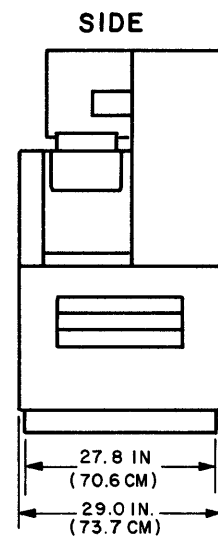
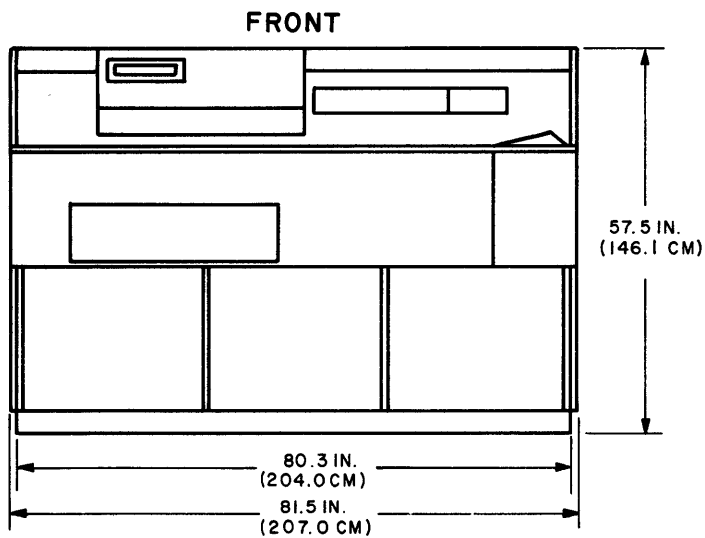
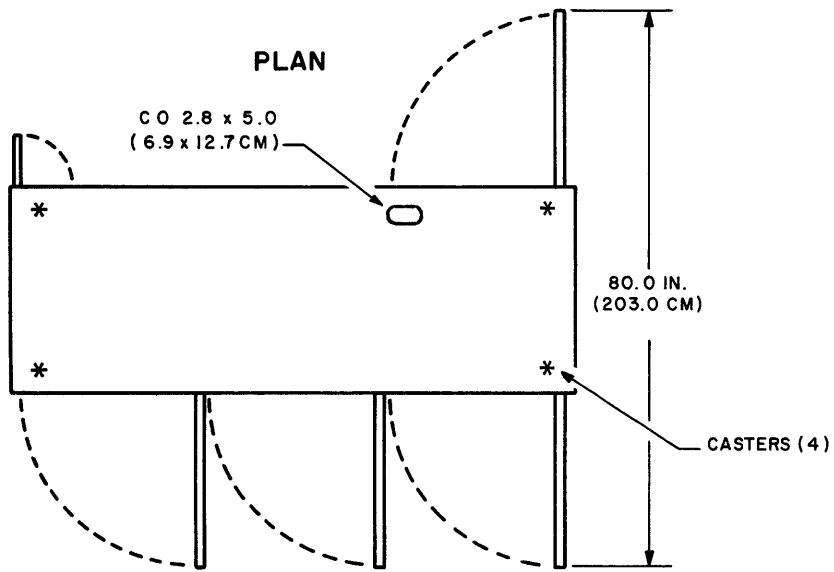
Permissible range of room relative humidity, 5% to 95%

	Maximum	Recommended	Minimum	Dew-Point Limitation
Operating temperature (ambient or plenum inlet temperature)	32.2 °C (90 °F)	22.2 °C () °F	15.0 °C (59 °F)	N/A °C (N/A °F)
Storage temperature	70 °C (158 °F)		-40 °C (-40 °F)	

915 OPTICAL CHARACTER PAGE READER



2370



2AW43A

915 OPTICAL CHARACTER PAGE READER

Width	81.5	in (2070 mm)	Weight	1700	lb (771 kg)
Depth	29.0	in (737 mm)	Supported by	4 casters	
Height	57.5	in (1461 mm)			

For maximum width/depth, all doors extended, refer to floor plan layout.

Power consumption, steady state, maximum:

60 Hz, 208 V, 3 phase, 4.3 kVA
or
50 Hz, 208 V, 3 phase, 4.3 kVA

Circuit breakers:

60 Hz, 20 A, 3 phase
or
50 Hz, 20 A, 3 phase

Power connector locations above cabinet base:

Locking connector	}	N/A
Locking connector		

Control Data signal cables:	Quantity:	Standard length:	Maximum length:
N/A			

Distance from internal signal cable connectors to floor:	N/A
External terminator power connection required:	yes (40 V dc)

Environmental considerations:

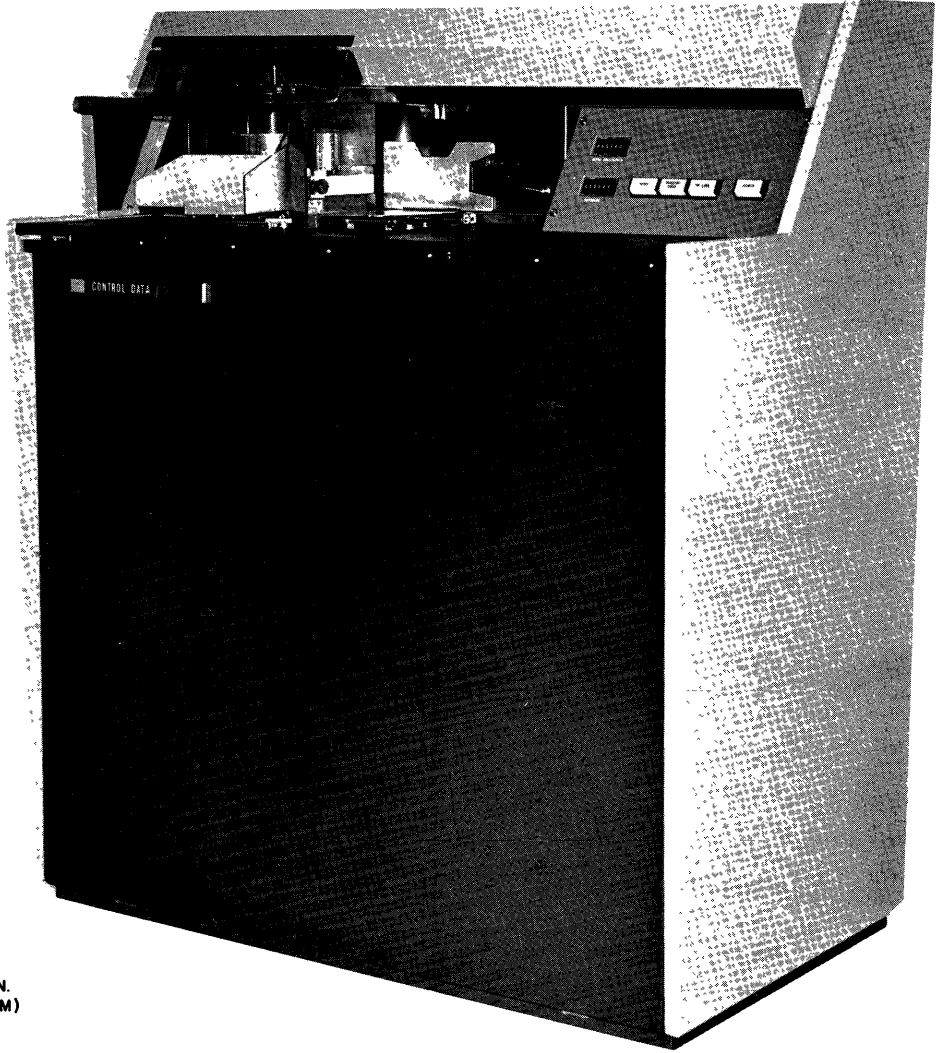
Type of cooling, **internal fan**
Source of cooling, **room air**

Heat rejection rate, maximum	{	to air, 12,000 Btu/h (3516 W)	}
		to water, N/A	

Permissible range of room relative humidity, 40 % to 60 %

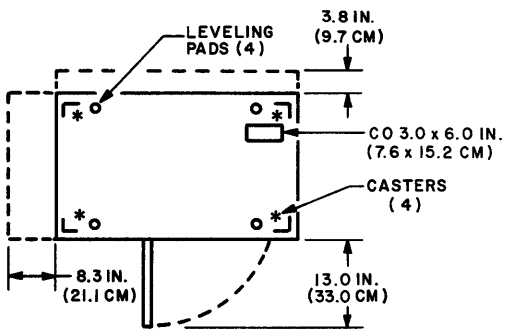
	Maximum	Recommended	Minimum	Dew Point Limitation
Operating temperature (ambient or plenum inlet temperature)	80 °F (26.7 °C)	72 °F (22.2 °C)	60 °F (15.6 °C)	N/A °F (°C)
Storage temperature	120 °F (48.9 °C)		0 °F (17.8 °C)	

921-1 OCR DOCUMENT READER

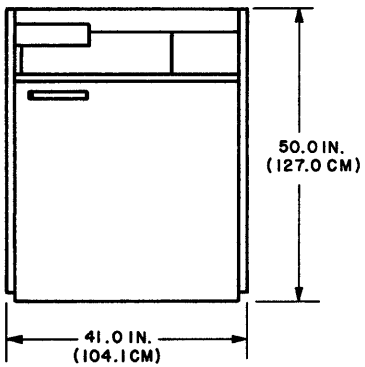


6231

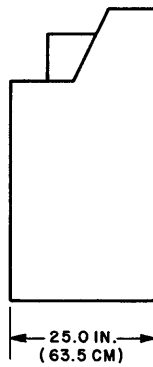
PLAN



FRONT



SIDE



2AW17A

921-1 OCR DOCUMENT READER

Width	41.0	in (1041 mm)	Weight	600	lb (272 kg)
Depth	25.0	in (635 mm)	Supported by	4 casters, 4 leveling pads	
Height	50.0	in (1270 mm)			

For maximum width/depth, all doors extended, refer to floor plan layout.

Power consumption, steady state, maximum:

60 Hz, 208 V, 3 phase, 3.6 kVA
 or
 50 Hz, 380 V, 3 phase, 3.6 kVA

Circuit breakers:

Power connector locations above cabinet base:

60 Hz, 15 A, 3 phase
 or
 50 Hz, 15 A, 3 phase

Locking connector }
 Locking connector } 6 in (152 mm)

Control Data signal cables:	Quantity:	Maximum length:
Computer to document reader	02 24 p	40 ft (12.2 m)

Distance from internal signal cable connectors to floor: 6.5 in (165 mm)

External terminator power connection required: no

Environmental considerations:

Type of cooling, **internal fan**

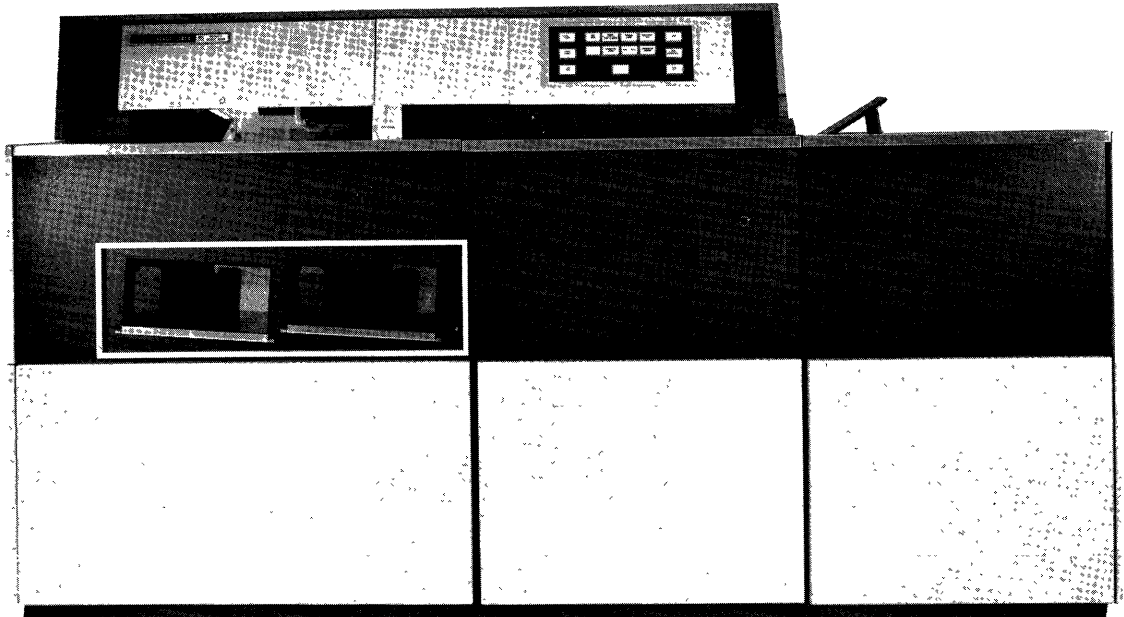
Source of cooling, **room air**

Heat rejection rate, maximum { to air, 10,000 Btu/h (2930 W)
 { to water, N/A }

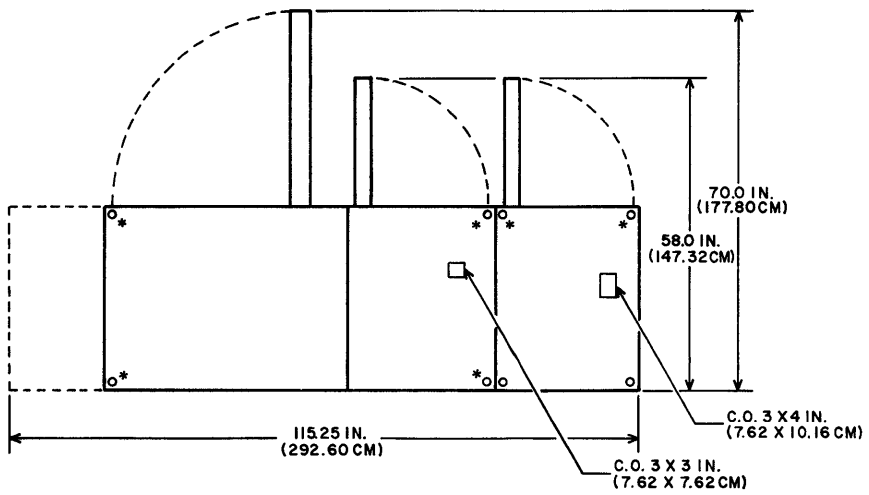
Permissible range of room relative humidity, 30 % to 80 %

	Maximum	Recommended	Minimum	Dew Point Limitation
Operating temperature (ambient or plenum inlet temperature)	90 °F (32 °C)	72 °F (22.2 °C)	60 °F (15.5 °C)	N/A °F (°C)
Storage temperature	120 °F (48.9 °C)		0 °F (-17.7 °C)	

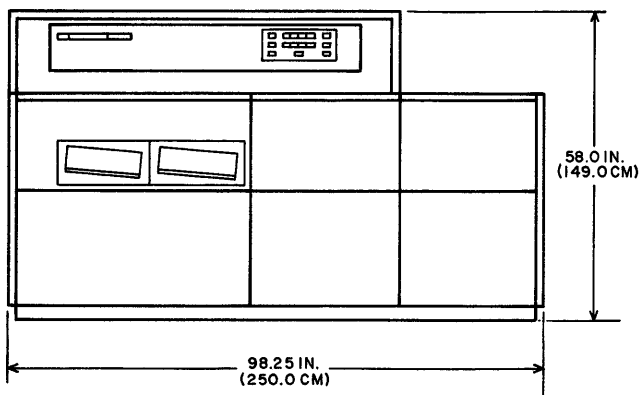
955-1 OCR PAGE AND DOCUMENT READER



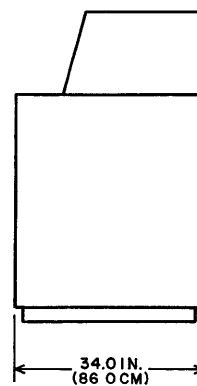
PLAN



FRONT

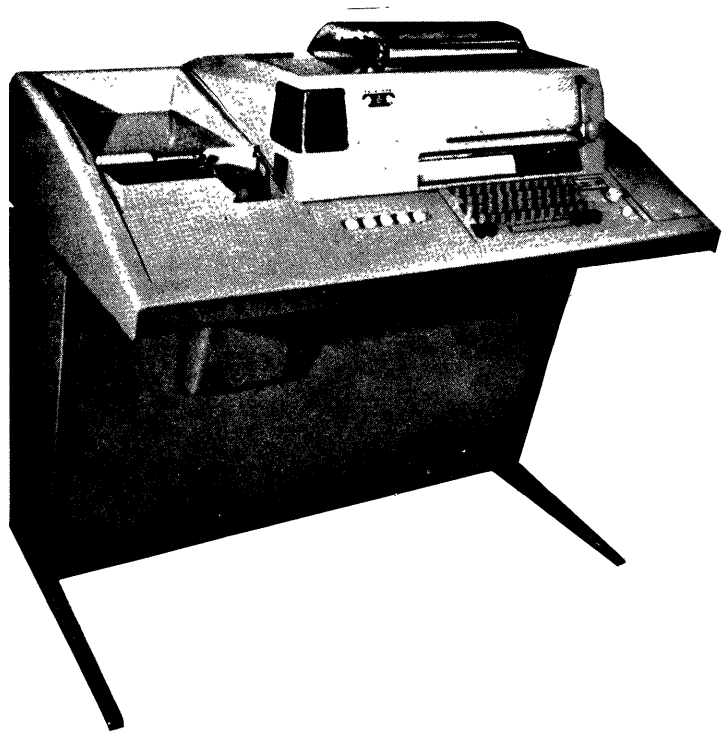


SIDE

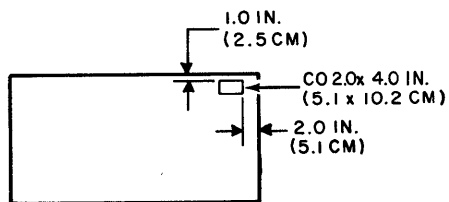


2AW79A

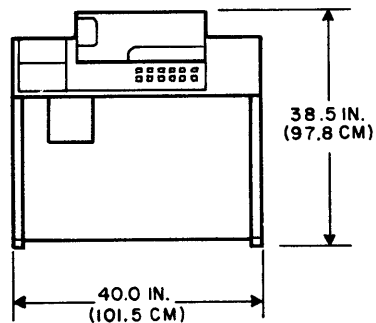
1713 TELETYPEWRITER



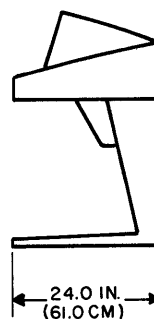
PLAN



FRONT



SIDE



2AW66A

1713 TELETYPEWRITER

Width	40.0	in (1016 mm)	Weight	105	lb (47.6 kg)
Depth	24.0	in (610 mm)	Supported by	2 horizontal legs	
Height	38.5	in (978 mm)			

For maximum width/depth, all doors extended, refer to floor plan layout.

Power consumption, steady state, maximum:

60 Hz, 115 V, 1 phase, 0.5 kVA
or
50 Hz, 115 V, 1 phase, 0.5 kVA

Circuit breakers: N/A

Power connector locations above cabinet base:

Power cord with standard
3-prong plug

Control Data signal cables:	Quantity:	Standard length:	Maximum length:
1713 to central computer	1	20 ft (6.1 m)	20 ft (6.1 m)

Distance from internal signal cable connectors to floor: 6 in (152 mm)

External terminator power connection required: no

Environmental considerations:

Type of cooling, convection

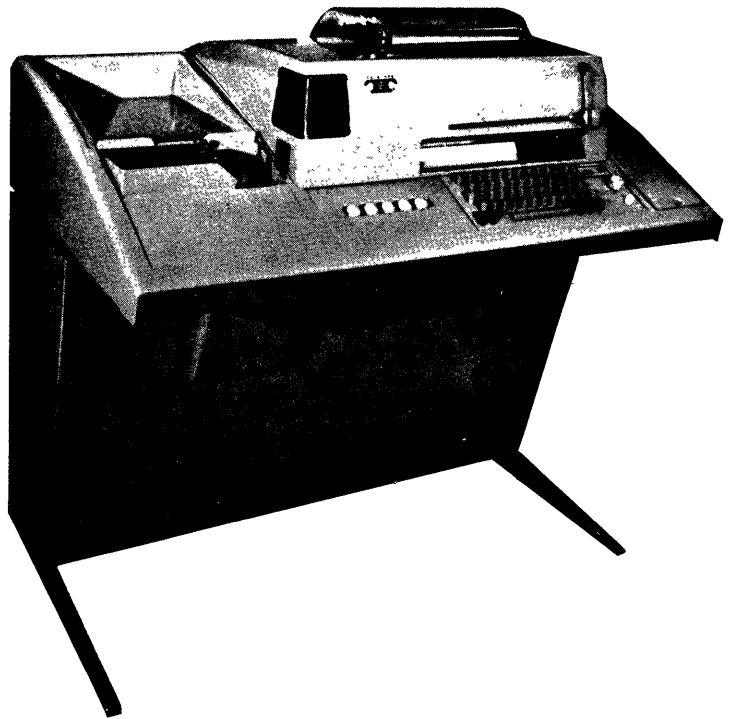
Source of cooling, room air

Heat rejection rate, maximum $\left\{ \begin{array}{l} \text{to air, } 1050 \text{ Btu/h (} 308 \text{ W) } \\ \text{to water, N/A} \end{array} \right\}$

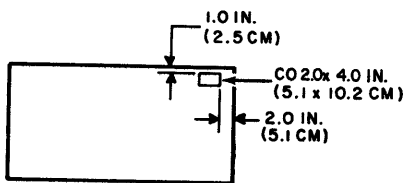
Permissible range of room relative humidity, 40 % to 60 %

	Maximum	Recommended	Minimum	Dew Point Limitation
Operating temperature (ambient or plenum inlet temperature)	110 °F (43.3 °C)	72 °F (22.2 °C)	40 °F (4.4 °C)	N/A °F (- °C)
Storage temperature	150 °F (65.6 °C)		-40 °F (-40 °C)	

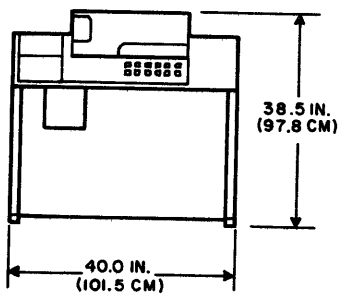
1713-2/3/5 TELETYPEWRITER



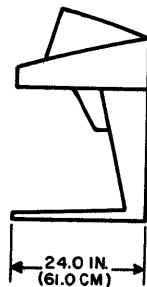
PLAN



FRONT



SIDE



2AW66A

1713-2/3/5 TELETYPEWRITER

Width	40.0	in (1016 mm)	Weight	105	lb (47.6 kg)
Depth	24.0	in (610 mm)	Supported by	2 horizontal legs	
Height	38.5	in (978 mm)			

For maximum width/depth, all doors extended, refer to floor plan layout.

Power consumption, steady state, maximum:

60 Hz, 115 V, 1 phase, 0.5 kVA
or
50 Hz, 115 V, 1 phase, 0.5 kVA

Circuit breakers: N/A

Power connector locations above cabinet base:

Power cord with standard 3-prong plug	N/A
---------------------------------------	-----

Control Data signal cables:	Quantity:	Standard length:	Maximum length:
1713 to central computer	1	20 ft (6.1 m)	20 ft (6.1 m)

Distance from internal signal cable connectors to floor: 6 in (152 mm)

External terminator power connection required: no

Environmental considerations:

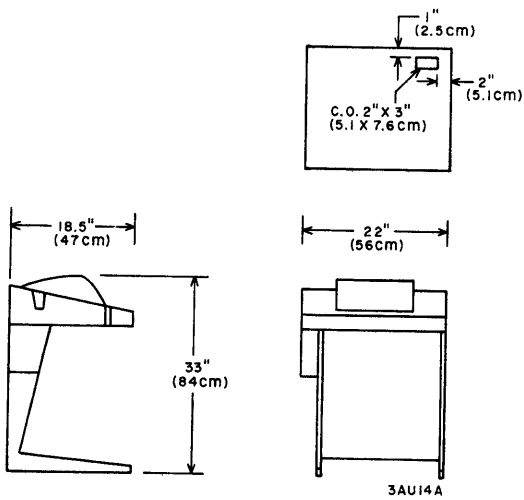
Type of cooling, convection
Source of cooling, room air

Heat rejection rate, maximum	$\left\{ \begin{array}{l} \text{to air, } 1330 \text{ Btu/h (} 390 \text{ W) } \\ \text{to water, N/A} \end{array} \right\}$
------------------------------	---

Permissible range of room relative humidity, 40 % to 60 %

	Maximum	Recommended	Minimum	Dew Point Limitation
Operating temperature (ambient or plenum inlet temperature)	110 °F (43.3 °C)	72 °F (22.2 °C)	40 °F (4.4 °C)	N/A °F (°C)
Storage temperature	150 °F (65.6 °C)		-40 °F (-40 °C)	

1713-4 TELETYPEWRITER



1713-4 TELETYPEWRITER

Width	22.0	in (559	mm)	Weight	56	lb (25.40	kg)
Depth	18.5	in (470	mm)	Supported by	2 horizontal legs			
Height	33.0	in (838	mm)					

For maximum width/depth, all doors extended, refer to floor plan layout.

Power consumption, steady state, maximum:

60 Hz, 115 V, 1 phase, 0.2 kVA
or
50 Hz, 115 V, 1 phase, 0.2 kVA

Circuit breakers: N/A

Power connector locations above cabinet base:

Power cord with
standard 3-prong
plug

N/A

Control Data signal cables:	Quantity:	Standard length:	Maximum length:
1713 to central computer	1	20 ft (6.1 m)	20 ft (6.1 m)

Distance from internal signal cable connectors to floor: 6 in (152 mm)

External terminator power connection required: no

Environmental considerations:

Type of cooling, convection
Source of cooling, room air

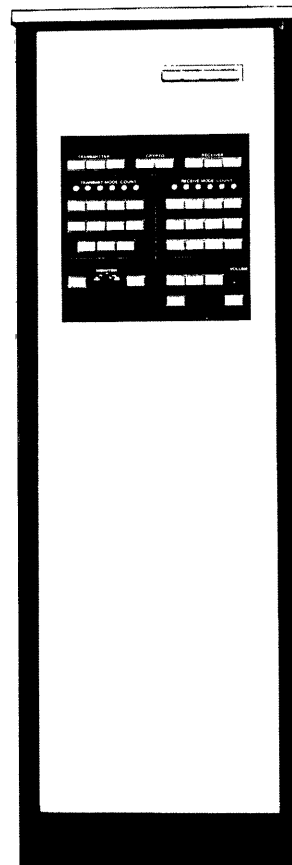
Heat rejection rate, maximum $\left\{ \begin{array}{l} \text{to air, } 700 \text{ Btu/h (} 205 \text{ W) } \\ \text{to water, N/A} \end{array} \right\}$

Permissible range of room relative humidity, 40 % to 60 %

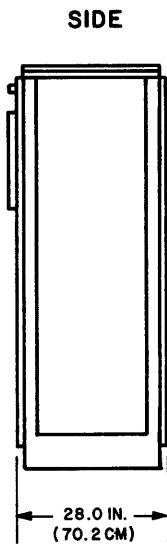
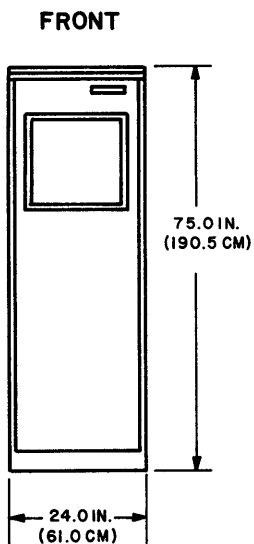
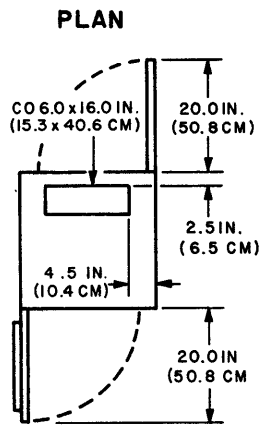
	Maximum	Recommended	Minimum	Dew Point Limitation
Operating temperature (ambient or plenum inlet temperature)	110 °F (43.3 °C)	72 °F (22.2 °C)	40 °F (4.4 °C)	N/A °F (°C)
Storage temperature	150 °F (65.6 °C)		-40 °F (-40 °C)	

Maximum operating altitude, 10,000 ft (3048 m) above sea level

1717-1 DATA SET CONTROLLER



1700



2AW22A

1717-1 DATA SET CONTROLLER

Width	24	in (610 mm)	Weight	550	lb (250 kg)
Depth	28	in (711 mm)	Supported by	4 leveling pads	
Height	75	in (1905 mm)			

For maximum width/depth, all doors extended, refer to floor plan layout.

Power consumption, steady state, maximum:

400 Hz, 208 V, 3 phase, 0.1 kVA
 and $\left\{ \begin{array}{l} 60 \text{ Hz, } 120 \text{ V, } 1 \text{ phase, } 0.3 \text{ kVA} \\ \text{or} \\ 50 \text{ Hz, } 120 \text{ V, } 1 \text{ phase, } 0.3 \text{ kVA} \end{array} \right\}$

Circuit breakers:

400 Hz, 15 A, 3 phase
 and $\left\{ \begin{array}{l} 60 \text{ Hz, } 15 \text{ A, } 1 \text{ phase} \\ \text{or} \\ 50 \text{ Hz, } 15 \text{ A, } 1 \text{ phase} \end{array} \right\}$

Power connector locations above cabinet base:

Terminal strip 24 in (610 mm)
 Terminal strip $\left. \begin{array}{l} \\ \\ \end{array} \right\} 24 \text{ in (610 mm)}$
 Terminal strip

Control Data signal cables:	Quantity:	Standard length:	Maximum length:
1706 to 1717-1	2 61 P	30 ft (9.1m)	50 ft (15.2 m)
1717-1 to 1705 interrupt	01 03 P	30 ft (9.1m)	

Distance from internal signal cable connectors to floor: 30 in (762 mm)

External terminator power connection required: yes (40 V dc)

Environmental considerations:

Type of cooling, internal fan

Source of cooling, room air

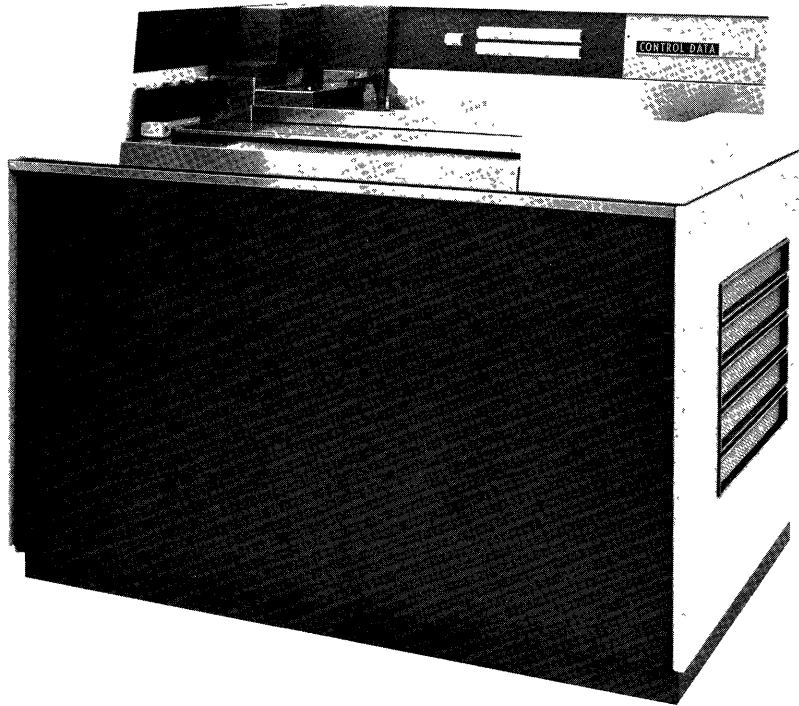
Heat rejection rate, maximum $\left\{ \begin{array}{l} \text{to air, } 920 \text{ Btu/h (} 270 \text{ W) } \\ \text{to water, N/A} \end{array} \right\}$

Permissible range of room relative humidity, 10 % to 90 %

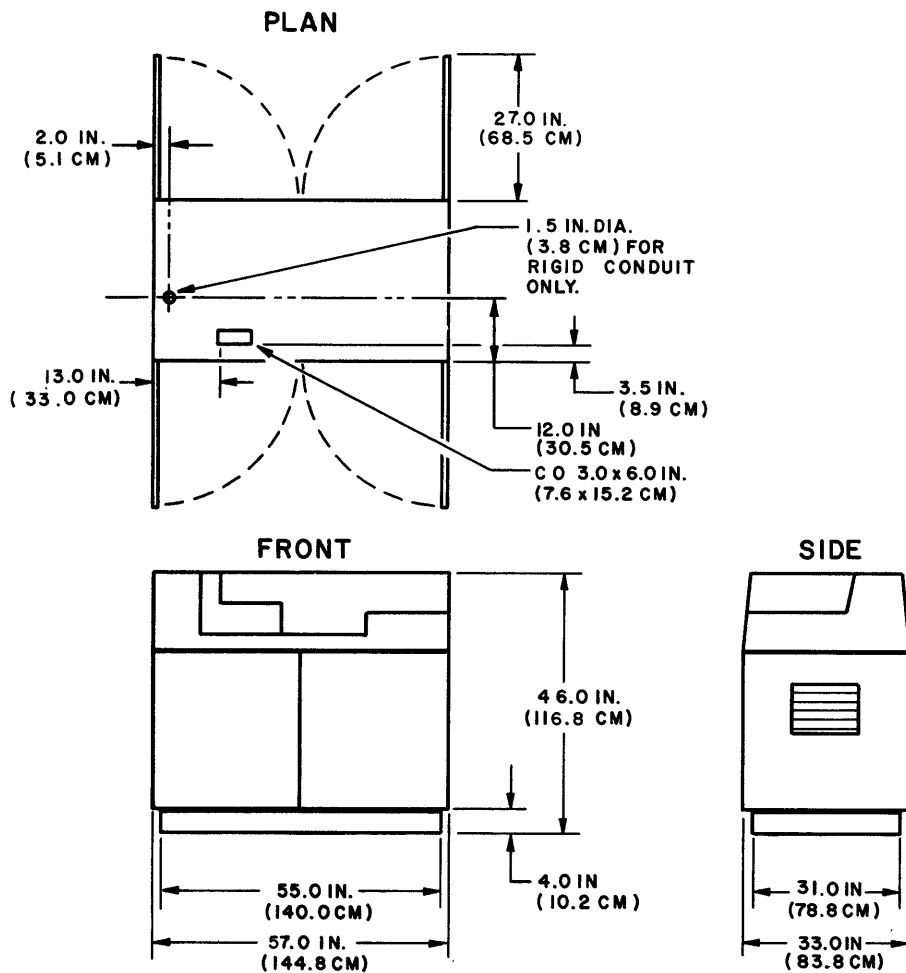
	Maximum	Recommended	Minimum	Dew Point Limitation
Operating temperature (ambient or plenum inlet temperature)	120 °F (48.9 °C)	72 °F (22.2 °C)	0 °F (-17.8 °C)	N/A °F (°C)
Storage temperature	150 °F (65.6 °C)		-40 °F (-40 °C)	

1726-1 CARD READER CONTROLLER

(Housed in a 405 Card Reader, shown)



2685



2AW12A

1726-1 CARD READER CONTROLLER

(Housed in a 405 Card Reader)

Width 57.0 in (1448 mm) Weight 1150 lb (522 kg)
Depth 33.0 in (838 mm) Supported by 4 casters
Height 46.0 in (1168 mm)

For maximum width/depth, all doors extended, refer to floor plan layout.

Power consumption, steady state, maximum:

60 Hz, 208 V, 3 phase, 3.4 kVA
or
50 Hz, 208 V, 3 phase, 3.4 kVA

Circuit breakers:

Power connector locations above cabinet base:

{ 60 Hz, 15 A, 3 phase
or
50 Hz, 15 A, 3 phase

Locking connector
Locking connector

} 60 in (1524 mm)

Control Data signal cables:	Quantity:	Standard length:	Maximum length:
1726 to vert cabinet (DSA)	1	30 ft (9.1 m)	80 ft (24.4 m)
1726 to vert cabinet (AQ channel)	1	30 ft (9.1 m)	200 ft (61 m)

Distance from internal signal cable connectors to floor: 10 in (254 mm)
External terminator power connection required: yes

Environmental considerations:

Type of cooling, internal fan
Source of cooling, room air

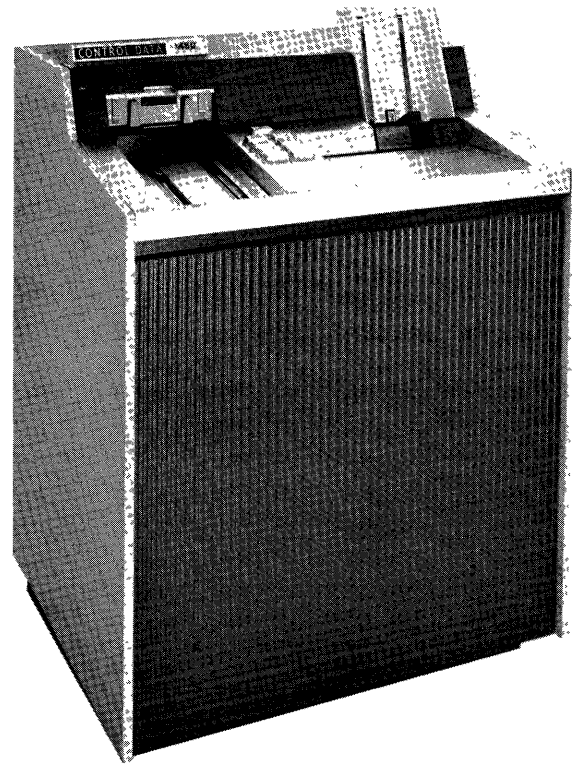
Heat rejection rate, maximum { to air, 9000 Btu/h (2637 W)
to water, N/A }

Permissible range of room relative humidity, 35 % to 60 %

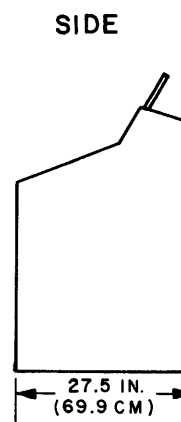
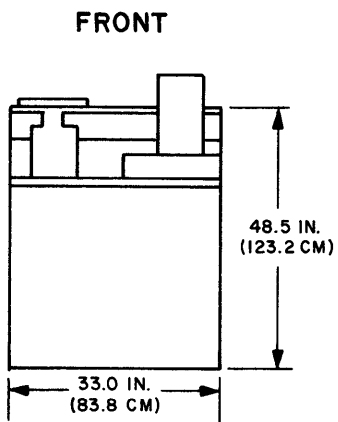
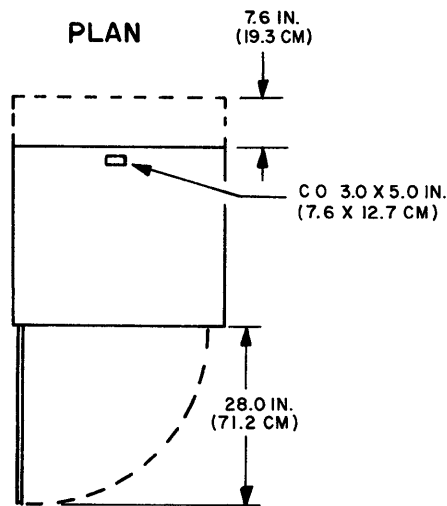
	Maximum	Recommended	Minimum	Dew Point Limitation
Operating temperature (ambient or plenum inlet temperature)	74 °F (23.3 °C)	72 °F (22.2 °C)	62 °F (16.7 °C)	N/A °F (°C)
Storage temperature	120 °F (48.9 °C)		-30 °F (-34.4 °C)	

1728 CARD READER – PUNCH CONTROLLER

(Housed in a 430 Card Reader - Punch, shown)



2769



2AW41A

1728 CARD READER — PUNCH CONTROLLER

(Housed in a 405 Card Reader - Punch)

Width	33.0 in (838 mm)	Weight	500 lb (227 kg)
Depth	27.5 in (699 mm)	Supported by 4 casters and 4 leveling pads	
Height	48.5 in (1232 mm)		

For maximum width/depth, all doors extended, refer to floor plan layout.

Power consumption, steady state, maximum:

60 Hz, 115 V, 1 phase, 1.1 kVA
or
50 Hz, 115 V, 1 phase, 1.1 kVA

Circuit breakers:

60 Hz, 15 A, 1 phase
or
50 Hz, 15 A, 1 phase

Power connector locations above cabinet base:

Locking connector	}	N/A
Locking connector		

Control Data signal cables:	Quantity:	Standard length:	Maximum length:
1728 to 1700 cabinet	2	30 ft (9.1 m)	200 ft (61 m)
Interrupt cable	3	30 ft (9.1 m)	200 ft (61 m)

Distance from internal signal cable connectors to floor: 15.5 in (394 mm)
External terminator power connection required: yes (40 V dc)

Environmental considerations:

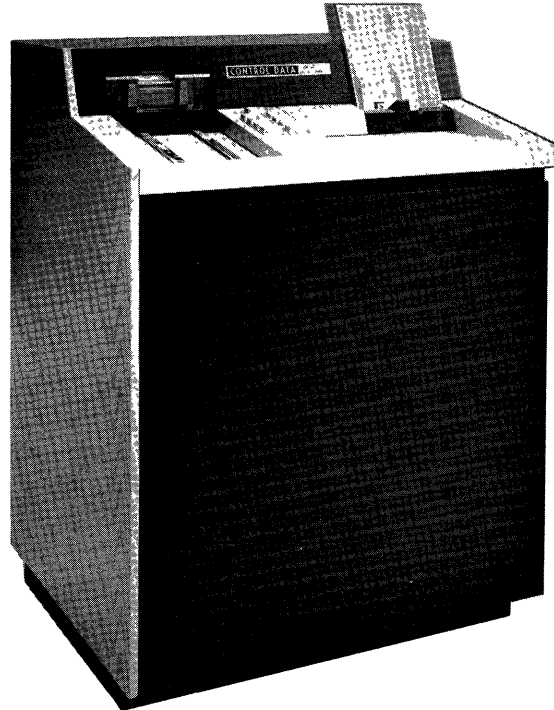
Type of cooling, internal fan
Source of cooling, room air

Heat rejection rate, maximum $\left\{ \begin{array}{l} \text{to air, } 2600 \text{ Btu/h (} 762 \text{ W) } \\ \text{to water, N/A} \end{array} \right\}$

Permissible range of room relative humidity, 30 % to 80 %

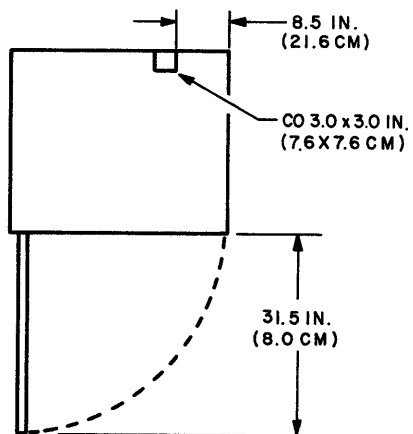
	Maximum	Recommended	Minimum	Dew Point Limitation
Operating temperature (ambient or plenum inlet temperature)	90 °F (32.2 °C)	72.2 °F (22.2 °C)	60 °F (15.5 °C)	N/A °F (- °C)
Storage temperature	150 °F (65.6 °C)		-30 °F (-34.4 °C)	

1729-2 CARD READER

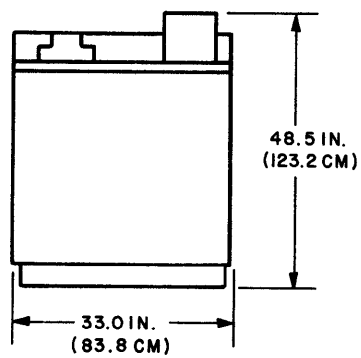


2001

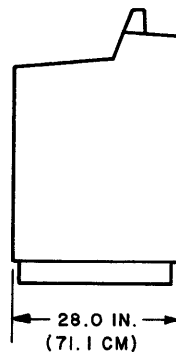
PLAN



FRONT



SIDE



2AW21A

1729-2 CARD READER

Width	33.0 in (838 mm)	Weight	400 lb (181 kg)
Depth	28.0 in (711 mm)	Supported by 4 casters and 4 leveling pads	
Height	48.5 in (1232 mm)		

For maximum width/depth, all doors extended, refer to floor plan layout.

Power consumption, steady state, maximum:

60 Hz, 120 V, 1 phase, 0.6 kVA
 or
 50 Hz, 120 V, 1 phase, 0.6 kVA

Circuit breakers:

Power connector locations above cabinet base:

60 Hz, 15 A, 1 phase	or	Locking connector	}	†
50 Hz, 15 A, 1 phase		Locking connector		

Control Data signal cables:	Quantity:	Standard length:	Maximum length:
1729-2 to 1700 cabinet	2	20 ft (6.1 m)	200 ft (61 m)
Interrupt cable	3	30 ft (9.1 m)	200 ft (61 m)

Distance from internal signal cable connectors to floor: 15.5 in (394 mm)
 External terminator power connection required: yes (40 V dc)

Environmental considerations:

Type of cooling, **internal fan**
 Source of cooling, **room air**

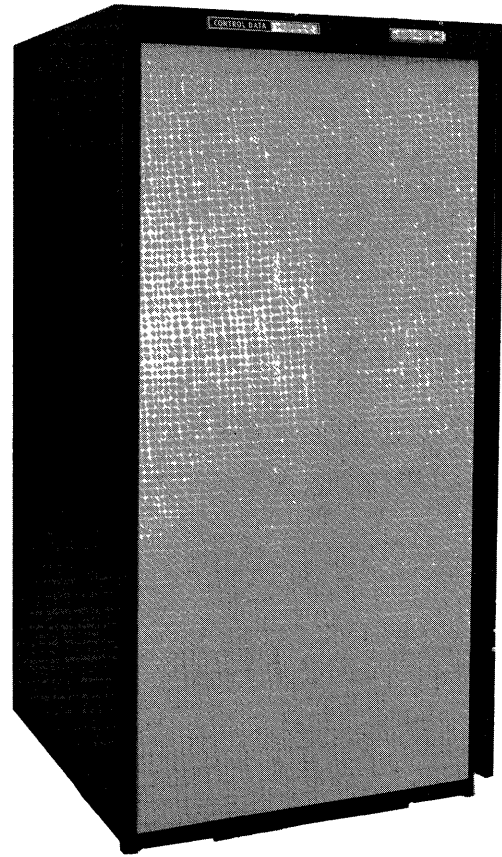
Heat rejection rate, maximum $\left\{ \begin{array}{l} \text{to air, } 1400 \text{ Btu/h (} 410 \text{ W) } \\ \text{to water, N/A} \end{array} \right\}$

Permissible range of room relative humidity, 30 % to 80 %

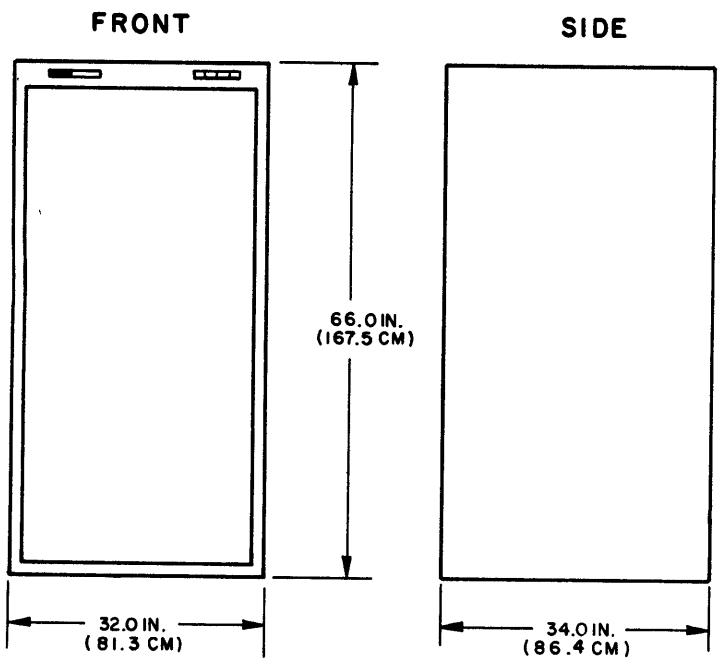
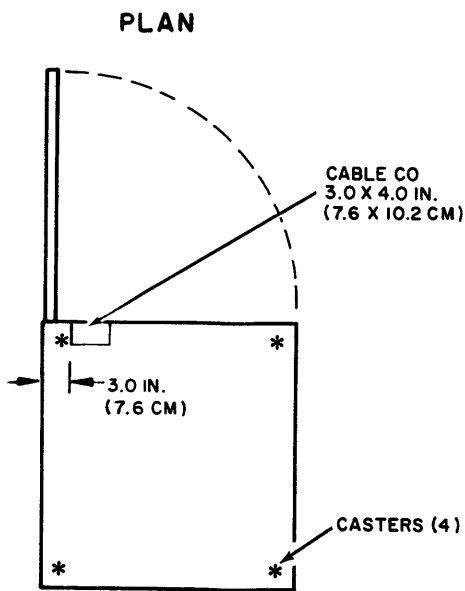
	Maximum	Recommended	Minimum	Dew Point Limitation
Operating temperature (ambient or plenum inlet temperature)	90 °F (32.2 °C)	72 °F (22.2 °C)	60 °F (15.5 °C)	N/A °F (- °C)
Storage temperature	150 °F (65.6 °C)		-45 °F (-42.8 °C)	

† Power cable extends 6.8 ft (2.1 m) from cabinet base.

1732-A/B MAGNETIC TAPE CONTROLLER



24 28



2AW69A

1732-A/B MAGNETIC TAPE CONTROLLER

Width	32.0 in (813 mm)	Weight	550 lb (250 kg)
Depth	34.0 in (864 mm)	Supported by 4 casters	
Height	66.0 in (1675 mm)		

For maximum width/depth, all doors extended, refer to floor plan layout.

Power consumption, steady state, maximum:

60 Hz, 120 V, 1 phase, 0.6 kVA
or
50 Hz, 120 V, 1 phase, 0.6 kVA

Circuit breakers:

60 Hz, 15 A, 1 phase
or
50 Hz, 15 A, 1 phase

Power connector locations above cabinet base:

Locking connector } †
Locking connector }

Control Data signal cables:	Quantity:	Standard length:	Maximum length:
1732 to central computer	4	15 ft (4.5 m)	200 ft (61 m)
Interrupt cable	3	30 ft (9.1 m)	200 ft (61 m)

Distance from internal signal cable connectors to floor: 23 in (584 mm)
External terminator power connection required: yes (+20, - 20 Vdc)

Environmental considerations:

Type of cooling, **internal fan**
Source of cooling, **room air**

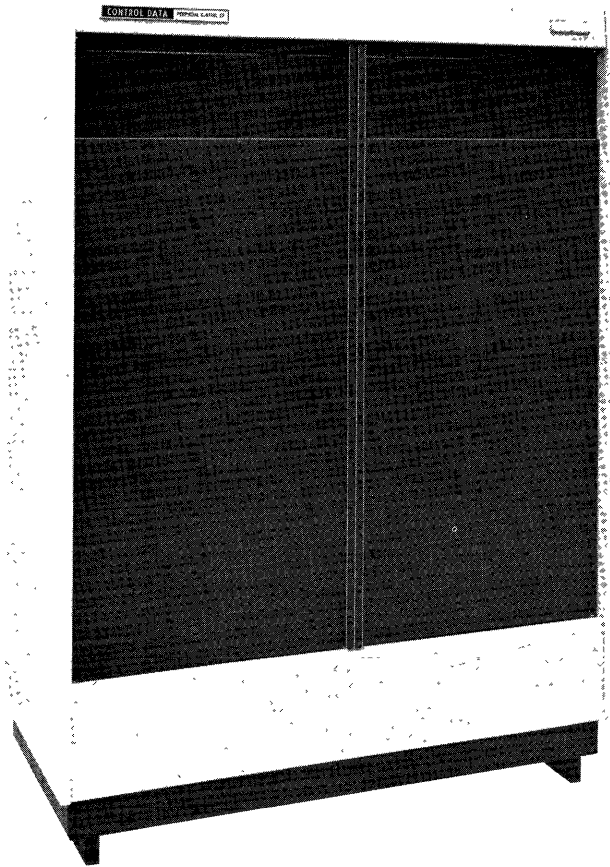
Heat rejection rate, maximum { to air, 2000 Btu/h (586 W)
to water, N/A }

Permissible range of room relative humidity, 30 % to 80 %

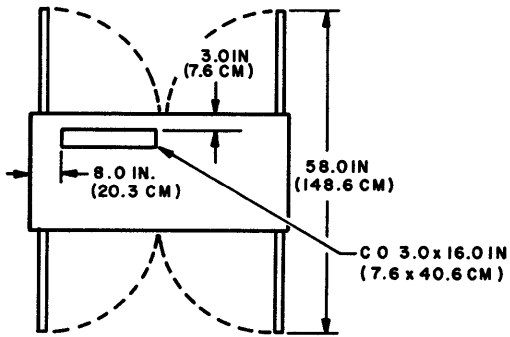
	Maximum	Recommended	Minimum	Dew Point Limitation
Operating temperature (ambient or plenum inlet temperature)	90 °F (32.2 °C)	72 °F (22.2 °C)	60 °F (15.6 °C)	N/A °F (- °C)
Storage temperature	150 °F (65.6 °C)		-30 °F (-34.4 °C)	

†Power cable extends 5 ft (1.5 m) from cabinet base.

1733-1 DISK STORAGE DRIVE CONTROLLER

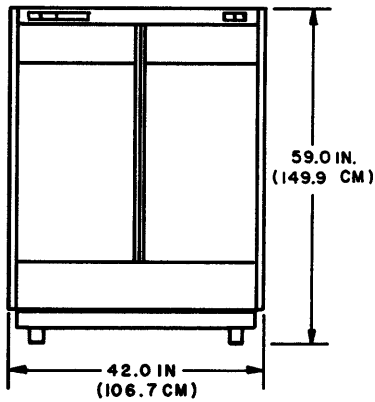


PLAN

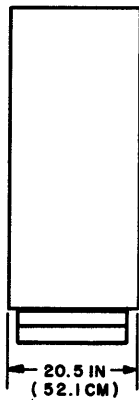


2462

FRONT



SIDE



2AW5A

1733-1 DISK STORAGE DRIVE CONTROLLER

Width	42.0 in (1067 mm)	Weight	550 lb (250 kg)
Depth	20.5 in (521mm)	Supported by frame	
Height	56.9 in (1445mm)		

For maximum width/depth, all doors extended, refer to floor plan layout.

Power consumption, steady state, maximum:

400 Hz, 208V, 3 phase, 1.0 kVA
 and $\left\{ \begin{array}{l} 60 \text{ Hz, } 120\text{V, } 1 \text{ phase, } 0.1 \text{ kVA} \\ \text{or} \\ 50 \text{ Hz, } 120\text{V, } 1 \text{ phase, } 0.1 \text{ kVA} \end{array} \right\}$

Circuit breakers:

400 Hz, 15 A, 3 phase
 and $\left\{ \begin{array}{l} 60 \text{ Hz, } 15 \text{ A, } 1 \text{ phase} \\ \text{or} \\ 50 \text{ Hz, } 15 \text{ A, } 1 \text{ phase} \end{array} \right\}$

Power connector locations above cabinet base:

Terminal strip 12 in (305 mm)
 Terminal strip }
 Terminal strip } 12 in (305 mm)

Control Data signal cables:	Quantity:	Standard length:	Maximum length:
Controller to 1700 I/O	02 61 p	30 ft (9.1 m)	200 ft (60.9 m)
Controller to 1700 interrupt	01 03 p	30 ft (9.1 m)	200 ft (60.9 m)
Controller to disk sequence	01 03 p	30 ft (9.1 m)	

External terminator power connection required: yes (40 V dc)

Environmental considerations:

Type of cooling, internal fan
 Source of cooling, room air

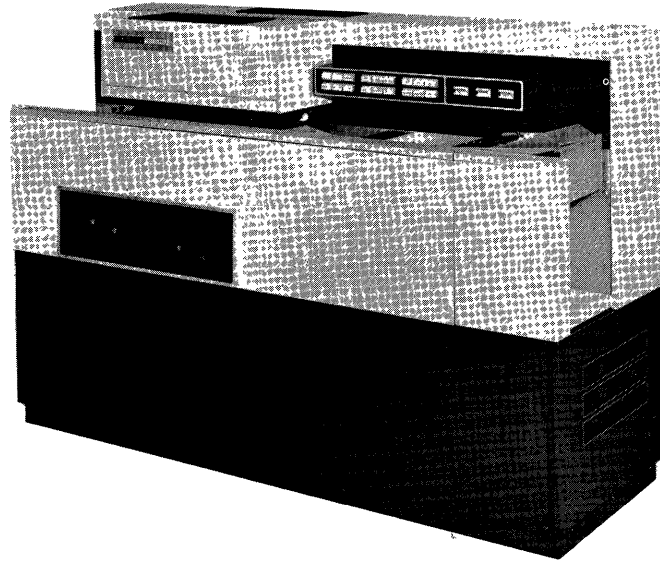
Heat rejection rate, maximum $\left\{ \begin{array}{l} \text{to air, } 3300 \text{ Btu/h (} 968 \text{ W) } \\ \text{to water, N/A} \end{array} \right\}$

Permissible range of room relative humidity, 30 % to 80 %

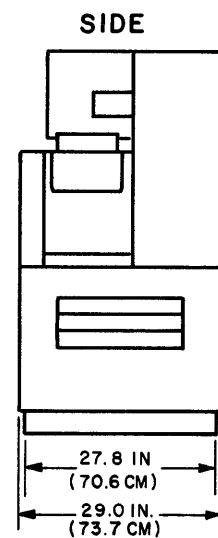
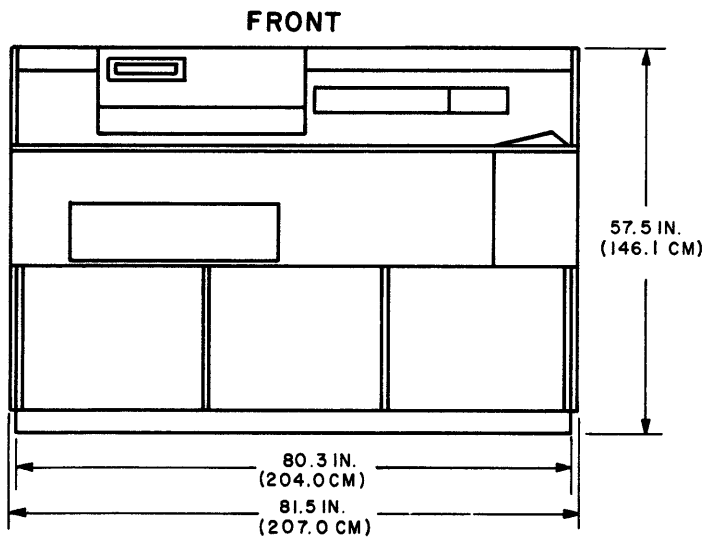
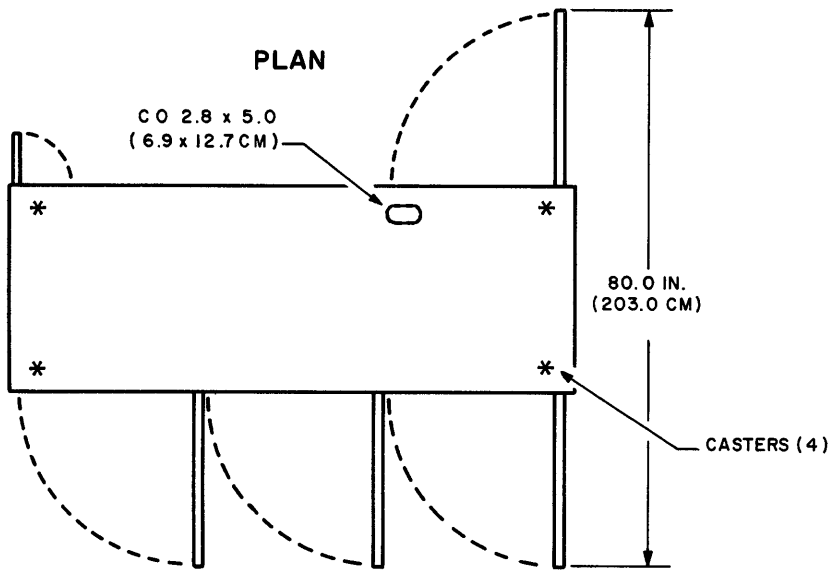
	Maximum	Recommended	Minimum	Dew Point Limitation
Operating temperature (ambient or plenum inlet temperature)	90 °F (32 °C)	72 °F (22.2 °C)	60 °F (15.5 °C)	N/A °F (°C)
Storage temperature	110 °F (43.3 °C)		45 °F (7 °C)	

1735 PAGE READER CONTROLLER

(Housed in a 915 Optical Character Page Reader, shown)



2370



2AW43A

1735 PAGE READER CONTROLLER
 (Housed in a 915 Optical Character Page Reader)

Width	81.5 in (2070 mm)	Weight	1700 lb (771 kg)
Depth	29.0 in (737 mm)	Supported by	4 casters
Height	57.5 in (1461 mm)		

For maximum width/depth, all doors extended, refer to floor plan layout.

Power consumption, steady state, maximum:

60 Hz, 208 V, 3 phase, 43 kVA
 or
 50 Hz, 208 V, 3 phase, 43 kVA

Circuit breakers:

Power connector locations above cabinet base:

60 Hz, 20 A, 3 phase
 or
 50 Hz, 20 A, 3 phase

Locking connector }
 Locking connector } N/A

Control Data signal cables:	Quantity:	Standard length:	Maximum length:
1735 to central computer	2	30 ft (9.1 m)	200 ft (61 m)
Interrupt cable	3	30 ft (9.1 m)	200 ft (61 m)

Distance from internal signal cable connectors to floor: 30 in (762 mm) †

External terminator power connection required: yes (40 V dc)

Environmental considerations:

Type of cooling, internal fan
 Source of cooling, room air

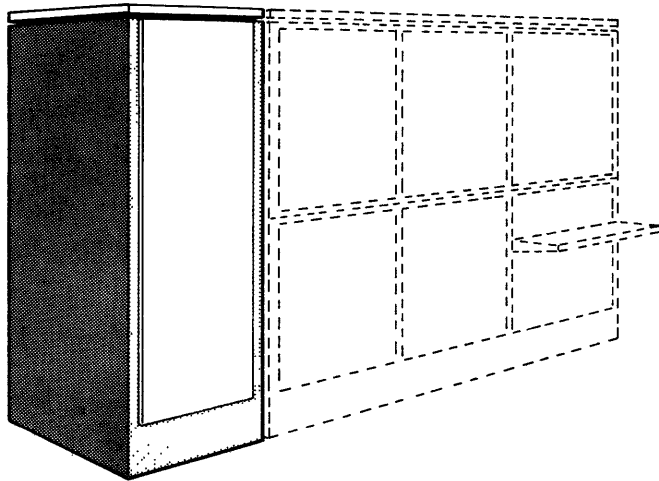
Heat rejection rate, maximum { to air, 14,500 Btu/h (4249 W) }
 { to water, N/A }

Permissible range of room relative humidity, 30 % to 80 %

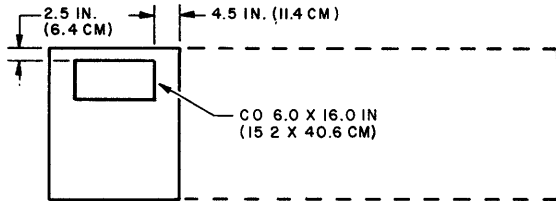
	Maximum	Recommended	Minimum	Dew Point Limitation
Operating temperature (ambient or plenum inlet temperature)	90 °F (32.2 °C)	72 °F (22.2 °C)	60 °F (15.6 °C)	N/A °F (- °C)
Storage temperature	120 °F (48.9 °C)		0 °F (-17.8 °C)	

† Estimated

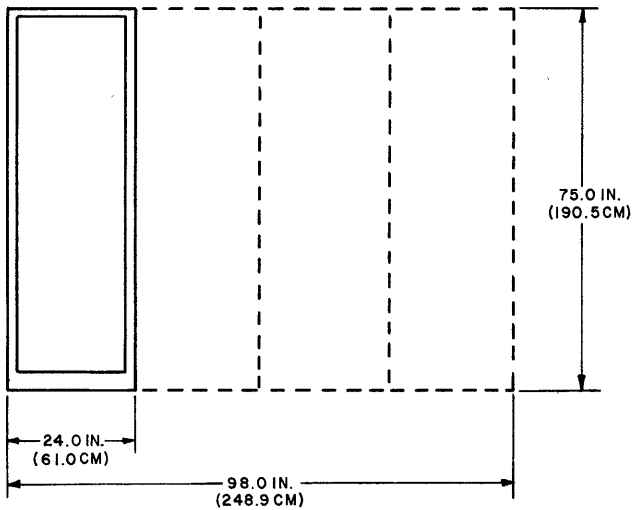
1738 DISK STORAGE DRIVE CONTROLLER



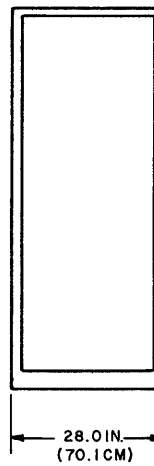
PLAN



FRONT



SIDE



2AW8A

1738 DISK STORAGE DRIVE CONTROLLER

Width	24	in (610 mm)	Weight	350	lb (160 kg)
Depth	28	in (711 mm)	Supported by leveling pads		
Height	75	in (1905 mm)			

For maximum width/depth, all doors extended, refer to floor plan layout.

Power consumption, steady state, maximum:

400 Hz, 208 V, 3 phase, 0.6 kVA
 and $\left\{ \begin{array}{l} 60 \text{ Hz, } 120 \text{ V, } 1 \text{ phase, } 0.2 \text{ kVA} \\ \text{or} \\ 50 \text{ Hz, } 120 \text{ V, } 1 \text{ phase, } 0.2 \text{ kVA} \end{array} \right\}$

Circuit breakers:

60 Hz, 15 A, 1 phase
 or
 50 Hz, 15 A, 1 phase

Power connector locations above cabinet base:

Terminal strips }
 Terminal strips } N/A

Control Data signal cables:	Quantity:	Standard length:	Maximum length:
1706 to 1738	02	30 ft (9.1 m)	200 ft (60.9 m)
Logic to disk	02	30 ft (9.1 m)	200 ft (60.9 m)
Logic to 1700 interrupt	01	30 ft (9.1 m)	200 ft (60.9 m)
Disk to controller sequence	01	30 ft (9.1 m)	200 ft (60.9 m)

External terminator power connection required: yes (40 V dc)

Environmental considerations:

Type of cooling, internal fans
 Source of cooling, room air

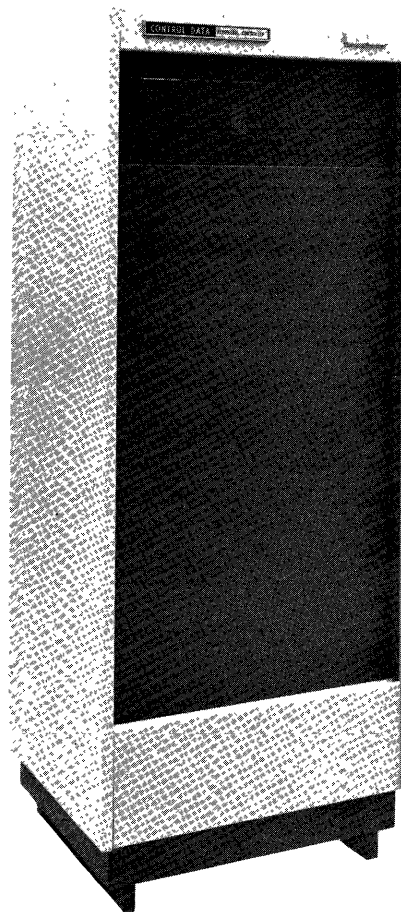
Heat rejection rate, maximum $\left\{ \begin{array}{l} \text{to air, } 2100 \text{ Btu/h (} 615 \text{ W) } \\ \text{to water, N/A} \end{array} \right\}$

Permissible range of room relative humidity, 20 % to 80 %

	Maximum	Recommended	Minimum	Dew Point Limitation
Operating temperature (ambient or plenum inlet temperature)	90 °F (32 °C)	72 °F (22.2 °C)	60 °F (15.5 °C)	N/A °F (°C)
Storage temperature	130 °F (54 °C)		-30 °F (-34.4 °C)	

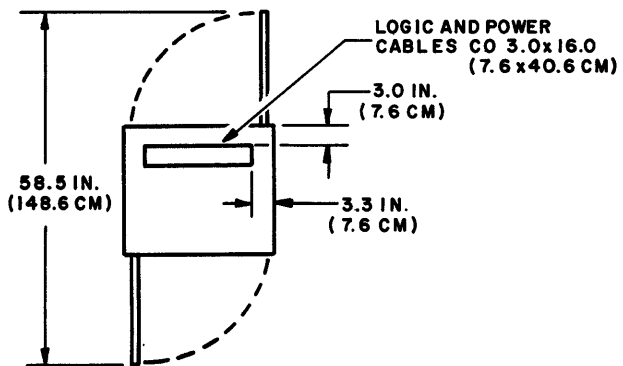
Maximum operating altitude, 8000 ft (2438 m) above sea level

1738-A DISK PACK CONTROLLER

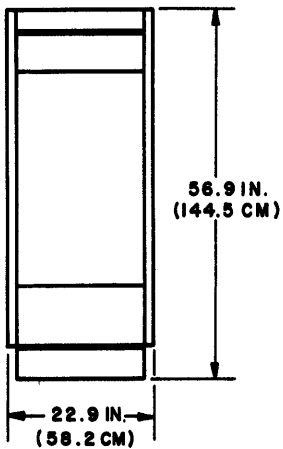


2460

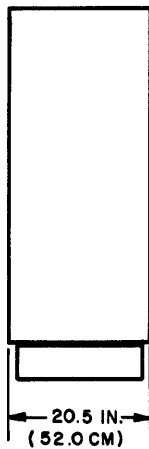
PLAN



FRONT



SIDE



2AW14A

1738-A DISK PACK CONTROLLER

Width	22.9 in (582 mm)	Weight	450 lb (204 kg)
Depth	20.5 in (521 mm)	Supported by	2 legs
Height	56.9 in (1445 mm)		

For maximum width/depth, all doors extended, refer to floor plan layout.

Power consumption, steady state, maximum:

400 Hz, 208V, 3 phase, 0.6 kVA
 and $\left\{ \begin{array}{l} 60 \text{ Hz, } 120\text{V, } 1 \text{ phase, } 0.2 \text{ kVA} \\ \text{or} \\ 50 \text{ Hz, } 120\text{V, } 1 \text{ phase, } 0.2 \text{ kVA} \end{array} \right\}$

Circuit breakers:

400 Hz, 15 A, 3 phase
 and $\left\{ \begin{array}{l} 60 \text{ Hz, } 15 \text{ A, } 1 \text{ phase} \\ \text{or} \\ 50 \text{ Hz, } 15 \text{ A, } 1 \text{ phase} \end{array} \right\}$

Power connector locations above cabinet base:

Terminal strip 12 in (305 mm)
 Terminal strip }
 Terminal strip } 12 in (305 mm)

Control Data signal cables:	Quantity:	Standard length:	Maximum length:
1738 to cent cptr AQ chan	4	30 ft (9.1 m)	200 ft (61 m)
1738 to cent cptr DSA	2	30 ft (9.1 m)	80 ft (24.9 m)
Interrupt cable	1	30 ft (9.1 m)	200 ft (61 m)
Interrupt cable	1	30 ft (9.1 m)	200 ft (61 m)

Distance from internal signal cable connectors to floor: 20 in (508 mm)
 External terminator power connection required: yes (40 V dc)

Environmental considerations:

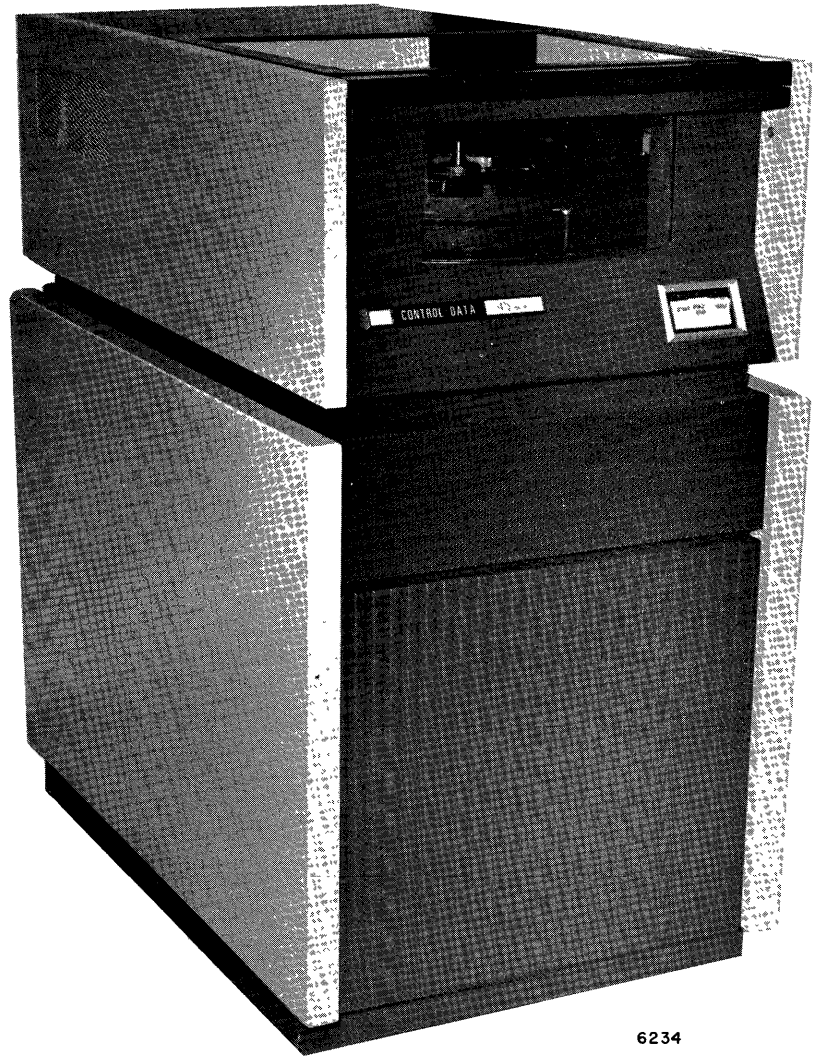
Type of cooling, internal fan
 Source of cooling, room air

Heat rejection rate, maximum $\left\{ \begin{array}{l} \text{to air, } 2200 \text{ Btu/h (} 645 \text{ W) } \\ \text{to water, N/A} \end{array} \right\}$

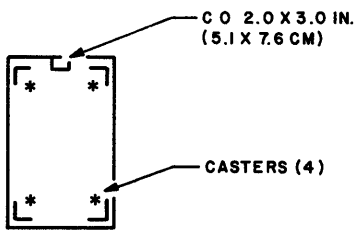
Permissible range of room relative humidity, 20 % to 80 %

	Maximum	Recommended	Minimum	Dew Point Limitation
Operating temperature (ambient or plenum inlet temperature)	80 °F (27.2 °C)	72 °F (22.2 °C)	62 °F (16.7 °C)	N/A °F (- °C)
Storage temperature	120 °F (48.9 °C)		0 °F (-17.8 °C)	

1739-1 CARTRIDGE DISK SUBSYSTEM

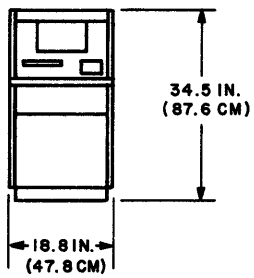


PLAN

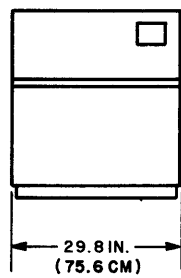


6234

FRONT



SIDE



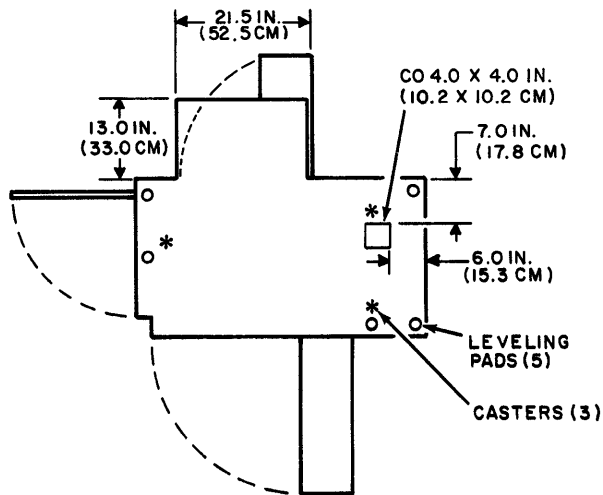
2AW33A

1742 LINE PRINTER WITH CONTROL

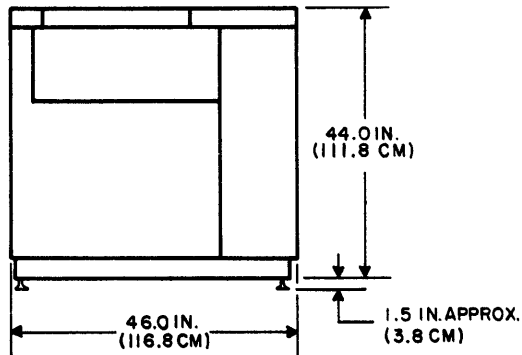


2328

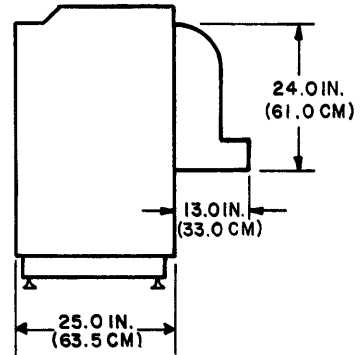
PLAN



FRONT



SIDE



2AW75A

1742 LINE PRINTER WITH CONTROL

Width	46.0 in (1168 mm)	Weight	850 lb (385 kg)
Depth	25.0 in (635 mm)	Supported by 3 casters and 3 leveling pads	
Height	44.0 in (1118 mm)		

For maximum width/depth, all doors extended, refer to floor plan layout.

Power consumption, steady state, maximum:

60 Hz, 120 V, 1 phase, 1.0 kVA
or
50 Hz, 120 V, 1 phase, 1.0 kVA

Circuit breakers:

60 Hz, 15 A, 1 phase
or
50 Hz, 15 A, 1 phase

Power connector locations above cabinet base:

Locking connector }
Locking connector } †

Control Data signal cables:	Quantity:	Standard length:	Maximum length:
1742 to 1700 cabinet	2	30 ft (9.1 m)	200 ft (61 m)
Interrupt cable	3	30 ft (9.1 m)	200 ft (61 m)

Distance from internal signal cable connectors to floor: 16 in (406 mm)

External terminator power connection required: yes (40 V dc)

Environmental considerations:

Type of cooling, internal fan

Source of cooling, room air

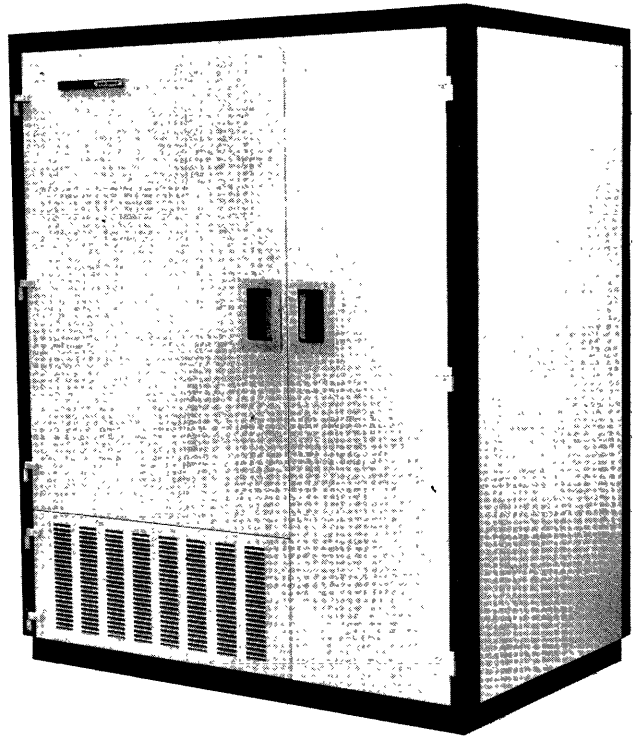
Heat rejection rate, maximum $\left\{ \begin{array}{l} \text{to air, } 2660 \text{ Btu/h (} 779 \text{ W) } \\ \text{to water, N/A} \end{array} \right\}$

Permissible range of room relative humidity, 30 % to 80 %

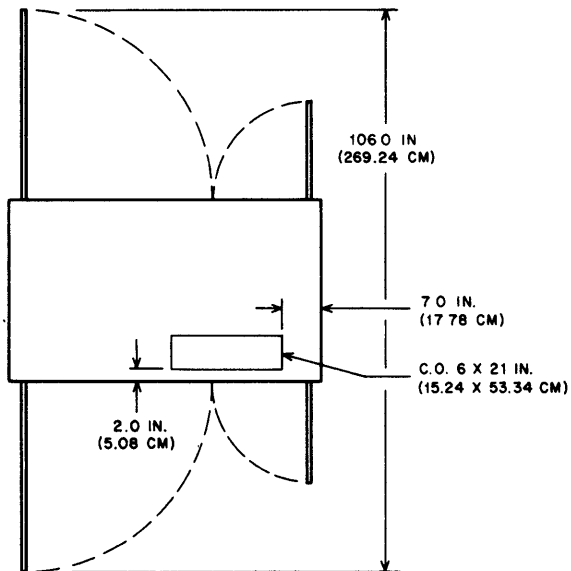
	Maximum	Recommended	Minimum	Dew Point Limitation
Operating temperature (ambient or plenum inlet temperature)	90 °F (32.2 °C)	72 °F (22.2 °C)	60 °F (15.6 °C)	N/A °F (- °C)
Storage temperature	130 °F (34.4 °C)		-30 °F (-34.4 °C)	

† Power cable extends 5 ft (1.5 m) from cabinet.

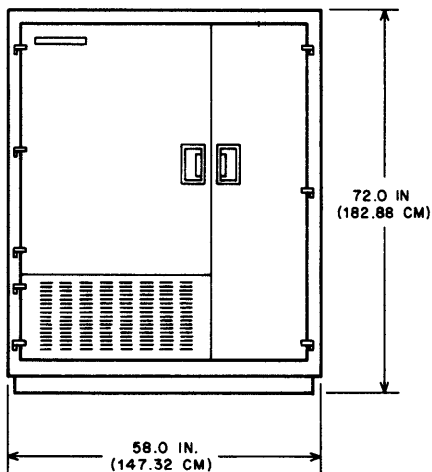
1745-1 LOCAL TERMINAL CONTROLLER



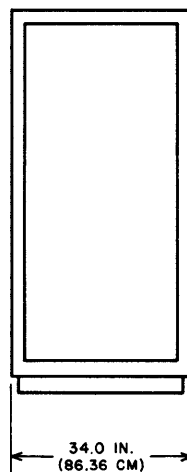
PLAN



FRONT

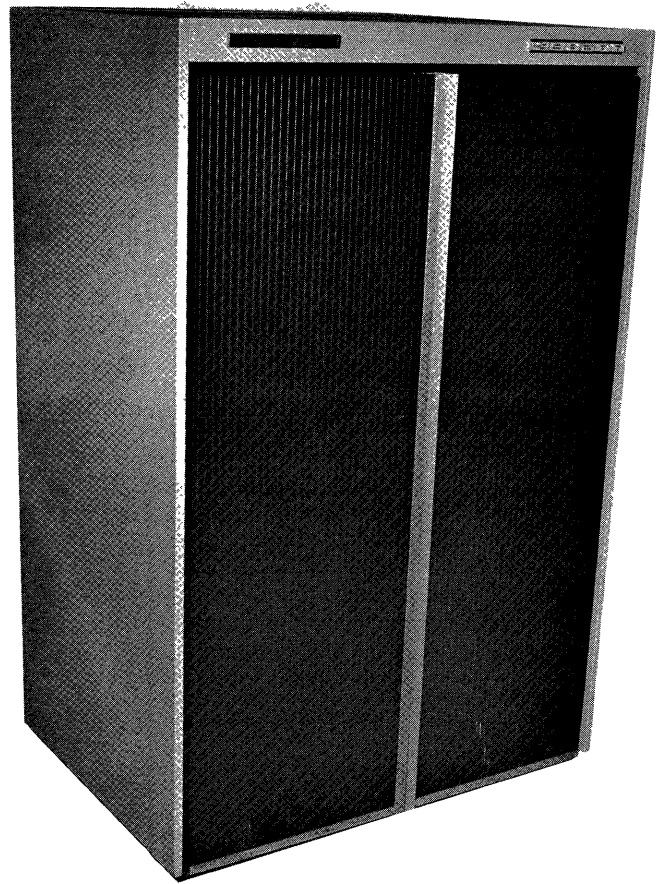


SIDE



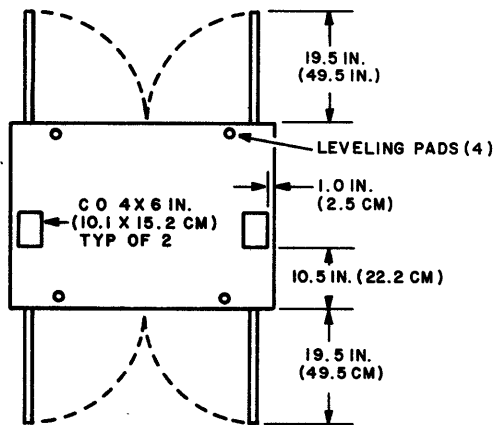
2AW81A

1745-11/12/13/14 LOCAL TERMINAL CONTROLLER

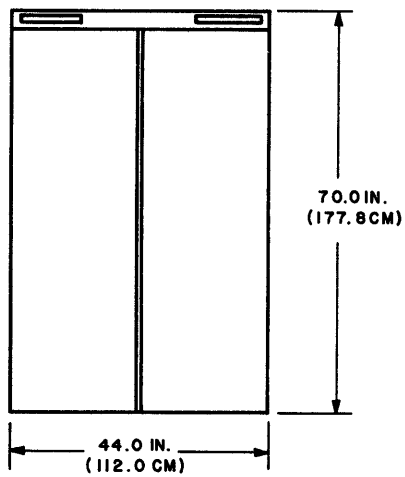


6224

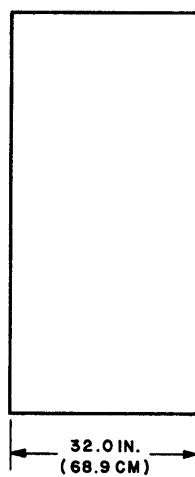
PLAN



FRONT



SIDE



2AW35A

1745-11/12/13/14 LOCAL TERMINAL CONTROLLER

Width	44	in (1118 mm)	Weight	900	lb (408 kg)
Depth	32	in (813 mm)	Supported by	Frame	
Height	70	in (1778 mm)			

For maximum width/depth, all doors extended, refer to floor plan layout.

Power consumption, steady state, maximum:

60 Hz, 120 V, phase, 0.7 kVA
 or
 50 Hz, 220 V, phase, 0.7 kVA

Circuit breakers:

Power connector locations above cabinet base:

60 Hz, 20 A, 1 phase

Standard wall plug

Control Data signal cables:	Quantity:	Standard length:	Maximum length:
N/A			

External terminator power connection required: no

Environmental considerations:

Type of cooling, internal fan

Source of cooling, room air

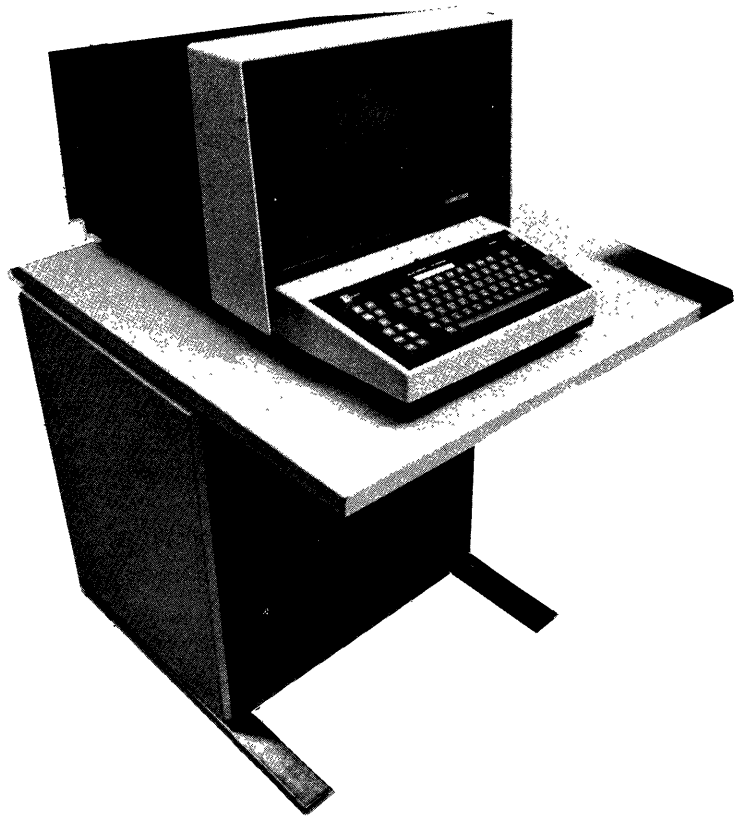
Heat rejection rate, maximum $\left\{ \begin{array}{l} \text{to air, } 2300 \text{ Btu/h (} 674 \text{ W) } \\ \text{to water, N/A} \end{array} \right\}$

Permissible range of room relative humidity, 10 % to 90 %

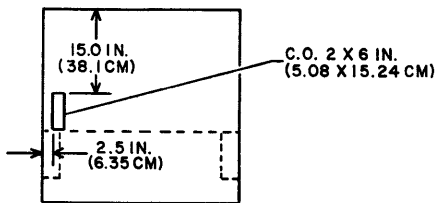
	Maximum	Recommended	Minimum	Dew Point Limitation
Operating temperature (ambient or plenum inlet temperature)	85 °F (29 °C)	72 °F (22.2°C)	65 °F (18.3°C)	N/A °F (°C)
Storage temperature	150 °F (65.6 °C)		-30 °F (-34.4°C)	

Maximum operating altitude, 10,000 ft (3048 m) above sea level

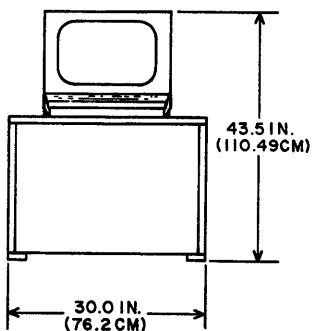
1746-1 SINGLE STATION ENTRY/DISPLAY



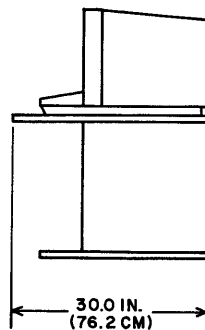
PLAN



FRONT



SIDE



2AW84A

1746-1 SINGLE STATION ENTRY/DISPLAY

Width	30.0 in (762 mm)	Weight	210 lb (52 kg)
Depth	30.0 in (762 mm)	Supported by	2 horizontal legs
Height	43.5 in (1105 mm)		

For maximum width/depth, all doors extended, refer to floor plan layout.

Power consumption, steady state, maximum:

60 Hz, 120 V, 1 phase, .3 kVA
 or
 50 Hz, 120 V, 1 phase, .3 kVA

Circuit breakers: N/A

Power connector locations above cabinet base:

Standard wall plug

Control Data signal cables:	Quantity:	Maximum length:
Computer to display data A	01 61 p	200 ft (60.9 m)
Computer to display data B	01 61 p	200 ft (60.9 m)
Computer to display interrupt	01 03 p	200 ft (60.9 m)

External terminator power connection required: yes (40 V dc)

Environmental considerations:

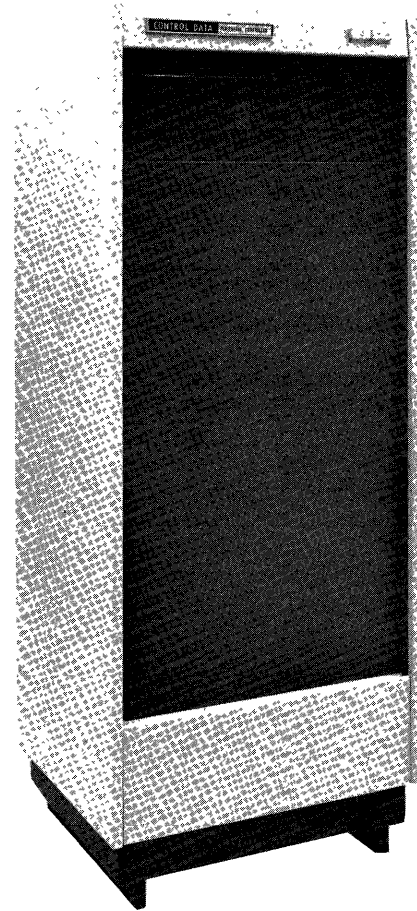
Type of cooling, internal fan

Source of cooling, room air

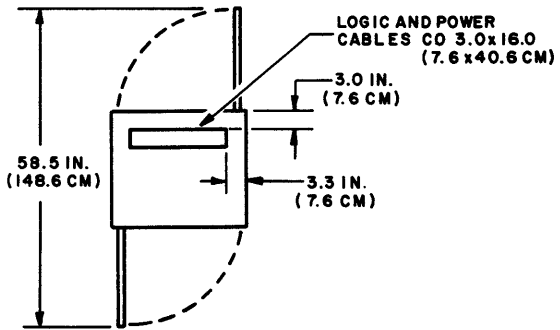
Heat rejection rate, maximum $\left\{ \begin{array}{l} \text{to air, } 950 \text{ Btu/h (} 278 \text{ W) } \\ \text{to water, N/A} \end{array} \right\}$

	Maximum	Recommended	Minimum	Dew Point Limitation
Operating temperature (ambient or plenum inlet temperature)	85 °F (29 °C)	72 °F (22.2 °C)	60 °F (15.5 °C)	N/A °F (°C)
Storage temperature	150 °F (65.6 °C)		-30 °F (-34.4 °C)	

1747 DATA SET CONTROLLER



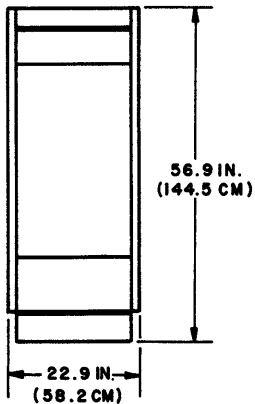
PLAN



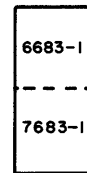
2460

TYPICAL MODULE ARRANGEMENTS WITHIN CABINET

FRONT

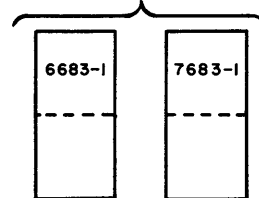


SIDE



OR

WHERE UNITS ARE LOCATED IN SEPERATE CABINETS



2AW14A

1747 DATA SET CONTROLLER

Width	22.9 in (582 mm)	Weight	500 lb (126 kg)
Depth	20.5 in (521 mm)	Supported by frame	
Height	56.9 in (1445 mm)		

For maximum width/depth, all doors extended, refer to floor plan layout.

Power consumption, steady state, maximum:

and $\left\{ \begin{array}{l} 400 \text{ Hz, } 208 \text{ V, } 3 \text{ phase, } 0.3 \text{ kVA} \\ 60 \text{ Hz, } 120 \text{ V, } 1 \text{ phase, } 0.4 \text{ kVA} \\ \text{or} \\ 50 \text{ Hz, } 220 \text{ V, } 1 \text{ phase, } 0.4 \text{ kVA} \end{array} \right\}$

Circuit breakers:

and $\left\{ \begin{array}{l} 400 \text{ Hz, } 15 \text{ A, } 3 \text{ phase} \\ 60 \text{ Hz, } 15 \text{ A, } 1 \text{ phase} \\ \text{or} \\ 50 \text{ Hz, } 15 \text{ A, } 1 \text{ phase} \end{array} \right\}$

Power connector locations above cabinet base:

Terminal strip 12 in (305 mm)
 Terminal strip }
 Terminal strip } 12 in (305 mm)

Control Data signal cables:	Quantity:	Standard length:	Maximum length:
1700 I/O to controller	02 61 p	30 ft (9.1 m)	200 ft (60.9 m)
1700 to controller interrupt	01 03 p	30 ft (9.1 m)	200 ft (60.9 m)
Controller to data set	01 24 p	8 ft (2.3 m)	50 ft (15.2 m)

Distance from internal signal cable connectors to floor: 18 in (457 mm)

External terminator power connection required: yes (40 V dc)

Environmental considerations:

Type of cooling, internal fan

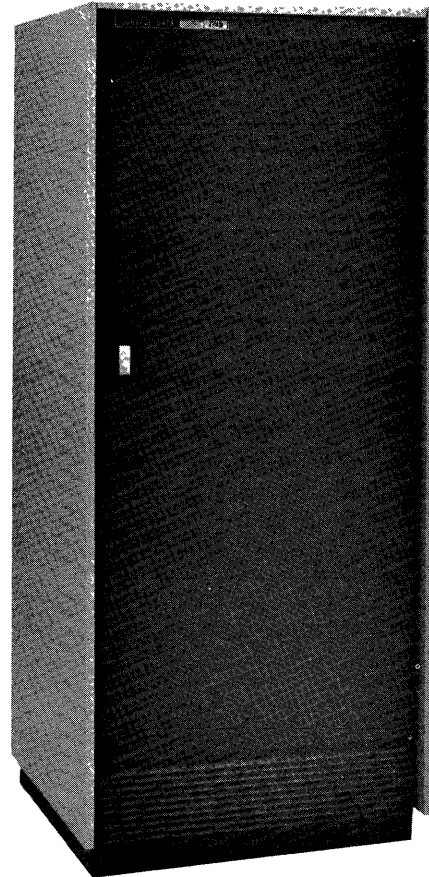
Source of cooling, room air

Heat rejection rate, maximum $\left\{ \begin{array}{l} \text{to air, } 1400 \text{ Btu/h (} 410 \text{ W) } \\ \text{to water, N/A} \end{array} \right\}$

Permissible range of room relative humidity, 30 % to 60 %

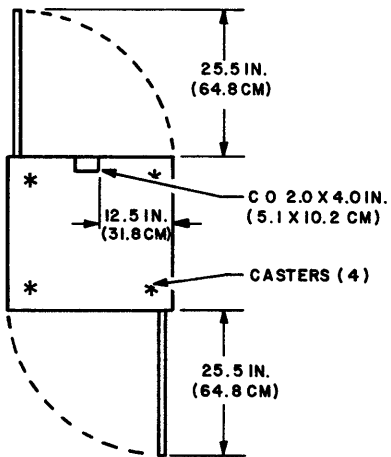
	Maximum	Recommended	Minimum	Dew Point Limitation
Operating temperature (ambient or plenum inlet temperature)	80 °F (26 °C)	72 °F (22.2 °C)	40 °F (4.4 °C)	N/A °F (°C)
Storage temperature	110 °F (43.3 °C)		30 °F (-1.1 °C)	

1748/1748-2 MULTIPLEXER CONTROLLER

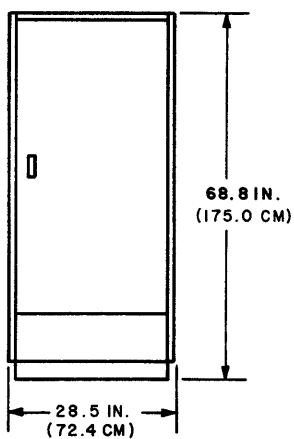


1700

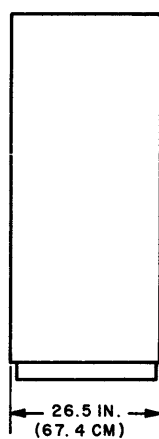
PLAN



FRONT



SIDE



2AW32A

1748/1748-2 MULTIPLEXER CONTROLLER

Width	28	in (711 mm)	Weight	500	lb (126 kg)
Depth	26	in (660 mm)	Supported by 4 casters		
Height	68.8	in (1747 mm)			

For maximum width/depth, all doors extended, refer to floor plan layout.

Power consumption, steady state, maximum:

60 Hz, 120 V, 1 phase, .7 kVA
 or
 50 Hz, 220 V, 1 phase, .7 kVA

Circuit breakers:

Power connector locations above cabinet base:

60 Hz, 15 A, 1 phase	6 ft detachable cord	4 in (102 mm)
----------------------	----------------------	----------------

Control Data signal cables:	Quantity:	Standard length:	Maximum length:
1700 I/O to controller	02 61 p	30 ft (9.1 m)	200 ft (60.9 m)
1700 direct access to controller	02 61 p	30 ft (9.1 m)	80 ft (24.4 m)
1700 interrupt to controller	01 03 p	30 ft (9.1 m)	200 ft (60.9 m)

Distance from internal signal cable connectors to floor:	32 in (813 mm)
External terminator power connection required:	yes (40 V dc)

Environmental considerations:

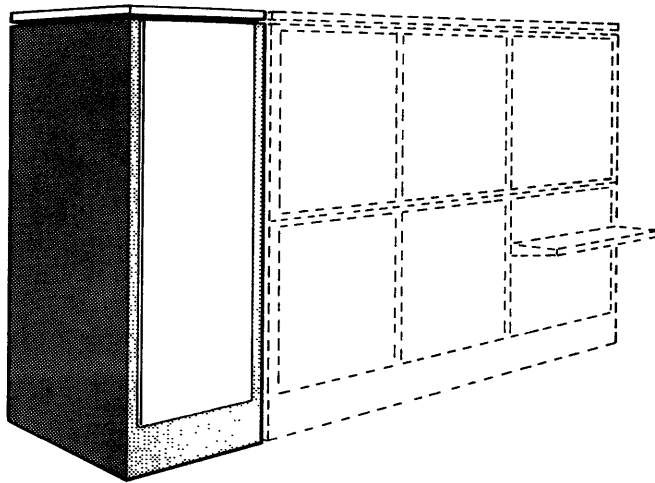
Type of cooling, internal fan
 Source of cooling, room air

Heat rejection rate, maximum	$\left\{ \begin{array}{l} \text{to air, } 2390 \text{ Btu/h (} 700 \text{ W) } \\ \text{to water, N/A} \end{array} \right\}$
------------------------------	---

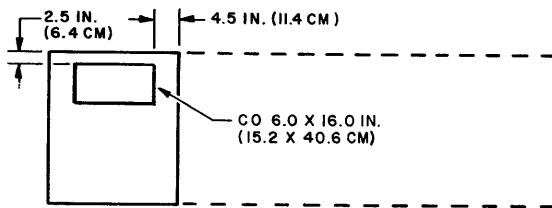
Permissible range of room relative humidity, 30 % to 80 %

	Maximum	Recommended	Minimum	Dew Point Limitation
Operating temperature (ambient or plenum inlet temperature)	90 °F (32 °C)	72 °F (22.2 °C)	60 °F (15.5 °C)	N/A °F (°C)
Storage temperature	160 °F (71 °C)		-40 °F (-40 °C)	

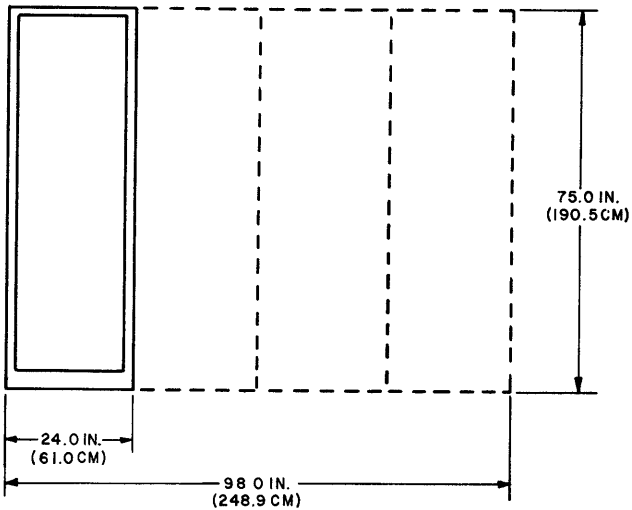
1751-A/C/D/E/F/G/H/J DRUM INTERFACE AND STORAGE



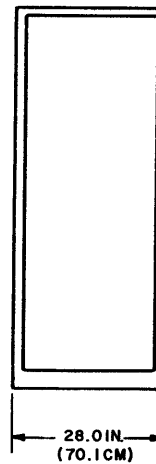
PLAN



FRONT



SIDE



2AW8A

1751-A/C/D/E/F/G/H/J DRUM INTERFACE AND STORAGE

Width	48	in (1219 mm)	Weight	800	lb (360 kg)
Depth	28	in (711 mm)	Supported by	4 leveling pads	
Height	75	in (1905 mm)			

For maximum width/depth, all doors extended, refer to floor plan layout.

Power consumption, steady state, maximum:

400 Hz, 208 V, 3 phase, 0.5 kVA
 60 Hz, 120 V, 1 phase, 1.4 kVA

Circuit breakers:

400 Hz, 15 A, 3 phase
 60 Hz, 15 A, 1 phase

Power connector locations above cabinet base:

Terminal strip
 Terminal strip

Control Data signal cables:	Quantity:	Maximum length:
1700 I/O to 1751	02 61 p	200 ft (60.9 m)
1700 DSA to 1751	02 61 p	80 ft (24.4 m)
1700 interrupt to 1751	01 03 p	200 ft (60.9 m)

Distance from internal signal cable connectors to floor: 24 in (610 mm)

Environmental considerations:

Type of cooling, internal fan
 Source of cooling, room air

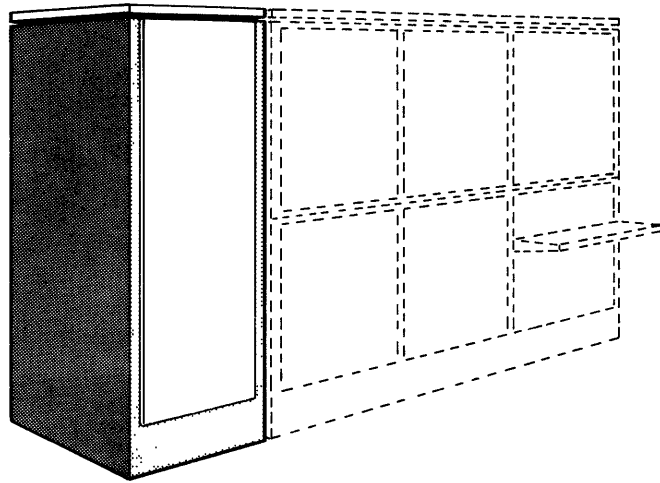
Heat rejection rate, maximum $\left\{ \begin{array}{l} \text{to air, } 4125 \text{ Btu/h (} 1209 \text{ W) } \\ \text{to water, N/A} \end{array} \right\}$

Permissible range of room relative humidity, 35 % to 60 %

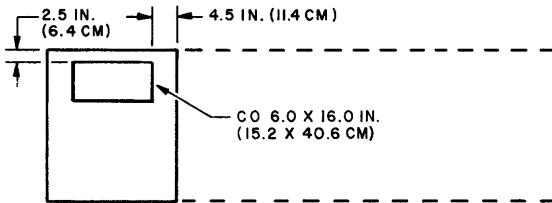
	Maximum	Recommended	Minimum	Dew Point Limitation
Operating temperature (ambient or plenum inlet temperature)	75 °F (23.9 °C)	72 °F (22.2 °C)	62 °F (16.6 °C)	N/A °F (°C)
Storage temperature	110 °F (43.3 °C)		40 °F (4.4 °C)	

Maximum operating altitude, 6000 ft (1829 m) above sea level

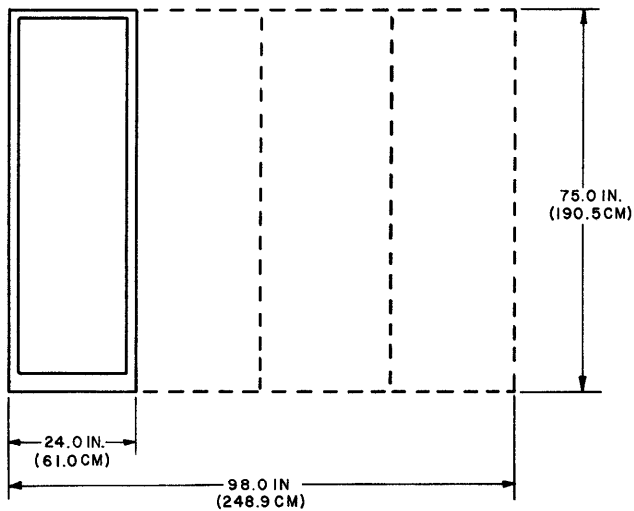
1752-1/2/3/4 DRUM SUBSYSTEM



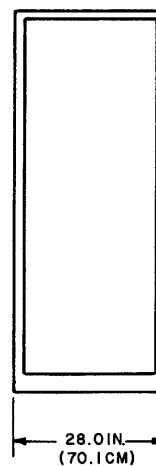
PLAN



FRONT



SIDE



2AW8A

1752-1/2/3/4 DRUM SUBSYSTEM

Width	24	in (610 mm)	Weight	730	lb (329 kg)
Depth	28	in (711 mm)	Supported by	4 leveling pads	
Height	75	in (1905 mm)			

For maximum width/depth, all doors extended, refer to floor plan layout.

Power consumption, steady state, maximum:

60 Hz, 120 V, 1 phase, 0.6 kVA
or
50 Hz, 120 V, 1 phase, 0.6 kVA

Circuit breakers:

Power connector locations above cabinet base:

60 Hz, 15 A, 1 phase
or
50 Hz, 15 A, 1 phase

Control Data signal cables:	Quantity:	Maximum length:
1700 I/O to 1752	02 61 p	200 ft (60.9 m)
1700 DSA to 1752	02 61 p	80 ft (24.4 m)
1700 interrupt to 1752	01 03 p	200 ft (60.9 m)

Distance from internal signal cable connectors to floor: 50 in (1270 mm)
External terminator power connection required: yes (40 V dc)

Environmental considerations:

Type of cooling, internal fan
Source of cooling, room air

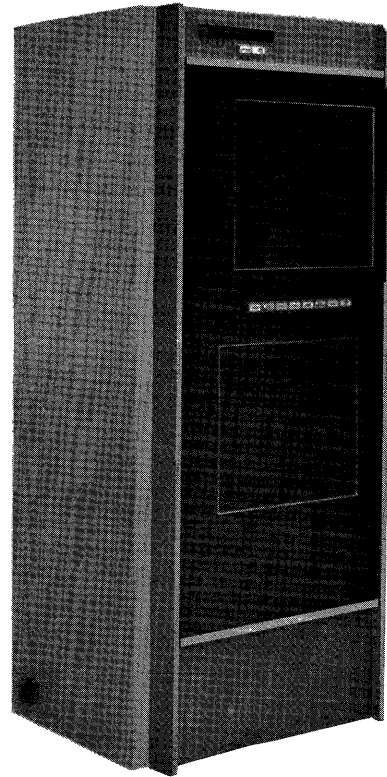
Heat rejection rate, maximum $\left\{ \begin{array}{l} \text{to air, } 1850 \text{ Btu/h (} 542 \text{ W) } \\ \text{to water, N/A} \end{array} \right\}$

Permissible range of room relative humidity, 10 % to 90 %

	Maximum	Recommended	Minimum	Dew Point Limitation
Operating temperature (ambient or plenum inlet temperature)	120 °F (48.9 °C)	72 °F (22.2 °C)	40 °F (4.4 °C)	N/A °F (°C)
Storage temperature	150 °F (65.6 °C)		-30 °F (-34.4 °C)	

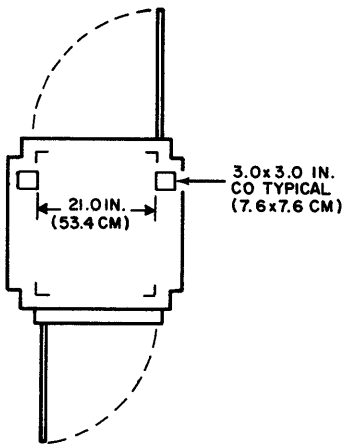
Maximum operating altitude, 10,000 ft (3048 m) above sea level

1777-1/2 PAPER TAPE STATION

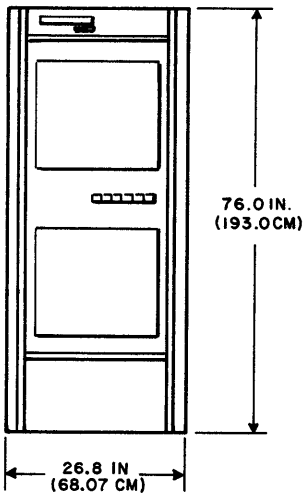


6223

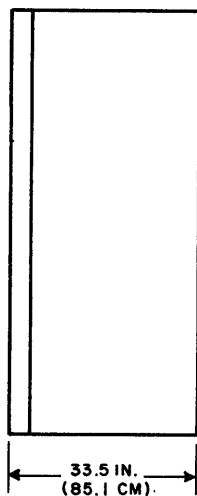
PLAN



FRONT

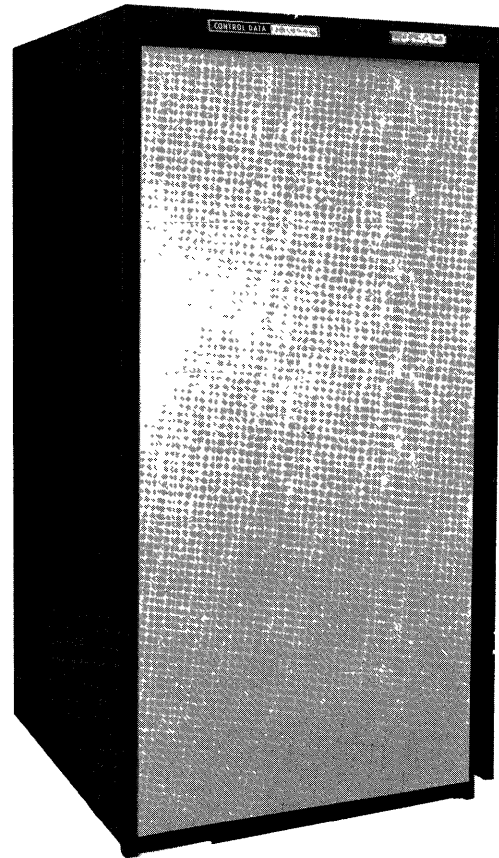


SIDE



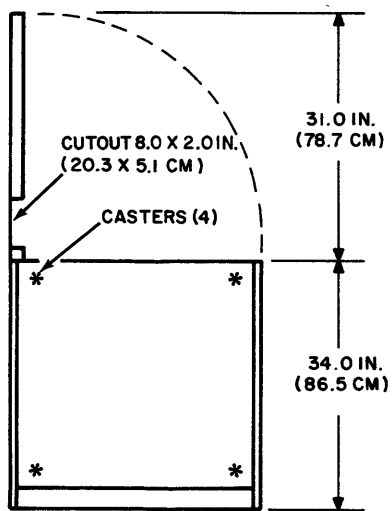
2AW73A

3121 MAGNETIC TAPE CONTROLLER

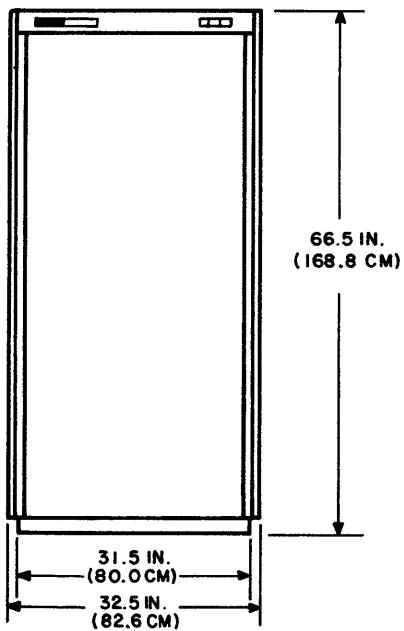


2428

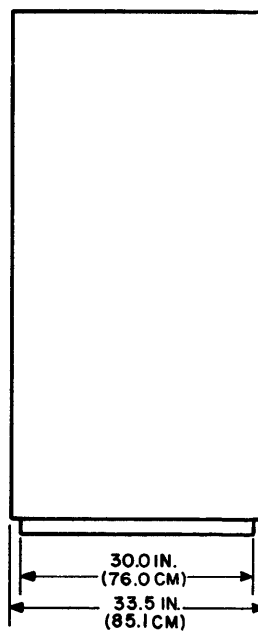
PLAN



FRONT



SIDE



2AW70A

3121 MAGNETIC TAPE CONTROLLER

Width	32.5 in (826 mm)	Weight	550 lb (250 kg)
Depth	33.5 in (851 mm)	Supported by	4 casters
Height	66.5 in (1688 mm)		

For maximum width/depth, all doors extended, refer to floor plan layout.

Power consumption, steady state, maximum:

60 Hz, 120 V, 1 phase, 0.6 kVA
 or
 50 Hz, 120 V, 1 phase, 0.6 kVA

Circuit breakers:

60 Hz, 15 A, 1 phase
 or
 50 Hz, 15 A, 1 phase

Power connector locations above cabinet base:

Locking connector }
 Locking connector } †

Control Data signal cables:	Quantity:	Standard length:	Maximum length:
3121 to central computer	2	40 ft (12.2 m)	200 ft (61 m)

Distance from internal signal cable connectors to floor: 23 in (584 mm)
 External terminator power connection required: yes (40 V dc)

Environmental considerations:

Type of cooling, internal fan
 Source of cooling, room air

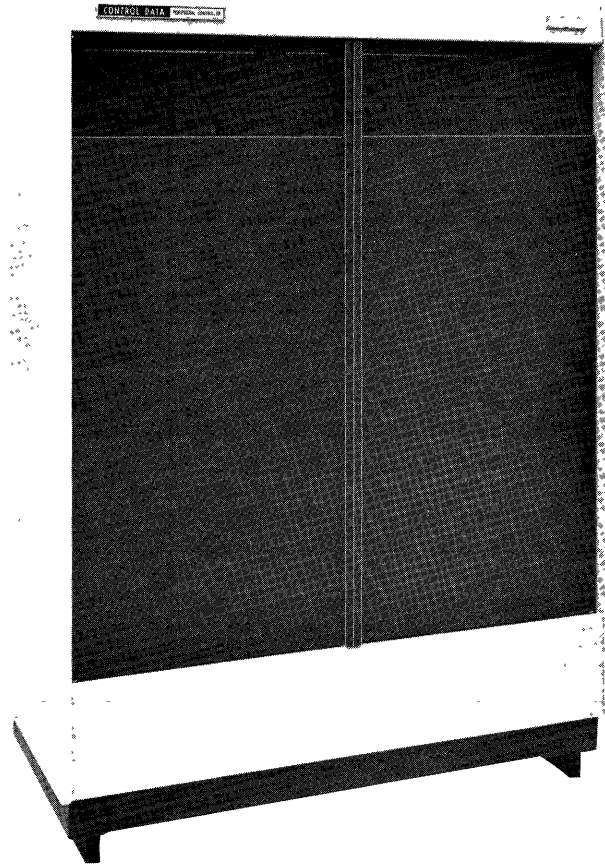
Heat rejection rate, maximum { to air, 1780 Btu/h (522 W)
 to water, N/A }

Permissible range of room relative humidity, 30 % to 80 %

	Maximum	Recommended	Minimum	Dew Point Limitation
Operating temperature (ambient or plenum inlet temperature)	90 °F (32.2 °C)	72 °F (22.2 °C)	60 °F (15.6 °C)	N/A °F (- °C)
Storage temperature	150 °F (65.6 °C)		-30 °F (-34.4 °C)	

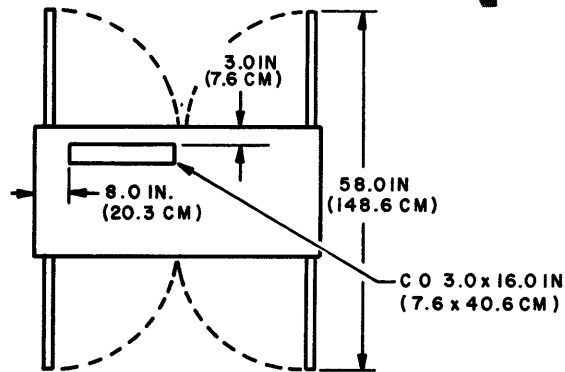
† Power cable extends 5 ft (1.5 m) from cabinet.

3234 DISK STORAGE CONTROLLER



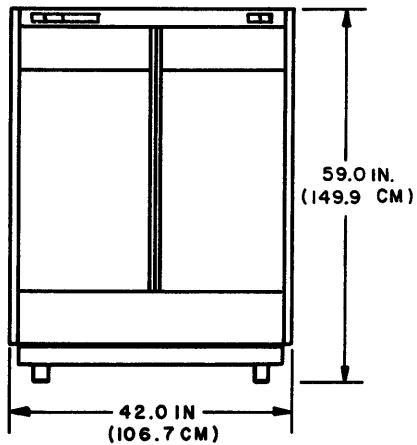
2462

PLAN



FRONT

SIDE



2AW5A

3234 DISK STORAGE CONTROLLER

Width	42 in (1067 mm)	Weight	650 lb (295 kg)
Depth	20.5 in (521 mm)	Supported by 2 legs	
Height	56.9 in (1445 mm)		

For maximum width/depth, all doors extended, refer to floor plan layout.

Power consumption, steady state, maximum:

400 Hz, 208 V, 3 phase, 0.7 kVA
 and $\left\{ \begin{array}{l} 60 \text{ Hz, } 115 \text{ V, } 1 \text{ phase, } 0.1 \text{ kVA} \\ \text{or} \\ 50 \text{ Hz, } 115 \text{ V, } 1 \text{ phase, } 0.1 \text{ kVA} \end{array} \right\}$

Circuit breakers:

400 Hz, 15 A, 3 phase
 and $\left\{ \begin{array}{l} 60 \text{ Hz, } 15 \text{ A, } 1 \text{ phase} \\ \text{or} \\ 50 \text{ Hz, } 15 \text{ A, } 1 \text{ phase} \end{array} \right\}$

Power connector locations above cabinet base:

Terminal strip 2 in (51 mm)
 Terminal strip }
 Terminal strip } 2 in (51 mm)

Control Data signal cables:	Quantity:	Standard length:	Maximum length:
To central computer	6	30 ft (9.1 m)	200 ft (61 m)
Sequence	1	30 ft (9.1 m)	200 ft (61 m)

Distance from internal signal cable connectors to floor: 8 in (203 mm)

External terminator power connection required: yes (40 V dc)

Environmental considerations:

Type of cooling, internal fan

Source of cooling, room air

Heat rejection rate, maximum $\left\{ \begin{array}{l} \text{to air, } 2700 \text{ Btu/h (} 791 \text{ W) } \\ \text{to water, N/A} \end{array} \right\}$

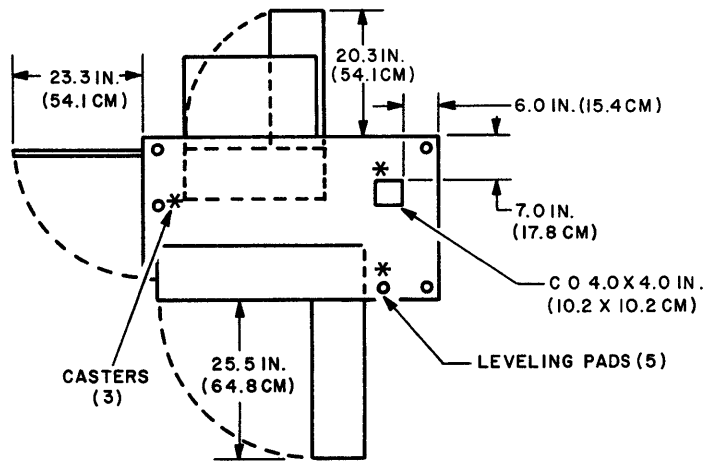
Permissible range of room relative humidity, 35 % to 60 %

	Maximum	Recommended	Minimum	Dew Point Limitation
Operating temperature (ambient or plenum inlet temperature)	74 °F (23.3 °C)	72 °F (22.2 °C)	62 °F (16.7 °C)	N/A °F (- °C)
Storage temperature	120 °F (48.9 °C)		0 °F (-17.8 °C)	

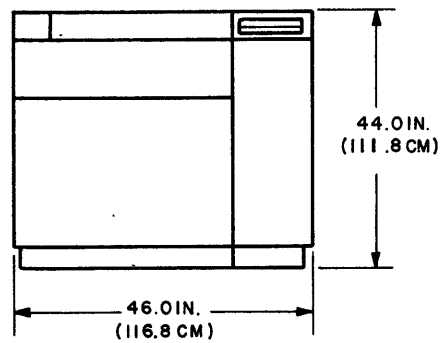
3254 OCR LINE PRINTER WITH CONTROL



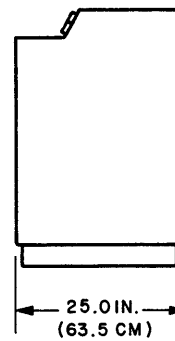
PLAN



FRONT



SIDE



2AW23A

3254 OCR LINE PRINTER WITH CONTROL

Width	46.0 in (1168 mm)	Weight	850 lb (385 kg)
Depth	25.0 in (635 mm)	Supported by	3 casters
Height	44.0 in (1118 mm)		

For maximum width/depth, all doors extended, refer to floor plan layout.

Power consumption, steady state, maximum:

60 Hz, 120 V, 1 phase, 1.1 kVA
 or
 50 Hz, 120 V, 1 phase, 1.1 kVA

Circuit breakers:

60 Hz, 15 A, 1 phase
 or
 50 Hz, 15 A, 1 phase

Power connector locations above cabinet base:

Locking connector }
 Locking connector } †

Control Data signal cables:	Quantity:	Standard length:	Maximum length:
3254 to central computer	2	30 ft (9.1 m)	200 ft (60.9 m)

Distance from internal signal cable connectors to floor: 24 in (610 mm)
 External terminator power connection required: yes (40 V dc)

Environmental considerations:

Type of cooling, internal fan
 Source of cooling, room air

Heat rejection rate, maximum { to air, 3000 Btu/h (880 W)
 { to water, N/A }

Permissible range of room relative humidity, 30 % to 80 %

	Maximum	Recommended	Minimum	Dew Point Limitation
Operating temperature (ambient or plenum inlet temperature)	90 °F (32.2 °C)	72 °F (22.2 °C)	60 °F (15.6 °C)	N/A °F (°C)
Storage temperature	140 °F (60.0 °C)		40 °F (4.4 °C)	

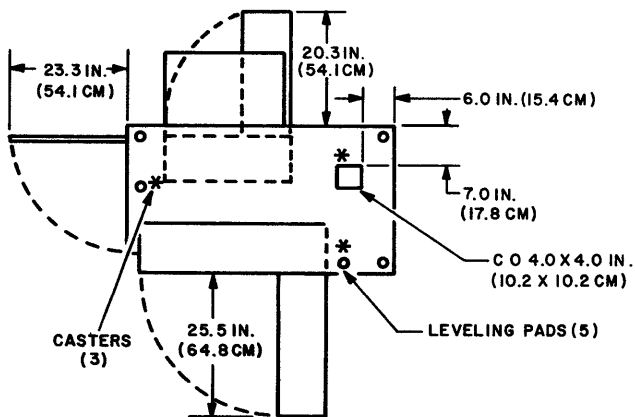
† Power cable extends 5 ft (1.5 m) from cabinet.

3254-2 OCR LINE PRINTER WITH CONTROL



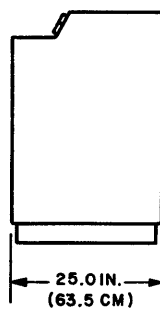
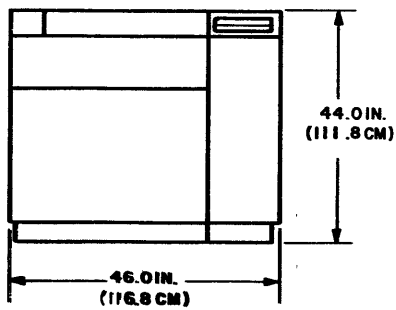
PLAN

222



FRONT

SIDE



2AW23A

3254-2 OCR LINE PRINTER WITH CONTROL

Width	46	in (1168 mm)	Weight	850	lb (360 kg)
Depth	26	in (660 mm)			
Height	44	in (1118 mm)			

For maximum width/depth, all doors extended, refer to floor plan layout.

Power consumption, steady state, maximum:

60 Hz, 120 V, 1 phase, 1.1 kVA
or
50 Hz, 120 V, 1 phase, 1.1 kVA

Circuit breakers:

Power connector locations above cabinet base:

60 Hz, 15 A, 1 phase
or
50 Hz, 15 A, 1 phase

Locking connectors	}	N/A
Locking connectors		

Control Data signal cables:	Quantity:	Standard length:	Maximum length:
3000 I/O to controller	02 61 p	30 ft (9.1 m)	2.0 ft (60.9 m)

Distance from internal signal cable connectors to floor:	24 in (610 mm)
External terminator power connection required:	yes (40 V dc)

Environmental considerations:

Type of cooling, internal fan
Source of cooling, room air

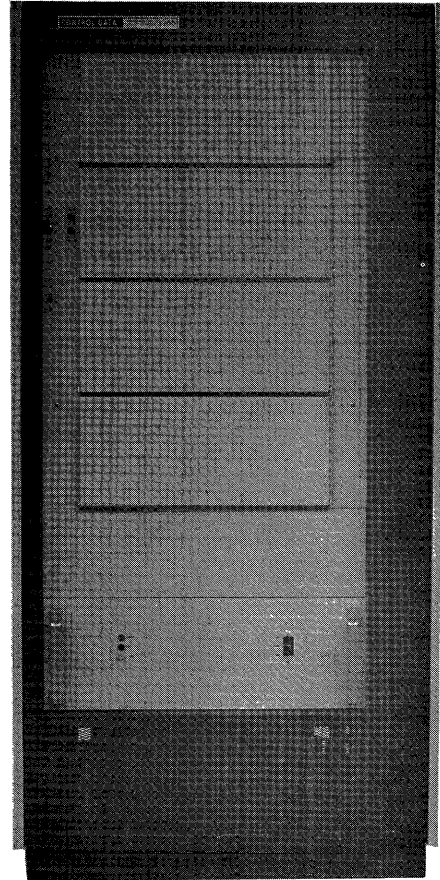
Heat rejection rate, maximum	{	to air, 3000 Btu/h (879 W)	}
		to water, N/A	

Permissible range of room relative humidity, 30 % to 80 %

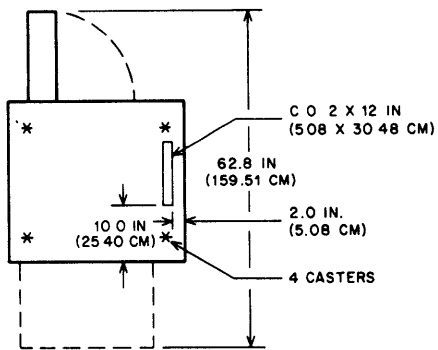
	Maximum	Recommended	Minimum	Dew Point Limitation
Operating temperature (ambient or plenum inlet temperature)	90 °F (32 °C)	72 °F (22.2 °C)	60 °F (16 °C)	N/A °F (°C)
Storage temperature	140 °F (60 °C)		40 °F (5 °C)	

Maximum operating altitude, 8000 ft (2438 m) above sea level

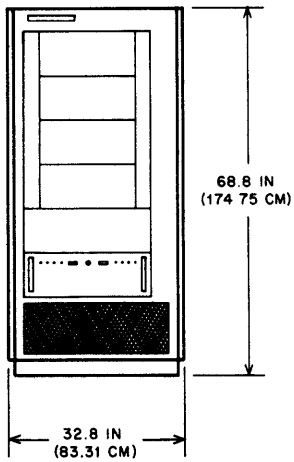
3266 COMMUNICATION TERMINAL CONTROL



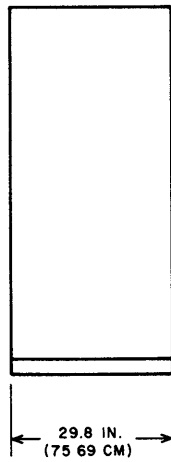
PLAN



FRONT



SIDE



2AW82A

3266 COMMUNICATION TERMINAL CONTROL

Width	32.8 in (833 mm)	Weight	700 lb (315 kg)
Depth	29.8 in (757 mm)	Supported by 4 casters	
Height	68.8 in (1748 mm)		

For maximum width/depth, all doors extended, refer to floor plan layout.

Power consumption, steady state, maximum:

60 Hz, 120 V, 1 phase, 1.7 kVA
or
50 Hz, 220 V, 1 phase, 1.7 kVA

Circuit breakers:

60 Hz, 20 A, 1 phase
or
50 Hz, 15 A, 1 phase

Power connector locations above cabinet base:

6 ft detachable power
cord, standard 3-
prong plug } 24 in (610 mm)

Control Data signal cables:	Quantity:	Standard length:	Maximum length:
3000 I/O to controller	02 61 p	30 ft (9.1 m)	200 ft (60.9 m)

Distance from internal signal cable connectors to floor: 60 in (1524 mm)

External terminator power connection required: yes (40 V dc)

Environmental considerations:

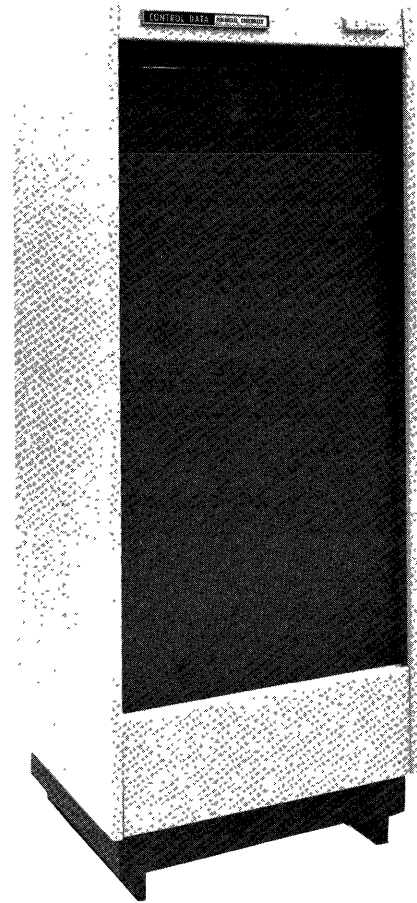
Type of cooling, internal fan

Source of cooling, room air

Heat rejection rate, maximum { to air, 5500 Btu/h (1612 W)
to water, N/A Btu/h }

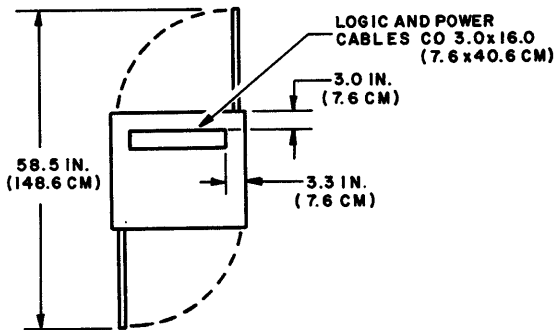
	Maximum	Recommended	Minimum	Dew Point Limitation
Operating temperature (ambient or plenum inlet temperature)	120 °F (48.9 °C)	72 °F (22.2 °C)	40 °F (4.4 °C)	N/A °F (°C)
Storage temperature	160 °F (71 °C)		-40 °F (-40 °C)	

3270-A TRANSFER SWITCH CONTROLLER



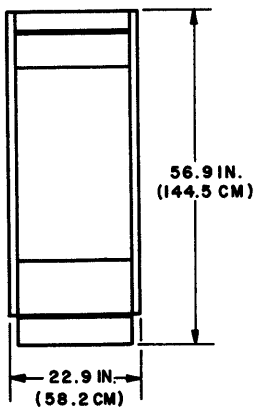
2460

PLAN

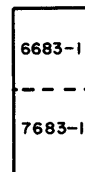
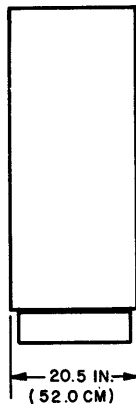


TYPICAL MODULE ARRANGEMENTS WITHIN CABINET

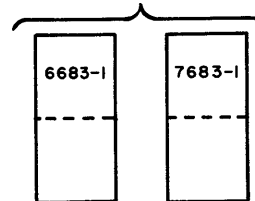
FRONT



SIDE



OR
WHERE UNITS ARE LOCATED
IN SEPERATE CABINETS



2AW14A

3270-A TRANSFER SWITCH CONTROLLER

Width	22.9	in (582 mm)	Weight	450	lb (195 kg)
Depth	20.5	in (521 mm)	Supported by	frame		
Height	56.9	in (1445 mm)				

For maximum width/depth, all doors extended, refer to floor plan layout.

Power consumption, steady state, maximum:

and $\left\{ \begin{array}{l} 60 \text{ Hz, } 120 \text{ V, } 1 \text{ phase, } 0.6 \text{ kVA} \\ \text{or} \\ 50 \text{ Hz, } 120 \text{ V, } 1 \text{ phase, } 0.6 \text{ kVA} \end{array} \right\}$

Circuit breakers:

Power connector locations above cabinet base:

and $\left\{ \begin{array}{l} 60 \text{ Hz, } 15 \text{ A, } 1 \text{ phase} \\ \text{or} \\ 50 \text{ Hz, } 15 \text{ A, } 1 \text{ phase} \end{array} \right\}$

Terminal strip
Terminal strip } 12 in (304 mm)

Control Data signal cables: Quantity: Standard length: Maximum length:
N/A

Distance from internal signal cable connectors to floor: 48 in (1219 mm)

External terminator power connection required: yes (40 V dc)

Environmental considerations:

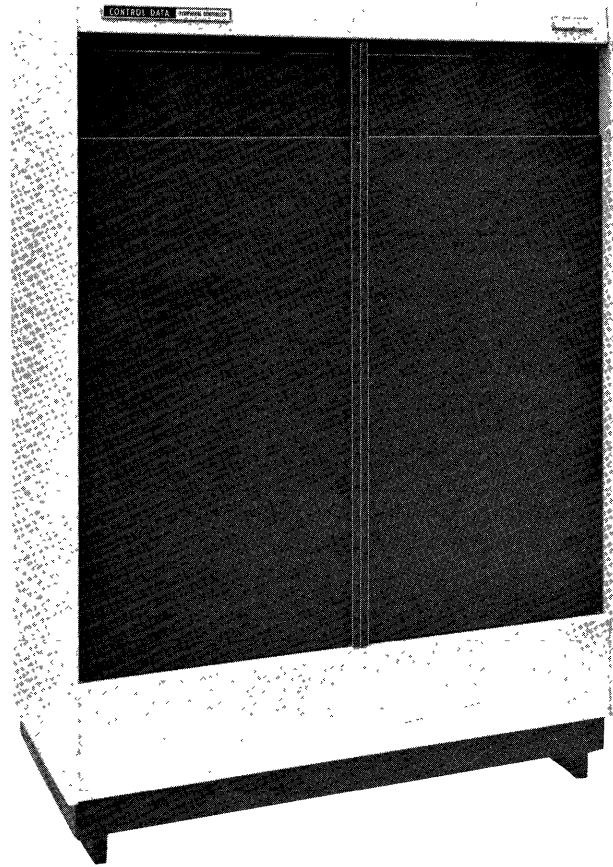
Type of cooling, internal fan

Source of cooling, room air

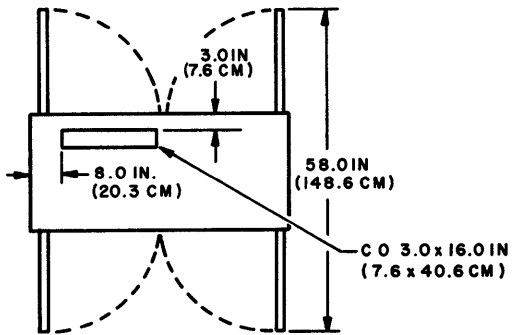
Heat rejection rate, maximum $\left\{ \begin{array}{l} \text{to air, } 2000 \text{ Btu/h (} 586 \text{ W) } \\ \text{to water, N/A} \end{array} \right\}$

	Maximum	Recommended	Minimum	Dew Point Limitation
Operating temperature (ambient or plenum inlet temperature)	80 °F (26.6 °C)	72 °F (22.2 °C)	62 °F (16.5 °C)	N/A °F (°C)
Storage temperature	125 °F (51 °C)		-20 °F (-29 °C)	

3270-B TRANSFER SWITCH CONTROLLER

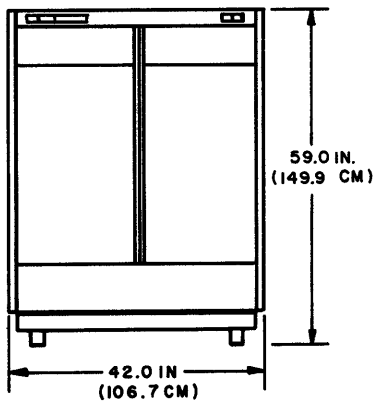


PLAN

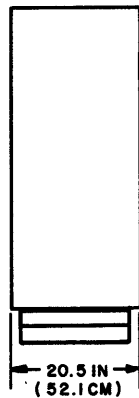


2462

FRONT



SIDE



2AW5A

3270-B TRANSFER SWITCH CONTROLLER

Width	42.0 in (1067 mm)	Weight	650 lb (295 kg)
Depth	20.5 in (521 mm)	Supported by frame	
Height	56.9 in (1445 mm)		

For maximum width/depth, all doors extended, refer to floor plan layout.

Power consumption, steady state, maximum:

and $\left\{ \begin{array}{l} 60 \text{ Hz, } 120 \text{ V, } 1 \text{ phase, } 1.0 \text{ kVA} \\ \text{or} \\ 50 \text{ Hz, } 220 \text{ V, } 1 \text{ phase, } 1.0 \text{ kVA} \end{array} \right\}$

Circuit breakers:

Power connector locations above cabinet base:

and $\left\{ \begin{array}{l} 60 \text{ Hz, } 15 \text{ A, } 1 \text{ phase} \\ \text{or} \\ 50 \text{ Hz, } 15 \text{ A, } 1 \text{ phase} \end{array} \right\}$

Terminal strip }
Terminal strip } 12 in (304 mm)

Control Data signal cables: Quantity: Standard length: Maximum length:
N/A

External terminator power connection required: yes (40 V dc)

Environmental considerations:

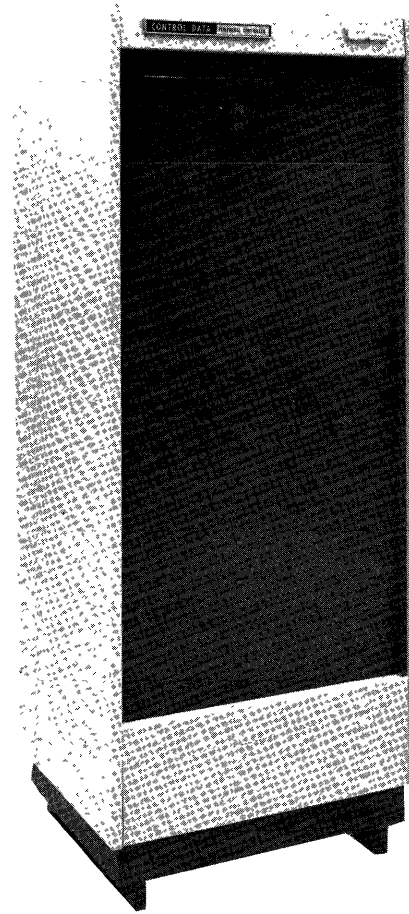
Type of cooling, internal fan

Source of cooling, room air

Heat rejection rate, maximum $\left\{ \begin{array}{l} \text{to air, } 3200 \text{ Btu/h (} 938 \text{ W) } \\ \text{to water, N/A} \end{array} \right\}$

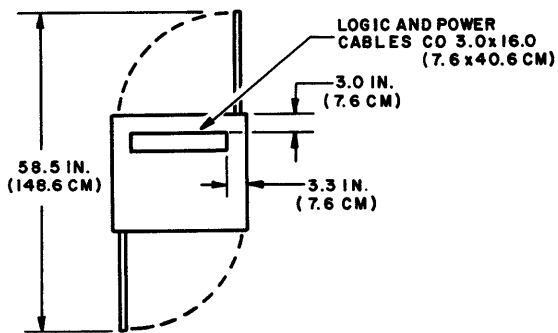
	Maximum	Recommended	Minimum	Dew Point Limitation
Operating temperature (ambient or plenum inlet temperature)	80 °F (26 °C)	72 °F (22.2 °C)	62 °F (16.6 °C)	N/A °F (°C)
Storage temperature	125 °F (51 °C)		-20 °F (-29 °C)	

3275 DATA SET CONTROLLER



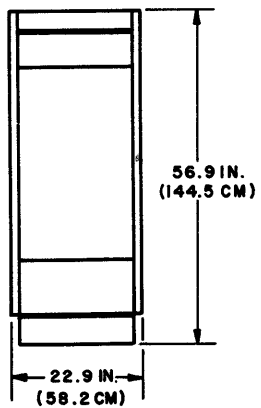
2460

PLAN

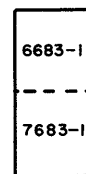
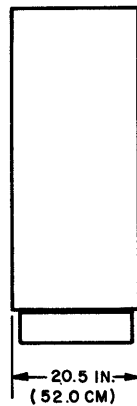


TYPICAL MODULE ARRANGEMENTS WITHIN CABINET

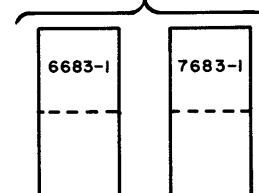
FRONT



SIDE



OR
WHERE UNITS ARE LOCATED
IN SEPERATE CABINETS



2AW14A

3275 DATA SET CONTROLLER

Width	22.9 in (582 mm)	Weight	440 lb (190 kg)
Depth	20.5 in (521 mm)	Supported by	frame
Height	56.9 in (1445 mm)		

For maximum width/depth, all doors extended, refer to floor plan layout.

Power consumption, steady state, maximum:

400 Hz, 208 V, 3 phase, 0.4 kVA
 and $\left\{ \begin{array}{l} 60 \text{ Hz, } 120 \text{ V, } 1 \text{ phase, } 0.1 \text{ kVA} \\ \text{or} \\ 50 \text{ Hz, } 120 \text{ V, } 1 \text{ phase, } 0.1 \text{ kVA} \end{array} \right\}$

Circuit breakers:

400 Hz, 15 A, 3 phase
 and $\left\{ \begin{array}{l} 60 \text{ Hz, } 15 \text{ A, } 1 \text{ phase} \\ \text{or} \\ 50 \text{ Hz, } 15 \text{ A, } 1 \text{ phase} \end{array} \right\}$

Power connector locations above cabinet base:

Terminal strip 8 in (203 mm)
 Terminal strip } 8 in (203 mm)
 Terminal strip }

Control Data signal cables:	Quantity:	Standard length:	Maximum length:
3000 I/O to controller	02	30 ft (9.1 m)	200 ft (60.9 m)
Controller to data set	01	5 ft (1.1 m)	50 ft (15.2 m)

Distance from internal signal cable connectors to floor: 15 in (381 mm)
 External terminator power connection required: yes (40 V dc)

Environmental considerations:

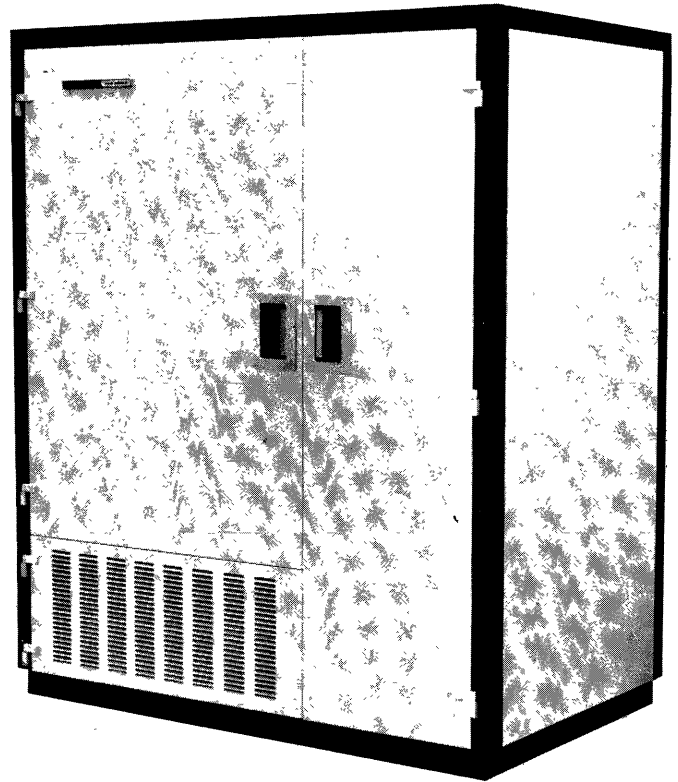
Type of cooling, internal fan

Source of cooling, room air

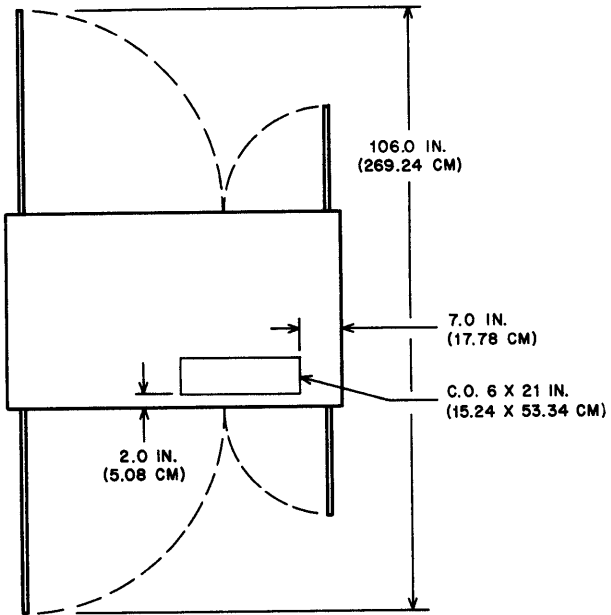
Heat rejection rate, maximum $\left\{ \begin{array}{l} \text{to air, } 1400 \text{ Btu/h (} 410 \text{ W) } \\ \text{to water, N/A} \end{array} \right\}$

	Maximum	Recommended	Minimum	Dew Point Limitation
Operating temperature (ambient or plenum inlet temperature)	80 °F (26.5 °C)	72 °F (22.2 °C)	62 °F (16.5 °C)	N/A °F (°C)
Storage temperature	125 °F (51 °C)		-20 °F (-29 °C)	

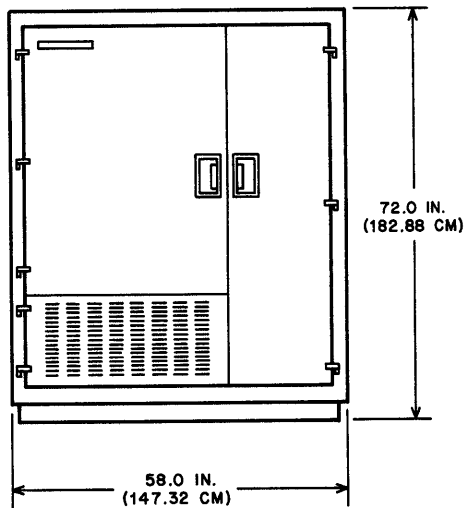
3290-2 INQUIRY/RETRIEVAL CONTROLLER



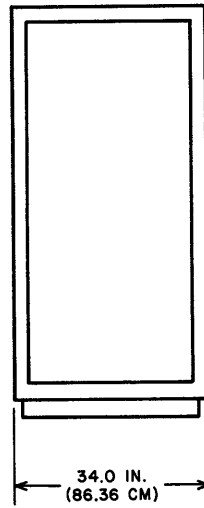
PLAN



FRONT

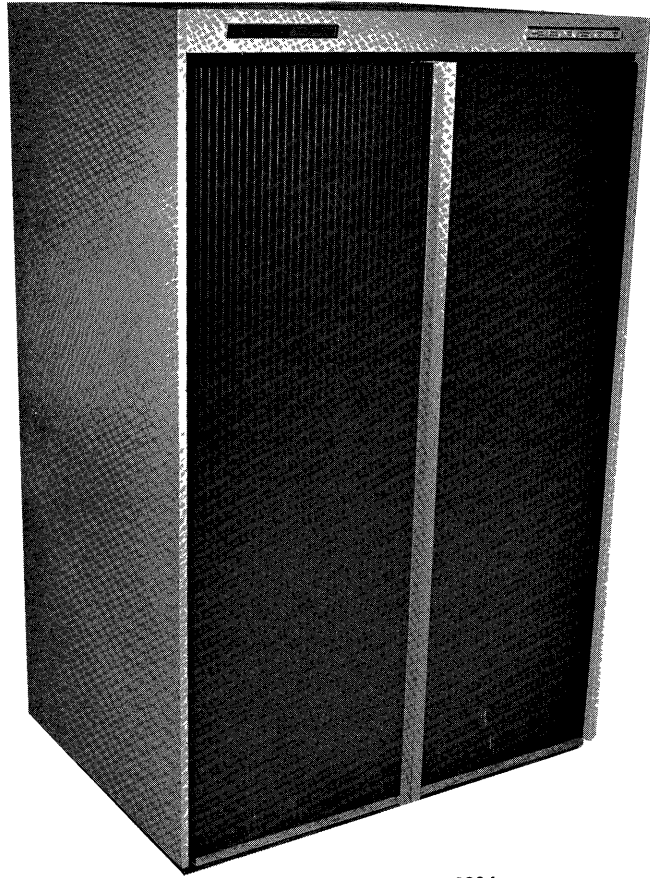


SIDE



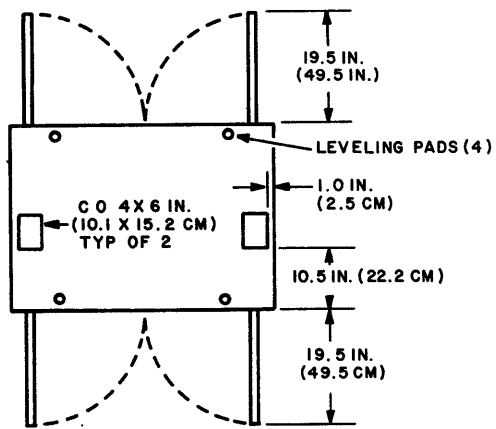
2AW81A

3290-4/21/22/23/24 LOCAL DISPLAY CONTROLLER

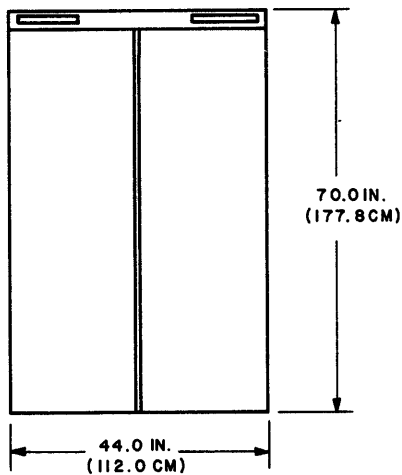


6224

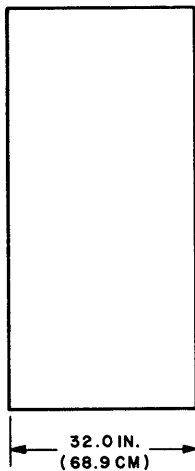
PLAN



FRONT

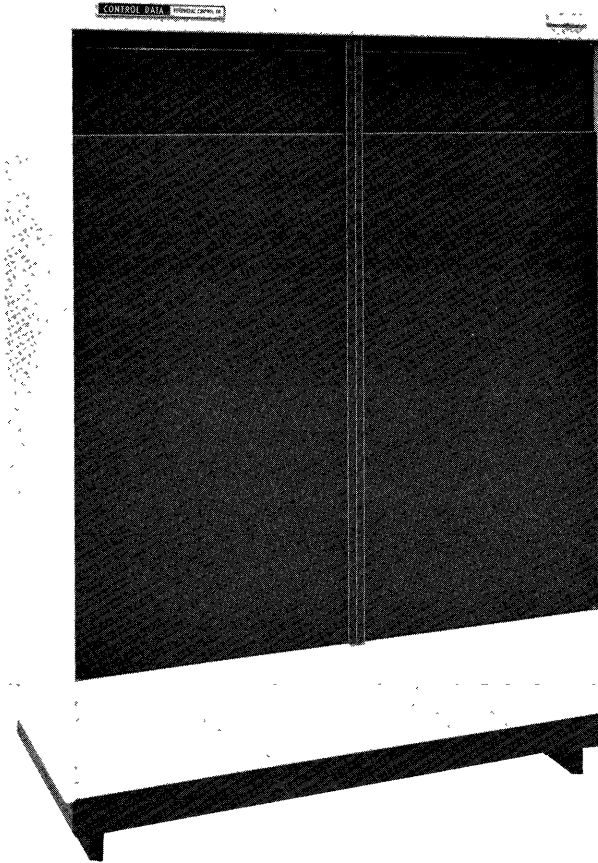


SIDE

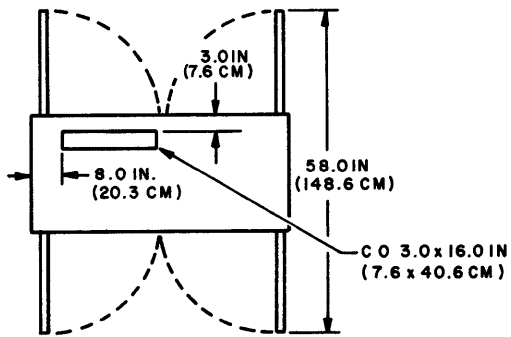


2AW35A

3316-1 MULTIPLEXER CONTROLLER

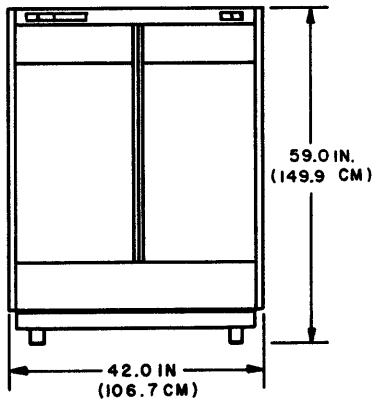


PLAN



2462

FRONT



SIDE



2AW5A

3316-1 MULTIPLEXER CONTROLLER

Width	42.0 in (1067 mm)	Weight	850 lb (385 kg)
Depth	20.5 in (521 mm)	Supported by frame	
Height	56.9 in (1445 mm)		

For maximum width/depth, all doors extended, refer to floor plan layout.

Power consumption, steady state, maximum:

400 Hz, 208 V, 3 phase, 0.9 kVA
 and $\left\{ \begin{array}{l} 60 \text{ Hz, } 120 \text{ V, } 1 \text{ phase, } 0.1 \text{ kVA} \\ \text{or} \\ 50 \text{ Hz, } 120 \text{ V, } 1 \text{ phase, } 0.1 \text{ kVA} \end{array} \right\}$

Circuit breakers:

400 Hz, 15 A, 3 phase
 and $\left\{ \begin{array}{l} 60 \text{ Hz, } 15 \text{ A, } 1 \text{ phase} \\ \text{or} \\ 50 \text{ Hz, } 15 \text{ A, } 1 \text{ phase} \end{array} \right\}$

Power connector locations above cabinet base:

Terminal strip 8 in (203 mm)
 Terminal strip }
 Terminal strip } 8 in (203 mm)

Control Data signal cables:	Quantity:	Standard length:	Maximum length:
3000 I/O to controller	02 61 p	30 ft (9.1 m)	200 ft (61 m)
Controller direct access to 3000 I/O	02 61 p	30 ft (9.1 m)	80 ft (24.4 m)
Memory jumpers	08 61 p	10 ft (3 m)	

Distance from internal signal cable connectors to floor: 30 in (762 mm)

External terminator power connection required: yes (40 V dc)

Environmental considerations:

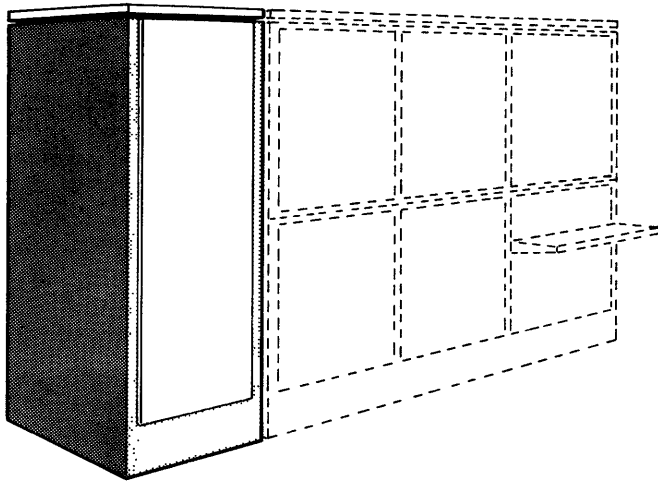
Type of cooling, internal fan

Source of cooling, room air

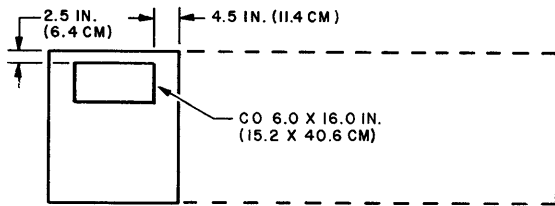
Heat rejection rate, maximum $\left\{ \begin{array}{l} \text{to air, } 3000 \text{ Btu/h (} 879 \text{ W) } \\ \text{to water, N/A} \end{array} \right\}$

	Maximum	Recommended	Minimum	Dew Point Limitation
Operating temperature (ambient or plenum inlet temperature)	80 °F (26 °C)	72 °F (22.2 °C)	62 °F (16.9 °C)	N/A °F (°C)
Storage temperature	150 °F (65.6 °C)		-30 °F (-34.4 °C)	

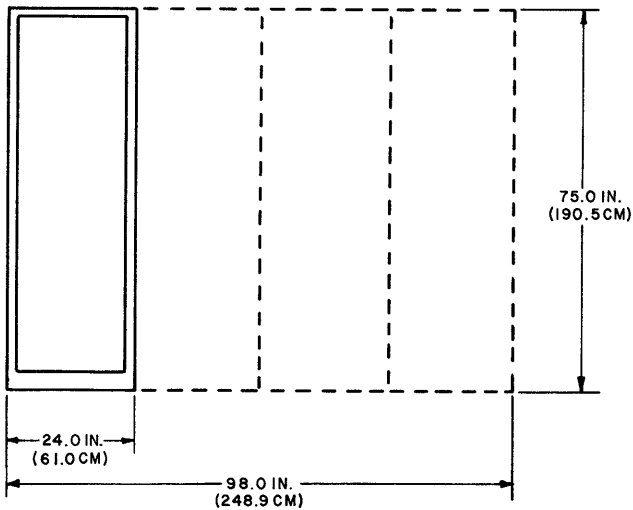
3387-1 A/D INTERFACE CONTROLLER



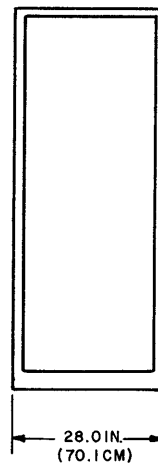
PLAN



FRONT



SIDE



2AW8A

3387-1 A/D INTERFACE CONTROLLER

Width	24	in (610 mm)	Weight	350	lb (160 kg)
Depth	28	in (711 mm)	Supported by Leveling pads		
Height	75	in (1905 mm)			

For maximum width/depth, all doors extended, refer to floor plan layout.

Power consumption, steady state, maximum:

400 Hz, 208 V, 3 phase, 0.3 kVA
 and $\left\{ \begin{array}{l} 60 \text{ Hz, } 120 \text{ V, } 1 \text{ phase, } 0.2 \text{ kVA} \\ \text{or} \\ 50 \text{ Hz, } 120 \text{ V, } 1 \text{ phase, } 0.2 \text{ kVA} \end{array} \right\}$

Circuit breakers:

400 Hz, 15 A, 1 phase
 and $\left\{ \begin{array}{l} 60 \text{ Hz, } 15 \text{ A, } 1 \text{ phase} \\ \text{or} \\ 50 \text{ Hz, } 15 \text{ A, } 1 \text{ phase} \end{array} \right\}$

Power connector locations above cabinet base:

10 in (254 mm)
 $\left. \begin{array}{l} \\ \\ \end{array} \right\} 10 \text{ in (254 mm)}$

Control Data signal cables:

3000 I/O to 3387

External terminator power connection required: yes (40 V dc)

Environmental considerations:

Type of cooling, N/A
 Source of cooling, N/A

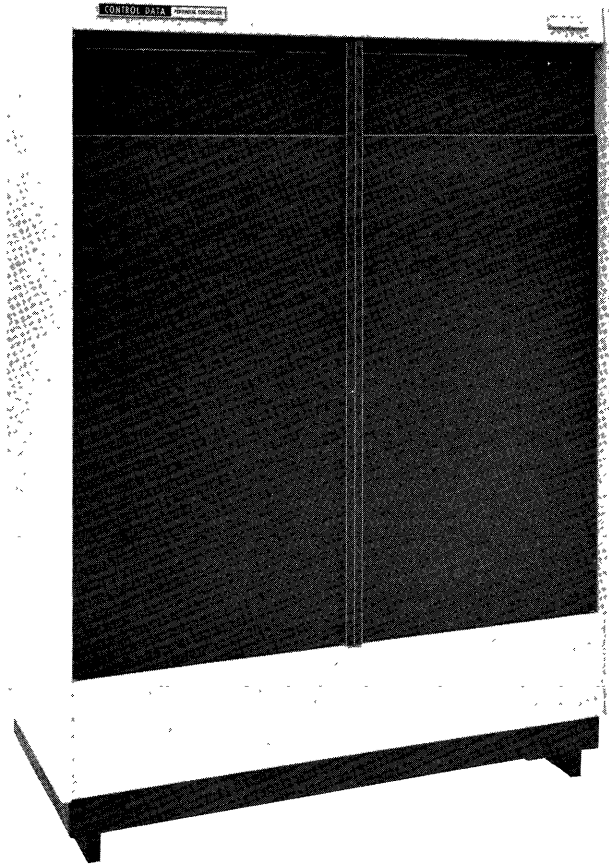
Heat rejection rate, maximum $\left\{ \begin{array}{l} \text{to air, } 1560 \text{ Btu/h (} 457 \text{ W) } \\ \text{to water, N/A} \end{array} \right\}$

Permissible range of room relative humidity, 10 % to 90 %

	Maximum	Recommended	Minimum	Dew Point Limitation
Operating temperature (ambient or plenum inlet temperature)	120 °F (48.9 °C)	72 °F (22.2 °C)	40 °F (5 °C)	N/A °F (°C)
Storage temperature	150 °F (65.6 °C)		-30 °F (-34.4 °C)	

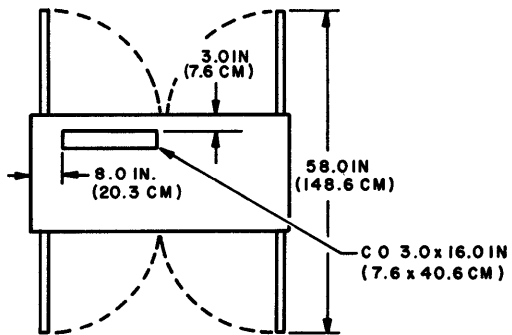
Maximum operating altitude; 6000 ft (1829 m) above sea level

3516-1 MULTIPLEXER CONTROLLER

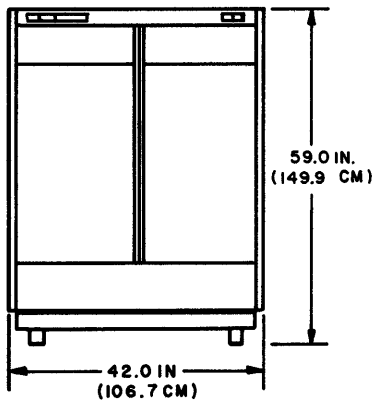


2462

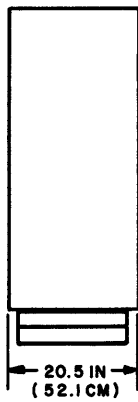
PLAN



FRONT



SIDE



2AW5A

3516-1 MULTIPLEXER CONTROLLER

Width	42.0 in (1067 mm)	Weight	850 lb (385 kg)
Depth	20.5 in (521 mm)		
Height	56.9 in (1445 mm)		

For maximum width/depth, all doors extended, refer to floor plan layout.

Power consumption, steady state, maximum:

400 Hz, 208 V, 3 phase, 0.9 kVA
and $\left\{ \begin{array}{l} 60 \text{ Hz, } 120 \text{ V, } 1 \text{ phase, } 0.1 \text{ kVA} \\ \text{or} \\ 50 \text{ Hz, } 120 \text{ V, } 1 \text{ phase, } 0.1 \text{ kVA} \end{array} \right\}$

Circuit breakers:

400 Hz, 15 A, 3 phase
and $\left\{ \begin{array}{l} 60 \text{ Hz, } 15 \text{ A, } 1 \text{ phase} \\ \text{or} \\ 50 \text{ Hz, } 15 \text{ A, } 1 \text{ phase} \end{array} \right\}$

Power connector locations above cabinet base:

Terminal strip	8 in (203 mm)
Terminal strip	}
Terminal strip	

Control Data signal cables:	Quantity:	Standard length:	Maximum length:
Memory to multiplexer adapter	02 61 p	30 ft (9.1 m)	80 ft (24.4 m)
Communications channel to multiplexer	02 61 p	30 ft (9.1 m)	200 ft (60.9 m)
Multiplexer to multiplexer adapter	02 61 p	05 ft (1.1 m)	05 ft (1.1 m)
Multiplexer to expansion network	01 61 p		200 ft (60.9 m)
Multiplexer to dual mode option	01 61 p		200 ft (60.9 m)
Memory to memory jumper	10 61 p	10 ft (3 m)	200 ft (60.9 m) max daisy chain

Distance from internal signal cable connectors to floor:	30 in (762 mm)
External terminator power connection required:	yes (40 V dc)

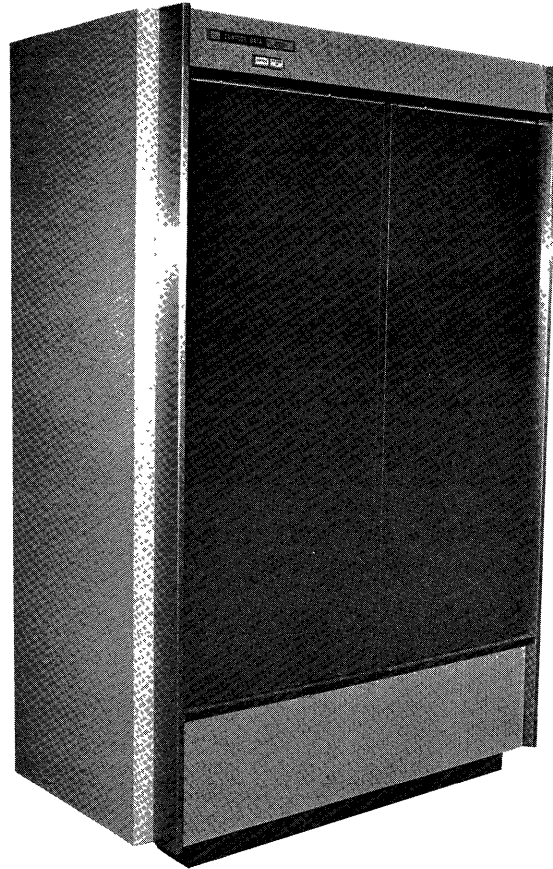
Environmental considerations:

Type of cooling, internal fan
Source of cooling, room air

Heat rejection rate, maximum	}	to air, 3000 Btu/h (879 W)
	}	to water, N/A.

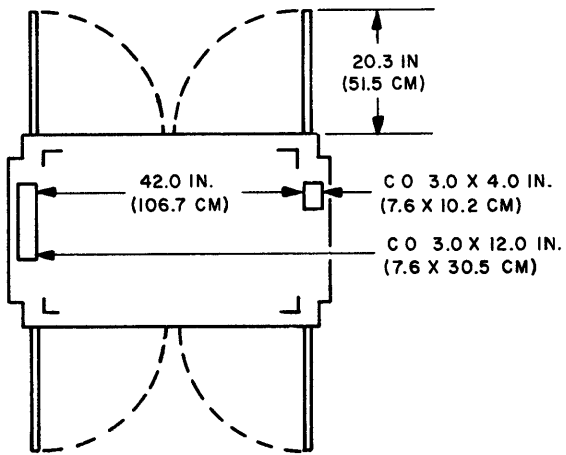
	Maximum	Recommended	Minimum	Dew Point Limitation
Operating temperature (ambient or plenum inlet temperature)	80 °F (26 °C)	72 °F (22.2 °C)	62 °F (16.7 °C)	N/A °F (°C)
Storage temperature	150 °F (65.6 °C)		-30 °F (-34.4 °C)	

3518 MAGNETIC TAPE CONTROLLER

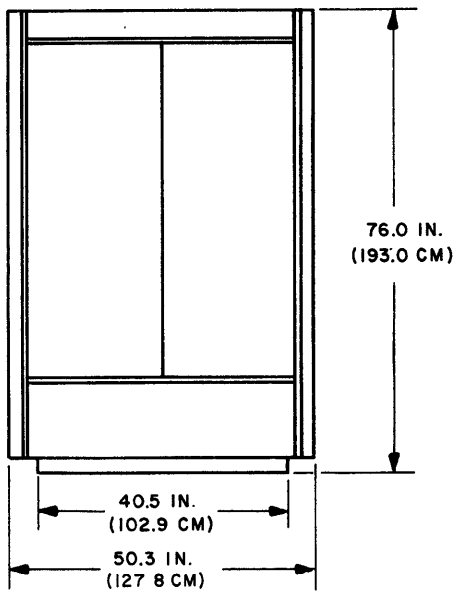


6233

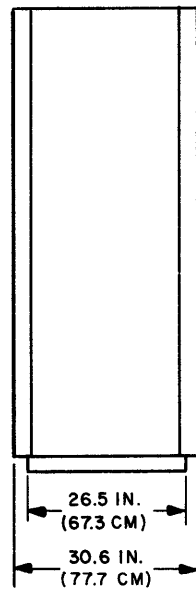
PLAN



FRONT



SIDE



2AW38A

3518 MAGNETIC TAPE CONTROLLER

Width	50.3	in (1278 mm)	Weight	900	lb (408 kg)
Depth	30.6	in (777 mm)	Supported by frame		
Height	76.0	in (1930 mm)			

For maximum width/depth, all doors extended, refer to floor plan layout.

Power consumption, steady state, maximum:

400 Hz, 208 V, 3 phase, 0.4 kVA
 and $\left\{ \begin{array}{l} 60 \text{ Hz, } 120 \text{ V, } 1 \text{ phase, } 1.1 \text{ kVA} \\ \text{or} \\ 50 \text{ Hz, } 120 \text{ V, } 1 \text{ phase, } 1.1 \text{ kVA} \end{array} \right.$

Circuit breakers:

400 Hz, 15 A, 3 phase
 and $\left\{ \begin{array}{l} 60 \text{ Hz, } 15 \text{ A, } 1 \text{ phase} \\ \text{or} \\ 50 \text{ Hz, } 15 \text{ A, } 1 \text{ phase} \end{array} \right.$

Power connector locations above cabinet base:

Terminal strip	36 in (914 mm)
Terminal strip	} 30 in (762 mm)
Terminal strip	

Control Data signal cables:	Quantity:	Standard length:	Maximum length:
3518 to data channel	2	40 ft (12.2 m)	200 ft (61.0 m)
3518 to tape number 1	1	20 ft (6.1 m)	20 ft (6.1 m)

Distance from internal signal cable connectors to floor: 48 in (1219 mm)

External terminator power connection required: yes (40 V dc)

Environmental considerations:

Type of cooling, internal fan

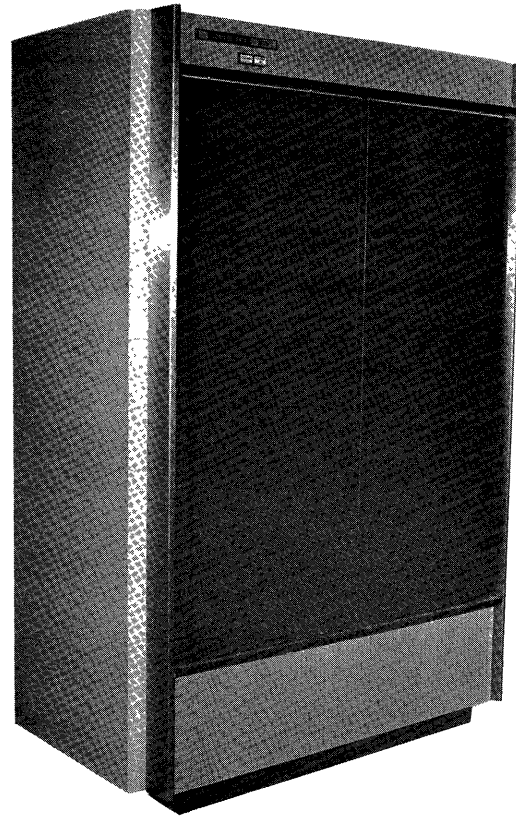
Source of cooling, room air

Heat rejection rate, maximum $\left\{ \begin{array}{l} \text{to air, } 4700 \text{ Btu/h (} 1377 \text{ W) } \\ \text{to water, N/A} \end{array} \right.$

Permissible range of room relative humidity, 30 % to 80 %

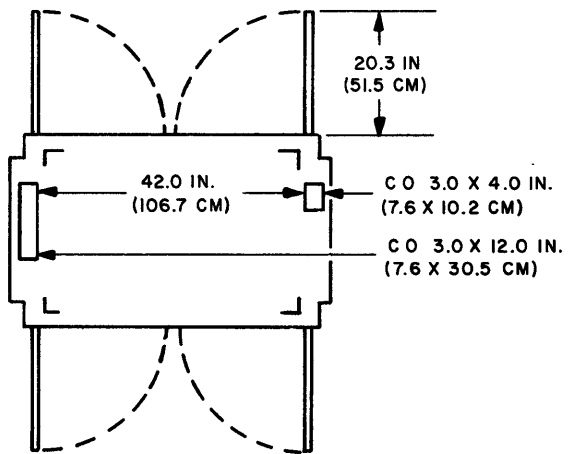
	Maximum	Recommended	Minimum	Dew Point Limitation
Operating temperature (ambient or plenum inlet temperature)	90 °F (32.2 °C)	72 °F (22.2 °C)	60 °F (15.6 °C)	N/A °F (°C)
Storage temperature	150 °F (65.5 °C)		-30 °F (-34.4 °C)	

3518-1/2/3 MAGNETIC TAPE CONTROLLERS

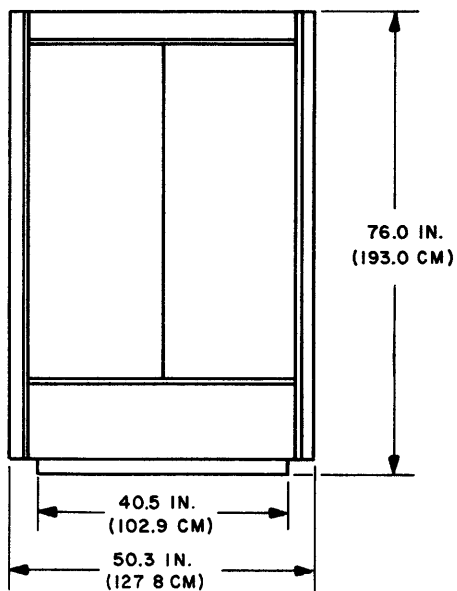


6233

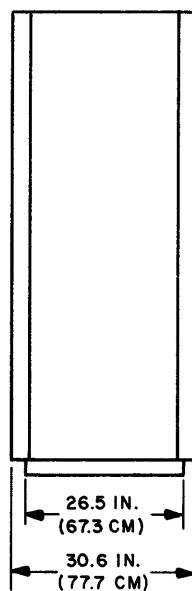
PLAN



FRONT



SIDE



2AW38A

3518-1/2/3 MAGNETIC TAPE CONTROLLERS

Width	50.3	in (1276 mm)	Weight	900	lb (408 kg)
Depth	30.6	in (777 mm)	Supported by	leveling pads	
Height	76.0	in (1930 mm)			

For maximum width/depth, all doors extended, refer to floor plan layout.

Power consumption, steady state, maximum:

400 Hz, 208 V, 3 phase, 0.4 kVA
 and $\left\{ \begin{array}{l} 60 \text{ Hz, } 120 \text{ V, } 1 \text{ phase, } 1.0 \text{ kVA} \\ \text{or} \\ 50 \text{ Hz, } 120 \text{ V, } 1 \text{ phase, } 1.1 \text{ kVA} \end{array} \right\}$

Circuit breakers:

400 Hz, 15 A, 3 phase
 60 Hz, 15 A, 1 phase

Power connector locations above cabinet base:

Terminal strip 36 in (914 mm)
 Terminal strip 30 in (762 mm)

Control Data signal cables:	Quantity:	Standard length:	Maximum length:
Data channel to controller	02 61 p	40 ft (12.2 m)	200 ft (61 m)

Distance from internal signal cable connectors to floor: 24 in (610 mm)
 External terminator power connection required: yes (40 V dc)

Environmental considerations:

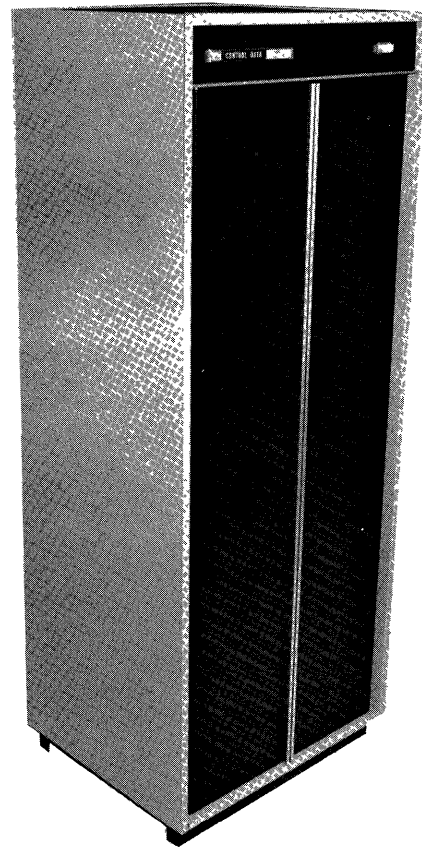
Type of cooling, forced air
 Source of cooling, room air

Heat rejection rate, maximum $\left\{ \begin{array}{l} 2400 \text{ ft}^3/\text{min} (\text{ m}^3/\text{h}) \\ \text{to air, } 4200 \text{ Btu/h (} 1231 \text{ W) } \\ \text{to water, N/A} \end{array} \right\}$

Permissible range of room relative humidity, 30 % to 80 %

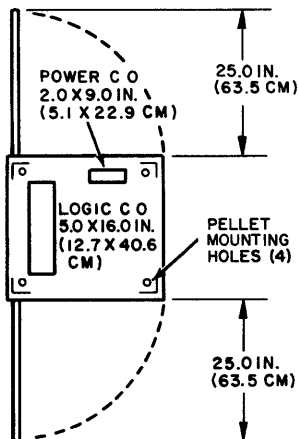
	Maximum	Recommended	Minimum	Dew Point Limitation
Operating temperature (ambient or plenum inlet temperature)	90 °F (32.2 °C)	75 °F (23.9 °C)	60 °F (15.6 °C)	N/A °F (°C)
Storage temperature	150 °F (65.5 °C)		-30 °F (-34.4 °C)	

3521-1 MAGNETIC TAPE CONTROLLER

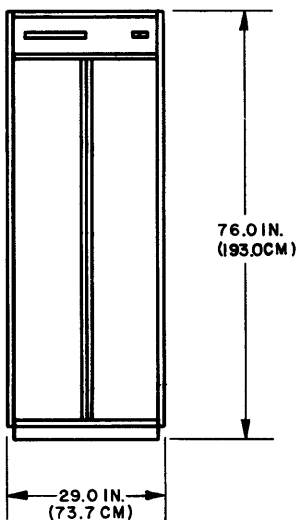


11A

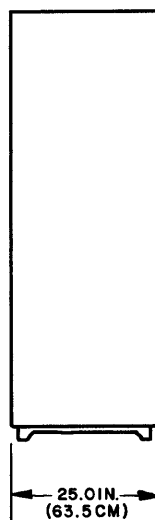
PLAN



FRONT



SIDE



2AW56A

3521-1 MAGNETIC TAPE CONTROLLER

Width	29.0 in (737 mm)	Weight	550 lb (249 kg)
Depth	25.0 in (635 mm)	Supported by frame	
Height	76.0 in (1930 mm)		

For maximum width/depth, all doors extended, refer to floor plan layout.

Power consumption, steady state, maximum:

	400 Hz, 208 V, 3 phase, 0.79 kVA	
and	{ 60 Hz, 120 V, 1 phase, 0.15 kVA or 50 Hz, 220 V, 1 phase, 0.15 kVA }	Not including 0.7 kVA for convenience outlet

Circuit breakers:

	400 Hz, 15 A, 3 phase
and	{ 60 Hz, 15 A, 1 phase or 50 Hz, 15 A, 1 phase }

Power connector locations above cabinet base:

Terminal strip	6 in (152 mm)
Terminal strip	}
Terminal strip	

Control Data signal cables: ^(See note)	Quantity:	Standard length:	Maximum length:
3521-1 to 3000 channel	2	50 ft (15.2m)	200 ft (61 m)
3521-1 to tape unit	1 per tape unit	50 ft (15.2m)	200 ft (61 m)

NOTE

3521-X to channel: P/N10353904 (61-pin shielded)
 3521-X to tape unit: P/N67035201 (160-pin shielded)

Distance from internal signal cable connectors to floor: 60 in (1524 mm)

External terminator power connection required: yes (40 V dc)

Environmental considerations:

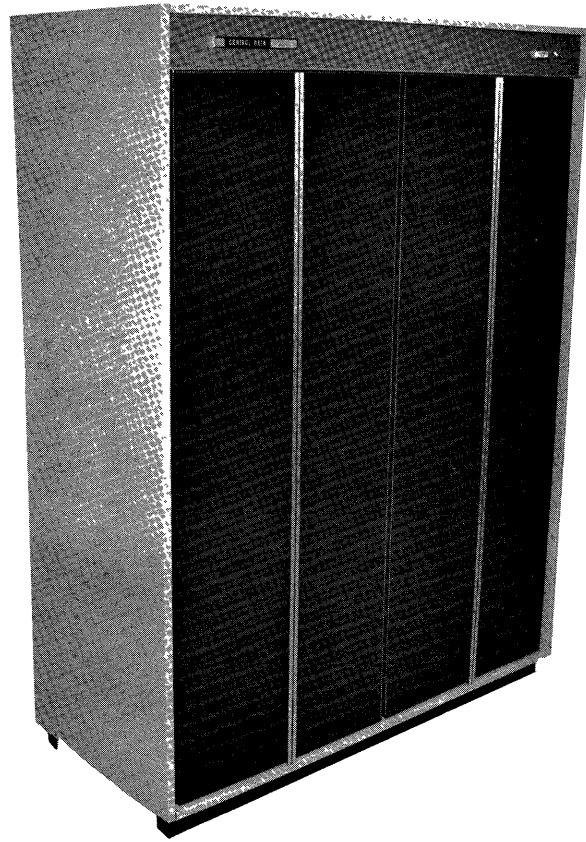
Type of cooling, forced air (internal fan)

Source of cooling, ambient room air

Heat rejection rate, maximum	{	to air, 3120 Btu/h (914 W)	}
		to water, N/A	

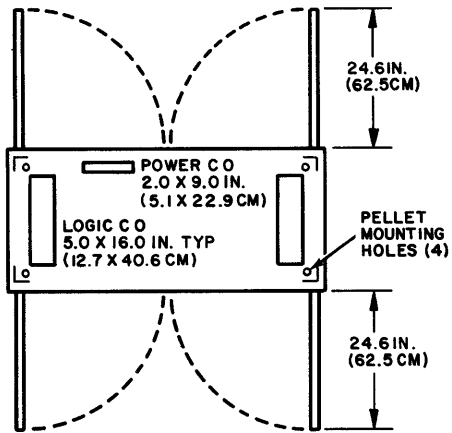
	Maximum	Recommended	Minimum	Dew Point Limitation
Operating temperature (ambient or plenum inlet temperature)	90 °F (32.2 °C)	72 °F (22.2 °C)	60 °F (15.6 °C)	N/A °F (°C)
Storage temperature	150 °F (65.6 °C)		-30 °F (-34.4 °C)	

3521-2 MAGNETIC TAPE CONTROLLER

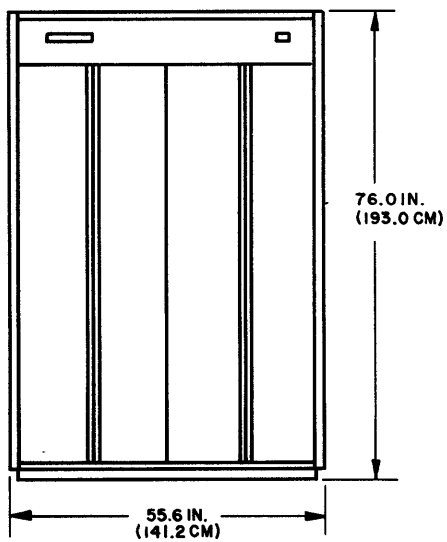


12A

PLAN



FRONT



SIDE



2AW62A

3521-2 MAGNETIC TAPE CONTROLLER

Width	55.6	in (1412 mm)	Weight	850	lb (386 kg)
Depth	25.0	in (635 mm)	Supported by	frame	
Height	76.0	in (1930 mm)			

For maximum width/depth, all doors extended, refer to floor plan layout.

Power consumption, steady state, maximum:

	400 Hz, 208 V, 3 phase,	1.29 kVA			
and	$\left\{ \begin{array}{l} 60 \text{ Hz, } 120 \text{ V, } 1 \text{ phase, } 0.3 \text{ kVA} \\ \text{or} \\ 50 \text{ Hz, } 220 \text{ V, } 1 \text{ phase, } 0.3 \text{ kVA} \end{array} \right\}$		Does not include 0.7 kVA for convenience outlet		

Circuit breakers:

	400 Hz, 15 A, 3 phase
and	$\left\{ \begin{array}{l} 60 \text{ Hz, } 15 \text{ A, } 1 \text{ phase} \\ \text{or} \\ 50 \text{ Hz, } 15 \text{ A, } 1 \text{ phase} \end{array} \right\}$

Power connector locations above cabinet base:

Terminal strip	6 in (152 mm)
Terminal strip	} 6 in (152 mm)
Terminal strip	

Control Data signal cables: <small>(See note)</small>	Quantity:	Standard length:	Maximum length:
3521-2 to 3000 channel	2 per channel	50 ft (15.2 m)	200 ft (61 m)
3521-2 to tape unit	1 per tape unit	50 ft (15.2 m)	200 ft (61 m)

NOTE

3521-X to channel: P/N10353904 (61-pin shielded)
 3521-X to tape unit: P/N67035201 (160-pin shielded)

Distance from internal signal cable connectors to floor: 60 in (1524 mm)

External terminator power connection required: yes (40 V dc)

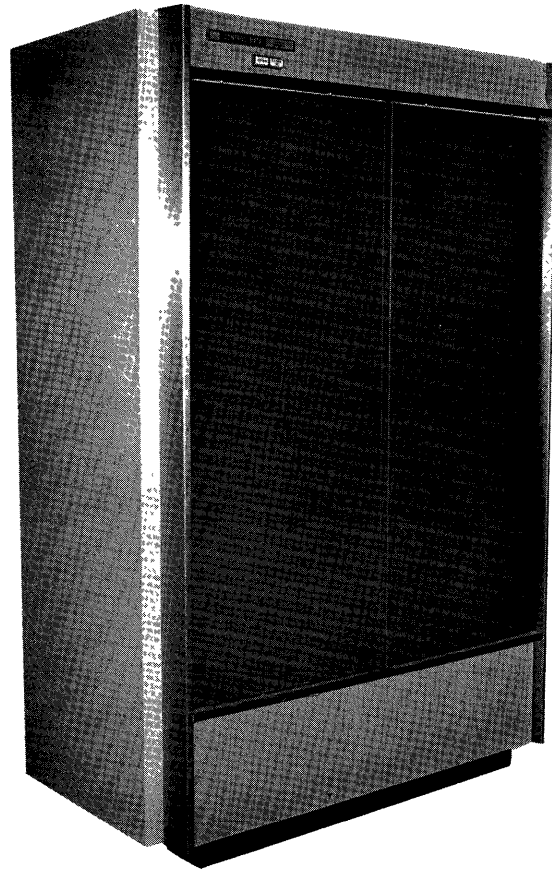
Environmental considerations:

Type of cooling, forced air (internal fan)
 Source of cooling, ambient room air

Heat rejection rate, maximum		$\left\{ \begin{array}{l} \text{to air, } 5240 \text{ Btu/h (} 1535 \text{ W) } \\ \text{to water, N/A} \end{array} \right\}$
------------------------------	--	--

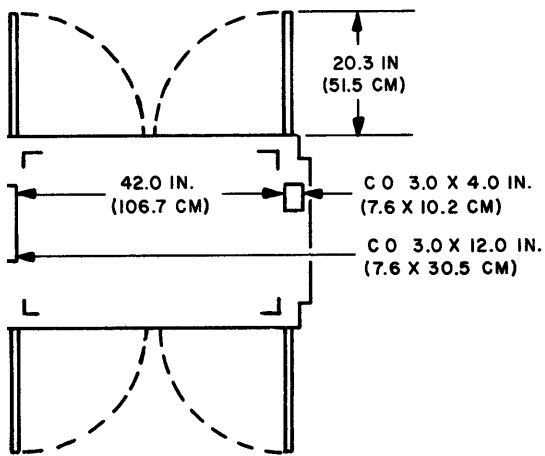
	Maximum	Recommended	Minimum	Dew Point Limitation
Operating temperature (ambient or plenum inlet temperature)	90 °F (32.2 °C)	72 °F (22.2 °C)	60 °F (15.6 °C)	N/A °F (°C)
Storage temperature	150 °F (65.6 °C)		-30 °F (-34.4 °C)	

3528 MAGNETIC TAPE CONTROLLER

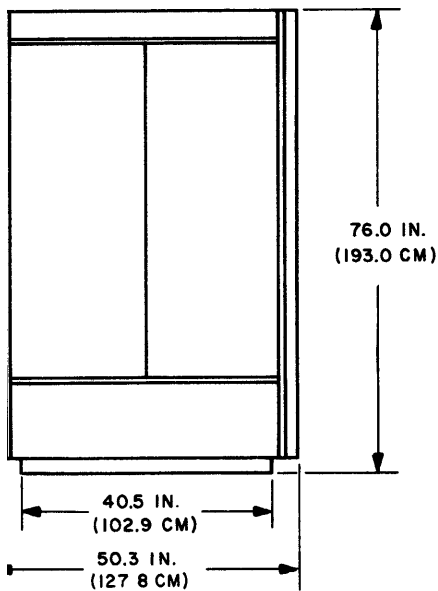


6233

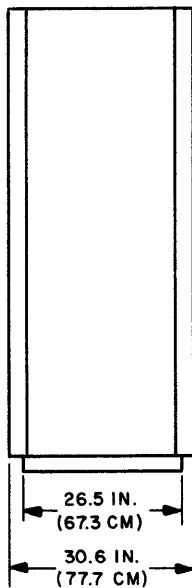
PLAN



FRONT



SIDE



2AW38A

3528 MAGNETIC TAPE CONTROLLER

Width	50.3 in (1278 mm)	Weight	1000 lb (454 kg)
Depth	30.6 in (777 mm)	Supported by frame	
Height	76.0 in (1930 mm)		

For maximum width/depth, all doors extended, refer to floor plan layout.

Power consumption, steady state, maximum:

and $\left\{ \begin{array}{l} 400 \text{ Hz, } 208 \text{ V, } 3 \text{ phase, } 1.2 \text{ kVA} \\ 60 \text{ Hz, } 120 \text{ V, } 1 \text{ phase, } 1.1 \text{ kVA} \\ \text{or} \\ 50 \text{ Hz, } 120 \text{ V, } 1 \text{ phase, } 1.1 \text{ kVA} \end{array} \right\}$

Circuit breakers:

and $\left\{ \begin{array}{l} 400 \text{ Hz, } 15 \text{ A, } 3 \text{ phase} \\ 60 \text{ Hz, } 15 \text{ A, } 1 \text{ phase} \\ \text{or} \\ 50 \text{ Hz, } 15 \text{ A, } 1 \text{ phase} \end{array} \right\}$

Power connector locations above cabinet base:

Terminal strip 36 in (914 mm)
 Terminal strip } 30 in (762 mm)
 Terminal strip }

Control Data signal cables:	Quantity:	Standard length:	Maximum length:
3528 to data channel	4	40 ft (12.2 m)	200 ft (61 m)

Distance from internal signal cable connectors to floor: 48 in (1219 mm)
 External terminator power connection required: yes (40 V dc)

Environmental considerations:

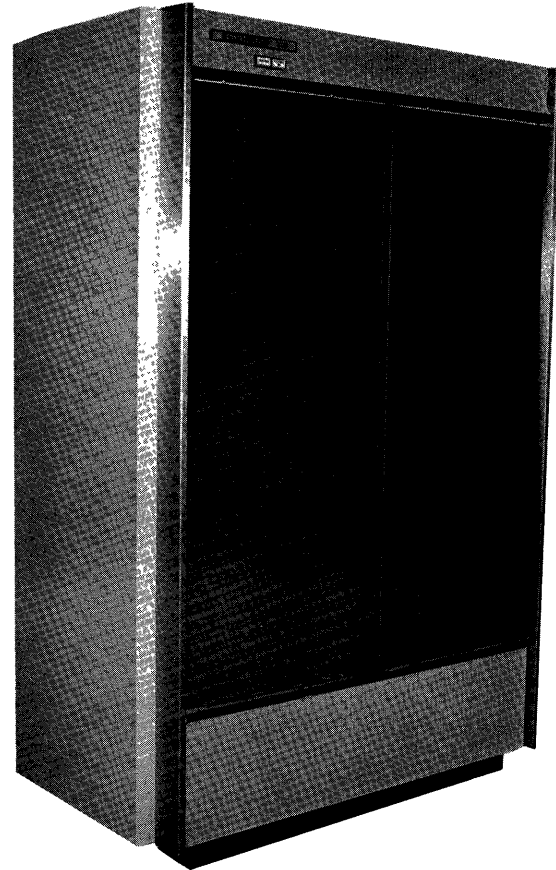
Type of cooling, internal fan
 Source of cooling, room air

Heat rejection rate, maximum $\left\{ \begin{array}{l} \text{to air, } 7500 \text{ Btu/h (} 2198 \text{ W) } \\ \text{to water, N/A} \end{array} \right\}$

Permissible range of room relative humidity, 30 % to 80 %

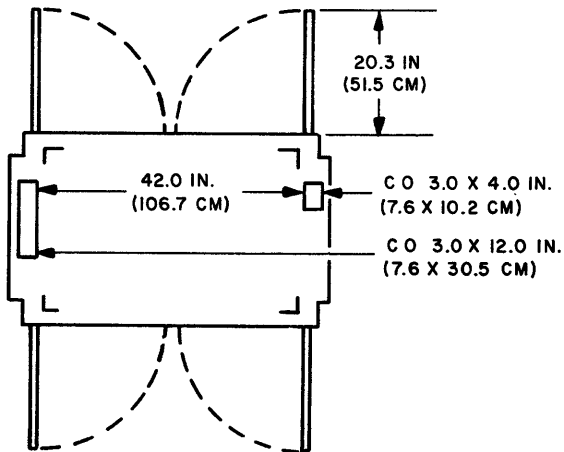
	Maximum	Recommended	Minimum	Dew Point Limitation
Operating temperature (ambient or plenum inlet temperature)	90 °F (32.2 °C)	72 °F (22.2 °C)	60 °F (15.6 °C)	N/A °F (°C)
Storage temperature	150 °F (65.6 °C)		-30 °F (-34.4 °C)	

3528-1/2/3 MAGNETIC TAPE CONTROLLER

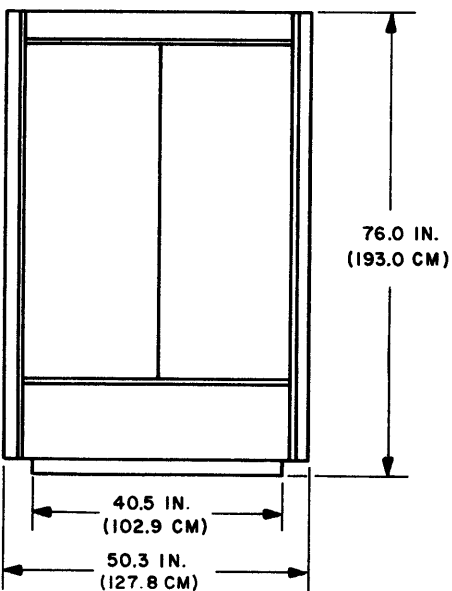


6233

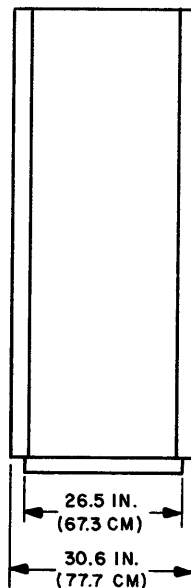
PLAN



FRONT



SIDE



2AW38A

3528-1/2/3 MAGNETIC TAPE CONTROLLER

Width	50.3	in (1276 mm)	Weight	1000	lb (455 kg)
Depth	30.6	in (777 mm)	Supported by	frame	base
Height	76.0	in (1930 mm)			

For maximum width/depth, all doors extended, refer to floor plan layout.

Power consumption, steady state, maximum:

400 Hz, 208 V, 3 phase, 1.2 kVA
 and $\left\{ \begin{array}{l} 60 \text{ Hz, } 120 \text{ V, } 1 \text{ phase, } 1.1 \text{ kVA} \\ \text{or} \\ 50 \text{ Hz, } 120 \text{ V, } 1 \text{ phase, } 1.1 \text{ kVA} \end{array} \right\}$

Circuit breakers:

400 Hz, 15 A, 3 phase
 and $\left\{ \begin{array}{l} 60 \text{ Hz, } 15 \text{ A, } 1 \text{ phase} \\ \text{or} \\ 50 \text{ Hz, } 15 \text{ A, } 1 \text{ phase} \end{array} \right\}$

Power connector locations above cabinet base:

Terminal strip 36 in (914 mm)
 Terminal strip }
 Terminal strip } 30 in (762 mm)

Control Data signal cables:	Quantity:	Standard length:	Maximum length:
Data channel to controller	04 61 p	40 ft (12.2 m)	200 ft (61 m)

Distance from internal signal cable connectors to floor: 48 in (1219 mm)
 External terminator power connection required: yes (40 V dc)

Environmental considerations:

Type of cooling, forced air
 Source of cooling, room air

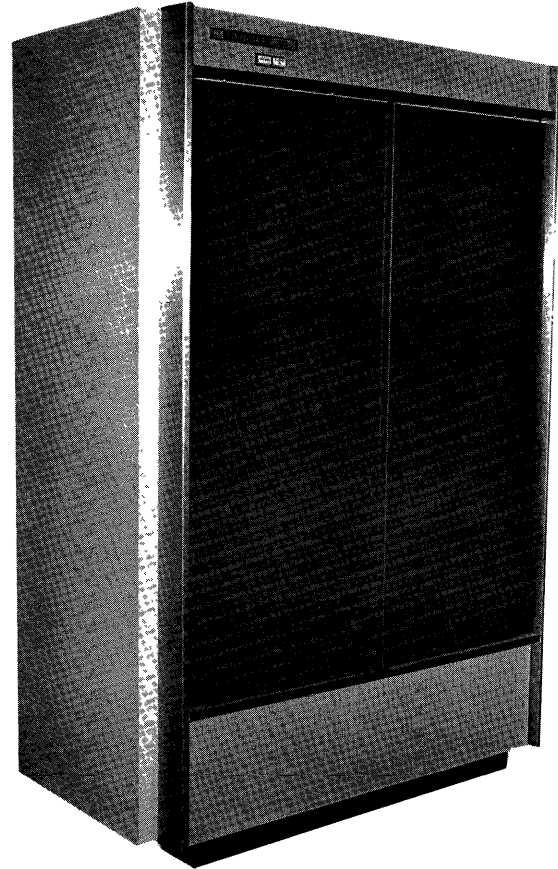
Heat rejection rate, maximum $\left\{ \begin{array}{l} \text{to air, } 7500 \text{ Btu/h (} 2198 \text{ W) } \\ \text{to water, N/A} \end{array} \right\}$

Permissible range of room relative humidity, 30 % to 80 %

	Maximum	Recommended	Minimum	Dew Point Limitation
Operating temperature (ambient or plenum inlet temperature)	90 °F (32.2°C)	75 °F (23.9°C)	60 °F (15.6°C)	N/A °F (°C)
Storage temperature	150 °F (65.5 °C)		-30 °F (-34.4°C)	

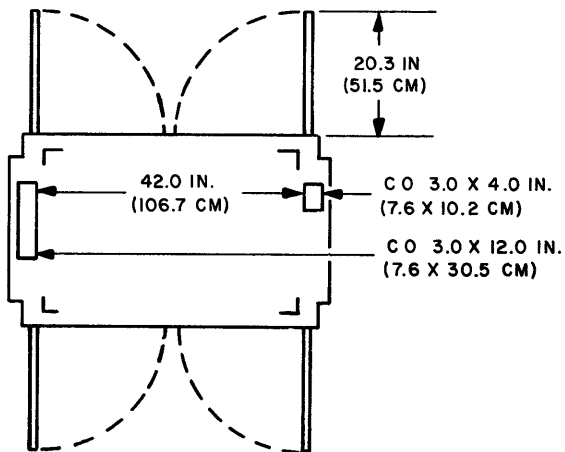
3553-1/2 MASS STORAGE CONTROLLER

(3553-2 Serial No. 56 and Up)

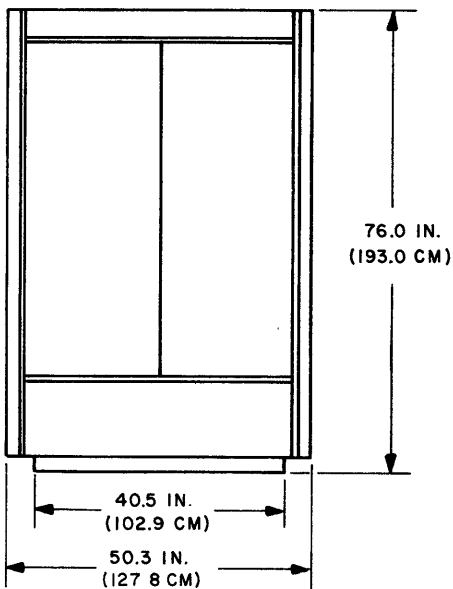


6233

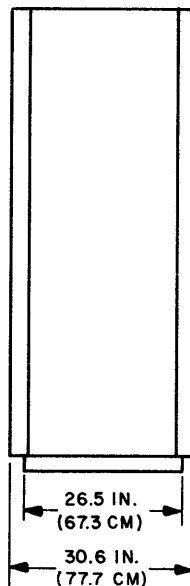
PLAN



FRONT



SIDE



2AW38A

3553-1/2 MASS STORAGE CONTROLLER

(3553-2 Serial No. 56 and Up)

Width	50.3	in (1278 mm)	Weight	1000	lb (455 kg)
Depth	30.6	in (777 mm)	Supported by	frame	
Height	76.0	in (1930 mm)			

For maximum width/depth, all doors extended, refer to floor plan layout.

Power consumption, steady state, maximum:

400 Hz, 208 V, 3 phase, 1.2 kVA
 and $\left\{ \begin{array}{l} 60 \text{ Hz, } 115 \text{ V, } 1 \text{ phase, } 1.1 \text{ kVA} \\ \text{or} \\ 50 \text{ Hz, } 115 \text{ V, } 1 \text{ phase, } 1.1 \text{ kVA} \end{array} \right\}$

Circuit breakers:

400 Hz, 15 A, 3 phase
 and $\left\{ \begin{array}{l} 60 \text{ Hz, } 15 \text{ A, } 1 \text{ phase} \\ \text{or} \\ 50 \text{ Hz, } 15 \text{ A, } 1 \text{ phase} \end{array} \right\}$

Power connector locations above cabinet base:

Terminal strip	24 in (610 mm)
Terminal strip	}
Terminal strip	

Control Data signal cables:	Quantity:	Standard length:	Maximum length:
To 3000 I/O	4	30 ft (9.1 m)	200 ft (61 m)

Distance from internal signal cable connectors to floor: 44 in (1118 mm)
 External terminator power connection required: yes (40 V dc)

Environmental considerations:

Type of cooling, internal fan
 Source of cooling, room air

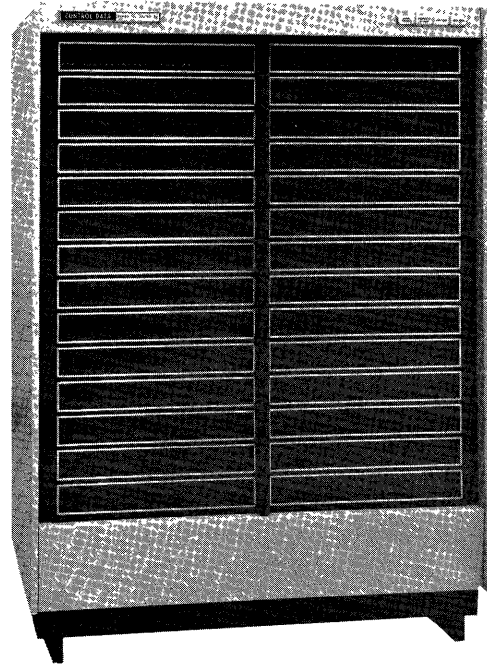
Heat rejection rate, maximum $\left\{ \begin{array}{l} \text{to air, } 6800 \text{ Btu/h (} 1992 \text{ W) } \\ \text{to water, N/A} \end{array} \right\}$

Permissible range of room relative humidity, 20 % to 80 %

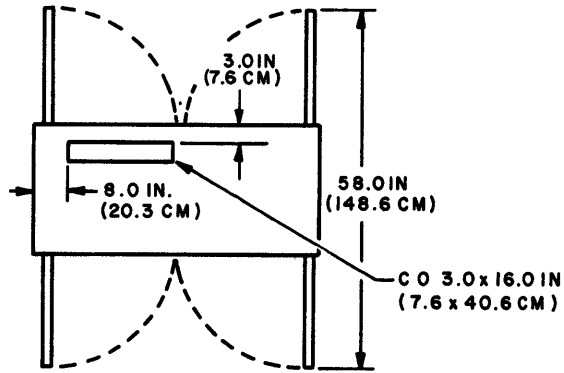
	Maximum	Recommended	Minimum	Dew Point Limitation
Operating temperature (ambient or plenum inlet temperature)	90 °F (32.2 °C)	72 °F (22.2 °C)	50 °F (10 °C)	N/A °F (°C)
Storage temperature	125 °F (51.7 °C)		-30 °F (-34.4 °C)	

3553-2 MASS STORAGE CONTROLLER

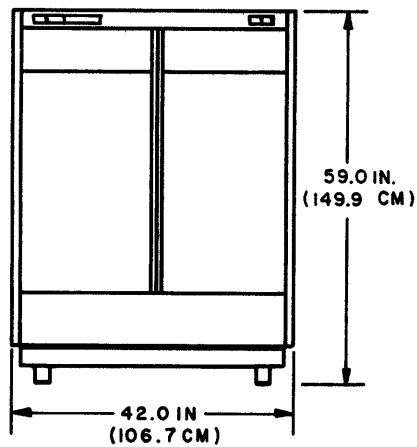
(Serial No. 1 through 55)



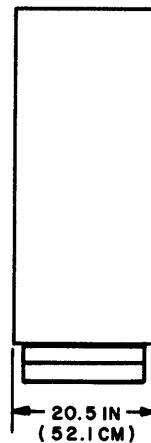
PLAN



FRONT



SIDE



2AW5A

3553-2 MASS STORAGE CONTROLLER

(Serial No. 1 through 55)

Width	42.0 in (1067 mm)	Weight	650 lb (292 kg)
Depth	20.5 in (521 mm)	Supported by frame	
Height	59.0 in (1499 mm)		

For maximum width/depth, all doors extended, refer to floor plan layout.

Power consumption, steady state, maximum:

400 Hz, 208 V, 3 phase, 0.9 kVA
 and $\left\{ \begin{array}{l} 60 \text{ Hz, } 115 \text{ V, } 1 \text{ phase, } 0.3 \text{ kVA} \\ \text{or} \\ 50 \text{ Hz, } 115 \text{ V, } 1 \text{ phase, } 0.3 \text{ kVA} \end{array} \right\}$

Circuit breakers:

400 Hz, 15 A, 3 phase
 and $\left\{ \begin{array}{l} 60 \text{ Hz, } 15 \text{ A, } 1 \text{ phase} \\ \text{or} \\ 50 \text{ Hz, } 15 \text{ A, } 1 \text{ phase} \end{array} \right\}$

Power connector locations above cabinet base:

Terminal strip 24 in (610 mm)
 Terminal strip }
 Terminal strip } 24 in (610 mm)

Control Data signal cables:	Quantity:	Standard length:	Maximum length:
To 3000 I/O	4	30 ft (9.1 m)	200 ft (60.9 m)

Distance from internal signal cable connectors to floor: 18 in (457 mm)
 External terminator power connection required: yes (40 V dc)

Environmental considerations:

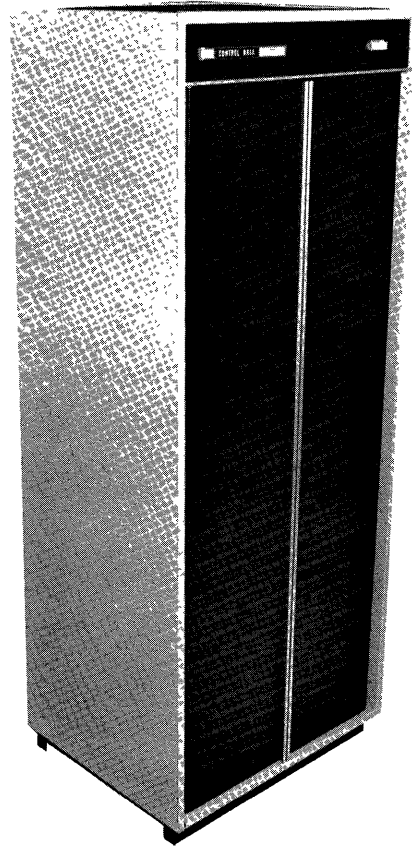
Type of cooling, internal fan
 Source of cooling, room air

Heat rejection rate, maximum $\left\{ \begin{array}{l} \text{to air, } 3700 \text{ Btu/h (} 1084 \text{ W) } \\ \text{to water, N/A} \end{array} \right\}$

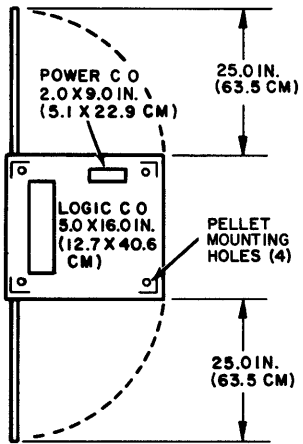
Permissible range of room relative humidity, 20 % to 80 %

	Maximum	Recommended	Minimum	Dew Point Limitation
Operating temperature (ambient or plenum inlet temperature)	90 °F (32.2 °C)	72 °F (22.2 °C)	50 °F (10 °C)	N/A °F (°C)
Storage temperature	125 °F (51.7 °C)		-30 °F (-34.4 °C)	

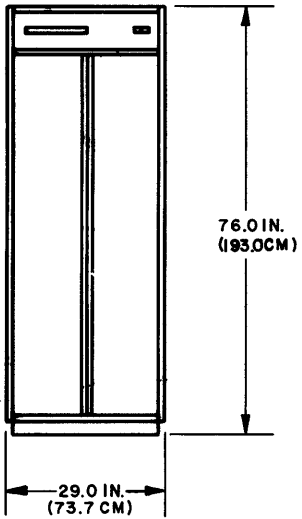
3554-1 MASS STORAGE CONTROLLER



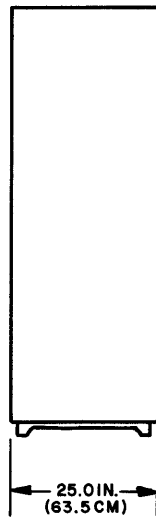
PLAN



FRONT



SIDE



2AW56A

3554-1 MASS STORAGE CONTROLLER

Width	29.0 in (737 mm)	Weight	500 lb (249 kg)
Depth	25.0 in (635 mm)	Supported by frame	
Height	76.0 in (1930 mm)		

For maximum width/depth, all doors extended, refer to floor plan layout.

Power consumption, steady state, maximum:

400 Hz, 208 V, 3 phase, 0.8 kVA
 and $\left\{ \begin{array}{l} 60 \text{ Hz, } 120/240 \text{ V, } 1 \text{ phase, } 0.18 \text{ kVA} \\ \text{or} \\ 50 \text{ Hz, } 220/250 \text{ V, } 1 \text{ phase, } 0.18 \text{ kVA} \end{array} \right.$

Circuit breakers:

400 Hz, 15 A, 3 phase
 and $\left\{ \begin{array}{l} 60 \text{ Hz, } 15 \text{ A, } 1 \text{ phase} \\ \text{or} \\ 50 \text{ Hz, } 15 \text{ A, } 1 \text{ phase} \end{array} \right.$

Power connector locations above cabinet base:

Terminal strip 60 in (1524 mm) †
 Terminal strip }
 Terminal strip } 60 in (1524 mm) †

Control Data signal cables:	Quantity:	Standard length:	Maximum length:
3554-1 to DSU	2	50 ft (15.2 m)	70 ft (21.3 m)
To I/O channel	2	30 ft (9.1 m)	200 ft (61 m)

Distance from internal signal cable connectors to floor: 60 in (1524 mm)

External terminator power connection required: yes (40 V dc)

Environmental considerations:

Type of cooling, internal fan

Source of cooling, room air

Heat rejection rate, maximum $\left\{ \begin{array}{l} \text{to air, } 3155 \text{ Btu/h (} 924 \text{ W) } \\ \text{to water, N/A} \end{array} \right.$

Permissible range of room relative humidity, 35 % to 60 %

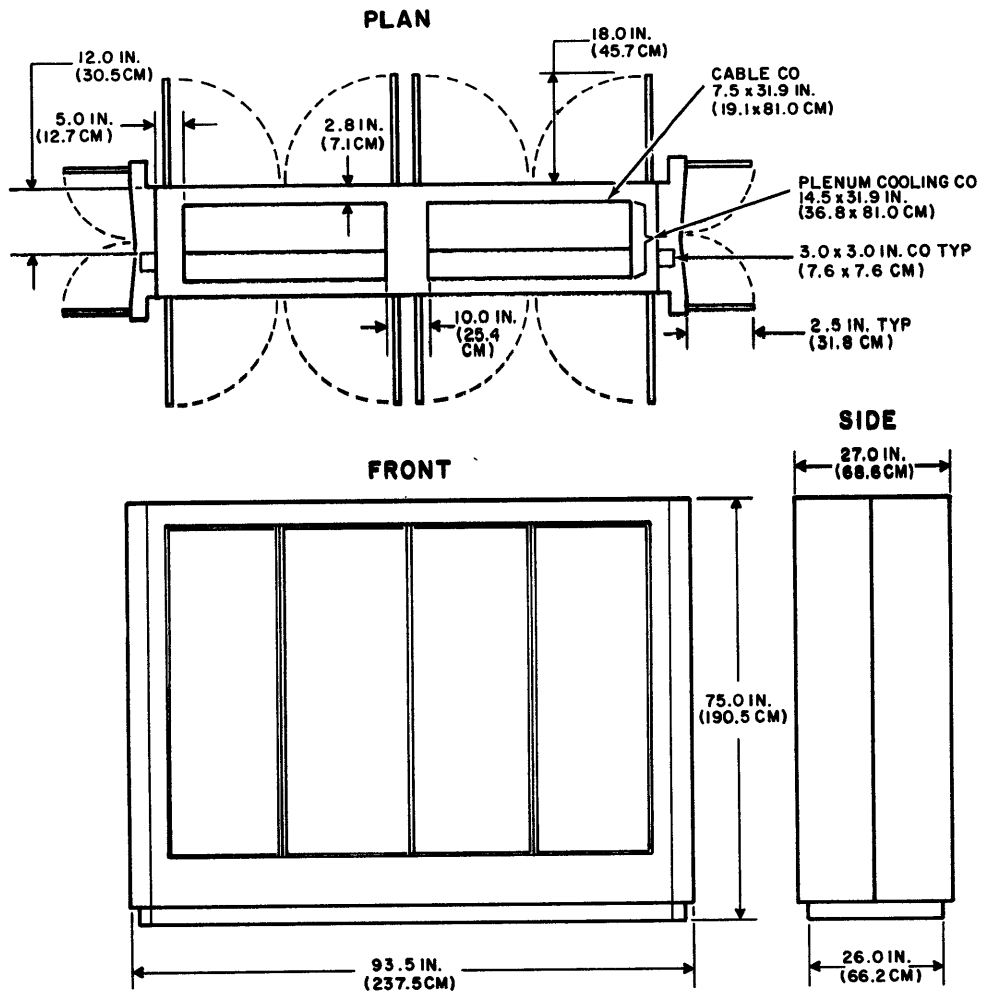
	Maximum	Recommended	Minimum	Dew Point Limitation
Operating temperature (ambient or plenum inlet temperature)	90 °F (32.2 °C)	72 °F (22.2 °C)	60 °F (15.6 °C)	N/A °F (°C)
Storage temperature	150 °F (65.6 °C)		-40 °F (-40 °C)	

† Estimated

3624 MAGNETIC TAPE CONTROLLER



836



2AW72A

3624 MAGNETIC TAPE CONTROLLER

Width	93.5 in (2375 mm)	Weight	1900 lb (862 kg)
Depth	27.0 in (686 mm)	Supported by	frame
Height	75.0 in (1905 mm)		

For maximum width/depth, all doors extended, refer to floor plan layout.

Power consumption, steady state, maximum:

400 Hz, 208 V, 3 phase, 2.1 kVA
 and $\left\{ \begin{array}{l} 60 \text{ Hz, } 115 \text{ V, } 1 \text{ phase, } 1.2 \text{ kVA} \\ \text{or} \\ 50 \text{ Hz, } 115 \text{ V, } 1 \text{ phase, } 1.2 \text{ kVA} \end{array} \right\}$

Circuit breakers:

400 Hz, 15 A, 3 phase
 and $\left\{ \begin{array}{l} 60 \text{ Hz, } 20 \text{ A, } 1 \text{ phase } \dagger \\ \text{or} \\ 50 \text{ Hz, } 20 \text{ A, } 1 \text{ phase } \dagger \end{array} \right\}$

Power connector locations above cabinet base:

Terminal strip 2 in (51 mm)
 Terminal strip }
 Terminal strip } 2 in (51 mm)

Control Data signal cables:	Quantity:	Standard length:	Maximum length:
3624 to central computer	4	30 ft (9.1 m)	200 ft (61 m)
3624 to central computer	4	50 ft (15.2 m)	200 ft (61 m)

Distance from internal signal cable connectors to floor: 8 in (203 mm)

External terminator power connection required: yes (40 V dc)

Environmental considerations:

Type of cooling, internal fan

Source of cooling, room air

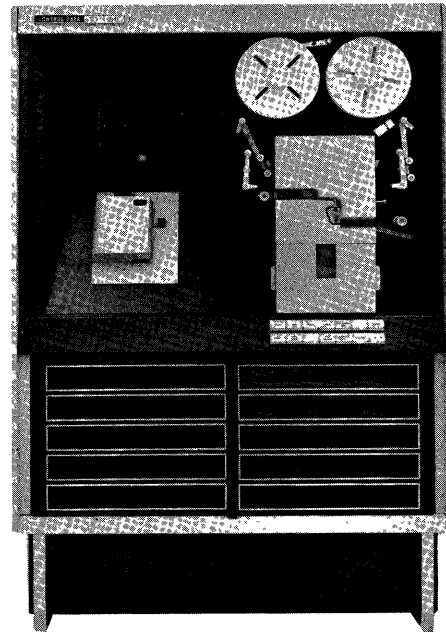
Heat rejection rate, maximum $\left\{ \begin{array}{l} \text{to air, } 11000 \text{ Btu/h (} 3223 \text{ W) } \\ \text{to water, N/A} \end{array} \right\}$

Permissible range of room relative humidity, 35 % to 60 %

	Maximum	Recommended	Minimum	Dew Point Limitation
Operating temperature (ambient or plenum inlet temperature)	74 °F (23.3 °C)	72 °F (22.2 °C)	62 °F (16.7 °C)	N/A °F (°C)
Storage temperature	125 °F †† (51.7 °C)		-30 °F †† (-34.4 °C)	

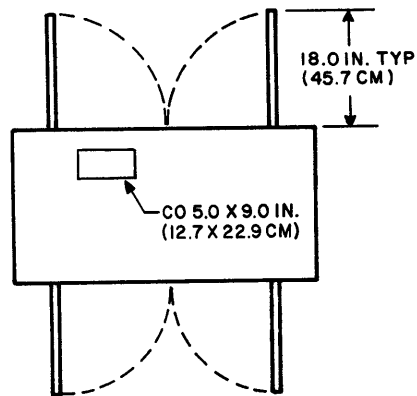
† Two circuit breakers required
 †† Estimated

3691 PAPER TAPE READER PUNCH

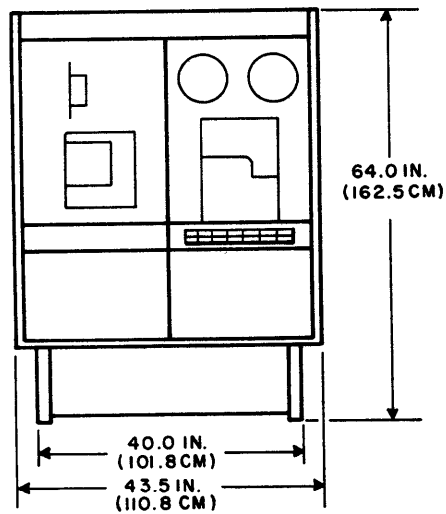


1397

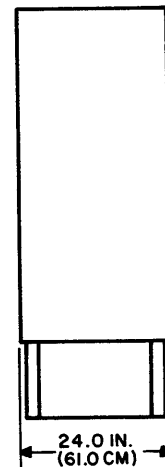
PLAN



FRONT



SIDE



2AW74A

3691 PAPER TAPE READER PUNCH

Width	43.5 in (1105 mm)	Weight	750 lb (340 kg)
Depth	24.0 in (610 mm)	Supported by frame	
Height	64.0 in (1626 mm)		

For maximum width/depth, all doors extended, refer to floor plan layout.

Power consumption, steady state, maximum:

60 Hz, 115 V, 1 phase, 0.8 kVA
 or
 50 Hz, 115 V, 1 phase, 0.8 kVA

Circuit breakers:

Power connector locations above cabinet base:

60 Hz, 15 A, 1 phase	Terminal strip	} 10 in (254 mm)
or 50 Hz, 15 A, 1 phase	Terminal strip	

Control Data signal cables:	Quantity:	Standard length:	Maximum length:
Logic cable	2	30 ft (9.1 m)	200 ft (61 m)

Distance from internal signal cable connectors to floor: 48 in (1219 mm)

External terminator power connection required: yes (40 V dc)

Environmental considerations:

Type of cooling, internal fan

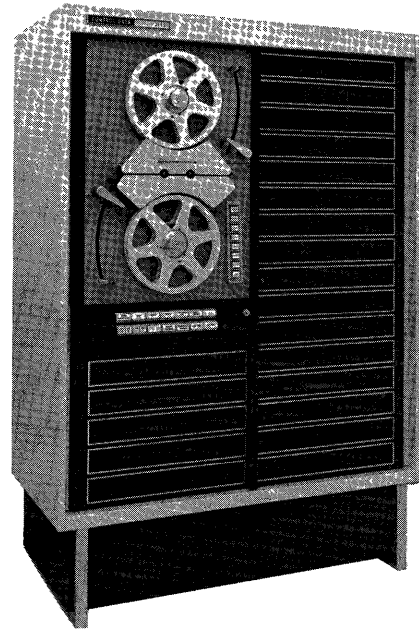
Source of cooling, room air

Heat rejection rate, maximum { to air, 2000 Btu/h (586 W)
 to water, N/A }

Permissible range of room relative humidity, 35 % to 60 %

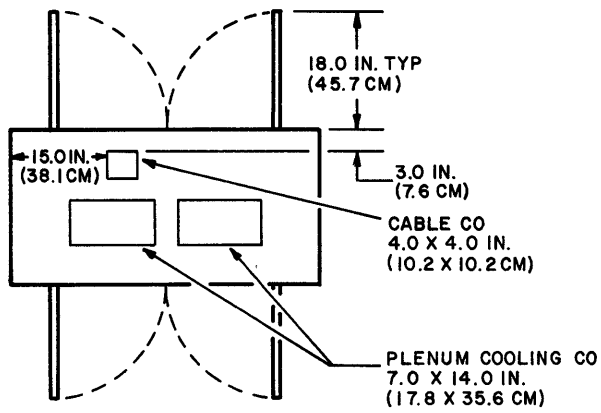
	Maximum	Recommended	Minimum	Dew Point Limitation
Operating temperature (ambient or plenum inlet temperature)	72 °F (22.2 °C)	72 °F (22.2 °C)	62 °F (16.7 °C)	N/A °F (°C)
Storage temperature	120 °F (48.9 °C)		0 °F (-17.8 °C)	

3694 PAPER TAPE READER PUNCH

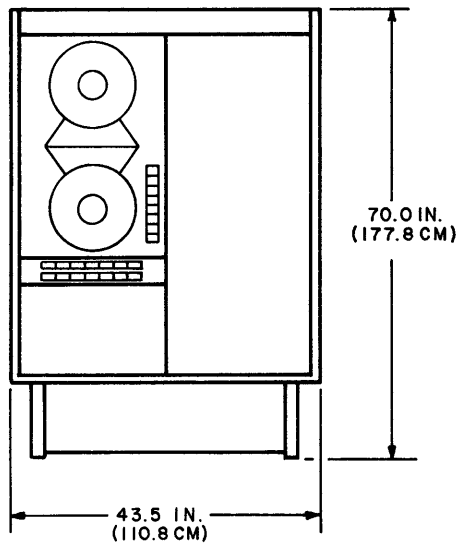


1226

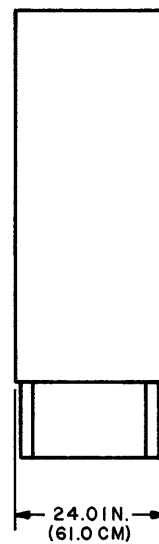
PLAN



FRONT



SIDE



2AW76A

3694 PAPER TAPE READER PUNCH

Width	43.5 in (1105 mm)	Weight	900 lb (408 kg)
Depth	24.0 in (610 mm)	Supported by frame	
Height	70.0 in (1778 mm)		

For maximum width/depth, all doors extended, refer to floor plan layout.

Power consumption, steady state, maximum:

60 Hz, 115 V, 1 phase, 1.8 kVA
 or
 50 Hz, 115 V, 1 phase, 1.8 kVA

Circuit breakers:

Power connector locations above cabinet base:

60 Hz, 20 A, 1 phase †	Terminal strip	} 10 in (254 mm)
or 50 Hz, 20 A, 1 phase †	Terminal strip	

Control Data signal cables:	Quantity:	Standard length:	Maximum length:
Logic cable	2	30 ft (9.1 m)	200 ft (61 m)

Distance from internal signal cable connectors to floor: 48 in (1219 mm)

External terminator power connection required: no

Environmental considerations:

Type of cooling, internal fan

Source of cooling, room air

Heat rejection rate, maximum { to air, 4300 Btu/h (1260 W)
} to water, N/A Btu/h

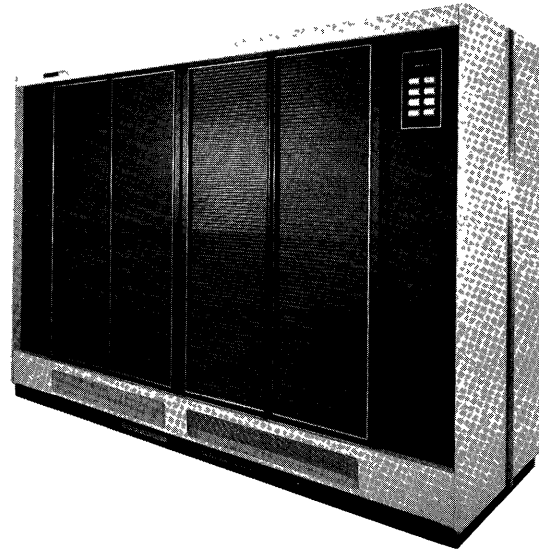
Permissible range of room relative humidity, 35 % to 60 %

	Maximum	Recommended	Minimum	Dew Point Limitation
Operating temperature (ambient or plenum inlet temperature)	74 °F (23.3 °C)	72 °F (22.2 °C)	62 °F (16.7 °C)	N/A °F (°C)
Storage temperature	120 °F (48.9 °C)		0 °F (-17.8 °C)	

† Two circuit breakers required

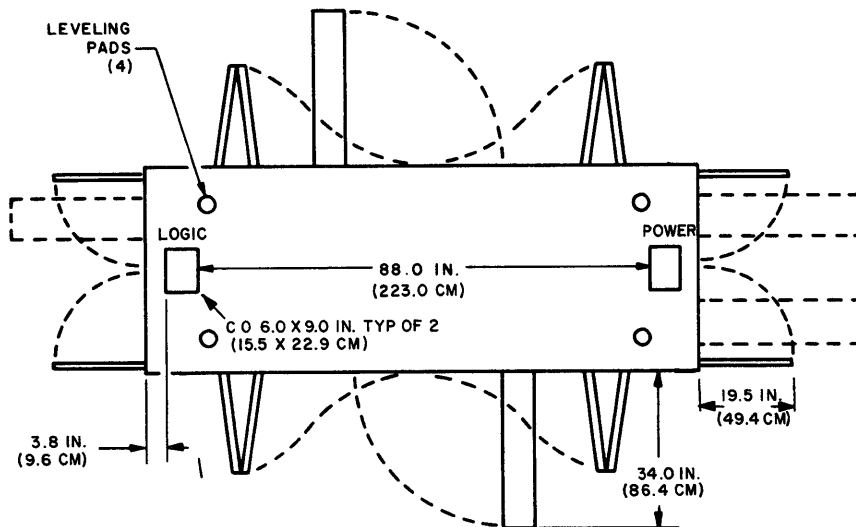
6638 DISK SYSTEM

(Disk file cabinet)

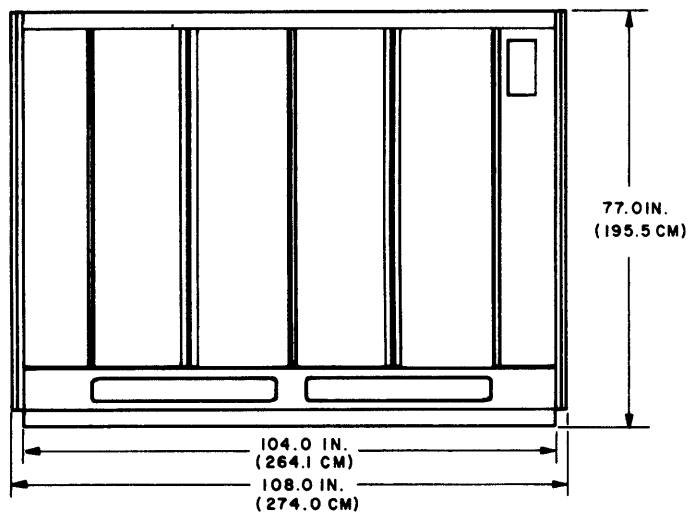


2072

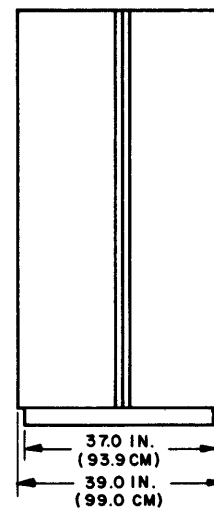
PLAN



FRONT



SIDE



2AW52A

6638 DISK SYSTEM
(Disk file cabinet, 50-Hz models)

Width	108	in (2743 mm)	Weight	4800	lb (2177 kg)
Depth	39	in (991 mm)	Supported by	4 leveling pads	
Height	77	in (1956 mm)			

For maximum width/depth, all doors extended, refer to floor plan layout.

Power consumption, steady state, maximum:

60 Hz, 208 V, 3 phase, 6.3 kVA
or
50 Hz, 208 V, 3 phase, 6.3 kVA†

Circuit breakers:

60 Hz, 50 A, 3 phase
or
50 Hz, 50 A, 3 phase

Power connector locations above cabinet base:

Terminal strip	} 28 in (711 mm)
Terminal strip	

Control Data signal cables:	Quantity:	Standard length:	Maximum length:
6638 to disk file	2	75 ft (22.9 m)	200 ft (61 m)

Distance from internal signal cable connectors to floor: 12 in (305 mm)
External terminator power connection required: yes (40 V dc)

Environmental considerations:

Type of cooling, internal fan
Source of cooling, room air

Heat rejection rate, maximum $\left\{ \begin{array}{l} \text{to air, 18200 Btu/h (5333 W) } \\ \text{to water, N/A} \end{array} \right.$

Permissible range of room relative humidity, 20 % to 80 %

	Maximum	Recommended	Minimum	Dew Point Limitation
Operating temperature (ambient or plenum inlet temperature)	90 °F (32.2 °C)	72 °F (22.2 °C)	50 °F (10.0 °C)	N/A °F (°C)
Storage temperature	125 °F (51.7 °C)		-30 °F (-34.4 °C)	

†50 Hz units require a 50 to 60 MG, provided by CDC, for the disk file.

6638 DISK SYSTEM

(Disk file cabinet, 60-Hz models)

Width	108.0 in (2743 mm)	Weight	4800 lb (2177 kg)
Depth	39.0 in (991 mm)	Supported by 4 leveling pads	
Height	77.0 in (1956 mm)		

For maximum width/depth, all doors extended, refer to floor plan layout.

Power consumption, steady state, maximum:

60 Hz, 208 V, 3 phase, 6.3 kVA

Circuit breakers:

Power connector locations above cabinet base:

60 Hz, 50 A, 3 phase †
or
60 Hz, 40 A, 3 phase ††

Terminal strip	}	28 in (711 mm)
Terminal strip		

Control Data signal cables:	Quantity:	Standard length:	Maximum length:
6638 to disk file	2	75 ft (22.9 m)	200 ft (61 m)

Distance from internal signal cable connectors to floor: 12 in (305 mm)

External terminator power connection required: yes (40 V dc)

Environmental considerations:

Type of cooling, internal fan

Source of cooling, room air

Heat rejection rate, maximum	{	to air, 18,200 Btu/h (5333 W)	}
		to water, N/A	

Permissible range of room relative humidity, 20 % to 80 %

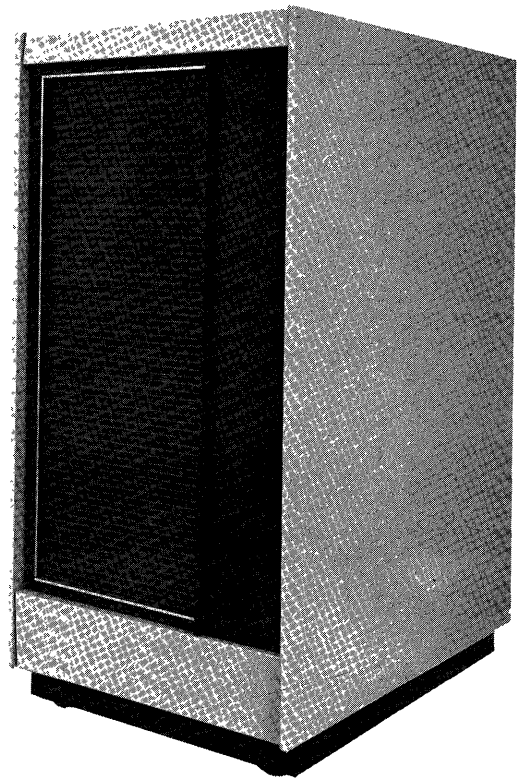
	Maximum	Recommended	Minimum	Dew Point Limitation
Operating temperature (ambient or plenum inlet temperature)	90 °F (32.2 °C)	72 °F (22.2 °C)	50 °F (10.0 °C)	N/A °F (°C)
Storage temperature	125 °F (51.7 °C)		-30 °F (-34.4 °C)	

† Models A01 through A05

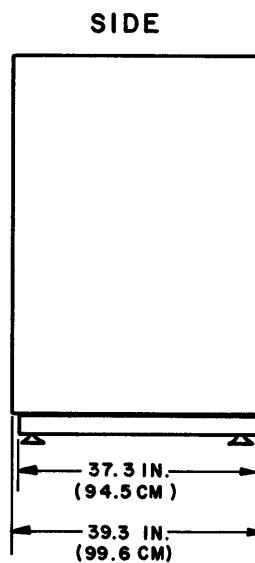
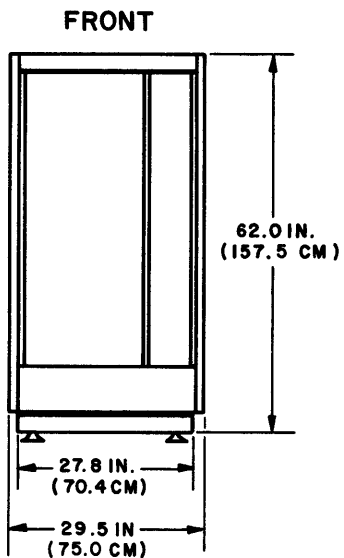
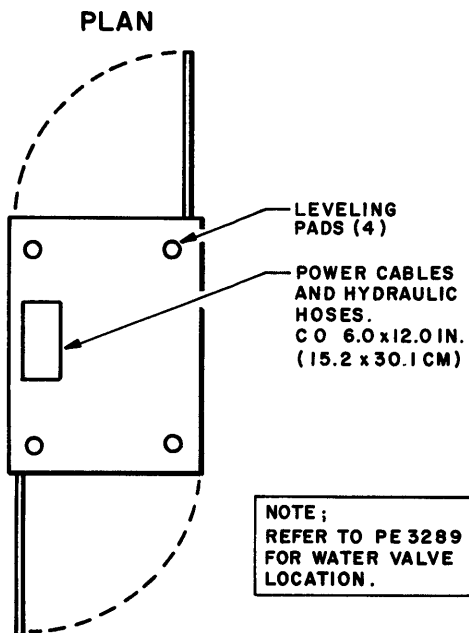
†† Models A06 and above

6638 DISK SYSTEM

(Hydraulic cabinet)



2



2AW

6638 DISK SYSTEM
(Hydraulic cabinet, 50-Hz models)

Width	29.5 in (749 mm)	Weight	1000 lb (454 kg)
Depth	39.3 in (998 mm)	Supported by	4 leveling pads
Height	62.0 in (1575 mm)		

For maximum width/depth, all doors extended, refer to floor plan layout.

Power consumption, steady state, maximum:

50 Hz, 400 V, 3 phase, 5.8 kVA

Circuit breakers:

Power connector locations above cabinet base:

50 Hz, 20 A, 3 phase

Terminal strip

60 in (1524 mm)

Control Data signal cables:	Quantity:	Standard length:	Maximum length:
Hydraulic hoses to disk file	4	20 ft (6.1 m)	20 ft (6.1 m)
Water hoses to water source	2	10 ft (3.1 m)	10 ft (3.1 m)

Distance from internal signal cable connectors to floor: N/A

External terminator power connection required: no

Environmental considerations:

Type of cooling, water-cooled heat exchanger and natural convection

Source of cooling, room air and building water supply

Heat rejection rate, maximum $\left\{ \begin{array}{l} \text{to air, } 4000 \text{ Btu/h (} 1172 \text{ W) } \\ \text{to water, } 11,400 \text{ Btu/h (} 3340 \text{ W) } \end{array} \right\}$

Permissible range of room relative humidity, 10 % to 95 %

	Maximum	Recommended	Minimum	Dew Point Limitation
Operating temperature (ambient or plenum inlet temperature)	90 °F (32.2 °C)	72 °F (22.2 °C)	50 °F (10 °C)	N/A °F (°C)
Storage temperature	125 °F (51.7 °C)		-30 °F (-34.4 °C)	

6638 DISK SYSTEM

(Hydraulic cabinet, 60-Hz models)

Width	29.5 in (749 cm)	Weight	1000 lb (454 kg)
Depth	39.3 in (998 cm)	Supported by	4 leveling pads
Height	62.0 in (1575 cm)		

For maximum width/depth, all doors extended, refer to floor plan layout.

Power consumption, steady state, maximum:†

60 Hz, 208 v, 3 phase, 5.8 kva

Circuit breakers: †

Power connector locations above cabinet base:

60 Hz, 30 amp, 3 phase	Terminal strip	60 in (1524 cm)
------------------------	----------------	-----------------

Control Data connections:	Quantity:	Standard length:	Maximum length:
Hydraulic hoses to disk file	4	20 ft (6.1 m)	20 ft (6.1 m)
Water hoses to water source	2	10 ft (3.1 m)	10 ft (3.1 m)

Distance from internal signal cable connectors to floor: N/A

External terminator power connection required: no

Environmental considerations:

Type of cooling, water-cooled heat exchanger and natural convection

Source of cooling, room air and building water supply

Heat rejection rate, maximum	{	to air,	4000	Btu/hr (1172 W	}
		to water,	11,400	Btu/hr (3340 W	

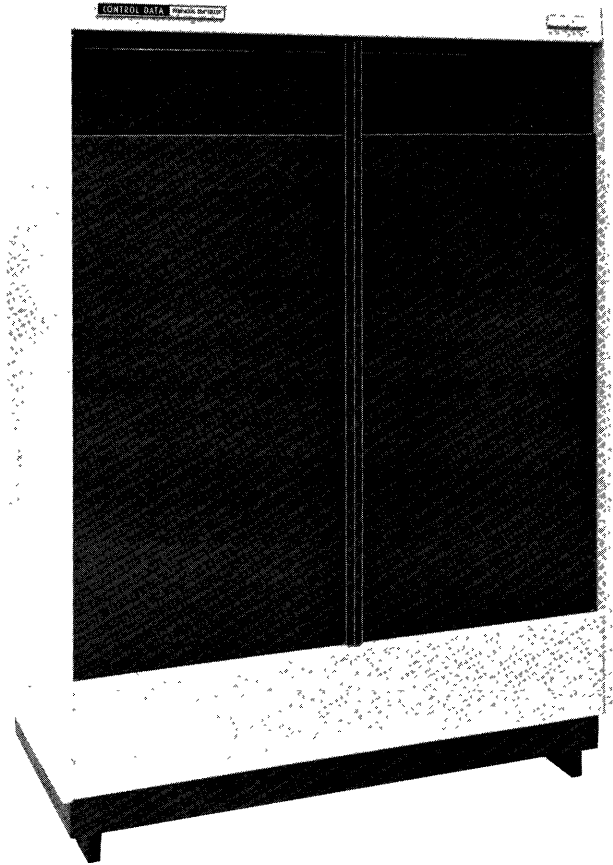
Permissible range of room relative humidity, 10 % to 95 %

	Maximum	Recommended	Minimum	Dew Point Limitation
Operating temperature	90 °F (32.2 °C)	72 °F (22.2 °C)	50 °F (10.0 °C)	N/A °F (°C)
Storage temperature	125 °F (51.7 °C)		-30 °F (-34.4 °C)	

† This information is included on the data sheet for the 6638 Disk File cabinet for models A01 through A05.

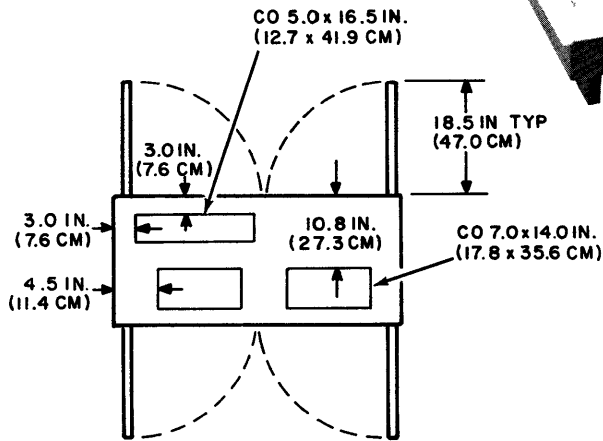
6638 DISK SYSTEM

(Controller cabinet)

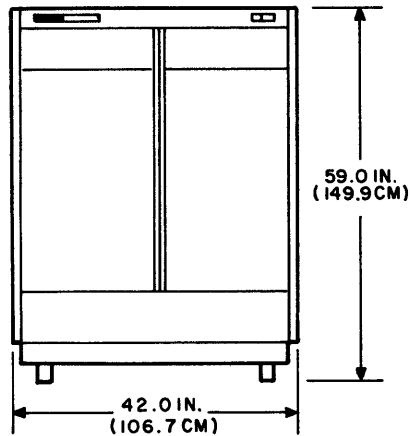


2462

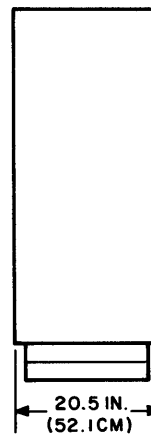
PLAN



FRONT



SIDE



2AW64A

6638 DISK SYSTEM

(Controller cabinet)

Width	42	in (1067 mm)	Weight	700	lb (318 kg)
Depth	20.5	in (521 mm)	Supported by	2 legs	
Height	59	in (1499 mm)			

For maximum width/depth, all doors extended, refer to floor plan layout.

Power consumption, steady state, maximum:

400 Hz, 208 V, 3 phase, 0.9 kVA , † 0.4 kVA ††
 and { 60 Hz, 120 V, 1 phase, 0.4 kVA ; † 0.3 kVA ††
 or
 50 Hz, 120 V, 1 phase, 0.4 kVA , † 0.3 kVA ††

Circuit breakers:

400 Hz, 15 A, 3 phase
 and { 60 Hz, 15 A, 1 phase
 or
 50 Hz, 15 A, 1 phase

Power connector locations above cabinet base:

Terminal strip 5 in (127 mm)
 Terminal strip } 5 in (127 mm)
 Terminal strip

Control Data signal cables:	Quantity:	Standard length:	Maximum length:
6638 to computer	4	5.0 ft (1.5 m)	75 ft (22.9 m)
6638 to disk file	2	75 ft (22.9 m)	200 ft (61 m)

Distance from internal signal cable connectors to floor: 24 in (610 mm)

External terminator power connection required: yes

Environmental considerations:

Type of cooling, internal fan

Source of cooling, room air

Heat rejection rate, maximum { to air, 3500 Btu/h (1026 W)
 to water, N/A }

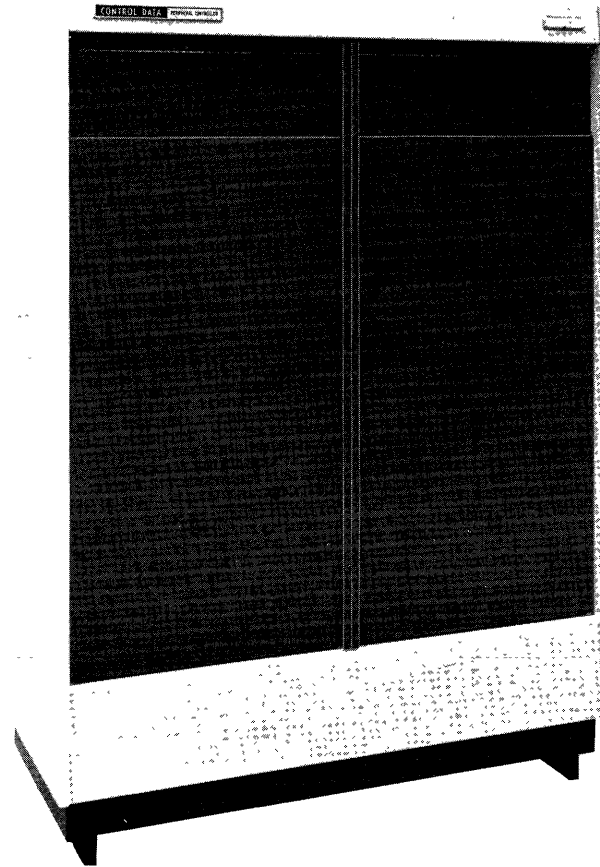
Permissible range of room relative humidity, 35 % to 60 %

	Maximum	Recommended	Minimum	Dew Point Limitation
Operating temperature (ambient or plenum inlet temperature)	74 °F (23.3 °C)	72 °F (22.2 °C)	62 °F (16.7 °C)	N/A °F (- °C)
Storage temperature	130 °F (54.4 °C)		-30 °F (-34.4 °C)	

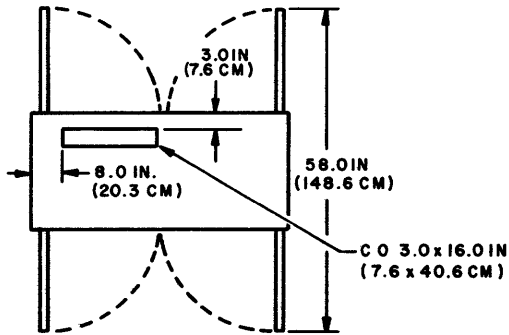
† With standard option 10037

†† Without standard option 10037

6671-2/3 DATA SET CONTROLLER

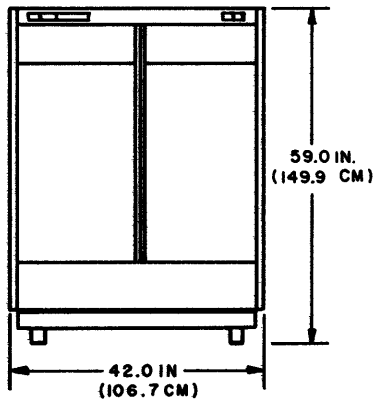


PLAN

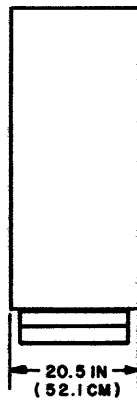


2462

FRONT



SIDE



2AW5A

6671-2/3 DATA SET CONTROLLER

Width	42.0 in (1067mm)	Weight	850 lb (385 kg)
Depth	20.5 in (521mm)	Supported by	
Height	56.9 in (1445mm)		

For maximum width/depth, all doors extended, refer to floor plan layout.

Power consumption, steady state, maximum:

and	400 Hz, 208 V, 3 phase, 1.2 kVA { 60 Hz, 120 V, 1 phase, 0.3 kVA } or { 50 Hz, 120 V, 1 phase, 0.3 kVA }
-----	---

Circuit breakers:

and	400 Hz, 15 A, 3 phase { 60 Hz, 15 A, 1 phase } or { 50 Hz, 15 A, 1 phase }
-----	---

Power connector locations above cabinet base:

Terminal strip	54 in (1372 mm)
Terminal strip	36 in (914 mm)
Terminal strip	

Control Data signal cables:	Quantity:	Standard length:	Maximum length:
CYBER 170-6000 I/O to 6671-3	02 19 p	65 ft (19.8 m)	65 ft (19.8 m)†
6671 attached drop cable	02 19 p	5 ft (1.5 m)	5 ft (1.5 m)
CYBER 70-6000 I/O to 6671-3	02 19 p	70 ft (21.3 m)	70 ft (21.3 m)

Distance from internal signal cable connectors to floor: 24 in (610 mm)

External terminator power connection required: no

Environmental considerations:

Type of cooling, **internal fan forced air**

Source of cooling, **room air**

Air required at inlet if plenum-cooled, 270 ft³/min (459 m³/h)

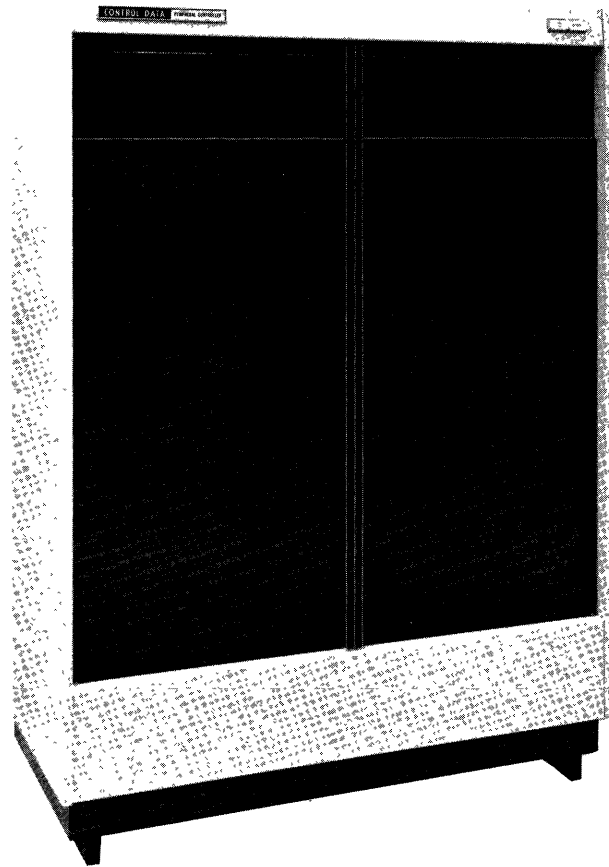
Heat rejection rate, maximum	{ to air, 4300 Btu/h (1260 W) } { to water, N/A }
------------------------------	---

Permissible range of room relative humidity, 35 % to 60 %

	Maximum	Recommended	Minimum	Dew Point Limitation
Operating temperature (ambient or plenum inlet temperature)	74 °F (23.3 °C)	72 °F (22.2 °C)	62 °F (16.7 °C)	N/A °F (°C)
Storage temperature	150 °F (65.6 °C)		-30 °F (-34.4 °C)	

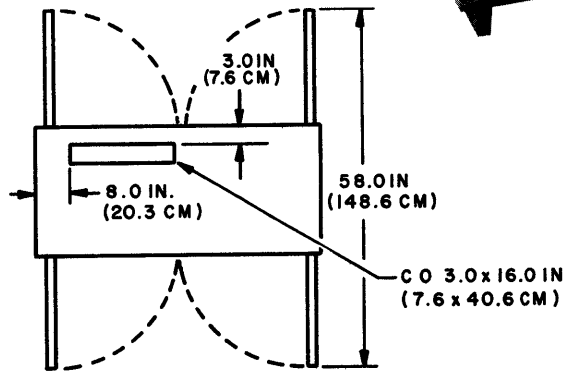
† Includes mainframe length and 5-ft (1.5-m) drop.

6673 DATA SET CONTROLLER

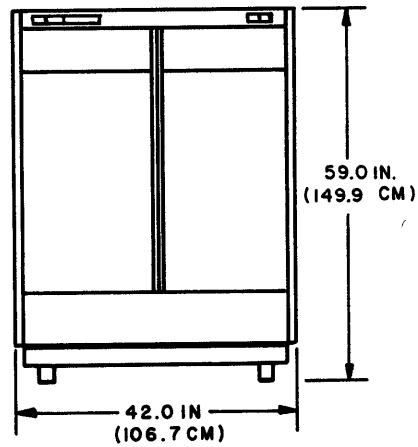


2462

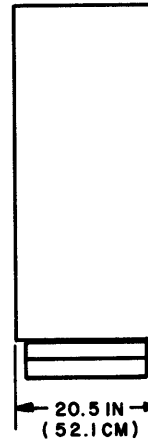
PLAN



FRONT



SIDE



2AW5A

6673 DATA SET CONTROLLER

Width	42.0 in (1067 mm)	Weight	650 lb (295 kg)
Depth	20.5 in (521 mm)	Supported by	frame
Height	59.0 in (1499 mm)		

For maximum width/depth, all doors extended, refer to floor plan layout.

Power consumption, steady state, maximum:

400 Hz, 208 V, 3 phase, 0.5 kVA

and $\left\{ \begin{array}{l} 60 \text{ Hz, } 120 \text{ V, } 1 \text{ phase, } 0.1 \text{ kVA} \\ \text{or} \\ 50 \text{ Hz, } 120 \text{ V, } 1 \text{ phase, } 0.1 \text{ kVA} \end{array} \right\}$

Circuit breakers:

400 Hz, 15 A, 3 phase

and $\left\{ \begin{array}{l} 60 \text{ Hz, } 15 \text{ A, } 1 \text{ phase} \\ \text{or} \\ 50 \text{ Hz, } 15 \text{ A, } 1 \text{ phase} \end{array} \right\}$

Power connector locations above cabinet base:

Terminal strip	54 in (1371 mm)
Terminal strip	} 36 in (914 mm)
Terminal strip	

Control Data signal cables:	Quantity:	Standard length:	Maximum length:
6673 attached drop cable	2	5 ft (1.5 m)	5 ft (1.5 m)
6673 to CYBER 170	2	65 ft (19.8 m)	65 ft (19.8 m)
or 6673 to CYBER 170	2	70 ft (21.3 m)	70 ft (21.3 m)

Distance from internal signal cable connectors to floor: 24 in (610 mm)

External terminator power connection required: no

Environmental considerations:

Type of cooling, **internal fan**

Source of cooling, **room air**

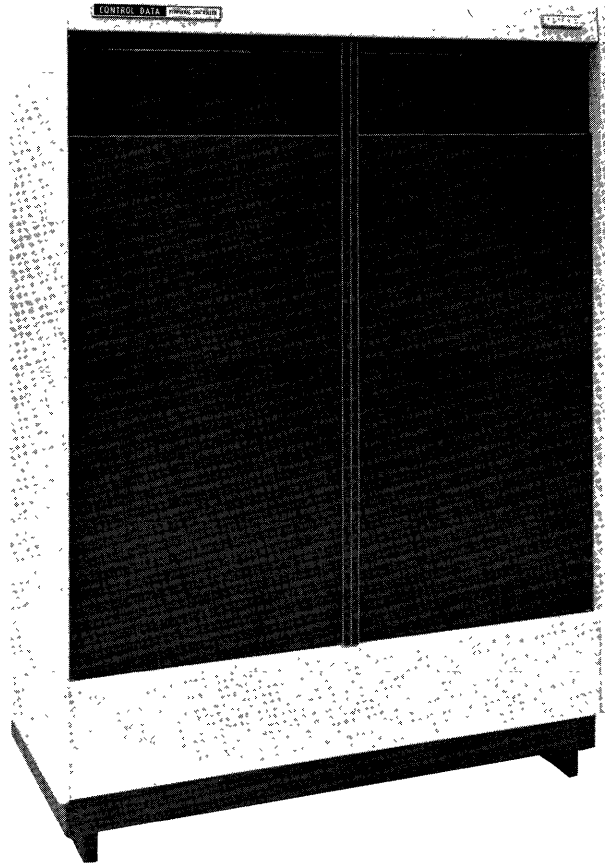
Heat rejection rate, maximum $\left\{ \begin{array}{l} \text{to air, } 1900 \text{ Btu/h (} 557 \text{ W) } \\ \text{to water, N/A} \end{array} \right\}$

Permissible range of room relative humidity, 35 % to 80 %

	Maximum	Recommended	Minimum	Dew Point Limitation
Operating temperature (ambient or plenum inlet temperature)	80 °F (26.6 °C)	72 °F (22.2 °C)	60 °F (15.5 °C)	N/A °F (°C)
Storage temperature	150 °F (65.6 °C)		-30 °F (-34.4 °C)	

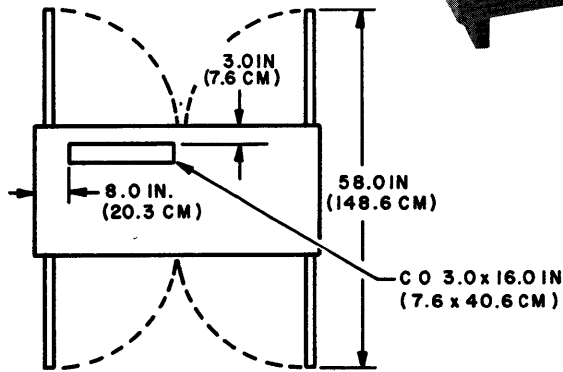
6674 DATA SET CONTROLLER

(Two cabinets required)



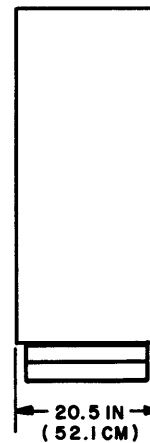
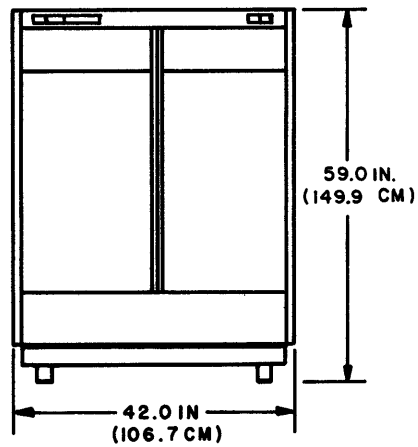
2462

PLAN



FRONT

SIDE



2AW5A

6674 DATA SET CONTROLLER

(Two cabinets required)

Width	42.0 in (1067 mm)	Weight	650 lb (295 kg)
Depth	20.5 in (521 mm)	Supported by frame	
Height	59.0 in (1499 mm)		

For maximum width/depth, all doors extended, refer to floor plan layout.

Power consumption, steady state, maximum:

400 Hz, 208 V, 3 phase, 0.5 kVA † 0.4 kVA ††
 and $\left\{ \begin{array}{l} 60 \text{ Hz, } 120 \text{ V, } 1 \text{ phase, } 0.1 \text{ kVA} \\ \text{or} \\ 50 \text{ Hz, } 120 \text{ V, } 1 \text{ phase, } 0.1 \text{ kVA} \end{array} \right\}$

Circuit breakers:

400 Hz, 15 A, 3 phase
 and $\left\{ \begin{array}{l} 60 \text{ Hz, } 15 \text{ A, } 1 \text{ phase} \\ \text{or} \\ 50 \text{ Hz, } 15 \text{ A, } 1 \text{ phase} \end{array} \right\}$

Power connector locations above cabinet base:

Terminal strip 54 in (1371 mm)
 Terminal strip }
 Terminal strip } 36 in (914 mm)

Control Data signal cables:	Quantity:	Standard length:	Maximum length:
6674 attached drop cable	2	5 ft (1.5 m)	5 ft (1.5 m)
6674 to CYBER 170	2	65 ft (19.8 m)	65 ft (19.8 m)
or 6674 to CYBER 70	2	70 ft (21.3 m)	70 ft (21.3 m)

Distance from internal signal cable connectors to floor: 24 in (610 mm)

External terminator power connection required: no

Environmental considerations:

Type of cooling, internal fan

Source of cooling, room air

Heat rejection rate, maximum $\left\{ \begin{array}{l} \text{to air, } \uparrow 1900 \text{ Btu/h (} 557 \text{ W) } \\ \text{to water, } \uparrow 1600 \text{ Btu/h (} 400 \text{ W) } \end{array} \right\}$

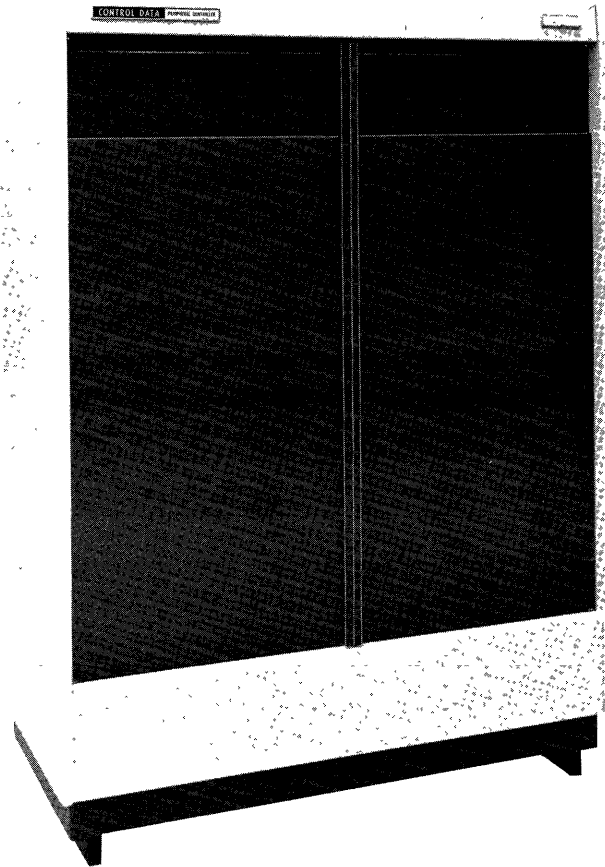
Permissible range of room relative humidity, 35 % to 80 %

	Maximum	Recommended	Minimum	Dew Point Limitation
Operating temperature (ambient or plenum inlet temperature)	80 °F (26.6 °C)	72 °F (22.2 °C)	60 °F (15.5 °C)	N/A °F (°C)
Storage temperature	150 °F (65.6 °C)		-30 °F (-34.4 °C)	

†Cabinet number 1 only.

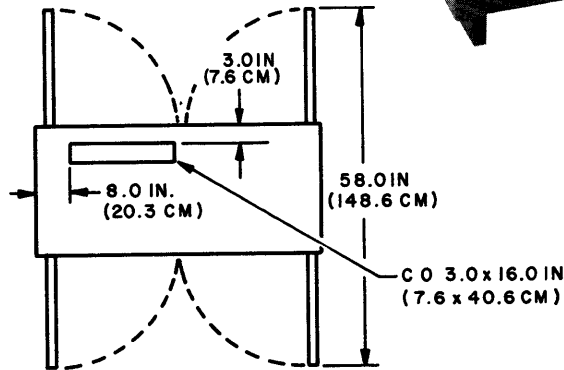
††Cabinet number 2 only.

6676 DATA SET CONTROLLER

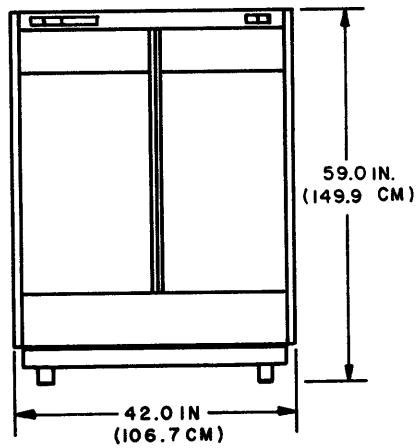


2462

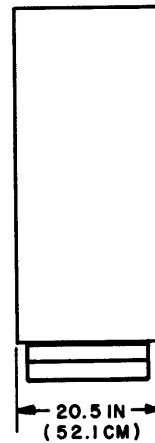
PLAN



FRONT



SIDE



2AW5A

6676 DATA SET CONTROLLER

Width	42.0 in (1067 mm)	Weight	625 lb (284 kg)
Depth	20.5 in (521 mm)	Supported by frame	
Height	59.0 in (1499 mm)		

For maximum width/depth, all doors extended, refer to floor plan layout.

Power consumption, steady state, maximum:

400 Hz, 208 V, 3 phase, 0.9 kVA
 and $\left\{ \begin{array}{l} 60 \text{ Hz, } 120 \text{ V, } 1 \text{ phase, } 0.3 \text{ kVA} \\ \text{or} \\ 50 \text{ Hz, } 120 \text{ V, } 1 \text{ phase, } 0.3 \text{ kVA} \end{array} \right.$

Circuit breakers:

400 Hz, 15 A, 3 phase
 and $\left\{ \begin{array}{l} 60 \text{ Hz, } 15 \text{ A, } 1 \text{ phase} \\ \text{or} \\ 50 \text{ Hz, } 15 \text{ A, } 1 \text{ phase} \end{array} \right.$

Power connector locations above cabinet base:

Terminal strip 4 in (102 mm)
 Terminal strip }
 Terminal strip } 4 in (102 mm)

Control Data signal cables:	Quantity:	Standard length:	Maximum length:
6676 attached drop cable	2	5 ft (1.5 m)	5 ft (1.5 m)
6676 to CYBER 170	2	65 ft (19.8 m)	65 ft (19.8 m)
or 6676 to CYBER 70	2	70 ft (21.3 m)	70 ft (21.3 m)

Distance from internal signal cable connectors to floor: 8 in (203 mm)

External terminator power connection required: no

Environmental considerations:

Type of cooling, internal fan

Source of cooling, room air

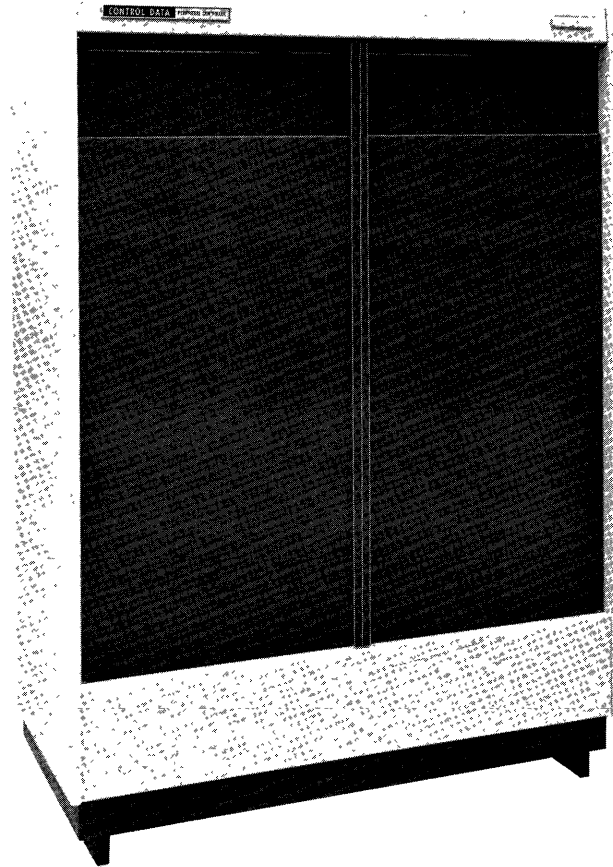
Heat rejection rate, maximum $\left\{ \begin{array}{l} \text{to air, } 3800 \text{ Btu/h (} 1113 \text{ W) } \\ \text{to water, N/A} \end{array} \right.$

Permissible range of room relative humidity, 35 % to 80 %

	Maximum	Recommended	Minimum	Dew Point Limitation
Operating temperature (ambient or plenum inlet temperature)	80 °F (26.6 °C)	72 °F (22.2 °C)	60 °F (15.5 °C)	N/A °F (°C)
Storage temperature	150 °F (65.6 °C)		-30 °F (-34.4 °C)	

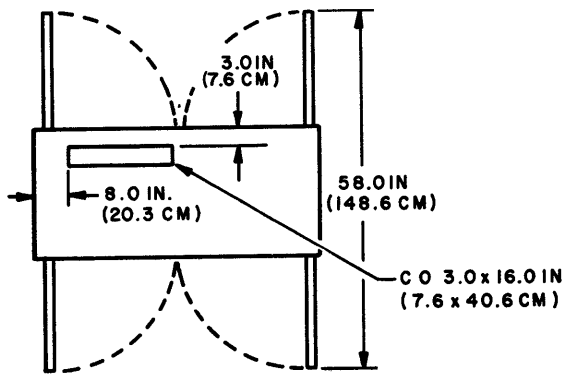
6681 DATA CHANNEL CONVERTER

(Maximum of four per cabinet)

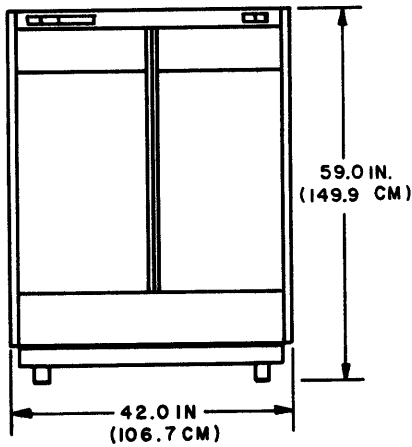


2462

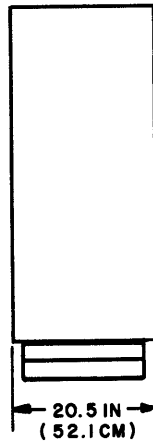
PLAN



FRONT



SIDE



2AW5A

6681 DATA CHANNEL CONVERTER

(Maximum of four per cabinet)

Width	42.0 in (1067 mm)	Weight	850 lb (400 kg)
Depth	20.5 in (520 mm)	Supported by 4 leveling pads	
Height	59.0 in (1499 mm)		

For maximum width/depth, all doors extended, refer to floor plan layout.

Power consumption, steady state, maximum:

400 Hz, 208 V, 3 phase, 0.9 kVA
 and $\left\{ \begin{array}{l} 60 \text{ Hz, } 115 \text{ V, } 1 \text{ phase, } 0.4 \text{ kVA} \\ \text{or} \\ 50 \text{ Hz, } 115 \text{ V, } 1 \text{ phase, } 0.4 \text{ kVA} \end{array} \right\}$

Circuit breakers:

400 Hz, 15 A, 3 phase
 and $\left\{ \begin{array}{l} 60 \text{ Hz, } 15 \text{ A, } 1 \text{ phase} \\ \text{or} \\ 50 \text{ Hz, } 15 \text{ A, } 1 \text{ phase} \end{array} \right\}$

Power connector locations above cabinet base:

Terminal strip	4 in (102 mm)
Terminal strip	} 4 in (102 mm)
Terminal strip	

Control Data signal cables:	Quantity:	Standard length:	Maximum length:
To 6000 / CYBER 70	2	75 ft (23 m)	75 ft (23 m)
To CYBER 170	2	65 ft (19.8 m)	65 ft (19.8 m)

Distance from internal signal cable connectors to floor: 15 in (381 mm)

External terminator power connection required: yes (40 V dc)

Environmental considerations:

Type of cooling, internal fan

Source of cooling, room air

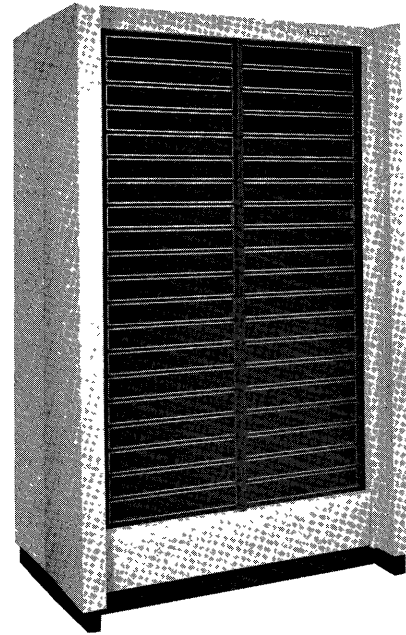
Heat rejection rate, maximum $\left\{ \begin{array}{l} \text{to air, } 3600 \text{ Btu/h (} 1055 \text{ W) } \\ \text{to water, N/A} \end{array} \right\}$

Permissible range of room relative humidity, 20 % to 80 %

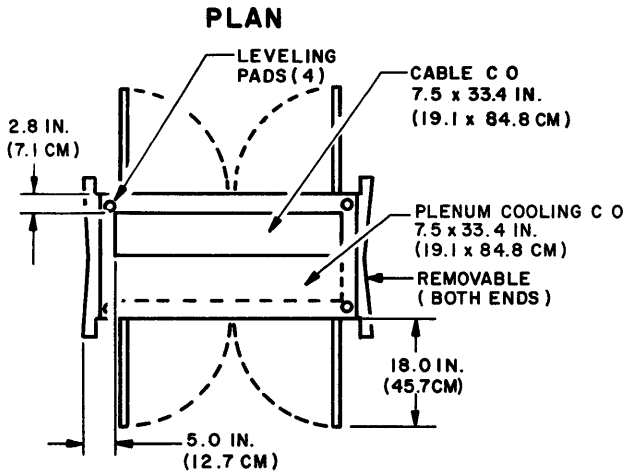
	Maximum	Recommended	Minimum	Dew Point Limitation
Operating temperature (ambient or plenum inlet temperature)	90 °F (32.2 °C)	72 °F (22.2 °C)	60 °F (15.6 °C)	N/A °F (°C)
Storage temperature	125 °F (51.7 °C)		-30 °F (-34.4 °C)	

6681 DATA CHANNEL CONVERTER

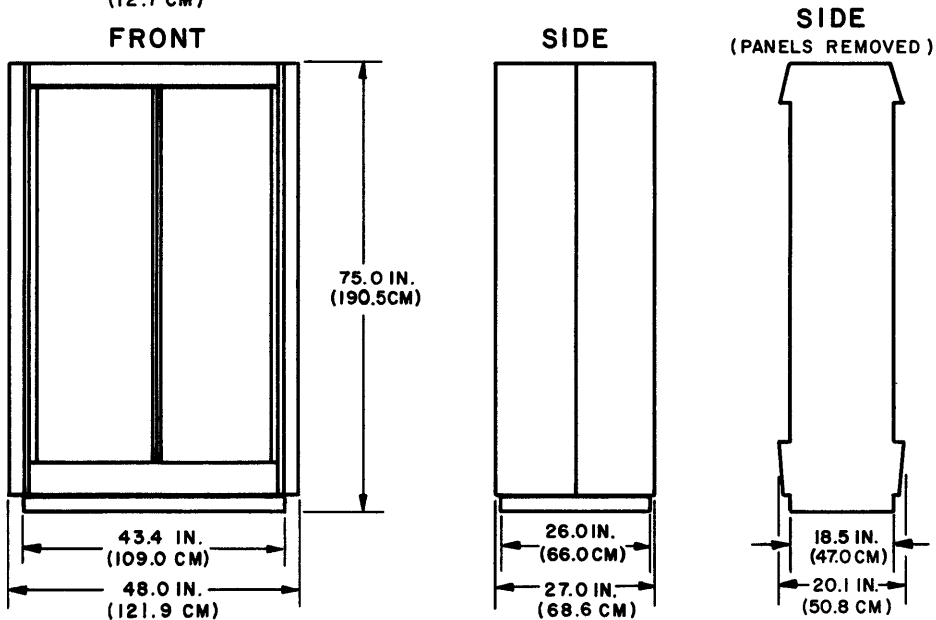
(Maximum of six per cabinet)



1421



NOTE ; CABINETS SHIPED WITH END SKINS REMOVED.
CABINETS MOUNTED END-TO-END, USE ONLY TWO END SKINS.



2AWIA

6681 DATA CHANNEL CONVERTER

(Maximum of six per cabinet)

Width	43.5 in (1105 mm)	Weight	1000 lb (445 kg)
Depth	20.1 in (511 mm)	Supported by 4 leveling pads	
Height	75.0 in (1905 mm)		

For maximum width/depth, all doors extended, refer to floor plan layout.

Power consumption, steady state, maximum:

400 Hz, 208 V, 3 phase, 1.0 kVA
 and $\left\{ \begin{array}{l} 60 \text{ Hz, } 115 \text{ V, } 1 \text{ phase, } 0.5 \text{ kVA} \\ \text{or} \\ 50 \text{ Hz, } 115 \text{ V, } 1 \text{ phase, } 0.5 \text{ kVA} \end{array} \right\}$

Circuit breakers:

400 Hz, 15 A, 3 phase
 and $\left\{ \begin{array}{l} 60 \text{ Hz, } 15 \text{ A, } 1 \text{ phase} \\ \text{or} \\ 50 \text{ Hz, } 15 \text{ A, } 1 \text{ phase} \end{array} \right\}$

Power connector locations above cabinet base:

Terminal strip 4 in (102 mm)
 Terminal strip } 4 in (102 mm)
 Terminal strip }

Control Data signal cables:	Quantity:	Standard length:	Maximum length:
To 6000 / CYBER 70	2	75 ft (23 m)	75 ft (23 m)
To CYBER 170	2	65 ft (19.8 m)	65 ft (19.8 m)

Distance from internal signal cable connectors to floor: 15 in (381 mm)

External terminator power connection required: yes (40 V dc)

Environmental considerations:

Type of cooling, **internal fan**

Source of cooling, **room air**

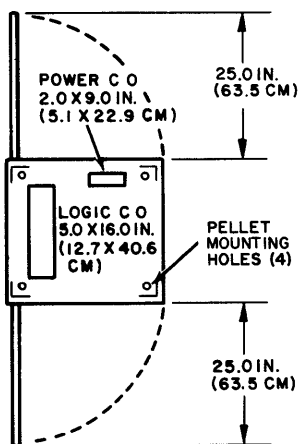
Heat rejection rate, maximum $\left\{ \begin{array}{l} \text{to air, } 5100 \text{ Btu/h (} 1494 \text{ W) } \\ \text{to water, N/A} \end{array} \right\}$

Permissible range of room relative humidity, 20 % to 80 %

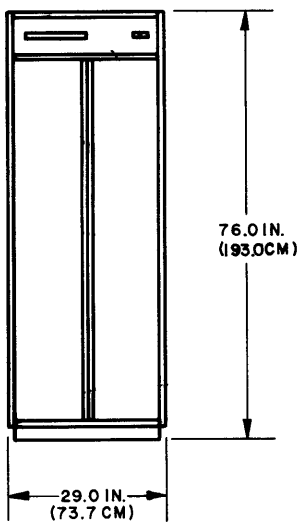
	Maximum	Recommended	Minimum	Dew Point Limitation
Operating temperature (ambient or plenum inlet temperature)	90 °F (32.2 °C)	72 °F (22.2 °C)	60 °F (15.6 °C)	N/A °F (°C)
Storage temperature	125 °F (51.7 °C)		-30 °F (-34.4 °C)	

7021-1 MAGNETIC TAPE CONTROLLER

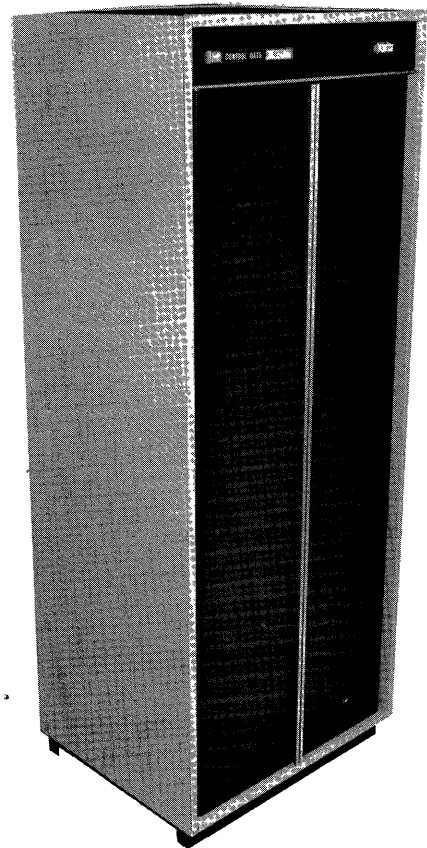
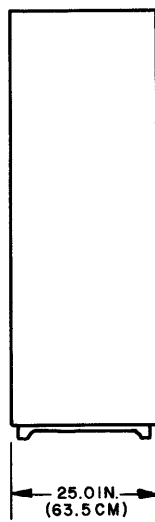
PLAN



FRONT



SIDE



2AW56A

7021-1 MAGNETIC TAPE CONTROLLER

Width	29.0 in (737 mm)	Weight	550 lb (249 kg)
Depth	25.0 in (635 mm)	Supported by frame	
Height	76.0 in (1930 mm)		

For maximum width/depth, all doors extended, refer to floor plan layout.

Power consumption, steady state, maximum:

400 Hz, 208 V, 3 phase, 0.6 kVA
 and $\left\{ \begin{array}{l} 60 \text{ Hz, } 120 \text{ V, } 1 \text{ phase, } 0.2 \text{ kVA} \\ \text{or} \\ 50 \text{ Hz, } 220 \text{ V, } 1 \text{ phase, } 0.2 \text{ kVA} \end{array} \right\}$

Circuit breakers:

400 Hz, 15 A, 3 phase
 and $\left\{ \begin{array}{l} 60 \text{ Hz, } 15 \text{ A, } 1 \text{ phase} \\ \text{or} \\ 50 \text{ Hz, } 15 \text{ A, } 1 \text{ phase} \end{array} \right\}$

Power connector locations above cabinet base:

Terminal strip 1 in (254 mm)
 Terminal strip } 1 in (254 mm)
 Terminal strip }

Control Data signal cables:	Quantity:	Standard length:	Maximum length:
Mag tape cont to tape handler	1	50 ft (15.4 m)	125 ft (38.1 m)
Mag tape cont to 6000 access	2	65 ft (19.8 m)	65 ft (19.8 m)

Distance from internal signal cable connectors to floor:	Tape handler	54 in (1372 mm)
	6000 access	72 in (1829 mm)

External terminator power connection **not required**.

Environmental considerations:

Type of cooling, **internal fan**

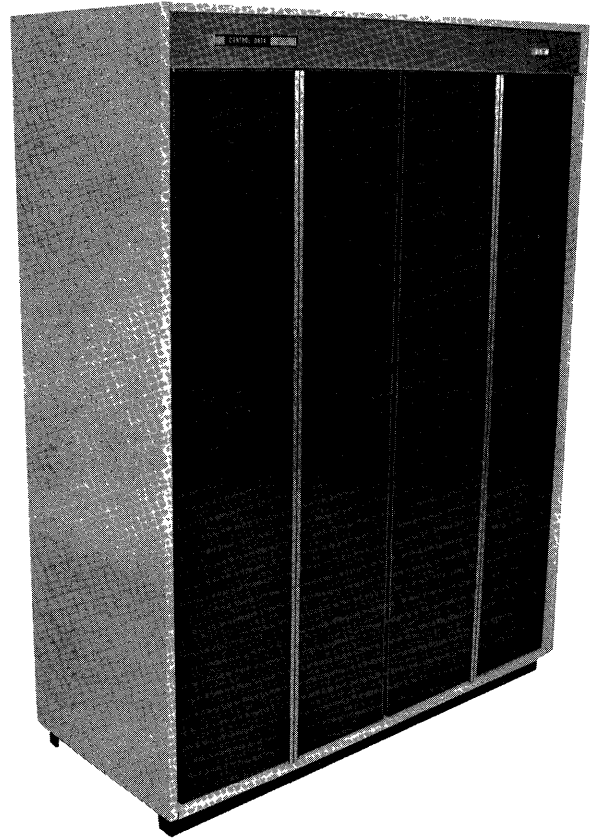
Source of cooling, **room air**

Heat rejection rate, maximum $\left\{ \begin{array}{l} \text{to air, } 2200 \text{ Btu/h (} 645 \text{ W) } \\ \text{to water, N/A} \end{array} \right\}$

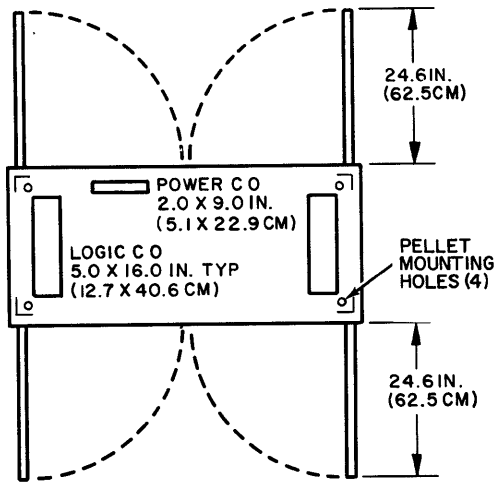
Permissible range of room relative humidity, 30 % to 80 %

	Maximum	Recommended	Minimum	Dew Point Limitation
Operating temperature (ambient or plenum inlet temperature)	90 °F (32.2 °C)	75 °F (23.9 °C)	60 °F (15.6 °C)	N/A °F (°C)
Storage temperature	150 °F (65.5 °C)		-30 °F (-34.4 °C)	

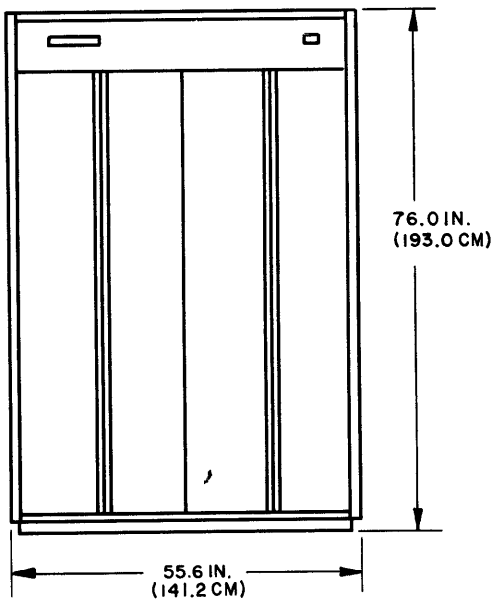
7021-2 MAGNETIC TAPE CONTROLLER



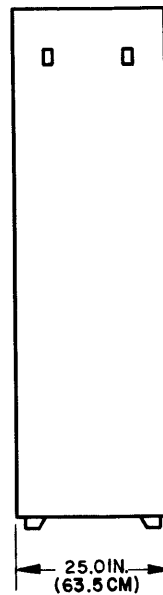
PLAN



FRONT



SIDE



2AW62A

7021-2 MAGNETIC TAPE CONTROLLER

Width	55.6	in (1412 mm)	Weight	850	lb (386 kg)
Depth	25.0	in (635 mm)	Supported by frame		
Height	76.0	in (1930 mm)			

For maximum width/depth, all doors extended, refer to floor plan layout.

Power consumption, steady state, maximum:

	400 Hz, 208 V, 3 phase, 0.9 kVA
and	$\left\{ \begin{array}{l} 60 \text{ Hz, } 120 \text{ V, } 1 \text{ phase, } 0.4 \text{ kVA} \\ \text{or} \\ 50 \text{ Hz, } 230 \text{ V, } 1 \text{ phase, } 0.4 \text{ kVA} \end{array} \right.$

Circuit breakers:

	400 Hz, 15 A, 3 phase
and	$\left\{ \begin{array}{l} 60 \text{ Hz, } 15 \text{ A, } 1 \text{ phase} \\ \text{or} \\ 50 \text{ Hz, } 15 \text{ A, } 1 \text{ phase} \end{array} \right.$

Power connector locations above cabinet base:

Terminal strip	1 in (25.4 mm)
Terminal strip	} 1 in (25.4 mm)
Terminal strip	

Control Data signal cables:	Quantity:	Standard length:	Maximum length:
Mag tape cont to tape handler	1	50 ft (15.4 m)	125 ft (38.1 m)
Mag tape cont to 6000 access	2	65 ft (19.8 m)	65 ft (19.8 m)
Distance from internal signal cable connections to floor:		Tape handler	54 in (1372 mm)
		6000 accesses	72 in (1829 mm)

External terminator power connection: **Not required**

Environmental considerations:

Type of cooling, **internal fan**

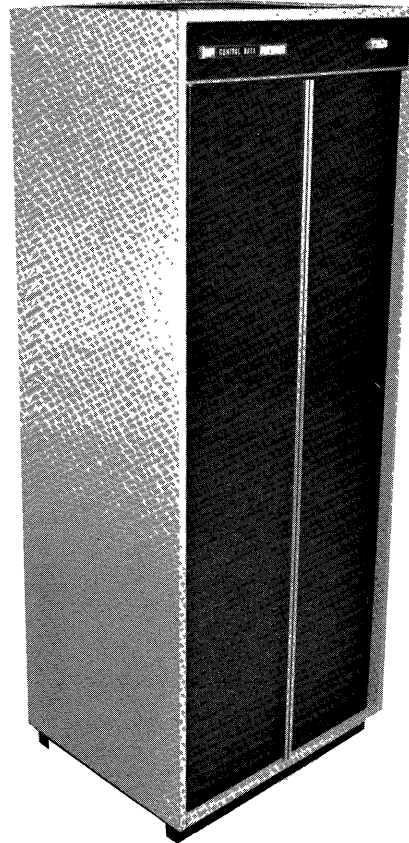
Source of cooling, **room air**

Heat rejection rate, maximum	{	to air, 4370 Btu/h (1280 W)
	}	to water, N/A

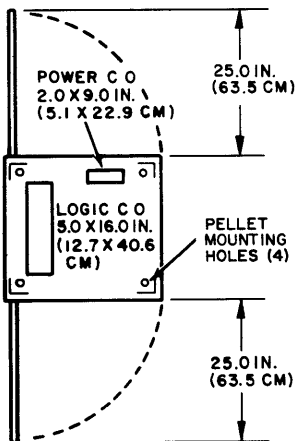
Permissible range of room relative humidity, 30 % to 80 %

	Maximum	Recommended	Minimum	Dew Point Limitation
Operating temperature (ambient or plenum inlet temperature)	90 °F (32.2 °C)	75 °F (23.9 °C)	60 °F (15.6 °C)	N/A °F (°C)
Storage temperature	150 °F (65.5 °C)		-30 °F (-34.4 °C)	

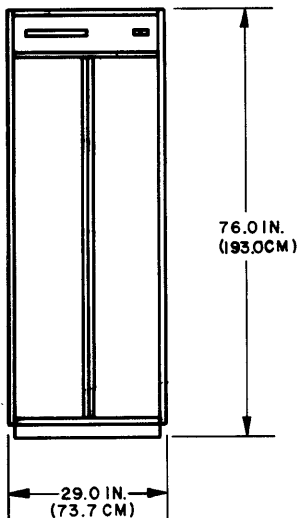
7021-21 MAGNETIC TAPE CONTROLLER



PLAN



FRONT



SIDE



2AW56A

7021-21 MAGNETIC TAPE CONTROLLER

Width	29.0 in (737 mm)	Weight	550 lb (249 kg)
Depth	25.0 in (635 mm)	Supported by frame	
Height	76.0 in (1930 mm)		

For maximum width/depth, all doors extended, refer to floor plan layout.

Power consumption, steady state, maximum:

and	{	400 Hz, 120/208 V, 3 phase, 0.6 kVA
	or	60 Hz, 120 V, 1 phase, 0.4 kVA
	}	50 Hz, 220/250 V, 1 phase, 0.4 kVA

Circuit breakers:

and	{	400 Hz, 15 A, 3 phase
	or	60 Hz, 15 A, 1 phase
	}	50 Hz, 15 A, 1 phase

Power connector locations above cabinet base:

Terminal strip	4 in (102 mm)
Terminal strip	} 4 in (102 mm)
Terminal strip	

Control Data signal cables:	Quantity:	Standard length:	Maximum length:
7021-21 to central computer	1	65 ft (19.8 m)	65 ft (19.8 m)
7021-21 to tape unit	1 per unit	50 ft (15.4 m)	125 ft (38.1 m)

Distance from internal signal cable connectors to floor: 72 in (1829 mm)

External terminator power connection required: no

Environmental considerations:

Type of cooling, **internal fan**

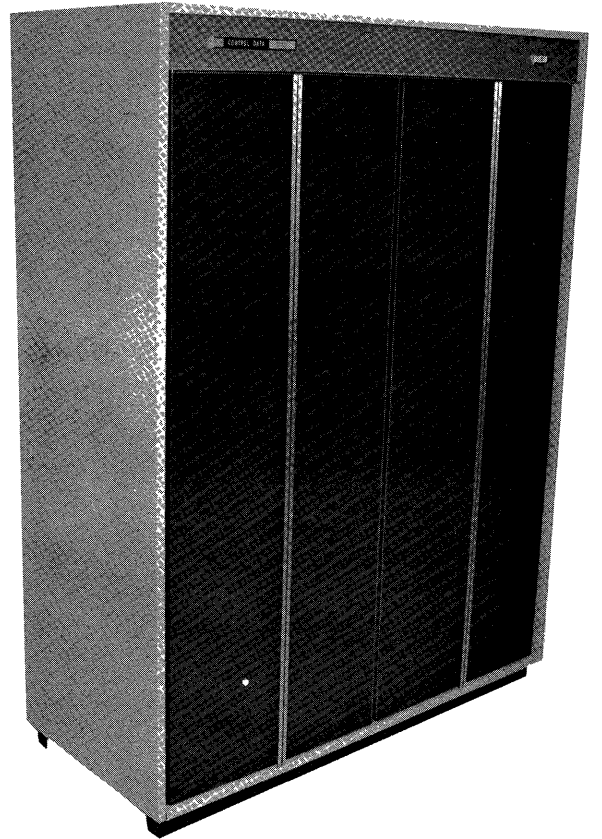
Source of cooling, **room air**

Heat rejection rate, maximum	{	to air, 2200 Btu/h (645 W)
	}	to water, N/A

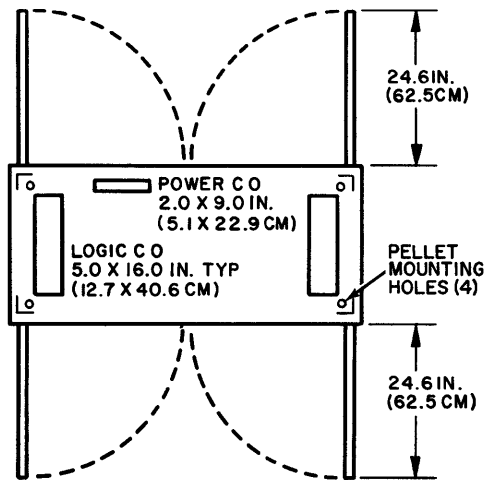
Permissible range of room relative humidity, 30 % to 80 %

	Maximum	Recommended	Minimum	Dew Point Limitation
Operating temperature (ambient or plenum inlet temperature)	90 °F (32.2 °C)	72 °F (22.2 °C)	60 °F (15.6 °C)	N/A °F (°C)
Storage temperature	150 °F (65.5 °C)		-30 °F (-34.4 °C)	

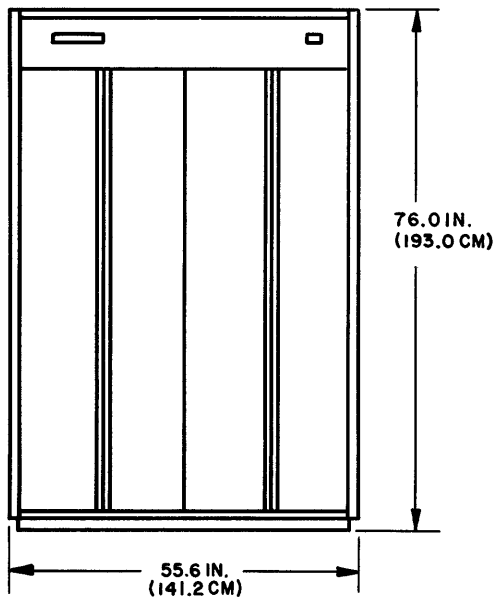
7021-22 MAGNETIC TAPE CONTROLLER



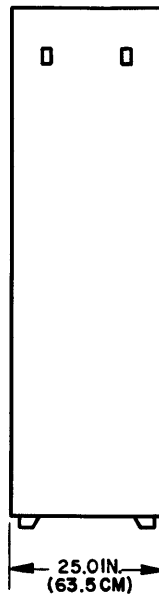
PLAN



FRONT



SIDE



2AW62A

7021-22 MAGNETIC TAPE CONTROLLER

Width	55.6	in (1412 mm)	Weight	850	lb (386 kg)
Depth	25.0	in (635 mm)	Supported by	frame	
Height	76.0	in (1930 mm)			

For maximum width/depth, all doors extended, refer to floor plan layout.

Power consumption, steady state, maximum:

400 Hz, 120/208 V, 3 phase, 0.9 kVA
and $\left\{ \begin{array}{l} 60 \text{ Hz, } 120 \text{ V, } 1 \text{ phase, } 0.4 \text{ kVA} \\ \text{or} \\ 50 \text{ Hz, } 220/250 \text{ V, } 1 \text{ phase, } 0.4 \text{ kVA} \end{array} \right.$

Circuit breakers:

400 Hz, 15 A, 3 phase
and $\left\{ \begin{array}{l} 60 \text{ Hz, } 15 \text{ A, } 1 \text{ phase} \\ \text{or} \\ 50 \text{ Hz, } 15 \text{ A, } 1 \text{ phase} \end{array} \right.$

Power connector locations above cabinet base:

Terminal strip	4	in (102 mm)
Terminal strip	}	4 in (102 mm)
Terminal strip		

Control Data signal cables:	Quantity:	Standard length:	Maximum length:
7021-22 to central computer	1	65 ft (19.8 m)	65 ft (19.8 m)
7021-22 to tape unit	1 per unit	50 ft (15.4 m)	125 ft (38.1 m)

Distance from internal signal cable connectors to floor: 72 in (1829 mm)

External terminator power connection required: no

Environmental considerations:

Type of cooling, internal fan

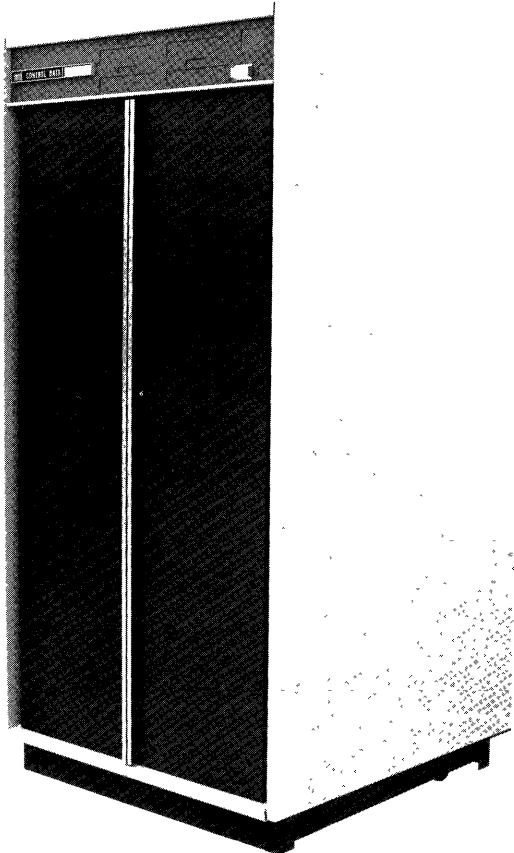
Source of cooling, room air

Heat rejection rate, maximum $\left\{ \begin{array}{l} \text{to air, } 4370 \text{ Btu/h (} 1280 \text{ W) } \\ \text{to water, N/A} \end{array} \right.$

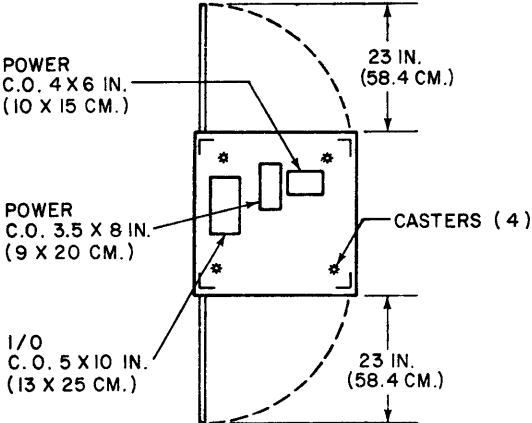
Permissible range of room relative humidity, 30 % to 80 %

	Maximum	Recommended	Minimum	Dew Point Limitation
Operating temperature (ambient or plenum inlet temperature)	90 °F (32.2 °C)	72 °F (22.2 °C)	60 °F (15.6 °C)	N/A °F (°C)
Storage temperature	150 °F (65.5 °C)		-30 °F (-34.4 °C)	

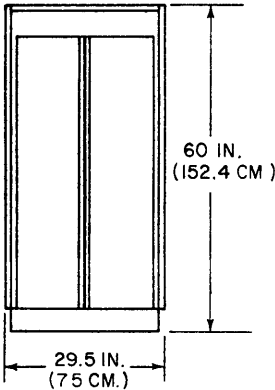
7021-31/41 MAGNETIC TAPE CONTROLLER



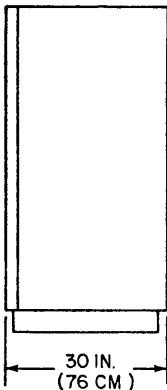
PLAN



FRONT



SIDE



7021-31/41 MAGNETIC TAPE CONTROLLER

: (Requirements per cabinet)

Width	29.3	in (744 mm)	Weight	350	lb (158 kg)
Depth	30.0	in (762 mm)	Supported by 4 casters		
Height	60.0	in (1524 mm)			

For maximum width/depth, all doors extended, refer to floor plan layout.

NOTE

Power consumption, steady state, maximum:	50 Hz voltage input adjustable via internal taps as follows:
400 Hz, 208 V, 3 phase, 0.61 kVA	120/220/230/240/250 V
and { 60 Hz, 120 V, 1 phase, 0.24 kVA or 50 Hz (See note) V, 1 phase, 0.24 kVA	Does not include load of approximately 7 A for internal convenience outlet

Circuit breakers:	Power connector locations above cabinet base:
400 Hz, 15 A, 3 phase	Terminal strip 5 in (127 mm)
and { 60 Hz, 15 A, 1 phase or 50 Hz, 15 A, 1 phase	Terminal strip } 5 in (127 mm)
	Terminal strip

Control Data signal cables:	Quantity:	Standard length:	Maximum length:
7021 to CYBER 170 channel	1	65 ft (19.8 m)	65 ft (19.8 m)
or 7021 to 6000/CYBER 70 channel	1	70 ft (21.3 m)	70 ft (21.3 m) Excludes 5 ft (1.52 m) drop in mainframe

Distance from internal signal cable connectors to floor: 60 in (1524 mm)

External terminator power connection required: no

Environmental considerations:

Type of cooling, forced air (internal fans)

Source of cooling, ambient room air

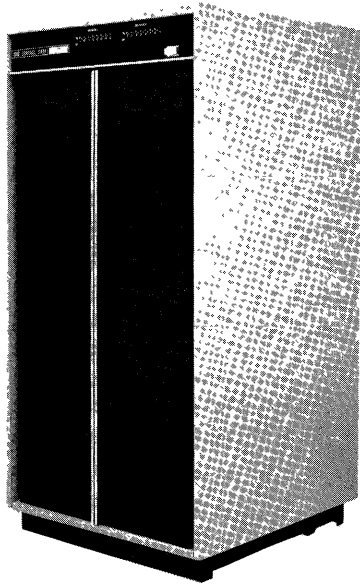
Heat rejection rate, maximum { to air, 2750 Btu/h (806 W)
to water, N/A }

Permissible range of room relative humidity, 35 % to 60 %

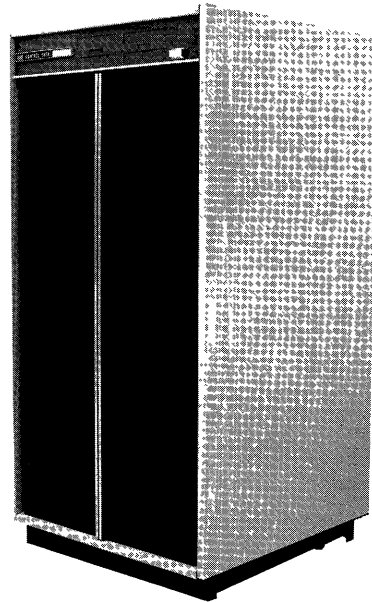
	Maximum	Recommended	Minimum	Dew Point Limitation
Operating temperature (ambient or plenum inlet temperature)	90 °F (32.2 °C)	72 °F (22.2 °C)	59 °F (15 °C)	N/A °F (°C)
Storage temperature	158 °F (70 °C)		-40 °F (-40 °C)	

Maximum operating altitude: 8000 ft (2623 m) above sea level

7021-32/42 MAGNETIC TAPE CONTROLLER

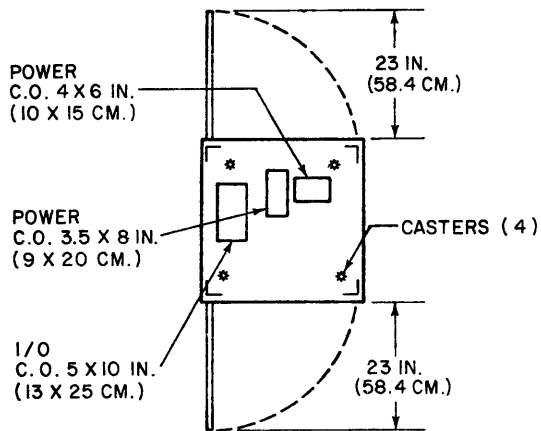


HOST
CABINET

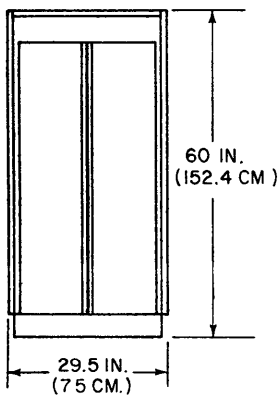


REMOTE
CABINET

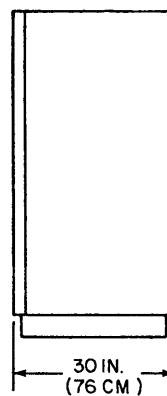
PLAN



FRONT



SIDE



7021-32/42 MAGNETIC TAPE CONTROLLER

(Requirements per cabinet)

Width	29.3 in (744 mm)	Weight	350 lb (158.8kg)
Depth	30.0 in (762 mm)	Supported by	4 casters
Height	60.0 in (1524 mm)		

For maximum width/depth, all doors extended, refer to floor plan layout.

NOTE

Power consumption, steady state, maximum:	50 Hz voltage input adjustable via internal taps as follows: 120/220/230/240/250 V
400 Hz, 208 V, 3 phase, 0.61 kVA	
and { 60 Hz, 120 V, 1 phase, 0.24 kVA	Does not include approximately 7 A for internal convenience outlet
{ or 50 Hz (See note) V, phase, 0.24 kVA	

Circuit breakers:

400 Hz, 15 A, 3 phase
and { 60 Hz, 15 A, 1 phase
{ or 50 Hz, 15 A, 1 phase

Power connector locations above cabinet base:

Terminal strip 5 in (127 mm)
Terminal strip }
Terminal strip } 5 in (127 mm)

Control Data signal cables:	Quantity:	Standard length:	Maximum length:
Remote processor to host processor cabinet	1	25 ft (7.62 m)	25 ft (7.62 m)
7021 to CYBER 170 channel	1	65 ft (19.8 m)	65 ft (19.8 m) †
or 7021 to 6000/CYBER 70 channel	1	70 ft (21.3 m)	70 ft (21.3 m)

Distance from internal signal cable connectors to floor: 30 in (762 mm)

External terminator power connection required: no

Environmental considerations:

Type of cooling, forced air (internal fans)

Source of cooling, ambient room air

Heat rejection rate, maximum { to air, 2750 Btu/h (806 W)
to water, N/A }

Permissible range of room relative humidity, 35 % to 60 %

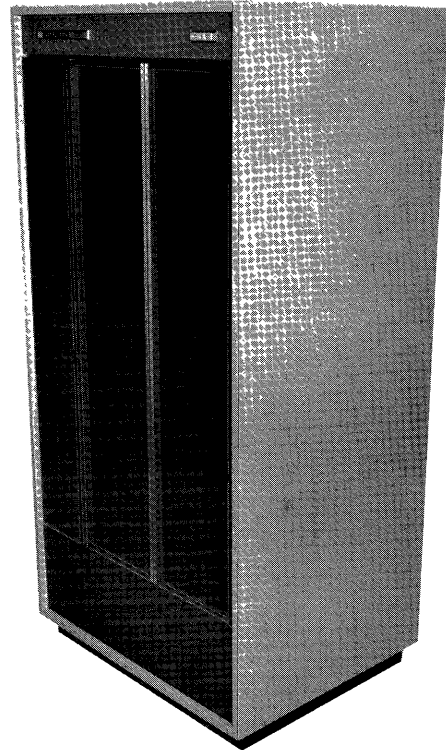
	Maximum	Recommended	Minimum	Dew Point Limitation
Operating temperature (ambient or plenum inlet temperature)	90 °F (32.2 °C)	72 °F (22.2 °C)	59 °F (15 °C)	N/A °F (°C)
Storage temperature	158 °F (70 °C)		-40 °F (-40 °C)	

Maximum operating altitude: 8000 ft (2623 m) above sea level

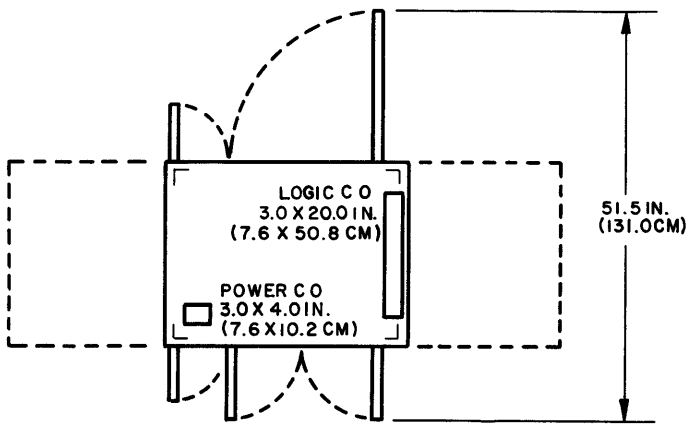
† Excludes 5 ft (1.52 m) drop-in mainframe

7054-1 MASS STORAGE CONTROLLER

(Nu-line cabinet, serial No. 101 through 569)

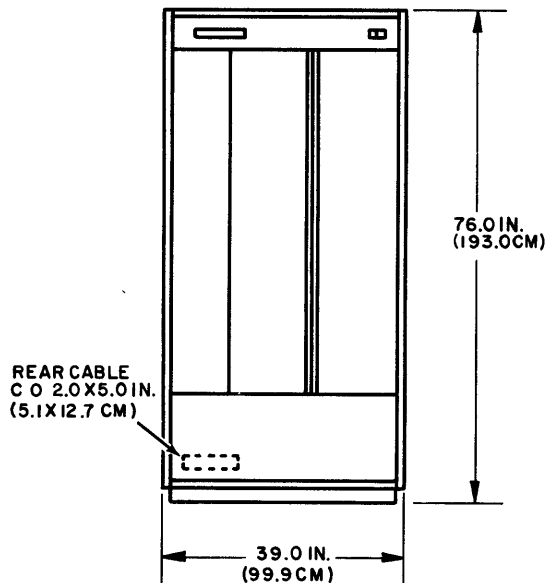


PLAN



FRONT

SIDE



2AW61A

7054-1 MASS STORAGE CONTROLLER

(Nu-line cabinet, serial no. 101 through 569)

Width	39.0 in (999 mm)	Weight	600 lb (272 kg)
Depth	30.0 in (762 mm)	Supported by	frame
Height	76.0 in (1930 mm)		

For maximum width/depth, all doors extended, refer to floor plan layout.

Power consumption, steady state, maximum:

400 Hz, 120/208 V, 3 phase, 0.5 kVA
 and $\left\{ \begin{array}{l} 60 \text{ Hz, } 120 \text{ V, } 1 \text{ phase, } 0.4 \text{ kVA} \\ \text{or} \\ 50 \text{ Hz, } 220 \text{ V, } 1 \text{ phase, } 0.4 \text{ kVA} \end{array} \right\}$

Circuit breakers:

400 Hz, 15 A, 3 phase
 and $\left\{ \begin{array}{l} 60 \text{ Hz, } 15 \text{ A, } 1 \text{ phase} \\ \text{or} \\ 50 \text{ Hz, } 15 \text{ A, } 1 \text{ phase} \end{array} \right\}$

Power connector locations above cabinet base:

Terminal strip	12 in (305 mm)
Terminal strip	} 12 in (305 mm)
Terminal strip	

Control Data signal cables:	Quantity:	Standard length:	Maximum length:
Higher level processor (HLP) to controller	2 per access	65 ft (19.8 m)	65 ft (19.8 m)

If HLP has more than 10 PPUs or 12 data channels, the maximum signal cable length is 38.5 ft (11.7 m).

Distance from internal signal cable connectors to floor: 60 in (1524 mm)

External terminator power connection required: no

Environmental considerations:

Type of cooling, forced air

Source of cooling, internal blower

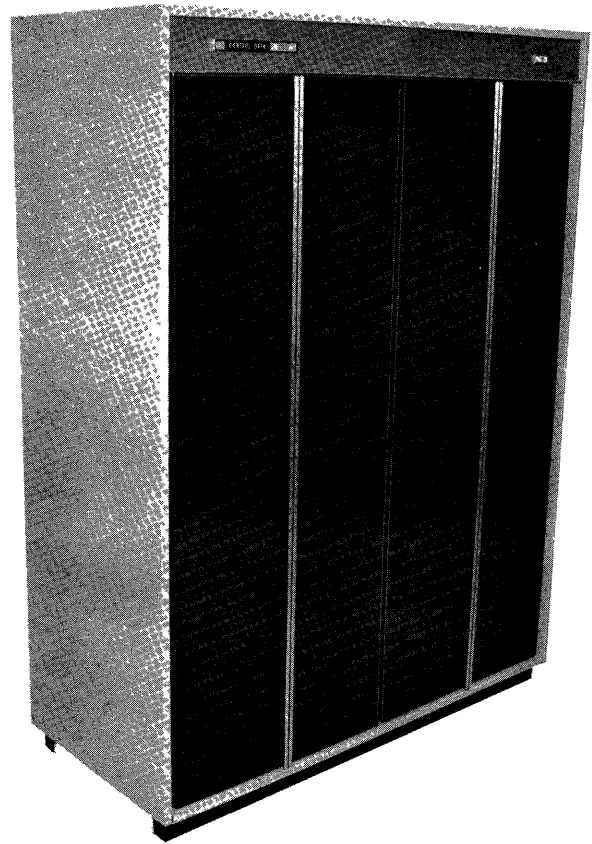
Heat rejection rate, maximum $\left\{ \begin{array}{l} \text{to air, } 2700 \text{ Btu/h (} 791 \text{ W) } \\ \text{to water, N/A} \end{array} \right\}$

Permissible range of room relative humidity, 10 % to 90 %

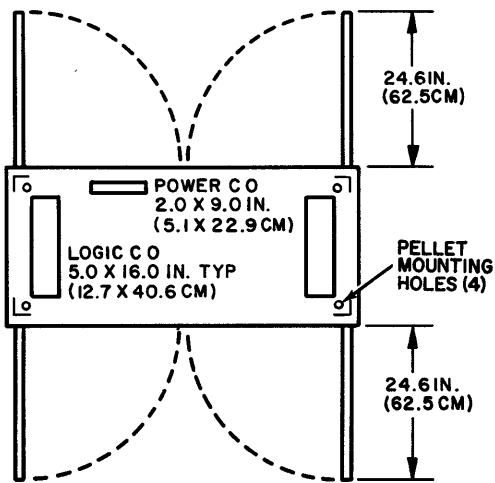
	Maximum	Recommended	Minimum	Dew Point Limitation
Operating temperature (ambient or plenum inlet temperature)	120 °F (49 °C)	75 °F (23.9 °C)	40 °F (4 °C)	N/A °F (°C)
Storage temperature	150 °F (65.5 °C)		-30 °F (-34 °C)	

7054-1/2 MASS STORAGE CONTROLLER

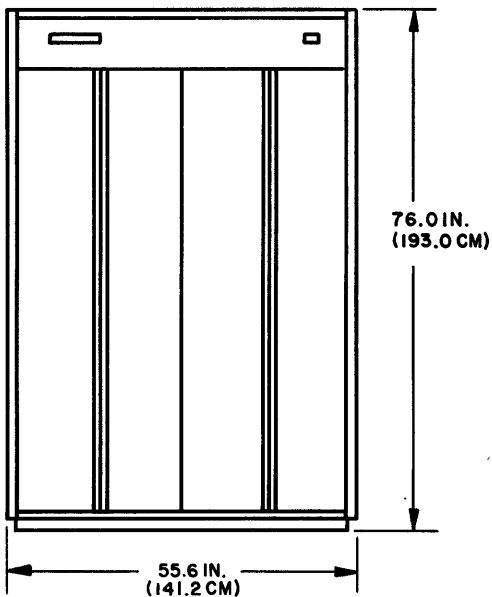
(Trimline double-width cabinet)



PLAN



FRONT



SIDE



2AW62A

7054-1/2 MASS STORAGE CONTROLLER

(Trimline double-width cabinet)

Width	55.6 in (1412 mm)	Weight	850 lb (386 kg)
Depth	25.0 in (635 mm)	Supported by	frame
Height	76.0 in (1930 mm)		

For maximum width/depth, all doors extended, refer to floor plan layout.

Power consumption, steady state, maximum:

400 Hz, 120/208 V, 3 phase, 0.59 kVA
 and $\left\{ \begin{array}{l} 60 \text{ Hz, } 120 \text{ V, } 1 \text{ phase, } 0.31 \text{ kVA} \\ \text{or} \\ 50 \text{ Hz, } 120 \text{ V, } 1 \text{ phase, } 0.38 \text{ kVA} \end{array} \right\}$

Circuit breakers:

400 Hz, 15 A, 3 phase
 and $\left\{ \begin{array}{l} 60 \text{ Hz, } 15 \text{ A, } 1 \text{ phase} \\ \text{or} \\ 50 \text{ Hz, } 15 \text{ A, } 1 \text{ phase} \end{array} \right\}$

Power connector locations above cabinet base:

Terminal strip 12 in (305 mm)
 Terminal strip }
 Terminal strip } 12 in (305 mm)

Control Data signal cables:	Quantity:	Standard length:	Maximum length:
Higher level processor (HLP) to controller	2 per access	65 ft (19.8 m)	65 ft (19.8 m)

If HLP has more than 10 PPU's or 12 data channels, the maximum signal cable length is 38.5 ft (11.7 m).

Distance from internal signal cable connectors to floor: 50 in (1270 mm)

External terminator power connection required: no

Environmental considerations:

Type of cooling, forced air

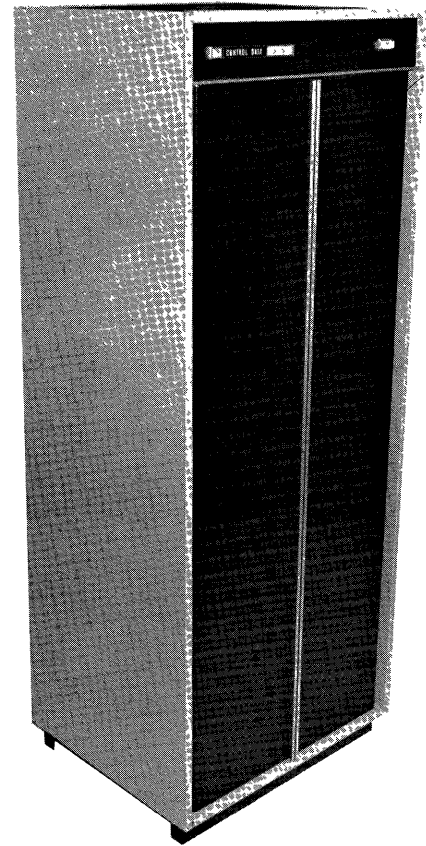
Source of cooling, room air

Heat rejection rate, maximum $\left\{ \begin{array}{l} \text{to air, } 3000 \text{ Btu/h (} 879 \text{ W) } \\ \text{to water, N/A} \end{array} \right\}$

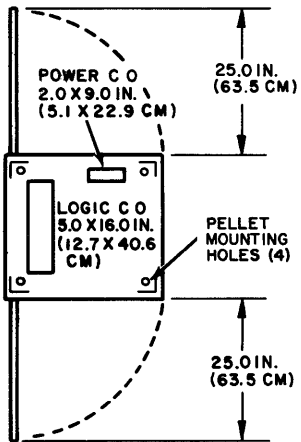
Permissible range of room relative humidity, 20 % to 80 %

	Maximum	Recommended	Minimum	Dew Point Limitation
Operating temperature (ambient or plenum inlet temperature)	90 °F (32.2 °C)	75 °F (23.9 °C)	50 °F (10 °C)	N/A °F (°C)
Storage temperature	150 °F (65.5 °C)		-30 °F (-34 °C)	

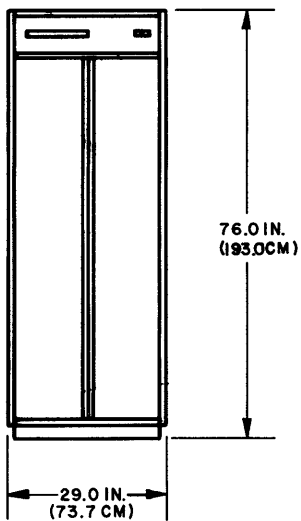
7054-21/22/41/42 MASS STORAGE CONTROLLER



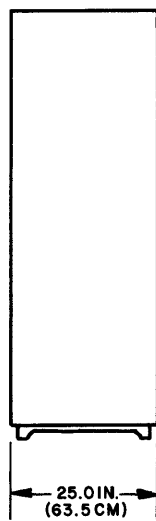
PLAN



FRONT



SIDE



2AW56A

7054-21/22/41/42 MASS STORAGE CONTROLLER

Width	29.0 in (737 mm)	Weight	540 lb (235 kg)
Depth	25.0 in (635 mm)	Supported by	frame
Height	76.0 in (1930 mm)		

For maximum width/depth, all doors extended, refer to floor plan layout.

Power consumption, steady state, maximum:

400 Hz, 120/208 V, 3 phase, 0.64 kVA
 and $\left\{ \begin{array}{l} 60 \text{ Hz, } 120 \text{ V, } 1 \text{ phase, } 0.31 \text{ kVA} \\ \text{or} \\ 50 \text{ Hz, } 220 \text{ V, } 1 \text{ phase, } 0.31 \text{ kVA} \end{array} \right\}$

Circuit breakers:

400 Hz, 15 A, 3 phase
 and $\left\{ \begin{array}{l} 60 \text{ Hz, } 15 \text{ A, } 1 \text{ phase} \\ \text{or} \\ 50 \text{ Hz, } 15 \text{ A, } 1 \text{ phase} \end{array} \right\}$

Power connector locations above cabinet base:

Terminal strip 12 in (305 mm)
 Terminal strip }
 Terminal strip } 12 in (305 mm)

Control Data signal cables:	Quantity:	Standard length:	Maximum length:
Higher level processor (HLP) to controller	2 per access	65 ft (19.8 m)	65 ft (19.8 m)

If the HLP has more than 10 PPU s or 12 data channels, the maximum signal cable length is 38.5 ft. (11.7m).

Distance from internal signal cable connectors to floor: 60 in (1524 mm)

External terminator power connection required: no

Environmental considerations:

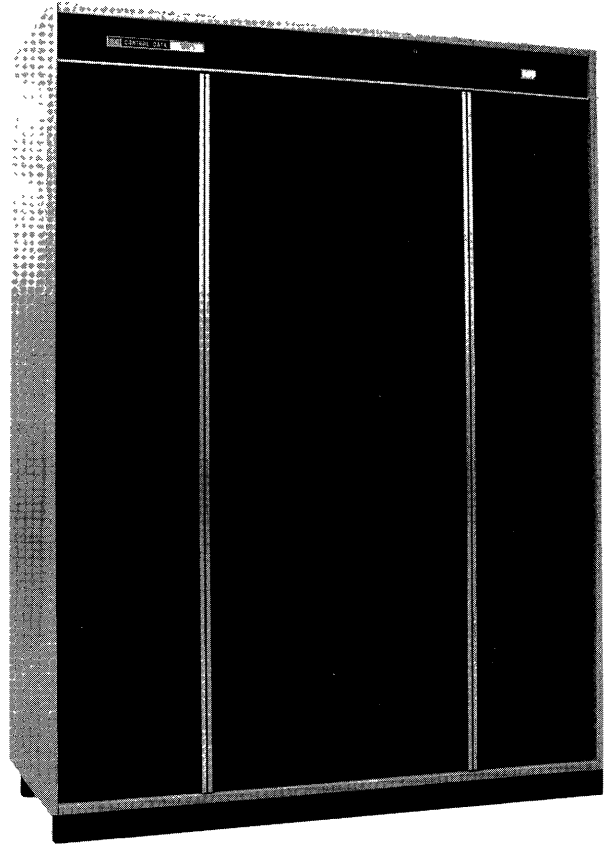
Type of cooling, forced air
 Source of cooling, room air

Heat rejection rate, maximum $\left\{ \begin{array}{l} \text{to air, } 2945 \text{ Btu/h (} 863 \text{ W) } \\ \text{to water, N/A} \end{array} \right\}$

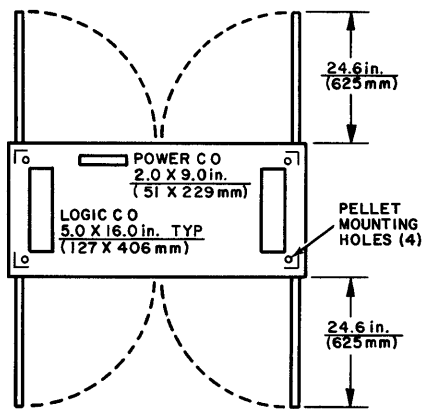
Permissible range of room relative humidity, 35 % to 90 %

	Maximum	Recommended	Minimum	Dew Point Limitation
Operating temperature (ambient or plenum inlet temperature)	90 °F (32.2 °C)	75 °F (23.9 °C)	59 °F (15 °C)	N/A °F (°C)
Storage temperature	150 °F (65.5 °C)		-40 °F (-40 °C)	

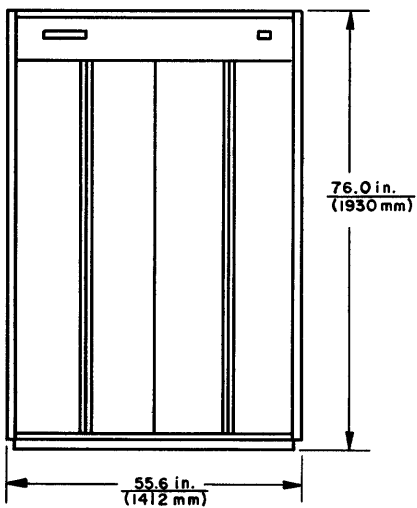
7152-1 DISK/MAGNETIC TAPE CONTROLLER



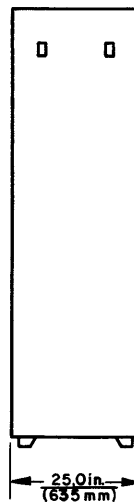
PLAN



FRONT



SIDE



2AW62A

7152-1 DISK/MAGNETIC TAPE CONTROLLER

Width	55.6 in (1412 mm)	Weight	850 lb (385 kg)
Depth	25.0 in (635 mm)	Supported by frame	
Height	76.0 in (1930 mm)		

For maximum width/depth, all doors extended, refer to floor plan layout.

Power consumption, steady state, maximum:

400 Hz, 208 V, 3 phase, 1.0 kVA

and $\left\{ \begin{array}{l} 60 \text{ Hz, } 120 \text{ V, } 1 \text{ phase, } 0.3 \text{ kVA} \\ \text{or} \\ 50 \text{ Hz, } 230 \text{ V, } 1 \text{ phase, } 0.3 \text{ kVA} \end{array} \right\}$

Circuit breakers:

400 Hz, 15 A, 3 phase

and $\left\{ \begin{array}{l} 60 \text{ Hz, } 15 \text{ A, } 1 \text{ phase} \\ \text{or} \\ 50 \text{ Hz, } 15 \text{ A, } 1 \text{ phase} \end{array} \right\}$

Power connector locations above cabinet base:

Terminal strip	4 in (102 mm)
Terminal strip	}
Terminal strip	

Control Data signal cables:	Quantity:	Standard length:	Maximum length:
7152-1 to central computer	4	65 ft (19.8 m)	65 ft (19.8 m)
7152-1 to magnetic tape	1 per unit	50 ft (15.2 m)	125 ft (38.1 m)
7152-1 to DSU	2 per unit		
	(one A cable)	50 ft (15.2 m)	75 ft (22.8 m)
	(one B cable)	50 ft (15.2 m)	75 ft (22.8 m)

Distance from internal signal cable connectors to floor: 72 in (1829 mm)

External terminator power connection required: no

Environmental considerations:

Type of cooling, internal fan

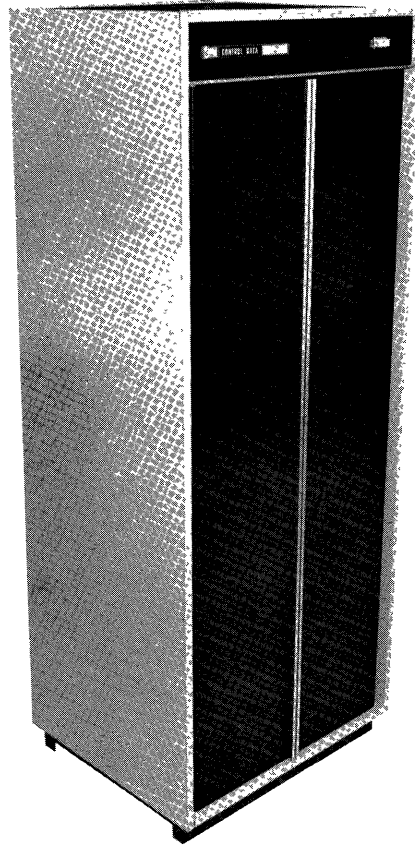
Source of cooling, room air

Heat rejection rate, maximum $\left\{ \begin{array}{l} \text{to air, } 4095 \text{ Btu/h (} 1200 \text{ W) } \\ \text{to water, N/A} \end{array} \right\}$

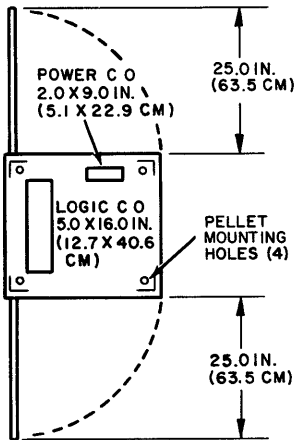
Permissible range of room relative humidity, 30 % to 80 %

	Maximum	Recommended	Minimum	Dew Point Limitation
Operating temperature (ambient or plenum inlet temperature)	90 °F (32.2 °C)	72 °F (22.2 °C)	60 °F (15.6 °C)	N/A °F (°C)
Storage temperature	150 °F (65.6 °C)		-30 °F (-34.4 °C)	

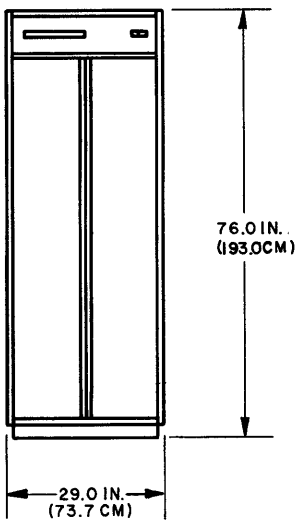
7154-1/2/3/4 MASS STORAGE CONTROLLER



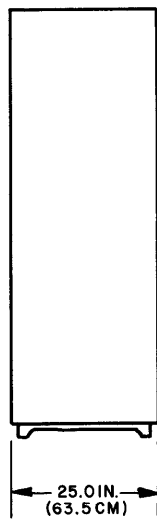
PLAN



FRONT



SIDE



2AW56A

7154-1/2/3/4 MASS STORAGE CONTROLLER

Width	29.0 in (740 mm)	Weight	300 lb (136 kg)
Depth	25.0 in (640 mm)	Supported by	frame
Height	76.0 in (1930 mm)		

For maximum width/depth, all doors extended, refer to floor plan layout.

Power consumption, steady state, maximum:

400 Hz, 120/208 V, 3 phase, 0.6 kVA

and $\left\{ \begin{array}{l} 60 \text{ Hz, } 120 \text{ V, } 1 \text{ phase, } 0.2 \text{ kVA} \\ \text{or} \\ 50 \text{ Hz, } 220 \text{ V, } 1 \text{ phase, } 0.2 \text{ kVA} \end{array} \right.$

Circuit breakers:

400 Hz, 15 A, 3 phase

and $\left\{ \begin{array}{l} 60 \text{ Hz, } 15 \text{ A, } 1 \text{ phase} \\ \text{or} \\ 50 \text{ Hz, } 15 \text{ A, } 1 \text{ phase} \end{array} \right.$

Power connector locations above cabinet base:

TB5-1, 2, 3, 4	12 in (305 mm)
TB4-1, 2	} 12 in (305 mm)
TB4-1, 2	

Control Data signal cables:	Quantity:	Standard length:	Maximum length:
7154 DSU	1 50 p	70 ft (21.3 m)	70 ft (21.3 m)
7154 DSU	1 75 p	70 ft (21.3 m)	70 ft (21.3 m)
7154 I/O Channel	2 19p	70 ft (21.3 m)	70 ft (21.3 m)

Distance from internal signal cable connectors to floor: 60 in (1524 mm)

External terminator power connection required: no

Environmental considerations:

Type of cooling, **internal fans**

Source of cooling, **ambient room air**

Air required at inlet if plenum-cooled, 350 ft³/min (595 m³/h)

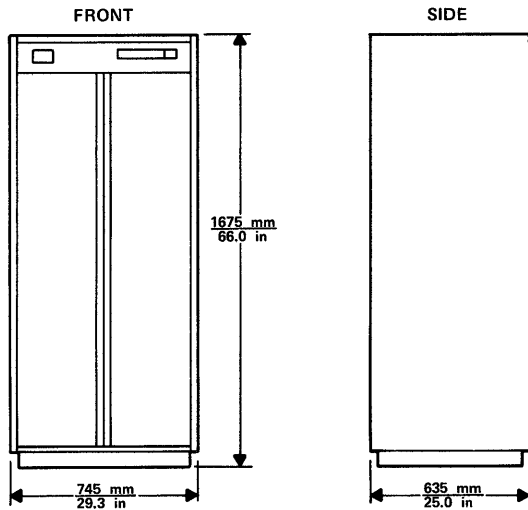
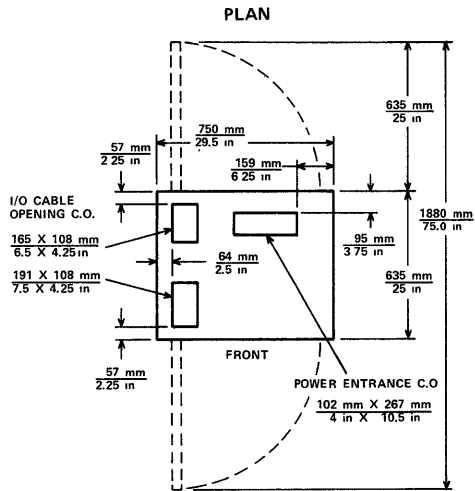
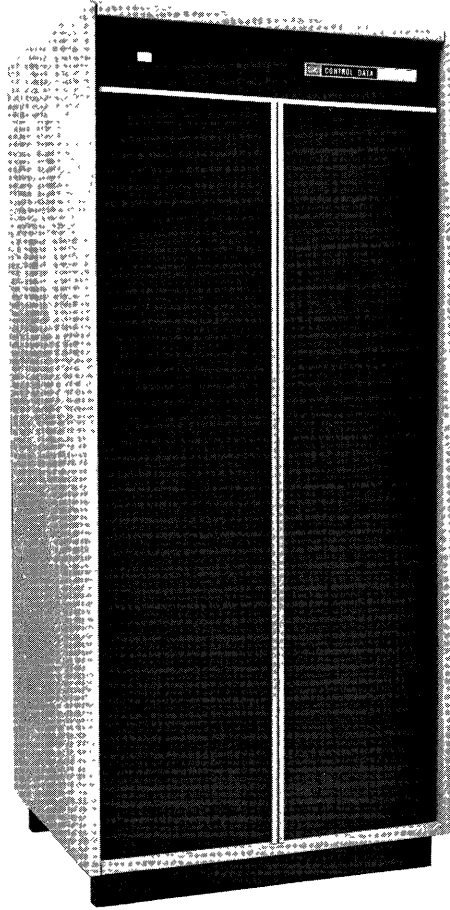
Heat rejection rate, maximum $\left\{ \begin{array}{l} \text{to air, } 2400 \text{ Btu/h (} 703 \text{ W) } \\ \text{to water, N/A} \end{array} \right.$

Permissible range of room relative humidity, 35 % to 60 %

	Maximum	Recommended	Minimum	Dew Point Limitation
Operating temperature (ambient or plenum inlet temperature)	90 °F (32.2°C)	72 °F (22.2°C)	59 °F (15.0°C)	N/A °F (°C)
Storage temperature	150 °F (65.5°C)		-40 °F (-40 °C)	

Maximum operating altitude 9000 ft (2743 m) above sea level.

7155-1/11/12/13/14/401 MASS STORAGE CONTROLLER



7155-1/11/12/13/14/401 MASS STORAGE CONTROLLER

Width	29 in (736 mm)	Weight	350 lb (159 kg)
Depth	25 in (635 mm)	Supported by the cabinet frame	
Height	66 in (1676 mm)		

For maximum width/depth, all doors extended, refer to floor plan layout.

Power consumption, steady state, maximum:

	400 Hz, 208 V, 3 phase, 1.1 kVA for 7155-1/1X, 1.3 kVA	NOTE	
and	$\left\{ \begin{array}{l} 60 \text{ Hz, } 120 \text{ V, } 1 \text{ phase, } 1.1 \text{ kVA} \\ \text{or} \\ 50 \text{ Hz, } 220 \text{ V, } 1 \text{ phase, } 1.1 \text{ kVA} \end{array} \right\} \dagger$	for 7155-401	50 Hz input tapable for 220/230/240 or 250 VAC single phased.

Circuit breakers:

	400 Hz, 15 A, 3 phase	
and	$\left\{ \begin{array}{l} 60 \text{ Hz, } 15 \text{ A, } 1 \text{ phase} \\ \text{or} \\ 50 \text{ Hz, } 15 \text{ A, } 1 \text{ phase} \end{array} \right\}$	

Power connector locations above cabinet base:

terminal strip	5 in (127 mm)
terminal strip	} 5 in (127 mm)
terminal strip	

Control Data signal cables:	Quantity:	Standard length:	Maximum length:
7155 to I/O channel (CYBER 170)	2	65 ft (19.8 m)	70 ft (21.3 m)

Distance from internal signal cable connectors to floor:	60 in (1524 mm)
External terminator power connection required:	X no yes (V dc)

Environmental considerations:

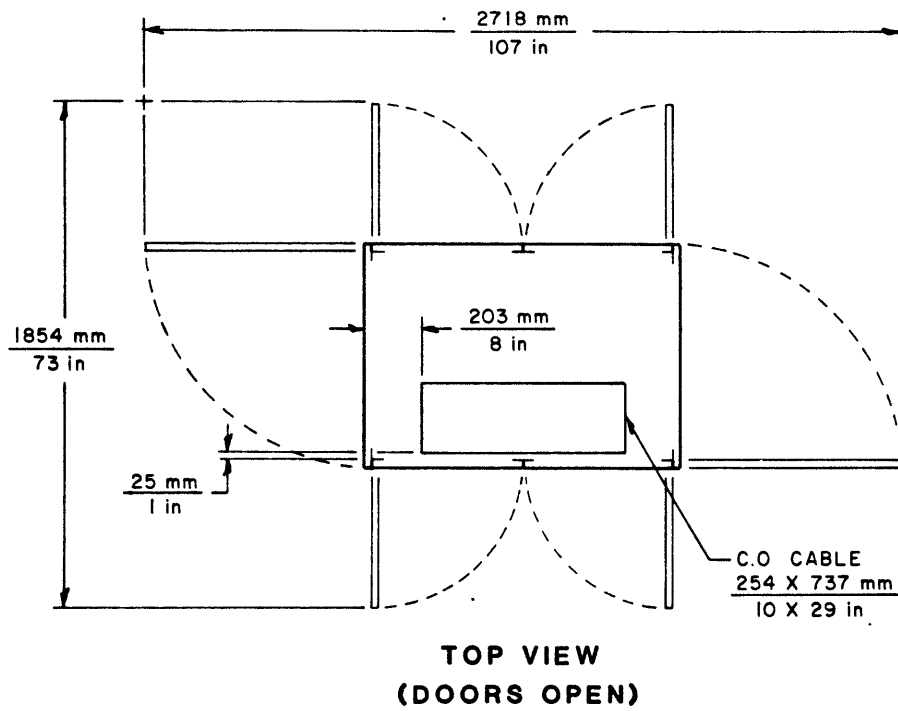
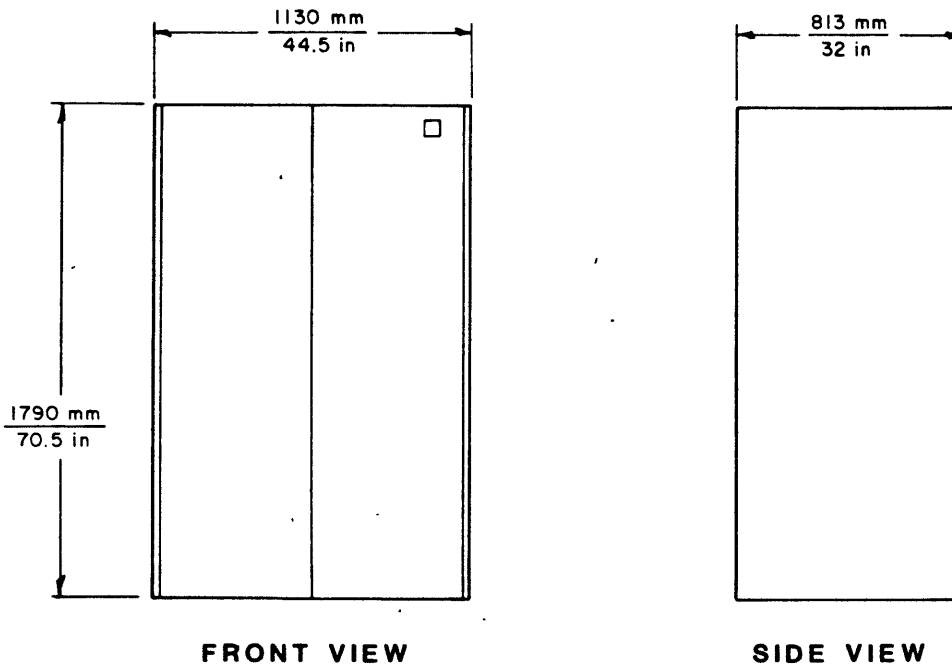
Type of cooling, forced air (internal fans)
 Source of cooling, ambient room air

Heat rejection rate, maximum at +10% voltage margins	$\left\{ \begin{array}{l} \text{to air,} \\ \text{to water,} \end{array} \right.$	3311	N/A	Btu/h (970 W)	Btu/h (W)
Permissible range of room relative humidity,		35 % to 60 %			

	Maximum	Recommended	Minimum	Dew Point Limitation
Operating temperature (ambient or plenum inlet temperature)	90 °F (32.2 °C)	72 °F (22.2 °C)	59 °F (15 °C)	N/A °F (°C)
Storage temperature	150 °F (65.6 °C)		-40 °F (-40 °C)	

† These figures include the power for the test equipment outlet.

7165-21/-22 MASS STORAGE CONTROLLER †



† This product also includes a CYBER Channel Coupler in a separate cabinet. Refer to CYBER Channel Coupler data sheet for details.

7165-21/-22 MASS STORAGE CONTROLLER

Width 32.0 in (813 mm)
 Depth 44.5 in (1130 mm)
 Height 70.5 in (1791 mm)

Weight 850 lb (386 kg)
 Supported by casters with leveling pads.

For maximum width/depth, all doors extended, refer to floor plan layout.

Power consumption, steady state, maximum:

and $\left\{ \begin{array}{l} 400 \text{ Hz,} \\ 60 \text{ Hz,} \\ \text{or} \\ 50 \text{ Hz,} \end{array} \right. \begin{array}{l} - \text{ V,} \\ 208 \text{ V,} \\ \\ 220 \text{ V,} \end{array} \begin{array}{l} - \text{ phase} \\ 3 \text{ phase} \\ \\ 3 \text{ phase} \end{array} \begin{array}{l} - \text{ kVA} \\ 2.2 \text{ kVA} \\ \\ 2.2 \text{ kVA} \end{array}$

Circuit breakers:

and $\left\{ \begin{array}{l} 400 \text{ Hz,} \\ 60 \text{ Hz,} \\ \text{or} \\ 50 \text{ Hz,} \end{array} \right. \begin{array}{l} - \text{ A,} \\ 15 \text{ A,} \\ \\ 15 \text{ A,} \end{array} \begin{array}{l} - \text{ phase} \\ 3 \text{ phase} \\ \\ 3 \text{ phase} \end{array} \begin{array}{l} \\ \\ \text{Standard 60 Hz power cord.} \\ \end{array}$

Power connectors:

Russell-Stoll (female) 3914 (CDC 94253003)
 Russell-Stoll (male) 3730 (CDC 94253002)

Control Data signal cables:

Quantity:

Standard length:

Maximum length:

SCU to CCC	4 †	40 ft (12.2 m)	N/A
SCU to HSC (refer to sheet 3 of 3)	8 ††	40 ft (12.2 m)	N/A

Distance from internal signal cable connectors to floor: N/A

External terminator power connection required: no

Environmental considerations:

Type of cooling: Internal fan
 Source of cooling: Ambient air

Heat rejection rate, maximum $\left\{ \begin{array}{l} \text{to air,} \\ \text{to water,} \end{array} \right. \begin{array}{l} 6820 \text{ BTU/hr (1998 W)} \\ \text{N/A} \end{array} \right\}$

Permissible range of room relative humidity, 5% to 95%

	Maximum	Recommended	Minimum	Dew-Point Limitation
Operating temperature (ambient or plenum inlet temperature)	32.2 °C (90 °F)	22.2 °C (72 °F)	15.0 °C (59 °F)	N/A °C (N/A °F)
Storage temperature	70 °C (158 °F)		-40 °C (-40 °F)	

† For 7165-21 only.
 †† For 7165-22 only.

7165-21/-22 MASS STORAGE CONTROLLER

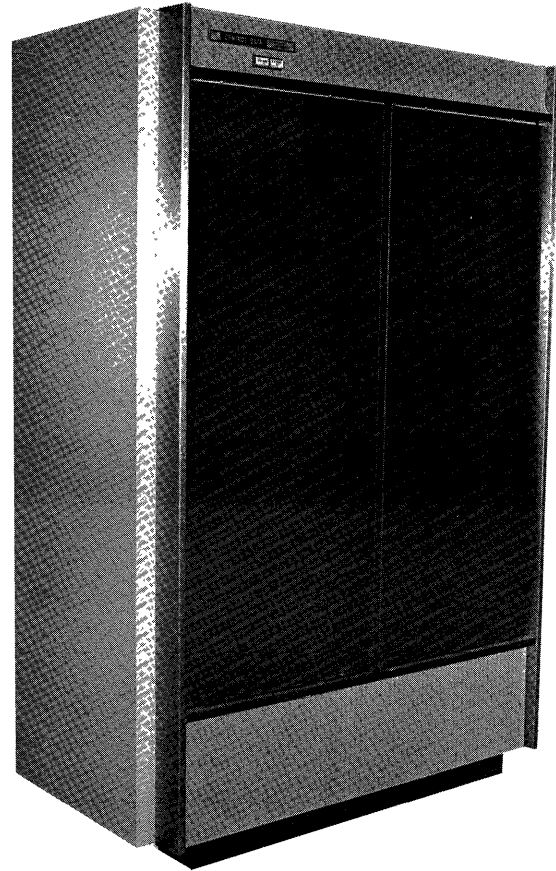
Allowable Cable Lengths, SCU to HSC

SCU to Single HSC or HSC1		The allowable daisy-chained cable lengths from HSC1 to HSC2 can be:									
		20	30	40	50	60	80	100	120	140	160
20	X						X	X	X	X	X
30	X						X	X	X	X	X
40	X					X	X	X	X	X	
120	X	X	X	X	X	X					
140	X	X	X	X	X						
160	X	X	X								
180	X										
200	X										

NOTES:

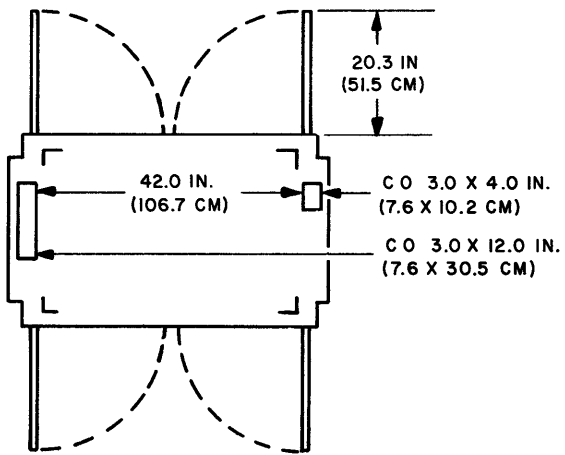
1. All cable lengths are in feet.
2. X indicates lengths to a single HSC or combinations of daisy-chained lengths that are allowed. All others are disallowed.

7618-1 MAGNETIC TAPE CONTROLLER

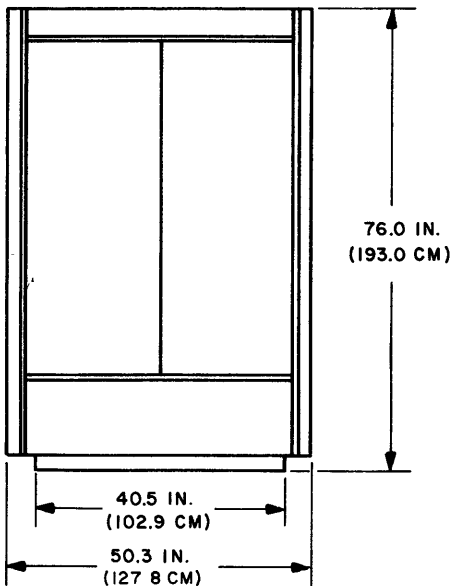


6233

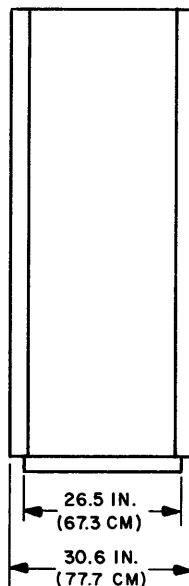
PLAN



FRONT



SIDE



2AW38A

7618-1 MAGNETIC TAPE CONTROLLER

Width	50.3 in (1278 mm)	Weight	1000 lb (455 kg)
Depth	30.6 in (777 mm)	Supported by	frame
Height	76.0 in (1930 mm)		

For maximum width/depth, all doors extended, refer to floor plan layout.

Power consumption, steady state, maximum:

400 Hz, 208 V, 3 phase, 1.2 kVA
 and $\left\{ \begin{array}{l} 60 \text{ Hz, } 115 \text{ V, } 1 \text{ phase, } 1.1 \text{ kVA} \\ \text{or} \\ 50 \text{ Hz, } 115 \text{ V, } 1 \text{ phase, } 1.1 \text{ kVA} \end{array} \right\}$

Circuit breakers:

400 Hz, 15 A, 3 phase
 and $\left\{ \begin{array}{l} 60 \text{ Hz, } 15 \text{ A, } 1 \text{ phase} \\ \text{or} \\ 50 \text{ Hz, } 15 \text{ A, } 1 \text{ phase} \end{array} \right\}$

Power connector locations above cabinet base:

Terminal strip 24 in (610 mm)
 Terminal strip }
 Terminal strip } 24 in (610 mm)

Control Data signal cables:	Quantity:	Standard length:	Maximum length:
To 7000 I/O	4	50 ft (15.2 m)	50 ft (15.2 m)

Distance from internal signal cable connectors to floor: 44 in (1118 mm)

External terminator power connection required: no

Environmental considerations:

Type of cooling, internal fan

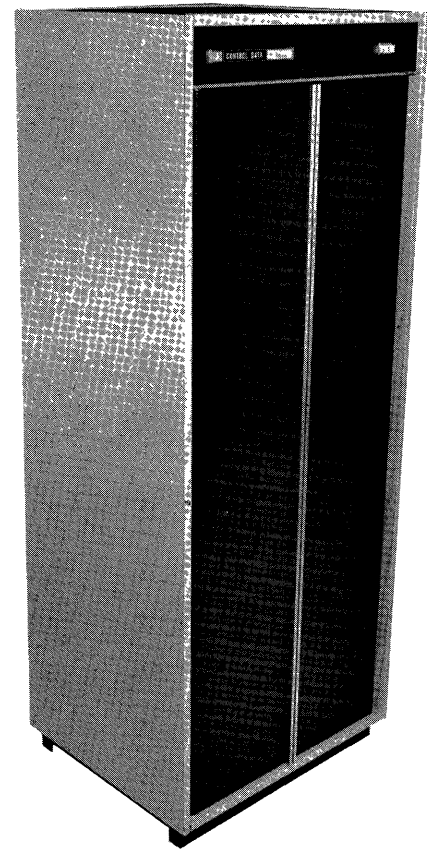
Source of cooling, room air

Heat rejection rate, maximum $\left\{ \begin{array}{l} \text{to air, } 6800 \text{ Btu/h (} 1992 \text{ W) } \\ \text{to water, N/A} \end{array} \right\}$

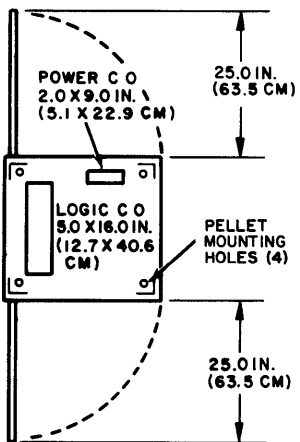
Permissible range of room relative humidity, 20 % to 80 %

	Maximum	Recommended	Minimum	Dew Point Limitation
Operating temperature (ambient or plenum inlet temperature)	90 °F (32.2 °C)	72 °F (22.2 °C)	60 °F (15.6 °C)	N/A °F (°C)
Storage temperature	125 °F (51.7 °C)		-30 °F (-34.4 °C)	

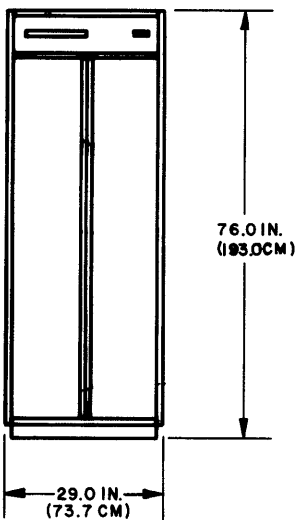
7622-1 MAGNETIC TAPE CONTROLLER



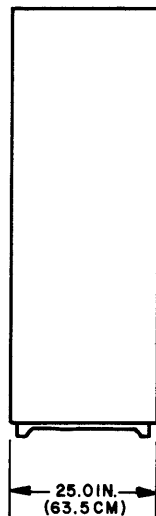
PLAN



FRONT



SIDE



2AW56A

7622-1 MAGNETIC TAPE CONTROLLER

Width	29.0 in (737 mm)	Weight	550 lb (249 kg)
Depth	25.0 in (635 mm)	Supported by frame	
Height	76.0 in (1930 mm)		

For maximum width/depth, all doors extended, refer to floor plan layout.

Power consumption, steady state, maximum:

400 Hz, 208 V, 3 phase, 0.65 kVA
 and $\left\{ \begin{array}{l} 60 \text{ Hz, } 120 \text{ V, } 1 \text{ phase, } 0.2 \text{ kVA} \\ \text{or} \\ 50 \text{ Hz, } 220 \text{ V, } 1 \text{ phase, } 0.2 \text{ kVA} \end{array} \right\}$

Circuit breakers:

400 Hz, 15 A, 3 phase
 and $\left\{ \begin{array}{l} 60 \text{ Hz, } 15 \text{ A, } 1 \text{ phase} \\ \text{or} \\ 50 \text{ Hz, } 15 \text{ A, } 1 \text{ phase} \end{array} \right\}$

Power connector locations above cabinet base:

Terminal strip 1 in (25.4 mm)
 Terminal strip }
 Terminal strip } 1 in (25.4 mm)

Control Data signal cables:	Quantity:	Standard length:	Maximum length:
Mag tape cont to tape handler	1	50 ft (15.2 m)	125 ft (38.1 m)
Mag tape cont to 7000 access	4	120 ft (36.6 m)	120 ft (36.6 m)
Mag tape cont to 6000 access	2	65 ft (19.8 m)	65 ft (19.8 m)

Distance from internal signal cable connections to floor:

Tape handler 54 in (1372 mm)
 7000 and 6000 accesses 72 in (1829 mm)

External terminator power connections not required

Environmental considerations:

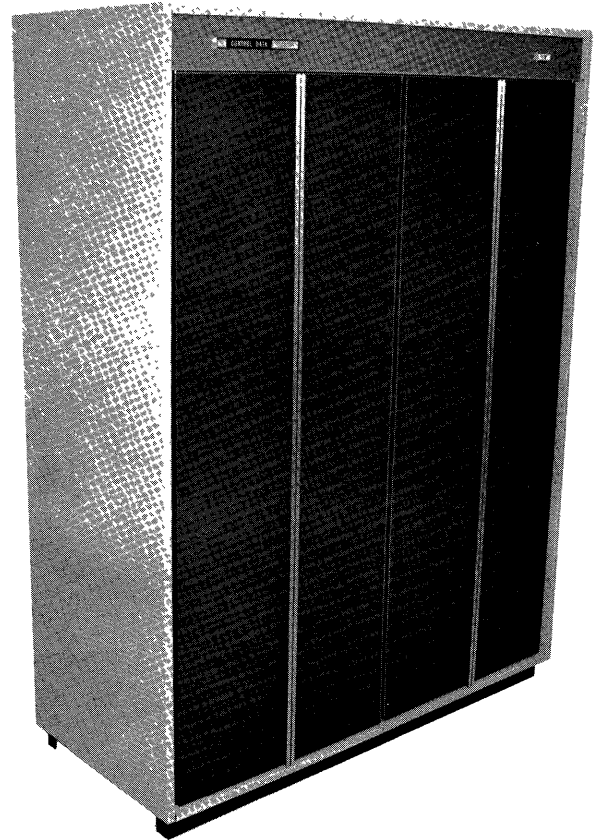
Type of cooling, internal fan
 Source of cooling, room air

Heat rejection rate, maximum $\left\{ \begin{array}{l} \text{to air, } 2640 \text{ Btu/h (} 774 \text{ W) } \\ \text{to water, N/A} \end{array} \right\}$

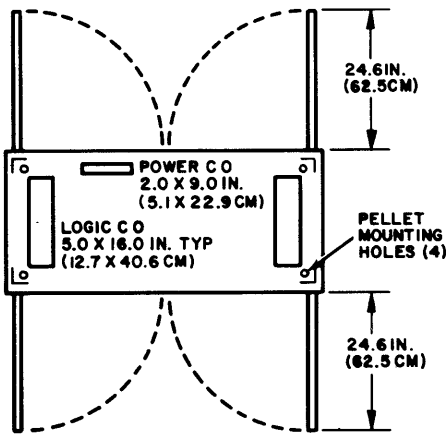
Permissible range of room relative humidity, 30 % to 80 %

	Maximum	Recommended	Minimum	Dew Point Limitation
Operating temperature (ambient or plenum inlet temperature)	90 °F (32.2 °C)	75 °F (23.9 °C)	60 °F (15.6 °C)	N/A °F (°C)
Storage temperature	150 °F (65.6 °C)		-30 °F (-34.4 °C)	

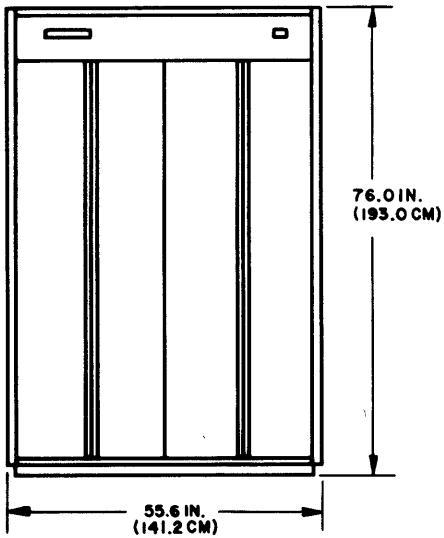
7622-2 MAGNETIC TAPE CONTROLLER



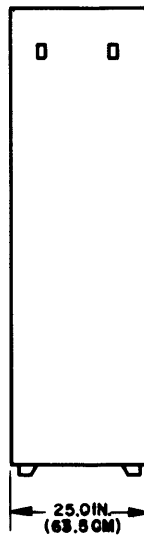
PLAN



FRONT



SIDE



2AW62A

7622-2 MAGNETIC TAPE CONTROLLER

Width	55.6 in (1412 mm)	Weight	850 lb (386 kg)
Depth	25.0 in (635 mm)	Supported by	frame
Height	76.0 in (1930 mm)		

For maximum width/depth, all doors extended, refer to floor plan layout.

Power consumption, steady state, maximum:

400 Hz, 208 V, 3 phase, 1.3 kVA
 and $\left\{ \begin{array}{l} 60 \text{ Hz, } 120 \text{ V, } 1 \text{ phase, } 0.4 \text{ kVA} \\ \text{or} \\ 50 \text{ Hz, } 230 \text{ V, } 1 \text{ phase, } 0.4 \text{ kVA} \end{array} \right.$

Circuit breakers:

400 Hz, 15 A, 3 phase
 and $\left\{ \begin{array}{l} 60 \text{ Hz, } 15 \text{ A, } 1 \text{ phase} \\ \text{or} \\ 50 \text{ Hz, } 15 \text{ A, } 1 \text{ phase} \end{array} \right.$

Power connector locations above cabinet base:

Terminal strip 1 in (25.4 mm)
 Terminal strip }
 Terminal strip } 1 in (25.4 mm)

Control Data signal cables:	Quantity:	Standard length:	Maximum length:
Mag tape cont to tape handler	1	50 ft (15.2 m)	125 ft (38.1 m)
Mag tape cont to 7000 access	4	120 ft (36.6 m)	120 ft (36.6 m)
Mag tape cont to 6000 access	2	65 ft (19.8 m)	65 ft (19.8 m)

Distance from internal signal cable connectors to floor:

Tape handler 54 in (1372 mm)
 7000 and 6000 accesses 72 in (1829 mm)

External terminator power connection not required

Environmental considerations:

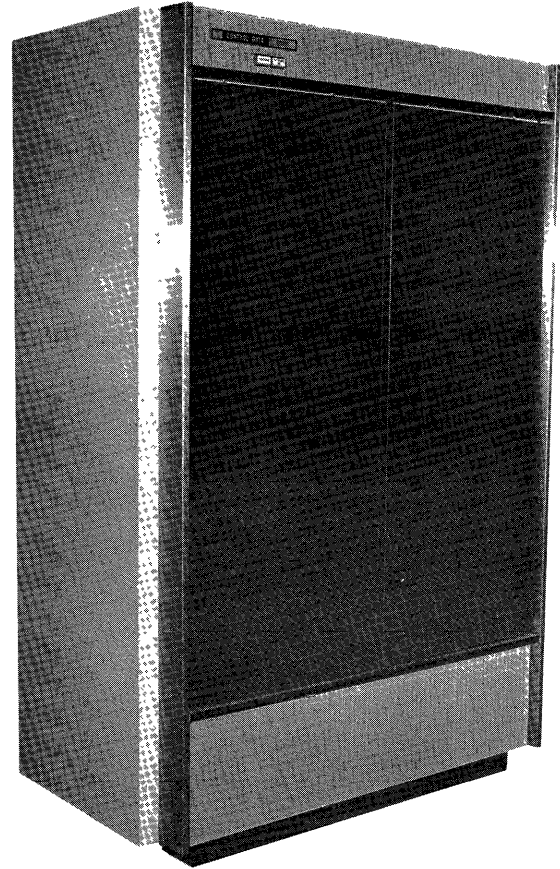
Type of cooling, internal fan
 Source of cooling, room air

Heat rejection rate, maximum $\left\{ \begin{array}{l} \text{to air, } 5280 \text{ Btu/h (} 1547 \text{ W) } \\ \text{to water, N/A} \end{array} \right.$

Permissible range of room relative humidity, 30 % to 80 %

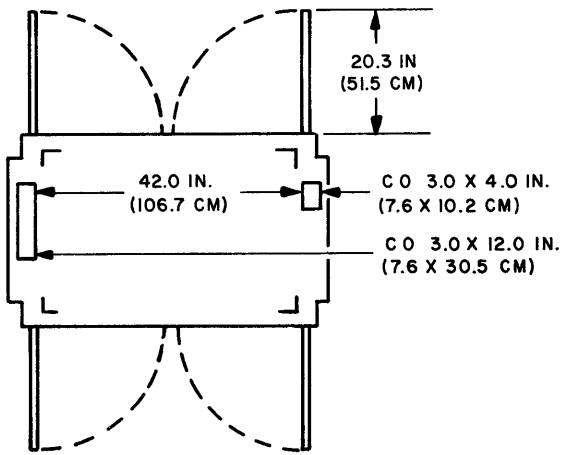
	Maximum	Recommended	Minimum	Dew Point Limitation
Operating temperature (ambient or plenum inlet temperature)	90 °F (32.2 °C)	75 °F (23.9 °C)	60 °F (15.6 °C)	N/A °F (°C)
Storage temperature	150 °F (65.6 °C)		-30 °F (-34.4 °C)	

7628-1 MAGNETIC TAPE CONTROLLER

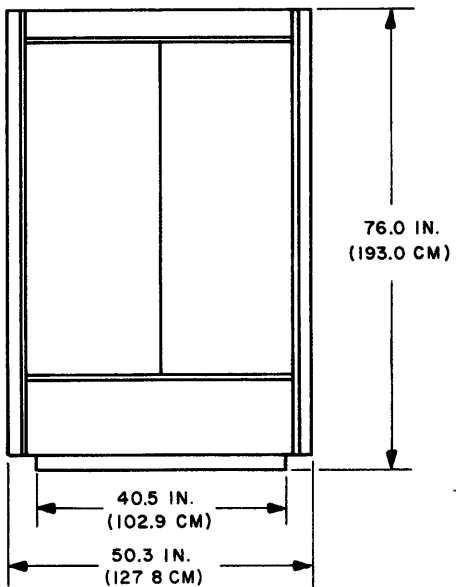


6233

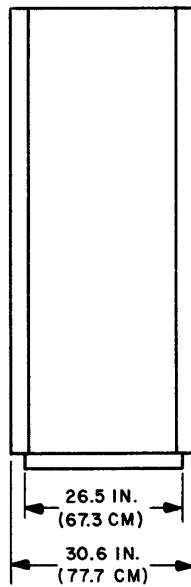
PLAN



FRONT



SIDE



2AW38A

7628-1 MAGNETIC TAPE CONTROLLER

Width	50.3 in (1278 mm)	Weight	1000 lb (455 kg)
Depth	30.6 in (777 mm)	Supported by frame	
Height	76.0 in (1930 mm)		

For maximum width/depth, all doors extended, refer to floor plan layout.

Power consumption, steady state, maximum:

400 Hz, 208 V, 3 phase, 1.2 kVA
 and $\left\{ \begin{array}{l} 60 \text{ Hz, } 115 \text{ V, } 1 \text{ phase, } 1.1 \text{ kVA} \\ \text{or} \\ 50 \text{ Hz, } 115 \text{ V, } 1 \text{ phase, } 1.1 \text{ kVA} \end{array} \right\}$

Circuit breakers:

400 Hz, 15 A, 3 phase
 and $\left\{ \begin{array}{l} 60 \text{ Hz, } 15 \text{ A, } 1 \text{ phase} \\ \text{or} \\ 50 \text{ Hz, } 15 \text{ A, } 1 \text{ phase} \end{array} \right\}$

Power connector locations above cabinet base:

Terminal strip	24 in (610 mm)
Terminal strip	} 24 in (610 mm)
Terminal strip	

Control Data signal cables:	Quantity:	Standard length:	Maximum length:
To 7000 I/O	8	50 ft (15.2 m)	50 ft (15.2 m)

Distance from internal signal cable connectors to floor: 44 in (1118 mm)

External terminator power connection required: no

Environmental considerations:

Type of cooling, internal fan

Source of cooling, room air

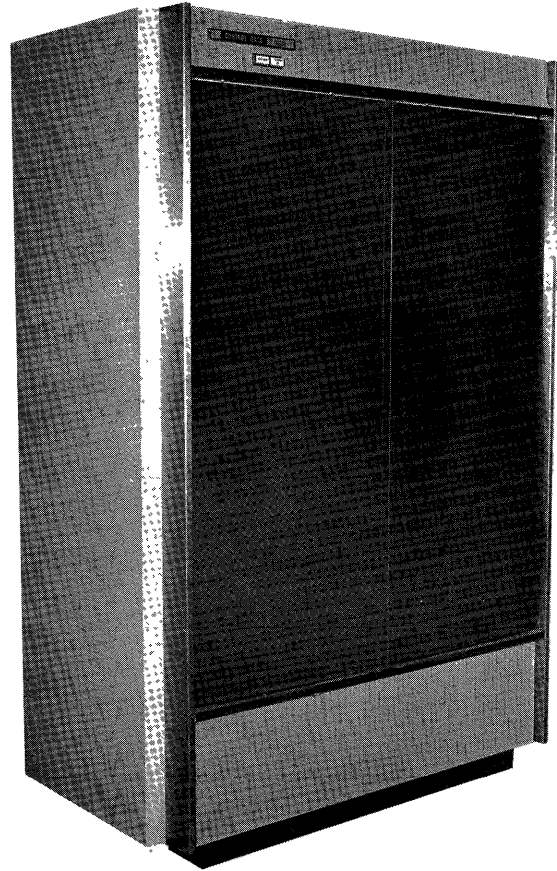
Air required at inlet if plenum-cooled, ft^3/min (m^3/h)

Heat rejection rate, maximum	$\left\{ \begin{array}{l} \text{to air, } 6800 \text{ Btu/h (} 1992 \text{ W) } \\ \text{to water, N/A} \end{array} \right\}$	
------------------------------	--	--

Permissible range of room relative humidity, 20 % to 80 %

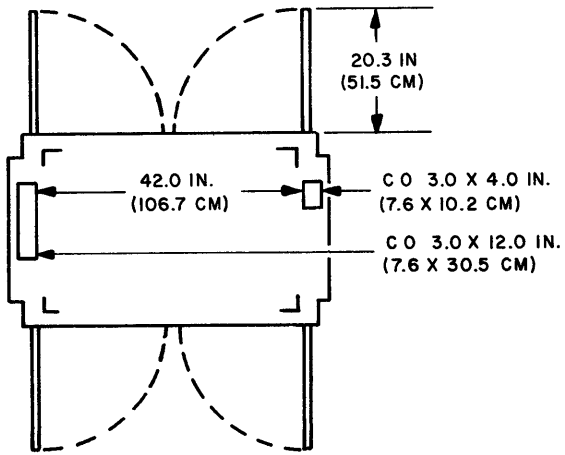
	Maximum	Recommended	Minimum	Dew Point Limitation
Operating temperature (ambient or plenum inlet temperature)	90 °F (32.2°C)	72 °F (22.2°C)	60 °F (15.6°C)	N/A °F (°C)
Storage temperature	125 °F (51.7°C)		-30 °F (-34.4°C)	

7629-1/2 MAGNETIC TAPE CONTROLLER

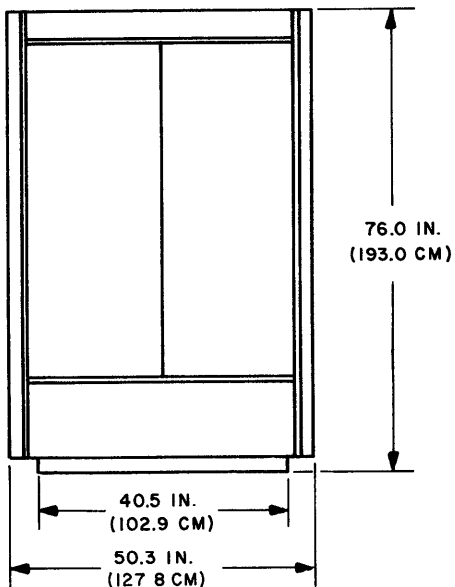


6233

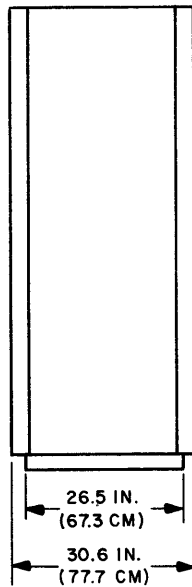
PLAN



FRONT



SIDE



2AW38A

7629-1/2 MAGNETIC TAPE CONTROLLER

Width	50.3 in (1278mm)	Weight	1000 lb (455 kg)
Depth	30.6 in (777mm)	Supported by	frame
Height	76.0 in (1930mm)		

For maximum width/depth, all doors extended, refer to floor plan layout.

Power consumption, steady state, maximum:

400 Hz, 208 V, 3 phase, 1.2 kVA
and $\left\{ \begin{array}{l} 60 \text{ Hz, } 120 \text{ V, } 1 \text{ phase, } 1.1 \text{ kVA} \\ \text{or} \\ 50 \text{ Hz, } 120 \text{ V, } 1 \text{ phase, } 1.1 \text{ kVA} \end{array} \right\}$

Circuit breakers:

400 Hz, 15 A, 3 phase
and $\left\{ \begin{array}{l} 60 \text{ Hz, } 15 \text{ A, } 1 \text{ phase} \\ \text{or} \\ 50 \text{ Hz, } 15 \text{ A, } 1 \text{ phase} \end{array} \right\}$

Power connector locations above cabinet base:

Terminal strip	36 in (914 mm)
Terminal strip	}
Terminal strip	

Control Data signal cables:	Quantity:	Standard length:	Maximum length:
7629-1 to equipment controller	4	50 ft (15.2 m)	50 ft (15.2 m)
7629-2 to equipment controller	8	50 ft (15.2 m)	50 ft (15.2 m)

Distance from internal signal cable connectors to floor: 48 in (1219 mm)
 External terminator power connection required: yes (40 V dc)

Environmental considerations:

Type of cooling, internal fan
 Source of cooling, room air

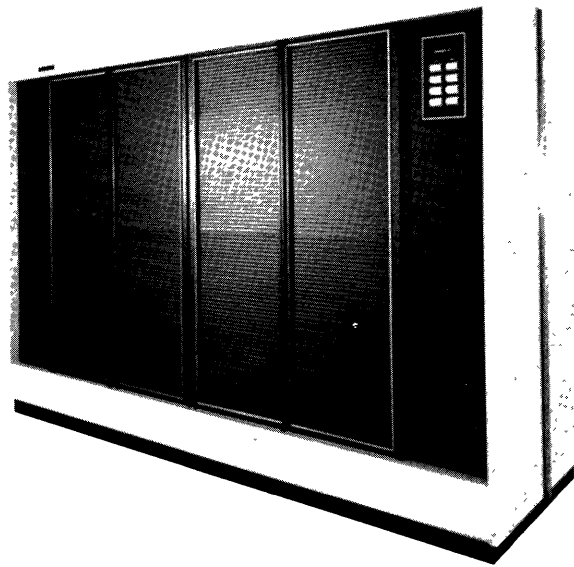
Heat rejection rate, maximum $\left\{ \begin{array}{l} \text{to air, } 6800 \text{ Btu/h (} 1992 \text{ W) } \\ \text{to water, N/A} \end{array} \right\}$

Permissible range of room relative humidity, 30 % to 80 %

	Maximum	Recommended	Minimum	Dew Point Limitation
Operating temperature (ambient or plenum inlet temperature)	92 °F (33.3 °C)	72 °F (22.2 °C)	60 °F (15 °C)	N/A °F (°C)
Storage temperature	150 °F (65.6 °C)		-30 °F (-34 °C)	

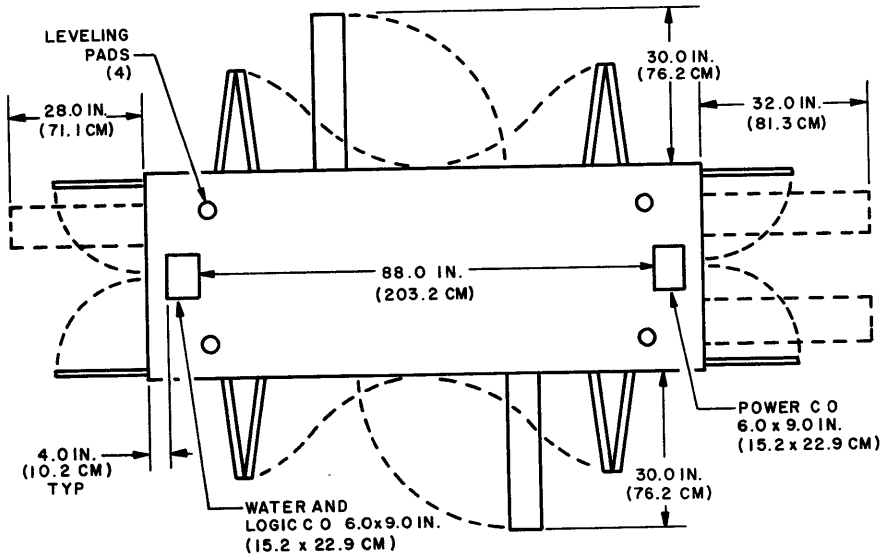
7638-1 DISK FILE SYSTEM

(Disk File Cabinet)

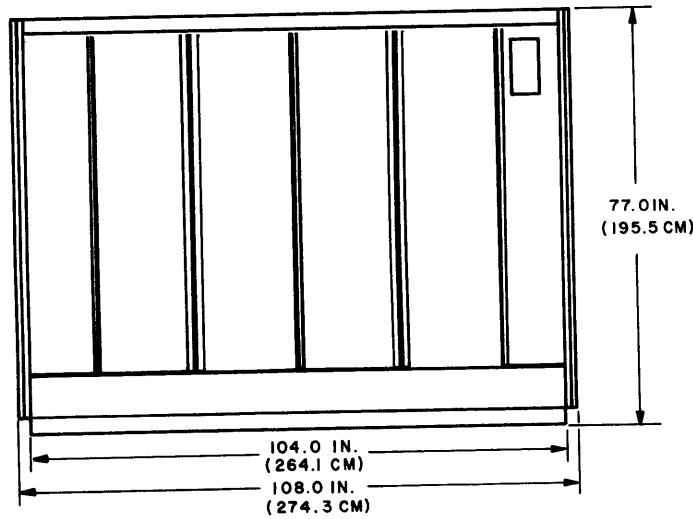


6197

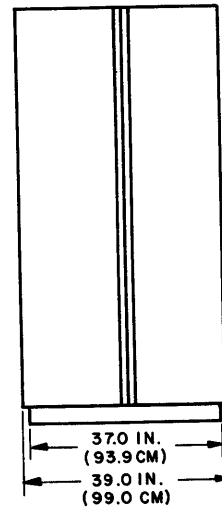
PLAN



FRONT



SIDE



2AW6A

7638-1 DISK FILE SYSTEM

(Disk File Cabinet)

Width 108.0 in (2743 mm)	Weight 4800 lb (2177 kg)
Depth 39.0 in (990 mm)	Supported by 4 leveling pads
Height 77.0 in (1955 mm)	

For maximum width/depth, all doors extended, refer to floor plan layout.

Power consumption, steady state, maximum:

60 Hz, 208 V, 3 phase, 14.4 kVA

Circuit breakers:

Power connector locations above cabinet base:

60 Hz, 50 A, 3 phase	Terminal strip 20 in (508 mm)
----------------------	--------------------------------

Control Data signal cables:	Quantity:	Standard length:	Maximum length:
Disk file to disk controller 1	2	50 ft (15.2 m)	100 ft (30.5 m)
Disk file to disk controller 2	2	50 ft (15.2 m)	100 ft (30.5 m)

Distance from internal signal cable connectors to floor: 36 in (914 mm)

External terminator power connection required: yes (40 V dc)

Environmental considerations:

Type of cooling, forced air (internal fan) and water cooled heat exchanger

Source of cooling, ambient room air and building water supply

Heat rejection rate, maximum	$\left\{ \begin{array}{l} \text{to air, } 6000 \\ \text{to water, } 31,000 \end{array} \right.$	$\left. \begin{array}{l} \text{Btu/h (1758 W)} \\ \text{Btu/h (9083 W)} \end{array} \right\}$
Permissible range of room relative humidity, 20 % to 60 %		

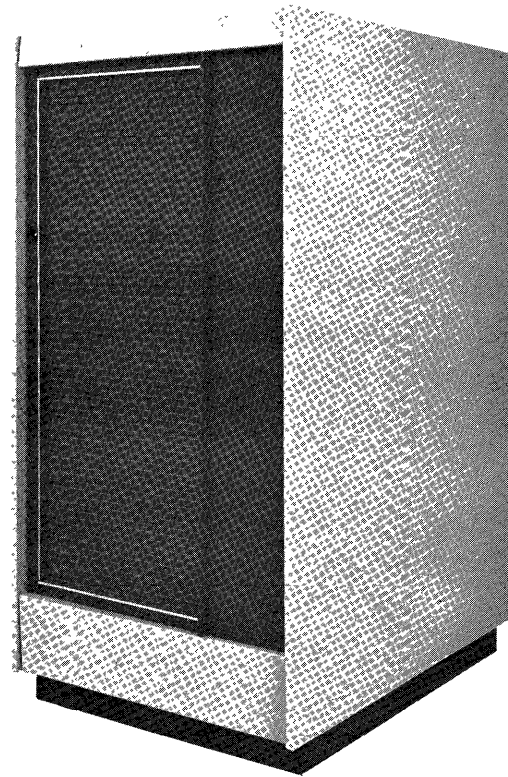
	Maximum	Recommended	Minimum	Dew Point Limitation
Operating temperature (ambient or plenum inlet temperature)	78 °F (25.5 °C)	72 °F (22 °C)	62 °F (16.5 °C)	N/A °F (°C)
Storage temperature	125 °F (51 °C)	-	32 °F (0 °C)	

	Inlet Temperature		Flow Rate		Head Loss	
	°F	°C	gal (U.S. liquid)/min	litre/min	lbf/in ²	kPa
Water flow and temperature requirements	80	22.6	7.0	26.6	33	227.5
	70	21.1	6.0	22.8	25	172.4
	60	15.6	5.0	19.0	18	124.1
	50	10.0	4.5 †	17.1	14	96.5

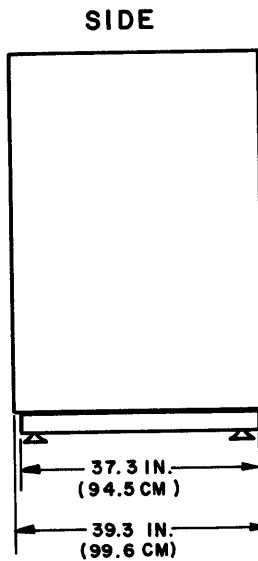
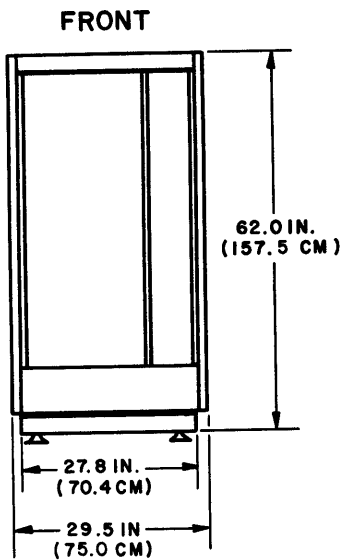
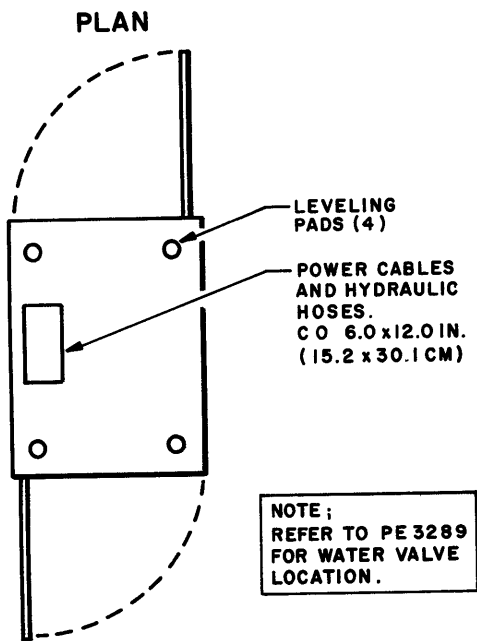
† Required minimum supply.

7638-1 DISK FILE SYSTEM

(Hydraulic Cabinet)



2556



2AW4A

7638-1 DISK FILE SYSTEM

(Hydraulic Cabinet)

Width 29.5 in (749 mm)	Weight 1000 lb (454 kg)
Depth 39.3 in (998 mm)	Supported by 4 leveling pads
Height 62.0 in (1575 mm)	

For maximum width/depth, all doors extended, refer to floor plan layout.

Power consumption, steady state, maximum:

60 Hz, 208 V, 3 phase, 6.2 kVA

Circuit breakers:

Power connector locations above cabinet base:

60 Hz, 30 A, 3 phase

Terminal strip 36 in (914 mm)

Control Data signal cables:	Quantity:	Standard length:	Maximum length:
	N/A		

External terminator power connection required: no

Environmental considerations:

Type of cooling, natural convection and water-cooled heat exchanger

Source of cooling, room air and building water supply

Heat rejection rate, maximum	<table style="border: none;"> <tr> <td style="padding: 0 10px;">to air,</td> <td style="padding: 0 10px;">4000</td> <td style="padding: 0 10px;">Btu/h (1172 W)</td> </tr> <tr> <td style="padding: 0 10px;">to water,</td> <td style="padding: 0 10px;">11,400</td> <td style="padding: 0 10px;">Btu/h (3340 W)</td> </tr> </table>	to air,	4000	Btu/h (1172 W)	to water,	11,400	Btu/h (3340 W)
to air,	4000	Btu/h (1172 W)					
to water,	11,400	Btu/h (3340 W)					

Permissible range of room relative humidity, 20 % to 80 %

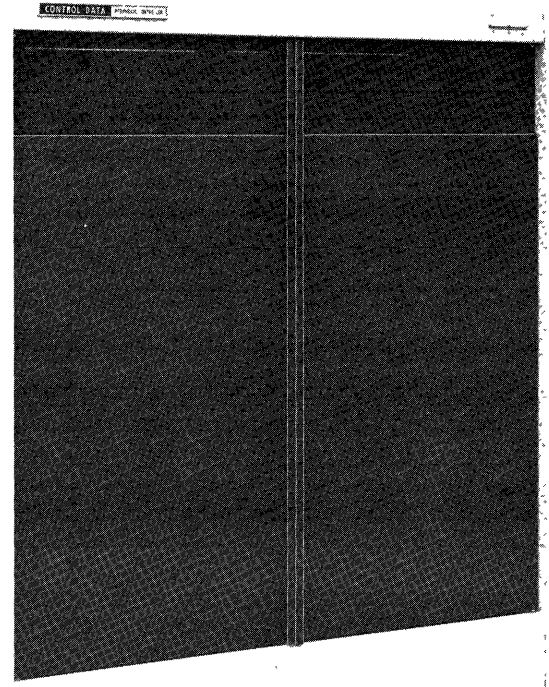
	Maximum	Recommended	Minimum	Dew Point Limitation
Operating temperature (ambient or plenum inlet temperature)	78 °F (25.5 °C)	72 °F (22 °C)	62 °F (16.5 °C)	N/A °F (°C)
Storage temperature	125 °F (51 °C)		32 °F (0 °C)	

	Inlet Temperature		Flow Rate		Head Loss	
	°F	°C	gal (U.S. liquid)/min	litre/min	lbf/in ²	kPa
Water flow and temperature requirements	80	26.7	5.0	19.0	36	248.2
	70	21.1	2.5	9.5	14	96.5
	60	15.6	1.0	3.8	7 †	48.3
	50	10.0	1.0	3.8	7 †	48.3

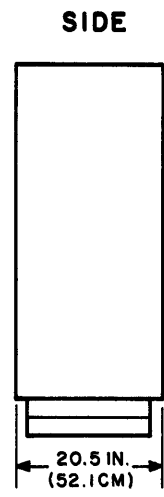
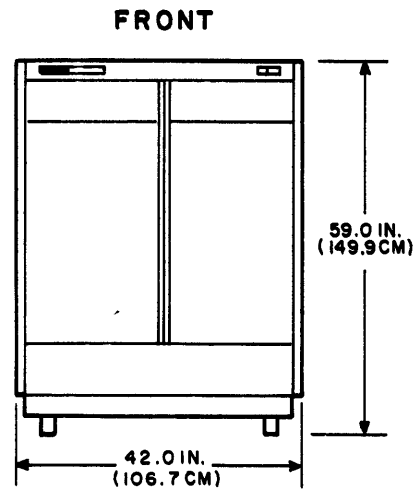
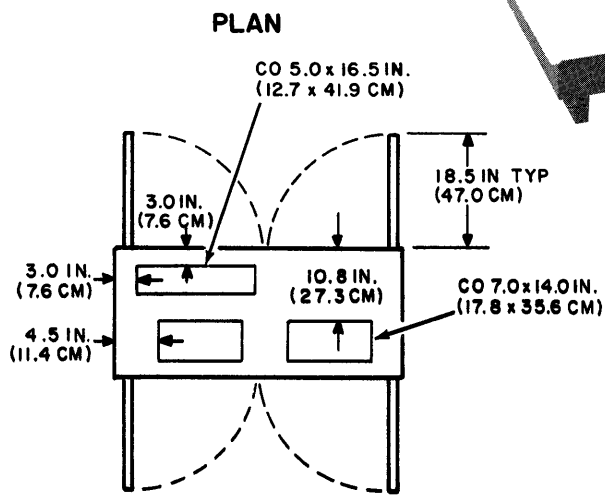
† Required minimum supply pressures, 11 lbf/in² (75.8 kPa)

7638-1 DISK FILE SYSTEM

(Controller cabinet, two required)



2462



2AW64A

7638-1 DISK FILE SYSTEM
(Controller cabinet; two required)

Width	42.0	in (1067 mm)	Weight	700	lb (320 kg)
Depth	20.5	in (521 mm)	Supported by	4 leveling pads	
Height	59.0	in (1499 mm)			

For maximum width/depth, all doors extended, refer to floor plan layout.

Power consumption, steady state, maximum:

400 Hz, 208 V, 3 phase, 0.9 kVA
 and $\left\{ \begin{array}{l} 60 \text{ Hz, } 120 \text{ V, } 1 \text{ phase, } 0.3 \text{ kVA} \\ \text{or} \\ 50 \text{ Hz, } 120 \text{ V, } 1 \text{ phase, } 0.3 \text{ kVA} \end{array} \right\}$

Circuit breakers:

400 Hz, 15 A, 3 phase
 and $\left\{ \begin{array}{l} 60 \text{ Hz, } 15 \text{ A, } 1 \text{ phase} \\ \text{or} \\ 50 \text{ Hz, } 15 \text{ A, } 1 \text{ phase} \end{array} \right\}$

Power connector locations above cabinet base:

Terminal strip	12 in (305 mm)
Terminal strip	} 12 in (305 mm)
Terminal strip	

Control Data signal cables:	Quantity:	Standard length:	Maximum length:
Controller 1 to central computer	8	50 ft (15.2 m)	60 ft (18.4m)
Controller 2 to central computer	8	50 ft (15.2 m)	60 ft (18.4m)

Distance from internal signal cable connectors to floor: 24 in (610 mm)
 External terminator power connection required: yes (40 V dc)

Environmental considerations:

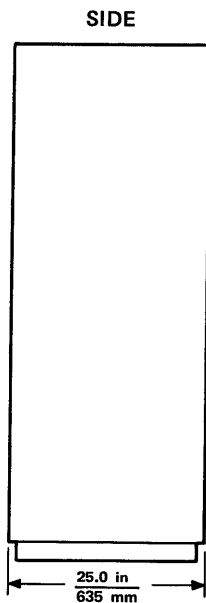
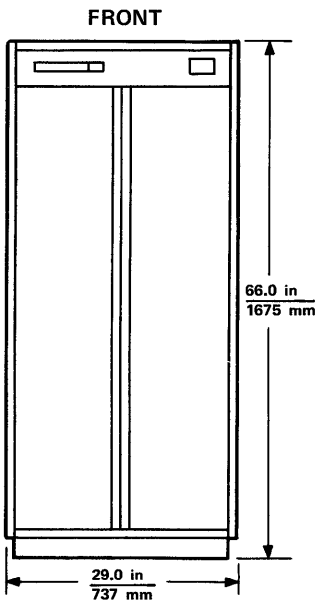
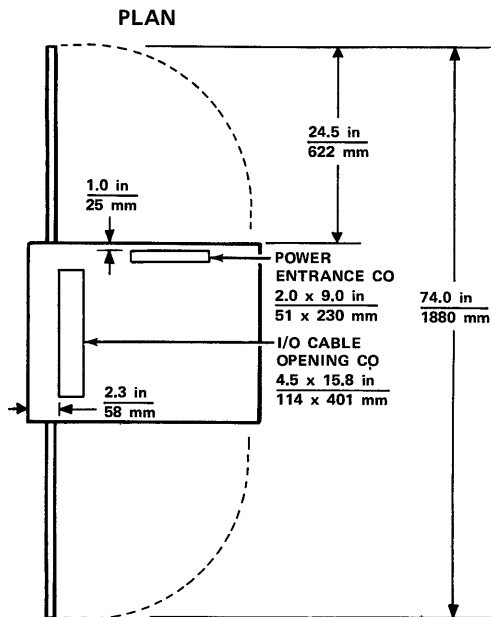
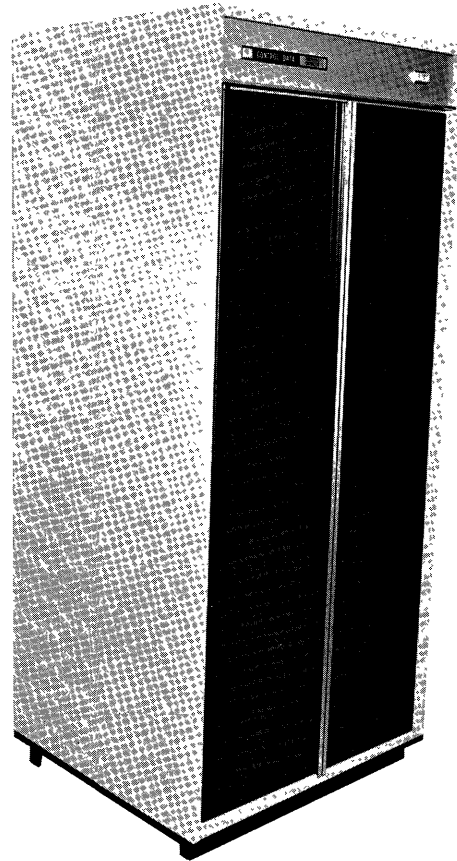
Type of cooling, internal fan
 Source of cooling, room air

Heat rejection rate, maximum $\left\{ \begin{array}{l} \text{to air, } 3700 \text{ Btu/h (} 1084 \text{ W) } \\ \text{to water, N/A} \end{array} \right\}$

Permissible range of room relative humidity, 25 % to 75 %

	Maximum	Recommended	Minimum	Dew Point Limitation
Operating temperature (ambient or plenum inlet temperature)	78 °F (25.5 °C)	72 °F (22 °C)	62 °F (16.5 °C)	N/A °F (°C)
Storage temperature	125 °F (51 °C)		-20 °F (-29 °C)	

7639-1/2/21/22 MASS STORAGE CONTROLLER



2AW71A

7639-1/2/21/22 MASS STORAGE CONTROLLER ††

Width	29	in (737 mm)	Weight	375 lb (170.1 kg) (450 lb, 204 kg †)
Depth	25	in (635 mm)	Supported by	N/A
Height	66	in (1675 mm)		

For maximum width/depth, all doors extended, refer to floor plan layout.

Power consumption, steady state, maximum:

400 Hz, 208 V, 3 phase, 0.5 kVA (0.7 kVA) †

and $\left\{ \begin{array}{l} 60 \text{ Hz, } 120 \text{ V, } 1 \text{ phase, } 0.2 \text{ kVA} \\ \text{or} \\ 50 \text{ Hz, } 220 \text{ V, } 1 \text{ phase, } 0.2 \text{ kVA} \end{array} \right.$

Circuit breakers:

400 Hz, 15 A, 3 phase
50/60 Hz, 15 A, 1 phase

Power connector locations above cabinet base:

12 in (305 mm)
12 in (305 mm)

Control Data signal cables:	Quantity:	Maximum length:
Controller/PPU	16 max (32) †	60 ft (18.3 m)
Controller/DSU	8 max (16) †	70 ft (21.3 m)

Distance from internal signal cable connectors to floor: 48 in (1219 mm)

External terminator power connection required: no

Environmental considerations:

Type of cooling, internal fan
Source of cooling, room air

Heat rejection rate, maximum $\left\{ \begin{array}{l} \text{to air, } 2250 \text{ (2840) } \dagger \text{ Btu/hr (659 W (832 W) } \dagger \dagger) \\ \text{to water, N/A} \end{array} \right.$

Permissible range of room relative humidity, 10 % to 90 %

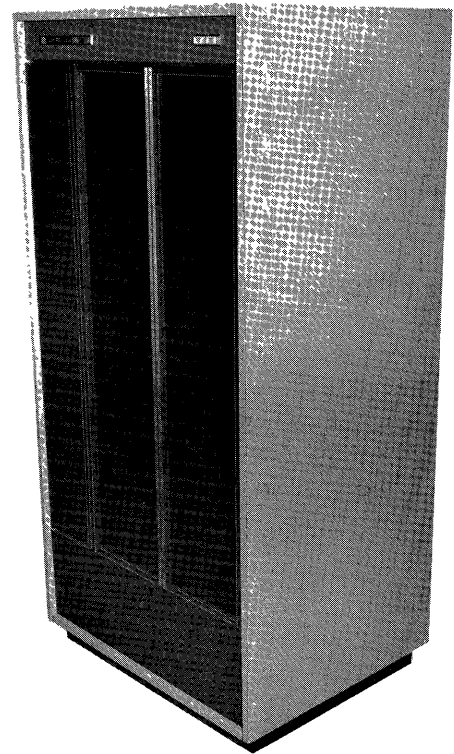
	Maximum	Recommended	Minimum	Dew Point Limitation
Operating temperature (ambient or plenum inlet temperature)	90 °F (31.7 °C)	75 °F (23.9 °C)	60 °F (15.5 °C)	N/A °F (°C)
Storage temperature	150 °F (65.5 °C)		-30 °F (-34.5 °C)	

†Data differs between the 7639-1/21 and -2/22. Figures marked with a dagger indicate the 7639-2/22.

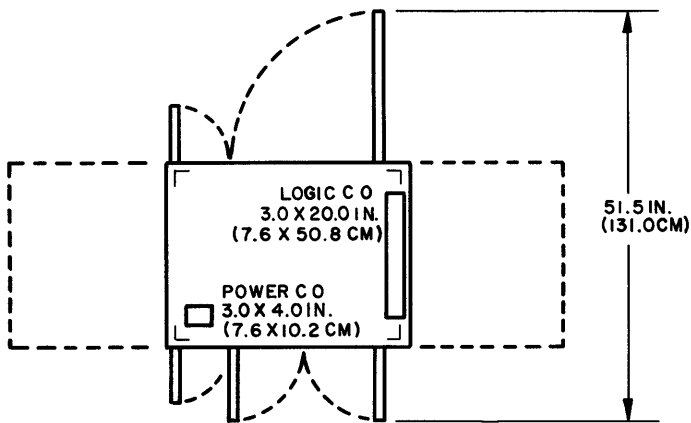
††Refer to publication number 60427600, section 4 (Installation), when installing the EMC Modification Kit.

7654-1 MASS STORAGE CONTROLLER

(Nu-line cabinet, serial no. 101 through 569)

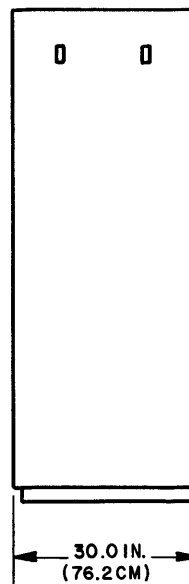
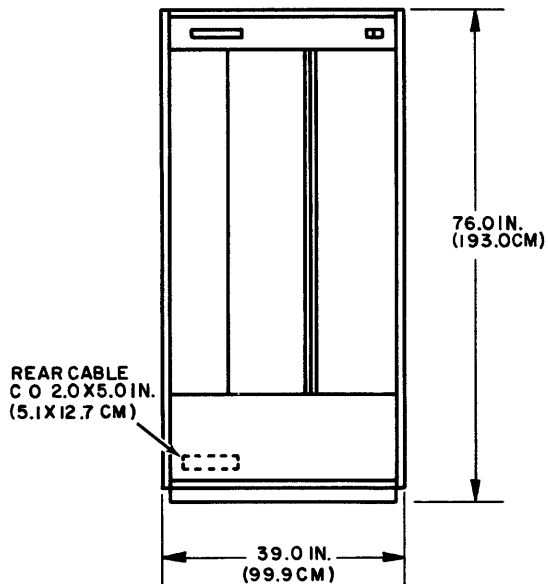


PLAN



FRONT

SIDE



2AW61A

7654-1 MASS STORAGE CONTROLLER

(Nu-line cabinet, serial no. 101 through 569)

Width	39.0	in (991 mm)	Weight	600	lb (272 kg)
Depth	30.0	in (762 mm)	Supported by	frame	
Height	76.0	in (1930 mm)			

For maximum width/depth, all doors extended, refer to floor plan layout.

Power consumption, steady state, maximum:

400 Hz, 120/208 V, 3 phase, 0.39 kVA
 and $\left\{ \begin{array}{l} 60 \text{ Hz, } 120 \text{ V, } 1 \text{ phase, } 0.5 \text{ kVA} \\ \text{or} \\ 50 \text{ Hz, } 220 \text{ V, } 1 \text{ phase, } 0.55 \text{ kVA} \end{array} \right\}$

Circuit breakers:

400 Hz, 15 A, 3 phase
 and $\left\{ \begin{array}{l} 60 \text{ Hz, } 15 \text{ A, } 1 \text{ phase} \\ \text{or} \\ 50 \text{ Hz, } 15 \text{ A, } 1 \text{ phase} \end{array} \right\}$

Power connector locations above cabinet base:

Terminal strip	12 in (305 mm)
Terminal strip	}
Terminal strip	

Control Data signal cables:	Quantity:	Standard length:	Maximum length:
Higher level processor (HLP) to controller	2 per access	50 ft (15.2 m)	70 ft (21.4 m)

If HLP has more than 10 PPU's or 12 data channels, the maximum signal cable length is 38.5 ft (11.7 m).

Distance from internal signal cable connectors to floor: 60 in (1524 mm)

External terminator power connection required: no

Environmental considerations:

Type of cooling, forced air
 Source of cooling, internal blower

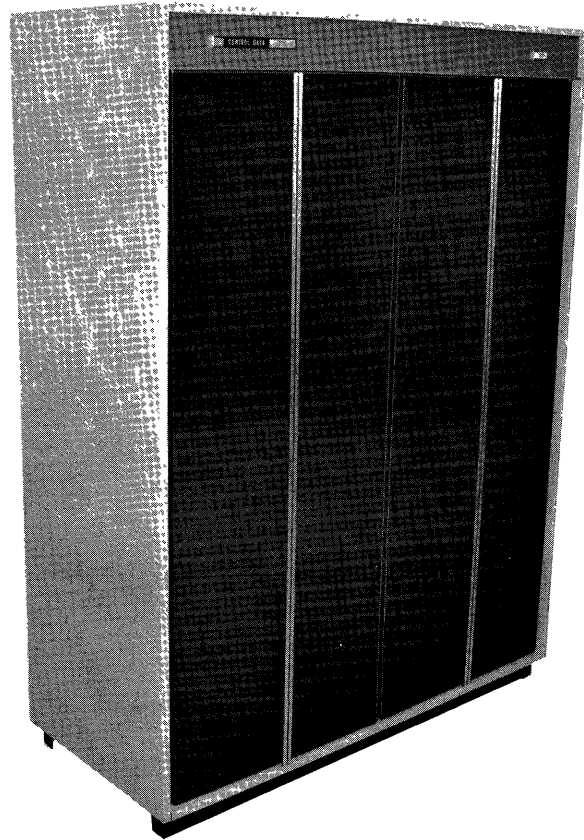
Heat rejection rate, maximum $\left\{ \begin{array}{l} \text{to air, } 2750 \text{ Btu/h (} 806 \text{ W) } \\ \text{to water, N/A} \end{array} \right\}$

Permissible range of room relative humidity, 10 % to 90 %

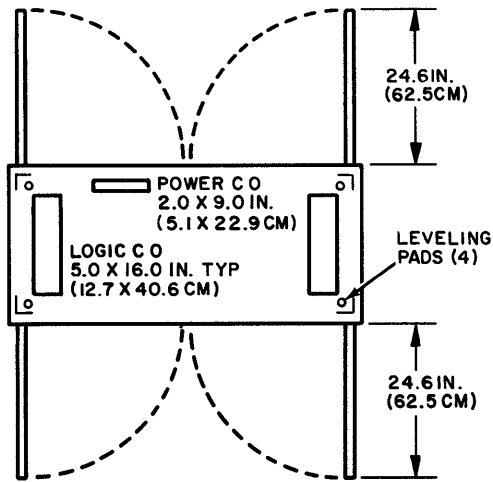
	Maximum	Recommended	Minimum	Dew Point Limitation
Operating temperature (ambient or plenum inlet temperature)	120 °F (49 °C)	75 °F (24 °C)	40 °F (4 °C)	N/A °F (°C)
Storage temperature	150 °F (66 °C)		-30 °F (-34 °C)	

7654-1/2 MASS STORAGE CONTROLLER

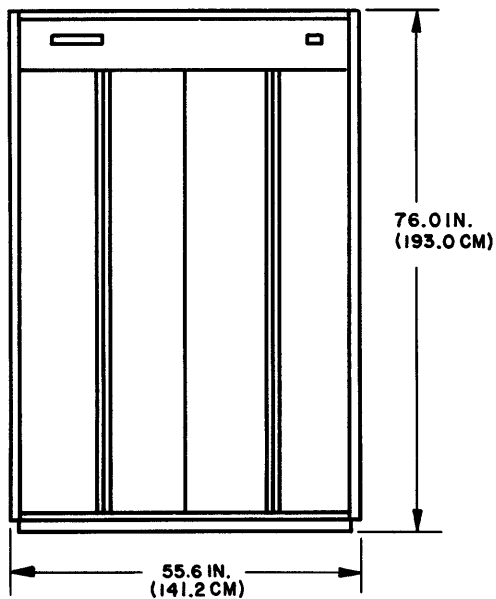
(Trimline double-width cabinet)



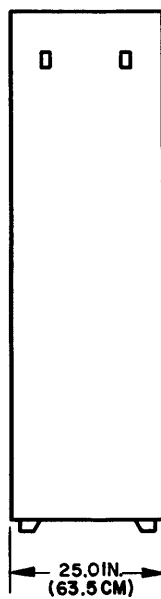
PLAN



FRONT



SIDE



2AW62A

7654-1/2 MASS STORAGE CONTROLLER

(Trimline double-width cabinet)

Width	55.6	in (1412 mm)	Weight	710	lb (323 kg)
Depth	25.0	in (635 mm)	Supported by frame		
Height	76.0	in (1930 mm)			

For maximum width/depth, all doors extended, refer to floor plan layout.

Power consumption, steady state, maximum:

400 Hz, 120/208 V, 3 phase, 0.59 kVA
 and $\left\{ \begin{array}{l} 60 \text{ Hz, } 120 \text{ V, } 1 \text{ phase, } 0.31 \text{ kVA} \\ \text{or} \\ 50 \text{ Hz, } 120 \text{ V, } 1 \text{ phase, } 0.38 \text{ kVA} \end{array} \right\}$

Circuit breakers:

400 Hz, 15 A, 3 phase
 and $\left\{ \begin{array}{l} 60 \text{ Hz, } 15 \text{ A, } 1 \text{ phase} \\ \text{or} \\ 50 \text{ Hz, } 15 \text{ A, } 1 \text{ phase} \end{array} \right\}$

Power connector locations above cabinet base:

Terminal strip	12 in (305 mm)
Terminal strip	} 12 in (305 mm)
Terminal strip	

Control Data signal cables:	Quantity:	Standard length:	Maximum length:
Higher level processor (HLP) to controller	2 per access	50 ft (15.2 m)	70 ft (21.4 m)

If the HLP has more than 10 PPU's or 12 data channels, the maximum signal cable length is 38.5 ft (11.7 m).

Distance from internal signal cable connectors to floor: 50 in (1270 mm)

External terminator power connection required: no

Environmental considerations:

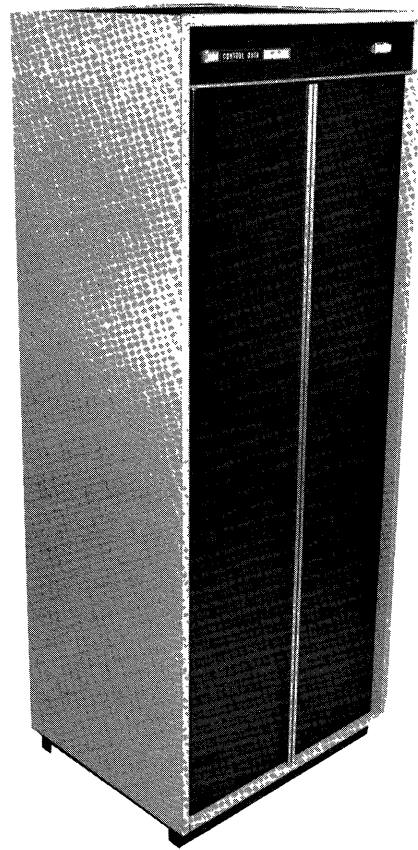
Type of cooling, forced air
 Source of cooling, room air

Heat rejection rate, maximum $\left\{ \begin{array}{l} \text{to air, } 2800 \text{ Btu/h (} 820 \text{ W) } \\ \text{to water, N/A} \end{array} \right\}$

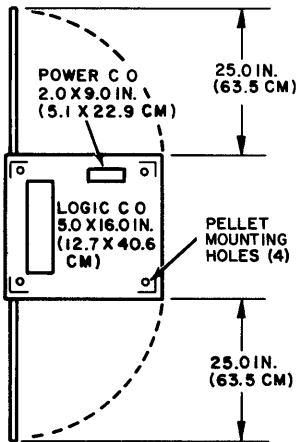
Permissible range of room relative humidity, 20 % to 80 %

	Maximum	Recommended	Minimum	Dew Point Limitation
Operating temperature (ambient or plenum inlet temperature)	90 °F (32 °C)	75 °F (24 °C)	50 °F (10 °C)	N/A °F (°C)
Storage temperature	150 °F (66 °C)		-30 °F (-34 °C)	

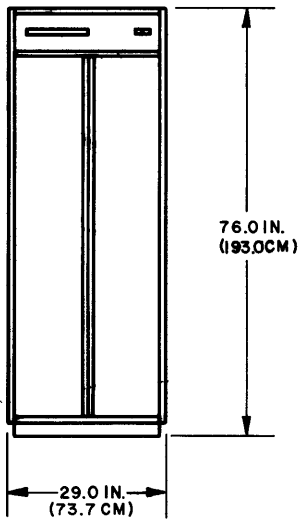
7654-21 MASS STORAGE CONTROLLER



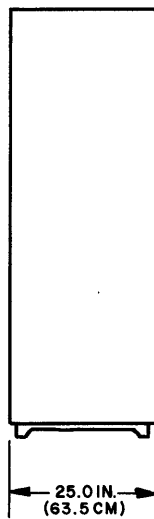
PLAN



FRONT



SIDE



2AW56A

7654-21 MASS STORAGE CONTROLLER

Width	29.0	in (737 mm)	Weight	540	lb (245 kg)
Depth	25.0	in (635 mm)	Supported by	frame	
Height	76.0	in (1930 mm)			

For maximum width/depth, all doors extended, refer to floor plan layout.

Power consumption, steady state, maximum:

400 Hz, 120/208 V, 3 phase, 0.64 kVA
 and $\left\{ \begin{array}{l} 60 \text{ Hz, } 120 \text{ V, } 1 \text{ phase, } 0.13 \text{ kVA} \\ \text{or} \\ 50 \text{ Hz, } 220 \text{ V, } 1 \text{ phase, } 0.13 \text{ kVA} \end{array} \right\}$

Circuit breakers:

400 Hz, 15 A, 3 phase
 and $\left\{ \begin{array}{l} 60 \text{ Hz, } 15 \text{ A, } 1 \text{ phase} \\ \text{or} \\ 50 \text{ Hz, } 15 \text{ A, } 1 \text{ phase} \end{array} \right\}$

Power connector locations above cabinet base:

Terminal strip	12 in (305 mm)
Terminal strip	} 12 in (305 mm)
Terminal strip	

Control Data signal cables:	Quantity:	Standard length:	Maximum length:
Higher level processor (HLP) to controller	2 per access	50 ft (15.2 m)	70 ft (21.4 m)

If the HLP has more than 10 PPUs or 12 data channels, the maximum signal cable length is 38.5 ft (11.7 m).

Distance from internal signal cable connectors to floor: 60 in (1524 mm)
 External terminator power connection required: no

Environmental considerations:

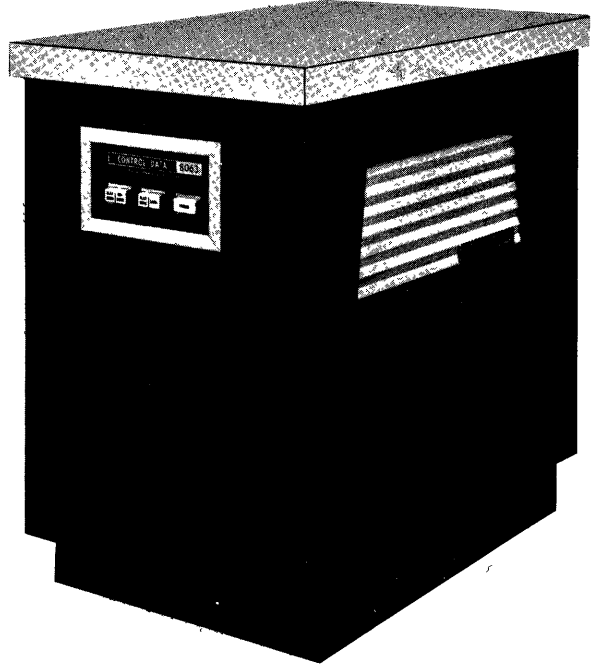
Type of cooling, forced air
 Source of cooling, room air

Heat rejection rate, maximum $\left\{ \begin{array}{l} \text{to air, } 2400 \text{ Btu/h (} 703 \text{ W) } \\ \text{to water, N/A} \end{array} \right\}$

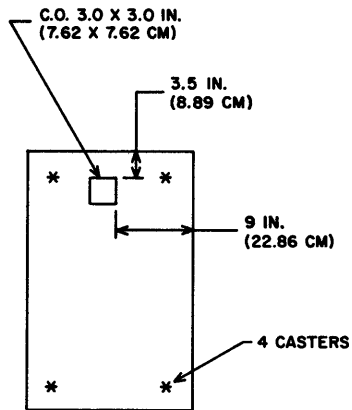
Permissible range of room relative humidity, 35 % to 90 %

	Maximum	Recommended	Minimum	Dew Point Limitation
Operating temperature (ambient or plenum inlet temperature)	90 °F (32 °C)	75 °F (24 °C)	59 °F (15 °C)	N/A °F (°C)
Storage temperature	150 °F (66 °C)		-40 °F (-40 °C)	

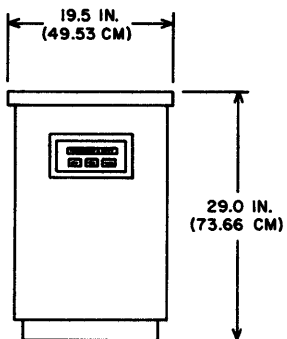
8063 DATA SET CONTROLLER



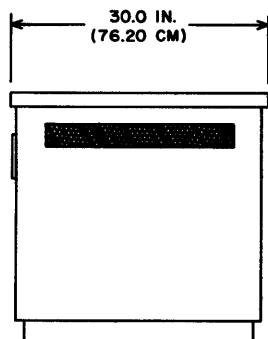
PLAN



FRONT



SIDE



2AW78A

8063 DATA SET CONTROLLER

Width	19.5	in (495 mm)	Weight	250	lb (114 kg)
Depth	30	in (762 mm)	Supported by	4 casters		
Height	29	in (737 mm)				

For maximum width/depth, all doors extended, refer to floor plan layout.

Power consumption, steady state, maximum:

60 Hz, 120 V, 1 phase, .2 kVA

Circuit breakers:

60 Hz, 15 A, 1 phase

Power connector locations above cabinet base:

Standard 3-prong plug,
6-ft detachable power
cord

Control Data signal cables:	Quantity:	Standard length:	Maximum length:
160, 8090, 8092 I/O to controller	02 24 p	20 ft (6.11 m)	50 ft (15.2 m)
Controller to data set	01 24 p	08 ft (2.3 m)	50 ft (15.2 m)

Distance from internal signal cable connectors to floor: 18 in (457 mm)

External terminator power connection required: no

Environmental considerations:

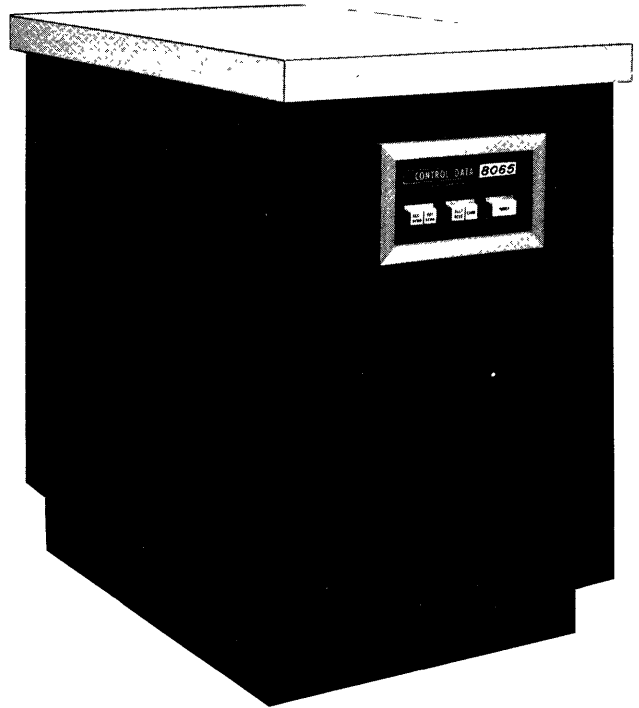
Type of cooling, internal fan

Source of cooling, room air

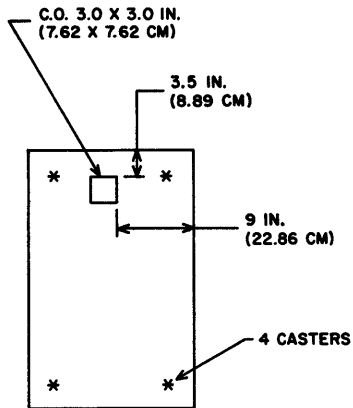
Heat rejection rate, maximum $\left\{ \begin{array}{l} \text{to air, } 600 \text{ Btu/h (} 176 \text{ W) } \\ \text{to water, N/A} \end{array} \right\}$

	Maximum	Recommended	Minimum	Dew Point Limitation
Operating temperature (ambient or plenum inlet temperature)	110 °F (43.3 °C)	72 °F (22.2 °C)	30 °F (-1.1 °C)	N/A °F (°C)
Storage temperature	150 °F (65.6 °C)		-30 °F (-34.4 °C)	

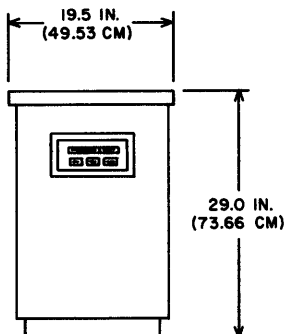
8065 TELETYPEWRITER LINE CONTROLLER



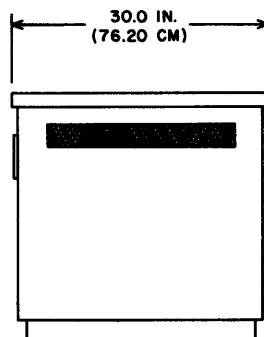
PLAN



FRONT



SIDE



2AW78A

8065 TELETYPEWRITER LINE CONTROLLER

Width	19.5	in (459 mm)	Weight	225	lb (102 kg)
Depth	30	in (762 mm)	Supported by	4 casters	
Height	29	in (737 mm)			

For maximum width/depth, all doors extended, refer to floor plan layout.

Power consumption, steady state, maximum:

60 Hz, 120 V, 1 phase, .4 kVA

Circuit breakers:

60 Hz, 15 A, 1 phase

Power connector locations above cabinet base:

Standard 3-prong plug,
6 ft detachable power
cord

Control Data signal cables:	Quantity:	Standard length:	Maximum length:
160, 8090, 8092 I/O to controller	02 24,p	20 ft (6.11 m)	50 ft (15.2 m)

Distance from internal signal cable connectors to floor: 18 in (457 mm)

External terminator power connection required: no

Environmental considerations:

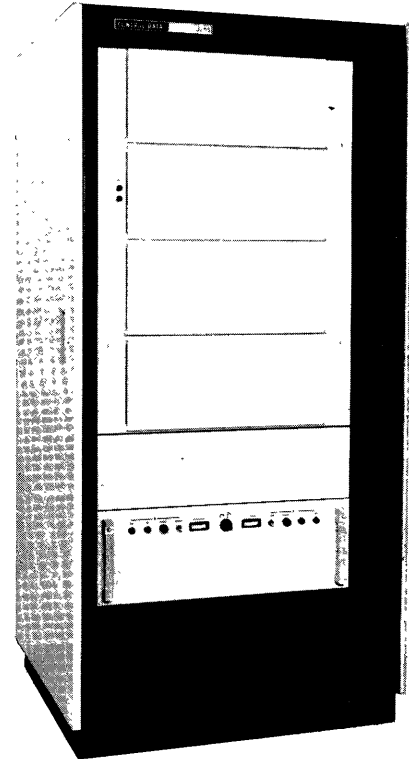
Type of cooling, internal fan

Source of cooling, room air

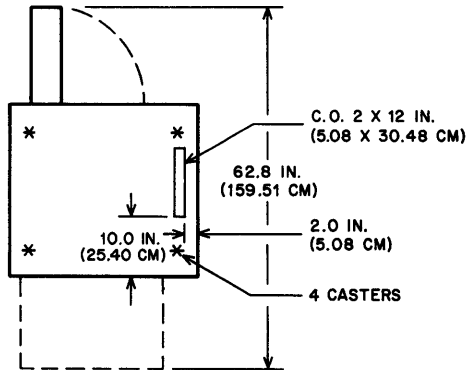
Heat rejection rate, maximum $\left\{ \begin{array}{l} \text{to air, } 1200 \text{ Btu/h (} 352 \text{ W) } \\ \text{to water, N/A} \end{array} \right\}$

	Maximum	Recommended	Minimum	Dew Point Limitation
Operating temperature (ambient or plenum inlet temperature)	110 °F (43.3 °C)	72 °F (22.2 °C)	30 °F (-1.1 °C)	N/A °F (°C)
Storage temperature	150 °F (65.6 °C)		-30 °F (-34.4 °C)	

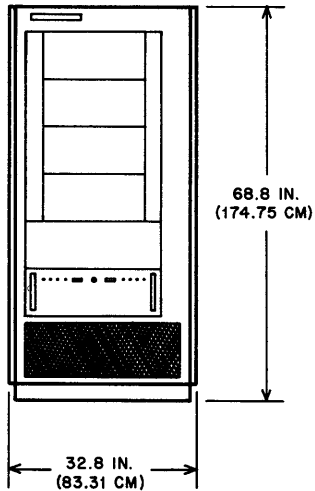
8066 COMMUNICATIONS TERMINAL CONTROLLER



PLAN



FRONT



SIDE



2AW82A

8066 COMMUNICATIONS TERMINAL CONTROLLER

Width	32.75 in (832 mm)	Weight	700 lb (315 kg)
Depth	29.75 in (757 mm)	Supported by	4 casters
Height	68.75 in (1746 mm)		

For maximum width/depth, all doors extended, refer to floor plan layout.

Power consumption, steady state, maximum:

60 Hz, 120V, 1 phase, 1.9 kVA
 or
 50 Hz, 220V, 1 phase, 1.9 kVA

Circuit breakers:

60 Hz, 20 A, 1 phase

Power connector locations above cabinet base:

Standard 3-prong plug,
 6-ft detachable power cord } 24 in (610 mm)

Control Data signal cables:	Quantity:	Standard length:	Maximum length:
160, 8090, 8092 I/O to controller	02 24 p	20 ft (6.11 m)	50 ft (15.2 m)

Distance from internal signal cable connectors to floor: 60 in (1524 mm)

External terminator power connection required: no

Environmental considerations:

Type of cooling, internal fan

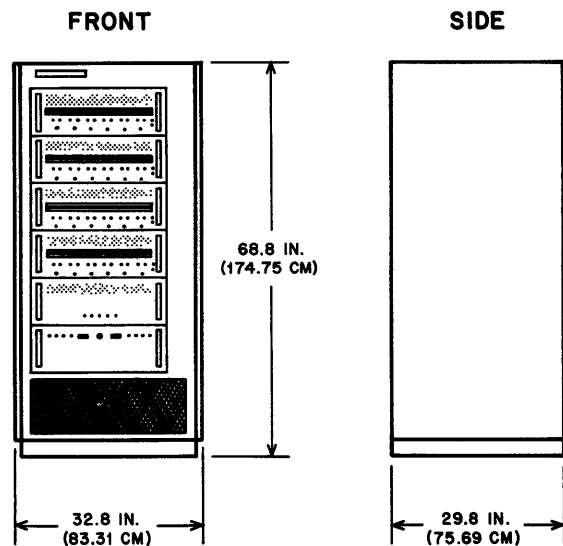
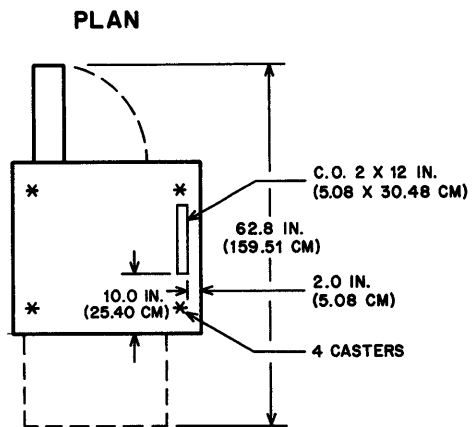
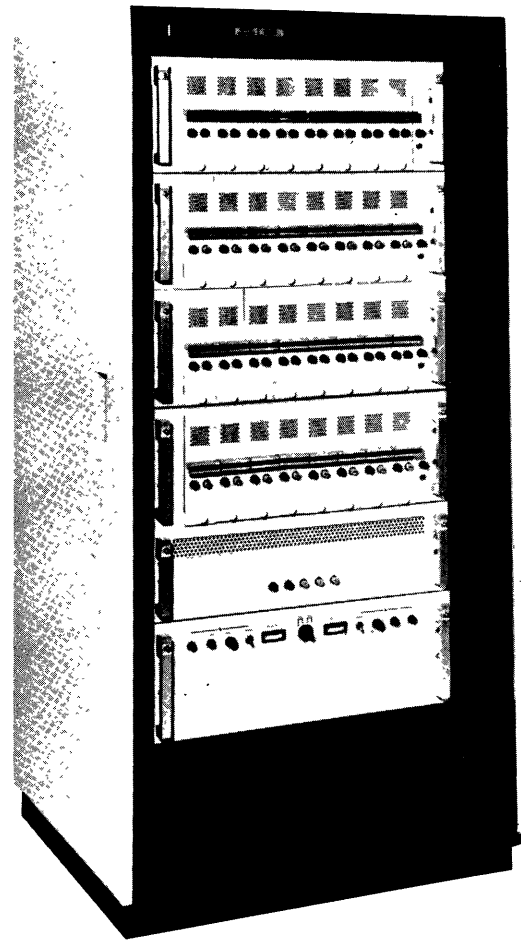
Source of cooling, room air

Air required at inlet if plenum-cooled, 800 ft³/min (1359 m³/h)

Heat rejection rate, maximum { to air, 5900 Btu/h (1729 W)
 to water, N/A }

	Maximum	Recommended	Minimum	Dew Point Limitation
Operating temperature (ambient or plenum inlet temperature)	110 °F (43.3 °C)	72 °F (22.2 °C)	32 °F (0 °C)	N/A °F (°C)
Storage temperature	150 °F (65.6 °C)		-20 °F (-29 °C)	

8076 COMMUNICATIONS TERMINAL CONTROLLER



2AW80A

8076 COMMUNICATIONS TERMINAL CONTROLLER

Width	34	in (864 mm)	Weight	900	lb (410 kg)
Depth	30	in (762 mm)	Supported by	frame	
Height	68	in (1727 mm)			

For maximum width/depth, all doors extended, refer to floor plan layout.

Power consumption, steady state, maximum:

60 Hz, 120V, 1 phase, 1.9 kVA

Circuit breakers:

60 Hz, 20 A, 1 phase

Power connector locations above cabinet base:

Standard 3-prong plug,
6-ft detachable power
cord

Control Data signal cables:	Quantity:	Standard length:	Maximum length:
160, 8090, 8092 I/O to controller	02 24 p	20 ft (6.11 m)	50 ft (15.2 m)

Distance from internal signal cable connectors to floor: 72 in (1829 mm)

External terminator power connection required: no

Environmental considerations:

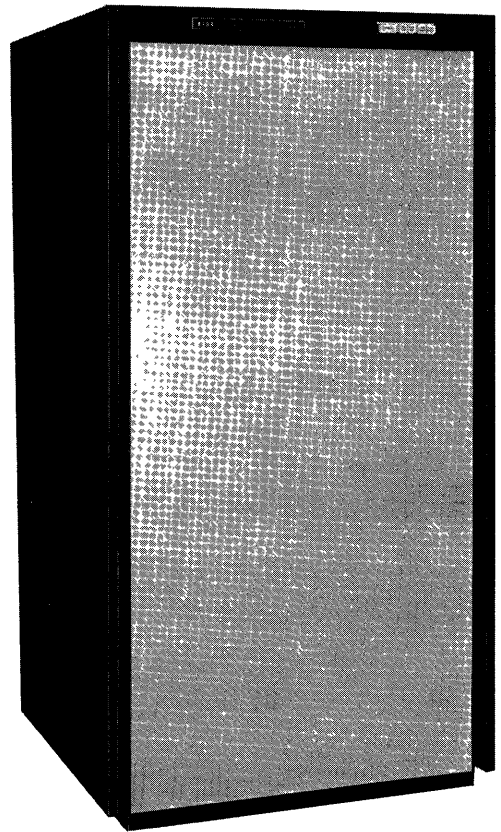
Type of cooling, internal fan

Source of cooling, room air

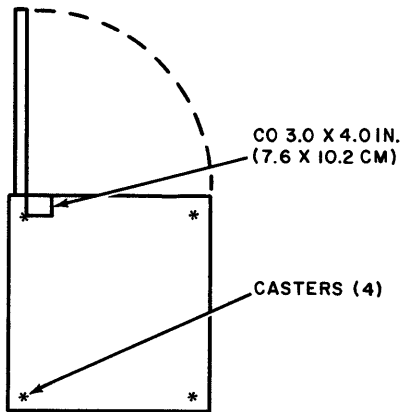
Heat rejection rate, maximum	{	to air, 5700 Btu/h (1670 W)	}
		to water, N/A	

	Maximum	Recommended	Minimum	Dew Point Limitation
Operating temperature (ambient or plenum inlet temperature)	110 °F (43.3 °C)	72 °F (22.2 °C)	32 °F (0 °C)	N/A °F (°C)
Storage temperature	150 °F (65.6 °C)		-20 °F (-29 °C)	

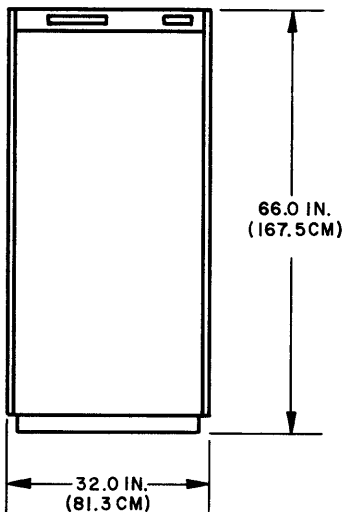
8194 MAGNETIC TAPE CONTROLLER



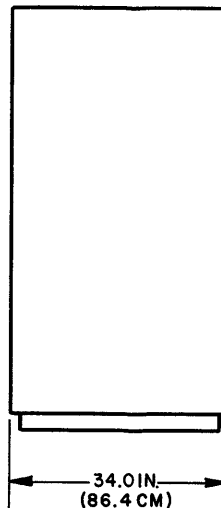
PLAN



FRONT



SIDE



2AW60A

8194 MAGNETIC TAPE CONTROLLER

Width	32.0	in (813 mm)	Weight	500	lb (230 kg)
Depth	34.0	in (864 mm)	Supported by	4 casters	
Height	66.0	in (1675 mm)			

For maximum width/depth, all doors extended, refer to floor plan layout.

Power consumption, steady state, maximum:

60 Hz, 115 V, 1 phase, 0.6 kVA
 or
 50 Hz, 115 V, 1 phase, 0.6 kVA

Circuit breakers:

Power connector locations above cabinet base:

60 Hz, 15 A, 1 phase	Locking connector	}	N/A
or 50 Hz, 15 A, 1 phase	Locking connector		

Control Data signal cables:	Quantity:	Standard length:	Maximum length:
To 8092 I/O	2	20 ft (6.1 m)	50 ft (15.2 m)

Distance from internal signal cable connectors to floor: N/A

External terminator power connection required: no

Environmental considerations:

Type of cooling, internal fan

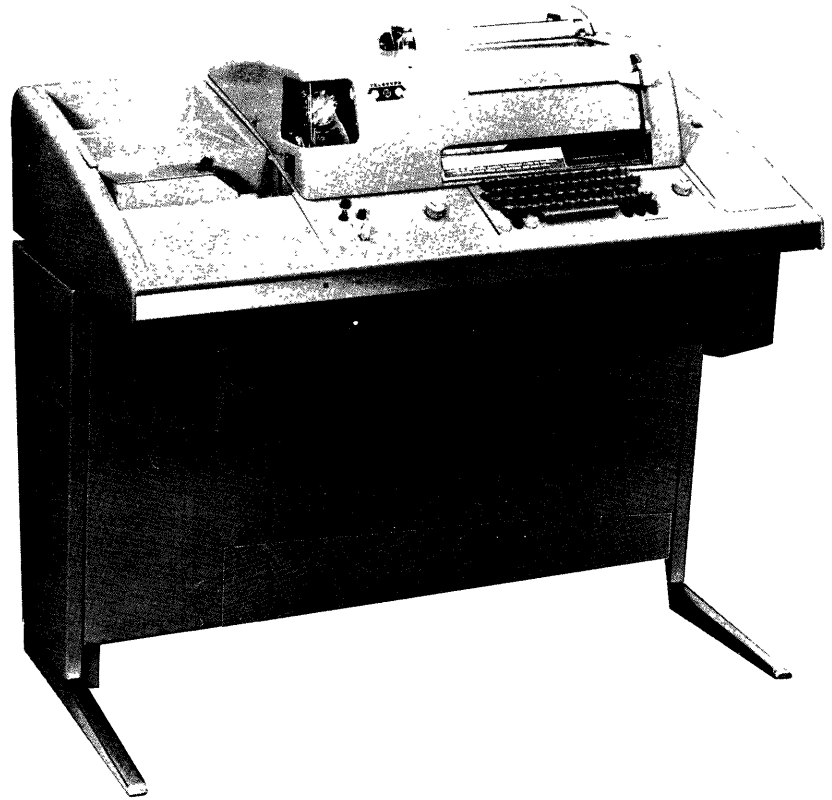
Source of cooling, room air

Heat rejection rate, maximum $\left\{ \begin{array}{l} \text{to air, } 1800 \text{ Btu/h (} 527 \text{ W) } \\ \text{to water, N/A} \end{array} \right\}$

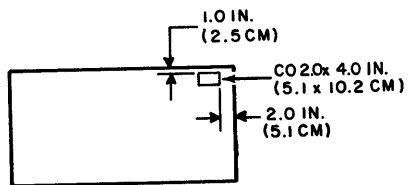
Permissible range of room relative humidity, 20 % to 80 %

	Maximum	Recommended	Minimum	Dew Point Limitation
Operating temperature (ambient or plenum inlet temperature)	90 °F (32.2 °C)	72 °F (22.2 °C)	60 °F (15.6 °C)	N/A °F (°C)
Storage temperature	125 °F (51.7 °C)		-30 °F (-34.4 °C)	

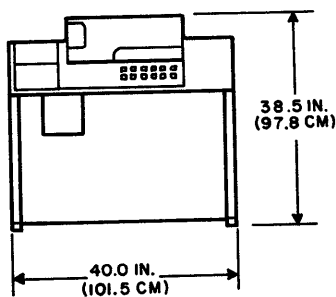
8196 INPUT/OUTPUT TELETYPEWRITER



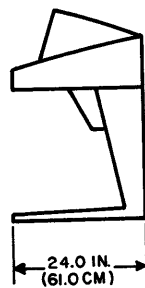
PLAN



FRONT



SIDE



2AW66A

8196 INPUT/OUTPUT TELETYPEWRITER

Width	40	in (1016 mm)	Weight	225	lb (102 kg)
Depth	24	in (610 mm)	Supported by	frame	
Height	38.5	in (978 mm)			

For maximum width/depth, all doors extended, refer to floor plan layout.

Power consumption, steady state, maximum:

60 Hz, 120 V, 1 phase, .4 kVA

Circuit breakers:

60 Hz, 15 A, 1 phase

Power connector locations above cabinet base:

Standard 3-prong plug,
6-ft detachable power
cord

Control Data signal cables:	Quantity:	Standard length:	Maximum length:
Typewriter to logic interface	01	20 ft (6.11 m)	
Logic interface to 8092	02 24 p	5 ft (1.1 m)	

Distance from internal signal cable connectors to floor: 36 in (914 mm)

External terminator power connection required: no

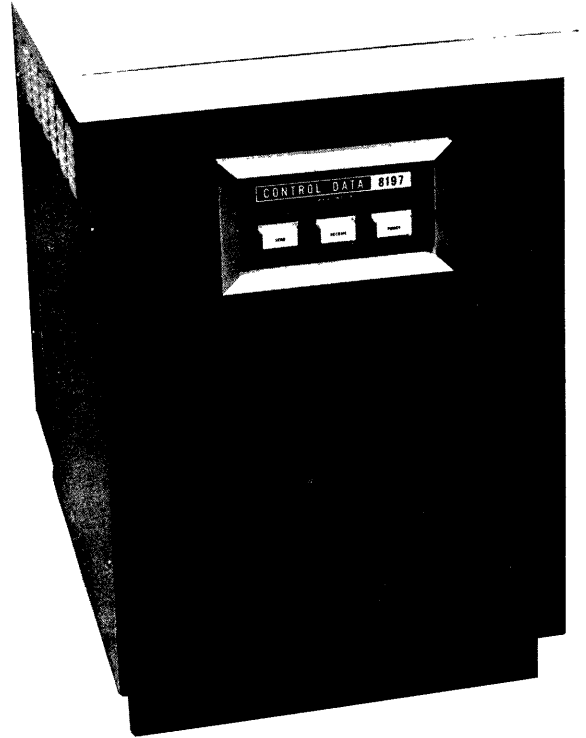
Environmental considerations:

Type of cooling, **internal fan**
Source of cooling, **room air**

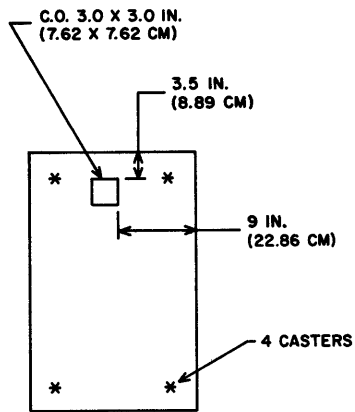
Heat rejection rate, maximum $\left\{ \begin{array}{l} \text{to air, } 1330 \text{ Btu/h (} 390 \text{ W) } \\ \text{to water, N/A} \end{array} \right\}$

	Maximum	Recommended	Minimum	Dew Point Limitation
Operating temperature (ambient or plenum inlet temperature)	110 °F (43.3 °C)	72 °F (22.2 °C)	40 °F (5 °C)	N/A °F (°C)
Storage temperature	150 °F (65.6 °C)		-30 °F (-34.4 °C)	

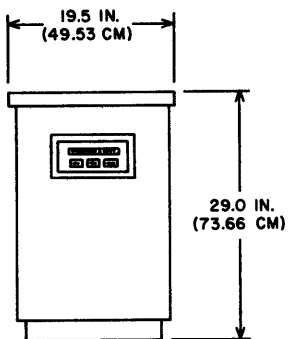
8197 DATA SET CONTROLLER



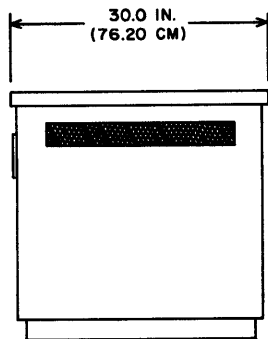
PLAN



FRONT



SIDE



2AW78A

8197 DATA SET CONTROLLER

Width	19.5	in (495 mm)	Weight	250	lb (114 kg)
Depth	30	in (762 mm)	Supported by	4 casters	
Height	29	in (737 mm)			

For maximum width/depth, all doors extended, refer to floor plan layout.

Power consumption, steady state, maximum:

60 Hz, 120 V, 1 phase, .2 kVA

Circuit breakers:

60 Hz, 15 A, 1 phase

Power connector locations above cabinet base:

Standard 3-prong plug,
6-ft detachable power
cord

Control Data signal cables:	Quantity:	Standard length:	Maximum length:
8092, 8090, 160A I/O to controller	02 24 p	20 ft (6.11 m)	50 ft (15.2 m)
Controller to data set	01 24 p	25 ft (7.6 m)	50 ft (15.2 m)

Distance from internal signal cable connectors to floor: 18 in (457 mm)

External terminator power connection required: no

Environmental considerations:

Type of cooling, internal fan

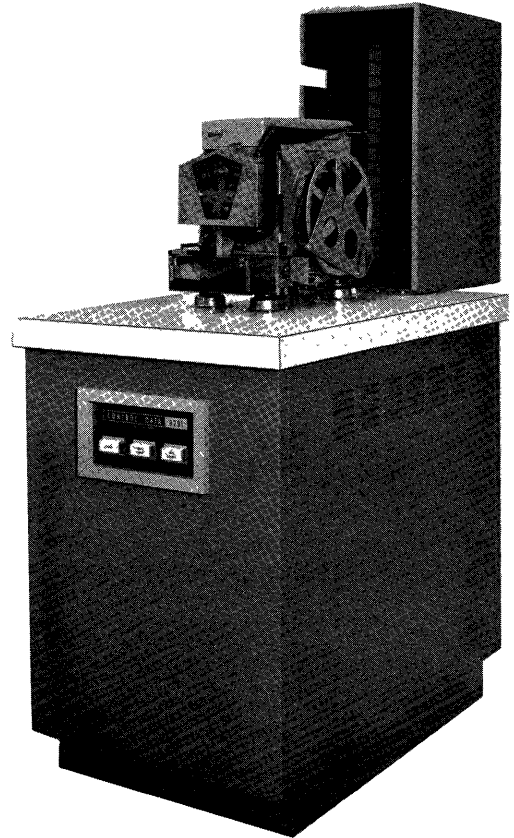
Source of cooling, room air

Heat rejection rate, maximum } to air, 530 Btu/h (155 W) }
to water, N/A

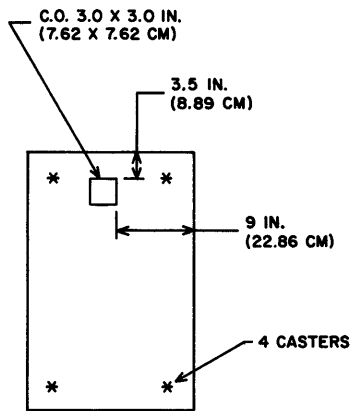
	Maximum	Recommended	Minimum	Dew Point Limitation
Operating temperature (ambient or plenum inlet temperature)	110 °F (43.3°C)	72 °F (22.2 °C)	30 °F (-1.1°C)	N/A °F (°C)
Storage temperature	150 °F (65.6°C)		-30 °F (-34.4°C)	

8291 PAPER TAPE PUNCH

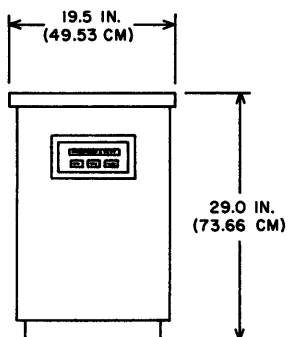
(Base cabinet shown without punch)



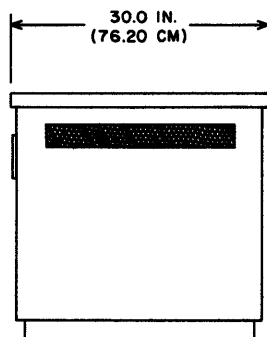
PLAN



FRONT



SIDE



2AW78A

8291 PAPER TAPE PUNCH

Width	19.5	in (495 mm)	Weight	220	lb (110 kg)
Depth	30	in (762 mm)	Supported by	4 casters	
Height	43	in (1092 mm)			

For maximum width/depth, all doors extended, refer to floor plan layout.

Power consumption, steady state, maximum:

60 Hz, 120 V, 1 phase, .4 kVA

Circuit breakers:

60 Hz, 15 A, 1 phase

Power connector locations above cabinet base:

Standard 3-prong plug,
6-ft detachable power
cord

Control Data signal cables:	Quantity:	Standard length:	Maximum length:
160, 8090, 8092 I/O to paper tape punch	02 24 p	20 ft (6.11m)	50 ft (15.2 m)

Distance from internal signal cable connectors to floor: 18 in (457 mm)

External terminator power connection required: no

Environmental considerations:

Type of cooling, internal fan

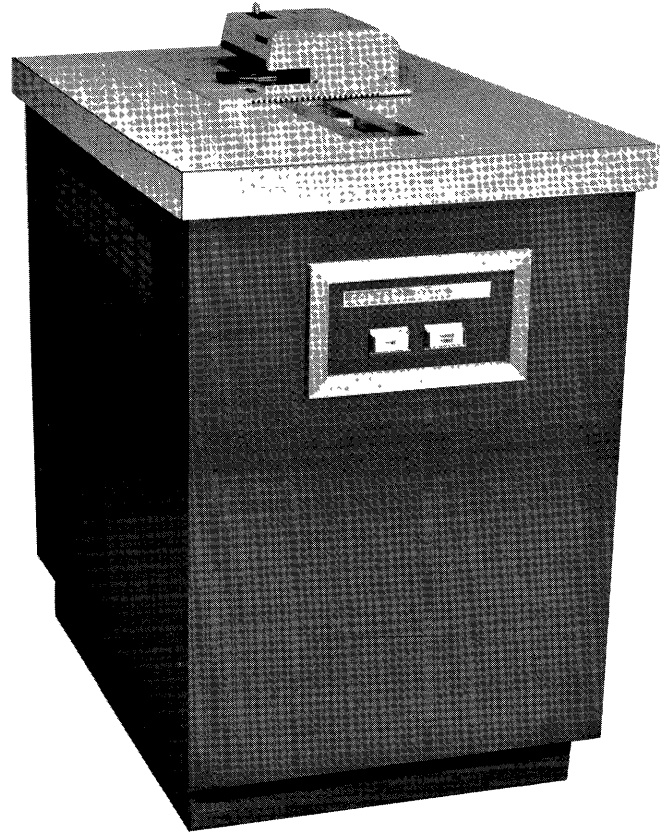
Source of cooling, room air

Heat rejection rate, maximum $\left\{ \begin{array}{l} \text{to air, } 1200 \text{ Btu/h (} 352 \text{ W) } \\ \text{to water, N/A} \end{array} \right.$

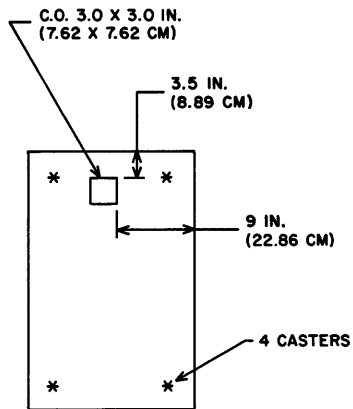
	Maximum	Recommended	Minimum	Dew Point Limitation
Operating temperature (ambient or plenum inlet temperature)	110 °F (43.3°C)	72 °F (22.2 °C)	30 °F (-1.1°C)	N/A °F (°C)
Storage temperature	150 °F (65.6°C)		-40 °F (-34.4°C)	

8299 PAPER TAPE READER

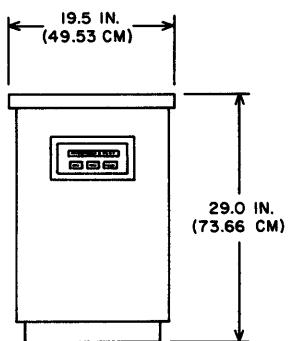
(Base cabinet shown without reader)



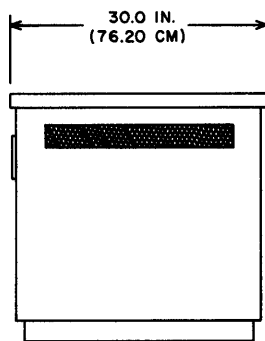
PLAN



FRONT



SIDE



2AW78A

8299 PAPER TAPE READER

Width	19.5	in (495 mm)	Weight	200	lb (90 kg)
Depth	30	in (762 mm)	Supported by	4 casters	
Height	32	in (813 mm)			

For maximum width/depth, all doors extended, refer to floor plan layout.

Power consumption, steady state, maximum:

60 Hz, 120V, 1 phase, .4 kVA

Circuit breakers:

60 Hz, 15 A, 1 phase

Power connector locations above cabinet base:

Standard 3-prong plug,
6-ft detachable power
cord

Control Data signal cables:	Quantity:	Standard length:	Maximum length:
160, 8090, 8092 I/O to paper tape reader	02 24 p	20 ft (6.11 m)	50 ft (15.2 m)

Distance from internal signal cable connectors to floor: 18 in (457 mm)

External terminator power connection required: no

Environmental considerations:

Type of cooling, internal fan

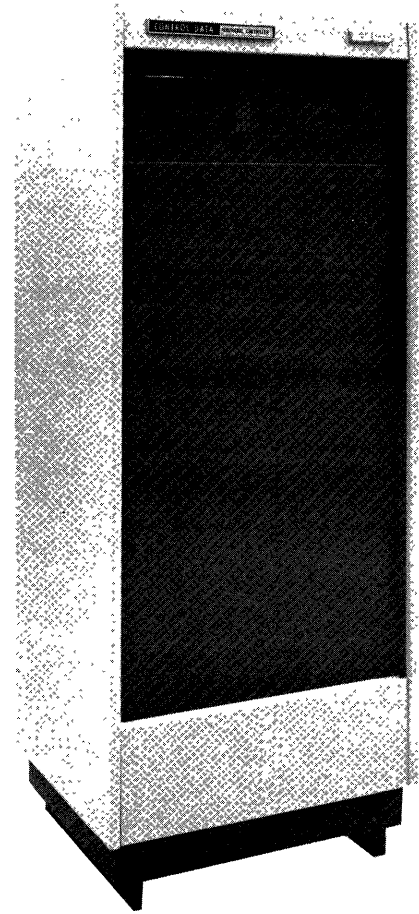
Source of cooling, room air

Heat rejection rate, maximum

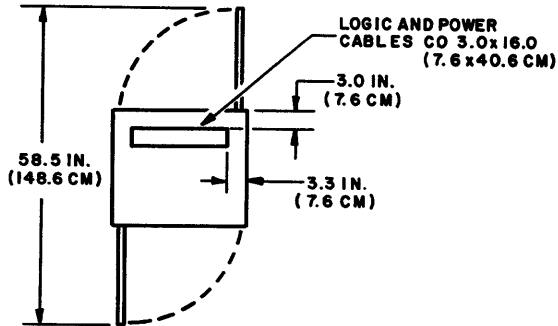
{	to air, 1200 Btu/h (352 W)	}
	to water, N/A	

	Maximum	Recommended	Minimum	Dew Point Limitation
Operating temperature (ambient or plenum inlet temperature)	110 °F (43.3°C)	72 °F (22.2 °C)	30 °F (-1.1°C)	N/A °F (°C)
Storage temperature	150 °F (65.6°C)		-40 °F (-34.4°C)	

8529 DATA SET CONTROLLER



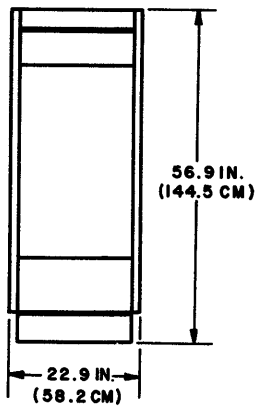
PLAN



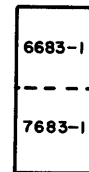
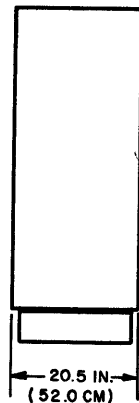
2460

TYPICAL MODULE ARRANGEMENTS WITHIN CABINET

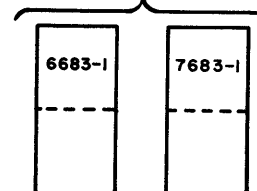
FRONT



SIDE



OR
WHERE UNITS ARE LOCATED
IN SEPERATE CABINETS



2AWI4A

8529 DATA SET CONTROLLER

Width	22.9	in (582 mm)	Weight	500	lb (227 kg)
Depth	20.5	in (521 mm)	Supported by frame		
Height	56.9	in (1445 mm)			

For maximum width/depth, all doors extended, refer to floor plan layout.

Power consumption, steady state, maximum:

60 Hz, 120 V, 1 phase, .6 kVA

Circuit breakers:

Power connector locations above cabinet base:

60 Hz, 15 A, 1 phase

Terminal strip

8 in (203 mm)

Control Data signal cables:	Quantity:	Standard length:	Maximum length:
160 or 8090 I/O to data set controller	2 24 p	20 ft (6.11 m)	50 ft (15.2 m)
Data set controller to data set	1 24 p	8.5 ft (2.4 m)	50 ft (15.2 m)

Distance from internal signal cable connectors to floor: 15 in (381 mm)

External terminator power connection required: no

Environmental considerations:

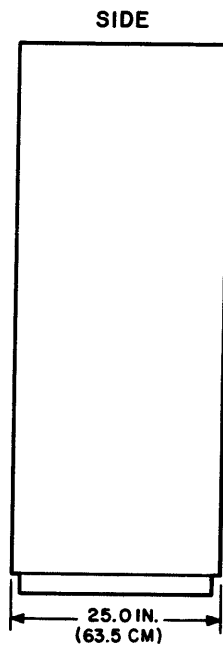
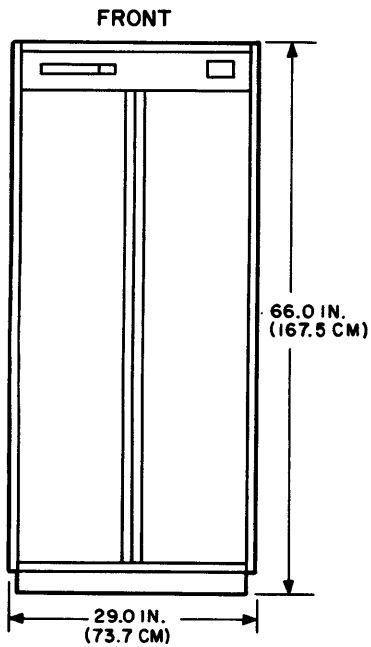
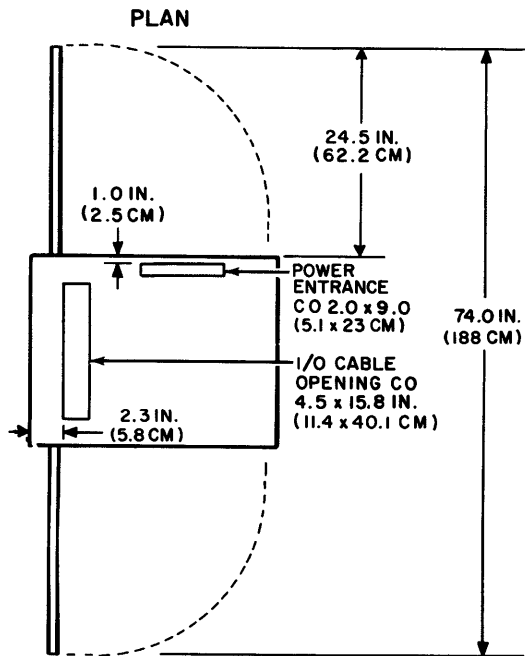
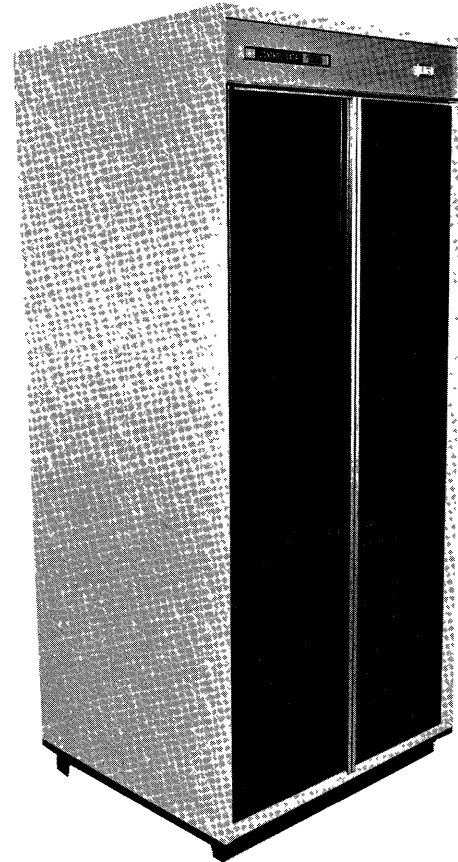
Type of cooling, internal fan

Source of cooling, room air

Heat rejection rate, maximum $\left\{ \begin{array}{l} \text{to air, } 2000 \text{ Btu/h (} 586 \text{ W) } \\ \text{to water, N/A} \end{array} \right\}$

	Maximum	Recommended	Minimum	Dew Point Limitation
Operating temperature (ambient or plenum inlet temperature)	110 °F (43.3°C)	72 °F (22.2 °C)	30 °F (-1.1 °C)	N/A °F (°C)
Storage temperature	150 °F (65.6 °C)		-30 °F (-34.4 °C)	

10304-1/2 MASS STORAGE EXTENDER



2AW71A

10304-1/2 MASS STORAGE EXTENDER

Width	29.0	in (737 mm)	Weight	800	lb (363 kg)
Depth	25.0	in (635 mm)	Supported by frame		
Height	66.0	in (1676 mm)			

For maximum width/depth, all doors extended, refer to floor plan layout.

Power consumption, steady state, maximum:

400 Hz, 208 V, 3 phase, 0.54 kVA
60 Hz, 120 V, 1 phase, 0.18kVA

Circuit breakers:

400 Hz, 15 A, 3 phase
60 Hz, 15 A, 1 phase

Power connector locations above cabinet base:

Terminal strip 6 in (152 mm)
Terminal strip 6 in (152 mm)

Control Data signal cables:	Quantity:	Standard length:	Maximum length:
A cable	2	50 ft (15.4 m)	75 ft (23 m)
B cable	2	50 ft (15.4 m)	75 ft (23 m)

Distance from internal signal cable connectors to floor: 66 in (1676 mm)

External terminator power connection required: no

Environmental considerations:

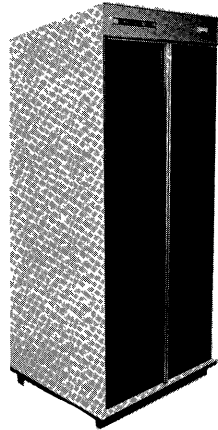
Type of cooling, forced air
Source of cooling, room air

Heat rejection rate, maximum $\left\{ \begin{array}{l} \text{to air, } 2390 \text{ Btu/h (} 700 \text{ W) } \\ \text{to water, N/A} \end{array} \right\}$

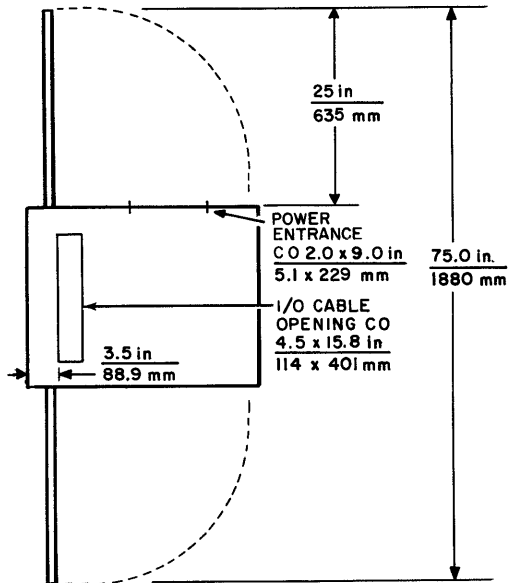
Permissible range of room relative humidity, 10 % to 90 %

	Maximum	Recommended	Minimum	Dew Point Limitation
Operating temperature (ambient or plenum inlet temperature)	120 °F (48.9 °C)	75 °F (23.9 °C)	40 °F (4.4 °C)	N/A °F (°C)
Storage temperature	150 °F (65.6 °C)		-30 °F (-34.4 °C)	

7880-1/65125-1 MASS STORAGE COUPLER

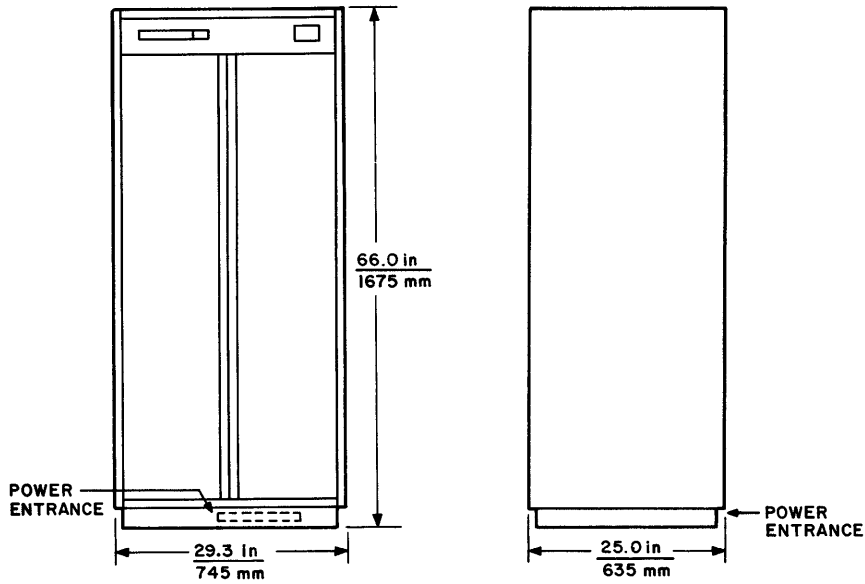


PLAN



FRONT

SIDE



7880-1/65125-1 MASS STORAGE COUPLER

Width	29.3 in (745 mm)	Weight	500 lb (227 kg)
Depth	25 in (635 mm)	Supported by 4 leveling pads each 5 in in diameter	
Height	66 in (1675 mm)		

For maximum width/depth, all doors extended, refer to floor plan layout.

Power consumption, steady state, maximum:

400 Hz, 120/208 V, 3 phase, .3 kVA
 and { 60 Hz, 120 V, 1 phase, .15 kVA
 or
 50 Hz, 220,230, V, 1 phase, .15 kVA
 240,250

Circuit breakers:

400 Hz, 15 A, 3 phase
 and { 60 Hz, 15 A, 1 phase
 or
 50 Hz, 15 A, 1 phase

Power connector locations above cabinet base:

12 in (305 mm)

} 12 in (305 mm)

Control Data signal cables:	Quantity:	Standard length:	Maximum length:
To MSA	2 per channel	100 ft (30.48 m)	100 ft (30.5 m)
To PP (CYBER 70/6000)	2 per channel	70 ft (21.3 m)	70 ft (21.3 m)
To PP (CYBER 170)	2 per channel	65 ft (19.8 m)	65 ft (19.8 m)

Distance from internal signal cable connectors to floor: 60 in (1524 mm)

External terminator power connection required: no

Environmental considerations:

Type of cooling, forced air (internal fans)

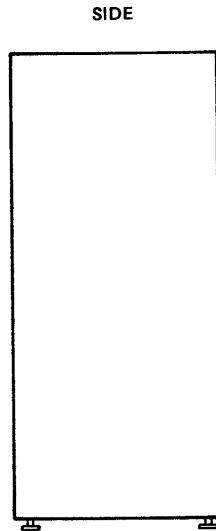
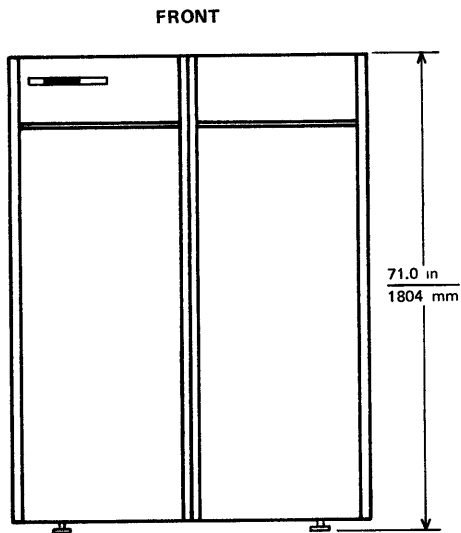
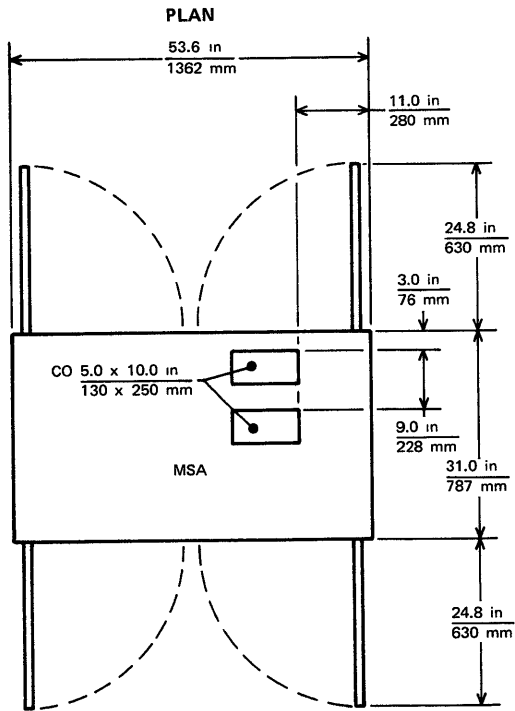
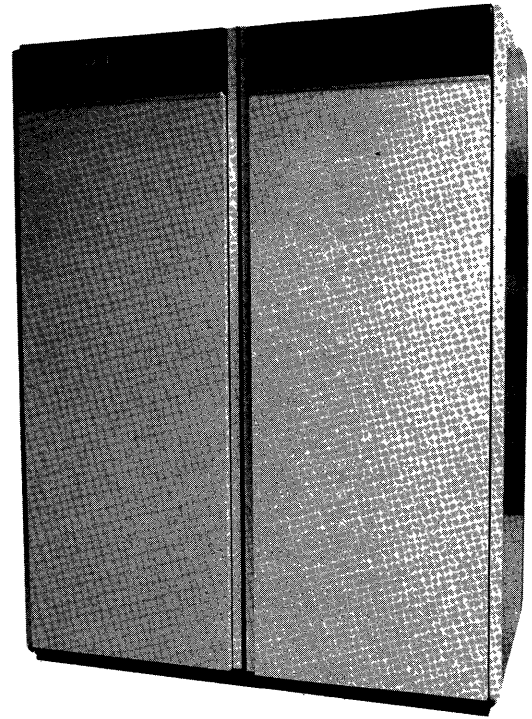
Source of cooling, ambient room air

Heat rejection rate, maximum 1435 Btu/h (421 W)

Permissible range of room relative humidity, 35 % to 60 %

	Maximum	Recommended	Minimum	Dew Point Limitation
Operating temperature (ambient or plenum inlet temperature)	90 °F (32 °C)	72 °F (22 °C)	59 °F (15 °C)	NA
Storage temperature	158 °F (70 °C)		-40 °F (-40 °C)	

7880-1/65125-1 MASS STORAGE ADAPTER



7880-1/65125-1 MASS STORAGE ADAPTER

Width	53	in (1362 mm)	Weight	970	lb (440 kg)
Depth	31	in (787 mm)			
Height	71	in (1804 mm)			

For maximum width/depth, all doors extended, refer to floor plan layout.

Power consumption, steady state, average:

60 Hz, 208 V, 3 phase, 7.2 kVA
 or
 50 Hz, 380 V, 3 phase, 7.2 kVA

NOTE

60 Hz has a 4-wire Delta connection;
 50 Hz has a 5-wire Wye connection.

Circuit breakers:

Power connector locations above cabinet base are located on a 60-in (1520-mm) drop cord.

60 Hz, 30 A, 3 phase
 or
 50 Hz, 30 A, 3 phase

Control Data signal cables:	Quantity:	Standard length:	Maximum length:
MSA to cartridge storage unit	1	100 ft (30.5 m)	200 ft (61 m)
MSA to transport	1	100 ft (30.5 m)	200 ft (61 m)

Distance from internal signal cable connectors to floor: 12 in (305 mm)

External terminator power connection required: no

Environmental considerations:

Type of cooling, forced air (internal fans)

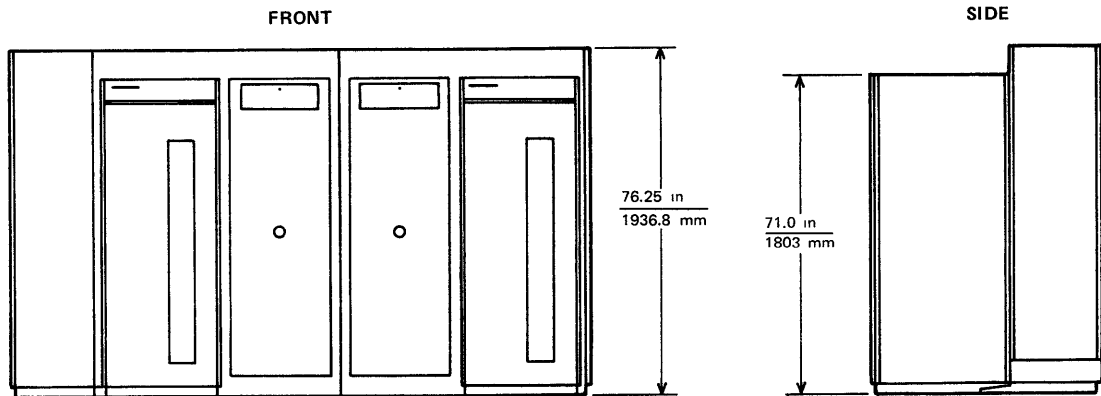
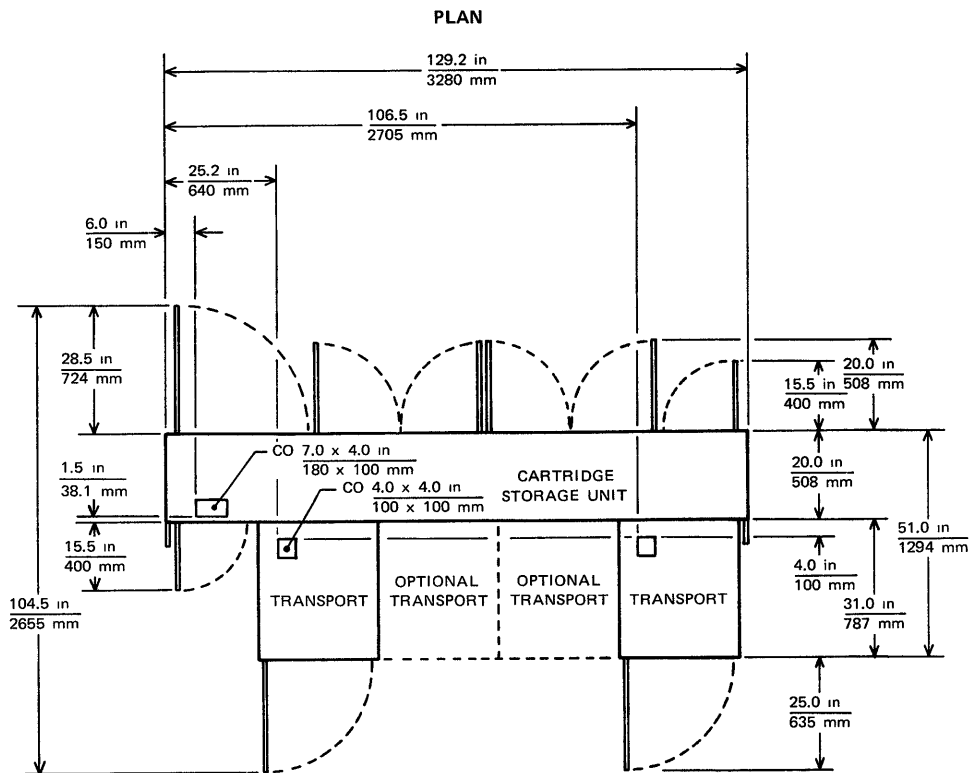
Source of cooling, ambient room air

Heat rejection rate, maximum 10,000 Btu/h (2900 W)

Permissible range of room relative humidity, 10 % to 80 %

	Maximum	Recommended	Minimum	Dew Point Limitation
Operating temperature (ambient or plenum inlet temperature)	90 °F (32 °C)	72 °F (22 °C)	60 °F (15 °C)	NA
Storage temperature	150 °F (65.5 °C)		-30 °F (34 °C)	

7881-1/65126-1 CARTRIDGE STORAGE UNIT AND 7882-1/65127-1 MASS STORAGE TRANSPORT



7881-1/65126-1 CARTRIDGE STORAGE UNIT

Width	130 in (3320 mm)	Weight	2036.5 lb (924 kg)
Depth	29 in (737 mm) with casters	Supported by	frame
Height	76.5 in (194 mm)		

For maximum width/depth, all doors extended, refer to floor plan layout.

Power consumption, steady state, average:

60 Hz, 208 V, 3 phase, 1.5 kW
 or
 50 Hz, 380 V, 3 phase, 1.5 kW

NOTE

60-Hz has a 4-wire Delta connection; 50-Hz has a 5-wire Wye connection.

Circuit breakers:

Power connector locations above cabinet base are located on a 60-in (1520-mm) drop cord.

and $\left\{ \begin{array}{l} 60 \text{ Hz, } 15 \text{ A, } 3 \text{ phase} \\ \text{or} \\ 50 \text{ Hz, } 15 \text{ A, } 3 \text{ phase} \end{array} \right.$

Control Data signal cables:	Quantity:	Standard length:	Maximum length:
	1	100 ft (30.5 m)	200 ft (61 m)

Distance from internal signal cable connectors to floor: 48 in (1720 mm)

External terminator power connection required: no

Environmental considerations:

Type of cooling, forced air (internal fans)

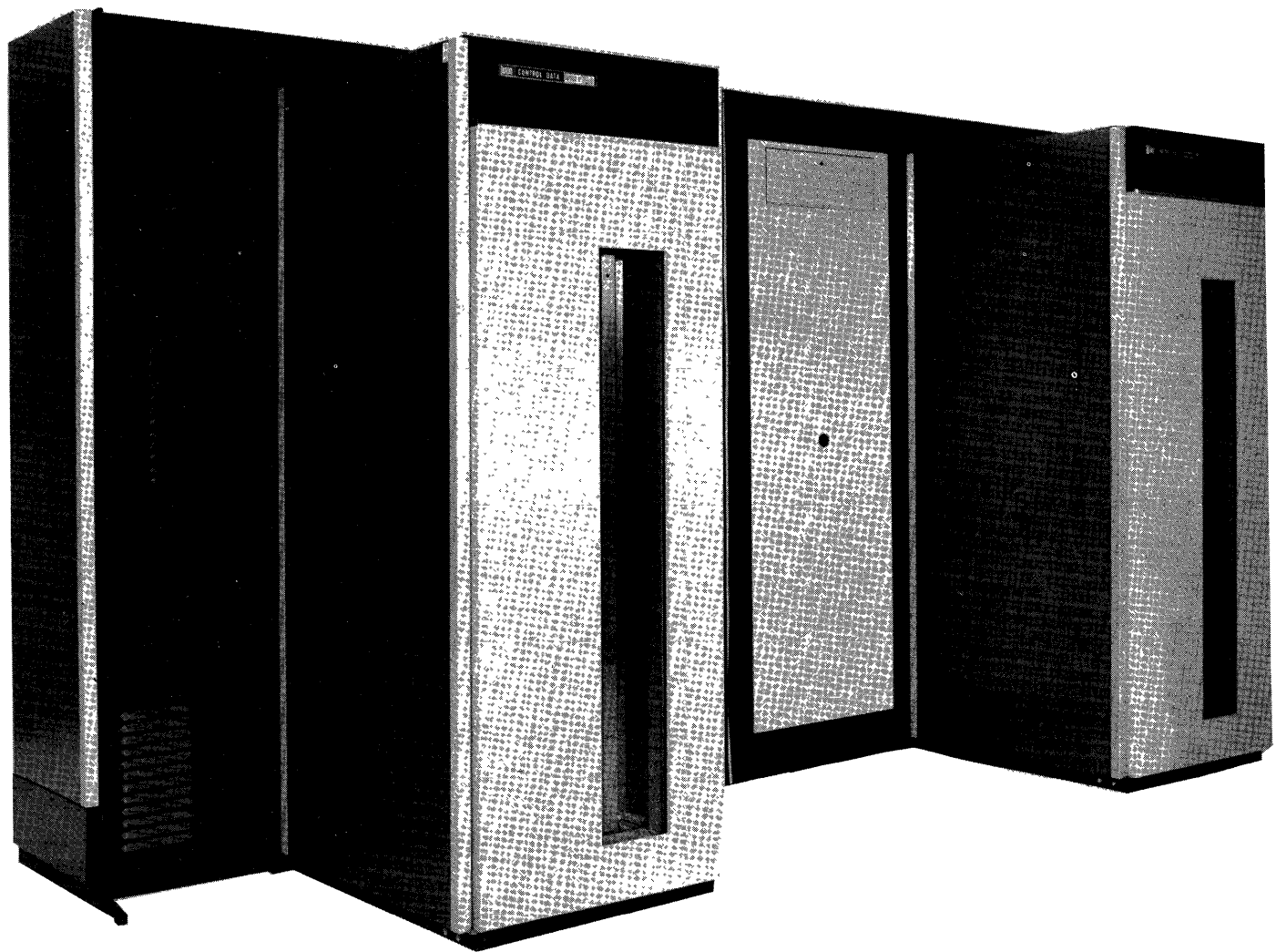
Source of cooling, ambient room air

Heat rejection rate, maximum 6000 Btu/h (1700 W)

Permissible range of room relative humidity, 30 % to 80 %

	Maximum	Recommended	Minimum	Dew Point Limitation
Operating temperature (ambient or plenum inlet temperature)	90 °F (32 °C)	72 °F (22 °C)	60 °F (15 °C)	NA
Storage temperature	122 °F (50 °C)		14 °F (-10 °C)	

**7881-1/65126-1 CARTRIDGE STORAGE UNIT
AND 7882-1/65127-1 MASS STORAGE TRANSPORT**



7882-1/65127-1 MASS STORAGE TRANSPORT

Width 26.6 in (676 mm) **Weight** 700 lb (318 kg)
Depth 31 in (787 mm)
Height 71 in (1803 mm)

For maximum width/depth, all doors extended, refer to floor plan layout.

Power consumption, steady state, average:

60 Hz, 208 V, 3 phase, 3.3 kW
 or
 50 Hz, 380 V, 3 phase, 3.3 kW

Circuit breakers:

Power connector locations above cabinet base are located on a 60-in (1520-mm) drop cord.

60 Hz, 15 A, 3 phase
 or
 50 Hz, 15 A, 3 phase

Control Data signal cables:	Quantity:	Standard length:	Maximum length:
	1	100 ft (30.5 m)	200 ft (61 m)

Distance from internal signal cable connectors to floor: 48 in (1720 mm)

External terminator power connection required: no

Environmental considerations:

Type of cooling, forced air (internal fans)

Source of cooling, ambient room air

Heat rejection rate, maximum 12,000 Btu/h (2400 W)

Permissible range of room relative humidity, 30 % to 80 %

	Maximum	Recommended	Minimum	Dew Point Limitation
Operating temperature (ambient or plenum inlet temperature)	90 °F (32 °C)	72 °F (22 °C)	60 °F (15 °C)	NA
Storage temperature	122 °F (50 °C)		14 °F (-10 °C)	

COMMENT SHEET

MANUAL TITLE: CDC Computer Systems Section 3 Peripheral
Equipment Data Site Preparation Manual
PUBLICATION NO.: 60275300 **REVISION:** P

NAME: _____

COMPANY: _____

STREET ADDRESS: _____

CITY: _____ **STATE:** _____ **ZIP CODE:** _____

This form is not intended to be used as an order blank. Control Data Corporation welcomes your evaluation of this manual. Please indicate any errors, suggested additions or deletions, or general comments below (please include page number references).

Please Reply No Reply Necessary

CUT ALONG LINE

AA3419 REV. 4/79 PRINTED IN U.S.A.

NO POSTAGE STAMP NECESSARY IF MAILED IN U.S.A.

FOLD

FOLD



NO POSTAGE
NECESSARY
IF MAILED
IN THE
UNITED STATES

BUSINESS REPLY MAIL
FIRST CLASS PERMIT NO. 8241 MINNEAPOLIS, MINN.

POSTAGE WILL BE PAID BY

CONTROL DATA CORPORATION

Publications and Graphics Division
ARH219
4201 North Lexington Avenue
Saint Paul, Minnesota 55112



CUT ALONG LINE

FOLD

FOLD

CORPORATE HEADQUARTERS, P.O. BOX 0, MINNEAPOLIS, MINN. 55440
SALES OFFICES AND SERVICE CENTERS IN MAJOR CITIES THROUGHOUT THE WORLD

LITHO II



CONTROL DATA CORPORATION

102680319