

Sabre Disc Drive

ST8741J/N ST8851J/K/N

ST81123J ST81154K

ST81236J/K/N

Parts Data Manual

(All Interfaces)

Sabre Disc Drive

ST8741J	(97200-736)
ST8741N	(97201-736)
ST8851J	(97200-850)
ST8851K	(97209-850)
ST8851N	(97201-850)
ST81123J	(97200-11G)
ST81154K	(97229-11G)
ST81236J	(97200-12G)
ST81236K	(97209-12G)
ST81236N	(97201-12G)

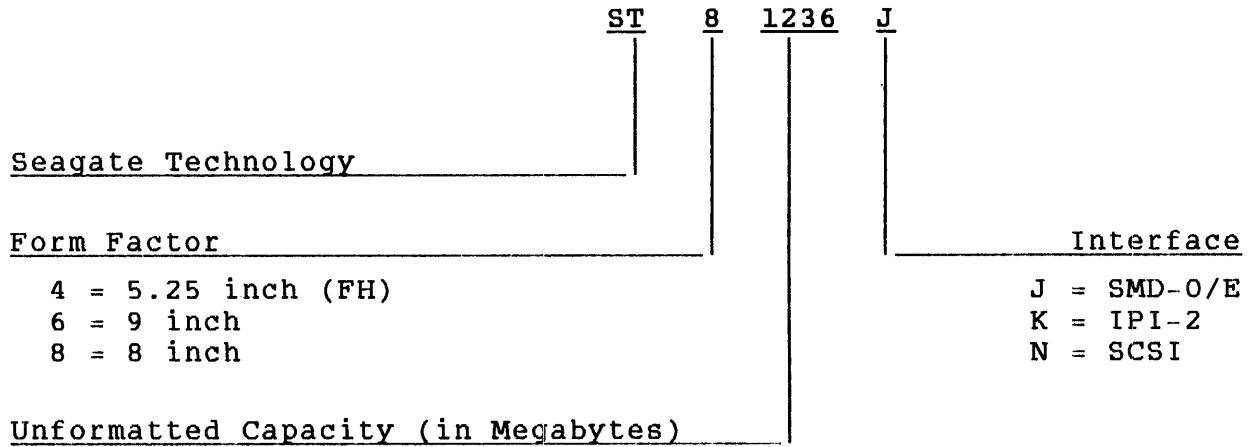
Parts Data Manual (All Interfaces)

**Illustrated Parts Breakdown
Optional Parts
Accessories
Recommended Spare Parts**

Publication Number: 83325700-N



Seagate Disc Drive Product Numbers



Copyright Notice

Seagate, Seagate Technology, and the Seagate logo are registered trademarks of Seagate Technology, Inc. This publication is copyrighted with all rights reserved and may not be copied, in whole or in part, without written permission of Seagate Technology, Inc.

Seagate reserves the right to change product offerings or specifications without notice.

Publication Number: 83325700
 Revision: N
 Date: August, 1990

© 1990
 By Seagate Technology, Inc.
 Technical Publications Department
 12701 Whitewater Drive
 Minnetonka, MN 55343

We value your comments. A Comment Sheet is provided at the back of this manual.

Printed in the United States of America

CONTENTS

Preface	f-5
Configuration Chart	f-7
Important Safety Information and Precautions	f-11
Abbreviations	f-15
1. ILLUSTRATED PARTS BREAKDOWN	
Introduction	1-1
Field Replaceable Parts List	1-1
Eight-Inch Module Drive	1-5
Rack Mounting Kit	1-7
I/O Cover Assembly	1-11
Drive Electronics Assembly	1-13
IPI Connector Adapter Assembly	1-19
SCSI Connector Adapter Assembly	1-21
2. OPTIONAL PARTS	
Introduction	2-1
3. ACCESSORIES	
4. RECOMMENDED SPARE PARTS	
Introduction	4-1
Spare Parts List	4-1
Card Interchangeability Chart	4-1

FIGURES

1-1	Eight-Inch Module Drive	1-4
1-2	Rack Mounting Kit	1-6
1-3	Status/Control Panel and Operator Panel Kits	1-8
1-4	I/O Cover/Fan Mounting Kit	1-10
1-5	Drive Electronics Assembly	1-12
1-6	DC Voltage Converter Kit	1-14
1-7	IPI Connector Adapter Assembly	1-18
1-8	SCSI Connector Adapter Assembly	1-20

TABLES

2-1	Optional Parts	2-2
3-1	Accessories for SMD Drives	3-2
3-2	Accessories for IPI Drives	3-3
3-3	Accessories for SCSI Drives	3-4
4-1	Recommended Spare Parts for PA8G1/PA8G2	4-2
4-2	Recommended Spare Parts for PA8H1	4-3
4-3	Recommended Spare Parts for PA8K1/PA8K2	4-4
4-4	Recommended Spare Parts for PA8L1	4-5
4-5	Recommended Spare Parts for PA8M2	4-6
4-6	Recommended Spare Parts for PA8N1/PA8N2	4-7
4-7	Recommended Spare Parts for PA8P1/PA8P3	4-8
4-8	Recommended Spare Parts for PA8R2	4-9
4-9	Recommended Spare Parts for PA8W2	4-10
4-10	Recommended Spare Parts for PA8Y2	4-11

PREFACE

This manual contains parts data information for the Seagate ST8741J/N, ST8851J/K/N, ST81123J, ST81154K, and ST81236J/K/N Sabre disc drives. It is prepared for customer engineers and other technical personnel directly involved with maintaining the drive.

The Configuration Chart following the Preface lists the drives (in equipment number order) that this manual applies to.

The information in this manual is presented as follows:

- Section 1 -- Illustrated Parts Breakdown: Contains exploded views and listings of field-replaceable parts.
- Section 2 -- Optional Parts: Lists field-replaceable parts that are not used in all models.
- Section 3 -- Accessories: Lists accessories used with the drive.
- Section 4 -- Recommended Spare Parts: Lists the replaceable parts that engineering recommends should be readily available as spares.

The following manuals apply to these Sabre drives and are available for purchase from:

Seagate Technology, Inc.
Customer Services
12701 Whitewater Drive
Minnetonka, MN 55343

Phone: (612) 931-8612
Fax: (612) 931-8817

<u>Publication No.</u>	<u>Title</u>
83325660	Pocket Reference (summarizes status codes and diagnostic operation for drives with the SMD and IPI interfaces)

Continued on next page

<u>Publication No.</u>	<u>Title</u>
83325690	Theory Manual
83325700	Parts Data Manual
83325710	ST8741J, ST8851J, ST81123J, and ST81236J SMD Interface User's Manual (contains general description, operation, installation and checkout information)
83325720	Maintenance Manual (contains general maintenance information, trouble analysis, and repair and replacement)
83325730	Diagrams Manual
83325810	Pocket Reference (summarizes status codes and diagnostic operation for drives with the SCSI interface)
83325860	ST8741N, ST8851N, and ST81236N SCSI Interface User's Manual (contains general description, operation, installation and checkout information)
83326010	ST8851K, ST81154K, and ST81236K IPI Interface User's Manual (contains general description, operation, installation and checkout information)
83327150	Special Supplement (contains information unique to Equipment Number PA8K2D drives).
83327160	Special Supplement (describes half-rack mounting kit)

CONFIGURATION CHART

The following is a list of drives that this manual applies to:

Equipment Number	Model Number	Interface	Data Capacity (MB)	Sector Length
PA8G1A	ST8741J	Single Channel SMD	741	Unspecified
PA8G2A	ST8741J	Dual Channel SMD	741	Unspecified
PA8G2C	ST8741J	Dual Channel SMD	741	Unspecified
PA8G2D	ST8741J	Dual Channel SMD	741	Unspecified
PA8H1A	ST8741N	STD SCSI (Differential)	741	512 Bytes
PA8H1B	ST8741N	STD SCSI (Single-ended)	741	512 Bytes
PA8H1C	ST8741N	STD SCSI (Differential)	741	256 Bytes
PA8H1D	ST8741N	STD SCSI (Single-ended)	741	256 Bytes
PA8H1E	ST8741N	STD SCSI (Differential)	741	512 Bytes
PA8K1A	ST8851J	Single Channel SMD	851	Unspecified
PA8K2A	ST8851J	Dual Channel SMD	851	Unspecified
PA8K2D	ST8851J	Dual Channel SMD	851	Unspecified
PA8K2E	ST8851J	Dual Channel SMD	851	Unspecified
PA8K2F	ST8851J	Dual Channel SMD	851	Unspecified
PA8K2G	ST8851J	Dual Channel SMD	851	Unspecified
PA8K2H	ST8851J	Dual Channel SMD	851	Unspecified
PA8K2J	ST8851J	Dual Channel SMD	851	Unspecified
PA8K2K	ST8851J	Dual Channel SMD	851	Unspecified
PA8L1A	ST8851N	STD SCSI (Differential)	851	512 Bytes
PA8L1B	ST8851N	STD SCSI (Single-ended)	851	512 Bytes
PA8L1C	ST8851N	STD SCSI (Differential)	851	256 Bytes
PA8L1D	ST8851N	STD SCSI (Single-ended)	851	256 Bytes
PA8L1E	ST8851N	STD SCSI (Differential)	851	512 Bytes
PA8L1K	ST8851N	STD SCSI (Single-ended)	851	512 Bytes
PA8M2A	ST8851K	IPI	851	Std Format
PA8M2B	ST8851K	IPI	851	512 Bytes

Continued

CONFIGURATION CHART (Contd)

Equipment Number	Model Number	Interface	Data Capacity (MB)	Sector Length
PA8M2C	ST8851K	IPI	851	1024 Bytes
PA8M2D	ST8851K	IPI	851	Std Format
PA8N1A	ST81236J	Single Channel SMD	1236	Unspecified
PA8N2A	ST81236J	Dual Channel SMD	1236	Unspecified
PA8N2B	ST81236J	Dual Channel SMD	1236	Unspecified
PA8N2C	ST81236J	Dual Channel SMD	1236	Unspecified
PA8N2D	ST81236J	Dual Channel SMD	1236	Unspecified
PA8N2E	ST81236J	Dual Channel SMD	1236	Unspecified
PA8N2F	ST81236J	Dual Channel SMD	1236	Unspecified
PA8N2G	ST81236J	Dual Channel SMD	1236	Unspecified
PA8N2H	ST81236J	Dual Channel SMD	1236	Unspecified
PA8N2J	ST81236J	Dual Channel SMD	1236	Unspecified
PA8N2K	ST81236J	Dual Channel SMD	1236	Unspecified
PA8P1A	ST81236N	HP SCSI (Differential)	1236	512 Bytes
PA8P1B	ST81236N	HP SCSI (Single-ended)	1236	512 Bytes
PA8P1C	ST81236N	HP SCSI (Differential)	1236	256 Bytes
PA8P1D	ST81236N	HP SCSI (Single-ended)	1236	256 Bytes
PA8P1E	ST81236N	HP SCSI (Differential)	1236	512 Bytes
PA8P1F	ST81236N	HP SCSI (Differential)	1236	512 Bytes
PA8P1G	ST81236N	HP SCSI (Differential)	1236	256 Bytes
PA8P1H	ST81236N	HP SCSI (Single-ended)	1236	512 Bytes
PA8P3A	ST81236N	HP SCSI (Differential)	1236	256 Bytes
PA8P3B	ST81236N	HP SCSI (Differential)	1236	512 Bytes
PA8P3C	ST81236N	HP SCSI (Differential)	1236	256 Bytes
PA8P3D	ST81236N	HP SCSI (Differential)	1236	512 Bytes
PA8P3E	ST81236N	HP SCSI (Differential)	1236	256 Bytes
PA8P3F	ST81236N	HP SCSI (Differential)	1236	512 Bytes

Continued

CONFIGURATION CHART (Contd)

Equipment Number	Model Number	Interface	Data Capacity (MB)	Sector Length
PA8R2A	ST81236K	IPI	1236	Std Format
PA8R2B	ST81236K	IPI	1236	512 Bytes
PA8R2C	ST81236K	IPI	1236	1024 Bytes
PA8R2D	ST81236K	IPI	1236	288 Bytes
PA8R2E	ST81236K	IPI	1236	2308 Bytes
PA8W2A	ST81123J	Dual Channel SMD	1123	Unspecified
PA8W2B	ST81123J	Dual Channel SMD	1123	Unspecified
PA8W2C	ST81123J	Dual Channel SMD	1123	Unspecified
PA8W2D	ST81123J	Dual Channel SMD	1123	Unspecified
PA8Y2A	ST81154K	IPI (2-Head Parallel)	1154	Unspecified

This manual documents the following equipment series codes (with FCOs listed):

Equipment Number	Series Codes	FCO Number	FCO Effectivity	
			Equipment Number	Series Codes
PA8G1/2	01-09	DJ29730	PA8G2A	03
PA8H1/2	01-09	None		
PA8K1/2	01-08	None		
PA8L1	01-08	DJ29850	PA8L1E	01-04
PA8M2	01-08	DJ29865	PA8M2A/B/C	01-03
		DJ29968	PA8M2A/B/C	01-04
		DJ40485	PA8M2D	07 & Blw
PA8N1/2	01-07	None		
PA8P1/3	01-07	DJ40235	PA8P1A/C/G	01-04
		DJ40337	PA8P1B	01-04
PA8R2	01-07	DJ29865	PA8R2A/B/C/D/E	01-02
		DJ29968	PA8R2A/B/C/D/E	01-03
PA8W2	01-06	None		
PA8Y2	01-02	DJ40383	PA8Y2A	S/N 165 & Blw
		DJ40485	PA8Y2A	02 & Blw

IMPORTANT SAFETY INFORMATION AND PRECAUTIONS

Use of proper safety and repair techniques is important for safe, reliable operation of this unit. Service should be done only by qualified persons. We recommend the procedures in this manual as effective ways of servicing the unit. Some procedures require the use of special tools. For proper maintenance and safety, you must use these tools as recommended.

The procedures in this manual and labels on the unit contain warnings and cautions that must be carefully read and followed to minimize or eliminate the risk of personal injury. The warnings point out conditions or practices that may endanger you or others. The cautions point out conditions or practices that may damage the unit, possibly making it unsafe for use.

You must also understand that these warnings and cautions are not exhaustive. We cannot possibly know, evaluate, and advise you of all the ways in which maintenance might be performed or the possible risk of each technique. Consequently, we have not completed any such broad evaluation. If you use a non-approved procedure or tool, first ensure that the method you choose will not risk either your safety or unit performance.

For the safety of yourself and others, observe the following warnings and precautions.

- Perform all maintenance by following the procedures in this manual.
- Follow all cautions and warnings in the procedures and on unit labels.
- Use the special tools called out in the procedures.
- Use sound safety practices when operating or repairing the unit.
- Use caution when troubleshooting a unit that has voltages present. Remove power from unit before servicing or replacing parts.
- Wear safety glasses when servicing units.
- Wear safety shoes when removing or replacing heavy parts.
- Use only designated Seagate replacement parts. Non-Seagate replacement parts can adversely affect safety in addition to degrading reliability, increasing maintenance downtime, and voiding warranty coverage.

- Use care while working with the power supply because line voltages are always present when the ac power cord is connected to a power source. Setting the power supply switch to position "⏏" disables dc power to the drive but has no effect on ac power within the supply. For complete safety, remove the ac power plug from the site power outlet.
- The site power outlet shall be installed near the equipment and shall be easily accessible.
- In case of fire or other emergency, isolate the drive from main power by removing the drive power plug from the ac outlet. In situations where pulling the plug is not possible or practical, use the system main power disconnect to isolate the drives from main power.
- In an IT power system, a disconnect device shall be provided which simultaneously interrupts all phase and neutral conductors.
- **WARNING:** In IT power systems, the unearthed neutral is considered as a phase conductor. For such IT power systems, double pole/neutral fusing is required.
- When the drive is mounted in an equipment rack or cabinet, ensure that the internal temperature of the rack or cabinet will not exceed the limits defined for the drive. Where units are stacked vertically, pay special attention to the top where temperatures are usually highest.
- This drive is designed to be installed and operated in accordance with UL1950, IEC380, IEC950, EN 60950, CSA C22.2 154, CSA C22.2 220, and VDE0806.
- Follow the precautions listed under Protecting the Drive From Electrostatic Discharge.
- If the power supply is placed on a bench for testing, position the supply so all ventilation holes are open, to allow proper air flow to internal components.
- Do not attempt to disassemble the module. It is not field repairable. Replace the entire module assembly if it is defective.
- Always deenergize drive before removing or installing circuit boards, cables, or any other electrical components.

- Do not operate the drive over an extended period of time without the top cover installed.
- The power supply is designed to be connected to an IT network.
- Do not attempt to disassemble the power supply. It is not field repairable. Replace the entire supply if it is defective.
- If you do not use a recommended Seagate power supply, ensure the supply meets the specifications in this manual and is designed to be used in accordance with UL1950, IEC380, IEC950, EN 60950, CSA C22.2 154, CSA C22.2 220, and VDE0806.

ABBREVIATIONS

A	Ampere	OPER	Operator
ABV	Above	PHH	Phillips Head
ASSY	Assembly	PNL	Panel
ADAPT	Adapter	POSN	Position
BLW	Below	PS	Power Supply
CBL	Cable	PWR	Power
CIC	Card Interchangeability Chart	RK	Rack
CONN	Connector	RLF	Relief
CONTD	Continued	S/C	Series Code
CVR	Cover	SE	Single-Ended
DIFF	Differential	SHD	Shielded
DR	Drive	SKT	Socket
ECO	Engineering Change Order	S/N	Serial Number
FCO	Field Change Order	SPNDL	Spindle
FERR	Ferrite	STRN	Strain
GND	Ground	TERM	Terminator
HD	Head	TF	Thread Forming
HEX	Hexagon	USHD	Unshielded
MB	Megabytes	W/	With
MTG	Mounting	W/O	Without
OP	Operator		

Section 1

Illustrated Parts Breakdown

ILLUSTRATED PARTS BREAKDOWN

1

INTRODUCTION

This section contains listings of field replaceable parts (including FRUs). Use only Seagate replacement parts. Using non-Seagate replacement parts can adversely affect safety. Using other manufacturers' parts could also degrade reliability, increase maintenance downtime, and void warranty coverage.

FIELD REPLACEABLE PARTS LIST

This listing is divided into four columns:

- INDEX NO - The numbers in this column correspond to the numbers shown within the facing page illustration.

- PART NUMBER - Contains one of the following:
 1. Eight digit part number - use this number to order a replacement part. Within the continental U.S., parts may be ordered from:

Seagate Technology, Inc.
Customer Services
12701 Whitewater Drive
Minnetonka, MN 55343

Phone: 1-800-382-6060
Fax: (612) 931-8817

2. Optional - parts which are not used in all applications. To determine usage in a particular equipment, you must first know the Equipment Package part number (refer to Equipment Configuration in section 2 of this manual for definition and location of this number) and then refer to table 2-1. Table 2-1 contains the Equipment Package part number (the first 6 digits are on line 1, and the last 2 digits are on line 2) and a list of optional parts. If an optional part is used in a particular Equipment Package, "XX" will appear in that column.

3. Spare - indicates that the item is a manufacturer's recommended spare part. Refer to section 4 for replacement part number information.
 4. CIC - the abbreviation refers to Card Interchangeability Chart in section 4. Items listed in the CIC are also manufacturer's recommended spare parts.
- PART DESCRIPTION - Contains part nomenclature/description. If an item is indented more than the previous item, it indicates it is part of the previous item (assembly).
 - NOTE - Usually contains entries to define differences between machine configurations (i.e., model differences, older units vs newer units, etc.).

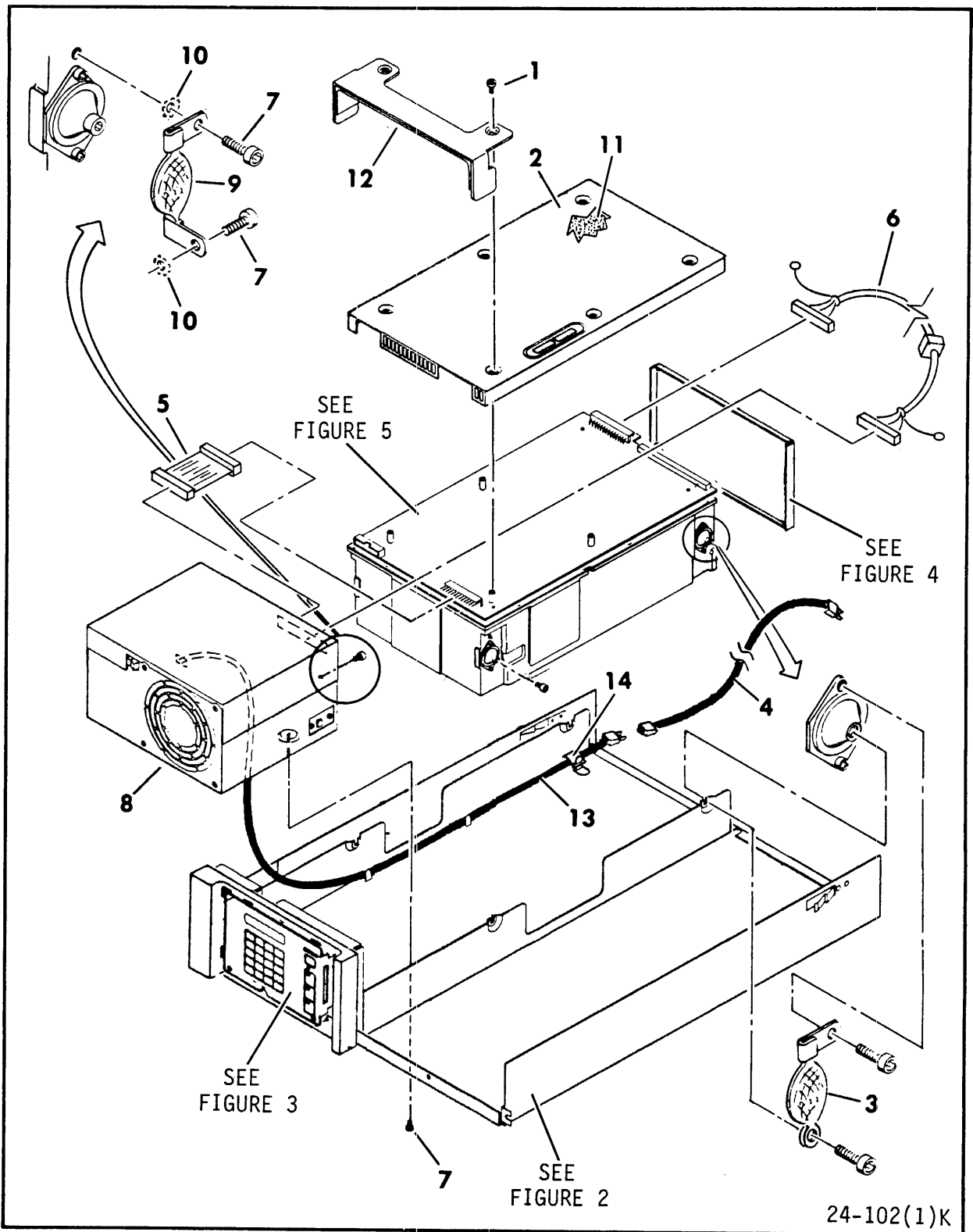


Figure 1-1. Eight-Inch Module Drive

INDEX NO	PART NO	PART DESCRIPTION	NOTE
1-1	Optional	EIGHT-INCH MODULE DRIVE	
1	92817157	SCREW, Socket Hd, 6-32 x 3/16	
2	47039266	COVER, Top	Except PA8W2C
2	47039262	COVER, Top	PA8W2C only
3	Optional	GROUND CABLE, Drive	
4	Optional/ Spare	AC POWER CORD	
5	Optional/ Spare	DC POWER CABLE	
6	Optional/ Spare	DC POWER CABLE	
7	10126217	SCREW, Socket Hd, 6-32 x 1/4	
8	Optional/ Spare	POWER SUPPLY	
9	Optional	GROUND CABLE, Power Supply	
10	10126401	LOCKWASHER, #6	
11	70557776	INSULATOR, Top Cover	
12	Optional	AIR BAFFLE	
13	Optional/ Spare	AC POWER CORD	
14	Optional	CLAMP, Power Cord	

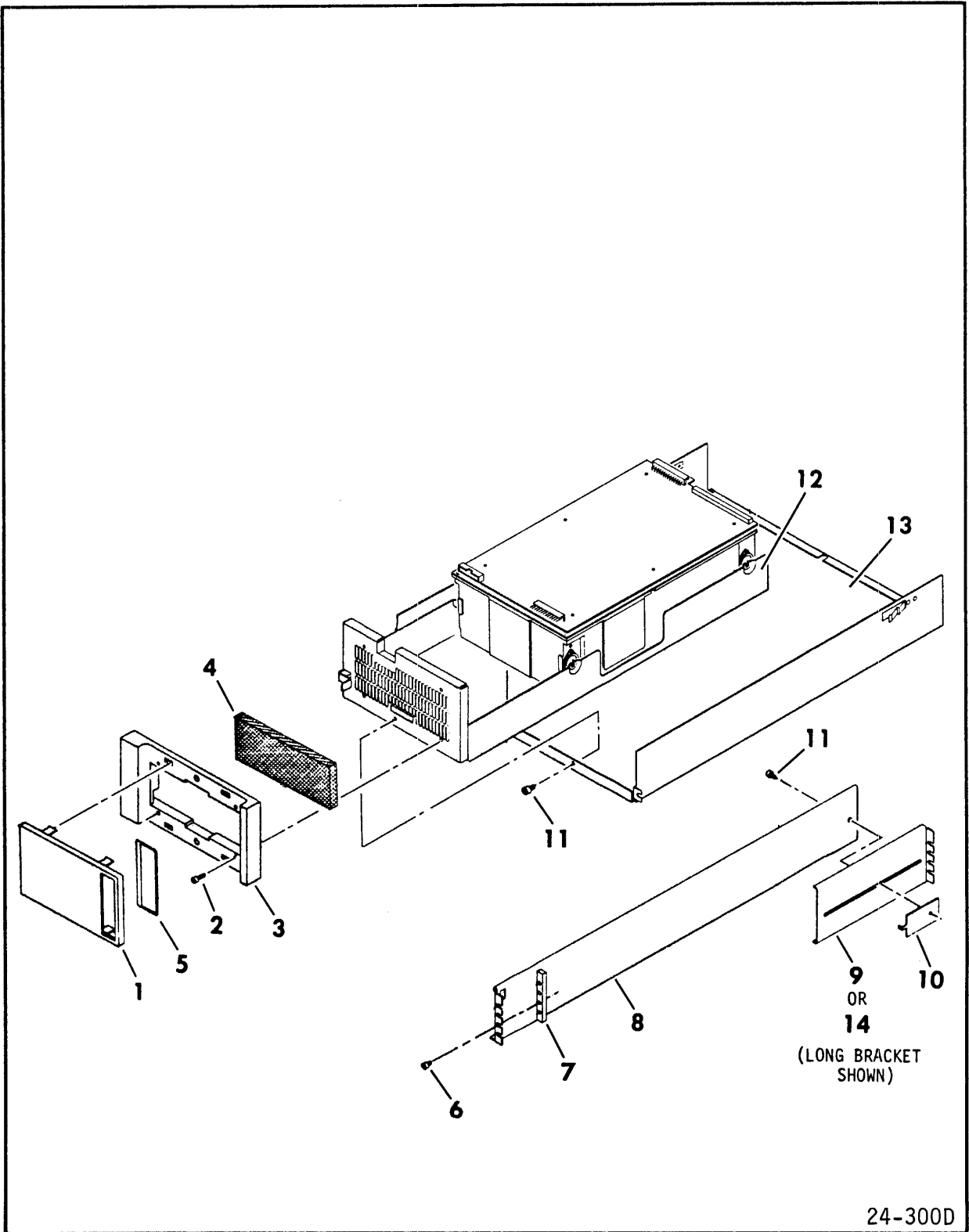


Figure 1-2. Rack Mounting Kit

INDEX NO	PART NO	PART DESCRIPTION	NOTE
1-2	Optional	RACK MOUNTING KIT	
1	Optional	INSERT, Front Panel	
2	10126222	SCREW, Socket Hd, 6-32 x 7/8	
3	Optional	PANEL, Front	
4	Optional/ Spare	FILTER, Primary	
5	46641780	PLATE, Filler	
6	10126244	SCREW, Socket Hd, 10-32 x 1/2	
7	94376727	NUT PLATE	
8	47048260	SLIDE, RH	
	47048261	SLIDE, LH	
9	45419002	BRACKET, Slide Adjusting, RH	22 cm (8.25 in)
9	45419003	BRACKET, Slide Adjusting, LH	22 cm (8.25 in)
10	75038304	BRACKET CLAMP	
11	10126225	SCREW, Socket Hd, 8-32 x 3/8	
12	Optional	DRAWER, Inner	
13	47048250	DRAWER, 2X	
14	45419004	BRACKET, Slide Adjusting, RH	6.8 cm (2.7 in)
14	45419005	BRACKET, Slide Adjusting, LH	6.8 cm (2.7 in)
	Optional	HALF-RACK MOUNTING KIT	See Note 1

Note 1: Documented in Special Supplement, Publication Number 83327160.

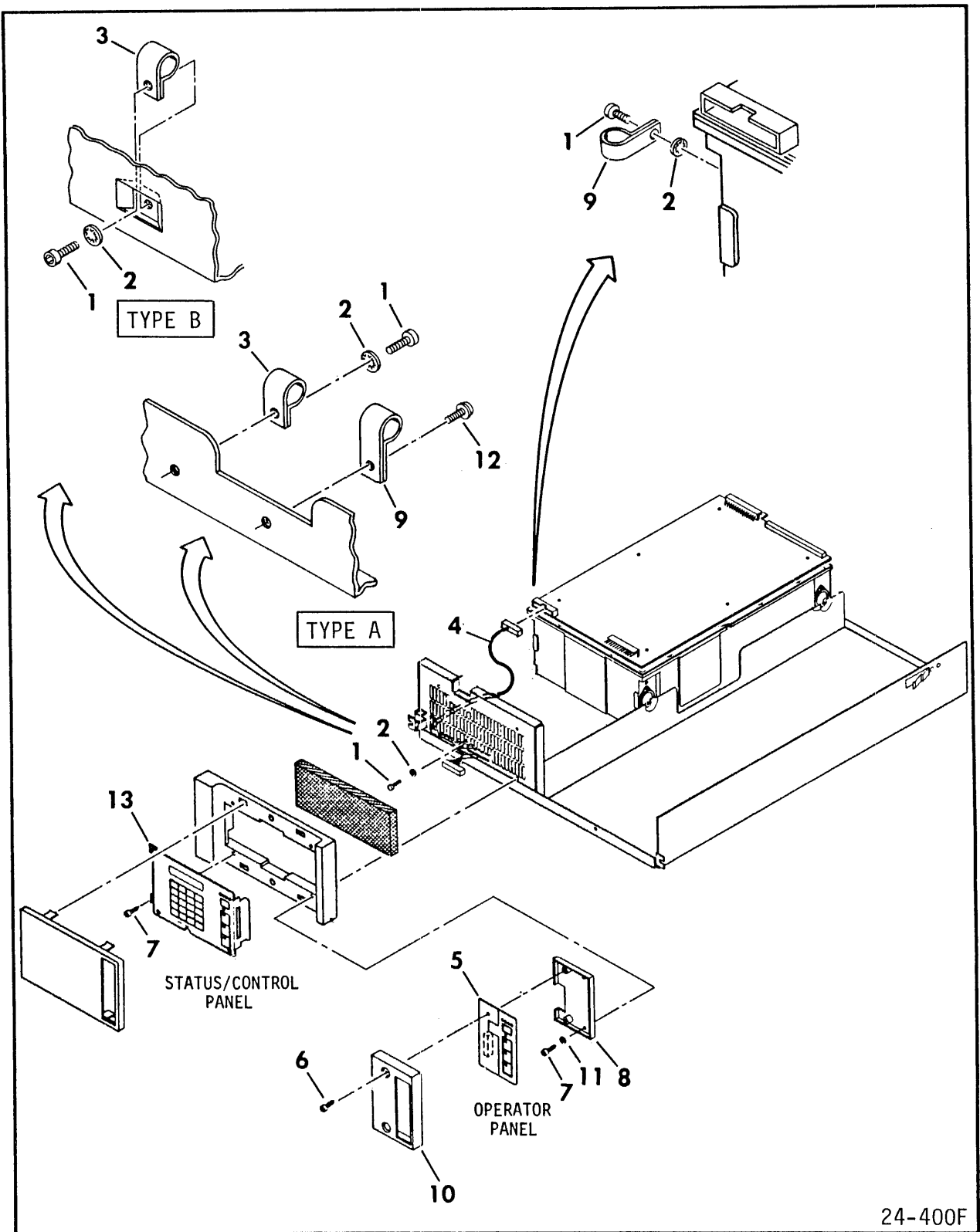


Figure 1-3. Status/Control Panel and Operator Panel Kits

INDEX NO	PART NO	PART DESCRIPTION	NOTE
1-3	Optional	STATUS/CONTROL PANEL AND OPERATOR PANEL KITS	
1	10126217	SCREW, Socket Hd, 6-32 x 1/4	
2	10126103	LOCKWASHER, #6	
3	92777196	CLAMP, Cable	
4	Optional/ Spare	JUMPER CABLE	
5	Optional/ CIC	OPERATOR PANEL BOARD (AWRX)	
6	92721196	SCREW, Socket Hd, 6-32 x 1/4	
7	10127117	SCREW, PHH, 6-32 x 7/8	
8	Optional	SHIELD, Operator Panel	
9	92777199	CLAMP, Cable	
10	Optional	COVER, Operator Panel	
11	94047001	WASHER, Special	
12	93660039	SCREW, PHH, 6-32 x 1/4	
13	Optional/ CIC	STATUS CONTROL PANEL BOARD (CVZX)	

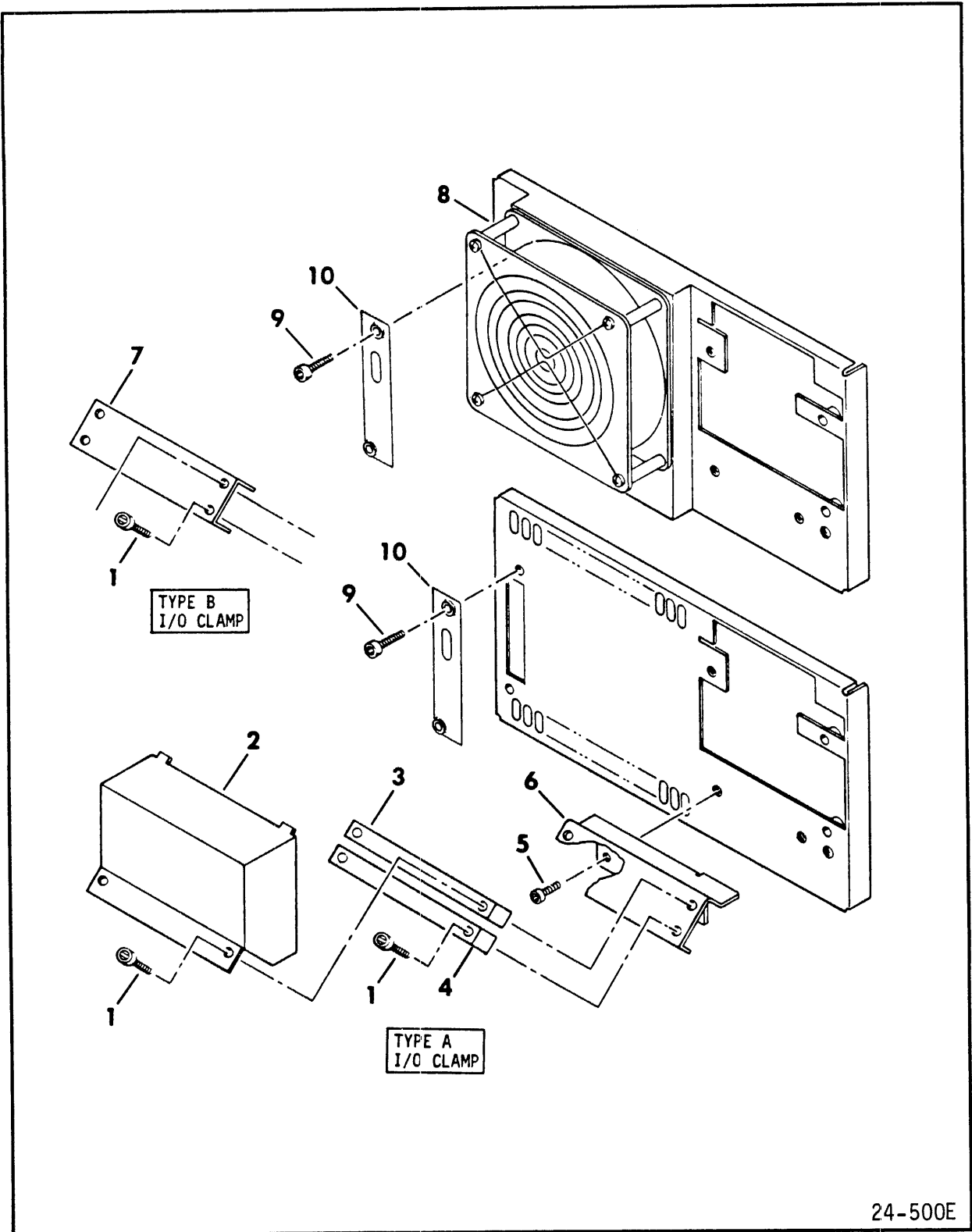


Figure 1-4. I/O Cover/Fan Mounting Kit

INDEX NO	PART NO	PART DESCRIPTION	NOTE
1-4		I/O COVER ASSEMBLY	SMD Drives
1	10126222	SCREW, Socket Hd, 6-32 x 7/8	
2	Optional	COVER, I/O Cable	
3	Optional	CLAMP, Grounding	Type A
4	Optional	CLAMP, Strain Relief	Type A
5	10126217	SCREW, Socket Hd, 6-32 x 1/4	
6	Optional	BRACKET, Cable	
7	Optional	CLAMP, I/O Cables	Type B
8	Optional	FAN MOUNTING KIT	
	Spare	FAN, 24 V dc	
	70558651	GUARD, Finger	
	47039280	PANEL, Rear (SMD Drives)	See Note 1
	47039281	PANEL, Rear (SCSI Drives)	See Note 2
	70702936	PANEL, Rear (IPI Drives)	
	10127119	SCREW, PHH, 6-32 x 1-1/4	
	94047001	WASHER, Special	
	94241019	CLIP, Cable	
	94274116	TERMINAL, Quick Connect	
	92817157	SCREW, Socket Hd, 6-32 x 3/16	
	10126401	LOCKWASHER, #6	
9	10126220	SCREW, Socket Hd, 6-32 x 5/8	See Note 3
10	47188911	COVER, ESD	See Note 3
	Optional	"A" CABLE	SMD Drives
	Optional	"B" CABLE	SMD Drives
	Optional	I/O CABLES	SCSI and IPI Drives
	Optional	SPINDLE SYNC CABLE (J50)	
	Optional	TERMINATOR	
	Optional	CLAMP, I/O	
	Note 1:	PA8G2B/PA8K2B drives use p/n 81773306.	
	Note 2:	PA8P1G/PA8P3A/PA8P3B drives use p/n 70702621.	
	Note 3:	Supplied only with PA8L1E/PA8P1E drives.	

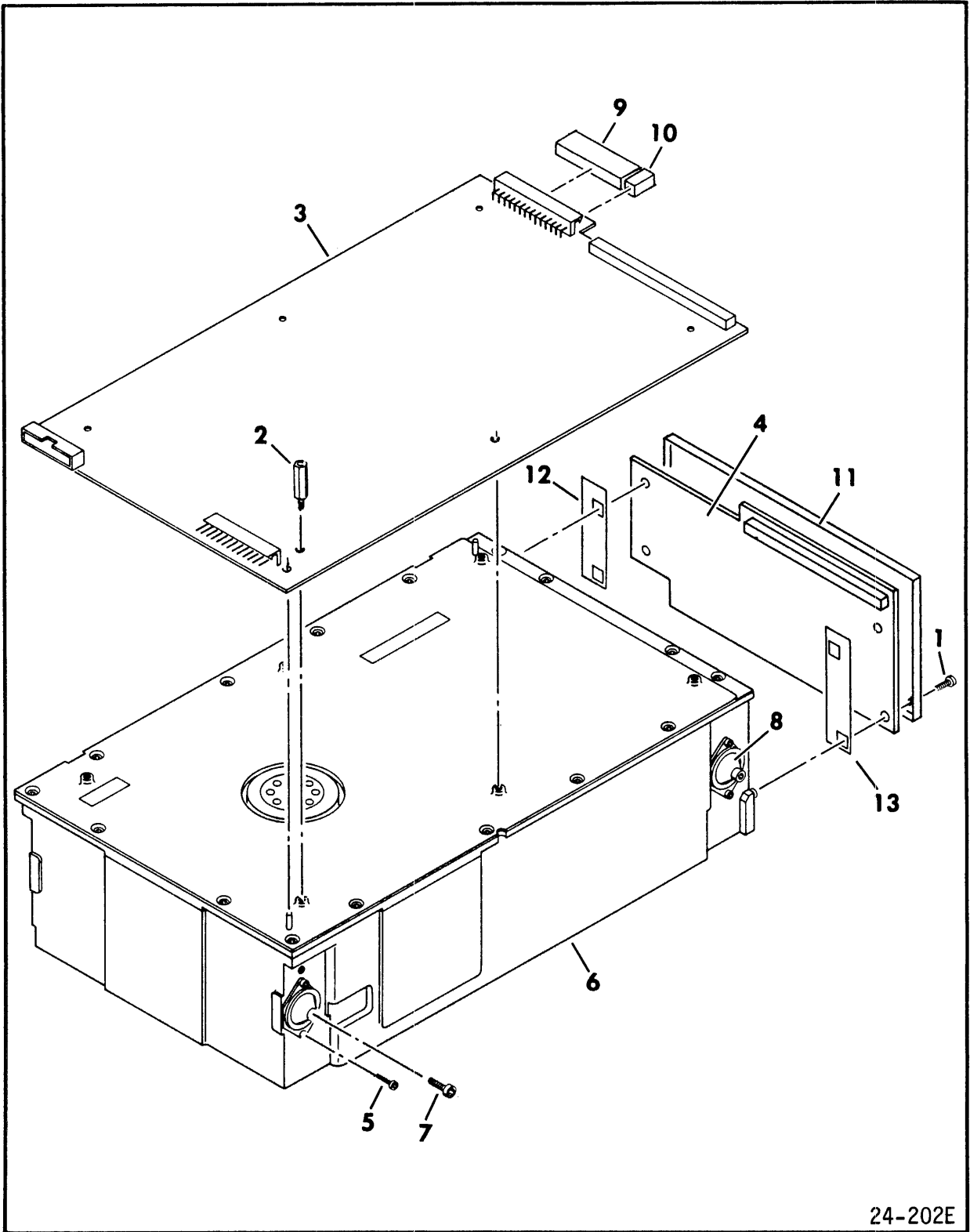


Figure 1-5. Drive Electronics Assembly

INDEX NO	PART NO	PART DESCRIPTION	NOTE
1-5		DRIVE ELECTRONICS ASSEMBLY	
1	10126220	SCREW, Socket Hd, 6-32 x 5/8	
2	95590406	STANDOFF	
3	CIC	CONTROL BOARD	
4	CIC	I/O BOARD	See Note 1
5	15390203	SCREW, Skt Hd, 6/32 x 1/4	
6	Spare	FORMATTED MODULE ASSEMBLY	
7	93242234	SCREW, PHH, 10-32 x 3/8	
8	47038413	SHOCKMOUNT	
9	94388624	CONNECTOR, Housing, 13 Posn	See Note 1
10	94388600	CONNECTOR, Housing, 2 Posn	See Notes 1,2
11	47039270	PANEL, Rear (SMD Drives)	See Note 3
11	47039271	PANEL, Rear (SCSI Drives)	
11	70702935	PANEL, Rear (IPI Drives)	See Note 4
11	70702936	PANEL, Rear (IPI Drives)	See Note 5
12	47188901	SHIELD, Static	See Note 6
13	47188902	SHIELD, Static	See Note 6

Note 1: Not supplied with PA8W2C/D drives.

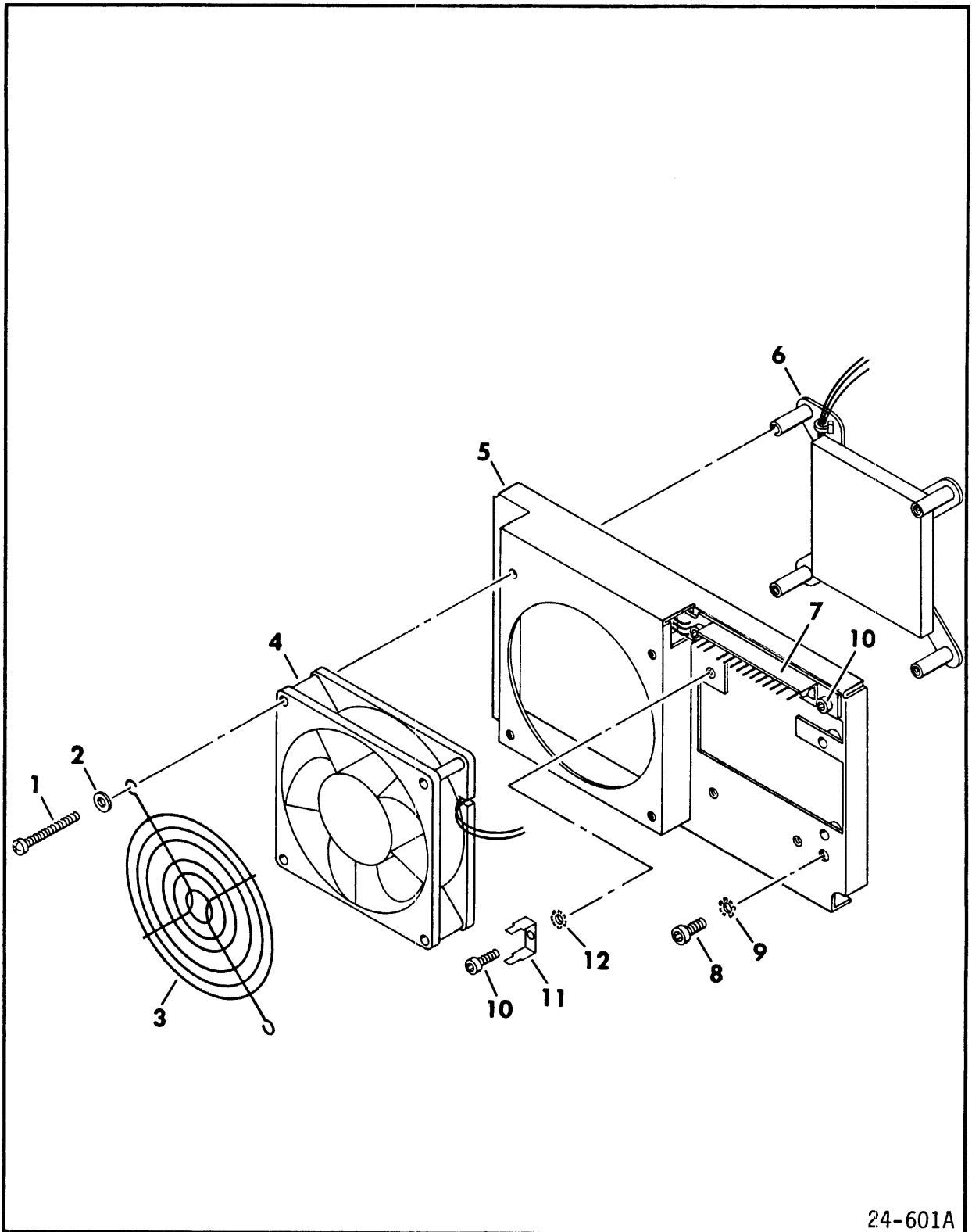
Note 2: Not supplied with PA8K2E drives.

Note 3: PA8K2E drives use p/n 47039273.

Note 4: Used on drives without fan.

Note 5: Used on drives with fan.

Note 6: Supplied only with PA8L1E/PA8P1E drives.



24-601A

Figure 1-6. DC Voltage Converter Kit (Sheet 1 of 2)

INDEX NO	PART NO	PART DESCRIPTION	NOTE
1-6	47039126	DC VOLTAGE CONVERTER KIT (Sheet 1 of 2)	See Note 1
	47039128	DC VOLTAGE CONVERTER KIT	See Note 2
1	92742176	SCREW, PHH, 6-32 x 1-1/2	
2	94047001	WASHER, #6	
3	70558651	GUARD, Finger	
4	Spare	FAN, 24 V dc	See Note 3
5	47039284	BRACKET, Fan	
6	CIC	AXSX VOLTAGE CONVERTER ASSY	
7	CIC	EWTX CONNECTOR ADAPTER BOARD	
8	92807251	SCREW, Socket Hd, 10-32 x 3/16	
9	10126403	LOCKWASHER, 10	
10	92817157	SCREW, Socket Hd, 6-32 x 3/16	
11	94274116	TERMINAL, Quick Connect	
12	10126401	WASHER, #6	

Note 1: Supplied with PA8G2C/PA8K2F/PA8N2B/PA8W2B drives only.

Note 2: Supplied with PA8N2K drives only.

Note 3: Not supplied with kit 47039128.

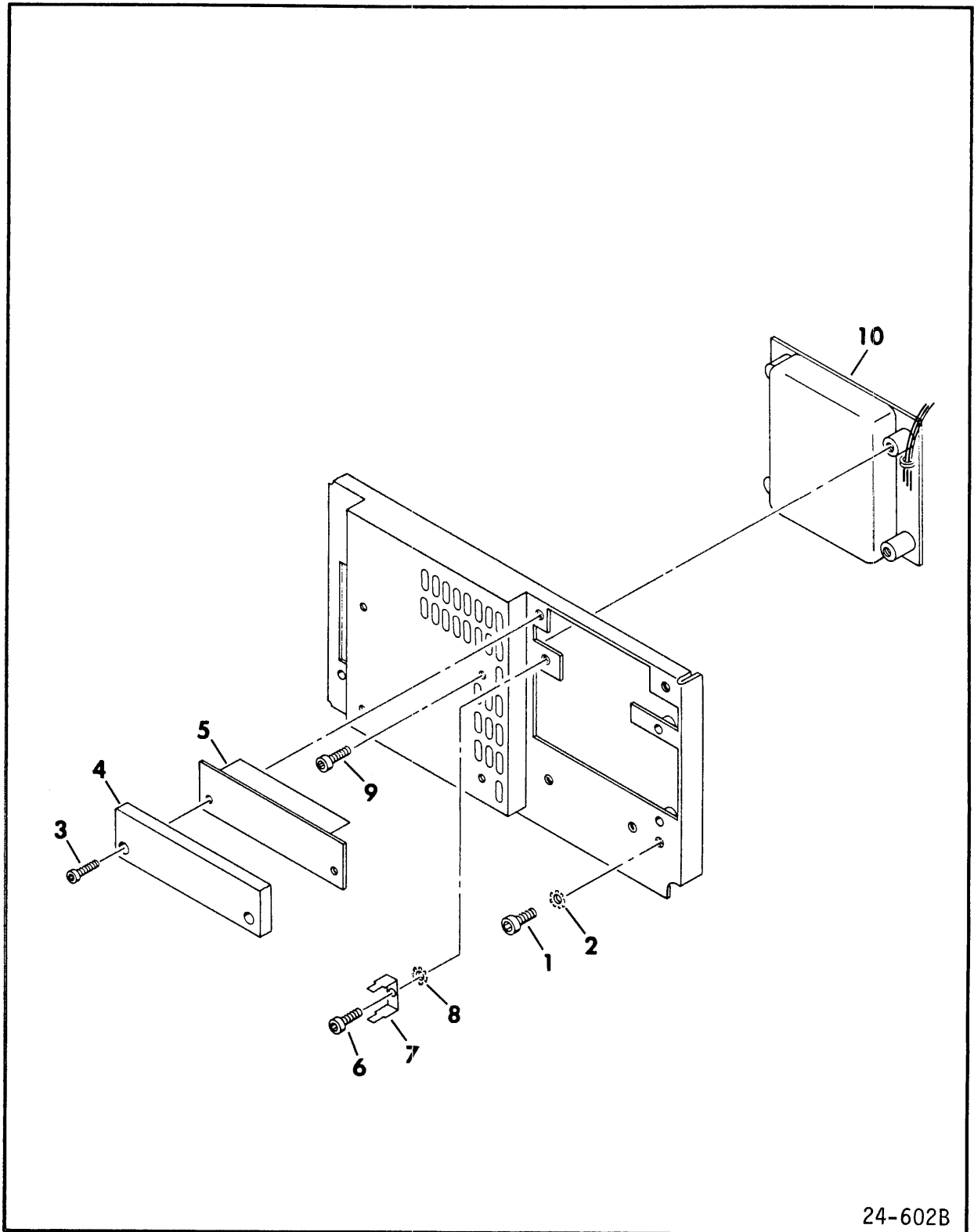
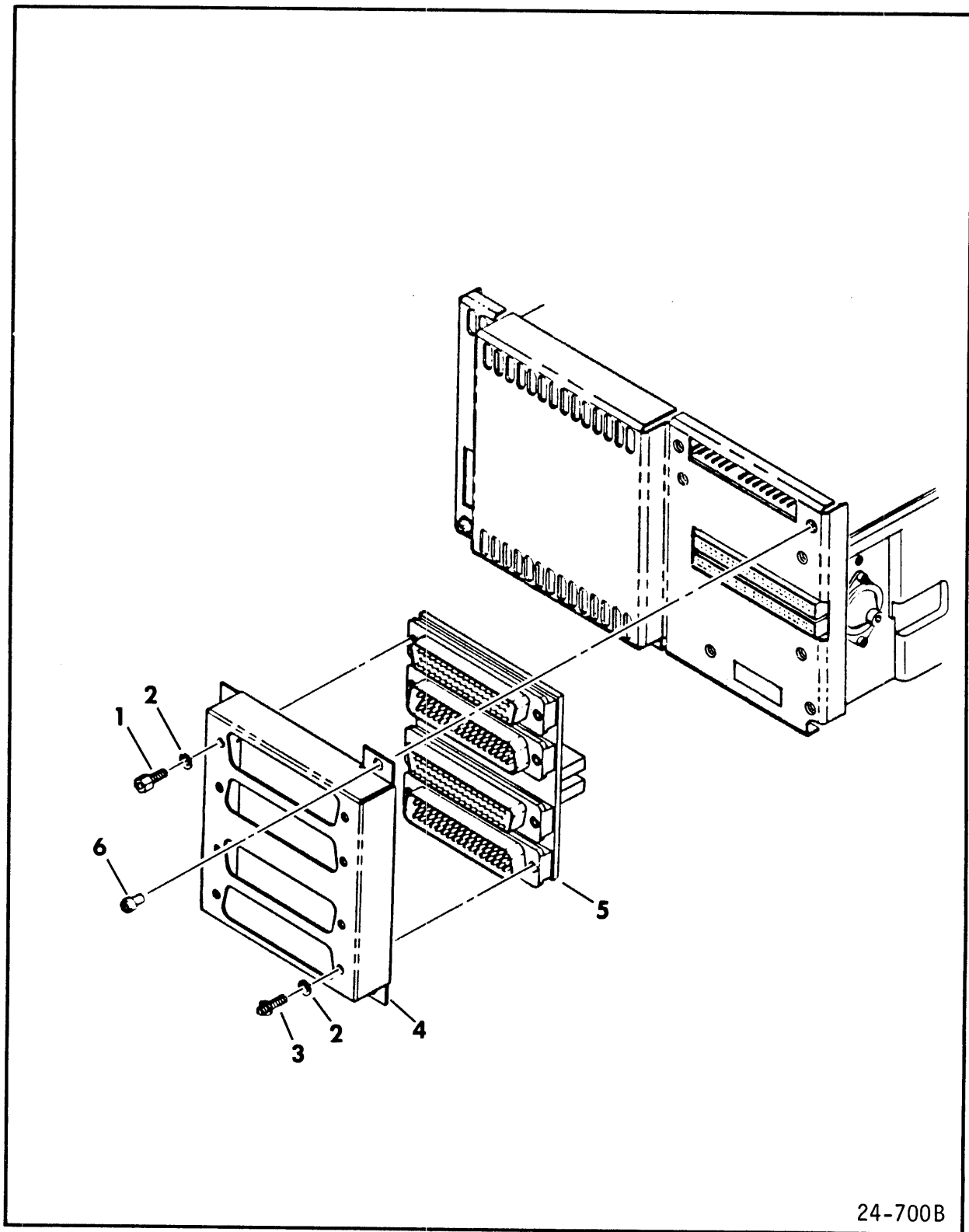


Figure 1-6. DC Voltage Converter Kit (Sheet 2)

INDEX NO	PART NO	PART DESCRIPTION	NOTE
1-6	47039125	DC VOLTAGE CONVERTER KIT (Sheet 2)	See Note 1
1	92807251	SCREW, Socket Hd, 10-32 x 1/4	
2	10126403	LOCKWASHER #10	
3	70526916	SCREW, Socket Hd, 6-32 x 3/8	
4	70523801	COVER, Connector Adapter Board	
5	CIC	DWTX CONNECTOR ADAPTER BOARD	
6	10126217	SCREW, Socket Hd, 6-32 x 1/4	
7	94274125	TERMINAL, Quick Connect	
8	10126401	LOCKWASHER, #6	
9	92721196	SCREW, Socket Hd, 6-32 x 1/4	
10	CIC	BXSX VOLTAGE CONVERTER	

Note 1: Supplied with PA8K2E drives only.

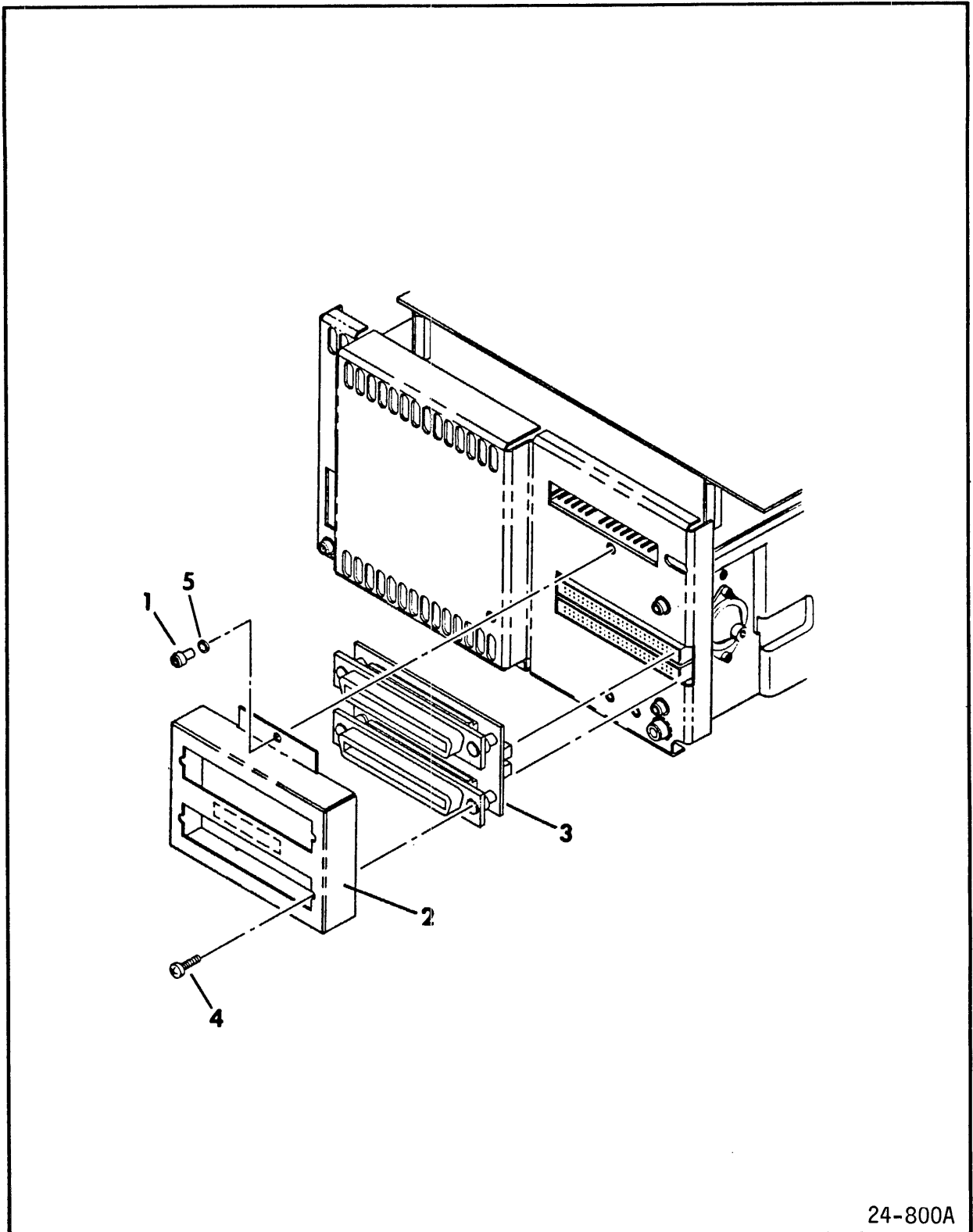


24-700B

Figure 1-7. IPI Connector Adapter Assembly

INDEX NO	PART NO	PART DESCRIPTION	NOTE
1-7	47138661	IPI CONNECTOR ADAPTER ASSEMBLY	See Note 1
1	94288028	STANDOFF, Male	
2	10125801	LOCKWASHER, #4	
3	94288029	STANDOFF, Female	
4	47041311	COVER, Adaptor Board	
5	CIC	AYAX BOARD	
6	92817157	SCREW, Socket Hd, 6-32 x 3/16	

Note 1: Used on PA8M2/PA8R2-A-B-C/PA8Y2 drives only.



24-800A

Figure 1-8. SCSI Connector Adapter Assembly

INDEX NO	PART NO	PART DESCRIPTION	NOTE
1-8	Optional	SCSI CONNECTOR ADAPTER ASSEMBLY	
1	92817157	SCREW, Socket Hd, 6-32 x 3/16	
2	47041310	COVER, Connector	
3	54405700	AWVX BOARD	See Note 1
3	54405701	AWVX BOARD	See Note 2
4	92721196	SCREW, Socket Hd, 6-32 x 1/4	
5	10126103	LOCKWASHER, #6	

Note 1: Used on PA8B1/PA8E1/PA8H1/PA8L1/PA8P1/PA8P3
(except PA8L1E/PA8P1E) drives only.

Note 2: Used on PA8L1E/PA8P1E drives only.

Section 2 Optional Parts

INTRODUCTION

This section contains listings of field replaceable parts which are not used in all applications. To determine usage in a particular equipment, you must first know the Equipment Package part number (see below) and then refer to table 2-1. Table 2-1 contains the Equipment Package part number (the first 6 digits are on line 1, and the last 2 digits are on line 2) and a list of optional parts. If an optional part is used in a particular Equipment Package, "XX" will appear in that column.

PART NO.	DESCRIPTION	PAGE
470134XX	PA8G1/PA8G2 741 MB Drive	2-2
470769XX	PA8H1 741 MB Drive	2-5
470958XX	PA8G2 741 MB Drive	2-7
470728XX	PA8K1/PA8K2 851 MB Drive	2-8
470904XX	PA8L1 851 MB Drive	2-10
470958XX	PA8K2 851 MB Drive	2-12
471499XX	PA8M2 851 MB Drive	2-13
707026XX	PA8K2 851 MB Drive	2-15
705055XX	PA8W2 1123 MB Drive	2-16
705219XX	PA8W2 1123 MB Drive	2-17
705742XX	PA8W2 1123 MB Drive	2-18
471770XX	PA8Y2 1154 MB Drive	2-19
471061XX	PA8N1/PA8N2 1236 MB Drive	2-21
471526XX	PA8R2 1236 MB Drive	2-24
471768XX	PA8P1/PA8P3 1236 MB Drive	2-27
705155XX	PA8R2 1236 MB Drive	2-30
705220XX	PA8N2 1236 MB Drive	2-31
707026XX	PA8N2 1236 MB Drive	2-32

TABLE 2-1. OPTIONAL PARTS

PART NO.	PART DESCRIPTION	741 MB* EQUIPMENT PACKAGE 470134xx												
		01	02	03	04	05	06	07	08	09	10	11	12	13
47013601	PA8G2A DRIVE	XX	XX	XX	XX	XX	XX	XX	XX					
47013602	PA8G1A DRIVE									XX	XX	XX	XX	XX
70504403	"A" CABLE	XX	XX											
47188871	AC CORD, 2'	XX	XX			XX	XX		XX			XX	XX	
15165427	AC CORD, 8'		XX											
75168331	AC CORD, 8'	XX	XX			XX	XX		XX			XX	XX	
47127502	AC CORD W/FERR	XX		XX	XX			XX		XX	XX			XX
70569433	AIR BAFFLE	XX	XX	XX	XX	XX	XX	XX	XX	XX	XX	XX	XX	XX
70505003	"B" CABLE	XX	XX											
46625990	BRACKET, CABLE	XX	XX	XX	XX	XX	XX	XX	XX	XX	XX	XX	XX	XX
46641700	CLAMP, GNDING	XX	XX	XX	XX	XX	XX	XX	XX	XX	XX	XX	XX	XX
92777196	CLAMP, PWR CORD	XX				XX	XX		XX			XX	XX	
47141381	CLAMP, PWR CORD		XX											
46641701	CLAMP, STRN RLF	XX	XX	XX	XX	XX	XX	XX	XX	XX	XX	XX	XX	XX
46625982	COVER, I/O CBL	XX	XX	XX	XX	XX	XX	XX	XX	XX	XX	XX	XX	XX
92588100	DC CABLE, 2.5"	XX	XX		XX		XX	XX	XX		XX		XX	XX
92588106	DC CABLE, 5'	XX		XX		XX					XX		XX	
47007910	DRAWER, INNER		XX											
45419406	FAN MTG KIT	XX		XX		XX				XX		XX		
94469420	GND CABLE, PS	XX	XX		XX		XX	XX	XX		XX		XX	XX
70515601	INSERT, FR PNL		XX											
70515701	PANEL, FRONT		XX											
45070622	POWER SUPPLY	XX	XX	XX	XX	XX	XX	XX	XX	XX	XX	XX	XX	XX
45140304	RACK MTG KIT		XX											
93238906	STATUS PNL KIT	XX	XX					XX	XX					XX
93270700	TERMINATOR	XX	XX											

*SMD Interface Drives

Table Continued on Next Page

TABLE 2-1. OPTIONAL PARTS (Contd)

PART NO.	PART DESCRIPTION	741 MB* EQUIPMENT PACKAGE 470134xx									
		27	28	29	30	31	32	33	34	35	
47013601	PA8G2A DRIVE	XX	XX	XX	XX		XX	XX	XX	XX	
47013603	PA8G2D DRIVE					XX					
47188871	AC CORD, 2'					XX					
75168331	AC CORD, 8'					XX					
70569433	AIR BAFFLE		XX	XX	XX	XX		XX	XX	XX	
46625990	BRACKET, CABLE	XX	XX	XX	XX	XX	XX	XX	XX	XX	
46641700	CLAMP, GNDING					XX					
46641705	CLAMP, GNDING	XX	XX	XX	XX		XX	XX	XX	XX	
93920484	CLAMP, I/O	XX	XX	XX	XX		XX	XX	XX	XX	
92777196	CLAMP, PWR CORD				XX	XX					
46641701	CLAMP, STRN RLF					XX					
46641706	CLAMP, STRN RLF	XX	XX	XX	XX		XX	XX	XX	XX	
46625982	COVER, I/O CBL	XX	XX	XX	XX	XX	XX	XX	XX	XX	
92588100	DC CABLE, 2.5"					XX					
45419421	FAN MTG KIT						XX	XX	XX	XX	
94469420	GND CABLE, PS	XX	XX	XX	XX	XX	XX	XX		XX	
45070622	POWER SUPPLY		XX	XX	XX	XX		XX	XX	XX	
47097410	STATUS PNL KIT			XX							
93238906	STATUS PNL KIT			XX					XX		
93270700	TERMINATOR	XX	XX	XX	XX		XX	XX	XX	XX	

*SMD Interface Drives

Table Continued on Next Page

TABLE 2-1. OPTIONAL PARTS (Contd)

PART NO.	PART DESCRIPTION	741 MB* EQUIPMENT PACKAGE 470769xx												
		01	02	03	04	05	06	07	08	09	10	11	12	13
47077001	PA8H1A DRIVE	XX	XX	XX	XX									
47077002	PA8H1B DRIVE					XX	XX	XX	XX					
47077003	PA8H1C DRIVE									XX	XX	XX	XX	
47077004	PA8H1D DRIVE													XX
47188871	AC CORD, 2'	XX	XX		XX	XX	XX		XX	XX	XX		XX	XX
15165427	AC CORD, 8'		XX				XX				XX			
75168331	AC CORD, 8'	XX	XX		XX	XX	XX		XX	XX	XX		XX	XX
47127502	AC CORD W/FERR	XX		XX		XX		XX		XX		XX		XX
70569433	AIR BAFFLE	XX	XX	XX	XX	XX	XX	XX	XX	XX	XX	XX	XX	XX
92777196	CLAMP, PWR CORD	XX			XX	XX			XX	XX			XX	XX
47141381	CLAMP, PWR CORD		XX				XX				XX			
92588100	DC CABLE, 2.5"	XX	XX	XX	XX	XX	XX	XX	XX	XX	XX	XX	XX	XX
47132301	DC CABLE W/FER	XX				XX				XX				XX
47007910	DRAWER, INNER		XX				XX				XX			
45419408	FAN MTG KIT	XX				XX				XX				XX
94469420	GND CABLE, PS	XX	XX	XX	XX	XX	XX	XX	XX	XX	XX	XX	XX	XX
70515601	INSERT, FR PNL		XX				XX				XX			
47191152	I/O CABLES	XX	XX			XX	XX			XX	XX			XX
70515701	PANEL, FRONT		XX				XX				XX			
45070622	POWER SUPPLY	XX	XX	XX	XX	XX	XX	XX	XX	XX	XX	XX	XX	XX
45140304	RACK MTG KIT		XX				XX				XX			
47048901	SCSI CONN ADAP	XX	XX	XX	XX	XX	XX	XX	XX	XX	XX	XX	XX	XX
93238906	STATUS PNL KIT	XX	XX			XX	XX			XX	XX			XX
15459250	TERM, DIFF, SHD	XX	XX							XX	XX			
15459255	TERM, DIFF, USHD	XX	XX							XX	XX			
15387797	TERM, SE, SHD					XX	XX							XX
15387807	TERM, SE, USHD					XX	XX							XX

*SCSI Interface Drives

Table Continued on Next Page

TABLE 2-1. OPTIONAL PARTS (Contd)

PART NO.	PART DESCRIPTION	851 MB* EQUIPMENT PACKAGE 470728xx												
		01	02	03	04	05	06	07	08	09	10	11	12	13
47073001	PA8K2A DRIVE	XX	XX	XX	XX	XX	XX	XX	XX					
47073002	PA8K1A DRIVE									XX	XX	XX	XX	XX
70504403	"A" CABLE	XX	XX											
47188871	AC CORD, 2'	XX	XX			XX	XX		XX			XX	XX	
15165427	AC CORD, 8'		XX											
75168331	AC CORD, 8'	XX	XX			XX	XX		XX			XX	XX	
47127502	AC CORD W/FERR	XX		XX	XX			XX		XX	XX			XX
70569433	AIR BAFFLE	XX	XX	XX	XX	XX	XX	XX	XX	XX	XX	XX	XX	XX
70505003	"B" CABLE	XX	XX											
46625990	BRACKET, CABLE	XX	XX	XX	XX	XX	XX	XX	XX	XX	XX	XX	XX	XX
46641700	CLAMP, GNDING	XX	XX	XX	XX	XX	XX	XX	XX	XX	XX	XX	XX	XX
47141381	CLAMP, PWR CORD		XX											
92777196	CLAMP, PWR CORD	XX				XX	XX		XX			XX	XX	
46641701	CLAMP, STRN RLF	XX	XX	XX	XX	XX	XX	XX	XX	XX	XX	XX	XX	XX
46625982	COVER, I/O CBL	XX	XX	XX	XX	XX	XX	XX	XX	XX	XX	XX	XX	XX
92588100	DC CABLE, 2.5"	XX	XX		XX		XX	XX	XX		XX		XX	XX
92588106	DC CABLE, 5'	XX		XX		XX				XX		XX		
47007910	DRAWER, INNER		XX											
45419406	FAN MTG KIT	XX		XX		XX				XX		XX		
94469420	GND CABLE, PS	XX	XX		XX		XX	XX	XX		XX		XX	XX
70515601	INSERT, FR PNL		XX											
70515701	PANEL, FRONT		XX											
45070622	POWER SUPPLY	XX	XX	XX	XX	XX	XX	XX	XX	XX	XX	XX	XX	XX
45140304	RACK MTG KIT		XX											
93238906	STATUS PNL KIT	XX	XX					XX	XX					XX
93270700	TERMINATOR	XX	XX											

*SMD Interface Drives

Table Continued on Next Page

TABLE 2-1. OPTIONAL PARTS (Contd)

PART NO.	PART DESCRIPTION	851 MB* EQUIPMENT PACKAGE 470728xx												
		14	27	28	29	30	31	32	33	34	35	36	37	38
47073001	PA8K2A DRIVE		XX	XX	XX		XX					XX	XX	
47073002	PA8K1A DRIVE	XX												
47073003	PA8K2D DRIVE					XX								
47073004	PA8K2G DRIVE							XX	XX					
47073005	PA8K2H DRIVE									XX	XX			
47073006	PA8K2K DRIVE													XX
70504401	"A" CABLE													XX
47188871	AC CORD, 2'	XX			XX		XX			XX	XX		XX	XX
47188876	AC CORD, 3'					XX								
75168331	AC CORD, 8'	XX			XX		XX			XX				XX
47127502	AC CORD W/FERR										XX		XX	
70569433	AIR BAFFLE	XX			XX	XX	XX			XX	XX		XX	XX
54404100	AWRX BOARD													XX
70505001	"B" CABLE													XX
46625990	BRACKET, CABLE	XX	XX	XX	XX	XX	XX	XX	XX	XX	XX	XX	XX	XX
47141381	CLAMP, PWR CORD													XX
92777196	CLAMP, PWR CORD	XX			XX	XX	XX			XX	XX		XX	XX
92777199	CLAMP, PWR CORD				XX	XX							XX	XX
46641700	CLAMP, GNDING	XX	XX	XX	XX	XX	XX	XX	XX	XX	XX	XX	XX	XX
46641701	CLAMP, STRN RLF	XX	XX	XX	XX	XX	XX	XX	XX	XX	XX	XX	XX	XX
46625982	COVER, I/O CBL	XX	XX	XX	XX	XX	XX	XX	XX	XX	XX	XX	XX	XX
54397704	CVZX BOARD					XX								
92588100	DC CABLE, 2.5"	XX			XX	XX	XX			XX	XX		XX	XX
92588120	DC CABLE, 31.5"											XX		
47007910	DRAWER, INNER				XX									XX
47007913	DRAWER, INNER						XX						XX	
47132374	DRAWER, INNER					XX								
45419406	FAN MTG KIT		XX											
45419412	FAN MTG KIT											XX		
72852573	FILTER, PRIMARY					XX				XX	XX			XX
94469420	GND CABLE, PS	XX			XX	XX	XX			XX	XX		XX	XX
70515601	INSERT, FR PNL													XX
70515602	INSERT, FR PNL					XX								
92536403	INSERT, FR PNL				XX									
47001000	JUMPER CABLE													XX
47001007	JUMPER CABLE					XX	XX							XX
47031804	OPER PANEL KIT				XX		XX							XX
70515701	PANEL, FRONT													XX
70515702	PANEL, FRONT					XX								
92517403	PANEL, FRONT				XX									
45070622	POWER SUPPLY	XX			XX	XX	XX			XX	XX		XX	XX
45140306	RACK MTG KIT				XX									
47060750	SHIELD, OP PNL													XX XX
93238906	STATUS PNL KIT	XX								XX	XX			
93270700	TERMINATOR				XX	XX				XX	XX			XX

*SMD Interface Drives

Table Continued on Next Page

TABLE 2-1. OPTIONAL PARTS (Contd)

PART NO.	PART DESCRIPTION	851 MB* EQUIPMENT PACKAGE 470904xx												
		01	02	03	04	05	06	07	08	09	10	11	12	13
47090601	PA8L1A DRIVE	XX	XX	XX	XX									
47090602	PA8L1B DRIVE					XX	XX	XX	XX					
47090603	PA8L1C DRIVE									XX	XX	XX	XX	
47090604	PA8L1D DRIVE													XX
47127502	AC CORD W/FERR	XX		XX		XX		XX		XX		XX		XX
15165427	AC CORD, 8'		XX				XX				XX			
75168331	AC CORD, 8'	XX	XX		XX	XX	XX		XX	XX	XX		XX	XX
47188871	AC CORD, 2'	XX	XX		XX	XX	XX		XX	XX	XX		XX	XX
70569433	AIR BAFFLE	XX	XX	XX	XX	XX	XX	XX	XX	XX	XX	XX	XX	XX
92777196	CLAMP, PWR CORD	XX			XX	XX			XX	XX			XX	XX
47141381	CLAMP, PWR CORD		XX				XX				XX			
92588100	DC CABLE, 2.5"	XX	XX	XX	XX	XX	XX	XX	XX	XX	XX	XX	XX	XX
47132301	DC CABLE W/FER	XX				XX				XX				XX
47007910	DRAWER, INNER		XX				XX				XX			
45419408	FAN MTG KIT	XX				XX				XX				XX
94469420	GND CABLE, PS	XX	XX	XX	XX	XX	XX	XX	XX	XX	XX	XX	XX	XX
70515601	INSERT, FR PNL		XX				XX				XX			
47191152	I/O CABLES	XX	XX			XX	XX			XX	XX			XX
70515701	PANEL, FRONT		XX				XX				XX			
45070622	POWER SUPPLY	XX	XX	XX	XX	XX	XX	XX	XX	XX	XX	XX	XX	XX
45140304	RACK MTG KIT		XX				XX				XX			
47048901	SCSI CONN ADAP	XX	XX	XX	XX	XX	XX	XX	XX	XX	XX	XX	XX	XX
93238906	STATUS PNL KIT	XX	XX			XX	XX			XX	XX			XX
15459250	TERM, DIFF, SHD	XX	XX							XX	XX			
15459255	TERM, DIFF, USHD	XX	XX							XX	XX			
15387797	TERM, SE, SHD					XX	XX							XX
15387807	TERM, SE, USHD					XX	XX							XX

*SCSI Interface Drives

Table Continued on Next Page

TABLE 2-1. OPTIONAL PARTS (Contd)

PART NO.	PART DESCRIPTION	851 MB* EQUIPMENT PACKAGE 470958xx																		
		54	55																	
47096153	PA8K2E DRIVE	XX																		
47096154	PA8K2F DRIVE		XX																	
46625990	BRACKET, CABLE		XX																	
46641700	CLAMP, GNDING		XX																	
46641701	CLAMP, STRN RLF		XX																	
46625982	COVER, I/O CBL		XX																	
93270700	TERMINATOR	XX																		

*SMD Interface Drives

Table Continued on Next Page

TABLE 2-1. OPTIONAL PARTS (Contd)

PART NO.	PART DESCRIPTION	851 MB* EQUIPMENT PACKAGE 471499xx												
		01	02	03	04	05	06	07	08	09	10	11	12	13
47150501	PA8M2A DRIVE	XX	XX	XX	XX	XX	XX	XX	XX					
47150502	PA8M2B DRIVE									XX	XX			XX
47150503	PA8M2C DRIVE											XX	XX	
47188871	AC CORD, 2'	XX	XX			XX	XX		XX	XX	XX	XX	XX	XX
15165427	AC CORD, 8'		XX								XX		XX	
75168331	AC CORD, 8'	XX	XX			XX	XX		XX	XX	XX	XX	XX	XX
47127502	AC CORD W/FERR	XX		XX	XX			XX		XX		XX		
70569433	AIR BAFFLE	XX	XX	XX	XX	XX	XX	XX	XX	XX	XX	XX	XX	XX
47141381	CLAMP, PWR CORD		XX								XX		XX	
92777196	CLAMP, PWR CORD	XX	XX			XX	XX		XX	XX		XX		XX
92588100	DC CABLE, 2.5"	XX	XX		XX		XX	XX	XX	XX	XX	XX	XX	XX
92588106	DC CABLE, 5'	XX		XX		XX				XX		XX		
47007910	DRAWER, INNER		XX								XX		XX	
45419418	FAN MTG KIT	XX		XX		XX				XX		XX		
94469420	GND CABLE, PS	XX	XX		XX		XX	XX	XX	XX	XX	XX	XX	XX
70515601	INSERT, FR PNL		XX								XX		XX	
47191108	I/O CABLES	XX	XX							XX	XX	XX	XX	
70515701	PANEL, FRONT		XX								XX		XX	
45070622	POWER SUPPLY	XX	XX	XX	XX	XX	XX	XX	XX	XX	XX	XX	XX	XX
45140304	RACK MTG KIT		XX								XX		XX	
93238906	STATUS PNL KIT	XX	XX					XX	XX	XX	XX	XX	XX	
15458851	TERMINATOR	XX	XX							XX	XX	XX	XX	

*IPI Interface Drives

Table Continued on Next Page

TABLE 2-1. OPTIONAL PARTS (Contd)

PART NO.	PART DESCRIPTION	851 MB* EQUIPMENT PACKAGE 471499xx																		
		14	15	16	17	18	19													
47150501	PA8M2A DRIVE					XX	XX													
47150502	PA8M2B DRIVE	XX																		
47150503	PA8M2C DRIVE		XX	XX																
47150504	PA8M2D DRIVE				XX															
47188871	AC CORD, 2'		XX		XX	XX	XX													
75168331	AC CORD, 8'		XX			XX	XX													
47127502	AC CORD W/FERR	XX		XX																
70569433	AIR BAFFLE	XX	XX	XX	XX	XX	XX													
47141381	CLAMP,PWR CORD				XX															
92777196	CLAMP,PWR CORD	XX	XX		XX	XX														
92777199	CLAMP,PWR CORD				XX															
54397704	CVZX BOARD				XX															
92588100	DC CABLE, 2.5"	XX	XX	XX	XX	XX	XX													
47007910	DRAWER, INNER				XX	XX														
72852573	FILTER, PRIMARY				XX															
94469420	GND CABLE, PS	XX	XX	XX	XX	XX	XX													
70515601	INSERT, FR PNL				XX	XX														
47191108	I/O CABLES				XX															
47001007	JUMPER CABLE				XX															
70515701	PANEL, FRONT				XX	XX														
45070622	POWER SUPPLY	XX	XX	XX	XX	XX	XX													
15458851	TERMINATOR				XX															

*IPI Interface Drives

Table Continued on Next Page

TABLE 2-1. OPTIONAL PARTS (Contd)

PART NO.	PART DESCRIPTION	1123 MB* EQUIPMENT PACKAGE 705055xx									
		01	02	03	04	05	06	07	08	09	
70505701	PA8W2A DRIVE	XX	XX	XX	XX	XX	XX	XX	XX	XX	
70504403	"A" CABLE	XX	XX								
47188871	AC CORD, 2'	XX	XX			XX	XX		XX	XX	
15165427	AC CORD, 8'		XX								
75168331	AC CORD, 8'	XX	XX			XX	XX		XX		
47127502	AC CORD W/FERR	XX		XX	XX					XX	
70569433	AIR BAFFLE	XX	XX	XX	XX	XX	XX		XX	XX	
70505003	"B" CABLE	XX	XX								
46625990	BRACKET, CABLE	XX	XX	XX	XX	XX	XX	XX	XX	XX	
46641700	CLAMP, GNDING	XX	XX	XX	XX	XX	XX	XX	XX	XX	
70523541	CLAMP, I/O CBL									XX	
92777196	CLAMP, PWR CORD	XX				XX	XX		XX	XX	
47141381	CLAMP, PWR CORD		XX						XX	XX	
92777199	CLAMP, PWR CORD								XX	XX	
46641701	CLAMP, STRN RLF	XX	XX	XX	XX	XX	XX	XX	XX	XX	
46625982	COVER, I/O CBL	XX	XX	XX	XX	XX	XX	XX	XX	XX	
92588100	DC CABLE, 2.5"	XX	XX		XX		XX		XX	XX	
92588106	DC CABLE, 5'	XX		XX		XX					
47007910	DRAWER, INNER		XX								
47007913	DRAWER, INNER								XX	XX	
45419406	FAN MTG KIT	XX		XX		XX					
94469420	GND CABLE, PS	XX	XX		XX		XX		XX	XX	
70515601	INSERT, FR PNL		XX								
47001000	JUMPER CABLE								XX		
47001007	JUMPER CABLE									XX	
70515701	PANEL, FRONT		XX								
45070622	POWER SUPPLY	XX	XX	XX	XX	XX	XX		XX	XX	
45140304	RACK MTG KIT		XX								
93238906	STATUS PNL KIT	XX	XX								
93270700	TERMINATOR	XX	XX								

*SMD Interface Drives

Table Continued on Next Page

TABLE 2-1. OPTIONAL PARTS (Contd)

PART NO.	PART DESCRIPTION	1154 MB* EQUIPMENT PACKAGE 471770xx												
		01	02	03	04	05	06	07	08	09	10	11	12	13
47177701	PA8Y2A DRIVE	XX	XX	XX	XX	XX	XX	XX	XX	XX	XX	XX	XX	XX
47188871	AC CORD, 2'	XX	XX			XX	XX		XX					
47188873	AC CORD, 31.5"										XX			
47188877	AC CORD, 3'									XX				
70703281	AC CORD, 3'											XX	XX	XX
70703282	AC CORD, 45"											XX		
15165427	AC CORD, 8'		XX											
75168331	AC CORD, 8'	XX	XX			XX	XX	XX	XX					
47127502	AC CORD W/FERR	XX		XX	XX			XX						
70569431	AIR BAFFLE	XX	XX	XX	XX	XX	XX	XX	XX	XX	XX	XX	XX	XX
54404100	AWRX BOARD										XX	XX	XX	XX
47141381	CLAMP, PWR CORD		XX							XX	XX	XX	XX	XX
92777196	CLAMP, PWR CORD	XX				XX	XX		XX	XX	XX	XX	XX	XX
92777199	CLAMP, PWR CORD									XX	XX	XX	XX	XX
54397704	CVZX BOARD									XX				
92588100	DC CABLE, 2.5"	XX	XX		XX		XX	XX	XX	XX	XX	XX	XX	XX
92588106	DC CABLE, 5'	XX		XX		XX								
47007910	DRAWER, INNER		XX								XX			
70703612	DRAWER, INNER									XX		XX	XX	XX
45419413	FAN MTG KIT			XX		XX								
45419415	FAN MTG KIT									XX				
45419418	FAN MTG KIT	XX												
45419419	FAN MTG KIT	XX	XX											
70852573	FILTER, PRIMARY											XX	XX	XX
94469424	GND CABLE, DR	XX	XX	XX	XX	XX	XX	XX	XX	XX	XX	XX	XX	XX
94469420	GND CABLE, PS	XX	XX		XX		XX	XX	XX	XX	XX	XX	XX	XX
70515601	INSERT, FR PNL		XX										XX	
92536411	INSERT, FR PNL											XX		XX
47191108	I/O CABLES	XX	XX											
70527026	I/O CABLES											XX	XX	XX
47001007	JUMPER CABLE									XX		XX	XX	XX
47001009	JUMPER CABLE										XX			
47123242	PANEL, FRONT												XX	
47123245	PANEL, FRONT											XX		XX
70515701	PANEL, FRONT		XX											
45070625	POWER SUPPLY	XX	XX	XX	XX	XX	XX	XX	XX	XX	XX	XX	XX	XX
45140304	RACK MTG KIT		XX											
47060750	SHIELD, OP PNL										XX	XX	XX	XX
70882724	SPNDL SYNC CBL	XX	XX									XX	XX	XX
93238906	STATUS PNL KIT	XX	XX					XX	XX					
15458851	TERMINATOR	XX	XX							XX				
70882711	TERMINATOR	XX	XX											

*IPI Interface, two-head parallel drive

Table Continued on Next Page

TABLE 2-1. OPTIONAL PARTS (Contd)

PART NO.	PART DESCRIPTION	1154 MB* EQUIPMENT PACKAGE 471770xx									
		14	15	16	17	18	19	22	23		
47177701	PA8Y2A DRIVE	XX	XX	XX	XX	XX	XX	XX	XX		
47188871	AC CORD, 2'				XX				XX		
70703281	AC CORD, 3'	XX									
75168345	AC CORD, 3'				XX						
70703282	AC CORD, 45"		XX	XX							
47188874	AC CORD, 5'						XX		XX		
15165427	AC CORD, 8'			XX							
75168331	AC CORD, 8'		XX								
70569431	AIR BAFFLE	XX	XX	XX	XX		XX	XX	XX		
70569435	AIR BAFFLE				XX						
54404100	AWRX BOARD	XX	XX	XX	XX				XX		
47141381	CLAMP, PWR CORD	XX	XX	XX	XX		XX	XX	XX		
92777196	CLAMP, PWR CORD	XX	XX	XX	XX		XX		XX		
92777199	CLAMP, PWR CORD	XX	XX	XX	XX		XX		XX		
54397704	CVZX BOARD						XX				
92588100	DC CABLE, 2.5"	XX	XX	XX	XX		XX	XX	XX		
47007910	DRAWER, INNER						XX				
47132374	DRAWER, INNER				XX						
70703612	DRAWER, INNER	XX	XX	XX							
45419419	FAN MTG KIT					XX		XX			
70852573	FILTER, PRIMARY	XX	XX	XX	XX		XX		XX		
94469424	GND CABLE, DR	XX			XX	XX	XX	XX	XX		
94469420	GND CABLE, PS	XX	XX	XX	XX		XX	XX	XX		
47007910	INNER DRAWER							XX	XX		
70515601	INSERT, FR PNL	XX	XX	XX	XX						
92536404	INSERT, FR PNL								XX		
92536408	INSERT, FR PNL						XX				
70527026	I/O CABLES	XX									
70527027	I/O CABLES		XX	XX							
47001006	JUMPER CABLE				XX						
47001007	JUMPER CABLE	XX	XX	XX			XX		XX		
47123242	PANEL, FRONT	XX									
70515701	PANEL, FRONT		XX	XX							
70529701	PANEL, FRONT				XX						
92517401	PANEL, FRONT								XX		
92517405	PANEL, FRONT						XX				
45070625	POWER SUPPLY	XX	XX	XX	XX		XX	XX	XX		
47060750	SHIELD, OP PNL	XX	XX	XX	XX				XX		
15458851	TERMINATOR						XX				

*IPI Interface, two-head parallel drive

Table Continued on Next Page

TABLE 2-1. OPTIONAL PARTS (Contd)

PART NO.	PART DESCRIPTION	1236 MB* EQUIPMENT PACKAGE 471061xx												
		01	02	03	04	05	06	07	08	09	10	11	12	13
47106301	PA8N2A DRIVE	XX	XX	XX	XX	XX	XX	XX	XX					
47106302	PA8N1A DRIVE									XX	XX	XX	XX	XX
70504403	"A" CABLE	XX	XX											
47188871	AC CORD, 2'	XX	XX			XX	XX		XX			XX	XX	
47127502	AC CORD W/FERR	XX		XX	XX			XX		XX	XX			XX
15165427	AC CORD, 8'		XX											
75168331	AC CORD, 8'	XX	XX			XX	XX		XX			XX	XX	
70569433	AIR BAFFLE	XX	XX	XX	XX	XX	XX	XX	XX	XX	XX	XX	XX	XX
70505003	"B" CABLE	XX	XX											
46625990	BRACKET, CABLE	XX	XX	XX	XX	XX	XX	XX	XX	XX	XX	XX	XX	XX
46641700	CLAMP, GNDING	XX	XX	XX	XX	XX	XX	XX	XX	XX	XX	XX	XX	XX
92777196	CLAMP, PWR CORD	XX				XX	XX		XX			XX	XX	
47141381	CLAMP, PWR CORD		XX											
46641701	CLAMP, STRN RLF	XX	XX	XX	XX	XX	XX	XX	XX	XX	XX	XX	XX	XX
46625982	COVER, I/O CBL	XX	XX	XX	XX	XX	XX	XX	XX	XX	XX	XX	XX	XX
92588100	DC CABLE, 2.5"	XX	XX		XX		XX	XX	XX		XX		XX	XX
92588106	DC CABLE, 5'	XX		XX		XX				XX		XX		
47007910	DRAWER, INNER		XX											
45419406	FAN MTG KIT	XX		XX		XX				XX		XX		
94469420	GND CABLE, PS	XX	XX		XX		XX	XX	XX		XX		XX	XX
70515601	INSERT, FR PNL		XX											
70515701	PANEL, FRONT		XX											
45070622	POWER SUPPLY	XX	XX	XX	XX	XX	XX	XX	XX	XX	XX	XX	XX	XX
45140304	RACK MTG KIT		XX											
93238906	STATUS PNL KIT	XX	XX					XX	XX					XX
93270700	TERMINATOR	XX	XX											

*SMD Interface Drives

Table Continued on Next Page

TABLE 2-1. OPTIONAL PARTS (Contd)

PART NO.	PART DESCRIPTION	1236 MB* EQUIPMENT PACKAGE 471061xx												
		14	15	16	17	18	19	20	21	22	23	24	25	26
47106301	PA8N2A DRIVE		XX	XX	XX		XX		XX					
47106302	PA8N1A DRIVE	XX												
47106303	PA8N2C DRIVE					XX								
47106304	PA8N2D DRIVE							XX			XX			
47106305	PA8N2E DRIVE									XX		XX		
47106306	PA8N2F DRIVE												XX	XX
47188871	AC CORD, 2'	XX			XX	XX			XX					
47188875	AC CORD, 31.5"											XX		
47188879	AC CORD, 4'							XX			XX			
47188874	AC CORD, 5'						XX							
75168331	AC CORD, 8'	XX			XX									
47127502	AC CORD W/FERR											XX		
70569433	AIR BAFFLE	XX			XX	XX	XX	XX	XX	XX	XX	XX		
54404100	AWRX BOARD									XX				
46625990	BRACKET, CABLE	XX	XX	XX	XX	XX	XX	XX	XX	XX	XX	XX	XX	XX
46641700	CLAMP, GNDING	XX	XX	XX	XX	XX	XX	XX	XX	XX	XX	XX	XX	XX
47141381	CLAMP, PWR CORD						XX		XX		XX			
92777196	CLAMP, PWR CORD					XX	XX	XX	XX		XX	XX		
92777199	CLAMP, PWR CORD						XX		XX		XX			
46641701	CLAMP, STRN RLF	XX	XX	XX	XX	XX	XX	XX	XX	XX	XX	XX	XX	XX
46625982	COVER, I/O CBL	XX	XX	XX	XX	XX	XX	XX	XX	XX	XX	XX	XX	XX
70523761	COVER, OP PNL											XX		
54397704	CVZX BOARD						XX				XX			
92588100	DC CABLE, 2.5"	XX			XX	XX	XX	XX	XX		XX	XX		
47007910	DRAWER, INNER				XX		XX		XX		XX			
45419406	FAN MTG KIT		XX											
72852573	FILTER, PRIMARY						XX		XX					
94469420	GND CABLE, PS	XX			XX		XX	XX	XX		XX			
94369536	GND CABLE, PS					XX								
47188991	GND CABLE, PS											XX		
70515601	INSERT, FR PNL								XX					
92536403	INSERT, FR PNL				XX									
92536408	INSERT, FR PNL						XX							
47001007	JUMPER CABLE						XX		XX		XX			
47031804	OPER PANEL KIT				XX	XX								
47031807	OPER PANEL KIT											XX		
47123242	PANEL, FRONT								XX					
92517403	PANEL, FRONT				XX									
92517405	PANEL, FRONT						XX							
45070622	POWER SUPPLY	XX			XX	XX	XX	XX	XX		XX	XX		
45140306	RACK MTG KIT				XX									
47060750	SHIELD, OP PNL				XX	XX			XX					
47060751	SHIELD, OP PNL											XX		
93238906	STATUS PNL KIT	XX						XX						
93270700	TERMINATOR				XX		XX	XX			XX			
93270701	TERMINATOR					XX								

*SMD Interface Drives

Table Continued on Next Page

TABLE 2-1. OPTIONAL PARTS (Contd)

PART NO.	PART DESCRIPTION	1236 MB* EQUIPMENT PACKAGE 471061xx										
		27	28	29	30	31	32	33	34	35	36	37
47106301	PA8N2A DRIVE	XX	XX	XX	XX	XX				XX	XX	XX
47106307	PA8N2H DRIVE						XX	XX				
47106308	PA8N2J DRIVE								XX			
47188871	AC CORD, 2'	XX	XX			XX	XX	XX			XX	XX
47188877	AC CORD, 3'				XX							
75168331	AC CORD, 8'						XX					
75168346	AC CORD, 8'	XX										
47127502	AC CORD W/FERR		XX			XX		XX	XX			
70569433	AIR BAFFLE	XX	XX		XX	XX	XX	XX	XX		XX	XX
46625990	BRACKET, CABLE	XX	XX	XX	XX	XX	XX	XX	XX	XX	XX	XX
46641700	CLAMP, GNDING	XX	XX	XX	XX	XX	XX	XX	XX	XX	XX	XX
47141381	CLAMP, PWR CORD				XX	XX					XX	XX
92777196	CLAMP, PWR CORD	XX	XX		XX	XX	XX	XX				
92777199	CLAMP, PWR CORD					XX						
46641701	CLAMP, STRN RLF	XX	XX	XX	XX	XX	XX	XX	XX	XX	XX	XX
46625982	COVER, I/O CBL	XX	XX	XX	XX	XX	XX	XX	XX	XX	XX	XX
54397704	CVZX BOARD				XX							
92588100	DC CABLE, 2.5"	XX			XX	XX	XX	XX	XX		XX	XX
47007913	DRAWER, INNER					XX						
70703612	DRAWER, INNER				XX						XX	XX
70703622	DRAWER, INNER										XX	
45419406	FAN MTG KIT		XX							XX	XX	XX
45419412	FAN MTG KIT				XX							
72852573	FILTER, PRIMARY		XX				XX	XX				
94469420	GND CABLE, PS	XX			XX	XX	XX	XX	XX		XX	XX
70515601	INSERT, FR PNL										XX	XX
47001007	JUMPER CABLE				XX	XX						
47031804	OPER PANEL KIT		XX									
70515701	PANEL, FRONT										XX	XX
45070622	POWER SUPPLY	XX	XX		XX	XX	XX	XX	XX		XX	XX
70527403	RACK MTG KIT										XX	
47060750	SHIELD, OP PNL		XX									
93238906	STATUS PNL KIT						XX	XX				
93270700	TERMINATOR		XX		XX		XX	XX		XX	XX	XX

*SMD Interface Drives

Table Continued on Next Page

TABLE 2-1. OPTIONAL PARTS (Contd)

PART NO.	PART DESCRIPTION	1236 MB* EQUIPMENT PACKAGE 471526xx												
		01	02	03	04	05	06	07	08	09	10	11	12	13
47152701	PA8R2A DRIVE	XX	XX	XX	XX	XX	XX	XX	XX					
47152702	PA8R2B DRIVE									XX	XX			XX
47152703	PA8R2C DRIVE											XX	XX	
47188871	AC CORD, 2'	XX	XX			XX	XX		XX	XX	XX	XX	XX	XX
15165427	AC CORD, 8'		XX								XX		XX	
75168331	AC CORD, 8'	XX	XX			XX	XX		XX	XX	XX	XX	XX	XX
47127502	AC CORD W/FERR	XX		XX	XX			XX		XX		XX		
70569433	AIR BAFFLE	XX	XX	XX	XX	XX	XX	XX	XX	XX	XX	XX	XX	XX
47141381	CLAMP, PWR CORD		XX								XX		XX	
92777196	CLAMP, PWR CORD	XX				XX	XX		XX	XX		XX		XX
92588100	DC CABLE, 2.5"	XX	XX		XX		XX	XX	XX	XX	XX	XX	XX	XX
92588106	DC CABLE, 5'	XX		XX		XX				XX		XX		
47007910	DRAWER, INNER		XX								XX		XX	
45419418	FAN MTG KIT	XX		XX		XX				XX		XX		
94469420	GND CABLE, PS	XX	XX		XX		XX	XX	XX	XX	XX	XX	XX	XX
70515601	INSERT, FR PNL		XX								XX		XX	
47191108	I/O CABLES	XX	XX							XX	XX	XX	XX	
70515701	PANEL, FRONT		XX								XX		XX	
45070622	POWER SUPPLY	XX	XX	XX	XX	XX	XX	XX	XX	XX	XX	XX	XX	XX
45140304	RACK MTG KIT		XX								XX		XX	
93238906	STATUS PNL KIT	XX	XX					XX	XX	XX	XX	XX	XX	
15458851	TERMINATOR	XX	XX							XX	XX	XX	XX	

*IPI Interface Drives

Table Continued on Next Page

TABLE 2-1. OPTIONAL PARTS (Contd)

PART NO.	PART DESCRIPTION	1236 MB* EQUIPMENT PACKAGE 471526xx												
		14	15	16	17	18	19	20	21	22	23	24	25	26
47152701	PA8R2A DRIVE				XX		XX	XX	XX	XX	XX	XX	XX	XX
47152702	PA8R2B DRIVE	XX				XX								
47152703	PA8R2C DRIVE		XX	XX										
47188871	AC CORD, 2'		XX		XX	XX	XX				XX			
47188873	AC CORD, 31.5"								XX					
75168345	AC CORD, 3'				XX									
70703282	AC CORD, 45"											XX	XX	XX
75168331	AC CORD, 8'		XX				XX				XX			
47127502	AC CORD W/FERR	XX		XX										
70569433	AIR BAFFLE	XX	XX	XX		XX	XX		XX		XX	XX	XX	XX
54404100	AWRX BOARD				XX	XX			XX			XX	XX	XX
47141381	CLAMP, PWR CORD				XX	XX			XX			XX	XX	XX
92777196	CLAMP, PWR CORD	XX	XX	XX		XX	XX		XX		XX	XX	XX	XX
92777199	CLAMP, PWR CORD				XX	XX			XX			XX	XX	XX
92588100	DC CABLE, 2.5"	XX	XX	XX	XX	XX	XX		XX		XX	XX	XX	XX
47132374	DRAWER, INNER				XX									
47007910	DRAWER, INNER					XX	XX		XX					
70703612	DRAWER, INNER											XX	XX	XX
45419419	FAN MTG KIT							XX						
72852573	FILTER, PRIMARY				XX	XX						XX	XX	XX
94469424	GND CABLE, DR				XX							XX	XX	XX
94469420	GND CABLE, PS	XX	XX	XX	XX	XX	XX		XX		XX	XX	XX	XX
70515601	INSERT, FR PNL				XX	XX	XX						XX	
92536411	INSERT, FR PNL											XX		XX
70527026	I/O CABLES													XX
47001006	JUMPER CABLE				XX									
47001007	JUMPER CABLE					XX						XX	XX	XX
47001009	JUMPER CABLE								XX					
47031804	OPER PANEL KIT						XX				XX			
47123242	PANEL, FRONT					XX							XX	
47123245	PANEL, FRONT											XX		XX
70515701	PANEL, FRONT						XX							
70529701	PANEL, FRONT				XX									
45070622	POWER SUPPLY	XX	XX	XX	XX	XX	XX		XX		XX	XX	XX	XX
45140304	RACK MTG KIT						XX							
47060750	SHIELD, OP PNL				XX	XX	XX		XX		XX	XX	XX	XX

*IPI Interface Drives

Table Continued on Next Page

TABLE 2-1. OPTIONAL PARTS (Contd)

PART NO.	PART DESCRIPTION	1236 MB* EQUIPMENT PACKAGE 471526xx											
		27											
47152701	PA8R2A DRIVE	XX											
70703282	AC CORD, 45"	XX											
70569433	AIR BAFFLE	XX											
54404100	AWRX BOARD	XX											
47141381	CLAMP, PWR CORD	XX											
92777196	CLAMP, PWR CORD	XX											
92777199	CLAMP, PWR CORD	XX											
92588100	DC CABLE. 2.5"	XX											
70703612	DRAWER, INNER	XX											
72852573	FILTER, PRIMARY	XX											
94469424	GND CABLE, DR	XX											
94469420	GND CABLE, PS	XX											
70515601	INSERT, FR PNL	XX											
70527026	I/O CABLES	XX											
47001007	JUMPER CABLE	XX											
47123242	PANEL, FRONT	XX											
45070622	POWER SUPPLY	XX											
47060750	SHIELD, OP PNL	XX											

*IPI Interface Drives

Table Continued on Next Page

TABLE 2-1. OPTIONAL PARTS (Contd)

PART NO.	PART DESCRIPTION	1236 MB* EQUIPMENT PACKAGE 471768xx												
		01	02	03	04	05	06	07	08	09	10	11	12	13
47189101	PA8P1A DRIVE	XX	XX	XX	XX									
47189102	PA8P1B DRIVE					XX	XX	XX	XX					
47189103	PA8P1C DRIVE									XX	XX	XX	XX	
47189104	PA8P1D DRIVE													XX
47188871	AC CORD, 2'	XX	XX		XX	XX	XX		XX	XX	XX		XX	XX
15165427	AC CORD, 8'		XX				XX				XX			
75168331	AC CORD, 8'	XX	XX		XX	XX	XX		XX	XX	XX		XX	XX
47127502	AC CORD W/FERR	XX		XX		XX		XX		XX		XX		XX
70569433	AIR BAFFLE	XX	XX	XX	XX	XX	XX	XX	XX	XX	XX	XX	XX	XX
47141381	CLAMP, PWR CORD		XX				XX				XX			
92777196	CLAMP, PWR CORD	XX			XX	XX			XX	XX			XX	XX
92588100	DC CABLE, 2.5"	XX	XX	XX	XX	XX	XX	XX	XX	XX	XX	XX	XX	XX
47132301	DC CABLE W/FER	XX				XX				XX				XX
47007910	DRAWER, INNER		XX				XX				XX			
45419408	FAN MTG KIT	XX				XX				XX				XX
94469420	GND CABLE, PS	XX	XX	XX	XX	XX	XX	XX	XX	XX	XX	XX	XX	XX
70515601	INSERT, FR PNL		XX				XX				XX			
47191152	I/O CABLES	XX	XX			XX	XX			XX	XX			XX
70515701	PANEL, FRONT		XX				XX				XX			
45070622	POWER SUPPLY	XX	XX	XX	XX	XX	XX	XX	XX	XX	XX	XX	XX	XX
45140304	RACK MTG KIT		XX				XX				XX			
47048901	SCSI CONN ADAP	XX	XX	XX	XX	XX	XX	XX	XX	XX	XX	XX	XX	XX
93238906	STATUS PNL KIT	XX	XX			XX	XX			XX	XX			XX
15459250	TERM, DIFF, SHD	XX	XX							XX	XX			
15459255	TERM, DIFF, USHD	XX	XX							XX	XX			
15387797	TERM, SE, SHD					XX	XX							XX
15387807	TERM, SE, USHD					XX	XX							XX

*SCSI Interface Drives

Table Continued on Next Page

TABLE 2-1. OPTIONAL PARTS (Contd)

PART NO.	PART DESCRIPTION	1236 MB* EQUIPMENT PACKAGE 471768xx											
		14	15	16	18	19	20	21	22	23	24	25	26
47189101	PA8P1A DRIVE							XX	XX				
47189103	PA8P1C DRIVE								XX				
47189104	PA8P1D DRIVE	XX	XX	XX									
47189105	PA8P1E DRIVE				XX								
47189106	PA8P1F DRIVE					XX							
47189107	PA8P1G DRIVE										XX		
47189108	PA8P1H DRIVE											XX	
47189109	PA8P3A DRIVE									XX			XX
47188871	AC CORD, 2'	XX		XX					XX				XX
47188875	AC CORD, 31.5"				XX								XX
75168345	AC CORD, 3'								XX				
47188874	AC CORD, 5'						XX	XX					
15165427	AC CORD, 8'	XX											
75168331	AC CORD, 8'	XX		XX									XX
47127502	AC CORD W/FERR		XX			XX							XX
70569433	AIR BAFFLE	XX	XX	XX	XX	XX	XX		XX				XX
54404100	AWRX BOARD								XX				
47141381	CLAMP, PWR CORD	XX							XX				
92777196	CLAMP, PWR CORD			XX		XX		XX	XX				XX
92777199	CLAMP, PWR CORD							XX	XX				
70523761	COVER, OP PNL				XX								
92588100	DC CABLE, 2.5"	XX	XX	XX	XX	XX	XX	XX	XX				XX
47132301	DC CABLE W/FER												XX
47007910	DRAWER, INNER								XX				
45419408	FAN MTG KIT											XX	XX
45419411	FAN MTG KIT					XX							
45419416	FAN MTG KIT									XX	XX		
72852573	FILTER, PRIMARY								XX				
47188991	GND CABLE, PS				XX								
94469420	GND CABLE, PS	XX	XX	XX		XX			XX	XX	XX		XX
94469421	GND CABLE, PS						XX	XX					
70515601	INSERT, FR PNL	XX							XX				
47191152	I/O CABLES	XX											XX
47001000	JUMPER CABLE								XX				
47031804	OPER PANEL KIT					XX							
47031807	OPER PANEL KIT				XX								
47059605	PANEL, FRONT					XX							
47123242	PANEL, FRONT								XX				
70515701	PANEL, FRONT	XX											
45070622	POWER SUPPLY	XX	XX	XX	XX	XX	XX	XX	XX	XX	XX		XX
45140304	RACK MTG KIT	XX											
47048901	SCSI CONN ADAP	XX	XX	XX		XX	XX	XX	XX	XX	XX	XX	XX
47048902	SCSI CONN ADAP				XX								
47060750	SHIELD, OP PNL					XX			XX				
47060751	SHIELD, OP PNL				XX								
93238906	STATUS PNL KIT	XX											XX
15387797	TERM, SE, SHD	XX											
15387807	TERM, SE, USHD	XX											
15459250	TERM, DIFF, SHD												XX
15459255	TERM, DIFF, USHD										XX		XX

*SCSI Interface Drives

Table Continued on Next Page

TABLE 2-1. OPTIONAL PARTS (Contd)

PART NO.	PART DESCRIPTION	1236 MB* EQUIPMENT PACKAGE 471768xx											
		27	28	29	30	31	32	33	34	35	36	37	38
47189101	PA8P1A DRIVE							XX					
47189102	PA8P1B DRIVE								XX				
47189109	PA8P3A DRIVE					XX							
47189110	PA8P3B DRIVE	XX		XX			XX						
47189111	PA8P3C DRIVE		XX										
47189112	PA8P3D DRIVE				XX								
47189113	PA8P3E DRIVE									XX	XX		
47189114	PA8P3F DRIVE											XX	XX
47188871	AC CORD, 2'	XX											
47188874	AC CORD, 5'		XX										
47141391	AC CORD, 6'							XX					
75168331	AC CORD, 8'	XX											
47127502	AC CORD W/FERR	XX											
70569433	AIR BAFFLE	XX						XX					
92777196	CLAMP, PWR CORD	XX	XX					XX					
92777199	CLAMP, PWR CORD	XX	XX										
92588100	DC CABLE, 2.5"	XX	XX					XX					
47132301	DC CABLE W/FER	XX											
47007910	DRAWER, INNER							XX					
45419408	FAN MTG KIT	XX											
45419416	FAN MTG KIT			XX		XX	XX			XX	XX	XX	XX
94469420	GND CABLE, PS	XX		XX	XX	XX	XX	XX		XX	XX	XX	XX
94469421	GND CABLE, PS		XX										
47191152	I/O CABLES	XX											
47059609	PANEL, FRONT							XX					
45070622	POWER SUPPLY	XX	XX	XX	XX			XX			XX		XX
45140311	RACK MTG KIT							XX					
47048901	SCSI CONN ADAP	XX	XX	XX	XX	XX	XX	XX	XX	XX	XX	XX	XX
93238906	STATUS PNL KIT	XX						XX					
15459250	TERM, DIFF, SHD	XX						XX					
15459255	TERM, DIFF, USHD	XX											

*SCSI Interface Drives

Table Continued on Next Page

**Section 3
Accessories**

ACCESSORIES

3

This listing contains the following:

- PART NUMBER - Use this number to order this part. See Field Replaceable Parts List for ordering information.
- DESCRIPTION - Contains the part nomenclature/description.

TABLE 3-1. ACCESSORIES FOR SMD DRIVES

PART NUMBER	DESCRIPTION
40125601	GROUND LUG
24534808	GROUND STRAP (specify length desired)
70504401	I/O A CABLE, 5 foot (1.5 metre) long
70504402	I/O A CABLE, 10 foot (3.0 metre) long
70504403	I/O A CABLE, 15 foot (4.5 metre) long
70504404	I/O A CABLE, 20 foot (6.1 metre) long
70504405	I/O A CABLE, 25 foot (7.6 metre) long
70504406	I/O A CABLE, 30 foot (9.1 metre) long
70504407	I/O A CABLE, 40 foot (12.2 metre) long
70504408	I/O A CABLE, 50 foot (15.3 metre) long
70504409	I/O A CABLE, 100 foot (30.6 metre) long
70505001	I/O B CABLE, 5 foot (1.5 metre) long
70505002	I/O B CABLE, 10 foot (3.0 metre) long
70505003	I/O B CABLE, 15 foot (4.5 metre) long
70505004	I/O B CABLE, 20 foot (6.1 metre) long
70505005	I/O B CABLE, 25 foot (7.6 metre) long
70505006	I/O B CABLE, 30 foot (9.1 metre) long
70505007	I/O B CABLE, 40 foot (12.2 metre) long
70505008	I/O B CABLE, 50 foot (15.3 metre) long
93270700	I/O TERMINATOR
10126403	LOCKWASHER, #10 (for grounding)
12263496	STATIC GROUND WRIST STRAP, 6 1/2 to 8 inch wrist
12263623	STATIC GROUND WRIST STRAP, up to 6 1/2 inch wrist
12263624	STATIC SHIELDING BAG, 5 x 8 inch
12263625	STATIC SHIELDING BAG, 8 x 12 inch
12263626	STATIC SHIELDING BAG, 10 x 12 inch
12263499	STATIC SHIELDING BAG, 14 x 18 inch
12263627	STATIC SHIELDING BAG, 16 x 24 inch

TABLE 3-2. ACCESSORIES FOR IPI DRIVES

PART NUMBER	DESCRIPTION
47188871	AC Short Power Cord Set (60 Hz)
47188872	AC Short Power Cord Set (50 Hz)
75168331	AC Power Cable, 5-15P (60 Hz)
75168346	AC Power Cable, 6-15P (60 Hz)
15165427	AC Power Cable (50 Hz).
92588100	DC Power Cable, 63.5 mm (2.5 inch)
92588101	DC Power Cable, 152 cm (60 inch)
92588102	DC Power Cable, 244 cm (96 inch)
40125601	Ground Lug
24534808	Ground Strap (Specify length)
47191101	I/O Cable, 10 foot (3.05 metre) long
47191108	I/O Cable, 15 foot (4.57 metre) long
47191102	I/O Cable, 25 foot (7.62 metre) long
47191103	I/O Cable, 50 foot (15.25 metre) long
47191104	I/O Cable, 75 foot (22.9 metre) long
47191105	I/O Cable, 100 foot (30.5 metre) long
47191106	I/O Cable, 150 foot (45.7 metre) long
15458851	I/O Terminator, Shielded
10126403	Lockwasher, #10 (For grounding)
70882721	Spindle Sync Cable, 18 inch (0.46 metre) long
70882722	Spindle Sync Cable, 3 foot (0.92 metre) long
70882723	Spindle Sync Cable, 6 foot (1.83 metre) long
70882724	Spindle Sync Cable, 10 foot (3.05 metre) long
70882725	Spindle Sync Cable, 25 foot (7.62 metre) long
70882726	Spindle Sync Cable, 50 foot (15.24 metre) long
12263496	Static Ground Wrist Strap, 6 1/2 to 8 inch wrist
12263623	Static Ground Wrist Strap, up to 6 1/2 inch wrist
12263624	Static Shielding Bag, 5 x 8 inch
12263625	Static Shielding Bag, 8 x 12 inch
12263626	Static Shielding Bag, 10 x 12 inch
12263499	Static Shielding Bag, 14 x 18 inch
12263627	Static Shielding Bag, 16 x 24 inch
70882711	Terminator, Spindle Sync
All I/O cables are shielded	

TABLE 3-3. ACCESSORIES FOR SCSI DRIVES

PART NUMBER	DESCRIPTION
40125601	Ground Lug
24534808	Ground Strap (Specify length)
47191159	I/O Cable, 1.5 foot (0.457 metre) long
47191151	I/O Cable, 5 foot (1.5 metre) long
47191152	I/O Cable, 15 foot (4.6 metre) long
47191153	I/O Cable, 20 foot (6.1 metre) long
47191164	I/O Cable, 40 foot (12.2 metre) long
47191154	I/O Cable, 80 foot (24.4 metre) long
15459250	I/O Terminator, Shielded, Differential
15459255	I/O Terminator, Unshielded, Differential
15387797	I/O Terminator, Shielded, Single-Ended
15387807	I/O Terminator, Unshielded, Single-Ended
10126403	Lockwasher, #10 (For grounding)
12263496	Static Ground Wrist Strap, 6 1/2 to 8 inch wrist
12263623	Static Ground Wrist Strap, up to 6 1/2 inch wrist
12263624	Static Shielding Bag, 5 x 8 inch
12263625	Static Shielding Bag, 8 x 12 inch
12263626	Static Shielding Bag, 10 x 12 inch
12263499	Static Shielding Bag, 14 x 18 inch
12263627	Static Shielding Bag, 16 x 24 inch
I/O cables are shielded. Unshielded cables are user-supplied	

Section 4 Recommended Spare Parts

INTRODUCTION

This section contains listings of recommended spare parts. Use only Seagate replacement parts. Using non-Seagate replacement parts can adversely affect safety. Using other manufacturers' parts could also degrade reliability, increase maintenance downtime, and void warranty coverage.

SPARE PARTS LIST

This listing is divided into three columns:

- DESCRIPTION/NOTES - Contains the part nomenclature/description and other pertinent information.
- PART NUMBER - Contains the part number of the part when the unit was manufactured or as a result of the latest FCO. This part can be used as a replacement on the series code and types of units indicated in the Description/Notes column. However, always use Replacement Part Number when ordering new parts or spares.
- REPLACEMENT PART NUMBER - Contains the interchangeable replacement part number. Use this number for ordering replacement or spare parts.

CARD INTERCHANGEABILITY CHART

The card interchangeability chart (CIC) provides the latest revision level of a board, its title, and its part number for ordering purposes. Prior to attempting to use the chart, be sure to read and understand the rules for interpreting the CIC as given on sheet 1.

NOTE

ORDER AND REPLACE LOGIC BOARDS BY PART NUMBER ONLY.

Logic boards have an alpha card type designator stamped on them. In the past, ECOs that changed a board part number also changed the first letter of the designator (AWXY to BWXY). Effective 1 August 1987, only the part number changes. The card type does not change.

TABLE 4-1. RECOMMENDED SPARE PARTS FOR PA8G1/PA8G2

DESCRIPTION/NOTES	PART NUMBER	REPLACE- MENT PART NUMBER
AC POWER CORD, 2'	47188871	47188871
AC POWER CORD, 8'	75168331	75168331
AC POWER CORD W/FERRITE	47127502	47127502
DC POWER CABLE, 2.5"	92588100	92588100
DC POWER CABLE, 5'	92588106	92588106
FAN, 24 V dc	46455311	46455311
FILTER, Primary	72852573	72852573
FORMATTED MODULE ASSEMBLY	47013901	47013901
FORMATTED MODULE ASSEMBLY (PA8G2D)	47013907	47013907
JUMPER CABLE	47001007	47001007
POWER SUPPLY	45070622	45070622
STRAP, Wrist	12263496	12263496

NOTE: Refer to Card Interchangeability Chart (in this section) for part numbers of logic board assemblies.

TABLE 4-2. RECOMMENDED SPARE PARTS FOR PA8H1

DESCRIPTION/NOTES	PART NUMBER	REPLACE- MENT PART NUMBER
AC POWER CORD, 2'	47188871	47188871
AC POWER CORD, 8'	75168331	75168331
AC POWER CORD W/FERRITE	47127502	47127502
DC POWER CABLE, 2.5"	92588100	92588100
DC POWER CABLE W/FERRITE	47132301	47132301
FAN, 24 V dc	46455311	46455311
FILTER, Primary	72852573	72852573
FORMATTED MODULE ASSEMBLY (PA8H1A/B/E)	47013904	47013904
FORMATTED MODULE ASSEMBLY (PA8H1C/D)	47013903	47013903
JUMPER CABLE	47001007	47001007
POWER SUPPLY	45070622	45070622
STRAP, Wrist	12263496	12263496

NOTE: Refer to Card Interchangeability Chart (in this section) for part numbers of logic board assemblies.

TABLE 4-3. RECOMMENDED SPARE PARTS FOR PA8K1/PA8K2

DESCRIPTION/NOTES	PART NUMBER	REPLACE- MENT PART NUMBER
AC POWER CORD, 2'	47188871	47188871
AC POWER CORD, 3'	47188876	47188876
AC POWER CORD, 8'	15165427	15165427
AC POWER CORD, 8'	75168331	75168331
AC POWER CORD W/FERRITE	47127502	47127502
DC POWER CABLE, 2.5"	92588100	92588100
DC POWER CABLE, 5'	92588106	92588106
FAN, 24 V dc	46455311	46455311
FILTER, Primary	72852573	72852573
FORMATTED MODULE ASSEMBLY (PA8K2A/B/C/J)		
With oxide media (on older drives)	47073251	70548801*
With thin film media (on newer drives)	70523402	70523402
FORMATTED MODULE ASSEMBLY (PA8K2D)		
With oxide media (on older drives)	47073259	70548802*
With thin film media (on newer drives)	70523405	70523405
FORMATTED MODULE ASSEMBLY (PA8K2E)		
With oxide media (on older drives)	47073264	70548808*
With thin film media (on newer drives)	70523408	70523408
FORMATTED MODULE ASSEMBLY (PA8K2G)		
With oxide media (on older drives)	47073262	70548803*
With thin film media (on newer drives)	70523406	70523406
FORMATTED MODULE ASSEMBLY (PA8K2H)		
With oxide media (on older drives)	47073263	70548804*
With thin film media (on newer drives)	70523407	70523407
FORMATTED MODULE ASSEMBLY (PA8K2K)		
With oxide media (on older drives)	47073265	70548805*
With thin film media (on newer drives)	70523409	70523409
JUMPER CABLE	47001007	47001007
POWER SUPPLY	45070622	45070622
POWER SUPPLY (PA8K2J)	45070625	45070625
STRAP, Wrist	12263496	12263496
*Contains new thin film media module and new control board with instructions.		

NOTE: Refer to Card Interchangeability Chart (in this section) for part numbers of logic board assemblies.

TABLE 4-4. RECOMMENDED SPARE PARTS FOR PA8L1

DESCRIPTION/NOTES	PART NUMBER	REPLACE- MENT PART NUMBER
AC POWER CORD, 2'	47188871	47188871
AC POWER CORD, 31.5"	47188875	47188875
AC POWER CORD, 5'	47188874	47188874
AC POWER CORD, 8'	75168331	75168331
AC POWER CORD W/FERRITE	47127502	47127502
DC POWER CABLE, 2.5"	92588100	92588100
DC POWER CABLE W/FERRITE	47132301	47132301
FAN, 24 V dc	46455311	46455311
FILTER, Primary	72852573	72852573
FORMATTED MODULE ASSEMBLY (PA8L1A/B/E/K)		
With oxide media (on older units)	47073253	70548806*
With thin film media (on newer units)	70523404	70523404
FORMATTED MODULE ASSEMBLY (PA8L1C/D)		
With oxide media (on older units)	47073252	70548807*
With thin film media (on newer units)	70523403	70523403
JUMPER CABLE	47001007	47001007
POWER SUPPLY	45070622	45070622
STRAP, Wrist	12263496	12263496
*Contains new thin film media module and new control board with instructions.		

NOTE: Refer to Card Interchangeability Chart (in this section) for part numbers of logic board assemblies.

TABLE 4-5. RECOMMENDED SPARE PARTS FOR PA8M2

DESCRIPTION/NOTES	PART NUMBER	REPLACE- MENT PART NUMBER
AC POWER CORD, 2'	47188871	47188871
AC POWER CORD, 8'	15165427	15165427
AC POWER CORD, 8'	75168331	75168331
DC POWER CABLE, 2.5"	92588100	92588100
DC POWER CABLE, 5'	92588106	92588106
FAN, 24 V dc	46455311	46455311
FILTER, Primary	72852573	72852573
FORMATTED MODULE ASSEMBLY (PA8M2A/D)		
With oxide media (on older drives)	47073255	70548809*
With thin film media (on newer drives)	70523410	70523410
FORMATTED MODULE ASSEMBLY (PA8M2B)		
With oxide media (on older drives)	47073256	70548810*
With thin film media (on newer drives)	70523411	70523411
FORMATTED MODULE ASSEMBLY (PA8M2C)		
With oxide media (on older drives)	47073257	70548811*
With thin film media (on newer drives)	70523412	70523412
JUMPER CABLE	47001007	47001007
POWER SUPPLY	45070622	45070622
STRAP, Wrist	12263496	12263496

*Contains new thin film media module and new control board with instructions.

NOTE: Refer to Card Interchangeability Chart (in this section) for part numbers of logic board assemblies.

TABLE 4-6. RECOMMENDED SPARE PARTS FOR PA8N1/PA8N2

DESCRIPTION/NOTES	PART NUMBER	REPLACE- MENT PART NUMBER
AC POWER CORD, 2'	47188871	47188871
AC POWER CORD, 8'	15165427	15165427
AC POWER CORD, 8'	75168331	75168331
AC POWER CORD W/FERRITE	47127502	47127502
DC POWER CABLE, 2.5"	92588100	92588100
DC POWER CABLE, 5'	92588106	92588106
FAN, 24 V dc	46455311	46455311
FILTER, Primary	72852573	72852573
FORMATTED MODULE ASSEMBLY	47109351	47109351
FORMATTED MODULE ASSEMBLY (PA8N2B)	47109359	47109359
FORMATTED MODULE ASSEMBLY (PA8N2F)	47109361	47109361
FORMATTED MODULE ASSEMBLY (PA8N2H)	47109365	47109365
FORMATTED MODULE ASSEMBLY (PA8N2J)	47109366	47109366
JUMPER CABLE	47001007	47001007
POWER SUPPLY	45070622	45070622
POWER SUPPLY (PA8N2G)	45070625	45070625
STRAP, Wrist	12263496	12263496

NOTE: Refer to Card Interchangeability Chart (in this section) for part numbers of logic board assemblies.

TABLE 4-7. RECOMMENDED SPARE PARTS FOR PA8P1/PA8P3

DESCRIPTION/NOTES	PART NUMBER	REPLACE- MENT PART NUMBER
AC POWER CORD, 2'	47188871	47188871
AC POWER CORD, 31.5"	47188875	47188875
AC POWER CORD, 5'	47188874	47188874
AC POWER CORD, 8'	15165427	15165427
AC POWER CORD, 8'	75168331	75168331
AC POWER CORD W/FERRITE	47127502	47127502
DC POWER CABLE, 2.5"	92588100	92588100
DC POWER CABLE, 5'	92588106	92588106
DC POWER CABLE W/FERRITE	47132301	47132301
FAN, 24 V dc	46455311	46455311
FILTER, Primary	72852573	72852573
FORMATTED MODULE ASSEMBLY (PA8P1A/B/E/F)	47109355	47109355
FORMATTED MODULE ASSEMBLY (PA8P1C/D)	47109356	47109356
FORMATTED MODULE ASSEMBLY (PA8P1G/PA8P3A)	47109362	47109362
FORMATTED MODULE ASSEMBLY (PA8P3B/D)	47109363	47109363
FORMATTED MODULE ASSEMBLY (PA8P3C)	47109364	47109364
JUMPER CABLE	47001007	47001007
POWER SUPPLY	45070622	45070622
STRAP, Wrist	12263496	12263496

NOTE: Refer to Card Interchangeability Chart (in this section) for part numbers of logic board assemblies.

TABLE 4-8. RECOMMENDED SPARE PARTS FOR PA8R2

DESCRIPTION/NOTES	PART NUMBER	REPLACE- MENT PART NUMBER
AC POWER CORD, 2'	47188871	47188871
AC POWER CORD, 31.5"	47188873	47188873
AC POWER CORD, 8'	15165427	15165427
AC POWER CORD, 8'	75168331	75168331
DC POWER CABLE, 2.5"	92588100	92588100
DC POWER CABLE, 5'	92588106	92588106
FAN, 24 V dc	46455311	46455311
FILTER, Primary	72852573	72852573
FORMATTED MODULE ASSEMBLY (PA8R2A)	47109352	47109352
FORMATTED MODULE ASSEMBLY (PA8R2B)	47109353	47109353
FORMATTED MODULE ASSEMBLY (PA8R2C)	47109354	47109354
FORMATTED MODULE ASSEMBLY (PA8R2D)	47109357	47109357
FORMATTED MODULE ASSEMBLY (PA8R2E)	47109358	47109358
JUMPER CABLE	47001007	47001007
POWER SUPPLY	45070622	45070622
STRAP, Wrist	12263496	12263496

NOTE: Refer to Card Interchangeability Chart (in this section) for part numbers of logic board assemblies.

TABLE 4-9. RECOMMENDED SPARE PARTS FOR PA8W2

DESCRIPTION/NOTES	PART NUMBER	REPLACE- MENT PART NUMBER
AC POWER CORD, 2'	47188871	47188871
AC POWER CORD, 8'	75168331	75168331
DC POWER CABLE, 2.5"	92588100	92588100
DC POWER CABLE, 3.75" (PA8W2C)	92588117	92588117
FAN, 24 V dc	46455311	46455311
FILTER, Primary	72852573	72852573
FORMATTED MODULE ASSEMBLY	70510876	70510876
JUMPER CABLE	47001007	47001007
POWER SUPPLY	45070622	45070622
POWER SUPPLY (PA8W2D)	45070625	45070625
STRAP, Wrist	12263496	12263496

NOTE: Refer to Card Interchangeability Chart (in this section) for part numbers of logic board assemblies.

TABLE 4-10. RECOMMENDED SPARE PARTS FOR PA8Y2

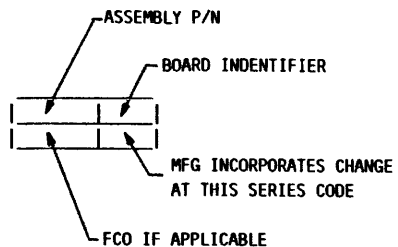
DESCRIPTION/NOTES	PART NUMBER	REPLACE- MENT PART NUMBER
AC POWER CORD, 2'	47188871	47188871
AC POWER CORD, 8'	15165427	15165427
AC POWER CORD, 8'	75168331	75168331
AC POWER CORD W/FERRITE	47127502	47127502
DC POWER CABLE, 2.5"	92588100	92588100
DC POWER CABLE, 5'	92588106	92588106
FAN, 24 V dc	46455311	46455311
FILTER, Primary	72852573	72852573
FORMATTED MODULE ASSEMBLY	47178002	47178002
JUMPER CABLE	47001007	47001007
POWER SUPPLY	45070625	45070625
STRAP, Wrist	12263496	12263496

NOTE: Refer to Card Interchangeability Chart (in this section) for part numbers of logic board assemblies.

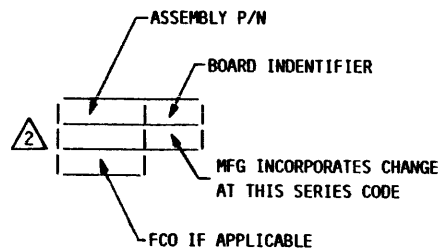
REVISION RECORD			
REV	ECO	DESCRIPTION	DATE
A	DJ23000	RELEASED	4-15-87
B	DJ29255	AXFX TO BXFX	5-8-87
C	DJ29307	BXFX TO CXFX	5-21-87
D	DJ29312	CXFX TO DXFX	6-3-87
E	DJ29327	AXNX TO BXNX	6-6-87
F	DJ29366	DXFX TO EXFX	7-4-87
G	DJ29367	BXNX TO CXNX	7-17-87
H	DJ29392	INCORPORATE FXJX	8-2-87
J	DJ29393	DXJX TO GXJX	8-6-87
K	DJ29397	EXFX TO TAB 06	8-10-87
L	DJ29407	AXLX TO BXLX	8-16-87
M	DJ29420	GXJX TO TAB 09	9-8-87
N	DJ29423	BXLX TO CXLX	9-10-87
P	DJ29431	CVZX TO TAB 03 (736 MB)	9-12-87
R	DJ29436	CVZX TO TAB 03 (850 MB)	10-3-87
S	DJ29456	EXFX TO TAB 07	10-8-87
T	DJ29458	CXNX TO TAB 04	10-12-87
U	DJ29481	EXFX TO TAB 08	10-26-87
V	DJ29482	CXNX TO TAB 05	10-31-87
W	DJ29496	EXFX TO TAB 09	11-11-87
Y	DJ29497	CXNX TO TAB 06	11-28-87
Z	DJ29507	CXNX TO TAB 07	12-4-87
AA	DJ29508	EXFX TO TAB 10	12-25-87
AB	DJ29522	AXMX TO BMMX	1-1-88
AC	DJ29549	EXFX TO TAB 11	1-15-88
AD	DJ29550	EXFX TO TAB 12	1-20-88
AE	DJ29551	CXNX TO TAB 08	1-24-88
AF	DJ29552	CXNX TO TAB 09	1-28-88
AG	DJ29553	AXYX TO TAB 07	2-12-88
AH	DJ29554	AXYX TO TAB 06	2-14-88
AJ	DJ29591	EVRX TO GVRX (736 MB)	2-15-88
AK	DJ29592	EVRX TO GVRX (850 MB)	2-16-88
AL	DJ29593	EVRX TO GVRX (1230 MB)	2-18-88
AM	DJ29599	DVRX TO FVRX (736 MB)	2-22-88
AN	DJ29600	DVRX TO FVRX (850 MB)	2-23-88
AP	DJ29601	DVRX TO FVRX (1230 MB)	2-29-88
AR	DJ29667	GXJX TO TAB 10	3-11-88
		CXLX TO TAB 04	3-11-88
AS	DJ29668	EXFX TO TAB 13	3-14-88
		CXNX TO TAB 10	3-14-88
		AXYX TO TAB 08	3-14-88
AT	DJ29695	BXDX TO TAB 51	3-17-88
AU	DJ29717	EXFX TO TAB 14	4-29-88
		CXNX TO TAB 11	4-29-88
		AXYX TO TAB 09	4-29-88
AV	DJ29730	EXFX TO TAB 15	5-8-88
		CXNX TO TAB 12	5-8-88
		AXYX TO TAB 10	5-8-88
AW	DJ29734	AXYX TO TAB 11	5-15-88
AY	DJ29752	EXFX TO TAB 16	7-4-88
		CXNX TO TABS 15 and 16	7-4-88
AZ	DJ29760	INCORPORATE BXSX and DWTX	7-17-88
BA	DJ29822	BXDX TO TAB 52	7-20-88
BB	DJ29850	INCORPORATE JXJX	8-2-88

REVISION RECORD			
REV	ECO	DESCRIPTION	DATE
BC	DJ29855	GXJX TO TAB 15	8-10-88
BD	DJ29859	CXNX TO TAB 13	8-14-88
BE	DJ29862	NYBX TO TABS 03 and 04	8-23-88
BF	DJ29866	BXDX TO TAB 54	9-8-88
BG	DJ29872	HXJX TO TAB 14	9-12-88
BH	DJ29882	CXLX TO TAB 06	10-3-88
BJ	DJ29921	AMRX TO TAB 01	10-8-88
BK	DJ29930	INCORPORATE SWEEP CYCLE KITS	10-12-88
BL	DJ29938	BXDX TO TAB 55	10-26-88
BM	DJ29949	NYBX TO TAB 06 and 05	11-10-88
BN	DJ29952	INCORPORATE AXSX and EWTX	11-22-88
BP	DJ29968	BXDX TO TAB 56	11-28-88
BR	DJ40202	INCORPORATE DIFF NYBX TAB 07	12-4-88
BS	DJ40221	CVZX TO TAB 04	12-24-88
BT	DJ40225	AXMX TO TAB 02	1-15-89
BU	DJ40230	EXFX TO TAB 17	1-20-89
BV	DJ40231	CXNX TO TAB 17	1-24-89
BW	DJ40232	AXYX TO TAB 12	2-15-89
BY	DJ40233	NYBX TO TABS 08 and 07	2-18-89
BZ	DJ40236	HXJX TO TAB 19	2-23-89
CA	DJ40263	LYBX TO TAB 51	3-7-89
CB	DJ40266	FVRX TO TAB 10	3-11-89
CC	DJ40280	CXLX TO TAB 09, GXJX TO TAB 20	3-14-89
CD	DJ40299	NYBX TO TAB 09	3-17-89
CE	DJ40306	FVRX TO TAB 14	3-27-89
CF	DJ40310	BXDX TO TAB 57	4-1-89
CG	DJ40317	NYBX TO TAB 08	4-3-89
CH	DJ40319	GYBX TO TAB 55	4-15-89
CJ	DJ40341	GYBX TO TAB 56	4-29-89
CK	DJ40342	LYBX TO TAB 52	5-1-89
CL	DJ40345	BXDX TO TAB 58	5-8-89
CM	DJ40346	EXFX TO TAB 18, CXNX TO TAB 18	5-11-89
		AXYX TO TAB 13, AXMX TO TAB 03	5-11-89
		BMMX TO TAB 02	5-11-89
CN	DJ40366	GYBX TO TAB 57	5-21-89
CP	DJ40374	CXNX TO TAB 20	6-6-89
CR	DJ40377	EXFX TO TAB 19, CXNX TO TAB 19	7-4-89
		AXYX TO TAB 14, AXMX TO TAB 04	7-4-89
		BMMX TO TAB 03	7-4-89
CS	DJ40414	LYBX TO TAB 55	7-17-89
CT	DJ40485	LYBX TO TAB 57	10-31-89
	DJ40431	NEW EPROM ON CONTROL BOARD	10-31-89
	DJ40466	GVRX TO TAB 12, FVRX TO TAB 11	10-31-89
	DJ40423	NEW DRIVE (P8M20)	10-31-89
	DJ40414	LYBX TO TAB 55	10-31-89
CU	DJ40465, DJ40466, DJ40515, DJ40558,		
	DJ40564, DJ40570, DJ40581, DJ40580,		
	DJ40586, DJ40630.		4-25-90

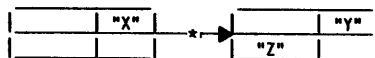
ALL BOARDS EXCEPT CONTROL BOARD



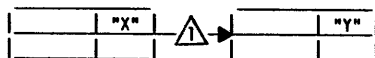
CONTROL BOARD ONLY



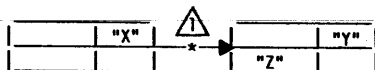
△ 2 LOWER P/N IS FOR THE SWEEP CYCLE KIT. THE KIT CONTAINS THE BOARD (UPPER P/N) AND A BOOKLET TO SET-UP THE SPARE BOARD.



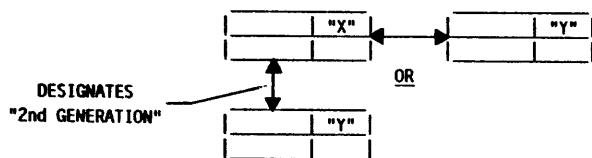
"Y" WILL REPLACE "X" ONLY IF FCO "Z" IS INSTALLED. (* INDICATES CABLE WIRING CHANGE).



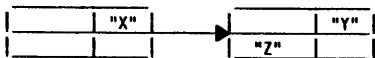
"Y" WILL REPLACE "X" ONLY IF CHANGES INDICATED BY NOTE ARE INSTALLED.



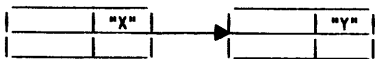
"Y" WILL REPLACE "X" ONLY IF CHANGES INDICATED BY NOTE AND CABLE CHANGES INDICATED BY * ARE INSTALLED.



"Y" WILL REPLACE "X".
"X" WILL REPLACE "Y".



"Y" WILL REPLACE "X". LOG FCO "Z".



"Y" WILL REPLACE "X". NO FCO.

CARD INTERCHANGEABILITY CHART

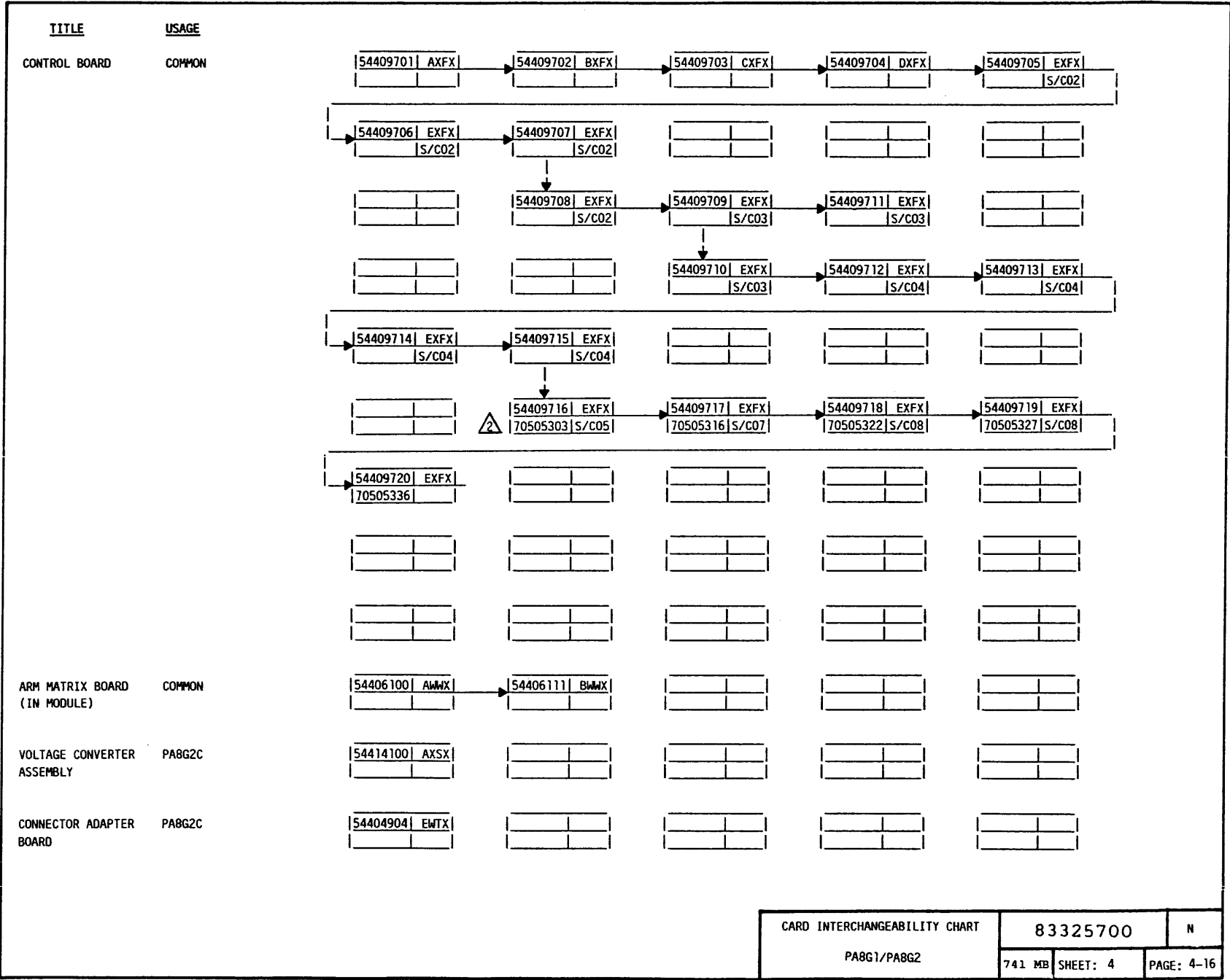
83325700

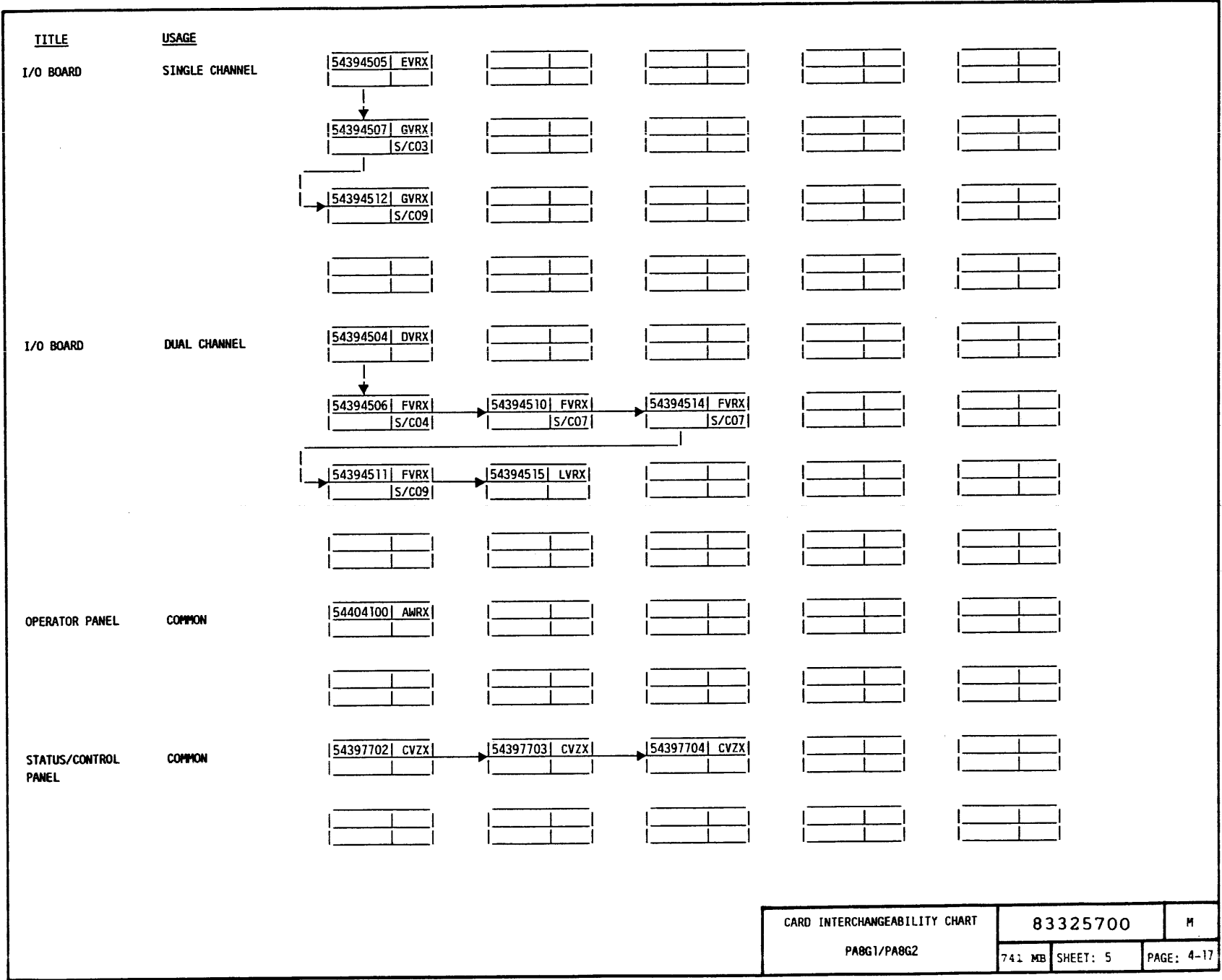
G

KEY

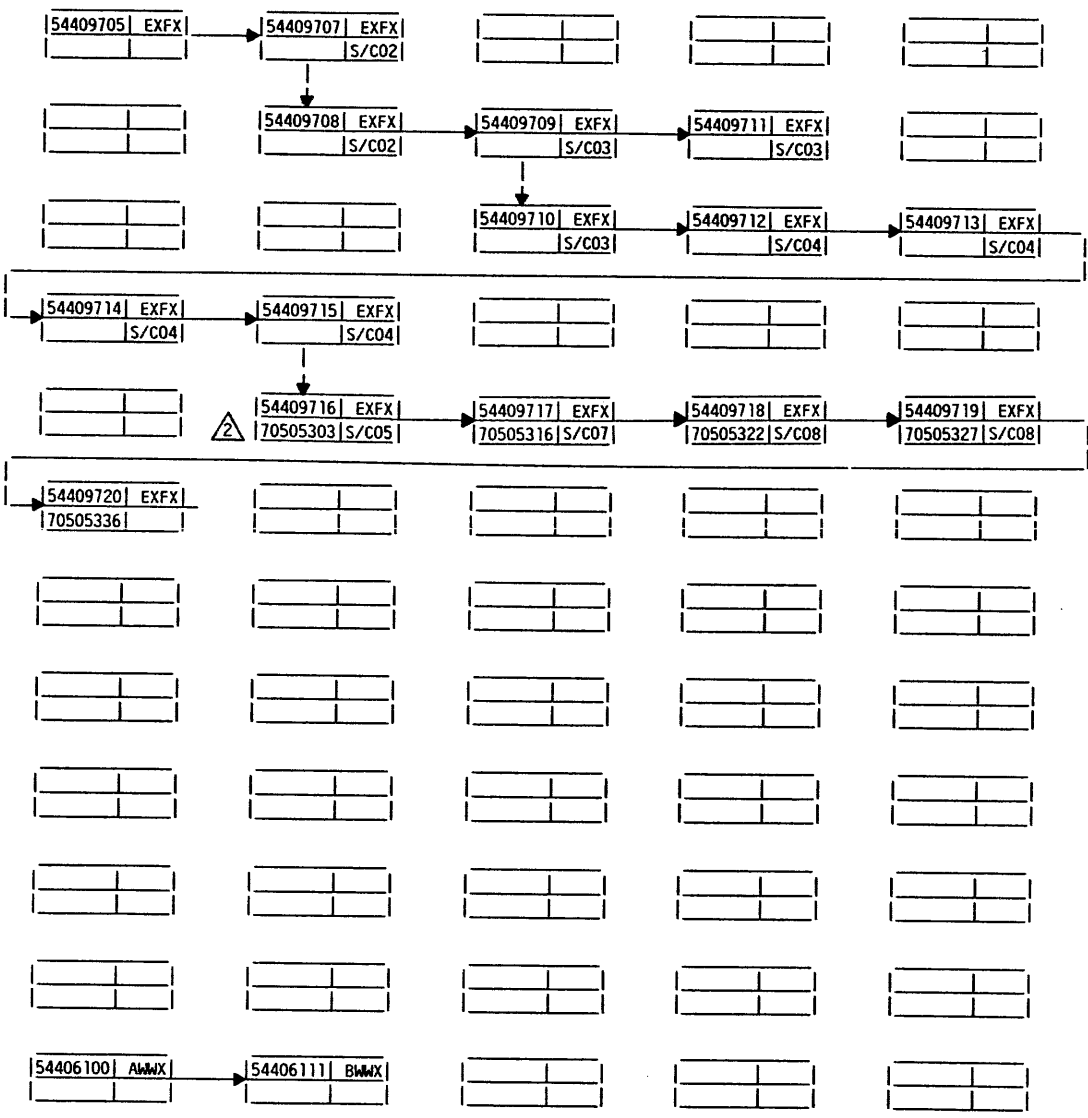
SHEET: 3

PAGE: 4-15





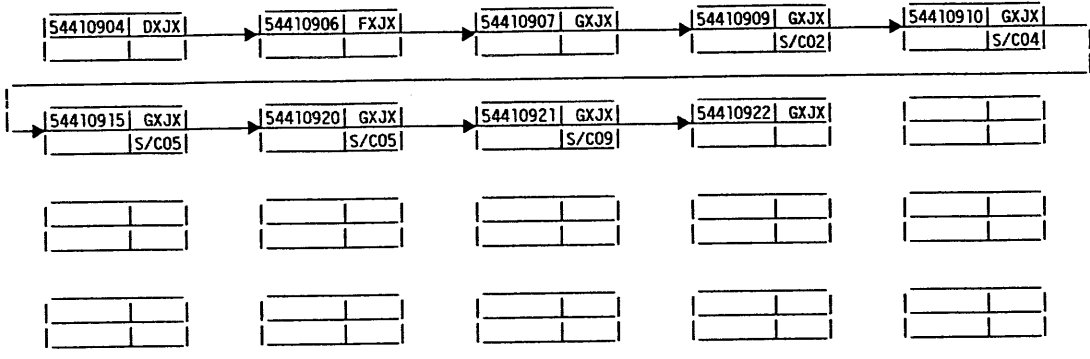
TITLE USAGE
 CONTROL BOARD COMMON



ARM MATRIX BOARD COMMON
 (IN MODULE)

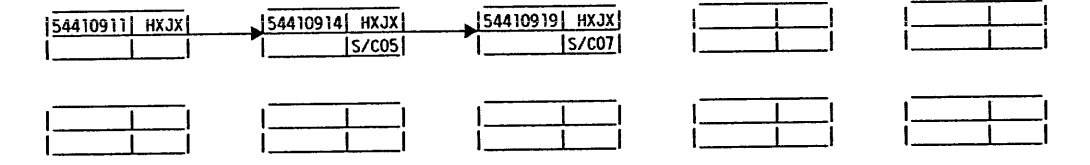
TITLE
STANDARD
I/O BOARD

USAGE
DIFFERENTIAL



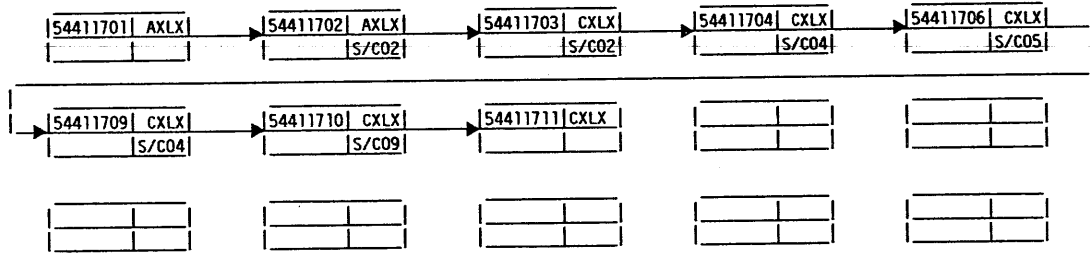
STANDARD
I/O BOARD

DIFFERENTIAL
P881E



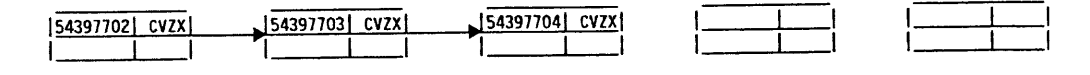
STANDARD
I/O BOARD

SINGLE ENDED



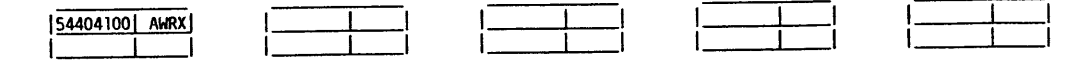
STATUS/CONTROL
PANEL

COMMON

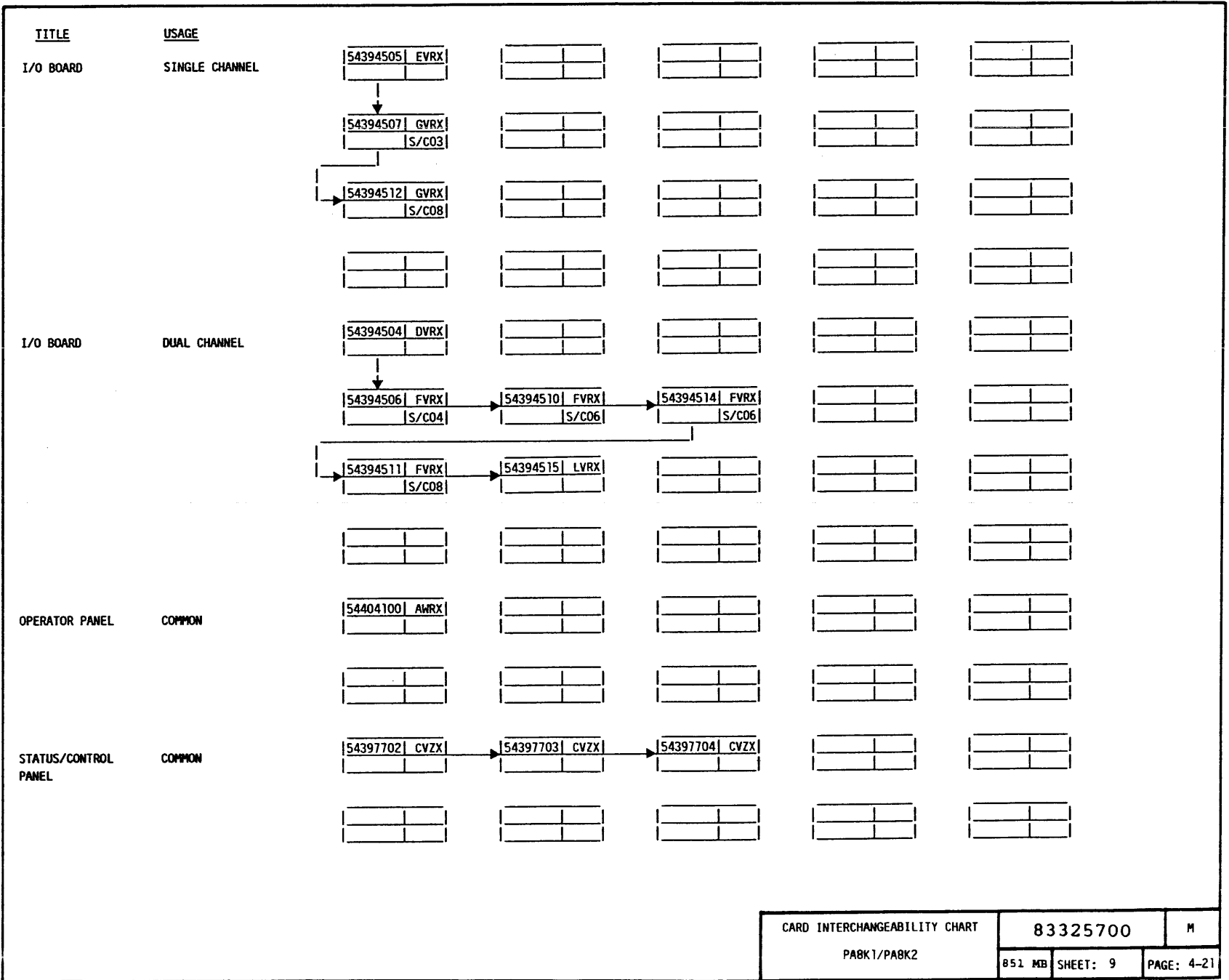


OPERATOR PANEL

COMMON



TITLE	USAGE						
CONTROL BOARD	COMMON	54412501 AXNX	54412502 BXNX	54412503 CXNX	54412504 CXNX	54412505 CXNX	
						S/C02	
		54412506 CXNX	54412507 CXNX	54412508 CXNX	54412509 CXNX	54412510 CXNX	
		S/C02	S/C02	S/C02	S/C03	S/C03	
		54412511 CXNX	54412512 CXNX	54412513 CXNX	54412515 CXNX	54412517 CXNX	
		S/C03	S/C03	S/C04	70505304 S/C04	70505315 S/C06	
		54412518 CXNX	54412519 CXNX	54412522 CXNX	Changed to DXNX. DXNX and CXNX are not interchangeable.		
		70525323 S/C07	70505328 S/C07	70505337 S/C06			
		54412601 DXNX					
		70505341					
CONTROL BOARD	PA8K2D	54412514 CXNX	54412516 CXNX	54412520 CXNX	Changed to DXNX. DXNX and CXNX are not interchangeable.		
			70505305 S/C04	70505334 S/C07			
		54412602 DXNX					
		70505342					
ARM MATRIX BOARD (IN MODULE)	COMMON	54406100 AMWX	54406111 BMWX				
VOLTAGE CONVERTER BOARD	PA8K2F	54414100 AXSX					
VOLTAGE CONVERTER ASSEMBLY	PA8K2E	54414126 BXSX					
CONNECTOR ADAPTER BOARD	PA8K2F	54404904 EWTX					
CONNECTOR ADAPTER BOARD	PA8K2E	54404903 DWTX					

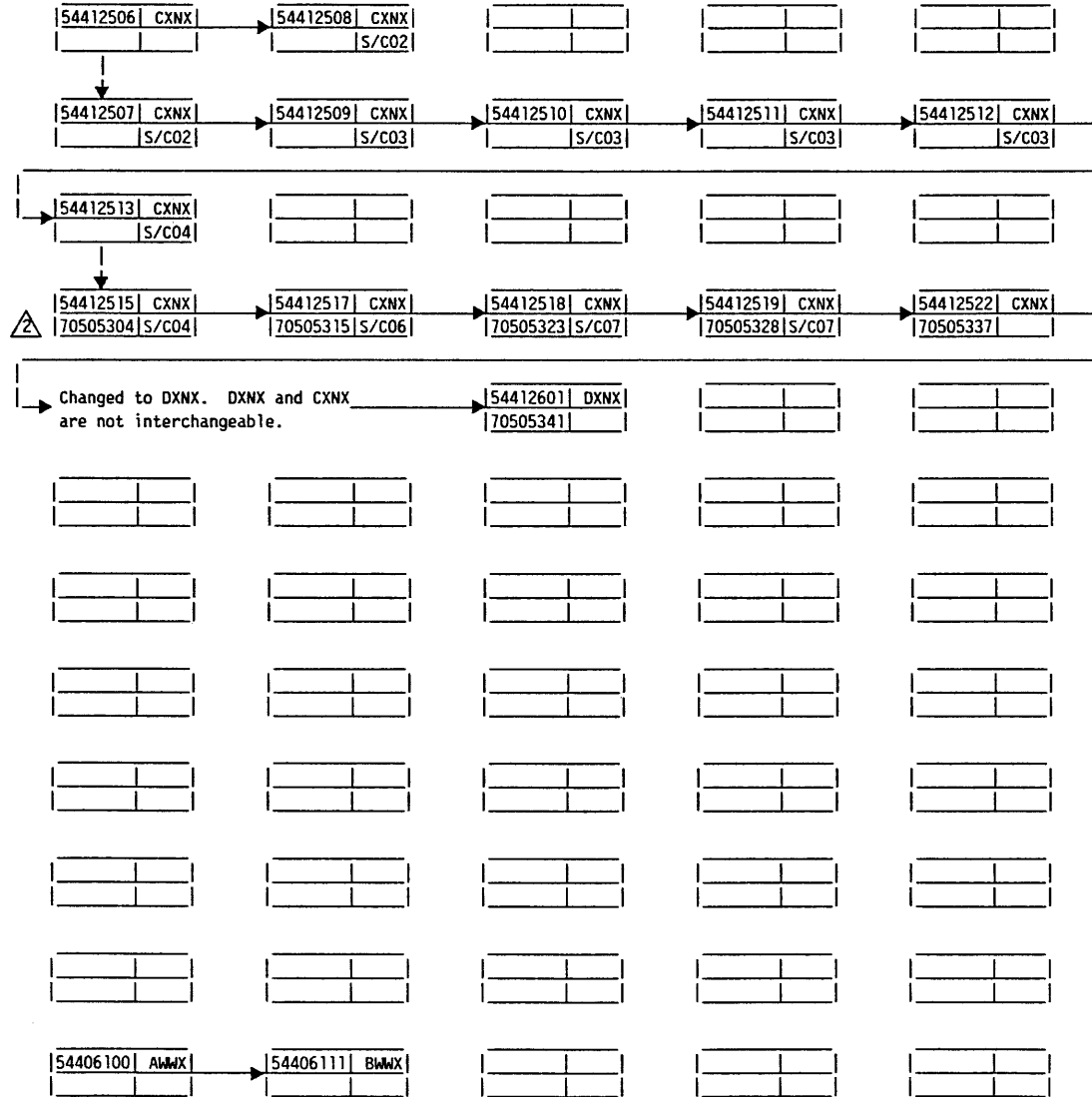


TITLE

USAGE

CONTROL BOARD

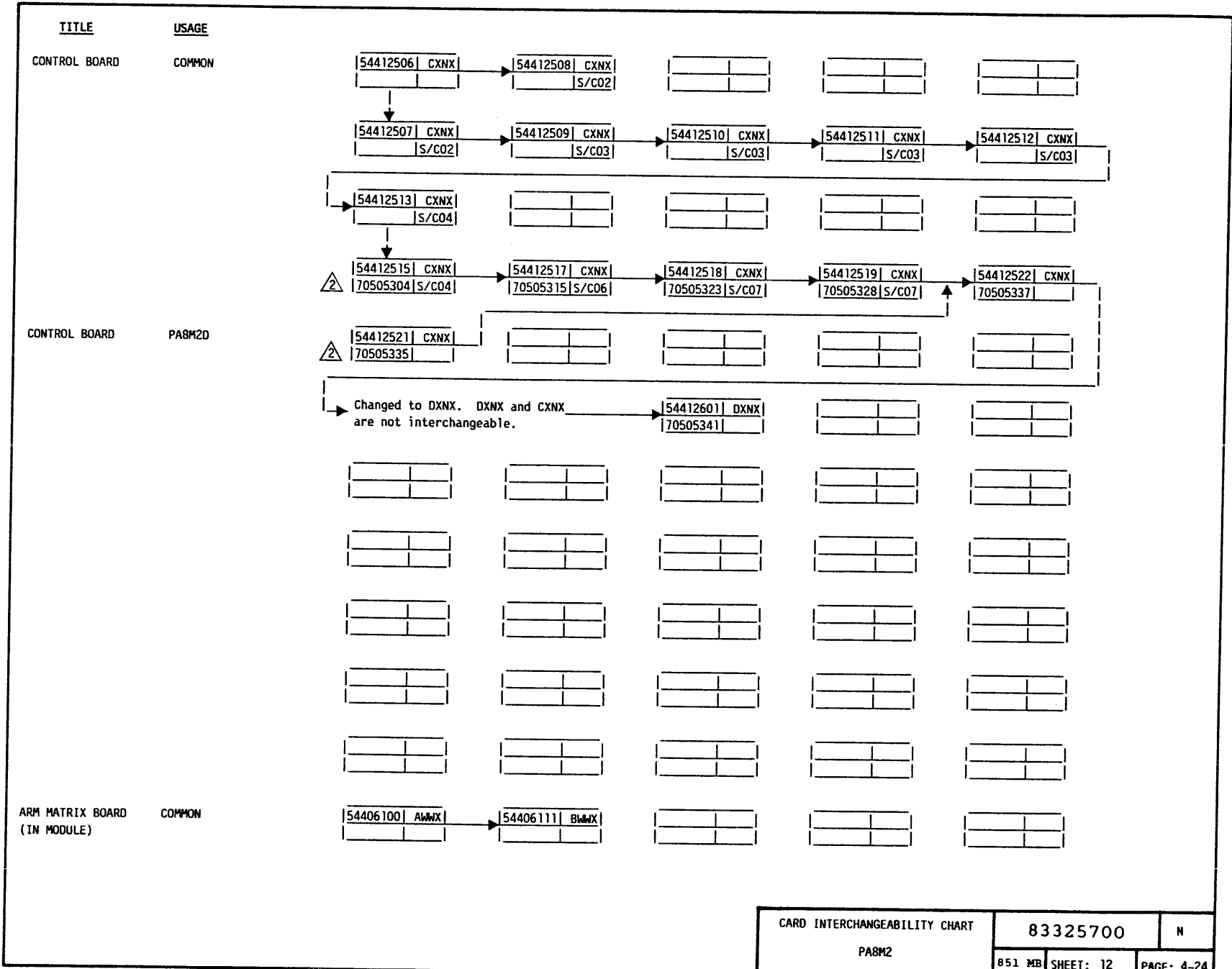
COMMON



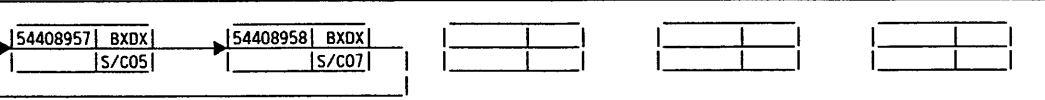
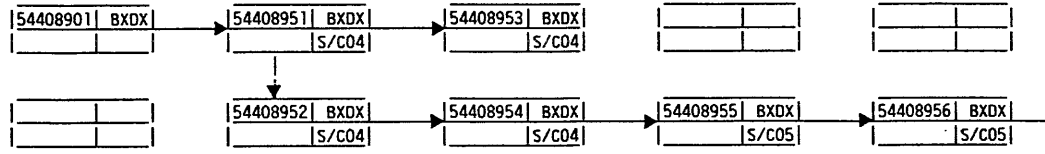
ARM MATRIX BOARD
(IN MODULE)


COMMON

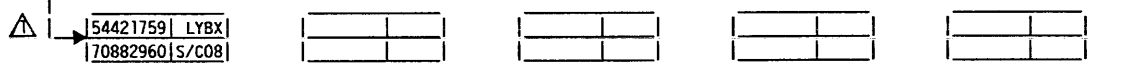
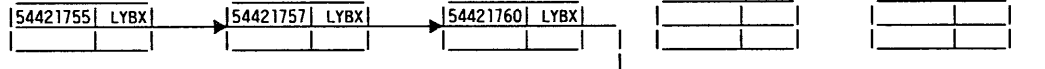
TITLE	USAGE					
STANDARD I/O BOARD	DIFFERENTIAL	54410909 GXJX	54410910 GXJX	54410915 GXJX	54410920 GXJX	54410921 GXJX
			S/C03	S/C04	S/C04	S/C08
STANDARD I/O BOARD	DIFFERENTIAL PAB1E	54410922 GXJX				
STANDARD I/O BOARD	SINGLE ENDED	54411703 CXLX	54411704 CXLX	54411706 CXLX	54411709 CXLX	54411710 CXLX
			S/C03	S/C04	S/C04	S/C08
STANDARD I/O BOARD	SINGLE ENDED PAB1K	54411707 DXLX	54411712 DXLX			
OPERATOR PANEL	COMMON	54404100 AWRX				
OPERATOR PANEL	PAB1E	54404101 AWRX				
STATUS/CONTROL PANEL	COMMON	54397703 CVZX	54397704 CVZX			



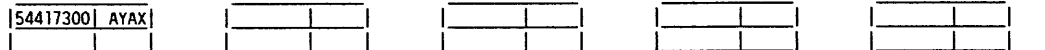
TITLE USAGE
 I/O BOARD  COMMON



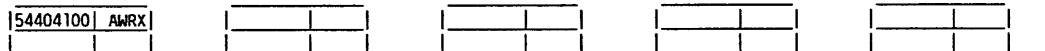
I/O BOARD  PA8M2D



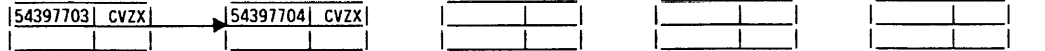
IPI ADAPTOR BOARD COMMON




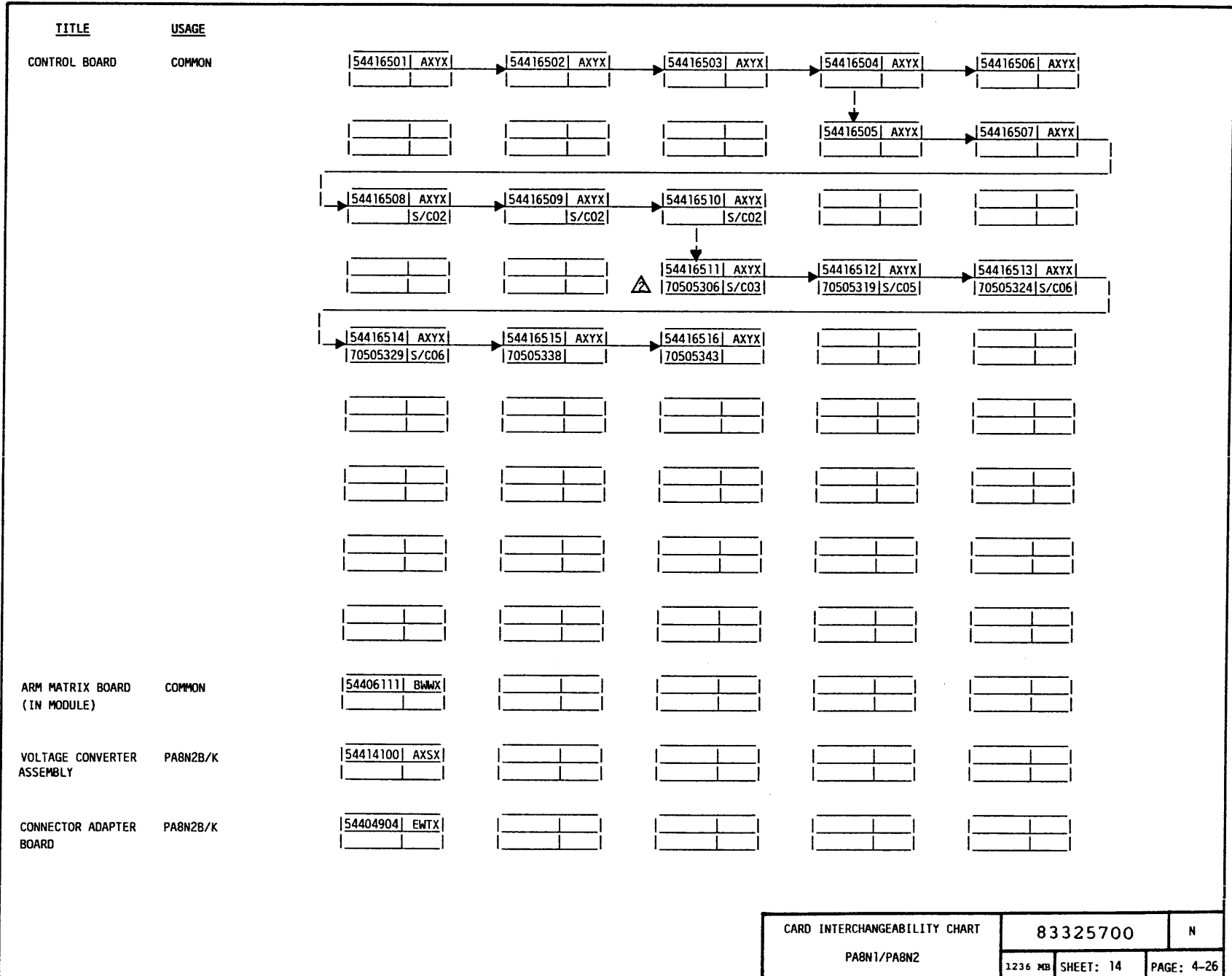
OPERATOR PANEL COMMON

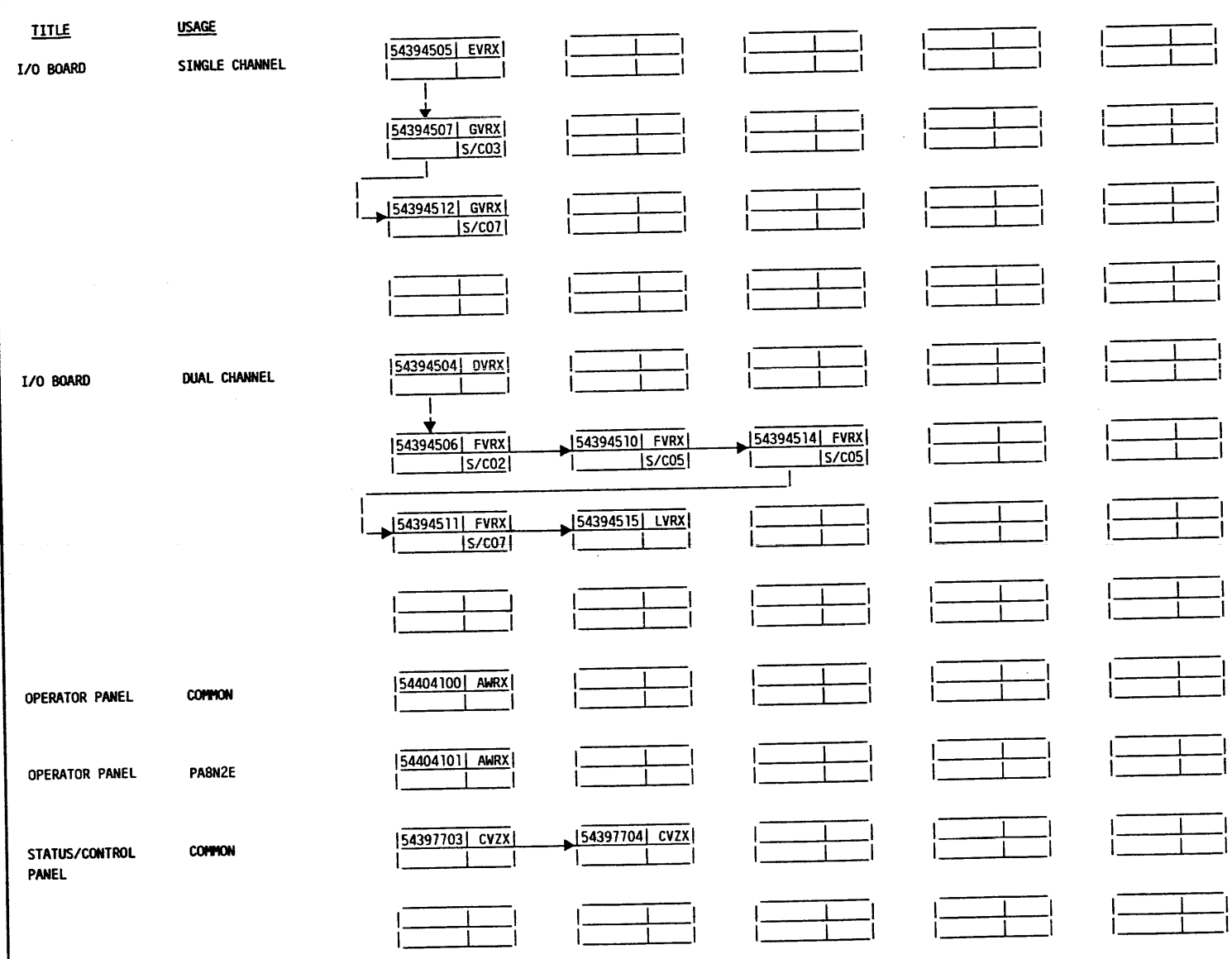


STATUS/CONTROL PANEL COMMON

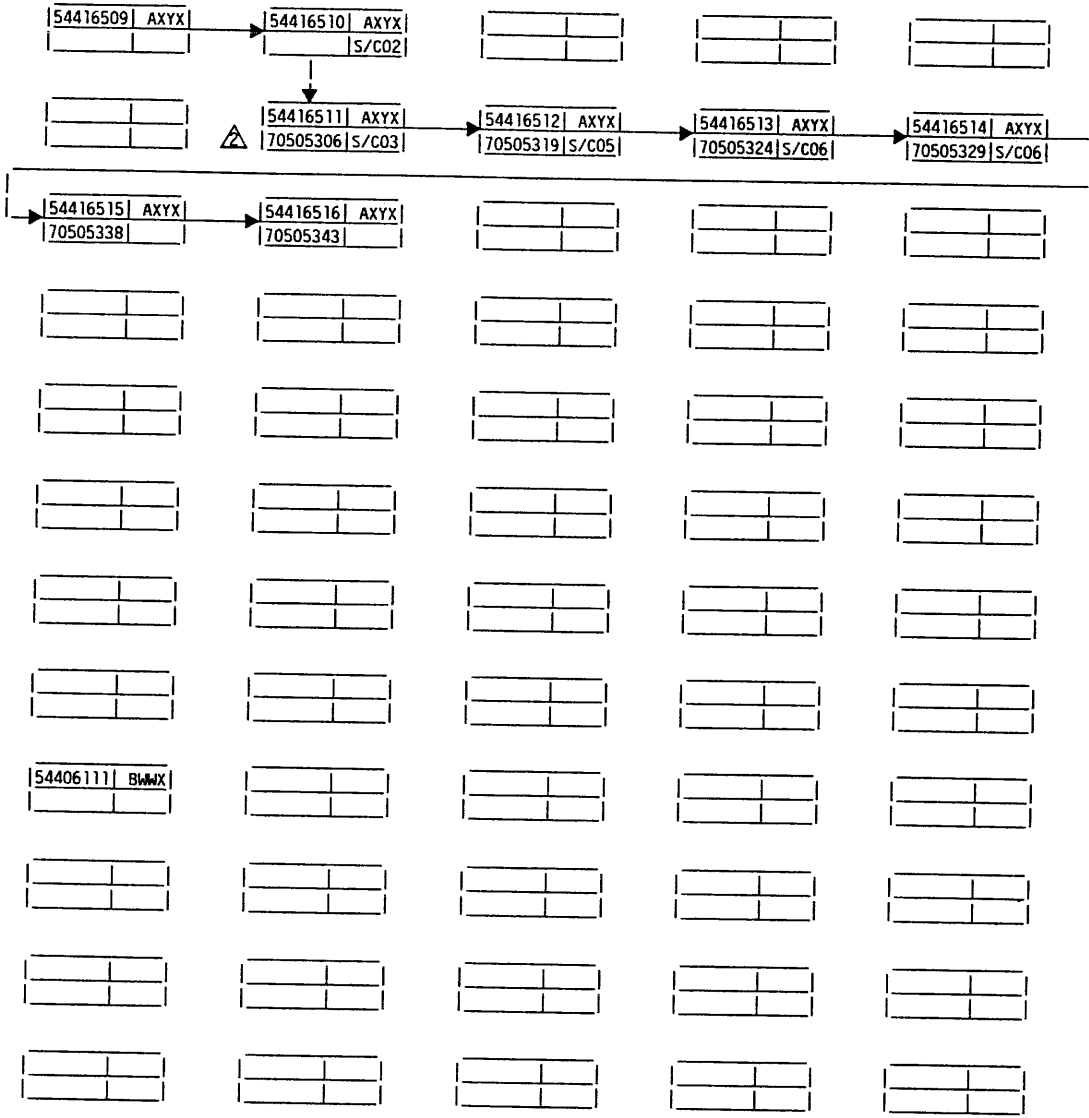


 When replacing I/O board p/n 54421758 or below (or 54421760) with I/O board p/n 54421759 or above (except 54421760), a new rear panel is required. Kit p/n 70882960 contains both the I/O board and replacement rear panel.





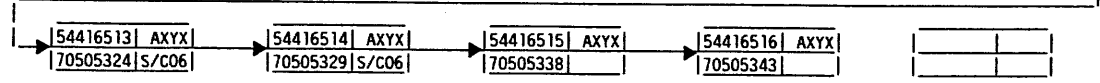
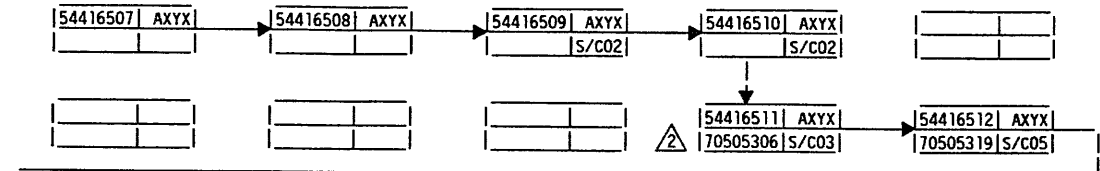
TITLE USAGE
 CONTROL BOARD COMMON



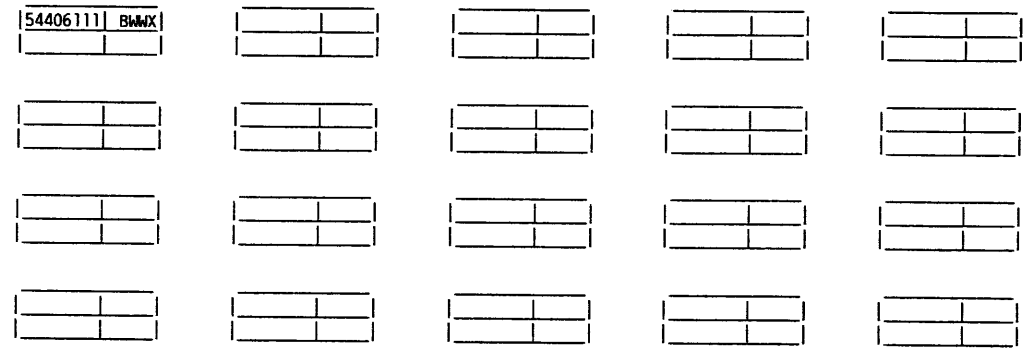
ARM MATRIX BOARD
 (IN MODULE) COMMON

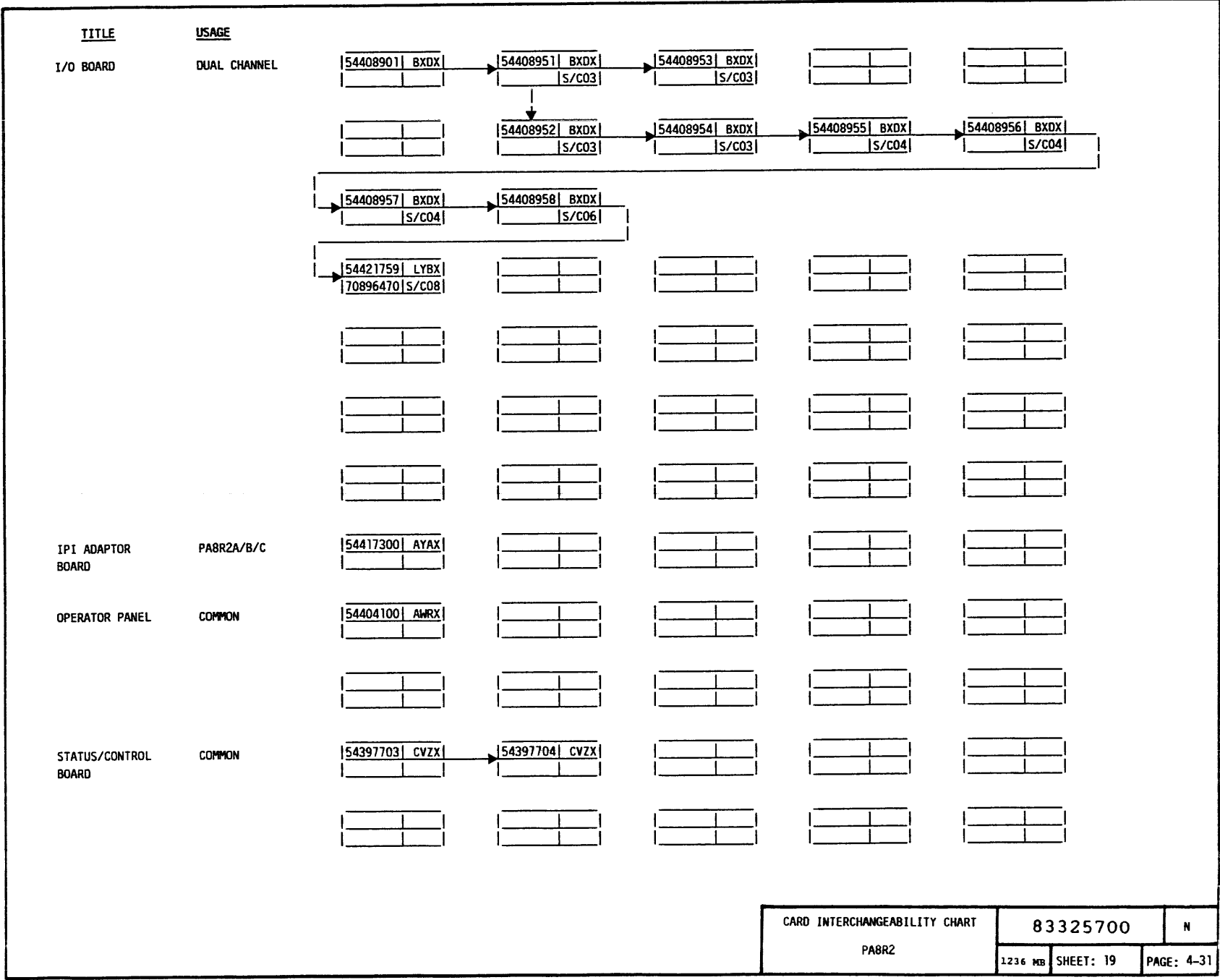
TITLE	USAGE					
HIGH PERFORMANCE I/O BOARD	DIFFERENTIAL	54422801 NYBX	54422803 NYBX	54422806 NYBX	54422808 NYBX	54422809 NYBX
			S/C03	S/C04	S/C05	S/C05
		54422810 NYBX	54422812 NYBX			
		S/C07				
HIGH PERFORMANCE I/O BOARD	DIFFERENTIAL P8P1G	54422807 NYBX				
HIGH PERFORMANCE I/O BOARD	DIFFERENTIAL P8P1F	54422804 NYBX				
HIGH PERFORMANCE I/O BOARD	DIFFERENTIAL P8P3E/F	54422811 NYBX	54422813 NYBX			
HIGH PERFORMANCE I/O BOARD	SINGLE ENDED	54422901 NYBX	54422904 NYBX	54422905 NYBX	54422907 NYBX	54422908 NYBX
			S/C03	S/C04	S/C05	S/C05
		54422910 NYBX	54422911 NYBX			
		S/C07				
HIGH PERFORMANCE I/O BOARD	SINGLE ENDED P8P1H	54422906 NYBX	54422909 NYBX			
OPERATOR PANEL	COMMON	54404100 AWRX				
OPERATOR PANEL	P8P1E	54404101 AWRX				
STATUS/CONTROL PANEL	COMMON	54397703 CVZX	54397704 CVZX			

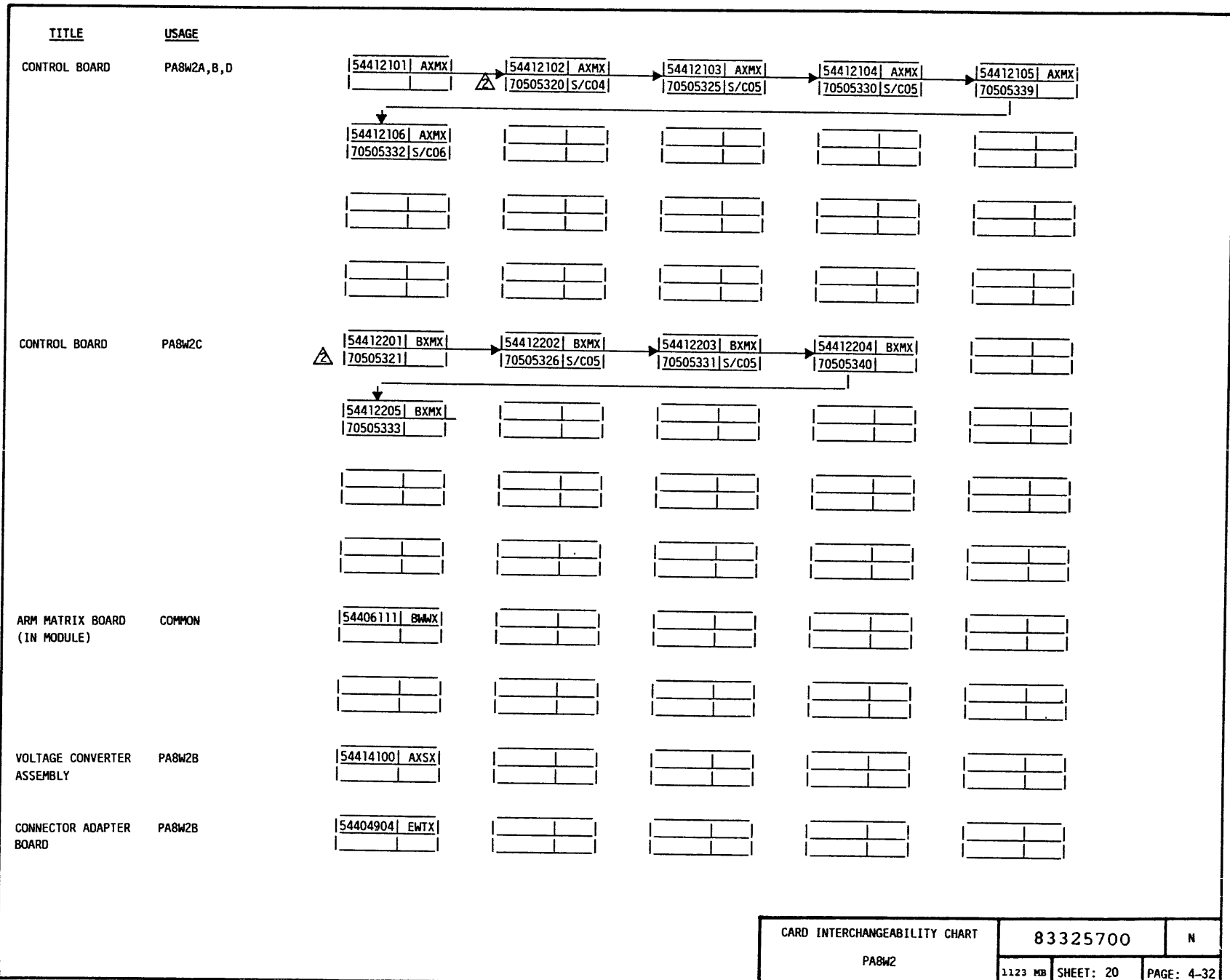
TITLE USAGE
 CONTROL BOARD COMMON



ARM MATRIX BOARD
 (IN MODULE) COMMON







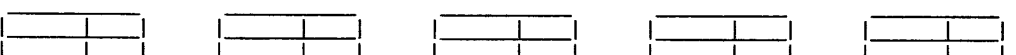
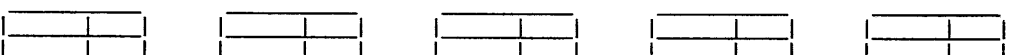
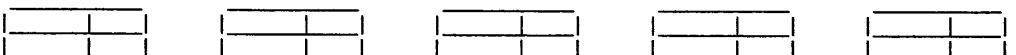
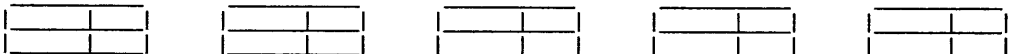
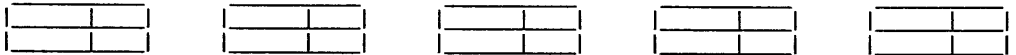
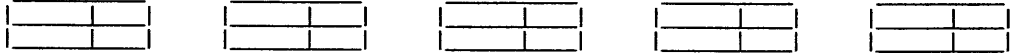
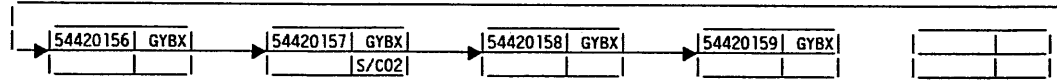
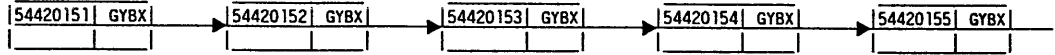
TITLE	USAGE						
I/O BOARD	PA8W2C,D	I/O BOARD NOT SUPPLIED					
I/O BOARD	DUAL CHANNEL PA8W2A,B	54394506 FVRX	54394510 FVRX S/C04	54394514 FVRX S/C04			
		54394511 FVRX	54394515 LVRX				
OPERATOR PANEL	COMMON	54404100 AWRX					
STATUS/CONTROL PANEL	COMMON	54397703 CVZX	54397704 CVZX				

TITLE

USAGE

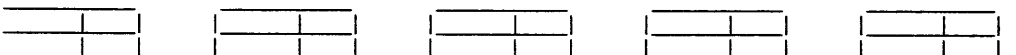
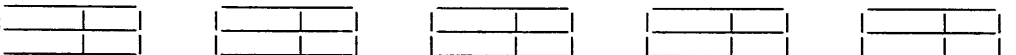
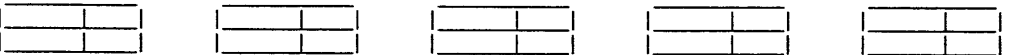
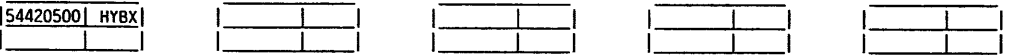
CONTROL BOARD

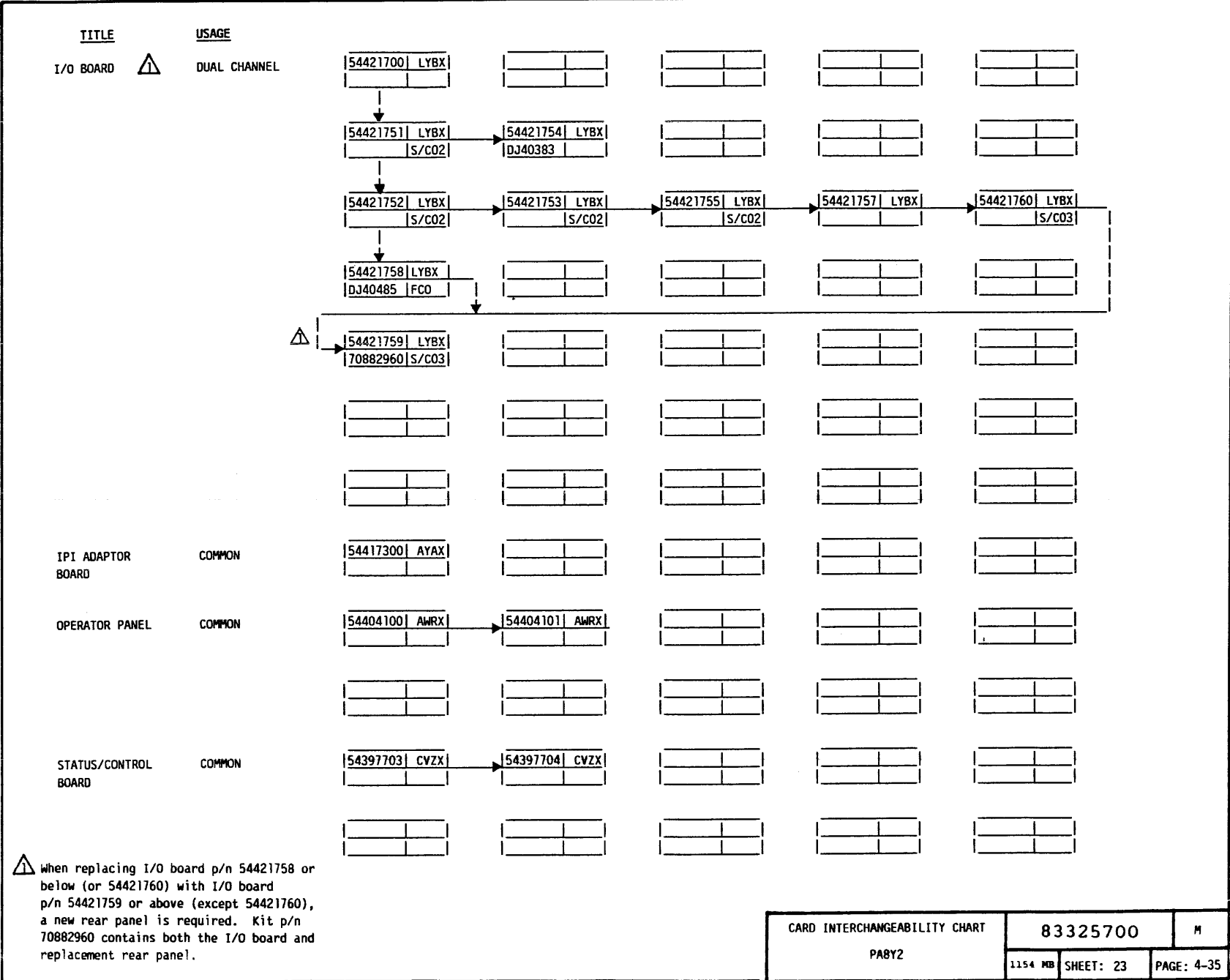
COMMON



ARM MATRIX BOARD
(IN MODULE)

COMMON





△ When replacing I/O board p/n 54421758 or below (or 54421760) with I/O board p/n 54421759 or above (except 54421760), a new rear panel is required. Kit p/n 70882960 contains both the I/O board and replacement rear panel.

PRELIMINARY REVISION PACKET. SUBJECT TO CHANGE WITHOUT NOTICE.

Publication Title: PA8XX Parts Data Manual

Publication Number: 83325700 Manual Preliminary Revision P

Instructions: The attached pages contain replacement information. Insert the attached pages into the appropriate place. Do not discard current manual sheet (back-up page information is not supplied with this packet). All changes contained in this preliminary packet will be in the released revision.

REV	REWORK NUMBER	ECO/FCO NUMBER	DESCRIPTION	PAGES AFFECTED
01			Documented Equipment Packages 47177025 and 47177026 (PA8Y2D Drive). 9-20-90	f-9. 1-5, 2-20.
02			Documented Equipment Package 47106138 (PA8N2L Drive). Documented Equipment Package 970001-029. 10-4-90.	f-8,2-23,4-7. 2-1,2-20.1, 4-11.
03		DJ44142	Documented Equipment Package 968003-032.	f-9,1-19,2-1, 2-33,4-9.
		DJ44154	Documented Equipment Package 968001-040 11-2-90	2-1, 2-32.1.

CONFIGURATION CHART (Contd)

Equipment Number	Model Number	Interface	Data Capacity (MB)	Sector Length
PA8M2C	ST8851K	IPI	851	1024 Bytes
PA8M2D	ST8851K	IPI	851	Std Format
PA8N1A	ST81236J	Single Channel SMD	1236	Unspecified
PA8N2A	ST81236J	Dual Channel SMD	1236	Unspecified
PA8N2B	ST81236J	Dual Channel SMD	1236	Unspecified
PA8N2C	ST81236J	Dual Channel SMD	1236	Unspecified
PA8N2D	ST81236J	Dual Channel SMD	1236	Unspecified
PA8N2E	ST81236J	Dual Channel SMD	1236	Unspecified
PA8N2F	ST81236J	Dual Channel SMD	1236	Unspecified
PA8N2G	ST81236J	Dual Channel SMD	1236	Unspecified
PA8N2H	ST81236J	Dual Channel SMD	1236	Unspecified
PA8N2J	ST81236J	Dual Channel SMD	1236	Unspecified
PA8N2K	ST81236J	Dual Channel SMD	1236	Unspecified
PA8N2L	ST81236J	Dual Channel SMD	1236	Unspecified
PA8P1A	ST81236N	HP SCSI (Differential)	1236	512 Bytes
PA8P1B	ST81236N	HP SCSI (Single-ended)	1236	512 Bytes
PA8P1C	ST81236N	HP SCSI (Differential)	1236	256 Bytes
PA8P1D	ST81236N	HP SCSI (Single-ended)	1236	256 Bytes
PA8P1E	ST81236N	HP SCSI (Differential)	1236	512 Bytes
PA8P1F	ST81236N	HP SCSI (Differential)	1236	512 Bytes
PA8P1G	ST81236N	HP SCSI (Differential)	1236	256 Bytes
PA8P1H	ST81236N	HP SCSI (Single-ended)	1236	512 Bytes
PA8P3A	ST81236N	HP SCSI (Differential)	1236	256 Bytes
PA8P3B	ST81236N	HP SCSI (Differential)	1236	512 Bytes
PA8P3C	ST81236N	HP SCSI (Differential)	1236	256 Bytes
PA8P3D	ST81236N	HP SCSI (Differential)	1236	512 Bytes
PA8P3E	ST81236N	HP SCSI (Differential)	1236	256 Bytes
PA8P3F	ST81236N	HP SCSI (Differential)	1236	512 Bytes

Continued

CONFIGURATION CHART (Contd)

Equipment Number	Model Number	Interface	Data Capacity (MB)	Sector Length
PA8R2A	ST81236K	IPI	1236	Std Format
PA8R2B	ST81236K	IPI	1236	512 Bytes
PA8R2C	ST81236K	IPI	1236	1024 Bytes
PA8R2D	ST81236K	IPI	1236	288 Bytes
PA8R2E	ST81236K	IPI	1236	2308 Bytes
PA8R2H	ST81236K	IPI	1236	Std Format
PA8W2A	ST81123J	Dual Channel SMD	1123	Unspecified
PA8W2B	ST81123J	Dual Channel SMD	1123	Unspecified
PA8W2C	ST81123J	Dual Channel SMD	1123	Unspecified
PA8W2D	ST81123J	Dual Channel SMD	1123	Unspecified
PA8Y2A	ST81154K	IPI (2-Head Parallel)	1154	Unspecified
PA8Y2D	ST81154K	IPI (2-Head Parallel)	1154	Unspecified

This manual documents the following equipment series codes (with FCOs listed):

Equipment Number	Series Codes	FCO Number	FCO Effectivity	
			Equipment Number	Series Codes
PA8G1/2	01-09	DJ29730	PA8G2A	03
PA8H1/2	01-09	None		
PA8K1/2	01-08	None		
PA8L1	01-08	DJ29850	PA8L1E	01-04
PA8M2	01-08	DJ29865	PA8M2A/B/C	01-03
		DJ29968	PA8M2A/B/C	01-04
		DJ40485	PA8M2D	07 & B1w
PA8N1/2	01-07	None		
PA8P1/3	01-07	DJ40235	PA8P1A/C/G	01-04
		DJ40337	PA8P1B	01-04
PA8R2	01-07	DJ29865	PA8R2A/B/C/D/E	01-02
		DJ29968	PA8R2A/B/C/D/E	01-03
PA8W2	01-06	None		
PA8Y2	01-02	DJ40383	PA8Y2A	S/N 165 & B1w
		DJ40485	PA8Y2A	02 & B1w

INDEX NO	PART NO	PART DESCRIPTION	NOTE
1-1	Optional	EIGHT-INCH MODULE DRIVE	
1	92817157	SCREW, Socket Hd, 6-32 x 3/16	
2	47039266	COVER, Top	Except
2	47039262	COVER, Top	PA8W2C/PA8Y2D
2	47039265	COVER, Top	PA8W2C only
3	Optional	GROUND CABLE, Drive	PA8Y2D only
4	Optional/ Spare	AC POWER CORD	
5	Optional/ Spare	DC POWER CABLE	
6	Optional/ Spare	DC POWER CABLE	
7	10126217	SCREW, Socket Hd, 6-32 x 1/4	
8	Optional/ Spare	POWER SUPPLY	
9	Optional	GROUND CABLE, Power Supply	
10	10126401	LOCKWASHER, #6	
11	70557776	INSULATOR, Top Cover	
12	Optional	AIR BAFFLE	
13	Optional/ Spare	AC POWER CORD	
14	Optional	CLAMP, Power Cord	

INDEX NO	PART NO	PART DESCRIPTION	NOTE
1-7	47138661	IPI CONNECTOR ADAPTER ASSEMBLY	See Note 1
1	94288029	STANDOFF, Female	
2	10125801	LOCKWASHER, #4	
3	94288028	STANDOFF, Male	
4	47041311	COVER, Adaptor Board	
5	CIC	AYAX BOARD	
6	92817157	SCREW, Socket Hd, 6-32 x 3/16	

Note 1: Used on PA8M2/PA8R2-A-B-C-H/PA8Y2 drives only.

 Introduction

This section contains listings of field replaceable parts which are not used in all applications. To determine usage in a particular equipment, you must first know the Equipment Package part number (see below) and then refer to table 2-1. Table 2-1 contains the Equipment Package part number (the first 6 digits are on line 1, and the last 2 digits are on line 2) and a list of optional parts. If an optional part is used in a particular Equipment Package, "XX" will appear in that column.

PART NO.	DESCRIPTION	PAGE
470134XX	PA8G1/PA8G2 741 MB Drive	2-2
470769XX	PA8H1 741 MB Drive	2-5
470958XX	PA8G2 741 MB Drive	2-7
470728XX	PA8K1/PA8K2 851 MB Drive	2-8
470904XX	PA8L1 851 MB Drive	2-10
470958XX	PA8K2 851 MB Drive	2-12
471499XX	PA8M2 851 MB Drive	2-13
707026XX	PA8K2 851 MB Drive	2-15
705055XX	PA8W2 1123 MB Drive	2-16
705219XX	PA8W2 1123 MB Drive	2-17
705742XX	PA8W2 1123 MB Drive	2-18
471770XX	PA8Y2 1154 MB Drive	2-19
970001-OXX	PA8Y2 1154 MB Drive	2-20.1
471061XX	PA8N1/PA8N2 1236 MB Drive	2-21
471526XX	PA8R2 1236 MB Drive	2-24
471768XX	PA8P1/PA8P3 1236 MB Drive	2-27
705155XX	PA8R2 1236 MB Drive	2-30
705220XX	PA8N2 1236 MB Drive	2-31
707026XX	PA8N2 1236 MB Drive	2-32
968001-Oxx	PA8N2 1236 MB Drive	2-32.1
968003-Oxx	PA8R2 1236 MB Drive	2-33

TABLE 2-1. OPTIONAL PARTS (Contd)

PART NO.	PART DESCRIPTION	1154 MB* EQUIPMENT PACKAGE 471770xx									
		14	15	16	17	18	19	22	23	25	26
47177701	PA8Y2A DRIVE	XX	XX	XX	XX	XX	XX	XX	XX		
47177704	PA8Y2D DRIVE									XX	XX
47188871	AC CORD, 2'				XX			XX			
70703281	AC CORD, 3'	XX									
75168345	AC CORD, 3'				XX						
70703282	AC CORD, 45"		XX	XX					XX	XX	
47188874	AC CORD, 5'						XX		XX		
15165427	AC CORD, 8'			XX							
75168331	AC CORD, 8'		XX								
70569431	AIR BAFFLE	XX	XX	XX	XX		XX	XX	XX	XX	XX
70569435	AIR BAFFLE				XX						
54404100	AWRX BOARD	XX	XX	XX	XX				XX	XX	XX
47141381	CLAMP, PWR CORD	XX	XX	XX	XX		XX	XX	XX	XX	XX
92777196	CLAMP, PWR CORD	XX	XX	XX	XX		XX		XX	XX	XX
92777199	CLAMP, PWR CORD	XX	XX	XX	XX		XX		XX	XX	XX
54397704	CVZX BOARD						XX				
92588100	DC CABLE, 2.5"	XX	XX	XX	XX		XX	XX	XX	XX	XX
47007910	DRAWER, INNER						XX				
47132374	DRAWER, INNER				XX						
70703612	DRAWER, INNER	XX	XX	XX						XX	XX
45419419	FAN MTG KIT					XX		XX			
70852573	FILTER, PRIMARY	XX	XX	XX	XX		XX		XX	XX	XX
94469424	GND CABLE, DR	XX			XX	XX	XX	XX	XX	XX	XX
94469420	GND CABLE, PS	XX	XX	XX	XX		XX	XX	XX	XX	XX
47007910	INNER DRAWER							XX	XX		
70515601	INSERT, FR PNL	XX	XX	XX	XX						
92536404	INSERT, FR PNL								XX		
92536408	INSERT, FR PNL						XX				
92536411	INSERT, FR PNL									XX	XX
70527026	I/O CABLES	XX									XX
70527027	I/O CABLES		XX	XX							
47001006	JUMPER CABLE				XX						
47001007	JUMPER CABLE	XX	XX	XX			XX		XX	XX	XX
47123242	PANEL, FRONT	XX									
47123245	PANEL, FRONT									XX	XX
70515701	PANEL, FRONT		XX	XX							
70529701	PANEL, FRONT				XX						
92517401	PANEL, FRONT								XX		
92517405	PANEL, FRONT						XX				
45070625	POWER SUPPLY	XX	XX	XX	XX		XX	XX	XX	XX	XX
47060750	SHIELD, OP PNL	XX	XX	XX	XX				XX	XX	XX
15458851	TERMINATOR						XX				

*IPI Interface, two-head parallel drive

Table Continued on Next Page

TABLE 2-1. OPTIONAL PARTS (Contd)

PART NO.	PART DESCRIPTION	1236 MB* EQUIPMENT PACKAGE 471061xx											
		27	28	29	30	31	32	33	34	35	36	37	38
47106301	PA8N2A DRIVE	XX	XX	XX	XX	XX				XX	XX	XX	
47106307	PA8N2H DRIVE						XX	XX					
47106308	PA8N2J DRIVE								XX				
47106309	PA8N2L DRIVE												XX
47188871	AC CORD, 2'	XX	XX			XX	XX	XX			XX	XX	XX
47188877	AC CORD, 3'				XX								
75168331	AC CORD, 8'						XX						XX
75168346	AC CORD, 8'	XX											
47127502	AC CORD W/FERR		XX			XX		XX	XX				
70569433	AIR BAFFLE	XX	XX		XX	XX	XX	XX	XX		XX	XX	XX
46625990	BRACKET, CABLE	XX	XX	XX	XX	XX	XX	XX	XX	XX	XX	XX	XX
46641700	CLAMP, GNDING	XX	XX	XX	XX	XX	XX	XX	XX	XX	XX	XX	XX
47141381	CLAMP, PWR CORD				XX	XX					XX	XX	
92777196	CLAMP, PWR CORD	XX	XX		XX	XX	XX	XX					XX
92777199	CLAMP, PWR CORD					XX							
46641701	CLAMP, STRN RLF	XX	XX	XX	XX	XX	XX	XX	XX	XX	XX	XX	XX
46625982	COVER, I/O CBL	XX	XX	XX	XX	XX	XX	XX	XX	XX	XX	XX	XX
54397704	CVZX BOARD				XX								
92588100	DC CABLE, 2.5"	XX			XX	XX	XX	XX	XX		XX	XX	XX
47007913	DRAWER, INNER					XX							
70703612	DRAWER, INNER				XX						XX	XX	
70703622	DRAWER, INNER										XX		
45419406	FAN MTG KIT		XX							XX	XX	XX	
45419412	FAN MTG KIT				XX								
72852573	FILTER, PRIMARY		XX				XX	XX					
94469420	GND CABLE, PS	XX			XX	XX	XX	XX	XX		XX	XX	XX
70515601	INSERT, FR PNL										XX	XX	
47001007	JUMPER CABLE				XX	XX							
47031804	OPER PANEL KIT		XX										
70515701	PANEL, FRONT										XX	XX	
45070622	POWER SUPPLY	XX	XX		XX	XX	XX	XX	XX		XX	XX	XX
70527403	RACK MTG KIT										XX		
47060750	SHIELD, OP PNL		XX										
93238906	STATUS PNL KIT						XX	XX					
93270700	TERMINATOR		XX		XX		XX	XX		XX	XX	XX	

*SMD Interface Drives

Table Continued on Next Page

TABLE 4-6. RECOMMENDED SPARE PARTS FOR PA8N1/PA8N2

DESCRIPTION/NOTES	PART NUMBER	REPLACE- MENT PART NUMBER
AC POWER CORD, 2'	47188871	47188871
AC POWER CORD, 8'	15165427	15165427
AC POWER CORD, 8'	75168331	75168331
AC POWER CORD W/FERRITE	47127502	47127502
DC POWER CABLE, 2.5"	92588100	92588100
DC POWER CABLE, 5'	92588106	92588106
FAN, 24 V dc	46455311	46455311
FILTER, Primary	72852573	72852573
FORMATTED MODULE ASSEMBLY	47109351	47109351
FORMATTED MODULE ASSEMBLY (PA8N2B)	47109359	47109359
FORMATTED MODULE ASSEMBLY (PA8N2F)	47109361	47109361
FORMATTED MODULE ASSEMBLY (PA8N2H)	47109365	47109365
FORMATTED MODULE ASSEMBLY (PA8N2J)	47109366	47109366
FORMATTED MODULE ASSEMBLY (PA8N2L)	47109367	47109367
JUMPER CABLE	47001007	47001007
POWER SUPPLY	45070622	45070622
POWER SUPPLY (PA8N2G)	45070625	45070625
STRAP, Wrist	12263496	12263496

NOTE: Refer to Card Interchangeability Chart (in this section) for part numbers of logic board assemblies.

TABLE 4-8. RECOMMENDED SPARE PARTS FOR PA8R2

DESCRIPTION/NOTES	PART NUMBER	REPLACE- MENT PART NUMBER
AC POWER CORD, 2'	47188871	47188871
AC POWER CORD, 31.5"	47188873	47188873
AC POWER CORD, 8'	15165427	15165427
AC POWER CORD, 8'	75168331	75168331
DC POWER CABLE, 2.5"	92588100	92588100
DC POWER CABLE, 5'	92588106	92588106
FAN, 24 V dc	46455311	46455311
FILTER, Primary	72852573	72852573
FORMATTED MODULE ASSEMBLY (PA8R2A)	47109352	47109352
FORMATTED MODULE ASSEMBLY (PA8R2B)	47109353	47109353
FORMATTED MODULE ASSEMBLY (PA8R2C)	47109354	47109354
FORMATTED MODULE ASSEMBLY (PA8R2D)	47109357	47109357
FORMATTED MODULE ASSEMBLY (PA8R2E)	47109358	47109358
FORMATTED MODULE ASSEMBLY (PA8R2H)	47109368	47109368
JUMPER CABLE	47001007	47001007
POWER SUPPLY	45070622	45070622
STRAP, Wrist	12263496	12263496

NOTE: Refer to Card Interchangeability Chart (in this section) for part numbers of logic board assemblies.

TABLE 4-10. RECOMMENDED SPARE PARTS FOR P8Y2

DESCRIPTION/NOTES	PART NUMBER	REPLACE- MENT PART NUMBER
AC POWER CORD, 2'	47188871	47188871
AC POWER CORD, 8'	15165427	15165427
AC POWER CORD, 8'	75168331	75168331
AC POWER CORD, 8' (220 V, 60 Hz)	75168346	75168346
AC POWER CORD W/FERRITE	47127502	47127502
DC POWER CABLE, 2.5"	92588100	92588100
DC POWER CABLE, 5'	92588106	92588106
FAN, 24 V dc	46455311	46455311
FILTER, Primary	72852573	72852573
FORMATTED MODULE ASSEMBLY	47178002	47178002
JUMPER CABLE	47001007	47001007
POWER SUPPLY	45070625	45070625
STRAP, Wrist	12263496	12263496

NOTE: Refer to Card Interchangeability Chart (in this section) for part numbers of logic board assemblies..



Seagate Technology, Inc.

920 Disc Drive, Scotts Valley, California 95066-4544, USA

Publication Number: 83325700-N
