

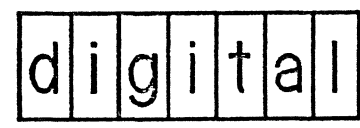
DRAWING NO.	NO. OF SHTS.	PAR. NO.	DESCRIPTION	REVISIONS																		
				A1	A1	A1	B1	B1	B1													
		DEPCA-AA	DEPCA THIN WIRE KIT	A1	A1	A1	B1	B1	B1													
		DEPCA-AU	DEPCA AU] OPTION	A1	A1	A1	A1	A1	A1													
		DEPCA-BA	DEPCA THINWIRE KIT WITH LICENSE	A1	A2	A3	B3	B4	B4													
		DEPCA-KA	DEPCA NETWORK INTERG. KIT/ ENG	A1	A2	A3	B3	B4	B5													
		DEPCA-KC	DEPCA NETWORK INTERG. KIT/ FR/CAN	A1	A2	A3	B3	B4	B5													
		DEPCA-KD	DEPCA NETWORK INTERG. KIT/ DAN.	A1	A2	A3	B3	B4	B5													
		DEPCA-KE	DEPCA NETWORK INTERG. KIT/ FR/E./CN	A1	A2	A3	B3	B4	B5													
		DEPCA-KF	DEPCA NETWORK INTERG. KIT/ FIN	A1	A2	A3	B3	B4	B5													
		DEPCA-KG	DEPCA NETWORK INTERG. KIT/ GERM	A1	A2	A3	B3	B4	B5													
		DEPCA-KI	DEPCA NETWORK INTERG. KIT/ ITAL	A1	A2	A3	B3	B4	B5													
		DEPCA-KK	DEPCA NETWORK INTERG. KIT/ SW/FR	A1	A2	A3	B3	B4	B5													
		DEPCA-KL	DEPCA NETWORK INTERG. KIT/ SW/GER	A1	A2	A3	B3	B4	B5													
		DEPCA-KM	DEPCA NETWORK INTERG. KIT/ SW/CD	A1	A2	A3	B3	B4	B5													
		DEPCA-KN	DEPCA NETWORK INTERG. KIT/ NORW	A1	A2	A3	B3	B4	B5													
		DEPCA-KP	DEPCA NETWORK INTERG. KIT/ FR	A1	A2	A3	B3	B4	B5													
		DEPCA-KS	DEPCA NETWORK INTERG. KIT/ SPAN	A1	A2	A3	B3	B4	B5													
		DEPCA-KT	DEPCA NETWORK INTERG. KIT/ HEBR.	A1	A2	A3	B3	B4	B5													
K-PL-DEPCA-0-DBP	2		DEPCA UNIT ASSEMBLY (PL)	A	B	C	D	E	F													
B-TC-DEPCA-0-DBU	1		DEPCA UNIT ASSEMBLY (TC)	A	A	A	A	A	A													
		MP-02421-01	PRINT SET, DEPCA (MP)	REF	REF	REF	REF	REF	REF													

NOTES:

FILE NAME: DD-DEPCA-0-DBUF

REVISION HISTORY		ECO NO.	REV.	A	B	C	D	E	F
DATE	INITIAL								
3AUG87	DEPCA-0-MLO01								
23APR88	DEPCA-0-MLO02								
11JAN89	DEPCA-0-MLO03								
17FEB89	DEPCA-MLO04								
8JAN90	DEPCA-MLO05								

THIS DRAWING AND THE SPECIFICATIONS CONTAINED HEREIN ARE CONFIDENTIAL AND PROPRIETARY. THEY ARE THE PROPERTY OF DIGITAL EQUIPMENT CORPORATION AND SHALL NOT BE REPRODUCED OR COPIED OR USED IN WHOLE OR IN PART AS THE BASIS FOR THE MANUFACTURE OR SALE OF ITEMS WITHOUT WRITTEN PERMISSION. THIS IS AN UNPUBLISHED WORK PROTECTED UNDER THE FEDERAL COPYRIGHT LAWS.



DRN. PAUL GAGNE	DATE 31-DEC-86
CHK'D D. HEALY	DATE 18-MAY-87
DES. ENG. D. NELSON	DATE 18-MAY-87
RESP. ENG. D. NELSON	DATE 18-MAY-87
MFG. ENG. R. CRUZ	DATE 18-MAY-87

TITLE		DEPCA UNIT ASSEMBLY	
SIZE CODE	NUMBER	REV	
B DD	DEPCA-0-DBU	F	
SHEET 1 OF 2			

LINE	ITEM	TOP DOCUMENT	PART NUMBER	MIN REV	DESCRIPTION	QUANTITY PER VARIATION/REVISION									
						AA B01	AU A01	BA B04	CA B01	KA B05	KC B05	KD B05	KE B05	KF B05	KG B05
1	1	B-DD-7024252-0-DBU	70-24252-01	E	DEPCA,MODULE,ASSY	1	-	1	1	1	1	1	1	1	1
2	2	A-PS-1701491-0-0	17-01491-01		CABLE ASSY,16 COND,FLAT,28AWG,15PD	-	1	-	-	-	-	-	-	-	-
3	3	A-PS-1700612-0-0	7-00612-05		CABLE ASSY,08 COND,MOLDED,SHIELD,1	-	1	-	-	-	-	-	-	-	-
4	4	SEE NOTE 2	EK-DEPCA-0M		DEPCA OWNERS MANUAL	1	-	1	1	1	1	1	1	1	1
5	5		BC16T-12		BC16M-12,H8223 T-CONNECTOR,H8225 T	1	-	1	1	1	1	1	1	1	1
6	6	A-PA-3700950-0-0	37-00950-01		PKG DEPCA-AA/AX & BA/BX OPTION	1	-	1	1	-	-	-	-	-	-
7	7	K-DD-LK250-0-0	LK250-AA	C	*** THIS ITEM IS NOT USED ***	-	-	-	-	-	-	-	-	-	-
8	8	K-DD-LK250-0-0	LK250-AC	C	*** THIS ITEM IS NOT USED ***	-	-	-	-	-	-	-	-	-	-
9	9	K-DD-LK250-0-0	LK250-AD	C	*** THIS ITEM IS NOT USED ***	-	-	-	-	-	-	-	-	-	-
10	10	K-DD-LK250-0-0	LK250-ED	C	*** THIS ITEM IS NOT USED ***	-	-	-	-	-	-	-	-	-	-
11	11	K-DD-LK250-0-0	LK250-AF	C	*** THIS ITEM IS NOT USED ***	-	-	-	-	-	-	-	-	-	-
12	12	K-DD-LK250-0-0	LK250-AG	C	*** THIS ITEM IS NOT USED ***	-	-	-	-	-	-	-	-	-	-
13	13	K-DD-LK250-0-0	LK250-AI	C	*** THIS ITEM IS NOT USED ***	-	-	-	-	-	-	-	-	-	-
14	14	K-DD-LK250-0-0	LK250-AK	C	*** THIS ITEM IS NOT USED ***	-	-	-	-	-	-	-	-	-	-
15	15	K-DD-LK250-0-0	LK250-AL	C	*** THIS ITEM IS NOT USED ***	-	-	-	-	-	-	-	-	-	-
16	16	K-DD-LK250-0-0	LK250-AM	C	*** THIS ITEM IS NOT USED ***	-	-	-	-	-	-	-	-	-	-
17	17	K-DD-LK250-0-0	LK250-AN	C	*** THIS ITEM IS NOT USED ***	-	-	-	-	-	-	-	-	-	-
18	18	K-DD-LK250-0-0	LK250-AP	C	*** THIS ITEM IS NOT USED ***	-	-	-	-	-	-	-	-	-	-
19	19	K-DD-LK250-0-0	LK250-AS	C	*** THIS ITEM IS NOT USED ***	-	-	-	-	-	-	-	-	-	-
20	20	K-DD-LK250-0-0	LK250-AT	C	*** THIS ITEM IS NOT USED ***	-	-	-	-	-	-	-	-	-	-
21	21		EK-DEPCA-UG		*** THIS ITEM IS NOT USED ***	-	-	-	-	-	-	-	-	-	-
22	22	K-PL-VSXXX-0-DBP	VSXXX-AA		3 BUTTON SERIAL MOUSE WITH 5 FT CA	-	-	-	-	1	1	1	1	1	1
23	23	A-PA-3700950-0-0	37-00950-05		PKG DEPCA KA/KX OPTION (CUST)	-	-	-	-	1	1	1	1	1	1
24	24	A-PS-1701517-0-0	17-01517-02		*** THIS ITEM IS NOT USED ***	-	-	-	-	-	-	-	-	-	-
25	25	K-PA-3700950-0-0	37-00950-06		PKG CONTROLER DEPCA-AU	-	1	-	-	-	-	-	-	-	-
26	26	SEE NOTE 1	QBZF7-UZ		*** THIS ITEM IS NOT USED ***	-	-	-	-	-	-	-	-	-	-
27	27	SEE NOTE 1	QVA05-UZ		*** THIS ITEM IS NOT USED ***	-	-	-	-	-	-	-	-	-	-
28	28		QGEL1-UZ		*** THIS ITEM IS NOT USED ***	-	-	-	-	-	-	-	-	-	-
29	29		EK-DEPIT-UG		*** THIS ITEM IS NOT USED ***	-	-	-	-	-	-	-	-	-	-
30	30				*** THIS ITEM IS NOT USED ***	-	-	-	-	-	-	-	-	-	-

REVISION HISTORY			KPL MATRIX, FORMAT		SECTION A OF C		DRN: PAUL GAGNE		DIGITAL			
ENG	ECO NUMBER	REV	SECTION/VARIATION INDEX		DATE: 30-DEC-86		CHK'D: D. HEALY		TITLE PARTS LIST			
---	INITIAL	A	[A]	AA, AU, BA, CA, KA, KC, KD, KE, KF, KG	DATE: 18-MAY-87		DATE: 18-MAY-87		DEPCA UNIT ASSEMBLY			
DN	DEPCA-ML001	B	[B]	KI, KK, KL, KM, KN, KP, KS, KT, PA, RA			DES.ENG: D. NELSON		DOCUMENT NUMBER			
DN	DEPCA-ML002	C	[C]	RB, SA, SB			DATE: 18-MAY-87		SIZE CODE NUMBER REV			
DN	DEPCA-ML003	D	[D]				RESP.ENG.: D. NELSON		K PL DEPCA-0-DBP F			
DN	DEPCA-ML004	E	[E]				DATE: 18-MAY-87		RELEASE DATE: 07-FEB-90			
DN	DEPCA-ML005	F	[F]				MFG.ENG: R. CRUZ		RELEASE STATUS: RELEASED			
			[H]				DATE: 18-MAY-87					
			[J]									
			BASIC PART NUMBER: DEPCA		ASSEMBLY NUMBER:		TOP DOCUMENT NUMBER: B-DD-DEPCA-0-DBU		EDIT # 2			
FILE NAME: MLA1070F.PLS												

"THIS DRAWING AND THE SPECIFICATIONS CONTAINED HEREIN ARE CONFIDENTIAL AND PROPRIETARY. THEY ARE THE PROPERTY OF DIGITAL EQUIPMENT CORPORATION AND SHALL NOT BE REPRODUCED OR COPIED OR USED IN WHOLE OR IN PART AS THE BASIS FOR THE MANUFACTURE OR SALE OF ITEMS WITHOUT WRITTEN PERMISSION. THIS IS AN UNPUBLISHED WORK PROTECTED UNDER THE FEDERAL COPYRIGHT LAWS."

LINE	ITEM	TOP DOCUMENT	PART NUMBER	MIN REV	DESCRIPTION	PER VARIATION/REVISION									
						AA B01	AU A01	BA B04	CA B01	KA B05	KC B05	KD B05	KE B05	KF B05	KG B05
31	31		EK-DEPFR-UG		*** THIS ITEM IS NOT USED ***	-	-	-	-	-	-	-	-	-	-
32	32		CBZP3-UZ A		*** THIS ITEM IS NOT USED ***	-	-	-	-	-	-	-	-	-	-
33	33		DEPCA-KA A		ENGLISH NETWORK INTEGRATION PKG F0	-	-	-	-	-	-	-	-	-	-
34	34		DEPCA-BA A		THINWIRE ETHERNET/MOUSE BOARD W/LI	-	-	-	-	-	-	-	-	-	-
35	35		DESVA-AA A		VS400 ETHERNET CNTRL BRD W/THINWIR	-	-	-	-	-	-	-	-	-	-
36	36		Q3D04-UZ A		*** THIS ITEM IS NOT USED ***	-	-	-	-	-	-	-	-	-	-
37	37		QZD04-UZ A		*** THIS ITEM IS NOT USED ***	-	-	-	-	-	-	-	-	-	-
38	38	SEE NOTE 1	QL-OTLA9-AA A		DECNET PCSA CLNT DOS LICENSE	-	-	1	1	1	1	1	1	1	1
39	39		QA-A93AA-H5 A		VMS SVC FOR PCS TK50	-	-	-	-	-	-	-	-	-	-
40	40		QA-OTLAA-H5 A		DECNET PCSA CLNT DOS TK5	-	-	-	-	-	-	-	-	-	-
41	41	SEE NOTE 1	QS938-SZ A		PCSA DECSTART SERVICES/VAX	-	-	-	-	-	-	-	-	-	-
42	42	SEE NOTE 1	QL-D04AP-AA A		DECNET-VAX E/N LIC W/WARR	-	-	-	-	-	-	-	-	-	-
43	43	SEE NOTE 1	QL-D04AN-AA A		DECNET-VAX ENON LIC W/WARR	-	-	-	-	-	-	-	-	-	-
44	44		LK250-CA A		LK250 KYBD W/BCC37-06 PC/AT CABLE,	-	-	-	-	1	-	-	-	-	-
45	45		LK250-CC A		LK250 KYBD W/BCC37-06 PC/AT CABLE,	-	-	-	-	-	1	-	-	-	-
46	46		LK250-CD A		LK250 KYBD W/BCC37-06 PC/AT CABLE,	-	-	-	-	-	-	1	-	-	-
47	47		LK250-CQ A		LK250 KYBD W/BCC37-06 PC/AT CABLE,	-	-	-	-	-	-	-	1	-	-
48	48		LK250-CF A		LK250 KYBD W/BCC37-06 PC/AT CABLE,	-	-	-	-	-	-	-	-	1	-
49	49		LK250-CG A		LK250 KYBD W/BCC37-06 PC/AT CABLE,	-	-	-	-	-	-	-	-	-	1
50	50		LK250-CI A		LK250 KYBD W/BCC37-06 PC/AT CABLE,	-	-	-	-	-	-	-	-	-	-
51	51		LK250-CK A		LK250 KYBD W/BCC37-06 PC/AT CABLE,	-	-	-	-	-	-	-	-	-	-
52	52		LK250-CL A		LK250 KYBD W/BCC37-06 PC/AT CABLE,	-	-	-	-	-	-	-	-	-	-
53	53		LK250-CM A		LK250 KYBD W/BCC37-06 PC/AT CABLE,	-	-	-	-	-	-	-	-	-	-
54	54		LK250-CN A		LK250 KYBD W/BCC37-06 PC/AT CABLE,	-	-	-	-	-	-	-	-	-	-
55	55		LK250-CP A		LK250 KYBD W/BCC37-06 PC/AT CABLE,	-	-	-	-	-	-	-	-	-	-
56	56		LK250-CS A		LK250 KYBD W/BCC37-06 PC/AT CABLE,	-	-	-	-	-	-	-	-	-	-
57	57		LK250-CT A		LK250 KYBD W/BCC37-06 PC/AT CABLE,	-	-	-	-	-	-	-	-	-	-

1 GEN: FOR US AND GIA SHIPMENTS, ITEMS 38 AND 41-43 DO NOT REPRESENT PHYSICAL COMPONENTS, AND WILL NOT APPEAR ON THE MFG. BOM.
 2 GEN: MINIMUM PART REVISION FOR ITEM 4 EK-DEPCA-0M IS 002.

D	I	G	I	T	A	L	TITLE	SECTION A OF C	SIZE	CODE	DOCUMENT NUMBER	REV
							DEPCA UNIT ASSEMBLY		K	PL	DEPCA-O-DBP	F

AUTOMATED BY VAXKPL (V2.1)

OWNER: PKO

PARTS LIST

SHEET B1

OF B2

PAGE 3 OF 6

LINE	ITEM	TOP DOCUMENT	PART NUMBER	MIN REV	DESCRIPTION	KI	KK	KL	KM	KN	KP	KS	KT	PA	RA
						B05	B05	B05	B05	B05	B05	B05	B05	B01	B02
1	1	B-DD-7024252-0-DBU	70-24252-01	E	DEPCA,MODULE,ASSY	1	1	1	1	1	1	1	1	-	-
2	2	A-PS-1701491-0-0	17-1491-01		CABLE ASSY,16 COND,FLAT,28AWG,15PD	-	-	-	-	-	-	-	-	-	-
3	3	A-PS-1700612-0-0	17-00612-05		CABLE ASSY,08 COND,MOLDED,SHIELD,1	-	-	-	-	-	-	-	-	-	-
4	4	SEE NOTE 2	EK-DEPCA-0M		DEPCA OWNERS MANUAL	1	1	1	1	1	1	1	1	-	-
5	5		BC16T-12		BC16M-12,H8223 T-CONNECTOR,H8225 T	1	1	1	1	1	1	1	1	-	-
6	6	A-PA-3700950-0-0	37-00950-01		PKG DEPCA-AA/AX & BA/BX OPTION	-	-	-	-	-	-	-	-	-	-
7	7	K-DD-LK250-0-0	LK250-AA	C	*** THIS ITEM IS NOT USED ***	-	-	-	-	-	-	-	-	-	-
8	8	K-DD-LK250-0-0	LK250-AC	C	*** THIS ITEM IS NOT USED ***	-	-	-	-	-	-	-	-	-	-
9	9	K-DD-LK250-0-0	LK250-AD	C	*** THIS ITEM IS NOT USED ***	-	-	-	-	-	-	-	-	-	-
10	10	K-DD-LK250-0-0	LK250-ED	C	*** THIS ITEM IS NOT USED ***	-	-	-	-	-	-	-	-	-	-
11	11	K-DD-LK250-0-0	LK250-AF	C	*** THIS ITEM IS NOT USED ***	-	-	-	-	-	-	-	-	-	-
12	12	K-DD-LK250-0-0	LK250-AG	C	*** THIS ITEM IS NOT USED ***	-	-	-	-	-	-	-	-	-	-
13	13	K-DD-LK250-0-0	LK250-AI	C	*** THIS ITEM IS NOT USED ***	-	-	-	-	-	-	-	-	-	-
14	14	K-DD-LK250-0-0	LK250-AK	C	*** THIS ITEM IS NOT USED ***	-	-	-	-	-	-	-	-	-	-
15	15	K-DD-LK250-0-0	LK250-AL	C	*** THIS ITEM IS NOT USED ***	-	-	-	-	-	-	-	-	-	-
16	16	K-DD-LK250-0-0	LK250-AM	C	*** THIS ITEM IS NOT USED ***	-	-	-	-	-	-	-	-	-	-
17	17	K-DD-LK250-0-0	LK250-AN	C	*** THIS ITEM IS NOT USED ***	-	-	-	-	-	-	-	-	-	-
18	18	K-DD-LK250-0-0	LK250-AP	C	*** THIS ITEM IS NOT USED ***	-	-	-	-	-	-	-	-	-	-
19	19	K-DD-LK250-0-0	LK250-AS	C	*** THIS ITEM IS NOT USED ***	-	-	-	-	-	-	-	-	-	-
20	20	K-DD-LK250-0-0	LK250-AT	C	*** THIS ITEM IS NOT USED ***	-	-	-	-	-	-	-	-	-	-
21	21		EK-DEPCA-UG		*** THIS ITEM IS NOT USED ***	-	-	-	-	-	-	-	-	-	-
22	22	K-PL-VSXXX-0-DBP	VSXXX-AA		3 BUTTON SERIAL MOUSE WITH 5 FT CA	1	1	1	1	1	1	1	1	1	-
23	23	A-PA-3700950-0-0	37-00950-05		PKG DEPCA KA/KX OPTION (CUST)	1	1	1	1	1	1	1	1	-	-
24	24	A-PS-1701517-0-0	17-01517-02		*** THIS ITEM IS NOT USED ***	-	-	-	-	-	-	-	-	-	-
25	25	K-PA-3700950-0-0	37-00950-06		PKG CONTROLER DEPCA-AU	-	-	-	-	-	-	-	-	-	-
26	26	SEE NOTE 1	QBZF7-UZ		*** THIS ITEM IS NOT USED ***	-	-	-	-	-	-	-	-	-	-
27	27	SEE NOTE 1	QVA05-UZ		*** THIS ITEM IS NOT USED ***	-	-	-	-	-	-	-	-	-	-
28	28		QGEL1-UZ		*** THIS ITEM IS NOT USED ***	-	-	-	-	-	-	-	-	-	-
29	29		EK-DEPIT-UG		*** THIS ITEM IS NOT USED ***	-	-	-	-	-	-	-	-	-	-
30	30				*** THIS ITEM IS NOT USED ***	-	-	-	-	-	-	-	-	-	-

REVISION HISTORY			KPL MATRIX FORMAT		SECTION B OF C		DRN: PAUL GAGNE		DIGITAL							
ENG: ECO NUMBER			REV		SECTION/VARIATION INDEX		DATE: 30-DEC-86									
--- INITIAL			A		[A] AA,AU,BA,CA,KA,KC,KD,KE,KF,KG		CHK'D: D. HEALY		TITLE PARTS LIST							
DN DEPCA-MLO01			B		[B] KI,KK,KL,KM,KN,KP,KS,KT,PA,RA		DATE: 18-MAY-87		DEPCA UNIT ASSEMBLY							
DN DEPCA-MLO02			C		[C] RB,SA,SB		DES.ENG: D. NELSON									
DN DEPCA-MLO03			D		[D]		DATE: 18-MAY-87		DOCUMENT NUMBER							
DN DEPCA-MLO04			E		[E]		RESP.ENG.: D. NELSON		SIZE		CODE		NUMBER		REV	
DN DEPCA-MLO05			F		[F]		DATE: 18-MAY-87		K		PL		DEPCA-0-DBP		F	
			H		[H]		MFG.ENG: R. CRUZ		RELEASE DATE:		07-FEB-90					
			J		[J]		DATE: 18-MAY-87		RELEASE STATUS:		RELEASED					
					BASIC PART NUMBER:		ASSEMBLY NUMBER:		TOP DOCUMENT NUMBER:		EDIT #					
					DEPCA				B-DD-DEPCA-0-DBU		2					
					FILE NAME: MLA1070F.PLS											

"THIS DRAWING AND THE SPECIFICATIONS CONTAINED HEREIN ARE CONFIDENTIAL AND PROPRIETARY. THEY ARE THE PROPERTY OF DIGITAL EQUIPMENT CORPORATION AND SHALL NOT BE REPRODUCED OR COPIED OR USED IN WHOLE OR IN PART AS THE BASIS FOR THE MANUFACTURE OR SALE OF ITEMS WITHOUT WRITTEN PERMISSION. THIS IS AN UNPUBLISHED WORK PROTECTED UNDER THE FEDERAL COPYRIGHT LAWS."

LINE	ITEM	TOP DOCUMENT	PART NUMBER	MIN REV	DESCRIPTION	QUANTITY PER VARIATION/REVISION										
						KI B05	KK B05	KL B05	KM B05	KN B05	KP B05	KS B05	KT B05	PA B01	RA B02	
31	31		EK-DEPFR-UG		*** THIS ITEM IS NOT USED ***	-	-	-	-	-	-	-	-	-	-	-
32	32		QBZP3-UZ A		*** THIS ITEM IS NOT USED ***	-	-	-	-	-	-	-	-	-	-	-
33	33		DEPCA-KA A		ENGLISH NETWORK INTEGRATION PKG FO	-	-	-	-	-	-	-	-	-	-	1
34	34		DEPCA-BA A		THINWIRE ETHERNET/MOUSE BOARD W/LI	-	-	-	-	-	-	-	-	-	4	2
35	35		DESVA-AA A		VS400 ETHERNET CNTRL BRD W/THINWIR	-	-	-	-	-	-	-	-	-	-	1
36	36		Q3D04-UZ A		*** THIS ITEM IS NOT USED ***	-	-	-	-	-	-	-	-	-	-	-
37	37		QZD04-UZ A		*** THIS ITEM IS NOT USED ***	-	-	-	-	-	-	-	-	-	-	-
38	38	SEE NOTE 1	QL-OTLA9-AA A		DECNET PCSA CLNT DOS LICENSE	1	1	1	1	1	1	1	1	-	-	-
39	39		QA-A93AA-H5 A		VMS SVC FOR PCS TK50	-	-	-	-	-	-	-	-	-	1	-
40	40		QA-OTLAA-H5 A		DECNET PCSA CLNT DOS TK5	-	-	-	-	-	-	-	-	-	1	-
41	41	SEE NOTE 1	QS938-SZ A		PCSA DECSTART SERVICES/VAX	-	-	-	-	-	-	-	-	-	1	-
42	42	SEE NOTE 1	QL-D04AP-AA A		DECNET-VAX E/N LIC W/WARR	-	-	-	-	-	-	-	-	-	-	1
43	43	SEE NOTE 1	QL-D04AN-AA A		DECNET-VAX ENON LIC W/WARR	-	-	-	-	-	-	-	-	-	-	-
44	44		LK250-CA A		LK250 KYBD W/BCC37-06 PC/AT CABLE,	-	-	-	-	-	-	-	-	-	-	-
45	45		LK250-CC A		LK250 KYBD W/BCC37-06 PC/AT CABLE,	-	-	-	-	-	-	-	-	-	-	-
46	46		LK250-CD A		LK250 KYBD W/BCC37-06 PC/AT CABLE,	-	-	-	-	-	-	-	-	-	-	-
47	47		LK250-CQ A		LK250 KYBD W/BCC37-06 PC/AT CABLE,	-	-	-	-	-	-	-	-	-	-	-
48	48		LK250-CF A		LK250 KYBD W/BCC37-06 PC/AT CABLE,	-	-	-	-	-	-	-	-	-	-	-
49	49		LK250-CG A		LK250 KYBD W/BCC37-06 PC/AT CABLE,	-	-	-	-	-	-	-	-	-	-	-
50	50		LK250-CI A		LK250 KYBD W/BCC37-06 PC/AT CABLE,	1	-	-	-	-	-	-	-	-	-	-
51	51		LK250-CK A		LK250 KYBD W/BCC37-06 PC/AT CABLE,	-	1	-	-	-	-	-	-	-	-	-
52	52		LK250-CL A		LK250 KYBD W/BCC37-06 PC/AT CABLE,	-	-	1	-	-	-	-	-	-	-	-
53	53		LK250-CM A		LK250 KYBD W/BCC37-06 PC/AT CABLE,	-	-	-	1	-	-	-	-	-	-	-
54	54		LK250-CN A		LK250 KYBD W/BCC37-06 PC/AT CABLE,	-	-	-	-	1	-	-	-	-	-	-
55	55		LK250-CP A		LK250 KYBD W/BCC37-06 PC/AT CABLE,	-	-	-	-	-	1	-	-	-	-	-
56	56		LK250-CS A		LK250 KYBD W/BCC37-06 PC/AT CABLE,	-	-	-	-	-	-	1	-	-	-	-
57	57		LK250-CT A		LK250 KYBD W/BCC37-06 PC/AT CABLE,	-	-	-	-	-	-	-	1	-	-	-

1 GEN: FOR US AND GIA SHIPMENTS, ITEMS 38 AND 41-43 DO NOT REPRESENT PHYSICAL COMPONENTS, AND WILL NOT APPEAR ON THE MFG. BOM.
 2 GEN: MINIMUM PART REVISION FOR ITEM 4 EK-DEPCA-OM IS 002.

D	I	G	I	T	A	L	TITLE	SECTION B	OF	C	SIZE	CODE	DOCUMENT NUMBER	REV
							DEPCA UNIT ASSEMBLY				K	PL	DEPCA-0-DBP	F

LINE	ITEM	TOP DOCUMENT	PART NUMBER	MIN REV	DESCRIPTION	RB B01	SA B02	SB B01	QUANTITY PER VARIATION/REVISION
1	1	B-DD-7024252-0-DBU	70-24252-01	E	DEPCA,MODULE,ASSY	-	-	-	
2	2	A-PS-1701491-0-0	17-01491-01		CABLE ASSY,16 COND,FLAT,28AWG,15PD	-	-	-	
3	3	A-PS-1700612-0-0	17-00612-05		CABLE ASSY,08 COND,MOLDED,SHIELD,1	-	-	-	
4	4	SEE NOTE 2	EK-DEPCA-0M		DEPCA OWNERS MANUAL	-	-	-	
5	5		BC16T-12		BC16M-12,H8223 T-CONNECTOR,H8225 T	-	-	-	
6	6	A-PA-3700950-0-0	37-00950-01		PKG DEPCA-AA/AX & BA/BX OPTION	-	-	-	
7	7	K-DD-LK250-0-0	LK250-AA	C	*** THIS ITEM IS NOT USED ***	-	-	-	
8	8	K-DD-LK250-0-0	LK250-AC	C	*** THIS ITEM IS NOT USED ***	-	-	-	
9	9	K-DD-LK250-0-0	LK250-AD	C	*** THIS ITEM IS NOT USED ***	-	-	-	
10	10	K-DD-LK250-0-0	LK250-ED	C	*** THIS ITEM IS NOT USED ***	-	-	-	
11	11	K-DD-LK250-0-0	LK250-AF	C	*** THIS ITEM IS NOT USED ***	-	-	-	
12	12	K-DD-LK250-0-0	LK250-AG	C	*** THIS ITEM IS NOT USED ***	-	-	-	
13	13	K-DD-LK250-0-0	LK250-AI	C	*** THIS ITEM IS NOT USED ***	-	-	-	
14	14	K-DD-LK250-0-0	LK250-AK	C	*** THIS ITEM IS NOT USED ***	-	-	-	
15	15	K-DD-LK250-0-0	LK250-AL	C	*** THIS ITEM IS NOT USED ***	-	-	-	
16	16	K-DD-LK250-0-0	LK250-AM	C	*** THIS ITEM IS NOT USED ***	-	-	-	
17	17	K-DD-LK250-0-0	LK250-AN	C	*** THIS ITEM IS NOT USED ***	-	-	-	
18	18	K-DD-LK250-0-0	LK250-AP	C	*** THIS ITEM IS NOT USED ***	-	-	-	
19	19	K-DD-LK250-0-0	LK250-AS	C	*** THIS ITEM IS NOT USED ***	-	-	-	
20	20	K-DD-LK250-0-0	LK250-AT	C	*** THIS ITEM IS NOT USED ***	-	-	-	
21	21		EK-DEPCA-UG		*** THIS ITEM IS NOT USED ***	-	-	-	
22	22	K-PL-VSXXX-0-DBP	VSXXX-AA		3 BUTTON SERIAL MOUSE WITH 5 FT CA	1	-	1	
23	23	A-PA-3700950-0-0	37-00950-05		PKG DEPCA KA/KX OPTION (CUST)	-	-	-	
24	24	A-PS-1701517-0-0	17-01517-02		*** THIS ITEM IS NOT USED ***	-	-	-	
25	25	K-PA-3700950-0-0	37-00950-06		PKG CONTROLLER DEPCA-AU	-	-	-	
26	26	SEE NOTE 1	QBZF7-UZ		*** THIS ITEM IS NOT USED ***	-	-	-	
27	27	SEE NOTE 1	QVA05-UZ		*** THIS ITEM IS NOT USED ***	-	-	-	
28	28		QGEL1-UZ		*** THIS ITEM IS NOT USED ***	-	-	-	
29	29		EK-DEPIT-UG		*** THIS ITEM IS NOT USED ***	-	-	-	
30	30				*** THIS ITEM IS NOT USED ***	-	-	-	

REVISION HISTORY		KPL MATRIX FORMAT		SECTION C OF C		DRN: PAUL GAGNE		DIGITAL	
ENG	ECO NUMBER	REV	SECTION/VARIATION INDEX		DATE	30-DEC-86			
---	INITIAL	A	[A]	AA,AU,BA,CA,KA,KC,KD,KE,KF,KG	CHK'D:	D. HEALY		TITLE PARTS LIST	
DN	DEPCA-MLO01	B	[B]	KI,KK,KL,KM,KN,KP,KS,KT,PA,RA	DATE:	18-MAY-87		DEPCA UNIT ASSEMBLY	
DN	DEPCA-MLO02	C	[C]	RB,SA,SB	DES.ENG:	D. NELSON		DOCUMENT NUMBER	
DN	DEPCA-MLO03	D	[D]		DATE:	18-MAY-87		SIZE	CODE
DN	DEPCA-MLO04	E	[E]		RESP.ENG.:	D. NELSON		NUMBER	REV
DN	DEPCA-MLO05	F	[F]		DATE:	18-MAY-87		K	PL
			[H]		MFG.ENG.:	R. CRUZ		RELEASE DATE: 07-FEB-90	
			[J]		DATE:	18-MAY-87		RELEASE STATUS: RELEASED	
		BASIC PART NUMBER:		ASSEMBLY NUMBER:		TOP DOCUMENT NUMBER:		EDIT #	
		DEPCA				B-DD-DEPCA-0-DBU		2	
		FILE NAME: MLA1070F.PLS							

"THIS DRAWING AND THE SPECIFICATIONS CONTAINED HEREIN ARE CONFIDENTIAL AND PROPRIETARY. THEY ARE THE PROPERTY OF DIGITAL EQUIPMENT CORPORATION AND SHALL NOT BE REPRODUCED OR COPIED OR USED IN WHOLE OR IN PART AS THE BASIS FOR THE MANUFACTURE OR SALE OF ITEMS WITHOUT WRITTEN PERMISSION. THIS IS AN UNPUBLISHED WORK PROTECTED UNDER THE FEDERAL COPYRIGHT LAWS."

LINE	ITEM	TOP DOCUMENT	PART NUMBER	MIN REV	DESCRIPTION	QUANTITY PER VARIATION/REVISION		
						RB B01	SA B02	SB B01
31	31		EK-DEPFR-UG		*** THIS ITEM IS NOT USED ***	-	-	-
32	32		QBZP3-UZ A		*** THIS ITEM IS NOT USED ***	-	-	-
33	33		JEPCA-KA A		ENGLISH NETWORK INTEGRATION PKG FO	-	1	-
34	34		DEPCA-BA A		THINWIRE ETHERNET/MOUSE BOARD W/LI	3	2	3
35	35		DEVA-AA A		VS400 ETHERNET CNTRL BRD W/THINWIR	1	-	-
36	36		Q3D04-UZ A		*** THIS ITEM IS NOT USED ***	-	-	-
37	37		QZD04-UZ A		*** THIS ITEM IS NOT USED ***	-	-	-
38	38	SEE NOTE 1	QL-OTLA9-AA A		DECNET PCSA CLNT DOS LICENSE	-	-	-
39	39		QA-A93AA-H5 A		VMS SVC FOR PCS TK50	-	-	-
40	40		QA-OTLAA-H5 A		DECNET PCSA CLNT DOS TK5	-	-	-
41	41	SEE NOTE 1	QS938-SZ A		PCSA DECSTART SERVICES/VAX	-	-	-
42	42	SEE NOTE 1	QL-D04AP-AA A		DECNET-VAX E/N LIC W/WARR	1	-	-
43	43	SEE NOTE 1	QL-D04AN-AA A		DECNET-VAX ENON LIC W/WARR	-	1	1
44	44		LK250-CA A		LK250 KYBD W/BCC37-06 PC/AT CABLE,	-	-	-
45	45		LK250-CC A		LK250 KYBD W/BCC37-06 PC/AT CABLE,	-	-	-
46	46		LK250-CD A		LK250 KYBD W/BCC37-06 PC/AT CABLE,	-	-	-
47	47		LK250-CQ A		LK250 KYBD W/BCC37-06 PC/AT CABLE,	-	-	-
48	48		LK250-CF A		LK250 KYBD W/BCC37-06 PC/AT CABLE,	-	-	-
49	49		LK250-CG A		LK250 KYBD W/BCC37-06 PC/AT CABLE,	-	-	-
50	50		LK250-CI A		LK250 KYBD W/BCC37-06 PC/AT CABLE,	-	-	-
51	51		LK250-CK A		LK250 KYBD W/BCC37-06 PC/AT CABLE,	-	-	-
52	52		LK250-CL A		LK250 KYBD W/BCC37-06 PC/AT CABLE,	-	-	-
53	53		LK250-CM A		LK250 KYBD W/BCC37-06 PC/AT CABLE,	-	-	-
54	54		LK250-CN A		LK250 KYBD W/BCC37-06 PC/AT CABLE,	-	-	-
55	55		LK250-CP A		LK250 KYBD W/BCC37-06 PC/AT CABLE,	-	-	-
56	56		LK250-CS A		LK250 KYBD W/BCC37-06 PC/AT CABLE,	-	-	-
57	57		LK250-CT A		LK250 KYBD W/BCC37-06 PC/AT CABLE,	-	-	-

1 GEN: FOR US AND GIA SHIPMENTS, ITEMS 38 AND 41-43 DO NOT REPRESENT PHYSICAL COMPONENTS, AND WILL NOT APPEAR ON THE MFG. BOM.
 2 GEN: MINIMUM PART REVISION FOR ITEM 4 EK-DEPCA-OM IS 002.

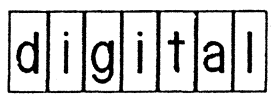
D	I	G	I	T	A	L	TITLE	SECTION C OF C	SIZE	CODE	DOCUMENT NUMBER	REV
							DEPCA UNIT ASSEMBLY		K	PL	DEPCA-0-DBP	F

DRAWING NO.	NO. OF SHTS	PART NO.	DESCRIPTION	REVISIONS															
				A1	B1	C1	D1	E1	E2	F1	F2	F3	H1	H2	H3	H4			
		70-24252-01	DEPCA MODULE ASSEMBLY																
K-PL-7024252-0-DBP	1		DEPCA MODULE ASSEMBLY	A	B	C	D	E	F	-	H	-	-	J	-	-			
D-AD-7024252-0-DBU	1		DEPCA MODULE ASSEMBLY	A	B	C	D	E	F	-	H	-	-	J	-	-			
K-SP-7024252-0-0	170		DEPCA FUNCTIONAL SPEC	-	-	-	A	B	B	B	B	C	B	B	C	C			
K-PL-7024252-1-DBP	1		DEPCA MODULE ASSEMBLY							A	-	-	B	-	-	-			
D-AD-7024252-1-DBU	1		DEPCA MODULE ASSEMBLY							A	-	-	B	-	-	-			
K-PL-7024252-2-DBP	1		DEPCA MODULE ASSEMBLY									A	-	-	B	C			
D-AD-7024252-2-DBU	1		DEPCA MODULE ASSEMBLY									A	-	-	B	C			

NOTES:
 USE THE FOLLOWING DOCUMENTS FOR ALL NEW MODULE BUILDS:
 K-PL-7024252-2-DBP, D-AD-7024252-2-DBU.

REVISION HISTORY		ECO NO.	REV.
DATE	INITIAL		A
02-APR-87	7024252-ML001		B
20-AUG-87	7024252-ML002		C
04-MAY-88	7024252-ML003		D
15-NOV-88	7024252-ML004		E
06-FEB-89	7024252-ML005		F
01-MAY-89	7024252-ML006		H
01-MAY-89	7024252-ML006		H
08-AUG-89	7024252-ML007		J
22-MAR-90	7024252-ML008		K
22-MAR-90	7024252-ML008		K
22-MAR-90	7024252-ML008		K
28-MAR-90	7024252-ML009		L

THIS DRAWING AND THE SPECIFICATIONS CONTAINED HEREIN ARE CONFIDENTIAL AND PROPRIETARY. THEY ARE THE PROPERTY OF DIGITAL EQUIPMENT CORPORATION AND SHALL NOT BE REPRODUCED OR COPIED OR USED IN WHOLE OR IN PART AS THE BASIS FOR MANUFACTURE OR SALE OF ITEMS WITHOUT WRITTEN PERMISSION. THIS IS AN UNPUBLISHED WORK PROTECTED UNDER THE FEDERAL COPYRIGHT LAWS.



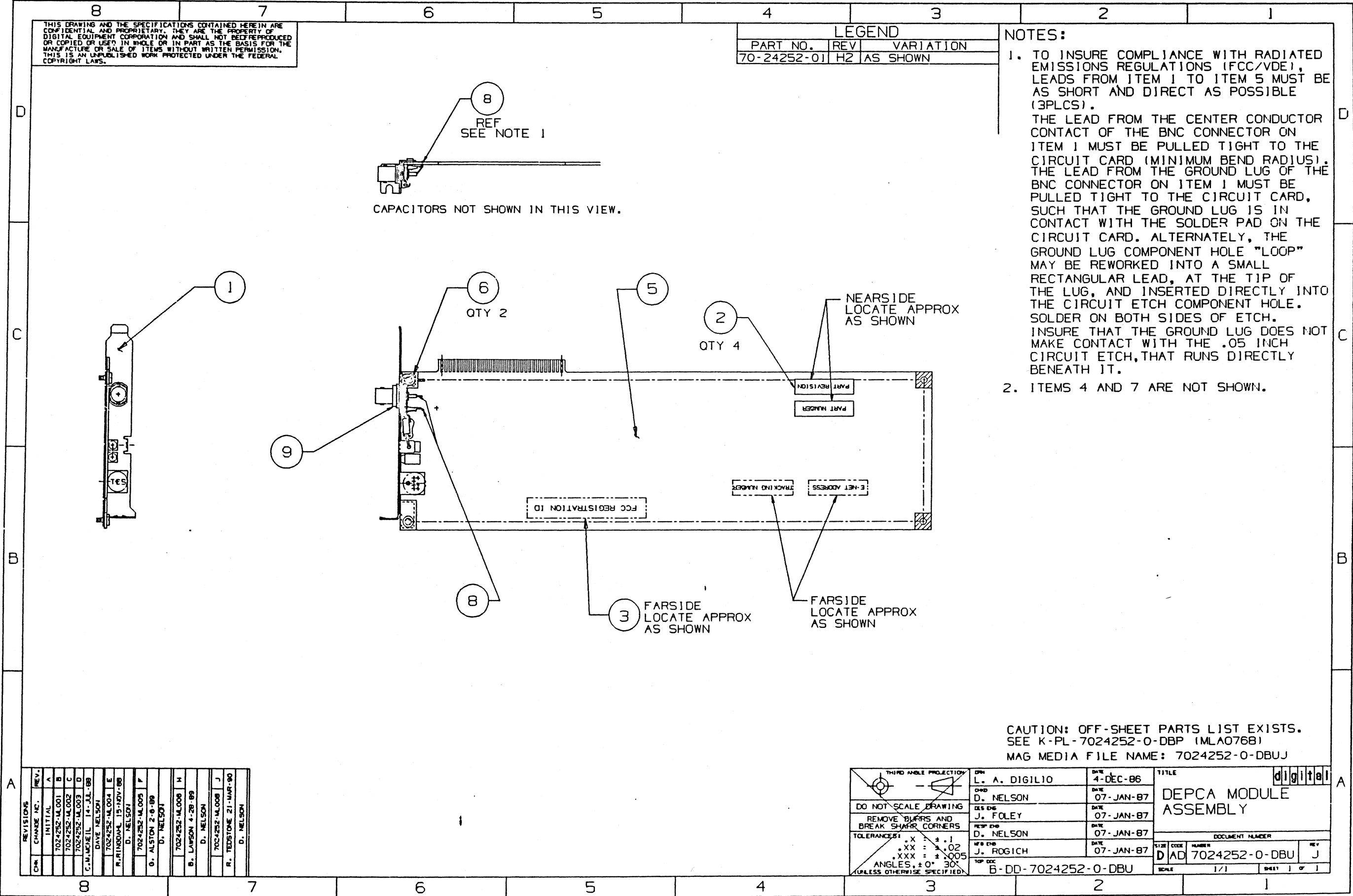
DRN. L.A.DIGIL10	DATE 04 DEC 86	TITLE DEPCA MODULE ASSEMBLY
CHK'D D.NELSON	DATE 07 JAN 87	
DES. ENG. J.FOLEY	DATE 07 JAN 87	DOCUMENT NUMBER 7024252-0-DBU
RESP. ENG D.NELSON	DATE 07 JAN 87	
MFG. ENG J.ROGICH	DATE 07 JAN 87	SIZE B CODE DD REV L
SHEET 1 OF 1		

THIS DRAWING AND THE SPECIFICATIONS CONTAINED HEREIN ARE CONFIDENTIAL AND PROPRIETARY. THEY ARE THE PROPERTY OF DIGITAL EQUIPMENT CORPORATION AND SHALL NOT BE REPRODUCED OR COPIED OR USED IN WHOLE OR IN PART AS THE BASIS FOR THE MANUFACTURE OR SALE OF ITEMS WITHOUT WRITTEN PERMISSION. THIS IS AN UNPUBLISHED WORK PROTECTED UNDER THE FEDERAL COPYRIGHT LAWS.

LEGEND		
PART NO.	REV	VARIATION
70-24252-01	H2	AS SHOWN

NOTES:

1. TO INSURE COMPLIANCE WITH RADIATED EMISSIONS REGULATIONS (FCC/VDE), LEADS FROM ITEM 1 TO ITEM 5 MUST BE AS SHORT AND DIRECT AS POSSIBLE (3PLCS). THE LEAD FROM THE CENTER CONDUCTOR CONTACT OF THE BNC CONNECTOR ON ITEM 1 MUST BE PULLED TIGHT TO THE CIRCUIT CARD (MINIMUM BEND RADIUS). THE LEAD FROM THE GROUND LUG OF THE BNC CONNECTOR ON ITEM 1 MUST BE PULLED TIGHT TO THE CIRCUIT CARD, SUCH THAT THE GROUND LUG IS IN CONTACT WITH THE SOLDER PAD ON THE CIRCUIT CARD. ALTERNATELY, THE GROUND LUG COMPONENT HOLE "LOOP" MAY BE REWORKED INTO A SMALL RECTANGULAR LEAD, AT THE TIP OF THE LUG, AND INSERTED DIRECTLY INTO THE CIRCUIT ETCH COMPONENT HOLE. SOLDER ON BOTH SIDES OF ETCH. INSURE THAT THE GROUND LUG DOES NOT MAKE CONTACT WITH THE .05 INCH CIRCUIT ETCH, THAT RUNS DIRECTLY BENEATH IT.
2. ITEMS 4 AND 7 ARE NOT SHOWN.



REV.	CHG	INITIAL	DATE
A			
B			
C			
D			
E			
F			
G			
H			
I			
J			

CAUTION: OFF-SHEET PARTS LIST EXISTS.
SEE K-PL-7024252-0-DBP (MLA076B)
MAG MEDIA FILE NAME: 7024252-0-DBUJ

<p>DO NOT SCALE DRAWING REMOVE BURRS AND BREAK SHARP CORNERS TOLERANCES: .X = ±.1 .XX = ±.02 .XXX = ±.005 ANGLES: ±0° 30' UNLESS OTHERWISE SPECIFIED</p>	<p>DRN L. A. DIGILIO DATE 4-DEC-86</p>	<p>TITLE DEPCA MODULE ASSEMBLY</p>
	<p>DESIGNED D. NELSON DATE 07-JAN-87</p>	<p>DESIGN J. FOLEY DATE 07-JAN-87</p>
	<p>RESP DES D. NELSON DATE 07-JAN-87</p>	<p>DATE 07-JAN-87</p>
	<p>WFO ENG J. ROGICH DATE 07-JAN-87</p>	<p>TOP OFF B-DD-7024252-0-DBU</p>
<p>DOCUMENT NUMBER 7024252-0-DBU</p>		<p>SCALE 1/1</p>

LINE ITEM	TOP DOCUMENT	PART NUMBER	MIN REV	DESCRIPTION	01 H02	QUANTITY PER VARIATION/REVISION
1	D-AD-7024251-0-DBU	70-24251-01	B	BRACKET ASSY		1
2	A-PS-3618460-0-0	36-18460-01		LABEL, BAR CODE BLANK .38 X1.5		4
3	A-PS-3627638-0-0	36-27638-01		LABEL, FCC ID DEPCA		1
4	A-PA-3700950-0-0	37-00950-02		PKG 7024252-01 REPLACEMENT PK		1
5	SEE NOTES 1 & 2	54-16999-01	M	DEPCA, THIN ETHRNT IBM/PC-BUS ADPTR		1
6		90-10174-00		SCREW, SEMS PAN PHIL 6-32		2
7		90-10603-01		GUIDE, CARD W/POP INSERTS 3" CENTE		1
8		91-07560-01	B	WIRE, BUSS 22AWG TIN BARE	A/R	
9		90-11135-01	A	BUSHING, INSULATING, BNC RECEPT		1

1 GEN: THIS DOCUMENT IS FOR UPGRADES TO EXISTING INSTALLED BASE OR FOR NEW MODULE BUILDS, BASED ON 50-16998-01 REV B1 ETCH.
 2 GEN: THE MINIMUM PART REVISION SPECIFIED IS ALSO THE MAXIMUM PART REVISION ALLOWED.

REVISION HISTORY			KPL MATRIX FORMAT		SECTION A OF A		DRN: L.A. DIGILIO		DIGITAL			
ENG	ECO NUMBER	REV	SECTION/VARIATION INDEX		DATE: 25-SEP-86		CHK'D: D. NELSON		TITLE PARTS LIST			
---	INITIAL	A	[A]	01	DATE: 08-JAN-87		DATE: 08-JAN-87		DEPCA MODULE ASSEMBLY			
TH	7024252-ML001	B	[B]				DES. ENG: J. FOLEY					
TH	7024252-ML002	C	[C]				DATE: 08-JAN-87		DOCUMENT NUMBER			
DN	7024252-ML003	D	[D]				RESP. ENG.: D. NELSON		SIZE	CODE	NUMBER	REV
DN	7024252-ML004	E	[E]				DATE: 08-JAN-87		K	PL	7024252-0-DBP	J
DN	7024252-ML005	F	[F]				MFG. ENG: J. ROGICH		RELEASE DATE:			
DN	7024252-ML006	H	[H]				DATE: 08-JAN-87		RELEASE STATUS: UNDER CHANGE			
DN	7024252-ML008	J	[J]									
			BASIC PART NUMBER:		ASSEMBLY NUMBER:		TOP DOCUMENT NUMBER:		EDIT #			
			7024252		D-AD-7024252-0-DBP		B-DD-7024252-0-DBP		1			
FILE NAME: MLA0768J.PLS												

"THIS DRAWING AND THE SPECIFICATIONS CONTAINED HEREIN ARE CONFIDENTIAL AND PROPRIETARY. THEY ARE THE PROPERTY OF DIGITAL EQUIPMENT CORPORATION AND SHALL NOT BE REPRODUCED OR COPIED OR USED IN WHOLE OR IN PART AS THE BASIS FOR THE MANUFACTURE OR SALE OF ITEMS WITHOUT WRITTEN PERMISSION. THIS IS AN UNPUBLISHED WORK PROTECTED UNDER THE FEDERAL COPYRIGHT LAWS."

DRAWING NO.	NO. SHTS	PART NO.	DESCRIPTION	REVISIONS									
				H1	J1	K1	H1	J1	K1	L1	M1	N1	
D-UA-5416999-0-0	3	5416999-01	DEPCA UNIT ASSEMBLY	H	J	K	H	J	K	L	M	N	
K-CS-5416999-0-1	10		DEPCA SCHEMATIC	D	H		D	D		E	J		
K-PL-5416999-0-DBP	1		DEPCA PART LIST		H			J			K		
K-CS-5416999-0-DBX	1		VALID SCHEMATIC DATA BASE	D	D		D	D		E	E		
K-PC-5416999-0-DBJ	1		P.C. DATA BASE	B	B	D	B	B	D	B	B	D	
		5016998-01	ETCHED CIRCUIT BOARD	B1	B1	D1	B1	B1	D1	B1	B1	D1	
K-DD-5016998-0-0	1		E.C.B. DRAWING DIRECTORY	E	E	F	E	E	F	E	E	F	
B-BD-5416999-0-2	1		DEPCA BLOCK DIAGRAM	A	A	A	A	A	A	A	A	A	
B-FD-5416999-0-3	1		DEPCA STATE DIAGRAM	A	A	A	A	A	A	A	A	A	
B-TD-5416999-0-4	10		DEPCA TIMING DIAGRAM	A	A	A	A	A	A	A	A	A	
D-UA-5416999-1-0	3		DEPCA UNIT ASSEMBLY	A			A			B			
K-PL-5416999-1-DBP	1		DEPCA PARTS LIST	A			A			B			
D-UA-5416999-2-0	3		DEPCA UNIT ASSEMBLY			A			A		B		
K-PL-5416999-2-DBP	3		DEPCA PARTS LIST			A			B		C		
K-CS-5416999-2-1	10		DEPCA CIRCUIT SCHEMATIC			A			A		A		

NOTES:
THERE WILL NEVER BE A C1 ETCH. ETCH REV WENT FROM B1 TO D1.
USE THE FOLLOWING DOCUMENTS FOR ALL NEW MODULE BUILDS:
D-UA-5416999-2-0
K-PL-5416999-2-DBP
K-CS-5416999-2-1
FOR BACK REVISIONS SEE B-DD-5416999-0-0 REV J.

REVISION	H	I	S	T	O	R	Y	K	L	M	N	N	N	P	P	P
								REV								

THIS DRAWING AND THE SPECIFICATIONS CONTAINED HEREIN ARE CONFIDENTIAL AND PROPRIETARY. THEY ARE THE PROPERTY OF DIGITAL EQUIPMENT CORPORATION AND SHALL NOT BE REPRODUCED OR COPIED OR USED IN WHOLE OR IN PART AS THE BASIS FOR THE MANUFACTURE OR SALE OF ITEMS WITHOUT WRITTEN PERMISSION. THIS IS AN UNPUBLISHED WORK PROTECTED UNDER THE FEDERAL COPYRIGHT LAWS.

DRN: J. CUNNINGHAM DATE: 9/22/86 d | i | g | i | t | a | l

CHK'D: B. DITOMMASO DATE: 9/22/86 TITLE: DEPCA

DES.ENG.: J. LU DATE: 06NOV86 SHEET 1 OF 2 EDIT: 25

RESP.ENG.: D. NELSON DATE: 06NOV86 DOCUMENT NUMBER

DD FILENAME: 5416999P.DDF

MFG.ENG.: J. ROGICH DATE: 06NOV86 SIZE: K CODE: DD NUMBER: 5416999-0-0 REV: P

DRAWING NO.	NO. SHTS	PART NO.	DESCRIPTION	REVISIONS					
K-CS-5416999-2-DBX			DEPCA SCHEMATIC DATA BASE	A	A	A			
d i g i t a l			TITLE DEPCA	SHEET 2 OF 2		SIZE K	CODE DD	DOCUMENT NUMBER 5416999-0-0	REV P

LINE ITEM	TOP DOCUMENT	PART NUMBER	MIN REV	DESCRIPTION	QTY	REFERENCE DESIGNATORS
1	1 K-DD-5016998-0-0	50-16998-01 B		PWB,04L,13X04X062,08/08,038,PT,S	1	
2	2	10-00002-05		68 MFD 10V +/-10% SOL	2	C3,C44
3	3	10-00079-00		47 MFD 20V +/-20% SOL	1	C45
4	4	10-10274-02		1.0 MFD 50V +80/-20% Z5U C	1	C14
5	5	10-12784-00		0.047MFD 50V +80/-20% Z5U C	29	C19,C20,C23,C25,C34,C36,C39, C40,C46-C48,C50,C52-C58,C60, CONT C62-C70
6	6	10-13466-06	100	PFD 50V +/- 5% NP0 C	2	C9,C16
7	7	10-13466-16	0.010MFD	50V +/-10% X7R C	4	C8,C41-C43
8	8	10-13466-17	150	PFD 50V +/- 5% NP0 C	1	C12
9	9	10-13466-22	0.10	MFD 50V +80/-20% Z5U C	7	C10,C13,C15,C17,C30,C35,C38
10	10	10-13466-27	820	PFD 50V +/- 5% NP0 C	1	C11
11	11	10-13466-34	4700	PFD 50V +/- 5% X7R C	1	C18
12	12	10-13466-50	680	PFD 50V +/- 5% NP0 C	1	C26
13	13	10-14265-00	0.22	MFD 50V +80/-20% Z5U C	6	C22,C29,C31-C33,C37
14	14	10-15573-02	0.10	MFD 50V +/-10% X7R C	1	C21
15	15	10-17472-00	10	MFD 35V +75/-10% 85	5	C2,C4-C7
16	16	11-00114-00		PIV= 25 IO=135 MA	2	D1,D3
17	17	11-03441-00		*** THIS ITEM IS NOT USED ***	-	
18	18	11-05796-00		PIV= 400 IO= 1.00A 1N4004 D0-41	1	D2
19	19	11-14602-00		RECT,ULTRA FAST PIV= 100 IO= 4.0	1	D4
20	20	11-16283-00		1N 4735A VZ= 6.2 5% 1W	4	D6-D9
21	21	11-17373-01		LED ASSY RED	1	D11
22	22	11-17373-02		LED ASSY, YELLOW	1	D12
23	23	12-05747-00		FUSE PICO 5.0 A 125V AXIAL LEA	1	F1
24	24	12-10929-06		FUSE PICO 2.0 A 125V AXIAL LEA	2	F2,F3
25	25	12-12518-19 A		PCB HEADER 02POS(1X02).100CC STR	6	W6-W8,W15-W17
26	26	12-12518-20		PCB HEADER 03POS(1X03).100CC STR	11	W1-W5,W9-W14
27	27	12-13488-15		PCB HEADER 16PIN(2X08).100CC STR	1	J4
28	28	12-15006-07		SKT,IC 28PIN DIP TIN SOLD	1	XE15

REVISION HISTORY			KPL MODULE FORMAT SECTION A OF A		DRN: E. LANDRY	D I G I T A L			
ENG	ECO NUMBER	REV	SECTION/VARIATION INDEX		DATE: 13-JAN-86	TITLE		PARTS LIST	
---	INITIAL	A	[A]	01	[M]	CHK'D: B. DITOMMASO		DEPCA	
TH	5416999-ML001	B	[B]		[N]	DATE: 30-SEP-86			
TH	5416999-ML002	C	[C]		[P]	DES.ENG: JEFF LU			
TH	5416999-ML003	D	[D]		[Q]	DATE: 30-SEP-86		DOCUMENT NUMBER	
DN	5416999-ML006	E	[E]		[R]	RESP.ENG.: DAVE NELSON		SIZE	CODE
DN	5416999-ML007	F	[F]		[S]	DATE: 01-OCT-86		NUMBER	REV
DN	5416999-ML009	H	[H]		[T]	MFG.ENG: JERRY ROGICH		K	PL
DN	5416999-ML011	J	[J]		[V]	DATE: 22-OCT-86		5416999-0-DBP	K
DN	5416999-ML012	K	[K]		[W]	RELEASE DATE: 23-MAR-90		RELEASE STATUS: RELEASED	
			[L]		[Y]	BASIC PART NUMBER: 5416999		ASSEMBLY NUMBER: D-UA-5416999-0-0	
						TOP DOCUMENT NUMBER: K-DD-5416999-0-0		EDIT # 1	
						FILE NAME: GH833K.PLS			

"THIS DRAWING AND THE SPECIFICATIONS CONTAINED HEREIN ARE CONFIDENTIAL AND PROPRIETARY. THEY ARE THE PROPERTY OF DIGITAL EQUIPMENT CORPORATION AND SHALL NOT BE REPRODUCED OR COPIED OR USED IN WHOLE OR IN PART AS THE BASIS FOR THE MANUFACTURE OR SALE OF ITEMS WITHOUT WRITTEN PERMISSION. THIS IS AN UNPUBLISHED WORK PROTECTED UNDER THE FEDERAL COPYRIGHT LAWS."

LINE	ITEM	TOP DOCUMENT	PART NUMBER	MIN REV	DESCRIPTION	QTY	REFERENCE DESIGNATORS
29	29		12-18783-00	A	JUMPER	14	
30	30		12-19911-04		SKT, IC	1	XE20
31	31		12-26589-01		PCB HEADER	1	J3
32	32		13-00229-00		100.0 .25 W 5.0 % CF	3	R2, R3, R23
33	33		13-00250-00		150.0 .25 W 5.0 % CF	1	R34
34	34		13-00295-00		330.0 .25 W 5.0 % CF	7	R11, R14, R19, R20, R27, R32, R33
35	35		13-00316-00		470.0 .25 W 5.0 % CF	2	R5, R26
36	36		13-00432-00		3.0 K .25 W 5.0 % CF	1	R29
37	37		13-00447-00		4.70 K .25 W 5.0 % CF	10	R1, R4, R10, R12, R13, R15-R18, R46
38	38		13-00479-00		10.0 K .25 W 5.0 % CF	3	R25, R45, R52
39	39		13-01969-00		22.0 .25 W 5.0 % CF	2	R21, R48
40	40		13-02379-00		75.0 .25 W 5.0 % CF	1	R9
41	41		13-02411-00		511.0 .25 W 1.0 % RN55D-F10	5	R28, R35, R37, R39, R51
42	42		13-02941-00		14.70 K .25 W 1.0 % RN55D-F10	1	R7
43	43		13-03114-00		1.0 K .25 W 1.0 % RN55D-F10	2	R6, R49
44	44		13-04866-00		2.0 K .25 W 1.0 % RN55D-F10	1	R44
45	45		13-05346-00		27.0 K .25 W 5.0 % CF	1	R53
46	46		13-09595-00		1.0 M .25 W 5.0 % CF	1	R42
47	47		13-11522-00		200.0 .25 W 5.0 % CF	1	R36
48	48		13-12546-00		16.50 K .25 W 1.0 % RN55D-F10	1	R8
49	49		13-16395-00		R. NET 4.7K- 9 2.0	1	Z1
50	50		13-18150-74		39.20 .25 W 1.0 % RN55D-F10	2	R22, R24
51	51		13-18150-75		40.20 .25 W 1.0 % RN55D-F10	8	R30, R31, R38, R40, R41, R43, R47, R50
52	52		15-03100-00		DEC3009B NPN 200MW SI 20 25	1	Q1
53	53		15-20324-01		FET 40W N CHNNL TO	1	Q2
54	54		16-09756-00		2.2 UH 10% 760MA #DD2.20	1	L1
55	55		16-12946-03		5.6 UH 10% Q MIN=52@7.9MHZ	4	L2, L4, L6, L7
56	56		16-18238-02		BEAD, FERRITE .1380DX.330LG	2	L3, L5
57	57		16-24903-01		PULSE XFMR RATIO 1:1	1	T1
58	58		16-25859-01		XFMR, SWITCHING, HI FREQUENCY	1	T2
59	59		18-11660-02		OSCILLATOR, XTAL 5.0688 MHZ	1	Y2
60	60		18-22815-01		XTAL 20.000 MHZ	1	Y1
61	61		19-09929-00		7417 BUFFER GATE-HEX 1INP	1	E4
62	62		19-11944-00		555CN TIMER, FUNCT. BLOCK	1	E48
63	63		19-12803-00		LS04 INVERTER GATE, HEX	2	E24, E25
64	64		19-12805-00		LS08 AND GATE-QUAD 2IN, PO	1	E16
65	65		19-12816-00		LS32 OR GATE-QUAD 2IN, POS	1	E23
66	66		19-12824-00		LS74 FF-D DUAL, EDGE TRIGG	1	E22
67	67		19-12848-00		LS158 MUX 1 OF 2 (QUAD)	1	E27
68	68		19-12853-00		LS175 FF-D QUAD	1	E30
69	69		19-13009-00		4N36 OPTO COUPLED ISLTR	1	E49
70	70		19-15193-00		LS244 DRIVER, LINE, OCTAL, TR	4	E9, E10, E14, E33
71	71		19-15218-00		LS245 TRANSCEIVER, BUS, OCTA	1	E3
72	72		19-15219-00		LS373 FF-D OCTAL-TRANSPARE	4	E35-E38
73	73		19-15415-02		9636 DRIVER, DUAL LINE PCX	1	E2
74	74		19-15932-00		LS125 BUFFER, QUAD BUS	2	E19, E21
75	75		19-19542-01		9639 RECEIVER, LINE, DUAL	1	E7
76	76		19-20442-01		74F374 FF-D, OCTAL, TRI-STATE	1	E12
77	77		19-20853-01		LS646 BUS TRANSCEIVER/REGI	2	E31, E32
78	78		19-20894-01		LS590 COUNTER, BINARY, 8-BIT	1	E26

D	I	G	I	T	A	L	TITLE	DEPCA	SECTION A	OF A	SIZE	CODE	DOCUMENT NUMBER	REV
											K	PL	5416999-0-DBP	K

LINE	ITEM	TOP DOCUMENT	PART NUMBER	MIN REV	DESCRIPTION	QTY PER VAR/REV	REFERENCE DESIGNATORS
79	79		19-21309-01		74F10 NAND GATE,TRIPLE,3-I	1	E28
80	80		19-21314-01		74F74 FF-D,DUAL,POS.,EDGE	2	E17,E18
81	81		19-21671-03		INTERFACE,SERIAL ADAPTOR 300MIL	1	E6
82	82		19-25220-03		*** THIS ITEM IS NOT USED ***	-	
83	83		21-18623-00		2661-3COMMUNICATIONS,INTER	1	E29
84	84		21-21384-02		RAM 8KX8,STATIC 150	6	E39-E41,E45-E47
85	85		21-21672-07		*** THIS ITEM IS NOT USED ***	-	
86	86		23-365A1-00		A1-09	1	E34
87	87		23-247E5-00		*** THIS ITEM IS NOT USED ***	-	
88	88		23-287J5-00		*** THIS ITEM IS NOT USED ***	-	
89	89		23-75L1 -00		*** THIS ITEM IS NOT USED ***	-	
90	90		23-288J5-00		J5-03 PAL,OCTAL,AND-	1	E8
91	91		91-05740-55		WIRE(WRAP) 30AWG KYNAR UL14	A/R	
92	92		12-15006-02	A	SKT,IC 16PIN DIP TIN SOLD	1	XE34
93	93		19-12801-00	A	LS02 NOR-GATE-QUAD 2IN	1	E13
94	94		23-79L1 -00	A	L1-01	1	E11
95	95	SEE NOTE 3			*** THIS ITEM IS NOT USED ***	-	
96	96		23-274E5-00	A	*** THIS ITEM IS NOT USED ***	-	
97	97		49-01176-00	A	ADHESIVE,HOT MELT,STICK FORM	A/R	
98	98		11-03441-01	A	VZ= 8.2 1% 400 MW 1N756A	1	D5
99	99		23-287E5-00		*** THIS ITEM IS NOT USED ***	-	
100	100		23-289J5-00		J5-03 PAL,OCTAL,AND-	1	E5
101	101		19-25220-05	A	COAXIAL TRANSCEIVER INTERFACE 5B	1	E1
102	102	SEE NOTE # 102	21-21672-09	A	CONTROLLER,LOCAL AREA NET	1	E20
103	103	SEE NOTE # 103	23-343E5-00	A	*** THIS ITEM IS NOT USED ***	-	
104	105		23-385E5-00	A	E5-02,E5-03	U 1	E15

102 NOTE: 21-21672-11 IS AN ACCEPTABLE ALTERNATE FOR ITEM 102, 21-21672-09.

103 NOTE: SEE NOTE 1.

- 1 GEN: THIS DOCUMENT IS FOR UPGRADES TO EXISTING INSTALLED, BASE OR FOR NEW MODULE BUILDS, USING 50-16998-01 REV B1.
- 2 GEN: THE MINIMUM PART REVISION SPECIFIED FOR ITEM 1 IS ALSO THE MAXIMUM PART REVISION ALLOWED.
- 3 GEN: DUE TO A BUG IN THE KPL PROGRAM I HAD TO DELETE THE PART NUMBER 19-25220-06, (ITEM NOT USED).

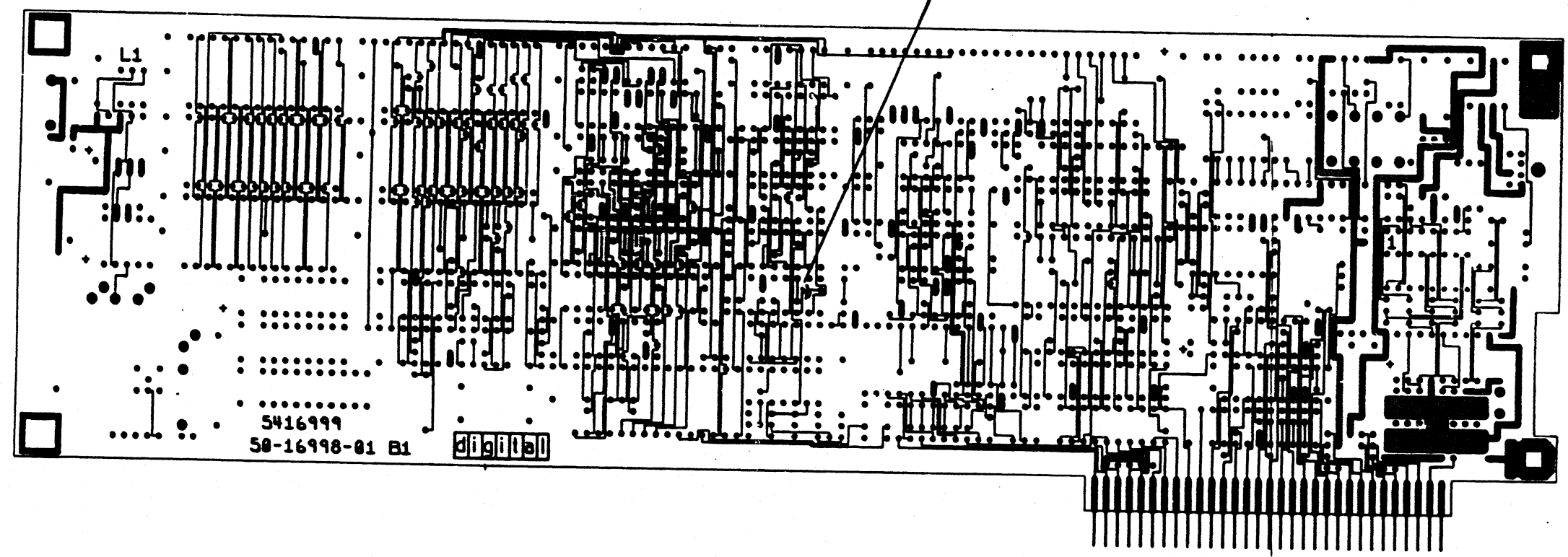
D	I	G	I	T	A	L	TITLE	DEPCA	SECTION A	OF A	SIZE	CODE	DOCUMENT NUMBER	REV
											K	PL	5416999-0-DBP	K

8 6 5 4 3 2 1

THIS DRAWING AND SPECIFICATIONS HEREIN ARE THE PROPERTY OF DIGITAL EQUIPMENT CORPORATION AND SHALL NOT BE REPRODUCED OR COPIED OR USED IN WHOLE OR IN PART AS THE BASIS FOR THE MANUFACTURE OR SALE OF ITEMS WITHOUT WRITTEN PERMISSION OF DIGITAL EQUIPMENT CORPORATION.

REWORK INSTRUCTIONS
ETCH CUT SIDE 1 (AS SHOWN).
O-1 BETWEEN E16 PIN 11 AND E23 PIN 5.

VIEWED FROM SIDE 1



5416999
58-16998-01 B1

digital

DJA 5416999-0-0 J

REVISION HISTORY		
DATE	ECO NUMBER	REV.

DOCUMENT NUMBER		
DOC CODE	NUMBER	REV.
DJA	5416999-0-0	J
SCALE	SHEET 2 OF 4	

8 7 6 5 4 3 2 1

8 6 5 4 3 2 1

THIS DRAWING AND SPECIFICATIONS HEREIN ARE THE PROPERTY OF DIGITAL EQUIPMENT CORPORATION AND SHALL NOT BE REPRODUCED OR COPIED OR USED IN WHOLE OR IN PART AS THE BASIS FOR THE MANUFACTURE OR SALE OF ITEMS WITHOUT WRITTEN PERMISSION.
COPYRIGHT © DIGITAL EQUIPMENT CORPORATION

REWORK INSTRUCTIONS
ETCH CUT SIDE 2 (AS SHOWN).
0-2 BETWEEN E32 PIN 23 AND E25 PIN 2.
1-1 BETWEEN E11 PIN 12 AND E18 PIN 4.

VIEWS FROM SIDE 2



50-16998-01 B1
DEPCA

LPNR

REVISION HISTORY		
DATE	ECO NUMBER	REV

DOCUMENT NUMBER			
ORG	CODE	TITLE	REV
D	JA	5416999-0-0	J
SCALE		SHEET 3 OF 4	

8 7 6 5 4 3 2 1

DJA5416999-0-0 J

8

DUA 0-0-66699-0-0

6

5

4

3

2

1

THIS DRAWING AND SPECIFICATIONS HEREON ARE THE PROPERTY OF DIGITAL EQUIPMENT CORPORATION AND SHALL NOT BE REPRODUCED OR COPIED OR USED IN WHOLE OR IN PART AS THE BASIS FOR THE MANUFACTURE OR SALE OF ITEMS WITHOUT WRITTEN PERMISSION.
 COPYRIGHT © DIGITAL EQUIPMENT CORPORATION

REWORK INSTRUCTIONS
 ECO # 5416999-ML009
PART ADDS/DELETES
 9-1 REMOVE 23287E5-00 REF E19
 9-2 ADD 23343E5-00 REF E19

REWORK INSTRUCTIONS
 ECO 5416999-ML012
 12-1 CUT PREVIOUS ECO WIRE ATTACHED TO E32 PIN 23 AND E16 PIN 11.
WIRE ADDS SIDE 1
 12-2 FROM E13 PIN 1 TO E32 PIN 23.
 12-3 FROM E13 PIN 2 TO E11 PIN 11.
 12-4 FROM E13 PIN 3 TO E12 PIN 8.
PARTS ADDS/DELETES
 12-5 REMOVE 23343E5-00 REF E19.
 12-6 ADD 23385E5-00 REF E19.

D

C

B

A

D

C

B

A

DUA 0-0-66699-0-0

REVISION HISTORY		
DATE	ECO NUMBER	REV

DOCUMENT NUMBER		
REV	CODE	NUMBER
D	UA	5416999-0-0

SCALE SHEET 4 OF 4

8

7

6

5

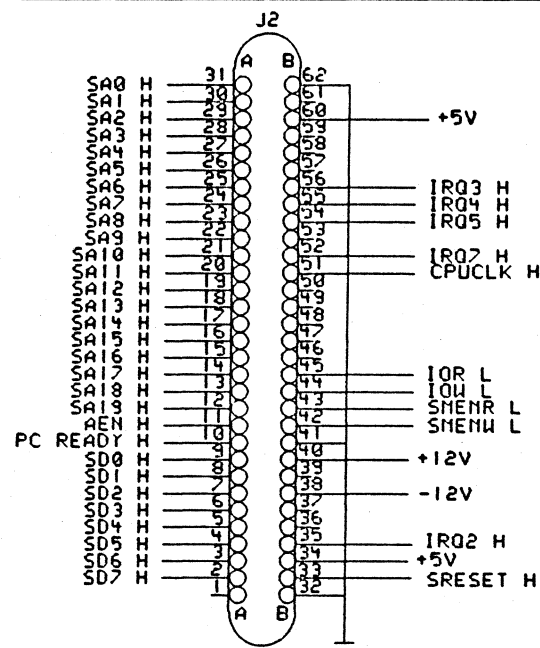
4

3

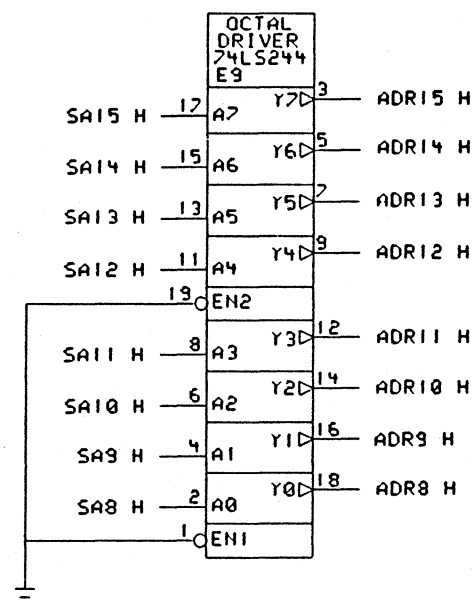
2

1

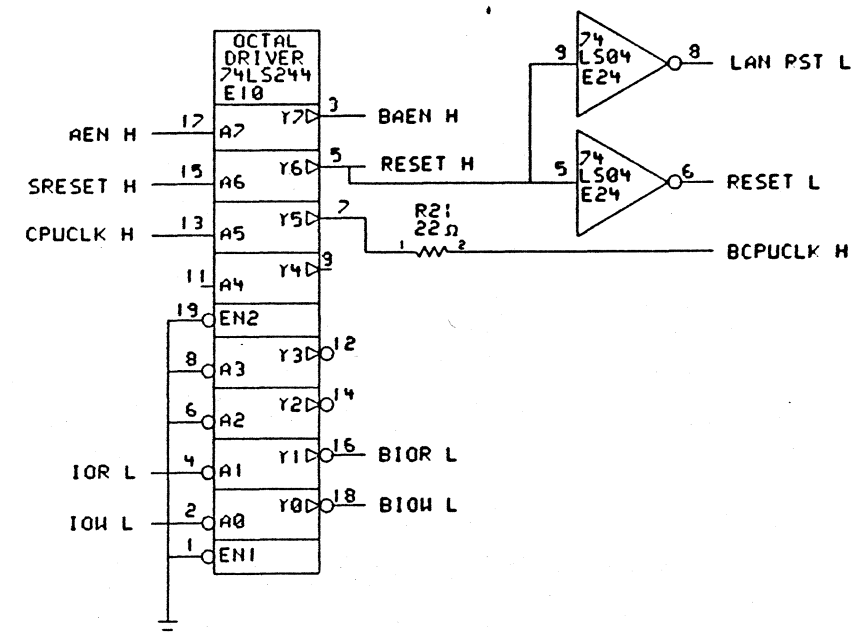
8-BIT SYSTEM BUS CONNECTOR



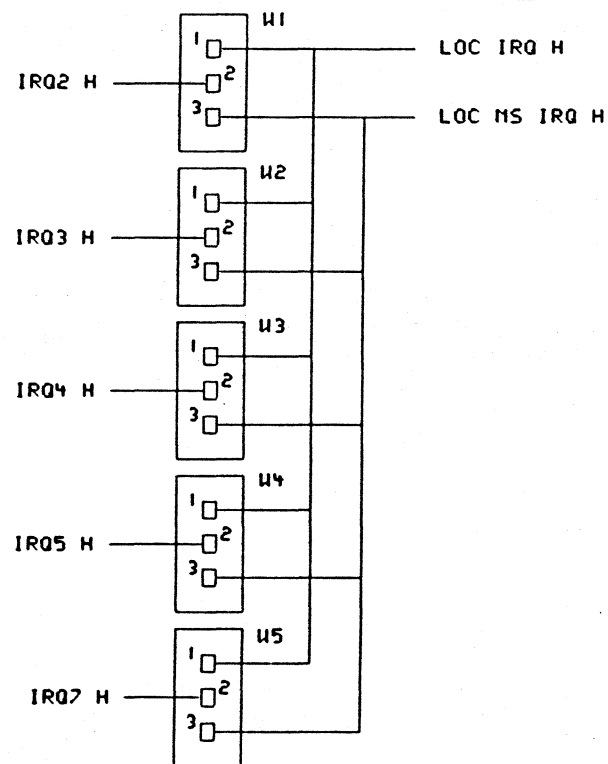
BUS ADDRESS BUFFER



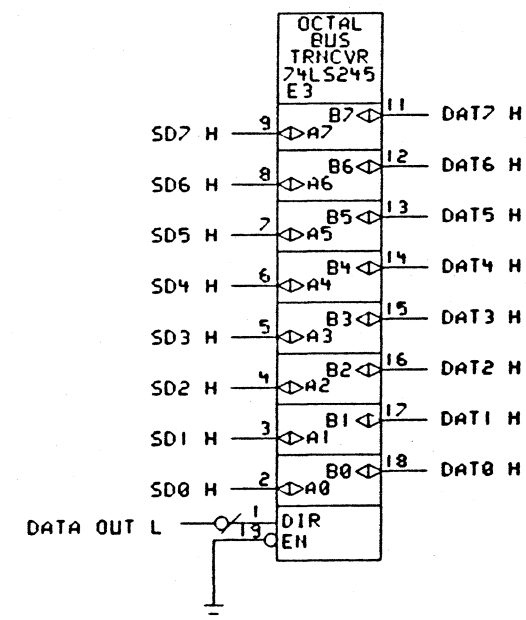
BUS COMMAND BUFFER



INTERRUPT VECTOR SELECT



BUS DATA BUFFER



DRAWING
 TITLE=DEPCA2
 ADBREV=UPCA2
 LAST MODIFIED=Wed Apr 4 15:07:08 1990

PC BUS BUFFERS

THIS DRAWING AND THE SPECIFICATIONS CONTAINED HEREIN ARE CONFIDENTIAL AND PROPRIETARY. THEY ARE THE PROPERTY OF DIGITAL EQUIPMENT CORP. AND SHALL NOT BE REPRODUCED OR COPIED OR USED IN WHOLE OR IN PART AS THE BASIS FOR THE MANUFACTURE OR SALE OF ITEMS WITHOUT WRITTEN PERMISSION. THIS IS AN UNPUBLISHED WORK PROTECTED UNDER THE FEDERAL COPYRIGHT LAWS. COPYRIGHT © 1985 DIGITAL EQUIPMENT CORPORATION

CHK	CHANGE NO.	REV	CHK	CHANGE NO.	REV	CHK	CHANGE NO.	REV	CHK	CHANGE NO.	REV
EL	5416999-11001	B	KG	5416999-11003	C		5416999-11006	D		5416999-11012	E
	JEFF LU		K GLEEZEN	D NELSON			D NELSON			D NELSON	
	ED LANDRY		DAVE NELSON	R. BUREAU			SUSAN HART				

digital
 FIRST USED ON OPTION MODEL: DEPCA

DATE: 12-85-85 / 07-87-86
 DATE: 25-SEPT-86
 SHEET: 1 OF 10

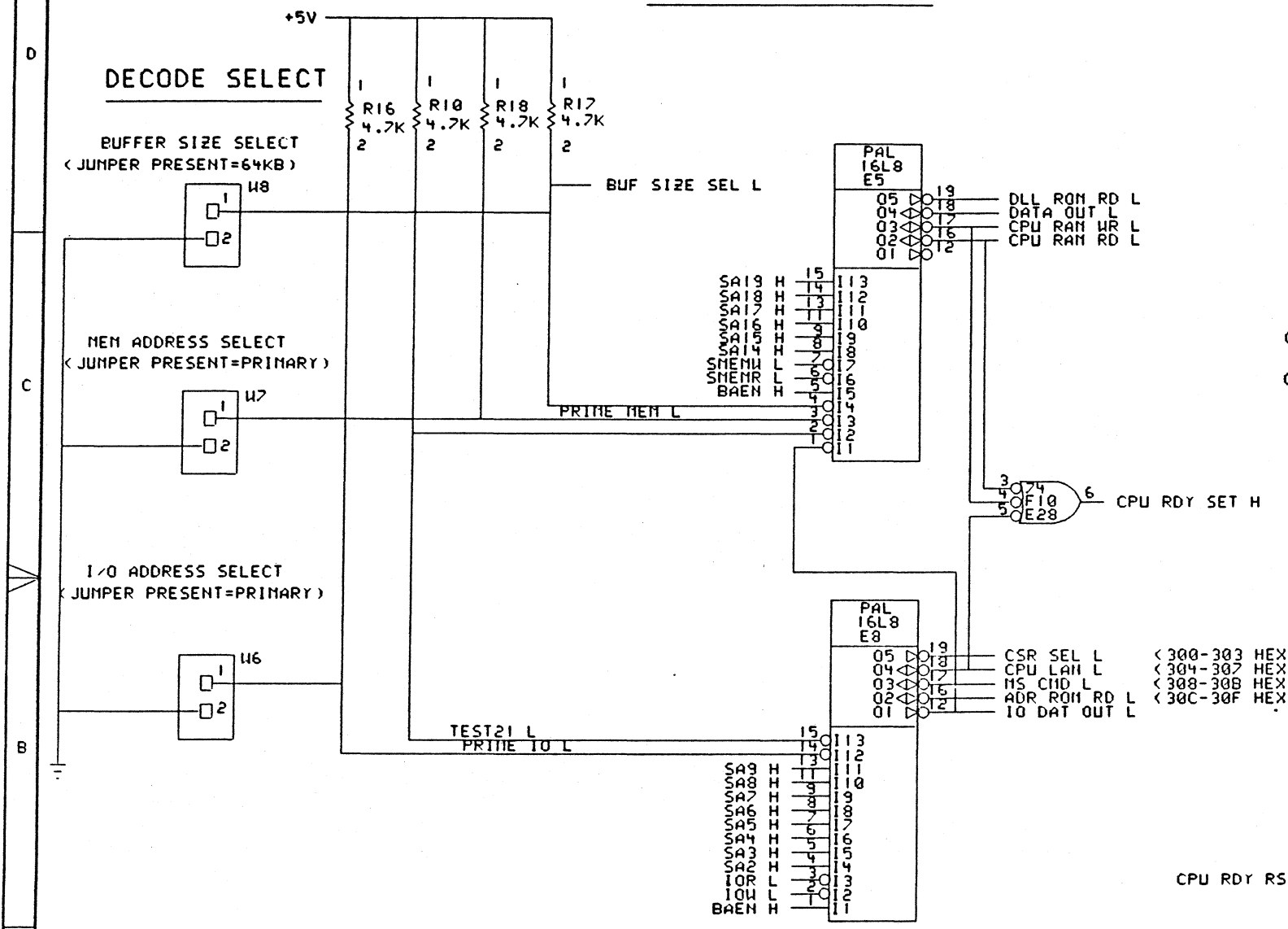
DESIGNED BY: JEFF LU
 CHECKED BY: P. OKEEFE
 TOP DOCUMENT NUMBER: K-DD-5416999-0-0

TITLE: **DEPCA**
 SIZE: K CS
 CODE: 5416999-0-1
 REV.: E

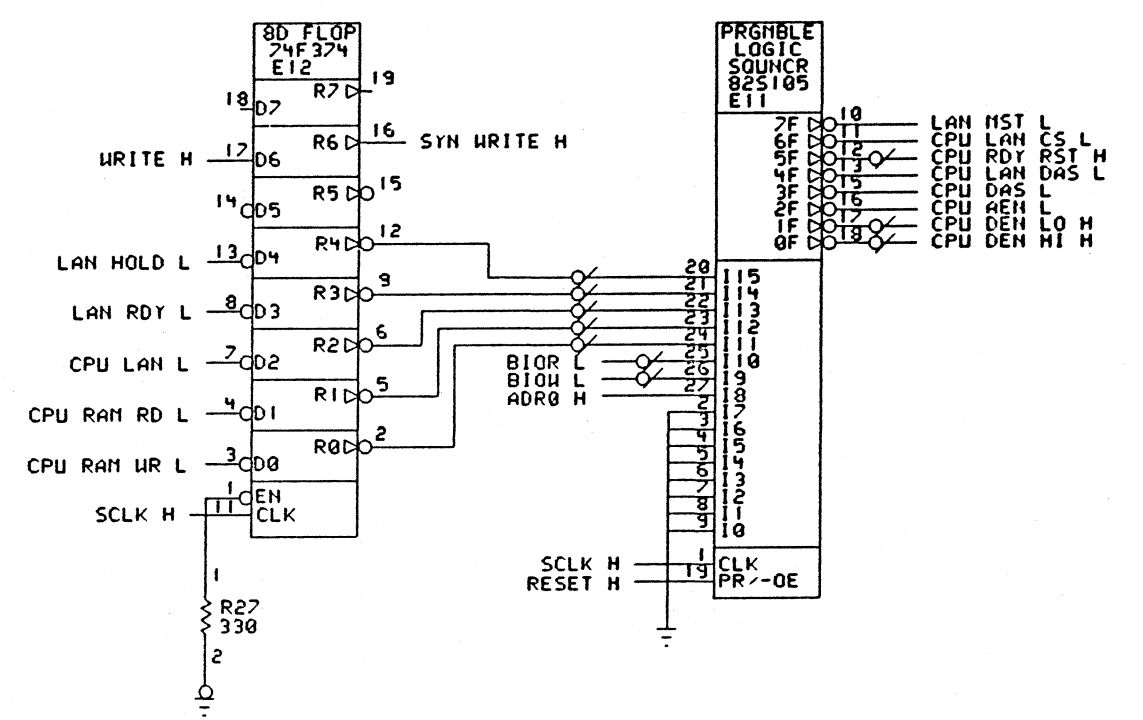
E
B
A
K CS 5416999-0-1

THIS DRAWING AND THE SPECIFICATIONS CONTAINED HEREIN ARE CONFIDENTIAL AND PROPRIETARY. THEY ARE THE PROPERTY OF DIGITAL EQUIPMENT CORP. AND SHALL NOT BE REPRODUCED OR COPIED OR USED IN WHOLE OR IN PART AS THE BASIS FOR THE MANUFACTURE OR SALE OF ITEMS WITHOUT WRITTEN PERMISSION. THIS IS AN UNPUBLISHED WORK PROTECTED UNDER THE FEDERAL COPYRIGHT LAWS. COPYRIGHT © DIGITAL EQUIPMENT CORPORATION

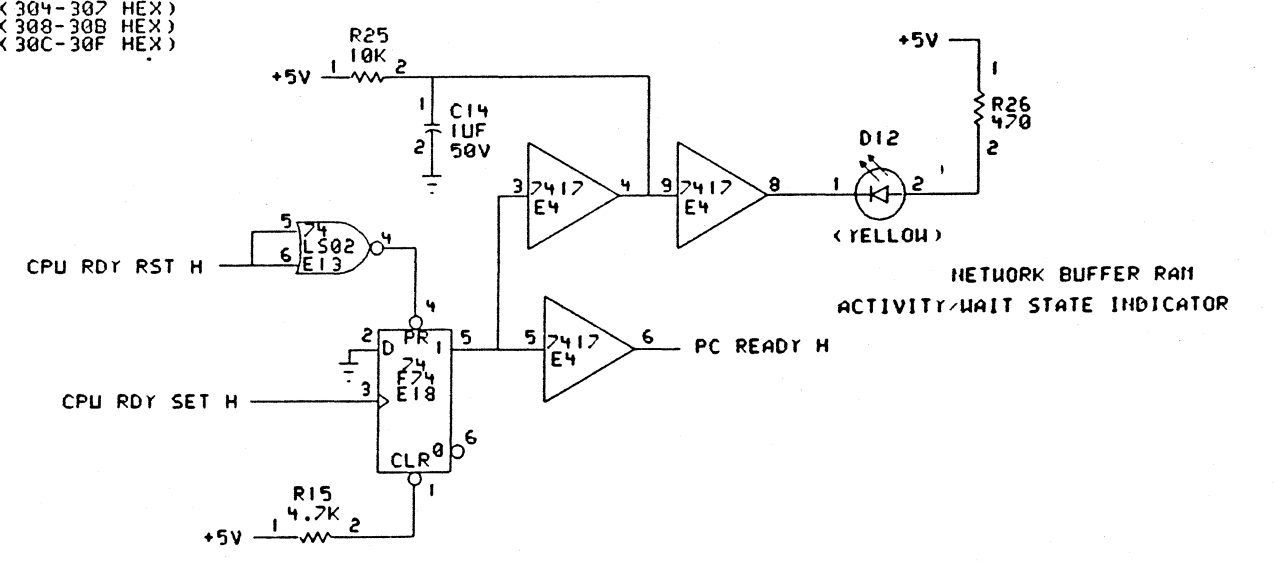
MEM/IO DECODE



STATE MACHINE



READY LOGIC



ADDRESS DECODE
STATE MACHINE

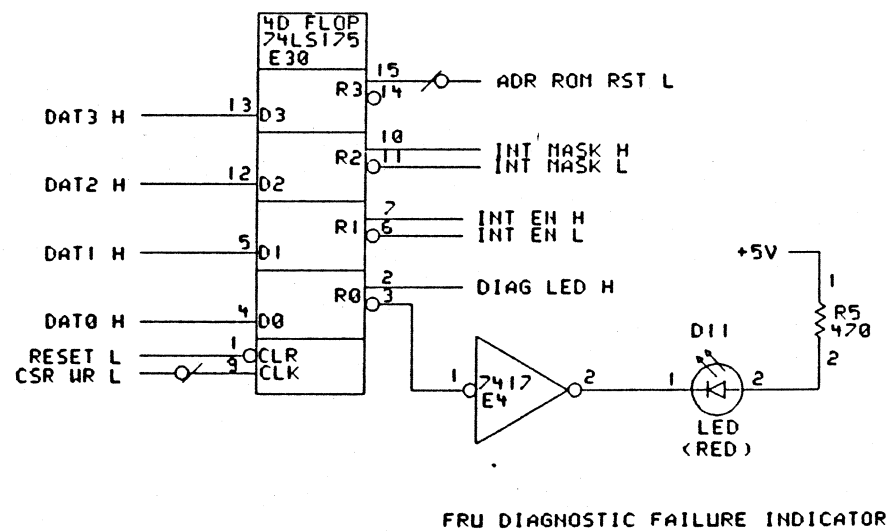
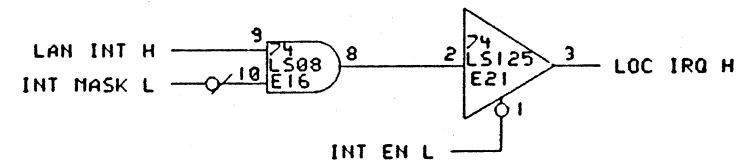
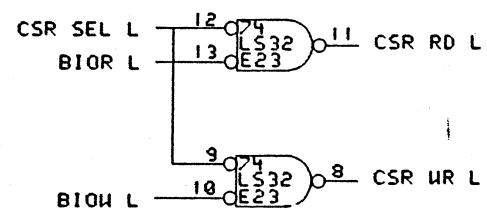
DRAWING

LAST_MODIFIED=Wed Apr 4 15:19:55 1990

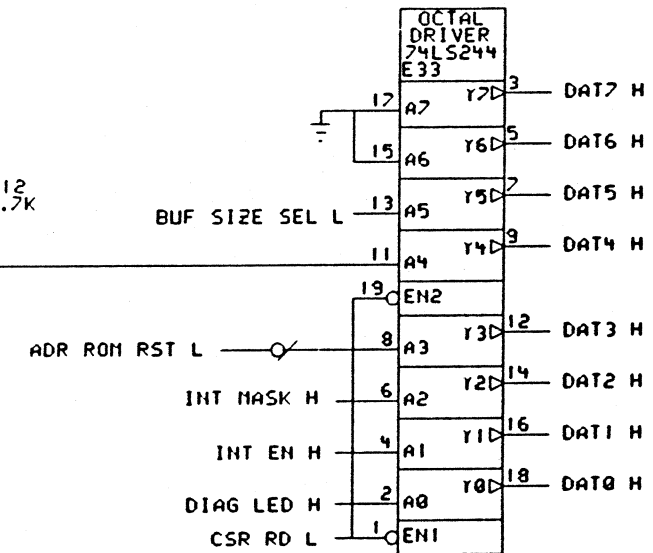
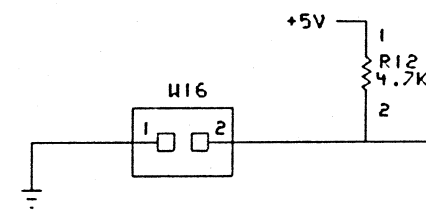
DESIGNER: JEFF LU	DATE: 12-06-89 07-07-90	TITLE: DEPCA
BOARD LOCATION: SHEET 2 OF 10	SIZE: K CS	NUMBER: 5416999-0-1
TOP DOCUMENT NUMBER: K-DD-5416999-0-0	REV.:	E

THIS DRAWING AND THE SPECIFICATIONS CONTAINED HEREIN ARE CONFIDENTIAL AND PROPRIETARY. THEY ARE THE PROPERTY OF DIGITAL EQUIPMENT CORP. AND SHALL NOT BE REPRODUCED OR COPIED OR USED IN WHOLE OR IN PART AS THE BASIS FOR THE MANUFACTURE OR SALE OF ITEMS WITHOUT WRITTEN PERMISSION. THIS IS AN UNPUBLISHED WORK PROTECTED UNDER THE FEDERAL COPYRIGHT LAWS. COPYRIGHT © DIGITAL EQUIPMENT CORPORATION

CONTROL STATUS REGISTER (CSR)



REMOTE BOOT ENABLE
(JUMPER PRESENT = DISABLE)



CONTROL STATUS REGISTER

DRAWING
Wed Apr 4 15:09:39 1990

ENR: JEFF LU	DATE: 7-24-86	TITLE: DEPCA	
BOARD LOCATION: 3 OF 10		SIZE: K	CODE: CS
TOP DOCUMENT NUMBER: K-DD-5416999-0-0		NUMBER: 5416999-0-1	REV: E

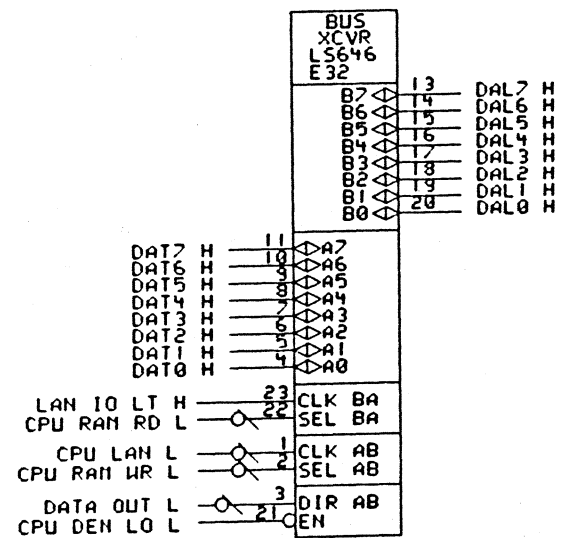
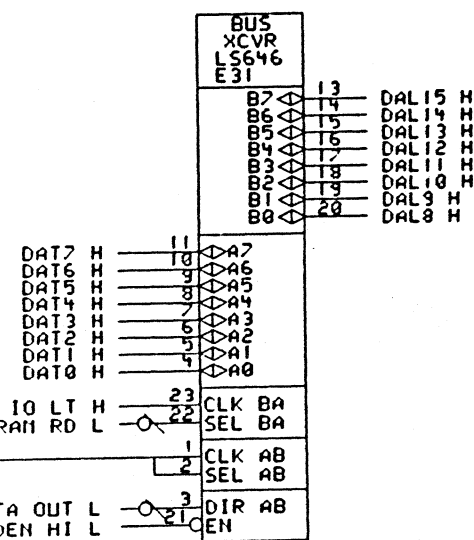
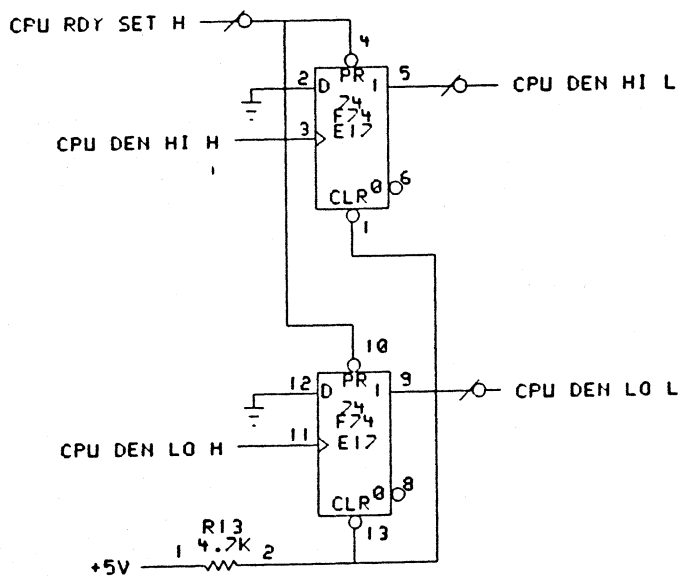
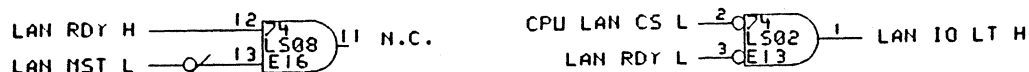
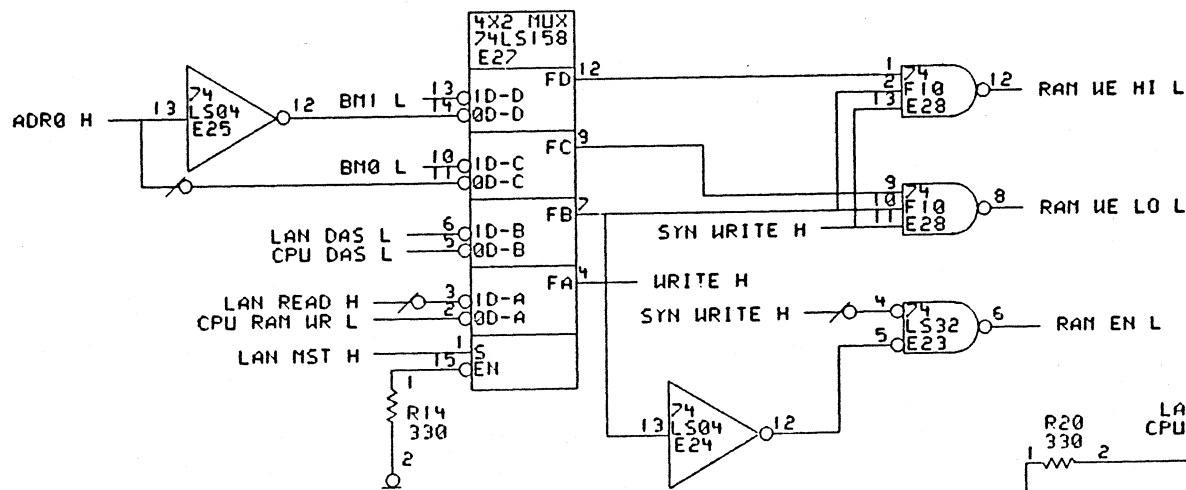
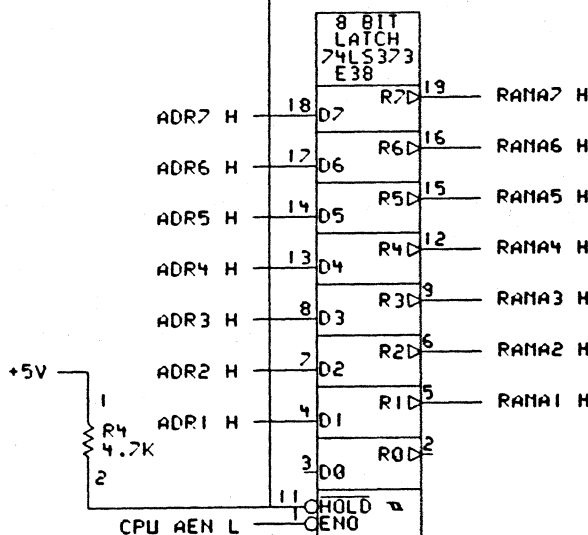
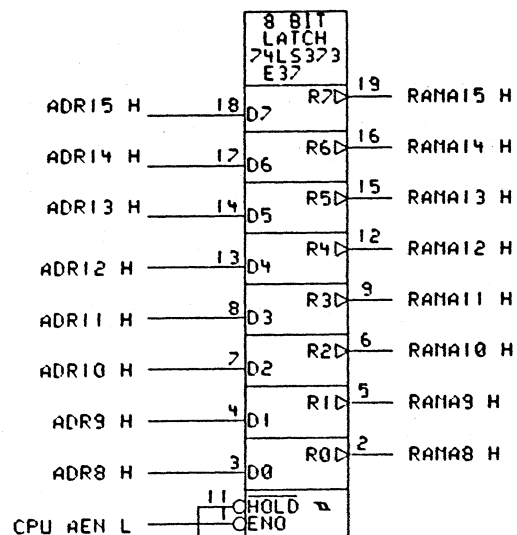
K CS 5416999-0-1 E

THIS DRAWING AND THE SPECIFICATIONS CONTAINED HEREIN ARE CONFIDENTIAL AND PROPRIETARY. THEY ARE THE PROPERTY OF DIGITAL EQUIPMENT CORP. AND SHALL NOT BE REPRODUCED OR COPIED OR USED IN WHOLE OR IN PART AS THE BASIS FOR THE MANUFACTURE OR SALE OF ITEMS WITHOUT WRITTEN PERMISSION. THIS IS AN UNPUBLISHED WORK PROTECTED UNDER THE FEDERAL COPYRIGHT LAWS. COPYRIGHT © DIGITAL EQUIPMENT CORPORATION

RAM CONTROLS

BUS CONVERTER 8/16

ADDRESS BUFFER



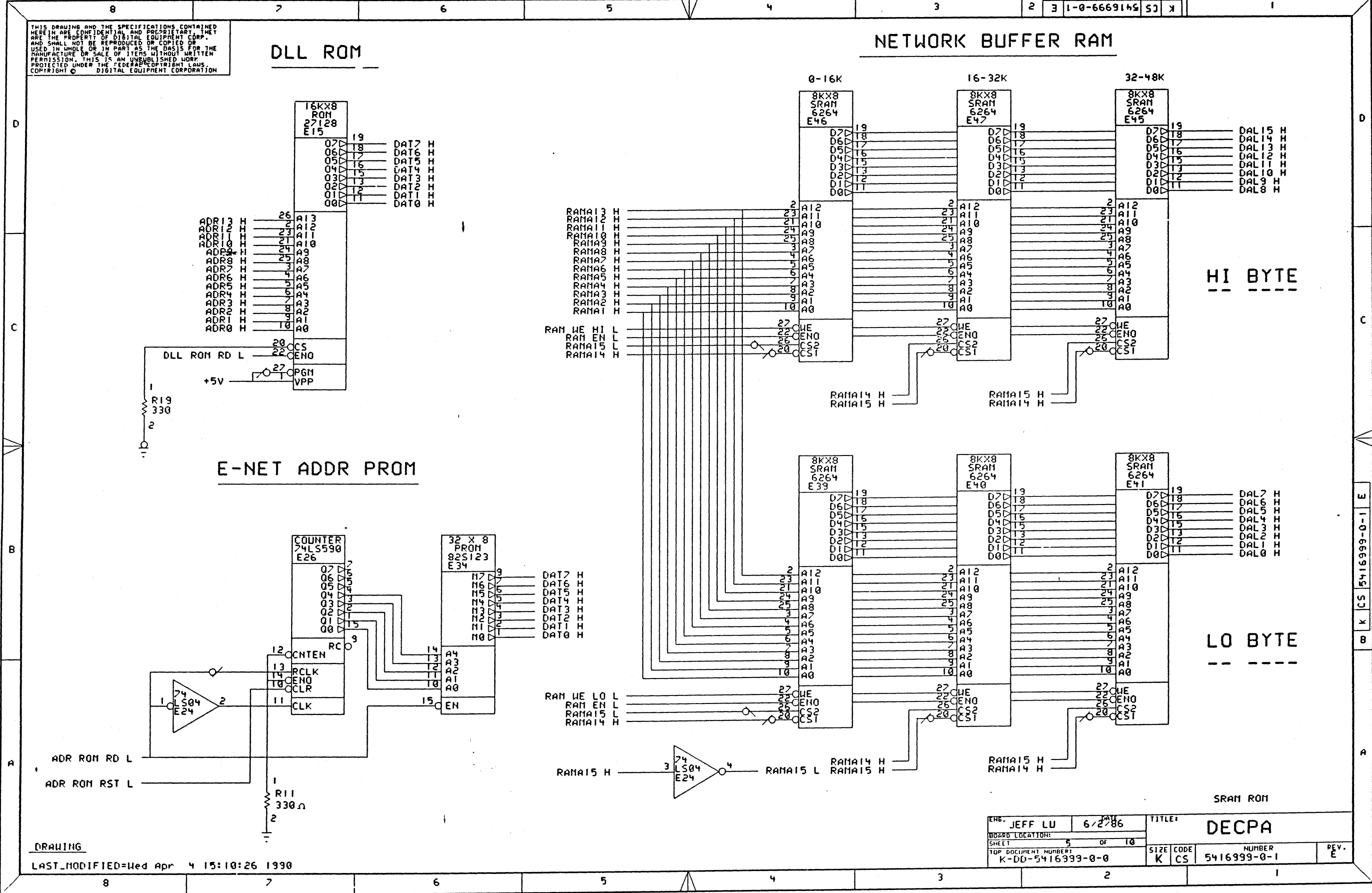
DRAWING
LAST_MODIFIED=Wed Apr 4 15:10:06 1990

ENG. JEFF LU	DATE 7-24-86	TITLE1 DEPCA
BOARD LOCATION: SHEET 4 OF 10		SIZE CODE K CS
TOP DOCUMENT NUMBER: K-DD-5416999-0-0		NUMBER 5416999-0-1
		REV. E

THIS DRAWING AND THE SPECIFICATIONS CONTAINED HEREIN ARE CONFIDENTIAL AND PROPRIETARY. THEY ARE THE PROPERTY OF DIGITAL EQUIPMENT CORP. AND SHALL NOT BE REPRODUCED OR COPIED OR USED IN WHOLE OR IN PART AS THE BASIS FOR THE MANUFACTURE OR SALE OF ITEMS WITHOUT WRITTEN PERMISSION. THIS IS AN UNPUBLISHED WORK. PROTECTED UNDER THE FEDERAL COPYRIGHT LAWS. COPYRIGHT © DIGITAL EQUIPMENT CORPORATION

DLL ROM

NETWORK BUFFER RAM



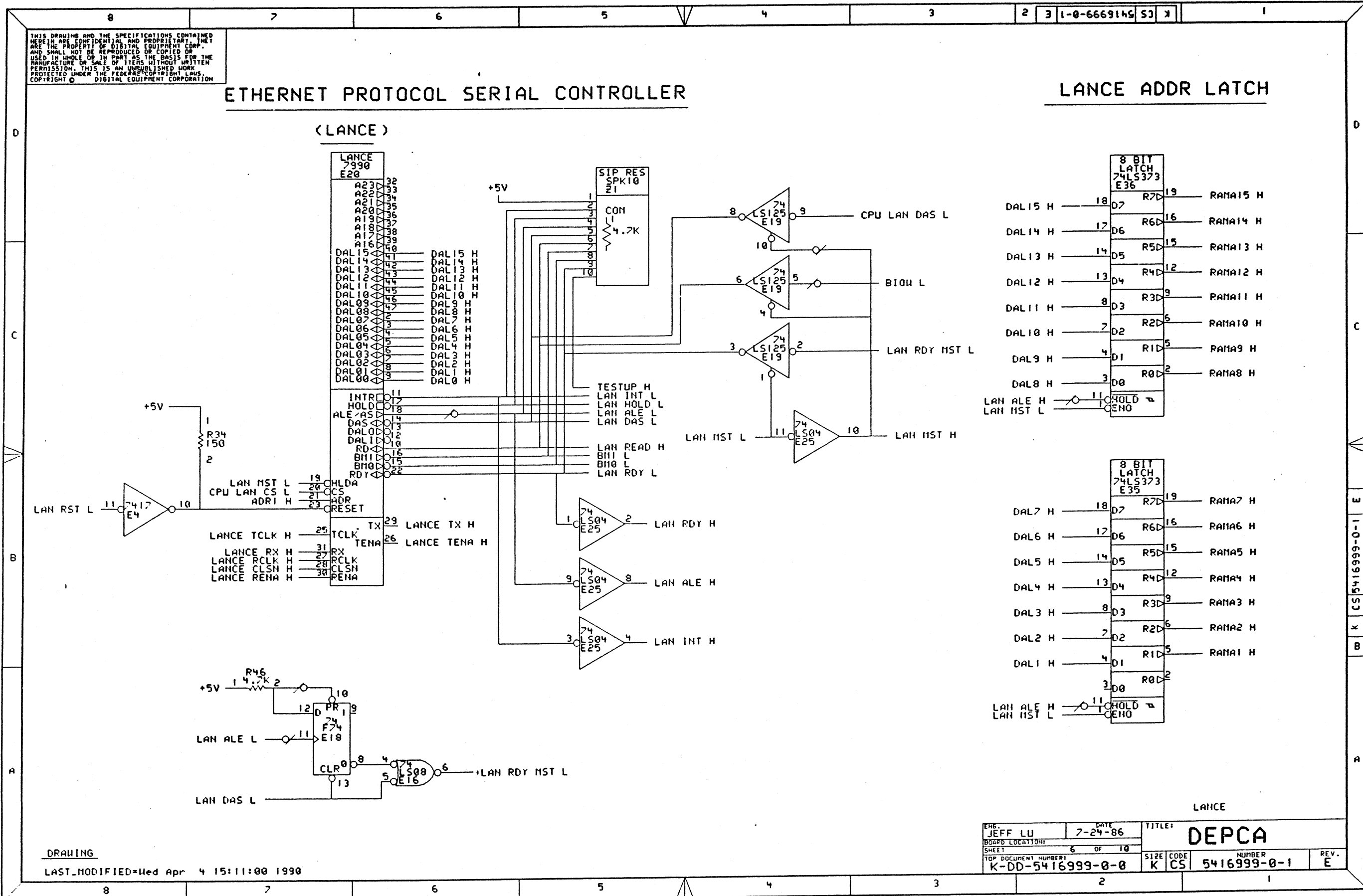
DRAWING
LAST_MODIFIED=Wed Apr 4 15:10:26 1990

ENG. JEFF LU	DATE 6/2/86	TITLE: DECPA
BOARD LOCATION:	SHEET 5 OF 10	SIZE CODE NUMBER REV. E
TOP DOCUMENT NUMBER: K-DD-5416999-0-0	K CS	5416999-0-1

THIS DRAWING AND THE SPECIFICATIONS CONTAINED HEREIN ARE CONFIDENTIAL AND PROPRIETARY. THEY ARE THE PROPERTY OF DIGITAL EQUIPMENT CORP. AND SHALL NOT BE REPRODUCED OR COPIED OR USED IN WHOLE OR IN PART AS THE BASIS FOR THE MANUFACTURE OR SALE OF ITEMS WITHOUT WRITTEN PERMISSION. THIS IS AN UNPUBLISHED WORK PROTECTED UNDER THE FEDERAL COPYRIGHT LAWS. COPYRIGHT © DIGITAL EQUIPMENT CORPORATION

ETHERNET PROTOCOL SERIAL CONTROLLER

LANCE ADDR LATCH



DRAWING

LAST_MODIFIED=Wed Apr 4 15:11:00 1990

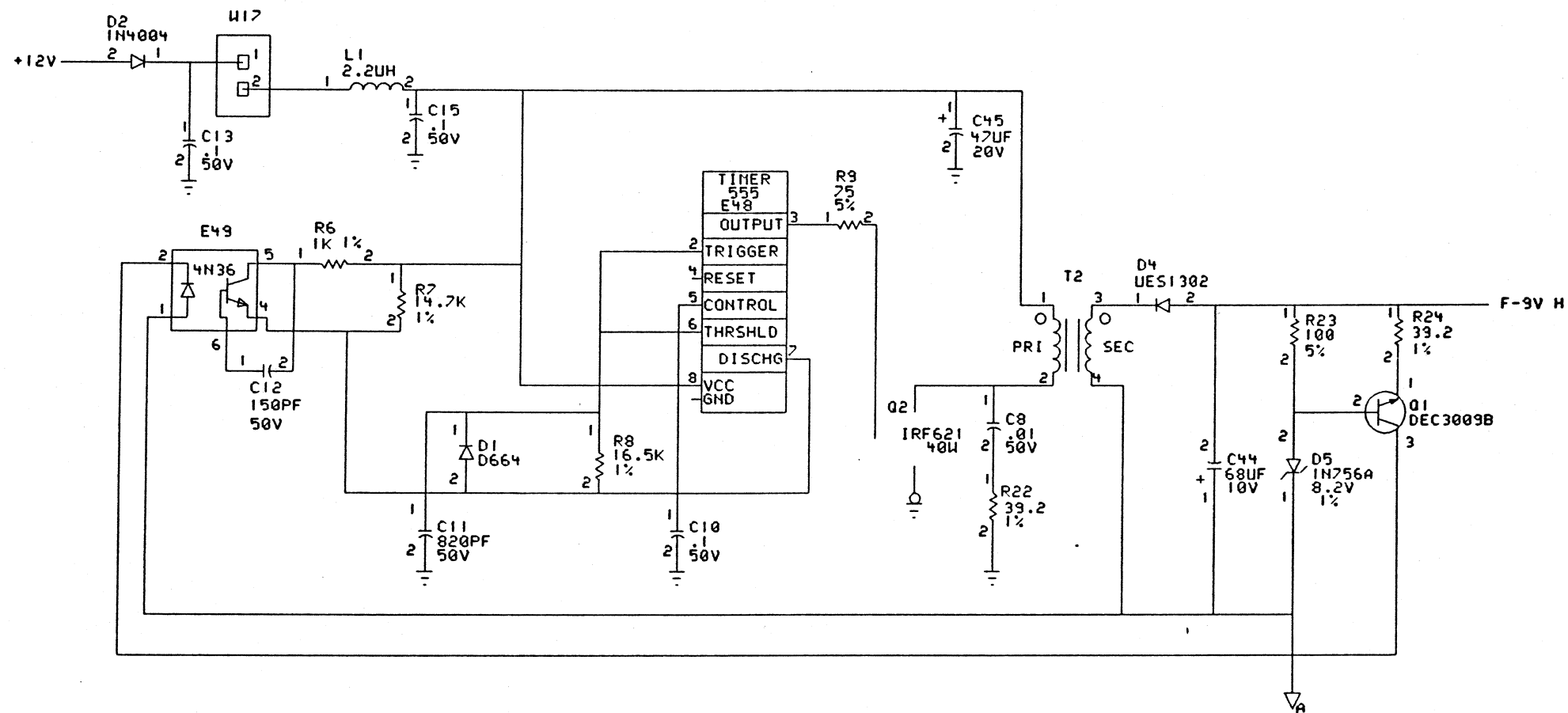
ENG. JEFF LU	DATE 7-24-86	TITLE: DEPCA
BOARD LOCATION:	SHEET 6 OF 10	SIZE CODE K CS
TOP DOCUMENT NUMBER: K-DD-5416999-0-0	NUMBER 5416999-0-1	REV. E

K CS 5416999-0-1 E

THIS DRAWING AND THE SPECIFICATIONS CONTAINED HEREIN ARE CONFIDENTIAL AND PROPRIETARY. THEY ARE THE PROPERTY OF DIGITAL EQUIPMENT CORP. AND SHALL NOT BE REPRODUCED OR COPIED OR USED IN WHOLE OR IN PART AS THE BASIS FOR THE MANUFACTURE OR SALE OF ITEMS WITHOUT WRITTEN PERMISSION. THIS IS AN UNPUBLISHED WORK PROTECTED UNDER THE FEDERAL COPYRIGHT LAWS. COPYRIGHT © DIGITAL EQUIPMENT CORPORATION

-9V DC CONVERTOR

NOTE: DC/DC CONVERTER ENABLE
(JUMPER PRESENT=ENABLE)



-9V DC CONVERTOR

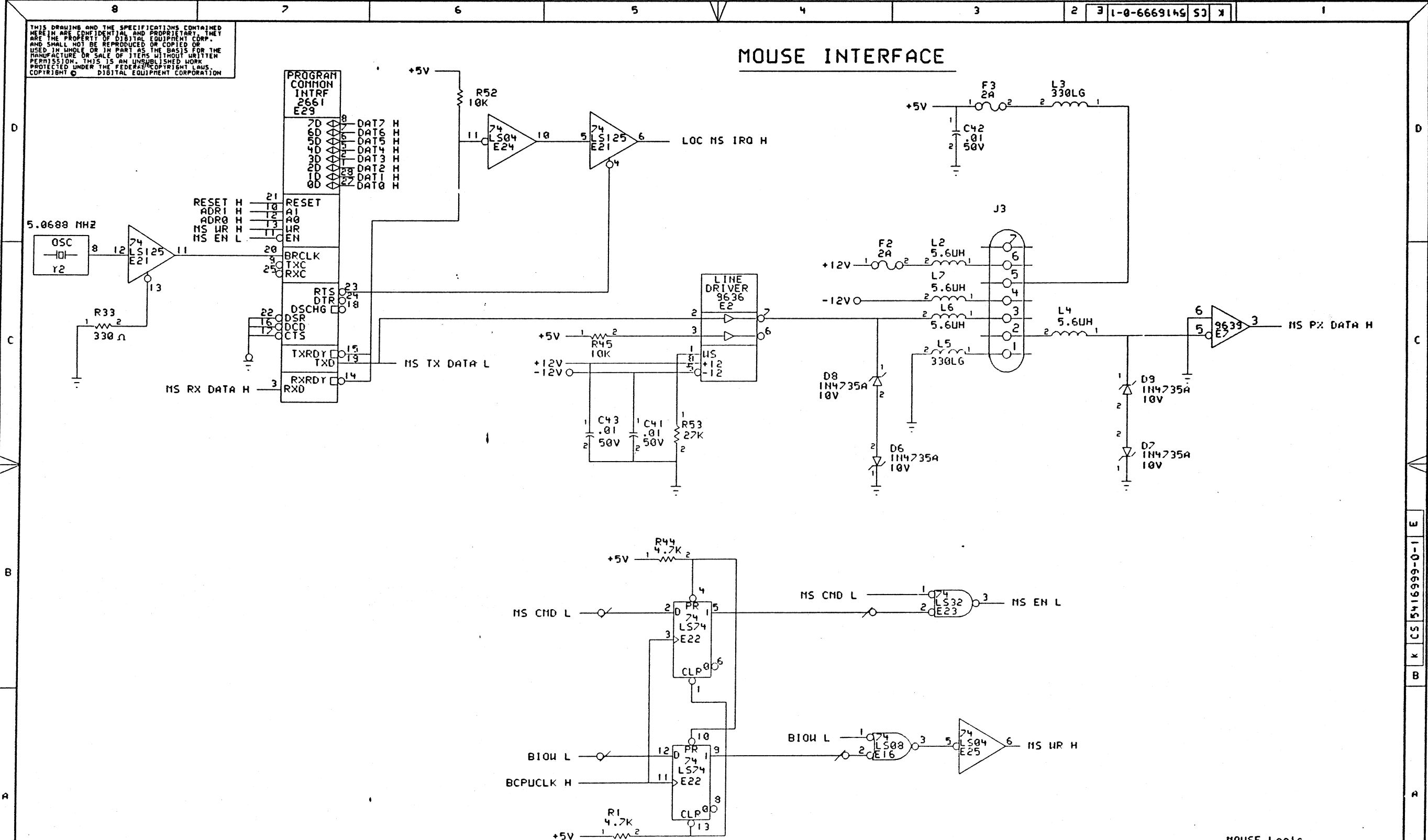
DRAWING

LAST_MODIFIED=Wed Mar 28 13:53:45 1990

ENG. JEFF LU	DATE 11-3-85	TITLE: DEPCA
BOARD LOCATION: 8	OF 10	
SHEET 8		
TOP DOCUMENT NUMBER: K-DD-5416999-0-0	SIZE K	CODE CS
	NUMBER 5416999-0-1	REV. E

THIS DRAWING AND THE SPECIFICATIONS CONTAINED HEREIN ARE CONFIDENTIAL AND PROPRIETARY. THEY ARE THE PROPERTY OF DIGITAL EQUIPMENT CORP. AND SHALL NOT BE REPRODUCED OR COPIED OR USED IN WHOLE OR IN PART AS THE BASIS FOR THE MANUFACTURE OR SALE OF ITEMS WITHOUT WRITTEN PERMISSION. THIS IS AN UNPUBLISHED WORK PROTECTED UNDER THE FEDERAL COPYRIGHT LAWS. COPYRIGHT © DIGITAL EQUIPMENT CORPORATION

MOUSE INTERFACE



MOUSE Logic

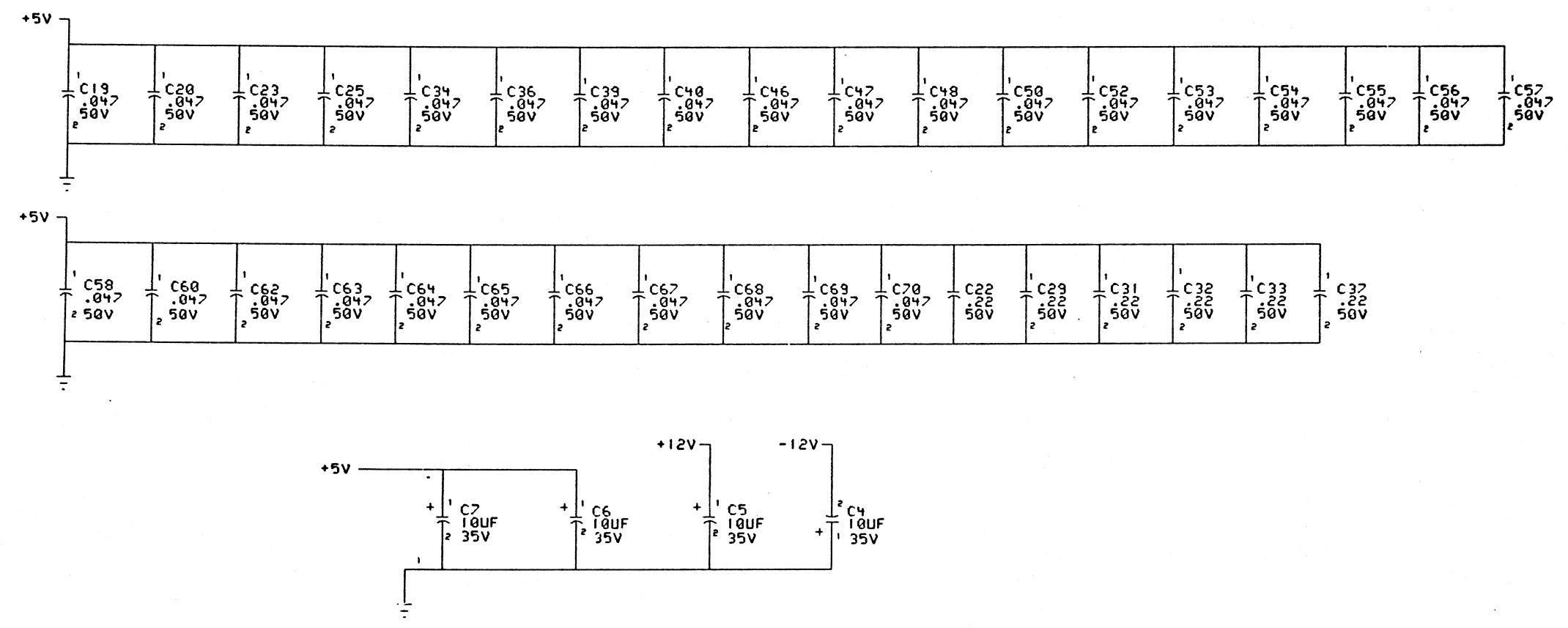
DRAWING
LAST_MODIFIED=Wed Mar 28 13:53:18 1990

ENG. JEFF LU	DATE 7-25-86	TITLE: DEPCA
BOARD LOCATION:	SHEET 3 OF 10	SIZE CODE K CS
TOP DOCUMENT NUMBER: K-DD-5416999-0-0	NUMBER 5416999-0-1	REV. E

K CS 5416999-0-1 E

THIS DRAWING AND THE SPECIFICATIONS CONTAINED HEREIN ARE CONFIDENTIAL AND PROPRIETARY. THEY ARE THE PROPERTY OF DIGITAL EQUIPMENT CORP. AND SHALL NOT BE REPRODUCED OR COPIED OR USED IN WHOLE OR IN PART AS THE BASIS FOR THE MANUFACTURE OR SALE OF ITEMS WITHOUT WRITTEN PERMISSION. THIS IS AN UNPUBLISHED WORK PROTECTED UNDER THE FEDERAL COPYRIGHT LAWS. COPYRIGHT © DIGITAL EQUIPMENT CORPORATION

CAPS

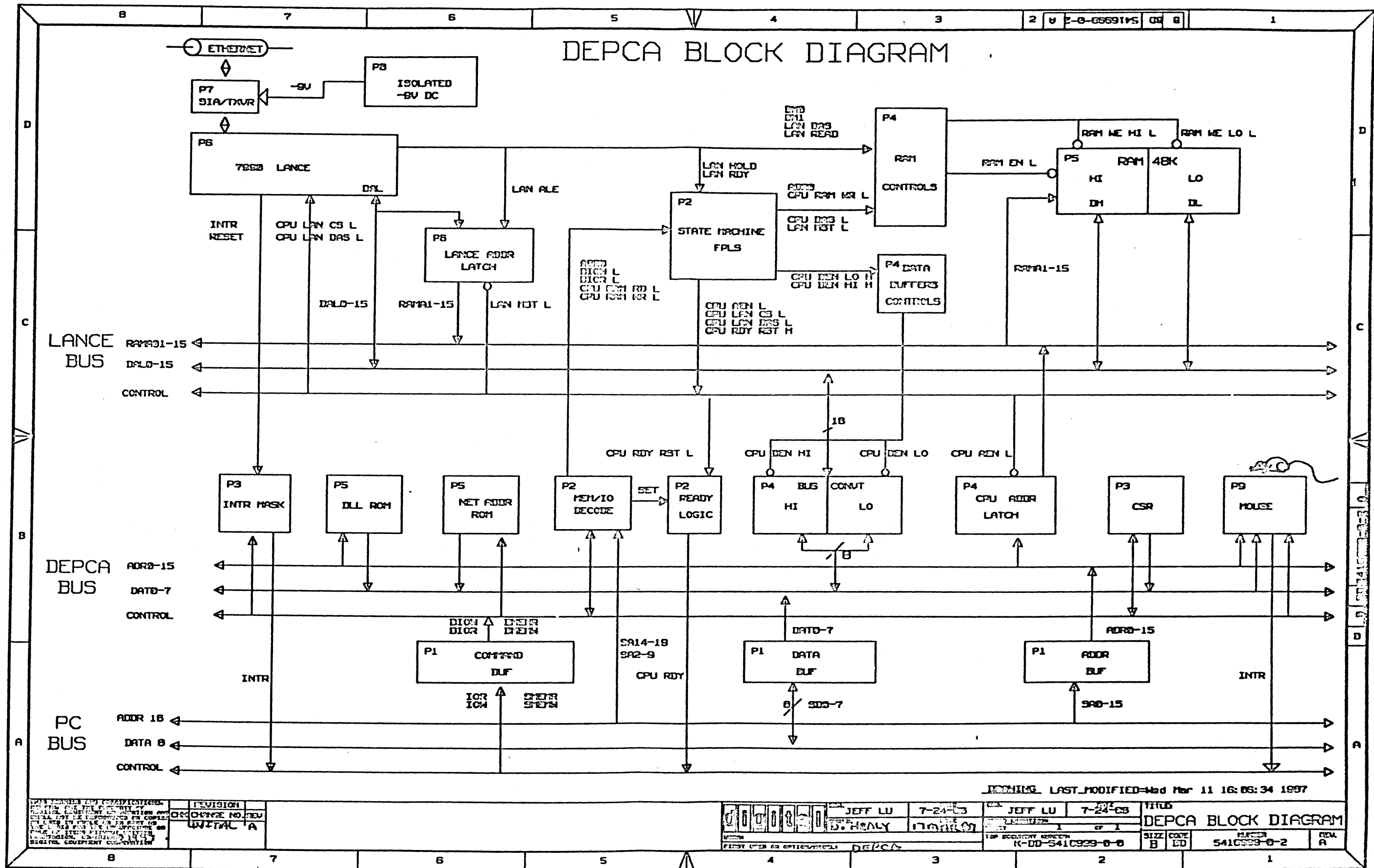


DRAWING
 LAST_MODIFIED=Wed Mar 28 14:28:15 1990

CAPS

ENG: JEFF LU	DATE: 7-25-86	TITLE: DEPCA
BOARD LOCATION: 10	OF 10	
SHEET		
TOP DOCUMENT NUMBER: K-00-5416999-0-0	SIZE: K	CODE: CS
	NUMBER: 5416999-0-1	REV: E

CS 5416999-0-1 E



LOCKING LAST MODIFIED Wed Mar 11 16:06:34 1997

<small> DEPCA BLOCK DIAGRAM PART OF THE DEPCA SYSTEM THIS DIAGRAM IS THE PROPERTY OF THE U.S. GOVERNMENT AND IS HEREBY RELEASED UNDER THE TERMS OF THE OPEN SOURCE LICENSE AGREEMENT (OSLA) </small>	REVISION ORIGINAL REV INITIAL A	DESIGNED BY JEFF LU DATE 7-24-93	CHECKED BY JEFF LU DATE 7-24-93	TITLE DEPCA BLOCK DIAGRAM
	PART NUMBER DEPCA	SIZE B	CODE ED	PART 5410929-0-2

