

"THE MATERIAL HEREIN IS FOR INFORMATION PURPOSES ONLY AND IS SUBJECT TO CHANGE WITHOUT NOTICE. DIGITAL EQUIPMENT CORPORATION ASSUMES NO RESPONSIBILITY FOR ANY ERRORS WHICH MAY APPEAR HEREIN."

## FIELD MAINTENANCE PRINT SET

"THIS DRAWING AND SPECIFICATIONS, HEREIN, ARE THE PROPERTY OF DIGITAL EQUIPMENT CORPORATION AND SHALL NOT BE REPRODUCED OR COPIED OR USED IN WHOLE OR IN PART AS THE BASIS FOR THE MANUFACTURE OR SALE OF ITEMS WITHOUT WRITTEN PERMISSION. COPYRIGHT © 1976, DIGITAL EQUIPMENT CORPORATION."

### TABLE OF CONTENTS

B-TC-TMB11-0-3	TMB11 PRINT SET TABLE OF CONTENTS
B-DD-TMB11-0	TMB11 DRAWING DIRECTORY
D-UA-TMB11-0-0	TMB11 MAG TAPE INTERFACE
C-MU-TMB11-0-4	MODULE UTILIZATION
D-IA-7009559-0-0	OPTION HARNESS (RK11-D)
D-UA-RC11A-0-0	CABLE ASSY (BC11A)
C-IA-7012678-0-0	WIRED ASSY (TMB11)
K-WL-7012678-0-1	WIRE LIST
D-BS-TMB11-0-01	BUS CABLE INTERFACE
D-BS-TMB11-0-02	MAG TAPE CABLE PRIOR JUMPER MOD
D-CS-M7911-0-1	TAPE DRIVE INTERFACE
D-CS-M7912-0-1	UNIBUS REGISTERS
D-CS-M930-0-1	MAG TAPE CABLE TERMINATOR
D-CS-M105-0-1	ADDRESS SELECTOR
D-CS-M796-0-1	UNIBUS MASTER CONTROL
D-CS-M7821-0-1	INTERUPT CONTROL
D-CS-M795-0-1	WORD COUNT & CURRENT MEM ADDR.
D-BD-TMB11-0-7	BLOCK DIAGRAM
D-BS-TMB11-0-8	MAG TAPE CABLE MCI
D-BS-TMB11-0-5	COMMAND STATUS BOARD
D-BS-TMB12-0-6	UNIBUS REGISTER

UNIT VARIATIONS COVERED BY THIS PRINT SET
TMB11-A
TMB11-B

TMB11  
**Field Maintenance  
Print Set**

**Digital Equipment  
Corporation**

PRINT SET ORDER NO.  
MP00078

REVISIONS	REV.		USED ON OPTION/MODEL		DRN.	DATE	TITLE:  TMB11 MAG TAPE INTERFACE	<b>digital</b>		
	CHG. NO.				W. Lufkin	1/28/76				
	DATE				CHK'D <i>F. Carbery</i>	DATE 16 FEB 76				
					PROJ. ENG. <i>F. Carbery</i>	DATE 16 FEB 76				
			SHEET I OF 1		FIELD SERV.	DATE	SIZE B	CODE TC	NUMBER TMB11-0-3	REV.
							DIST.			

EN-01124-16-NOV-75-(127)



# DRAWING DIRECTORY

"THIS DRAWING AND SPECIFICATIONS, HERETH, ARE THE PROPERTY OF DIGITAL EQUIPMENT CORPORATION AND SHALL NOT BE REPRODUCED OR COPIED IN WHOLE OR IN PART AS THE BASIS FOR THE MANUFACTURE OR SALE OF ITEMS WITHOUT WRITTEN PERMISSION. COPYRIGHT © 1976, DIGITAL EQUIPMENT CORPORATION"

## CUSTOMER PRINT SET INDEX

SEQUENCE

77

SEQUENCE

71

THIS IS PRINT SET     

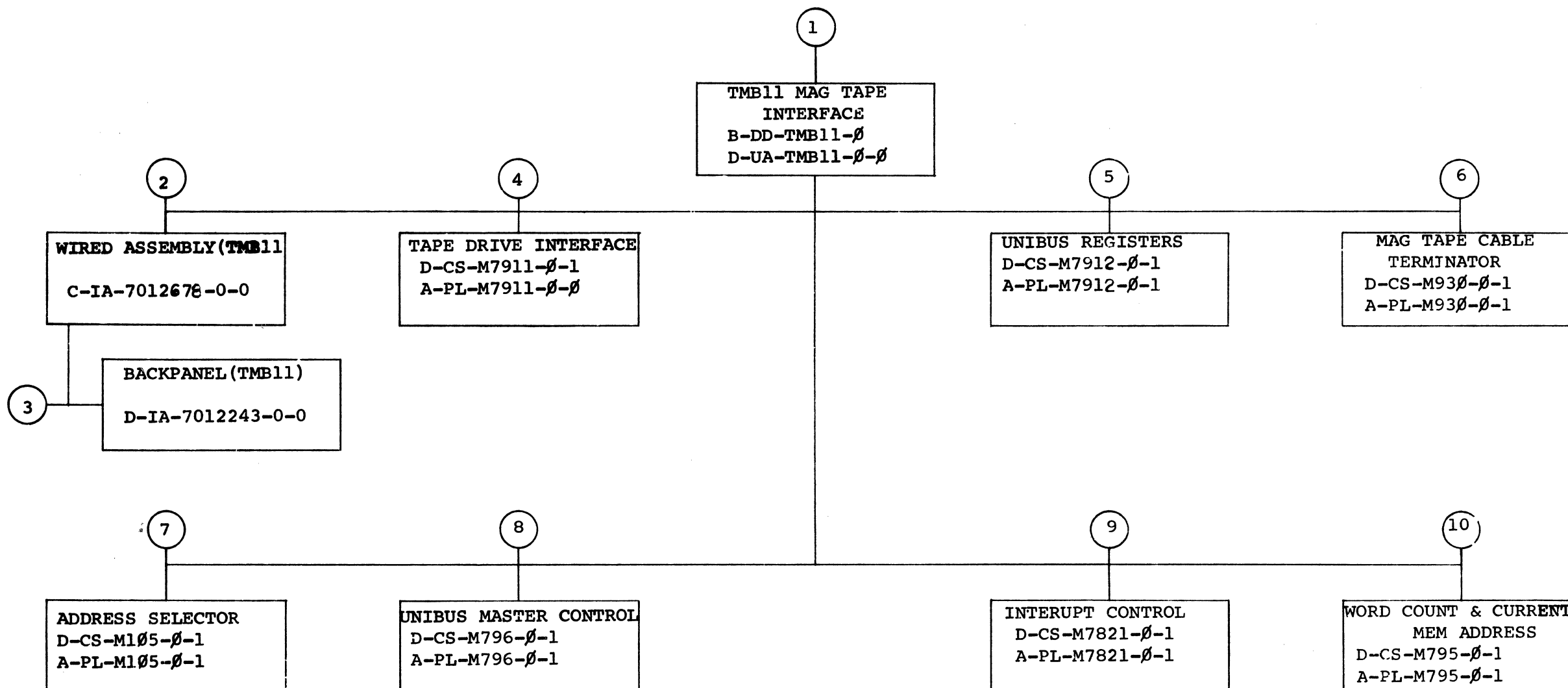
NOTE: FOR FIELD MAINTENANCE PRINT SET SEE:

B-TC-TMB11-Ø-3

UNIT VARIATIONS		PRINT SET		
VAR	TITLE			
TMB11-A	MAG TAPE CONT (115V)			
TMB11-B	MAG TAPE CONT (230V)			

REVISIONS	REV		USED ON OPTION/MODEL	DRN.	DATE	TITLE				
	CHG. NO.			W. Lufkin	1/28/76		TMB11 MAG TAPE INTERFACE			
	DATE			CHK'D	DATE					
				<i>F. Carberry</i>	16 FEB 76					
				PROJ ENG.	DATE					
			<i>T. Doster</i>	16 FEB 76						
				PROD	DATE	SIZE	CODE	NUMBER		REV
				<i>A. J. ...</i>	16 FEB 76	B	DD	TMB11-Ø		
				FIELD SERV.	DATE	DIST				
				<i>M. ...</i>	17/10/76					
		SHEET 1 OF 4								

DEC 16-13381-1063-1A-8972



TITLE	TMB11 MAG TAPE INTERFACE	SHEET 2 OF 4	SIZE	CODE	NUMBER	REV
			B	DD	TMB11-Ø	

CUSTOMER PRINT SET		ELECTRICAL					CUSTOMER PRINT SET		MECHANICAL					
MFG. SET	FIND NO.	DRAWING NO.	REV	NO OF SHT	DESCRIPTION	OPTION NO./FILE DATE	MFG. SET	FIND NO.	DRAWING NO.	REV	NO OF SHT	DESCRIPTION	OPTION NO./FILE DATE	
	1	D-BS-TMB11-0-01		1	BUS CABLE INTERFACE				B-TC-TMB11-0-3		1	TMB11 FIELD MAINT PRINT SET		
		D-BS-TMB11-0-02		1	MAG TAPE CABLE PRIOR WMPR MOD				MP00078			TMB11 PRINT SET		
		D-BB-TMB11-0-7			BLOCK DIAGRAM									
		D-BS-TMB11-0-8			MAGTAPE CABLE MCT									
		D-BS-TMB11-0-5			COMMAND STATUS BOARD									
		D-BS-TMB12-0-6			UNIBUS REGISTER									
	4	D-CS-M7911-0-1		6	TAPE DRIVE INTERFACE				1	B-DD-TMB11-0		4	TMB11 MAG TAPE INTERFACE	
		A-PL-M7911-0-1		2	TAPE DRIVE INTERFACE (P.L.)					D-UA-TMB11-0-0		1	TMB11 MAG TAPE INTERFACE	
		D-AH-M7911-0-5			ASSY/DRILLING HOLE LAYOUT					C-MU-TMB11-0-4		1	MODULE UTILIZATION	
		B-MH-M7911-0-6		1	MODULE ECO HISTORY					D-IA-7009559-0-0		1	OPTION HARNESS RK11-D	
		D-BS-M7911-0-0			COMMAND STATUS BOARD					C-IA-5408778-0-0		1	PRIORITY JUMPER LEVEL #5	
										D-UA-BC11A-8-0			CABLE ASSY (BC11A)	
										A-SP-TMB11-0-23			ENGINEERING SPEC	
										A-SP-TMB11-0-25			MANUFACTURING SPEC	
	5	D-CS-M7912-0-1			UNIBUS REGISTERS									
		A-PL-M7912-0-1			UNIBUS REGISTERS (P.L.)									
		D-AH-M7912-0-5			ASSY/DRILLING HOLE LAYOUT									
		B-MH-M7912-0-6		1	MODULE ECO HISTORY									
		D-BS-M7912-0-0			UNIBUS REGISTERS									
										2	C-IA-7012678-0-0		1	WIRED ASSY (TMB11)
													1	BACKPANEL WIRED (WIRE LIST)
														TMB11 AWT REVISION STATUS
	6	D-CS-M930-0-1			MAG TAPE CABLE TERMINATOR									
		A-PL-M930-0-1			MAG TAPE TERMINATOR (P.L.)									
		D-AH-M930-0-5			ASSY/DRILLING HOLE LAYOUT									
		B-MH-M930-0-6			MODULE ECO HISTORY									
										3	D-IA-7012243-0-0		1	BACKPANEL (TMB11)
	7	D-CS-M105-0-1			ADDRESS SELECTOR									
		A-PL-M105-0-1			ADDRESS SELECTOR (P.L.)									
		D-AH-M105-0-5			ASSY/DRILLING HOLE LAYOUT									
		B-MH-M105-0-6			MODULE ECO HISTORY									
	8	D-CS-M796-0-1			UNIBUS MASTER CONTROL									
		A-PL-M796-0-1			UNIBUS MASTER CONTROL (P.L.)									
		D-AH-M796-0-5			ASSY/DRILLING HOLE LAYOUT									
		B-MH-M796-0-6			MODULE ECO HISTORY									
CUSTOMER PRINT SET CODES	X = PRINT OF DOCUMENT INCLUDED IN PRINT SET					TITLE	SHEET		OF		SIZE	CODE	NUMBER	REV
	C = INCLUDES ALL PRINTS INDICATED ON DOCUMENT					TMB11 MAG TAPE INTERFACE	3		4		B	DD	TMB11-0	
	S = CONFIDENTIAL AUTHORIZED SIGNATURE REQUIRED													

DRB 108

digital

EN-01062-2B-16-R972-(325)

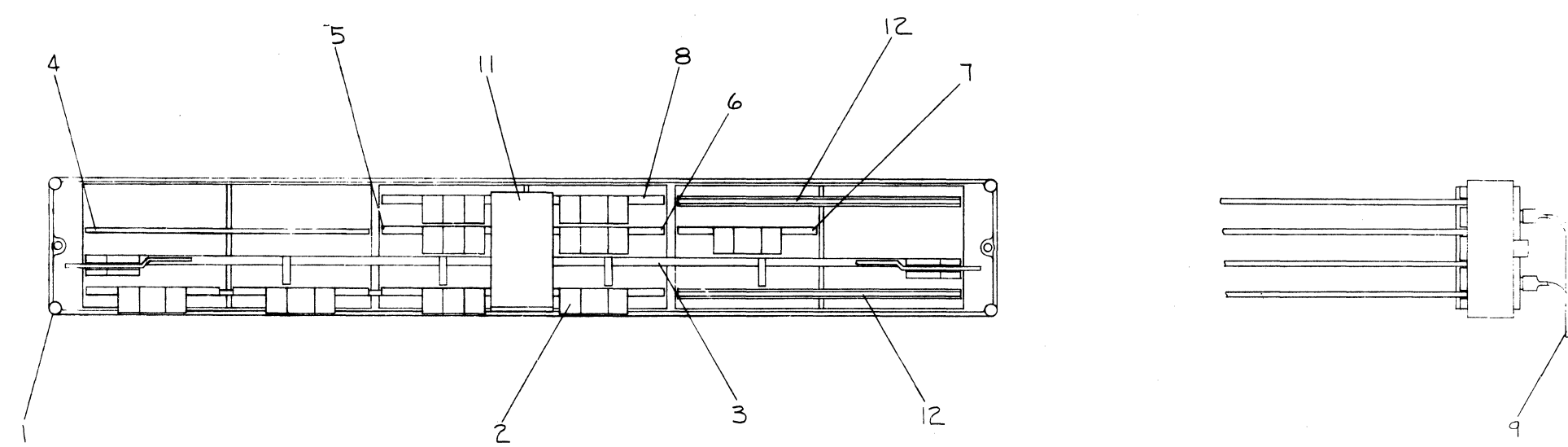
ELECTRICAL																	
CUSTOMER PRINT SET		MFG. SET	FIND NO.	DRAWING NO.	REV	NO OF SHT	DESCRIPTION	OPTION NO./FILE DATE	CUSTOMER PRINT SET		MFG. SET	FIND NO.	DRAWING NO.	REV	NO OF SHT	DESCRIPTION	OPTION NO./FILE DATE
			9	D-CS-M7821-Ø-1			INTERUPT CONTROL										
				A-PL-M7821-Ø-1			INTERUPT CONTROL (P.L.)										
				D-AH-M7821-Ø-5			ASSY/DRILLING HOLE LAYOUT										
				B-MH-M7821-Ø-6			MODULE ECO HISTORY										
			10	D-CS-M795-Ø-1			WORD COUNT & CURRENT MEM ADDR										
				A-PL-M795-Ø-1			WORD COUNT & CURRENT MEM ADDR (P.L.)										
				D-AH-M795-Ø-5			ASSY/DRILLING HOLE LAYOUT										
				B-MH-M795-Ø-6			MODULE ECO HISTORY										

CUSTOMER PRINT SET CODES  
 X = PRINT OF DOCUMENT INCLUDED IN PRINT SET  
 C = INCLUDES ALL PRINTS INDICATED ON DOCUMENT  
 S = CONFIDENTIAL AUTHORIZED SIGNATURE REQUIRED

TITLE TMB11  
 MAG TAPE INTERFACE  
 SHEET 4 OF 4  
 SIZE CODE B DD  
 NUMBER TMB11-Ø  
 REV

THIS DRAWING AND SPECIFICATIONS HEREIN ARE THE PROPERTY OF DIGITAL EQUIPMENT CORPORATION AND SHALL NOT BE REPRODUCED OR COPIED OR USED IN WHOLE OR IN PART AS THE BASIS FOR THE MANUFACTURE OR SALE OF ITEMS WITHOUT WRITTEN PERMISSION. COPYRIGHT © 1976, DIGITAL EQUIPMENT CORPORATION

0-0-118W1 2



QTY	DESCRIPTION	DWG. PART NO.	ITEM NO.
2	CABLE ASSY (BC11A)	D-UA-BC11A-8-0	12
1	HOLDER, MODULE	1209856-00	11
REF	MODULE UTILIZATION	C-MU-TMB11-0-4	10
1	OPTION HARNESS	D-IA-7009559-0-0	9
1	WORD COUNT & CURRENT MEM ADD	D-CS-M795-0-1	8
1	INTERRUPT CONTROL	D-CS-M7821-0-1	7
1	UNIBUS MASTER CONTROL	D-CS-M796-0-1	6
1	ADDRESS SELECTOR	D-CS-M1105-0-1	5
1	TERMINATOR	D-CS-M930-0-1	4
1	UNIBUS REGISTER	D-CS-M7912-0-1	3
1	TAPE DRIVE INTERFACE	D-CS-M7911-0-1	2
1	WIRED ASSEMBLY	C-IA-7012678-0-0	1

ANGLES ±0° 30'	CLASS OF ACCURACY	NOMINAL DIMENSIONS IN INCHES					
		OVER 0 TO 0.2	OVER 0.2 TO 0.5	OVER 0.5 TO 1.0	OVER 1.0 TO 2.0	OVER 2.0 TO 5.0	OVER 5.0 TO ∞
SURFACE QUALITY IN	(CHECK ONE)						
	MEDIUM	±.004	±.008	±.012	±.016	±.024	±.04
QUANTITY & VARIATION	(CHECK ONE)						
MICROINCHES	PREFERRED	±.012	±.016	±.025	±.04	±.080	±0.1

THIRD ANGLE PROJECTION

REMOVE BURRS AND BREAK SHARP CORNERS

DO NOT SCALE DWG

MATERIAL SEE PARTS LIST

FINISH

DRN. W. CURRY 2/10/76

CHK'D BY [Signature] 1/6/80

ENG. [Signature] 1/6/80

PROJ. ENG. [Signature]

PROD. [Signature]

FIRST USED ON PDP-11

TITLE TMB11 MAG TAPE INTERFACE

SIZE CODE NUMBER

D UA TMB11-0-0

SCALE NONE

SHEET OF

REV. 1

REV. 2

REV. 3

REV. 4

REV. 5

REV. 6

REV. 7

REV. 8

REV. 9

REV. 10

"THIS DRAWING AND SPECIFICATIONS, HEREIN, ARE THE PROPERTY OF DIGITAL EQUIPMENT CORPORATION AND SHALL NOT BE REPRODUCED OR COPIED OR USED IN WHOLE OR IN PART AS THE BASIS FOR THE MANUFACTURE OR SALE OF ITEMS WITHOUT WRITTEN PERMISSION. COPYRIGHT © 1976 DIGITAL EQUIPMENT CORPORATION"

MAG TAPE CABLE		WORD COUNT & CURRENT MEMORY ADDRESS M795		UNIBUS OUT (BC11A)	
TERMINATOR M930		ADDRESS SELECTOR M105	UNIBUS MASTER CONTROL M796	INTERUPT CONTROL M7821	
UNIBUS REGISTER M7912					
TAPE DRIVE INTERFACE M7911				UNIBUS IN (BC11A)	

SLOT

4

3

2

1

F E D C B A

REV.	
CHANGE NO.	
CHK	

DEC FORM NO. DRG 111

FIRST USED ON OPTION/MODEL			QTY.	DESCRIPTION	PART NO.	ITEM NO.
PDP-11				PARTS LIST		
DIMENSIONAL TOLERANCE			DRN.	DATE	<b>digital</b>	
DIMENSIONS ARE MILLIMETERS INCHES UNLESS OTHERWISE SPECIFIED			CHK'D.	DATE		
MILLIMETERS	INCHES	ANGLES	ENG.	DATE		
X,XX = ±0.10 X,X = ±0.5 X = ±2	.XXX = ±.005 .XX = ±.02 .X = ±.1	±0° 30'	PROJ. ENG.	DATE		
THIRD ANGLE PROJECTION	REMOVE BURRS AND BREAK SHARP CORNERS SURFACE QUALITY ✓		PROJ.	DATE	TITLE	
					TMBII MODULE UTILIZATION	
MATERIAL					SIZE CODE	NUMBER
FINISH					C MU	TMBII-0-4
					SHEET 1 OF 1	DIST.

REV. NUMBER TMBII-0-4

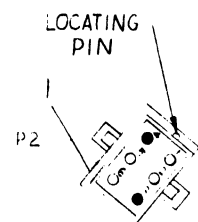
A



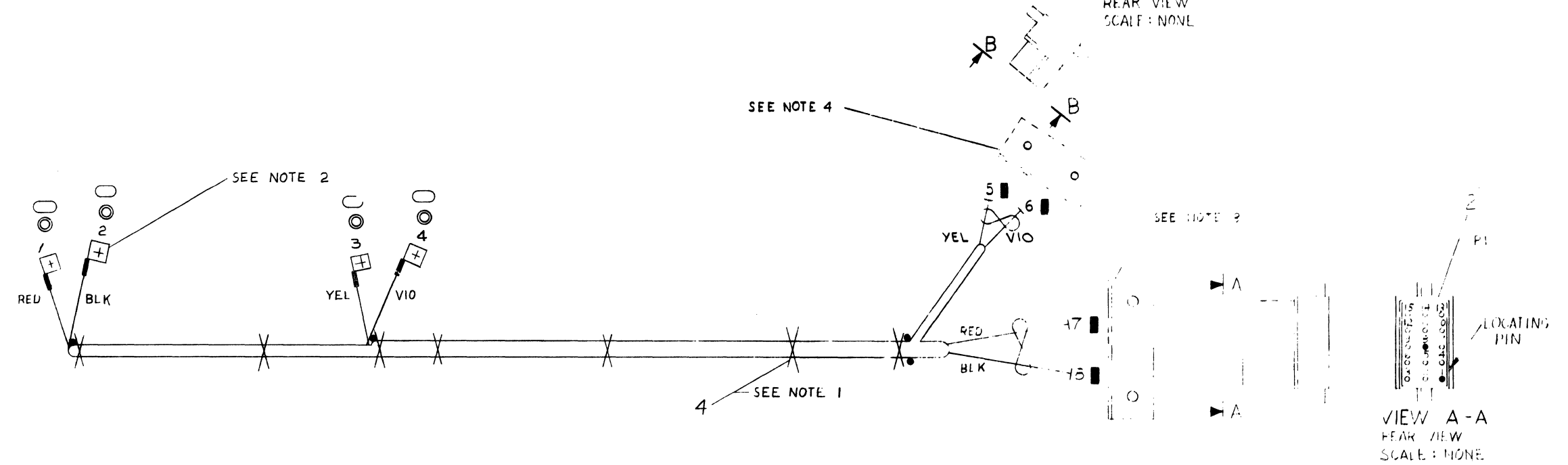
THIS DRAWING AND SPECIFICATIONS HEREIN ARE THE PROPERTY OF DIGITAL EQUIPMENT CORPORATION AND SHALL NOT BE REPRODUCED OR COPIED OR USED IN WHOLE OR IN PART AS THE BASIS FOR THE MANUFACTURE OR SALE OF ITEMS WITHOUT WRITTEN PERMISSION. COPYRIGHT © 1973, DIGITAL EQUIPMENT CORPORATION.

ITEM NO	DESCRIPTION	FROM				TO				
		AWG	COLOR	POINT	CONNECTION	TERM	POINT	CONNECTION	TERM	SIGNAL
6	#18 YEL			3		7,8	5	P2-4	3	AC LO
TWP	#18 VIO			4		7,8	6	P2-3	3	DC LO
5	#14 RED			1		7,8	7	P1-1	3	+5
TWP	#14 BLK			2		7,8	8	P1-8	3	GND

- NOTES:
- USE TIE WRAPS (X) ITEM #4 APPROXIMATELY EVERY THREE (3) INCHES WHEN NECESSARY, AND AT EVERY BREAKOUT POINT.
  - ATTACH MALE FASTON DEC # (9008219-0) WITH #4 WOOD SCREWS (4 PLACES).
  - USE CONN. BRKT. #C-MD-9305761-H15-0, MOUNT WITH #6 WOOD SCREWS. USE MATING CONN. 1209350-15.
  - USE CONN. BRKT. #C-MD-9305761-H6-0 MOUNT WITH #6 WOOD SCREWS. USE MATING CONN. 1209350-06.
  - DOT (●) INDICATES NAIL LOCATIONS FOR ASSEMBLY USE ONLY. COVER NAILS WITH SHRINK TUBING TO PREVENT CUTTING HARNESS.



VIEW R-B  
REAR VIEW  
SCALE: NONE



SCALE  
0 IN. 6 IN 12 IN

DO NOT REDUCE  
DO NOT BUILD FROM REDUCED PRINT

**CAUTION - DRAWING SIZE AND SCALE REDUCED FOR MICROFILM NOT TO BE USED FOR PRODUCTION**

QTY.	DESCRIPTION	PART NO.	ITEM NO.
1	A/R TUBING, SHRINKABLE 3/16ID X 3/16	9107305-02	8
4	CONN, SOLDERLESS	9009262-00	7
A/R	WIRE #18 AWG TWP YEL/VIO	9107430-47	6
A/R	WIRE #14 AWG TWP BLK/RED	9107440-02	5
X	WRAP, TIE	9007031	4
4	PIN, MALE	1209378-01	3
1	HOUSING, CONN. 15 PIN	1209351-15	2
1	HOUSING, CONN. 6 PIN	1209351-06	1

FIRST USED ON OPT. 1		QTY.	DESCRIPTION	PART NO.	ITEM NO.
RKII-D PARTS LIST					
UNLESS OTHERWISE SPECIFIED DIMENSION IN INCHES		DRN.	DATE	digital EQUIPMENT CORPORATION	
TOLERANCES		CHK'D.	DATE	MAYFIELD, MASSACHUSETTS	
DECIMALS	ANGLES	ENG.	DATE	TITL:	
.xxx = .005	'0 30'	PROJ. ENG.	DATE	OPTION HARNESS	
.xx = .02		PROD.	DATE	RKII-D	
.x = .1					
REMOVE BURRS AND BREAK SHARP CORNERS SURFACE QUALITY V		NEXT HIGHER ASSY.		SIZE CODE	NUMBER
MATERIAL		SEE PARTS LIST		Dia	7009559-0-0
FINISH		SCALE 1/1		DIST.	
		SHEET 1 OF 1			

REVISIONS	REV
CHANGE NO	
CHK	

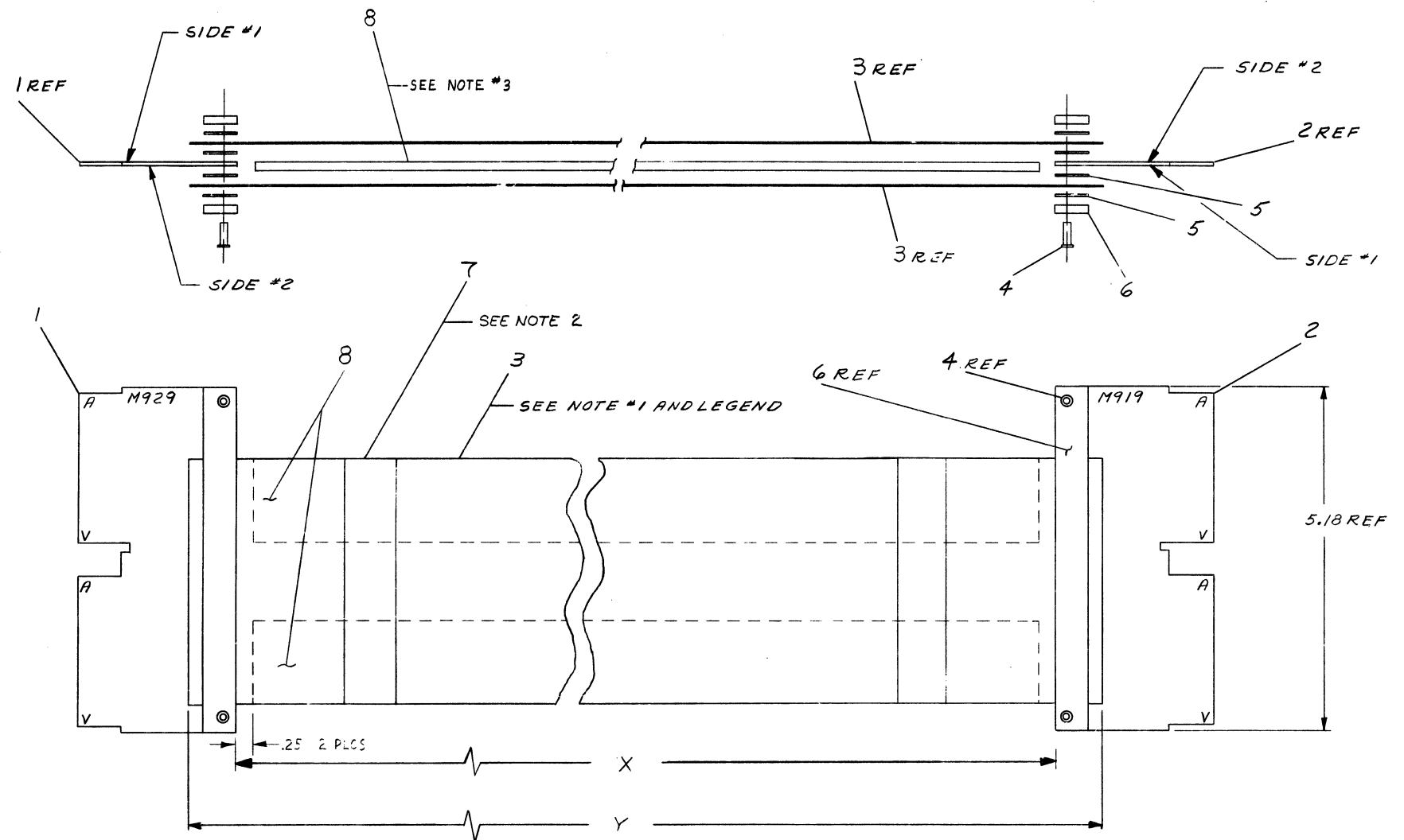
DEC FORM NO. DRD 100-B

DIA 7009559-0-0

This drawing and specifications, herein, are the property of Digital Equipment Corporation and shall not be reproduced or copied or used in whole or in part as the basis for the manufacture or sale of items without written permission. 1773

**NOTES:**

- VARIATIONS AND LENGTHS SHOWN IN LEGEND ARE STANDARD. OTHER THAN STANDARD VARIATIONS WILL BE SPECIFIED BY ALPHANUMERIC DESIGNATION. FOR LENGTHS OTHER THAN FOOT INCREMENTS FROM ONE (1) FOOT THRU NINE (9) FEET, ELEVEN (11) INCHES.  
 A = 1" G = 7"  
 B = 2" H = 8"  
 C = 3" J = 9"  
 D = 4" K = 10"  
 E = 5" L = 11"  
 F = 6"  
 EXAMPLE: BC11A - 3D = 3'4". LENGTHS WILL BE IN FOOT INCREMENTS FROM TEN (10) FEET ON, AND WILL BE SPECIFIED BY THE CORRESPONDING NUMERICAL DESIGNATION. EXAMPLE: BC11A - 11 = 11 FEET. THE TOLERANCE ON DIMENSION "A" WILL BE 2% OF THE FOOT INCREMENT.
- FLEXPRINTS TO BE BOUND TOGETHER BY WRAPPING WITH BLACK ELECTRICAL TAPE (ITEM 7) EVERY 18 INCHES.
- INSTALL 2 PIECES OF FOAM TAPE (ITEM 8) BETWEEN FLEX PRINT CABLES AS SHOWN.



QTY.	DESCRIPTION	PART NO.	ITEM NO.
A/R	GRAY FOAM	9008881	8
A/R	BLK ELECTRICAL TAPE	9009260	7
4	CLAMP, CABLE	C-5C-120976400	6
A/R	TAPE "4032 1/2W X 3 1/16LG	9007834	5
4	EYELET 6S-A-11 STIMSON	9006750	4
2	CABLE, FLEXPRINT	170002-01	3
1	EXT. BUS CONN	A-PL-M919-0-0	2
1	BUS CONN	A-PL-M929-0-0	1

REV.	CHANGE NO.	REV.
A	BC11A-0001	A
B	BC11A-0002	B
C	BC11A-01-03	C
D	BC11A-0004	D
E	BC11A-0005	E
F	BC11A-0006	F

FIRST USED ON OPTION / MODEL PDP11

DO NOT SCALE DRAWING UNLESS OTHERWISE SPECIFIED

TOLERANCES: DECIMALS ± .005, FRACTIONS ± 1/64, ANGLES ± 0°30'

FINAL SURFACE QUALITY: REMOVE BURRS AND BREAK SHARP CORNERS

MATERIAL: + - +

FINISH: + - +

DATE: 11/19/69  
 DATE: 11/19/69  
 DATE: 11/19/69  
 DATE: 11/19/69

TITLE: CABLE ASSY (BC11A)

SCALE: 1/1

SHEET 1 OF 2

SIZE CODE: DUA BC11A-0-0

NUMBER: 1

REV. F

REV. F  
NUMBER DUA BC11A-0-0

8

7

6

5

4

3

F

0-0-0 BCI1A

SIZE CODE DUA

2

1

"THIS DRAWING AND SPECIFICATIONS, HEREIN, ARE THE PROPERTY OF DIGITAL EQUIPMENT CORPORATION AND SHALL NOT BE REPRODUCED OR COPIED OR USED IN WHOLE OR IN PART AS THE BASIS FOR THE MANUFACTURE OR SALE OF ITEMS WITHOUT WRITTEN PERMISSION. COPYRIGHT © 1975 DIGITAL EQUIPMENT CORPORATION"

LEGEND

NUMBER	DIM "X" VARIATION	DIM "Y" (PRECUT) REF.
BC11A-02	2'0"±0.5"	2'1.5"
BC11A-03	3'0"±1.0"	3'1.5"
BC11A-04	4'0"±1.0"	4'1.5"
BC11A-05	5'0"±1.0"	5'1.5"
BC11A-06	6'0"±1.0"	6'1.5"
BC11A-07	7'0"±2.0"	7'1.5"
BC11A-08	8'0"±2.0"	8'1.5"
BC11A-09	9'0"±2.0"	9'1.5"
BC11A-10	10'0"±2.0"	10'1.5"
BC11A-11	11'0"±3.0"	11'1.5"
BC11A-12	12'0"±3.0"	12'1.5"
BC11A-13	13'0"±3.0"	13'1.5"
BC11A-14	14'0"±3.0"	14'1.5"
BC11A-15	15'0"±4.0"	15'1.5"
BC11A-16	16'0"±4.0"	16'1.5"
BC11A-17	17'0"±4.0"	17'1.5"
BC11A-18	18'0"±4.0"	18'1.5"
BC11A-19	19'0"±5.0"	19'1.5"
BC11A-20	20'0"±5.0"	20'1.5"
BC11A-21	21'0"±5.0"	21'1.5"
BC11A-22	22'0"±5.0"	22'1.5"
BC11A-23	23'0"±6.0"	23'1.5"
BC11A-24	24'0"±6.0"	24'1.5"
BC11A-25	25'0"±6.0"	25'1.5"
BC11A-0F	0'6"±0.5"	0'7.5"
BC11A-0F	8'6"±2.0"	8'7.5"

D

D

C

C

B

B

A

A

SIZE CODE  
DUA BCI1A-0-0

REVISIONS		
CHK	CHANGE NO	REV

TITLE	CABLE ASSY (BC11A)	SIZE CODE	DUA	NUMBER	BC11A-0-0	REV.	F
SCALE	1"=1'-0"	SHEET	2	OF	2	DIS.	

8

7

6

5

4

3

2

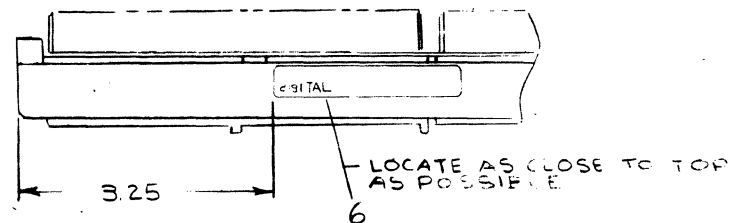
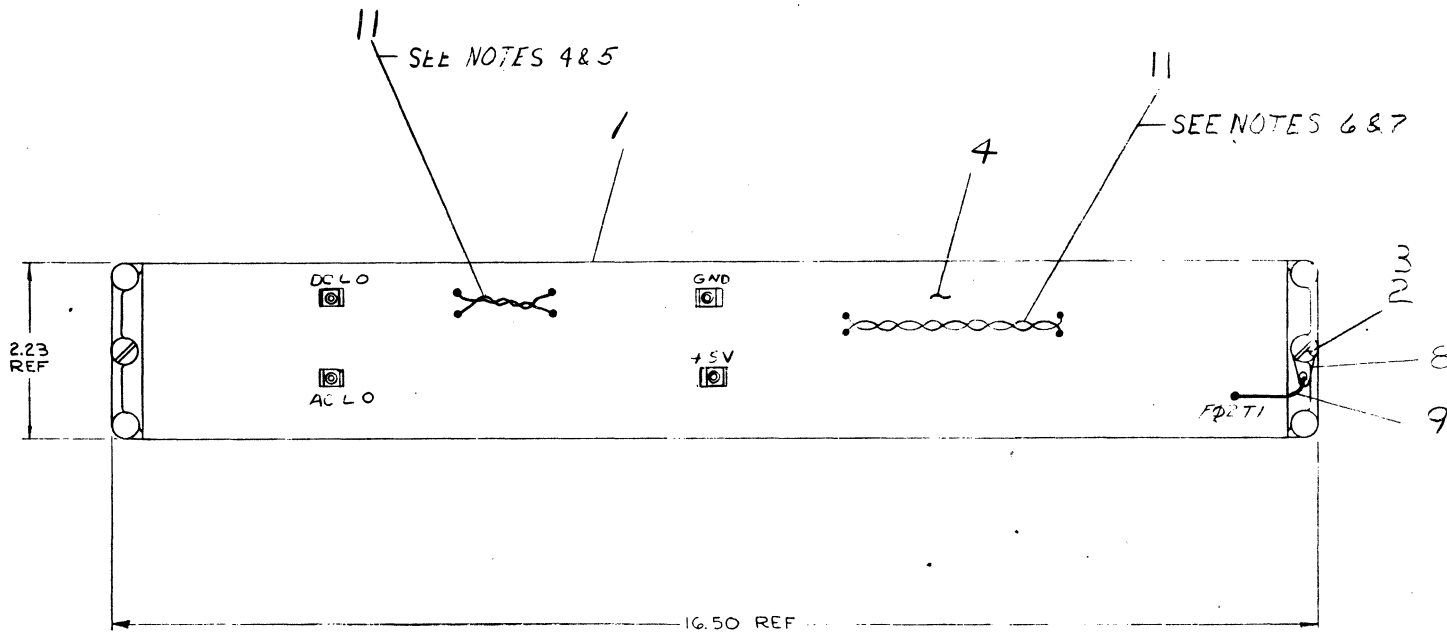
1

This drawing and specifications, herein, are the property of Digital Equipment Corporation and shall not be reproduced or copied or used in whole or in part as the basis for the manufacture or sale of items without written permission.

COPYRIGHT © 1976  
DIGITAL EQUIPMENT CORP.

NOTES:

1. USE YELLOW WIRE ITEM\*9 FOR MACHINE WRAPPED;
2. FOR CIRCUIT SCHEMATIC REFER TO D-CS-5412070-0-1
3. GROUND BACKPANEL BY WIRE WRAPPING A BLK 24 AWG WIRE (ITEM\*9) ON PIN F02T1 AND ATTACH OTHER END UNDER CAPTIVE SCREW (ITEM\*3) WITH SOLDER TERMINAL (ITEM\*5)
4. TWISTED PAIR BLACK WIRE RUNS FROM B03V1 TO C03H2.
5. WHITE WIRE IS PUT TO GND ON BOTH ENDS.
6. WHITE WIRE IS PUT ON D03B1 TO F02F2.
7. BLACK WIRE IS PUT ON F02T1 TO D03B1.



A/R	TWISTED PAIR WIRE BLK/WHT	91-07720-09	11
REF	WIRE BACKPANEL/WIRE LIST	K-WL 7012678-0-1	10
A/R	WIRE #24 AWG SOLID COND, WHT	91-07688-00	9
1	TERMINAL SOLDER	90-08150-00	8
REF	AVIAT REVISION STATUS	A-WF-7012678-0	7
1	LABEL ALUM - MAYNARD MASS	A-PS-9008141-01	6
1	DECHL, LOGIC ASSY	74-11881-01	5
A/R	WIRE #30 AWG SOLID COND WHT	91-05790-99	4
2	SCREW CAPTIVE (8-32X1.78)	9008157	3
2	RETAINING RING	9007835-00	2
1	BACK PANEL (TMBII)	D-IA-7012243-0	1

FIRST USED ON OPTION/MODEL	QTY.	DESCRIPTION	PART NO.	ITEM NO.
TMBII PARTS LIST				
UNLESS OTHERWISE SPECIFIED DIMENSION IN INCHES. TOLERANCES	DBN	DATE		
DECIMALS	CHK'D	DATE		
ANGLES	ENG.	DATE		
XXX = .005 XX = .02 X = .1	PROJ. ENG.	DATE		
REMOVE BURRS AND BREAK SHARP CORNERS SURFACE QUALITY	PROD.	DATE		
MATERIAL	NEXT HIGHER ASSY.		SIZE CODE	NUMBER
FINISH	D-UA-TMBII-0-0		C IA	7012678-0-0
	SCALE		DIST.	
	SHEET	OF		

REV.	CHANGE NO.	DATE	BY
A	TMB-11-00001	20 MAY 76	H. F. FINDIENSEN
B	TMB-11-00002		H. DRAB

BRUNING 40-107 15968

REV. B  
C I A 7012678 - 0-0

4

3

2

1

This drawing and specifications, herein, are the property of Digital Equipment Corporation and shall not be reproduced or copied or used in whole or in part as the basis for the manufacture or sale of items without written permission.


COPYRIGHT © 1976  
DIGITAL EQUIPMENT CORP

B

E



A

FIRST USED ON OPTION MODEL	QTY.	DESCRIPTION	PART NO.	ITEM NO.
TMB11				
PARTS LIST				
DRN. MELANE	DATE 3/30/76	<div style="text-align: center;">  <p><b>digital</b> EQUIPMENT CORPORATION MAYNARD, MASSACHUSETTS</p> </div>		
CHK'D.	DATE			
ENG.	DATE			
PROJ. ENG.	DATE			
PROD.	DATE			
NEXT HIGHER ASSEMBLY		TITLE WIRE BACK PANEL (WIRE LIST)		
SCALE		SIZE CODE K WL	NUMBER 7012678-0-1	REV. A
SHEET	OF	DIST.		

REVISIONS	CHANGE NO.	REV.
CHK	TMB11-00002	A

4

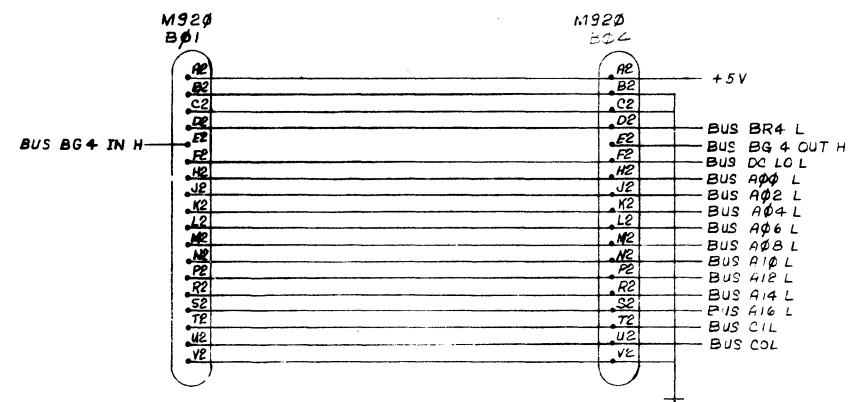
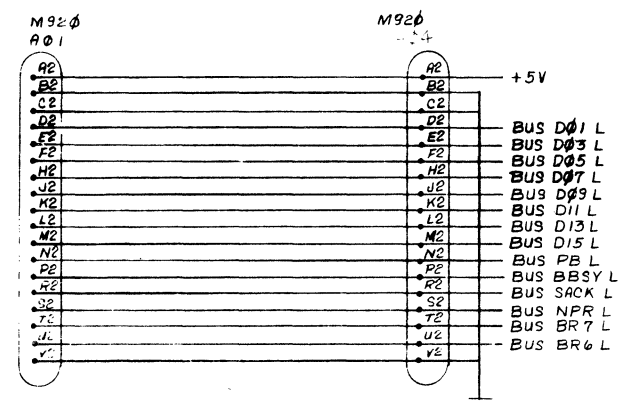
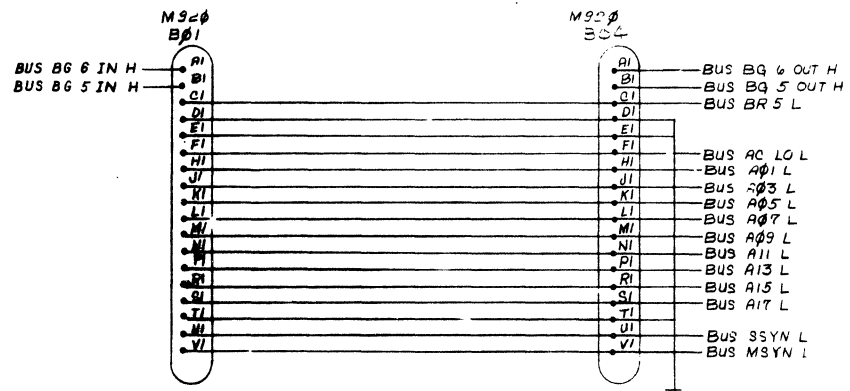
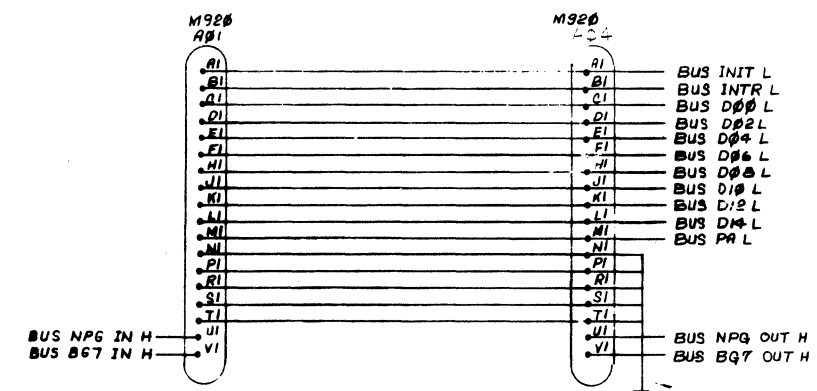
3

2

1



This drawing and specifications, herein, are the property of Digital Equipment Corporation and shall not be reproduced or copied or used in whole or in part as the basis for the manufacture or sale of items without written permission.  
 COPYRIGHT © 1972  
 DIGITAL EQUIPMENT CORPORATION



REV	
CHANGE NO	
CHK	

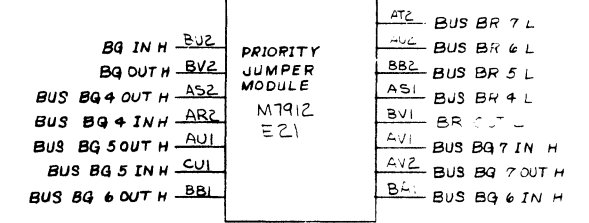
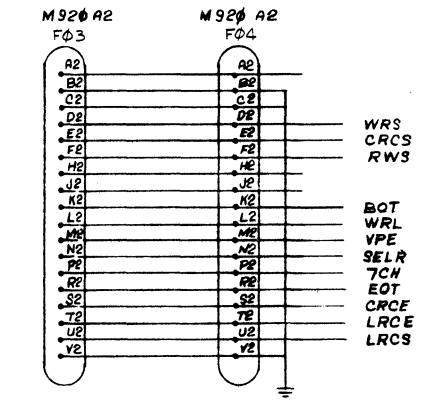
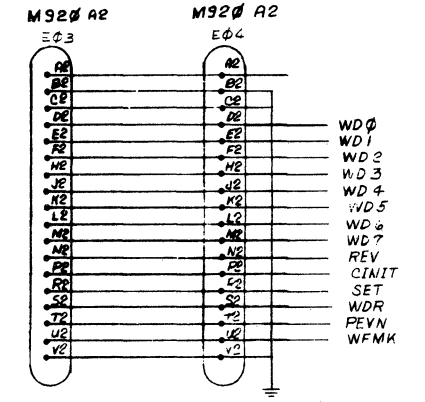
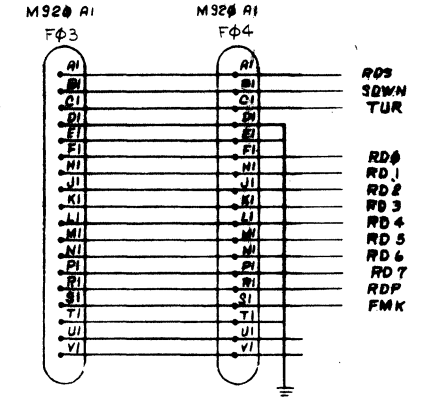
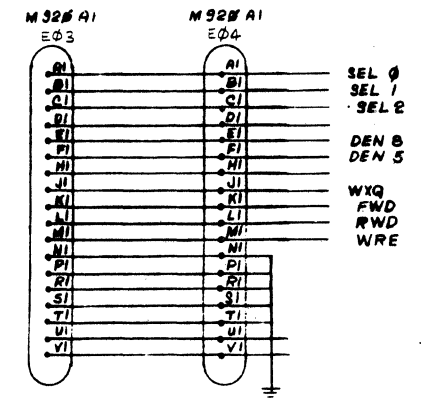
FIRST USED ON OPTION/MODEL  
 PDF-11

DO NOT SCALE DRAWING  
 UNLESS OTHERWISE SPECIFIED  
 DIMENSION IN INCHES  
 TOLERANCES  
 DECIMALS FRACTIONS ANGLES  
 ±.005 ±.1/64 ±.0000  
 FINAL SURFACE QUALITY  
 REMOVE BURRS AND BREAK SHARP CORNERS  
 MATERIAL  
 FINISH

QTY.	DESCRIPTION	PART NO.	UNIT
	PARTS LIST		
	EQUIPMENT CORPORATION MAYNARD, MASSACHUSETTS		
	TITLE BUS CARLE INTERFACE		
	NEXT HIGHER ASSY B-DD-TMB11-0		
	SCALE		
	SHEET 1 OF 1		
	DDB TMB11-0-0		

This drawing and associated data, forms, and the identity of Digital Equipment Corporation and shall not be reproduced or copied in whole or in part, in any form or by any means, without the prior written permission of Digital Equipment Corporation.

COPYRIGHT © 1970  
DIGITAL EQUIPMENT CORPORATION

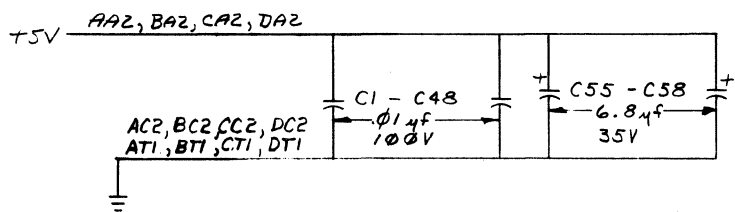
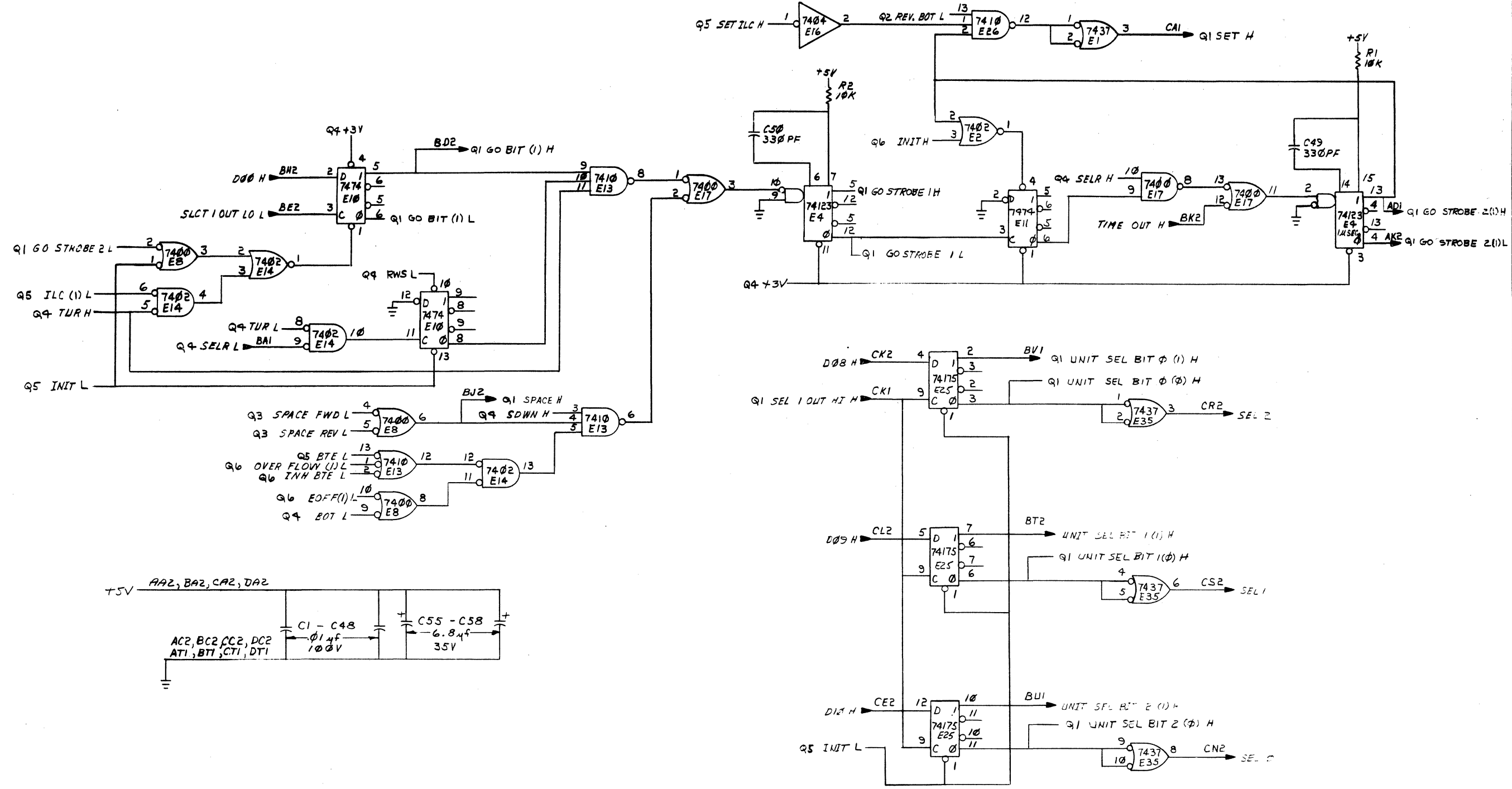


REV	
CHANGE NO	
CHK	

FIRST USED ON OPTION/MODEL	QTY.	DESCRIPTION	PART NO.	ITEM NO.
PDP-11		PARTS LIST		
UNLESS OTHERWISE SPECIFIED DIMENSION IN INCHES TOLERANCES	DRN W.C. LUFFKIN DATE 11/17/70 CHKD P. G. L. DATE 11/22/70	EQUIPMENT CORPORATION		
DECIMALS .005 XX .02 X .1	ANGLES ± 0° 30'	TITLE MAG. TAPE CABLE PRIOR JMPR MOD		
REMOVE BURRS AND BREAK SHARP CORNERS SURFACE QUALITY	ENG. DATE 11/22/70 PROJ. ENG. DATE 11/22/70 FRG. DATE 11/22/70	NEXT HIGHER ASSY. B-DD-TMB11-0		
MATERIAL		SCALE		
FINISH		SHEET OF		

DDBS TMB11-0-02

"THIS DRAWING AND SPECIFICATIONS HEREIN ARE THE PROPERTY OF DIGITAL EQUIPMENT CORPORATION AND SHALL NOT BE REPRODUCED OR COPIED OR USED IN WHOLE OR IN PART AS THE BASIS FOR THE MANUFACTURE OR SALE OF ITEMS WITHOUT WRITTEN PERMISSION. COPYRIGHT © 1975, DIGITAL EQUIPMENT CORPORATION"

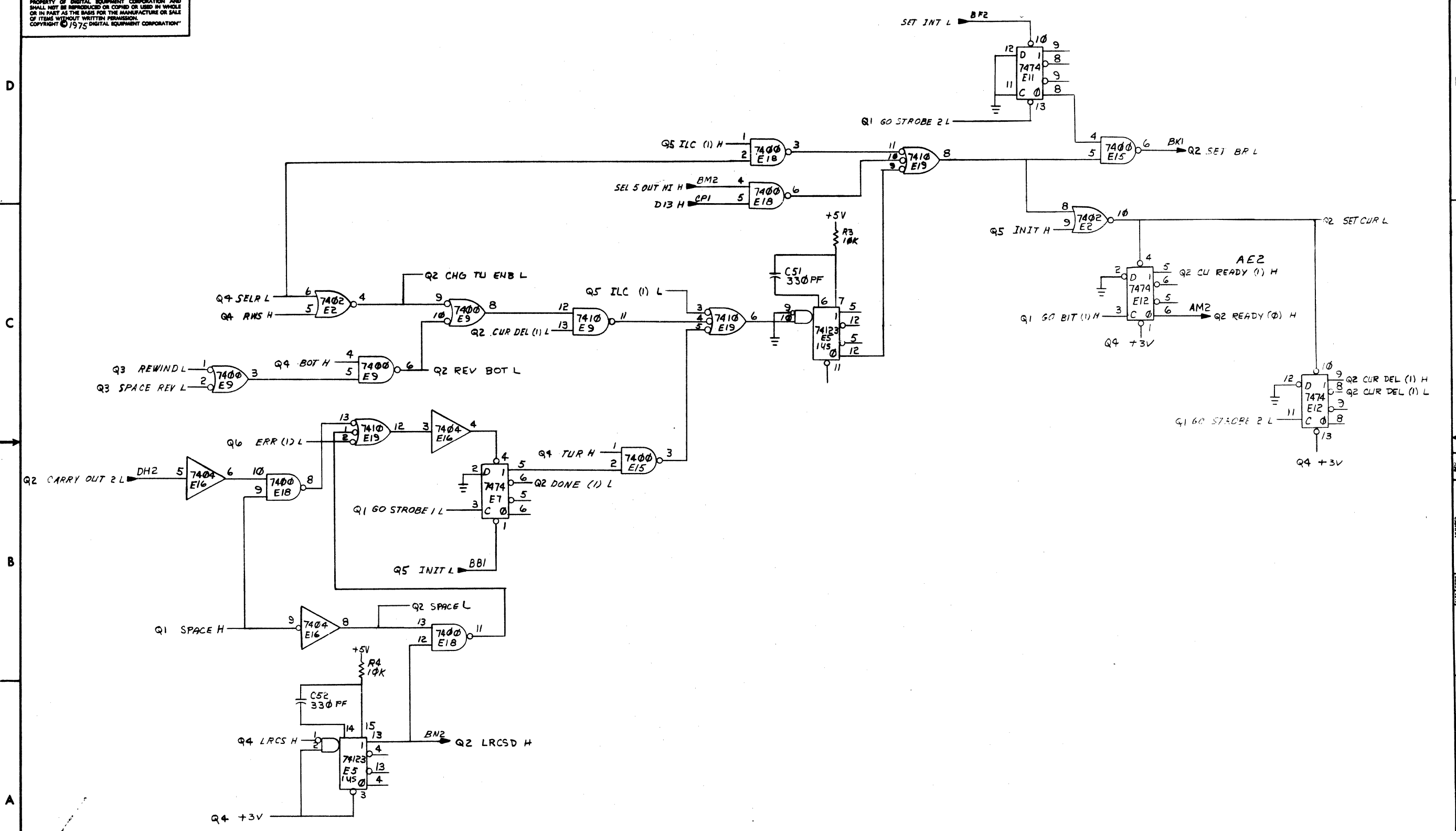


REV.	DATE	BY	CHK'D
1	12-9-76	JIM NESTOR	
2	7-7-76		
3	10-17-75		

DRN. <i>Silvia</i>	10-17-75	FIRST USED ON	PDP-11
CHK'D <i>[Signature]</i>	13-07-75	TITLE	TAPE DRIVE INTERFACE
ENG. <i>[Signature]</i>	11-12-75	SCALE	1:1
PROJ. ENG. <i>[Signature]</i>	11-13-75	SIZE CODE	D CS M7911-0-1
PROD. <i>[Signature]</i>	11-13-75	NUMBER	1
NEXT HIGHER ASSY.		REV.	A
B-DD-TMA11-0		DIST.	



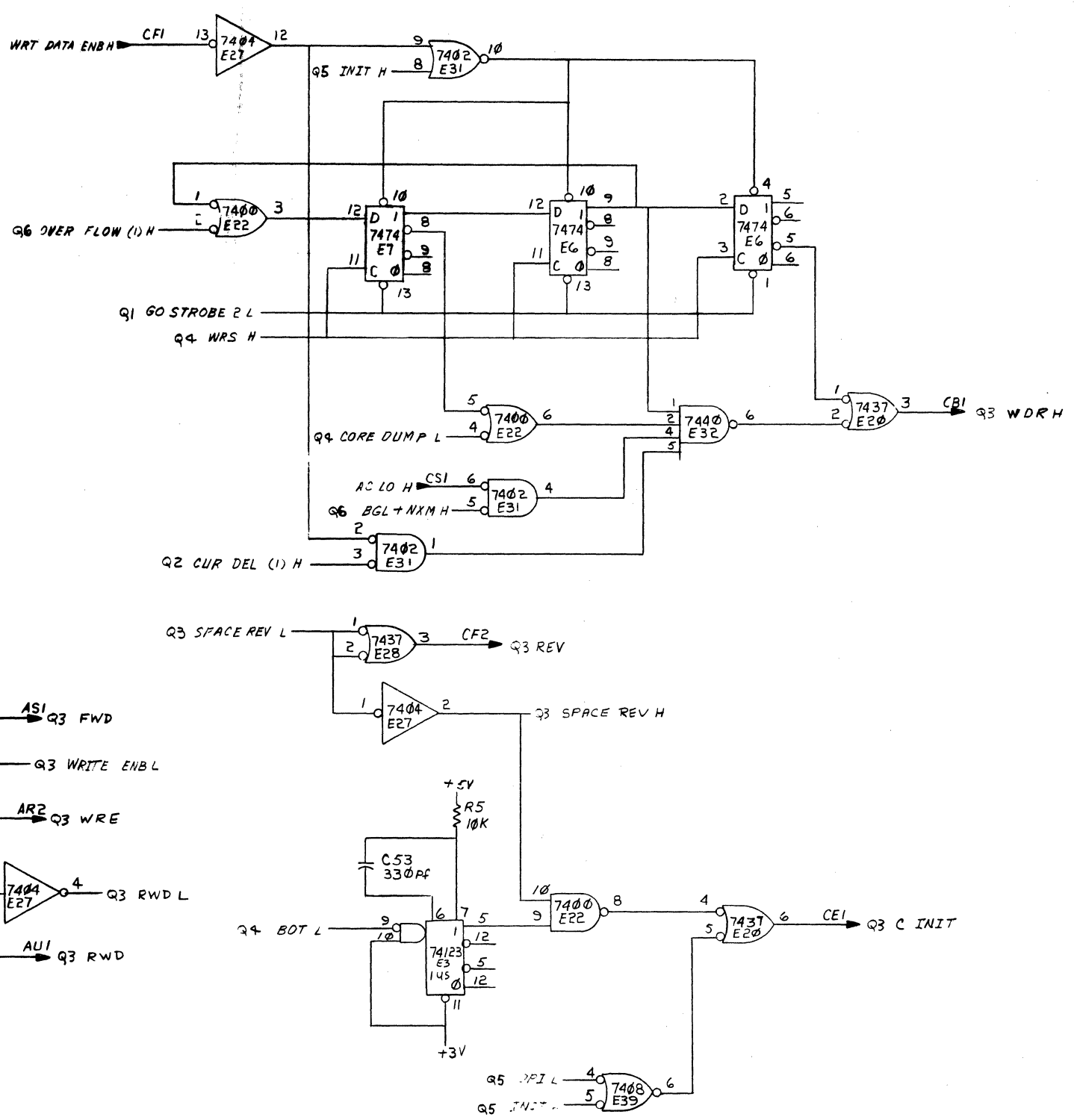
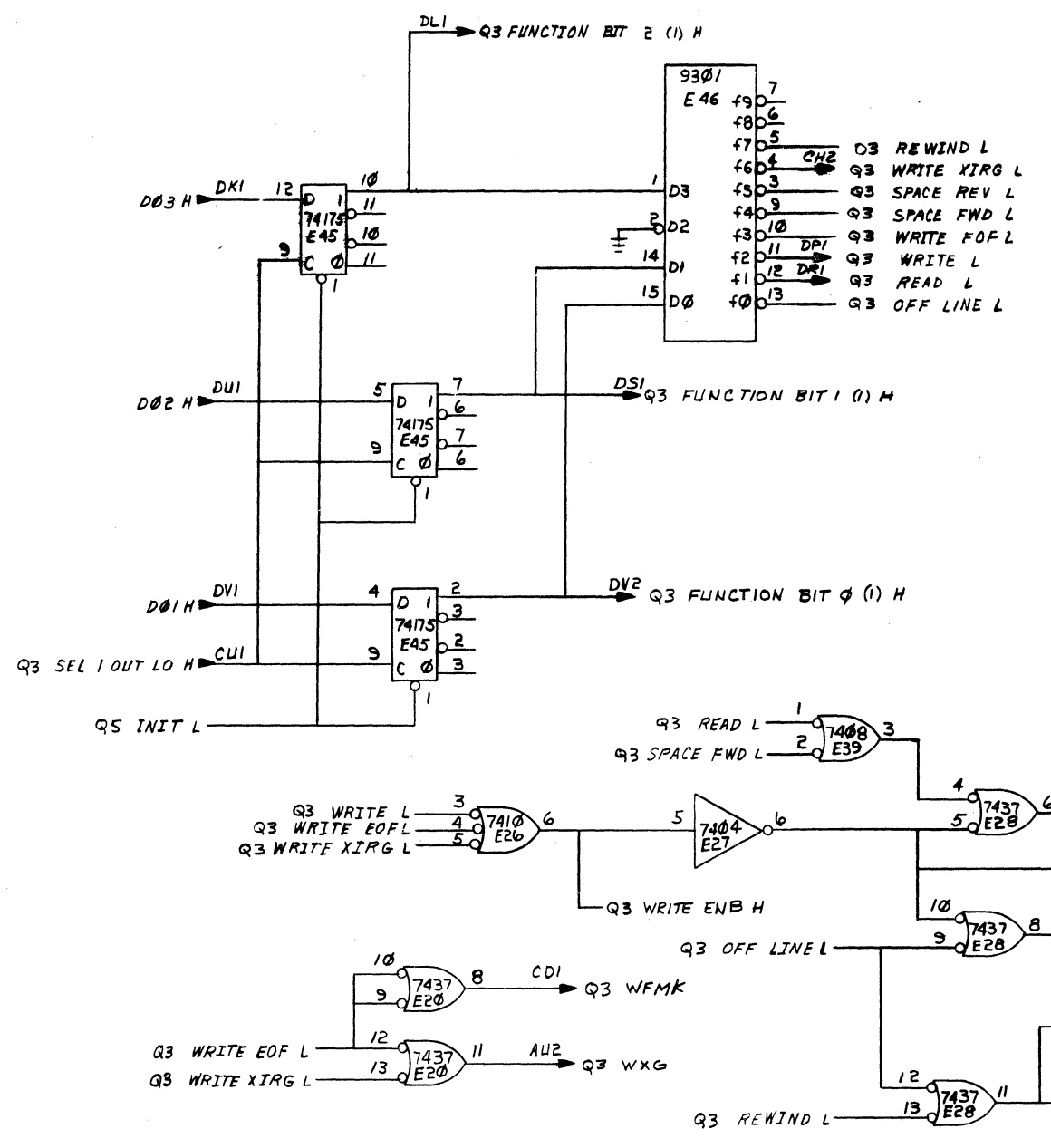
"THIS DRAWING AND SPECIFICATIONS, HEREIN, ARE THE PROPERTY OF DIGITAL EQUIPMENT CORPORATION AND SHALL NOT BE REPRODUCED OR COPIED OR USED IN WHOLE OR IN PART AS THE BASIS FOR THE MANUFACTURE OR SALE OF ITEMS WITHOUT WRITTEN PERMISSION. COPYRIGHT © 1975 DIGITAL EQUIPMENT CORPORATION"



REVISIONS		
CHK	CHANGE NO.	REV.

TITLE	(Q2) SIZE CODE	NUMBER	REV.
TAPE DRIVE INTERFACE	D CS	M7911-0-1	A
SCALE	SHEET	OF	DIST.
	2	6	

"THIS DRAWING AND SPECIFICATIONS, HEREIN, ARE THE PROPERTY OF DIGITAL EQUIPMENT CORPORATION AND SHALL NOT BE REPRODUCED OR COPIED OR USED IN WHOLE OR IN PART AS THE BASIS FOR THE MANUFACTURE OR SALE OF ITEMS WITHOUT WRITTEN PERMISSION. COPYRIGHT © 1975 DIGITAL EQUIPMENT CORPORATION"

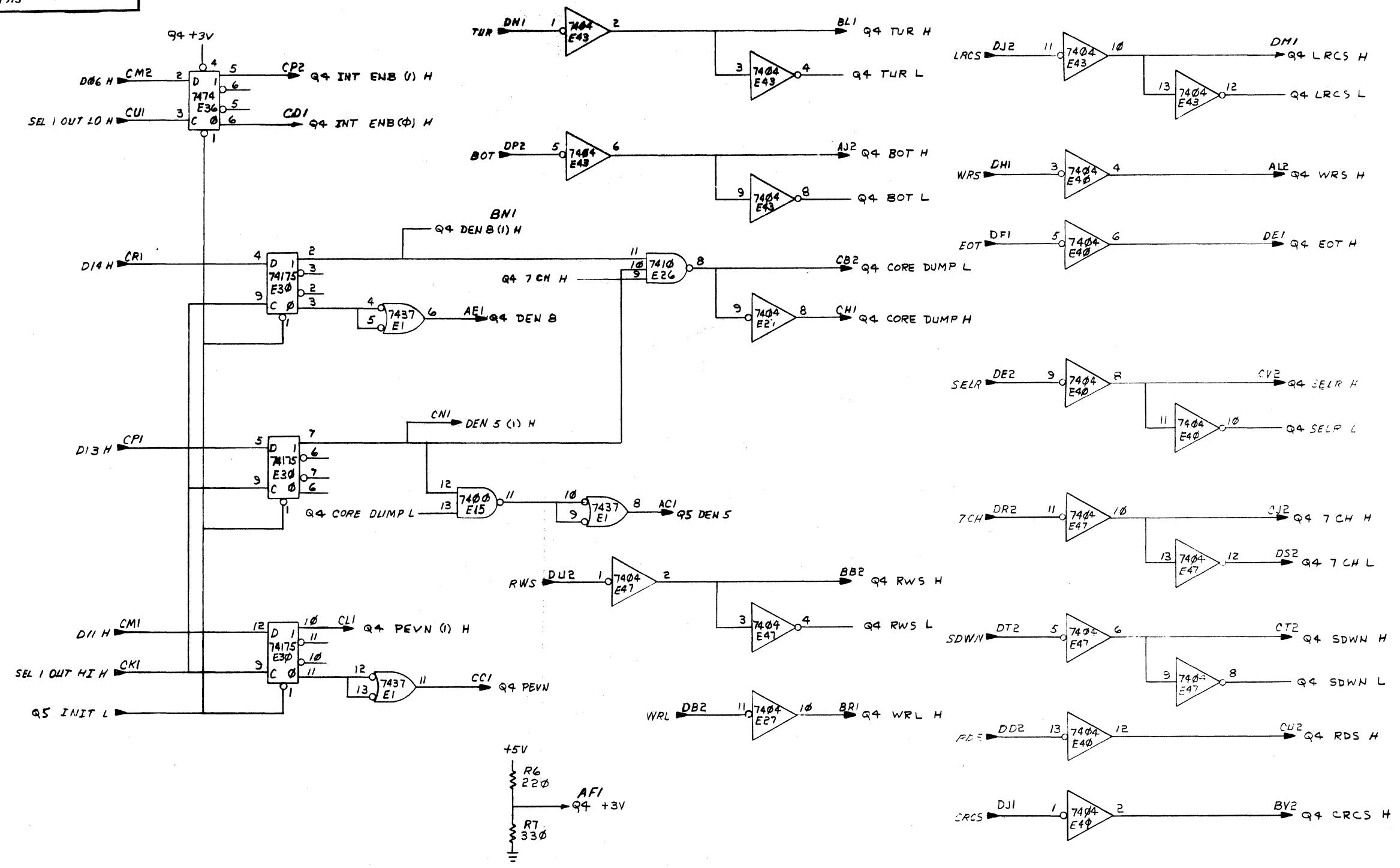


REVISIONS		
CHK	CHANGE NO.	REV.

TITLE	(Q3) TAPE DRIVE INTERFACE	SIZE CODE	D CS	NUMBER	M7911-0-1	REV.	A
SCALE	---	SHEET	3	OF	6	DIST.	

REV. NUMBER DCS M7911-0-1

THIS DRAWING AND SPECIFICATIONS HEREIN ARE THE PROPERTY OF DIGITAL EQUIPMENT CORPORATION AND SHALL NOT BE REPRODUCED OR COPIED OR USED IN WHOLE OR IN PART AS THE BASIS FOR THE MANUFACTURE OR SALE OF ITEMS WITHOUT WRITTEN PERMISSION. COPYRIGHT © 1975 DIGITAL EQUIPMENT CORPORATION



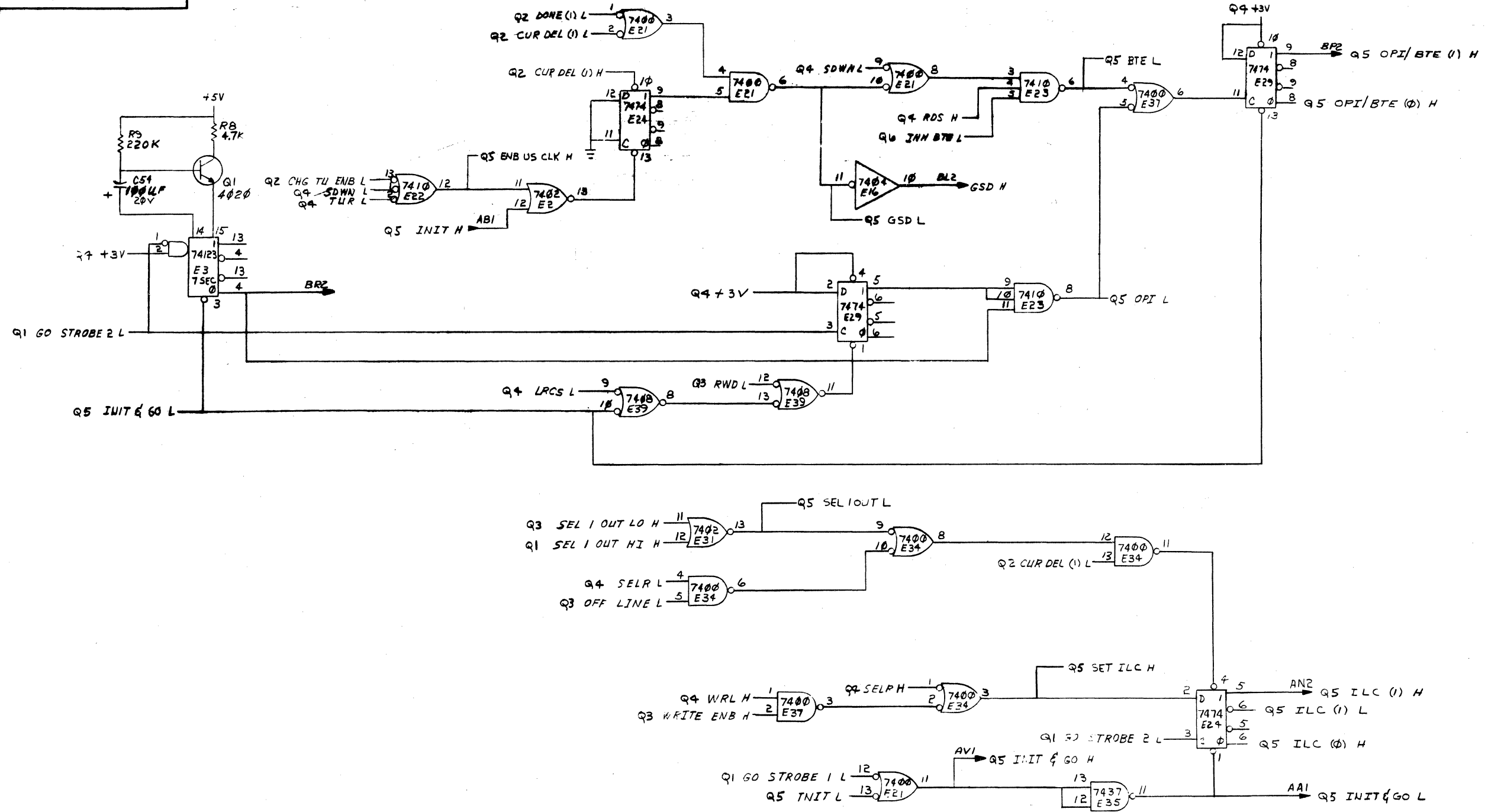
REVISIONS		
CHK	CHANGE NO.	REV.

DEC FORM NO. 590 138	8	7	6	5	4	3	2	1	
TITLE: TAPE DRIVE INTERFACE (Q4)							SIZE CODE: DCS	NUMBER: M7911-0-1	REV. A
SCALE: 1:1							SHEET 4 OF 6		DIST.:

DCS M7911-0-1

THIS DRAWING AND SPECIFICATIONS HEREIN ARE THE PROPERTY OF DIGITAL EQUIPMENT CORPORATION AND SHALL NOT BE REPRODUCED OR COPIED OR USED IN WHOLE OR IN PART AS THE BASIS FOR THE MANUFACTURE OR SALE OF ITEMS WITHOUT WRITTEN PERMISSION.  
 COPYRIGHT © 1975 DIGITAL EQUIPMENT CORPORATION

1-0-1162W SCD 2

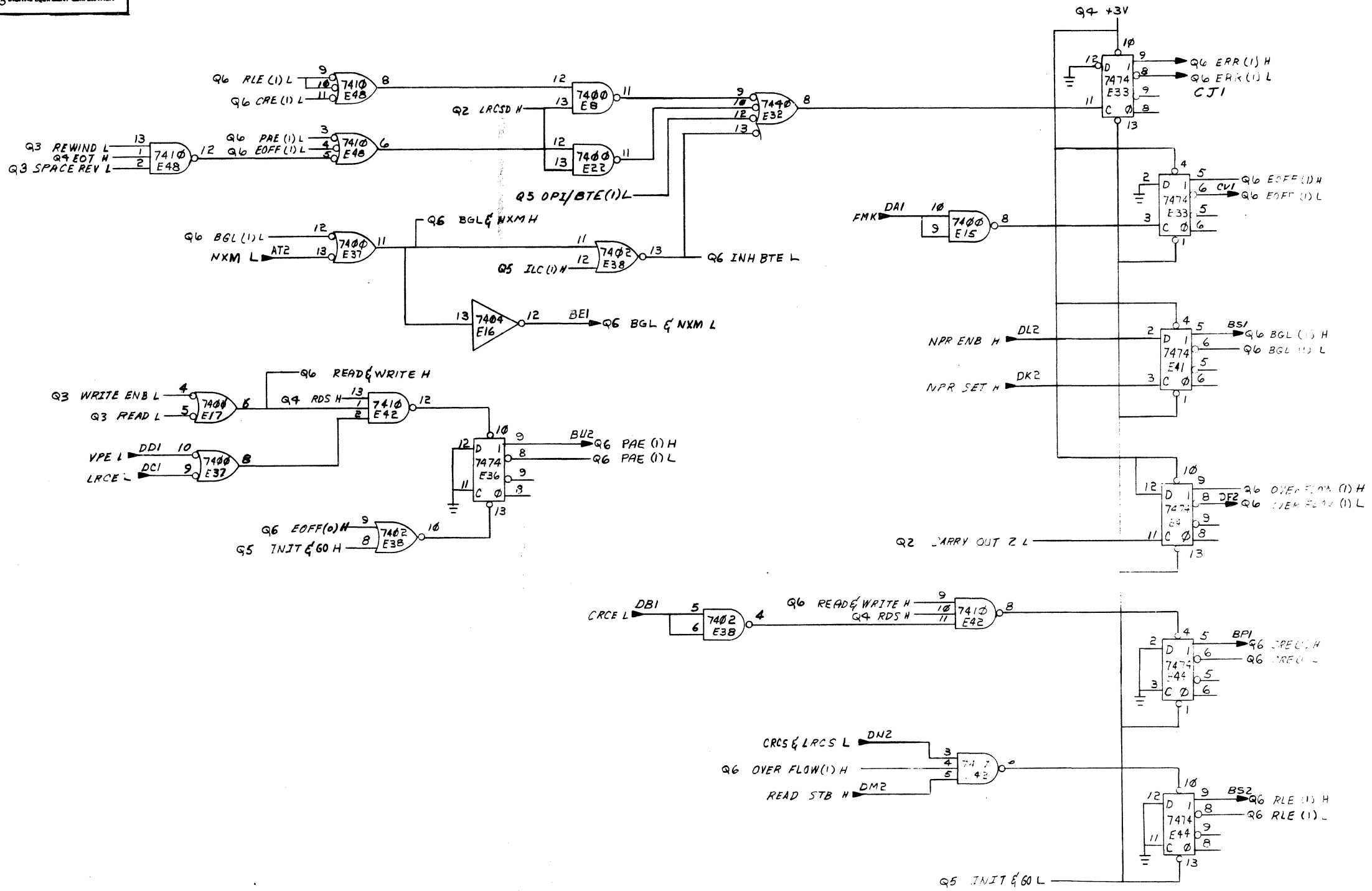


DIGITAL EQUIPMENT CORPORATION  
 DCS M7911-0-1

REVISIONS		
CHK	CHANGE NO.	REV.

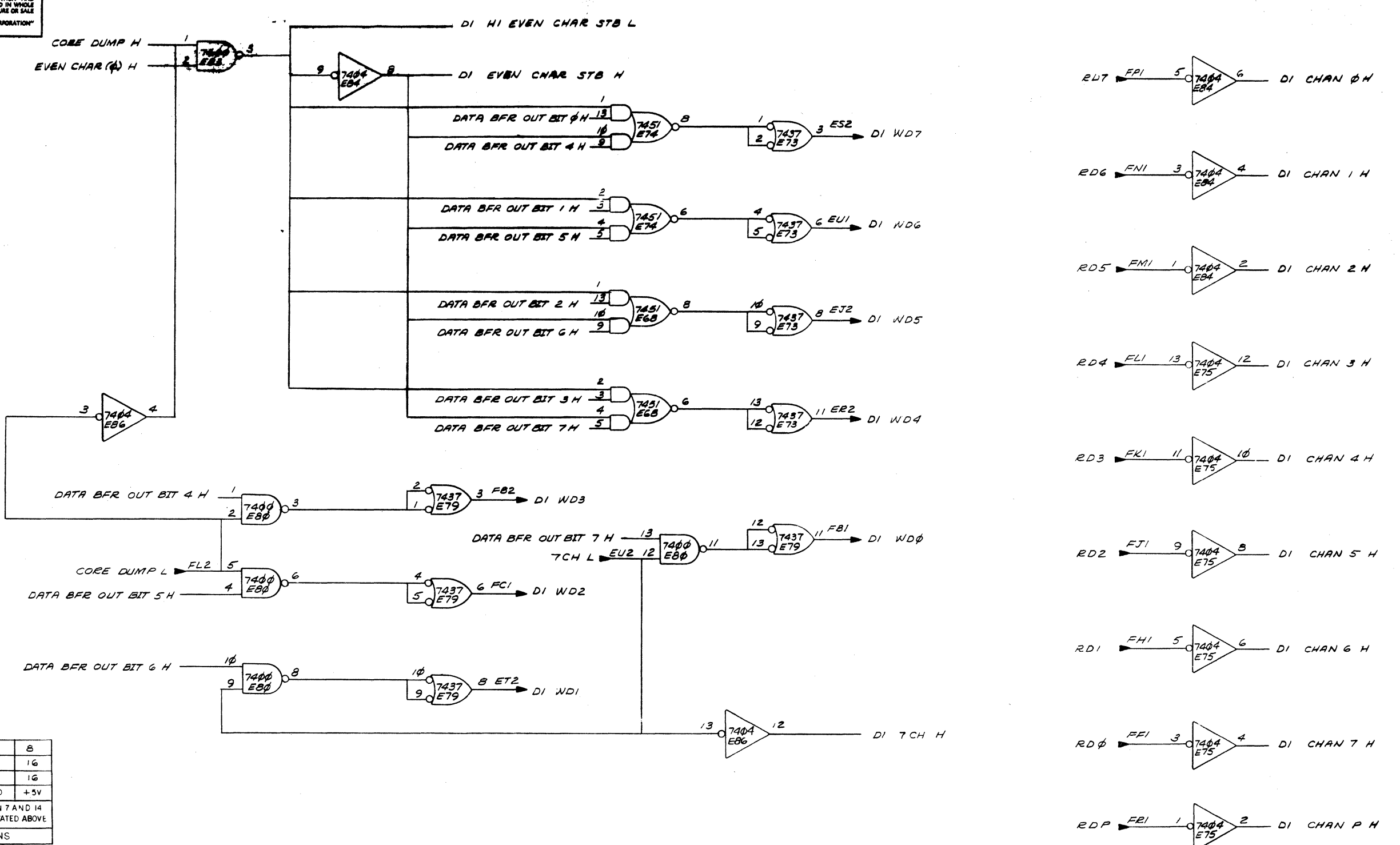
TITLE	(Q5) TAPE DRIVE INTERFACE	SIZE CODE	DCS	NUMBER	M7911-0-1	REV.	A
SCALE	--	SHEET	5 OF 6	DIST.			

THIS DRAWING AND SPECIFICATIONS, HEREIN, ARE THE PROPERTY OF DIGITAL EQUIPMENT CORPORATION AND SHALL NOT BE REPRODUCED OR COPIED OR USED IN WHOLE OR IN PART AS THE BASIS FOR THE MANUFACTURE OR SALE OF ITEMS WITHOUT WRITTEN PERMISSION.  
 COPYRIGHT © 1975 DIGITAL EQUIPMENT CORPORATION



REVISIONS		
CHK	CHANGE NO.	REV.

"THIS DRAWING AND SPECIFICATIONS, HEREIN, ARE THE PROPERTY OF DIGITAL EQUIPMENT CORPORATION AND SHALL NOT BE REPRODUCED OR COPIED OR USED IN WHOLE OR IN PART AS THE BASIS FOR THE MANUFACTURE OR SALE OF ITEMS WITHOUT WRITTEN PERMISSION. COPYRIGHT © 1975 DIGITAL EQUIPMENT CORPORATION"



IC 8640	1	8
IC 8251	8	16
IC 74123	8	16
IC TYPE	GND	+5V

GND AND 5V ARE USUALLY PIN 7 AND 14 RESPECTIVELY EXCEPTS ARE STATED ABOVE

IC PIN LOCATIONS

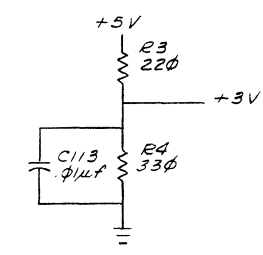
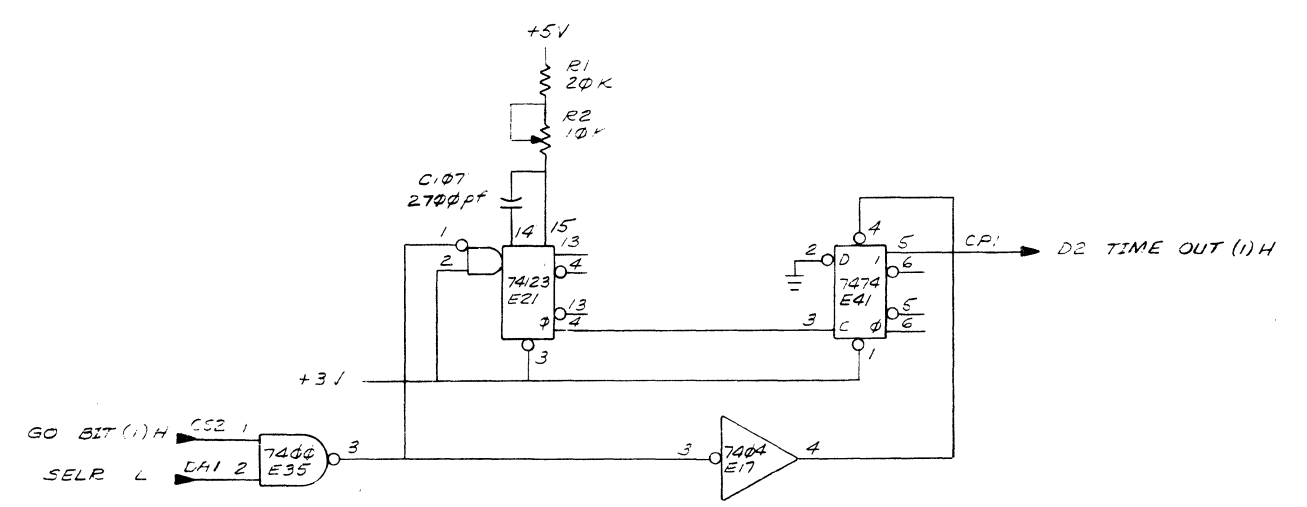
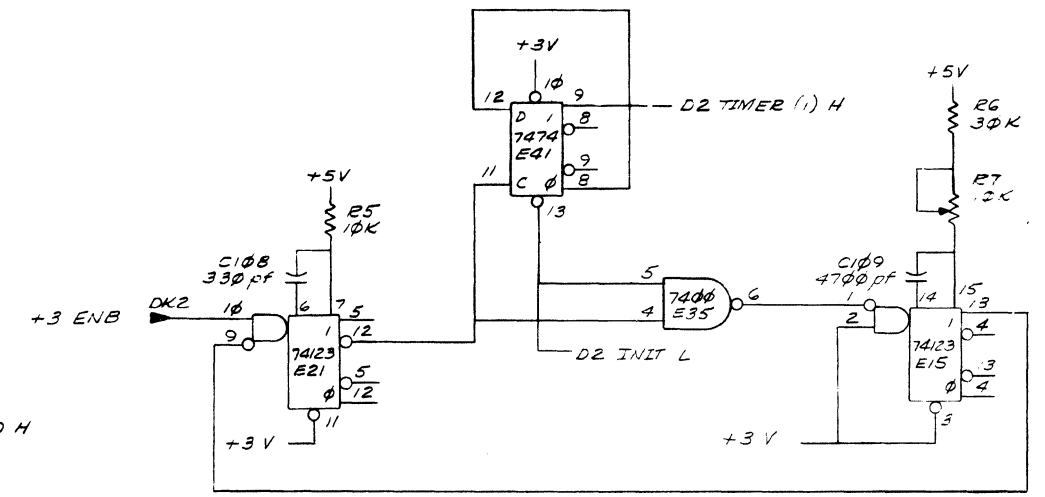
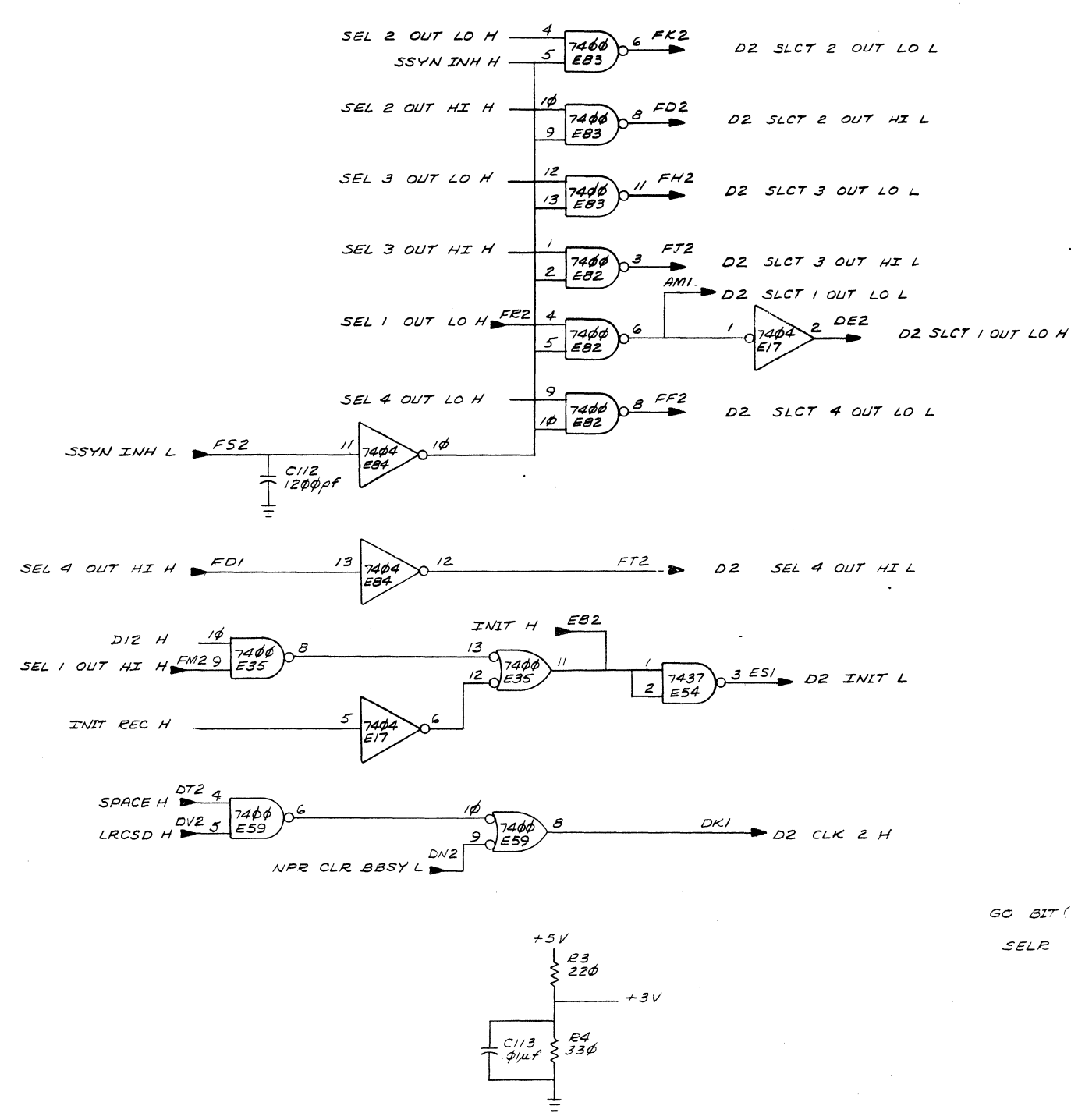
REV. NO.	REV.
CHANGE NO.	B
DATE	6-7-76
BY	J. NESTOR
CHK	J. NESTOR

DRN. NO.	111975	FIRST USED ON	Digital
CHK'D	J. Nestor	DATE	11/11/75
ENG.	J. Nestor	DATE	11/11/75
PROJ. ENG.	J. Nestor	DATE	11/11/75
PROD.	J. Nestor	DATE	11/11/75
NEXT HIGHER ASSY.			
D-1-17912-0-0		SIZE CODE	NUMBER
SCALE		D CS	M7912-0-1
SHEET 1 OF 9		DIST.	

D  
C  
B  
A

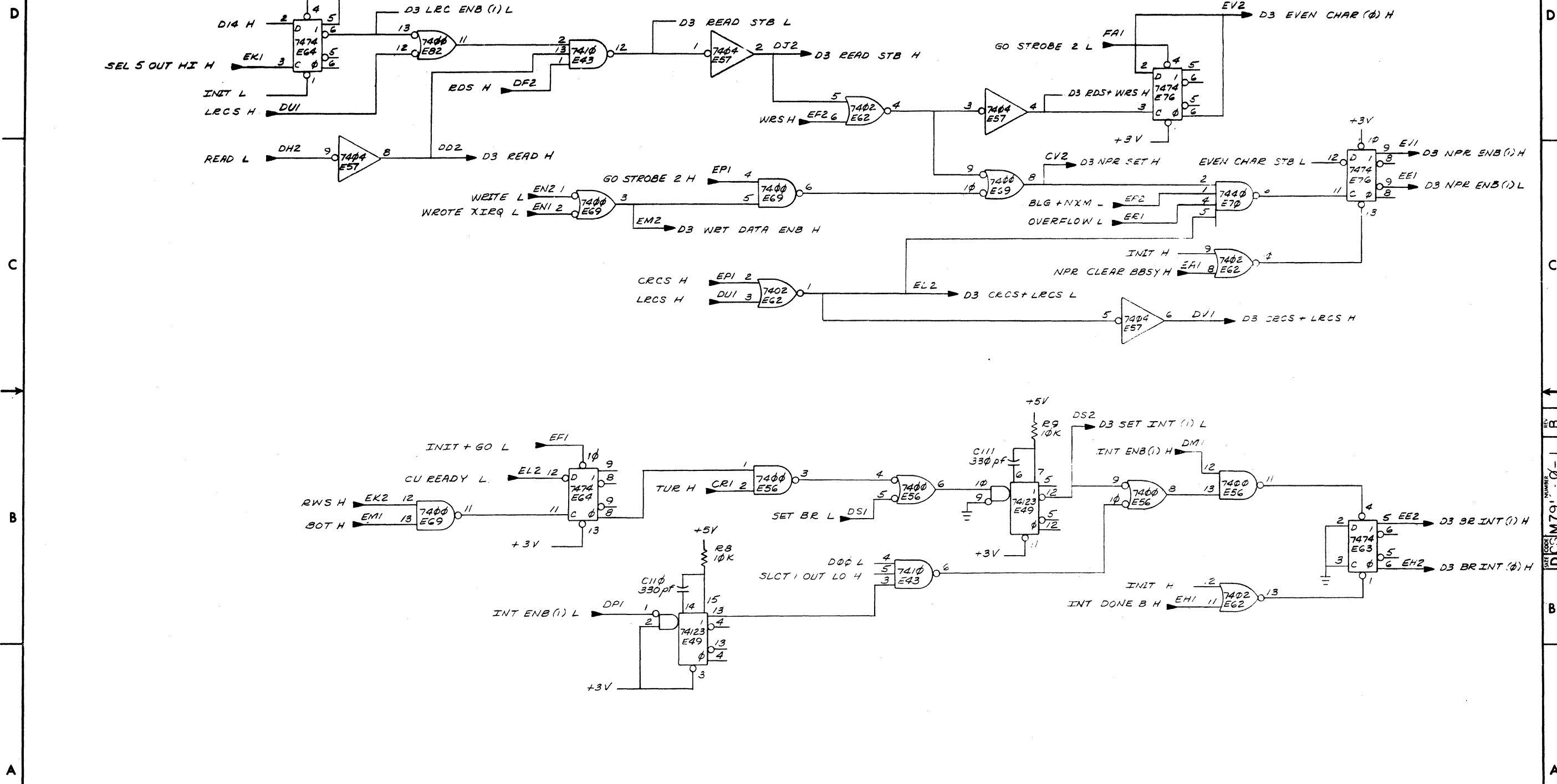
D  
C  
B  
A

"THIS DRAWING AND SPECIFICATIONS, HEREIN, ARE THE PROPERTY OF DIGITAL EQUIPMENT CORPORATION AND SHALL NOT BE REPRODUCED OR COPIED OR USED IN WHOLE OR IN PART AS THE BASIS FOR THE MANUFACTURE OR SALE OF ITEMS WITHOUT WRITTEN PERMISSION. COPYRIGHT © 1975 DIGITAL EQUIPMENT CORPORATION"



REVISIONS		
CHK	CHANGE NO.	REV.

"THIS DRAWING AND SPECIFICATIONS HEREIN ARE THE PROPERTY OF DIGITAL EQUIPMENT CORPORATION AND SHALL NOT BE REPRODUCED OR COPIED OR USED IN WHOLE OR IN PART AS THE BASIS FOR THE MANUFACTURE OR SALE OF ITEMS WITHOUT WRITTEN PERMISSION. COPYRIGHT © 1975 DIGITAL EQUIPMENT CORPORATION"

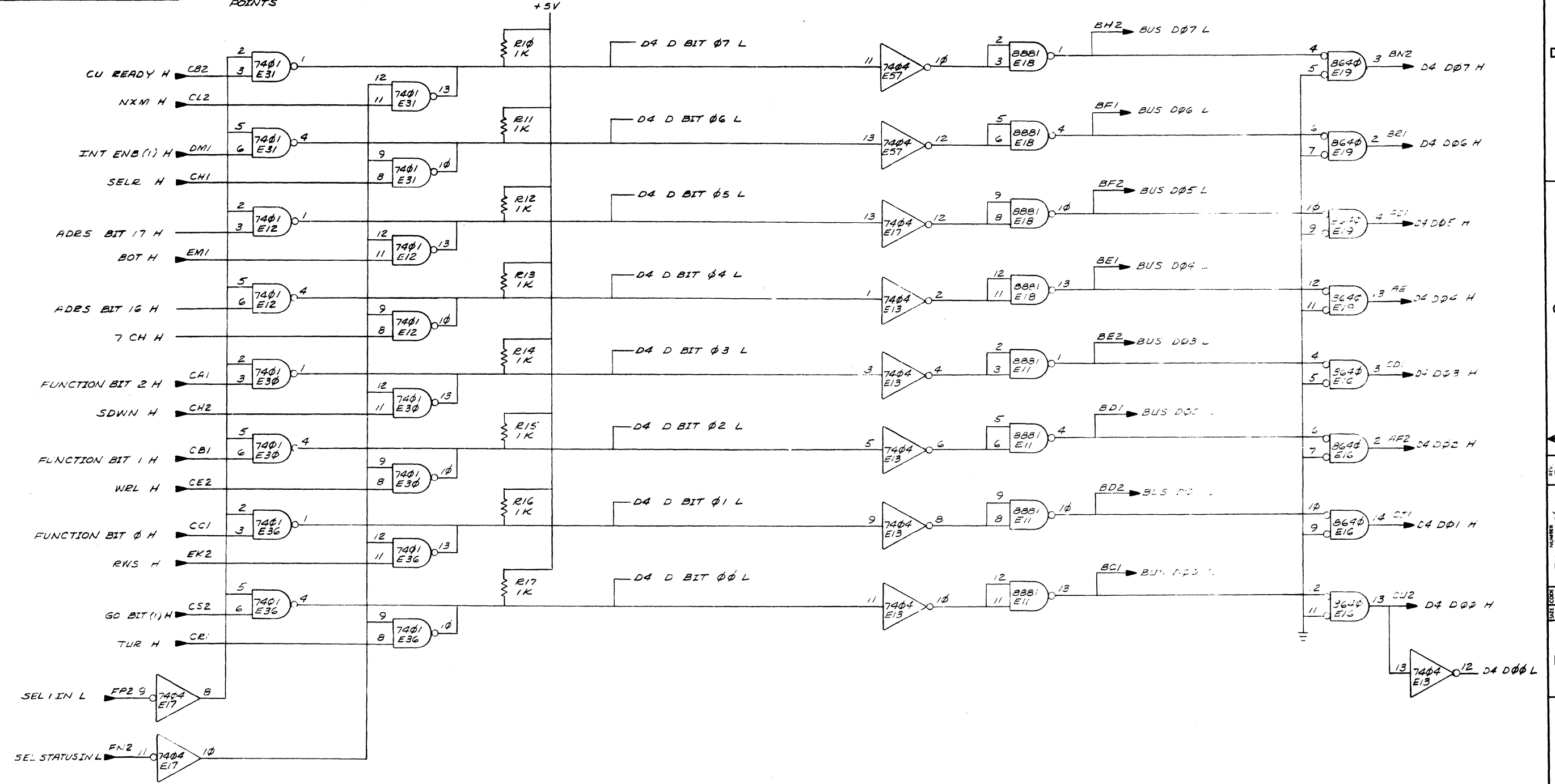


REVISIONS		
CHK	CHANGE NO.	REV.



THIS DRAWING AND SPECIFICATIONS HEREIN ARE THE PROPERTY OF DIGITAL EQUIPMENT CORPORATION AND SHALL NOT BE REPRODUCED OR COPIED OR USED IN WHOLE OR IN PART AS THE BASIS FOR THE MANUFACTURE OR SALE OF ITEMS WITHOUT WRITTEN PERMISSION. COPYRIGHT © 1975 DIGITAL EQUIPMENT CORPORATION

NOTE:  
1. SIGNALS D BIT 00 THRU 07 L ARE COLLECTOR OVED INPUT POINTS

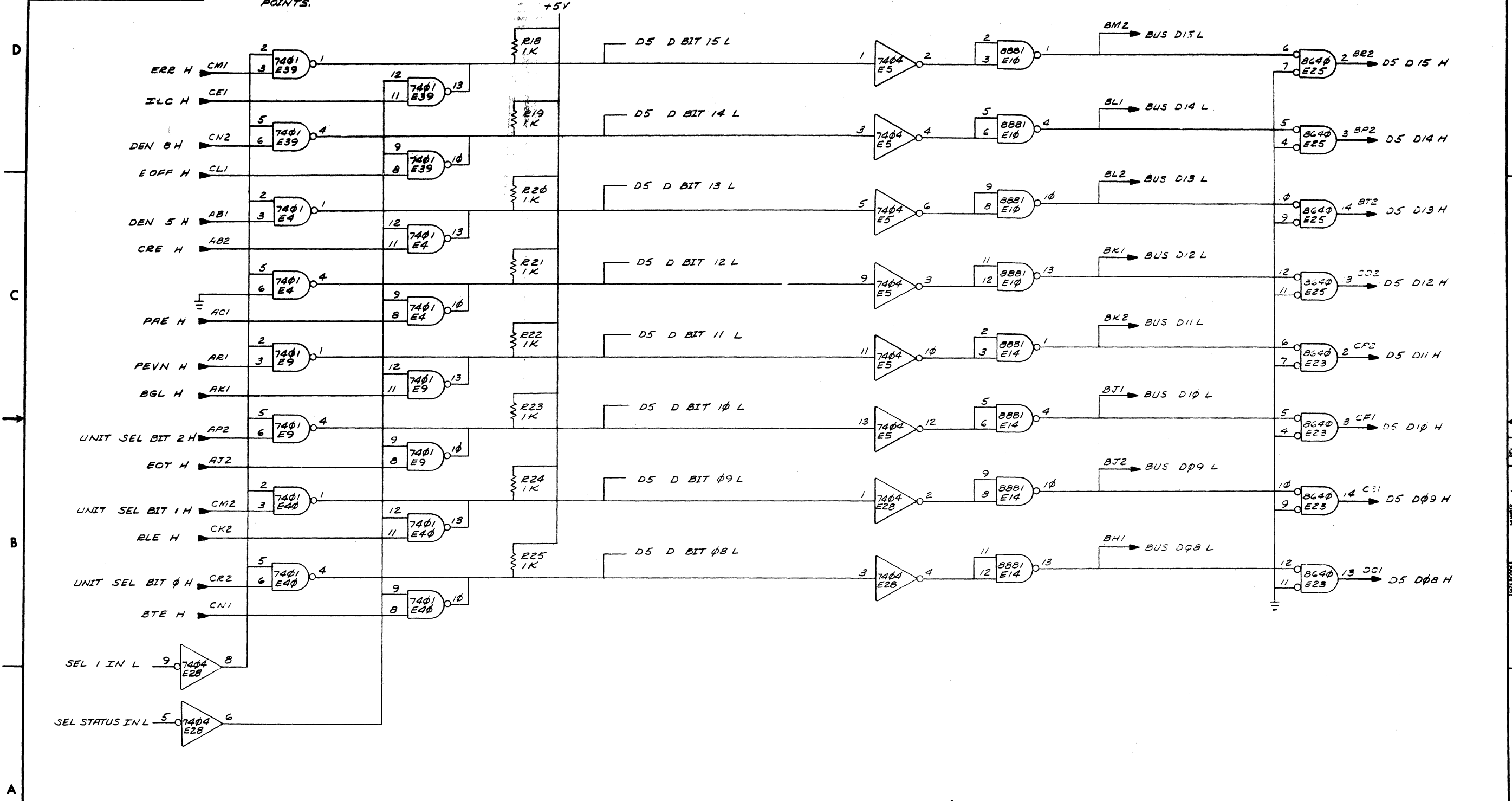


REVISIONS		
CHK	CHANGE NO.	REV.

TITLE	TMB11 (D4)	SIZE CODE	NUMBER	REV.
UNIBUS REGISTERS	DCS M7912-0-1		B	
SCALE	SHEET 4 OF 9	DIST.		

"THIS DRAWING AND SPECIFICATIONS HEREIN ARE THE PROPERTY OF DIGITAL EQUIPMENT CORPORATION AND SHALL NOT BE REPRODUCED OR COPIED OR USED IN WHOLE OR IN PART AS THE BASIS FOR THE MANUFACTURE OR SALE OF ITEMS WITHOUT WRITTEN PERMISSION. COPYRIGHT © 1975 DIGITAL EQUIPMENT CORPORATION"

NOTE  
1. SIGNALS D BIT 08 THRU 15 L ARE COLLECTOR ORED INPUT POINTS.



REVISIONS		
CHK	CHANGE NO.	REV.

TITLE	TMB11 (D5)	SIZE CODE	NUMBER	REV.
	UNIBUS REGISTERS	DCS	M7912-0-1	B
SCALE	SHEET 5 OF 9	DIST.		

8

8

7

6

5

4

3

2

1

8

B

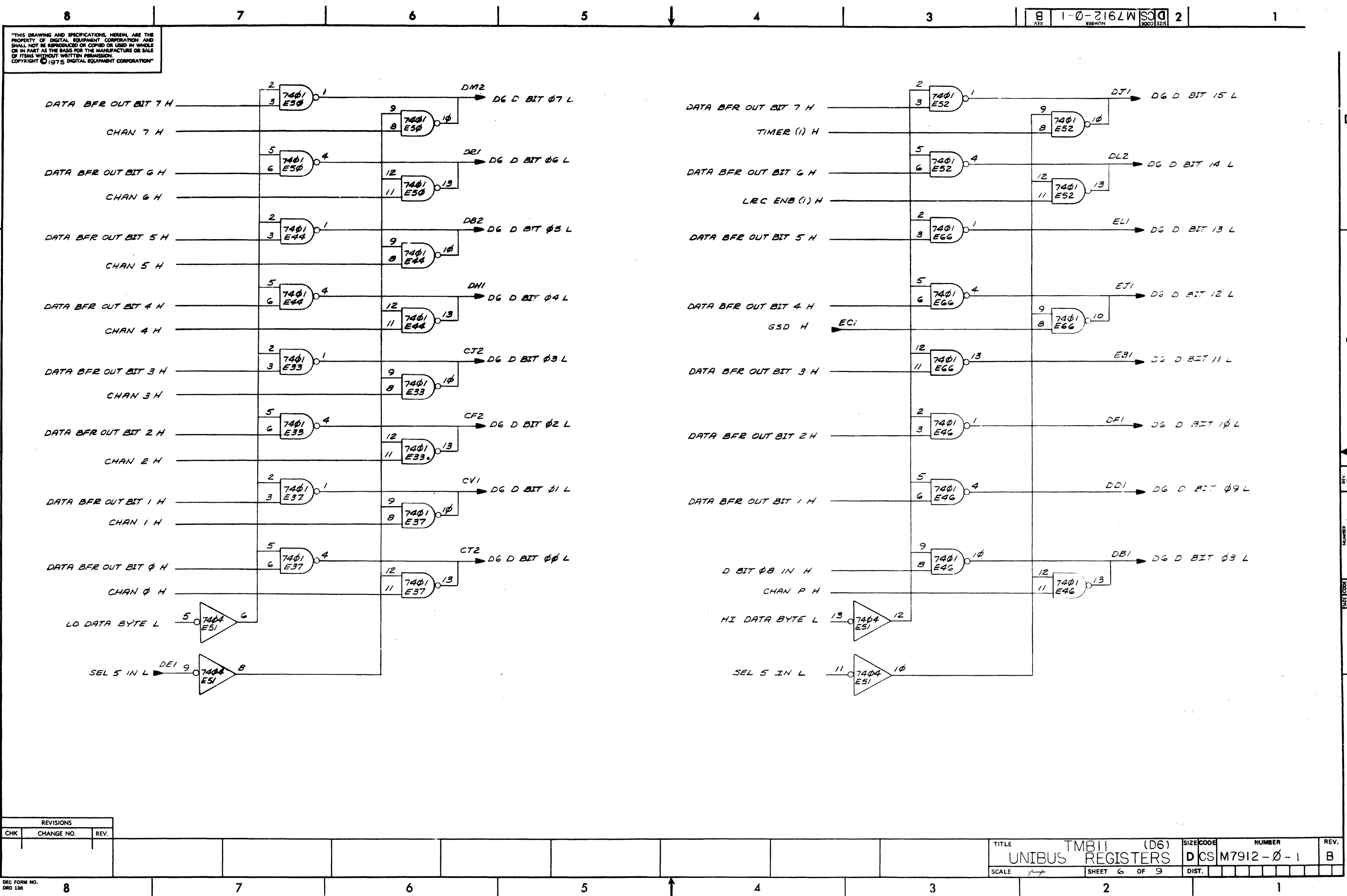
C

D

A

DCS M7912-0-1 B

THIS DRAWING AND SPECIFICATIONS HEREIN ARE THE PROPERTY OF DIGITAL EQUIPMENT CORPORATION AND SHALL NOT BE REPRODUCED OR COPIED OR USED IN WHOLE OR IN PART AS THE BASIS FOR THE MANUFACTURE OR SALE OF ITEMS WITHOUT WRITTEN PERMISSION.  
 COPYRIGHT © 1975 DIGITAL EQUIPMENT CORPORATION



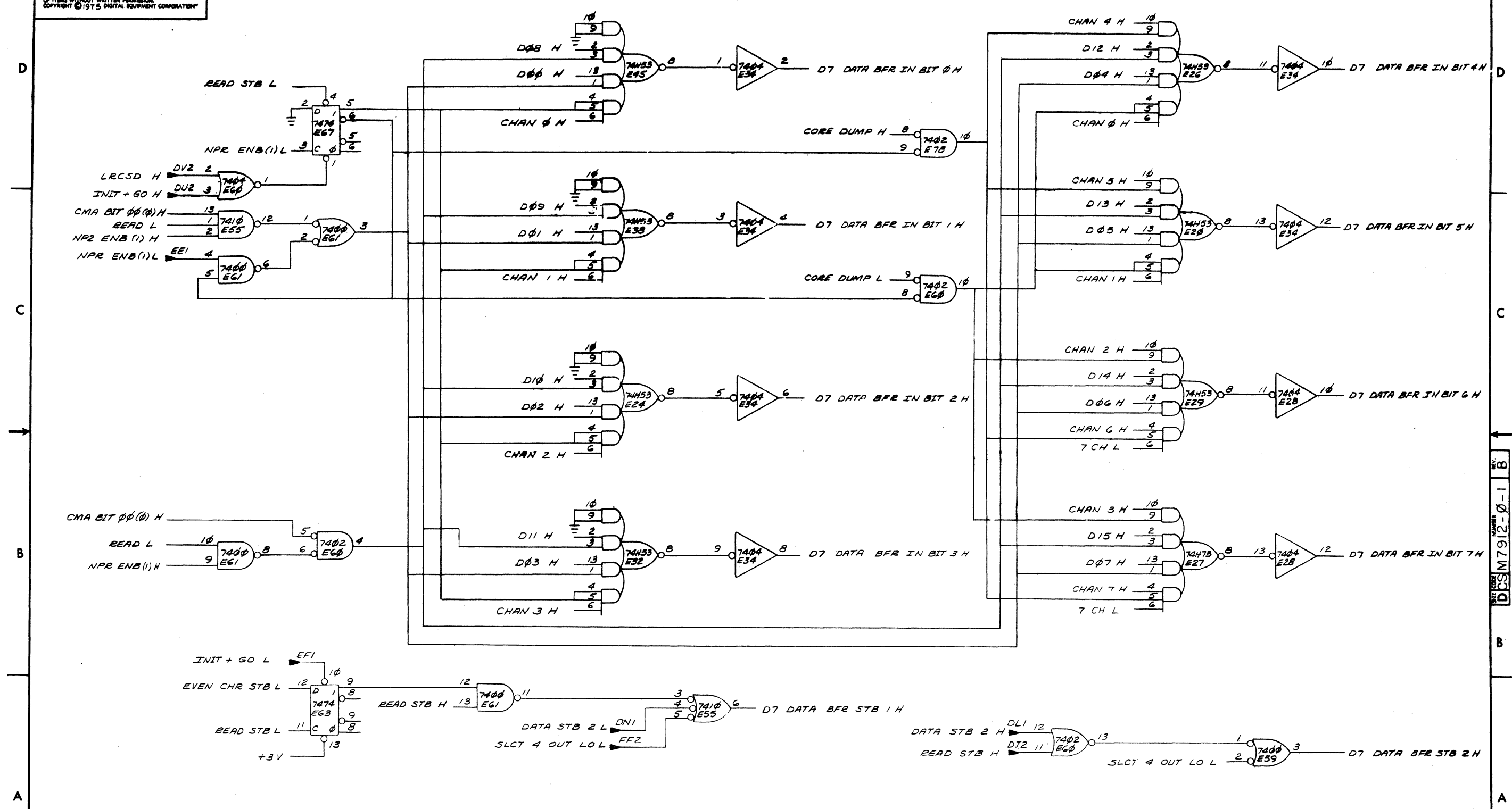
REVISIONS		
CHK	CHANGE NO.	REV.

TITLE	TMB11 (D6)	SIZE CODE	NUMBER	REV.
UNIBUS REGISTERS	D CS	M7912-0-1	B	
SCALE	SHEET 6 OF 9	DIST.		

DEC FORM NO. DRD 138

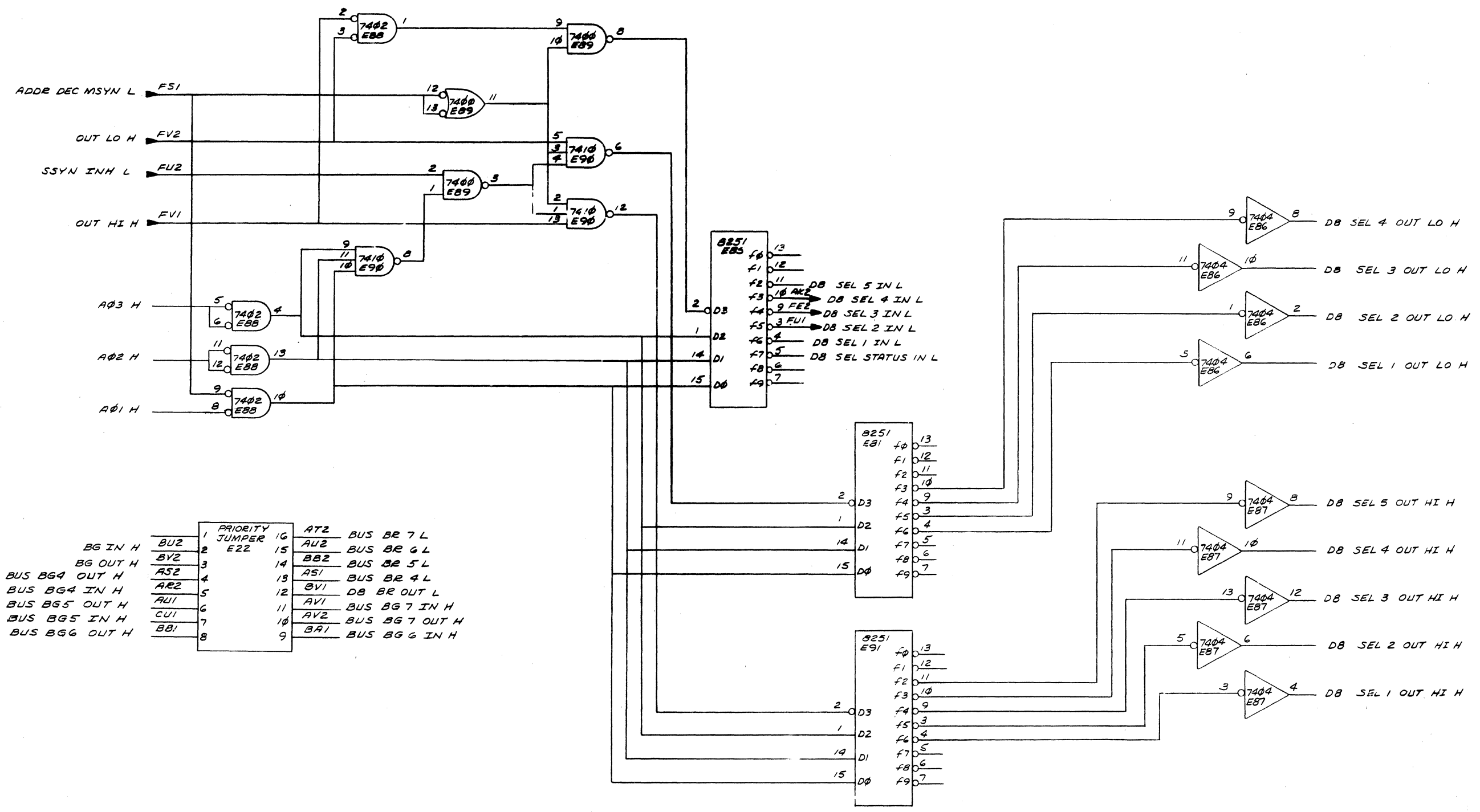
DCS M7912-0-1 B  
 NUMBER  
 SHEET 6 OF 9

"THIS DRAWING AND SPECIFICATIONS HEREIN ARE THE PROPERTY OF DIGITAL EQUIPMENT CORPORATION AND SHALL NOT BE REPRODUCED OR COPIED OR USED IN WHOLE OR IN PART AS THE BASIS FOR THE MANUFACTURE OR SALE OF ITEMS WITHOUT WRITTEN PERMISSION. COPYRIGHT © 1975 DIGITAL EQUIPMENT CORPORATION"



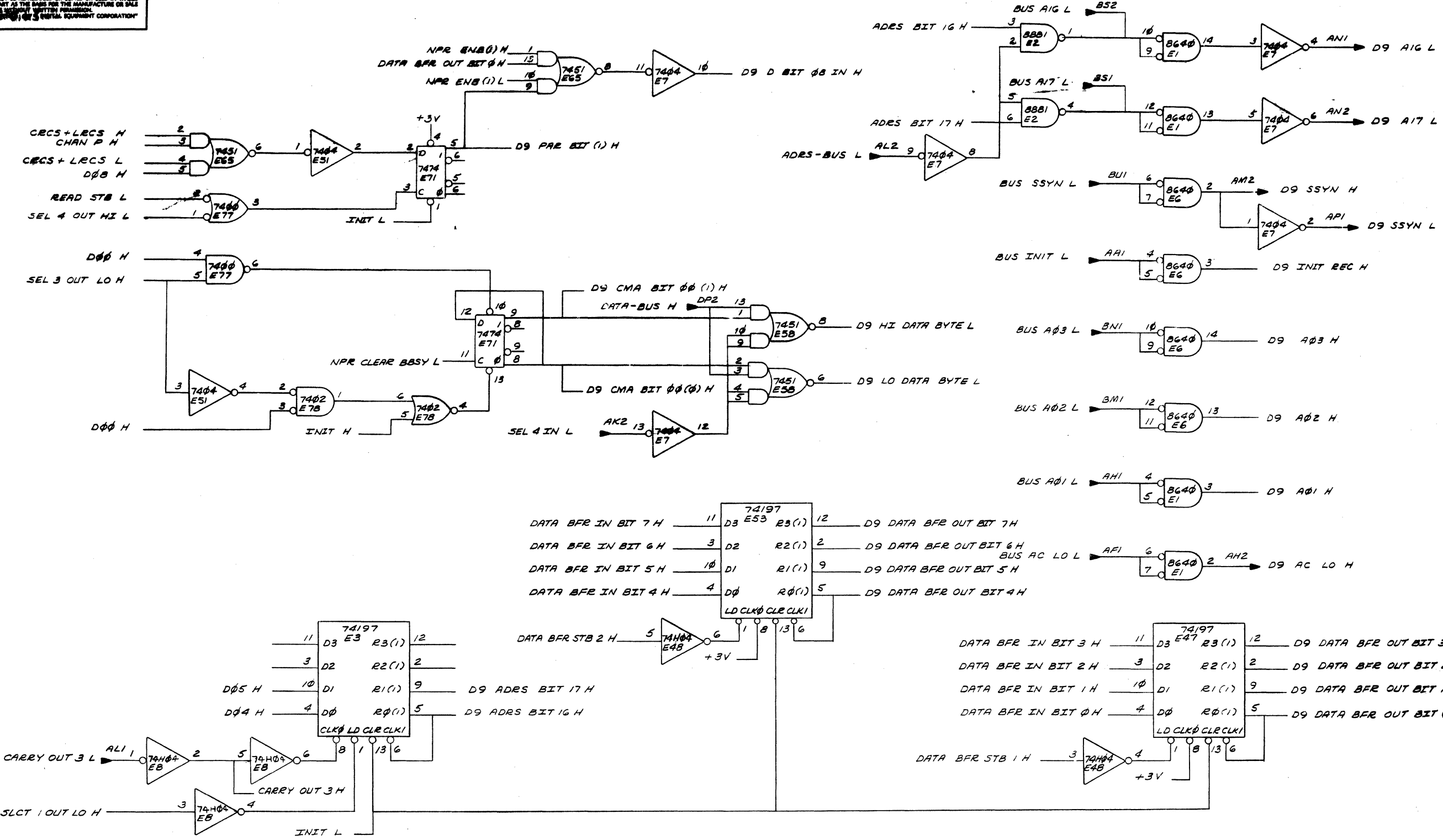
REVISIONS		
CHK	CHANGE NO.	REV.

"THIS DRAWING AND SPECIFICATIONS, HEREIN, ARE THE PROPERTY OF DIGITAL EQUIPMENT CORPORATION AND SHALL NOT BE REPRODUCED OR COPIED OR USED IN WHOLE OR IN PART AS THE BASIS FOR THE MANUFACTURE OR SALE OF ITEMS WITHOUT WRITTEN PERMISSION. COPYRIGHT © 1975 DIGITAL EQUIPMENT CORPORATION"



REVISIONS		
CHK	CHANGE NO.	REV.

THIS DRAWING AND SPECIFICATIONS, HEREIN, ARE THE PROPERTY OF DIGITAL EQUIPMENT CORPORATION AND SHALL NOT BE REPRODUCED OR COPIED OR USED IN WHOLE OR IN PART AS THE BASIS FOR THE MANUFACTURE OR SALE OF ANY EQUIPMENT WITHOUT WRITTEN PERMISSION OF DIGITAL EQUIPMENT CORPORATION.



REVISIONS		
CHK	CHANGE NO.	REV.

TITLE	TMB11 (D9)	SIZE CODE	NUMBER	REV.
	UNIBUS REGISTERS	DCS M7912-0-1	B	
SCALE	1/1	SHEET	9 OF 9	DIST.

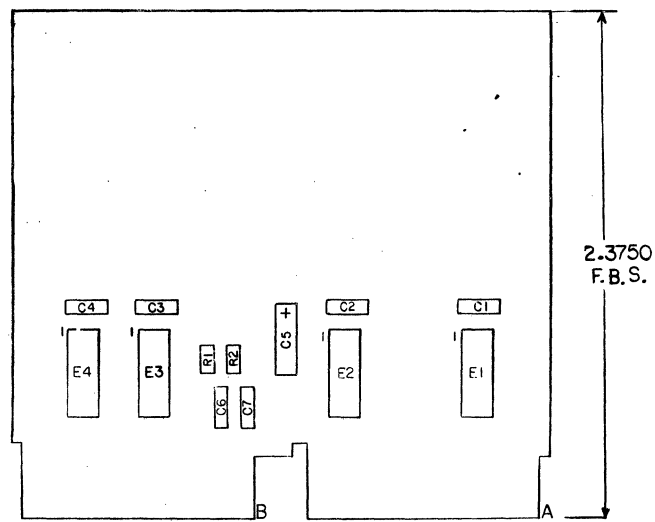
DCS M7912-0-1 B

"THIS DRAWING AND SPECIFICATIONS HERON ARE THE PROPERTY OF DIGITAL EQUIPMENT CORPORATION AND SHALL NOT BE REPRODUCED OR COPIED IN WHOLE OR IN PART AS THE BASIS FOR THE MANUFACTURE OR SALE OF ITEMS WITHOUT WRITTEN PERMISSION OF DIGITAL EQUIPMENT CORPORATION © 1975"

**NOTES:**

1-0-086W SO 2

REF	X-Y COORDINATE HOLE LOCATION	K-CO-M930-0-4	1
REF	ASSY/DRILLING HOLE LAYOUT	D-AH-M930-0-5	2
REF	MODULE ECO HISTORY	B-MH-M930-0-6	3
1	ETCHED CIRCUIT BOARD	5008696	4
4	C1 THRU C4	CAP .22 μF 50V CER	1010274-01
2	C6, C7	CAP 1000PF 250V 20% DISC	1000043
1	C5	CAP 39 μF 10V 10% TANT	1000076
2	R1, R2	RES 383Ω 1/4W 1%	1305125
2	E1, E4	28 RES DIVIDER NETWORK	1312628-00
2	E2, E3	25 RES DIVIDER NETWORK	1312628-01

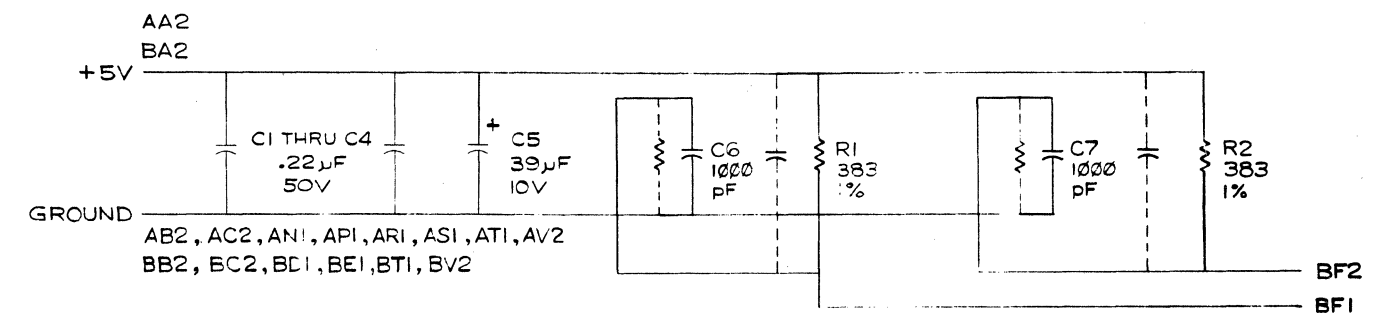
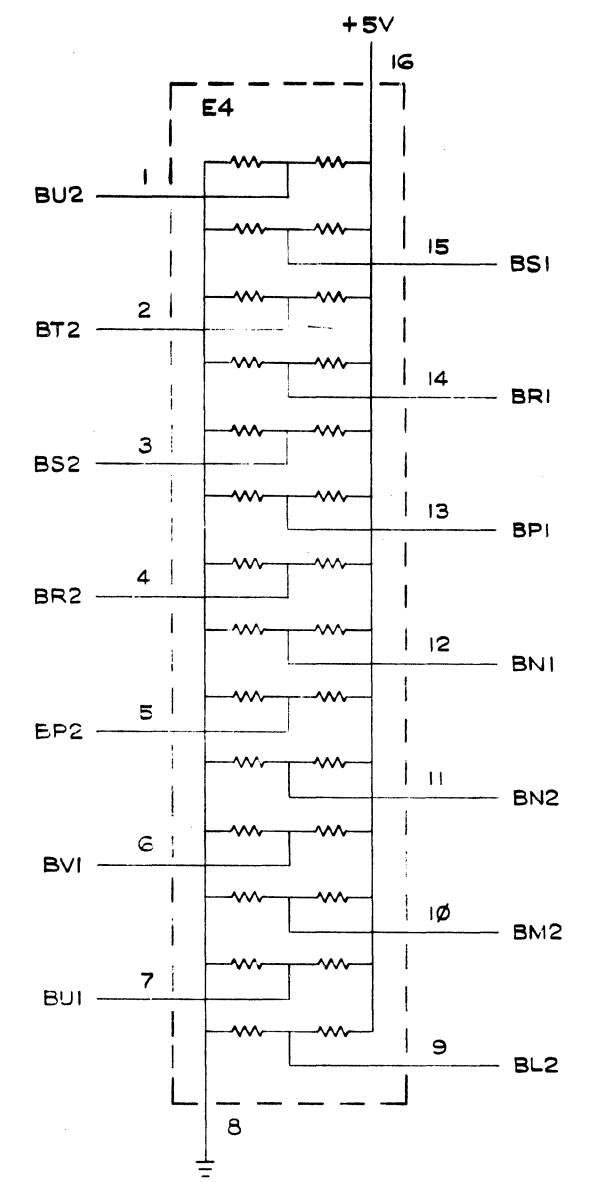
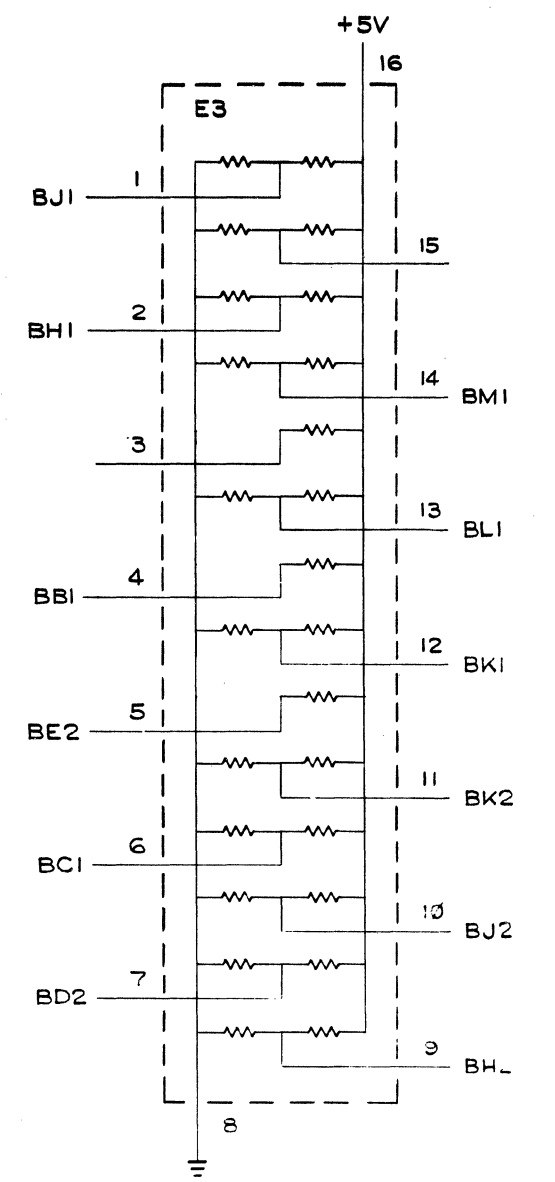
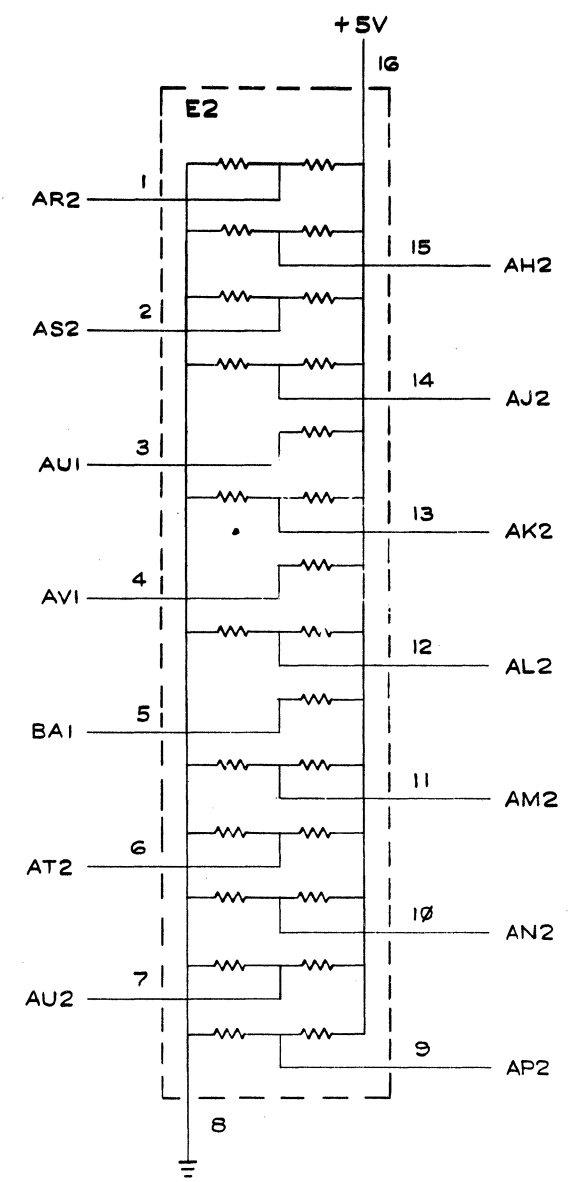
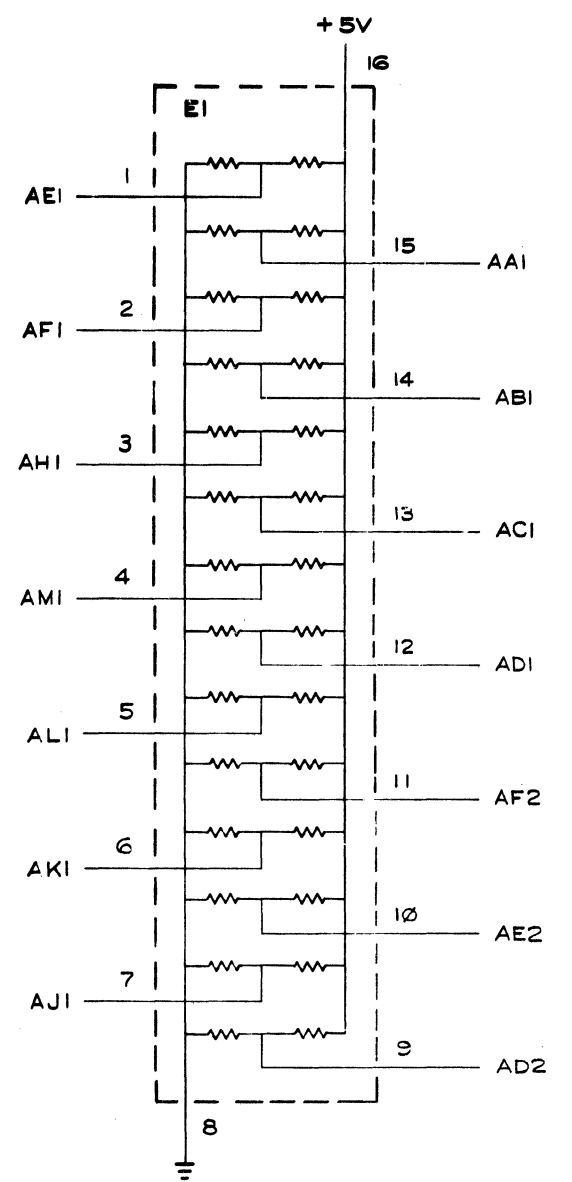


IC TYPE	GND	+5V
GND AND 5V ARE USUALLY PIN 7 AND 14 RESPECTIVELY EXCEPTIONS ARE STATED ABOVE		
IC PIN LOCATION:		

FIRST USED ON OPTION MODEL		M930	
ETCH BOARD REV.		E-03	
PARTS LIST			
DRN.	J. CARTER	DATE	7-9-75
CHK'D	<i>[Signature]</i>	DATE	7-16-75
ENG.	<i>[Signature]</i>	DATE	7-16-75
PROJ. ENGR.	<i>[Signature]</i>	DATE	7-16-75
PROD.	<i>[Signature]</i>	DATE	12-3-75
NEXT HIGHER ASSY		TITLE	
		BUS TERMINATOR	
DEC NO.	EIA NO.	DEC NO.	EIA NO.
SCALE		SIZE CODE	NUMBER
		D CS	M930-0-1
SEMICONDUCTOR CONVERSION CHART		REV.	E
SHEET 1 OF 2		DIST.	

D CS M930-0-1

"THIS DRAWING AND SPECIFICATIONS HEREIN ARE THE PROPERTY OF DIGITAL EQUIPMENT CORPORATION AND SHALL NOT BE REPRODUCED OR COPIED OR USED IN WHOLE OR IN PART AS THE BASIS FOR THE MANUFACTURE OR SALE OF ITEMS WITHOUT THE WRITTEN PERMISSION OF DIGITAL EQUIPMENT CORPORATION." COPYRIGHT © 1975 DIGITAL EQUIPMENT CORPORATION



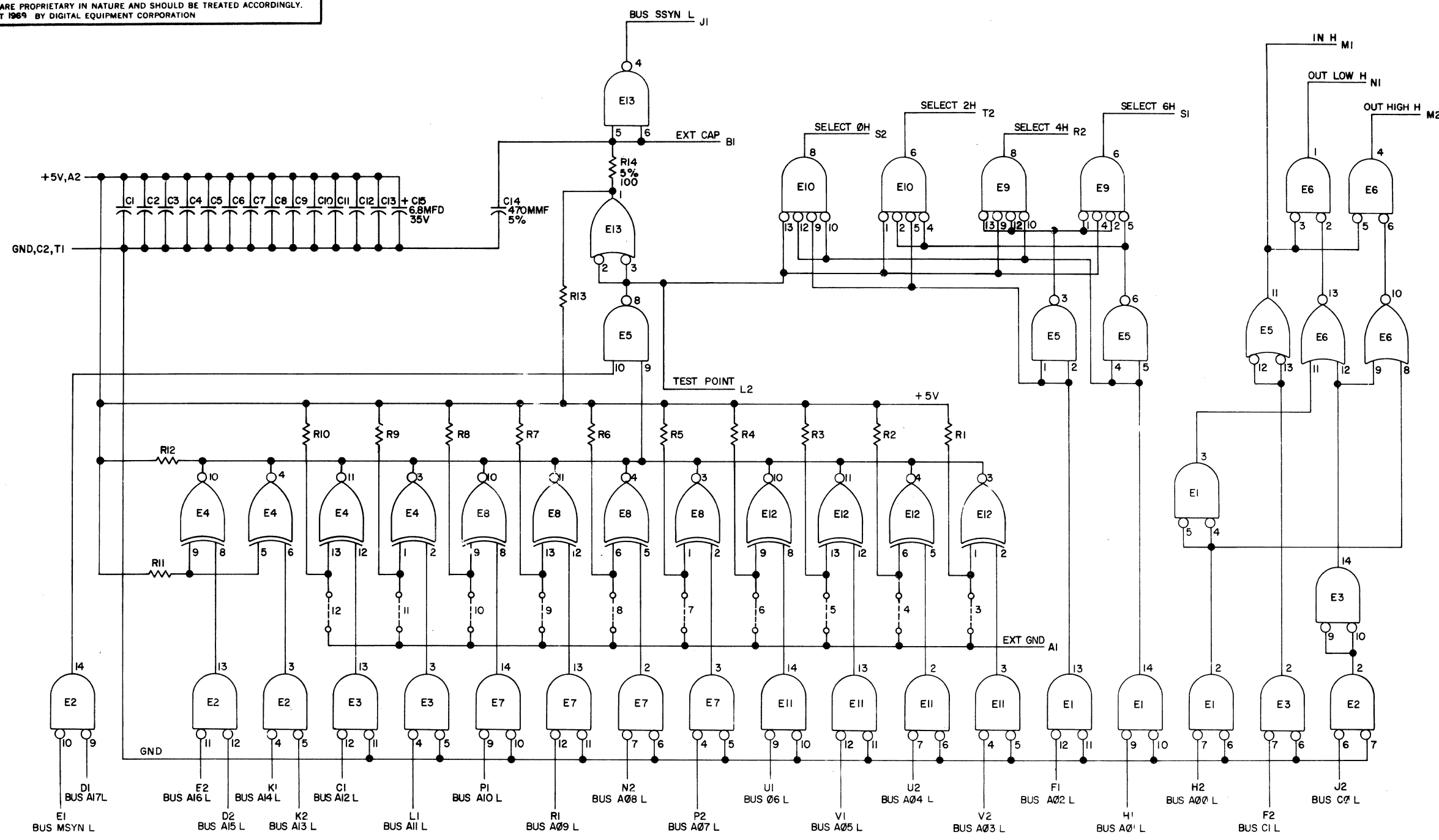
REVISIONS		
CHK	CHANGE NO.	REV.

TITLE	SIZE/CODE	NUMBER	REV.
BUS TERMINATOR	DCS	M930-0-1	E
SCALE	SHEET	OF	DIST.
	2	2	

REV. E



THIS SCHEMATIC IS FURNISHED ONLY FOR TEST AND MAINTENANCE PURPOSES. THE CIRCUITS ARE PROPRIETARY IN NATURE AND SHOULD BE TREATED ACCORDINGLY. COPYRIGHT 1969 BY DIGITAL EQUIPMENT CORPORATION



UNLESS OTHERWISE INDICATED:  
 ○---○ INDICATES JUMPERS  
 RESISTORS ARE 1K, 1/4W, 5%  
 CAPACITORS ARE .01MFD, 100V, 20%  
 E1, E2, E3, E7, E11 ARE DEC8640  
 E4, E8, E12 ARE DEC8242  
 E9, E10 ARE DEC8815  
 E5 IS DEC74H00  
 E6 IS DEC7402  
 E13 IS DEC8881  
 PIN 1 ON E1, E2, E3, E7, E11 = GND  
 PIN 8 ON E1, E2, E3, E7, E11 = +5V  
 PIN 7 ON E4, E5, E6, E8, E9, E10, E12, E13 = GND  
 PIN 14 ON E4, E5, E6, E8, E9, E10, E12, E13 = +5V

REV. NO.	CHK	CHG	NO.	REV.
A	LR		00002	
B	LR		00003	
C	LR		00003	

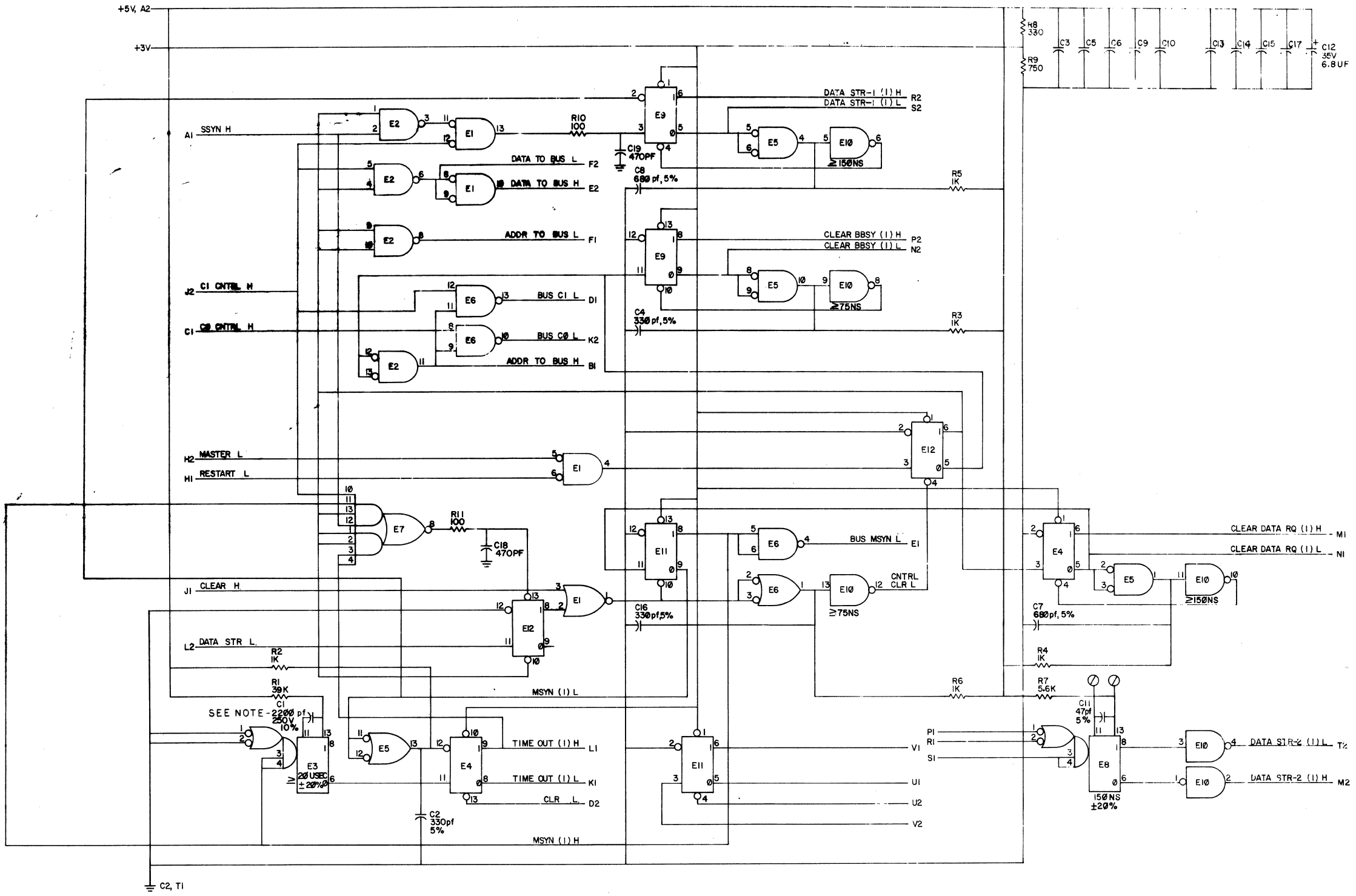
DRN	DATE
CHK'D	DATE
ENG.	DATE
PROD.	DATE

TRANSISTOR & DIODE CONVERSION CHART			
DEC	EIA	DEC	EIA

**digital**  
 EQUIPMENT CORPORATION  
 MAYNARD, MASSACHUSETTS

TITLE			
ADDRESS SELECTOR M105			
SIZE	CODE	NUMBER	REV
C	CS	M105-0-1	C
PRINTED CIRCUIT REV.			C

THIS SCHEMATIC IS FURNISHED ONLY FOR TEST AND MAINTENANCE PURPOSES. THE CIRCUITS ARE PROPRIETARY IN NATURE AND SHOULD BE TREATED ACCORDINGLY. COPYRIGHT 1970 BY DIGITAL EQUIPMENT CORPORATION.



NOTE: C1 IS CHANGED TO 5000PF ± 20% (1001765) FOR A DELAY OF 3µS MINIMUM WHEN USED WITH A DL 10.

UNLESS OTHERWISE INDICATED:  
 RESISTORS ARE 1/4W, 5%  
 CAPACITORS ARE .01µf, 100V, 20%  
 E1 IS DEC7402  
 E2 IS DEC7400  
 E3, E8 ARE DEC9601  
 E4, E9, E11, E12 ARE DEC7474  
 E5 IS DEC7401  
 E6 IS DEC8081  
 E7 IS DEC74H55  
 E10 IS DE7404  
 ⊕ = SPLIT LUGS

REV	DATE	BY	CHKD
1	7-20-70	W. J. ...	...
2	8-1-70	...	...

DATE	BY	CHKD
7-20-70	W. J. ...	...
8-1-70	...	...

TRANSISTOR & DIODE CONVERSION CHART			
DEC	EIA	DEC	EIA

EQUIPMENT CORPORATION		MAYFANG, MASSACHUSETTS	
SIZE D	CODE CS	NUMBER M796-0-1	REV D
PRINTED CIRCUIT REV. C			

REV. C  
NUMBER M796-0-1  
D CS

This drawing and specifications, herein, are the property of Digital Equipment Corporation and shall not be reproduced or copied or used in whole or in part as the basis for the manufacturing or sale of items without written permission. 1975

**NOTES:**

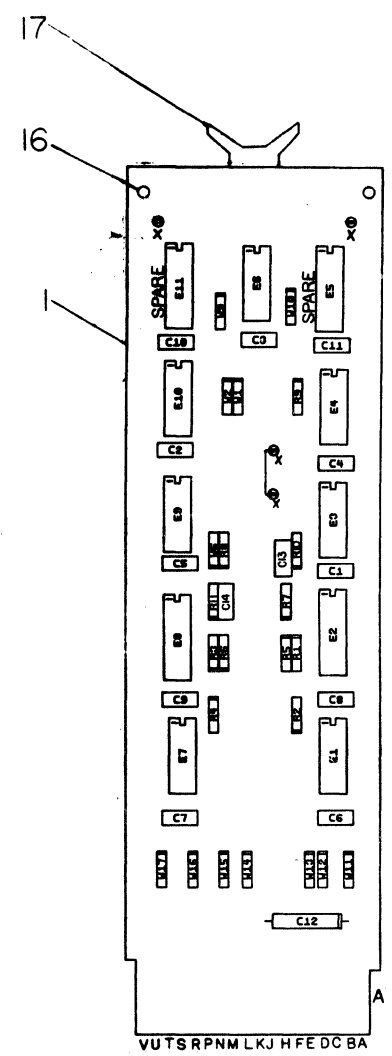
- VECTOR BIT JUMPERS MUST BE CUT FOR A "ZERO" AND MUST BE INSERTED FOR A "ONE"
- NPR JUMPER (W9) MUST BE CUT FOR SOME PDP-11 PROCESSORS; IF THE RIGHT HALF REQUEST CIRCUIT IS USED FOR NPR'S; OR IF PIN J1 IS NOT WIRED ON THE M7821 SLOT.
- DETAILS ON COMPONENTS ARE NOTED IN THE PARTS REFERENCE, PLACEMENT IS NOTED IN THE COMPONENT PLACEMENT DIAGRAM.
- GND AND +5V ARE USUALLY PIN 7 AND PIN 14, RESPECTIVELY EXCEPTIONS ARE:

IC TYPE	GND	+5V
DEC 8640	PIN 1	PIN 8

- UNLESS OTHERWISE NOTED RESISTANCE IS IN OHMS, CAPACITANCE IS IN PICO FARADS. CAPACITORS WITHOUT ANY NOTED VALUES ARE .01 MFD.
- DEC 8640'S WERE PHASED IN AS 380 REPLACEMENTS. ANY 380 FAILURES SHOULD BE REPLACED BY 8640'S.

**JUMPER CONVERSION CHART**

W1	LA
W2	PA
W9	LB
W10	PB
W11	V2
W12	V3
W13	V4
W14	V5
W15	V6
W16	V7
W17	V8
W6	NI



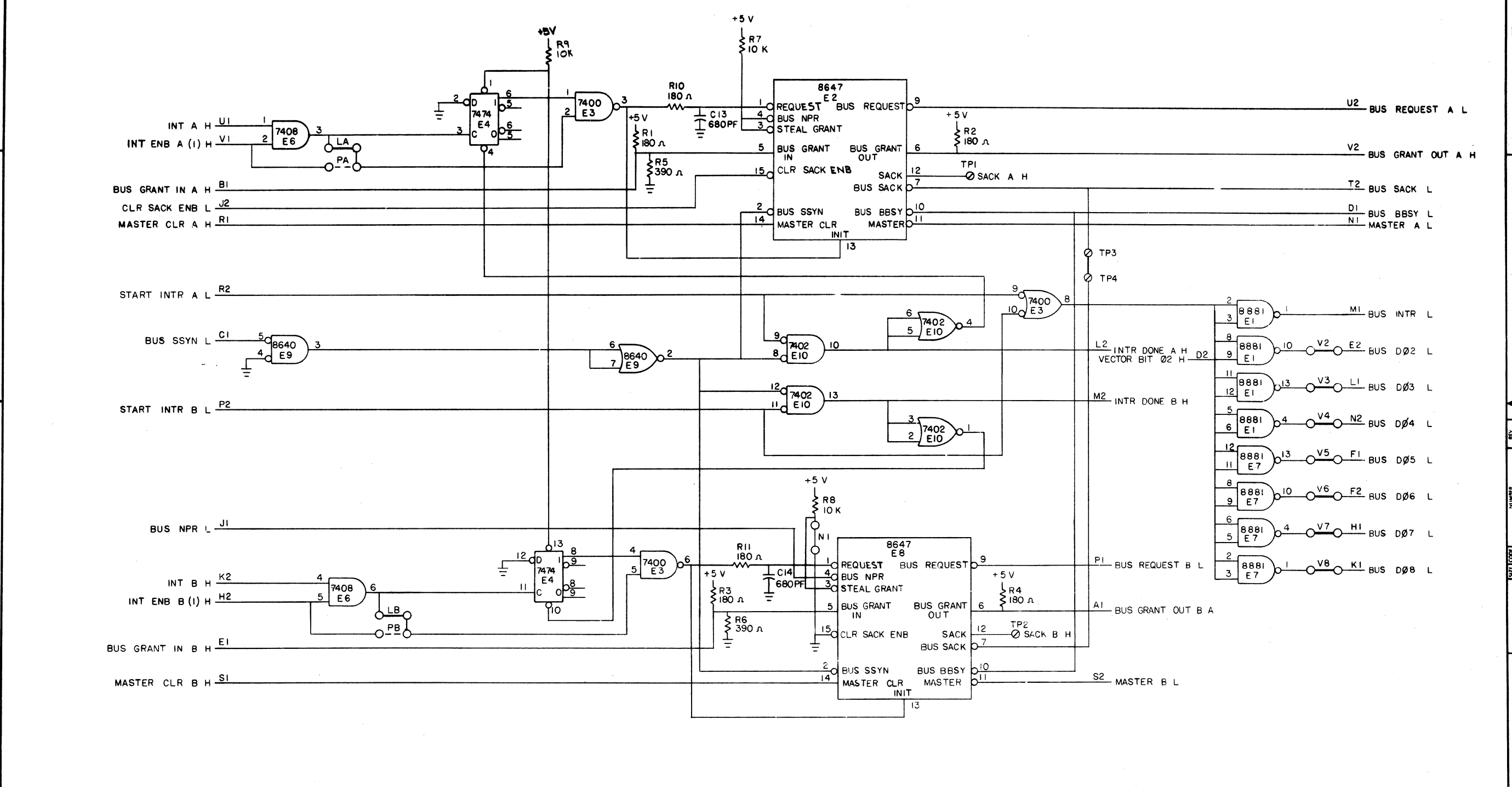
REF	X-Y COORDINATE	HOLE LOCATION	K-CO-M7821-D-4	REF
REF		ASSY/DRILLING HOLE LAYOUT	D-AH-M7821-D-5	REF
REF		MODULE ECO HISTORY	B-MH-M7821-D-6	REF
1		ETCHED CIRCUIT BOARD	5009750	1
1	C12	CAP 6.8 uF 35V 10% S TANT	1005306	2
11	C1, THRU C11	CAP .01 uF 100V 20% DISC.	1001610	3
2	R5, R6	RES 390 ohm 1/4W 5%	1300309	4
3	R7, R8, R9	RES 10K 1/4W 5%	1300475	5
6	R1, R2, R3, R4, R10, R11	RES 180 ohm 1/4W 5%	1301322	6
1	E4	DEC IC 7474	1905547	7
1	E3	DEC IC 7400	1905575	8
1	E10	DEC IC 7402	1909004	9
2	E1, E7	DEC IC 8881	1909705	10
1	E6	DEC IC 7408	1310155	11
1	E9	DEC IC 8640	1311463	12
2	E2, E8	LSI 8647	1912083	13
4	TP1 THRU TP4	SPLIT LUGS	9006735	14
10	W1, W6, W9, W11-W17	JUMPERS	9009185	15
2		EYELET, HANDLE	9006732	16
1		HANDLE FLIPCHIP (MAGENTA)	9008337-06	17
2	C13, C14	CAP 680PF 100V 5%	1000C26	18

QTY	REF DESIGNATION	DESCRIPTION	PART NO.	ITEM NO.
PARTS LIST				
ETCH BOARD REV C				

DRN. S. MARINI	DATE 9-20-71	<p><b>digital EQUIPMENT CORPORATION</b> MAYNARD, MASSACHUSETTS</p>				
CHK'D. R. COOK	DATE 9-29-71					
ENG. L. CONDON	DATE 9-29-71					
PROJ. ENG. L. CONDON	DATE 9-29-71					
PROD. G. STRINGER	DATE					
NEXT HIGHER ASSY		<p><b>TITLE</b> INTERRUPT CONTROL M7821</p>				
SCALE H						
SHEET 1 OF 2						
DEC NO.	FIA NO.	DEC NO.	EIA NO.	SIZE CODE DCS	NUMBER M7821-0-1	REV. E
SEMICONDUCTOR CONVERSION CHART				DIST.		

DRN. L. CONDON	DATE
REVISED/DRAWN	
M7821-00004	E
CHK	CHANGE NO.
REVISIONS	

THE DRAWING AND SPECIFICATIONS HEREIN ARE THE PROPERTY OF DIGITAL EQUIPMENT CORPORATION AND SHALL NOT BE REPRODUCED OR COPIED OR USED IN WHOLE OR IN PART AS THE BASIS FOR THE MANUFACTURE OR SALE OF ITEMS WITHOUT WRITTEN PERMISSION. COPYRIGHT © 1975 DIGITAL EQUIPMENT CORPORATION



REVISIONS		
CHK	CHANGE NO.	REV.

TITLE	SIZE CODE	NUMBER	REV.
INTERRUPT CONTROL	DCS	M7821-0-1	E
SCALE	SHEET	OF	DIST.
	2	2	

REV. E  
NUMBER DCS M7821-0-1

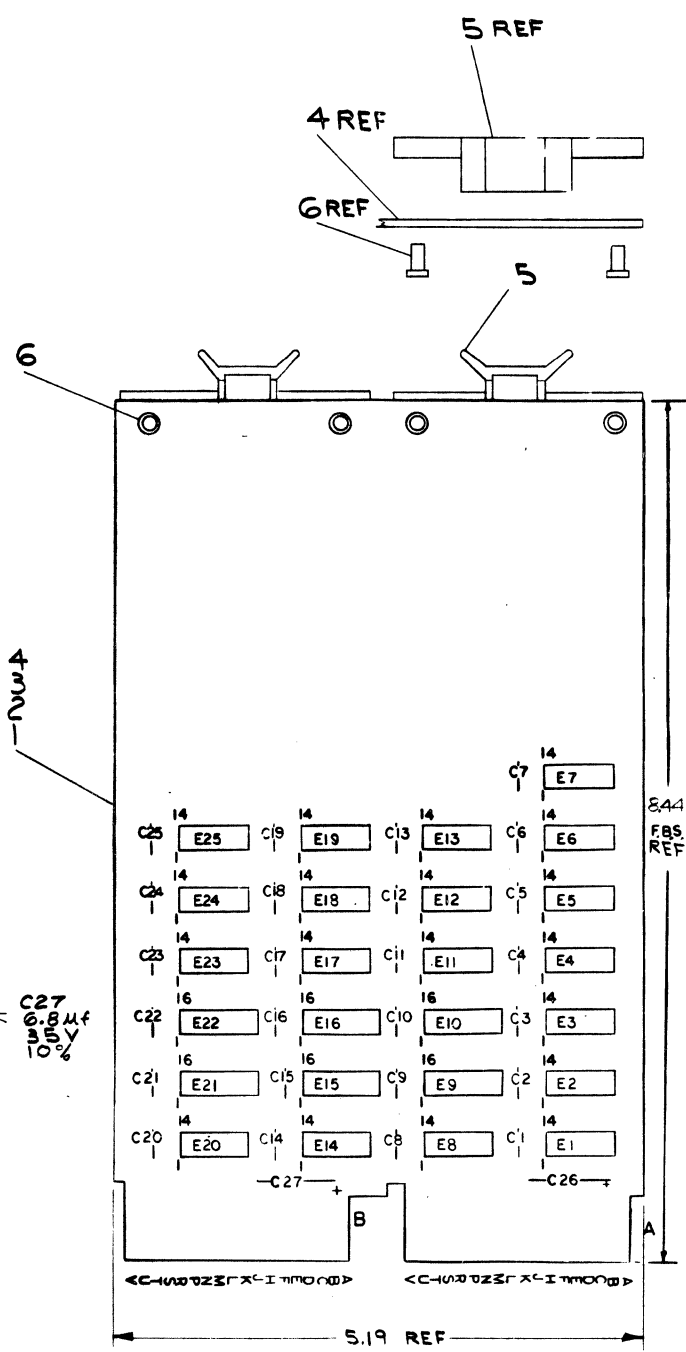
The drawing and specifications herein are the property of Digital Equipment Corporation and shall not be reproduced or copied or used in whole or in part as the basis for the manufacture or sale of items without written permission. COPYR. © 1973

**NOTES:**

DIGITAL EQUIPMENT CORPORATION

0 - 0-962W50 2

REF	DESCRIPTION	PART NO.	ITEM NO.
REF	X-Y COORDINATE HOLE LOCATION	K-CO-M795-0-4	1
REF	ASSY/DRILLING HOLE LAYOUT	D-AH-M795-0-5	2
REF	MODULE ECO HISTORY	B-MH-M795-0-6	3
1	ETCHED CIRCUIT BOARD	5009040	4
2	HANDLE, FLIP CHIP MAGENTA	9008337-6	5
4	EYELET	9006732	6
25	C1-C25	CAP. 0.01µf 100V 20% AXIAL	1001610
2	C26-C27	CAP. 6.8µf 35V 10% S.TANT	1005306
1	E13	IC DEC 7400	1905575
1	E6	IC DEC 7420	1905577
2	E2, E3	IC DEC 8281	1909490
1	E25	IC DEC 7404	1909686
6	E9, E10, E15, E16, E21, E22	IC DEC 74193	1910018
1	E19	IC DEC 7437	1910091
1	E7	IC DEC 7408	1910155
12	E1, E4, E5, E8, E11, E12, E14, E17, E18, E20, E23, E24	IC DEC 8881	1909705



+5V	AA2	C1-C25	C26	C27
BA2	0.01µf	6.8µf	6.8µf	
AC2 AT1	100V	35V	35V	
BC2 ET1	20%	10%	10%	
GND				

IC TYPE	QTY	REF	DESCRIPTION	PART NO.	ITEM NO.
IC 74193					
IC TYPE		GND	+5V		
GND AND 5V ARE USUALLY PIN 7 AND 16 RESPECTIVELY. EXCEPTIONS ARE STATED ABOVE.					
IC PIN LOCATIONS					

QTY	REF DESIGNATION	DESCRIPTION	PART NO.	ITEM NO.
	PDP11	ETCH BOARD REV D		

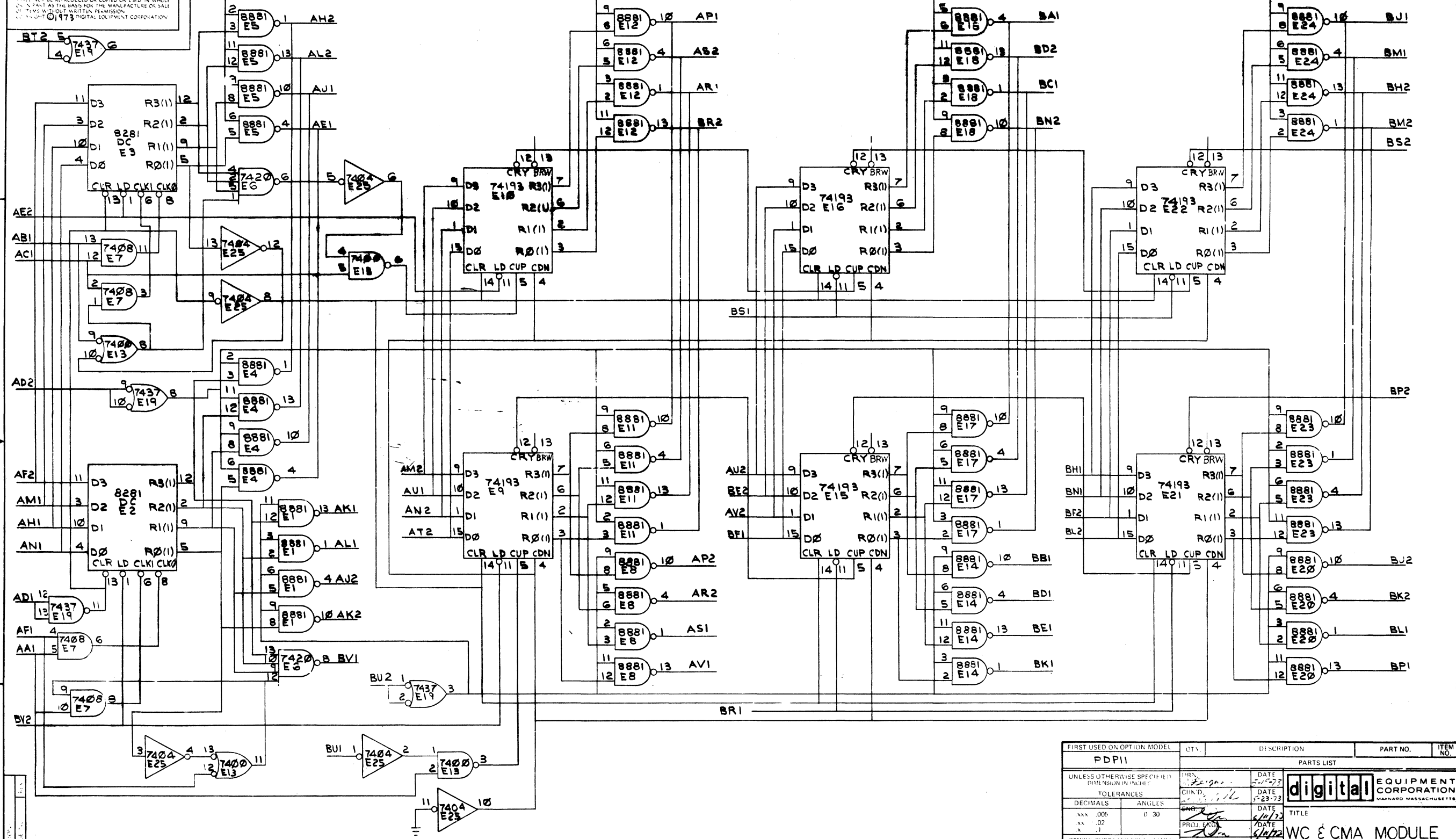
DRN	DATE	 <b>digital</b> EQUIPMENT CORPORATION MAYNARD MASSACHUSETTS
CHK'D	DATE	
ENG	DATE	
PROJ. ENG	DATE	
PROP	DATE	
NEXT HIGHER ASSY		TITLE
SCALE		WC 5 CMA MODULE
SHEET 1 OF 2		SIZE CODE NUMBER REV.
		DCS M795-0-1 C

DEC NO.	EIA NO.	DEC NO.	EIA NO.
SEMICONDUCTOR CONVERSION CHART			

DEC FORM NO. DRD 1354

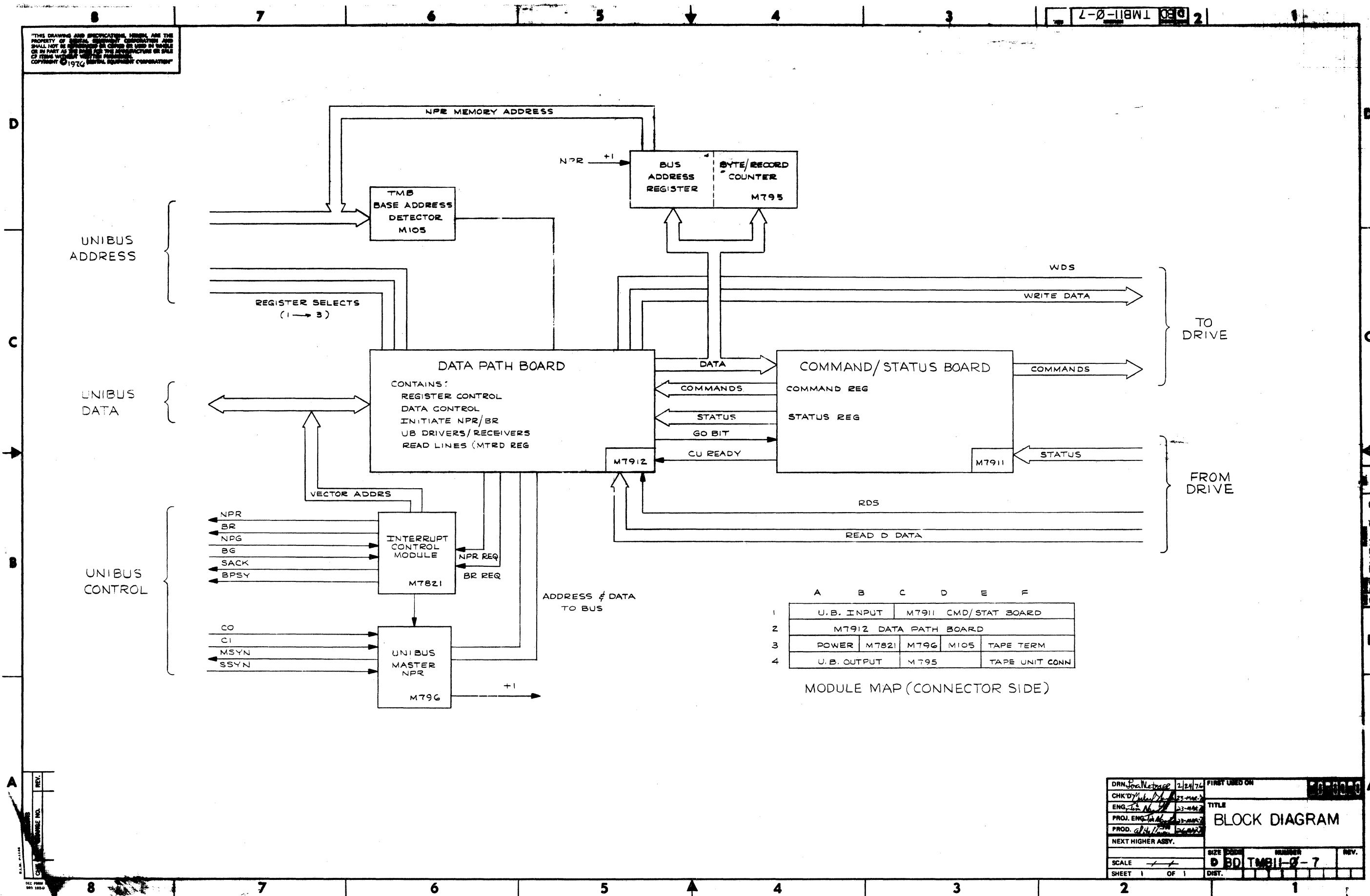
THIS DRAWING AND SPECIFICATIONS HEREIN ARE THE PROPERTY OF DIGITAL EQUIPMENT CORPORATION AND SHALL NOT BE REPRODUCED OR COPIED OR USED IN WHOLE OR IN PART AS THE BASIS FOR THE MANUFACTURE OR SALE OF ANY PRODUCT WITHOUT WRITTEN PERMISSION OF DIGITAL EQUIPMENT CORPORATION.



FIRST USED ON OPTION MODEL	QTY	DESCRIPTION	PART NO.	ITEM NO.
PDP11				
UNLESS OTHERWISE SPECIFIED DIMENSION IN INCHES				
TOLERANCES	FR.	DATE	PARTS LIST	
DECIMALS	ANGLES	CHK'D.	digital EQUIPMENT CORPORATION	
xxx .005	0 30	DATE	MARLBOROUGH MASSACHUSETTS	
xx .02		DATE	TITLE	
x .01		DATE	WC & CMA MODULE	
REMOVED BURRS AND BREAK SHARP CORNERS SURFACE QUALITY	PROJ. ENG.	DATE	REV.	
MATERIAL	NEXT HIGHER ASSY.	DATE	D CS M795-0-1	
FINISH	SCALE	SHEET	REV. C	
		2 OF 2		

THIS DRAWING AND SPECIFICATION HEREIN ARE THE PROPERTY OF BELL TELEPHONE CORPORATION AND SHALL NOT BE REPRODUCED OR TRANSMITTED IN ANY FORM OR BY ANY MEANS, ELECTRONIC OR MECHANICAL, INCLUDING PHOTOCOPYING, RECORDING, OR BY ANY INFORMATION STORAGE AND RETRIEVAL SYSTEM, WITHOUT THE WRITTEN PERMISSION OF BELL TELEPHONE CORPORATION. COPYRIGHT © 1974

2-0-18M1 08 2



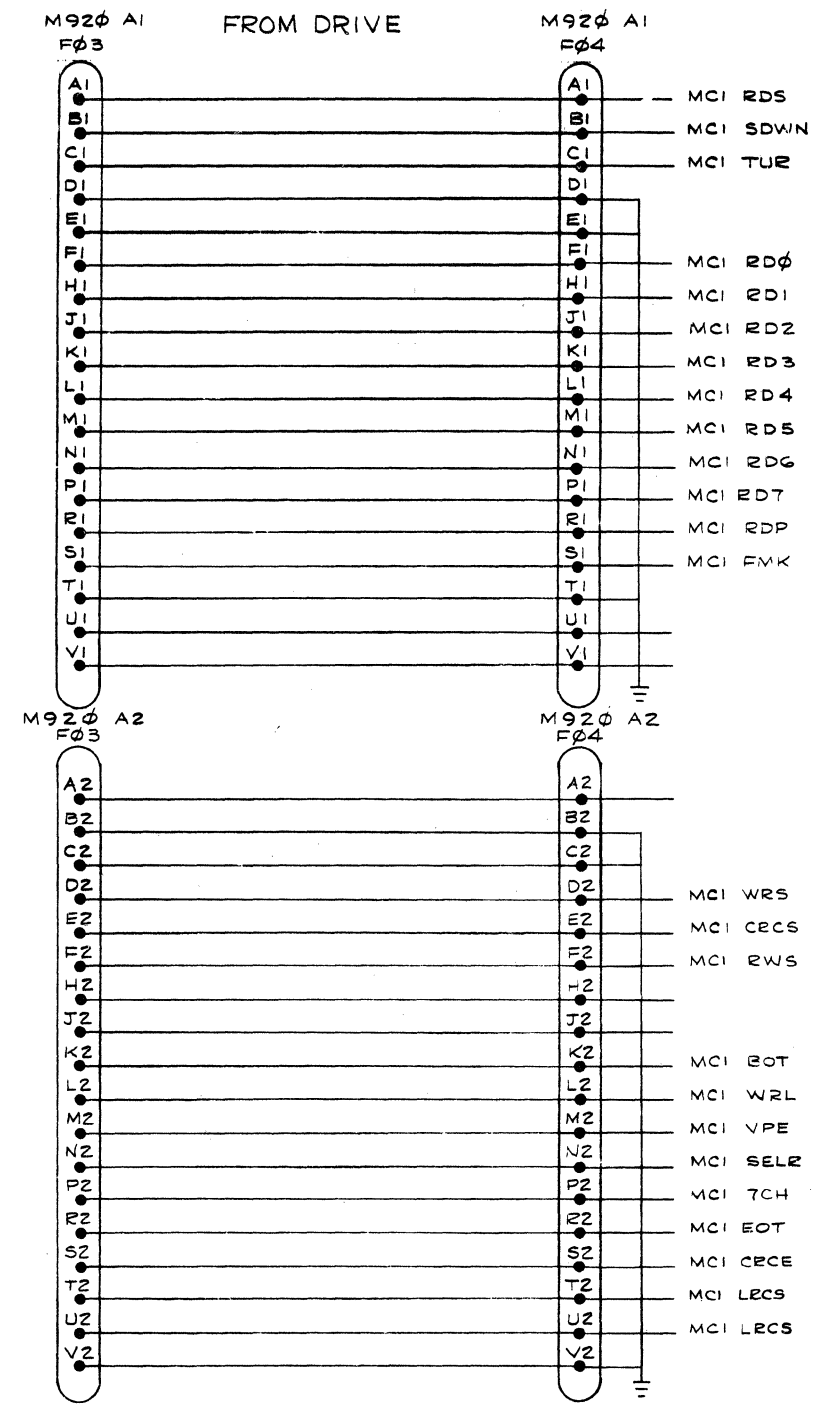
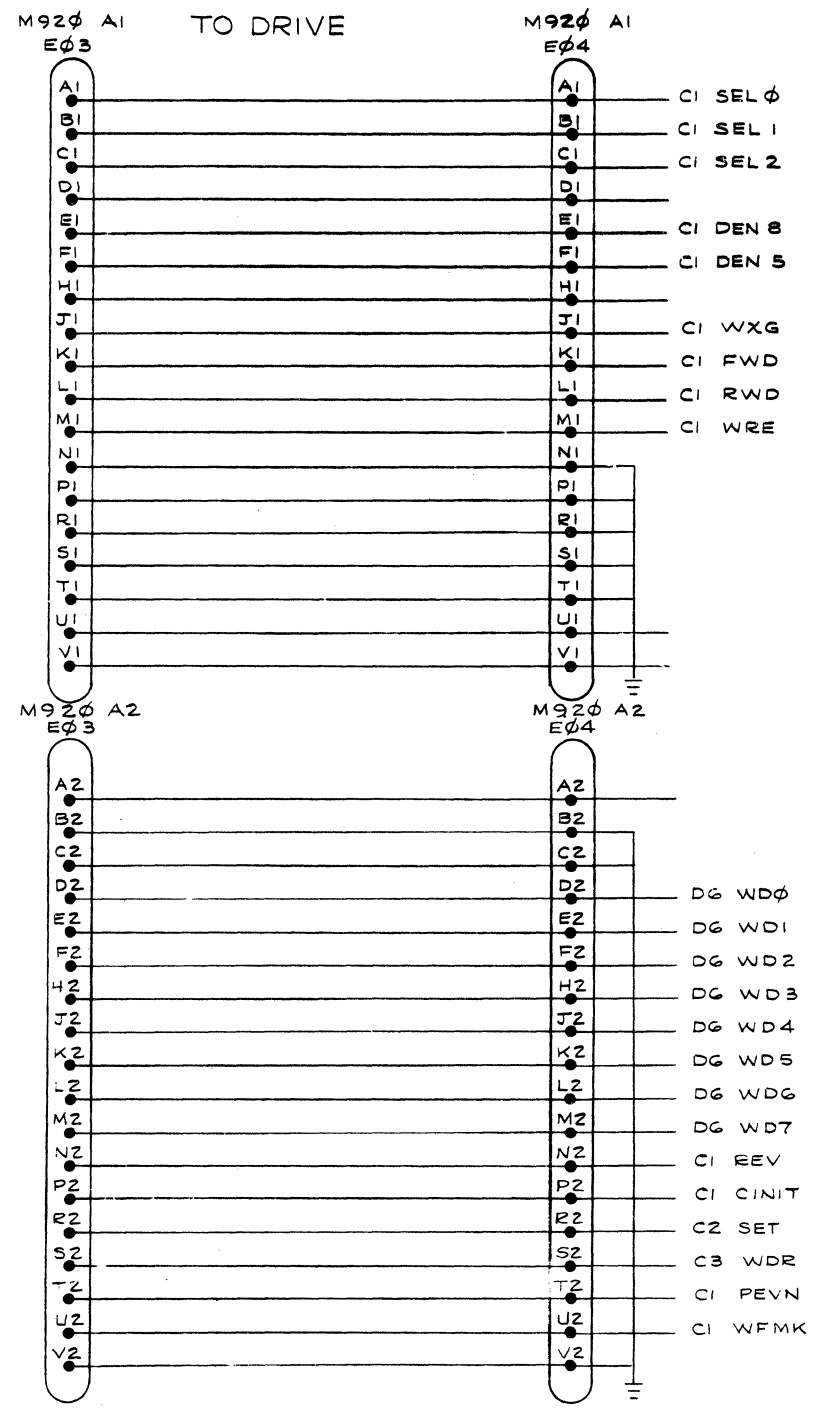
	A	B	C	D	E	F
1	U.B. INPUT	M7911	CMD/STAT BOARD			
2		M7912	DATA PATH BOARD			
3	POWER	M7821	M796	M105	TAPE TERM	
4	U.B. OUTPUT	M795			TAPE UNIT CONN	

MODULE MAP (CONNECTOR SIDE)

DRN. <i>John McNamee</i>	2/24/74	FIRST USED ON	200000
CHK'D BY <i>John McNamee</i>	2/25/74	TITLE	BLOCK DIAGRAM
ENG. <i>John McNamee</i>	2/25/74	SIZE	D
PROJ. ENG. <i>John McNamee</i>	2/25/74	NUMBER	BD TMB11-0-7
PROD. <i>John McNamee</i>	2/25/74	REV.	
NEXT HIGHER ASSY.		SCALE	
SHEET 1	OF 1	DIST.	

"THIS DRAWING AND SPECIFICATIONS, HEREIN, ARE THE PROPERTY OF DIGITAL EQUIPMENT CORPORATION AND SHALL NOT BE REPRODUCED OR COPIED OR USED IN WHOLE OR IN PART AS THE BASIS FOR THE MANUFACTURE OR SALE OF ITEMS WITHOUT WRITTEN PERMISSION. COPYRIGHT © 1970, DIGITAL EQUIPMENT CORPORATION"

8-0-118WJLS-02



REVISIONS

REV.	
CHANGE NO.	
CHK	

DRN. DATE: NET/OSER 2/24/76	FIRST USED ON: 20-00-00
CHK'D BY: [Signature]	TITLE: MAG TAPE CABLE MCI
ENG. [Signature]	SIZE CODE: D
PROJ. ENG. [Signature]	NUMBER: BS TMBII-0-8
PROD. [Signature]	REV.:
NEXT HIGHER ASSY.:	SCALE: 1 OF 1
SHEET 1 OF 1	DIST.:

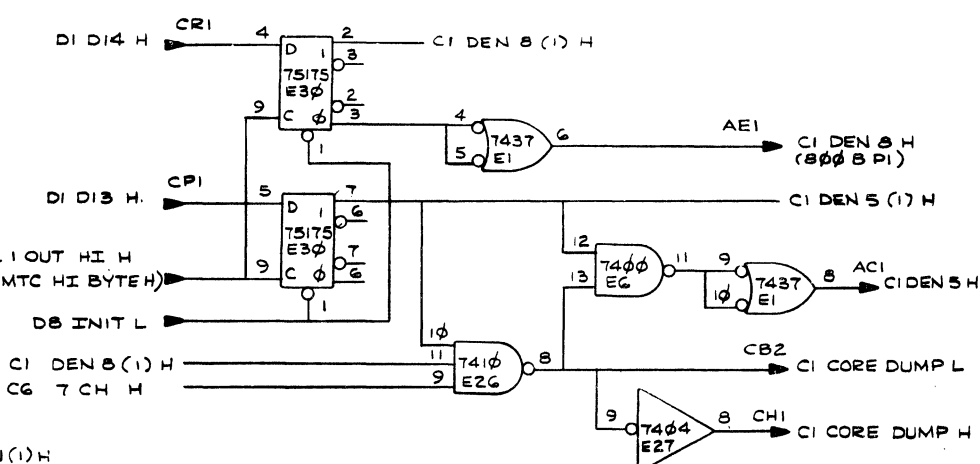


THIS DRAWING AND SPECIFICATIONS, HEREIN, ARE THE PROPERTY OF DIGITAL EQUIPMENT CORPORATION AND SHALL NOT BE REPRODUCED OR COPIED OR USED IN WHOLE OR IN PART AS THE BASIS FOR THE MANUFACTURE OR SALE OF ITEMS WITHOUT WRITTEN PERMISSION. COPYRIGHT © 1976 DIGITAL EQUIPMENT CORPORATION

### DENSITY SELECT LOGIC

(DISABLED ON TS03)  
SELECTS DATA DENSITY ON TU-10

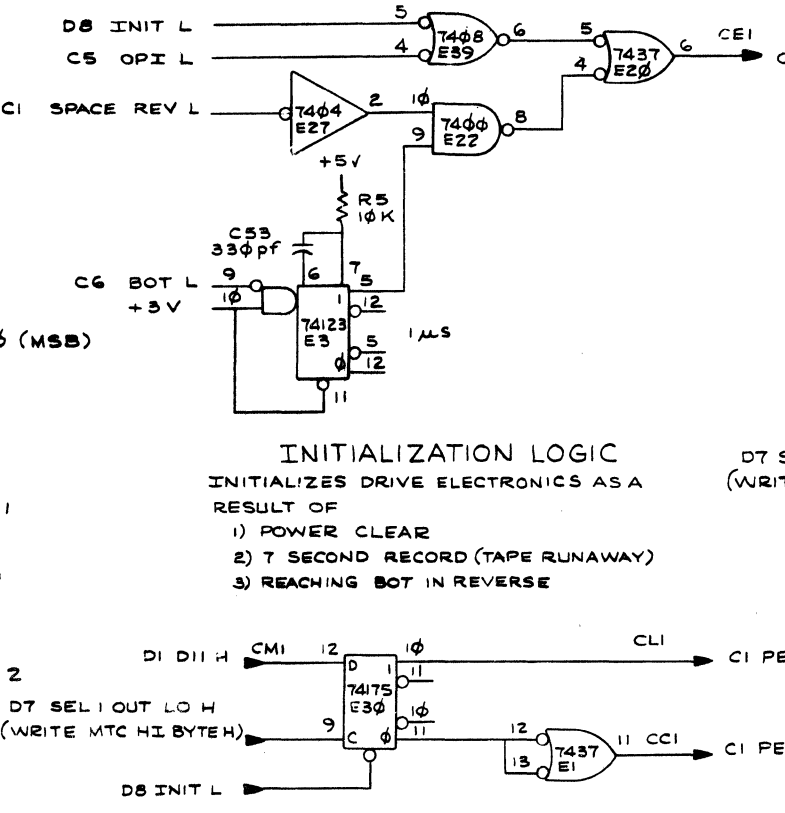
BIT 14	BIT 13	200 BPI	7 CH
0	0	556 BPI	7 CH
1	0	800 BPI	7 CH
1	1	800 BPI	9 CH



### INITIALIZATION LOGIC

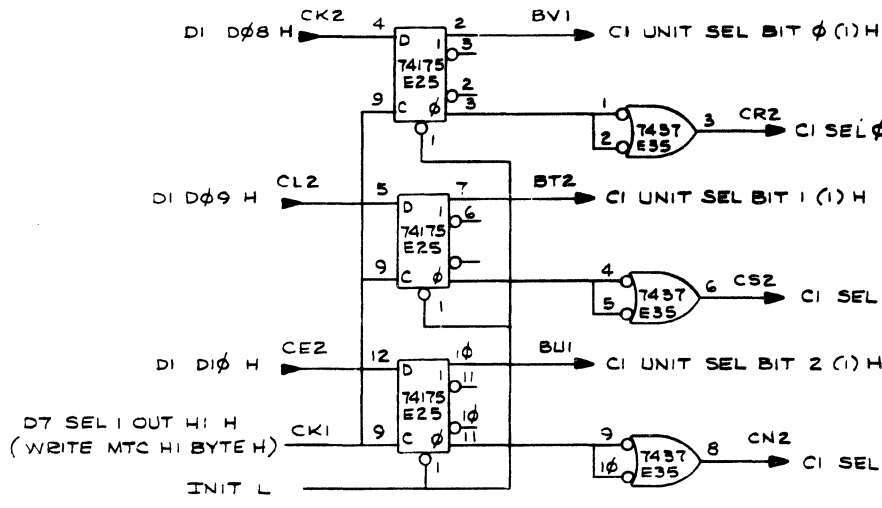
INITIALIZES DRIVE ELECTRONICS AS A RESULT OF

- 1) POWER CLEAR
- 2) 7 SECOND RECORD (TAPE RUNAWAY)
- 3) REACHING BOT IN REVERSE



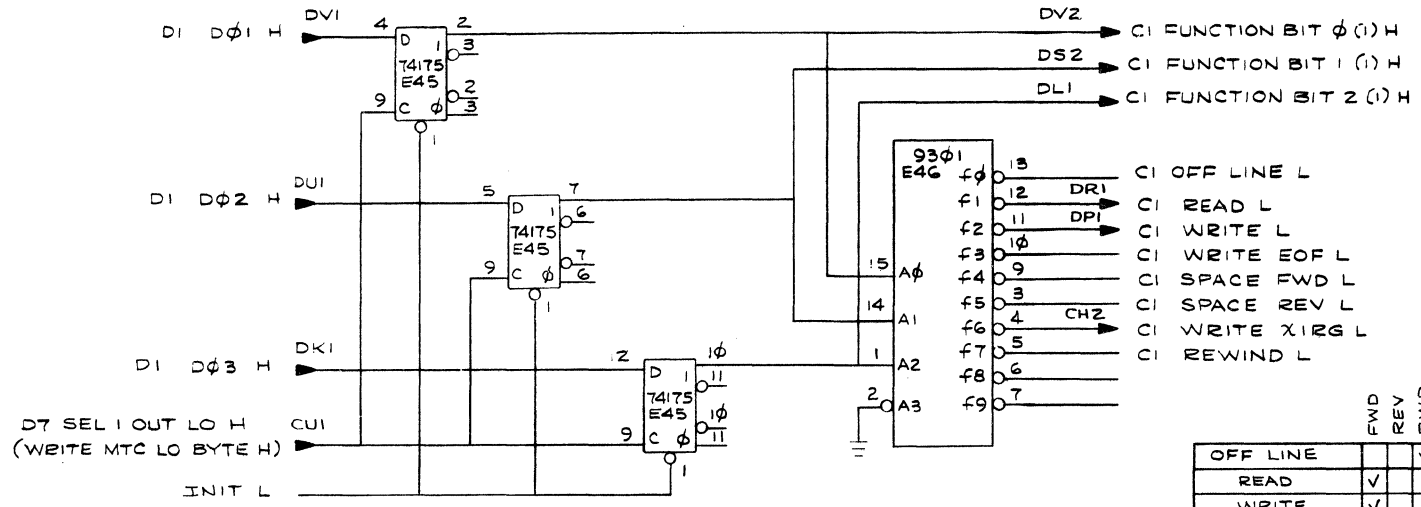
### TAPE UNIT SELECT LOGIC

SELECT UP TO 8 DRIVES  
(TS03 ONLY ALLOWS 2 DRIVES)



### FUNCTION DECODER

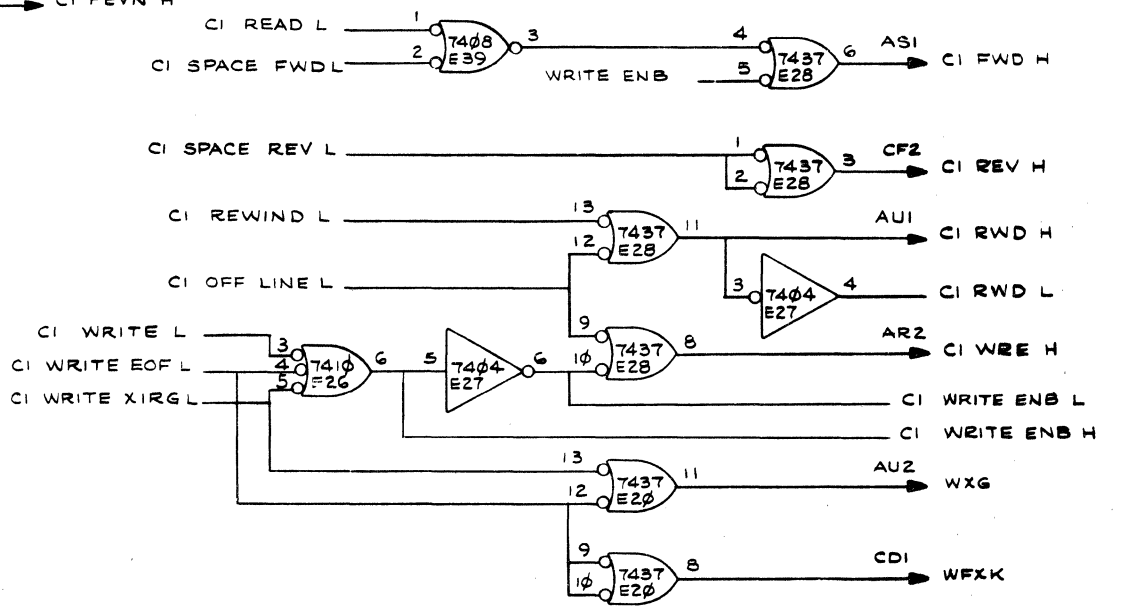
RECEIVES AND DECODES BITS 1 THRU 3 OF COMMAND REGISTER INTO ONE OF 8 POSSIBLE COMMANDS



	FWD	REV	RWD	WRE	WXG	WFMK
OFF LINE						
READ	✓		✓			
WRITE	✓		✓			
SPACE FWD	✓			✓		
SPACE REV		✓				
WRITE	✓		✓	✓		
REWIND			✓			

### COMMAND DRIVERS

PROVIDES CONTROL SIGNALS TO TAPE DRIVE MASTER ELECTRONICS  
NOTE THAT OFF LINE IS DEFINED BY WRE AND RWD  
COMMANDS ARE STROBED INTO MASTER ELECTRONICS BY SET PULSE ON SHEET 2



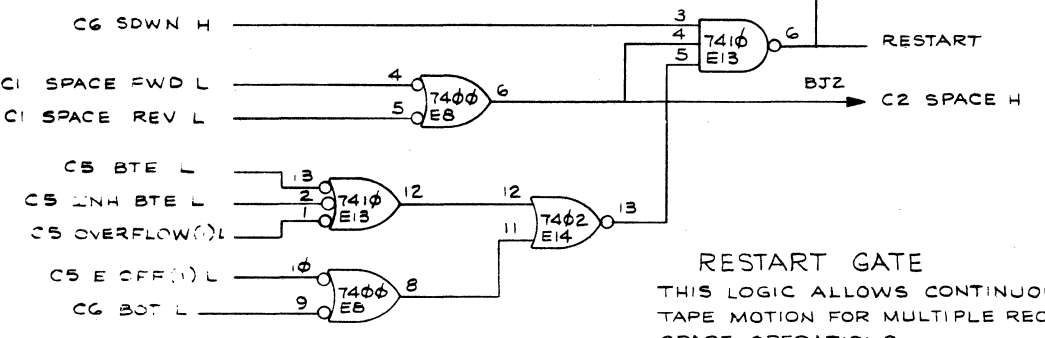
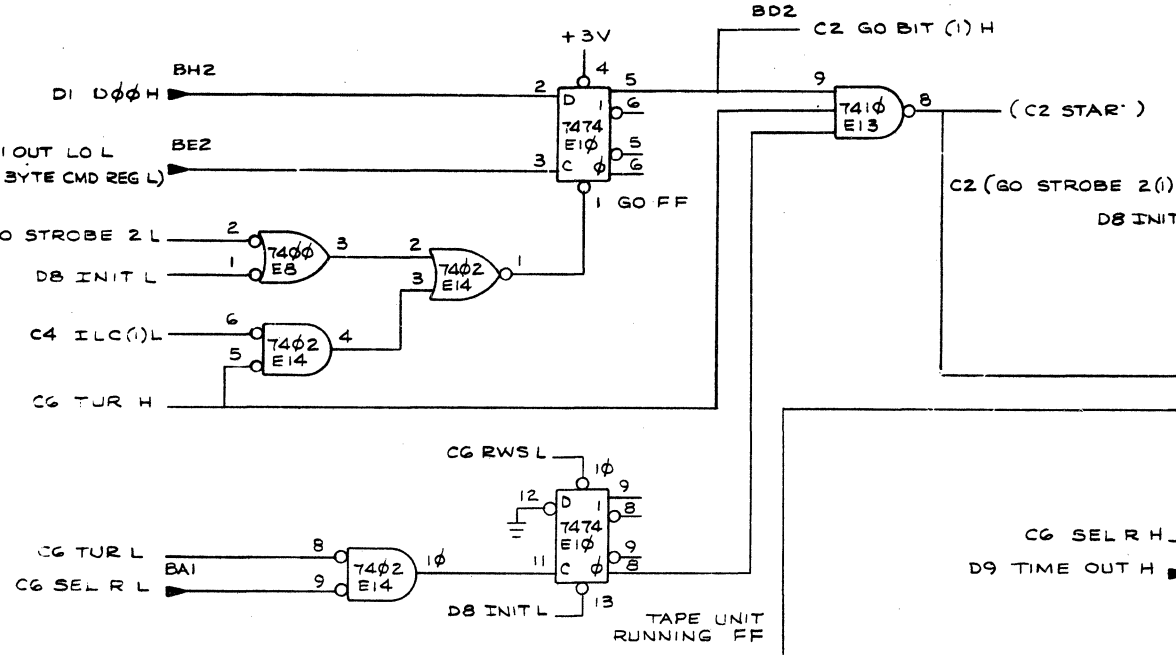
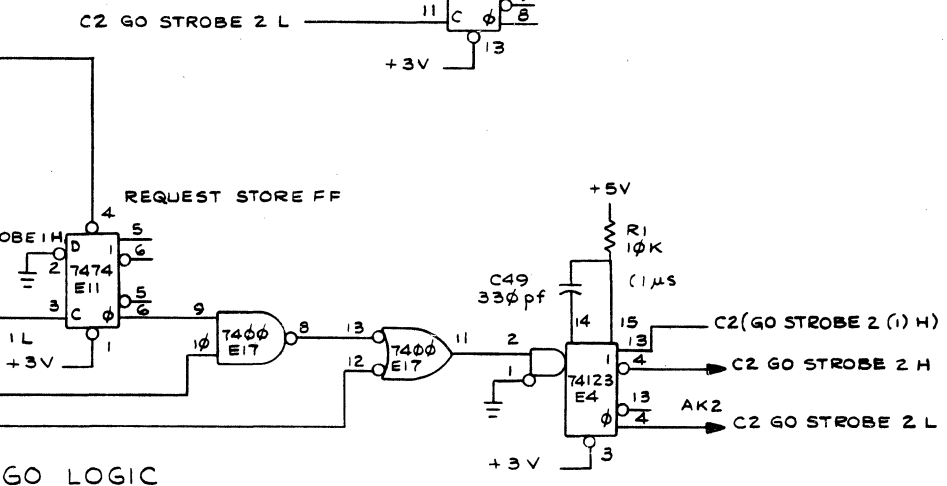
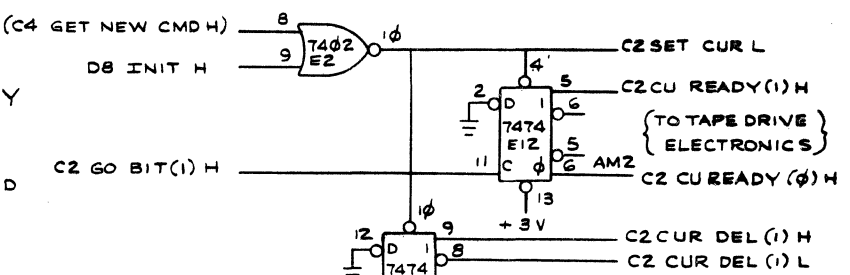
DRN. METEGER 1 MAR 76	FIRST DESIGN
CHK'D BY T. J. G. 9 APR 76	TMBII
ENG. M. J. 4-9-76	TITLE
PROJ. ENG. T. J. G. 4-9-76	COMMAND STATUS BOARD (CI)
PROD. COM. 4-9-76	

REVISIONS		
CHK	CHANGE NO.	REV.

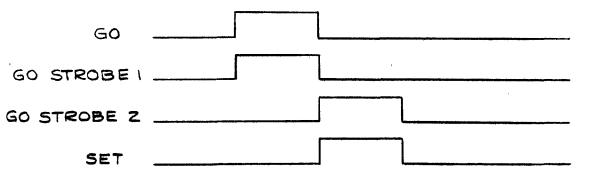
"THE DRAWING AND SPECIFICATIONS HEREIN ARE THE PROPERTY OF DIGITAL EQUIPMENT CORPORATION AND SHALL NOT BE REPRODUCED OR COPIED OR USED IN WHOLE OR IN PART AS THE BASIS FOR THE MANUFACTURE OR SALE OF ITEMS WITHOUT WRITTEN PERMISSION. COPYRIGHT © 1974 DIGITAL EQUIPMENT CORPORATION"

**START OPERATION LOGIC (MTC-BIT 00)**  
 1. DETECTS MTC GO BIT PROVIDED DRIVE IS ON LINE (SELR) AND TAPE UNIT IS STOPPED

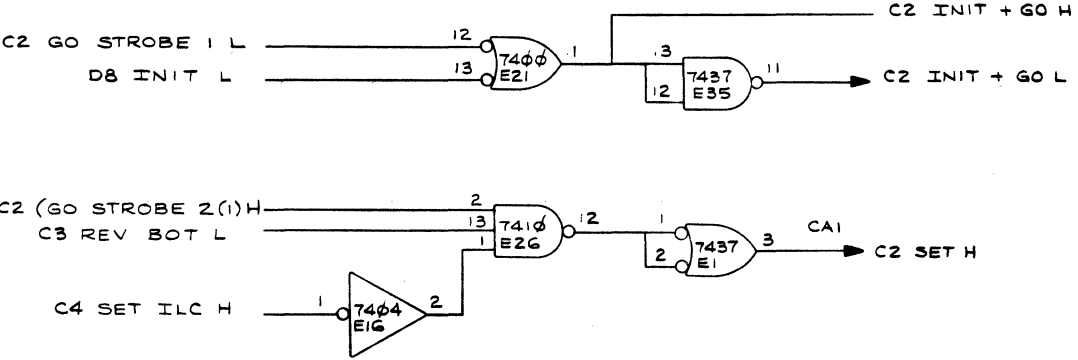
**CONTROL UNIT READY LOGIC**  
 SET CUR  
 ILLEGAL CMO DESELECTED DRIVE  
 BAD TAPE ERROR - FALSE



**RESTART GATE**  
 THIS LOGIC ALLOWS CONTINUOUS TAPE MOTION FOR MULTIPLE RECORD SPACE OPERATIONS. MAINTAINS TIMING CHAIN DURING RECORD SEARCH FWD OR REV



**NOTES:**  
 1. ALL SIGNALS ARE 1μS IN DURATION  
 2. GO SIGNAL IS NORMALLY 1μS BUT MAY BE 10MS OR LONGER DEPENDING ON WHAT TIME THE BIT IS SET (SEE TEXT)



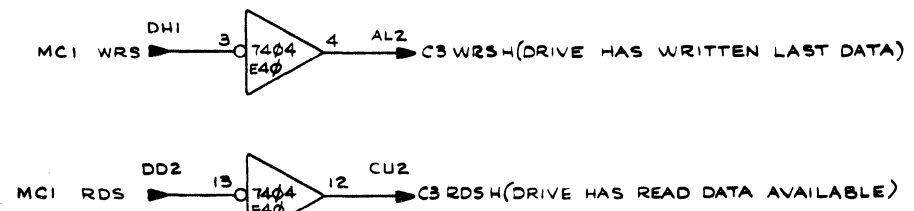
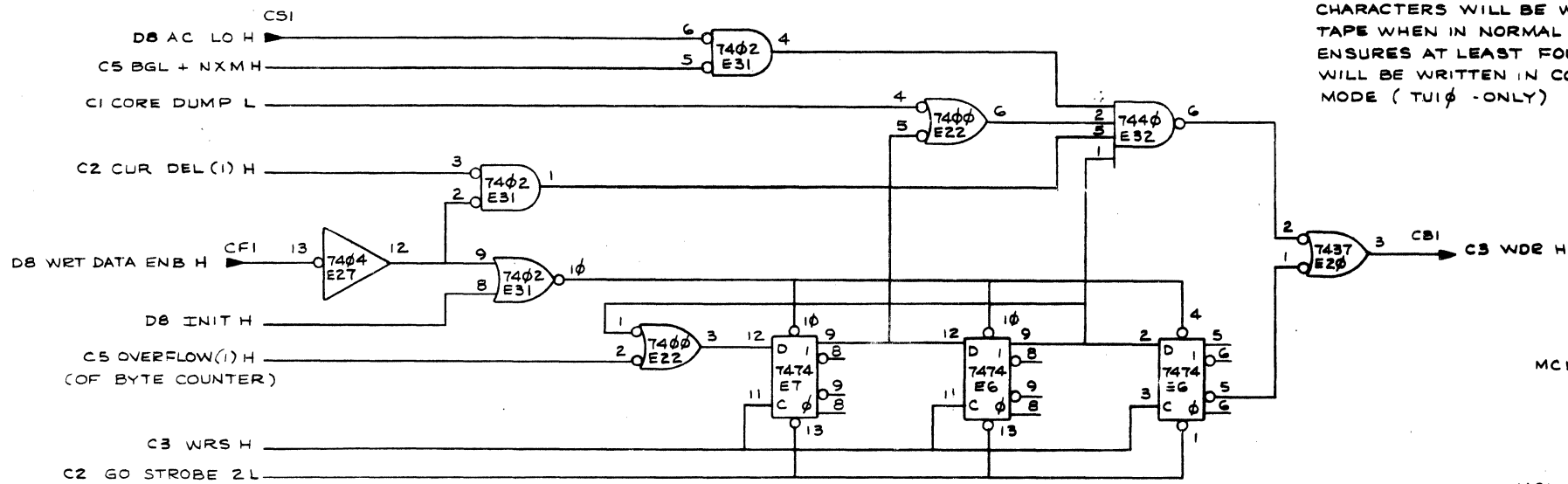
COMMAND STROBE TO TAPE CONTROL LOGIC

REVISIONS		
CHK	CHANGE NO.	REV.

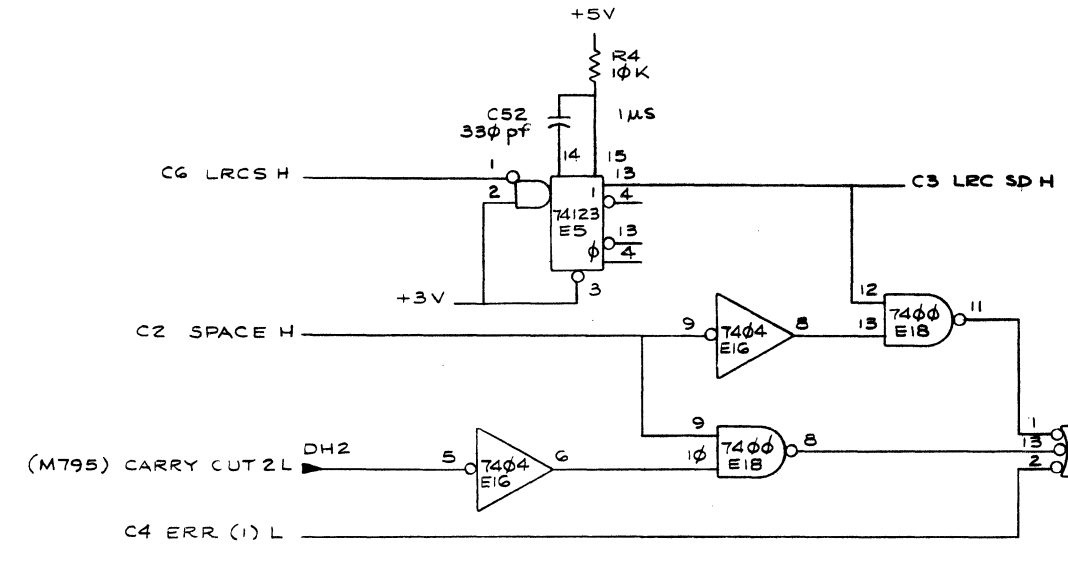
THIS DRAWING AND SPECIFICATIONS, HEREIN, ARE THE PROPERTY OF DIGITAL EQUIPMENT CORPORATION AND SHALL NOT BE REPRODUCED OR COPIED OR USED IN WHOLE OR IN PART AS THE BASIS FOR THE MANUFACTURE OR SALE OF ITEMS WITHOUT WRITTEN PERMISSION. COPYRIGHT © 1976 DIGITAL EQUIPMENT CORPORATION

### MIN RECORD SIZE GENERATOR

ENSURES THAT AT LEAST THREE (3) CHARACTERS WILL BE WRITTEN ON TAPE WHEN IN NORMAL MODE.  
ENSURES AT LEAST FOUR FRAMES WILL BE WRITTEN IN CORE DUMP MODE (TUIφ - ONLY)

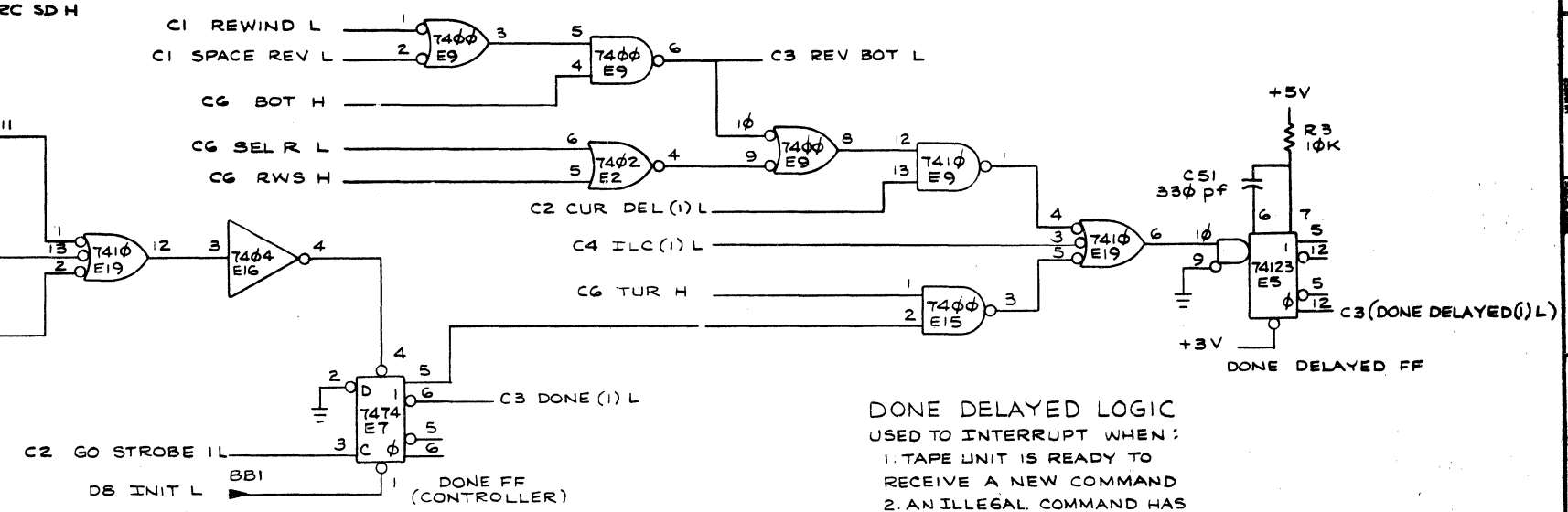


DRIVE DATA STROBES



### DONE LOGIC

- PRESET WHEN:
1. END OF RECORD IS REACHED (NOT A SPACE OPERATION)
  2. END OF A SPAC. OPERATION
  3. ANY REAL TAPE ERROR



### DONE DELAYED LOGIC

- USED TO INTERRUPT WHEN:
1. TAPE UNIT IS READY TO RECEIVE A NEW COMMAND
  2. AN ILLEGAL COMMAND HAS BEEN DETECTED
  3. DRIVE IS REWINDING OR HAS BEEN DE SELECTED

REVISIONS		
CHK	CHANGE NO.	REV.

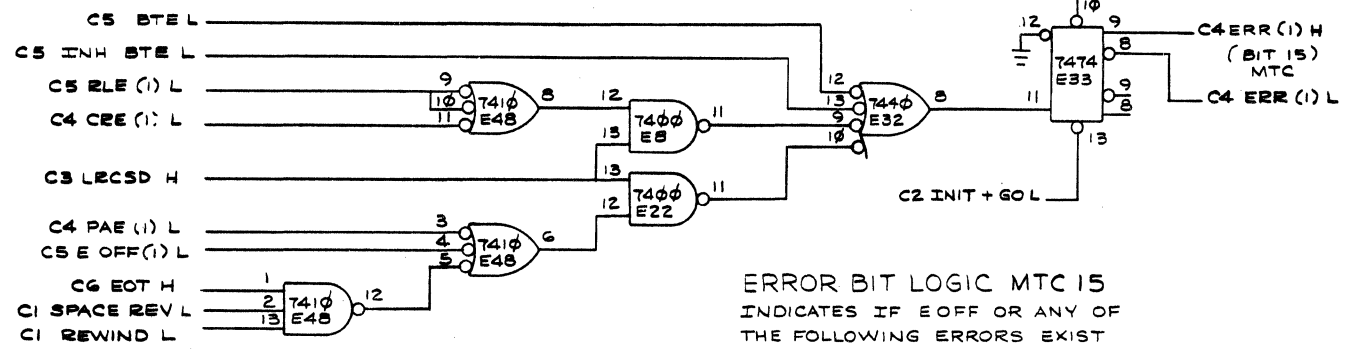
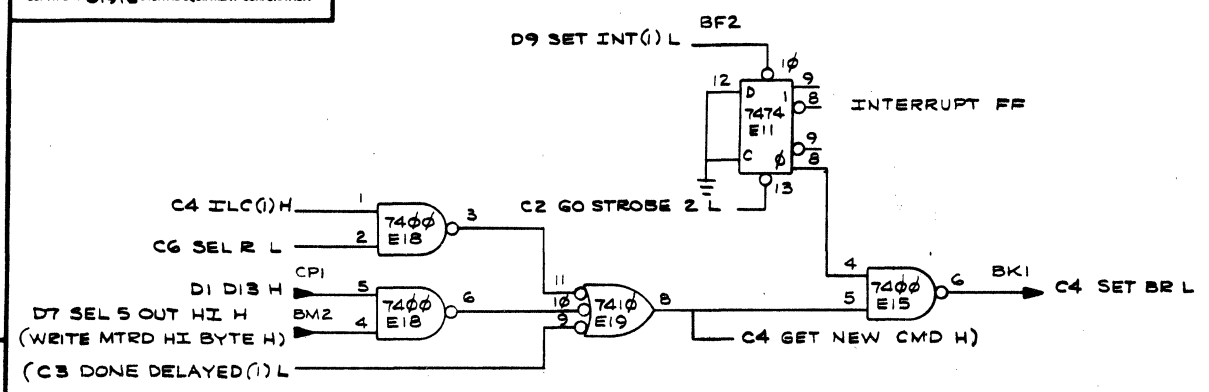
TITLE	COMMAND (C3) STATUS BOARD	SIZE CODE	D	NUMBER	BSTMBII-0-5	REV.	
SCALE	SHEET 3 OF 6	DIST.					

THIS DRAWING AND SPECIFICATIONS HEREIN ARE THE PROPERTY OF DIGITAL EQUIPMENT CORPORATION AND SHALL NOT BE REPRODUCED OR COPIED OR USED IN WHOLE OR IN PART AS THE BASIS FOR THE MANUFACTURE OR SALE OF ITEMS WITHOUT WRITTEN PERMISSION. COPYRIGHT © 1974 DIGITAL EQUIPMENT CORPORATION

8 7 6 5 4 3 2 1

D

D

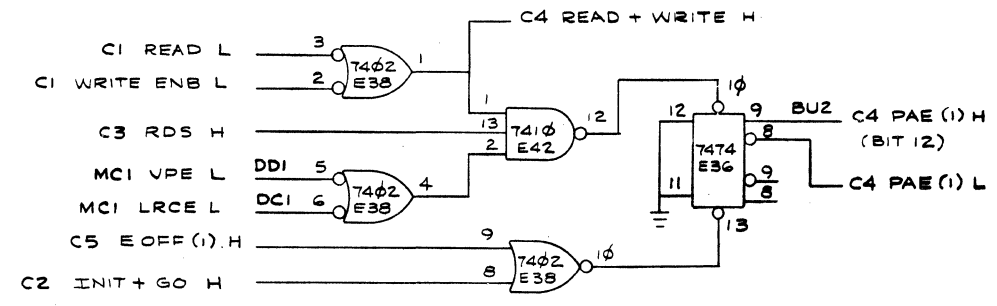
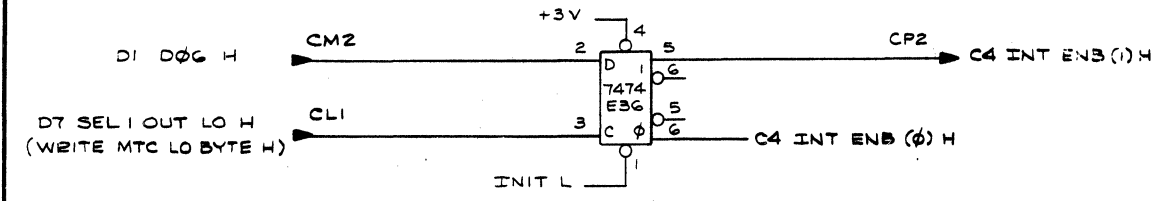


**ERROR BIT LOGIC MTC 15**  
INDICATES IF EOFF OR ANY OF THE FOLLOWING ERRORS EXIST  
BAD TAPE  
RECORD LENGTH  
CRC  
LRC  
PARITY  
MOVING FWD AT EOT

**SET INTERRUPT AND INTERRUPT ENB (MTC 6)**

C

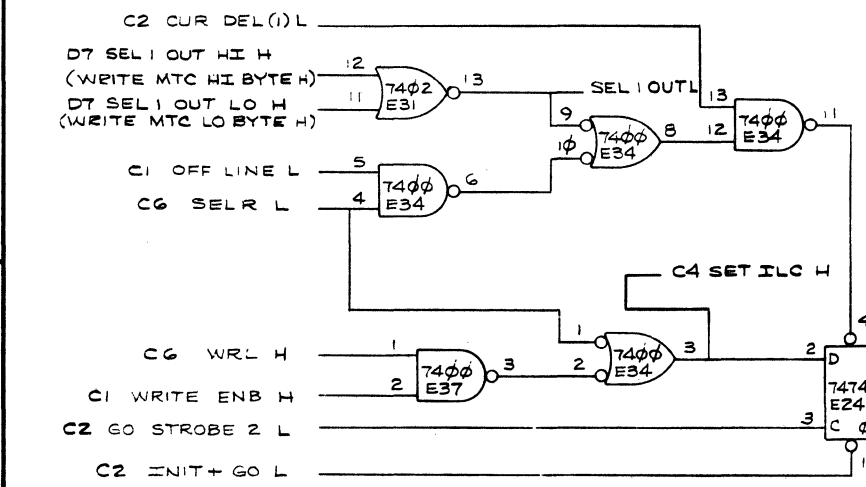
C



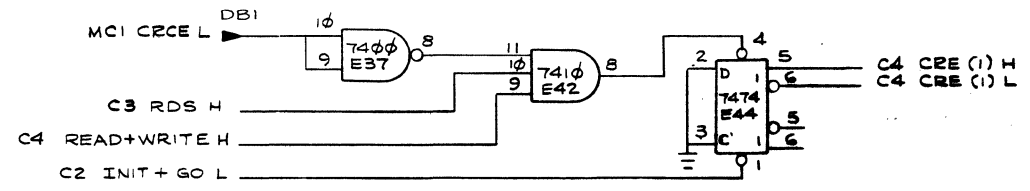
**PARITY ERROR LOGIC MTC 12**  
1. PROVIDES INDICATION OF VERTICAL PARITY OR LRC ERROR DURING A READ OR WRITE OPERATION

B

B



**ILLEGAL COMMAND LOGIC (MTC BIT 15)**  
1. ANY ATTEMPT TO ACCESS COMMAND REGISTER WHEN TAPE OPERATION IS IN PROGRESS.  
2. DRIVE IS TAKEN OFF LINE DURING A TAPE COMMAND.  
3. ATTEMPTING TO ACCESS A DESELECTED DRIVE  
4. ATTEMPTING TO WRITE ON A WRITE PROTECTED TAPE.

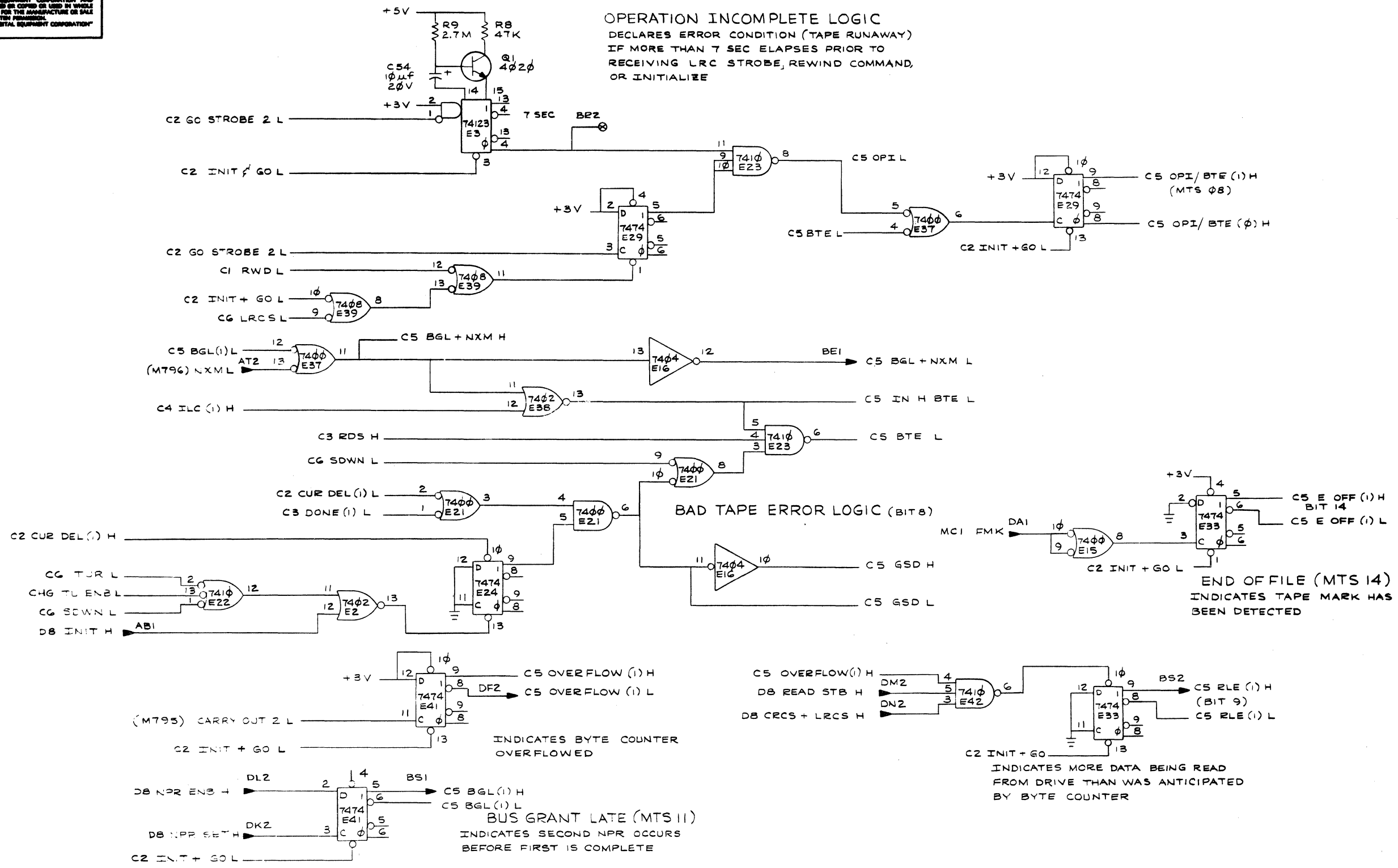


REVISIONS		
CHK	CHANGE NO.	REV.

8 7 6 5 4 3 2 1

THIS DRAWING AND SPECIFICATIONS HEREIN ARE THE PROPERTY OF DIGITAL EQUIPMENT CORPORATION AND SHALL NOT BE REPRODUCED OR COPIED OR USED IN WHOLE OR IN PART AS THE BASIS FOR THE MANUFACTURE OR SALE OF ITEMS WITHOUT WRITTEN PERMISSION.  
COPYRIGHT © 1974 DIGITAL EQUIPMENT CORPORATION

**OPERATION INCOMPLETE LOGIC**  
DECLARES ERROR CONDITION (TAPE RUNAWAY) IF MORE THAN 7 SEC ELAPSES PRIOR TO RECEIVING LRC STROBE, REWIND COMMAND, OR INITIALIZE



**BAD TAPE ERROR LOGIC (BIT 8)**

**END OF FILE (MTS 14)**  
INDICATES TAPE MARK HAS BEEN DETECTED

INDICATES BYTE COUNTER OVERFLOWED

**BUS GRANT LATE (MTS 11)**  
INDICATES SECOND NPR OCCURS BEFORE FIRST IS COMPLETE

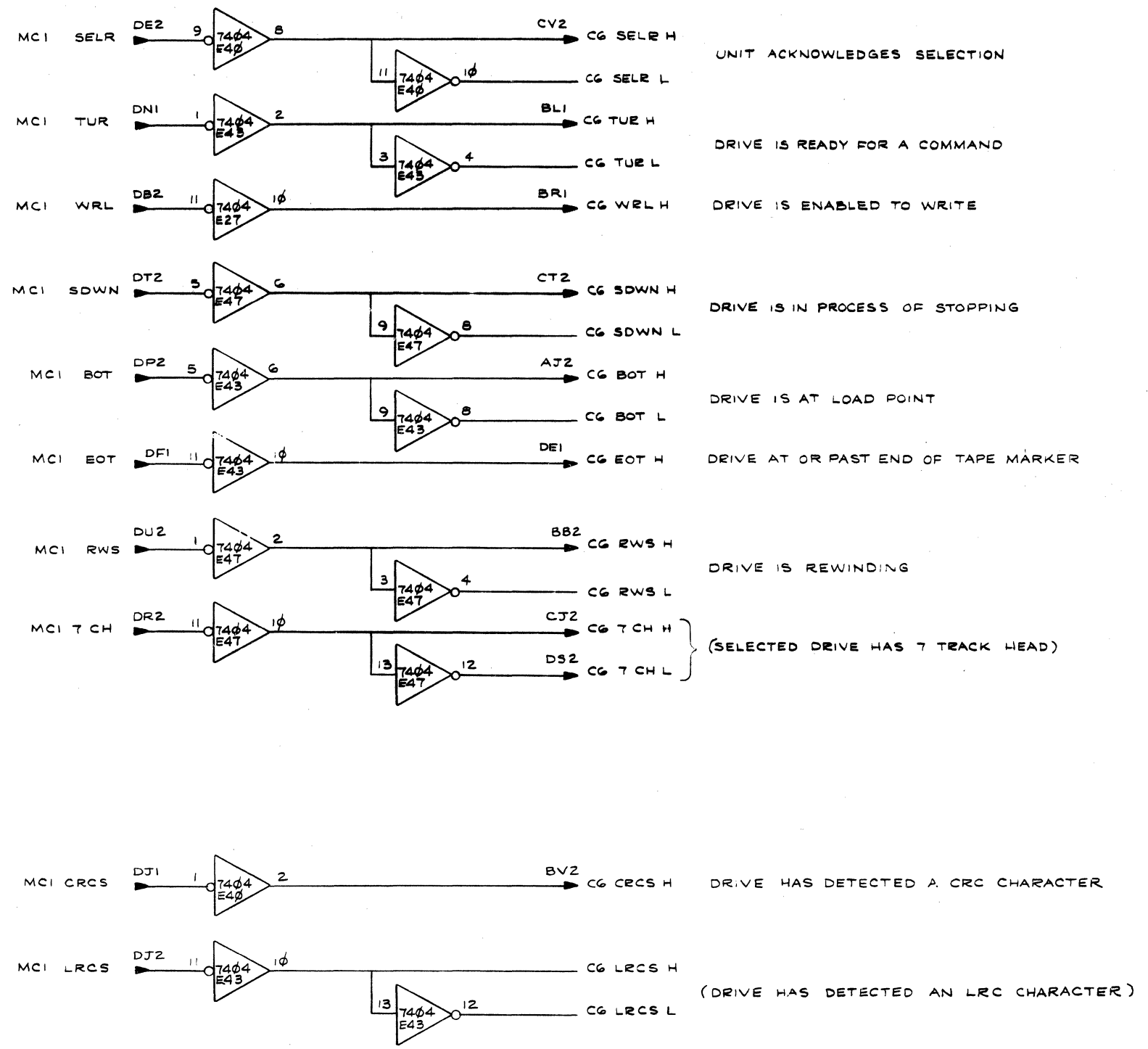
INDICATES MORE DATA BEING READ FROM DRIVE THAN WAS ANTICIPATED BY BYTE COUNTER

REVISIONS		
CHK	CHANGE NO.	REV.

DEC FORM NO. DRD 138	8	7	6	5	4	3	2	1	
TITLE COMMAND (C5) STATUS BOARD							SIZE CODE DBS TMB11-0-5	NUMBER 	REV. 
SCALE SHEET 5 OF 6							DWT.		

REV. NUMBER  
DBS TMB11-0-5

"THIS DRAWING AND SPECIFICATIONS, HEREIN, ARE THE PROPERTY OF DIGITAL EQUIPMENT CORPORATION AND SHALL NOT BE REPRODUCED OR COPIED OR USED IN WHOLE OR IN PART AS THE BASIS FOR THE MANUFACTURE OR SALE OF ITEMS WITHOUT WRITTEN PERMISSION. COPYRIGHT © 1976 DIGITAL EQUIPMENT CORPORATION"



UNIT ACKNOWLEDGES SELECTION

DRIVE IS READY FOR A COMMAND

DRIVE IS ENABLED TO WRITE

DRIVE IS IN PROCESS OF STOPPING

DRIVE IS AT LOAD POINT

DRIVE AT OR PAST END OF TAPE MARKER

DRIVE IS REWINDING

(SELECTED DRIVE HAS 7 TRACK HEAD)

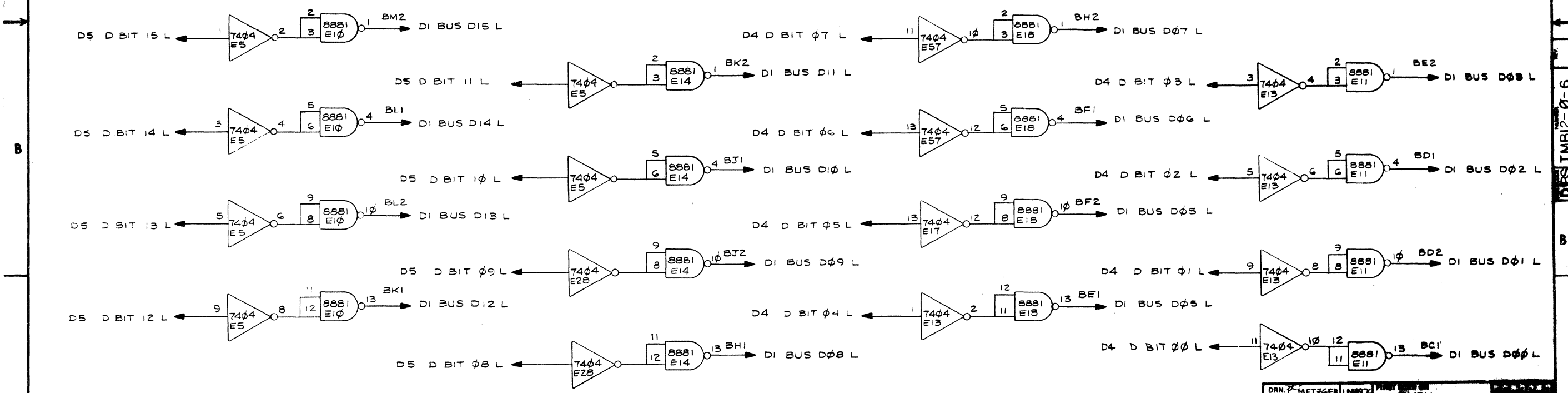
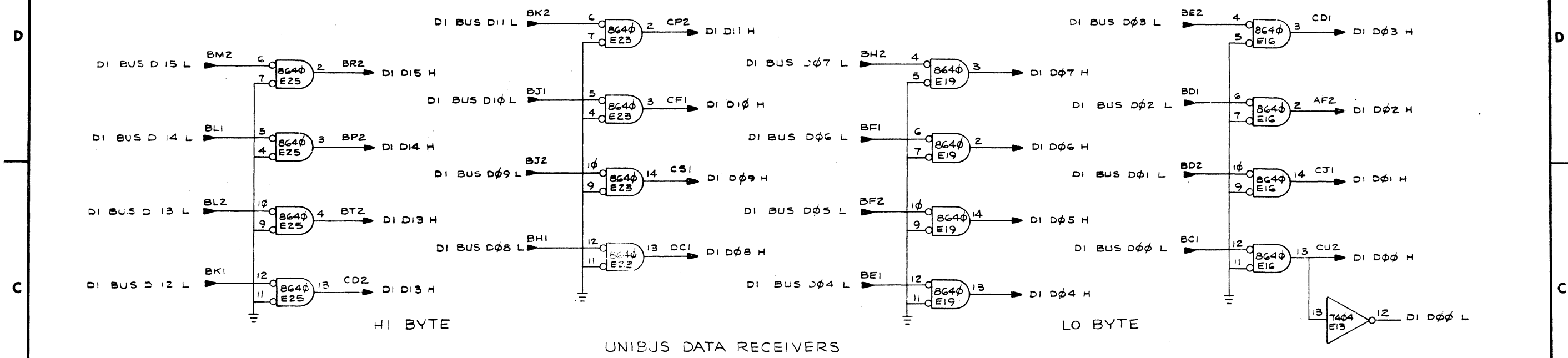
DRIVE HAS DETECTED A CRC CHARACTER

(DRIVE HAS DETECTED AN LRC CHARACTER)

TAPE DRIVE STATUS  
RECEIVES STATUS FROM DRIVE

REVISIONS		
CHK	CHANGE NO.	REV.

"THIS DRAWING AND SPECIFICATIONS HEREIN ARE THE PROPERTY OF DIGITAL EQUIPMENT CORPORATION AND SHALL NOT BE REPRODUCED OR COPIED OR USED IN WHOLE OR IN PART AS THE BASIS FOR THE MANUFACTURE OR SALE OF ITEMS WITHOUT WRITTEN PERMISSION. COPYRIGHT © 1976 DIGITAL EQUIPMENT CORPORATION"



DRN. #	METZGER	INSTR.	TMB11
CHK'D	M. B. BAKER	7/22/76	TITLE
ENG'G			UNIBUS (01)
PROJ. ENG.			REGISTER
PROD.			

REVISIONS		
CHK	CHANGE NO.	REV.

"THIS DRAWING AND SPECIFICATIONS HEREIN ARE THE PROPERTY OF DIGITAL EQUIPMENT CORPORATION AND SHALL NOT BE REPRODUCED OR COPIED OR USED IN WHOLE OR IN PART AS THE BASIS FOR THE MANUFACTURE OR SALE OF ITEMS WITHOUT WRITTEN PERMISSION. COPYRIGHT © 1976 DIGITAL EQUIPMENT CORPORATION"

D

C

B

A

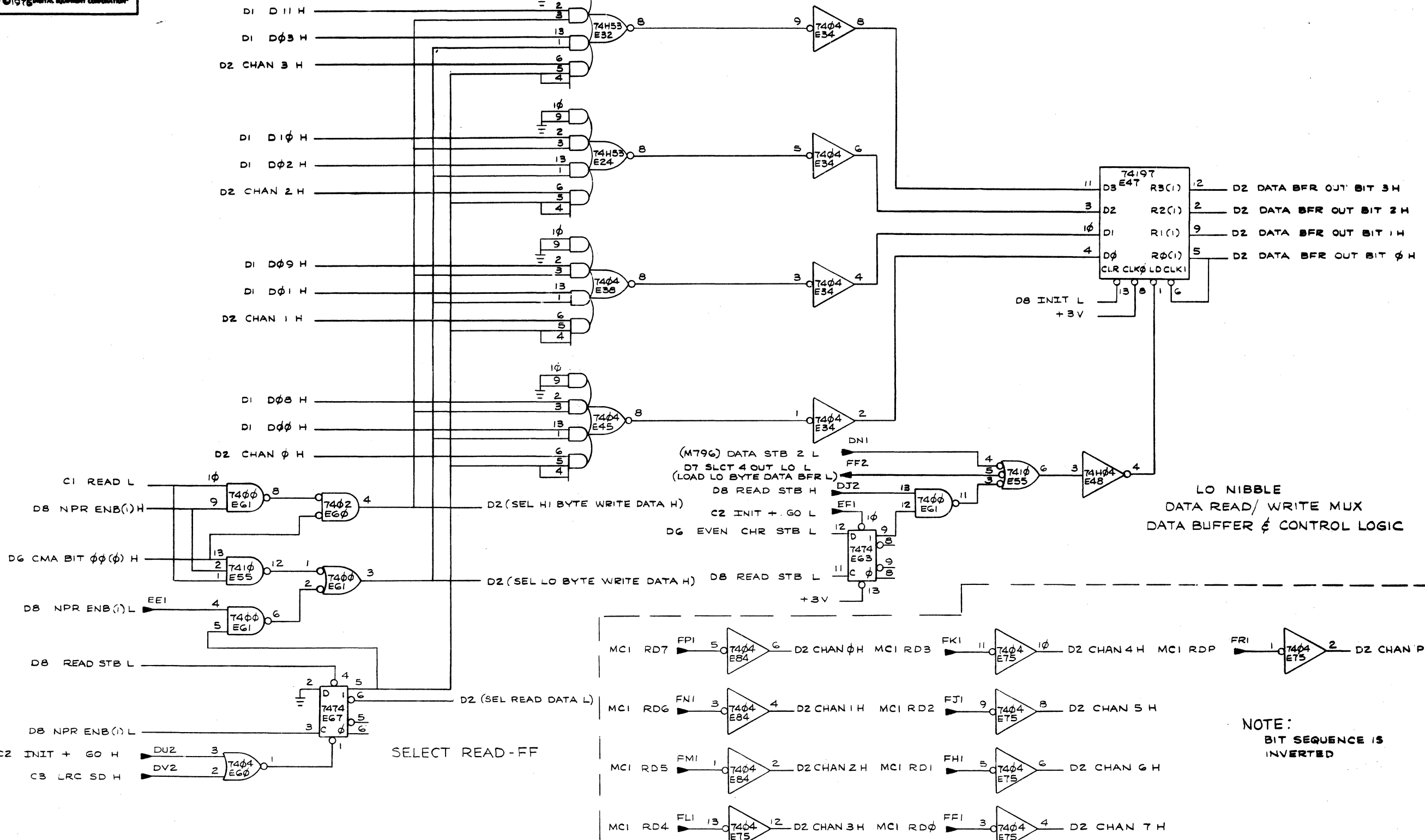
D

C

B

A

DBS TMB12-0-6



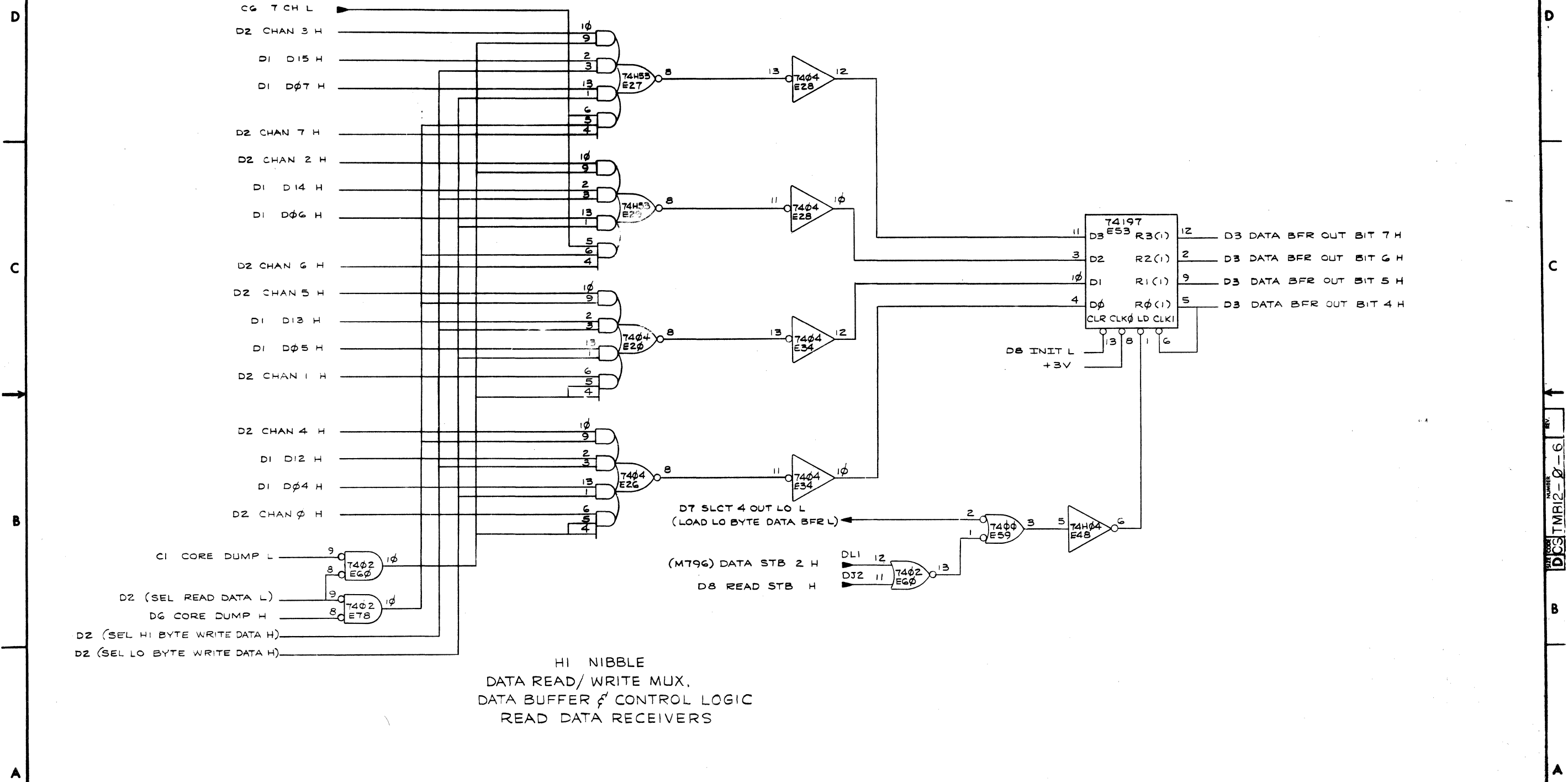
REVISIONS		
CHK	CHANGE NO.	REV.

DEC FORM NO. 010 138

TITLE	UNIBUS REGISTER (D2)	SIZE CODE	DBS	NUMBER	TMB12-0-6	REV.	
SCALE		SHEET	2	OF	9	DIST.	



"THIS DRAWING AND SPECIFICATIONS, HEREIN, ARE THE PROPERTY OF DIGITAL EQUIPMENT CORPORATION AND SHALL NOT BE REPRODUCED OR COPIED OR USED IN WHOLE OR IN PART AS THE BASIS FOR THE MANUFACTURE OR SALE OF ITEMS WITHOUT WRITTEN PERMISSION. COPYRIGHT © 1976 DIGITAL EQUIPMENT CORPORATION"



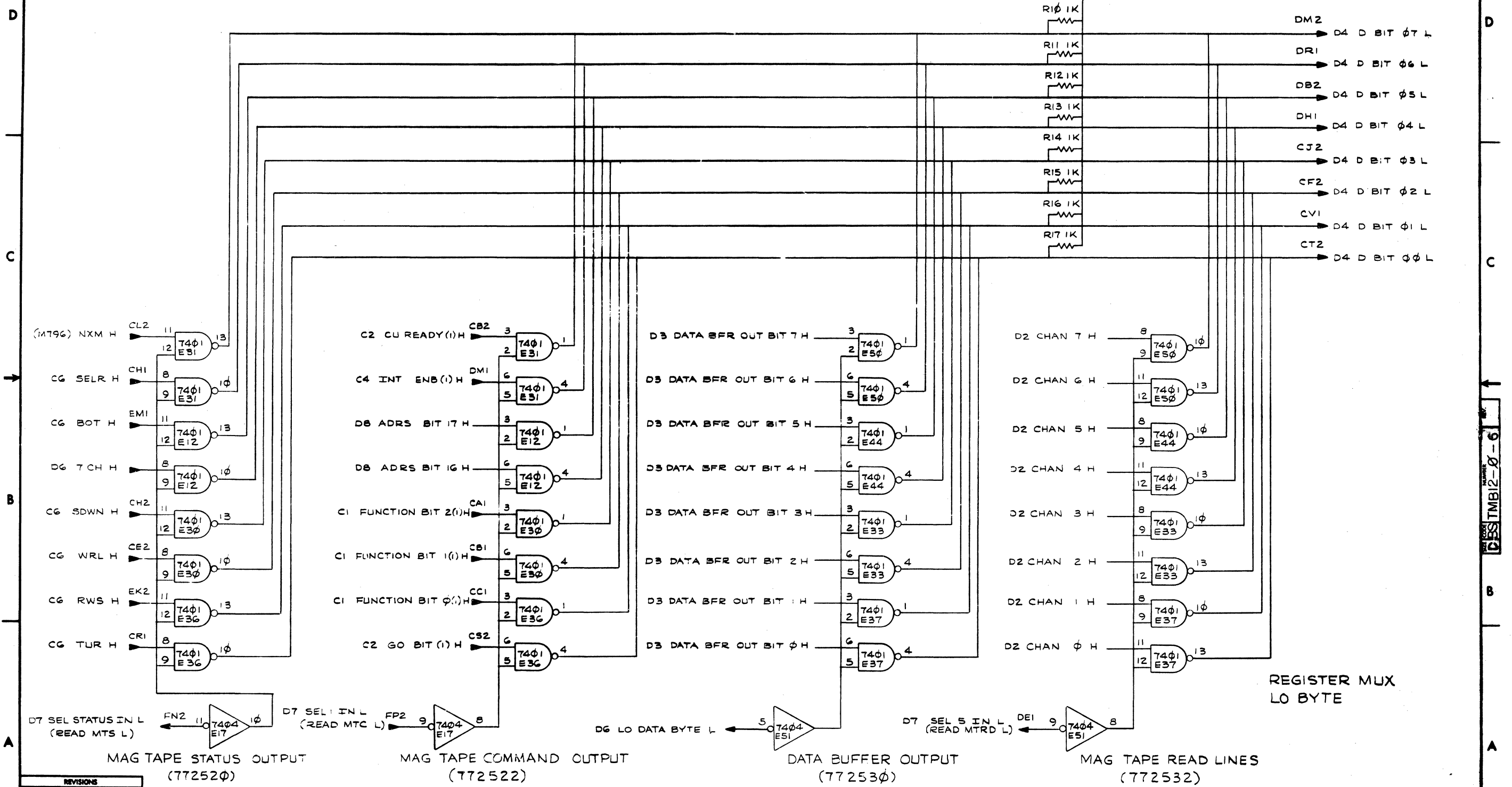
HI NIBBLE  
DATA READ/ WRITE MUX,  
DATA BUFFER & CONTROL LOGIC  
READ DATA RECEIVERS

REVISIONS		
CHK	CHANGE NO.	REV.

REV. NUMBER DBS TMB12-0-6

"THIS DRAWING AND SPECIFICATIONS HEREIN ARE THE PROPERTY OF DIGITAL EQUIPMENT CORPORATION AND SHALL NOT BE REPRODUCED OR COPIED OR USED IN WHOLE OR IN PART AS THE BASIS FOR THE MANUFACTURE OR SALE OF ITEMS WITHOUT WRITTEN PERMISSION. COPYRIGHT © 1976 DIGITAL EQUIPMENT CORPORATION"

NOTE:  
1. SIGNAL D BIT  $\phi\phi$  THRU  $\phi 7 L$  ARE COLLECTOR ORED INPUT POINTS.



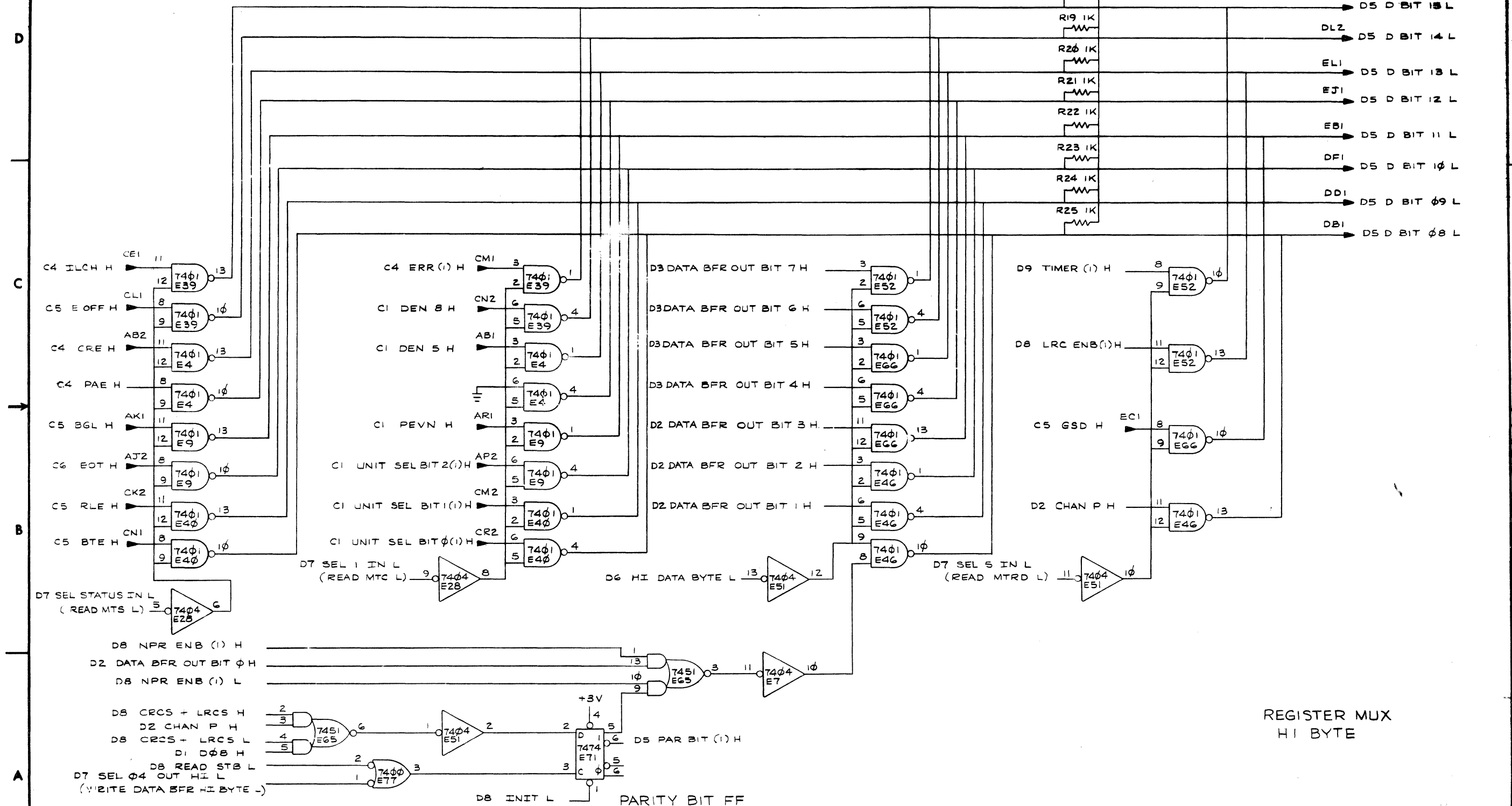
REVISIONS		
CHK	CHANGE NO.	REV.

TITLE UNIBUS REGISTER (D4)						SIZE CODE D	NUMBER BS TMB12-0-6	REV.
SCALE						SHEET 4 OF 9	DIST.	

BS TMB12-0-6

"THIS DRAWING AND SPECIFICATIONS HEREIN ARE THE PROPERTY OF DIGITAL EQUIPMENT CORPORATION AND SHALL NOT BE REPRODUCED OR COPIED OR USED IN WHOLE OR IN PART AS THE BASIS FOR THE MANUFACTURE OR SALE OF ITEMS WITHOUT WRITTEN PERMISSION. COPYRIGHT © 1975 DIGITAL EQUIPMENT CORPORATION"

NOTE:  
1 SIGNALS D BIT 08 THRU 15 L ARE COLLECTOR ORED INPUT POINTS

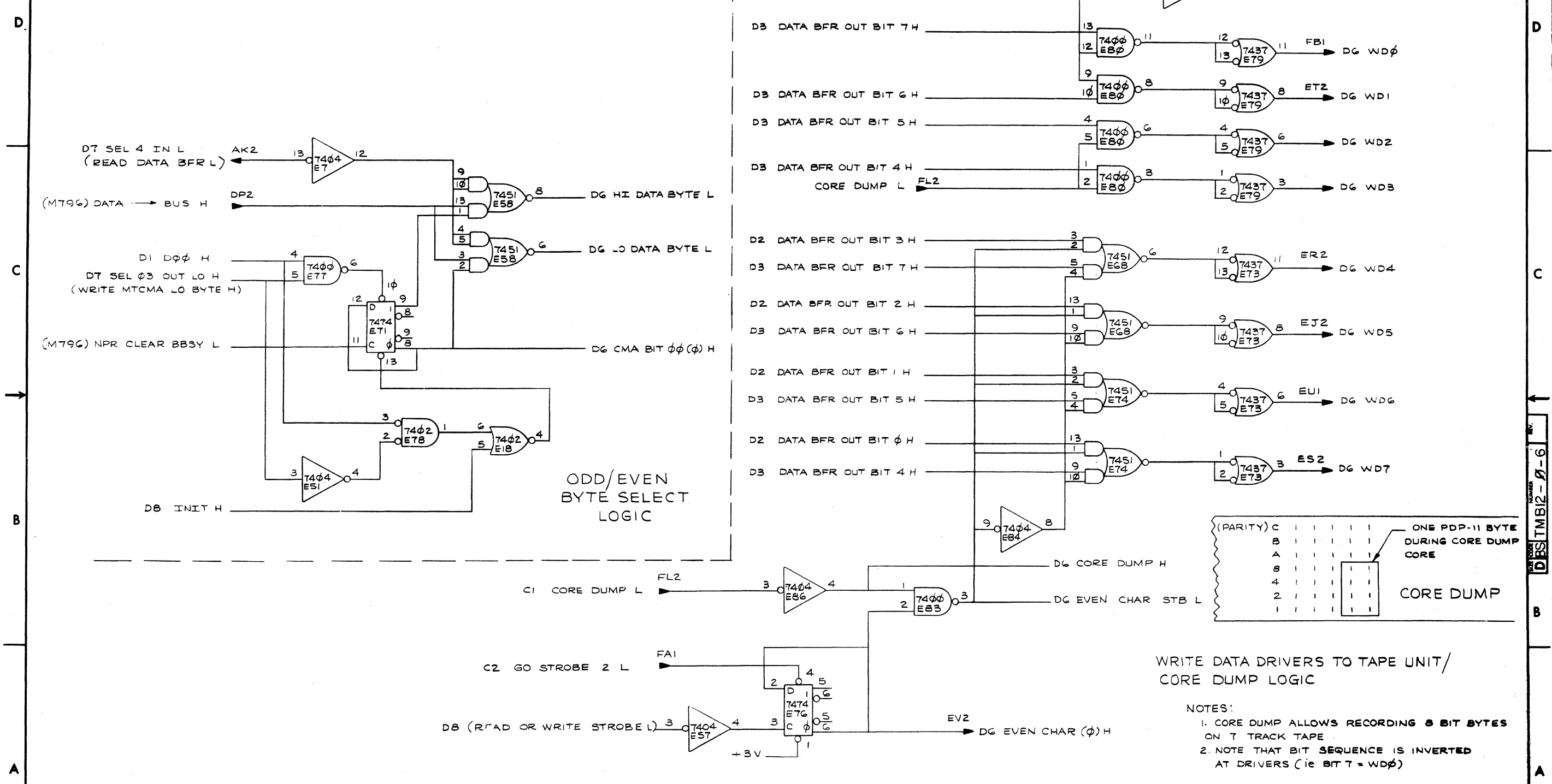


REGISTER MUX  
HI BYTE

REVISIONS		
CHK	CHANGE NO.	REV.

REV. 1/75  
NUMBER  
BS TMB12-0-6

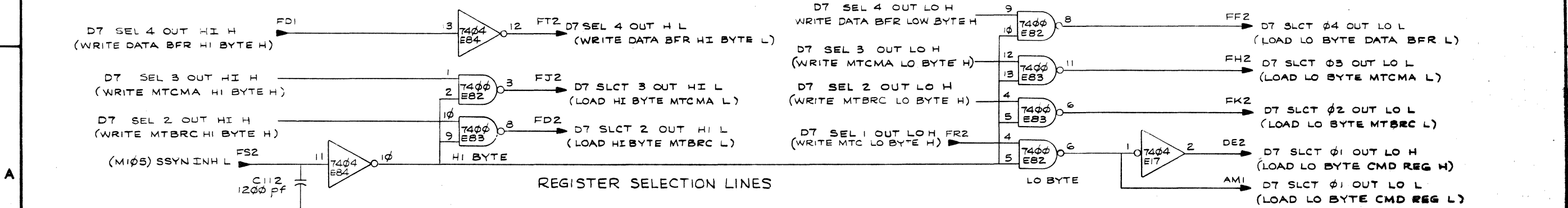
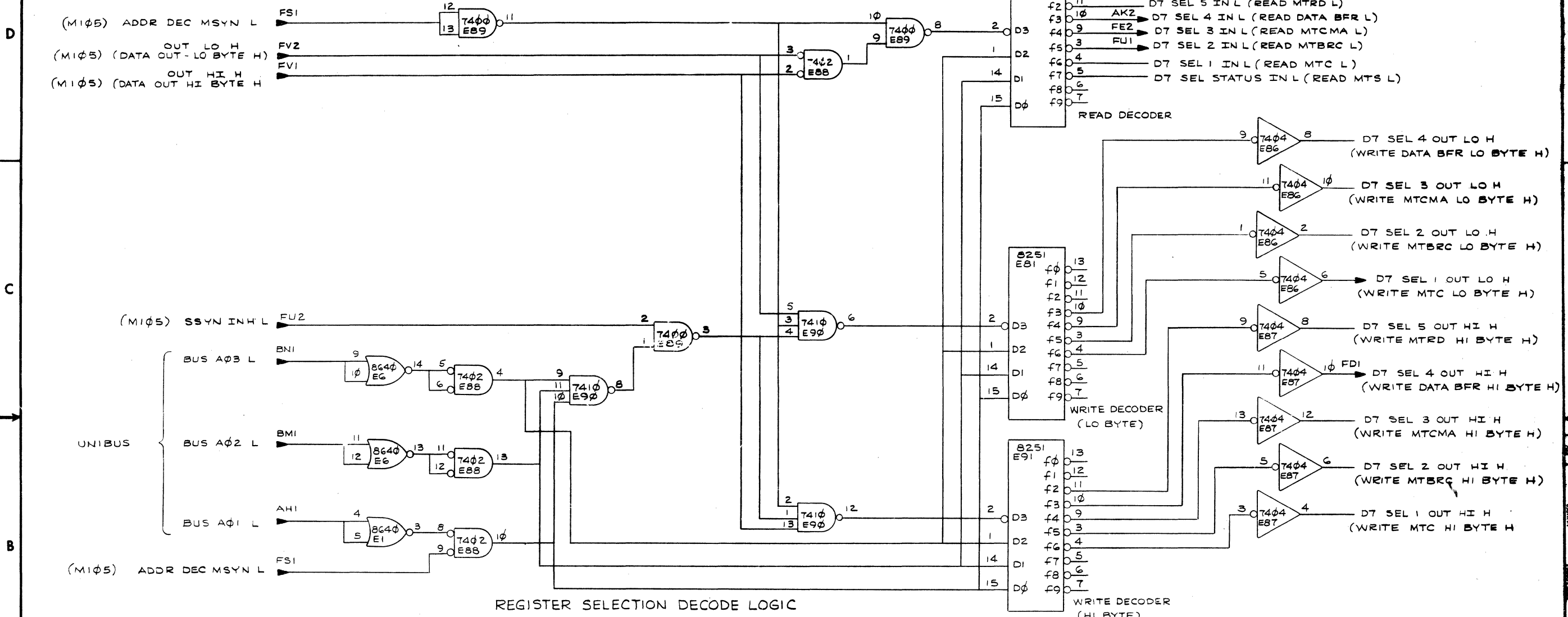
THIS DRAWING AND SPECIFICATIONS HEREIN ARE THE PROPERTY OF DIGITAL EQUIPMENT CORPORATION AND SHALL NOT BE REPRODUCED OR COPIED OR USED IN WHOLE OR IN PART AS THE BASIS FOR THE MANUFACTURE OR SALE OF ITEMS WITHOUT WRITTEN PERMISSION.  
 COPYRIGHT © 1976 DIGITAL EQUIPMENT CORPORATION



REVISIONS		
CHK	CHANGE NO.	REV.

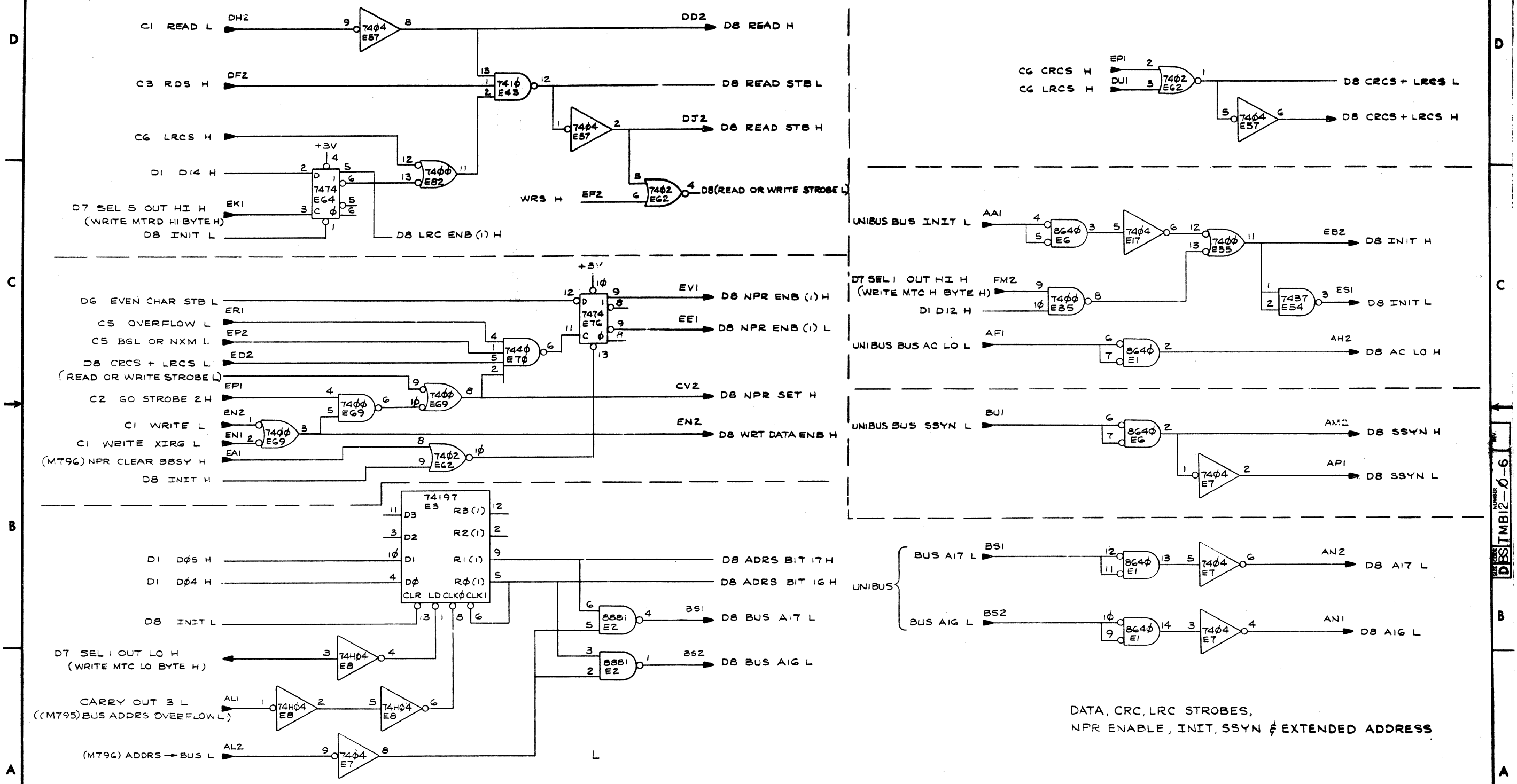
D6S1TMB12-0-6

THIS DRAWING AND SPECIFICATIONS HEREIN ARE THE PROPERTY OF DIGITAL EQUIPMENT CORPORATION AND SHALL NOT BE REPRODUCED OR COPIED OR USED IN WHOLE OR IN PART AS THE BASIS FOR THE MANUFACTURE OR SALE OF ITEMS WITHOUT WRITTEN PERMISSION. COPYRIGHT © 1976 DIGITAL EQUIPMENT CORPORATION



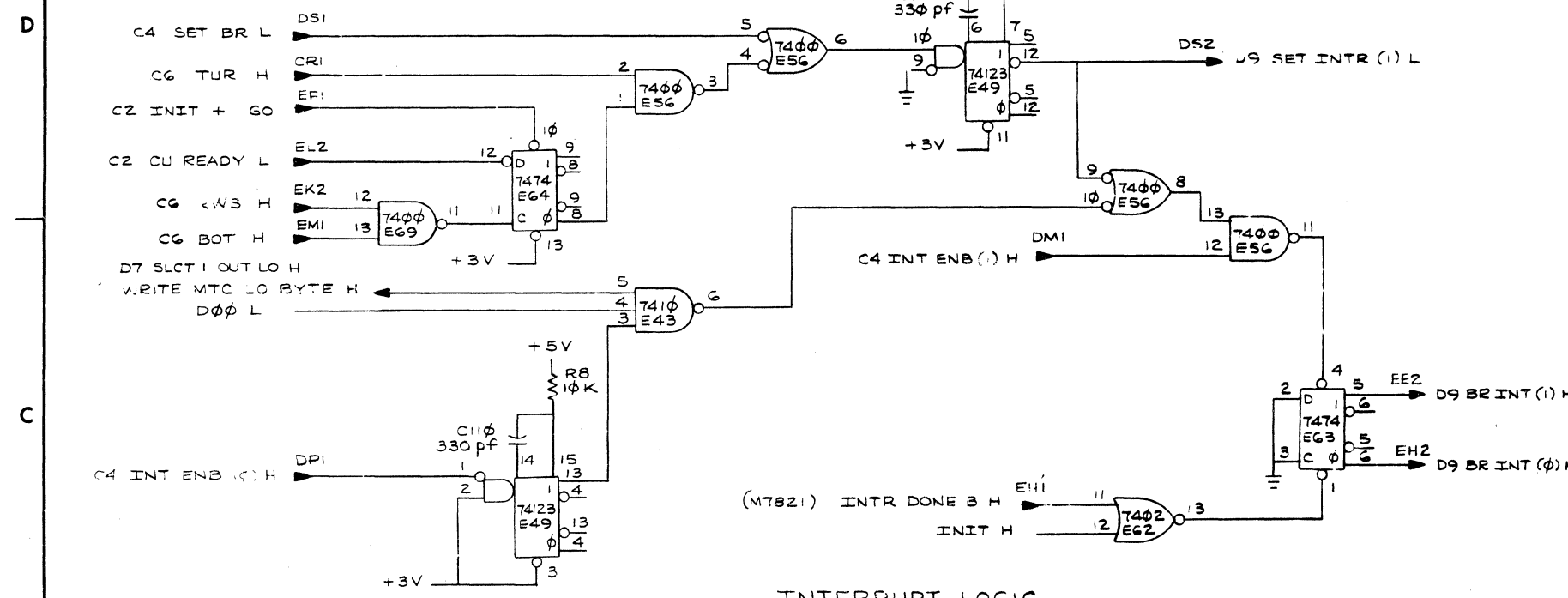
REVISIONS		
CHK	CHANGE NO.	REV.

THIS DRAWING AND SPECIFICATIONS HEREON ARE THE PROPERTY OF DIGITAL EQUIPMENT CORPORATION AND SHALL NOT BE REPRODUCED OR COPIED OR USED IN WHOLE OR IN PART AS THE BASIS FOR THE MANUFACTURE OR SALE OF ITEMS WITHOUT WRITTEN PERMISSION. COPYRIGHT © 1975 DIGITAL EQUIPMENT CORPORATION



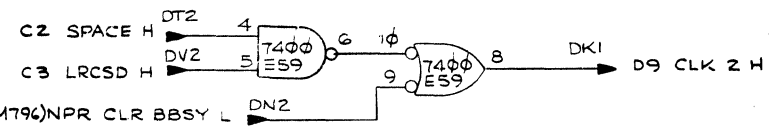
REVISIONS		
CHK	CHANGE NO.	REV.

"THIS DRAWING AND SPECIFICATIONS HEREIN ARE THE PROPERTY OF DIGITAL EQUIPMENT CORPORATION AND SHALL NOT BE REPRODUCED OR COPIED OR USED IN WHOLE OR IN PART AS THE BASIS FOR THE MANUFACTURE OR SALE OF ITEMS WITHOUT WRITTEN PERMISSION. COPYRIGHT © 1976 DIGITAL EQUIPMENT CORPORATION"

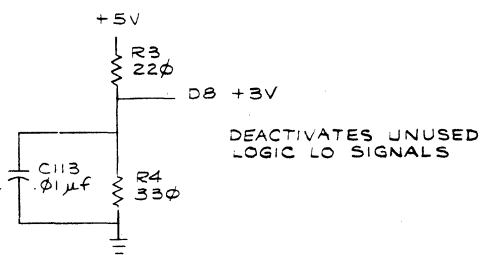


INTERRUPT LOGIC

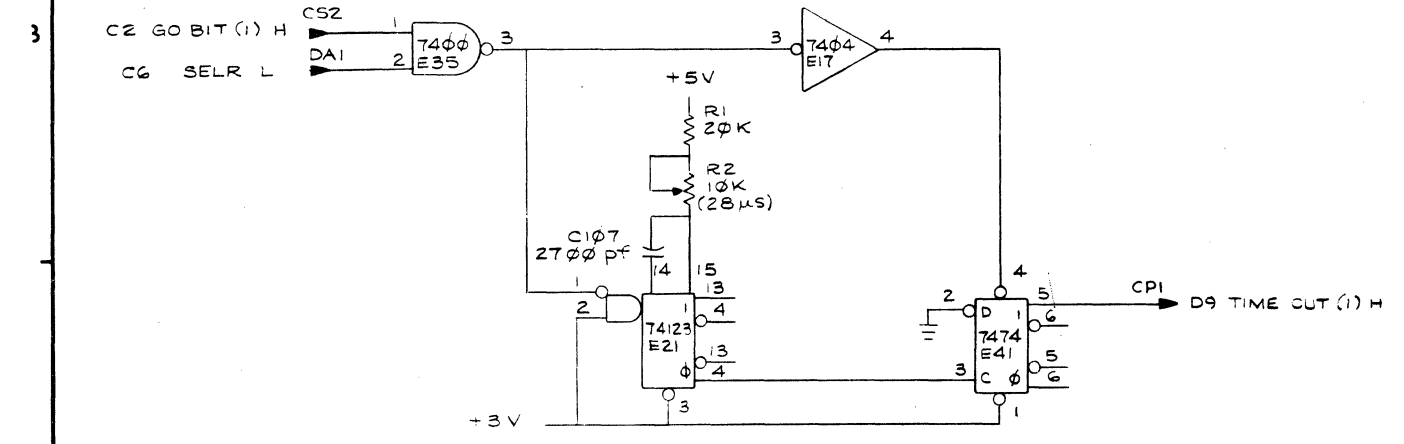
PRIORITY JUMPER		E22	
1	AT2	16	BUS BR 7 L
2	AU2	15	BUS BR 6 L
3	BB2	14	BUS BR 5 L
4	AS1	13	BUS BR 4 L
5	BV1	12	BR OUT L
6	AV1	11	BUS BG7 IN H
7	AV2	10	BUS BG7 OUT H
8	BA1	9	BUS BG6 IN H



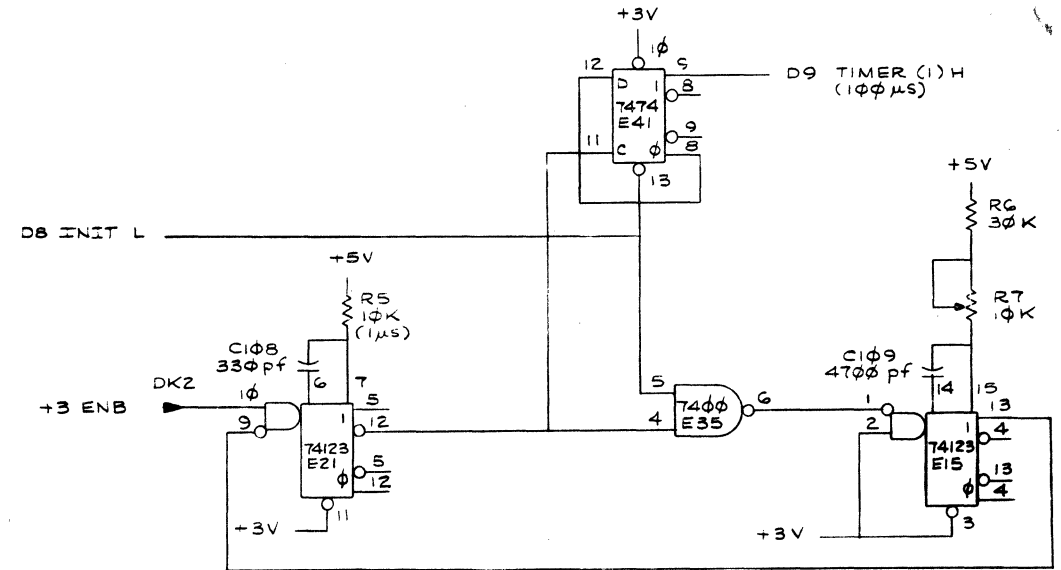
PART OF WORD/RECORD COUNT SELECT LOGIC & MISC



DEACTIVATES UNUSED LOGIC LO SIGNALS



TIME OUT LOGIC  
ALLOWS TAPE DRIVE 28μS TO RESPOND TO A COMMAND



DRIVE FUNCTION TIMER  
PROVIDED FOR USE BY DIAGNOSTICS

INTERRUPT & MISC LOGIC

REVISIONS		
CHK	CHANGE NO.	REV.

TITLE	UNIBUS REGISTER (D9)	SIZE/CODE	D BS TMB12-0-6	NUMBER		REV.	
SCALE		SHEET	9 OF 9	DIST.			

