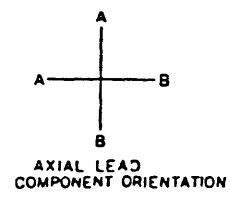
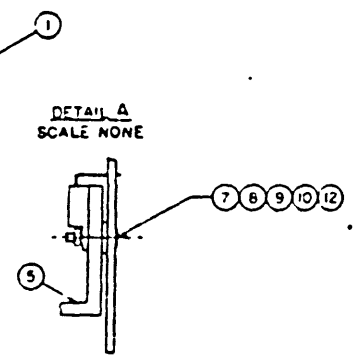
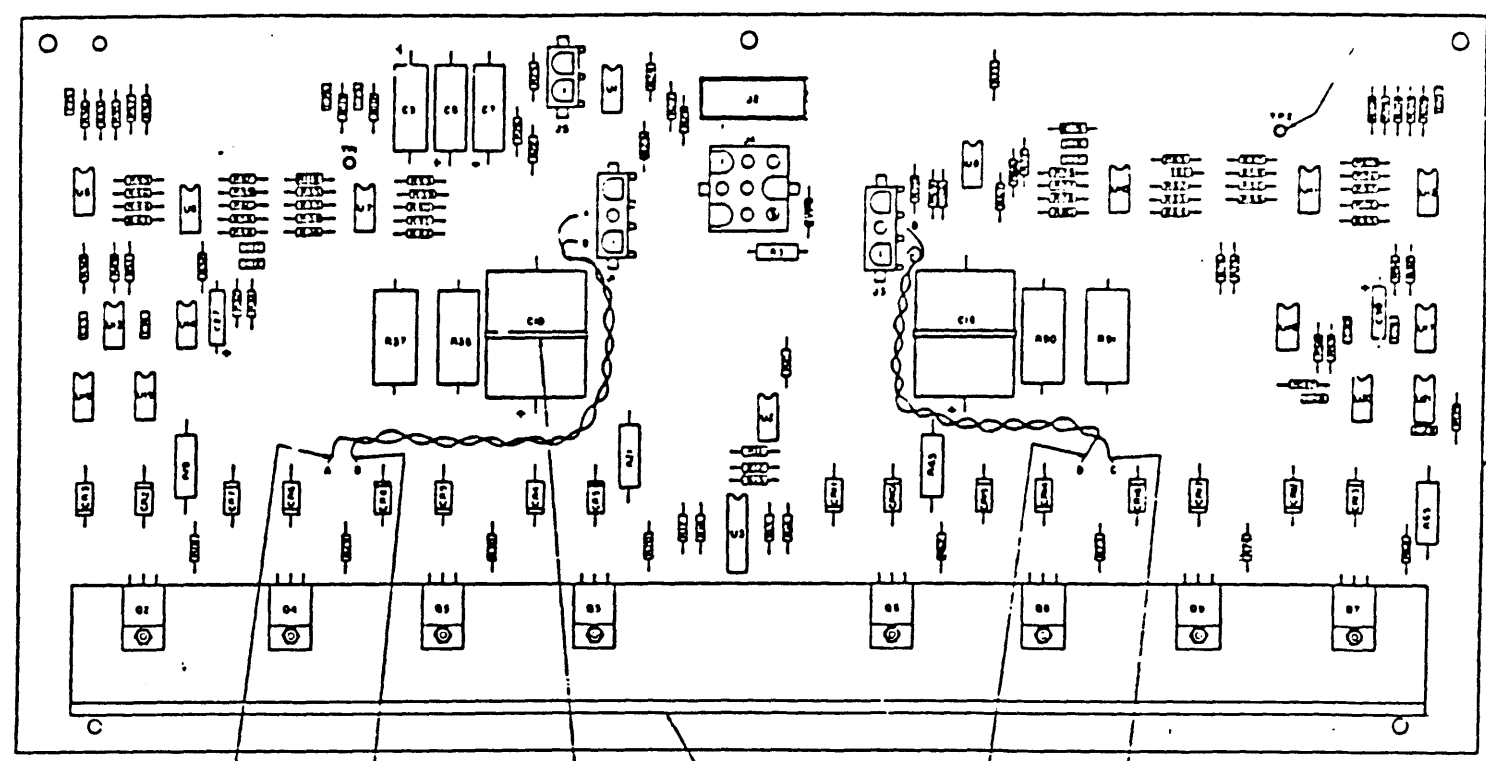




C-UA-2924707-0-0	PWA MSCP	A
C-CS-2924707-0-1	PWA MSCP	A
C-UA-2924708-0-0	FORMATTER WRITE	A
C-CS-2924708-0-1	FORMATTER WRITE	A
C-UA-2924709-0-0	FORMATTER READ	A
C-CS-2924709-0-1	FORMATTER READ	A
C-CS-2924227-0-0	LINE FILTER	A
C-UA-2924227-0-0	LINE FILTER	A
C-IC-3020483-0-0	TAPE TRANSPORT (IC)	A

TITLE: TUB1 MAINTENANCE PRINT SET	SHEET 2 OF 2	SIZE: B	CODE: TC	NUMBER: TUB1-0-DBU	REV.: B
--------------------------------------	--------------	---------	----------	--------------------	---------

REV	DATE	BY	CHKD	DESCRIPTION
1				
2				
3				
4				
5				
6				
7				
8				
9				
10				
11				
12				
13				
14				
15				
16				
17				
18				
19				
20				

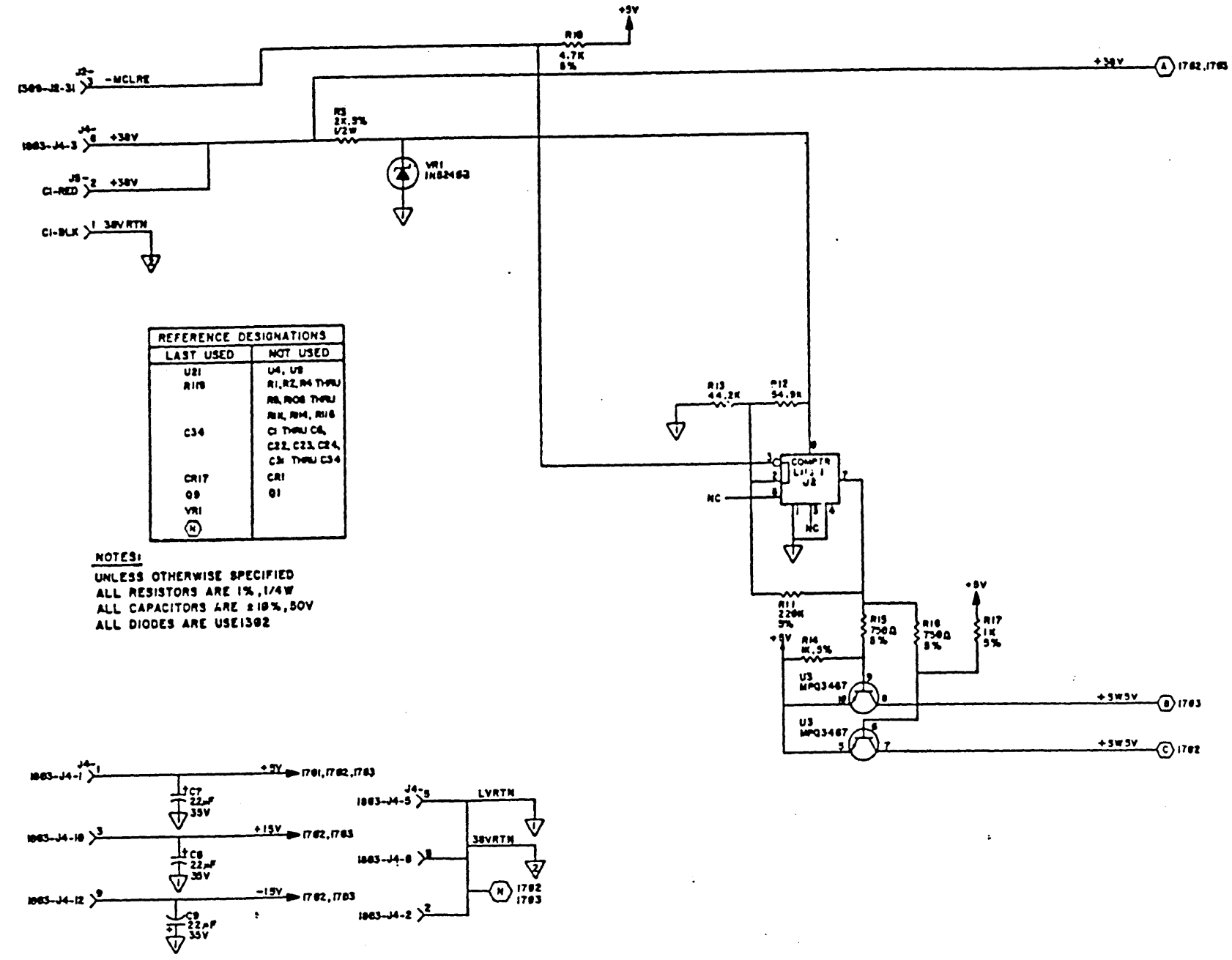


E3/9
E4/9
E1
E6/9
E5/9

PL7704119193	PWA		POWER DRIVER-10 AMP
DS77041190	TTG312-1G0	U1A	2924223-01 B
DN77041190			SHR

THIS DRAWING AND SPECIFICATIONS, WHICH ARE THE PROPERTY OF THE AIR FORCE, CONTRACTORS AND SUPPLIERS, ARE TO BE KEPT AS COPIES IN THE OFFICE OF THE CONTRACTOR AND NOT TO BE REPRODUCED OR TRANSMITTED IN ANY FORM OR BY ANY MEANS, ELECTRONIC OR MECHANICAL, INCLUDING PHOTOCOPYING, RECORDING, OR BY ANY INFORMATION STORAGE AND RETRIEVAL SYSTEM, WITHOUT PERMISSION OF THE AIR FORCE.

SEE SHEET 0 FOR REVISIONS



REV	BY	DATE
A	MI/IAL	10/11/64
B	MI/IAL	10/11/64
C	MI/IAL	10/11/64
D	MI/IAL	10/11/64

SHEETS 2 AND 3 ARE "C" SIZE  
77022970

DRY	DATE	FIRST USED ON	digital
CHK'D	DATE	TITLE	POWER DRIVER 10 AMP
ENG	DATE	PROJ. ENGR	
PROD.	DATE	NEXT HIGHER ASSY.	
SCALE	SIZE CODE	NUMBER	REV.
SHEET 1 OF 3	D CS	2924227-0-1	B
		SHR 1	

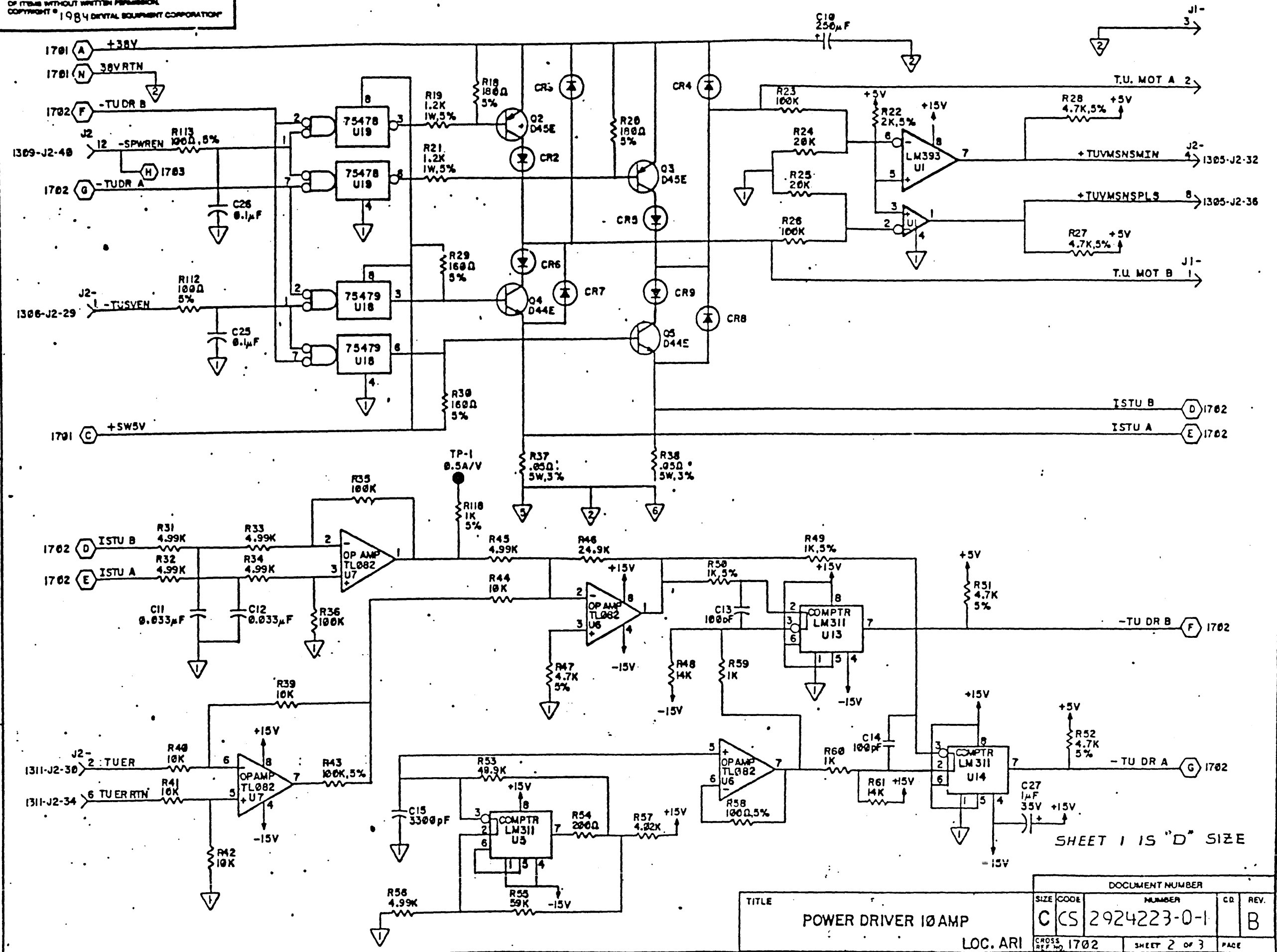
THIS DRAWING AND SPECIFICATIONS HEREIN ARE THE PROPERTY OF DIGITAL EQUIPMENT CORPORATION AND SHALL NOT BE REPRODUCED OR COPIED OR USED IN WHOLE OR IN PART AS THE BASIS FOR THE MANUFACTURE OR SALE OF ITEMS WITHOUT WRITTEN PERMISSION. COPYRIGHT © 1984 DIGITAL EQUIPMENT CORPORATION

CS 2924223-0-1

C

B

A



D

C

B

A

CS 2924223-0-1

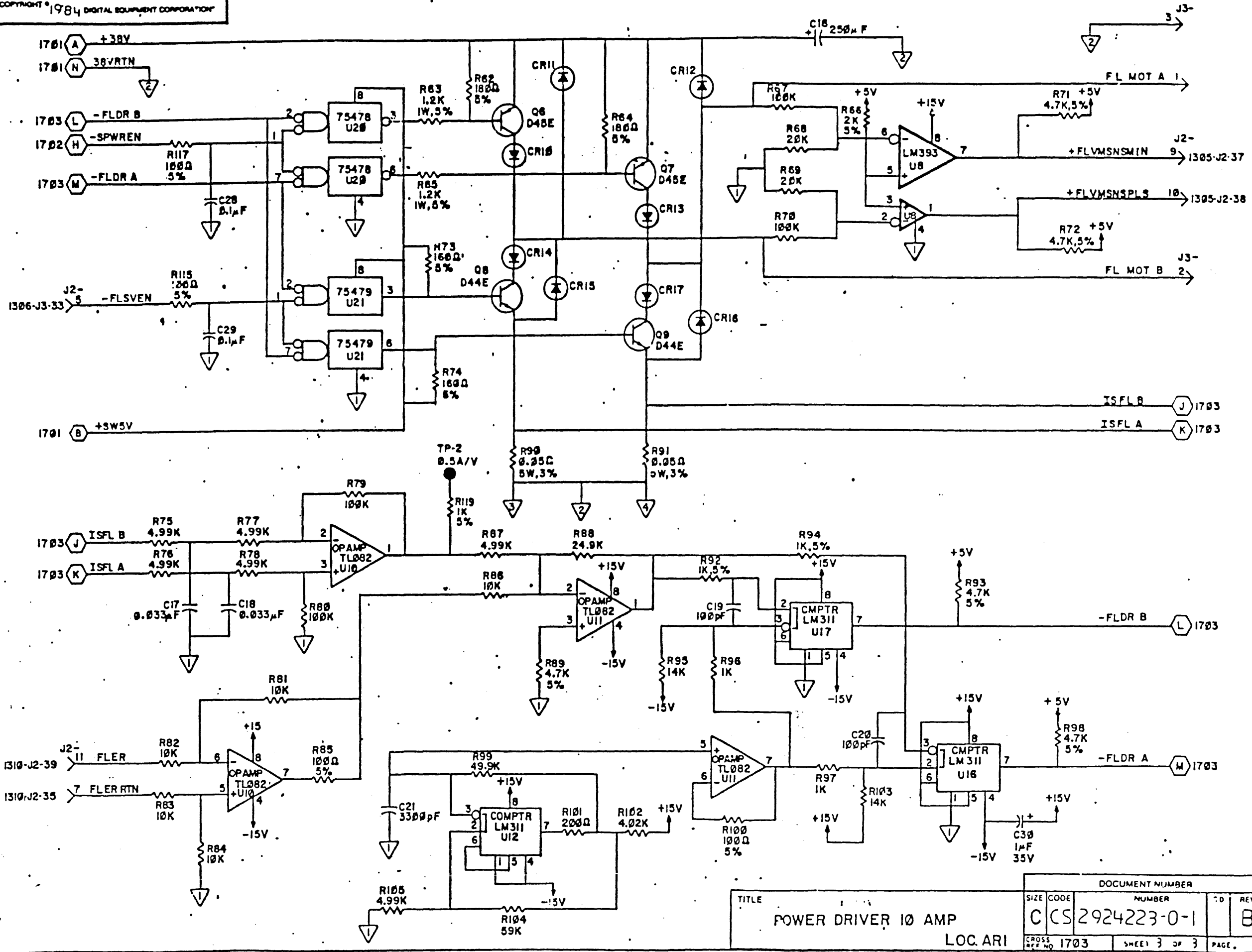
SHEET 1 IS "D" SIZE

TITLE		DOCUMENT NUMBER	
POWER DRIVER 10AMP		CS	2924223-0-1
LOC. ARI	CROSS REF. 1702	SHEET 2 OF 3	PAGE

CS 2924223-0-1

THIS DRAWING AND SPECIFICATIONS HEREIN ARE THE PROPERTY OF DIGITAL EQUIPMENT CORPORATION AND SHALL NOT BE REPRODUCED OR COPIED OR USED IN WHOLE OR IN PART AS THE BASIS FOR THE MANUFACTURE OR SALE OF ITEMS WITHOUT WRITTEN PERMISSION. COPYRIGHT © 1984 DIGITAL EQUIPMENT CORPORATION

SEE SHEET 0 FOR REVISIONS

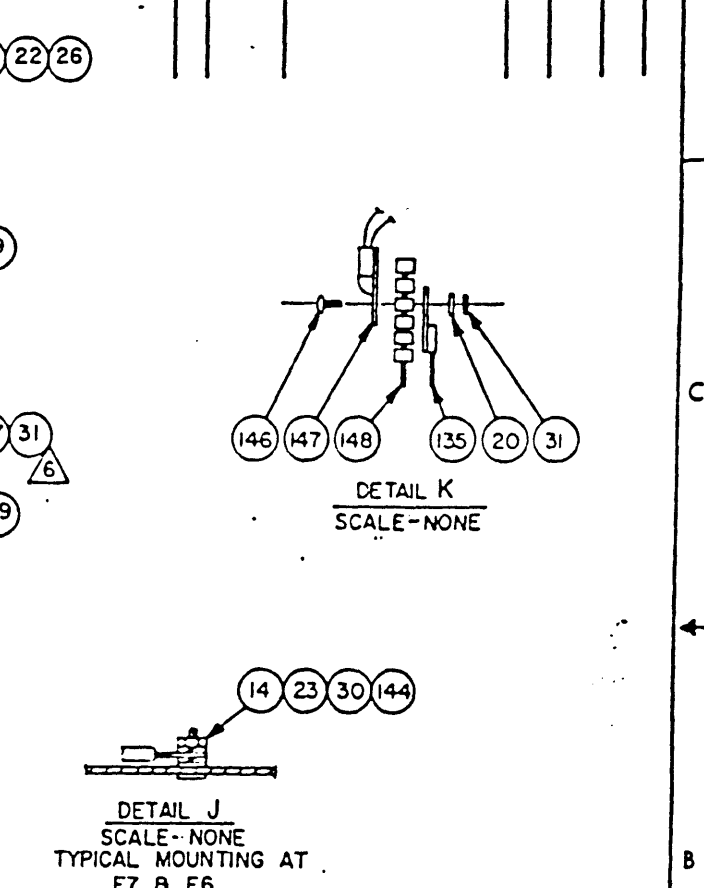
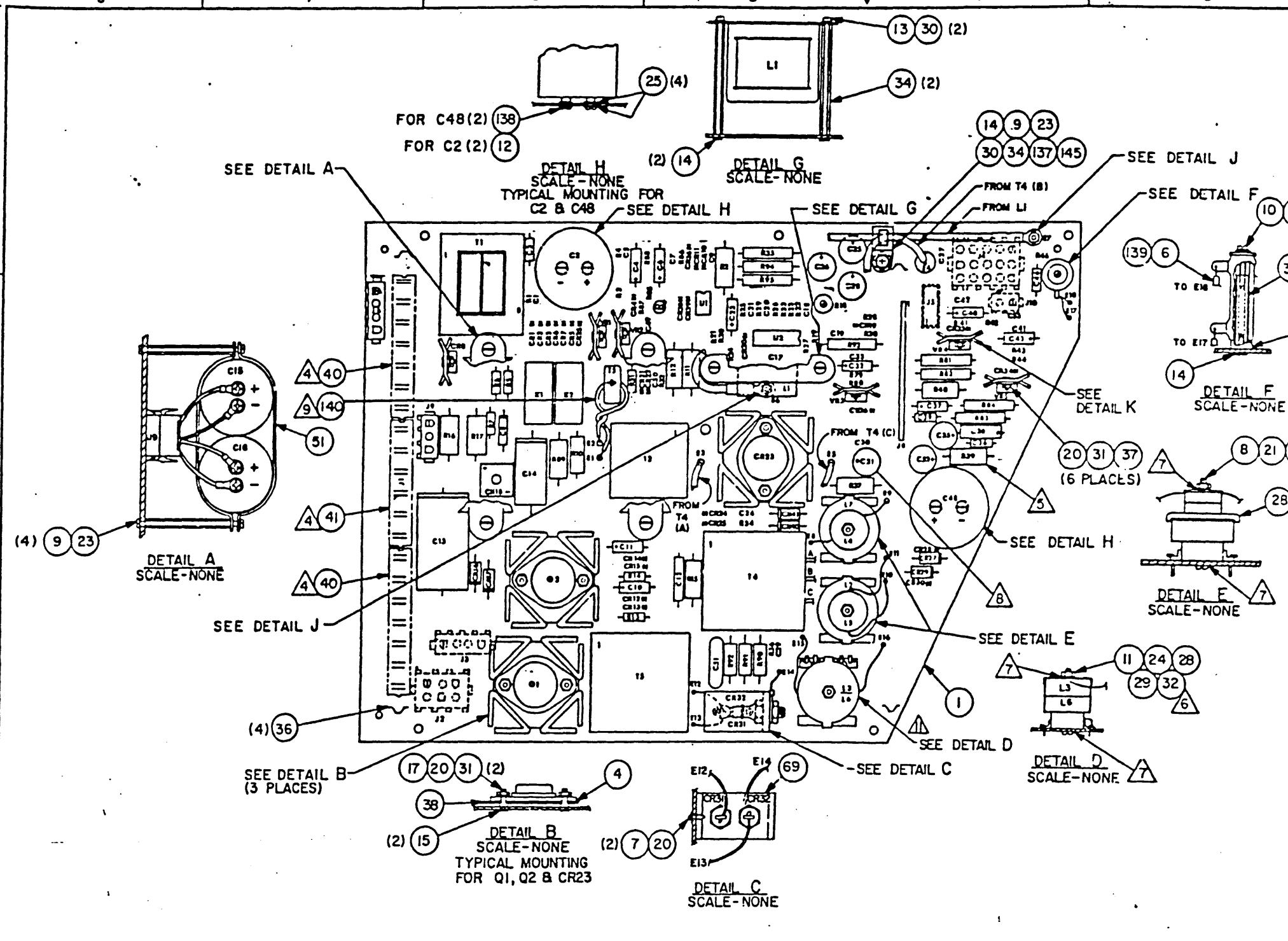


TITLE  
 POWER DRIVER 10 AMP  
 LOC. ARI

DOCUMENT NUMBER		REV
SIZE	CODE	NUMBER
C	CS	2924223-0-1
CROSS REF. NO.	SHEET	REV
1703	3 OF 3	B

CS 2924223-0-1

REV	DESCRIPTION	DATE	BY	CHKD	APP
4	3	2	1		
01	01	01	01	01	01
01	01	01	02	02	02
01	01	01	03	03	03
01	01	01	04	04	04
01	01	01	A	A	A
01	01	01	B	B	B
C	01	01	C	C	C
C	01	01	D	D	D
E	01	01	E	E	E



STANDARD MFG. PRACTICES SHALL BE ADHERED TO PER WORKMANSHIP MANUAL SPEC. NO. 1020300

UNLESS OTHERWISE SPECIFIED DIMENSIONS ARE IN INCHES	DATE	REV	BY	CHKD	APP
TOLERANCES	01/01	01	01	01	01
3 PLACE					
2 PLACE					
ANGLES					
NOT <math>2.000 \pm 0.030</math>					
MATERIAL					
FINISH					
THIRD ANGLE PROJECTION					

FOR TAB 13 ONLY

COMPUTER PERIPHERALS INC. TAPE & CARD PRODUCTS DIV. HARRISTOWN, PA. 19403

PL 77041311-13  
DN 77041310

PWA  
POWER SUPPLY

TTGS25-75

SIZE D CODE UA DWG NO. 2924753-0-0 A

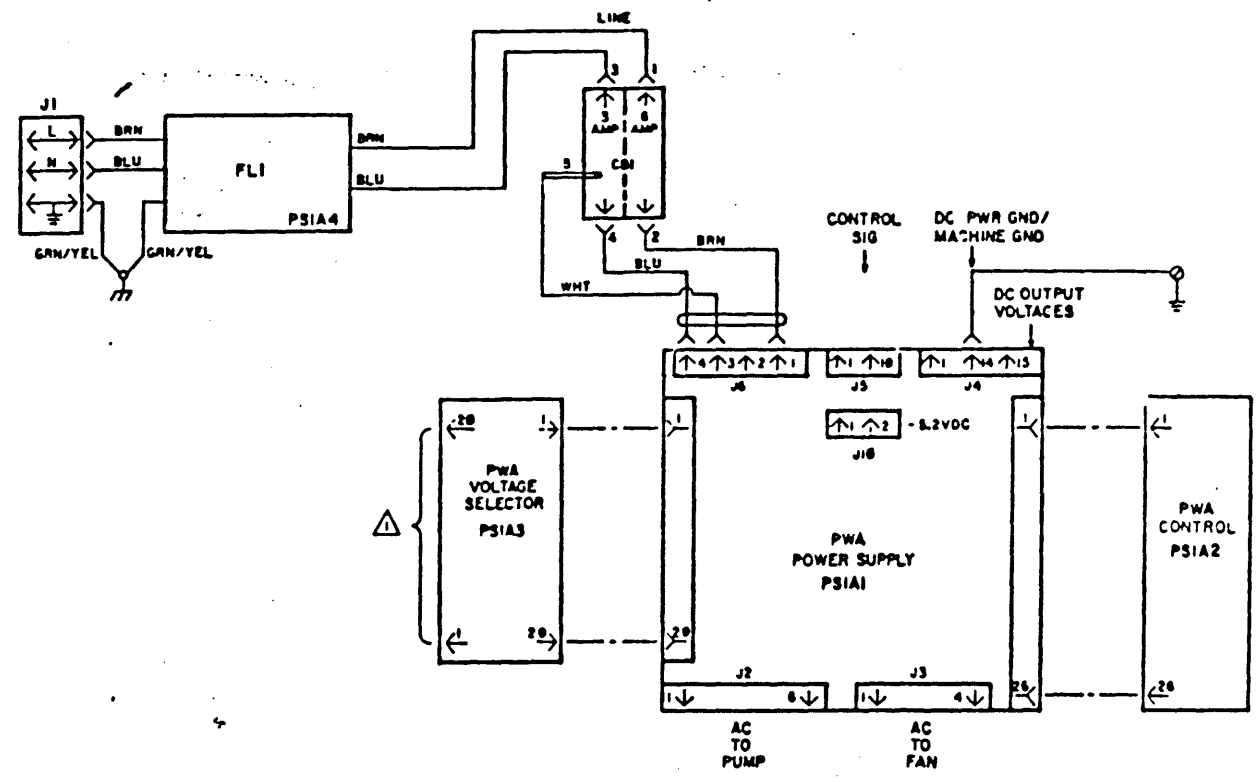
SCALE 1/1

SHEET 1 OF 1

THIS DRAWING AND SPECIFICATIONS HEREAFTER ARE THE PROPERTY OF DIGITAL EQUIPMENT CORPORATION AND SHALL NOT BE REPRODUCED OR COPIED IN WHOLE OR IN PART IN ANY MANNER FOR THE MANUFACTURE OR SALE OF ITEMS WITHOUT WRITTEN PERMISSION. COMPANY © 1984 . DIGITAL EQUIPMENT CORPORATION

0-0-ESL7262 2

SEE SHEET 'B' FOR REVISIONS



△ BOARD FLIPS FOR 120V,60HZ, OR 220V,50HZ

SHEETS 2 THRU 4 ARE "C" SIZE

77022970

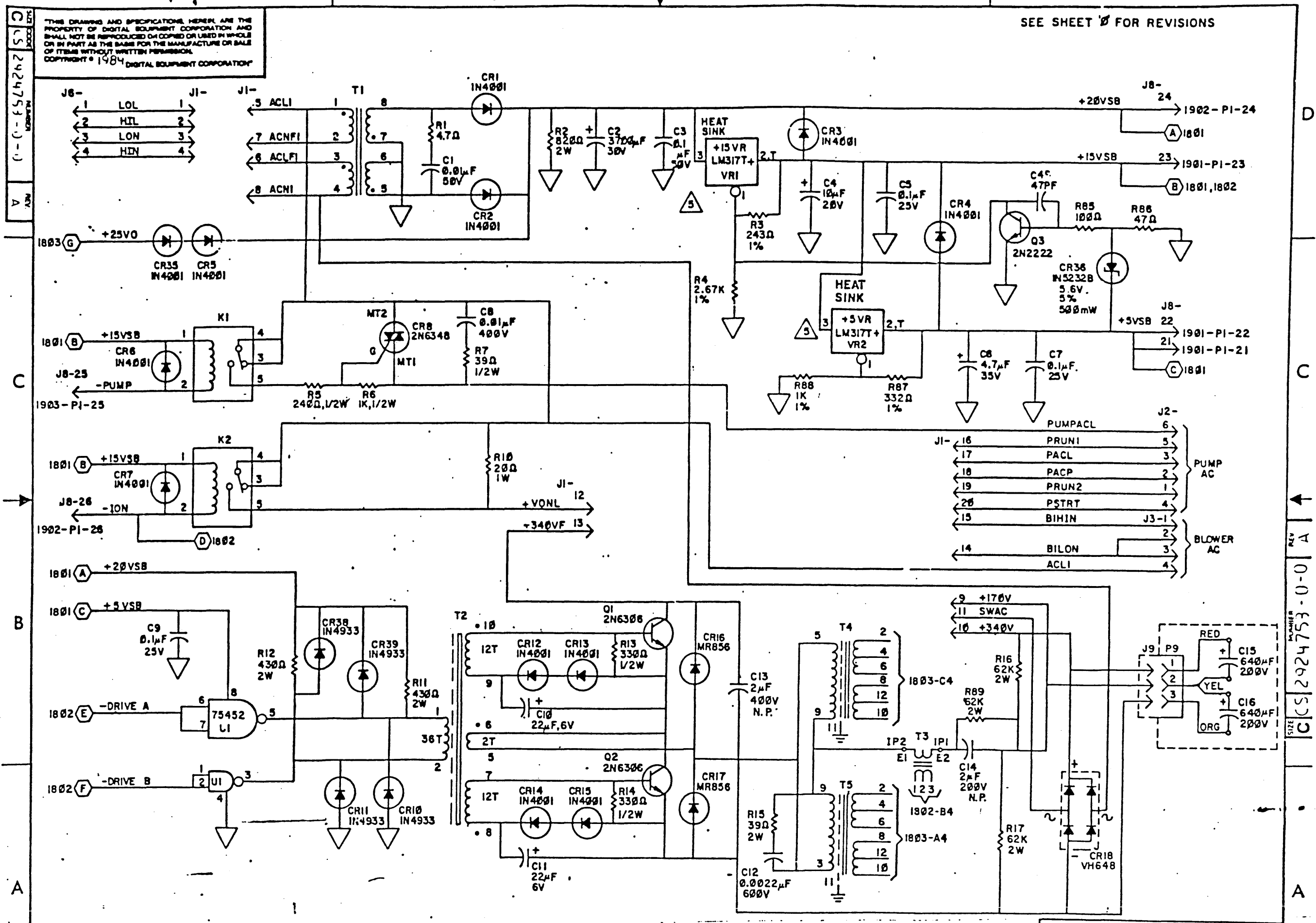
DRN	CHKD	ENG.	PRG. ENG.	PROD.	NEXT HIGHER ASSY.	SCALE	SHEET	1	OF	4	DIST	SHR	1
FIRST USED ON		digital											
TITLE		WIRING DIAGRAM- POWER SUPPLY 50/60HZ											
SIZE	CODE	NUMBER	REV.										
D	CS	2924753-0-0	A										

D S 2924753-0-0



THIS DRAWING AND SPECIFICATIONS HEREIN ARE THE PROPERTY OF DIGITAL EQUIPMENT CORPORATION AND SHALL NOT BE REPRODUCED OR COPIED OR USED IN WHOLE OR IN PART AS THE BASIS FOR THE MANUFACTURE OR SALE OF ITEMS WITHOUT WRITTEN PERMISSION.  
 COPYRIGHT © 1964 DIGITAL EQUIPMENT CORPORATION

SEE SHEET 0 FOR REVISIONS



C/CS 2924753-0-0  
 REV. A

C

B

A

D

C

A

A

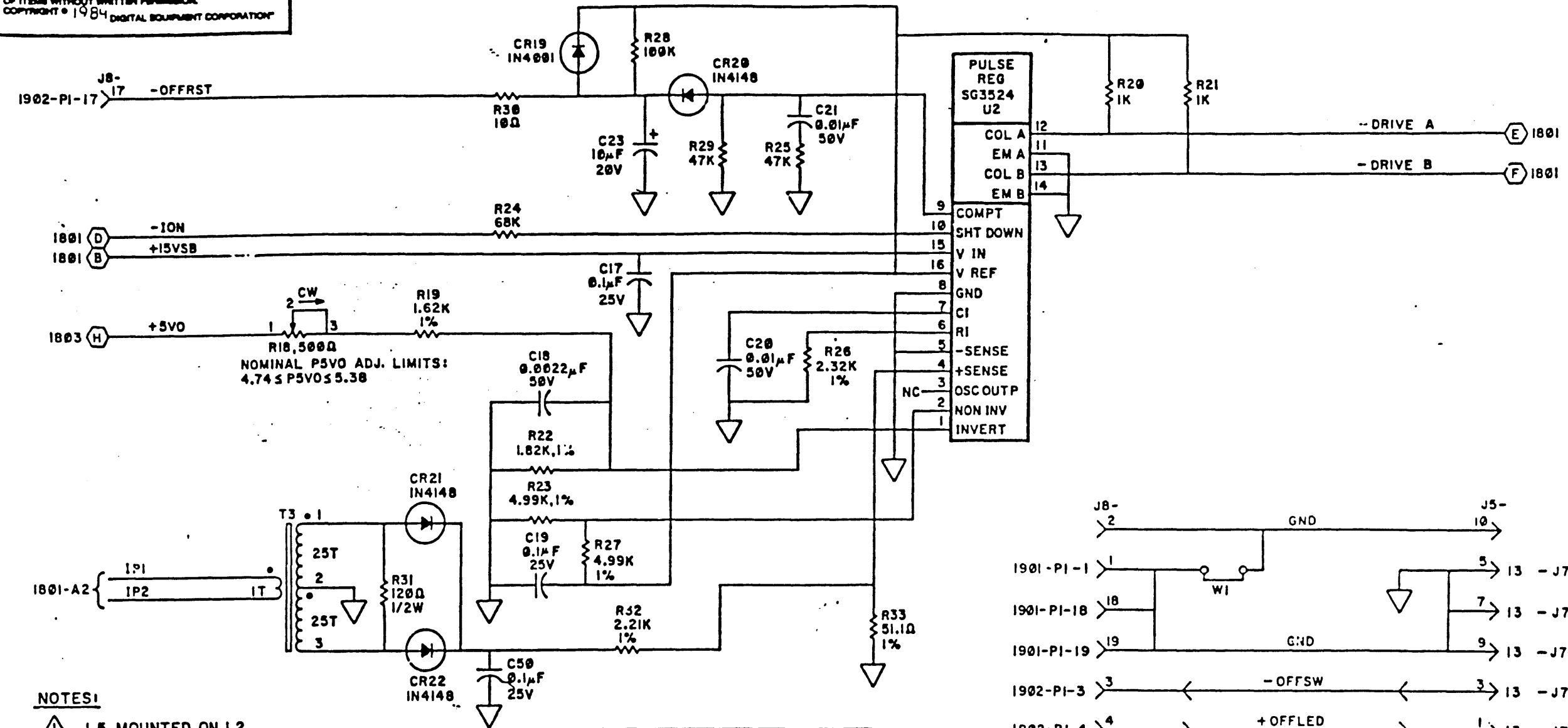
REV. A  
 NUMBER  
 C/CS 2924753-0-0  
 SIZE

SHEET 1 IS "D" SIZE.

TITLE		DOCUMENT NUMBER	
PWA POWER SUPPLY		C/CS 2924753-0-0	
LOC. PSIAI	CROSS REF NO	SHEET	PAGE
	1801	2 OF 4	
			REV. A

THIS DRAWING AND SPECIFICATIONS HEREIN ARE THE PROPERTY OF DIGITAL EQUIPMENT CORPORATION AND SHALL NOT BE REPRODUCED OR COPIED OR USED IN WHOLE OR IN PART AS THE BASIS FOR THE MANUFACTURE OR SALE OF ITEMS WITHOUT WRITTEN PERMISSION.  
 COPYRIGHT © 1984 DIGITAL EQUIPMENT CORPORATION

CS 2924753-0-1  
 REV A



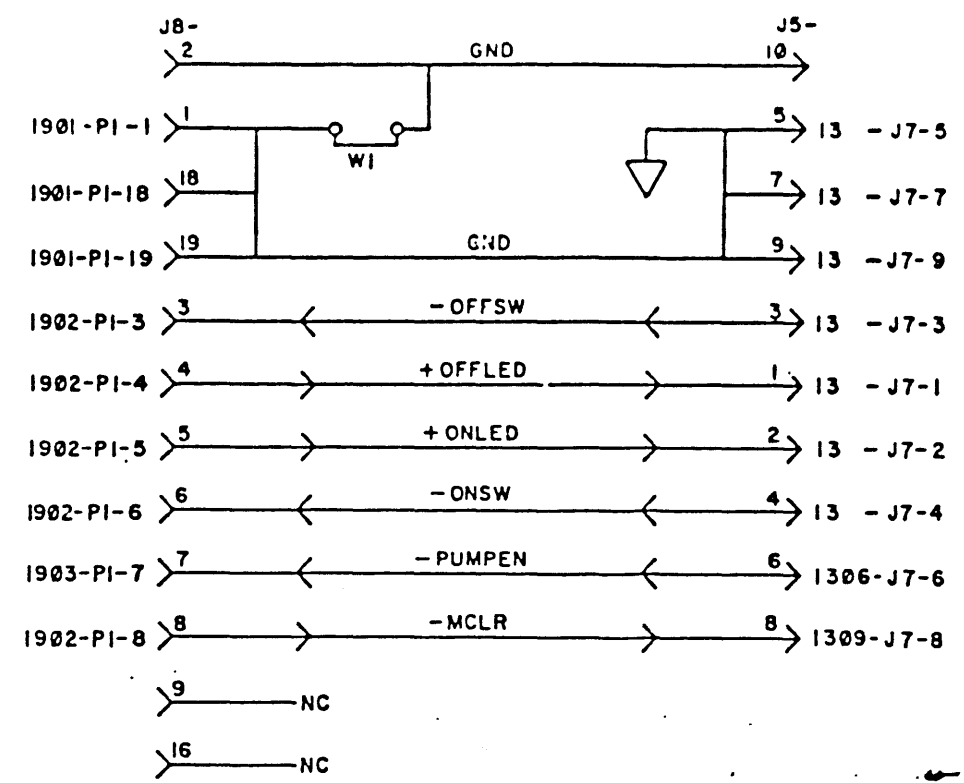
NOTES:

- 1 L5 MOUNTED ON L2
- 2 ALL RESISTORS ARE 1/4W, 5% UNLESS OTHERWISE SPECIFIED.
- 3 L3 MOUNTED ON L6
- 4 L4 MOUNTED ON L7
- 5 LM317T PIN NUMBERS:
 

3	IN
2	OUT
1	ADJ
- 6 LM377T PIN NUMBERS:
 

3	OUT
2	IN
1	ADJ

REFERENCE DESIGNATIONS	
LAST USED	NOT USED
U2	R8, R9, R38, R45, R47 THRU R78
R95	C22, C34, C44, C45, C47
C53	CR9, CR37
Q3	
CR41	
K2	
T5	
L7	
VR5	
WI	
(H)	
E18	
J10	J7



B  
 C  
 A

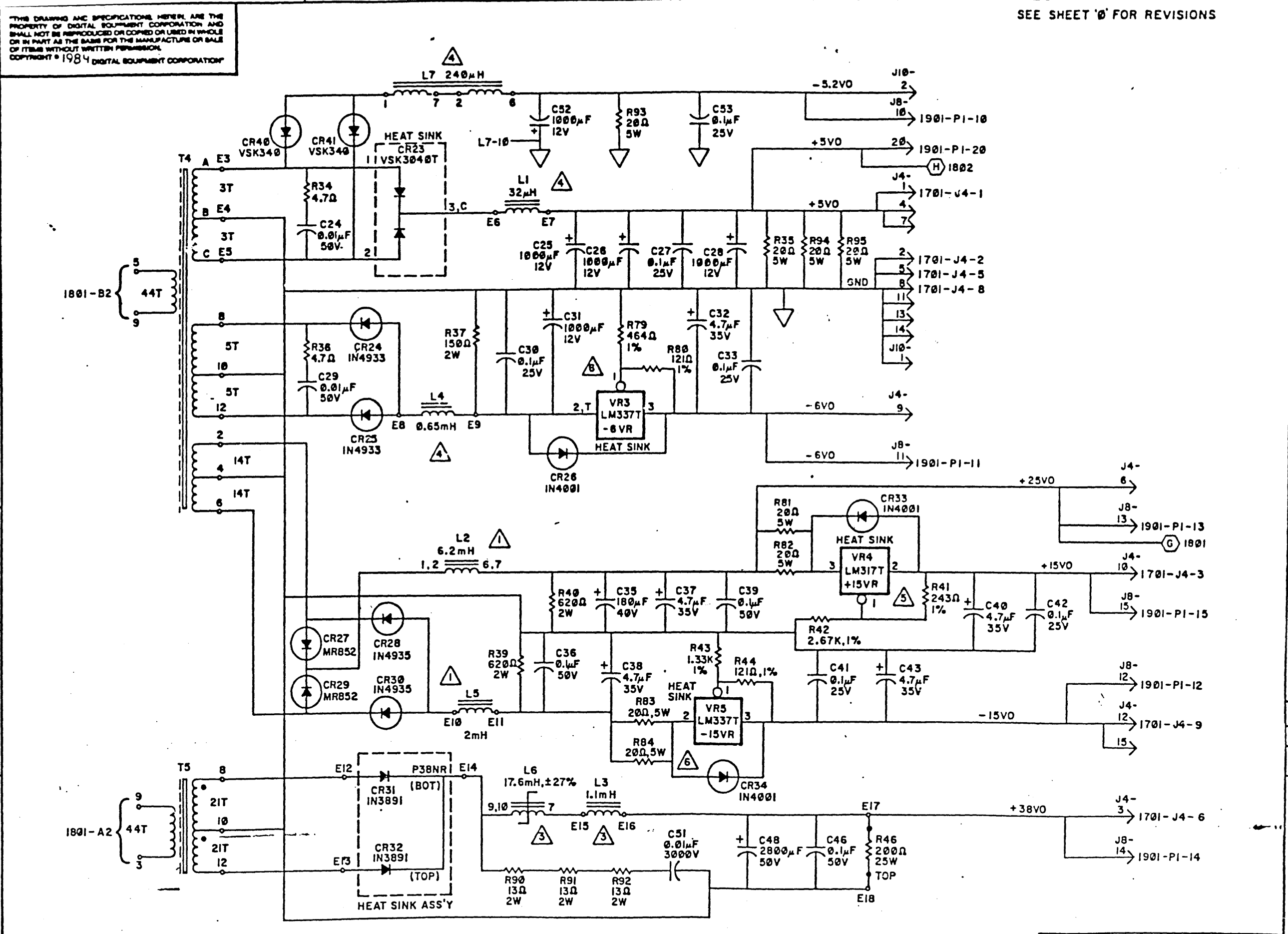
D  
 C  
 A  
 REV A  
 NUMBER CS 2924753-0-0  
 SIZE C

TITLE		DOCUMENT NUMBER			
PWA POWER SUPPLY		SIZE	CODE	NUMBER	CD
LOC. PSI		C	CS	2924753-0-0	A
CROSS REF NO 1802		SHEET 3 OF 4		PAGE	

THIS DRAWING AND SPECIFICATIONS HEREIN ARE THE PROPERTY OF DIGITAL EQUIPMENT CORPORATION AND SHALL NOT BE REPRODUCED OR COPIED IN WHOLE OR IN PART AS THE BASIS FOR THE MANUFACTURE OR SALE OF ITEMS WITHOUT WRITTEN PERMISSION. COPYRIGHT © 1984 DIGITAL EQUIPMENT CORPORATION

CS 2924753-0-0

C B A



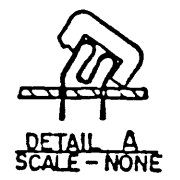
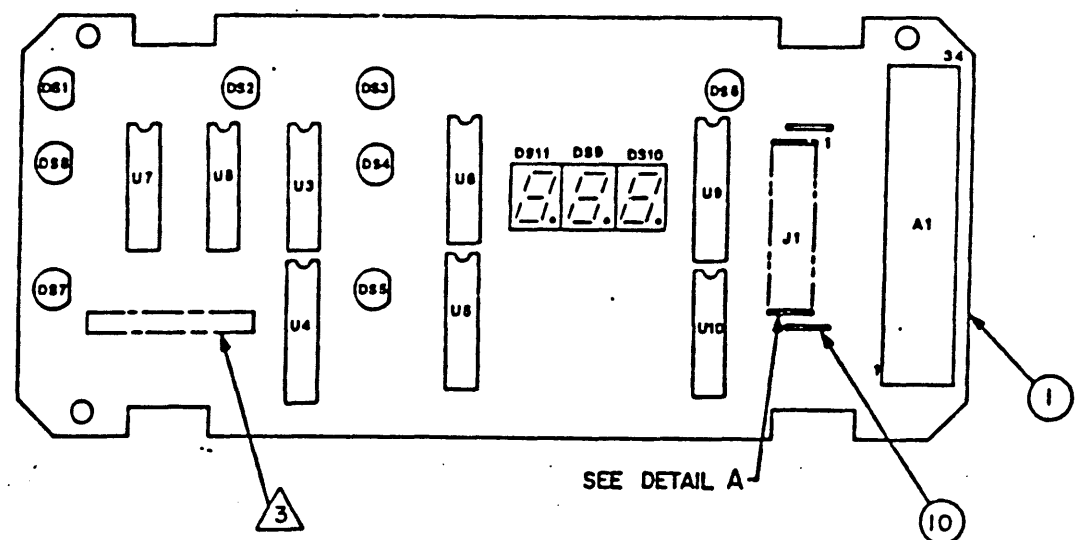
D C B A

CS 2924753-0-0

TITLE  
**PWA  
 POWER SUPPLY**  
 LOC. PSI

DOCUMENT NUMBER				
SIZE	CODE	NUMBER	CD	REV.
C	CS	2924753-0-0		A
CROSS REF NO 1803		SHEET 4 OF 4		PAGE

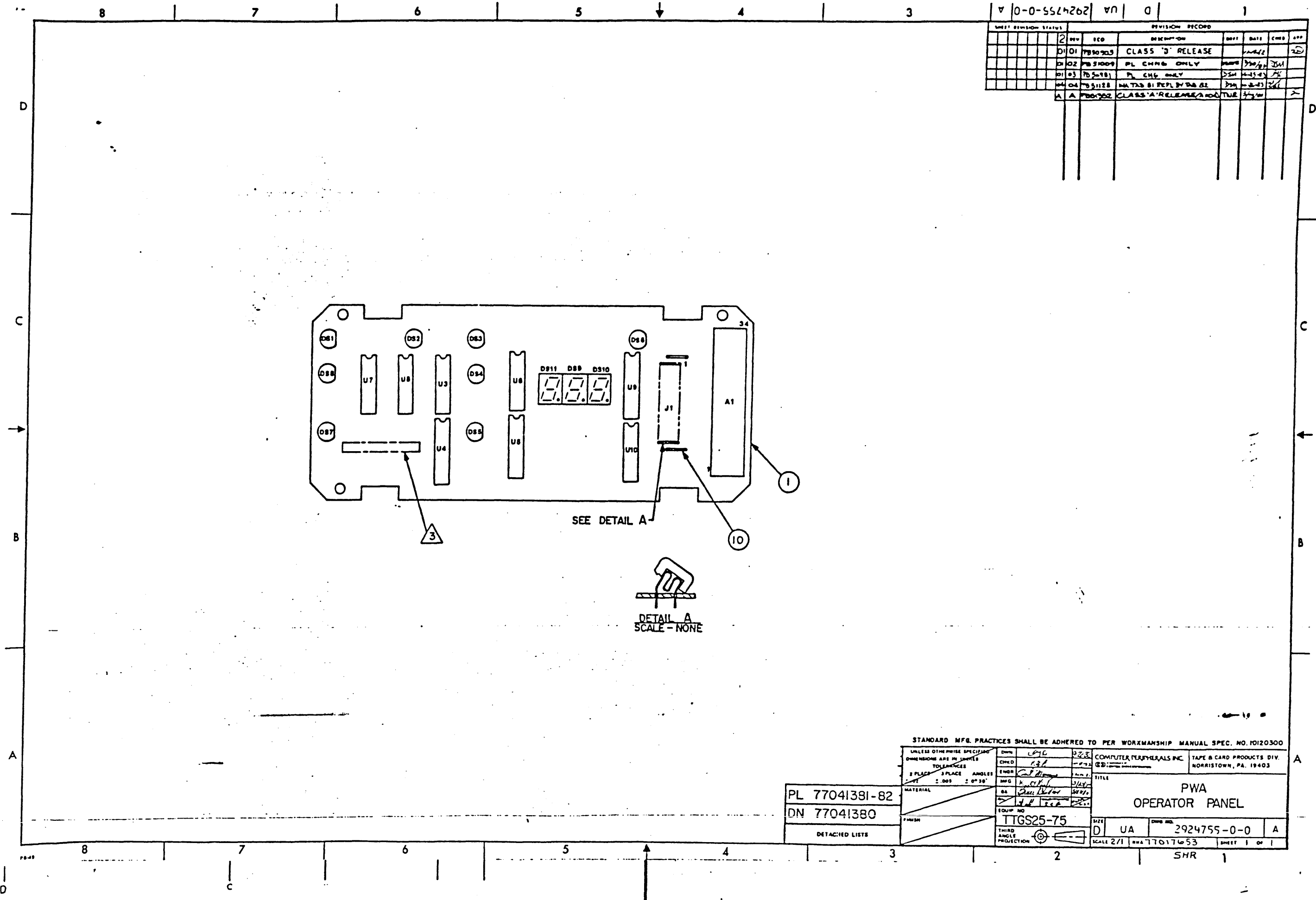
SHEET REVISION STATUS		REVISION RECORD			
REV	ECO	DESCRIPTION	DEPT	DATE	CHKD
2					
D1	01	7830905 CLASS 'D' RELEASE		1/14/82	20
D2	02	7831009 PL CHNG ONLY		3/10/82	20
D3	03	7831981 PL CHNG ONLY		5/24/82	20
D4	04	7851128 MATS B1 REPL BY D4 B2		7/24/82	20
A	A	7800902 CLASS 'A' RELEASE/ACTUAL		3/2/80	20



STANDARD MFG. PRACTICES SHALL BE ADHERED TO PER WORKMANSHIP MANUAL SPEC. NO. 10120300

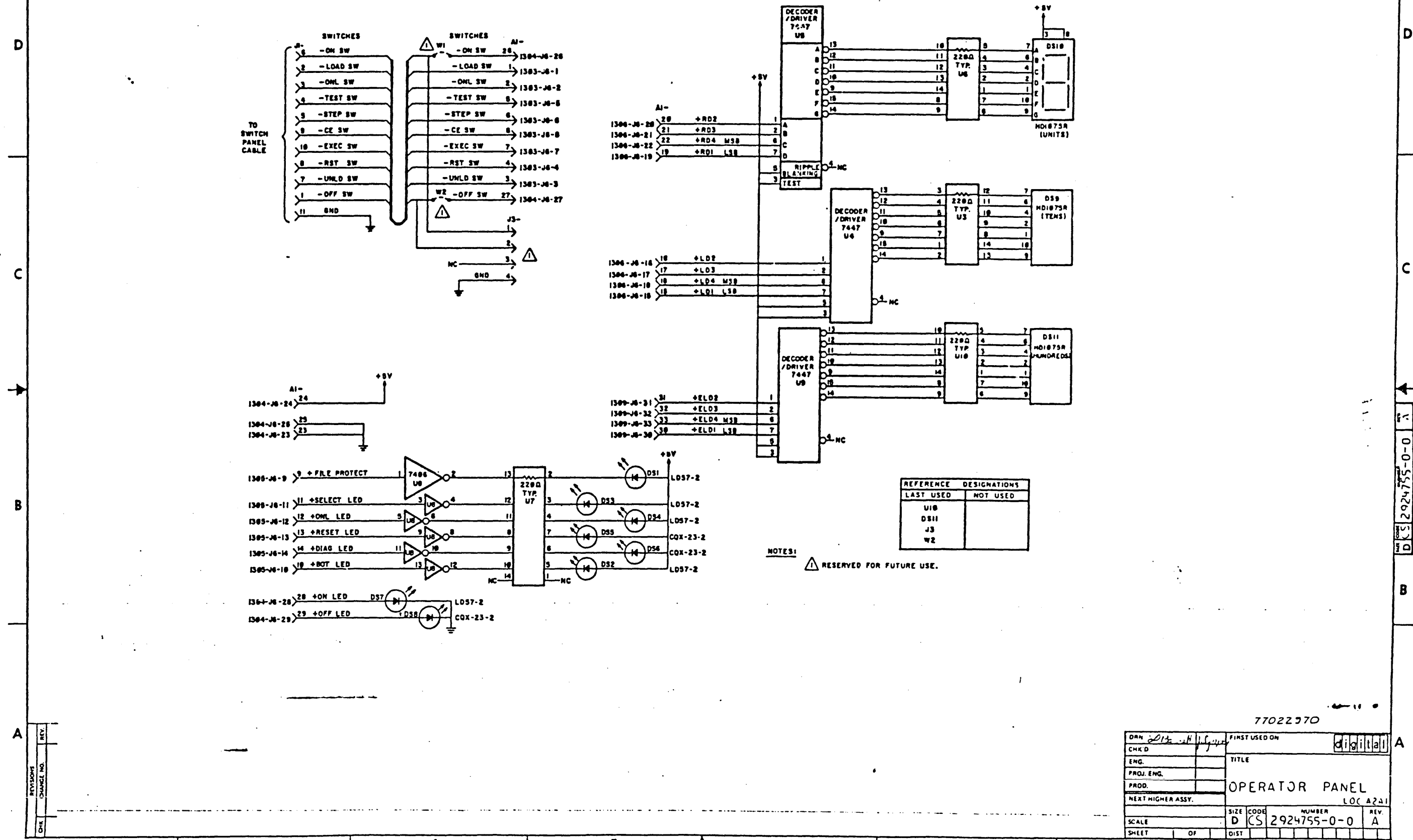
UNLESS OTHERWISE SPECIFIED DIMENSIONS ARE IN INCHES	DRW	046	028	COMPUTER PERIPHERALS INC.	TAPE & CARD PRODUCTS DIV.
3 PLACE TOLERANCES	ENGR	131	1/22		NORRISTOWN, PA. 19403
2 PLACE TOLERANCES	MRG	h. [signature]	3/14	TITLE	
ANGLES	SA	Don [signature]	3/14	PWA OPERATOR PANEL	
± .005 ± 0° 30'	EQUIP NO	TTGS25-75		SIZE	D UA
	THIRD ANGLE PROJECTION	SCALE 2/1		DRW NO.	2924755-0-0
		DETACHED LISTS		SHR	1

PL 77041381-82  
DN 77041380



THIS DRAWING AND SPECIFICATIONS HEREIN ARE THE PROPERTY OF DIGITAL EQUIPMENT CORPORATION AND SHALL NOT BE REPRODUCED OR COPIED IN WHOLE OR IN PART WITHOUT THE WRITTEN PERMISSION OF DIGITAL EQUIPMENT CORPORATION. COPYRIGHT © 1961, DIGITAL EQUIPMENT CORPORATION.

SEE SHEET 'B' FOR REVISIONS



NOTES:  
 ⚠ RESERVED FOR FUTURE USE.

REV.	
CHANGE NO.	
DATE	

77022370

DRN	213-11-11	FIRST USED ON	digital
CHKD		TITLE	
ENG.		PROD. ENG.	
PROD.		NEXT HIGHER ASSY.	
SCALE		SIZE	D
SHEET	OF	CODE	CS
		NUMBER	2924755-0-0
		REV.	A

OPERATOR PANEL  
 LOC A241

D 2924755-0-0

LINE	ITEM	TOP DOCUMENT	PART NUMBER	MIN REV	DESCRIPTION	VARIATION REVISION LEVEL:	QTY	PER VARIATION	REFERENCE DESIGNATOR
							00		
1	1	BLANK			*** THIS ITEM IS NOT USED ***		-		
2	2	D-MD-5014691-0-0	5014691-00		DRILL AND ETCH BD.		1		
3	3		1012084-01		8 MFD 25V +75-10% AL EL		4		C1-C4
4	4		1012784-00		.047 MFD 50V +80-20% CER		75		C5-C75,C77,C81-C83
5	5		1013466-09		1000.0 MMF 50V 10% X7R CER		2		C79,C78
6	6		1013466-30		560.0 MMF 50V 5% CER		1		C80
7	8		1211164-06		SW,DIP 10POS/1PST 5VDC100MA F		1		E53
8	9		1216832-03		PCB,HEADER 50POS(2X25).100CC 90D		1		J1
9	10		1300229-00		100.0 .25 W 5.0 % CF		10		R26,R50,R51,R52,R55-R60
10	12		1300295-00		330.0 .25 W 5.0 % CF		1		R38
11	13		1300365-00		1.0 K .25 W 5.0 % CF		7		R27-R29,R46-R49
12	15		1301401-00		750.0 .25 W 5.0 % CF		1		R39
13	16		1304838-00		43.0 K .25 W 5.0 % CF		2		R25,R24
14	17		1305125-00		383.0 .25 W 1.0 % RN55D-F10		2		R44,R45
15	18		1311422-00		178.0 .25 W 1.0 % RN55D-F10		4		R40-R43
16	19		1811660-13		OSCILLATOR, XTAL 15.360 MHZ		1		E43
17	20		1909705-00		DEC 8881 NAND GATE-QUAD 2IN 0		2		E62,E83
18	21		1910532-00		74S00 NAND GATE-QUAD 2IN		1		E86
19	23		1910536-00		74S10 NAND GATE-TRIPLE 3IN		1		E76
20	24		1910539-00		74S20 NAND GATE-DUAL 4INPU		1		E70
21	25		1910544-00		74S74 FF-D DUAL,EDGE TRIGG		3		E69,E74,E82
22	26		1910544-01		74S74-60GG-D DUAL,EDGE TRIG		1		E60
23	27		1911116-00		DEC 8837 RECEIVER,BUS,HEX,UN		2		E40,E65
24	28		1911573-00		74S280 PARITY GEN/CHKR,9BIT		2		E26,E30
25	29		1911579-00		8641 TRANSCEIVER,BUS,QUA		1		E77
26	30		1911675-00		74S138 DECODER/DEMUX 3-8 LI		1		E78
27	31		1911676-00		74S139 DECODER-DUAL TWO-INP		1		E75
28	32		1912661-00		74S189 MEMORY READ/WRITE		4		E10,E11,E35,E36
29	33		1912799-00		LS00 NAND-GATE-QUAD 2IN,P		1		E66
30	34		1910534-00		74S04 INVERTER GATE-HEX 1I		1		E71

REVISION HISTORY			BASIC PART NO: M8739			DRN: DAVID MILLEY			DATE: 23-NOV-81			DIGITAL		
ENG	ECO NUMBER	REV	SECTION A OF A			CHK'D: PHIL BOSSMAN			DATE: 30-MAR-82			TITLE PARTS LIST		
---	INITIAL	A	SECTION VARIATION INDEX			DES.ENG: BRYAN WALTERS			DATE: 30-MAR-82			AZTEC UNIBUS ADAPTER CARD		
B.W	M8739-SH001	B	[A] 00			RESP.ENG.: BRYAN WALTERS			DATE: 30-MAR-82			DOCUMENT NUMBER		
B.W	M8739-SH002	C	[B]			MFG.ENG.: DOUG SWIFT			DATE: 27-AUG-82			RELEASE DATE: 17-APR-85		
B.W	M8739-SH003	D	[C]			ASSEMBLY NUMBER:			TOP DOCUMENT NUMBER:			FILE NAME:		
B.W	M8739-SH004	E	[D]			D-UA-M8739-0-0			#B-DD-M8739-0			Z1815F.PLS		
A.R	M8739-SH006	F	[E]			EDIT #						32		
			[F]											
			[H]											
			[J]											
			[K]											
			[L]											
			[M]											
			[N]											

"THIS DRAWING AND THE SPECIFICATIONS CONTAINED HEREIN ARE CONFIDENTIAL AND PROPRIETARY. THEY ARE THE PROPERTY OF DIGITAL EQUIPMENT CORPORATION AND SHALL NOT BE REPRODUCED OR COPIED OR USED IN WHOLE OR IN PART AS THE BASIS FOR THE MANUFACTURE OR SALE OF ITEMS WITHOUT WRITTEN PERMISSION. THIS IS AN UNPUBLISHED WORK PROTECTED UNDER THE FEDERAL COPYRIGHT LAWS."

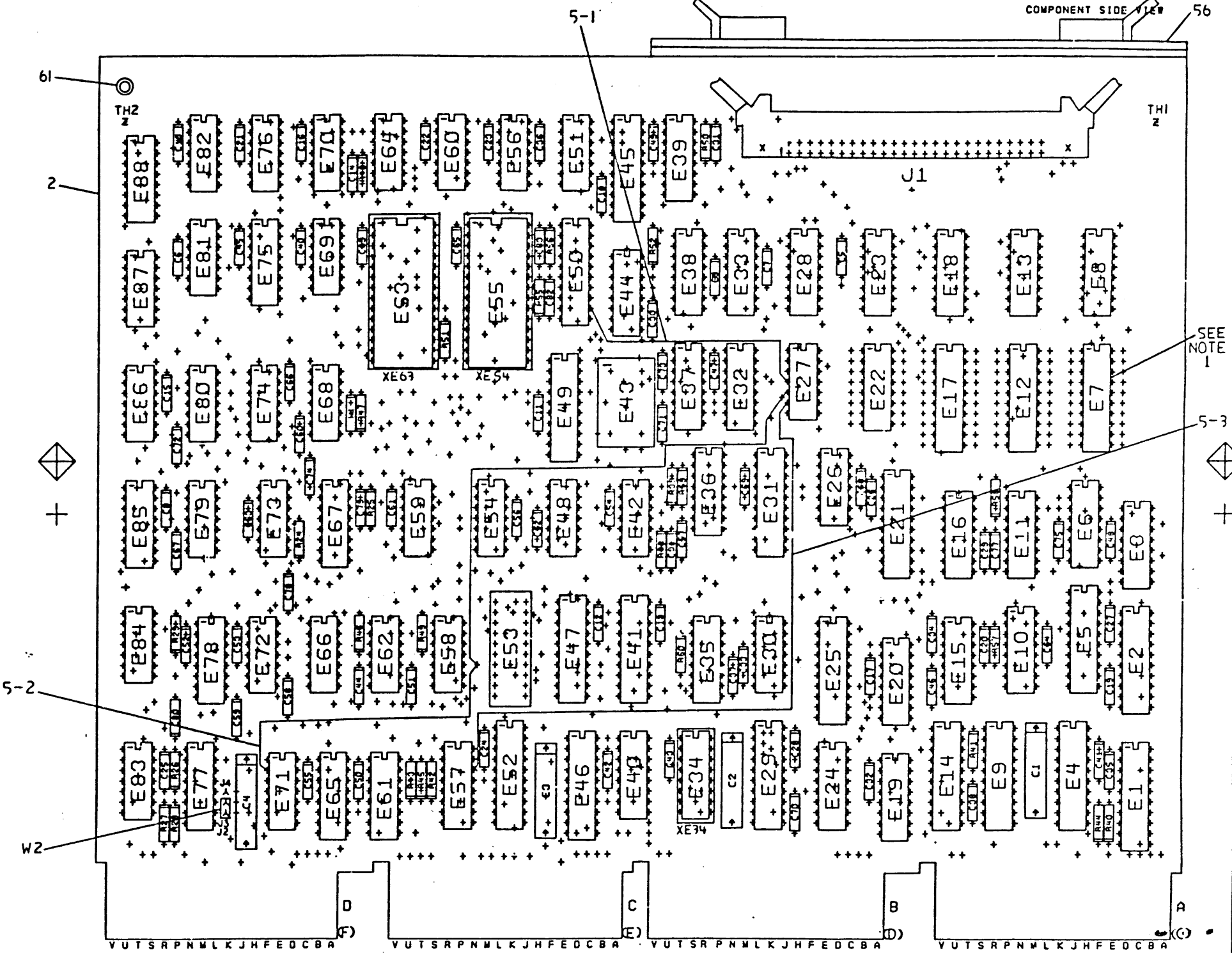
LINE ITEM	TOP DOCUMENT	PART NUMBER	MIN REV	DESCRIPTION	VARIATION REVISION LEVEL:	QTY PER VARIATION	REFERENCE DESIGNATOR
31	35	1912805-00		LS08	AND GATE-QUAD 2IN,PO	3	E68,E73,E87
32	36	1912807-00		LS10	NAND GATE-TRIPLE 3IN	1	E48
33	37	1912811-00		LS21	AND GATE-DUAL 4IN,PO	1	E54
34	38	1912824-00		LS74	FF-D DUAL,EDGE TRIGG	4	E42,E58,E64,E81
35	39	1912834-00		LS112	FF-JK,DUAL,EDGE TRIG	1	E85
36	40	1912837-00		LS123	ONE SHOT-DUAL,RETRIG	1	E67
37	41	1912847-00		LS157	MUX 1 OF 2(QUAD)	1	E44
38	42	1912850-00		LS164	SHIFT REG. 8BIT SERI	1	E56
39	43	1912854-00		LS193	COUNTER,SYNCHR,4BIT,	6	E15,E16,E19,E20,E24,E37
40	44	1912863-00		LS273	FF-D OCTAL W/CLEAR	3	E21,E45,E49
41	45	1913040-00	DC	005	TRANSCEIVER 4BIT	8	E1,E4,E9,E14,E41,E46,E47,E52
42	46	1913340-00		74S32	OR GATE-QUAD 2IN	1	E80
43	47	1913414-00		LS14	INVERTER GATE-HEX SC	1	E79
44	48	1913462-00		74S240	OCTAL BUFFER,INVERTI	2	E5,E25
45	49	1913671-00		74S374	FF-D,OCTAL,TR1 STATE	1	E29
46	50	1913788-00		26S10	TRANSCEIVER,BUS,QUA	7	E3,E6,E32,E33,E28,E38,E39
47	51	1914085-00		74S260	NOR GATE-DUAL,POS	1	E51
48	52	1914214-00		LS374	FF-D OCTAL EDGE TRIG	1	E50
49	53	1914438-00	DC	013	UNIBUS INTERRUPT-BIP	2	E57,E61
50	54	1915193-00		LS244	DRIVER,LINE,OCTAL,TR	2	E2,E31
51	55	23086C6-00	C6-01			1	E55
52	56	1213543-01			HANDLE,UNIBUS MODULE,MAGENTA	2	
53	57	9009185-00			JUMPER, WIRE, INSULATED, BLACK B	1	W1
54	58	1912388-00		74S02	NOR GATE-QUAD 2IN,PO	1	E59
55	59	1910537-00		74S11	AND GATE-TRIPLE 3INP	1	E72
56	60	1215006-07		SKT,IC	29PIN DIP TIN SOLD	2	XE55,XE63
57	61	9006732-00		EYELET,ROLLED	0.1210DX0.219	4	
58	62	BLANK		***	THIS ITEM IS NOT USED ***	-	
59	63	BLANK		***	THIS ITEM IS NOT USED ***	-	
60	64	BLANK		***	THIS ITEM IS NOT USED ***	-	
61	65	BLANK		***	THIS ITEM IS NOT USED ***	-	
62	66			1320309-01	R NETWORK 14-150 14-360 16PIN	4	E8,E13,E18,E23
63	67			1912801-00	LS02 NOR-GATE-QUAD 2IN	1	E84
64	68	BLANK		***	THIS ITEM IS NOT USED ***	-	
65	69			1318784-01	R NETWORK MULTI-VALUE 16PIN	1	E34
66	70			1215006-02	SKT,IC 16PIN DIP TIN SOLD	1	XE34
67	71			1912649-00	LS75 LATCH 4BIT,BISTABLE	1	E88
68	72			23087C6-00	*** THIS ITEM IS NOT USED ***	-	
69	73			1218783-00	JUMPER 02POS(1X02).100CC	1	W2
70	74			9009149-00	PIN,STAKNG 0.0250DX0.345LG SQUAR	3	J2-J4
71	75			1912389-00	74S08 AND GATE-QUAD 2IN,PO	1	E27
72	76			9105740-55	*** THIS ITEM IS NOT USED ***	-	
73	77			3621739-03	LABEL,COUNTRY OF ORIGIN SINGAPOR	1	
74	78			23105C6-00	C6-01	1	E63

D	I	G	I	T	A	L	TITLE	SECTION A OF A	SIZE	CODE	DOCUMENT NUMBER	REV
							AZTEC UNIBUS ADAPTER CARD		K	PL	M8739-0-DBP	F

THIS DRAWING AND SPECIFICATIONS, HEREIN, ARE THE PROPERTY OF DIGITAL EQUIPMENT CORPORATION AND SHALL NOT BE REPRODUCED OR COPIED IN ANY MANNER WITHOUT THE WRITTEN PERMISSION OF DIGITAL EQUIPMENT CORPORATION. © 1984

3 0-0-6C48M VU 0 2 1

COMPONENT SIDE VIEW 56



SEE NOTE 1

NOTES: 1. E7, E12, E17, E22 ARE SPARE I.C. LOCATIONS.

STEP	→ Y AXIS	STEP	TIMES
REPEAT	→ X AXIS	STEP	TIMES

CHG	NO	REV	
REVISED		E	
AND			
REDRAWN			
M8739-		F	
SH004			
SH005			
R. Kappel			
P. Solomon			

ETCH REV.	E1-P1
-----------	-------

SIGNATURES		DATE	
DRN.	S. EVANS / U.M.	11/20/84	digital
CHK'D.		8/20/84	
MECH. ENG.	Ray Wilton	8/20/84	
PROJ. ENG.	Ray Wilton	8/20/84	
PROD.	Ray Wilton	8/20/84	
TITLE			
KLESI-UA			
SCALE	2/1	SIZE CODE	D UA
SHT.	1 OF 2	NUMBER	M8739-D-0
NEXT HIGHER ASSY.			B-00-M8739-0

8 7 6 5 4 3 2 1 SHR 1 MS#

D U A M8739-D-0



THIS DRAWING AND THE SPECIFICATIONS CONTAINED HEREIN ARE CONFIDENTIAL AND PROPRIETARY. THEY ARE THE PROPERTY OF DIGITAL EQUIPMENT CORPORATION AND SHALL NOT BE REPRODUCED OR COPIED IN WHOLE OR IN PART AS THE BASIS FOR THE MANUFACTURE OR SALE OF ITEMS WITHOUT WRITTEN PERMISSION. THIS IS AN UNPUBLISHED WORK PROTECTED UNDER THE FEDERAL COPYRIGHT LAWS.

DIGITAL  
M8739-0-0

REWORK INSTRUCTIONS:

ECO # 5, SIDE 1:

WIRE ADDS:

- 5-1. ADD WIRE FROM E50-12 TO E27-4.
- 5-2. ADD WIRE FROM E71-2 TO FEEDTHRU NEXT TO E58-10 TO E27-5.
- 5-3. ADD WIRE FROM E57-14 TO E27-6.

REVISION HISTORY		
REV	ECO NUMBER	DATE

TITLE  
KLESI-UA

DOCUMENT NUMBER		
SUFF CODE	NUMBER	REV.
DUA	M8739-0-0	F
SCALE		SHEET 2 OF 2

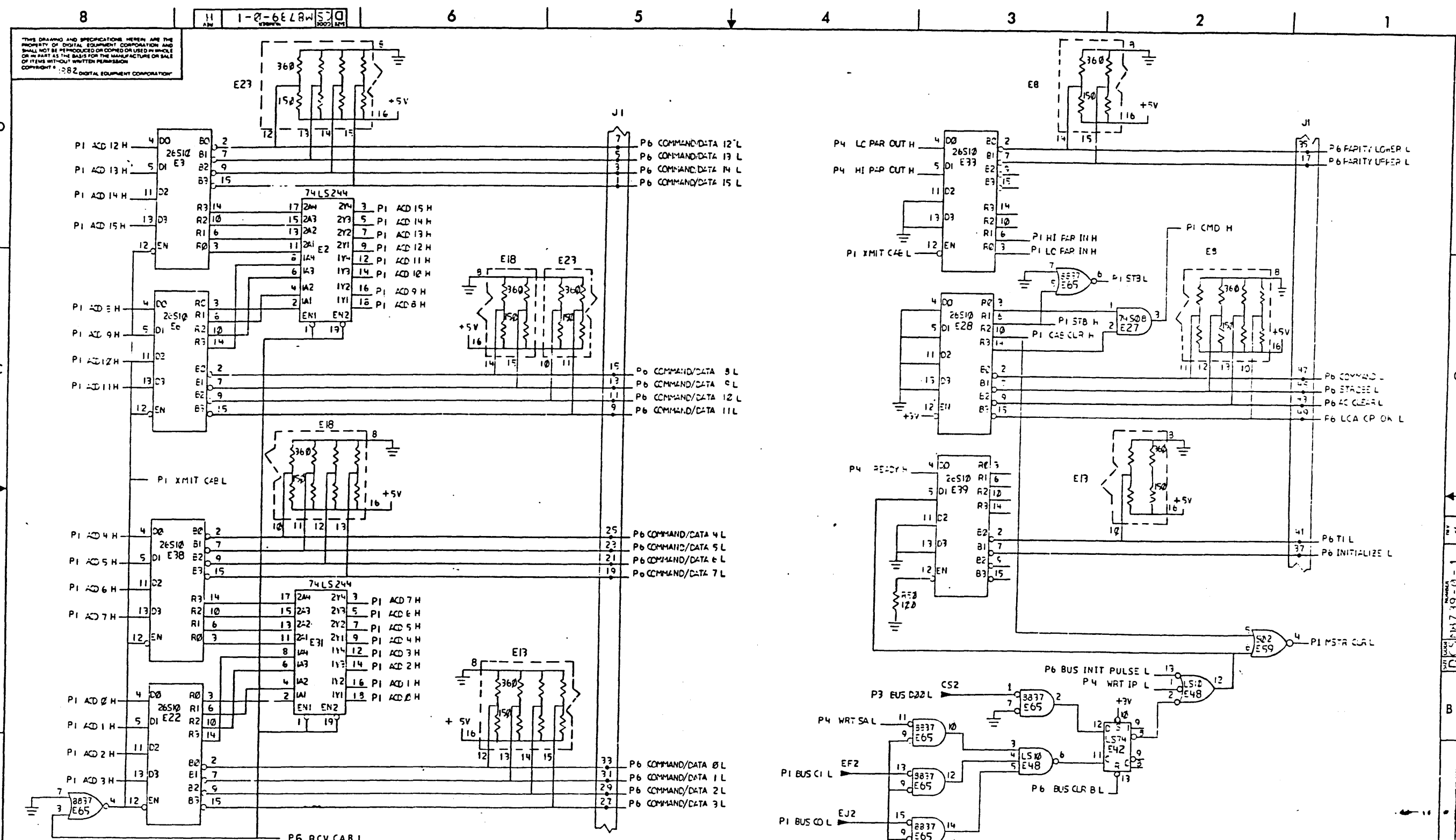
8 7 6 5 4 3 2 1

D  
C  
B  
A

D  
C  
B  
A

DIGITAL  
M8739-0-0

THIS DRAWING AND SPECIFICATIONS HEREBY ARE THE PROPERTY OF DIGITAL EQUIPMENT CORPORATION AND SHALL NOT BE REPRODUCED OR COPIED OR USED IN WHOLE OR IN PART AS THE BASIS FOR THE MANUFACTURE OR SALE OF ITEMS WITHOUT WRITTEN PERMISSION. COPYRIGHT © 1982 DIGITAL EQUIPMENT CORPORATION.



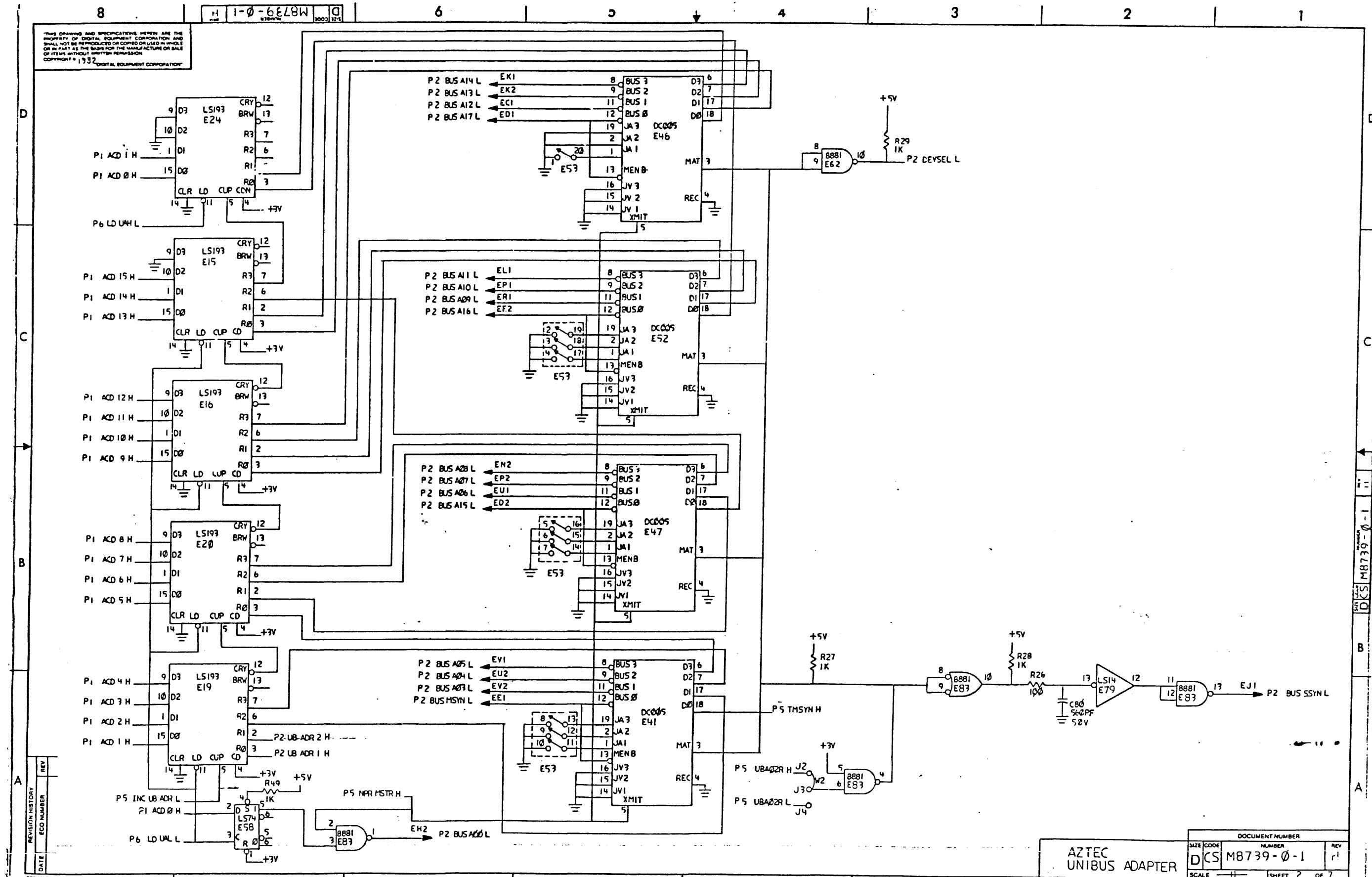
DATE	ECO NUMBER	REV	DATE	ECO NUMBER	REV	DATE	ECO NUMBER	REV	DATE	ECO NUMBER	REV
11/17/79	5-000	B	11/17/79	5-000	C	11/17/79	5-000	D	11/17/79	5-000	E
1/24/80	5-000	A	1/24/80	5-000	B	1/24/80	5-000	C	1/24/80	5-000	D
1/24/80	5-000	A	1/24/80	5-000	B	1/24/80	5-000	C	1/24/80	5-000	D
1/24/80	5-000	A	1/24/80	5-000	B	1/24/80	5-000	C	1/24/80	5-000	D

NOTE: UNLESS OTHERWISE SPECIFIED: ALL RESISTORS ARE 1/4W, 5% CC.

DATE	BY	CHKD	DATE	REV	DATE	ECO NUMBER	REV
11/17/79	...	...	11/17/79	...	11/17/79	...	...
1/24/80	...	...	1/24/80	...	1/24/80	...	...
1/24/80	...	...	1/24/80	...	1/24/80	...	...
1/24/80	...	...	1/24/80	...	1/24/80	...	...

TITLE: digital AZTEC UNIBUS ADAPTER  
DOCUMENT NUMBER: DCS M8739-0-1  
B-00-M8739-0

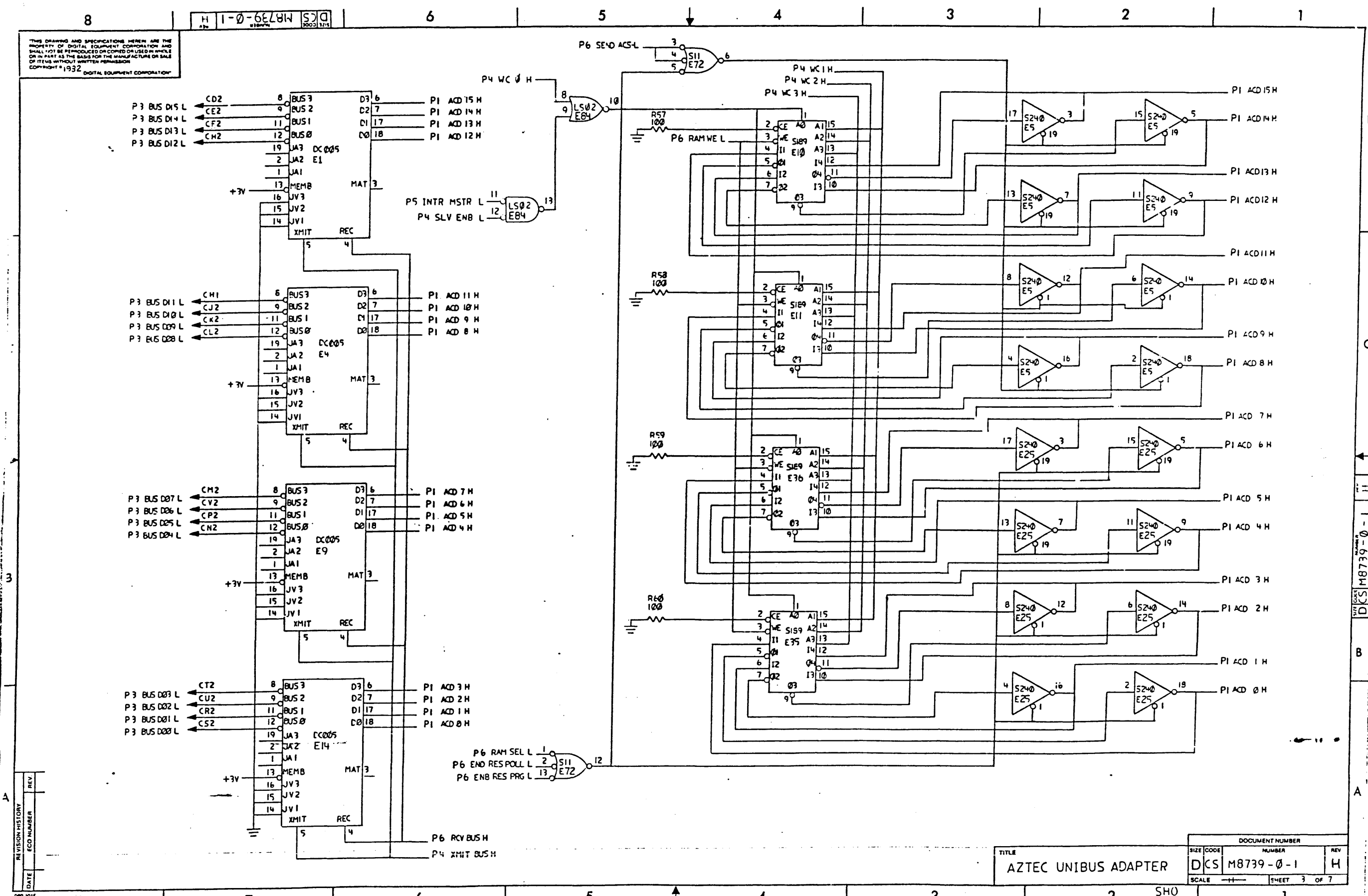
THIS DRAWING AND SPECIFICATIONS HEREIN ARE THE PROPERTY OF DIGITAL EQUIPMENT CORPORATION AND SHALL NOT BE REPRODUCED OR COPIED OR USED IN WHOLE OR IN PART AS THE BASIS FOR THE MANUFACTURE OR SALE OF ITEMS WITHOUT WRITTEN PERMISSION. COPYRIGHT © 1972 DIGITAL EQUIPMENT CORPORATION.



REV	DATE	ECO NUMBER	REVISION HISTORY

AZTEC UNIBUS ADAPTER		DOCUMENT NUMBER	
SIZE CODE	NUMBER	REV	
DCS	M8739-0-1	r1	
SCALE	SHEET 2 OF 7		

THIS DRAWING AND SPECIFICATIONS HEREIN ARE THE PROPERTY OF DIGITAL EQUIPMENT CORPORATION AND SHALL NOT BE REPRODUCED OR COPIED OR USED IN WHOLE OR IN PART AS THE BASIS FOR THE MANUFACTURE OR SALE OF ITEMS WITHOUT WRITTEN PERMISSION. COPYRIGHT © 1972 DIGITAL EQUIPMENT CORPORATION.

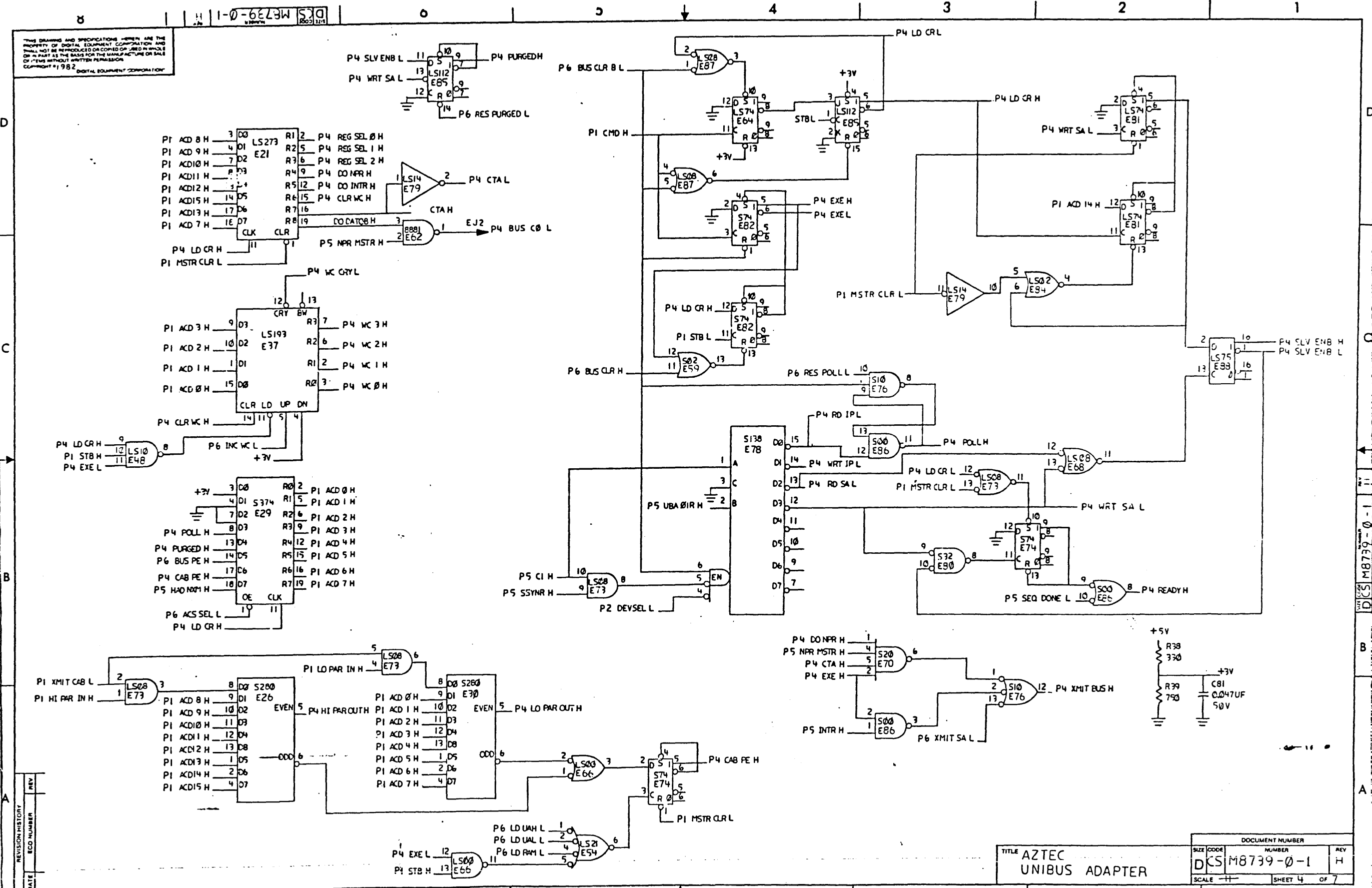


REV	ECO NUMBER	DATE

TITLE		DOCUMENT NUMBER	
AZTEC UNIBUS ADAPTER		DCS M8739-0-1	REV H
SCALE	SHEET	3 OF 7	

DCS M8739-0-1

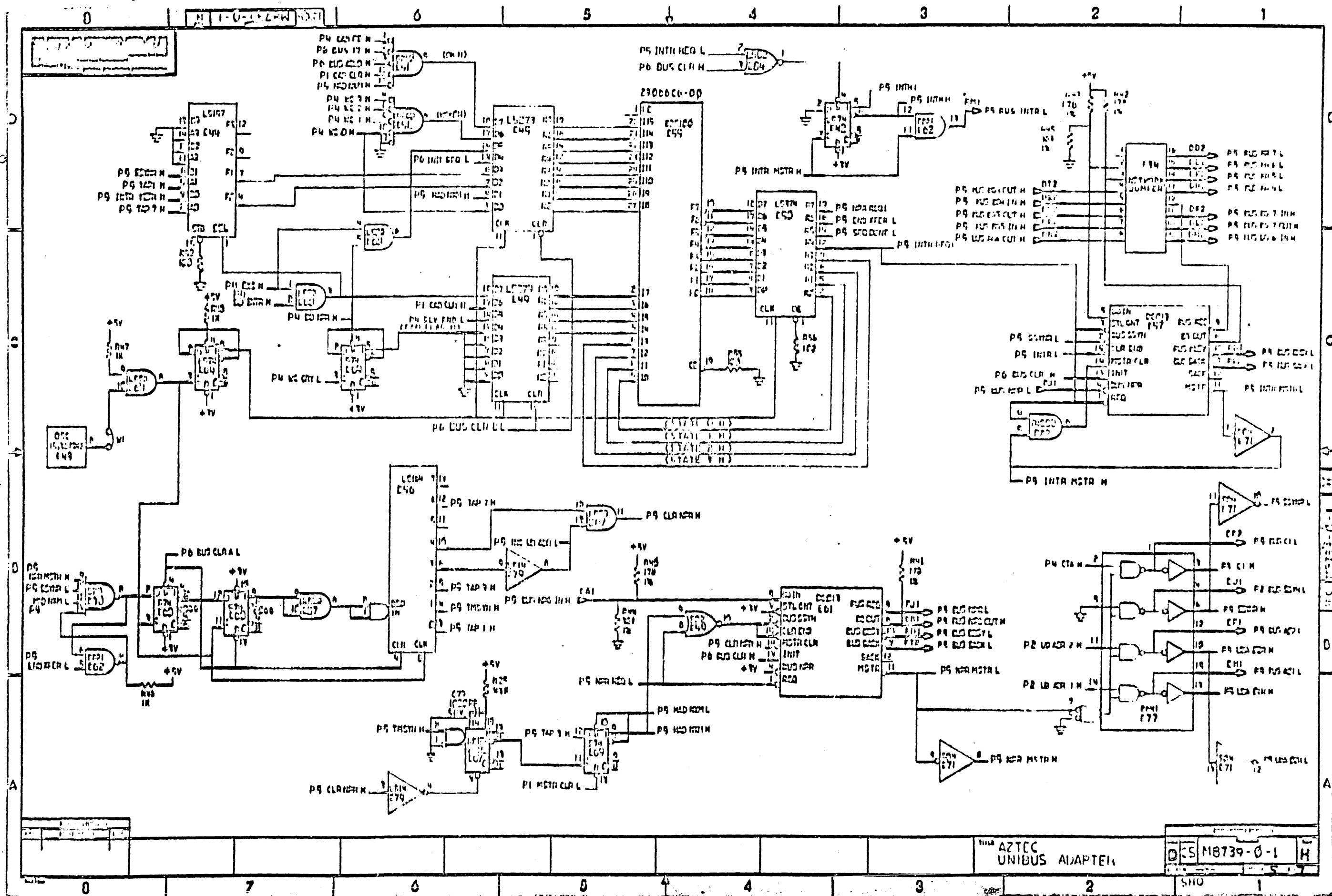
THIS DRAWING AND SPECIFICATIONS HEREIN ARE THE PROPERTY OF DIGITAL EQUIPMENT CORPORATION AND SHALL NOT BE REPRODUCED OR COPIED OR USED IN WHOLE OR IN PART AS THE BASIS FOR THE MANUFACTURE OR SALE OF ITEMS WITHOUT WRITTEN PERMISSION. COPYRIGHT © 1982 DIGITAL EQUIPMENT CORPORATION



REV	DATE	ECO NUMBER

TITLE		DOCUMENT NUMBER	
AZTEC UNIBUS ADAPTER		DCS M8739-0-1	
SCALE	SHEET	OF	REV
1:1	4	7	H

DCS M8739-0-1



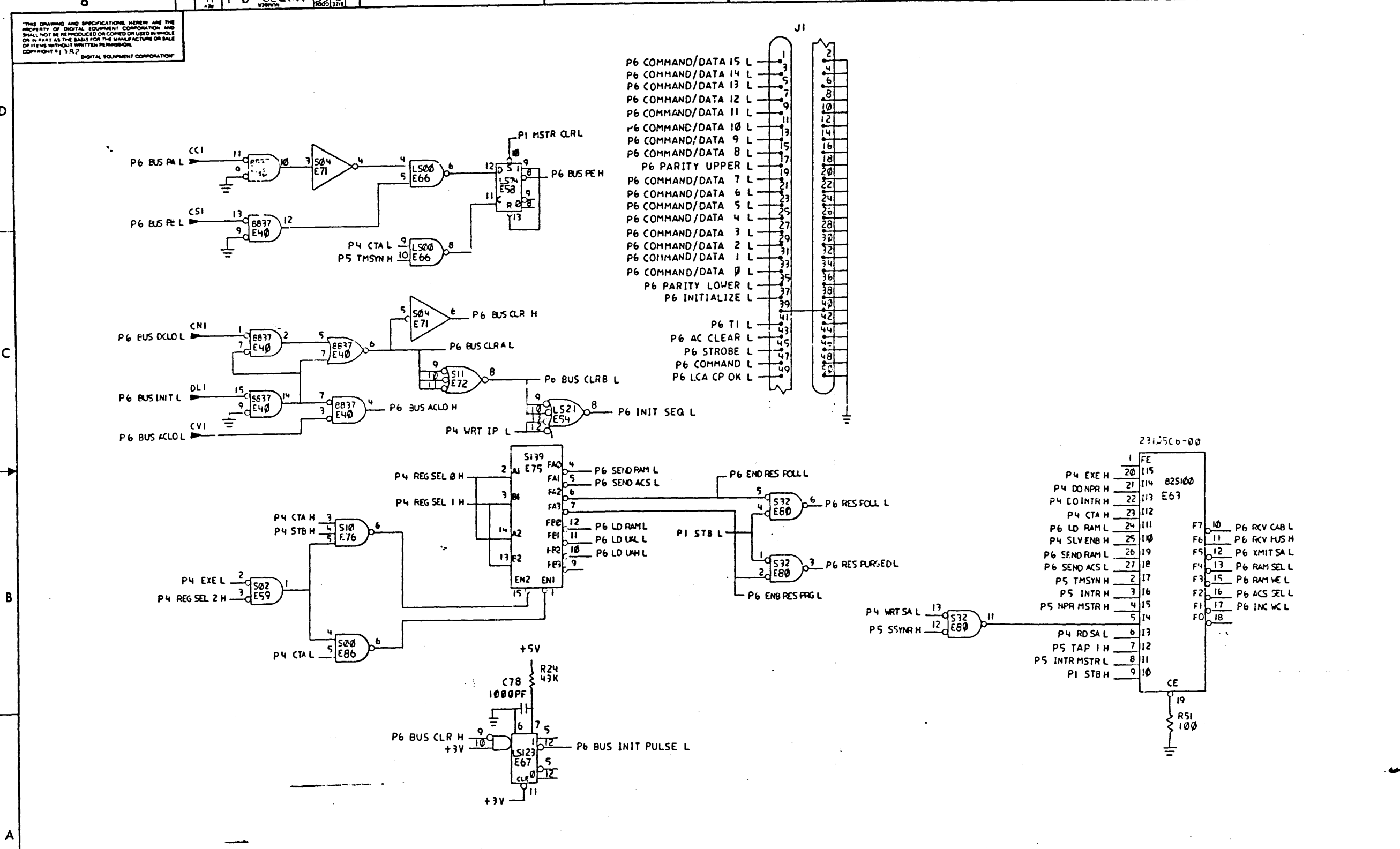
AZTEC UNIBUS ADAPTER

CS M8739-0-1 H

SNO

THIS DRAWING AND SPECIFICATIONS HEREIN ARE THE PROPERTY OF DIGITAL EQUIPMENT CORPORATION AND SHALL NOT BE REPRODUCED OR COPIED OR USED IN WHOLE OR IN PART AS THE BASIS FOR THE MANUFACTURE OR SALE OF ITEMS WITHOUT WRITTEN PERMISSION.  
 COPYRIGHT © 1972 DIGITAL EQUIPMENT CORPORATION

H 1-0-062-W S20  
 1005 1213



- P6 COMMAND/DATA 15 L
- P6 COMMAND/DATA 14 L
- P6 COMMAND/DATA 13 L
- P6 COMMAND/DATA 12 L
- P6 COMMAND/DATA 11 L
- P6 COMMAND/DATA 10 L
- P6 COMMAND/DATA 9 L
- P6 COMMAND/DATA 8 L
- P6 PARITY UPPER L
- P6 COMMAND/DATA 7 L
- P6 COMMAND/DATA 6 L
- P6 COMMAND/DATA 5 L
- P6 COMMAND/DATA 4 L
- P6 COMMAND/DATA 3 L
- P6 COMMAND/DATA 2 L
- P6 COMMAND/DATA 1 L
- P6 COMMAND/DATA 0 L
- P6 PARITY LOWER L
- P6 INITIALIZE L
- P6 T1 L
- P6 AC CLEAR L
- P6 STROBE L
- P6 COMMAND L
- P6 LCA CP OK L

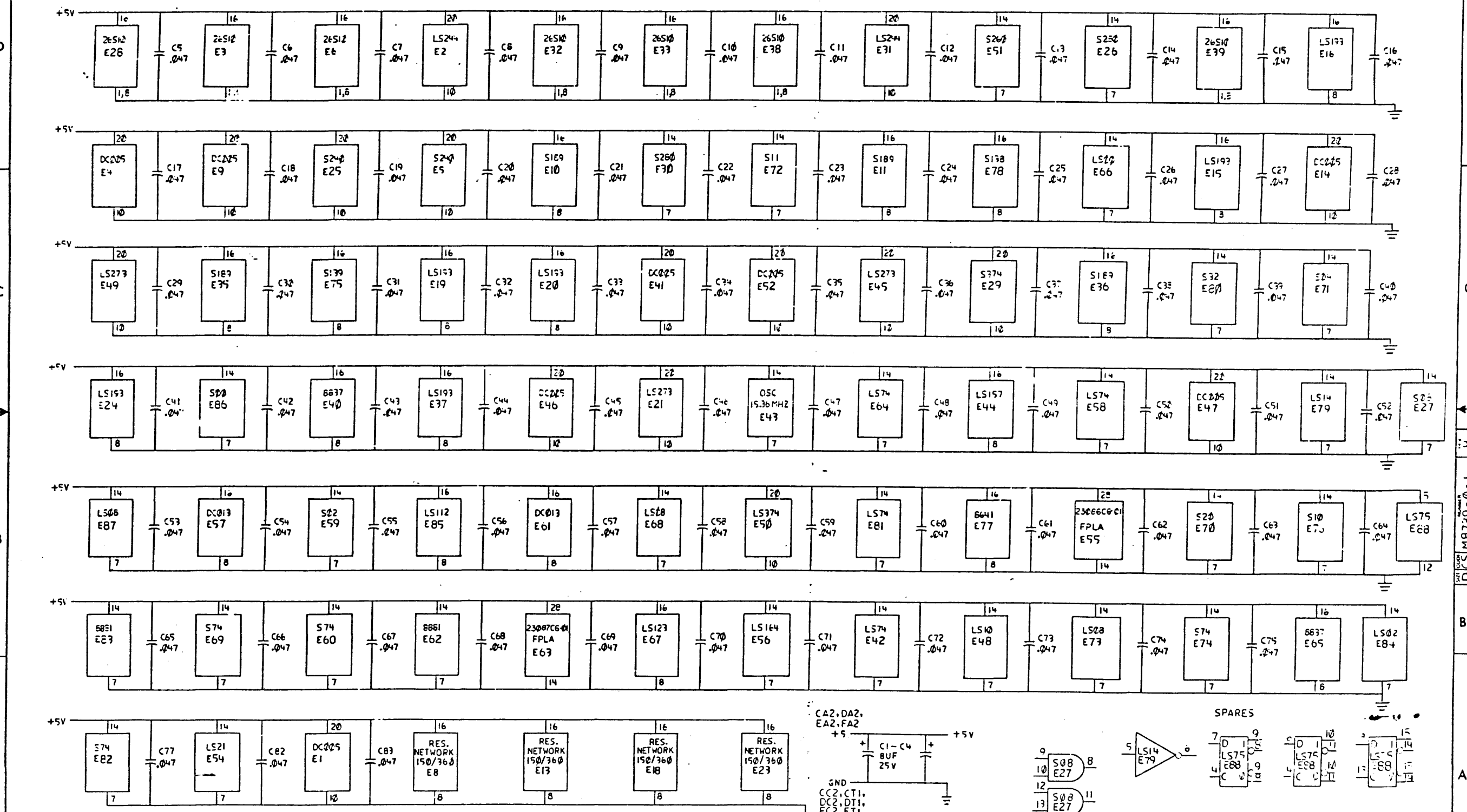
- 23125C6-00
- 1 FE
  - 20 115 P4 EXE H
  - 21 114 P4 DONPR H
  - 22 113 P4 COINTR H
  - 23 112 P4 CTA H
  - 24 111 P6 LD RAM L
  - 25 110 P4 SLVENB H
  - 26 109 P6 SEND RAM L
  - 27 108 P6 SEND ACS L
  - 2 107 P5 TMSYN H
  - 3 106 P5 INTR H
  - 4 105 P5 NPR MSTR H
  - 5 104 P4 RDSA L
  - 6 103 P5 TAP 1 H
  - 7 102 P5 INTR MSTR L
  - 8 101 P1 STB H
  - 9 100
  - 10 P6 RCV CAB L
  - 11 P6 RCV HUS H
  - 12 P6 XMIT SA L
  - 13 P6 RAM SEL L
  - 14 P6 RAM WE L
  - 15 P6 ACS SEL L
  - 16 P6 INC WC L
  - 17
  - 18

REVISION HISTORY		
DATE	ECO NUMBER	REV

TITLE  
 AZTEC UNIBUS ADAPTER

DOCUMENT NUMBER		
SIZE	CODE	NUMBER
DCS	M8739-0-1	1
SCALE	1:1	SHEET 6 OF 7

THIS DRAWING AND SPECIFICATIONS HEREIN ARE THE PROPERTY OF DIGITAL EQUIPMENT CORPORATION AND SHALL NOT BE REPRODUCED OR COPIED OR USED IN WHOLE OR IN PART AS THE BASIS FOR THE MANUFACTURE OR SALE OF ITEMS WITHOUT WRITTEN PERMISSION. COPYRIGHT © 1972. DIGITAL EQUIPMENT CORPORATION.



REVISION HISTORY		
DATE	ECO NUMBER	REV

TITLE		DOCUMENT NUMBER	
AZTEC UNIBUS ADAPTER		DCS M8739-0-1	REV H
SCALE	SHO	SHEET 7	OF 7



OPTION NAME: TU81-CA/CB INFORMATION SHEET

RM ECO #	OPTION NAME:	DESCRIPTION	5 #	REVISION
	TU81-CA/CB			
1	29-0000	SERVO MODULE	A1 B1 91	
	77000(XXXY)		123Y 124Y 124Y	
2				
3				

1. DIGITAL PART NO.
  2. VENDOR PART NO. (9 DIGITS)
  3. VENDOR PART REVISION LEVEL APPEARS IN THE LAST 4 DIGITS OF THE VENDOR PART NUMBER  
 3 NUMERIC DIGITS (XXX) USED TO INDICATE A FUNCTIONAL CHANGE  
 1 ALPHA DIGIT (Y) USED TO INDICATE NON-FUNCTIONAL CHANGE (ALPHA CHARACTER SHOULD NOT BE USED TO DETERMINE PART COMPATIBILITY)
  4. DIGITAL OPTION LEVEL REVISION
  5. DIGITAL PART NUMBER REVISION
- \* ALPHA DIGIT USED TO INDICATE FUNCTIONAL CHANGE  
 NUMERIC DIGIT USED TO INDICATE NON-FUNCTIONAL CHANGE

THIS DRAWING AND THE SPECIFICATIONS CONTAINED HEREIN ARE CONFIDENTIAL AND PROPRIETARY. THEY ARE THE PROPERTY OF DIGITAL EQUIPMENT CORPORATION AND SHALL NOT BE REPRODUCED OR COPIED OR USED IN WHOLE OR IN PART AS THE BASIS FOR THE MANUFACTURE OR SALE OF ITEMS WITHOUT WRITTEN PERMISSION. THIS IS AN UNPUBLISHED WORK PROTECTED UNDER THE FEDERAL COPYRIGHT LAWS.

DRN:	GREGORY W. SMITH	DATE:	NOV. 8, 1984	d i l i g i t a l
CHK'D:	FRANK RAFFA	DATE:	NOV. 9, 1984	TITLE: TU81-CA/CB REVISION MATRIX DOCUMENT
RESP. ENG.:	STEVE LUNKINS	DATE:	NOV. 9, 1984	SHEET 1 OF 7
MFG. ENG.:	JOHN FLEMING	DATE:	NOV. 9, 1984	DOCUMENT NUMBER: K-RM-TU81-0-DBF
MAINTAINABILITY ENG.:	FRANK RAFFA	DATE:	NOV. 9, 1984	SIZE CODE: NUMBER REV K RM TU81-0-DBF A

OPTION NAME: TUB1-CA/CB INFORMATION SHEET

RM ECO #	OPTION NAME:	R	E	V	A1	3	B1							
	TUB1-CA/CB													
	PART NO.	DESCRIPTION				3	REVISION							
	29-00000 77000(XXX Y)	SERVO MODULE				A1	91	B1						
					123Y	124Y	124Y							
	29-00001 77-000(XXX Y)	CONTROL MODULE				A1		A1						
					1456Y		1456Y							

- OPTION LEVEL REVISION
- THE PART NUMBER REVISIONS LISTED IN THE VERTICAL COLUMNS DIRECTLY BELOW THE OPTION LEVEL REVISIONS SHOW THE PARTS REVISIONS NEEDED TO MAKE UP THAT OPTION LEVEL REVISION
- THIS ENTRY SHOWS THE REVISION LEVEL OF PARTS THAT MAY BE USED AS SPARES

TITLE: TUB1-CA/CB REVISION MATRIX DOCUMENT SHEET 2 OF 7 SIZE: K CODE: RM NUMBER: TUB1-0-DBF REV: A

SHØ

OPTION NAME: TU81-CA/CB

INFORMATION SHEET

RM ECO #

d	i	g	i	t	a	l	TITLE:	TU81-CA/CB	SIZE	CODE	NUMBER	REV
							REVISION MATRIX DOCUMENT	SHEET 3 OF 7	K	RM	TU81-0-DBF	A

SHØ

OPTION NAME:		TUB1-CA/CB		R	E	A														
PART NO.	DESCRIPTION																			
29-24704 77041XXX	PWA READ AMPLIFIER			A0																
29-24705 77042XXX	PWA SERVC CONTROL			A0																
29-24706 77041XXX	PWA WRITE DRIVER			A0																
29-24707 77041XXX	PWA MSCP			A0																
29-24708 77025XXX	PWA FORMATTER WRITE			A0																
29-24709 77041XXX	PWA FORMATTER READ			A0																
29-24223 77018XXX	PWA POWER AMPLIFIER			A0																
29-24753 77018XXX 77018XXX	POWER SUPPLY 50/60 HZ 60 HZ 50 HZ			A0																
NOTES:																				
REVISION MATRIX (TOP-LEVEL AND COMPATIBILITY)																				
TITLE:		TUB1-CA/CB		SIZE	CODE	NUMBER	REV													
DIGITAL		REVISION MATRIX DOCUMENT		SHEET 4	OF 7	K	RH	TUB1-0-DBF	A											

SHp

OPTION NAME:		TU81-CA/CB	R																	
			E	A0																
			V																	
PART NO.		DESCRIPTION																		
29-24752 77025XXXY		MAGNETIC HEAD		A0																
				1380Y																
29-24213 77006XXXY		REEL MOTOR		A0																
				1162Y																
29-24214 77011XXXY		COMPRESSOR 60 HZ		A0																
				1535Y																
874-D		120V 24AMP POWER CTRL		A0																
874-F		220V-240V 12AMP POWER CTRL		A0																
NOTES:			R																	
			E	H	E															
			V	I	C															
			I	S	O															
			S	T																
			I	O	N															
			O	R	O															
			N	Y																
REVISION MATRIX (TOP LEVEL AND COMPATIBILITY)					D															
					A															
					T															
					E															
		TITLE:																		
					TU81-CA/CB						SIZE	CODE		NUMBER		REV				
					REVISION MATRIX DOCUMENT						K	RM		TU81-0-D8F		A				

SHØ

OPTION NAME:	TU81-CA/CB	R	A0															
		E																
		V																

PART NO.	DESCRIPTION	THIS SHEET IS FOR REFERENCE PURPOSES ONLY																
----------	-------------	---	--	--	--	--	--	--	--	--	--	--	--	--	--	--	--	--

EVMBB	VAX DATA RELIABILITY DIAG.	4.0																
EVMBB	VAX FRONT END FUNCT. DIAG.	3.0																
M8739	LESI ADAPTER MODULE	86																

NOTES: R E H I S I O N  
 V I S T I C R Y  
 I S T I C R Y  
 O R O

REVISION MATRIX (TCP-LEVEL AND COMPATIBILITY)

D I G I T A L  
 R E V I S I O N

SHØ

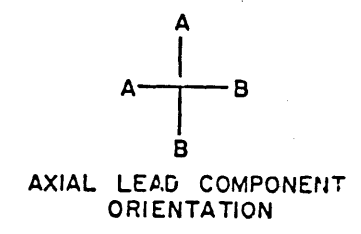
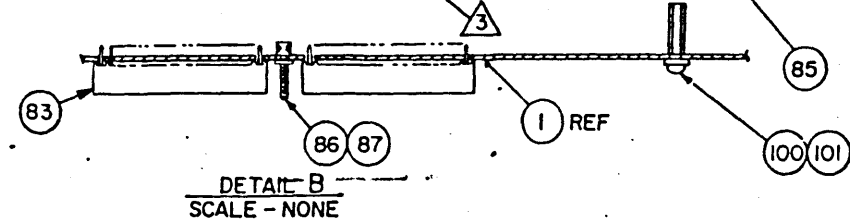
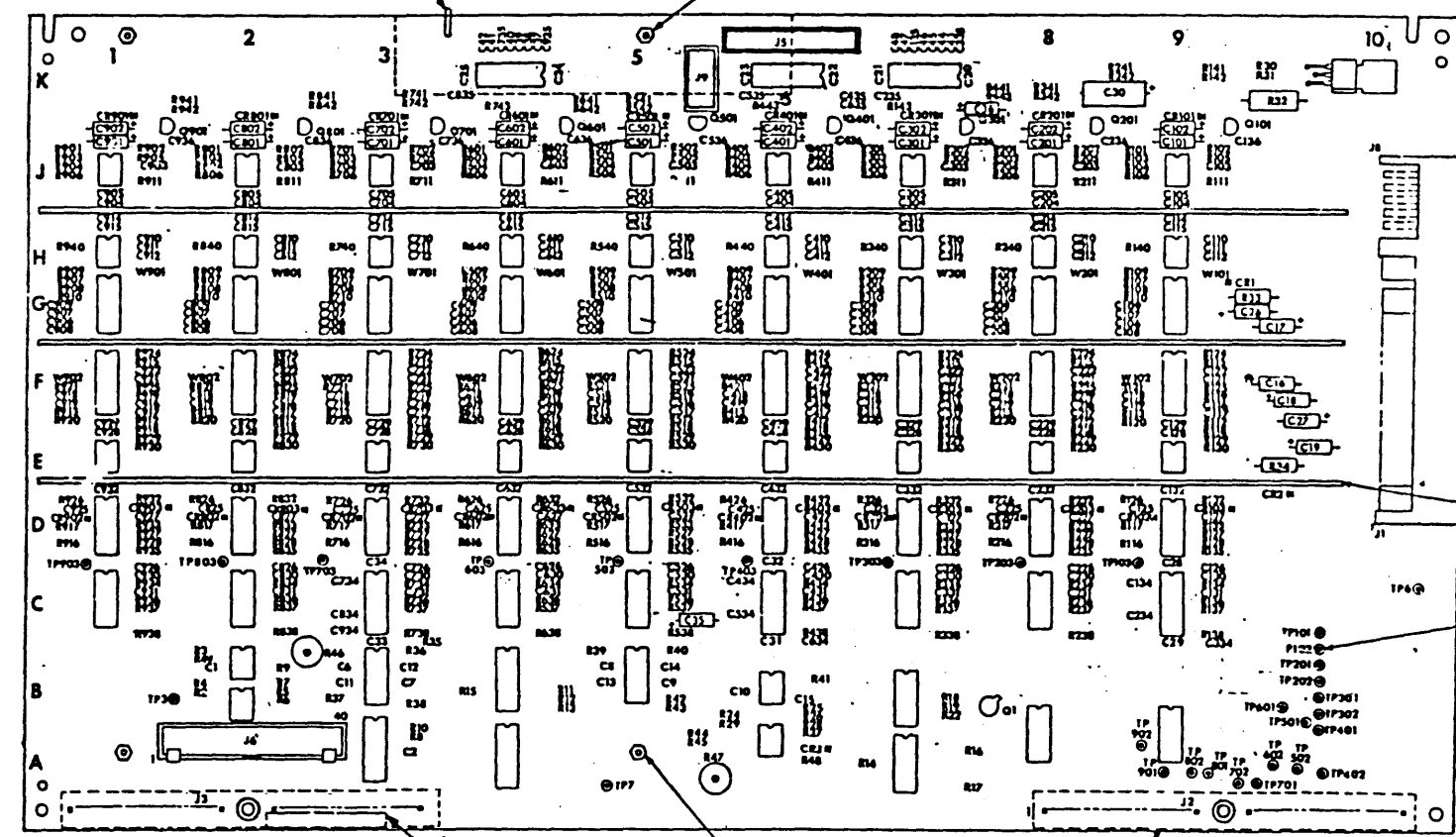
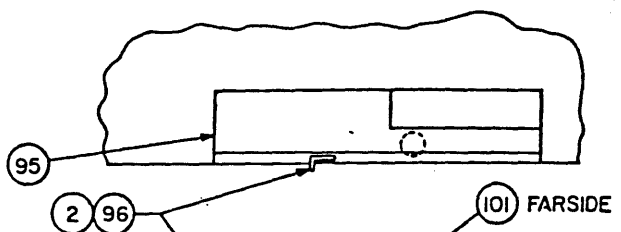
OPTION NAME:		TU81-CA/CB	R																	
			E	AO																
			V																	
PART NO.	DESCRIPTION																			THIS SHEET IS FOR REFERENCE PURPOSES ONLY
EK-CTU81-PG-001	TU81 POCKET SERVICE GUIDE			001																
EK-TUA81-TM-001	TU81/TA81 TECHNICAL MANUAL			001																
EK-TUA81-UG-001	TU81/TA81 USERS GUIDE			001																
EK-TUA31-SV-001	TU81/TA81 PATHFINDER			001																
EK-TUA81-IP-001	ILLUSTRATED PARTS BREAKDOWN			001																
MP 01618	FIELD MAINTENANCE PRINT SET			A																
NOTES:			R																	
			E	H	E															
			V	I	C															
			I	S	O															
			S	T																
			I	G	N															
			O	R	O															
			N	Y																
REVISION MATRIX (TCP LEVEL AND COMPATIBILITY)					D															
					A															
					T															
					E															
TITLE:		TU81-CA/CB																		
d i g i t a l		REVISION MATRIX DOCUMENT																		
		SHEET 7 OF 7																		
		SIZE	CODE	NUMBER	REV															
		K	RM	TU81-0-DBF	A															

SHO

8 7 6 5 4 3 2 1

VA 0-0-401262 VAI 0

REVISION RECORD																												
REV	ECO	DESCRIPTION	DEPT	DATE	CHKD	APP	SHEET REVISION STATUS					REV	ECO	DESCRIPTION	DEPT	DATE	CHKD	APP										
23	22	21	20	19	18	17	16	15	14	13	12	11	10	9	8	7	6	5	4	3	2	01	PB5088	CLASS 'B' RELEASE	ISM	11-17-82		
																						01	PB50937	INA TAB 21, REPL BY TAB 22	ISM	2-23-83	ISM	
																						01	PB51003	INA TAB 22, REPL BY TAB 23	ISM	3-4-83	ISM	
																						01	PB51043	SEE ECO	ISM	6-11-83	ISM	
																						01	PB51058	PL CHG ONLY	ISM	6-2-83	ISM	
																						01	PB51051	INA TAB 23, REPL BY TAB 24	ISM	2-7-83	ISM	8611
07	07	07	07	07	07	07	07	07	07	07	07	07	07	07	07	07	07	07	07	07	07	07	PB51169	FORMALIZED SCHEMATIC	ISM	11-2-83	ISM	
07	07	07	07	07	07	07	07	07	07	07	07	07	07	07	07	07	07	07	07	07	07	07	PB51132	SEE ECO	ISM	11-2-83	ISM	
07	07	07	07	07	07	07	07	07	07	07	07	07	07	07	07	07	07	07	07	07	07	07	---	CORRECTED INCORPORATION	ISM	11-3-83	ISM	
07	07	07	07	07	07	07	07	07	07	07	07	07	07	07	07	07	07	07	07	07	07	07	PB51220	INA TAB 24, REPL BY TAB 25	SLO	11-2-83	JKS	
A	A	A	A	A	A	A	A	A	A	A	A	A	A	A	A	A	A	A	A	A	A	A	PB51245	CLASS 'A' RELEASE (A109)	TWR	7/1/83		
A	A	A	A	A	A	A	A	A	A	A	A	A	A	A	A	A	A	A	A	A	A	A	PB50974	SEE ECO	ISM	11-9-83	ISM	
A	A	A	A	A	A	A	A	A	A	A	A	A	A	A	A	A	A	A	A	A	A	A	PB51308	PL CHANGE ONLY	ISM	3-19-84	ISM	
A	A	A	A	A	A	A	A	A	A	A	A	A	A	A	A	A	A	A	A	A	A	A	PB51409	SEE ECO	ISM	4-16-84	ISM	
A	E	E	E	E	E	E	E	E	E	E	E	E	E	E	E	E	E	E	E	E	E	E	PB51289	SEE ECO	ISM	4-16-84	ISM	



STANDARD MFG. PRACTICES SHALL BE ADHERED TO PER WORKMANSHIP MANUAL SPEC. NO. 10120300

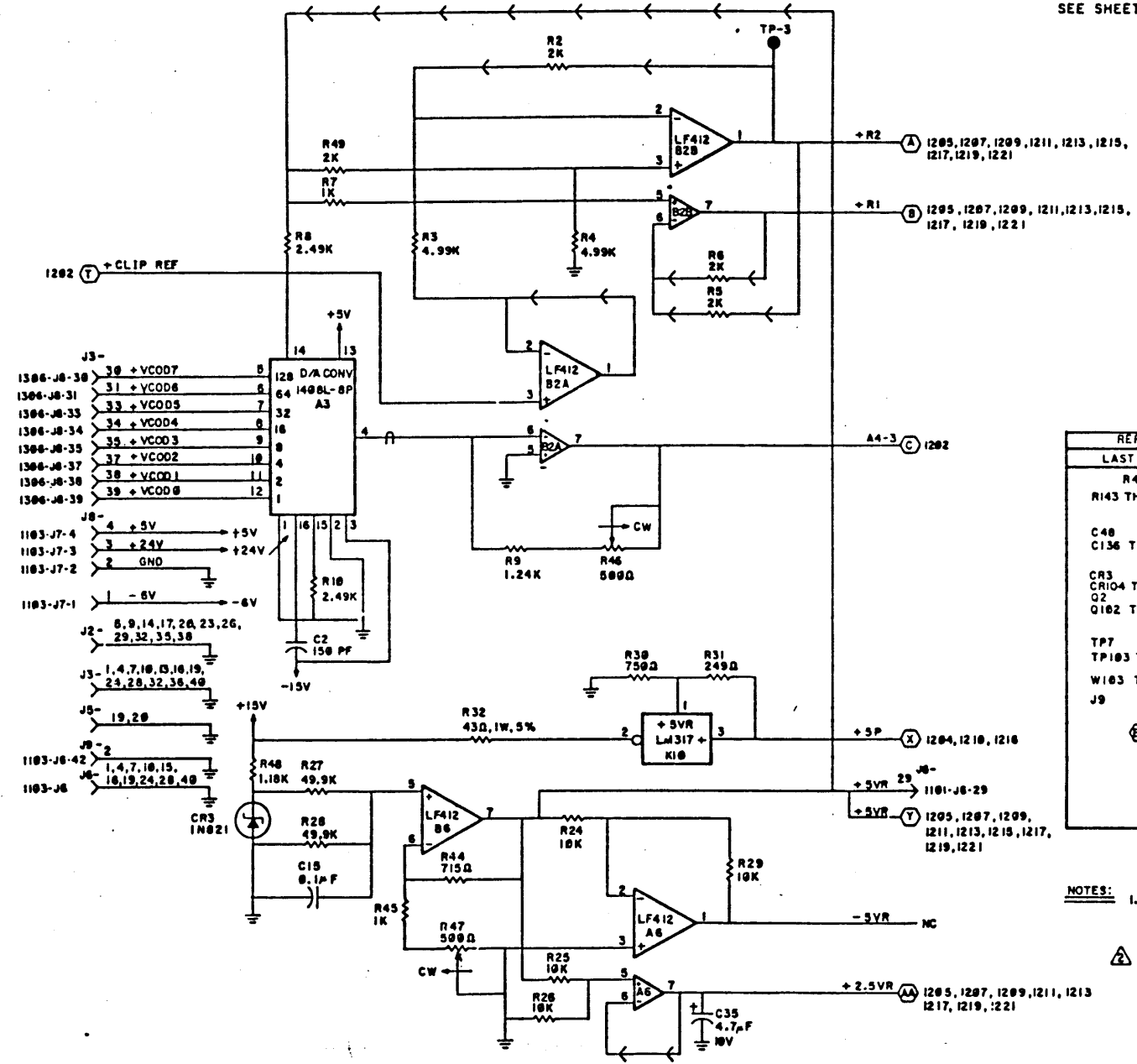
UNLESS OTHERWISE SPECIFIED DIMENSIONS ARE IN INCHES TOLERANCES 2 PLACE 3 PLACE ANGLES ±.005 ±.010 ±.015	DWN ENGR MFG SA FINISH	D. J. M... A B B K. O... S... ---	COMPUTER PERIPHERALS INC. FAPE & CARO PRODUCTS DIV. NORRISTOWN, PA 19403
PL 77041221-25 DN 77041220	MATERIAL FINISH	TITLES TTGS12-100	PWA READ AMPLIFIER
DETACHED LISTS	EQUIP NO THIRD ANGLE PROJECTION	SIZE D	CODE UA
		2924704-0-0	SHEET 1 OF 1

8 7 6 5 4 3 2 1



THIS DRAWING AND SPECIFICATIONS HEREOF ARE THE PROPERTY OF DIGITAL EQUIPMENT CORPORATION AND SHALL NOT BE REPRODUCED OR COPIED OR USED IN WHOLE OR IN PART AS THE BASIS FOR THE MANUFACTURE OR SALE OF ITEMS WITHOUT WRITTEN PERMISSION. COPYRIGHT © 1964, DIGITAL EQUIPMENT CORPORATION

SEE SHEET '0' FOR REVISIONS



IC ELEMENTS NOT USED		
TYPE	LOC	OUTPUTS
3432	C9	13
	C8	13
	C3	13
7408	C8	6
	C5	6
	C2	6
74LS04	A8	4
74LS08	A9	8
74LS32	C7	3
	C4	3
	C1	3
7407	B1	16

REFERENCE DESIGNATIONS	
LAST USED	NOT USED
R49	R20, R21, R23
R143 THRU R943	R131 THRU R931
	R139 THRU R739
C48	C3, C4, C5
C136 THRU C736	C123 THRU C923
	C124 THRU C924
CR3	Q2
CR104 THRU CR904	Q182 THRU Q902
Q2	Q182 THRU Q902
TP7	TP1, TP2, TP4, TP5
TP103 THRU TP903	
W103 THRU W903	W183 THRU W903
J9	J4, J7

NOTES:  
 1. UNLESS OTHERWISE SPECIFIED ALL RESISTORS ARE 1/4W, 1%  
 ALL DIODES ARE IN4148  
 Ⓜ DENOTES RFU (RESERVED FOR FUTURE USE) COMPONENTS.

SHEETS 2 THRU 22 ARE "C" SIZE  
 77022970

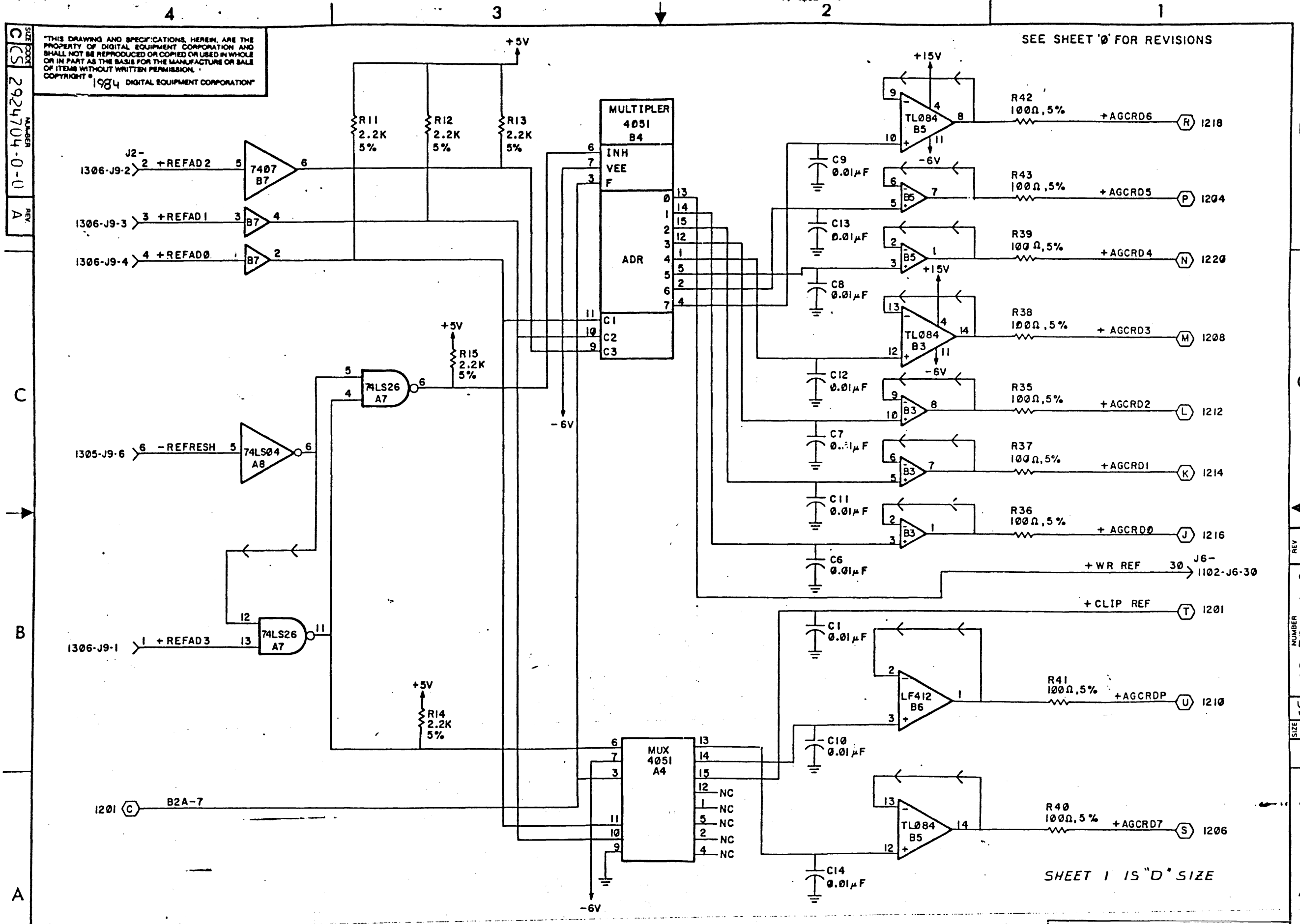
DRN. #	22	FIRST USED ON	digital
CHK'D		TITLE	READ AMPLIFIER
ENG.			
PROJ. ENG.			
PROD.			
NEXT HIGHER ASSY.			LOC A1A2
SCALE	D CS	NUMBER	2924704-0-0
SHEET	1 OF 22	REV.	A
			SHR 1

D CS 2924704-0-0

SIZE CODE  
 CCS 2924704-0-0  
 NUMBER  
 2924704-0-0  
 REV  
 A

THIS DRAWING AND SPECIFICATIONS, HEREIN, ARE THE PROPERTY OF DIGITAL EQUIPMENT CORPORATION AND SHALL NOT BE REPRODUCED OR COPIED OR USED IN WHOLE OR IN PART AS THE BASIS FOR THE MANUFACTURE OR SALE OF ITEMS WITHOUT WRITTEN PERMISSION.  
 COPYRIGHT © 1984 DIGITAL EQUIPMENT CORPORATION

SEE SHEET '0' FOR REVISIONS



C

B

A

D

C

A

A

REV  
 A  
 NUMBER  
 2924704-0-0  
 SIZE  
 CCS

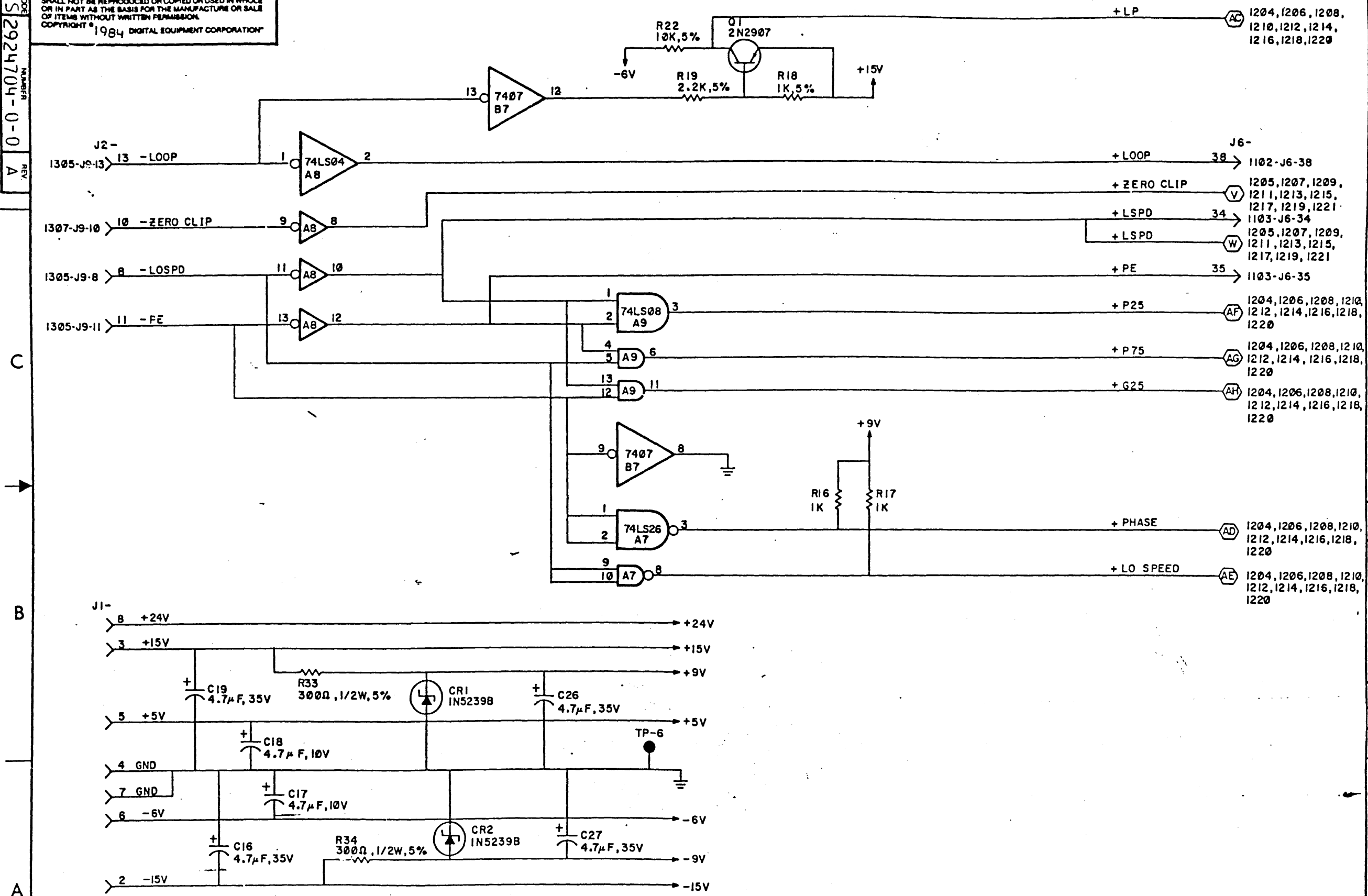
SHEET 1 IS "D" SIZE

TITLE		DOCUMENT NUMBER			
READ AMPLIFIER		SIZE	CODE	NUMBER	C.O.
LOC. A1A2		CCS		2924704-0-0	A
CROSS REF NO	1202	SHEET 2 OF 22		PAGE	

SIZE CODE  
CS 2924704-0-0  
REV. A

THIS DRAWING AND SPECIFICATIONS HEREIN ARE THE PROPERTY OF DIGITAL EQUIPMENT CORPORATION AND SHALL NOT BE REPRODUCED OR COPIED IN WHOLE OR IN PART AS THE BASIS FOR THE MANUFACTURE OR SALE OF ITEMS WITHOUT WRITTEN PERMISSION.  
COPYRIGHT © 1984 DIGITAL EQUIPMENT CORPORATION

SEE SHEET '0' FOR REVISIONS



C  
B  
A

D  
C  
A

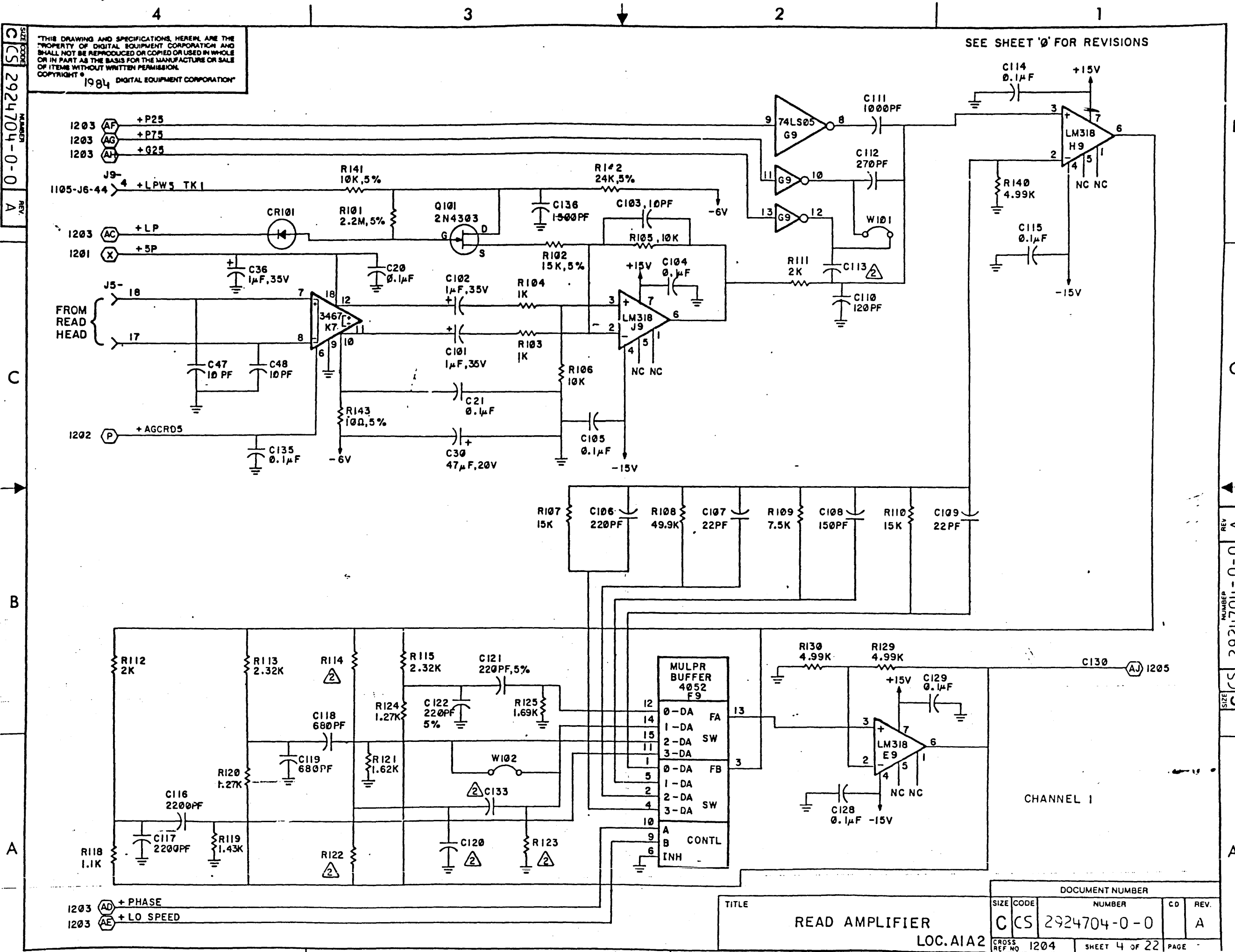
REV. A  
NUMBER CS 2924704-0-0  
SIZE

TITLE		DOCUMENT NUMBER			
READ AMPLIFIER		SIZE	CODE	NUMBER	REV.
LOC. A1A2		C	CS	2924704-0-0	A
CROSS REF. NO.	1203	SHEET 3 OF 22		PAGE	

SIZE CODE  
 CCS 2924704-0-0  
 NUMBER  
 2924704-0-0  
 REV  
 A

"THIS DRAWING AND SPECIFICATIONS, HEREIN, ARE THE PROPERTY OF DIGITAL EQUIPMENT CORPORATION AND SHALL NOT BE REPRODUCED OR COPIED OR USED IN WHOLE OR IN PART AS THE BASIS FOR THE MANUFACTURE OR SALE OF ITEMS WITHOUT WRITTEN PERMISSION. COPYRIGHT © 1984 DIGITAL EQUIPMENT CORPORATION"

SEE SHEET '0' FOR REVISIONS



C

B

A

D

C

A

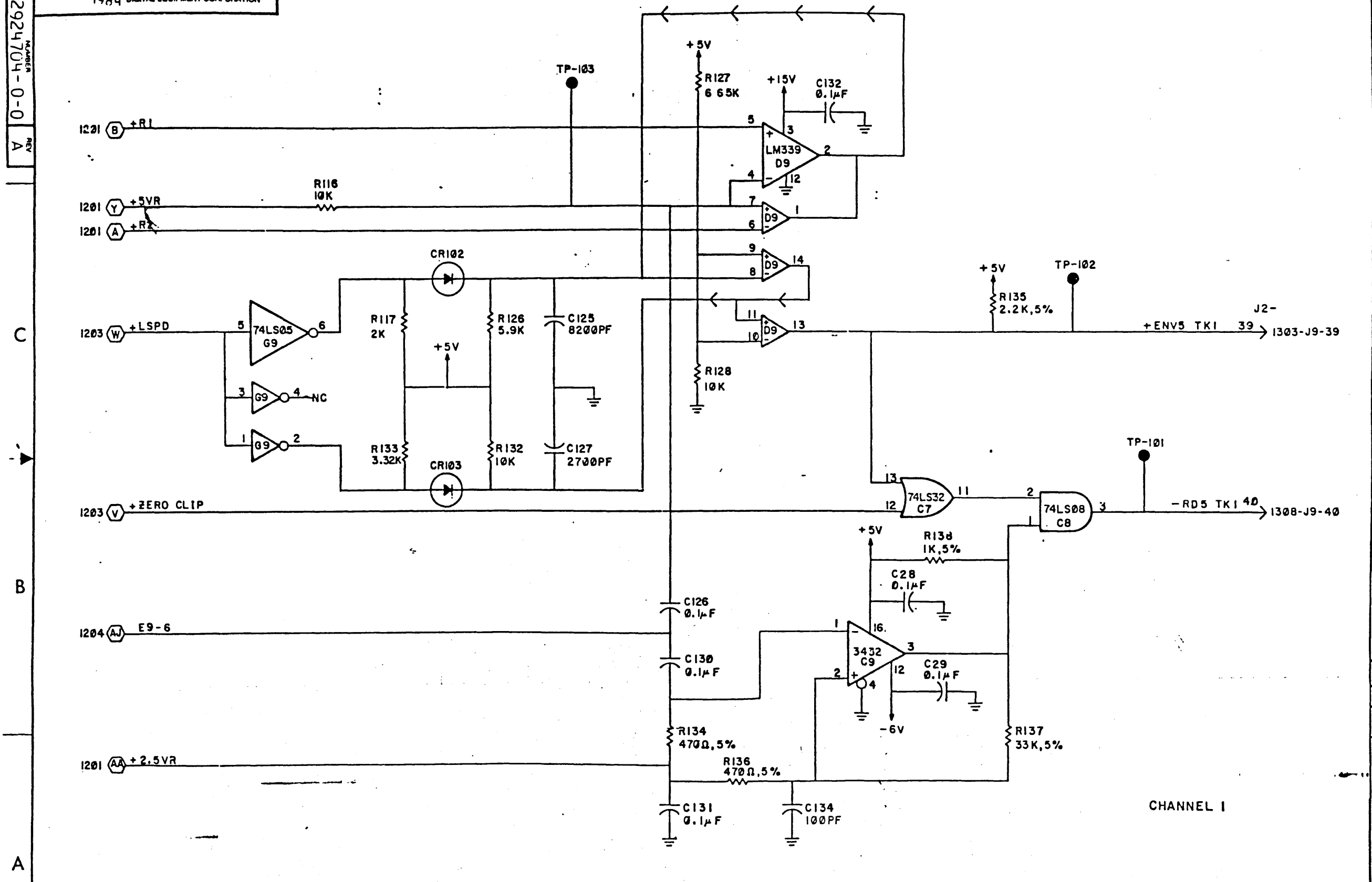
A

SIZE CODE  
 CCS 2924704-0-0  
 NUMBER  
 2924704-0-0  
 REV  
 A

SIZE CODE  
CS  
NUMBER  
2924704-0-0  
REV  
A

"THIS DRAWING AND SPECIFICATIONS HEREIN ARE THE PROPERTY OF DIGITAL EQUIPMENT CORPORATION AND SHALL NOT BE REPRODUCED OR COPIED OR USED IN WHOLE OR IN PART AS THE BASIS FOR THE MANUFACTURE OR SALE OF ITEMS WITHOUT WRITTEN PERMISSION.  
COPYRIGHT © 1984 DIGITAL EQUIPMENT CORPORATION"

SEE SHEET '0' FOR REVISIONS



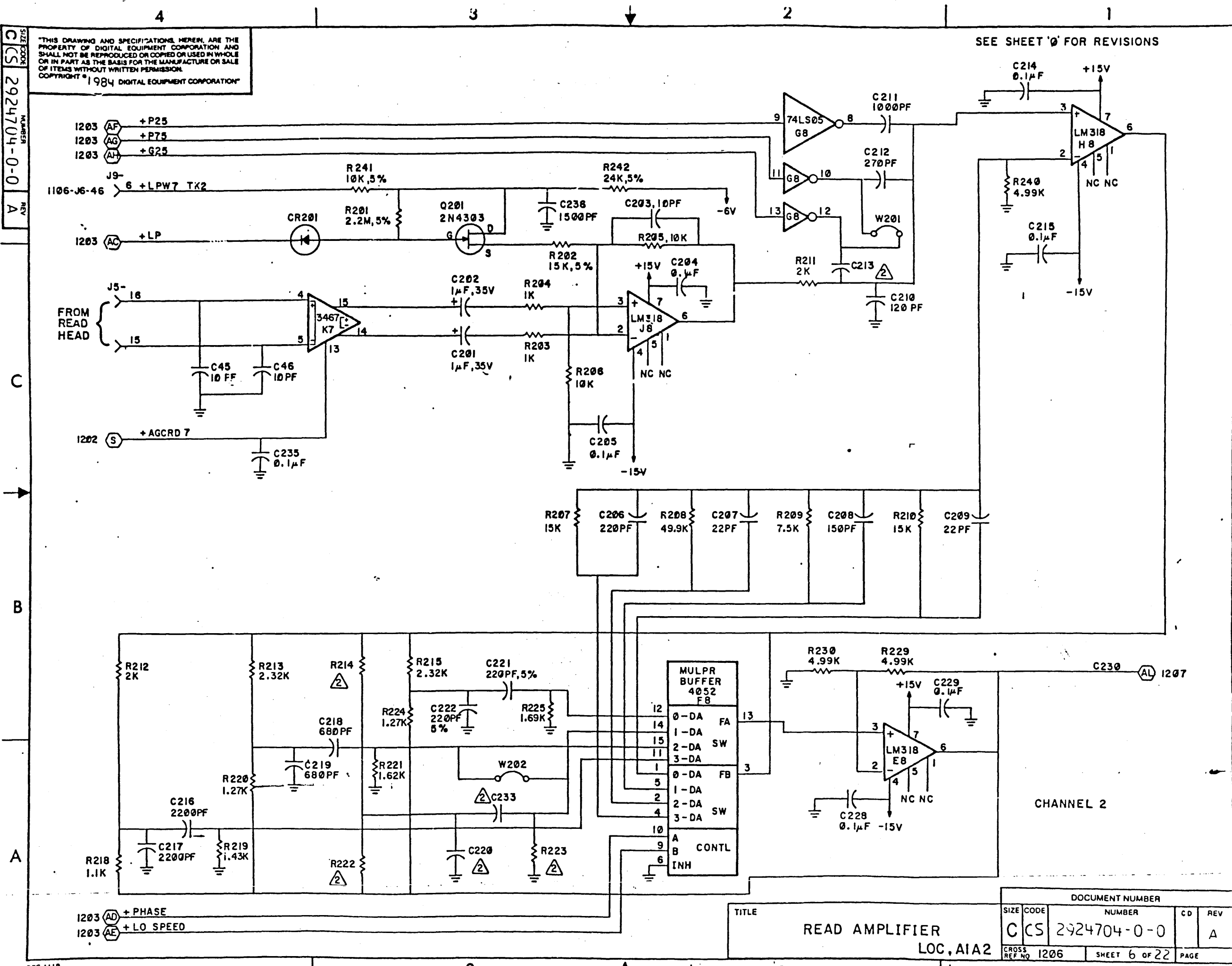
CHANNEL 1

TITLE		DOCUMENT NUMBER			
READ AMPLIFIER		SIZE CODE	NUMBER	C/D	REV.
LOC. AIA2		C CS	2924704-0-0		A
CROSS REF NO	1205	SHEET 5 OF 22		PAGE	

SIZE 3000  
 CS 2924704-0-0  
 NUMBER  
 A

THIS DRAWING AND SPECIFICATIONS HEREIN ARE THE PROPERTY OF DIGITAL EQUIPMENT CORPORATION AND SHALL NOT BE REPRODUCED OR COPIED OR USED IN WHOLE OR IN PART AS THE BASIS FOR THE MANUFACTURE OR SALE OF ITEMS WITHOUT WRITTEN PERMISSION.  
 COPYRIGHT © 1984 DIGITAL EQUIPMENT CORPORATION

SEE SHEET '0' FOR REVISIONS



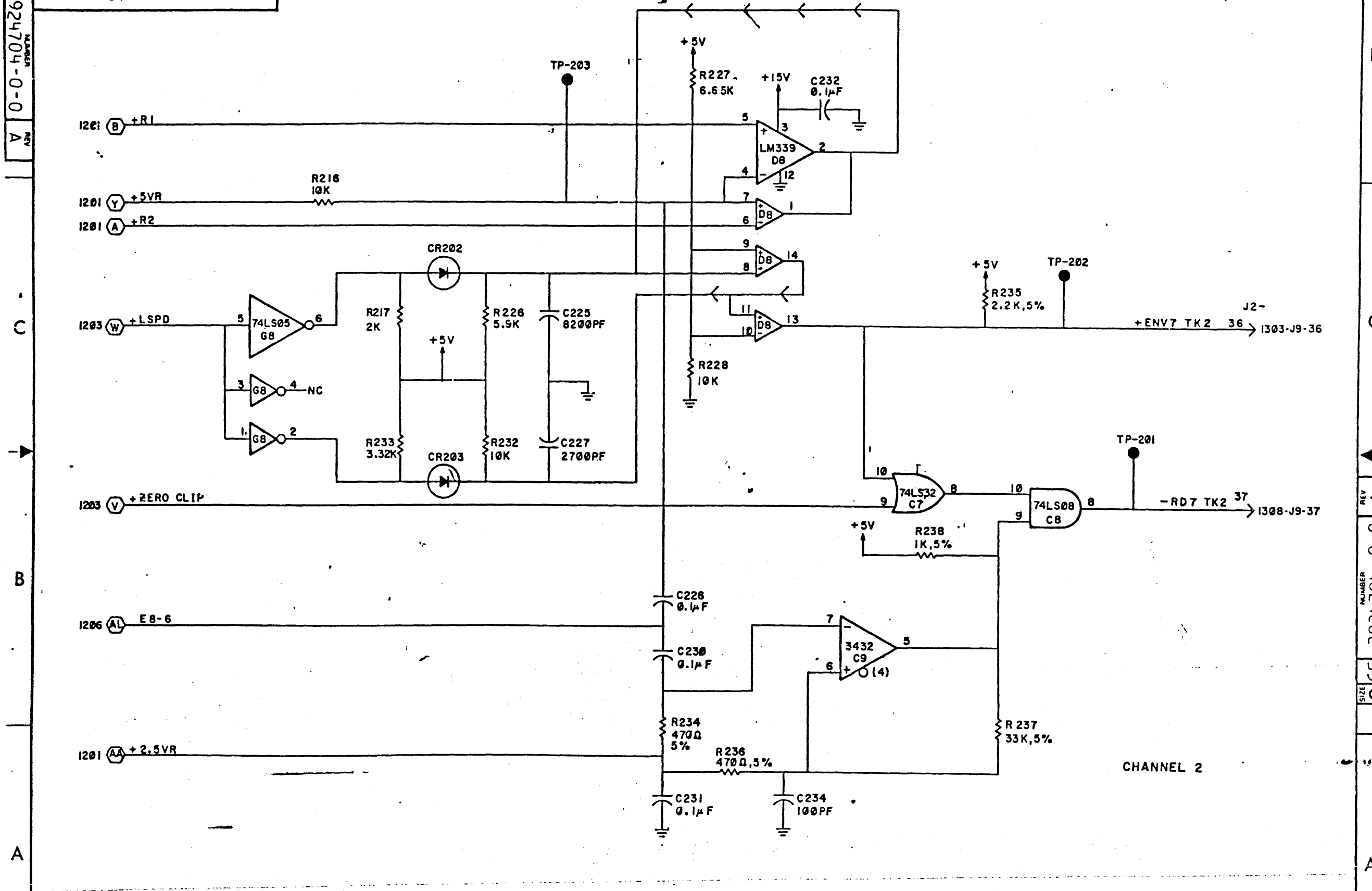
TITLE  
 READ AMPLIFIER  
 LOC, A1A2

DOCUMENT NUMBER			
SIZE	CODE	NUMBER	CD REV
C	CS	2924704-0-0	A
CROSS REF NO 1206		SHEET 6 OF 22	PAGE

SIZE CODE  
 2924704-0-0  
 REV A

THIS DRAWING AND SPECIFICATIONS, HEREIN, ARE THE PROPERTY OF DIGITAL EQUIPMENT CORPORATION AND SHALL NOT BE REPRODUCED OR COPIED OR USED IN WHOLE OR IN PART AS THE BASIS FOR THE MANUFACTURE OR SALE OF ITEMS WITHOUT WRITTEN PERMISSION.  
 COPYRIGHT © 1984 DIGITAL EQUIPMENT CORPORATION

SEE SHEET '0' FOR REVISIONS



A

B

C

D

A

REV A

C

D

SIZE CODE  
 2924704-0-0  
 REV A

TITLE		DOCUMENT NUMBER			
READ AMPLIFIER		SIZE CODE	NUMBER	CD	REV
LOC.A1A2		C CS	2924704-0-0		A
CROSS REF. NO.	1207	SHEET 7 OF 22		PAGE	

"THIS DRAWING AND SPECIFICATIONS HEREIN ARE THE PROPERTY OF DIGITAL EQUIPMENT CORPORATION AND SHALL NOT BE REPRODUCED OR COPIED IN WHOLE OR IN PART AS THE BASIS FOR THE MANUFACTURE OR SALE OF ITEMS WITHOUT WRITTEN PERMISSION. COPYRIGHT © 1984 DIGITAL EQUIPMENT CORPORATION"

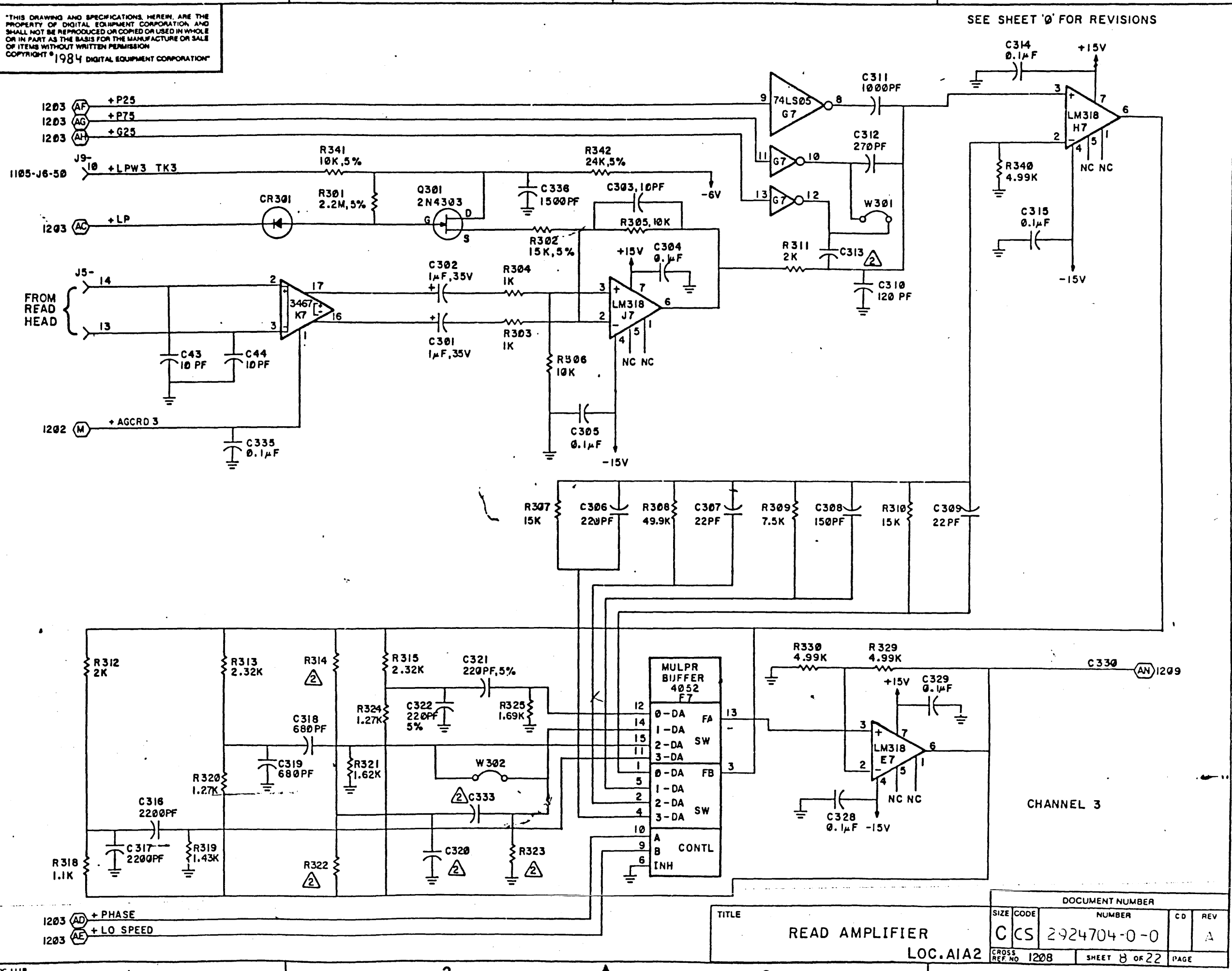
SEE SHEET '0' FOR REVISIONS

SIZE CODE  
CS 2924704-0-0  
REV A

C

B

A



D

C

A

A

SIZE CODE  
CS 2924704-0-0  
REV A

1203 AF +P25  
1203 AG +P75  
1203 AH +G25

1105-J6-50 +LPW3 TK3

1203 AC +LP

FROM READ HEAD  
14  
13

1202 M +AGCRD 3

1203 AD +PHASE  
1203 AE +LO SPEED

TITLE  
READ AMPLIFIER  
LOC.A1A2

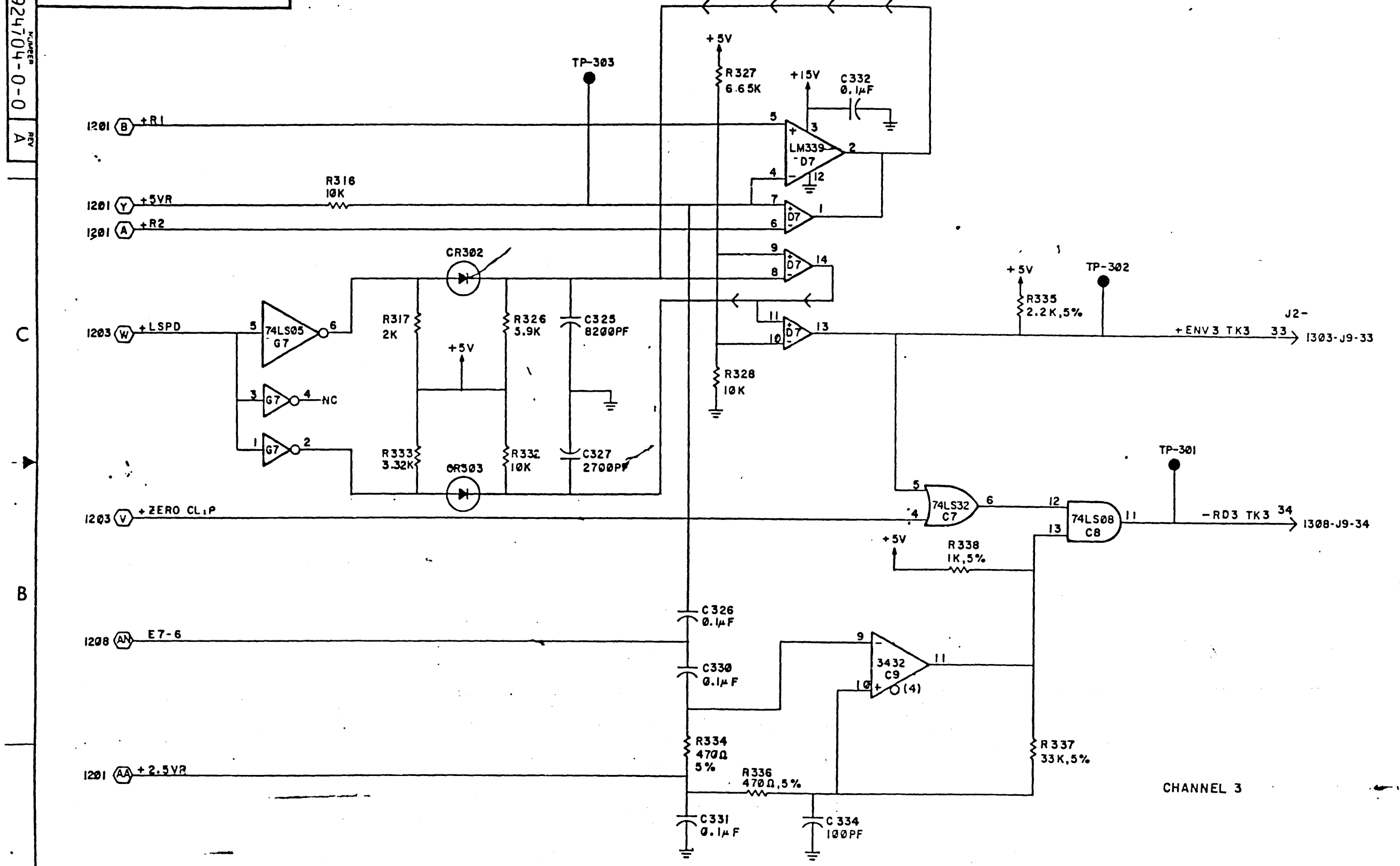
DOCUMENT NUMBER			
SIZE CODE	NUMBER	CD	REV
CS	2924704-0-0		A
CROSS REF. NO	SHEET	PAGE	
1208	8 OF 22		



SIZE CODE  
 CS 2924704-0-0  
 NUMBER  
 2924704-0-0  
 REV  
 A

"THIS DRAWING AND SPECIFICATIONS, HEREIN, ARE THE PROPERTY OF DIGITAL EQUIPMENT CORPORATION AND SHALL NOT BE REPRODUCED OR COPIED OR USED IN WHOLE OR IN PART AS THE BASIS FOR THE MANUFACTURE OR SALE OF ITEMS WITHOUT WRITTEN PERMISSION. COPYRIGHT © 1984 DIGITAL EQUIPMENT CORPORATION"

SEE SHEET '0' FOR REVISIONS



A

B

C

D

A

REV  
 A

C

D

TITLE		DOCUMENT NUMBER			
READ AMPLIFIER LOC. A1A2		SIZE CODE	NUMBER	CD	REV
		CS	2924704-0-0		A
CROSS REF NO	1209	SHEET 9 OF 22		PAGE	

THIS DRAWING AND SPECIFICATIONS HEREIN ARE THE PROPERTY OF DIGITAL EQUIPMENT CORPORATION AND SHALL NOT BE REPRODUCED OR COPIED OR USED IN WHOLE OR IN PART AS THE BASIS FOR THE MANUFACTURE OR SALE OF ITEMS WITHOUT WRITTEN PERMISSION. COPYRIGHT © 1984 DIGITAL EQUIPMENT CORPORATION

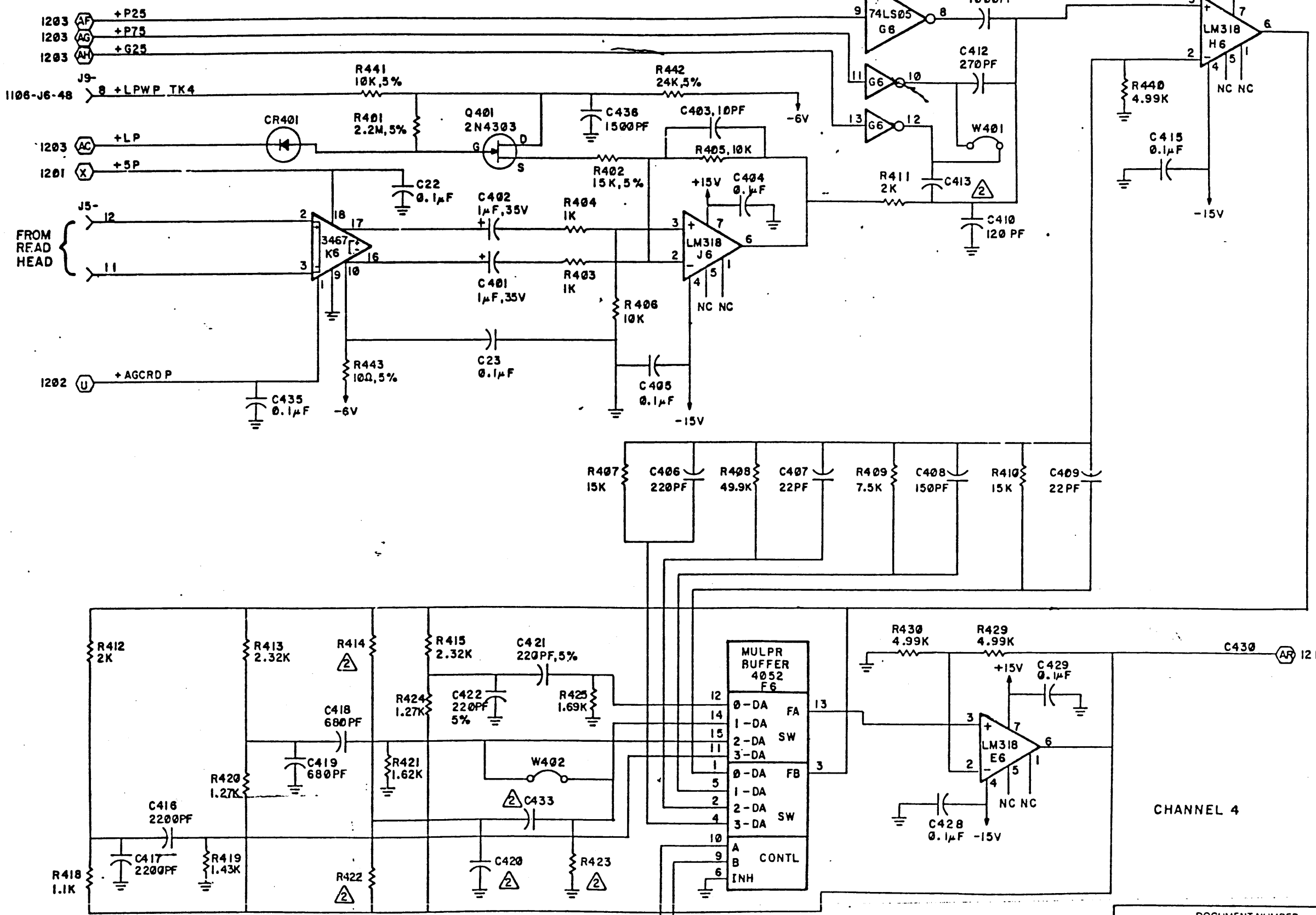
SEE SHEET '0' FOR REVISIONS

SIZE CODE  
CS 2924704-0-0  
REV. A

C

B

A



D

C

REV. A

SIZE CODE  
CS 2924704-0-0  
REV. A

A

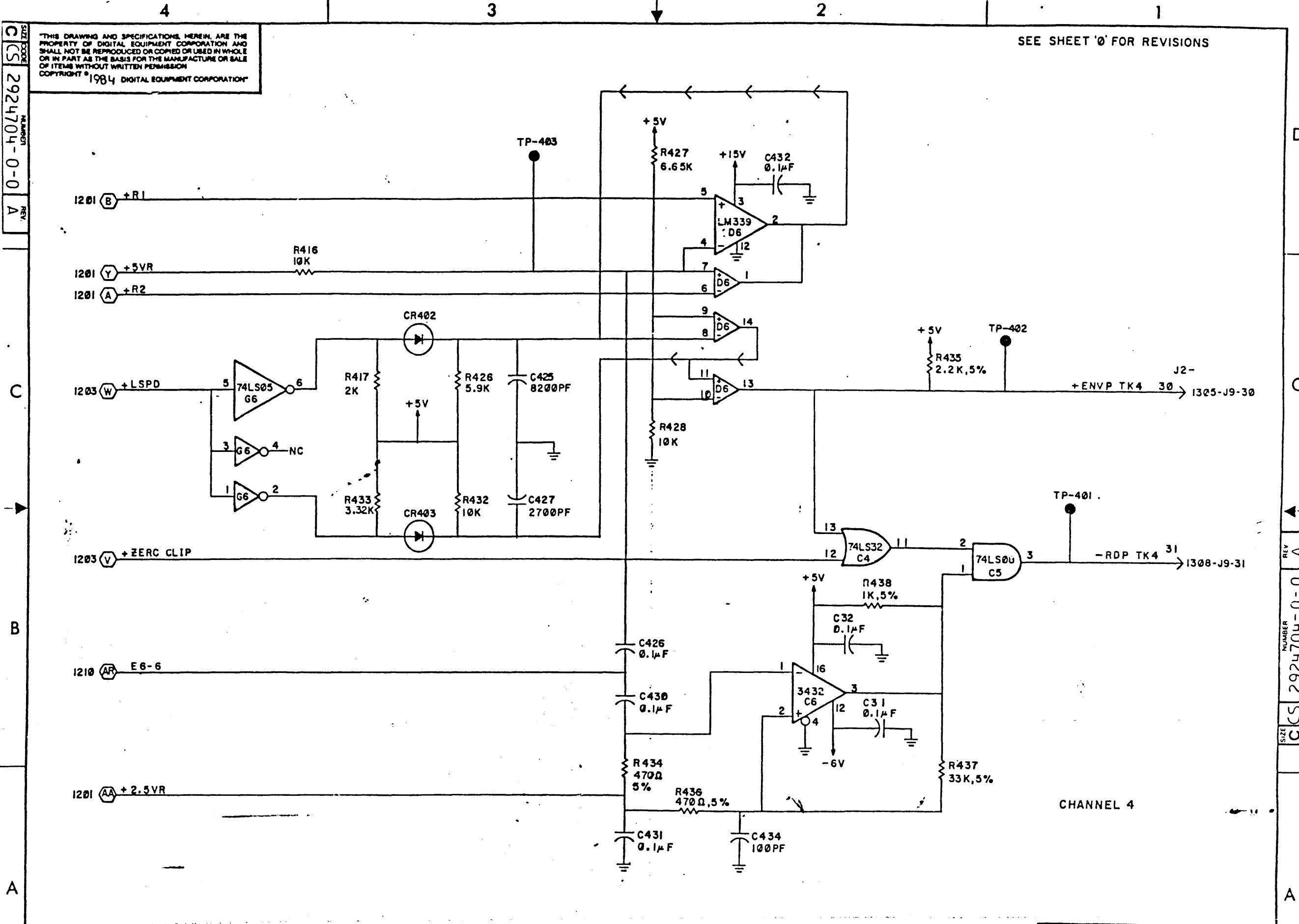
1203 AD + PHASE  
1203 AE + LO SPEED

TITLE  
READ AMPLIFIER  
LOC. A1A2

DOCUMENT NUMBER			
SIZE	CODE	NUMBER	CD
C	CS	2924704-0-0	A
CROSS REF. NO.	SHEET 10 OF 22		PAGE
1210			

THIS DRAWING AND SPECIFICATIONS, HEREIN, ARE THE PROPERTY OF DIGITAL EQUIPMENT CORPORATION AND SHALL NOT BE REPRODUCED OR COPIED OR USED IN WHOLE OR IN PART AS THE BASIS FOR THE MANUFACTURE OR SALE OF ITEMS WITHOUT WRITTEN PERMISSION. COPYRIGHT © 1984 DIGITAL EQUIPMENT CORPORATION

SEE SHEET '0' FOR REVISIONS



SIZE: C  
 CS: 2924704-0-0  
 REV: A

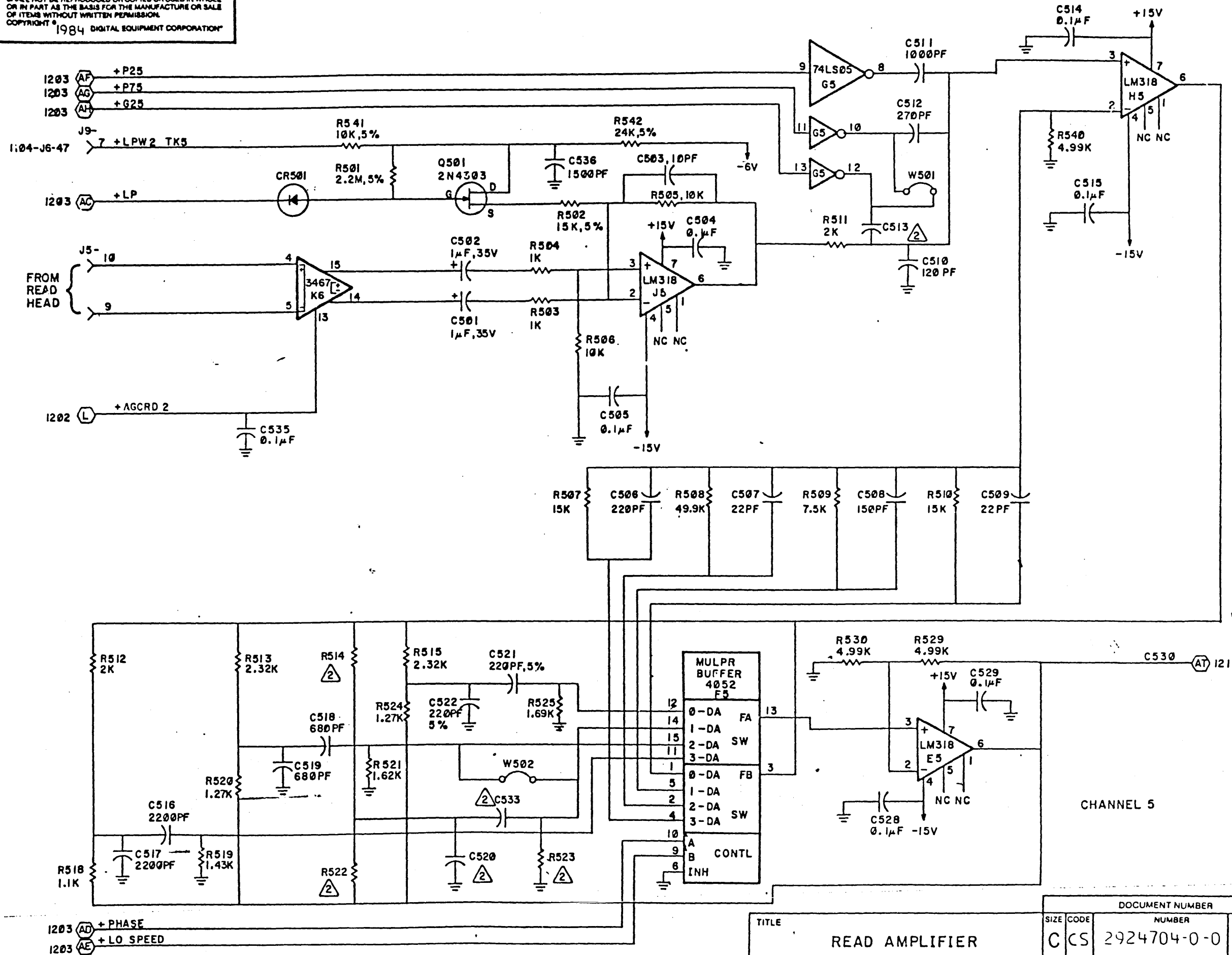
REV: A  
 NUMBER: 2924704-0-0  
 SIZE: C

TITLE		DOCUMENT NUMBER			
READ AMPLIFIER LOC. A1A2		SIZE	CODE	NUMBER	CO
		C	CS	2924704-0-0	A
CROSS REF NO	1211	SHEET	11	OF	22
PAGE					

THIS DRAWING AND SPECIFICATIONS, HEREIN, ARE THE PROPERTY OF DIGITAL EQUIPMENT CORPORATION AND SHALL NOT BE REPRODUCED OR COPIED OR USED IN WHOLE OR IN PART AS THE BASIS FOR THE MANUFACTURE OR SALE OF ITEMS WITHOUT WRITTEN PERMISSION.  
 COPYRIGHT © 1984 DIGITAL EQUIPMENT CORPORATION

SEE SHEET '0' FOR REVISIONS

SIZE CODE  
 CS 2924704-0-0  
 NUMBER  
 A



C  
 B  
 A

D  
 C  
 A

1203 AD + PHASE  
 1203 AE + LO SPEED

TITLE  
 READ AMPLIFIER  
 LOC. A1A2

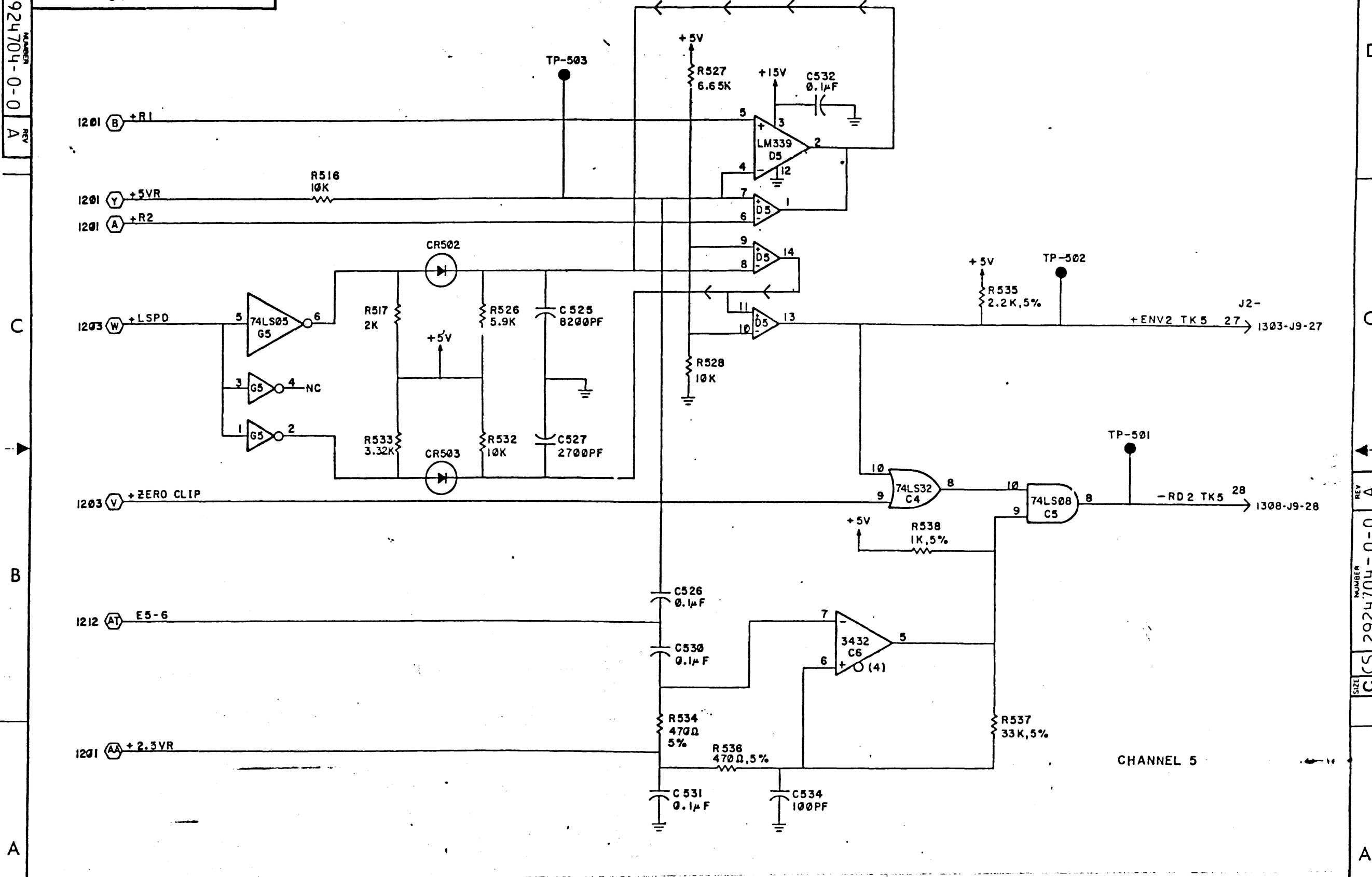
DOCUMENT NUMBER				
SIZE	CODE	NUMBER	CO	REV
C	CS	2924704-0-0		A
CROSS REF NO	1212	SHEET 12 OF 22	PAGE	

REV A  
 NUMBER  
 CS 2924704-0-0  
 SIZE

SIZE CODE  
 CS 2924704-0-0  
 NUMBER  
 A

THIS DRAWING AND SPECIFICATIONS HEREIN ARE THE PROPERTY OF DIGITAL EQUIPMENT CORPORATION AND SHALL NOT BE REPRODUCED OR COPIED OR USED IN WHOLE OR IN PART AS THE BASIS FOR THE MANUFACTURE OR SALE OF ITEMS WITHOUT WRITTEN PERMISSION.  
 COPYRIGHT © 1984 DIGITAL EQUIPMENT CORPORATION

SEE SHEET '0' FOR REVISIONS



CHANNEL 5

TITLE		DOCUMENT NUMBER			
READ AMPLIFIER LOC. A1A2		SIZE	CODE	NUMBER	CD REV
		C	CS	2924704-0-0	A
CROSS REF NO	1213	SHEET 13 OF 22		PAGE	

THIS DRAWING AND SPECIFICATIONS HEREIN, ARE THE PROPERTY OF DIGITAL EQUIPMENT CORPORATION AND SHALL NOT BE REPRODUCED OR COPIED OR USED IN WHOLE OR IN PART AS THE BASIS FOR THE MANUFACTURE OR SALE OF ITEMS WITHOUT WRITTEN PERMISSION.  
 COPYRIGHT © 1984 DIGITAL EQUIPMENT CORPORATION

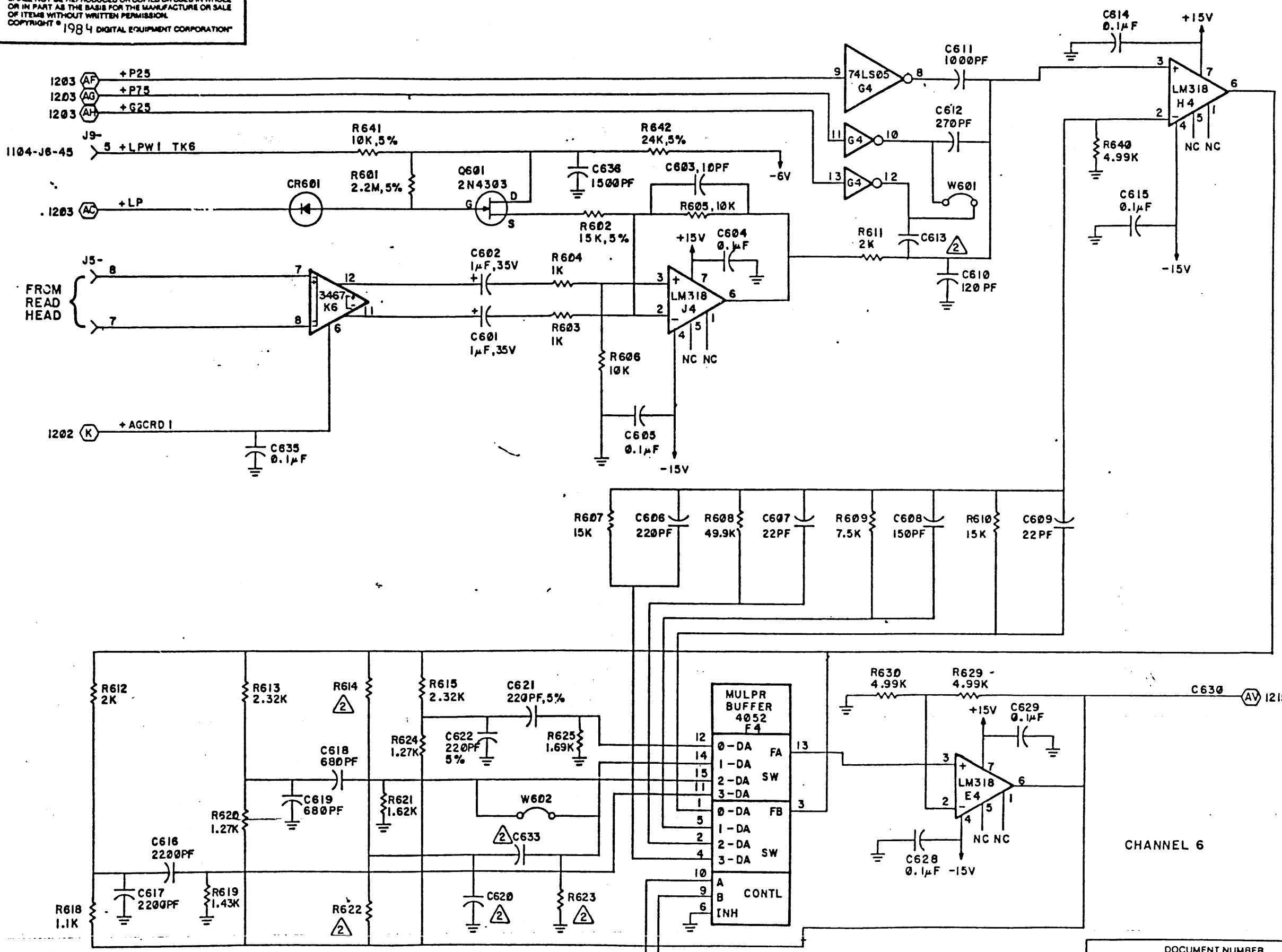
SEE SHEET '0' FOR REVISIONS

SIZE CODE  
 CCS 2924704-0-0  
 NUMBER  
 REV  
 A

C

B

A



D

C

A

A

REV  
 A  
 NUMBER  
 CCS 2924704-0-0  
 SIZE

1203 AD + PHASE  
 1203 AE + LO SPEED

TITLE  
 READ AMPLIFIER  
 LOC. A1A2

DOCUMENT NUMBER			
SIZE	CODE	NUMBER	REV
C	CS	2924704-0-0	A
CROSS REF NO	1214	SHEET 14 OF 22	PAGE

THIS DRAWING AND SPECIFICATIONS HEREIN ARE THE PROPERTY OF DIGITAL EQUIPMENT CORPORATION AND SHALL NOT BE REPRODUCED OR COPIED OR USED IN WHOLE OR IN PART AS THE BASIS FOR THE MANUFACTURE OR SALE OF ITEMS WITHOUT WRITTEN PERMISSION. COPYRIGHT © 1984 DIGITAL EQUIPMENT CORPORATION

SEE SHEET '0' FOR REVISIONS

SYSTEM NUMBER  
 2924704-0-0  
 SIZE A3M

C

B

A

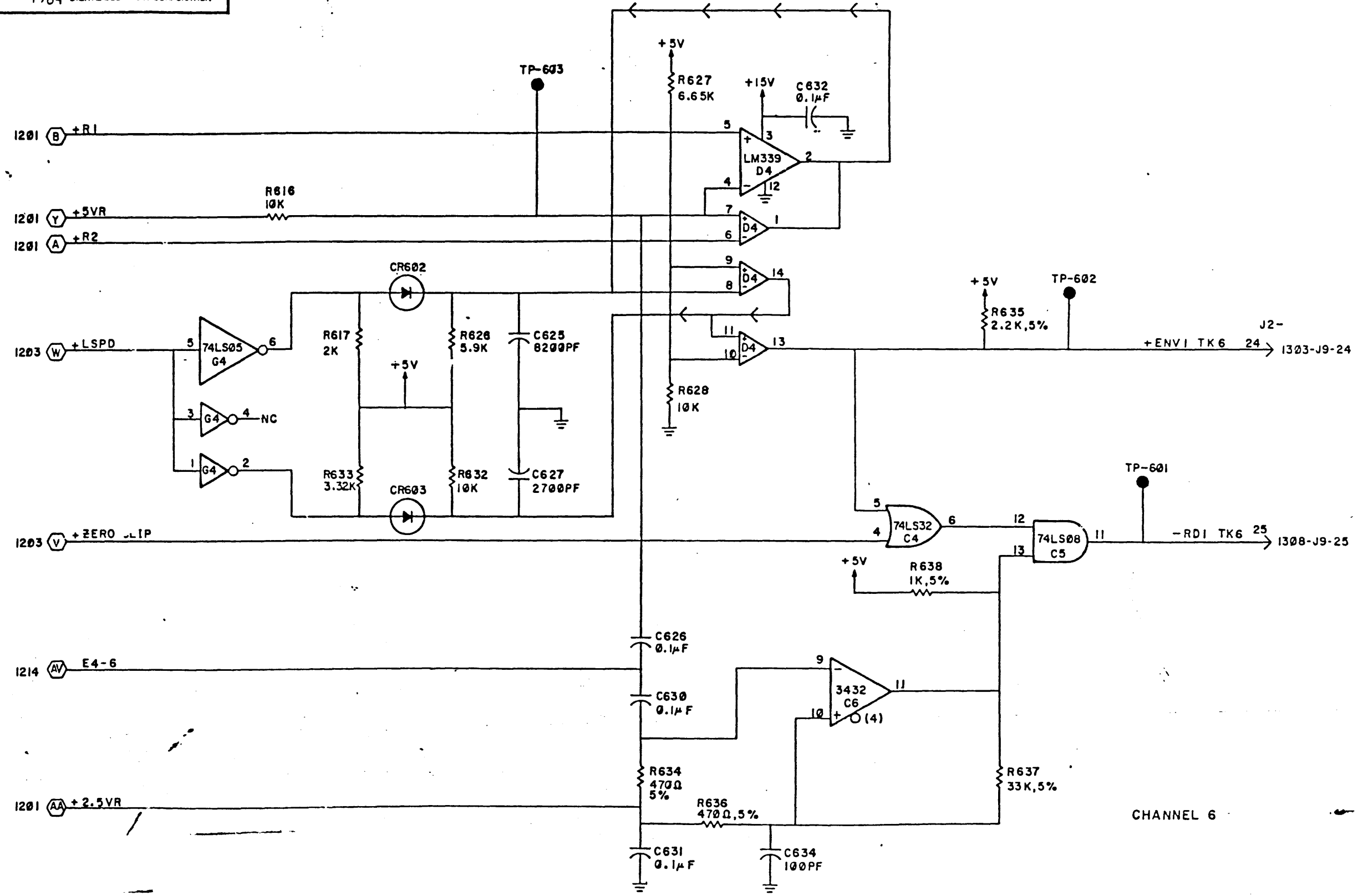
D

C

A

REV A  
 NUMBER  
 2924704-0-0  
 SIZE

A

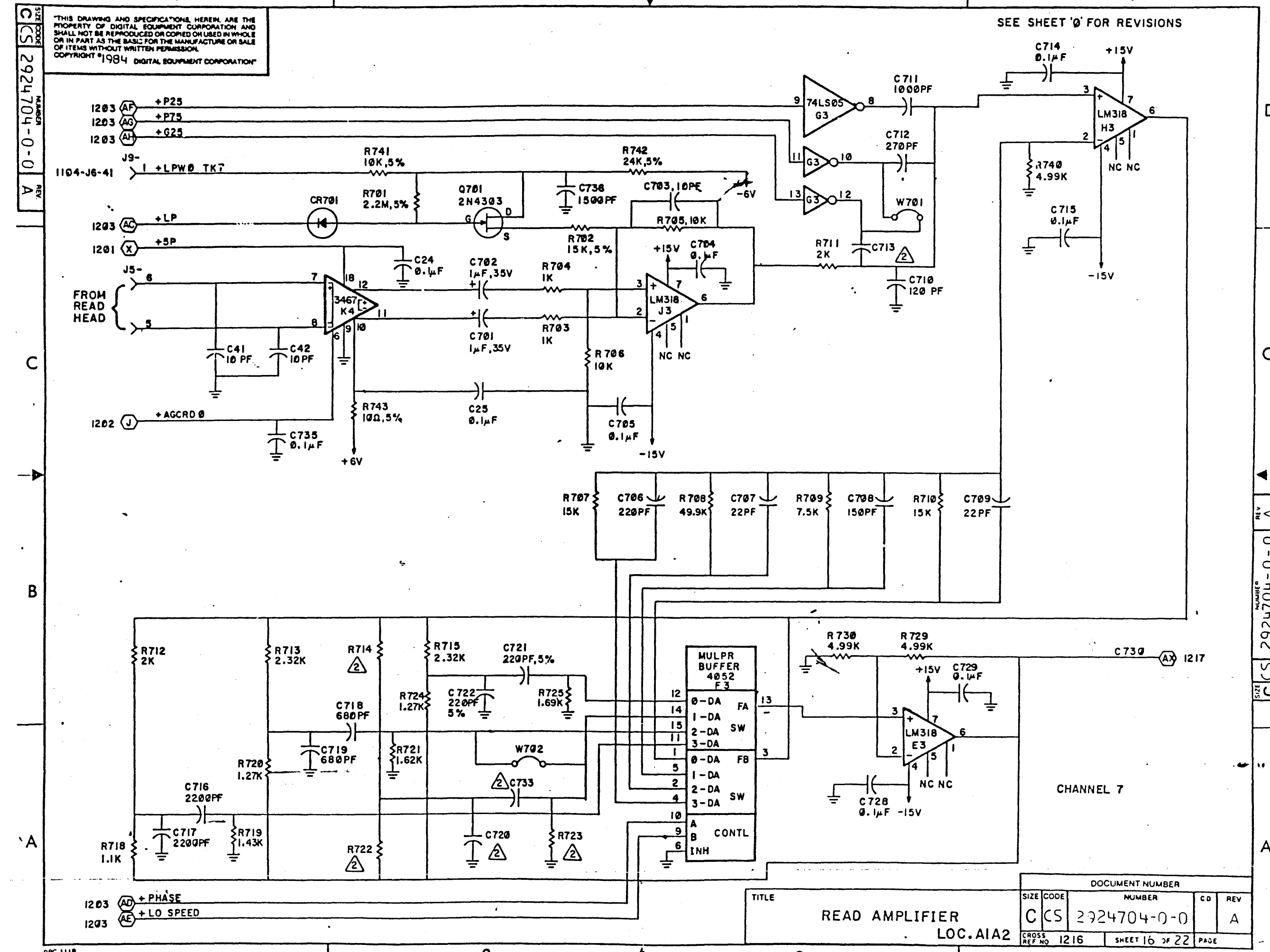


CHANNEL 6

TITLE		DOCUMENT NUMBER				
READ AMPLIFIER LOC. A1A2		SIZE	CODE	NUMBER	CD	REV
		C	CS	2924704-0-0		A
CROSS REF NO	1215	SHEET 15 OF 22		PAGE		

THIS DRAWING AND SPECIFICATIONS HEREIN ARE THE PROPERTY OF DIGITAL EQUIPMENT CORPORATION AND SHALL NOT BE REPRODUCED OR COPIED OR USED IN WHOLE OR IN PART AS THE BASIS FOR THE MANUFACTURE OR SALE OF ITEMS WITHOUT WRITTEN PERMISSION.  
 COPYRIGHT © 1984 DIGITAL EQUIPMENT CORPORATION

SEE SHEET '0' FOR REVISIONS



SIZE CODE  
 CS 2924704-0-0  
 NUMBER  
 REV  
 A

D  
 C  
 B  
 A  
 REV  
 A  
 NUMBER  
 CS 2924704-0-0  
 SIZE CODE  
 CS

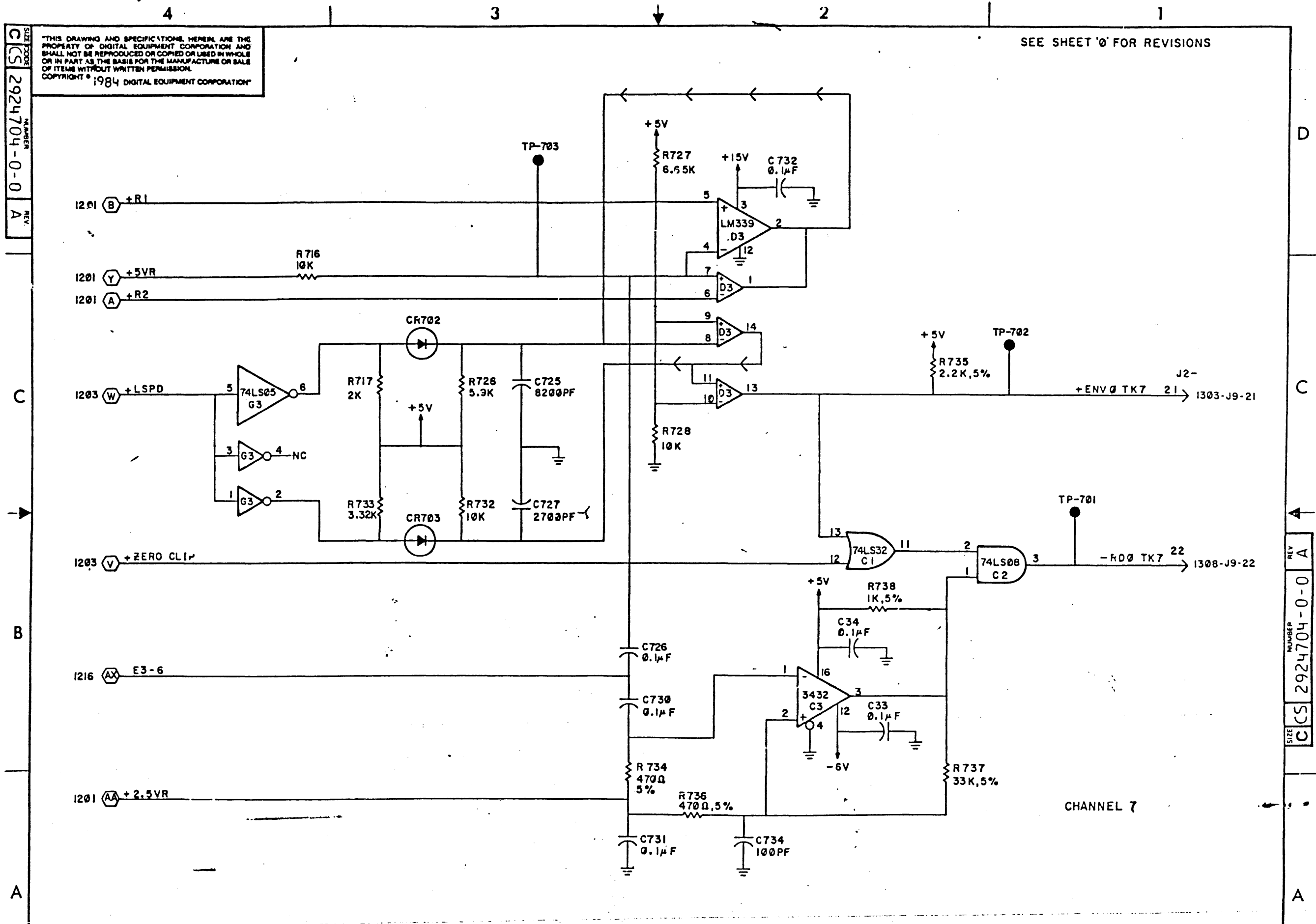
TITLE		DOCUMENT NUMBER	
READ AMPLIFIER		CS 2924704-0-0	
LOC.A1A2		CROSS REF NO	REV
		1216	A
		SHEET 16 OF 22	PAGE



SIZE CODE  
CS  
2924704-0-0  
REV  
A

THIS DRAWING AND SPECIFICATIONS HEREIN ARE THE PROPERTY OF DIGITAL EQUIPMENT CORPORATION AND SHALL NOT BE REPRODUCED OR COPIED OR USED IN WHOLE OR IN PART AS THE BASIS FOR THE MANUFACTURE OR SALE OF ITEMS WITHOUT WRITTEN PERMISSION.  
COPYRIGHT © 1984 DIGITAL EQUIPMENT CORPORATION

SEE SHEET '0' FOR REVISIONS



A

B

C

4

3

2

1

D

C

A

A

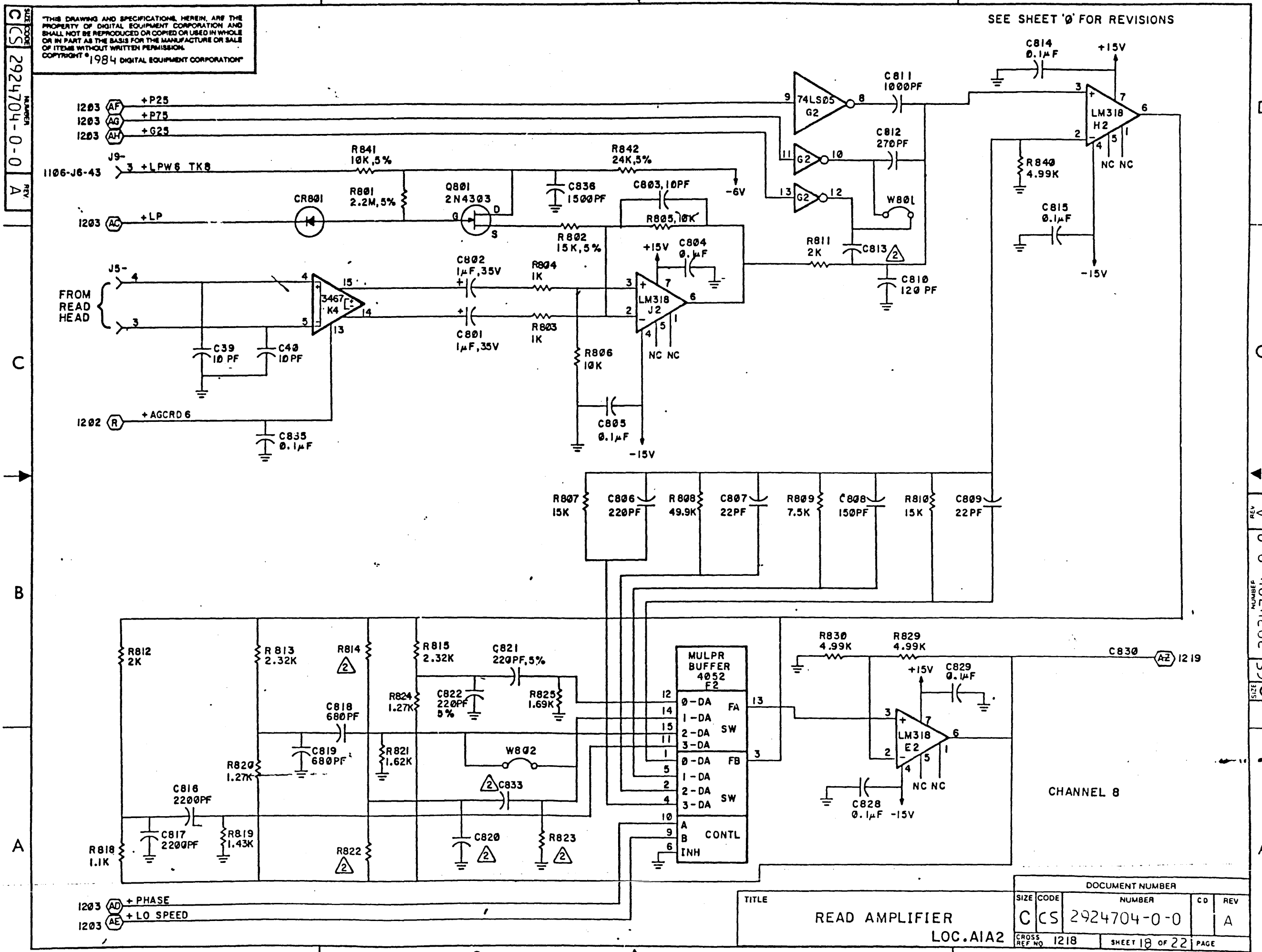
REV  
A  
NUMBER  
CS 2924704-0-0  
SIZE

TITLE  
READ AMPLIFIER  
LOC.A1A2

DOCUMENT NUMBER				
SIZE	CODE	NUMBER	CD	REV
C	CS	2924704-0-0		A
CROSS REF NO	1217	SHEET 17 OF 22	PAGE	

THIS DRAWING AND SPECIFICATIONS HEREIN ARE THE PROPERTY OF DIGITAL EQUIPMENT CORPORATION AND SHALL NOT BE REPRODUCED OR COPIED OR USED IN WHOLE OR IN PART AS THE BASIS FOR THE MANUFACTURE OR SALE OF ITEMS WITHOUT WRITTEN PERMISSION.  
 COPYRIGHT © 1984 DIGITAL EQUIPMENT CORPORATION

SEE SHEET '0' FOR REVISIONS



SIZE CODE  
 CS 2924704-0-0  
 NUMBER  
 2924704-0-0  
 REV  
 A

D  
 C  
 B  
 A

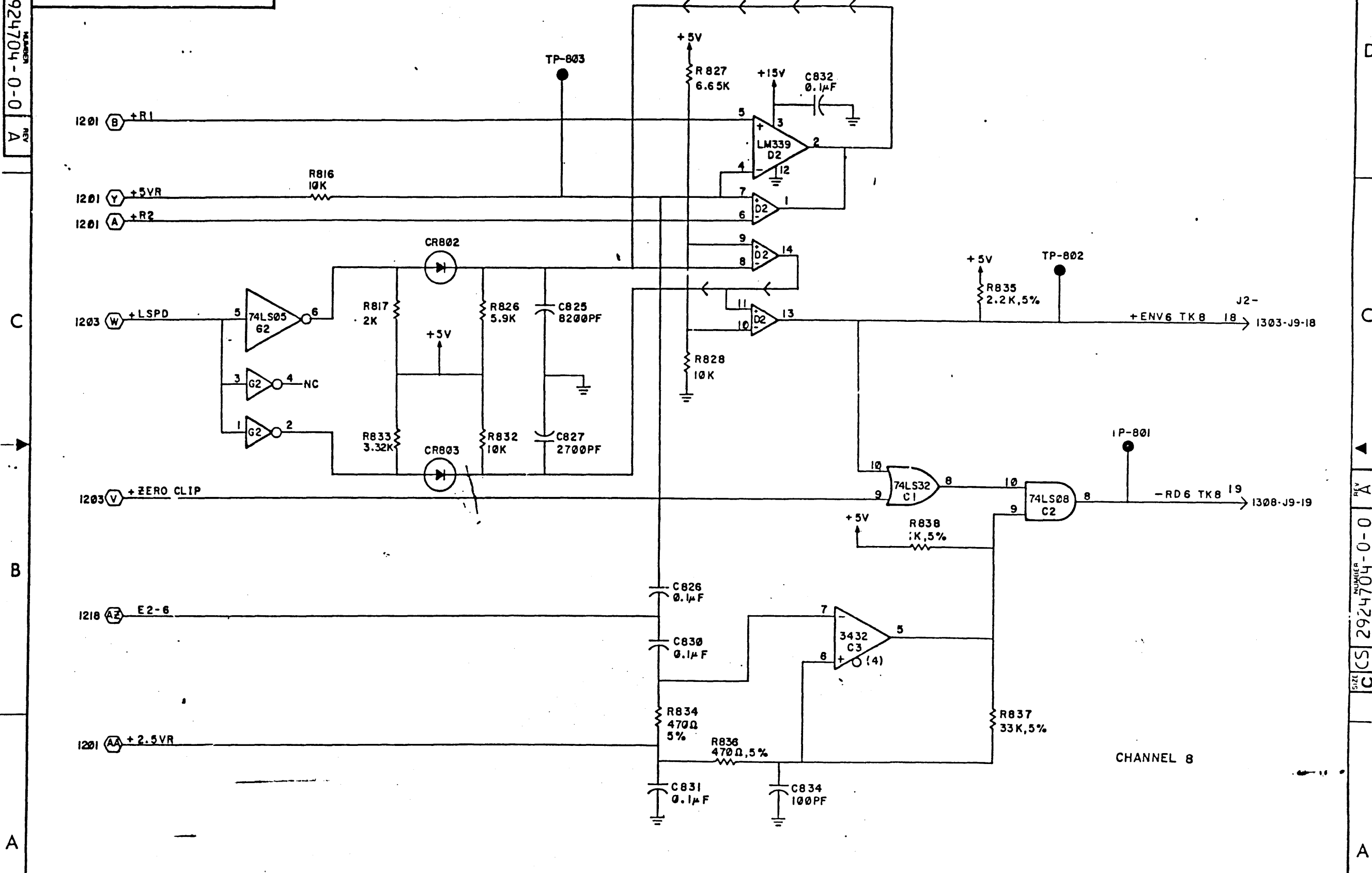
A

DOCUMENT NUMBER				
SIZE	CODE	NUMBER	CD	REV
C	CS	2924704-0-0		A
CROSS REF NO	SHEET 18 OF 22		PAGE	
1218				

CS 2924704-0-0  
 NUMBER  
 A3V

THIS DRAWING AND SPECIFICATIONS HEREIN ARE THE PROPERTY OF DIGITAL EQUIPMENT CORPORATION AND SHALL NOT BE REPRODUCED OR COPIED OR USED IN WHOLE OR IN PART AS THE BASIS FOR THE MANUFACTURE OR SALE OF ITEMS WITHOUT WRITTEN PERMISSION.  
 COPYRIGHT © 1984 DIGITAL EQUIPMENT CORPORATION

SEE SHEET '0' FOR REVISIONS

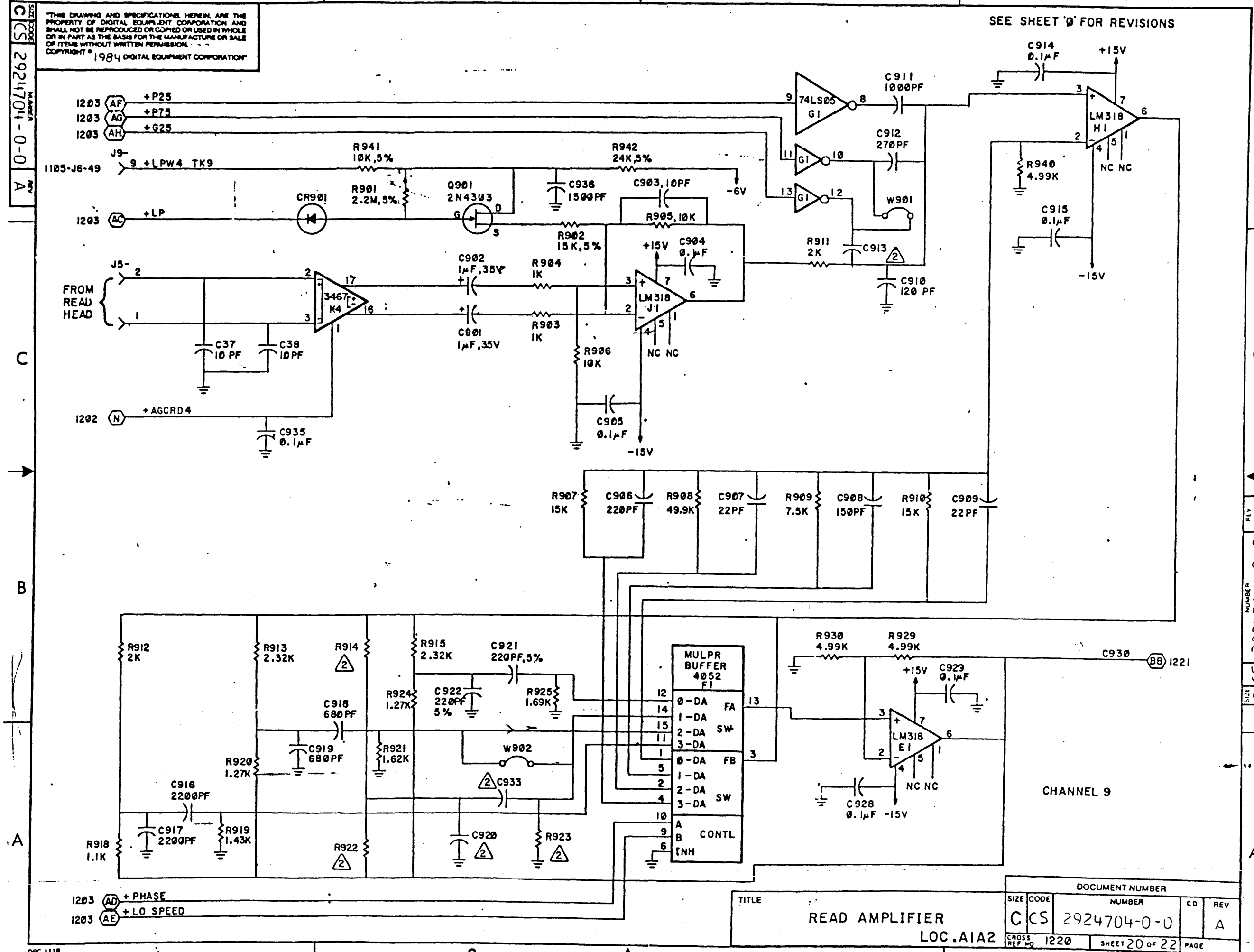


CHANNEL 8

DRC 1118		4		3		2		1	
TITLE					DOCUMENT NUMBER				
READ AMPLIFIER					SIZE	CODE	NUMBER	CR	REV.
LOC. A1A2					C	CS	2924704-0-0		A
CROSS REF. NO.			SHEET		OF		PAGE		
1219			19		OF		22		

THIS DRAWING AND SPECIFICATIONS, HEREIN, ARE THE PROPERTY OF DIGITAL EQUIPMENT CORPORATION AND SHALL NOT BE REPRODUCED OR COPIED OR USED IN WHOLE OR IN PART AS THE BASIS FOR THE MANUFACTURE OR SALE OF ITEMS WITHOUT WRITTEN PERMISSION.  
 COPYRIGHT © 1984 DIGITAL EQUIPMENT CORPORATION

SEE SHEET '0' FOR REVISIONS



SIZE CODE  
 CS 2924704-0-0  
 REV A

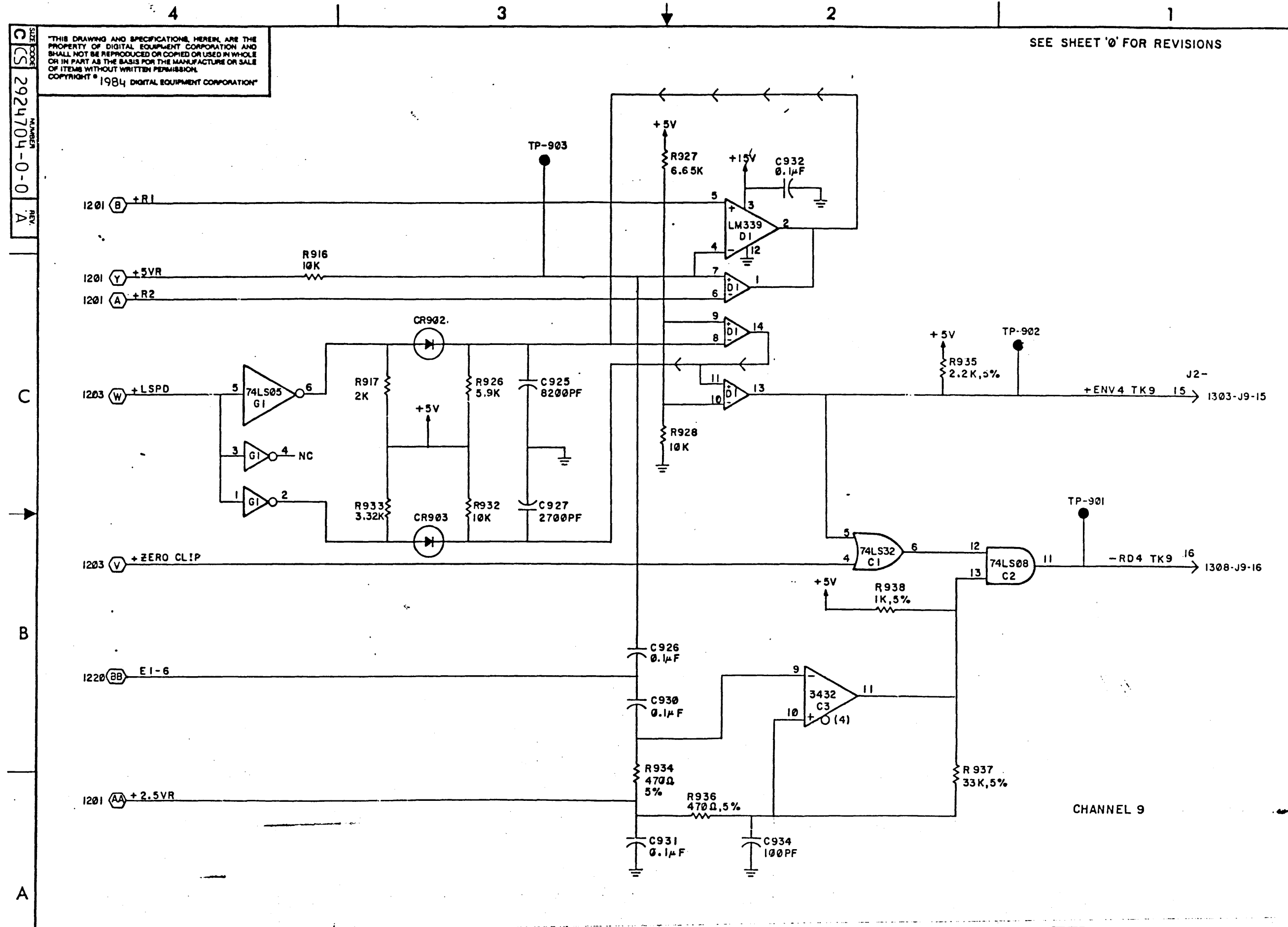
D  
 C  
 B  
 A  
 REV A  
 NUMBER  
 CS 2924704-0-0  
 SIZE

TITLE		DOCUMENT NUMBER	
READ AMPLIFIER LOC.A1A2		NUMBER	CO REV
		CS 2924704-0-0	A
CROSS REF NO	SHEET	PAGE	
1220	20 OF 22		

SIZE CODE  
 CS 2924704-0-0  
 NUMBER  
 REV. A

THIS DRAWING AND SPECIFICATIONS HEREIN ARE THE PROPERTY OF DIGITAL EQUIPMENT CORPORATION AND SHALL NOT BE REPRODUCED OR COPIED OR USED IN WHOLE OR IN PART AS THE BASIS FOR THE MANUFACTURE OR SALE OF ITEMS WITHOUT WRITTEN PERMISSION.  
 COPYRIGHT © 1984 DIGITAL EQUIPMENT CORPORATION

SEE SHEET '0' FOR REVISIONS



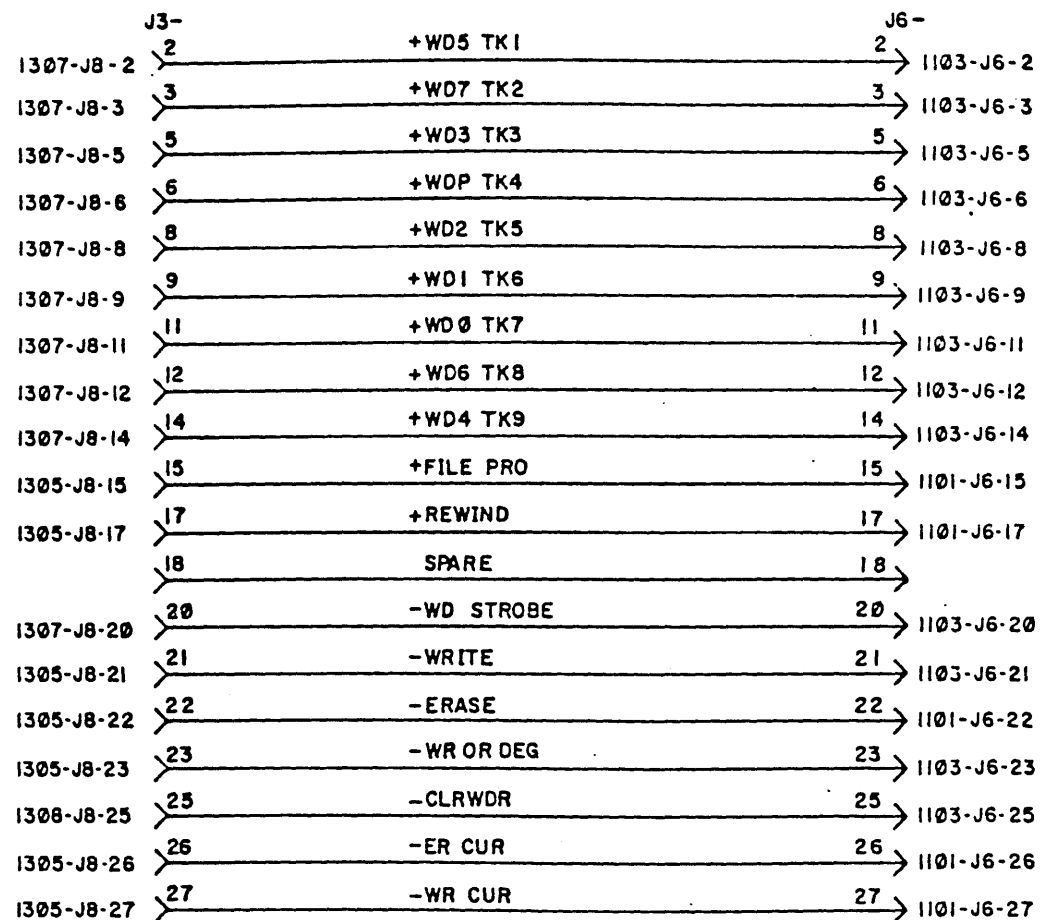
CHANNEL 9

TITLE		DOCUMENT NUMBER			
READ AMPLIFIER LOC.A1A2		SIZE CODE	NUMBER	CD	REV.
		CS	2924704-0-0		A
CROSS REF. NO	1221	SHEET	21 OF 22	PAGE	

THIS DRAWING AND SPECIFICATIONS HEREIN, ARE THE PROPERTY OF DIGITAL EQUIPMENT CORPORATION AND SHALL NOT BE REPRODUCED OR COPIED OR USED IN WHOLE OR IN PART AS THE BASIS FOR THE MANUFACTURE OR SALE OF ITEMS WITHOUT WRITTEN PERMISSION  
 COPYRIGHT © 1984 DIGITAL EQUIPMENT CORPORATION

SEE SHEET '0' FOR REVISIONS

SIZE CODE  
 CCS 2924704-0-0  
 REV  
 A



C

B

A

D

C

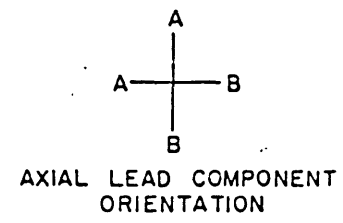
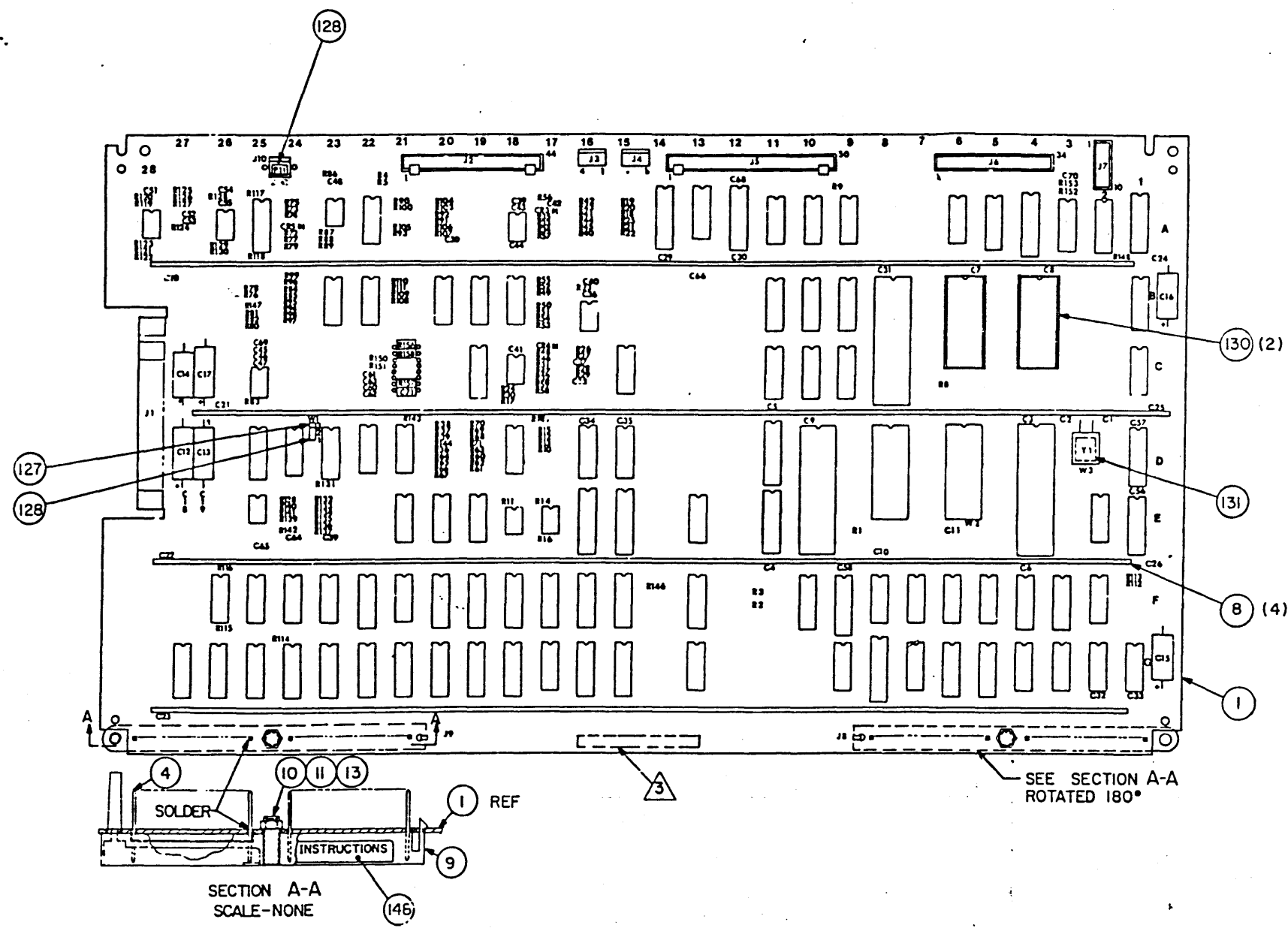
A

REV  
 A  
 NUMBER  
 CCS 2924704-0-0  
 SIZE

TITLE		DOCUMENT NUMBER			
READ AMPLIFIER LOC. A1A2		SIZE	CODE	NUMBER	REV.
		CCS		2924704-0-0	2
CROSS REF NO	1222	SHEET 22 OF 22		PAGE	

8 7 6 5 4 3 2 1

SHEET REVISION STATUS										REVISION RECORD											
16	15	14	13	12	11	10	9	8	7	6	5	4	3	2	REV	ECO	DESCRIPTION	DEPT	DATE	CHKD	APP
A	A	A	A	A	A	A	A	A	A	A	A	A	A	A	A	PB-51377	CLASS 'A' RELEASE		7/1/74	SLA	SLA
A	A	A	A	A	A	A	A	A	A	A	A	A	A	A	B	PB-51599	ADDED INSTRUCTION LABEL	SLA	6-22-74	SLA	SLA
C	C	A	C	A	C	A	A	C	A	C	A	C	A	C	C	PB-51264	SEE ECO	SLA	6-22-74	SLA	SLA



STANDARD MFG. PRACTICES SHALL BE ADHERED TO PER WORKMANSHIP MANUAL SPEC. NO. 10120300

UNLESS OTHERWISE SPECIFIED DIMENSIONS ARE IN INCHES	DWRN D. J. MORGAN	3-1-74	COMPUTER MATERIALS INC.	TAPE & CARD PRODUCTS DIV.
TOLERANCES	CHKD R. B.	7/1/74		NORRISTOWN, PA 19403
± PLACE ± PLACE ANGLES	ENGR R. J. BROWN		TITLE	
± .003 ± 0° 30'	MFG J. WILSON		PWA SERVO / CONTROL	
MATERIAL	QA W. STINE		SIZE D	CODE UA
FINISH	EQUIP NO. TTGS25-75		DWG NO. 2924705-0-0	A
	THIRD ANGLE PROJECTION		SCALE 1/1	SHEET 1 OF 1

PL 77042231  
DN77042230

DETACHED LISTS

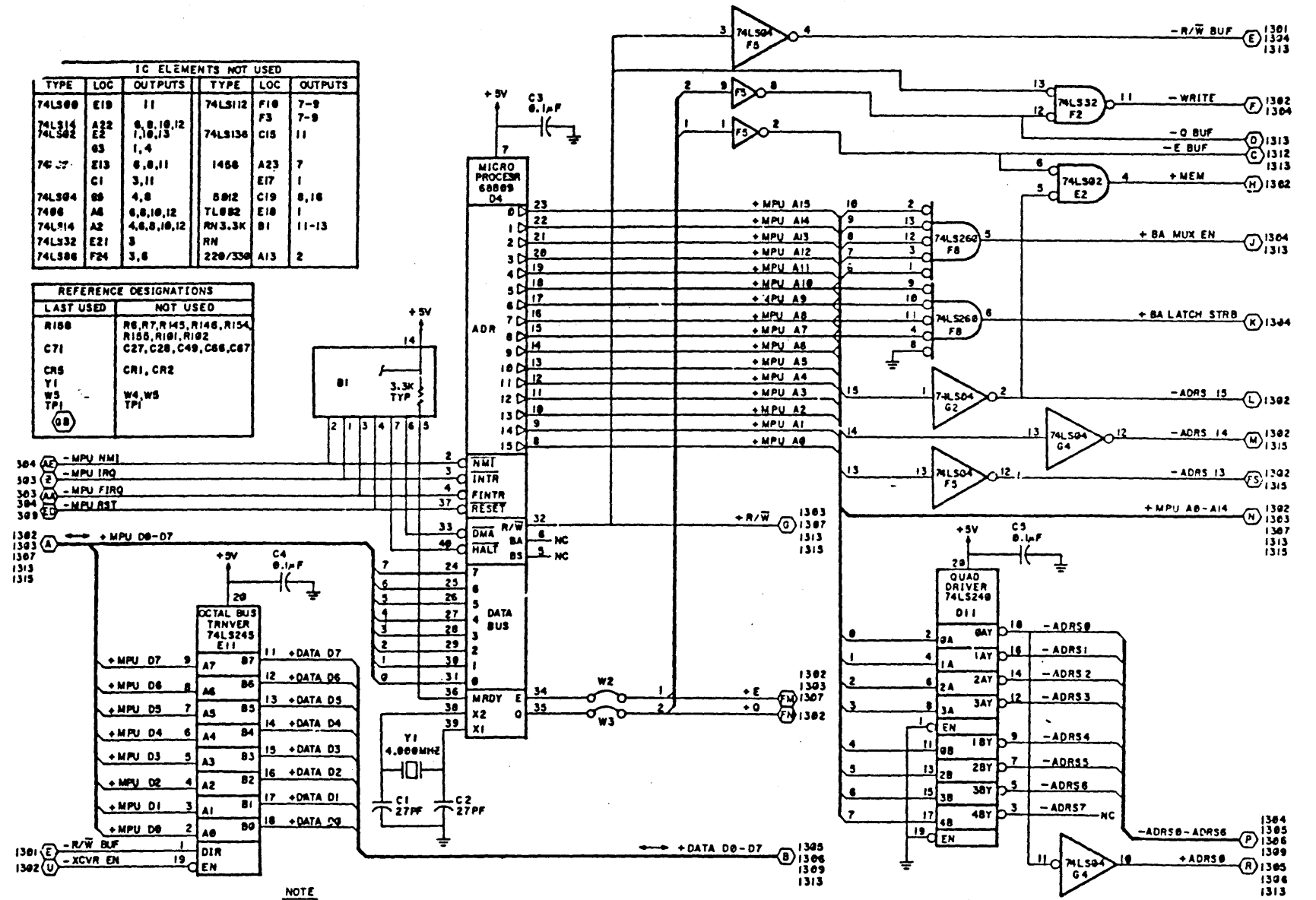
SHR

THE DRAWING AND SPECIFICATIONS HEREIN ARE THE PROPERTY OF DIGITAL EQUIPMENT CORPORATION AND SHALL NOT BE REPRODUCED OR COPIED OR USED IN WHOLE OR IN PART AS THE BASIS FOR THE MANUFACTURE OR SALE OF ITEMS WITHOUT WRITTEN PERMISSION.  
COPYRIGHT © 1984, DIGITAL EQUIPMENT CORPORATION

SEE SHEET 0 FOR REVISIONS

IC ELEMENTS NOT USED					
TYPE	LOC	OUTPUTS	TYPE	LOC	OUTPUTS
74LS00	E10	11	74LS112	F10	7-9
74LS14	A22	0, 8, 10, 12	74LS138	C15	11
74LS02	E2	7, 10, 13			
	G3	1, 4			
74LS07	E13	0, 8, 11	1458	A23	7
	C1	3, 11		E17	1
74LS04	G0	4, 8	8912	C19	0, 18
7406	A6	0, 8, 10, 12	TL082	E10	1
74LS14	A2	4, 6, 8, 10, 12	RN3.3K	B1	11-13
74LS32	E21	3	RN		
74LS06	F24	3, 6	220/330	A13	2

REFERENCE DESIGNATIONS	
LAST USED	NOT USED
R100	R6, R7, R145, R146, R154, R156, R191, R192
C71	C27, C28, C49, C66, C67
CR5	CR1, CR2
Y1	
W5	W4, W8
TP1	TP1



NOTE  
UNLESS OTHERWISE SPECIFIED,  
1. ALL RESISTOR VALUES ARE IN OHMS, 1/4W, 1%.  
2. RESERVED FOR FUTURE USE.

SHEETS 2 THRU 15 ARE "C" SIZE

77022970

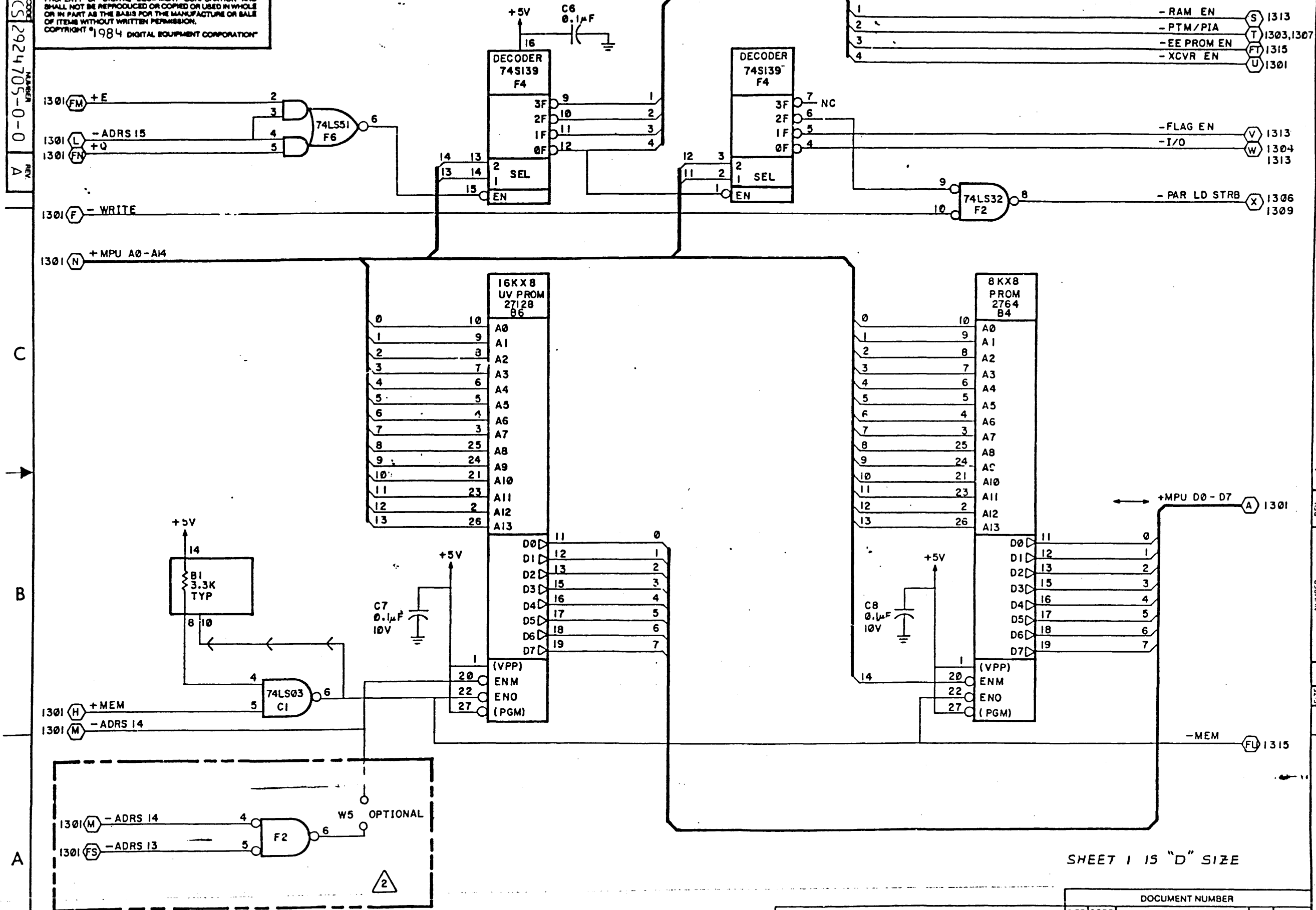
DRN	CHK'D	FIRST USED ON	digital
ENG.		TITLE	SERVO/CONTROL
PROJ. ENG.			
PROD.			
NEXT HIGHER ASSY.			
SCALE	SIZE	CODE	NUMBER
SHEET 1 OF 15	D	CS	2924705-0-0
	DIST.		REV A

REV	
CHG	
REVISIONS	
CHANNEL NO.	



THIS DRAWING AND SPECIFICATIONS HEREIN ARE THE PROPERTY OF DIGITAL EQUIPMENT CORPORATION AND SHALL NOT BE REPRODUCED OR COPIED IN WHOLE OR IN PART AS THE BASIS FOR THE MANUFACTURE OR SALE OF ITEMS WITHOUT WRITTEN PERMISSION. COPYRIGHT © 1984 DIGITAL EQUIPMENT CORPORATION

SEE SHEET '0' FOR REVISIONS



SIZE CODE  
CS 2924705-0-0  
REV A

D

C

C

B

A

A

A

REV A  
NUMBER CS 2924705-0-0  
SIZE

SHEET 1 IS "D" SIZE

TITLE		DOCUMENT NUMBER			
SERVO/CONTROL LOC. AIAI		SIZE	CODE	NUMBER	CD REV.
		C	CS	2924705-0-0	A
CROSS REF NO	1302	SHEET 2 OF 15		PAGE	

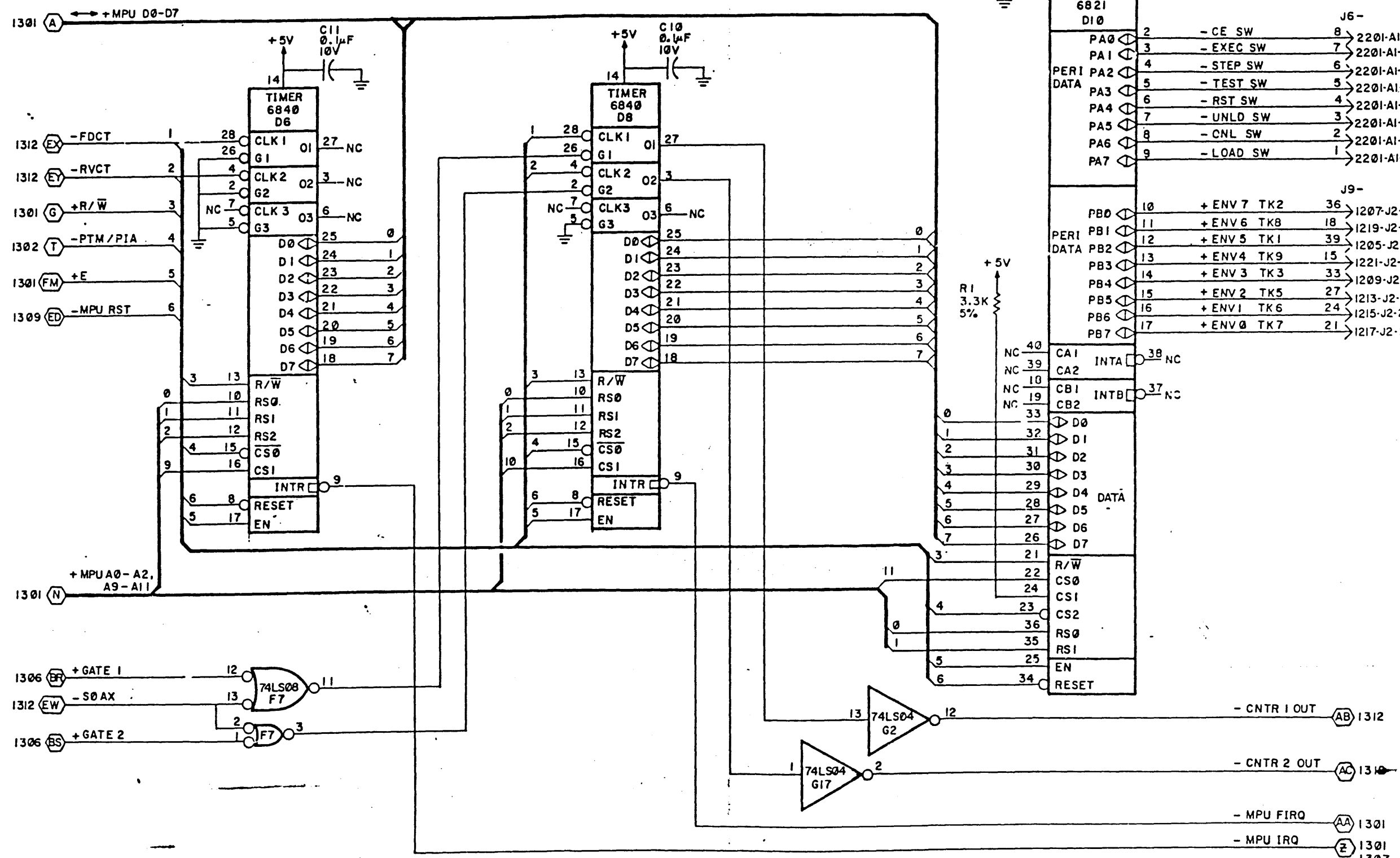
THIS DRAWING AND SPECIFICATIONS HEREIN ARE THE PROPERTY OF DIGITAL EQUIPMENT CORPORATION AND SHALL NOT BE REPRODUCED OR COPIED OR USED IN WHOLE OR IN PART AS THE BASIS FOR THE MANUFACTURE OR SALE OF ITEMS WITHOUT WRITTEN PERMISSION. COPYRIGHT © 1984 DIGITAL EQUIPMENT CORPORATION

SIZE CODE C CS 2924705-0-0 REV A

C

B

A



D

C

REV A

SIZE C

NUMBER 2924705-0-0

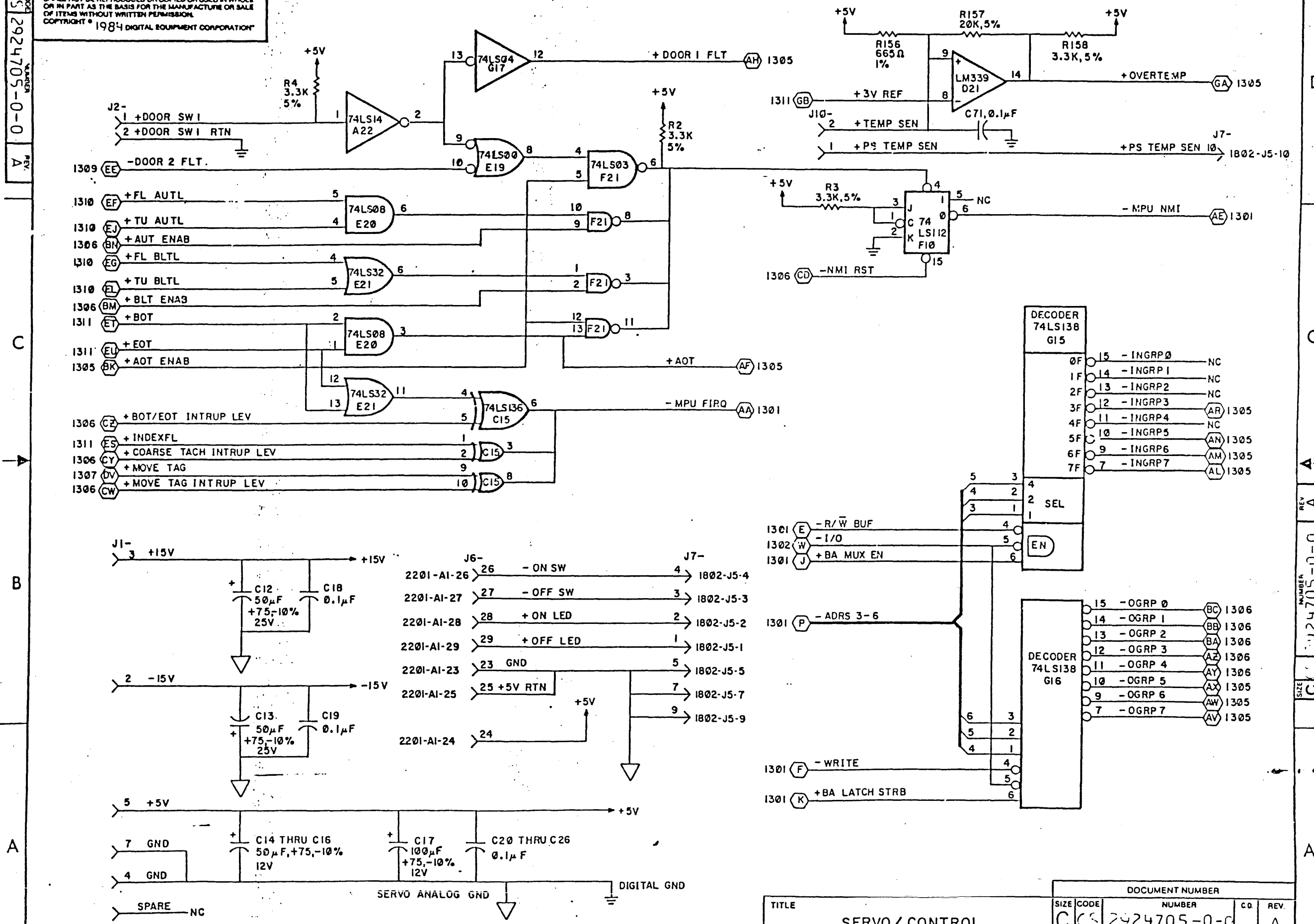
A

TITLE		SERVO / CONTROL		DOCUMENT NUMBER		SIZE	CODE	NUMBER	CO	REV.
LOC. AIAI				C	CS	2924705-0-0				A
CROSS REF. NO.	1303	SHEET	3 OF 15	PAGE						

SHEET CODE  
 CS 2924705-0-0  
 REV. A

THIS DRAWING AND SPECIFICATIONS HEREIN, ARE THE PROPERTY OF DIGITAL EQUIPMENT CORPORATION AND SHALL NOT BE REPRODUCED OR COPIED OR USED IN WHOLE OR IN PART AS THE BASIS FOR THE MANUFACTURE OR SALE OF ITEMS WITHOUT WRITTEN PERMISSION.  
 COPYRIGHT © 1984 DIGITAL EQUIPMENT CORPORATION

SEE SHEET '0' FOR REVISIONS



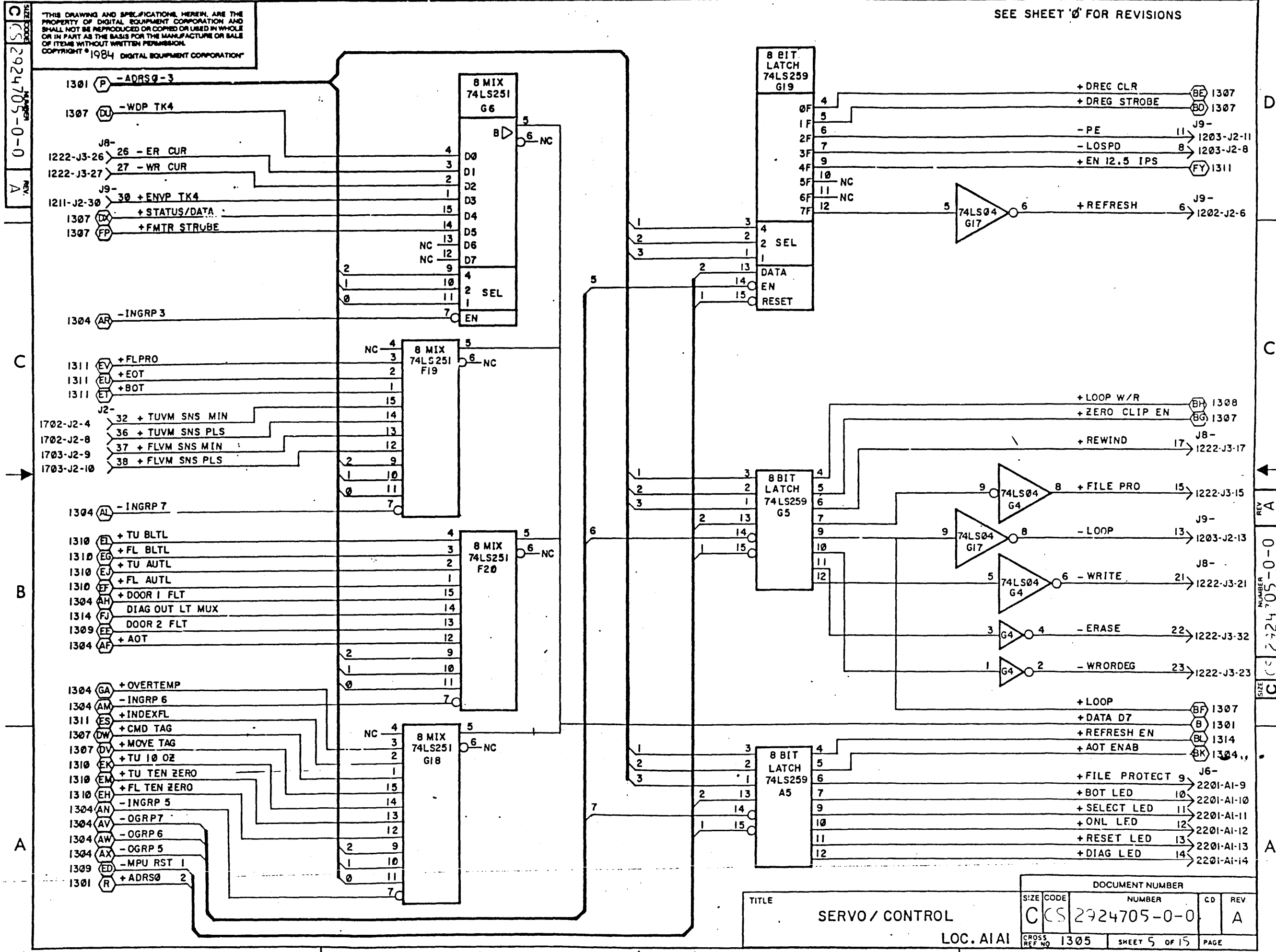
DRC 1118

TITLE		DOCUMENT NUMBER	
SERVO / CONTROL		CS	2924705-0-0
LOC. AI AI	CROSS REF NO	SHEET	PAGE
	1304	4 OF 15	

REV. A  
 NUMBER 2924705-0-0  
 SIZE C

THIS DRAWING AND SPECIFICATIONS HEREIN ARE THE PROPERTY OF DIGITAL EQUIPMENT CORPORATION AND SHALL NOT BE REPRODUCED OR COPIED OR USED IN WHOLE OR IN PART AS THE BASIS FOR THE MANUFACTURE OR SALE OF ITEMS WITHOUT WRITTEN PERMISSION.  
 COPYRIGHT © 1984 DIGITAL EQUIPMENT CORPORATION

SEE SHEET '0' FOR REVISIONS



SIZE 2924705-0-0  
 REV A

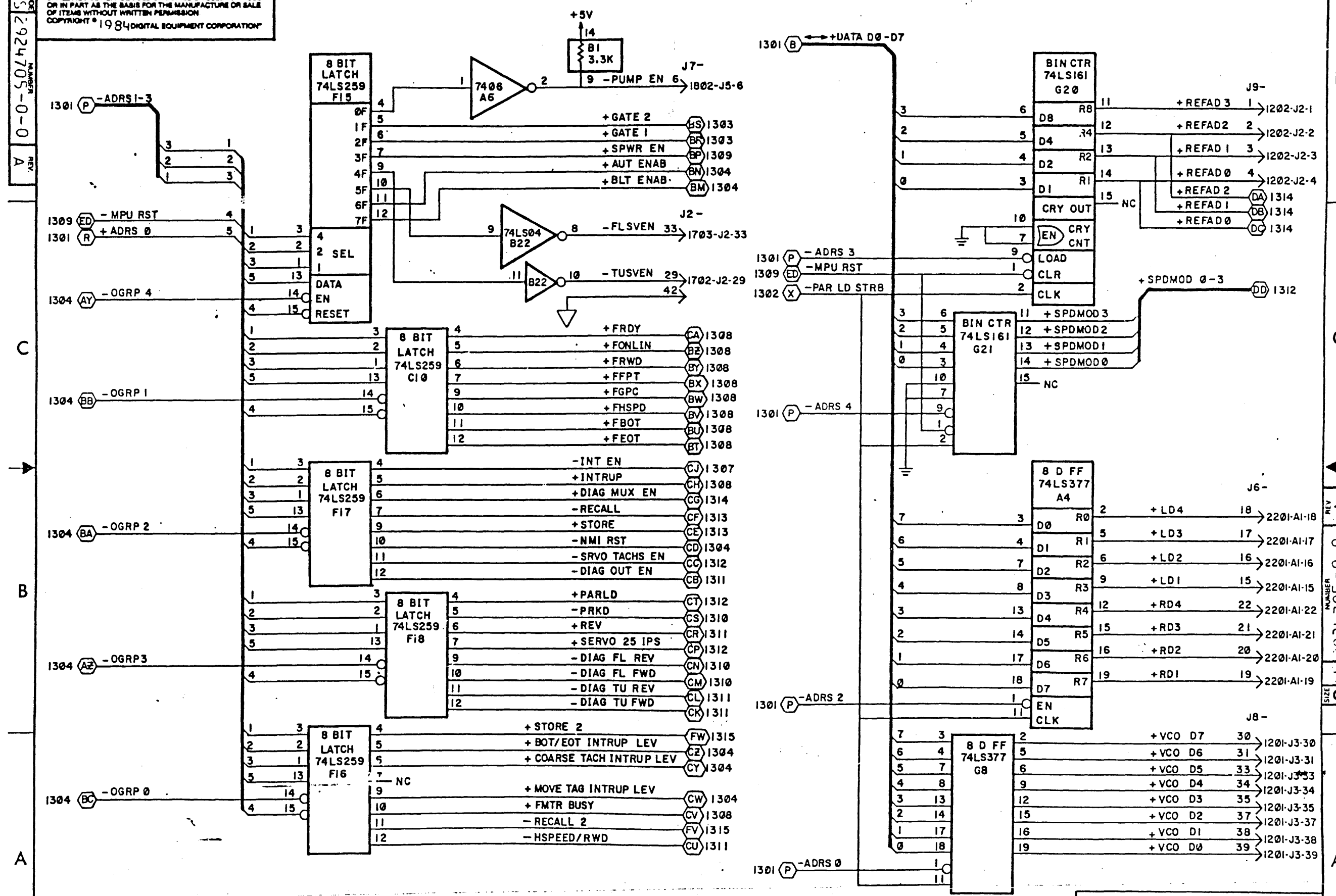
REV A  
 NUMBER 2924705-0-0  
 SIZE C

TITLE		DOCUMENT NUMBER			
SERVO / CONTROL		SIZE	CODE	NUMBER	CD REV
LOC. AIAI		C	CS	2924705-0-0	A
CROSS REF NO	1305	SHEET 5 OF 15		PAGE	

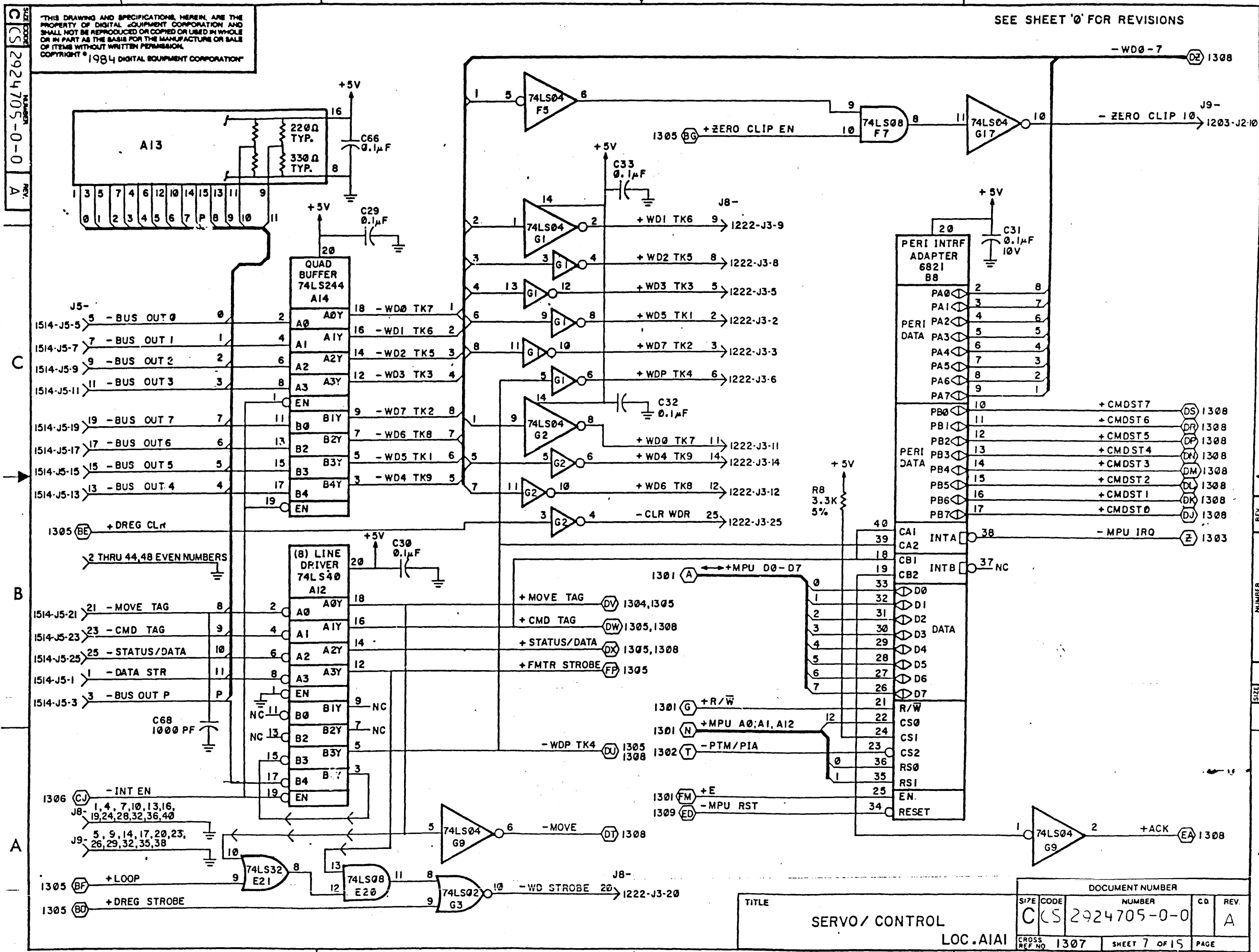
THIS DRAWING AND SPECIFICATIONS, HEREIN, ARE THE PROPERTY OF DIGITAL EQUIPMENT CORPORATION AND SHALL NOT BE REPRODUCED OR COPIED OR USED IN WHOLE OR IN PART AS THE BASIS FOR THE MANUFACTURE OR SALE OF ITEMS WITHOUT WRITTEN PERMISSION. COPYRIGHT © 1984 DIGITAL EQUIPMENT CORPORATION.

SIZE CODE  
C 5 24705-0-0  
REV A

SEE SHEET '0' FOR REVISIONS



TITLE		SERVO/CONTROL		LOC.AIAI	
SIZE	CODE	DOCUMENT NUMBER	CD	REV.	
C	5	24705-0-0		A	
CROSS REF NO	1306	SHEET 6 OF 15	PAGE		



THIS DRAWING AND SPECIFICATIONS HEREIN ARE THE PROPERTY OF DIGITAL EQUIPMENT CORPORATION AND SHALL NOT BE REPRODUCED OR COPIED OR USED IN WHOLE OR IN PART AS THE BASIS FOR THE MANUFACTURE OR SALE OF ITEMS WITHOUT WRITTEN PERMISSION. COPYRIGHT © 1984 DIGITAL EQUIPMENT CORPORATION

SEE SHEET '0' FOR REVISIONS

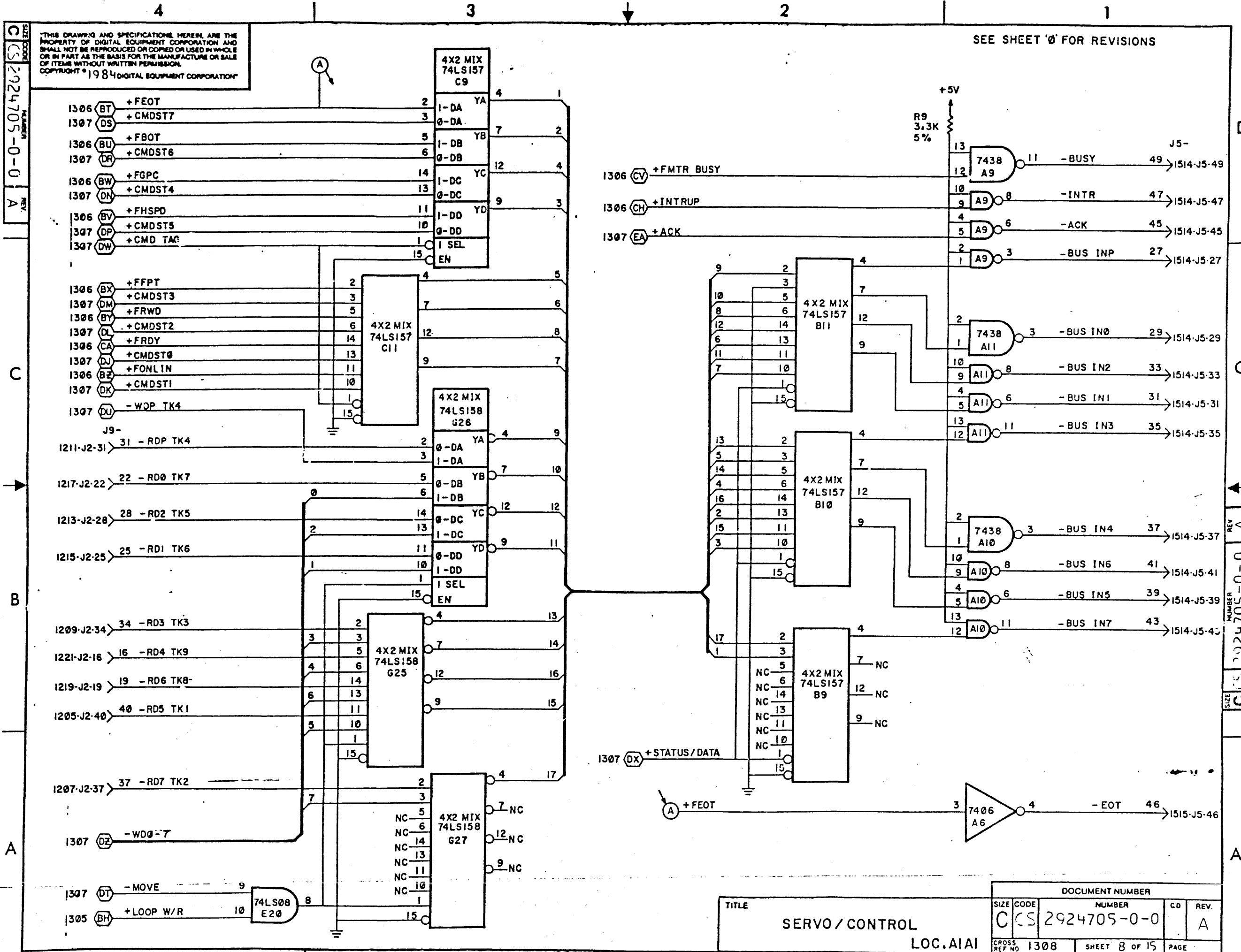
SIZE CODE  
CS 2924705-0-0  
REV. A

J5-  
1514-J5-5 - BUS OUT 0  
1514-J5-7 - BUS OUT 1  
1514-J5-9 - BUS OUT 2  
1514-J5-11 - BUS OUT 3  
1514-J5-19 - BUS OUT 7  
1514-J5-17 - BUS OUT 6  
1514-J5-15 - BUS OUT 5  
1514-J5-13 - BUS OUT 4  
1514-J5-21 - MOVE TAG  
1514-J5-23 - CMD TAG  
1514-J5-25 - STATUS/DATA  
1514-J5-1 - DATA STR  
1514-J5-3 - BUS OUT P  
1306 - INT EN  
1305 - LOOP  
1305 - DREG STROBE

1305 (BF) +LOOP  
1305 (BD) +DREG STROBE

TITLE  
SERVO/ CONTROL  
LOC. AIAI

DOCUMENT NUMBER			
SIZE CODE	NUMBER	CD	REV.
CS	2924705-0-0		A
CROSS REF. NO. 1307		SHEET 7 OF 15 PAGE	



THIS DRAWING AND SPECIFICATIONS HEREIN, ARE THE PROPERTY OF DIGITAL EQUIPMENT CORPORATION AND SHALL NOT BE REPRODUCED OR COPIED OR USED IN WHOLE OR IN PART AS THE BASIS FOR THE MANUFACTURE OR SALE OF ITEMS WITHOUT WRITTEN PERMISSION. COPYRIGHT © 1984 DIGITAL EQUIPMENT CORPORATION

SEE SHEET '0' FOR REVISIONS

SIZE CODE  
C CS 2924705-0-0  
REV. A

C

B

A

D

C

A

A

SIZE CODE  
C CS 2924705-0-0  
REV. A

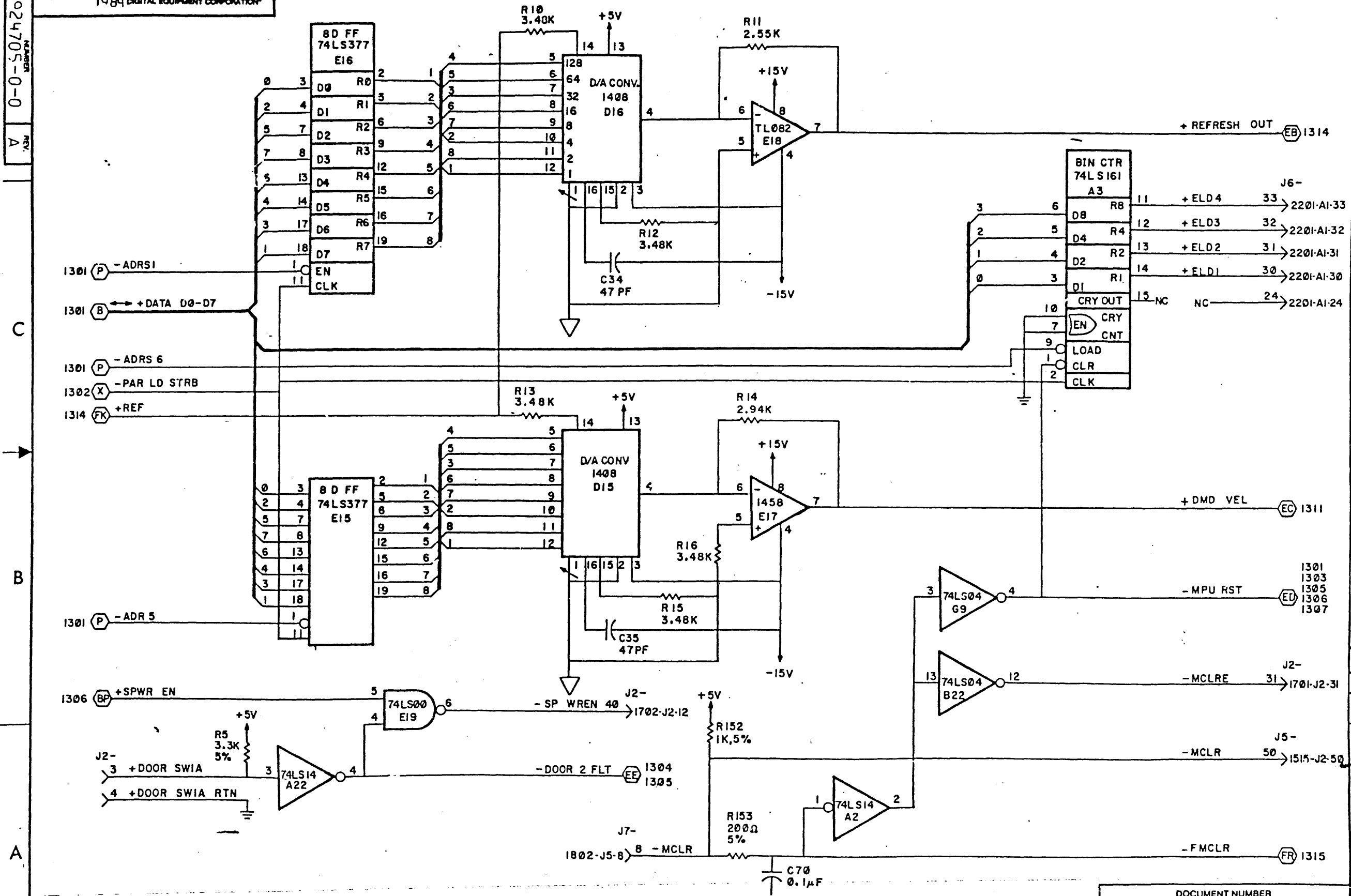
TITLE  
SERVO/CONTROL  
LOC. A1A1

DOCUMENT NUMBER		CD	REV.
SIZE CODE	NUMBER		
C CS	2924705-0-0		A
CROSS REF. NO.	SHEET	PAGE	
1308	8 OF 15		

SIZE CODE  
 CS 2924705-0-0  
 REV. A

THIS DRAWING AND SPECIFICATIONS HEREIN ARE THE PROPERTY OF DIGITAL EQUIPMENT CORPORATION AND SHALL NOT BE REPRODUCED OR COPIED OR USED IN WHOLE OR IN PART AS THE BASIS FOR THE MANUFACTURE OR SALE OF ITEMS WITHOUT WRITTEN PERMISSION.  
 COPYRIGHT © 1984 DIGITAL EQUIPMENT CORPORATION

SEE SHEET '0' FOR REVISIONS



A

B

C

A

C

D

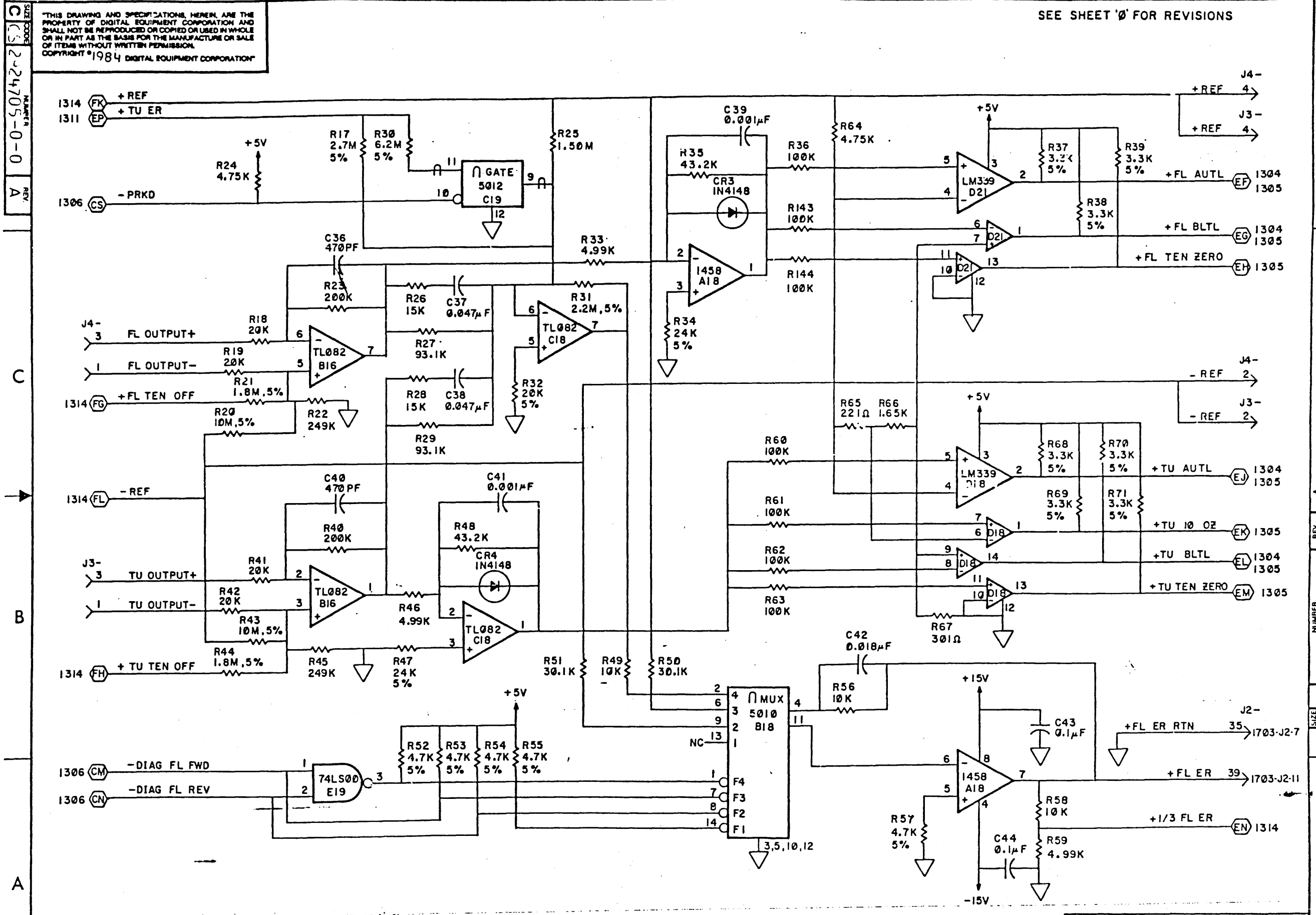
DRC 1118

TITLE		DOCUMENT NUMBER			
SERVO / CONTROL		SIZE	CODE	NUMBER	CD
LOC. A1A1		CS	2924705-0-0		A
CROSS REF. NO	1309	SHEET	9 OF 15	PAGE	



THIS DRAWING AND SPECIFICATIONS HEREIN ARE THE PROPERTY OF DIGITAL EQUIPMENT CORPORATION AND SHALL NOT BE REPRODUCED OR COPIED OR USED IN WHOLE OR IN PART AS THE BASIS FOR THE MANUFACTURE OR SALE OF ITEMS WITHOUT WRITTEN PERMISSION. COPYRIGHT © 1984 DIGITAL EQUIPMENT CORPORATION

SEE SHEET '0' FOR REVISIONS



SIZE CODE C CS 2924705-0-0  
 NUMBER 2924705-0-0  
 REV A

D  
 C  
 A  
 REV A  
 NUMBER 2924705-0-0  
 SIZE C CS 2924705-0-0

TITLE		DOCUMENT NUMBER			
SERVO / CONTROL		SIZE	CODE	NUMBER	CD
LOC. AIAI		C	CS	2924705-0-0	A
CROSS REF NO	1310	SHEET 10 OF 15		PAGE	

THIS DRAWING AND SPECIFICATIONS HEREIN ARE THE PROPERTY OF DIGITAL EQUIPMENT CORPORATION AND SHALL NOT BE REPRODUCED OR COPIED OR USED IN WHOLE OR IN PART AS THE BASIS FOR THE MANUFACTURE OR SALE OF ITEMS WITHOUT WRITTEN PERMISSION. COPYRIGHT © 1984 DIGITAL EQUIPMENT CORPORATION

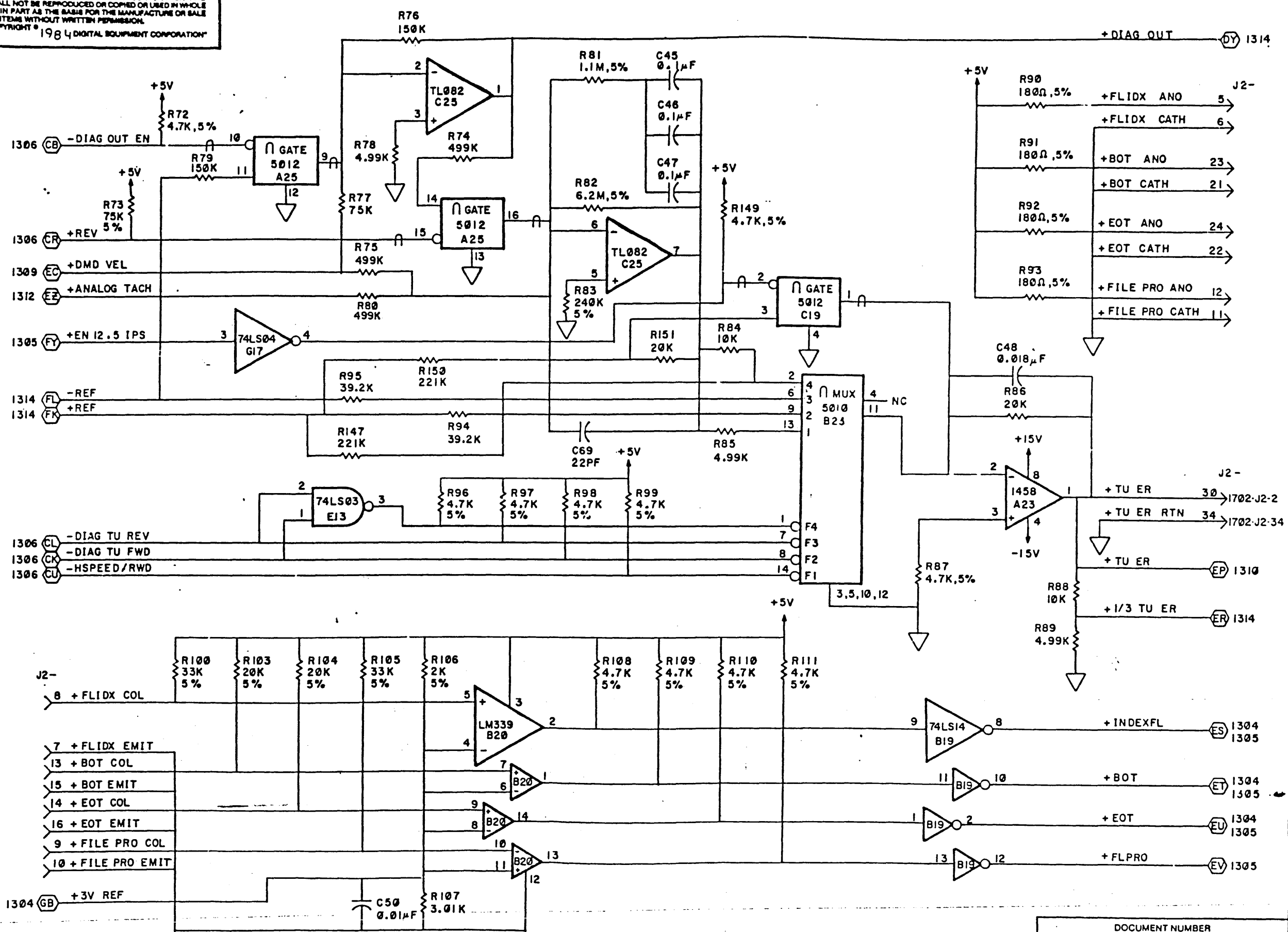
SEE SHEET '0' FOR REVISIONS

SIZE CODE  
CS  
NUMBER  
2924705-0-0  
REV  
A

C

B

A



D

C

A

A

A

REV  
A  
NUMBER  
2924705-0-0  
SIZE  
CS

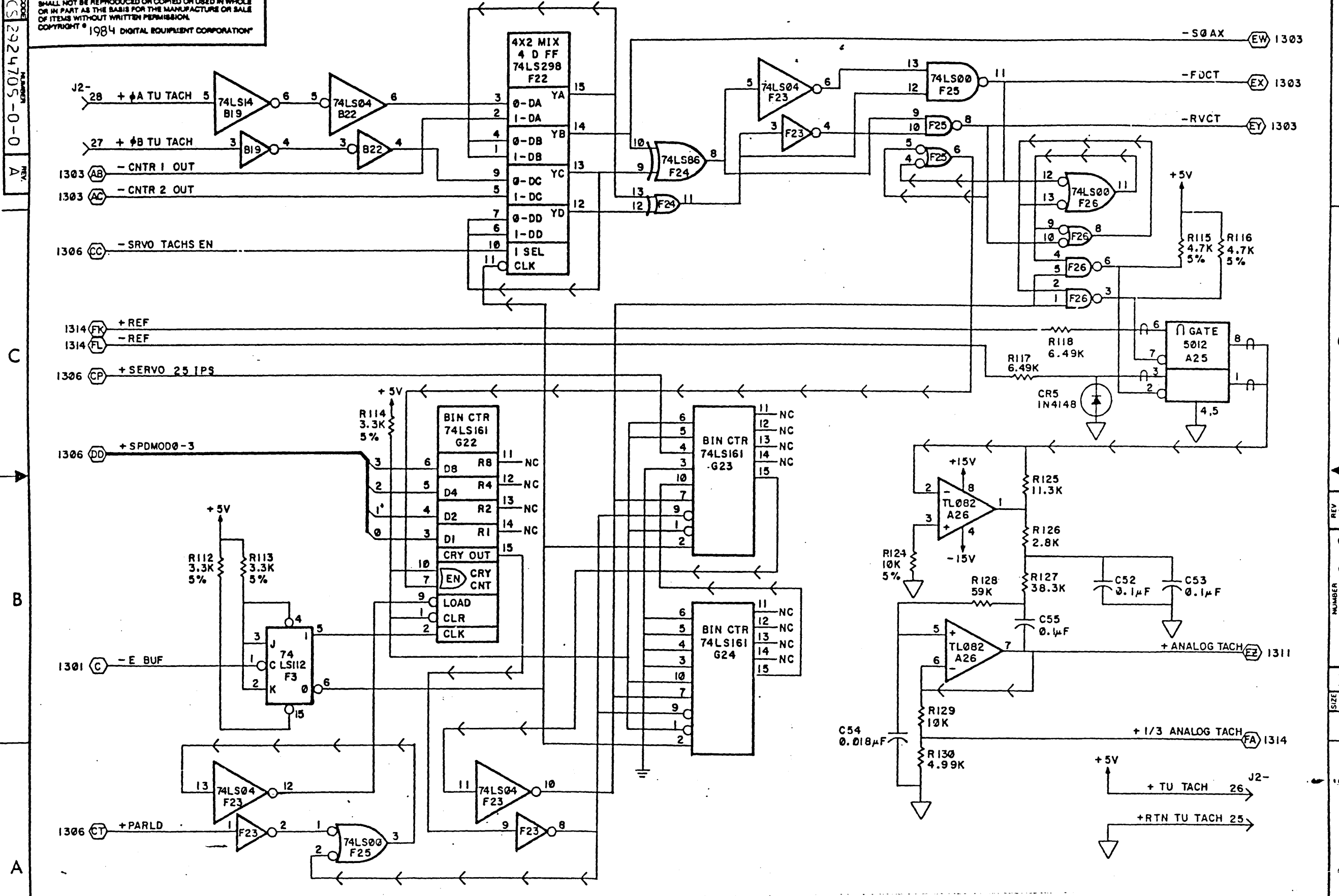
TITLE  
SERVO/CONTROL  
LOC. AIAI

SIZE CODE		DOCUMENT NUMBER		CD	REV.
C	CS	2924705-0-0			A
CROSS REF NO	1311	SHEET	11 OF 15	PAGE	

SIZE CODE  
CS 2924705-0-0  
REV A

THIS DRAWING AND SPECIFICATIONS, HEREIN, ARE THE PROPERTY OF DIGITAL EQUIPMENT CORPORATION AND SHALL NOT BE REPRODUCED OR COPIED OR USED IN WHOLE OR IN PART AS THE BASIS FOR THE MANUFACTURE OR SALE OF ITEMS WITHOUT WRITTEN PERMISSION.  
COPYRIGHT © 1984 DIGITAL EQUIPMENT CORPORATION

SEE SHEET 'Ø' FOR REVISIONS



A

B

C

A

B

C

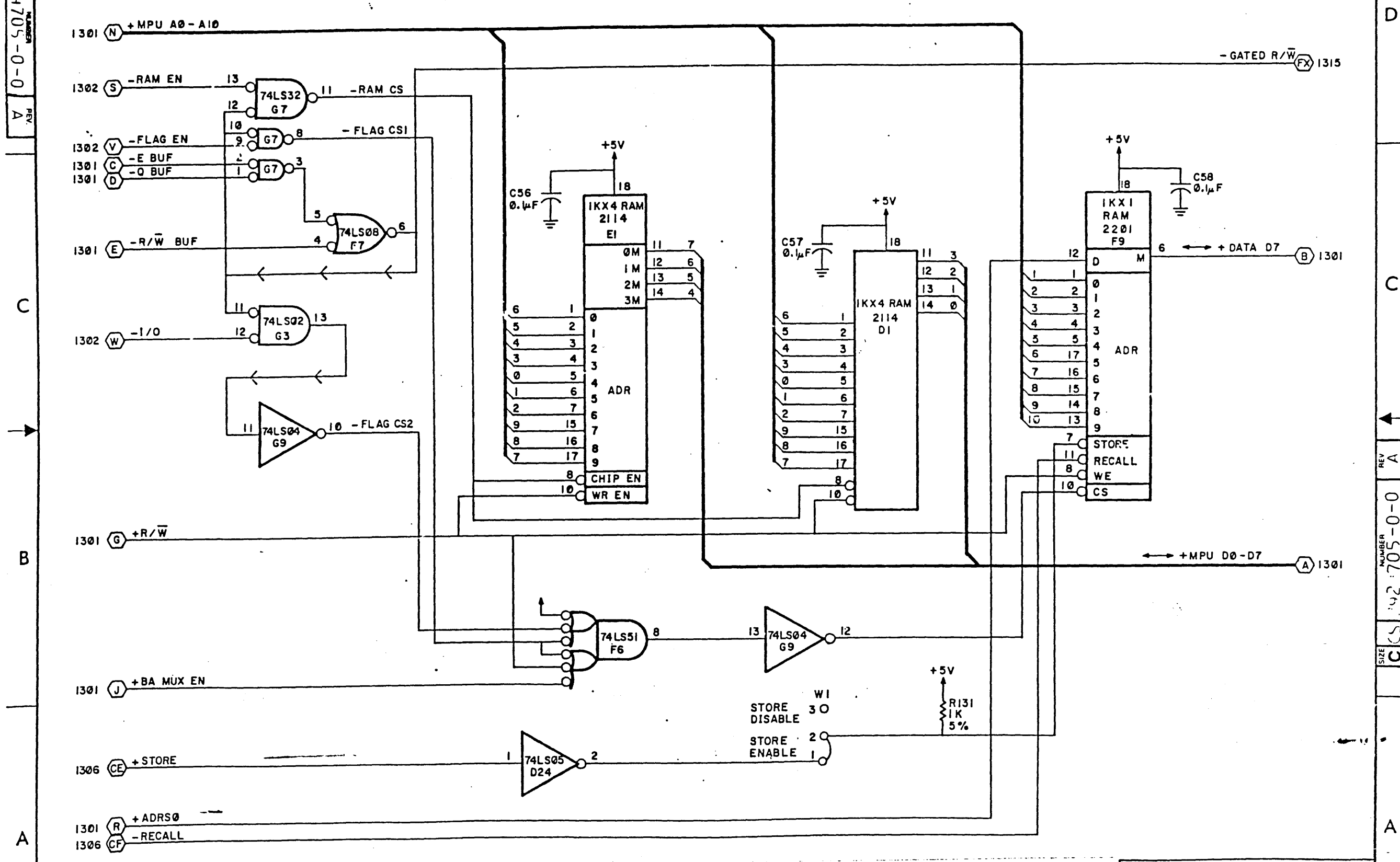
D

TITLE		DOCUMENT NUMBER			
SERVO / CONTROL LOC. A1A1		SIZE	CODE	NUMBER	REV.
		C	CS	2924705-0-0	A
CROSS REF NO	1312	SHEET 12 OF 15		PAGE	

THIS DRAWING AND SPECIFICATIONS HEREIN ARE THE PROPERTY OF DIGITAL EQUIPMENT CORPORATION AND SHALL NOT BE REPRODUCED OR COPIED OR USED IN WHOLE OR IN PART AS THE BASIS FOR THE MANUFACTURE OR SALE OF ITEMS WITHOUT WRITTEN PERMISSION.  
 COPYRIGHT © 1984 DIGITAL EQUIPMENT CORPORATION

SEE SHEET 'Ø' FOR REVISIONS

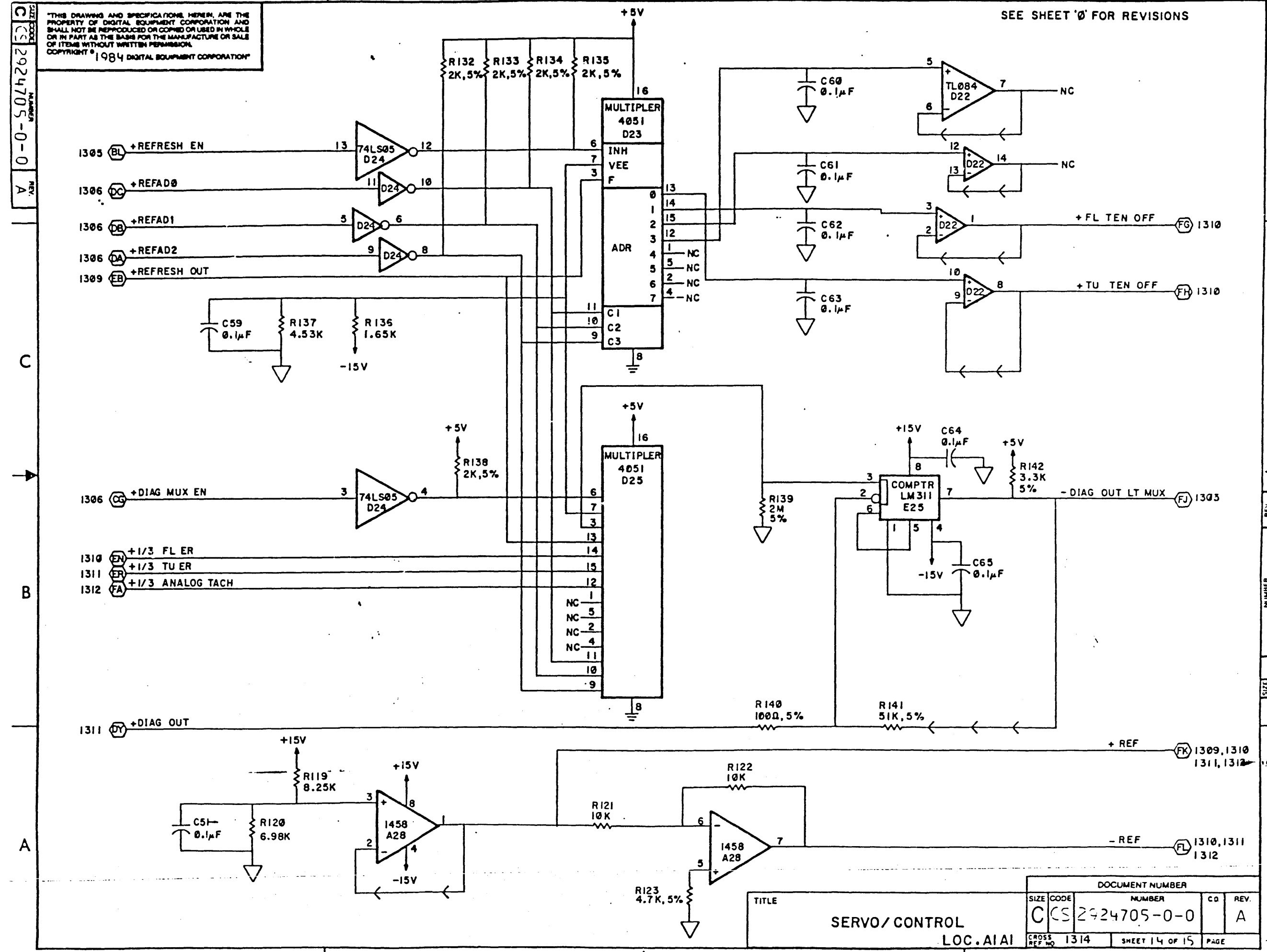
SIZE CODE  
 2-24705-0-0  
 REV. A



TITLE		DOCUMENT NUMBER	
SERVO / CONTROL		SIZE CODE	NUMBER
LOC. AIAI		C CS	2424705-0-0
CROSS REF NO	SHEET	C.O.	REV.
1313	13 OF 15		A
PAGE			

THIS DRAWING AND SPECIFICATIONS HEREIN ARE THE PROPERTY OF DIGITAL EQUIPMENT CORPORATION AND SHALL NOT BE REPRODUCED OR COPIED OR USED IN WHOLE OR IN PART AS THE BASIS FOR THE MANUFACTURE OR SALE OF ITEMS WITHOUT WRITTEN PERMISSION.  
 COPYRIGHT © 1984 DIGITAL EQUIPMENT CORPORATION

SEE SHEET '0' FOR REVISIONS



C 2924705-0-0  
 REV A

D  
 C  
 B  
 A  
 REV A  
 NUMBER 2924705-0-0  
 SIZE C

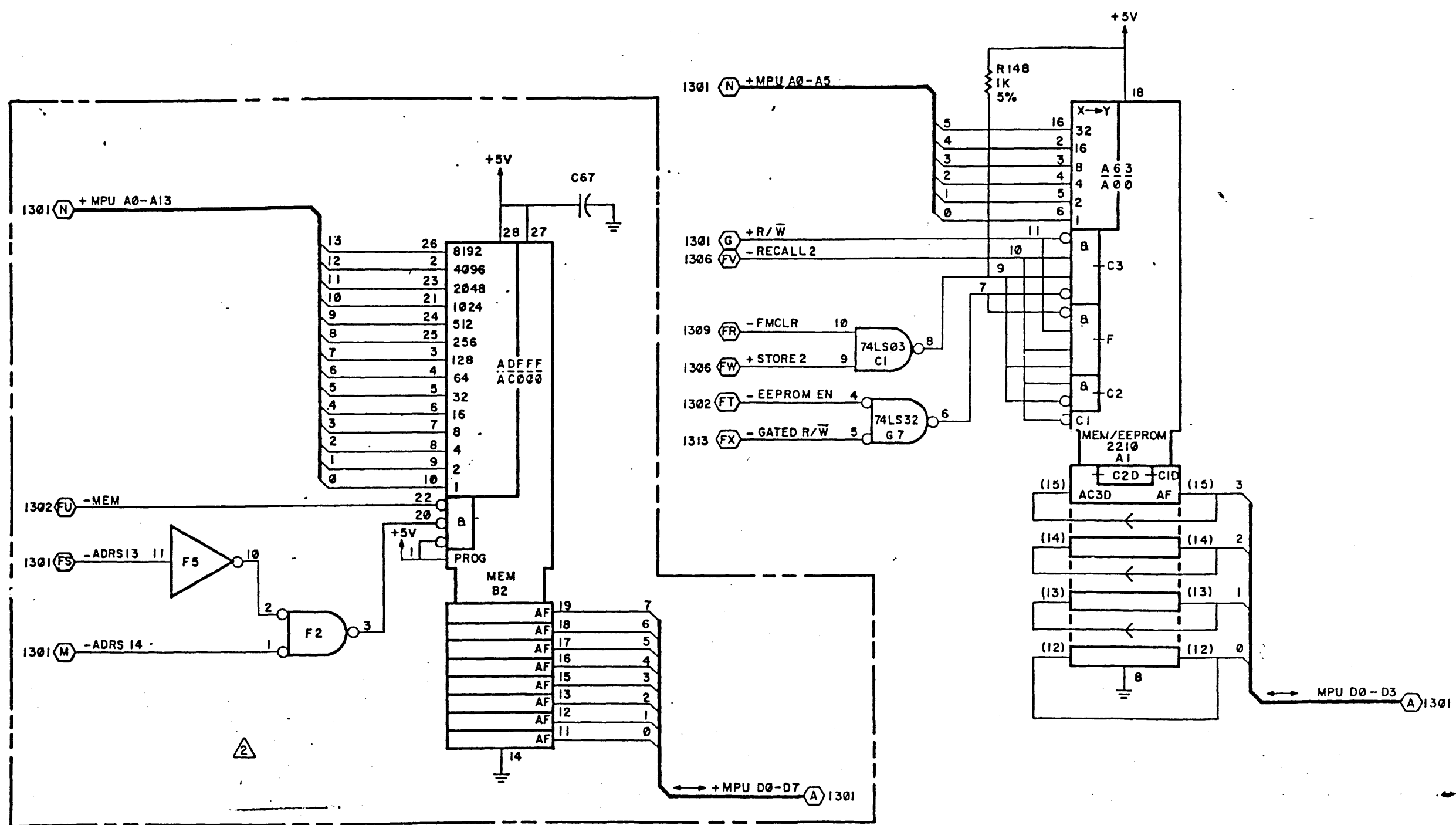
TITLE		DOCUMENT NUMBER			
SERVO/CONTROL		SIZE	CODE	NUMBER	CO. REV.
LOC. A1A1		C	CS	2924705-0-0	A
CROSS REF NO		SHEET		PAGE	
1314		14 OF 15		PAGE	

THIS DRAWING AND SPECIFICATIONS HEREIN ARE THE PROPERTY OF DIGITAL EQUIPMENT CORPORATION AND SHALL NOT BE REPRODUCED OR COPIED OR USED IN WHOLE OR IN PART AS THE BASIS FOR THE MANUFACTURE OR SALE OF ITEMS WITHOUT WRITTEN PERMISSION.  
 COPYRIGHT © 1984 DIGITAL EQUIPMENT CORPORATION

SEE SHEET '0' FOR REVISIONS

REV. A  
 NUMBER 2924705-0-0

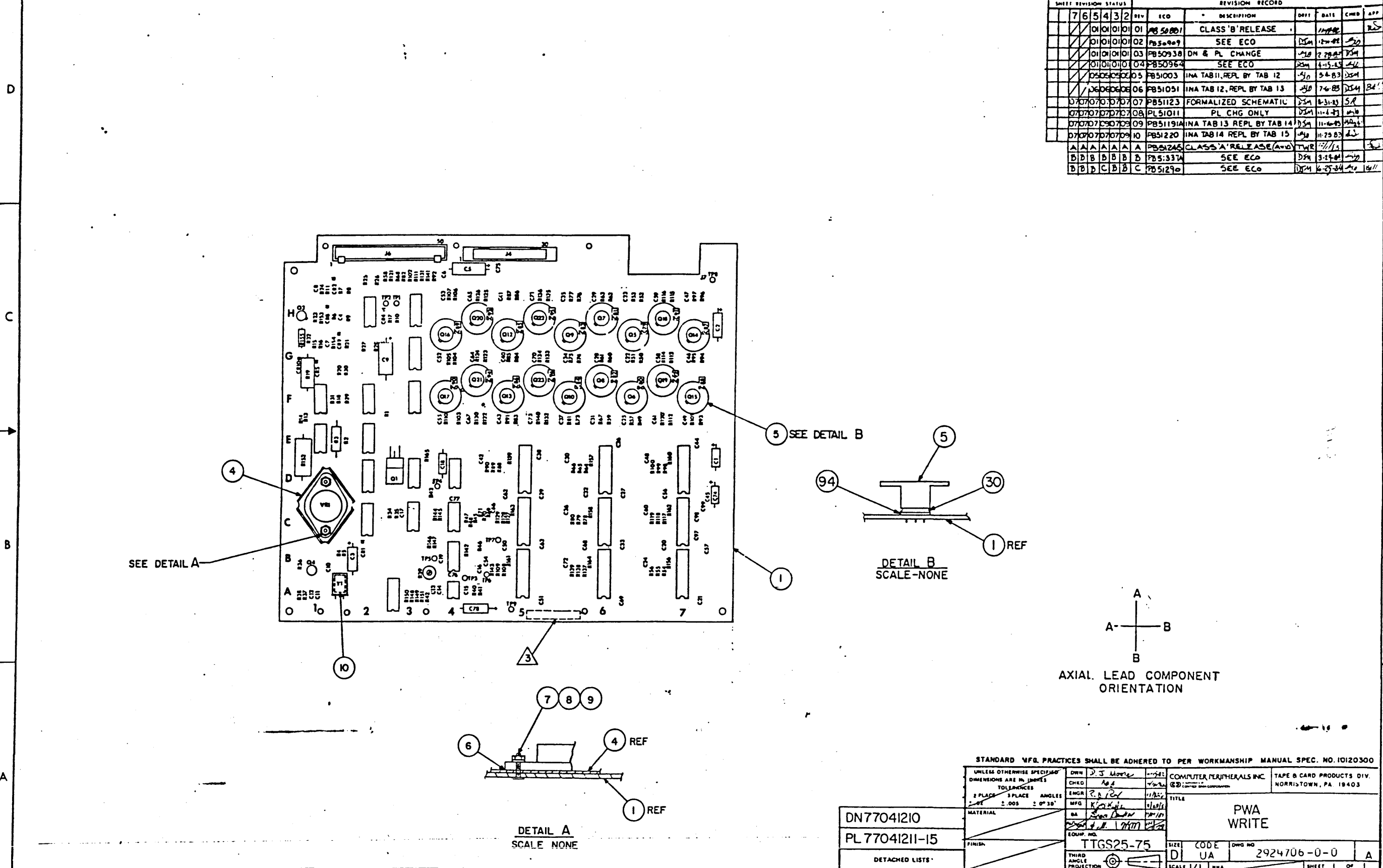
A B C D



TITLE		DOCUMENT NUMBER			
SERVO / CONTROL		SIZE	CODE	NUMBER	CD
LOC. A1A1		C	CS	2924705-0-0	A
CROSS REF NO	1315	SHEET 15 OF 15		PAGE	

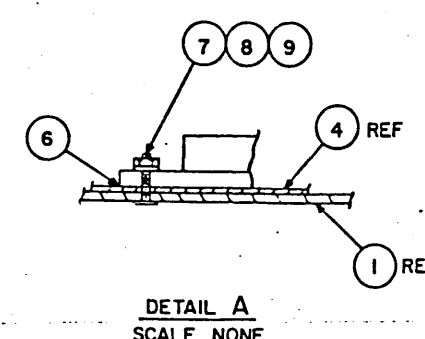
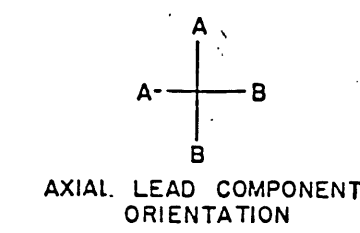
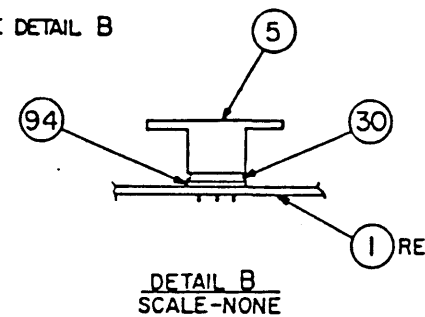
REV. A  
 NUMBER 2924705-0-0

SHEET REVISION STATUS		REVISION RECORD			
REV	ECO	DESCRIPTION	DATE	CHKD	APP
7	01	CLASS 'B' RELEASE	1/17/82		RS
6	01	SEE ECO	12-1-81		SM
5	01	DN & PL CHANGE	2-28-81		SM
4	01	SEE ECO	4-15-81		SM
3	05	INA TAB 11, REPL BY TAB 12	5-1-81		SM
2	06	INA TAB 12, REPL BY TAB 13	7-6-81		SM
1	07	FORMALIZED SCHEMATIC	8-31-81		SM
08	08	PL CHG ONLY	11-4-81		SM
09	09	INA TAB 13 REPL BY TAB 14	11-4-81		SM
10	10	INA TAB 14 REPL BY TAB 15	11-29-81		SM
A	A	CLASS 'A' RELEASE (A=0)	TWR 1/1/82		SM
B	B	SEE ECO	3-19-82		SM
C	C	SEE ECO	6-27-84		SM



SEE DETAIL A

5 SEE DETAIL B



STANDARD MFG PRACTICES SHALL BE ADHERED TO PER WORKMANSHIP MANUAL SPEC. NO. 10120300			
UNLESS OTHERWISE SPECIFIED DIMENSIONS ARE IN INCHES TOLERANCES	DWN: D. J. Moore CHKD: A.S. ENGR: P. A. R. C. MFG: K. J. R. C. QA: S. J. R. C. EQUIV. NO.: 17077	COMPUTER PERIPHERALS INC. TAPE & CARD PRODUCTS DIV. NORRISTOWN, PA. 19403	TITLE
2 PLACE ±.005 3 PLACE ±.002 ANGLES ± 0° 30'	MATERIAL	PWA WRITE	SIZE: CODE: D1 UA
FINISH	TTGS25-75	DWG NO: 2924706-0-0	SHEET 1 OF 1
THIRD ANGLE PROJECTION	DETACHED LISTS	SCALE: 1/1	SHR

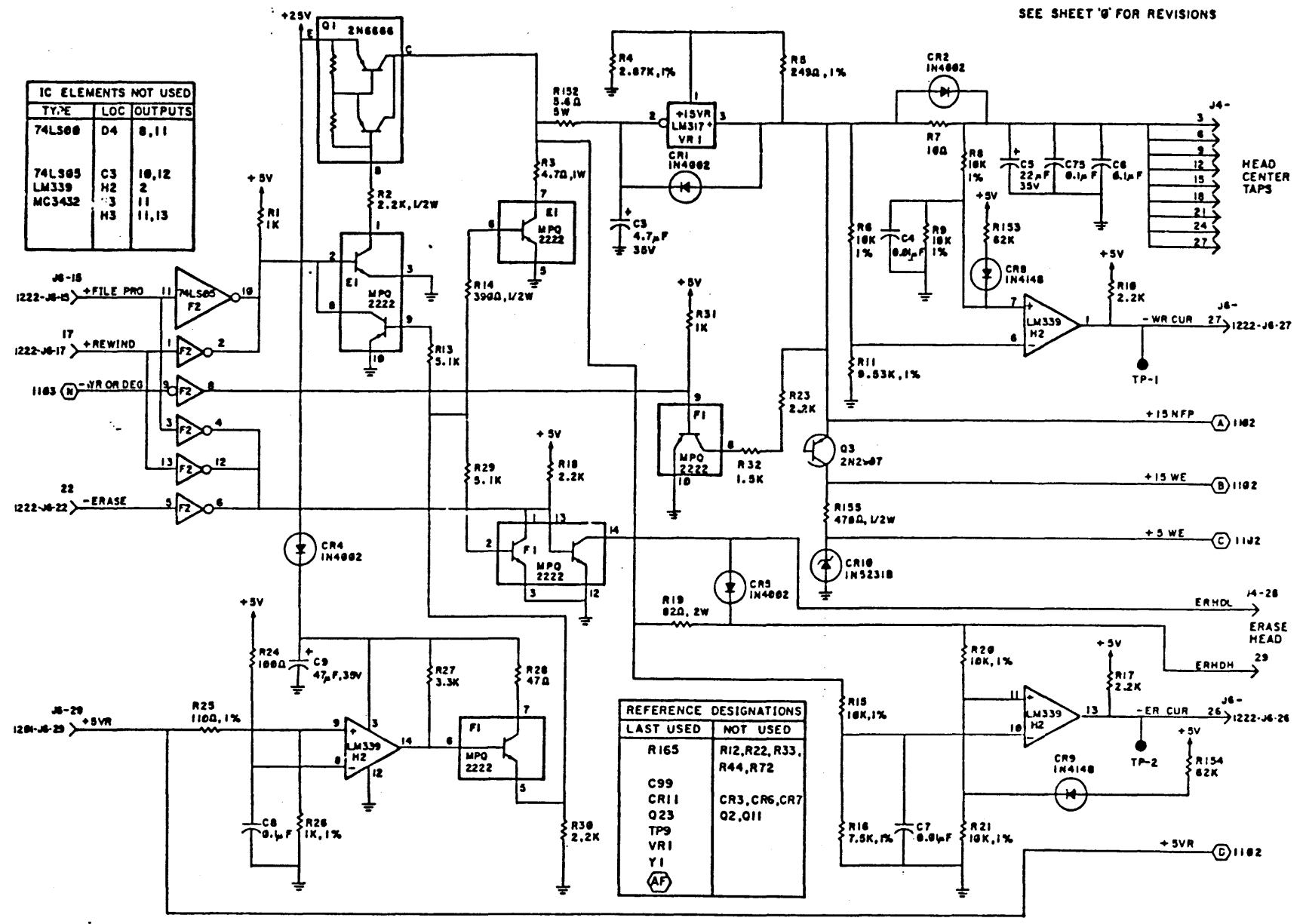
THIS DRAWING AND SPECIFICATIONS, HEREIN, ARE THE PROPERTY OF DIGITAL EQUIPMENT CORPORATION AND SHALL NOT BE REPRODUCED OR COPIED OR USED IN WHOLE OR IN PART AS THE BASIS FOR THE MANUFACTURE OR SALE OF ITEMS WITHOUT WRITTEN PERMISSION. COPYRIGHT © 1974 DIGITAL EQUIPMENT CORPORATION

SEE SHEET 'G' FOR REVISIONS

IC ELEMENTS NOT USED		
TYPE	LOC	OUTPUTS
74LS00	D4	8, 11
74LS05	C3	10, 12
LM339	H2	2
MC3432	H3	11, 13

REFERENCE DESIGNATIONS	
LAST USED	NOT USED
R165	R12, R22, R33, R44, R72
C99	CR3, CR6, CR7
CR11	Q2, Q11
Q23	
TP9	
VRI	
Y1	

NOTE: UNLESS OTHERWISE SPECIFIED ALL RESISTORS ARE 1/4W, 5%



SHEETS 2 THRU 6 ARE "C" SIZE

77022970

REV	
CHG	
REV	
CHG	

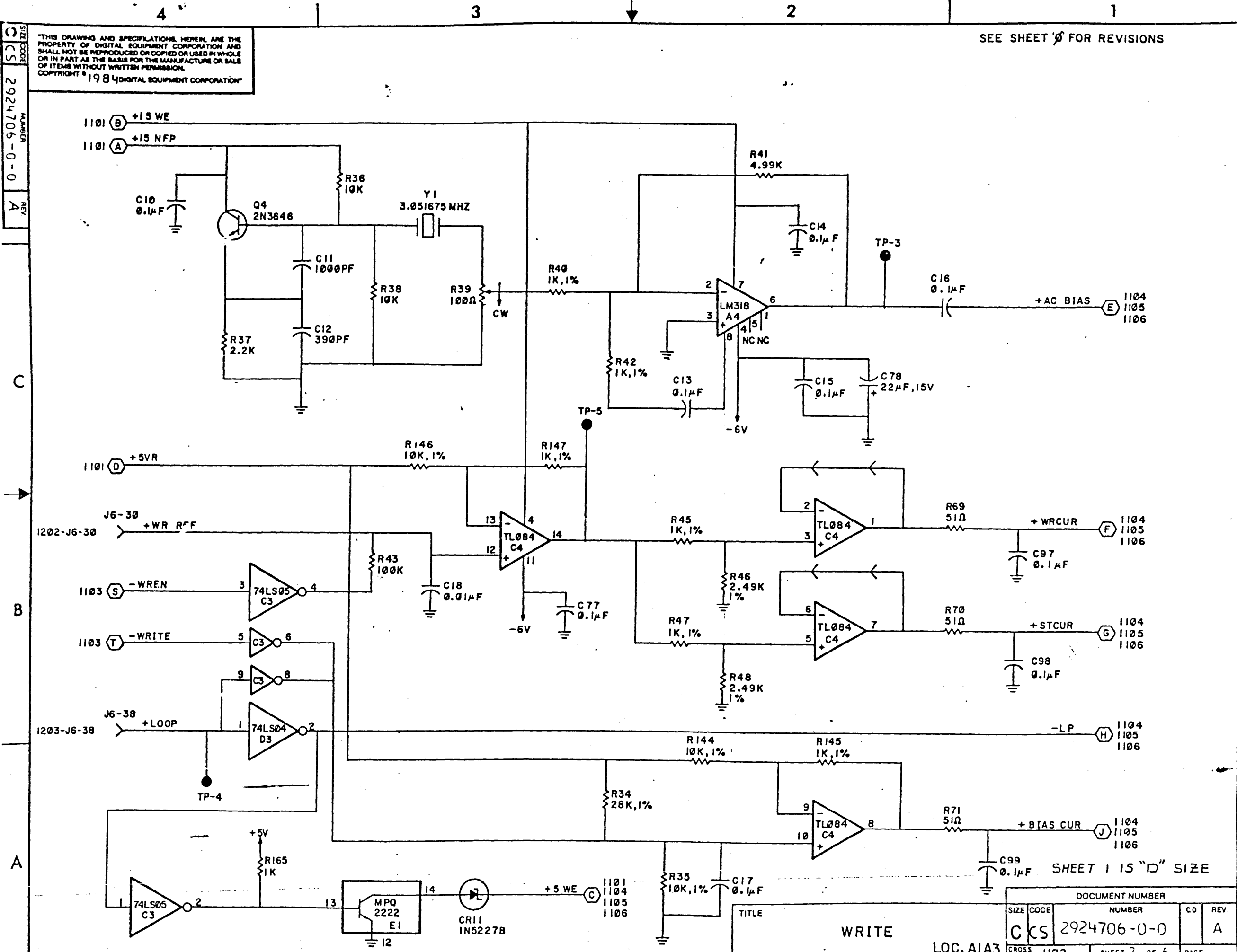
DRAWN BY	DATE	FIRST USED ON	digital
CHK'D		TITLE	
ENG.			
PROJ. ENG.			
PROD.		WRITE	
NEXT HIGHER ASSY.		LOC. A143	
SCALE	D	SIZE	CODE
SHEET 1 OF 2	DIST	NUMBER	REV. A
		2924706-0-0	
		SHR 1	



THIS DRAWING AND SPECIFICATIONS HEREIN ARE THE PROPERTY OF DIGITAL EQUIPMENT CORPORATION AND SHALL NOT BE REPRODUCED OR COPIED OR USED IN WHOLE OR IN PART AS THE BASIS FOR THE MANUFACTURE OR SALE OF ITEMS WITHOUT WRITTEN PERMISSION. COPYRIGHT © 1984 DIGITAL EQUIPMENT CORPORATION

SEE SHEET 0 FOR REVISIONS

SIZE CODE  
CS  
NUMBER  
2924706-0-0  
REV  
A



SHEET 1 IS "D" SIZE

DOCUMENT NUMBER				
SIZE	CODE	NUMBER	CO	REV.
C	CS	2924706-0-0		A

CROSS REF. 1102 SHEET 2 OF 6 PAGE

WRITE

LOC. A1A3

D

C

REV

NUMBER

SIZE

A



THIS DRAWING AND SPECIFICATIONS HEREIN ARE THE PROPERTY OF DIGITAL EQUIPMENT CORPORATION AND SHALL NOT BE REPRODUCED OR COPIED OR USED IN WHOLE OR IN PART AS THE BASIS FOR THE MANUFACTURE OR SALE OF ITEMS WITHOUT WRITTEN PERMISSION.  
 COPYRIGHT © 1984 DIGITAL EQUIPMENT CORPORATION

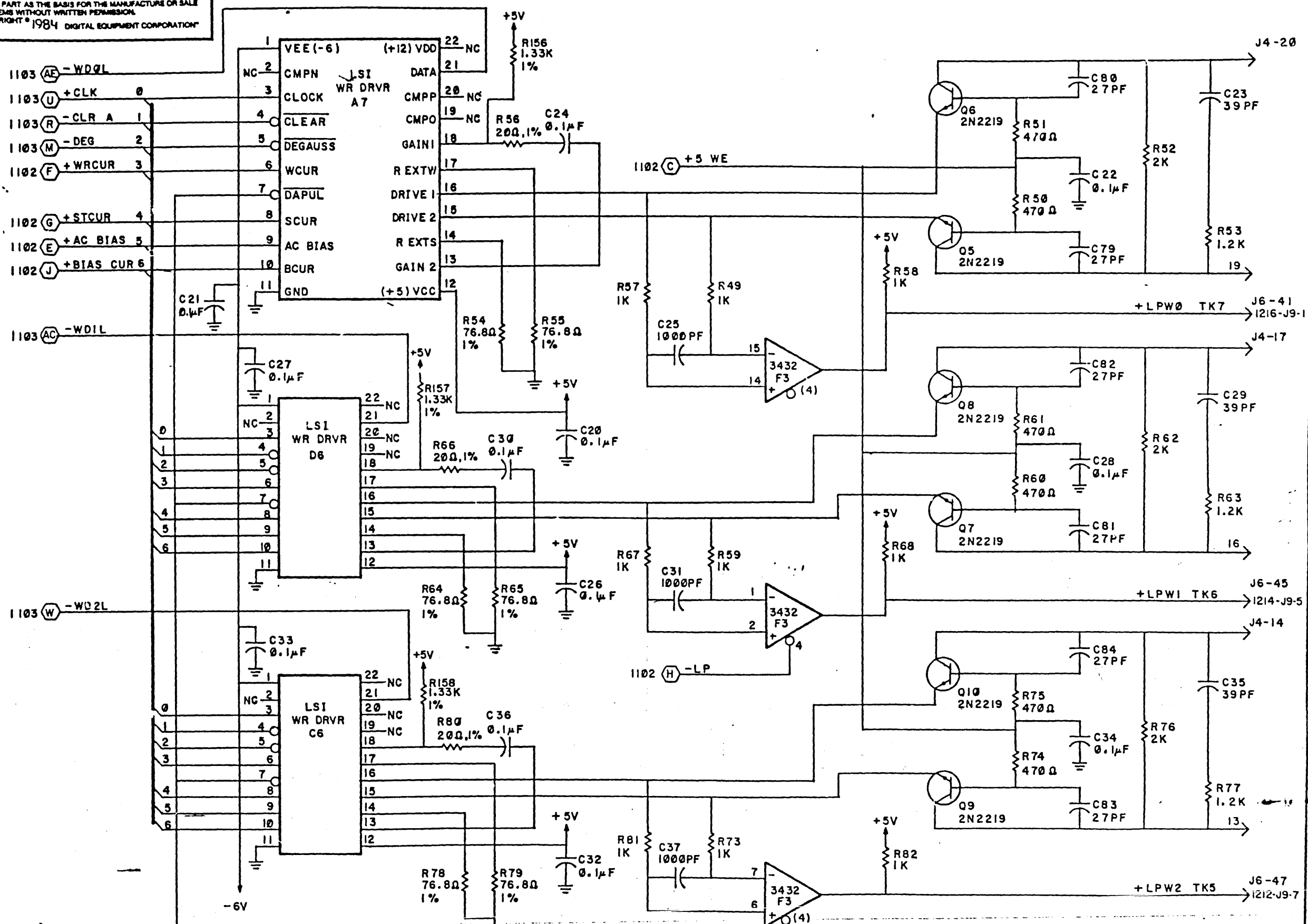
SEE SHEET 0 FOR REVISIONS

SIZE CODE  
 CS 2924706-0-0  
 REV 7

C

B

A



D

C

B

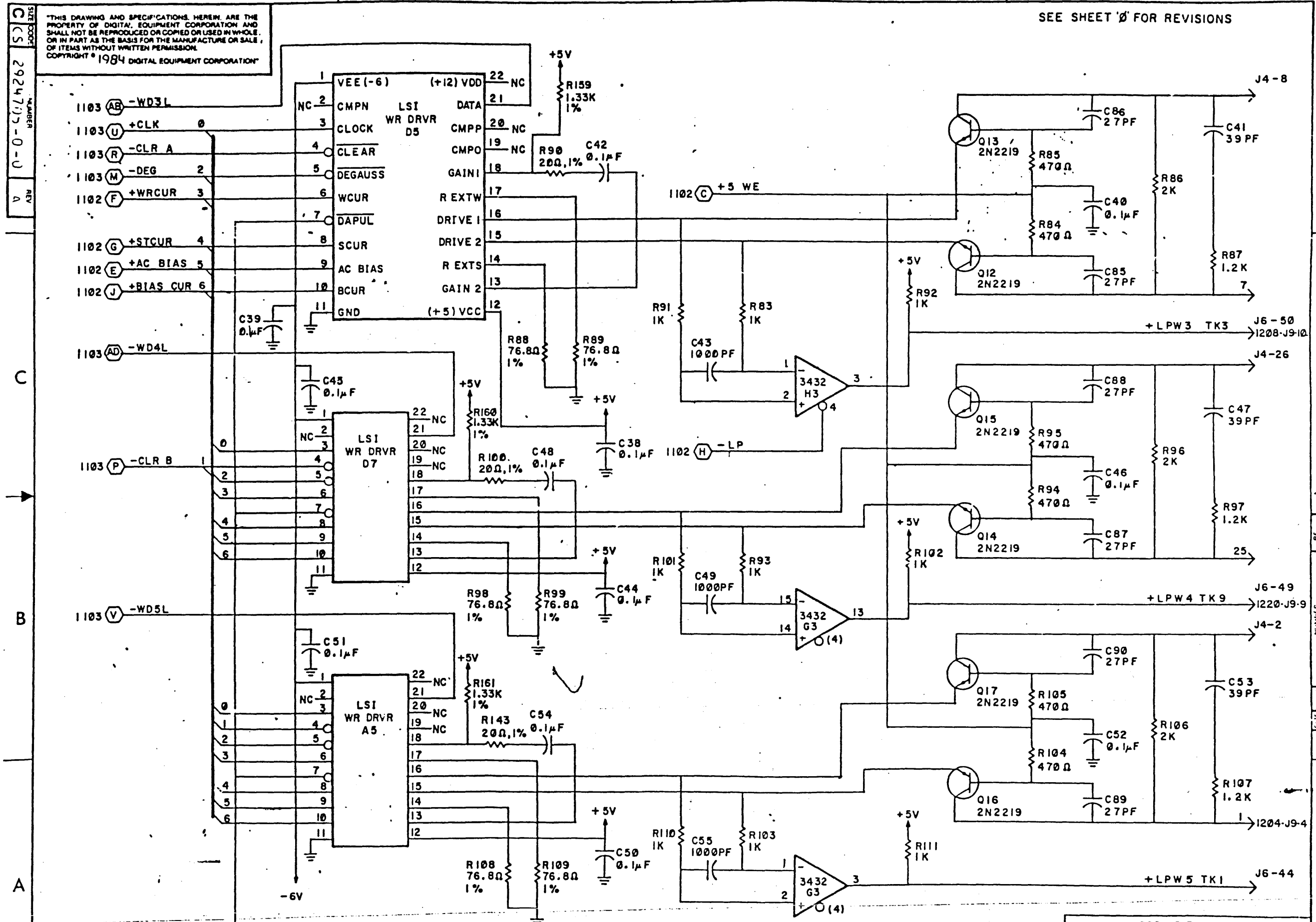
A

REV A  
 NUMBER 2924706-0-0  
 SIZE CS

TITLE		DOCUMENT NUMBER	
WRITE		CS 2924706-0-0	
LOC. A1A3		CD	REV.
		C	A

THIS DRAWING AND SPECIFICATIONS HEREIN ARE THE PROPERTY OF DIGITAL EQUIPMENT CORPORATION AND SHALL NOT BE REPRODUCED OR COPIED OR USED IN WHOLE OR IN PART AS THE BASIS FOR THE MANUFACTURE OR SALE OF ITEMS WITHOUT WRITTEN PERMISSION.  
 COPYRIGHT © 1984 DIGITAL EQUIPMENT CORPORATION

SEE SHEET 'Ø' FOR REVISIONS



SIZE CODE  
 CS 2924706-0-0  
 REV A

C

B

A

D

C

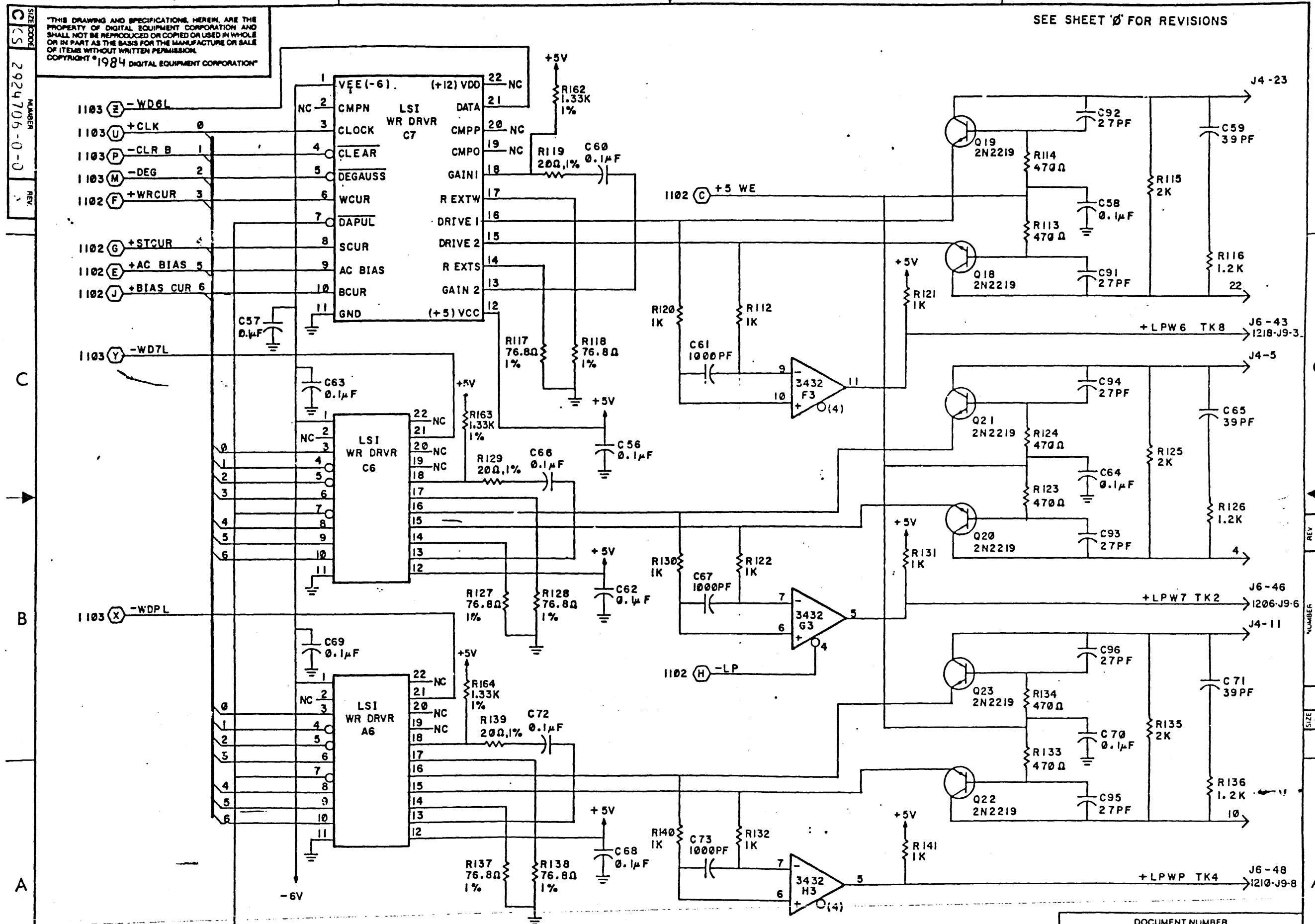
B

A

NUMBER  
 CS 2924706-0-0

DOCUMENT NUMBER			
SIZE	CODE	NUMBER	CD REV
C	CS	2924706-0-0	A
CROSS REF NO	SHEET 5 OF 6		PAGE
1105			

TITLE  
 WRITE LOC.A1A3

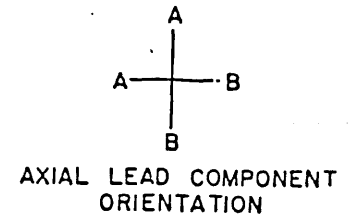
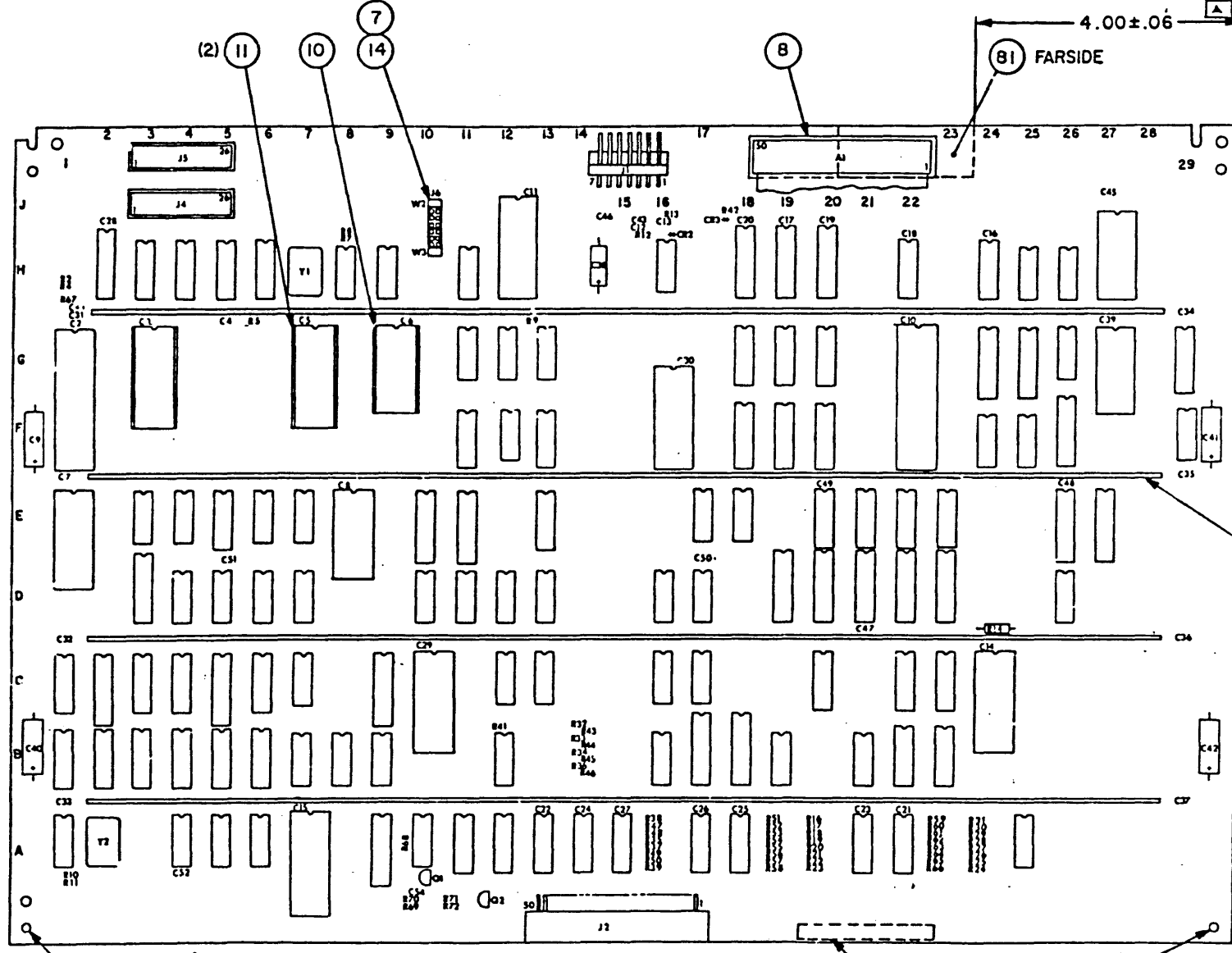


SIZE CODE: CS  
 NUMBER: 2924706-0-0  
 REV: A

DOCUMENT NUMBER			
SIZE CODE	NUMBER	CD	REV
C CS	2924706-0-0		A
CROSS REF NO	1106	SHEET 6 OF 6	PAGE

TITLE: WRITE LOC - A1A3

SHEET REVISION STATUS												REVISION RECORD													
20	19	18	17	16	15	14	13	12	11	10	9	8	7	6	5	4	3	2	REV	ECO	DESCRIPTION	DEPT	DATE	CHKD	APP
/	/	/	/	/	/	/	/	/	/	/	/	/	/	/	/	/	/	/	PB50957	REVISED & REDRAWN					
/	/	/	/	/	/	/	/	/	/	/	/	/	/	/	/	/	/	/	PB50984	INA TAB 52, REPL BY TAB 53	DM	4-8-63	DM		
/	/	/	/	/	/	/	/	/	/	/	/	/	/	/	/	/	/	/	PB51088	INA TAB 53, REPL BY TAB 54	DM	5-31-63	DM	WB	
/	/	/	/	/	/	/	/	/	/	/	/	/	/	/	/	/	/	/	PB51102	INA TAB 54, REPL BY TAB 55	DM	9-3-63	DM		
/	/	/	/	/	/	/	/	/	/	/	/	/	/	/	/	/	/	/	PB51011	PL CHG ONLY	DM	1-11-63	DM		
/	/	/	/	/	/	/	/	/	/	/	/	/	/	/	/	/	/	/	PB51293	PL CHG ONLY	DM	2-29-64	DM		
/	/	/	/	/	/	/	/	/	/	/	/	/	/	/	/	/	/	/	PB51164	REVISED & REDRAWN	DM	7-24-64	DM		
/	/	/	/	/	/	/	/	/	/	/	/	/	/	/	/	/	/	/	PB51352	CLASS A RELEASE (A=10)	DM	1-28-65	DM		
/	/	/	/	/	/	/	/	/	/	/	/	/	/	/	/	/	/	/			SEE DETACH REVISION				



DETAIL A  
SCALE-NONE

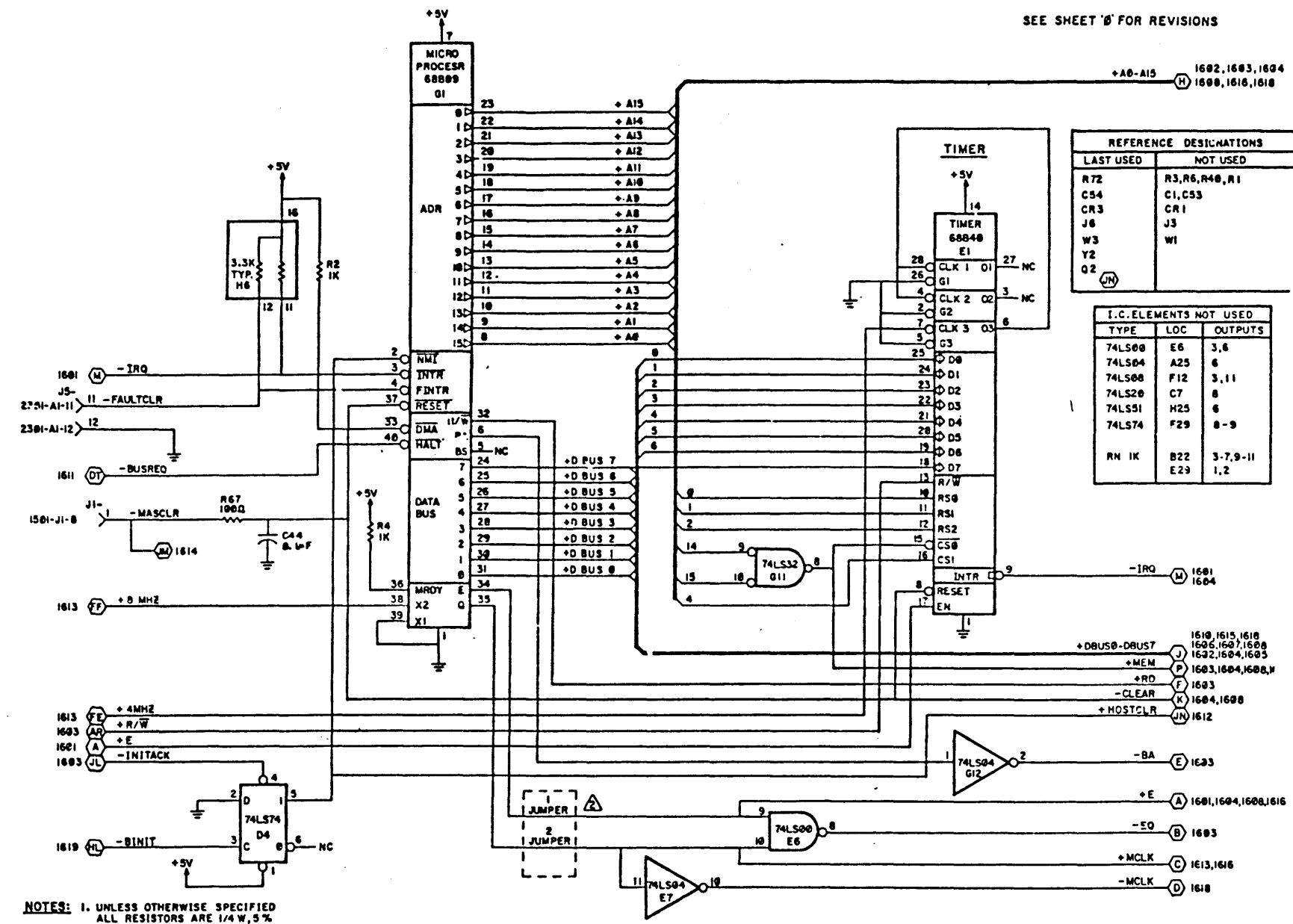
DR 77041250  
PL 77041251-57  
DN 77041250  
DETACHED LISTS

STANDARD MFG. PRACTICES SHALL BE ADHERED TO PER WORKMANSHIP MANUAL SPEC. NO. 10120300											
UNLESS OTHERWISE SPECIFIED DIMENSIONS ARE IN INCHES		DWN		1/32		COMPUTER MATERIALS INC		TAPE & CARD PRODUCTS DIV. NORRISTOWN, PA 19403			
2 PLACE DECIMALS		CHD		1/16		TITLE		PWA			
3 PLACE ANGLES		ENGR		1/8		MATERIAL		MSCP INTERFACE			
MATERIAL		MFG		1/16		FINISH		SIZE D CODE UA DWG NO. 2924707-0-0 SHEET 1 OF 1			
EQUIP. NO.		TTGS25-75		THIRD ANGLE PROJECTION		SCALE 1/1 N/A		SHR			

THIS DRAWING AND SPECIFICATIONS HEREIN ARE THE PROPERTY OF DIGITAL EQUIPMENT CORPORATION AND SHALL NOT BE REPRODUCED OR COPIED OR USED IN WHOLE OR IN PART AS THE BASIS FOR THE MANUFACTURE OR SALE OF ITEMS WITHOUT WRITTEN PERMISSION.  
COPYRIGHT © 1984, DIGITAL EQUIPMENT CORPORATION

0-0-2924707-0 2

SEE SHEET '0' FOR REVISIONS



REFERENCE DESIGNATIONS	
LAST USED	NOT USED
R72	R3, R6, R40, R1
C54	C1, C53
CR3	CR1
J6	J3
W3	W1
Y2	
Q2	

I.C. ELEMENTS NOT USED		
TYPE	LOC	OUTPUTS
74LS00	E6	3, 6
74LS04	A25	6
74LS00	F12	3, 11
74LS20	C7	8
74LS51	H25	6
74LS74	F29	8-9
RN 1K	B22	3-7, 9-11
	E23	1, 2

NOTES: 1. UNLESS OTHERWISE SPECIFIED ALL RESISTORS ARE 1/4 W, 5% ALL CAPACITORS ARE 10%, 50V  
 2. JUMPERS 1 AND 2 INSTALLED AFTER PROGRAM TEST

SHEETS 2 THRU 19 ARE "C" SIZE

77022970

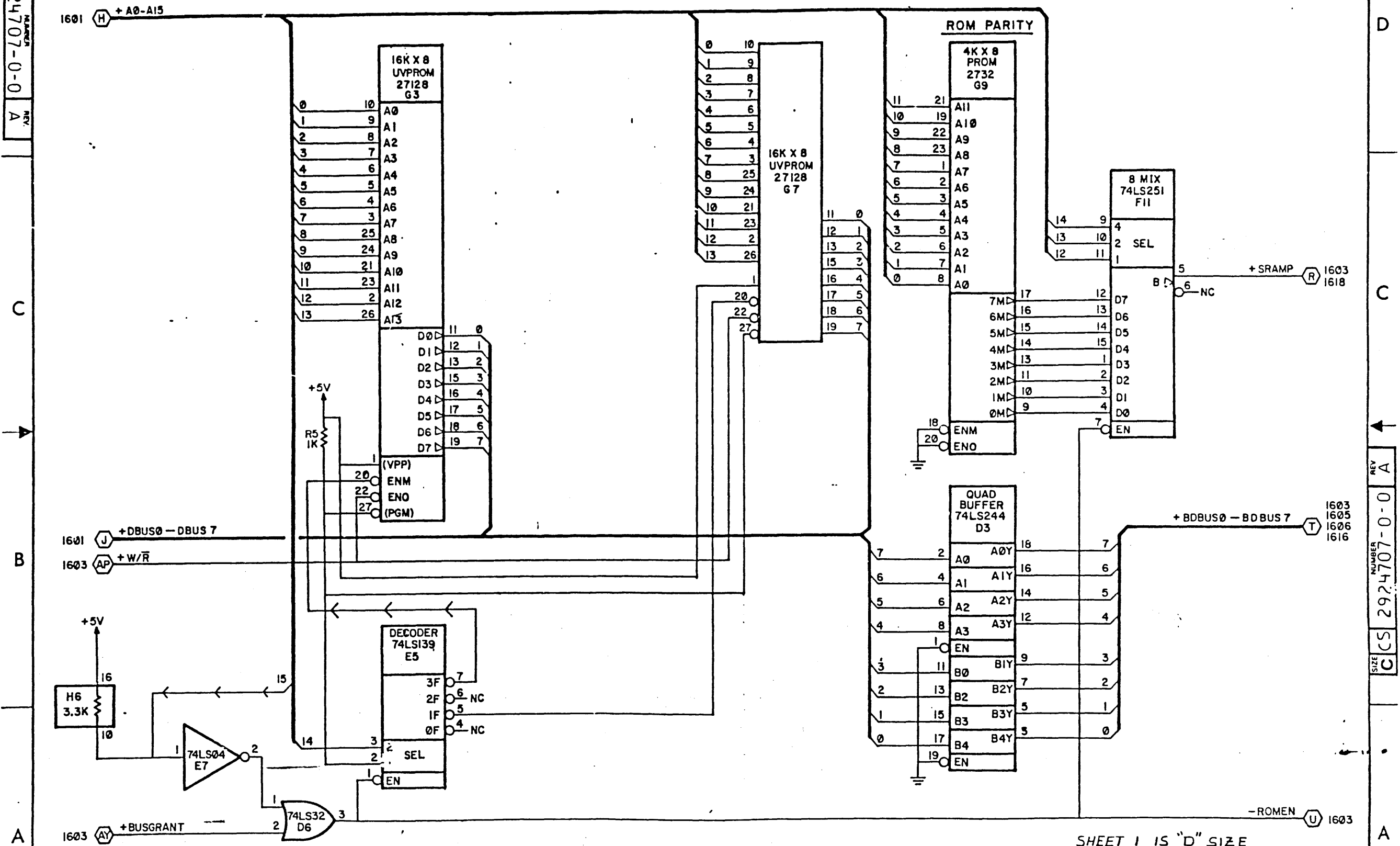
DRN	CHK'D	FIRST USED ON	digital
ENG.	PROJ. ENG.	TITLE	
PROD.	NEXT HIGHER ASSY.	MSCP INTERFACE	
SCALE	SHEET 1 OF 19	SIZE CODE	D CS
		NUMBER	2924707-0-0
		REV.	A
		LOC.	A3A1
		DIST.	

REVISIONS	REV.
CHANGE NO.	
CHK	

SIZE  
REV  
C CS 2924707-0-0 A

THIS DRAWING AND SPECIFICATIONS HEREIN ARE THE PROPERTY OF DIGITAL EQUIPMENT CORPORATION AND SHALL NOT BE REPRODUCED OR COPIED OR USED IN WHOLE OR IN PART AS THE BASIS FOR THE MANUFACTURE OR SALE OF ITEMS WITHOUT WRITTEN PERMISSION.  
COPYRIGHT © 1984 DIGITAL EQUIPMENT CORPORATION

SEE SHEET '0' FOR REVISIONS



TITLE		DOCUMENT NUMBER			
MSCP INTERFACE LOC. A3A1		SIZE	CODE	NUMBER	CD. REV.
		C	CS	2924707-0-0	A
CROSS REF. NO. 1602		SHEET 2 OF 19		PAGE	

DRC 1118

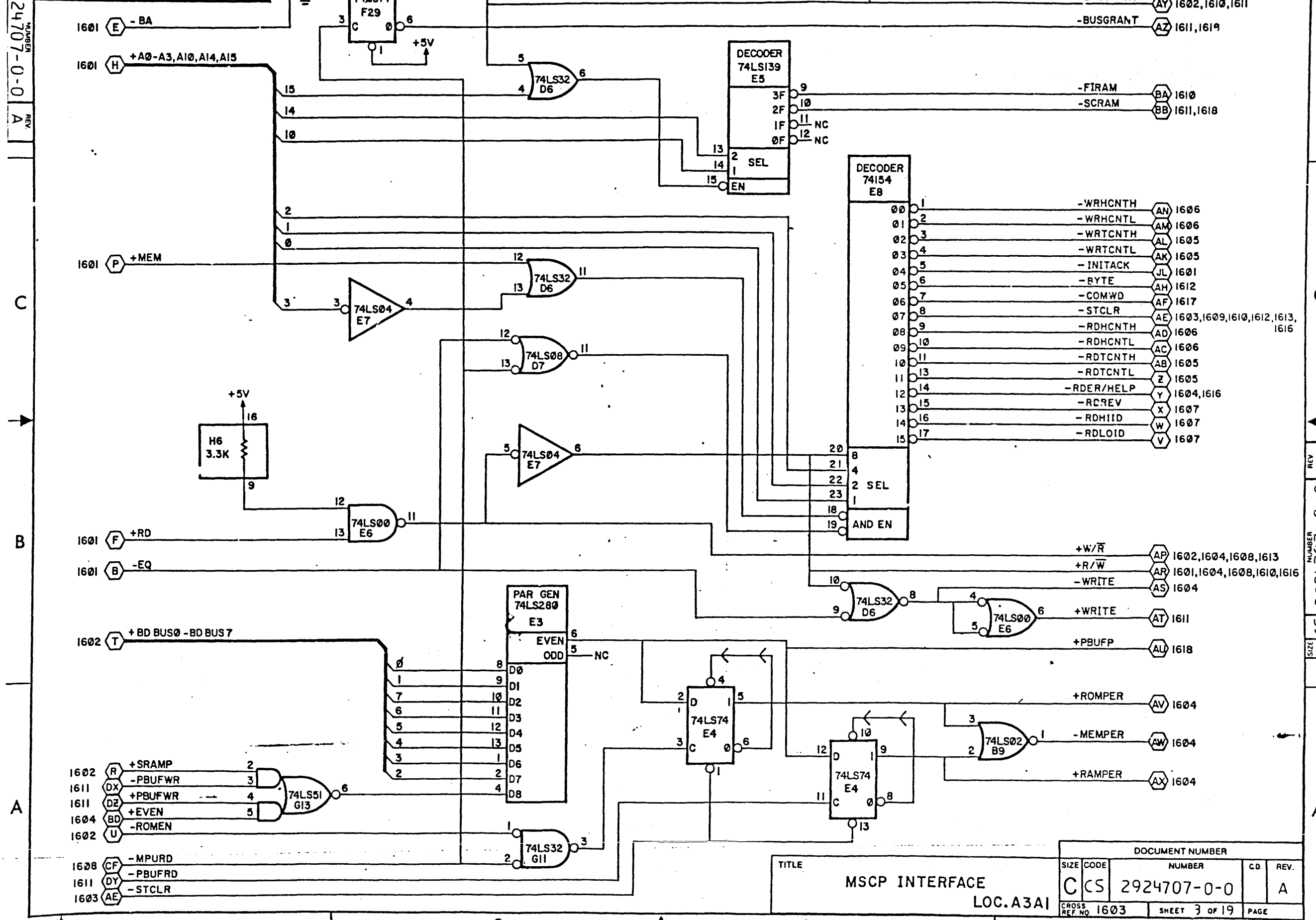
SHEET 1 IS "D" SIZE



SIZE CODE  
 CS 2924707-0-0  
 NUMBER  
 REV  
 A

THIS DRAWING AND SPECIFICATIONS HEREIN ARE THE PROPERTY OF DIGITAL EQUIPMENT CORPORATION AND SHALL NOT BE REPRODUCED OR COPIED OR USED IN WHOLE OR IN PART AS THE BASIS FOR THE MANUFACTURE OR SALE OF ITEMS WITHOUT WRITTEN PERMISSION.  
 COPYRIGHT © 1984 DIGITAL EQUIPMENT CORPORATION

SEE SHEET '0' FOR REVISIONS



A  
 B  
 C  
 D

REV  
 A  
 NUMBER  
 CS 2924707-0-0  
 SIZE

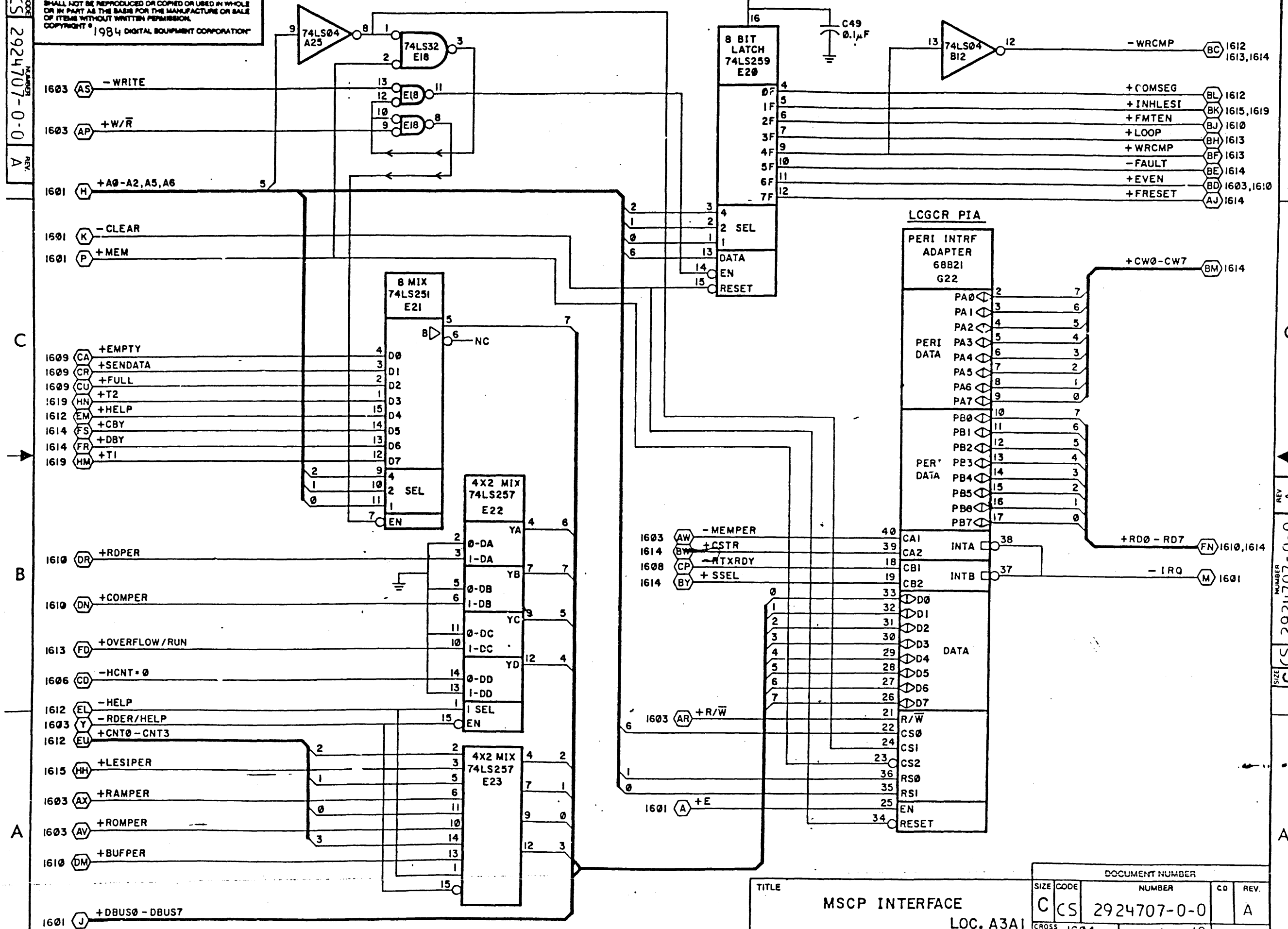
TITLE  
 MSCP INTERFACE  
 LOC.A3A1

DOCUMENT NUMBER			
SIZE	CODE	NUMBER	CD. REV.
C	CS	2924707-0-0	A
CROSS REF. NO. 1603		SHEET 3 OF 19	PAGE

SIZE CODE  
CS 2924707-0-0  
REV. A

THIS DRAWING AND SPECIFICATIONS HEREIN ARE THE PROPERTY OF DIGITAL EQUIPMENT CORPORATION AND SHALL NOT BE REPRODUCED OR COPIED OR USED IN WHOLE OR IN PART AS THE BASIS FOR THE MANUFACTURE OR SALE OF ITEMS WITHOUT WRITTEN PERMISSION. COPYRIGHT © 1984 DIGITAL EQUIPMENT CORPORATION

SEE SHEET '0' FOR REVISIONS



TITLE		DOCUMENT NUMBER	
MSCP INTERFACE LOC. A3A1		CS 2924707-0-0	REV. A
SIZE	CODE	NUMBER	CD
C	CS	2924707-0-0	A
CROSS REF. NO. 1604		SHEET 4 OF 19 PAGE	

DRC 1118

4

3

2

1

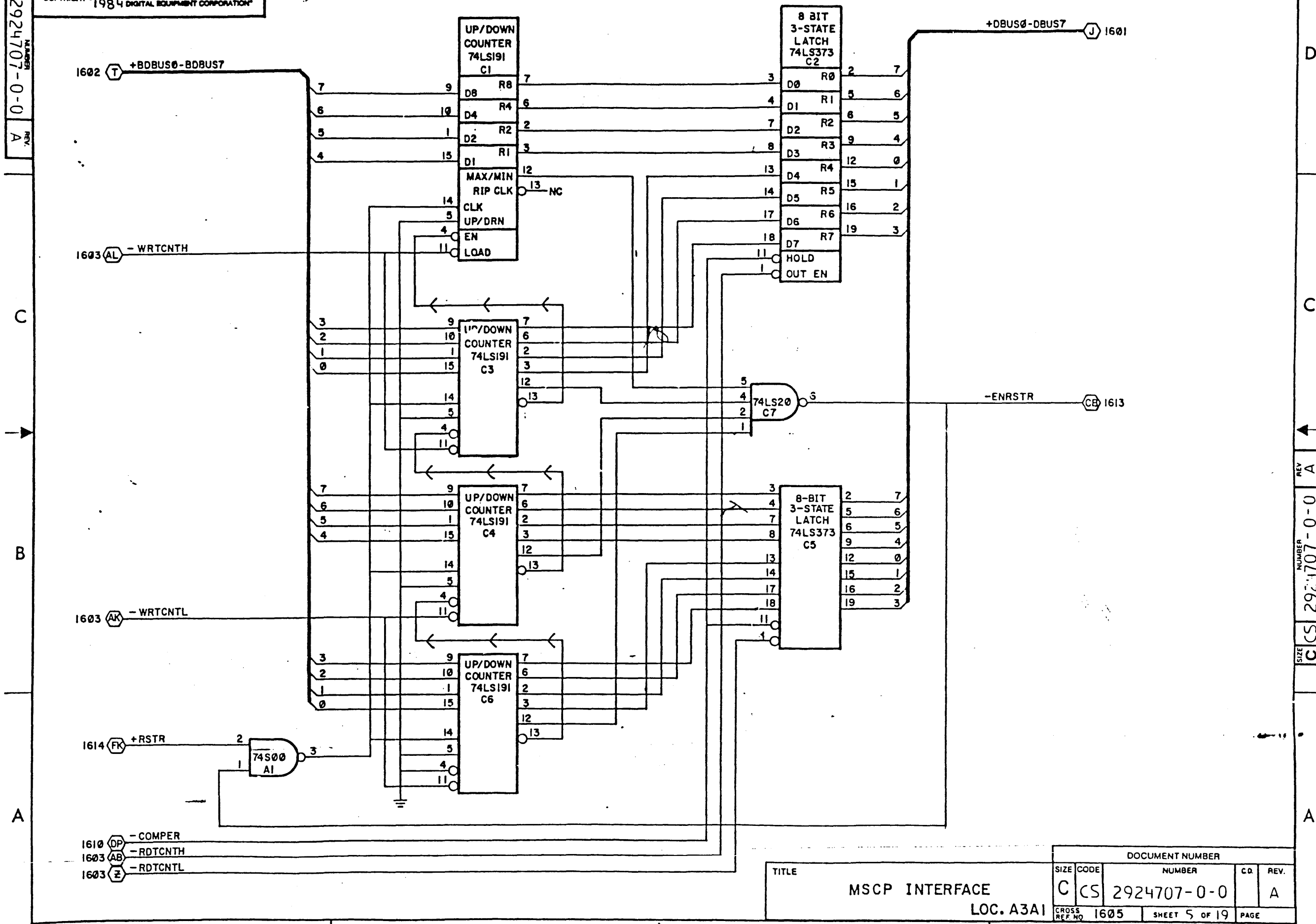
SIZE CODE  
CS 2924707-0-0  
REV. A

SIZE CODE  
CS 2924707-0-0  
REV. A

THIS DRAWING AND SPECIFICATIONS HEREIN ARE THE PROPERTY OF DIGITAL EQUIPMENT CORPORATION AND SHALL NOT BE REPRODUCED OR COPIED OR USED IN WHOLE OR IN PART AS THE BASIS FOR THE MANUFACTURE OR SALE OF ITEMS WITHOUT WRITTEN PERMISSION.  
COPYRIGHT © 1984 DIGITAL EQUIPMENT CORPORATION

SEE SHEET '0' FOR REVISIONS

TYPE BYTE COUNTER



C  
B  
A

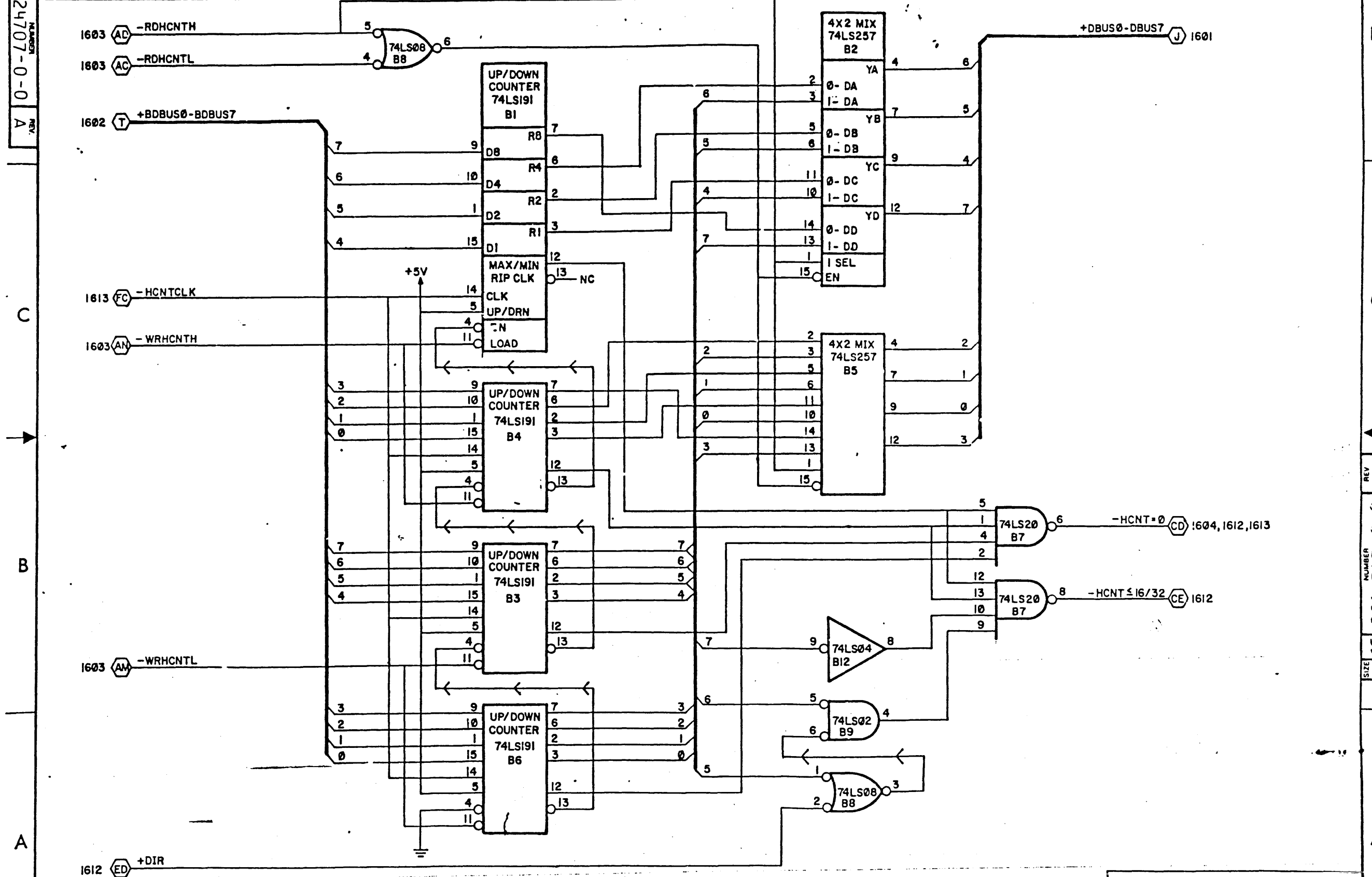
D  
C  
A

TITLE		DOCUMENT NUMBER			
MSCP INTERFACE LOC. A3A1		SIZE	CODE	NUMBER	CR. REV.
		C	CS	2924707-0-0	A
CROSS REF. NO.		SHEET 5 OF 19		PAGE	
1605					

THIS DRAWING AND SPECIFICATIONS HEREIN ARE THE PROPERTY OF DIGITAL EQUIPMENT CORPORATION AND SHALL NOT BE REPRODUCED OR COPIED OR USED IN WHOLE OR IN PART AS THE BASIS FOR THE MANUFACTURE OR SALE OF ITEMS WITHOUT WRITTEN PERMISSION. COPYRIGHT © 1984 DIGITAL EQUIPMENT CORPORATION

SEE SHEET '0' FOR REVISIONS

HOST BYTE COUNTER



SIZE CODE  
 CS 2924707-0-0  
 REV. A

D  
 C  
 A  
 REV. A  
 NUMBER CS 2924707-0-0  
 SIZE

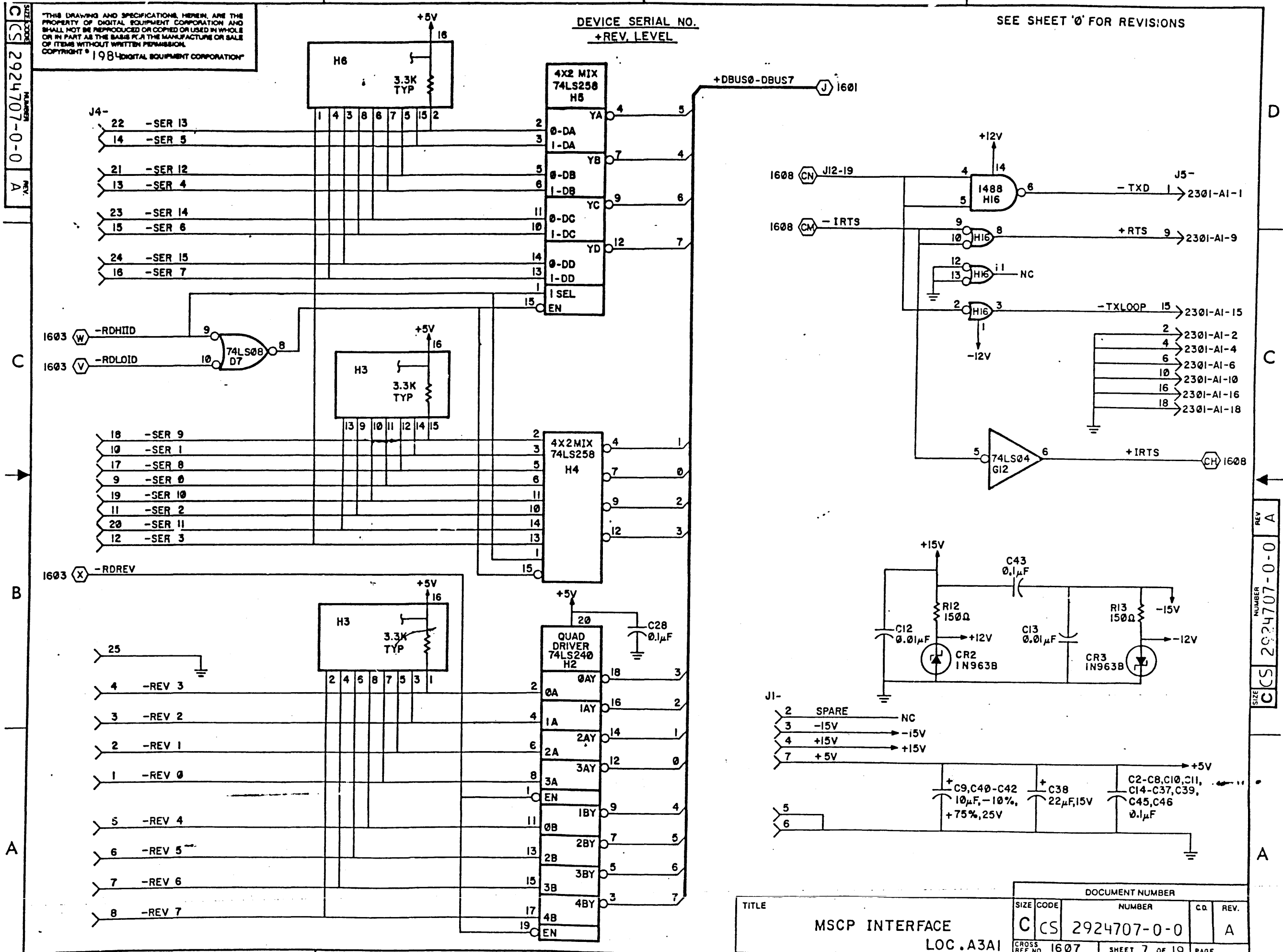
TITLE		DOCUMENT NUMBER			
MSCP INTERFACE LOC. A3A1		SIZE	CODE	NUMBER	CD
		C	CS	2924707-0-0	A
CROSS REF. NO.	1606	SHEET	6	OF	19
PAGE					

THIS DRAWING AND SPECIFICATIONS HEREIN ARE THE PROPERTY OF DIGITAL EQUIPMENT CORPORATION AND SHALL NOT BE REPRODUCED OR COPIED OR USED IN WHOLE OR IN PART AS THE BASIS FOR THE MANUFACTURE OR SALE OF ITEMS WITHOUT WRITTEN PERMISSION.  
 COPYRIGHT © 1984 DIGITAL EQUIPMENT CORPORATION

SIZE: 2924707-0-0  
 NUMBER: A

DEVICE SERIAL NO.  
 +REV. LEVEL

SEE SHEET '0' FOR REVISIONS



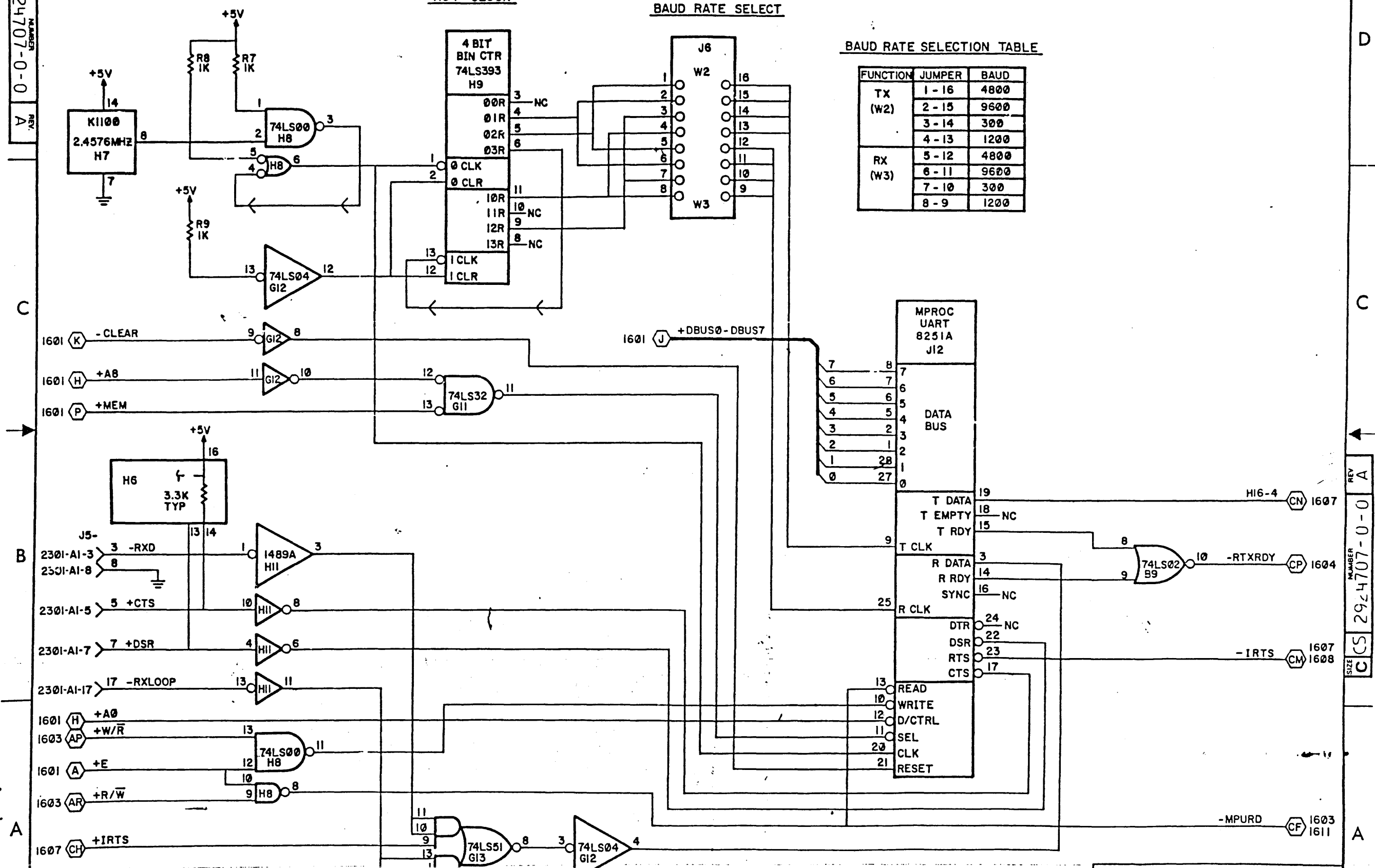
DRC 1118

TITLE		DOCUMENT NUMBER			
MSCP INTERFACE LOC.A3A1		SIZE	CODE	NUMBER	CD. REV.
		C	CS	2924707-0-0	A
CROSS REF. NO.	1607	SHEET 7 OF 19		PAGE	

REV. A  
 NUMBER 2924707-0-0  
 SIZE CS

THIS DRAWING AND SPECIFICATIONS HEREIN ARE THE PROPERTY OF DIGITAL EQUIPMENT CORPORATION AND SHALL NOT BE REPRODUCED OR COPIED OR USED IN WHOLE OR IN PART AS THE BASIS FOR THE MANUFACTURE OR SALE OF ITEMS WITHOUT WRITTEN PERMISSION.  
 COPYRIGHT © 1984 DIGITAL EQUIPMENT CORPORATION

ASCII PORT



BAUD RATE SELECTION TABLE

FUNCTION	JUMPER	BAUD
TX (W2)	1 - 16	4800
	2 - 15	9600
	3 - 14	300
	4 - 13	1200
RX (W3)	5 - 12	4800
	6 - 11	9600
	7 - 10	300
	8 - 9	1200

SIZE CODE  
 CS 2924707-0-0  
 REV. A

C

B

A

D

C

REV. A

NUMBER

CS 2924707-0-0

SIZE

A

TITLE: MSCP INTERFACE LOC. A3A1

DOCUMENT NUMBER: CS 2924707-0-0

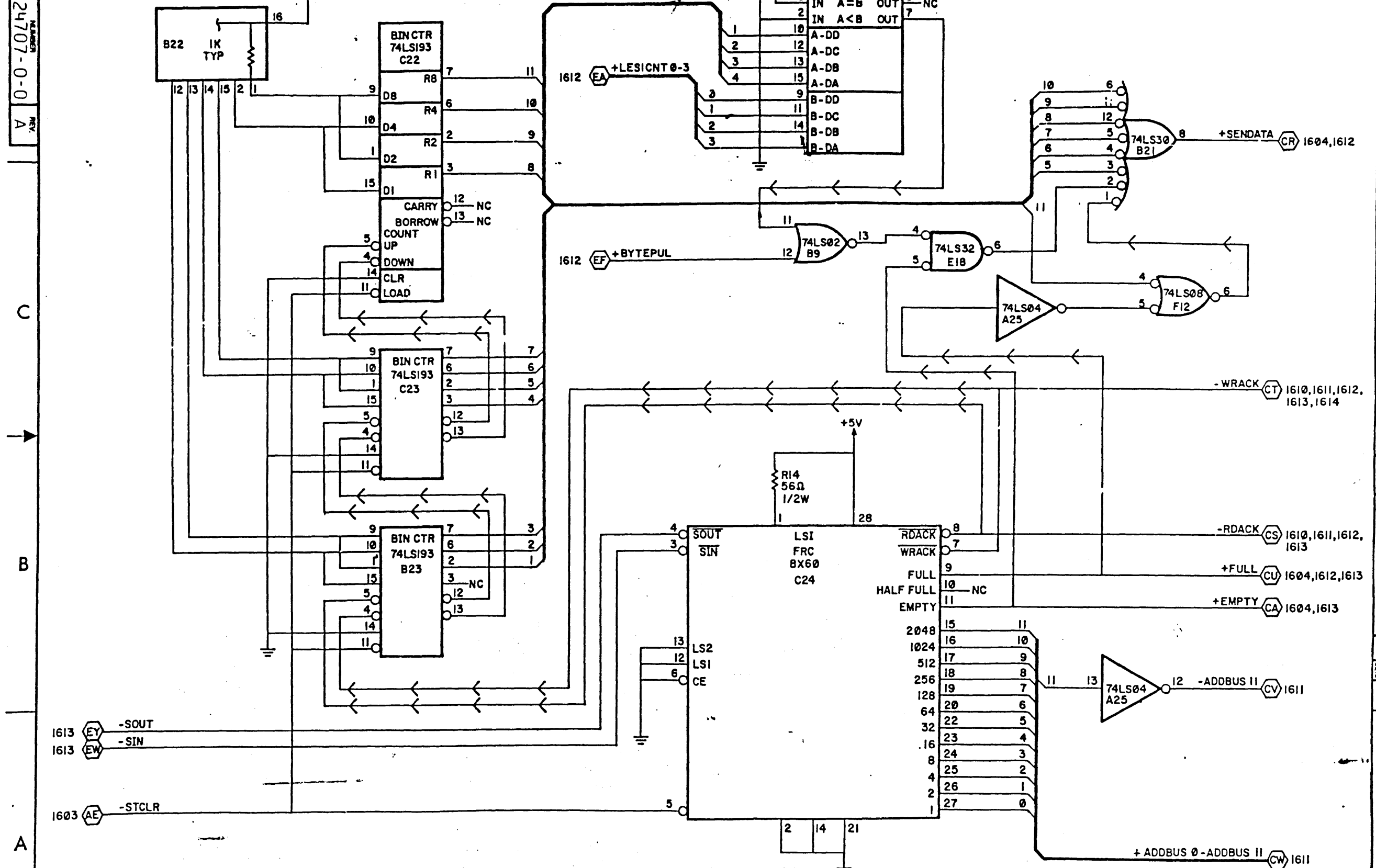
CROSS REF. NO. 1608 SHEET 8 OF 19 PAGE

CO. REV. A

SIZE  
 CS 2924707-0-0  
 REV  
 A

THIS DRAWING AND SPECIFICATIONS HEREIN ARE THE PROPERTY OF DIGITAL EQUIPMENT CORPORATION AND SHALL NOT BE REPRODUCED OR COPIED OR USED IN WHOLE OR IN PART AS THE BASIS FOR THE MANUFACTURE OR SALE OF ITEMS WITHOUT WRITTEN PERMISSION.  
 COPYRIGHT © 1984 DIGITAL EQUIPMENT CORPORATION

SEE SHEET '0' FOR REVISIONS



A

B

C

D

REV  
 A  
 NUMBER  
 CS 2924707-0-0  
 SIZE  
 C

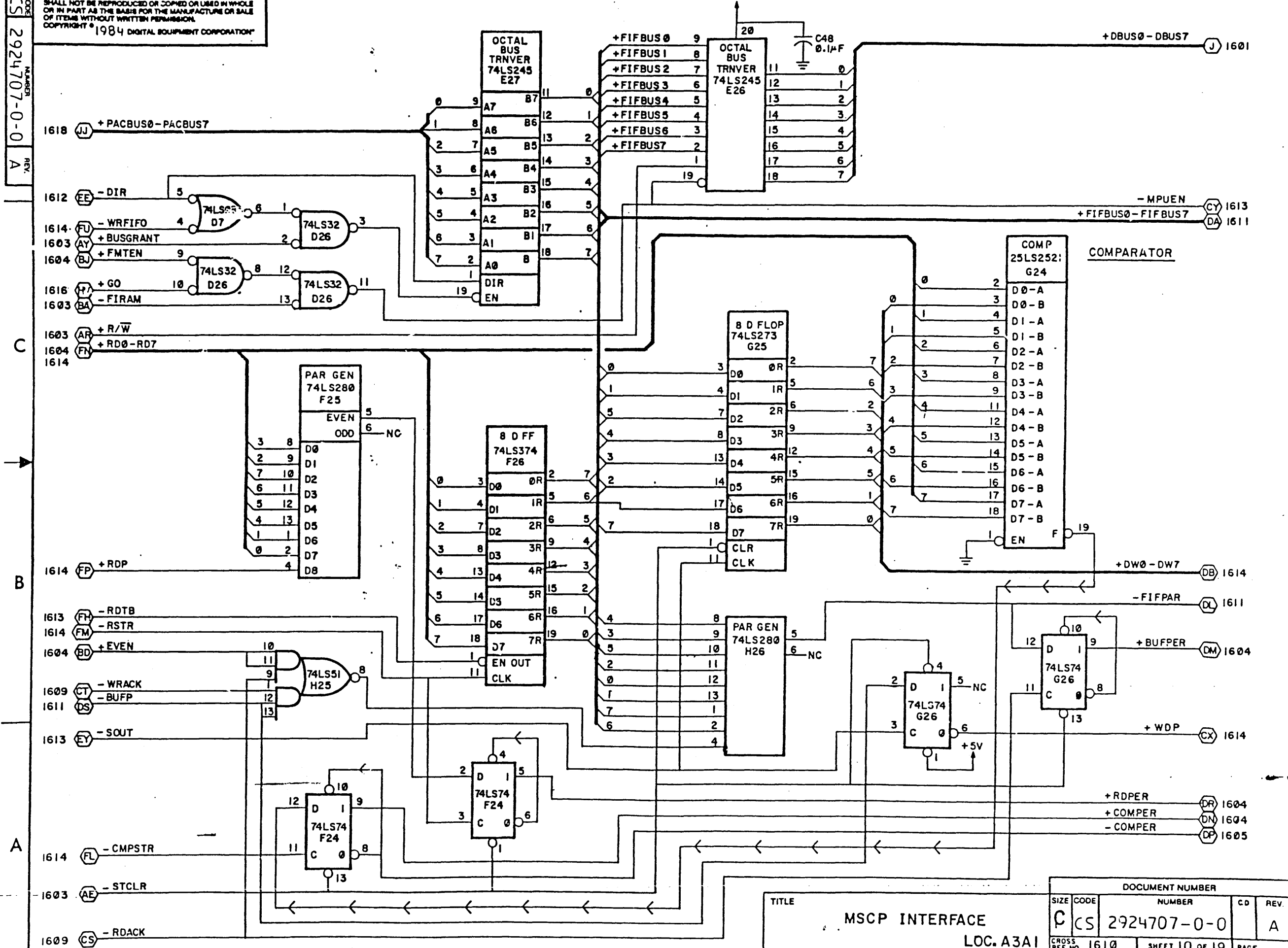
A

TITLE		DOCUMENT NUMBER			
MSCP INTERFACE LOC.A3A1		SIZE	CODE	NUMBER	CD
		C	CS	2924707-0-0	A
CROSS REF. NO	1609	SHEET 9 OF 19		PAGE	

SIZE CODE  
CS  
NUMBER  
2924707-0-0  
REV.  
A

THIS DRAWING AND SPECIFICATIONS HEREIN ARE THE PROPERTY OF DIGITAL EQUIPMENT CORPORATION AND SHALL NOT BE REPRODUCED OR COPIED OR USED IN WHOLE OR IN PART AS THE BASIS FOR THE MANUFACTURE OR SALE OF ITEMS WITHOUT WRITTEN PERMISSION.  
COPYRIGHT © 1984 DIGITAL EQUIPMENT CORPORATION

SEE SHEET '0' FOR REVISIONS



TITLE		DOCUMENT NUMBER			
MSCP INTERFACE		SIZE CODE	NUMBER	CD	REV.
LOC. A3A1		C	CS 2924707-0-0		A
CROSS REF. NO.	SHEET	PAGE			
1610	10 OF 19				

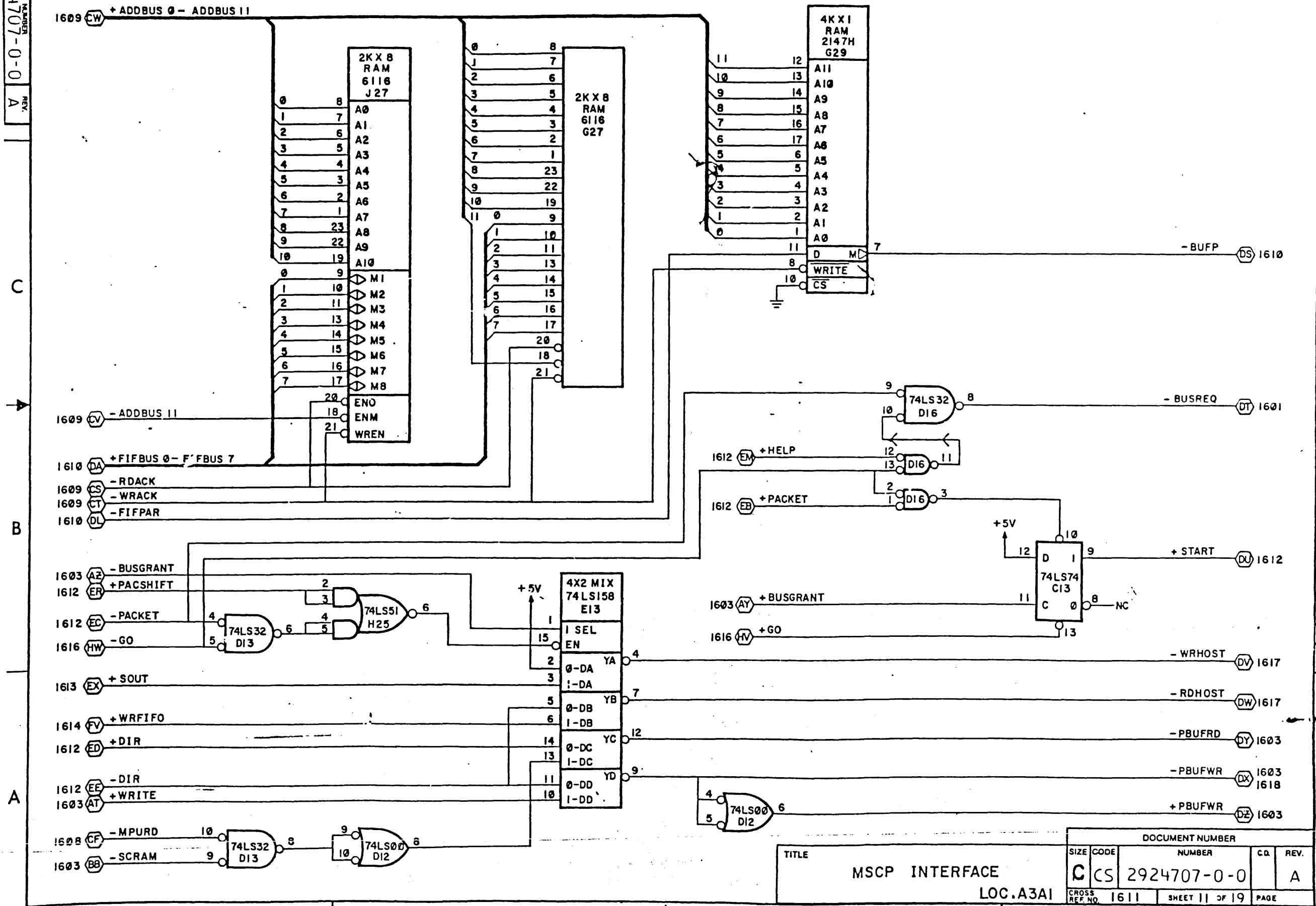


SIZE CODE  
CS 2924707-0-0  
REV. A

THIS DRAWING AND SPECIFICATIONS HEREIN ARE THE PROPERTY OF DIGITAL EQUIPMENT CORPORATION AND SHALL NOT BE REPRODUCED OR COPIED OR USED IN WHOLE OR IN PART AS THE BASIS FOR THE MANUFACTURE OR SALE OF ITEMS WITHOUT WRITTEN PERMISSION.  
COPYRIGHT © 1984 DIGITAL EQUIPMENT CORPORATION

SEE SHEET 'D' FOR REVISIONS

FIFO/RAM



C  
B  
A

D  
C  
A

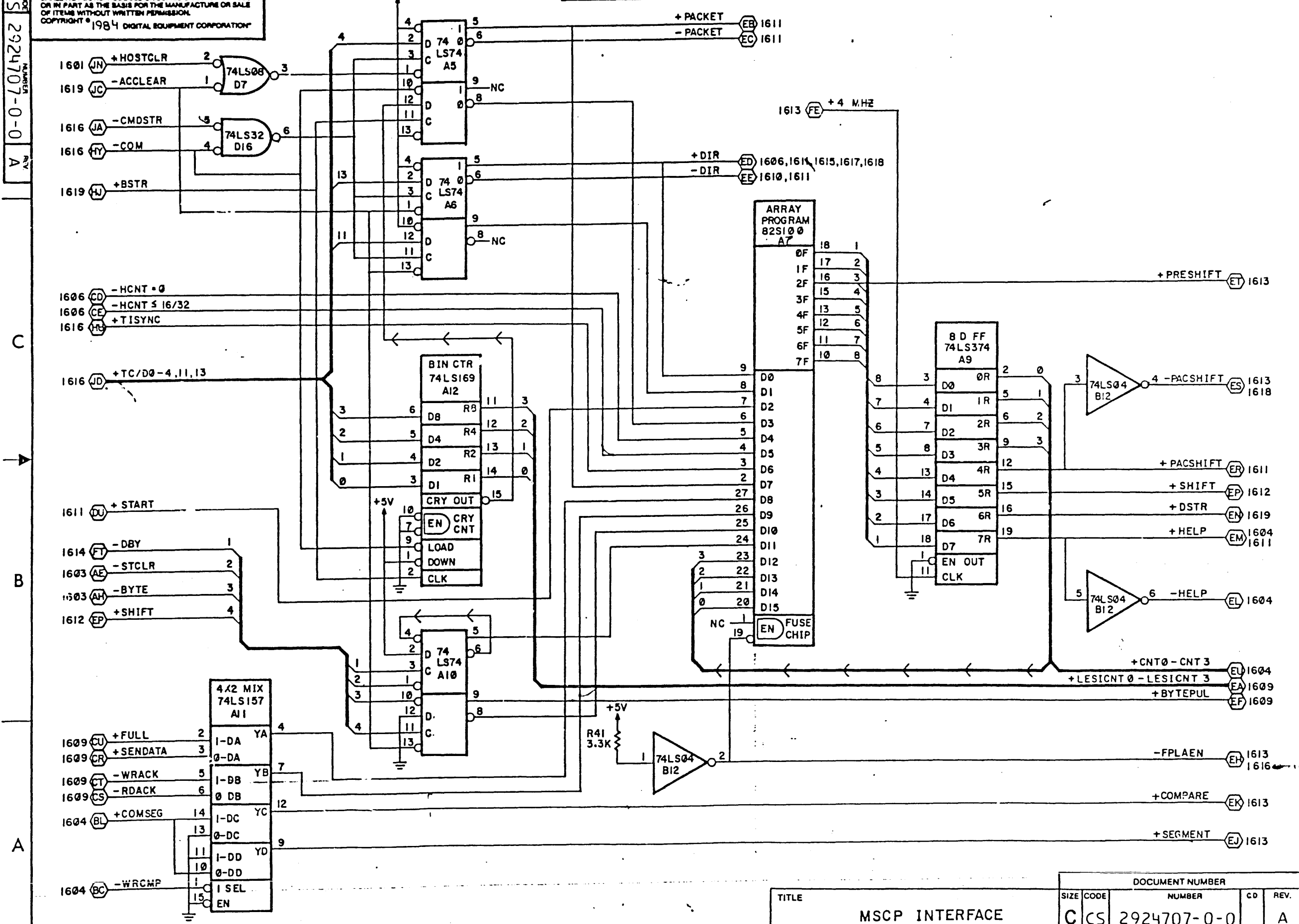
TITLE		DOCUMENT NUMBER			
MSCP INTERFACE LOC.A3A1		SIZE CODE	NUMBER	C.D.	REV.
		C CS	2924707-0-0		A
CROSS REF. NO.	SHEET	OF	PAGE		
1611	11	19			

SIZE CODE  
 CS 2924707-0-0  
 REV A

THIS DRAWING AND SPECIFICATIONS HEREIN ARE THE PROPERTY OF DIGITAL EQUIPMENT CORPORATION AND SHALL NOT BE REPRODUCED OR COPIED OR USED IN WHOLE OR IN PART AS THE BASIS FOR THE MANUFACTURE OR SALE OF ITEMS WITHOUT WRITTEN PERMISSION.  
 COPYRIGHT © 1984 DIGITAL EQUIPMENT CORPORATION

SEE SHEET 0 FOR REVISIONS

LESI SEQUENCER



A

B

C

A

A

C

D

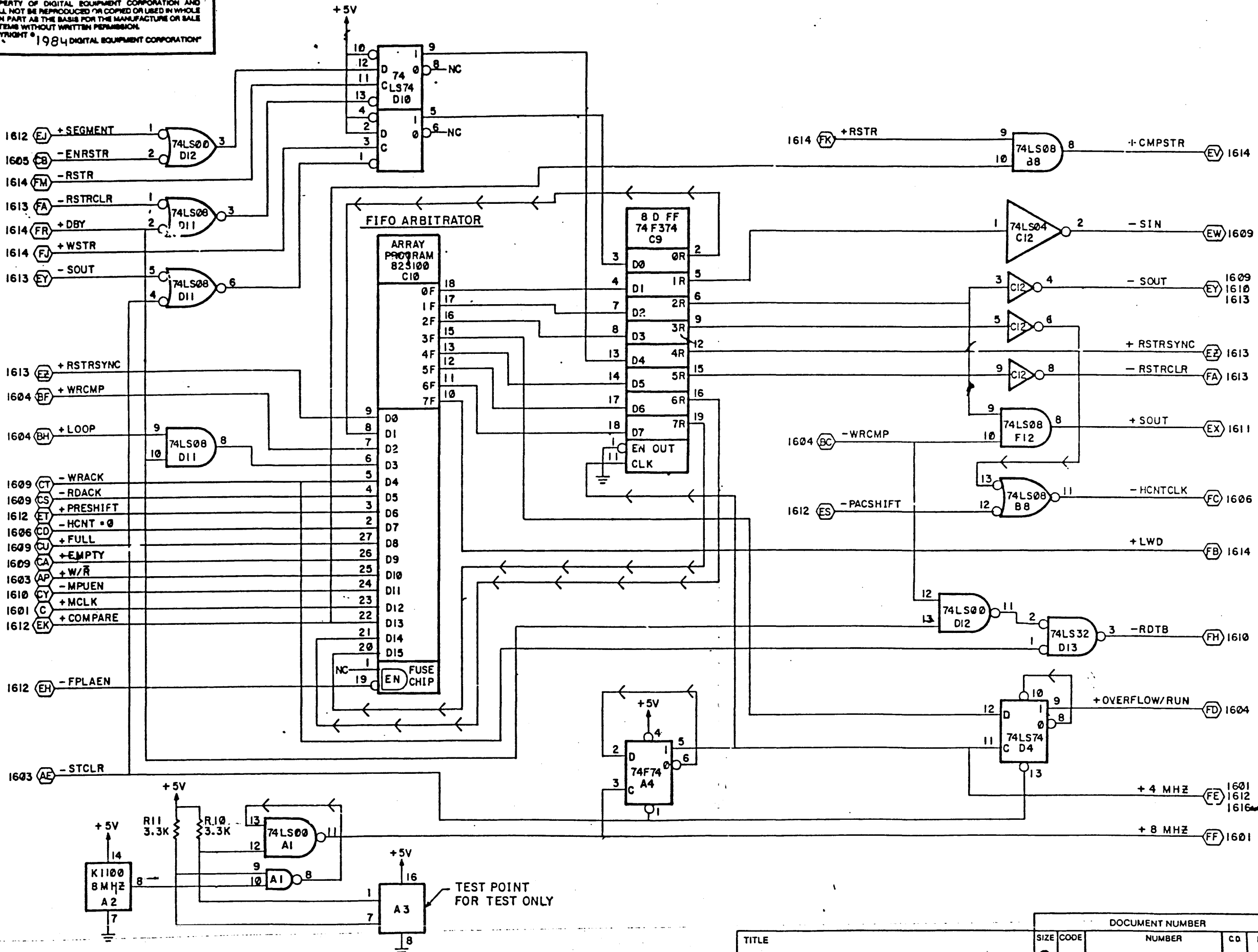
TITLE		DOCUMENT NUMBER			
MSCP INTERFACE LOC. A3A1		SIZE	CODE	NUMBER	CD REV.
		C	CS	2924707-0-0	A
CROSS REF. NO.	1612	SHEET 12 OF 19		PAGE	

THIS DRAWING AND SPECIFICATIONS HEREIN ARE THE PROPERTY OF DIGITAL EQUIPMENT CORPORATION AND SHALL NOT BE REPRODUCED OR COPIED OR USED IN WHOLE OR IN PART AS THE BASIS FOR THE MANUFACTURE OR SALE OF ITEMS WITHOUT WRITTEN PERMISSION. COPYRIGHT © 1984 DIGITAL EQUIPMENT CORPORATION

SIZE CODE NUMBER  
CS 2924707-0-0  
REV. A

C  
B  
A

A



D

C

A

A

SIZE CODE NUMBER  
CS 2924707-0-0  
REV. A

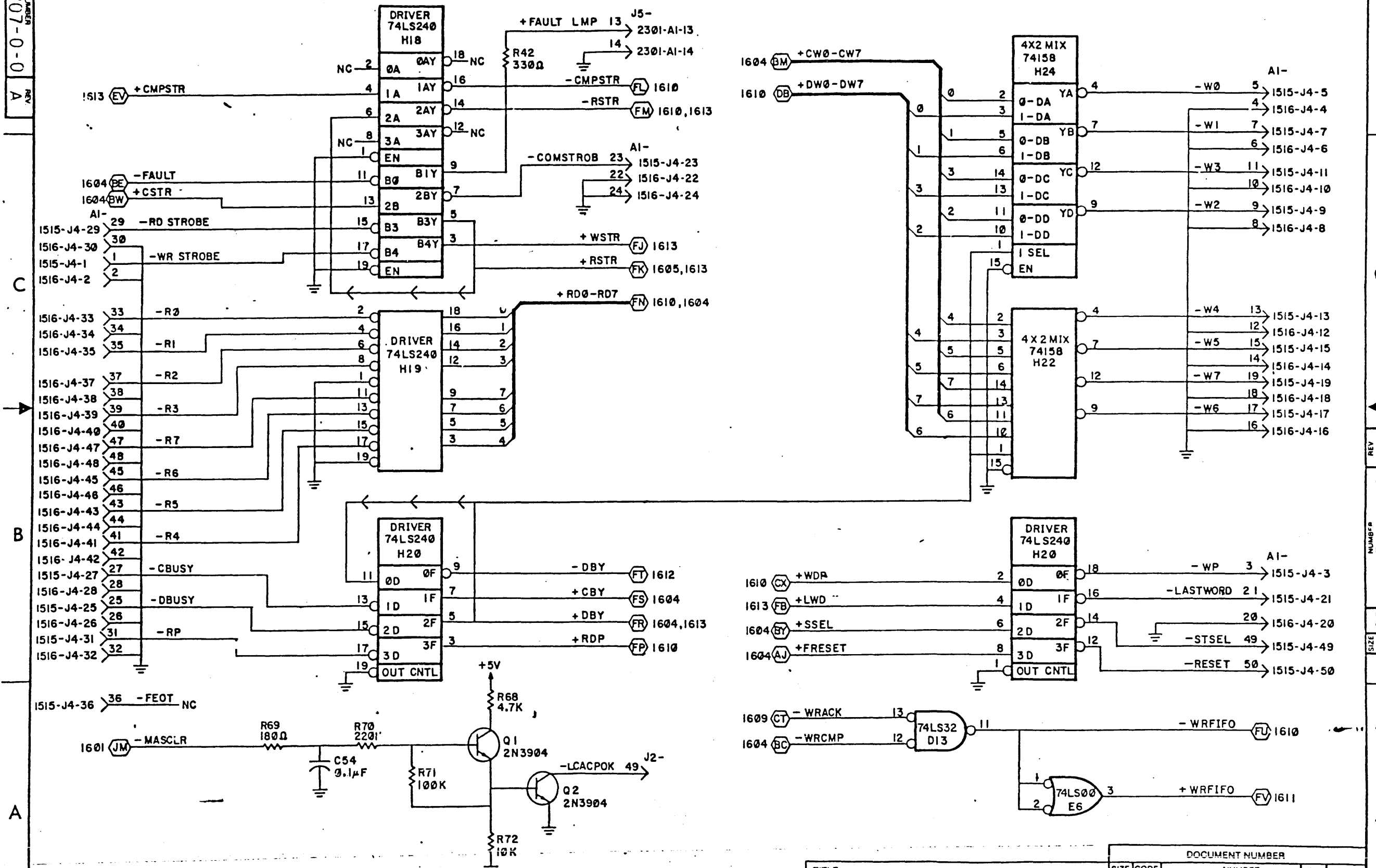
TITLE		DOCUMENT NUMBER		
MSCP INTERFACE LOC. A3A1		SIZE CODE	NUMBER	CD REV.
		C CS	2924707-0-0	A
CROSS REF NO	1613	SHEET 13 OF 19		PAGE

SIZE CODE  
CS 2924707-0-0  
REV A

THIS DRAWING AND SPECIFICATIONS, HEREIN, ARE THE PROPERTY OF DIGITAL EQUIPMENT CORPORATION AND SHALL NOT BE REPRODUCED OR COPIED IN WHOLE OR IN PART AS THE BASIS FOR THE MANUFACTURE OR SALE OF ITEMS WITHOUT WRITTEN PERMISSION.  
COPYRIGHT © 1984 DIGITAL EQUIPMENT CORPORATION

SEE SHEET '0' FOR REVISIONS

LCGR DRIVERS AND RECEIVERS



DRC 111B

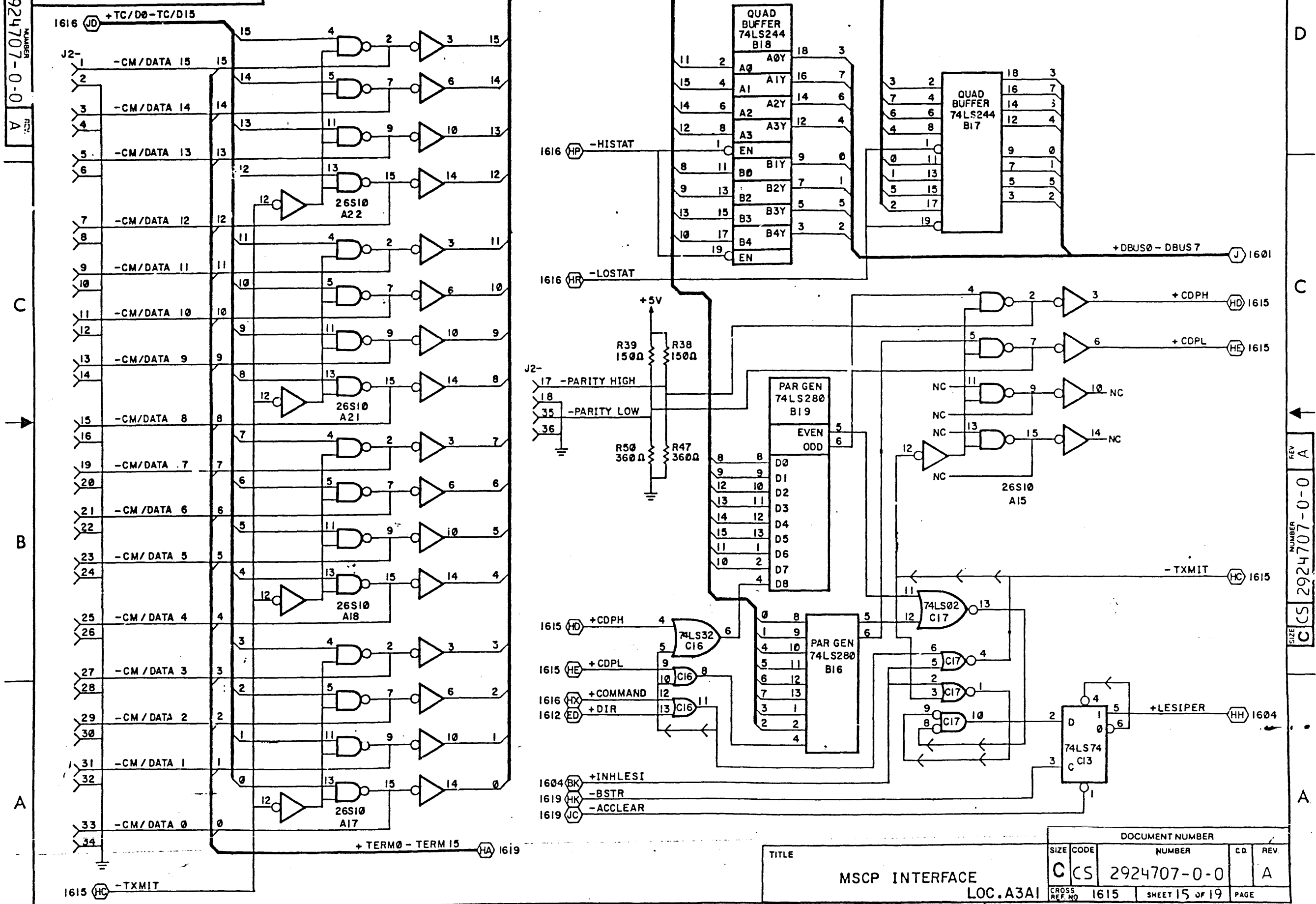
TITLE		DOCUMENT NUMBER			
MSCP INTERFACE		SIZE	CODE	NUMBER	CD. REV.
LOC. A3AI		C	CS	2924707-0-0	A
CROSS REF. NO.	1614	SHEET 14 OF 19		PAGE	

SIZE CODE  
CS 2924707-0-0  
REV. A

THIS DRAWING AND SPECIFICATIONS HEREIN ARE THE PROPERTY OF DIGITAL EQUIPMENT CORPORATION AND SHALL NOT BE REPRODUCED OR COPIED OR USED IN WHOLE OR IN PART AS THE BASIS FOR THE MANUFACTURE OR SALE OF ITEMS WITHOUT WRITTEN PERMISSION. COPYRIGHT © DIGITAL EQUIPMENT CORPORATION

LESI DRIVERS AND RECEIVERS

SEE SHEET 0 FOR REVISIONS



C

B

A

D

C

A

A

REV. A  
NUMBER  
CS 2924707-0-0  
SIZE

TITLE		DOCUMENT NUMBER			
MSCP INTERFACE LOC.A3A1		SIZE CODE	NUMBER	CD	REV.
		C CS	2924707-0-0		A
CROSS REF. NO.	SHEET	PAGE			
1615	15	19			

THIS DRAWING AND SPECIFICATIONS HEREIN ARE THE PROPERTY OF DIGITAL EQUIPMENT CORPORATION AND SHALL NOT BE REPRODUCED OR COPIED OR USED IN WHOLE OR IN PART AS THE BASIS FOR THE MANUFACTURE OR SALE OF ITEMS WITHOUT WRITTEN PERMISSION. COPYRIGHT © 1984 DIGITAL EQUIPMENT CORPORATION

### LESI COMMAND SEQUENCER

SEE SHEET Ø FOR REVISIONS

SIZE CODE  
CS  
NUMBER  
2924707-0-0  
REV  
A

C

B

A

D

C

REV

A

NUMBER  
2924707-0-0

A

1602 T +BDBUSØ-BDBUS7

1617 JE -CMDEN

1619 HM +TI

1619 HK -BSTR

1601 A +E

1603 Y -RDER/HELP

1601 C +MCLK

1603 AR +R/W

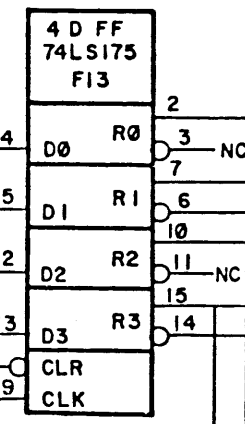
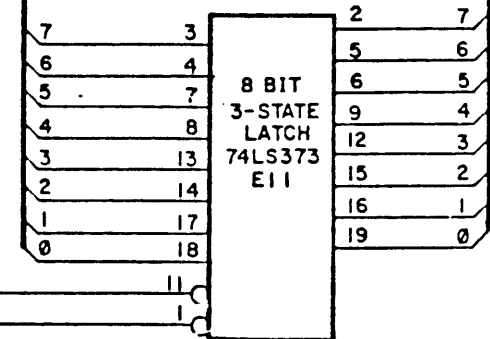
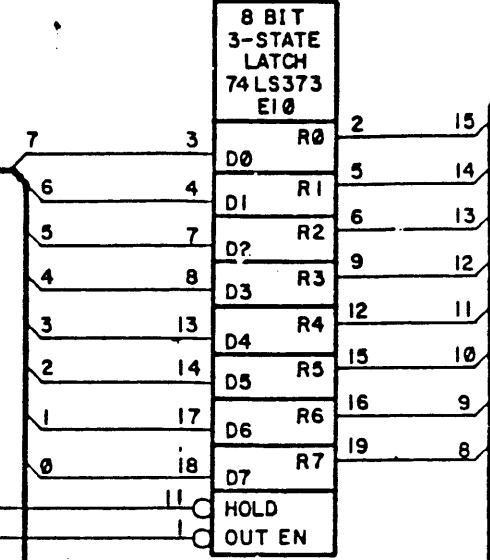
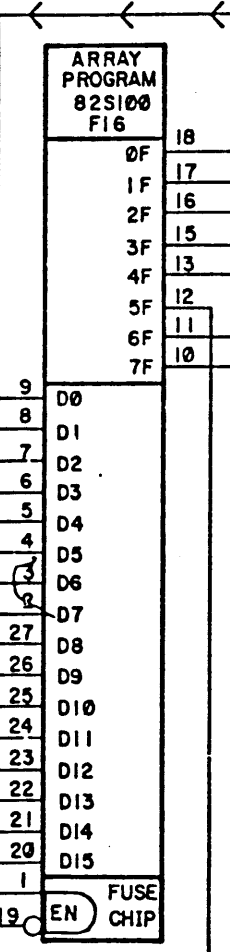
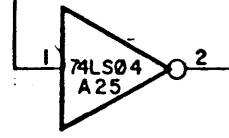
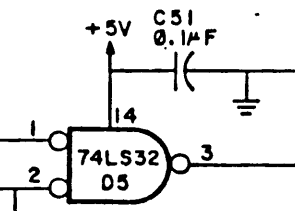
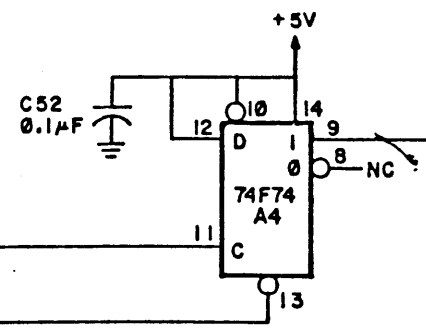
1601 P +MEM

1601 H +AØ-A2,A7,A9

1612 EH -FPLAEN

1603 AE -STCLR

1613 FE +4 MHZ



+TC/DØ-TC/D12 JD 1612  
1615  
1617

- HISTAT HP 1615  
- LOSTAT HR 1615

+TISYNC HU 1612  
+GO HV 161Ø  
1611  
-GO HW 1611  
+COMMAND HX 1615  
1617  
-COM HY 1619  
1612

B12-11 JK 1619  
+CMDSTR JB 1619  
-CMDSTR JA 1612

TITLE  
MSØP INTERFACE  
LOC. A3A1

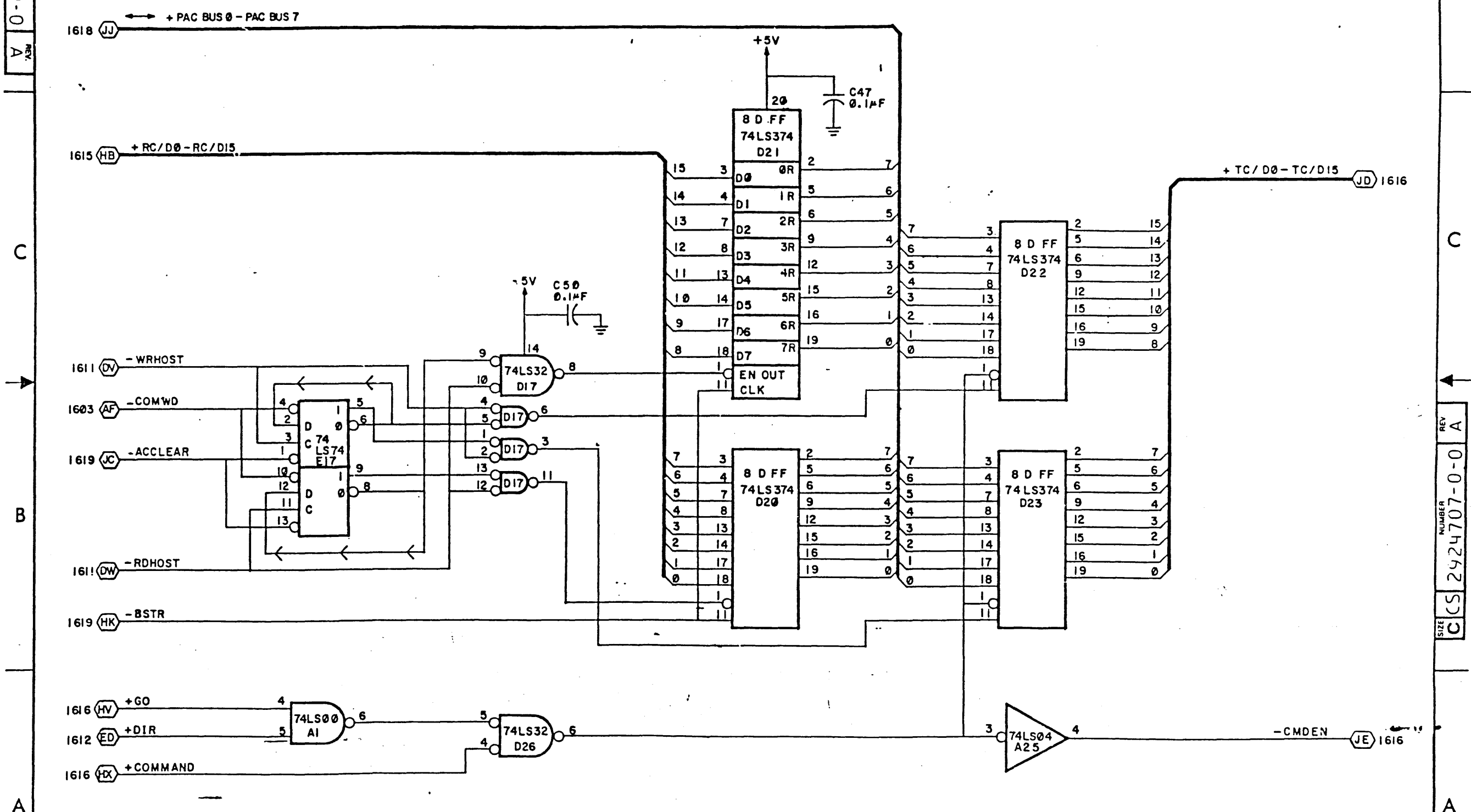
DOCUMENT NUMBER			
SIZE	CODE	NUMBER	CD. REV.
C	CS	2924707-0-0	A
CROSS REF. NO.	1616	SHEET 16 OF 19	PAGE

SIZE CODE  
CS 2924707-0-0  
REV. A

THIS DRAWING AND SPECIFICATIONS HEREIN ARE THE PROPERTY OF DIGITAL EQUIPMENT CORPORATION AND SHALL NOT BE REPRODUCED OR COPIED OR USED IN WHOLE OR IN PART AS THE BASIS FOR THE MANUFACTURE OR SALE OF ITEMS WITHOUT WRITTEN PERMISSION.  
COPYRIGHT © 1984 DIGITAL EQUIPMENT CORPORATION

SEE SHEET 0 FOR REVISIONS

### SCRATCH PAD & PACKET BUFFER



TITLE		DOCUMENT NUMBER	
MSCP INTERFACE		SIZE CODE	NUMBER
LOC. A3A1		CS	2924707-0-0
CROSS REF. NO.	SHEET	OF	PAGE
1617	17	19	

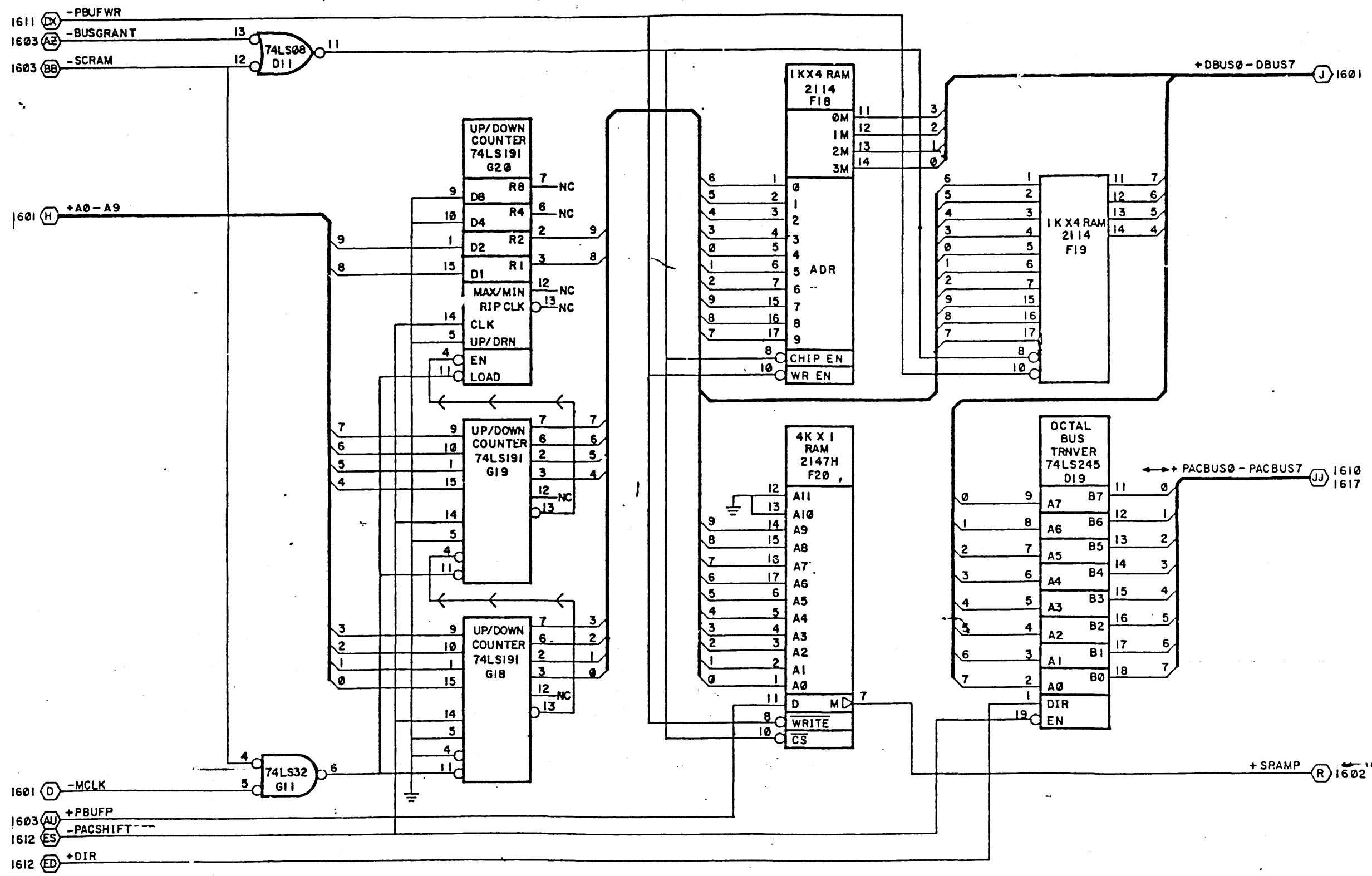
REV. A  
NUMBER CS 2924707-0-0  
A

SIZE CODE  
CS 2924707-0-0  
NUMBER  
REV  
A

THIS DRAWING AND SPECIFICATIONS HEREIN ARE THE PROPERTY OF DIGITAL EQUIPMENT CORPORATION AND SHALL NOT BE REPRODUCED OR COPIED OR USED IN WHOLE OR IN PART AS THE BASIS FOR THE MANUFACTURE OR SALE OF ITEMS WITHOUT WRITTEN PERMISSION.  
COPYRIGHT © 1984 DIGITAL EQUIPMENT CORPORATION

SEE SHEET Ø FOR REVISIONS

SCRATCH PAD & PACKET BUFFER



A

TITLE  
MSCP INTERFACE  
LOC. A3A1

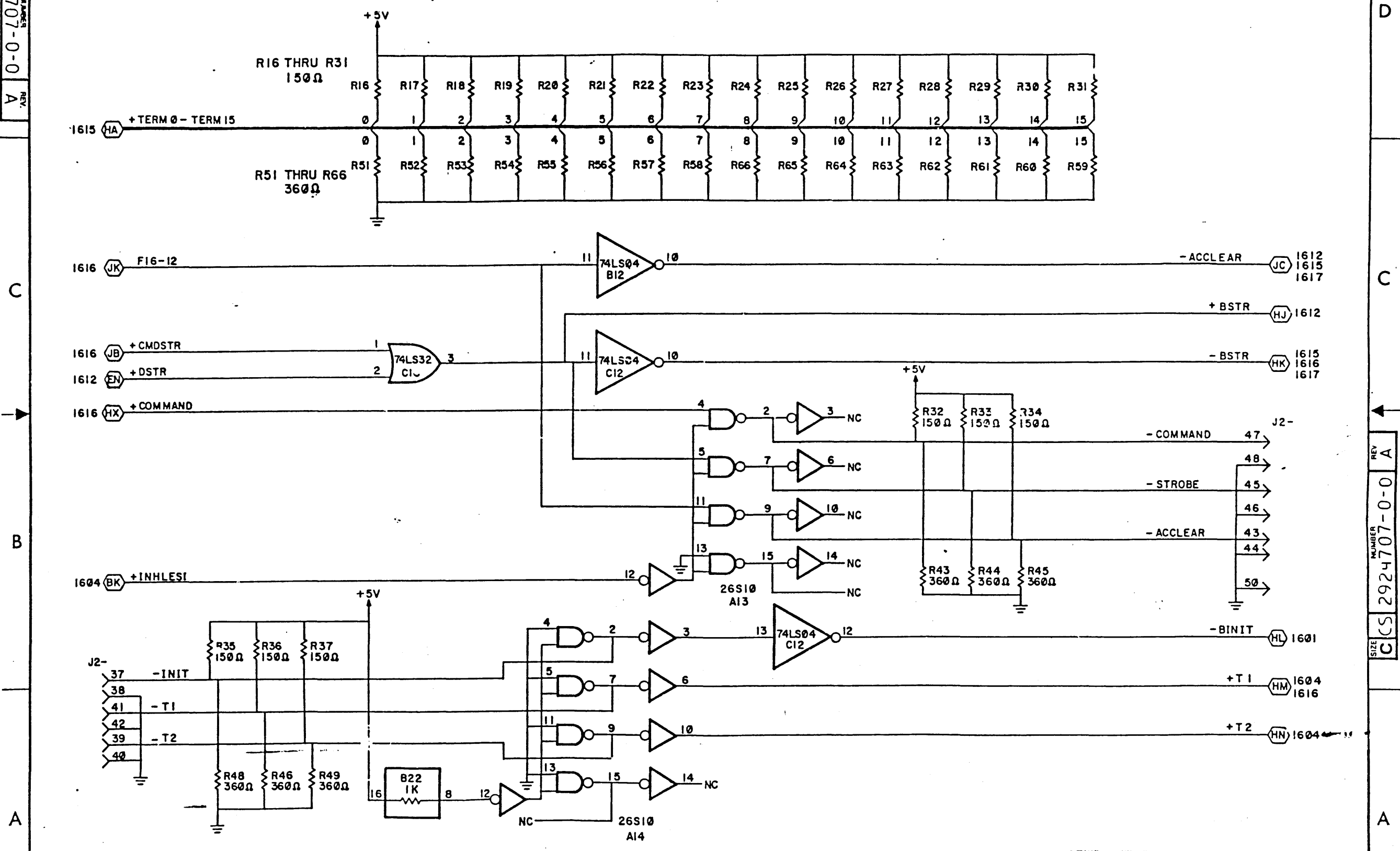
DOCUMENT NUMBER				
SIZE	CODE	NUMBER	CD	REV.
C	CS	2924707-0-0		A
CROSS REF NO		1618	SHEET 18 OF 19	
			PAGE	



SIZE CODE  
CS 2924707-0-0  
REV. A

THIS DRAWING AND SPECIFICATIONS HEREIN ARE THE PROPERTY OF DIGITAL EQUIPMENT CORPORATION AND SHALL NOT BE REPRODUCED OR COPIED OR USED IN WHOLE OR IN PART AS THE BASIS FOR THE MANUFACTURE OR SALE OF ITEMS WITHOUT WRITTEN PERMISSION.  
COPYRIGHT © 1984 DIGITAL EQUIPMENT CORPORATION

SEE SHEET 0 FOR REVISIONS



TITLE		DOCUMENT NUMBER			
MSCP INTERFACE		SIZE	CODE	NUMBER	CD. REV.
LOC. A3A1		C	CS	2924707-0-0	A
CROSS REF NO	1619	SHEET	19 OF 19	PAGE	

DRC 111B

4

3

2

1

D

C

C

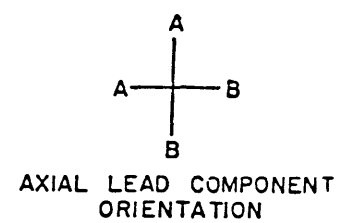
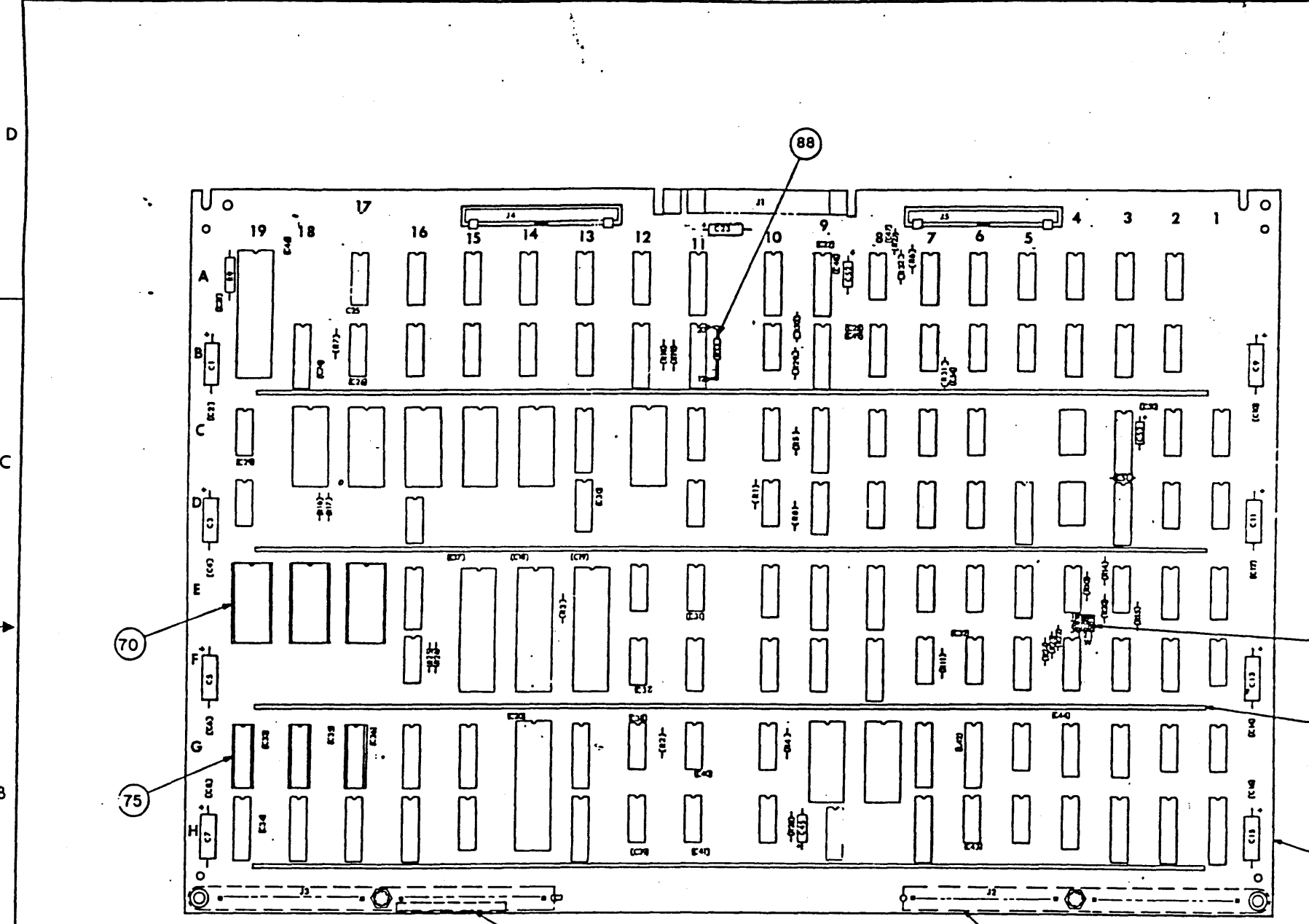
B

A

A

REV. A  
NUMBER 2924707-0-0  
SIZE CS

SHEET REVISION STATUS										REVISION RECORD			
REV	ECO	DESCRIPTION	DIFF	DATE	CHKD	APP	REV	ECO	DESCRIPTION	DIFF	DATE	CHKD	APP
17	01	01	01	01	01	01	01	01	01	01	01	01	01
16	01	01	01	01	01	01	01	01	01	01	01	01	01
15	01	01	01	01	01	01	01	01	01	01	01	01	01
14	01	01	01	01	01	01	01	01	01	01	01	01	01
13	01	01	01	01	01	01	01	01	01	01	01	01	01
12	01	01	01	01	01	01	01	01	01	01	01	01	01
11	01	01	01	01	01	01	01	01	01	01	01	01	01
10	01	01	01	01	01	01	01	01	01	01	01	01	01
9	01	01	01	01	01	01	01	01	01	01	01	01	01
8	01	01	01	01	01	01	01	01	01	01	01	01	01
7	01	01	01	01	01	01	01	01	01	01	01	01	01
6	01	01	01	01	01	01	01	01	01	01	01	01	01
5	01	01	01	01	01	01	01	01	01	01	01	01	01
4	01	01	01	01	01	01	01	01	01	01	01	01	01
3	01	01	01	01	01	01	01	01	01	01	01	01	01
2	01	01	01	01	01	01	01	01	01	01	01	01	01
1	01	01	01	01	01	01	01	01	01	01	01	01	01
02	01	01	01	01	01	01	01	01	01	01	01	01	01
03	01	01	01	01	01	01	01	01	01	01	01	01	01
04	01	01	01	01	01	01	01	01	01	01	01	01	01
05	01	01	01	01	01	01	01	01	01	01	01	01	01
06	01	01	01	01	01	01	01	01	01	01	01	01	01
07	01	01	01	01	01	01	01	01	01	01	01	01	01
08	01	01	01	01	01	01	01	01	01	01	01	01	01
09	01	01	01	01	01	01	01	01	01	01	01	01	01
10	01	01	01	01	01	01	01	01	01	01	01	01	01
11	01	01	01	01	01	01	01	01	01	01	01	01	01
12	01	01	01	01	01	01	01	01	01	01	01	01	01
13	01	01	01	01	01	01	01	01	01	01	01	01	01
14	01	01	01	01	01	01	01	01	01	01	01	01	01
15	01	01	01	01	01	01	01	01	01	01	01	01	01
16	01	01	01	01	01	01	01	01	01	01	01	01	01
17	01	01	01	01	01	01	01	01	01	01	01	01	01
18	01	01	01	01	01	01	01	01	01	01	01	01	01
19	01	01	01	01	01	01	01	01	01	01	01	01	01



DETAIL A  
SCALE - NONE

DETAIL A  
ROTATED 180°

STANDARD MFG. PRACTICES SHALL BE ADHERED TO PER WORKMANSHIP MANUAL SPEC. NO. 10120300

UNLESS OTHERWISE SPECIFIED DIMENSIONS ARE IN INCHES TOLERANCES 2 PLACE 3 PLACE ANGLES ± .005 ± 0°30'	OWN CHKD ENGR MFG QA EQUIP NO.	DATE TIME DATE TIME DATE TIME	COMPUTER PERIPHERALS INC. TAPE & CARD PRODUCTS DIV. NORRISTOWN, PA. 19403
PL 77041241-48 DN 77041240	MATERIAL FINISH	TITGS25-75	TITLE PWA FORMATTER / WRITE
DETACHED LISTS	THIRD ANGLE PROJECTION	SCALE 1/1	SHEET 1 OF 1

8

7

6

5

4

3

0-0-804262 2

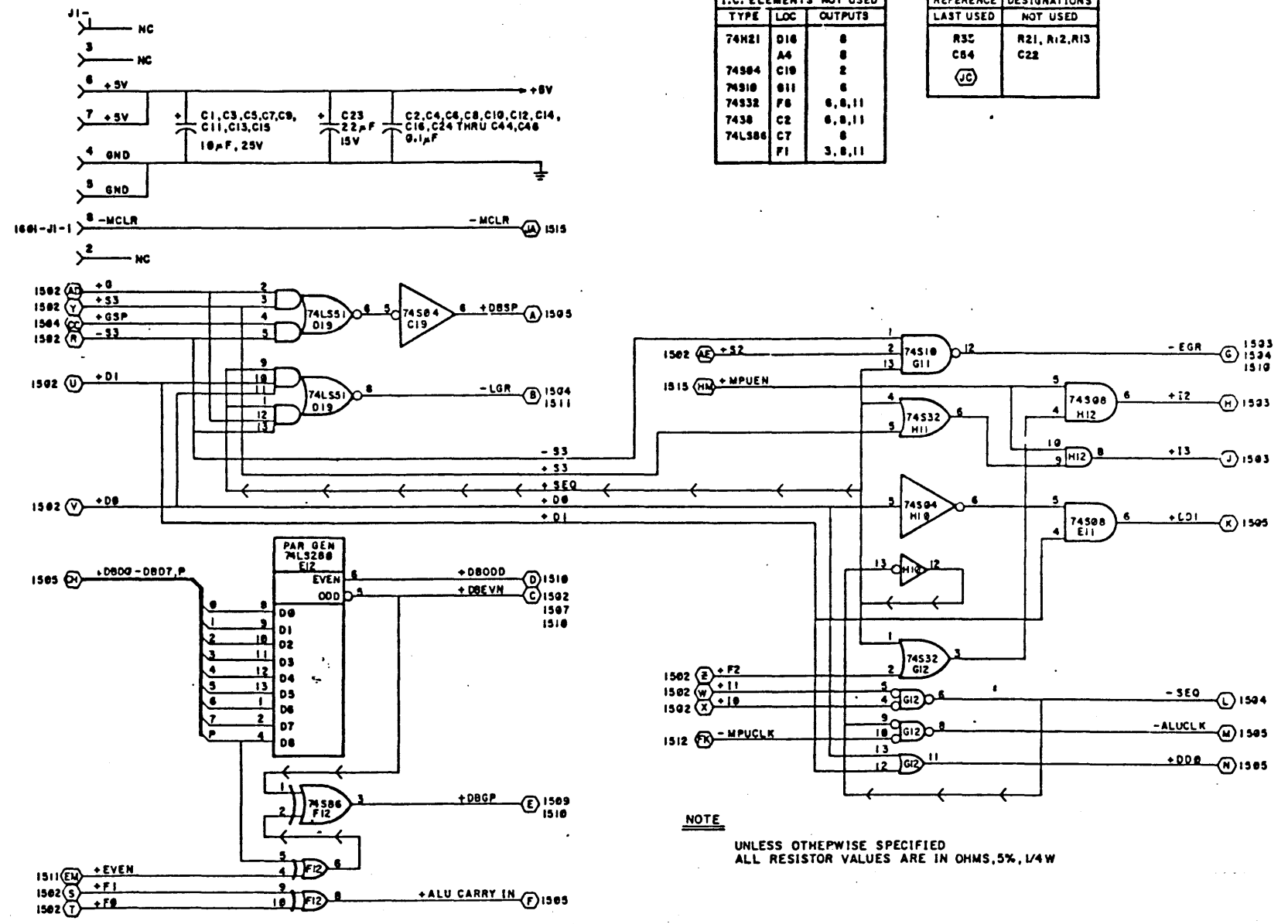
1

THIS DRAWING AND SPECIFICATIONS HEREIN ARE THE PROPERTY OF DIGITAL EQUIPMENT CORPORATION AND SHALL NOT BE REPRODUCED OR COPIED OR USED IN WHOLE OR IN PART AS THE BASIS FOR THE MANUFACTURE OR SALE OF ITEMS WITHOUT WRITTEN PERMISSION. COPYRIGHT © 1974, DIGITAL EQUIPMENT CORPORATION

SEE SHEET 0 FOR REVISIONS

I.C. ELEMENTS NOT USED		
TYPE	LOC	OUTPUTS
74H21	D16	8
	A4	8
74S04	C10	2
74S10	B11	6
74S32	F8	6, 8, 11
74S0	C2	6, 8, 11
74LS00	C7	6
	F1	3, 8, 11

REFERENCE DESIGNATIONS	
LAST USED	NOT USED
R3C	R21, R12, R13
C64	C22
JC	



NOTE  
UNLESS OTHERWISE SPECIFIED  
ALL RESISTOR VALUES ARE IN OHMS, 5%, 1/4W

2924708-0-0

SHEETS 2 THRU 16 ARE 'C' SIZE

77022970

DRN	1/1	1/1	FIRST USED ON	digital
CHK'D			TITLE	
ENG			PROJ. ENG.	
PROD.			PROD.	
NEXT HIGHER ASSY.			FORMATTER/WRITE	
SCALE	D	CODE	NUMBER	REV.
SHEET	1	OF 16	2924708-0-0	A

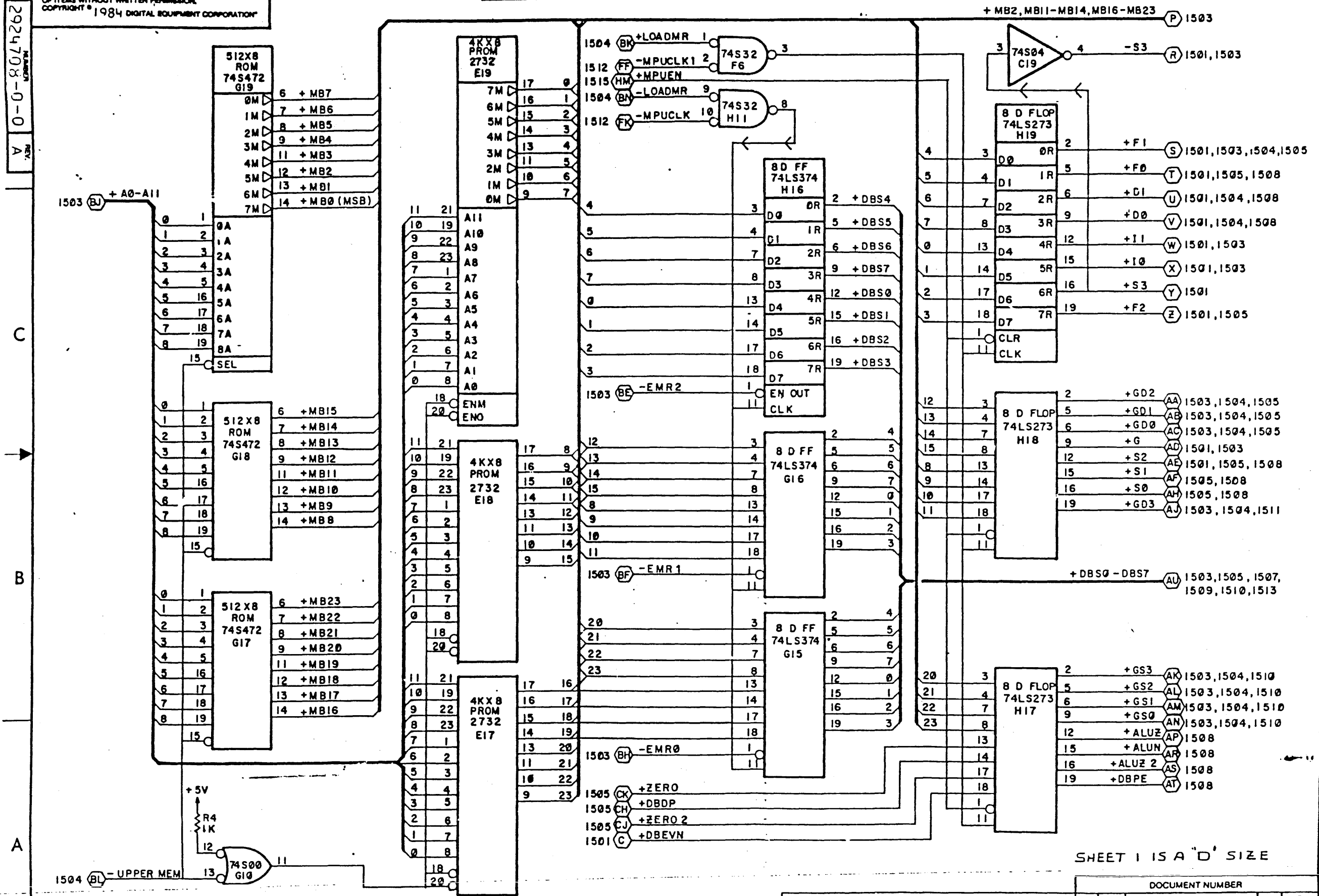
SHR 1

SIZE CODE  
 CS 2924708-0-0  
 REV. A

THIS DRAWING AND SPECIFICATIONS HEREIN ARE THE PROPERTY OF DIGITAL EQUIPMENT CORPORATION AND SHALL NOT BE REPRODUCED OR COPIED OR USED IN WHOLE OR IN PART AS THE BASIS FOR THE MANUFACTURE OR SALE OF ITEMS WITHOUT WRITTEN PERMISSION.  
 COPYRIGHT © 1984 DIGITAL EQUIPMENT CORPORATION

PROGRAM MEMORY

SEE SHEET '0' FOR REVISIONS



A

B

C

A

C

D

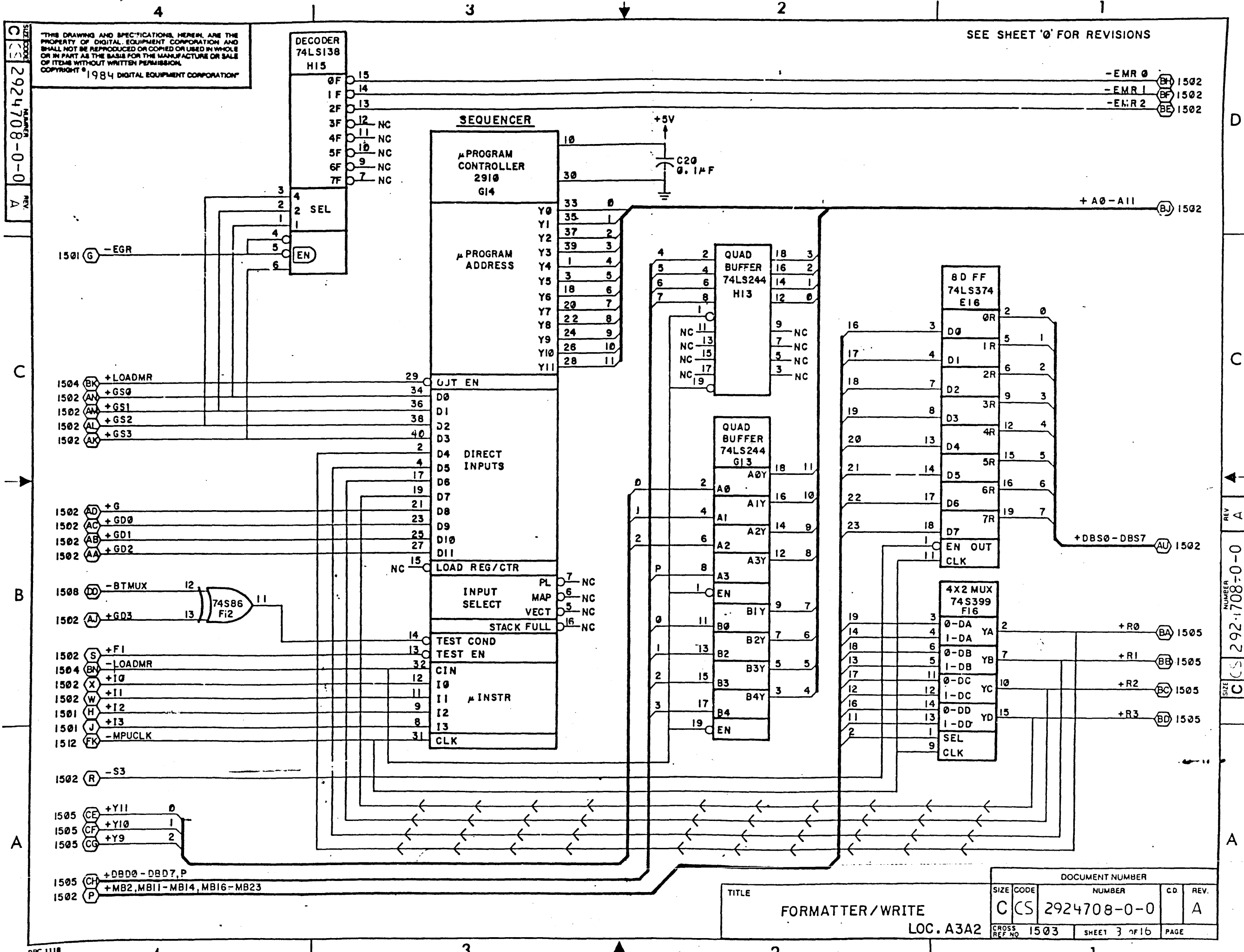
SHEET 1 IS A "D" SIZE

TITLE		DOCUMENT NUMBER			
FORMATTER/WRITE		SIZE	CODE	NUMBER	CD
LOC.A3A2		CS	CS	2924708-0-0	A
CROSS REF NO	1502	SHEET 2 OF 16		PAGE	

SIZE CODE C CS 2924708-0-0  
 NUMBER 2924708-0-0  
 REV A

THIS DRAWING AND SPECIFICATIONS, HEREIN, ARE THE PROPERTY OF DIGITAL EQUIPMENT CORPORATION AND SHALL NOT BE REPRODUCED OR COPIED OR USED IN WHOLE OR IN PART AS THE BASIS FOR THE MANUFACTURE OR SALE OF ITEMS WITHOUT WRITTEN PERMISSION. COPYRIGHT © 1984 DIGITAL EQUIPMENT CORPORATION

SEE SHEET '0' FOR REVISIONS



C

B

A

D

C

A

REV A  
 NUMBER 2924708-0-0  
 SIZE C CS

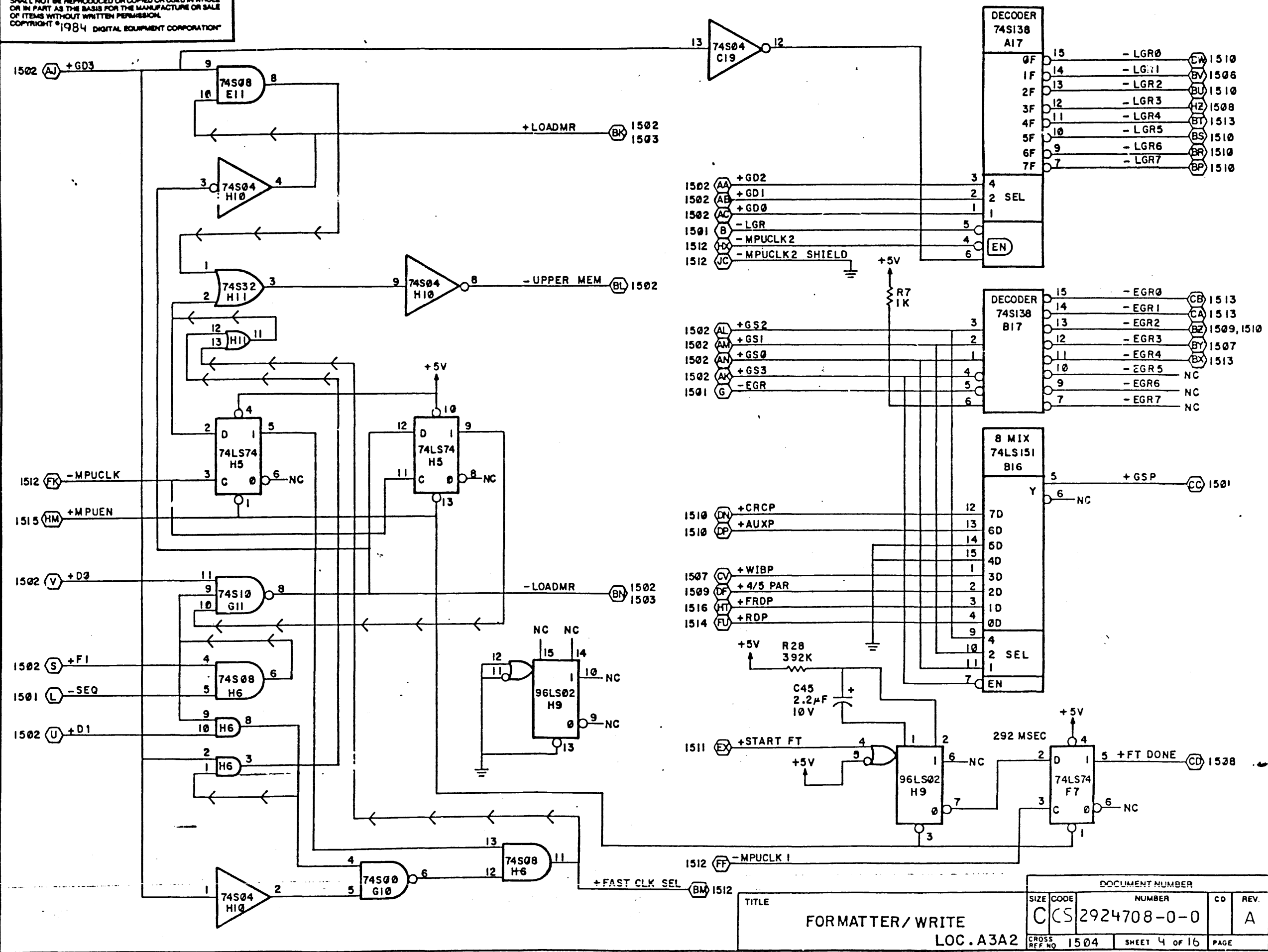
A

TITLE		DOCUMENT NUMBER		CD	REV.
FORMATTER/WRITE		C CS 2924708-0-0		A	A
CROSS REF. NO.	LOC. A3A2	1503	SHEET 3 OF 16	PAGE	

THIS DRAWING AND SPECIFICATIONS HEREIN ARE THE PROPERTY OF DIGITAL EQUIPMENT CORPORATION AND SHALL NOT BE REPRODUCED OR COPIED OR USED IN WHOLE OR IN PART AS THE BASIS FOR THE MANUFACTURE OR SALE OF ITEMS WITHOUT WRITTEN PERMISSION. COPYRIGHT © 1984 DIGITAL EQUIPMENT CORPORATION

SEE SHEET 0 FOR REVISIONS

SIZE CODE  
CS 2924708-0-0  
REV A

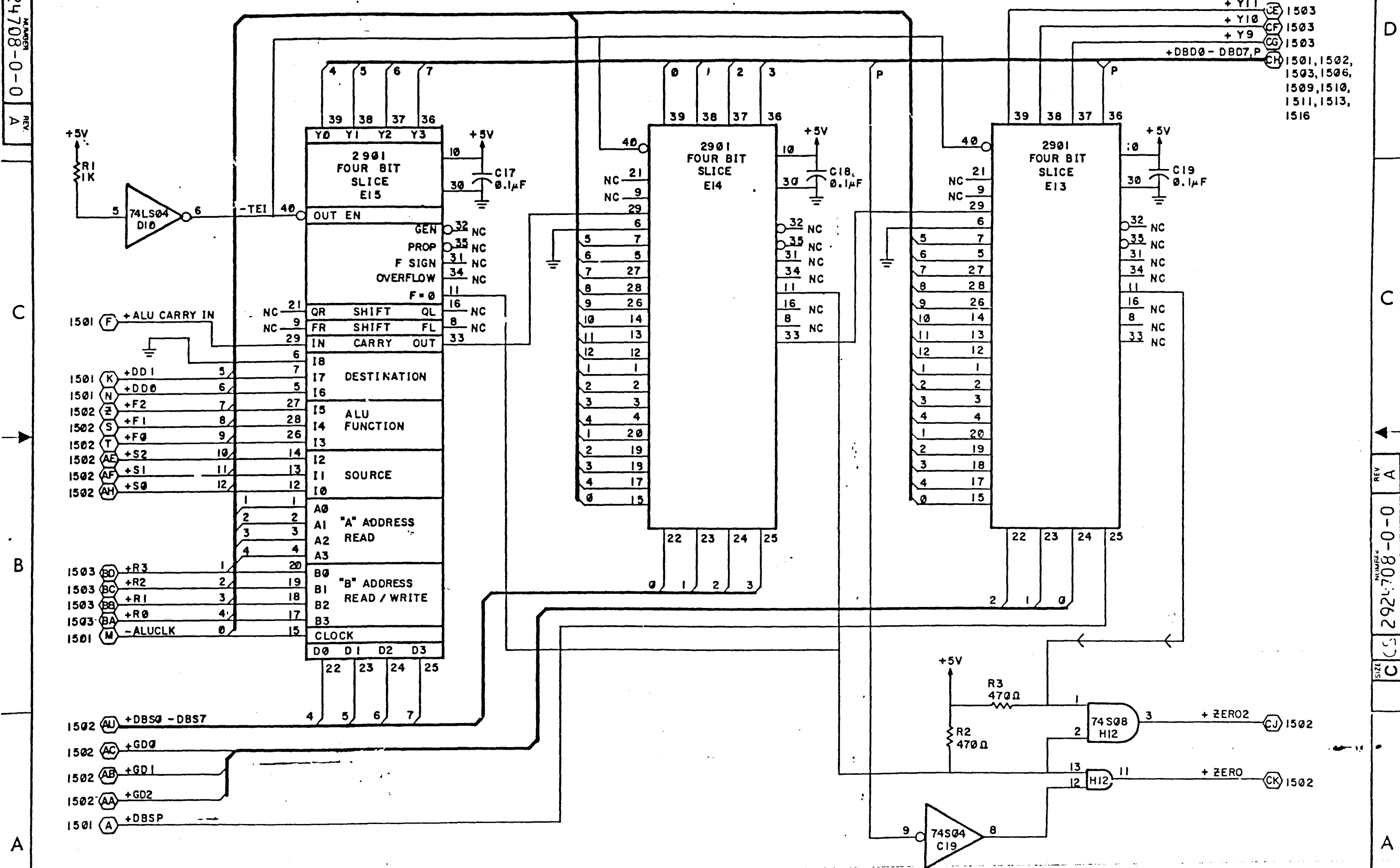


TITLE		DOCUMENT NUMBER	
FORMATTER/WRITE LOC. A3A2		CS 2924708-0-0	
CROSS REF. NO.	SHEET	NO.	PAGE
1504	4	16	
REV. A			

SIZE CODE  
 CS 2924708-0-0  
 NUMBER  
 A

THIS DRAWING AND SPECIFICATIONS HEREIN ARE THE PROPERTY OF DIGITAL EQUIPMENT CORPORATION AND SHALL NOT BE REPRODUCED OR COPIED OR USED IN WHOLE OR IN PART AS THE BASIS FOR THE MANUFACTURE OR SALE OF ITEMS WITHOUT WRITTEN PERMISSION.  
 COPYRIGHT © 1984 DIGITAL EQUIPMENT CORPORATION

SEE SHEET '0' FOR REVISIONS



C  
 B  
 A

D  
 C  
 A

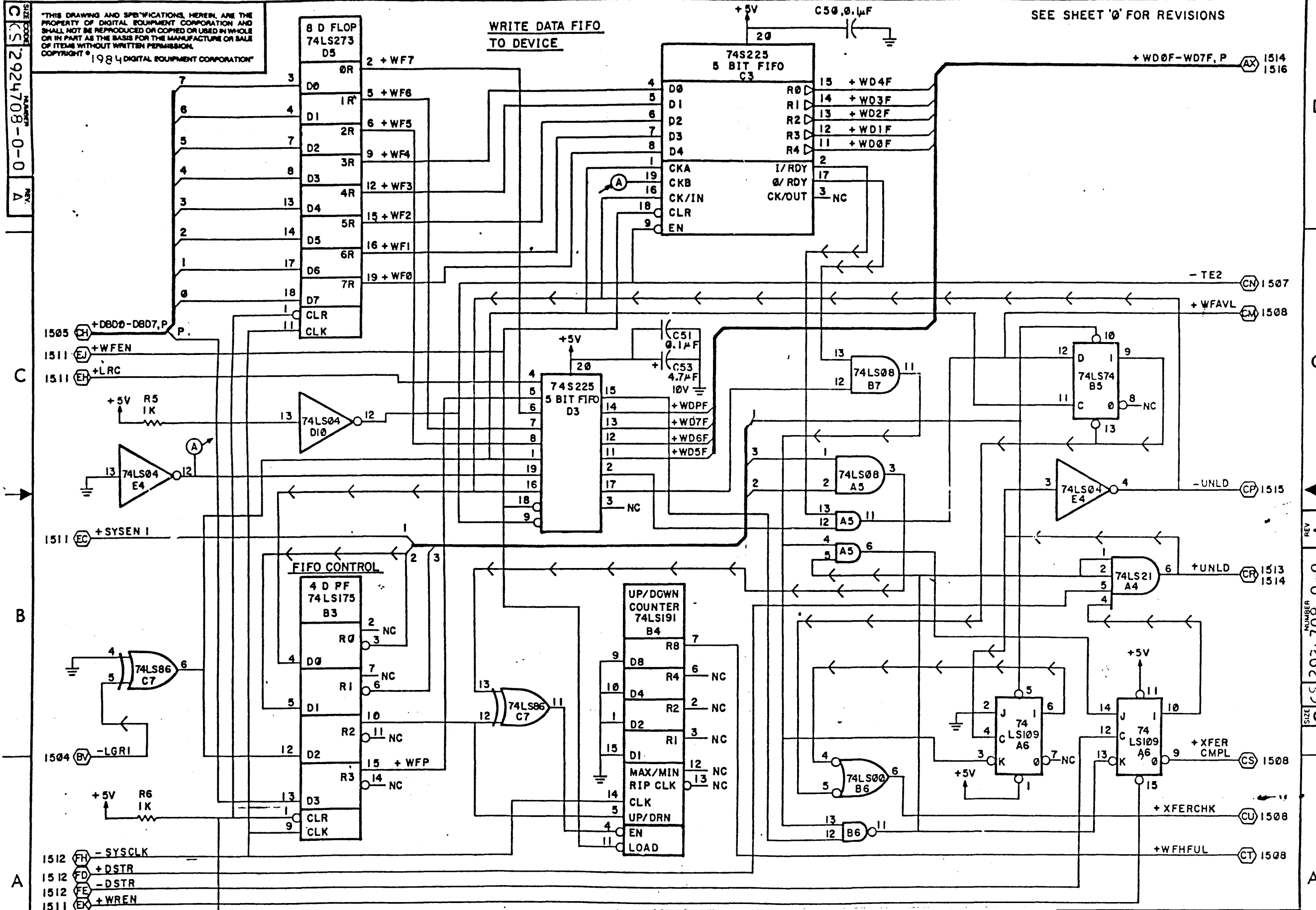
TITLE		DOCUMENT NUMBER	
FORMATTER/ WRITE		CS 2924708-0-0	
LOC. A3A2		CROSS REF NO 1505	SHEET 5 OF 16
SIZE	CODE	CD	REV.
C	CS		A
PAGE		PAGE	

SIZE CODE  
CCS 2924708-0-0  
REV. A

THIS DRAWING AND SPECIFICATIONS HEREIN ARE THE PROPERTY OF DIGITAL EQUIPMENT CORPORATION AND SHALL NOT BE REPRODUCED OR COPIED OR USED IN WHOLE OR IN PART AS THE BASIS FOR THE MANUFACTURE OR SALE OF ITEMS WITHOUT WRITTEN PERMISSION. COPYRIGHT © 1984 DIGITAL EQUIPMENT CORPORATION

SEE SHEET '0' FOR REVISIONS

WRITE DATA FIFO TO DEVICE



1512 FH - SYSCLK  
1512 FD +DSTR  
1512 FE -DSTR  
1511 EX +WREN

PUI 1507  
AW 1508  
1513

TITLE  
FORMATTER/WRITE  
LOC.A3A2

SIZE CODE		DOCUMENT NUMBER		CD	REV.
NUMBER	REV.	NUMBER	REV.		
CCS	2924708-0-0				A
CROSS REF NO	1506	SHEET	6 OF 16	PAGE	

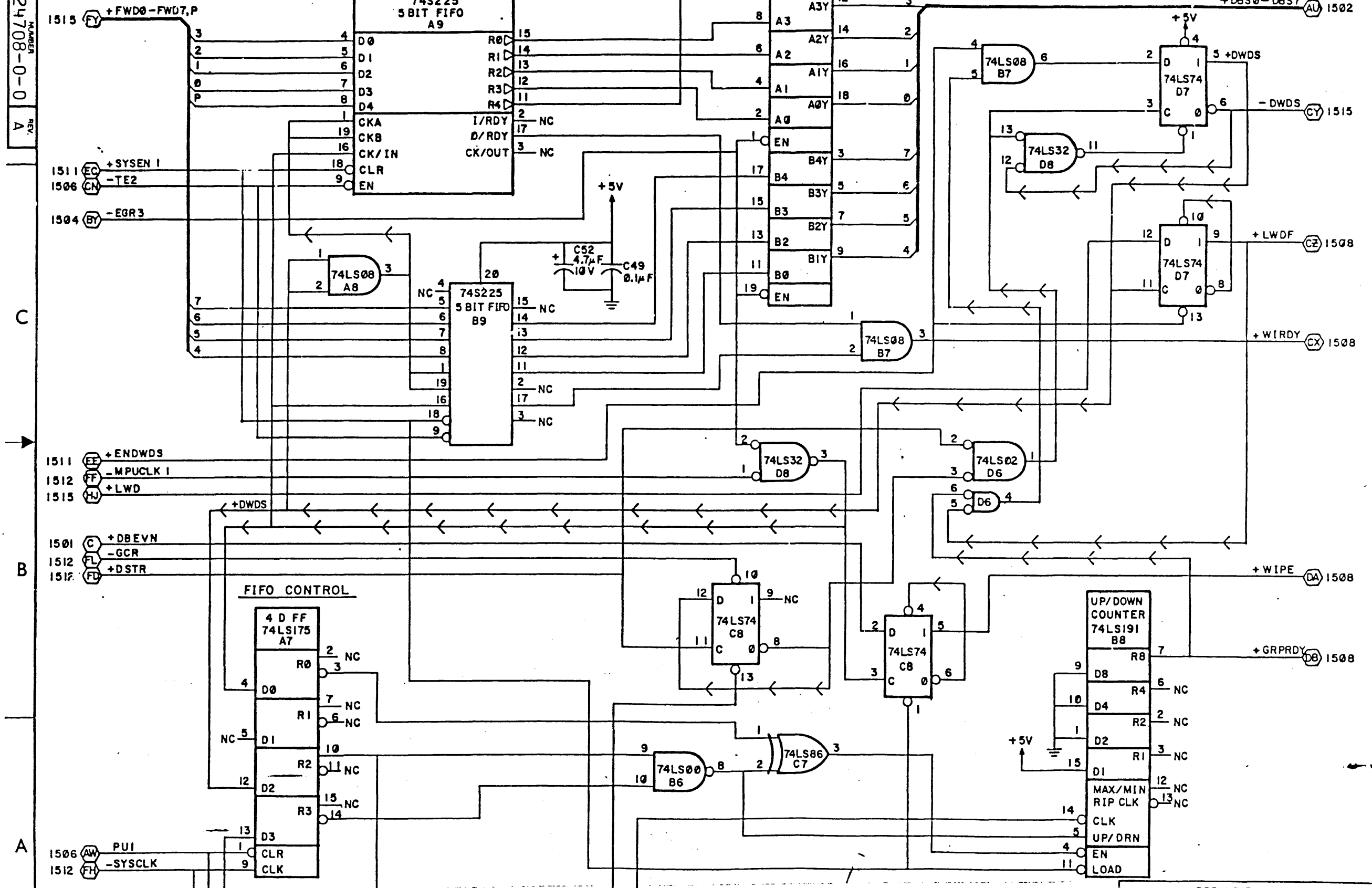


SIZE BOOK NUMBER  
CS 2924708-0-0  
REV. A

THIS DRAWING AND SPECIFICATIONS, HEREIN, ARE THE PROPERTY OF DIGITAL EQUIPMENT CORPORATION AND SHALL NOT BE REPRODUCED OR COPIED OR USED IN WHOLE OR IN PART AS THE BASIS FOR THE MANUFACTURE OR SALE OF ITEMS WITHOUT WRITTEN PERMISSION. COPYRIGHT © 1984 DIGITAL EQUIPMENT CORPORATION

WRITE INTERFACE  
DATA FIFO  
FROM CHANNEL

SEE SHEET 0 FOR REVISIONS



1506 AW PUI  
1512 FH -SYSCLK

1501 C +DBEVN  
1512 FL -GCR  
1512 FD +DSTR

1511 EE +ENDWDS  
1512 FF -MPUCLK I  
1515 HU +LWD

1511 EC +SYSEN I  
1506 CM -TE2  
1504 BY -EGR3

1515 FY +FWD0-FWD7,P

+ WIBP CV 1504  
+ DBS0-DBS7 AU 1502

- DWDS CY 1515

+ LWDF CZ 1508

+ WIRDY CX 1508

+ WIPE DA 1508

+ GRPRDY DB 1508

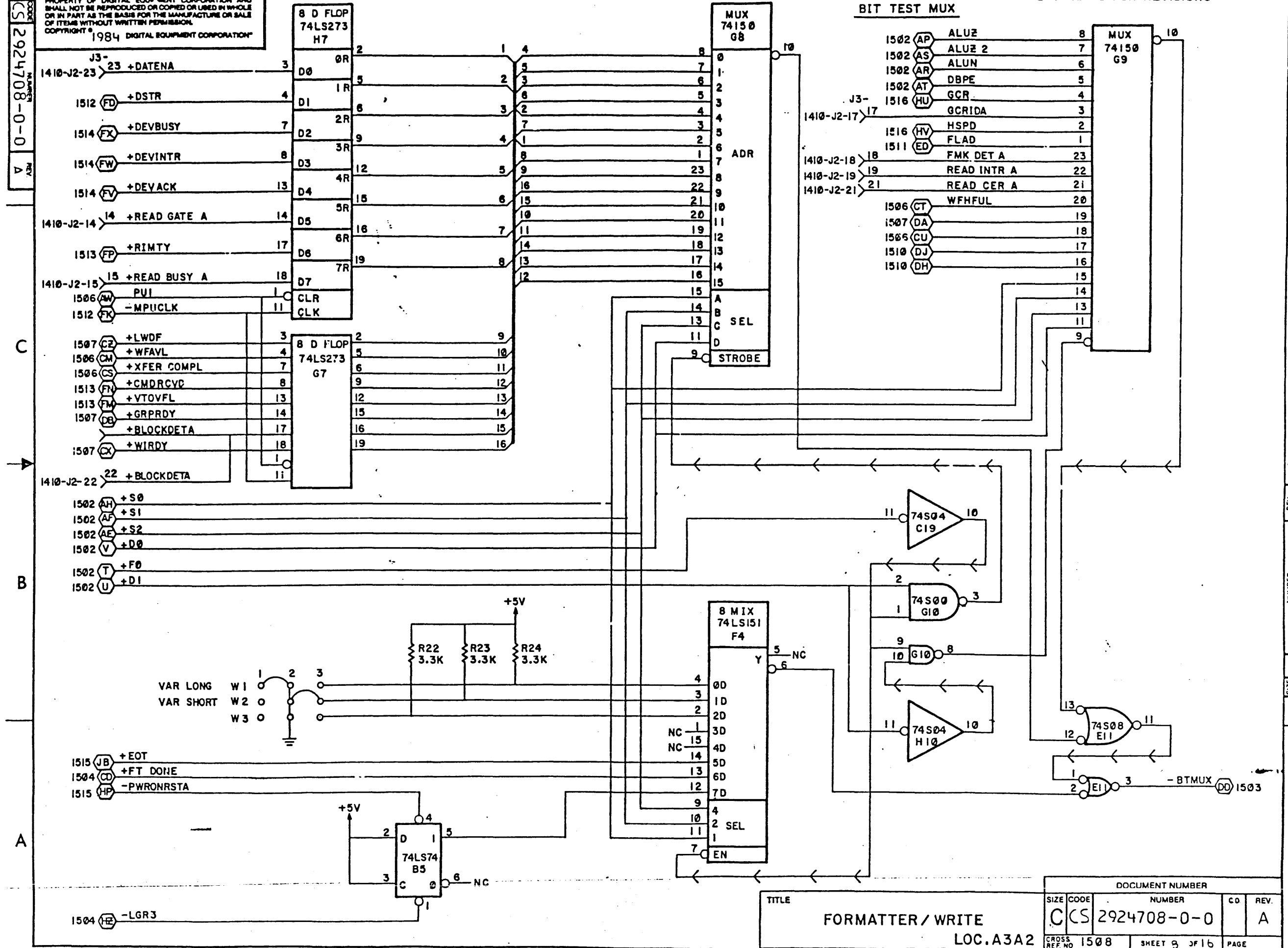
TITLE		DOCUMENT NUMBER			
FORMATTER/WRITE LOC.A3A2		SIZE	CODE	NUMBER	CD REV.
		C	CS	2924708-0-0	A
CROSS REF NO	1507	SHEET 7 OF 16		PAGE	

REV. A  
NUMBER CS 2924708-0-0  
SIZE

SIZE CODE  
CS 2924708-0-0  
REV A

THIS DRAWING AND SPECIFICATIONS HEREIN ARE THE PROPERTY OF DIGITAL EQUIPMENT CORPORATION AND SHALL NOT BE REPRODUCED OR COPIED OR USED IN WHOLE OR IN PART AS THE BASIS FOR THE MANUFACTURE OR SALE OF ITEMS WITHOUT WRITTEN PERMISSION.  
COPYRIGHT © 1984 DIGITAL EQUIPMENT CORPORATION

SEE SHEET '0' FOR REVISIONS



C

B

A

D

C

A

A

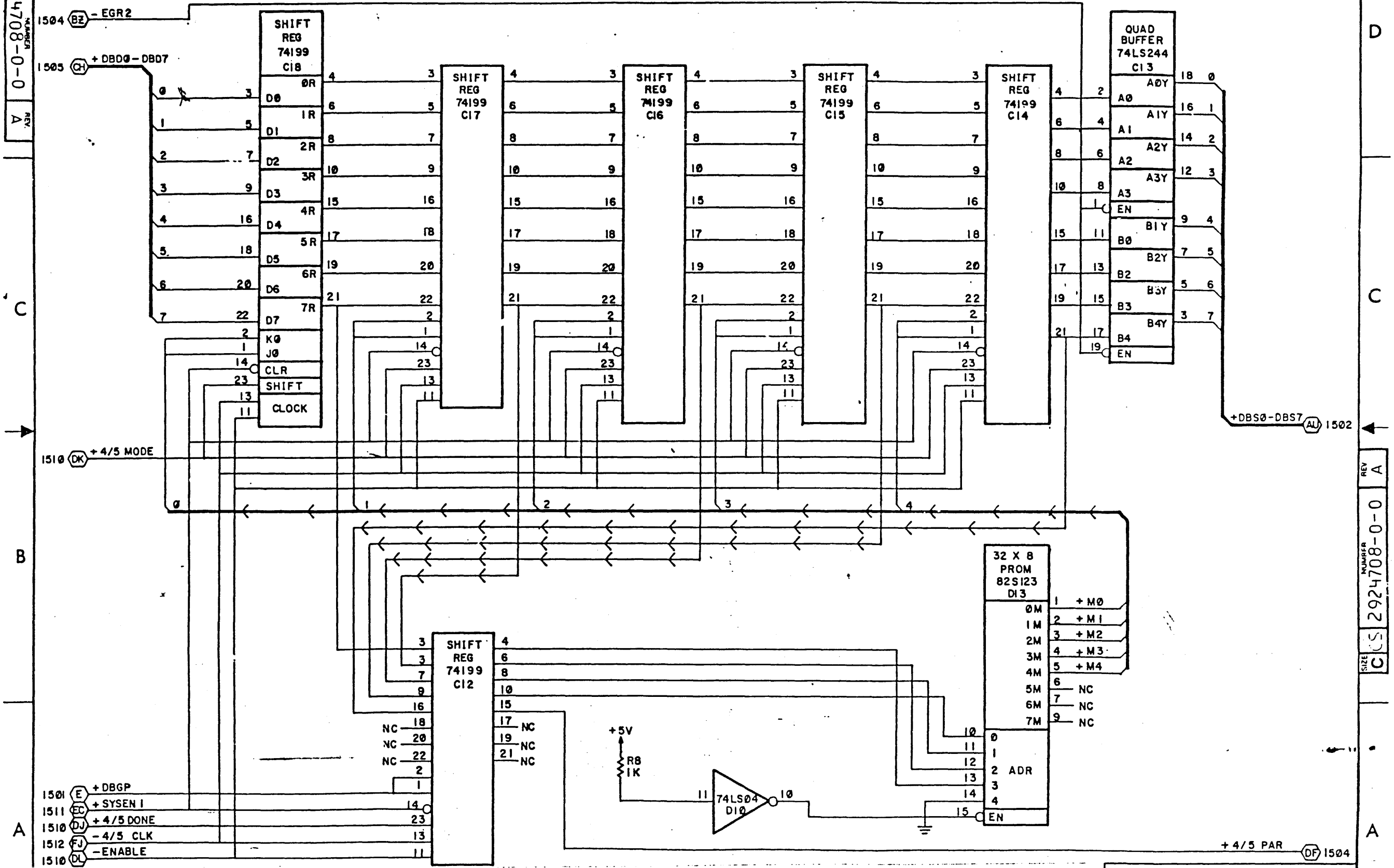
REV A  
NUMBER CS 2924708-0-0  
SIZE

TITLE		DOCUMENT NUMBER	
FORMATTER / WRITE		NUMBER	CO REV.
LOC.A3A2		CS 2924708-0-0	A
CROSS REF. NO	SHEET	PAGE	
1508	9 of 16		

THIS DRAWING AND SPECIFICATIONS HEREIN ARE THE PROPERTY OF DIGITAL EQUIPMENT CORPORATION AND SHALL NOT BE REPRODUCED OR COPIED OR USED IN WHOLE OR IN PART AS THE BASIS FOR THE MANUFACTURE OR SALE OF ITEMS WITHOUT WRITTEN PERMISSION.  
 COPYRIGHT © 1984 DIGITAL EQUIPMENT CORPORATION

SEE SHEET '0' FOR REVISIONS

SIZE CODE  
 CS 2924708-0-0  
 NUMBER  
 REV. A



SIZE CODE  
 CS 2924708-0-0  
 NUMBER  
 REV. A

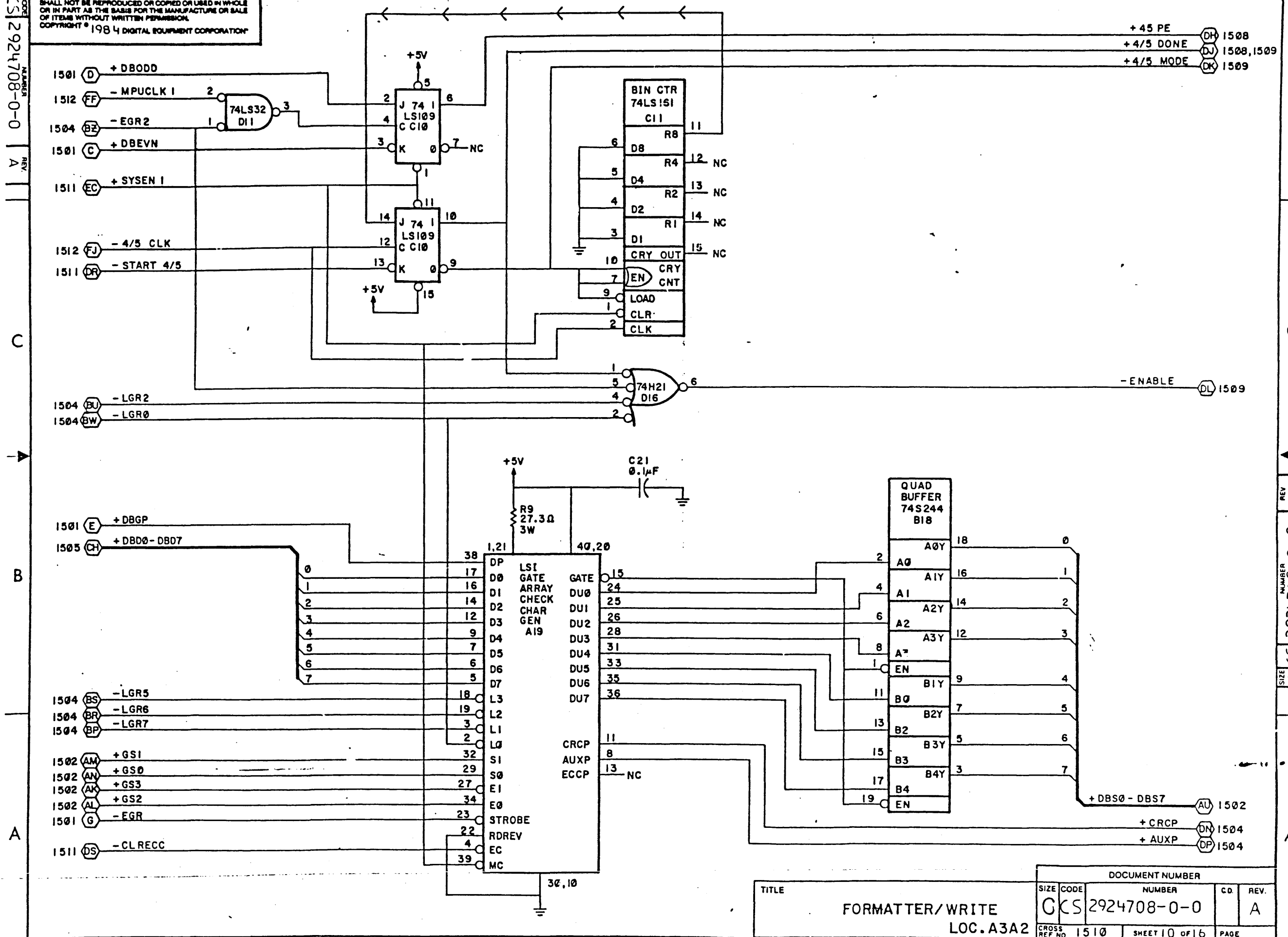
SIZE CODE  
 CS 2924708-0-0  
 NUMBER  
 REV. A

TITLE		DOCUMENT NUMBER	
FORMATTER/WRITE LOC. A3A2		NUMBER CS 2924708-0-0	CO. REV. A
CROSS REF. NO. 1509	SHEET 9 OF 16	PAGE	

SIZE CODE  
 CS 2924708-0-0  
 NUMBER  
 REV A

THIS DRAWING AND SPECIFICATIONS HEREIN ARE THE PROPERTY OF DIGITAL EQUIPMENT CORPORATION AND SHALL NOT BE REPRODUCED OR COPIED OR USED IN WHOLE OR IN PART AS THE BASIS FOR THE MANUFACTURE OR SALE OF ITEMS WITHOUT WRITTEN PERMISSION. COPYRIGHT © 1984 DIGITAL EQUIPMENT CORPORATION

SEE SHEET 'Ø' FOR REVISIONS



DRC 111B

4

3

2

1

TITLE		DOCUMENT NUMBER		CD	REV.
FORMATTER/WRITE LOC. A3A2		CS	2924708-0-0	A	A
CROSS REF NO	1510	SHEET	10 OF 16	PAGE	

SIZE CODE  
 CS 2924708-0-0  
 NUMBER  
 REV A

THIS DRAWING AND SPECIFICATIONS HEREIN ARE THE PROPERTY OF DIGITAL EQUIPMENT CORPORATION AND SHALL NOT BE REPRODUCED OR COPIED OR USED IN WHOLE OR IN PART AS THE BASIS FOR THE MANUFACTURE OR SALE OF ITEMS WITHOUT WRITTEN PERMISSION.  
 COPYRIGHT © 1984 DIGITAL EQUIPMENT CORPORATION

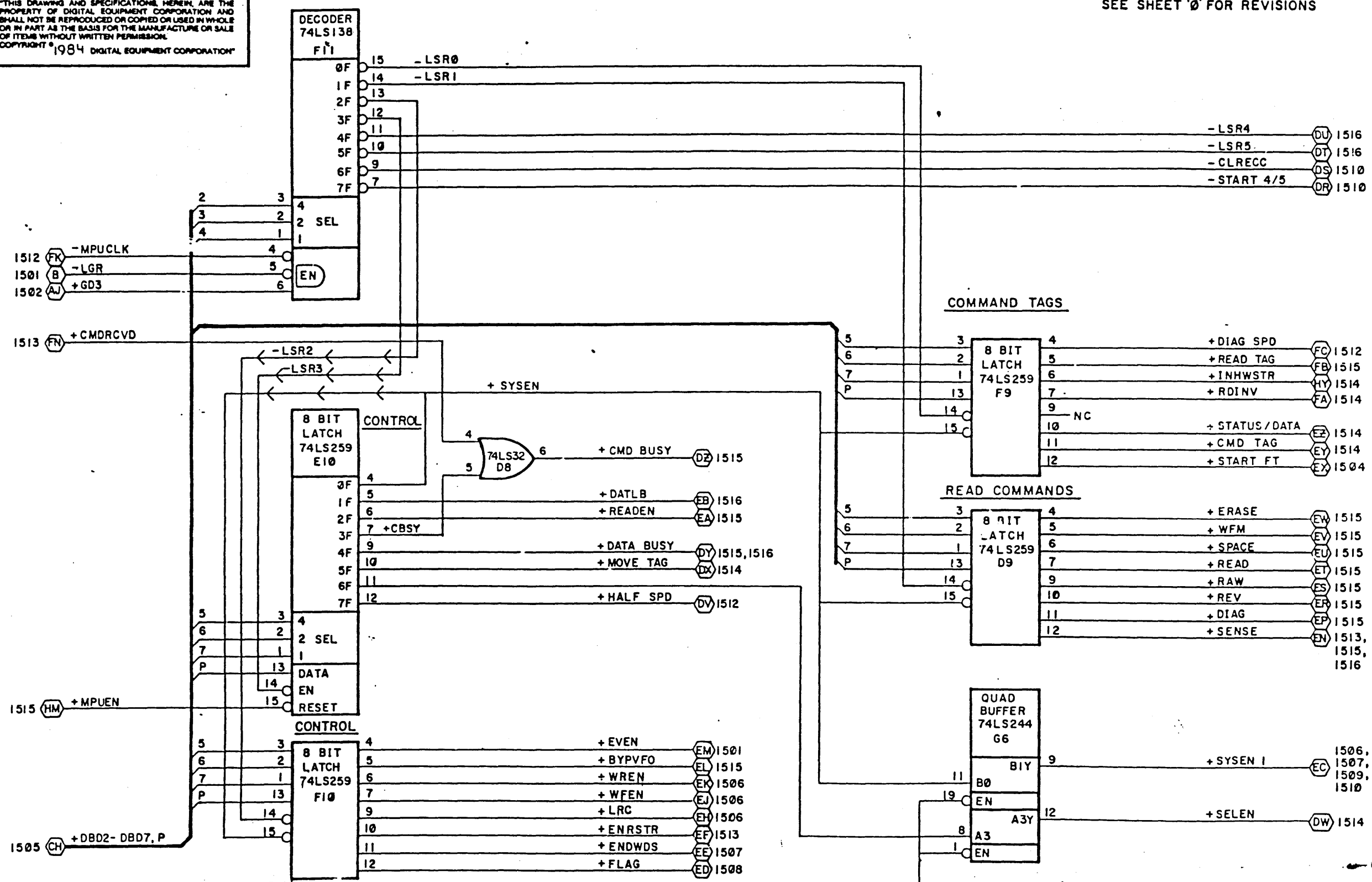
SEE SHEET '0' FOR REVISIONS

SIZE CODE  
 CCS 2924708-0-0  
 REV. A

C

B

A



D

C

A

A

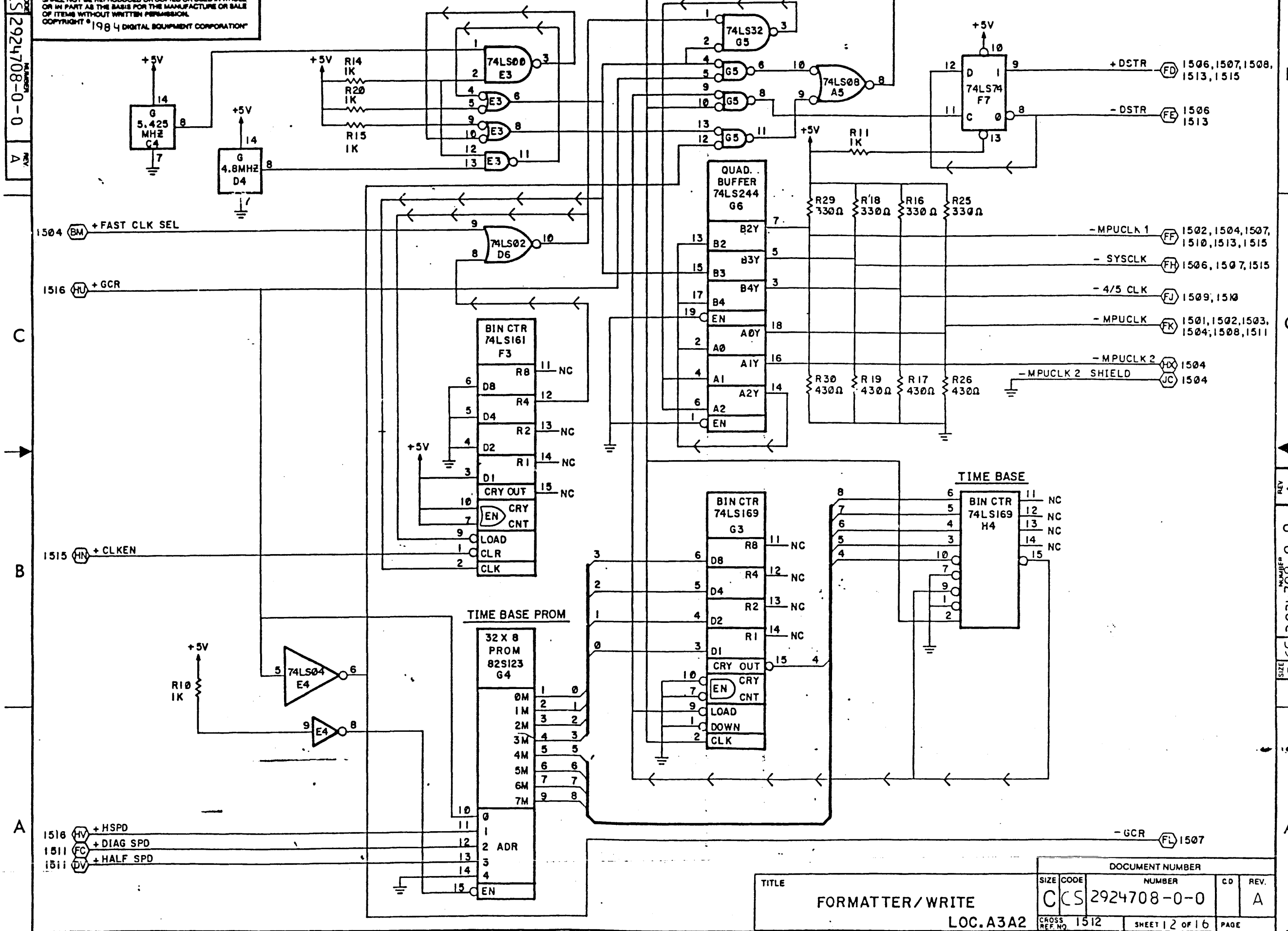
SIZE CODE  
 CCS 2924708-0-0  
 REV. A

TITLE		DOCUMENT NUMBER			
FORMATTER/WRITE LOC. A3A2		SIZE CODE	NUMBER	CD	REV.
		CCS	2924708-0-0		A
CROSS REF NO	SHEET		OF	PAGE	
1511	11		16		

CS 2924708-0-0

THIS DRAWING AND SPECIFICATIONS HEREIN ARE THE PROPERTY OF DIGITAL EQUIPMENT CORPORATION AND SHALL NOT BE REPRODUCED OR COPIED OR USED IN WHOLE OR IN PART AS THE BASIS FOR THE MANUFACTURE OR SALE OF ITEMS WITHOUT WRITTEN PERMISSION. COPYRIGHT © 1984 DIGITAL EQUIPMENT CORPORATION

SEE SHEET '0' FOR REVISIONS



1504 +FAST CLK SEL

1516 +GCR

1515 +CLKEN

1516 +HSPD  
1511 +DIAG SPD  
1511 +HALF SPD

+DSTR 1506, 1507, 1508, 1513, 1515

-DSTR 1506, 1513

-MPUCLK 1 1502, 1504, 1507, 1510, 1513, 1515

-SYSCLK 1506, 1507, 1515

-4/5 CLK 1509, 1510

-MPUCLK 1501, 1502, 1503, 1504, 1508, 1511

-MPUCLK 2 1504

-MPUCLK 2 SHIELD 1504

-GCR 1507

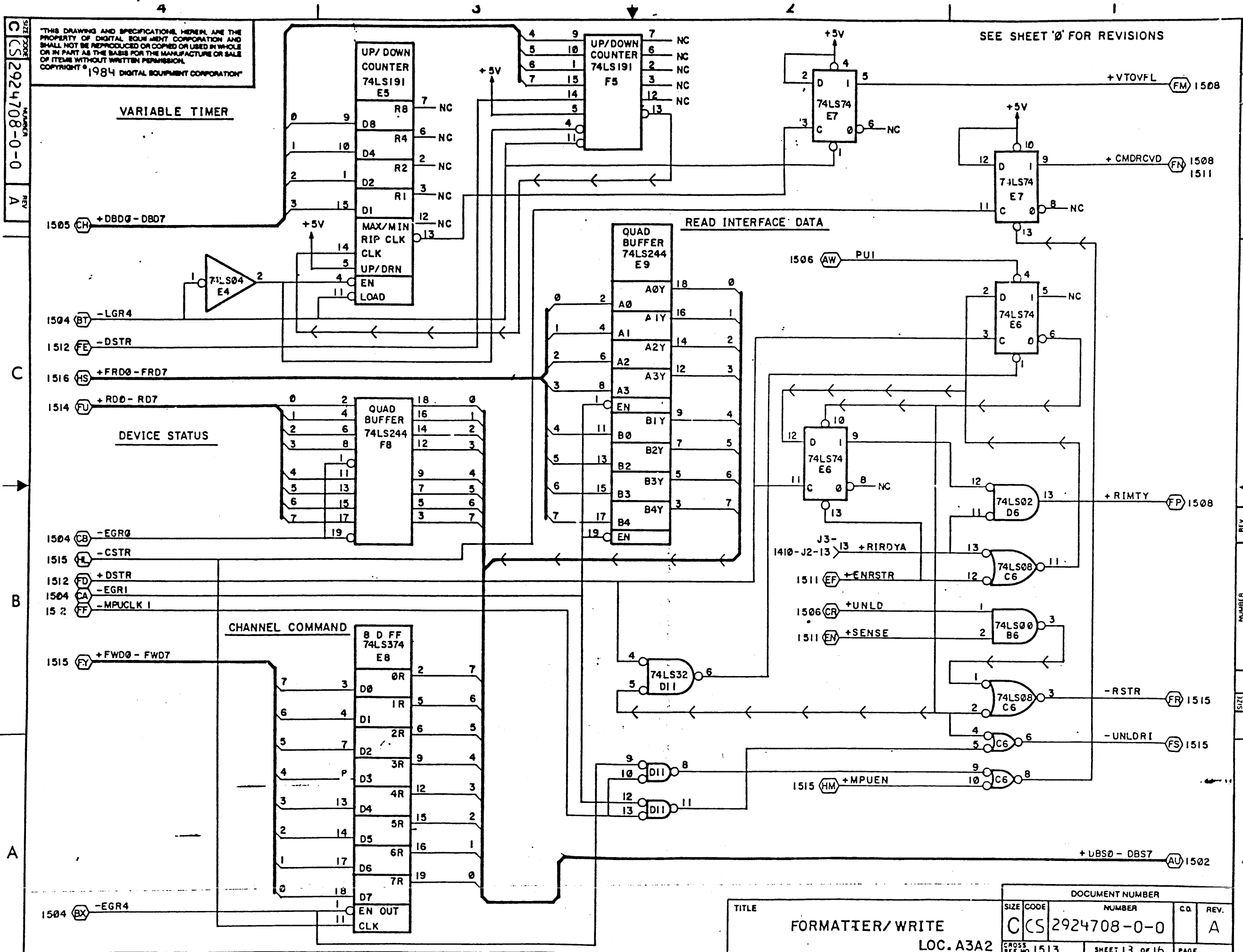
TITLE		DOCUMENT NUMBER		CD	REV.
FORMATTER/WRITE		CS	2924708-0-0		A
CROSS REF. NO.	1512	SHEET	12 OF 16	PAGE	
LOC. A3A2					

REV A  
NUMBER  
CS 2924708-0-0

SIZE CODE  
CS 2924708-0-0  
REV A

THIS DRAWING AND SPECIFICATIONS HEREIN ARE THE PROPERTY OF DIGITAL EQUIPMENT CORPORATION AND SHALL NOT BE REPRODUCED OR COPIED OR USED IN WHOLE OR IN PART AS THE BASIS FOR THE MANUFACTURE OR SALE OF ITEMS WITHOUT WRITTEN PERMISSION.  
COPYRIGHT © 1984 DIGITAL EQUIPMENT CORPORATION

SEE SHEET '0' FOR REVISIONS



DRC 1118

TITLE  
FORMATTER/WRITE  
LOC. A3A2

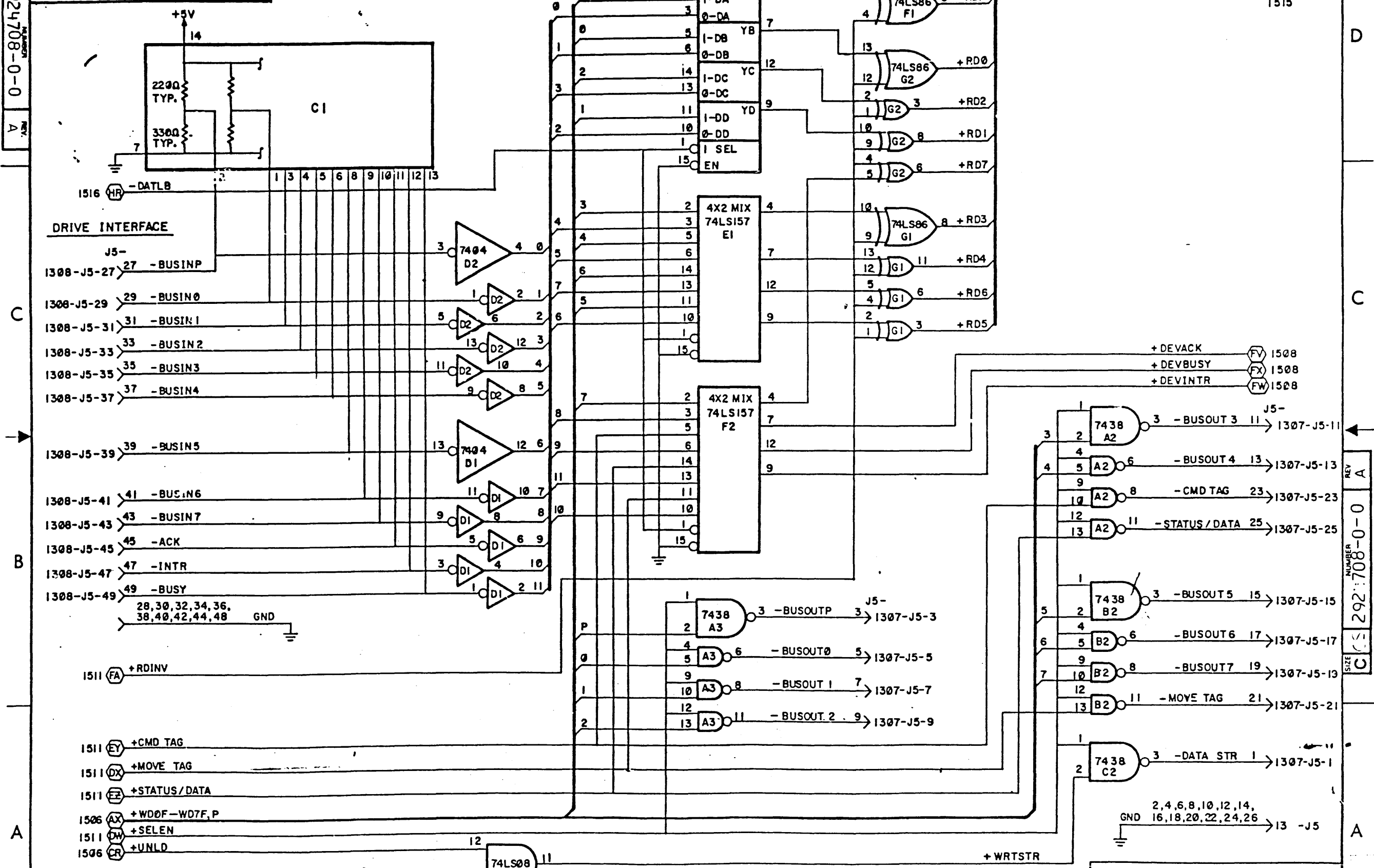
DOCUMENT NUMBER			
SIZE CODE	NUMBER	CD	REV.
CS	2924708-0-0		A
CROSS REF. NO.	SHEET	PAGE	
1513	13 OF 16		

REV A  
NUMBER CS 2924708-0-0  
SIZE

CS 2924708-0-0  
REV. A

THIS DRAWING AND SPECIFICATIONS HEREIN ARE THE PROPERTY OF DIGITAL EQUIPMENT CORPORATION AND SHALL NOT BE REPRODUCED OR COPIED OR USED IN WHOLE OR IN PART AS THE BASIS FOR THE MANUFACTURE OR SALE OF ITEMS WITHOUT WRITTEN PERMISSION.  
COPYRIGHT © 1984 DIGITAL EQUIPMENT CORPORATION

SEE SHEET '0' FOR REVISIONS



A

B

C

D

C

A

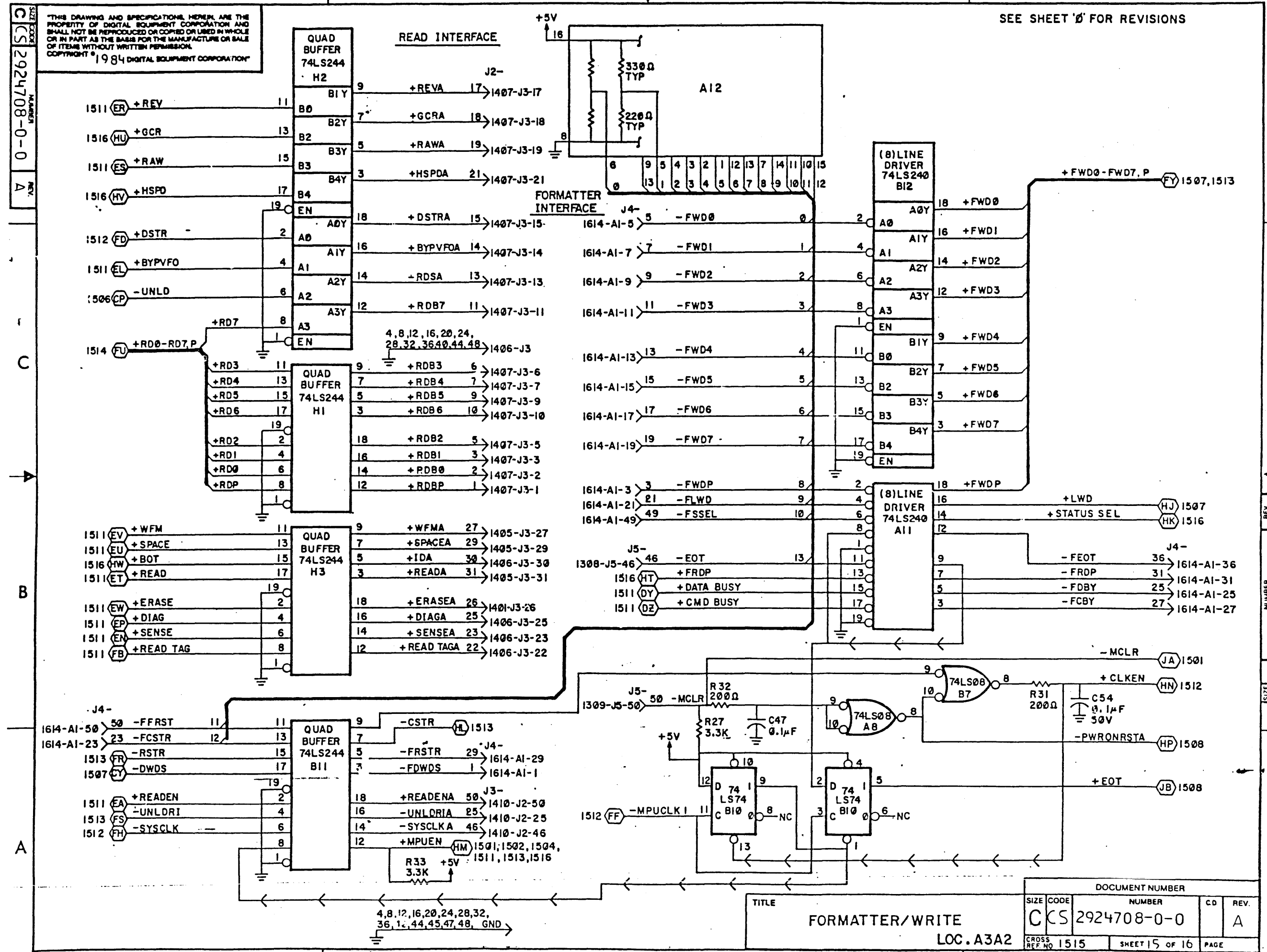
TITLE		DOCUMENT NUMBER		CD	REV
FORMATTER/ WRITE LOC. A3A2		CS 2924708-0-0		A	A
CROSS REF NO	1514	SHEET	14 OF 16	PAGE	

REV. A  
NUMBER 2924708-0-0  
SIZE C



THIS DRAWING AND SPECIFICATIONS HEREIN ARE THE PROPERTY OF DIGITAL EQUIPMENT CORPORATION AND SHALL NOT BE REPRODUCED OR COPIED OR USED IN WHOLE OR IN PART AS THE BASIS FOR THE MANUFACTURE OR SALE OF ITEMS WITHOUT WRITTEN PERMISSION. COPYRIGHT © 1984 DIGITAL EQUIPMENT CORPORATION.

SEE SHEET 'D' FOR REVISIONS



SIZE CODE NUMBER REV  
CS 2924708-0-0 A

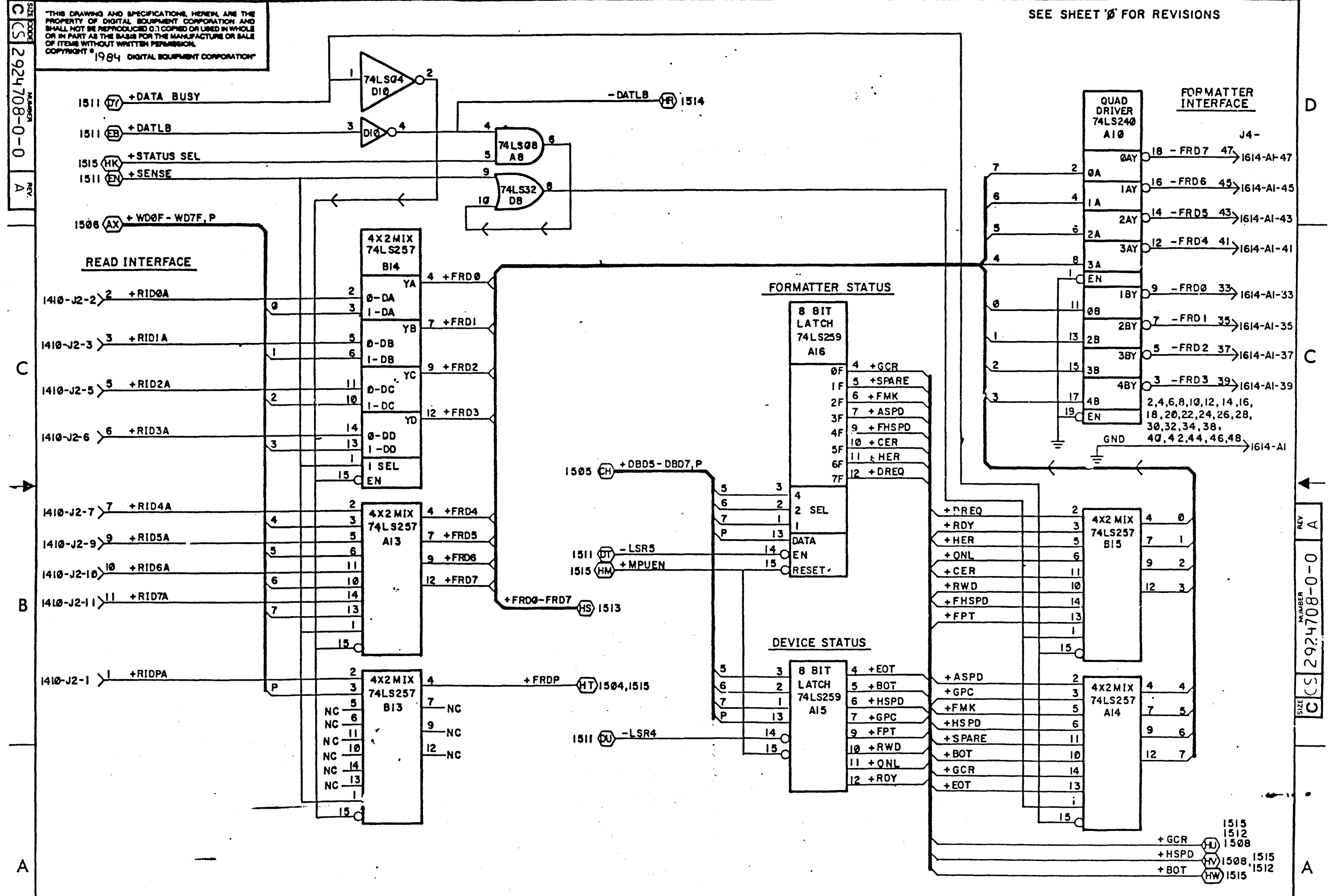
REV A  
NUMBER  
CS 2924708-0-0  
SIZE

DOCUMENT NUMBER			
SIZE	CODE	NUMBER	REV.
CS	2924708-0-0		A
CROSS REF. NO.	1515	SHEET 15 OF 16	PAGE

TITLE  
FORMATTER/WRITE  
LOC. A3A2

THIS DRAWING AND SPECIFICATIONS HEREIN ARE THE PROPERTY OF DIGITAL EQUIPMENT CORPORATION AND SHALL NOT BE REPRODUCED OR COPIED OR USED IN WHOLE OR IN PART AS THE BASIS FOR THE MANUFACTURE OR SALE OF ITEMS WITHOUT WRITTEN PERMISSION. COPYRIGHT © 1984 DIGITAL EQUIPMENT CORPORATION

SEE SHEET 'D' FOR REVISIONS



CS 2924708-0-0  
REV. A

C

B

A

D

C

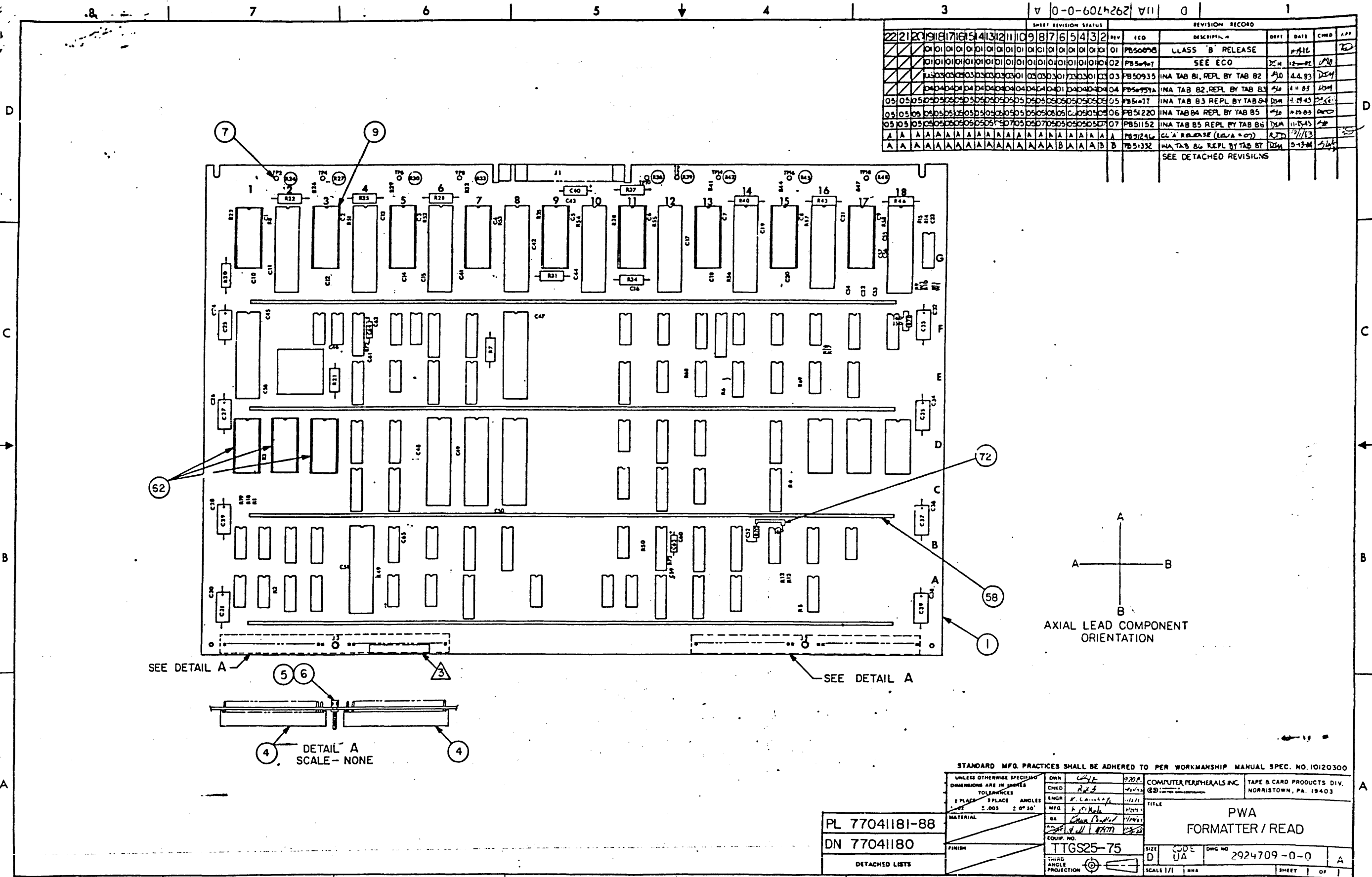
A

A

REV. A  
NUMBER 2924708-0-0  
SIZE

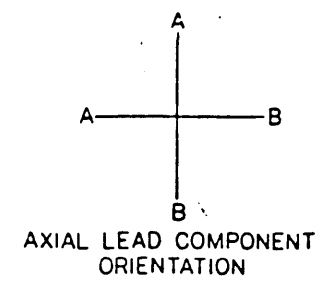
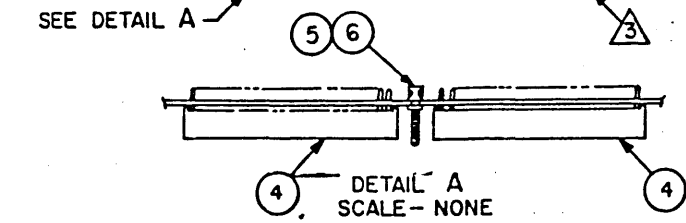
DOCUMENT NUMBER			
SIZE	CODE	NUMBER	REV.
C	CS	2924708-0-0	A
CROSS REF. NO.	SHEET 16 OF 16		PAGE
1516			

TITLE  
FORMATTER/WRITE  
LOC.A3A2



SHEET REVISION STATUS												REVISION RECORD			
REV	ECO	DESCRIPTION	DATE	CHKD	APP	REV	ECO	DESCRIPTION	DATE	CHKD	APP				
22															
21															
20															
19															
18															
17															
16															
15															
14															
13															
12															
11															
10															
9															
8															
7															
6															
5															
4															
3															
2															
1															
SEE DETACHED REVISIONS															

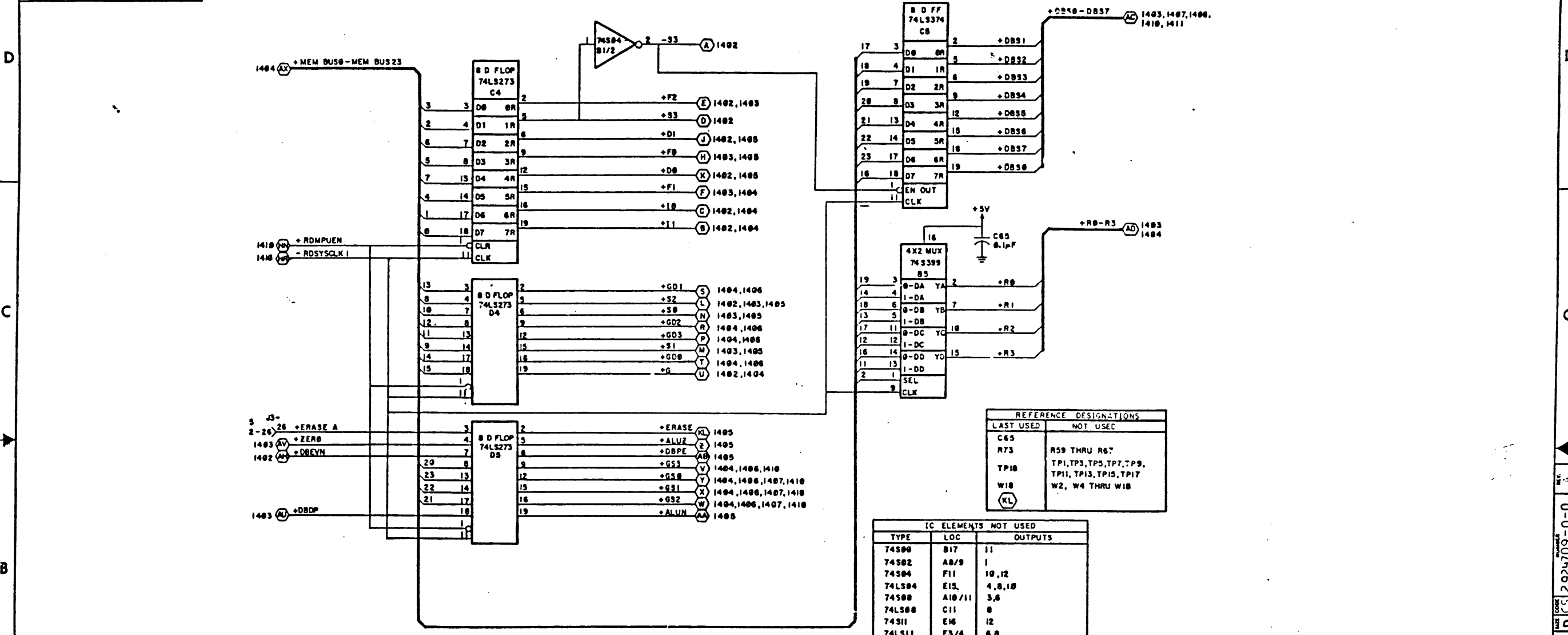
STANDARD MFG. PRACTICES SHALL BE ADHERED TO PER WORKMANSHIP MANUAL SPEC. NO. 10120300											
UNLESS OTHERWISE SPECIFIED DIMENSIONS ARE IN INCHES				DWN <i>CJL</i>		2702		COMPUTER PERIPHERALS INC.		TAPE & CARD PRODUCTS DIV.	
TOLERANCES				CHKD <i>RJL</i>		2702		NORRISTOWN, PA. 19403			
± .005		± .010		ENGR <i>K. C. ...</i>		2702		TITLE		PWA FORMATTER / READ	
± .005		± .010		MFG <i>K. C. ...</i>		2702		SIZE		D	
± .005		± .010		BA <i>...</i>		2702		CODE		JJA	
± .005		± .010		FINISH		TTGS25-75		DWG NO		2924709-0-0	
± .005		± .010		MATERIAL		DETACHED LISTS		SCALE		1/1	
± .005		± .010		THIRD ANGLE PROJECTION				SHEET		1 OF 1	



THIS DRAWING AND SPECIFICATIONS, HEREIN, ARE THE PROPERTY OF DIGITAL EQUIPMENT CORPORATION AND SHALL NOT BE REPRODUCED OR COPIED OR USED IN WHOLE OR IN PART AS THE BASIS FOR THE MANUFACTURE OR SALE OF ITEMS WITHOUT WRITTEN PERMISSION. COPYRIGHT © 1984, DIGITAL EQUIPMENT CORPORATION

0-0-6024262 2

SEE SHEET 'D' FOR REVISIONS



REFERENCE DESIGNATIONS	
LAST USED	NOT USED
C65	R59 THRU R67
R73	TP1, TP3, TP5, TP7, TP9, TP11, TP13, TP15, TP17
W10	W2, W4 THRU W10
(KL)	

IC ELEMENTS NOT USED		
TYPE	LOC	OUTPUTS
74S00	B17	11
74S02	A8/9	1
74S04	F11	10, 12
74LS04	E15	4, 8, 10
74S00	A10/11	3, 6
74LS00	C11	8
74S11	E16	12
74LS11	F3/4	6, 8
74LS06	F5/6	3, 6, 11

NOTES:  
UNLESS OTHERWISE SPECIFIED,  
ALL RESISTORS ARE ± 5%, 1/4W  
ALL CAPACITORS ARE ± 10%, 50V.

REV.	CHG	NO.

SHEETS 2 THRU 21 ARE "C" SIZE

77022970

DRN		FIRST USED ON	digital
CHK'D		TITLE	
ENG.		FORMATTER / READ	
PROJ. ENG.		LOC. A 3A3	
PROD.			
NEXT HIGHER ASSY.			
SCALE	N/A	SIZE	D
SHEET	1 OF 21	CODE	CS
		NUMBER	2924709-0-0
		REV.	A
		DIST.	

SHR 1

THIS DRAWING AND SPECIFICATIONS HEREIN ARE THE PROPERTY OF DIGITAL EQUIPMENT CORPORATION AND SHALL NOT BE REPRODUCED OR COPIED OR USED IN WHOLE OR IN PART AS THE BASIS FOR THE MANUFACTURE OR SALE OF ITEMS WITHOUT WRITTEN PERMISSION. COPYRIGHT © 1984 DIGITAL EQUIPMENT CORPORATION

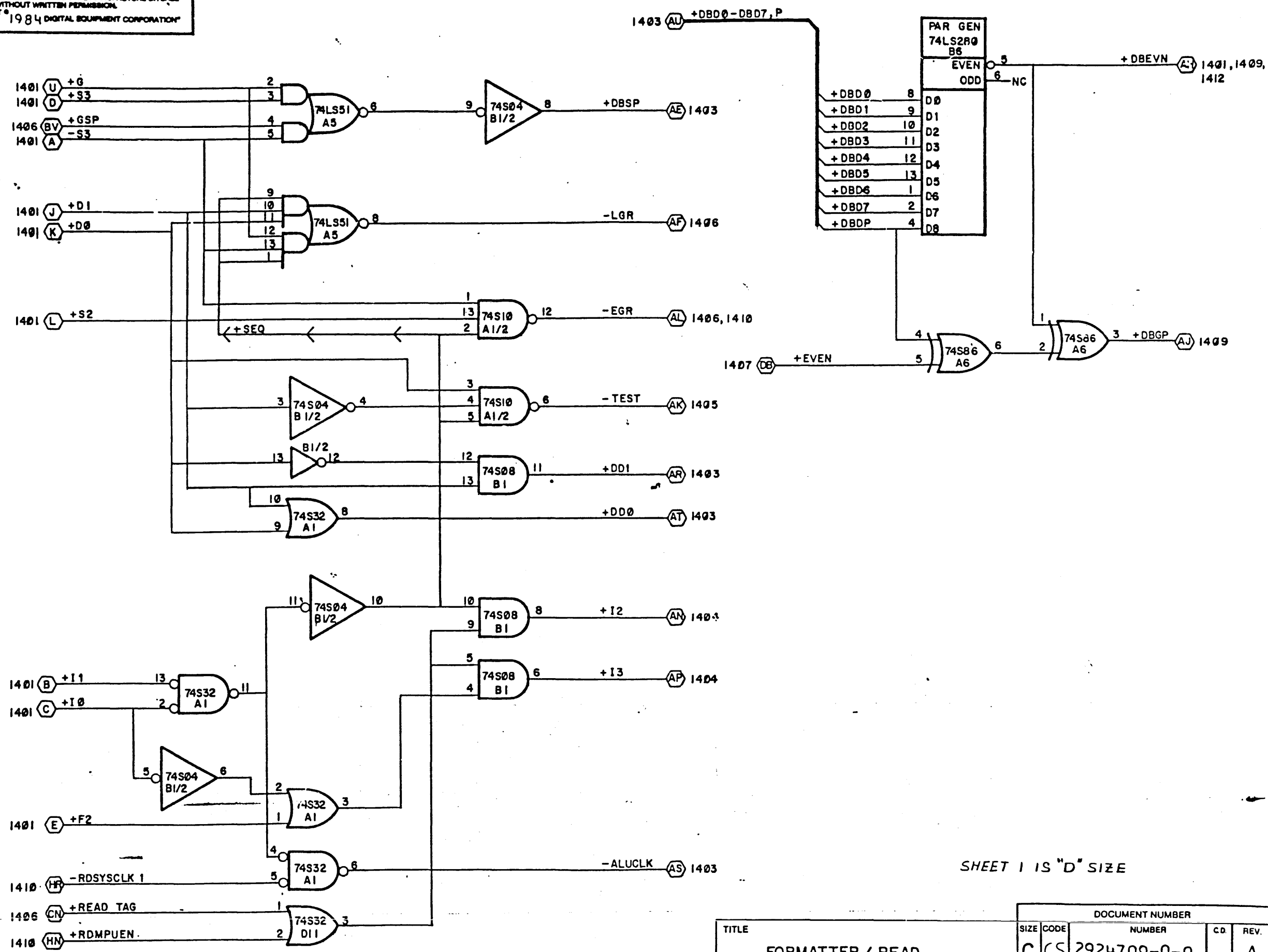
SEE SHEET '0' FOR REVISIONS

SIZE CODE  
CS 2924709-0-0  
REV. A

C

B

A



D

C

REV. A

SIZE CODE  
CS 2924709-0-0  
NUMBER

A

SHEET 1 IS "D" SIZE

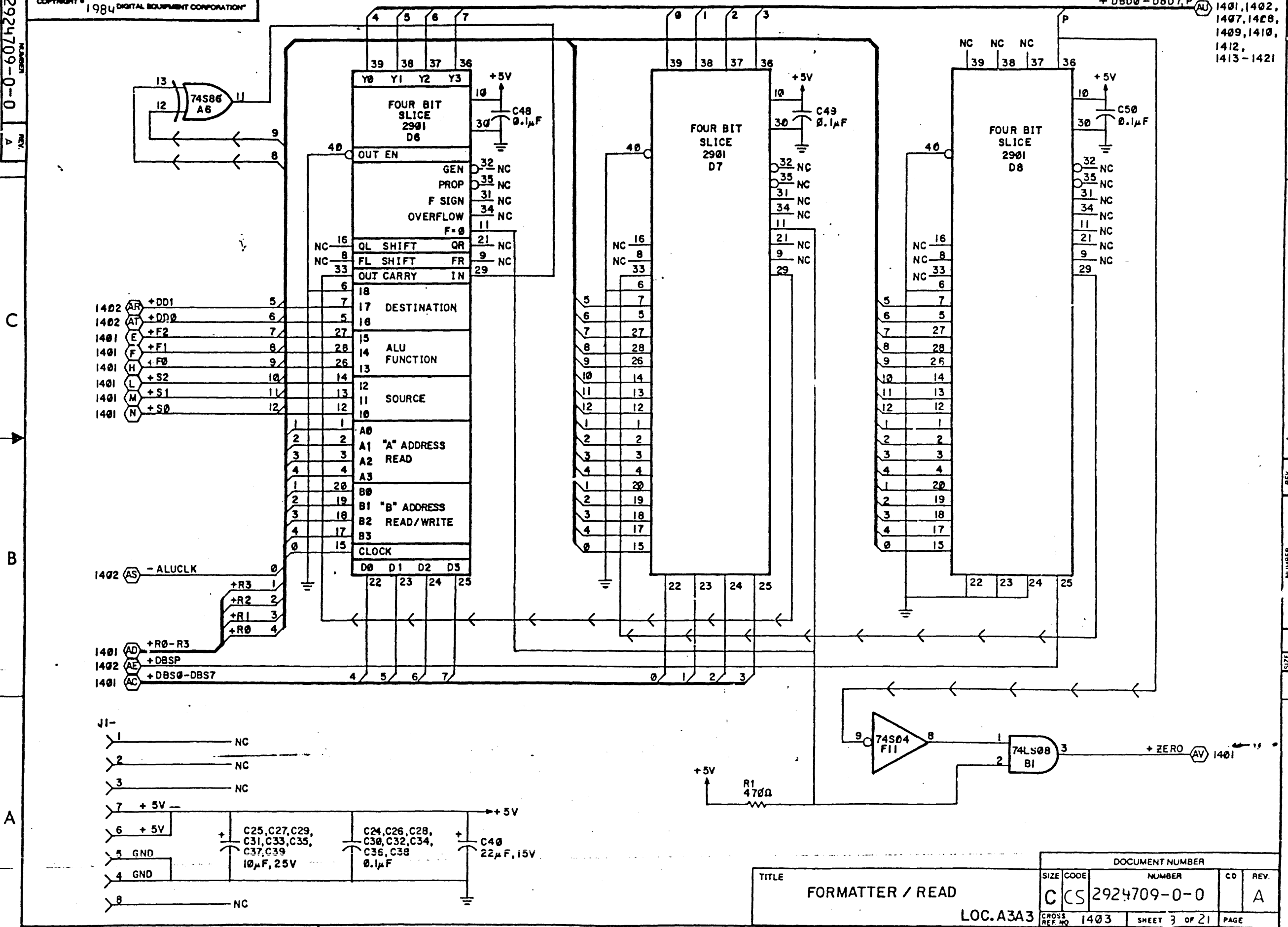
TITLE		DOCUMENT NUMBER			
FORMATTER / READ		SIZE	CODE	NUMBER	CD. REV.
LOC. A3A3		C	CS	2924709-0-0	A
CROSS REF. NO.	1402	SHEET	2	OF	21
PAGE					

ENCLOSURE  
 NUMBER  
 CS 2924709-0-0  
 REV. A

"THIS DRAWING AND SPECIFICATIONS, HEREIN, ARE THE PROPERTY OF DIGITAL EQUIPMENT CORPORATION AND SHALL NOT BE REPRODUCED OR COPIED OR USED IN WHOLE OR IN PART AS THE BASIS FOR THE MANUFACTURE OR SALE OF ITEMS WITHOUT WRITTEN PERMISSION. COPYRIGHT © 1984 DIGITAL EQUIPMENT CORPORATION"

SEE SHEET '0' FOR REVISIONS

+ DBD0 - DBD7, P (AU) 1401, 1402, 1407, 1408, 1409, 1410, 1412, 1413-1421



C

B

A

D

C

A

TITLE  
 FORMATTER / READ

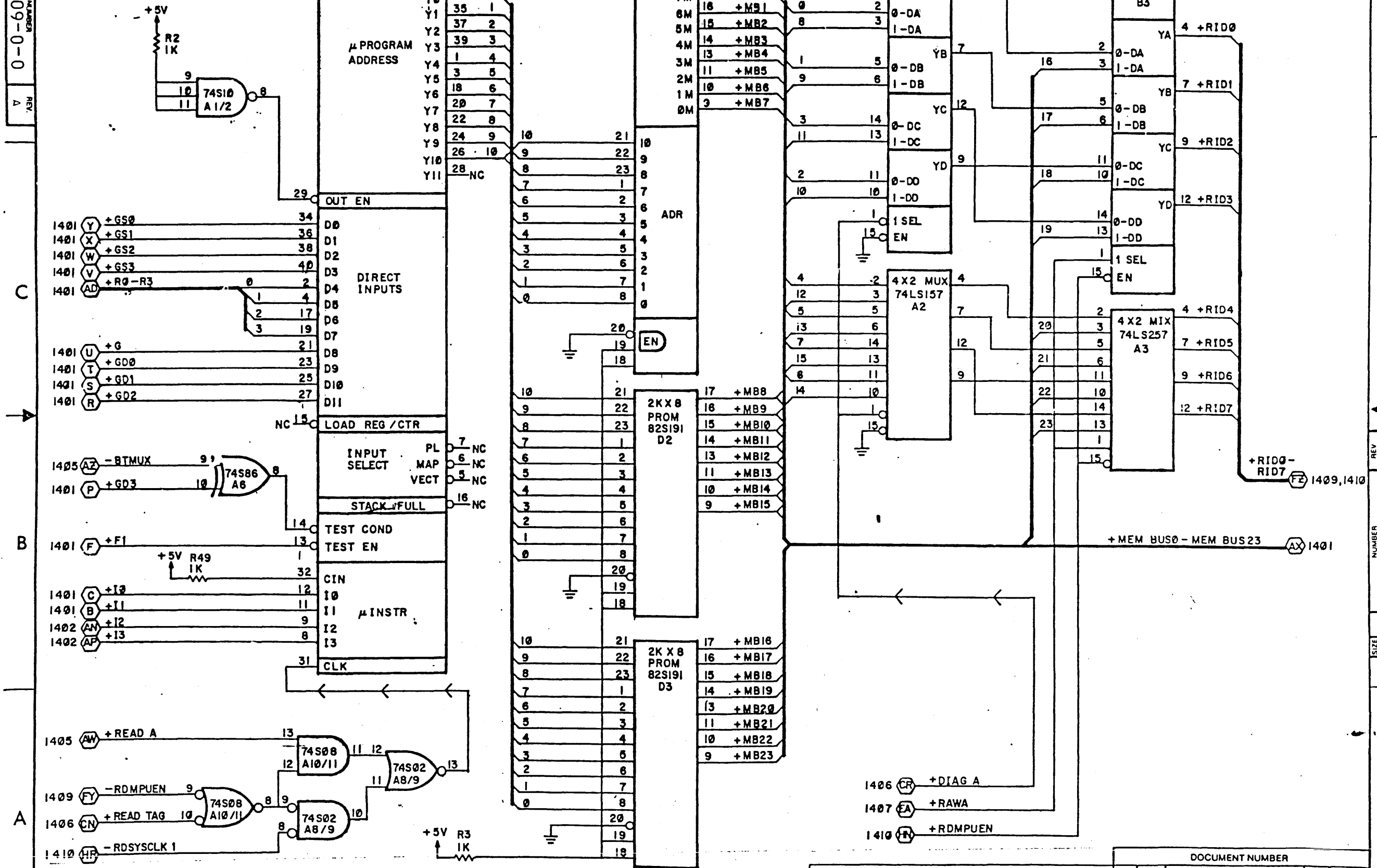
LOC.A3A3

DOCUMENT NUMBER				
SIZE	CODE	NUMBER	CD	REV.
C	CS	2924709-0-0		A
CROSS REF. NO.		1403	SHEET 3 OF 21	
			PAGE	

THIS DRAWING AND SPECIFICATIONS HEREIN ARE THE PROPERTY OF DIGITAL EQUIPMENT CORPORATION AND SHALL NOT BE REPRODUCED OR COPIED OR USED IN WHOLE OR IN PART AS THE BASIS FOR THE MANUFACTURE OR SALE OF ITEMS WITHOUT WRITTEN PERMISSION. COPYRIGHT © 1984 DIGITAL EQUIPMENT CORPORATION

SEE SHEET '0' FOR REVISIONS

SIZE CODE  
CS 2924709-0-0  
REV. A



D  
C  
A

A  
B  
C

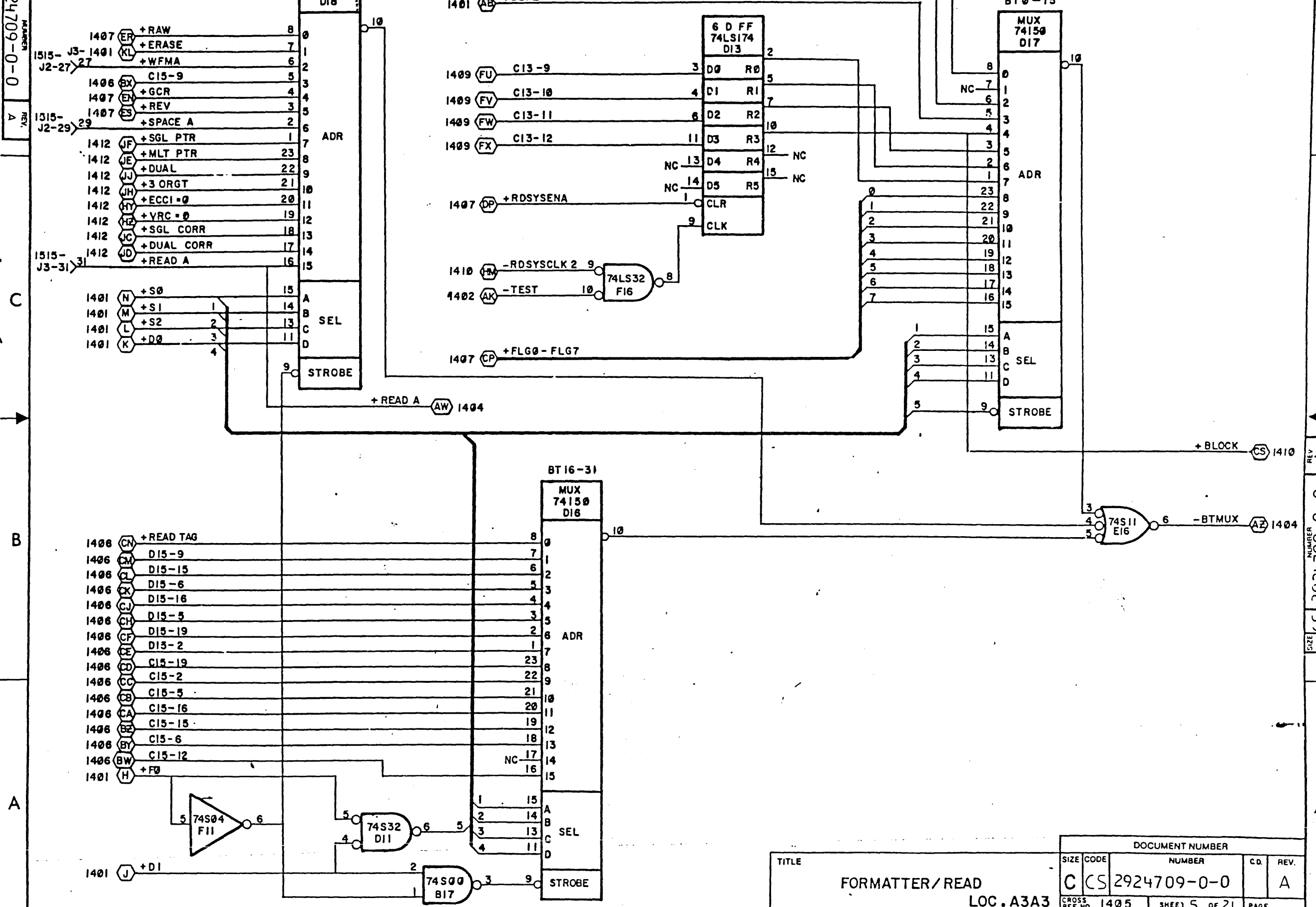
TITLE  
FORMATTER/READ  
LOC.A3A3

DOCUMENT NUMBER				CD	REV
SIZE	CODE	NUMBER			
C	CS	2924709-0-0			A
CROSS REF. NO.	SHEET 4 OF 21		PAGE		
1404					

REV. A  
NUMBER  
CS 2924709-0-0  
SIZE

THIS DRAWING AND SPECIFICATIONS HEREIN ARE THE PROPERTY OF DIGITAL EQUIPMENT CORPORATION AND SHALL NOT BE REPRODUCED OR COPIED OR USED IN WHOLE OR IN PART AS THE BASIS FOR THE MANUFACTURE OR SALE OF ITEMS WITHOUT WRITTEN PERMISSION. COPYRIGHT © 1984 DIGITAL EQUIPMENT CORPORATION

SEE SHEET '0' FOR REVISIONS



SIZE CODE  
CS 2924709-0-0  
REV A

C

B

A

D

C

A

A

SIZE CODE  
CS 2924709-0-0  
REV A

TITLE  
FORMATTER / READ  
LOC. A3A3

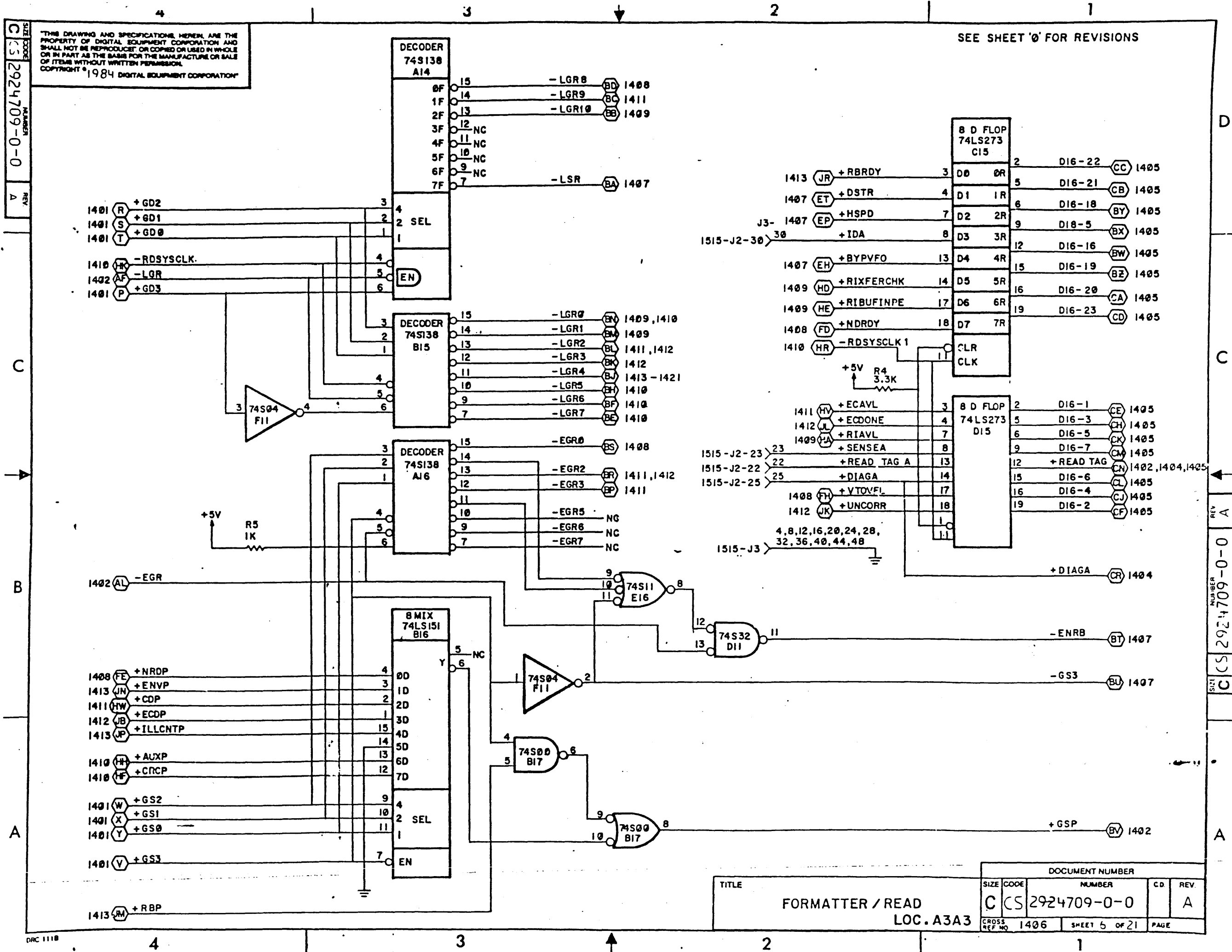
DOCUMENT NUMBER			
SIZE CODE	NUMBER	CD.	REV.
C CS	2924709-0-0		A
CROSS REF. NO.	1405	SHEET 5 OF 21	PAGE



SIZE CODE  
CS 2924709-0-0  
REV A

THIS DRAWING AND SPECIFICATIONS HEREIN ARE THE PROPERTY OF DIGITAL EQUIPMENT CORPORATION AND SHALL NOT BE REPRODUCED OR COPIED OR USED IN WHOLE OR IN PART AS THE BASIS FOR THE MANUFACTURE OR SALE OF ITEMS WITHOUT WRITTEN PERMISSION.  
COPYRIGHT © 1984 DIGITAL EQUIPMENT CORPORATION

SEE SHEET '0' FOR REVISIONS



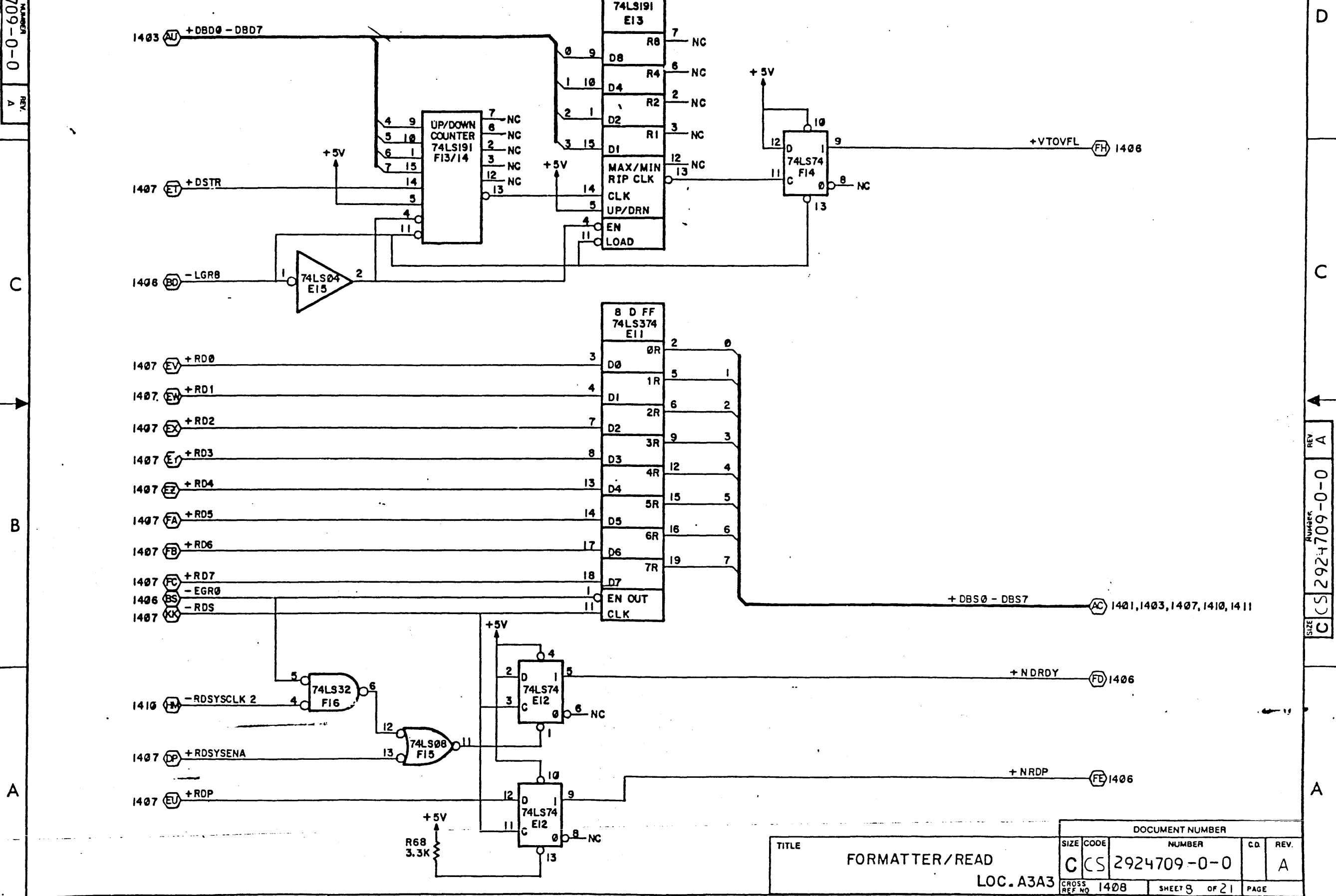
TITLE		DOCUMENT NUMBER			
FORMATTER / READ LOC. A3A3		SIZE	CODE	NUMBER	CD REV.
		C	CS	2924709-0-0	A
CROSS REF NO	1406	SHEET 6 OF 21		PAGE	



SIZE CODE  
 CS 2924709-0-0  
 NUMBER  
 REV  
 A

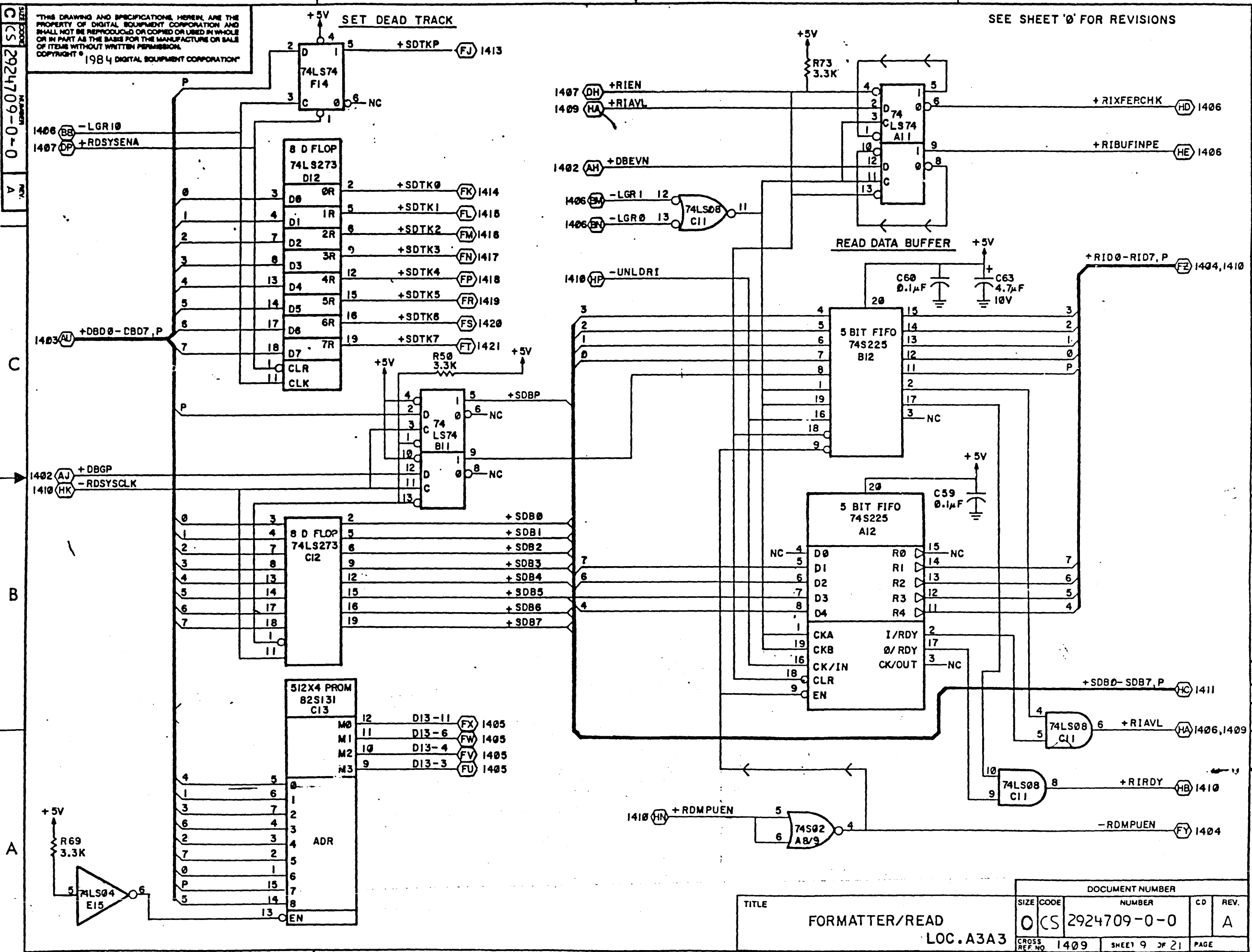
"THIS DRAWING AND SPECIFICATIONS HEREIN ARE THE PROPERTY OF DIGITAL EQUIPMENT CORPORATION AND SHALL NOT BE REPRODUCED OR COPIED OR USED IN WHOLE OR IN PART AS THE BASIS FOR THE MANUFACTURE OR SALE OF ITEMS WITHOUT WRITTEN PERMISSION. COPYRIGHT © 1984 DIGITAL EQUIPMENT CORPORATION"

SEE SHEET '0' FOR REVISIONS



TITLE  
 FORMATTER/READ  
 LOC. A3A3

DOCUMENT NUMBER				
SIZE	CODE	NUMBER	C.D.	REV.
C	CS	2924709-0-0		A
CROSS REF. NO.	1408	SHEET 9 OF 21	PAGE	



THIS DRAWING AND SPECIFICATIONS HEREIN ARE THE PROPERTY OF DIGITAL EQUIPMENT CORPORATION AND SHALL NOT BE REPRODUCED OR COPIED IN WHOLE OR IN PART AS THE BASIS FOR THE MANUFACTURE OR SALE OF ITEMS WITHOUT WRITTEN PERMISSION. COPYRIGHT © 1984 DIGITAL EQUIPMENT CORPORATION

SEE SHEET '0' FOR REVISIONS

CS 2924709-0-0  
 2924709-0-0  
 A

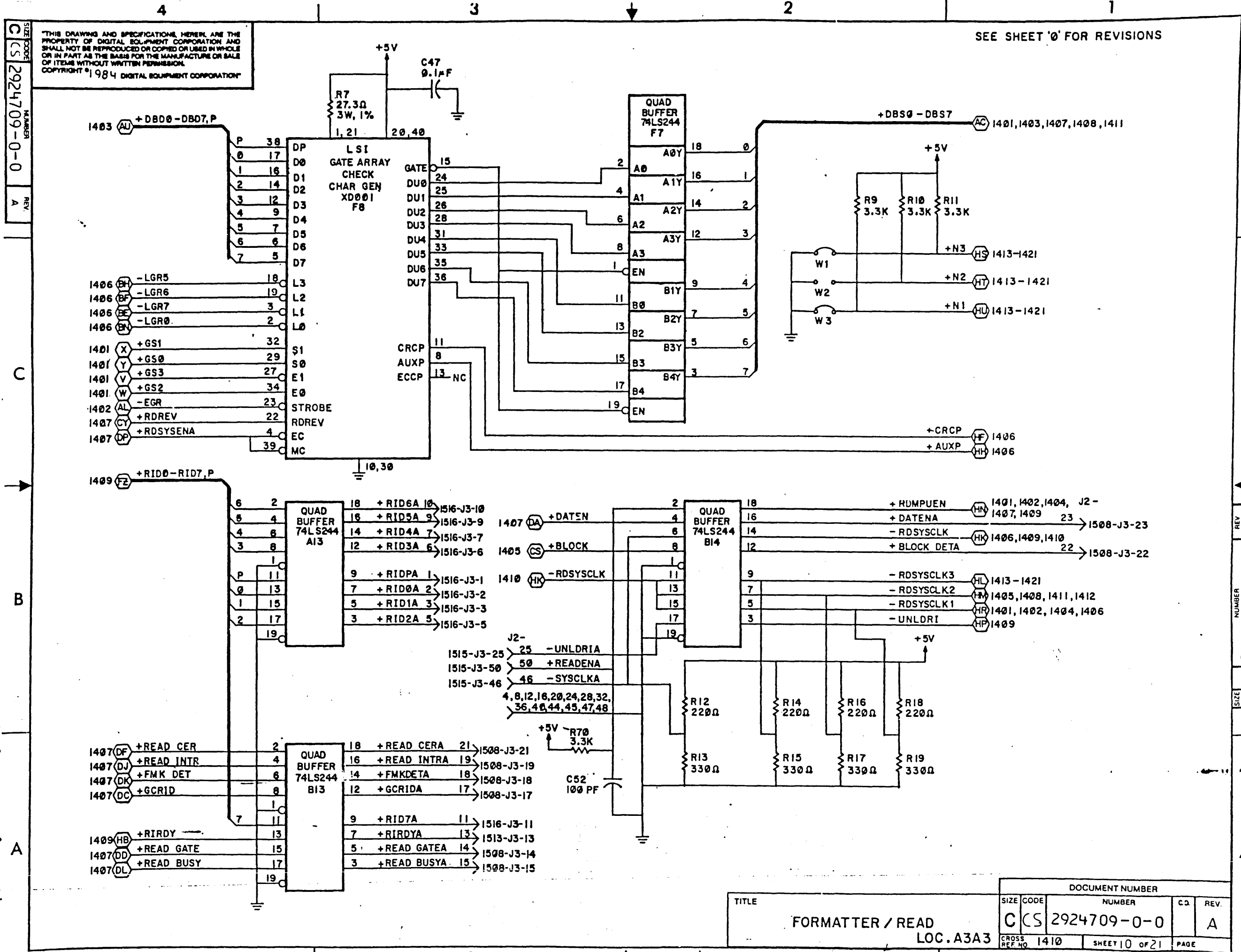
D  
 C  
 A  
 CS 2924709-0-0  
 A

TITLE		DOCUMENT NUMBER			
FORMATTER/READ LOC. A3A3		SIZE	CODE	NUMBER	CD
		O	CS	2924709-0-0	A
CROSS REF. NO.	SHEET	OF		PAGE	
1409	9	21			

SIZE CODE  
 C S 2924709-0-0  
 NUMBER  
 A  
 REV

"THIS DRAWING AND SPECIFICATIONS HEREIN ARE THE PROPERTY OF DIGITAL EQUIPMENT CORPORATION AND SHALL NOT BE REPRODUCED OR COPIED OR USED IN WHOLE OR IN PART AS THE BASIS FOR THE MANUFACTURE OR SALE OF ITEMS WITHOUT WRITTEN PERMISSION. COPYRIGHT © 1984 DIGITAL EQUIPMENT CORPORATION"

SEE SHEET '0' FOR REVISIONS



DOCUMENT NUMBER			
SIZE CODE	NUMBER	CD	REV.
C S	2924709-0-0		A
CROSS REF. NO.	SHEET	OF	PAGE
1410	10	21	

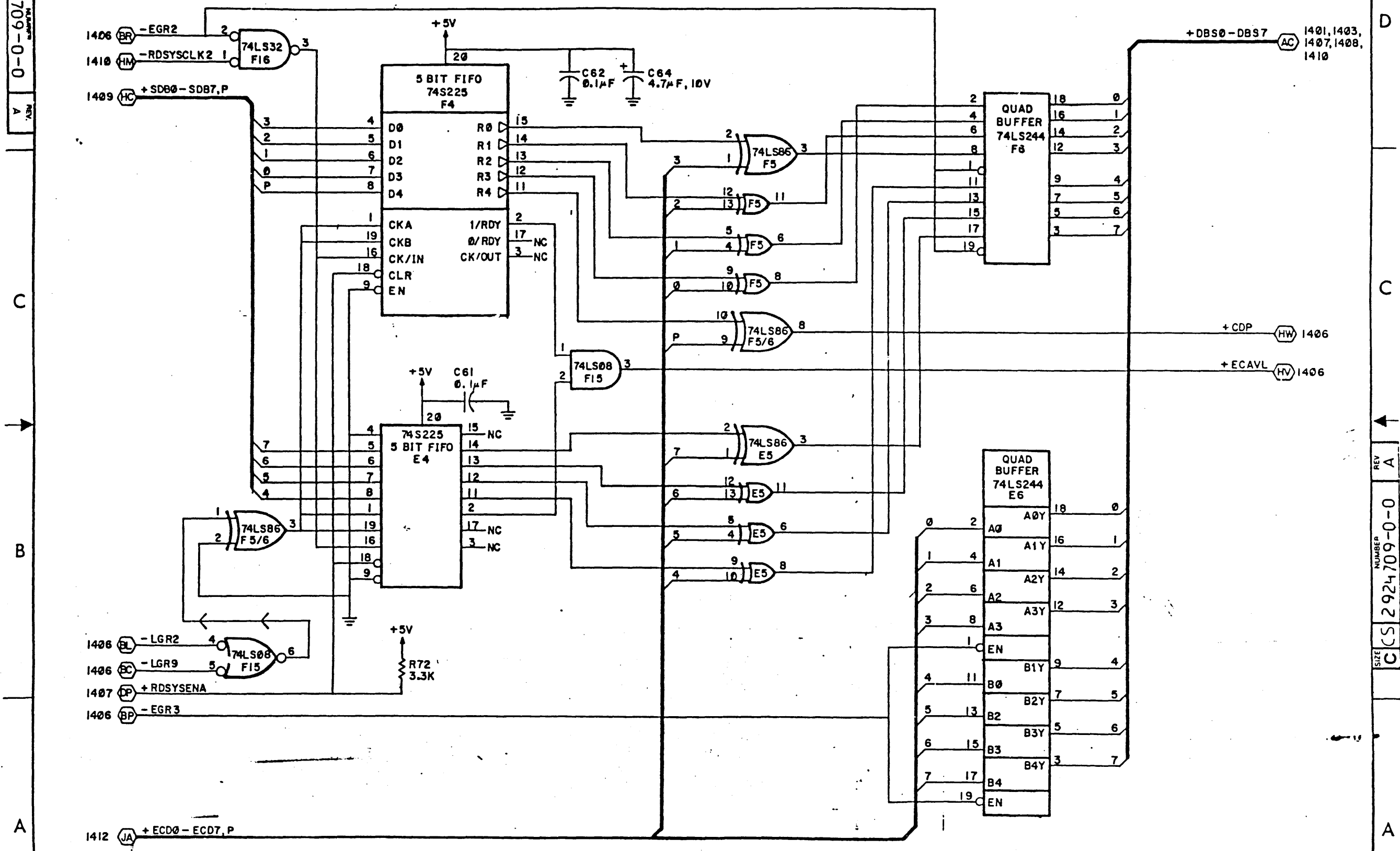
TITLE  
 FORMATTER / READ  
 LOC. A3A3

SIZE CODE  
CS 2924709-0-0  
REV A

THIS DRAWING AND SPECIFICATIONS HEREIN ARE THE PROPERTY OF DIGITAL EQUIPMENT CORPORATION AND SHALL NOT BE REPRODUCED OR COPIED OR USED IN WHOLE OR IN PART AS THE BASIS FOR THE MANUFACTURE OR SALE OF ITEMS WITHOUT WRITTEN PERMISSION.  
COPYRIGHT © 1984 DIGITAL EQUIPMENT CORPORATION

ERROR CORRECTION BUFFER

SEE SHEET '0' FOR REVISIONS



REV A

D

C

B

REV A

NUMBER  
CS 2924709-0-0

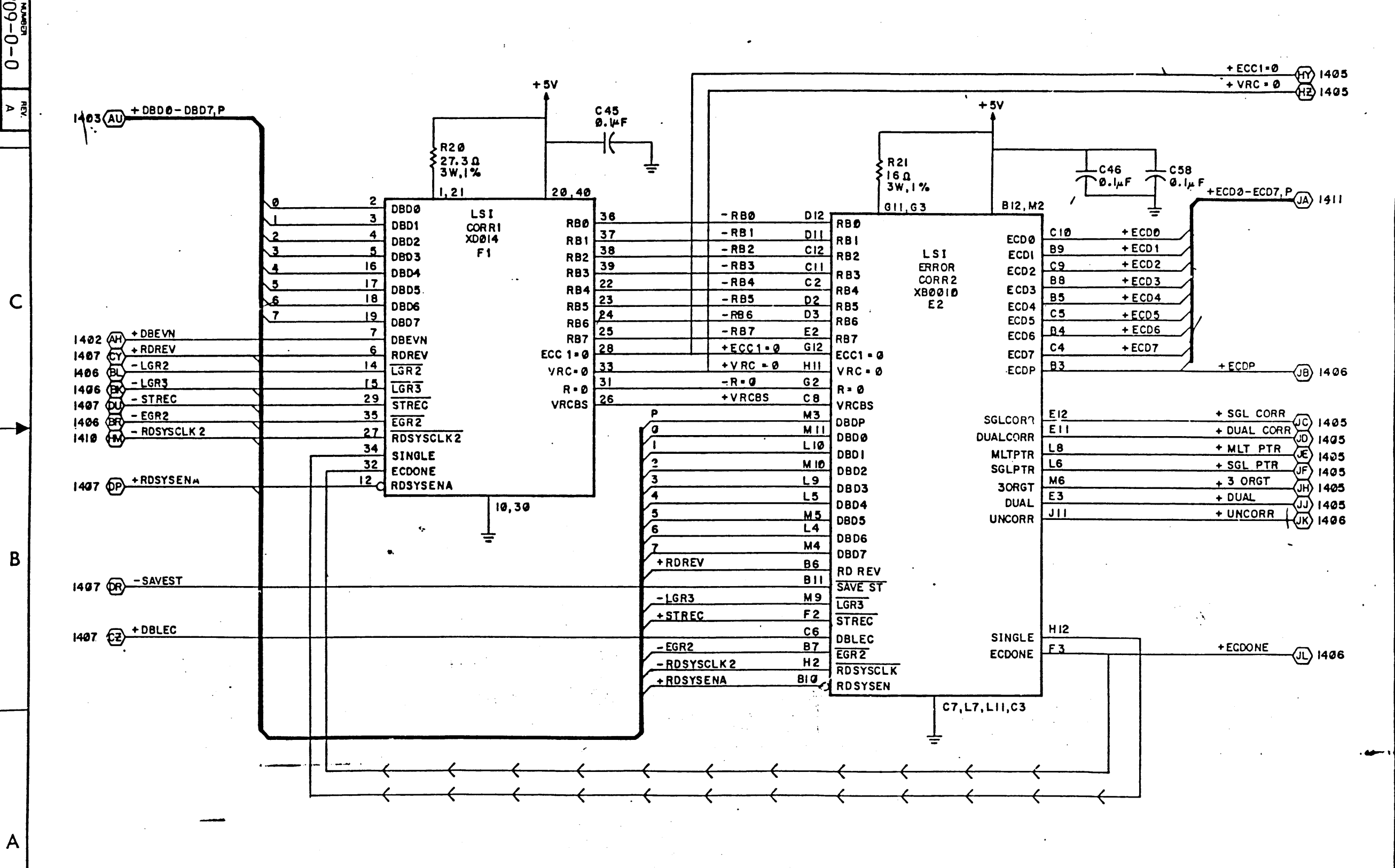
A

TITLE		DOCUMENT NUMBER			
FORMATTER/READ		SIZE CODE	NUMBER	CD	REV.
LOC.A3A3		C	CS 2924709-0-0		A
CROSS REF NO	1411	SHEET 11 OF 21		PAGE	

SIZE CODE  
CS 2924709-0-0  
REV. A

THIS DRAWING AND SPECIFICATIONS HEREIN ARE THE PROPERTY OF DIGITAL EQUIPMENT CORPORATION AND SHALL NOT BE REPRODUCED OR COPIED OR USED IN WHOLE OR IN PART AS THE BASIS FOR THE MANUFACTURE OR SALE OF ITEMS WITHOUT WRITTEN PERMISSION.  
COPYRIGHT © 1984 DIGITAL EQUIPMENT CORPORATION

SEE SHEET '0' FOR REVISIONS

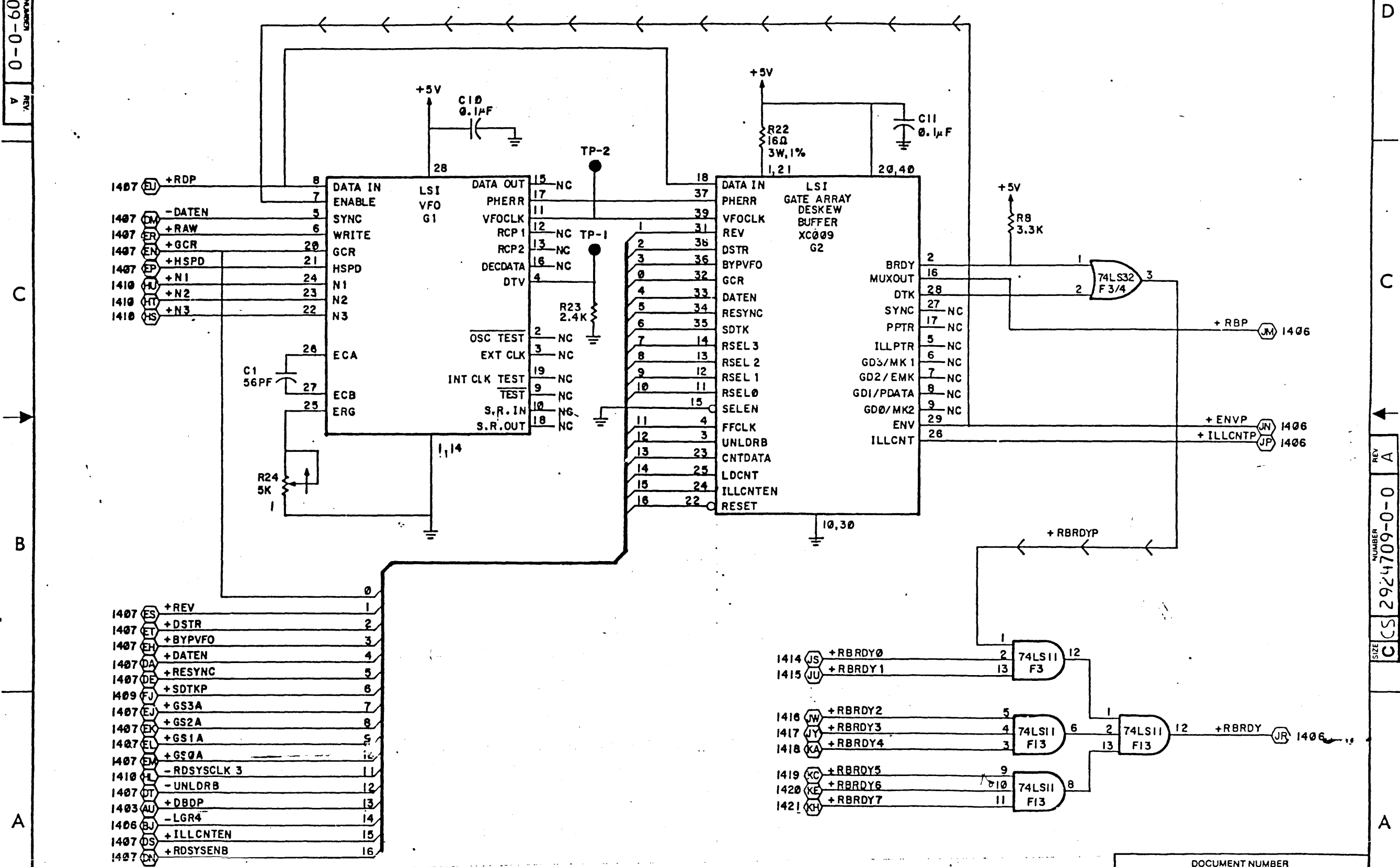


TITLE		DOCUMENT NUMBER			
FORMATTER / READ		SIZE CODE	NUMBER	CD	REV.
LOC. A3A3		CS	2924709-0-0		A
CROSS REF. NO. 1412	SHEET 12 OF 21	PAGE			

SIZE CODE  
C CS 2924709-0-0  
REV A

THIS DRAWING AND SPECIFICATIONS HEREIN ARE THE PROPERTY OF DIGITAL EQUIPMENT CORPORATION AND SHALL NOT BE REPRODUCED OR COPIED OR USED IN WHOLE OR IN PART AS THE BASIS FOR THE MANUFACTURE OR SALE OF ITEMS WITHOUT WRITTEN PERMISSION.  
COPYRIGHT © 1984 DIGITAL EQUIPMENT CORPORATION

SEE SHEET '0' FOR REVISIONS



1407 ES +REV  
1407 ET +DSTR  
1407 EH +BYPVFO  
1407 EA +DATEN  
1407 DE +RESYNC  
1409 FJ +SDTKP  
1407 EJ +GS3A  
1407 EX +GS2A  
1407 EL +GS1A  
1407 EV +GS0A  
1410 FL -RDSYSCLK 3  
1407 DT -UNLDRB  
1403 AU +DBDP  
1406 BU -LGR4  
1407 DS +ILLCNTEN  
1407 DV +RDSYSENB

TITLE		DOCUMENT NUMBER	
FORMATTER / READ		SIZE CODE	NUMBER
LOC. A3A3		C CS	2924709-0-0
CROSS REF. NO.	SHEET	OF	PAGE
1413	13	21	



THIS DRAWING AND SPECIFICATIONS HEREIN ARE THE PROPERTY OF DIGITAL EQUIPMENT CORPORATION AND SHALL NOT BE REPRODUCED OR COPIED OR USED IN WHOLE OR IN PART AS THE BASIS FOR THE MANUFACTURE OR SALE OF ITEMS WITHOUT WRITTEN PERMISSION. COPYRIGHT © 1984 DIGITAL EQUIPMENT CORPORATION

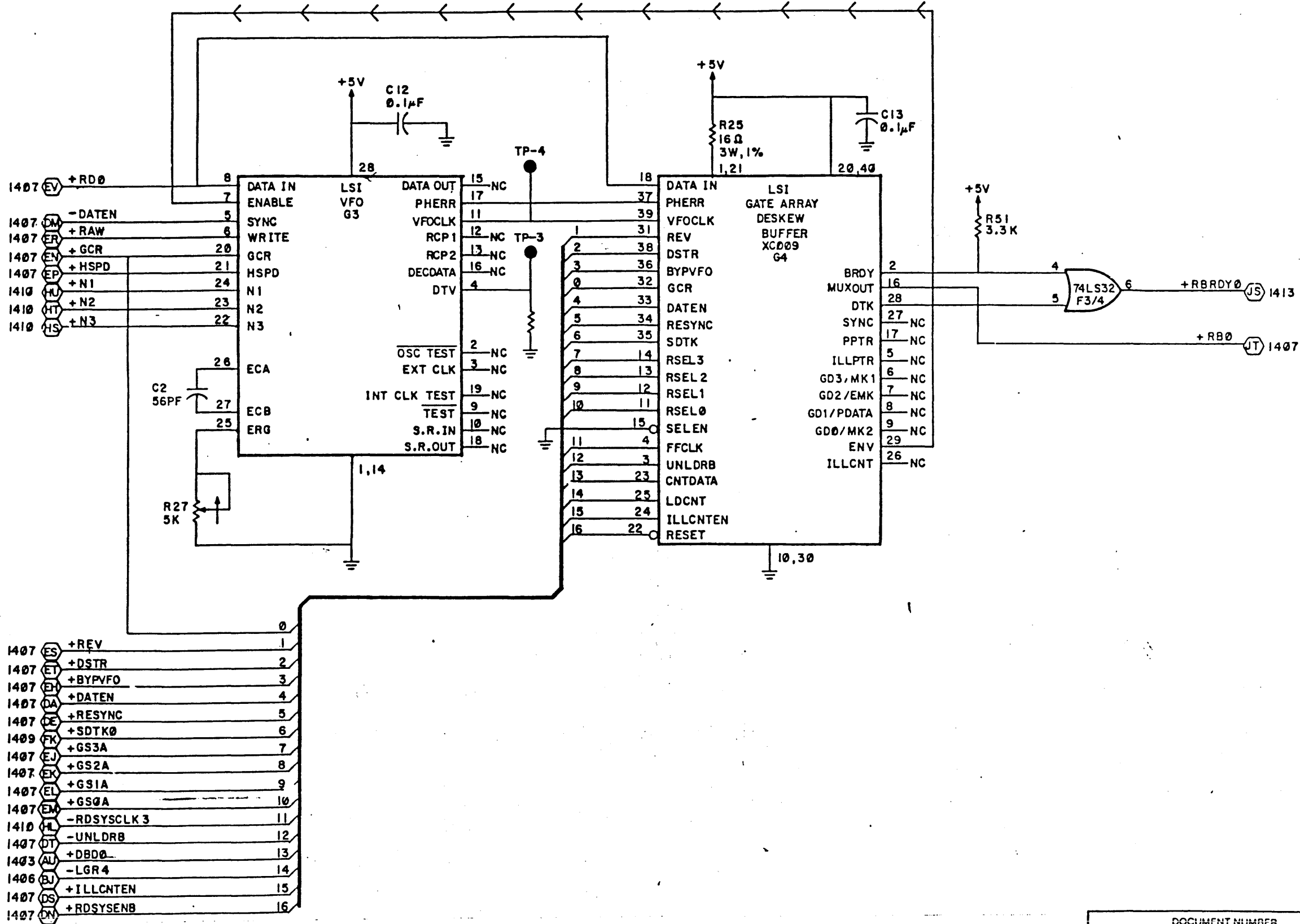
SEE SHEET '0' FOR REVISIONS

SIZE CODE NUMBER  
CS 2924709-0-0  
REV. A

C

B

A



D

C

A

A

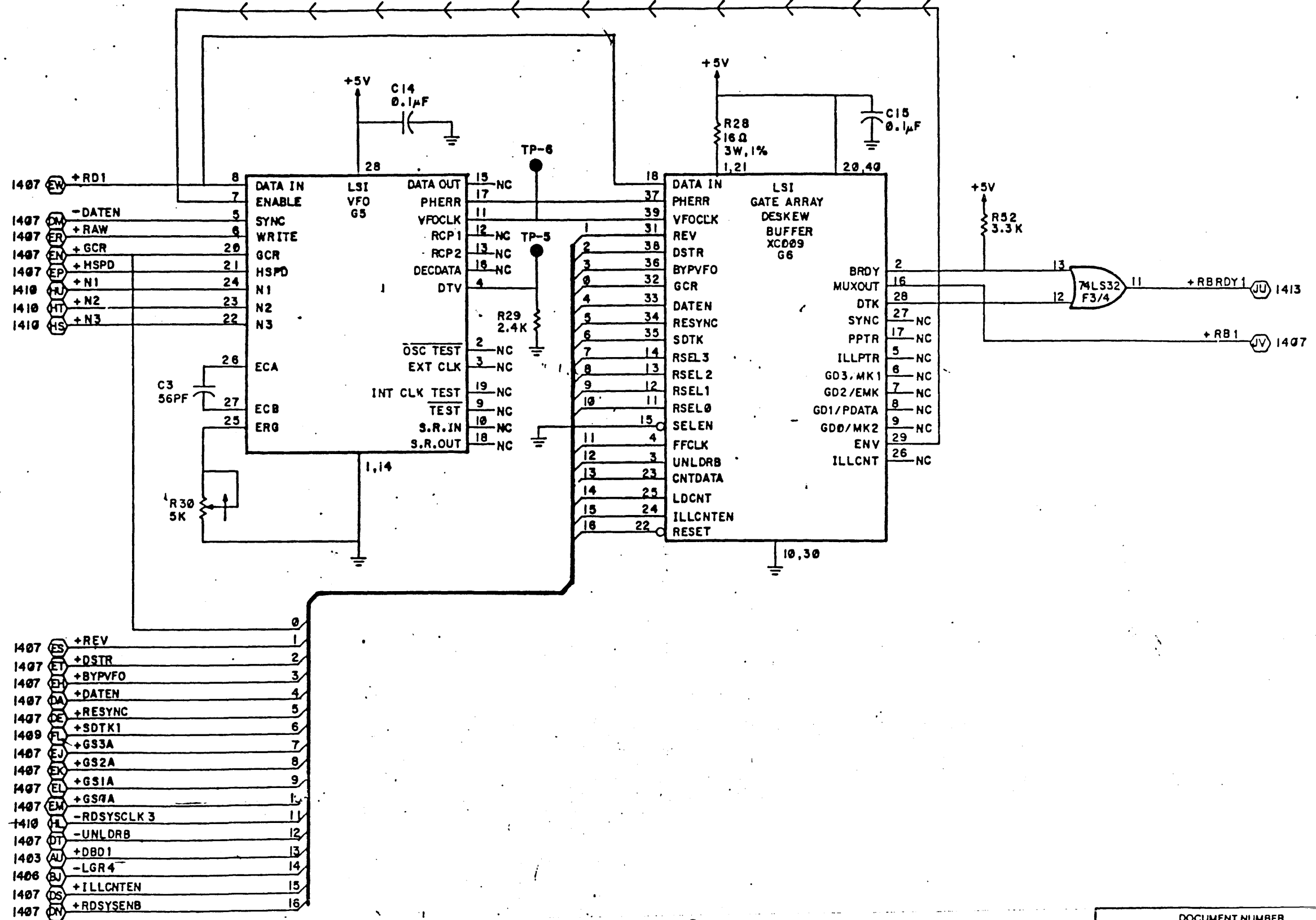
SIZE CODE NUMBER  
CS 2924709-0-0  
REV. A

TITLE		DOCUMENT NUMBER			
FORMATTER/READ LOC.A3A3		SIZE	CODE	NUMBER	C.D. REV.
		CS	CS	2924709-0-0	A
CROSS REF NO	1414	SHEET 14 OF 21		PAGE	

SIZE  
C/S  
NUMBER  
2924709-0-0  
REV  
A

THIS DRAWING AND SPECIFICATIONS HEREIN ARE THE PROPERTY OF DIGITAL EQUIPMENT CORPORATION AND SHALL NOT BE REPRODUCED OR COPIED OR USED IN WHOLE OR IN PART AS THE BASIS FOR THE MANUFACTURE OR SALE OF ITEMS WITHOUT WRITTEN PERMISSION.  
COPYRIGHT © 1984 DIGITAL EQUIPMENT CORPORATION

SEE SHEET '0' FOR REVISIONS



C  
B  
A

D  
C  
A  
REV  
A  
NUMBER  
2924709-0-0  
PAGE

TITLE		DOCUMENT NUMBER			
FORMATTER/READ		SIZE	CODE	NUMBER	CD REV.
LOC. A3A3		C	CS	2924709-0-0	A
CROSS REF. NO.	1415	SHEET 15 OF 21		PAGE	

THIS DRAWING AND SPECIFICATIONS HEREIN ARE THE PROPERTY OF DIGITAL EQUIPMENT CORPORATION AND SHALL NOT BE REPRODUCED OR COPIED OR USED IN WHOLE OR IN PART AS THE BASIS FOR THE MANUFACTURE OR SALE OF ITEMS WITHOUT WRITTEN PERMISSION. COPYRIGHT © 1984 DIGITAL EQUIPMENT CORPORATION

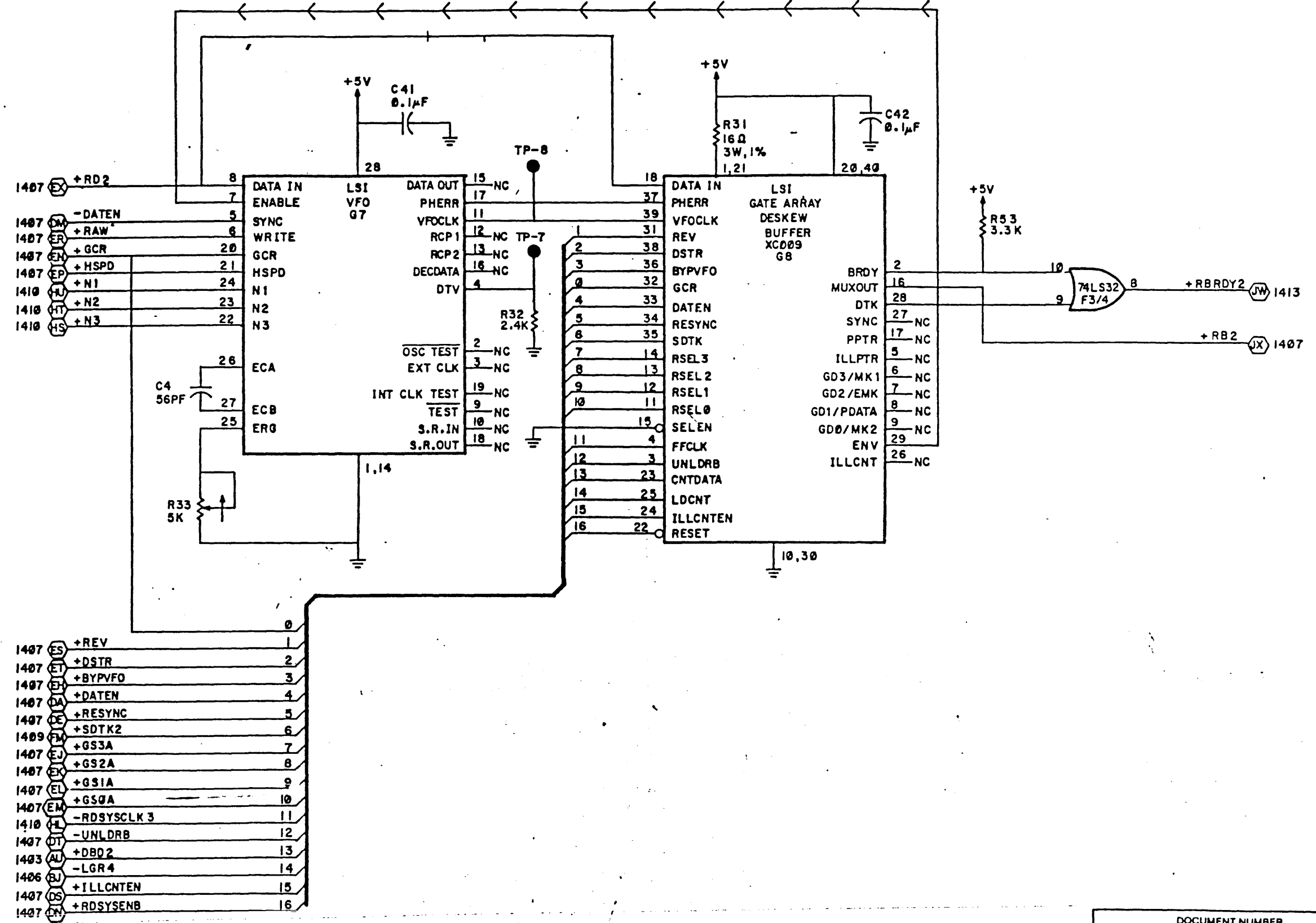
SEE SHEET '0' FOR REVISIONS

SIZE CODE  
CS 2924709-0-0  
REV  
A

C

B

A



SIZE CODE  
CS 2924709-0-0  
REV  
A

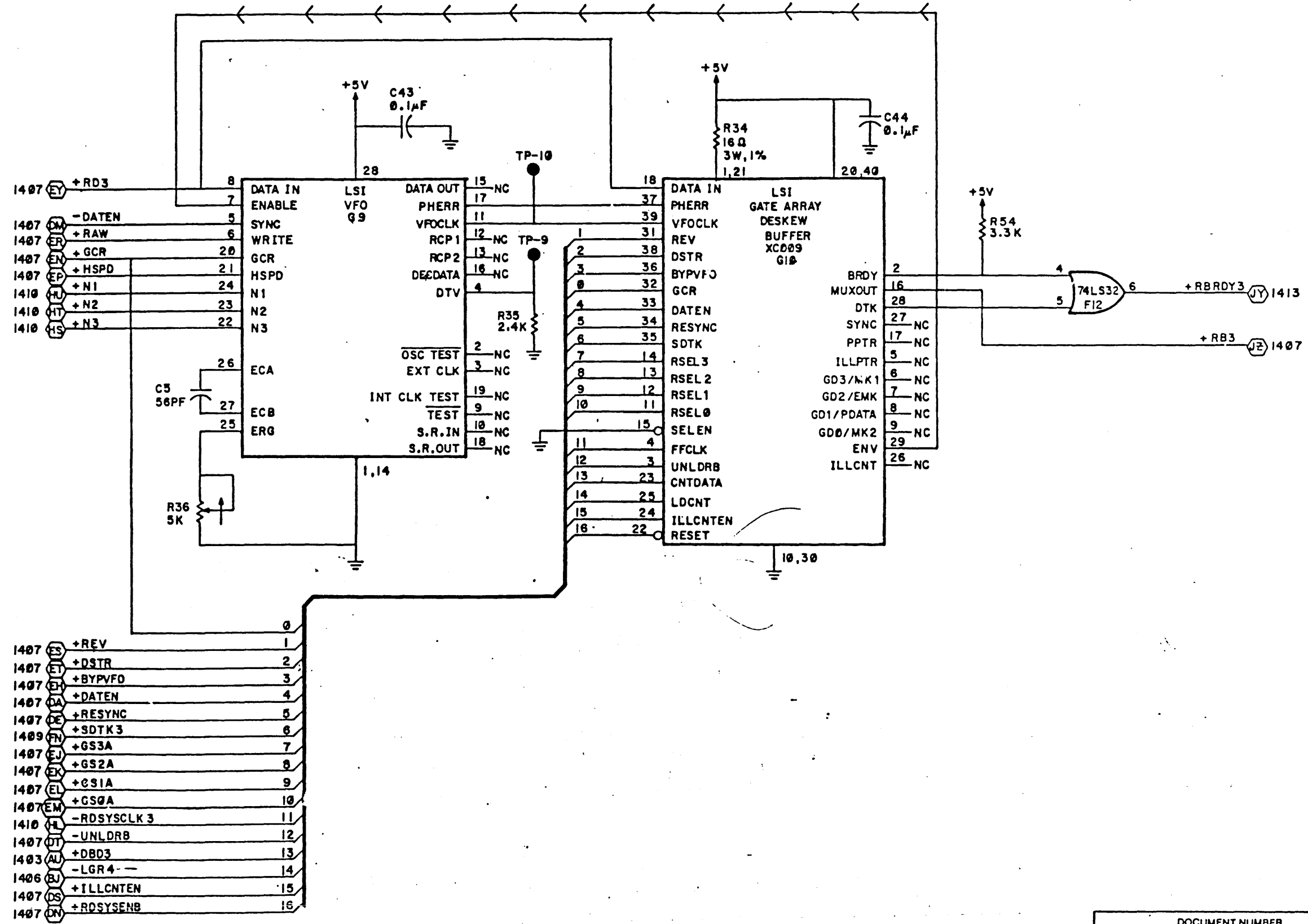
A

TITLE		DOCUMENT NUMBER			
FORMATTER/READ		SIZE	CODE	NUMBER	CD
LOC. A3A3		C	CS	2924709-0-0	A
CROSS REF NO	1416	SHEET 16 OF 21		PAGE	

SIZE CODE NUMBER REV.  
 CS 2924709-0-0 A

THIS DRAWING AND SPECIFICATIONS HEREIN ARE THE PROPERTY OF DIGITAL EQUIPMENT CORPORATION AND SHALL NOT BE REPRODUCED OR COPIED OR USED IN WHOLE OR IN PART AS THE BASIS FOR THE MANUFACTURE OR SALE OF ITEMS WITHOUT WRITTEN PERMISSION.  
 COPYRIGHT © 1984 DIGITAL EQUIPMENT CORPORATION

SEE SHEET '0' FOR REVISIONS



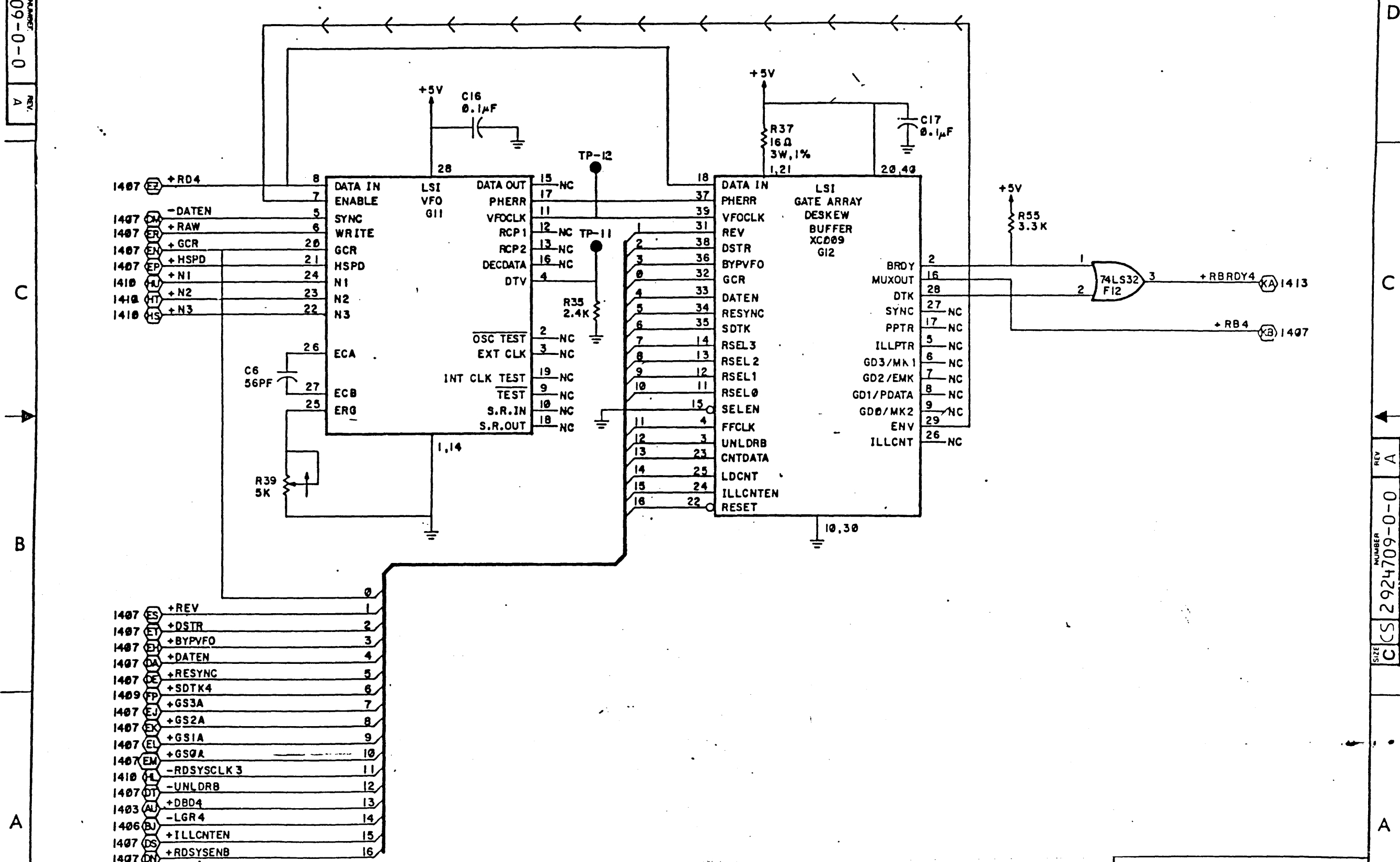
- 1407 ES +REV 1
- 1407 ET +DSTR 2
- 1407 EH +BYPVFO 3
- 1407 EA +DATEN 4
- 1407 DE +RESYNC 5
- 1409 FN +SDTK3 6
- 1407 EJ +GS3A 7
- 1407 EK +GS2A 8
- 1407 EL +CS1A 9
- 1407 EM +CS0A 10
- 1410 HL -RDSYSCLK 3 11
- 1407 UT -UNLDRB 12
- 1403 AU +DBD3 13
- 1406 BU -LGR4 14
- 1407 DS +ILLCNTEN 15
- 1407 DN +RDSYSENB 16

TITLE		DOCUMENT NUMBER			
FORMATTER/READ LOC.A3A3		SIZE	CODE	NUMBER	CD REV.
		C	CS	2924709-0-0	A
CROSS REF. NO	1417	SHEET 17 OF 21		PAGE	

SIZE CODE  
 CS 2924709-0-0  
 REV. A

THIS DRAWING AND SPECIFICATIONS, HEREIN, ARE THE PROPERTY OF DIGITAL EQUIPMENT CORPORATION AND SHALL NOT BE REPRODUCED OR COPIED OR USED IN WHOLE OR IN PART AS THE BASIS FOR THE MANUFACTURE OR SALE OF ITEMS WITHOUT WRITTEN PERMISSION.  
 COPYRIGHT © 1984 DIGITAL EQUIPMENT CORPORATION

SEE SHEET '0' FOR REVISIONS



- 1407 ES +REV 1
- 1407 EY +DSTR 2
- 1407 EY +BYPVFO 3
- 1407 EA +DATEN 4
- 1407 EC +RESYNC 5
- 1409 EP +SDTK4 6
- 1407 EJ +GS3A 7
- 1407 EK +GS2A 8
- 1407 EL +GS1A 9
- 1407 EM +GS0A 10
- 1410 HL -RDSYSCLK 3 11
- 1407 DT -UNLDRB 12
- 1403 AL +DBD4 13
- 1406 BU -LGR 4 14
- 1407 DS +ILLCNTEN 15
- 1407 DN +RDSYSENB 16

TITLE		DOCUMENT NUMBER			
FORMATTER/READ		SIZE	CODE	NUMBER	CD REV
LOC.A3A3		C	CS	2924709-0-0	A
CROSS REF NO	1418	SHEET 18 OF 21		PAGE	

THIS DRAWING AND SPECIFICATIONS HEREIN ARE THE PROPERTY OF DIGITAL EQUIPMENT CORPORATION AND SHALL NOT BE REPRODUCED OR COPIED IN WHOLE OR IN PART AS THE BASIS FOR THE MANUFACTURE OR SALE OF ITEMS WITHOUT WRITTEN PERMISSION. COPYRIGHT © 1984 DIGITAL EQUIPMENT CORPORATION

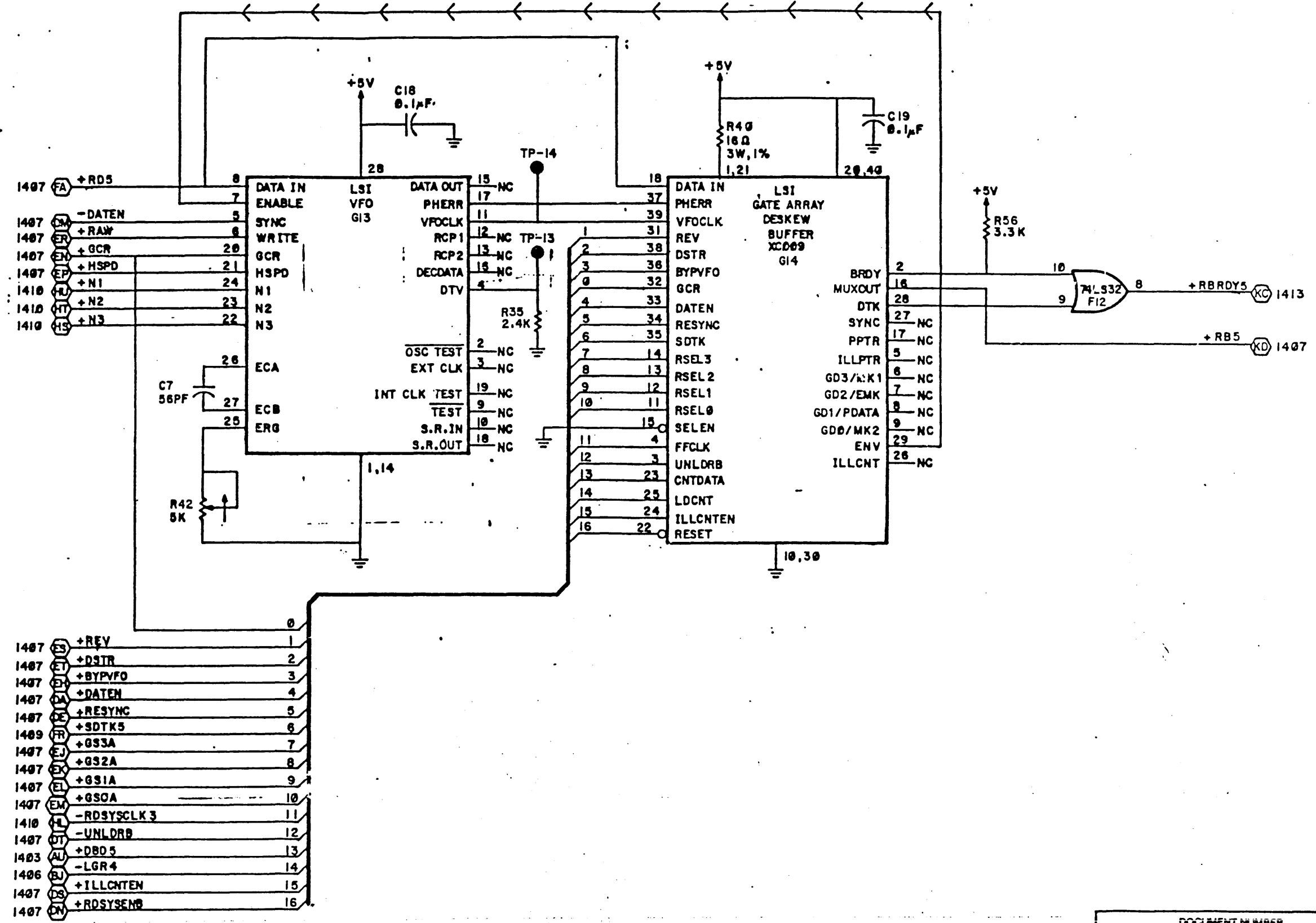
SEE SHEET '0' FOR REVISIONS

C/S 2924709-0-0  
 NUMBER  
 A

C

B

A



D

C

A

C/S 2924709-0-0  
 NUMBER  
 A

A

TITLE		DOCUMENT NUMBER			
FORMATTER/READ		SIZE	CODE	NUMBER	CR. REV.
LOC.A3A3		C	CS	2924709-0-0	A
CROSS REF. NO.	1419	SHEET 19 OF 21		PAGE	

DRC 1118

4

3

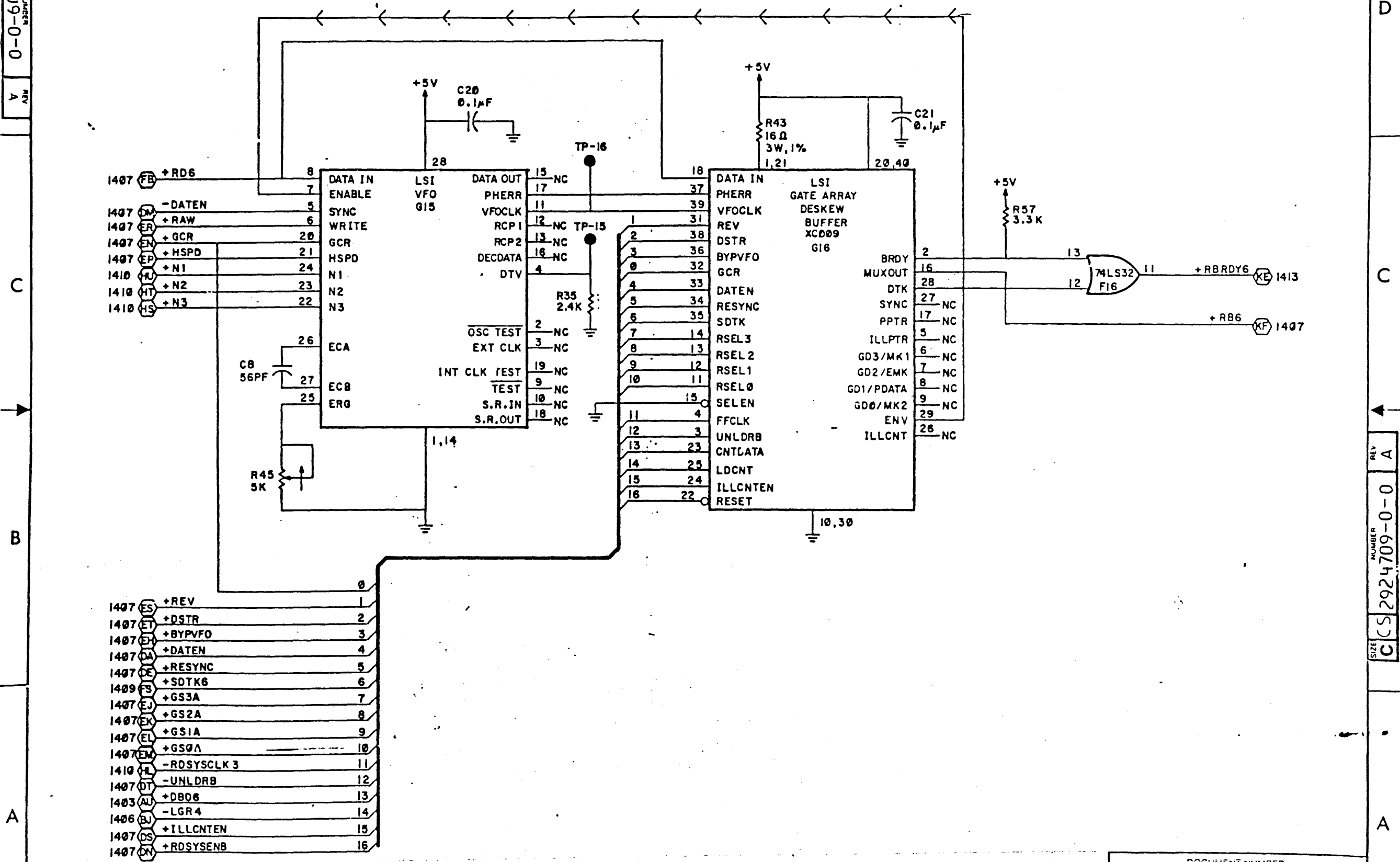
2

1

SIZE CODE  
CS 2924709-0-0  
REV A

THIS DRAWING AND SPECIFICATIONS HEREIN ARE THE PROPERTY OF DIGITAL EQUIPMENT CORPORATION AND SHALL NOT BE REPRODUCED OR COPIED OR USED IN WHOLE OR IN PART AS THE BASIS FOR THE MANUFACTURE OR SALE OF ITEMS WITHOUT WRITTEN PERMISSION.  
COPYRIGHT © 1984 DIGITAL EQUIPMENT CORPORATION

SEE SHEET '0' FOR REVISIONS



A

B

C

D

C

REV A

SIZE CODE  
CS 2924709-0-0

A

TITLE		DOCUMENT NUMBER			
FORMATTER/READ		SIZE	CODE	NUMBER	CD
LOC.A3A3		CS	CS	2924709-0-0	A
CROSS REF NO	1420	SHEET 20 OF 21		PAGE	

"THIS DRAWING AND SPECIFICATIONS HEREIN ARE THE PROPERTY OF DIGITAL EQUIPMENT CORPORATION AND SHALL NOT BE REPRODUCED OR COPIED OR USED IN WHOLE OR IN PART AS THE BASIS FOR THE MANUFACTURE OR SALE OF ITEMS WITHOUT WRITTEN PERMISSION. COPYRIGHT © 1984 DIGITAL EQUIPMENT CORPORATION"

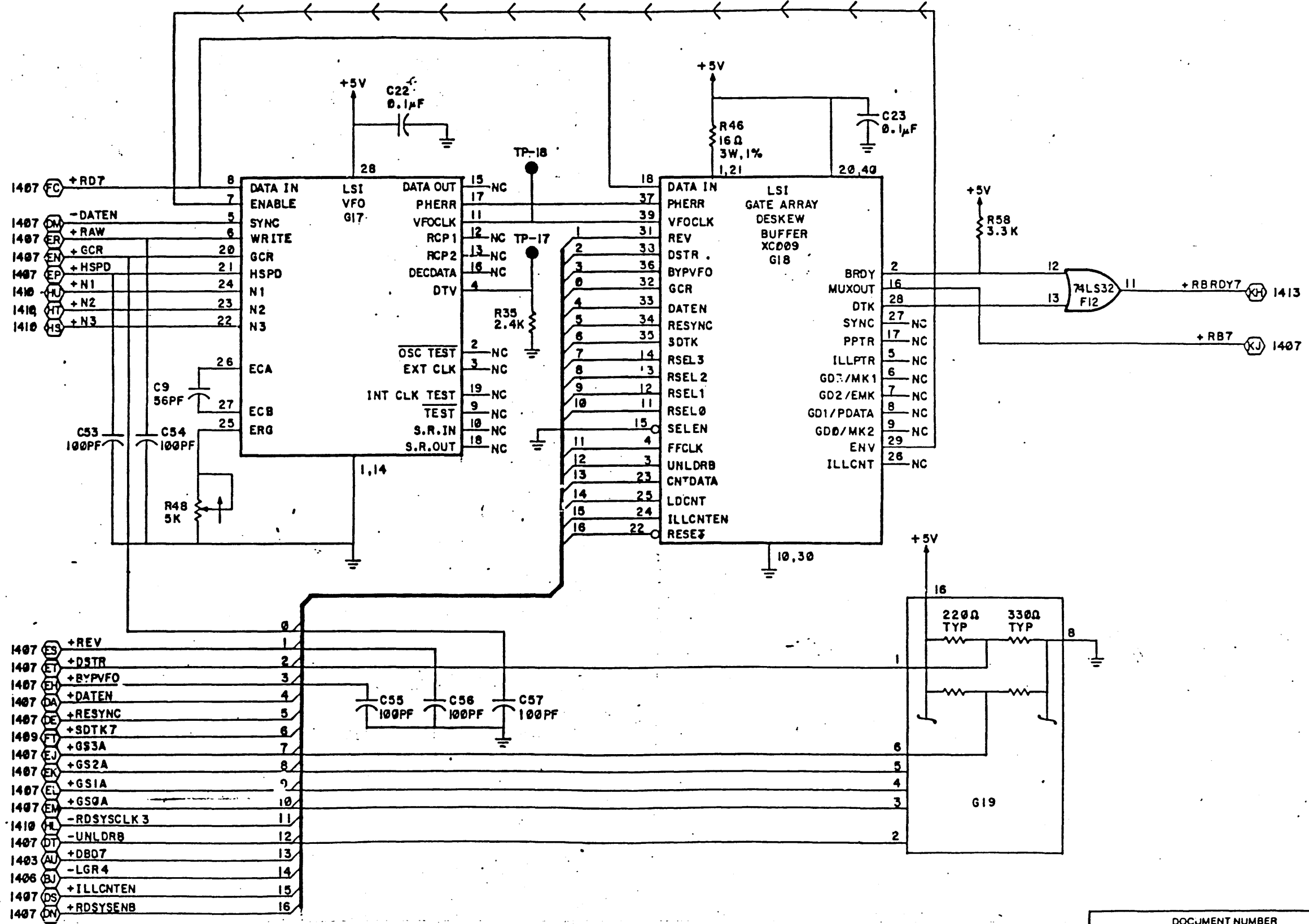
SEE SHEET 'D' FOR REVISIONS

SHEET NUMBER  
 CCS 2924709-0-0  
 REV A

C

B

A



D

C

REV A

SHEET NUMBER  
 CCS 2924709-0-0

A

TITLE		DOCUMENT NUMBER			
FORMATTER/READ		SIZE	CODE	NUMBER	CD
LOC. A3A3		C	CS	2924709-0-0	A
CROSS REF NO	1421	SHEET 21 OF 21		PAGE	



8

7

6

5

4

3

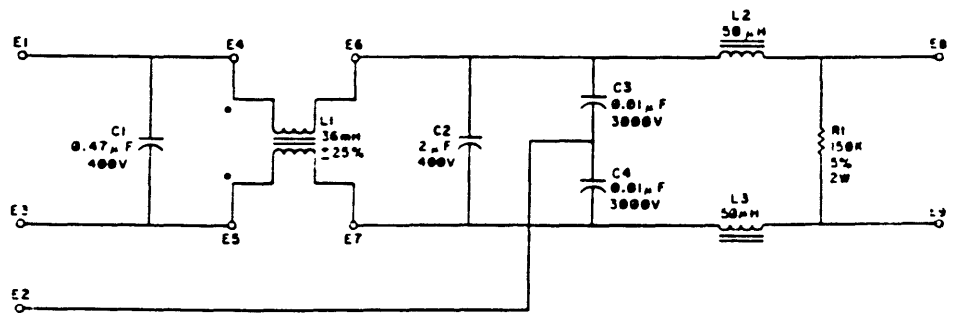
0-0-1224262

2

1

THIS DRAWING AND SPECIFICATIONS HEREIN ARE THE PROPERTY OF DIGITAL EQUIPMENT CORPORATION AND SHALL NOT BE REPRODUCED OR COPIED OR LENT OR WHOLE OR IN PART AS THE BASIS FOR THE MANUFACTURE OR SALE OF ITEMS WITHOUT WRITTEN PERMISSION.  
COPYRIGHT © 1964 DIGITAL EQUIPMENT CORPORATION

SEE SHEET 0 FOR REVISIONS



0-0-1224262

77022970

DRN	CHK D	ENG	PROJ. ENG.	PROD.	NEXT HIGHER ASSY	SCALE	SHEET	OF	DIST	FIRST USED ON	TITLE	NUMBER	REV
							1			digital	LINE FILTER	2924227-0-0	1

REVISIONS  
CHANGE NO.  
REV.

8

7

6

5

4

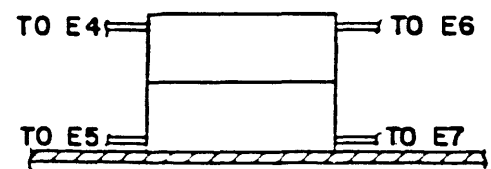
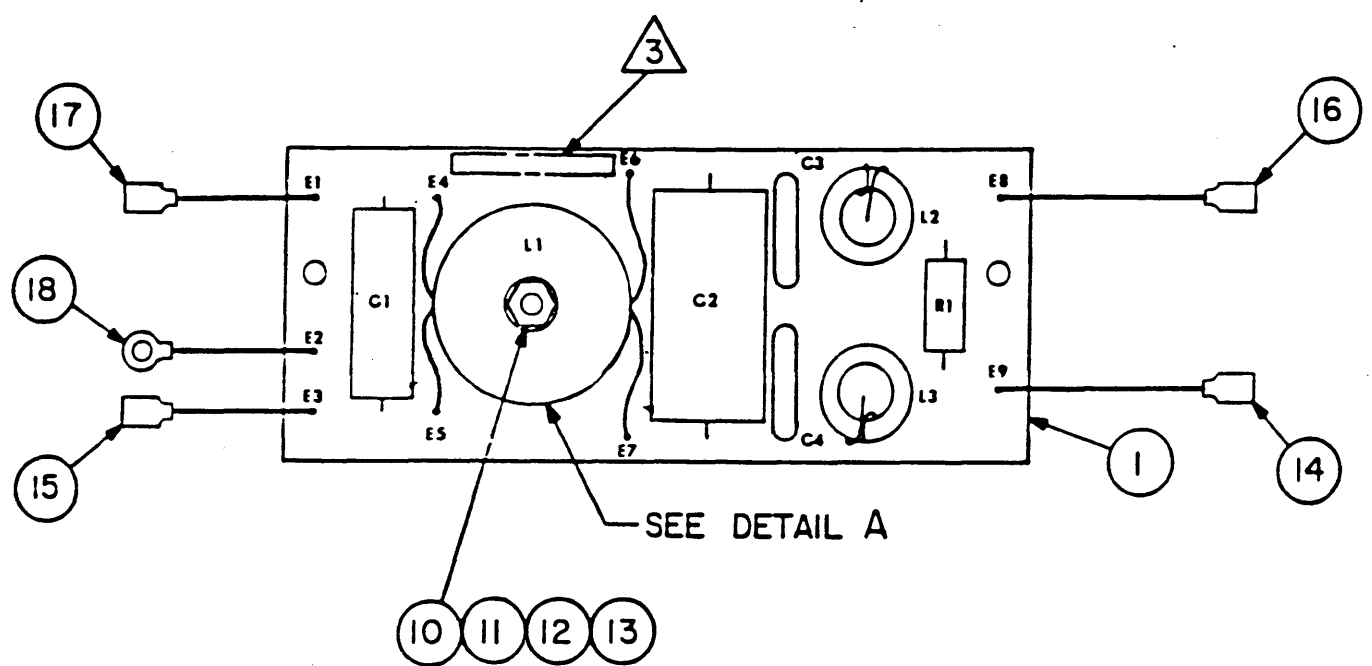
3

2

SHR

1

SHEET REVISION STATUS				REVISION RECORD					
REV	ECO	DESCRIPTION	DRFT	DATE	CHKD	APP			
2									
01	01	PBS0882		11/14/54					
A	A	PBS1244	ATD	2/1/53					
B	B	PBS1252	DSM	5-22-54					



DETAIL A  
SCALE - NONE

PL 77041271  
DN 77041270  
DETACHED LISTS

STANDARD MFG. PRACTICES SHALL BE ADHERED TO PER WORKMANSHIP MANUAL SPEC. NO. 10120300

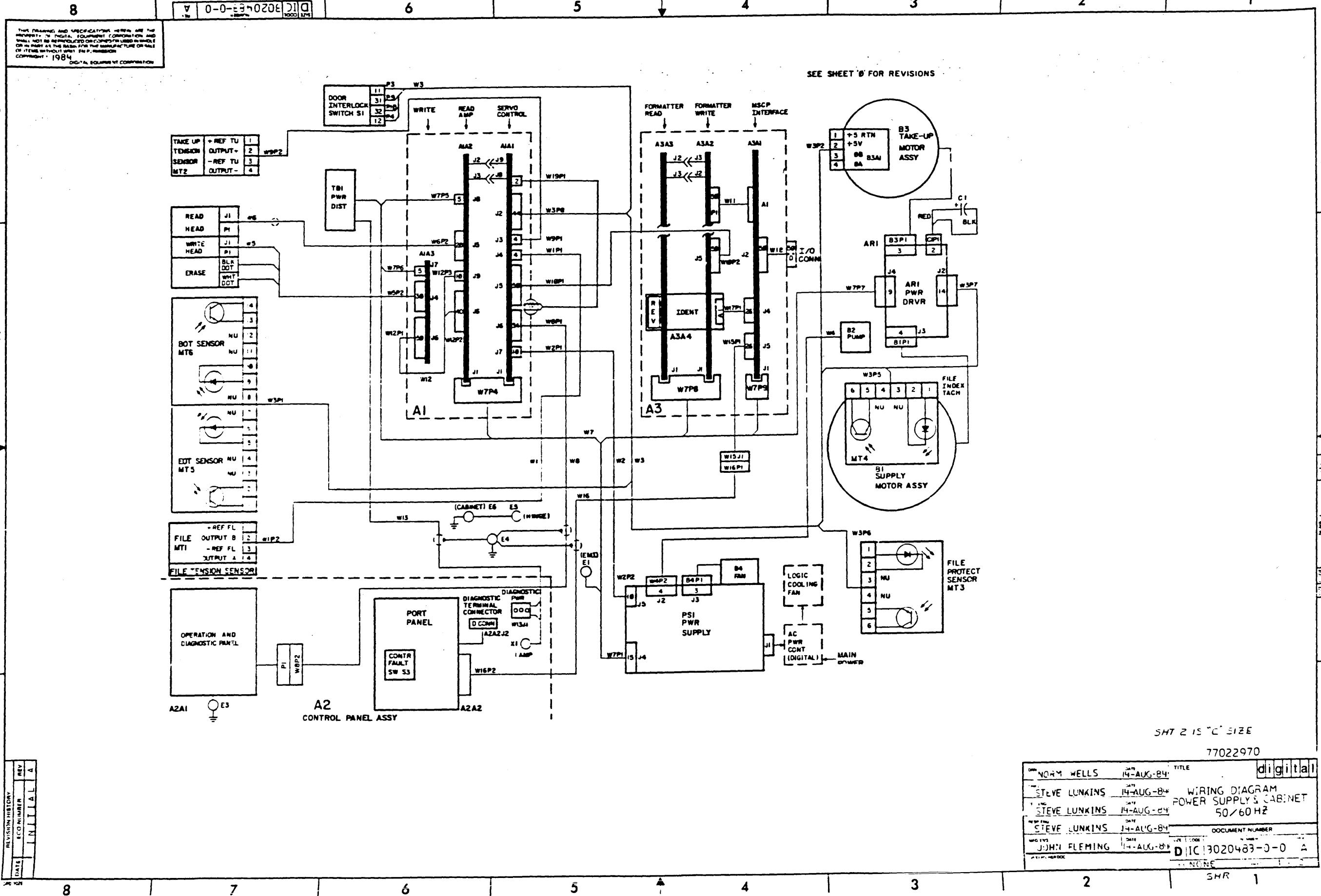
UNLESS OTHERWISE SPECIFIED DIMENSIONS ARE IN INCHES TOLERANCES 2 PLACE 3 PLACE ANGLES ± .02 ± .005 ± 0° 30'	DRW CHKD ENGR MFG SA EQUIP NO THIRD ANGLE PROJECTION	9902 11/9/52 11/10/52 11/10/52 TTGS25-75	COMPUTER PERIPHERALS INC. TAPE PRODUCTS DIV. NORRISTOWN, PA. 19403	TITLE PWA LINE FILTER	SIZE C	DRWG NO. 2924227-0-0	A
---	--	--	--	-----------------------------	-----------	-------------------------	---

SCALE 1/1

D  
C  
B  
A

D  
C  
A

UA 2924227-0-0



THIS DRAWING AND SPECIFICATION HEREIN ARE THE PROPERTY OF DIGITAL EQUIPMENT CORPORATION AND SHALL NOT BE REPRODUCED OR COPIED IN WHOLE OR IN PART AS THE BASIS FOR THE MANUFACTURE OF ANY OF THESE WITHOUT WRITTEN PERMISSION. COPYRIGHT © 1984 DIGITAL EQUIPMENT CORPORATION

SEE SHEET 'D' FOR REVISIONS

SHT 2 IS "C" SIZE  
77022970

REVISION HISTORY	REV	DATE
INITIAL		

DESIGNER	DATE	TITLE	DOCUMENT NUMBER
NORM WELLS	14-AUG-84	digital	
STEVE LUNKINS	14-AUG-84	WIRING DIAGRAM	
STEVE LUNKINS	14-AUG-84	POWER SUPPLY & CABINET	
STEVE LUNKINS	14-AUG-84	50/60 HZ	
STEVE LUNKINS	14-AUG-84		
JOHN FLEMING	14-AUG-84		DIC 13020483-0-0 A

D13020483-0-0 A