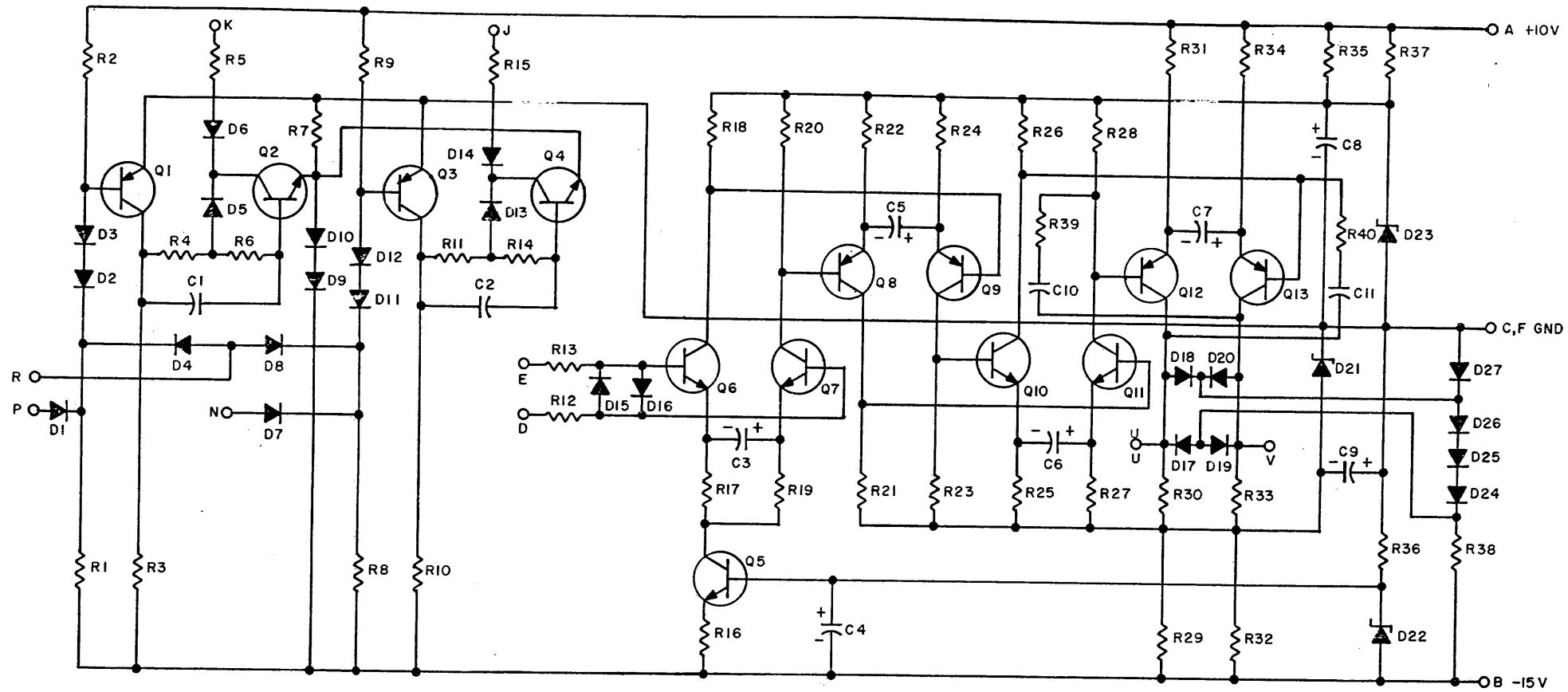


THIS SCHEMATIC IS FURNISHED ONLY FOR TEST AND MAINTENANCE PURPOSES. THE CIRCUITS ARE PROPRIETARY IN NATURE AND SHOULD BE TREATED ACCORDINGLY. COPYRIGHT 1966 BY DIGITAL EQUIPMENT CORPORATION



| | | |
|--|----------------------------|---------------|
| Q8, Q9, Q12, Q13 | TRANSISTOR DEC3638B | 1502979 |
| Q6, Q7, Q10, Q11 | TRANSISTOR DEC3009B-S | 1503100 |
| Q5 | TRANSISTOR DEC3009A-S | 1501999 |
| Q2, Q4 | TRANSISTOR DEC2219A | 1501881 |
| Q1, Q3 | TRANSISTOR DEC2894-3B-S | 1503099 |
| R39, R40 | RES. 120 1/4W 5% CC | 1300247 |
| R36, R38 | RES. 470 1/2W 10% CC | 1300318 |
| R30, R33 | RES. 3K 1/4W 5% CC | 1300432 |
| R17 THRU R21, R23, R25 THRU R28, | | |
| R12, R13 | RES. 220 1/4W 5% CC | 1300271 |
| R6, R14, R35, R37 | RES. 560 1/4W 5% CC | 1301890 |
| R5, R15 | RES. 68 2W 5% CC | 1302308 |
| R4, R11 | RES. 750 1/4W 5% CC | 1301401 |
| R3, R7, R10, R16, R22, R24, R29, R31, R32, R34 | RES. 1.5K 1/4W 5% CC | 1300391 |
| R2, R9 | RES. 100K 1/4W 5% CC | 1302466 |
| R1, R8 | RES. 7.5K 1/4W 5% CC | 1301422 |
| D23 | DIODE 1/4M 6.8AZ | 1100102 |
| D22 | DIODE IN748 3.9V | 1100121 |
| D21 | DIODE IN756A 8.2V | 1103441 |
| D5, D6, D13, D14 | DIODE D670 | 1102162 |
| D2, D3, D11, D12, D24 THRU D27 | DIODE D662 | 1100113 |
| D1, D4, D7 THRU D10, D15 THRU D20 | DIODE D664 | 1100114 |
| C10, C11 | CAP. 1.200MMF 100V 5% D.M. | 1002424 |
| C5 | CAP. 2.2MFD 20V 10% | 1002627 |
| C4, C6, C7, C8, C9 | CAP. 3.9MFD 10V 10% S.TANT | 1000064 |
| C3 | CAP. .47MFD 35V 10% S.TANT | 1005965 |
| C1, C2 | CAP. 680MMF 100V 5% D.M. | 1000026 |
| | PARTS LIST | A-PL-G882-O-Q |
| REFERENCE DESIGNATION | DESCRIPTION | PART NO. |

| REV. | NO. | CHK | NO. |
|------|-----|-------|-----|
| 3 | 3 | 8898 | |
| D | D | 8838 | |
| E | E | 00001 | |

| REV. | NO. | CHK | NO. |
|------|-----|-------|-----|
| 3 | 3 | 8898 | |
| D | D | 8838 | |
| E | E | 00001 | |

| DRN. | DATE | TRANSISTOR & DIODE CONVERSION CHART | |
|--------------|--------|-------------------------------------|--------|
| A.OUELLETTE | 2-8-66 | DEC | EIA |
| CHK'D | DATE | | |
| R. SILVERMAN | 2-9-66 | DEC3638B | 2N3638 |
| ENG. | DATE | DEC3009B, A | 2N3009 |
| R. SOGGE | 2-9-66 | 1/4M 6.8AZ | IN4099 |
| PROD. | DATE | DEC2219A | 2N2219 |
| | | DEC2894-3B | NONE |
| | | IN748 | SAME |

digital
EQUIPMENT CORPORATION
MAYNARD, MASSACHUSETTS

| TITLE | | | |
|-------------------------------|------|----------|------|
| MANCHESTER READER WRITER G882 | | | |
| SIZE | CODE | NUMBER | REV. |
| C | CS | G882-O-1 | E |
| PRINTED CIRCUIT REV. | | | B |

REV. E
NUMBER G882-O-1
SIZE CODE C CS