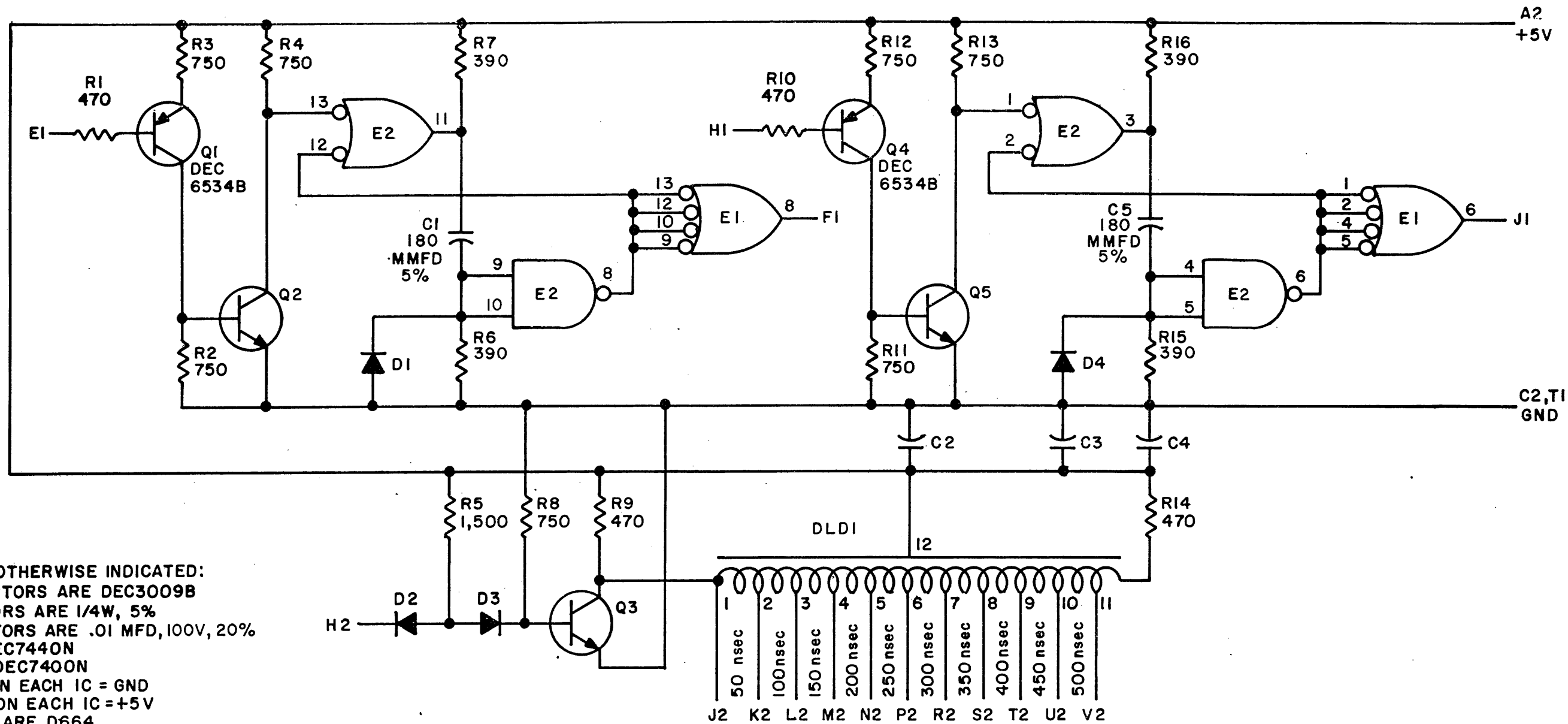


THIS SCHEMATIC IS FURNISHED ONLY FOR TEST AND MAINTENANCE PURPOSES. THE CIRCUITS ARE PROPRIETARY IN NATURE AND SHOULD BE TREATED ACCORDINGLY. COPYRIGHT 1967 BY DIGITAL EQUIPMENT CORPORATION



UNLESS OTHERWISE INDICATED:
 TRANSISTORS ARE DEC3009B
 RESISTORS ARE 1/4W, 5%
 CAPACITORS ARE .01 MFD, 100V, 20%
 E1 IS DEC7440N
 E2 IS DEC7400N
 PIN 7 ON EACH IC = GND
 PIN 14 ON EACH IC = +5V
 DIODES ARE D664
 DLDI IS DEC16-05530

REVISIONS	CHK	CHG NO.	REV.
		6771	A
		00001	B
		00002	C
		00003	D

DRN. <i>M. Haller</i>	DATE 4-7-67
CHK'D <i>[Signature]</i>	DATE 5-15-67
ENG <i>[Signature]</i>	DATE 5-15-67
PROD.	DATE

TRANSISTOR & DIODE CONVERSION CHART			
DEC		EIA	
DEC3009B		2N3009	
DEC6534B		MPS6534	
D662		1N645	
D664		1N3606	

digital
 EQUIPMENT CORPORATION
 MAYNARD, MASSACHUSETTS

TITLE DELAY LINE M310			
SIZE B	CODE CS	NUMBER M310-0-1	REV D
PRINTED CIRCUIT REV.			C