

**digital**

**KC341B**  
**Engineering Drawings**  
Digital Equipment Corporation

The material herein is for information purposes only and is subject to change without notice. Digital Equipment Corporation assumes no responsibility for any errors which may appear herein.

These drawings and specifications herein are the property of Digital Equipment Corporation and shall not be reproduced or copied or used in whole or in part as the basis for the manufacture or sale of items without written permission.  
Copyright © 1975, Digital Equipment Corporation

# DRAWING DIRECTORY

"THIS DRAWING AND SPECIFICATIONS, HEREIN, ARE THE PROPERTY OF DIGITAL EQUIPMENT CORPORATION AND SHALL NOT BE REPRODUCED OR COPIED OR USED IN WHOLE OR IN PART AS THE BASIS FOR THE MANUFACTURE OR SALE OF ITEMS WITHOUT WRITTEN PERMISSION. COPYRIGHT © 1974, DIGITAL EQUIPMENT CORPORATION"

## CUSTOMER PRINT SET INDEX

THIS IS PRINT SET     



MONITOR CONTROL PANEL  
MONITOR CONTROL PANEL  
MODULE MONITOR CONTROL

SEQUENCE

B-DD-KC341-B  
E-UA-KC341-B-Ø  
D-CS-M7342-Ø-1

SEQUENCE

UNIT VARIATIONS		PRINT SET			
VAR	TITLE				

REVISIONS		
DATE	CHG. NO.	REV
7-74	KC341-1	A
8-74	KC341B-1	B
9-74	KC341B-2	C

USED ON OPTION/MODEL		DRN. PHIL REED	DATE 5-31-74	TITLE MONITOR CONTROL PANEL (KC341-B)
		CHK'D. Phil Reed	DATE 6-3-74	
		PROJ/ENG. [Signature]	DATE 6/3/74	
		PROD. [Signature]	DATE 6/2/74	
		FIELD SERV. [Signature]	DATE 1/1/74	SIZE CODE
SHEET 1 OF 2				B DD
				NUMBER
				KC341-B
				REV
				C
				DIST

DEC 16 (325)-1062-1A-R972

CUSTOMER PRINT SET				ELECTRICAL					CUSTOMER PRINT SET				MECHANICAL								
				MFG. SET	FIND NO.	DRAWING NO.	REV	NO OF SHT	DESCRIPTION	OPTION NO./FILE DATE					MFG. SET	FIND NO.	DRAWING NO.	REV	NO OF SHT	DESCRIPTION	OPTION NO./FILE DATE
1					1	E-UA-KC341-B-0 A-SP-KC341-B-1	A	1	MONITOR CONTROL PANEL TEST PROCEDURE		1				1	E-UA-KC341-B-0	B	1	MONITOR CONTROL PANEL		
																D-MD-7411761-0-0		1	BOX, CONSOLE		
																C-MD-7411834-0-0		1	INSULATOR		
																D-IA-BC05W-04-0		1	CABLE, SIG. 50 CONDUCTOR		
																D-IA-BC05Y-04-0	B	1	CABLE, POWER MCP		
																A-DC-7408856-0-0		1	DECALS, DISTRIBUTION		
X					3	D-CS-M7342-0-1 K-CO-M7342-0-4 D-AH-M7342-0-5 B-MH-M7342-0-6 5010889	#	4	MODULE MONITOR CONTROL X-Y COORDINATE HOLE LAYOUT ASSY/DRILLING HOLE LAYOUT MODULE ECO HISTORY PM MONITOR/CONTROL						2	D-IA-7411760-0-0 C-SS-7411760-0-1 C-SS-7411760-0-2			PANEL, CONSOLE SILK SCREEN SILK SCREEN		

CUSTOMER PRINT SET CODES

X = PRINT OF DOCUMENT INCLUDED IN PRINT SET  
 C = INCLUDES ALL PRINTS INDICATED ON DOCUMENT  
 S = CONFIDENTIAL AUTHORIZED SIGNATURE REQUIRED

TITLE

MONITOR CONTROL PANEL

SIZE CODE

B DD

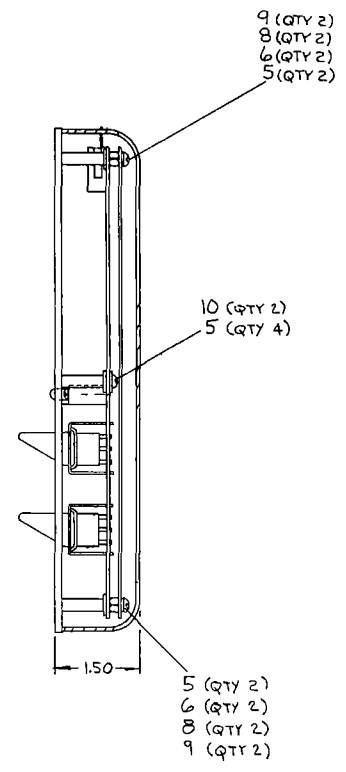
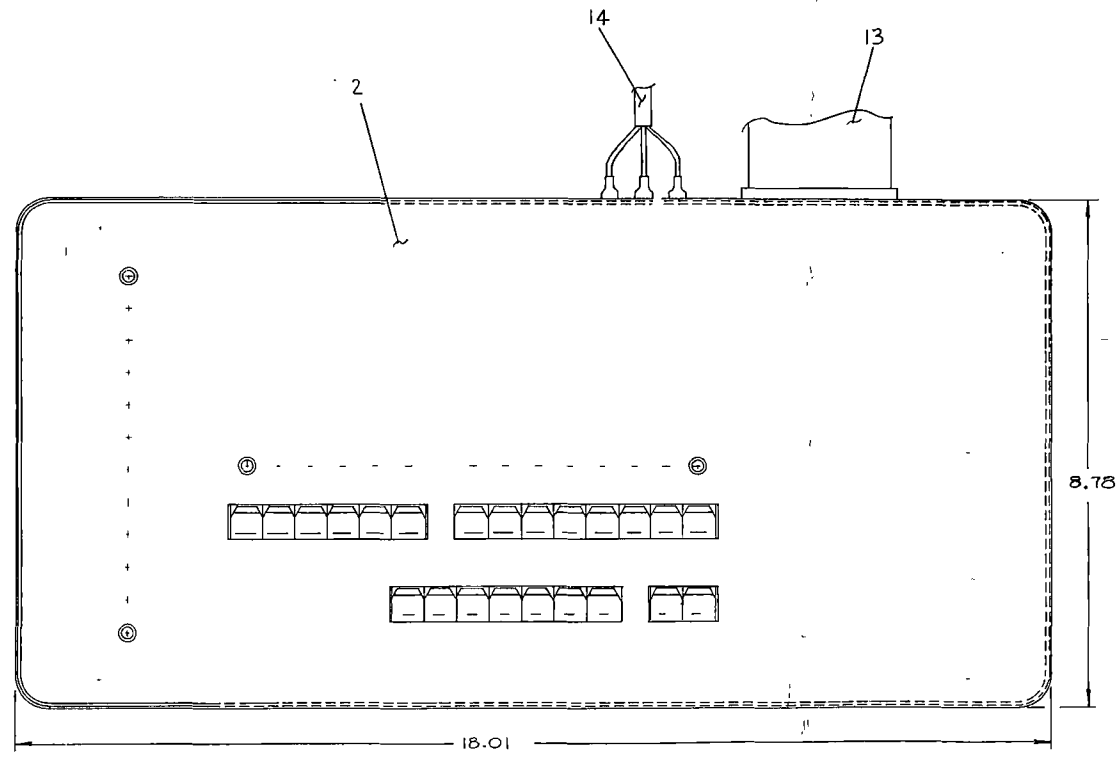
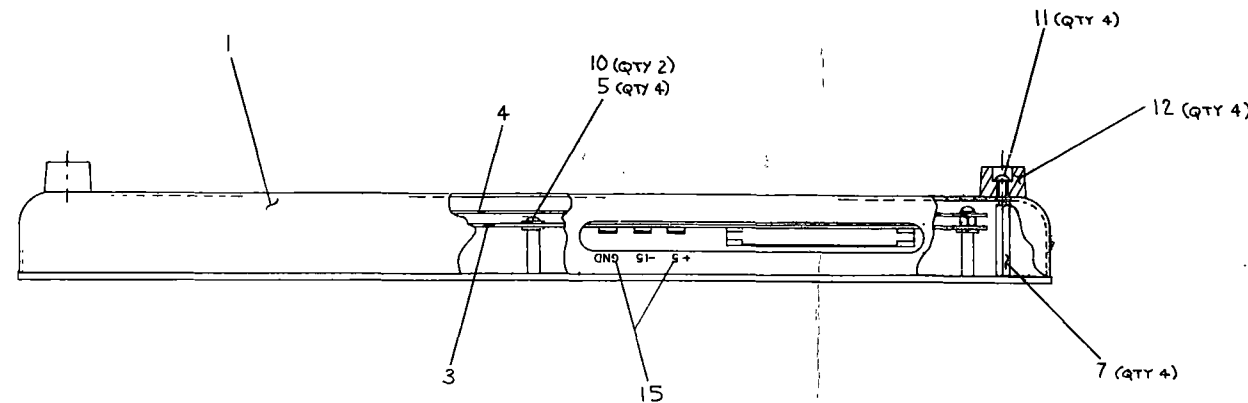
NUMBER

KC341-B

REV

C

SHEET 2 OF 2



A/R	DECALS, DISTRIBUTION	A-DC-740885-0-0	15
1	CABLE, POWER MCP	BC05Y-04-0	14
1	CABLE, SIG. 50 CONDUCTOR	BC05W-04-0	3
4	BUMPER, RECESS	9009267	12
4	SCR, PHL TRUSS HD #6-32x3/16	9006025-3	11
4	SCR, PHL PAN HD #6-32x3/16	9006022-1	10
4	SCR PHL PAN HD #6-32x3/16	9006024-1	9
4	WASHER, EXT. TOOTH #6	9007649	8
4	SPACER, HEX #6-32x1/4	9006864	7
4	SPACER, ALLIM #6, 1/4x1/2	9006796	6
12	WASHER, NYLON #6	9006707	5
1	INSULATOR	C-MD-741834-0-0	4
1	MODULE, MONITOR CONTROL	D-05-M7342-0-1	3
1	PANEL, CONSOLE	D-IR-7411760-0-0	2
1	BOX, CONSOLE	D-MD-7411761-0-0	1

FIRST USED ON OPTION MODEL		DATE	
KC341-B		5-19-74	
DIMENSIONAL TOLERANCE		DATE	
DIMENSIONS ARE MILLIMETERS UNLESS OTHERWISE SPECIFIED		5-23-74	
MILLIMETERS	INCHES	ANGLES	10' 30"
±0.10	±0.005		
±0.25	±0.02		
±0.5	±0.1		
THIRD ANGLE PROJECTION		REMOVE BURRS AND BREAK SHARP CORNERS SURFACE QUALITY	
SEE PARTS LIST		NEXT HIGHER ASSY.	
FINISH	SCALE	SHEET	OF
	1:1		

REV	DESCRIPTION	DATE
1	ISSUED FOR PRODUCTION	5-23-74
2	REVISION	5-23-74
3	REVISION	5-23-74
4	REVISION	5-23-74
5	REVISION	5-23-74
6	REVISION	5-23-74
7	REVISION	5-23-74
8	REVISION	5-23-74
9	REVISION	5-23-74
10	REVISION	5-23-74

TITLE	MONITOR CONTROL PANEL (KC341-B)
PROJECT	MONITOR CONTROL PANEL (KC341-B)
DESIGNER	...
CHECKED	...
DATE	...
SCALE	1:1
SHEET	1 OF 1
DIST	

EUA KC341-B-0

A

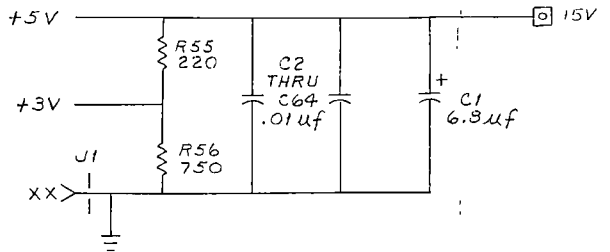
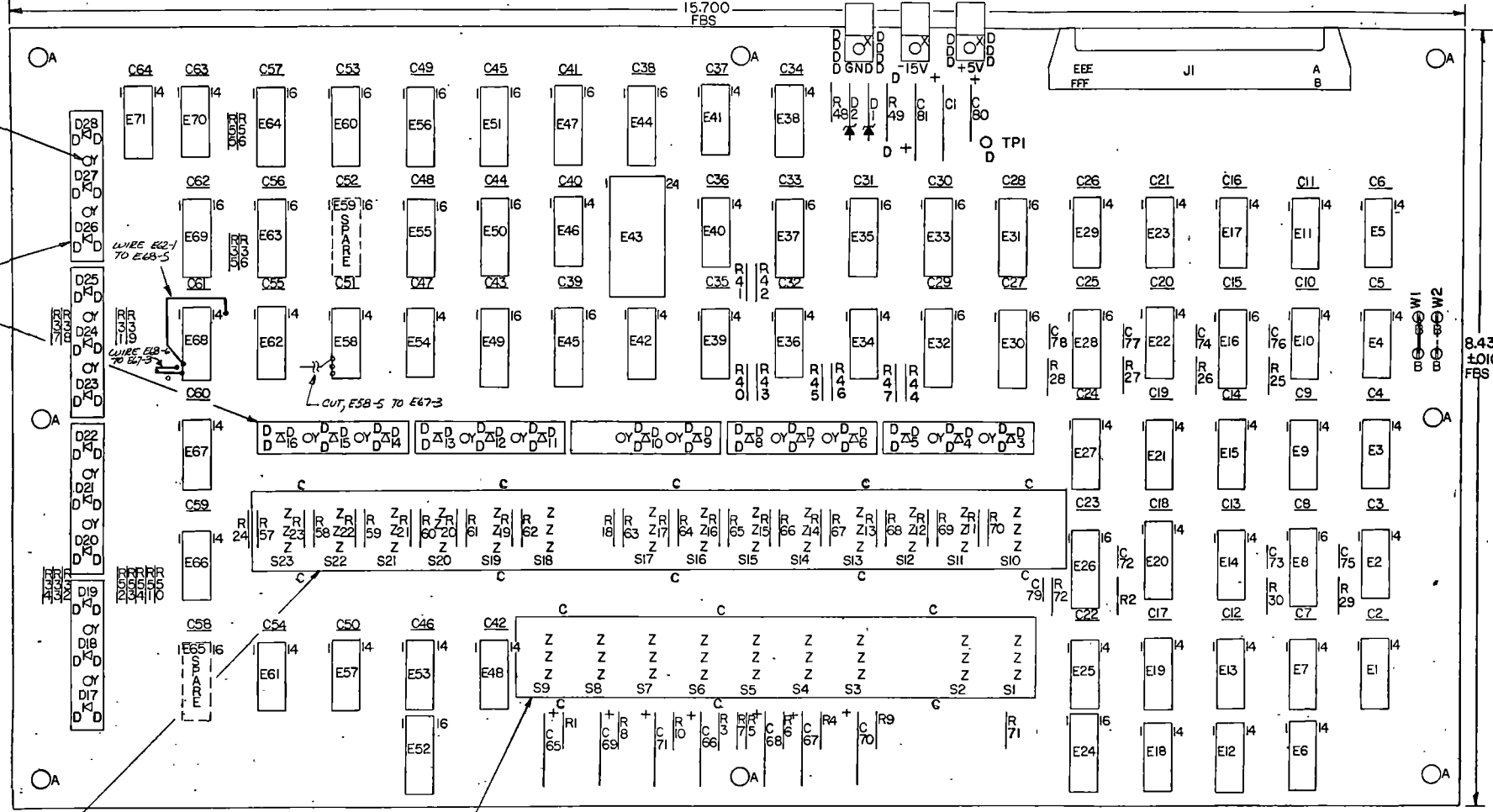
B

"THIS DRAWING AND SPECIFICATIONS, HEREIN, ARE THE PROPERTY OF DIGITAL EQUIPMENT CORPORATION AND SHALL NOT BE REPRODUCED OR COPIED OR USED IN WHOLE OR IN PART AS THE BASIS FOR THE MANUFACTURE OR SALE OF ITEMS WITHOUT WRITTEN PERMISSION. COPYRIGHT © 1974, DIGITAL EQUIPMENT CORPORATION"

**NOTES:**  
1. JUMPLR W2 IS OPTIONAL. DO NOT INSERT.

4	SPLIT LUG	9008735	53	
1	SUPPORT SWITCH	7409270-03	54	
1	SUPPORT SWITCH	7409270-04	55	
1	W1	JUMPER #22 AWG BUS WIRE	9107560-01	56
14	R11 THRU R24	RES. 390 1/4W 5%	1300304	57
1	E14	I.C. DEC 7406	1910741	58
18	WASHER, NYLON #30	9009263	59	
2"	BUS WIRE, #30 INS	9105740-55	60	

QTY	REF DESIGNATION	DESCRIPTION	PART NO	ITEM NO.
1		X-Y COORDINATE HOLE LOCATION	K-CO-M7342-0-4	1
1		ASSY/DRILLING HOLE LAYOUT	D-AH-M7342-0-5	2
1		MODULE ECO HISTORY	B-MH-M7342-0-6	3
1		ETCHED CIRCUIT BOARD	5010689	4
63	C2 THRU C64	CAP .01 UF 100V 20% DISC	1001610-01	5
2	C1, C81	CAP 6.8 UF 35V 10% TANT	1005306	6
8	C72 THRU C79	CAP 18 PF 100V 5% DM	1002608	7
7	C65 THRU C71	CAP 10 UF 20V 10% TANT	1004813	8
1	C80	CAP .68 UF 35V 10% TANT	1009964	9
1	D2	DIODE ZENER 1N748A 3.9V	1100122	10
1	D1	DIODE ZENER 1N751A 5.1V	1110994	11
26	D3 THRU D28	DIODE (LIGHT EMITTING)	1110864	12
7	S1, S2, S4, S6, S7, S8, S9	SWITCH (TOGGLE, MOMENTARY)	1210841	13
16	S3, S5, S10 THRU S23	SWITCH (ALTERNATE)	1210840	14
9		HOLDER (LED, TRIPLE)	1210940-2	15
23		HANDLE (SWITCH)	1210786	16
1	J1	CONNECTOR (50 PIN 3M)	1211663	17
1	(E43)	SOCKET (24 PIN)	1210693	18
2	E24, E52	SOCKET (16 PIN)	1210025	19
12	R31 THRU R34, R37 THRU R39, R50 THRU R54	RES. 180 1/4W 5%	1301322	20
25	R35, R36, R40 THRU R47, R57 THRU R70, R71	RES. 1K 1/4W 5%	1300365	21
8	R2, R72, R25, THRU R30	RES. 10K 1/4W 5%	1300479	22
1	R49	RES. 120 1/2W 5%	1300243	23
1	R48	RES. 30K 1/4W 5%	1302394	24
1	R55	RES. 220 1/4W 5%	1300271	25
1	R56	RES. 750 1/4W 5%	1301401	26
7	R1, R3, R4, R6, R8, R9, R10	RES. 470 1/4W 5%	1300316	27
2	R5, R7	RES. 47 1/4W 5%	1300202	28
2	E23, E29	I.C. DEC 384	1909486	29
5	E7, E17, E20, E62, E70	I.C. DEC 7400	1905575	30
7	E36, E38, E41, E5, E6, E34, E71	I.C. DEC 7401	1905590	31
3	E12, E48, E68	I.C. DEC 7404	1909886	32
2	E39, E42	I.C. DEC 7405	1909930	33
5	E1, E2, E4, E18, E66	I.C. DEC 7408	1910155	34
2	E53, E54	I.C. DEC 7410	1905576	35
3	E21, E25, E58	I.C. DEC 7414	1911324	36
2	E40, E61	I.C. DEC 7417	1909929	37
9	E3, E9, E11, E13, E15, E19, E22, E27, E67	I.C. DEC 7474	1905547	38
4	E30, E32, E35, E37	I.C. DEC 7489	1910396	39
4	E31, E33, E44, E47	I.C. DEC 8234	1911315	40
1	E57	I.C. DEC 8815	1909713	41
1	E43	I.C. DEC 1702A	23087A4-	42
1	E46	I.C. DEC 74H11	1909267	43
1	E10	I.C. DEC 74H21	1909058	44
4	E8, E16, E26, E28	I.C. DEC 74123	1910436	45
2	E63, E69	I.C. DEC 74145	1910047	46
4	E50, E55, E60, E64	I.C. DEC 74153	1909937	47
4	E45, E49, E51, E56	I.C. DEC 74193	1910018	48
18		HEX NUT #2-56	9006555	49
18		SCREW, PAN HEAD #2-56X 7/8 LG	9008027-1	50
3		TAB, FASTON	9007112	51
3		EYELET, TAB	9009000	52



IC TYPE	GND	+5V
I.C. DEC 8234	8	16
I.C. DEC 74193	8	16
I.C. DEC 74153	8	16
I.C. DEC 74195	8	16
I.C. DEC 74123	8	16
I.C. DEC 7489	3	16
IC TYPE	GND	+5V

GND AND 5V ARE USUALLY PIN 7 AND 14 RESPECTIVELY. EXCEPTIONS ARE STATED ABOVE.

IC PIN LOCATIONS

ORIGINATED	E
CHANGE NO.	REV
CHK	REV

DEC NO	EIA NO	DEC NO.	EIA NO
SEMICONDUCTOR CONVERSION CHART			

DRN	DATE
CHKD	DATE
ENG	DATE
PROJ. ENG	DATE
PROD.	DATE
NEXT HIGHER ASSY	

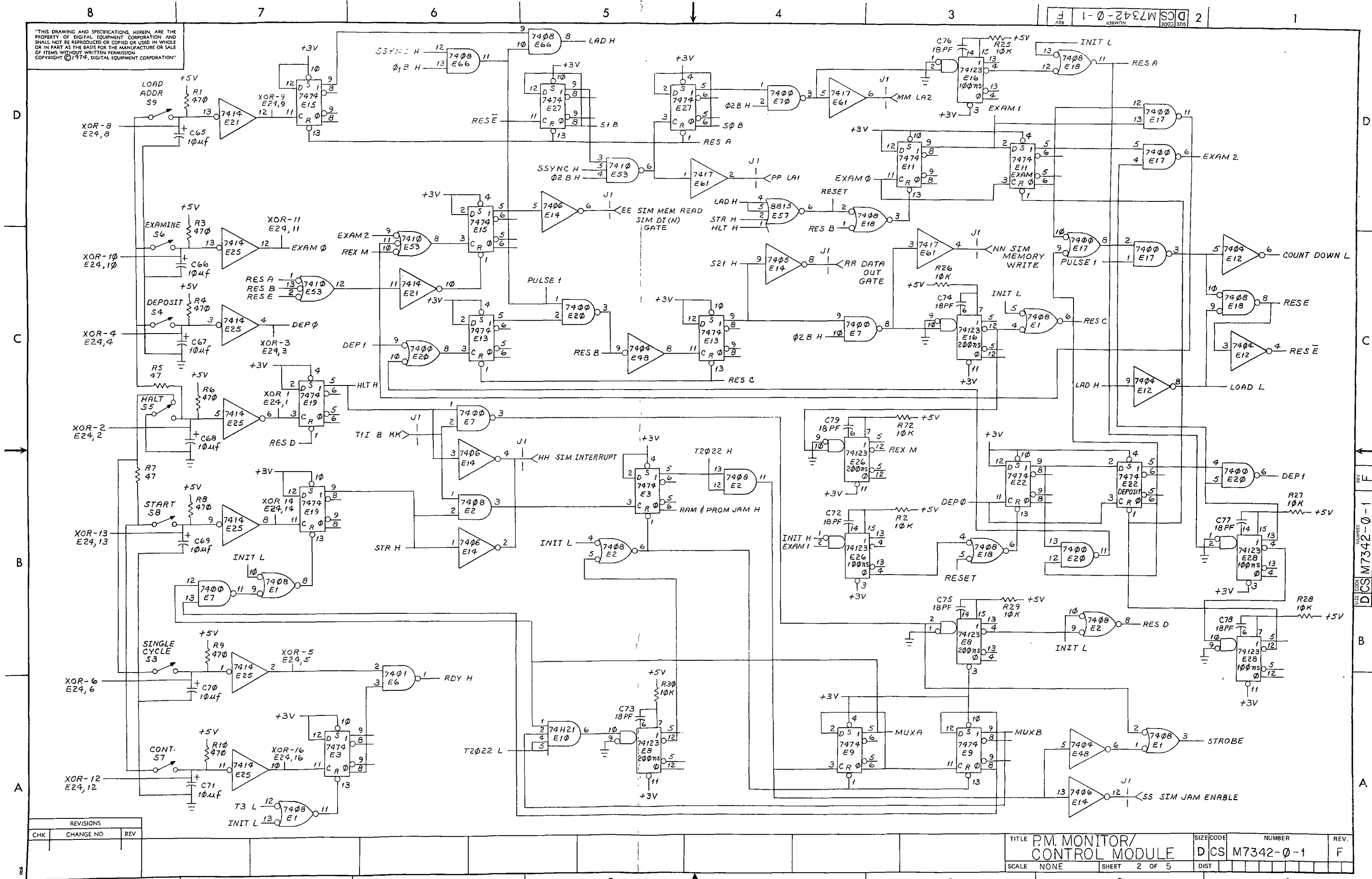
**digital** EQUIPMENT CORPORATION  
MAYNARD MASSACHUSETTS

TITLE: P.M. MONITOR/CONTROL MODULE

SIZE CODE: DCS M7342-0-1 NUMBER: F REV: F

SCALE: NONE SHEET: 1 OF 5

"THIS DRAWING AND SPECIFICATIONS, HEREIN, ARE THE PROPERTY OF DIGITAL EQUIPMENT CORPORATION AND SHALL NOT BE REPRODUCED OR COPIED OR USED IN WHOLE OR IN PART AS THE BASIS FOR THE MANUFACTURE OR SALE OF ITEMS WITHOUT WRITTEN PERMISSION. COPYRIGHT © 1974, DIGITAL EQUIPMENT CORPORATION"

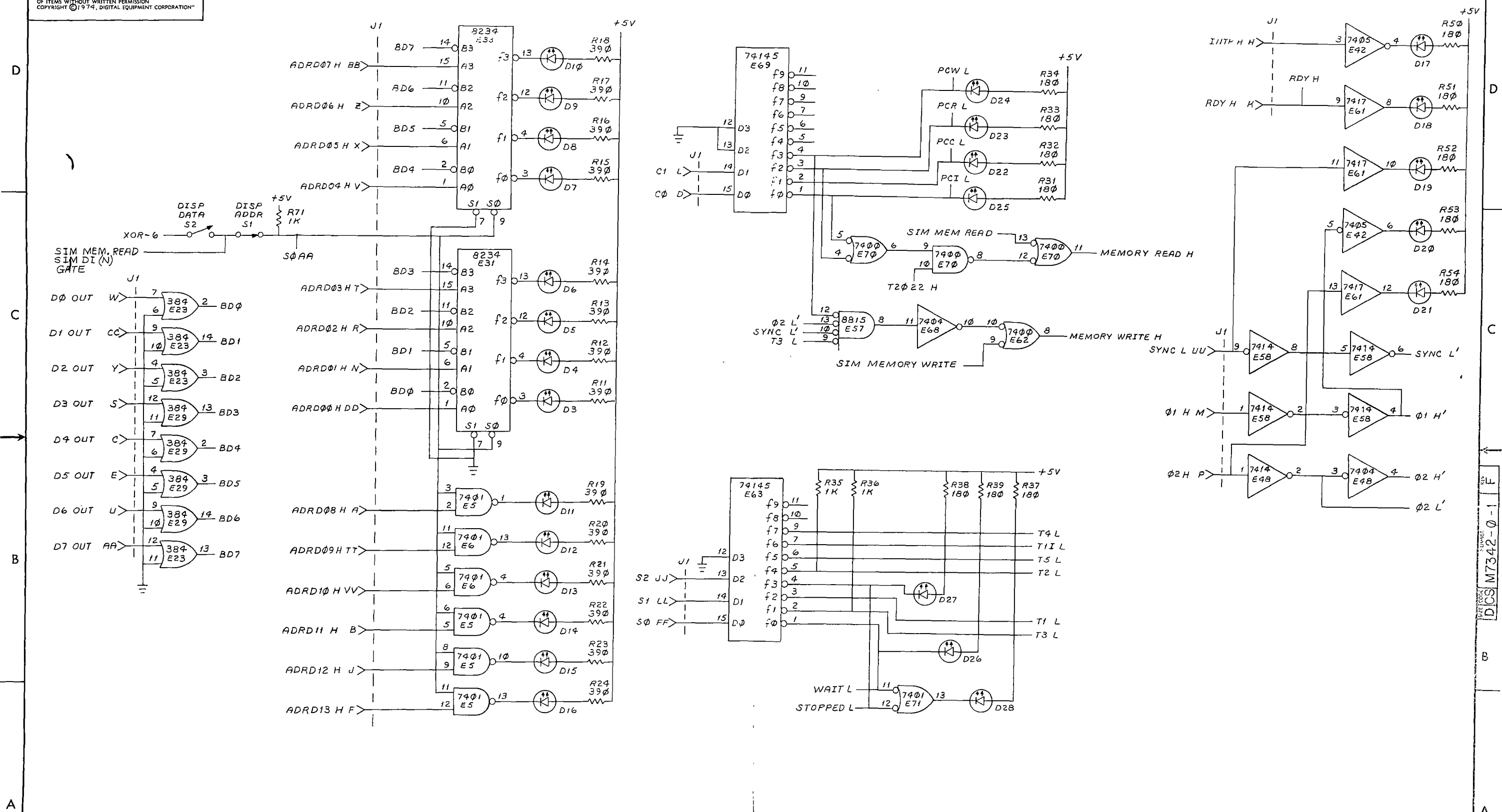


REVISIONS		
CHK	CHANGE NO	REV

TITLE	P.M. MONITOR/ CONTROL MODULE	SIZE CODE	D CS M7342-0-1	NUMBER		REV.	F
SCALE	NONE	SHEET	2 OF 5	DIST			

"THIS DRAWING AND SPECIFICATIONS HEREIN ARE THE PROPERTY OF DIGITAL EQUIPMENT CORPORATION AND SHALL NOT BE REPRODUCED OR COPIED OR USED IN WHOLE OR IN PART AS THE BASIS FOR THE MANUFACTURE OR SALE OF ITEMS WITHOUT WRITTEN PERMISSION. COPYRIGHT © 1974, DIGITAL EQUIPMENT CORPORATION"

DCS M7342-0-1 2

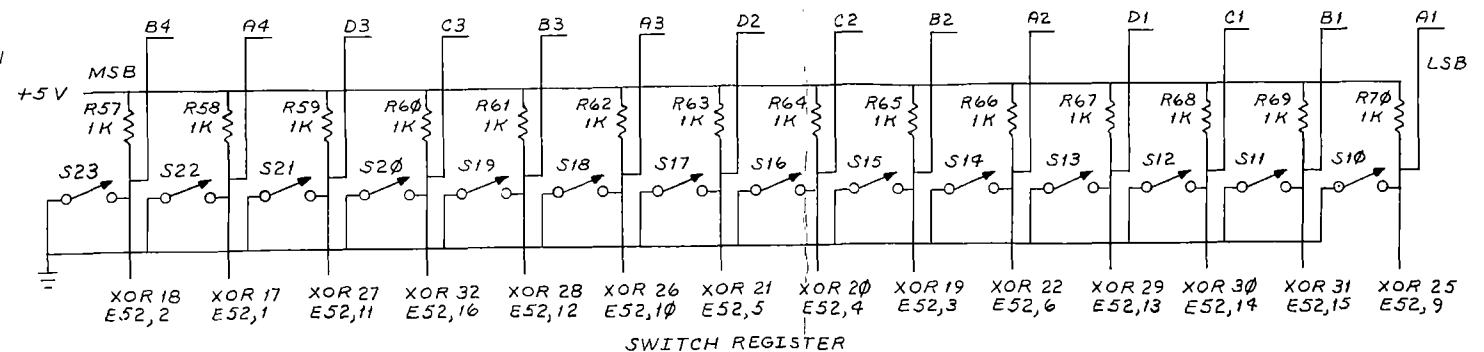
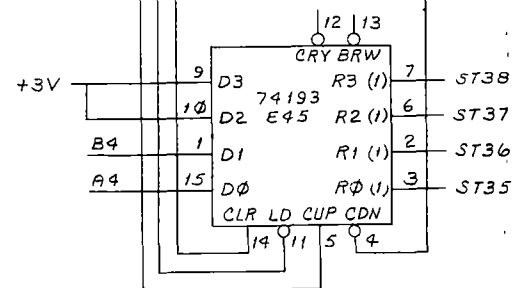
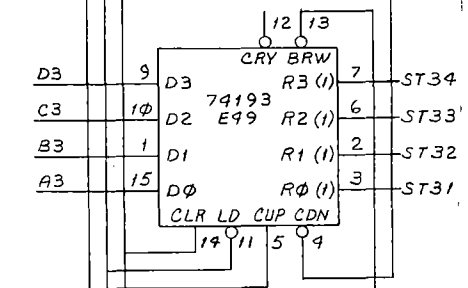
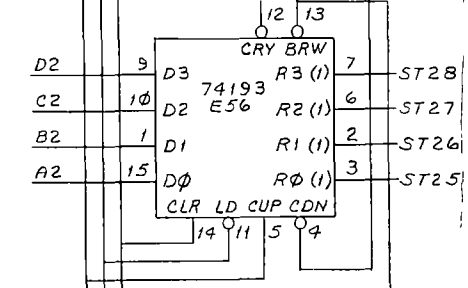
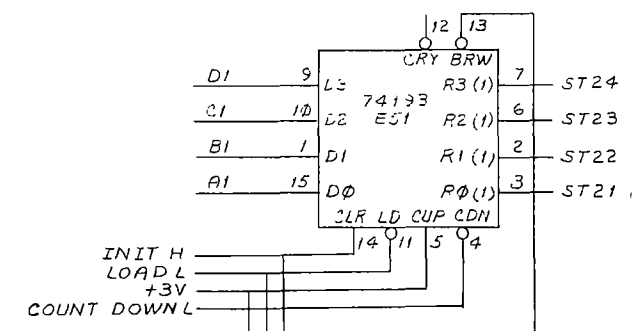
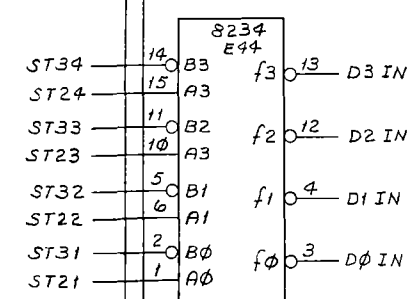
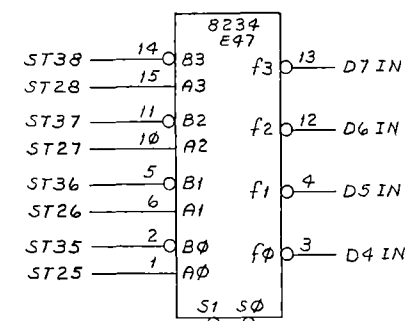
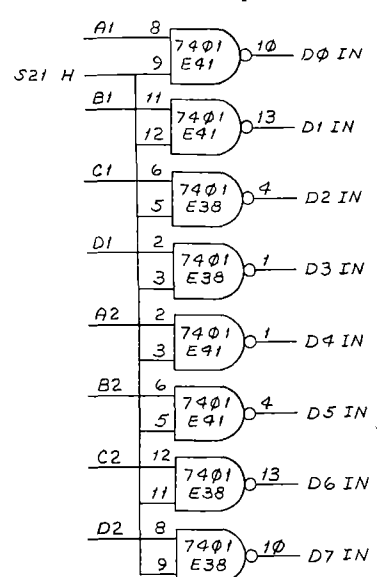


REVISIONS		
CHK	CHANGE NO	REV

TITLE	P.M. MONITOR/ CONTROL MODULE	SIZE CODE	DCS	NUMBER	M7342-0-1	REV.	F
SCALE	NONE	SHEET	3 OF 5	DIST			

"THIS DRAWING AND SPECIFICATIONS, HEREIN, ARE THE PROPERTY OF DIGITAL EQUIPMENT CORPORATION AND SHALL NOT BE REPRODUCED OR COPIED OR USED IN WHOLE OR IN PART AS THE BASIS FOR THE MANUFACTURE OR SALE OF ITEMS WITHOUT WRITTEN PERMISSION. COPYRIGHT © 1974, DIGITAL EQUIPMENT CORPORATION"

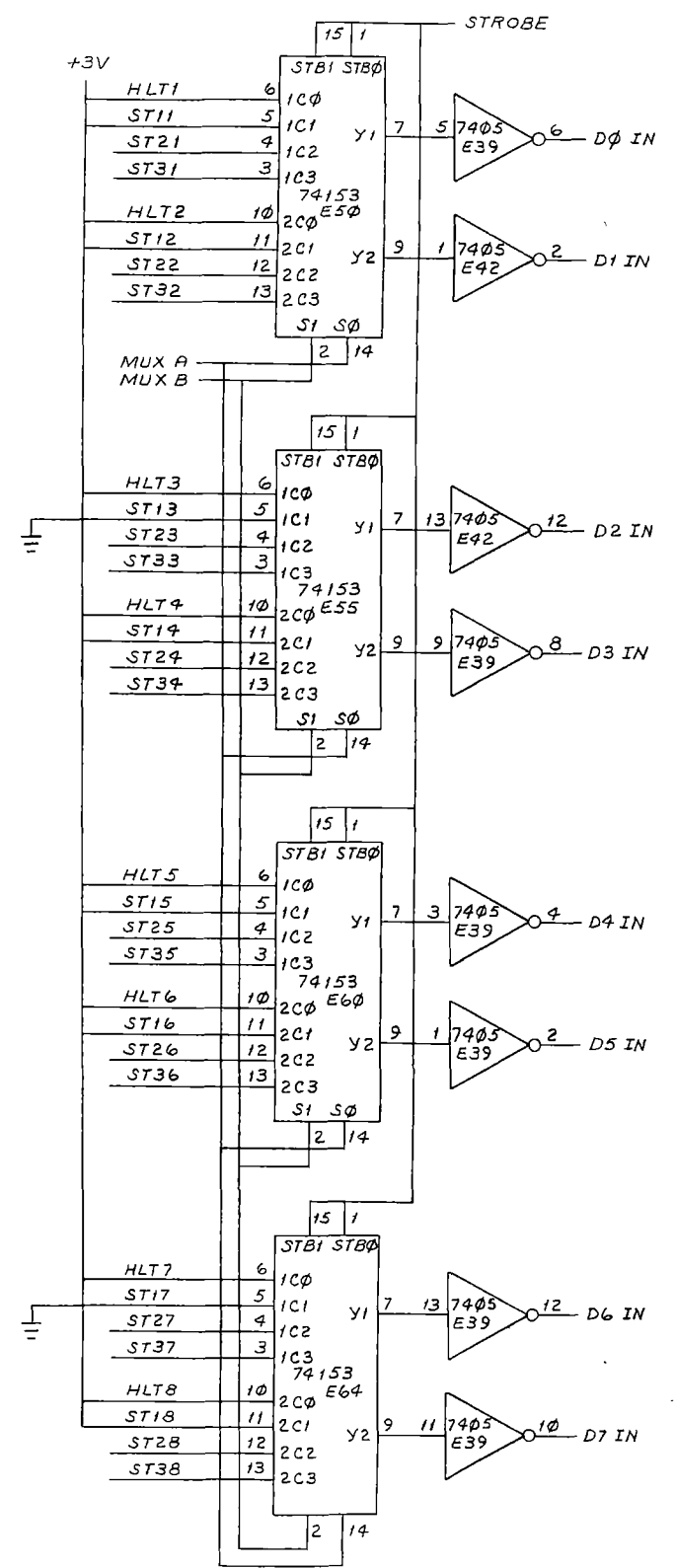
D  
C  
B  
A



S	A	FN
0	0	C0
0	1	C1
1	0	C2
1	1	C3

← NORMAL STATE  
← ST1 (N)  
← ST2 (N)  
← ST3 (N)

Sφ	S1	FN
0	0	0
1	0	1
0	1	0
1	1	1

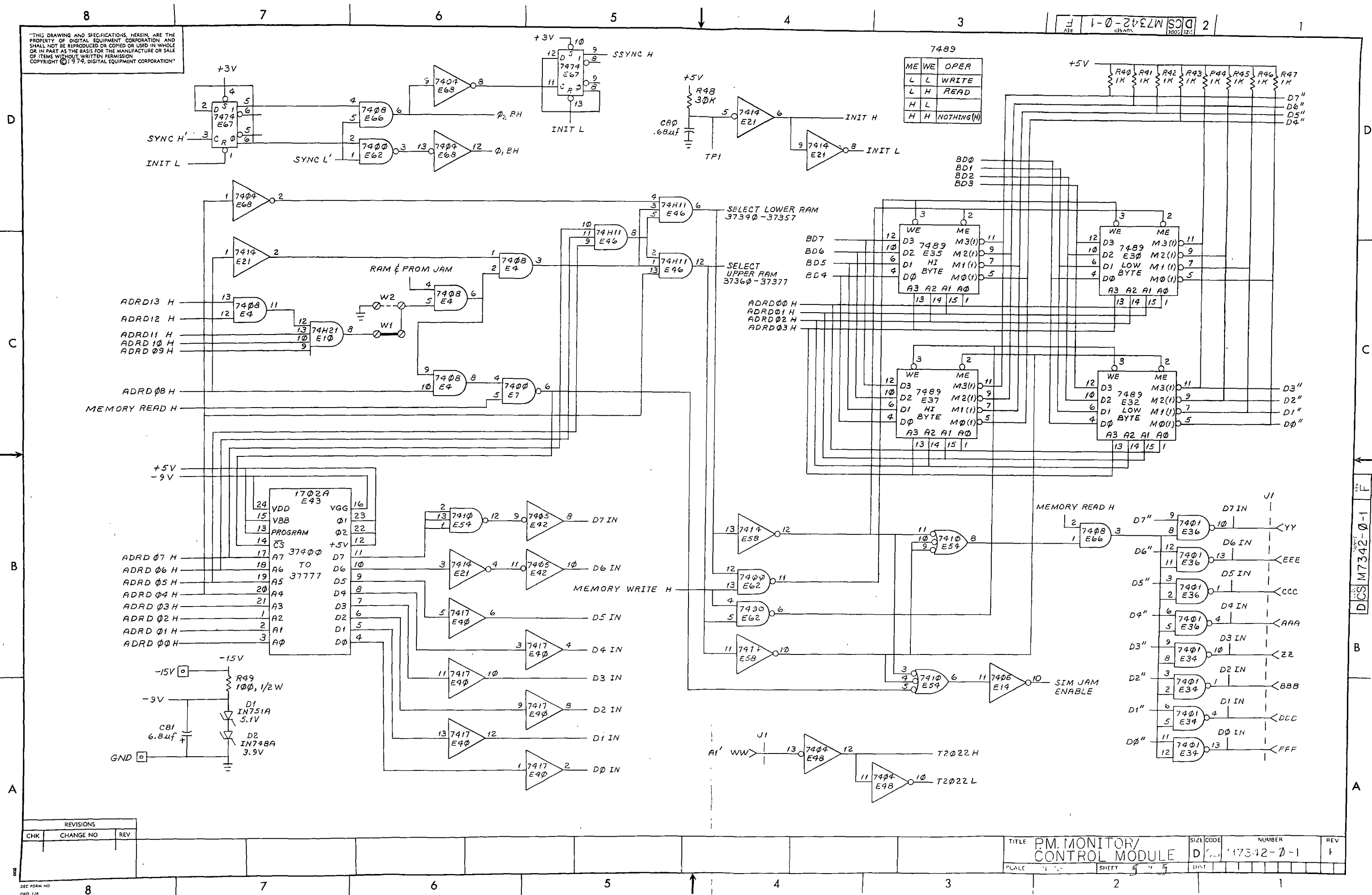


D  
C  
B  
A

REVISIONS		
CHK	CHANGE NO	REV



"THIS DRAWING AND SPECIFICATIONS HEREIN ARE THE PROPERTY OF DIGITAL EQUIPMENT CORPORATION AND SHALL NOT BE REPRODUCED OR COPIED OR USED IN WHOLE OR IN PART AS THE BASIS FOR THE MANUFACTURE OR SALE OF ITEMS WITHOUT WRITTEN PERMISSION. COPYRIGHT © 1974, DIGITAL EQUIPMENT CORPORATION"



7489		
ME	WE	OPER
L	L	WRITE
L	H	READ
H	L	NOTHING(H)
H	H	NOTHING(H)

REVISIONS		
CHK	CHANGE NO	REV