

LEGEND	
NUMBER	VARIATIONS
7016958-01	11/24 10.5" CONSOLE ASSY
7016958-03	11/24 5.2" CONSOLE ASSY

- NOTES:
1. APPLY DECAL ITEM 10 BEFORE INSTALLING ITEM 2.
 2. ITEM 4 MUST HAVE "W2 & W3" IN PLACE ON P.C. BOARD BEFORE MOUNTING BOARD.
 3. KEYLOCK BARREL (ITEM 2) MUST BE POS. TO ACCEPT FLAT SHAFT OF ROTARY SWITCH ON PC. BD. ASSY. WHEN ASSEMBLING, DO NOT FORCE PC. BD. INTO POSITION.
 4. ITEM 20 TO BE POSITIONED SUCH THAT SPACING BETWEEN IS APPROXIMATELY EQUIDISTANT.

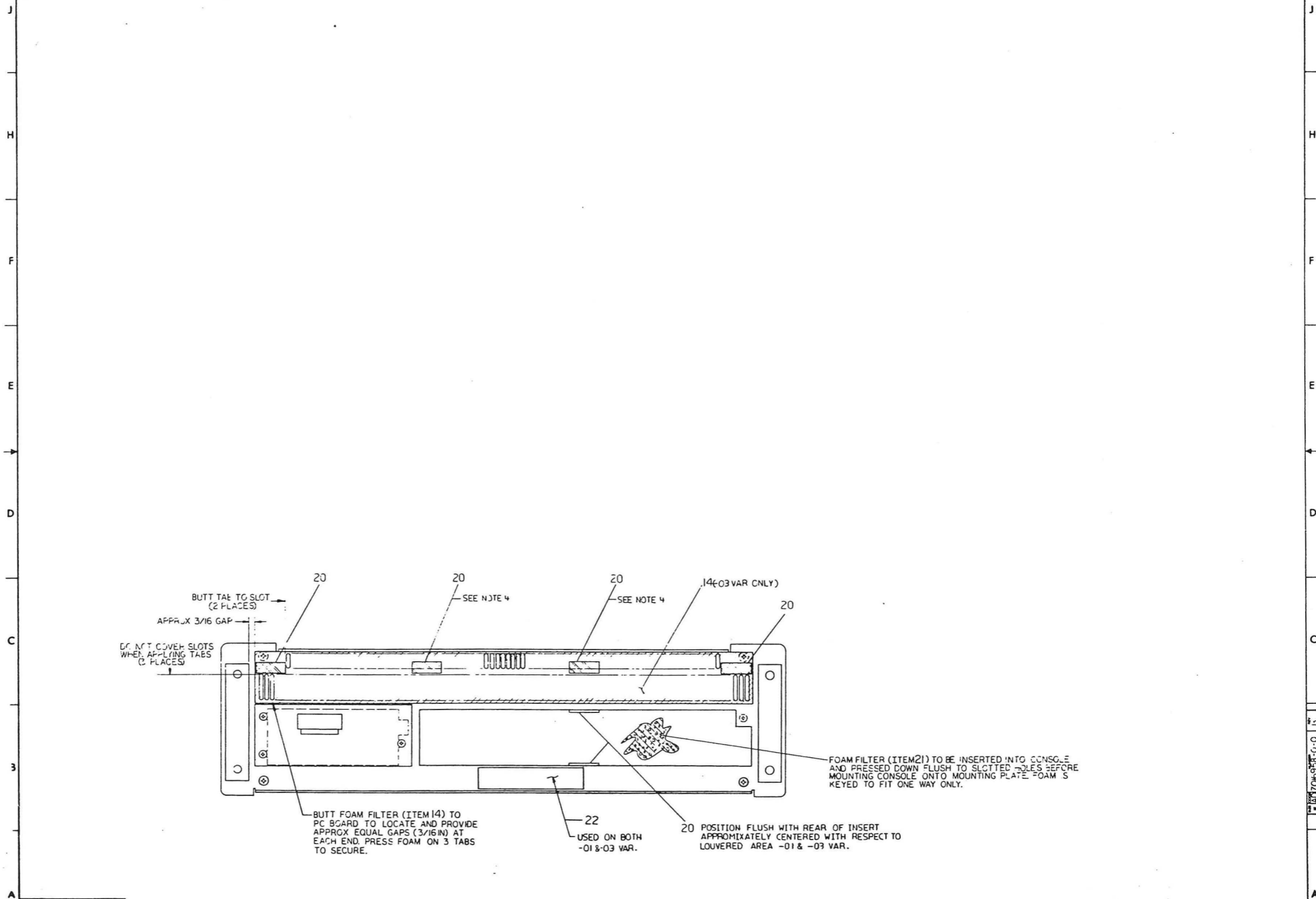
7016958-01
11/24 10.5" CONSOLE ASSY
7016958-03
11/24 5.2" CONSOLE ASSY

OFF SHEET PARTS LIST
SEE K-PL-7016958-0-DBP
(Z0700B.PLS)

REV	DATE	BY	CHKD	DESCRIPTION
1	11/24	W. MORIN		ISSUE FOR PRODUCTION
2	11/24	W. MORIN		REVISED TO ADD PART 10
3	11/24	W. MORIN		REVISED TO ADD PART 12
4	11/24	W. MORIN		REVISED TO ADD PART 21

ITEM NO.	DESCRIPTION	QTY	MATERIAL					ITEM NO.
			1	2	3	4	5	
1	CONSOLE ASSY	1						7016958-01
2	KEYLOCK BARREL	1						7016958-02
3	CONSOLE EL. J1	1						7016958-03
4	KEYLOCK BARREL	1						7016958-04
5	CONSOLE EL. J1	1						7016958-05
6	CONSOLE EL. J1	1						7016958-06
7	CONSOLE EL. J1	1						7016958-07
8	CONSOLE EL. J1	1						7016958-08
9	CONSOLE EL. J1	1						7016958-09
10	DECAL	1						7016958-10
11	CONSOLE EL. J1	1						7016958-11
12	CONSOLE EL. J1	1						7016958-12
13	CONSOLE EL. J1	1						7016958-13
14	CONSOLE EL. J1	1						7016958-14
15	CONSOLE EL. J1	1						7016958-15
16	CONSOLE EL. J1	1						7016958-16
17	CONSOLE EL. J1	1						7016958-17
18	CONSOLE EL. J1	1						7016958-18
19	CONSOLE EL. J1	1						7016958-19
20	CONSOLE EL. J1	1						7016958-20
21	CONSOLE EL. J1	1						7016958-21

THIS DRAWING AND SPECIFICATIONS HEREBY ARE THE PROPERTY OF THE U.S. GOVERNMENT. IT IS TO BE REPRODUCED OR TRANSMITTED IN ANY FORM OR BY ANY MEANS, ELECTRONIC OR MECHANICAL, INCLUDING PHOTOCOPYING, RECORDING, OR BY ANY INFORMATION STORAGE AND RETRIEVAL SYSTEM, WITHOUT PERMISSION IN WRITING FROM THE U.S. GOVERNMENT PRINTING OFFICE.



REVISION HISTORY		
DATE	ECO NUMBER	REV

LINE	ITEM	DOCUMENT NUMBER	PART NUMBER	DESCRIPTION	QUANTITY PER VARIATION	
					01	03
1	1	E-IA-7424269-0-0	7424269-00	CONSOLE INSERT	1	1
2	2	A-FS-1216178-0-0	1216178-00	LOCK,PLASTIC 4POS ASSY	1	1
3	3	D-UA-5414441-0-0	5414441-00	11/24 CONSOLE	1	0
4	4	D-UA-5413885-0-0	5413885-02	CONSOLE MODULE, 2 JUMPERS	0	1
5	5	E-FS-1217094-0-0	1217094-00	BEZEL,PLASTIC 11-44	1	0
6	6	E-IA-7424270-0-0	7424270-00	BEZEL	0	1
7	7	E-IA-7423578-0-0	7423578-00	PLATE, MOUNTING 10.5	1	0
8	8	E-IA-7423577-0-0	7423577-00	PLATE MTG 5.25	0	1
9	9	BLANK		*** THIS ITEM IS NOT USED ***	-	-
10	10	A-FS-3617320-0-0	3617320-00	LABEL,LEGEND STRIP KE	1	1
11	11	BLANK		*** THIS ITEM IS NOT USED ***	-	-
12	12	A-FS-3617324-0-0	3617324-00	LABEL,LEGEND STRIP PDP 11/24 LED	1	1
13	13		9009984-02	SCREW, SEMS, PHILLIPS PAN HD. 6-	4	4
14	14	A-FS-1217665-0-0	1217665-02	FILTER,FOAM 5PPI 16.60 X 1.85 X	0	1
15	15		9009545-01	SCREW,PAN,PHIL,SEMS 8-32X 1/2	0	4
16	16		9010119-00	SCREW, PHILLIPS TRUSS HD, 10-32	4	4
17	17	B-IA-7423576-0-0	7423576-00	BAR ADPT.	0	2
18	18		9006560-00	NUT,KEP , 6-32 X5/16AF	0	4
19	19	BLANK		*** THIS ITEM IS NOT USED ***	-	-
20	20	B-MD-7424246-0-0	7424246-00	TAPE HOOK ADHESIVE BACK	0	3
21	21		1217665-01	FILTER,FOAM 11.5X1.85X1/2 5PPI	1	1
22	22		9009255-00	LABEL, POWER SUPPLY, 2-15/16 " L	1	1

REVISION HISTORY		BASIC PART NO: 7016958		DRN:	M. BAPTISTE	DATE:	11-FEB-81	D I G I T A L			
ENG	ECO NUMBER	REV	SECTION A OF A	CHK'D:	R. J. RILEY	DATE:	11-FEB-81	TITLE	PARTS LIST		
---	INITIAL	A	SECTION, VARIATION INDEX								
---	INITIAL	A	[A] 01,03					CONSOLE ASSEMBLY			
IRM	11/24-TW001	A	[B]	DES.ENG.:	R. MORIN	DATE:	11-FEB-81				
			[C]							DOCUMENT NUMBER	
			[D]	RESP.ENG.:	R. MORIN	DATE:	11-FEB-81	SIZE	CODE	NUMBER	REV
			[E]	MFG.ENG.:	R. GRUDA	DATE:	11-FEB-81	K	PL	7016958-0-DBP	A
			[F]	ASSEMBLY NUMBER:		TOP DOCUMENT NUMBER:		FILE NAME:		EDIT #	
				E-AD-7016958-0-0		E-UA-1124-0-0		Z0700.FLS		45	

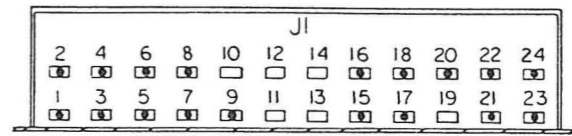
"THIS DRAWING AND SPECIFICATIONS HEREIN, ARE THE PROPERTY OF DIGITAL EQUIPMENT CORPORATION AND SHALL NOT BE REPRODUCED OR COPIED OR USED IN WHOLE OR IN PART AS THE BASIS FOR THE MANUFACTURE OR SALE OF ITEMS WITHOUT WRITTEN PERMISSION. COPYRIGHT (C) 1981. DIGITAL EQUIPMENT CORPORATION "

TW

THIS DRAWING AND SPECIFICATIONS, HEREIN, ARE THE PROPERTY OF AETEC, AIRCRAFT CORPORATION AND SHALL NOT BE REPRODUCED OR TRANSMITTED IN ANY FORM OR BY ANY MEANS, ELECTRONIC OR MECHANICAL, INCLUDING PHOTOCOPYING, RECORDING, OR BY ANY INFORMATION STORAGE AND RETRIEVAL SYSTEM, WITHOUT WRITTEN PERMISSION. COPYRIGHT © 1950 AETEC, AIRCRAFT CORPORATION

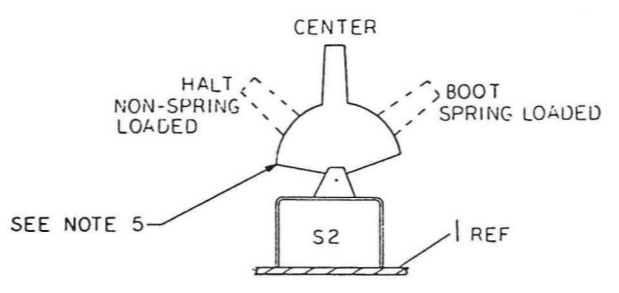
REV. 2 DUA:5413885-0-0 B 1

COMPONENT SIDE VIEW

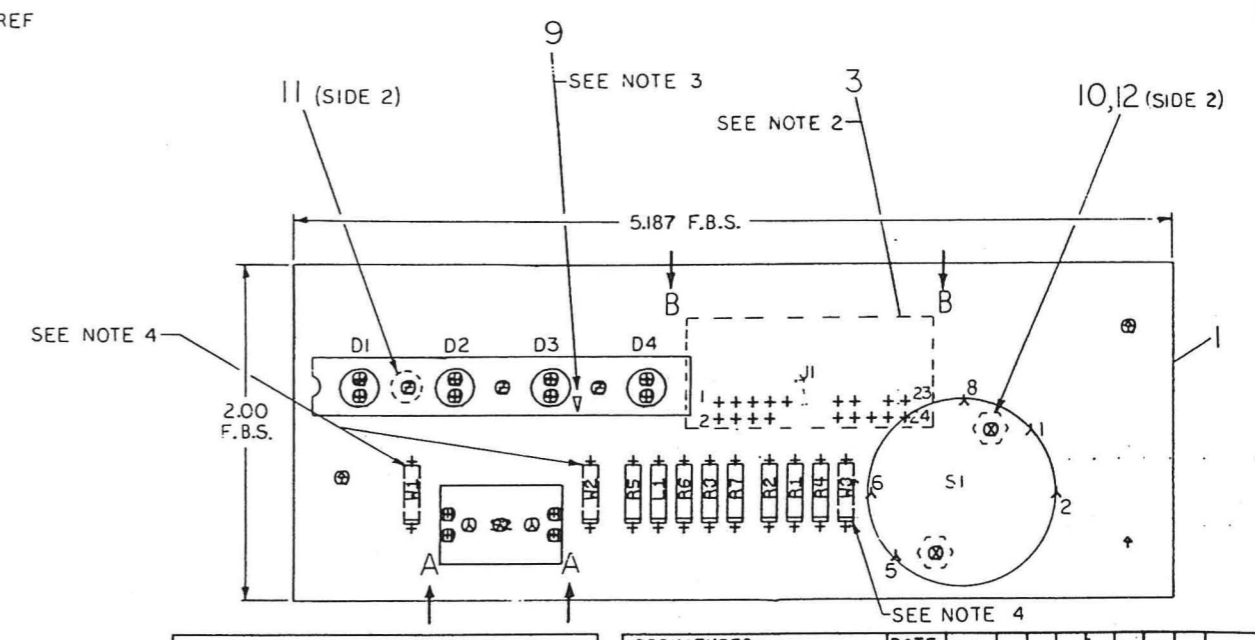


NOTE:
 □ - NO PIN INSERTED IN CONNECTOR
 ◻ - PIN INSERTED IN CONNECTOR

VIEW B-B
 SCALE: NONE



VIEW A-A
 SCALE: NONE



- NOTES:
1. STEP & REPEAT 2ML 33.
 2. J1 CONNECTOR IS MOUNTED ON SIDE 2.
 3. COMPONENT ORIENTATION MARK.
 4. JUMPER W1 IS USED ON VARIATION -00 & -01. W2 IS USED ON -00 & -02. W3 IS USED ON -00 & -02.
 5. MOUNT S2 W/SPRING LOAD POSIT. TOWARD S1.
- | | | | |
|--------|----------------|--------|-------|
| STEP 1 | → Y AXIS 2.125 | STEP 3 | TIMES |
| REPEAT | → X AXIS 5.250 | STEP 1 | TIMES |

CHG	NO	REV

ETCH REV.	C
-----------	---

SIGNATURES	DATE	digital
DRN. P. J. ...	1/28/50	
CHK'D. E. T. GERRY	2-20-50	TITLE CONSOLE BOARD
MECH. ENG. ...	6/15/50	
PROJ. ENG. ...	6/15/50	
PROD. ...	6/15/50	
SCALE 2/1	SHT. 1 OF 1	SIZE CODE 0 UA 5413885-0-0 B
NEXT HIGHER ASSY. B-DD-5413885-0		REV

TW 1 MS#170210C

LINE ITEM	DOCUMENT NUMBER	PART NUMBER	DESCRIPTION	QTY PER VARIATION			REFERENCE DESIGNATOR	
				00	01	02		
1	1	D-MD-5013884-0-0	5013884-00	DRILL AND ETCH BRD	1	1	1	
2	2		1110864-00	LED 2MCD010MA	4	4	4	D1-D4
3	2		1213506-06	HEADER 6POS RT ANGLE	1	1	1	J1
4	4		1216180-00	SW,ROT 2P 4POS,45DEG. TH	1	1	1	S1
5	5		1216179-00	SW,LEVER 1P ON/OFF/ON	1	1	1	S2
6	6		1300229-00	100.0 .25 W 5.0 % CC	3	3	3	R1,R2,R7
7	7		1300316-00	470.0 .25 W 5.0 % CC	4	4	4	R6,R3-R5
8	8		1601562-00	1.0 UH 10% 475MA #DD1.00	1	1	1	L1
9	9		7413127-00	HOLDER REWORK LED (11/70)	1	1	1	
10	10		9006555-00	NUT,HEX , 2-56X3/16AF X 1/	2	2	2	
11	11		9009236-01	SCREW,TAPPING,TYPE F,PAN ,PHIL,	3	3	3	
12	12		9009321-00	LOCK TITE, SCREW LOCK, 10CC PER	A/R	A/R	A/R	
13	13		9009185-00	JUMPER, WIRE, INSULATED, BLACK B	3	-	-	W1-W3
			CONT		-	1	-	W1
			CONT		-	-	2	W2,W3

REVISION HISTORY		BASIC PART NO: 5413885		DRN:	J. CASEY	DATE:	20-FEB-80	DIGITAL		
ENG:	ECO NUMBER	REV	SECTION A OF A	CHK'D:	E. T. GERRY	DATE:	20-FEB-80	TITLE	PARTS LIST	
	INITIAL	B	SECTION VARIATION INDEX					CONSOLE MODULE		
			[A] 00,01,02							
			[B]							
			[C]	DES. ENG:	D. LANDRY	DATE:	3-20-80			
			[D]							
			[E]						DOCUMENT NUMBER	
			[F]	RESP. ENG.:	P. GRUDA	DATE:	5-JUNE-80		SIZE	CODE
			[H]						NUMBER	REV
			[J]							
			[K]	MPG. ENG.:	G. ABREU	DATE:	5-JUNE-80	K	PL	5413885-0-DBP
			[L]							B
			[M]	ASSEMBLY NUMBER:		TOP DOCUMENT NUMBER:		FILE NAME:		EDIT #
			[N]	D-UA-5413885-0-0				Z1267B.PLS		9

"THIS DRAWING AND SPECIFICATIONS HEREIN, ARE THE PROPERTY OF DIGITAL EQUIPMENT CORPORATION AND SHALL NOT BE REPRODUCED OR COPIED OR USED IN WHOLE OR IN PART AS THE BASIS FOR THE MANUFACTURE OR SALE OF ITEMS WITHOUT WRITTEN PERMISSION. COPYRIGHT (C) 1980. DIGITAL EQUIPMENT CORPORATION"

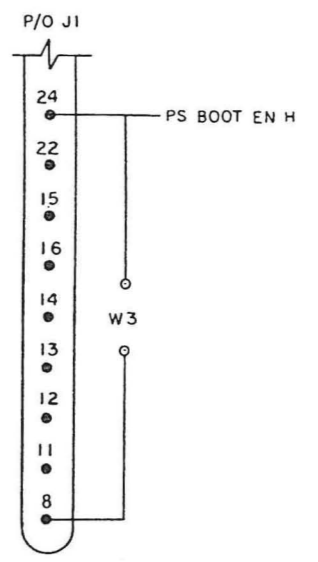
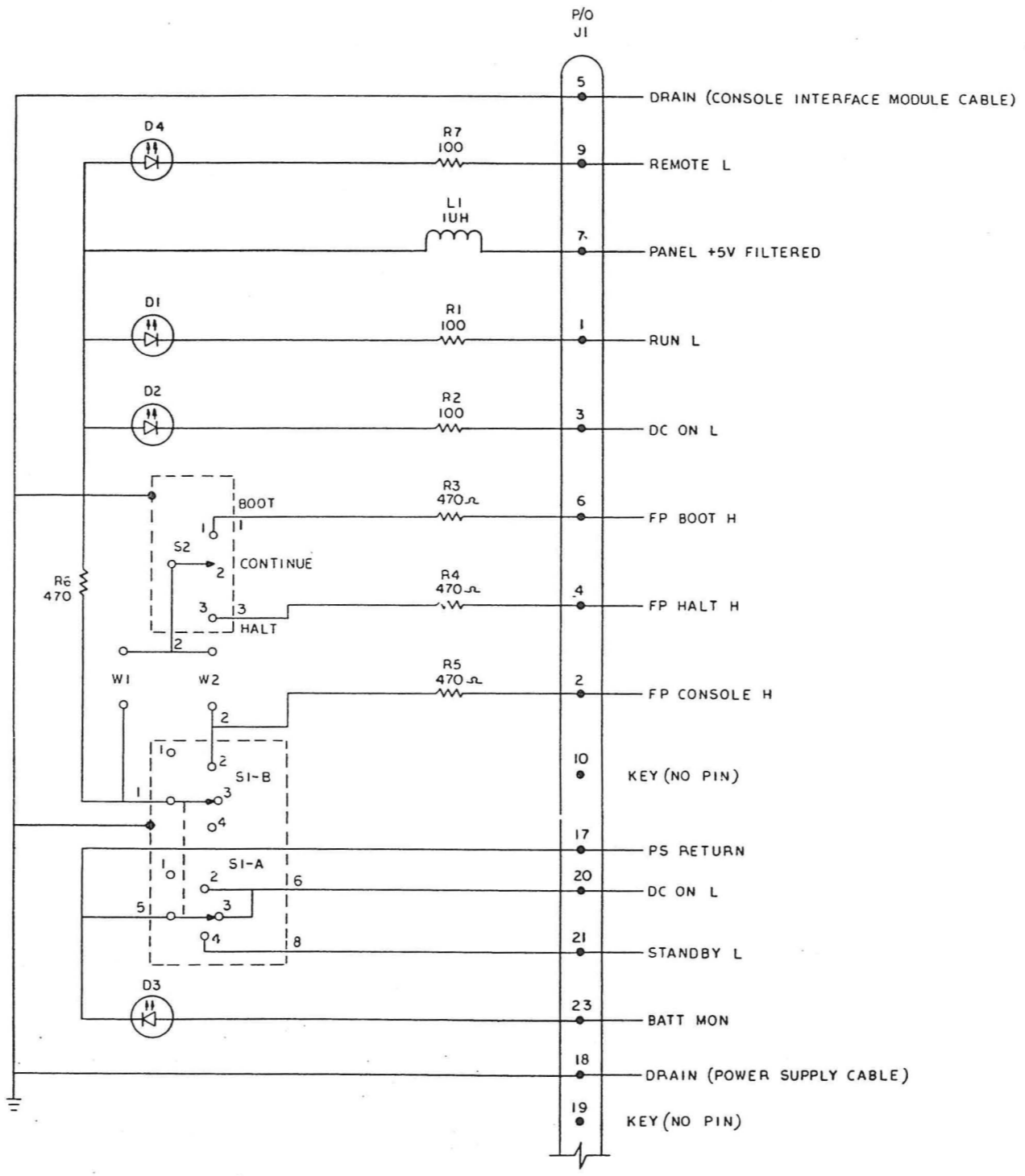
TW

THIS DRAWING AND SPECIFICATIONS HEREIN ARE THE PROPERTY OF DIGITAL EQUIPMENT CORPORATION AND SHALL NOT BE REPRODUCED OR COPIED OR USED IN WHOLE OR IN PART AS THE BASIS FOR THE MANUFACTURE OR SALE OF ITEMS WITHOUT WRITTEN PERMISSION.
COPYRIGHT © 1979 DIGITAL EQUIPMENT CORPORATION

W3	W2	W1	VARIATION
IN	IN	IN	CONSOLE MODULE 5413885-00
OUT	OUT	IN	CONSOLE MODULE 5413885-01
IN	IN	OUT	11/24 5413885-02

NOTE: THESE ARE THE ONLY CONFIGURATIONS OF THIS MODULE.

SI-	FUNCTION
A1	DC OFF
B1	NONE
A2	DC ON
B2	LOCAL
A3	DC ON
B3	LOCAL DISABLE
A4	STANDBY
B4	NONE



DRN. <i>[Signature]</i>	13 NOV 79	FIRST USED ON	11/24	digital
CHK'D <i>[Signature]</i>	11/79	TITLE	CONSOLE MODULE	
ENG. <i>[Signature]</i>	3-10-80	SCALE	1-1	
PROJ. ENG. <i>[Signature]</i>	5/8/80	SIZE	D	CS 5413885-0-1
PROD. <i>[Signature]</i>	12/6/83	NUMBER	1	
NEXT HIGHER ASSY.		REV.	B	
D-UA-541-935-0-0		SCALE	1-1	
SHEET 1 OF 1		DIST.		

REVISIONS
REV. NO. CHANGE NO. DATE

7 6 5 4 3 2 1

8 7 6 5 4 3 2 1

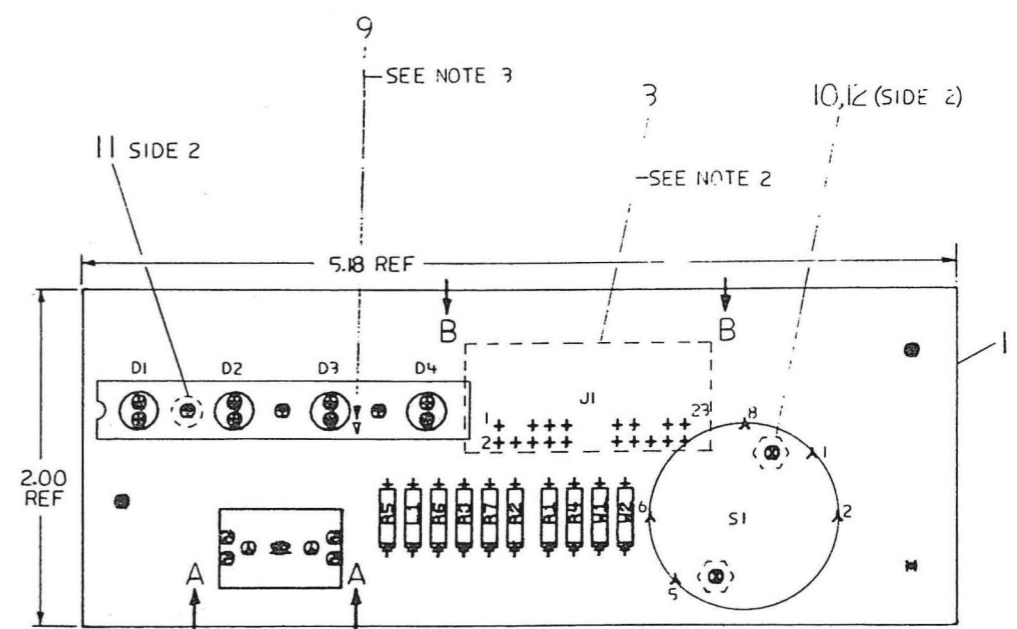
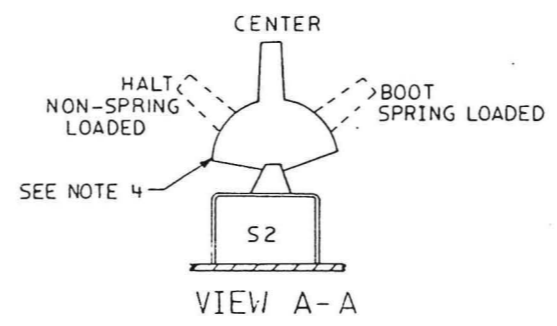
THIS DRAWING AND SPECIFICATIONS, HEREIN, ARE THE PROPERTY OF DIGITAL EQUIPMENT CORPORATION AND SHALL NOT BE REPRODUCED OR TRANSMITTED IN ANY FORM OR BY ANY MEANS, ELECTRONIC OR MECHANICAL, INCLUDING PHOTOCOPYING, RECORDING, OR BY ANY INFORMATION STORAGE AND RETRIEVAL SYSTEM, WITHOUT THE WRITTEN PERMISSION OF DIGITAL EQUIPMENT CORPORATION.

COMPONENT SIDE VIEW

J1											
2	4	6	8	10	12	14	16	18	20	22	24
<input type="checkbox"/>	<input type="checkbox"/>	<input type="checkbox"/>	<input type="checkbox"/>	<input type="checkbox"/>	<input type="checkbox"/>	<input type="checkbox"/>	<input type="checkbox"/>	<input type="checkbox"/>	<input type="checkbox"/>	<input type="checkbox"/>	<input type="checkbox"/>
1	3	5	7	9	11	13	15	17	19	21	23
<input type="checkbox"/>	<input type="checkbox"/>	<input type="checkbox"/>	<input type="checkbox"/>	<input type="checkbox"/>	<input type="checkbox"/>	<input type="checkbox"/>	<input type="checkbox"/>	<input type="checkbox"/>	<input type="checkbox"/>	<input type="checkbox"/>	<input type="checkbox"/>

NOTE:
 - NO PIN INSERTED IN CONNECTOR
 - PIN INSERTED IN CONNECTOR

VIEW B-B
 SCALE: NONE



NOTES:
 1. STEP 3 REPEAT 2ML33.
 2. J1 CONN IS MOUNTED ON SIDE 2.
 3. COMPONENT ORIENTATION MARK.
 4. MOUNT S2 W/SPRING LOAD POSITION TOWARD S1.

STEP #	± Y AXIS	Z	STEP #	TIMES
REPEAT	± X AXIS	5.250	STEP #	TIMES

CHECK CHANGE NO	REV

ETCH REV.	A

SIGNATURES	DATE	digital	
DRN. P. L...	2 JUN 50		
CHK'D. P. H...	22 JUN 50	TITLE 11/24 CONSOLE	
MECH. ENG. R. S...	12-18-50		
PROJ. ENG. R. S...	2-22-51		
PROD. C. P. S...	2-2-51		
SCALE 2:1	SIZE CODE	NUMBER	REV
SHT. 1 OF 1	0 UA	5414441-3-0	A
NEXT HIGHER REV. B-DD-5414441-0			

5414441-0-C
 0 UA 5414441-0-C

LINE ITEM	DOCUMENT NUMBER	PART NUMBER	DESCRIPTION	QTY PER VARIATION 00	REFERENCE DESIGNATOR
1	D-MD-50144-0-0-0	5014440-00	DRILL AND ETCH BRD 11/24 CONSOLE	1	
2		1110864-00	LED 2MCD@10MA	4	D1-D4
3		1213506-09	HEADFR 24POS RT ANGLE	1	J1
4		1216180-00	SW,ROT 2P 4POS,45DEG. TH	1	S1
5		1216179-00	SW,LEVER 1P ON/OFF/ON	1	S2
6		1300229-00	100.0 .25 W 5.0 % CC	3	R1,R2,R7
7		1300316-00	470.0 .25 W 5.0 % CC	4	R3-R5,R6
8		1601562-00	1.0 UH 10% 475MA #DD1.00	1	L1
9		7413127-00	HOLDER REWORK LED (11/70)	1	
10		9006555-00	NUT,HEX , 2-56X3/16AF X 1/	2	
11		9009236-01	SCREW,TAPPING,TYPE F,PAN ,PHIL,	3	
12		9009321-00	LOCK TITE, SCREW LOCK, 10CC PER	A/R	
13		9009185-00	JUMPER, WIRE, INSULATED, BLACK B	2	K1,W2

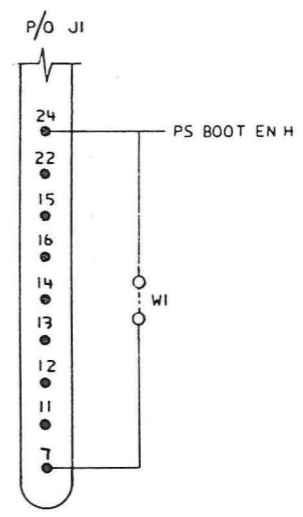
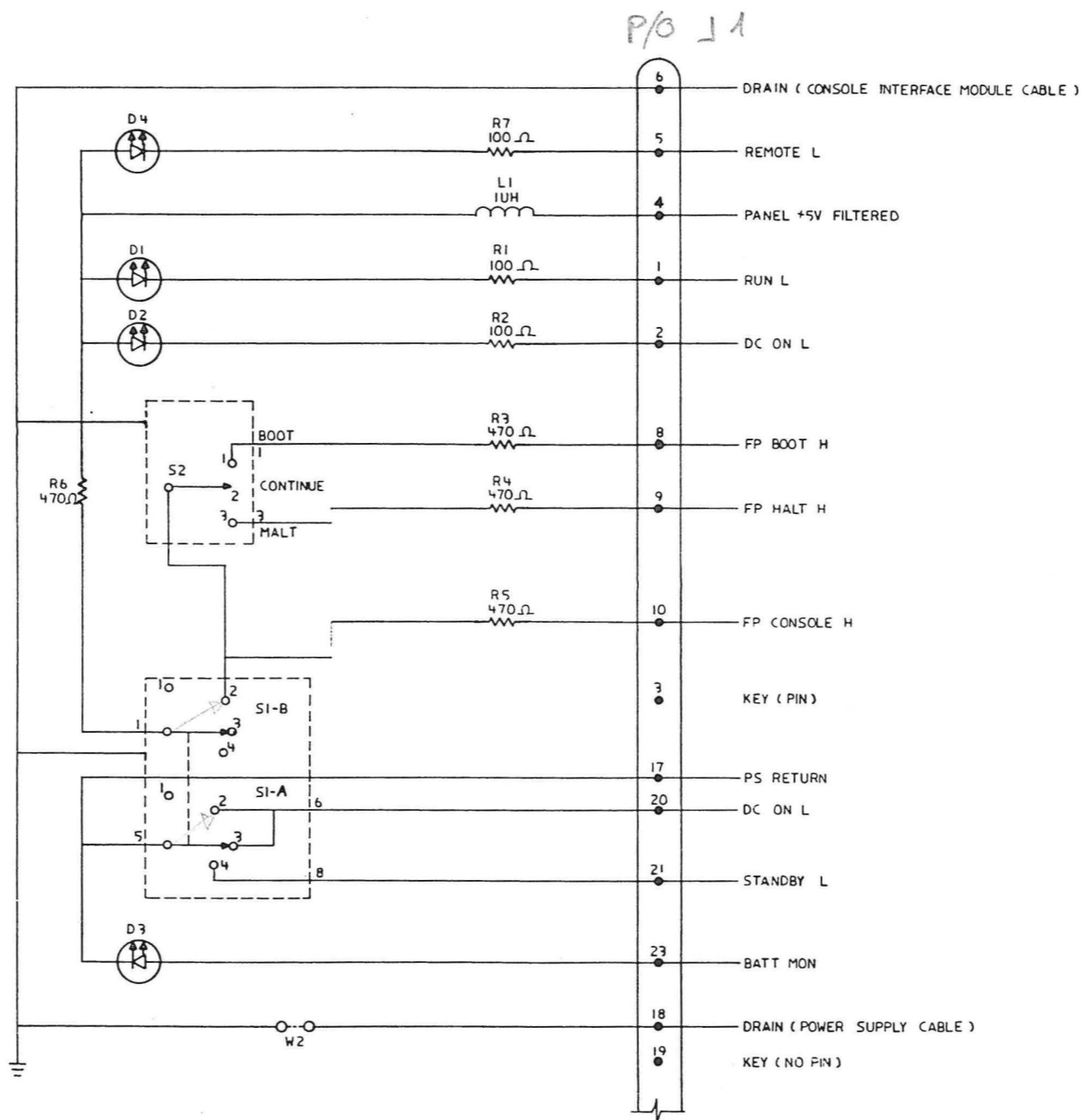
REVISION HISTORY		BASIC PART NO: 5414441		DPN:	J.CASEY	DATE:	18-DEC-80	D I G I T A L			
ENG:	ECO NUMBER	REV	SECTION A OF A	CHK'D:	E.T.GERRY	DATE:	18-DEC-80	TITLE PARTS LIST			
---	INITIAL	A	SECTION VARIATION INDEX	DES.ENG:	R.SILVER	DATE:	18-DEC-80	11/24 CONSOLE MODULE			
			[A] 00	RESP.ENG.:	R.GRUDA	DATE:	18-DEC-80	DOCUMENT NUMBER			
			[B]	MFG.ENG.:	G.ABRUE	DATE:	18-DEC-80	SIZE	CODE	NUMBER	REV
			[C]	ASSEMBLY NUMBER:		TOP DOCUMENT NUMBER:		K	PL	5414441-0-DBP	A
			[D]	ID-UA=5414441-0-0						Z1275A.PLS	4
			[E]								
			[F]								
			[G]								
			[H]								
			[I]								
			[J]								
			[K]								
			[L]								
			[M]								
			[N]								

"THIS DRAWING AND SPECIFICATIONS HEREIN, ARE THE PROPERTY OF DIGITAL EQUIPMENT CORPORATION AND SHALL NOT BE REPRODUCED OR COPIED OR USED IN WHOLE OR IN PART AS THE BASIS FOR THE MANUFACTURE OR SALE OF ITEMS WITHOUT WRITTEN PERMISSION. COPYRIGHT (C) 1980, DIGITAL EQUIPMENT CORPORATION"

TW

THIS DRAWING AND SPECIFICATIONS HEREON ARE THE PROPERTY OF DIGITAL EQUIPMENT CORPORATION AND SHALL NOT BE REPRODUCED OR COPIED OR USED IN WHOLE OR IN PART AS THE BASIS FOR THE MANUFACTURE OR SALE OF ITEMS WITHOUT WRITTEN PERMISSION.
 COPYRIGHT © 1980
 DIGITAL EQUIPMENT CORPORATION

SL	FUNCTION
A1	DC OFF
B1	NONE
A2	DC ON
B2	LOCAL
A3	DC ON
B3	LOCAL DISABLE
A4	STANDBY
B4	NONE

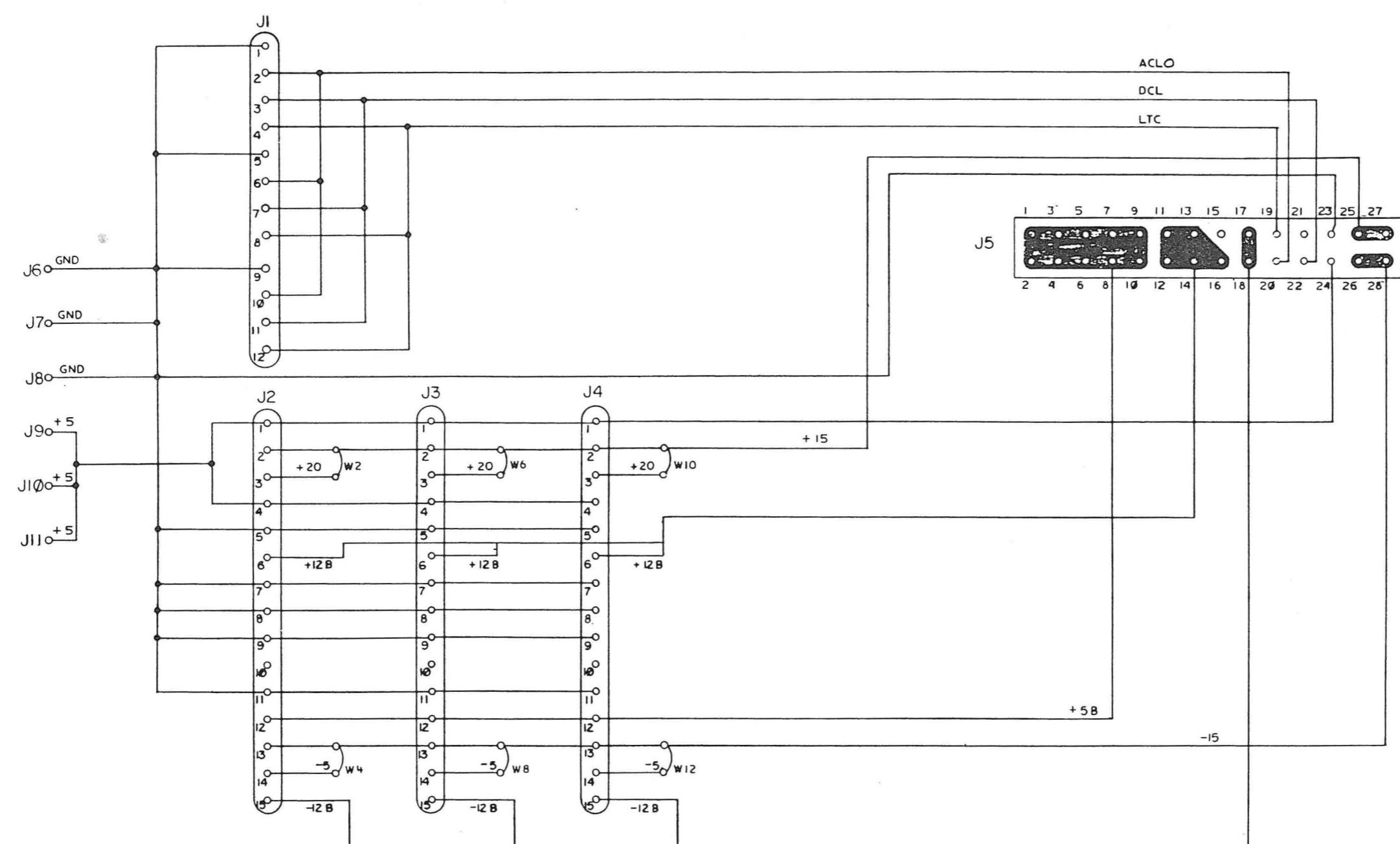


REV.	DATE	DESCRIPTION

DESIGNED BY <i>Frederic</i>	DATE 6-18-80	TITLE digital
CHECKED BY <i>John</i>	DATE 6-24-80	CONSULE MODULE
DESIGNED BY <i>B. Janda</i>	DATE 12-18-80	
REVISION BY <i>A. Janda</i>	DATE 12-18-80	DOCUMENT NUMBER
REVISION BY <i>G. Glass</i>	DATE 12-18-80	SCALE ++
NEXT REVISION DOC. D-UA-5414441-0-0		NUMBER D CS 5414441-0-1
		REV. A

DUA5414441-0-1

THIS DRAWING AND SPECIFICATIONS, HEREIN, ARE THE PROPERTY OF DIGITAL EQUIPMENT CORPORATION AND SHALL NOT BE REPRODUCED OR COPIED IN WHOLE OR IN PART AS THE BASIS FOR THE CONSTRUCTION OR SALE OF ITEMS WITHOUT WRITTEN PERMISSION. COPYRIGHT © 1979 DIGITAL EQUIPMENT CORPORATION



REV.	
CHG.	
DATE	

DRN	13 MAR 79	FIRST USED ON	
CHK'D	12-06-80	TITLE	POWER DISTRIBUTION BOARD
ENGR.	12-28-80	SIZE	D CS
PROJ. ENGR.	12-18-80	NUMBER	5413815-0-1
PROD.	12-5-80	REV.	A
NEXT HIGHER ASSY.		SCALE	1 OF 1
SHEET	1	CHST.	

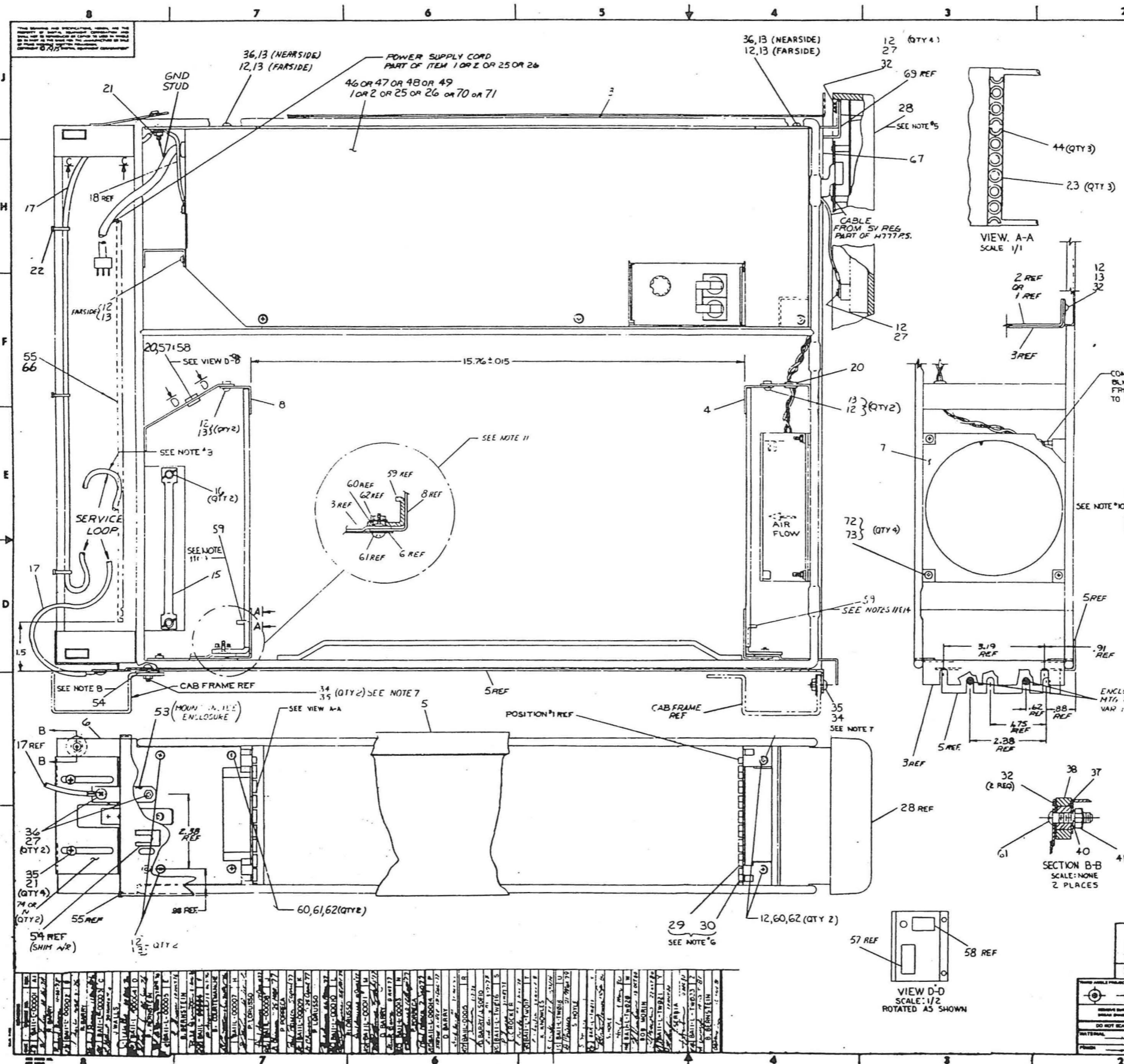
5413815-0-1 A

LINE ITEM	DOCUMENT NUMBER	PART NUMBER	DESCRIPTION	QTY PER VARIATION	REFERENCE DESIGNATOR
1	1	5013814-00	EXPANSION DIST BOARD	1	
2	2	1209350-15	MATE-N-LOK 15POS COMM HSG, SKT	3	J2, J3, J4
3	3	1209350-06	*** THIS ITEM IS NOT USED ***	-	
4	4	1216112-01	HEADER, 100 28POS RT ANGLE	1	J5
5	5	1214809-01	INSERT, W/O INTERNAL THREADS, THRU	6	J6-J11
6	6	9009185-00	JUMPER, WIRE, INSULATED, BLACK B	6	W2, W4, W6, W8, W10, W12
7	7	1209456-01	MATE-N-LOK SKT COMM PC MTG LOOSE	45	
8	8	9107786-00	*** THIS ITEM IS NOT USED ***	-	
9	9	1216652-00	CONN 12POS STRAIGHT	1	J1

REVISION HISTORY			BASIC PART NO: 5413815		
ENG	ECO NUMBER	REV	SECTION A OF A	DRN: J. CASEY	DATE: 18-DEC-80
	INITIAL	A	SECTION VARIATION INDEX	CHK'D: J. FERGUSON	DATE: 18-DEC-80
			[A] 00	DES. ENG: P. SILVER	DATE: 18-DEC-80
			[B]	RESP. ENG.: P. GRUDA	DATE: 18-DEC-80
			[C]	MFG. ENG.: G. ABREU	DATE: 18-DEC-80
			[D]	ASSEMBLY NUMBER: D-UA-5413815-0-0	TOP DOCUMENT NUMBER:
			[E]		FILE NAME: 21274A.PLS
			[F]		EDIT #: 11
			[G]		
			[H]		
			[I]		
			[J]		
			[K]		
			[L]		
			[M]		
			[N]		

TITLE: PARTS LIST
 DOCUMENT NUMBER: 5413815-0-DBP
 SIZE: K PL
 "THIS DRAWING AND SPECIFICATIONS HEREIN, ARE THE PROPERTY OF DIGITAL EQUIPMENT CORPORATION AND SHALL NOT BE REPRODUCED OR COPIED OR USED IN WHOLE OR IN PART AS THE BASIS FOR THE MANUFACTURE OR SALE OF ITEMS WITHOUT WRITTEN PERMISSION. COPYRIGHT (C) 1980, DIGITAL EQUIPMENT CORPORATION"

TW



NOTES:

~~CUT FROM AS INDICATED BY PAPER~~
~~INDICATED BY PAPER~~
~~INDICATED BY PAPER~~
~~INDICATED BY PAPER~~

3. ITEM #17 SERVICE LOOP SHOULD BE 24 INCHES.

4. BAI1-LA, LB, LC, LD, LK, LL, LM AND LN (MANUFACTURING USE ONLY). BAI1-LE, LF, LH AND LJ (BAI1 EXPANSION BOX).

5. ADD CONSOLE FOR EXPANSION BOX ONLY.

6. ALTERNATE COLORS: POSITIONS 1,3,5,7 & 9 TO HAVE MAGENTA. POSITIONS 2,4,6,8 & 10 TO HAVE NATURAL.

7. HARDWARE FOR MOUNTING ITEM 5 (ENCLOSURE ASSEMBLY) TO CABINET

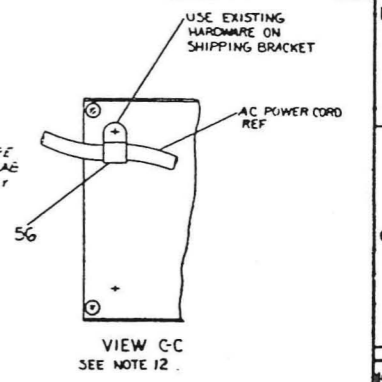
8. ITEM #54 TO BE USED AIR TO TAKE UP ANY GAP PRESENT BETWEEN ENCLOSURE AND CABINET UPRIGHTS.

9. ~~REMOVE POWER CORD FROM FRONT PANEL REMOVABLE AC CORD TO SHOW~~

10. EXPANSION BOX VERSIONS BAI1-LE, LF, LH & LJ CANNOT BE CONFIGURED WITH 4 OR 9 SLOT BACKPLANE THAT HAVE POWER HARNESS ROUTED ALONG BOTTOM (SLOT 5) A WIRE STRIPPING HAZARD WOULD EXIST IF THESE COMBINATIONS WERE CONFIGURED AS SUCH. EXAMPLES OF PROBLEMATIC BACKPLANE CONFIGURATIONS ARE: RK11-D, DG11-AA, DA11-F, TM11, DD11-B, DD11-AB, RH11, DH11, DB11-A, DT11, VT48 & VT11.

NOTES CONT ON SHEET 2

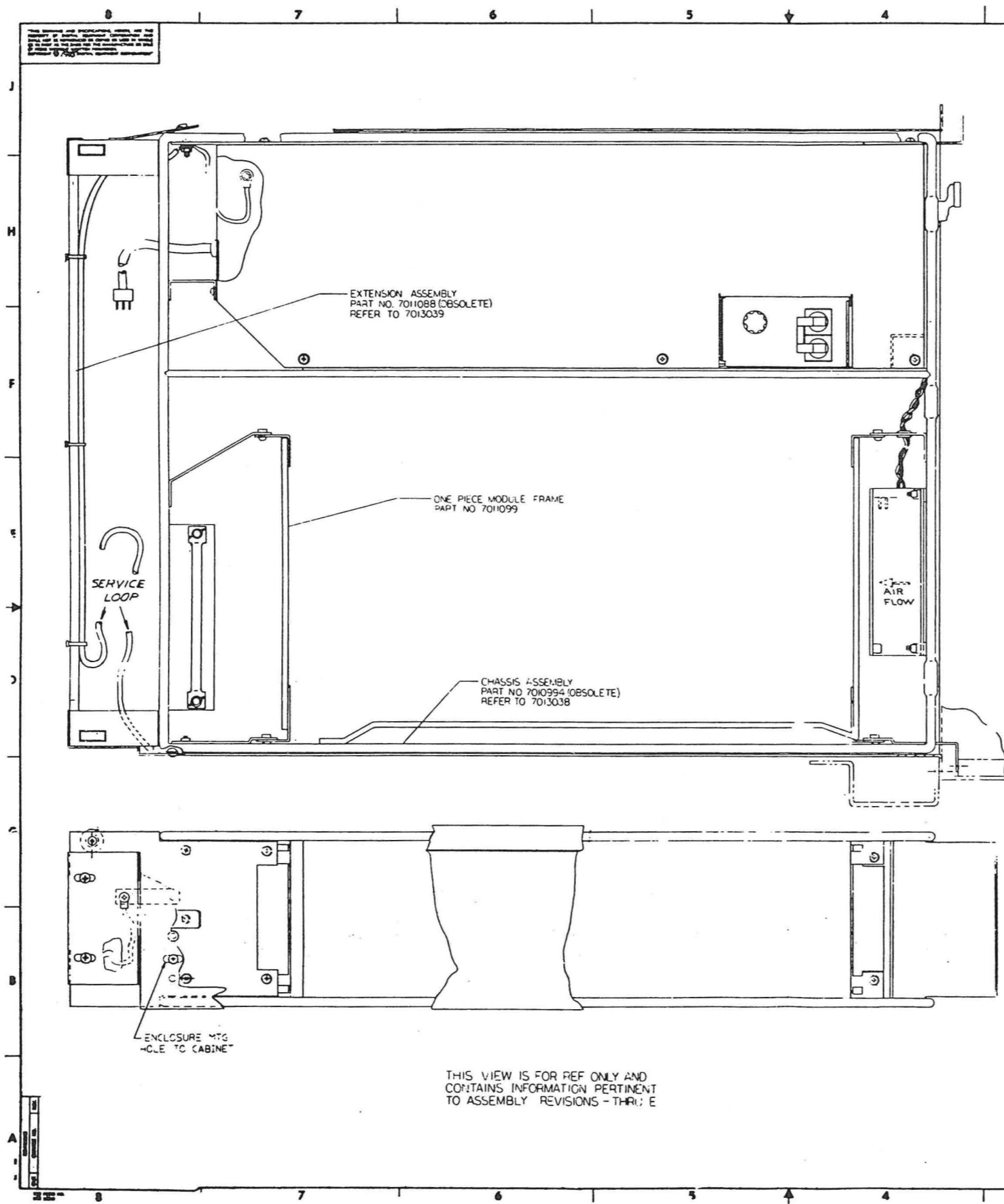
PART NO.	VARIATION
BAI1-LA	5.25 BOX+H777-AA 115V CORE+MOS
BAI1-LB	5.25 BOX+H777-AB 230V
BAI1-LC	5.25 BOX+H777-BA 115V MOS ONLY
BAI1-LD	5.25 BOX+H777-BB 230V MOS ONLY
BAI1-LE	5.25 BOX+H777-CA 115V (CONSOLE)
BAI1-LF	5.25 BOX+H777-CB 230V (CONSOLE)
BAI1-LH	5.25 BOX+H777-DA 115V (CONSOLE)
BAI1-LJ	5.25 BOX+H777-DB 230V (CONSOLE)
BAI1-LK	5.25 BOX+H777-CA 115V CORE+MOS
BAI1-LL	5.25 BOX+H777-CB 230V CORE+MOS
BAI1-LM	5.25 BOX+H777-DA 115V MOS ONLY
BAI1-LN	5.25 BOX+H777-DB 230V MOS ONLY
BAI1-LX	5.25 BOX+H777-UA P.S. (120V)
BAI1-LY	5.25 BOX+H777-UB P.S. (240)



FOR PARTS LIST SEE K-PL-BAI1-L-DBP

DESCRIPTION	QUANTITY	UNIT	REVISION
BOX 5.25 BAI1-L (230V/115V)	1	EA	1

ITEM NO.	DESCRIPTION	QTY	UNIT	REVISION
1	ENCLOSURE H777-15 VAR 1 X LT	1	EA	1
2
3
4
5
6
7
8
9
10
11
12
13
14
15
16
17
18
19
20
21
22
23
24
25
26
27
28
29
30
31
32
33
34
35
36
37
38
39
40
41
42
43
44
45
46
47
48
49
50
51
52
53
54
55
56
57
58
59
60
61
62
63
64
65
66
67
68
69
70
71
72
73
74
75
76
77
78
79
80
81
82
83
84
85
86
87
88
89
90
91
92
93
94
95
96
97
98
99
100



NOTES: (CON'T FROM SHEET 1)

11. ITEM NUMBER 59 IS A STIFFENING BRACKET AND MAY BE LEFT IN OR REMOVED AT FINAL DESTINATION AT USER'S OPTION. IF LEFT IN IT WILL NOT INHIBIT ANY USER FUNCTIONS.
 12. ITEM #56 AND THE AC POWER CORD ARE TO BE SHIPPED LOOSE PIECE AND INSTALLED AT SITE LOCATION.
 13. ITEM #68 NOT SHOWN, IT IS USED IN SHIPPING ONLY.
 14. LOCATE STIFFENOR BRACKET (ITEM 59) HOLES THREADED INSERTS AND BUTT STIFFENER INTO THE CORNER. INSTALL ITEM 60 AND 62 AND TIGHTEN NUT ONLY TO FINGER. DO NOT AT THIS TIME TRY TO TIGHTEN SCREW THREADED INSERT WILL FAIL. STIFFENER ON RIGHT SIDE MOUNTS THE SAME WAY EXCEPT ITEM 6 IS NOW ITEM 4 AND ITEM 6 DOES NOT EXIST.
 15. ITEM 7, P/N 121313-00 5" DIA. FAN IS BEING REPLACED BY P/N 121715-02 4 1/2" DIA FAN OLD P/N CAN BE USED UNTIL STOCK IS DEPLETED.
HARDWARE FOR OLD FAN
- | QTY | P/N | DESCRIPTION |
|-----|-----------|------------------------------|
| 3 | RD00026-2 | SCR, PHL FLAT HD 6-32 x .75L |
| 3 | 1226560-0 | NUT KEP #6JZ |
| 3 | 1220053 | WASHER, FLAT |

DESCRIPTION	ENCLOSURE
DATE	11/06
BY	CHRY S HEALY
SCALE	1/1
TITLE	BOX 5.25 BAI1-L (23QV/115V)
MATERIAL	B-DO-BAI1-L
SCALE	1/1
DATE	11/06
BY	JA BAI1-L
SCALE	1/1
DATE	11/06
BY	TW

AUTOMATED BY FRTLST.3P(44)

PARTS LIST

SHEET A1 OF A2

LINE	ITEM	DOCUMENT NUMBER	PART NUMBER	DESCRIPTION	QUANTITY PER VARIATION												
					LA	LB	LC	LD	LE	LF	LH	LJ	LK	LL	LM	LN	
1	1	E-UA-H777-DA-0	OH777-DA	H777-BA EXCEPT +5V 32A,120V	0	0	0	0	0	0	1	0	0	0	1	0	
2	2	E-UA-H777-DB-0	OH777-DB	H777-BB EXCEPT +5V 32A,240V	0	0	0	0	0	0	0	1	0	0	0	1	
3	3	E-IA-7013039-0-0	7013039-00	CHASSIS ASSY	1	1	1	1	1	1	1	1	1	1	1	1	
4	4	C-IA-7012653-0-0	7012653-00	RIGHT SIDE MODULE FRAME	1	1	1	1	1	1	1	1	1	1	1	1	
5	5	D-AD-7011132-0-0	7011132-00	ENCLOSURE ASSY	1	1	1	1	1	1	1	1	1	1	1	1	
6	6	D-IA-7013039-0-0	7013039-00	EXTENSION CHASSIS ASSY	1	1	1	1	1	1	1	1	1	1	1	1	
7	7	SEE NOTE 15 (ON UA)	1217715-02	FAN TUBE AXIAL 110V 120CFM 4.5"	1	1	1	1	1	1	1	1	1	1	1	1	
8	8	C-IA-7012846-0-0	7012846-00	LEFT SIDE MODULE FRAME	1	1	1	1	1	1	1	1	1	1	1	1	
9	9	BLANK			0	0	0	0	0	0	0	0	0	0	0	0	
10	10	BLANK			0	0	0	0	0	0	0	0	0	0	0	0	
11	11	BLANK			0	0	0	0	0	0	0	0	0	0	0	0	
12	12		9006037-03	SCREW TRUS.PHIL. 8-32X 3/8	11	11	11	11	15	15	15	15	11	11	11	11	
13	13		9006634-00	WASHER,LOCK,INT,.2300D X .172ID	14	14	14	14	14	14	14	14	14	14	14	14	
14	14	BLANK			0	0	0	0	0	0	0	0	0	0	0	0	
15	15	B-MD-7413846-0-0	7413846-00	BAR CABLE STRAIN RELIEF	1	1	1	1	1	1	1	1	1	1	1	1	
16	16		9009711-00	NUT,WING 6-32X 1/2 AF X 7	2	2	2	2	2	2	2	2	2	2	2	2	
17	17	C-IA-7011412-0-0	7011412-03	CHASSIS GND CABLE [BA11-L]	REF	REF	REF	REF	REF	REF	REF	REF	REF	REF	REF	REF	
18	18	C-IA-7011412-0-0	7011412-0F	CHASSIS GND CABLE [BA11-L]	REF	REF	REF	REF	REF	REF	REF	REF	REF	REF	REF	REF	
19	19	C-MD-7414963-0-0	7414963-00	BRKT SHIPPING & CAB MTG	2	2	2	2	2	2	2	2	2	2	2	2	
20	20		9007015-00	GROMMET, RUBBER	2	2	2	2	2	2	2	2	2	2	2	2	
21	21		9006565-00	NUT,KEP 10-32X 3/8 AF	7	7	7	7	7	7	7	7	7	7	7	7	
22	22		9007031-00	TIE,CABLE BUNDL.DIA 0- 3/4"=101	A/R	A/R	A/R	A/R	A/R	A/R	A/R	A/R	A/R	A/R	A/R	A/R	
23	23		1211630-00	CARD GUIDE	3	3	3	3	3	3	3	3	3	3	3	3	
24	24	BLANK			0	0	0	0	0	0	0	0	0	0	0	0	
25	25	E-UA-H777-CA-0	OH777-CA	H777-AA EXCEPT +5V 32A,120V	0	0	0	0	0	0	0	0	0	0	0	0	
26	26	E-UA-H777-CB-0	OH777-CB	H777-AB EXCEPT +5V 32A,240V	0	0	0	0	0	0	0	0	0	0	0	0	
27	27		9008072-00	WASHER, LOCK, EXTERNAL TOOTH #8	3	3	3	3	7	7	7	7	3	3	3	3	
28	28	D-AD-7012540-0-0	7012540-00	CONSOLE ASSY EXPANDER BOX	0	0	0	0	4	4	4	4	1	1	1	1	
29	29		1212405-04	CARD GUIDE,NYLON	4	4	4	4	4	4	4	4	4	4	4	4	
30	30		1212405-05	CARD GUIDE,NYLON	5	5	5	5	5	5	5	5	5	5	5	5	

REVISION HISTORY			BASIC PART NO: OBA11			DRN: G. MARINI			DATE: 3-SEP-75			DIGITAL		
ENG:	ECO NUMBER	REV	SECTION A OF B			CHK'D: D. HEALY			DATE: 30-SEP-75			TITLE PARTS LIST		
	INITIAL	Z	SECTION. VARIATION INDEX:			DES.ENG.: R. BARRY			DATE: 2-OCT-75			DOCUMENT NUMBER		
			[A] LA, LB, LC, LD, LE, LF, LH, LJ, LK, LL, LM, LN			RESP.ENG.: R.K. PETERSON			DATE: 2-OCT-75			SIZE: CODE: NUMBER REV		
			[B] LX, LY			MFG.ENG.: R.K. PETERSON			DATE: 2-OCT-75			K PL BA11-L-DBP Z		
			[C]			ASSEMBLY NUMBER:			TOP DOCUMENT NUMBER:			FILE NAME: EDIT #		
			[D]			E-UA-BA11-L-0						Z3025Z.PLS 7		
			[E]											
			[F]											

"THIS DRAWING AND SPECIFICATIONS HEREIN, ARE THE PROPERTY OF DIGITAL EQUIPMENT CORPORATION AND SHALL NOT BE REPRODUCED OR COPIED OR USED IN WHOLE OR IN PART AS THE BASIS FOR THE MANUFACTURE OR SALE OF ITEMS WITHOUT WRITTEN PERMISSION. COPYRIGHT (C) 1981. DIGITAL EQUIPMENT CORPORATION"

LINE ITEM	DOCUMENT NUMBER	PART NUMBER	DESCRIPTION	QUANTITY PER VARIATION	
				LX	LY
1	E-UA-H777-DA-0	0H777-DA	H777-BA EXCEPT +5V 32A,120V	0	0
2	E-UA-H777-DB-0	0H777-DB	H777-BB EXCEPT +5V 32A,240V	0	0
3	E-IA-7013038-0-0	7013038-00	CHASSIS ASSY	1	1
4	C-IA-7012653-0-0	7012653-00	RIGHT SIDE MODULE FRAME	1	1
5	D-AD-7011132-0-0	7011132-00	ENCLOSURE ASSY	1	1
6	D-IA-7013039-0-0	7013039-00	EXTENSION CHASSIS ASSY	1	1
7	SEE NOTE 15 (ON UA)	1217715-02	FAN, TUBE AXIAL 110V 120CFM 4.5"	1	1
8	C-IA-7012846-0-0	7012846-00	LEFT SIDE MODULE FRAME	1	1
9	BLANK			0	0
10	BLANK			0	0
11	BLANK			0	0
12		9006037-03	SCREW, TRUS, PHIL, 8-32X 3/8	12	12
13		9006634-00	WASHER, LOCK, INT, .2300D X .172ID	12	12
14	BLANK			0	0
15	B-MD-7413846-0-0	7413846-00	BAR CABLE STRAIN RELIEF	1	1
16		9009711-00	NUT, WING 6-32X 1/2 AF X 7	2	2
17	C-IA-7011412-0-0	7011412-03	CHASSIS GND CABLE (BA11-L)	1	1
18	C-IA-7011412-0-0	7011412-0F	CHASSIS GND CABLE (BA11-L)	REF	REF
19	C-MD-7414963-0-0	7414963-00	BRKT SHIPPING & CAB MTG	0	0
20		9007015-00	GROMMET, RUBBER	5	5
21		9006565-00	NUT, KEP 10-32X 3/8 AF	5	5
22		9007031-00	TIE, CABLE BUNDL. DIA 0- 3/4"=101	A/R	A/R
23		1211630-00	CARD GUIDE	3	3
24	BLANK			0	0
25	E-UA-H777-CA-0	0H777-CA	H777-AA EXCEPT +5V 32A,120V	0	0
26	E-UA-H777-CB-0	0H777-CB	H777-AB EXCEPT +5V 32A,240V	0	0
27		9008072-00	WASHER, LOCK, EXTERNAL TOOTH #8	3	3
28	D-AD-7012540-0-0	7012540-00	CONSOLE ASSY, EXPANDER BOX	0	0
29		1212405-04	CARD GUIDE, NYLON	4	4
30		1212405-05	CARD GUIDE, NYLON	5	5

REVISION HISTORY		BASIC PART NO: 0BA11		DRN: G. MARINI		DATE: 3-SEP-75		D I G I T A L	
ENG	ECO NUMBER	REV	SECTION B OF B	CHK'D:	D. HEALY	DATE:	30-SEP-75	TITLE	PARTS LIST
	INITIAL	Z	SECTION, VARIATION INDEX	DES.ENG.:	R. BARRY	DATE:	2-OCT-75	BOX 5.25	BA11-L (230V/115V)
			(A) LA, LB, LC, LD, LE, LF, LH, LJ, LK, LL, LM, LN	RESP.ENG.:	R.K. PETERSON	DATE:	2-OCT-75	DOCUMENT NUMBER	
			(B) LX, LY	MFG.ENG.:	R.K. PETERSON	DATE:	2-OCT-75	SIZE: CODE: NUMBER	REV
			(C)	ASSEMBLY NUMBER:	E-UA-BA11-L-0	TOP DOCUMENT NUMBER:		K PL BA11-L-DBP	Z
			(D)					FILE NAME:	EDIT #
			(E)					23025Z.PLS	7
			(F)						

"THIS DRAWING AND SPECIFICATIONS HEREIN, ARE THE PROPERTY OF DIGITAL EQUIPMENT CORPORATION AND SHALL NOT BE REPRODUCED OR COPIED OR USED IN WHOLE OR IN PART AS THE BASIS FOR THE MANUFACTURE OR SALE OF ITEMS WITHOUT WRITTEN PERMISSION. COPYRIGHT (C) 1981. DIGITAL EQUIPMENT CORPORATION"

LINE	ITEM	DOCUMENT NUMBER	PART NUMBER	DESCRIPTION	QUANTITY PER VARIATION	
					LX	LY
31	31	BLANK			0	0
32	32		9006666-00	WASHER, FLAT, .500 OD X .187 ID	0	0
33	33	BLANK			0	0
34	34		9007786-00	RETAINER, U-NUT, 10-32	0	0
35	35		9006071-03	SCREW, TRUS, PHIL, 10-32X 3/8	10	10
36	36		9006035-03	SCREW, TRUS, PHIL, 8-32X 1/4	10	10
37	37	B-MD-7417606-0-0	7417606-00	SLEEVE ROLLER	2	2
38	38	B-MD-7417607-0-0	7417607-00	ROLLER	2	2
39	39	BLANK			0	0
40	40		9006690-00	WASHER, LOCK, S.S. #8	0	0
41	41		9006561-00	NUT, HEX 8-32 X5/16AF X 7	0	0
42	42		3700061-00	INSTR PKG COMPUTER 11/05 OLD STY	0	0
43	43		3700133-00	INSTR PKG COMPUTER INPLANT 1105	0	0
44	44	C-MD-7418077-0-0	7418077-00	3 POSITION CARD GUIDE	3	3
45	45	BLANK			0	0
46	46	E-UA-H777-BA-0	0H777-BA	11/04 POWER SUPPLY, MOS ONLY, NO +	0	0
47	47	E-UA-H777-BB-0	0H777-BB	11/04 POWER SUPPLY, MOS ONLY, NO +	0	0
48	48	E-UA-H777-AA-0	0H777-AA	BA11-L POWER SUPPLY, +5V 25A, +20V	0	0
49	49	E-UA-H777-AB-0	0H777-AB	240V H777-AA	0	0
50	50	BLANK			0	0
51	51	BLANK			0	0
52	52	BLANK			0	0
53	53	B-IA-7418258-0-0	7418258-00	GROUND STRAP	1	1
54	54	B-MD-7418259-0-0	7418259-00	SPACER INCLOSURE	A/R	A/R
55	55		9007035-00	GROMMET #122-37-1500	A/R	A/R
56	56		9007083-00	CLAMP, CABLE, SCREW MTD. 3/8 "	1	1
57	57	A-PS-3613211-0-0	3613211-01	DECAL, CLEAR PREPRINTED CSA 1-1/4	1	1
58	58	A-DC-7416197-0-0	7416197-01	DECAL	1	1
59	59	C-MD-7419019-0-0	7419019-00	BRACKET, MODULE FRAME STIFFENING	2	2
60	60		9006668-00	WASHER, FLAT, 5/8 ODX 13/64IDX.032	4	4
61	61		9006040-03	SCREW, TRUS, PHIL, 8-32X 5/8	4	4
62	62		9006563-00	NUT, KEP 8-32X 11/13AF	4	4
63	63	BLANK			0	0
64	64	BLANK			0	0
65	65	BLANK			0	0
66	66		9009157-00	ADH. LIQ. RM. TEMP CURING COLORLESS	A/R	A/R
67	67		1212707-00	FILTER, AIR, FOAM, 30PPI, 16.75X4.5X	0	0
68	68		9007032-00	TIE, CABLE BUNDL, DIA 0-1-3/4"-101	0	0
69	69	C-MD-7414962-0-0	7414962-00	BRKT FILTER SUPPORT	0	0
70	70	E-UA-H777-UA-0	0H777-UA	11/24 PS: +5V 32A, +15V 3A, -15V 3	1	1
71	71	E-UA-H777-UB-0	0H777-UB	11/24 PS: +5V 32A, +15V 3A, -15V 3	0	1
72	72		9006025-02	SCREW, FLAT, PHIL, 6-32X 5/8	4	4
73	73		9009165-00	CLIP, FAN MOUNTING (12-05033 FAN	4	4
74	74	C-MD-7425811-0-0	7425811-00	BRACKET, SHIPPING, 11/24	2	2

D	I	G	I	T	A	L	TITLE	SECTION B OF B	SIZE	CODE	DOCUMENT NUMBER	REV
							BOX 5.25 BA11-L (230V/115V)		K	PL	BA11-L-DBP	Z

8

* 0-0-296962-0-0

6

5

4

3

2

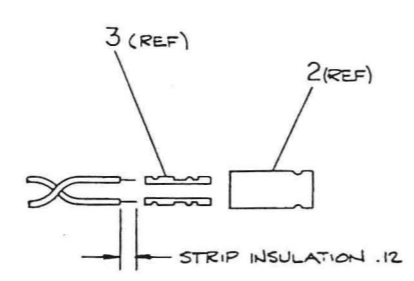
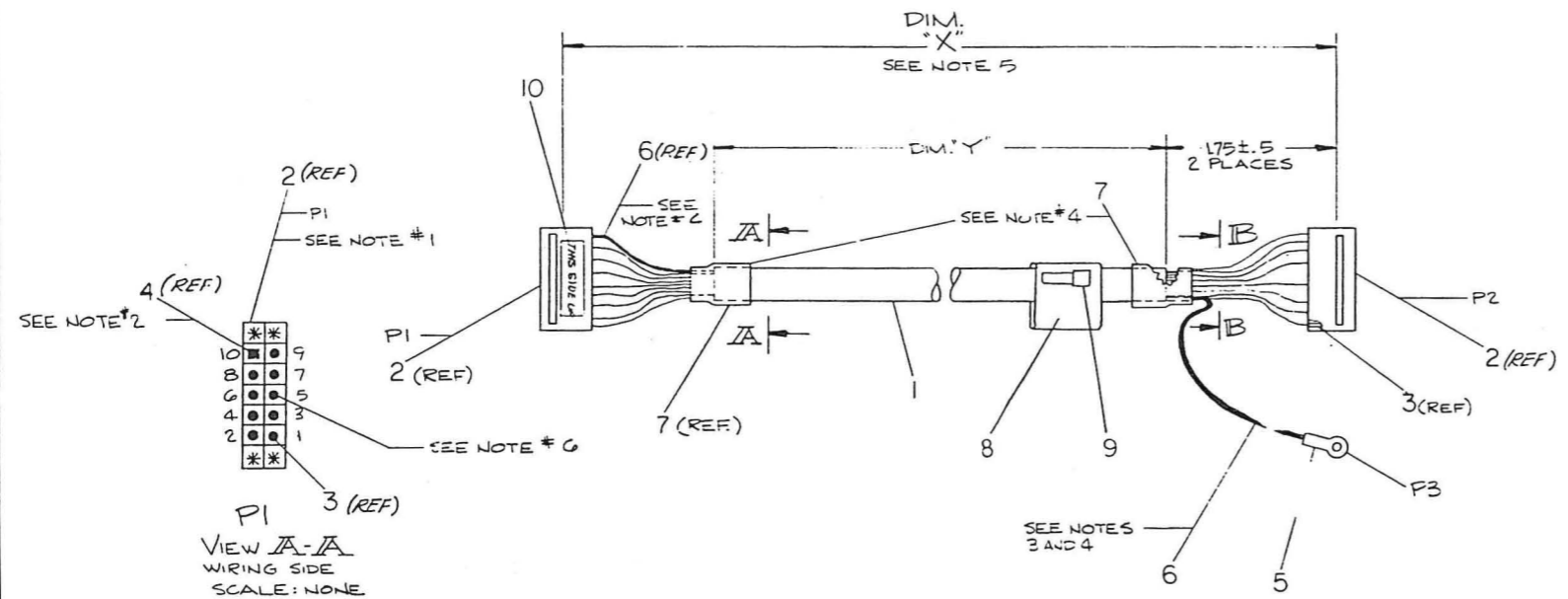
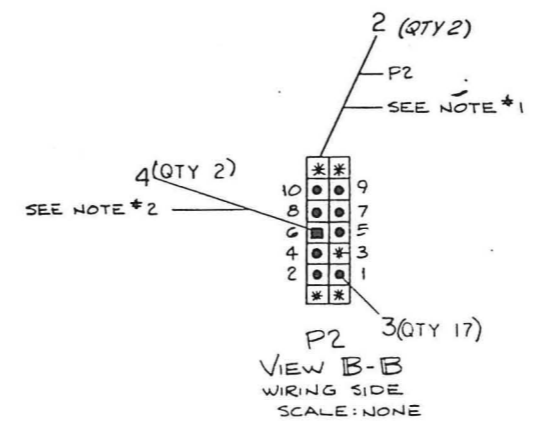
1

THIS DRAWING AND SPECIFICATIONS, HEREIN, ARE THE PROPERTY OF DIGITAL EQUIPMENT CORPORATION AND SHALL NOT BE REPRODUCED OR COPIED OR USED IN WHOLE OR IN PART AS THE BASIS FOR THE MANUFACTURE OR SALE OF ITEMS WITHOUT WRITTEN PERMISSION
 COPYRIGHT © 1980 DIGITAL EQUIPMENT CORPORATION

WIRE TABLE							
ITEM NO	AWG.	COLOR	FROM	TO	CONN WITH	TO	REMARKS
1	24	DRAIN	P1-8	ITEM 3	P3	ITEM 5	SEE NOTES 3 & 4
1	24	RED	P1-9	ITEM 3	P2-5	ITEM 3	
1	24	WHT	P1-7	ITEM 3	P2-4	ITEM 3	
1	24	GRN	P1-6	ITEM 3	P2-8	ITEM 3	
1	24	BLK	P1-4	ITEM 3	P2-9	ITEM 3	
1	24	BRN	P1-3	ITEM 3	P2-2	ITEM 3	
1	24	ORN	P1-2	ITEM 3	P2-10	ITEM 3	
1	24	BLUE	P1-1	ITEM 3	P2-1	ITEM 3	
1	24	YEL	P1-8	ITEM 3	P2-7	ITEM 3	

LEGEND		
P/N	DIM. "X"	DIM. "Y"
-00	9 IN.	6 IN.
-01	8 FT.	7 FT. 9 IN.

- NOTES:
1. LOCATIONS MARKED (*) IN VIEWS A-A & B-B ARE NOT TO BE USED.
 2. CONNS P1-10 & P2-6 SHALL HAVE ONE KEY (ITEM #4) INSERTED AS SHOWN.
 3. WIRE FROM P1-5 TO ITEM #5 SHALL BE 1 IN. LONGER THAN WIRES FROM P2 TO P1.
 4. CUT EXTRUDED TUBING (ITEM #6) TO FIT LENGTH OF DRAIN WIRE AT EACH END. APPLY TUBING AND BUTT TO CABLE JACKET. CUT SHRINK TUBING TO 1 IN. LG. PIECES AND INSTALL AS SHOWN AT EACH END BEFORE INSTALLING CONNECTORS P1 & P2.
 5. CUT LENGTH (EXCEPT FOR DRAIN AT P3 END).
 6. SLIDE EXTRUDED TUBING (ITEM #6) OVER DRAIN WIRE BEFORE CRIMPING CONTACTS P3 & P15



QTY	DESCRIPTION	PART NO.	ITEM NO.
1	LABEL, (THIS SIDE UP)	3611567-02	10
1	TIE, CABLE SST1-M	9007231-02	9
1	LABEL, CABLE I.D.	9009533-02	8
2	TUBING, SHRINK .250 I.D.	9107253-09	7
5	5' TUBING EXTRUDED .22AWG .027 I.D.	9107256-00	6
1	RING TERMS 18 POS .26-20AWG	1214628-00	5
2	KEY, POLAR, DUMMY	9009140-00	4
17	17 SOCKET, CRIMP, REEL	1210084-07	3
2	2 TERM. HSG (14 POS)	1210918-30	2
96	96' 10" CABLE, #24-AWG STRND (8 COND)	1700153-02	1

QUANTITY & VARIATION	THIRD ANGLE PROJECTION	DATE	TITLE
		23 JAN 80	CABLE, CONSOLE TO BACKPLANE
		DATE	DOCUMENT NUMBER
		4-30-80	DIA 7016962-0-0
		DATE	SCALE
		5-5-80	NONE
			SHEET 1 OF 1

REV.	DATE	ECO NUMBER

8

7

6

5

4

3

2

1

DIA 7016962-0-0