

"THE MATERIAL HEREIN IS FOR INFORMATION PURPOSES ONLY AND IS SUBJECT TO CHANGE WITHOUT NOTICE. DIGITAL EQUIPMENT CORPORATION ASSUMES NO RESPONSIBILITY FOR ANY ERRORS WHICH MAY APPEAR HEREIN."

DRAWING DIRECTORY

"THIS DRAWING AND SPECIFICATIONS, HEREIN, ARE THE PROPERTY OF DIGITAL EQUIPMENT CORPORATION AND SHALL NOT BE REPRODUCED OR COPIED OR USED IN WHOLE OR IN PART AS THE BASIS FOR THE MANUFACTURE OR SALE OF ITEMS WITHOUT WRITTEN PERMISSION. COPYRIGHT © 1976, DIGITAL EQUIPMENT CORPORATION."

UNIT VARIATIONS	
VAR.	TITLE
IBV11-A	LSI11/IB INTERFACE (WITH 4-METER CABLE)

EN-01062-1A-16-R72-42281

REVISIONS	CHK	CHANGE NO.	REV.

USED ON OPTION/MODEL		DRN <i>RW</i>	DATE <i>02/07/76</i>	<table border="1"> <tr> <td colspan="4" style="text-align: center;">TITLE</td> <td colspan="2" style="text-align: center;">digital</td> </tr> <tr> <td colspan="4" style="text-align: center;">LSI11/IB INTERFACE (WITH 4-METER CABLE)</td> <td colspan="2"> </td> </tr> <tr> <td>SIZE</td> <td>CODE</td> <td colspan="2">NUMBER</td> <td colspan="2">REV</td> </tr> <tr> <td>B</td> <td>DD</td> <td colspan="2">IBV11-A</td> <td colspan="2"> </td> </tr> </table>				TITLE				digital		LSI11/IB INTERFACE (WITH 4-METER CABLE)						SIZE	CODE	NUMBER		REV		B	DD	IBV11-A			
TITLE								digital																							
LSI11/IB INTERFACE (WITH 4-METER CABLE)																															
SIZE	CODE	NUMBER						REV																							
B	DD	IBV11-A																													
LSI11		CHK'D <i>[Signature]</i>	DATE <i>3 JAN 76</i>																												
		PROJ. ENG. <i>D Baker</i>	DATE <i>2/11/77</i>																												
		PROD <i>[Signature]</i>	DATE <i>2/14/77</i>																												
SHEET 1 OF 2				DIST.																											

FIND NO.	DRAWING NO.	DESCRIPTION	TYPE	FIND NO.	DRAWING NO.	DESCRIPTION	TYPE
1	MPØØ274	FIELD MAINTENANCE PRINT SET (MP)	-				
	B-TC-IBV11-A-1	FIELD MAINTENANCE PRINT SET (TC)	-				
	A-PL-IBV11-A-Ø	LS111/IB INTERFACE	-				
	A-PL-IBV11-A-SH	IBV11-A SHIPPING LIST	-				
	A-SP-IBV11-A-8	ENGINEERING SPECIFICATIONS	E/M				
2	B-DD-M7954-Ø	LS111/IB INTERFACE (CS)					
3	D-UA-BN11A-Ø-Ø	CABLE, BN11A	E/M				
4	A-SP-3700273-0-0	PACKAGING INSTRUCTIONS	-				
	9905760	PACKAGING BOX	-				
	9905621	REVERSE TUCK FOLDING BOX	-				

EN-01062-2C-16-R376-(325)



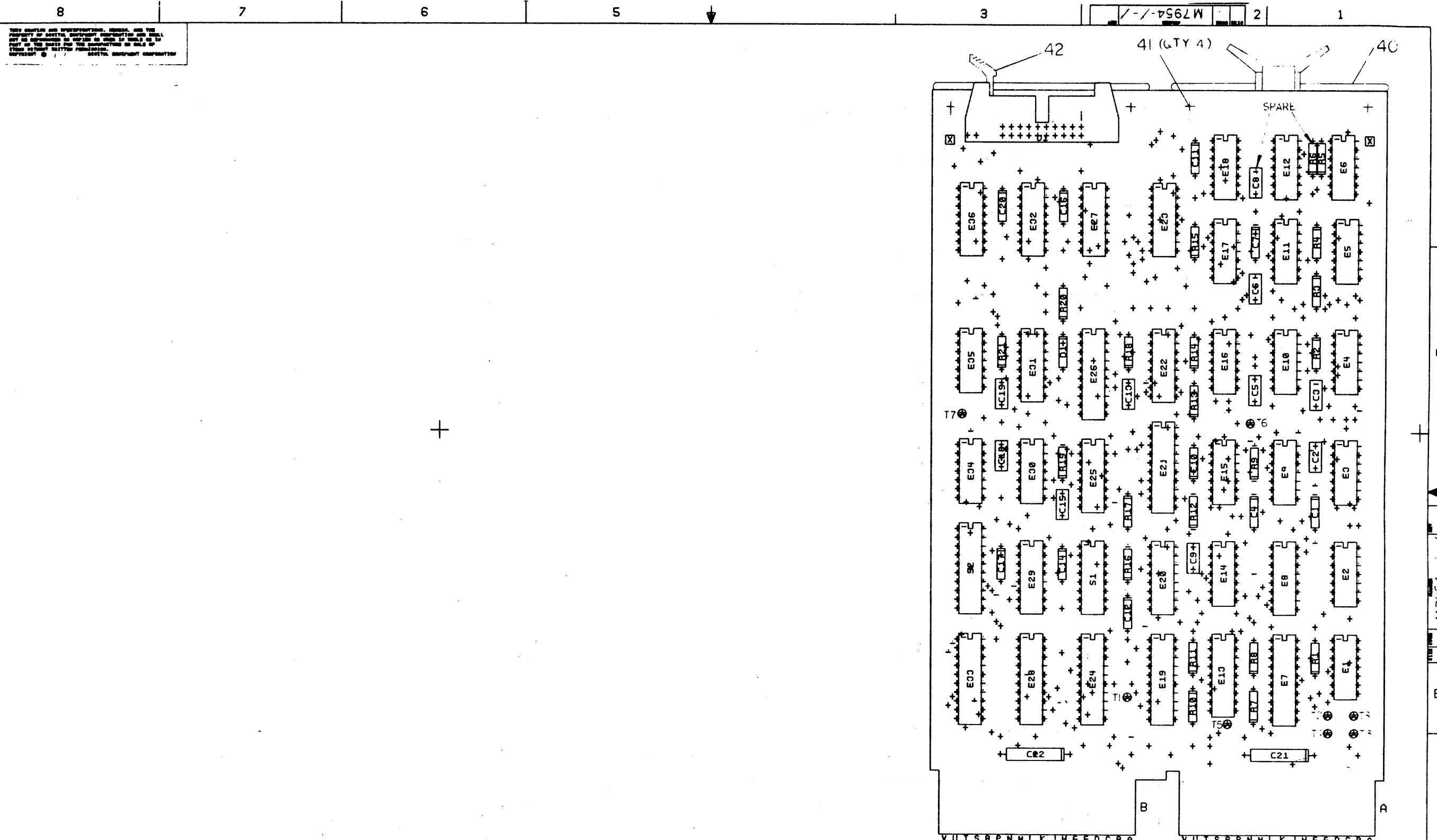
TITLE	SIZE	CODE	NUMBER	REV
LS111/IB INTERFACE (WITH 4 METER CABLE)	B	DD	IBV11-A	
SHEET 2 OF 2				

DRB 108A

71

DIGITAL EQUIPMENT CORPORATION MAYNARD, MASSACHUSETTS PARTS LIST				QUANTITY / VARIATION													
MADE BY R. CAUNTER		CHECKED <i>[Signature]</i>		SECTION													
DATE 8 NOVEMBER 1976		DATE 3 JAN 77		1													
ENG <i>Chris Lane</i>		PROD <i>[Signature]</i>		ISSUED SECT.													
DATE 2/11/77		DATE 14 FEB 77		1													
ITEM NO.	DWG NO. / PART NO.	DESCRIPTION															
1	M7954	LS111/IB INTERFACE MODULE			1												
2	BN11A-04	CABLE, (4-METER)			1												
TITLE		ASSY NO.	SIZE	CODE	NUMBER			REV.	ECO NO.								
LS111/IB INTERFACE		B-DD-IBV11-A	A	PL	IBV11-A-0												
		SHEET 1 OF 1	DIST.														

PN



THIS DRAWING AND SPECIFICATIONS, HEREON, ARE THE PROPERTY OF AVCO. CONFIDENT INFORMATION AND SHALL NOT BE REPRODUCED OR USED IN WHOLE OR IN PART WITHOUT THE WRITTEN PERMISSION OF AVCO. AVCO CONFIDENT INFORMATION

NOTES:

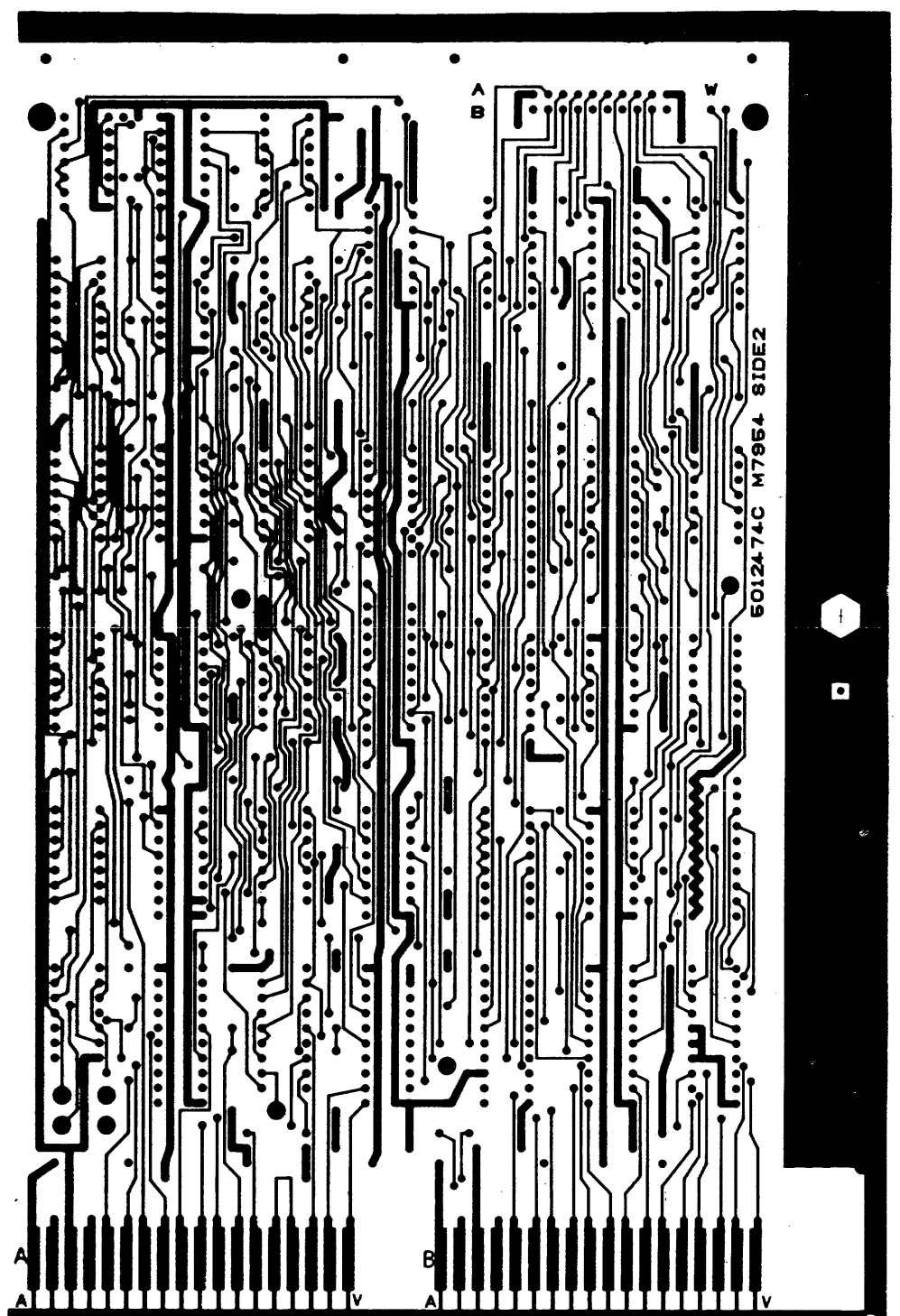
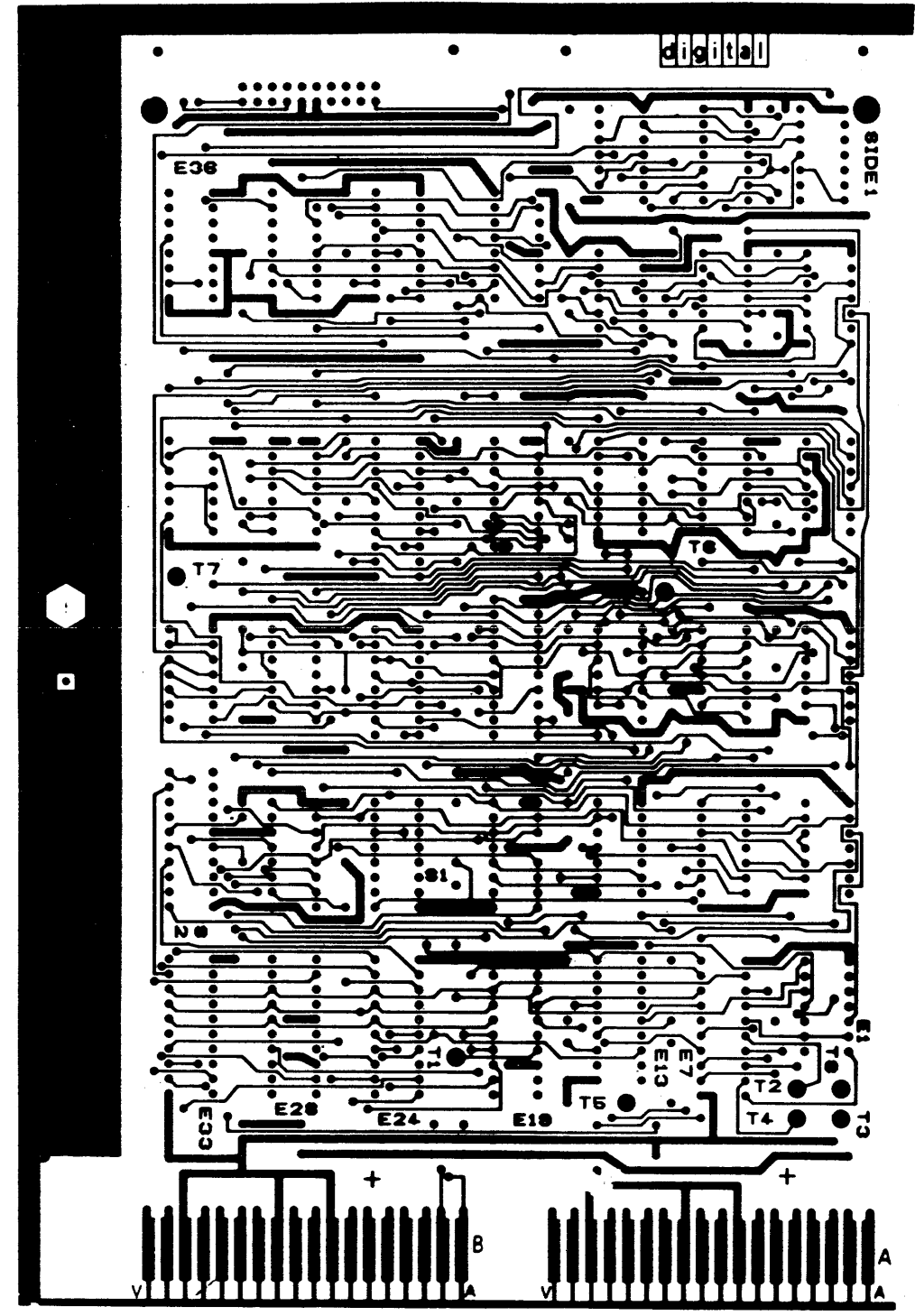
CHG	DATE	REV	DESCRIPTION
1	11/15/54	D	REVISED TO REV D
2	11/15/54	C	REVISED TO REV C
3	11/15/54	B	REVISED TO REV B
4	11/15/54	A	REVISED TO REV A

ETCH REV.	C
P.C. DESIGN DATA BASE REV.	C

SIGNATURES	DATE
DRN. <i>[Signature]</i>	11/15/54
CHK'D.	
ENC.	
PROJ. ENG.	
PROD. 2	
SCALE	
SHT. 1 OF 2	
NEXT HIGHER ASSY. B-DD-M7954-0	

digital	
TITLE LSI INTERFACE	
SIZE	CODE
D	UA
NUMBER	REV
M7954-0-0	D

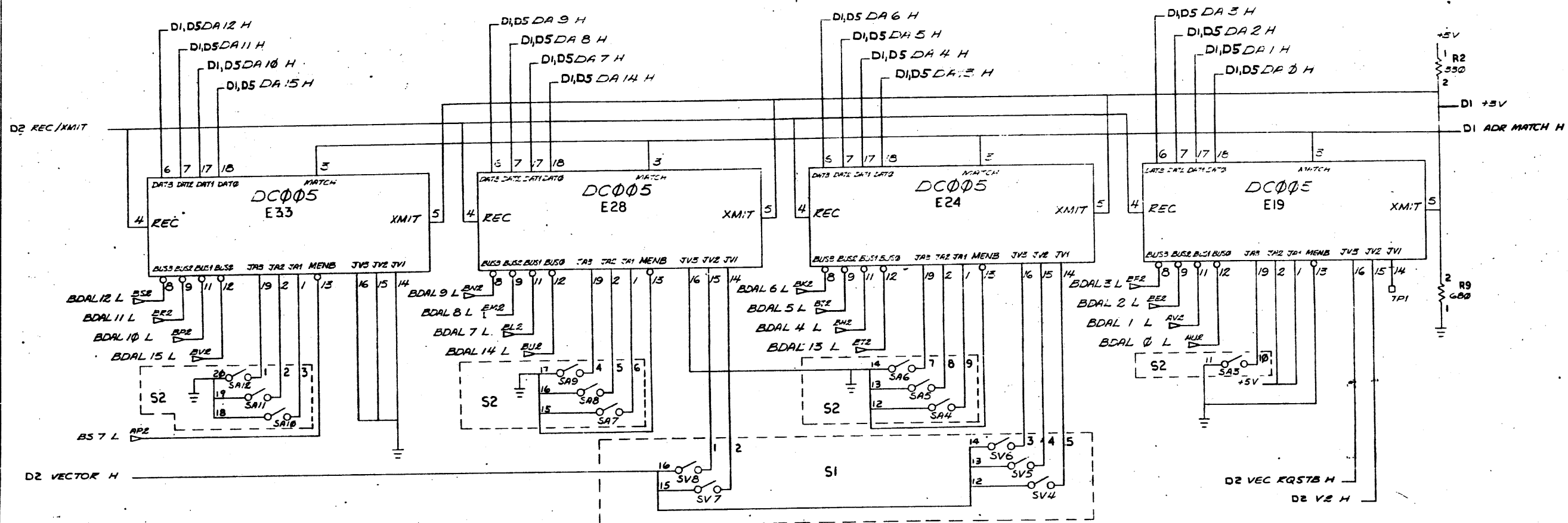
THIS DRAWING AND SPECIFICATIONS HEREIN ARE THE PROPERTY OF DIGITAL EQUIPMENT CORPORATION AND SHALL NOT BE REPRODUCED OR COPIED OR USED IN WHOLE OR IN PART AS THE BASIS FOR THE MANUFACTURE OR SALE OF ITEMS WITHOUT WRITTEN PERMISSION. COPYRIGHT © 1976 DIGITAL EQUIPMENT CORPORATION.



REVISIONS		
CHK	CHANGE NO	REV

TITLE	SIZE CODE	NUMBER	REV.
LSI INTERFACE	D U A	M7954 - 0 - 0	D
SCALE 2/1	SHEET 2 OF 2	DIST.	

THIS DRAWING AND SPECIFICATIONS, UNLESS AND THE PROPERTY OF DIGITAL EQUIPMENT CORPORATION AND SHALL NOT BE REPRODUCED OR COPIED IN WHOLE OR IN PART AS THE BASIS FOR THE MANUFACTURE OF SUCH OF ITEMS WITHOUT WRITTEN PERMISSION. DIGITAL EQUIPMENT CORPORATION. COPYRIGHT © 1976



- NOTES:
- ▷ IS MODULE FINGER PIN.
 - ON THIS AND THE FOLLOWING PAGES, ALL RESISTORS ARE 1/4 W, 5% UNLESS INDICATED OTHERWISE.
 - SELECTABLE REGISTER ADDRESS RANGE: 160000-177770. SET AT 160150 FOR PRODUCTION TESTING AND SHIPPING.
 - SELECTABLE VECTOR ADDRESS RANGE: 000-760
 - SV SWITCHES
SV_i DRIVES BDAL_i. BDAL_i IS LOW WHEN SV_i IS HIGH
i=4,5,...,8
 - SA SWITCHES. (i=3,4,...,11,12)
a) SA_i IS COMPARED WITH BDAL_i. CLOSING SWITCH IS EQUAL TO "LOW" ON THE BUS.
b) ADR MATCH IS HIGH WHEN ALL SA_i'S ARE EQUAL TO ALL BDAL_i'S.

ADDRESS SWITCH (S2) SETTING FOR TESTING : 160150

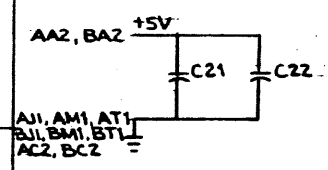
1	2	3	4	5	6	7	8	9	10
OFF	OFF	OFF	OFF	OFF	OFF	OFF	OFF	OFF	OFF
SA12	SA11	SA10	SA9	SA8	SA7	SA6	SA5	SA4	SA3

VECTOR SWITCH (S1) SETTING FOR TESTING : 42X

1	2	3	4	5	6	7	8*
ON	OFF	OFF	OFF	OFF	OFF	OFF	OFF
SV8	SV7	SV6	SV5	SV4			

* ER1 INH SWITCH ON SHEET 3.

LSI11 BUS INTERFACE

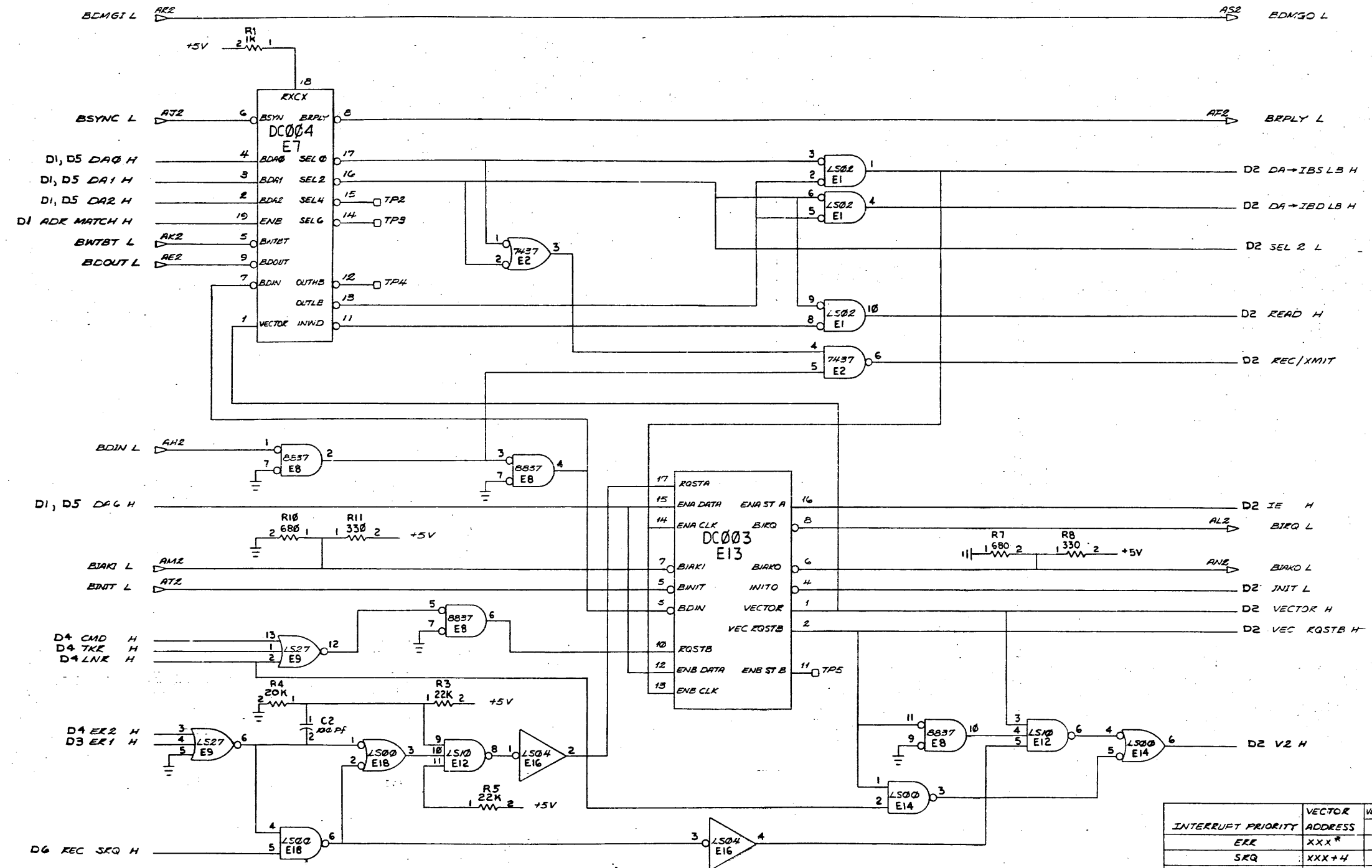


NOTES:

CHANGE NO	REV	DATE	BY	CHK'D	APP'D
001	C	2/11/77	CLAU		
002	D	2/11/77	CLAU		
003	E	2/11/77	CLAU		
004	F	2/11/77	CLAU		
005	G	2/11/77	CLAU		

SIGNATURES	DATE	digital
DRN. M. Quinn	21 SEP 76	
CHK'D R.W. Quinn	21 11 77	TITLE LSI11/IB INTERFACE D:
ENG. J. A. Quinn	21 11 77	SCALE 1 OF 7
PROD. ENG. J. A. Quinn	21 11 77	SIZE CODE NUMBER REV
ETCH REV	FIRST USED ON IBV11-A	D CS M7954-0-1 E

THIS DRAWING AND SPECIFICATIONS, HEREIN, ARE THE PROPERTY OF DIGITAL EQUIPMENT CORPORATION AND SHALL NOT BE REPRODUCED OR COPIED OR USED IN WHOLE OR IN PART AS THE BASIS FOR THE MANUFACTURE OR SALE OF ITEMS WITHOUT WRITTEN PERMISSION. COPYRIGHT © 1976 DIGITAL EQUIPMENT CORPORATION



INTERRUPT PRIORITY	VECTOR ADDRESS	VEC RQSTB JY3	V2 JY2
ERR	XXX*	L	L
SRQ	XXX+4	L	H
CMD, TRK	XXX+10	H	L
LNR	XXX+14	H	H

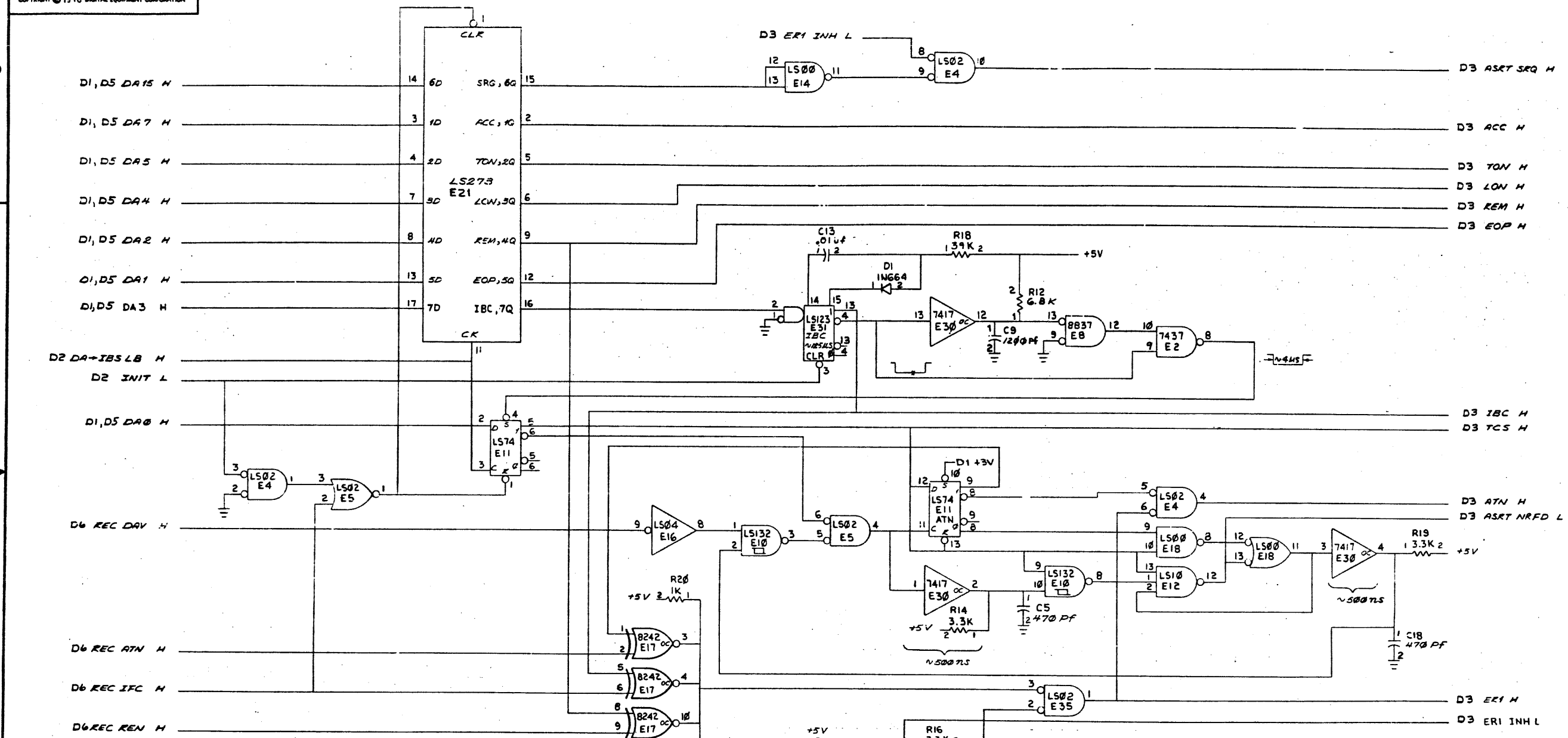
* 000 ≤ XXX ≤ 760

REG SEL AND INTR

D2

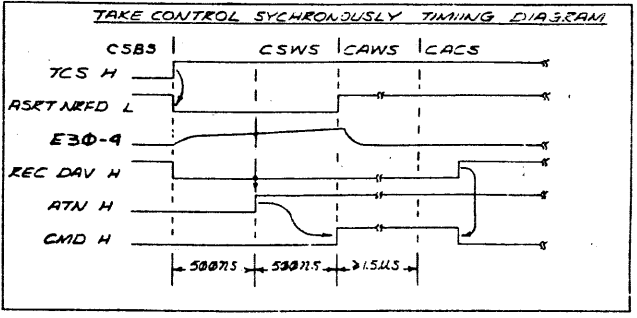
REVISIONS		
CHK	CHANGE NO.	REV.

THIS DRAWING AND SPECIFICATIONS, HEREIN, ARE THE PROPERTY OF DIGITAL EQUIPMENT CORPORATION AND SHALL NOT BE REPRODUCED OR COPIED OR USED IN WHOLE OR IN PART AS THE BASIS FOR THE MANUFACTURE OR SALE OF ITEMS WITHOUT WRITTEN PERMISSION. COPYRIGHT © 1976 DIGITAL EQUIPMENT CORPORATION



NOTE:

SWITCH	ERI DETECTION
CLOSE	INHIBITS
OPEN	ENABLES



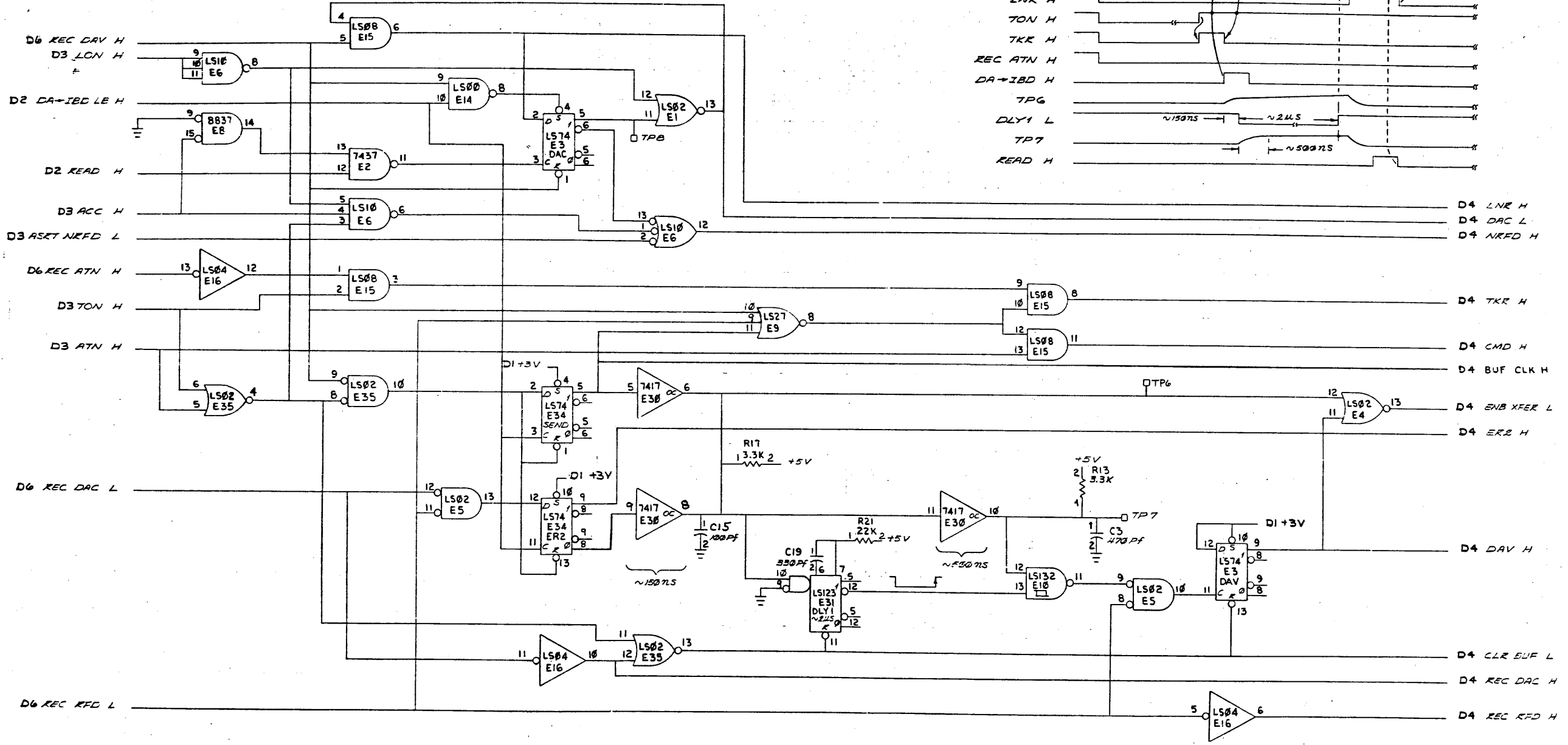
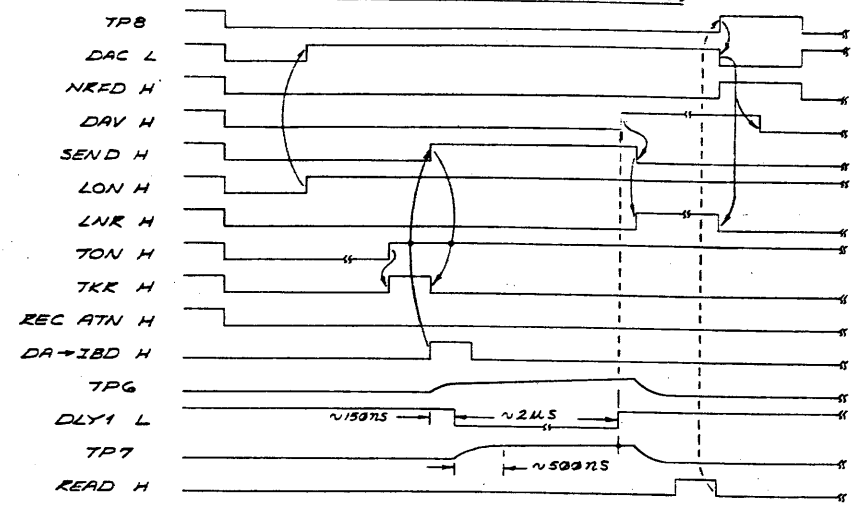
CONTROL AND STATUS

REVISIONS

CHK	CHANGE NO.	REV.

THIS DRAWING AND SPECIFICATIONS HEREIN ARE THE PROPERTY OF DIGITAL EQUIPMENT CORPORATION AND SHALL NOT BE REPRODUCED OR COPIED OR USED IN WHOLE OR IN PART AS THE BASIS FOR THE MANUFACTURE OR SALE OF ITEMS WITHOUT WRITTEN PERMISSION. COPYRIGHT © 1976 DIGITAL EQUIPMENT CORPORATION

TYPICAL HANDSHAKE TIMING DIAGRAM (TALKER - LISTENER)



CONTROL AND HANDSHAKE D4

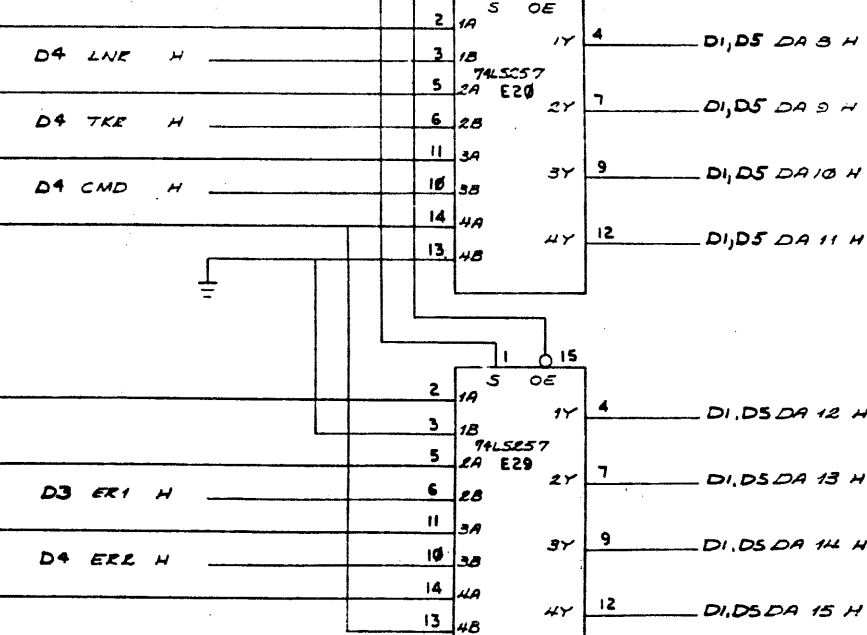
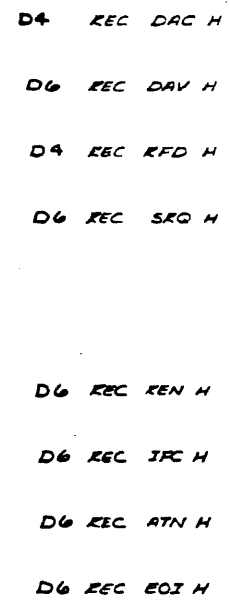
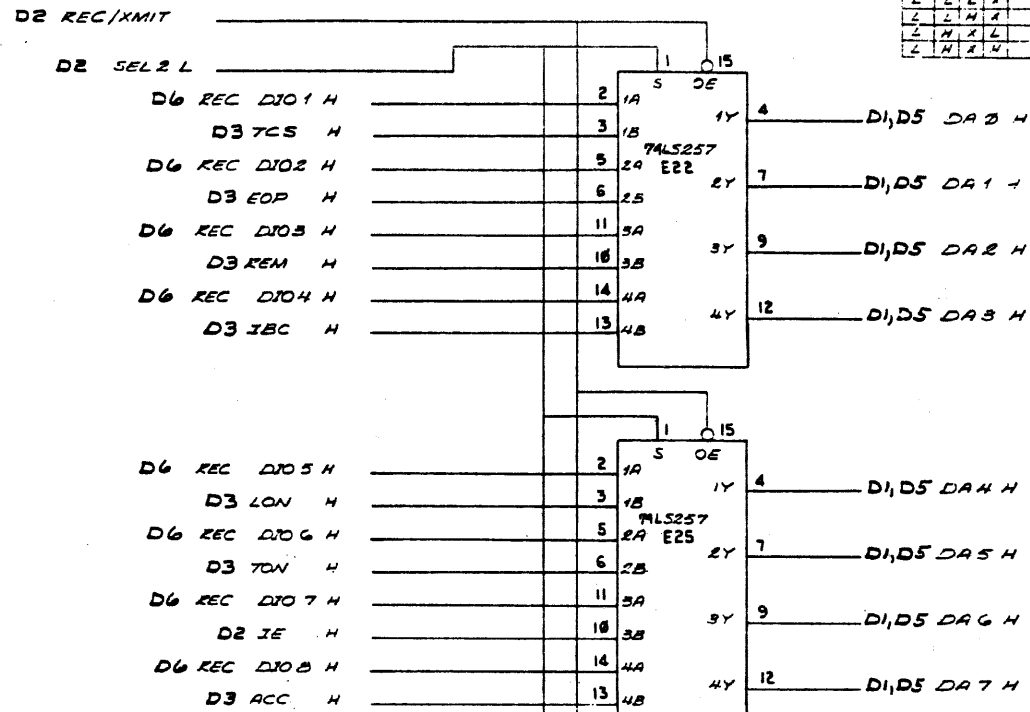
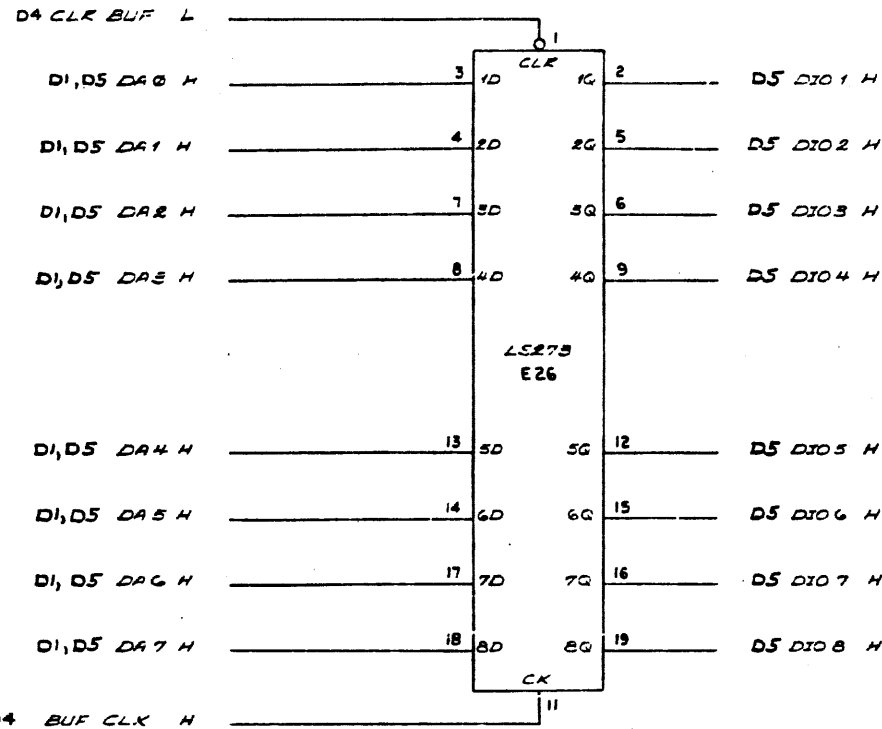
REVISIONS		
CHK	CHANGE NO.	REV.

TITLE	SIZE CODE	NUMBER	REV.
LS11/IB INTERFACE	D CS	M7954-0-1	E
SCALE	SHEET 4 OF 7	DIST.	

THIS DRAWING AND SPECIFICATIONS HEREIN ARE THE PROPERTY OF DIGITAL EQUIPMENT CORPORATION AND SHALL NOT BE REPRODUCED OR COPIED OR USED IN WHOLE OR IN PART AS THE BASIS FOR THE MANUFACTURE OR SALE OF ITEMS WITHOUT WRITTEN PERMISSION. COPYRIGHT © 1976 DIGITAL EQUIPMENT CORPORATION

74LS257 TRUTH TABLE

OE	S	A	B	Y
H	X	X	X	HIGH Z
L	L	L	L	DATA
L	L	H	L	DATA
L	H	L	L	DATA
L	H	H	L	DATA
L	L	L	H	DATA
L	L	H	H	DATA
L	H	L	H	DATA
L	H	H	H	DATA



DATA/STAT MUX

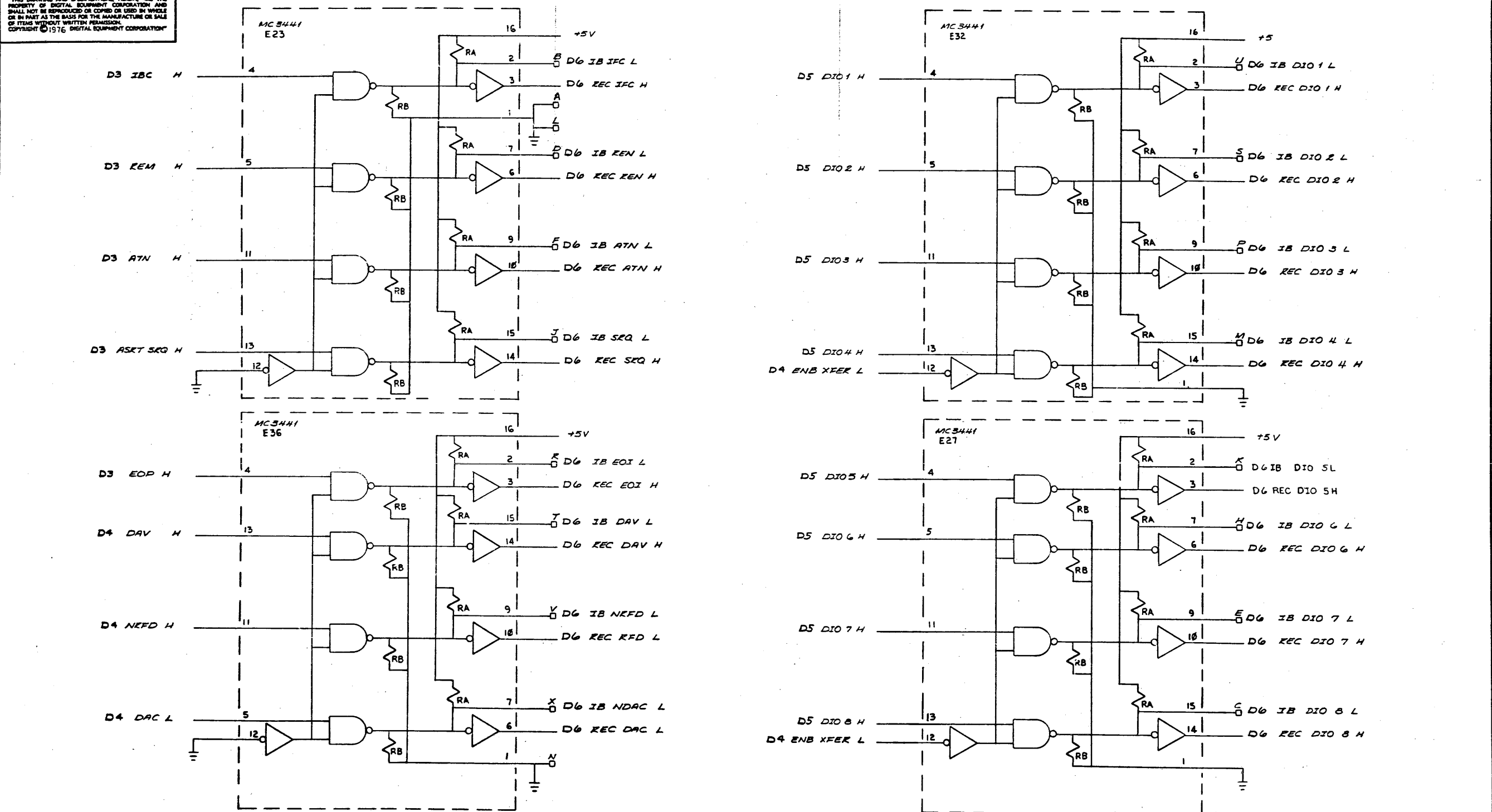
D5

REVISIONS

CHK	CHANGE NO.	REV.

TITLE	SIZE CODE	NUMBER	REV.
LS11/IB INTERFACE	DCS	M7954-0-1	E
SCALE	SHEET	OF	DIST.
	5	7	

THIS DRAWING AND SPECIFICATIONS HEREIN ARE THE PROPERTY OF DIGITAL EQUIPMENT CORPORATION AND SHALL NOT BE REPRODUCED OR COPIED OR USED IN WHOLE OR IN PART AS THE BASIS FOR THE MANUFACTURE OR SALE OF ITEMS WITHOUT WRITTEN PERMISSION. COPYRIGHT © 1976 DIGITAL EQUIPMENT CORPORATION



NOTES: 1. RA = 3.0KΩ, INTERNAL RESISTOR.
 2. RB = 6.2KΩ, INTERNAL RESISTOR.
 3. —□ IS A BERG CONNECTOR PIN.

REVISIONS		
CR	CHANGE NO.	REV.

INSTRUMENT BUS INTERFACE D6

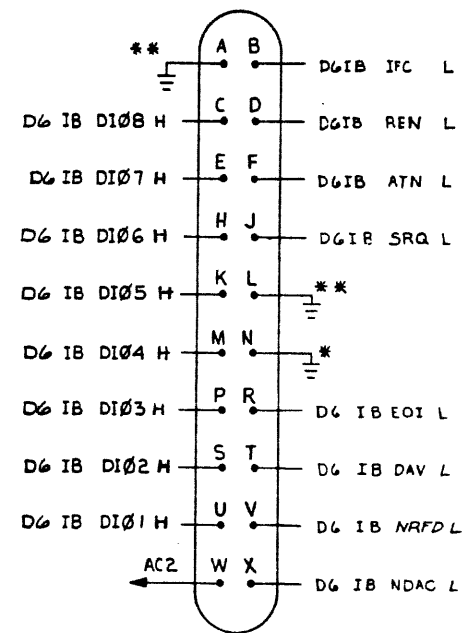
TITLE	LSI11/IB INTERFACE	SIZE CODE	D CS	NUMBER	M7954-0-1	REV.	E
SCALE	1:1	SHEET	6	OF	7	DIST.	

REV. E
 INSTRUMENT NUMBER
 CS M7954-0-1

"THIS DRAWING AND SPECIFICATIONS HEREIN ARE THE PROPERTY OF DIGITAL EQUIPMENT CORPORATION AND SHALL NOT BE REPRODUCED OR COPIED OR USED IN WHOLE OR IN PART AS THE BASIS FOR THE MANUFACTURE OR SALE OF ITEMS WITHOUT WRITTEN PERMISSION. COPYRIGHT © 1976 DIGITAL EQUIPMENT CORPORATION"

3 1-0-0962W 2

- NOTES:
- (*) TERMINATION GROUND (PIN 1) OF DRIVER FOR EOI, DAV, NRFD & NDAC SIGNALS.
 - (**) TERMINATION GROUND (PIN 1) OF DRIVER FOR IFC, REN, ATN & SRQ SIGNALS.



REVISIONS		
CHK	CHANGE NO.	REV.

CABLE CONNECTOR PIN ASSIGNMENT

D7

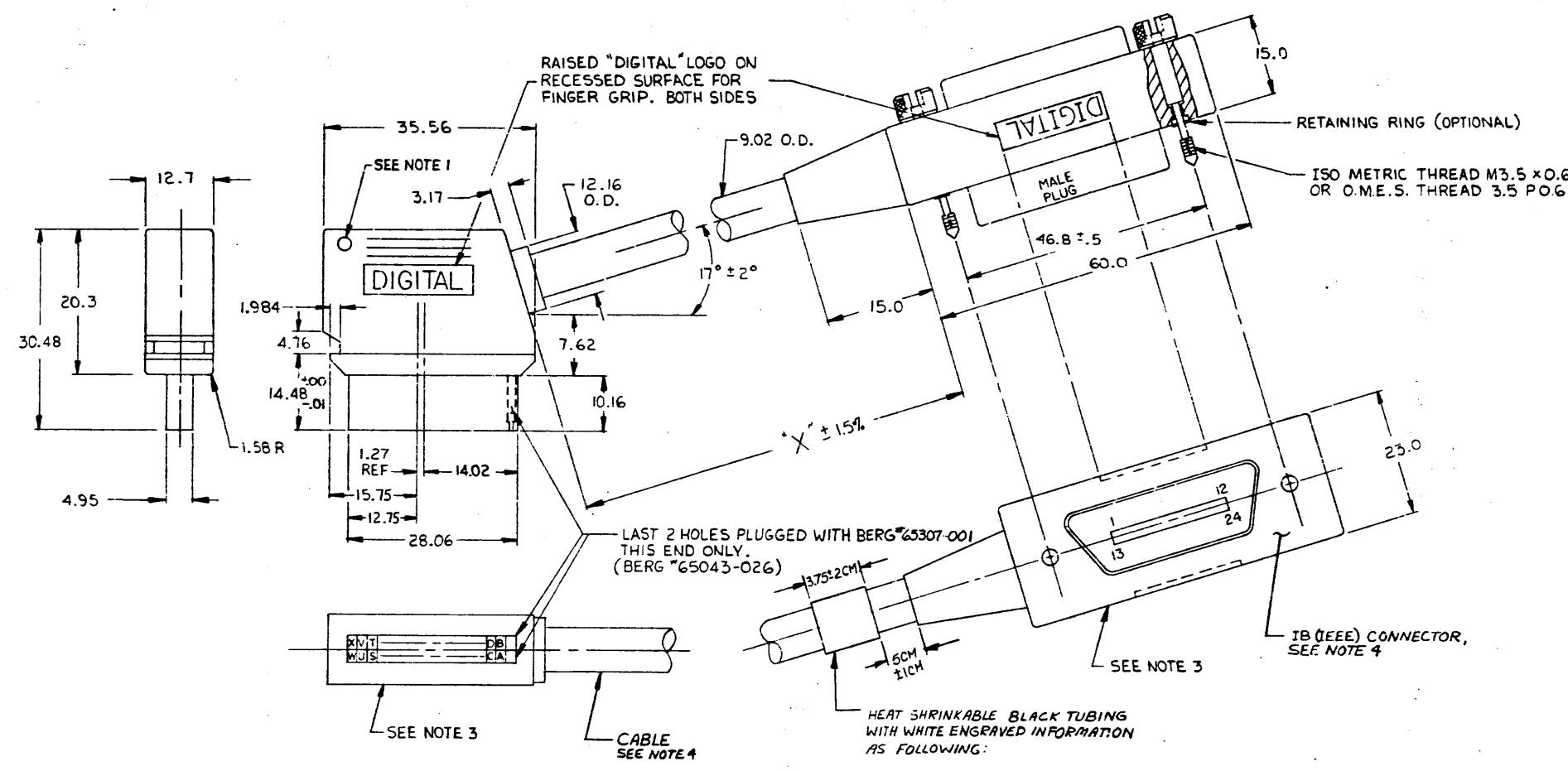
TITLE	SIZE CODE	NUMBER	REV.
LSIII / IB INTERFACE	D CS	M7954-0-1	E
SCALE	SHEET	DIST.	
←→	7 OF 7		

"THIS DRAWING AND SPECIFICATIONS HEREIN ARE THE PROPERTY OF DIGITAL EQUIPMENT CORPORATION AND SHALL NOT BE REPRODUCED OR COPIED OR USED IN WHOLE OR IN PART AS THE BASIS FOR THE MANUFACTURE OR SALE OF ITEMS WITHOUT WRITTEN PERMISSION. COPYRIGHT © 1976, DIGITAL EQUIPMENT CORPORATION"

LEGEND		
PURCHASE NO	OPTION NUMBER	DIM'X (LENGTH)
1700079-00	BN11A-04	4-METER
1700079-01	BN11A-02	2-METER
1700079-02	BN11A-01	1-METER

NOTES:
 1. LOCATING BOSS LOCATED APPROX. AS SHOWN, BOTH SIDES IF NECESSARY.
 2. CABLE AND CONNECTOR COLOR IS GREY.
 3. MOLDING MATERIAL: VINYL
 4. CABLE AND CONNECTOR CHARACTERISTICS ARE DEFINED BY IEEE STD 488-1975

SIGNAL NAME	CONNECTOR PIN		WIRE COLOR
	IB CONNECTOR *	MOLDER BERG HOUSING (22-CAVITY) **	
DIO 1	1	U	BRN
DIO 2	2	S	RED
DIO 3	3	P	ORG
DIO 4	4	M	YEL
EOI	5	R	GRN
DAV	6	T	BLU
NRFD	7	V	VIO
NDAC	8	X	GRY
IFC	9	B	WHT
SRQ	10	J	BLK/WHT
ATN	11	F	BRN/WHT
SHIELD	12	W	N/A SHIELD
DIO 5	13	K	ORG/WHT
DIO 6	14	H	YEL/WHT
DIO 7	15	E	GRN/WHT
DIO 8	16	C	BLU/WHT
REN	17	D	VIO/WHT
GND	18	N	GRY/WHT †
GND	19	N	BLK/BRN/WHT †
GND	20	N	BLK/RED/WHT †
GND	21	A	BLK/ORG/WHT †
GND	22	A	BLK/YEL/WHT †
GND	23	L	BLK/GRN/WHT †
GND	24	L	BLK/BLU/WHT †



METRIC DIMENSIONS

DEC
BN11A-YY
1700079-ZZ

SEE LEGEND OF THIS DRAWING FOR VALUES OF YY AND ZZ.

* CONNECTOR MEETS SPEC. DEFINED BY IEEE STD 488-1975 e.g. CMS #2024.
 ** CONNECTOR MEETS SPEC. DEFINED BY THIS DRAWING.
 CAVITY IS TERMINATED WITH BERG #47441 PART OR EQUIVALENT
 † THESE THREE WIRES ARE CONNECTED AS FOLLOWS.
 N ————
 Δ THESE TWO WIRES ARE CONNECTED AS FOLLOWS.
 A ————
 □ THESE TWO WIRES ARE CONNECTED AS FOLLOWS.
 L ————

REV.	CHANGE NO.	DESCRIPTION
A	00001	INITIAL DESIGN
B	00002	CANCELLED
C	00003	REVISED

THIRD ANGLE PROJECTION		DESCRIPTION	DWG./PART NO.	ITEM NO.
UNLESS OTHERWISE SPECIFIED DIMENSIONS ARE IN MILLIMETERS				
ANGLES	CLASS OF ACCURACY	NOMINAL DIMENSION RANGE MILLIMETER		
10° 30'	(CHECK ONE)	OVER 1 TO 5	OVER 5 TO 30	OVER 30 TO 100
SURFACE QUALITY IN MICRONS	MEDIUM	OVER 100 TO 300	OVER 300 TO 1000	OVER 1000 TO 2000
QUANTITY & VARIATION	PREFERRED	±0.1	±0.2	±0.3
		±0.4	±0.6	±1.0
		±0.8	±1.6	±2.5
DRM	CHK'D	ENG. A	PROJ. ENG.	PROD. A
REMOVE BURRS AND BREAK SHARP CORNERS		FIRST USED ON		
DO NOT SCALE DWG		NEXT HIGHER ASSY.		
MATERIAL	NONE	SCALE	NONE	SIZE CODE
FINISH	NONE	SHEET	OF 1	DIST
		CABLE, BN11A		REV. B

DIGITAL EQUIPMENT CORPORATION MAYNARD, MASSACHUSETTS PARTS LIST				QUANTITY / VARIATION											
MADE BY R.W. COUNTER		CHECKED <i>[Signature]</i>		SECTION											
DATE 8 NOVEMBER 1976		DATE 3 JUN 77		1											
ENG <i>[Signature]</i>		PROD <i>[Signature]</i>		ISSUED SECT.											
DATE 2/11/77		DATE 14 FEB 77		1											
ITEM NO.	DWG NO. / PART NO.	DESCRIPTION													
1	M7954	LS111/IB INTERFACE MODULE		1											
2	BN11A-04	CABLE, (4-METER)		1											
3	MD-11-DVIBA- E -D	DIAGNOSTIC LISTING		1											
4	MP00274	FIELD MAINTENANCE PRINT SET		1											
5	EK-IBV11-TM-001	IBV11-A USER'S MANUAL		1											
6	A-SP-3700273-0-0	PACKAGING INSTRUCTION		REF											
7	9905760	PACKAGING BOX		1											
8	9905622	REVERSE TUCK FOLDING BOX		1											
9	MD-11-DVIBA- E -PB	DIAGNOSTIC PAPER TAPE		1											
TITLE IBV11-A SHIPPING LIST				ASSY NO. B-DD-IBV11-A		SIZE CODE A PL		NUMBER IBV11-A-SH				REV.		ECO NO.	
SHEET 1 OF 1				DIST.											

DEC FORM DEC 16-(325)-1031-N870
DRA 110

PN