

THIS DRAWING AND THE SPECIFICATIONS CONTAINED HEREIN ARE CONFIDENTIAL AND PROPRIETARY. THEY ARE THE PROPERTY OF DIGITAL EQUIPMENT CORPORATION AND SHALL NOT BE REPRODUCED OR COPIED OR USED IN WHOLE OR IN PART AS THE BASIS FOR MANUFACTURING OR SALE OF ITEMS WITHOUT WRITTEN PERMISSION. THIS IS AN UNPUBLISHED WORK PROTECTED UNDER THE FEDERAL COPYRIGHT LAWS.

FIELD MAINTENANCE PRINT SET

TABLE OF CONTENTS

K-TC-CKDEQNA-0-1  
 D-AR-CKDEQNA-0-DBU  
 K-PL-CKDEQNA-0-DBP  
 D-IA-7021202-0-DBU  
 K-PL-7021202-0-DBP

Q-BUS TO ETHERNET CABLE KIT (TC)  
 Q-BUS TO ETHERNET CABLE KIT  
 Q-BUS TO ETHERNET CABLE KIT (PL)  
 CABLE, BULKHEAD ASSY  
 CABLE, BULKHEAD ASSY (PL)

UNIT VARIATIONS  
 COVERED BY THIS  
 PRINT SET

CKDEQNA-KA  
 CKDEQNA-KB  
 CKDEQNA-KC  
 CKDEQNA-K1  
 CKDEQNA-KF

FIELD MAINTENANCE PRINT SET

DIGITAL EQUIPMENT CORPORATION

PRINT SET ORDER NO .

MP-01811-01 REV B1

REVISION HISTORY

CONT. REVISION HISTORY

MADE BY : D. HEALY  
 DATE : 13-OCT-83

d | t | g | t | t | a | l

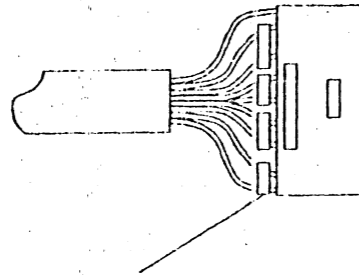
PEV	ECO NUMBER	DATE	REV	ECO NUMBER	DATE
A	INITIAL	-	-	-	-
P	CKDEQNA-MK01	-	-	-	-
C	CKDEQNA-MK04	03-DEC-86	-	-	-

CHECKED BY : D. HEALY  
 DATE : 22-JUL-84  
*[Signature]* 19-DEC-86  
 PROJECT ENGR : K. AMUNDSEN  
 DATE : 22-JUL-84  
 RSPBLE ENGR : M. LAWRENCE  
 DATE : 22-JUL-84  
*[Signature]* 19-DEC-86  
 FIELD SERVICE : D. WATERMAN  
 DATE : 22-JUL-84

TITLE: FIELD MAINTENANCE PRINT SET  
 Q-BUS TO ETHERNET CABLE KIT

SIZE | CODE | DOCUMENT NUMBER | REV.  
 K | TC | CKDEQNA-0-1 | C  
 SHEET 1 OF 1 | EDIT : 3  
 TC FILENAME: CKDEQNA.TCF

ALL DRAWING AND SPECIFICATIONS HEREIN ARE THE PROPERTY OF DIGITAL EQUIPMENT CORPORATION AND SHALL NOT BE REPRODUCED OR COPIED OR USED IN WHOLE OR IN PART AS THE BASIS FOR THE MANUFACTURE OR SALE OF ITEMS WITHOUT WRITTEN PERMISSION.  
 COPYRIGHT © 1984 DIGITAL EQUIPMENT CORPORATION



16-27300-01 FERRITE BEADS  
 (REF D-1A-7021202-0-DBU)

DETAIL A  
 SCALE: 2/1  
 (FOR VARIATIONS -KA, -KB,  
 -KC & -KF ONLY)

LEGEND			
PART NO.	REV	VARIATION	USED ON
CKDEONA-KB	B1	CABLE KIT/DEONA 12" CABLE SHIELDED INSERT	MICRO/PDP-11
CKDEONA-KA	C1	CABLE KIT/DEONA 21" CABLE SHIELDED INSERT	11/23-S, BA123
CKDEONA-KC	B1	CABLE KIT/DEONA 30" CABLE SHIELDED INSERT	11/23-PLUS
CKDEONA-KI	A3	CABLE KIT/DEONA 10" CABLE SHIELDED INSERT	NON FCC COMPLIANT CABINETS
CKDEONA-KF	B1	CABLE KIT/DEONA 36" CABLE SHIELDED INSERT	MICRO 11/23, 11/73

NOTES:

BULKHEAD TURNAROUND  
 (REF ONLY 1222196-02)

M7504 TURNAROUND  
 (REF ONLY 7021489-01)

PLOT AT 1.00  
 LAYER #2: FORMAT  
 LAYER #1 WORK  
 SYSTEM#: 20  
 PROGRAM VERSION: UGRAF D4.0  
 FILE NAME: CKDEONA-0-DBUD  
 TITLE: Q-BUS TO ETHERNET  
 CABLE KIT

CAUTION: SEE OFF SHEET PARTS LIST

REVISIONS	CHANGE NO.	REV.
	INITIAL	A
	CKDEONA-MK001A	B
	T. HANDEL 03/30/88	
	MIKE LAWRENCE	
	CKDEONA-MK002	C
	L. REED 06/JAN/86	
	MIKE LAWRENCE	
	CKDEONA-MK004	D
	L. REED 07/DEC/86	
	MIKE LAWRENCE	

FIRST HIGHER ASSY  
 K-DD-CKDEONA-0-0

DESCRIPTION	DRAWING NO.	PART NO.					
UNLESS OTHERWISE SPECIFIED DIMENSIONS ARE IN INCHES AND THE FOLLOWING TOLERANCES APPLY (PER DEC STD 114)							
INCHES TOLERANCES	ANGLES ±0.20	APPLICABLE DIMENSION RANGE					
		DIMENSION RANGE IN INCHES					
		OVER 0 TO 0.2	OVER 0.2 TO 1.2	OVER 1.2 TO 4.0	OVER 4.0 TO 12.0	OVER 12.0 TO 40.0	OVER 40.0 TO 50.0
.X1 ± .1	SURFACE QUALITY	INCHES DEC					
.XX1 ± .02			±.02	±.03	±.05	±.10	
.XXX1 ± .008			±.004	±.008	±.012	±.024	±.04
THIRD ANGLE PROJECTION	DRON PARKER	DATE 9/9/83	TITLE O-BUS TO ETHERNET CABLE KIT				
DO NOT SCALE DRAWING	DR/D D. HEALY	DATE 10/9/84	digital				
REMOVE BURRS AND BREAK SHARP CORNERS	DES. ENG. KEITH AMUNDSEN	DATE 10/9/84	DOCUMENT NUMBER				
MATERIAL SEE PARTS LIST	RESP. ENG. KEITH AMUNDSEN	DATE 10/9/84	D AR CKDEONA-0-DBU				
FINISH NONE	WFO. ENG. DAVE VANASSE	DATE 10/9/84	SCALE 1:1				

LINE ITEM	TOP DOCUMENT	PART NUMBER	MIN REV	DESCRIPTION	QUANTITY PER VARIATION/REVISION				
					K1 A3	KA C1	KB B1	KC B1	KF B1
1	1 D-UA-M7504-0-0	M7504-00		Q-BUS TO ETHERNET ADAPTER, DUAL	REF	REF	REF	REF	REF
2	2 D-IA-7021202-0-DBU	70-21202-01 B		CABLE BULKHEAD ASSY 12 IN.	-	-	1	-	-
3	3 D-IA-7021202-0-DBU	70-21202-1K C		CABLE BULKHEAD ASSY 21 IN.	-	1	-	-	-
4	4 D-IA-7021202-0-DBU	70-21202-2F B		CABLE BULKHEAD ASSY 30 IN.	-	-	-	1	-
5	5 D-IA-7021202-0-DBU	70-21202-10 A		CABLE BULKHEAD ASSY 10 FT.	1	-	-	-	-
6	6 A-PS-3616073-0-0	36-16073-00		*** THIS ITEM IS NOT USED ***	-	-	-	-	-
7	7 D-IA-7428684-0-DBU	74-28684-02		PLATE, ADAPTER	1	-	-	-	-
8	8	90-09700-00		SCREW, SEMS TRUSS PHIL 10-32	2	-	-	-	-
9	9	90-06453-00		SCREW, SEMS HEX SLOT 6-32	4	-	-	-	-
10	10	99-05128-46		BAG, POLYETHYLENE 4 MIL THK	1	-	-	-	-
11	11 A-SP-3700457-0-0	37-00457-01		PKG GENERAL PURPOSE 9906038-01	-	1	1	1	1
12	12 A-SP-3700457-0-0	37-00457-03		PKG GENERAL PURPOSE 9906038-03	1	-	-	-	-
13	13 D-IA-7021202-0-DBU	70-21202-03 B		BULKHEAD CABLE ASSY.	-	-	-	-	1

REVISION HISTORY			KPL MATRIX FORMAT		SECTION A OF A		DRN: RON PARKER		DIGITAL	
ENG	ECO NUMBER	REV	SECTION/VARIATION INDEX		DATE: 26-NOV-85					
---	INITIAL	A	[A]	K1, KA, KB, KC, KF	CHK'D: FRANK CARBONE	TITLE PARTS LIST				
ML	CKDEQNA-MK001A	B	[B]		DATE: 26-NOV-85 19-DEC-86	Q-BUS TO ETHERNET CABLE KIT				
ML	CKDEQNA-MK002	C	[C]		DES. ENG: KEITH AMUNDSEN					
ML	CKDEQNA-MK004	D	[D]		DATE: 26-NOV-85	DOCUMENT NUMBER				
			[E]			SIZE	CODE	NUMBER	REV	
			[F]		RESP. ENG.: MIKE LAWRENCE					
			[H]		DATE: 26-NOV-85	K	PL	CKDEQNA-0-DBP	D	
			[J]		MFG. ENG: DAVE VAVASSE	RELEASE DATE: 10-DEC-86				
					DATE: 26-NOV-85	RELEASE STATUS: RELEASED				
			BASIC PART NUMBER: CKDEQNA		ASSEMBLY NUMBER: D-AR-CKDEQNA-0-DBU		TOP DOCUMENT NUMBER: K-DD-CKDEQNA-0-0		FILE NAME: CKDEQNA.PLS	
									EDIT #: 1	

"THIS DRAWING AND THE SPECIFICATIONS CONTAINED HEREIN ARE CONFIDENTIAL AND PROPRIETARY. THEY ARE THE PROPERTY OF DIGITAL EQUIPMENT CORPORATION AND SHALL NOT BE REPRODUCED OR COPIED OR USED IN WHOLE OR IN PART AS THE BASIS FOR THE MANUFACTURE OR SALE OF ITEMS WITHOUT WRITTEN PERMISSION. THIS IS AN UNPUBLISHED WORK PROTECTED UNDER THE FEDERAL COPYRIGHT LAWS."

THIS DRAWING AND THE SPECIFICATIONS CONTAINED HEREIN ARE CONFIDENTIAL AND PROPRIETARY. THEY ARE THE PROPERTY OF DIGITAL EQUIPMENT CORPORATION AND SHALL NOT BE REPRODUCED OR COPIED OR USED IN WHOLE OR IN PART AS THE BASIS FOR THE MANUFACTURE OR SALE OF ITEMS WITHOUT WRITTEN PERMISSION. THIS IS AN UNPUBLISHED WORK PROTECTED UNDER THE FEDERAL COPYRIGHT LAWS.

LEGEND

Table with 5 columns: PART NO., REV, DIMENSION "X", USED ON, DIMENSION "Y". Rows include 7021202-01, 7021202-1K, 7021202-2F, 7021202-10, 7021202-03, 7021202-0K.

NOTES:

- 1. KEYING PLUG (ITEM 10) IS INSERTED INTO P2-2.
2. REMOVE JACKET & OUTER BRAID 1.50" TO ALLOW SEPARATION OF WIRES, P2 END.
3. STRIP FOIL SHIELD FROM WIRES, P2 SIDE.
...
17. ITEM 28 TO BE INSTALLED BEFORE ITEMS 6 & 7. ITEM 28 TO BE USED ONE PER EACH OF THE FOLLOWING WIRE PAIRS: COLLISION +/-, RECEIVE +/-, TRANSMIT +/-, POWER AND POWER RETURN.

CAUTION: OFF SHEET PARTS LIST EXISTS. REFER TO K-PL-7021202-0-DBP.

Table with 4 columns: CHG, CHANGE NO., REV, INITIAL. Lists revision history with names like A. HAYNES, K. ADAMSEN, B. PELLICIA, etc.

Engineering drawing header and title block. Includes fields for DESCRIPTION, DRAWING NO., PART NO., ITEM NO., DIMENSION RANGE IN INCHES, TOLERANCES, and TITLE: CABLE, BULKHEAD ASSY.

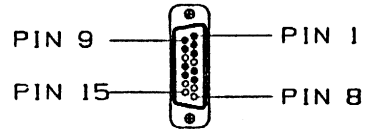
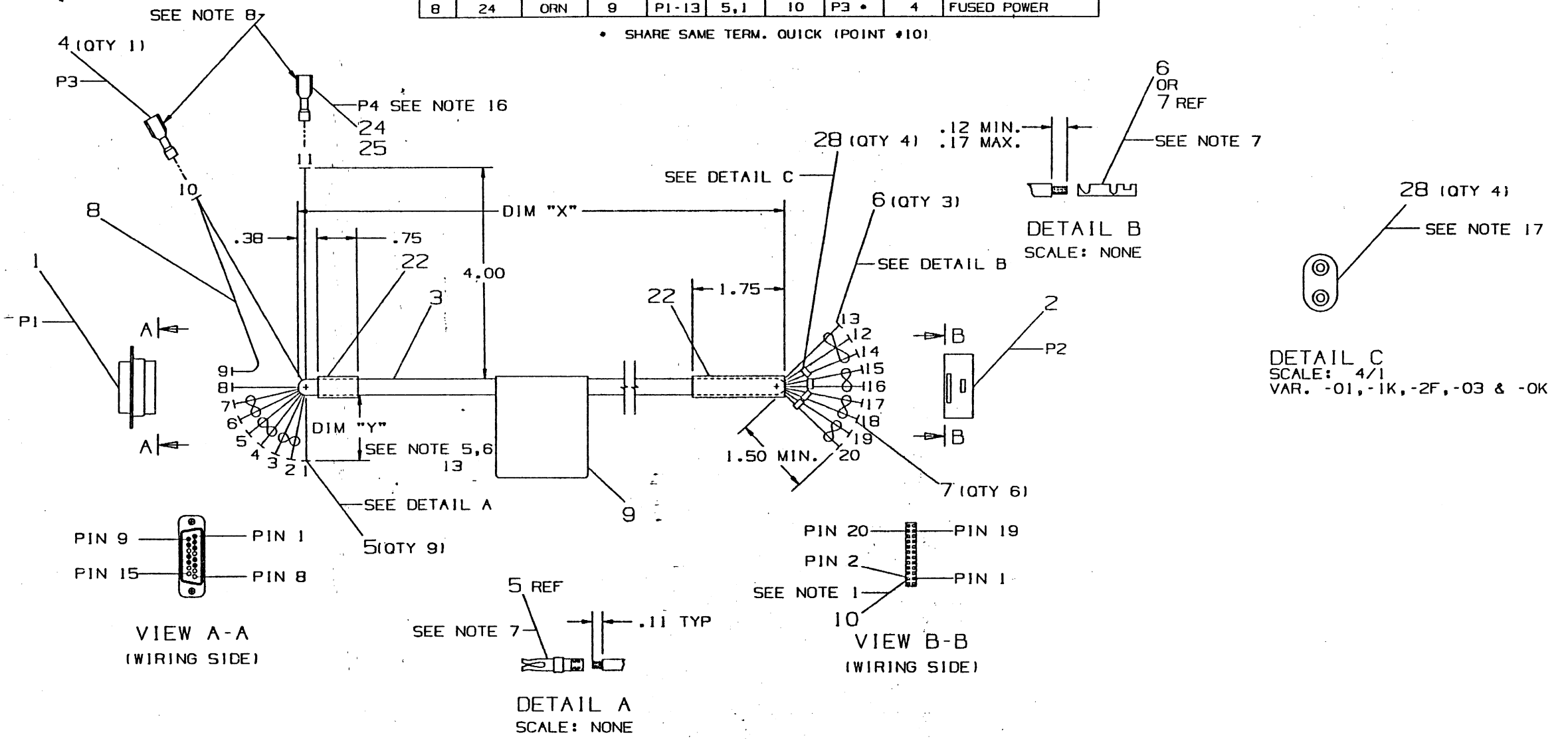
Vertical text on the right edge: D:\A1\7021202-0-DBU, I, B, A

THIS DRAWING AND THE SPECIFICATIONS CONTAINED HEREIN ARE CONFIDENTIAL AND PROPRIETARY. THEY ARE THE PROPERTY OF DIGITAL EQUIPMENT CORPORATION AND SHALL NOT BE REPRODUCED OR COPIED OR USED IN WHOLE OR IN PART AS THE BASIS FOR THE MANUFACTURE OR SALE OF ITEMS WITHOUT WRITTEN PERMISSION. THIS IS AN UNFINISHED WORK PROTECTED UNDER THE FEDERAL COPYRIGHT LAWS.

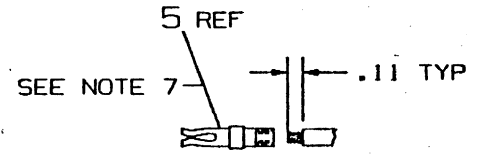
WIRE TABLE

ITEM NO.	DESCRIPTION			FROM			TO			REMARKS
	AWG	COLOR	POINT	CONN	TERM	POINT	CONN	TERM		
3	24	DRAIN	1	PI-1	5,1	-	-	-	SHIELD DRAIN WIRE	
3	28	BLU	2	PI-2	5,1	20	P2-14	7,2	COLLISION +	
		GRN	3	PI-9	5,1	19	P2-15	7,2	COLLISION -	
3	28	WHT	4	PI-5	5,1	18	P2-6	7,2	RECEIVE +	
		GRY	5	PI-12	5,1	17	P2-7	7,2	RECEIVE -	
3	28	ORG	6	PI-3	5,1	16	P2-10	7,2	TRANSMIT +	
		YEL	7	PI-10	5,1	15	P2-11	7,2	TRANSMIT -	
3	24	BLK	8	PI-6	5,1	14	P2-4	6,2	POWER RETURN	
		VIO	10	P3 *	4	13	P2-20	6,2	FUSE OK	
		RED	11	P4	24	12	P2-1	6,2	POWER	
8	24	ORN	9	PI-13	5,1	10	P3 *	4	FUSED POWER	

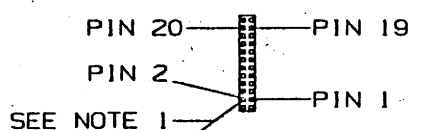
\* SHARE SAME TERM. QUICK (POINT #10)



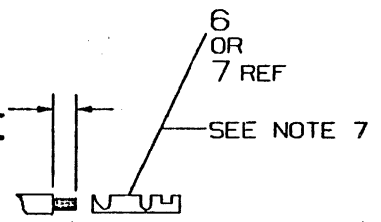
VIEW A-A (WIRING SIDE)



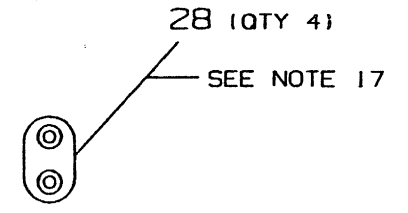
DETAIL A SCALE: NONE



VIEW B-B (WIRING SIDE)



DETAIL B SCALE: NONE



DETAIL C SCALE: 4/1  
VAR. -01, -1K, -2F, -03 & -0K

REVISIONS		
CHK	CHANGE NO	REV

TITLE	CABLE, BULKHEAD ASSY	SIZE CODE	DIA	NUMBER	7021202-0-DBU	REV	H
SCALE	1/1	SHEET	2	OF	4	DIST	

"THIS DRAWING AND SPECIFICATIONS, HEREIN, ARE THE PROPERTY OF DIGITAL EQUIPMENT CORPORATION AND SHALL NOT BE REPRODUCED OR COPIED OR USED IN WHOLE OR IN PART AS THE BASIS FOR THE MANUFACTURE OR SALE OF ITEMS WITHOUT WRITTEN PERMISSION. COPYRIGHT © 1984 DIGITAL EQUIPMENT CORPORATION"

DIAL 7021202-0-DBU

C

B

A

DIAL 7021202-0-DBU

B

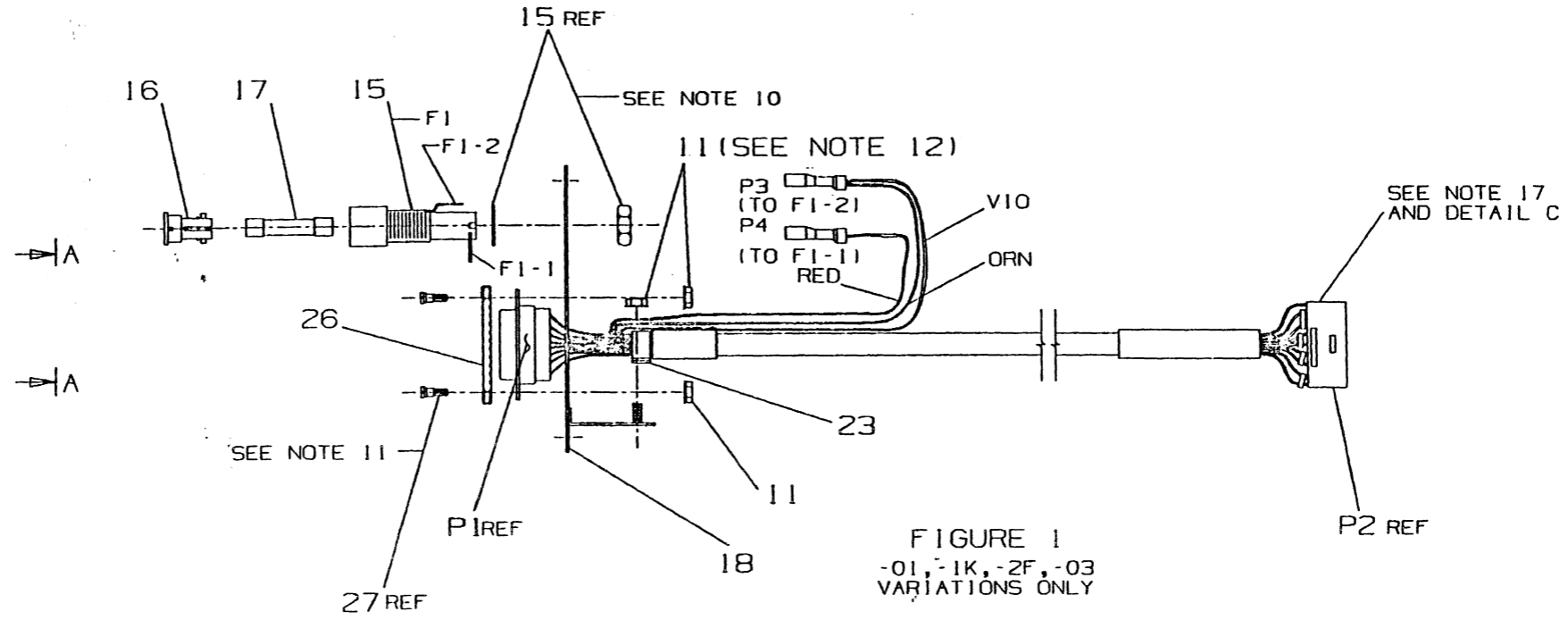
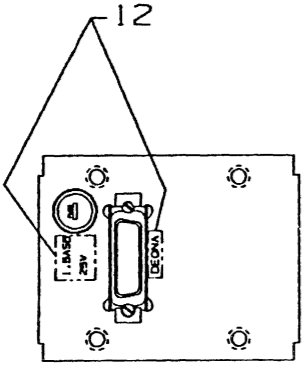


FIGURE 1  
-01, -1K, -2F, -03  
VARIATIONS ONLY

VIEW A-A



VIEW B-B

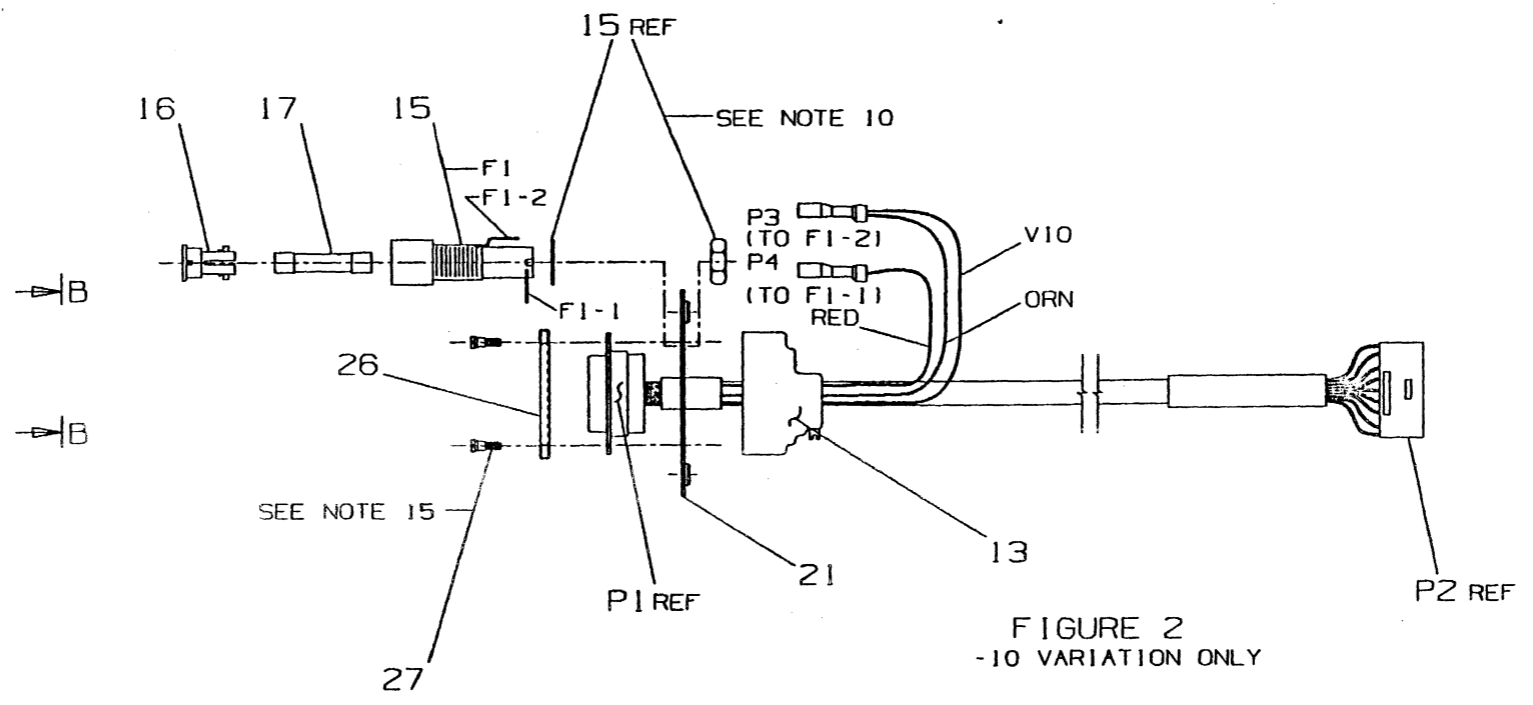


FIGURE 2  
-10 VARIATION ONLY

PLOT AT 1.00

REVISIONS		
CHK	CHANGE NO	REV

TITLE	CABLE, BULKHEAD ASSY	SIZE CODE	DIA	NUMBER	7021202-0-DBU	REV	H
SCALE	1/1	SHEET	3	OF	4	DIST	

1 MKO

THIS DRAWING AND THE SPECIFICATIONS CONTAINED HEREIN ARE CONFIDENTIAL AND PROPRIETARY. THEY ARE THE PROPERTY OF DIGITAL EQUIPMENT CORPORATION AND SHALL NOT BE REPRODUCED OR COPIED OR USED IN WHOLE OR IN PART AS THE BASIS FOR THE MANUFACTURE OR SALE OF ITEMS WITHOUT WRITTEN PERMISSION. THIS IS AN UNPUBLISHED WORK PROTECTED UNDER THE FEDERAL COPYRIGHT LAWS.

DIA 7021202-0-DBU

C

B

A

A

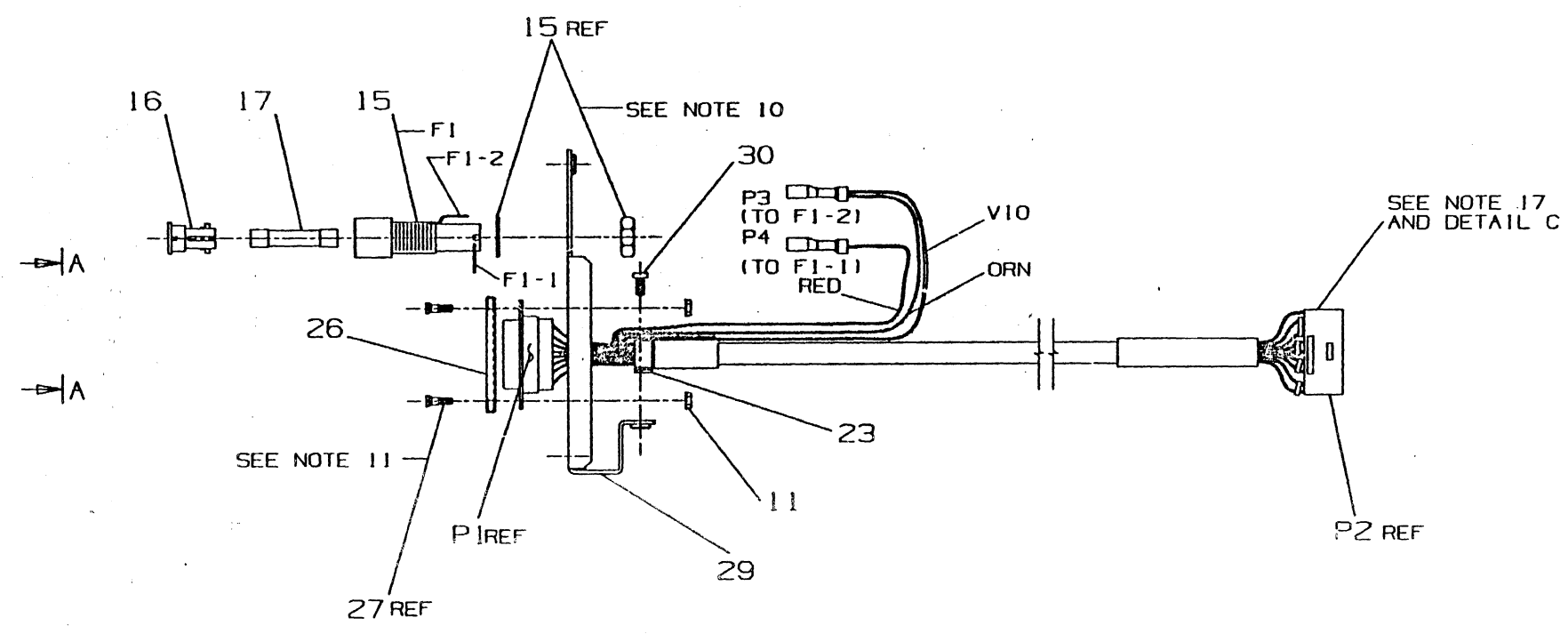


FIGURE 3  
-OK VARIATION ONLY

PLOT AT 1.00

REVISIONS		
CHK	CHANGE NO	REV

TITLE CABLE, BULKHEAD ASSY		SIZE CODE DIA	NUMB. 7021202-0-DBU	REV H
SCALE 1/1	SHEET 4	OF 4	DIST	

MKO

DIA 7021202-0-DBU

B

A

LINE ITEM	TOP DOCUMENT	PART NUMBER	MIN REV	DESCRIPTION	QUANTITY PER VARIATION/REVISION					
					01 B2	03 B2	0K A1	10 A5	1K C2	2F B2
1	A-PS-1210493-0-0	12-10493-58		CONN,D SUB 15SKT HSG STR	1	1	1	1	1	1
2	A-PS-1210918-0-0	12-10918-25		CONN,P+S 24POS(2X12).100CC HSG	1	1	1	1	1	1
3	A-PS-1700347-0-0	17-00347-01		CABLE,RND 09COND 28AWG TWP	18	42	15	126	27	36
4	A-PS-1217000-0-0	12-17000-08		TERM,QUICK .187TAB 18-22AWG .1	1	1	1	1	1	1
5	A-PS-1210493-0-0	12-10493-45		CONN,D SUB SKT CRIMP 28-24AWG	9	9	9	9	9	9
6	A-PS-1210089-0-0	12-10089-07		CONN,P+S 01SKT 28-22AWG .0500D	3	3	3	3	3	3
7	A-PS-1210089-0-0	12-10089-00		CONN,P+S 01SKT 32-28AWG .0500D	6	6	6	6	6	6
8		91-07901-33		WIRE, 24AWG(07/32) PVC 300V B	4	4	4	6	4	4
9	A-PS-3616073-0-0	36-16073-00		LABEL,ID W/COPY VERTICAL	1	1	1	1	1	1
10		90-09140-00		CONN,P+S POLARIZING PLUG FOR-12	1	1	1	1	1	1
11		90-06557-00		NUT,HEX EXT TOOTH LCKWSHR 4-40X	3	3	2	-	3	3
12	A-PS-3622856-0-0	36-22856-01		LABEL,DEQNA 1.5ASB 25V	-	-	-	1	-	-
13	A-PS-1211245-0-0	12-11245-02		CONN,D SUB 15POS HOOD STRAIGHT PLA	-	-	-	1	-	-
14	A-PS-1218495-0-0	12-18495-00		*** THIS ITEM IS NOT USED ***	-	-	-	-	-	-
15	A-PS-122255-0-0	12-22255-02		FUSE HOLDER 1P 3AG15X20 16A 250	1	1	1	1	1	1
16	A-PS-122255-0-0	12-22255-03		FUSE CARRIER 3AG TYPE 16A 250	1	1	1	1	1	1
17		90-07213-00		FUSE 3AG 1.50 A 250V SLOW-BLOW G	1	1	1	1	1	1
18	D-IA-7021989-0-0	70-21989-01		PLATE BULKHEAD ASSY	1	1	-	-	1	1
19	D-IA-7021989-0-0	70-21989-02		*** THIS ITEM IS NOT USED ***	-	-	-	-	-	-
20	A-PS-3611567-0-0	36-11567-01		*** THIS ITEM IS NOT USED ***	-	-	-	-	-	-
21	B-IA-7429472-0-DBU	74-29272-01		BAFFLE	-	-	-	1	-	-
22		91-07252-00		TUBING,SHRINK .375ID EXP	3	3	3	3	3	3
23	A-PS-1223410-0-0	12-23410-01		CLAMP,CABLE .250ID	1	1	1	-	1	1
24	A-PS-1222522-0-0	12-22522-01		TERM,QUICK .187TAB 24-20AWG .0	1	1	1	1	1	1
25		91-07254-00		TUBING,SHRINK .187ID EXP	1	1	1	1	1	1
26	A-PS-1218489-0-0	12-18489-03		LATCH ASSY,SLIDE	1	1	1	1	1	1
27	A-PS-1218489-0-0	12-18489-05		LATCH ASSY,SLIDE .41 LG POST	2	2	2	2	2	2
28	A-PS-1627300-0-0	16-27300-01		BEAD,FERRITE USED ON DEQNA BULKHEA	4	4	4	-	4	4
29		74-33868-01		BRACKET,COMPONENT MOUNTING	-	-	1	-	-	-
30		90-09643-02		SCREW,SEMS PAN PHIL 4-40	-	-	1	-	-	-

REVISION HISTORY			KPL MATRIX FORMAT!SECTION A OF A!			DRN: R. PARKER			DIGITAL		
ENG!	ECO NUMBER	REV	SECTION/VARIATION INDEX			DATE: 09-JAN-84			TITLE PARTS LIST		
---	INITIAL	A	[A]	01,03,0K,10,1K,2F	CHK'D: D. HEALY			CABLE BULKHEAD ASSY			
KA	7021202-TW001	B	[B]		DATE: 09-JAN-84						
CG	7021202-TW002	C	[C]		DES.ENG: K. AHUNDSEN						
ML	7021202-MK001A	D	[D]		DATE: 09-JAN-84			DOCUMENT NUMBER			
ML	CKDEQNA-MK002	E	[E]					SIZE!CODE! NUMBER ! REV			
ML	CKDEQNA-MK004	F	[F]		RESP.ENG.: K. AHUNDSEN						
ML	7021202-MK003	H	[H]		DATE: 09-JAN-84			K ! PL ! 7021202-0-DBP ! H			
			[J]		<i>D. Blum</i> 10-FEB-87						
					MFG.ENG: D. VANASSE			RELEASE DATE: 10-FEB-87			
					DATE: 09-JAN-84			RELEASE STATUS: RELEASED			
			BASIC PART NUMBER:			ASSEMBLY NUMBER:			TOP DOCUMENT NUMBER:		
			7021202			D-IA-7021202-0-DBU			D-IA-7021202-0-DBU		
									FILE NAME: 7021202H.PLS		
									EDIT # 6		

"THIS DRAWING AND THE SPECIFICATIONS CONTAINED HEREIN ARE CONFIDENTIAL AND PROPRIETARY. THEY ARE THE PROPERTY OF DIGITAL EQUIPMENT CORPORATION AND SHALL NOT BE REPRODUCED OR COPIED OR USED IN WHOLE OR IN PART AS THE BASIS FOR THE MANUFACTURE OR SALE OF ITEMS WITHOUT WRITTEN PERMISSION. THIS IS AN UNPUBLISHED WORK PROTECTED UNDER THE FEDERAL COPYRIGHT LAWS."