





PARTS LIST

LINE	ITEM	DOCUMENT NUMBER	PART NUMBER	DESCRIPTION	QUANTITY PER VARIATION		
					A	B	C
1	1		1220292-01	WASHER, PLASTIC FOR 12-20243-01	1	1	1
2	2	E-AD-7019579-0-0	7019579-00	REAR COVER ASSY	1	1	1
3	3		9006025-01	SCREW, MACH PAN PHIL 6-	1	1	1
4	4		1220293-01	CAP, SNAP OFF WHITE FOR 12-20292-	1	1	1
5	5	E-AD-7019578-0-0	7019578-00	BEZEL ASSY (WHT POS)	1	-	-
6	6	E-AD-7019578-0-0	7019578-01	BEZEL ASSY, (GRN POS)	-	1	-
7	7	E-AD-7019578-0-0	7019578-02	BEZEL ASSY, (AMBER POS)	-	-	1
8	8		9006659-00	WASHER, FLAT	1	1	1
9	9	A-PA-3700688-0-0	3700688-01	PKG. MONITOR VR201	1	1	1

REVISION HISTORY		BASIC PART NO: VR201		DRN: B. NETTO <i>BN</i>		DATE: 3-MAY-82		DIGITAL	
ENG	ECO NUMBER	REV	SECTION A OF A	CHK'D:	D. HEALY <i>DH</i>	DATE:	4-MAY-82	TITLE	PARTS LIST
	INITIAL	A	SECTION. VARIATION INDEX					MONITOR ASSY	
			[A] A, B, C						
			[B]	DES. ENG.:	D. MOORE <i>DM</i>	DATE:	4-MAY-82		
			[C]	RESP. ENG.:	D. BOUDREAU <i>DB</i>	DATE:	4-MAY-82	DOCUMENT NUMBER	
			[D]					SIZE	CODE
			[E]	MFG. ENG.:	G. WU <i>GW</i>	DATE:	04-MAY-82	K	PL
			[F]	ASSEMBLY NUMBER:		TOP DOCUMENT NUMBER:		VR201-0-DBP	REV
				E-UA-VR201-0-0		#PC350		FILE NAME:	EDIT #
								Z4564A.FLS	12

\*THIS DRAWING AND SPECIFICATIONS HEREIN, ARE THE PROPERTY OF DIGITAL EQUIPMENT CORPORATION AND SHALL NOT BE REPRODUCED OR COPIED OR USED IN WHOLE OR IN PART AS THE BASIS FOR THE MANUFACTURE OR SALE OF ITEMS WITHOUT WRITTEN PERMISSION. COPYRIGHT (C) 1982. DIGITAL EQUIPMENT CORPORATION \*





AUTOMATED BY PRTLST.3P(44)

PARTS LIST

SHEET A1 OF A4

LINE	ITEM	TOP DOCUMENT	PART NUMBER	MIN REV	DESCRIPTION	VARIATION REVISION LEVEL:	QTY	PER VARIATION	REFERENCE DESIGNATOR
1	1	D-MD-5015499-0-0	5015499-00		CIRCUIT DRILL & ETCH		1		
2	2		10000C9-00		33.0 MMF 100V 5%200PPM MICA		1		
3	3		1000016-00		100.0 MMF 100V 5%200PPM MICA		1		C36
4	4		1000060-00		6800.0 MMF 200V 10% MYLR		1		C206
5	5		1001631-00		390.0 MMF 100V 5%200PPM MICA		1		C307
6	6		1004813-00		10 MFD 20V 10% S.TANT		1		C99
7	7		1009312-00		.0047 MFD 100V 1% MYLR		2		C15,C43
8	8		1010274-02		1 MFD 50V +80-20% CER		1		C13
9	9		1010978-36		.1 MFD 50V 10% CER		5		C601
10	10		1010978-40		.22 MFD 50V 10% CER		3		C306,C314,C316,C406,C407
11	11		1012219-00		47 MFD 30V +75-10% AL EL		1		C204,C205,C200
12	12		1012312-01		.47 MFD 50V +80-20% CER		1		C211
13	13		1012784-00		.047 MFD 50V +80-20% CER		8		C1,C3,C4,C16,C207,C311,C313,C217
14	14		1013280-00		680.0 MMF 1000V 5%200PPM MICA		1		C214
15	15		1013291-00		*** THIS ITEM IS NOT USED ***		-		C500
16	16		1013669-02		.10 MFD 150V 5% M.POLYPROP		3		
17	17		1013963-00		3300.0 MMF 500V 20% Z5U DISC		3		C35,C37,C38
18	18		1014052-00		100 MFD 25V+100-10% AL EL		5		C400,C401,C403
19	19		1016544-00		.1 MFD 100V 10% MYLR		4		C34,C310,C312,C404,C39
20	20		1016546-00		.22 MFD 660V 10% MET. MYLR		2		C19,C22,C25,C40
21	21		1016547-00		*** THIS ITEM IS NOT USED ***		-		C216,C308
22	22		1016548-00		1000 MFD 16V +50-10% AL EL		4		
23	23		1016553-00		4.7MFD 25V +75-10% AL EL		1		C24,C30,C41,C303
24	24		1016555-00		22 MFD 50V +50-10% AL EL		4		C209
25	25		1016557-00		470 MFD 16V +50-10% AL EL		3		C18,C26,C32,C300
26	26		1016558-00		10 MFD 25V 20% AL EL		1		C42,C309,C318
27	27		1016571-00		.02 MFD 500V +80-20%Z5U DISC		1		C23
28	28		1017891-02		.01 MFD 50V 5% POLYPROP		1		C5
29	29		1019559-01		.02 MFD 1000V +80-20% CER		3		C10
30	30		1020166-01		10 MFD 250V +50-10% AL EL		1		C27,C29,C317

REVISION HISTORY			BASIC PART NO: 5415500		DRN: R.Z. BUREAU		DATE: 03-MAY-82		D I G I T A L	
ENG	ECO NUMBER	REV	SECTION A OF A		CHK'D:	JOHN COTE	DATE:	22-JUN-82	TITLE PARTS LIST	
---	INITIAL	A	SECTION VARIATION INDEX		DES.ENG:	BILL NOTT	DATE:	22-JUN-82	DOCUMENT NUMBER	
JF	5415500-ML001	B	[A]	00	RESP.ENG.:	BILL NOTT	DATE:	22-JUN-82	SIZE	CODE
BN	5415500-ML002	C	[B]		MFG.ENG.:	CLYDE TANNER	DATE:	24-JUN-82	PL	NUMBER
JF	5415500-ML003	D	[C]		ASSEMBLY NUMBER:	D-UA-5415500-0-0	TOP DOCUMENT NUMBER:	#B-DD-5415500-0	5415500-0-DBP	REV
CT	5415500-ML004	E	[D]				FILE NAME:	Z4454M.PLS		
CT	5415500-ML005	F	[E]				RELEASE DATE:	30-MAR-84		
BN	5415500-ML006	H	[F]							
B.N	5415500-ML007	J	[H]							
BN	5415500-ML008	K	[J]							
AJ	5415500-ML009	L	[K]							
AJ	5415500-ML012	M	[L]							
			[M]							
			[N]							
										EDIT #
										35

"THIS DRAWING AND THE SPECIFICATIONS CONTAINED HEREIN ARE CONFIDENTIAL AND PROPRIETARY. THEY ARE THE PROPERTY OF DIGITAL EQUIPMENT CORPORATION AND SHALL NOT BE REPRODUCED OR COPIED OR USED IN WHOLE OR IN PART AS THE BASIS FOR THE MANUFACTURE OR SALE OF ITEMS WITHOUT WRITTEN PERMISSION. THIS IS AN UNPUBLISHED WORK PROTECTED UNDER THE FEDERAL COPYRIGHT LAWS."

LINE	ITEM	TOP DOCUMENT	PART NUMBER	MIN REV	DESCRIPTION	QTY	PER VARIATION	REFERENCE DESIGNATOR
					VARIATION REVISION LEVEL:	00		
						J3		
31	31		1105796-00		PIV= 400 IO= 1.00A 1N4004 D0-41	6		D3,D21,D302-D304,D400
32	32		1109443-00		VZ= 5.1 5% 50 W 1N5231B	1		D11
33	33		1109502-00		VZ= 12.0 10% 1 W 1N4742	1		D9
34	34		1109988-00		VZ= 13.0 5% 400 MW 1N964B	1		D404
35	35		1112594-02		PIV= 600 IO= 3.00A	2		D6,D301
36	36		1112595-01		PIV= 200 IO= 1.00A AXIAL	4		D1,D2,D4,D7
37	37		1112595-02		PIV= 600 IO= 1.00A AXIAL	1		D300
38	38		1115112-00		RECT,ULTRA FAST PIV= 800 IO= 1.0	1		D5
39	39		1120091-01		VZ= 9.6 1% 500 MW	1		D202
40	40		1210929-05		FUSE, SUB-MINI, 2.500A, 125V, A	1		F1
41	41		1212487-02		HEAT SINK 01.18X01.	2		
42	42		1214460-01		*** THIS ITEM IS NOT USED ***	-		
43	43		1215228-03		HEAT SINKS,T0-220 1.250X0.87	1		
44	44		1216521-00		PCB,HEADER 04PIN(1X04).156CC STR	1		J2
45	45		1218826-00		CONN,PHONE JACK 04 POS	1		J3
46	46		1219608-01		CONN,HI V 07POS SOCKET CRT	1		P1
47	47		1220128-01		HEAT SINK,T0-202 1.450X01.	1		
48	48		1300168-00		10.0 .50 W 5.0 % CF	1		R20
49	49		1300197-00		33.0 .25 W 5.0 % CF	1		R19
50	50		1300228-00		100.0 .50 W 5.0 % CF	1		R44
51	51		1300229-00		100.0 .25 W 5.0 % CF	1		R108
52	52		1300249-00		150.0 .50 W 5.0 % CF	1		R311
53	53		1300250-00		150.0 .25 W 5.0 % CF	1		R57
54	54		1300271-00		220.0 .25 W 5.0 % CF	3		R600,R603,R601
55	55		1300274-00		220.0 .50 W 5.0 % CF	1		R35
56	56		1300316-00		470.0 .25 W 5.0 % CF	3		R6,R7,R227
57	57		1300348-00		680.0 2.0 W 5.0 % CC	1		R34
58	58		1300365-00		1.0 K .25 W 5.0 % CF	1		R225
59	59		1300398-00		*** THIS ITEM IS NOT USED ***	-		
60	60		1300417-00		*** THIS ITEM IS NOT USED ***	-		
61	61		1300426-00		*** THIS ITEM IS NOT USED ***	-		
62	62		1300439-00		3.30 K .25 W 5.0 % CF	1		R39
63	63		1300444-00		*** THIS ITEM IS NOT USED ***	-		
64	64		1300445-00		4.70 K .50 W 5.0 % CF	1		R40
65	65		1300447-00		4.70 K .25 W 5.0 % CF	3		R117,R501,R209
66	66		1300521-00		*** THIS ITEM IS NOT USED ***	-		
67	67		1301310-00		270.0 K .25 W 5.0 % CF	1		R224
68	68		1301317-00		10.0 .25 W 5.0 % CF	2		R106,R605
69	69		1301320-00		*** THIS ITEM IS NOT USED ***	-		
70	70		1301477-00		*** THIS ITEM IS NOT USED ***	-		
71	71		1301969-00		22.0 .25 W 5.0 % CF	2		R107,R216
72	72		1301972-00		270.0 .25 W 5.0 % CF	3		R12,R61,R502
73	73		1302092-00		220.0 K .25 W 5.0 % CF	1		R36
74	74		1302379-00		75.0 .25 W 5.0 % CF	1		R8
75	75		1302391-00		20.0 K .25 W 5.0 % CF	1		R214
76	76		1302395-00		*** THIS ITEM IS NOT USED ***	-		
77	77		1302396-00		150.0 K .25 W 5.0 % CF	1		R500
78	78		1302397-00		180.0 K .25 W 5.0 % CF	1		R204

D	I	G	I	T	A	L	TITLE	SECTION A	OF A	SIZE	CODE	DOCUMENT NUMBER	REV
							VR201 MONITOR			K	PL	5415500-0-DBP	M

LINE	ITEM	TOP DOCUMENT	PART NUMBER	MIN REV	DESCRIPTION	QTY	PER VARIATION	REFERENCE DESIGNATOR
					VARIATION REVISION LEVEL:	00		
						J3		
79	79		1302411-00		511.0 .25 W 1.0 % RN55D-F10	1		R10
80	80		1302465-00		*** THIS ITEM IS NOT USED ***	-		
81	81		1302466-00		100.0 K .25 W 5.0 % CF	6		R210,R217,R230,R316,R317,R602
82	82		1302887-00		130.0 .25 W 1.0 % RN55D-F10	2		R219,R503
83	83		1303114-00		1.0 K .25 W 1.0 % RN55D-F10	1		R319
84	84		1303177-00		2.40 K .25 W 5.0 % CF	1		R228
85	85		1303187-00		820.0 K .25 W 5.0 % CF	1		R320
86	86		1303219-00		82.0 K .25 W 5.0 % CF	3		R110,R212,R54
87	87		1304833-00		1.96 K .25 W 1.0 % RN55D-F10	1		R14
88	88		1304841-00		75.0 K .25 W 5.0 % CF	3		R206,R222,R400
89	89		1304855-00		9.09 K .25 W 1.0 % RN55D-F10	1		R211
90	90		1304868-00		2.74 K .25 W 1.0 % RN55D-F10	2		R17,R18
91	91		1305131-00		*** THIS ITEM IS NOT USED ***	-		
92	92		1305890-00		*** THIS ITEM IS NOT USED ***	-		
93	93		1309386-00		*** THIS ITEM IS NOT USED ***	-		
94	94		1309405-00		68.0 .50 W 5.0 % CF	1		R28
95	95		1309422-00		5.10 .25 W 5.0 % CF	1		R315
96	96		1309595-00		1.0 M .25 W 5.0 % CF	2		R207,R208
97	97		1309680-00		2.70 M .25 W 5.0 % CF	2		R41,R42
98	98		1311422-00		178.0 .25 W 1.0 % RN55D-F10	2		R2,R3
99	99		1311845-00		487.0 .25 W 1.0 % RN55D-F10	1		R220
100	100		1312482-00		2.70 .25 W 5.0 % CF	2		R301,R314
101	101		1312747-00		*** THIS ITEM IS NOT USED ***	-		
102	102		1312989-00		*** THIS ITEM IS NOT USED ***	-		
103	103		1313151-00		3.60 K .25 W 5.0 % CF	1		R313
104	104		1313580-00		360.0 .25 W 5.0 % CF	1		R312
105	105		1313589-00		1.40 K .25 W 1.0 % RN55D-F10	1		R64
106	106		1313794-00		787.0 .25 W 1.0 % RN55D-F10	1		R15
107	107		1315725-00		.50 5.0 W 3.0 % WW	1		R45
108	108		1316012-00		.10 2.0 W 5.0 % WW	1		R215
109	109		1316522-01		100.0 K .25 W20.0 % POT	2		R48,R53
110	110		1316522-02		5.0 M .25 W20.0 % POT	2		R43,R120
111	111		1316522-03		1.0 K .25 W20.0 % POT	1		R119
112	112		1316522-05		250.0 K .25 W20.0 % POT	2		R218,R50
113	113		1316522-06		25.0 K .25 W20.0 % POT	1		R213
114	114		1316836-00		402.0 .25 W 1.0 % RN55D-F10	1		R318
115	115		1316845-00		3.30 .50 W 5.0 % CF	2		R56,R309
116	116		1317522-00		1.0 .25 W 5.0 % CF	1		R118
117	117		1318430-00		165.0 .25 W 1.0 % RN55D-F10	1		R11
118	118		1320082-01		250.0 .25 W30.0 % POT	1		R5
119	119		1320082-02		100.0 K .25 W10.0 % POT	1		R38
120	120		1509524-00		2N 3904 NPN 310MW SI 40 40 M	1		Q3
121	121		1509525-00		2N 3906 PNP 310MW SI 40100 Y	3		Q1,Q9,Q5
122	122		1516490-00		MPSU05 NPN 10W SI 2A	1		Q10
123	123		1519535-01		D40D7 NPN 50MW 60V 1A	1		Q2
124	124		1520089-01		MDS 20 NPN 2W 250V 1.5A	1		Q204
125	125		1520090-01		13006 NPN 80W 300V 8A	1		Q4
126	126		1520092-01		MTP5N05 FET T0-220	2		Q200,Q201

D	I	G	I	T	A	L	TITLE	SECTION A	OF A	SIZE	CODE	DOCUMENT NUMBER	REV
							VR201 MONITOR			K	PL	5415500-0-DBP	M



AUTOMATED BY PRTLST.3P(44)

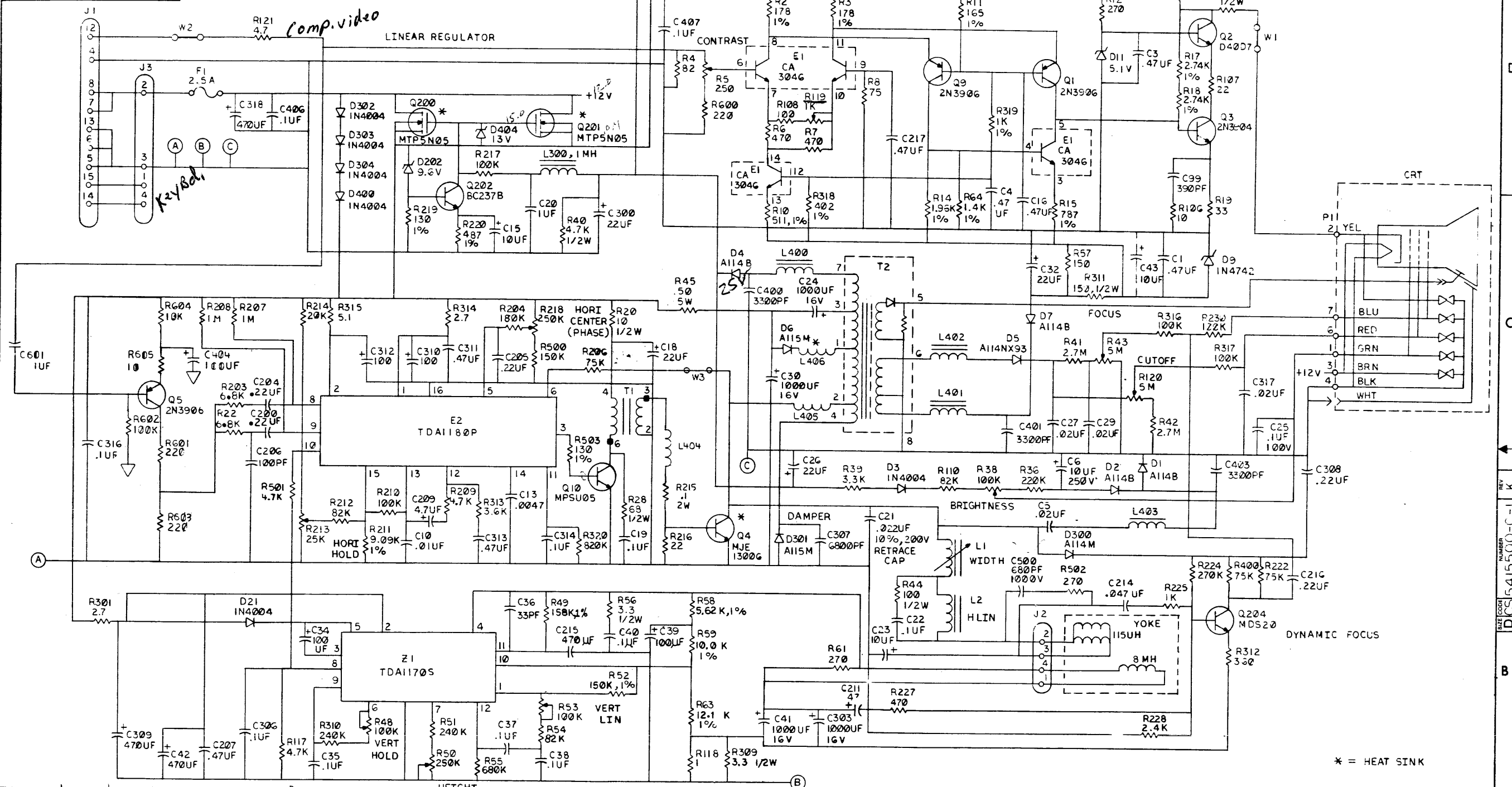
PARTS LIST

SHEET A4 OF A4

LINE	ITEM	TOP DOCUMENT	PART NUMBER	MIN REV	DESCRIPTION	QTY	PER VARIATION	REFERENCE DESIGNATOR
						00		
						J3		
127	127		1520093-01		BC237B NPN TO-92	1		Q202
128	128		1602723-00		1000 UH 10% 125MA	1		L300
129	129		1616309-02		XFMR,HORIZONTAL DRIVE	1		T1
130	130		1616536-00		XFMR HORIZONTAL WIDTH	1		L1
131	131		1616538-00		COIL,HORIZONTAL,LINEAR	1		L2
132	132		1618238-02		BEAD,FERRITE .1380DX.330LG	7		L400-L406
133	133		1620097-01		XFMR,FLYBACK,HIGH VOLTAGE	1		T2
134	134		1913017-00		3046 XSISTOR ARRAY,3 ISOL	1		E1
135	135		1919235-00		TDA 1170 AMP,VERTICAL DEFLECT	1		Z1
136	136		1920088-01		1180 PROCESSOR,TV HORIZ.,	1		E2
137	137		7427002-01		THUMBWHEEL	2		
138	138		9006010-01		SCREW,MACH PAN PHIL 4-	2		
139	139		9006557-00		NUT,HEX EXT TOOTH LCKWSHR 4-40	7		
140	140		9008054-00		NUT,HEX SLF LCKNG NYL INS 4-40	2		
141	141		9008268-00		COMPOUND, THERMAL JOINT	A/R		
142	142		9008301-01		SCREW,MACH PAN PHIL 4-	3		
143	143		9008451-00		SCREW LOCK,ASSY .060TH	1		
144	144		9009185-00		JUMPER, WIRE, INSULATED, BLACK B	2		W1,W2
145	145		9009798-01		SPACER,CLEAR HOLE RND CERAM .07	2		
146	146		9009993-01		WASHER,INSUL,TRANSISTOR PLASTIC	1		
147	147		9009996-00		TIE,CABLE PRELOADED MAG.100 EA	1		
148	148		9010057-00		WASHER,SHOULDER INSULATG PPS	1		
149	149		9105740-55		WIRE(WRAP) 30AWG KYNAR UL14	A/R		
150	150		1314253-00		240.0 K .25 W 5.0 % CF	2		R51,R310
151	151		1310867-00		680.0 K .25 W 5.0 % CF	1		R55
152	152		1316444-00		150.0 K .25 W 1.0 % RN55D-F10	1		R52
153	153		1303313-00		12.10 K .25 W 1.0 % RN55D-F10	1		R63
154	154		1303312-00		10.0 K .25 W 1.0 % RN55D-F10	1		R59
155	155		1305128-00		5.62 K .25 W 1.0 % RN55D-F10	1		R58
156	156		1314990-00		158.0 K .25 W 1.0 % RN55D-F10	1		R49
157	157		1000024-00		470.0 MMF 100V 5%200PPM MICA	1		C215
158	158		1220959-01		CONN,D SUB 15PIN ASSY PC MNT	1		J1
159	159		9006012-01		*** THIS ITEM IS NOT USED ***	-		
160	160		9006706-00		*** THIS ITEM IS NOT USED ***	-		
161	161		9107253-00		TUBING,SHRINK .250ID EXP	A/R		
162	162		1300479-00		10.0 K .25 W 5.0 % CF	2		R604,R701
163	163		1301423-00		6.80 K .25 W 5.0 % CF	2		R203,R22
164	164		1018000-14		1 MFD 63V +50-10% AL EL	1		C20
165	165		1313008-00		5.11 .25 W 1.0 % RN55D-F10	1		R121
166	166		1302875-00		82.50 .25 W 1.0 % RN55D-F10	1		R4
167	167		1021480-05		.022 MFD 250V 5% POLYPROP	1		C21

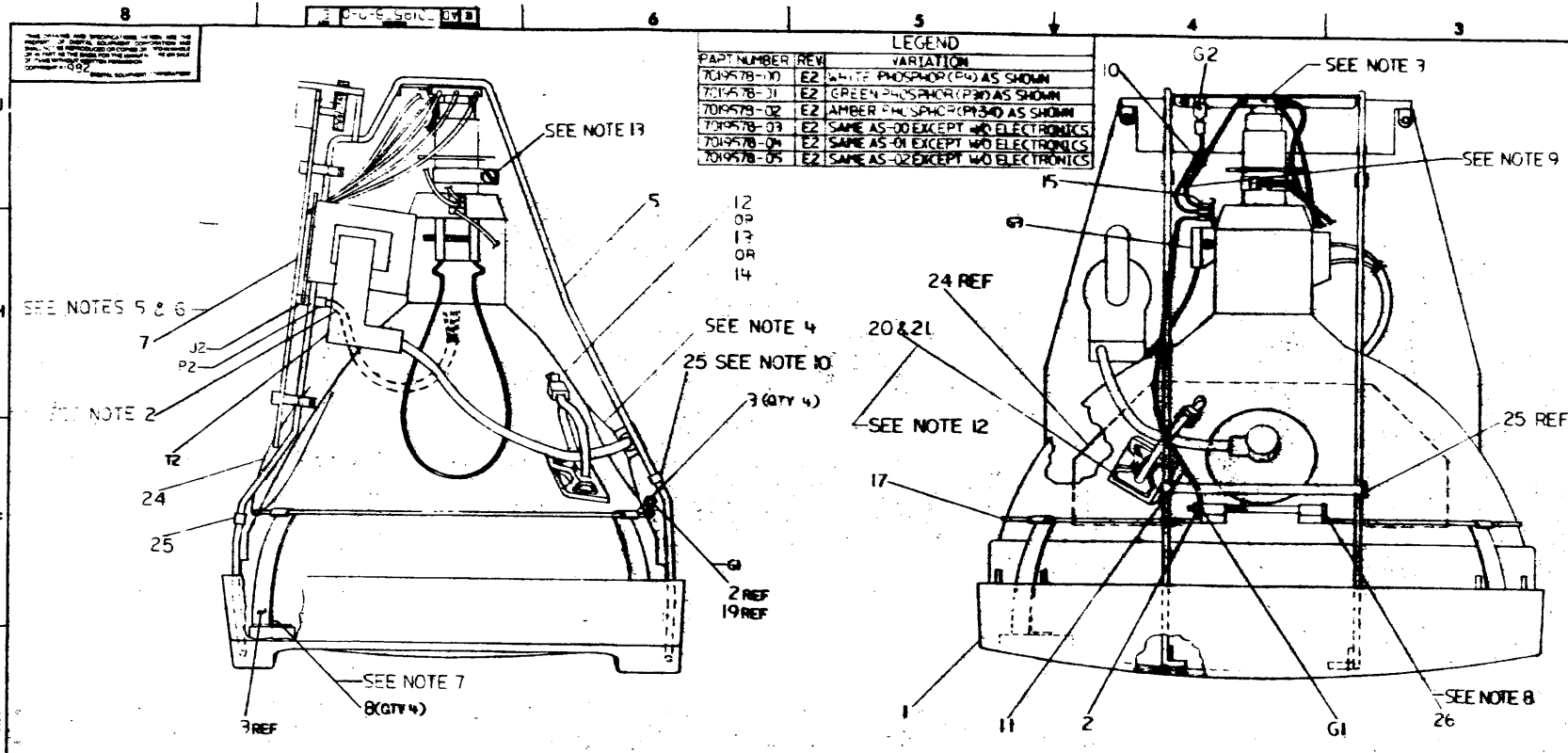
D	I	G	I	T	A	L	TITLE	SECTION A	OF A	SIZE	CODE	DOCUMENT NUMBER	REV
							VR201 MONITOR			K	PL	5415500-0-DBP	M

THIS DRAWING AND SPECIFICATIONS HEREIN ARE THE PROPERTY OF DIGITAL EQUIPMENT CORPORATION AND SHALL NOT BE REPRODUCED OR COPIED OR USED IN WHOLE OR IN PART AS THE BASIS FOR THE MANUFACTURE OR SALE OF ANY PRODUCT WITHOUT WRITTEN PERMISSION FROM DIGITAL EQUIPMENT CORPORATION.

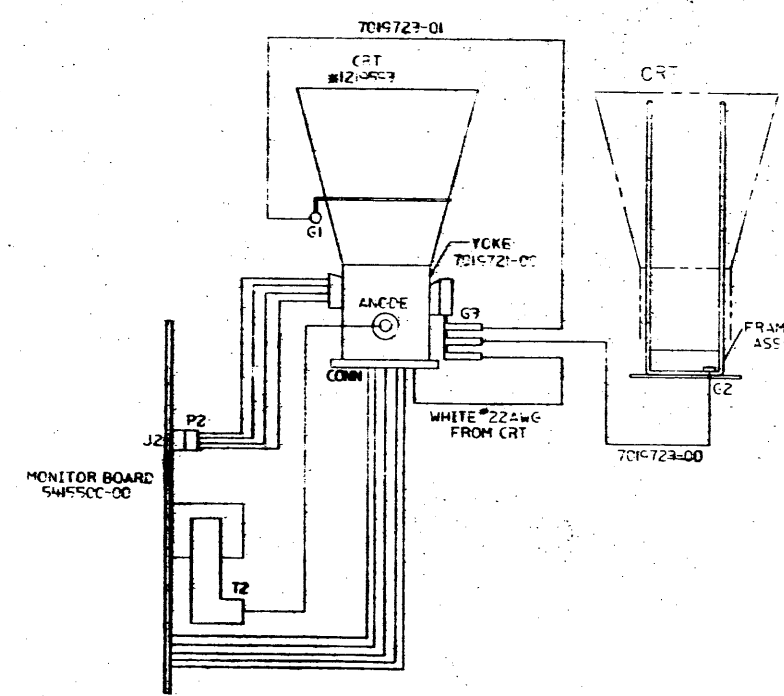
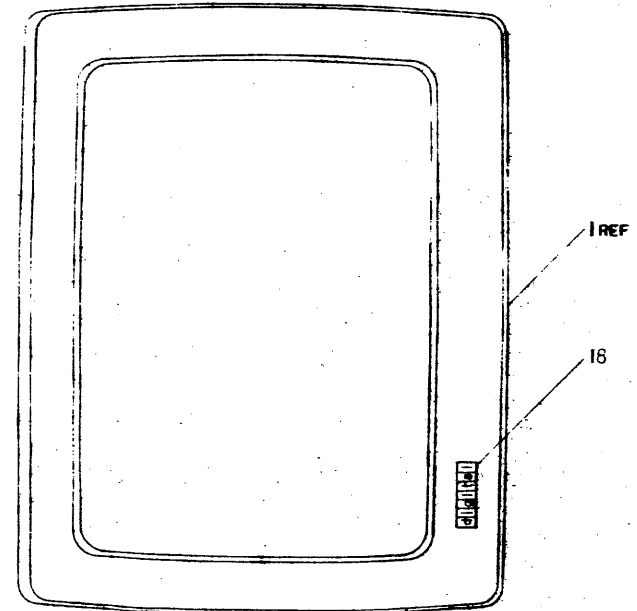


REV	DATE	BY	CHKD	DATE	DESCRIPTION
1	11-11-81	J. I. GERMAN			Initial Design
2	11-12-81	B. NOTT			Design Changes
3	12-1-81	J. I. GERMAN			Final Design
4	12-1-81	B. NOTT			Final Design
5	12-1-81	J. I. GERMAN			Final Design
6	12-1-81	B. NOTT			Final Design
7	12-1-81	J. I. GERMAN			Final Design
8	12-1-81	B. NOTT			Final Design

DRAWN	DATE	TITLE	digital
CHKD	DATE	VR201	MONITOR
DES. ENG.	DATE		
RESP. ENG.	DATE		
WFO. ENG.	DATE		
TEST. ENG.	DATE		
DOCUMENT NUMBER		D CS5415500-0-1 K	
SCALE		ML3	
SHEET		1 of 1	



- NOTES:
- DELETED
  - P2 FROM J2 (PART OF ITEM 12 OR 13 OR 14) GOES INTO J2 OF PCB (ITEM 7).
  - CONN. PART OF ITEM 7 ATTACHES TO END OF ITEM 12 OR 13 OR 14.
  - ANODE CONNECTOR (PART OF ITEM 7) IS INSERTED IN ANODE HOLE IN ITEM 12 OR 13 OR 14.
  - ITEM 7 SHOWN WITHOUT COMPONENTS FOR CLARITY (EXCEPT TRANSFORMER T2).
  - ITEM 7 ATTACHES TO ITEM 5 WITH WIRE CLIPS (PART OF ITEM 7).
  - TORQUE ITEM 9 AS FOLLOWS (4 PLACES):  
USING SCREWDRIVER: 8.0 IN-LBS.
  - TORQUE ITEM 25 AS FOLLOWS  
USING SCREWDRIVER: 6.0 IN-LBS.
  - ON WHITE WIRE FROM TUBE CONN. ITEM 12, 13 OR 14: STRIP .19" DIA & CRIMP ITEM 15 TO WIRE.
  - ITEMS SHALL NOT DEFORM MORE THAN 0.050 WHILE INSTALLING ITEM 25.
  - DELETED
  - HIGH VOLTAGE LEAD TO BE SECURED USING ITEM 20. ATTACH ITEM 21 (CABLE TIE) TO FORM APPROX 1" DIA LOOP AROUND THE LEAD. ITEM 21 MUST NOT BE PULLED TIGHT.
  - IF YOKE IS DISTURBED FOR ADJUSTMENT, TORQUE CLAMP SCREW TO 5-6 INCH POUNDS.
  - REMOVE PROTECTIVE BACKING PAPER FROM ITEMS 27, 28 & 29 AND ATTACH TO ITEM 1 BY POSITIONING AGAINST THE REBS IN THE BEZEL CORNERS (ITEM 1) AS SHOWN ON SHEET 2.

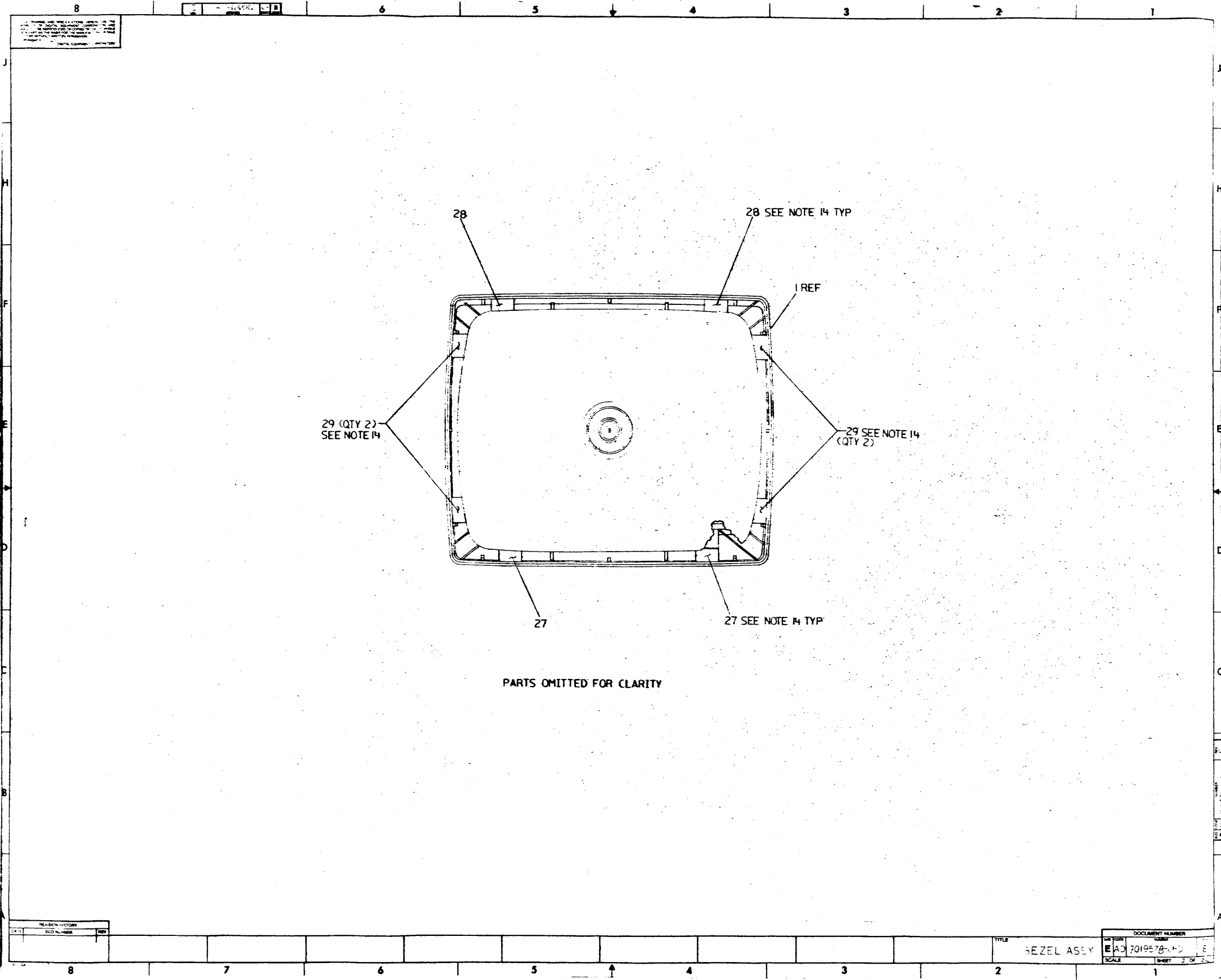


\* 1219593-00 = P4 WHITE ANTI GLARE  
 1219593-01 = P31 GREEN  
 1219593-02 = P134 AMBER

CAUTION:  
 OFF SHEET PARTS LIST EXISTS  
 SEE K-PL-7019578-0-DBP

INITIAL	DATE	REVISION
A	10/15/78	1
B	11/15/78	2
C	12/15/78	3
D	01/15/79	4
E	02/15/79	5
F	03/15/79	6
G	04/15/79	7
H	05/15/79	8
I	06/15/79	9
J	07/15/79	10
K	08/15/79	11
L	09/15/79	12
M	10/15/79	13
N	11/15/79	14
O	12/15/79	15
P	01/15/80	16
Q	02/15/80	17
R	03/15/80	18
S	04/15/80	19
T	05/15/80	20
U	06/15/80	21
V	07/15/80	22
W	08/15/80	23
X	09/15/80	24
Y	10/15/80	25
Z	11/15/80	26
AA	12/15/80	27
AB	01/15/81	28
AC	02/15/81	29
AD	03/15/81	30
AE	04/15/81	31
AF	05/15/81	32
AG	06/15/81	33
AH	07/15/81	34
AI	08/15/81	35
AJ	09/15/81	36
AK	10/15/81	37
AL	11/15/81	38
AM	12/15/81	39
AN	01/15/82	40
AO	02/15/82	41
AP	03/15/82	42
AQ	04/15/82	43
AR	05/15/82	44
AS	06/15/82	45
AT	07/15/82	46
AU	08/15/82	47
AV	09/15/82	48
AW	10/15/82	49
AX	11/15/82	50
AY	12/15/82	51
AZ	01/15/83	52
BA	02/15/83	53
BB	03/15/83	54
BC	04/15/83	55
BD	05/15/83	56
BE	06/15/83	57
BF	07/15/83	58
BG	08/15/83	59
BH	09/15/83	60
BI	10/15/83	61
BJ	11/15/83	62
BK	12/15/83	63
BL	01/15/84	64
BM	02/15/84	65
BN	03/15/84	66
BO	04/15/84	67
BP	05/15/84	68
BQ	06/15/84	69
BR	07/15/84	70
BS	08/15/84	71
BT	09/15/84	72
BU	10/15/84	73
BV	11/15/84	74
BW	12/15/84	75
BX	01/15/85	76
BY	02/15/85	77
BZ	03/15/85	78
CA	04/15/85	79
CB	05/15/85	80
CC	06/15/85	81
CD	07/15/85	82
CE	08/15/85	83
CF	09/15/85	84
CG	10/15/85	85
CH	11/15/85	86
CI	12/15/85	87
CJ	01/15/86	88
CK	02/15/86	89
CL	03/15/86	90
CM	04/15/86	91
CN	05/15/86	92
CO	06/15/86	93
CP	07/15/86	94
CQ	08/15/86	95
CR	09/15/86	96
CS	10/15/86	97
CT	11/15/86	98
CU	12/15/86	99
CV	01/15/87	100

QUANTITY	DESCRIPTION	UNIT	DATE	INITIALS
1	BEZEL ASSY		10/15/78	A
1	MONITOR BOARD SW55CC-00		10/15/78	A
1	CRT 7019723-01		10/15/78	A
1	YOKE 7019721-00		10/15/78	A
1	FRAME ASSY 7019723-00		10/15/78	A



28

28 SEE NOTE 14 TYP

1 REF

29 (QTY 2) SEE NOTE 14

29 SEE NOTE 14 (QTY 2)

27

27 SEE NOTE 14 TYP

PARTS OMITTED FOR CLARITY

8 6 5 4 3 2 1

REVISION HISTORY	
DATE	ECO NUMBER

TITLE	BEZEL ASSEMBLY
SCALE	SCALE
DOCUMENT NUMBER	AD 7019578-100
SHEET	3 OF 5

8 7 6 5 4 3 2 1

AUTOMATED BY PRTLST.3P(44)

PARTS LIST

SHEET A1 OF A1

LINE	ITEM	DOCUMENT NUMBER	PART NUMBER	DESCRIPTION	QUANTITY PER VARIATION					
					00	01	02	03	04	05
1	1	E-MD-7426539-0-DBU	7426539-01	BEZEL,CRT	1	1	1	1	1	1
2	2		9008055-00	NUT,HEX SLF LCKNG NYL INS 6-32	1	1	1	1	1	1
3	3	B-MD-7426542-0-DBU	7426542-01	CLIP,SPRING,CRT	4	4	4	4	4	4
4	4	C-MD-7426541-0-DBU	7426541-01	*** THIS ITEM IS NOT USED ***	-	-	-	-	-	-
5	5	D-IA-7019524-0-DBU	7019524-00	WIRE FORM BRKT. WELDMNT	1	1	1	-	-	-
6	6	C-MD-7426953-0-DBU	7426953-01	*** THIS ITEM IS NOT USED ***	-	-	-	-	-	-
7	7	D-AD-7019584-0-DBU	7019584-00	MONITOR BOARD ASSY	1	1	1	-	-	-
8	8		9009800-02	SCREW,TAP PAN PHIL THD RL 6-	4	4	4	4	4	4
9	9		9007818-01	*** THIS ITEM IS NOT USED ***	-	-	-	-	-	-
10	10	D-IA-7019723-0-0	7019723-00	WIRE, GROUND (4INS)	1	1	1	1	1	1
11	11	B-IA-7019723-0-0	7019723-01	WIRE, GROUND (10INS)	1	1	1	1	1	1
12	12	D-IA-7019722-0-0	7019722-00	CRT 6 YOKE ASSY (WHT POS)	1	-	-	1	-	-
13	13	D-IA-7019722-0-0	7019722-01	CRT 6 YOKE ASSY (GRN POS)	-	1	-	-	1	-
14	14	D-IA-7019722-0-0	7019722-02	CRT 6 YOKE ASSY (AMBER POS)	-	-	1	-	-	1
15	15		9007925-01	TERM,QUICK .250TAB 2POS 18-2	1	1	1	1	1	1
16	16		9006659-00	*** THIS ITEM IS NOT USED ***	-	-	-	-	-	-
17	17	D-IA-7019798-0-DBU	7019798-00	WELDMNT, TENSION WIRE	1	1	1	1	1	1
18	18	B-MD-7427428-0-DBU	7427428-01	LOGO,DIGITAL,METAL	1	1	1	1	1	1
19	19		9007658-01	SCREW,MACH PAN PHIL 6-	1	1	1	1	1	1
20	20		9008264-00	MOUNT, CABLE TIE, ADHESIVE BACKE	1	1	1	1	1	1
21	21		9007880-00	TIE,CABLE BUNDL DIA 0-1.14"=101	1	1	1	-	-	-
22	22		9009624-00	BUMPER,SQUARE ADH BACK RUBBER	4	4	4	4	4	4
23	23		1209750-01	RUBBER BUMPER 5023 BLK	4	4	4	4	4	4
24	24	C-MD-7427754-0-DBU	7427754-01	INSULATOR,CRT	1	1	1	1	1	1
25	25		9009617-00	TIE,CABLE BUNDL.DIA 0-3"TYPE=101	2	2	2	-	-	-

REVISION HISTORY			BASIC PART NO: 7019578								
ENG:	ECO NUMBER	REV	SECTION A OF A	DRN:	B. NETTO	DATE:	3-MAY-82	D I G I T A L			
---	INITIAL	A	SECTION. VARIATION INDEX	CHK'D:	D. HEALY	DATE:	13 MAY 82	TITLE PARTS LIST			
WN	7019578-ML001	B	[A] 00,01,02,03,04,05					BEZEL ASSY			
			[B]	DES.ENG.:	D. MOORE	DATE:	13 MAY 82	DOCUMENT NUMBER			
			[C]								
			[D]	RESP.ENG.:	D. BOUDREAU	DATE:	13 MAY 82	DOCUMENT NUMBER			
			[E]								
			[F]	MFG.ENG.:	G. WU	DATE:	13 MAY 82	SIZE:	CODE:	NUMBER:	REV
								K	PL	7019578-0-DBP	B
ASSEMBLY NUMBER:				TOP DOCUMENT NUMBER:				FILE NAME:		EDIT #	
E-AD-7019578-0-0				E-UA-VR201-0-0				Z4562B.PLS		2	

"THIS DRAWING AND SPECIFICATIONS HEREIN, ARE THE PROPERTY OF DIGITAL EQUIPMENT CORPORATION AND SHALL NOT BE REPRODUCED OR COPIED OR USED IN WHOLE OR IN PART AS THE BASIS FOR THE MANUFACTURE OR SALE OF ITEMS WITHOUT WRITTEN PERMISSION. COPYRIGHT (C) 1983. DIGITAL EQUIPMENT CORPORATION "

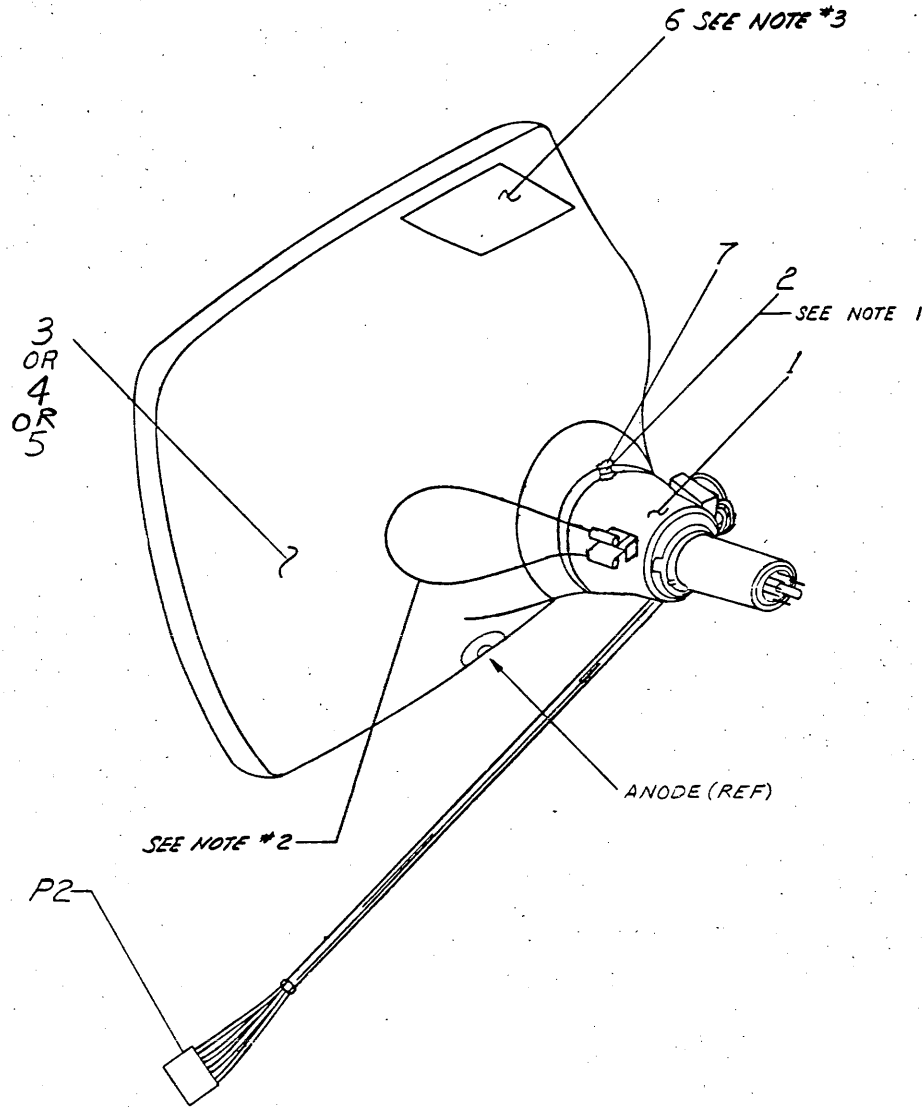
THIS DRAWING AND SPECIFICATIONS, HEREIN, ARE THE PROPERTY OF DIGITAL EQUIPMENT CORPORATION AND SHALL NOT BE REPRODUCED OR COPIED OR USED IN WHOLE OR IN PART AS THE BASIS FOR THE MANUFACTURE OR SALE OF ITEMS WITHOUT WRITTEN PERMISSION.  
 COPYRIGHT © 1982 - DIGITAL EQUIPMENT CORPORATION

7 0-0-22610L 2

LEGEND	
NUMBER	VARIATION
7019722-00	CRT & YOKE ASSY. (WHITE PHOSPHOR) P4
7019722-01	CRT & YOKE ASSY. (GREEN PHOSPHOR) P31
7019722-02	CRT & YOKE ASSY. (AMBER PHOSPHOR) P134

**NOTES:**

- USE AS REQUIRED THE FOLLOWING MAGNETICS FOR PINCUSHION CORRECTION:  
 1216530-00 - 2.5 GAUSS  
 1216530-01 - 3.5 GAUSS  
 1216530-02 - 4.5 GAUSS  
 1216530-03 - 6.5 GAUSS  
 1216530-04 - 10. GAUSS  
 SET IN PLACE USING HOT WAX GLUE ITEM 7.
- FORM SPRING TO CONTACT AQUADAG IN TWO PLACES.
- LABEL POSITION IS FOR REFERENCE ONLY. POSITION MAY VARY.



CAUTION: OFF SHEET PARTS LIST EXISTS, SEE K-PL-7019722-0-DBP

REV.	A
CHANCE NO.	INITIAL
CHK	

THIRD ANGLE PROJECTION	DRN. <i>all Clark</i> 8 MAY 82	FIRST USED ON	VR201
REMOVE BURRS AND BREAK SHARP CORNERS	CHK'D	TITLE	CRT AND YOKE ASSEMBLY
DO NOT SCALE DWG	ENG. <i>J. P. ...</i>	SIZE	D IA
MATERIAL	PROJ. ENG. <i>J. P. ...</i>	NUMBER	7019722-0-0
FINISH	PROJ. <i>J. P. ...</i>	REV.	A
		SHEET	1 OF 1
		DIST.	

D IA 7019722-0-0 A

ML3

AUTOMATED BY PRTLST.3P(44)

PARTS LIST

SHEET A1 OF A1

LINE ITEM	DOCUMENT NUMBER	PART NUMBER	DESCRIPTION	QUANTITY PER VARIATION			
				00	01	02	
1	1	D-AD-7019721-0-0	7019721-00	YOKE ASSY	1	1	1
2	2	SEE NOTE #1			A/R	A/R	A/R
3	3		1219593-03	CRT,12" P134 PHOSPHOR	-	-	1
4	4		1219593-01	CRT,12" P4 PHOSPHORUS,ANTI GLARE	1	-	-
5	5		1219593-02	CRT,12" P31 PHOSPHOR	-	1	-
6	6		3610267-00	DECAL, ADHESIVE BACK -DANGER HIG	1	1	1
7	7		4901303-00	WAX	A/R	A/R	A/R

8 NOTE: SEE NOTE #1 ON D-IA-7019722-0-0

REVISION HISTORY		BASIC PART NO: 7019722	
ENG	ECD NUMBER	REV	SECTION A OF A
	INITIAL	A	SECTION. VARIATION INDEX
			[A] 00,01,02
			[B]
			[C]
			[D]
			[E]
			[F]
DRN: B. CLARK <i>BC</i>		DATE: 13-MAY-82	
CHK'D: D. HEALY <i>DH</i>		DATE: 13-MAY-82	
DES.ENG.: J.DIMACK <i>JD</i>		DATE: 13-MAY-82	
RESP.ENG.: B. NOTT <i>BN</i>		DATE: 13-MAY-82	
MFG.ENG.: G. WU <i>GW</i>		DATE: 13-MAY-82	
ASSEMBLY NUMBER: D-IA-7019722-0-0		TOP DOCUMENT NUMBER: E-AU-7019578-0-0	
TITLE: PARTS LIST		DOCUMENT NUMBER	
CRT AND YOKE ASSEMBLY		SIZE CODE NUMBER REV	
		K PL 7019722-0-DBP A	
FILE NAME: Z4605A.PLS		EDIT #: 17	

\*THIS DRAWING AND SPECIFICATIONS HEREIN, ARE THE PROPERTY OF DIGITAL EQUIPMENT CORPORATION AND SHALL NOT BE REPRODUCED OR COPIED OR USED IN WHOLE OR IN PART AS THE BASIS FOR THE MANUFACTURE OR SALE OF ITEMS WITHOUT WRITTEN PERMISSION. COPYRIGHT (C) 1982. DIGITAL EQUIPMENT CORPORATION \*

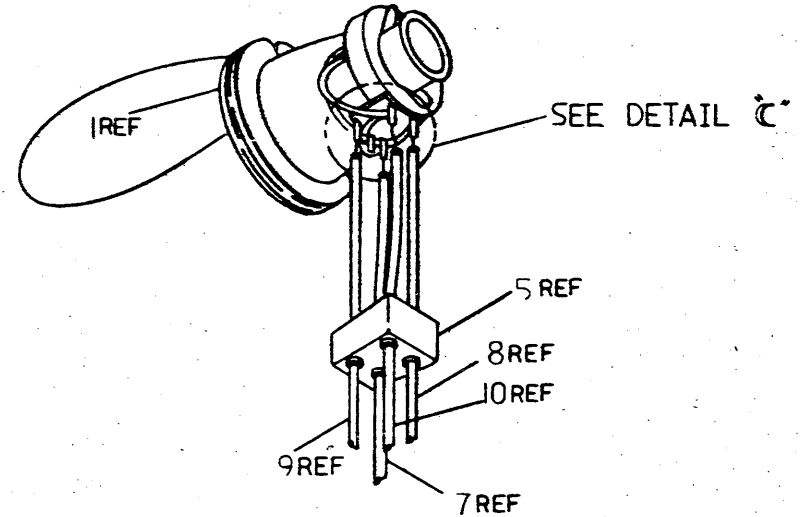
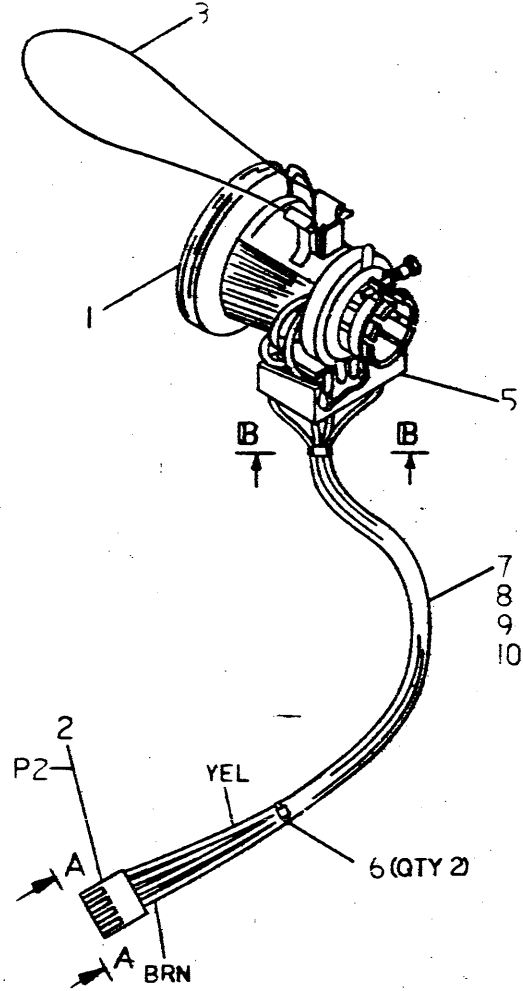
THIS DRAWING AND SPECIFICATIONS HEREBY ARE THE PROPERTY OF BUSHNELL TELEVISION CORPORATION AND SHALL BE KEPT IN CONFIDENCE TO THE EXTENT POSSIBLE. THIS IS THE BASIS FOR THE MANUFACTURE OF THIS PRODUCT. © 1982 BUSHNELL TELEVISION CORPORATION

LEGEND		
PART NUMBER	REV	VARIATION
7019721-00	A2	AS SHOWN

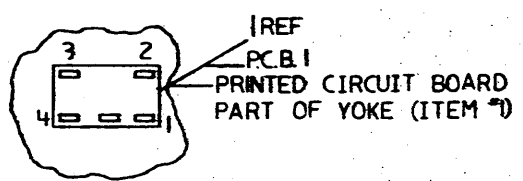
WIRE TABLE							
ITEM NO	AWG	COLOR	FROM		TO		WIRE LENGTHS
			CONNECTION WITH		CONNECTION WITH		
9	22	YEL	P.C.B.1-4	*	P2-4	4	8.00IN±.25
10	22	GRN	P.C.B.1-3	*	P2-2	4	8.00IN±.25
8	22	RED	P.C.B.1-2	*	P2-3	4	8.00IN±.25
7	22	BRN	P.C.B.1-1	*	P2-1	4	8.00IN±.25

\* INDICATES SOLDER

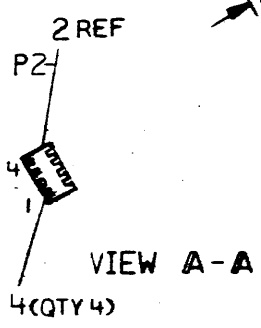
NOTES:  
1. SLIDE TERMINAL COVER (ITEM #5) OVER WIRES, SOLDER WIRES TO TERMINALS AS SPECIFIED BY COLOR, USING WIRE TABLE.



VIEW B-B



DETAIL C  
SCALE: NONE



VIEW A-A

CAUTION: OFF SHEET PARTS LIST EXISTS. REFER TO K-PL-7019721-0-08P

REV.	BY	DATE
A	A	
B	A	
C	A	
D	A	

7019721-0000  
A. JOHNS  
A. Johnson, de Paul, 8/84

DESCRIPTION	DWG. PART NO.	ITEM NO.
UNLESS OTHERWISE SPECIFIED DIMENSIONS ARE IN INCHES		
ANGLES	CLASS OF ACCURACY	NOMINAL DIMENSIONS RANGE INCHES
SURFACE QUALITY	(CHECK ONE)	
QUANTITY & VARIATION		
THIRD ANGLE PROJECTION	DRN	FIRST USED ON
REMOVE BURRS AND BREAK SHARP CORNERS	PROJ. ENG.	TITLE
DO NOT SCALE DWG	NEXT HIGHER ASSY.	
MATERIAL SEE PARTS LIST	D-A-7019721-0-0	SIZE CODE
FINISH	SCALE 1/1	NUMBER
	SHEET 1 OF 1	DIST.

Yoke Assembly



AUTOMATED BY PRTLST.3P(44)

PARTS LIST

SHEET A1 OF A1

LINE	ITEM	DOCUMENT NUMBER	PART NUMBER	DESCRIPTION	QUANTITY PER VARIATION
					00
1	1		1220096-01	YOKE	1
2	2		1216520-01	CONN,PTS 04POS(1X04) HSG	1
3	3		1216518-02	SPRING,STAINLESS STEEL .043THK	1
4	4		1216519-00	CONN,PTS 01POS 24-18AWG CANTIL	4
5	5	C-MD-7425911-0-0	7425911-00	COVER,TERMINAL (49-TA306-00)	1
6	6		9009996-00	TIE,CABLE PRELOADED MAG.100 EA	2
7	7	SEE NOTE	9107804-11	WIRE, 22AWG( 07/30)PVC 600V1	10
8	8	SEE NOTE	9107804-22	WIRE, 22AWG( 07/30)PVC 600V1	10
9	9	SEE NOTE	9107804-44	WIRE, 22AWG( 07/30)PVC 600V1	10
10	10	SEE NOTE	9107804-55	WIRE, 22AWG( 07/30)PVC 600V1	10

11 NOTE: QTY OF ITEMS 7, 8, 9, 10, GIVEN IN INCHES.

REVISION HISTORY		BASIC PART NO: 7019721		DRN: B. CLARK <i>BC</i>		DATE: 13-MAY-82		DIGITAL	
ENG	ECO NUMBER	REV	SECTION A OF A	CHK'D:	D. HEALY <i>DH</i>	DATE:	13-MAY-82	TITLE	PARTS LIST
	INITIAL	A	SECTION. VARIATION INDEX					YOKE ASSY.	
			[A] 00						
			[B]	DES.ENG.:	J. DIMACK <i>JD</i>	DATE:	13-MAY-82		
			[C]	RESP.ENG.:	B. NOTT <i>BN</i>	DATE:	13-MAY-82		DOCUMENT NUMBER
			[D]					SIZE	CODE
			[E]	MFG.ENG.:	G. WU <i>GW</i>	DATE:	13-MAY-82	K	PL
			[F]	ASSEMBLY NUMBER:	D-AD-7019721-0-0	TOP DOCUMENT NUMBER:	E-AD-7019578-0-0	FILE NAME:	Z4604A.PLS
								REV	A
								EDIT #	6

"THIS DRAWING AND SPECIFICATIONS HEREIN, ARE THE PROPERTY OF DIGITAL EQUIPMENT CORPORATION AND SHALL NOT BE REPRODUCED OR COPIED OR USED IN WHOLE OR IN PART AS THE BASIS FOR THE MANUFACTURE OR SALE OF ITEMS WITHOUT WRITTEN PERMISSION. COPYRIGHT (C) 1982. DIGITAL EQUIPMENT CORPORATION"