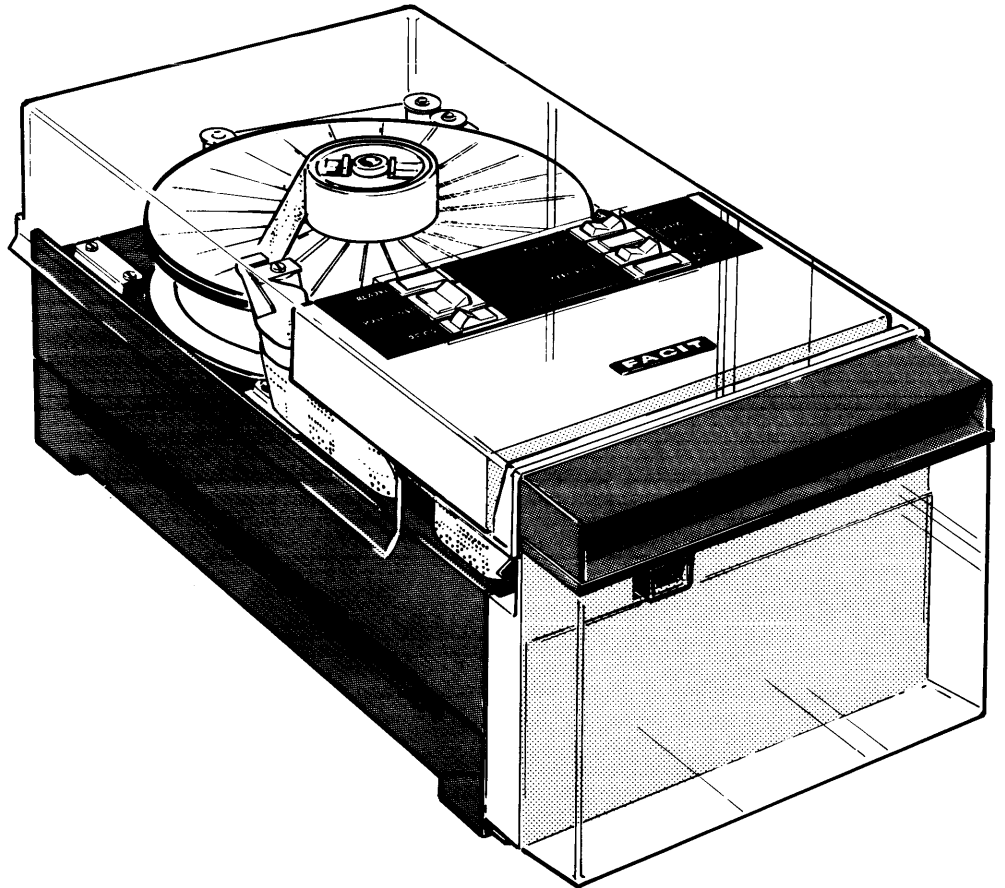


FACIT
SERVICE

TABLE OF CONTENTS

CHASSIS/SIDEWALL	2
TAPE LIFTER/TAPE CHECK DEVICES	3
SUPPLY AND TAKEUP FLANGE/PUNCH FEED UNIT	4
PUNCH FEED UNIT - REAR VIEW	5
PUNCH FEED UNIT - FRONT VIEW/STEPPER MOTOR	6
WINDING MOTOR/POWER SUPPLY	7
DC-CONVERTER, TRANSFORMER AND CONTROL PANEL/ FAN AND FILTER	8
REAR PANEL/FILTER PCB/ADDITIONAL PCB	9
CONTROL CIRCUIT BOARD - DTL	10-11
CONTROL CIRCUIT BOARD - TTL	12-13
RACK MOUNTING/ACCESSORIES	14
SPECIAL TOOLS	15



SPARE PARTS LIST

**TAPE PUNCH
4070**

Replaces earlier Spare Parts List,
edition 4

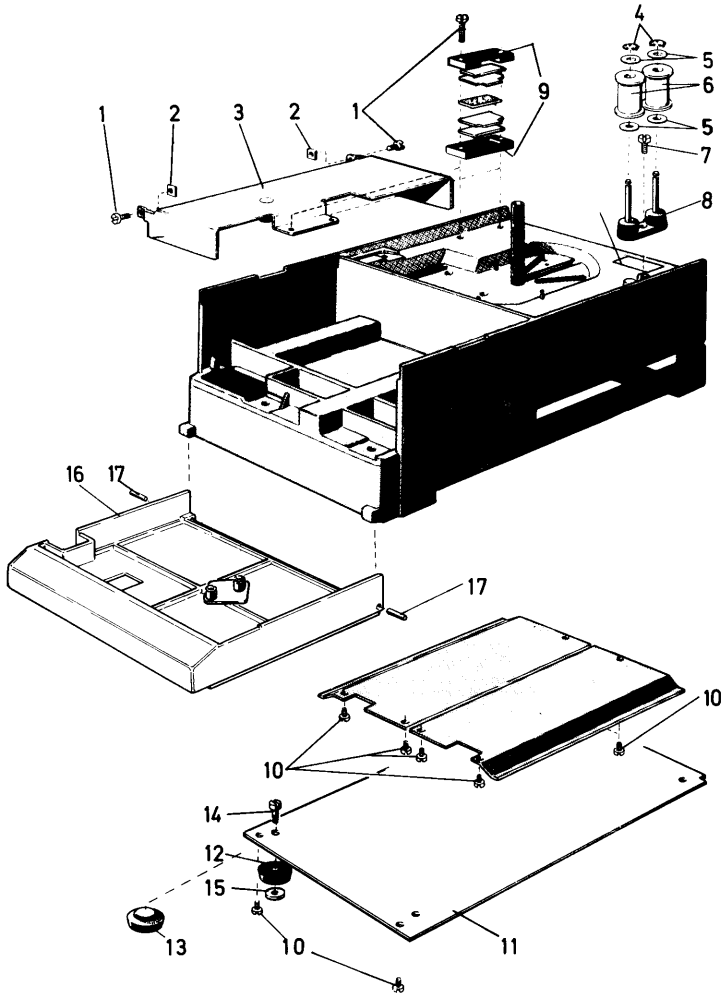
Group FD3

Edition **5**

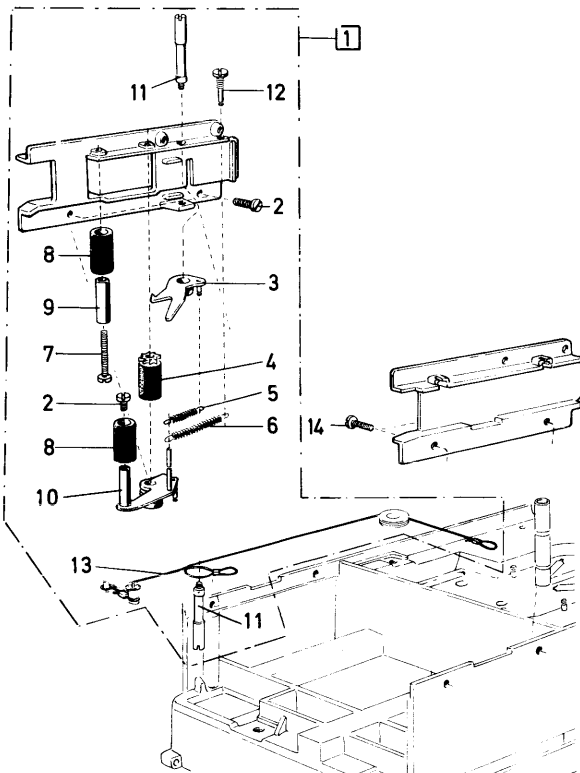
Publ.No.
7612-Eng

MARCH 1976

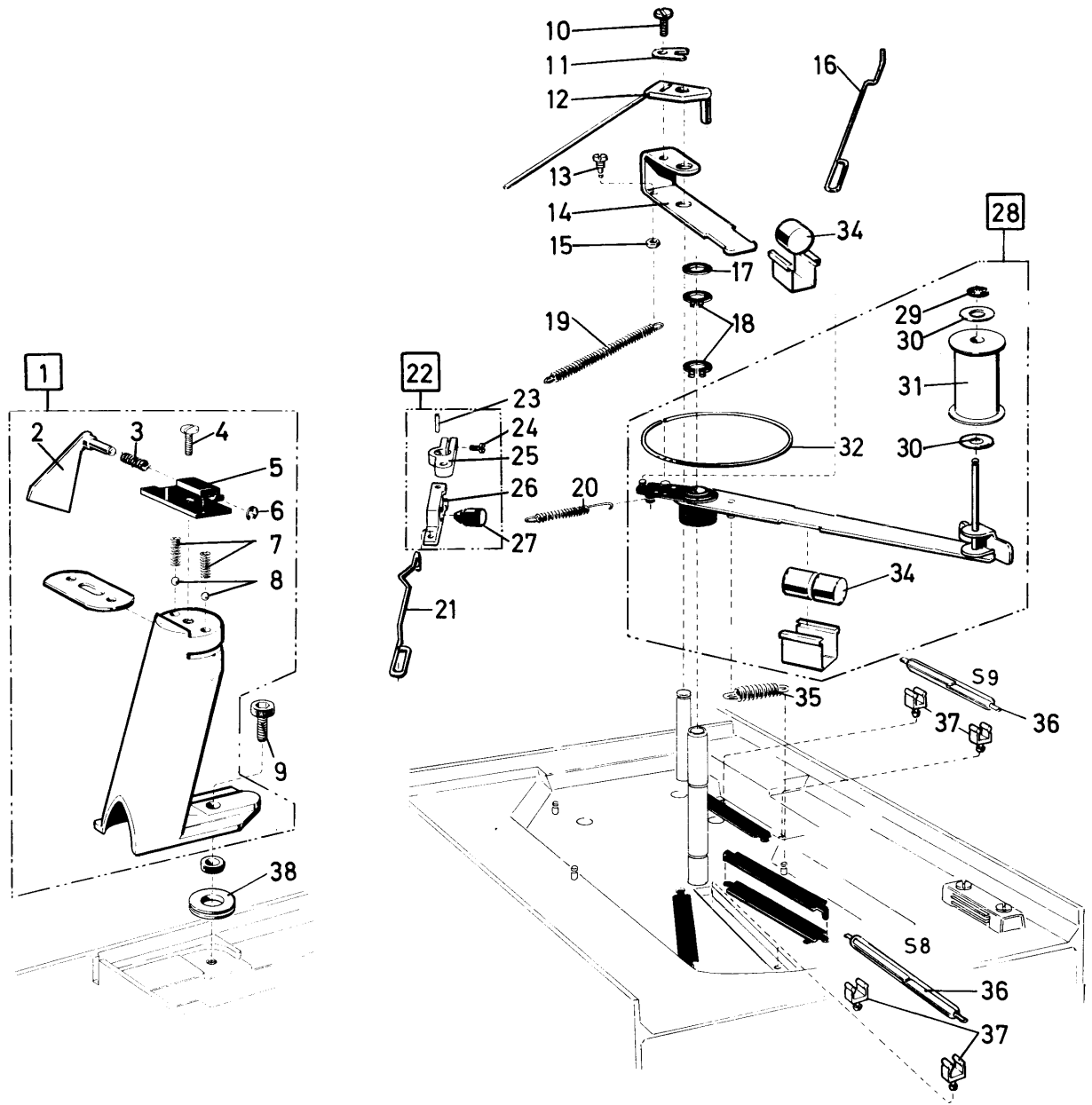
FACIT AB • CENTRAL SERVICE DEPARTMENT • S-597 00 ÅTVIDABERG • SWEDEN



Item No.	Part No.	Description
1	723 22 28-33/2	Screw MSCS 3x16
2	1149 14 80-00/7	Nut
3	1149 14 90-00/6	Front lid rack version
4	735 31 06-20/1	Retainer ring
5	1503 75 70-00/7	Washer
6	1140 29 50-10/6	Guide roller
7	723 12 89-03/9	Screw MCS 4x10
8	1501 57 90-00/7	Guide roller mount
9	1149 18 30-00/3	Retainer plate
10	723 12 18-55/8	Screw MCS 3x4
11	1501 17 30-00/7	Bottom plate
12	1507 10 50-00/7	Rubber foot
13	1501 14 40-00/3	Rubber foot old type
14	723 12 85-01/1	Screw MCS 4x6
15	1507 10 40-00/8	Washer
16	1501 75 60-00/2	Front lid
17	1595 34 10-80/8	Pin

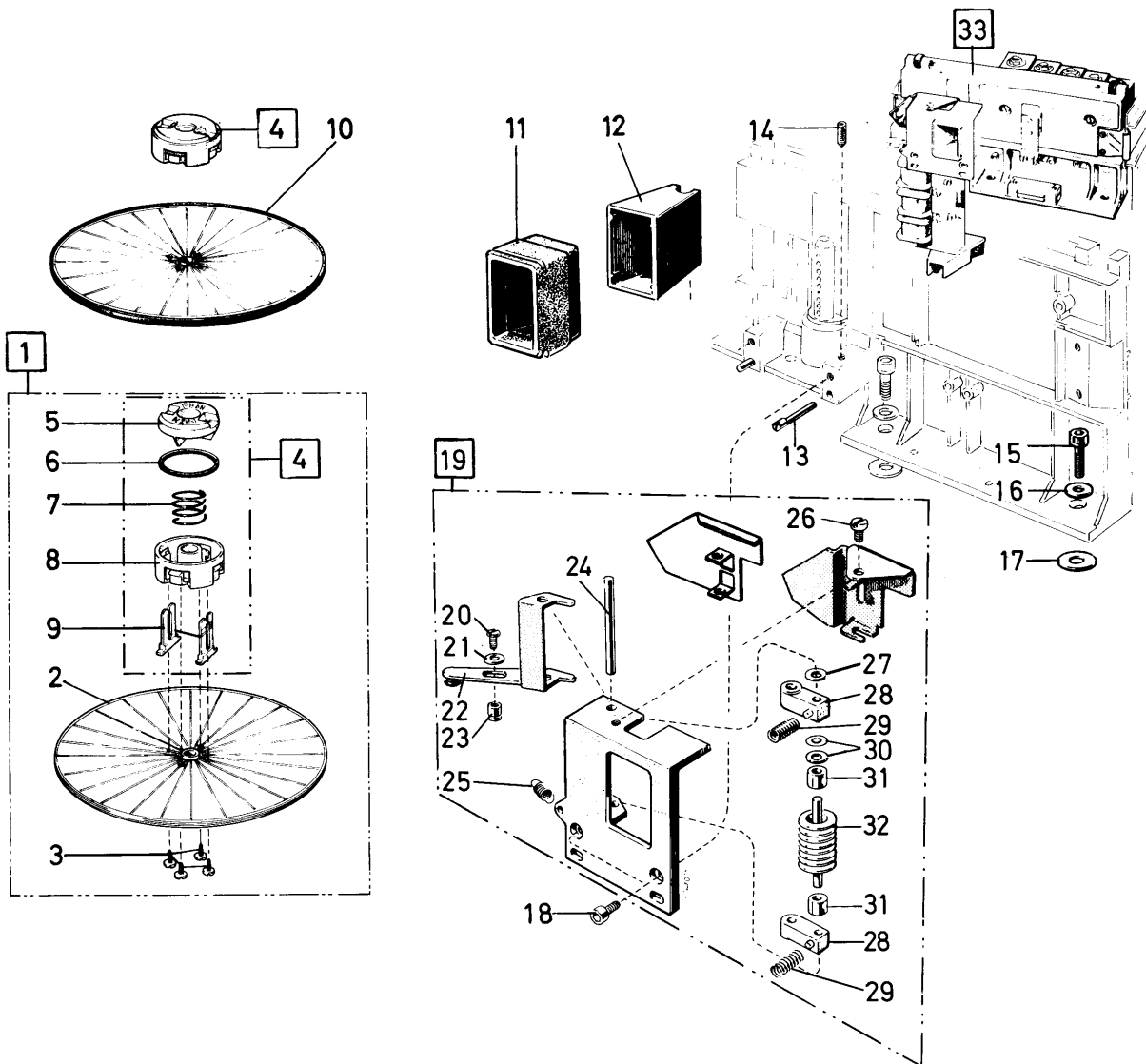


Item No.	Part No.	Description
1	1149 05 60-00/7	Sidewall with reversing buffer arm assembly
2	723 12 84-55/0	. Screw MCS 4x5
3	1149 06 50-00/6	. Locking pawl
4	1149 05 70-00/6	. Rubber roller
5	1005 00 48-10/6	. Spring
6	1005 01 03-10/9	. Spring
7	723 12 99-55/8	. Screw MCS 4x30
8	1501 52 10-00/6	. Roller
9	1501 52 20-00/5	. Spacer sleeve
10	1149 06 00-00/1	. Reversing buffer arm
11	1501 51 70-10/1	. Shaft
12	1110 22 20-90/9	. Spring mount screw
13	1149 06 40-00/7	Wire
14	723 12 84-55/0	Screw MCS 4x5



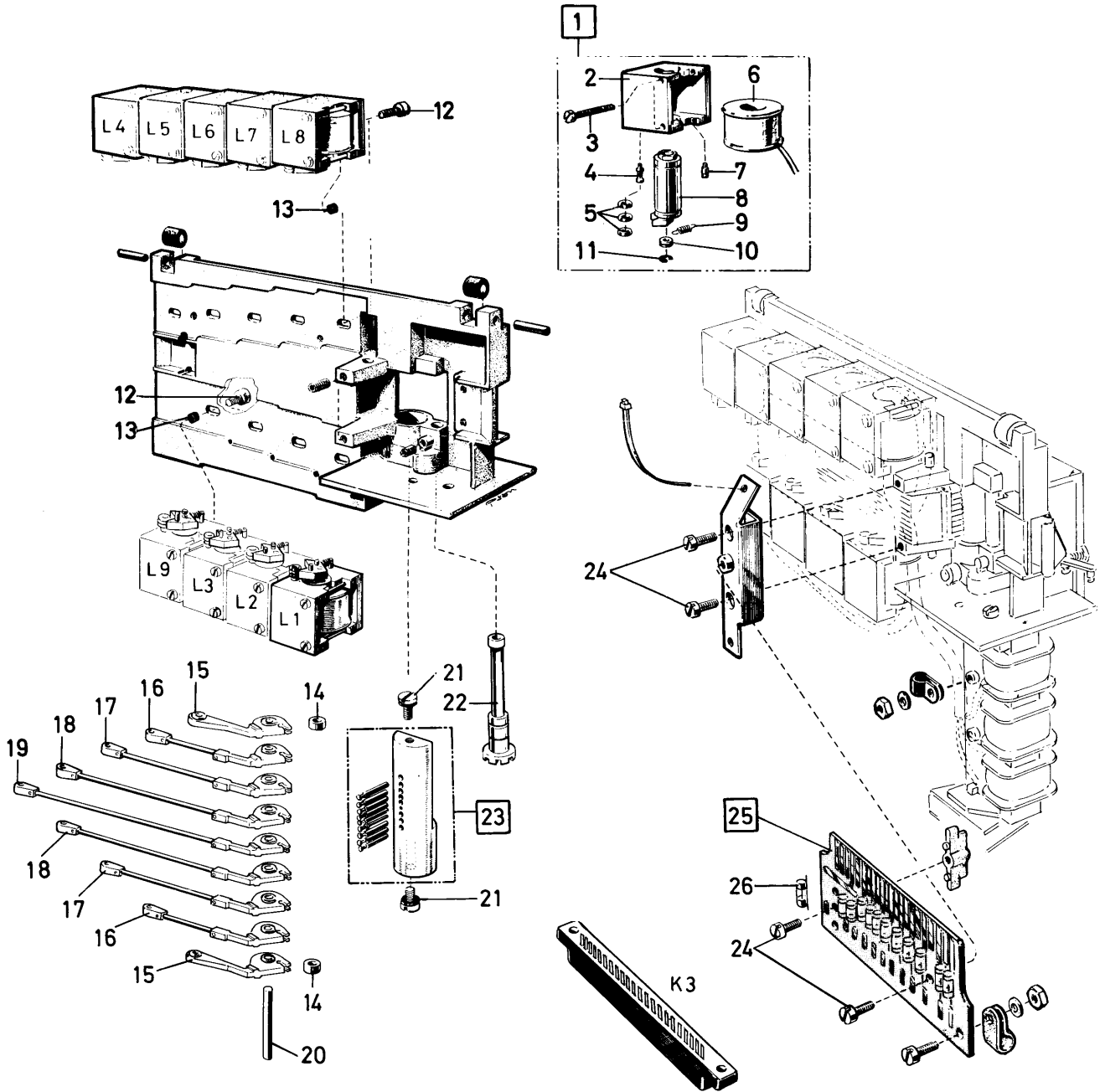
Item No.	Part No.	Description
1	1501 54 50-00/8	Tape lifter standard ass.
	1501 54 50-10/7	Tape lifter TS ass.
2	1503 86 90-00/2	. Tape tearer
3	1503 87 40-00/5	. Torsion spring
4	723 22 26-33/7	. Screw MSCS 3x12
5	1503 86 80-00/3	. Plate
6	735 31 03-20/8	. Retainer ring
7	1146 77 70-00/1	. Spring
8	1004 74 16-00/2	. Steel ball
9	725 53 29-00/0	Screw MC6S 5x16
10	723 22 22-33/6	Screw MSCS 3x8
11	1503 36 80-00/8	Washer
12	1501 55 80-00/2	Tape low sensor arm
13	1110 22 20-10/7	Spring mount screw
14	1501 55 20-00/8	Arm
15	731 43 10-01/7	Nut ML6M 3
16	1501 56 40-00/4	Connecting rod
17	1003 60 87-10/3	Washer
18	1110 26 50-30/3	Retainer ring

Item No.	Part No.	Description
19	1502 80 00-20/4	Extension spring
20	1502 80 00-10/5	Extension spring
21	1149 35 60-00/4	Connecting rod
22	1503 39 30-00/7	Brake assembly
23	1595 34 11-10/3	. Pin
24	723 11 91-55/7	. Screw MCS 2.5x6
25	1503 30 00-00/9	. Brake bracket
26	1501 55 50-00/5	. Brake shoe holder
27	1149 23 60-00/0	. Brake shoe
28	1501 52 70-00/0	. Surge takeup arm ass.
29	735 31 06-20/1	. Retainer ring
30	1503 75 70-00/7	. Washer
31	1140 29 50-10/6	. Guide roller
32	1501 53 80-00/7	. Circular spring
33	1501 53 00-10/4	. Plate
34	1595 55 62-00/2	. Magnet
35	1502 80 00-00/6	Extension spring
36	1595 73 30-00/2	Reed switch
37	1142 10 50-10/2	Holder
38	1501 54 90-00/4	Pulley



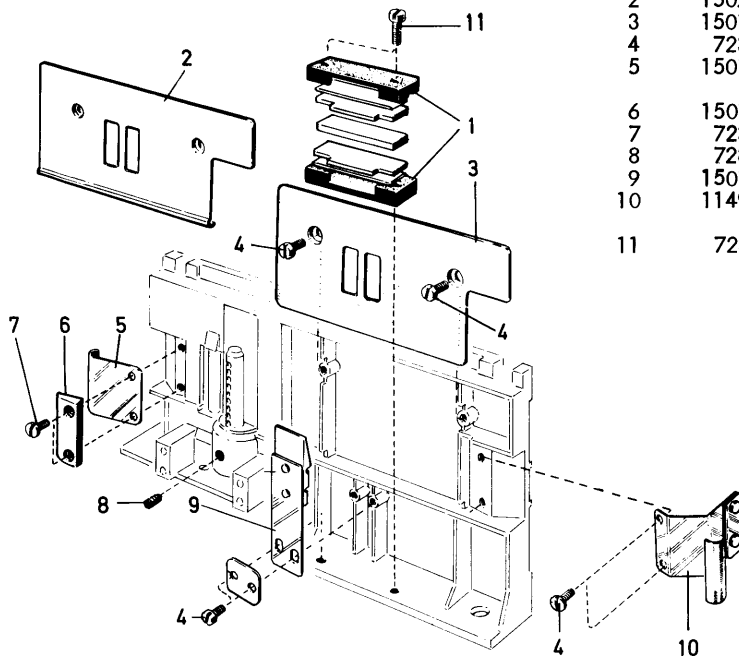
Item No.	Part No.	Description
1	1149 07 00-00/9	Supply flange with hub assembly
2	1149 11 40-00/7	. Flange
3	1159 09 70-00/7	. Screw
4	1149 11 90-10/1	. Hub assembly
5	1504 13 70-00/6	.. Sleeve
6	1149 05 00-00/3	.. Rubber ring
7	1005 10 49-10/3	.. Compression spring
8	1504 13 60-00/7	.. Hub
9	1504 13 80-00/5	.. Catch
10	1149 05 40-00/9	Takeup flange with rubber ring
11	1503 47 00-00/3	Rubber chad-tube adapter
12	1141 32 10-00/3	Chad exhaust
13	1501 17 40-00/6	Eccentric pin
14	728 52 22-00/1	Stop screw P6SS 3x8
15	725 53 23-00/3	Retainer screw MC6S 5x8
16	1003 71 46-00/7	Washer
17	1502 28 70-00/8	Shim washer 0.1mm
	1502 28 70-10/7	Shim washer 0.3mm
	1502 28 70-20/6	Shim washer 0.5mm
18	1008 18 01-10/1	Screw
19	1501 21 30-20/7	Cover complete ECMA

Item No.	Part No.	Description
19	1501 21 30-10/8	Cover complete TS
20	723 11 90-55/9	. Screw MCS 7.5x5
21	1003 71 24-00/4	. Washer
22	1501 21 80-00/4	. Lever
23	1501 22 30-00/7	. Spring mount nut
24	1501 22 20-00/8	. Shaft
25	1005 00 56-10/9	. Extension spring
26	723 12 19-55/6	. Screw MCS 3x5
27	1003 60 07-10/1	. Washer standard
28	1501 21 60-00/6	. Arm
29	1502 80 10-10/4	. Compression spring
30	1003 60 63-10/4	. Shim washer 0.2mm stand.
	1003 60 24-10/6	. Shim washer 0.3mm stand.
31	1503 99 20-00/2	. Spacer sleeve 3.1mm
32	1503 97 90-00/9	. Pinch roller with shaft and ball bearing
33	1149 06 90-50/7	Punch/feed unit ECMA complete
	1149 06 90-60/6	Punch/feed unit TS complete

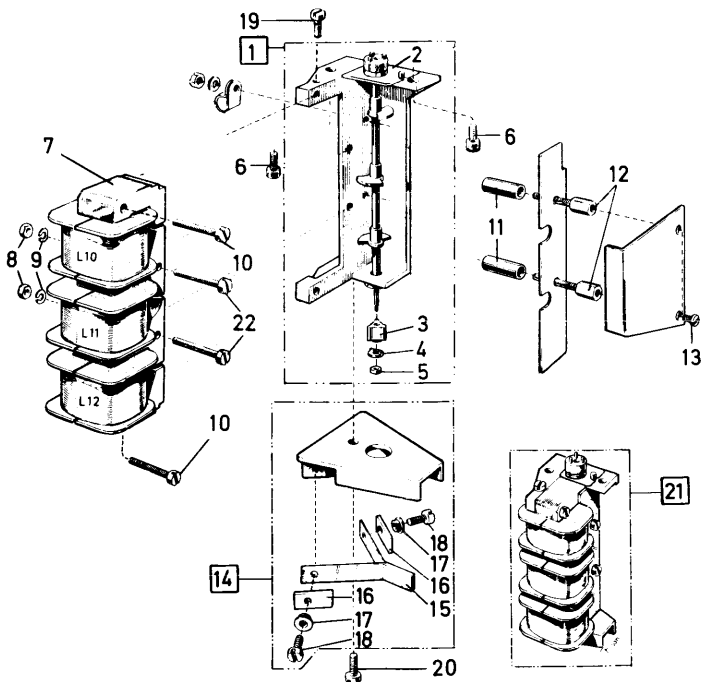


Item No.	Part No.	Description
1	1501 10 00-00/5	Punch solenoid (Ch 1-3 and feed hole)
2	1501 10 10-00/4	Punch solenoid (Ch 4-8)
3	1501 10 20-00/3	. Solenoid housing (Ch 1-3 and feed hole)
4	1501 10 30-00/2	. Solenoid housing (Ch 4-8)
5	1005 78 34-10/2	. Screw MCS 2x30
6	1149 04 50-00/1	. Screw
7	1595 43 50-00/3	. O-ring
8	1501 26 00-00/1	. Solenoid coil
9	1149 04 60-00/0	. Spring post
10	1501 10 80-00/7	. Solenoid armature (Ch 1-3 and feed hole)
11	1501 10 90-00/6	. Solenoid armature (Ch 4-8)
12	1501 31 00-00/1	. Spring
13	1149 15 90-00/3	. Plastic sleeve
14	1003 21 03-00/3	. Retainer ring
15	725 52 85-00/4	Retainer screw MC6S 4x6
16	1503 60 60-00/0	Rubber washer
17	1003 60 74-10/1	Distance tube TS

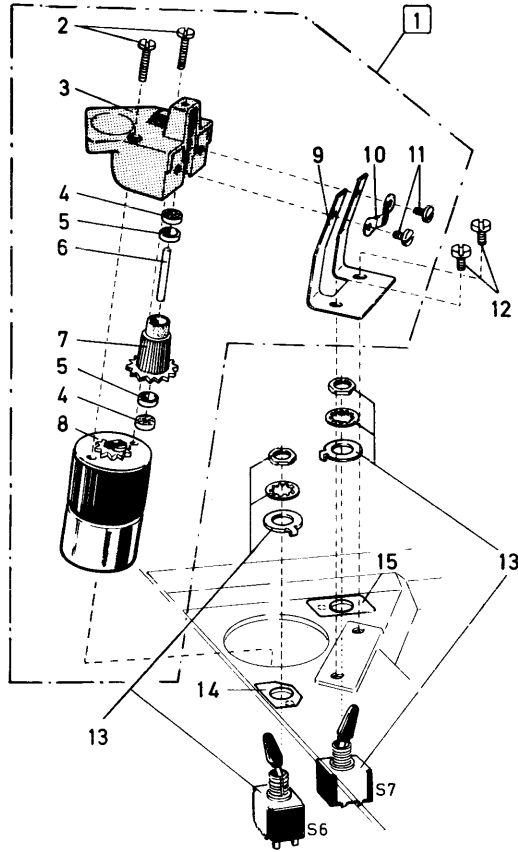
Item No.	Part No.	Description
15	1501 35 41-00/6	Punch pin driver (Ch1,8)
16	1501 35 51-00/5	Punch pin driver (Ch2,7)
17	1501 35 51-10/4	Punch pin driver (Ch3,6)
18	1501 35 51-20/3	Punch pin driver (Ch5 and feed hole)
19	1501 35 51-30/2	Punch pin driver (Ch4)
20	1595 34 10-00/6	Punch pin driver shaft
21	1503 46 20-00/3	Sealing screw
22	1501 13 70-00/2	Capstan
23	1149 06 70-00/4	Punch head with punch pins, ECMA
24	1149 06 70-10/3	Punch head with punch pins, TS
25	723 12 20-55/4	Screw MCS 3x6
26	1141 36 10-00/4	Board with fuses ECMA complete
27	1141 36 10-10/3	Board with fuses TS complete
K3	1159 18 11-70/5	Fuse miniature 2A
	728 52 20-00/5	Stop screw P6SS 3x6
	1050 60 01-00/6	PC board connector



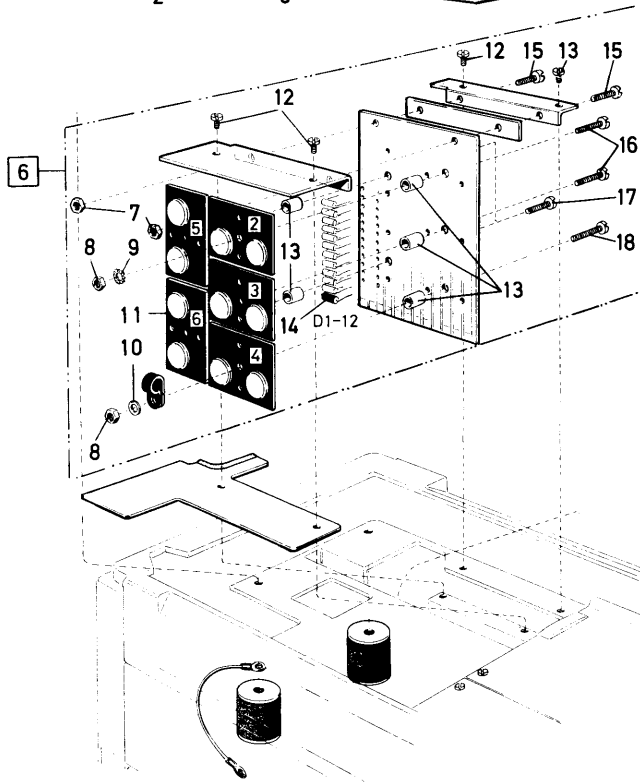
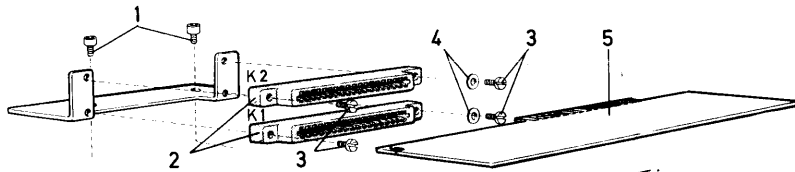
Item No.	Part No.	Description
1	1149 18 30-00/3	Retainer plate
2	1502 18 30-00/3	Cover plate TS
3	1501 31 30-00/8	Cover plate ECMA
4	723 12 20-55/4	Screw MCS 3x6
5	1501 31 80-00/3	Surge takeup spring
6	1501 31 90-00/2	Washer ECMA
7	723 22 22-33/6	Screw MSCS 3x8
8	728 53 23-00/7	Locking screw P6SS 5x8
9	1501 31 40-00/7	Spring mounted tape guide
10	1149 16 30-00/7	Surge takeup spring
11	723 12 27-55/9	Screw MCS 3x14



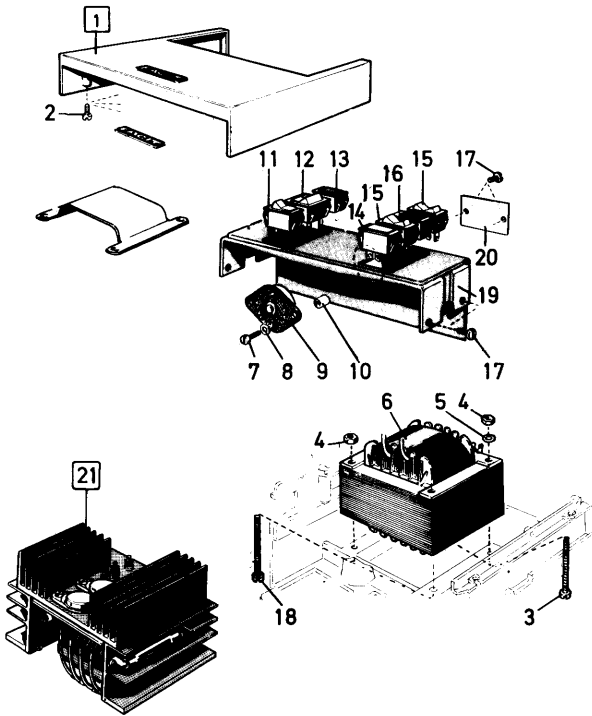
Item No.	Part No.	Description
1	1501 73 91-10/1	Motor mount complete
2	1149 18 40-10/1	. Protective washer
3	1503 59 01-10/5	. Brake triangle
4	1149 18 90-00/7	. Locating washer
5	731 43 09-01/9	. Nut ML6M 2.5
6	725 52 85-00/4	Retainer screw MC6S 4x6
7	1502 86 60-00/7	Stator with windings
8	731 43 10-01/7	Nut ML6M 3
9	735 11 24-00/8	Washer
10	723 12 30-55/3	Screw MCS 3x20
11	1002 31 25-10/6	Spacer sleeve
12	1149 24 90-00/5	Spacer screw
13	723 12 19-55/6	Screw MCS 3x5
14	1503 57 40-30/5	Motor brake complete
15	1503 57 70-00/5	. Brake spring
16	1503 57 80-00/4	. Rubber pad
17	1502 28 60-00/9	. Spacer sleeve
18	723 12 20-55/4	. Screw MCS 3x6
19	723 12 87-55/3	Screw MCS 4x8
20	723 12 28-55/7	Screw MCS 3x16
21	1501 73 80-00/5	Stepper motor with brake complete
22	723 12 31-55/1	Screw MCS 3x22



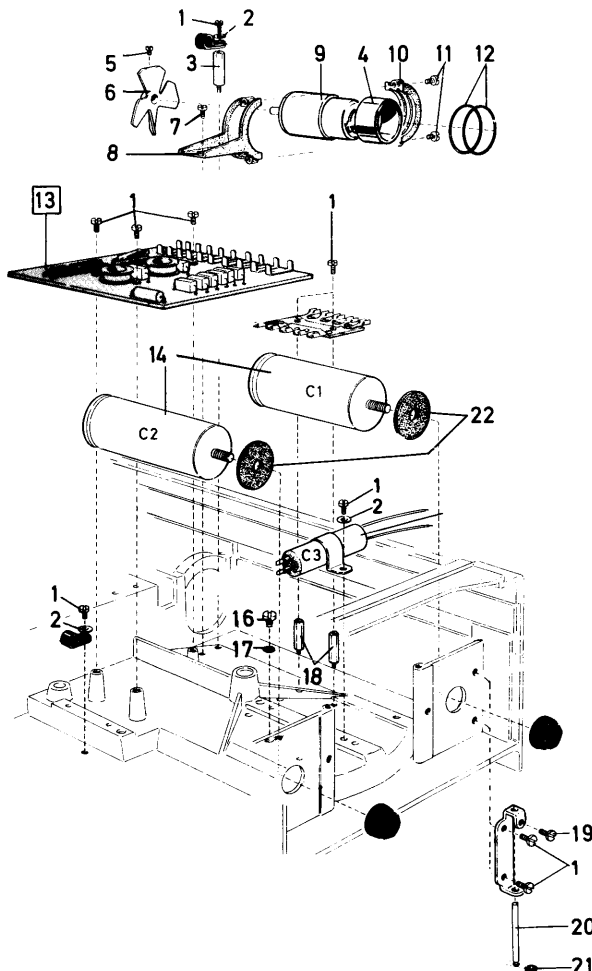
Item No.	Part No.	Description
1	1502 17 80-00/0	Winding motor assembly
2	1007 40 10-10/8	. Screw selfthreading
3	1501 57 30-00/3	. Gear housing
4	1595 38 30-20/3	. Ball bearing
5	1503 94 90-00/6	. Ring
6	1503 47 90-00/4	. Shaft
7	1501 57 10-00/5	. Flange driver
8	1149 11 20-10/8	. Motor
9	1501 57 40-00/2	. Motor bracket
10	1149 18 00-00/6	. Protector bracket
11	723 22 19-33/2	. Screw MSCS 3x5
12	723 12 84-55/0	Screw MCS 4x5
13	1595 54 20-00/3	Switch
14	1149 19 50-00/9	Label
15	1149 19 60-00/8	Label



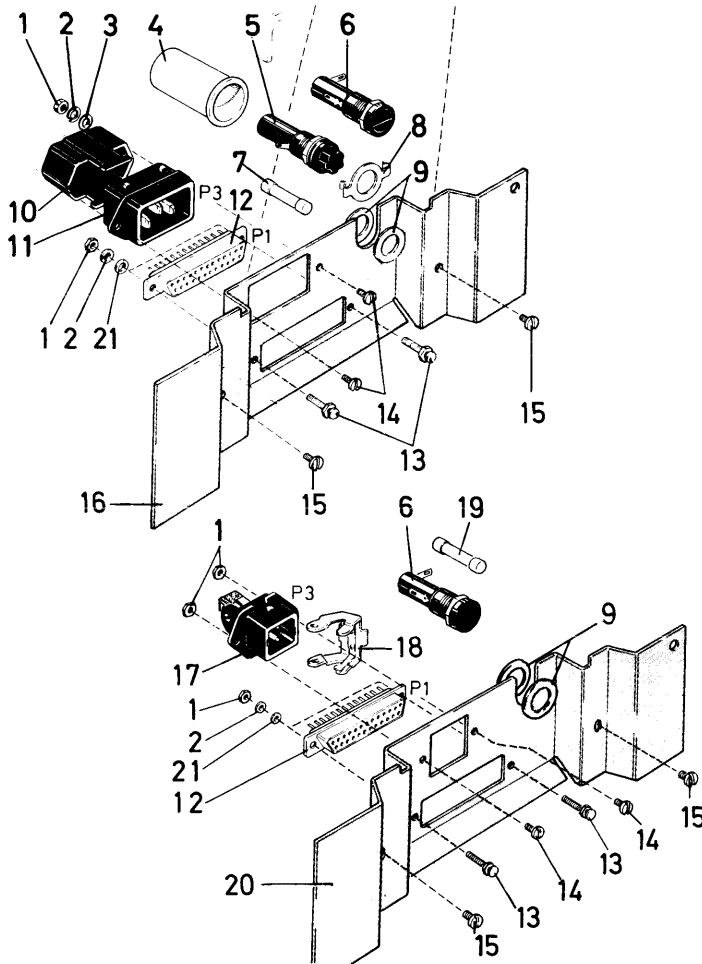
Item No.	Part No.	Description
1	725 53 27-00/4	Screw MC6S 5x12
2	1050 60 02-00/4	PC board connector
3	723 12 24-55/6	Screw MCS 3x10
4	735 21 24-00/7	Washer
5	1141 23 20-00/1	Bridging board
6	1501 39 80-00/6	Diode circuit board compl.
7	731 43 12-01/3	. Nut ML6M 4
8	731 43 10-01/7	. Nut ML6M 3
9	1595 57 40-90/5	. Washer
10	1003 71 24-00/4	. Washer
11	1500 93 80-00/5	. 2-diode unit
12	723 12 19-55/6	. Screw MCS 3x5
13	1142 81 40-20/3	. Spacer sleeve
14	1159 10 60-00/6	. Diode 1N4002
15	723 12 87-55/3	. Screw MCS 4x8
16	723 12 26-01/5	. Screw MCS 3x12
17	723 12 24-01/0	. Screw MCS 3x10
18	723 12 27-01/3	. Screw MCS 3x14



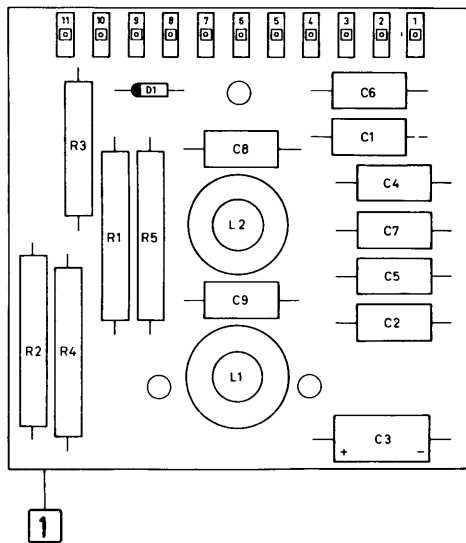
Item No.	Part No.	Description
1	1502 17 20-20/4	Cover assembly
2	1007 40 06-10/6	Screw
3	1006 18 10-10/6	Screw
4	731 43 14-01/9	Nut ML6M 5
5	1003 60 13-10/9	Washer MCS 4x10
6	1159 53 90-20/1	Transformer
7	723 12 89-01/3	Screw MCS 4x10
8	1003 72 36-00/8	Washer
9	1066 40 01-10/3	Selector switch 110/115 220/240V
10	1002 31 45-10/4	Spacer sleeve
11	1066 30 13-50/5	Button
12	1159 35 30-10/5	Button AC
13	1149 39 00-00/2	Button 24, 48/60V
14	1066 50 14-50/1	Lamp green
15	1066 50 16-50/6	Lamp orange
16	1066 30 15-50/0	Button
17	1066 50 15-50/8	Lamp red
18	723 22 85-33/3	Screw MSCS 4x6
19	723 13 41-00/4	Screw MCS 5x50
19	1149 23 50-00/1	Control panel
19	1149 23 50-10/0	Control panel rack
20	1149 23 20-00/4	Cover plate DC
21	1149 27 70-00/0	DC converter 48/60V compl.



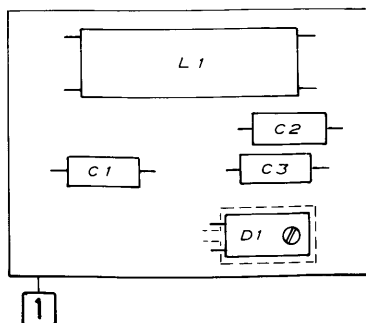
Item No.	Part No.	Description
1	723 12 19-55/6	Screw MCS 3x5
2	1003 60 12-10/1	Washer
3	1149 11 00-00/1	Distance screw
4	1149 37 80-00/8	Sleeve
5	1007 81 88-00/9	Screw
6	1501 57 80-00/8	Impeller
7	723 12 19-55/6	Screw MCS 3x5
8	1502 18 00-00/6	Motor mount half with bracket
9	1159 37 40-00/1	Motor
10	1502 18 10-00/5	Motor mount half
11	723 12 27-55/9	Screw MCS 3x14
12	1595 43 50-20/1	O-ring
13	1502 86 30-00/0	Filter circuit board compl.
14	1159 11 20-40/4	Capacitor 10.000µF 35V
15	1159 24 70-20/4	Disturbance suppressor
16	723 12 83-01/6	Screw MCS 4x4
17	1595 57 41-30/9	Washer
18	1149 17 60-00/2	Distance screw
19	723 11 89-01/5	Screw MCS 2.5x4
20	1149 11 80-00/3	PC board catch
21	735 31 07-20/9	Retainer ring
22	1013 40 04-10/9	Rubber washer



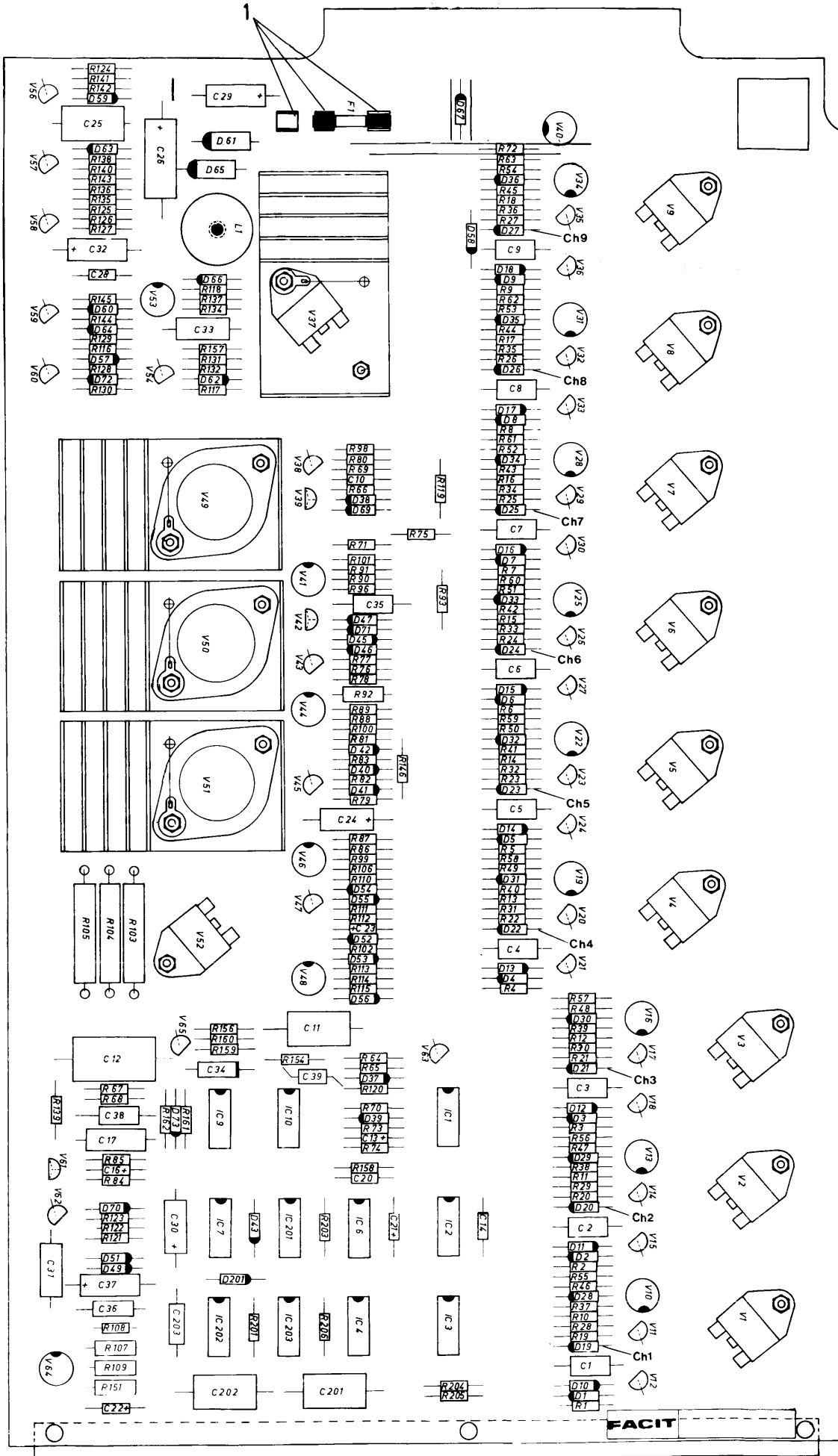
Item No.	Part No.	Description
1	731 43 10-01/7	Nut ML6M 3
2	735 11 24-00/8	Washer
3	1003 60 81-10/6	Washer
4	8367 19 02-41/5	Fuse cover
5	1159 12 80-00/0	Fuse holder Amer.
6	1595 84 10-00/1	Fuse holder
7	1159 12 31-70/6	Fuse 2AT (AC)
	8369 16 06-20/2	Fuse 2AT (AC) Amer.
8	8219 70 01-61/1	Locking washer
9	1003 61 06-10/1	Washer
10	1096 01 01-00/3	Cover (AC)
11	1098 71 01-00/2	Mains voltage inlet CEE (AC)
12	1595 81 80-00/0	Signal connector
13	1149 36 00-00/8	Special screw
14	723 22 22-33/6	Screw MSCS 3x8
15	723 22 85-33/3	Screw MSCS 4x6
16	1149 13 30-00/4	Rear panel (AC)
17	1595 84 90-00/3	Mains voltage inlet (DC)
18	1595 83 10-00/3	Locking device (DC)
19	1595 38 72-20/5	Fuse 5A (DC)
20	1149 13 60-00/1	Rear panel (DC)
21	1002 31 17-10/3	Washer



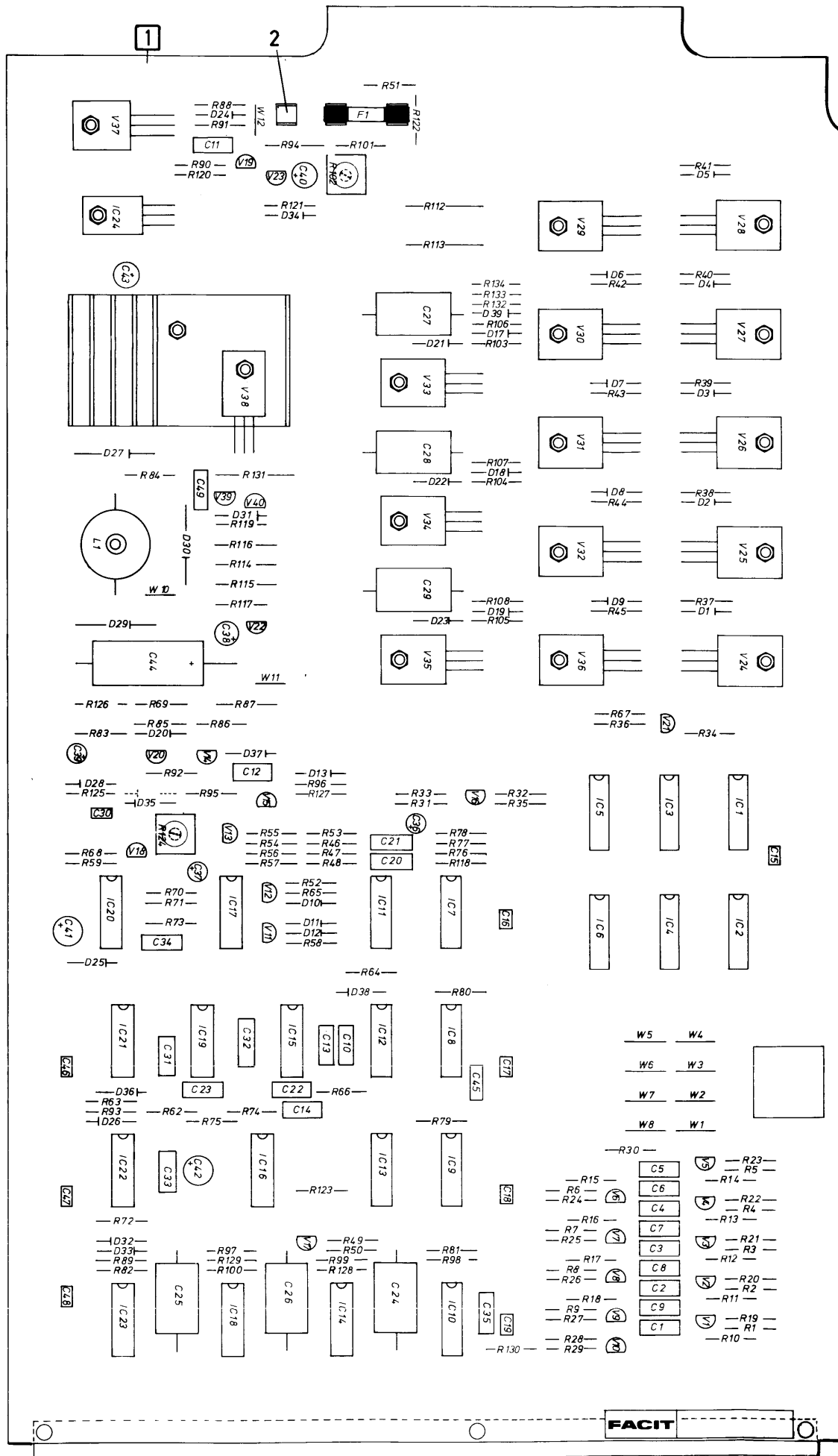
Component designation	Part No.	Description
1	1502 86 30-00/0	Filter circuit board complete
D1	1159 10 60-00/6	Diode 1N4002
L1,2	1502 86 20-00/1	Coil
R1,5	1159 22 30-50/9	Res 10 8W 10%
R2,4	1159 22 30-90/5	Res 22 8W 10%
R3	1159 42 11-30/9	Res 47 5.5W 10%
C1,2,4-9	1062 22 13-10/5	Cap 0.1μF 63V
C3	1596 05 63-60/7	Cap 100μF 40V



Item No.	Part No.	Description
1	1149 35 50-00/5	Additional filter circuit board (24V)
	1149 30 20-00/9	Additional filter circuit board (48/60V)
D1	1063 10 04-50/3	Diode BYX71-350R (48/60V)
L1	1149 30 30-00/8	Coil
C1-3	1159 47 60-60/2	Cap 0.47μF 100V
2	1004 31 24-00/6	Spring washer
3	731 43 10-01/7	Nut ML6M 3
4	723 12 26-55/1	Screw MCS 3x12



Component designation	Part No.	Description	Component designation	Part No.	Description
V1-9,52	1159 28 10-00/3	Trans TIP33A, 2N3055	R64,68,126,136,141	1159 22 0x-x0	Res 4.7k - 2.2M 1/4W 5% To be tested out
V10,13,16 19,22,25,28, 31,34,40,48	1159 10 10-00/1	Trans BFY50	R204 205	1159 22 0x-x0	Res 39k - 2.2M 1/4W 5% To be tested out
V11,14,17, 20,23,26,29, 32,35,56,63	1159 19 30-00/0	Trans 2N3703	R65	1159 22 10-90/7	Res 56k 1/4W 2%
V12,15,18, 21,24,27,30, 33,36,38,43, 45,47,54,57- 60,62,65	1159 19 40-00/9	Trans 2N3704	R67	1159 22 10-80/8	Res 18k 1/4W 2%
V37	1159 48 70-00/5	Trans TIP33A	R75	1159 22 01-60/0	Res 180 1/4W 5%
V39,42,61	1063 40 01-10/0	Trans BC238B	R72,98,127 132,137,154	1159 22 02-50/8	Res 1k 1/4W 5%
V41,44,46, 64	1159 21 50-00/4	Trans 2N2904	R74,81-83 106,114,156, 160	1159 22 03-70/4	Res 10k 1/4W 5%
V49-51	1159 18 70-00/8	Trans 2N3055	R76-78,203	1159 22 03-90/2	Res 15k 1/4W 5%
V53	1159 19 50-00/8	Trans 2N2905	R80,131,146	1159 22 02-10/2	Res 470 1/4W 5%
D1-27,37,38, 40-43,45-47, 49,51-55,57- 60,62,63,66, 67,69-71,73	1159 19 10-00/2	Diode 1N4148	R87,89,91, 108,129,130	1159 22 01-70/8	Res 220 1/4W 5%
D28-36,56	1159 10 40-00/8	Diode AAZ15, AAZ17	R92	1159 12 50-70/6	Res 2.2 1/2W 10%
D39,64,72	1063 20 31-10/9	Zener-diode 3.6V BZY88,BZX55	R102	1159 22 00-90/8	Res 47 1/4W 5%
D61	1159 48 80-00/4	Diode IZC6.8T5,1S3006A	R103-105	1061 31 00-10/5	Res 4.7 6W 10%
D65	1159 18 40-00/1	Diode NS3001	C23	1159 30 50-40/1	Cap 1μ 35V
D201	1159 53 60-00/6	Diode 1S922	C24	1159 30 70-30/0	Cap 47μ 20V
R107,109	1159 17 31-30/9	Res 100 1/2W 5%	C25,36	1159 47 60-20/6	Cap 0.1μ 100V
R112	1159 22 04-90/0	Res 100k 1/4W 5%	C26	1159 30 80-30/9	Cap 220μ 10V
R117	1159 22 01-50/0	Res 150 1/4W 5%	C29	1159 30 70-10/2	Cap 10μ 35V
R124	1159 22 10-40/2	Res 47k 1/4W 2%	C30	1159 30 50-50/0	Cap 2.2μ 20V
R125,144	1159 22 10-20/4	Res 1.5k 1/4W 2%	C31,35,38	1050 54 47-00/2	Cap 4700p
R134	1159 22 00-10/6	Res 10 1/4W 5%	C32	1159 30 60-40/0	Cap 22μ 15V
R135	1159 22 10-10/5	Res 1.2k 1/4W 2%	C33	1050 55 47-00/9	Cap 0.047μ
R142,201,206	1159 22 10-30/3	Res 22k 1/4W 2%	C37	1159 30 60-30/1	Cap 10μ 20V
R143	1504 21 80-00/8	Resistance wire 0.05	C203	1159 54 20-50/3	Cap 0.047μ
R151	1159 17 30-30/1	Res 15 1/2W 5%	C14	1050 53 47-00/4	Cap 470
R157	1159 22 07-10/1	Res 4.7 1/4W 5%	F1	8369 16 05-10/5	Fuse 0.6A (Fast) Amer.
C1-9,34,39	1050 54 22-00/5	Cap 2200p	F1	1159 12 21-20/2	Fuse 630mA (Fast action)
C10,28	1050 54 10-00/0	Cap 1000p	1	1595 82 60-00/0	Fuse holder
C11,201,202	1159 47 60-60/2	Cap 0.47μ 100V	<u>Resistors to be tested out</u>		
C12	1159 47 60-80/0	Cap 1μ 100V	Part No.	R64,R68,R126, R136,R141	R204 R205
C13,22	1159 30 50-60/9	Cap 4.7μ 10V	1159 22 03-30/8	4.7k	x
C16,21	1159 30 50-30/2	Cap 0.47μ 35V	1159 22 03-40/7	5.6k	x
C17	1050 55 10-00/7	Cap 0.01μ	1159 22 03-50/6	6.8k	x
C20	1050 53 22-00/7	Cap 220p	1159 22 03-60/5	8.2k	x
IC1,201	1159 48 20-00/0	IC FCH161	1159 22 03-70/4	10k	x
IC2	1159 48 50-00/7	IC FCJ121	1159 22 03-80/3	12k	x
IC3,4,7	1159 48 30-00/9	IC FCH191	1159 22 03-90/2	15k	x
IC6	1159 48 40-00/8	IC FCH211	1159 22 04-00/9	18k	x
IC9,10	1159 48 60-00/6	IC FCK111	1159 22 04-10/8	22k	x
IC202,203	1159 34 60-00/6	IC SN74121N	1159 22 04-20/7	27k	x
L1	1503 87 50-00/4	Coil	1159 22 04-30/6	33k	x
R1-18,66,70, 110,139,140 158	1159 22 04-10/8	Res 22k 1/4W 5%	1159 22 04-40/5	39k	x
R19-36,69 79,96,116,121, 122,128,159, 162	1159 22 03-30/8	Res 4.7k 1/4W 5%	1159 22 04-50/4	47k	x
R37-45,71, 84,86,88,90, 113,118,138	1159 22 01-90/6	Res 330 1/4W 5%	1159 22 04-60/3	56k	x
R46-54,93, 111,119,120, 123,145,161	1159 22 02-90/4	Res 2.2k 1/4W 5%	1159 22 04 70/2	68k	x
R55-63,73, 85,99-101,115	1159 22 01-30/2	Res 100 1/4W 5%	1159 22 04-80/1	82k	x
			1159 22 04-90/0	100k	x
			1159 22 05-00/6	120k	x
			1159 22 05-10/5	150k	x
			1159 22 05-20/4	180k	x
			1159 22 05-30/3	220k	x
			1159 22 05-40/2	270k	x
			1159 22 05-50/1	330k	x
			1159 22 05-60/0	390k	x
			1159 22 05-70/9	470k	x
			1159 22 05-80/8	560k	x
			1159 22 05-90/7	680k	x
			1159 22 06-00/4	820k	x
			1159 22 06-10/3	1M	x
			1159 22 06-20/2	1.2M	x
			1159 22 06-30/1	1.5M	x
			1159 22 06-40/0	1.8M	x
			1159 22 06-50/9	2.2M	x

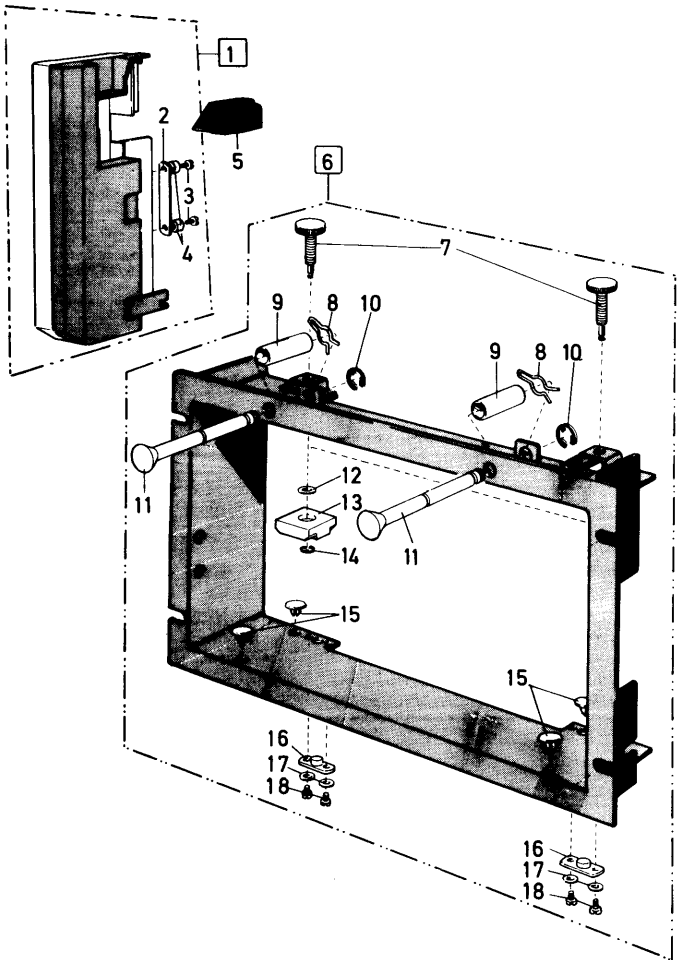


Component designation	Part No.	Description
IC1-6,19	1159 20 10-00/0	IC SN7410N
IC7,13	1063 60 03-50/0	IC SN7409N
IC8	1063 60 42-50/8	IC SN74107N
IC9	1596 03 80-00/2	IC SN7403N
IC10,14,18,23	1159 34 60-00/6	IC SN74121N
IC11	1063 60 02-50/2	IC SN7408N
IC12	1063 60 08-50/9	IC SN7437N
IC15,20	1063 60 79-50/0	IC SN74132N
IC16	1159 34 50-00/7	IC SN7404N
IC17	1063 60 08-10/3	IC SN74LSOON
IC21	1159 20 00-00/1	IC SN7400N
IC22	1159 34 70-00/5	IC SN7413N
IC24	1063 60 10-10/9	IC A78M05C
V1-16,18	1063 40 01-10/0	Trans BC238B
V17,19-21,40	1063 40 00-10/2	Trans BC308B
V22	1063 40 13-10/5	Trans BC328
V23,39	1063 40 10-10/1	Trans BC337
V24-37	1063 40 17-10/6	Trans BD267
V38	1063 40 16-10/8	Trans BD266
D1-3,17-19,24,31,33,35,37-39	1159 19 10-00/2	Diode IN4148
D20-23	1159 24 80-00/5	Diode IN4448
D25,26,36	1159 10 40-00/8	Diode AAZ17
D27	1159 18 40-00/1	Diode NS3001
D28	1063 20 42-10/2	Diode BZX55 8.2V 0.4W
D29	1159 48 80-00/4	Diode BZY92 6.8V 1W
D30	1159 09 90-00/5	Diode IN5401
D32	1063 20 35-10/0	Diode BZX55 5.1V 0.4W
D34	1063 20 35-10/0	Diode BZX55 5.1V 0.4W
C1-10,12	1062 22 03-10/6	Cap 2.2n 63V
C11,20-22,49	1062 22 13-10/5	Cap 0.1μ 63V
C13,14	1062 22 09-10/3	Cap 22n 63V
C15-19,30,46-48	1062 10 85-10/8	Cap 10n 50V
C23,34	1062 22 01-10/0	Cap 1n 63V
C24-29	1159 47 60-60/2	Cap 0.47μ 100V
C31	1062 22 07-10/7	Cap 10n 63V
C32	1062 22 14-10/3	Cap 0.15μ 63V
C33,35	1062 22 11-10/9	Cap 47n 63V
C36	1062 32 60-10/5	Cap 1μ 35V
C37,40	1062 30 25-10/2	Cap 10μ 16V
C38,39	1062 30 05-10/4	Cap 4.7μ 10V
C41,42	1062 31 09-10/4	Cap 47μ 6.3V
C43	1062 32 66-10/2	Cap 10μ 35V
C44	1596 05 60-40/5	Cap 470μ 10V
C45	1062 10 33-10/8	Cap 470p 63V
R1-9,31,95	1159 22 04-10/8	Res 22k 1/4W 5%
R10-18	1159 22 03-60/5	Res 8.2k 1/4W 5%
R19-28,32-33,47-50,56-58,62-63,85	1159 22 03-70/4	Res 10k 1/4W 5%
R29,51	1159 22 02-10/2	Res 470 1/4W 5%
R30,79-83,86,91,93,118,123,88,132-134	1159 22 03-30/8	Res 4.7k 1/4W 5%
R35,64-66,68-70,121	1159 22 01-90/6	Res 330 1/4W 5%

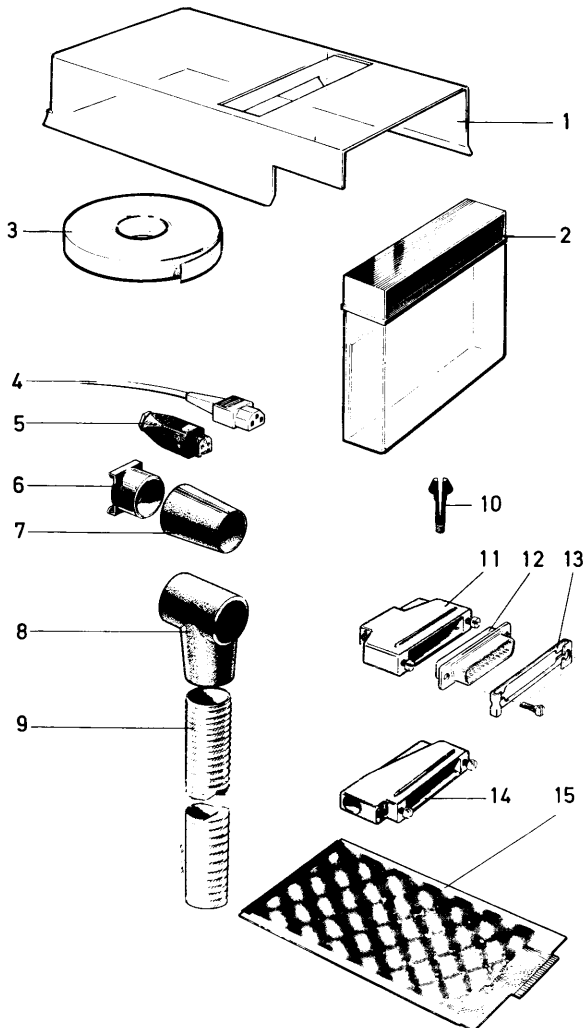
Component designation	Part No.	Description
R36,53,87	1159 22 02-90/4	Res 2.2k 1/4W 5%
R37-46,52,54,55,84,90,119	1159 22 02-50/8	Res 1k 1/4W 5%
R71-75	1159 22 02-00/3	Res 390 1/4W 5%
R67,76-78	1159 22 02-30/0	Res 680 1/4W 5%
R89,125	1159 22 03-50/6	Res 6.8k 1/4W 5%
R92,122	1159 22 02-80/5	Res 1.8k 1/4W 5%
R94	1061 20 09-10/9	Res 5.6 1/2W 10%
R96	1159 22 01-30/1	Res 100 1/4W 5%
R97,100	1159 22 94-20/7	Res 27k 1/4W 5%
R98	1159 22 04-40/5	Res 39k 1/4W 5%
R99	1159 22 03-90/2	Res 15k 1/4W 5%
R101,34	1159 22 02-60/7	Res 1.2k 1/4W 5%
R102	1061 40 60-50/6	Res 10k 1/2W 20%
R103-105	1061 12 88-10/0	Res 82.5k 1/4W 1%
R106-108	1061 12 76-10/5	Res 47k 1/4W 1%
R112,113	1061 11 55-50/7	Res 0.47 0.7W 5%
R114,115	1159 17 31-30/9	Res 100 1/2W 5%
R116	1159 17 30-30/1	Res 15 1/2W 5%
R117	1159 22 01-70/8	Res 220 1/4W 5%
R120	1150 22 04-90/0	Res 100k 1/4W 5%
R124	1061 40 58-50/0	Res 2k 0.5W 20%
R131	1595 92 21-90/2	Res 0.2 4W 10%
1	1149 36 30-00/5	Circuit board compl.
2	1595 82 60-00/0	Fuse holder
F1	8369 16 05-10/5	Fuse 0.64A (Fast) Amer.
F1	1159 12 21-20/2	Fuse 630mA (Fast action)
L1	1149 32 80-00/9	Coil
	1064 10 32-50/2	Core

Resistors to be tested out

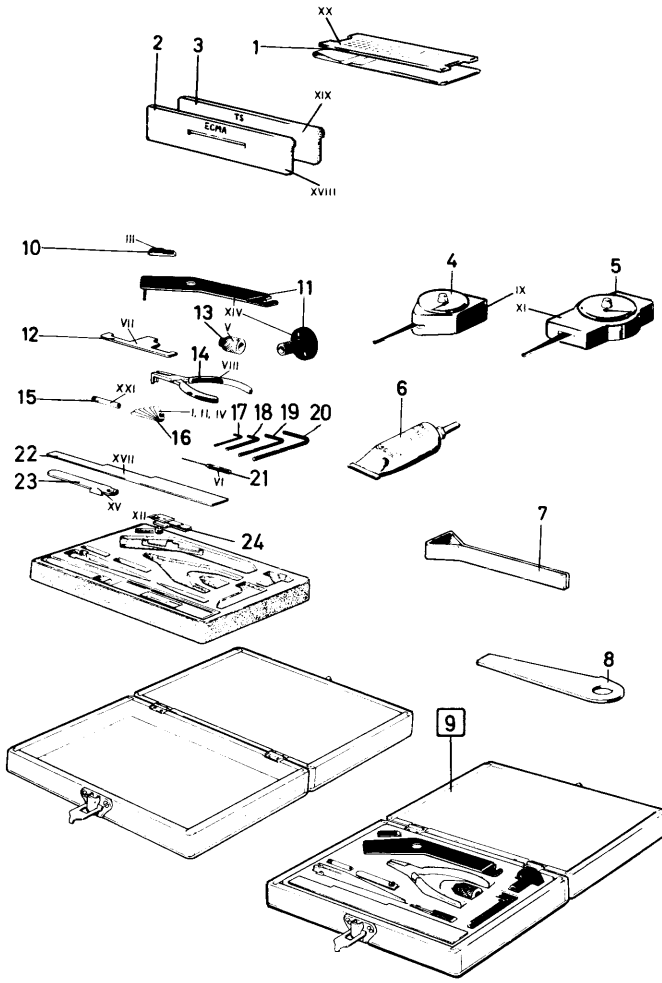
Part No.	R126	R127	R128	R129	R130
1159 22 02-80/5	1.8k	x			
1159 22 02-90/4	2.2k	x			
1159 22 03-00/1	2.7k	x			
1159 22 03-10/0	3.3k	x			
1159 22 01-50/0	150		x		
1159 22 01-60/9	180		x		
1159 22 01-70/8	220		x		
1159 22 01-80/7	270		x		
1159 22 01-90/6	330		x		
1159 22 04-10/8	22k			x	
1159 22 04-20/7	27k			x	
1159 22 04-30/6	33k			x	
1159 22 04-40/5	39k			x	
1159 22 04-50/4	47k			x	x
1159 22 04-60/3	56k			x	x
1159 22 04-70/2	68k			x	x
1159 22 04-80/1	82k			x	x
1159 22 04-90/0	100k			x	x
1159 22 05-00/6	120k			x	x
1159 22 05-10/5	150k			x	x
1159 22 05-20/4	180k			x	x
1159 22 05-30/3	220k			x	x
1159 22 05-40/2	270k			x	x
1159 22 05-50/1	330k			x	x
1159 22 05-60/0	390k			x	x
1159 22 05-70/9	470k				x
1159 22 05-80/8	560k				x
1159 22 05-90/7	680k				x
1159 22 06-00/4	820k				x



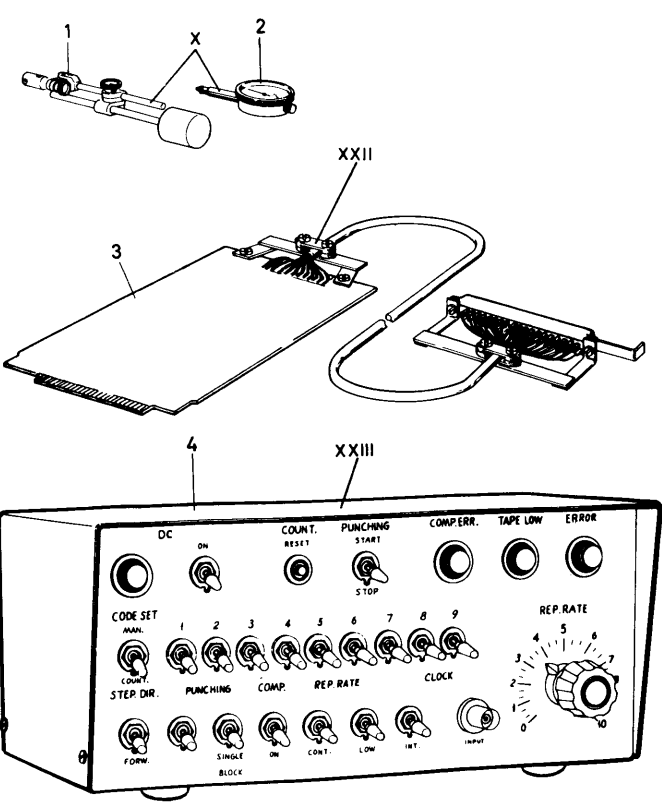
Item No.	Part No.	Description
1	1149 14 10-00/4	Chad box
2	1149 14 20-00/3	. Holder
3	1159 09 70-00/7	. Screw
4	1002 31 51-10/9	. Spacer sleeve
5	1149 07 90-00/0	Rubber chad-tube adapter
6	1149 10 10-00/2	Rack panel assembly
7	1149 09 40-00/1	Special screw
8	1149 09 30-00/2	Retainer ring
9	1149 09 60-00/9	Spacer sleeve
10	735 31 12-20/9	Retainer ring
11	1149 09 20-00/3	Handle
12	1003 71 24-00/4	Washer
13	1149 09 50-00/0	Support
14	735 31 06-20/1	Retainer ring
15	1149 09 70-00/8	Flange support
16	1149 10 00-00/3	Support
17	1003 71 24-00/4	Washer
18	1005 72 20-00/5	Screw



Item No.	Part No.	Description
1	1501 59 50-10/6	Transparent plastic cover
2	1501 59 20-00/0	Chad box
3	1144 01 00-30/0	Tape reel 1"
4	1098 21 01-00/7	Mains cable Eur. 3-pin plug (CEE222/V)
	1099 91 01-00/8	Mains cable Amer. 3-pin plug
5	1504 09 70-00/4	DC-connector 24V
6	1503 62 50-00/7	Chad exhaust adapter
7	1503 85 30-00/0	Straight tube connector
8	1503 85 20-00/1	Angular tube connector
9	1503 86 40-00/7	Chad tube
10	1502 18 20-00/4	Flange locking
11	1595 82 20-00/4	Connector casing with screws for straight cable mounting
12	1595 81 60-00/2	25-pin male connector
13	1595 82 00-00/6	Connector catch with screws
14	1595 82 40-00/2	Connector casing with screws for angular cable mounting, for rack version
15	1504 29 00-00/9	Circuit board for customers use



Item No.	Part No.	Description
1	1144 00 50-00/0	Template inter-row
2	1502 76 90-00/5	Templ. ref. edge - feed hole
3	1502 77 00-00/2	Templ. ref. edge - feed hole TS-tape
4	1158 73 00-00/2	Dial-type spring tension gauge, 100p
5	1158 73 20-00/0	Dial-type spring tension gauge, 1kp
6	1159 09 80-00/6	Grease Rocol MTS2000, 50g
7	1158 36 30-00/6	Holding tool
8	1158 74 40-00/6	Feeler gauge
9	1158 74 50-00/5	Tool set complete
10	1158 71 50-00/1	. Feeler gauge for adjusting punch pins
11	1158 70 70-00/1	. Tool for brake shoe
12	1158 73 70-00/5	. Template for buffer arm
13	1158 70 50-00/3	. Mandrel for pressing in capstan
14	1158 75 00-00/7	. Pliers for retainer ring
15	1158 71 60-00/0	. Grease nipple for punch head
16	1158 72 90-00/5	. Multi-blade feeler gauge
17	1159 06 70-00/3	. Hex-key wrench 1.5mm
18	1158 75 20-00/5	. Hex-key wrench 2.5mm
19	1158 75 10-00/6	. Hex-key wrench 3.0mm
20	1158 62 50-00/0	. Hex-key wrench 4.0mm
21	1158 71 40-00/2	. Mandrel for pressing out capstan
22	1158 71 30-10/2	. Tool for tape guide
23	1158 70 20-00/6	. Punch head turning tool
24	1158 30 60-00/6	. Friction tool



Item No.	Part No.	Description
1	1158 61 90-00/8	Dial gauge 0-1mm
2	1158 60 80-00/1	Magnetic holder for dial gauge
3	1158 76 10-00/4	Extension board
4	1503 62 20-10/9	Data generator
	1502 35 60-00/4	Data generator connection cable for 4001
	1502 35 70-00/3	Data generator connection cable for 4070

