

2105/08/12 Front Panel PCA Assembly
5060-8343

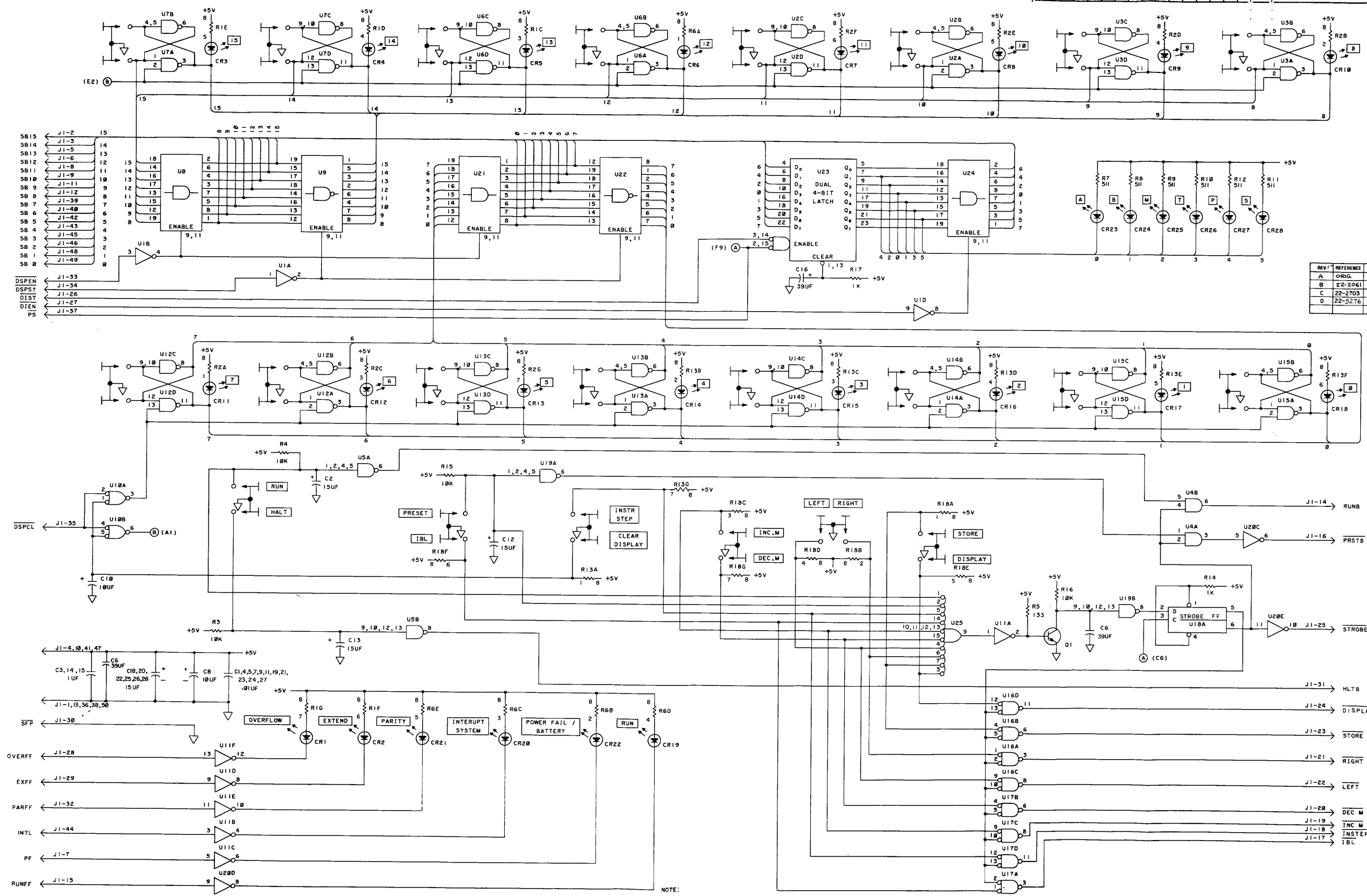
Front Panel PCA (2105/08/12) Parts List (5060-8343) Sht. 1 of 2

ITEM NO.	REFERENCE DESIGNATOR (FIRST SIX)	PART DESCRIPTION	PARENT OPTION	PART NUMBER	COMP. OPTION	L O C	QUANTITY PER	UM
01C3,14,15		CAP 1.0UF 20%		0160-0127		U	3	
01C1,4,5,7,9,11,19,21,03,23,24,27		CAP .01UF		0160-2055		U	11	
00C8,10		CAP 10UF 10%		0180-0374		D	2	
00C6,16		CAP 39UF 10%		0180-0393		D	2	
01C2,12,13,18,20,22,25,03,26,28		CAP 15UF 5%		0180-2125		U	9	
		INSULATOR-XSTR		0340-0621		U	28	
		TERMN RBN CA 50P		0360-1706		U	1	
00R17		RES 1.96K 1%.125		0698-0083		D	1	
01R5		RES 133 1%.125		0698-3437		D	1	
00R14		RES 1K 1%.125		0757-0280		D	1	
01R7-12		RES 511 1%.125		0757-0416		D	6	
01R3,4,15,16		RES 10K 1%.125		0757-0442		D	4	
00R18		RES NET 7X133		1810-0063		U	1	
01R1,2,6,13		RES NET 7X500		1810-0080		U	4	
00U18		IC SN7474N		1820-0077		U	1	
00U4,10		IC MC3001P		1820-0141		U	2	
00U16,17		L/T BUY RES. USE		1820-0205		U	2	

Front Panel PCA (2105/08/12) Parts List (5060-8343) Sht. 2 of 2

ITEM NO	REFERENCE DESIGNATOR (FIRST SIX)	PART DESCRIPTION	PARENT OPTION	PART NUMBER	COMP. OPTION	LOC	QUANTITY PER	UM
01	U2,3,6,7,12-15	IC SN74H00N		1820-0370		U	8	
00	U1,20	IC SN74H04N		1820-0424		U	2	
00	U5,19	IC SN7413N		1820-0537		U	2	
00	U11	IC SN7416N		1820-0577		U	1	
00	U23	IC 9308PC		1820-0742		U	1	
01	U8,21,24	IC HP147A		1820-0755		U	3	
00	U9,22	IC HP106B		1820-0760		U	2	
00	U25	IC SN74S133N		1820-1130		U	1	
00	Q1	XSTR 2N2222AT018		1854-0477		U	1	
01	CR1-28	LED-VISIBLE		1990-0733		U	28	
		LABEL-USA		7120-6830		L	1	
		SWITCH BTN MINT		5040-6076		W	13	
		SWITCH BTN GRAY		5040-6077		W	9	
		BOARD-ETCHED		5080-9734		W	1	
		SPRING-CONTACT		02108-00014		W	12	
		RETAINER-SWITCH		02108-40002		W	12	
		ASSY-FT PNL CABL		02108-60024		1	1	

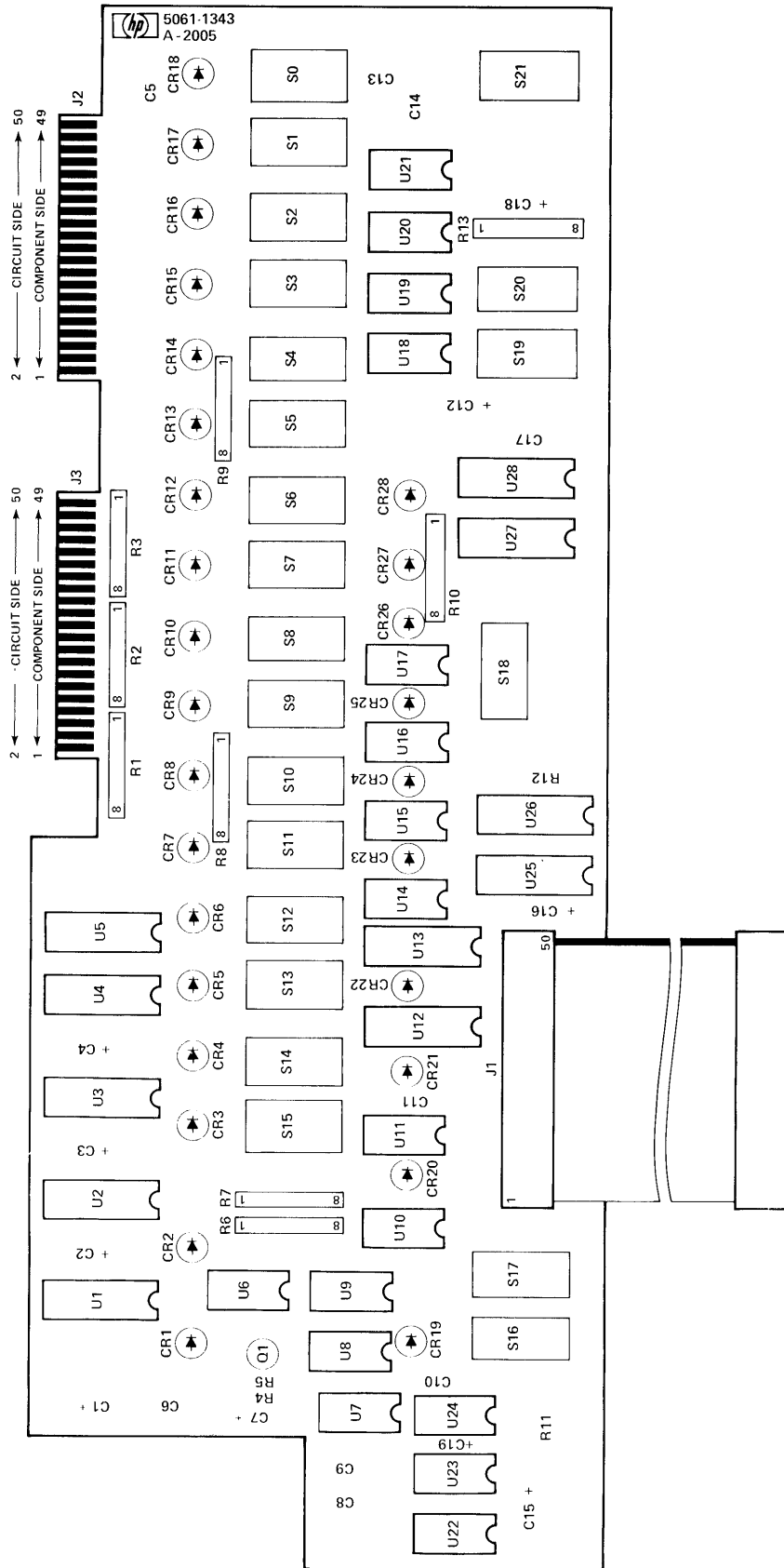
ENGINEERING RESPONSIBILITY												REVISED & REDRAWN PER PC22-5276											
APPROVED												DATE											
BY												REVISED											



REV	REFERENCE	SERIES PREFIX
A	ORIG.	1553
B	22-2061	1415
C	22-2703	1517
D	22-5276	1911

NOTE:
ALL RESISTORS IN OHMS

SCHEMATIC - FRONT PANEL		HEWLETT PACKARD	
TITLE		PART NUMBER	
2108 B		5060-8343	
NEXT ASSEMBLY		PART NUMBER	
FINISH		SCALE	
		D-5060-8343-51	



2109/11/13/17 Front Panel PCA Assembly
5061-1343

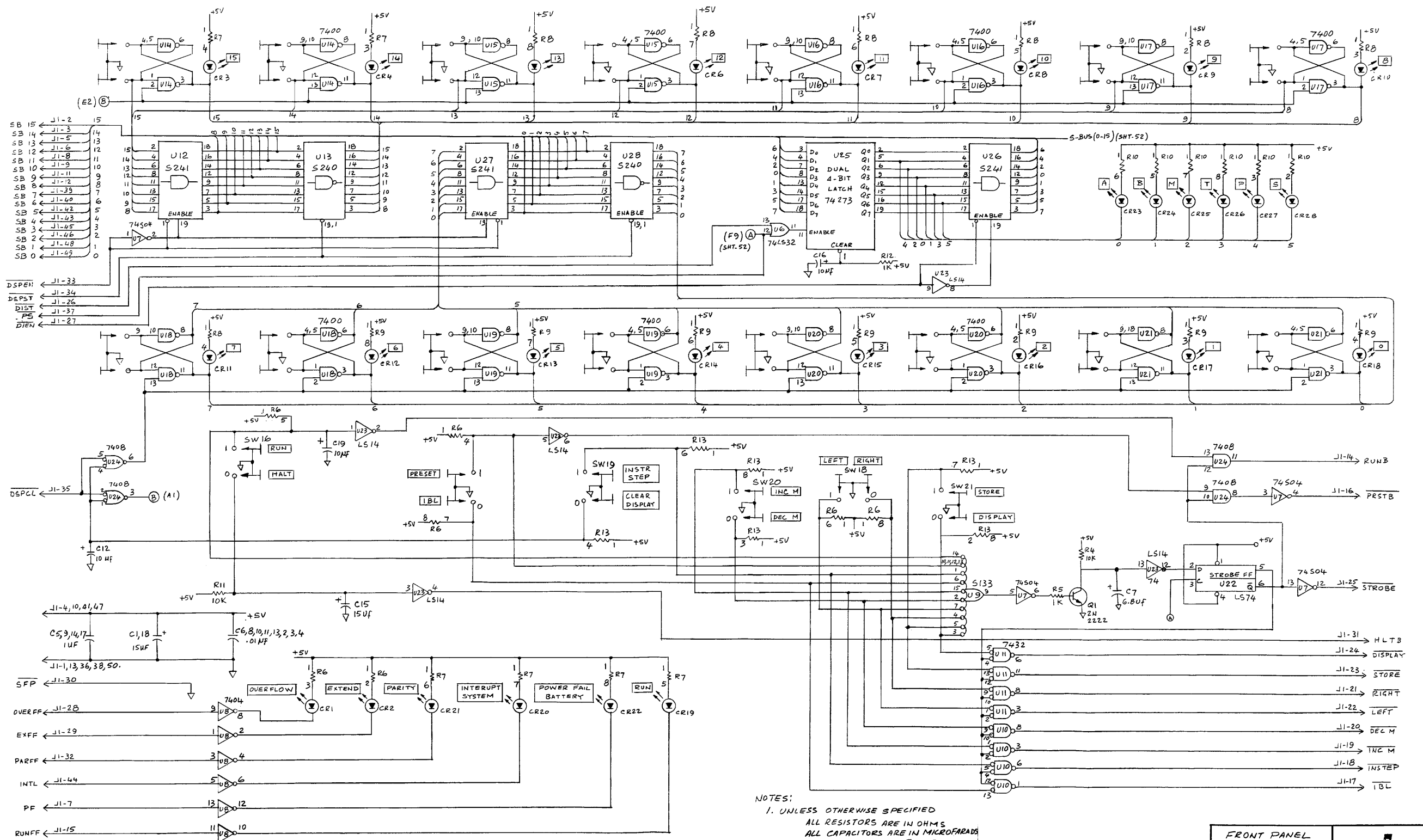
Front Panel PCA (2109/11/13/17) Parts List (5061-1343) Sht. 1 of 2

ITEM NO.	REFERENCE DESIGNATOR (FIRST SIX)	PART DESCRIPTION	PARENT OPTION	PART NUMBER	COMP. OPTION	L O C	QUANTITY PER	UM
01C	5,9,14,17	CAP 1.0UF 20%		0160-0127		U	4	
01C	6,8,10,11,13	CAP .01UF		0160-2055		U	5	
01C	2,3,4	CAPACITOR .01MF		0160-3451		U	3	
00C	7	CAP 6.8UF 10%		0180-0116		D	1	
01C	12,16,19	CAP 10UF 10%		0180-0374		D	3	
01C	1,15,18	CAP 15UF 5%		0180-2125		U	3	
		INSULATOR-XSTP		0340-0621		U	28	
00J	1	TERMN RBN CA 50P		0360-1706		U	1	
00R	5,12	RES 1K 1%.125		0757-0280		D	2	
00R	4,11	RES 10K 1%.125		0757-0442		D	2	
01R	6-10,13	RES NET 7X500		1810-0080		U	6	
00R	1-3	RES NETWORK		1810-0297		U	3	
01U	14-21	IC SN7400N		1820-0054		U	8	
00U	8	IC SN7404N		1820-0174		U	1	
00U	24	IC SN7408N		1820-0511		U	1	
01U	10,11	IC SN7432N		1820-0661		U	2	
00U	7	IC SN74S04N		1820-0683		U	1	

Front Panel PCA (2109/11/13/17) Parts List (5061-1343) Sht. 2 of 2

ITEM NO.	REFERENCE DESIGNATOR (FIRST SIX)	PART DESCRIPTION	PARENT OPTION	PART NUMBER	COMP. OPTION	L O C	QUANTITY PER	UM
00	U22	IC SN74LS74N		1820-1112		U	1	
00	U9	IC SN74S133N		1820-1130		U	1	
00	U6	IC SN74LS32N		1820-1208		U	1	
00	U23	IC SN74LS14N		1820-1416		U	1	
00	U25	IC SN74273N		1820-1461		U	1	
01	U1,3,12,26,27	IC SN74S241N		1820-1624		U	5	
01	U5,13,28	IC SN74S240N		1820-1633		U	3	
00	U2,4	IC SN74S374N		1820-1677		U	2	
00	01	XSTR 2N2222AT018		1854-0477		U	1	
01	CR1-28	LED-VISIBLE		1990-0529		U	28	
		LABEL-USA		7120-6830		L	1	
		SWITCH BTN MINT		5040-6076		W	13	
		SWITCH BTN GRAY		5040-6077		W	9	
		BOARD ETCHED		5080-9795		W	1	
		SPRING-CONTACT		02108-00014		W	12	
		RETAINER-SWITCH		02108-40002		W	12	
		ASSY-FT PNL CABL		02108-60024		1	1	

ENGINEERING RESPONSIBILITY															REVISED															APPROVED															DATE														
[Signature]															[Signature]															[Signature]															[Signature]														
E															F															F															F														
REDESIGNED WITHOUT CHG. DATE CODE 1733															REDESIGNED WITHOUT CHG. DATE CODE 1733															REDESIGNED WITHOUT CHG. DATE CODE 1733															REDESIGNED WITHOUT CHG. DATE CODE 1733														
CORRECTED, DATE CODE 1733															CORRECTED, DATE CODE 1733															CORRECTED, DATE CODE 1733															CORRECTED, DATE CODE 1733														



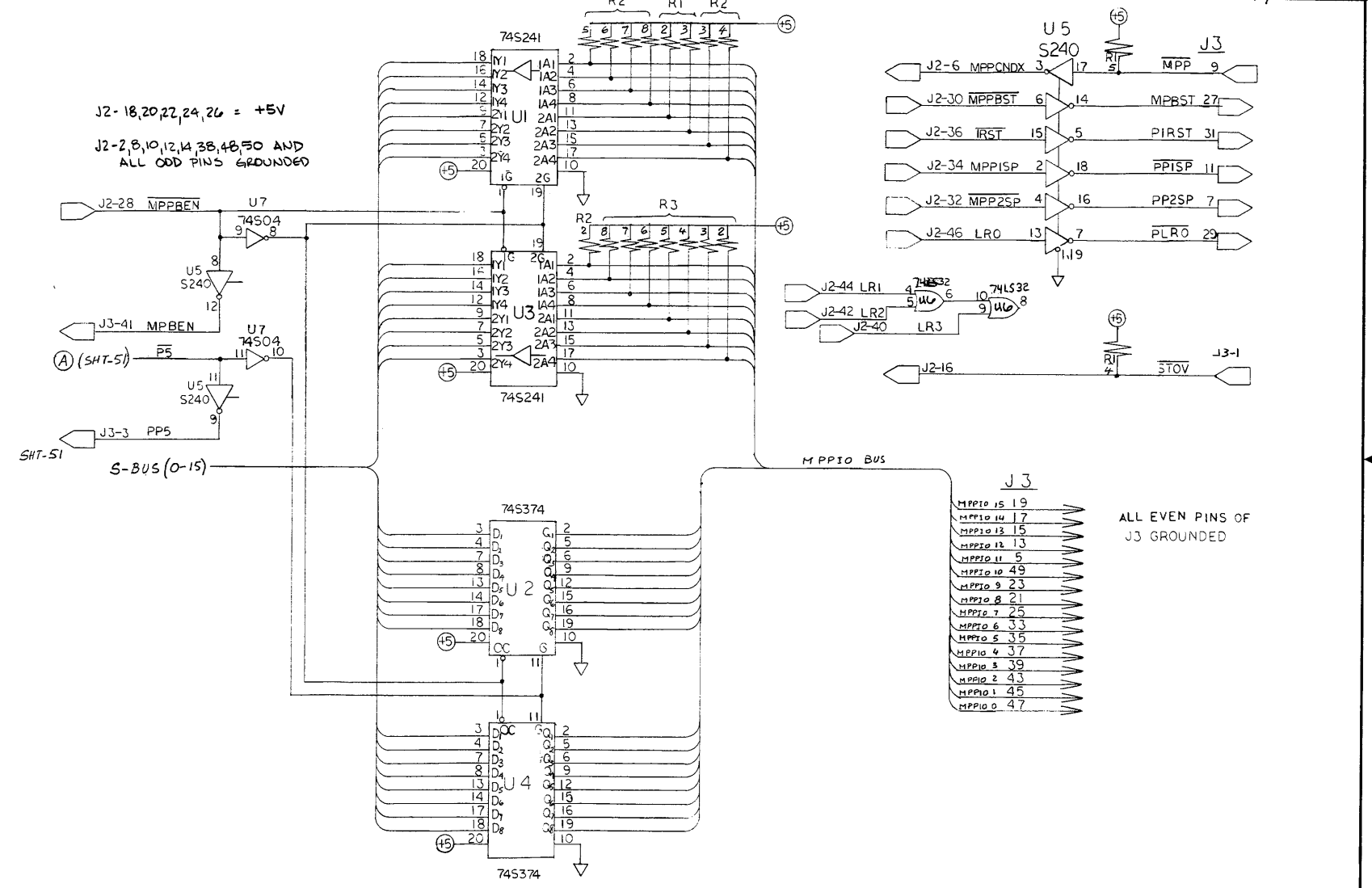
NOTES:
 1. UNLESS OTHERWISE SPECIFIED
 ALL RESISTORS ARE IN OHMS
 ALL CAPACITORS ARE IN MICROFARADS
 ALL RESISTORS ARE 500 Ω

FRONT PANEL		HEWLETT PACKARD	
TITLE SCHEMATIC DWG.		PART NUMBER	
NEXT ASSEMBLY		SCALE	
FINISH		D-5061-1343-51	

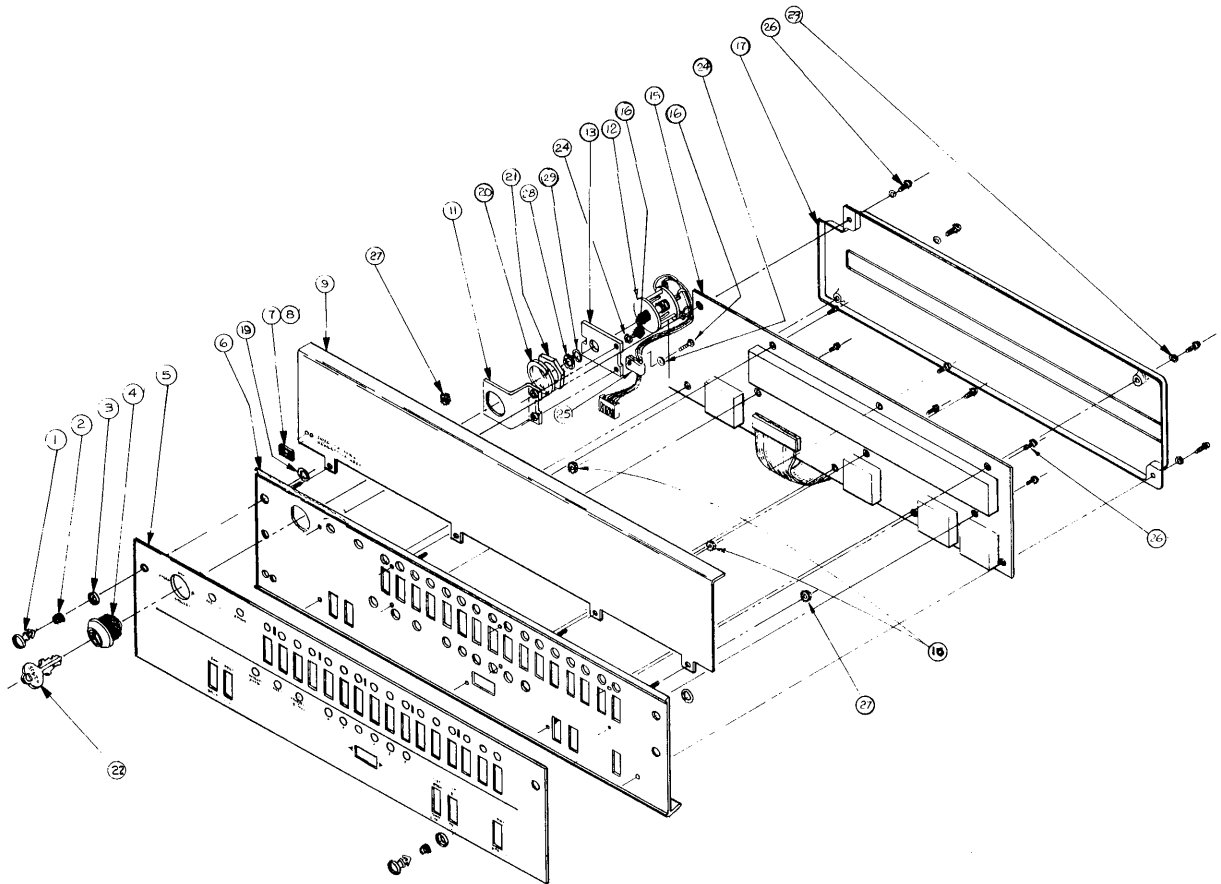
ENGINEERING RESPONSIBILITY															
0	1	2	3	4	5	6	7	8	9	10	11	12	13	14	15
16	17	18	19	20	21	22	23	24	25	26	27	28	29	30	31
32	33	34	35	36	37	38	39	40	41	42	43	44	45	46	47
48	49	50	51	52	53	54	55	56	57	58	59	60	61	62	63

REVISED		APPROVED		DATE	
A AS ISSUED (1632)		[Signature]		3/6/76	
B R1-3 were 4.7kΩ (1632)		[Signature]		11-3-76	
C PCO-21-22-23, U8-B WAS CONNECTED TO U5-1 DATE CODE 15/1795		[Signature]		9/1/77	
D PCO-21-21A TAPERS CONNECTED DATE CODE 15 2005		[Signature]		3/6/80	

R1, R2, R3 RESISTOR NETWORKS ARE ALL 3.3K OHMS, 1810-0297



XE FRONT PANEL		HEWLETT PACKARD	
MPP ADDITIONS			
TITLE	02109-60001, 02113-60001	PART NUMBER	5061-1343
NEXT ASSEMBLY		PART NUMBER	5061-1343-52
FINISH		SCALE	



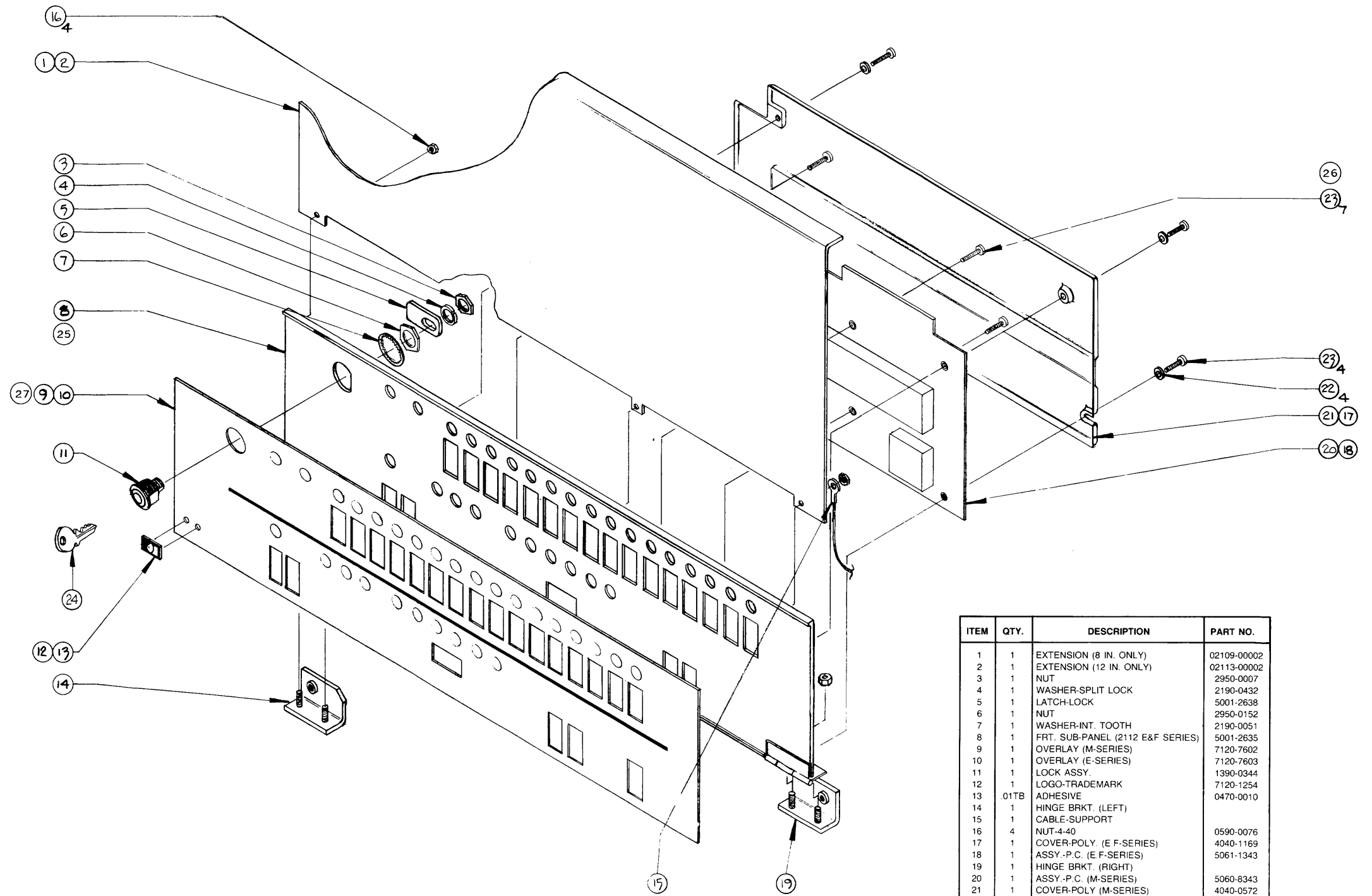
NOTE

The exploded view is a typical view for 02105-60013, 02108-60027, 02109-60001, 02112-60010, and 02113-60001. The only material differences are items 5, 9, 15, and 17 which are the front panel overlay, front panel extension, front panel PC board assembly, and front panel PC board cover respectively. The different part numbers for the various assemblies are called out below.

02105-60013	02108-60027	02109-60001
ITEM	ITEM	ITEM
5. 4040-0580	5. 4040-0581	5. 4040-1061
9. 02105-00010	9. 02108-00015	9. 02109-00001
15. 5060-8343	15. 5060-8343	15. 5061-1343
17. 4040-0572	17. 4040-0572	17. 4040-1169

02112-60010	02113-60001
ITEM	ITEM
5. 4040-0581	5. 4040-1061
9. 02112-00002	9. 02113-00001
15. 5060-8343	15. 5061-1343
17. 4040-0572	17. 4040-1169

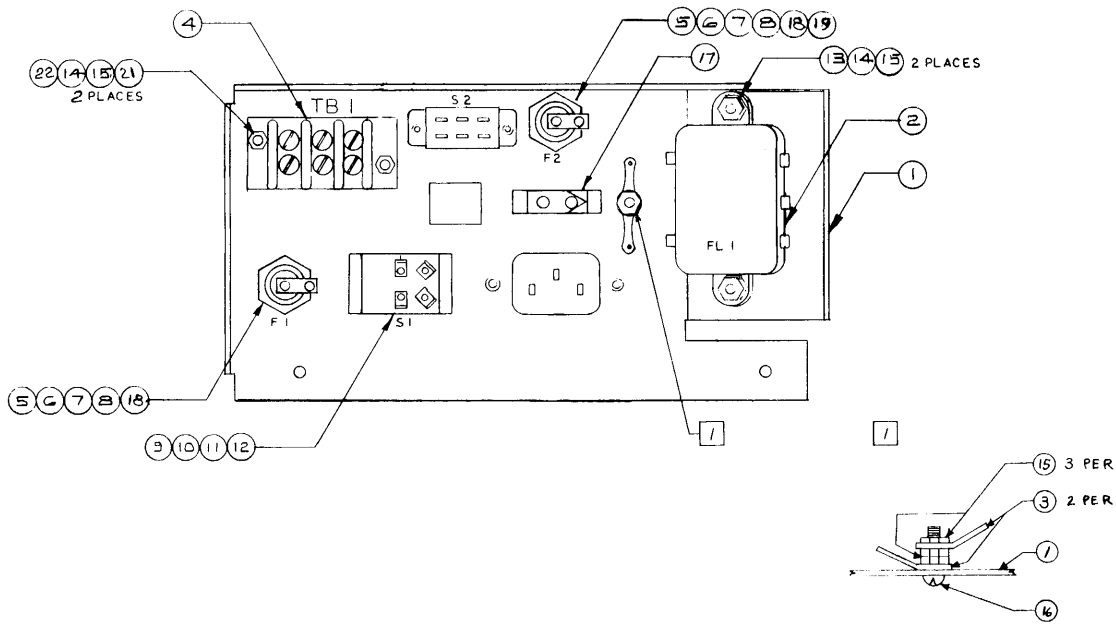
ITEM	QTY.	DESCRIPTION	PART NO.
1	2	1/4 TURN FASTENER	1390-0294
2	2	EJECTOR SPRING	1390-0293
3	2	NYLON WEAR WASHER	1390-0071
4	1	LOCK	1390-0301
5	1	FRONT PANEL OVERLAY	SEE NOTE
6	1	FRONT SUB-PANEL	02108-00020
7	1	hp TRADEMARK	7120-1254
8	A/R	LOCTITE 404 ADHESIVE	0470-0010
9	1	FRONT PANEL EXTENSION	SEE NOTE
10	2	HEX NUT 4-40 x .250	2260-0009
11	1	LOCK BRACKET	02108-00021
12	1	SWITCH ASSEMBLY	02108-60033
13	1	SWITCH BRACKET	02108-00002
14		DELETED	
15	1	FRT. PANEL P.C. BOARD ASSY.	SEE NOTE
16	2	CAPT. SPL. LOCK SCR. 6-32 x .375	2360-0359
17	1	FRT. PANEL P.C. BOARD COVER	SEE NOTE
18		DELETED	
19	2	SPLIT RING RETAINER	1390-0257
20	1	WASHER - LOCK	2190-0051
21	1	HEX NUT	2950-0138
22	1 PR.	KEYS	1390-0302
23	4	WASHER - FLAT #4	3050-0229
24	2	WASHER - FLAT #6	3050-0228
25	1	CABLE CLAMP .250 ID	1400-0126
26	11	CAPT. SPL. LOCK SCR. 4-40 x .500	2200-0525
27	2	SELF LOCKING NUT	0590-0076
28	1	NUT	2950-0001
29	1	INTERNAL LOCK	2190-0016



ITEM	QTY.	DESCRIPTION	PART NO.
1	1	EXTENSION (8 IN. ONLY)	02109-00002
2	1	EXTENSION (12 IN. ONLY)	02113-00002
3	1	NUT	2950-0007
4	1	WASHER-SPLIT LOCK	2190-0432
5	1	LATCH-LOCK	5001-2638
6	1	NUT	2950-0152
7	1	WASHER-INT. TOOTH	2190-0051
8	1	FRT. SUB-PANEL (2112 E&F SERIES)	5001-2635
9	1	OVERLAY (M-SERIES)	7120-7602
10	1	OVERLAY (E-SERIES)	7120-7603
11	1	LOCK ASSY.	1390-0344
12	1	LOGO-TRADEMARK	7120-1254
13	01TB	ADHESIVE	0470-0010
14	1	HINGE BRKT. (LEFT)	
15	1	CABLE-SUPPORT	
16	4	NUT-4-40	0590-0076
17	1	COVER-POLY. (E F-SERIES)	4040-1169
18	1	ASSY.-P.C. (E F-SERIES)	5061-1343
19	1	HINGE BRKT. (RIGHT)	
20	1	ASSY.-P.C. (M-SERIES)	5060-8343
21	1	COVER-POLY (M-SERIES)	4040-0572
22	4	WASHER-FLAT #4	3050-0229
23	11	SCREW 4-40 x .500 (2112 E F SERIES)	2200-0525
24	2	KEY	1390-0345
25	1	FRONT SUB PANEL (2108)	5040-6301
26	11	SCREW TAPPING (2108)	0624-0314
27	1	OVERLAY (F-SERIES)	4040-1355

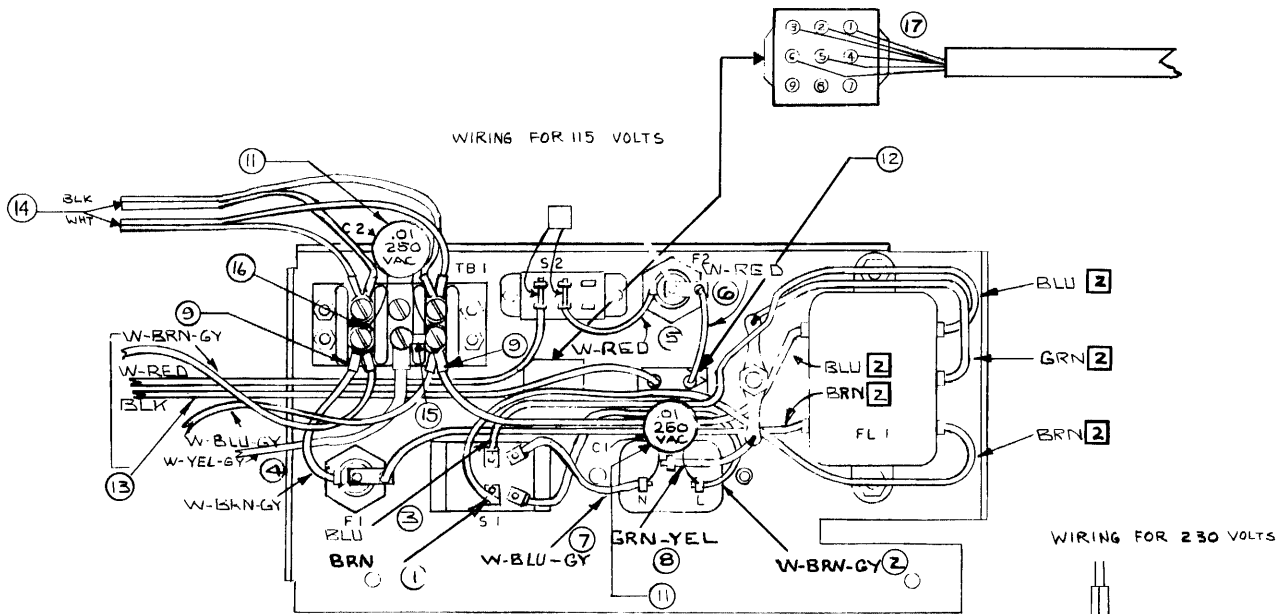
2108B/09B/11B/12B/13B/17F Front Panel Assembly (5950-3758)

REAR VIEW

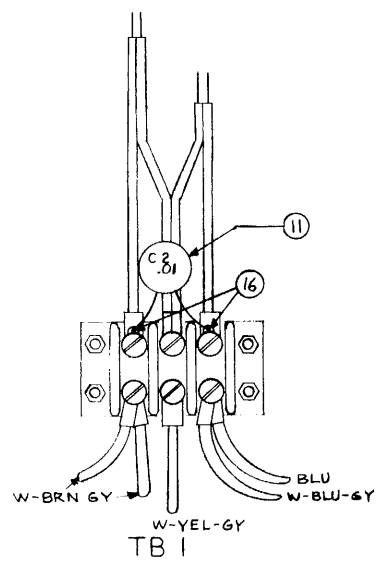


ITEM	QTY.	DESCRIPTION	PART NO.
1	1	REAR PANEL	02105-00001
2	1	FILTER LINE	9135-0017
3	2	SOLDER LUG #6	0360-0268
4	1	TERMINAL BLOCK	0360-0623
5	2	FUSE HOLDER	2110-0470
6	2	WASHER	1400-0090
7	2	WASHER LOCK	2190-0037
8	2	FUSE HOLDER	2950-0054
9	1	SWITCH TOGGLE	3101-0646
10	1	LOCKWASHER	2190-0102
11	1	NUT-SWITCH	2950-0035
12	1	KNURLED NUT	0590-0012
13	3	SCREW 6-32 x 375	2360-0197
14	4	LOCKWASHER SPLIT NO. 6	2190-0851
15	7	NUT HEX NO. 6 x 250	2420-0003
16	1	SCREW 6-32 x 500	2360-0201
17	1	HOUSING MOLEX	1251-3408
18	2	CAP FUSE HOLDER	2110-0465
19	1	FUSE SA. N.B.	2110-0010
20		DELETED	
21	2	SCREW 6-32 x .625 FLAT HEAD	2360-0202
22	2	WASHER FLAT 6-32	3050-0228

2105A Rear Panel Assembly
02105-60014



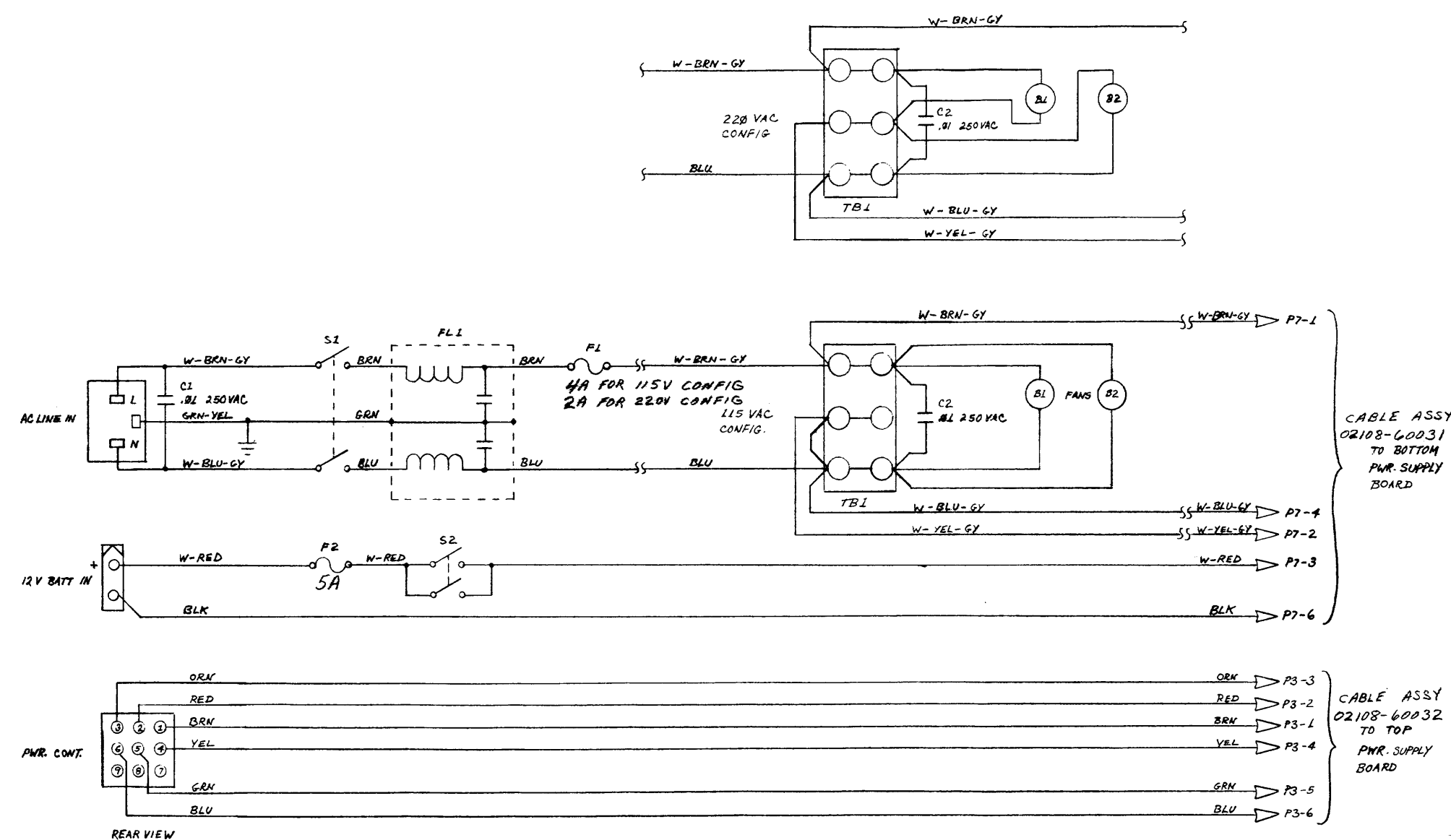
- 2 FILTER WIRES
- 15 REMOVE ITEM 15 FOR 230 VOLT OPERATION.



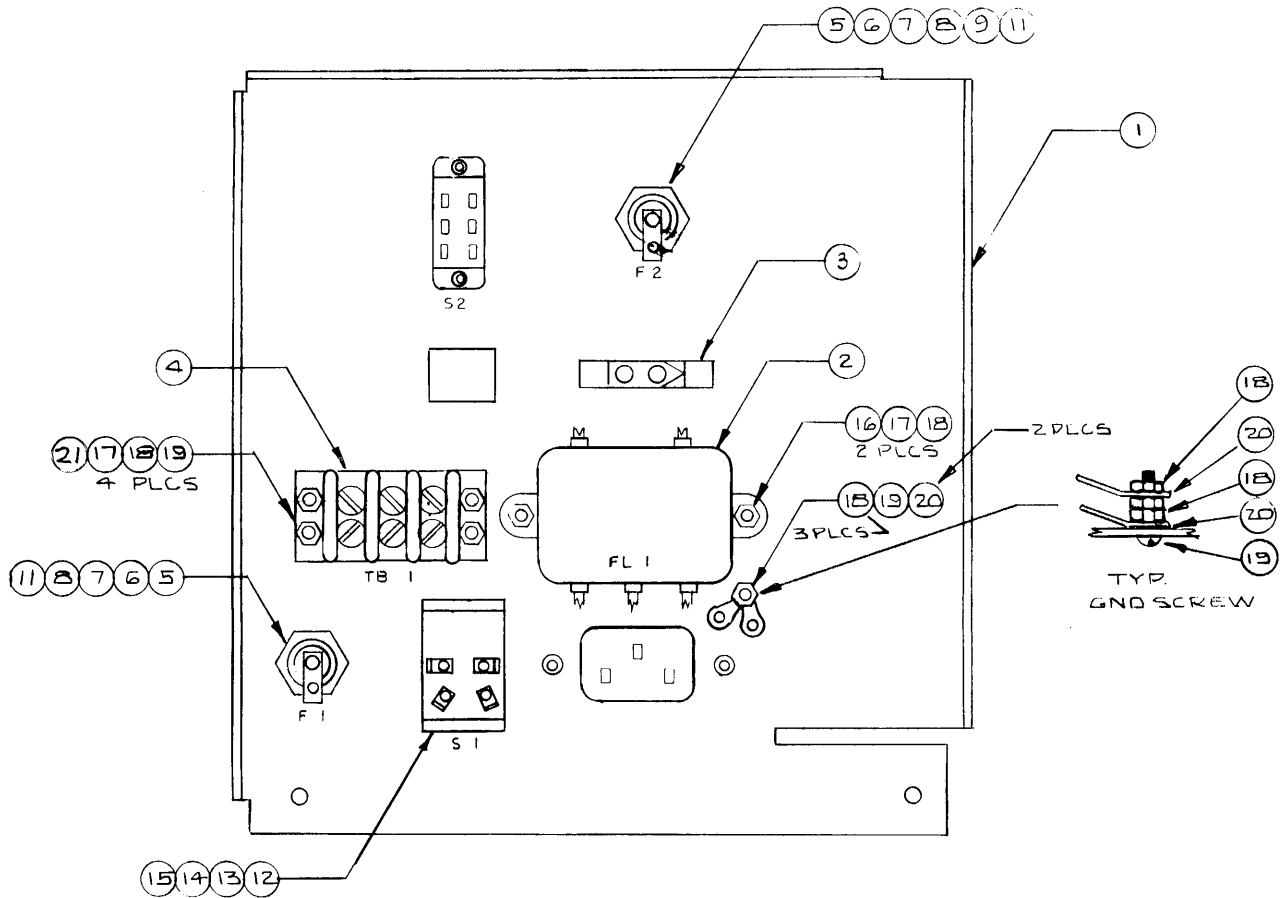
ITEM	QTY.	DESCRIPTION	PART NO.
1	6"	W-BN-GY 16GA	8150-2614
2	3-1/2"	W-BLU-GY 16GA	8150-2618
3	5"	W-BLU-GY 16GA	8150-2618
4	2"	W-BN-GY 16GA	8150-2614
5	2-1/2"	W-RED 18GA	8150-2649
6	3"	W-RED 18GA	8150-2649
7	2"	W-BN-GY 16GA	8150-2614
8	2"	GRN-YEL 16GA	8150-2629
9	2	LUG CRIMP BLURING	0362-0329
10	2-1/2"	SHRINK TUBING	0890-0301
11	2	CAPACITOR .01 250 VAC	0150-0123
12	1	CONTACT PIN MALE	1251-2263
13	1	PWR. CABLE ASSY.	02108-60031
14	1	FAN CABLE ASSY.	02105-60015
15	1	TERMINAL-JUMPER	0360-1752
16	2	SOLDER LUG	0360-0036
17	1	CONTROL CABLE ASSY.	02108-60032

2105A Rear Panel Assembly
Wiring Diagram
02105-60014

ENGINEERING RESPONSIBILITY															SEPIA	C-02105-6001*				
0	1	2	3	4	5	6	7	8	9	10	11	12	13	14	15	SYM	REVISIONS	APPROVED	DATE	
16	17	18	19	20	21	22	23	24	25	26	27	28	29	30	31	A	AS ISSUED	<i>[Signature]</i>	5-8-7	

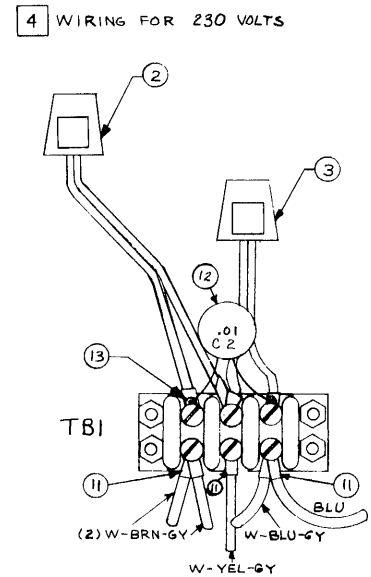
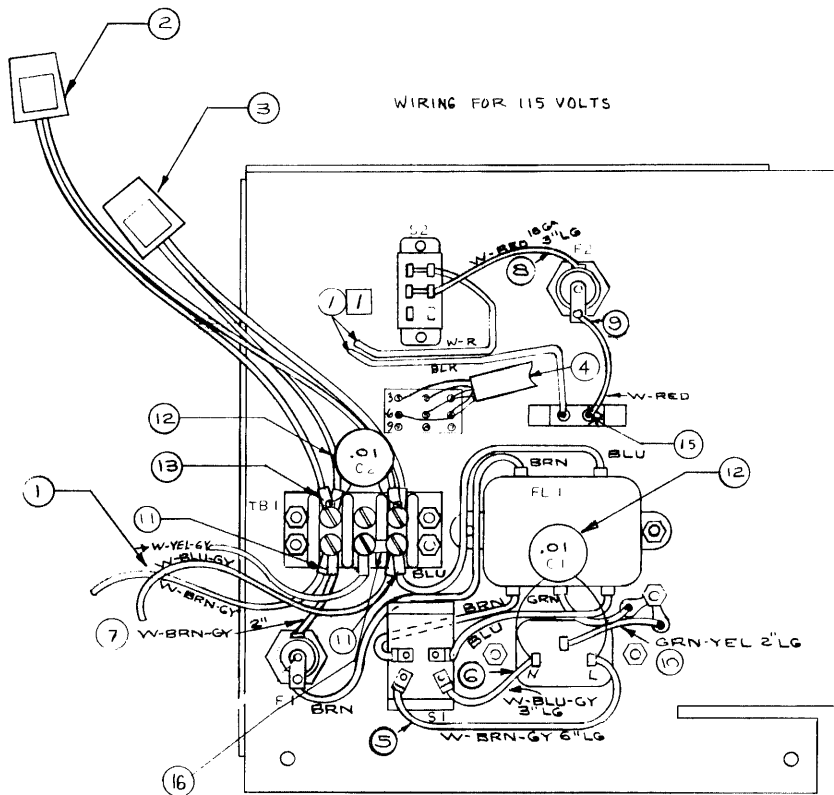


REAR PANEL WIRING		HEWLETT-PACKARD	
TITLE	2105A	PART NUMBER	C-02105-6001A-51
NEXT ASSEMBLY		SCALE	



ITEM	QTY.	DESCRIPTION	PART NO.
1	1	REAR PANEL	02108-00005
2	1	FILTER LINE	9135-0018
3	1	CONNECTOR MOLEX	1251-3408
4	1	TERMINAL BLOCK	0360-0623
5	2	FUSEHOLDER	2110-0470
6	2	WASHER	1400-0090
7	2	WASHER LOCK	2190-0037
8	2	NUT FUSEHOLDER	2950-0054
9	1	FUSE 5A N.B.	2110-0010
10		DELETED	
11	2	CAP FUSEHOLDER	2110-0465
12	1	SWITCH TOGGLE	3101-0646
13	1	LOCKWASHER	2190-0102
14	1	NUT SWITCH #32 x 32	2950-0035
15	1	NUT KNURLED	0590-0012
16	2	SCREW 6-32 x .375	2360-0197
17	4	LOCKWASHER SPLIT #6	2190-0851
18	7	NUT HEX #6 x .250	2420-0003
19	3	SCREW 6-32 x .625	2360-0203
20	2	LUG SOLDER	0360-0268
21	2	WASHER FLAT 6-32	3050-0228

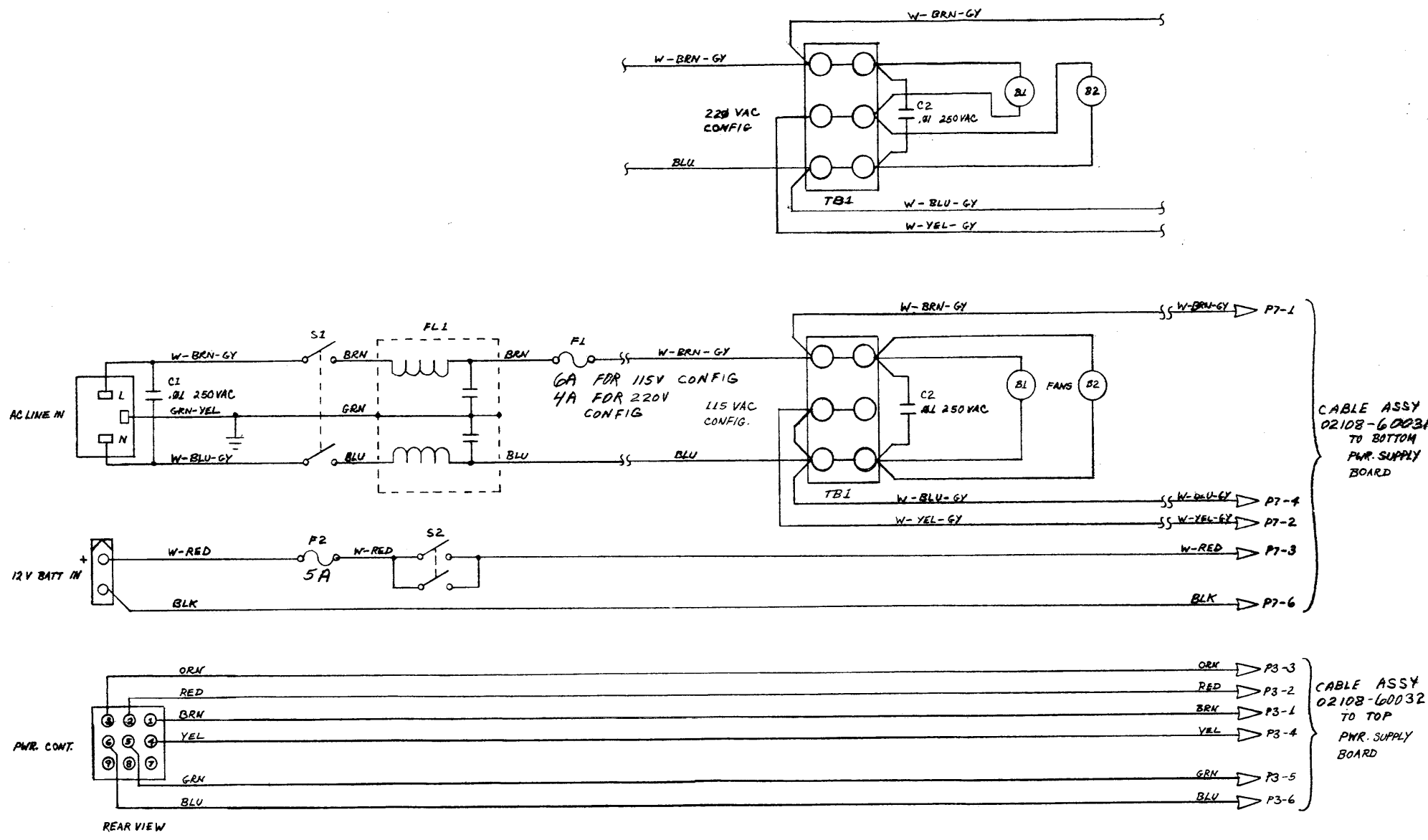
2108A/2109A Rear Panel Assembly
02108-60028



ITEM	QTY.	DESCRIPTION	PART NO.
1	1	PWR CABLE ASSY.	02108-60031
2	1	FAN CABLE ASSY.	02108-60029
3	1	FAN CABLE ASSY.	02108-60030
4	1	CONTROL CABLE ASSY.	02108-60032
5	1	W-BRN-GY 16GA 6" LG	8150-2614
6	1	W-BLU-GY 16GA 3" LG	8150-2618
7	1	W-BRN-GY 16GA 2" LG	8150-2614
8	1	W-RED 18GA 3" LG	8150-2649
9	1	W-RED 18GA 3" LG	8150-2649
10	1	GRN-YEL 16GA 2" LG	8150-2629
11	2	LUG CRIMP BLURING	0362-0329
12	2	CAP. .01-250 VAC	0150-0123
13	2	LUG SOLDER	0360-0036
14	2	SHRINK TUBING 2.500	0890-0301
15	1	CONTACT-MALE	1251-2263
16	1	TERMINAL-JUMPER	0360-1752

2108A/09A Rear Panel Assembly
Wiring Diagram
02108-60028

ENGINEERING RESPONSIBILITY										SEP 1964										SYM		REVISIONS		APPROVED		DATE														
0	1	2	3	4	5	6	7	8	9	10	11	12	13	14	15	16	17	18	19	20	21	22	23	24	25	26	27	28	29	30	31	32	33	34	35	A	AS	ISSUED	1/28/64	5-87

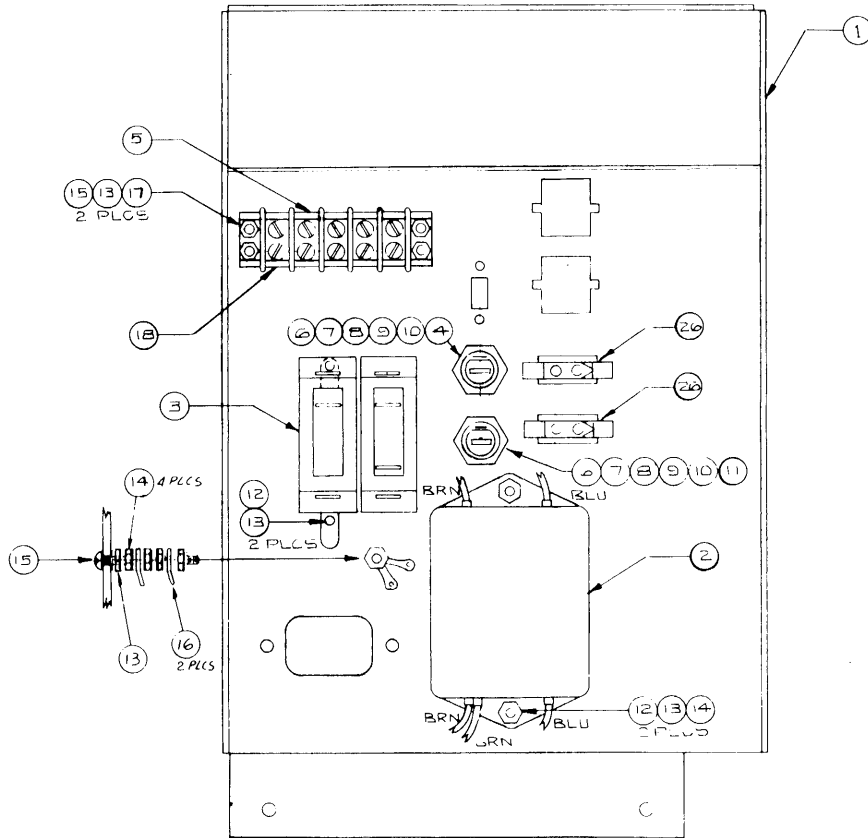


REAR PANEL WIRING

Hewlett Packard

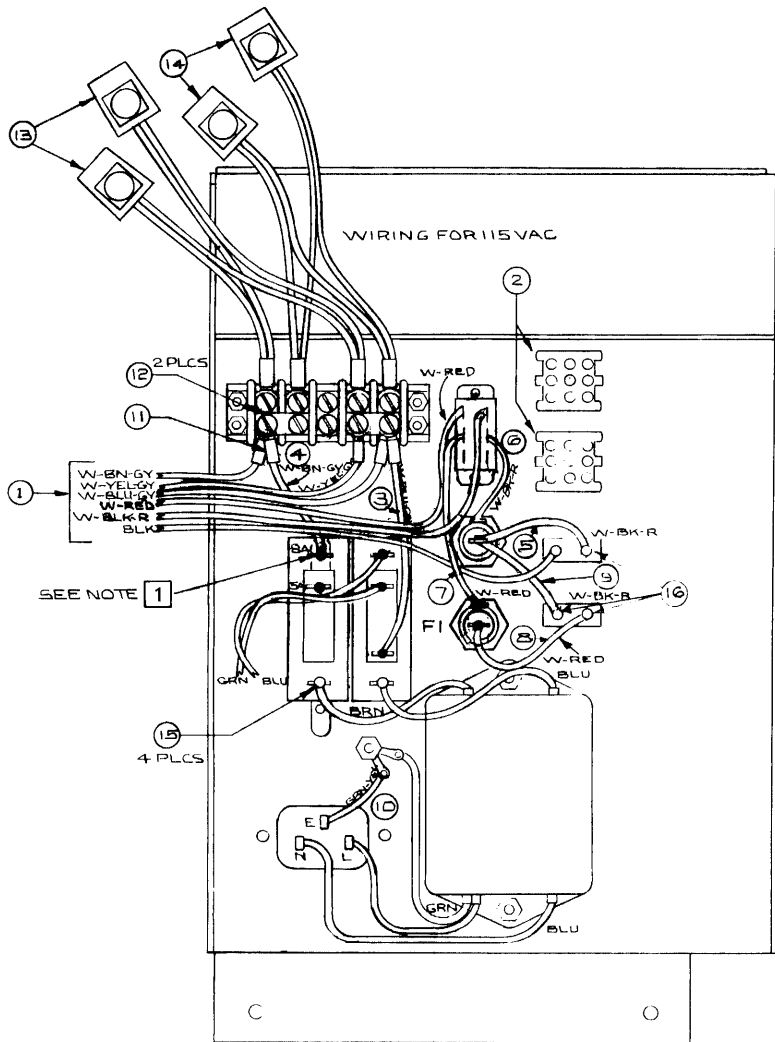
TITLE

REAR VIEW

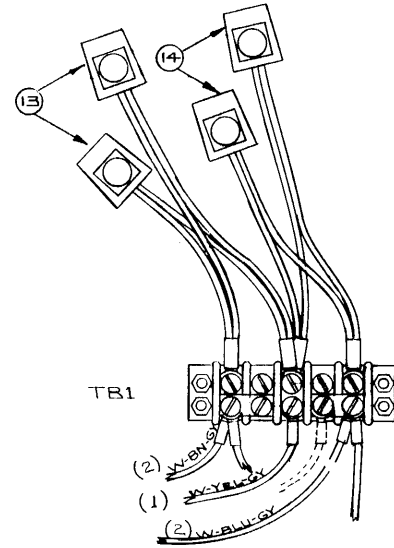


ITEM	QTY.	DESCRIPTION	PART NO.
1	1	PANEL REAR	02112-0001
2	1	FILTER	9135-0030
3	1	BREAKER	3105-0051
4	1	FUSE 1.A.N.B.	2110-0001
5	1	TERMINAL BLOCK	0360-0624
6	2	FUSEHOLDER	2110-0464
7	2	CAP FUSEHOLDER	2110-0465
8	2	WASHER	1400-0090
9	2	LOCKWASHER	2190-0037
10	2	NUT FUSEHOLDER	2950-0054
11	1	FUSE 3 A.N.B.	2110-0003
12	4	SCREW 6-32 x .375	2360-0197
13	7	LOCKWASHER #6	2190-0851
14	6	NUT HEX 6-32 x .312	2420-0002
15	3	SCREW 6-32 x .625	2360-0203
16	2	LUG #6 SOLDER	0360-0268
17	2	NUT HEX .250	2420-0003
18	1	MARKER STRIP	0360-1309
19		DELETED	
20		DELETED	
21		DELETED	
22		DELETED	
23		DELETED	
24		DELETED	
25		DELETED	
26	2	CONTACT HOUSING	1251-3408

2112A/13A Rear Panel Assembly
02112-60009



WIRING FOR 230 VAC



1 FOR 230 VAC MOVE W-BN-GY WIRE FROM 8A TERMINAL TO 5A.

ITEM	QTY.	DESCRIPTION	PART NO.
1	1	CABLE ASSY. PWR. SPLY	02112-60013
2	1	CABLE ASSY. CONTROL	02112-60014
3	5"	W-BL-GY 14GA 5" LG	8150-0500
4	5"	W-BN-GY 14GA 5" LG	8150-0480
5	3"	W-BK-R 18GA 3" LG	8150-2902
6	2.5"	W-BK-R 18GA 2-1/2" LG	8150-2902
7	3"	W-RED 18GA 3" LG	8150-2649
8	3"	W-RED 18GA 3" LG	8150-2649
9	3"	W-BK-R 18GA 3" LG	8150-2902
10	2"	GRN-YEL 14GA 2" LG	8150-2624
11	2	LUG CRIMP BLURING	0362-0329
12	2	TERMINAL-JUMPER	0360-1279
13	1	CABLE ASSY. FAN	02112-60011
14	1	CABLE ASSY. FAN	02112-60012
15	4	LUG FASTON	0362-0144
16	3	CONTACT MALE	1251-2263

2112A/13A Rear Panel Assembly
Wiring Diagram
02112-60009