

English 1-1	Installing the HP 82324 High-Performance Measurement Coprocessor and Accessories
Deutsch 2-1	Installieren des Hochleistungs-Meßkoprozessors HP 82324 mit Zubehör
Français 3-1	Installation du coprocesseur de mesure haute performance HP 82324 et de ses accessoires
Italiano 4-1	Installazione del coprocessore di misura ad alte prestazioni HP 82324 e dei relativi accessori



HP Part No. 82324-90002
Printed in USA

Notice

The information in this document is subject to change without notice.

Hewlett-Packard makes no warranty of any kind with regard to this material, including, but not limited to, the implied warranties of merchantability and fitness for a particular purpose. Hewlett-Packard shall not be liable for errors contained herein or for incidental or consequential damages in connection with the furnishing, performance, or use of this material.

Copyright © Hewlett-Packard Company 1990

This document contains proprietary information which is protected by copyright. All rights are reserved. No part of this document may be photocopied, reproduced, or translated to another program language without the prior written consent of Hewlett-Packard Company.

Printing History

First Edition — November 1990

Installation

Contents

About This Manual	1-2
Potential for Radio and Television Interference	1-2
Handling Circuit Boards and ICs Safely	1-3
Unpacking and Inspection	1-3
The Hardware Configuration Switch	1-5
Segments 1 and 2: Primary Address	1-5
Segments 3 and 4: Secondary Address	1-6
Segment 5: Not Used	1-6
Segment 6: System Controller Status	1-6
Installing the Memory Boards	1-7
Installation Procedure	1-8
Removal Procedure	1-11
Installing the Floating-Point Unit	1-12
Installing the High-Performance Measurement Coprocessor	1-14
Installation Procedure	1-14
Removal Procedure	1-17
Troubleshooting	1-18

About This Manual

This manual covers the installation of the HP 82324 High-Performance Measurement Coprocessor, the HP 82325 and HP 82326 Memory Boards, and the HP 82327 Floating-Point Unit (FPU). Please follow the procedures in this manual, especially those given in “Handling Circuit Boards and ICs Safely,” to obtain optimum performance and to avoid damage to your measurement coprocessor and memory boards.

Save this manual. You may need this manual again if you add memory or an FPU to the measurement coprocessor, or change its configuration.

Potential for Radio and Television Interference

This equipment generates and uses radio frequency energy and, if not installed and used in accordance with this manual, may cause interference to radio and television reception. It has been tested and found to comply with the limits for a Class B computing device pursuant to Subpart J of Part 15 of FCC Rules, which are designed to provide reasonable protection against such interference in a residential installation. However, there is no guarantee that interference will not occur in a particular installation. If you think your computer system is causing interference, turn off the system. If the radio or television reception does not improve, your computer system is probably not causing the interference. In the unlikely event that your computer system does cause interference to radio and television reception, you are encouraged to try to correct the interference by one or more of the following measures.

- Relocate the radio or TV antenna.
- Move the computer system away from the radio or television.
- Plug the computer system into a different electrical outlet, so that the system and the radio or television are on separate electrical circuits.
- Make sure that all your peripheral devices comply with FCC Class B limits.
- Make sure you use only shielded cables to connect peripherals to your computer system (except for HP-IL peripherals):

- Consult your computer dealer, Hewlett-Packard, or an experienced radio/television technician for other suggestions.
- Order the FCC booklet *How to Identify and Resolve Radio-TV Interference Problems* from the U.S. Government Printing Office, Washington, D.C. 20402. The stock number of this booklet is 004-000-00345-4.

Handling Circuit Boards and ICs Safely

Circuit boards and ICs (integrated circuits) are subject to both electrical and mechanical damage. Be sure the computer is turned off while you are installing or removing the measurement coprocessor. Handle the measurement coprocessor and memory boards gently and by their edges. Avoid touching any components on the boards unless told to do so.

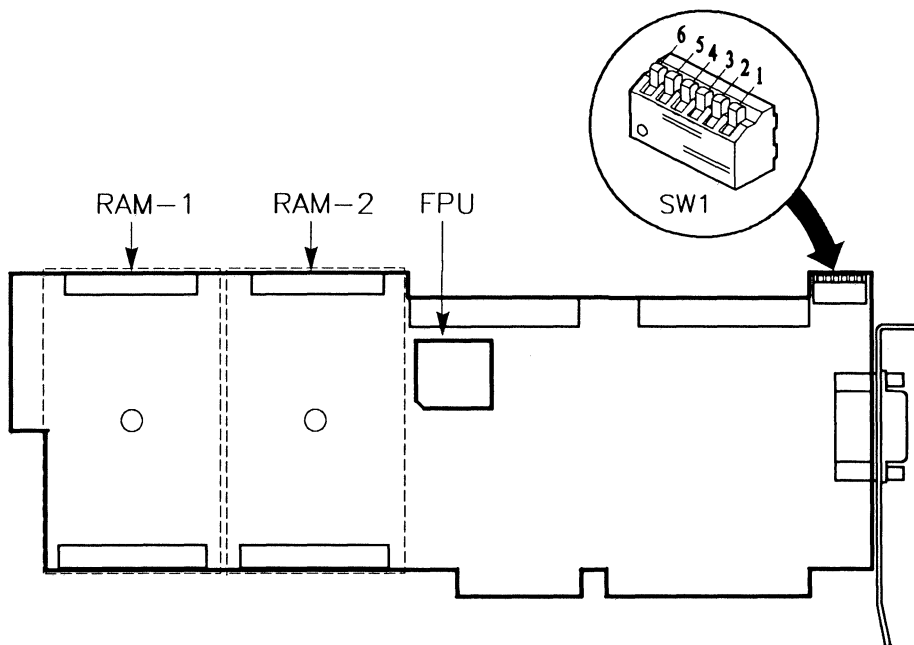
Electrostatic discharge can damage computer circuitry. It is recommended that you wear a grounded antistatic wrist strap (available from many electronic supply dealers) during the installation procedure. However, if you do not have a wrist strap, you can discharge static electricity safely by touching the metal surface on the back panel of your computer. Repeat this step often during the installation procedure.

Unpacking and Inspection

If you are installing the measurement coprocessor for the first time, unpack it as follows:

1. Remove the measurement coprocessor (in its protective antistatic bag) from the shipping box.
2. Following the precautions given in the previous section, remove the measurement coprocessor from the antistatic bag and lay it on top of the bag, component side up.

The following figure shows the measurement coprocessor and identifies some components of interest:



In the figure above, the two memory-board locations (“RAM-1” and “RAM-2”) are outlined with dashed lines. Your measurement coprocessor should have at least one memory board, installed at the factory in the RAM-1 location. (The measurement coprocessor will not function if there is no memory board in the RAM-1 location.) There may also be a memory board in the RAM-2 location, depending on the memory option you ordered. For further information about the memory boards, refer to “Installing the Memory Boards” later in this manual.

The figure also identifies the hardware configuration switch, SW1, which is shown in its default configuration (all segments in the “closed” position).

The Floating-Point Unit (FPU) may or may not be present depending on the options you ordered. If the FPU is not present, there will be an empty socket for it in the location shown in the figure.

1-4 Installation

The Hardware Configuration Switch

The hardware configuration switch (SW1) has six segments. In the factory default configuration all six segments are set to the “closed” position, as shown in the figure on the previous page. (That is, all six levers are in the “straight-up” position.) *For most applications, you should leave all six segments in the default position.* However, in multiple-coprocessor installations, each measurement coprocessor must have a separate address. If you need to change the address of the measurement coprocessor, or if you want it to be “non-system controller” on the HP-IB, you will need to change the settings as described below.

Note



If the measurement coprocessor is already installed in your computer, you need not remove it to change the switch settings. (SW1 is accessible from the top.) Just turn off your computer, remove the cover, and change the settings as required.

Segments 1 and 2: Primary Address

You can select one of four primary addresses by setting segments 1 and 2 of SW1. (The default address is 250 hexadecimal.)

Primary Address	Segment 2	Segment 1
250h	Closed	Closed
280h	Closed	Open
330h	Open	Closed
390h	Open	Open

Segments 3 and 4: Secondary Address

You can select the secondary address by setting segments 3 and 4 of SW1. *However, normally you should use the default value: 0.* (Refer to the documentation for your measurement coprocessor software regarding the use of secondary addresses.)

Secondary Address	Segment 4	Segment 3
0	Closed	Closed
1	Closed	Open
2	Open	Closed
3	Open	Open

Segment 5: Not Used

Segment 5 of SW1 is not used. Its setting has no effect.

Segment 6: System Controller Status

Segment 6 of SW1 determines whether the measurement coprocessor is the system controller on the HP-IB. In the default (“closed”) position, segment 6 specifies that the measurement coprocessor is the system controller. If you set segment 6 to the “open” position, it will be non-system controller.

Installing the Memory Boards

The HP 82324 High-Performance Measurement Coprocessor has no memory on the main board, but there are two memory locations, RAM-1 and RAM-2, where memory boards can be installed. Two memory boards are available. The HP 82325 1 MB Memory Board provides 1 MB (megabyte) of RAM (random access memory), while the HP 82326 4 MB Memory Board provides 4 MB of RAM. These boards look the same, but are identified by labels on the back. *A memory board (either 1 MB or 4 MB) must be installed in the RAM-1 location in order for the measurement coprocessor to function.* For additional memory, a second memory board may be installed in the RAM-2 location. However, if both a 1 MB and a 4 MB memory board are installed, *the 4 MB board must be installed in the RAM-1 location.*

The HP 82324 High-Performance Measurement Coprocessor auto-configures itself for the amount of memory installed, provided the physical memory configuration is valid. *The following table shows the valid configurations:*

Total Memory	Memory Location RAM-1	Memory Location RAM-2
1 MB	1 MB (HP 82325)	Empty
2 MB	1 MB (HP 82325)	1 MB (HP 82325)
4 MB	4 MB (HP 82326)	Empty
5 MB	4 MB (HP 82326)	1 MB (HP 82325)
8 MB	4 MB (HP 82326)	4 MB (HP 82326)

Installation Procedure

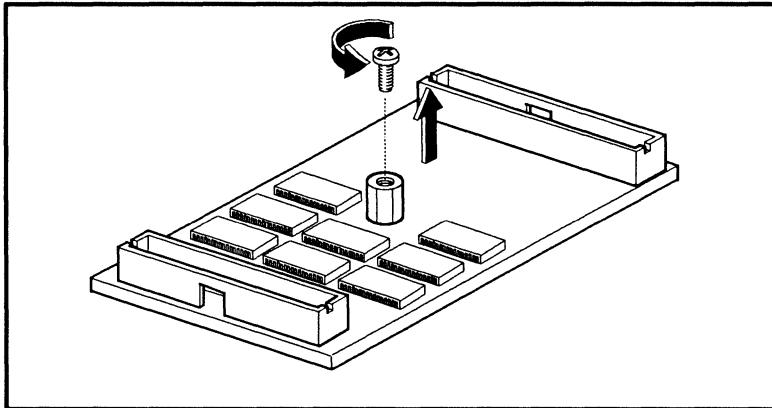
Whether you are installing an HP 82325 1 MB Memory Board or an HP 82326 4 MB Memory Board, the procedure is the same. *Be sure to observe the precautions given in "Handling Circuit Boards and ICs Safely" throughout this procedure.*

Note

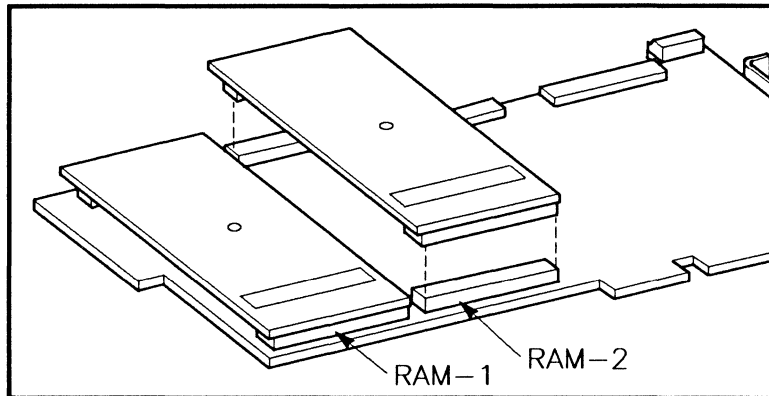


If you are adding a 4 MB board to a 1 MB system, remove the 1 MB board from the RAM-1 location. (Refer to "Removal Procedure," later in this section.) Then install the 4 MB board in the RAM-1 location and the 1 MB board in the RAM-2 location.

1. If you have not already done so, unpack the measurement coprocessor and lay it on top of its antistatic bag, component side up.
2. Now unpack the memory board that you are going to install and lay it on its antistatic bag, also component side up.
3. Remove the retainer screw from the metal stand-off post at the center of the memory board, as shown below. (Save this screw for later.)



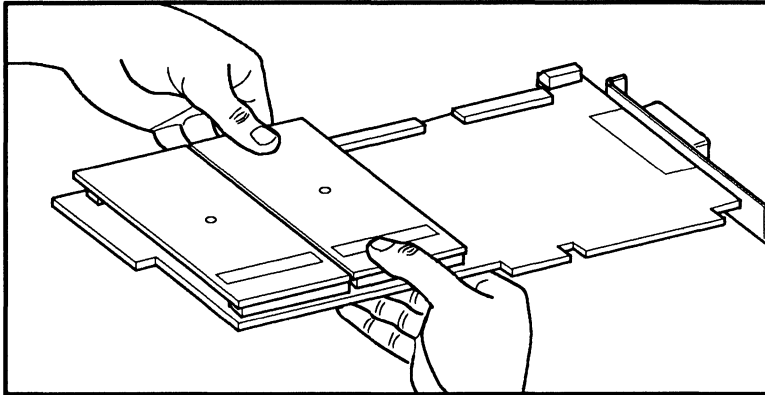
- Note that the memory board has a long connector on one end and a short connector on the other end — it will fit on the measurement coprocessor only one way. Orient the memory board, connectors facing down, over the measurement coprocessor. The figure below shows a memory board being installed in the RAM-2 location.



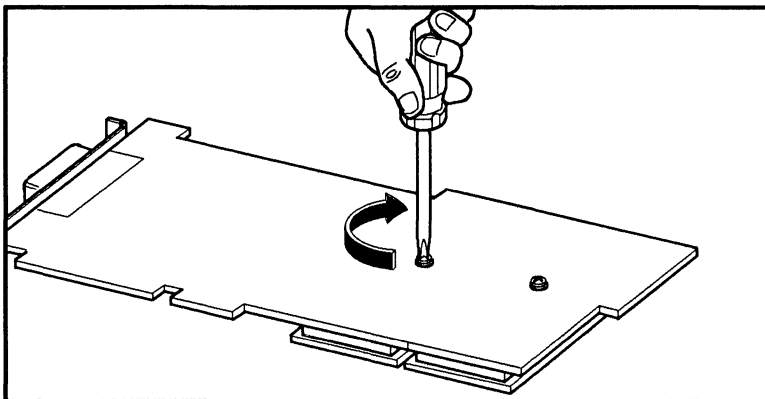
Caution

There are sharp edges on the soldered sides of the boards. Be careful not to injure your fingers in the next step.

5. Make sure the connectors on the memory board are correctly aligned with the connectors on the measurement coprocessor. Then, support the measurement coprocessor on each side with your fingers and press the memory board into place with your thumbs, as shown below.



6. Turn the measurement coprocessor over (component side down) and secure the memory board using the screw removed in step 3:



You can now go on to “Installing the High-Performance Measurement Coprocessor.”

Removal Procedure

Normally you won't need to remove a memory board from the measurement coprocessor once it is installed. However, there is an exception. If you are installing a 4 MB board on a measurement coprocessor that has a 1 MB board in the RAM-1 location, you will need to remove the 1 MB board and install the 4 MB board in the RAM-1 location. You may then install the 1 MB board in the RAM-2 location.

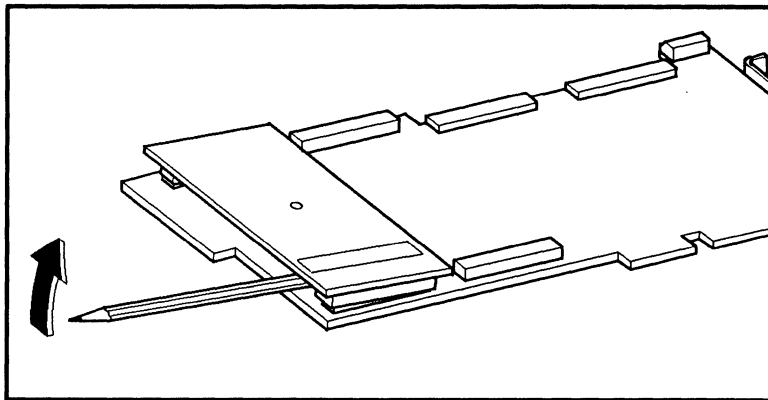
Before you begin, read the installation procedure in the previous section and become familiar with the precautions. Then, follow these steps:

Caution



Before you attempt to remove a memory board, you *must* remove the screw that secures it to the measurement coprocessor. Serious damage may result if you fail to do this.

1. Turn the measurement coprocessor so that its component side is down and *remove the retainer screw that secures the memory board.*
2. Once the screw has been removed, turn the measurement coprocessor so that its component side is up and lay it on its antistatic bag (if available).
3. Loosen the connectors that hold the memory board in place by *gently* prying, first at one end and then at the other, using a plastic pen or the eraser end of a pencil:



4. If necessary, work the memory board loose by gently rocking it back and forth with your fingers, holding the board by its edges.
5. Once you have removed the memory board you can replace the screw (removed in step 1) in the metal post.

Installing the Floating-Point Unit

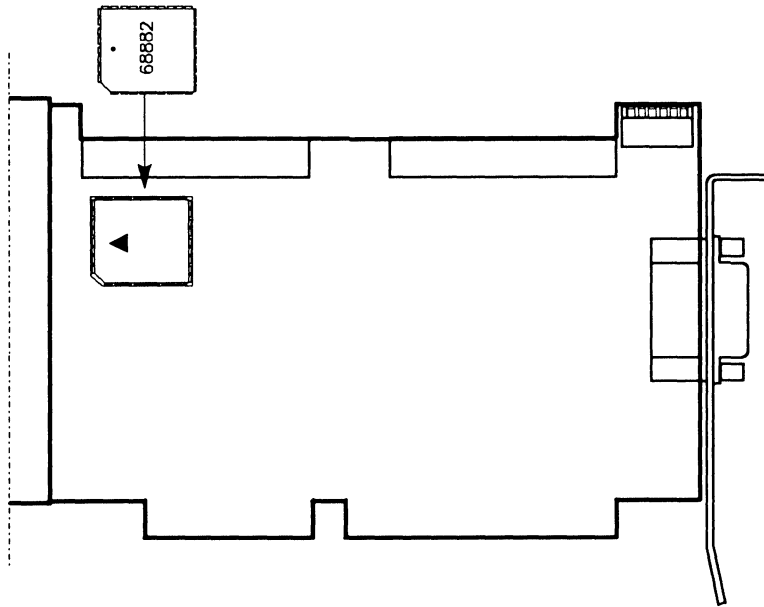
The HP 82327 Floating-Point Unit (FPU) is an MC68882 floating-point coprocessor IC, which provides increased computation speed. The FPU may have been installed at the factory, depending on the options ordered. If the FPU is not present, the FPU socket will be empty and you can install the FPU as described below.

Caution



Follow the procedure carefully, particularly regarding the alignment of the FPU in its socket. It is possible to damage the FPU and the socket if you are not careful. Also, follow the precautions in “Handling Circuit Boards and ICs Safely.”

-
1. Remove the FPU from its protective anti-static package.
 2. Look at the figure that follows. Note that the FPU and the socket on the measurement coprocessor each have one notched corner. These corners must be aligned in order to insert the FPU in the socket. Also, the FPU has a “dot” indicating its top edge, which must align with the “arrow” in the socket, as shown.



3. Make sure that you have oriented the FPU correctly over its socket. Lower the FPU into the socket loosely and *make sure that all of the leads are aligned with the corresponding leads in the socket.*
4. Support the board from behind with your fingers and insert the FPU into the socket by pressing with your thumbs.

You can now go on to the next section, “Installing the High-Performance Measurement Coprocessor.”

If you have any problems with the FPU, do not try to remove it — a special tool is required. Contact your HP Sales and Service Office for assistance.

Installing the High-Performance Measurement Coprocessor

Before you install the HP 82324 High-Performance Measurement Coprocessor, you should verify its configuration. (Refer to “The Hardware Configuration Switch.”) You should also install any desired additional memory. (Refer to “Installing the Memory Boards.”)

You can install the measurement coprocessor in any desired *16-bit* slot. The measurement coprocessor takes just one full slot. It does not interfere mechanically with cards in adjacent slots, even with two memory boards installed. However, DIO interface cards (SRM or GPIO) must be installed in the slots immediately to the left of the measurement coprocessor (as seen from the front of the computer) so that the DIO cables can be connected to the measurement coprocessor. Leave space for any DIO cards you have.

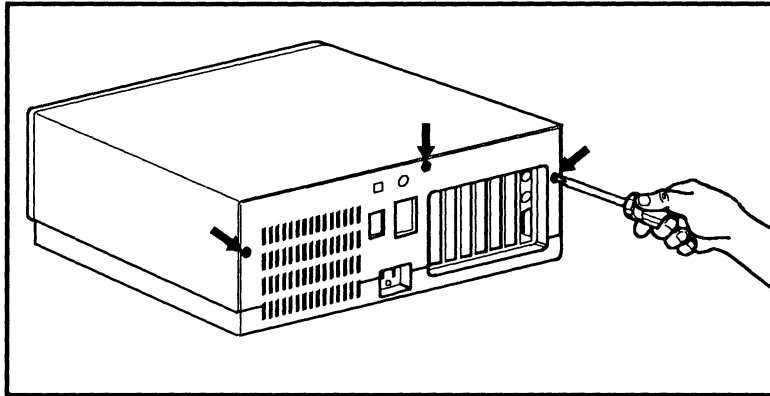
Installation Procedure

After your measurement coprocessor is configured, install it in your computer as follows:

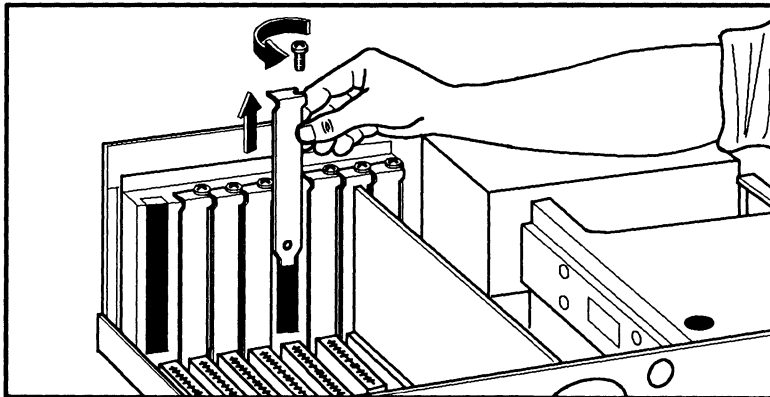
Caution Electrostatic discharge can damage computer circuitry. Follow the precautions given in “Handling Circuit Boards and ICs Safely” throughout the installation.



-
1. Turn off your computer and unplug it.
 2. Remove the cover from your computer. If you have a desktop Vectra PC, remove the three screws shown in the figure that follows, slide the cover forward about 1 1/2 inches, and then lift the cover from the computer. (For other computers, refer to the instructions supplied with the computer.)



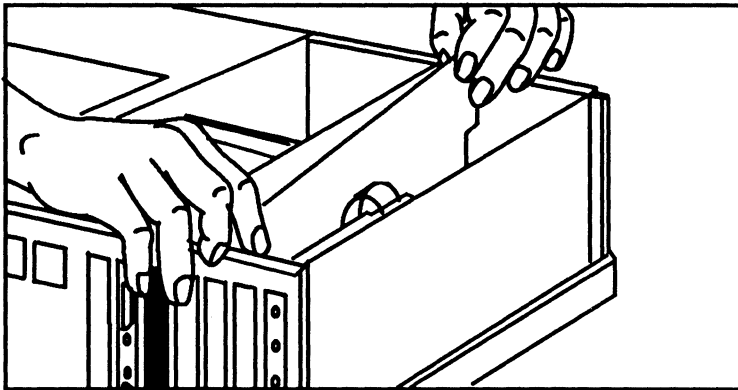
3. Remove the slot cover for the desired slot, saving the screw for later use.



Caution

Because of the HP-IB connector on its back panel, the measurement coprocessor cannot be inserted straight into the card guide. Also, the back panel is equipped with a metal “gasket” to ensure a good ground connection. This gasket is easily bent. To avoid damaging the measurement coprocessor, follow the installation procedure carefully.

4. Pick up the measurement coprocessor at the front and back along the top edge. *Note that “back” refers to the end of the measurement coprocessor with the HP-IB connector.*
5. Holding the front of the measurement coprocessor slightly higher than the back, engage the back panel in the slot so that the HP-IB connector protrudes through, as shown below.



6. Lower the front end of the measurement coprocessor into the card guide while carefully aligning the bottom edge with the computer I/O slot connector.
7. Press down gently, but firmly, on the measurement coprocessor, fully inserting it into the I/O slot connector.
8. Secure the measurement coprocessor with the screw you removed in step 3.
9. Replace the cover on the computer.

Your measurement coprocessor is now installed. Plug in your computer and turn it on. If it functions normally, go to your software installation procedures. If you have a problem, refer to the “Troubleshooting” section.

Removal Procedure

In order to add memory or an FPU to the measurement coprocessor you will need to remove it from the computer. Read through the measurement coprocessor installation procedure in the previous section, paying particular attention to the precautions.

To remove the measurement coprocessor:

1. Observe the previously described precautions to avoid damage from static electricity.
2. Turn off the computer and unplug it. Remove its cover.
3. Disconnect any ribbon cables connecting the measurement coprocessor to other cards. Remove the HP-IB cable if present.
4. Remove the back-panel retaining screw.
5. Grasp the top edge of the measurement coprocessor at the front and back, and gently pull up until it is disconnected from the I/O slot connector. *Note that “back” refers to the end of the measurement coprocessor with the HP-IB connector.*
6. Slide the measurement coprocessor up in the guide, raising the front higher than the back so that the HP-IB connector will disengage from the slot as you remove the measurement coprocessor from the computer.
7. If you don’t intend to reinstall the measurement coprocessor at this time, replace the slot cover, secure it with its screw, and replace the cover on the computer.

Troubleshooting

In the unlikely event that your computer doesn't function correctly with the measurement coprocessor installed, use the following procedure to isolate the problem.

1. Turn off the computer and remove the measurement coprocessor. Inspect the measurement coprocessor visually to make sure that it is correctly configured and that its memory is properly installed. Correct any problems and retest the system. If no problems are found, go on to step 2.
2. Replace the computer cover and turn on the computer with the measurement coprocessor removed. If the computer now turns on and functions normally, go on to step 3. However, if the problem persists, the problem is with the computer itself, not the measurement coprocessor.
3. The measurement coprocessor is shipped with its primary address set to 250h (hexadecimal). Change the setting to 280h as described in "The Hardware Configuration Switch" earlier in this chapter.
4. Install the measurement coprocessor and turn on the computer.
5. If the problem persists, turn off the computer, change the address to 330h, and turn on the computer again.

Note



If none of the recommended addresses solve the problem, refer to your measurement coprocessor software documentation for further information.

If you still have problems, there may be something wrong with the measurement coprocessor hardware. Follow the instructions in the booklet *Plug-in Accessories: Warranty and Customer Support* (provided with the measurement coprocessor).

Installation

Inhaltsverzeichnis

Einführung	2-2
Umgang mit Leiterplatten	2-2
Auspacken und Überprüfen	2-3
Hardware-Konfigurationsschalter	2-4
Segmente 1 und 2: Primäradresse	2-5
Segmente 3 und 4: Sekundäradresse	2-5
Segment 5: Nicht verwendet	2-5
Segment 6: Status des System-Controllers	2-6
Installieren der Speicherkarten	2-6
Einbauen	2-7
Ausbauen	2-11
Installieren der Gleitkommaeinheit	2-12
Installieren des Hochleistungs-Messkopprozessors	2-14
Einbauen	2-14
Ausbauen	2-17
Fehlerbehebung	2-18

Einführung

In diesem Handbuch wird die Installation des Hochleistungs-Meßkoprozessors HP 82324, der Speicherkarten HP 82325 und HP 82326 sowie der Gleitkommaeinheit (Floating-Point Unit = FPU) HP 82327 beschrieben. Beachten Sie bitte die Installationshinweise in diesem Handbuch, insbesondere im Abschnitt "Umgang mit Leiterplatten". Andernfalls kann die Leistung des Koprozessors und der Speicherkarten beeinträchtigt bzw. der Prozessor und die Karten beschädigt werden.

Bewahren Sie dieses Handbuch sorgfältig auf. Möglicherweise wird das Handbuch noch einmal benötigt, wenn Sie eine weitere Speicherkarte oder Gleitkommaeinheit (FPU) für den Koprozessor hinzufügen bzw. wenn Sie die Konfiguration ändern.

Umgang mit Leiterplatten

Schützen Sie Leiterplatten vor statischer Aufladung, und vermeiden Sie mechanische Beschädigungen. Beim Ein- oder Ausbauen des Meßkoprozessors muß der Computer ausgeschaltet sein. Fassen Sie den Meßkoprozessor und die Speicherkarten nur an den Kanten an. Die Bauteile dürfen (wenn nicht ausdrücklich vermerkt) nicht berührt werden.

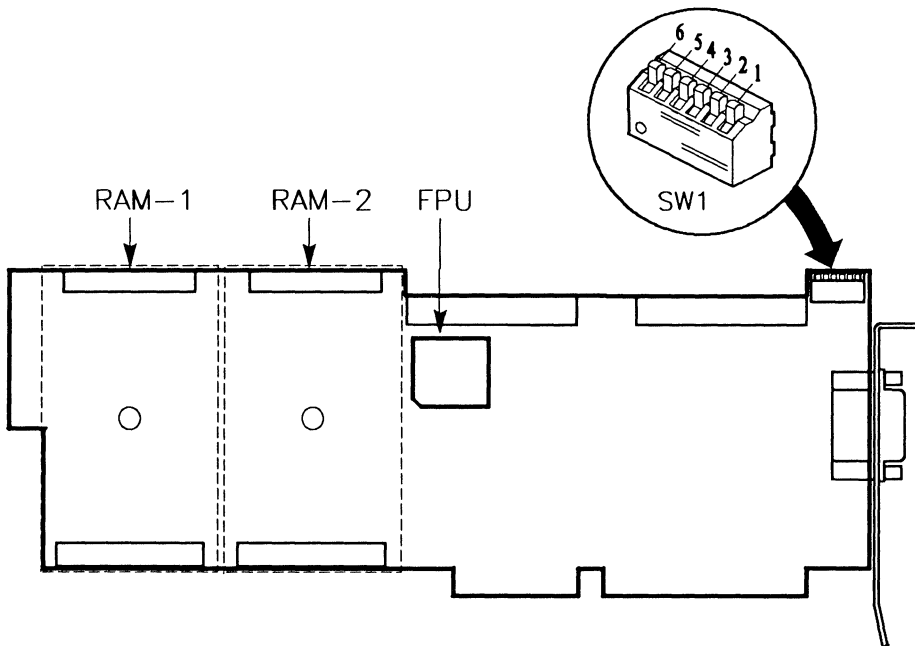
Durch elektrostatische Entladung können Leiterplatten des Computers beschädigt werden. Daher empfiehlt es sich, bei der Installation ein antistatisches Armband und eine Erdungsmatte zu verwenden. Diese können beim HP-Vertragshändler bezogen werden. Steht ein solches Armband nicht zur Verfügung, können Sie die statische Elektrizität ableiten, indem Sie die Metalloberfläche an der Rückseite Ihres Computers berühren. Wiederholen Sie diesen Vorgang bei der Installation mehrmals.

Auspacken und Überprüfen

Wird der Meßkopprozessor zum ersten Mal installiert, packen Sie ihn wie folgt aus:

1. Nehmen Sie den Meßkopprozessor (in der antistatischen Schutzhülle) aus der Verpackung.
2. Nehmen Sie den Meßkopprozessor aus der antistatischen Schutzhülle, und legen Sie ihn auf die Hülle, wobei die Bauteilseite nach oben zeigt. Beachten Sie dabei die Hinweise im vorhergehenden Abschnitt.

Die folgende Abbildung zeigt den Meßkopprozessor und bezeichnet einige der wichtigsten Bauteile:



In der Abbildung werden die beiden Steckplätze für die Speicherkarten (“RAM-1” und “RAM-2”) durch eine gestrichelte Linie dargestellt. Für den Meßkopprozessor muß bereits werkseitig mindestens eine Speicherkarte eingebaut sein (in RAM-1). Fehlt im Steckplatz RAM-1 die Speicherkarte, kann der Meßkopprozessor nicht verwendet werden. Im Steckplatz RAM-2 kann sich eine weitere Speicherkarte befinden. Dies hängt vom bestellten Zusatzspeicher ab. Weitere Informationen zu Speicherkarten finden Sie im Kapitel “Installieren von Speicherkarten” in diesem Handbuch.

Die Abbildung zeigt auch den Hardware-Konfigurationsschalter SW1. In der Abbildung wird die Standardkonfiguration dargestellt (alle Segmente befinden sich in der Position “geschlossen”).

Die Gleitkommaeinheit (FPU) muß nicht unbedingt eingebaut sein. Wurde keine Gleitkommaeinheit eingebaut, befindet sich an der entsprechenden Position (siehe Abbildung) ein freier Steckplatz.

Hardware-Konfigurationsschalter

Der Hardware-Konfigurationsschalter (SW1) besteht aus sechs Segmenten. Bei der werkseitigen Standardkonfiguration befinden sich alle Segmente in der Position “geschlossen” (siehe Abbildung). *Bei den meisten Anwendungsprogrammen empfiehlt es sich, die Segmente in der Standardposition zu belassen.* Bei einer Installation mit mehreren Kopprozessoren muß jedem Meßkopprozessor eine eigene Adresse zugeordnet werden. Wollen Sie die Adressen des Meßkopprozessors ändern bzw. soll es sich beim Kopprozessor nicht um den “System-Controller” an HP-IB handeln, müssen Sie die Einstellungen wie im folgenden beschrieben ändern.

Segmente 1 und 2: Primäradresse

Durch Einstellen der Segmente 1 und 2 des Schalters SW1 können Sie eine der vier Primäradressen auswählen (Standardadresse ist 250 hexadezimal).

Primär- adresse	Segment 2	Segment 1
250h	geschlossen	geschlossen
280h	geschlossen	offen
330h	offen	geschlossen
390h	offen	offen

Segmente 3 und 4: Sekundäradressen

Durch Einstellen der Segmente 3 und 4 des Schalters SW1 können Sie die Sekundäradresse auswählen. *Normalerweise müssen Sie jedoch den Standardwert 0 verwenden.* (Weitere Informationen zu den Sekundäradressen finden Sie in der Dokumentation zur Software Ihres Meßkopprozessors).

Sekundär- adresse	Segment 4	Segment 3
0	geschlossen	geschlossen
1	geschlossen	offen
2	offen	geschlossen
3	offen	offen

Segment 5: Nicht verwendet

Segment 5 des SW1 wird nicht verwendet. Die Einstellung hat keine Auswirkung auf die Funktion.

Segment 6: Status des System-Controllers

Segment 6 des Schalters SW1 legt fest, ob es sich beim Meßkopprozessor um den System-Controller an HP-IB handelt. Bei der Standardeinstellung (“geschlossen”) legt Segment 6 fest, daß es sich beim Meßkopprozessor um den System-Controller handelt. Wird Segment 6 auf “offen” gestellt, ist dies nicht mehr der Fall.

Installieren der Speicherkarten

Für den Hochleistungs-Meßkopprozessor HP 82324 gibt es keinen Speicher auf der Grundplatine. Es gibt jedoch zwei Steckplätze, RAM-1 und RAM-2, in denen Speicherkarten installiert werden können. Es stehen zwei Speicherkarten zur Verfügung. Die 1-MB-Speicherkarte HP 82325 stellt 1 MB zusätzlichen RAM-Speicher, die 4-MB-Speicherkarte HP 82326 stellt 4 MB zusätzlichen RAM-Speicher bereit. Die beiden Karten unterscheiden sich nur durch die Kennzeichnung auf der Rückseite. *Damit der Meßkopprozessor verwendet werden kann, muß eine Speicherkarte (1 MB oder 4 MB) im Steckplatz RAM-1 installiert werden.* Soll der Speicherplatz zusätzlich erweitert werden, kann eine zweite Speicherkarte im Steckplatz RAM-2 installiert werden. Installieren Sie beide Speicherkarten, *muß die 4-MB-Karte im Steckplatz RAM-1 installiert werden.*

Unter der Voraussetzung, daß die physische Speicherkonfiguration gültig ist, konfiguriert sich der Meßkopprozessor HP 82324 gemäß der installierten Speichergröße selbst. *Die folgende Tabelle zeigt die gültigen Konfigurationen.*

Gesamt- speicher	Steck- platz RAM-1	Steck- platz RAM-2
1 MB	1 MB (HP 82325)	leer
2 MB	1 MB (HP 82325)	1 MB (HP 82325)
4 MB	4 MB (HP 82326)	leer
5 MB	4 MB (HP 82326)	1 MB (HP 82325)
8 MB	4 MB (HP 82326)	4 MB (HP 82326)

Einbauen

Das Einbauen der Speicherkarten HP 82325 (1 MB) und HP 82326 (4 MB) unterscheidet sich nicht. *Beachten Sie beim Einbauen die Hinweise im Abschnitt "Umgang mit Leiterplatten".*

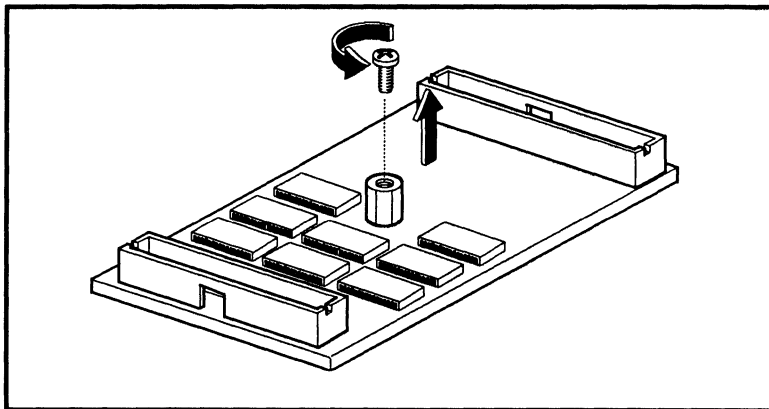
Hinweis



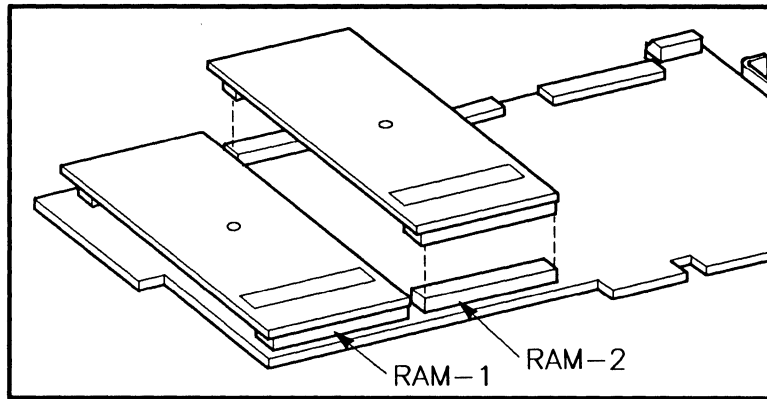
Fügen Sie eine 4-MB-Karte in einem 1-MB-System hinzu, müssen Sie die 1-MB-Karte aus dem Steckplatz RAM-1 ausbauen. (Weitere Informationen hierzu enthält der Abschnitt "Ausbauen".) Installieren Sie anschließend die 4-MB-Karte im Steckplatz RAM-1 und die 1-MB-Karte im Steckplatz RAM-2.

1. Nehmen Sie den Meßkopprozessor aus der elektrostatischen Schutzhülle, und legen Sie ihn auf die Hülle, wobei die Bauteilseite nach oben zeigen muß.
2. Nehmen Sie anschließend die zu installierende Speicherkarte aus der antistatischen Schutzhülle, und legen Sie sie auf die Hülle (Bauteilseite ebenfalls nach oben).

3. Lösen Sie die Befestigungsschraube vom Abstandhalter in der Mitte der Speicherkarte (siehe folgende Abbildung). Bewahren Sie die Schraube gut auf, sie wird zum Einbau der Karte wieder benötigt.



4. Beachten Sie, daß sich am einen Ende der Speicherkarte ein langer Stecker und am anderen Ende ein kurzer Stecker befindet. Dies bedeutet, daß Sie die Anschlüsse der Speicherkarte (Stecker zeigen nach unten) und des Meßkopprozessors ausrichten müssen. Die folgende Abbildung zeigt das Installieren einer Speicherkarte in Steckplatz RAM-2.

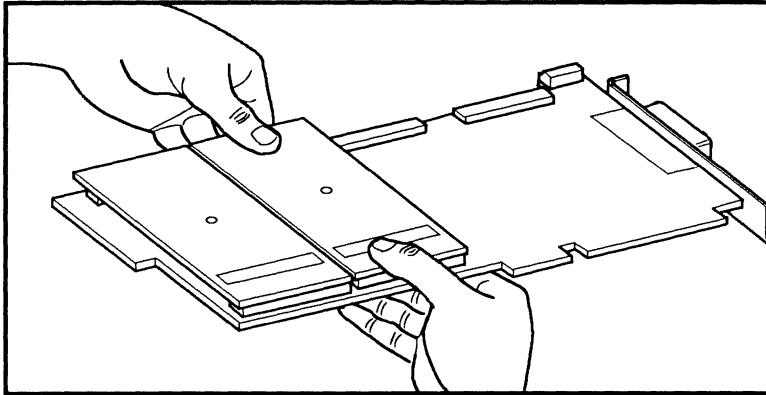


Achtung

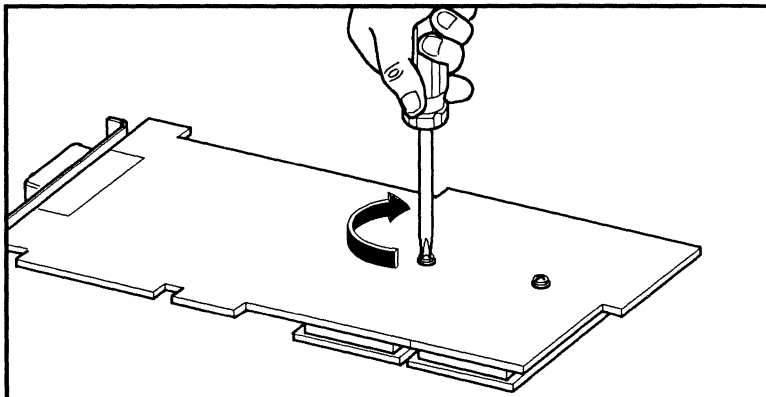


An den gelöteten Seiten der Karten gibt es scharfe Kanten. Gehen Sie beim nächsten Schritt vorsichtig vor, um Schnittverletzungen zu vermeiden.

5. Überprüfen Sie, ob die Anschlüsse der Speicherkarte und des Meßkopprozessors genau ausgerichtet sind. Halten Sie anschließend den Meßkopprozessor seitlich fest, und drücken Sie die Speicherkarte mit den Daumen an (siehe folgende Abbildung).



6. Drehen Sie den Meßkopprozessor um (Bauteilseite nach unten), und befestigen Sie die Speicherkarte mit der Schraube, die Sie in Schritt 3 entfernt haben:



Sie können nun mit der Installation des Meßkopprozessors fortfahren.

Ausbauen

Normalerweise müssen Sie nach dem Installieren des Meßkoprozessors keine Speicherkarte mehr entfernen. Es gibt jedoch eine Ausnahme. Wird eine 4-MB-Karte auf einem Meßkoprozessor installiert, für den sich bereits eine 1-MB-Karte im Steckplatz RAM-1 befindet, muß zunächst die 1-MB-Karte ausgebaut und anschließend die 4-MB-Karte in Steckplatz RAM-1 installiert werden. Danach können Sie die 1-MB-Karte im Steckplatz RAM-2 installieren.

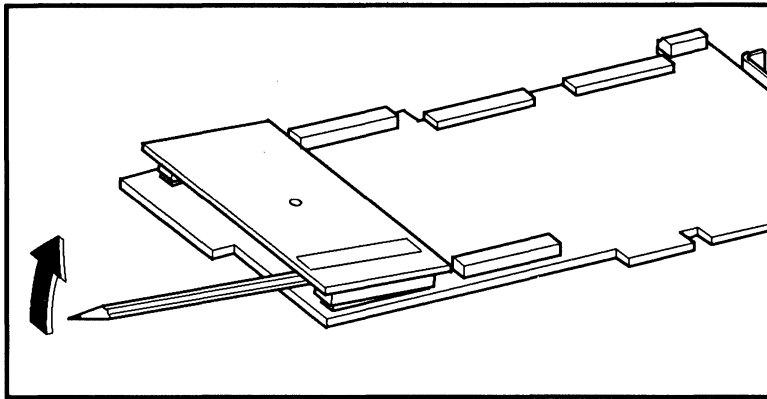
Lesen Sie vor dem Ausbauen die Beschreibung zum Einbauen der Karte, und beachten Sie die o.g. Hinweise. Gehen Sie zum Ausbauen wie folgt vor:

Achtung



Bevor Sie die Speicherkarte ausbauen können, *müssen* Sie die Schraube entfernen, die die Karte mit dem Meßkoprozessor verbindet. Erfolgt dies nicht, kann dies zu schweren Beschädigungen führen.

1. Drehen Sie den Meßkoprozessor so, daß die Bauteilseite nach unten zeigt. *Lösen Sie anschließend die Befestigungsschraube, die die Speicherkarte sichert.*
2. Drehen Sie nach dem Lösen der Schraube den Meßkoprozessor so, daß die Bauteilseite nach oben zeigt, und legen Sie ihn auf die antistatische Schutzhülle (falls verfügbar).
3. Lockern Sie die Steckverbindung der Speicherkarte, indem Sie *vorsichtig* abwechselnd an den beiden Enden der Karte einen Bleistift zwischen den Anschlüssen ansetzen (siehe nachfolgende Abbildung) und die Karte nach oben herausziehen.



4. Falls nötig, können Sie die Speicherkarte durch Hin- und Herbewegen lösen. Fassen Sie die Karte dabei an den Kanten.
5. Nach dem Entfernen der Speicherkarte können Sie die Schraube, die Sie in Schritt 1 entfernt haben, wieder am Abstandshalter befestigen.

Installieren der Gleitkommaeinheit (FPU)

Die Gleitkommaeinheit HP 82327 (FPU = Floating-Point Unit) ist eine MC68882-Koprozessorkarte, mit der die Rechengeschwindigkeit beschleunigt wird. Die Gleitkommaeinheit kann bereits werkseitig eingebaut sein. Ist dies nicht der Fall, ist der entsprechende Steckplatz frei und die Einheit kann wie im folgenden beschrieben installiert werden.

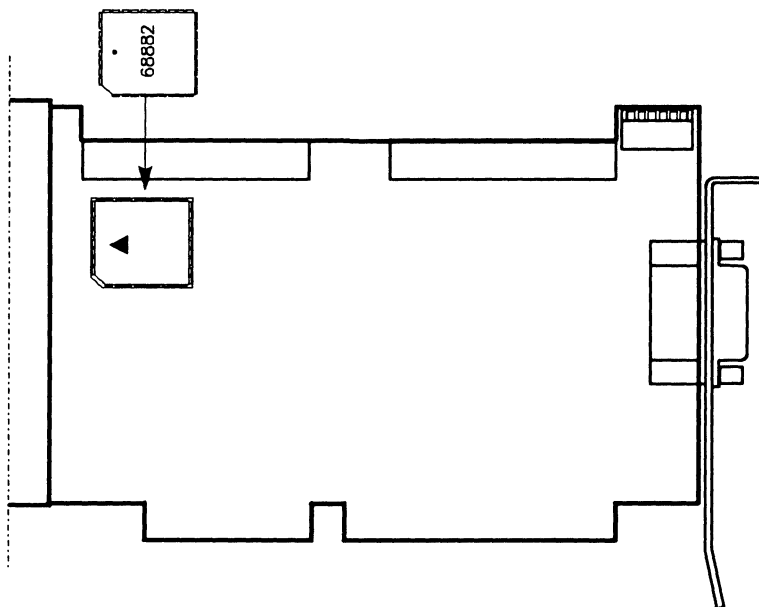
Achtung



Beachten Sie beim Installieren die Hinweise genau. Bei unsachgemäßer Handhabung kann sowohl die Gleitkommaeinheit als auch der Sockel beschädigt werden. Beachten Sie außerdem die Hinweise im Abschnitt "Umgang mit Leiterplatten".

-
1. Nehmen Sie die Gleitkommaeinheit aus der antistatischen Schutzhülle.

2. Beachten Sie die folgende Abbildung. Eine Ecke der Gleitkommaeinheit und der Sockel auf dem Meßkopprozessor sind mit einer abgeschrägten Ecke gekennzeichnet. Zum Einsetzen der Gleitkommaeinheit müssen die beiden abgeschrägten Ecken übereinander ausgerichtet werden. Die Oberseite der Gleitkommaeinheit wird durch einen Punkt gekennzeichnet. Dieser Punkt muß mit dem Pfeil auf dem Stecksockel ausgerichtet werden (siehe folgende Abbildung).



3. Überprüfen Sie, ob Sie die Gleitkommaeinheit korrekt über dem Sockel ausgerichtet haben. Setzen Sie die Gleitkommaeinheit locker im Sockel ein, und *stellen Sie sicher, daß alle Führungen mit den entsprechenden Führungen des Sockels ausgerichtet sind.*
4. Stützen Sie die Karte von hinten mit den Fingern ab, und drücken Sie die Gleitkommaeinheit mit den Daumen an.

Nun können Sie mit der Installation des Meßkopprozessors fortfahren.

Treten mit der Gleitkommaeinheit Probleme auf, versuchen Sie nicht, diese auszubauen. Sie benötigen hierzu spezielles Werkzeug. Verständigen Sie Ihren HP-Vertriebsbeauftragten.

Installieren des Hochleistungs-Meßkopprozessors

Vor der Installation des Hochleistungs-Meßkopprozessors HP 82324 muß die Konfiguration überprüft werden (siehe Abschnitt "Hardware-Konfigurationsschalter"). Installieren Sie außerdem den gewünschten Zusatzspeicher (siehe Abschnitt "Installieren von Speicherkarten").

Der Meßkopprozessor kann in jedem *16-Bit-Steckplatz* installiert werden. Der Meßkopprozessor belegt einen Steckplatz vollständig. Der Koprozessor kommt mit Karten in angrenzenden Steckplätzen nicht in Berührung, selbst wenn zwei Speicherkarten installiert sind. DIO-Schnittstellenkarten (SRM oder GPIO) müssen jedoch in den Steckplätzen unmittelbar links (von der Vorderseite des Computers aus gesehen) vom Meßkopprozessor installiert werden, damit die DIO-Kabel an den Meßkopprozessor angeschlossen werden können. Lassen Sie Platz für eventuell vorhandene DIO-Karten.

Einbauen

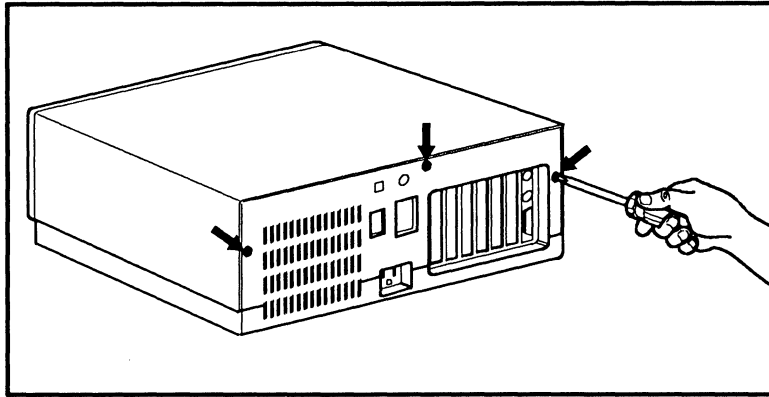
Nach der Konfiguration des Meßkopprozessors installieren Sie ihn wie folgt:

Achtung

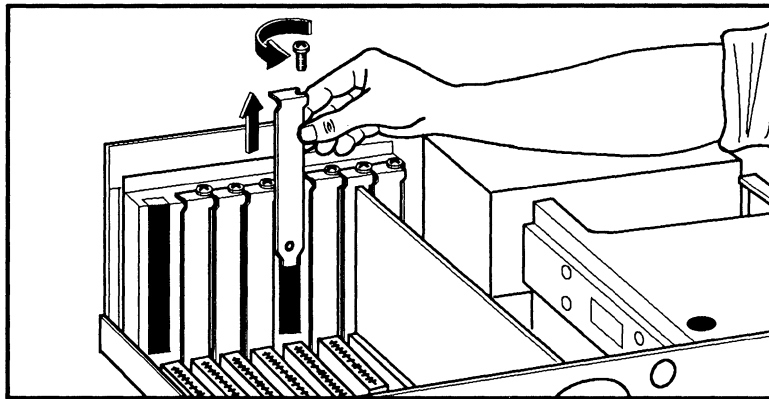


Durch elektrostatische Entladungen können Leiterplatten des Computers beschädigt werden. Beachten Sie bei der Installation die Hinweise im Abschnitt "Umgang mit Leiterplatten".

-
1. Schalten Sie den Computer aus, und ziehen Sie das Netzkabel ab.
 2. Nehmen Sie den Gehäusedeckel Ihres Computers ab. Arbeiten Sie mit einem Vectra PC (Tischmodell), lösen Sie die drei Schrauben wie in der folgenden Abbildung gezeigt. Ziehen Sie den Gehäusedeckel ca. 4 cm nach vorne, und heben Sie ihn anschließend ab. (Beachten Sie bei anderen Rechnern die entsprechenden Anweisungen).



3. Nehmen Sie die Steckplatzabdeckung des gewünschten Steckplatzes ab, und bewahren Sie die Schraube auf (sie wird zur Befestigung des Meßkopprozessors benötigt).

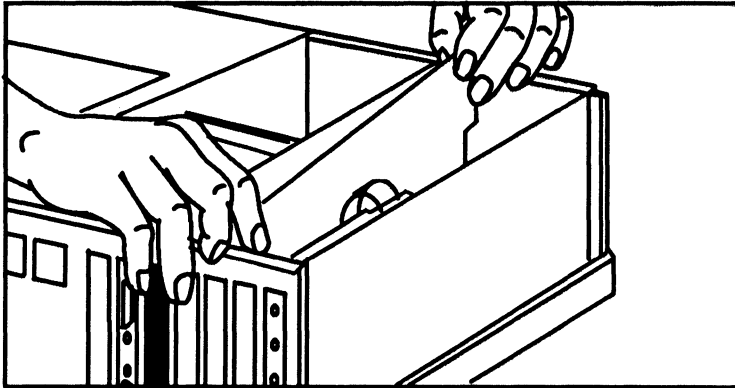


Achtung



Wegen des HP-IB-Anschlusses an der Rückseite kann der Meßkopprozessor nicht direkt in die Kartenführung eingesetzt werden. Außerdem befindet sich an der Rückseite eine Metallplatte, die eine gute Masseverbindung gewährleistet. Bei unsachgemäßer Handhabung kann diese Platte leicht verbogen werden. Gehen Sie bei der Installation sehr sorgfältig vor, um Schäden am Meßkopprozessor zu vermeiden.

4. Fassen Sie den Meßkopprozessor an der vorderen und der hinteren Kante. Die *“hintere” Kante ist die Kante des Meßkopprozessors mit dem HP-IB-Anschluß.*
5. Halten Sie die vordere Kante etwas höher als die hintere, und setzen Sie die hintere Kante wie in der folgenden Abbildung dargestellt in den Steckplatz ein.



6. Setzen Sie die vordere Kante des Meßkopprozessors in die Kartenführung ein. Richten Sie dabei vorsichtig die Unterkante am E/A-Steckplatz aus.
7. Drücken Sie den Meßkopprozessor vorsichtig an, bis er fest im Steckplatz sitzt.
8. Befestigen Sie den Meßkopprozessor mit der Schraube, die Sie in Schritt 3 entfernt haben.
9. Setzen Sie den Gehäusedeckel wieder auf.

Die Installation des Meßkopprozessors ist abgeschlossen. Schließen Sie den Computer an das Netz an, und schalten Sie ihn ein. Funktioniert er fehlerfrei, können Sie mit der Software-Installation beginnen. Tritt ein Fehler auf, können Sie im Abschnitt "Fehlerbehebung" nachschlagen.

Ausbauen

Soll der Speicher für den Meßkopprozessor erweitert oder eine Gleitkommaeinheit (FPU) hinzugefügt werden, muß der Meßkopprozessor ausgebaut werden. Lesen Sie die Anweisungen zum Einbau des Kopprozessors im vorigen Abschnitt. Beachten Sie dabei besonders die Sicherheitshinweise.

Gehen Sie zum Ausbauen des Meßkopprozessors wie folgt vor:

1. Beachten Sie die Hinweise zur Vermeidung von elektrostatischen Schäden.
2. Schalten Sie den Computer aus, und ziehen Sie das Netzkabel ab. Nehmen Sie den Gehäusedeckel ab.
3. Lösen Sie alle Flachbandkabel zwischen dem Meßkopprozessor und den anderen Karten. Entfernen Sie das HP-IB-Kabel (falls vorhanden).
4. Entfernen Sie die Schraube der Abdeckung.
5. Fassen Sie den Meßkopprozessor an der vorderen und hinteren Kante, und ziehen Sie ihn vorsichtig aus dem E/A-Steckplatz. *Die "hintere" Kante ist die Kante des Meßkopprozessors mit dem HP-IB-Anschluß.*
6. Ziehen Sie den Meßkopprozessor in der Führung nach oben. Heben Sie dabei die vordere Seite etwas höher an, so daß sich der HP-IB-Stecker beim Ausbauen des Meßkopprozessors aus dem Steckplatz löst.
7. Soll der Meßkopprozessor nicht gleich wieder eingebaut werden, setzen Sie die Steckplatzabdeckung wieder auf, und befestigen Sie sie mit der zugehörigen Schraube. Setzen Sie anschließend wieder den Gehäusedeckel auf.

Fehlerbehebung

Sollten nach dem Einbauen des Meßkopprozessor Probleme auftreten, gehen Sie zur Fehlerbehebung wie folgt vor.

1. Schalten Sie den Computer aus. Bauen Sie den Meßkopprozessor aus. Führen Sie eine Sichtprüfung durch, und überprüfen Sie, ob die Konfiguration korrekt und der zugehörige Speicher richtig installiert ist. Korrigieren Sie die Fehler, und testen Sie das System erneut. Haben Sie keine Fehler gefunden, fahren Sie mit Schritt 2 fort.
2. Setzen Sie den Gehäusedeckel wieder auf, und schalten Sie den Computer ohne den Meßkopprozessor wieder ein. Arbeitet der Computer nach dem Einschalten normal, fahren Sie mit Schritt 3 fort. Tritt der Fehler weiterhin auf, liegt ein Fehler im Rechner vor.
3. Bei der Auslieferung ist die Primäradresse des Meßkopprozessors auf 250h (hexadezimal) gesetzt. Ändern Sie die Einstellung auf 280h (siehe Abschnitt "Hardware-Konfigurationsschalter" in diesem Kapitel).
4. Bauen Sie den Meßkopprozessor wieder ein. Schalten Sie den Computer ein.
5. Tritt der Fehler weiterhin auf, schalten Sie den Computer aus, und ändern Sie die Adresse in 330h. Schalten Sie den Computer anschließend wieder ein.

Hinweis



Kann durch das Ändern der Adresse der Fehler nicht behoben werden, können Sie weitere Informationen in der Software-Dokumentation zum Meßkopprozessor nachschlagen.

Treten nach Ausführung dieser Maßnahmen weiterhin Probleme auf, kann ein Fehler in der Hardware des Meßkopprozessor vorliegen. Beachten Sie die Hinweise im Handbuch *Plug-in Accessories: Warranty and Customer Support*, das zusammen mit dem Meßkopprozessor ausgeliefert wird.

Installation

Contenu

Présentation du manuel	3-2
Manipulation des cartes de circuits imprimés et des circuits intégrés	3-2
Déballage et vérification des pièces	3-3
Le commutateur de configuration matérielle	3-4
Interrupteurs 1 et 2 : Adresse primaire	3-4
Interrupteurs 3 et 4 : Adresse secondaire	3-5
Interrupteur 5 : N'est pas utilisé	3-5
Interrupteur 6 : Contrôleur	3-6
Installation des cartes mémoire	3-6
Instructions d'installation	3-7
Instructions de démontage	3-10
Installation de l'unité de calcul en virgule flottante	3-11
Installation du coprocesseur de mesure haute performance	3-13
Instructions d'installation	3-13
Instructions de démontage	3-16
Dépannage	3-17

Présentation du manuel

Ce manuel traite de l'installation du coprocesseur de mesure haute performance HP 82324, des cartes mémoire HP 82325 et HP 82326 et de l'unité de calcul en virgule flottante HP 82327. Veuillez respecter les marches à suivre décrites dans ce manuel, particulièrement celle de la section "Manipulation des cartes de circuits imprimés et des circuits intégrés", afin d'éviter d'endommager le coprocesseur de mesure et les cartes mémoire et de garantir leur bon fonctionnement.

Conservez ce manuel. Vous en aurez peut-être besoin si vous décidez d'ajouter une carte mémoire ou une unité de calcul en virgule flottante au coprocesseur de mesure ou si vous désirez changer la configuration de celui-ci.

Manipulation des cartes de circuits imprimés et des circuits intégrés

Les cartes de circuits imprimés et les circuits intégrés (CI) peuvent être endommagés par l'électricité et par les chocs physiques. N'oubliez pas de couper l'alimentation de l'ordinateur lorsque vous installez le coprocesseur de mesure ou que vous le retirez. Manipulez le coprocesseur de mesure et les cartes mémoire avec soin en les tenant par les extrémités. Ne touchez à aucun des composants qui se trouvent sur les cartes, à moins qu'il ne soit spécifié de le faire dans la marche à suivre.

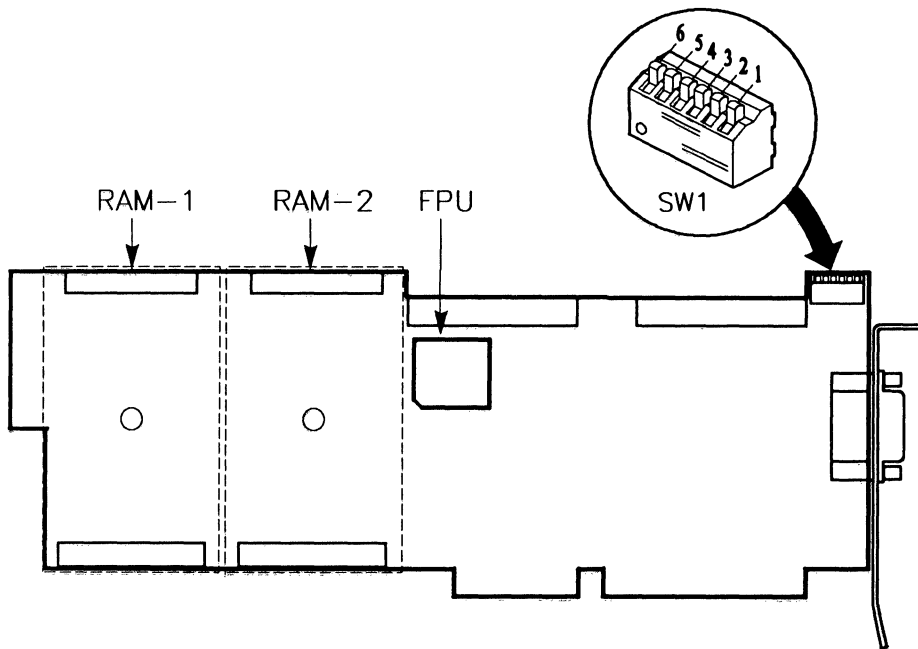
Les décharges électrostatiques peuvent causer des dommages aux circuits de l'ordinateur. Il est donc recommandé, pendant l'installation, de porter au poignet un bracelet antistatique. On peut trouver ce dernier dans les magasins d'électronique. Si vous ne portez pas de bracelet antistatique, vous pouvez décharger sans danger l'électricité statique qui s'est accumulée en touchant la surface métallique du panneau arrière de votre ordinateur. Refaites cette manœuvre plusieurs fois durant l'installation.

Déballage et vérification des pièces

Si vous installez votre coprocesseur de mesure pour la première fois, voici comment procéder pour le déballer :

1. Sortez le coprocesseur de son emballage sans le retirer du sac de protection antistatique.
2. En respectant les mesures de précaution données à la section précédente, retirez le coprocesseur du sac de protection antistatique et déposez-le sur ce dernier en orientant le côté de la carte où se trouvent les composants vers le haut.

Le coprocesseur de mesure est illustré ci-dessous et ses composantes les plus importantes y sont identifiées :



Dans cette figure, les fentes pour les deux cartes mémoire (“RAM-1” et “RAM-2”) sont délimitées par des tirets. Vous devez normalement avoir reçu votre coprocesseur avec au moins une carte mémoire installée dans la fente RAM-1. Précisons que le coprocesseur de mesure ne fonctionne pas si la fente RAM-1 ne contient pas de carte mémoire. Il peut également y avoir une carte mémoire dans la fente RAM-2 selon l’option que vous avez commandée. Si vous désirez plus d’information sur les cartes mémoire, consultez la section “Installation des cartes mémoire”, plus loin dans ce manuel.

Le commutateur de configuration matérielle (SW1) est également identifié dans la figure et on peut voir que les interrupteurs sont tous en position “fermé”, ce qui représente la configuration par défaut.

L’unité de calcul en virgule flottante (FPU) est présente seulement si vous l’avez commandée. Sinon, il y aura un support vide à l’emplacement illustré à la figure.

Le commutateur de configuration matérielle

Le commutateur de configuration matérielle (SW1) possède six interrupteurs. Lorsque vous recevez le coprocesseur, les six interrupteurs sont en position “fermé”, comme l’illustre la figure précédente. *Pour la plupart des applications, les six interrupteurs doivent demeurer dans cette position.* Cependant, lorsqu’une installation comprend plusieurs coprocesseurs, chacun de ceux-ci doit avoir une adresse qui lui est propre. Si vous devez changer l’adresse du coprocesseur de mesure ou si vous désirez qu’il n’agisse pas comme contrôleur lorsqu’il est branché à un HP-IB, vous devez changer le réglage des interrupteurs en suivant les indications qui suivent.

Interrupteurs 1 et 2 : Adresse primaire

Les interrupteurs 1 et 2 du commutateur SW1 vous permettent de choisir parmi quatre adresses primaires. (L’adresse par défaut est 250 en hexadécimal.)

Adresse primaire	Interrupteur 2	Interrupteur 1
250h	Fermé	Fermé
280h	Fermé	Ouvert
330h	Ouvert	Fermé
390h	Ouvert	Ouvert

Interrupteurs 3 et 4 : Adresse secondaire

Les interrupteurs 3 et 4 sont utilisés pour définir l'adresse secondaire.

Règle générale, utilisez la valeur par défaut, soit 0. L'utilisation de l'adresse secondaire est expliquée dans la documentation du logiciel qui accompagne le coprocesseur de mesure.

Adresse secondaire	Interrupteur 4	Interrupteur 3
0	Fermé	Fermé
1	Fermé	Ouvert
2	Ouvert	Fermé
3	Ouvert	Ouvert

Interrupteur 5 : N'est pas utilisé

L'interrupteur 5 du commutateur SW1 n'est pas utilisé et son réglage n'a aucun effet.

Interrupteur 6 : Contrôleur

L'interrupteur 6 sert à déterminer si le coprocesseur de mesure agit comme contrôleur lorsqu'il est branché à un HP-IB. Dans sa position par défaut, c'est-à-dire "fermé", le coprocesseur est le contrôleur du HP-IB. Si l'interrupteur 6 est réglé en position "ouvert", le coprocesseur n'agit pas comme contrôleur du HP-IB.

Installation des cartes mémoire

Le coprocesseur de mesure haute performance HP 82324 ne possède pas de mémoire sur sa carte principale mais il dispose de deux fentes, RAM-1 et RAM-2, où il est possible d'insérer des cartes mémoire. Deux cartes peuvent être utilisées : la carte HP 82325 qui comporte 1 méga-octet (Mo) de mémoire vive (RAM) et la carte HP 82326 qui offre 4 Mo de mémoire. Ces cartes sont semblables et sont identifiées par une étiquette à l'endos. *Le coprocesseur ne fonctionnera pas s'il n'y a pas de carte mémoire, de 1 ou de 4 Mo, dans la fente RAM-1.* Si vous désirez avoir plus de mémoire, une deuxième carte peut être installée dans la fente RAM-2. Il est important que vous sachiez que si vous installez une carte de 1 Mo et une carte de 4 Mo, *celle de 4 Mo doit se trouver dans la fente RAM-1.*

Le coprocesseur HP 82324 se configure automatiquement en fonction des cartes mémoire présentes, à condition qu'elles soient correctement installées. *Voici les différentes configurations valides :*

Mémoire totale	Fente de mémoire RAM-1	Fente de mémoire RAM-2
1 Mo	1 Mo (HP 82325)	Vide
2 Mo	1 Mo (HP 82325)	1 Mo (HP 82325)
4 Mo	4 Mo (HP 82326)	Vide
5 Mo	4 Mo (HP 82326)	1 Mo (HP 82325)
8 Mo	4 Mo (HP 82326)	4 Mo (HP 82326)

Instructions d'installation

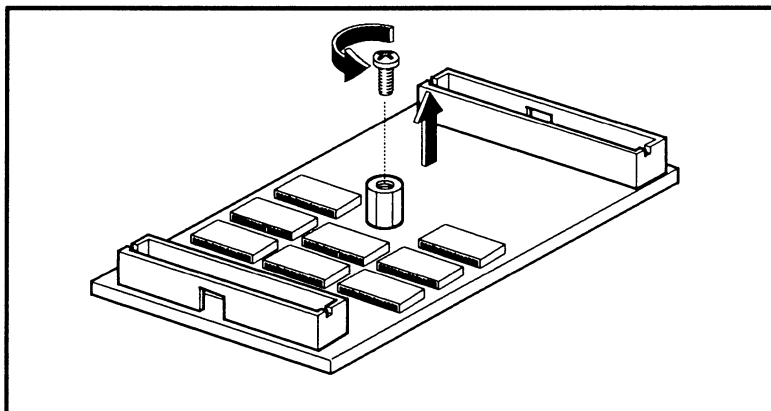
Les cartes mémoire HP 82325 (1 Mo) et HP 82326 (4 Mo) s'installent exactement de la même façon. *N'oubliez pas de respecter les mesures de précaution données à la section "Manipulation des cartes de circuits imprimés et des circuits intégrés".*

Remarque

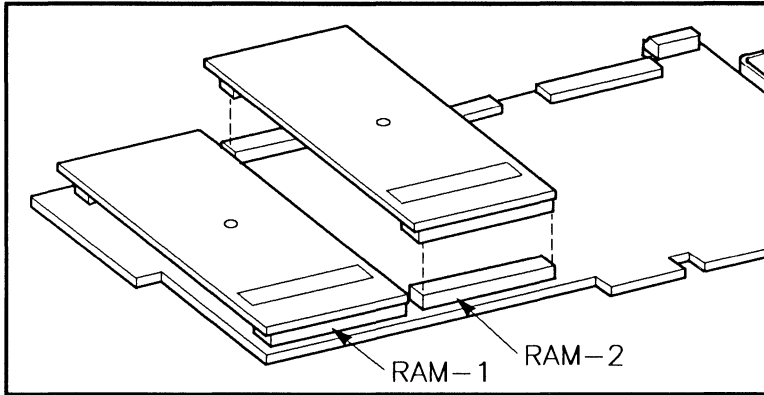


Si vous ajoutez une carte de 4 Mo à un système qui possède déjà une carte de 1 Mo, vous devez retirer la carte de 1 Mo de la fente RAM-1. Consultez la section "Instructions de démontage", plus loin dans ce manuel. Vous pourrez ensuite installer la carte de 4 Mo dans la fente RAM-1 et la carte de 1 Mo dans la fente RAM-2.

1. Si ce n'est pas déjà fait, déballez le coprocesseur de mesure et déposez-le sur son sac de protection antistatique en orientant vers le haut le côté de la carte où se trouvent les composants.
2. Ensuite, déballez la carte mémoire que vous désirez installer et déposez-la sur son sac antistatique en orientant le côté des composants vers le haut.
3. Enlevez la vis de retenue de la borne métallique située au centre de la carte mémoire (voir figure ci-dessous). Conservez cette vis pour un usage ultérieur.



4. Il est à noter que la carte mémoire possède un connecteur long à une extrémité et un connecteur court à l'autre extrémité : elle ne pourra donc être insérée que d'une seule façon sur le coprocesseur. Placez la carte mémoire sur le coprocesseur, connecteurs vers le bas. La figure ci-dessous montre un coprocesseur sur lequel on installe une carte mémoire dans la fente RAM-2.

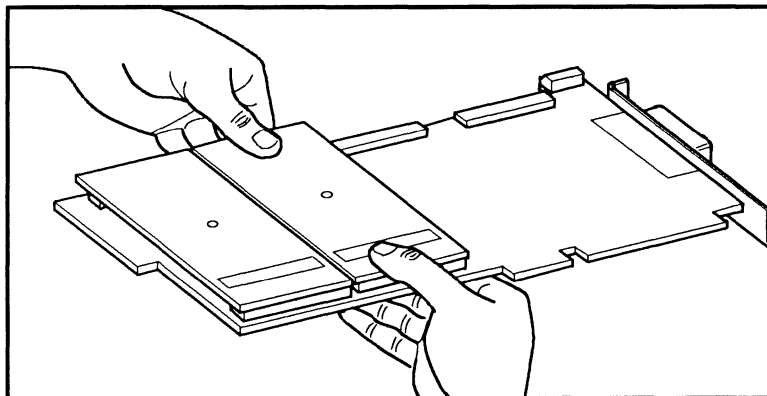


Attention

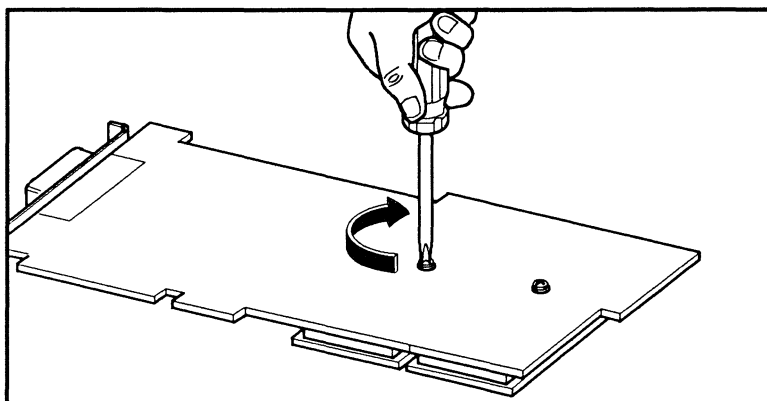


Les cartes possèdent des pointes tranchantes sur le côté où se trouvent les soudures des composants. Prenez garde de ne pas vous blesser à l'étape suivante.

5. Assurez-vous que les connecteurs de la carte mémoire sont alignés correctement avec les connecteurs du coprocesseur de mesure. Ensuite, en vous rapportant à l'illustration ci-dessous, tenez le coprocesseur en plaçant vos doigts de chaque côté et mettez la carte mémoire en place en appuyant avec vos pouces.



6. Retournez le coprocesseur de mesure (les composants seront alors en-dessous) et fixez la carte mémoire au moyen de la vis que vous avez enlevée à l'étape 3.



Vous pouvez maintenant passer à la section “Installation du coprocesseur de mesure haute performance”.

Instructions de démontage

Vous n’aurez normalement pas à enlever une carte mémoire du coprocesseur de mesure une fois qu’elle a été installée. Il y a toutefois une exception à cette règle. En effet, si vous installez une carte de 4 Mo sur un coprocesseur qui possède déjà une carte de 1 Mo dans la fente RAM-1, vous devez enlever cette dernière et la remplacer par celle de 4 Mo. Vous pourrez ensuite installer la carte de 1 Mo dans la fente RAM-2.

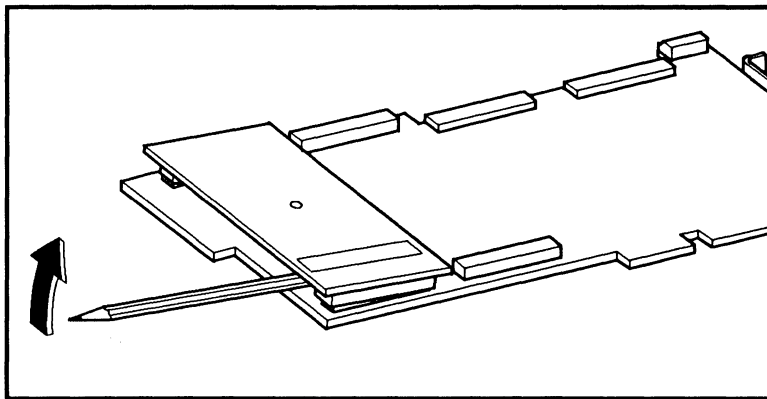
Avant de commencer, lisez la procédure d’installation de la section précédente afin de prendre connaissance des mesures de précaution à respecter. Puis, effectuez les étapes suivantes :

Attention



Avant de retirer la carte mémoire, vous *devez* enlever la vis qui la retient au coprocesseur de mesure. Si vous omettez de le faire, vous pouvez causer de sérieux dommages.

1. Retournez le coprocesseur de mesure afin que le côté sur lequel se trouvent les composants soit vers le bas et *retirez la vis de retenue avec laquelle la carte mémoire est fixée.*
2. Retournez ensuite le coprocesseur de mesure afin que le côté sur lequel se trouvent les composants soit vers le haut et déposez-le sur son sac antistatique si vous l’avez toujours en votre possession.
3. Soulevez la carte mémoire des connecteurs qui la retiennent en faisant levier d’un côté puis de l’autre au moyen d’un stylo bille en plastique ou de l’extrémité d’un crayon à mine où se trouve la gomme à effacer.



4. S'il y a lieu, desserrez la carte mémoire en lui faisant adopter un léger mouvement de balancement et tout en la maintenant par les extrémités avec vos doigts.
5. Après avoir enlevé la carte mémoire, vous pouvez remettre dans la borne métallique la vis que vous avez retirée à l'étape 1.

Installation de l'unité de calcul en virgule flottante

L'unité de calcul en virgule flottante HP 82327 est une puce coprocesseur MC68882 qui sert à augmenter la vitesse de calcul. Il se peut qu'elle soit déjà installée sur votre coprocesseur. Si elle ne l'est pas, son support est vide; reportez-vous dans ce cas aux instructions ci-dessous.

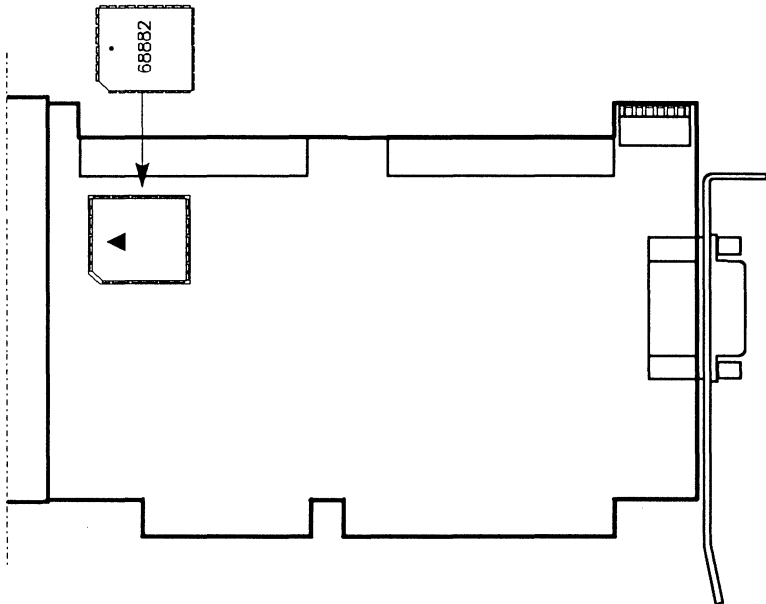
Attention



Suivez les instructions à la lettre, surtout lorsqu'il s'agit d'aligner l'unité de calcul avec son support. Si vous ne faites pas attention, vous risquez d'endommager l'unité de calcul ainsi que son support. Respectez également les mesures de précaution données à la section "Manipulation des cartes de circuits imprimés et des circuits intégrés".

-
1. Retirez l'unité de calcul de son sac de protection antistatique.

2. Examinez la figure qui suit : l'unité de calcul et le support situé sur le coprocesseur de mesure possèdent tous deux une encoche sur un des coins. Vous devez aligner ces coins lorsque vous insérez l'unité de calcul dans le support. Vous verrez également sur l'unité de calcul un point qui en identifie le dessus; ce point doit être aligné avec la flèche qui se trouve sur le support, comme on peut le voir à la figure qui suit.



3. Assurez-vous que l'unité de calcul est placée correctement au-dessus de son support. Insérez-la doucement dans le support et *assurez-vous que toutes les sorties sont vis-à-vis des sorties correspondantes du support.*
4. Tenez la carte en plaçant vos doigts à l'arrière et insérez l'unité de calcul dans le support en appuyant avec vos pouces.

Vous pouvez maintenant passer à la section suivante, "Installation du coprocesseur de mesure haute performance".

3-12 Installation

Si l'unité de calcul ne fonctionne pas correctement, n'essayez pas de l'enlever, car il faut pour cela utiliser un outil spécial. Contactez votre représentant HP, il sera en mesure de vous aider.

Installation du coprocesseur de mesure haute performance

Avant de procéder à l'installation du coprocesseur de mesure HP 82324, vérifiez sa configuration; au besoin, consultez la section "Commutateur de configuration matérielle". Vous devez également avoir installé les cartes mémoire que vous désirez utiliser avec votre coprocesseur (consultez la section "Installation des cartes mémoire").

Vous pouvez installer le coprocesseur de mesure dans n'importe quelle des fentes de *16 bits*. Il n'a besoin que d'une seule fente et ne gêne pas les cartes qui se trouvent dans les fentes adjacentes, même lorsque deux cartes de mémoire sont présentes. Précisons cependant que les cartes d'interface DIO (SRM ou GPIO) doivent être installées dans les fentes situées immédiatement à la gauche du coprocesseur de mesure, lorsque vu du devant de l'ordinateur, afin que les fils des cartes DIO puissent être connectés au coprocesseur de mesure. Prévoyez suffisamment d'espace pour les cartes DIO.

Instructions d'installation

Après avoir configuré le coprocesseur de mesure, vous êtes prêt à l'installer dans l'ordinateur. Voici comment procéder :

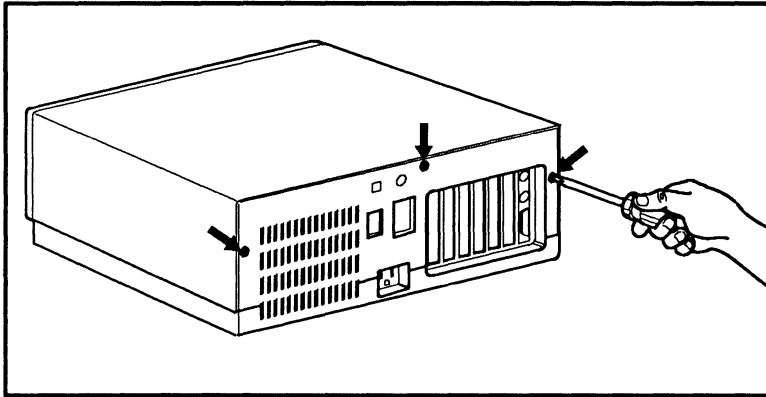
Attention



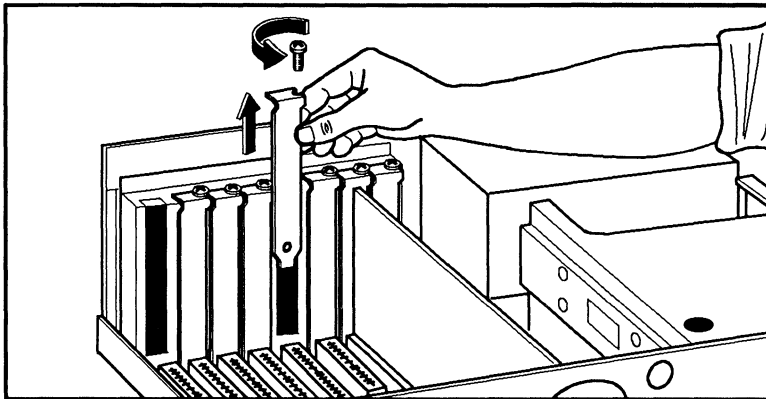
Les décharges électrostatiques peuvent endommager les circuits de l'ordinateur. Vous devez donc, pendant tout le processus d'installation, respecter les mesures de précaution données à la section "Manipulation des cartes de circuits imprimés et des circuits intégrés".

-
1. Mettez votre ordinateur hors tension et débranchez-le.

2. Enlevez le couvercle de votre ordinateur. Si vous possédez un micro-ordinateur Vectra, enlevez les trois vis identifiées à la figure qui suit, faites glisser la partie supérieure vers l'avant d'environ 4 cm puis levez le couvercle de l'ordinateur. Si vous possédez un autre type d'ordinateur, consultez son manuel d'utilisation.



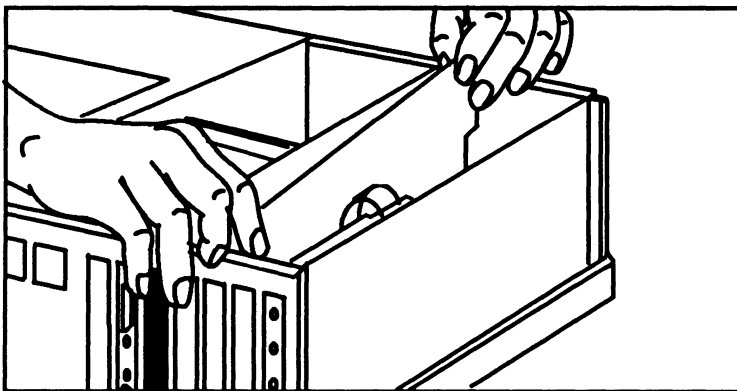
3. Enlevez la pièce qui recouvre la fente où vous désirez insérer la carte et conservez la vis pour un usage ultérieur.



Attention

A cause du connecteur HP-IB qui se trouve à l'arrière du coprocesseur de mesure, celui-ci ne peut être inséré directement dans le guide-carte. De plus, on retrouve au même endroit un joint métallique faisant partie de la connexion à la terre : ce joint peut facilement être plié. Afin d'éviter d'endommager le coprocesseur de mesure, suivez à la lettre les indications du processus d'installation.

4. Prenez le coprocesseur de mesure par les bords avant et arrière. *L'arrière est l'extrémité du coprocesseur de mesure où se trouve le connecteur HP-IB.*
5. Maintenez le devant du coprocesseur légèrement plus haut que l'arrière et faites glisser la partie arrière dans la fente afin que le connecteur HP-IB dépasse (voir figure ci-dessous).



6. Abaissez le devant du coprocesseur de mesure dans le guide-carte en prenant soin d'aligner le bord inférieur avec la fente d'entrée-sortie de l'ordinateur.
7. Appuyez doucement mais fermement sur le coprocesseur de mesure afin qu'il s'insère bien dans la fente d'E/S.
8. Fixez le coprocesseur de mesure au moyen de la vis que vous avez retirée à l'étape 3.
9. Remettez le couvercle de l'ordinateur en place.

L'installation de votre coprocesseur de mesure est maintenant terminée. Branchez votre ordinateur et mettez-le sous tension. S'il fonctionne correctement, passez à l'installation du logiciel. S'il y a un problème, consultez la section "Dépannage".

Instructions de démontage

Si vous désirez ajouter de la mémoire ou une unité de calcul en virgule flottante à votre coprocesseur de mesure, vous devrez tout d'abord démonter celui-ci de votre ordinateur. Lisez la procédure d'installation du coprocesseur de mesure, qui se trouve à la section précédente, en portant une attention particulière aux mesures de précaution.

Voici comment procéder pour démonter le coprocesseur de mesure :

1. Respectez les mesures de précaution données plus haut en ce qui a trait à l'électricité statique.
2. Mettez votre ordinateur hors tension et débranchez-le. Enlevez son couvercle.
3. Si le coprocesseur de mesure est branché à d'autres cartes au moyen de câbles plats, déconnectez ces derniers. Déconnectez également le câble qui connecte le coprocesseur à un HP-IB, si tel est le cas.
4. Enlevez la vis de retenue qui se trouve à l'arrière.
5. Prenez le coprocesseur, à l'avant et à l'arrière, par sa partie supérieure, et tirez jusqu'à ce qu'il soit sorti de la fente d'E/S. *L'arrière est l'extrémité du coprocesseur de mesure où se trouve le connecteur HP-IB.*
6. Faites glisser le coprocesseur de mesure dans le guide-carte en maintenant le devant un peu au-dessus du derrière afin que le connecteur HP-IB sorte de la fente en même temps que vous retirez le coprocesseur de l'ordinateur.
7. Si vous ne pensez pas installer de nouveau le coprocesseur dans l'ordinateur, remplacez la pièce qui sert à recouvrir la fente, fixez-la avec la vis prévue à cet effet et remettez le couvercle de l'ordinateur sur celui-ci.

Dépannage

Il est peu probable que votre ordinateur ne fonctionne pas correctement lorsque vous aurez terminé l'installation du coprocesseur de mesure. Si toutefois c'est le cas, les instructions ci-dessous vous aideront à identifier le problème.

1. Mettez l'ordinateur hors tension et enlevez le coprocesseur de mesure. Examinez le coprocesseur de mesure afin de vérifier s'il est correctement configuré et si sa mémoire est convenablement installée. Si vous trouvez un problème, remédiez-y et testez votre ordinateur. Si vous n'avez détecté aucune défectuosité, passez à l'étape 2.
2. Remplacez le couvercle de l'ordinateur et mettez-le sous tension (le coprocesseur de mesure n'est pas installé dans l'ordinateur). Si l'ordinateur fonctionne correctement, passez à l'étape 3. Si le problème persiste, la défectuosité se trouve dans l'ordinateur et non dans le coprocesseur de mesure.
3. Lorsque vous avez reçu le coprocesseur de mesure, l'adresse primaire était réglée à 250 hexadécimal. En suivant les indications données à la section "Commutateur de configuration matérielle", réglez l'adresse primaire à 280 hexadécimal.
4. Installez de nouveau le coprocesseur de mesure et mettez l'ordinateur sous tension.
5. Si le problème persiste, coupez l'alimentation de l'ordinateur, réglez l'adresse primaire à 330 hexadécimal et remettez l'ordinateur sous tension.

Remarque



Si vous n'arrivez pas à solutionner votre problème en changeant l'adresse, consultez la documentation du logiciel du coprocesseur de mesure : vous y trouverez de l'information supplémentaire.

Si toutes ces mesures ne vous ont pas permis de régler le problème, il se peut que le coprocesseur de mesure lui-même soit défectueux. Suivez les instructions du manuel *Plug-in Accessories: Warranty and Customer Support* que vous avez reçu avec votre coprocesseur de mesure.

Installazione

Indice

Scopo del manuale	4-2
Precauzioni nel maneggiare schede e integrati	4-2
Disimballaggio e controllo del materiale	4-3
Blocco di interruttori per la configurazione dell'hardware	4-4
Segmenti 1 e 2: indirizzi principali	4-5
Segmenti 3 e 4: indirizzi secondari	4-5
Segmento 5: non utilizzato	4-5
Segmento 6: Stato del controllore di sistema	4-6
Installazione delle schede di memoria	4-6
Procedura di installazione	4-7
Procedura di smontaggio	4-10
Installazione dell'unità in virgola mobile (FPU)	4-12
Installazione del coprocessore di misura ad alte prestazioni	4-14
Procedura di installazione	4-14
Procedura di smontaggio	4-17
Diagnostica	4-18

Scopo del manuale

Questo manuale spiega come installare il coprocessore di misura ad alte prestazioni HP 82324, le schede di memoria HP 82325 e HP 82326, e l'unità in virgola mobile HP 82327 (FPU, Floating-Point Unit). Si consiglia di attenersi alle procedure indicate in questo manuale, in particolare a quelle riportate nella sezione "Precauzioni nel maneggiare schede e integrati", allo scopo di ottenere le massime prestazioni e di evitare eventuali danni al coprocessore di misura e alle schede di memoria.

Conservare con cura questo manuale! Potrà servire in futuro nel caso si debba aggiungere memoria o un'unità FPU al coprocessore di misura, o modificarne la configurazione.

Precauzioni nel maneggiare schede e integrati

Le schede a circuito stampato e gli integrati sono componenti delicati, soggetti a danni di natura elettrica e meccanica. Verificare che il computer sia spento mentre si installa o disinstalla il coprocessore di misura. Maneggiare con cura il coprocessore di misura e le schede di memoria, tenendole per i bordi. Evitare di toccare direttamente i componenti delle schede, a meno che non sia specificato esplicitamente di farlo.

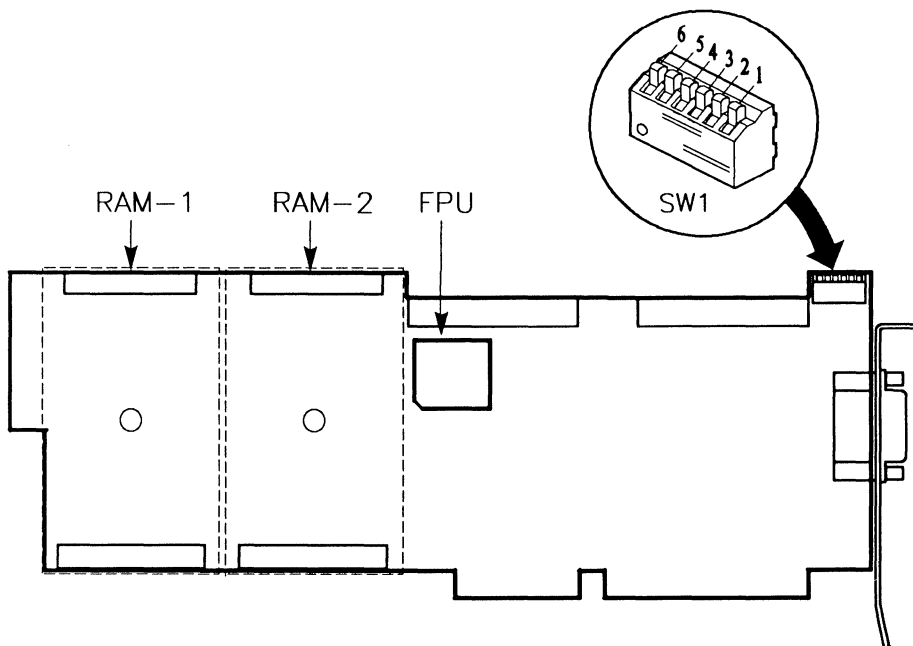
Le scariche elettrostatiche possono danneggiare i circuiti dei componenti. Si raccomanda pertanto di indossare durante la procedura di installazione un bracciale antistatico adeguatamente collegato a terra (questo dispositivo può essere reperito presso i negozi di articoli elettronici). In mancanza di un bracciale antistatico, si può provvedere senza alcun rischio a scaricare l'elettricità statica toccando la superficie metallica posta sul pannello posteriore del computer. Questa operazione deve essere ripetuta spesso durante la procedura di installazione.

Disimballaggio e controllo del materiale

Se si deve installare il coprocessore di misura per la prima volta, procedere nel modo seguente per disimballare il materiale della confezione.

1. Togliere il coprocessore di misura (lasciandolo per il momento nella apposita busta protettiva antistatica) dalla confezione.
2. Seguendo le precauzioni indicate nella sezione precedente, estrarre il coprocessore di misura dalla busta antistatica e appoggiarlo sulla busta, con la faccia dei componenti rivolta verso l'alto.

La figura seguente mostra il coprocessore di misura e indica i principali componenti.



Le posizioni delle due schede di memoria (“RAM-1” e “RAM-2”) sono rappresentate in figura da linee tratteggiate. Il coprocessore di misura dovrebbe disporre almeno di una scheda di memoria, installata in fabbrica nella posizione indicata con RAM-1. (Il coprocessore di misura non funziona in mancanza di una scheda di memoria nella posizione RAM-1.) Vi può essere una scheda di memoria anche nella posizione RAM-2, a seconda dell’opzione di memoria ordinata. Per ulteriori informazioni sulle schede di memoria, consultare la sezione “Installazione delle schede di memoria” più avanti in questo manuale.

La figura indica anche il blocco di interruttori per la configurazione dell’hardware, SW1, mostrato nella sua configurazione predefinita (con tutti gli interruttori in posizione “chiuso”).

L’unità in virgola mobile (FPU) non è necessariamente presente; questo dipende dall’opzione ordinata. Se l’unità FPU non è presente, lo zoccolo previsto per l’installazione di questa unità rimane vuoto (vedi posizione FPU in figura).

Blocco di interruttori per la configurazione dell’hardware

Il blocco di interruttori per la configurazione dell’hardware dispone di 6 interruttori (“segmenti”). Nella configurazione predefinita in fabbrica, tutti gli interruttori sono impostati sulla posizione “chiuso”, come mostra la figura precedente. *Nella maggior parte delle applicazioni, tutti i 6 interruttori devono rimanere nella posizione “chiuso”.* Tuttavia, nelle configurazioni dotate di più coprocessori, ogni coprocessore di misura deve possedere un indirizzo a parte. Se risulta necessario cambiare l’indirizzo del coprocessore di misura, o se si vuole che esso funga da “controllore non di sistema” per la linea HP-IB, la disposizione degli interruttori deve essere modificata nel modo descritto di seguito.

Segmenti 1 e 2: indirizzi principali

E' possibile selezionare uno dei 4 indirizzi principali disponibili agendo sui segmenti 1 e 2 del blocco SW1. (L'indirizzo predefinito è 250h esadecimale.)

Indirizzo principale	Segmento 2	Segmento 1
250h	Chiuso	Chiuso
280h	Chiuso	Aperto
330h	Aperto	Chiuso
390h	Aperto	Aperto

Segmenti 3 e 4: indirizzi secondari

E' possibile selezionare gli indirizzi secondari agendo sui segmenti 3 e 4 del blocco SW1. *Normalmente si usa però l'indirizzo predefinito: 0.* (Consultare la documentazione del software del coprocessore di misura per informazioni sull'uso degli indirizzi secondari.)

Indirizzo secondario	Segmento 4	Segmento 3
0	Chiuso	Chiuso
1	Chiuso	Aperto
2	Aperto	Chiuso
3	Aperto	Aperto

Segmento 5: non utilizzato

Il segmento 5 del blocco SW1 non è utilizzato. La sua posizione non ha effetto alcuno.

Segmento 6: stato del controllore di sistema

Il segmento 6 del blocco SW1 determina se il coprocessore di misura è il controllore di sistema della linea HP-IB. Nella posizione predefinita (“chiuso”), il segmento 6 specifica che il coprocessore di misura è il controllore di sistema. Impostando il segmento 6 sulla posizione “aperto”, il coprocessore di misura diviene controllore non di sistema.

Installazione delle schede di memoria

Il coprocessore di misura ad alte prestazioni HP 82324 non dispone di memoria sulla scheda principale, ma dispone di due posizioni per la memoria, RAM-1 e RAM-2, nelle quali possono essere installate le schede di memoria. Sono disponibili due tipi di schede di memoria. La scheda HP 82325 fornisce 1 Mbyte di RAM (Random Access Memory, memoria ad accesso casuale), mentre la scheda HP 82326 fornisce 4 Mbyte di RAM. Le due schede hanno lo stesso aspetto, ma sono identificabili tramite etichette poste sul retro. *Perché il coprocessore di misura possa funzionare, è necessario installare almeno una scheda di memoria (da 1 Mbyte o da 4 Mbyte) nella posizione RAM-1. Per poter disporre di memoria supplementare, è necessario installare una seconda scheda di memoria, che trova posto nella posizione RAM-2. Se però si devono installare entrambi i tipi di scheda, da 1 Mbyte e da 4 Mbyte, la scheda da 4 Mbyte deve essere installata nella posizione RAM-1.*

Il coprocessore di misura ad alte prestazioni HP 82324 si configura automaticamente in funzione della quantità di memoria installata, purché sia valida la disposizione fisica della memoria installata. *La tabella seguente indica le configurazioni di memoria valide.*

Memoria complessiva	Posizione di memoria RAM-1	Posizione di memoria RAM-2
1 MB	1 MB (HP 82325)	Vuota
2 MB	1 MB (HP 82325)	1 MB (HP 82325)
4 MB	4 MB (HP 82326)	Vuota
5 MB	4 MB (HP 82326)	1 MB (HP 82325)
8 MB	4 MB (HP 82326)	4 MB (HP 82326)

Procedura di installazione

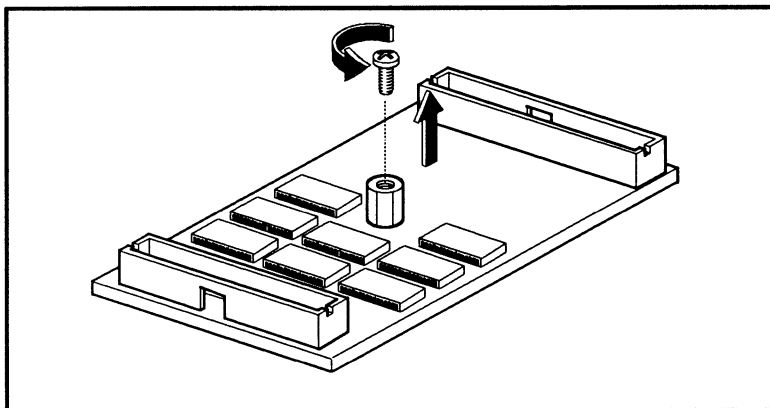
La procedura di installazione delle schede di memoria è identica, sia per la scheda HP 82325 1 MB che per la scheda HP 82326 4 MB. *Nel corso di questa procedura, attenersi scrupolosamente alle precauzioni indicate nella sezione “Precauzioni nel maneggiare schede e integrati”.*

Nota

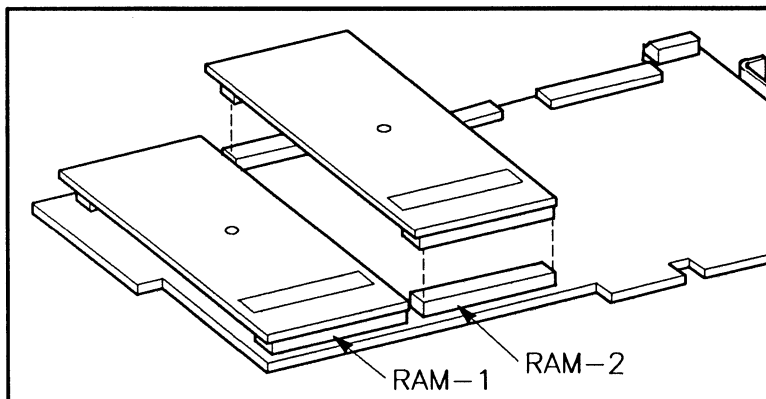


Se si aggiunge una scheda da 4 Mbyte a un sistema da 1 Mbyte, bisogna togliere la scheda di memoria da 1 Mbyte dalla posizione RAM-1. (Consultare la sezione “Procedura di smontaggio” più avanti in questo capitolo.) Quindi, installare la scheda da 4 Mbyte nella posizione RAM-1 e reinstallare la scheda da 1 Mbyte nella posizione RAM-2.

1. Se non è ancora stato fatto, disimballare il coprocessore di misura e appoggiarlo sulla sua busta antistatica, con la faccia dei componenti rivolta verso l'alto.
2. Disimballare la scheda di memoria da installare, e appoggiarla sulla sua busta antistatica, anch'essa con la faccia dei componenti rivolta verso l'alto.
3. Svitare la vite di fissaggio dalla colonnetta metallica posta al centro della scheda di memoria, come mostrato nella figura seguente. (Conservare la vite, per riutilizzarla in seguito.)



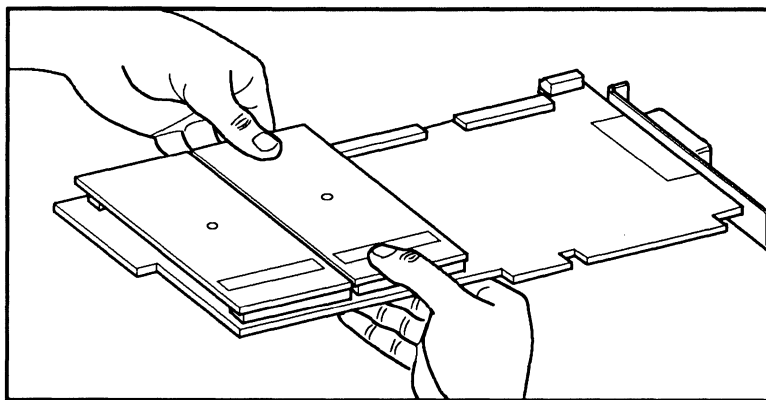
4. Notare che la scheda di memoria dispone di un connettore lungo da una parte e di un connettore corto dall'altra. La coppia di connettori può essere innestata nella scheda del coprocessore di misura in un unico modo. Disporre la scheda di memoria con i connettori rivolti verso il basso e presentarla sul coprocessore di misura. La figura seguente mostra la posizione di montaggio di una scheda di memoria nella posizione RAM-2.



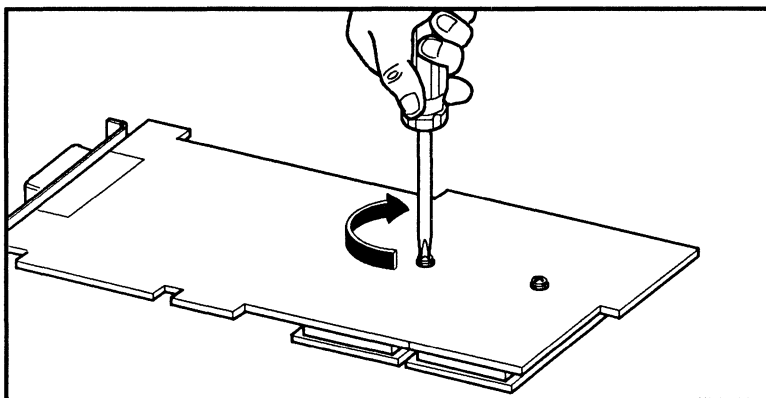
Avvertenza Le facce delle schede con le saldature presentano bordi taglienti. Prestare attenzione a non tagliarsi durante la fase seguente.



-
5. Assicurarsi che i connettori della scheda di memoria siano correttamente allineati con i connettori del coprocessore di misura. Sostenere ora la scheda del coprocessore di misura dai due lati, premendo con i pollici sulle due estremità della scheda di memoria, come indicato in figura.



6. Capovolgere la scheda del coprocessore di misura (con i componenti rivolti verso il basso) e avvitare la vite di fissaggio della scheda di memoria, tolta in precedenza nel punto 3. Vedi figura seguente.



A questo punto si può passare alla sezione “Installazione del coprocessore di misura ad alte prestazioni”.

Procedura di smontaggio

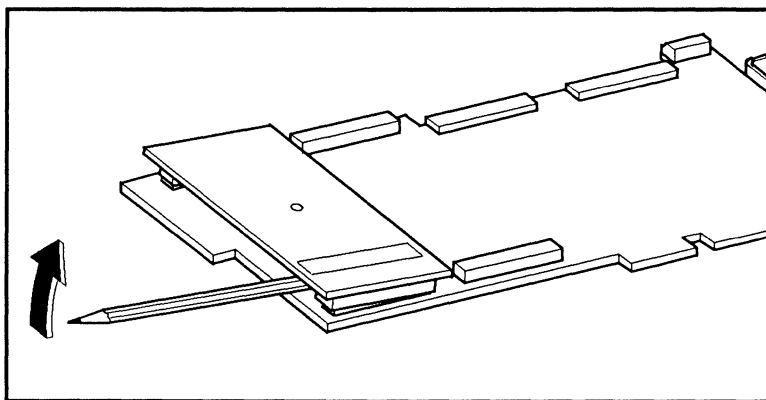
Di solito, una volta installata una scheda di memoria sul coprocessore di misura non è più necessario toglierla. Tuttavia, c'è un caso in cui questa operazione deve essere effettuata. Se si deve installare una scheda di memoria da 4 Mbyte su un coprocessore di misura che dispone di una scheda di memoria da 1 Mbyte installata nella posizione RAM-1, è necessario prima togliere la scheda da 1 Mbyte e installare la scheda da 4 Mbyte nella posizione RAM-1. Dopo di che, si può reinstallare la scheda da 1 Mbyte, questa volta nella posizione RAM-2.

Prima di iniziare questa operazione, si consiglia di leggere la procedura di installazione descritta nella sezione precedente, in modo da familiarizzarsi con le particolari precauzioni da prendere. Quindi, procedere nel modo seguente.

Avvertenza Prima di tentare di togliere una scheda di memoria, si *deve* svitare la vite che blocca la scheda al coprocessore di misura. In caso contrario, si possono produrre guasti gravi.




1. Disporre la scheda del coprocessore di misura con i componenti verso il basso, e *svitare completamente la vite di fissaggio che blocca la scheda di memoria*.
2. Dopo aver tolto la vite, capovolgere la scheda del coprocessore di misura, in modo che abbia i componenti rivolti verso l'alto, e appoggiarla, se possibile, sulla sua busta antistatica.
3. Allentare i connettori che trattengono in posizione la scheda di memoria, facendo leva *delicatamente*, prima a un'estremità e poi all'altra, con la cannucia in plastica di una biro o con il gommino posto sul retro di una matita.



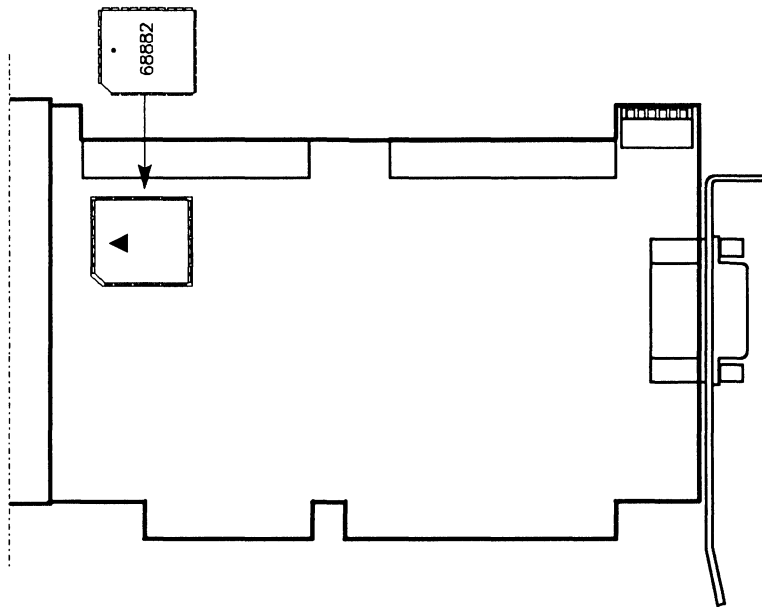
4. Se necessario, liberare la scheda di memoria facendola oscillare delicatamente avanti e indietro con le dita, tenendo sempre la scheda per i bordi.
5. Dopo aver tolto la scheda di memoria, si può riavvitare la vite (tolta nel punto 1) nella apposita colonnetta metallica.

Installazione dell'unità in virgola mobile (FPU)

L'unità in virgola mobile HP 82327 (FPU) è costituita dal circuito integrato del coprocessore MC68882 e permette di aumentare la velocità di calcolo del sistema. In certi casi, a seconda dell'opzione richiesta, l'unità FPU è stata installata in fabbrica. Se l'unità FPU non è presente, lo zoccolo FPU è vuoto, e si può installare l'unità FPU procedendo nel modo seguente.

Avvertenza  Attenersi scrupolosamente alla procedura indicata, soprattutto per l'allineamento dell'unità FPU con il suo zoccolo. La mancanza di adeguate precauzioni può produrre danni all'unità FPU e al relativo zoccolo. Attenersi anche alle precauzioni indicate nella sezione "Precauzione nel maneggiare schede e integrati".

1. Estrarre l'unità FPU dalla sua busta protettiva antistatica.
2. Osservare la figura seguente. Notare che l'unità FPU e il relativo zoccolo sul coprocessore di misura presentano ciascuno un lato con una tacca. I due lati con la tacca devono essere allineati per poter inserire correttamente l'unità FPU nello zoccolo. Inoltre, l'unità FPU ha un "punto" che indica il lato superiore: questo punto deve essere allineato con la "freccia" tracciata sullo zoccolo. Vedi figura seguente.



3. Verificare di aver orientato correttamente l'unità FPU sullo zoccolo.
Appoggiare delicatamente l'unità FPU sullo zoccolo, *verificando che tutti i piedini siano perfettamente allineati con le sedi corrispondenti dello zoccolo.*
4. Tenendo la scheda, inserire l'unità FPU nello zoccolo, premendo con i pollici.

A questo punto si può passare alla sezione successiva, "Installazione del coprocessore di misura ad alte prestazioni".

In caso di problemi durante il montaggio dell'unità FPU, evitare assolutamente di togliere l'unità. L'estrazione dell'unità FPU richiede l'uso di uno strumento apposito. In caso di necessità, rivolgersi all'Ufficio vendite e assistenza HP.

Installazione del coprocessore di misura ad alte prestazioni

Prima di installare il coprocessore di misura ad alte prestazioni HP 82324, bisogna verificarne la configurazione. (Consultare la sezione “Blocco di interruttori per la configurazione dell’hardware”.) Inoltre, può essere necessario installare eventuali schede di memoria aggiuntiva. (Consultare la sezione “Installazione delle schede di memoria”.)

Il coprocessore di misura può essere installato in un qualunque alloggiamento a 16 bit. Il coprocessore di misura occupa completamente un solo alloggiamento, e non interferisce fisicamente con le schede che occupano gli alloggiamenti vicini, anche quando è stato equipaggiato con entrambe le schede di memoria che supporta. Tuttavia, le schede di interfaccia DIO (SRM o GPIO) devono essere installate negli alloggiamenti immediatamente a sinistra di quello occupato dal coprocessore di misura (guardando frontalmente il computer), in modo che i cavi delle schede DIO possano collegarsi al coprocessore di misura. Bisogna quindi lasciare lo spazio necessario per tutte le schede DIO da installare.

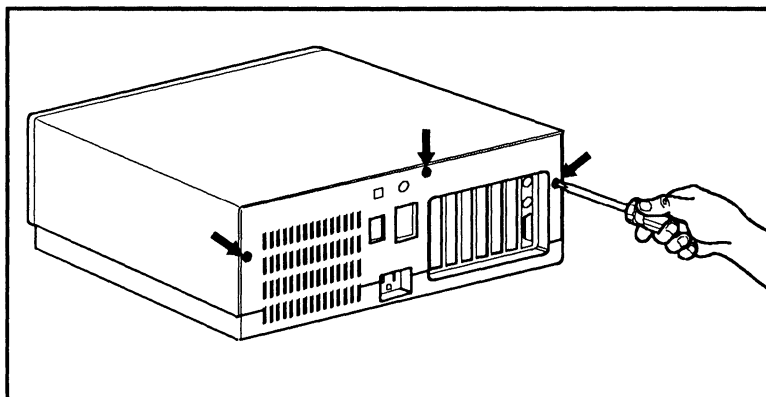
Procedura di installazione

Dopo aver configurato il coprocessore di misura, procedere nel modo seguente per installarlo nel computer.

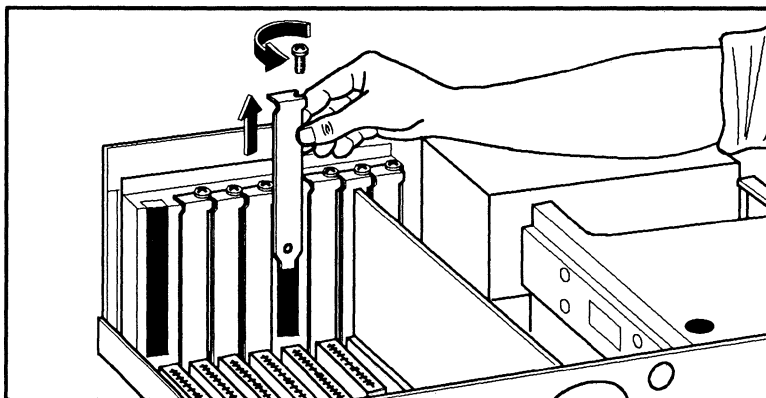
Avvertenza I circuiti del computer possono essere danneggiati da scariche elettrostatiche. Durante la procedura di installazione, attenersi scrupolosamente alle precauzioni indicate nella sezione “Precauzioni nel maneggiare schede e integrati”.



-
1. Spegnere il computer e staccare il cavo di alimentazione.
 2. Togliere il coperchio del computer. Se il computer è un PC HP Vectra da tavolo, occorre togliere le tre viti mostrate nella figura seguente, far scorrere in avanti il coperchio per circa 4 centimetri, e sollevare il coperchio, staccandolo dal computer. (Per altri tipi di computer, usare le istruzioni fornite insieme al computer.)



3. Togliere il coperchietto metallico dell'alloggiamento prescelto, e riporre la vite di fissaggio, per riutilizzarla in seguito.

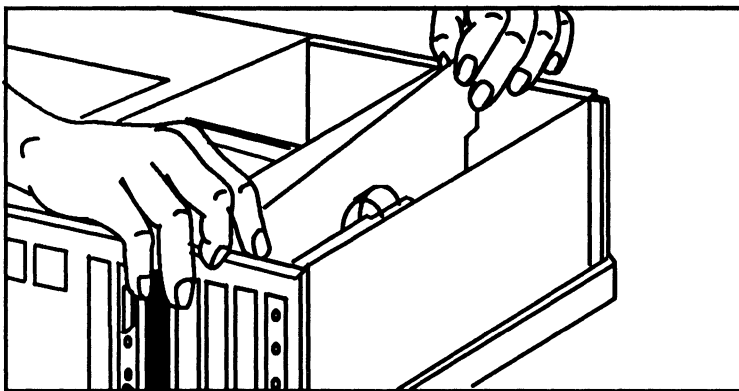


Avvertenza



A causa della presenza del connettore HP-IB sul suo pannello posteriore, il coprocessore di misura non può essere inserito nel vano apposito tenendolo diritto. Il pannello posteriore è anche dotato di una piastrina metallica, che garantisce un perfetto collegamento elettrico. Questa piastrina si flette facilmente. Per evitare di danneggiare il coprocessore di misura, attenersi scrupolosamente alle istruzioni fornite in questa sezione.

4. Prendere il coprocessore di misura, tenendolo alle due estremità anteriore e posteriore del bordo superiore. *Notare che per "posteriore" si intende l'estremità della scheda del processore di misura sulla quale è montato il connettore HP-IB.*
5. Tenendo la parte anteriore del coprocessore di misura leggermente più in alto della parte posteriore, infilare la parte posteriore della scheda nella fessura dell'alloggiamento, in modo che il connettore HP-IB sporga al di fuori di esso. Vedi figura seguente.



6. Abbassare ora la parte anteriore del coprocessore di misura nella guida porta-scheda, allineando con cura la parte posteriore della scheda con il connettore dell'alloggiamento di I/O del computer.
7. Premere con delicatezza ma con forza verso il basso, esercitando la pressione delle dita sulla scheda del coprocessore di misura, fino a innestarlo completamente nel connettore dell'alloggiamento di I/O.
8. Bloccare il coprocessore di misura con la vite tolta in precedenza (vedi punto 3).
9. Rimettere a posto il coperchio del computer.

A questo punto il coprocessore di misura è installato. Inserire nel computer la presa di alimentazione e accenderlo. Se il computer funziona normalmente, passare alla procedura di installazione del software. In caso di problemi, consultare la sezione "Diagnostica".

Procedura di smontaggio

Per poter aggiungere memoria o un'unità FPU al coprocessore di misura, bisogna prima toglierlo dal computer. Leggere la procedura di installazione del coprocessore di misura riportata nella sezione precedente, facendo particolare attenzione alle precauzioni indicate.

Per smontare il coprocessore di misura, procedere nel modo seguente.

1. Attenersi alle precauzioni indicate in precedenza, per evitare di produrre danni da elettricità statica.
2. Spegnerne il computer e staccare il cavo di alimentazione. Togliere il coperchio del computer.
3. Staccare tutti i cavi a nastro che collegano il coprocessore di misura alle altre schede. Staccare il cavo HP-IB, se presente.
4. Togliere la vite di fissaggio del pannello posteriore.
5. Afferrare il bordo superiore del processore di misura, dalla parte anteriore e dalla parte posteriore. Tirare verso l'alto delicatamente il coprocessore di misura, fino a staccarlo dal connettore dell'alloggiamento di I/O. *Notare che per "posteriore" si intende l'estremità della scheda del processore di misura sulla quale è montato il connettore HP-IB.*
6. Far scorrere verso l'alto il coprocessore di misura, estraendolo dalla guida della scheda, e sollevando la parte anteriore un po' di più di quella posteriore, in modo da liberare il connettore HP-IB dall'alloggiamento mentre si estrae il coprocessore di misura dal computer.
7. Se non si deve reinstallare subito il coprocessore di misura, rimettere il coperchietto di chiusura dell'alloggiamento, fissarlo con la vite apposita, e rimontare il coperchio del computer.

Diagnostica

Nel caso poco probabile che il computer non funzioni correttamente dopo aver installato il coprocessore di misura, seguire la procedura indicata in questa sezione per individuare la causa del problema.

1. Spegnerne il computer e smontare il coprocessore di misura. Ispezionare visivamente il coprocessore di misura, per verificare se è stato configurato correttamente e se le schede di memoria sono state installate nelle giuste posizioni. Correggere gli eventuali problemi riscontrati e ripetere il controllo. Se non vi sono altri problemi, passare al punto 2.
2. Rimontare il coperchio del computer e riaccendere il computer, senza rimontare il coprocessore di misura. Se ora il computer si accende e funziona normalmente, passare al punto 3. Se invece il problema rimane, significa che il problema è del computer, e non del coprocessore di misura.
3. Il coprocessore di misura è fornito dalla fabbrica con l'indirizzo principale impostato su 250h (esadecimale). Cambiare il valore su 280h, usando la procedura descritta nella sezione "Blocco di interruttori per la configurazione dell'hardware" più indietro in questo manuale.
4. Installare il coprocessore di misura e accendere il computer.
5. Se il problema rimane, spegnere il computer, modificare l'indirizzo su 330h, e riaccendere ancora il computer.

Nota



Se il problema non si risolve con nessuno degli indirizzi alternativi indicati, consultare la documentazione del software del coprocessore di misura per ulteriori informazioni,

Se esistono ancora problemi, può darsi che sia guasto l'hardware del coprocessore di misura. Seguire le istruzioni riportate nell'opuscolo *Plug-in Accessories: Warranty and Customer Support* fornito con il coprocessore di misura.



HP Part Number
82324-90002

Printed in U.S.A. E1190



82324-90602 Manufacturing Number