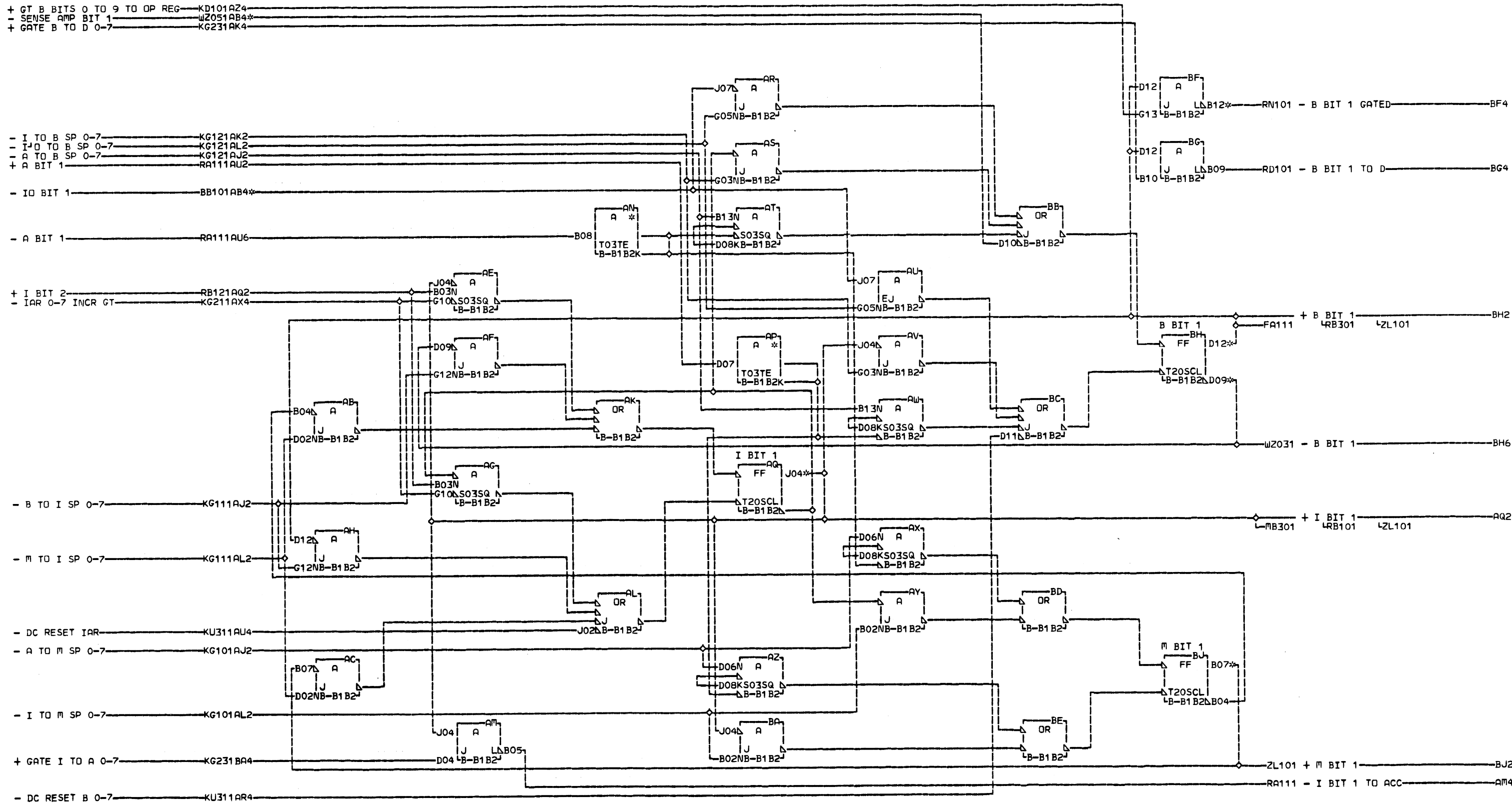


R  
B  
1  
0  
1  
000

BB101AA4	01B-A1N4B03	01B-C1A2D03
RESISTOR BH2	B-B1M3B02	01D-B1A1E09
B-B1B2J09	RESISTOR	01D-B1B1A09
WZ051AA4	B-B1B2J12	01D-A1A1E09
RESISTOR BH6	B-B1B1A09	01D-A1B1A09
B-B1B2J10	01B-B1A1E09	01E-B1A1E09
BF4 B-B1A2B09	01B-C1A1E09	01E-B1B1A09
01B-A1N2B09	01B-C1B1A09	01E-A1A1E09
BG4 B-B1A4B03	01B-C1A2D02	01E-A1B1A09

LOC. TYPE  
B-B1B2 4619

I B AND M REGISTERS		R
BIT 0		B
E.C. HISTORY	MACH. 1131-B	1
419631	FRAME 01	0
	IBM CORP. GPD	1
DATE LAST EC	IP. N. 2231160	000
11-11-66 419644		

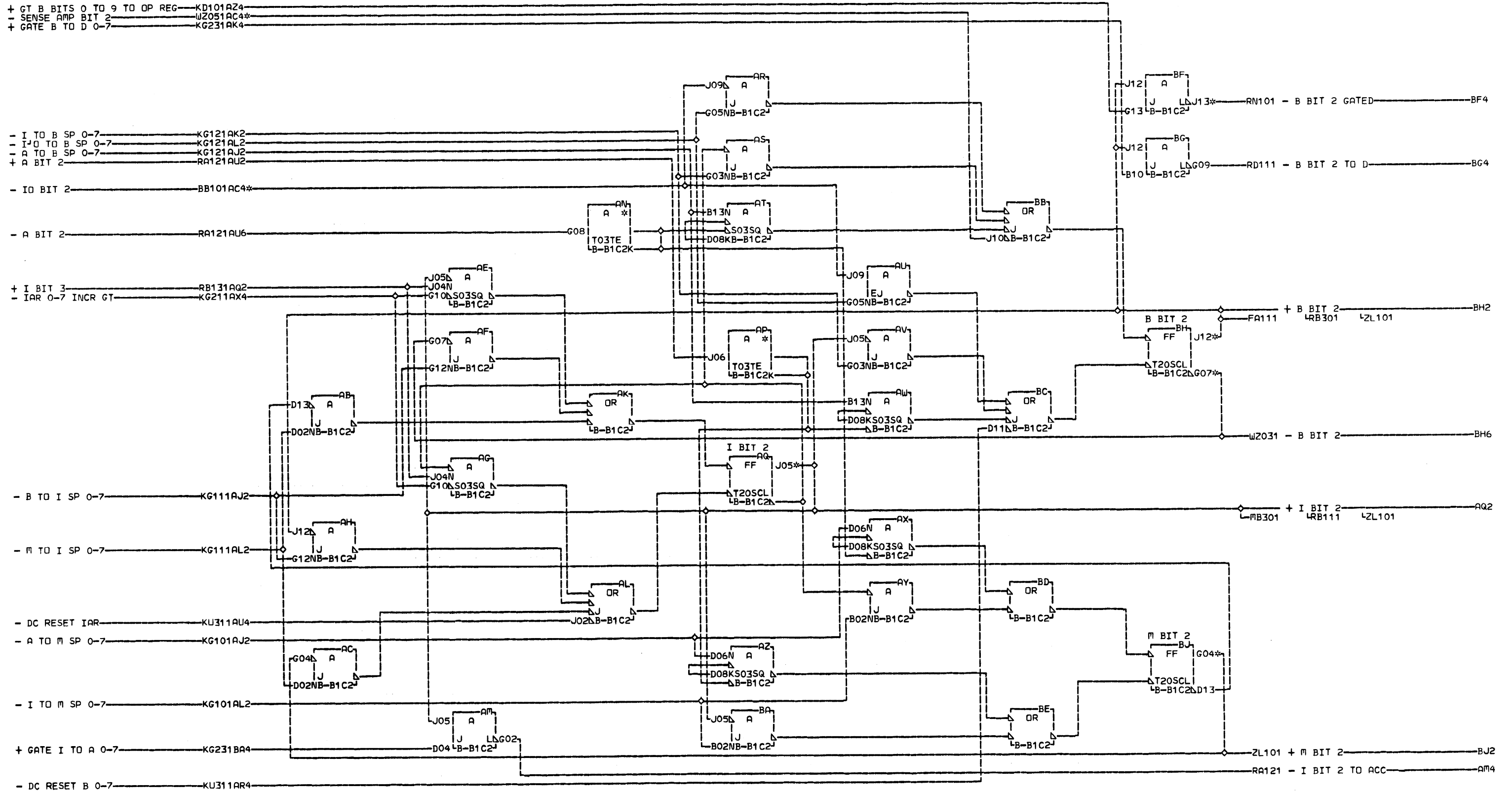


R  
B  
1  
1  
1  
000

BB101AB4	RESISTOR	BF4	B-B1A2B10	01D-A1B1B09
WZ051AB4	RESISTOR	BH2	B-B1M3D02	01E-B1B1B09
AQ2	RESISTOR	BH6	B-B1B1B09	01B-C1B1B09
				01B-B1N1A09
				01B-C1A2D04
				01B-C1N1A09
				01D-B1B1B09

LOC. TYPE  
B-B1B2 4619

I B AND M REGISTERS		
BIT 1		
E.C. HISTORY	MACH. 1131-B	R
419631	FRAME	01
	IBM CORP. GPD	1
DATE	LAST EC	000
11-11-66	419644	
	IP. No. 2231161	

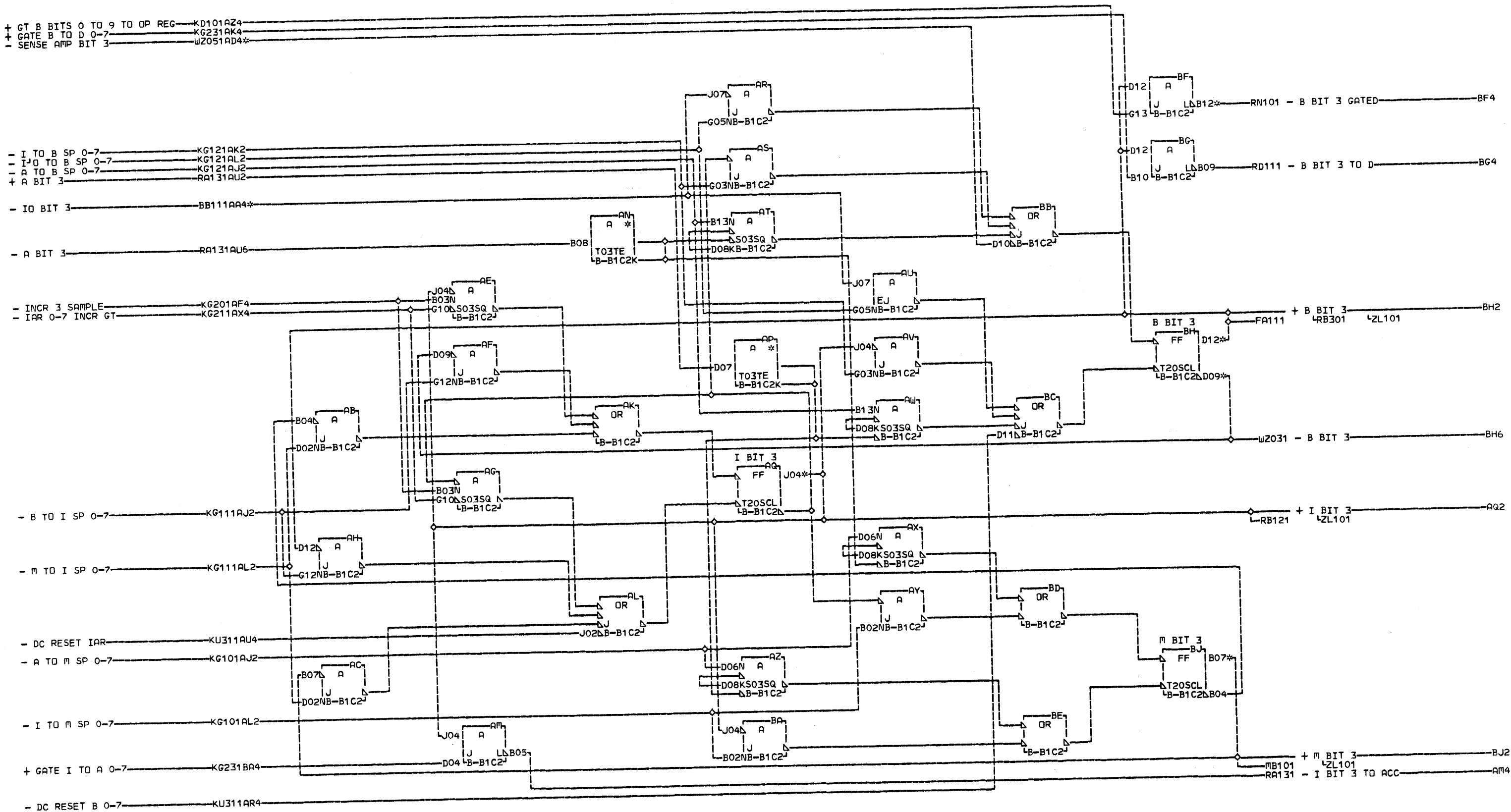


R  
B  
1  
2  
1  
000

BB101AC4	BF4 B-B1A2B11	01D-A1B1C09
RESISTOR	01B-A1N2B11	01E-B1B1C09
B-B1C2J09	BH2 B-B1M3B03	01E-A1B1C09
WZ051AC4	RESISTOR	BJ2 B-B1M2B02
RESISTOR	B-B1C2J12	
B-B1C2J10	BH6 B-B1B1C09	
AQ2 B-B1N2B02	01B-C1B1C09	
01B-B1M1E09	01B-C1A2D05	
01B-C1M1E09	01D-B1B1C09	

LOC. TYPE  
B-B1C2 4619

I B AND M REGISTERS		R
BIT 2		B
E.C. HISTORY	MACH. 1131-B	1
419631	FRAME	01
	IBM CORP. GPD	1
DATE	LAST EC	000
11-11-66	419644	
	P.N. 2231162	

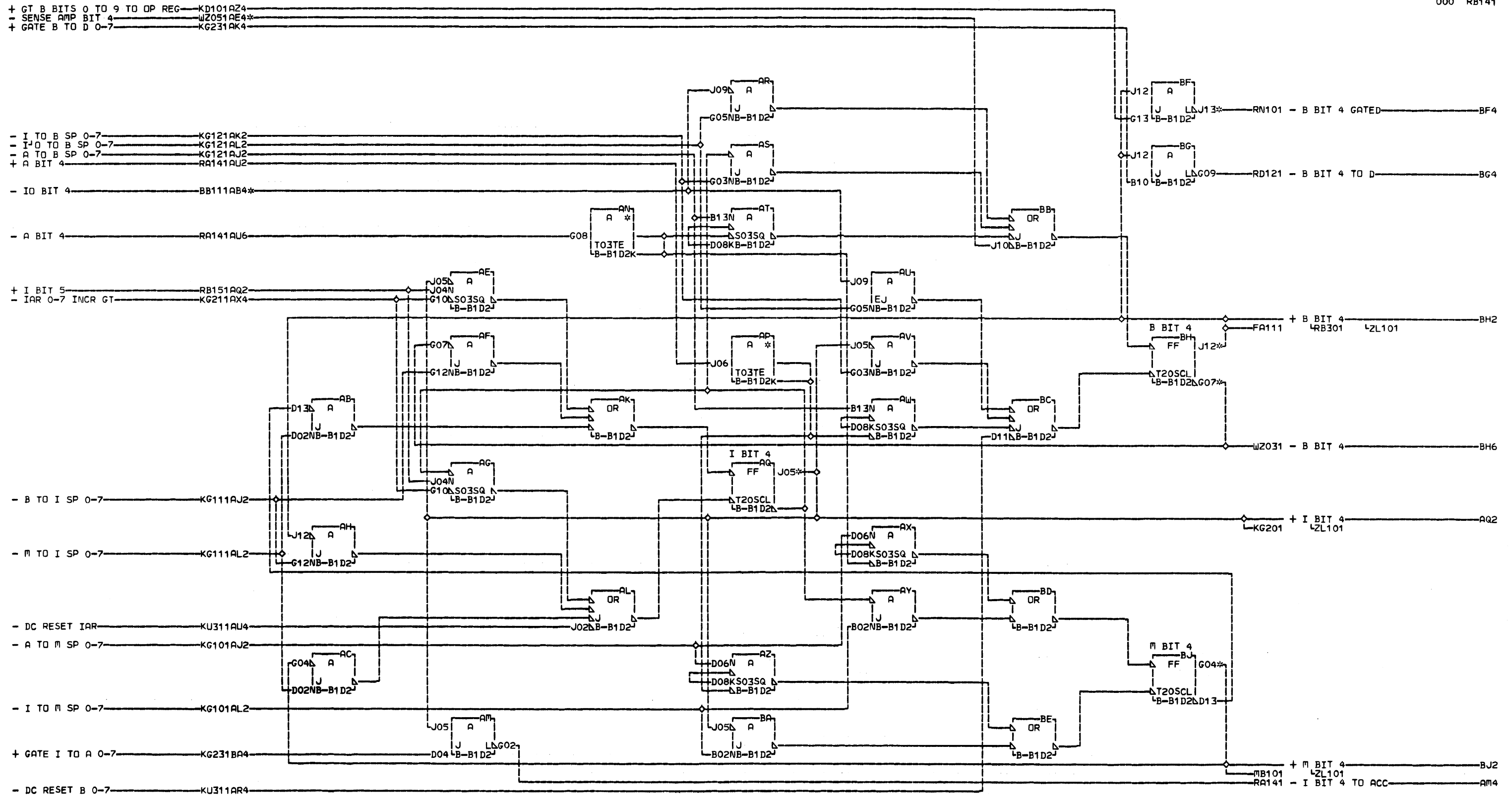


R  
B  
1  
3  
1  
000

BB111AA4	BH2	B-B1M3D04	O1E-A1B1D09
RESISTOR	RESISTOR	RESISTOR	BJ2 B-B1M2D02
B-B1C2J07	B-B1C2D12		
WZ051AD4	BH6	B-B1B1D09	
RESISTOR	O1B-C1B1D09		
B-B1C2D10	O1B-C1A2D06		
AQ2	B-B1N2D02	O1D-B1B1D09	
BF4	B-B1A2B12	O1D-A1B1D09	
O1B-A1N2B12	O1E-B1B1D09		

LOC. TYPE  
B-B1C2 4619

I B AND M REGISTERS		
BIT 3		
E-C-HISTORY	MACH.1131-B	R
419631		B
	FRAME	1
	IBM CORP. GPD	3
DATE	LAST EC	1
11-11-66	419644	000
	P.N. 2231163	

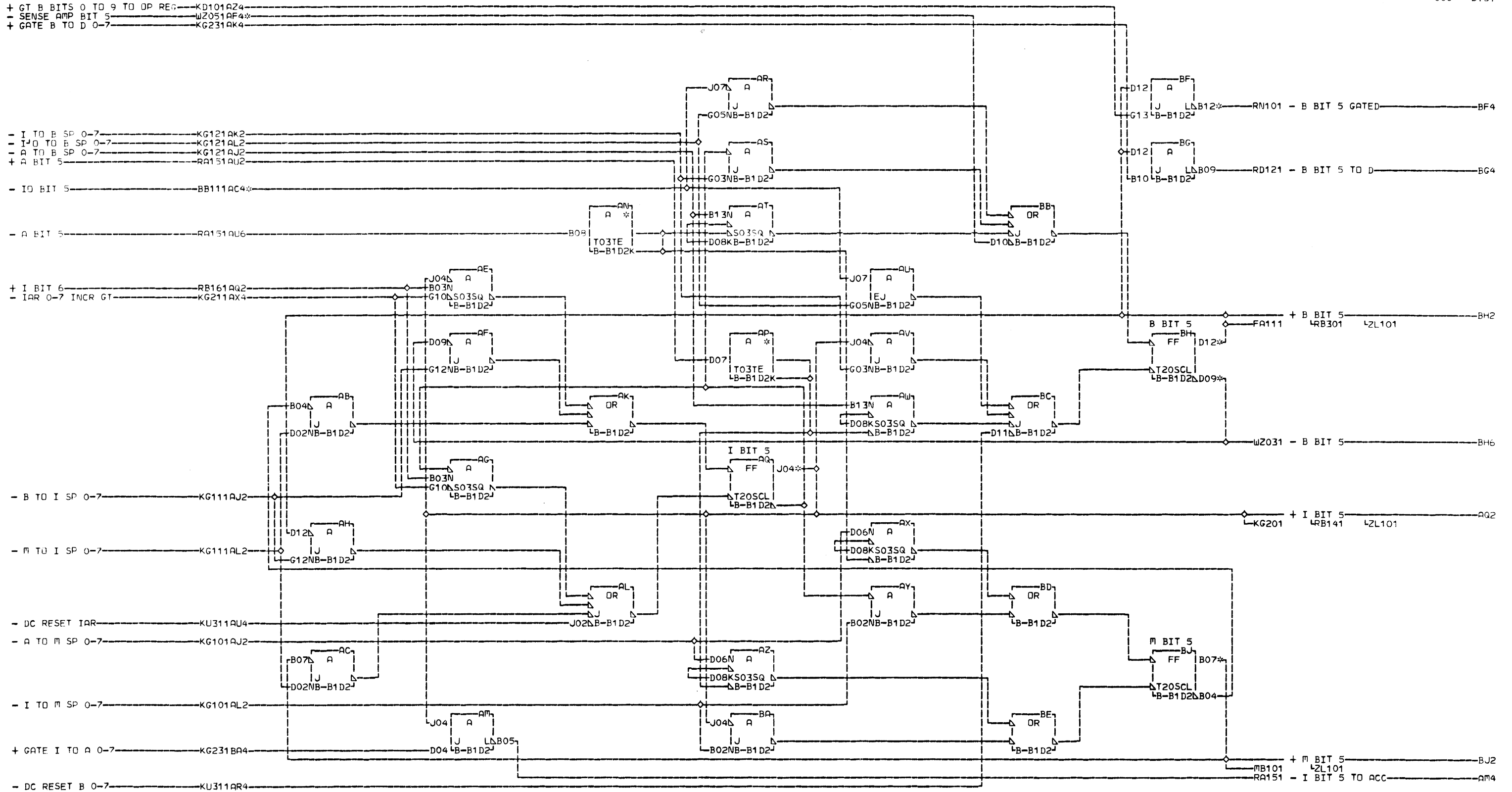


R  
B  
1  
4  
1  
000

BB111AB4	BH2 B-B1M3B04	01E-A1B1E09
RESISTOR	RESISTOR	BJ2 B-B1M2B03
B-B1D2J09	B-B1D2J12	
W2051AE4	BH6 B-B1B1E09	
RESISTOR	01B-C1B1E09	
B-B1D2J10	01B-C1A2D07	
AQ2 B-B1N2B03	01D-B1B1E09	
BF4 B-B1A2B13	01D-A1B1E09	
01B-A1N2B13	01E-B1B1E09	

LOC. TYPE  
B-B1D2 4619

I B AND M REGISTERS		
BIT 4		
E.C. HISTORY	MACH.1131-B	R
419631	FRAME	01
	IBM CORP. TPD	1
DATE	LAST EC	000
11-11-66	419644	
	PaNo. 2231164	

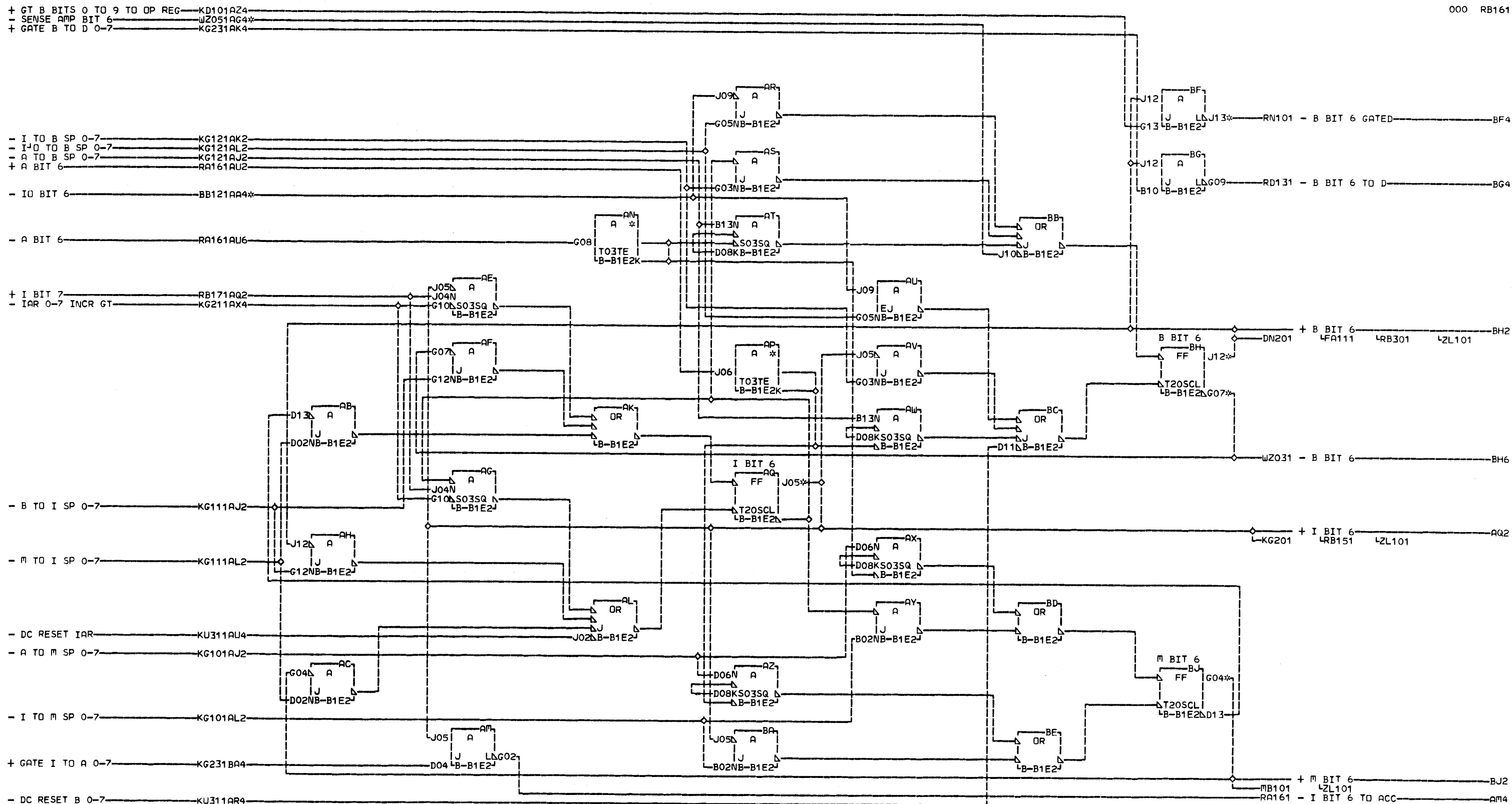


R  
B  
1  
S  
1  
000

BB111AC4	BH2 B-B1M3D05	01E-A1C1B09
RESISTOR	RESISTOR	BJ2 B-B1M2D04
B-B1D2J07	B-B1D2D12	
WZ051AF4	BH6 B-B1C1B09	
RESISTOR	01B-C1C1B09	
B-B1D2D10	01B-C1A2D09	
AQ2 B-B1N2D04	01D-B1C1B09	
BF4 B-B1A2D09	01D-A1C1B09	
01B-A1N2D09	01E-B1C1B09	

LOC. TYPE  
B-B1D2 4619

I B AND M REGISTERS		
BIT 5		
E-C-HISTORY	MACH-1131-B	R
419631		B
	FRAME	01
		5
	IBM CORP. GPD	1
DATE	LAST EC	
11-11-66	419644	
	IP.N. 2231165	000

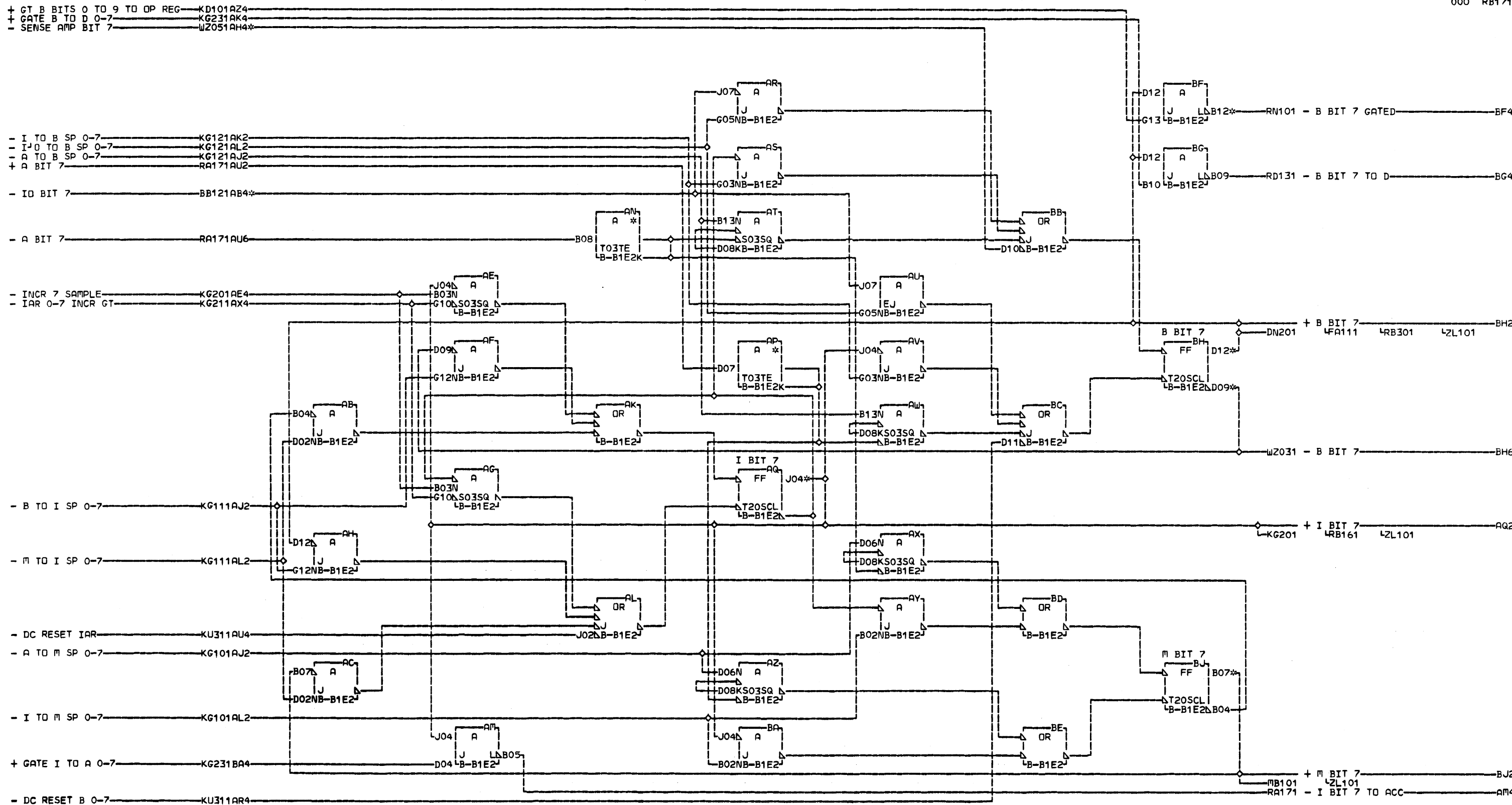


R  
B  
1  
6  
1  
000

BB121AA4	BH2 B-B1M3B05	01D-A1C1C09
RESISTOR	01B-B1A5B11	01E-B1C1C09
B-B1E2J09	01B-A1N5B11	01E-A1C1C09
W2051AG4	RESISTOR	BJ2 B-B1M2B04
RESISTOR	B-B1E2J12	
B-B1E2J10	BH6 B-B1C1C09	
AQ2 B-B1N2B04	01B-C1C1C09	
BF4 B-B1A2D10	01B-C1A2D10	
01B-A1N2D10	01D-B1C1C09	

LQC. TYPE  
B-B1E2 4619

I B AND M REGISTERS		
E.C. HISTORY	MACH. 1131-B	R
419631	FRAME	B
	IBM CORP. GPD	1
DATE	LAST EC	
11-11-66	419644	000
	IP.N. 2231166	



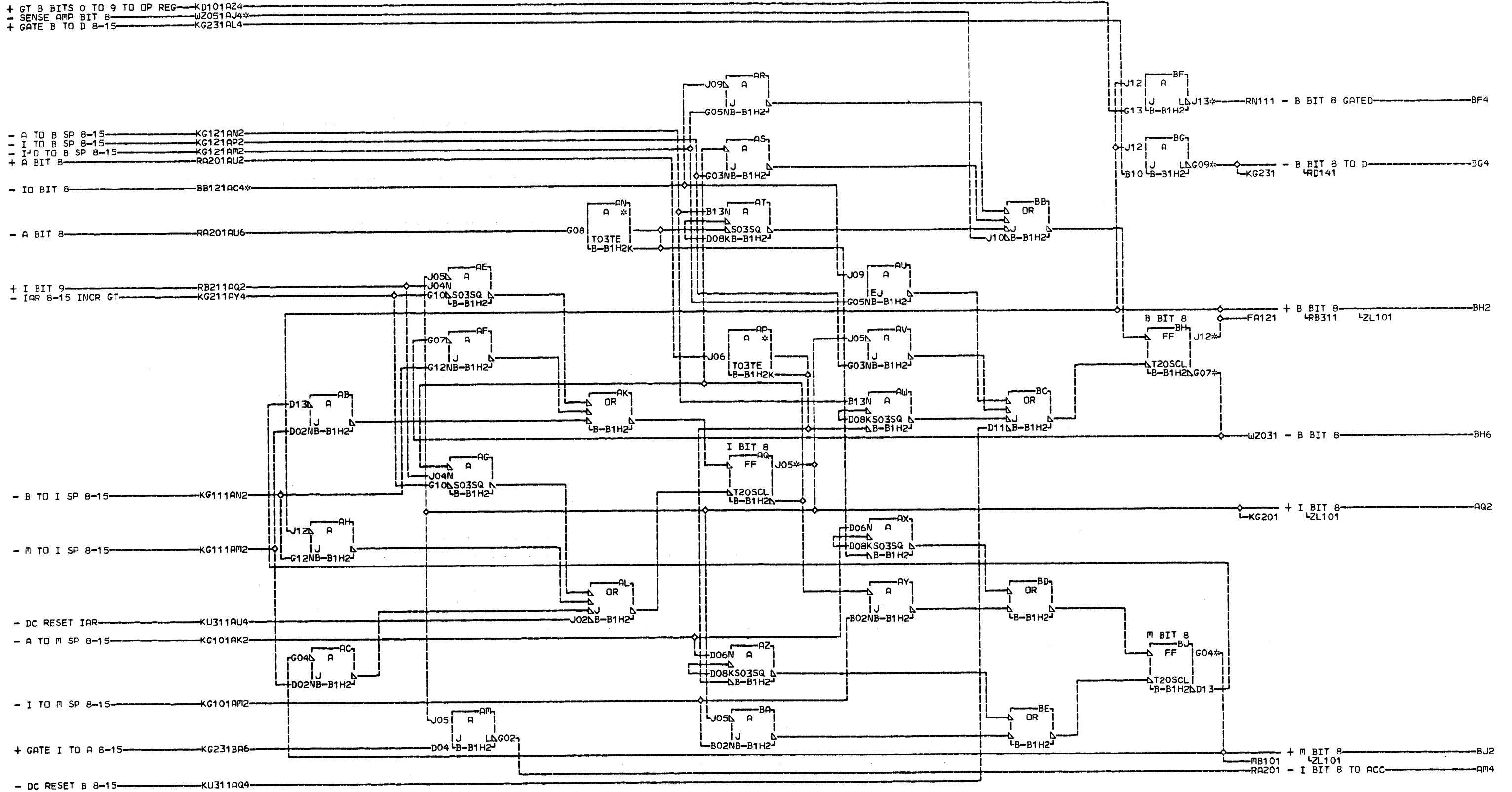
R  
B  
1  
7  
1  
000

BB121AB4	BH2 B-B1M3D06	01D-A1C1D09
RESISTOR	01B-B1A5D11	01E-B1C1D09
B-B1E2J07	01B-A1N5D11	01E-A1C1D09
W2051AH4	RESISTOR	BJ2 B-B1M2D05
RESISTOR	B-B1E2D12	
B-B1E2D10	BH6 B-B1C1D09	
AQ2 B-B1N2D05	01B-C1C1D09	
BF4 B-B1A2D11	01B-C1A2D11	
01B-A1N2D11	01D-B1C1D09	

LOC. TYPE  
B-B1E2 4619

I B AND M REGISTERS		
BIT 7		
E.C. HISTORY	MACH.1131-B	R
419631	FRAME	B
	01	7
	IBM CORP. GPD	1
DATE	LAST EC	
11-11-66	419644	
	PeN. 2231167	000



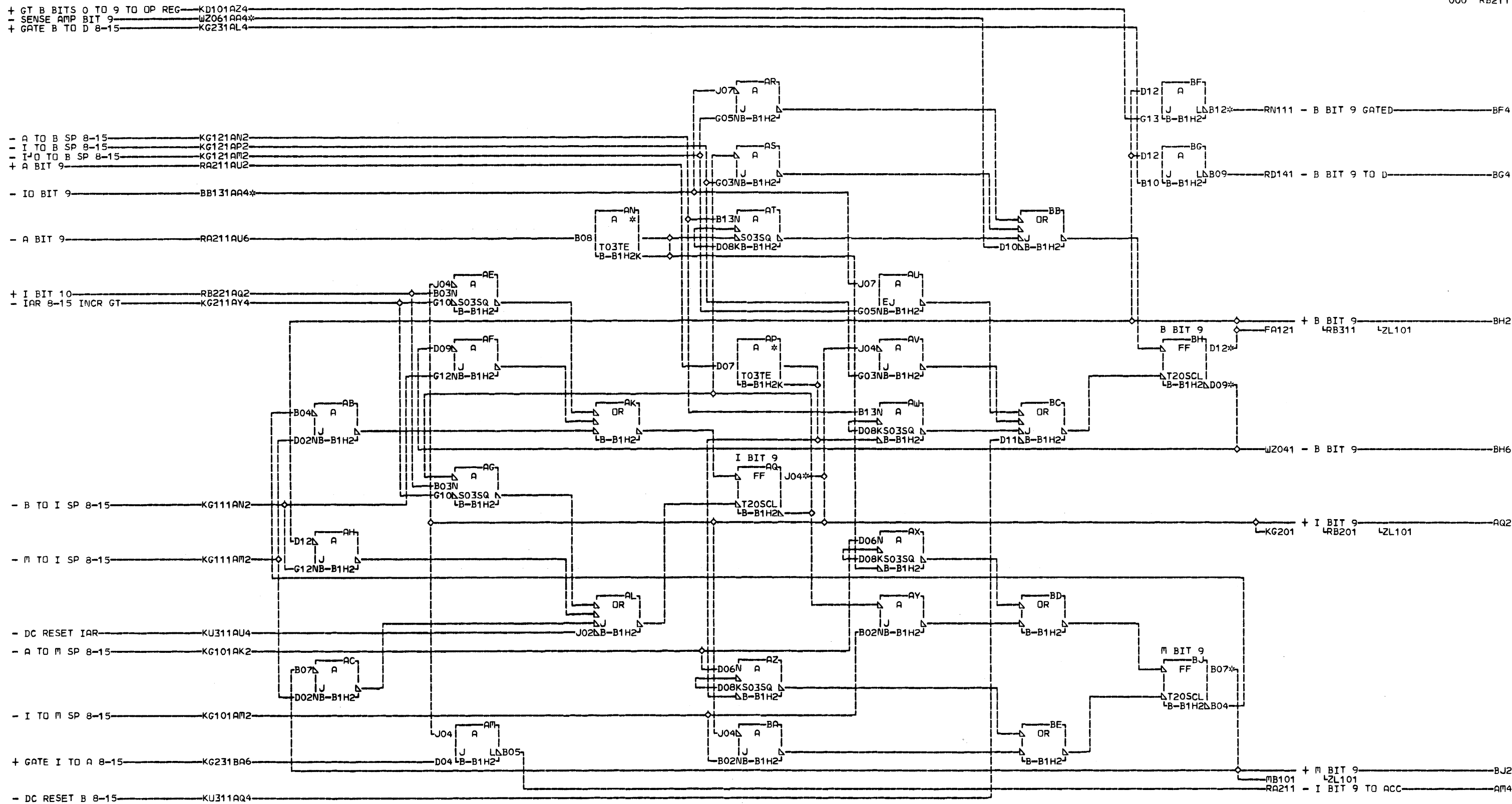


BB121AC4	BG4 B-B1A4D03	01D-A1C1E09
RESISTOR	01B-A1N4D03	01E-B1C1E09
B-B1H2J09	BH2 B-B1M3B07	01E-A1C1E09
WZ051AJ4	RESISTOR	BJ2 B-B1M2B05
RESISTOR	B-B1H2J12	
B-B1H2J10	BH6 B-B1C1E09	
AQ2 B-B1N2B05	01B-C1C1E09	
BF4 B-B1E1A11	01B-C1A2D12	
01B-A1E1A11	01D-B1C1E09	

LOC. TYPE  
B-B1H2 4619

I B AND M REGISTERS		R B 2 0 1
BIT 8		
E.C.-HISTORY	MACH.1131-B	
419631	FRAME	01
	IBM CORP. GPD	000
DATE	LAST EC	
11-11-66	419644	
	P.No. 2231168	

R  
B  
2  
0  
1  
000

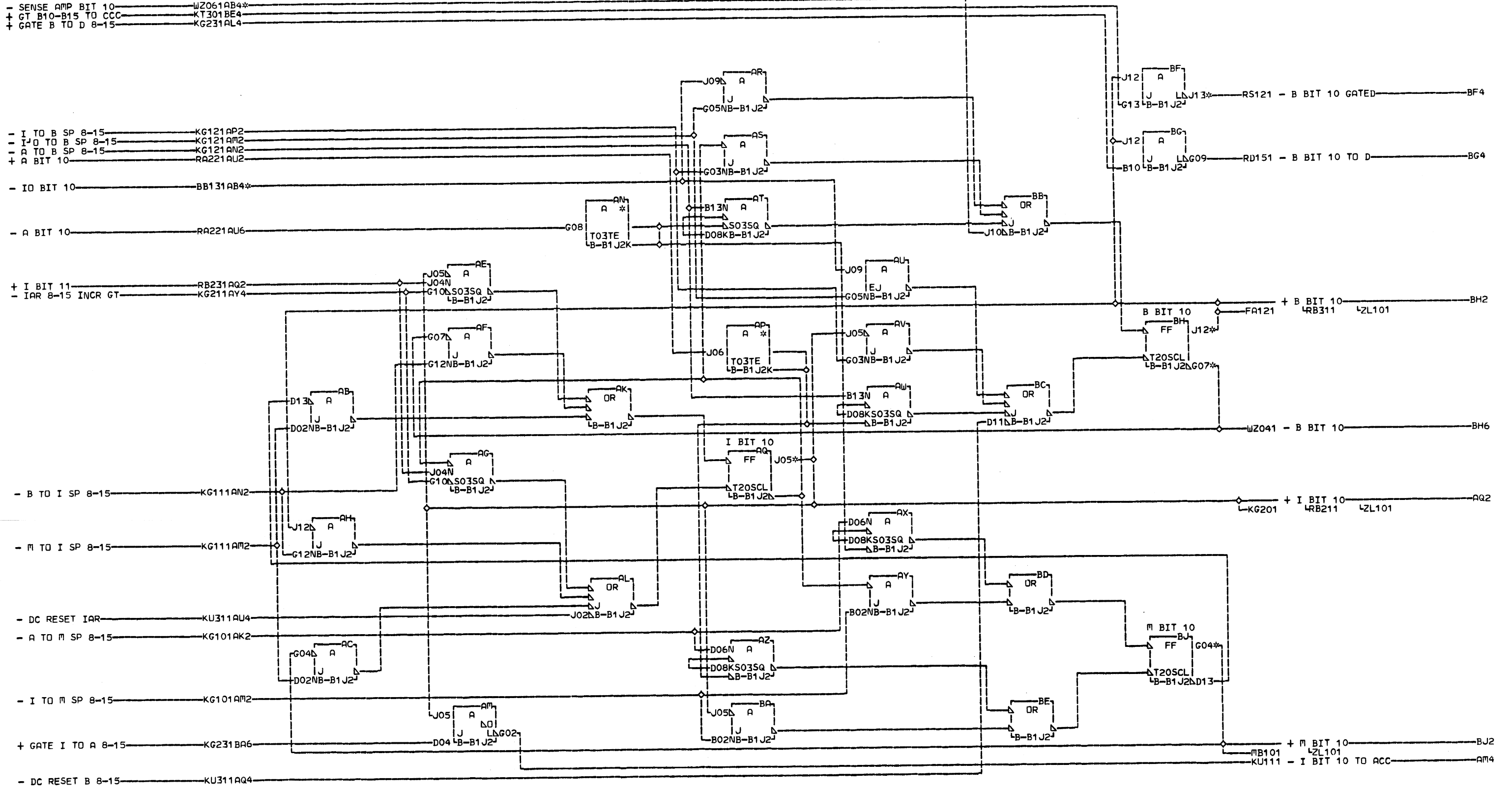


R  
B  
2  
1  
1  
000

BB131AA4	BH2 B-B1M3D07	01E-A1D1A09
RESISTOR	RESISTOR	BJ2 B-B1M2D06
B-B1H2J07	B-B1H2D12	
WZ061AA4	BH6 B-B1D1A09	
RESISTOR	01B-C1D1A09	
B-B1H2D10	01B-C1A2D13	
AQ2 B-B1N2D06	01D-B1D1A09	
BF4 B-B1E1B11	01D-A1D1A09	
01B-A1E1B11	01E-B1D1A09	

LOC. TYPE  
B-B1H2 4619

I B AND M REGISTERS		
E.C. HISTORY	BIT 9	
419631	MACH.1131-B	R B 2 1 1 000
	FRAME	01
	IBM CORP. GPD	
DATE	LAST EC	
11-11-66	419644	P.N. 2231169



RB221  
000

BB131AB4	BH2	B-B1M3B08	01D-B1K1E09
RESISTOR	RESISTOR	01D-B1L1A09	
B-B1J2J09	B-B1J2J12	01D-A1K1E09	
WZ061AB4	BH6	B-B1L1A09	01D-A1L1A09
RESISTOR	01B-B1K1E09	01E-B1K1E09	
B-B1J2J10	01B-C1K1E09	01E-B1L1A09	
AQ2	B-B1M2B07	01B-C1L1A09	01E-A1K1E09
BF4	B-B1D1E09	01B-C1A4D02	01E-A1L1A09
01B-A1D1E09	01B-C1A4D03	BJ2	B-B1M2B07

LOC. TYPE  
B-B1J2 4619

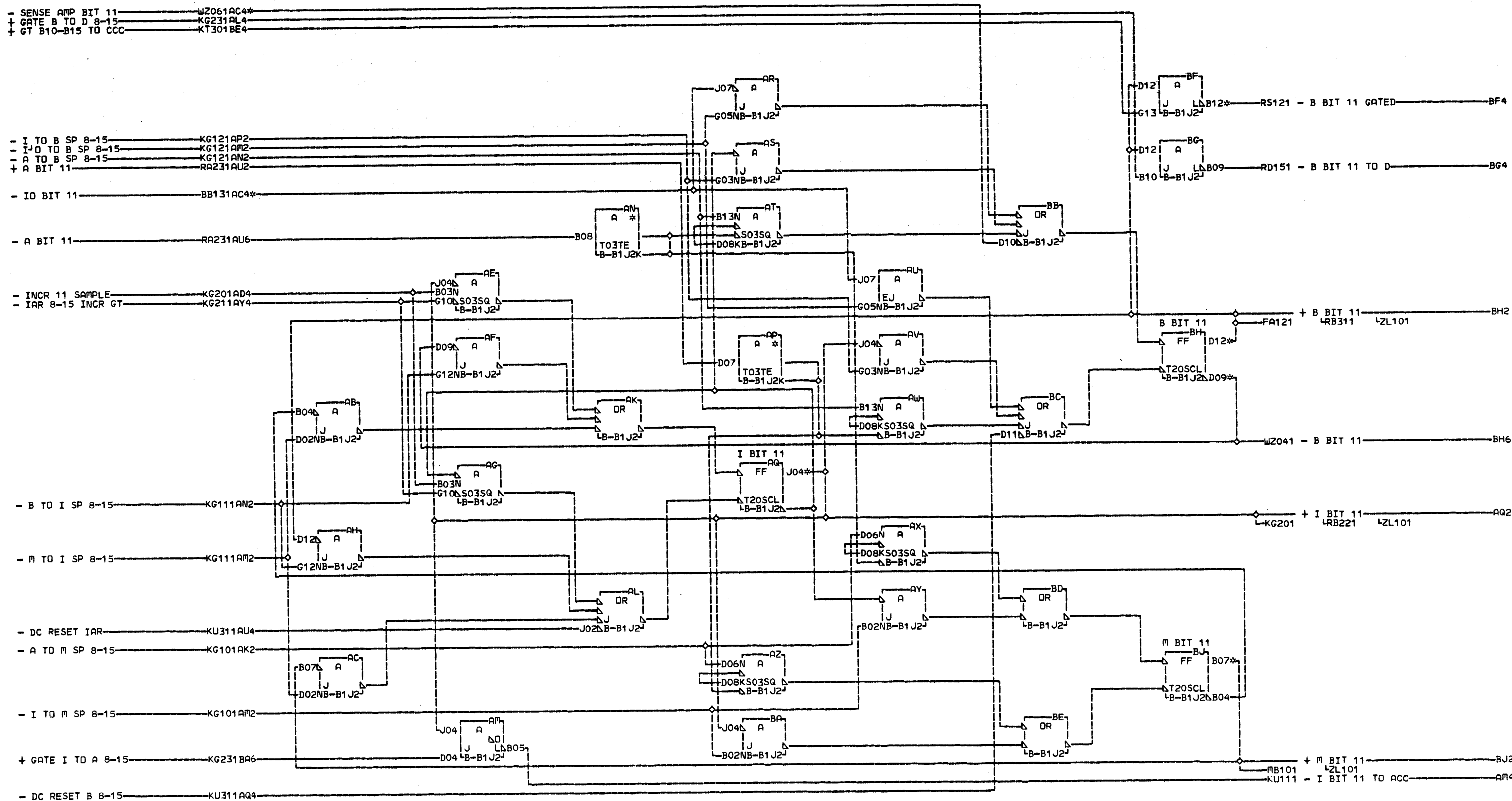
I B AND M REGISTERS  
BIT 10

E.C. HISTORY MACH 1131-B  
419631

DATE LAST EC  
11-11-66 419644

FRAME 01  
IBM CORP.  
P.No. 2231170

R  
B  
2  
1  
000

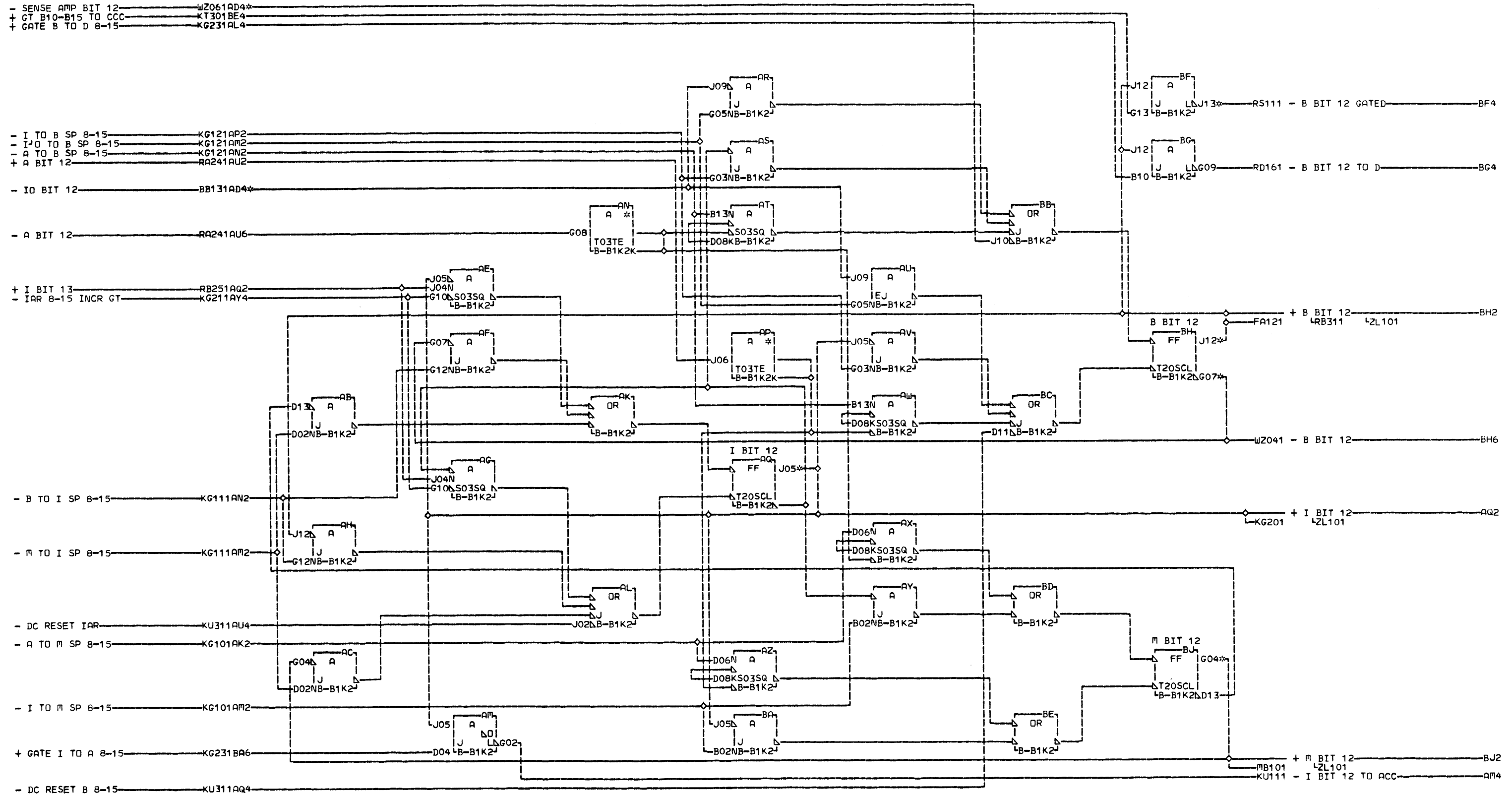


BB131AC4	BH2 B-B1M3D09	01E-A1L1B09
RESISTOR	RESISTOR	BU2 B-B1M2D07
B-B1J2J07	B-B1J2D12	
WZ061AC4	BH6 B-B1L1B09	
RESISTOR	01B-C1L1B09	
B-B1J2D10	01B-C1A4D04	
AQ2 B-B1N2D07	01D-B1L1B09	
BF4 B-B1M8C04	01D-A1L1B09	
01B-A1M8C04	01E-B1L1B09	

LOC. TYPE  
B-B1J2 4619

I B AND M REGISTERS		BIT 11	
-E-C-HISTORY-	MACH-1131-B		
419631	FRAME	01	
	IBM CORP. GPD		
DATE	LAST EC		
11-11-66	419644		
	Part No. 2231171		

R  
B  
2  
3  
1  
  
000

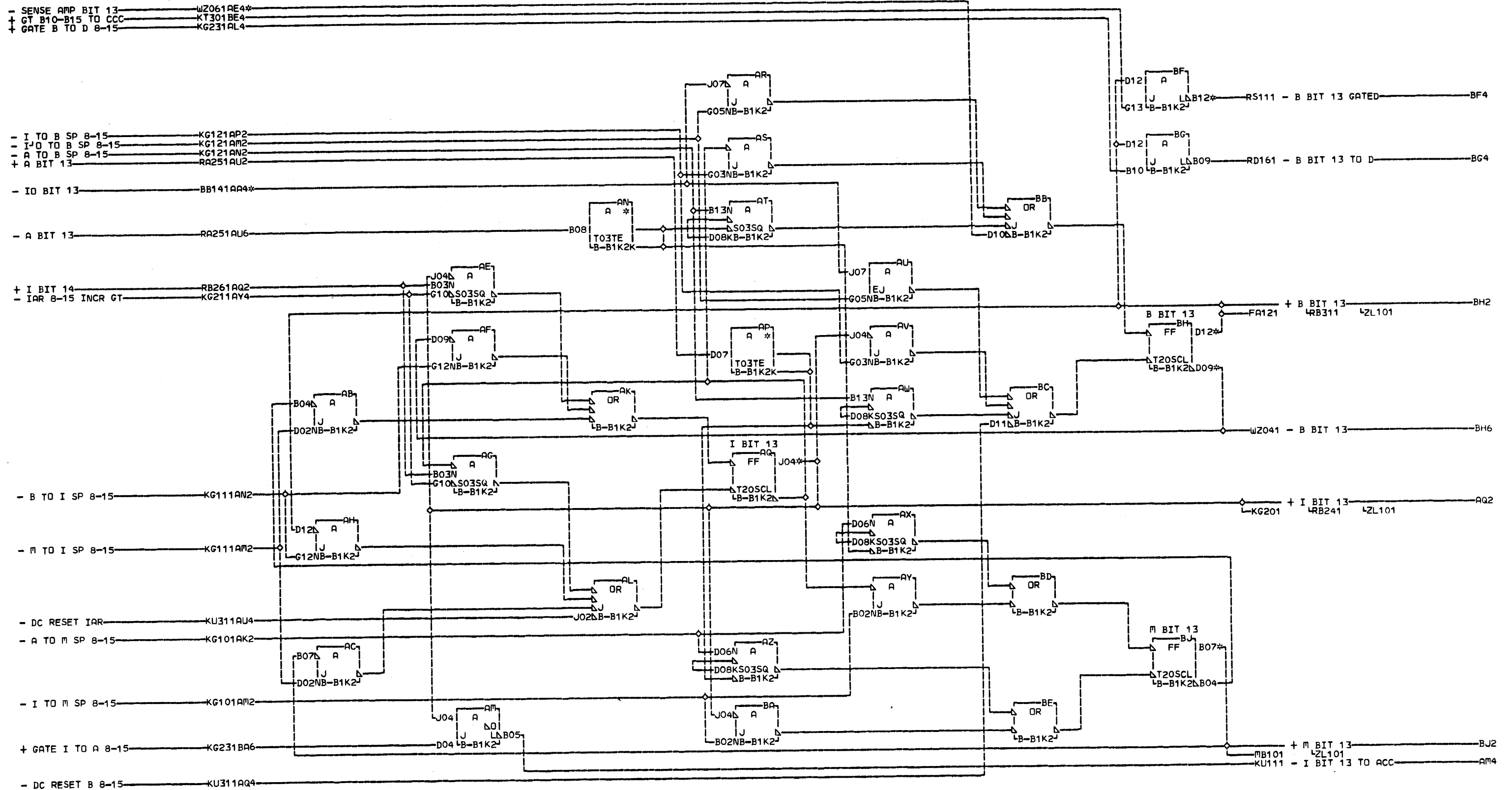


R  
B  
2  
4  
1  
  
000

BB131AD4	BH2 B-B1M3B09	01E-A1L1C09
RESISTOR	RESISTOR	BJ2 B-B1M2B08
B-B1K2J09	B-B1K2J12	
WZ061AD4	BH6 B-B1L1C09	
RESISTOR	01B-C1L1C09	
B-B1K2J10	01B-C1A4D05	
AQ2 B-B1N2B08	01D-B1L1C09	
BF4 B-B1E1B09	01D-A1L1C09	
01B-A1E1B09	01E-B1L1C09	

LOC. TYPE  
B-B1K2 4619

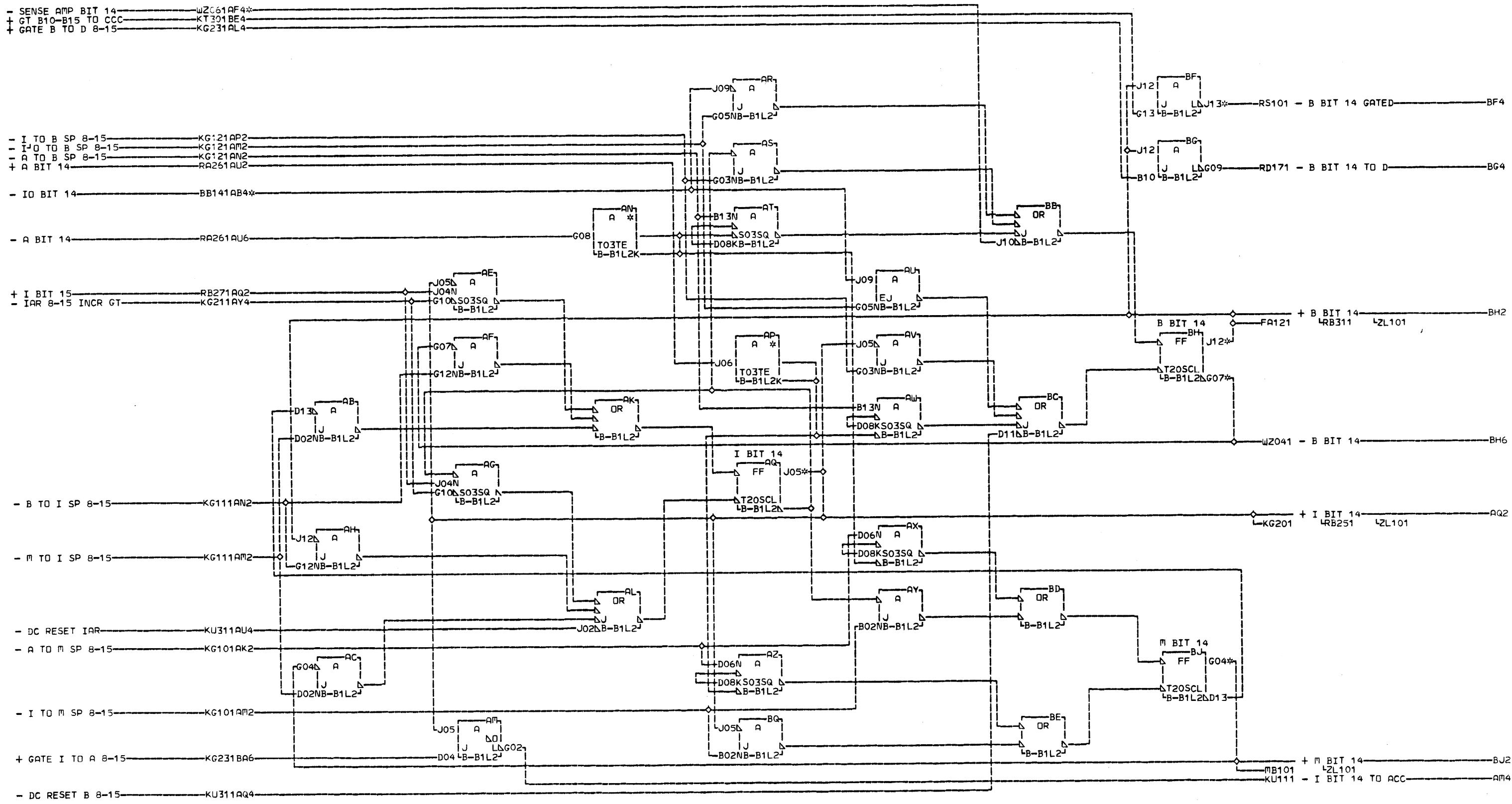
I B AND M REGISTERS		BIT 12	R
E-C-HISTORY	MACH#1131-B		B
419631	FRAME	01	2
	IBM CORP. GPD		4
DATE LAST EC	P.No. 2231172		1
11-11-66 419644			000



- BB141AA4 RESISTOR B-1K2J07
- WZ061AE4 RESISTOR B-1K2D10
- AQ2 B-B1N2D09
- BF4 B-B1E1C09
- O1B-A1E1C09
- BH2 B-B1M3D10 RESISTOR B-1K2D12
- BH6 B-B1L1D09
- O1B-C1L1D09
- O1B-C1A4D06
- O1D-B1L1D09
- O1D-A1L1D09
- O1E-B1L1D09
- O1E-A1L1D09
- BJ2 B-B1M2D09

LOC. TYPE  
B-B1K2 4619

I B AND M REGISTERS		R
BIT 13		B
E.C. HISTORY	MACH. 1131-B	2
419631	FRAME 01	5
	IBM CORP. GPD	1
DATE LAST EC	P.N. 2231173	000
11-11-66 419644		

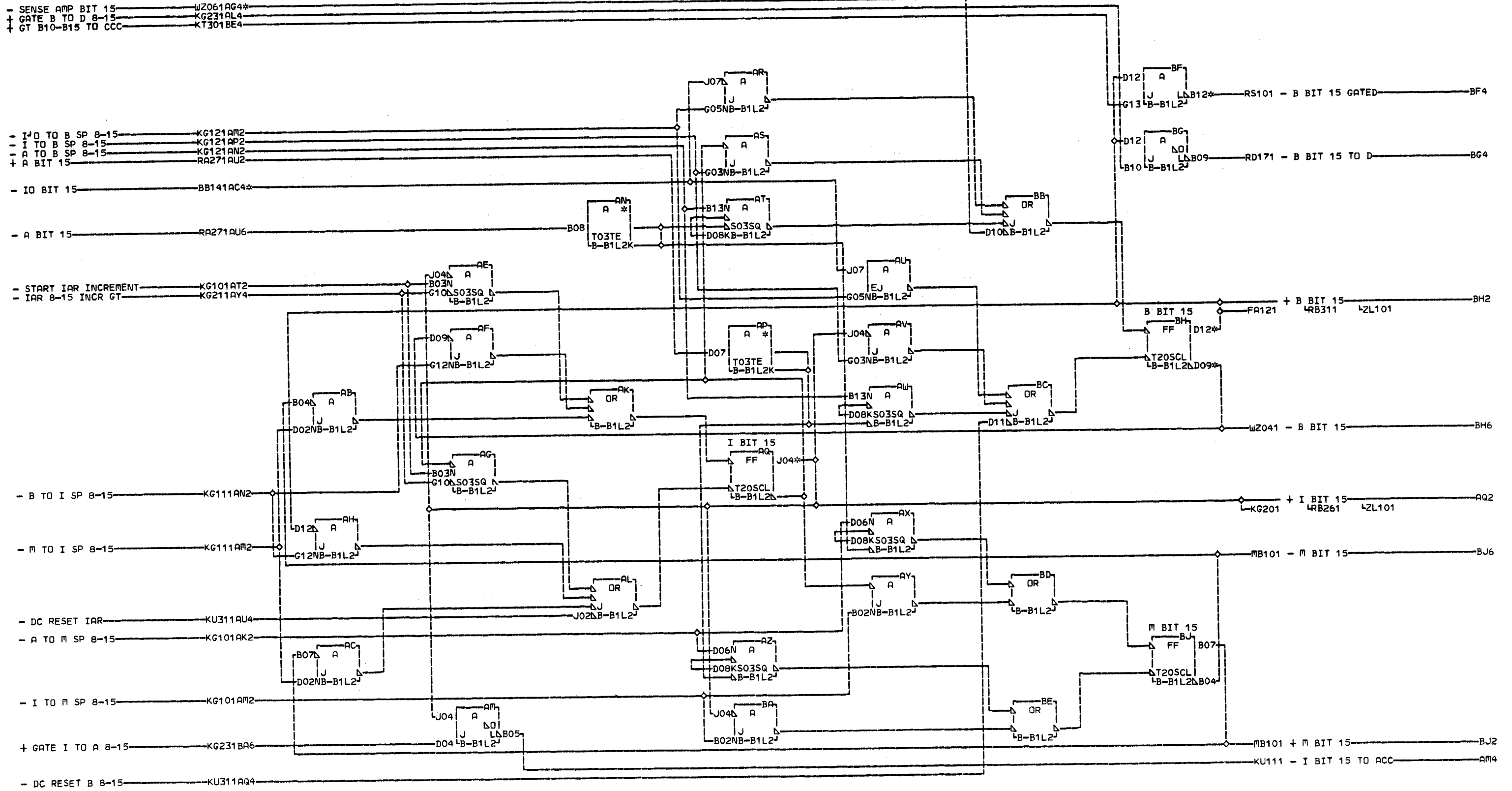


R  
B  
2  
6  
1  
000

BB141AB4	BH2 B-B1M3B10	01E-A1L1E09
RESISTOR	RESISTOR	BJ2 B-B1M2B09
B-B1L2J09	B-B1L2J12	
WZ061AF4	BH6 B-B1L1E09	
RESISTOR	01B-C1L1E09	
B-B1L2J10	01B-C1A4D07	
AQ2 B-B1N2B09	01D-B1L1E09	
BF4 B-B1E1D09	01D-A1L1E09	
01B-A1E1D09	01E-B1L1E09	

LOC. TYPE  
B-B1L2 4619

I B AND M REGISTERS		
BIT 14		
E.C.-HISTORY	MACH.1131-B	R
419631		B
	FRAME	01
	IBM CORP. GPD	1
DATE LAST EC		000
11-11-66 419644	P.No. 2231174	



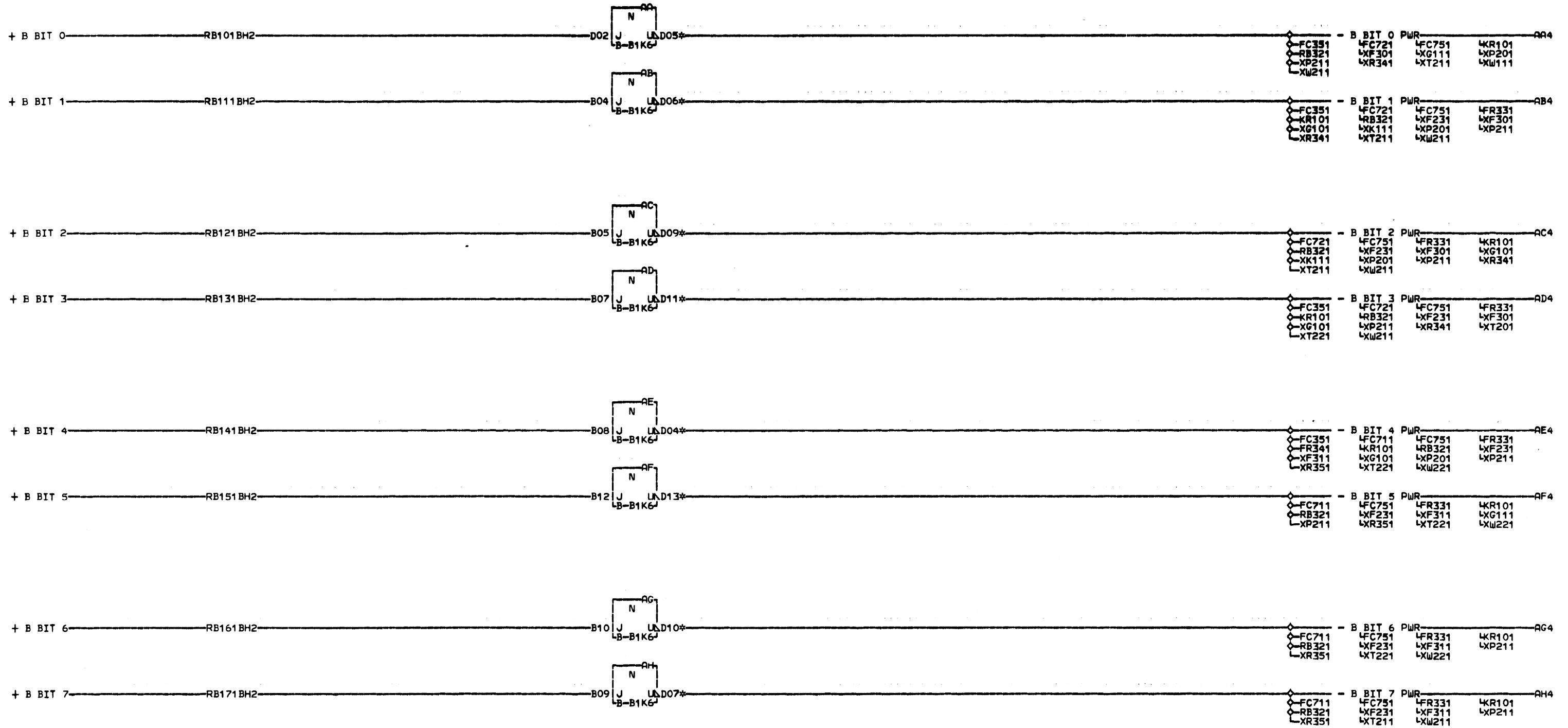
R  
B  
2  
7  
1  
  
000

BB141AC4    BH2 B-B1M3D11    01E-A1M1B09  
 RESISTOR    RESISTOR  
 B-B1L2J07    B-B1L2D12  
 WZ061AG4    BH6 B-B1M1B09  
 RESISTOR    01B-C1M1B09  
 B-B1L2D10    01B-C1A4D09  
 AQ2 B-B1N2D10    01D-B1M1B09  
 BF4 B-B1E1E09    01D-A1M1B09  
 01B-A1E1E09    01E-B1M1B09

LOC. TYPE  
B-B1L2 4619

I B AND M REGISTERS BIT 15		
E.C. HISTORY	MACH. 1131-B	R
419631	FRAME 01	B
	IBM CORP. GPD	2
DATE LAST EC	PO# 2231175	7
11-11-66 419644		1
		000





R  
B  
3  
0  
1  
012

SIM TO PN 2231176 EC 419689

AA4 B-B1N6B02  
01A-C1B6B02  
01A-C1A6B03  
01A-B1N6B03  
01A-B1M6B02  
01A-A1N3B02  
01A-A1N6B02  
01C-A1N6B02  
01C-A1N6B02  
AB4 B-B1N6D02

01A-C1A6D02  
01A-B1N6D02  
01A-B1M6D02  
01A-A1N3D02  
01A-A1N6D02  
01C-A1N6D02  
01C-A1N6D02  
AC4 B-B1N6B03

01A-C1A6B04  
01A-B1N6B04  
01A-B1M6B03  
01A-A1N3B03  
01A-A1N6B03  
01C-A1N6B03  
01C-A1N6B03  
01A-C1A6D04  
01A-B1N6D04  
01A-C1A6D04

01A-B1N6D03  
01A-B1M6D04  
01A-A1N3D04  
01A-A1N6D04  
01C-A1N6D04  
01C-A1N6D04  
01C-A1N6D04  
01A-C1A6B05  
01A-C1A6B05  
01A-B1N6D05

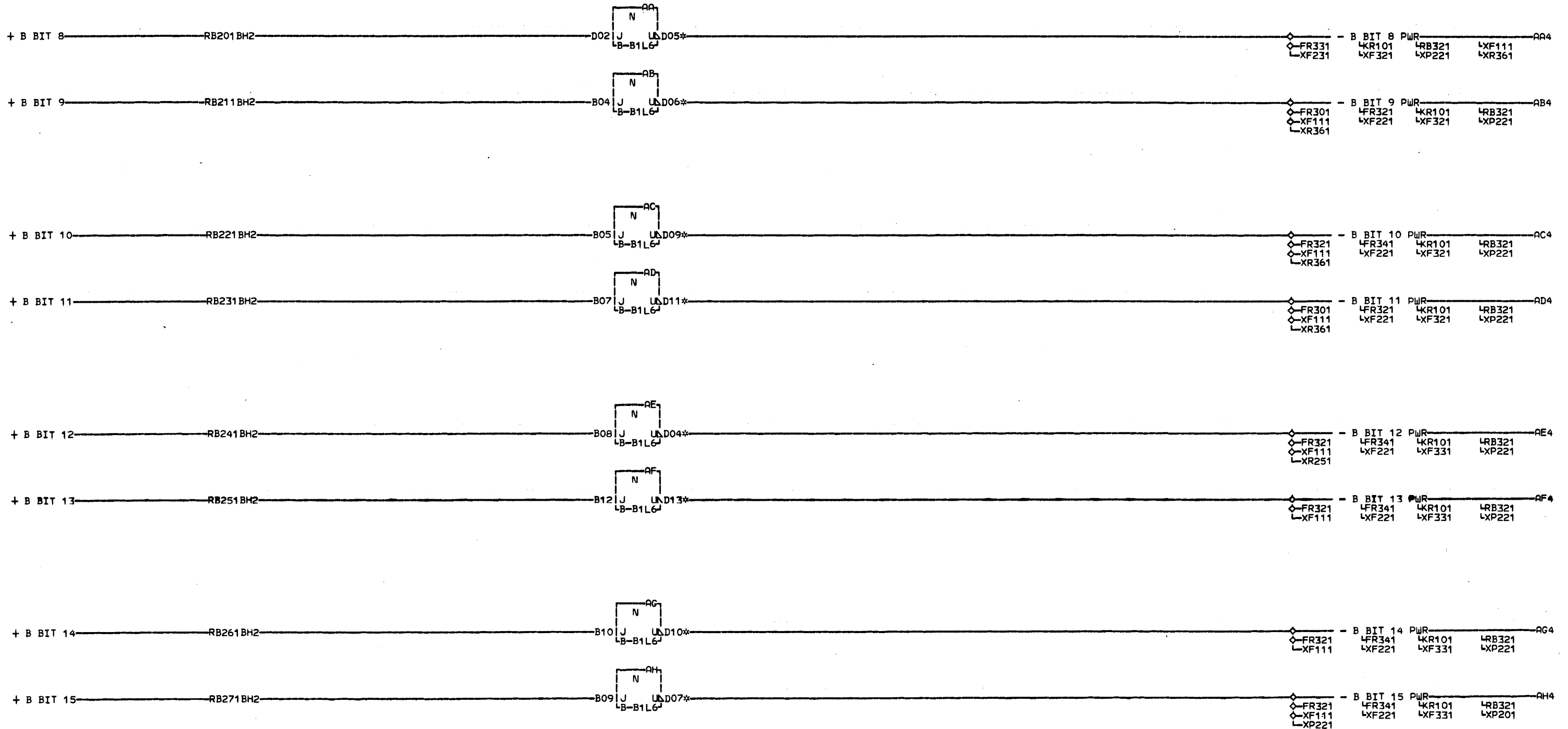
01A-B1M6B04  
01A-A1N3B04  
01A-A1N6B04  
01C-A1N6B04  
01C-A1N6D05  
01C-A1N6D05  
01C-A1N6D05  
01A-C1B6B05  
01A-C1A6D05  
01A-B1N6D05

01A-A1N3D05  
01A-A1N6D05  
01C-A1N6D05  
01C-A1N6D05  
01C-A1N6D05  
01C-A1N6D05  
01C-A1N6D05  
01A-B1N6B05  
01A-C1B6B05  
01A-A1N3B05

01C-A1N6D06

LOC. TYPE  
B-B1K6 3024

B REGISTER POWERING			
BITS 0-7			
E.C.	HISTORY	MACH.1131-B	R
419610	5800001		3
419612	419631	FRAME	01
419614	419626		1
5800000	419644	IBM CORP. GPD	
DATE	LAST EC		012
01-26-68	419689	PoN. 2231496	

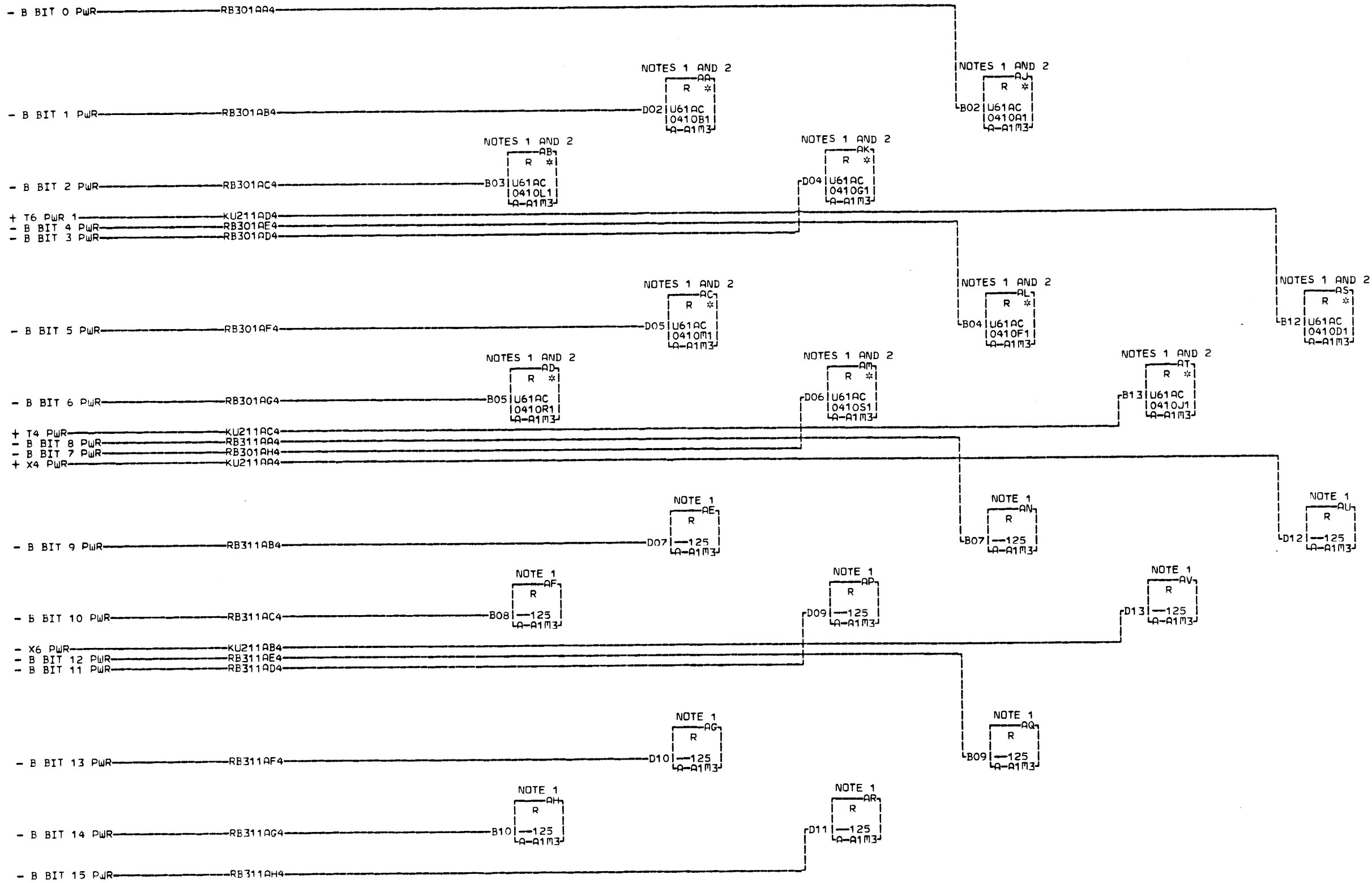


R  
B  
3  
1  
1  
012  
SIM TO PN 2231177 EC 419689

AA4 B-B1N6B07	01A-B1N6D06	AD4 B-B1N6D09	01A-B1N6B09	AG4 B-B1N6B10	01A-B1N6D10
01A-C1B6B07	01A-B1M6D07	01A-C1B6D09	01A-B1M6B09	01A-C1B6B10	01A-B1M6D11
01A-C1A6B07	01A-A1N3D07	01A-C1A6D07	01A-A1N3B09	01A-C1A6B10	01A-A1N3D11
01A-B1M6B07	AC4 B-B1N6B08	01A-B1N6D07	AF4 B-B1N6D10	01A-B1N6B10	
01A-B1M6B07	01A-C1B6B08	01A-B1M6D09	01A-C1B6D10	01A-B1M6B10	
01A-A1N3B07	01A-C1A6B08	01A-A1N3D09	01A-C1A6D09	01A-A1N3B10	
AB4 B-B1N6D07	01A-B1N6B08	AE4 B-B1N6B09	01A-B1N6D09	AH4 B-B1N6D11	
01A-C1B6D07	01A-B1M6B08	01A-C1B6B09	01A-B1M6D10	01A-C1B6D11	
01A-C1A6D06	01A-A1N3B08	01A-C1A6B09	01A-A1N3D10	01A-C1A6D10	

LOC. TYPE  
B-B1L6 3024

B REGISTER POWERING BITS 8-15			
E.C. HISTORY	419611	MACH. 1131-B	R
5800000	419611		B
5800004	5800000	FRAME	01 1
5800005	419631		1
419610	419626	IBM CORP. GPD	
DATE	LAST EC		012
01-26-68	419689	P.N. 2231497	



NOTE 1 SYSTEMS WITHOUT AN  
 A-A1 BOARD WILL HAVE  
 R THIS CARD AT A-B1M6.  
 B NOTE 2 ON SYSTEMS WITH SCA  
 3 THE RESISTOR WILL BE  
 2 DISCONNECTED FROM THE NET.  
 1

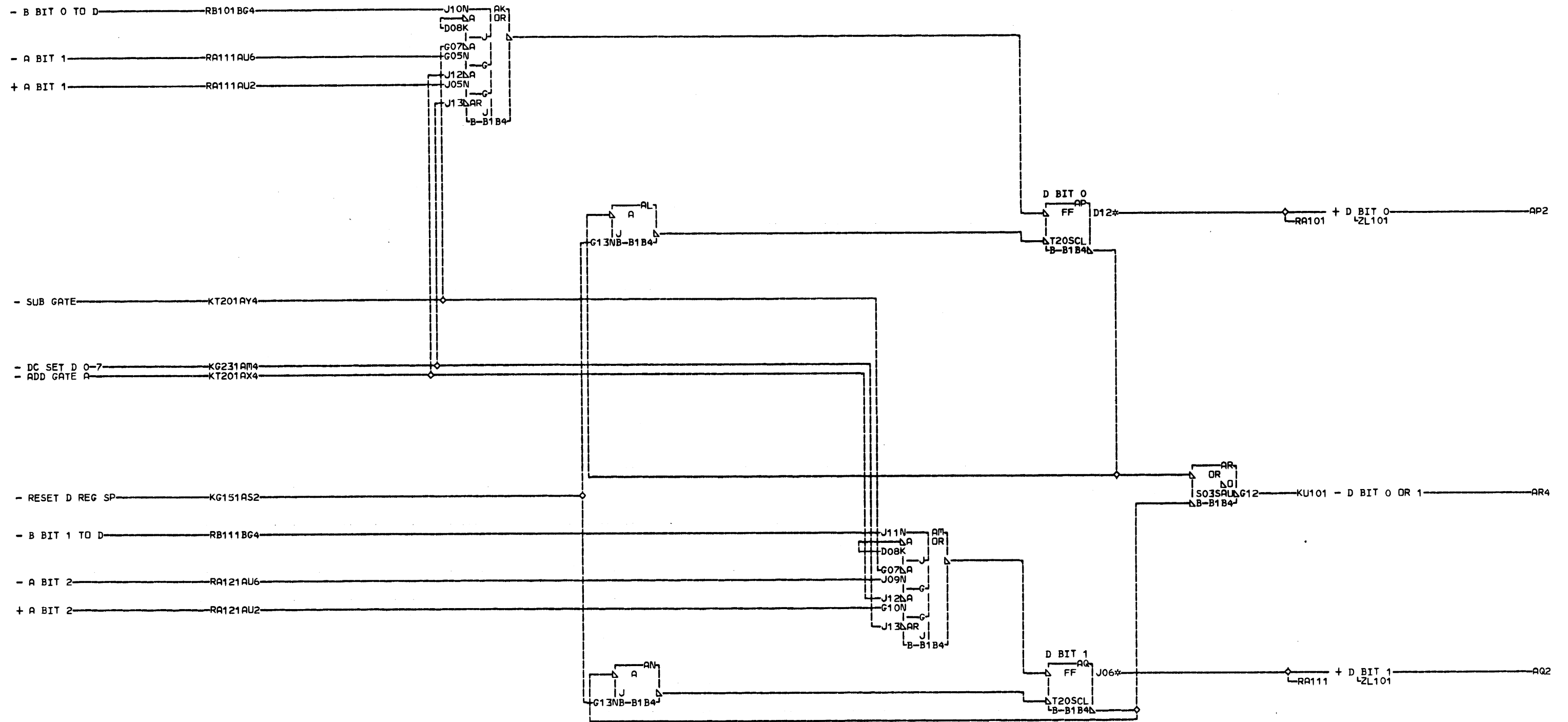
012 SIM TO PN 2231178 EC 419689

LQC TYPE  
 A-A1M3 0410

-B POWER TERMINATORS	
E.C.-HISTORY	MACH. 1131-B
	FRAME 01
	IBM CORP.
DATE LAST EC	IP.N. 2231979
101-26-68 419689	

RB321

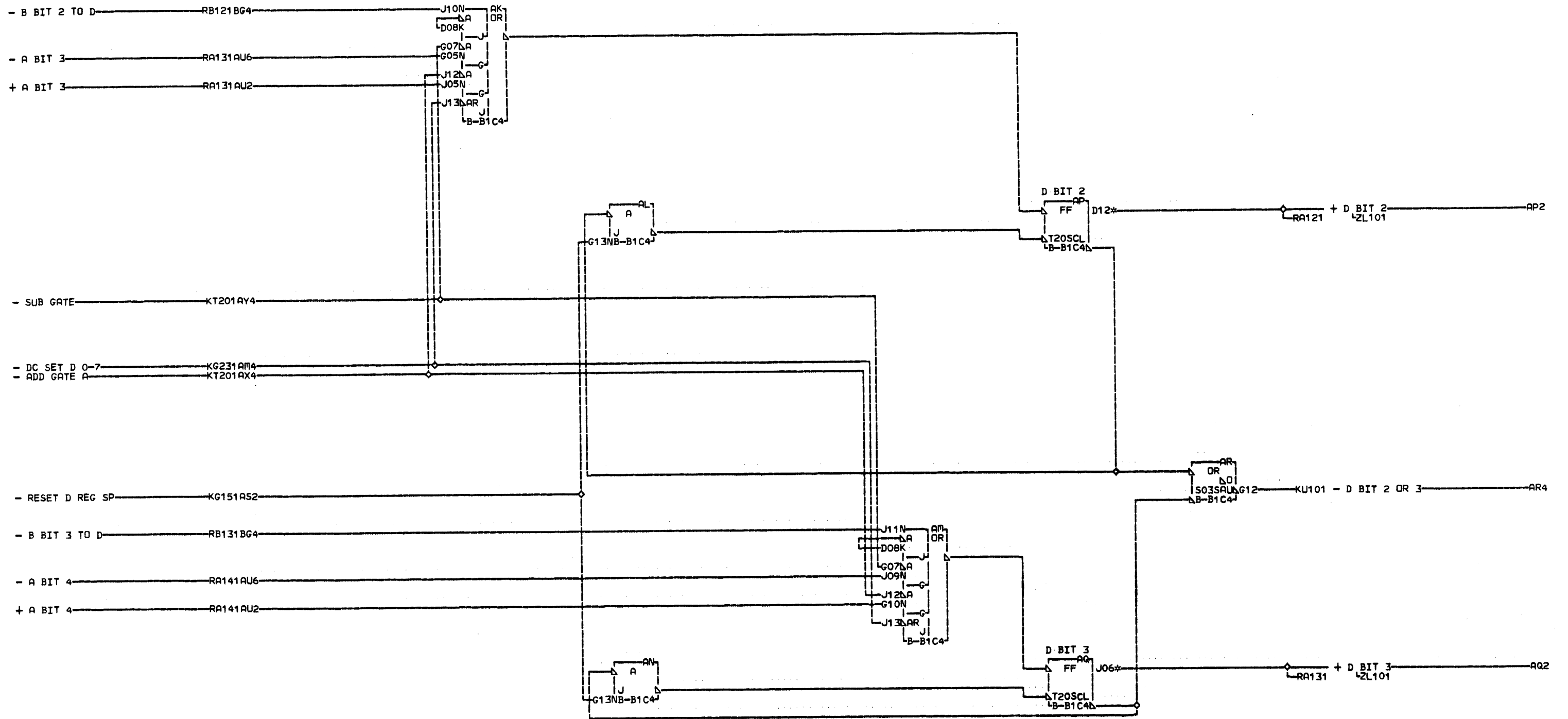
012



AP2 B-B1N4B02  
AQ2 B-B1N4D02

LOC. TYPE  
B-B1B4 6255

D REGISTER BITS 0 AND 1		R
E.C. HISTORY	MACH. 1131-B	D
419631	FRAME 01	1
	IBM CORP. GPD	1
DATE LAST EC	PoN. 2231384	000
11-11-66 419644		

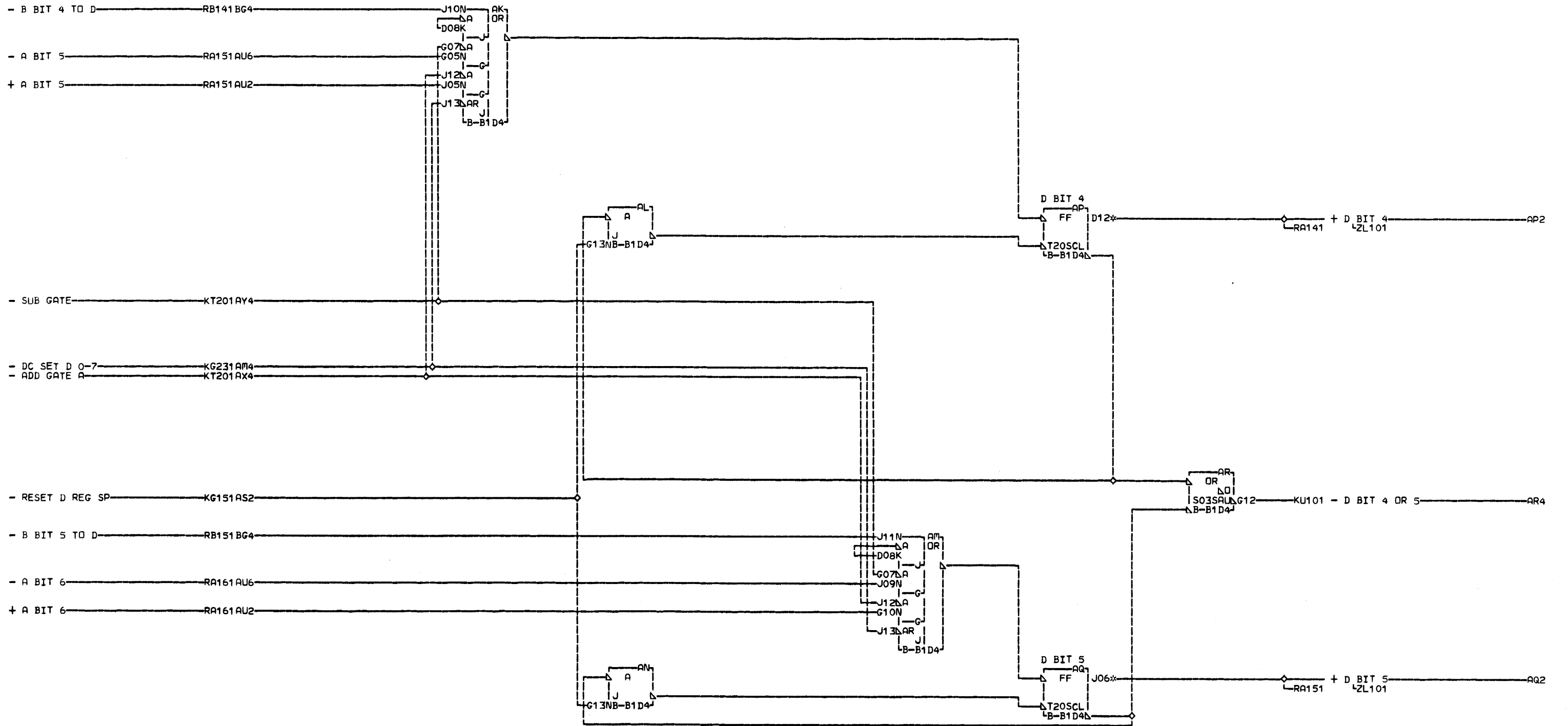


AP2 B-B1N4B03  
AQ2 B-B1N4D04

LOC. TYPE  
B-B1C4 6255

D REGISTER BITS 2 AND 3		R
E.C. HISTORY 419631	MACH#1131-B	D
	FRAME 01	1
	IBM CORP. GPD	1
DATE LAST EC 11-11-66 419644	P.N. 2231385	000

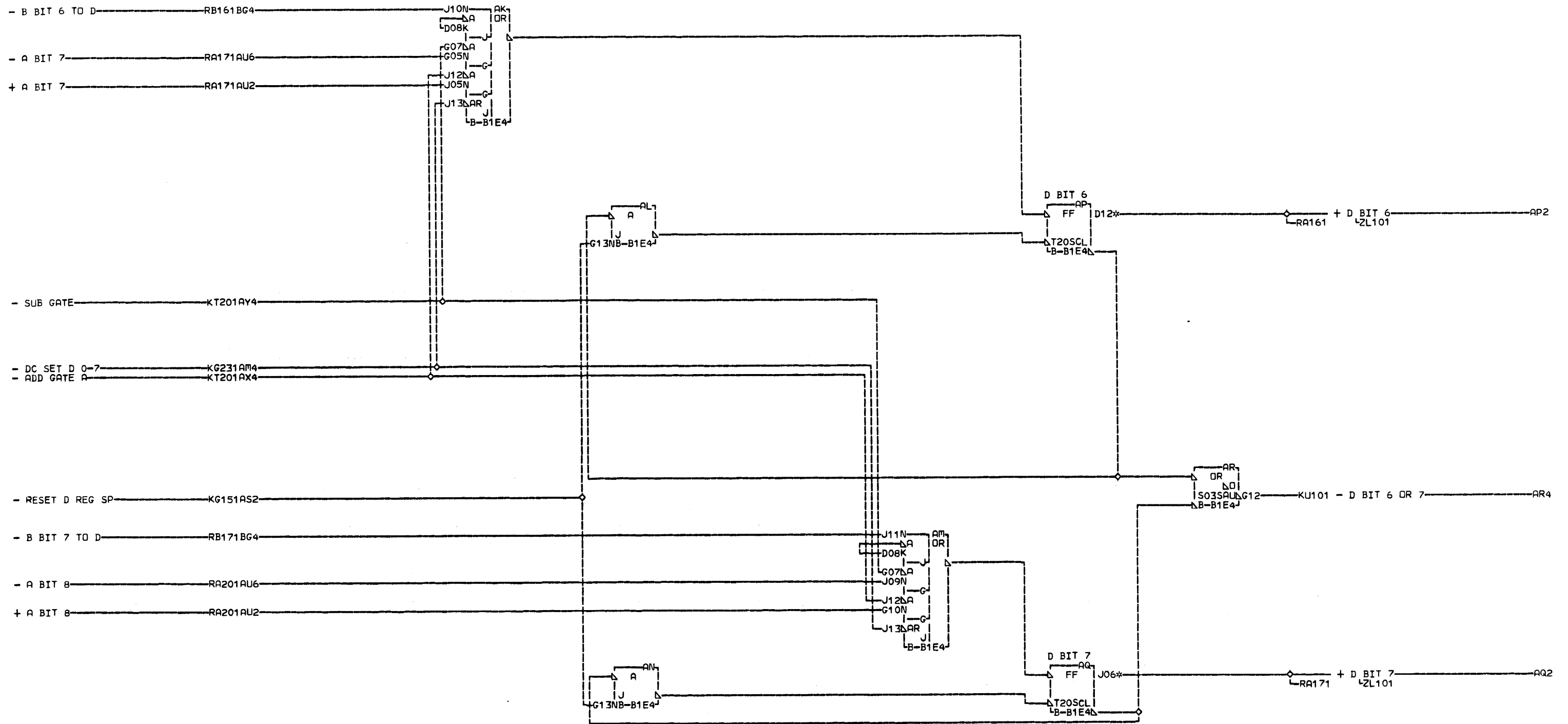
R  
D  
1  
1  
1  
000



AP2 B-B1N4B04  
 AQ2 B-B1N4D05

LOC. TYPE  
 B-B1D4 6255

D REGISTER BITS 4 AND 5		R D 1 2 1
E.C. HISTORY 419631	MACH. 1131-B	
DATE 11-11-66	LAST EC 419644	000
FRAME 01	IBM CORP. GPD	
P.No. 2231386		

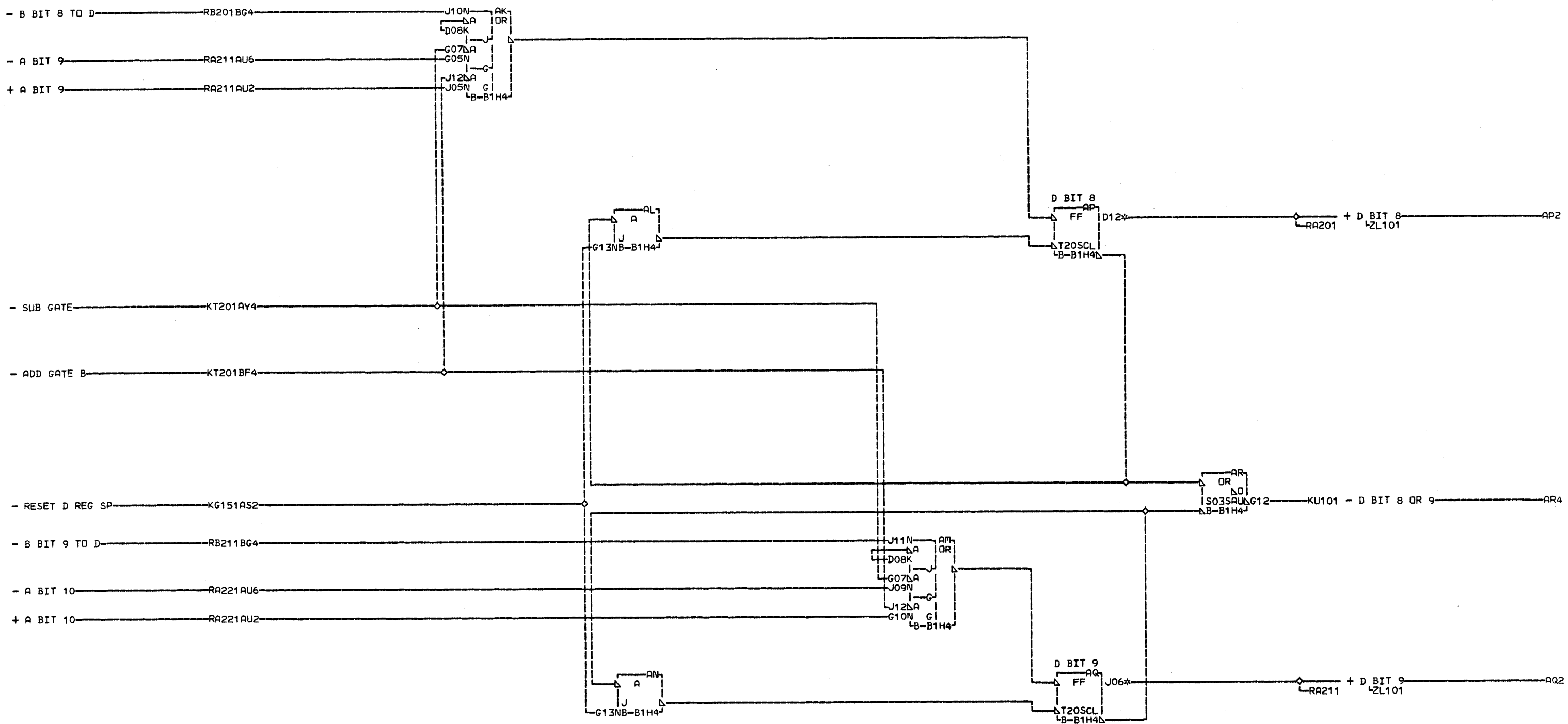


AP2 B-B1N4B05  
AQ2 B-B1N4D06

LOC. TYPE  
B-B1E4 6255

D REGISTER		MACH. 1131-B	R
BITS 6 AND 7			
E.C. HISTORY	419631	FRAME 01	1
DATE	11-11-66	IBM CORP. GPD	1
LAST EC	419644	P.N. 2231387	000

R  
D  
1  
3  
1  
  
000



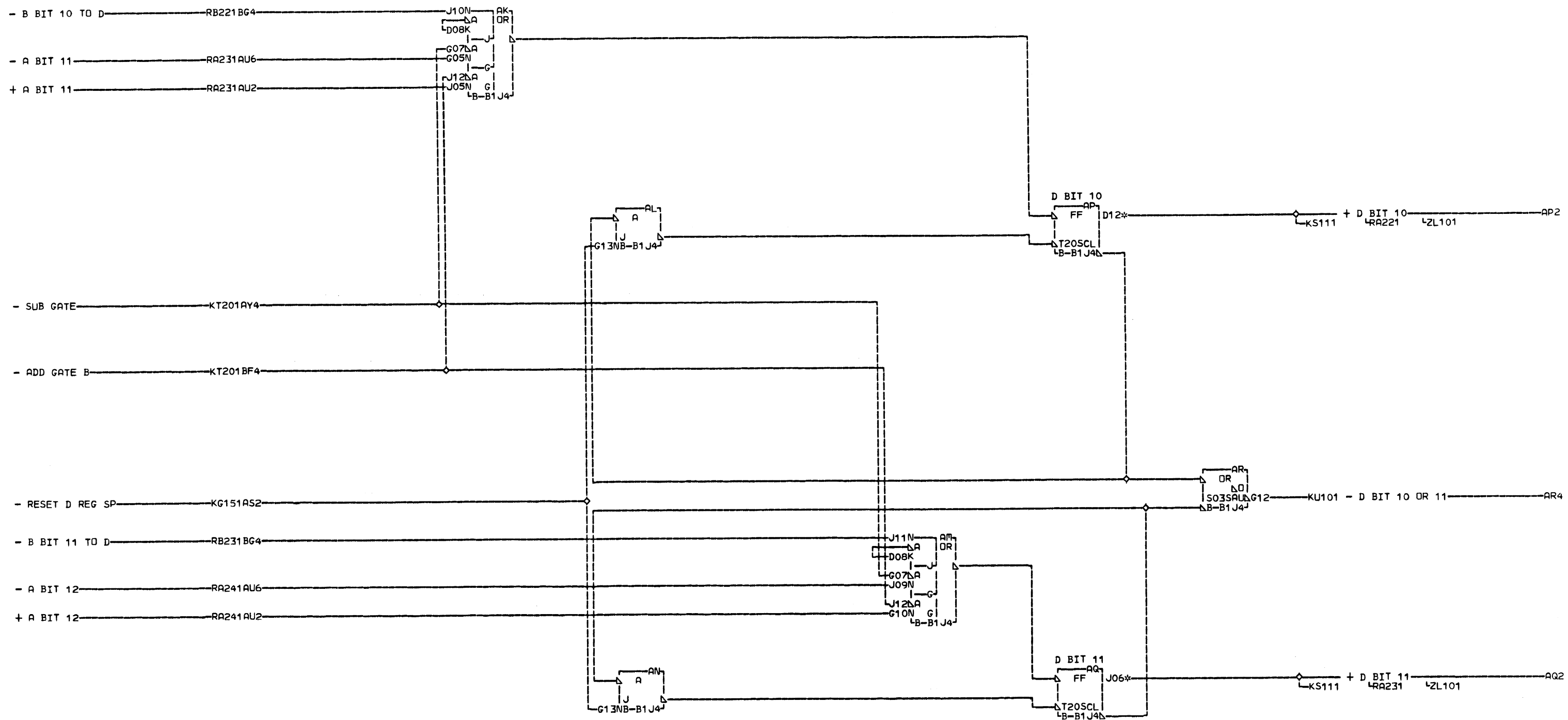
AP2 B-B1N4B07  
AQ2 B-B1N4D07

LOC. TYPE  
B-B1H4 6255

D REGISTER BITS 8 AND 9		R
E.C. HISTORY	MACH. 1131-B	D
419631	FRAME 01	1
	IBM CORP. GPD	4
DATE LAST EC	P.No. 2231388	1
11-11-66 419644		000

R  
D  
1  
4  
1  
000



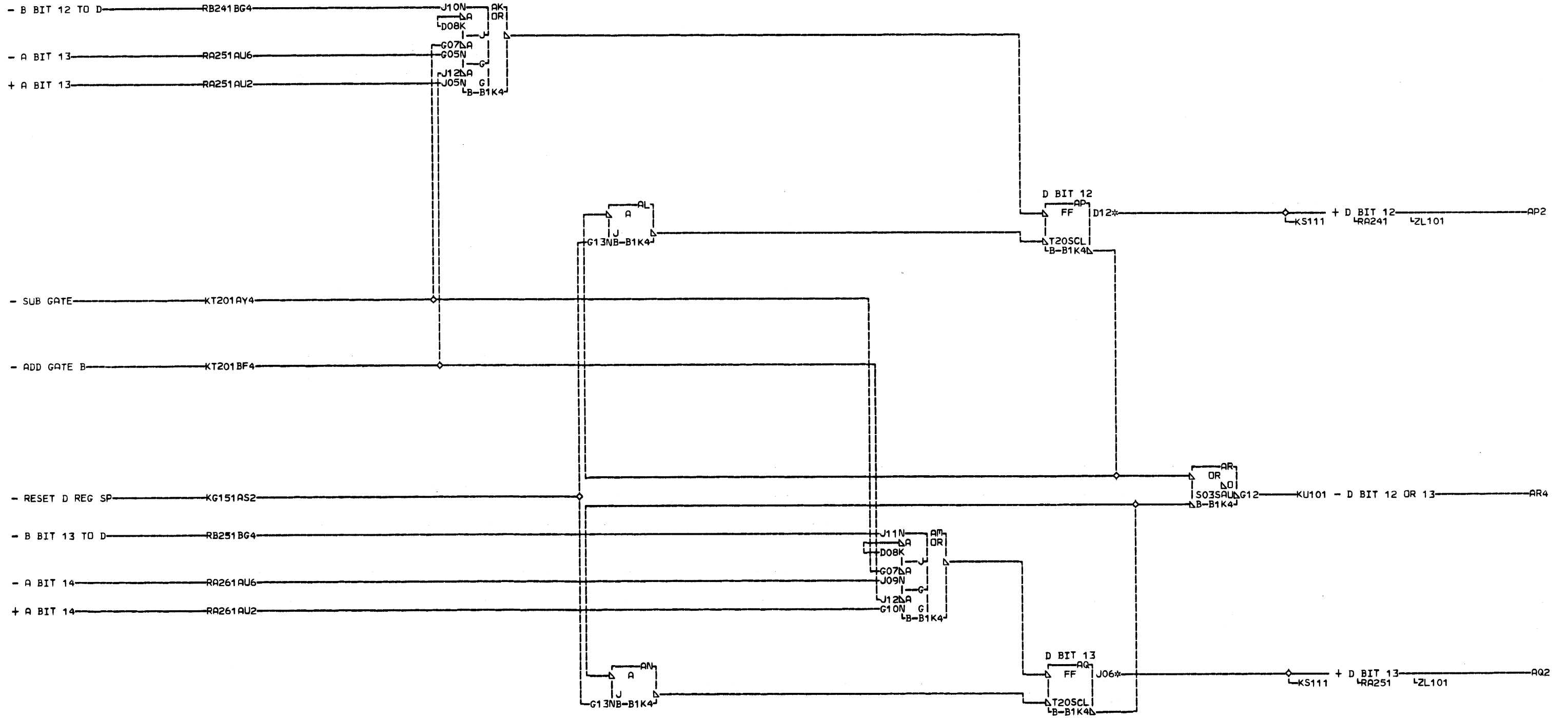


R  
D  
1  
5  
1

AP2 B-B1N4B08  
 01B-B1A5B03  
 01B-A1N5B03  
 AQ2 B-B1N4D09  
 01B-B1A5D03  
 01B-A1N5D03

LOC. TYPE  
 B-B1J4 6255

D REGISTER		R
BITS 10 AND 11		D
E.C. HISTORY	MACH. 1131-B	1
419631	FRAME	01
	IBM CORP. GPD	1
DATE LAST EC	P.N. 2231389	000
11-11-66 419644		

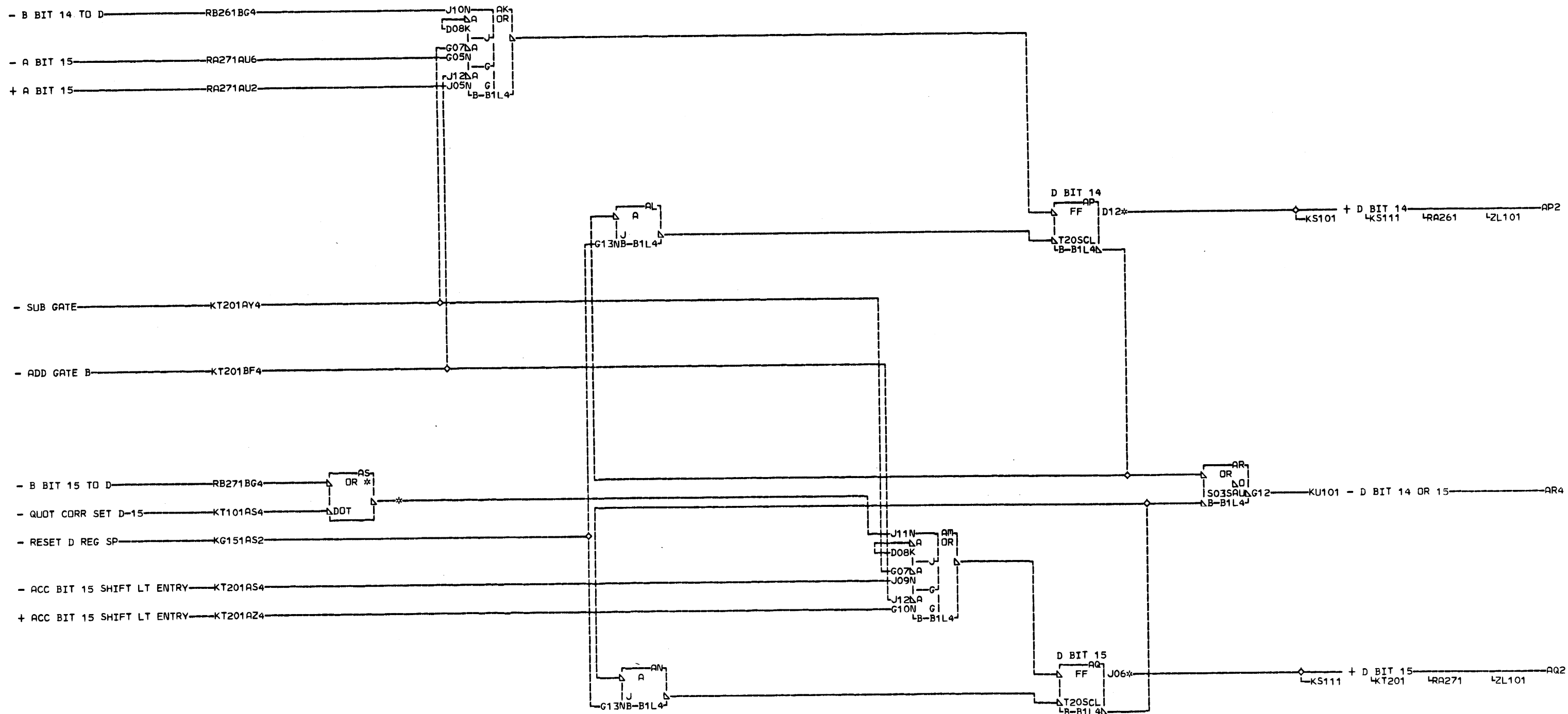


R  
D  
1  
6  
1  
000

AP2 B-B1N4B09  
 01B-B1A5B04  
 01B-A1N5B04  
 AQ2 B-B1N4D10  
 01B-B1A5D04  
 01B-A1N5D04

LOC. TYPE  
 B-B1K4 6255

D REGISTER		R
BITS 12 AND 13		D
E.C. HISTORY	MACH. 1131-B	1
419631	FRAME 01	6
	IBM CORP. GPD	1
DATE	LAST EC	
11-11-66	419644	000
	P.No. 2231390	

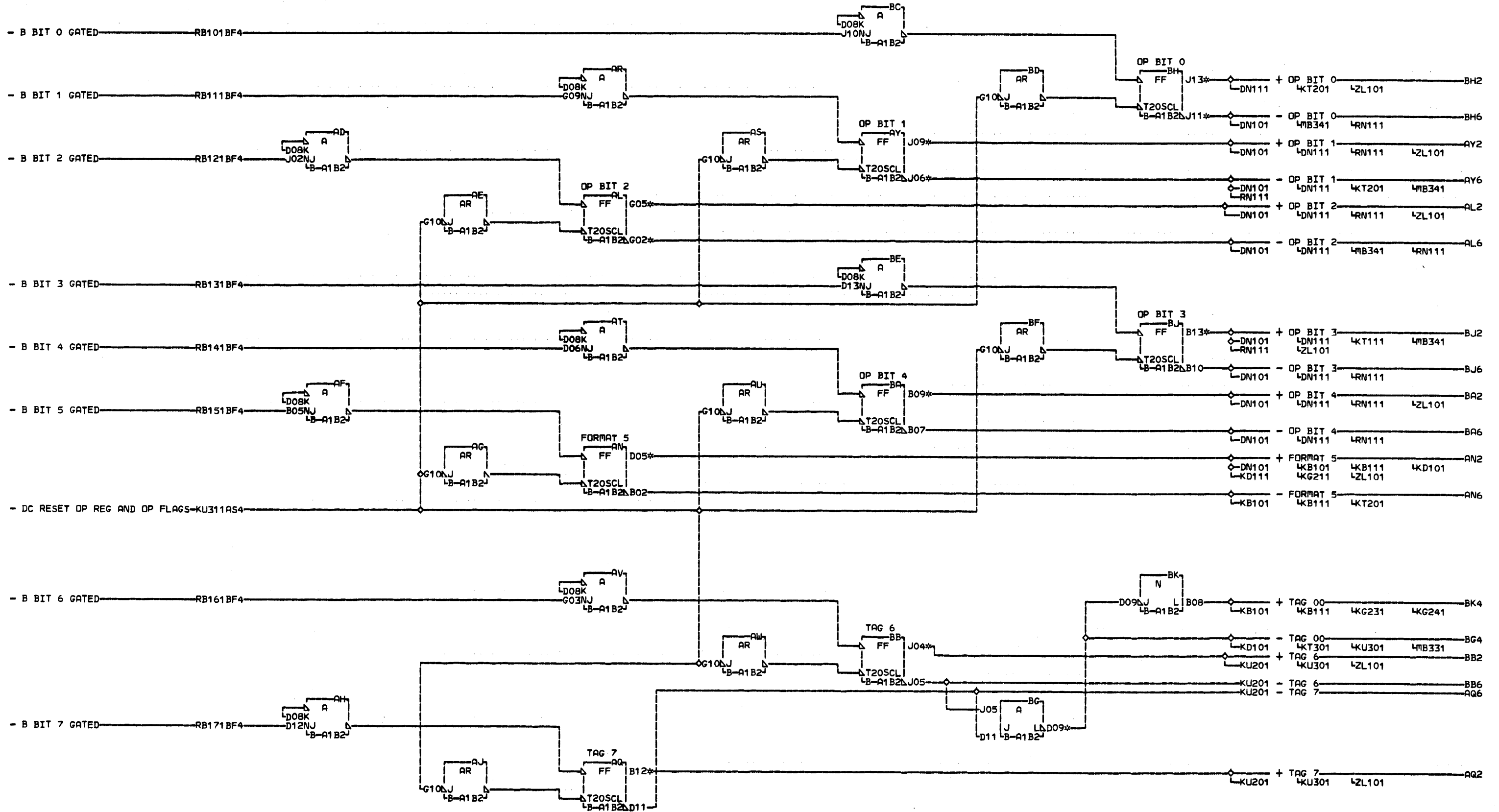


R  
D  
1  
7  
1  
000

AP2 B-B1N4B10  
01B-B1ASB05  
01B-A1N5B05  
AQ2 B-B1N4D11  
01B-B1ASD05  
01B-A1N5D05  
AS4 B-B1E1C11  
01B-A1E1C11

LOC. TYPE  
B-B1L4 6255

D REGISTER BITS 14 AND 15		R
-E.C.-HISTORY	MACH.1131-B	D
419631	FRAME 01	1
	IBM CORP. GPD	1
DATE LAST EC	P.N. 2231391	000
11-11-66 419644		

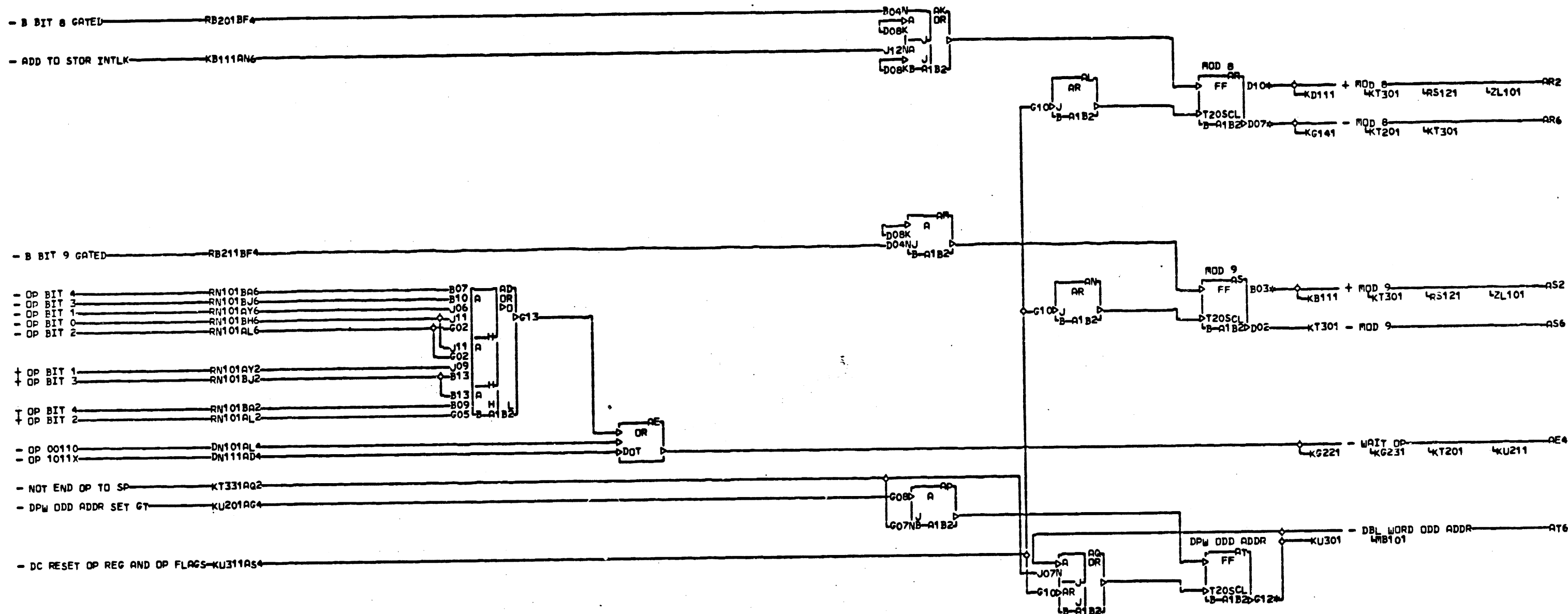


R  
N  
1  
0  
1  
000

AL2 B-A1A2B04 BB2 B-A1A2D04  
 AL6 B-A1L1C11 BG4 B-A1B1A11  
 01B-C1A5B05 01B-C1E1A11  
 AN2 B-A1A2D02 BH2 B-A1A2B02  
 AQ2 B-A1A2D05 BH6 B-A1L1A11  
 AY2 B-A1A2B03 01B-C1A5B03  
 AY6 B-A1L1B11 BJ2 B-A1A2B05  
 01B-C1A5B04 01B-D1L1E11  
 BA2 B-A1A2B07 01B-C1A5B07

LOC. TYPE  
B-A1B2 4664

OP-FORMAT-TAG REGISTER		R
E-C-HISTORY	MACH-1131-B	N
419631		1
419644	FRAME 01	0
	IBM CORP. GPD	1
DATE LAST EC	P-N-2231392	000
01-26-68 419689		



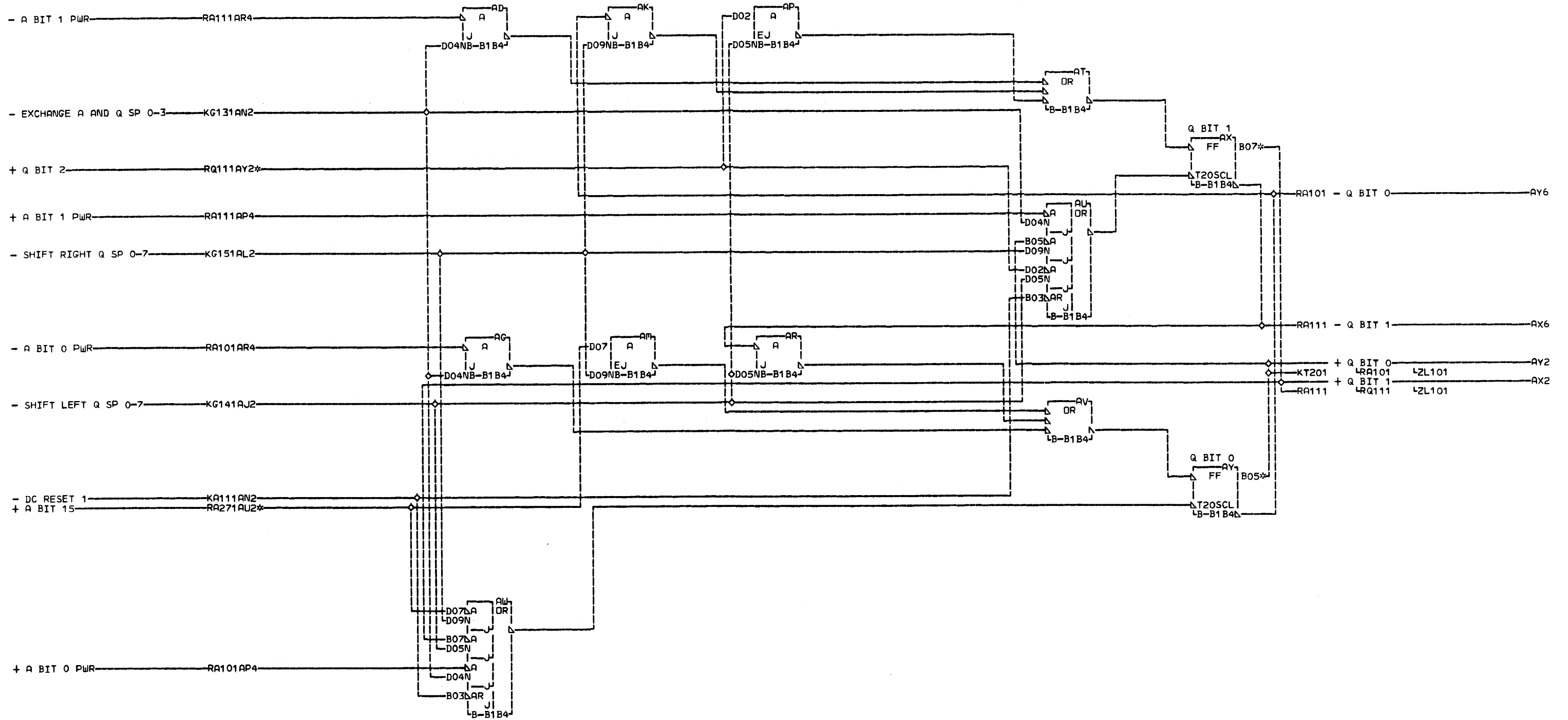
R  
N  
1  
1  
1  
000

AR2 B-A1A2D06  
 AR6 B-A1N3B09  
 O1B-B1A3B09  
 AS2 B-A1A2D07  
 AT6 B-A1M8B06  
 O1B-B1M8B06

LOC. TYPE  
 B-A1B2 4664

MOD 8	MOD 9	WAIT OP
DBL WORD ODD ADDR		
E.C. HISTORY		MACH. 1131-B
FRAME		01
DATE		LAST EC
08-30-66		419631
IBM CORP. GPD		
P.N.		2231188

R  
N  
1  
1  
1  
000

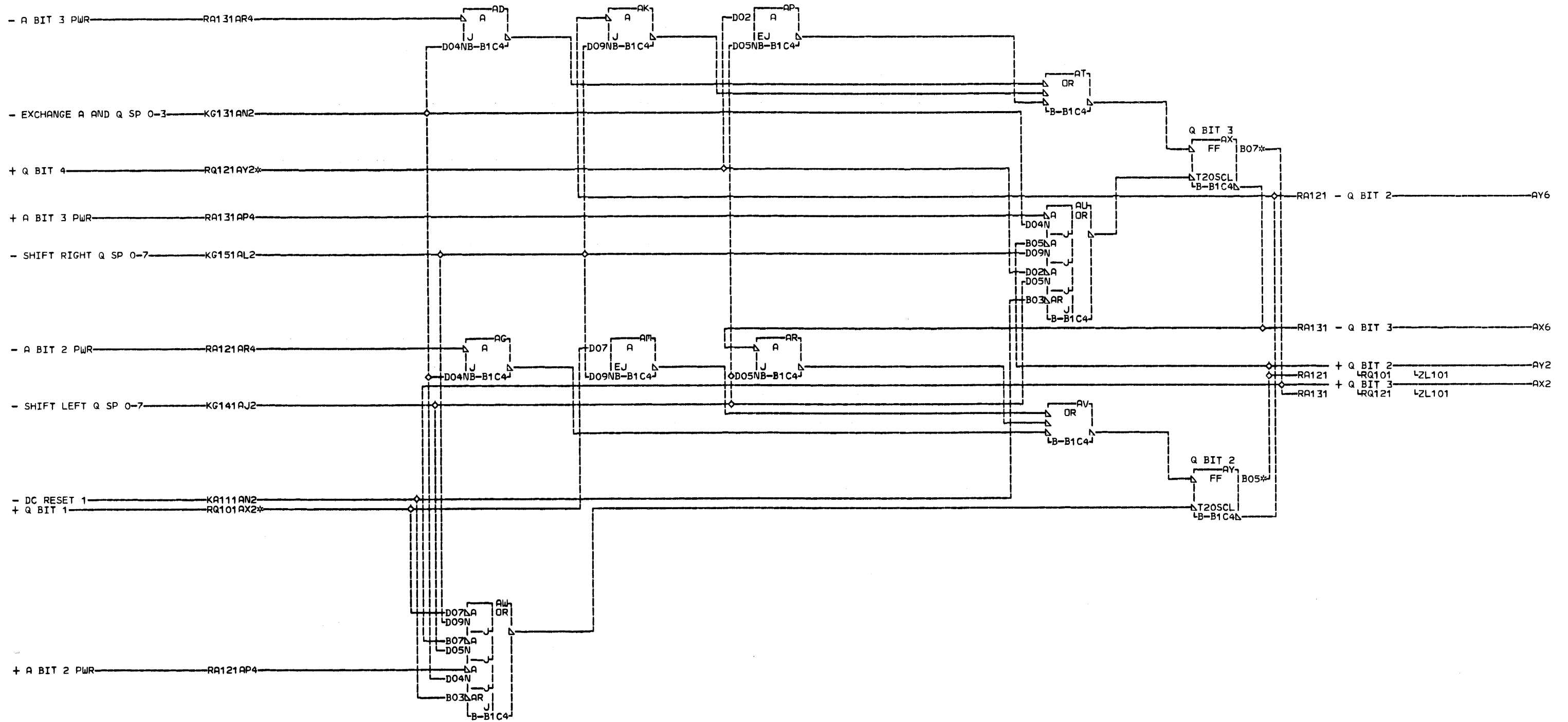


R  
Q  
1  
0  
1  
000

RA271AU2 01B-A1N5B08  
RESISTOR  
B-B1B4D07  
RQ111AY2  
RESISTOR  
B-B1B4D02  
AX2 B-B1N3D02  
AY2 B-B1N3B02  
01B-B1A5B08

LQC. TYPE  
B-B1B4 6255

Q REGISTER BITS 0 AND 1		R Q 1 0 1
-E-C-HISTORY 419631	MACH.1131-B FRAME 01	000
DATE 11-11-66	LAST EC 419644	IBM CORP. GPD
P.N. 2231393		

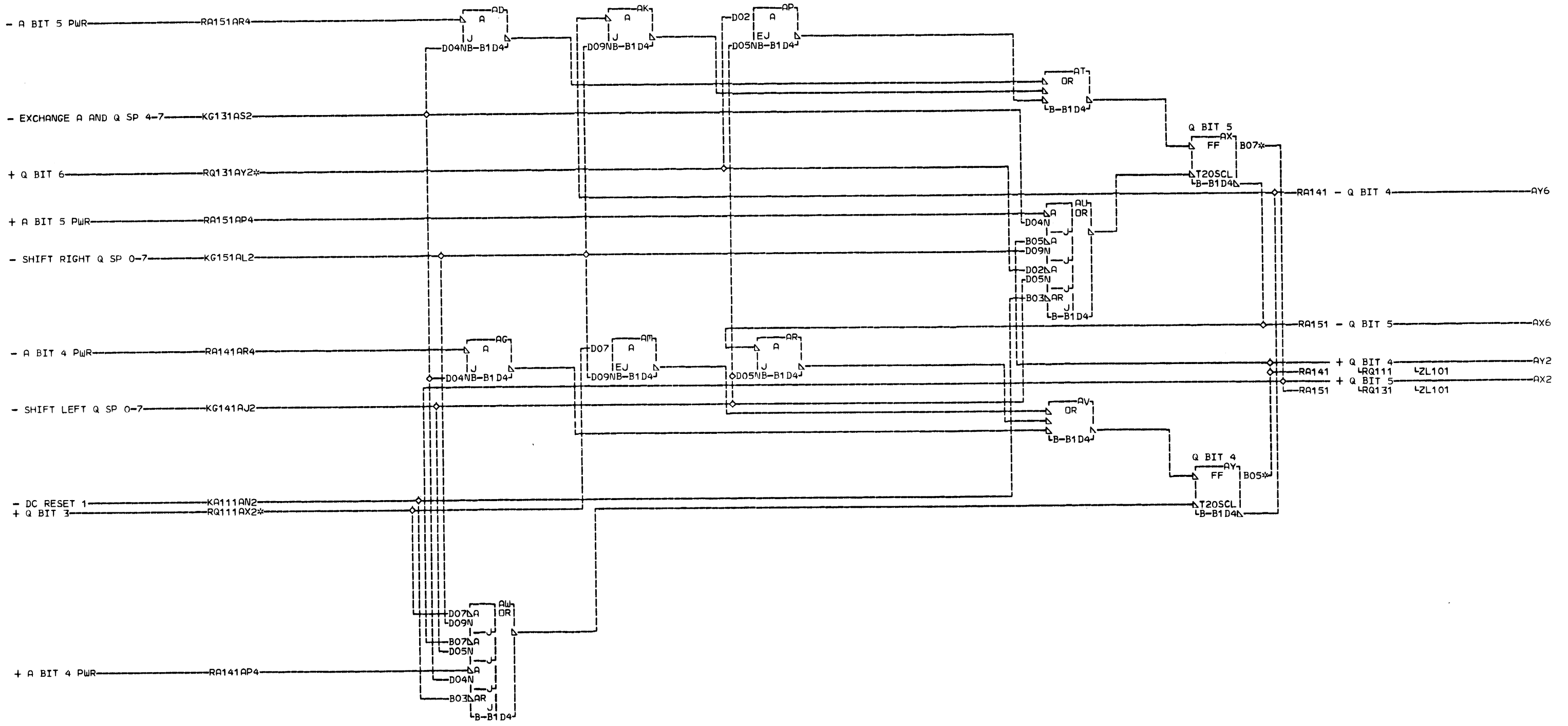


R  
Q  
1  
1  
1  
000

RQ101AX2  
RESISTOR  
B-B1C4D07  
RQ121AY2  
RESISTOR  
B-B1C4D02  
AX2 B-B1N3D04  
AY2 B-B1N3B03

LOC. TYPE  
B-B1C4 6255

Q REGISTER BITS 2 AND 3		R
E.C. HISTORY	MACH. 1131-B	Q
419631	FRAME 01	1
DATE LAST EC	IBM CORP. GPD	1
11-11-66 419644	P.N. 2231394	000



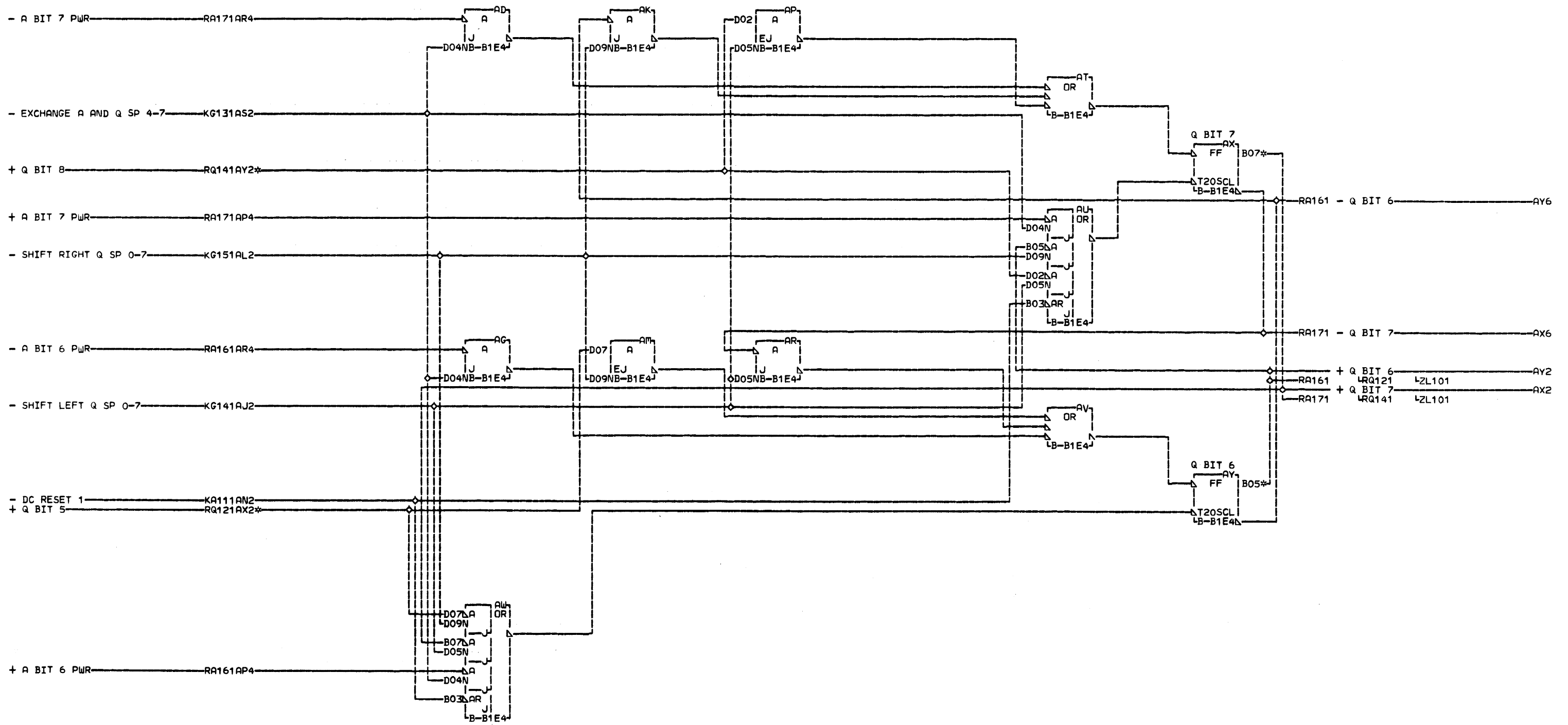
R  
Q  
1  
2  
1  
000

RQ111AX2  
RESISTOR  
B-B1D4D07  
RQ131AY2  
RESISTOR  
B-B1D4D02  
AX2 B-B1N3D05  
AY2 B-B1N3B04

LOC. TYPE  
B-B1D4 6255

Q REGISTER BITS 4 AND 5		R
E.C. HISTORY	MACH. 1131-B	Q
419631	FRAME 01	1
	IBM CORP. GPD	1
DATE LAST EC	P.N. 2231395	000
11-11-66 419644		



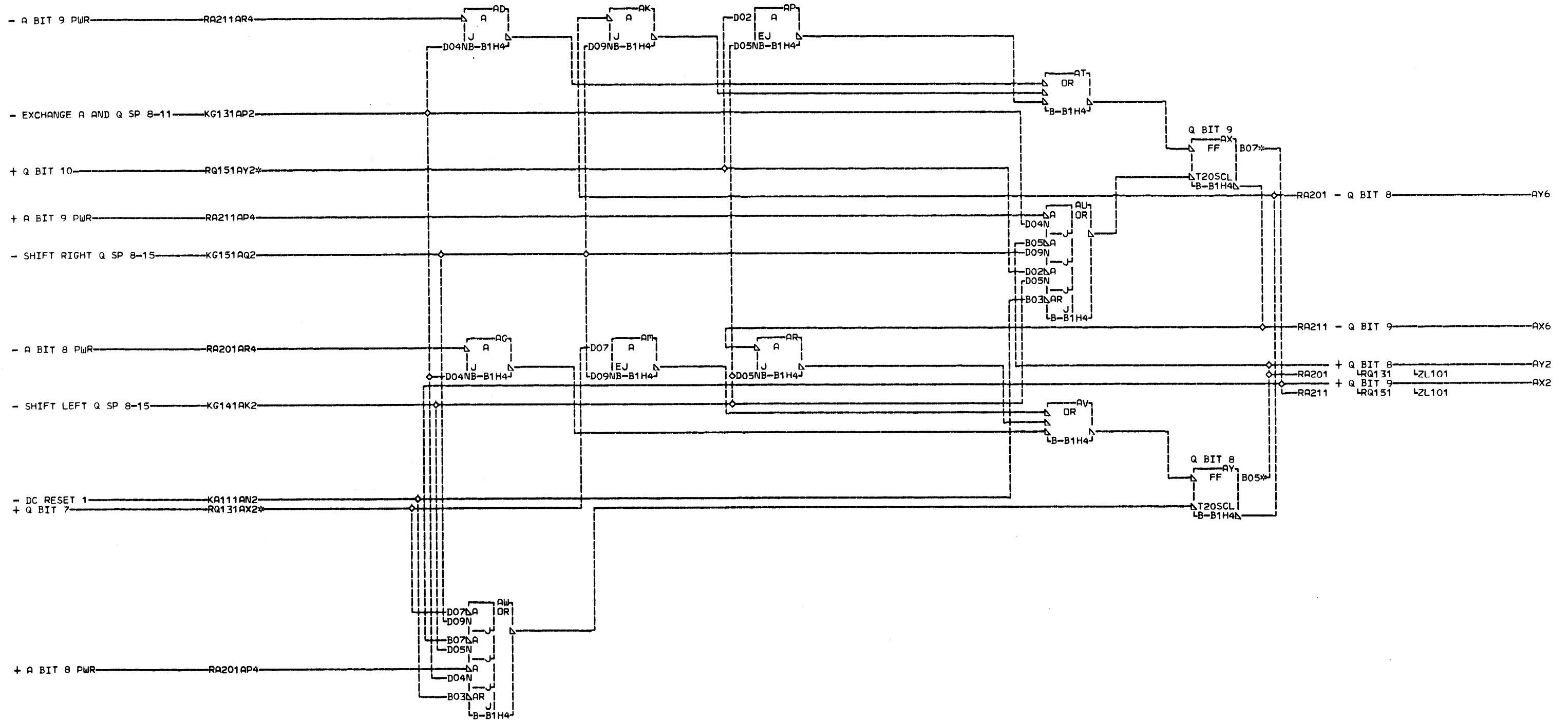


R  
Q  
1  
3  
1  
000

RQ121AX2  
RESISTOR  
B-B1E4D07  
RQ141AY2  
RESISTOR  
B-B1E4D02  
AX2 B-B1N3D06  
AY2 B-B1N3B05

LOC. TYPE  
B-B1E4 6255

Q REGISTER BITS 6 AND 7		R Q 1 3 1
E.C. HISTORY 419631	MACH. 1131-B	
	FRAME 01	
	IBM CORP. GPD	
DATE LAST EC 11-11-66 419644	P.No. 2231396	000

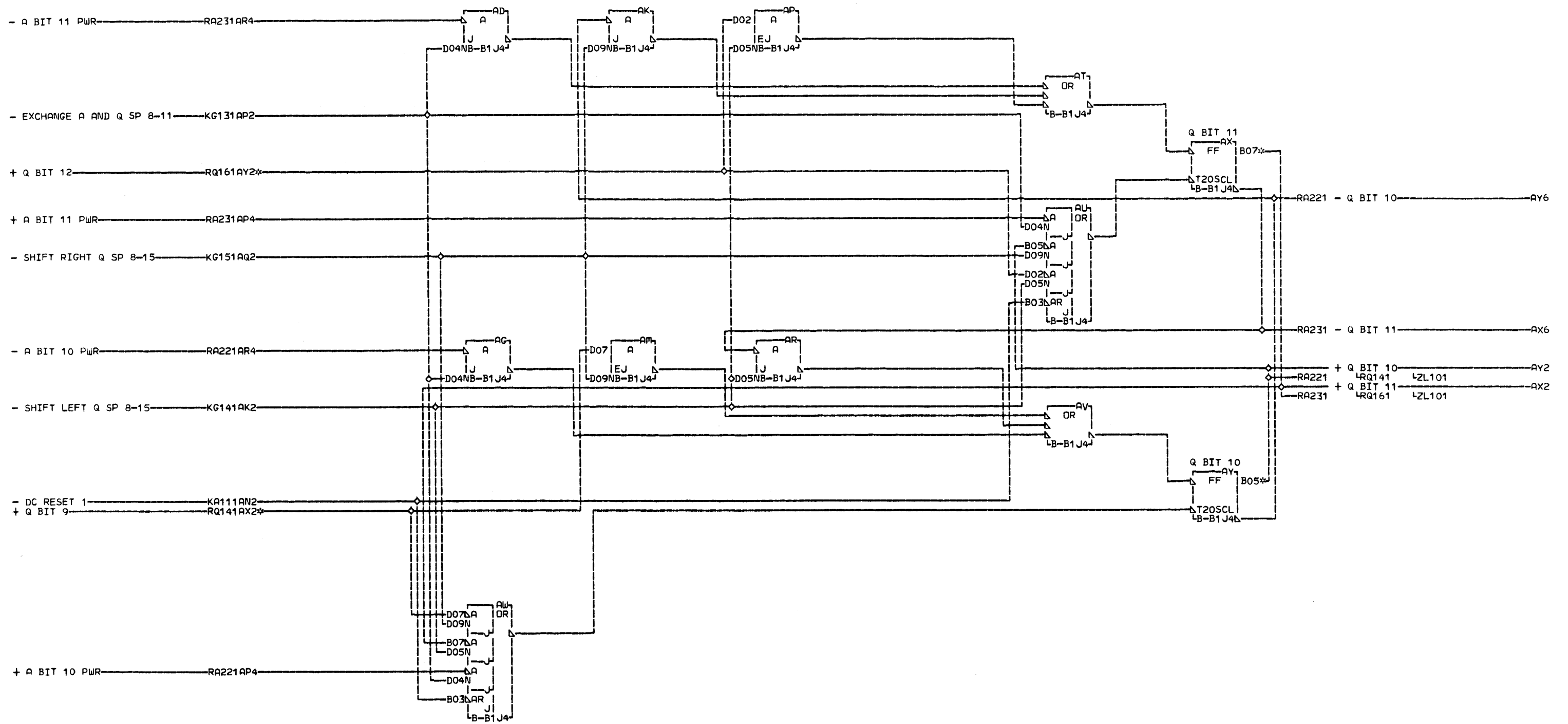


R  
Q  
1  
4  
1  
000

RQ131AX2  
RESISTOR  
B-B1H4D07  
RQ151AY2  
RESISTOR  
B-B1H4D02  
AX2 B-B1N3D07  
AY2 B-B1N3B07

LQC. TYPE  
B-B1H4 6255

Q REGISTER BITS 8 AND 9		R
E.C.-HISTORY 419631	MACH.1131-B	Q
	FRAME 01	1
	IBM CORP. GPD	4
DATE LAST EC 11-11-66 419644	P.No. 2231397	000

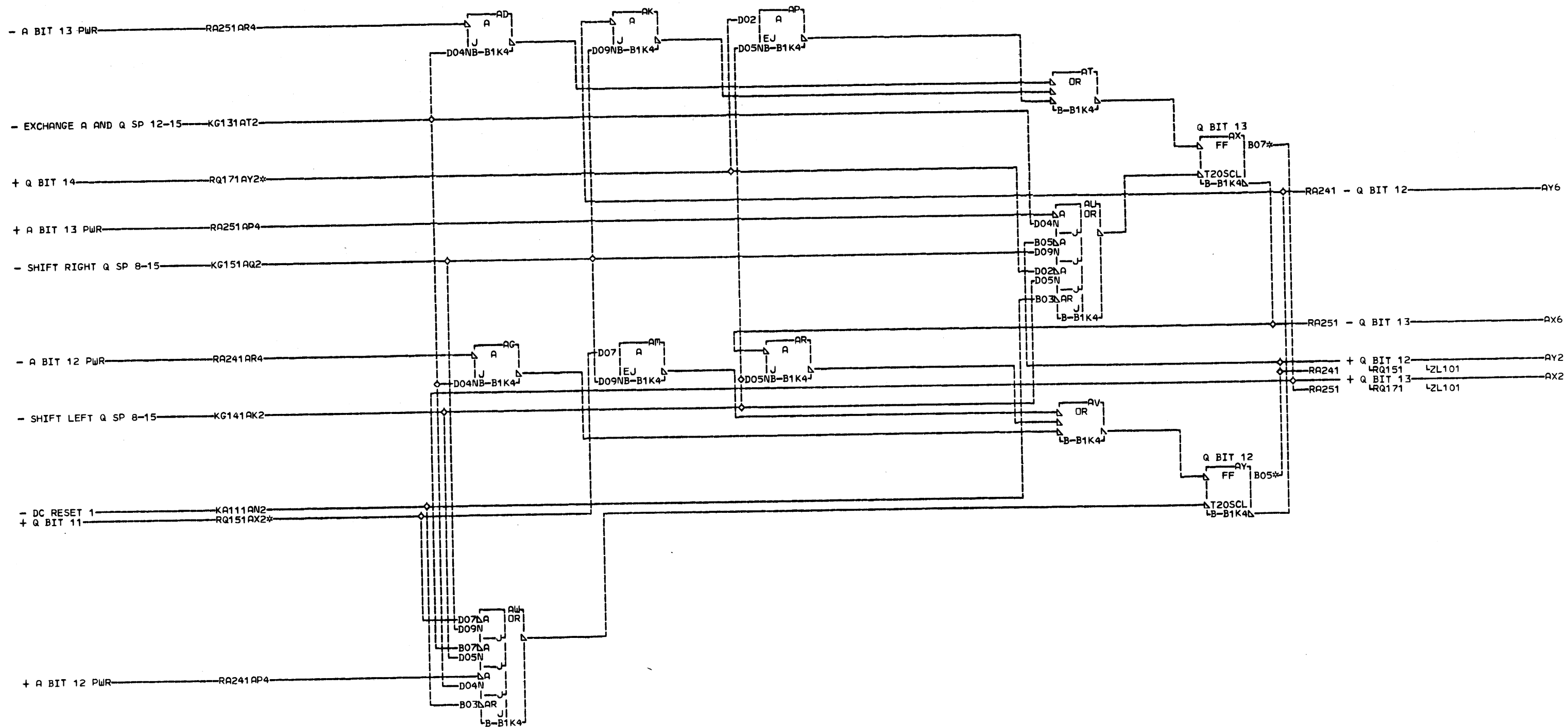


R  
Q  
1  
5  
1  
000

RQ141AX2  
RESISTOR  
B-B1J4D07  
RQ161AY2  
RESISTOR  
B-B1J4D02  
AX2 B-B1N3D09  
AY2 B-B1N3B08

LOC. TYPE  
B-B1J4 6255

Q REGISTER		R
BITS 10 AND 11		Q
E.C. HISTORY	MACH. 1131-B	1
419631	FRAME 01	5
	IBM CORP. GPD	1
DATE LAST EC	IP.N. 2231398	000
11-11-66 419644		

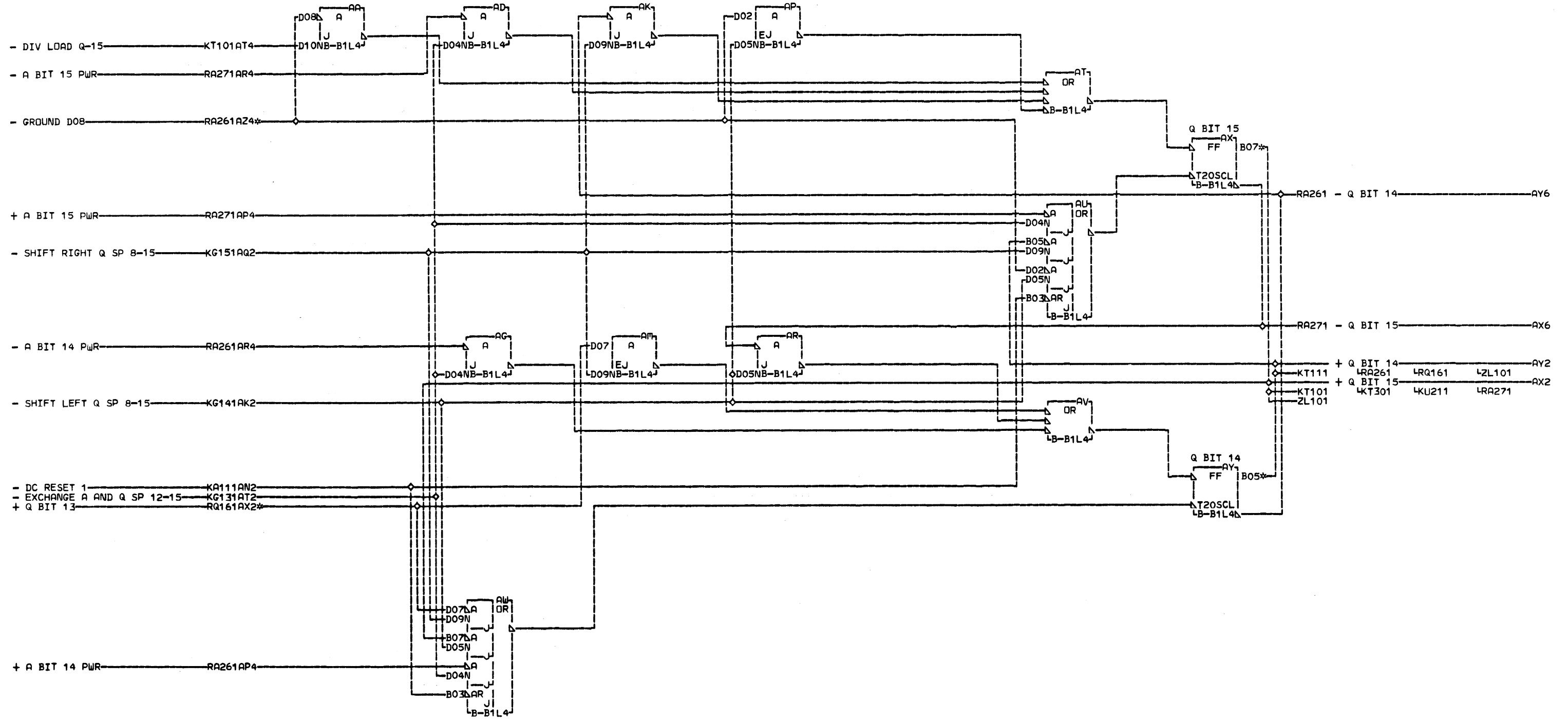


R  
Q  
1  
6  
1  
000

RQ151AX2  
RESISTOR  
B-B1K4D07  
RQ171AY2  
RESISTOR  
B-B1K4D02  
AX2 B-B1N3D10  
AY2 B-B1N3B09

LOC. TYPE  
B-B1K4 6255

Q REGISTER BITS 12 AND 13		R
E.C.-HISTORY	MACH.1131-B	Q
419631	FRAME 01	1
	IBM CORP. GPD	6
DATE	LAST EC	1
11-11-66	419644	000
	P.N. 2231399	

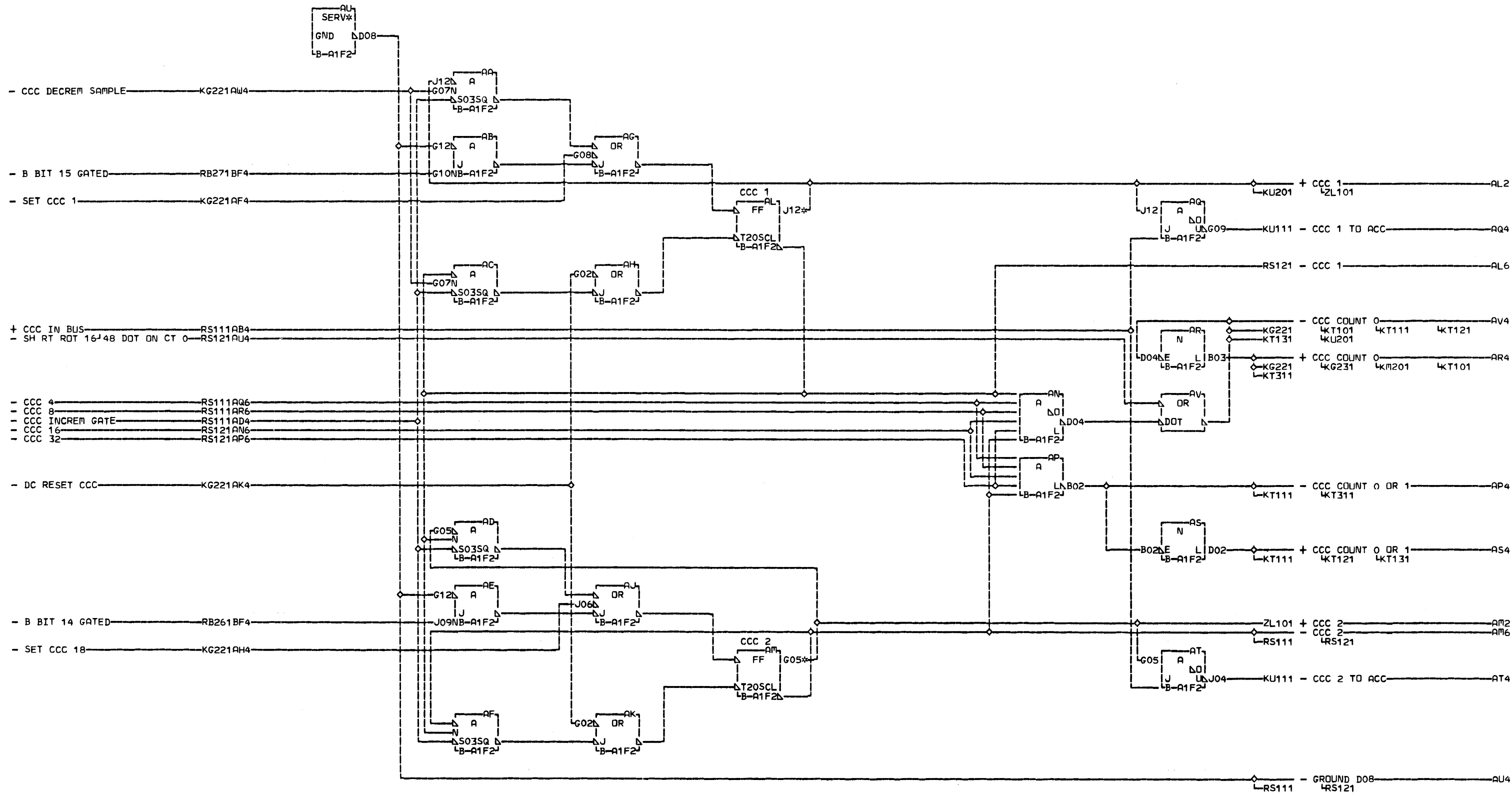


R  
Q  
1  
7  
1

RA261AZ4    AY2 B-B1N3B10  
RESISTOR    01B-B1A5B09  
B-B1L4D02    01B-A1N5B09  
RQ161AX2  
RESISTOR  
B-B1L4D07  
AX2 B-B1N3D11  
01B-B1A5D09  
01B-A1N5D09

LOC. TYPE  
B-B1L4 6255

Q REGISTER BITS 14 AND 15		R
-E.C.-HISTORY 419631	MACH.1131-B	Q
	FRAME 01	7
	IBM CORP. GPD	1
DATE LAST EC 11-11-66 419644	PoN. 2231400	000



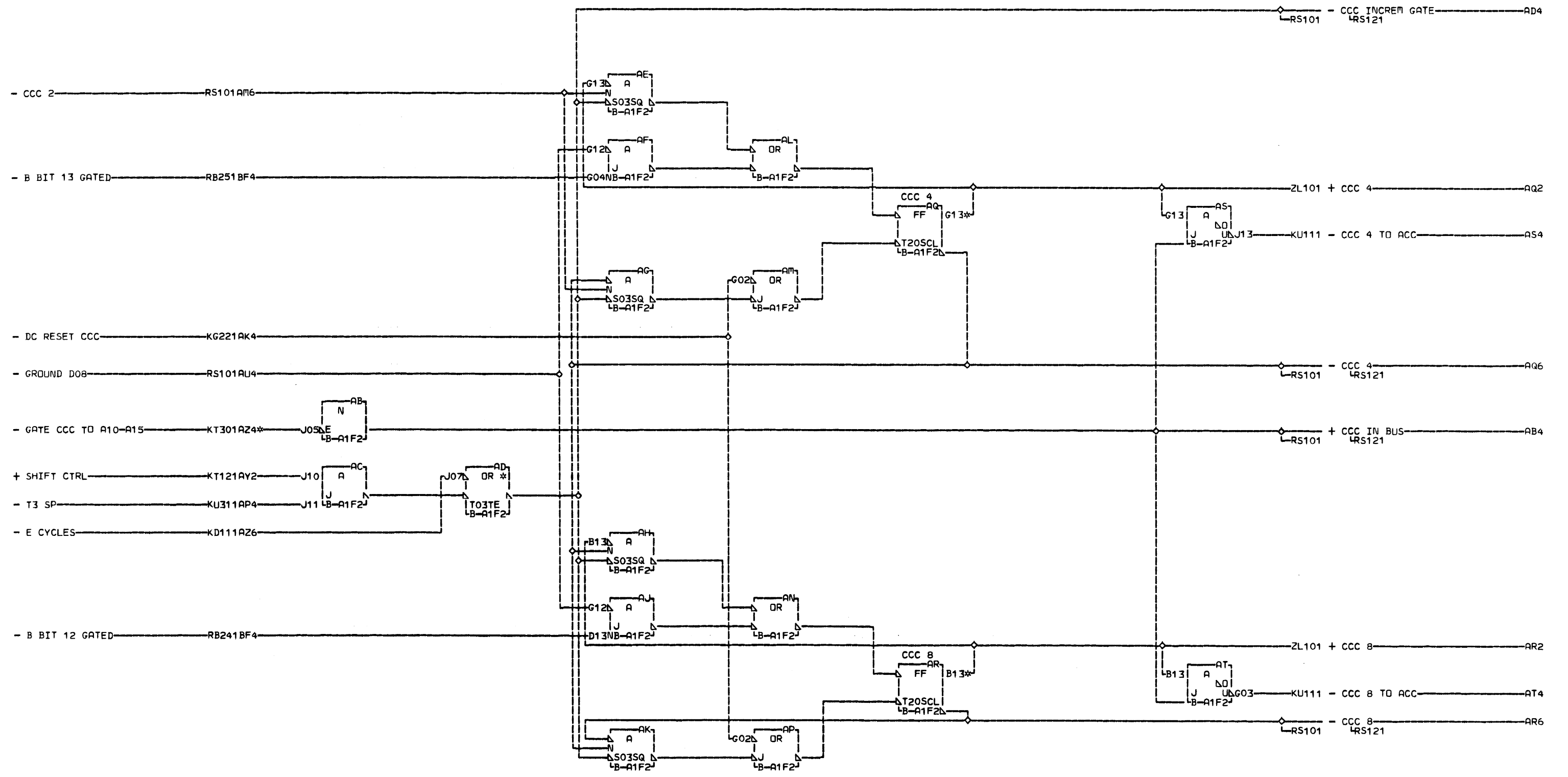
AL2 B-A1A2B08  
 AM2 B-A1A2B09

LOC. TYPE  
 B-A1F2 6257

CYCLE CONTROL COUNTER 1 - 2	
E.C. HISTORY	MACH. 1131-B
419631	FRAME 01
DATE	IBM CORP. GPD
11-11-66 419644	PeN. 2231401

RS101

RS101



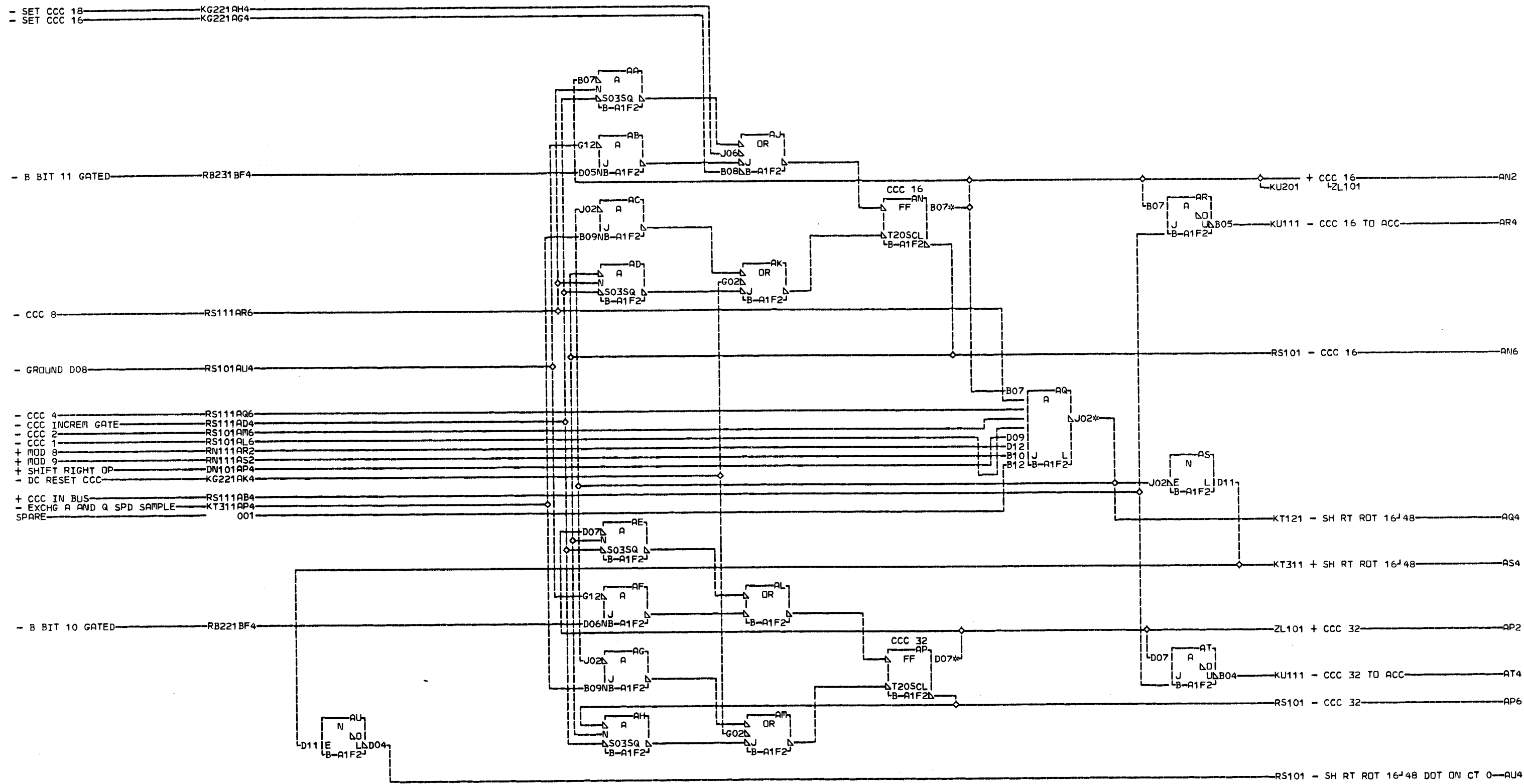
KT301A24  
RESISTOR  
B-A1F2J05  
AQ2 B-A1A2B10  
AR2 B-A1A2D09

LOC. TYPE  
B-A1F2 6257

CYCLE CONTROL COUNTER 4 - 8	
E.C.-HISTORY	MACH. 1131-B
419631	FRAME 01
DATE	IBM CORP. GPD
11-11-66 419644	P.N. 2231402

RS111  
000

RS111  
000



RS121  
000

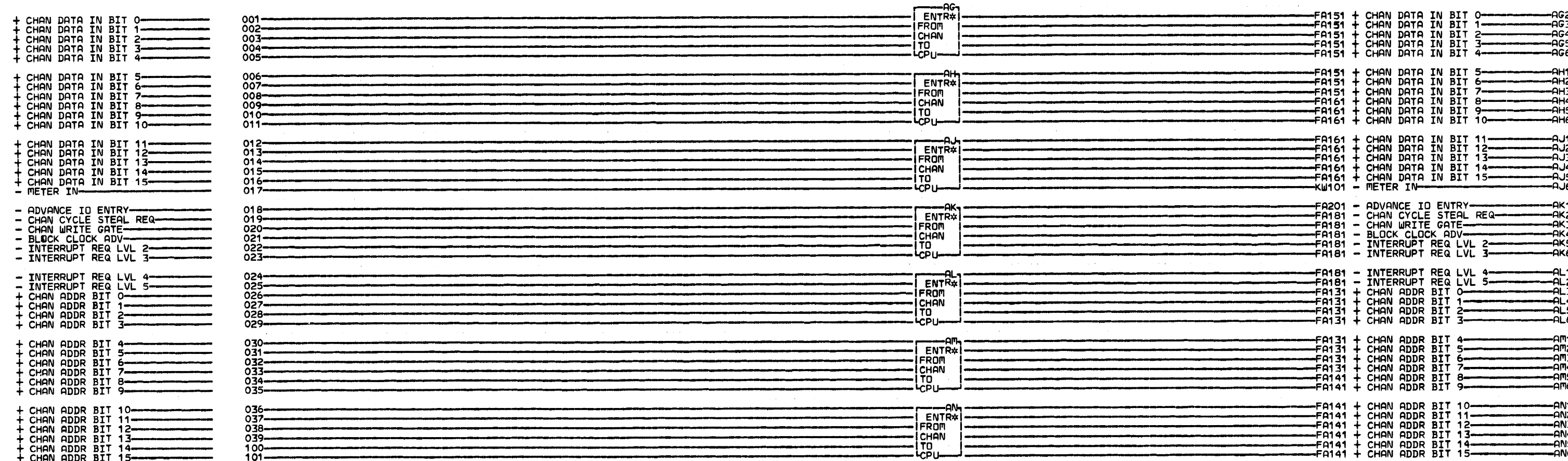
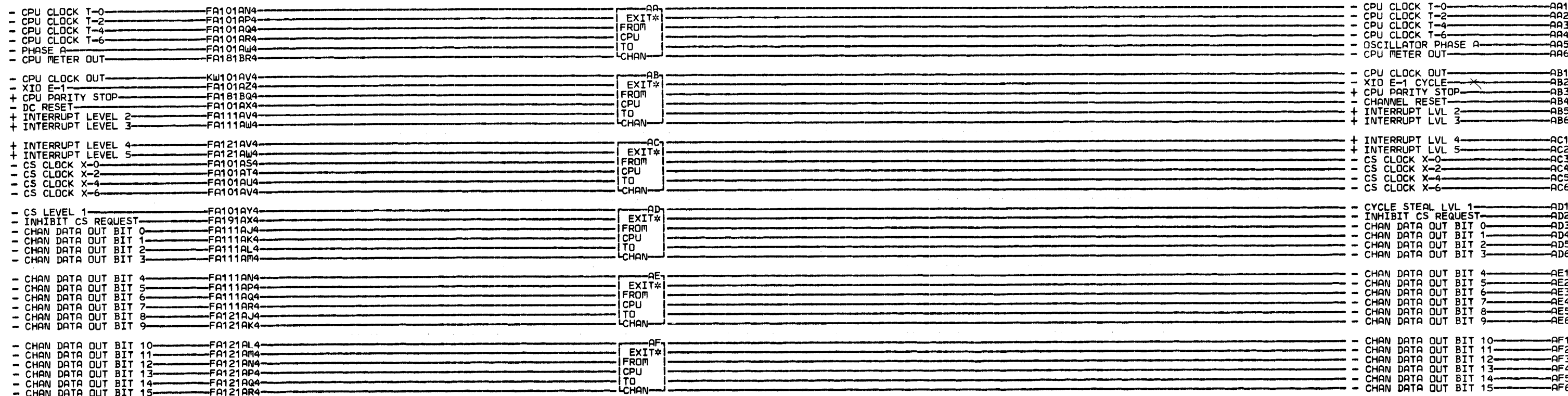
AN2 B-A1A2D10  
AP2 B-A1A2D11  
AQ4 RESISTOR  
B-A1F2J02

LOC. TYPE  
B-A1F2 6257

CYCLE CONTROL COUNTER 16 - 32	
E.C. HISTORY 419631	MACH. 1131-B FRAME 01
DATE 11-11-66	LAST EC 419644
IBM CORP. GPD P. N. 2231403	

RS121  
000



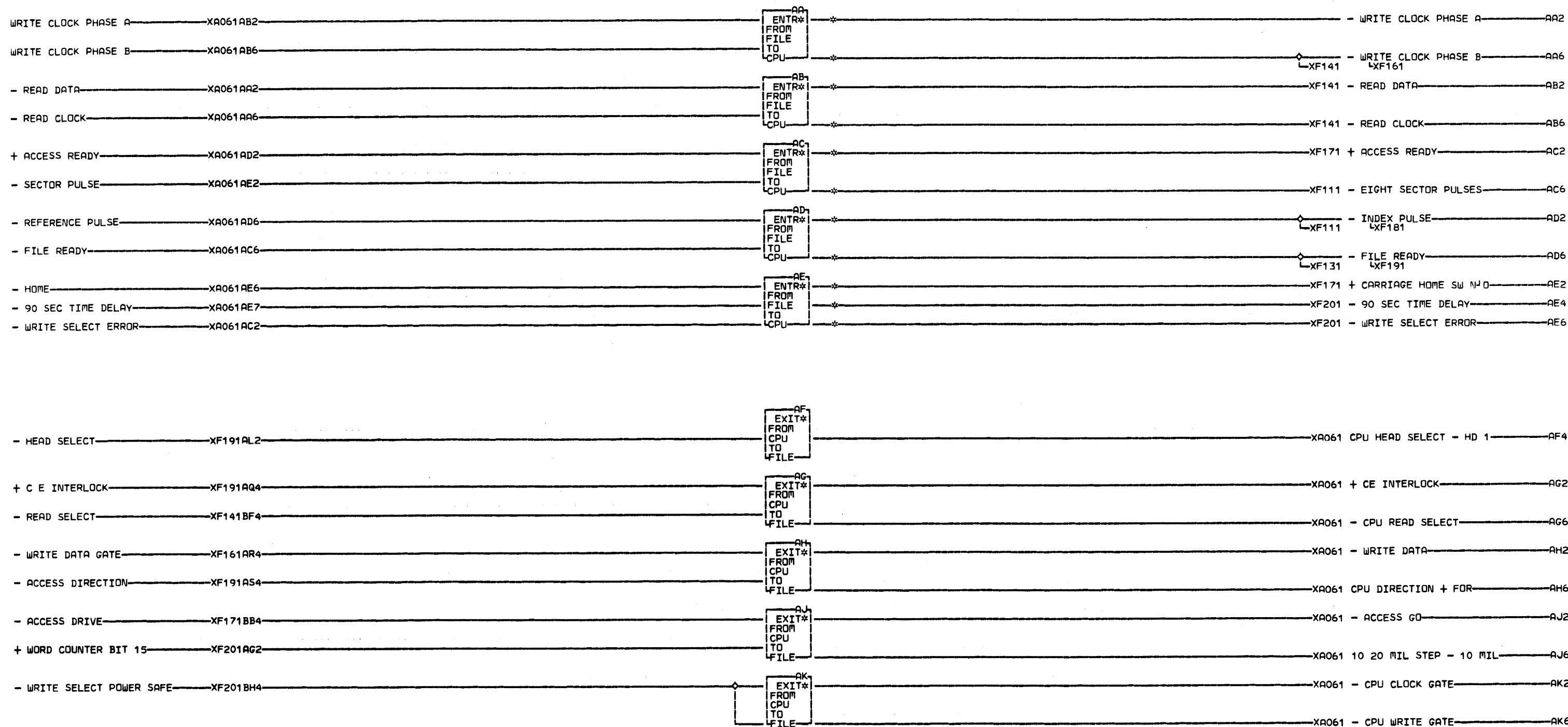


NOTE WHEN THE 1133 IS ATTACHED THE ABOVE SIGNALS WILL BE SHOWN ON PAGE WA200 OF THE 1133 LOGICS.

WA201

STORAGE ACCESS CHANNEL INTERFACE		MACH-1131-B	01
E.C.-HISTORY			
DATE LAST EC		IBM CORP. SDD	
06-23-67 419664		P.No. 2231988	

WA201



AA2 P-C1N7D05 AE4 P-C1N7D12  
 AA6 P-C1N7B05 AE6 P-C1N7B08  
 AB2 P-C1N7B03  
 AB6 P-C1N7D02  
 AC2 P-C1N7B07  
 AC6 P-C1N7D06  
 AD2 P-C1N7B12  
 AD6 P-C1N7D13  
 AE2 P-C1N7B02

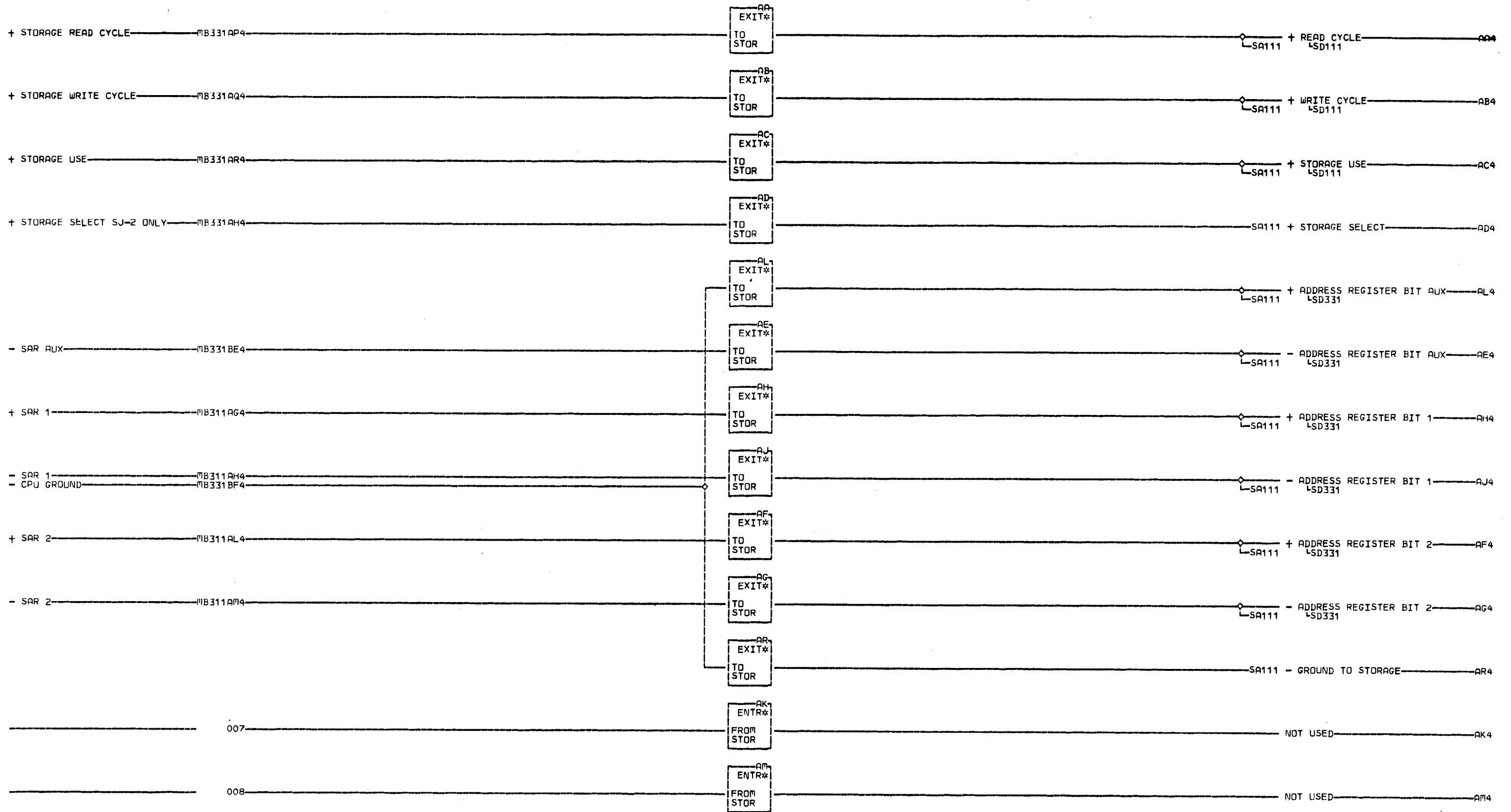
FILE - PROCESSOR INTERFACE			
E.C. HISTORY		MACH. 1131-B	
419631		FRAME	01
419648		IBM CORP. GPD	
DATE	LAST EC	P.N.	2231404
06-23-67	419664		

WF391

000

FILE 1

000

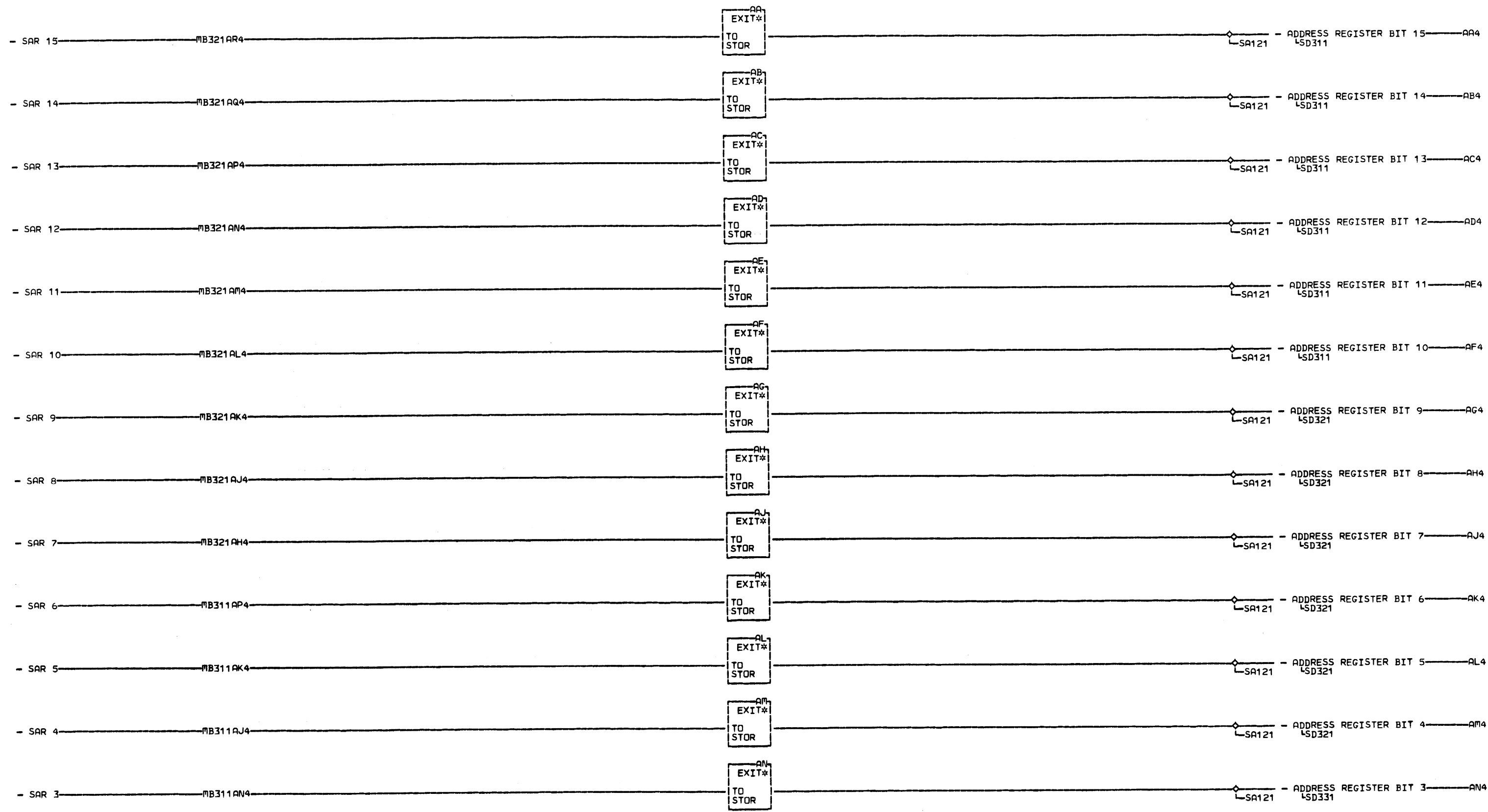


NOTE USE SA PG. NOS. FOR 2 US STORAGE AND SD PG. NOS. FOR 4 US STORAGE.

WZ011

000

SJ-2 OR SJ-4 STORAGE INTERFACE		WZ011
E.C. HISTORY	MACH. 1131-B	01
419631	FRAME	01
419644		1
419644A		1
419664	IBM CORP. GPD	000
DATE	LAST EC	
01-24-69	419695	
P.N. 2231405		



NOTE USE SA PG. NOS. FOR 2 US STORAGE AND SD PG. NOS. FOR 4 US STORAGE.

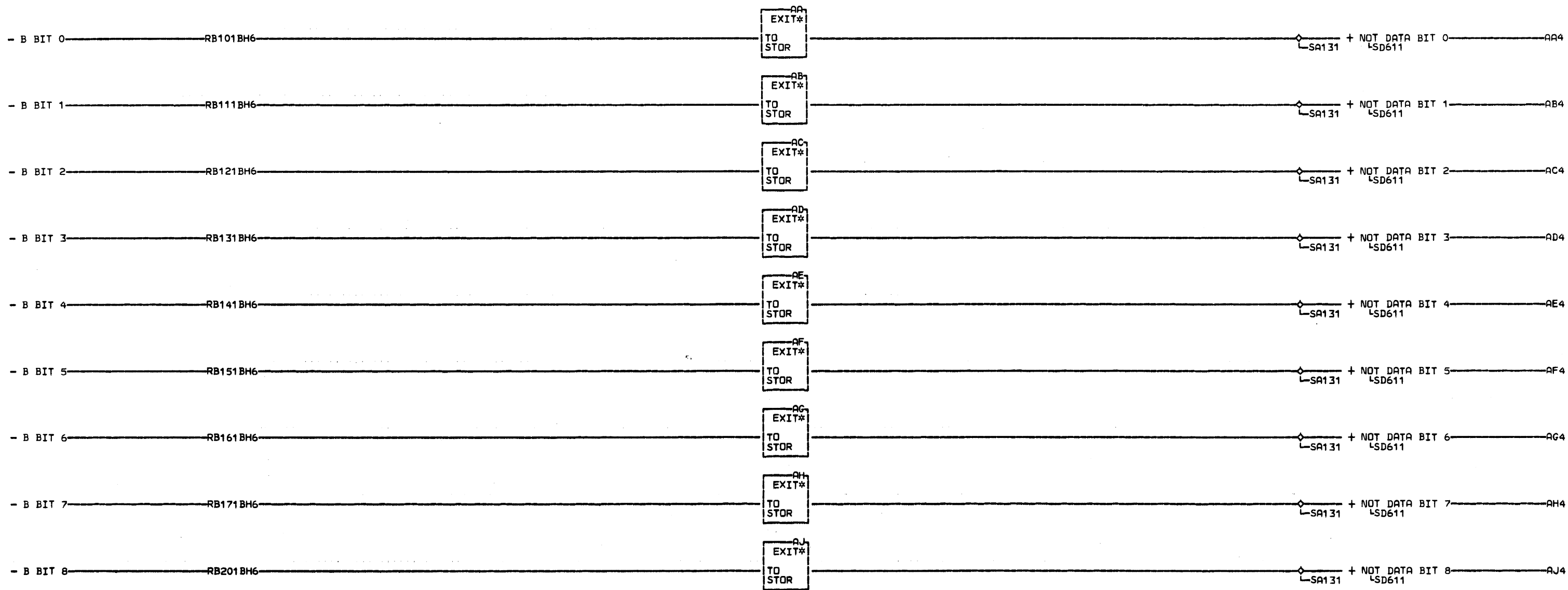
WZ021

000

SJ-2 OR SJ-4 STORAGE INTERFACE	
E.C. HISTORY	MACH.1131-B
419631	
419644	FRAME 01
419644A	
DATE	LAST EC
06-23-67	419664
IBM CORP. GPD	P.N. 2231202

WZ021

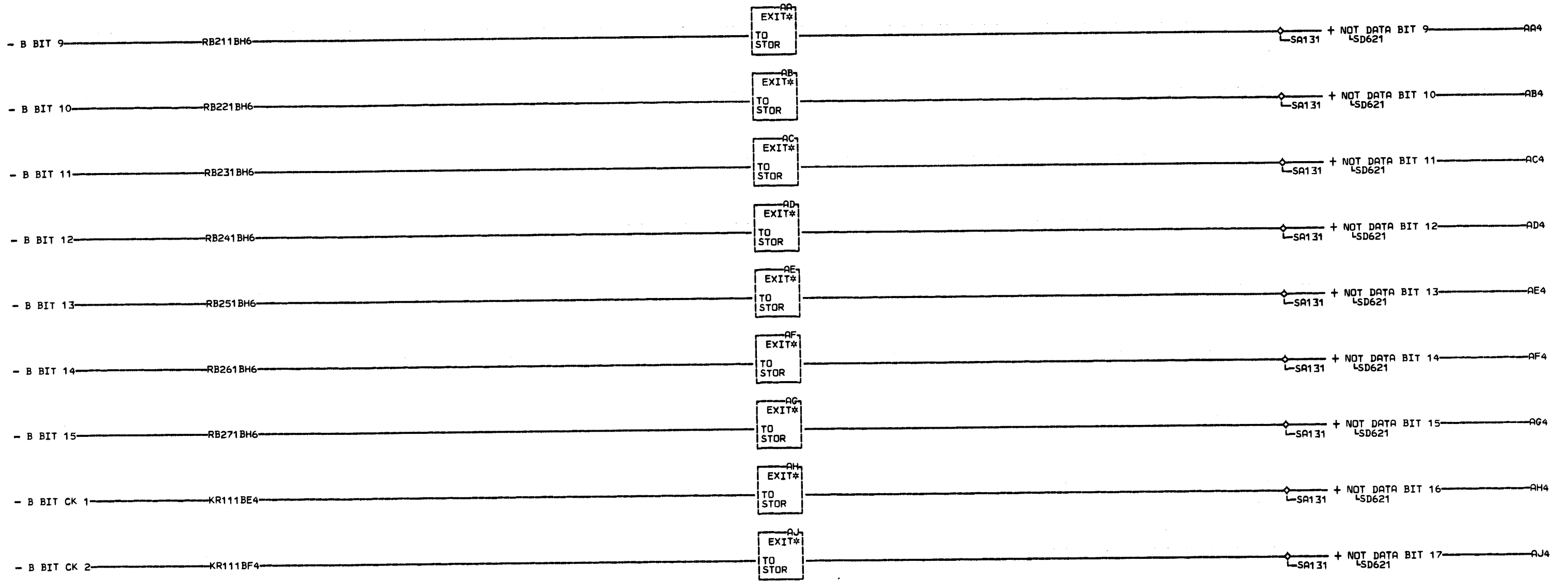
000



NOTE USE SA PG. NOS. FOR 2 US STORAGE AND SD PG. NOS. FOR 4 US STORAGE.

WZ031  
1  
000

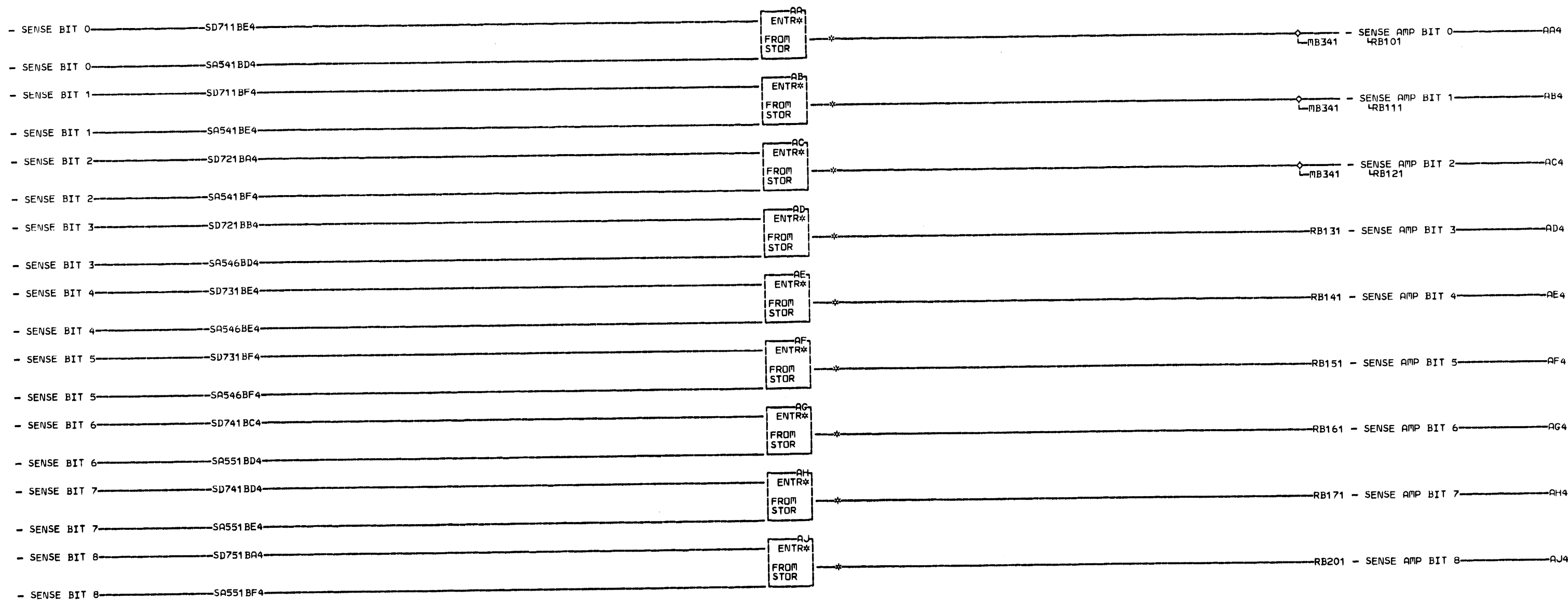
SJ-2 OR SJ-4 STORAGE INTERFACE		MACH. 1131-B	WZ031
—E.C.—HISTORY—			
419631		FRAME	01
419644		IBM CORP. GPD	1
419644A			
DATE	LAST EC	IPeN.	2231406
06-23-67	419664		



NOTE USE SA PG. NOS. FOR 2 US STORAGE AND SD PG. NOS. FOR 4 US STORAGE.

WZ041

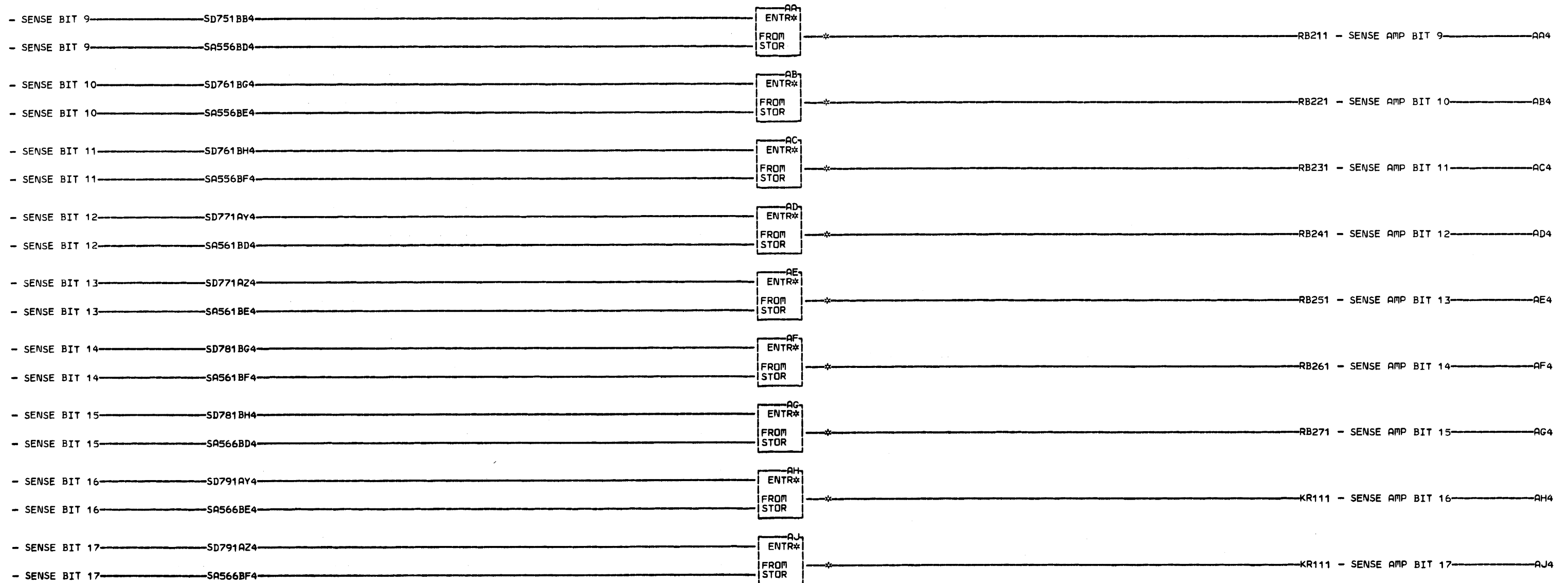
SJ-2 OR SJ-4 STORAGE INTERFACE		MACH. 1131-B	WZ041	
-E.C.-HISTORY-				FRAME 01
419631				
419644				
419644A		IBM CORP. GPD	000	
DATE	LAST EC	P.N. 2231407		
06-23-67	419664			



NOTE USE SA PG. NOS. FOR 2 US STORAGE AND SD PG. NOS. FOR 4 US STORAGE.

AA4	B-C1B1A11	01B-C1A2B04	01D-A1B1C11	01D-B1A1E11	01B-B1B1E11	01D-B1C1B11	01E-B1C1C11	01D-B1C1D11	01B-C1A2B12
	01B-B1B1A11	01D-B1B1B11	01E-B1B1C11	01D-B1B1D11	01B-C1A2B07	01D-A1C1B11	01E-A1C1C11	01D-B1C1E11	01D-B1C1E11
	01B-C1A2B03	01D-A1B1B11	01E-A1B1C11	01D-A1A1E11	01D-B1B1E11	01E-B1C1B11	01E-B1C1D11	01D-A1C1A11	01D-A1C1E11
	01D-B1B1A11	01E-B1B1B11	AD4 B-C1B1D11	01D-A1B1D11	01D-A1B1E11	01E-A1C1B11	01B-C1C1A11	01E-B1C1A11	01E-B1C1E11
	01D-A1B1A11	01E-A1B1B11	01B-C1A1E11	01E-B1A1E11	01E-B1B1E11	AG4 B-C1C1C11	01B-B1C1A11	01E-B1C1D11	01E-B1C1E11
	01E-B1B1A11	AC4 B-C1B1C11	01B-B1A1E11	01E-B1B1D11	01E-A1B1E11	01B-B1C1C11	01B-B1C1D11	01E-A1C1A11	01E-A1C1E11
	01E-A1B1A11	01B-B1B1D11	01E-A1A1E11	AF4 B-C1C1B11	01B-C1A2B10	01B-C1A2B10	01B-C1A2B08	01E-A1C1D11	01E-A1C1E11
	AB4 B-C1B1B11	01B-C1A2B05	01B-C1A2B02	01E-A1B1D11	01B-B1C1B11	01D-B1C1C11	01B-C1A2B11	AJ4 B-C1C1E11	01B-B1C1E11
	01B-B1B1B11	01D-B1B1C11	01B-C1A2B06	AE4 B-C1B1E11	01B-C1A2B09	01D-A1C1C11	01D-B1C1A11		

SJ-2 OR SJ-4 STORAGE INTERFACE		W
E.C. HISTORY	MACH. 1131-B	Z
419631		0
419644	FRAME 01	5
419644A		1
419664	IBM CORP. GPD	
DATE LAST EC		
01-24-69 419695	P.N. 2231408	000

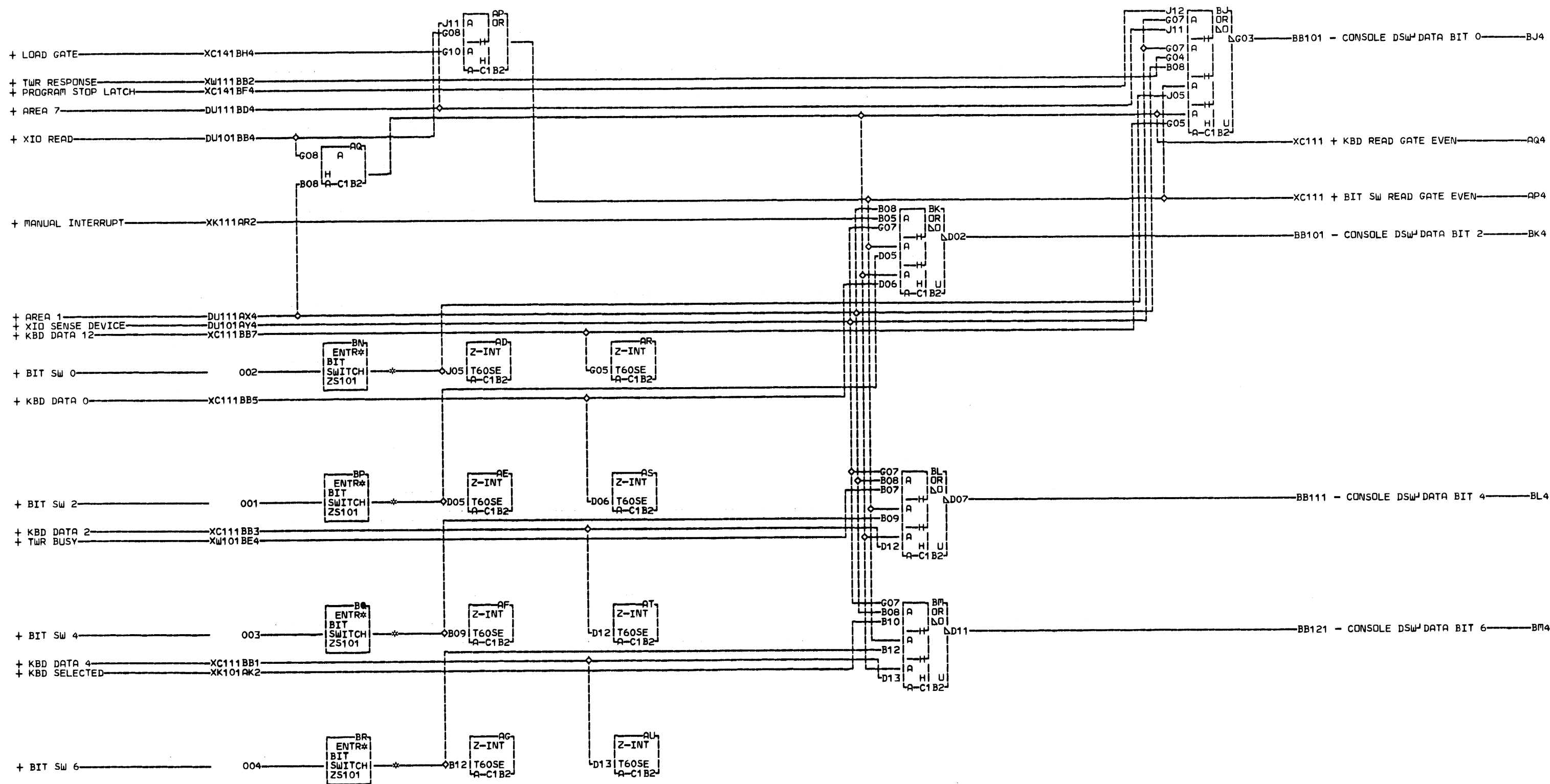


NOTE USE SA PG. NOS. FOR 2 US STORAGE AND SD PG. NOS. FOR 4 US STORAGE.

AA4	B-C1D1A11	01B-C1A4B03	01D-A1L1B11	01E-A1L1C11	01D-A1L1D11	01D-B1L1E11	01E-B1M1B11	01E-B1M1C11	01B-A1L8A04	01E-A1M1A11
	01B-B1D1A11	01D-B1L1A11	01E-B1L1B11	AE4 B-C1L1D11	01D-A1K1E11	01D-A1L1E11	01E-A1M1B11	01E-A1M1C11	01B-C1A4B08	01E-A1M1D11
	01B-C1A2B13	01D-A1L1A11	01E-A1L1B11	01B-C1K1E11	01E-B1L1D11	01E-B1L1E11	AH4 B-C1M1C11	AJ4 B-C1M1D11	01B-C1A4B11	
	01D-B1D1A11	01E-B1L1A11	AD4 B-C1L1C11	01B-B1K1E11	01E-B1K1E11	01E-A1L1E11	01B-B1M1C11	01B-C1M1A11	01D-B1M1A11	
	01D-A1D1A11	01E-A1L1A11	01B-B1L1C11	01B-B1L1D11	01E-A1L1D11	AG4 B-C1M1B11	01B-B1F1C11	01B-B1M1A11	01D-B1M1D11	
	01E-B1D1A11	AC4 B-C1L1B11	01B-C1A4B05	01B-C1A4B02	01E-A1K1E11	01B-B1M1B11	01B-A1F1C11	01B-B1M1D11	01D-A1M1A11	
	01E-A1D1A11	01B-B1L1B11	01D-B1L1C11	01B-C1A4B06	AF4 B-C1L1E11	01B-C1A4B09	01B-C1A4B10	01B-B1K8E06	01D-A1M1D11	
	AB4 B-C1L1A11	01B-C1A4B04	01D-A1L1C11	01D-B1L1D11	01B-B1L1E11	01D-B1M1B11	01D-B1M1C11	01B-B1L8A04	01E-B1M1A11	
	01B-B1L1A11	01D-B1L1B11	01E-B1L1C11	01D-B1K1E11	01B-C1A4B07	01D-A1M1B11	01D-A1M1C11	01B-A1K8E06	01E-B1M1D11	

SJ-2 OR SJ-4 STORAGE INTERFACE		WZ061
E.C. HISTORY	MACH. 1131-B	
419631	FRAME 01	
419644		
419644A	IBM CORP. GPD	
DATE LAST EC	PoN. 2231206	000
06-23-67 419664		

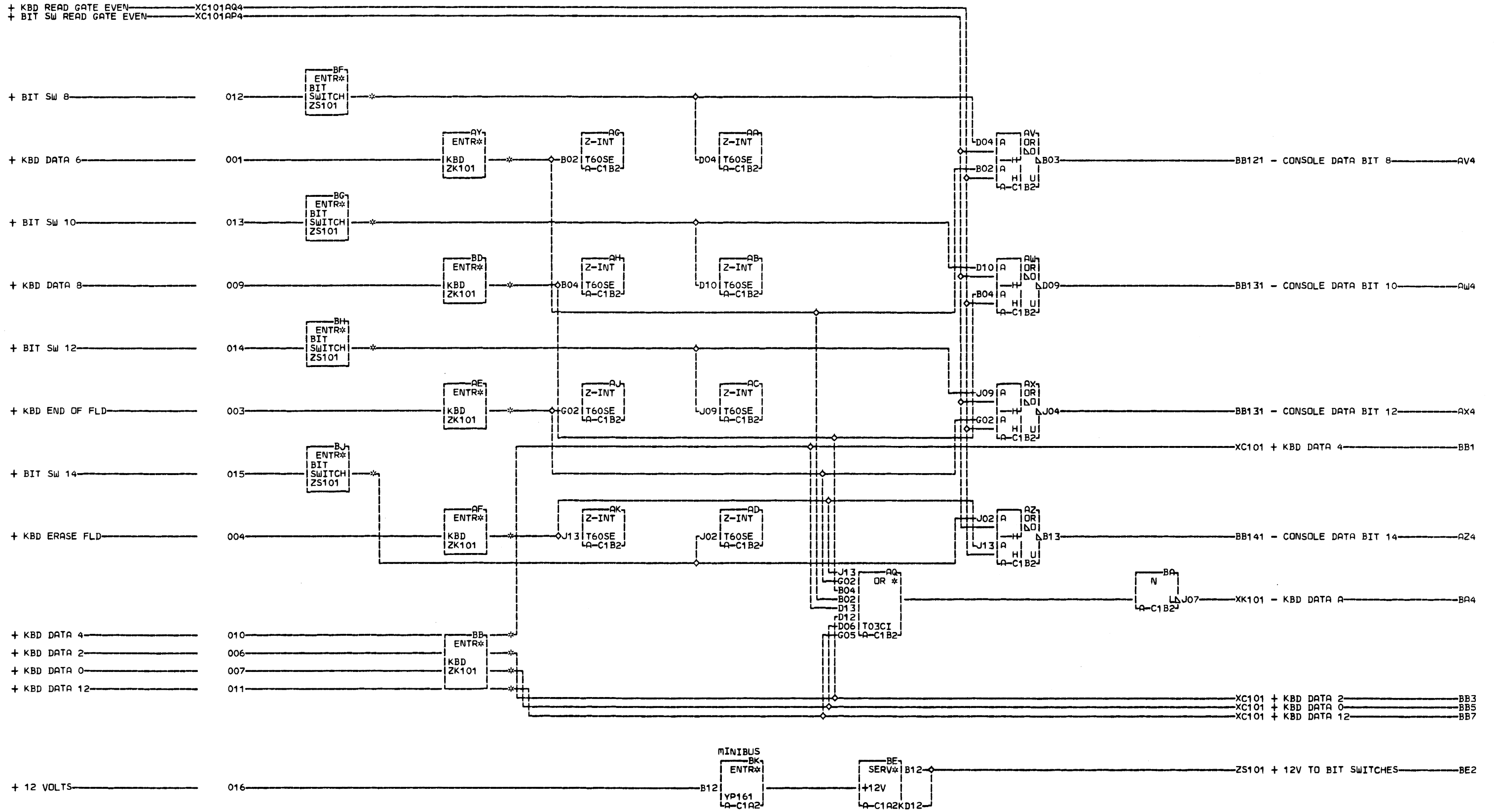




BN4 A-C1A2B02  
 BP4 A-C1A2B03  
 BQ4 A-C1A2B04  
 BR4 A-C1A2B05

LOC. TYPE  
 A-C1B2 4615

CONSOLE DSW DATA BITS 0 2 4 6		XC 1 0 1
-E.C.-HISTORY	MACH.1131-B	
DATE	LAST EC	IBM CORP. GPD
09-02-66	419631	PoN. 2231409

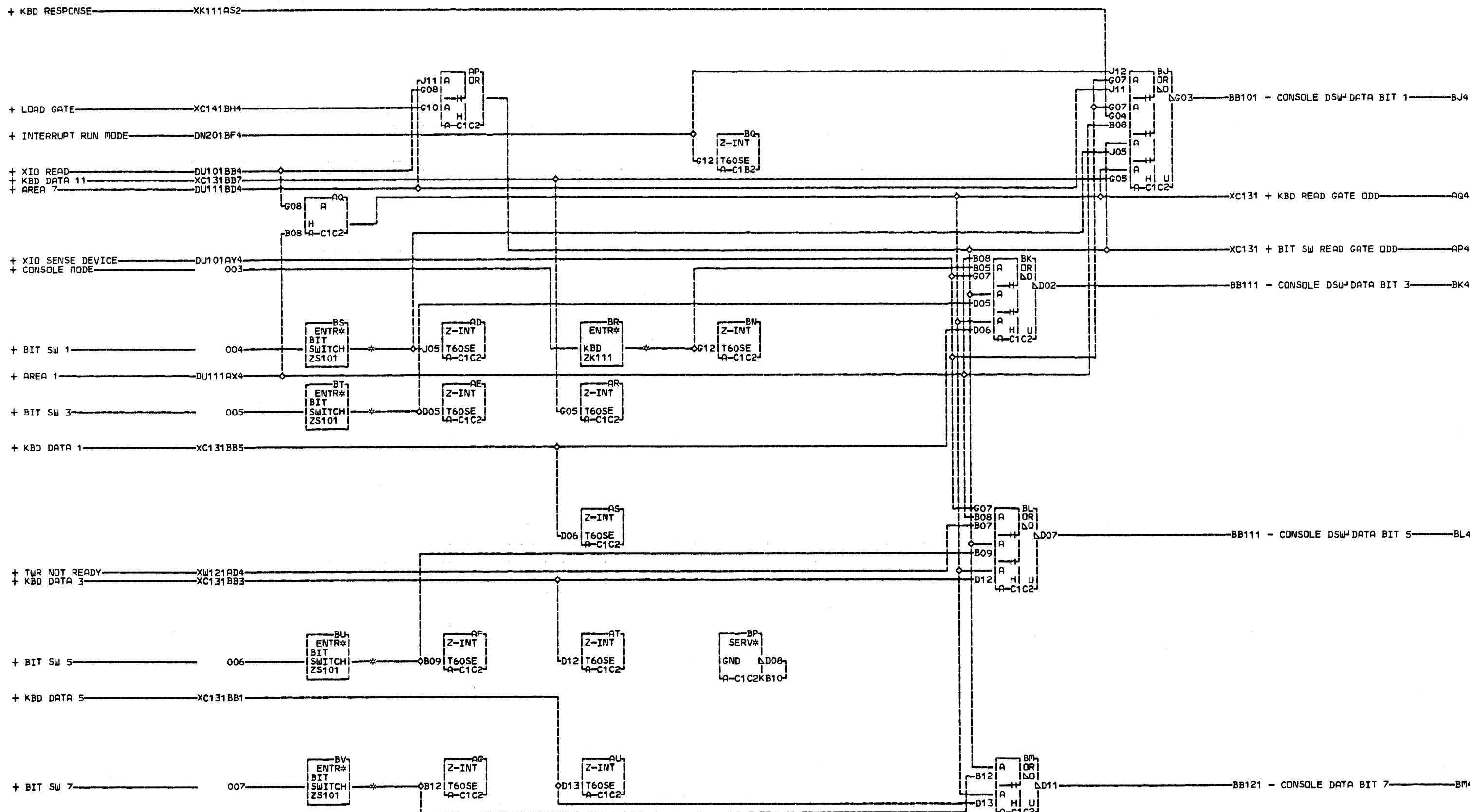


X  
C  
1  
1  
1  
000

AE4 A-C1A3B09 BG4 A-C1A2B08  
 AF4 A-C1A3B10 BH4 A-C1A2B09  
 AY4 A-C1A3B07 BJ4 A-C1A2B10  
 BB1 A-C1A3B05  
 BB3 A-C1A3B04  
 BB5 A-C1A3B03  
 BB7 A-C1A3B02  
 BD4 A-C1A3B08  
 BF4 A-C1A2B07

LOC. TYPE  
 A-C1B2 4615

CONSOLE DATA BITS 8 10 12 14	X
KBD DATA A	C
E.C.-HISTORY	1
MACH.1131-B	1
FRAME 01	1
IBM CORP. GPD	000
DATE LAST EC	
09-02-66 419631	
IP.No. 2231410	



BR4 A-C1A5D02  
 BS4 A-C1A2D02  
 BT4 A-C1A2D04  
 BU4 A-C1A2D05  
 BV4 A-C1A2D06

LOC. TYPE  
 A-C1B2 4615  
 A-C1C2 4615

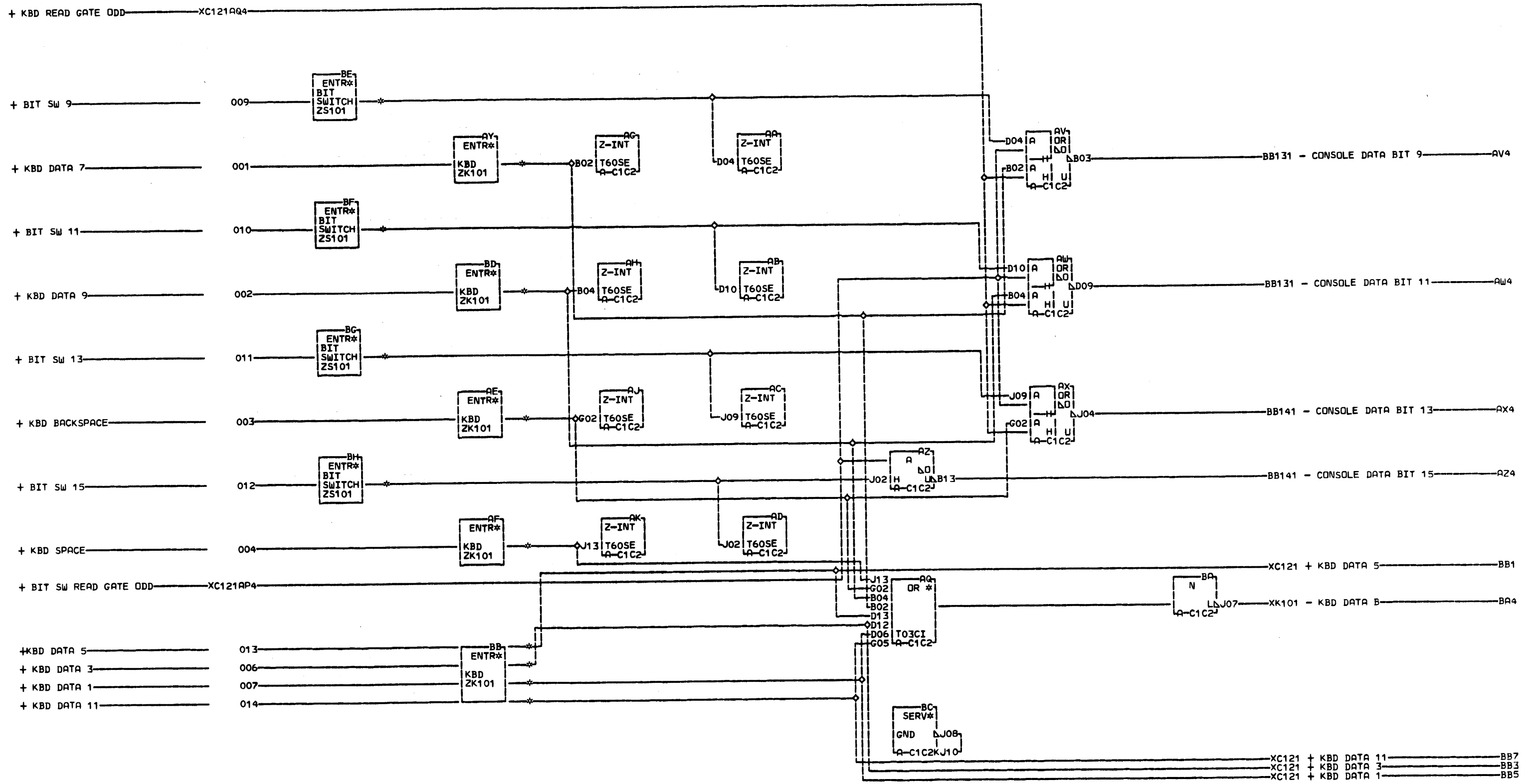
CONSOLE DSW DATA BITS 1 3 5 7	
E.C. HISTORY	MACH. 1131-B
DATE LAST EC	FRAME 01
09-02-66 419631	IBM CORP. GPD
	P. No. 2231411

XC  
1  
2  
1

000

XC  
1  
2  
1

000

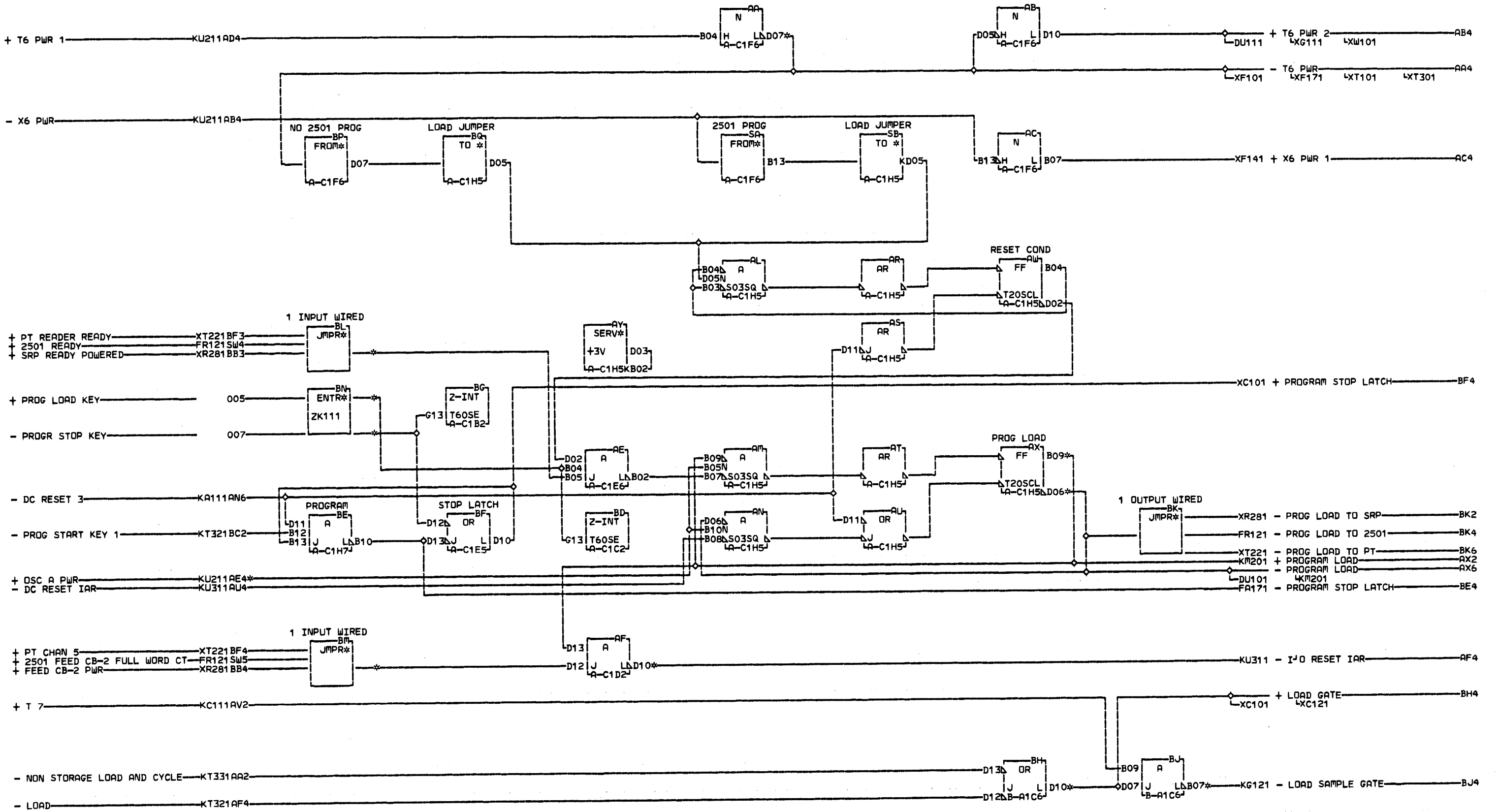


X  
C  
1  
3  
1  
000

- AE4 A-C1A3D10
- AF4 A-C1A3D11
- AY4 A-C1A3D07
- BB1 A-C1A3D06
- BB3 A-C1A3D05
- BB5 A-C1A3D04
- BB7 A-C1A3D02
- BD4 A-C1A3D09
- BE4 A-C1A2D07
- BF4 A-C1A2D09
- BG4 A-C1A2D10
- BH4 A-C1A2D11

LDC TYPE  
A-C1C2 4615

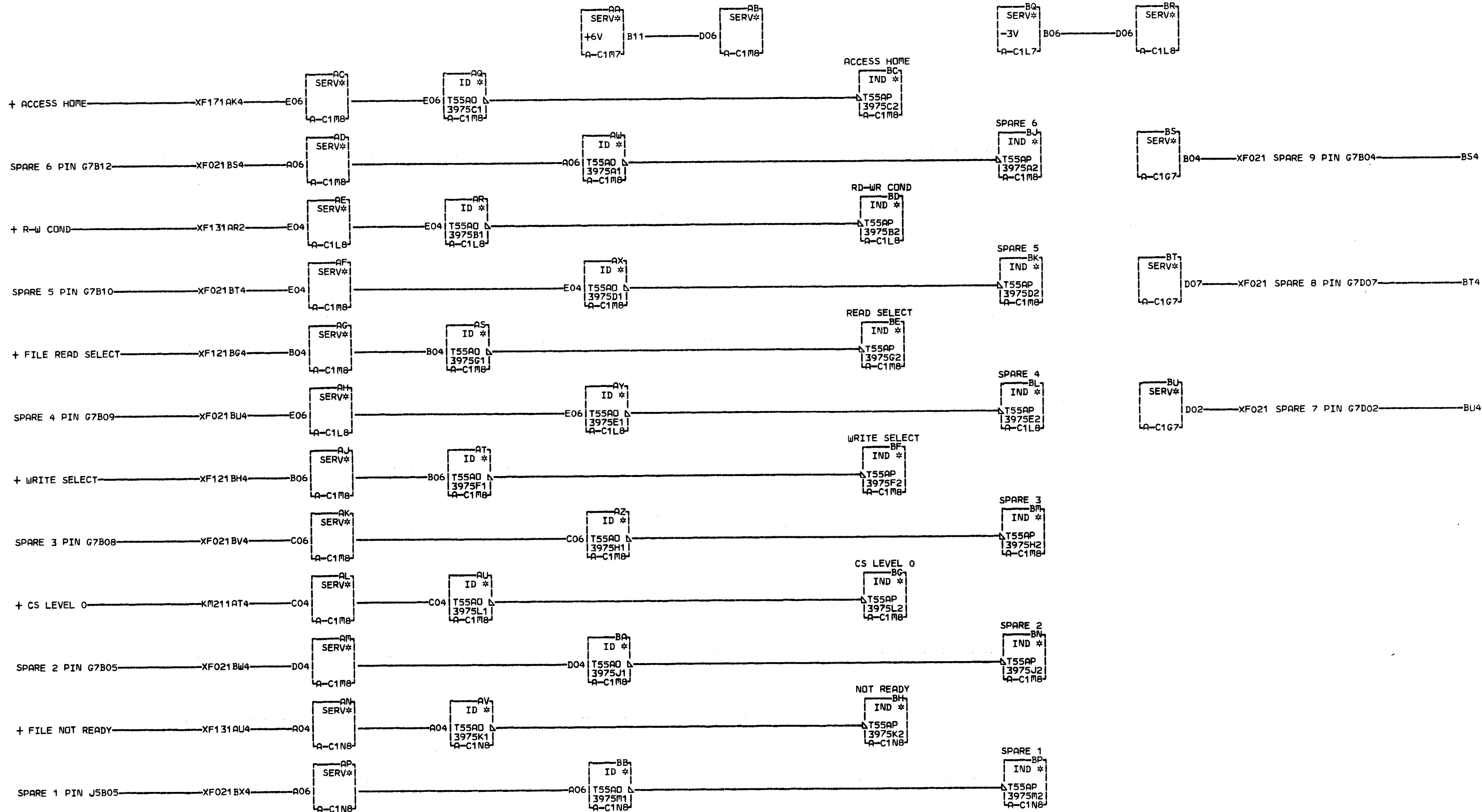
CONSOLE DATA BITS 9 11 13 15		X C 1 3 1 000
KBD DATA B		
E-C-HISTORY	MACH-1131-B	
	FRAME 01	
	IBM CORP. GPD	
DATE 09-02-66	LAST EC 419631	
	P.N. 2231412	



X	KU211AE4	01A-C1N4B08	01A-A1F8D04	BM4 A-C1C1E09
C	RESISTOR	01B-A1A6B08	BH4 B-A1A6B09	01A-B1C1E09
1	A-C1F6B05	AX2 A-C1N4D06	01A-C1N4B09	01A-C1F8B04
4	AA4 A-C1A7D02	01B-A1A6D06	BJ4 B-A1L8B06	01A-A1F8B04
1	01A-B1N7D02	AX6 B-A1A7B03	01B-B1L8B06	BN2 A-C1A5D06
	01A-C1N3D12	01A-C1N6B03	BL4 A-C1C1D09	BN6 A-C1A5D05
	01B-B1C8E04	01A-C1D1E09	01A-B1C1D09	
	AF4 A-B1N7D06	01A-B1D1E09	01A-C1F8C04	
	01A-C1A7D06	01A-C1F8D04	01A-A1F8C04	

LOC.	TYPE
A-C1B2	4615
A-C1C2	4615
A-C1D2	0000
A-C1E5	0000
A-C1E6	0000
A-C1F6	0453
A-C1H5	3794
A-C1H7	0000
B-A1C6	0000

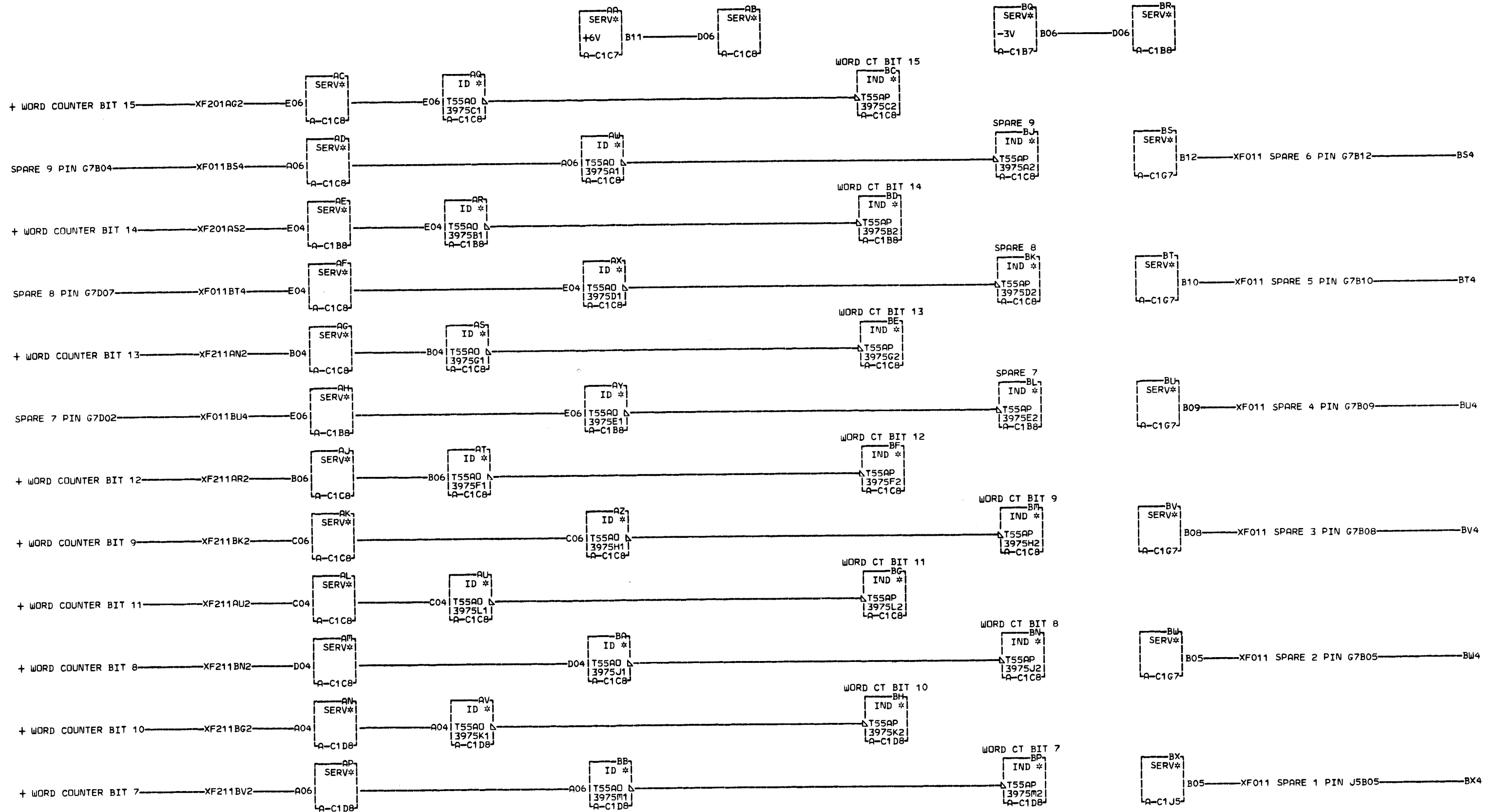
PROG LOAD	RESET COND	T6-X6	
PWR	PROG STOP LATCH		
E-C-HISTORY	MACH#1131-B		X
419626			C
419644A	FRAME	01	4
419648			1
DATE LAST EC		IBM CORP. GPD	
06-23-67	419664	PoN	2231498



NOTE 1 CARD MUST BE PLUGGED  
ON WIRE SIDE OF BOARD AT  
X SOCKET A-C1T8  
NOTE 2 SPARE LIGHTS WILL BE  
ON WHEN NOT USED  
NOTE 3 REFER TO PAGE AD002  
FOR LAYOUT OF INDICATORS

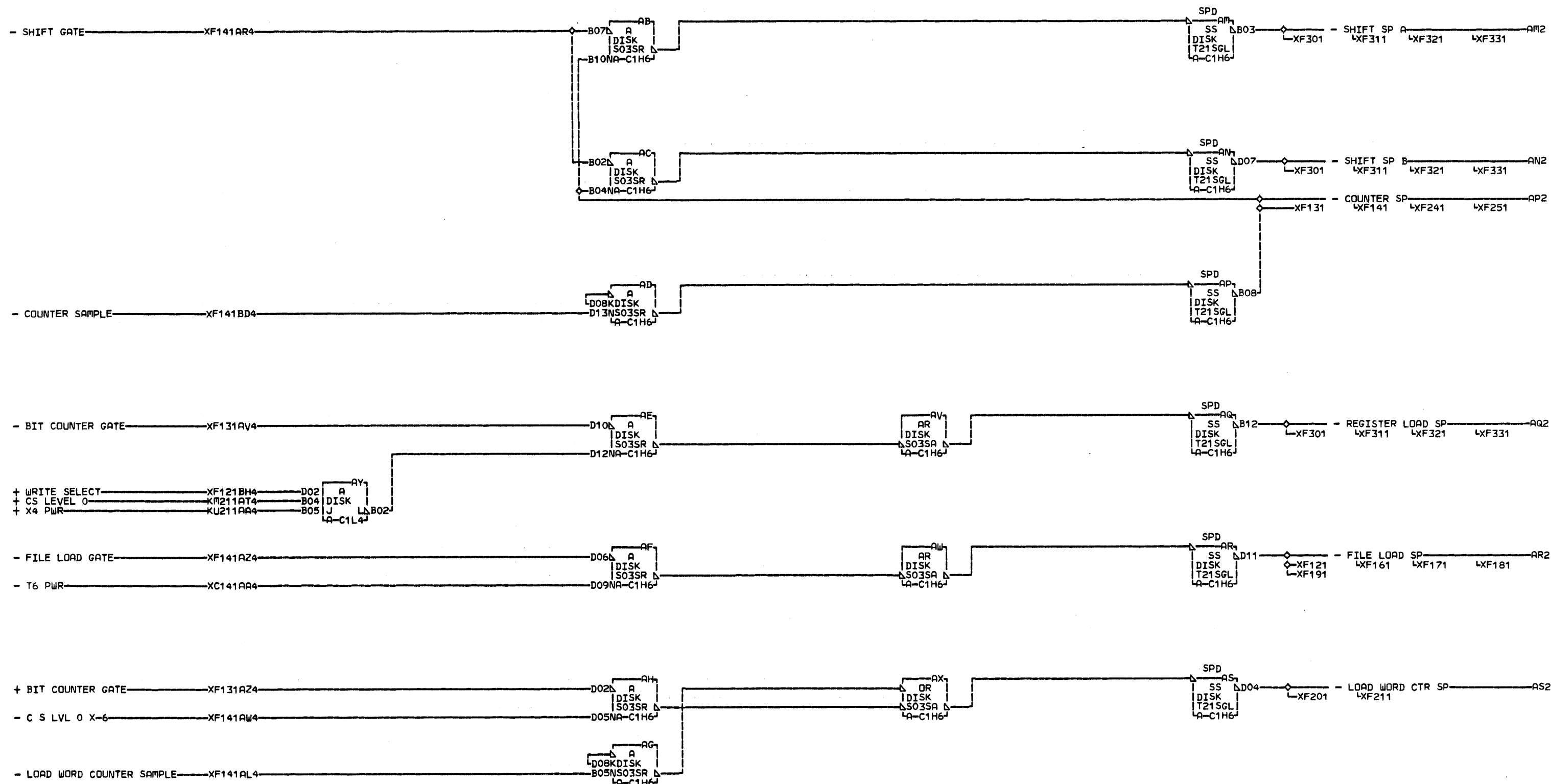
000

CE INDICATORS		MACH.1131-B	X F 0 1 1 000
DISK STATUS			
-E.C.-HISTORY		FRAME	01
		IBM CORP. SDD	
DATE	LAST EC	P.O.N. 2231990	
06-23-67	419664		



NOTE 1 CARD MUST BE PLUGGED  
ON WIRE SIDE OF BOARD AT  
X SOCKET A-C1T5  
NOTE 2 SPARE LIGHTS WILL BE  
0 ON WHEN NOT USED  
NOTE 3 REFER TO PAGE AD002  
1 FOR LAYOUT OF INDICATORS

CE INDICATORS		X F 0 2 1
DISK WC BITS 7-15		
E•C•-HISTORY	MACH•1131-B	000
DATE LAST EC	FRAME 01	
106-23-67 419664	IBM CORP. SDD	
	IP•N• 2231991	

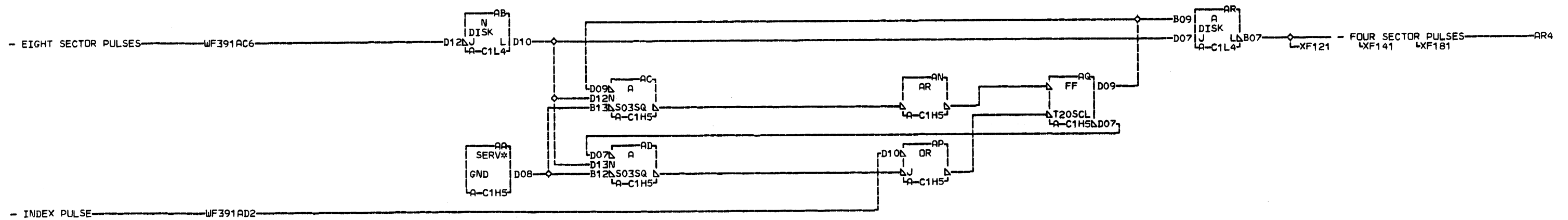
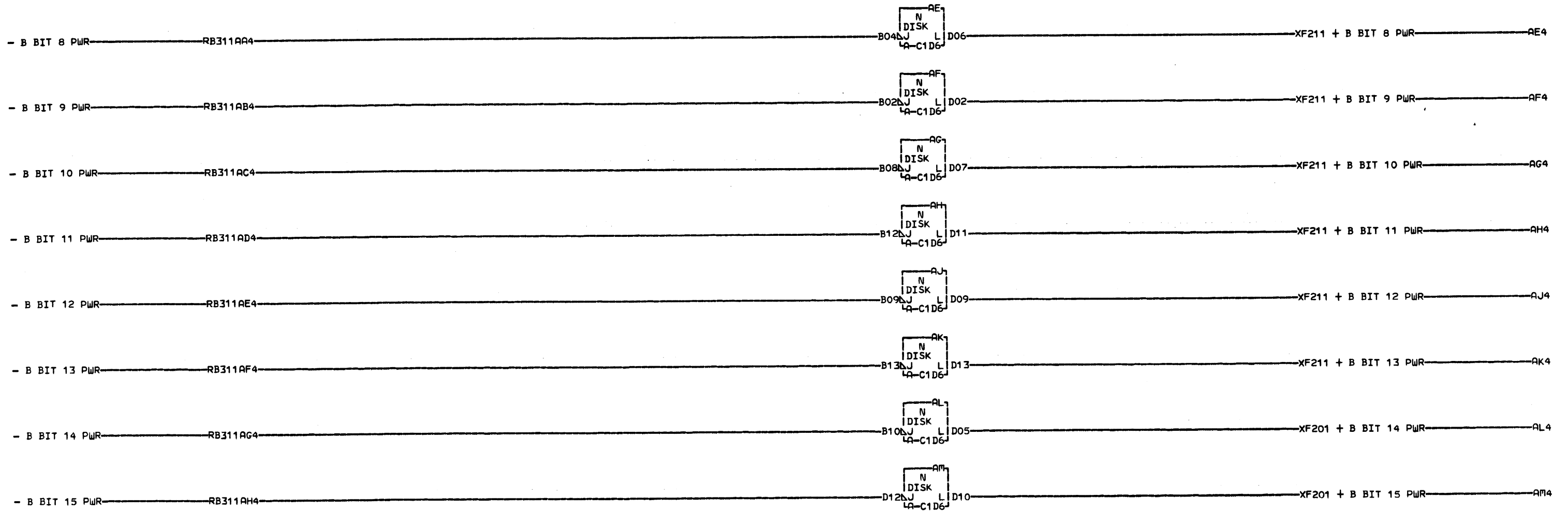


XF101

LOC. TYPE  
A-C1H6 3757  
A-C1L4 0000

FILE SHIFT SP	COUNTER SP	X F 1 0 1
LOAD WORD CTR SP	FILE LOAD SP	
E•C•-HISTORY		MACH•1131-B
FRAME		01
DATE LAST EC		IBM CORP. GPD
109-02-66 419631		P•N. 2231413



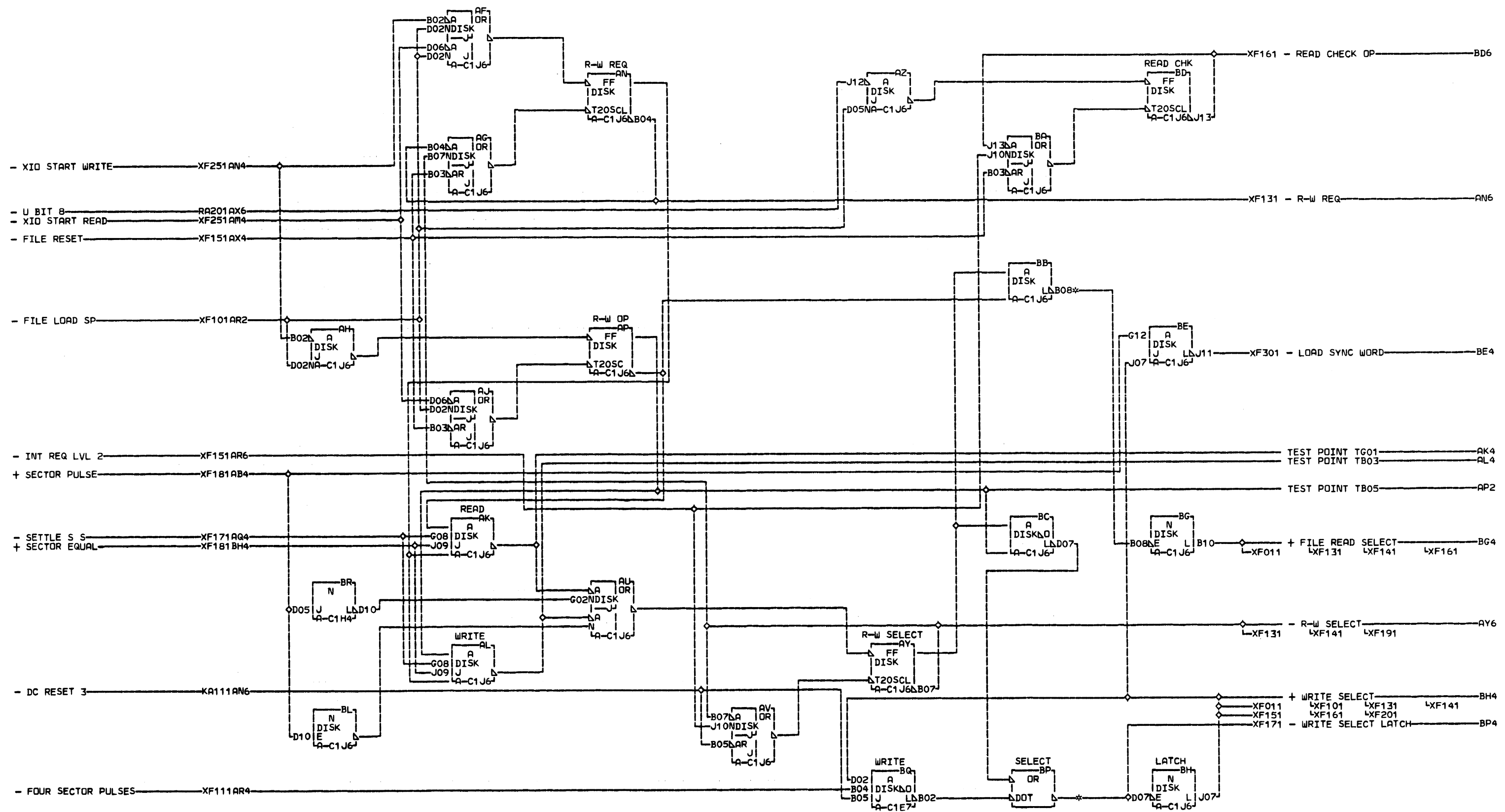


X  
F  
1  
1  
1

000

LOC. TYPE  
A-C1D6 3016  
A-C1H5 3794  
A-C1L4 0000

B REGISTER INVERTERS			
SECTOR PULSE FILTER			
E.C. HISTORY	MACH. 1131-B		X
419631			F
	FRAME	01	1
	IBM CORP. GPD		1
DATE	LAST EC		000
103-10-67	419648	P.No. 2231414	

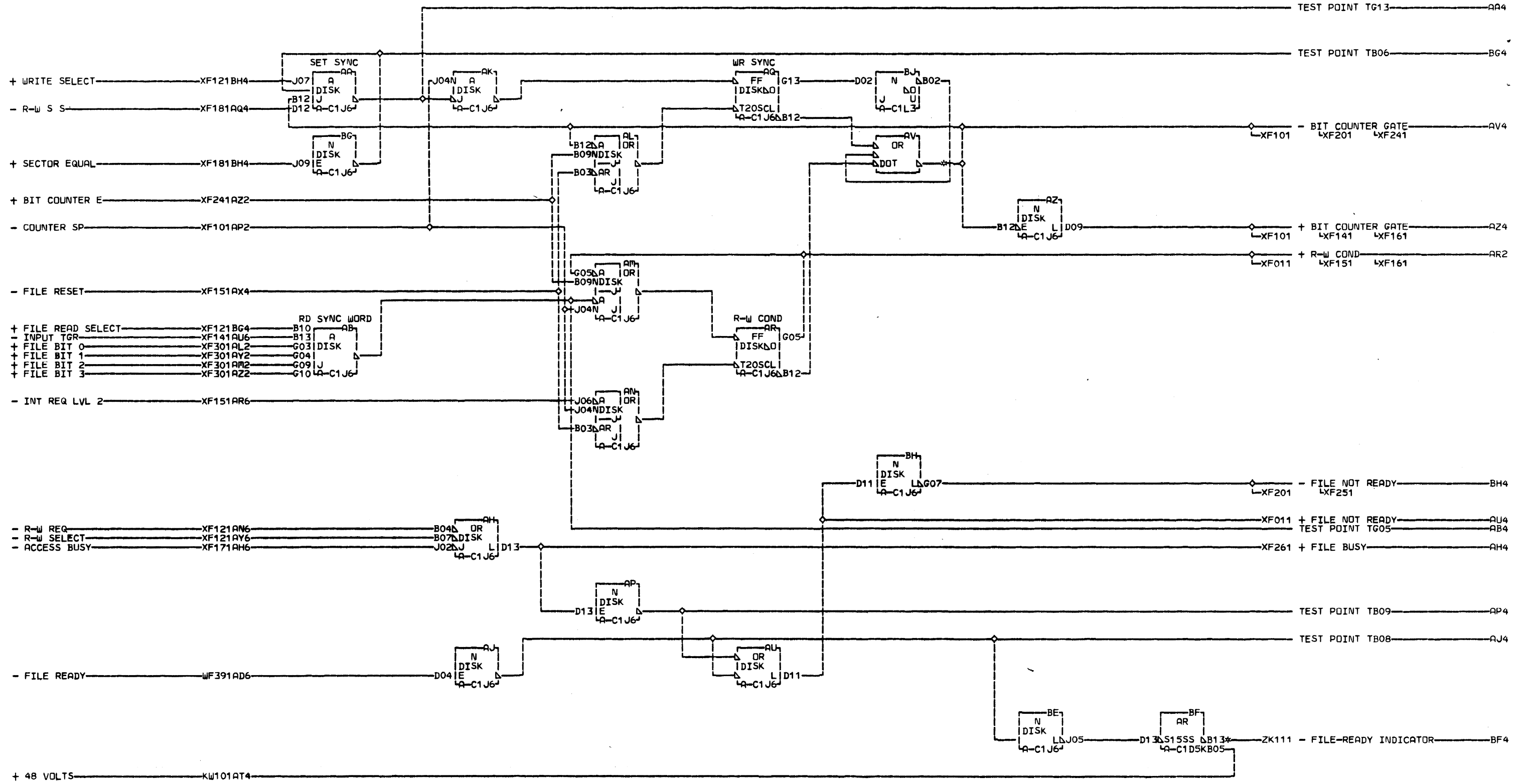


BB4 RESISTOR  
A-C1J6B08  
BP4 RESISTOR  
A-C1J6D07

LOC. TYPE  
A-C1E7 0000  
A-C1H4 3421  
A-C1J6 6217

FILE R-W SEL R-W REQ			
READ CHK OP LOAD SYNC WORD			
E.C. HISTORY	MACH. 1131-B		
419631			
419648	FRAME	01	
419664			
DATE	LAST EC	IBM CORP.	GPD
101-26-68	419689	IP. N.	2231214

X  
F  
1  
2  
1  
000

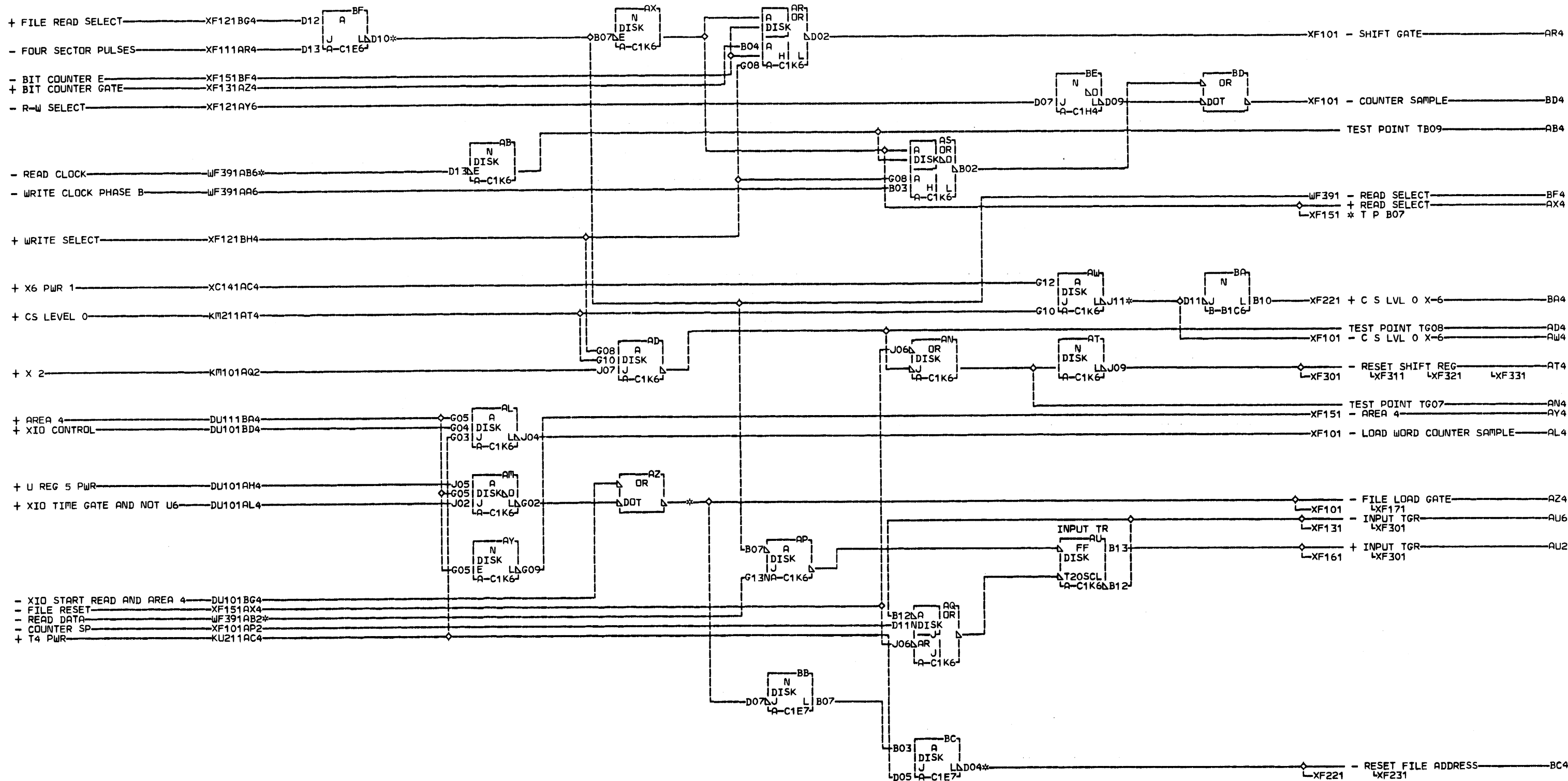


X  
F  
1  
3  
1

AV4 RESISTOR  
A-C1J6B12  
BF4 A-C1A5D11

LDC. TYPE  
A-C1D5 3819  
A-C1J6 6217  
A-C1L3 0238

FILE R-W COND	WRITE SYNC			
BIT CTR GATE	BUSY NOT RDY			
E.C. HISTORY	MACH. 1131-B			X
419631				1
419648	FRAME	01		3
419664				1
419689	IBM CORP. GPD			
DATE	LAST EC			000
01-24-69	419695		P.N. 2231215	

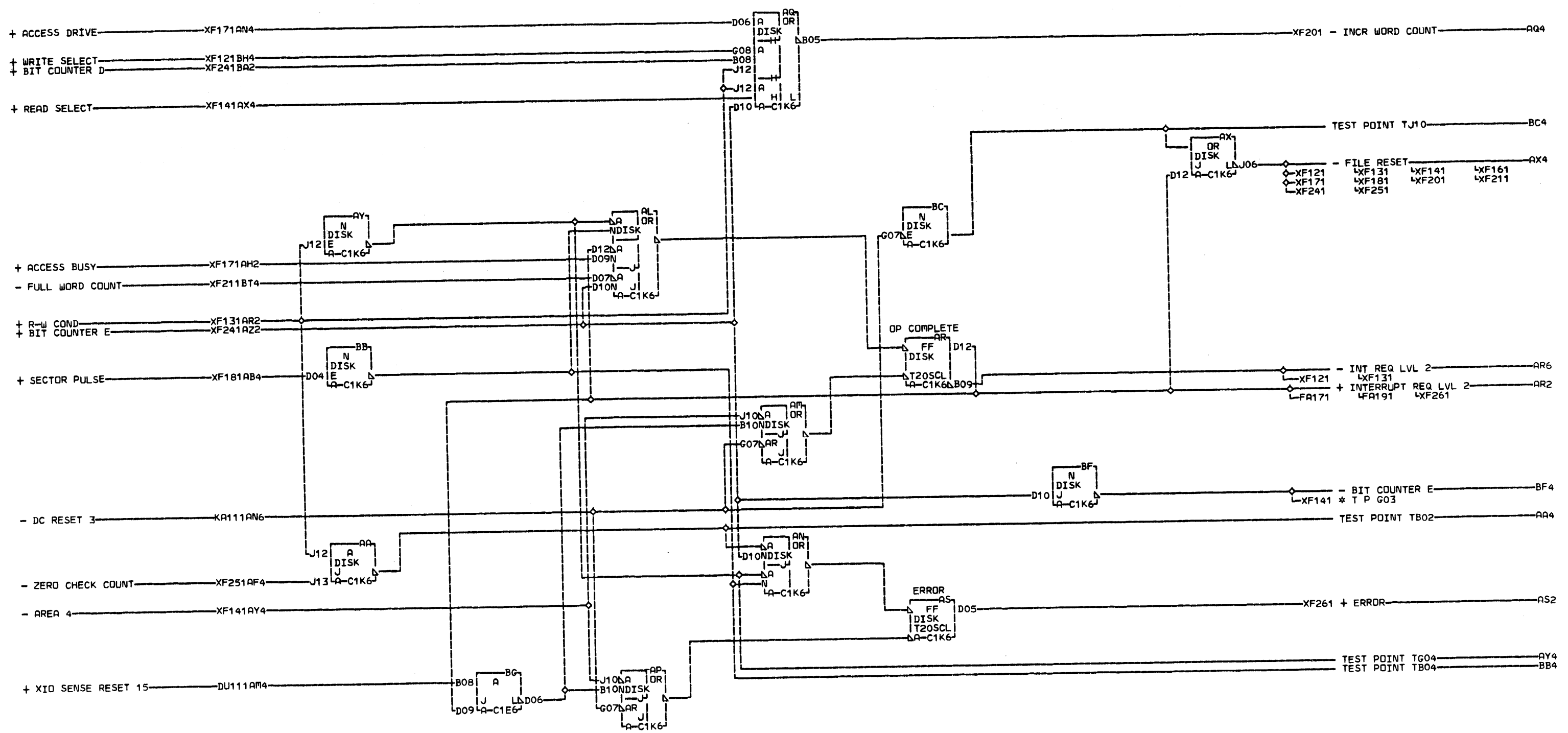


XF141  
000

WF391AB2 01B-B1N6D12  
RESISTOR BC4 A-C1N2D13  
A-C1K6G13 01B-B1N5D13  
WF391AB6 BF4 A-C1N7B09  
RESISTOR  
A-C1K6D13  
AW4 A-C1N2D12  
01B-B1N5D12  
A24 A-C1B6D12

LDC. TYPE  
A-C1E6 0000  
A-C1E7 0000  
A-C1H4 3421  
A-C1K6 6218  
B-B1C6 3686

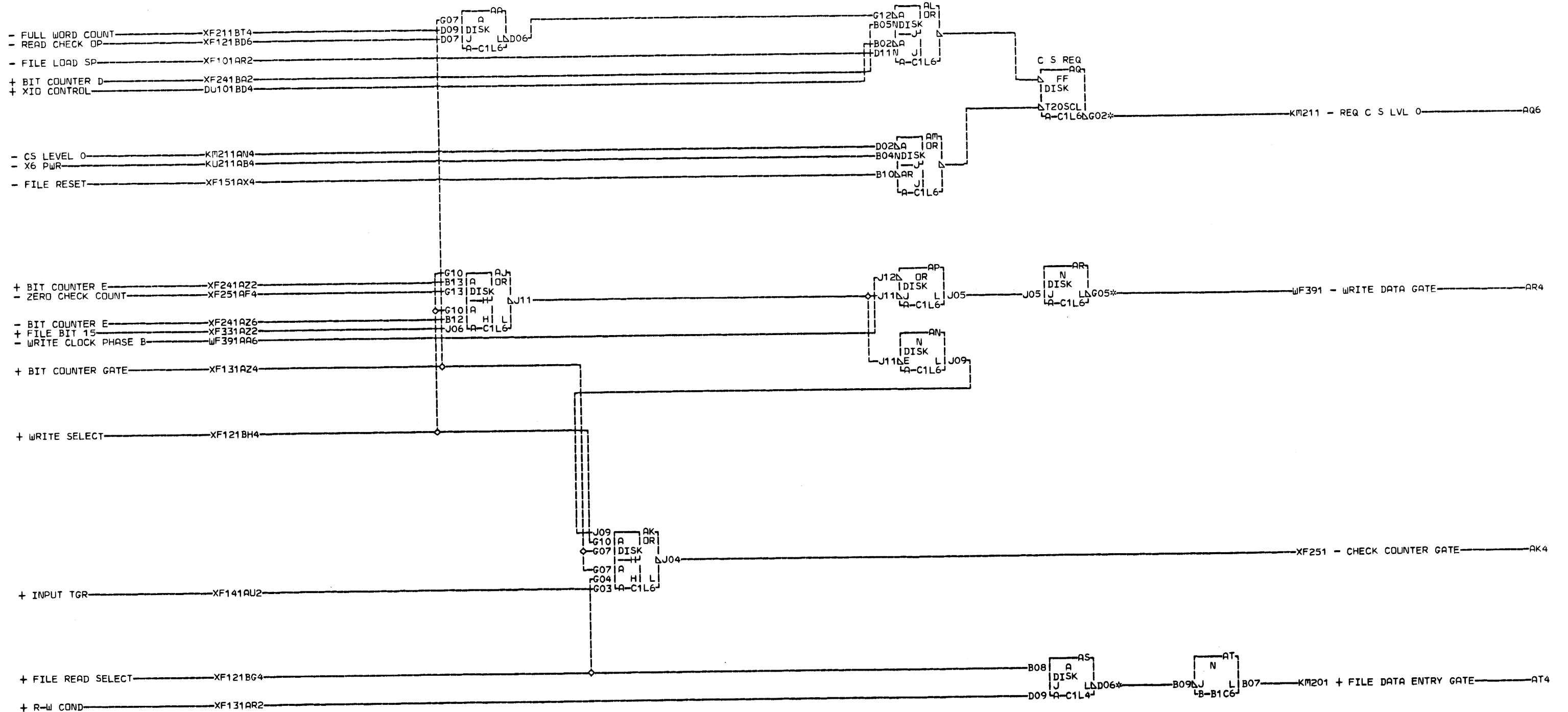
FILE SHIFT GATE	COUNTER SPL	X
RESET SHIFT REG	INPUT TGR	F
E.C. HISTORY	MACH. 1131-B	1
419631	FRAME	01 4
419648		1
DATE	LAST EC	000
01-26-68	419689	
	IP. N. 2231216	



LOC. TYPE  
 A-C1E6 0000  
 A-C1K6 6218

FILE ERROR	INT REQ LVL 2	X F 1 5 1
FILE RESET	INCR WORD COUNT	
E.C. HISTORY	MACH. 1131-B	000
419631	FRAME 01	
DATE	LAST EC	IBM CORP. GPD
101-26-68	419689	
	P.N. 2231217	

X  
F  
1  
5  
1  
  
000

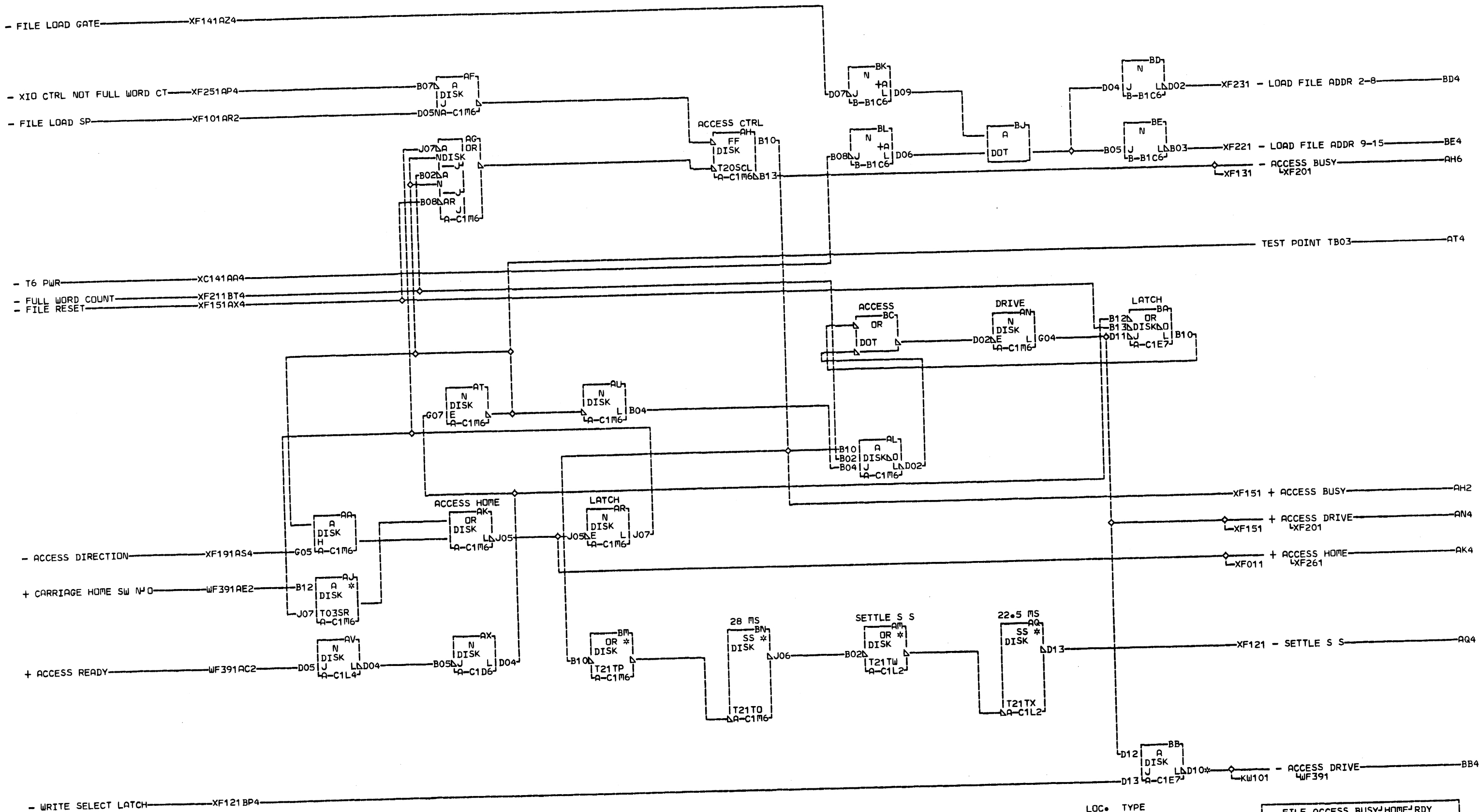


X  
F  
1  
6  
1  
000

AQ6 A-C1N4B07  
01B-A1A6B07  
AR4 A-C1N7B13  
AS4 A-C1N3B12  
01B-B1C8E06

LOC. TYPE  
A-C1L4 0000  
A-C1L6 6219  
B-B1C6 3686

FILE WRITE DATA GATE	CHK	X
COUNTER GATE	REQ CS LVL 0	F
E-C-HISTORY	MACH.1131-B	1
	FRAME	01
	IBM CORP. GPD	1
DATE	LAST EC	000
09-02-66	419631	
	P.N. 2231218	



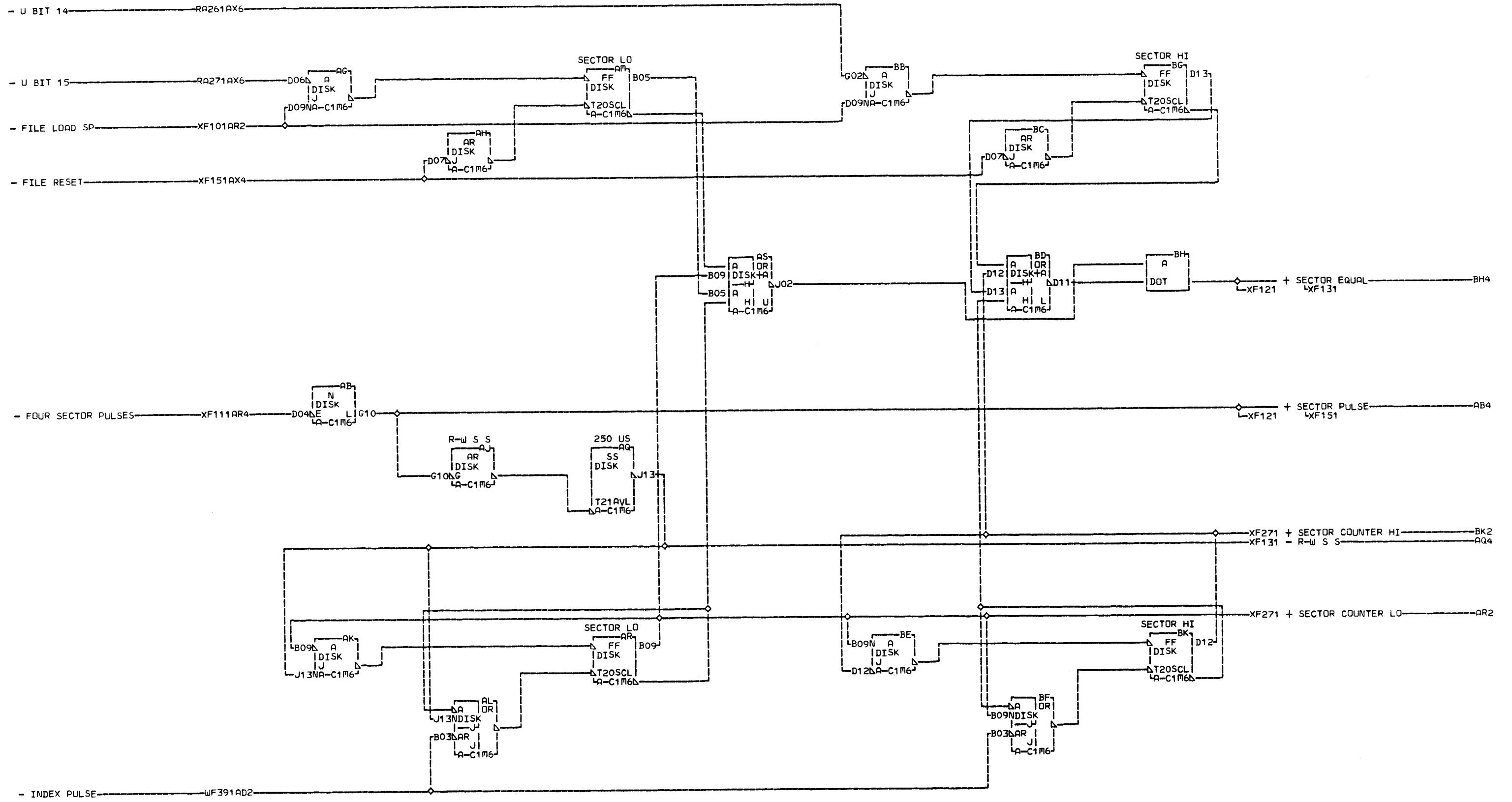
BB4 A-C1N7D04

X  
F  
1  
7  
1

000

LOC.	TYPE
A-C1D6	3016
A-C1E7	0000
A-C1L2	7509
A-C1L4	0000
A-C1M6	6220
B-B1C6	3686

FILE ACCESS BUSY HOME RDY		X
ACCESS GO	SETTLE S S	F
E-C-HISTORY	MACH-1131-B	1
419631		7
419648	FRAME	1
419664		7
	IBM CORP. GPD	
DATE LAST EC	PoN. 2231219	000
01-26-68 419689		

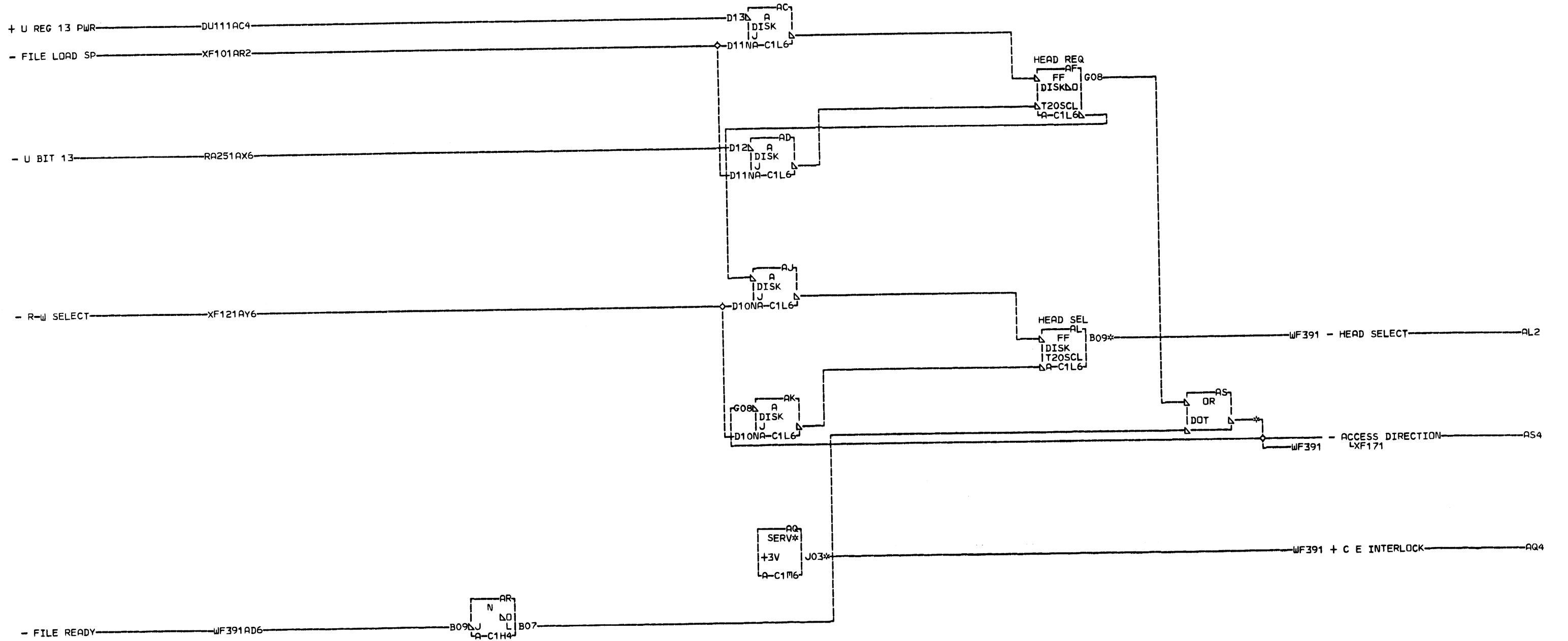


LOC. TYPE  
A-C1M6 6220

FILE SECTOR COUNTER		MACH. 1131-B	X F 1 8 1
R-W S S	SECTOR EQUAL		
E.C. HISTORY		FRAME	01
		IBM CORP. GPD	000
DATE	LAST EC	P.N. 2231415	
09-02-66	419631		

X  
F  
1  
8  
1  
  
000

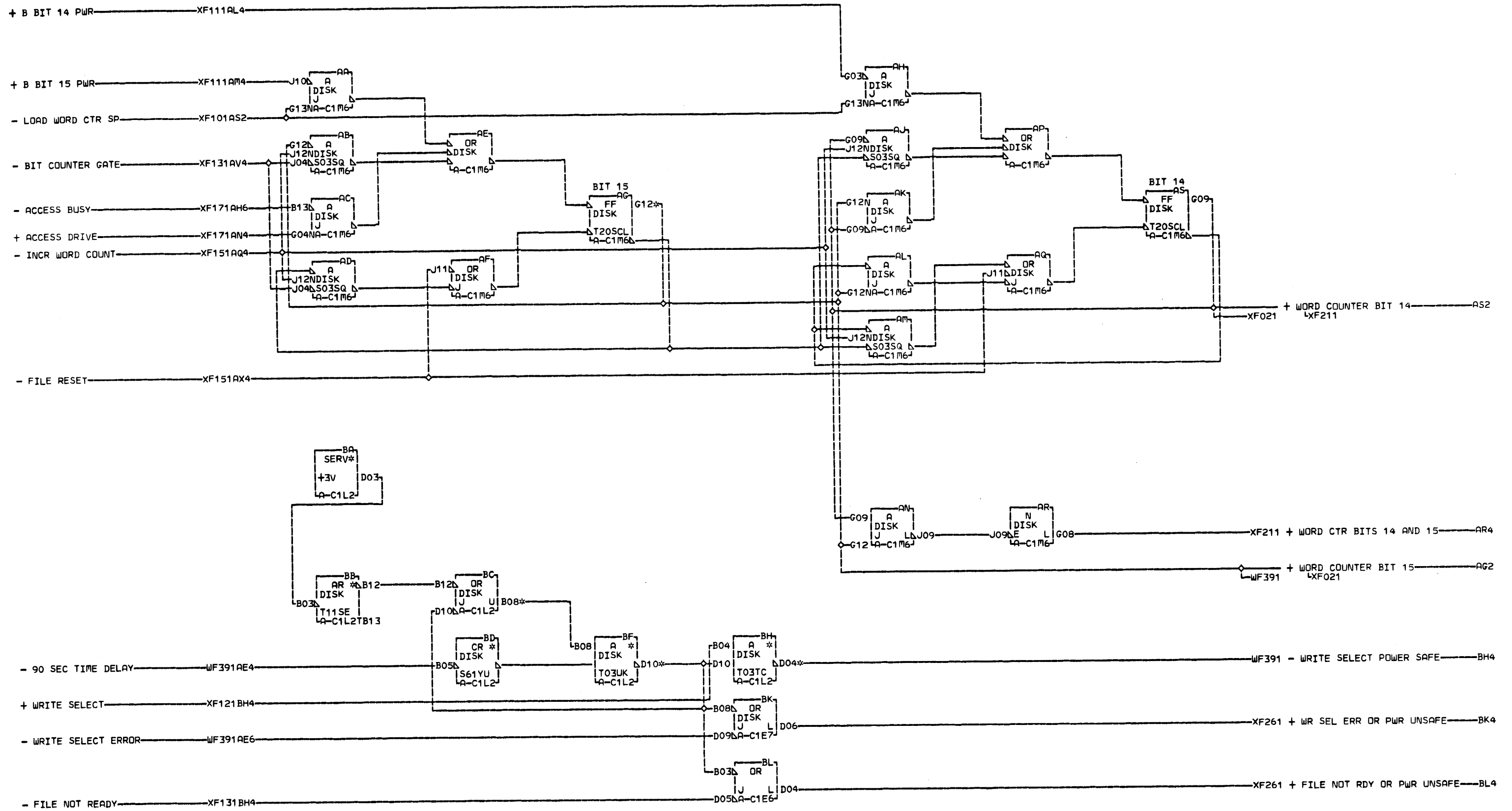




AL2 A-C1N7D09  
 AQ4 A-C1N7D07  
 AS4 A-C1N7B04

LOC. TYPE  
 A-C1H4 3421  
 A-C1L6 6219

FILE HEAD SELECT		X F 1 9 1
ACCESS DIRECTION		
-E-C-HISTORY	MACH#1131-B	
	FRAME 01	
	IBM CORP. GPD	
DATE LAST EC	P#N# 2231221	000
09-02-66 419631		

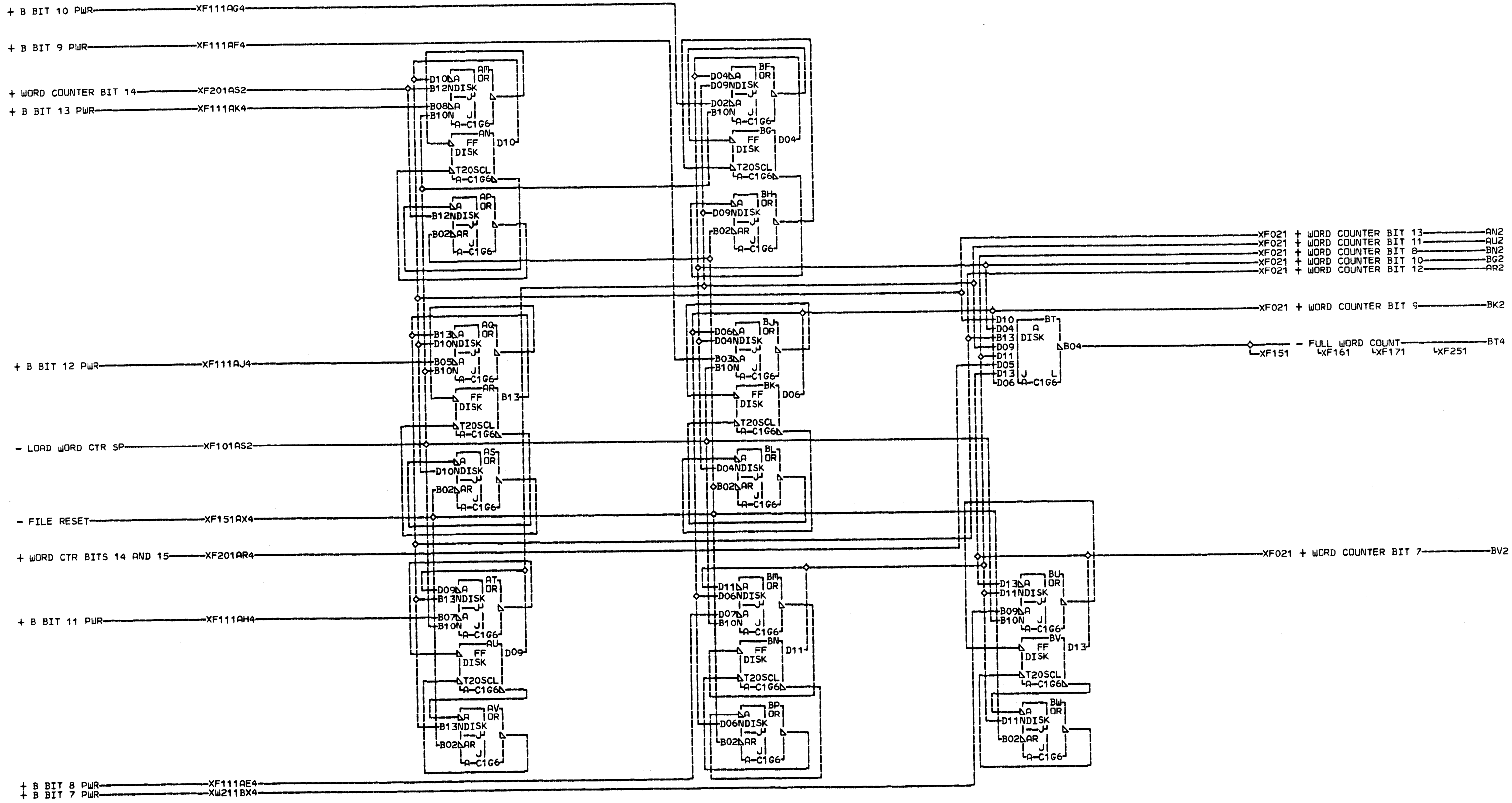


X  
2  
0  
1  
000

AG2 A-C1N7B10  
BC4 RESISTOR  
A-C1L2B08  
BF4 RESISTOR  
A-C1L2D10  
BH4 A-C1N7D11  
01A-C1N7D10  
RESISTOR  
A-C1L2D04

LOC. TYPE  
A-C1E6 0000  
A-C1E7 0000  
A-C1L2 7509  
A-C1M6 6220

FILE WORD COUNT REGISTER			
STEP MODE		MACH.1131-B	
-E.C.-HISTORY		FRAME	01
419631			0
419648			1
DATE	LAST EC	IBM CORP.	GPD
06-23-67	419664	P.N.	2231222

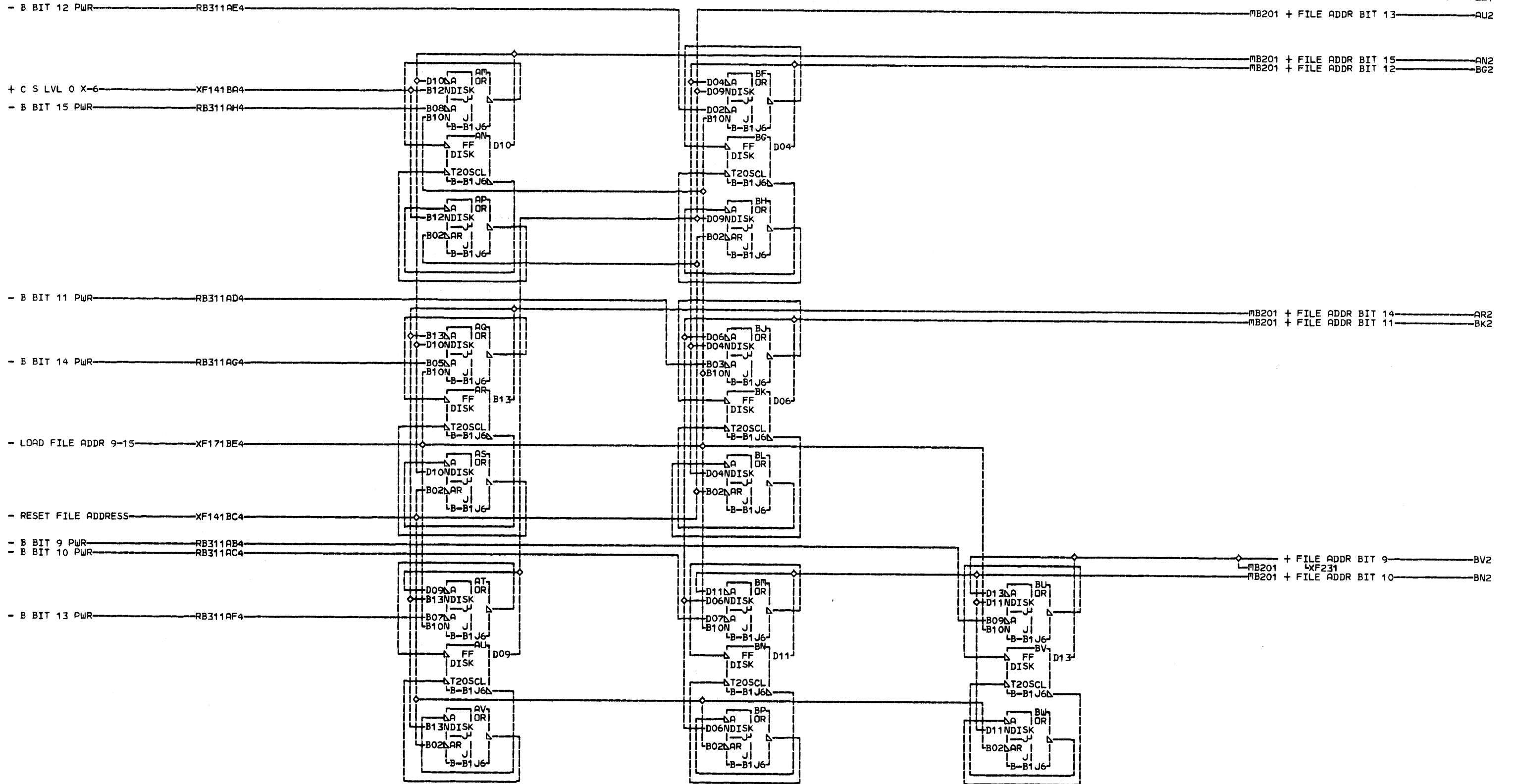


LOC. TYPE  
A-C1G6 3793

FILE WORD COUNT REGISTER	
E.C. HISTORY 419631	MACH. 1131-B FRAME 01
DATE LAST EC 06-23-67 419664	IBM CORP. GPD P.N. 2231223

XF211  
000

XF211  
000

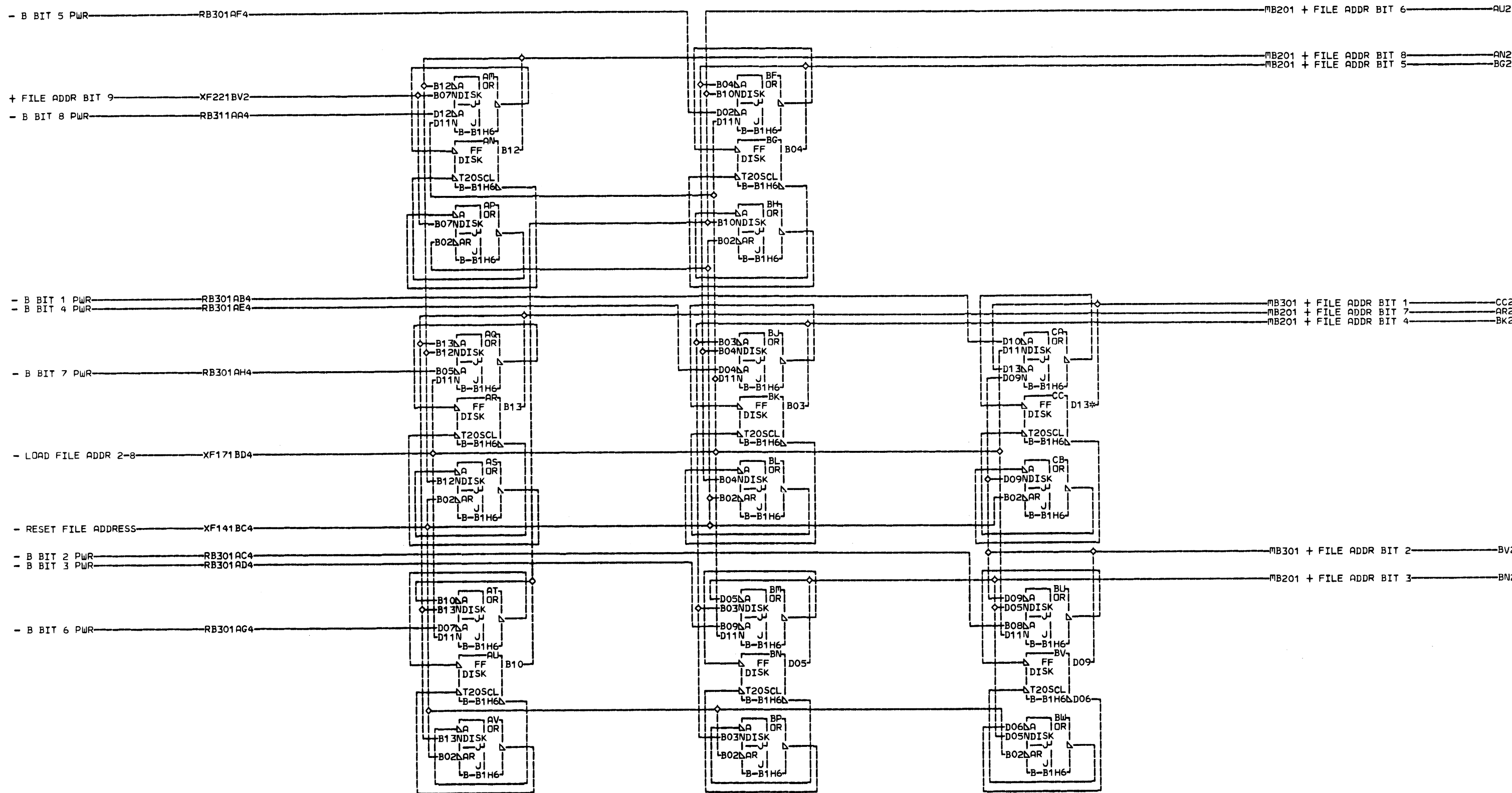


LOC. TYPE  
B-B1J6 3793

FILE CORE ADDRESS REGISTER	
BITS 9-15	
-E.C.-HISTORY	MACH.1131-B
	FRAME 01
	IBM CORP. GPD
DATE LAST EC	P.No. 2231416
09-02-66 419631	

XF221

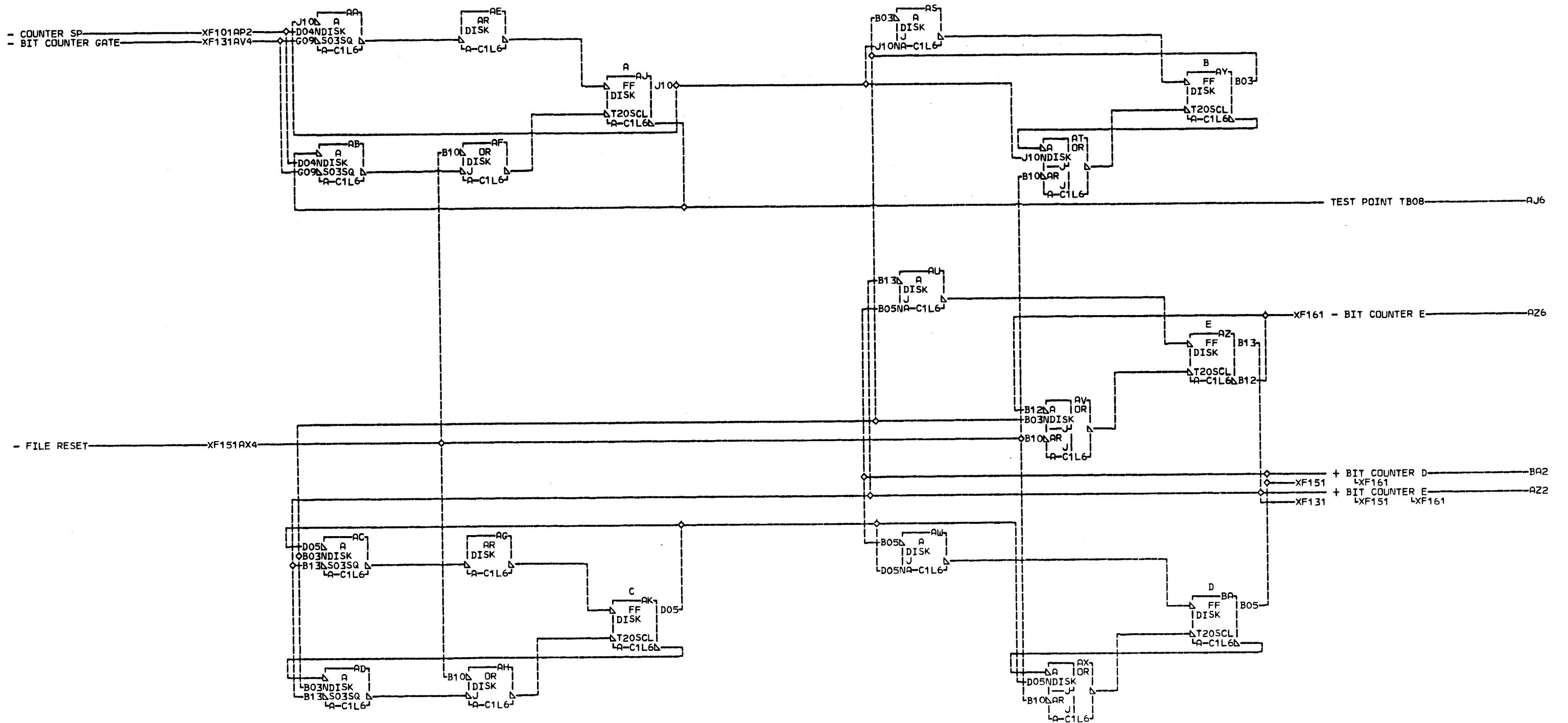
XF221



CC2 B-B1H1A11  
 01B-C1H1A11

LOC. TYPE  
 B-B1H6 3796

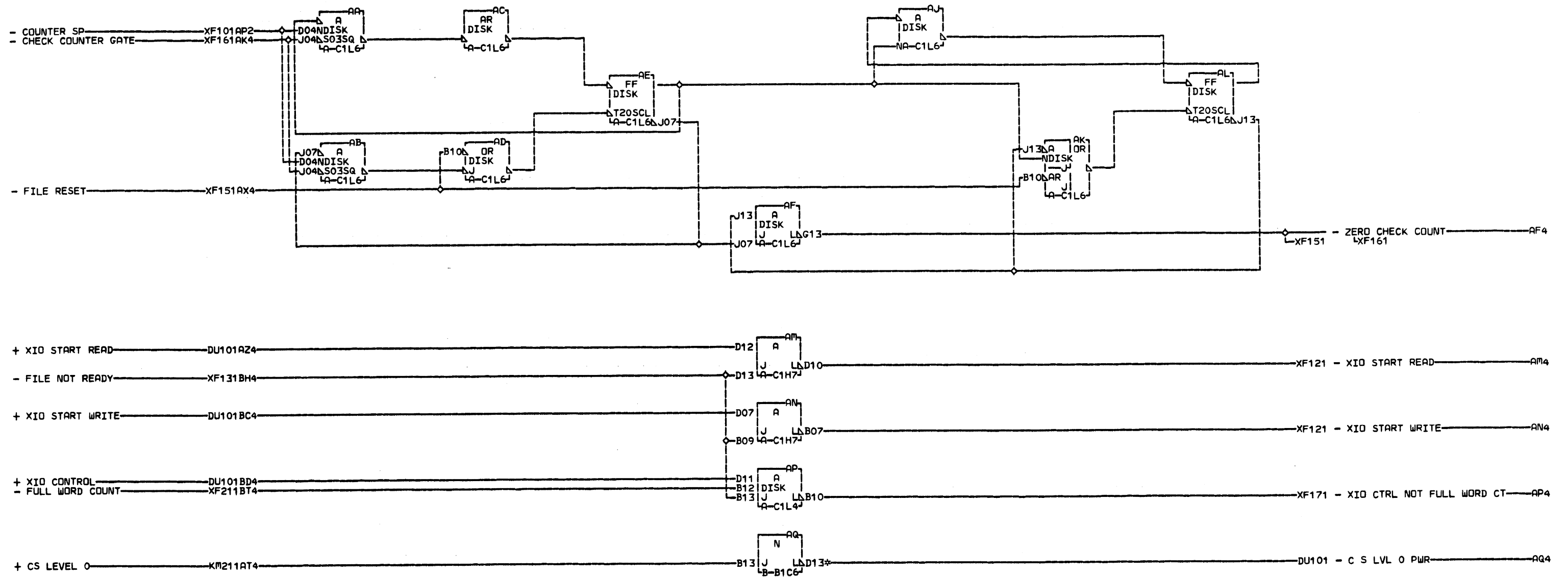
FILE CORE ADDRESS REGISTER BITS 1-8		
E.C. HISTORY	MACH.1131-B	
419631		
419644	FRAME	01
419644A		
419648	IBM CORP. GPD	
DATE	LAST EC	
06-23-67	419664	
	P.N. 2231417	



LOC. TYPE  
A-C1L6 6219

FILE BIT COUNTER	
-E.C.-HISTORY-	MACH.1131-B
	FRAME 01
	IBM CORP. GPD
DATE LAST EC	P.N. 2231418
109-02-66 419631	

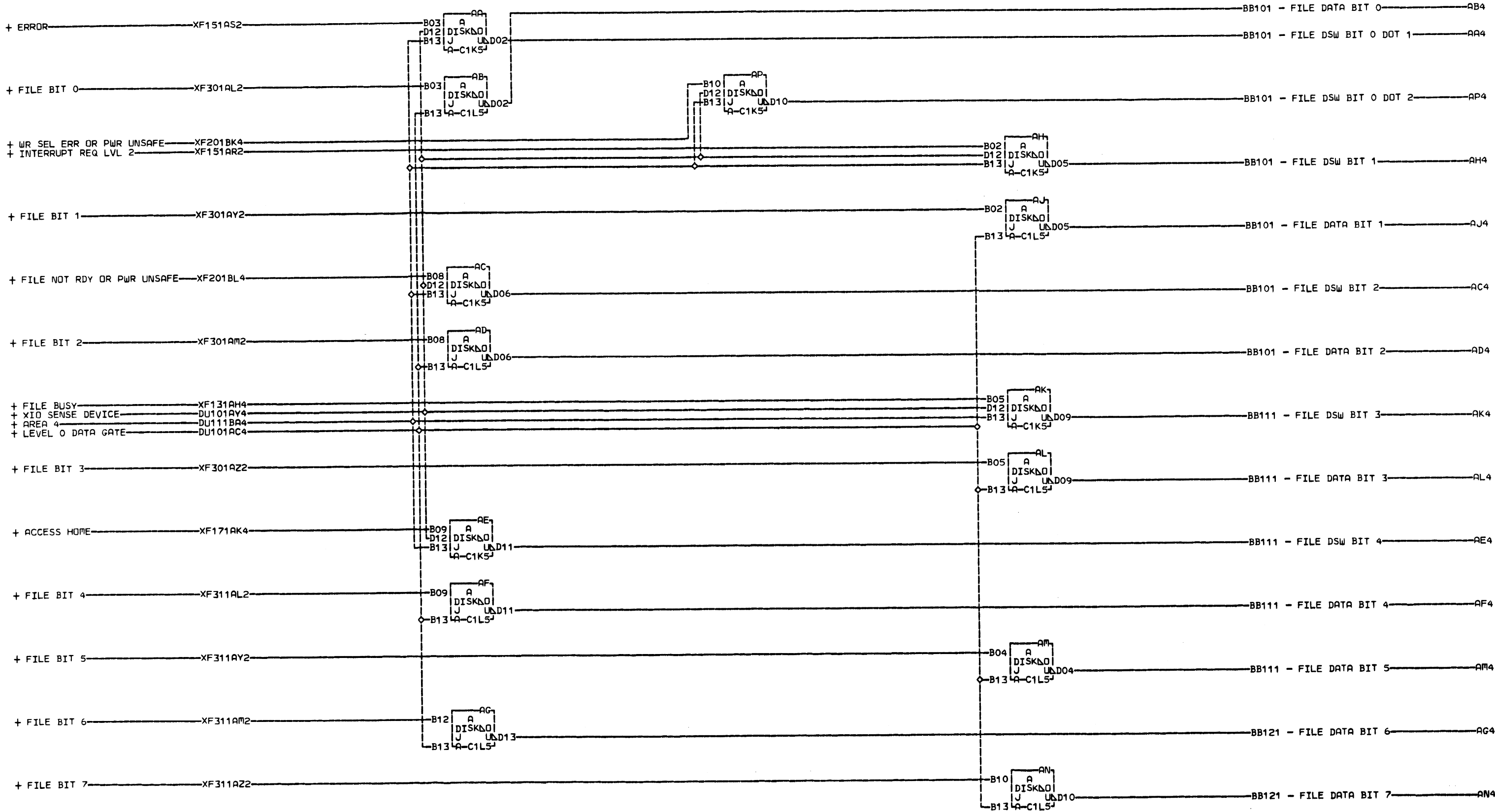
X  
F  
2  
4  
1  
  
000



AQ4 B-B1N5B12  
01A-C1N2B12

LOC. TYPE  
A-C1H7 0000  
A-C1L4 0000  
A-C1L6 6219  
B-B1C6 3686

FILE CHECK COUNTER		X F 2 5 1
XIO INVERTERS		
-E.C.-HISTORY	MACH.1131-B	000
	FRAME 01	
	IBM CORP. GPD	
DATE 09-02-66	LAST EC 419631	P.N. 2231227



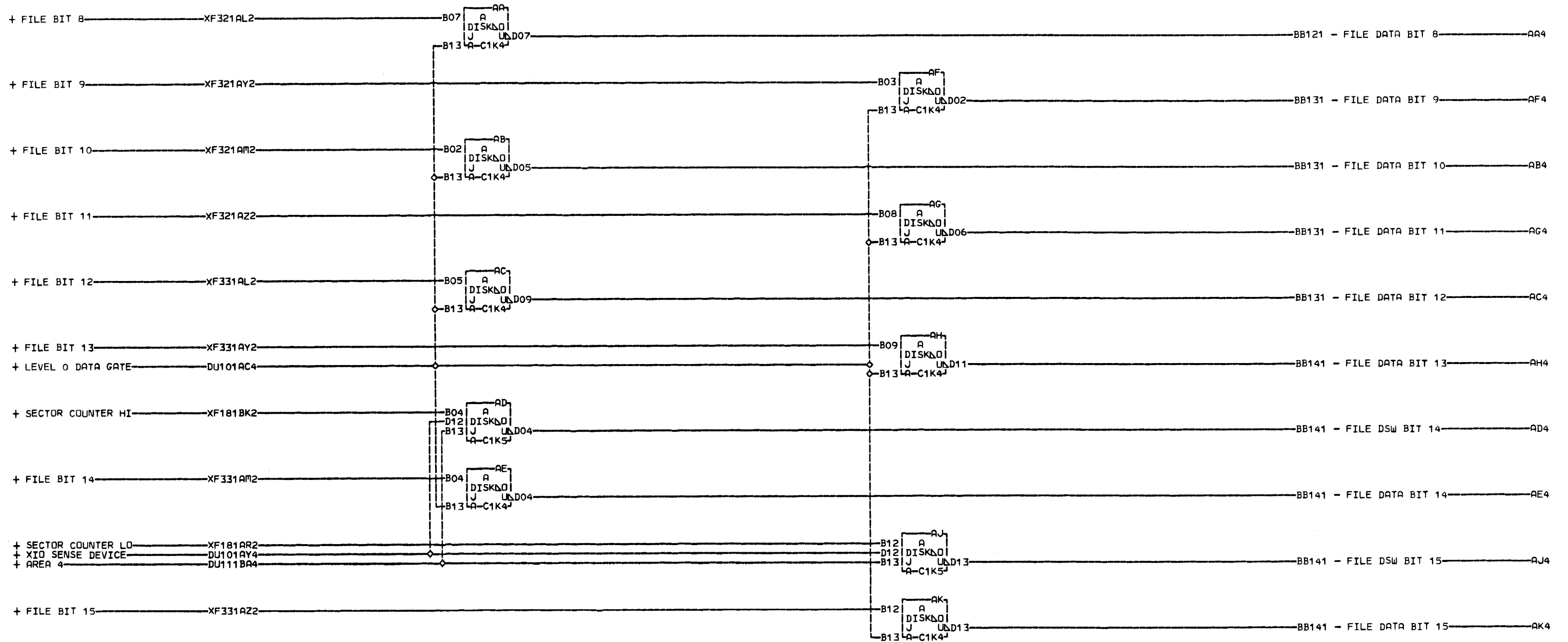
X  
F  
2  
6  
1  
000

LQC. TYPE  
A-C1K5 302B  
A-C1L5 302B

FILE INPUT BUSS ASSEMBLY	
BITS 0-7	
E.C. HISTORY	MACH. 1131-B
419631	FRAME 01
DATE LAST EC	IBM CORP. GPD
03-10-67 419648	P.N. 2231419

X  
F  
2  
6  
1  
000

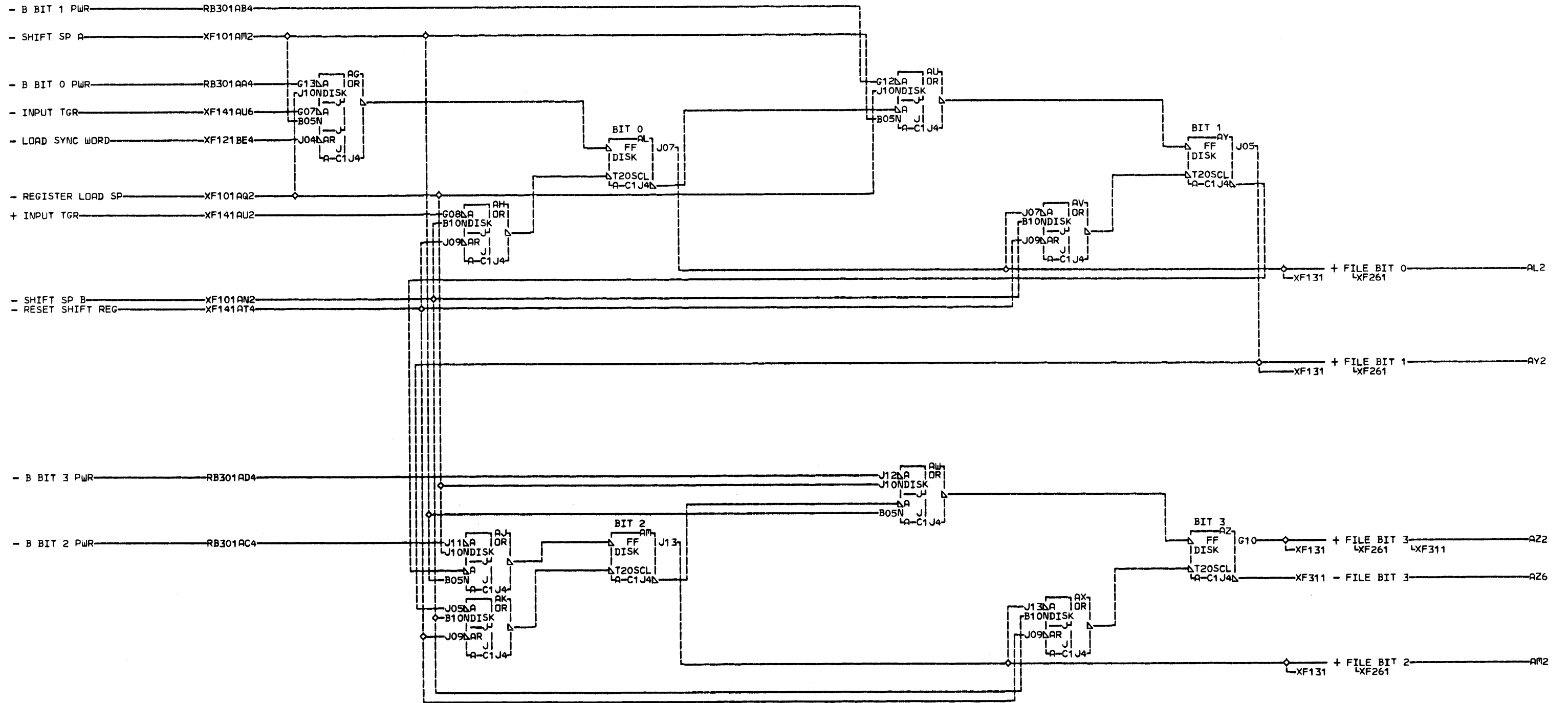




XF271  
000

LOC. TYPE  
A-C1K4 3028  
A-C1K5 3028

FILE INPUT BUSS ASSEMBLY		X F 2 7 1
BITS 8-15		
E.C.-HISTORY	MACH.1131-B	011
DATE	LAST EC	
09-02-66	419631	IBM CORP. GPD
		P.N. 2231420

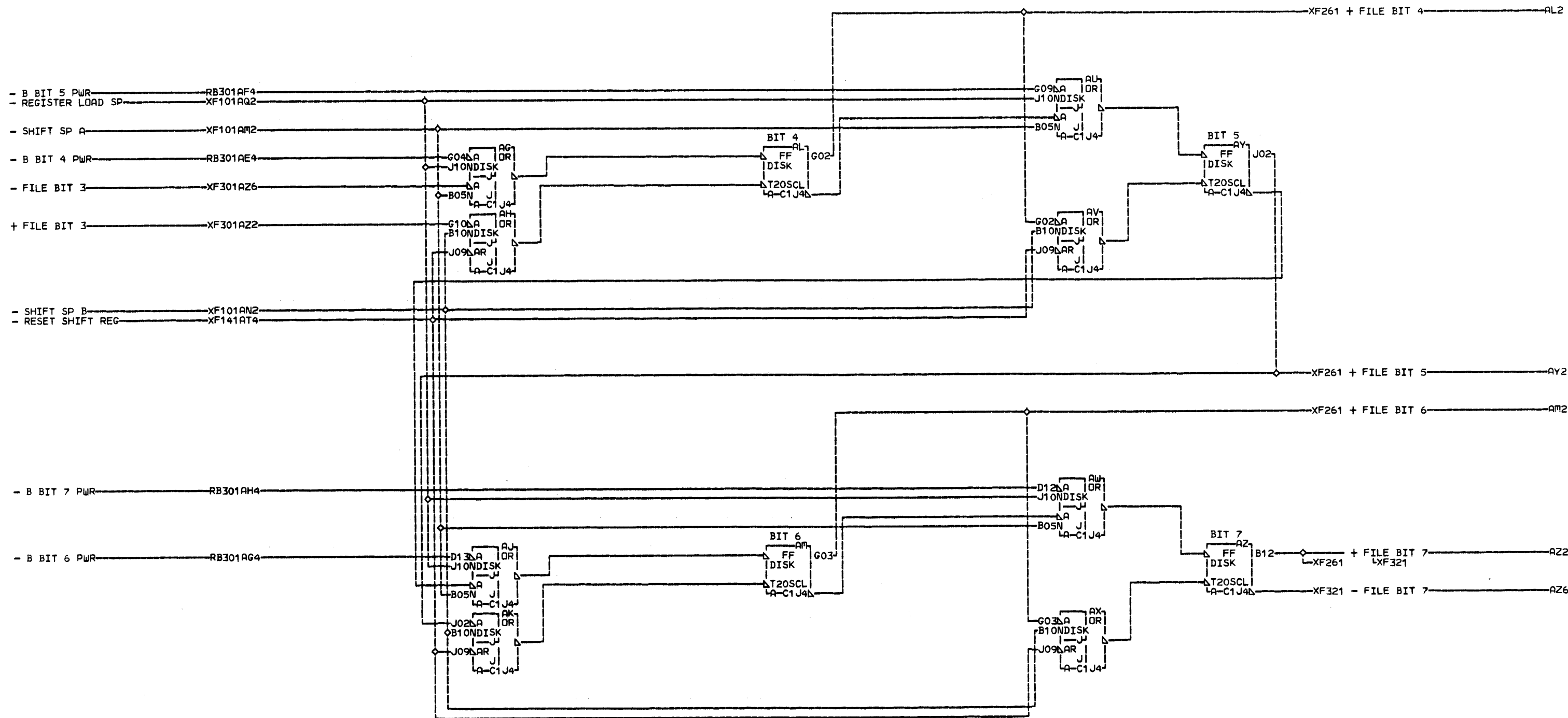


LOC. TYPE  
A-C1J4 4628

FILE DATA REGISTER		MACH#1131-B	01
BITS 0-3			
-E.C.-HISTORY		IBM CORP. GPD	
DATE	LAST EC	P.N.	2231421
09-02-66	419631		

XF301  
000

XF301  
000



LDC TYPE  
A-C1J4 4628

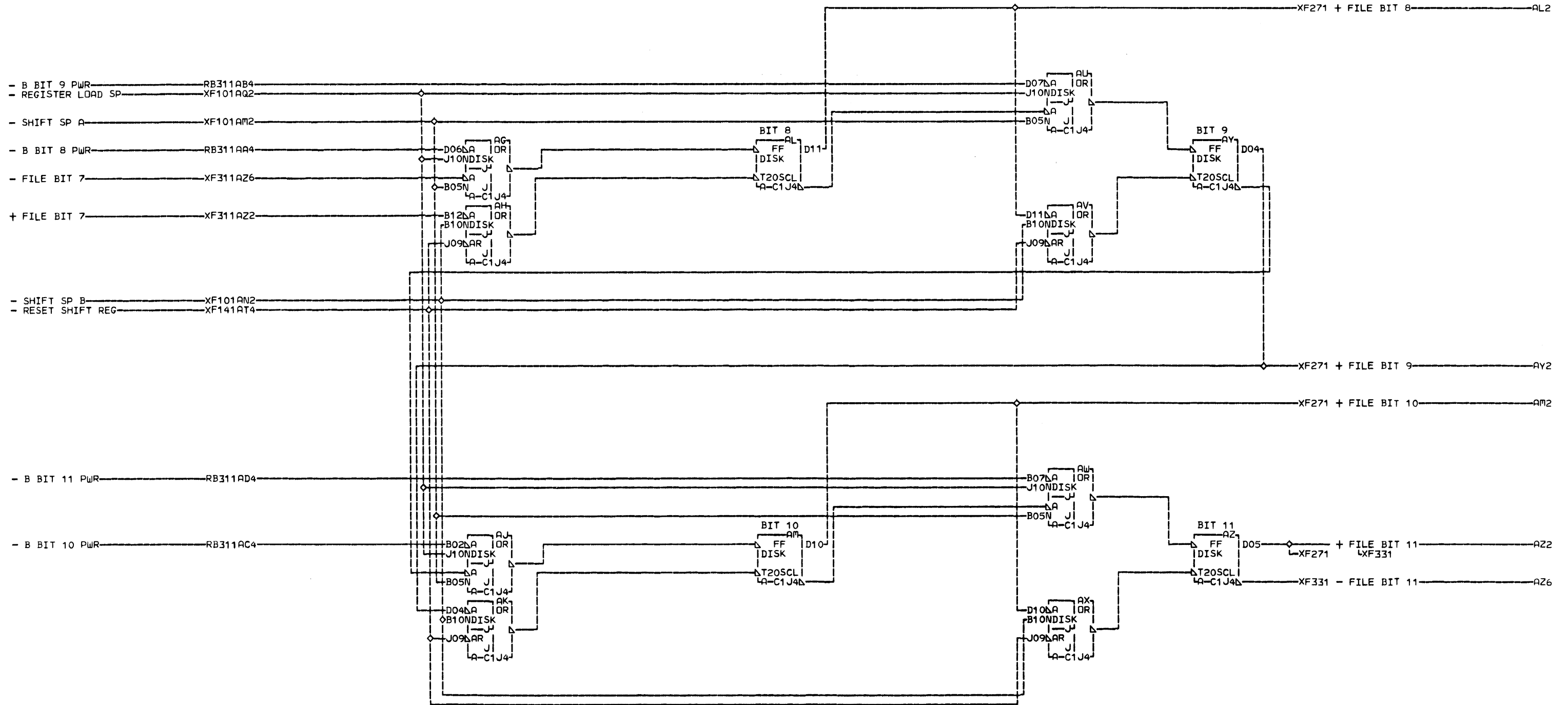
FILE DATA REGISTER BITS 4-7	
-E.C.-HISTORY	MACH.1131-B
	FRAME 01
	IBM CORP. GPD
DATE LAST EC	P.N. 2231422
109-02-66 419631	

XF311

000

XF311

000

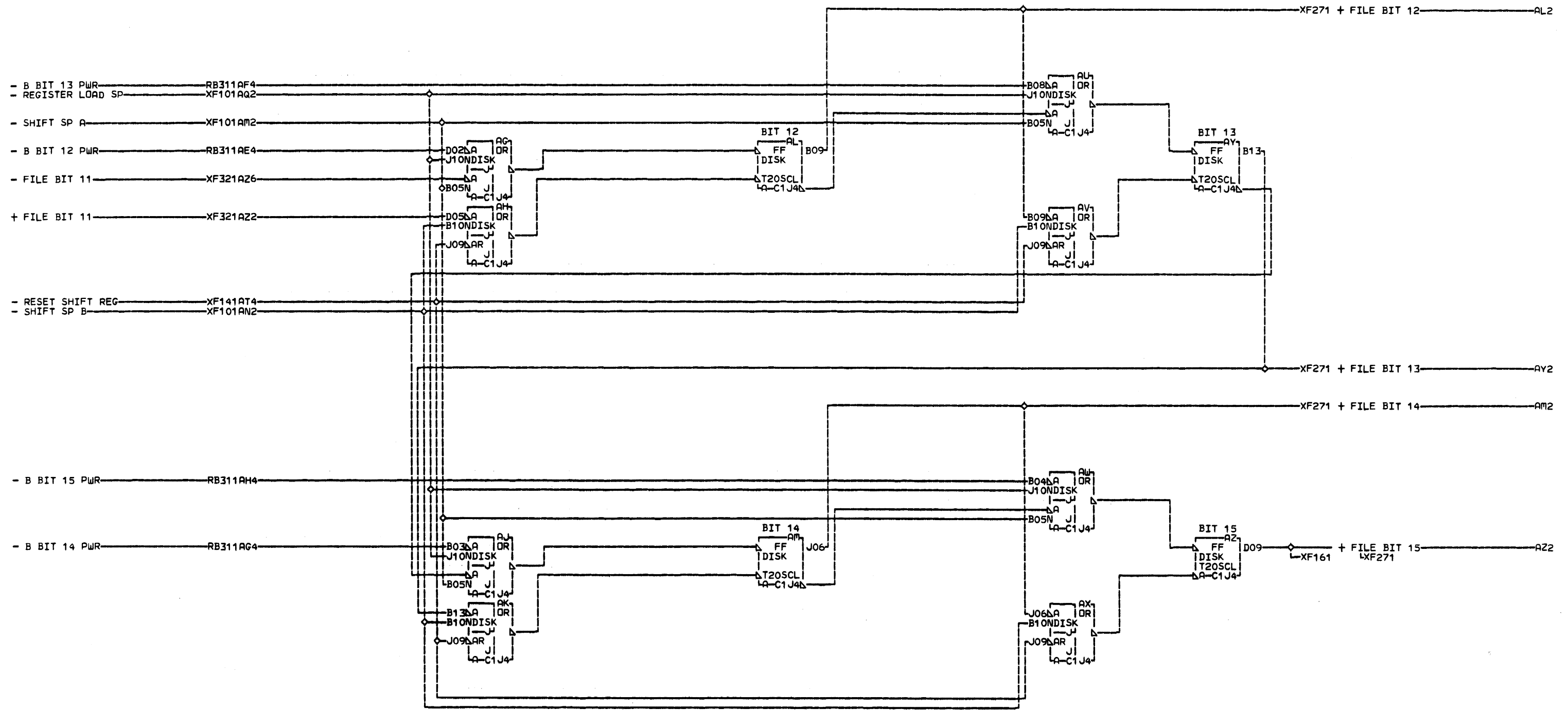


XF321

LOC. TYPE  
A-C1J4 4628

FILE DATA REGISTER BITS 8-11	
E.C.-HISTORY	MACH.1131-B
	FRAME 01
	IBM CORP. GPD
DATE LAST EC	P.N. 2231423
09-02-66 419631	

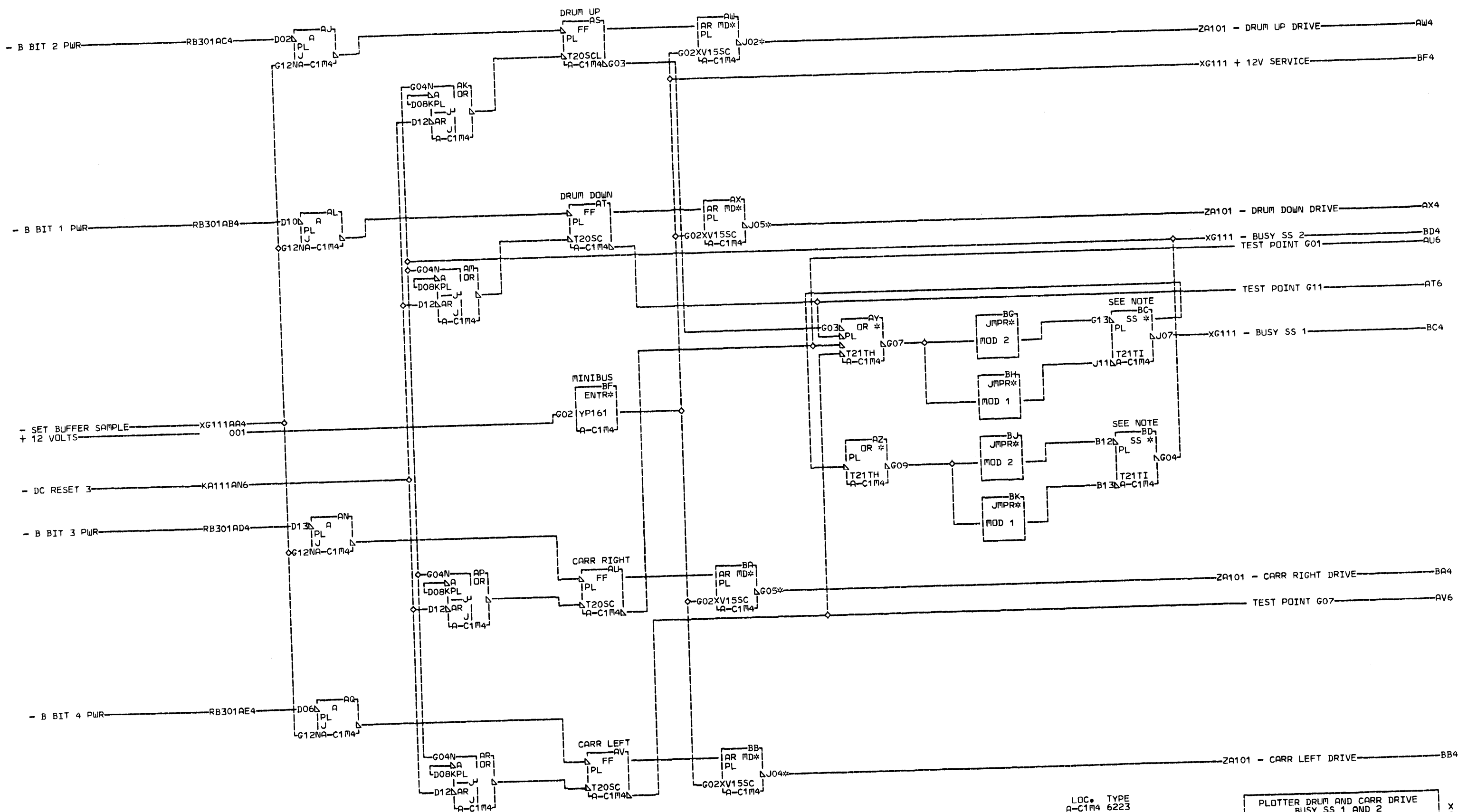
XF321



LOC. TYPE  
A-C1J4 4628

FILE DATA REGISTER		X F 3 1
BITS 12-15		
-E.C.-HISTORY	MACH.1131-B	000
	FRAME 01	
	IBM CORP. GPD	
DATE LAST EC	IP.No. 2231424	
09-02-66 419631		

X  
F  
3  
1  
000

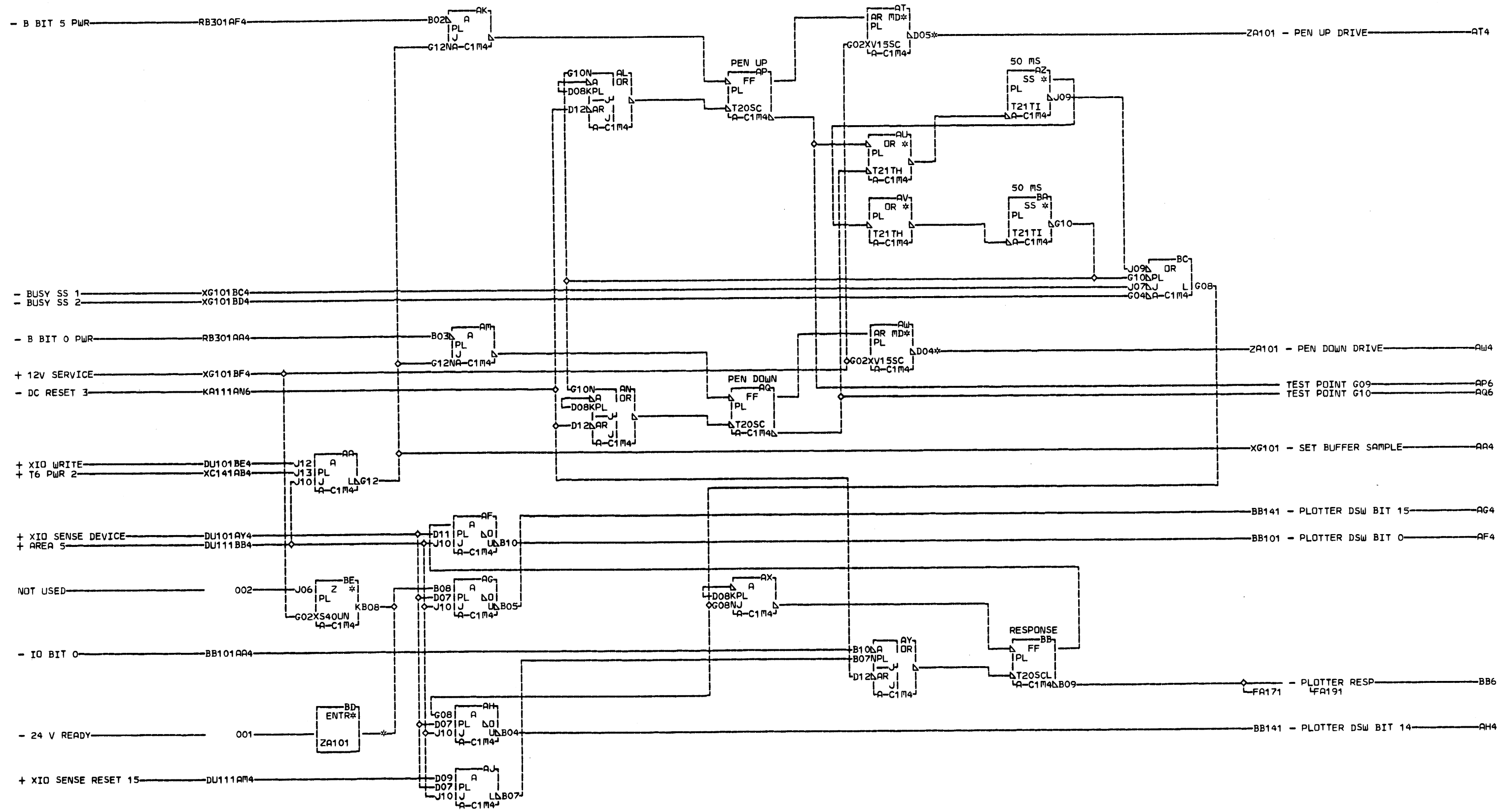


NOTE. FOR 1627 MOD I  
SS TIME IS 1.9 MS  
FOR 1627 MOD II  
SS TIME IS 2.9 MS

AW4 A-C1N5B02  
AX4 A-C1N5D02  
BA4 A-C1N5B03  
BB4 A-C1N5D04

LOC. TYPE  
A-C1M4 6223

PLOTTER DRUM AND CARR DRIVE		X G 1 0 1
BUSY SS 1 AND 2		
E.C.-HISTORY	MACH. 1131-B	0
DATE	FRAME	01
LAST EC	IBM CORP. GPD	1
09-02-66 419631	P.N. 2231425	000

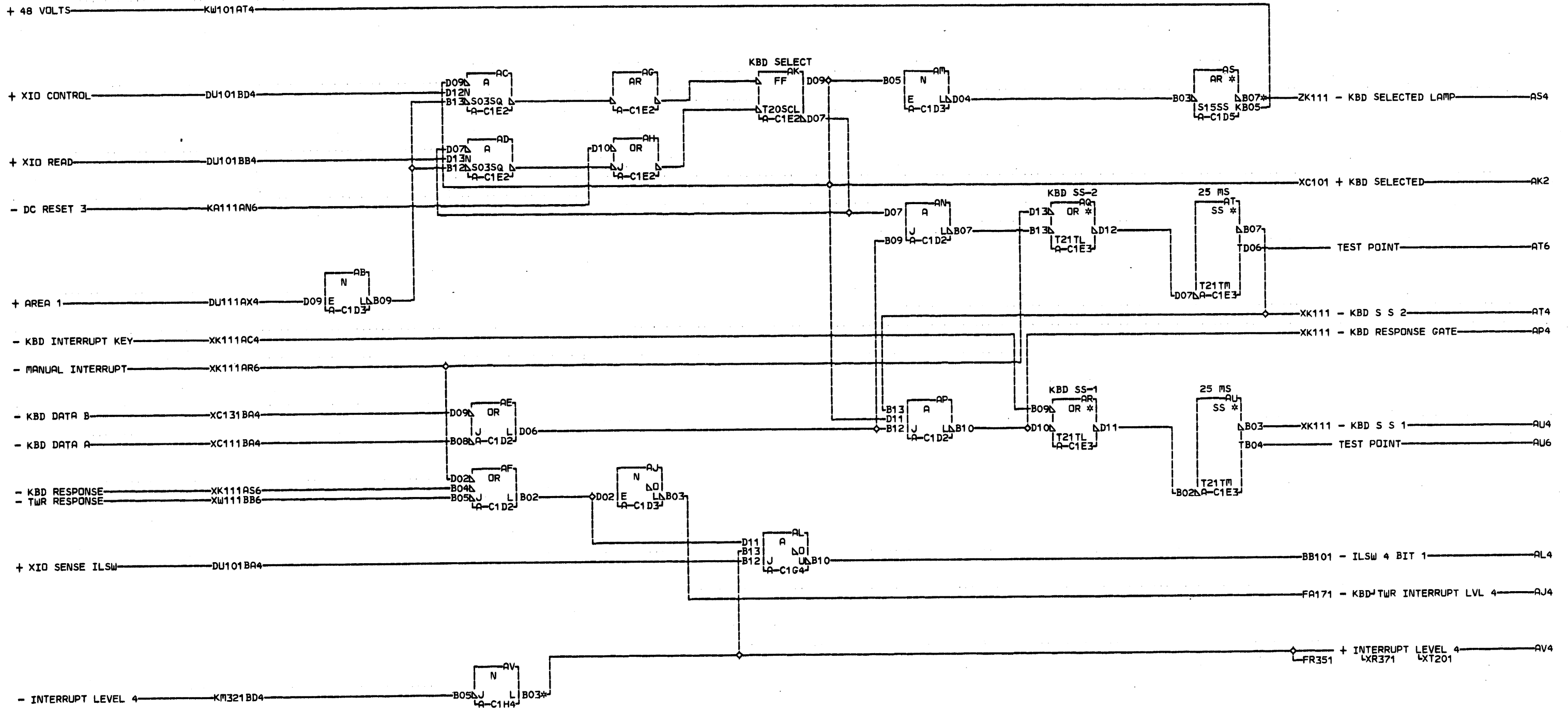


AT4 A-C1N5B04  
 AW4 A-C1N5D05  
 BD4 A-C1N5B10

LOC. TYPE  
 A-C1M4 6223

PLOTTER PEN DRIVE-RESPONSE		X G 1 1 1
BUSY SS 3 AND 4-READY		
E.C.-HISTORY		MACH. 1131-B
		FRAME 01
		IBM CORP. GPD
DATE	LAST EC	000
109-02-66	419631	
		P.No. 2231235

X  
G  
1  
1  
1  
000



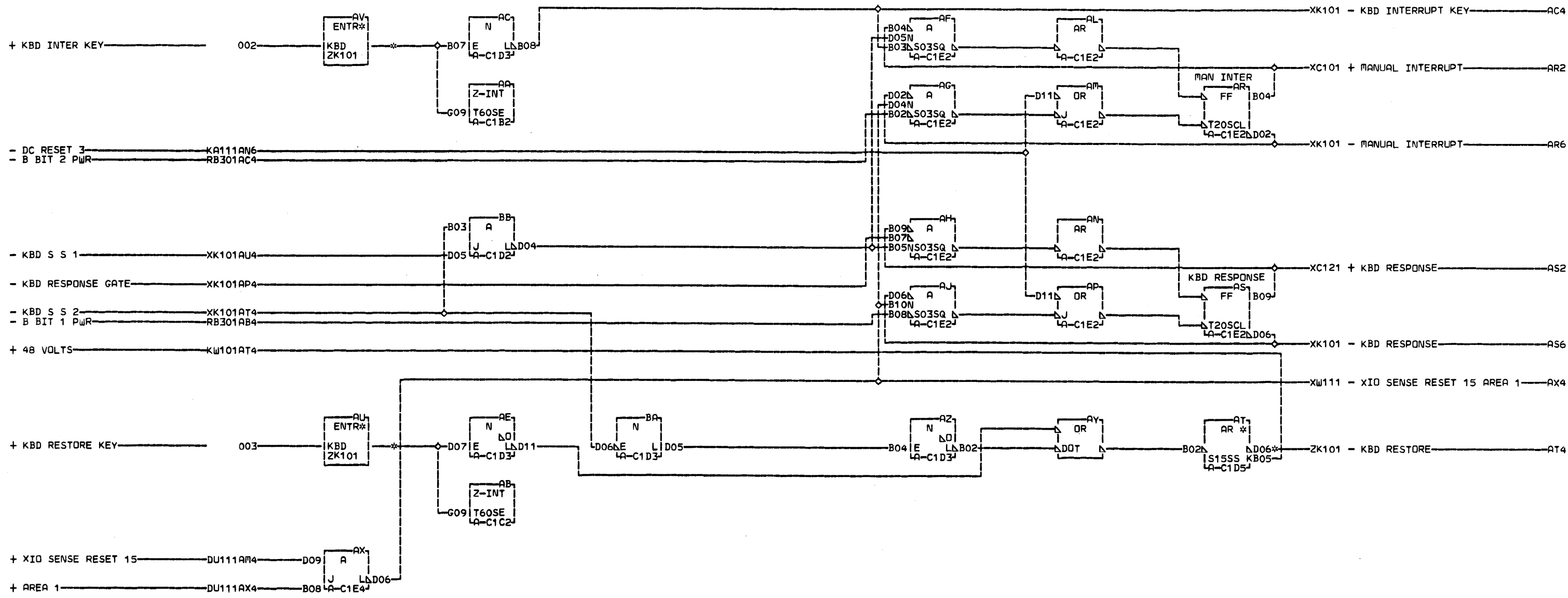
NOTE. SINGLE SHOT  
ADJUSTMENT POTS ARE  
SITUATED AS FOLLOWS  
X KBD SS-1 - UPPER POT  
1 KBD SS-2 - LOWER POT  
0  
1

AS4 A-C1A5D10  
AV4 A-C1A7B03  
01A-B1N7B03  
01A-C1E8D04  
01A-A1E8D04

LOC.	TYPE
A-C1D2	0000
A-C1D3	0509
A-C1D5	3819
A-C1E2	3794
A-C1E3	3816
A-C1G4	0236
A-C1H4	3421

KBD SELECT RESPONSE GATE			
SS 1	SS 2	INT LVL 4	
E.C. HISTORY			MACH. 1131-B
5800000	419631		01
415709G	419626	FRAME	01
419610	419664		01
5800000		IBM CORP. GPD	
DATE	LAST EC		012
11-17-67	419668	P.N. 2231499	





X  
K  
1  
1  
1

AT4 A-C1A3D13  
AU4 A-C1A3D12  
AV4 A-C1A3B12

LOC. TYPE  
A-C1B2 4615  
A-C1C2 4615  
A-C1D2 0000  
A-C1D3 0509  
A-C1D5 3819  
A-C1E2 3794  
A-C1E4 0000

KBD RESTORE RESPONSE TGR		X
E-C-HISTORY		K
419631	MACH#1131-B	1
	FRAME	01
	IBM CORP. GPD	1
DATE LAST EC	P.No. 2231426	000
11-11-66 419644		