

A1	CONNECTOR E09 BB101AB4 E11 BB111AA4
A3	CONNECTOR B02 XT331AT4 B03 XT311BS4 B04 XT311BW4 B05 XT311BV4 B10 XT321BR4 B12 XT321BN4 D02 XT331AR4 D06 XT331AP4 D07 XT311BU4 D09 XT311BT4 D12 XT321BP4 D13 XT321BQ4
A5	CONNECTOR B02 XP331AM4 B03 XP331AK4 B04 XP331AF2 B05 XP331AF4 B07 XP331AF6 B08 XP331AH1 B09 XP331AH3 B10 XP331AH5 B12 XP331AH7 B13 XP331AH9 D02 XP331AK2 D04 XP101CP4 D05 XP331AP4 D06 XP331AM9 D07 XP331AM7 D09 XP331AM5 D10 XP331AP2 D11 XP331AM1 D12 XP331AK6 D13 XP331AP6
A6	CONNECTOR B02 XP211AN2 B03 XP211AQ2 B04 XP211BE2 B05 XP211BG2 B07 XP221AN2 B08 XP221AQ2 B09 XP221BE2 B10 XP221BG2 B12 XP141BH4 B13 XP141BJ4 D02 XP211AP2 D04 XP211AR2 D05 XP211BF2 D06 XP211BH2 D07 XP221AP2 D09 XP221AR2 D10 XP221BF2 D11 XP221BH2 D12 XP141BK4 D13 XP141BL4
A7	CONNECTOR B02 XP331AM3 B03 XP331AB2 B04 XP331AB4 B05 XP331AB6 B07 XP331AD1 B08 XP331AD3 B09 XP331AD5 B10 XP331AD7 B12 XP331AD9 B13 XP121BQ4 D02 XP121AU4 D04 XP201BJ4 D06 XP121AV4 D07 XP101BD4 D09 XP101AZ4 D10 XP141BD4 D11 XP141BE4 D12 XP141BF4 D13 XP141BG4
B1	CONNECTOR A09 BB111AA4 A11 BB101AA4 B09 BB111AC4 B11 BB101AC4 C09 BB121AB4 C11 BB111AB4 D09 BB131AA4 E09 BB121AA4 E11 BB121AC4
A C O B 2	SINGLE CARD PTR 5803028 3028 XT321 A1 A2 A3 A4 XT311 A5 A6 A7 A8

B3	SINGLE CARD PTR 5803129 3129 XT321 A1 A2 A3 A4 A5 A6 XT311 B1 B2 B3 B4 B5 B6 BD BE BF
B4	SINGLE CARD 5800236 0236 XT201 F1 UNUSED PORTIONS A B C D E
B5	SINGLE CARD PR 5800000 0000 XP301 A1 XP201 B1 C1 D1 XP301 E1 XP201 F1
B6	SINGLE CARD PR 5800000 0000 XP201 A1 B1 XP101 C1 XP201 E1 F1 UNUSED PORTIONS D
C1	CONNECTOR A11 BB131AB4 B09 BB141AA4 B11 BB131AD4 C09 BB141AC4 C11 BB141AB4 D09 XT211BQ4 E09 XT221BM4 E11 BB121AA4
C2	SINGLE CARD PTPL 5800236 0236 XT101 A1 XT121 B1 C1 D1 XT101 E1 XT121 F1
C3	SINGLE CARD PTR 5803763 3763 XT311 01 02 03 04 05 06 07 08 09 10 11 12 13 14 15 16 17 18 19 20 XT321 21 22 23 24 25 26 27 28 29 30 31 32 33 34 35 36 37 38 39 40
C4	SINGLE CARD PTPL 5800000 0000 FA171 A1 C1 XT101 D1 UNUSED PORTIONS B E F
C5 C6	DOUBLE CARD PR 5804628 4628 XP211 01 04 07 08 09 10 11 12 13 16 19 20 21 22 23 24 25 28 31 32 33 34 35 36 37 40 43 44 45 46 47 48 XP221 49 52 55 56 57 58 59 60 61 64 67 68 69 70 71 72 73 76 79 80 81 82 83 84 85 88 91 92 93 94 95 96
D1	CONNECTOR E09 XC141AX6 E11 DU101BD4
D2	SINGLE CARD PTPL 5800236 0236

D2	XT101 A1 XT111 B1 C1 D1 XT101 E1 XT111 F1
D3	SINGLE CARD PTR 5800000 0000 XT331 A1 XT301 B1 C1 D1 E1 F1
D4	SINGLE CARD PTPL 5803794 3794 FA171 B1 B2 B3 B4 B5 UNUSED PORTIONS A
D5	SINGLE CARD PR 5804008 4008 XP141 A1 A2 A3 A4 A5 A6 A7 A8 A9 AA AB AC AD B1 C1 D1
D6	SINGLE CARD PR 5803130 3130 XP101 A1 A2 A3 A4 B1 B2 B3 B4 C1 C2 C3 C4 D1 D2 D3 D4
E1	CONNECTOR A11 DU111AJ4 B09 DU101BE4 B11 DU101BB4 D09 DU101AY4 D11 DU101BD4 E09 DU101BA4 E11 DU111AY4
E2	SINGLE CARD PTPL 5806221 6221 XT121 A2 A3 A4 A5 A6 A8 A9 AA AB AC AE AF AG AH AJ AL AM AN AP AQ
E3	SINGLE CARD PTPL 5800000 0000 XT101 A1 XT301 B1 C1 XT101 D1 E1 XT301 F1
E4	SINGLE CARD PTPL 5800000 0000 XT221 A1 B1 C1 D1 XT101 E1 XT301 F1
E5	SINGLE CARD PR 5803794 3794 XP141 A1 A2 A3 A4 A5 B1 B2 B3 B4 B5 B6 B7 B8 B9 BA
E6	SINGLE CARD PR 5800000 0000 XP141 A1 XP121 B1 XP101 C1 D1 E1 F1
F1	CONNECTOR A11 DU111AZ4 B09 DU101AA4 B11 DU111AM4 C09 DU101BA4 D09 DU111AC4 E09 DU111AB4 E11 DU111BC4
F2	SINGLE CARD 5800000 0000 BA101 A1 B1 C1 D1 E1 F1
F3	SINGLE CARD PTRP 5803794 3794 XT301 A1 A2 A3 A4 A5 B1

F3	B2 B3 B4 B5 XT201 B6 B7 B8 B9 BA
F4	SINGLE CARD PTP 5803794 3794 XT231 A1 A2 A3 A4 A5 B1 B2 B3 B4 B5 B6 B7 B8 B9 BA
F5	SINGLE CARD PR 5800236 0236 XP101 A1 B1 C1 D1 XP121 E1 F1
F6	SINGLE CARD PR 5800509 0509 XP121 A1 B1 XP111 C1 XP121 D1 E1 F1 G1 H1 XP131 J1 XP101 K1
G1	CONNECTOR A09 DU111AA4 A11 XP201BE4
G2	SINGLE CARD PTRP 5803028 3028 XT301 A1 XT201 A2 A3 A4 XT301 A5 XT201 A6 XT301 A7 A8 A9
G3	SINGLE CARD PTR 5803816 3816 XT301 B1 B2 UNUSED PORTIONS A
G4	SINGLE CARD PTR 5800000 0000 XT301 B1 C1 XT331 D1 F1 UNUSED PORTIONS A E
G5	SINGLE CARD PR 5800002 0002 XP121 A1 XP101 B1 XP121 C1 XP131 D1 XP121 E1
G6	SINGLE CARD PR 5800509 0509 XP101 A1 B1 XP201 C1 XP101 D1 E1 XP131 F1 XP101 G1 H1 J1 K1
G7	SINGLE CARD PTR 5800000 0000 XT331 A1 E1 UNUSED PORTIONS B C D F
H2	SINGLE CARD PTPL 5803794 3794 XT101 A1 A2 A3 A4 A5 B1 B2 B3 B4 B5 B6 B7 B8 B9 BA
H3	SINGLE CARD PTR 5803757 3757 XT101 A1 A3 A8 A9 AC AD XT301 B1 B2 C1 C2
H4	SINGLE CARD PTRP 5803794 3794

H4	XT331 A1 A2 A3 A4 A5 B1 B2 B3 B4 B5 B6 B7 B8 B9 BA
H5	SINGLE CARD PR 5803794 3794 XP201 A1 A2 A3 A4 A5 XP131 B1 B2 B3 B4 B5 B6 B7 B8 B9 BA
H6	SINGLE CARD PR 5800000 0000 XP101 A1 XP201 B1 C1 XP131 D1 E1 F1
J2	SINGLE CARD PTRP 5803794 3794 XT331 A1 A2 A3 A4 A5 XT231 B1 B2 B3 B4 B5 B6 B7 B8 B9 BA
J3	SINGLE CARD PTP 5800000 0000 XT231 A1 XT201 B1 C1 XT231 D1 XT201 E1 F1
J4	SINGLE CARD PTRP 5803819 3819 XT331 A1 XT201 A2 XT331 A3 A4
J5	SINGLE CARD PR 5803794 3794 XP201 A1 A2 A3 A4 A5 B1 B2 B3 B4 B5 B6 B7 B8 B9 BA
J6	SINGLE CARD PR 5806250 6250 XP321 A1 XP111 A2 XP321 A3 XP111 A4 XP321 A5 XP111 A6 XP321 A7 XP111 A8 A9 XP321 AA XP111 AB XP321 AC XP111 AD XP321 AE XP111 AF XP321 AG XP111 AH AJ AK AL XP131 B1 B2 B3 XP121 C1 D1 XP101 E1 XP121 F1 XP101 G1 XP131 H1
J7	SINGLE CARD PR 5806250 6250 XP131 B1 B2 B3 UNUSED PORTIONS A C D E F G H J
K2	SINGLE CARD PTP 5803763 3763 XT211 01 02 03 04 05 06 07 08 09 10 11 12 13 14 15 16 17 18 19 20 XT221 21 22 23 24 25 26 27 28 29 30 31 32 33 34 35 36 37 38 39 40
K3	DOUBLE CARD PTRP 5803734 3734

K5	SINGLE CARD PR 5800346 0346 XP131 A1 B1 XP121 C1 D1 E1 ER XP301 F1 FR XP121 G1 XP201 GR XP121 H1
K6	SINGLE CARD PR 5803028 3028 XP301 A1 A2 A3 A4 XP311 A5 A6 A7 A8
L2	SINGLE CARD PTP 5803421 3421 XT201 A1 XT231 B1 XT221 C1 D1 E1 XT211 F1 XT221 G1 XT211 H1 J1 K1
L5	SINGLE CARD PR 5803028 3028 XP321 A1 A2 A3 A4 A5 A6 A7 A8
L6	SINGLE CARD PR 5803028 3028 XP301 A1 A2 A3 A4 XP311 A5 A6 A7 XP301 A8
M2	SINGLE CARD PTP 5803819 3819 XT221 A1 A2 A3 XT211 A4 XT221 A5 XT211 A6 A7 A8
M3	SINGLE CARD PTPL 5806221 6221 XT111 A2 A3 A4 A5 A6 A8 A9 AA AB AC AE AF AG AH AJ AL AM AN AP AQ
M4	SINGLE CARD PTRP 5800000 0000 XT301 A1 B1 XT101 C1 XT211 D1 XT101 E1 XT211 F1
M5	SINGLE CARD PR 5800000 0000 XP121 A1 B1 C1 D1 E1 XP201 F1
M6	SINGLE CARD 5800410 0410 RB321 A1 B1 C1 D1 E1 F1 G1 H1 J1 K1 L1 M1 N1 P1 Q1 R1 S1 T1 U1 V1
N3	CONNECTOR B03 XT201BE4 B07 XT211AX4 B08 XT211AZ4 B09 XT221AU4 B10 XT221AZ4 B13 XT221AU4 D04 XT201AU4 D06 XT211AU4 D07 XT211AU4 D10 XT221AX4
N4	SINGLE CARD PR 5800000 0000 XP131 E1 F1 UNUSED PORTIONS

N4	A B C D
N5	CONNECTOR B02 XP141AQ2 B03 XP141AR2 B04 XP141AS2 B05 KM211AS4 B07 XP131AN6 B08 KM211AV4
N6	CONNECTOR B03 RB301AA4 B04 RB301AC4 B05 RB301AE4 B06 RB301AG4 B07 RB311AA4 B08 RB311AC4 B09 RB311AE4 B10 RB311AG4 B11 KU211AE4 B12 KU211AD4 B13 KU211AC4 D02 RB301AB4 D03 RB301AD4 D04 RB301AF4 D05 RB301AH4 D06 RB311AB4 D07 RB311AD4 D09 RB311AF4 D10 RB311AH4 D12 KU211AA4 D13 KU211AB4
N7	CONNECTOR B03 XK101AV4 B04 XT301BH4 B09 KT321BA4 B10 KA111AN6 D03 KU311AU4 D05 FA171SX6 D06 XC141AF4 D07 KW101AQ4 D09 KU201BB4 D11 KR111BD4 D12 KW101BC4

SOCKET LISTING
DATE 05-30-72 MACH. 1131-C
LOG 3147 BOARD 01A-B1
PREV. ENGR. 03-20-72 571155
PRES. ENGR. 05-26-72 571156
P.N. 5889485
IBM CORP. GSD BLK.

A
C
O
2

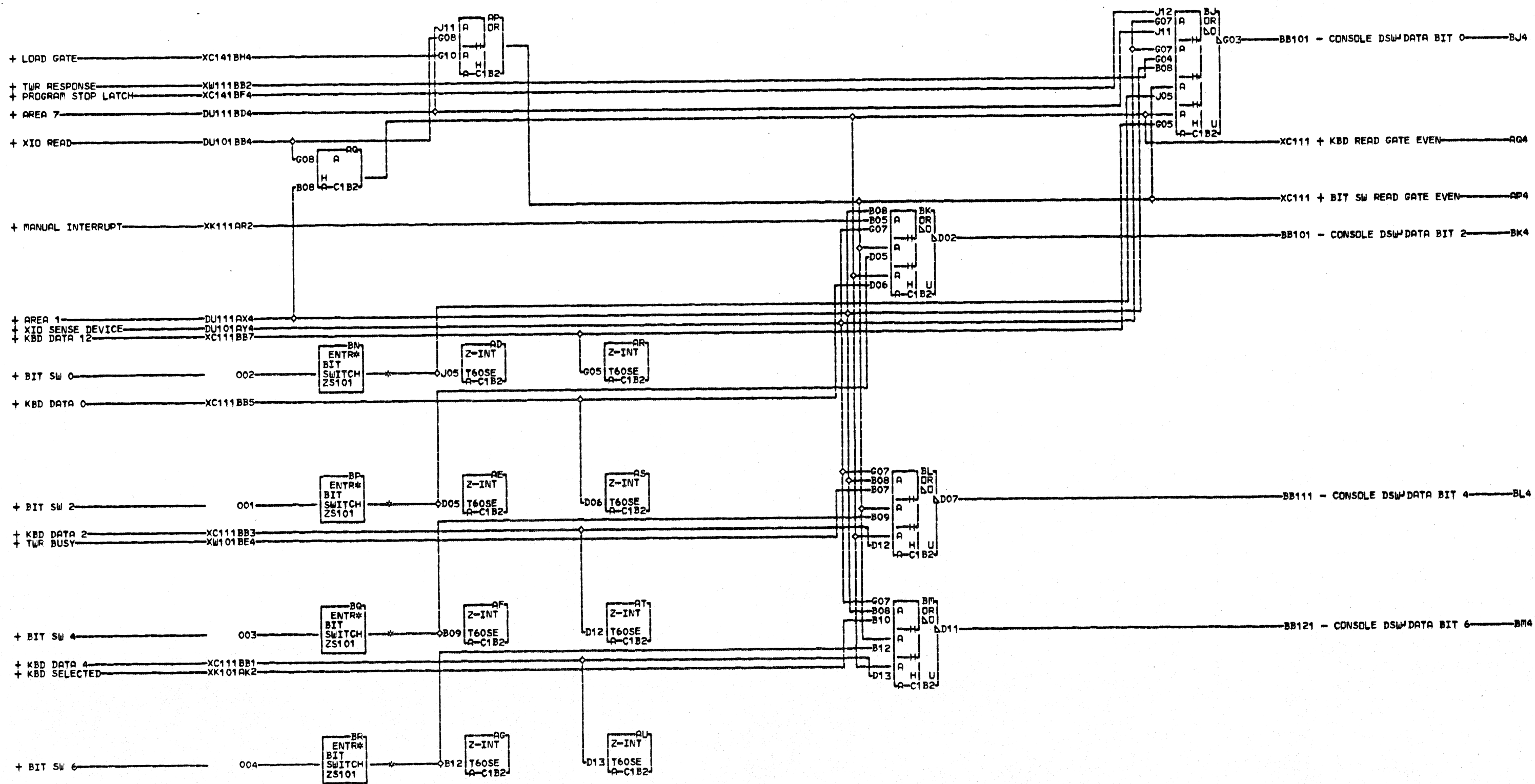
004

PLUG LIST					
PART NO	ACC	TYPE	SOCKETS	TOTAL	
5800000		0000	F2		01
5800000	PR	0000	B5 B6 E6 H6		06
5800000	PTPL	0000	C4 E3 E4		03
5800000	PTP	0000	J3		01
5800000	PTRP	0000	M4		01
5800000	PTR	0000	D3 G4 G7		03
5800002	PR	0002	G5		01
5800236		0236	B4		01
5800236	PR	0236	F5		01
5800236	PTPL	0236	C2 D2		02
5800346	PR	0346	K5		01
5800410		0410	M6		01
5800509	PR	0509	F6 G6		02
5803028	PR	3028	K6 L5 L6		03
5803028	PTRP	3028	G2		01
5803028	PTR	3028	B2		01
5803129	PTR	3129	B3		01
5803130	PR	3130	D6		01
5803421	PTP	3421	L2		01
5803734	PTRP	3734	K3		01
5803757	PTR	3757	H3		01
5803763	PTP	3763	K2		01
5803763	PTR	3763	C3		01
5803794	PR	3794	E5 H5 J5		03
5803794	PTPL	3794	D4 H2		02
5803794	PTP	3794	F4		01
5803794	PTRP	3794	F3 H4 J2		03
5803816	PTR	3816	G3		01
5803819	PTP	3819	E2		01
5803819	PTRP	3819	J4		01
5804008	PR	4008	D5		01
5804628	PR	4628	C5		01
5806221	PTPL	6221	E2 F3		02
5806250	PR	6250	J6 J7		02
	CONN		A1 A3 A5 A6 B7 B1 C1 D1 E1 F1 G1 N3 N5 N6 N7		15

NOOD

SOCKET LISTING
 DATE 05-30-72 MACH. 1131-C
 LOG 3147 BOARD 01A-B1
 PREV. ENGR. 03-20-72 571155
 PRES. ENGR. 05-26-72 571156
 P.N. 5889485
 IBM CORP. GSD BLK.

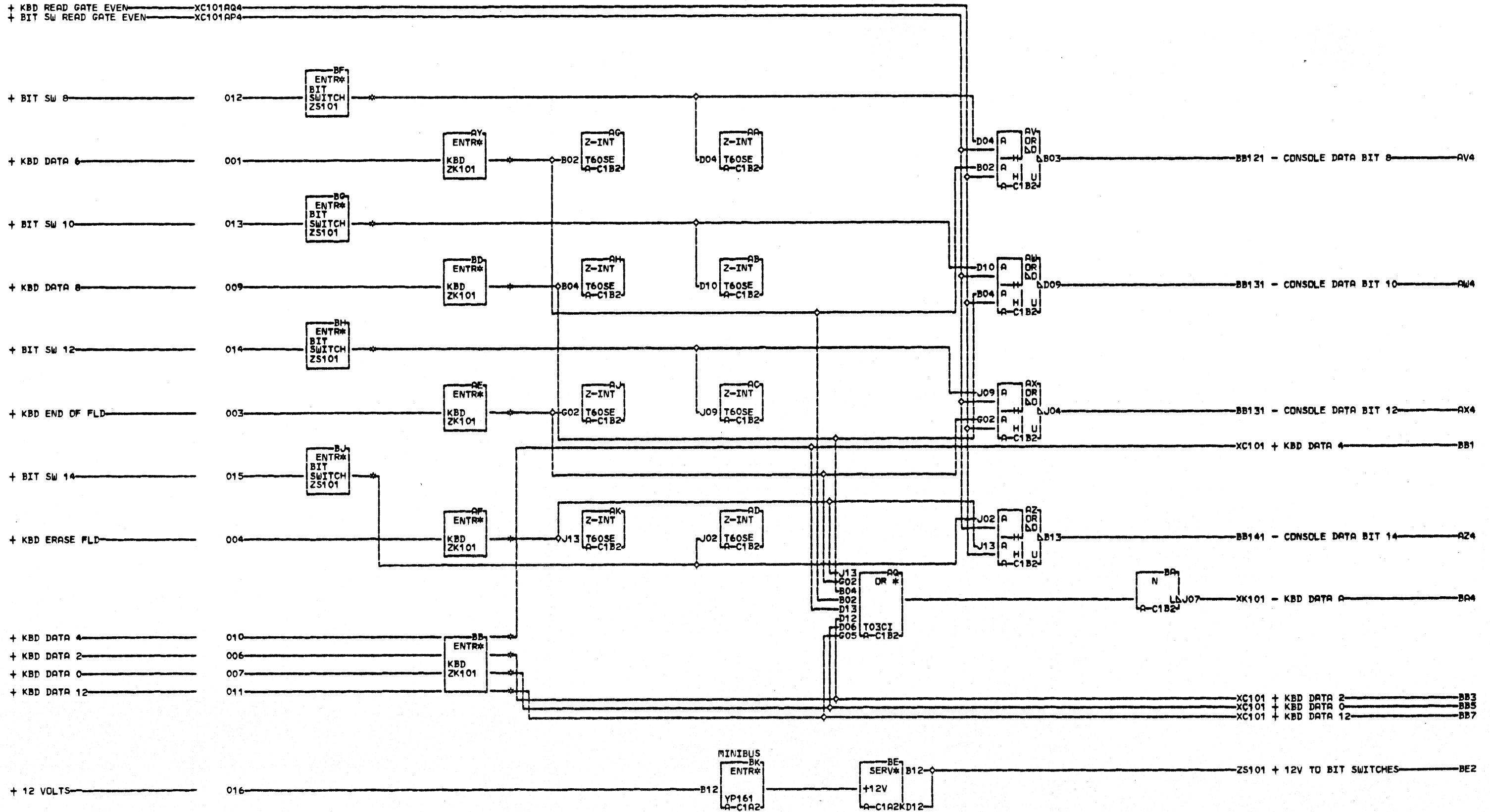
2
C
0
0
2
004



BN4 A-C1A2B02
 BP4 A-C1A2B03
 BQ4 A-C1A2B04
 BR4 A-C1A2B05

LOC. TYPE
 A-C1B2 4615

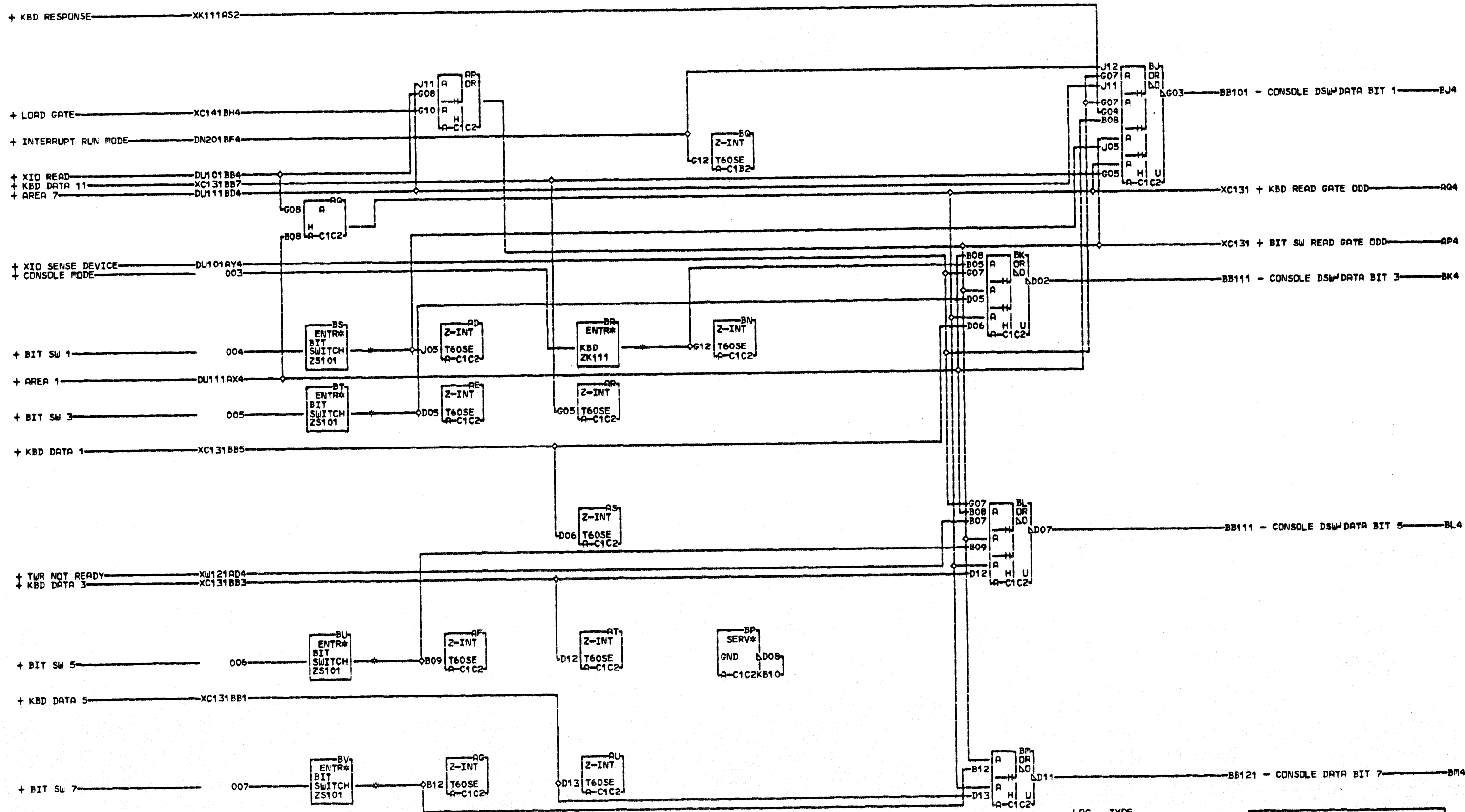
CONSOLE DSW DATA BITS 0 2 4 6		X C 1 0 1
E.C. HISTORY		
DATE	LAST EC	MACH#1131-C
02-09-71	571150	FRAME 01
		IBM CORP. GPD
		P#N# 5889318



AE4 A-C1A3B09 BG4 A-C1A2B08
 AF4 A-C1A3B10 BH4 A-C1A2B09
 AY4 A-C1A3B07 BJ4 A-C1A2B10
 BB1 A-C1A3B05
 BB3 A-C1A3B04
 BB5 A-C1A3B03
 BB7 A-C1A3B02
 BD4 A-C1A3B08
 BF4 A-C1A2B07

LOC. TYPE
 A-C1B2 4615

CONSOLE DATA BITS 8 10 12 14		X C 1 1 1 000
KBD DATA A		
E.C.-HISTORY		MACH.1131-C
FRAME		
DATE LAST EC		01
02-09-71 571150		IBM CORP. GPD
		P.N. 5889319

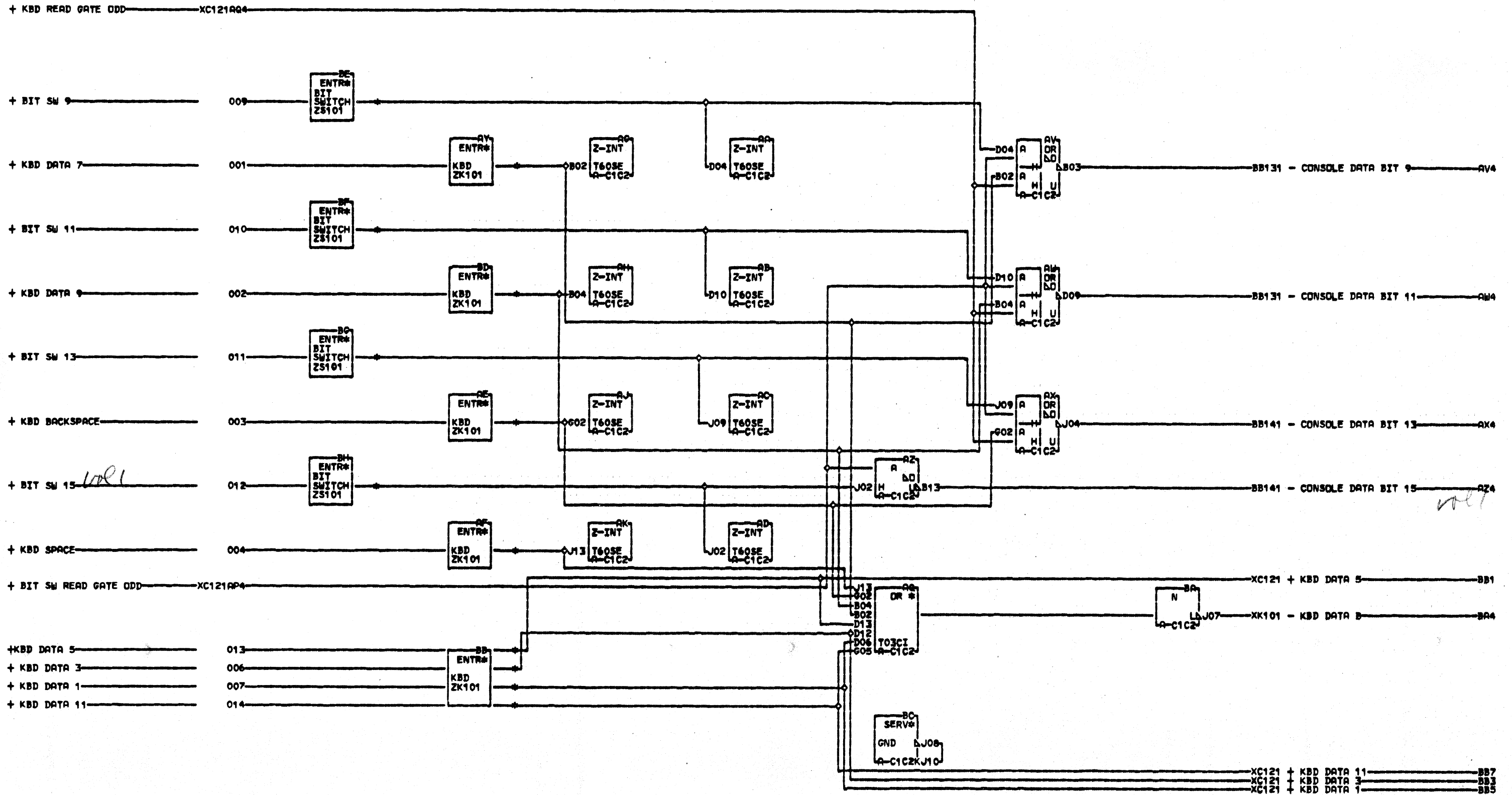


BR4 A-C1A5D02
 BS4 A-C1A2D02
 BT4 A-C1A2D04
 BU4 A-C1A2D05
 BV4 A-C1A2D06

LCC TYPE
 A-C1B2 4615
 A-C1C2 4615

CONSOLE DSW DATA BITS 1 3 5 7		XC 1 2 1
E.C.-HISTORY	MACH-1131-C	
DATE	LAST EC	IBM CORP. GPD P.N. 5889320
02-09-71	571150	

XC
1
2
1



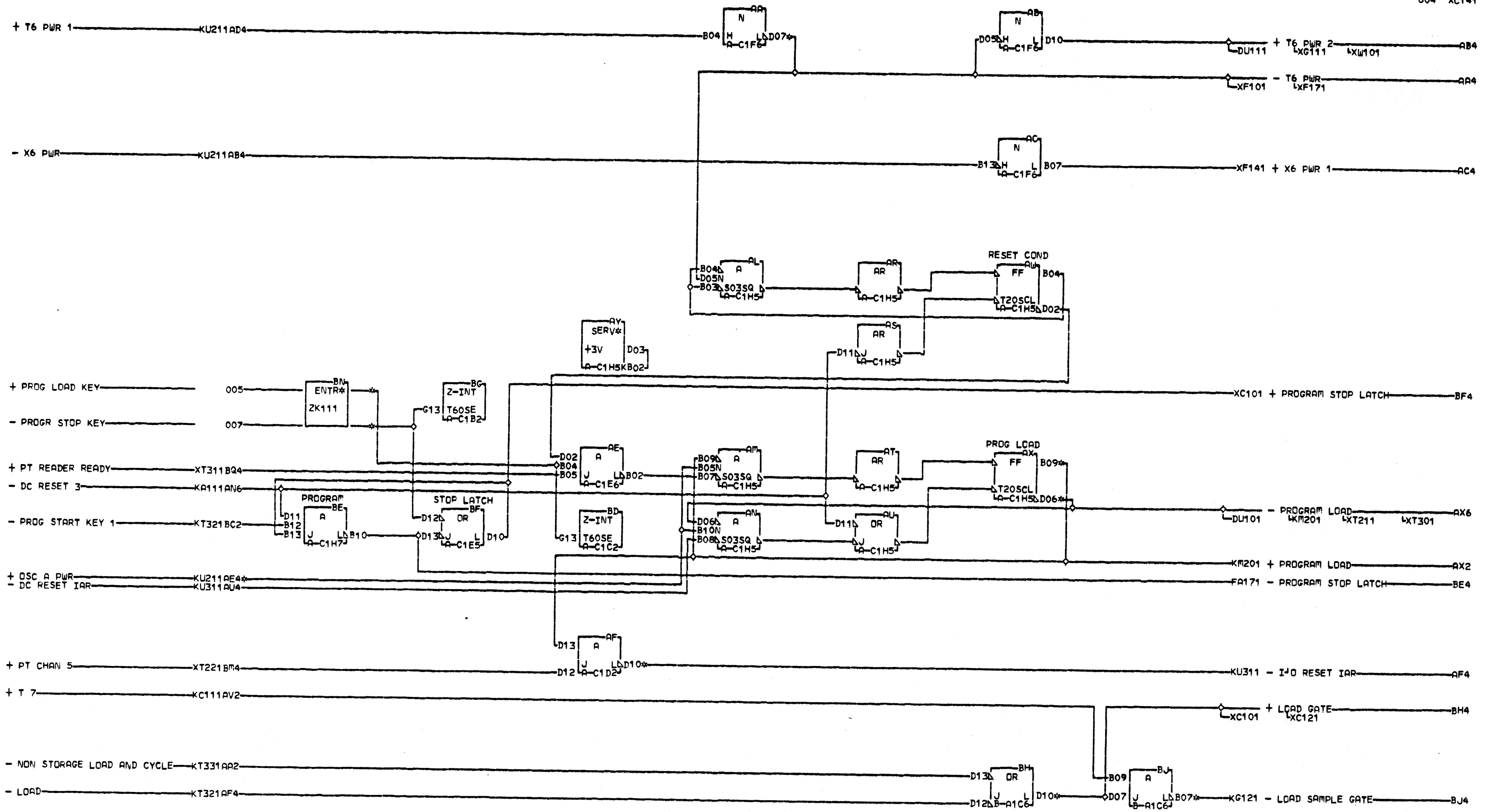
AE4 A-C1A3D10 BF4 A-C1A2D09
 AF4 A-C1A3D11 BG4 A-C1A2D10
 AY4 A-C1A3D07 BH4 A-C1A2D11
 BB1 A-C1A3D06
 BB3 A-C1A3D05
 BB5 A-C1A3D04
 BB7 A-C1A3D02
 BD4 A-C1A3D09
 BE4 A-C1A2D07

LOC. TYPE
 A-C1C2 4615

CONSOLE DATA BITS 9 11 13 15 KBD DATA B E.C.-HISTORY DATE LAST EC 02-09-71 571150	MACH-1131-C FRAME 01 IBM CORP. GPD P.No. 5889321
---	---

XC131

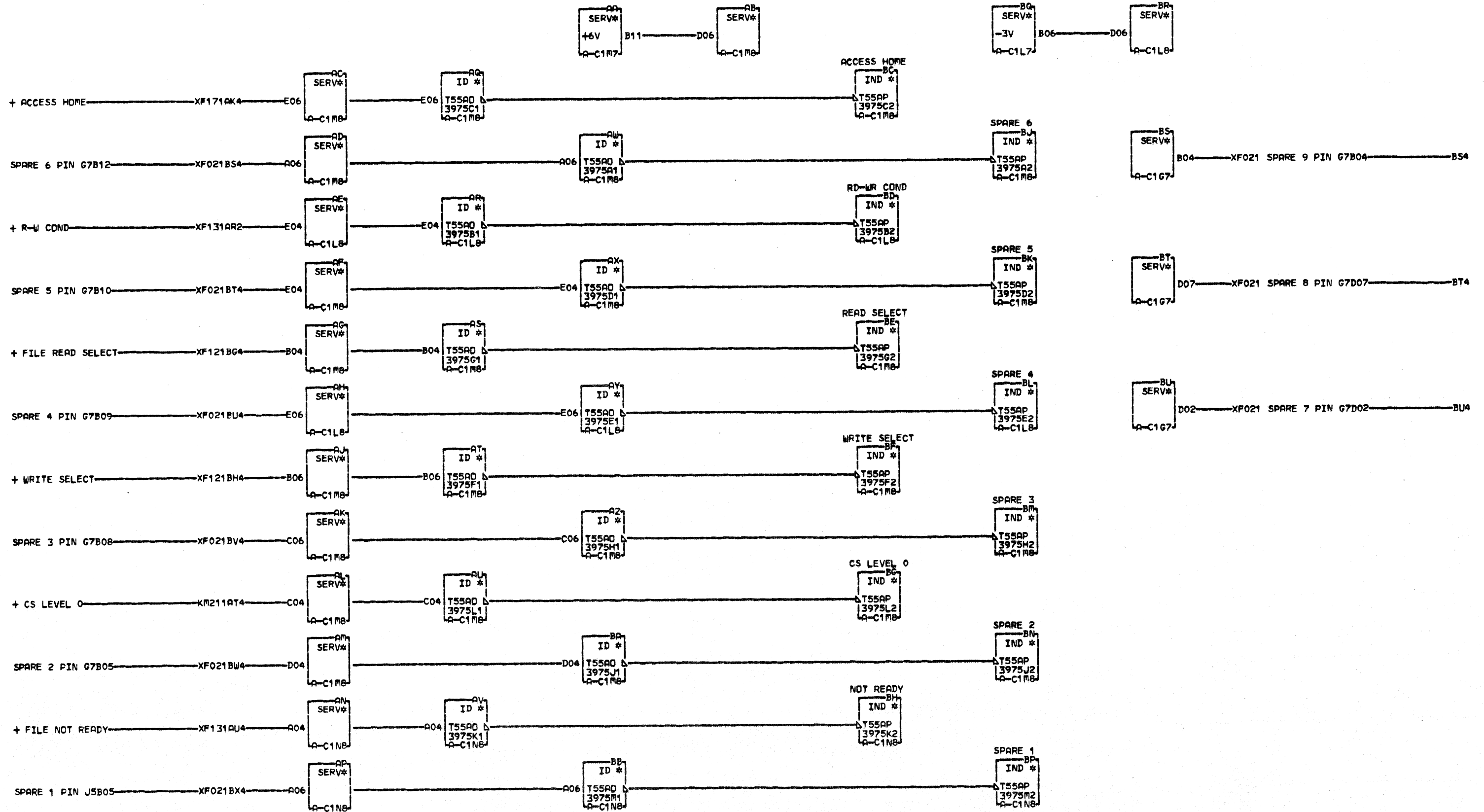
XC131



X C 1 4 1	KU211AE4	AX2 A-C1N4D06	01B-B1L8B06
004	RESISTOR	01B-A1A6D06	BN2 A-C1A5D06
	A-C1F6B05	AX6 B-A1A7B03	BN6 A-C1A5D05
	A-C1N3D12	01A-C1N6B03	
	01B-B1C8E04	01A-C1D1E09	
	AF4 A-B1N7D06	01A-B1D1E09	
	01A-C1A7D06	BH4 B-A1A6B09	
	01A-C1N4B08	01A-C1N4B09	
	01B-A1A6B08	EJ4 B-A1L8B06	

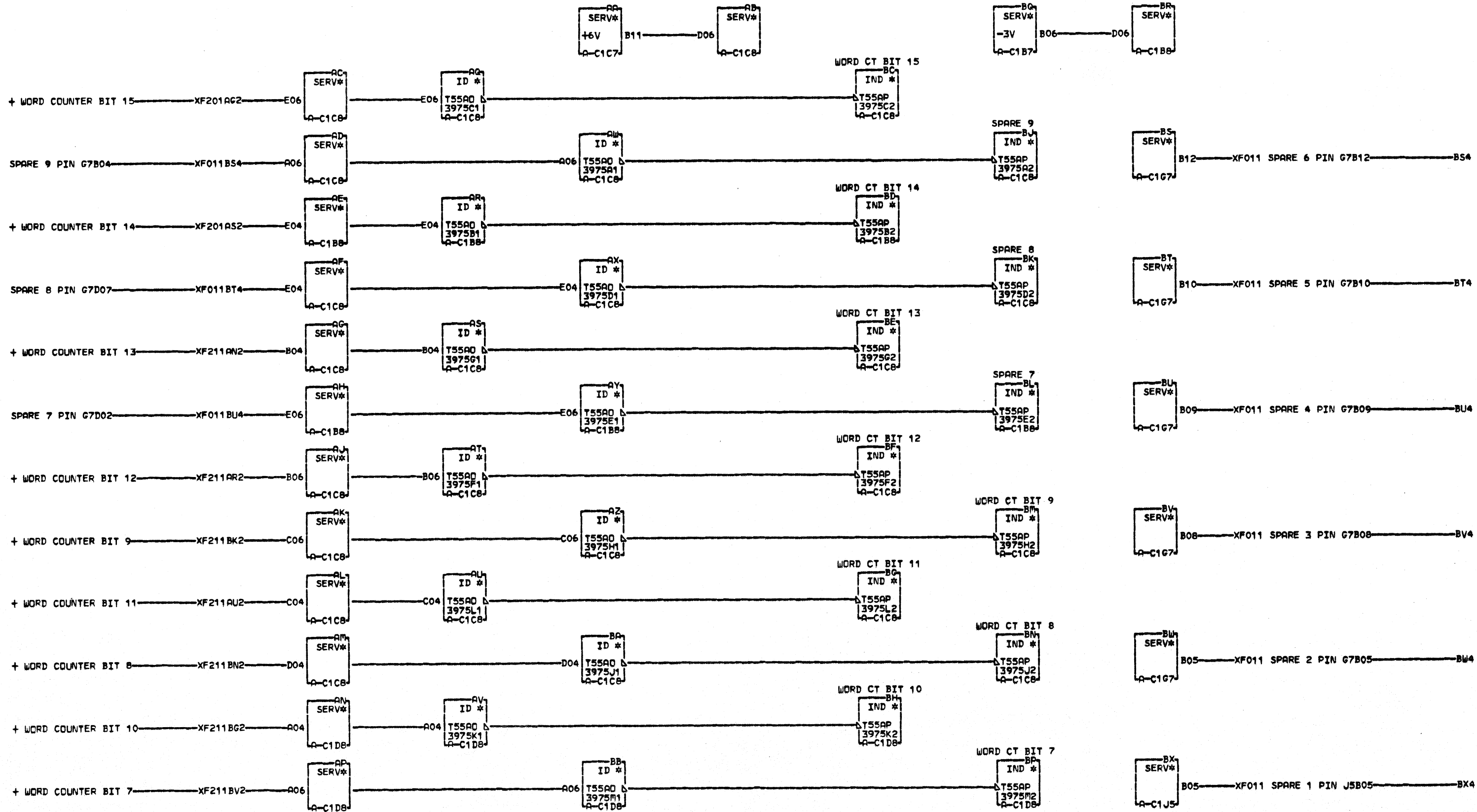
LOC.	TYPE
A-C1B2	4615
A-C1C2	4615
A-C1D2	0000
A-C1E5	0000
A-C1E6	0000
A-C1F6	0453
A-C1H5	3794
A-C1H7	0000
A-C1C6	0000

PROG LOAD	RESET COND	T6 X6	
PWR	PROG STOP LATCH		
EoC-HISTORY	MACH.1131-C		
DATE	LAST EC	FRAME	01
03-14-72	571155	IBM CORP. GSD	004
		Part No. 5889472	



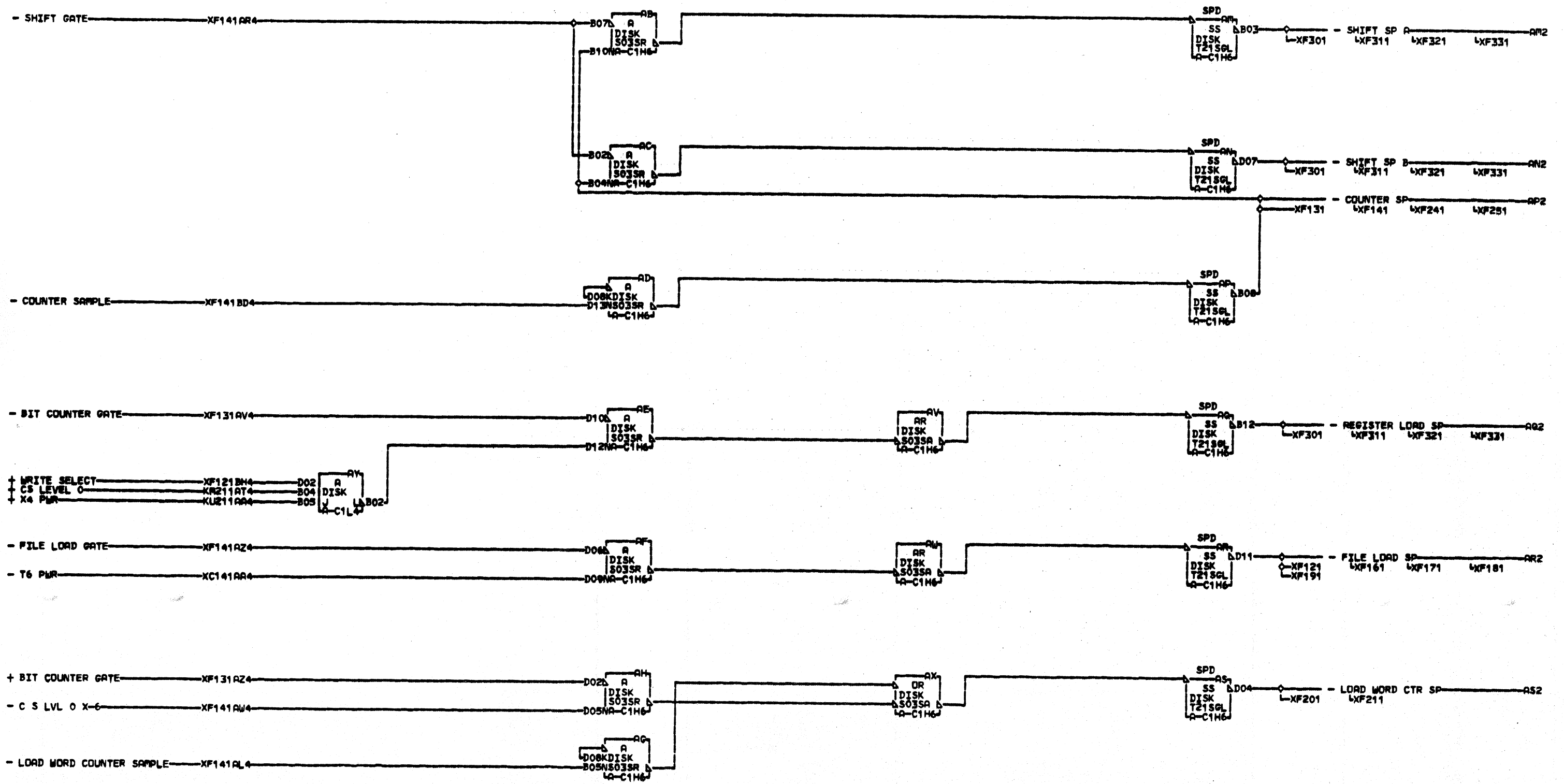
NOTE 1 CARD MUST BE PLUGGED
ON WIRE SIDE OF BOARD AT
X SOCKET A-C1T8
NOTE 2 SPARE LIGHTS WILL BE
ON WHEN NOT USED
NOTE 3 REFER TO PAGE AD002
FOR LAYOUT OF INDICATORS

CE INDICATORS		MACH. 1131-C	01
DISK STATUS			
E.C. - HISTORY		IBM CORP. SDD	
DATE	LAST EC	P.N. 5889323	
02-09-71	571150		



NOTE 1 CARD MUST BE PLUGGED
ON WIRE SIDE OF BOARD AT
X SOCKET A-C1T5
F NOTE 2 SPARE LIGHTS WILL BE
ON WHEN NOT USED
2 NOTE 3 REFER TO PAGE AD002
1 FOR LAYOUT OF INDICATORS

CE INDICATORS		MACH-1131-C	X F 0 2 1
DISK WC BITS 7-15			
E-C-HISTORY		FRAME 01	000
DATE LAST EC		IBM CORP. SDD	
02-09-71 571150		PeN. 5889324	

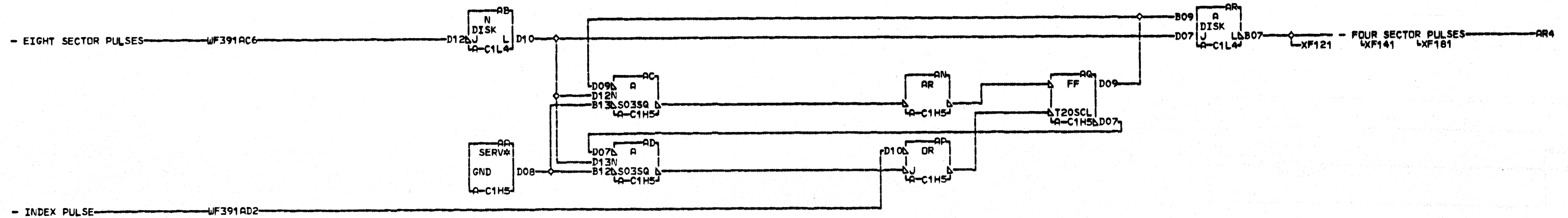
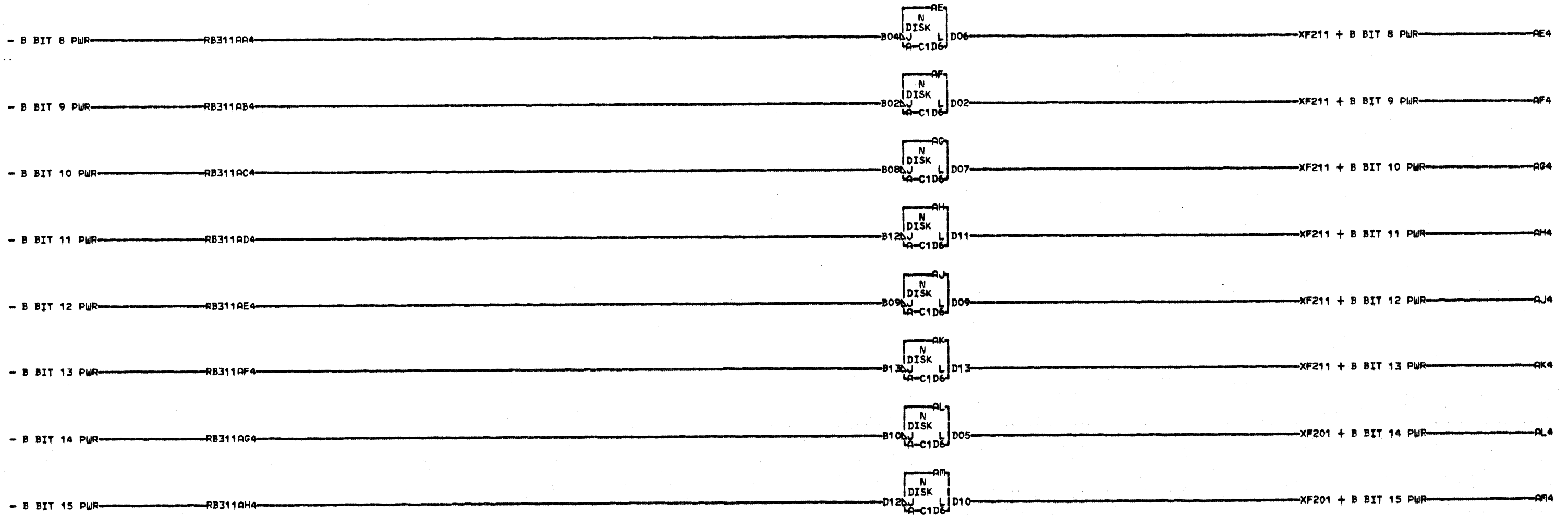


LCC. TYPE
A-C1H6 3757
A-C1L4 0000

FILE SHIFT SP	COUNTER SP
LOAD WORD CTR SP	FILE LOAD SP
-E.C.-HISTORY- RACH-1131-C	
FRAME	01
DATE	LAST EC
02-09-71	571150
IBM CORP. OPD	P.No. 5889325

X
F
1
0
1
000

X
F
1
0
1
000

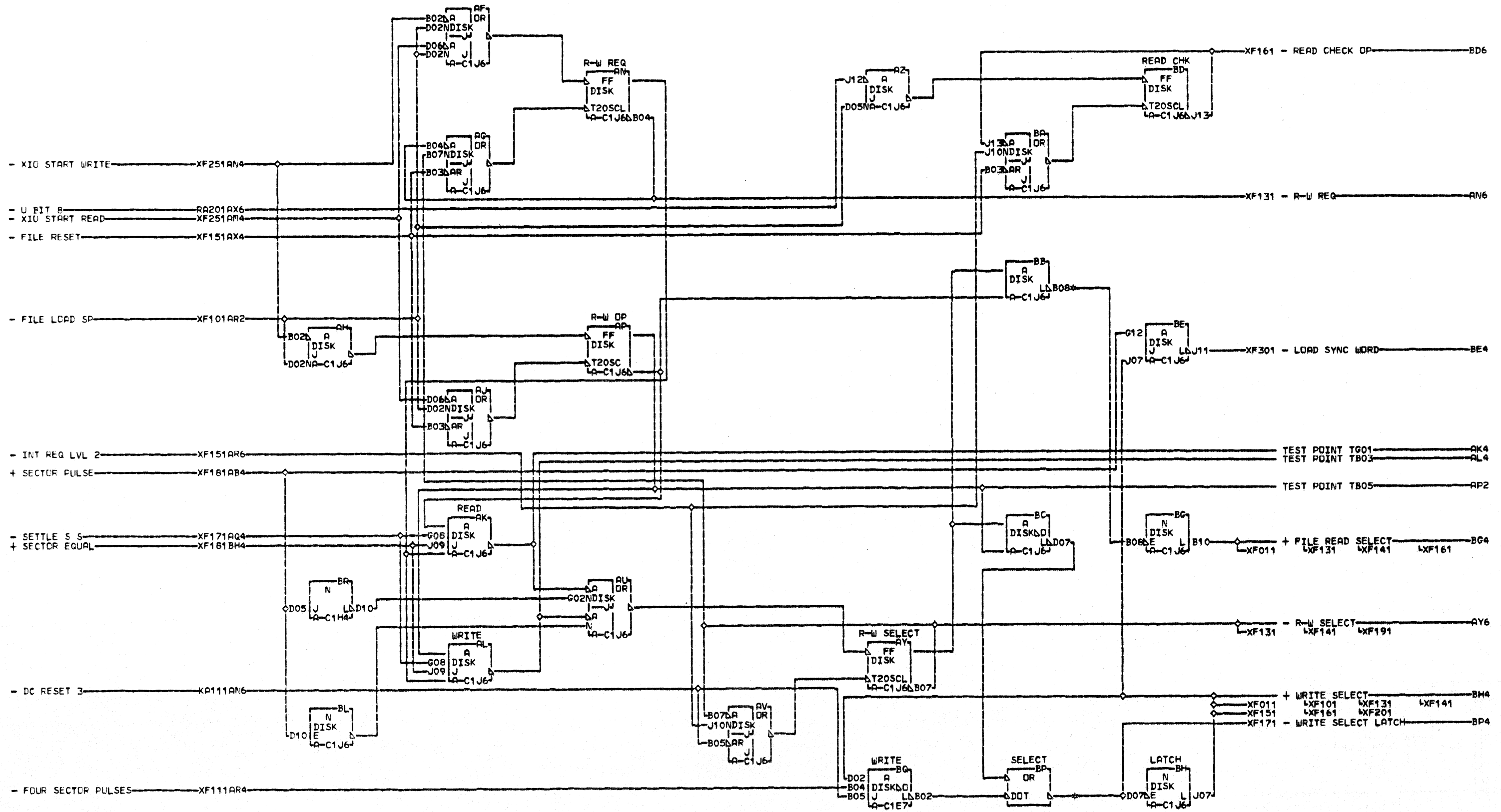


X
F
1
1
1

000

LOC. TYPE
 A-C1D6 3016
 A-C1H5 3794
 A-C1L4 0000

B REGISTER INVERTERS		X F 1 1 1
SECTOR PULSE FILTER		
E.C.-HISTORY		000
MACH. 1131-C		
FRAME	01	
IBM CORP. GPD		
DATE	LAST EC	
02-09-71	571150	
P.N. 5889326		

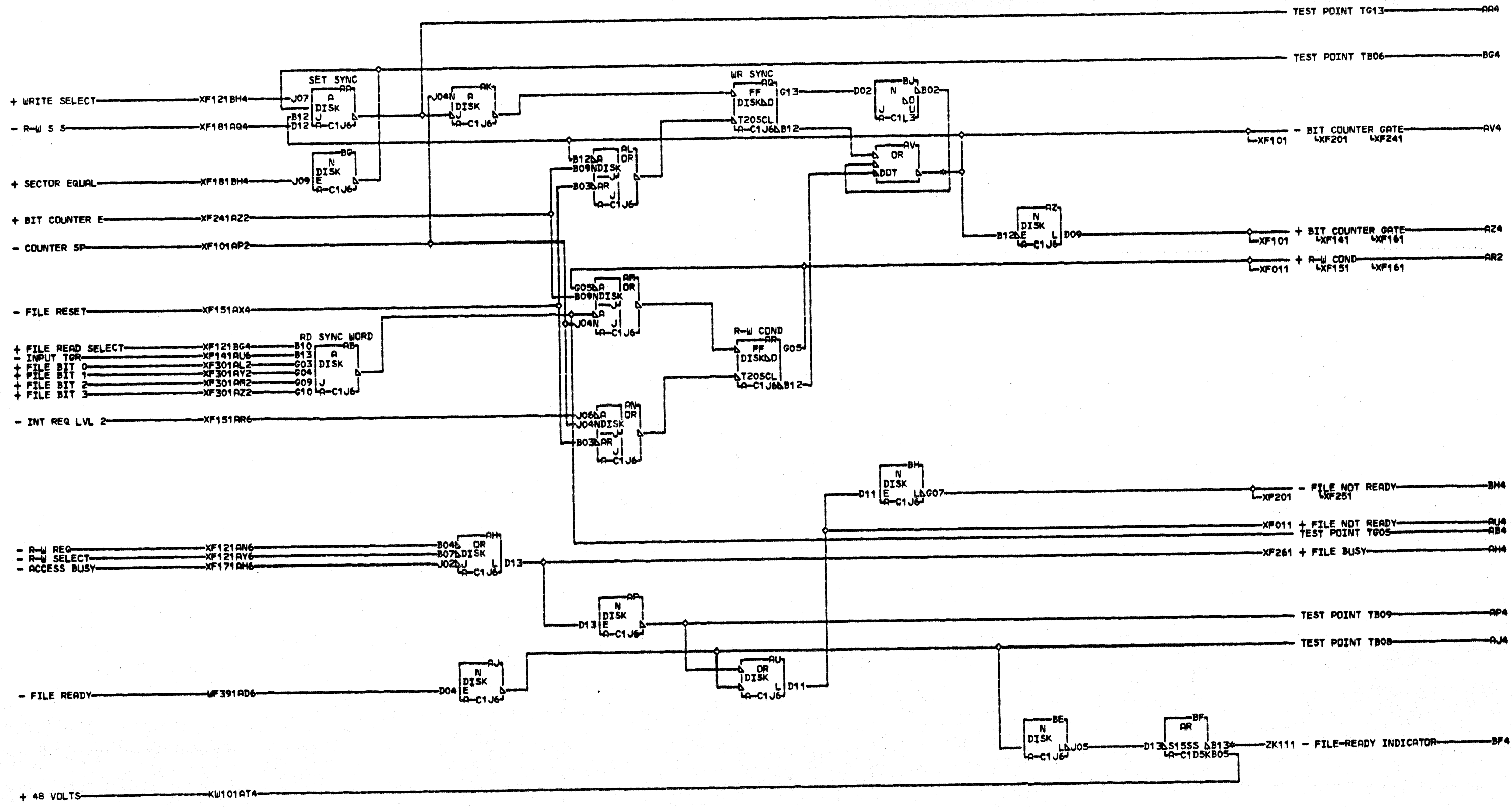


BB4 RESISTOR
A-C1J6B08
BP4 RESISTOR
A-C1J6D07

LOC. TYPE
A-C1E7 0000
A-C1H4 3421
A-C1J6 6217

FILE R/W SEL	R/W REQ	X F 1 2 1
READ CHK OP	LOAD SYNC WORD	
-E.C.-HISTORY		MACH#1131-C
		FRAME 01
		IBM CORP. GPD
DATE	LAST EC	000
02-09-71	571150	
		P.N. 5889327

X
F
1
2
1

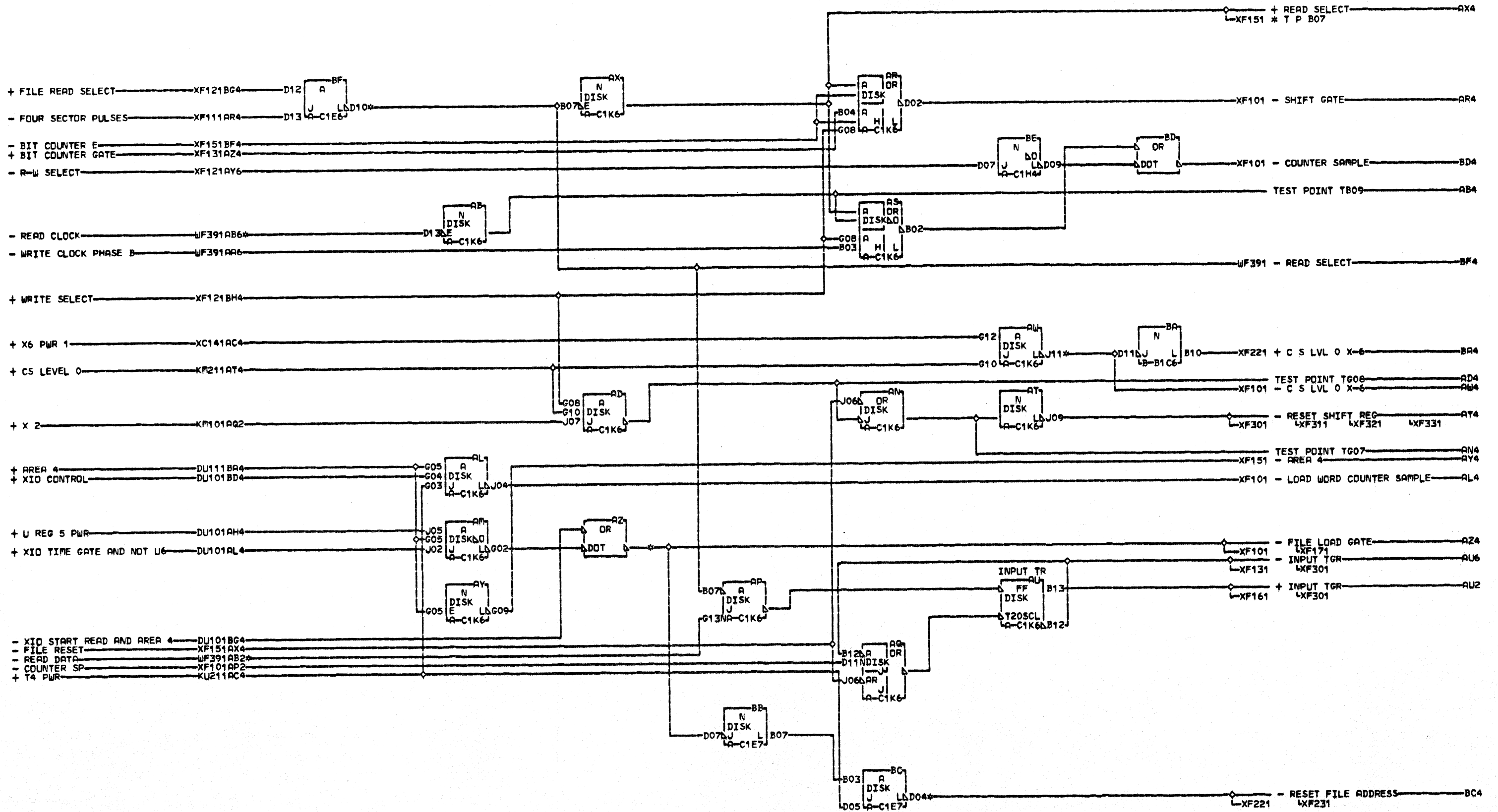


AV4 RESISTOR
 A-C1J6B12
 BF4 A-C1A5D11

LOC. TYPE
 A-C1D5 3819
 A-C1J6 6217
 A-C1L3 0238

FILE R-W COND	WRITE SYNC	MACH.1131-C	X F 1 3 1
BIT CTR GATE	BUSY NOT RDY		
E.C.-HISTORY		FRAME 01	000
		IBM CORP. GPD	
DATE	LAST EC	P.No. 5889328	
02-09-71	571150		

XF131
000

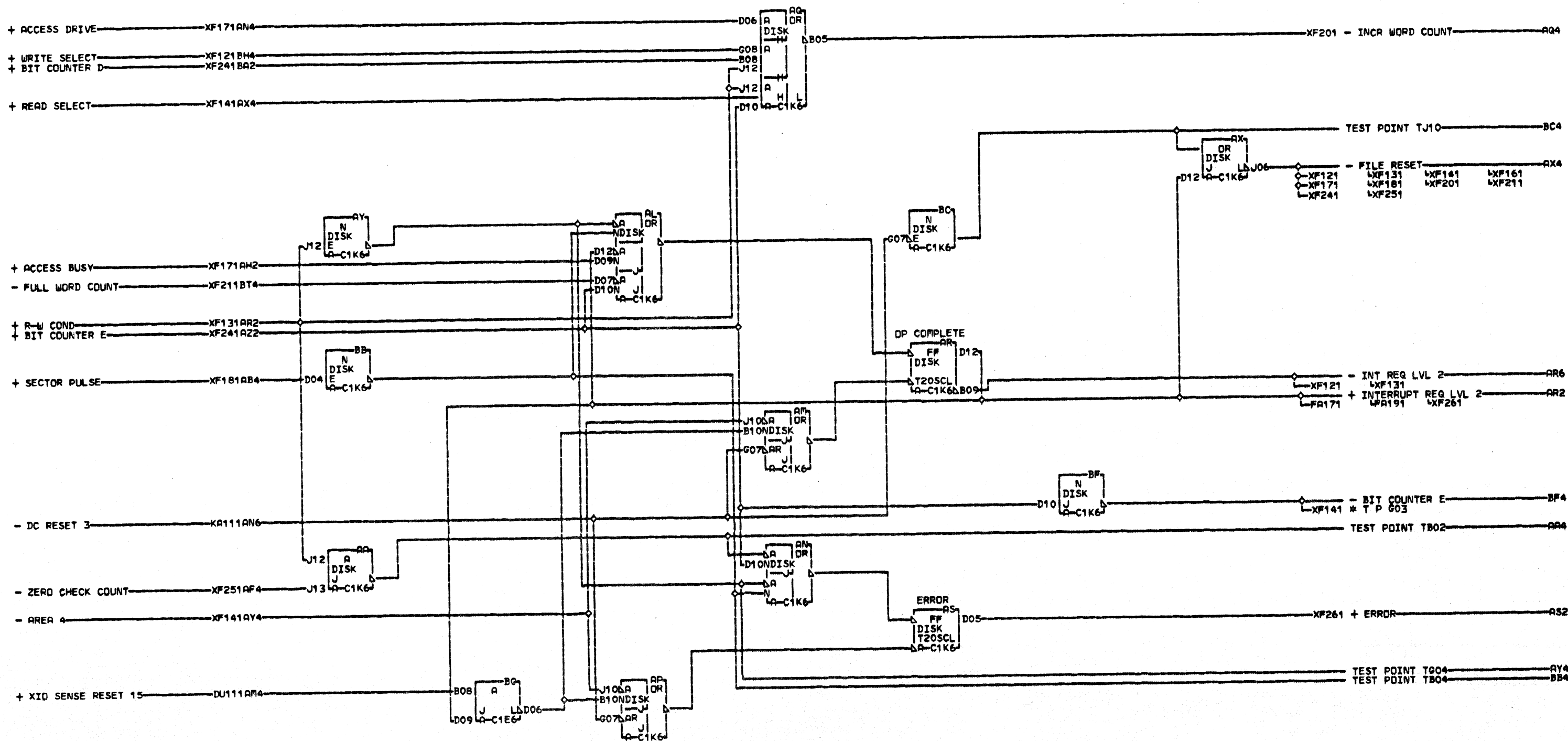


WF391AB2 01B-B1N6D12
 RESISTOR BC4 A-C1N2D13
 A-C1K6G13 01B-B1N5D13
 WF391AB6 BF4 A-C1N7B09
 RESISTOR
 A-C1K6D13
 AW4 A-C1N2D12
 01B-B1N5D12
 AZ4 A-C1B6D12

LOC. TYPE
 A-C1E6 0000
 A-C1E7 0000
 A-C1H4 3421
 A-C1K6 6218
 B-B1C6 3686

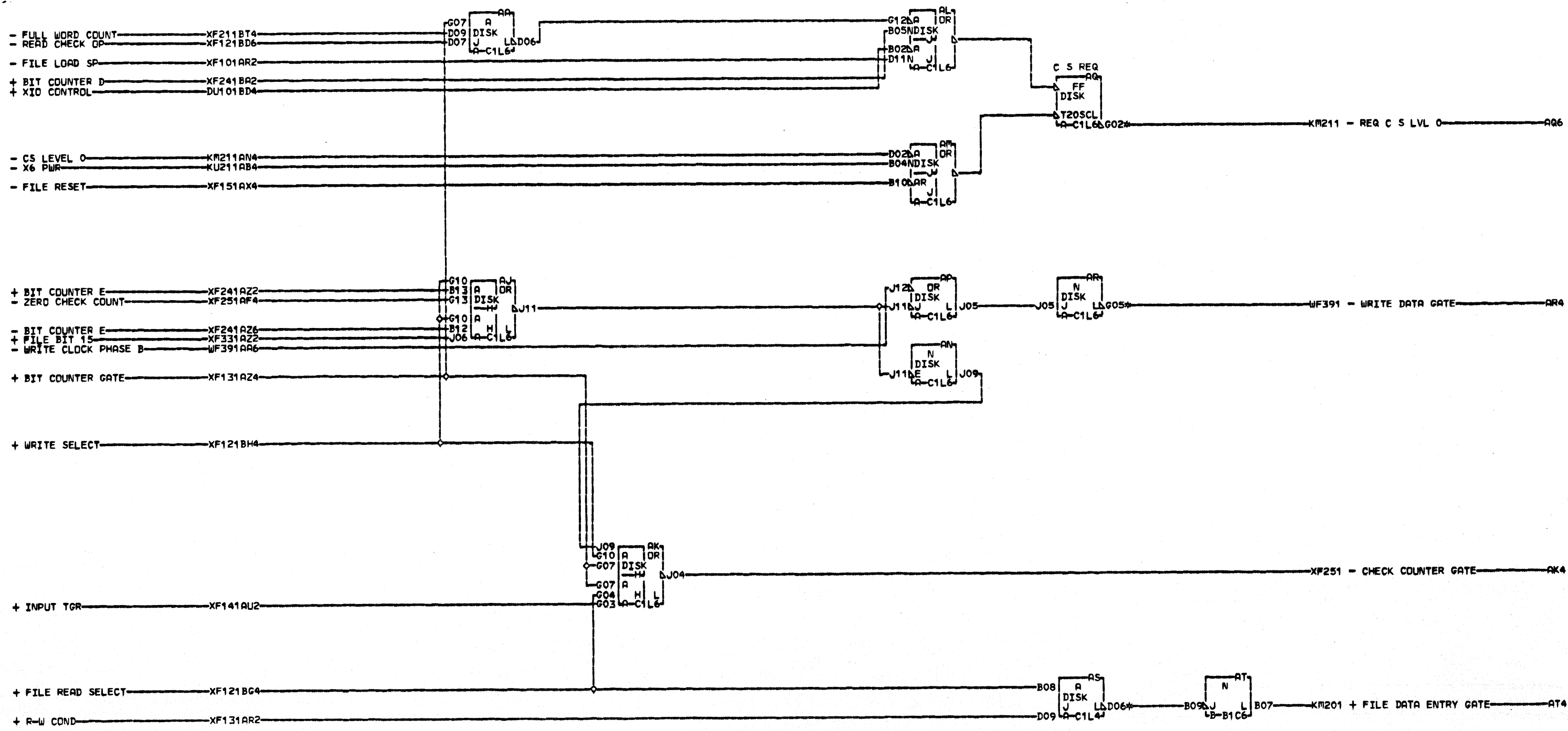
FILE SHIFT GATE	COUNTER SPL	X F 1 4 1 000
RESET SHIFT REG	INPUT TGR	
E.C.-HISTORY	MACH-1131-C	
DATE	LAST EC	
02-09-71	571150	
FRAME	01	
IBM CORP. GPD		
PoN. 5889329		

X
F
1
4
1
000



LOC. TYPE
A-C1E6 0000
A-C1K6 6218

FILE ERROR	INT REQ LVL 2
FILE RESET	INCR WORD COUNT
E.C. HISTORY	MACH. 1131-C
FRAME	01
IBM CORP. GPD	000
DATE LAST EC	02-09-71 571150
P.N.	5889330



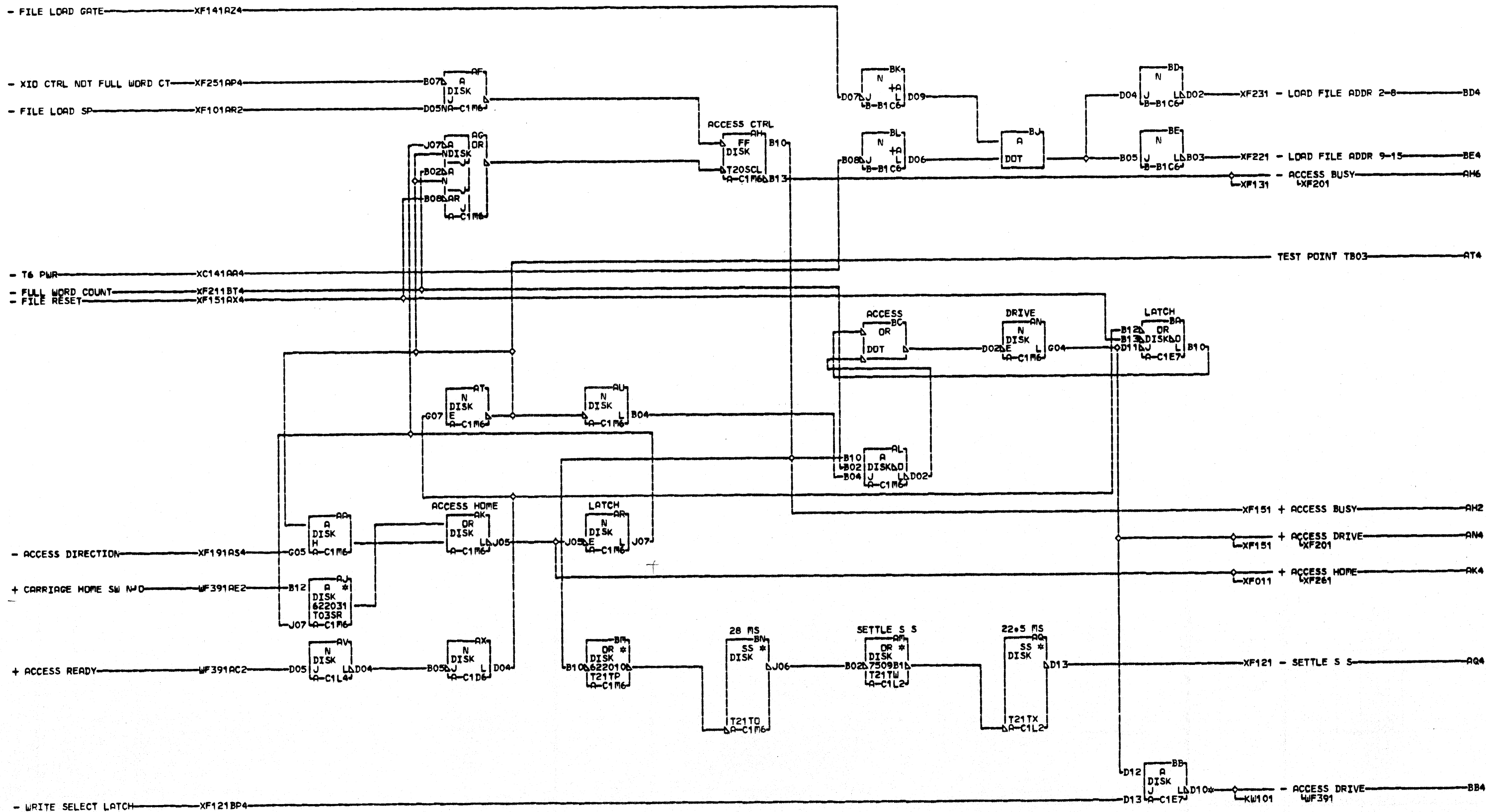
AQ6 A-C1N4B07
 O1E-A1A6B07
 AR4 A-C1N7B13
 AS4 A-C1N3B12
 O1E-B1C8E06

LOC. TYPE
 A-C1L4 0000
 A-C1L6 6219
 B-B1C6 3686

FILE WRITE DATA GATE	CHK	
COUNTER GATE	REQ CS LVL 0	
E.C.-HISTORY	MACH.1131-C	
	FRAME	01
	IBM CORP. GPD	
DATE	LAST EC	
02-09-71	571150	
	PeN.	5889331

X
F
1
6
1

X
F
1
6
1



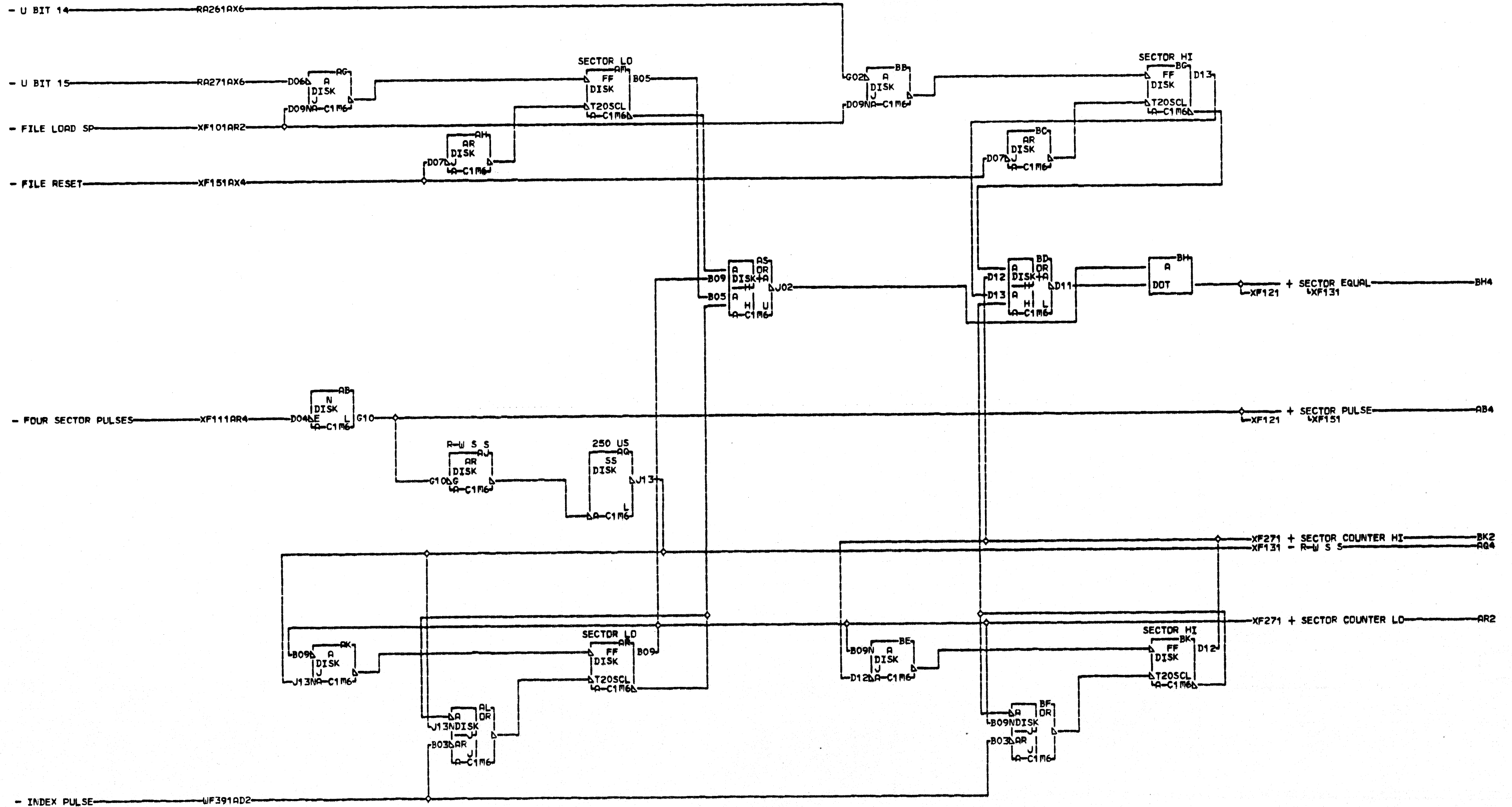
BB4 A-C1N7D04

LOC.	TYPE
A-C1D6	3016
A-C1E7	0000
A-C1L2	7509
A-C1L4	0000
A-C1M6	6220
B-B1C6	3686

FILE ACCESS BUSY HOME RDY		X F 1 7 1
ACCESS GO	SETTLE S S	
E.C.-HISTORY		000
PACH=1131-C		
DATE	LAST EC	IBM CORP. GPD
02-09-71	571150	
P.N. 5889332		

XF
1
7
1

000

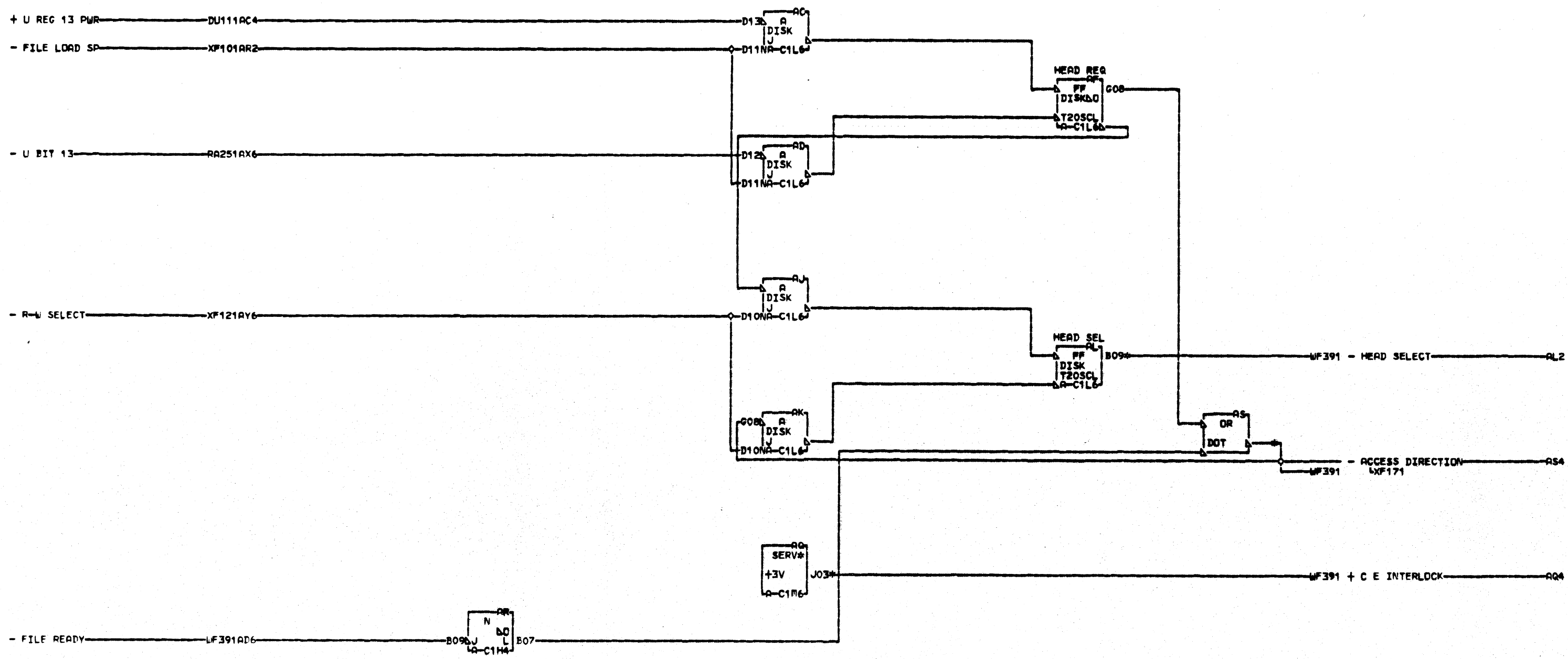


LOC. TYPE
A-C1M6 6220

FILE SECTOR COUNTER		X F 1 8 1
RWSS	SECTOR EQUAL	
E.C.-HISTORY		MACH#1131-C
		FRAME 01
		IBM CORP. GPD
DATE	LAST EC	000
02-09-71	571150	P.No. 5889333

X
F
1
8
1

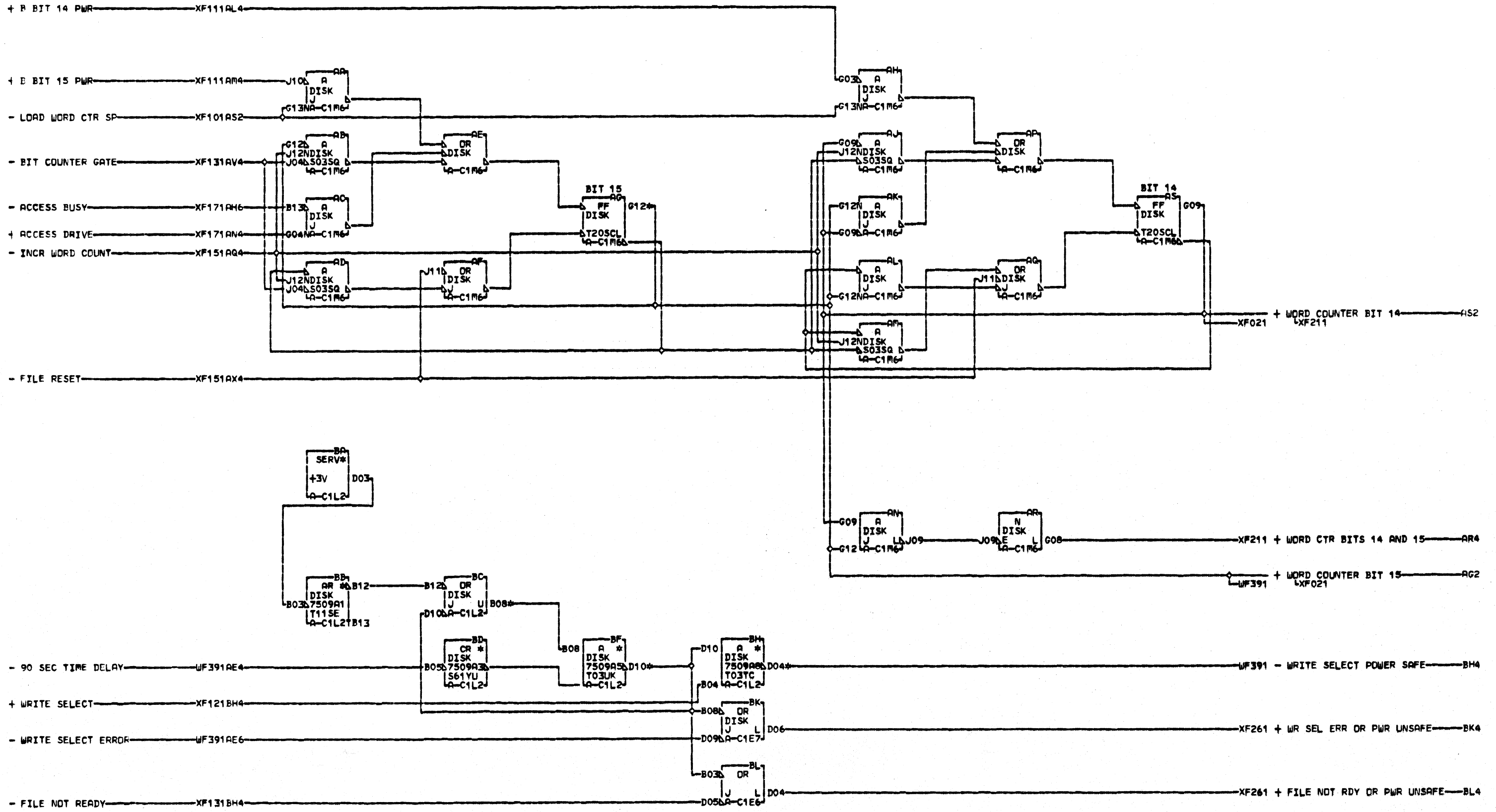
000



AL2 A-C1N7D09
 A04 A-C1N7D07
 AS4 A-C1N7B04

LOC. TYPE
 A-C1H4 3421
 A-C1L6 6219

FILE HEAD SELECT	
ACCESS DIRECTION	
E.C.-HISTORY	MACH.1131-C
FRAME	O1
IBM CORP. GPD	
DATE LAST EC	P.N. 5889334
02-09-71 571150	



- AG2 A-C1N7B10
- BC4 RESISTOR
- A-C1L2B08
- BF4 RESISTOR
- A-C1L2D10
- BH4 A-C1N7D11
- O1 A-C1N7D10
- RESISTOR
- A-C1L2D04

LOC. TYPE
 A-C1E6 0000
 A-C1E7 0000
 A-C1L2 7509
 A-C1M6 6220

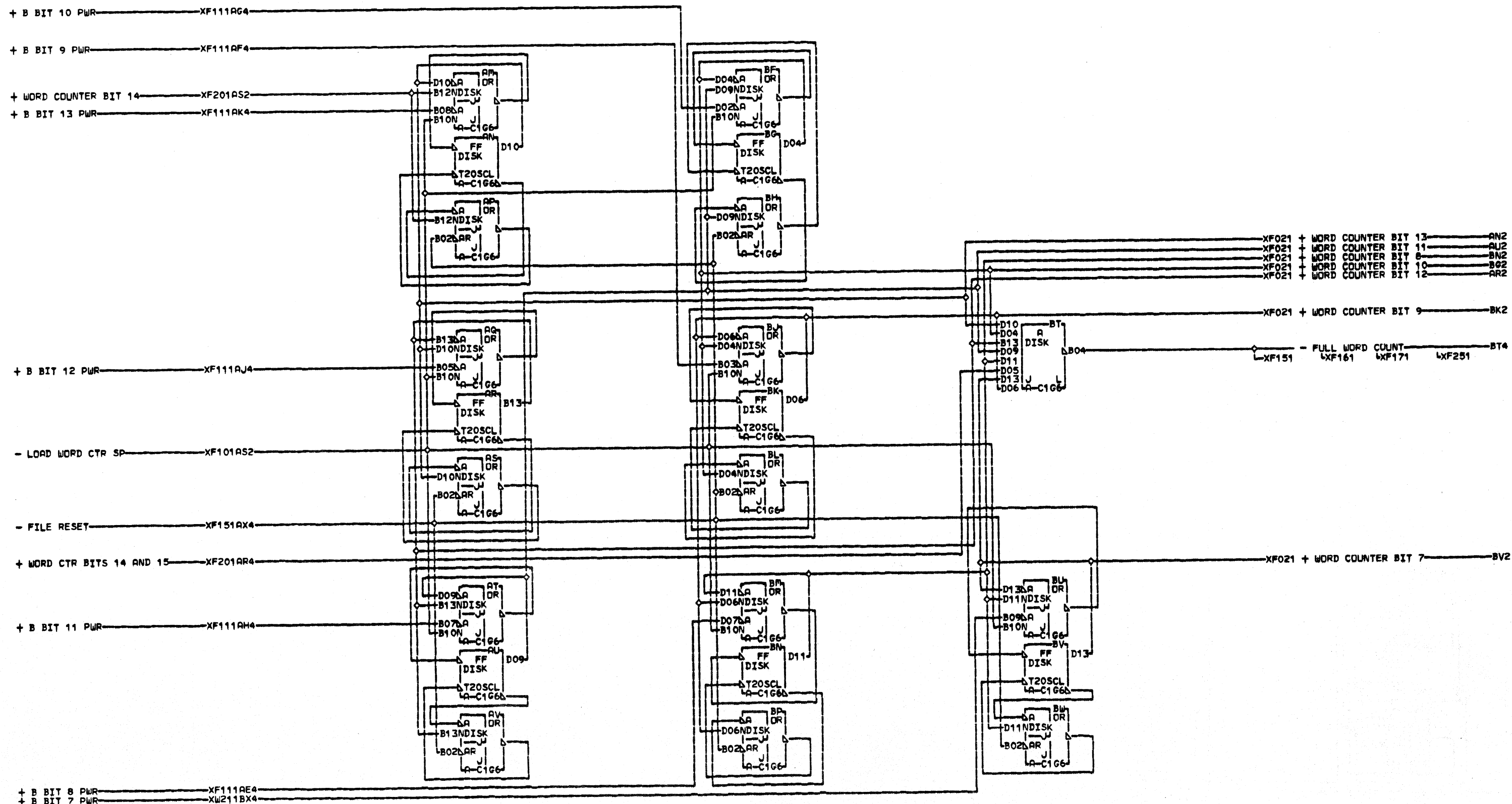
FILE WORD COUNT REGISTER	
-E.C.-HISTORY	STEP MODE
	RACH-1131-C
DATE	FRAME 01
LAST EC	IBM CORP. GPD
02-09-71 571150	P.No. 5689335

XF201

000

XF201

000

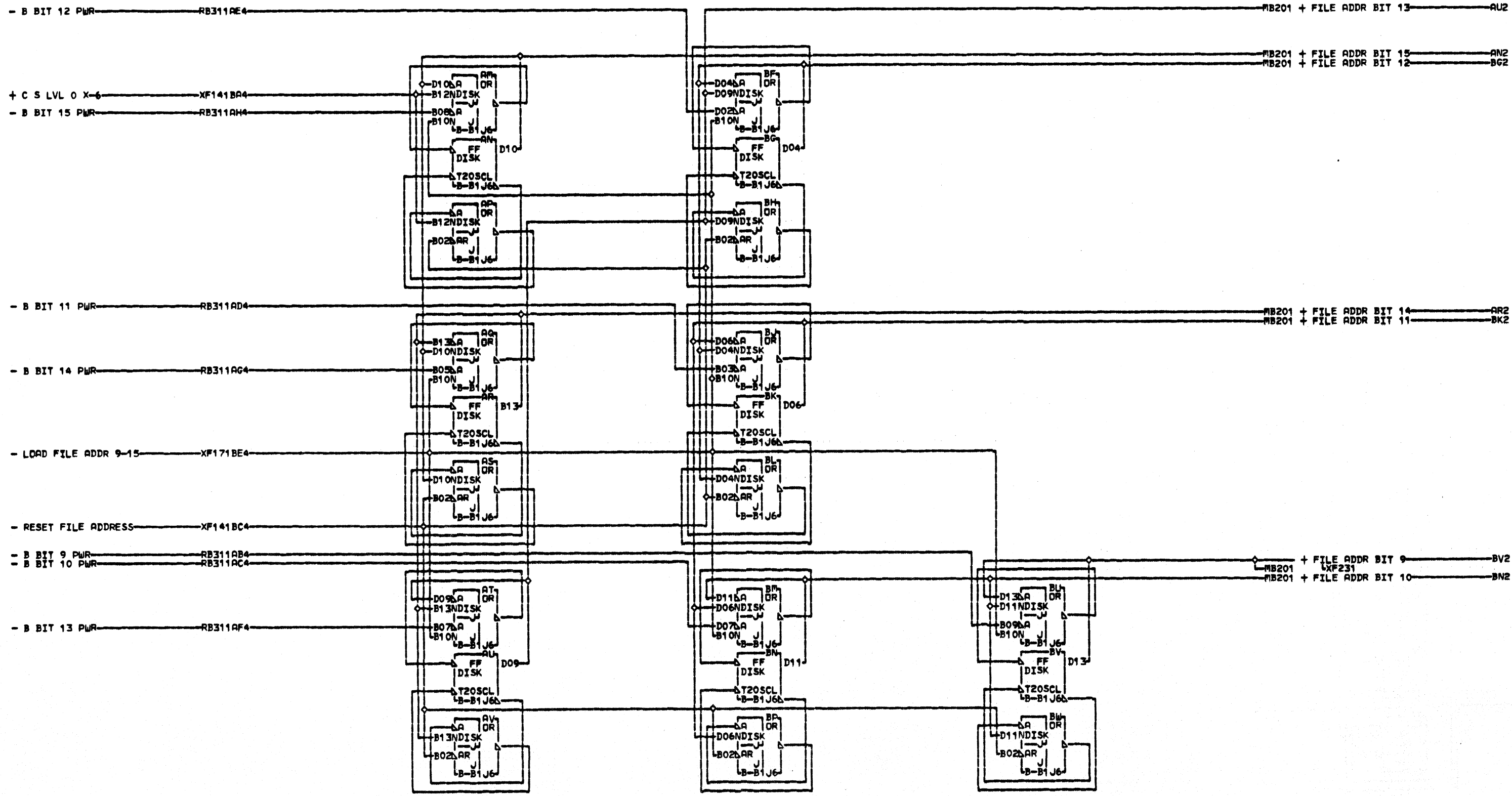


LDC. TYPE
A-C1G6 3793

FILE WORD COUNT REGISTER	
E.C.-HISTORY	MACH.1131-C
	FRAME 01
	IBM CORP. GPD
DATE	P.No. 5889336
LAST EC	
02-09-71	571150

XF211

X
1
1
1
000



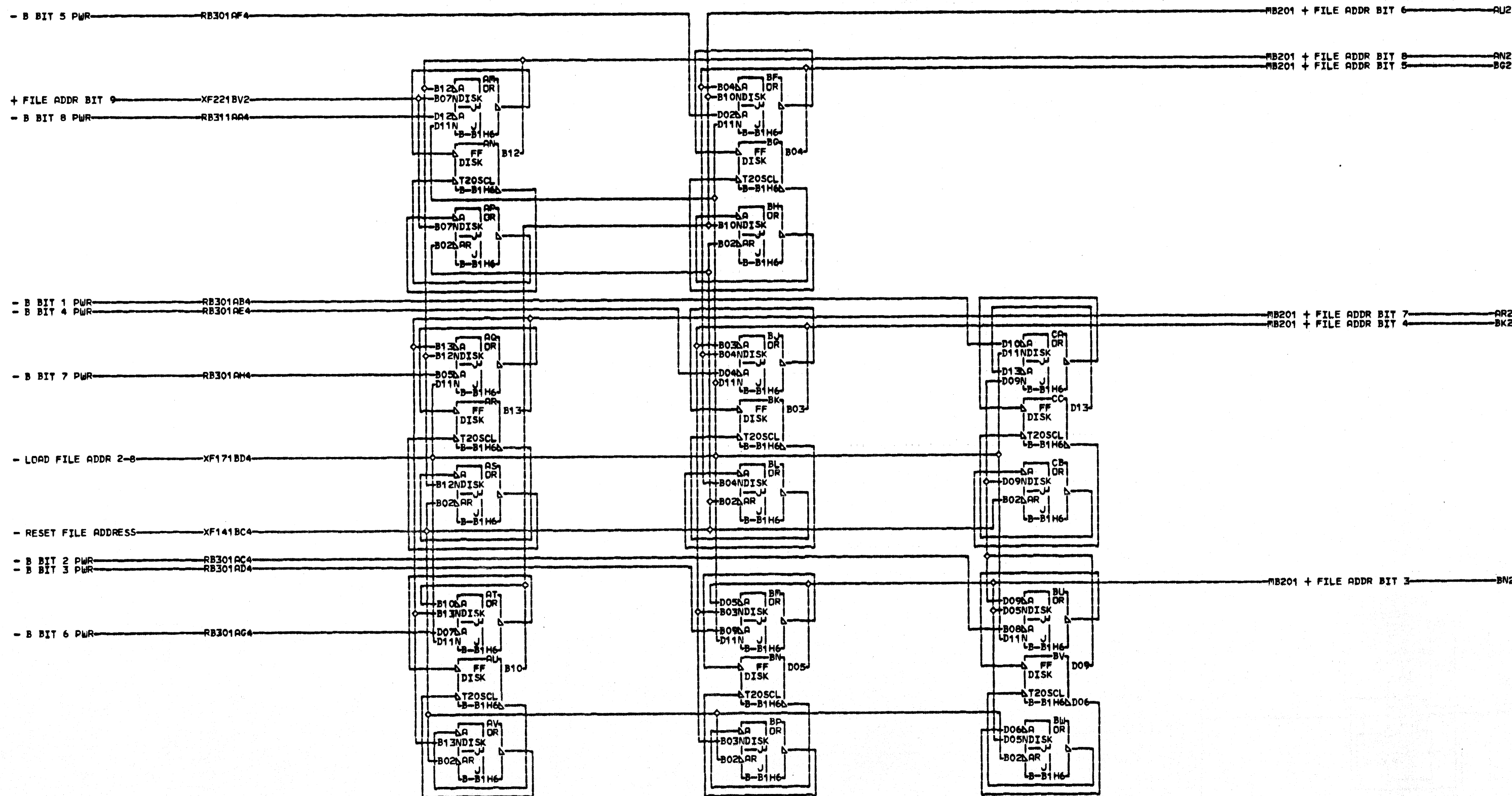
LOC. TYPE
B-B1J6 3793

FILE CORE ADDRESS REGISTER	
BITS 9-15	
E.C.-HISTORY	MACH-1131-C
DATE LAST EC	FRAME 01
02-09-71 571150	IBM CORP. GPD
	P.O. No. 5889337

NUM 1

XF221

000



- B BIT 5 PWR RB301AF4

+ FILE ADDR BIT 9 XF221BV2

- B BIT 8 PWR RB311AA4

- B BIT 1 PWR RB301AB4

- B BIT 4 PWR RB301AE4

- B BIT 7 PWR RB301AH4

- LOAD FILE ADDR 2-8 XF171BD4

- RESET FILE ADDRESS XF141BC4

- B BIT 2 PWR RB301AC4

- B BIT 3 PWR RB301AD4

- B BIT 6 PWR RB301AG4

MB201 + FILE ADDR BIT 6 AU2

MB201 + FILE ADDR BIT 8 AN2

MB201 + FILE ADDR BIT 5 BG2

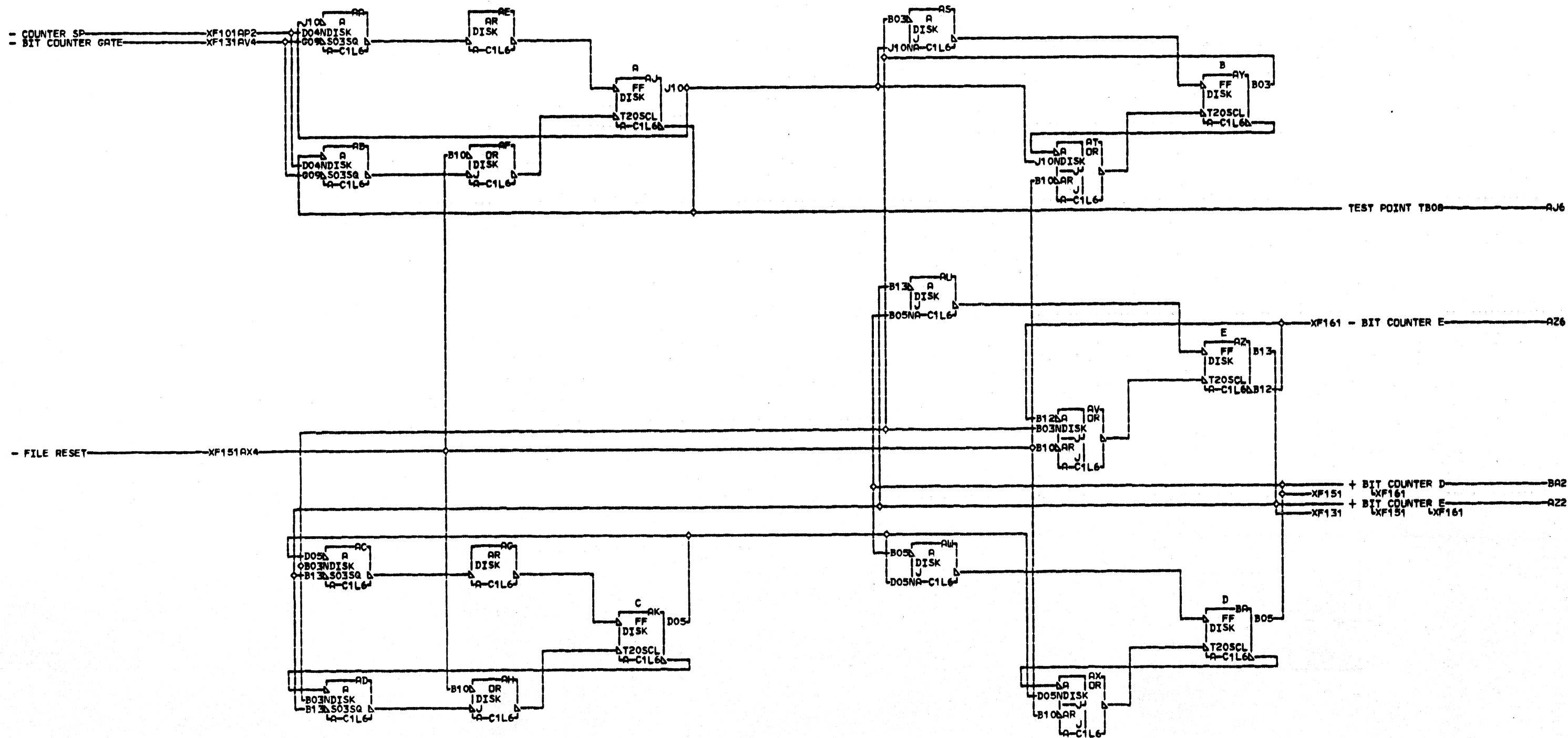
MB201 + FILE ADDR BIT 7 AR2

MB201 + FILE ADDR BIT 4 BK2

MB201 + FILE ADDR BIT 3 BN2

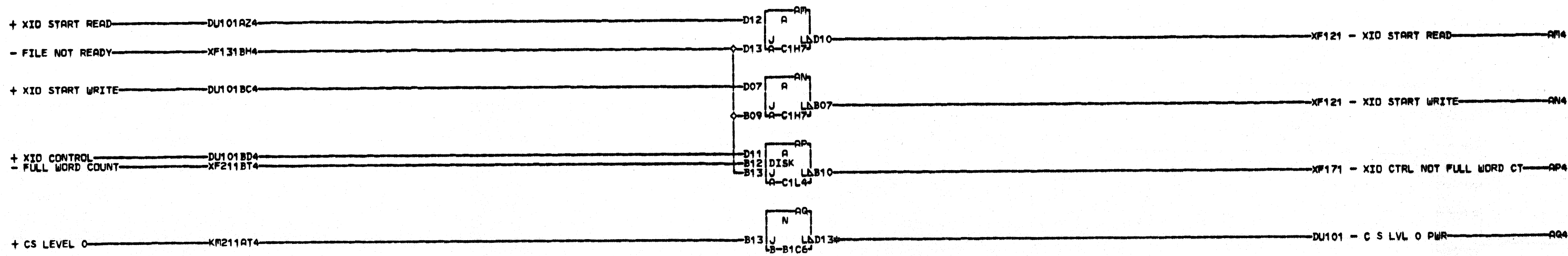
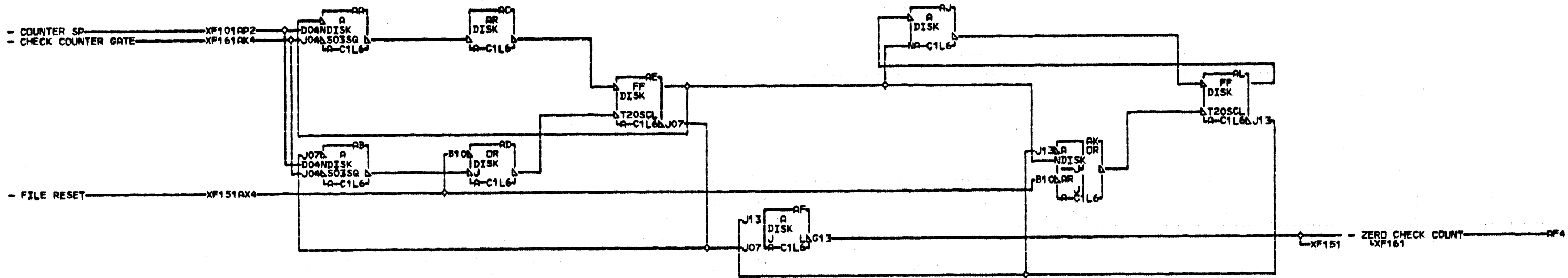
LOC. TYPE
B-B1H6 3796

FILE CORE ADDRESS REGISTER	
BITS 1-8	
E.C.-HISTORY	MACH. 1131-C
DATE	FRAME 01
LAST EC	IBM CORP. GSD
02-09-71 571150	P.N. 5889338



LOC. TYPE
A-C1L6 6219

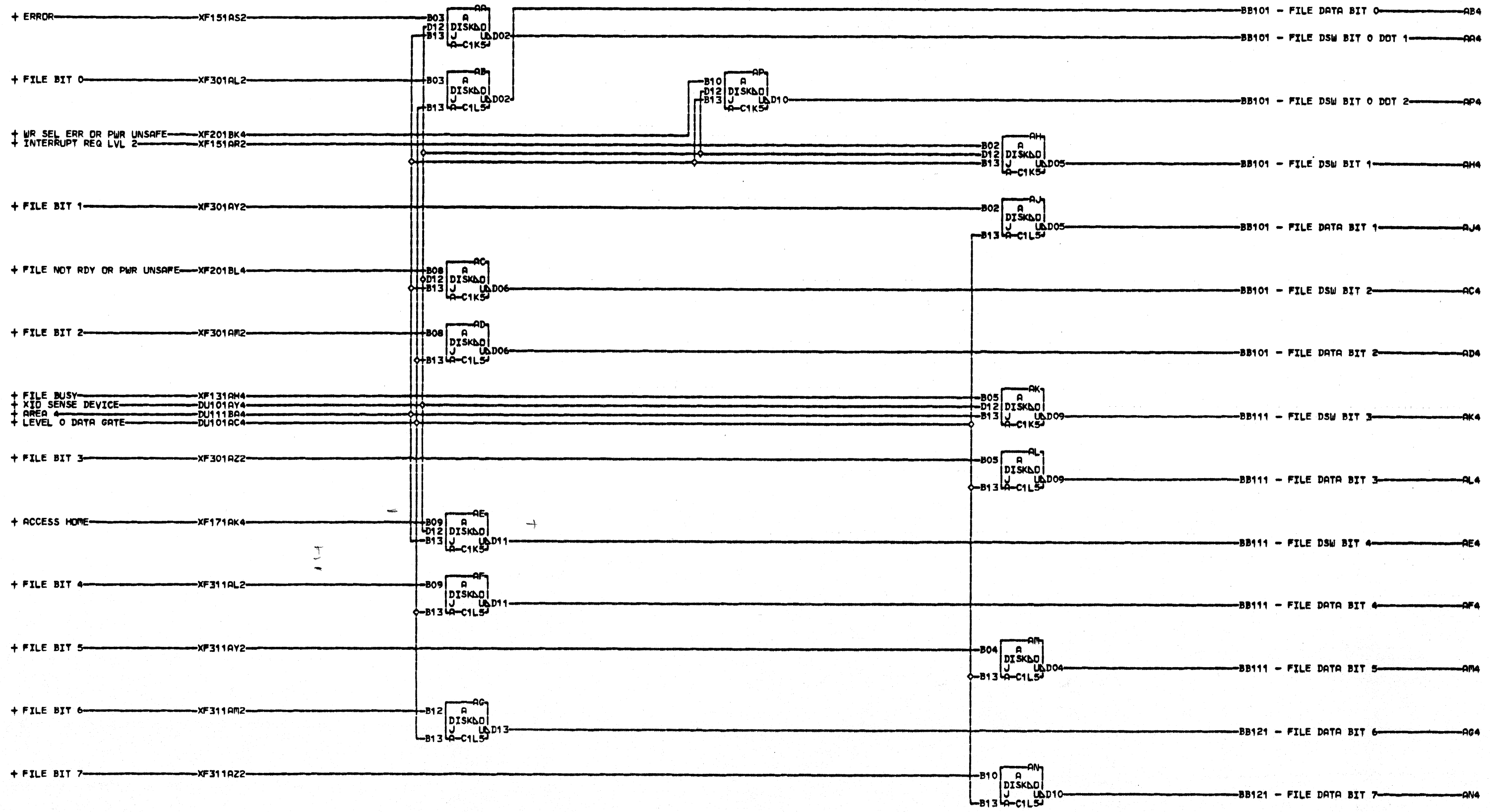
FILE BIT COUNTER	
E-C-HISTORY	MACH#1131-C
	FRAME 01
	IBR CORP. GPD
DATE 02-09-71	LAST EC 571150
	PN# 5889339



AQ4 B-B1N5B12
01A-C1N2B12

LOC. TYPE
A-C1H7 0000
A-C1L4 0000
A-C1L6 6219
B-B1C6 3686

FILE CHECK COUNTER	
XID INVERTERS	
-E.C.-HISTORY	PACH-1131-C
FRAME	01
IBM CORP. GPD	
DATE LAST EC	P.N. 5889340
02-09-71	571150

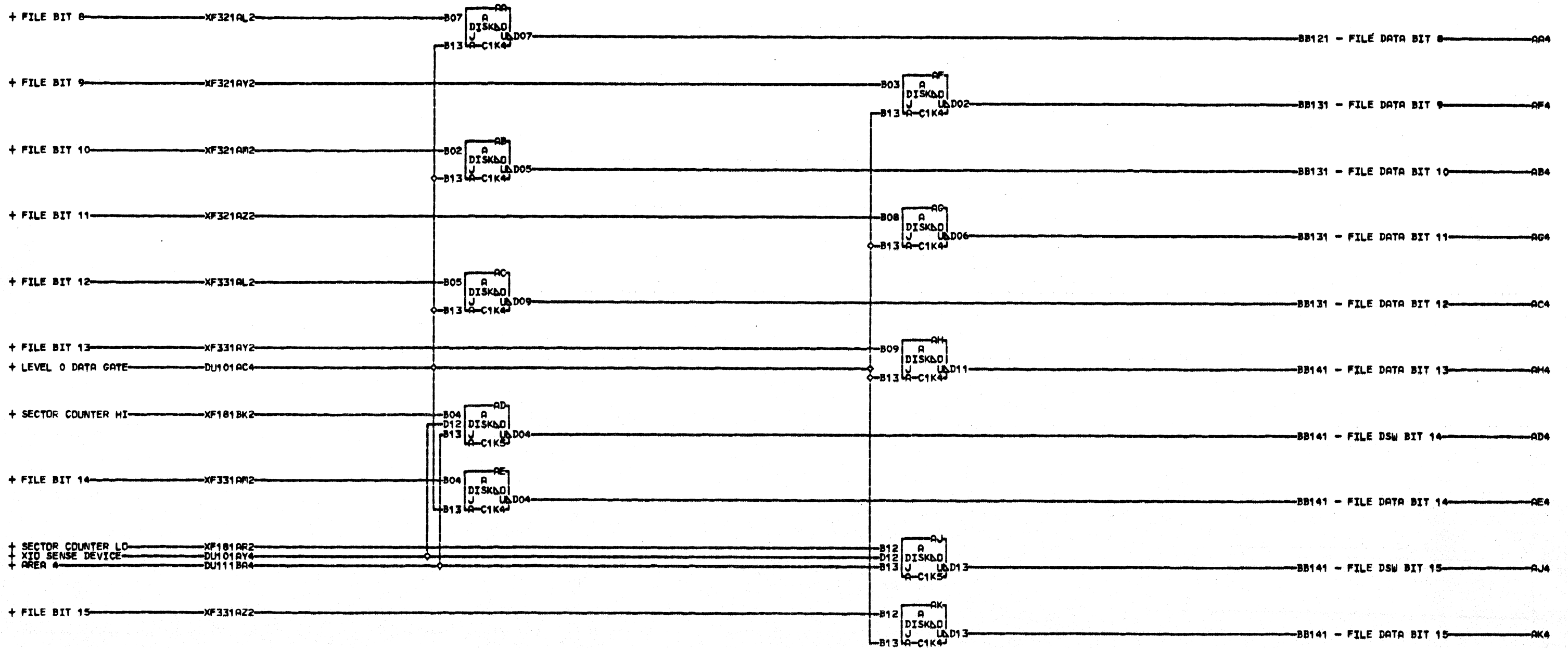


X
F
2
6
1
000

LOC. TYPE
A-C1K5 3028
A-C1L5 3028

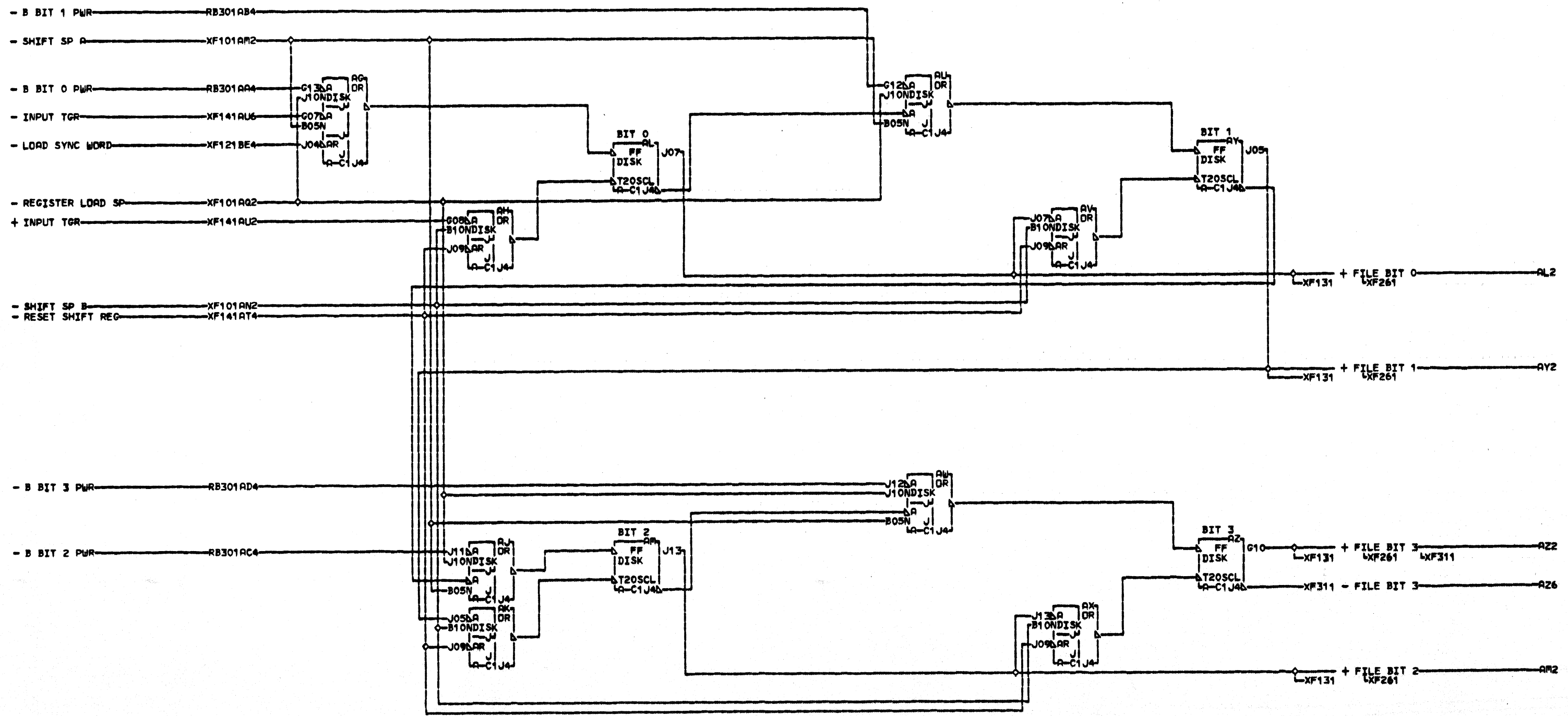
FILE INPUT BUSS ASSEMBLY	
BITS 0-7	
E.C.O.-HISTORY	MACH. 1131-C
DATE	LAST EC
02-09-71	571150
FRAME	01
IBM CORP. GPD	
P.N. 5889341	

X
F
2
6
1
000



LOC. TYPE
 A-C1K4 3028
 A-C1K5 3028

FILE INPUT BUSS ASSEMBLY		MACH. 1131-C	01
BITS 8-15			
E-C-HISTORY		IBM CORP. GPD	
DATE	LAST EC	PoN. 5889342	
02-09-71	571150		

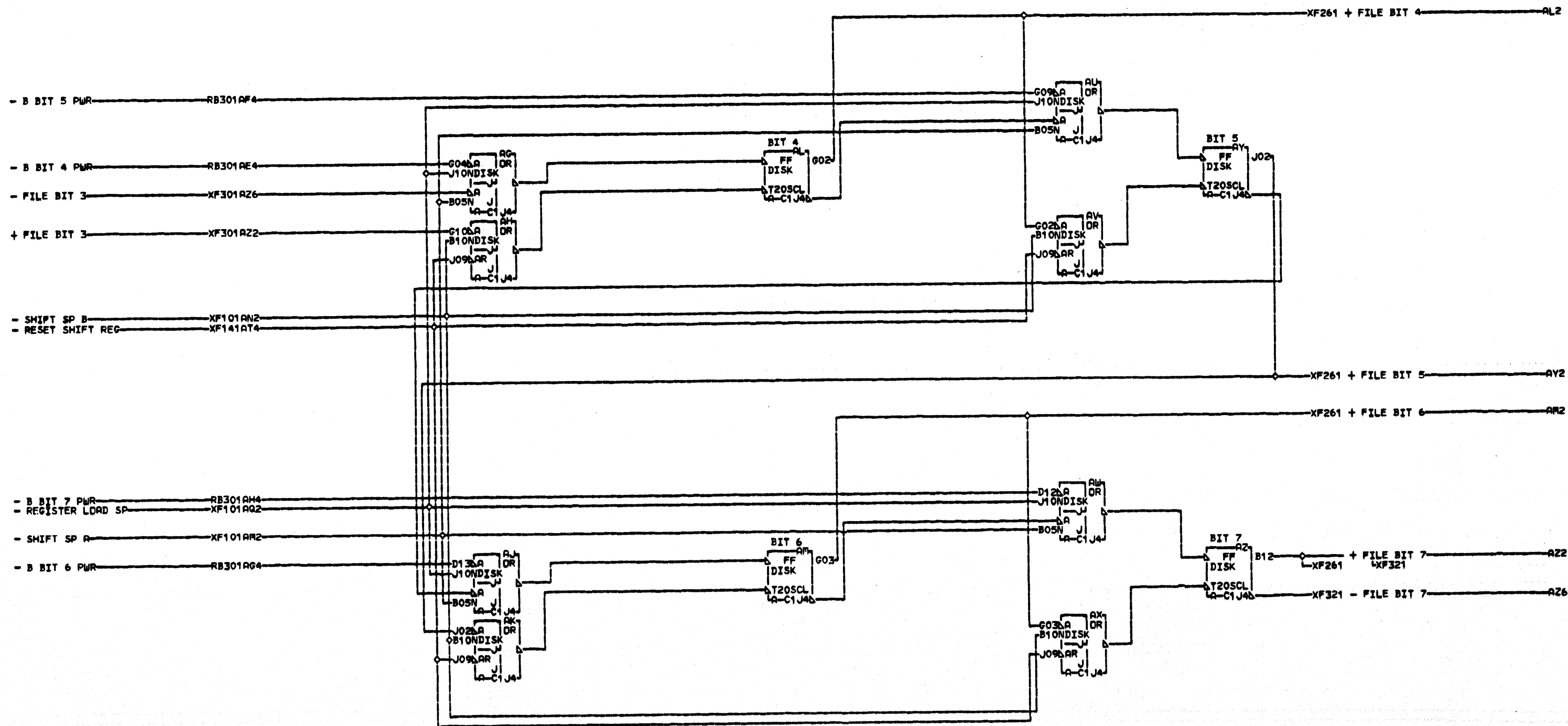


LOC. TYPE
A-C1J4 4628

FILE DATA REGISTER	
BITS 0-3	
-E.C.-HISTORY	MACH.1131-C
	FRAME 01
	IBM CORP. GPD
DATE LAST EC	PeN: 5889343
02-09-71 571150	

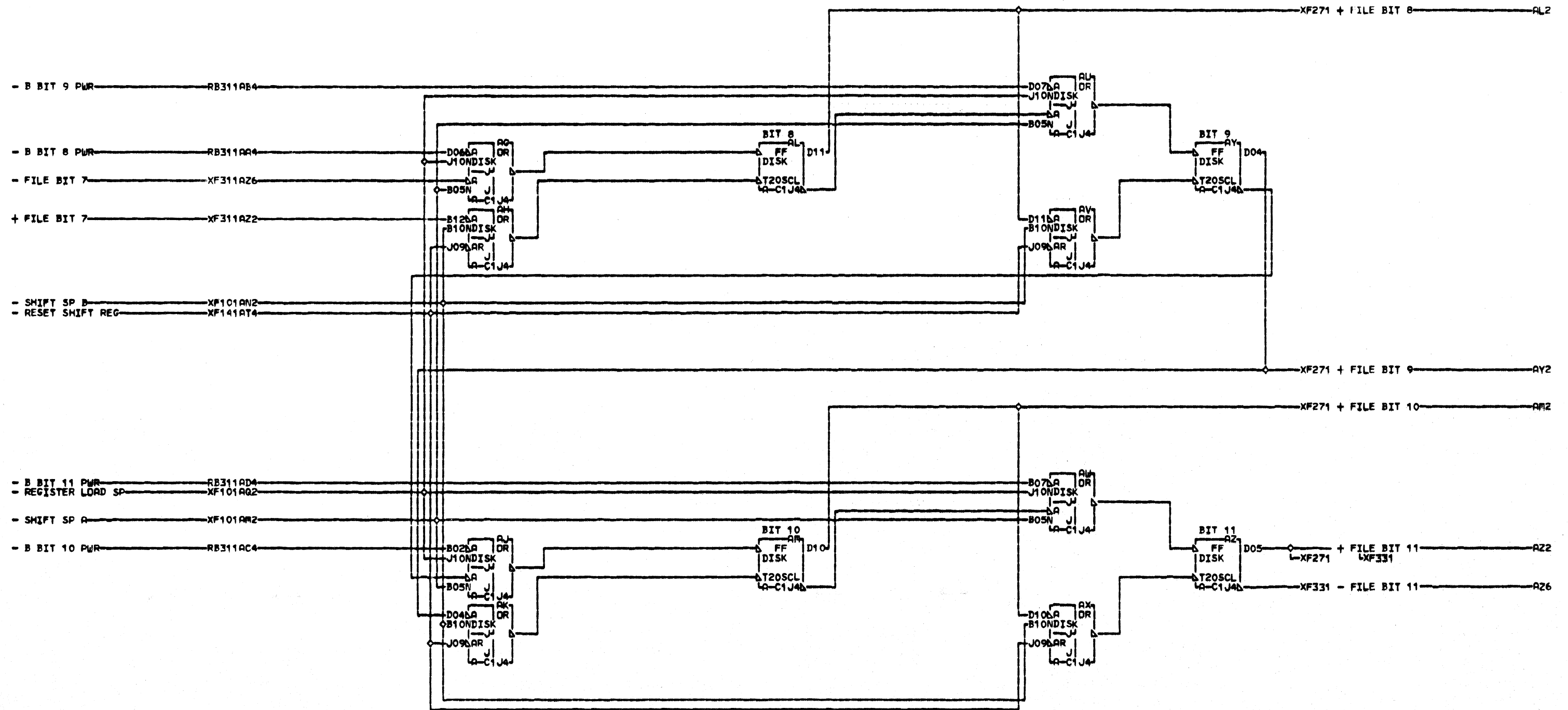
X
F
3
0
1

X
F
3
0
1



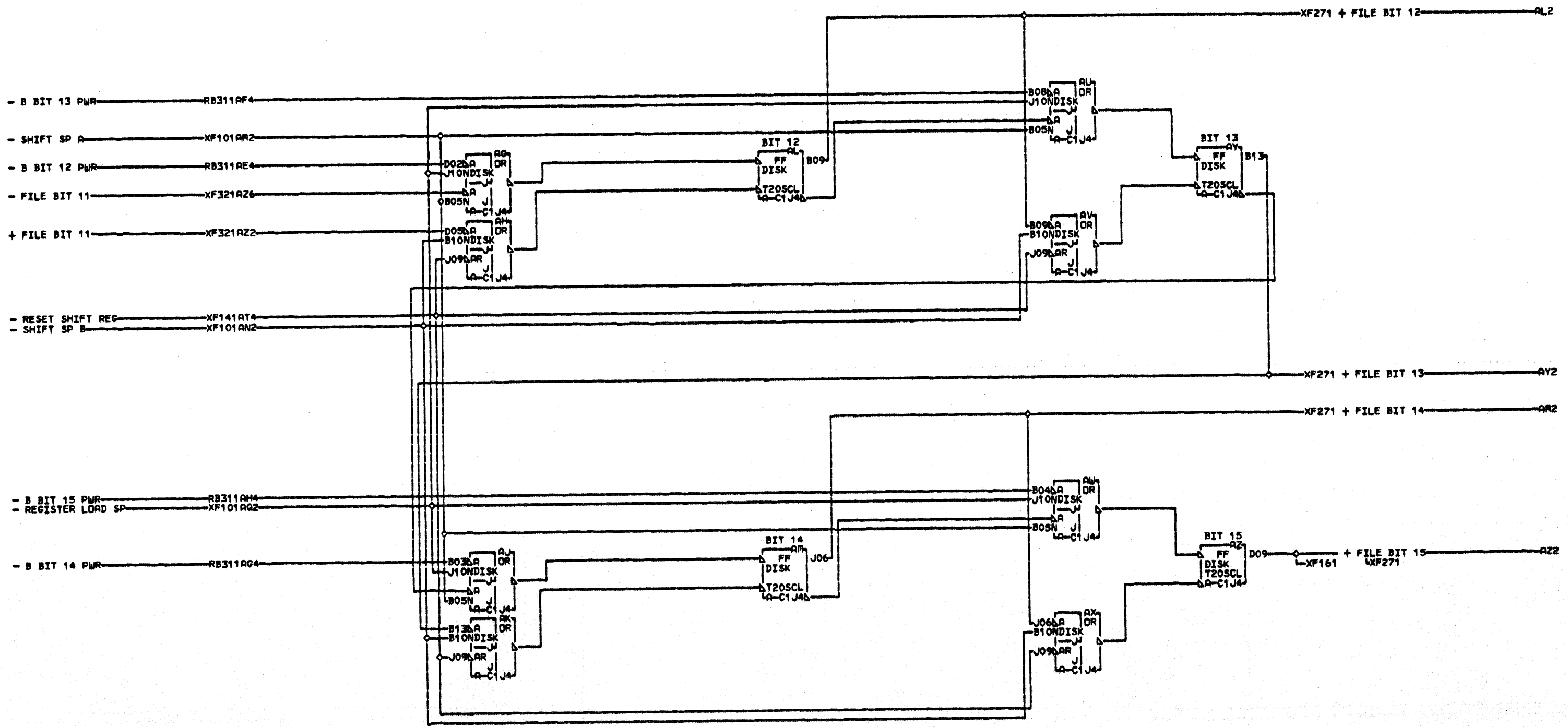
LOC. TYPE
A-C1J4 4628

FILE DATA REGISTER	
BITS 4-7	
- E.C.-HISTORY	MACH.1131-C
DATE	FRAME 01
LAST EC	IBM CORP. GPD
02-09-71 571150	PoN. 5889344



LOC. TYPE
A-C1J4 4628

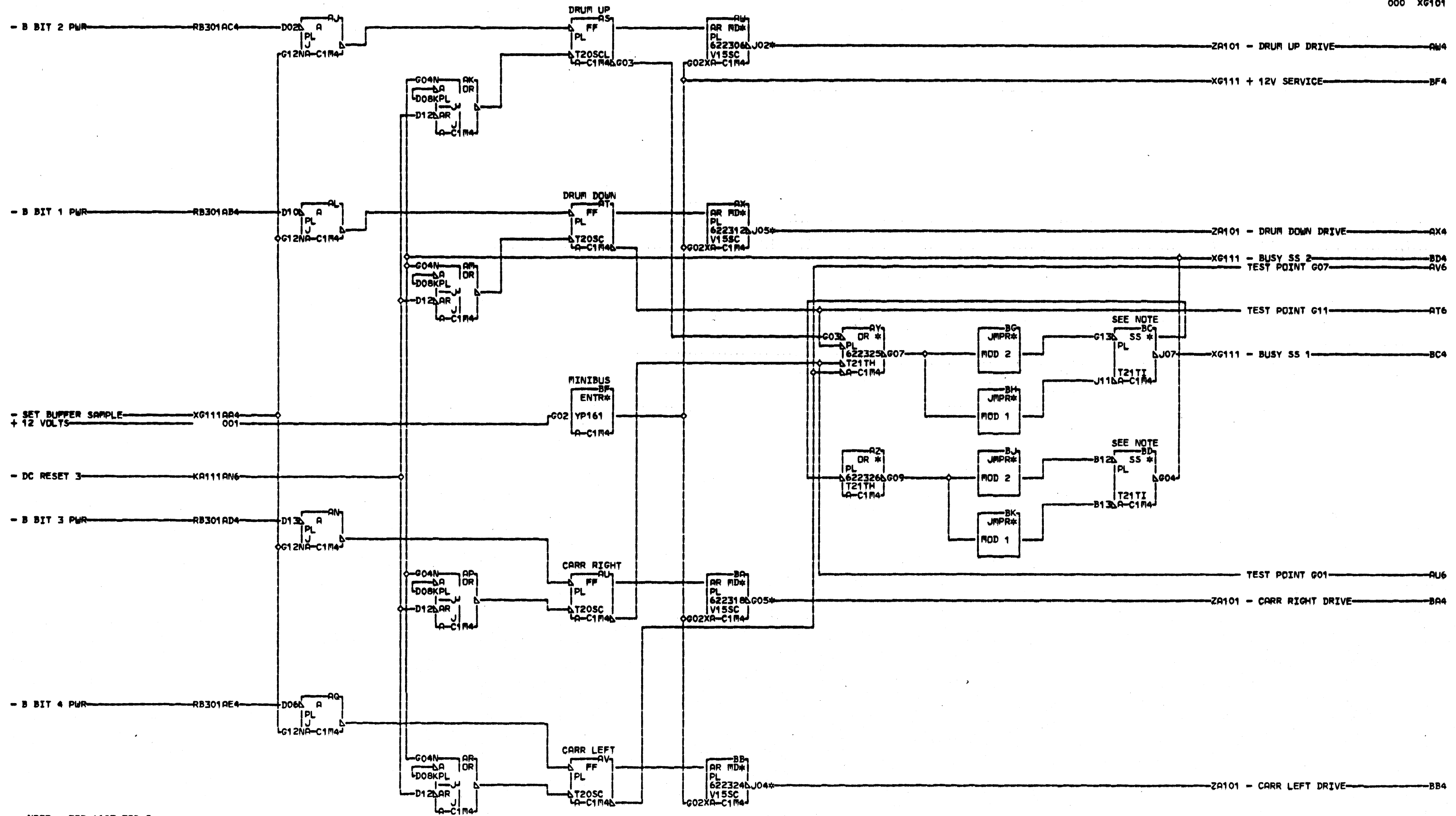
FILE DATA REGISTER	
BITS 8-11	
E-C-HISTORY	MACH. 1131-C
DATE	LAST EC
02-09-71	571150
FRAME	01
IBM CORP. GPD	
Po. No.	5889345



LOC. TYPE
A-C1J4 4628

FILE DATA REGISTER BITS 12-15	
- E.C. - HISTORY	RACH-1131-C
DATE	FRAME 01
LAST EC	IBM CORP. GPD
02-09-71 571150	P.No. 5889346

X
F
E
E
1
000



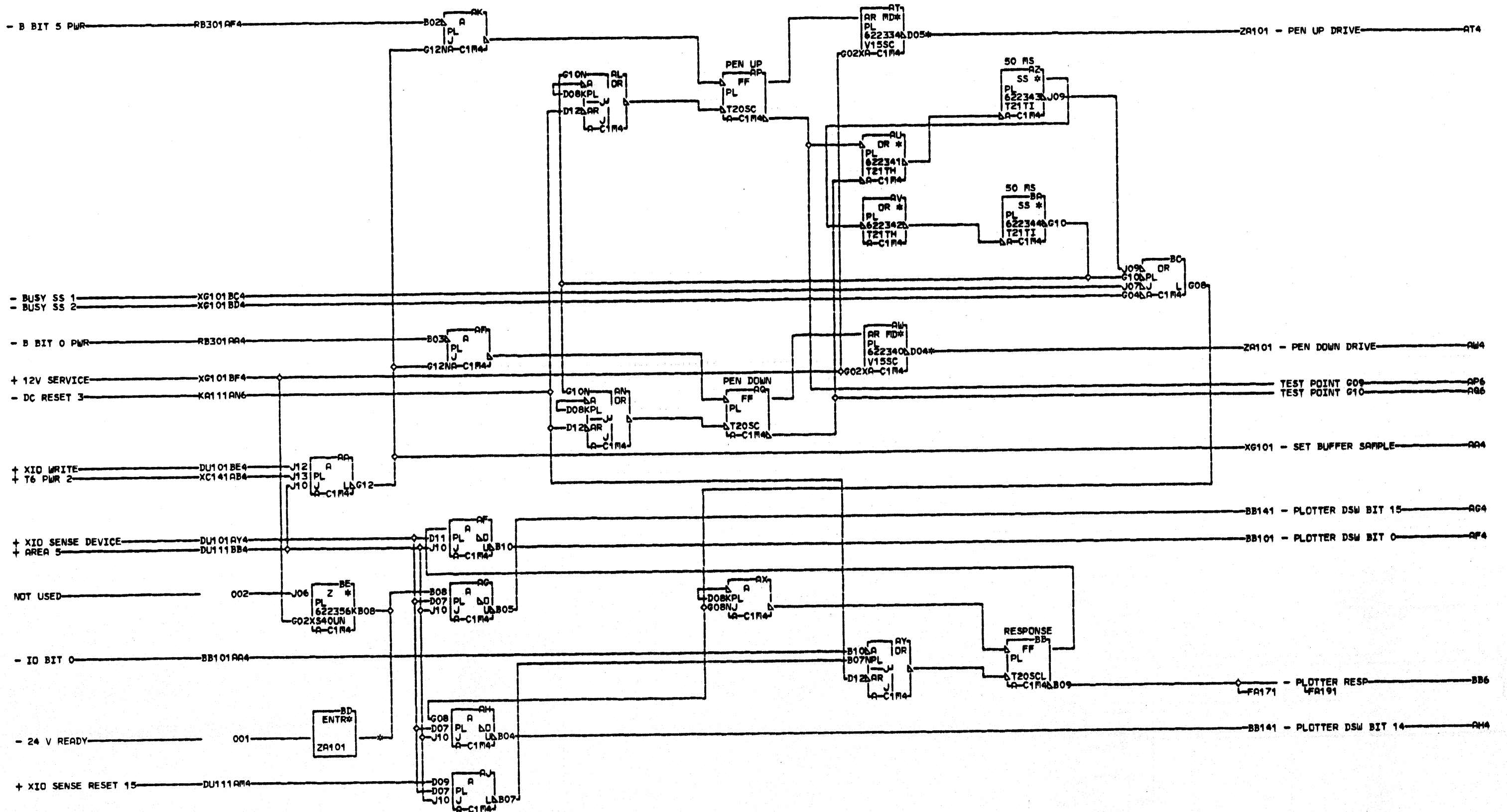
NOTE. FOR 1627 MOD I
SS TIME IS 1.9 MS
FOR 1627 MOD II
SS TIME IS 2.9 MS

AW4 A-C1N5B02
AX4 A-C1N5D02
BA4 A-C1N5B03
BB4 A-C1N5D04

LOC. TYPE
A-C1M4 6223

PLOTTER DRUM AND CARR DRIVE		X G 1 0 1
BUSY SS 1 AND 2		
E-C-HISTORY	MACH.1131-C	000
DATE	FRAME 01	
LAST EC	IBM CORP. GPD	
02-09-71	P.No. 5889347	

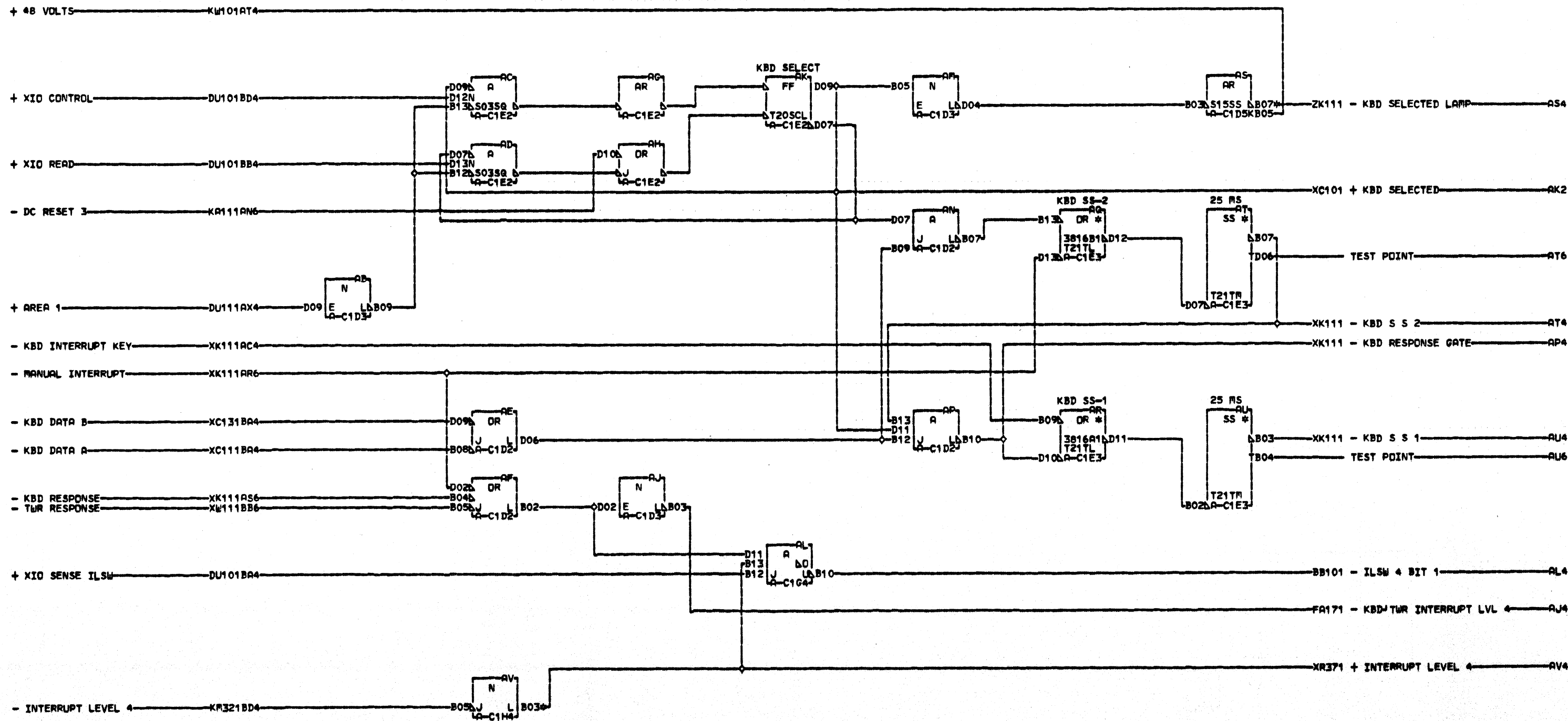
X
G
1
0
1
000



AT4 A-C1N5B04
 AW4 A-C1N5D05
 BD4 A-C1N5B10

LOC. TYPE
 A-C1M4 6223

PLOTTER PEN DRIVE-RESPONSE	
BUSY SS 3 AND 4-READY	
E.C.-HISTORY	MACH-1131-C
FRAME	01
IBM CORP. GPD	
DATE LAST EC	02-09-71 571150
PcN. 5889348	

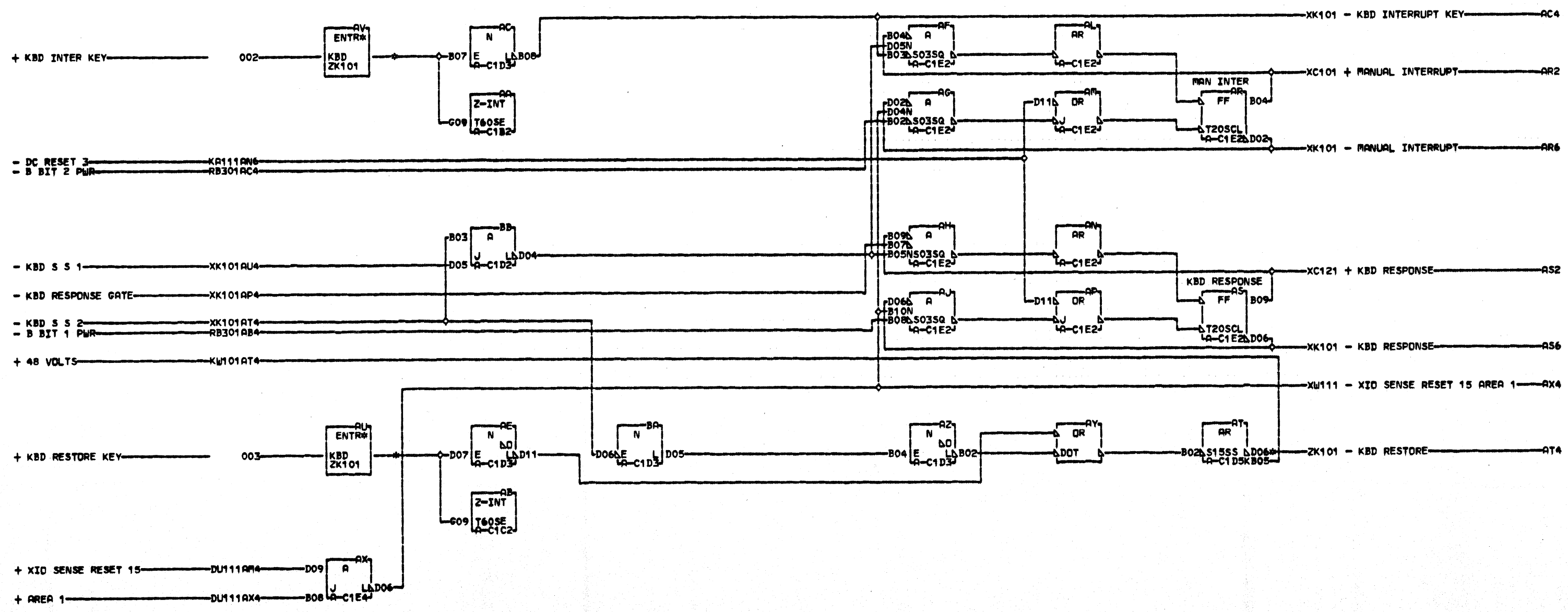


NOTE: SINGLE SHOT
ADJUSTMENT POTS ARE
SITUATED AS FOLLOWS
X KBD SS-1 - UPPER POT
K KBD SS-2 - LOWER POT
0
1
000

AS4 A-C1A5D10
AV4 A-C1A7B03
01A-B1N7B03

LOC.	TYPE
A-C1D2	0000
A-C1D3	0509
A-C1D5	3819
A-C1E3	3794
A-C1E3	3816
A-C1E3	0236
A-C1E3	3421

KBD SELECT-RESPONSE GATE		X K 1 0 1
SS 1	SS 2 INT LVL 4	
-E.C.-HISTORY	MACH-1131-C	000
FRAME	01	
DATE	LAST EC	IBM CORP. GSD
02-09-71	571150	
	P.No.	5889349

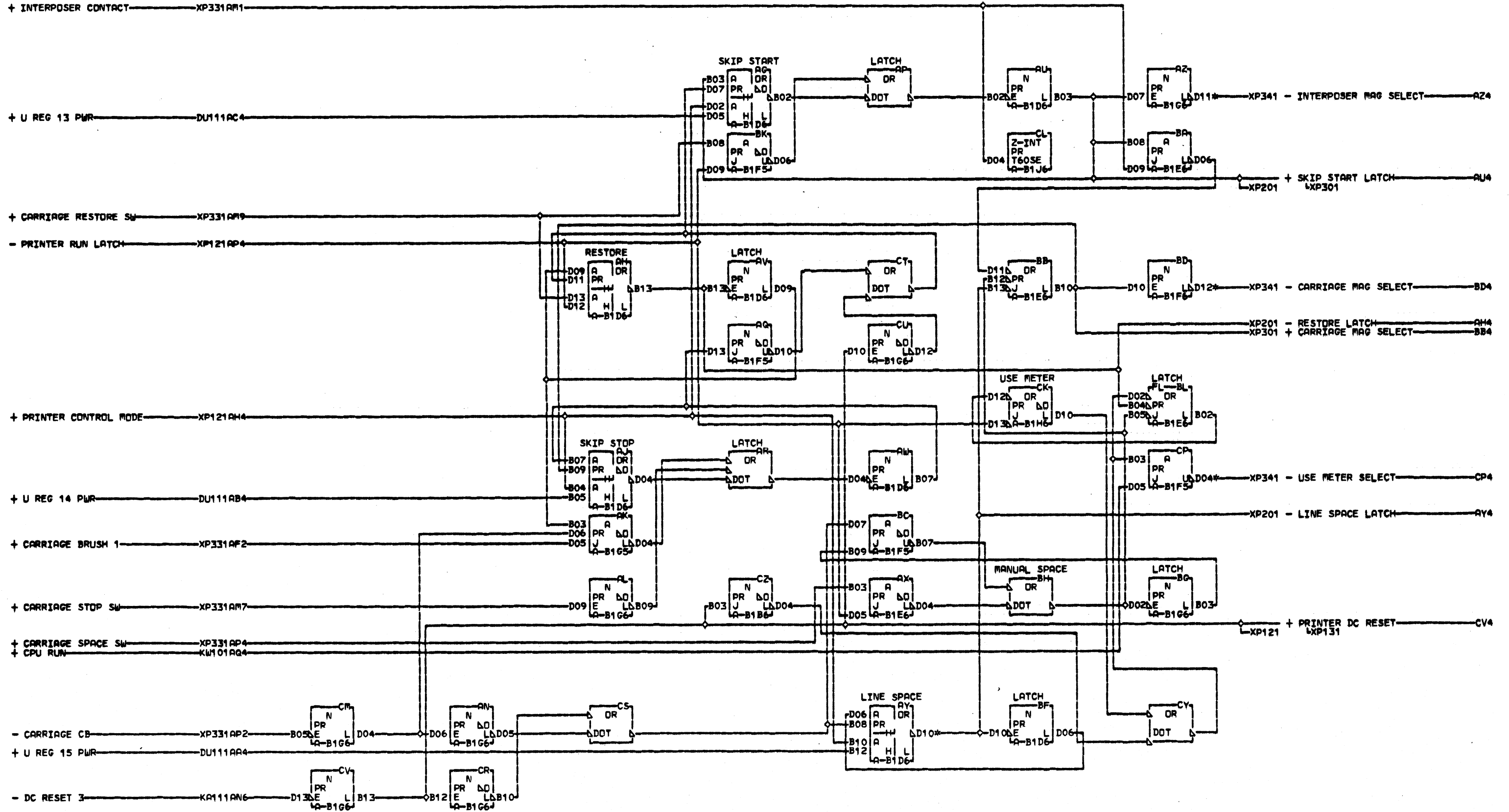


X
K
1
1
1
000

AT4 R-C1A3D13
 AU4 R-C1A3D12
 AV4 R-C1A3B12

LOC. TYPE
 R-C1B2 4615
 R-C1C2 4615
 R-C1D2 0000
 R-C1D3 0509
 R-C1D5 3819
 R-C1E2 3794
 R-C1E4 0000

KBD RESTORE RESPONSE TGR		X K 1 1 1 000
MANUAL INTERRUPT		
E.C.-HISTORY	MACH-1131-C	
DATE	LAST EC	FRAME 01
02-09-71	571150	IBM CORP. GPD
		P.No. 5889350



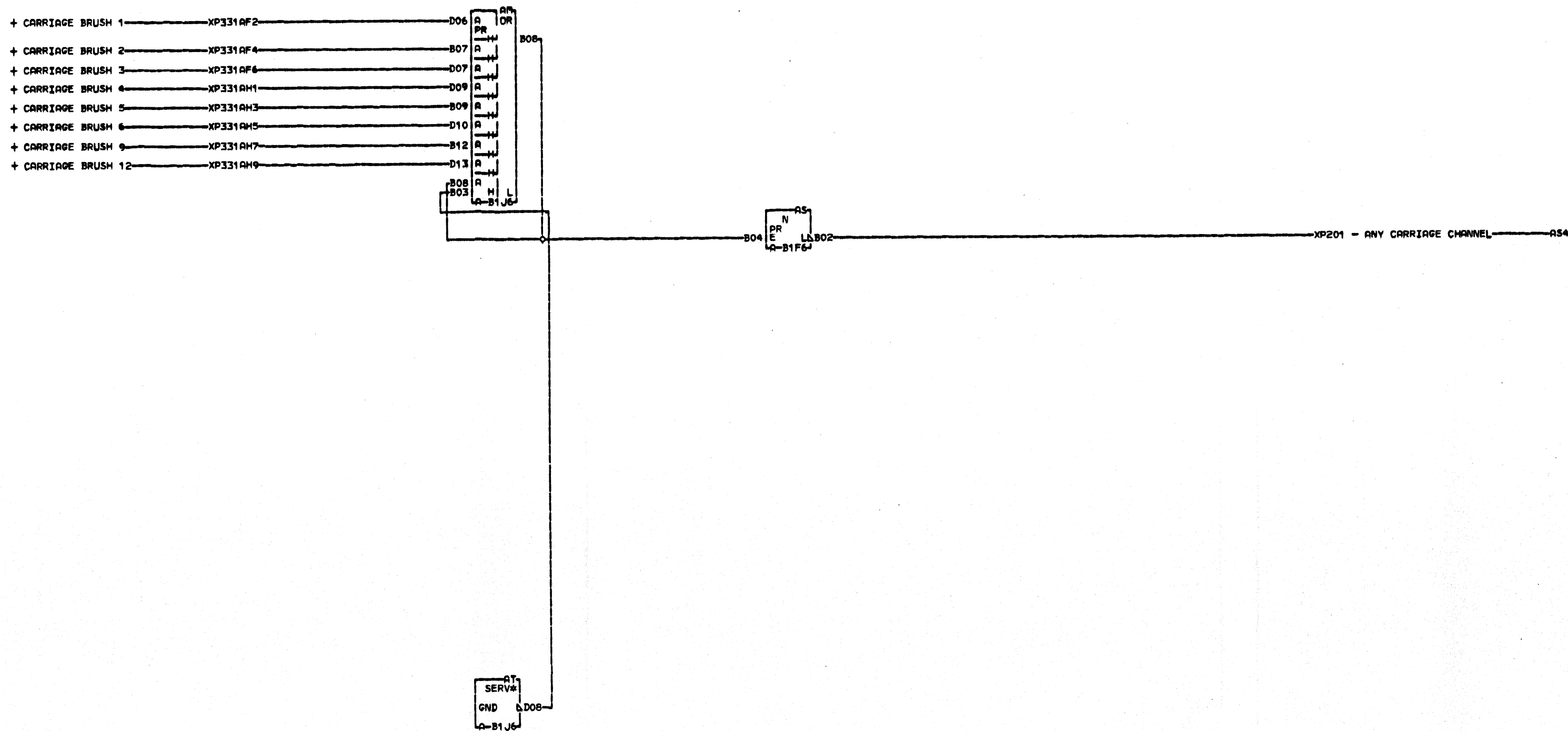
XP101

AY4 RESISTOR
 A-B1J6D05
 A24 A-B1A7D09
 BD4 A-B1A7D07
 CP4 A-B1A5D04

LOC. TYPE
 A-B1B6 0000
 A-B1D6 3130
 A-B1E6 0000
 A-B1F5 0236
 A-B1F6 0509
 A-B1G5 0002
 A-B1G6 0509
 A-B1H6 0000
 A-B1J6 6250

PRINTER CARRIAGE CONTROLS
 AND USE METER SELECT
 E.C.-HISTORY MACH#1131-C
 FRAME 01
 IBM CORP. GSD
 P.No. 5889351
 DATE LAST EC 02-09-71 571150

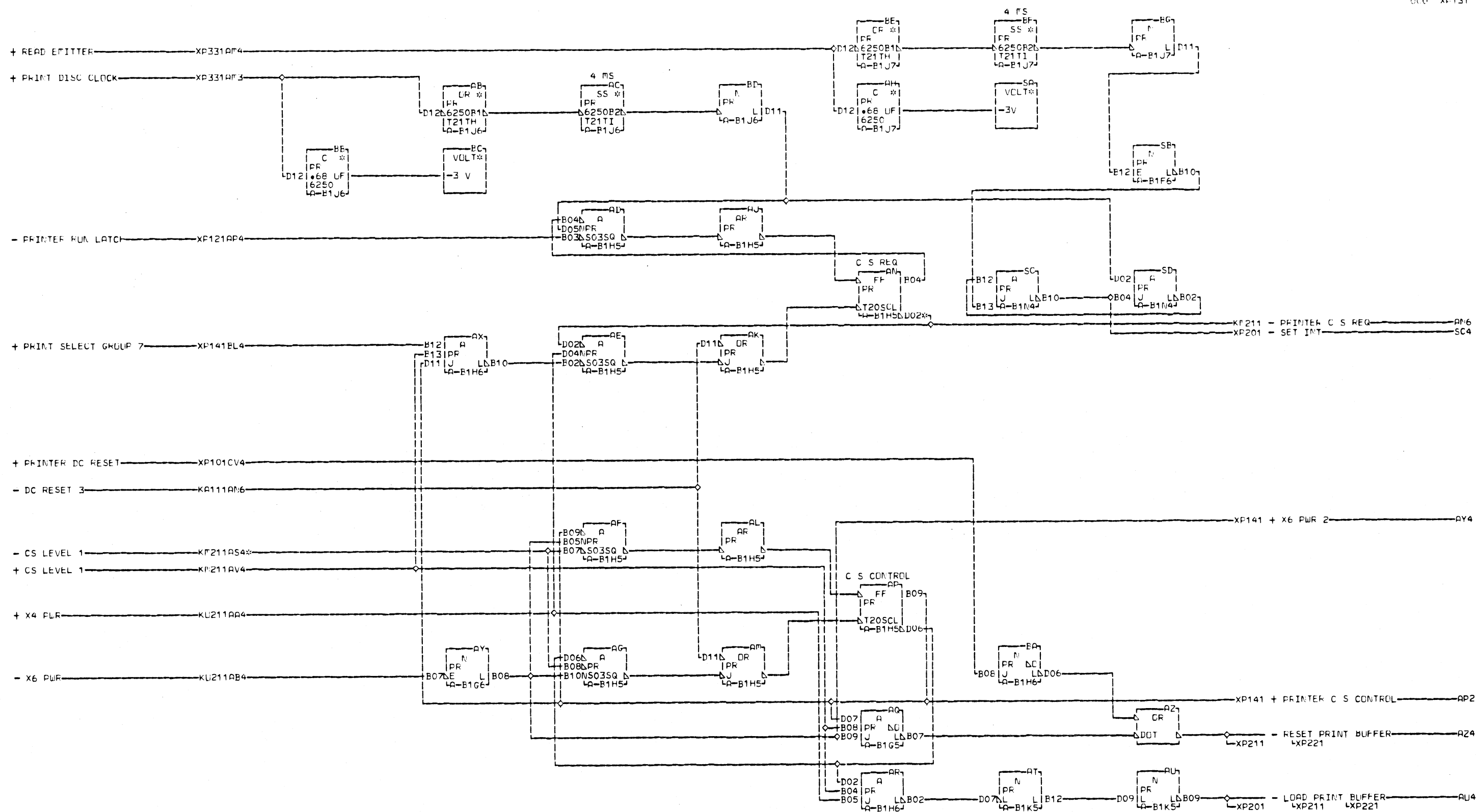
XP101



LDC. TYPE
 A-B1F6 0509
 A-B1J6 6250

CARRIAGE CHANNEL LATCH	
E.C.-HISTORY	MACH.1131-C
	FRAME 01
	IBM CORP. GSD
DATE 02-09-71	LAST EC 571150
	Part No. 5889352

XP111

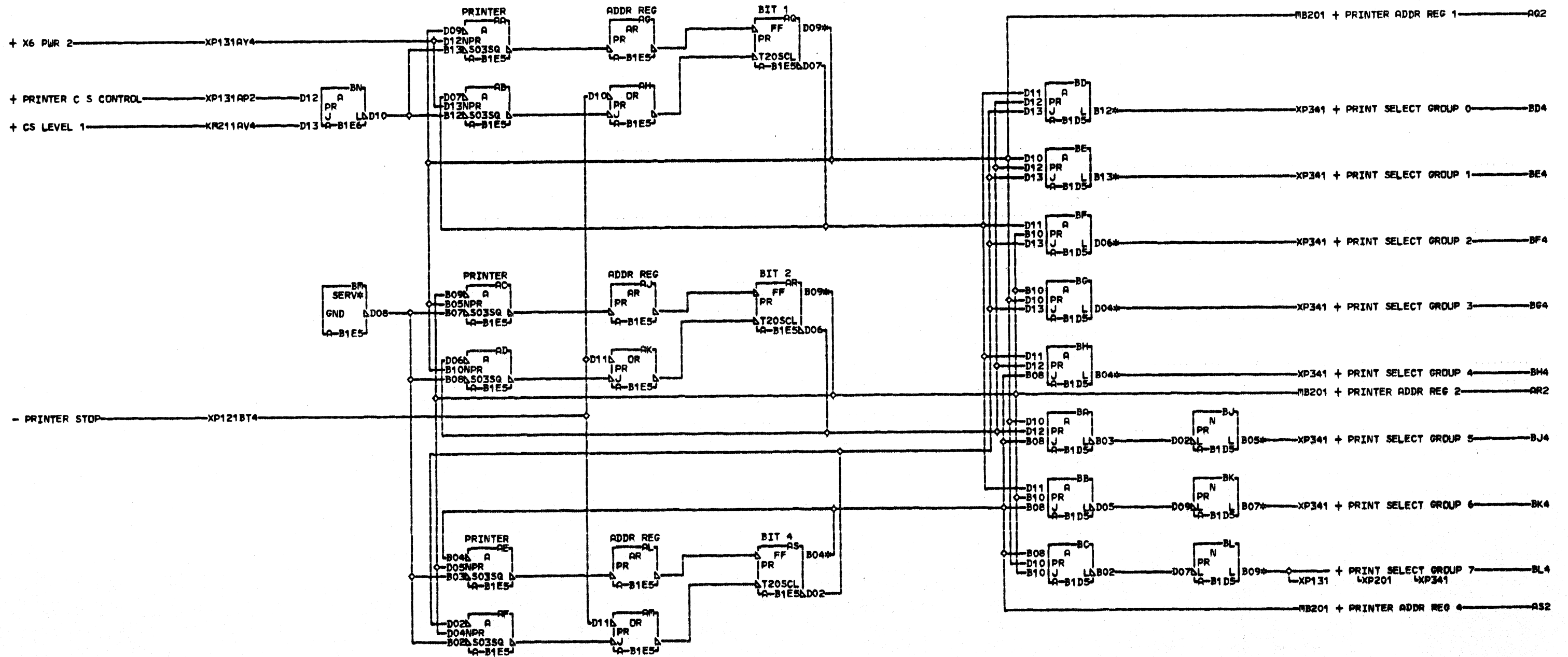


X
F
1
3
1
1
000

KP211AS4
RESISTOR
A-E1J6B10
AN6 A-B1NSB07

LOC. TYPE
A-B1F6 0509
A-B1G5 0002
A-B1G6 0509
A-B1H5 3794
A-B1H6 0000
A-B1J6 6250
A-B1J7 6250
A-B1K5 0346
A-B1N4 0000

PRINTER DISC CLOCK SS AND C S CONTROLS		X
-E.C.-HISTORY	MACH.1131-C	P
571150	FRAME	01
	IBM CORP. GSD	1
DATE LAST EC	P.N. 5889354	000
07-23-71		

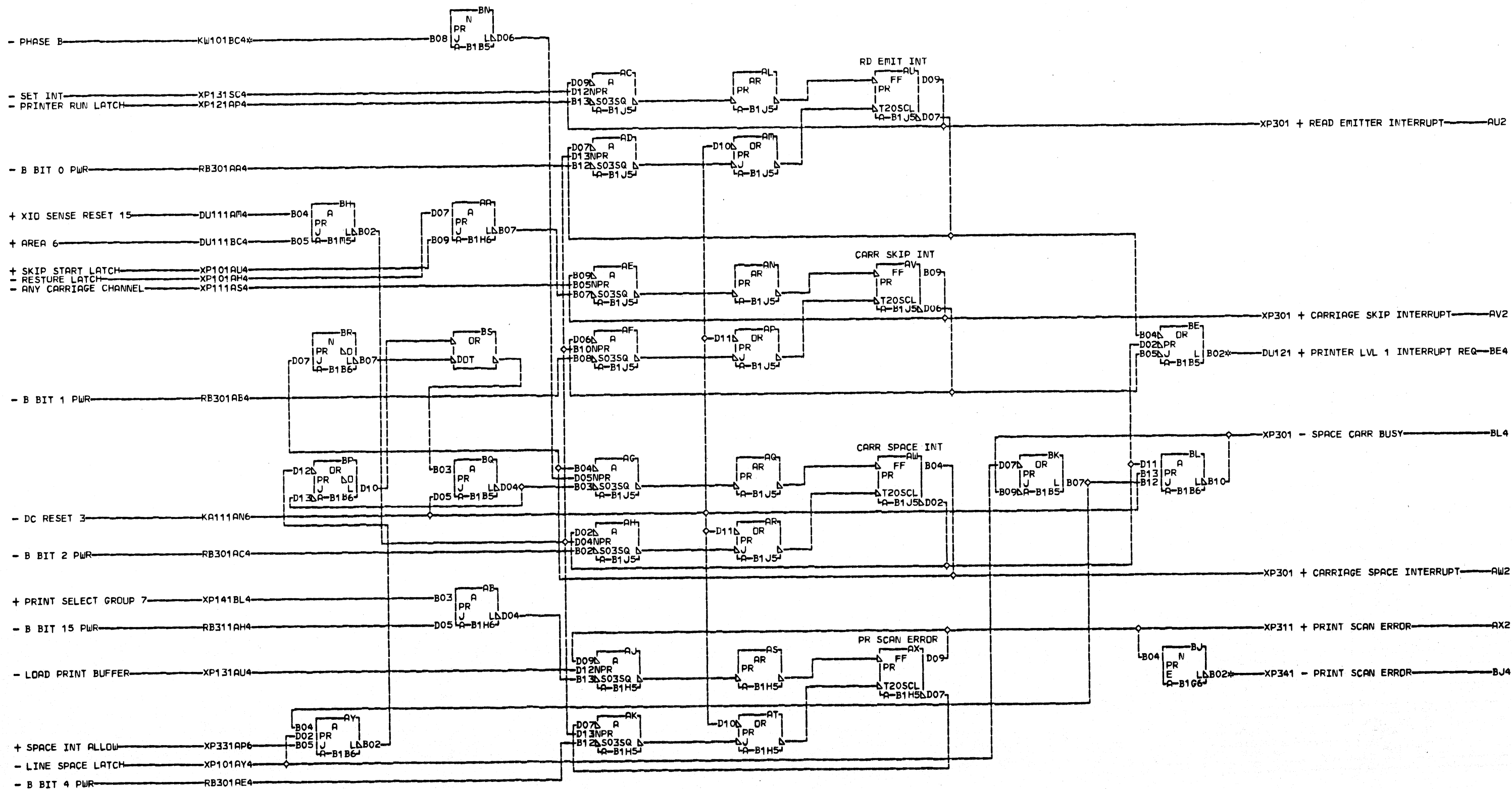


X P 1 4 1

AQ2 A-B1N5B02 BK4 A-B1A6D12
 AR2 A-B1N5B03 BL4 A-B1A6D13
 AS2 A-B1N5B04
 BD4 A-B1A7D10
 BE4 A-B1A7D11
 BF4 A-B1A7D12
 BG4 A-B1A7D13
 BH4 A-B1A6B12
 BJ4 A-B1A6B13

LOC. TYPE
 T-B1D5 4008
 T-B1E5 3794
 A-B1E6 0000

PRINTER ADDR REG AND GROUP DECODE		X P 1 4 1
E.C.-HISTORY	MACH. 1131-C	
DATE	LAST EC	000
02-09-71	571150	
FRAME 01		
IBM CORP. GSD		
P.O. No. 5889355		

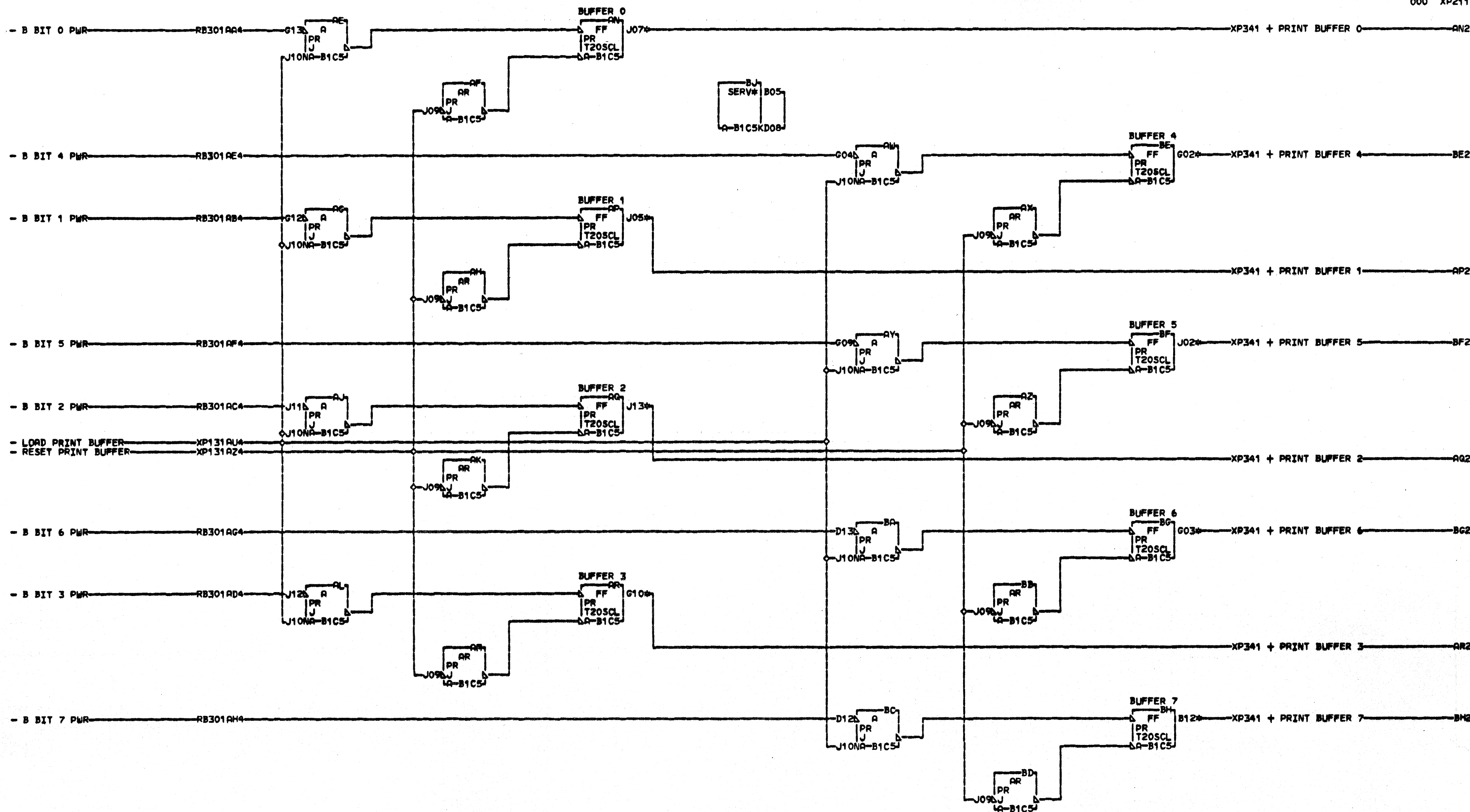


XP201

KW101BC4
RESISTOR
A-B1K5D11
BE4 A-C1G1A11
O1A-B1G1A11
BJ4 A-B1A7D04

LOC. TYPE
P-B1B5 0000
P-B1B6 0000
P-B1G6 0509
P-B1H5 3794
P-B1H6 0000
P-B1J5 3794
P-B1K5 0346
P-B1M5 0000

PRINTER INTERRUPT AND ERROR		MACH.1131-C	X P 2 0 1
E.C.-HISTORY	571150		
DATE	LAST EC	IBM CORP. GSD	000
07-23-71	571153	PoN. 5889356	



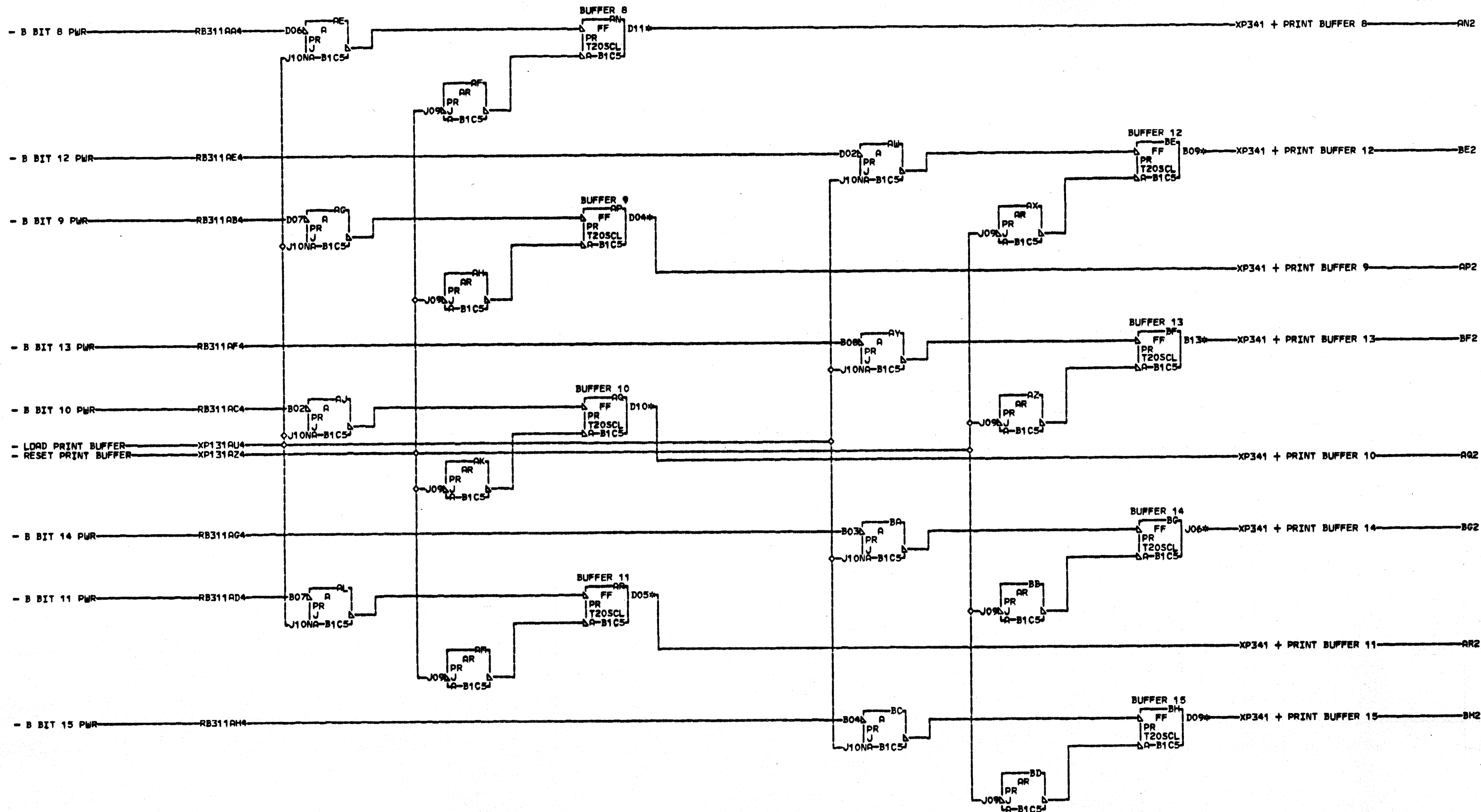
XP211

AN2 A-B1A6B02
 AP2 A-B1A6D02
 AQ2 A-B1A6B03
 AR2 A-B1A6D04
 BE2 A-B1A6B04
 BF2 A-B1A6D05
 BG2 A-B1A6B05
 BH2 A-B1A6D06

LOC. TYPE
 A-B1C5 4628

PRINT BUFFER REGISTER	
BITS 0-7	
-E-C-H-I-S-T-O-R-Y-	MACH-1131-C
FRAME	01
IBM CORP. GSD	
DATE LAST EC	02-09-71 571150
P.O. No. 5889357	

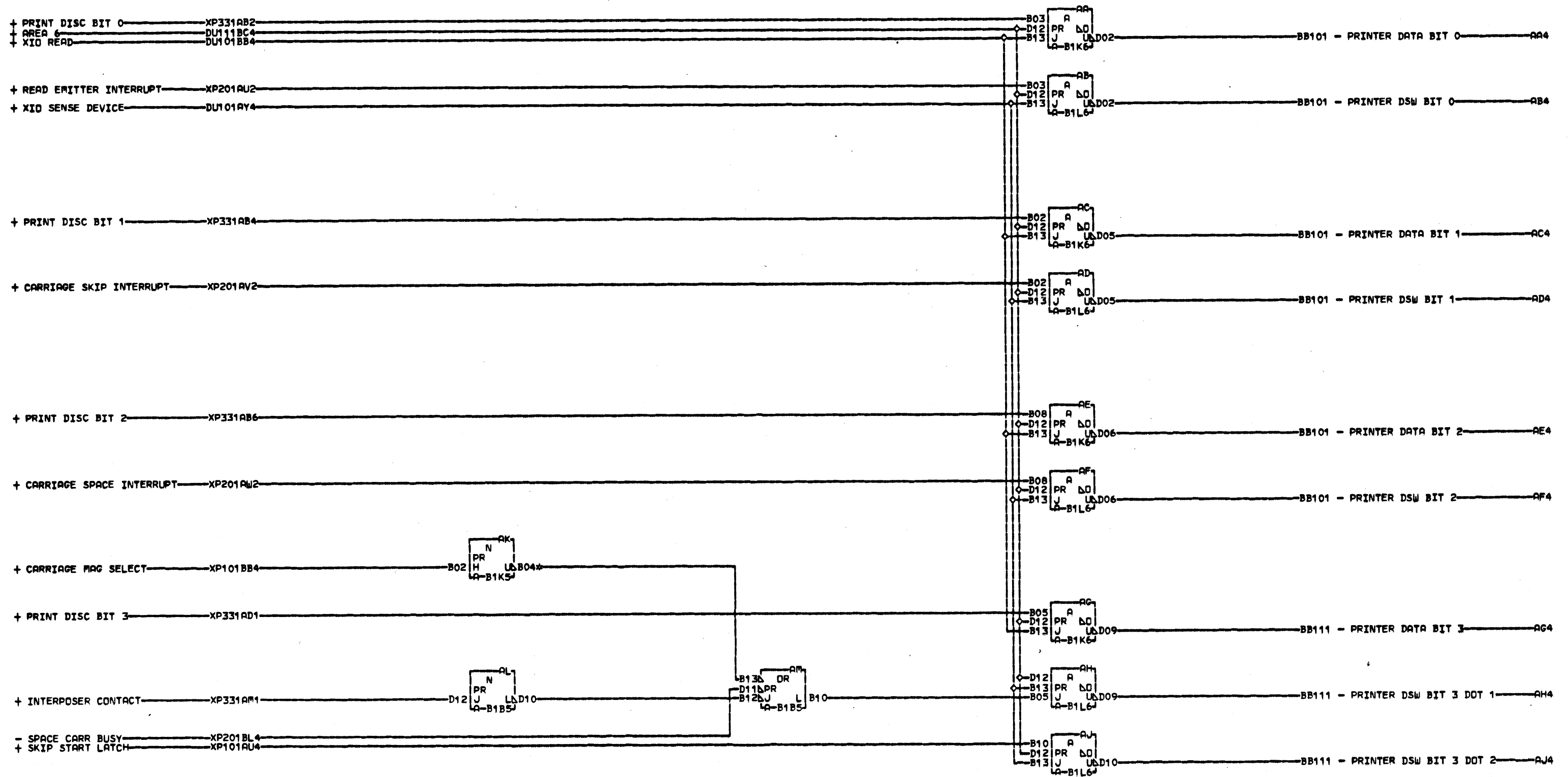
XP211



AN2 A-B1A6B07
 AP2 A-B1A6D07
 AQ2 A-B1A6B08
 AR2 A-B1A6D09
 BE2 A-B1A6B09
 BF2 A-B1A6D10
 BG2 A-B1A6B10
 BM2 A-B1A6D11

LOC. TYPE
 A-B1C5 4628

PRINT BUFFER REGISTER	
BITS 8-15	
E.C. HISTORY	MACH. 1131-C
FRAME	01
IBM CORP. GSD	
DATE LAST EC	P. No. 5889358
02-09-71 571150	



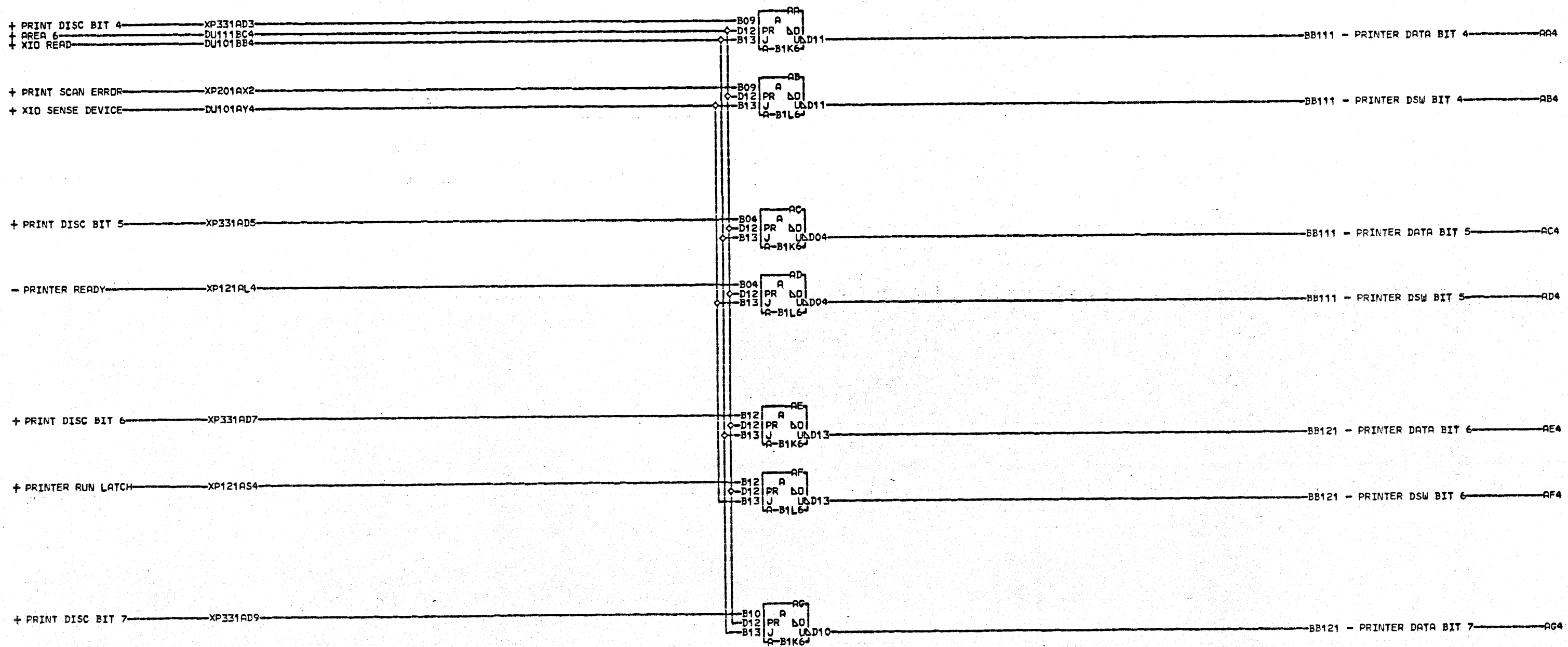
AK4 RESISTOR
A-B1K5B03

LOC.	TYPE
A-B1B5	0000
A-B1K5	0346
A-B1K6	3028
A-B1L6	3028

PRINTER INPUT BUS	
E.C.-HISTORY	FRACH.1131-C
FRAME	01
DATE	LAST EC
02-09-71	571150
P.O.N.	5889359

000

XP301

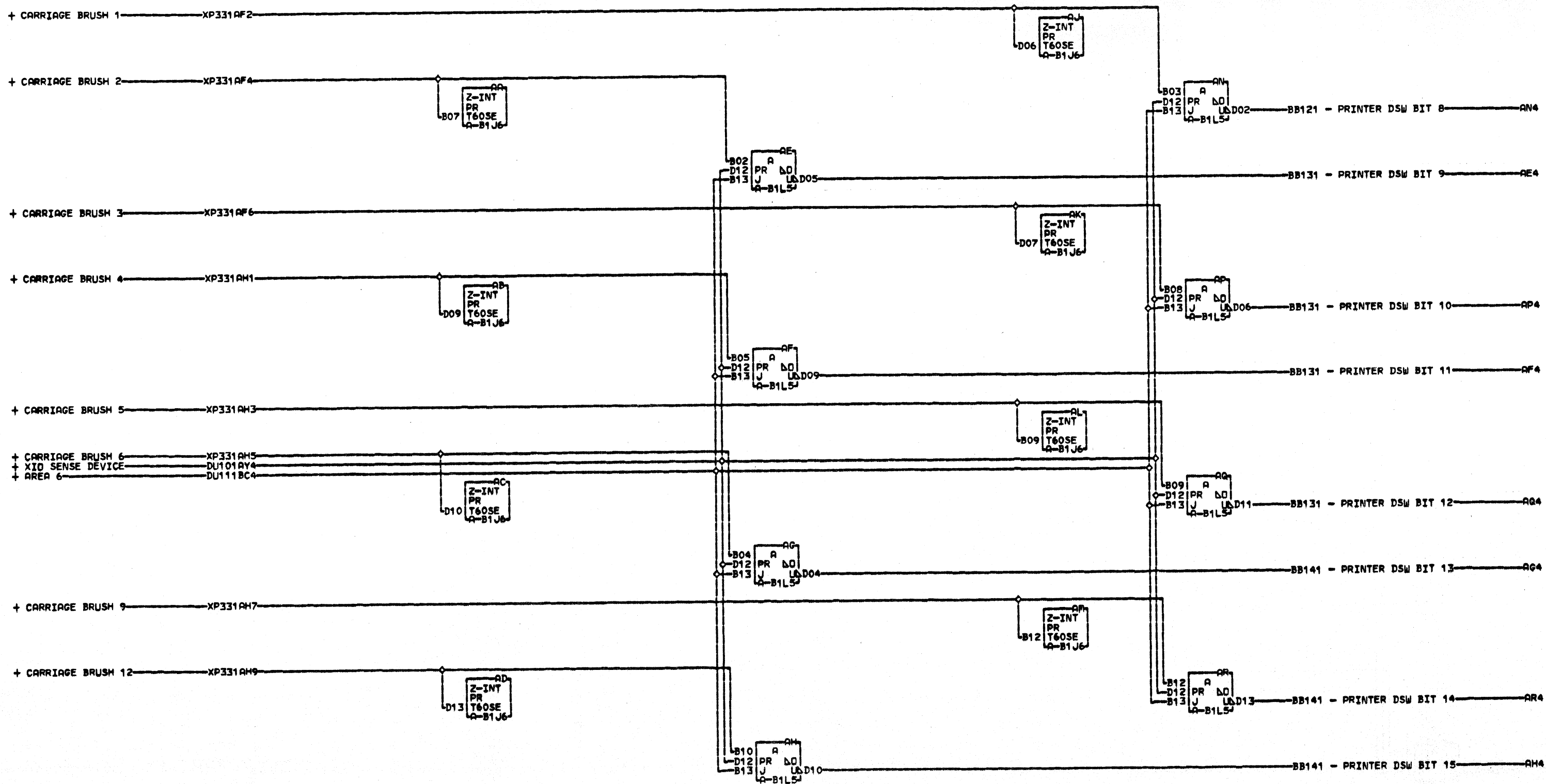


XP311
1
1
000

LOC. TYPE
A-B1K6 3028
A-B1L6 3028

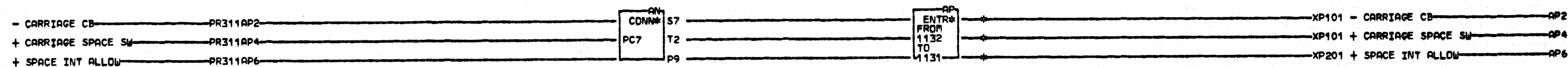
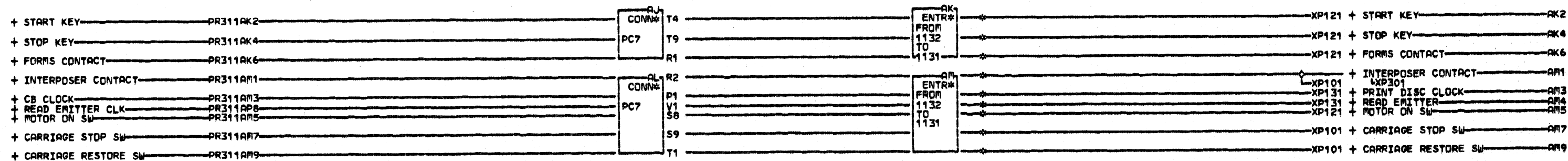
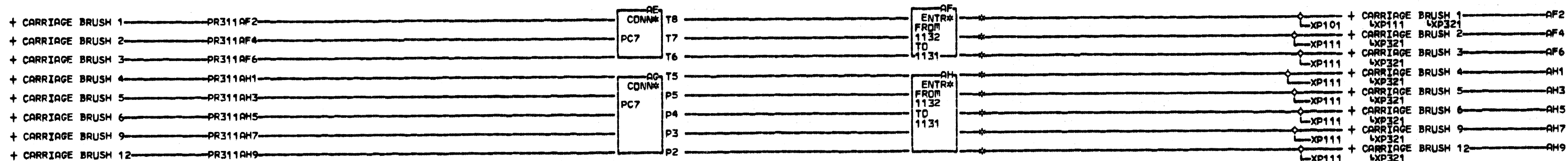
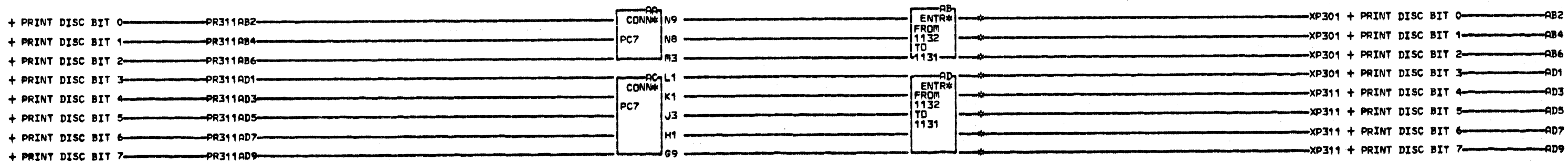
PRINTER INPUT BUS	
BITS 4-7	
-E.C.-HISTORY	MACH.1131-C
DATE	FRAME 01
LAST EC	IBM CORP. GSD
02-09-71 571150	P.No. 5889360

XAM-1
000



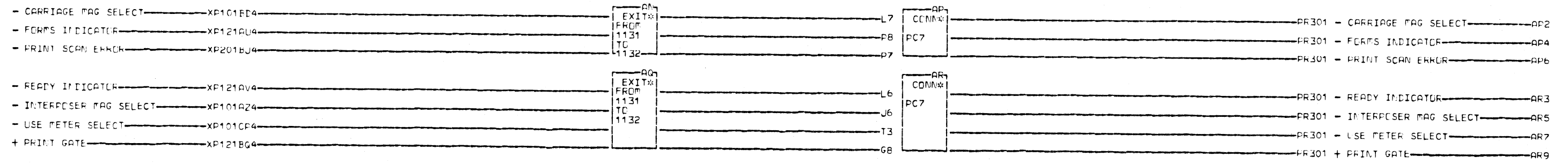
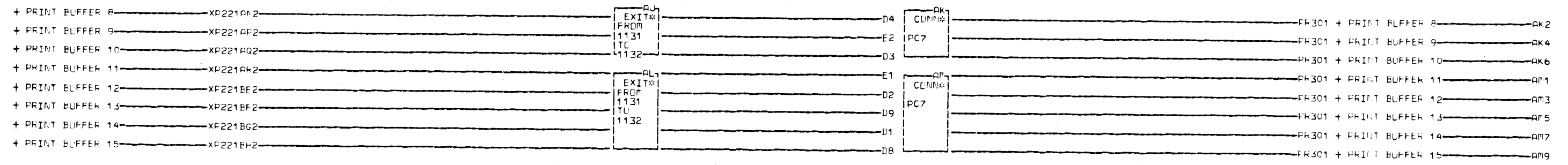
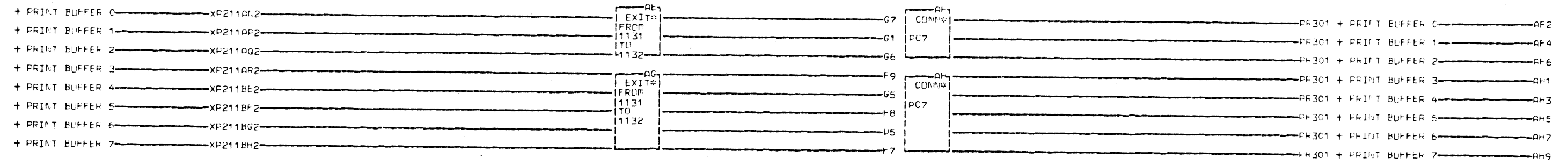
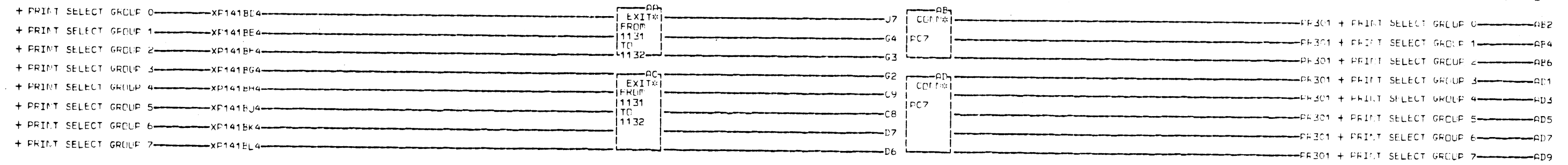
LDC. TYPE
 A-B1J6 6250
 A-B1L5 3028

PRINTER INPUT BUS	
BITS 8-15	
E-C-HISTORY	RACH-1131-C
FRAME	01
IBM CORP. GSD	
DATE LAST EC	02-09-71 571150
PoNo	5889361



AB2 A-B1A7B03 AF4 A-B1A5B05 AK6 A-B1A5D12 AP6 A-B1A5D13
 AB4 A-B1A7B04 AF6 A-B1A5B07 AM1 A-B1A5D11
 AB6 A-B1A7B05 AH1 A-B1A5B08 AM3 A-B1A7B02
 AD1 A-B1A7B07 AH3 A-B1A5B09 AM4 A-B1A5B02
 AD3 A-B1A7B08 AH5 A-B1A5B10 AM5 A-B1A5D09
 AD5 A-B1A7B09 AH7 A-B1A5B12 AM7 A-B1A5D07
 AD7 A-B1A7B10 AH9 A-B1A5B13 AM9 A-B1A5D06
 AD9 A-B1A7B12 AK2 A-B1A5D02 AP2 A-B1A5D10
 AF2 A-B1A5B04 AK4 A-B1A5B03 AP4 A-B1A5D05

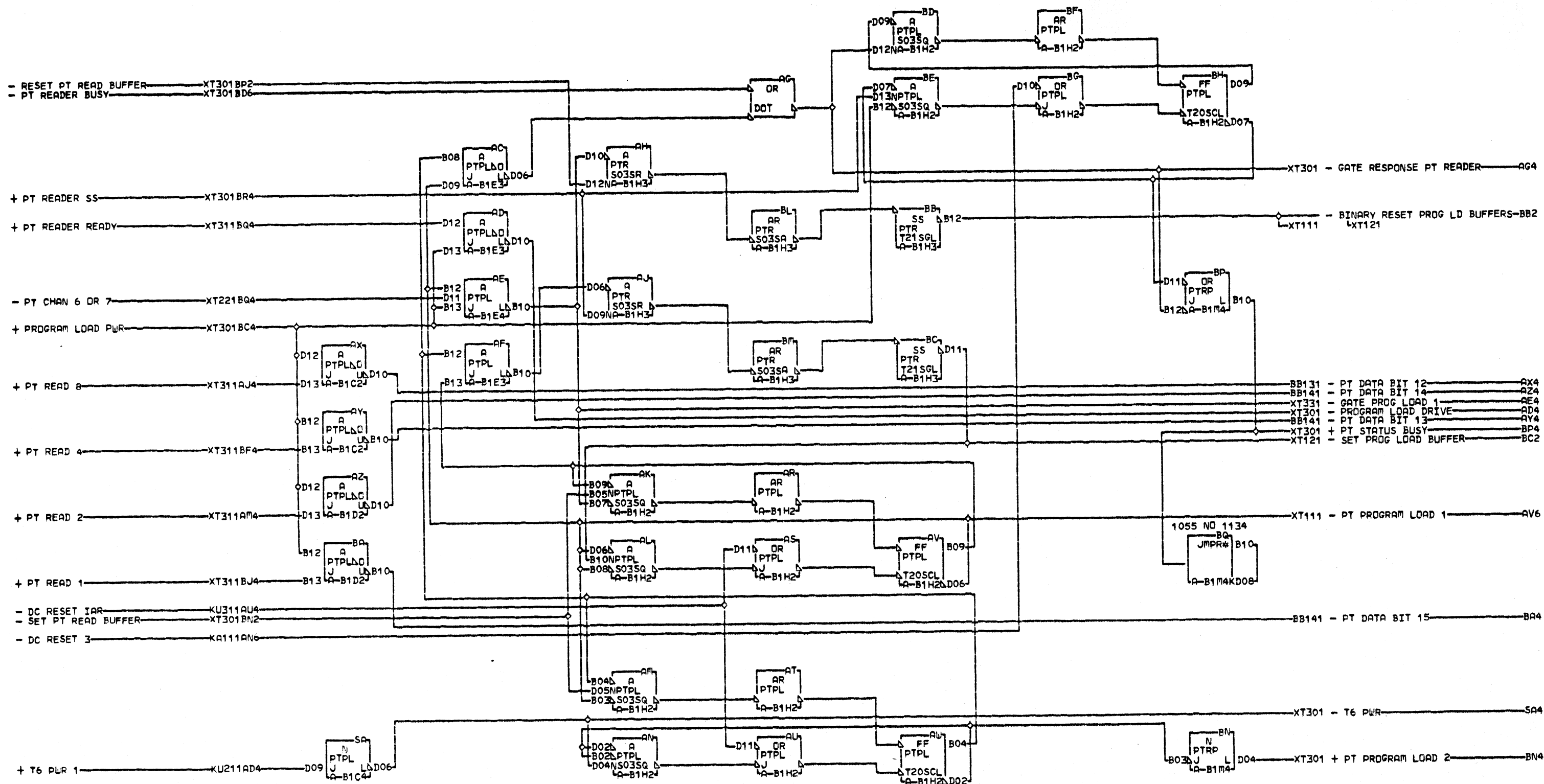
PRINTER ENTRY	
E.C.-HISTORY	MACH. 1131-C
	FRAME 01
	IBM CORP. GSD
DATE 02-17-71	LAST EC 571150
	P. No. 5889362



X
P
3
4
1
000

PRINTER EXIT	
E.C.—HISTORY 571150	MACH.1131-C FRAME 01 IBM CORP. GPD P.N. 5889363
DATE LAST EC 107-23-71 571153	

X
P
3
4
1
000



- BB131 - PT DATA BIT 12
- BB141 - PT DATA BIT 14
- XT331 - GATE PROG LOAD 1
- XT301 - PROGRAM LOAD DRIVE
- BB141 - PT DATA BIT 13
- XT301 + PT STATUS BUSY
- XT121 - SET PROG LOAD BUFFER

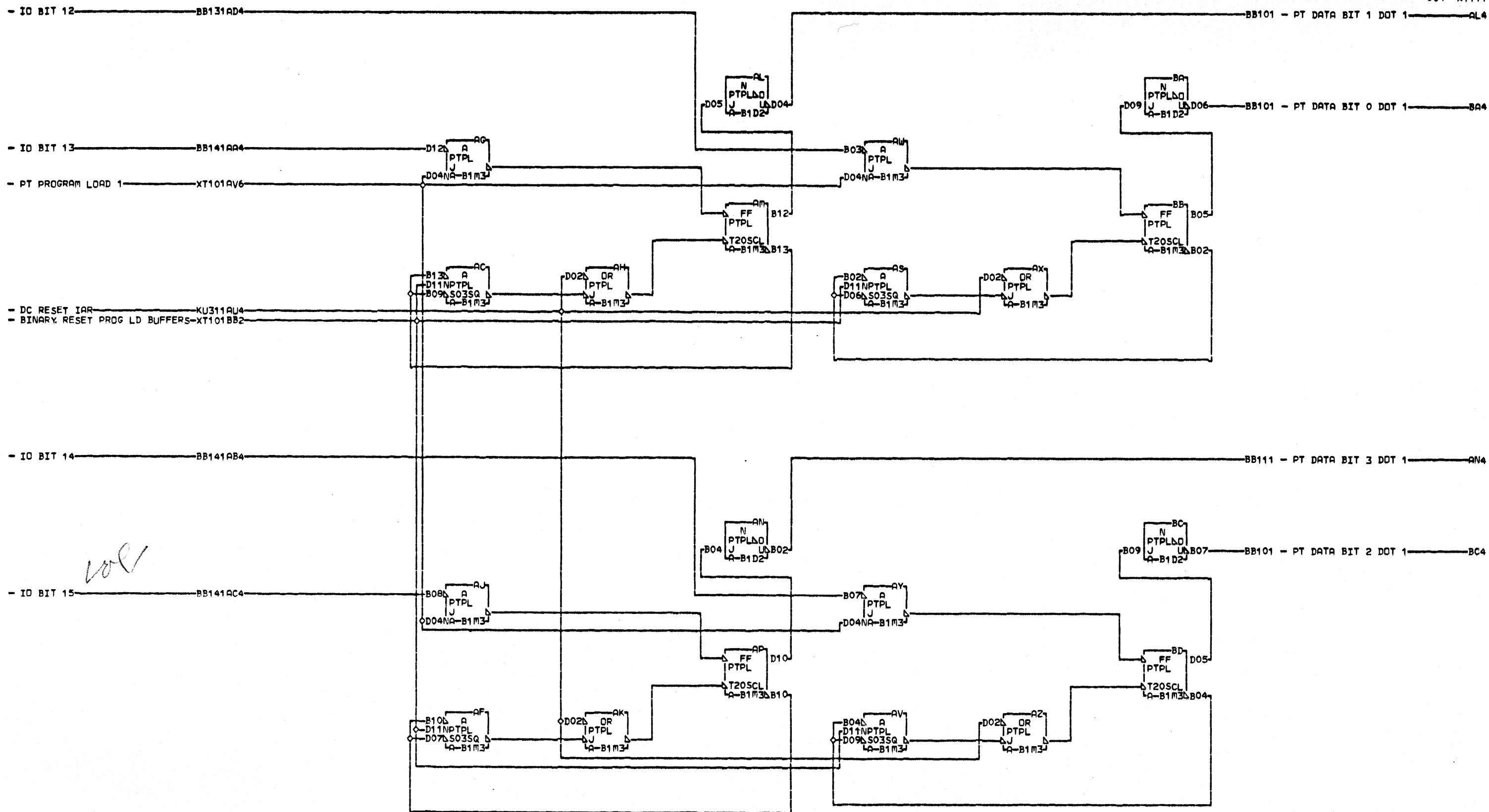
- XT111 - PT PROGRAM LOAD 1
- BB141 - PT DATA BIT 15
- XT301 - T6 PWR
- XT301 + PT PROGRAM LOAD 2

LOC.	TYPE
PTB1C2	0236
PTB1C4	0000
PTB1D2	0236
PTB1E3	0000
PTB1E4	0000
PTB1H2	3794
PTB1H3	3757
PTB1M4	0000

PAPER TAPE PROGRAM LOAD	
-E.C.-HISTORY	MACH#1131-C
DATE	LAST EC
03-14-72	571155
FRAME	01
IBM CORP. GSD	
PaN#	5889474

XT101
004

XT101
004

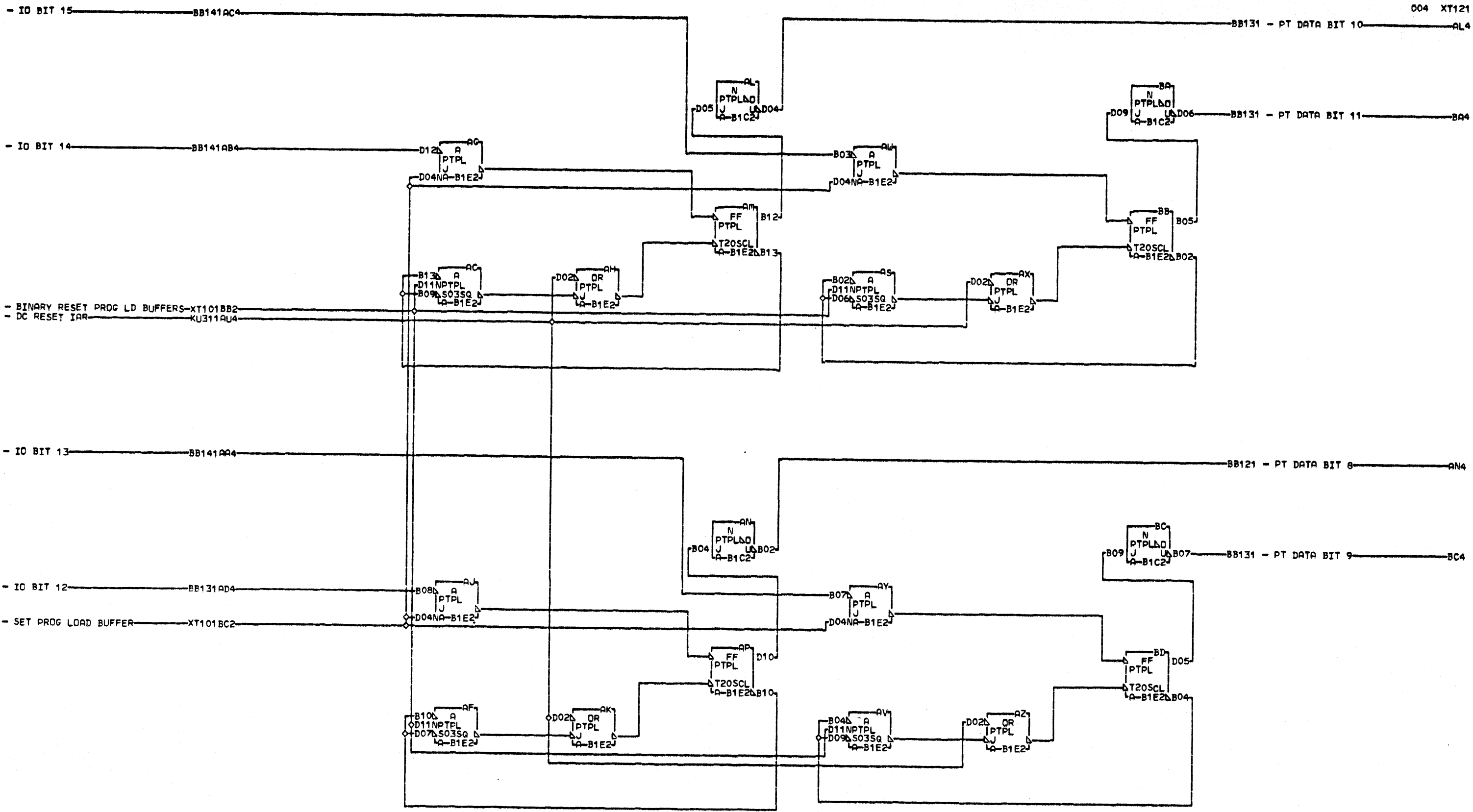


LOC. TYPE
 A-B1D2 0236
 A-B1M3 6221

PAPER TAPE PROG LOAD BUFFERS	
BITS 0-3	
E-C-HISTORY	MACH. 1131-C
FRAME	01
DATE LAST EC	IBM CORP. GSD
03-20-72 571155	P.No. 5889475

X
T
1
1
1
004

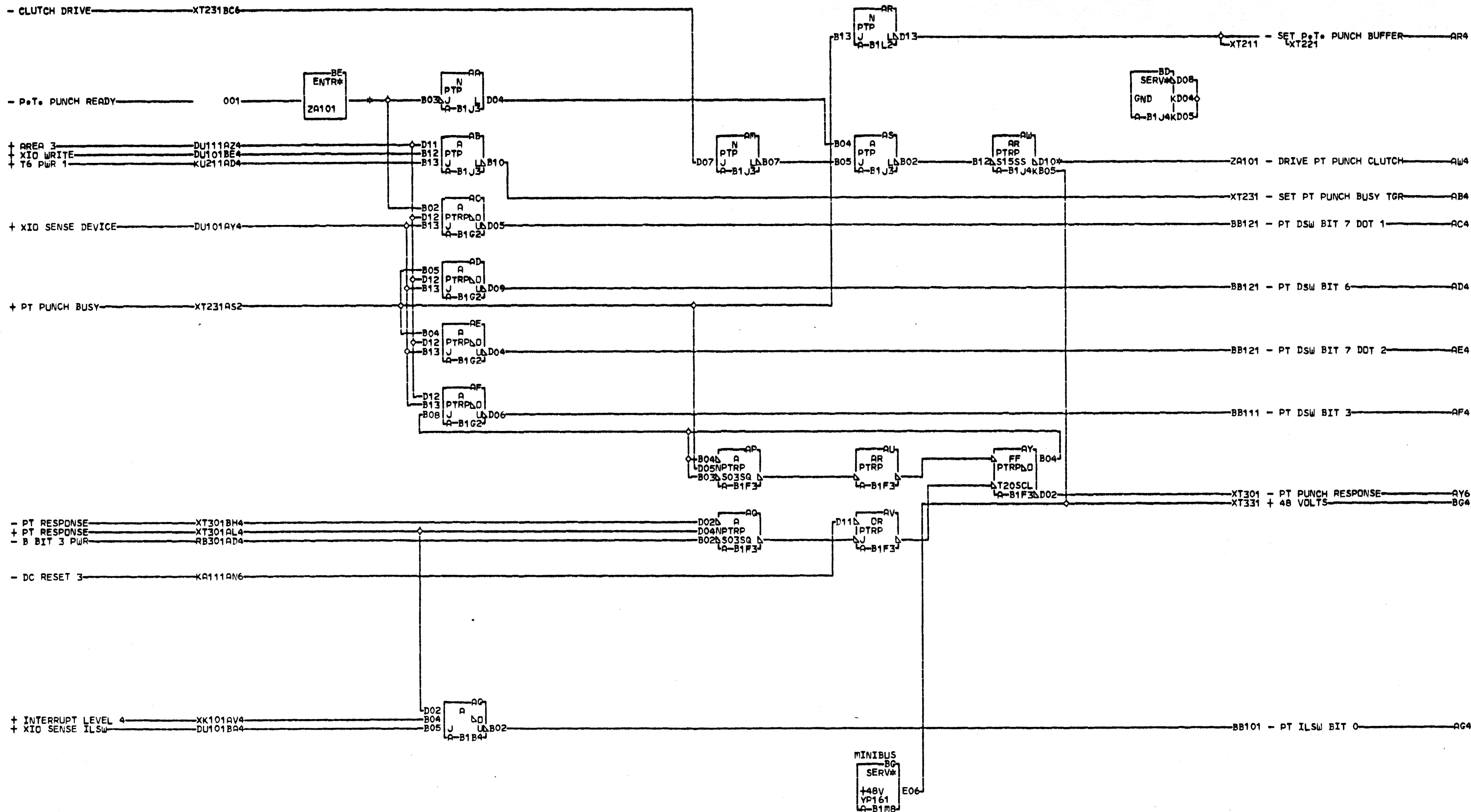
X
T
1
1
1
004



LOC. TYPE
 A-B1C2 0236
 A-B1E2 6221

PAPER TAPE PROG LOAD BUFFERS		X T 1 2 1
BITS 8-11		
E.C. HISTORY	MACH. 1131-C	004
DATE	FRAME 01	
LAST EC	IBM CORP. GSD	
03-14-72	P.N. 5889476	

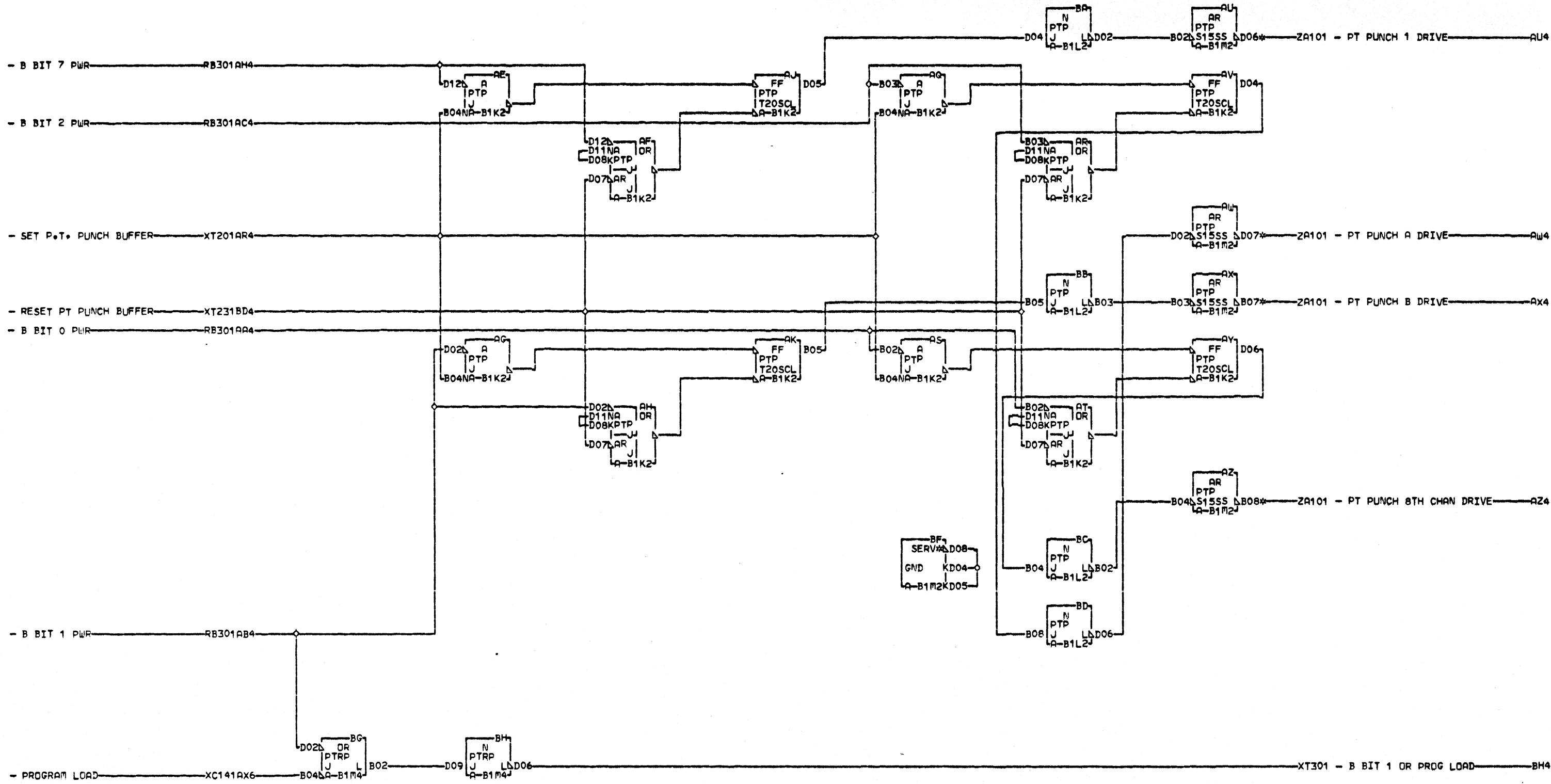
X
T
1
2
1
004



AW4 A-B1N3D04
BE4 A-B1N3B03

LCC TYPE
 A-B1B4 0236
 A-B1F3 3794
 A-B1G2 3028
 A-B1J3 0000
 A-B1J4 3819
 A-B1L2 3421

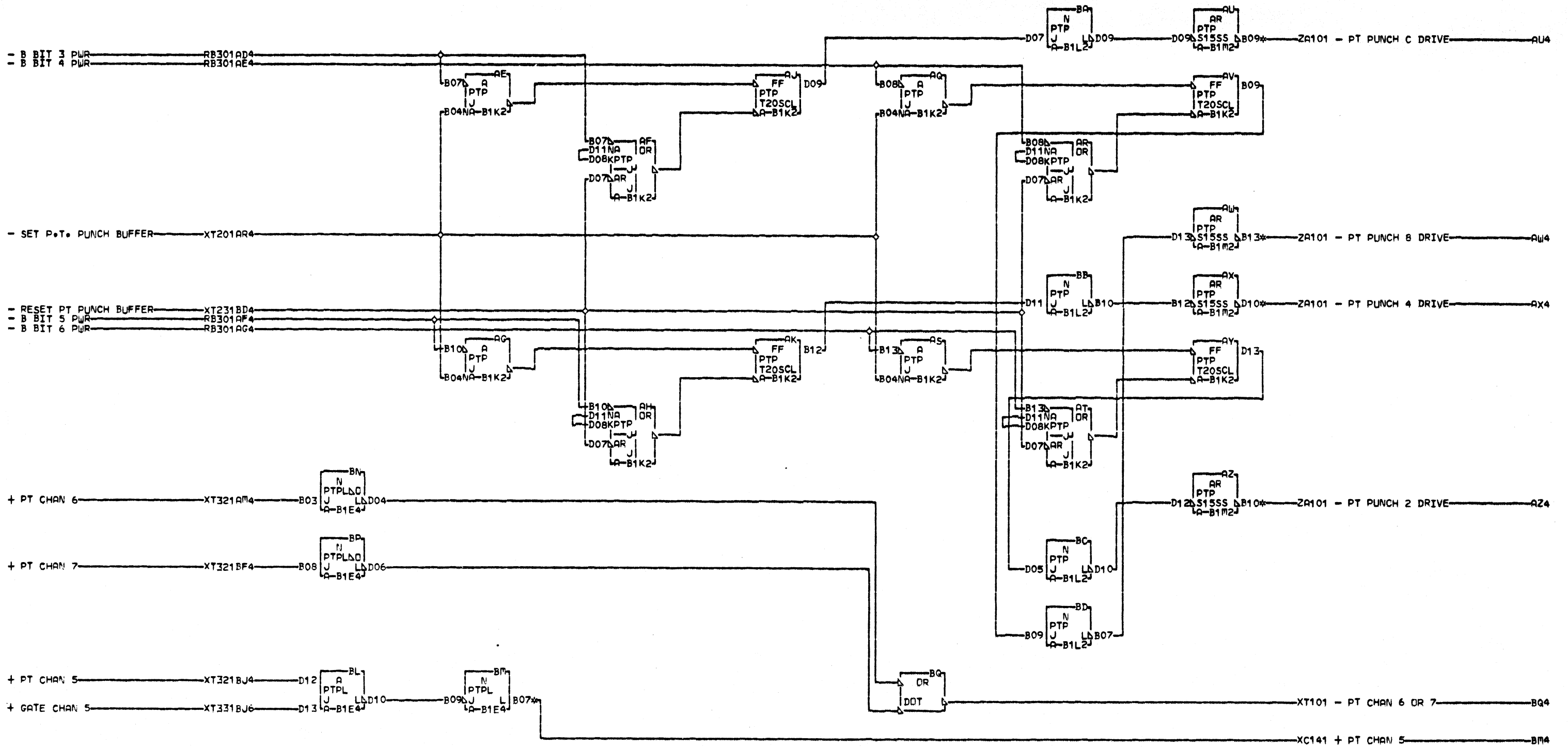
PAPER TAPE PUNCH	
E.C.-HISTORY	MACH-1131-C
DATE LAST EC	FRAME 01
03-14-72 571155	IBM CORP. GSD
	P.N. 5889477



AU4 A-B1N3D06
 AX4 A-B1N3D07
 AZ4 A-B1N3B08

LDC TYPE
 A-B1K2 3763
 A-B1L2 3421
 A-B1M2 3819
 A-B1M4 0000

PAPER TAPE PUNCH BUFFERS DRIVE		X T 2 1 1
1 A B 8TH		
-E.C.-HISTORY MACH.1131-C		004
DATE	LAST EC	
03-24-72	571155	
P.N. 5889478		

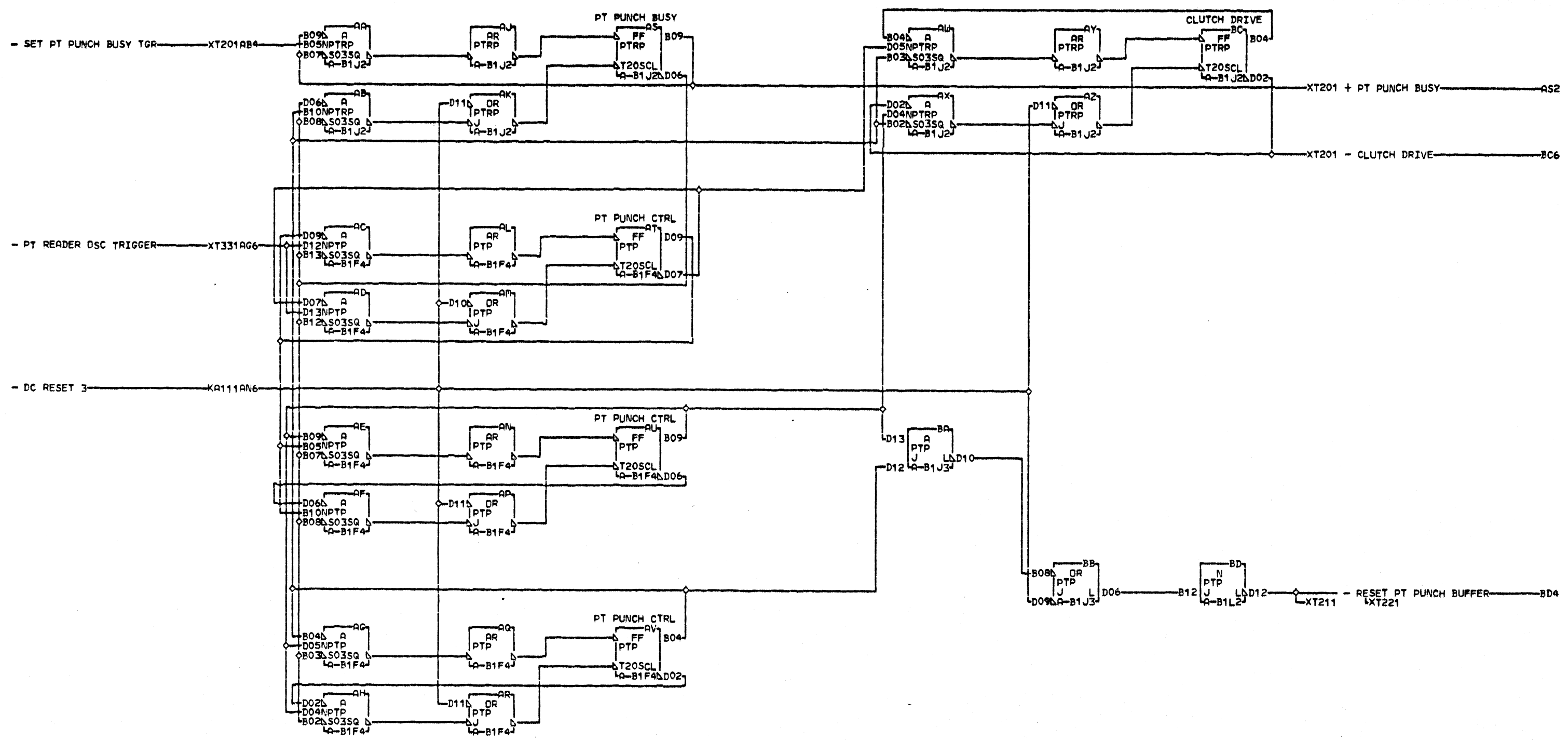


AU4 A-B1N3B09
 AW4 A-B1N3B13
 AX4 A-B1N3D10
 AZ4 A-B1N3B10
 BM4 A-B1C1E09
 01A-C1C1E09

LDC. TYPE
 A-B1E4 0000
 A-B1K2 3763
 A-B1L2 3421
 A-B1M2 3819

PAPER TAPE PUNCH BUFFERS DRIVE		X T 2 2 1
2 4 8 C		
-E.C.-HISTORY	MACH.1131-C	004
DATE LAST EC	FRAME 01	
03-14-72 571155	IBM CORP. GSD	
	PoN. 5889479	

X
T
2
2
1
004

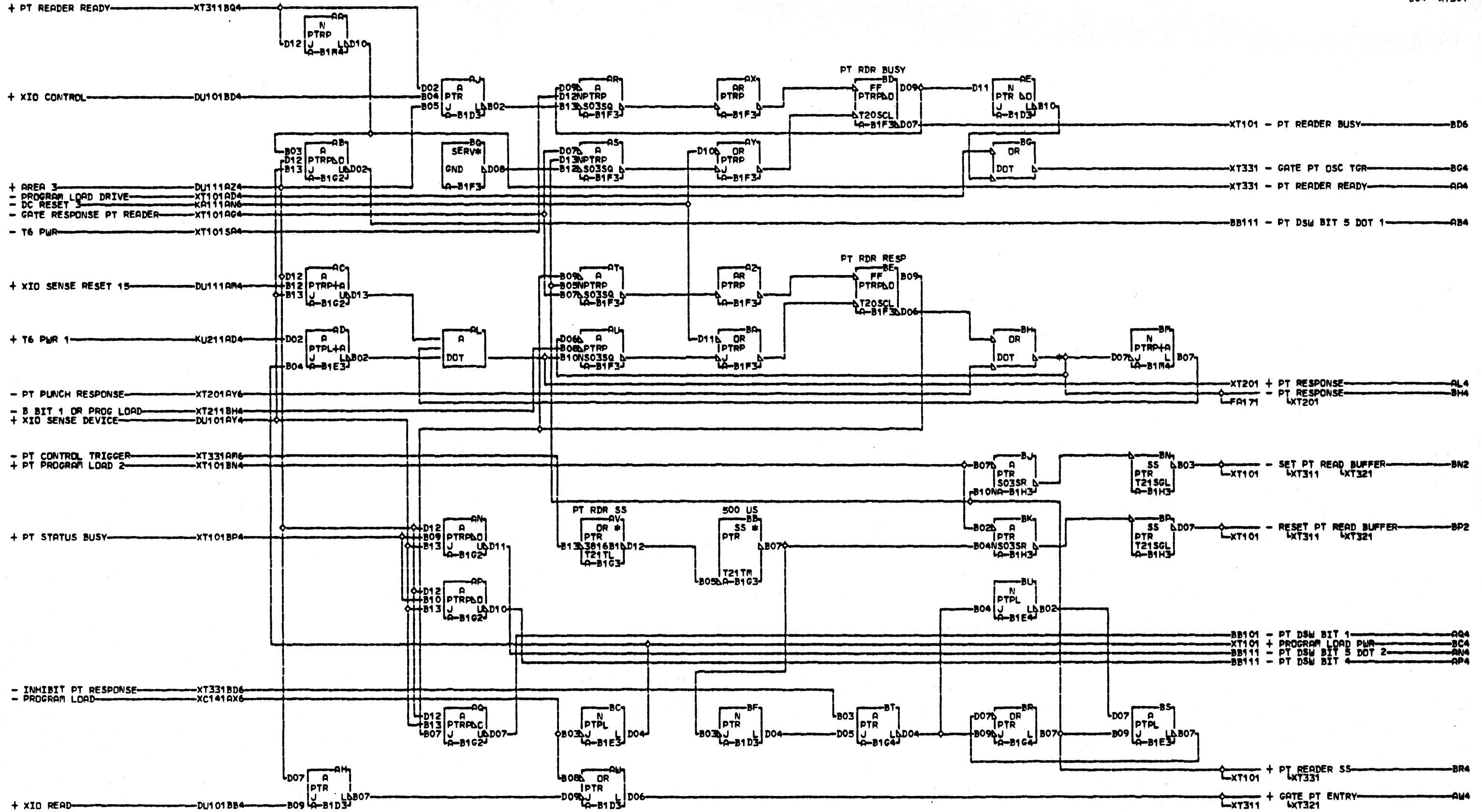


LOC. TYPE
 A-B1F4 3794
 A-B1J2 3794
 A-B1J3 0000
 A-B1L2 3421

PAPER TAPE PUNCH CONTROL	
E.C.-HISTORY	MACH.1131-C
DATE	FRAME 01
LAST EC	IBM CORP. GSD
03-14-72 571155	P.N. 5889480

X
T
2
3
1
004

X
T
2
3
1
004

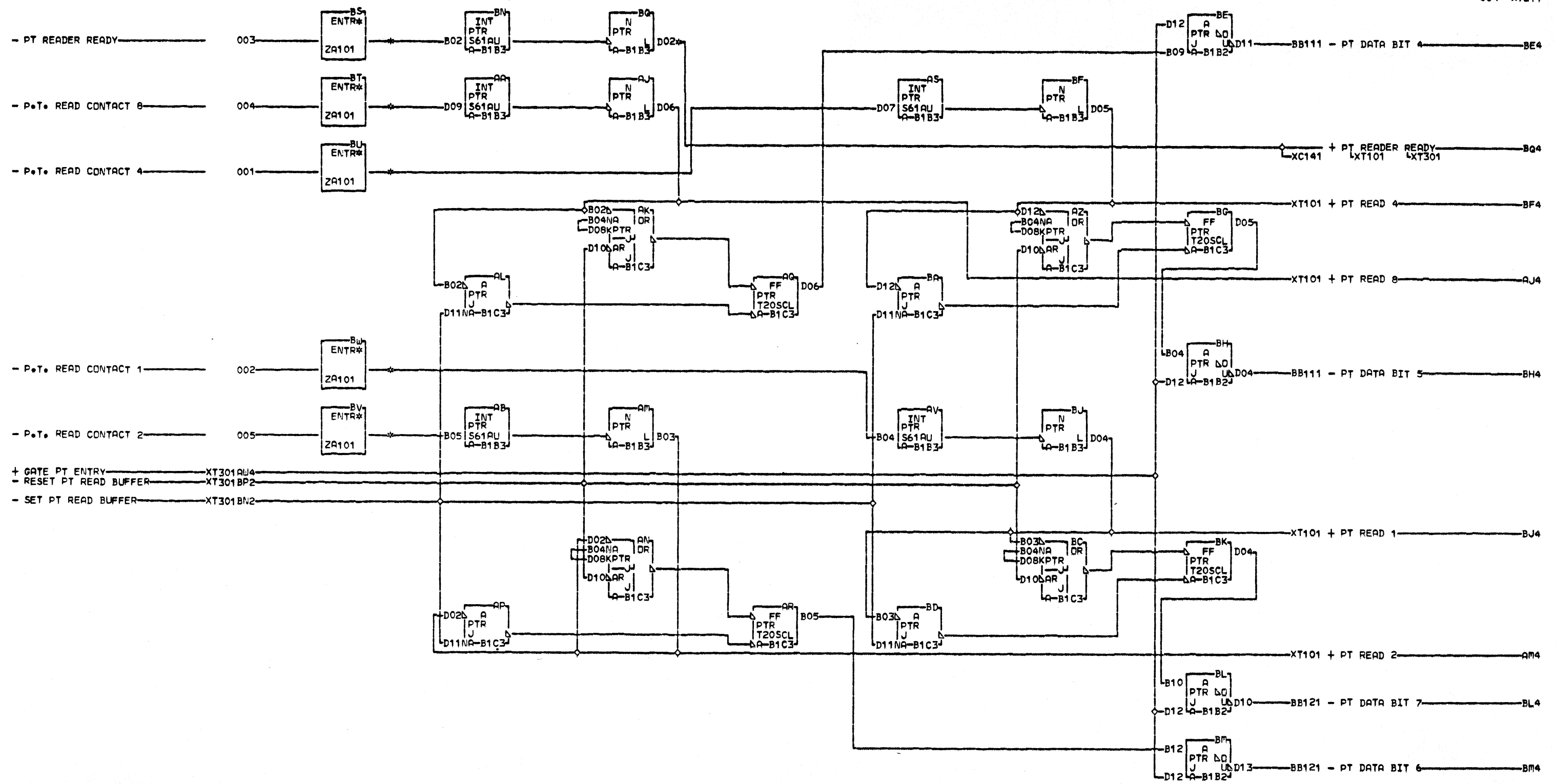


NOTE SINGLE SHOT
ADJUSTMENT POT IS
SITUATED AS FOLLOWS
T PT READER SS - LOWER POT
3
0
1

BH4 A-B1N7B04
01A-C1A7B04

LOC.	TYPE
A-B1D3	0000
A-B1E3	0000
A-B1E4	0000
A-B1F3	3794
A-B1G2	3028
A-B1G3	3816
A-B1G4	0000
A-B1H3	3757
A-B1R4	0000

PAPER TAPE READ CLUTCH DRIVE		X T 3 0 1
READY-BUSY-RESPONSE		
E.C.-HISTORY MACH#1131-C		004
571155		
FRAME 01		
DATE LAST EC		
05-24-72 571156		
P.N. 5889481		

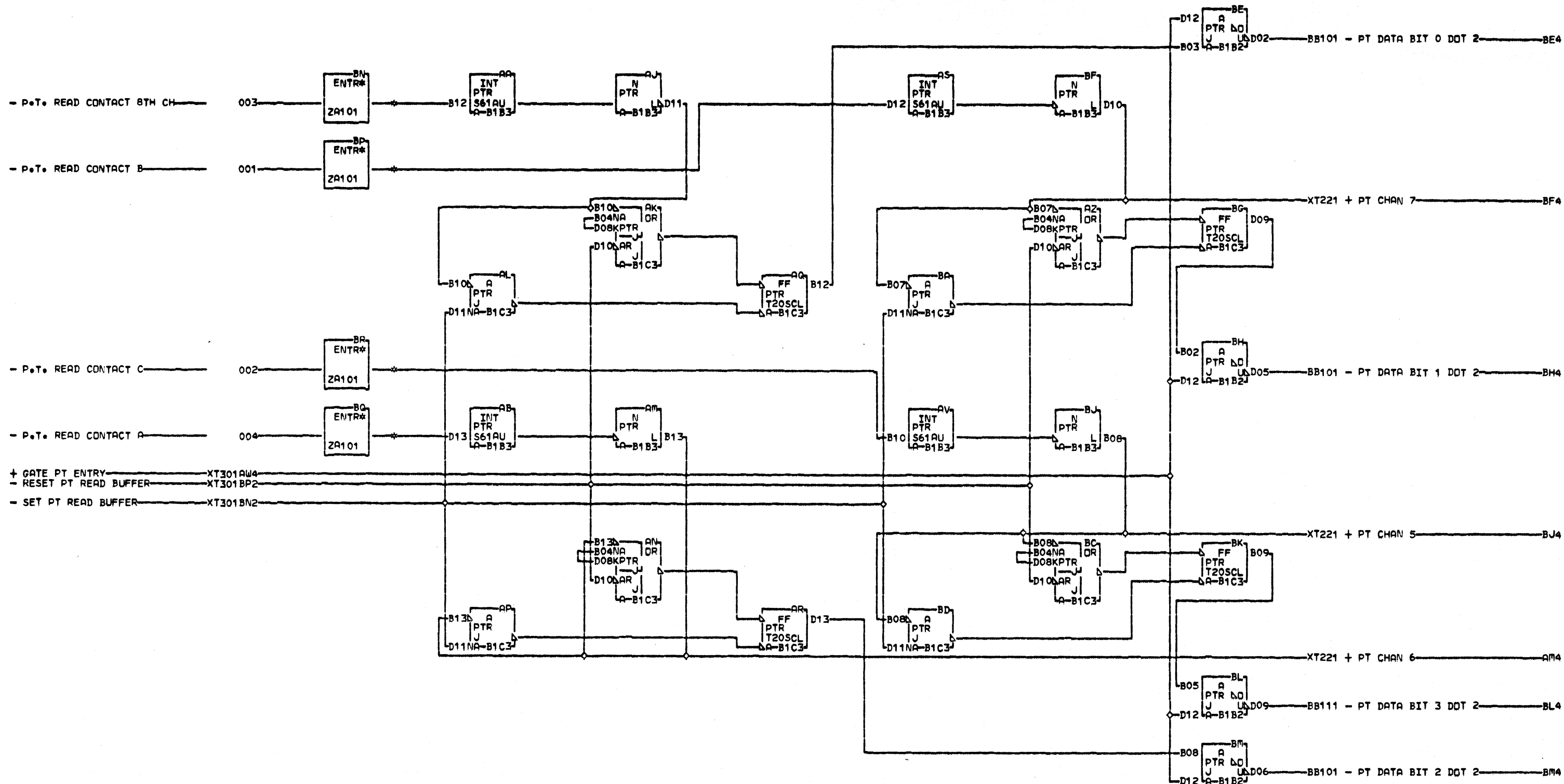


XT311
004

- BQ4 P-B1C1D09
- O1 P-C1C1D09
- ES4 P-B1A3B03
- BT4 P-B1A3D09
- EU4 P-B1A3D07
- BV4 P-B1A3B05
- BU4 P-B1A3B04

LOC.	TYPE
A-B1B2	3028
A-B1B3	3129
A-B1C3	3763

PT READ CONTACTS 1 2 4 8		XT311
STROBE DATA BITS 4 5 6 7		
E.C.-HISTORY		MACH.1131-C
DATE LAST EC		
03-14-72 571155		FRAME 01
IBM CORP. GSD		1
PoN. 5889482		004



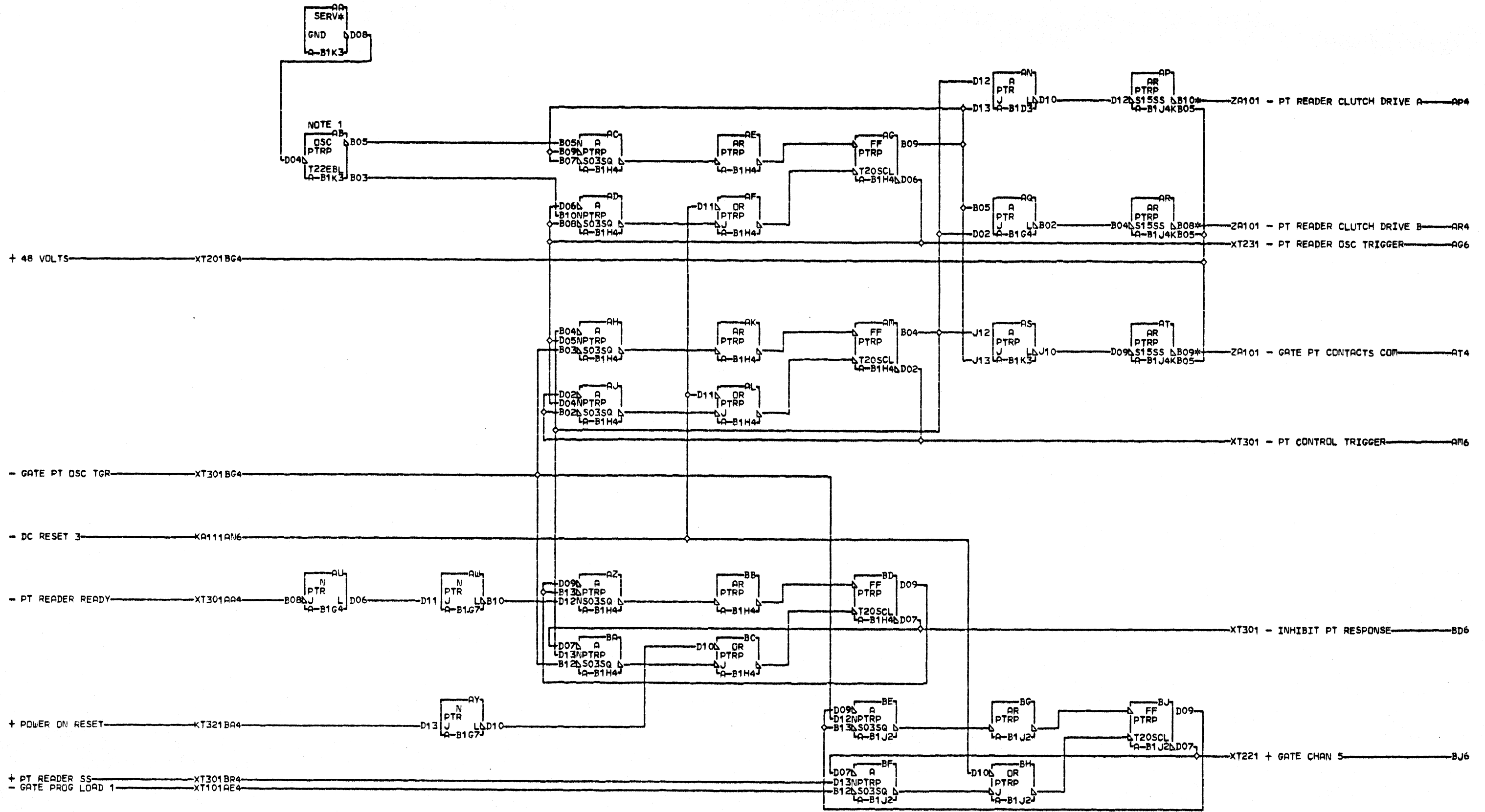
XT321
1
004

BN4 P-B1A3B12
BP4 P-B1A3D12
BQ4 P-B1A3D13
BR4 P-B1A3B10

LDC TYPE
P-B1B2 3028
P-B1B3 3129
P-B1C3 3763

PT READ CONTACTS A B C 8TH DATA BITS 0 1 2 3	
E.C. HISTORY	MACH. 1131-C
DATE	LAST EC
03-14-72	571155
FRAME	01
IBM CORP. GSD	
P.N.	5889483

XT321
1
004



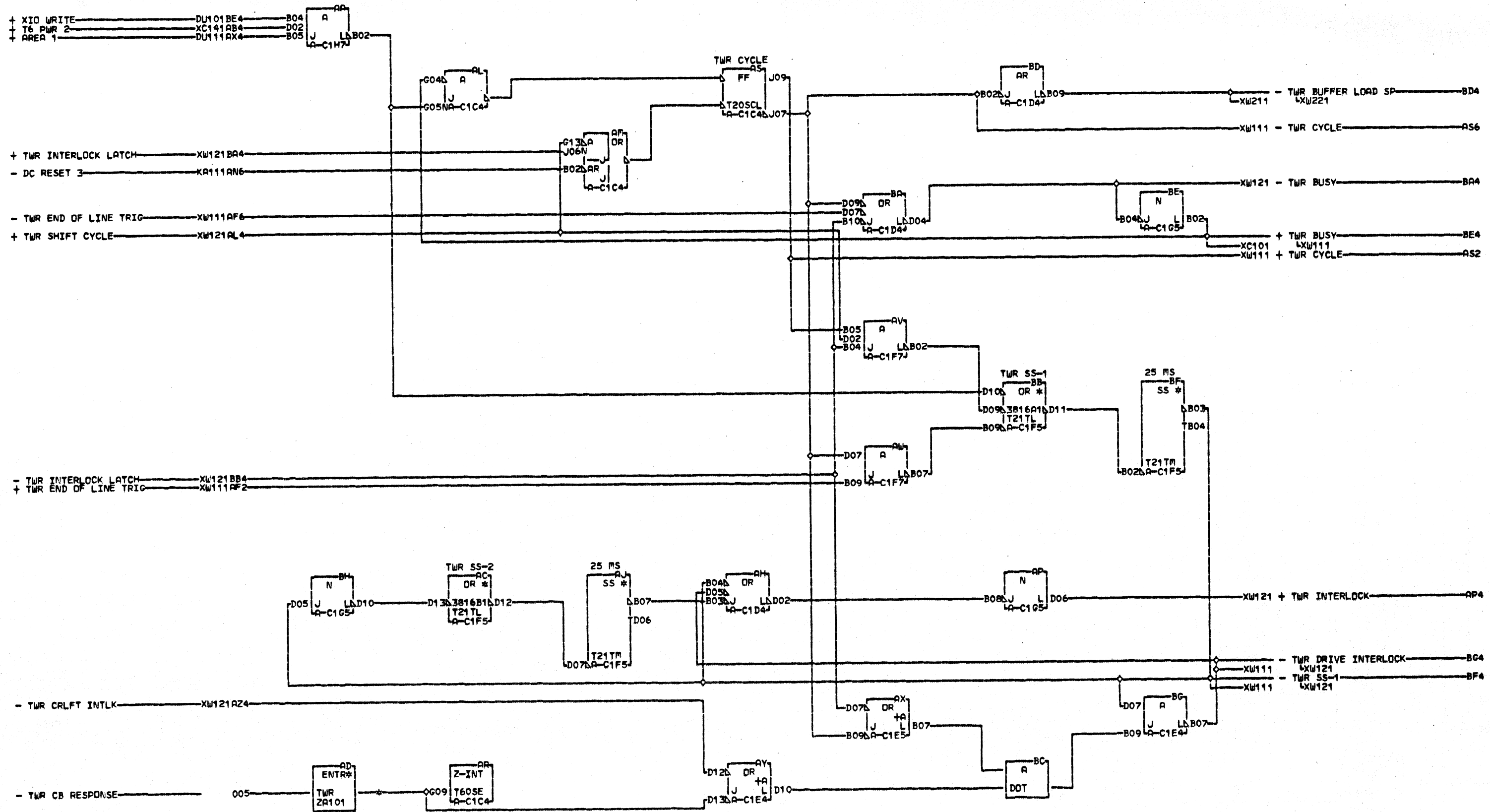
NOTE 1
OSC PTRP
T22EBL

NOTE 1 FREQUENCY IS
120 CPS. SEE
PAGE A000 FOR
SYMMETRY AND
ADJUSTMENTS.

AP4 A-B1A3D06
AR4 A-B1A3D02
AT4 A-B1A3B02

LOC. TYPE
A-B1D3 0000
A-B1G4 0000
A-B1G7 0000
A-B1H4 3794
A-B1J2 3794
A-B1J4 3819
A-B1K3 3734

PAPER TAPE READER OSC AND CONTROL	
-E.C.-HISTORY	MACH. 1131-C
FRAME	01
IBM CORP. GSD	
DATE LAST EC	
03-14-72 571155	P.N. 5889484

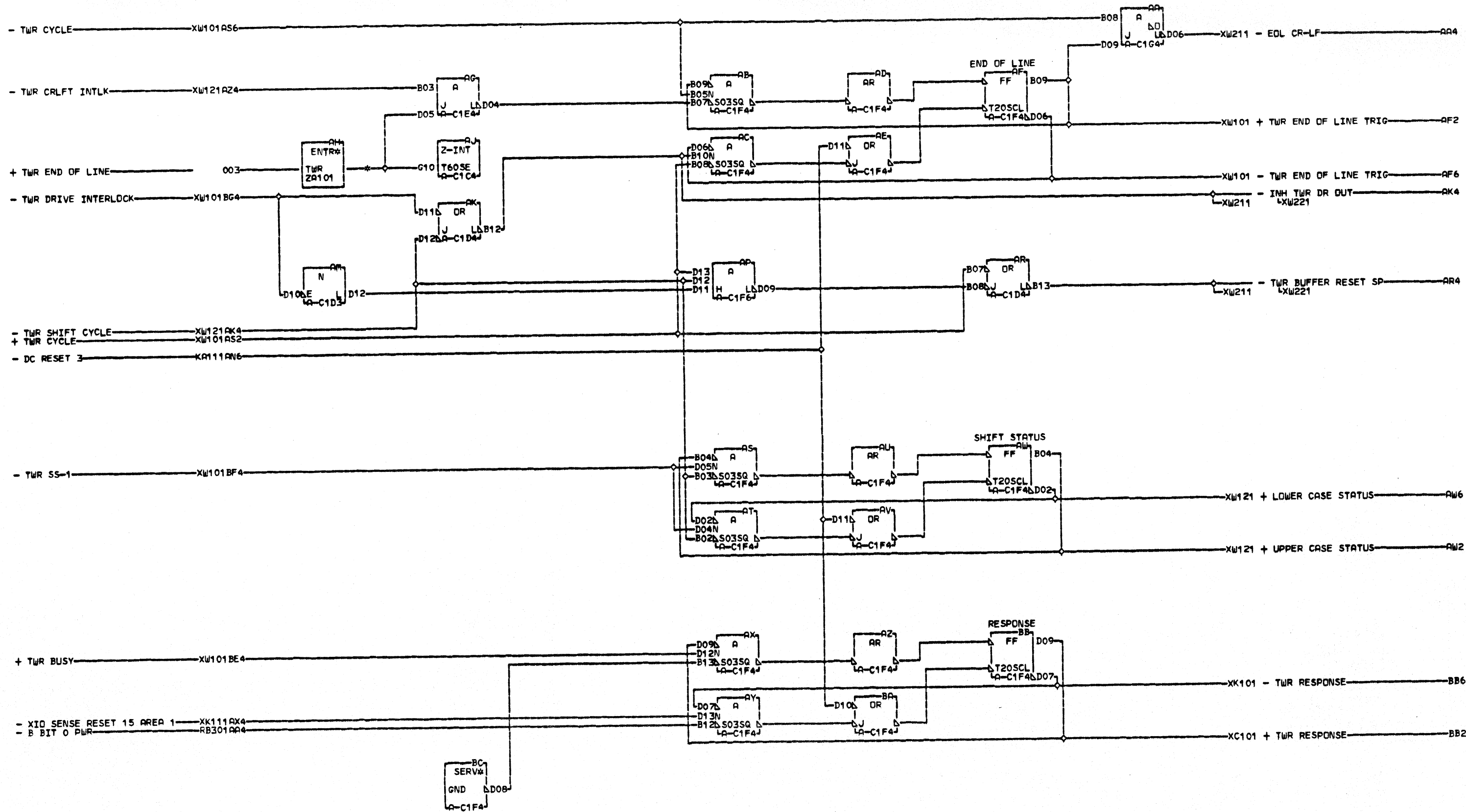


NOTE SINGLE SHOT
ADJUSTMENT POTS ARE
SITUATED AS FOLLOWS
X TWR SS-1 - UPPER POT
1 TWR SS-2 - LOWER POT
0
1

AD4 A-C1A4D10

LOC.	TYPE
A-C1C4	6208
A-C1D4	3404
A-C1E4	0000
A-C1E5	0000
A-C1F5	3816
A-C1F7	0000
A-C1G5	3421
A-C1H7	0000

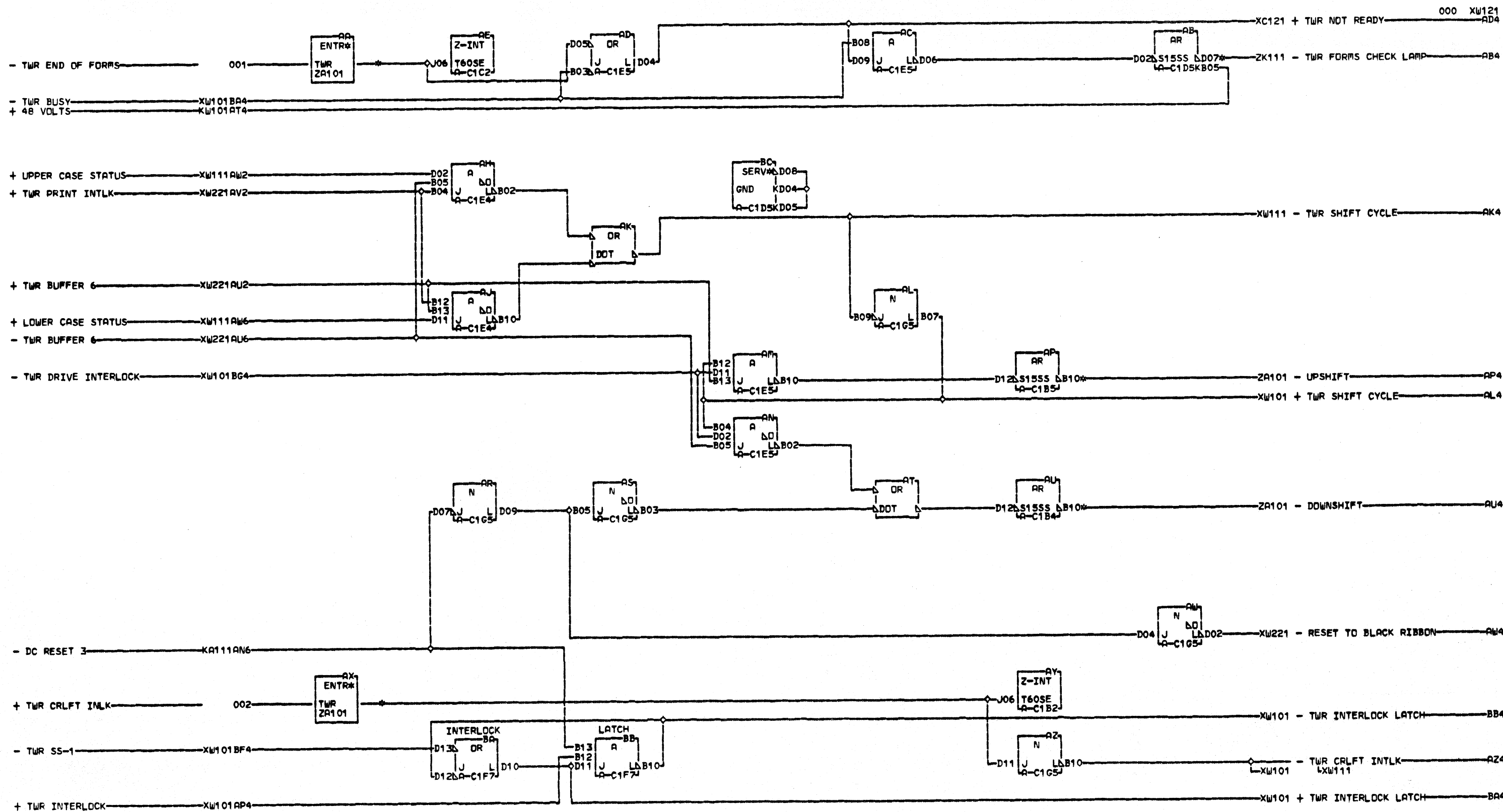
TWR BUSY	BUFFER LOAD SP	XW101
SS 1	TWR INTLK	
E.C.-HISTORY		01
MACH. 1131-C		
FRAME		000
IBM CORP. GPD		
DATE	LAST EC	000
02-09-71	571150	
P.No. 5889385		



AH4 A-C1A4B09

LOC.	TYPE
P-C1C4	6208
P-C1D3	0509
P-C1D4	3404
P-C1E4	0000
P-C1F4	3794
P-C1F6	0453
P-C1G4	0236

TWR EOL CR-LF	RESET SP
RESPONSE UPPER LOWER CASE	
-E.C.-HISTORY	MACH.1131-C
	FRAME 01
	IBM CORP. GPD
DATE	LAST EC
02-09-71	571150
	P.N. 5889386

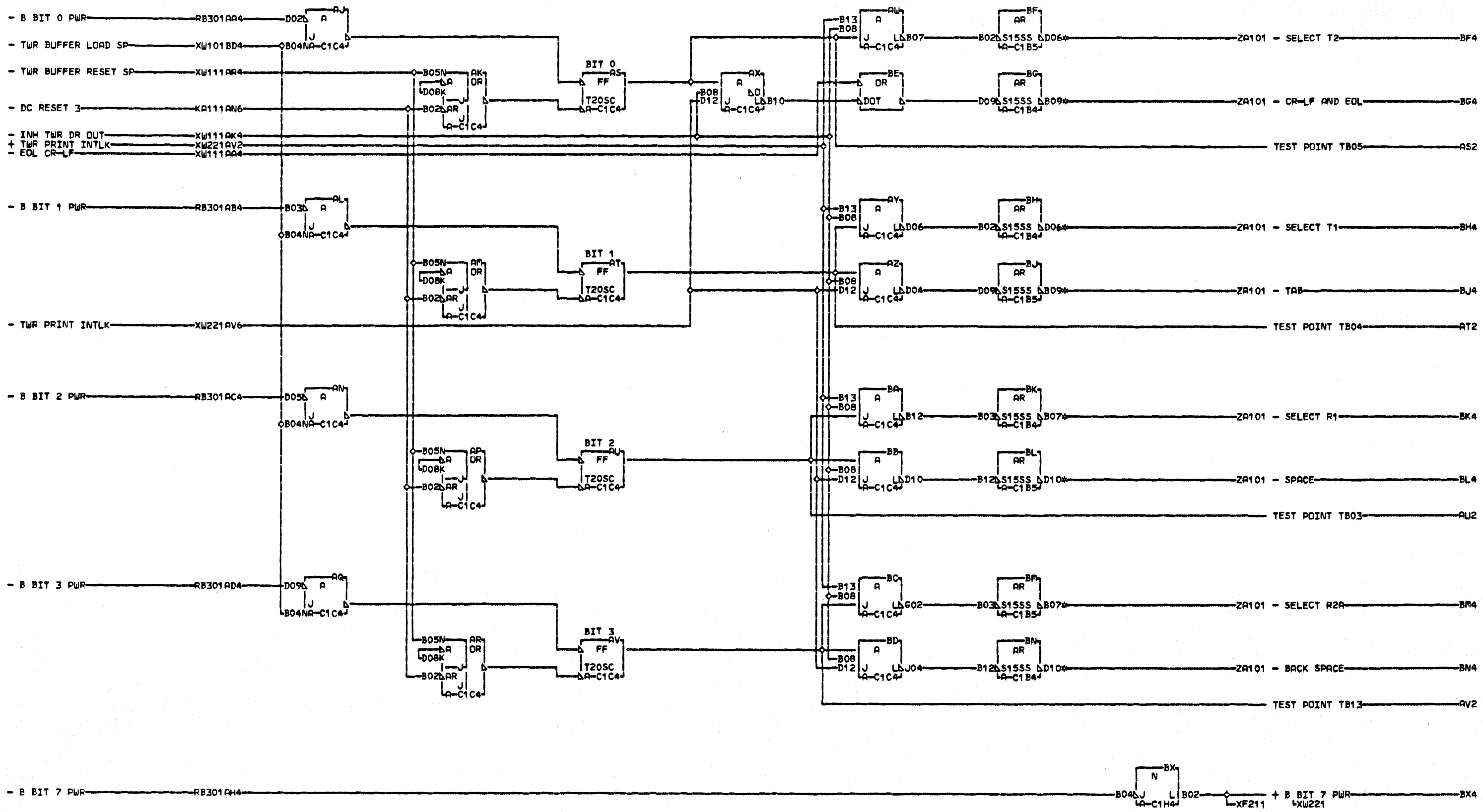


AA4 A-C1A4D12
 AB4 A-C1A5D13
 AP4 A-C1A4B08
 AU4 A-C1A4D09
 AX4 A-C1A4B13

LOC. TYPE
 A-C1B2 4615
 A-C1B4 3819
 A-C1B5 3819
 A-C1C2 4615
 A-C1D5 3819
 A-C1E4 0000
 A-C1E5 0000
 A-C1F7 0000
 A-C1G5 3421

TWR SHIFT UP/DOWN	SHIFT CYCLE	X W 1 2 1 000
CRLF INTLK	INTERLOCK LATCH	
E.C.-HISTORY		MACH. 1131-C
DATE LAST EC		FRAME 01
02-09-71 571150		IBM CORP. GSD
		P.No. 5889387

X
W
1
2
1
000

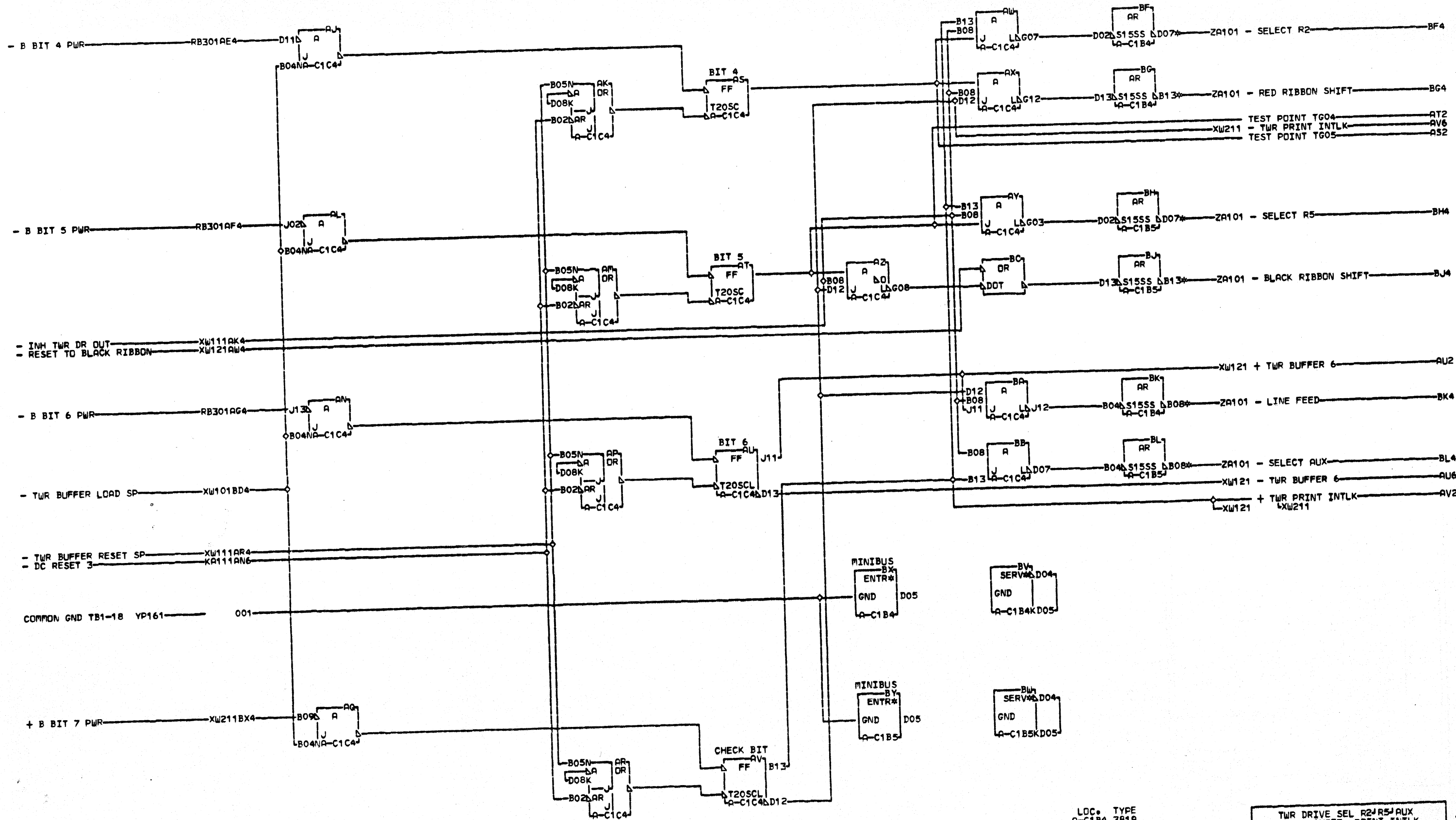


X
2
1
1
000

BF4 A-C1A4B02
BG4 A-C1A4D07
BH4 A-C1A4D02
BJ4 A-C1A4B07
BK4 A-C1A4D04
BL4 A-C1A4B10
BM4 A-C1A4B03
BN4 A-C1A4D11

LOC. TYPE
A-C1B4 3819
A-C1B5 3819
A-C1C4 6208
A-C1H4 3421

TWR DRIVE SEL T1/T2/R1/R2A		X W 2 1 1
CR-LF AND EOL TAB SPACE		
E.C.-HISTORY MACH.1131-C		000
FRAME 01		
IBM CORP. GPD		000
DATE LAST EC		
02-09-71 571150		000
P.No. 5889388		



- BF4 P-C1A4D05
- BG4 P-C1A4D13
- BH4 P-C1A4E04
- BJ4 P-C1A4B12
- BK4 P-C1A4D06
- BL4 P-C1A4B05

LOC. TYPE
 A-C1B4 3819
 A-C1B5 3819
 A-C1C4 6208

TWR DRIVE SEL R2/R5/AUX	
RIBBON SHIFT PRINT INTLK	
E.C.-HISTORY MACH#1131-C	
FRAME	01
IBM CORP. GPD	
DATE	LAST EC
02-09-71	571150
P.No. 5889389	