

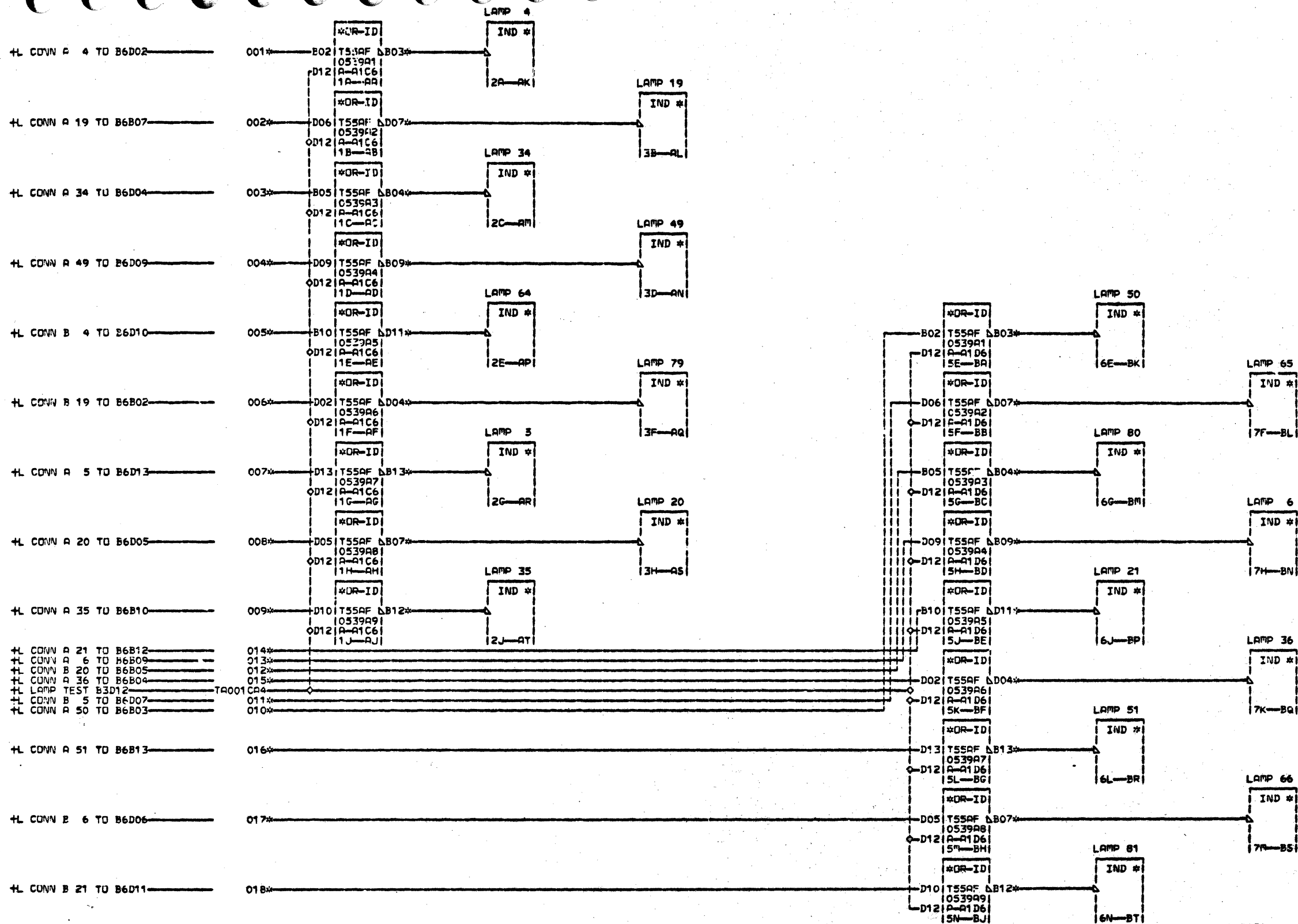
001	01A-A1B7D02	006	01A-A1B7D10	010	01A-A1B7B03	015	01A-A1B7B12	AA4	A-A1E7D02	BA4	A-A1E7B03	CA4	A-A1B3D12
002	01A-A1B7B07	007	01A-A1B7B02	011	01A-A1B7D07	016	01A-A1B7B04	AB4	A-A1E7B08	BB4	A-A1E7B07		
003	01A-A1B7D04	008	01A-A1B7D13	012	01A-A1B7B05	017	01A-A1B7B13	AD4	A-A1E7D09	BD4	A-A1E7B09		
004	01A-A1B7D09	009	01A-A1B7D05	013	01A-A1B7B09	018	01A-A1B7D06	AE4	A-A1E7D10	BE4	A-A1E7D11		
005	01A-A1B7B10	014	01A-A1B7D01	014	01A-A1B7B01	019	01A-A1B7D01	AF4	A-A1E7B05	BF4	A-A1E7B04		
		015	01A-A1B7D03	015	01A-A1B7B03	020	01A-A1B7D03	AG4	A-A1E7D13	BG4	A-A1E7B13		
		016	01A-A1B7D04	016	01A-A1B7B04	021	01A-A1B7D04	AH4	A-A1E7D06	BH4	A-A1E7D07		
		017	01A-A1B7D05	017	01A-A1B7B05	022	01A-A1B7D05	AJ4	A-A1E7D12	BJ4	A-A1E7B12		

11-23-64 122928

EXTREME LEFT BANK OF  
THREE COLUMNS OF LAMPS.  
DATE 11-24-64 MACH. IDTESTER  
LOG 2476 FRAME 01  
T M MCADON P.No. 740465  
IBM CORP. GPD BLK. CB

TA001

TA001



T  
A  
O  
O  
2

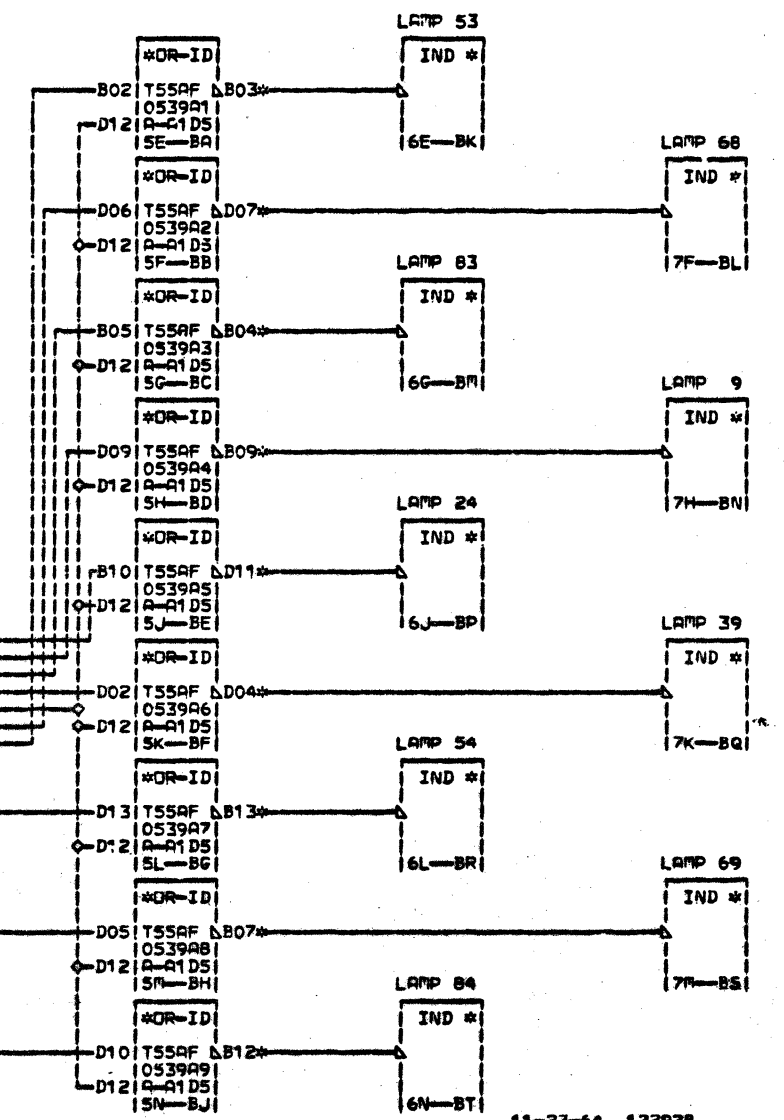
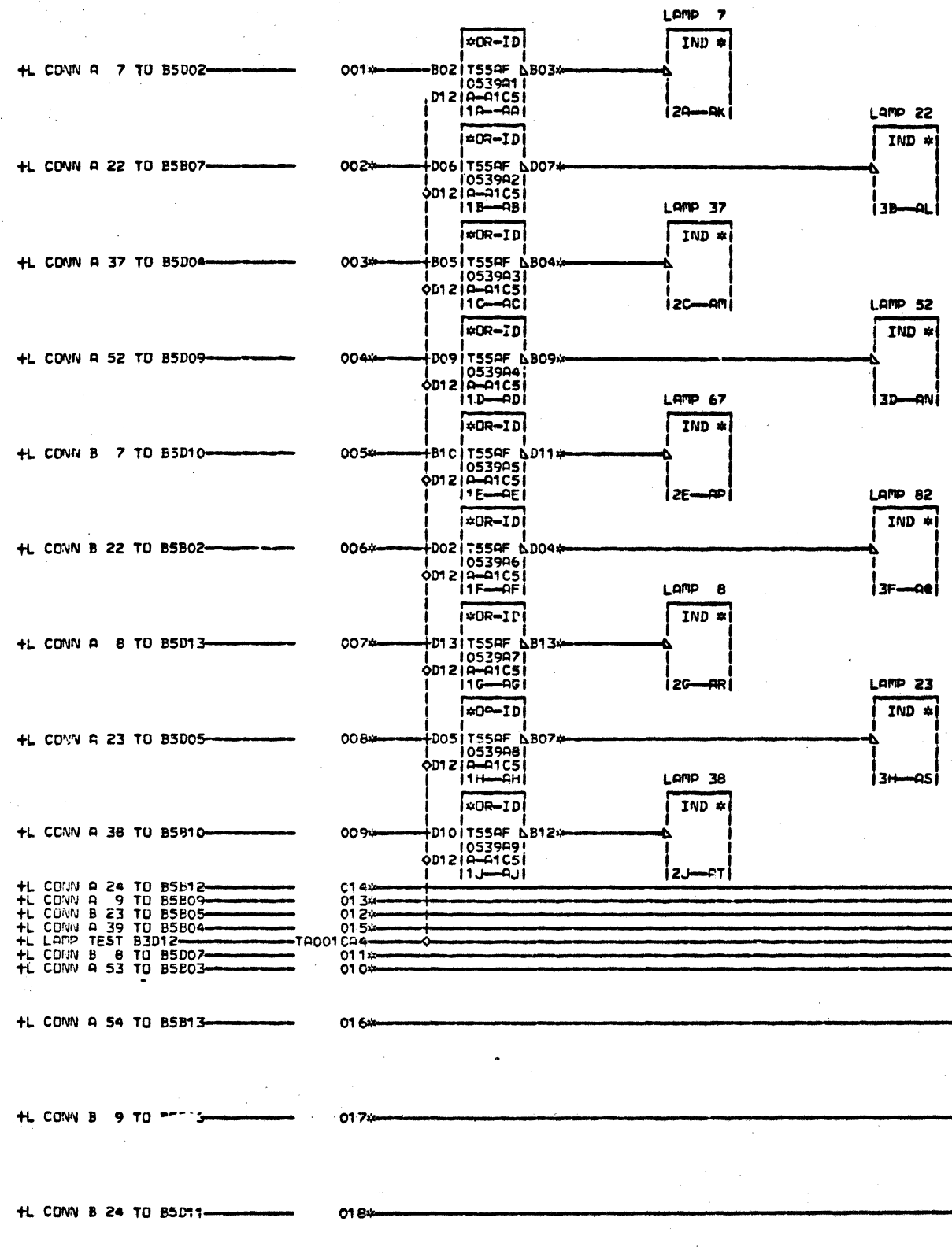
001	01A-A1B6D10	010	01A-A1B6B12	AA4	A-A1E6D02	BA4	A-A1E6B03		
002	01A-A1B6D02	006	01A-A1B6B02	015	AA4	A-A1E6B08	BA4	A-A1E6B07	
003	01A-A1B6B07	007	01A-A1B6B02	011	01A-A1B6B04	AC4	A-A1E6B02	BC4	A-A1E6D04
004	01A-A1B6D04	008	01A-A1B6D13	012	01A-A1B6B13	AD4	A-A1E6D09	BD4	A-A1E6B09
005	01A-A1B6D09	009	01A-A1B6D05	013	01A-A1B6B05	AE4	A-A1E6D10	BE4	A-A1E6D11
						AF4	A-A1E6B05	BF4	A-A1E6B04
						AG4	A-A1E6D13	BG4	A-A1E6B13
						AH4	A-A1E6D06	BH4	A-A1E6D07
						AJ4	A-A1E6D12	BJ4	A-A1E6B12

11-23-64 122928

CENTER LEFT BANK OF  
THREE COLUMNS OF LAMPS  
DATE 11-24-64 MACH. IDTESTER  
LUG 2476 FRAME 01  
T M MCADON P.No. 740466  
IBM CORP. GPD BLK. BU

2-3

T  
A  
O  
O  
2

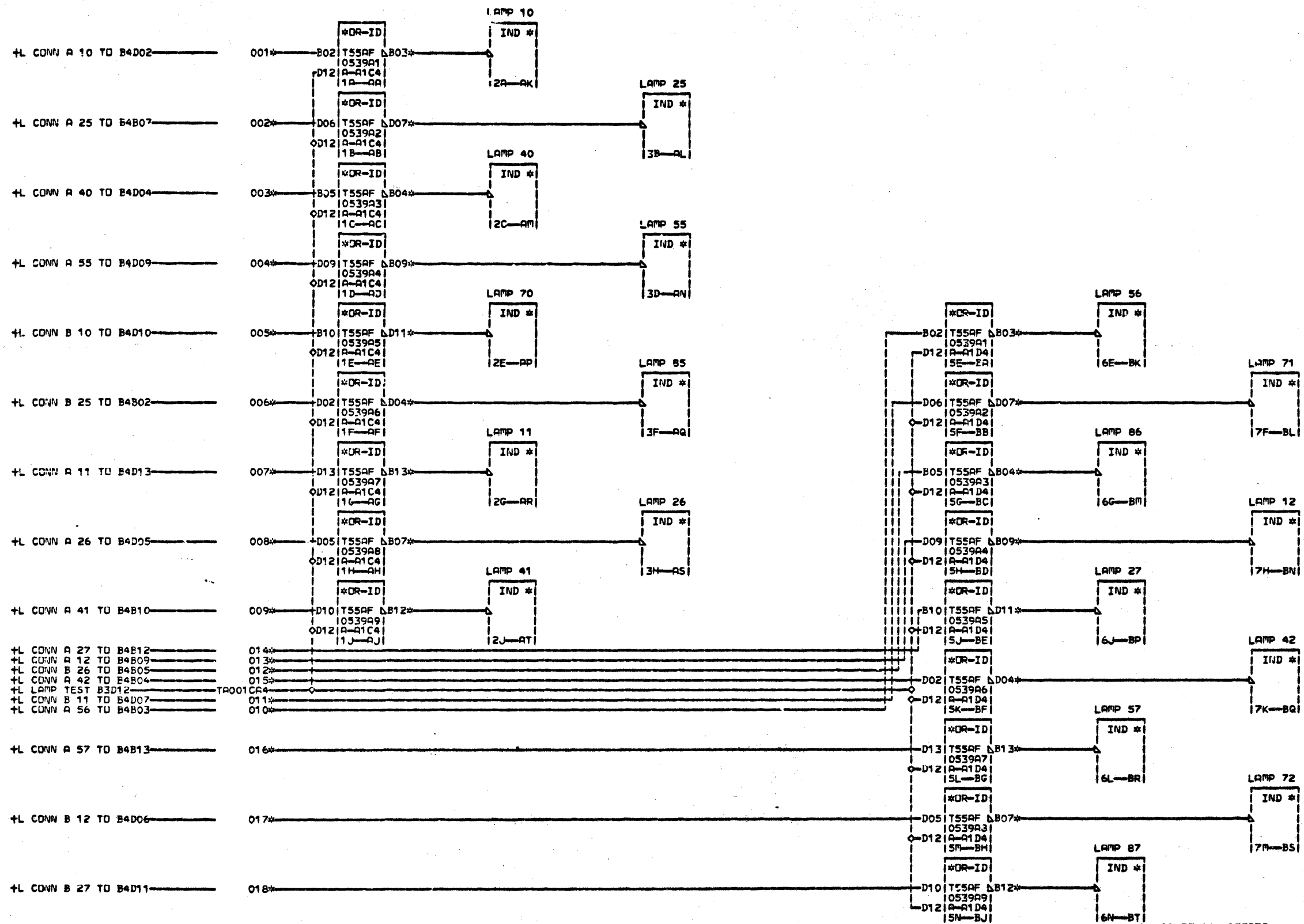


T A O O 3 000	001	01A-A1B5D02	006	01A-A1B5D10	010	01A-A1B5B03	015	01A-A1B5B12	AA4	A-A1E5D02	BA4	A-A1E5B03
	002	01A-A1B5B07	007	01A-A1B5B02	011	01A-A1B5B04	016	01A-A1E5B08	BA4	A-A1E5B08	BA4	A-A1E5B07
	003	01A-A1B5D04	008	01A-A1B5D13	012	01A-A1B5B05	017	01A-A1E5D09	BA4	A-A1E5D09	BA4	A-A1E5B09
	004	01A-A1B5D09	009	01A-A1B5D05	013	01A-A1B5B06	018	01A-A1E5D10	BA4	A-A1E5D10	BA4	A-A1E5D11
	005	01A-A1B5D09	009	01A-A1B5D05	013	01A-A1B5B09	018	01A-A1E5B05	BA4	A-A1E5B05	BA4	A-A1E5B04
				01A-A1B5D09	009	01A-A1B5D05	013	01A-A1E5D13	BA4	A-A1E5D13	BA4	A-A1E5B13
				01A-A1B5D10	014	01A-A1B5D11	AJ4	A-A1E5D06	BH4	A-A1E5D06	BH4	A-A1E5D07
				01A-A1B5D10	014	01A-A1B5D11	AJ4	A-A1E5D12	BJ4	A-A1E5D12	BJ4	A-A1E5B12

11-23-64 122928

CENTER BANK OF  
THREE COLUMNS OF LAMPS.  
DATE 11-24-64 MACH. IOTESTER  
LOG 2476 FRAME 01  
T M MCADON P# 740467  
IBM CORP. GPD BLK. BUI

2-3



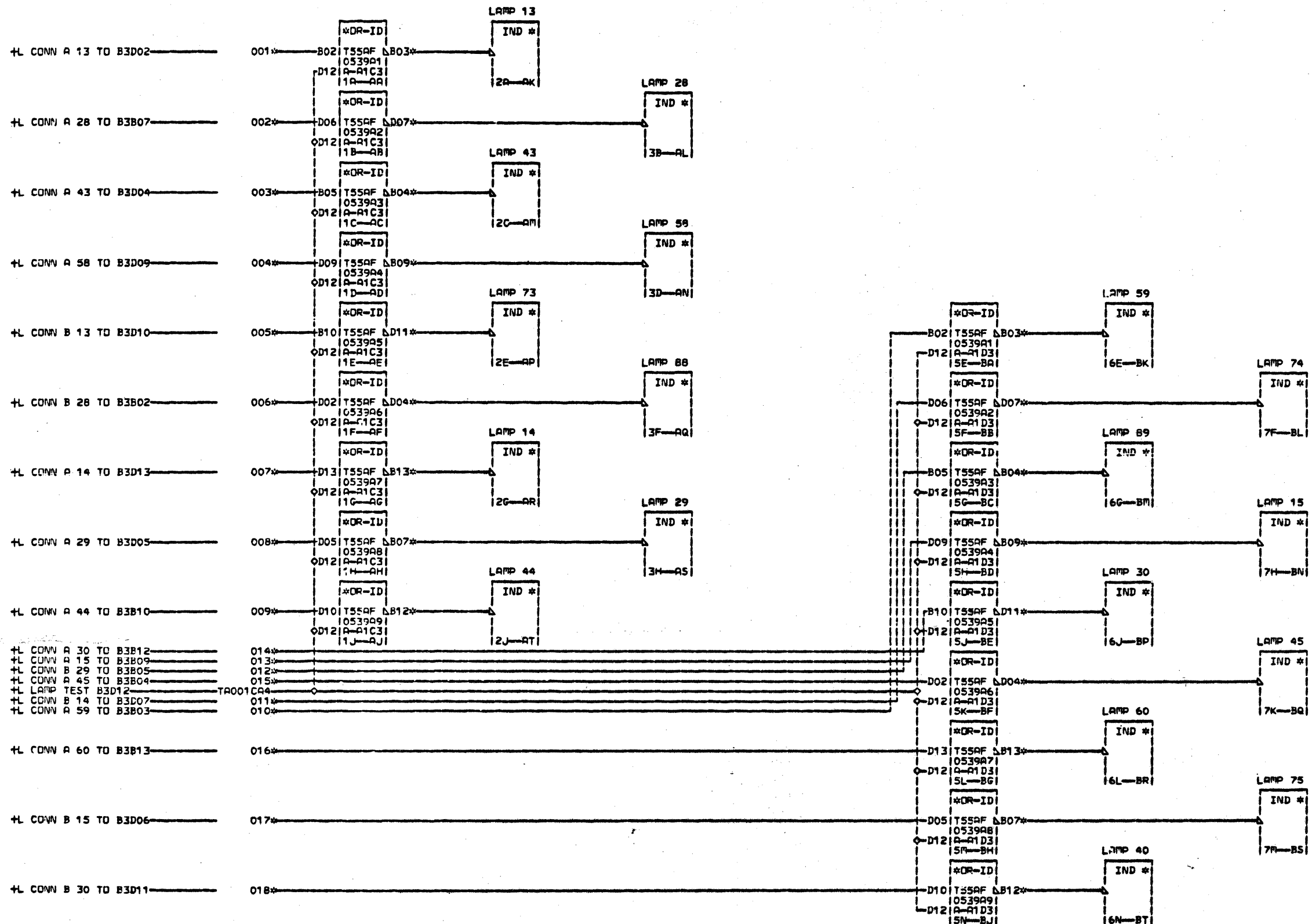
001	01A-A1B4D10	010	01A-A1B4B03	015	01A-A1B4B12	AA4	A-A1E4D02	BA4	A-A1E4B03
002	01A-A1B4D02	006	01A-A1B4B02	011	01A-A1B4B04	AC4	A-A1E4B02	BC4	A-A1E4D04
003	01A-A1B4D07	007	01A-A1B4D13	012	01A-A1B4B13	AE4	A-A1E4D10	BE4	A-A1E4D11
004	01A-A1B4D04	008	01A-A1B4D05	013	01A-A1B4D06	AG4	A-A1E4D13	EG4	A-A1E4B13
005	01A-A1B4D09	009	01A-A1B4B10	014	01A-A1B4D11	AJ4	A-A1E4D12	BJ4	A-A1E4B12

T  
A  
0  
0  
4  
000

11-23-64 122928

CENTER RIGHT BANK OF  
THREE COLUMNS OF LAMPS.  
DATE 11-24-64 PACH. IOTESTER  
LOG 2476 FRAME 01  
T M McCADDON P.No. 740468  
IBM CORP. GPD BLK. BU

2-3



T A O O S	001	01A-A1B3D10	010	01A-A1B3B12	AA4	A-A1E3D02	BA4	A-A1E3B03
000	002	01A-A1B3D02	006	01A-A1B3B02	011	01A-A1E3B08	BA4	A-A1E3B07
	003	01A-A1B3D07	007	01A-A1B3D04	014	01A-A1E3B02	BC4	A-A1E3D04
	004	01A-A1B3D04	008	01A-A1B3D13	012	01A-A1E3D09	BD4	A-A1E3B09
	005	01A-A1B3D09	009	01A-A1B3D05	013	01A-A1E3D10	BE4	A-A1E3D11
	006	01A-A1B3D05	010	01A-A1B3B05	017	01A-A1E3B05	BF4	A-A1E3B04
	007	01A-A1B3D09	011	01A-A1B3D06	018	01A-A1E3D13	BG4	A-A1E3B13
	008	01A-A1B3D10	012	01A-A1B3B09	018	01A-A1E3D06	BH4	A-A1E3D07
	009	01A-A1B3B10	014	01A-A1B3D11	AJ4	A-A1E3D12	BJ4	A-A1E3B12

11-23-64 122928

EXTREME RIGHT BANK OF  
THREE COLUMNS OF LAMPS.  
DATE 11-24-64 MACH. IUTESTER  
LOG 2476 FRAME 01  
T M CADON P.No. 740469  
IBM CORP. GPD BLK. 8U1

W  
W

B3 CONN  
 TA001CA4 D12  
 TA005006 B02  
 TA005010 B03  
 TA005015 B04  
 TA005012 B05  
 TA005002 B07  
 TA005013 B09  
 TA005009 B10  
 TA005014 B12  
 TA005016 B13  
 TA005001 D02  
 TA005003 D04  
 TA005008 D05  
 TA005017 D06  
 TA005011 D07  
 TA005004 D09  
 TA005005 D10  
 TA005018 D11  
 TA005007 D13

B4 CONN  
 TA004006 B02  
 TA004010 B03  
 TA004015 B04  
 TA004012 B05  
 TA004002 B07  
 TA004013 B09  
 TA004009 B10  
 TA004014 B12  
 TA004016 B13  
 TA004001 D02  
 TA004003 D04  
 TA004008 D05  
 TA004017 D06  
 TA004011 D07  
 TA004004 D09  
 TA004005 D10  
 TA004018 D11  
 TA004007 D13

B5 CONN  
 TA003006 B02  
 TA003010 B03  
 TA003015 B04  
 TA003012 B05  
 TA003002 B07  
 TA003013 B09  
 TA003009 B10  
 TA003014 B12  
 TA003016 B13  
 TA003001 D02  
 TA003003 D04  
 TA003008 D05  
 TA003017 D06  
 TA003011 D07  
 TA003004 D09  
 TA003005 D10  
 TA003018 D11  
 TA003007 D13

B6 CONN  
 TA002006 B02  
 TA002010 B03  
 TA002015 B04  
 TA002012 B05  
 TA002002 B07  
 TA002013 B09  
 TA002009 B10  
 TA002014 B12  
 TA002016 B13  
 TA002001 D02  
 TA002003 D04  
 TA002008 D05  
 TA002017 D06  
 TA002011 D07  
 TA002004 D09  
 TA002005 D10  
 TA002018 D11  
 TA002007 D13

B7 CONN  
 TA001006 B02  
 TA001010 B03  
 TA001015 B04  
 TA001012 B05  
 TA001002 B07  
 TA001013 B09  
 TA001009 B10  
 TA001014 B12  
 TA001016 B13  
 TA001001 D02  
 TA001003 D04  
 TA001008 D05  
 TA001017 D06  
 TA001011 D07  
 TA001004 D09  
 TA001005 D10  
 TA001018 D11  
 TA001007 D13

C3 5800539 SINGLE 0539  
 TA005 AA AB AC AD AE  
 AF AG AH AJ  
 C4 5800539 SINGLE 0539  
 TA004 AA AB AC AD AE  
 AF AG AH AJ  
 C5 5800539 SINGLE 0539  
 TA003 AA AB AC AD AE  
 AF AG AH AJ  
 C6 5800539 SINGLE 0539  
 TA002 AA AB AC AD AE  
 AF AG AH AJ  
 C7 5800539 SINGLE 0539  
 TA001 AA AB AC AD AE  
 AF AG AH AJ

D3 5800539 SINGLE 0539  
 TA005 BA BB BC BD BE  
 BF BG BH BJ  
 D4 5800539 SINGLE 0539  
 TA004 BA BB BC BD BE  
 BF BG BH BJ  
 D5 5800539 SINGLE 0539  
 TA003 BA BB BC BD BE  
 BF BG BH BJ  
 D6 5800539 SINGLE 0539  
 TA002 BA BB BC BD BE  
 BF BG BH BJ  
 D7 5800539 SINGLE 0539  
 TA001 BA BB BC BD BE  
 BF BG BH BJ

E3 CONN  
 TA005AA4 D02  
 TA005AB4 B08  
 TA005AC4 B02  
 TA005AD4 D09  
 TA005AE4 D10  
 TA005AF4 B05  
 TA005AG4 D13  
 TA005AH4 D06  
 TA005AJ4 D12  
 TA005BA4 B03  
 TA005BB4 B07  
 TA005BC4 D04  
 TA005BD4 B09  
 TA005BE4 D11  
 TA005BF4 B04  
 TA005BG4 B13  
 TA005BH4 D07  
 TA005BJ4 B12

E4 CONN  
 TA004AA4 D02  
 TA004AB4 B08  
 TA004AC4 B02  
 TA004AD4 D09  
 TA004AE4 D10  
 TA004AF4 B05  
 TA004AG4 D13  
 TA004AH4 D06  
 TA004AJ4 D12  
 TA004BA4 B03  
 TA004BB4 B07  
 TA004BC4 D04  
 TA004BD4 B09  
 TA004BE4 D11  
 TA004BF4 B04  
 TA004BG4 B13  
 TA004BH4 D07  
 TA004BJ4 B12

E5 CONN  
 TA003AA4 D02  
 TA003AB4 B08  
 TA003AC4 B02  
 TA003AD4 D09  
 TA003AE4 D10  
 TA003AF4 B05  
 TA003AG4 D13  
 TA003AH4 D06  
 TA003AJ4 D12  
 TA003BA4 B03  
 TA003BB4 B07  
 TA003BC4 D04  
 TA003BD4 B09  
 TA003BE4 D11  
 TA003BF4 B04  
 TA003BG4 B13  
 TA003BH4 D07  
 TA003BJ4 B12

E6 CONN  
 TA002AA4 D02  
 TA002AB4 B08  
 TA002AC4 B02  
 TA002AD4 D09  
 TA002AE4 D10  
 TA002AF4 B05  
 TA002AG4 D13  
 TA002AH4 D06  
 TA002AJ4 D12  
 TA002BA4 B03  
 TA002BB4 B07  
 TA002BC4 D04  
 TA002BD4 B09  
 TA002BE4 D11  
 TA002BF4 B04  
 TA002BG4 B13  
 TA002BH4 D07  
 TA002BJ4 B12

E7 CONN  
 TA001AA4 D02  
 TA001AB4 B08  
 TA001AC4 B02  
 TA001AD4 D09  
 TA001AE4 D10  
 TA001AF4 B05  
 TA001AG4 D13  
 TA001AH4 D06  
 TA001AJ4 D12  
 TA001BA4 B03  
 TA001BB4 B07  
 TA001BC4 D04  
 TA001BD4 B09  
 TA001BE4 D11  
 TA001BF4 B04  
 TA001BG4 B13  
 TA001BH4 D07  
 TA001BJ4 B12

PLUG LIST		PAGE		01
5800539	0539	C3	C4	C5
		C6	C7	D3
		D4	D5	D6
CONN	CONN	D7	B4	B5
		B3	B7	E3
		B6	E5	E6
		E4		
		E7		

SOCKET LISTING  
 DATE 11-25-64 MACH. IOTESTER  
 LOG 247600 BOARD 01A-A1  
 PREV. ENGR. CHG. 11-17-64 122928  
 PRES. ENGR. CHG. 11-23-64 122928  
 P.N. 740470  
 IBM CORP. GPD BLK.

2-3

T  
A  
O  
O  
6

## DESCRIPTION:

THE I/O TESTER IS A PORTABLE C.E. TOOL WHICH MAY BE ATTACHED VIA EITHER ONE OR TWO QUICK DISCONNECT CONNECTORS TO MANY OF THE I/O UNITS OF THE SYSTEM/360. I/O UNITS PRESENTLY USING THE I/O TESTER ARE THE 1016, 2030-1050 ATTACHMENT, 1442, 1443, 2501, 2520, 2671, 2701 AND THE 2821.

A THE TESTER PROVIDES A MEANS OF CONVEYING OPERATIONAL INFORMATION ABOUT AN I/O UNIT TO THE C.E. THROUGH 90 INDICATOR LAMPS WHICH ARE HOUSED ALONG WITH INDICATOR DRIVERS IN THE I/O TESTER. THE TESTER MAY BE CONNECTED TO THE I/O UNIT EITHER ON-LINE OR OFF-LINE. THE INDICATORS ARE OPERATIONAL IN EITHER CASE. A ROTARY MODE SWITCH AND 14 CONTROL SWITCHES MAY BE ASSIGNED CONTROL FUNCTIONS BY THE I/O UNIT TO ACHIEVE A SEMI-PSUEDO OR ACTUAL OFF-LINE MODE OF OPERATION TO EXERCISE THE VARIOUS FUNCTIONS REQUIRED. PLASTIC OVERLAYS, WHICH ARE STORED IN THE TESTER AND ARE IDENTIFIED BY MACHINE TYPE, ARE USED TO IDENTIFY THE FUNCTION ASSIGNED TO THE PARTICULAR LAMPS AND SWITCHES USED ON THAT I/O UNIT. THE BOTTOM MARGIN OF THE OVERLAY IS USED TO IDENTIFY THE FUNCTION ASSIGNED EACH SWITCH IN THE TOP ROW. THE BOTTOM ROW OF SWITCHES ARE IDENTIFIED PERMANENTLY. NOT ALL OF THE I/O UNITS USE ALL OF THE SWITCHES IN THE BOTTOM ROW.

B DETAILS COVERING THE OPERATION OF THE I/O TESTER WITH EACH I/O UNIT ARE CONTAINED IN THE REFERENCE MANUAL FOR THAT I/O UNIT.

## APPLICATION:

THE I/O TESTER WILL BE CAPABLE OF BEING PLUGGED OR UNPLUGGED FROM THE I/O UNITS WITHOUT DROPPING POWER IN THE I/O UNIT. THE I/O UNIT CONTROL LINES WILL ASSUME AN OFF STATE WHEN THE I/O TESTER IS DISCONNECTED. IN ADDITION TO THIS, ANY CONTROLS THAT COULD RESULT IN MECHANICAL ACTION WILL BE GATED WITH A MOMENTARY CONTACT, SELF RESTORING OFF, SWITCH. THIS WILL INSURE AN OFF STATUS WHEN THE TESTER IS BEING PLUGGED WITH I/O UNIT POWER ON.

C AN I/O TESTER DESIGN PHILOSOPHY WHICH MINIMIZES THE NECESSITY FOR C.E. SETUP IN APPLYING THE I/O TESTER HAS BEEN IMPLEMENTED. THIS IS ACCOMPLISHED BY PERFORMING ALL SWITCHING OF POWER SUPPLY AND TESTER COMPONENTS IN THE I/O UNIT.

THE C.E., HOWEVER, MUST SELECT AND INSTALL THE PROPER OVERLAY FOR THE I/O UNIT BEING SERVICED AND SHOULD INSURE THAT ALL SWITCHES ARE OFF PRIOR TO PLUGGING THE TESTER. THE G.P.D. STANDARD OF TOGGLE SWITCH DOWN BEING OFF IS ADHERED TO IN THE I/O TESTER.

## FUNCTIONAL UNITS:

## 1. POWER SUPPLY:

D REFER TO LOGIC TA008 - POWER SUPPLY SERVICING FLOW CHART  
REFER TO LOGIC TA009 - POWER SUPPLY CIRCUIT DIAGRAM

A. THE INPUT TO THE POWER SUPPLY IS 24 VOLTS RMS PLUS/MINUS 10% A.C. THE POWER SUPPLY IS DESIGNED TO OPERATE ON EITHER 50 OR 60 CYCLES. A LONG TIME LAG FUSE RATED AT 1.5 AMPERES IS IN THE PRIMARY CIRCUIT.

E THE POWER SUPPLY TRANSFORMER HAS TWO CENTER -TAPPED SECONDARY WINDINGS. THE SMALLER OF THESE WINDINGS PROVIDES 20 VOLTS PEAK PER SIDE FOR USE IN THE LAMP TEST FEATURE ONLY. TWO TYPE AM DIODES LOCATED ON THE REGULATOR CONTROL CARD ARE USED TO RECTIFY THE TRANSFORMER OUTPUT INTO A 20 VOLTS PEAK PULSATING CURRENT. THE PLUS 20 VOLTS P.C. BROUGHT OUT ON TB-5 IS CABLED TO THE N/O SIDE OF THE LAMP TEST SWITCH. THE MINUS 20 VOLTS P.C. BROUGHT OUT ON TB-6 IS CABLED TO THE N/C SIDE OF THE LAMP TEST SWITCH AND THEN TO THE EMITTER COMMON VIA PIN B4D08 ON THE LARGE CARD.

THE LARGER OF THE WINDINGS ON THE TRANSFORMER PROVIDES APPROXIMATELY 7 VOLTS PER SIDE WHICH IS RECTIFIED BY THE POWER DIODES CR1 AND CR2 MOUNTED ON THE CENTER BRACKET. THE RECTIFIED OUTPUT IS FILTERED BY CAPACITOR C1 OF 15000 MICROFARADS CAPACITY. A 390 OHM 2 WATT BLEEDER RESISTOR IS MOUNTED ACROSS C1. THE SERIES REGULATOR SECTION OF THE SUPPLY CONTAINS RESISTOR R2 OF 0.1 OHM 5 WATTS, SERIES REGULATOR POWER TRANSISTOR Q1, A TYPE 108, POWER CONTROL TRANSISTOR Q2, A TYPE 119, AND A POTENTIOMETER R3 TO PROVIDE ADJUSTMENT OF THE 3.0 VOLTS D.C. OUTPUT. THE SMS CARD CONTAINS THE REGULATOR CONTROLS IN ADDITION TO THE 2 AM DIODES USED IN THE 20 VOLT P.C. RECTIFIER FOR THE LAMP TEST CIRCUIT.

F THE OUTPUT OF THE SERIES REGULATOR IS 3.0 VOLTS D.C. USED FOR THE INDICATOR DRIVERS. THE PLUS 3.0 VOLTS ON TB-3 TERMINATES ON AMP CONNECTOR A-84. THE MINUS 3.0 VOLTS ON TB-4 TERMINATES ON AMP CONNECTOR A-98.

THE 24 VOLTS A.C. IS TRANSMITTED INTO THE I/O TESTER WITH A SHIELDED PAIR. CONNECTOR A PINS 80 AND 82 TRANSMIT THE 24 V A.C. TO TB-1 AND TB-2. THE SHIELD RUNS FROM PIN A-81 TO THE UPPER RIGHT HOLD DOWN SCREW ON THE POWER SUPPLY. THIS PROVIDES THE CONTINUITY OR FRAME GROUND BETWEEN THE I/O MACHINE AND THE I/O TESTER.

## B. SERVICING THE POWER SUPPLY:

G REMOVE THE REAR COVER BY UNLOCKING THE TWO CAPTIVE SCREWS AND PIVOTING THE COVER DOWN. THE COVER CAN BE REMOVED FROM THE PINS WHEN IT IS HORIZONTAL.

REFER TO LOGIC TA008 - POWER SUPPLY SERVICING FLOW CHART.  
REFER TO LOGIC TA009 - POWER SUPPLY CIRCUIT DIAGRAM.

## 2. INDICATOR LAMPS:

H IMMEDIATELY FOLLOWING THE CONNECTION OF THE I/O TESTER TO AN I/O UNIT FOR EITHER ON-LINE OR OFF-LINE SERVICING A LAMP TEST SHOULD BE PERFORMED. LAMP TESTING TURNS ON THE INDICATOR DRIVERS AS WELL AS THE LAMPS. REPLACE ANY LAMPS THAT FAIL TO GLOW ON LAMP TEST. THE INDICATOR LAMP IS REMOVABLE FROM THE FRONT. KEYS ARE MOULDED IN THE PLASTIC LENS CAP TO INSURE THAT THE PINS ON THE LAMP BASE LINE UP WITH THE CONTACTS IN THE LAMP HOLDER. ALIGN THE KEYS IN THE LAMP TO THE GROOVES IN THE LAMP HOLDER WHEN INSERTING THE LAMP. IF A REPLACEMENT PART IS NOT AVAILABLE, RELOCATE A GOOD LAMP FROM A POSITION THAT IS NOT ASSIGNED ON THE OVERLAY FOR THE PARTICULAR DEVICE BEING SERVICED. IF LAMP REPLACEMENT FAILS TO ALLOW A COMPLETE LAMP TEST, REFER TO LOGICS TA001 THRU TA006 TO DETERMINE THE LARGE BOARD CARD LOCATION FOR THE INDICATOR DRIVER. SWAPPING OF INDICATOR DRIVERS WILL ALLOW IDENTIFICATION OF A FAILING INDICATOR DRIVER. A LAMP TEST PERFORMED WITH THE CARD REMOVED WILL IDENTIFY THE LAMPS ASSOCIATED WITH EACH DRIVER CARD.

## 3. OPERATING SWITCHES:

REFER TO LOGIC TA007 FOR I/O TESTER TOGGLE AND ROTARY SWITCHES.

## A. TOGGLE SWITCHES:

THE TOGGLE SWITCHES IN THE I/O TESTER ARE GOLD-CONTACT, QUICK BREAK SWITCHES. THEY ARE CONNECTED WITH FAST-ON CLIPS TO EASE SWITCH REPLACEMENT.

B. THE ROTARY SWITCH IS A DOUBLE DECK, 5 POSITION, NON-SHORTING OR BREAK BEFORE MAKE SWITCH. LEADS TO THIS SWITCH ARE SOLDERED IN PLACE.

IF SWITCH FAILURE IS SUSPECTED, THE SWITCH AND CABLING CAN BE CONTINUITY TESTED WITH THE OHM-METER. REMOVE THE CONNECTORS TO GAIN ACCESS TO THE PINS AND REFER TO LOGIC TA007 TO

DETERMINE THE CONNECTOR PINS ASSOCIATED WITH EACH.

4. SLT CARDS:

A. INDICATOR DRIVER CARDS P/N 5800539:

REFER TO THE CIRCUIT FLYER AND LOGICS TA001 THRU TA006.

AS INDICATED UNDER INDICATOR LAMPS, THE LAMP TEST SWITCH WILL CHECK THAT THE INDICATOR DRIVER TRANSISTOR IS OPERABLE. REFER TO CIRCUIT FLYER PAGE 3 INDICATOR DRIVER CIRCUIT SCHEMATIC. THE LAMP TEST SWITCH WHEN OPERATED CAUSES PLUS 12 VOLTS FROM AMP PIN 99 OR PLUS 20 VOLTS P.C. FROM THE POWER SUPPLY TO FORWARD BIAS THE BASE OF THE INDICATOR DRIVERS THRU THE 10K RESISTOR. HOWEVER, AN INDICATOR DRIVER CARD THAT WILL PERFORM THE LAMP TEST COULD STILL FAIL BY HAVING AN OPEN INPUT LAND, OR CARD CONTACT, OR OPEN 2K INPUT RESISTOR. FAULT LOCATION FOR THE INDICATOR DRIVERS IS BEST PERFORMED BY CARD SWAPPING. INSERT SLT CARDS GENTLY TO MINIMIZE EXPOSURE TO DAMAGING THE CARD CONTACTS.

5. THE HALF-BOARD OR LARGE CARD:

REFER TO LOGICS TA001 THRU TA006.

INDICATOR DRIVER CARDS ARE PLUGGED IN BOARD LOCATIONS C3, C4, C5, C6, C7, D3, D4, D5, D6 AND D7. LAMP CABLE ASSEMBLIES ARE PLUGGED VIA A CABLE CARD INTO LARGE CARD LOCATIONS E3, E4, E5, E6 AND E7. INPUT CABLE CARD ASSEMBLIES ARE PLUGGED INTO LARGE CARD LOCATIONS B3, B4, B5, B6 AND B7.

THE CONNECTIONS WHICH ARE LAND PATTERNS ON THE LARGE CARD IN SECTIONS 3, 4, 5, 6 AND 7 ARE IDENTICAL SO THAT, IF NECESSARY FOR FAULT LOCATION, THE INPUT CABLE CARDS IN LOCATIONS B4, B5, B6 AND B7 CAN BE SWAPPED. THIS WILL CAUSE THE 3 VERTICAL COLUMNS OF INDICATION ASSOCIATED WITH THE INPUT CABLE TO CHANGE LOCATION IN THE DISPLAY A DISTANCE OF 3 IN THE DIRECTION THAT THE INPUT CABLE CARD IS MOVED. CABLE CARD B3 CANNOT BE SWAPPED SINCE THE LAMP RETURN AND LAMP TEST NETS TERMINATE ON THIS CABLE CARD. THE OUTPUT CABLE CARDS TO THE LAMPS IN LOCATIONS E3, E4, E5, E6 AND E7 CAN BE SWAPPED IN THE SAME MANNER FOR FAULT LOCATION. THE VERTICAL LAND PATTERN IS LOCATED ON THE CARD SIDE OF THE LARGE CARD. THE HORIZONTAL LAND PATTERN IS ON THE WIRING SIDE OF THE LARGE CARD. THE MAJORITY OF LAND PATTERN IS IN THE VERTICAL DIRECTION AND IS VISIBLE FROM THE CARD SIDE. POINT TO POINT CONTINUITY CHECKING OF THE LARGE CARD CAN BE PERFORMED ON THE CARD SIDE.

REMOVAL OF THE LARGE CARD ASSEMBLY MAY BE REQUIRED TO,

1. REPLACE OR REPAIR A LAMP HOLDER OR LAMP CONTACT
2. WIRE WRAP ON THE LARGE CARD BECAUSE OF BLOWN LAND PATTERN OR TO INSTALL AN ENGINEERING CHANGE.

LARGE CARD REMOVAL PROCEDURE IS AS FOLLOWS:

1. REMOVE REAR COVER
2. REMOVE THE POWER SUPPLY
3. UNPLUG INPUT CABLE CARDS ROW B
4. UNPLUG LAMP CABLE CARDS ROW E
5. REMOVE TWO SCREWS SECURING LARGE CARD TO BOX
6. SLOWLY LOWER THE LARGE CARD WHILE HOLDING THE LAMP CABLE CARDS AWAY AND REMOVE THE LARGE CARD

6. 104 POSITION AMP - INSERT PIN AND SOCKET CONNECTORS:

TWO AMP CONNECTORS ARE USED TO CONNECT THE I/O TESTER. THE CONNECTOR LABELED A IS FULLY POPULATED WITH CONTACTS. THE CONNECTOR LABELED B IS PARTIALLY POPULATED WITH CONTACTS. THE MATING RECEPTACLES IN THE I/O UNITS WILL BEAR A MATCHING LABEL. SEVERAL OF THE I/O UNITS TO WHICH THE I/O TESTER CAN BE ATTACHED USE ONLY CONNECTOR A. THESE ARE THE 1442, 1443, 1016 AND 2030-1050 ATTACHMENT. WHEN SERVICING THESE UNITS CONNECTOR B CAN REMAIN IN THE CABLE STORAGE LOCATION IN THE BOTTOM OF THE TESTER.

AN EXTRACTION TOOL AMP P/N 305183, IBM P/N 2108398, IS USED TO REMOVE EITHER THE PIN OR THE SOCKET. THE BARREL OF THE REMOVAL TOOL IS BOTTOMED IN THE HOLE FROM THE CONTACT SIDE TO COMPRESS THE LATCH SPRINGS, THEN THE PLUNGER IS DEPRESSED TO PUSH OUT THE PIN OR SOCKET.

WHEN ATTACHING THE CONNECTORS, THE END FOR END ALIGNMENT IS CORRECT WHEN THE CABLE CLAMP ON THE CONNECTOR IS ON THE OPPOSITE SIDE OF THE FLAT ON THE FEMALE JACKSCREW ON THE RECEPTACLE. CORNER GUIDE PINS AND SOCKETS ARE ARRANGED TO PRESENT AN INTERFERENCE TO COMPLETING THE CONNECTION IF CONNECTOR A IS PLACED IN RECEPTACLE B AND VICE-VERSA.

SWITCH NUMBERS AND PHYSICAL LOCATION:

91	92	93	94	95	96	97	98	99	100	101	102	103	104	105
106	107	108	109		ROTARY	110	111	112	113	114	115	116	117	118
START	STOP	RESET	LAMP TEST		DATA ENTER	P	0	1	DATA 2	ENTRY 3	4	5	6	7

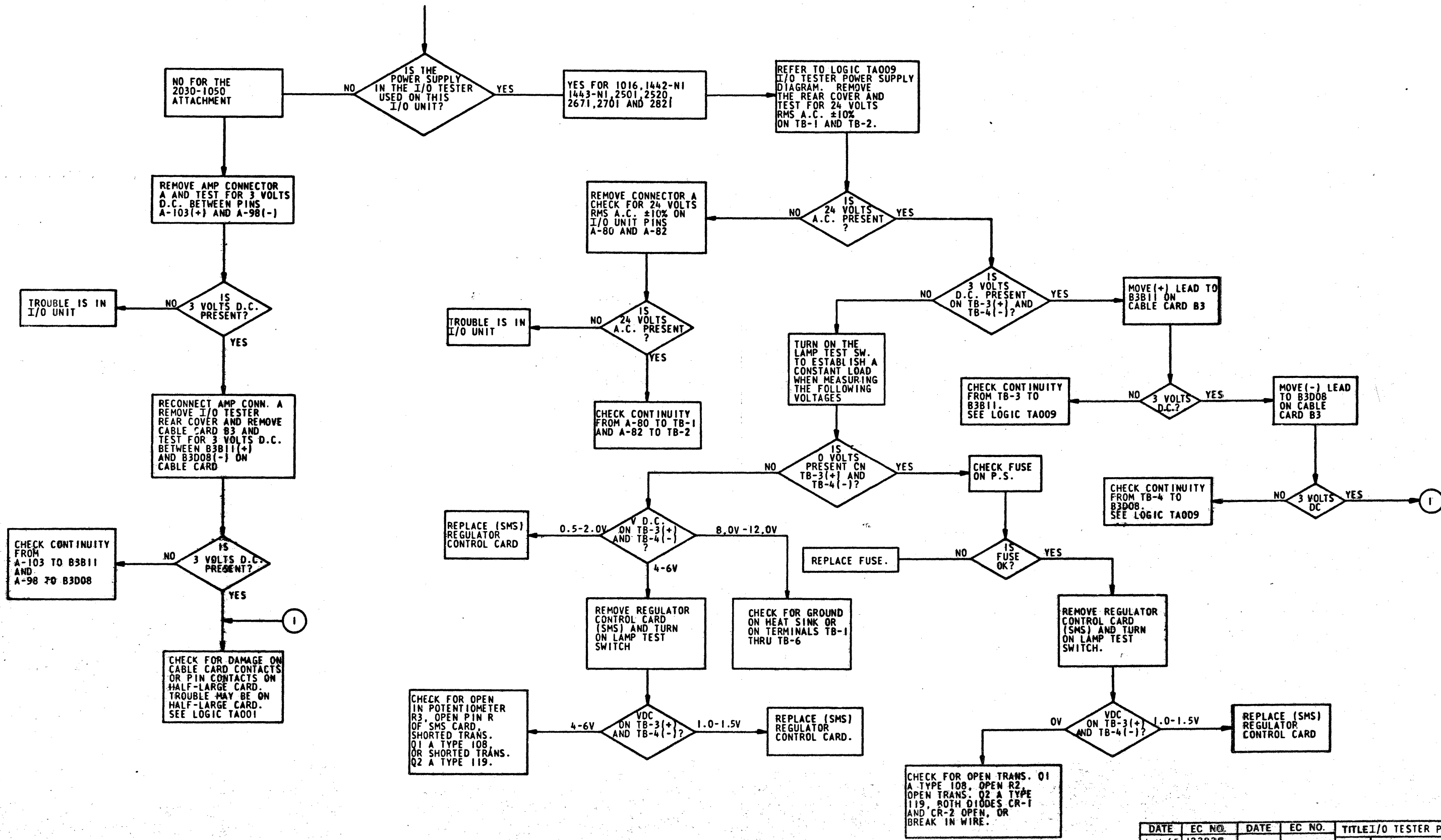
ROTARY SWITCH # 95 SECTION 1 TOGGLE SWITCHES	COMMON CONN A-91	POS.# 1 OFF	POS.# 2 CONN A-93	POS.# 3 CONN A-94	POS.# 4 CONN A-95	POS.# 5 CON A-96 CON A-92
	COMMON		NORMALLY CLOSED		NORMALLY OPEN	

# 91 MOMENTARY	CONN. A- 83	CONN. A- 61	CONN. A- 62
# 92 MOMENTARY	CONN. A- 83	CONN. B- 75	CONN. A- 64
# 93 MAINTAINED	CONN. A- 83	CONN. B- 77	CONN. A- 65
# 94 MAINTAINED	CONN. A- 83	CONN. B- 79	CONN. A- 66
# 96 MAINTAINED	CONN. A- 83	CONN. B- 80	CONN. A- 67
# 97 MAINTAINED	CONN. A- 83	CONN. A- 63	CONN. A- 68
# 98 MAINTAINED	CONN. A- 83	CONN. B- 82	CONN. A- 78
# 99 MAINTAINED	CONN. A- 83	CONN. B- 83	CONN. A- 79
# 100 MAINTAINED	CONN. A-104	CONN. B- 84	CONN. B- 85
# 101 MAINTAINED	CONN. A-104	CONN. B- 86	CONN. B- 87
# 102 MAINTAINED	CONN. A-104	CONN. B- 88	CONN. B- 89
# 103 MAINTAINED	CONN. A-104	CONN. B- 90	CONN. B- 91
# 104 MAINTAINED	CONN. A-104	CONN. B- 92	CONN. B- 93
# 105 MAINTAINED	CONN. A-104	CONN. B- 94	CONN. A- 97
# 106 START MOM.	CONN. A- 83	CONN. A- 90	CONN. A- 87
# 107 STOP MOM.	CONN. A- 83	CONN. B- 76	CONN. A- 88
# 108 RESET MOM.	CONN. A- 83	CONN. B- 78	CONN. A- 89
# 109 LAMP TEST MOM.	LARGE CD. B3D12	EMITTER COM B4D08 POW SUP TB-6 -20V	CONN. A- 99 POW SUP TB-5 PL 20 V

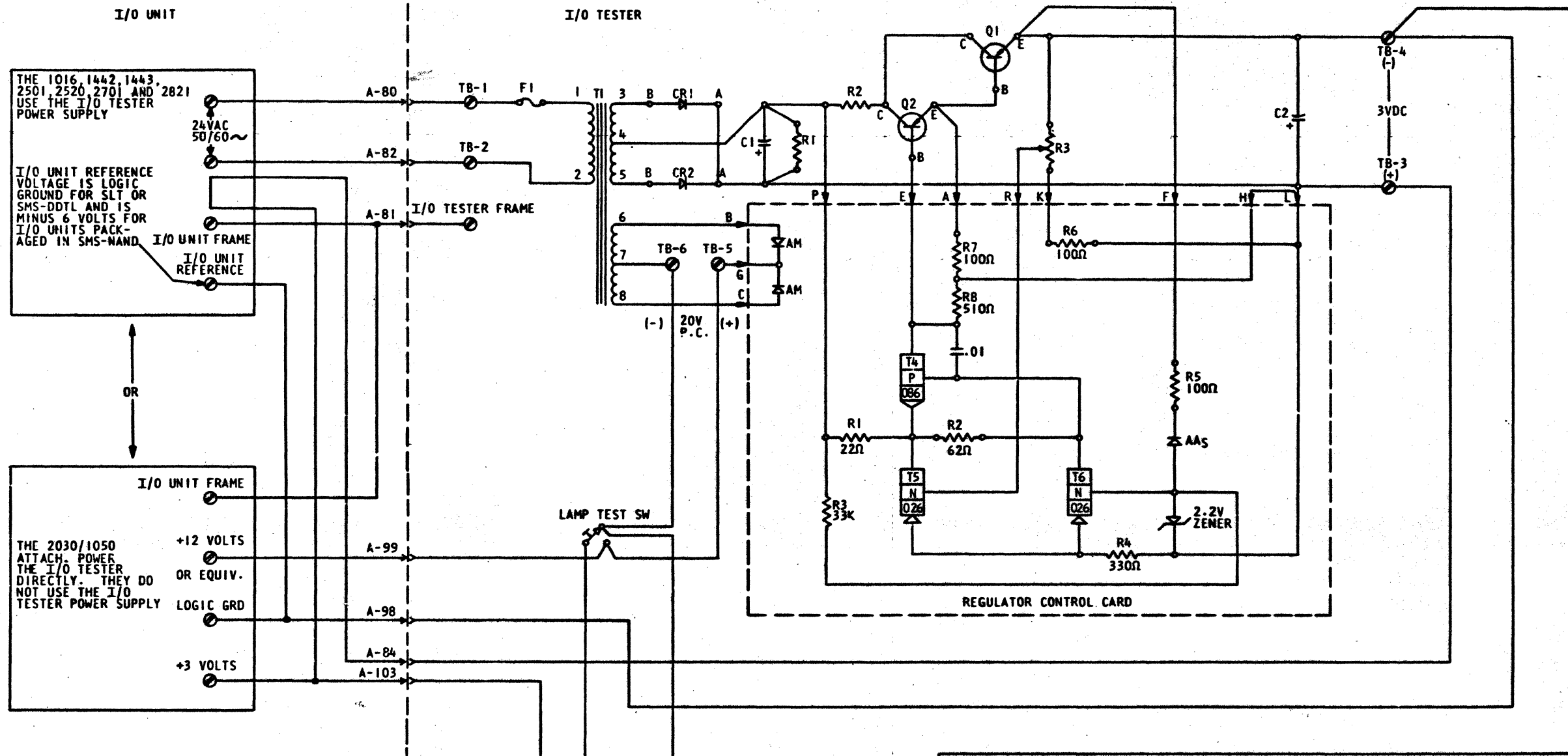


	TOGGLE SWITCHES	COMMON	NORMALLY CLOSED	NORMALLY OPEN	
A	# 110 DATA ENTER MOM.	CONN. A-100	CONN. A-101	CONN. A-102	
	# 111 BIT P MAINT.	CONN. A-85	CONN. B-96	CONN. A-69	
	# 112 BIT 0 MAINT.	CONN. A-85	CONN. B-97	CONN. A-70	
	# 113 BIT 1 MAINT.	CONN. A-85	CONN. B-98	CONN. A-71	A
	# 114 BIT 2 MAINT.	CONN. A-85	CONN. B-99	CONN. A-72	
	# 115 BIT 3 MAINT.	CONN. A-85	CONN. B-100	CONN. A-73	
	# 116 BIT 4 MAINT.	CONN. A-85	CONN. B-101	CONN. A-74	
	# 117 BIT 5 MAINT.	CONN. A-85	CONN. B-102	CONN. A-75	
	# 118 BIT 6 MAINT.	CONN. A-85	CONN. B-103	CONN. A-76	
	# 119 BIT 7 MAINT.	CONN. A-85	CONN. B-104	CONN. A-77	
B					B
C					C
D					D
E					E
F					F
G					G
H					H
J					J

I/O TESTER POWER SUPPLY MAINTENANCE ASSISTANCE DIAGRAM



DATE	EC NO.	DATE	EC NO.	TITLE
1-11-65	12292B			I/O TESTER PWR.SUP.MAIN.DIAG.
27OCT65	125579A			IBM TYPE
21SEP66	125645			PART NO. 740487 PAGE TA008



THE 1016, 1442, 1443, 2501, 2520, 2701 AND 2821 USE THE I/O TESTER POWER SUPPLY

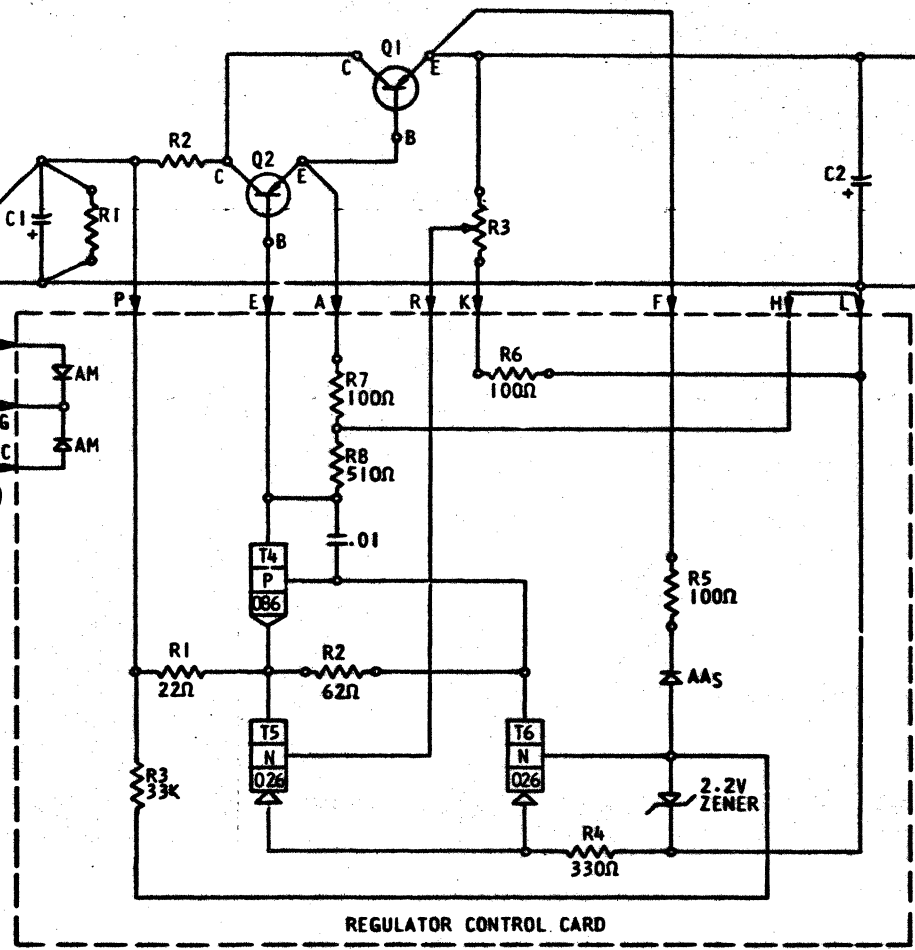
I/O UNIT REFERENCE VOLTAGE IS LOGIC GROUND FOR SLT OR SMS-DDTL AND IS MINUS 6 VOLTS FOR I/O UNITS PACKAGED IN SMS-WAND

OR

I/O UNIT FRAME

THE 2030/1050 ATTACH POWER TO THE I/O TESTER DIRECTLY. THEY DO NOT USE THE I/O TESTER POWER SUPPLY

+12 VOLTS  
OR EQUIV.  
LOGIC GRD  
+3 VOLTS



HALF - LARGE CARD

B3D08 EMITTER COMMON (GROUND PLANE ON BOARD)

B4D08 EMITTER COMMON (GROUND PLANE ON BOARD)

B3B11 LAMP COMMON (SEE LOGIC TA001 AU4)

B3D12 LAMP TEST (SEE LOGIC TA001 CA4)

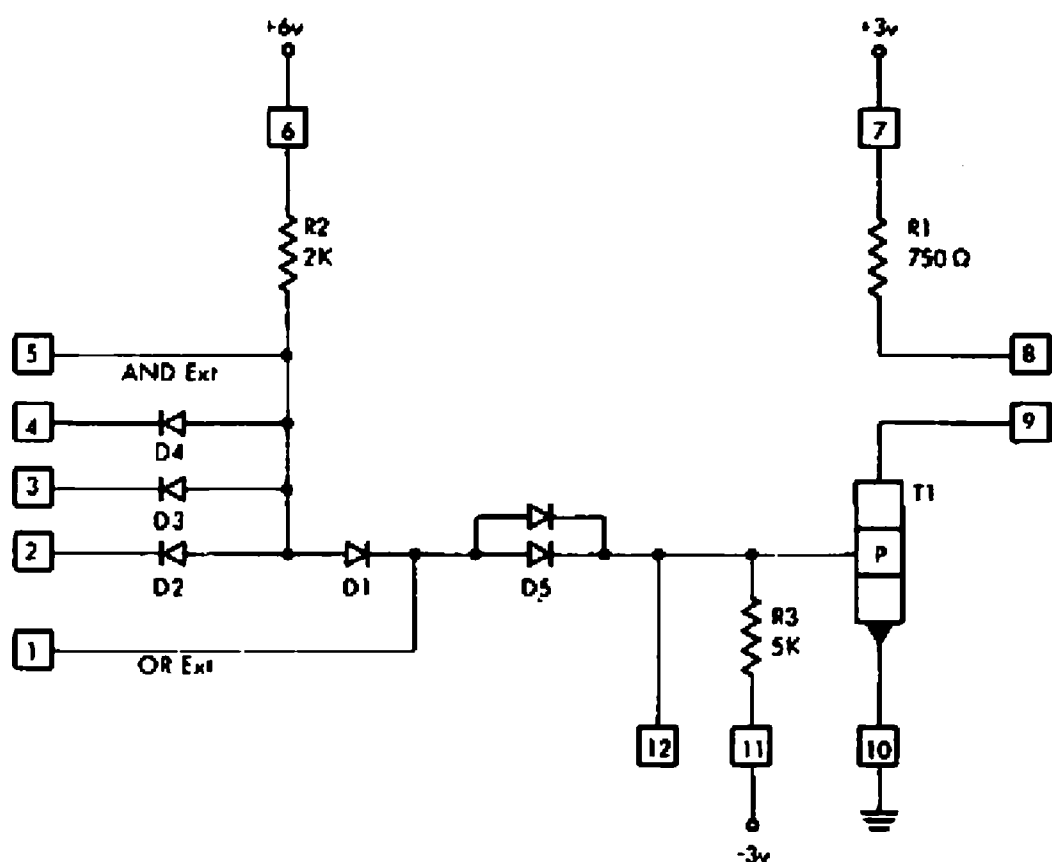
COMPONENT CHART

SYMBOL	DESCRIPTION	PART NO.
T1	TRANSFORMER	5708951
CR1, CR2	DIODE	598479
C1	CAPACITOR-15K MFD 10VDCW	479953
C2	CAPACITOR-10,000 MFD 6VDCW	5261089
R1	RESISTOR-390 OHM 2W	335132
R2	RESISTOR-0.1 OHM 5W	207324
R3	POTENTIOMETER-100 OHM 0.5W	441181
Q1	TRANSISTOR - TYPE108	369214
Q2	TRANSISTOR - TYPE119	369616
F1	FUSE-1.5 AMP-LONG TIME LAG	111256
	SMS CARD ASM	374818

DATE	EC NO.	DATE	EC NO.	TITLE
1-11-65	122928			I/O TESTER POWER SUPPLY DIAG.
5-11-65	124244			
21SEP66	125645			

# 361453 AND-OR-Invert

AND-OR-Invert, Medium-Speed (AOI)



P/N 361453

The AOI module consists of a three-way diode positive AND function and one diode for an OR function, followed by a saturating transistor inverter.

Pins 2, 3, and 4 are the AND inputs.

Pin 5 will extend the fan-in to the AND by connecting it to the common anode diodes of the FDD module.

Pin 1 can extend the OR fan-in from the OR diode of the AOX module.

The maximum OR fan-in is 5.

The output pins, 8 and 9, are connected together on the card for most applications; however when collectors are dotted (wire-ORed), only one collector resistor may be connected to retain the specified fan-out capability.

The AOI can drive a maximum of 5 AOI circuits (low speed) or 7 AI/AOI circuits (medium speed).