

MACH TYPE	M SERIAL C	SYST NUMBER	SYSTEM TYPE	F/E B/O	W/T CTY	CUST NUMBER	MD CD	MICRO TPC-CD	BOX SHIP	MACHINE SHIP	PLT MFG	PLT CTL	MACHINE SWM	MACHINE STATUS	W/EC
5340	0052397	5340	0000GLM	0082		7755736				82-11-12	ROCH	ROCH	SWM	W/EC	

BASIC ECA.EC 125.835151A
 FACTORY EC SALES MOD D23
 PLANT ORDER 241YOL
 HARD CARD 001

MACHINE DEVICE/RPQ CONFIGURATION

DEVICE/RPQ	DEVICE NAME	QTY	STATUS
9307	5225 IS SYSTEM PRINTER	1	FACTORY INST
9902	208VOLT - 1PHASE	1	FACTORY INST

STANDARD FEATURE SECTION

ECA	FIELD	FACTORY	FEATURE BM	FTR-ASN	FEATURE NAME	STATUS	MES-NO	STAT	DATE
000	834884		0009307		5225 SYSTEM PRINTER	FACT INST			
000	829301		0009902		208 VOLTS 60 HZ REQ	FACT INST			
015	832949	833129	4236100		FINAL ASM MECHANICAL	FACT INST			
000	829391	832877	4236106		33FD/53FD MECH ASM	FACT INST			
124	835169	835208	4236107		WORK STAT 1-4 PORTS	FACT INST			
065	833112	835100	4236108		I/O BOARD BASIC	FACT INST			
000	829377	833173	4236110		ENGLISH/UK/BRAZIL	FACT INST			
100	834860	835237	4236122		200/208/230V-60 HZ	FACT INST			
090	835004	832981	4236132		FINAL ASM ELECTRICAL	FACT INST			
101	835011	834837	4236137		53FD ATTACH 60 HZ	FACT INST			
000	829352	832722	4236161		64K MAIN STORAGE	TO BE REM	P87979	WRIT	84-03-30
000	829352	832722	4236161		64K MAIN STORAGE	FACT INST			
109	835124	835208	4236163		26.0 MB FF 60HZ	FACT INST			
137	835227	835208	4236164		MICROCODE-BASIC	FACT INST			
077	834926	835000	4236175		LOGIC BD-I/O ATTCH	FACT INST			
050	834810	833002	4236198		ROS STORAGE	FACT INST			
000	829352	829352	4236250		96K MAIN STORAGE	TO BE INST	P87979	WRIT	84-03-30
000	832992		4238036		LABELS-SAFETY ENGLISH	FACT INST			
000	833173	833173	4238167		W/O SECURITY KEYLOCK	FACT INST			
050	834810	833178	4238168		FINAL ASM BASE ST 2	FACT INST			
122	835161	835083F	8264147		FINAL ASM-CPU W/EX M	FACT INST			

CABLE AND SHIP GROUP SECTION

ECA	FIELD	FACTORY	B/M #	LENGTH	DESCRIPTION	STATUS	MES-NO	STAT	DATE
124	835169	835083F	4236102		SHIP GRP W/O 5211	FACT INST			
000	829357	832944	4236127		ATTCH CRD 208/230 60	FACT INST			

ECA HISTORY SECTION

N/A = ECA NOT ASSIGNED EC PROD PRAC LEVEL = 0117 (MRS)

ECA	EC NO	ECA STATUS	FLD	B/M	EIT	QTY	FCSI	DATE
008	832822	INSTALLED						
009	832876	OPTIONAL CHG NOT INST						
010	832912	OPTIONAL CHG NOT INST						
011	832955	INSTALLED						
012	832850	INSTALLED						
013	832855	OPTIONAL CHG NOT INST						
014	832789	INSTALLED						
015	832949	INSTALLED						
016	833011	OPTIONAL CHG NOT INST						
017	832925	INSTALLED						
019	833073	INSTALLED						
020	832999	INSTALLED						
021	833084	INSTALLED						
022	833118	OPTIONAL CHG NOT INST						
023	833095	INSTALLED						
024	833152	NOT REQUIRED						
025	833147	INSTALLED						
026	833159	TO BE ADDED						
027	833032	INSTALLED						
028	833040	INSTALLED						
029	832865	INSTALLED						
030	833014A	INSTALLED						
031	832766	INSTALLED						
032	833169	NOT REQUIRED						
033	834751	INSTALLED						
035	833146	NOT REQUIRED						
037	833041	INSTALLED						
038	834742	OPTIONAL CHG NOT INST						
039	833172	INSTALLED						
040	833179	OPTIONAL CHG NOT INST						
041	833188	INSTALLED						
042	834777	INSTALLED						
043	833120	INSTALLED						
044	833190	TO BE ADDED						
045	833020	INSTALLED						
046	833047	NOT REQUIRED						
047	833158	NOT REQUIRED						
048	834754	NOT REQUIRED						
049	834776	OPTIONAL CHG NOT INST						
050	834810	INSTALLED						
051	834820	NOT REQUIRED						
052	833176	NOT REQUIRED						
053	833072	NOT REQUIRED						
054	834766	INSTALLED						

MACH TYPE	M SERIAL C	SYST NUMBER	SYSTEM TYPE	SYSTEM NUMBER	F/E B/O	W/T CTY	CUST NUMBER	MD CD	MICRO TPC-CD	BOX SHIP	MACHINE SHIP	PLT MFG	PLT CTL	MACHINE STATUS
5340	0052397	5340	0000GLM	0082			7755736				82-11-12	ROCH	ROCH	SWM W/EC

ECA HISTORY SECTION

N/A = ECA NOT ASSIGNED EC PROD PRAC LEVEL = 0117 (MRS)

ECA	EC NO	ECA STATUS	FLD B/M	EIT	QTY	FCSI	DATE
055	834811	TO BE ADDED					
056	834801	TO BE ADDED					
057	834866	OPTIONAL CHG NOT INST					
058	834849	TO BE ADDED					
059	834825	INSTALLED					
061	834833	NOT REQUIRED					
062	834824	INSTALLED					
063	834859	TO BE ADDED					
065	833112	INSTALLED					
066	834874	INSTALLED					
068	834868	NOT REQUIRED					
070	834919	OPTIONAL CHG NOT INST					
071	833068	INSTALLED					
072	832931	INSTALLED					
073	834963	NOT REQUIRED					
076	834999	NOT REQUIRED					
077	834926	INSTALLED					
080	835028	OPTIONAL CHG NOT INST					
081	835047	OPTIONAL CHG NOT INST					
082	834992	INSTALLED					
083	835017	NOT REQUIRED					
084	834980	NOT REQUIRED					
086	835042	TO BE ADDED					
088	834951	INSTALLED					
089	835001	OPTIONAL CHG NOT INST					
090	835004	INSTALLED					
091	834841	INSTALLED					
092	835058	INSTALLED					
093	835048	NOT REQUIRED					
094	835090	OPTIONAL CHG NOT INST					
095	835091	NOT REQUIRED					
097	835092	NOT REQUIRED					
098	835079	NOT REQUIRED					
099	835085	NOT REQUIRED					
100	834860	INSTALLED					
101	835011	INSTALLED					
102	835083	INSTALLED					
103	835116	INSTALLED					
104	835086	NOT REQUIRED					
106	835110	OPTIONAL CHG NOT INST					
107	835111	OPTIONAL CHG NOT INST					
109	835124	INSTALLED					
110	835099	NOT REQUIRED					
112	835098	NOT REQUIRED					
113	834803	NOT REQUIRED					
114	835094	NOT REQUIRED					
115	835142	INSTALLED					
118	835156	OPTIONAL CHG NOT INST					
119	835157	OPTIONAL CHG NOT INST					
120	835144	TO BE ADDED					
121	835147	NOT REQUIRED					
122	835161	INSTALLED					
123	835199A	TO BE ADDED					
124	835169	INSTALLED					
127	835205	NOT REQUIRED					
129	835210	OPTIONAL CHG NOT INST					
130	835211	OPTIONAL CHG NOT INST					
133	835154	NOT REQUIRED					
134	835222	NOT REQUIRED					
135	835223	OPTIONAL CHG NOT INST					
136	835224	OPTIONAL CHG NOT INST					
137	835227	INSTALLED					
140	835247	OPTIONAL CHG NOT INST					
141	835248	OPTIONAL CHG NOT INST					
143	835250	NOT REQUIRED					
144	835251	NOT REQUIRED					
145	835253	OPTIONAL CHG NOT INST					
N/A	921666	NOT REQUIRED					

INSTALLED REA'S

ECA	EC NO	REA#	AFFECTS BASIC	AFFECTS BM NO
123	835199A	1029654	NO	8264147

MACH	M	SERIAL	SYST	SYSTEM	F/E	W/T	CUST	MD	MICRO	BOX	MACHINE	PLT	PLT	MACHINE
TYPE	C	NUMBER	TYPE	NUMBER	B/O	CTY	NUMBER	CD	TPC-CD	SHIP	SHIP	MFG	CTL	STATUS
5340		0052397	5340	0000GLM	0GYH		4480525				82/11/12			ROCH ROCH FACTORY

BASIC	ECA	EC	FACTORY	EC	SALES	MOD	PLANT	ORDER	HARD	CARD
125.835151A					C23		241YOL		001	

MACHINE DEVICE/ RPQ CONFIGURATION

DEVICE/ RPQ	DEVICE NAME	QTY	STATUS
9307	5225 IS SYSTEM PRINTER	1	FACTORY INST
9902	208VOLT - 1PHASE	1	FACTORY INST

STANDARD FEATURE SECTION

ECA	FIELD	FACTORY	FEATURE	BM	FTR-ASN	FEATURE NAME	STATUS	MES-NO	STAT	DATE
000	834884			0009307		5225 SYSTEM PRINTER	FACT INST			
000	829301			0009902		208 VOLTS 60 HZ REQ	FACT INST			
015	832949	833129		4236100		FINAL ASM MECHANICAL	FACT INST			
000	829391	832877		4236106		33FD/53FD MECH ASM	FACT INST			
124	835169	835208		4236107		WORK STAT 1-4 PORTS	FACT INST			
065	833112	835100		4236108		I/O BOARD BASIC	FACT INST			
000	829377	833173		4236110		ENGLISH/UK/BRAZIL	FACT INST			
100	834860	835237		4236122		200/208/230V-60 HZ	FACT INST			
090	835004	832981		4236132		FINAL ASM ELECTRICAL	FACT INST			
101	835011	834837		4236137		53FD ATTACH 60 HZ	FACT INST			
000	829352	832722		4236161		64K MAIN STORAGE	FACT INST			
109	835124	835208		4236163		26.0 MB FF 60HZ	FACT INST			
137	835227	835208		4236164		MICROCODE-BASIC	FACT INST			
077	834926	835000		4236175		LOGIC BD-I/O ATTCH	FACT INST			
050	834810	833002		4236198		ROS STORAGE	FACT INST			
000	832992			4238036		LABELS-SAFETY ENGLISH	FACT INST			
000	833173	833173		4238167		W/O SECURITY KEYLOCK	FACT INST			
050	834810	833178		4238168		FINAL ASM BASE ST 2	FACT INST			
122	835161	835083F		8264147		FINAL ASM-CPU W/EX M	FACT INST			

CABLE AND SHIP GROUP SECTION

ECA	FIELD	FACTORY	B/M #	LENGTH	DESCRIPTION	STATUS	MES-NO	STAT	DATE
124	835169	835083F	4236102		SHIP GRP W/O 5211	FACT INST			
000	829357	832944	4236127		ATTCH CRD 208/230 60	FACT INST			

FACTORY EC SECTION

EC NO	STATUS
832757	INSTALLED
832774	INSTALLED
832829	INSTALLED
832836	INSTALLED
832838	INSTALLED
832859	INSTALLED
832861	INSTALLED
832863	INSTALLED
832866	INSTALLED
832871	INSTALLED
832872	INSTALLED
832877	INSTALLED
832878	INSTALLED
832882	INSTALLED
832882A	INSTALLED
832885	INSTALLED
832887	INSTALLED
832891	INSTALLED
832894	INSTALLED
832898	INSTALLED
832902	INSTALLED
832903	INSTALLED
832910	INSTALLED
832914	INSTALLED
832918	INSTALLED
832920	INSTALLED
832923	INSTALLED
832926	INSTALLED
832937	INSTALLED
832944	INSTALLED
832964	INSTALLED
832974	INSTALLED
832976	INSTALLED
832979	INSTALLED
832981	INSTALLED
832984	INSTALLED
833002	INSTALLED
833009	INSTALLED
833014	INSTALLED
833015	INSTALLED
833017	INSTALLED
833022	INSTALLED

MACH TYPE	M SERIAL C	SYST NUMBER	SYSTEM TYPE	SYSTEM NUMBER	F/E B/O	W/T CTY	CUST NUMBER	MD CD	MICRO TPC-CD	BOX SHIP	MACHINE SHIP	PLT MFG	PLT CTL	MACHINE STATUS
5340	0052397	5340	0000GLM	0000GLM	OGYH		4480525			82/11/12		ROCH	ROCH	FACTORY

FACTORY EC SECTION

EC NO	STATUS
833023	INSTALLED
833023A	INSTALLED
833024	INSTALLED
833024A	INSTALLED
833026	INSTALLED
833027	INSTALLED
833029	INSTALLED
833054	INSTALLED
833074	INSTALLED
833086	INSTALLED
833098	INSTALLED
833104	INSTALLED
833107	INSTALLED
833115	INSTALLED
833116	INSTALLED
833129	INSTALLED
833137	INSTALLED
833138	INSTALLED
833153	INSTALLED
833173	INSTALLED
833178	INSTALLED
834752	INSTALLED
834758	INSTALLED
834763	INSTALLED
834778	INSTALLED
834782	INSTALLED
834788	INSTALLED
834807	INSTALLED
834828	INSTALLED
834830	INSTALLED
834837	INSTALLED
834871	INSTALLED
834877	INSTALLED
834899	INSTALLED
834916	INSTALLED
834947	INSTALLED
834990	INSTALLED
834995	INSTALLED
835000	INSTALLED
835024	INSTALLED
835026	INSTALLED
835032	INSTALLED
835046	INSTALLED
835083B	INSTALLED
835083F	INSTALLED
835089	INSTALLED
835100	INSTALLED
835108	INSTALLED
835139	INSTALLED
835146	INSTALLED
835159	INSTALLED
835160	INSTALLED
835183	INSTALLED
835199	NOT INST
835201	INSTALLED
835208	INSTALLED
835237	INSTALLED

ECA HISTORY SECTION

N/A = ECA NOT ASSIGNED EC PROD PRAC LEVEL = 0117 (MRS)

ECA	EC NO	ECA STATUS	FLD B/M	EIT	QTY	FCSI	DATE
008	832822	INSTALLED					
009	832876	OPTIONAL CHG NOT INST					
010	832912	OPTIONAL CHG NOT INST					
011	832955	INSTALLED					
012	832850	INSTALLED					
013	832855	OPTIONAL CHG NOT INST					
014	832789	INSTALLED					
015	832949	INSTALLED					
016	833011	OPTIONAL CHG NOT INST					
017	832925	INSTALLED					
019	833073	INSTALLED					
020	832999	INSTALLED					
021	833084	INSTALLED					
022	833118	OPTIONAL CHG NOT INST					
023	833095	INSTALLED					
024	833152	NOT REQUIRED					

MACH TYPE	M C	SERIAL NUMBER	SYST TYPE	SYSTEM NUMBER	F/E B/O	W/T CTY	CUST NUMBER	MD CD	MICRO TPC-CD	BOX SHIP	MACHINE SHIP	PLT MFG	PLT CTL	MACHINE STATUS
5340		0052397	5340	0000GLM	OGYH		4480525			82/11/12		ROCH	ROCH	FACTORY

ECA HISTORY SECTION

N/A = ECA NOT ASSIGNED EC PROD PRAC LEVEL = 0117 (MRS)

ECA	EC NO	ECA STATUS	FLD B/M	EIT	QTY	FCSI	DATE
025	833147	INSTALLED					
026	833159	TO BE ADDED					
027	833032	INSTALLED					
028	833040	INSTALLED					
029	832865	INSTALLED					
030	833014A	INSTALLED					
031	832766	INSTALLED					
032	833169	NOT REQUIRED					
033	834751	INSTALLED					
035	833146	NOT REQUIRED					
037	833041	INSTALLED					
038	834742	OPTIONAL CHG NOT INST					
039	833172	INSTALLED					
040	833179	OPTIONAL CHG NOT INST					
041	833188	INSTALLED					
042	834777	INSTALLED					
043	833120	INSTALLED					
044	833190	TO BE ADDED					
045	833020	INSTALLED					
046	833047	NOT REQUIRED					
047	833158	NOT REQUIRED					
048	834754	NOT REQUIRED					
049	834776	OPTIONAL CHG NOT INST					
050	834810	INSTALLED					
051	834820	NOT REQUIRED					
052	833176	NOT REQUIRED					
053	833072	NOT REQUIRED					
054	834766	INSTALLED					
055	834811	TO BE ADDED					
056	834801	TO BE ADDED					
057	834866	OPTIONAL CHG NOT INST					
058	834849	TO BE ADDED					
059	834825	INSTALLED					
061	834833	NOT REQUIRED					
062	834824	INSTALLED					
063	834859	TO BE ADDED					
065	833112	INSTALLED					
066	834874	INSTALLED					
068	834868	NOT REQUIRED					
070	834919	OPTIONAL CHG NOT INST					
071	833068	INSTALLED					
072	832931	INSTALLED					
073	834963	NOT REQUIRED					
076	834999	NOT REQUIRED					
077	834926	INSTALLED					
080	835028	OPTIONAL CHG NOT INST					
081	835047	OPTIONAL CHG NOT INST					
082	834992	INSTALLED					
083	835017	NOT REQUIRED					
084	834980	NOT REQUIRED					
086	835042	TO BE ADDED					
088	834951	INSTALLED					
089	835001	OPTIONAL CHG NOT INST					
090	835004	INSTALLED					
091	834841	INSTALLED					
092	835058	INSTALLED					
093	835048	NOT REQUIRED					
094	835090	OPTIONAL CHG NOT INST					
095	835091	NOT REQUIRED					
097	835092	NOT REQUIRED					
098	835079	NOT REQUIRED					
099	835085	NOT REQUIRED					
100	834860	INSTALLED					
101	835011	INSTALLED					
102	835083	INSTALLED					
103	835116	INSTALLED					
104	835086	NOT REQUIRED					
106	835110	OPTIONAL CHG NOT INST					
107	835111	OPTIONAL CHG NOT INST					
109	835124	INSTALLED					
110	835099	NOT REQUIRED					
112	835098	NOT REQUIRED					
113	834803	NOT REQUIRED					
114	835094	NOT REQUIRED					
115	835142	INSTALLED					
118	835156	OPTIONAL CHG NOT INST					
119	835157	OPTIONAL CHG NOT INST					

MACH	M	SERIAL	SYST	SYSTEM	F/E	W/T	CUST	MD	MICRO	BOX	MACHINE	PLT	PLT	MACHINE	
TYPE	C	NUMBER	TYPE	NUMBER	B/O	CTY	NUMBER	CD	TPC-CD	SHIP	SHIP	MFG	CTL	STATUS	
5340		0052397	5340	0000GLM	0GYH		4480525				82/11/12		ROCH	ROCH	FACTORY

ECA HISTORY SECTION

N/A = ECA NOT ASSIGNED EC PROD PRAC LEVEL = 0117 (MRS)

ECA	EC NO	ECA STATUS	FLD	B/M	EIT	QTY	FCSI	DATE
120	835144	TO BE ADDED						
121	835147	NOT REQUIRED						
122	835161	INSTALLED						
123	835199A	TO BE ADDED						
124	835169	INSTALLED						
127	835205	NOT REQUIRED						
129	835210	OPTIONAL CHG NOT INST						
130	835211	OPTIONAL CHG NOT INST						
133	835154	NOT REQUIRED						
134	835222	NOT REQUIRED						
135	835223	OPTIONAL CHG NOT INST						
136	835224	OPTIONAL CHG NOT INST						
137	835227	INSTALLED						

INSTALLED REA'S

ECA	EC NO	REA#	AFFECTS BASIC	AFFECTS BM NO
123	835199A	1029654	NO	8264147

VOLUME # MACHINE 5340- -0052397 MODEL C23 SYSTEM 0000GLM MODE

BOX SHIP 82/11/12

LOGIC TYPE -6- BOARDS

PAGE NUM	SH	TITLE	PART NUM	EC NUM	FEATURE B/M OR B/MS	
01A-A1		CSTMZ BRD A	0008265274	835046	.W. 0008264147	
REAS						1029654
01A-A2		CSTMZ BD A	0004236404	833040	.W. 0004236108	
01A-A3		CSMTMZ BD A	0004236408	834752	.W. 0004236175	
01C-A1		CSTMZ BD A	0004176722	833068	.W. 0004236132	

TOTAL PART NUMBERS THIS VOLUME 4

VOLUME A MACHINE 5340- -0052397 MODEL C23 SYSTEM 0000GLM MODE

BOX SHIP 82/11/12

LOGIC TYPE -0- SYSTEMS DIAGRAMS

PAGE NUM	SH	TITLE	PART NUM	EC NUM	FEATURE B/M OR B/MS
5		VOLA 10F2 MLM OVERVW	0004237995	835201	.W. 0004236102
6		VOLA 20F2 MLM OVERVW	0004237996	835201	.W. 0004236102
MAP0000			0004237434	835201	.W. 0004236102
MAP0011			0004237435	835201	.W. 0004236102
MAP0101			0004237436	835000	.W. 0004236102
MAP0105			0004237437	835000	.W. 0004236102
MAP0107			0004237438	835000	.W. 0004236102
MAP0109			0004237439	835000	.W. 0004236102
MAP0149			0004237440	835000	.W. 0004236102
MAP0153			0004237441	832850	.W. 0004236102
MAP0159			0004237442	835083	.W. 0004236102
MAP0173			0004237443	835201	.W. 0004236102
MAP0175			0004237444	835083	.W. 0004236102
MAP0179			0004237446	835000	.W. 0004236102
MAP0181			0004237447	835083	.W. 0004236102
MAP0183			0004237448	834777	.W. 0004236102
MAP0190			0004237449	835083	.W. 0004236102
MAP0199			0004237450	835201	.W. 0004236102
MAP0303			0004237451	835000	.W. 0004236102
MAP0305			0004237452	835000	.W. 0004236102
MAP0311			0004237453	832850	.W. 0004236102
MAP0313			0004237454	835083	.W. 0004236102
MAP0315			0004237455	835083	.W. 0004236102
MAP0321			0004237456	835083	.W. 0004236102
MAP0323			0004237457	835000	.W. 0004236102
MAP0331			0004237458	835083	.W. 0004236102
MAP0341			0004237459	835083	.W. 0004236102
MAP0351			0004237460	835083	.W. 0004236102
MAP0500			0004237461	835000	.W. 0004236102
MAP0501			0004237462	832850	.W. 0004236102
MAP0502			0004237463	834777	.W. 0004236102
MAP0510			0004237464	835083	.W. 0004236102
MAP0511			0004237465	835083	.W. 0004236102
MAP0512			0004237466	832850	.W. 0004236102
MAP0513			0004237467	835083	.W. 0004236102
MAP0514			0004237468	835000	.W. 0004236102
MAP0515			0004237469	835000	.W. 0004236102
MAP0516			0004237832	835000	.W. 0004236102
MAP0517			0004237833	835083	.W. 0004236102
MAP0518			0004237470	832999	.W. 0004236102
MAP0519			0004237471	835083F	.W. 0004236102
MAP0520			0004237472	835083	.W. 0004236102
MAP0521			0004237473	832850	.W. 0004236102
MAP0522			0004237474	832850	.W. 0004236102
MAP0523			0004237475	835083	.W. 0004236102
MAP0524			0004237476	832850	.W. 0004236102
MAP0525			0004237477	832850	.W. 0004236102
MAP0526			0004237478	832850	.W. 0004236102
MAP0527			0004237479	832850	.W. 0004236102
MAP0528			0004237834	832850	.W. 0004236102
MAP0529			0008265889	835009	.W. 0004236102
MAP0530			0008266252	835034	.W. 0004236102
MAP0531			0004237480	832850	.W. 0004236102
MAP0532			0004237481	832850	.W. 0004236102
MAP0533			0004237482	834777	.W. 0004236102
MAP0534			0004237483	832850	.W. 0004236102
MAP0535			0004237484	832850	.W. 0004236102
MAP0536			0004237485	832850	.W. 0004236102
MAP0540			0004237486	832850	.W. 0004236102
MAP0541			0004237487	835160	.W. 0004236102
MAP0542			0004237488	832850	.W. 0004236102
MAP0543			0004237489	832850	.W. 0004236102
MAP0544			0004237490	834777	.W. 0004236102
MAP0545			0004237491	832850	.W. 0004236102
MAP0546			0004237492	835000	.W. 0004236102
MAP0547			0004237493	835000	.W. 0004236102
MAP0548			0004237494	835000	.W. 0004236102
MAP0549			0004237495	835000	.W. 0004236102
MAP0550			0004237496	835000	.W. 0004236102
MAP0551			0004237497	832850	.W. 0004236102
MAP0552			0004237498	832850	.W. 0004236102
MAP0553			0004237499	832850	.W. 0004236102
MAP0554			0004237500	832850	.W. 0004236102
MAP0555			0008265890	835083	.W. 0004236102
MAP0556			0008265891	835083	.W. 0004236102
MAP0557			0008265892	835009	.W. 0004236102
MAP0558			0008266253	835034	.W. 0004236102
MAP0559			0008266254	835034	.W. 0004236102
MAP0560			0008266255	835034	.W. 0004236102
MAP0561			0008266257	835034	.W. 0004236102
MAP0562			0004237966	832850	.W. 0004236102
MAP0563			0004237501	832850	.W. 0004236102
MAP0564			0004237502	835083	.W. 0004236102
MAP0565			0004237503	832850	.W. 0004236102
MAP0566			0004237504	832850	.W. 0004236102
MAP0567			0004237505	832850	.W. 0004236102

VOLUME A MACHINE 5340- -0052397 MODEL C23 SYSTEM 0000GLM MODE BOX SHIP 82/11/12

LOGIC TYPE -0- SYSTEMS DIAGRAMS

PAGE NUM	SH	TITLE	PART NUM	EC NUM	FEATURE B/M OR B/MS
MAP0568			0004237506	832850	.W. 0004236102
MAP0569			0004237507	834777	.W. 0004236102
MAP0570			0004237842	834777	.W. 0004236102
MAP0571			0004237508	835083	.W. 0004236102
MAP0572			0004237509	835083	.W. 0004236102
MAP0573			0004237510	832850	.W. 0004236102
MAP0574			0004237511	835000	.W. 0004236102
MAP0575			0004237512	832850	.W. 0004236102
MAP0576			0004237513	835083	.W. 0004236102
MAP0577			0004237514	834777	.W. 0004236102
MAP0578			0004237515	834777	.W. 0004236102
MAP0579			0004237516	834777	.W. 0004236102
MAP0580			0004237517	832850	.W. 0004236102
MAP0581			0008266021	835083	.W. 0004236102
MAP0582			0004237518	834777	.W. 0004236102
MAP0583			0004237519	835083	.W. 0004236102
MAP0584			0004237520	834824	.W. 0004236102
MAP0585			0008265893	835083	.W. 0004236102
MAP0586			0008266256	835034	.W. 0004236102
MAP0590			0008266258	835034	.W. 0004236102
MAP0591			0008266259	835034	.W. 0004236102
MAP0592			0008266260	835034	.W. 0004236102
MAP0593			0008266261	835034	.W. 0004236102
MAP0594			0008266262	835034	.W. 0004236102
MAP0595			0008266263	835034	.W. 0004236102
MAP0900			0004237692	832999	.W. 0004236163
MAP0970			0004237530	832999	.W. 0004236163
MAP0971			0004237882	832999	.W. 0004236163
MAP0974			0004237532	834777	.W. 0004236163
MAP0975			0004237533	834824	.W. 0004236163
MAP0985			0004237534	834926	.W. 0004236163
MAP0990			0004237535	832999	.W. 0004236163
MAP0991			0004237536	834926	.W. 0004236163
MAP0992			0004237883	832999	.W. 0004236163
MAP0993			0004237693	832999	.W. 0004236163
MAP0994			0004237694	834926	.W. 0004236163
MAP0995			0004237695	834824	.W. 0004236163
MAP0997			0004237697	834777	.W. 0004236163
MAP0998			0004237698	832999	.W. 0004236163
MAP0999			0004237699	834926	.W. 0004236163
MAP1101			0004237537	835000	.W. 0004236102
MAP1103			0004237538	834777	.W. 0004236102
MAP1105			0004237539	832999	.W. 0004236102
MAP1107			0004237540	832999	.W. 0004236102
MAP1109			0004237541	835000	.W. 0004236102
MAP1111			0004237542	832999	.W. 0004236102
MAP1113			0004237543	832999	.W. 0004236102
MAP1115			0004237544	832999	.W. 0004236102
MAP1116			0004237545	835169	.W. 0004236102
MAP1117			0004237546	832999	.W. 0004236102
MAP1121			0004237547	832999	.W. 0004236102
MAP1122			0004237548	832850	.W. 0004236102
MAP1125			0004237549	832999	.W. 0004236102
MAP1127			0004237550	832999	.W. 0004236102
MAP1129			0004237551	832999	.W. 0004236102
MAP1130			0004237552	832999	.W. 0004236102
MAP1131			0004237553	832999	.W. 0004236102
MAP1132			0004237554	834777	.W. 0004236102
MAP1133			0004237555	834777	.W. 0004236102
MAP1134			0004237556	834777	.W. 0004236102
MAP1135			0004237557	834777	.W. 0004236102
MAP1136			0004237558	834777	.W. 0004236102
MAP1137			0004237559	834777	.W. 0004236102
MAP1138			0004237560	834777	.W. 0004236102
MAP1139			0004237561	834777	.W. 0004236102
MAP1140			0004237562	834777	.W. 0004236102
MAP1141			0004237563	834777	.W. 0004236102
MAP1143			0004237564	835169	.W. 0004236102
MAP1145			0004237565	834777	.W. 0004236102
MAP1147			0004237566	835083	.W. 0004236102
MAP1149			0004237567	832999	.W. 0004236102
MAP1160			0004237569	832999	.W. 0004236102
MAP1161			0004237570	835000	.W. 0004236102
MAP1162			0004237571	832999	.W. 0004236102
MAP1163			0004237572	832850	.W. 0004236102
MAP1164			0004237573	832850	.W. 0004236102
MAP1180			0004237574	835000	.W. 0004236102
MAP1181			0004237575	835169	.W. 0004236102
MAP1182			0004237576	835169	.W. 0004236102
MAP1183			0004237577	835169	.W. 0004236102
MAP1184			0004237578	835169	.W. 0004236102
MAP1193			0004237579	835000	.W. 0004236102
MAP1194			0004237580	835000	.W. 0004236102
MAP1195			0004237581	835000	.W. 0004236102
MAP1197			0004237582	834777	.W. 0004236102
MAP1198			0004237583	835000	.W. 0004236102

VOLUME A MACHINE 5340- -0052397 MODEL C23 SYSTEM 0000GLM MODE

BOX SHIP 82/11/12

LOGIC TYPE -0- SYSTEMS DIAGRAMS

PAGE NUM	SH	TITLE	PART NUM	EC NUM	FEATURE	B/M OR B/MS
MAP1199			0004237584	832999	.W.	0004236102
MAP1301			0004237585	835083	.W.	0004236102
MAP1303			0004237586	835083	.W.	0004236102
MAP1305			0004237587	835083	.W.	0004236102
MAP1307			0004237588	835083	.W.	0004236102
MAP1309			0004237589	835083F	.W.	0004236102
MAP1501			0004237590	835083	.W.	0004236102
MAP1505			0004237591	835083	.W.	0004236102
MAP1507			0004237592	835083	.W.	0004236102
MAP1511			0004237594	835083	.W.	0004236102
MAP1513			0004237595	835083	.W.	0004236102
MAP1515			0004237880	835083	.W.	0004236102
MAP1550			0004237596	835083	.W.	0004236102
MAP1551			0004237597	835083	.W.	0004236102
MAP1552			0004237598	835083	.W.	0004236102
MAP1555			0004237599	835159	.W.	0004236102
MAP1557			0004237601	835083	.W.	0004236102
MAP1558			0004237602	835083	.W.	0004236102
MAP1560			0004237604	835083	.W.	0004236102
MAP1562			0004237606	835083	.W.	0004236102
MAP1569			0004237610	835083	.W.	0004236102
MAP1571			0004237612	835159	.W.	0004236102
MAP1572			0004237613	835159	.W.	0004236102
MAP1573			0004237614	835083	.W.	0004236102
MAP1574			0004237615	835159	.W.	0004236102
MAP1575			0004237616	835159	.W.	0004236102
MAP1576			0004237617	835159	.W.	0004236102
MAP1579			0004237619	835159	.W.	0004236102
MAP1581			0004237620	835083	.W.	0004236102
MAP1582			0004237621	835083	.W.	0004236102
MAP1584			0004237622	835083	.W.	0004236102
MAP1585			0004237881	835083	.W.	0004236102
MAP1586			0004237624	835159	.W.	0004236102
MAP1587			0004237625	835083	.W.	0004236102
MAP1588			0004237626	835083	.W.	0004236102
MAP1589			0004237627	835083	.W.	0004236102
MAP2101			0004237629	835083	.W.	0004236102
MAP2103			0004237630	835083	.W.	0004236102
MAP2105			0004237631	835201	.W.	0004236102
MAP2718			0004238258	833174	.W.	0004236137
MAP2719			0004238259	833174	.W.	0004236137
MAP5001			0004237670	835000	.W.	0004236102
MAP5002			0004237671	835159	.W.	0004236102
MAP5003			0004237672	835000	.W.	0004236102
MAP5004			0004237673	832999	.W.	0004236102
MAP5005			0004237674	834777	.W.	0004236102
MAP5006			0004237675	832999	.W.	0004236102
MAP5007			0004237676	832999	.W.	0004236102
MAP5008			0004237677	832999	.W.	0004236102
MAP8101			0004237678	835083	.W.	0004236102
MAP8201			0004237679	835201	.W.	0004236102
MAP8300			0004237992	832999	.W.	0004236102
MAP8401			0004237680	832999	.W.	0004236102
MAP8402			0004237681	834824	.W.	0004236102
MAP8403			0004237682	834824	.W.	0004236102
MAP8450			0004238260	834824	.W.	0004236137
MAP8451			0004238261	834824	.W.	0004236137
MAP8452			0004238262	833174	.W.	0004236137
MAP8453			0004238263	833174	.W.	0004236137
MAP8600			0004237689	835000	.W.	0004236102
MAP8700			0004237690	835000	.W.	0004236102
MAP8800			0004237691	835000	.W.	0004236102

TOTAL PART NUMBERS THIS VOLUME 234

VOLUME B MACHINE 5340- -0052397 MODEL C23 SYSTEM 0000GLM MODE BOX SHIP 82/11/12
LOGIC TYPE -0- SYSTEMS DIAGRAMS

PAGE NUM	SH	TITLE	PART NUM	EC NUM	FEATURE B/M OR B/MS
7		VOLB MLM OVERVIEW	0004237997	835201	.W. 0004236102
SI31-0632		PARTS CATALOG	0004238210	835201	.W. 0004236102
SY31-0457		MAINTENANCE	0004237865	835201	.W. 0004236102

TOTAL PART NUMBERS THIS VOLUME 3

VOLUME C MACHINE 5340- -0052397 MODEL C23 SYSTEM 0000GLM MODE

BOX SHIP 82/11/12

LOGIC TYPE -0- SYSTEMS DIAGRAMS

PAGE NUM	SH	TITLE	PART NUM	EC NUM	FEATURE B/M OR B/MS
8		VOLC MLM OVERVIEW	0004237998	835201	.W. 0004236102
SY31-0458		THEORY	0004237866	835201	.W. 0004236102

TOTAL PART NUMBERS THIS VOLUME 2

VOLUME D MACHINE 5340- -0052397 MODEL C23 SYSTEM 0000GLM MODE

BOX SHIP 82/11/12

LOGIC TYPE -0- SYSTEMS DIAGRAMS

PAGE NUM	SH	TITLE	PART NUM	EC NUM	FEATURE B/M OR B/MS
	9	VOLD MLM OVERVIEW	0004237999	835201	.W. 0008264147
AA000		TABLE OF CONTENTS	0004237700	835201	.W. 0008264147
AA100		INTRODUCTION	0004237701	834777	.W. 0008264147
AB100		CABLE DIAGRAM	0004237702	834990	.W. 0004236163
AB200		D GATE (CABLE TOWER)	0004237703	832850	.W. 0008264147
AB300		PIN CONNOTATION	0004237704	832999	.W. 0008264147
AC100		PLUG CHART A-A1	0008266240	835139	.W. 0008264147
AC110		PLG CHART BOARD01AA2	0004236637	835160	.W. 0004236108
AC150		PLUG CHART BRD 01AA3	0004236660	835160	.W. 0004236163 .W. 0004236175
AC170		PLUG CHART 01C-A1	0004237705	835160	.W. 0008264147
AC175		PLUG CHART C-B1 FTRG	0008266301	835015	.W. 0008264147
AC300		PLG CHART 33/53FD DR	0004236639	834837	.W. 0004236137
AC310		PLUG CHART WS ATTACH	0004236658	834841B	.W. 0008264147
AC350		PLUG CHART DETAIL-FD	0004236625	835024	.W. 0004236163
AC360		PLUG CHART DETAIL-FD	0004236626	835024	.W. 0004236163
AC500		CARD SWAPPING LIST	0004237706	835083	.W. 0008264147
AD000		PIN LISTS & NET LIST	0004237840	835083	.W. 0008264147
AD100		NET LIST	0008266242	835083F	.W. 0008264147
AD150		PIN LIST	0008266243	835083F	.W. 0008264147
AD200		NET LIST	0004237968	835083B	.W. 0008264147
AD250		NET LIST	0004237972	835083B	.W. 0008264147
AD300		NET LIST	0004237969	834824	.W. 0008264147
AD350		NET LIST	0004237973	834824	.W. 0008264147
AD400		NET LIST	0004237970	834824	.W. 0008264147
AD450		NET LIST	0004237974	834824	.W. 0008264147
AD500		NET LIST 1C-A1	0004238370	835083A	.W. 0008264147
AD550		PIN LIST 1C-A1	0004238371	835083A	.W. 0008264147
AD560		NET LIST	0008266324	835015	.W. 0008264147
AD570		PIN LIST	0008266325	835015	.W. 0008264147
AD600		NET LIST 1E-A1,B1	0008265775	835201	.W. 0008264147
AD650		PIN LIST 1E-A1,B1	0008265776	835201	.W. 0008264147
AF000		A-A1 BRD VOLTAGE DIS	0008266241	835139	.W. 0008264147
AF010		A-A2 BRD VOLTAGE DIS	0004237976	834778	.W. 0008264147
AF020		A-A3 BRD VOLTAGE DIS	0004237977	834777	.W. 0008264147
AF030		B-A1 BRD VOLTAGE DIS	0004237990	834824	.W. 0008264147
AF040		C-A1 BRD VOLTAGE DIS	0004237991	835083	.W. 0008264147
AY003		LOGIC BLOCK SYMBOLOG	0004237827	832850	.W. 0008264147
AY004		LOGIC BLOCK SYMBOLOG	0004237828	832850	.W. 0008264147
AY005		LOGIC BLOCK SYMBOLOG	0004237829	832850	.W. 0008264147
AY006		LOGIC BLOCK SYMBOLOG	0004237830	832850	.W. 0008264147
AY007		LOGIC BLOCK SYMBOLOG	0004237831	832850	.W. 0008264147
CE110		CE PANEL ADDR SWTCHS	0004237277	832850	.W. 0008264147
CE120		CE PANEL ADDR SWTCHS	0004237278	832850	.W. 0008264147
CE130		CE PANEL MODE SELECT	0004237279	832850	.W. 0008264147
CE140		CE PANEL SWITCH CONN	0004237280	835083	.W. 0008264147
CE150		CE PANEL LIGHTS	0004237281	832984	.W. 0008264147
CE160		CE PANEL	0004237282	835146	.W. 0008264147
CH001		CHIP ENTER BLOCKS	0004237402	835124	.W. 0008264147
CH002		CHIP ENTER BLOCKS	0004237403	835183	.W. 0008264147
CH003		CHIP ENTER BLOCKS	0004237404	835124	.W. 0008264147
CH005		I/O BOARD EXIT TO CP	0004237405	835124	.W. 0008264147
CH006		I/O BOARD EXIT TO CP	0004237406	835124	.W. 0008264147
CH007		I/O BOARD EXIT TO CP	0004237407	835124	.W. 0008264147
CH008		I/O BOARD EXIT TO CP	0004237408	835124	.W. 0008264147
CH009		I/O BOARD EXIT TO CP	0004237409	835124	.W. 0008264147
CH011		I/O BOARD EXIT TO CP	0004237410	835124	.W. 0008264147
CH101		CHANNEL RESISTOR CRD	0004237433	835124	.W. 0004236163
CS110		STORAGE CARD CS HI	0008266235	835083F	.W. 0008264147
CS112		STORAGE CARD CS LO	0008266236	835083F	.W. 0008264147
FL010		U-CODE CMND ACCEPT	0004238277	834824	.W. 0004236137
FL020		CHANNEL TIMING LATCH	0004238278	834824	.W. 0004236137
FL030		STROBE CNTR & CCB 36	0004238279	833174	.W. 0004236137
FL050		CCB DECODE	0004238280	833174	.W. 0004236137
FL061		DECODES	0004238281	834824	.W. 0004236137
FL062		DATA XFER OPERATION	0004238282	834824	.W. 0004236137
FL063		CE DIAG DECODES	0004238283	834824	.W. 0004236137
FL071		INTERRUPT LVL 4 REQ	0004238284	834824	.W. 0004236137
FL110		EXIT FROM DSKT - CPU	0004238285	834824	.W. 0004236137
FL115		EXIT FROM DSKT - CPU	0004238286	833174	.W. 0004236137
FL120		DBI REG & J10 TR REG	0004238287	833174	.W. 0004236137
FL130		DBI SELECT CONTROL S	0004238288	834824	.W. 0004236137
FL131		DBI SELECT SENSE	0004238289	834824	.W. 0004236137
FL210		READ DATA READ CLKS	0004238290	834824	.W. 0004236137
FL220		A.M.RECOGNITION	0004238291	834824	.W. 0004236137
FL225		CONTROL FIELD DECODE	0004238292	833174	.W. 0004236137
FL230		CLOCK RING & BIT RNG	0004238293	834824	.W. 0004236137
FL250		ID BUFFERS-CONTROLS	0004238294	833174	.W. 0004236137
FL251		ID BUFFERS-CHRNX REG	0004238295	834824	.W. 0004236137
FL310		SERIAL WRITE DATA	0004238296	834824	.W. 0004236137
FL320		CLOCKED WRITE DATA	0004238297	834824	.W. 0004236137
FL330		GATES-WRT CLK WR & ER	0004238298	834824	.W. 0004236137
FL350		DATA BUFFER 4 REG-ST	0004238299	833174	.W. 0004236137
FL351		DATA BUFFER RIPPLE C	0004238300	833174	.W. 0004236137
FL352		DATA BUFFER DESERIAL	0004238301	833174	.W. 0004236137
FL410		CRC CONTROL & CHECK	0004238302	834824	.W. 0004236137
FL420		CRC SHIFT REG	0004238303	833174	.W. 0004236137

VOLUME D MACHINE 5340- -0052397 MODEL C23 SYSTEM 0000GLM MODE

BOX SHIP 82/11/12

LOGIC TYPE -0- SYSTEMS DIAGRAMS

PAGE NUM	SH	TITLE	PART NUM	EC NUM	FEATURE B/M OR B/MS
FL540		IMP/POR SEQUENCE	0004238304	833174	.W. 0004236137
FL550		AUTOLOADER CNTRL LNS	0004238305	834824	.W. 0004236137
FL560		SPEED CK & IMP RECAL	0004238306	833174	.W. 0004236137
FL610		ERROR CK CIRCUITS	0004238307	833174	.W. 0004236137
FL710		SEQUENCER FLD BYTE	0004238308	834824	.W. 0004236137
FL720		SEQUENCER BYTE CTR	0004238309	834824	.W. 0004236137
FL730		SEQUENCER SECTOR & T	0004238310	834824	.W. 0004236137
FL810		ENTRY/EXIT PAGE DD	0004238311	834824	.W. 0004236137
FM110		DATA CONTROL DATA SE	0004238312	834824	.W. 0004236137
FM120		OSC CONTROL	0004238313	834824	.W. 0004236137
FX110		AMPLIFIERS & DRIVERS	0004238314	834824	.W. 0004236137
FX120		AMPLIFIERS & DRIVERS	0004238315	834824	.W. 0004236137
FX130		72MD DRIVE CIRCUITS	0004238316	834824	.W. 0004236137
FX140		72MD DRIVE SWTCH & S	0004238317	835011	.W. 0004236137
FX142		72MD DRIVE INDEX & D	0004238318	835011	.W. 0004236137
FX150		72MD DRIVE HEAT SINK	0004238319	835011	.W. 0004236137
FX206		72MD AUTOLOADER CL/CM	0004238320	835011	.W. 0004236137
FX210		72MD COMMAND DECODES	0004238321	835011	.W. 0004236137
FX220		72MD AUTOLOADER MISC	0004238322	835011	.W. 0004236137
FX222		72MD AUTOLOADER PCKR	0004238323	835011	.W. 0004236137
FX230		72MD AUTOLOADER TIME	0004238324	834824	.W. 0004236137
FX232		72MD AUTOLOADER RDTA	0004238325	835011	.W. 0004236137
FX240		72MD AUTOLOADER PCKR	0004238326	835011	.W. 0004236137
FX250		72MD AUTOLOADER GO/E	0004238327	835011	.W. 0004236137
FX255		72MD AUTOLOADER E/CK	0004238328	835011	.W. 0004236137
FX260		72MD AUTOLOADER ORIE	0004238329	835011	.W. 0004236137
FX270		72MD AUTOLOADER STAT	0004238330	835011	.W. 0004236137
FX271		72MD AUTOLOADER STAT	0004238331	835011	.W. 0004236137
FX280		72MD AUTOLOADER MOTR	0004238332	834824	.W. 0004236137
GE040		GULSC	0004237200	833040	.W. 0004236163
GE050		GUL C1	0004237201	832850	.W. 0004236163
GE060		GUL C1 & VTL CAP CNT	0004237202	832850	.W. 0004236163
GE070		FET XX CHIP	0004237203	832850	.W. 0004236163
GE071		FETXX INTER SNSE CND	0004237204	832850	.W. 0004236163
GE072		FET XX CHIP	0004237205	832850	.W. 0004236163
GE073		FET XX CHIP	0004237206	832850	.W. 0004236163
GE080		U-CODE CMND ACCEPT	0004237207	832850	.W. 0004236163
GE081		CHANNEL TIMING LATCH	0004237208	832850	.W. 0004236163
GE082		STROBE CNTR & CCB	0004237209	832850	.W. 0004236163
GE100		GULLIVER CHIP 1 CNTL	0004237210	832850	.W. 0004236163
GE110		GULLIVER CHIP 1 CNTL	0004237211	832850	.W. 0004236163
GF010		SEQUENCE COUNTER CNT	0004237212	832859	.W. 0004236163
GF020		GUL 9D CHIP	0004237213	832859	.W. 0004236163
GF021		GUL 9D CHIP	0004237214	832850	.W. 0004236163
GF030		GUL 4D	0004237215	832850	.W. 0004236163
GF031		GUL 4D	0004237216	832850	.W. 0004236163
GF040		GUL 2D & 4D CHIPS	0004237217	832850	.W. 0004236163
GF041		GUL 2D & 4D CHIPS	0004237218	832850	.W. 0004236163
GF050		GUL 5D	0004237219	834824	.W. 0004236163
GF051		GUL 5D CBI BITS	0004237220	834824	.W. 0004236163
GF060		GUL 7D 62GV DISK BPC	0004237221	832850	.W. 0004236163
GF070		GUL 6D GULLIVER IMPL	0004237222	834824	.W. 0004236163
GF085		GUL XX	0004237223	834824	.W. 0004236163
GF090		GUL ID CRC GEN & CK	0004237224	832850	.W. 0004236163
GF300		GULL SNS BITS 0-7	0004237225	833040	.W. 0004236163
GF400		CHAN-ATTACH-FILE INT	0004237226	834824	.W. 0004236163
GV080		SYSTEM FILE INTERFCE	0004176902	829910	.W. 0004236163
GV090		SYSTEM FILE INTERFCE	0004176903	829910	.W. 0004236163
GV100		VOLTAGE DISTRIBUTION	0004176904	834778	.W. 0004236163
GV120		ACCESS CONTROL TRK C	0004176905	829910	.W. 0004236163
GV130		ACCESS CONTROL CMD D	0004176906	829910	.W. 0004236163
GV140		ACCESS CONTROL A CLK	0004176907	829910	.W. 0004236163
GV160		POSITION DETECT & PL	0004176908	829910	.W. 0004236163
GV170		VELOCITY CNTRL & INT	0004176909	829910	.W. 0004236163
GV180		COIL DRIVERS,CURRENT	0004176910	834777	.W. 0004236163
GV190		CNTRL & SAFETY PHASE	0004176911	829910	.W. 0004236163
GV200		CNTRL & SAFETY SECT	0004176912	829910	.W. 0004236163
GV210		CNTRL & SAFETY HOME	0004176913	829910	.W. 0004236163
GV220		CNTRL & SAFETY A/C	0004176914	829910	.W. 0004236163
GV230		CNTRL & SAFETY DATA	0004176915	834777	.W. 0004236163
GV240		PRE-AMP & WRTE DRVRS	0004176916	829910	.W. 0004236163
GV250		AGC & DETECT	0004176917	834824	.W. 0004236163
GV260		DATA SEPARATOR 1 MFM	0004176918	834777	.W. 0004236163
GV270		DATA SEPARATOR 2	0004176919	829910	.W. 0004236163
MS110		STORAGE CARDS MS	0008266215	835083F	.W. 0008264147
MS120		STORAGE CARDS MS	0008266216	835083F	.W. 0008264147
MS130		STORAGE CARDS MS	0008266217	835083F	.W. 0008264147
MS140		STORAGE CARDS MS	0008266218	835083F	.W. 0008264147
MS150		STORAGE CARDS MS	0008266219	835083F	.W. 0008264147
MS160		STORAGE CARDS MS	0008266220	835083F	.W. 0008264147
MS170		STORAGE CARDS MS	0008266221	835083F	.W. 0008264147
MS180		STORAGE CARDS MS	0008266222	835083F	.W. 0008264147
MS210		STORAGE CARDS MS	0008266223	835083F	.W. 0008264147
MS220		STORAGE CARDS MS	0008266224	835083F	.W. 0008264147
MS230		STORAGE CARDS MS	0008266225	835083F	.W. 0008264147
MS240		STORAGE CARDS MS	0008266226	835083F	.W. 0008264147

VOLUME D MACHINE 5340- -0052397 MODEL C23 SYSTEM 0000GLM MODE

BOX SHIP 82/11/12

LOGIC TYPE -0- SYSTEMS DIAGRAMS

PAGE NUM	SH	TITLE	PART NUM	EC NUM	FEATURE B/M OR B/MS
MS250		STORAGE CARDS MS	0008266227	835083F	.W. 0008264147
MS260		STORAGE CARDS MS	0008266228	835083F	.W. 0008264147
MS270		STORAGE CARDS MS	0008266229	835083F	.W. 0008264147
MS280		STORAGE CARDS MS	0008266230	835083F	.W. 0008264147
OP015		OP PANEL	0004237290	832999	.W. 0008264147
OP110		OP PANEL	0004237289	834777	.W. 0008264147
PA110		SYS BUS IN 8-15	0008266103	835139	.W. 0008264147
PA120		DISPLAY HI DOTS	0008266104	835139	.W. 0008264147
PA130		STORGE BUS BITS	0008266105	835139	.W. 0008264147
PA140		MAIN STG BUS DOTS	0008266106	835139	.W. 0008264147
PA160		STORAGE CARD CS	0008266237	835139	.W. 0008264147
PC002		SAR & DISPLAY BITS	0008266107	835015	.W. 0008264147
PC012		STORAGE CLOCK	0008266108	835015	.W. 0008264147
PC020		CARD SELECT	0008266109	835015	.W. 0008264147
PC022		NS OSC & SYS RST	0008266110	835015	.W. 0008264147
PC024		CTL STG ADDR CHK	0008266111	835015	.W. 0008264147
PC030		CSY TGR	0008266112	835015	.W. 0008264147
PC100		MICRO OPERATION REG	0008266113	835015	.W. 0008264147
PC110		T TIMES	0008266114	835015	.W. 0008264147
PC120		STG GATE BITS	0008266115	835015	.W. 0008264147
PC122		STG GATE BITS	0008266116	835015	.W. 0008264147
PC130		CONTROL STORE ACCESS	0008266117	835015	.W. 0008264147
PC132		ALTER & DISPLAY	0008266118	835015	.W. 0008264147
PC134		WRITE STG HIGH/LOW	0008266119	835015	.W. 0008264147
PC136		ALU FUNCTION BITS	0008266120	835015	.W. 0008264147
PC138		ALU GATE HIGH/LOW	0008266121	835015	.W. 0008264147
PC140		CARRY IN	0008266122	835015	.W. 0008264147
PC142		CLOCK SAR RESET SDR	0008266123	835015	.W. 0008264147
PC144		CLOCK CS/INTR	0008266124	835015	.W. 0008264147
PC146		CLOCK STG GT CHK	0008266125	835015	.W. 0008264147
PC150		LSR ADDR BIT 0-2	0008266126	835015	.W. 0008264147
PC152		LSR A	0008266127	835015	.W. 0008264147
PC160		WRITE LSR HIGH/LOW	0008266128	835015	.W. 0008264147
PC162		STATUS SELECT	0008266129	835015	.W. 0008264147
PC164		STATUS SELECT	0008266130	835015	.W. 0008264147
PC210		X-Y REGISTERS	0008266131	835015	.W. 0008264147
PC220		STORAGE DATA REGIST	0008266132	835015	.W. 0008264147
PC230		STORAGE GATE H/L	0008266133	835015	.W. 0008264147
PC250		ALU GATE H/L	0008266134	835015	.W. 0008264147
PC260		ALU GATE H/L	0008266135	835015	.W. 0008264147
PC300		PROC COND REG 0-3	0008266136	835015	.W. 0008264147
PC302		PROC COND REG 4-7	0008266137	835015	.W. 0008264147
PC304		PCU BR COND MET	0008266138	835015	.W. 0008264147
PC310		EVENT IND 0-7	0008266139	835015	.W. 0008264147
PC314		CONTROL DECODES	0008266140	835015	.W. 0008264147
PC320		4 WAY SEL & DISP	0008266141	835015	.W. 0008264147
PC330		ADDRESS COMPARE HI B	0008266142	835015	.W. 0008264147
PC340		CPU CHECK LATCHES	0008266143	835015	.W. 0008264147
PC400		RUN LTH ADD COMP LTH	0008266144	835015	.W. 0008264147
PC402		IMMEDIATE DECODE	0008266145	835015	.W. 0008264147
PC404		DECODES	0008266146	835015	.W. 0008264147
PC406		CHECK INTERRUPT	0008266147	835015	.W. 0008264147
PC420		I/O CLOCKS	0008266148	835015	.W. 0008264147
PC422		MACH CHK PROC CHK	0008266149	835015	.W. 0008264147
PC430		STATUS 2 CARD	0008266150	835015	.W. 0008264147
PC440		SERVICE REQUEST C/P	0008266151	835015	.W. 0008264147
PC502		DATA BUFFER/PORT REG	0008266152	835015	.W. 0008264147
PC504		PORT CHECKS	0008266153	835015	.W. 0008264147
PC506		PORT DATA CUT	0008266154	835015	.W. 0008264147
PC508		CYCLE STEAL	0008266155	835015	.W. 0008264147
PC510		CYCLE STEAL CHKS/PTS	0008266156	835015	.W. 0008264147
PC516		PORT STATUS	0008266157	835015	.W. 0008264147
PC518		PORT CLOCKS CONTROL	0008266158	835015	.W. 0008264147
PC522		CLOCKS CNTRL/PORT	0008266159	835015	.W. 0008264147
PC526		CLOCKS DECODES	0008266160	835015	.W. 0008264147
PC532		INTERRUPT NSII PORT	0008266161	835015	.W. 0008264147
PC534		PORT CONTROL CLOCKS	0008266162	835015	.W. 0008264147
PC542		CBO BITS 0-2	0008266163	835015	.W. 0008264147
PC552		MODIFIER BITS	0008266164	835015	.W. 0008264147
PC554		LEVEL 4-5 INTERRUPT	0008266165	835015	.W. 0008264147
PC556		PORT REG CP PORT CD	0008266233	835015	.W. 0008264147
PC558		NEW CYCLE STEAL	0008266234	835015	.W. 0008264147
PM002		TRIGGERS 0-5	0008266166	835015	.W. 0008264147
PM004		TRIGGERS 6-8	0008266167	835015	.W. 0008264147
PM008		MAJOR CYCLE DECODES	0008266168	835015	.W. 0008264147
PM022		OP DECODES	0008266169	835015	.W. 0008264147
PM024		I TIME SET EQUATIONS	0008266170	835015	.W. 0008264147
PM026		E TIME SET EQUATIONS	0008266171	835015	.W. 0008264147
PM028		CLOCK TRIGGER EQUAT	0008266172	835015	.W. 0008264147
PM040		NON EXECUTABLE OP CD	0008266173	835015	.W. 0008264147
PM042		MS GT SEL BITS	0008266174	835015	.W. 0008264147
PM044		MSP CTR GT BITS	0008266175	835015	.W. 0008264147
PM060		Q=0 MSP SYS CTRL CD	0008266176	835015	.W. 0008264147
PM082		DECODER	0008266177	835015	.W. 0008264147
PM084		SET I/O TERMS	0008266178	835015	.W. 0008264147
PM086		DECODER	0008266179	835015	.W. 0008264147

VOLUME D MACHINE 5340- -0052397 MODEL C23 SYSTEM 0000GLM MODE BOX SHIP 82/11/12

LOGIC TYPE -0- SYSTEMS DIAGRAMS

PAGE NUM	SH	TITLE	PART NUM	EC NUM	FEATURE B/M OR B/MS
PM088		SET E3-SET IO E8 TRM	0008266180	835015	.W. 0008264147
PM104		CTRL STORE	0008266181	835015	.W. 0008264147
PM106		LSR SELECT BIT 2	0008266182	835015	.W. 0008264147
PM122		ALU FUNC SEL BITS	0008266183	835015	.W. 0008264147
PM124		ALU FUNC SEL BITS	0008266184	835015	.W. 0008264147
PM126		CARRY BIT TO ALU	0008266185	835015	.W. 0008264147
PM130		MSGT CK	0008266186	835015	.W. 0008264147
PM140		WRITE LSR TERMS	0008266187	835015	.W. 0008264147
PM142		CLOCK MSAR Y & LSR	0008266188	835015	.W. 0008264147
PM144		CLOCK X,RST X & Y	0008266189	835015	.W. 0008264147
PM164		PSR BIT 5 & 6	0008266190	835015	.W. 0008264147
PM166		RCMPL,INITIALIZE	0008266191	835015	.W. 0008264147
PM168		MSP WRT MAIN STG	0008266192	835015	.W. 0008264147
PM200		PSR BIT 2	0008266193	835015	.W. 0008264147
PM202		PSR BIT 3 AND 4	0008266194	835015	.W. 0008264147
PM204		PSR BIT 7 CONTROL GT	0008266195	835015	.W. 0008264147
PM220		INHIBIT TRIGGERS	0008266196	835015	.W. 0008264147
PM222		STATUS BYTE DECODES	0008266197	835083F	.W. 0008264147
PM240		STATUS GATE	0008266198	835015	.W. 0008264147
PM300		LSR GT & MSAR LOW	0008266199	835015	.W. 0008264147
PM340		MSP X REGISTER	0008266200	835015	.W. 0008264147
PM380		DECIMAL CORRECT	0008266201	835015	.W. 0008264147
PM420		MS GATE	0008266202	835015	.W. 0008264147
PM440		MS GT	0008266203	835015	.W. 0008264147
PM704		MSAR & P CHK	0008266204	835015	.W. 0008264147
PM720		MEMORY CARD SELECTN	0008266205	835015	.W. 0008264147
PM722		MAIN STORAGE CONTROL	0008266206	835015	.W. 0008264147
PM740		MS ADDRESS CHECKS	0008266207	835015	.W. 0008264147
PM742		MS INVALID TRANS ADD	0008266208	835015	.W. 0008264147
PM762		ADDRESS COMPARE	0008266209	835015	.W. 0008264147
PM764		CONTROL REGS	0008266210	835015	.W. 0008264147
PM766		SENSE REGS MAIN STOR	0008266211	835015	.W. 0008264147
PM768		MAIN STORAGE CNTL CD	0008266212	835015	.W. 0008264147
PM780		MAIN STORAGE CNTL CD	0008266213	835015	.W. 0008264147
PM820		MAIN STORAGE CNTL CD	0008266214	835015	.W. 0008264147
PM900		REPOWER MEMORY CNTL	0008266231	835015	.W. 0008264147
PM910		REPOWER MEMORY CNTL	0008266232	835015	.W. 0008264147
WS001		WS CNTRLD MEMORY	0004237411	832850	.W. 0008264147
WS003		WS CNTRLD DATA FLOW	0004237412	834777	.W. 0008264147
WS005		WS CNTRLD ALU	0004237413	834777	.W. 0008264147
WS007		WS CNTRLD LSR	0004237414	832850	.W. 0008264147
WS009		WS CNTRLD TIMED	0004237415	834777	.W. 0008264147
WS011		WS CNTRLD CNTRL SIGL	0004237416	834777	.W. 0008264147
WS013		WS CNTRLD MEM CNTRL	0004237417	834777	.W. 0008264147
WS015		WS CNTRLD A-B REG C	0004237418	832850	.W. 0008264147
WS017		WS CNTRLD I/O STROB	0004237419	834777	.W. 0008264147
WS101		WS ADAPTER INTRF CTL	0004237420	832850	.W. 0008264147
WS111		WORKSTATION ADAPTER	0004237421	832999	.W. 0008264147
WS121		WORKSTATION ADAPTER	0004237422	832850	.W. 0008264147
WS131		WORKSTATION ADAPTER	0004237423	832850	.W. 0008264147
WS141		WORKSTATION ADAPTER	0004237424	832850	.W. 0008264147
WS143		WORKSTATION ADAPTER	0004237425	832850	.W. 0008264147
WS151		WORKSTATION ADAPTER	0004237426	834777	.W. 0008264147
WS161		WORKSTATION ADAPTER	0004237427	832850	.W. 0008264147
WS171		WORKSTATION ADAPTER	0004237428	832850	.W. 0008264147
WS173		WORKSTATION ADAPTER	0004237429	832850	.W. 0008264147
WS181		WORKSTATION ADAPTER	0004237430	834777	.W. 0008264147
WS200		STG CARD 1	0004237431	832850	.W. 0008264147
WS300		STG CARD 2	0004237432	834824	.W. 0008264147
WS400		FEATUR STORAGE	0004238227	834926	.W. 0008264147
WS500		WORKSTATION DR/REC	0004237843	834841	.W. 0008264147
WS501		WORKSTATION CABLE	0004237844	834777	.W. 0008264147
YA000		AC BOX WIRING DIA	0004237845	835083	.W. 0008264147
YA010		FEATURE AC BOX	0008266292	835201	.W. 0008264147
YA020		CONTROL SUPPLY	0004237846	835083	.W. 0008264147
YA040		BASE D C POWER	0004237847	835083	.W. 0008264147
YA080		BASE D C POWER	0004237848	835083	.W. 0008264147
YA090		FEATURE D C POWER	0004238271	835083	.W. 0008264147
YA100		FEAT POWER SUPPL A	0004237849	834824	.W. 0008264147
YA120		FEATUR POWER SUPPLY	0004238217	834824	.W. 0008264147
YA130		FEATURE PWR C	0004238372	835071	.W. 0008264147
YA132		FEATURE C SENSE CIR	0004238373	834990	.W. 0008264147
YA134		FRT C LOGIC CIRCUITS	0004238374	834990	.W. 0008264147
YA140		FEATURE POWER SUPPLY	0008266293	835015	.W. 0008264147
YA142		FEATURE D SENSE CRT	0008266294	835015	.W. 0008264147
YA180		FEATURE POWER G	0008266295	835015	.W. 0008264147
YA181		FEATURE POWER G	0008266296	835015	.W. 0008264147
YA182		FEATURE POWER G	0008266297	835015	.W. 0008264147
YA184		FEATURE POWER G	0008266298	835015	.W. 0008264147
YA200		BASE SENSE	0004237850	835083	.W. 0008264147
YA220		FEAT A SENSE CARD	0004237851	835083	.W. 0008264147
YA230		FEAT REG CD	0004237852	835083	.W. 0008264147
YA240		FEATUR B CODE	0004238218	835083	.W. 0008264147
YA301		PROTECT CARD	0004238264	835083	.W. 0008264147
YA302		PROTECT CARD	0004238265	834990	.W. 0008264147
YA303		PROTECT CARD	0004238266	835083	.W. 0008264147

VOLUME D MACHINE 5340- -0052397 MODEL C23 SYSTEM 0000GLM MODE

BOX SHIP 82/11/12

LOGIC TYPE -0- SYSTEMS DIAGRAMS

PAGE NUM	SH	TITLE	PART NUM	EC NUM	FEATURE B/M OR B/MS
YA320		POWER LOGIC BOARD	0004237854	835083	.W. 0008264147
YA410		MINI BUSS CONNECTORS	0004237855	835139	.W. 0008264147
YA420		MINI BUSS CONNECTORS	0004237856	835000	.W. 0008264147
YA430		MINI BUSS CONNECTORS	0004237857	834777	.W. 0008264147
YA460		MINI BUSS CONNECTION	0004238276	835183	.W. 0008264147
YA510		POWER CABLE CONN	0004237858	834777	.W. 0008264147
YA610		MINI BUSS CONN	0004238268	834824	.W. 0008264147
YA620		MINI BUSS CONN	0004238269	834824	.W. 0008264147
YA630		MINI BUSS CONNECTORS	0008266299	835015	.W. 0008264147
YA640		MINI BUSS CONNECTORS	0008266300	835015	.W. 0008264147
YA700		AC FAN CONNECTIONS	0004238272	834777	.W. 0008264147

TOTAL PART NUMBERS THIS MACHINE 598

TOTAL PART NUMBERS THIS VOLUME 355

4237700 AA000

TABLE OF CONTENTS

AA000 TABLE OF CONTENTS

AA100 INTRODUCTION

ABXXX CABLE AND PIN INFORMATION
 AB1XX CABLE DIAGRAMS
 AB200 CABLE TOWER
 AB300 PIN CONNOTATION

AC1XX OVERALL SYSTEM PLUGCHARTS

AC3XX SECTIONAL PLUGCHARTS AND PART NUMBERS

AC500 CARD SWAPPING LIST

AD000 NET LIST AND PIN LIST INTRODUCTION AND HOW TO USE THEM
 ADXXX NET LISTS AND PIN LISTS

AEXXX SECOND LEVEL LOGIC DIAGRAMS (INTRODUCTION AND HOW TO USE THEM)

AFXXX BOARD VOLTAGE DISTRIBUTION

AYXXX LOGIC BLOCK SYMBOLOGY

CEXXX CE PANEL LOGICS

CHXXX CHANNEL LOGICS

CSXXX CONTROL STORAGE LOGICS

FA000 DATA COMMUNICATION ADAPTER LOGICS
 FA100 EIA INTERFACE LOGICS
 FA200 DDSA INTERFACE LOGICS
 FA300 1200 MODEM LOGICS
 FA400 1200 MODEM LOGICS
 FA500 1200 MODEM LOGICS
 FA600 1200 MODEM LOGICS
 FA700 2400 MODEM LOGICS
 FA800 INTERNAL CLOCK LOGICS
 FB000 MLCA

IBM HAS PREPARED THIS MAINTENANCE DOCUMENTATION FOR USE BY IBM CUSTOMER ENGINEERS IN THE INSTALLATION, MAINTENANCE, AND REPAIR OF THE SPECIFIC MACHINES INDICATED.

IBM MAKES NO REPRESENTATIONS THAT THIS DOCUMENTATION IS SUITABLE FOR ANY OTHER PURPOSE. INFORMATION CONTAINED IN THIS DOCUMENTATION IS SUBJECT TO CHANGE FROM TIME TO TIME. CHANGES WILL BE REFLECTED IN SUBSEQUENT REVISIONS.

THE DRAWINGS AND SPECIFICATIONS CONTAINED HEREIN SHALL NOT BE REPRODUCED IN WHOLE OR IN PART WITHOUT WRITTEN PERMISSION FROM IBM.

TABLE OF CONTENTS (CONTINUED)

FLXXX DISKETTE ATTACHMENT (LVL 2 CARD)
 FMXXX DATA SEPERATOR (W/LVL 2 CARD)
 FXXX DISKETTE DRIVE 33FD/53FD/72MD.

GXXX 62EH DISK LOGICS*

HAXXX 62PC CHANNEL ATTACHMENT LOGICS
 HBXXX COMMON ADAPTER SECOND LEVEL LOGICS
 HCXXX COMMON ADAPTER FILE LOGICS
 HDXXX COMMON ADAPTER CHANNEL LOGICS
 HEXXX COMMON ADAPTER CHANNEL LOGICS
 HHXXX 62PC DISK DRIVE LOGICS

MRXXX 1255 ATTACH LOGICS
 MSXXX MAIN STORAGE LOGICS

OPXXX OPERATOR PANEL AND CE SUBPANEL LOGICS

PAXXX DEVICE ATTACHMENTS FOR CHANNEL LOGICS

PCXXX CONTROL PROCESSOR LOGICS

PMXXX MAIN STORAGE PROCESSOR LOGICS

PRXXX 5211 PRINTER ATTACHMENT LOGICS

PSXXX PRINTER CONTROL LOGICS

PTXXX 3262 PRINTER ATTACHMENT LOGICS

PUXXX 3262 PRINTER ATTACHMENT LOGICS

WCXXX WORK STATION (IDEOGRAPHIC)

WSXXX WORK STATION AND MISC. W/S LOGICS

YAXXX POWER LOGICS

* CONTAINING ONLY DISK DRIVE A LOGICS LOGICS FOR DRIVE B ARE SAME EXCEPT FOR BOARD LOCATION (A-A3 INSTEAD OF A-A2)

AA000

AA000

(C) COPYRIGHT IBM CORP. 1978, 79, 80

	EC HISTORY	DRAWING TITLE
	09APR80 834926A	TABLE OF CONTENTS
RED	27JUN80 835000	MACH 5340
	11NOV80 835083	PART NO 4237700
C	04DEC81 835201	CLASSIFICATION
		4/18/77 J.C. IBM CORP

INTRODUCTION

THIS VOLUME CONTAINS CABLE, CARD, PIN, NET, VOLTAGE, SWAPPING, AND LOGIC INFORMATION. THIS INFORMATION MAY BE REFERENCED BY THE MAP'S OR USED AS STAND ALONE INFORMATION. SEE THE TABLE OF CONTENTS FOR ADDITIONAL DETAILS.

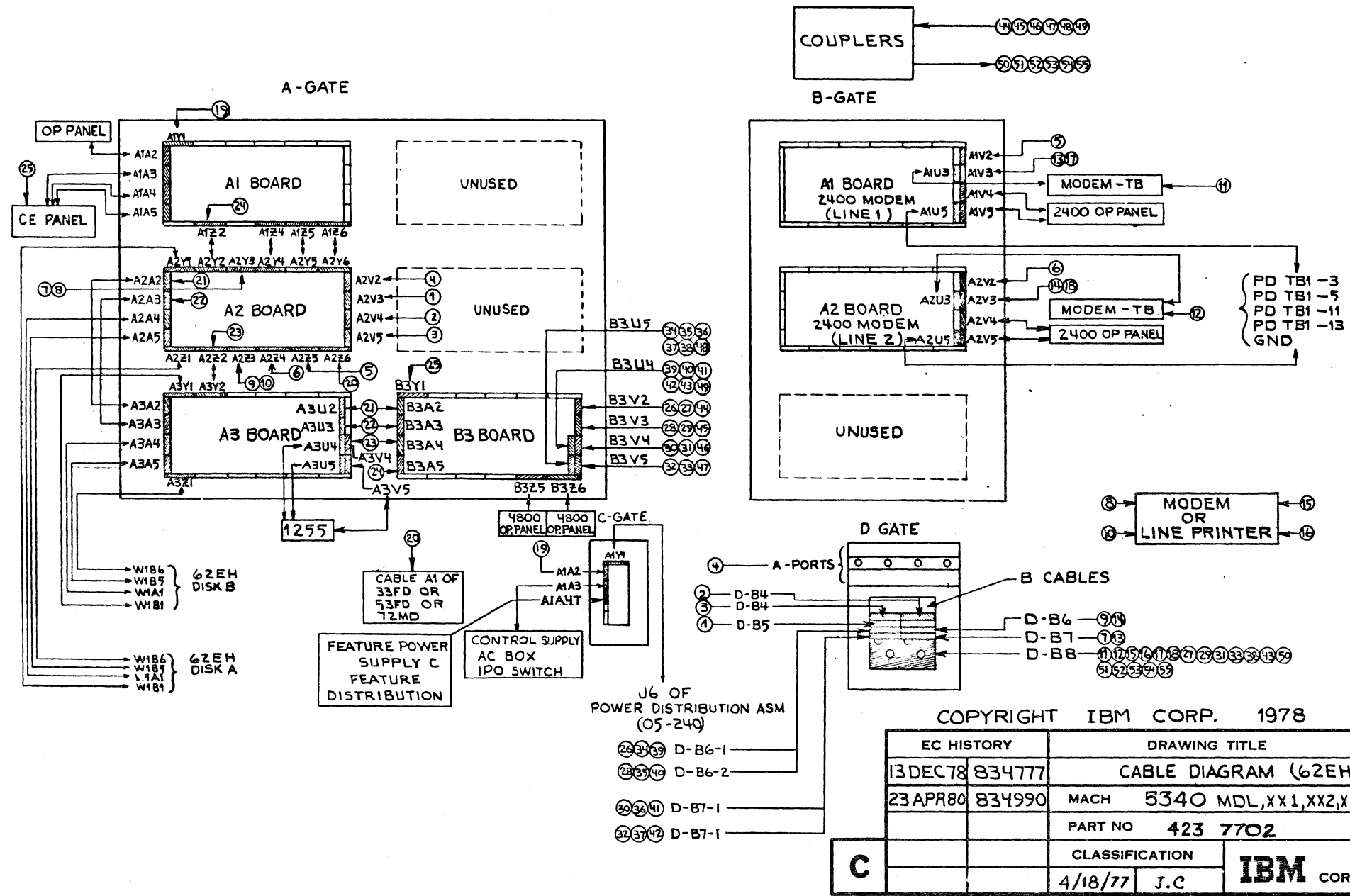
COPYRIGHT IBM CORP. 1978

EC HISTORY		DRAWING TITLE	
02MAY77	832742G	INTRODUCTION	
02DEC77	832850	MACH	5340
13 DEC 78	834777	PART NO	4237701
C		CLASSIFICATION	
		4/18/77	J.C
		IBM CORP	

AA100

AA100

CABLE DIAGRAM (WITH 62EH DISK DRIVE ATTACHED)

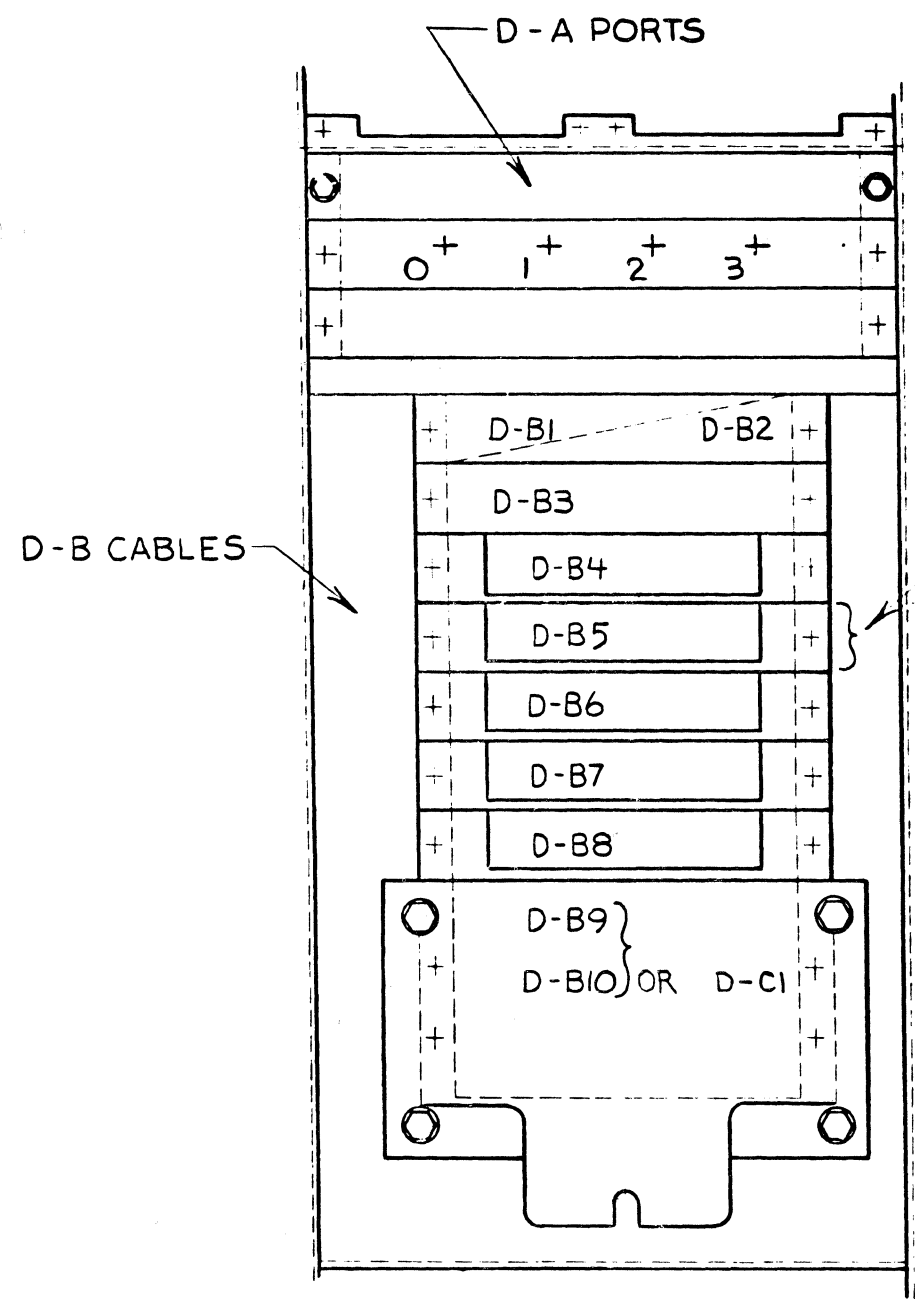


COPYRIGHT IBM CORP. 1978

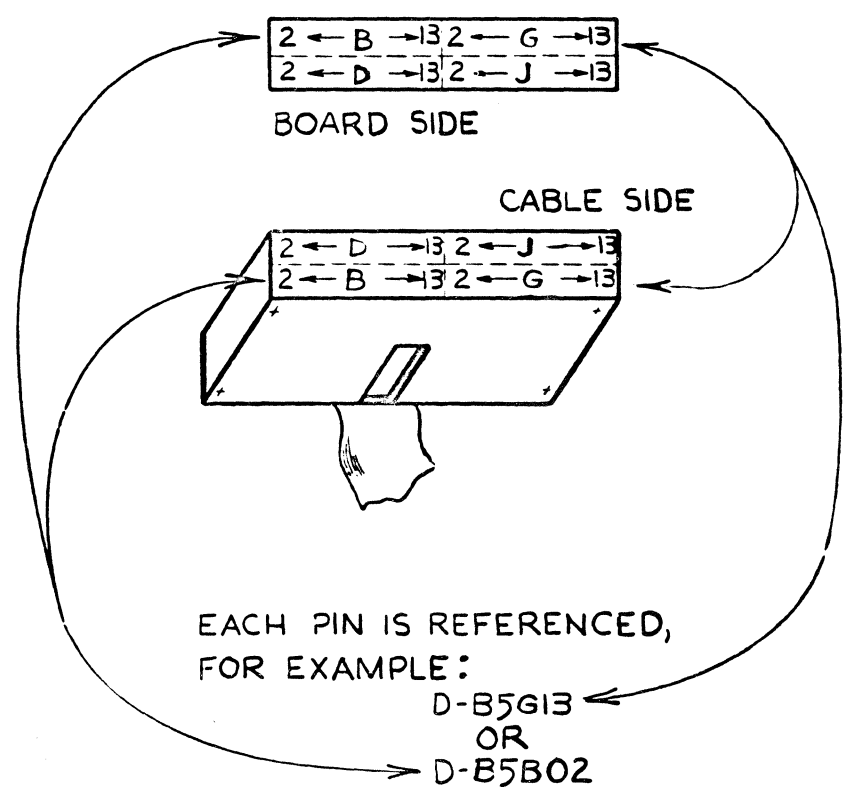
EC HISTORY		DRAWING TITLE	
13DEC78	834777	CABLE DIAGRAM (62EH)	
23APR80	834990	MACH	5340 MDL,XX1,XX2,XX3
		PART NO	423 7702
		CLASSIFICATION	IBM CORP
		4/18/77 J.C	

AB100

AB100



FOR PRINTER CABLE, WHEN REFERRING TO A PIN, USE THE FOLLOWING NOTATION



COPYRIGHT IBM CORP. 1978

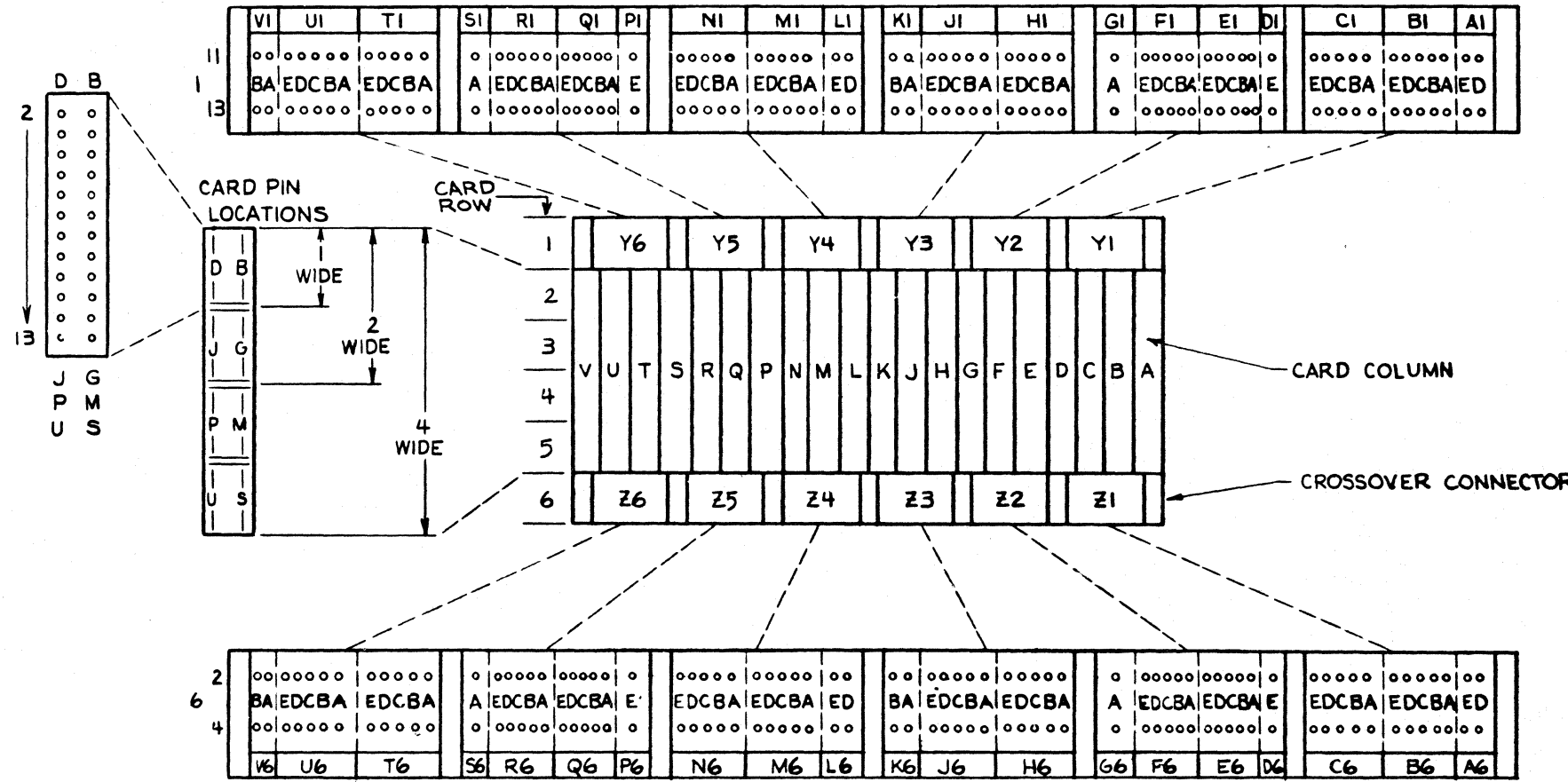
EC HISTORY		DRAWING TITLE	
02MAY77	832742G	D GATE (CABLE TOWER)	
02DEC77	832850	MACH	5340
		PART NO	423 7703
C		CLASSIFICATION	
		4/18/77	J.C
		IBM CORP	

AB200

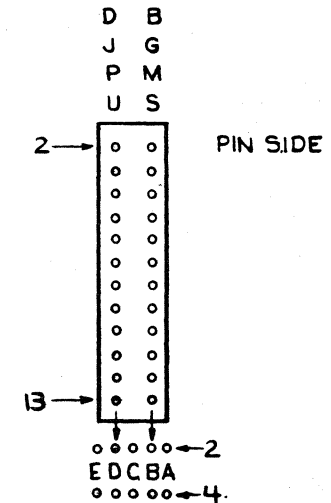
AB200

4237704

AB300

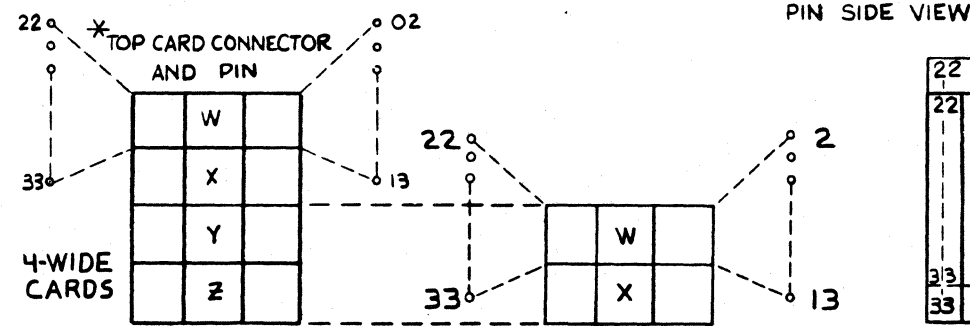


* CROSS-OVER CONNECTOR PIN
FOR PINS THAT RESIDE IN THE CROSS-OVER CONNECTOR AREAS, THE FOLLOWING DIAGRAM IS USED TO HELP LOCATE THE PIN:



THE PINS RIGHT BELOW THE COLUMNS WILL BE DESIGNATED D AND B. FROM THERE, WE CAN COUNT LEFT OR RIGHT TO FIND A AND E

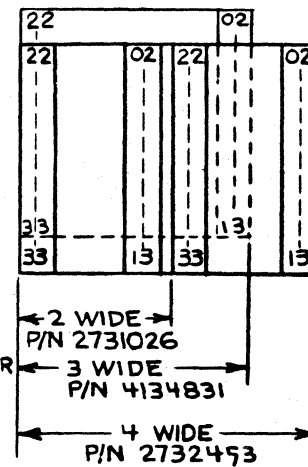
NOTE: QUITE OFTEN, WHEN WORKING IN THE POWER SECTION, REFERENCE WILL BE MADE TO PIN 14. THIS IS THE PIN THAT THE POWER DISTRIBUTION CABLES GO TO AND IT'S DIRECTLY BELOW PIN 13. POWER DISTRIBUTION CABLES CAN ALSO GO TO PIN 01 WHICH IS ABOVE PIN 02 OF ANY COLUMN



A
B
3
0
0

NOTE 1. TOP CARD CONNECTORS COULD BE 2, 3 OR 4 WIDE CONNECTOR, SEE DIAGRAM FOR THEIR PIN REFERENCE.

NOTE 2. FOR TOP CARD CONNECTOR AT LOCATIONS (M,N) AND (S,T) USE:
* W07 FOR +5V
* Y09 FOR GROUND



ALSO SEE WORK STATION (11-300) OR PRINTER (07-300) FOR A DETAILED LAYOUT OF THE TOP CARD CONNECTOR

COPYRIGHT IBM CORP. 1978

EC HISTORY		DRAWING TITLE	
02MAY77	832742G	PIN CONNOTATION	
29JUL77	832742M	MACH	5340
02DECT77	832850	PART NO 423 7704	
29JUN78	832999	CLASSIFICATION	IBM CORP
		4/18/77 J.C.	

A
B
3
0
0

8266240

BOARD A-AI (LEVEL 2)

AC100

A B C D E F G H J K L M N P Q R S T U V

CABLE 4236691		Y1		Y2		Y3		Y4		Y5		Y6									
4 2 3 6 3 1 0	A2 CABLE CONTROL	B2 NOTE 7 CSXXX	C2 CP STORAGE CONTROL CARD	D2 CP SYSTEM CONTROL CARD	E2 CP DATA FLOW CARD	F2 CP STATUS 1 CARD	G2 CP STATUS 2 CARD	H2 PORT CARD	J2 MSP SYSTEM CONTROL CARD	K2 MSP DATA FLOW CARD	L2 MSP STORAGE CONTROL CARD	M2 MAIN STORE 0-16K	N2 MAIN STORE 16-32K	P2 MAIN STORE 32-48K	Q2 MAIN STORE 48-64K	R2 MAIN STORE 64-80K	S2 MAIN STORE 80-96K	T2 MAIN STORE 96-128K	U2 MAIN STORE 128K	V2 MAIN STORE 256K	
4 2 3 6 3 1 1	A3 CABLE STORE	B4 NOTE 7 CSXXX																			
4 2 3 6 3 1 1	A4 CABLE CONTROL																				
4 2 3 6 3 1 1	A5 CABLE STORE																				
		Z1		Z2		Z3		Z4		Z5		Z6									
		COMM IND CABLE NOTE 1						CROSSOVER 5802294		CROSSOVER 5802294		CROSSOVER 5802294									

NOTES

- 1 FOR BSCA FEATURE
- 2 FOR 48K FEATURE
- 3 FOR 64K FEATURE
- 4 FOR 96K FEATURE
- 5 FOR 128K FEATURE
- 6 FOR 256K FEATURE
- 7 THIS IS NOT A CARD
SUBSTITUTION LIST
A-AIB2, B4, M2, N2, P2, Q2,
R2, S2, T2, U2, M4, N4, P4,
Q4, R4, S4, T4, U4-P/N 8238222
A-AIC2 P/N 4238418
A-AID2 P/N 4238446, OR 4238484
A-AIE2 P/N 4238424
A-AIF2 P/N 4238412
A-AIG2 P/N 4238444, 4238456,
4238472
A-AIH2 P/N 4238452, 4238450,
4238466, 4238482,
4238583, 8264568,
8264566
A-AIJ2 P/N 8264544
A-AIK2 P/N 8264542
A-AIL2 P/N 8264546
A-AIV2 P/N 8264548
- 8 H2 CARD P/N 8264568 OR 8264566
IS REQUIRED FOR MLCA &
WORKSTATION FEATURE C
H2 CARD P/N 4238466 OR 8264568
OR 8264566 IS REQUIRED, FOR
62PC FEATURE.

EC HISTORY		DRAWING TITLE	
18 SEP 80	834947A	PLUG CHART A-AI	
30 JAN 81	835139	MACH 5340	
		PART NO 8266240	
		CLASSIFICATION	
C		LDE	9-16-80 IBM CORP

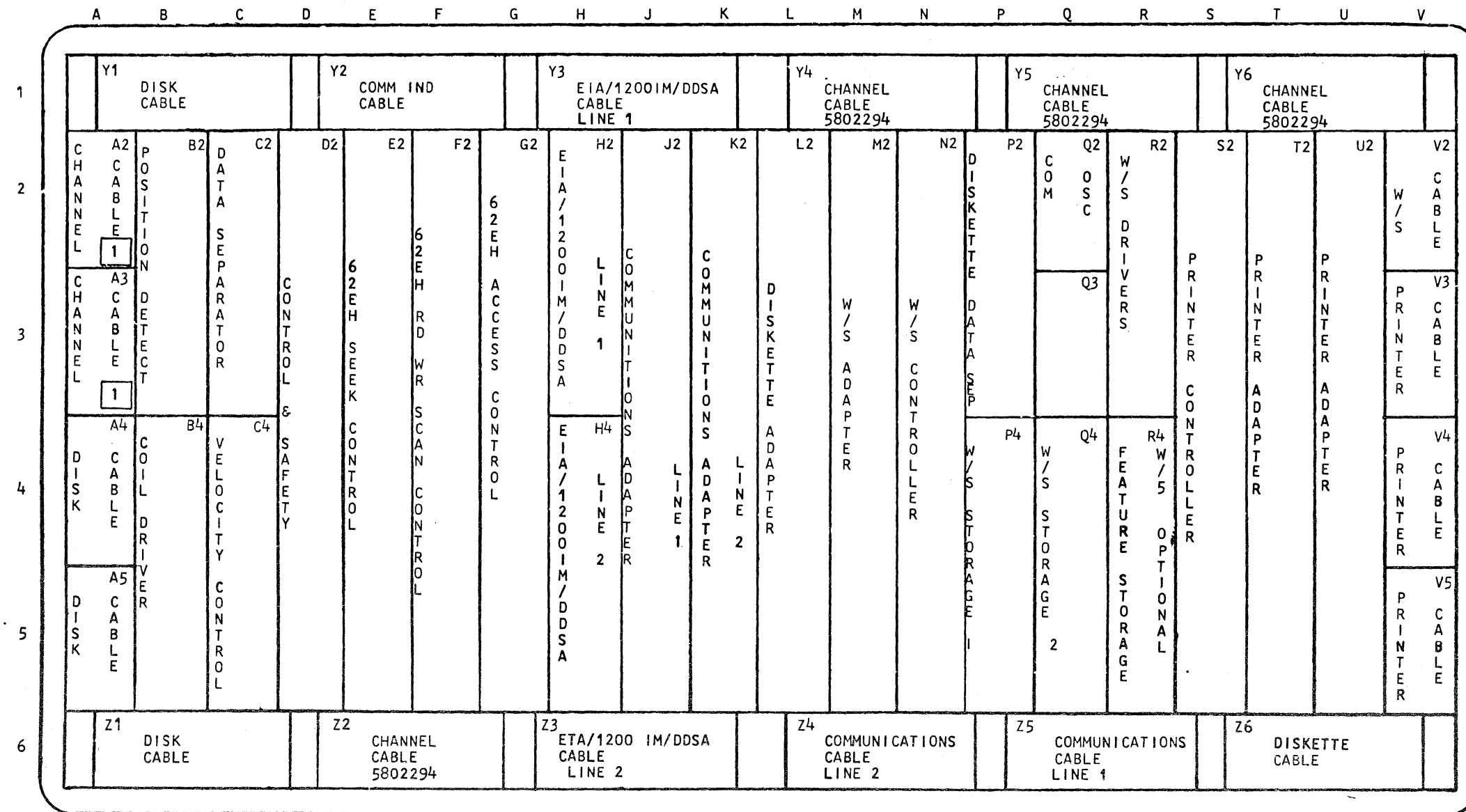
AC100

AC100

4236637

BOARD A-A2 (WITH 62EH DISK DRIVE ATTACHED)

AC110



NOTE:

1 PART OF CABLE ASM 4236529

* IF MLCA IS INSTALLED AND 'A1' BOARD IS AT P/N 4236400, A FEATURE WIRE MUST BE BETWEEN PINS O1A-A1 L2G05 AND O1A-A1 N6E04. IN ADDITION, IF MLCA IS INSTALLED, A FEATURE WIRE MUST BE INSTALLED BETWEEN PINS O1A-A2 N1E13 AND O1A-A2 G6A04.

COPYRIGHT IBM CORP 1978

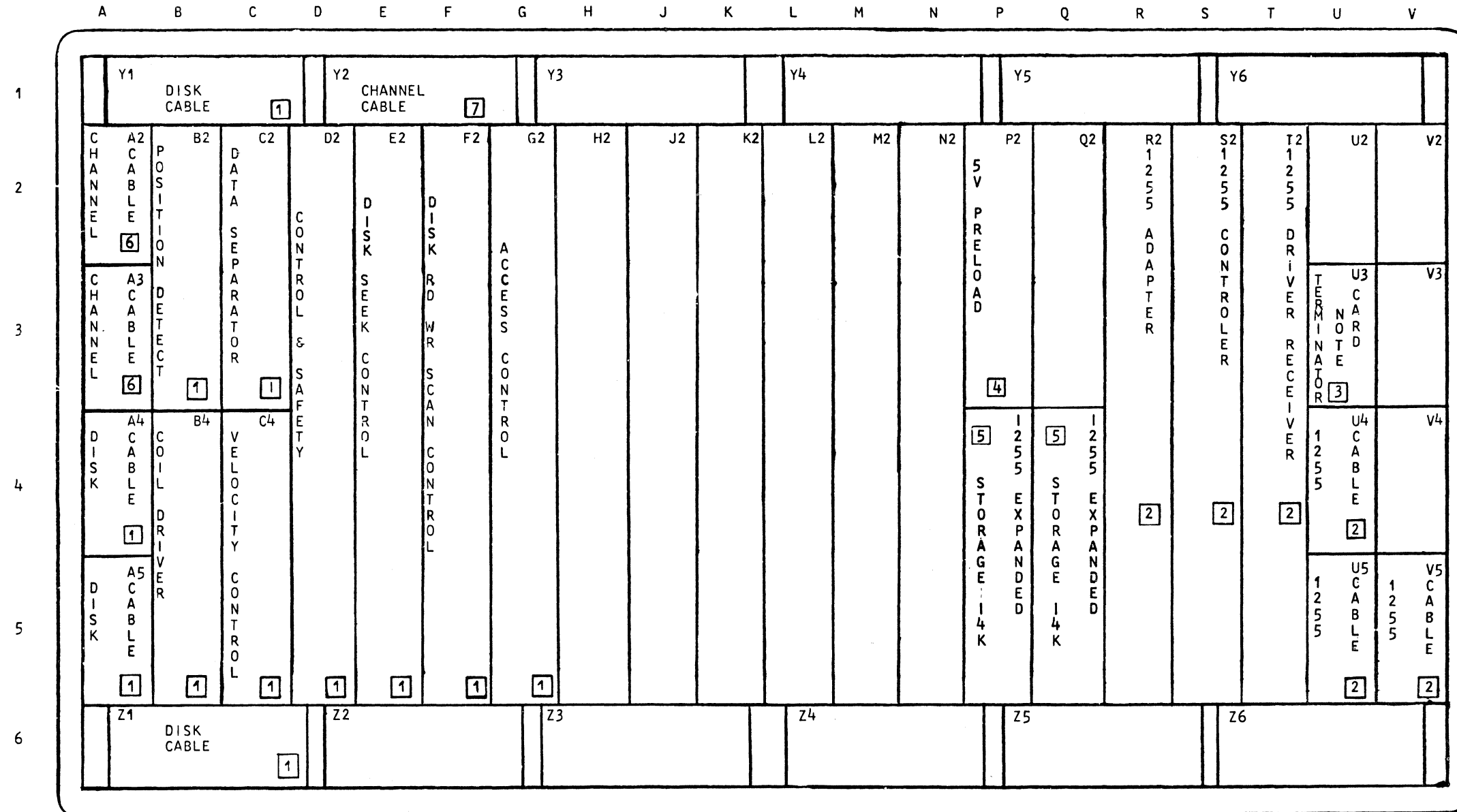
EC HISTORY		DRAWING TITLE	
13 DEC 78	834777	PLUG CHART BOARD A2 (62EH)	
25 JUL 79	834824	MACH 5340 MDL XX1, XX2, XX3	
07 NOV 80	835100	PART NO 4236637	
C	09 JUL 81	835160	CLASSIFICATION
			4-1277

IBM CORP

AC110

AC110

BOARD A-A3



NOTES:

- [1] THESE CARDS AND CABLES ARE PRESENT ONLY IF THE MACHINE IS EQUIPPED WITH A SECOND 62EH DISK FILE, B/M 4236166 OR 4236163.
- [2] THESE CARDS AND CABLES ARE PRESENT ONLY IF THE MACHINE IS EQUIPPED WITH THE 1255 ATTACHMENT, B/M 4236176.
- [3] P/N 4238428.
- [4] P/N 4176734 PRESENT ONLY IF MACHINE EQUIPPED WITH 1255 & 62PC OR 1255 & 72MD OR 1255 & 62PC 2 72MD.
- [5] THESE CARDS ARE PRESENT ONLY IF MACHINE HAS 1255 ATT ENHANCEMENT FEATURE (B/M 4238165).
- [6] CHANNEL CABLE GROUP P/N 4236529 (2-CABLES)
- [7] CHANNEL CABLE GROUP P/N 5802294 (1-CABLE)

* IF WORK STATION CONTROLLER EXPANSION 'C' FEATURE AND/OR MLCA FEATURE IS/ARE INSTALLED AND 'A1' BOARD IS AT P/N 4236400, A FEATURE WIRE MUST BE BETWEEN PINS O1A-A1 L2G05 AND O1A-A1 N6E04. IN ADDITION, IF MLCA IS INSTALLED, FEATURE WIRES MUST BE BETWEEN PINS O1A-A2 N1E13 AND O1A-A2 G6A04, AND O1A-A3 G1A13 AND O1A-A3 V4B13.

COPYRIGHT IBM CORP. 1978

EC HISTORY		DRAWING TITLE	
14JUN79	834772	PLUG CHART BOARD A-A3	
25JUL79	834824	MACH	5340
07NOV80	835100	PART NO 4236660	
C	09JUL81	835160	CLASSIFICATION
			4-18-77 S.A.S. IBM CORP

AC150

AC150

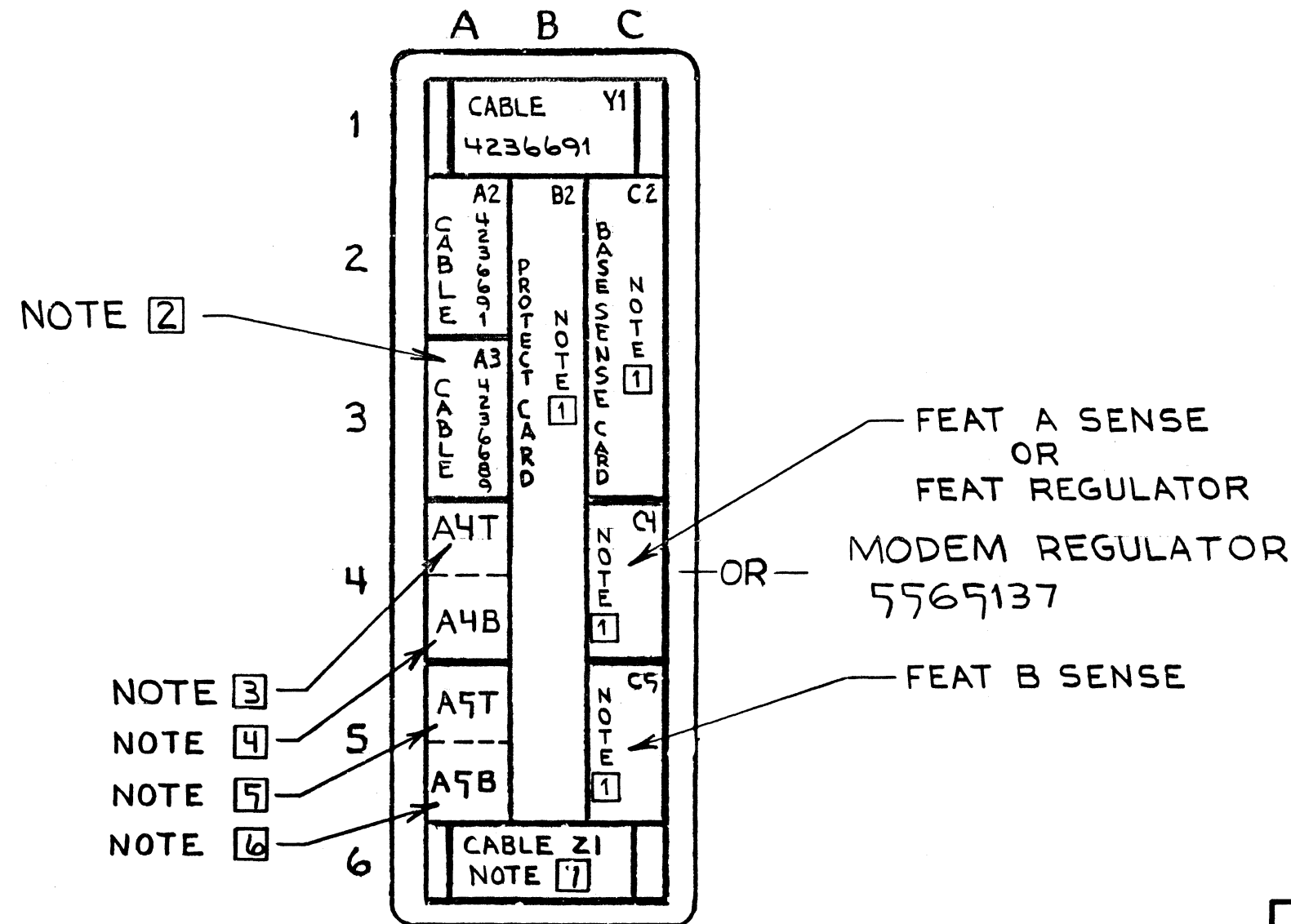
4237705

AC170

THIS IS NOT A CARD SUBSTITUTION LIST

NOTE

- 1 B2 PROTECT CARD 4176720, 4176723, 4176727
C2 BASE SENSE CARD 4176725
C4 FEATURE A SENSE 4176730
C4 FEATURE REGULATOR 5565137
C5 FEATURE B SENSE 4176730
- 2 SPECIAL OPTION P/N 4236992
- 3 A4T FEATURE C HALF CABLE
4236991 OR JUMPER 815925 FROM A4B02 TO A4B04
- 4 A4B FEATURE D HALF CABLE 8265296 OR JUMPER 815925 FROM A4B09 TO A4B11
- 5 JUMPER 815925 FROM A5B02 TO A5B04
- 6 JUMPER 815925 FROM A5B09 TO A5B11
- 7 Z1 FEATURE G CABLE 8265266 OR JUMPER 815925 FROM A6B04 TO A6D04
- 8 THE JUMPERS APPLY TO BOARD P/N 4176732 ONLY



POWER LOGIC BOARD P/N 4176722, 4176732
BOARD C-A1
(ALL UNDER PAGES YA XXX)

AC170

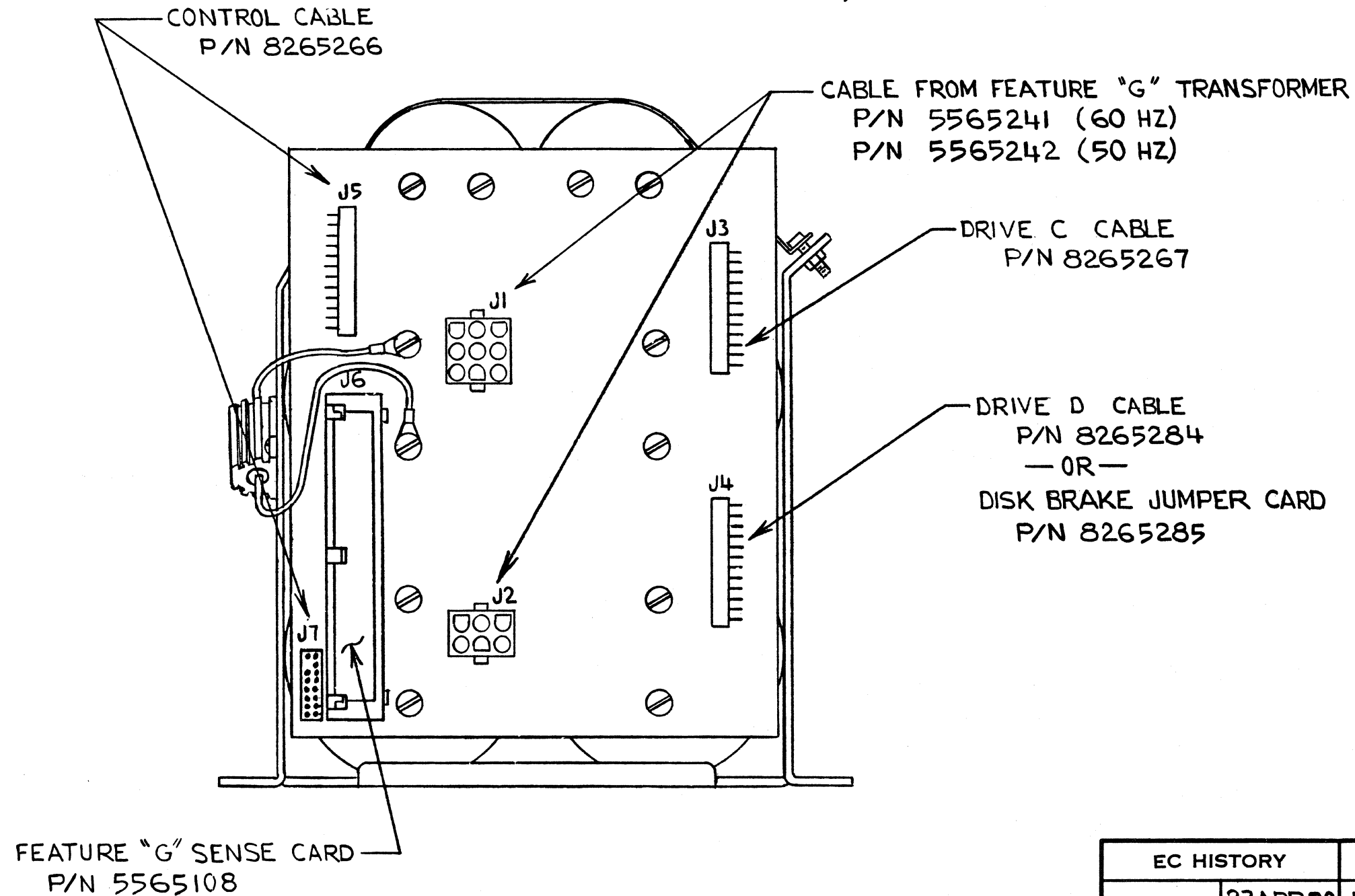
COPYRIGHT IBM CORP. 1978

EC HISTORY		DRAWING TITLE	
13 DEC 78	834777	PLUG CHART	C-A1
23 APR 80	834990	MACH	5340
11 NOV 80	835083	PART NO	4237705
B	09 JUL 81	835160	CLASSIFICATION
			4-18-77 JLC
			IBM CORP

AC170

BOARD C-BI, FEATURE POWER "G"

AC 175



FILTER ASSEMBLY
P/N 5565105

EC HISTORY		DRAWING TITLE	
	23APR80	PLUG CHART C-BI FEATURE "G"	
07OCT80	835015	MACH 5340	
		PART NO 8266301	
B		CLASSIFICATION	
		04SEP80	JMT
		IBM CORP	

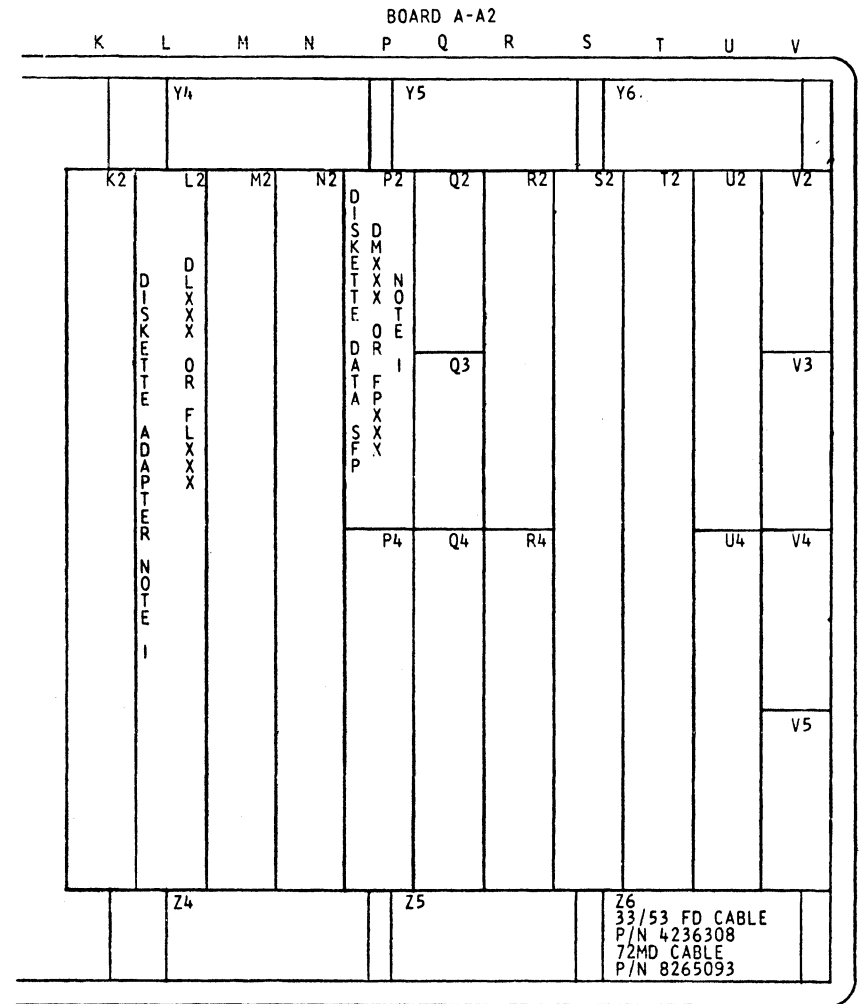
FEATURE "G" SENSE CARD
P/N 5565108

AC
175

AC
175

COPYRIGHT IBM CORP 1980

4236639

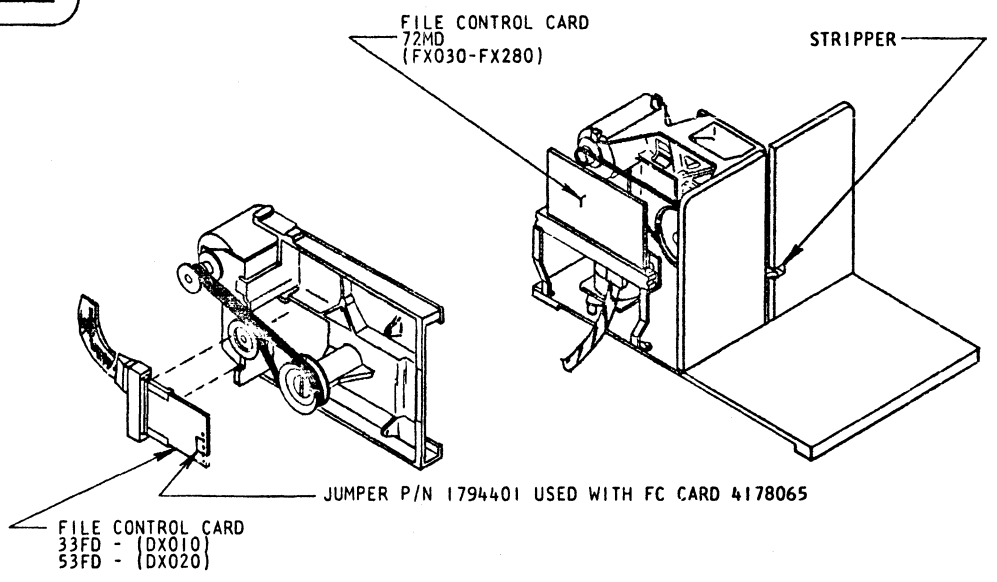


NOTES
1

AC300

DISKETTE DRIVE	FILE CONTROL (ON DRIVE)	DATA SEPARATOR (A-A2P2)	DISKETTE ATTACHMENT (A-A2L2)
33FD	8528202	8527646	4238550 OR 4238468 OR 4238474 OR 4238480
		2462692	4238536 (NOTE 2,3) 8264518 (NOTE 2,3)
53FD	8528195 OR 4178068 OR 4178065 (NOTE 5)	1607217	4238550 OR 4238468 OR 4238474 OR 4238480
		2462692	4238536 (NOTE 2,3) 8264518 (NOTE 2,3)
72MD WITH STRIPPER	5563731 OR 5563739 OR 5563743	2462692	4238536 (NOTE 3) 8264518 (NOTE 3)
72MD W/O STRIPPER (NOTE 6)	5563735		

- 2 WHEN THIS COMBINATION OF CARDS IS USED ON MACHINES WITH A 33FD OR 53FD DRIVE, A FEATURE WIRE IS REQUIRED FROM L3D09 TO L3D08 ON THE 01A-A2 BOARD.
- 3 ON MACHINES WITH 01A-A2 BOARD P/N 4236404 A FEATURE WIRE IS REQUIRED FROM P3D02 TO L3D09.
- 4 THIS IS NOT A CARD SUBSTITUTION LIST.
- 5 WHEN 53FD FILE CONTROL CARD P/N 4178065 IS USED, A JUMPER MUST BE PLACED FROM THP2 TO THP4 AS SHOWN IN PICTORIAL.
- 6 72MD DRIVE W/O STRIPPER CAN BE IDENTIFIED BY THE ABSENCE OF STRIPPER AS VIEWED FROM MACHINE FRONT. (SEE PICTORIAL)



COPYRIGHT IBM CORP. 1978

EC HISTORY		DRAWING TITLE	
	02 MAR 79 834782	PLUG CHART-DISKETTE DRIVE	
RED	07 JUN 79 834828	MACH 5340	
	20 MAR 80 834837	PART NO 4236639	
D		CLASSIFICATION	IBM CORP
		PCP 4-12-77	

AC300

AC300

THIS IS NOT A CARD SUBSTITUTION LIST

CARD SOCKET	P/N 8255177
A-A2B2 POSITION DETECT	P/N 5864396
A-A2B4 COIL DRIVER	P/N 8219247
A-A2C2 DATA SEPARATOR	P/N 8250457
A-A2C4 VELOCITY CONTROL	P/N 8522702, 8526353
A-A2D2 CONTROL & SAFETY	P/N 4238416
A-A2E2 DISK SEEK CONTROL (9MB)	P/N 4238430
A-A2E2 DISK SEEK CONTROL (13 OR 27MB)	P/N 4238464, 4238442
A-A2F2 DISK RD/WR/SCAN CONTROL	P/N 8562892
A-A2G2 ACCESS CONTROL	P/N 8219255
D-W1B3 PRE-AMP/WRITE DRV	P/N 8219260
D-W1A5 AGC/DETECT	

BOARD A-A2 (WITH 62EH INSTALLED)

9 OR 13 MB CONFIGURATION:
DRIVE A COULD BE THE LOWER OR THE UPPER DRIVE.

27 MB CONFIGURATION:
DRIVE A IS UPPER DRIVE
DRIVE B IS LOWER DRIVE

FEATURE WIRING

9MB-
A-A2E2S13- A-A2E2U08
A-A2F2J12- A-A2F2J08
A-A2F2P07- A-A2F2P08

13MB
A-A2E2S13- A-A2E2U08
A-A2F2J12- A-A2F2J08

27MB

NONE

CAPACITOR WIRING*
+24V
A4B05 TO GATE FRAME (GND)**
-24V
A5B13 TO GATE FRAME (GND)**

*CAPACITOR ASM P/N 2547890

**SLIDE GND TERMINALS OF BOTH CAP ASMS BETWEEN A-A2 BOARD AND GATE FRAME USING THE BOTTOM SCREW ON RIGHT HAND SIDE (FACING PINS) OF BOARD.

DE GROUND CABLE (PN 4236472) REF FSL NET YA420GA3 FOR CORRECT WIRING.

BOARD D-W1-UPPER DRIVE ON 27MB
UPPER OR LOWER DRIVE ON 9 AND 13MB

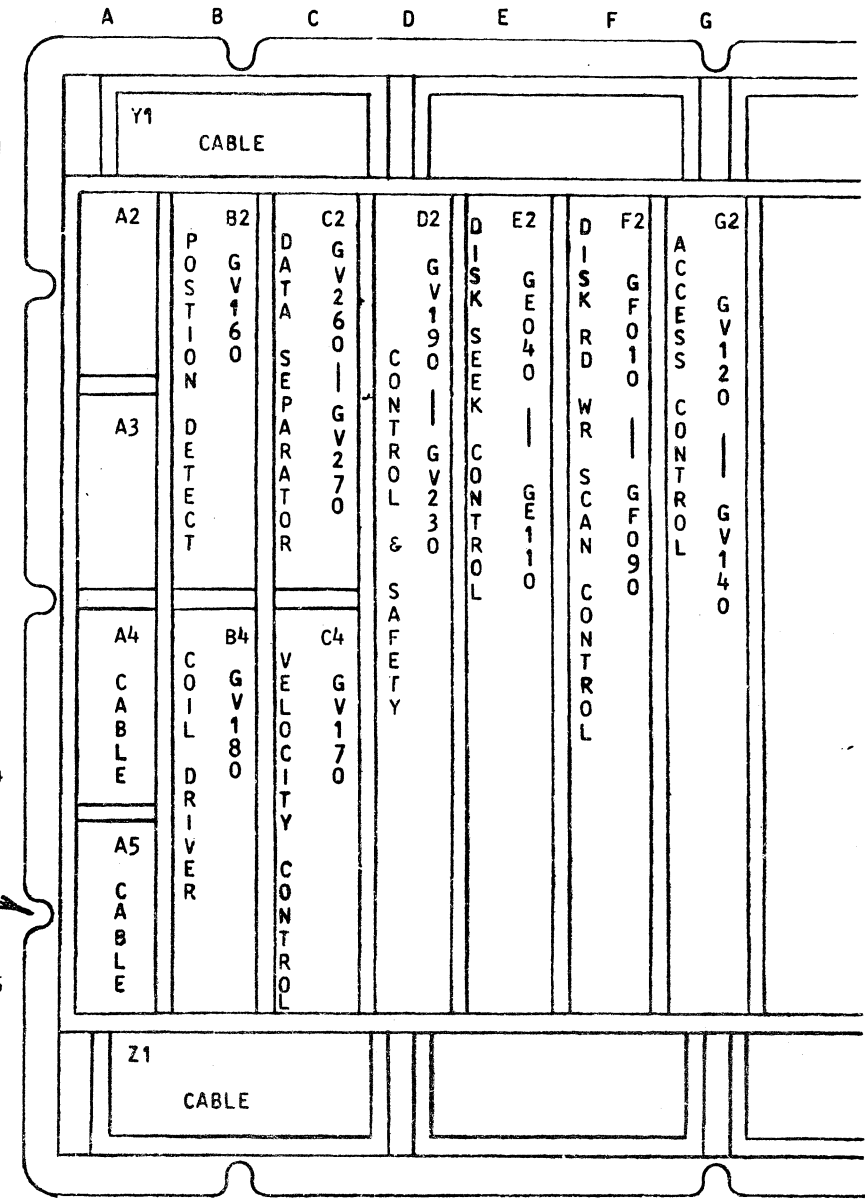
	A	B
1	A1 C A B L E	B1 C A B L E
2	A2	B2
3	A3	B3 P R E A M P & W R I T E D R V R
4	A4	B4
5	A5 A G C & D E T E C T	B5 C A B L E
6		B6 C A B L E

D-W1B1-P/N 4236416

D-W1A1-P/N 4236418 OR
D-W1A1-P/N 5145818

D-W1B5-P/N 4236417

D-W1B6-P/N 4236415



(CARD SIDE)

COPYRIGHT IBM CORP. 1978

EC HISTORY		DRAWING TITLE	
13 DEC 78	834777	PLUG CHART DETAIL - 62EH DISK (A0)	
25 JUL 79	834824	MACH 5340 MDL, XX1, XX2, XX3	
29 MAY 80	835024	PART NO 4236625	
C	CLASSIFICATION		IBM CORP
	4/13/77	SAS	

AC350

AC350

4236626

AC360

BOARD A-A3 (WITH 62EH INSTALLED)

THIS IS NOT A CARD SUBSTITUTION LIST

CARD SOCKET		
A-A3B2	POSITION DETECT	P/N 8255177
A-A3B4	COIL DRIVER	P/N 5264396
A-A3C2	DATA SEPARATOR	P/N 8219247
A-A3C4	VELOCITY CONTROL	P/N 8250457
A-A3D2	CONTROL & SAFETY	P/N 8522702, 8526353
A-A3E2	DISK SEEK CONTROL	P/N 4238430
A-A3F2	DISK RD/WR/SCAN CONTROL	P/N 4238464, 4238442
A-A3G2	ACCESS CONTROL	P/N 8562892
D-W1B3	PRE-AMP/WRITE DRV	P/N 8219255
D-W1A5	AGC/DETECT	P/N 8219260

27 MB CONFIGURATION:
DRIVE A IS UPPER DRIVE.
DRIVE B IS LOWER DRIVE.

FEATURE WIRING
NONE

CAPACITOR WIRING*
+24V
A4B05 TO GATE FRAME (GND)**
-24V
A5B13 TO GATE FRAME (GND)**

*CAPACITOR ASM P/N 2547890

**SLIDE GND TERMINALS OF BOTH CAP ASMS BETWEEN A-A3 BOARD AND GATE FRAME USING THE BOTTOM SCREW ON RIGHT HAND SIDE (FACING PINS) OF BOARD.

DE GROUND CABLE (PN 4236472) REF FSL NET YA430GA3 FOR CORRECT WIRING.

BOARD D-W1 LOWER DRIVE

BOARD	D-W1	LOWER DRIVE
A	B	
A1	B1	
CABLE	CABLE	
A2	B2	
A3	B3	
	PRE-AMP	GV240
A4	& WRITE	DRIVER
A5	B5	
AGC & DETECT	CABLE	
	B6	
	CABLE	

D-W1B1 - P/N 4236416

D-W1A1 - P/N 4236418 OR
D-W1A1 - P/N 5145818

D-W1B5 - P/N 4236417

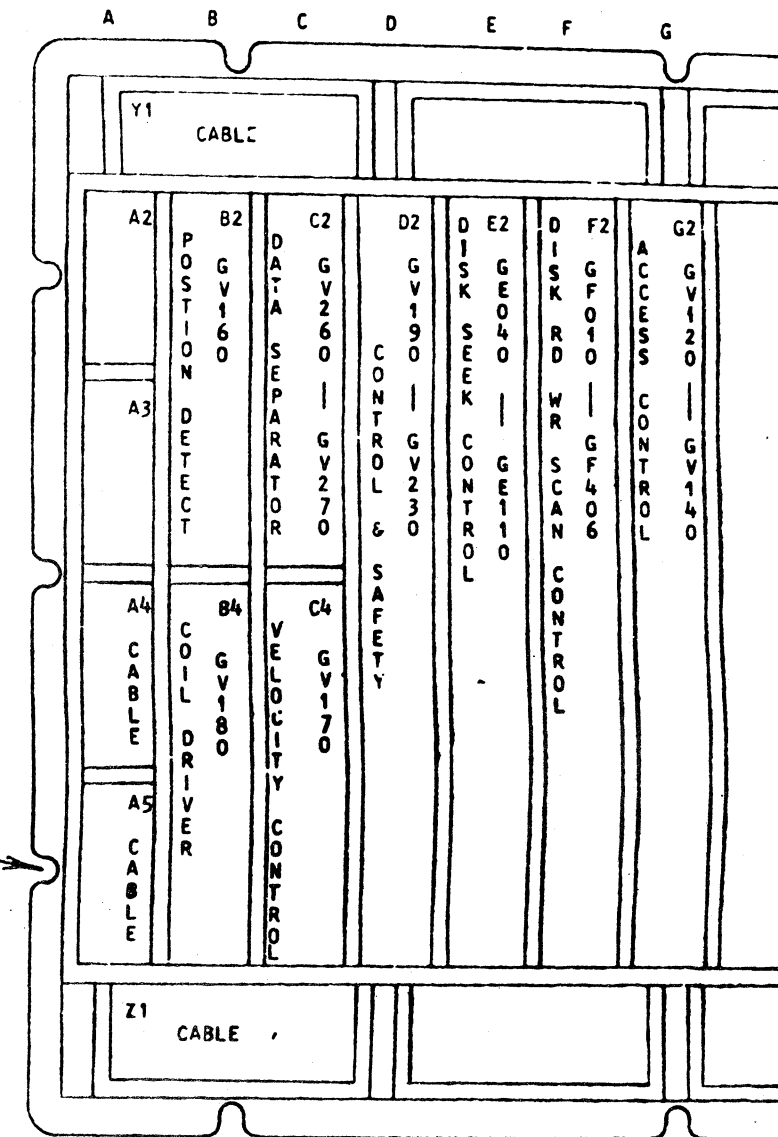
D-W1B6 - P/N 4236415

A-A3Y1

A-A3A4

A-A3A5

A-A3Z1



(CARD SIDE)

COPYRIGHT IBM CORP. 1978

EC HISTORY		DRAWING TITLE	
13DEC78	834777	PLUG CHART DETAIL - 62EH DISK (80)	
25JUL79	834824	MACH 5340 MODEL XX3	
29MAY80	835024	PART NO 4236626	
C	CLASSIFICATION		IBM CORP
	4/13/77	SAS	

AC360

AC360

4237706

AC500

CARD SWAPPING LIST

YOU CAN SWAP THE FOLLOWING CARDS DURING TROUBLESHOOTING.

BOARD A-A1

NOTE: THIS BOARD HAS 2 LEVELS:
LEVEL 1 BOARD DOES NOT HAVE A CARD IN THE A-A1B2 POSITION
LEVEL 2 BOARD HAS A CARD IN THE A-A1B2 POSITION

LEVEL 1 BOARD

- ALL EIGHT MAIN STORAGE CARDS (A-A1R2, A-A1R4, A-A1S2, A-A1S4, A-A1T2, A-A1T4, A-A1U2, A-A1U4).
- TWO CONTROL STORAGE CARDS (A-A1D4, A-A1E2).

LEVEL 2 BOARD

- ALL 16 MAIN STORAGE CARDS (A-A1M2, A-A1M4, A-A1N2, A-A1N4, A-A1P2, A-A1P4, A-A1Q2, A-A1Q4, A-A1R2, A-A1R4, A-A1S2, A-A1S4, A-A1T2, A-A1T4, A-A1U2, A-A1U4).
- TWO CONTROL STORAGE CARDS (A-A1B2, A-A1B4).

NOTE: CONTROL STORAGE CARDS AND MAIN STORAGE CARDS MAY BE DIFFERENT PART NUMBER, BUT THEY CAN BE SWAPPED FOR DIAGNOSTIC PURPOSE.

BOARD A-A2

- THE PRINTER CONTROLLER CARD (A-A2S2) AND THE WORK STATION CONTROLLER CARD (A-A2N2), ONLY IF THEY ARE THE SAME PART NUMBER.
- 1255 MICR CONTROLLER CARD A-A3S2 (IF INSTALLED).
- THE DATA COMMUNICATION A-A2J2 AND A-A2KZ ON THE A-A2 BOARD (IF INSTALLED CHECK SWITCH SWITCHINGS). A-A2H2 AND A-A2H4 (IF CARDS ARE SAME PN, CHECK SWITCH AND/OR JUMPER SETTINGS.)
- DO NOT MOVE THE REMAINING CARDS ON THE DATA COMMUNICATION BOARD (B-A1) FROM THEIR ASSIGNED POSITION.
- 62EH DISK DRIVE A'S ATTACHMENTS AND 62EH DISK DRIVES B'S ATTACHMENTS CAN BE SWAPPED RESPECTIVELY. REFER TO PAGES AC350 AC360 FOR CARD LOCATIONS.

BOARD C-A1

- FEATURE POWER SUPPLY A SENSE CARD C-A1C4 AND FEATURE POWER SUPPLY B SENSE CARD C-A1C5 (IF INSTALLED)

BOARD E-A1, B1, C1 AND D1

- 62 PC DISK DRIVES A, B, C, AND D CARDS CAN BE SWAPPED RESPECTIVELY. REFER TO PAGE AC 353.

NOTE: SOME OF THE ABOVE MENTIONED CARDS MAY NOT BE INSTALLED IN YOUR SYSTEM.

COPYRIGHT IBM CORP 1978

EC HISTORY		DRAWING TITLE	
	25 JUL 79	834824	CARD SWAPPING LIST
RED	11 NOV 80	835083	MACH 5340
			PART NO 4237706
C			CLASSIFICATION
			4/18/77 JC IBM CORP

AC500

AC500

4237840

A
D
D
D
D

PIN LISTS AND NET LISTS

A
D
D
D
D

INTRODUCTION

THE PIN LISTS AND NET LISTS ARE DESIGNED TO AID THE CE'S IN QUICK TRACING A NET WHEN CHECKING FOR CONTINUITY OR WHEN REPAIRING A NET ON A BOARD. THEY ARE GENERATED FROM THE FIELD SERVICE LOGICS AND USED AS SUPPLEMENTAL INFORMATION TO THE FIELD SERVICE LOGICS AND MAPS (VOL. A).

HOW TO USE

WHEN YOU ARE GIVEN A PIN LOCATION AND ASKED TO TRACE THE NET THAT THE PIN BELONGS TO, THE PIN LIST IS ALWAYS USED FIRST TO LOCATE THE NET NAME (PINS ARE LISTED IN ALPHABETICAL ORDER IN THE PIN LIST). AFTER OBTAINING THIS NET NAME, NET LIST OF EACH BOARD IS USED TO TRACE OUT THE WHOLE NET (NET LIST IS ALSO LISTED IN ALPHABETICAL ORDER). SINCE NET LISTED IS GENERATED ON THE BOARD BASIS, A CABLE DIAGRAM (AB100OR AB110) IS USED IN CONJUNCTION WITH THE NET LIST TO GIVE THE USER A PICTORIAL VIEW OF THE SYSTEM NET LIST.

NET AND PIN LISTS OF THE FOLLOWING BOARDS WERE GENERATED:

- A - A1 AD100 AND AD150
- A - A2 AD200 AND AD250
- A - A3 AD300 AND AD350
- B - A1, A2 AD400 AND AD450
- B - A3 AD410 AND AD460
- C - A1 AD500 AND AD550
- C - B1 AD560 AND AD570
- E - A1, B1, C1, D1 AD600 AND AD650

NOTE: FOR 62EH ONLY

FIELD SERVICE LOGICS FOR DISK DRIVE B0 ARE NOT GENERATED BECAUSE THEY ARE IDENTICAL TO DISK DRIVE A0'S LOGICS. PAGE GF400 OF DISK FIELD SERVICE LOGICS SHOWS THE INTERFACE BETWEEN DRIVE B0 AND THE I/O CHANNEL.

TO LOCATE PIN AND NET LISTS BETWEEN DRIVE B0 AND THE I/O CHANNEL, REFER TO PAGE GF400 FOR MORE INFORMATION. FOR INTERNAL PIN AND NET LISTS OF DRIVE B0 (THOSE NOT LISTED IN PAGE GF400), USE THE PIN AND NET LISTS OF DISK DRIVE A0 ON THE A-A2 BOARD PIN AND NET LISTS.

ALL PIN LOCATIONS AND NET NAMES FOR DRIVE B0 ARE THE SAME AS PIN LOCATIONS AND NET NAMES OF DRIVE A0, USERS HAVE TO SUBSTITUTE A2 BY A3 FOR ALL PIN LOCATIONS WHEN REFERING TO DRIVE B0.

COPYRIGHT IBM CORP. 1978

EC HISTORY		DRAWING TITLE	
02DEC77	832850	PIN LISTS AND NET LISTS	
13DEC78	834777	MACH	5340
25JUL79	834824	PART NO	4237840
B	27JUN80	835000	CLASSIFICATION
	11NOV80	835083	7/14/77 J.C.
			IBM CORP

A
D
D
D
D

A
D
D
D
D

NET NO.	PIN	PIN	NET NO.	PIN	PIN	NET NO.	PIN	PIN	NET NO.	PIN	PIN	NET NO.	PIN	PIN
CE110FB20	A4D05*	F2G09	CH006AF30	H2U09	T6D04*	MS130EK56	P2D08		MS240EK56	Q4D08		PA130BA10	E2J13	K2P11
CE110FB40	A4D04*	F2G06	CH006AG30	H2U04	T6D02*	MS130EK57	P2J08		MS240EK57	Q4J08		PA130BG10	L2M11	D2P02
CE110FB60	A4B03*	F2J09	CH006AH30	H2U02	T6E02*	MS130EK58	P2G13		MS240EK58	Q4G13			B4J07	D2P02
CE110FB80	A4D02*	F2J06	CH006AJ30	H2S03	U6A02*	MS130EK59	P2B03		MS240EK59	Q4B03			E2G10	K2P06
CE110FF20	A4D10*	F2J07	CH007AA30	N6E02*		MS140EK50	Q2B11		MS250EK50	R4B11		PA130BM10	L2M06	
CE110FF40	A4D09*	F2G05	CH007AB30	H2B09	Q6C02*	MS140EK51	Q2G11		MS250EK51	R4G11			B4J04	D2M02
CE110FF60	A4B08*	F2G02	CH007AC30	H2M03	Q6B04*	MS140EK52	Q2D03		MS250EK52	R4D03		PA160BP10	E2M03	K2P09
CE110FF80	A4D07*	F2J02	CH007AD30	D2S06	U6C04*	MS140EK53	Q2J03		MS250EK53	R4J03			L2M09	
CE120FB20	A4D06*	G2M11	CH008AE30	Q2S08	H2S02	MS140EK54	Q2B06		MS250EK54	R4B06		PA130BS10	B4D12	D2P05
CE120FB40	A4B05*	G2M08		U6B04*		MS140EK55	Q2G06		MS250EK55	R4G06			E2G12	K2M02
CE120FB60	A4B04*	G2M12	CH008AF30	D2P11	H2D12	MS140EK56	Q2D08		MS250EK56	R4D08		PA130BY10	L2B13	
CE120FB80	A4B02*	D2S04	CH008AG30	D2M09	U6A04*	MS140EK57	Q2J08		MS250EK57	R4J08			B4D09	D2G02
CE120FF20	A4D11*	G2G13	CH008AH30	H2J13	R6D02*	MS140EK58	Q2G13		MS250EK58	R4G13		PA130D10	E2J12	K2M09
CE120FF40	A4B10*	G2J13	CH008AJ30	H2G11	L6D02*	MS140EK59	Q2B03		MS250EK59	R4B03			B4J12	D2P06
CE120FF60	A4B09*	G2M04	CH009AA30	M6D04*	L6E04*	MS150EK50	R2B11		MS260EK50	S4B11		PA130DJ10	L2P07	K2P12
CE120FF80	A4B07*	G2P05	CH009AB30	H2J04	L6E04*	MS150EK51	R2G11		MS260EK51	S4G11			B4J12	D2P06
CE130DA20	A4B13*	G2M12	CH009AC30	H2J11	R6D04*	MS150EK52	R2D03		MS260EK52	S4D03		PA130DV10	L2M12	
CE130DA40	A4B12*	D2J04	CH009AD30	A2D12*	L6E02*	MS150EK53	R2J03		MS260EK53	S4J03			B4J09	D2J12
CE130DA60	A4D13*	D2J02	CH009AE30	B1C11*	N6C02*	MS150EK54	R2B06		MS260EK54	S4B06		PA130DP10	E2G11	K2P04
CE130DA80	A4D12*	D2J04	CH009AF30	H2C02*	N6E04*	MS150EK55	R2G06		MS260EK55	S4G06			L2M04	
CE130DA90	A4D11*	D2J02	CH009AG30	H2E04*	N6E04*	MS150EK56	R2D08		MS260EK56	S4D08		PA160BV10	B4J05	D2P04
CE130DA92	A5D12*	D2J05	CH011AA30	H2B04	M6B04*	MS150EK57	R2J08		MS260EK57	S4J08			E2P02	K2P07
CE140AA36	A5D11*	C1A13*	CH011AC30	H2D02	Q6B02*	MS150EK58	R2G13		MS260EK58	S4G13		PA160BY10	L2M07	
CE140AA46	A5D09*	G2U13	CH011AD30	H2B02	Q6B02*	MS150EK59	R2B03		MS260EK59	S4B03			B4D13	D2M05
CE140AA57	A5D06*	D2D06	CS110EK40	R2B04		MS160EK50	R2B11		MS270EK50	T4B11		PA140BA10	E2J11	K2M03
	G2B12			R2J11	n2J11	MS160EK51	S2G11		MS270EK51	T4G11			L2G03	
	A5D05*	G2J04	CS110EK41	E2P05		MS160EK52	S2D03		MS270EK52	T4D03			M2J11	N2J11
	G2B05	G2B05		B2J12	D2P07	MS160EK53	S2J03		MS270EK53	T4J03		PA140BA10	P2J11	N2J11
	A5B08*	G2B03	CS110EK42	E2M04		MS160EK54	S2B06		MS270EK54	T4B06			R2J11	S2J11
	A5B09*	B1E13*		B2J07	D2J13	MS160EK55	S2G06		MS270EK55	T4G06			T2J11	U2J11
	A5B12*	F2G04	CS110EK43	E2P04		MS160EK56	S2D08		MS270EK56	T4D08		PA140BD10	M2J12	N2J12
	A5B13*	B1B13*		B2J09	D2P09	MS160EK57	S2J08		MS270EK57	T4J08			P2J12	Q2J12
	A1D11*	A5B11*	CS110EK44	E2M05		MS160EK58	S2G13		MS270EK58	T4G13			R2J12	S2J12
	A5D12*	F2P11		B2J04	D2G11	MS170EK51	S2B03		MS280EK51	T4B03		PA140BG10	T2J12	U2J12
	A5B06*	C1C13*	CS110EK45	E2J10	F2P07	MS170EK52	T2B11		MS280EK52	U4B11			M2J07	N2J07
	A5B05*	F6B02*		E2J05	D2G13	MS170EK53	T2G11		MS280EK53	U4G11			Q2J07	Q2J07
	A5D10*	F6C02*	CS110EK46	F2P06	D2M04	MS170EK54	T2D03		MS280EK54	U4D03		PA140BG10	P2J07	Q2J07
	H2M02	R6A04*		B2P12	F2P04	MS170EK55	T2B06		MS280EK55	U4B06			R2J07	S2J07
	H2M04	R6E04*	CS110EK47	E2P04	F2M03	MS170EK56	T2G06		MS280EK56	U4G06		PA140BJ10	T2J07	U2J07
	H2M05	R6B02*		E2G09	F2P05	MS170EK57	T2D08		MS280EK57	U4D08			V2D12	
	H2M06	Q6D02*	CS110EK48	D2G09	D2G09	MS170EK58	T2J08		MS280EK58	U4J08		PA140BJ10	M2J09	N2J09
	H2M07	R6B04*		E2G13		MS170EK59	T2G13		MS280EK59	U4G13			P2J09	Q2J09
	H2M08	R6C02*	CS110EK50	B2B11		MS180EK50	T2B03		MS280EK50	U4B03		PA140BJ10	R2J09	S2J09
	H2M09	Q6E02*		B2G11		MS180EK51	U2B11		MS280EK51	U4B11			T2J09	U2J09
	H2M10	S6A04*	CS110EK51	B2D03		MS180EK52	U2G11		MS280EK52	U4G11		PA140BM10	V2B12	
	H2P12	Q6E04*		B2J03		MS180EK53	U2D03		MS280EK53	U4D03			M2J04	N2J04
	H2J12	Q6A02*	CS110EK52	B2B06		MS180EK54	U2J03		MS280EK54	U4J03		PA140BM10	P2J04	Q2J04
	H2S06	Q6A04*		B2G06		MS180EK55	U2B06		MS280EK55	U4B06			R2J04	S2J04
	H2S04	Q6C04*	CS110EK53	B2D08		MS180EK56	U2G06		MS280EK56	U4G06		PA140BM10	T2J04	U2J04
	H2M12	P6E02*		B2J08		MS180EK57	U2D08		MS280EK57	U4D08			T2J04	U2J04
	H2M11	R6C04*	CS110EK54	B2G13		MS180EK58	U2J08		MS280EK58	U4J08		PA140BP10	E2P09	F2U09
	H2M13	T6B02*		B2B03		MS180EK59	U2G13		MS280EK59	U4G13			E2S08	F2U08
	C2M08	G2B04	CS112EK50	B4B04		MS180EK50	U2B03		MS280EK50	U4B03		PA140BP10	R2J05	S2J05
	H2D07	L2D07		B4B11		MS210EK50	M4B11		MS280EK50	U4B11			T2J05	U2J05
	B1B11*	N6C04*	CS112EK51	B4G11		MS210EK51	E2M11		MS280EK51	U4M11		PA140BS10	V2B11	
	B1A11*	F2D06		B4D03		MS210EK52	E2M12		MS280EK52	U4M12			M2D12	N2D12
	G2B07	M6A04*	CS112EK52	B4J03		MS210EK53	G2U11		MS280EK53	U4G11		PA140BS10	P2D12	Q2D12
	L2M13	T6E04*		B4B06		MS210EK54	E2M12		MS280EK54	U4M12			R2D12	S2D12
	G2J09	V6B04*	CS112EK53	B4G06		MS210EK55	G2U10		MS280EK55	U4G10		PA140BV10	T2D12	U2D12
	G2G10	V6A02*		B4D08		MS210EK56	E2M08		MS280EK56	U4M08			T2D12	U2D12
	G2U06	V6B02*	CS112EK54	B4J08		MS210EK57	G2U10		MS280EK57	U4G10		PA140BV10	V2D10	
	G2U07	U6D04*		B4G13		MS210EK58	E2M11		MS280EK58	U4M11			M2D13	N2D13
	G2S06	U6E04*	CS112EK55	B4B03		MS210EK59	G2S09		MS280EK59	U4G09		PA140BV10	P2D13	Q2D13
	G2S02	G2S10		B4B03		MS220EK50	E2M13		MS280EK50	U4M13			R2D13	S2D13
	V6A04*		MS110EK50	M2B11		MS220EK51	E2M13		MS280EK51	U4M13		PA140BV10	T2D13	U2D13
	G2S13	N6B04*		M2G11		MS220EK52	H2P05		MS280EK52	U4H05			T2D13	U2D13
	G2U02	G2U02	MS110EK51	M2G11		MS220EK53	F2S03		MS280EK53	U4F03		PA140BY10	V2B10	
	M6D02*			M2J03		MS220EK54	F2S04		MS280EK54	U4F04			M2D09	N2D09
	A5D07*	M6E04*	MS110EK52	M2D08		MS220EK55	F2S04		MS280EK55	U4F04		PA140BY10	P2D09	Q2D09
	H2B10	Q6D04*		M2J08		MS220EK56	H2P10		MS280EK56	U4H10			R2D09	S2D09
	C2J13	H2G07	MS110EK53	M2B06		MS220EK57	T2D09		MS280EK57	U4B06		PA160BA10	U2D09	U2D09
	T6C02*			M2G06		MS220EK58	T2D09		MS280EK58	U4B06			V2B09	
	H2D11	U6C02*	MS120EK50	M2D08		MS220EK59	E6B04*		MS280EK59	U4B06		PA160BA10	M4J11	N4J11
	D2B02	F2M08		M2J08		MS230EK50	A3D04*		MS280EK50	U4B06			P4J11	Q4J11
	G2S07	H2B06	MS120EK51	M2G13		MS230EK51	E6B02*		MS280EK51	U4B06		PA160BA10	R4J11	S4J11
	J2S12	U6E02*		M2B03		MS230EK52	A3B12*		MS280EK52	U4B06			T4J11	U4J11
	A5B04*	C2U06	MS120EK52	N2B11		MS230EK53	F6A04*		MS280EK53	U4B06		PA160BD10	V2P06	
	F2D10	G2B10		N2G11		MS230EK54	A3B03*		MS280EK54	U4B06			M4J12	N4J12
	H2D06	N6B02*	MS120EK53	N2D03		MS230EK55	A3B04*		MS280EK55	U4B06		PA160BD10	P4J12	Q4J12
	N6D04*			N2J03		MS230EK56	E6C02*		MS280EK56	U4B06			R4J12	S4J12
	H2G12	N6A04*	MS120EK54	N2B06		MS230EK57	C1D11*		MS280EK57	U4B06		PA160BD10	T4J12	U4J12
	B1D11*	N6D02*		N2G06		MS230EK58	C1D11*		MS280EK58	U4B06			T4J12	U4J12
	H2U10	T6A02*	MS120EK55	N2D08		MS230EK59	E6D04*		MS280EK59	U4B06		PA160BG10	V2M06	
	H2U05	R6E02*		N2D08										

NET NO.	PIN	PIN	NET NO.	PIN	PIN	NET NO.	PIN	PIN	NET NO.	PIN	PIN	NET NO.	PIN	PIN
PC030DI30	L2502		PC230BC61 (05)	B2G04	C2B02	PC508FR20	D2P10	H2G03	PM300DV61	K2D05	V2B05	PM720EF50	L2J12	M4G08
PC030DP30	C2G09	J2U11		E2B05	F2J11	PC510EB10	D2D04	H2G04	PM300DV71	K2B08	V2D05		M4G08	M4D06
PC030DS30	B2D10	B4D10		L2B05		PC510EX20	C2P05	D2G03	PM300DV81	K2D09	V2D06		M4G08	M4D06
	C2J02		PC230BC61 (06)	B2B10	C2U11		F2G07	H2B07	PM300DV91	K2D06	L2B08		S4G08	R4D06
PC030FK30	C2P11	D2J07		E2B11	F2G11		J2U12		PM300DV92	K2D11	M4D05		S4G08	R4D06
	E2J09	F2P10		L2D06		PC532BXB0	H2D13			N4D05	P4D05	PM720EF60	L2J13	M4G02
	G2B11		PC230BC61 (07)	B2B12	C2S09	PC532BXC0	H2G06			N4G02	R4D05		M4G02	M4G02
PC100DT30	C2D04	D2D05		E2D05	F2J12	PC532B030	H2J02			S4D05	T4D05		Q4G02	R4G02
	L2P10			L2B06		PC532GF30	D2S11	G2D10		U4D05			S4G02	T4G02
PC100EJ30	D2M06	F2B06	PC230BQE0	E2U13	C2P10		H2B11		PM300DV93	K2J09	M4G12	PM720EK10	U4G02	M4B08
PC110CA30	C2G12	D2S09	PC230BQ21 (08)	B4G09	G2M10	PC532GJ30	D2S10	G2B09		N4G12	P4G12		L2P04	M4B08
	F2M04	G2P13		E2U02	J2U02		H2G08			Q4G12	R4G12		N4B08	P4B08
	H2D09			H2U13		PC532GN30	D2U13	G2D11		S4G12	T4G12		Q4B08	R4B08
PC110EN30	D2S12	E2P10		K2G12			H2B12			U4G12			S4B08	T4B08
	G2B08	H2B08	PC230BQ21 (09)	B4G10	C2M10		G2M13	H2D10		J2S03	K2P02		U4B08	V4B08
PC110FT30	D2B04	F2M09		E2U04	G2P12	PC532GR30	H2B05		PM300FE30	L2D13	K2J12		L2G08	M4D07
	G2B13			H2S09	J2P13	PC532GU30	H2D04		PM380CL30	J2B13	K2U02	PM720EK20	N4D07	P4D07
PC120GB30	D2B03	E2G03		K2J06		PC532GX30	H2D05		PM420FR30	J2S02	K2M04		N4D07	P4D07
PC120GD30	D2D09	E2G08	PC230BQ21 (10)	B4G05	C2S02	PC532G030	E6C02*	H2J06	PM440BZ30	K2J02	V2M09		Q4D07	R4D07
PC120GG30	D2B07	E2D06		E2S02	G2M09	PC532G030	H2B03		PM440DC20	K2J04	V2M11	PM720EK30	S4D07	T4D07
PC120GJ30	D2B05	E2D11		H2U06	J2B11	PC554BV30	M6C04*		PM440DF20	K2G07	V2M13		U4D07	V4D07
PC130FD30	C2J07	D2B08		K2G08					PM440DM20	K2J07	V2P13		U4D07	V4D07
	F2S11		PC230BQ21 (11)	B4G07	C2S04				PM440DP20	K2G02	V2M10		L2U04	M2B08
	D2B13	G2G03		E2S04	G2P09	PM002BT30	J2S11	L2P13	PM440DS20	K2G03	V2P10		N2B08	P2B08
PC132BA30	D2B09	D2B09		H2U07	J2D12	PM004BED0	J2U12		PM440DV20	K2G04	V2P12		Q2B08	R2B08
PC134FA30	C2B05	D2D09		K2J05		PM008BF30	J2M02	L2D12	PM440DX20	K2G06	V2M12	PM720EK40	U2B08	V2B08
PC134FF30	C2G05	D2D02		E2U09	G2P02	PM008BI30	J2P02	L2B12	PM440DZ20	K2B09	V2M08		L2U05	M2D07
PC136FA30	D2D11	E2B03	PC230BQ21 (12)	B4G03	C2U09	PM042BK40	J2P05	K2G10	PM704ABC0	L2D13	M2B09		N2D07	P2D07
PC136FD30	D2D10	E2D10		E2U09	G2P02	PM042DB40	J2P04	K2M11	PM704CB31 (06)	L2S06	M2B09	PM720EK50	Q2D07	R2D07
PC136FG30	D2J10	E2D09		H2U12	J2B12	PM042DN40	J2G13	K2M10		L2S06	M2B09		S2D07	T2D07
PC136FJ30	D2J09	E2B09		K2G05		PM042FH40	J2M04	K2G09		N2B09	R2B09		U2D07	V2D07
PC138FA30	D2G05	E2G04	PC230BQ21 (13)	B4G04	C2P12	PM044AB30	C2J06	J2G10		Q2B09	R2B09		L2U06	M2B05
PC138FD30	D2D10	E2G06		E2U10	G2P11	PM044FK30	J2U11	K2M07		S2B09	T2B09		N2B05	P2B05
PC138FJ30	D2D12	E2G02		H2S11	J2B05	PM104DA30	J2P12	K2U09		S2B09	T2B09		Q2B05	R2B05
PC138FM30	C2U04	D2M07		K2B13		PM106DA30	J2M12	K2S09		U2B09	V2B09		S2B05	T2B05
	F2U11	H2J05	PC230BQ21 (14)	B4B10	C2S08	PM106GN30	J2M13	K2U10	PM704CB92 (06)	L2S07	M2J06		L2B05	M4D11
PC138GG30	D2B10	E2G07		E2S08	G2P07	PM122DB30	J2U04	K2G13		N2J06	R2J06	PM720EK70	U2B05	V2B05
PC140FE30	D2B11	E2S07		H2S08	K2D13	PM122DE40	J2S04	K2P10		Q2J06	T2J06		N4B05	P4B05
PC142DM30	C2S07	D2U07	PC230BQ21 (15)	B4B12	C2S10	PM122FG40	J2U05	K2P05		S2J06	T2J06		Q4B05	R4B05
	E2P11	F2D09		E2S10	G2M02	PM126ED40	J2S05	K2J11		U2J06	V2J06		S4B05	T4B05
	G2M07			H2S05	J2D11	PM130FT30	J2U13			N4B09	R4B09		U4B05	V4B05
PC142EA30	C2J05	D2M10	PC230CB30	K2D12	E2G05	PM142DG40	J2P09	K2M05		Q4B09	R4B09		L2M08	M4D02
PC142ED30	E2P12	E2P12	PC230CD30	E2G05		PM142DN30	J2P06	K2B05		N4D02	P4D02	PM720EK80	Q4D02	R4D02
PC142EH30	D2J10	E2P07	PC230DA30	E2U11			L2J07			S4B02	T4B02		S4D02	T4D02
PC146FK30	D2U11	F2U06		B2B07	C2S13	PM144EJ20	J2P07	K2M06		U4B09	V4B09		U4D02	V4D02
PC150FB30	D2J06	E2U06		E2B10	F2G12	PM144EN30	J2M09	K2B11	PM704CB92 (07)	L2J09	M4J06		U4D02	V4D02
	L2G10			L2D02		PM144ER30	J2M08	K2B12		N4J06	P4J06	PM720GK30	Q4J06	R4J06
PC150FG30	D2M13	E2U05	PC230DC30	E2D02	F2S02	PM144FU20	J2M07	K2M08		Q4J06	R4J06		S4D02	T4D02
	L2M10		PC230DD30	C2S11	E2B04	PM164FU40	J2B08	K2M12		U4J06	V4J06		Q2D02	R2D02
PC150FL30	D2P12	E2S05		H2S07	K2B10	PM164GS40	J2D05	K2M13	PM720AG30	L2S04	N2B04		S2D02	T2D02
	L2G02		PC230DT30	B4B07	E2D04	PM168EF30	J2B07	L2M05		Q2B04	R2B04		U2D02	V2D02
PC152FE30	D2U05	E2P13	PC250ED30	E2S09	F2S12	PM168GA30	C2D12	J2D07	PM720AG40	L2S03	M2B04	PM722GF30	C2G03	L2S05
PC152FK30	D2S02	E2S06	PC260BC41	C2J11	E2J05	PM168GP30	J2D06	K2D04		P2B04	R2B04	PM722GJ30	C2G03	L2S05
PC160FA30	D2D13	E2S11		F2B07		PM204DE12 (P)	J2G05	K2S04		P2B04	R2B04	PM722GL30	L2S10	V2U09
PC160FD30	D2G06	E2B13	PC260BF31	E2B02		PM204DE12 (08)	J2G06	K2U11		P2B04	R2B04	PM722G030	F2M11	L2G06
PC160GG30	D2B06	F2U04	PC302FA20	D2B12	F2M05	PM204DE12 (09)	J2J04	K2U07	PM720CB30	L2U11	M2B02		F2M12	L2G04
PC162ET30	C2D02	D2S07	PC304DE30	D2D07	F2P02	PM204DE12 (10)	J2D10	K2U12		N2B02	P2B02		J2B04	L2B07
	F2M06		PC310DE30	C2J12	F2B10	PM204DE12 (11)	J2B10	K2S07	PM720CB40	L2U12	P2B02		G2G05	L2U02
PC162FB30	D2G04	F2D02		H2G12	J2G11	PM204DE12 (12)	J2B09	K2U05		Q2B02	R2B02	PM720CB50	V2S12	V2G02
	G2J11			J2G12		PM204DE12 (13)	J2J09	K2S08		U2U13	V2U13		M2D04	P2D04
PC162FF30	D2U04	F2D07	PC320CC30	F2M13		PM204DE12 (14)	J2D09	K2U04	PM720CB60	S2B02	T2B02		R2D04	T2D04
	G2M05		PC330BA30	A2B12*	F2S09	PM204DE12 (15)	J2D09	K2G11		U2B02	V2B02		S2B04	T2B04
PC162FH30	D2S05	F2B05	PC330BD30	A3B11*	F2B12	PM222BN30	J2S06	K2S06		U2B02	V2B02	PM900AA12	M4D04	N2D04
	G2M06		PC330CV30	F2S13	F2D09	PM222BQ30	J2S07	K2D10	PM720CB70	L2S12	M4B02		P4D04	R4D04
PC162FJ30	D2G07	F2B03	PC330DT30	C2P02	F2U13	PM222BU40	J2M05	L2D10		N4B02	P4B02		T4D04	V2M07
	G2G12			G2D05	G2P11	PM222DV91	J2M11	K2J13	PM720CB80	L2P06	P4B02	PM900AA16	Q2D04	S2D04
PC162FL30	D2U02	F2D04	PC330GG30	F2B11	G2J02	PM240CTF0	J2M06	K2U10		Q4B02	R4B02		U2D04	V2D04
	G2P04		PC340FB30	F2S07	G2J02	PM240CTF3	J2D02	K2S05	PM720CB90	L2P11	R4B02		S4D04	T4D04
PC162GF30	D2G08	F2D05	PC400AF50	F2G08	G2J06		J2D02	K2D08		S4B02	T4B02	PM900AA17	N4D04	N2D04
	G2P06			H2J09	J2U06	PM300BC41 (P)	K2U13	L2B09	PM720CB91	L2P12	T4B02		Q4D04	Q4D04
PC162GV30	D2S03	E2S03	PC400AK30	G2D12		PM300BC41 (00)	K2S10	L2P05		U4B02	V4B02	PM900AA21	V2P07	V2P07
PC210GX30	E2U12	F2U12	PC400AQ30	G2D13	H2S13	PM300BC41 (01)	K2S11	L2P02	PM720EB30	L2U09	M2D10		M4B04	P4B04
PC220BA30	E2D13	F2P09	PC402AH00	G2P05		PM300BC41 (02)	K2S12	L2B11		N2D10	P2D10		R4B04	T4B04
PC220BG30	E2J02	F2M10	PC402EB30	A2D09*	G2J06	PM300BC41 (03)	K2S13	L2M02		N2D10	P2D10	PM900AA22	V2S06	V2S06
PC220DH30	E2J06	F2U10	PC404CF30	G2G09	H2G02	PM300BC41 (04)	K2S02	L2J02		Q2D10	R2D10		N4B04	Q4B04
PC230BCB4	E2S13		PC404CS51	G2G06	J2U13	PM300BC41 (05)	K2P13	L2D09		S4B04	U4B04		S4B04	U4B04
			PC404EZ30	G2G07	J2G07	PM300BC41 (06)	K2S03	L2B10	PM720EB60	L2M03	M4D10		V2U06	V2U06
PC230BC61 (00)	B2G09	C2M07	PC404FW30	A2D05*	A2D06*	PM300BC41 (07)	K2J06	L2D11		N4D10	P4D10	PM900AA26	N2B13	N2B13
	E2D12	F2G10		G2J07		PM300DV11	K2B06	L2G07		Q4D10	R4D10		Q2B13	R2B13
PC230BC61 (01)	B2G10	C2P07	PC406GJ30	G2J10	G2J10		M2D05	N2D05		S4D10	T4D10		T4B12	U4B12
	E2D07	F2J13	PC422AB90	F2P13										

NET NO.	PIN	PIN	NET NO.	PIN	PIN	NET NO.	PIN	PIN	NET NO.	PIN	PIN	NET NO.	PIN	PIN
PM910AA41	P2G04	Q2G04												
	R2G04	S2G04												
	T2G04	U2G04												
	V2G10													
PM910AA42	M4G04	N4G04												
	P4G04	Q4G04												
	R4G04	S4G04												
	T4G04	U4G04												
	V2U05													
PM910AA51	M2G03	N2G03												
	P2G03	Q2G03												
	R2G03	S2G03												
	T2G03	U2G03												
	V2G11													
PM910AA52	M4G03	N4G03												
	P4G03	Q4G03												
	R4G03	S4G03												
	T4G03	U4G03												
	V2S05													
PM910AA61	M2G07	N2G07												
	P2G07	Q2G07												
	R2G07	S2G07												
	T2G07	U2G07												
	V2J11													
PM910AA62	M4G07	N4G07												
	P4G07	Q4G07												
	R4G07	S4G07												
	T4G07	U4G07												
	V2S07													
PM910AA71	M2G05	N2G05												
	P2G05	Q2G05												
	R2G05	S2G05												
	T2G05	U2G05												
	V2G12													
PM910AA72	M4G05	N4G05												
	P4G05	Q4G05												
	R4G05	S4G05												
	T4G05	U4G05												
	V2U07													
PM910AA81	M2G10	N2G10												
	P2G10	Q2G10												
	R2G10	S2G10												
	T2G10	U2G10												
	V2J12													
PM910AA82	M4G10	N4G10												
	P4G10	Q4G10												
	R4G10	S4G10												
	T4G10	U4G10												
	V2S10													
PM910AA91	M2G09	N2G09												
	P2G09	Q2G09												
	R2G09	S2G09												
	T2G09	U2G09												
	V2G13													
PM910AA92	M4G09	N4G09												
	P4G09	Q4G09												
	R4G09	S4G09												
	T4G09	U4G09												
	V2S09													
YA303FB30	A2D13*	B1D13*												
YA303FD30	A2B13*	B1C13*												
YA320AA01	A1E11*	A1E13*												
	A2B02*	A5B02*												
	A2D03*													
YA410AK10	A2D06*													
YA410AK30	A5D04*													
YA410AW10	A5B03*													
YA410AW20	A3D08*	A4D08*												
YA410AW30	A5D08*													
YA410AW40	A5D02*													

AD (C) COPYRIGHT IBM CORP. 1978

NOTE: IF THE NET NAME HAS A TRAILING ZERO (I.E. CH005AC30), THIS TRAILING ZERO WILL BE SHOWN IN THE NET AND PIN LISTS. THE LOGIC PAGES WILL OMIT THESE TRAILING ZEROS. THUS CH005AC30 AND CH005AC3 REPRESENT THE SAME NET. 835015A

* DENOTES I/O CABLE PIN (NN) DENOTES BIT (NN) OF A BUNDLE NET

BOARD A-A1 P/N 826 5274

NET LIST			
LDC=1A-A1			
PN 8266242	Ec	835083F	
MACH TYPE=5340			
PPN	PEC835015		PG03
TIME= 81448	DATE= 81351		

PIN	NET NO.	PIN	NET NO.	PIN	NET NO.	PIN	NET NO.	PIN	NET NO.	PIN	NET NO.	PIN	NET NO.
A1D11	CE140AA78	B1B13	CE140AA77	B4J02	PC002GB61	C2S04	PC230BQ21 (11)	D2S08	CH008AE30	E2S11	PC160FA30	F2S06	PA110CP10
A1D13	OP110AA31	B1C11	CH009AG30	B4J03	CS112EK53	C2S06	PC002GB21	D2S09	PC110CA30	E2S13	PC230BCB4	F2S07	PC340FB30
A1E11	YA320AA01	B1C13	YA303FD30	B4J04	PA130BM10	C2S07	PC142DM30	D2S10	PC532GF30	E2U02	PC230BQ21 (08)	F2S08	PA110CD10
A1E13	YA320AA01	B1D11	CH003AF03	B4J05	PA130DP10	C2S08	PC230BQ21 (14)	D2S11	PC532GF30	E2U04	PC230BQ21 (09)	F2S09	PC330BA30
A2B02	YA320AA01	B1D13	YA303FB30	B4J06	PC002GBA31	C2S09	PC230BC61 (07)	D2S12	PC110EN30	E2U05	PC150FG30	F2S10	PC024FE30
A2B03	OP110AA32	B1E13	CE140AA72	B4J07	PA130BG10	C2S10	PC230BQ21 (15)	D2S13	PC022CP20	E2U06	PC150FB30	F2S11	PC130FD30
A2B04	OP110AB22	B2B02	PC020FD30	B4J08	CS112EK57	C2S11	PC230DQ30	D2U02	PC162FL30	E2U08	PC210GX30	F2S12	PC250ED30
A2B05	OP110AB21	B2B03	CS110EK59	B4J09	PA130DJ10	C2S12	PC002EP11	D2U04	PC162FF30	E2U09	PC230BQ21 (12)	F2S13	PC330CV30
A2B06	OP110AA52	B2B04	CS110EKNO	B4J10	PC002GB51	C2S13	PC230DA30	D2U05	PC152FE30	E2U10	PC230BQ21 (13)	F2U02	PA110CY10
A2B07	OP110AA51	B2B05	PC020DL30	B4J11	PA130BA10	C2U02	PA120DZ30	D2U06	PC150FB30	E2U11	PC230CD30	F2U04	PC160GB30
A2B08	OP110AB31	B2B06	CS110EK54	B4J12	PA130DD10	C2U04	PC138FM30	D2U07	PC142DM30	E2U12	PC210GX30	F2U05	PA110EV10
A2B09	PC022FY30	B2B07	PC230DA30	B4J13	PC002GBB1	C2U05	PC022FY30	D2U09	PC022ED30	E2U13	PC230BQE0	F2U06	PC146FK30
A2B10	PC022GK30	B2B08	PC020DL10	C1A11	PA120EV10	C2U06	CH003AC03	D2U10	PC142EH30	E6B02	PA120BM10	F2U07	PA110DG10
A2B12	PC330BA30	B2B09	PC002GA21	C1A13	CE140AA36	C2U07	PC002GA21	D2U11	PC146FK30	E6B04	PA120BA10	F2U09	PA110BA10
A2B13	YA303FD30	B2B10	PC230BC61 (06)	C1B11	PA120CP10	C2U09	PC230BQ21 (12)	D2U12	PC422AC20	E6C02	PA120CP10	F2U10	PC220DH30
A2D02	OP110AA31	B2B11	CS110EK50	C1B13	PA120DS10	C2U10	PC002GB10	D2U13	PC532GF30	E6C02	PC554BV30	F2U11	PC138FM30
A2D03	YA410AK10	B2B12	PC230BC61 (07)	C1C11	PA120BM10	C2U11	PC230BC61 (06)	D2U14	PC260BF31	E6C04	PA120CD10	F2U12	PC024EA30
A2D05	PC404FW30	B2B13	PC002GB31	C1C13	CE140AA63	C2U12	PC002GB61	E2B03	PC136FA30	E6D02	PA120DS10	F2U13	PC330DT30
A2D06	PC404FW30	B2D02	PC020DL40	C1D11	PA120DG10	C2U13	PC020GB71	E2B04	PC230DQ30	F6A04	PA120DG10	F2U14	PA120BY10
A2D08	YA410AK30	B2D03	CS110EK52	C1D13	PA120EJ10	D2B02	CH003AC01	E2B05	PC230BC61 (05)	F6E02	PA120EV10	F6B02	CE140EA10
A2D09	PC402EB30	B2D04	PC012DT30	C1E11	PA120BA10	D2B03	PC230BC61 (03)	E2B06	PC120GB30	F6C02	PA120EJ10	F6C02	CE140EA30
A2D10	PC022GK30	B2D05	PC002GB40	C1E13	PA120CD10	D2B04	PC140FT30	E2B07	PC230BC61 (04)	F2B02	PA120DG10	G2B02	PC422AG30
A2D12	CH009AD30	B2D06	PC002GB41	C2B02	PC230BC61 (05)	D2B05	PC120GJ30	E2B08	PA110CY10	F2B03	PA120FJ30	G2B03	CE140AA67
A2D13	YA303FB30	B2D07	PC020DL20	C2B03	PC020DL20	D2B06	PC230BC61 (04)	E2B09	PC136FJ30	F2B04	PC162FH30	G2B04	CH002AF01
A3B03	PA120CD10	B2D08	CS110EK56	C2B04	PC022GK30	D2B07	PC120GG30	E2B10	PC230DA30	F2B05	PC162FH30	G2B05	CE140AA66
A3B04	PA120CP10	B2D09	CS110EK48	C2B05	PC134FA30	D2B08	PC130FD30	E2B11	PC230BC61 (06)	F2B06	PC100EJ30	G2B06	PC422AC20
A3B05	PA120EV10	B2D10	PC030DS30	C2B06	PC020DL40	D2B09	PC134FA30	E2B12	PC230BC61 (02)	F2B07	PC260BC41	G2B07	CH002AF07
A3B06	PC002EP11	B2D11	PC002GB71	C2B07	PC020DL30	D2B10	PC138GG30	E2B13	PC160FD30	F2B08	PC406CJ30	G2B08	PC110EN30
A3B07	PC002EP17	B2D12	CS110EK46	C2B08	PC020DL20	D2B11	PC140FE30	E2D02	PC230DC30	F2B09	PA120EJ10	G2B09	PC532GJ30
A3B08	PC002EP16	B2D13	CS110EK47	C2B09	PC030DF30	D2B12	PC302FA20	E2D04	PC230DT30	F2B10	PC310DE30	G2B10	CH003AC03
A3B09	PC002EP14	B2G02	PC020FP41	C2B10	PC020FF30	D2B13	PC132BA30	E2D05	PC230BC61 (07)	F2B11	PC330GG30	G2B11	PC030FK30
A3B10	PA120BA10	B2G03	PC230BC61 (04)	C2B11	PC020FD30	D2D02	PC134FF30	E2D06	PC120GG30	F2B12	PC330BD30	G2B12	CE140AA57
A3B11	PC330BD30	B2G04	PC230BC61 (05)	C2B12	PC422AG30	D2D04	PC510EB10	E2D07	PC230BC61 (01)	F2B13	PA120EV10	G2B13	PC110FT30
A3B12	PA120BY10	B2G05	PC230BC61 (02)	C2B13	PC020DL10	D2D05	PC100DT30	E2D09	PC136FG30	F2D02	PC162FB30	G2D02	OP110AB22
A3D02	PA120EJ10	B2G06	CS110EK55	C2D02	PC162ET30	D2D06	CE140AA57	F2D10	PC136FD30	F2D04	OP110AB21	G2D04	OP110AB21
A3D03	PA120DG10	B2G07	PC230BC61 (03)	C2D04	PC100DT30	D2D07	PC304DE30	E2D11	PC120GJ30	F2D05	PC162GF30	G2D05	PC330DT30
A3D04	PA120BM10	B2G08	PC020FP31	C2D05	PC012DT30	D2D09	PC120GD30	E2D12	PC230BC61 (00)	F2D06	CH002AF07	G2D06	OP110AB31
A3D05	PA120DS10	B2G09	PC230BC61 (00)	C2D06	PC012DT40	D2D10	PC136FD30	E2D13	PC136FJ30	F2D07	PC162FF30	G2D07	PC022BI60
A3D06	PC002EP10	B2G10	PC230BC61 (01)	C2D07	PC020FP41	D2D11	PC136FA30	E2G02	PC138FJ30	F2D09	PC142DM30	G2D09	PC330CV30
A3D07	PC002EP12	B2G11	CS110EK51	C2D09	PC024FE30	D2D12	PC138FJ30	E2G03	PC120GB30	F2D10	CH003AC03	G2D10	PC532GF30
A3D08	YA410AA30	B2G12	PC002GB21	C2D10	PC024EA30	D2D13	PC160FA30	E2G04	PC138FA30	F2D11	PA120DS10	G2D11	PC532GN30
A3D09	PC002EP15	B2G13	CS110EK58	C2D11	PC020FP31	D2G02	PA130BY10	E2G05	PC230CB30	F2D12	PA120BA10	G2D12	PC400AK30
A3D10	PC002EP13	B2J02	PC002GB61	C2D12	PM168GA30	D2G03	PC510EX20	E2G06	PC138FD30	F2D13	PA120CP10	G2D13	PC400AQ30
A3D11	PC002EP18	B2J03	CS110EK53	C2D13	PC230BC61 (03)	D2G04	PC162FB30	E2G07	PC138GG30	F2G02	CE110FF60	G2G02	PC440AL30
A4B02	CE120FB80	B2J04	CS110EK44	C2G02	PC020FJ30	D2G05	PC138FA30	E2G08	PC120GD30	F2G03	PC132BA30	G2G03	PC132BA30
A4B03	CE110FB60	B2J05	CS110EK45	C2G03	PM172GF30	D2G06	PC160FD30	E2G09	CS110EK47	F2G04	CE140AA76	G2G04	PC506FP30
A4B04	CE120FB60	B2J06	PC002GA31	C2G04	PC030DI30	D2G07	PC162FJ30	E2G10	PA130BG10	F2G05	CE110FF40	G2G05	PM1768DJ30
A4B05	CE120FB40	B2J07	CS110EK42	C2G05	PC134FF30	D2G08	PC162GF30	E2G11	PA130DJ10	F2G06	CE110FB40	G2G06	PC404CS51
A4B07	CE120FF80	B2J08	CS110EK57	C2G06	CE140AA32	D2G09	CS110EK48	E2G12	PA130B510	F2G07	PC510EX20	G2G07	PC404EZ30
A4B08	CE110FF60	B2J09	CS110EK43	C2G07	PC030BC30	D2G10	PC138FD30	E2G13	CS110EK48	F2G08	PC400AF50	G2G08	PC400AF50
A4B09	CE120FF60	B2J10	PC002GB51	C2G08	PC002EP14	D2G11	CS110EK44	E2J02	PC220BG30	F2G09	CE110FB20	G2G09	PC404CF30
A4B10	CE120FF40	B2J11	CS110EK40	C2G09	PC030DP30	D2G12	PA130BA10	E2J05	PC260BC41	F2G10	PC230BC61 (00)	G2G10	CH002AG05
A4B12	CE130DA40	B2J12	CS110EK41	C2G10	PC002EP15	D2G13	CS110EK45	E2J06	PC220DH30	F2G11	PC230BC61 (06)	G2G11	PC230BQ21 (13)
A4B13	CE130DA20	B2J13	PC002GB81	C2G11	PC002EP16	D2J02	CE130DA60	E2J07	PC022CP20	F2G12	PC230DA30	G2G12	PC162FJ30
A4D02	CE110FB80	B4B02	PC020FD30	C2G12	PC110CA30	D2J04	CE130DA40	E2J09	PC030FK30	F2G13	PC230BC61 (03)	G2G13	CE120FF20
A4D04	CE110FB40	B4B03	CS112EK59	C2G13	PC002EP17	D2J05	CE130DA80	F2J10	CS110EK44	G2J02	CE110FF80	G2J02	PC340FB30
A4D05	CE110FB20	B4B04	CS112EKNO	C2J02	PC030DS30	D2J06	PC022DV30	F2J11	PA130DV10	G2J04	OP110AA52	G2J04	CE140AA62
A4D06	CE120FB20	B4B05	PC020DL30	C2J04	PC022DV30	D2J07	PC030FK30	F2J12	PA130BY10	G2J05	PA120CD10	G2J05	CE140AA32
A4D07	CE110FF80	B4B06	CS112EK54	C2J05	PC142EA30	D2J09	PC136FJ30	F2J06	PA130BA10	G2J06	PC402EB30	G2J06	PC402EB30
A4D08	YA410AA30	B4B07	PC230DT30	C2J06	PM1044AB30	D2J10	PC136FG30	F2J07	PA130DD10	G2J07	CE110FF20	G2J07	PC404FW30
A4D09	CE110FF40	B4B08	PC020DL10	C2J07	PC130FD30	D2J11	CS110EK40	F2J09	PA130BM10	G2J09	CH002AG03	G2J09	CH002AG03
A4D10	CE110FF20	B4B09	PC002GA21	C2J09	OP110AA51	D2J12	PA130DJ10	F2J10	CS110EK41	G2J10	PC230BC61 (04)	G2J10	PC406CJ30
A4D11	CE120FF20	B4B10	PC230BQ21 (14)	C2J10	PC230BC61 (02)	D2J13	CS110EK42	F2J11	CS110EK43	G2J11	PC230BC61 (05)	G2J11	PC162FB30
A4D12	CE130DA80	B4B11	CS112EK50	C2J11	PC260BC41	D2M02	PA130BM10	F2J12	CS110EK45	G2J12	PC230BC61 (07)	G2J12	PC440AM30
A4D13	CE130DA60	B4B12	PC230BQ21 (15)	C2J12	PC310DE30	D2M03	CS110EK47	F2J13	PA110BM10	G2J13	PC230BC61 (01)	G2J13	CE120FF40
A5B02	YA320AA01	B4B13	PC002GB31	D2M04	CH003AB03	D2M04	CS110EK46	F2M02	PA110CP10	G2M02	PC230BC61 (02)	G2M02	PC230BQ21 (15)
A5B03	YA410AA20	B4D02	PC020DL40	C2M02	PC002EP18	D2M05	PA130DV10	F2M09	PA110EJ10	G2M03	PC110CA30	G2M03	PC422AB90
A5B04	CH003AC03	B4D03	CS112EK52	D2M03	PC002EP10	D2M06	PC100EJ30	F2M10	PA110EV10	G2M04	PC302FA20	G2M04	CE120FF60
A5B05	CE140EA10	B4D04	PC012DT40	C2M04	PC022CP20	D2M07	PC138FM30	F2M11	PA110DG10	G2M05	PC162ET30	G2M05	PC162FF30
A5B06	CE140AA83	B4D05	PC002GB10	C2M05	PC022BI60	D2M08	PA120DZ30	F2M12	PA110CD10	G2M06	PC422AG30	G2M06	PC162FH30
A5B08	CE140AA67	B4D06	PC002GB41	C2M06	CH003AA01	D2M09	CH008AG30	F2M13	PA110DS10	G2M08	CH003AC01	G2M07	PC142DM30
A5B09	CE140AA72	B4D07	PC020DL20	C2M07	PC230BC61 (00)	D2M10	PC142EA30	F2M14	PA130DP10	G2M09			

PIN	NET NO.	PIN	NET NO.	PIN	NET NO.	PIN	NET NO.	PIN	NET NO.	PIN	NET NO.	PIN	NET NO.
G2504	PA110EV10	H2507	PC230DQ30	J2510	PC130FD30	K2513	PM300BC41 (03)	L2U02	PM768DJ30	M4G07	PM910AA62	N4D05	PM300DV92
G2505	PA110CY10	H2508	PC230BQ21 (14)	J2511	PC230BQ21 (14)	K2U02	PM420FR30	L2U04	PM720EK30	M4G08	PM720EF50	N4D06	PM900AA32
G2506	CH002AH03	H2509	PC230BQ21 (09)	J2512	CH003AC01	K2U04	PM204DE12 (14)	L2U05	PM720EK40	M4G09	PM910AA92	N4D07	PM720EK20
G2507	CH003AC01	H2510	CH006AE30	J2513	CH040AK30	K2U05	PM204DE12 (12)	L2U06	PM720EK50	M4E10	PM910AA82	N4D08	MS220EK56
G2508	PA110BA10	H2511	PC230BQ21 (13)	J2U02	PC230BQ21 (08)	K2U06	PM300BC41 (07)	L2U07	PM720GK30	M4E11	MS210EK51	N4D09	PA160B110
G2509	PA110DG10	H2512	CH005AD30	J2U04	PM122DB30	K2U07	PM204DE12 (09)	L2U09	PM720EB30	M4E12	PM300DV93	N4D10	PM720EB60
G2510	CH002AH05	H2513	PC400AQ30	J2U05	PM122F640	K2U09	PM104DA30	L2U10	CE140AA32	M4E13	MS210EK58	N4D11	PM900AA47
G2511	PA110EJ10	H2U02	CH006AH30	J2U06	PC400AF50	K2U10	PM106GN30	L2U11	PM720CB30	M4J02	PM900AA42	N4D12	PA160B510
G2512	PC430CAH1	H2U04	CH006AG30	J2U07	PC422AC20	K2U11	PM204DE12 (08)	L2U12	PM720CB40	M4J03	MS210EK53	N4D13	PA160B110
G2513	CH002AH07	H2U05	CH005AB30	J2U09	PC030DI30	K2U12	PM204DE12 (10)	L2U13	PM720CB50	M4J04	PA160B110	N4G02	PM720EF60
G2U02	CH003AA01	H2U06	PC230BQ21 (10)	J2U10	PC030BC30	K2U13	PM300BC41 (P)	L6D02	CH008AJ30	M4J05	PA160BP10	N4G03	PM910AA52
G2U04	PC440AK30	H2U07	PC230BQ21 (11)	J2U11	PC030DP30	L2B02	PC230BC61 (00)	L6E02	CH009AD30	M4J06	PM704CB92 (07)	N4G04	PM910AA52
G2U05	PA110DS10	H2U09	CH006AF30	J2U12	PC510EX20	L2B03	PC230BC61 (01)	L6E04	CH009AB30	M4J07	PA160BG10	N4G05	PM910AA72
G2U06	CH002AG07	H2U10	CH005AA30	J2U13	PC404CS51	L2B04	PC554GH30	M2B02	PM720CB30	M4J08	MS210EK57	N4G06	MS220EK55
G2U07	CH002AH01	H2U11	CH005AC30	K2B02	PM300DV31	L2B05	PC230BC61 (03)	M2B03	MS110EK59	M4J09	PA160BJ10	N4G07	PM910AA62
G2U09	PA110CD10	H2U12	PC230BQ21 (12)	K2B03	PM300DV21	L2B06	PC230BC61 (05)	M2B04	PM900AA37	M4J10	PM720AG40	N4G08	PM720EF50
G2U10	PA110CF10	H2U13	PC230BQ21 (08)	K2B04	PC030DI30	L2B07	PC230BC61 (07)	M2B05	PM720EK50	M4J11	PM720EK50	N4G09	PM910AA92
G2U11	PA110BM10	J2B04	PM764EK30	K2B05	PM142DN30	L2B08	PM764EK30	M2B06	MS110EK54	M4J12	MS110EK54	N4G10	PM910AA82
G2U12	CE120PB60	J2B05	PC230BQ21 (13)	K2B06	PM300DV11	L2B09	PM300DV91	M2B07	PM910AA11	M4J13	PM900AA52	N4G11	MS220EK51
G2U13	CE140AA46	J2B06	PM204DE12 (15)	K2B07	PM300DV41	L2B09	PM300BC41 (P)	M2B08	PM720EK30	M6A03	CH011AC30	N4G12	PM300DV93
H2B02	CH011AD30	J2B07	PM168EF30	K2B08	PM300DV71	L2B10	PM300BC41 (06)	M2B09	PM704CB31 (06)	M6A04	CH002AF07	N4G13	MS220EK58
H2B03	PC554GH30	J2B08	PM164FU40	K2B09	PM440DZ20	L2B11	PM300BC41 (02)	M2B10	PM910AA31	M6B04	CH011AA30	N4J02	PM900AA42
H2B04	CH011AA30	J2B09	PM204DE12 (12)	K2B10	PC230DQ30	L2B12	PM008BI30	M2B11	MS110EK50	M6C02	CH002AF01	N4J03	MS220EK53
H2B05	PC5326U30	J2B10	PM204DE12 (11)	K2B11	PM144EN30	L2B13	PA130RS10	M2B12	PM910AA21	M6C04	PC554GH30	N4J04	MS210EK53
H2B06	CH003AC01	J2B11	PC230BQ21 (10)	K2B12	PM144ER30	L2D02	PC230DA30	M2B13	PM900AA26	M6D02	CH003AA01	N4J05	PA160BP10
H2B07	PC510EX20	J2B12	PC230BQ21 (12)	K2B13	PC230BQ21 (13)	L2D04	PC230BC61 (02)	M2D02	PM720GK30	M6D04	CH009AA30	N4J06	PM704CB92 (07)
H2B08	PC110EN30	J2B13	PM420FR30	K2D04	PM168GP30	L2D05	PC230BC61 (04)	M2D03	MS110EK52	M6E04	CH003AA03	N4J07	PA160B110
H2B09	CH007AB30	J2D02	PM240CTG3	K2D05	PM300DV61	L2D06	PC230BC61 (06)	M2D04	PM900AA11	N2B04	PM720CB30	N4J08	MS220EK57
H2B10	CH003AB01	J2D04	PM240CTF0	K2D06	PM300DV91	L2D07	CH002AF01	M2D05	PM300DV11	N2B05	PM720CB30	N4J09	PA160BJ10
H2B11	PC532GF30	J2D05	PM164GS40	K2D07	PM300DV51	L2D07	CH002AF01	M2D06	PM900AA31	N2B06	PM720AG40	N4J10	PM900AA37
H2B12	PC5326U30	J2D06	PM168GP30	K2D09	PM300DV81	L2D10	PM222BU40	M2D07	PM720EK40	N2B07	PM720EK50	N4J11	PA160BA10
H2B13	PC422AC20	J2D07	PM168GA30	K2D10	PM222BQ30	L2D11	PM300BC41 (07)	M2D08	MS110EK56	N2B08	MS120EK54	N4J12	PA160BD10
H2D02	CH011AC30	J2D08	PM240CTG3	K2D11	PM300DV92	L2D12	PM008BF30	M2D09	PA140BY10	N2B09	PM910AA11	N4J13	PM900AA52
H2D04	PC532GX30	J2D09	PM204DE12 (14)	K2D12	PC230BQ21 (15)	L2D13	PM704AB30	M2D10	PM720EB30	N2B10	PM720EK31 (06)	N6A04	CH003AE01
H2D05	PC5329030	J2D10	PM204DE12 (10)	K2D13	PC230BQ21 (14)	L2D13	PC150FL30	M2D11	PM900AA46	N6B02	PM704CB31 (06)	N6B02	CH003AC03
H2D06	CH003AC03	J2D11	PC230BQ21 (15)	K2G02	PM440DP20	L2G03	PA130DV10	M2D12	PA140BS10	N6B04	PM910AA31	N6B04	CH002AH07
H2D07	CH002AF01	J2D12	PC230BQ21 (11)	K2G03	PM440DS20	L2G04	PM764DD50	M2D13	PA140BV10	N6C02	MS120EK50	N6C02	CH009AF30
H2D09	PC110CA30	J2D13	PM380CL30	K2G04	PM440DV20	L2G05	PM300DV21	M2D14	PM720EF40	N6C04	PM910AA21	N6C04	CH002AF05
H2D10	PC532GR30	J2G02	PM900AA96	K2G05	PC230BQ21 (12)	L2G06	PM764DD30	M2G03	PM910AA51	N6D02	PM900AA26	N6D02	CH003AF03
H2D11	CH003AB05	J2G03	PM900AA91	K2G06	PM440DX20	L2G07	PM300DV11	M2G04	PM910AA41	N6D04	PM720GK30	N6D04	CH003AD01
H2D12	CH008AF30	J2G04	PM900AA86	K2G07	PM440DJ20	L2G08	PM720EK20	M2G05	PM910AA71	N6E02	MS120EK52	N6E02	CH007AA30
H2D13	PC532BXB0	J2G05	PM204DE12 (P)	K2G08	PC230BQ21 (10)	L2G09	PM900AA51	M2G06	MS110EK55	N6E04	PM900AA12	N6E04	CH009AA130
H2G02	PC404CF30	J2G06	PM204DE12 (08)	K2G09	PM042FH40	L2G10	PC150FB30	M2G07	PM910AA61	N2D05	PM300DV11	P2B02	PM720CB40
H2G03	PC508FR20	J2G07	PC404EZ30	K2G10	PM042BK40	L2G11	PM900AA41	M2G08	PM720EF30	N2D06	PM900AA31	P2B03	MS130EK59
H2G04	PC510EB10	J2G08	PM900AA71	K2G11	PM204DE12 (15)	L2G12	PM900AA36	M2G09	PM910AA91	N2D07	PM720AG40	P2B04	PM720EK50
H2G05	CH009AM30	J2G09	PM900AA61	K2G12	PC230BQ21 (08)	L2G13	PM720EK70	M2G10	PM910AA81	N2D08	MS120EK56	P2B05	PM720EK50
H2G06	PC532BXC0	J2G10	PM044AB30	K2G13	PM122DB30	L2J02	PM300BC41 (04)	M2G11	MS110EK51	N2D09	PA140BY10	P2B06	MS130EK54
H2G07	CH003AB03	J2G11	PC310DE30	K2J02	PM440DC20	L2J04	PC030DF30	M2G12	PM300DV21	N2D10	PM720EB30	P2B07	PM910AA11
H2G08	PC532GJ30	J2G12	PC310DE30	K2J04	PM440DF20	L2J05	PM704CB92 (06)	M2G13	MS110EK58	N2D11	PM900AA46	P2B08	PM720EK30
H2G09	PA120DZ30	J2G13	PM042DM40	K2J05	PC230BQ21 (11)	L2J06	PM900AA46	M2J02	PM900AA41	N2D12	PA140BS10	P2B09	PM704CB31 (06)
H2G10	PC310DE30	J2J02	PM900AA66	K2J06	PC230BQ21 (09)	L2J07	PM142DN30	M2J03	MS110EK53	N2D13	PA140BV10	P2B10	PM910AA31
H2G11	CH008AJ30	J2J04	PM204DE12 (09)	K2J07	PM440DM20	L2J09	PM704CB92 (07)	M2J04	PA140BM10	N2G02	PM720EF40	P2B11	MS130EK50
H2G12	CH003AE01	J2J05	PM900AA81	K2J09	PM300DV93	L2J10	PM900AA26	M2J05	PA140BP10	N2G03	PM910AA51	P2B12	PM910AA21
H2G13	CH009AA30	J2J06	PM900AA56	K2J10	PM222DZ30	L2J11	PM900AA31	M2J06	PM704CB31 (07)	N2G04	PM910AA41	P2B13	PM900AA26
H2J02	PC532B030	J2J07	PM900AA76	K2J11	PM126ED40	L2J12	PM720EF50	M2J07	PA140BG10	N2G05	PM910AA71	P2D02	PM720GK30
H2J04	CH009AB30	J2J09	PM204DE12 (13)	K2J12	PM380CL30	L2J13	PM720EF60	M2J08	MS110EK57	N2G06	MS120EK55	P2D03	MS130EK52
H2J05	PC138FM30	J2J10	PC022DV30	K2J13	PM222DM91	L2M02	PM300BC41 (03)	M2J09	PA140BJ10	N2G07	PM910AA61	P2D04	PM900AA11
H2J06	PC554BV30	J2J11	PM044FK30	K2M02	PA130BS10	L2M03	PM720EB60	M2J10	PM900AA36	N2G08	PM720EF30	P2D05	PM300DV11
H2J07	PC506FP30	J2J12	PM004BE00	K2M03	PA130DV10	L2M04	PA130DJ10	M2J11	PA140BA10	N2G09	PM900AA91	P2D06	PM900AA31
H2J09	PC400AF50	J2J13	PM130FT30	K2M04	PM440BZ30	L2M05	PM168EF30	M2J12	PA140BD10	N2G10	PM910AA81	P2D07	PM720EK40
H2J11	CH009AC30	J2M02	PM008BF30	K2M05	PM142DG40	L2M06	PA130BG10	M2J13	PM900AA51	N2G11	MS120EK51	P2D08	MS130EK56
H2J12	CH001AD01	J2M03	PM900AA51	K2M06	PM144EJ20	L2M07	PA130DP10	M4B02	PM720CB70	N2G12	PM300DV21	P2D09	PA140BY10
H2J13	CH008AH30	J2M04	PM042FH40	K2M07	PM044FK30	L2M08	PM720EK60	M4B03	MS120EK59	N2G13	MS120EK58	P2D10	PM720EB30
H2M02	CH001AA01	J2M05	PM222BU40	K2M08	PM144FU20	L2M09	PA130BM10	M4B04	PM900AA21	N2J02	PM900AA41	P2D11	PM720EB30
H2M03	CH007AC30	J2M06	PM222DZ30	K2M09	PA130BY10	L2M10	PC150FG30	M4B05	PM720EK70	N2J04	MS120EK54	P2D12	PA140BS10
H2M04	CH001AA03	J2M07	PM144FU20	K2M10	PM042DN40	L2M11	PA130BA10	M4B06	MS210EK50	N2J06	PM720EK10	P2D13	PA140BM10
H2M05	CH001AA05	J2M08	PM144ER30	K2M11	PM042DB40	L2M12	PA130DD10	M4B07	PM910AA12	N2J05	PA140BP10	P2G02	PM720EF40
H2M06	CH001AA07	J2M09	PM144EN30	K2M12	CH002AG01	L2M13	CH002AG01	M4B08	PM720EK10	N2J06	PM704CB31 (07)	P2G03	PM910AA51
H2M07	CH001AB01	J2M10	PM900AA41	K2M13	PM164GS40	L2P02	PM300BC41 (01)	M4B09	PM704CB92 (06)	N2J07	PA140BG10	P2G04	PM910AA71
H2M08	CH001AB03	J2M11	PM222DM91	K2P02	PM300FE30	L2P04	PM720EK10	M4B10	MS120EK57	N2J08	MS120EK57	P2G05	PM910AA41
H2M09	CH001AB05	J2M12	PM106DA30	K2P04	PA130DJ10	L2P05	PM300BC41 (00)	M4B11	MS210EK50	N2J09	PA140BJ10	P2G06	PM910AA71
H2M10	CH001AB07	J2M13	PM106GN30	K2P									

PIN	NET NO.	PIN	NET NO.	PIN	NET NO.	PIN	NET NO.	PIN	NET NO.	PIN	NET NO.	PIN	NET NO.
P4B02	PM720CB80	Q2J07	PA140B610	R2G03	PM910AA51	S2B12	PM910AA21	T2B04	PM720AG40	T4J10	PM900AA37	U4G07	PM910AA62
P4B03	MS230EK59	Q2J08	MS140EK57	R2G04	PM910AA41	T2B13	PM900AA26	T2B05	PM720EK50	T4J11	PA160BA10	U4G08	PM720EF50
P4B04	PM900AA21	Q2J09	PA140BJ10	R2G05	PM910AA71	S2D02	PM720GK30	T2B06	MS170EK54	T4J12	PA160BD10	U4G09	PM910AA92
P4B05	PM720EK70	Q2J10	PM900AA36	R2G06	MS150EK55	S2D03	MS160EK52	T2B07	PM910AA11	T4J13	PM900AA52	U4G10	PM910AA82
P4B06	MS230EK54	Q2J11	PA140BA10	R2G07	PM910AA61	S2D04	PM900AA16	T2B08	PM720EK30	T6A02	CH005AA30	U4G11	MS280EK51
P4B07	PM910AA12	Q2J12	PA140BD10	R2G08	PM720EF30	S2D05	PM300DV11	T2B09	PM704CB31 (06)	T6B02	CH002AE05	U4G12	PM300DV93
P4B08	PM720EK10	Q2J13	PM900AA51	R2G09	PM910AA91	S2D06	PM900AA31	T2B10	PM910AA31	T6B04	CH005AC30	U4G13	MS280EK58
P4B09	PM704CB92 (06)	Q4B02	PM720CB80	R2G10	PM910AA81	S2D07	PM720EK40	T2B11	MS170EK50	T6C02	CH003AB03	U4J02	PM900AA42
P4B10	PM910AA32	Q4B03	MS240EK59	R2G11	MS150EK57	T2B12	MS160EK56	T2B12	PM910AA21	T6C04	CH005AD30	U4J03	MS280EK53
P4B11	MS230EK50	Q4B04	PM900AA22	R2G12	PM300DV21	T2B13	PA140BY10	T2B13	PM900AA26	T6D02	CH006AG30	U4J04	PA160BM10
P4B12	PM910AA22	Q4B05	PM720EK70	R2G13	MS150EK58	T2D02	PM720EB30	T2D02	PM720GK30	T6D04	CH006AF30	U4J05	PA160BP10
P4B13	PM900AA27	Q4B06	MS240EK54	R2J02	PM900AA41	S2D11	PM900AA46	T2D03	MS170EK52	T6E02	CH006AH30	U4J06	PM704CB92 (07)
P4D02	PM720EK80	Q4B07	PM910AA12	R2J03	MS150EK53	S2D12	PA140BS10	T2D04	PM900AA11	T6E04	CH002AG01	U4J07	PA160BG10
P4D03	MS230EK52	Q4B08	PM720EK10	R2J04	PA140BM10	S2D13	PA140BV10	T2D05	PM300DV11	T6E04	PM720CB60	U4J08	MS280EK57
P4D04	PM900AA12	Q4B09	PM704CB92 (06)	R2J05	PA140BP10	S2G02	PM720EF40	T2D06	PM900AA31	T6E04	MS180EK59	U4J09	PA160BJ10
P4D05	PM300DV92	Q4B10	PM910AA32	R2J06	PM704CB31 (07)	S2G03	PM910AA51	T2D07	PM720EK40	T6E04	PM720AG30	U4J10	PM900AA37
P4D06	PM900AA32	Q4B11	MS240EK50	R2J07	PA140BG10	S2G04	PM910AA41	T2D08	MS170EK56	T6E04	CH006AF30	U4J11	PA160BA10
P4D07	PM720EK20	Q4B12	PM910AA22	R2J08	MS150EK57	S2G05	PM910AA71	T2D09	PA140BY10	T6E04	MS180EK54	U4J12	PA160BD10
P4D08	MS230EK56	Q4B13	PM900AA27	R2J09	PA140BJ10	S2G06	MS160EK55	T2D10	MS170EK50	T6E04	PM720EB30	U4J13	PM900AA52
P4D09	PA160BY10	Q4D02	PM720EK80	R2J10	PM900AA36	S2G07	PM910AA61	T2D11	PM900AA46	T6E04	CH002AG01	U4J14	CH006AJ30
P4D10	PM720EB60	Q4D03	MS240EK52	R2J11	MS240EK52	T2D12	PA140BS10	T2D12	PM704CB31 (06)	T6E04	CH008AG30	U4J15	U6A02
P4D11	PM900AA47	Q4D04	PM900AA17	R2J12	PA140BD10	S2G09	PM910AA91	T2D13	PA140BV10	T6E04	CH008AE30	U6A04	CH002AH03
P4D12	PA160BS10	Q4D05	PM300DV92	R2J13	PM900AA51	S2G10	PM910AA81	T2D13	PM720EF40	T6E04	CH003AE30	U6A04	CH002AH03
P4D13	PA160BV10	Q4D06	PM900AA32	R4B02	PM720CB90	S2G11	MS160EK51	T2G02	PM910AA51	T6E04	CH007AD30	U6A04	CH002AH03
P4G02	PM720EF60	Q4D07	PM720EK20	R4B03	MS250EK59	S2G12	PM300DV21	T2G03	PM910AA41	T6E04	CH008AF30	U6A04	CH002AH03
P4G03	PM910AA52	Q4D08	MS240EK56	R4B04	PM900AA21	S2G13	MS160EK58	T2G04	PM910AA71	T6E04	CH008AG30	U6A04	CH002AH03
P4G04	PM910AA42	Q4D09	PA160BY10	R4B05	PM720EK70	S2J02	PM900AA41	T2G05	MS170EK55	T6E04	CH008AE30	U6A04	CH002AH03
P4G05	PM910AA72	Q4D10	PM720EB60	R4B06	MS250EK54	S2J03	MS160EK53	T2G06	PM910AA61	T6E04	CH003AE30	U6A04	CH002AH03
P4G06	MS230EK55	Q4D11	PM900AA47	R4B07	PM910AA12	S2J04	PA140BM10	T2G07	PM720EF30	T6E04	CH003AE30	U6A04	CH002AH03
P4G07	PM910AA62	Q4D12	PA160BS10	R4B08	PM720EK10	S2J05	PA140BP10	T2G08	PM910AA91	T6E04	CH003AE30	U6A04	CH002AH03
P4G08	PM720EF50	Q4D13	PA160BV10	R4B09	PM704CB92 (06)	S2J06	PM704CB31 (07)	T2G09	PM910AA81	T6E04	CH003AE30	U6A04	CH002AH03
P4G09	PM910AA92	Q4G02	PM720EF60	R4B10	PM910AA32	S2J07	PA140BG10	T2G10	MS170EK51	T6E04	CH003AE30	U6A04	CH002AH03
P4G10	PM910AA82	Q4G03	PM910AA52	R4B11	MS250EK50	S2J08	MS160EK57	T2G11	MS170EK51	T6E04	CH003AE30	U6A04	CH002AH03
P4G11	MS230EK51	Q4G04	PM910AA42	R4B12	PM910AA22	S2J09	PA140BJ10	T2G12	MS170EK58	T6E04	CH003AE30	U6A04	CH002AH03
P4G12	PM300DV93	Q4G05	PM910AA72	R4B13	PM900AA36	S2J10	PM900AA41	T2G13	MS170EK55	T6E04	CH003AE30	U6A04	CH002AH03
P4G13	MS230EK58	Q4G06	MS240EK55	R4D02	PM720EK80	S2J11	PA140BA10	T2J02	MS170EK53	T6E04	CH003AE30	U6A04	CH002AH03
P4J02	PM900AA42	Q4G07	PM910AA62	R4D03	MS250EK52	S2J12	PA140BD10	T2J03	PA140BM10	T6E04	CH003AE30	U6A04	CH002AH03
P4J03	MS230EK53	Q4G08	PM720EF50	R4D04	PM900AA12	S2J13	PM900AA51	T2J04	PA140BP10	T6E04	CH003AE30	U6A04	CH002AH03
P4J04	PA160BM10	Q4G09	PM910AA92	R4D05	PM300DV92	S4B02	PM720CB90	T2J05	PM704CB31 (07)	T6E04	CH003AE30	U6A04	CH002AH03
P4J05	PA160BP10	Q4G10	PM910AA82	R4D06	MS260EK59	S4B03	MS260EK59	T2J06	PM910AA41	T6E04	CH003AE30	U6A04	CH002AH03
P4J06	PM704CB92 (07)	Q4G11	MS240EK51	R4D07	PM720EK20	S4B04	PM900AA22	T2J07	MS170EK57	T6E04	CH003AE30	U6A04	CH002AH03
P4J07	PA160BG10	Q4G12	PM300DV93	R4D08	MS250EK56	S4B05	PM720EK70	T2J08	PA140BJ10	T6E04	CH003AE30	U6A04	CH002AH03
P4J08	MS230EK57	Q4G13	MS240EK58	R4D09	PA160BY10	S4B06	MS260EK54	T2J09	PM900AA36	T6E04	CH003AE30	U6A04	CH002AH03
P4J09	PA160BJ10	Q4J02	PM900AA42	R4D10	PM720EB60	S4B07	PM910AA12	T2J10	PA140BA10	T6E04	CH003AE30	U6A04	CH002AH03
P4J10	PM900AA37	Q4J03	MS240EK53	R4D11	PM900AA60	S4B08	PM720EK10	T2J11	PA140BD10	T6E04	CH003AE30	U6A04	CH002AH03
P4J11	PA160BA10	Q4J04	PA160BM10	R4D12	PA160BS10	S4B09	PM704CB92 (06)	T2J12	PM900AA51	T6E04	CH003AE30	U6A04	CH002AH03
P4J12	PA160BD10	Q4J05	PA160BP10	R4D13	PA160BV10	S4B10	PM910AA32	T2J13	PM910AA32	T6E04	CH003AE30	U6A04	CH002AH03
P4J13	PM900AA52	Q4J06	PM704CB92 (07)	R4G02	PM720EF60	S4B11	MS260EK50	T4B03	MS270EK59	T6E04	CH003AE30	U6A04	CH002AH03
P4E02	CH002AE01	Q4J07	PA160BG10	R4G03	PM910AA52	S4B12	PM910AA22	T4B04	MS180EK51	T6E04	CH003AE30	U6A04	CH002AH03
Q2B02	PM720CB40	Q4J08	MS240EK57	R4G04	PM910AA42	S4B13	PM900AA27	T4B05	PM720EK70	T6E04	CH003AE30	U6A04	CH002AH03
Q2B03	MS140EK59	Q4J09	PA160BJ10	R4G05	PM910AA72	S4D02	PM720EK80	T4B06	MS270EK54	T6E04	CH003AE30	U6A04	CH002AH03
Q2B04	PM720AG30	Q4J10	PM900AA37	R4G06	MS250EK55	S4D03	MS260EK52	T4B07	PM910AA12	T6E04	CH003AE30	U6A04	CH002AH03
Q2B05	PM720EK50	Q4J11	PA160BA10	R4G07	PM910AA62	S4D04	PM900AA17	T4B08	PM720EK10	T6E04	CH003AE30	U6A04	CH002AH03
Q2B06	MS140EK54	Q4J12	PA160BD10	R4G08	PM720EF50	S4D05	PM300DV92	T4B09	PM704CB92 (06)	T6E04	CH003AE30	U6A04	CH002AH03
Q2B07	PM910AA11	Q4J13	PM900AA52	R4G09	PM910AA92	S4D06	PM900AA32	T4B10	PM910AA32	T6E04	CH003AE30	U6A04	CH002AH03
Q2B08	PM720EK30	Q6A02	PM720EK30	R4G10	PM910AA82	S4D07	MS270EK20	T4B11	MS270EK50	T6E04	CH003AE30	U6A04	CH002AH03
Q2B09	PM704CB31 (06)	Q6A04	CH001AD03	R4G11	MS250EK51	S4D08	MS260EK56	T4B12	PM910AA22	T6E04	CH003AE30	U6A04	CH002AH03
Q2B10	PM910AA31	Q6B02	CH011AD30	R4G12	PM300DV93	S4D09	PA160BY10	T4B13	PM900AA27	T6E04	CH003AE30	U6A04	CH002AH03
Q2B11	MS140EK50	Q6B04	CH007AC30	R4G13	MS250EK58	T4D10	PM720EB60	T4D02	PM720EK80	T6E04	CH003AE30	U6A04	CH002AH03
Q2B12	PM910AA21	Q6C02	CH007AB30	R4J02	PM900AA42	S4D11	PM900AA47	T4D03	MS270EK52	T6E04	CH003AE30	U6A04	CH002AH03
Q2B13	PM900AA26	R4J03	CH001AD05	R4J03	MS250EK53	T4D12	PA160BS10	T4D04	PM900AA12	T6E04	CH003AE30	U6A04	CH002AH03
Q2D02	PM720GK30	R4J04	CH001AA07	R4J04	PA160BM10	S4D13	PA160BV10	T4D05	PM300DV92	T6E04	CH003AE30	U6A04	CH002AH03
Q2D03	MS140EK52	R4J05	CH003AB01	R4J05	PA160BP10	T4D06	PM720EF60	T4D06	PM900AA32	T6E04	CH003AE30	U6A04	CH002AH03
Q2D04	PM900AA16	R4J06	CH001AB05	R4J06	PM704CB92 (07)	T4D07	PM910AA52	T4D07	PM720EK20	T6E04	CH003AE30	U6A04	CH002AH03
Q2D05	PM300DV11	R4J07	CH001AC01	R4J07	PA160BG10	T4D08	PM910AA42	T4D08	MS270EK56	T6E04	CH003AE30	U6A04	CH002AH03
Q2D06	PM900AA31	R2B02	PM720CB80	R4J08	MS250EK57	T4D09	PM910AA72	T4D09	PA160BY10	T6E04	CH003AE30	U6A04	CH002AH03
Q2D07	PM720EK40	R2B03	MS150EK59	R4J09	PA160BJ10	T4D10	MS260EK55	T4D10	PM720EB60	T6E04	CH003AE30	U6A04	CH002AH03
Q2D08	MS140EK56	R2B04	PM720AG40	R4J10	PM900AA37	T4D11	PM910AA62	T4D11	PM900AA47	T6E04	CH003AE30	U6A04	CH002AH03
Q2D09	PA140BY10	R2B05	PM720EK50	R4J11	PA160BA10	T4D12	PM720EF50	T4D12	PA160BS10	T6E04	CH003AE30	U6A04	CH002AH03
Q2D10	PM720EB30	R2B06	MS150EK54	R4J12	PA160BD10	T4D13	PM910AA92	T4D13	PA160BV10	T6E04	CH003AE30	U6A04	CH002AH03
Q2D11	PM900AA46	R2B07	PM910AA11	R4J13	PM900AA52	T4G02	PM910AA82	T4G02	PM720EF60	T6E04	CH003AE30	U6A04	CH002AH03
Q2D12	PA140BS10	R2B08	PM720EK30	R6A04	CH001AA01	T4G03	MS260EK51	T4					

PIN	NET NO.
V2P11	PM900AA47
V2P12	PM440DV20
V2P13	PM440DM20
V2S02	PM900AA27
V2S03	PM910AA12
V2S04	PM910AA32
V2S05	PM910AA52
V2S06	PM900AA21
V2S07	PM910AA62
V2S08	PM722GJ30
V2S09	PM910AA92
V2S10	PM910AA82
V2S12	PM900AA41
V2U02	PM900AA42
V2U04	PM910AA22
V2U05	PM910AA42
V2U06	PM900AA22
V2U07	PM910AA72
V2U09	PM722GL30
V2U10	PM900AA37
V2U12	PM910AA41
V2U13	PM900AA52
V6A02	CH002AG05
V6A04	CH002AH05
V6B02	CH002AG07
V6B04	CH002AG03

PIN	NET NO.
-----	---------

PIN	NET NO.
-----	---------

PIN	NET NO.
-----	---------

PIN	NET NO.
-----	---------

PIN	NET NO.
-----	---------

PIN	NET NO.
-----	---------

A
D (C) COPYRIGHT IBM CORP. 1978

1
5 NOTE: IF THE NET NAME HAS A TRAILING ZERO (I.E. CH005AC30),
0 THIS TRAILING ZERO WILL BE SHOWN IN THE NET AND PIN
LISTS. THE LOGIC PAGES WILL OMIT THESE TRAILING ZEROES.
THUS CH005AC30 AND CH005AC3 REPRESENT THE SAME NET.

* DENOTES I/O CABLE PIN
(NN) DENOTES BIT (NN) OF A
BUNDLE NET

BOARD A-A1
P/N 826 5274

PIN LIST

LOC=1A-A1	EC835083F	A D 1 5 0
PN#266243		
MACH TYPE#5340		
PPN	PEC835015	PG04
TIME# 81409#	DATE# 81351	

NET NO.	PIN	PIN	NET NO.	PIN	PIN	NET NO.	PIN	PIN	NET NO.	PIN	PIN	NET NO.	PIN	PIN	NET NO.	PIN	PIN
CE140EA10	F1B11*	J2503	CH002AE05	T1B11*	T2D09	CH006AF30	E2G05	F2G05	DL061AB42	L2P11	PIN	FA088AA21	H2D04	J2	FA188AF71	H2J10	PIN
CE140EA30	F1C11*		CH002AF01	U2J02	U3D02*		G2G08	J2B05	DL220DA30	L2U05	P2B10	FA088AA31	J2P13	S6A04*	FA188AG20	2	5
CH001AA01	A2B08*	E2B08		E2D07	E6D02*		L2G05	M2B09	DL220DB30	L2U06	P2B13	FA088AA41	J2M13	R6A04*	FA188AG30	22	4
	F2B08	G2B10		J2D07	L2		M2G05	T1D13*	DL310AE20	L2M08*	L6D02*		D02	H2D02	FA188AG40	20	6
	J2B08	L2		L2D07	M1C11*	CH006AG30	T2X06	U3B05*	DL310AG30	P2B07	P2B07		J2	H2D02	FA188AG50	15	23
	L2B08	M2B08		M2D07	M2P02		A3D05*	E2J05	DL510BA11	L2S13*	T6A04*		J2	H2D02	FA188AG60	11	17
	M2J10	R1A13*	CH002AF05	T2D07			F2J05	G2G09	DL510BA21	L2U13*	T6B04*	FA088AA51	R6C04*	J2	FA188AG70	18	3
	T2B08	U2		E2P10	F6D04*		J2J05	L2J05	DL510BA31	L2P13*	T6C04*		H2B03	J2	FA201AC20		
CH001AA03	U2B08*			L2P04	N1C13*		M2B06	M2J05	DL510BA41	L2M13*	T6D04*	FA088AA61	J2M05	P6E02*		J1E11*	H2J05
	A2B12*	E2B12	CH002AF07	T2	T2B06	CH006AH30	T1D11*	T2X24	DL520AF30	L2	L2M07	FA088AA71	H2B04	J2		H2G02	H1B13*
	F2B12	G2B04*		E2B06	E2P06		U3D05*		DM010AB30	P2B12			J2P10	P6E04*	FA201AF20	B10	H2B10
	J2B12	L2	CH002AG01	E6B04*	M1A13*		A3D06*	E2J06	DM010AB60	P2B05		FA088AA81	B05	J2M10	FA201AF30	B12	H2B12
	L2B12	M2B12		M2S04			F2J06	G2G10	DM010BB60	P2G03			J2	J2M04	FA201AF40	B13	H2B13
	M2G07	R1E13*		A3B06*	E2G06		J2J06	L2J06	DM010BC30	L2S03	P2B04		J2	J2M04	FA201AG40	D10	H2D10
	T2B12	U2		J2P07	L2		M2D02	M2J06	DM010CA60	P2G12			J2	J2M04	FA201AM20	B08	H2B08
CH001AA05	U2B12*		CH002AG03	L2M04	T1E13*	CH006AJ30	U3D06*	I2X05	DM010CA60	P2G12		FA088AA21	Q6B02*		FA201AP20	B07	H2B07
	A2D09*	E2D11		U3D06*			A3D07*	E2J07	DM010CC30	P2G02	P2B02	FA088AA31	J2B13		FA201AP30	B08	H2B08
	F2D11	G2B08	CH002AG05	A3B13*	L2S10		U3B13*	L2J07	DM010CC30	P2G02		FA088AA41	J2B08		FA201AP40	B09	H2B09
	J2D11	U3B13*		U3B13*	U3B13*		U3B13*	L2J07	DM010DB30	P2J02		FA088AA51	J2B10		FA201AP50	B04	H2B04
	L2D11	M2D11	CH002AG07	A3D12*	J2U13		M2B07	M2J07	DM020AA11	P2B08		FA088AA61	J2D02		FA201AP60	B05	H2B05
	M2G09	R1B11*		M2J02	U3D12*	CH007AA30	U1A11*	U3D07*	DM020AA60	P2G02		FA088AA71	J2B02		FA201AP70	B06	H2B06
	T2D11	U2		V1A11*	L2M105		E2G10	E2J05	DM020AAH1	P2G02		FA088AA81	J2B04		FA201AP80	B07	H2B07
CH001AA07	U2D09*	E2D06	CH002AH01	A3D13*	L2M105	CH007AB30	L2G10	J2G10	DM020AAH2	P2D11		FA091AA20	H2B09	J2D04	FA201AP90	B08	H2B08
	A2D06*	G2B07		T2J12	U3D13*		L2G10	N1E11*	DM020AB11	P2J02		FA091AB20	J2S05		FA201AP00	B09	H2B09
	F2D06	L2		V1B11*	J2U11		A2D05*	E2D05	DM020AB12	P2U10		FA091AC20	B07	H2B07	FA201AP10	B08	H2B08
	J2D06	M2D06	CH002AH03	A3B10*	M2S13		J2D05	L2D05	DM020ABJ1	P2G02		FA091AD20	J2S08	H2B10	FA201AP20	B05	H2B05
	M2G11	Q1D11*		U1D13*	J2B10*		M2D05	M2G01	DM020ABJ2	P2D10		FA091AE20	B10	H2B10	FA201AP30	B06	H2B06
	T2D06	U2	CH002AH05	A3B11*	J2	CH007AC30	Q1C11*	T2D05	DM020ABN1	P2G02		FA091AE20	J2U10	H2B13	FA201AP40	B07	H2B07
CH001AB01	U2D06*			A3B12*	T2G07		U2D05*		DM020ABN2	P2J02		FA091AF20	B13	H2B13	FA201AP50	B08	H2B08
	A2B09*	E2B09	CH002AH07	J2M12	U1E13*		A2B04*	E2B04	DM020ABO1	P2D11		FA091AG20	J2S10	H2D13	FA201AP60	B09	H2B09
	F2B09	G2B05		U1E13*	U3B11*		L2B04	L2B04	DM020ABO2	P2D10		FA091AH20	D13	H2D13	FA201AP70	B10	H2B10
	J2B09	L2	CH003AA01	A3B12*	E2M05		M2B04	M2J09	DM020ABO2	P2G02		FA091AJ20	J2S09	H2D12	FA201AP80	B11	H2B11
	L2B09	M2B09		M2P12	N2S13		Q1B13*	T2B04	DM020ABP2	P2D10		FA091AK20	H2D12	J2S07	FA201AP90	B12	H2B12
	M2J05	R1B13*	CH002AH09	U2G12	U3B12*		U2B04*		DM020AC20	P2J06		FA091AL20	B12	H2B12	FA201AQ20	B13	H2B13
	T2B09	U2		V1A13*		CH007AD30	A3B09*	E2G09	DM020AD20	P2J04		FA091AM20	J2S13	H2B12	FA201AQ30	B14	H2B14
	U2B09*		CH003AA03	F6C04*	N1B13*		F2G09	L2G09	DM020AE30	P2J03		FA091AN20	D10	H2D10	FA201AQ40	B15	H2B15
	A2D10*	E2D12		E2B11	F2B02		M2B05	M2G09	DM020AF10	P2J12		FA091AO20	J2P11	H2D07	FA201AQ50	B16	H2B16
	F2D12	G2B04*	CH003AA05	L2P09	M1D11*		U1C13*	U3B09*	DM020AF20	P2J11		FA091AP20	H2D07	J2S07	FA201AQ60	B17	H2B17
	J2D12	L2D12		E2G10	F2D04	CH008AE30	E2G10	F2G08	DM020AF30	P2J09		FA091AQ20	H2D11	J2S07	FA201AQ70	B18	H2B18
	M2D12	M2G05		F6A04*	L2M09		L2G08	M2D11	DM020AF40	P2D06		FA091AR20	H2D09	H2B12	FA201AQ80	B19	H2B19
	R1C11*	T2D12	CH003AB01	L2P07	M1E13*		M2G08	U1B13*	DM020AF50	P2D05		FA091AS20	H2D09	H1C11*	FA201AQ90	B20	H2B20
	U2	U2D10*		A2B06*	E2P12	CH008AF30	U3B08*		DM020AF60	P2	P2G07	FA091AT20	H2J02	H1E11*	FA201AQ00	B21	H2B21
	A2D07*	E2D10	CH003AB03	F2S12	U2B12*		A3D10*	M2B08	DM020AF70	P2J05		FA091AU20	H2G03	H1E11*	FA201AQ10	B22	H2B22
	F2D10	G2B03		Q1D13*	E2B06*		M2J10	U1D11*	DM020AG20	P2D04	P2B03	FA091AV20	H2G12	H1C13*	FA201AQ20	B23	H2B23
	J2D10	L2	CH003AB05	U3D10*	U2P13		U3D10*	F2G07	DM020AG30	L2S04	P2D12	FA091AW20	H2J07	H1C13*	FA201AQ30	B24	H2B24
	L2D10	M2D10		F2S03	L2U07		A3B07*	L2B11	DM020AG40	P2G05		FA091AX20	H2G12	H2G07	FA201AQ40	B25	H2B25
	M2G08	Q1E11*		L2U12	T1C11*		U3D04*	U3B07*	DM020AG50	P2J13		FA091AY20	H2J07	H2G07	FA201AQ50	B26	H2B26
	T2D10	U2	CH003AB07	A3D09*	E2S02		A3D10*	U3B07*	DM020AG60	P2J13		FA091AZ20	H2G12	H2G07	FA201AQ60	B27	H2B27
	U2D07*			F2J11	L2M02	CH008AH30	F2D11*	E2D13	DM020AG70	P2G13		FA091BA20	K1B13*	H2G07	FA201AQ70	B28	H2B28
	A2B13*	E2B13	CH003AC01	A3D11*	U3D09*		F2D13	J2S12	DM020AG80	P2D10		FA091BB20	H2G05	H1D13*	FA201AQ80	B29	H2B29
	F2B13	G2B02		U1C11*	U3D11*		L2U13	M2B10	DM020AG90	P2D11		FA091BC20	H2G05	H1A13*	FA201AQ90	B30	H2B30
	J2B13	L2	CH003AC03	A3D12*	J2U12		M2D13	R1D11*	DM020AH20	P2	P2G07	FA091BD20	H2J06	H1A13*	FA201AQ00	B31	H2B31
	L2B13	M2B13		U1E11*	U3D11*		U2D13	U2D11*	DM020AH30	P2B12*	U6A04*	FA091BE20	H2J06	H2G08	FA201AQ10	B32	H2B32
	M2G10	S1A13*	CH003AD01	M2U02	N1F11*		D6E02*	E2D04	DM020AH40	P2B12*	V6B04*	FA091BF20	H2J06	H2G08	FA201AQ20	B33	H2B33
	T2B13	U2		R2J09		CH008AJ30	J2D04	L1D11*	DM020AH50	P2B12*	U6C02*	FA091BG20	H2J06	H2G08	FA201AQ30	B34	H2B34
	U2B13*		CH003AD03	M1D13*	M2J11		L2D04	M2D04	DM020AH60	L2M07*	V6B04*	FA091BH20	H2J06	H2G08	FA201AQ40	B35	H2B35
	A2B07*	E2B07		N1A13*			T2D04	E6E04*	DM020AH70	L2M12*	U6C04*	FA091BI20	H2J06	H2G08	FA201AQ50	B36	H2B36
	F2B07	J2B07	CH003AF01	E2S13		CH009AA30	E6E04*	M1D13*	DM020AH80	L2U02*	U6C04*	FA091BJ20	H2J06	H2G08	FA201AQ60	B37	H2B37
	L2B07	M2B07		N1D11*	U2B06		M2M03		DM020AH90	J2G06	J2J08	FA091BK20	H2J06	H2G08	FA201AQ70	B38	H2B38
	M2J06	Q1E13*	CH003AF03	U2G13	V3B02*	CH009AB30	E2S03	E6A04*	FA001HA20	J2	J2D13	FA091BL20	H2J06	H2G08	FA201AQ80	B39	H2B39
	T2B07	U2B07*		A3B02*	E2G02		F2S04	L1E13*	FA001AF20	J2G07	J2J03	FA091BM20	H2J06	H2G08	FA201AQ90	B40	H2B40
	A2B02*	E2D02	CH005AA30	F2G02	J2G02		L2G12		FA010AFB0	J2	J2J11	FA091BN20	H2J06	H2G08	FA201AQ00	B41	H2B41
	J2D02	L2D02		L2G02	M2D10		A2B11*	E2M12	FA010AH20	J2	J2J11	FA091BO20	H2J06	H2G08	FA201AQ10	B42	H2B42
	M2D02	M2J04		M2G02	T1P11*		F2J09	L2G07	FA010AH20	J2	J2J11	FA091BP20	H2J06	H2G08	FA201AQ20	B43	H2B43
	Q1A11*	T2D02	CH005AB30	Q1A11*	U3B02*		R1D13*	U2R11*	FA010AH20	J2	J2J11	FA091BQ20	H2J06	H2G08	FA201AQ30	B44	H2B44
	U2B02*			A2D12*	E2J02		L1E11*	M2M13	FA010AH20	J2	J2J11	FA091BR20	H2J06	H2G08	FA201AQ40	B45	H2B45
	A2B03*	E2B03		F2J02	J2J02		R2J13	N1C11*	FA010AH20	J2	J2J11	FA091BS20	H2J06	H2G08	FA201AQ50	B46	H2B46
	J2B03	L2B03		L2U02	M2D06		E2U09	M2S06	FA010AH20	J2	J2J11	FA091BT20	H2J06	H2G08	FA201AQ60	B47	H2B47
	M2B03	M2G03		M2J02	R1E11*		G6A04*		FA010AH20	J2	J2J11	FA091BU20					

NET NO.	PIN	PIN	NET NO.	PIN	PIN	NET NO.	PIN	PIN	NET NO.	PIN	PIN	NET NO.	PIN	PIN	NET NO.	PIN	PIN
HA060AC15	E2S05		HC130AC43	D2Y28		HD525AF29	D2W30		HH022B04	B4B08*	C2M04	PR031AP20	S2X02	T2X02	PS001CB31	S2S03	S2S05
HA060AC16	E2S06		HC225AA11	C2W10	D2W10	HD525AG11	D2W03		HH002B05	B4D10*	C2G12	PR041AB21	T2S03		PS001CB35	S2S09	S2U10
HA060AC17	E2S07		HC225AC12	C2W11	D2W11	HD525AJ11	C2Y33	D2Y33	HH002B06	B4D12*	C2G09	PR041AB31	T2U02			S2S07	S2U08
HA060AC18	E2S08		HC275AF11	C2X10	D2X10	HD525AK12	D2B08		HH002B07	B4B09*	C2B12	PR041AB41	T2S02			S2S13	S2U13
HB010AB60	E2J09	E2M09	HC275AG11	C2X09	D2X09	HD600AA43	C2X12		HH002CC00	B5B03*		PR041AB51	T2M13		PS001CB39	S2U07	
	E2M10	E2P10	HC320AE11	C2S04		HD600AA53	C2X13		HH002CC01	B5D04*		PR043AC20	T2G13		PS001CB41	S2S04	S2S12
HB010AB90	D2U04	D2U05	HC320AG11	C2W13	D2W13	HD600AA55	C2W02		HH002CC02	B5D05*		PR043AE50	T2	T2S05		S2U04	S2U12
	D2U06	D2U07	HC320AG31	C2W14	D2W14	HD700AB31	C2X24	D2X24	HH002CC03	B5D06*		PR043AF30	T2P02		PS001CB45	S2U05	S2U06
	D2U09	D2U10	HC325AAJ3	C2P09	D2X07	HD700AB41	C2X25	D2X25	HH002CC04	B5D09*		PR047AP30	T2J13			S2U09	S2U11
	D2U11	D2U12	HC375AD11	C2W05		HD725AC31	C2X26	D2X26	HH002CC05	B5D11*		PR065AJ51	T2	T2P07	PS001CB49	S2S10	
	D2U13		HC450AJ11	C2X09		HD725AC41	C2X28	D2X28	HH002CC06	B5B10*		PR065AJ61	T2	T2M02	PS001EB19	S2X08	S2X09
HB010AC90	D2M08	D2M09	HC625AD11	C2M10		HD800AE12	D2U02		HH002CC07	B5B12*		PR101AA30	T2	T2G12		S2X27	S2X28
	D2M10	D2M11	HC625AG11	C2M08	C2S08	HD800AF11	C2X03	D2X03	HH002DD00	B5D03*	C2G03	PR101AC30	T2	T2S04	PS001FB11	S2	S2B12
	D2M12	D2M13	HC625AM11	C2Y03	D2Y03	HD800AG11	C2W29	D2W29	HH002DD01	B5B04*	D2P06	PR101AE30	T2	T2P13	PS001FB12	S2G10	
	D2S02	D2S03	HC930AB11	C2Z25	D2Z25	HD925AL11	C2X29	D2X29	HH002DD02	B5B05*	C2G08	PR101AG30	T2	T2S12	PS001FB13	S2	S2J09
	D2S12		HC930AB21	C2Z24	D2Z24	HD925AL21	C2X30	D2X30	HH002DD03	B5B07*	C2G03	PR101AJ30	T2	T2J11	PS001FB19	S2X08	S2X09
HB010AD90	D2S04	D2S05	HC930AB31	C2Z23	D2Z23	HD925AL31	C2X32	D2X32	HH002DD04	B5B08*	C2M05	PR101AL30	T2	T2G08		S2X27	S2X28
	D2S06	D2S07	HC930AB41	C2Z22	D2Z22	HD925AL41	C2X33	D2X33	HH002DD05	B5D10*	C2G13	PR101AN30	T2	T2S13		T2X08	T2X09
	D2S08	D2S09	HC930AC13	C2Y26	D2Y26	HD925AL41	C2X33	D2X33	HH002DD06	B5B12*	C2G10	PR101AR30	T2	T2S09		T2X27	T2X28
	D2S10	D2S11				HC930AC13	C2Y26	D2Y26	HH002DD07	B5B09*	C2B13	PR101AS30	T2	T2S07	PS001FB23	S2W12	S2W13
	D2S13								PA120BA10	E1B13*	J2U05	PR101AT30	T2	T2J10		S2W31	S2W33
	D2S03	C2S13	HC930AC33	C2Y24	D2Y24	HC930AC33	C2Y24	D2Y24	PA120BA110	E1B11*	J2U04	PR101AZ30	T2	T2P12		T2W12	T2W13
	C2U05	D2D12	HC930AC43	C2Y23	D2Y23	HC930AC43	C2Y23	D2Y23	PA120BY10	F1A13*	J2U05	PR102AB21	T2	T2U04		T2W31	T2W33
	D2J05	D2J12	HD100AE11	D2G03	D2G03	HD100AE11	D2G03	D2G03	PA120C010	E1C13*	J2U07	PR102AB31	T2	T2U06	PS001GC30	S2	S2Z04
	D2J13	D2M02	HD100AE21	D2B07	D2B07	HD100AE21	D2B07	D2B07	PA120CP10	E1C11*	J2S04	PR102AB41	T2	T2S10		S2Z29	T2Z04
	D2M03	D2P11	HD100AE31	D2P07	D2P07	HD100AE31	D2P07	D2P07	PA120DG10	E1U13*	J2S02	PR103AC30	T2	T2U13		T2Z29	
HB100AAA0	D2B02	D2B03	HD100AE41	D2P09	D2P09	HD100AE41	D2P09	D2P09	PA120DS10	E1U11*	J2U06	PR111AJ30	T2U07		PS003DB13	S2Y11	S2Y30
	D2B04	D2B05	HD100AJ11	C2W09	D2W09	HD100AJ11	C2W09	D2W09	PA120EJ10	E1E13*	J2U06	PR111AK30	T2U10			S2Y31	T2Y11
	D2D02	D2D04	HD100AJ21	C2W06	D2W06	HD100AJ21	C2W06	D2W06	PA120FV10	E1E11*	J2U06	PR111AL30	T2U12			T2Y30	T2Y31
	D2D05	D2D06	HD100AJ31	C2W07	D2W07	HD100AJ31	C2W07	D2W07	PC554BV30	M1B11*		PR111AM30	T2U09		PS003DB16	S2	S2Y12
	D2D07	D2D09	HD100AK11	D2J02	D2J02	HD100AK11	D2J02	D2J02	PC554GH30	E2M13		PR111AN30	T2U11			S2Y13	S2Y32
	D2D10		HD100AK21	D2G02	D2G02	HD100AK21	D2G02	D2G02		J2J09		PR111AO30	T2M05	T2M07		S2Y33	S2Z07
HB100AF20	D2G02	D2J02	HD100AK31	D2J04	D2J04	HD100AK31	D2J04	D2J04		M2J12		PR121AB21	T2M08	T2M09		S2Z08	S2Z13
HB100AF30	D2B07	D2G03	HD100AK41	D2G04	D2G04	HD100AK41	D2G04	D2G04	PR003AA1	V3D09*					T2P05	S2Z22	S2Z27
HB100AF40	D2P12	D2P13	HD125AE11	C2W26	D2W26	HD125AE11	C2W26	D2W26	PR003AA3	V3D11*					T2P09	S2Z23	T2Y12
HB100AH00	D2B09	D2B10	HD125AL11	D2P12	D2P12	HD125AL11	D2P12	D2P12	PR003AA5	V3D13*					T2P10	S2Z27	T2Y32
	D2B12	D2B13	HD125AL21	D2P13	D2P13	HD125AL21	D2P13	D2P13	PR003AA7	V3D12*					T2P10	S2Z33	T2Y32
HB100AH10	D2G05	D2G07	HD125AL31	D2M05	D2M05	HD125AL31	D2M05	D2M05	PR003AA9	V4D04*					T2P09	S2Z33	T2Y32
	D2G08	D2G09	HD125AL41	D2M04	D2M04	HD125AL41	D2M04	D2M04	PR003ABA1	V4D06*					T2P09	S2Z33	T2Y32
	D2G10	D2G12	HD200AA11	C2Y05	D2Y05	HD200AA11	C2Y05	D2Y05	PR003ABA3	V4D07*					T2P09	S2Z33	T2Y32
	D2G13	D2J07	HD200AE11	A5D05*		HD200AE11	A5D05*		PR003ABA5	V4D09*					T2P07	S2Z33	T2Y32
	D2J09		HD200AE21	D2Z33		HD200AE21	D2Z33		PR003ABA7	V4D12*					T2P07	S2Z33	T2Y32
HB100AJA1	D2J11		HD200AE31	D2Y02		HD200AE31	D2Y02		PR003ABA9	V5D07*					T2P07	S2Z33	T2Y32
HB100AJA2	D2J10		HD200AH11	C2Z06	D2Z06	HD200AH11	C2Z06	D2Z06	PR003ACA1	V5B02*					T2P07	S2Z33	T2Y32
HB100AJA6	D2J06		HD200AH31	C2Z05	D2Z05	HD200AH31	C2Z05	D2Z05	PR003ADA7	V5B10*					T2P07	S2Z33	T2Y32
HB100AJA7	D2U02		HD200AH51	C2Z07	D2Z07	HD200AH51	C2Z07	D2Z07	PR003ADA9	V5B06*					T2P07	S2Z33	T2Y32
HB100AP16	C2B03	C2S05		D2Z07			D2Z07		PR003AEA1	V5B09*					T2P07	S2Z33	T2Y32
	C2S07	C2U10	HD200AH71	C2Z09	D2Z09	HD200AH71	C2Z09	D2Z09	PR003AEA3	V5D10*					T2P07	S2Z33	T2Y32
	D2P10		HD225AA11	C2Z02	D2Z02	HD225AA11	C2Z02	D2Z02	PR003AEA5	V5D11*					T2P07	S2Z33	T2Y32
HB100AP20	C2M07	C2P07	HD225AAJ11	D2Y23		HD225AAJ11	D2Y23		PR003AEA7	V5D12*					T2P07	S2Z33	T2Y32
	D2B08		HD225AJ11	C2Z10	D2Z10	HD225AJ11	C2Z10	D2Z10	PR003AEA9	V5D13*					T2P07	S2Z33	T2Y32
	C2D02	C2D04	HD225AJ31	C2Z11	D2Z11	HD225AJ31	C2Z11	D2Z11	PR003AEB1	V5B05*					T2P07	S2Z33	T2Y32
HB200AD10	C2D10	C2D11	HD225AJ51	C2Z12	D2Z12	HD225AJ51	C2Z12	D2Z12	PR003AEB3	V5B06*					T2P07	S2Z33	T2Y32
HB200AD20	C2D07	C2D09	HD225AJ71	D2Z13		HD225AJ71	D2Z13		PR003AEB5	V5B07*					T2P07	S2Z33	T2Y32
HB200AD30	C2D05	C2D06	HD400AD31	C2Y07	D2Y07	HD400AD31	C2Y07	D2Y07	PR003AEB7	V5B08*					T2P07	S2Z33	T2Y32
HB200AD40	C2P02	C2S02	HD500AA11	D2J10		HD500AA11	D2J10		PR003AEB9	V5B09*					T2P07	S2Z33	T2Y32
HB200AD50	C2S09	C2S11	HD500AA21	D2J06		HD500AA21	D2J06		PR003AEB1	V5B09*					T2P07	S2Z33	T2Y32
HB200AD60	C2S10	C2U10	HD500AA41	C2Y22	D2Y22	HD500AA41	C2Y22	D2Y22	PR003AEB3	V5B09*					T2P07	S2Z33	T2Y32
HB200AD70	C2M08	C2S08	HD500AA61	D2J11		HD500AA61	D2J11		PR003AEB5	V5B09*					T2P07	S2Z33	T2Y32
HB200AD80	C2U06		HD500AA81	D2Y10	D2Y10	HD500AA81	D2Y10	D2Y10	PR003AEB7	V5B09*					T2P07	S2Z33	T2Y32
HB200AD90	C2U09		HD500AA91	C2X22	D2X22	HD500AA91	C2X22	D2X22	PR003AEB9	V5B09*					T2P07	S2Z33	T2Y32
HB200AP50	C2U13		HD500AA52	D2B10	D2B10	HD500AA52	D2B10	D2B10	PR003AEB1	V5B09*					T2P07	S2Z33	T2Y32
HB200AP60	C2U13		HD500AA62	D2B09	D2B09	HD500AA62	D2B09	D2B09	PR003AEB3	V5B09*					T2P07	S2Z33	T2Y32
HC010AB11	C2P02	C2S02	HD500AA71	C2X05	D2X05	HD500AA71	C2X05	D2X05	PR003AEB5	V5B09*					T2P07	S2Z33	T2Y32
HC010AB21	C2S02		HD500AA81	D2B12	D2B12	HD500AA81	D2B12	D2B12	PR003AEB7	V5B09*					T2P07	S2Z33	T2Y32
HC010AB31	C2M02		HD500AA91	D2B13	D2B13	HD500AA91	D2B13	D2B13	PR003AEB9	V5B09*					T2P07	S2Z33	T2Y32
HC010AB41	C2M03		HD500AB72	D2B12	D2B12	HD500AB72	D2B12	D2B12	PR003AEB1	V5B09*					T2P07	S2Z33	T2Y32
HC020AJ11	C2B08		HD500AB81	C2X23	D2X23	HD500AB81	C2X23	D2X23	PR003AEB3	V5B09*					T2P07	S2Z33	T2Y32
HC020AJ21	C2B07		HD500AB91	D2B13	D2B13	HD500AB91	D2B13	D2B13	PR003AEB5	V5B09*							

NET NO.	PIN	PIN	NET NO.	PIN	PIN	NET NO.	PIN	PIN	NET NO.	PIN	PIN	NET NO.	PIN	PIN	NET NO.	PIN	PIN
PS009EB23	S2W04	T2W04	PS101FB11	S2B12	S2G10	PS109EB25	S2Y10	T2Y10	PT011AA40	T2D11	T2D12	PU020AE50	T2W22	U2W22	WC014CD30	M2S02	R2B10
PS009EB24	S2	S2G04	PS101FB12	S2B12	S2G10	PS109EB26	S2Y10	T2Y10	PT011AD20	L2D04	T2D04	PU030AL30	T2Y28	U2	WC014CH10	M2P11	R2D02
FS009EB25	T2J07	S2Y10	PS101FB13	S2	S2J09	PS109EB26	S2	S2J04	PT011AH20	T2	T2J11	PU040AD30	T2Y28	U2Y05	WC014CH20	M2P13	R2B03
PS009EB26	S2	T2Y10	PS101FB19	S2X08	S2X09	PS109EB31	S2U02	S2P06	PT011AM20	L2B04	T2B04	PU060ABJ0	T2	U2J12	WC014CH30	M2S03	R2B05
PS009EB31	T2	T2Y04		S2X27	S2X28	PS109EB30	S2P05	S2P06	PT011AM30	L2D05	T2D05	PU070AH30	U2X13		WC014DL10	M2Y26	N2Y26
PS009GB30	S2	S2J04		T2X08	T2X09	PS111AM30	S2D09	S2P06	PT011AQ30	T2Z09	T2D05		U2X13		WC016AD10	M2X02	
PS011AM30	S2P05	S2P06		T2X27	T2X28	PS111AM30	S2	S2M07	PT021AG31	S2W27	T2W27	PU080AB21	V3B02*		WC016BF10	M2X05	N2X05
PS011CJ30	S2D09	S2P06		U2X08	U2X09	PS111CJ30	S2	S2J06	PT023AF50	L2G13	T2J09		T2P05	T2P06	WC016BF11	M2X10	
PS011CL30	S2	S2M07	PS101FB23	U2X27	U2X09	PS111CL30	S2	S2B13	PT023AH21	L2G02	L2G03		T2P09	T2P10	WC016BF12	M2X08	N2X08
PS011CN30	S2	S2J06		S2W12	S2W13		T2	T2M06		L2G04	L2G05		U2P02	U2P04	WC016BF13	M2X06	
PS011CP31	S2	S2B13		T2W31	T2W33		T2	S2J05		L2J02	L2J04		U2P05	U2P06	WC016BF20	M2X25	N2X25
PS011CP32	T2	T2M06		T2W12	T2W13		T2	T2S06		L2J05	L2J06		T2	T2Y02	WC016BF21	M2X30	N2X30
PS011CP33	S2	S2J05		U2W12	U2W13		T2	S2M13		T2	T2G02		U2Y02	U2Y02	WC016BF22	M2X28	N2X28
PS011CZ30	T2	T2S06		U2W31	U2W33		T2	S2D02		T2G03	T2G04		T2	T2Y03	WC016BF23	M2X26	N2X26
PS013AR30	S2	S2M13		U2X33	U2X33		T2	S2B02		T2G05	T2J02		U2Y03	U2Y03	WC016BF30	M2W12	N2W12
PS013CB00	S2	S2D02		S2X33	S2X33		T2	S2K		T2J04	T2J05		T2	T2Z23	WC016DH10	M2W13	N2W13
PS013CB30	S2B02	S2D02		S2Y11	S2Y30		T2	S2K		T2J06	T2J06		T2Z24	T2Z25	WC016DH20	M2P04	
PS013CE30	S2	S2P07	PS103DB13	U2Y11	U2Y11		T2	S2P13		T2Z28	U2		T2Z24	T2Z25	WC016DU10	M2Z25	N2Z25
PS013CG30	S2	S2P12		U2Y30	U2Y30		T2	S2G05		S2W28	I2		U2Z24	U2Z25	WC016DL10	M2Y22	N2Y22
PS013CK30	S2	S2P12		U2Y31	U2Y31		T2	S2G05		T2W28	I2		U2Y27	U2Y27	WC016DL20	M2X32	N2X32
PS013CK50	S2	S2Y27	PS103DB16	S2	S2Y12		T2	S2G05		S2	S2W29		U2	U2Y29	WC018DL10	M2Z07	N2Z07
PS013CM30	T2Y27	S2Y27		S2Y13	S2Y32		T2	S2G05		T2W29	S2W29		U2	U2Y29	WC018DL20	M2Z05	N2Z05
PS013CP30	S2	S2Y26		S2Y33	S2Z07		T2	S2G05		S2X02	T2X02		U2	U2Y29	WC018DL30	M2Z04	N2Z04
PS013CF30	T2Y26	S2Y26		S2Z08	S2Z13		T2	S2G05		S2W30	T2		U2	U2Y29	WC020AH30	M2U07	R2U02
PS013CB30	S2	S2Y06		S2Z22	S2Z27		T2	S2G05		T2W30	T2		U2	U2Y29	WC020AC30	M2U10	R2U03
PS013CE30	S2	S2Y06		S2Z33	U2Y12		T2	S2G05		T2W30	T2		U2	U2Y29	WC020AD30	M2U11	R2U04
PS013CG30	T2Y06	S2Y06		U2Y13	U2Y22		T2	S2G05		T2W30	T2		U2	U2Y29	WC020AE30	M2U12	R2U05
PS013CK50	S2	S2W05		U2Y32	U2Y33		T2	S2G05		T2W30	T2		U2	U2Y29	WC020AF30	M2U13	R2U06
PS013CM30	T2W05	S2W05		U2Z07	U2Z08		T2	S2G05		T2W30	T2		U2	U2Y29	WC020AG30	M2U14	R2U07
PS013CP30	S2	S2G09		U2Z13	U2Z22		T2	S2G05		T2W30	T2		U2	U2Y29	WC020AJ30	M2U15	R2U08
PS015CF30	S2	S2B08	PS103DB30	U2Z27	U2Z33		T2	S2G05		T2W30	T2		U2	U2Y29	WC020AK30	M2U16	R2U09
PS015CF30	S2	S2W02	PS103FB00	S2P02	S2Y08		T2	S2G05		T2W30	T2		U2	U2Y29	WC020AL30	M2U17	R2U10
PS015CL30	T2W02	S2B09	PS103FB10	S2M08	S2Y08		T2	S2G05		T2W30	T2		U2	U2Y29	WC020AM30	M2U18	R2U11
PS015CJ30	S2	S2J11	PS103FB20	U2Y08	S2Y08		T2	S2G05		T2W30	T2		U2	U2Y29	WC020AN30	M2U19	R2U12
PS015CZ30	S2	S2J13	PS103FB30	S2M10	S2Y08		T2	S2G05		T2W30	T2		U2	U2Y29	WC020AO30	M2U20	R2U13
PS017AMC1	S2	S2J13	PS105AB31	S2P11	S2Y08		T2	S2G05		T2W30	T2		U2	U2Y29	WC020AP30	M2U21	R2U14
PS017AMC2	S2D12	S2J13		S2M12	S2Y08		T2	S2G05		T2W30	T2		U2	U2Y29	WC020AQ30	M2U22	R2U15
PS017AMC3	S2D13	S2J13		S2M12	S2Y08		T2	S2G05		T2W30	T2		U2	U2Y29	WC020AR30	M2U23	R2U16
PS017AMC4	S2B03	S2J13		S2M12	S2Y08		T2	S2G05		T2W30	T2		U2	U2Y29	WC020AS30	M2U24	R2U17
PS017AMC5	S2B04	S2J13		S2M12	S2Y08		T2	S2G05		T2W30	T2		U2	U2Y29	WC020AT30	M2U25	R2U18
PS017AMC6	S2B05	S2J13		S2M12	S2Y08		T2	S2G05		T2W30	T2		U2	U2Y29	WC020AU30	M2U26	R2U19
PS017CB30	S2P04	S2P04		S2M12	S2Y08		T2	S2G05		T2W30	T2		U2	U2Y29	WC020AV30	M2U27	R2U20
PS017CF30	S2M09	T2		S2M12	S2Y08		T2	S2G05		T2W30	T2		U2	U2Y29	WC020AW30	M2U28	R2U21
PS017CJ30	S2W25	T2		S2M12	S2Y08		T2	S2G05		T2W30	T2		U2	U2Y29	WC020AX30	M2U29	R2U22
PS017FM30	T2W25	T2W26		S2M12	S2Y08		T2	S2G05		T2W30	T2		U2	U2Y29	WC020AY30	M2U30	R2U23
PS017FM50	S2W26	T2W26		S2M12	S2Y08		T2	S2G05		T2W30	T2		U2	U2Y29	WC020AZ30	M2U31	R2U24
PS017FP30	S2D07	T2W26		S2M12	S2Y08		T2	S2G05		T2W30	T2		U2	U2Y29	WC020BA30	M2U32	R2U25
PS017FP50	S2D07	T2W26		S2M12	S2Y08		T2	S2G05		T2W30	T2		U2	U2Y29	WC020BB30	M2U33	R2U26
PS017FT31	S2Y09	T2W26		S2M12	S2Y08		T2	S2G05		T2W30	T2		U2	U2Y29	WC020BC30	M2U34	R2U27
PS017FT32	S2W07	T2W26		S2M12	S2Y08		T2	S2G05		T2W30	T2		U2	U2Y29	WC020BD30	M2U35	R2U28
PS017FT33	S2W07	T2W26		S2M12	S2Y08		T2	S2G05		T2W30	T2		U2	U2Y29	WC020BE30	M2U36	R2U29
PS017FT34	S2D05	T2W26		S2M12	S2Y08		T2	S2G05		T2W30	T2		U2	U2Y29	WC020BF30	M2U37	R2U30
PS017FT35	S2D05	T2W26		S2M12	S2Y08		T2	S2G05		T2W30	T2		U2	U2Y29	WC020BG30	M2U38	R2U31
PS017FT36	S2S02	T2W26		S2M12	S2Y08		T2	S2G05		T2W30	T2		U2	U2Y29	WC020BH30	M2U39	R2U32
PS017FT37	S2D10	T2W26		S2M12	S2Y08		T2	S2G05		T2W30	T2		U2	U2Y29	WC020BI30	M2U40	R2U33
PS101AB31	S2B07	T2W26		S2M12	S2Y08		T2	S2G05		T2W30	T2		U2	U2Y29	WC020BJ30	M2U41	R2U34
	S2D04	T2W26		S2M12	S2Y08		T2	S2G05		T2W30	T2		U2	U2Y29	WC020BK30	M2U42	R2U35
	S2D04	T2W26		S2M12	S2Y08		T2	S2G05		T2W30	T2		U2	U2Y29	WC020BL30	M2U43	R2U36
	S2D04	T2W26		S2M12	S2Y08		T2	S2G05		T2W30	T2		U2	U2Y29	WC020BM30	M2U44	R2U37
	S2D04	T2W26		S2M12	S2Y08		T2	S2G05		T2W30	T2		U2	U2Y29	WC020BN30	M2U45	R2U38
	S2D04	T2W26		S2M12	S2Y08		T2	S2G05		T2W30	T2		U2	U2Y29	WC020BO30	M2U46	R2U39
	S2D04	T2W26		S2M12	S2Y08		T2	S2G05		T2W30	T2		U2	U2Y29	WC020BP30	M2U47	R2U40
	S2D04	T2W26		S2M12	S2Y08		T2	S2G05		T2W30	T2		U2	U2Y29	WC020BQ30	M2U48	R2U41
	S2D04	T2W26		S2M12	S2Y08		T2	S2G05		T2W30	T2		U2	U2Y29	WC020BR30	M2U49	R2U42
	S2D04	T2W26		S2M12	S2Y08		T2	S2G05		T2W30	T2		U2	U2Y29	WC020BS30	M2U50	R2U43
	S2D04	T2W26		S2M12	S2Y08		T2	S2G05		T2W30	T2		U2	U2Y29	WC020BT30	M2U51	R2U44
	S2D04	T2W26		S2M12	S2Y08		T2	S2G05		T2W30	T2		U2	U2Y29	WC020BU30	M2U52	R2U45
	S2D04	T2W26		S2M12	S2Y08		T2	S2G05		T2W30	T2		U2	U2Y29	WC020BV30	M2U53	R2U46
	S2D04	T2W26		S2M12	S2Y08		T2	S2G05		T2W30	T2		U2	U2Y29	WC020BW30	M2U54	R2U47
	S2D04	T2W26		S2M12	S2Y08		T2	S2G05		T2W30	T2		U2	U2Y29	WC020BX30	M2U55	R2U48
	S2D04	T2W26		S2M12	S2Y08		T2	S2G05		T2W30	T2		U2	U2Y29	WC020BY30	M2U56	R2U49
	S2D04	T2W26		S2M12	S2Y08		T2	S2G05		T2W30	T2		U2	U2Y29	WC020BZ30	M2U57	R2U50
	S2D04	T2W26		S2M12	S2Y08		T2	S2G05		T2							

NET NO.	PIN	PIN	NET NO.	PIN	PIN	NET NO.	PIN	PIN	NET NO.	PIN	PIN	NET NO.	PIN	PIN	NET NO.	PIN	PIN	
WC032BN10	N2P04	P2G07	WC130TP20	R2	R2P06	WS003DB13	N2Y30	N2Y31	WS013CG30	N2Y06	P4W06	WS173FR22	M2Z05		WS501AB30	V2D04		
WC032BN20	N2M13	P2G13	WC140GF20	R2	R2		P4W11	P4W30		Q4W06		WS173FR23	M2Z12		WS501AB60	K2	R2B07	
WC032BN30	N2S02						P4W31	Q4W30	WS013CK50	N2W05		WS173FR24	M2Z32			V2B04	R2D09	
WC032BN40	N2U02		WC140SL20	N2U13	R2G09		Q4W31	Q4W31	WS013CP30	N2G09		WS173FR25	M2Z27		WS501AC30	K2	R2D09	
WC032ED10	N2B12	N2G07	WC140SL30	N2U09	R2G08		R4W11	R4W30	WS013CP30	N2B08	N2W02	WS173FR26	M2Z29		WS501AC60	K2	R2B09	
	N2G08	N2G09	WC140SL40	N2J12	R2J10		R4W31	R4W30	WS015CF30	N2W02		WS173FR27	M2Z26		WS501AD30	K2	R2B09	
	N2G13	N2J09	WC140SL50	N2P02	R2G07	WS003DB16	N2Y12	N2Y13	WS015CL30	N2B09		WS173FR28	M2Z10		WS501AD60	K2	R2B09	
	N2J13	N2M02	WC140TE20	R2	R2P12		N2Y32	N2Y33	WS015CW30	N2J11		WS173FR29	M2Y31		WS501AD30	R2	R2J02	
	N2M03	P2G02	WC140TM20	R2	R2D13		N2Z07	N2Z08	WS015CZ30	N2J13		WS173FR30	M2Y28		WS501AD60	K2	R2J02	
	P2G05	P2G08	WC160HB20	R2	R2G12		N2Z21	N2Z22	WS017AMC1	N2D12		WS173FR31	M2Y10		WS501AD60	K2	R2G02	
	P2G09	P2G10	WC170CC20	R2	R2M13		N2Z27	N2Z33	WS017AMC2	N2D13		WS173FR32	M2Y26		WS501BA30	V2B07	R4J13	
	P2G12	P2J04	WC170EK30	R2	R2M08		P4W12	P4W13	WS017AMC3	N2B03		WS173FR33	M2Z03		WS501BA30	K2G04	R4J13	
	P2J06	P2J13	WC170HC20	R2M09	R2U09		P4W32	P4W33	WS017AMC4	N2B05		WS173FR34	M2L13	R2D12	WS501BA30	K2G08	R4J12	
WC032EJ10	N2B13	N2D13	WC180BC20	R2	R2M10		P4X07	P4X08	WS017AMC5	N2P04		WS181AB30	M2Z08		WS501BB30	K2G09	R4G10	
	N2G02	N2G03	WC180BC30	R2	R2S02		P4X13	P4X22	WS017AMC6	N2M09		WS181AJ30	M2Z07		WS501BC30	K2G09	R4G10	
	N2G04	N2J02	WC180BC40	K2	K2S04		P4X27	P4X33	WS017AMC7	N2M09	N2W25	WS181BN30	M2Z09		WS501BD30	R2G11	R4G13	
	N2J04	N2J05	WC180BC50	K2	K2S05		Q4W12	Q4W13	WS017CF30	N2W26	N2W26	WS181BH30	M2Y08	K2D10	YA420BA50	M2	Q2B05	
	N2J07	P2B02	WC180BPB0	K2M07			Q4W32	Q4W33	WS017CF30	N2D07		WS200CC31	M2U02	N2Y2Y	YA420BB50	C2V11	U2B11	
	P2B04	P2B08	WC180BPC0	K2B11			Q4X07	Q4X08	WS017FM30	N2Y09			F4B12			U2V11	U2B11	
	P2B09	P2B10	WC180BPD0	R2M11			Q4X13	Q4X22	WS017FM50	N2W07		WS200ER40	M2P02	P4B04	YA420CA30	C2B06	U2B06	
	P2B12	P2D04	WC180BPE0	R2S11			Q4X27	Q4X33	WS017FP30	N2M07	N2D05	WS200ER50	M2G12	P4B05	YA420DA30	U2B06	U2G06	
	P2D06	P2D13	WC180BFD30	R2	R2U07	WS003DB30	N2P02	N2P09	WS017FP50	N2M09	N2S02	WS200FC31	M2G12	P4B05				
	P2M05	P2J11	WC180BFD40	R2	R2S07	WS003FB00	N2M08	N2Y08	WS017F131	N2D10			M2G12	P4B05				
	P2J12	N2Y12	WC180BLC20	R2P13	R2U04	WS003FB10	N2M11	N2Y08	WS017F132	N2D11			M2G12	P4B05				
WC034B11U	N2Y12	N2Y12	WC180BNS20	R2	R2P11	WS003FB20	N2M10	P4J10	WS017F133	N2D04			M2G12	P4B05				
WC034B12U	P2B03	P2B03	WC180BNS30	R2M12		WS003FB30	N2M11	P4J10	WS017F134	N2D08			M2G12	P4B05				
WC034DD1U	P2B04	P2D02	WC180BNS40	R2P09		WS003FB40	N2P11	Q4J10	WS017F135	N2G08			M2G12	P4B05				
	P2G03	P2G04	WC180NSV10	R2P05		WS003FB50	R4D11		WS017FT36	N2M03			M2G12	P4B05				
	P2J05		WC180NSV11	R2P02		WS005AB31	N2M12	R4J10	WS017FT37	N2B10			M2G12	P4B05				
WC034DF10	N2B09	P2D05	WC180NSV12	R2P04		WS005DB21	N2G07	N2J07	WS101HB82	N2Y02			M2G12	P4B05				
WC034FJ10	N2M04	N2M08	WC180NSV13	R2P07			N2P09	N2P10	WS101PA30	N2Y03			M2G12	P4B05				
	N2P05	N2P06	WC180NSV14	R2P10			N2Y03	N2Y04	WS101PA60	N2Y23			M2G12	P4B05				
	N2P10	N2P10	WC180NSV15	R2J12			N2Y05	N2Y22	WS101RB30	M2S13	M2U11		M2G12	P4B05				
	N2P12	P2B07	WC190AA30	Q3D02	R2U10		P4W03	P4W04	WS101RB50	M2M10			M2G12	P4B05				
	P2B13	P2D07		V2D02			P4W05	P4W22	WS111RD20	M2W28	N2W28		M2G12	P4B05				
	P2D09	P2D10	WC190AA60	Q3B02	R2S09		Q4W03	Q4W04	WS111VD20	M2W29	N2W29		M2G12	P4B05				
	P2D11	P2D12		V2B02			Q4W05	Q4W22	WS111XB50	M2Z28			M2G12	P4B05				
WC034GP10	N2D10		WC190AB30	Q3D04	R2U11	WS005DE21	N2Y02	N2Y23	WS131BD30	M2W30	N2W30		M2G12	P4B05				
WC036BF30	N2Y27	N2Y27		V2D04			N2Y24	N2Y25	WS131GB80	M2Y24			M2G12	P4B05				
WC036BF40	N2Y10	P2J02	WC190AB60	Q3B04	R2S10		P4W02	P4W23	WS131PB40	M2X02	N2X02	WS300CC31	M2U09	Q4G05				
WC036BF50	N2P09	P2J02		V2B04			P4W24	P4W25	WS131QA20	M2Z11		WS300ER40	M2U09	Q4G05				
WC036BF60	N2P11	P2J07	WC190AC30	Q3D05	R2U12		Q4W02	Q4W23	WS131QA30	M2Y04		WS300ER50	M2S03	Q4J12				
WC036DD10	N2M12	P2J09		V2D05			Q4W24	Q4W25	WS131YD30	M2W27	N2W27	WS300FC31	M2S03	Q4J12				
WC036DD20	N2P13	P2J10	WC190AC60	Q3B05	R2S12	WS005DJ30	N2W32	N2M04	WS141DA15	M2Y11		WS300FC31	M2S08	Q4J12				
WC036DJ10	N2B10			V2B05		WS005EH21	N2J10	N2M04	WS141DA17	M2Y25			M2S08	Q4J12				
WC036DJ20	N2D05		WC190AD30	Q3D07	R2U13		N2X07	N2Y28	WS141DA63	M2M02	R2G13		M2S08	Q4J12				
WC036DJ30	N2D02			V2D07		WS005FC30	N2Y07	P4W07	WS141WB30	M2Y31			M2S10	Q4J12				
WC038AB10	N2	N2U11	WC190AD60	Q3B07	R2S13		Q4W07	M2X11	WS143GB50	M2Y32			M2S10	Q4J12				
WC038AD10	N2	N2U09		V2B07		WS005FE31	M2X10	M2X13	WS143JD11	M2W11	N2W11		M2S10	Q4J12				
WC038AF10	N2	N2J12	WS001AB31	N2Z02	N2Z03		M2X12	M2X13	WS143JD21	M2W10	N2W10		M2S10	Q4J12				
WC038AH10	N2	N2P02		N2Z04	N2Z05		M2X29	M2X30	WS143KB50	M2Y05			M2S10	Q4J12				
WC038AJ10	N2	N2S09		N2Z06	N2Z09		M2X31	M2X32	WS143TB50	M2M04	M2P04		M2S10	Q4J12				
WC038ARC1	N2D06			N2Z10	N2Z11		M2X33	N2X10	WS143VD30	M2P11			M2S10	Q4J12				
WC038ARC2	N2D12			N2Z12	N2Z23	WS005GG21	N2X11	N2X12	WS143WC21	M2P13			M2S10	Q4J12				
WC038ARC3	N2B04			N2Z24	N2Z25	WS005GG22	M2X12	N2X29	WS143WC41	M2P10	R2B12		M2S10	Q4J12				
WC038ARC4	N2J10	N2X11		N2Z26	N2Z28	WS005GG23	M2X29	M2X31	WS143WC61	M2P09	R2B11		M2S10	Q4J12				
WC038ARC6	N2J11			N2Z29	N2Z30	WS005GG24	M2X31	M2X32	WS143WC81	M2M05	R2B10		M2S10	Q4J12				
WC038ARC7	N2G10			N2Z31	N2Z32	WS005GG25	M2X33	N2X10	WS151BX31	M2M05	R2B10		M2S10	Q4J12				
WC038ARC8	N2M09		WS001AJ31	N2Z33	N2S04	WS007FH21	M2W06	N2W06		M2X03	M2X04	WS400FC31	M2S10	Q4J12				
WC038ARC9	N2U10			N2S05	N2S07		M2W24	N2W24		M2X05	M2X06		M2S10	Q4J12				
WC038ARD1	N2S12			N2S08	N2S09		M2W23	N2W23		M2X22	M2X23		M2S10	Q4J12				
WC038ARD2	N2X07			N2S10	N2S12		N2G12	N2G13		M2X24	M2X25		M2S10	Q4J12				
WC038ARD3	N2X13			N2S13	N2U04	WS009AK50	N2J12	N2M02		M2X26	M2X03		M2S10	Q4J12				
WC038ARD4	N2Z12			N2U05	N2U06	WS009BBP0	M2W08	N2W08		M2X04	M2X05		M2S10	Q4J12				
WC038ARD5	N2Z29			N2U07	N2U09	WS009BBP0	N2B04	N2B04		M2X06	M2X22		M2S10	Q4J12				
WC038CM10	M2W09	N2W09		N2U10	N2U09	WS009BH30	N2W09	N2W09		M2X23	M2X24		M2S10	Q4J12				
WC038CM20	M2W33	N2W33		N2U11	N2U11	WS009CCD0	N2D06	N2D06		M2X25	M2X26		M2S10	Q4J12				
WC038CM30	M2X23	N2X23	WS001CB31	N2U12	N2U13	WS009EB21	M2W03	N2W03	WS171AB30	M2Y09			M2S10	Q4J12				
WC038FR10	N2D11			N2S03	N2S04	WS009EB22	N2G03	N2G03	WS171AF30	M2Y30			M2S10	Q4J12				
WC038FR11	N2U12		WS001CB35	N2S05	N2S07	WS009EB23	N2W04	N2W04	WS171AL30	M2Y13			M2S10	Q4J12				
WC038FR12	N2U13			N2S09	N2S08	WS009EB24	N2G04	N2G04	WS171AR30	M2Y07			M2S10	Q4J12				
WC038FR13</																		

NET NO.	PIN	PIN	NET NO.	PIN	PIN	NET NO.	PIN	PIN	NET NO.	PIN	PIN	NET NO.	PIN	PIN
WS174ARDU	M2224		WS500AA40	K2B04										
WS173ARE0	M2M12		WS500AA50	R2D05										
WS173ARF0	M2U04		WS500AA60	R2B05										
WS173BB30	M2204		WS500AA70	R2J04										
WS173BC30	M2P07	R2D11	WS500BA30	M2S10	R2D13									
WS173DB30	M2202		WS500CA30	M2U12	N2J02									
WS173EB50	M2Z31			R2D04	S2J02									
WS173FR21	M2206		WS500DA30	M2S09	R2B13									
WS173FR22	M2Z05		WS500FA60	R2B03										
WS173FR23	M2212		WS500FB60	R2D06										
WS173FR24	M2Z32		WS500FC60	R2B08										
WS173FR25	M2Z27		WS500FD60	R2G03										
WS173FR26	M2Z29		WS501AA30	R2	R2D02									
WS173FR27	M2Z26			V2D02										
WS173FR28	M2Z10		WS501AA60	R2	R2B02									
WS173FR29	M2Y33			V2B02										
WS173FR30	M2Y28		WS501AB30	R2	R2D07									
WS173FR31	M2Y10			V2D04										
WS173FR32	M2Y26		WS501AB60	R2	R2B07									
WS173FR33	M2Z03			V2B04										
WS181AB30	M2U13	R2D12	WS501AC30	K2	R2D09									
WS181AJ30	M2Z08			V2D05										
WS181BN30	M2Z07		WS501AC60	R2	R2B09									
WS181BN50	M2Z09			V2B05										
WS181FH30	M2M08	R2D10	WS501AD30	R2	R2J02									
WS200CC31	N2U02	N2Y29		V2D07										
	P4B12		WS501AD60	R2	R2G02									
WS200ER40	M2P02	P4B04		V2B07										
WS200ER50	M2G12	P4B05	WS501BA30	R2G04	R4J13									
WS200FC31 (PH)	N2U07	P4B10	WS501BB30	R2G08	R4J12									
WS200FC31 (PL)	N2S10	P4G02	WS501BC30	R2G09	R4G10									
WS200FC31 (00)	N2S05	P4D09	WS501BD30	R2G11	R4G13									
WS200FC31 (01)	N2S03	P4D07	YA420BA30	H2	Q2B05									
WS200FC31 (02)	N2U10	P4B09	YA420BB50	C2B11	C2G11									
WS200FC31 (03)	N2S09	P4D10		D2B11	D2G11									
WS200FC31 (04)	N2S13	P4J06		Q2B03										
WS200FC31 (05)	N2U13	P4J07	YA420CA30	C2B06	C2G06									
WS200FC31 (06)	N2S08	P4G08		D2B06	D2G06									
WS200FC31 (07)	N2S07	P4G07	YA420DA30	C2D03	C2J03									
WS200FC31 (08)	N2U12	P4D06		C2P03	C2U03									
WS200FC31 (09)	N2S04	P4D13		D2D03	D2J03									
WS200FC31 (10)	N2U04	P4D12		D2P03	D2U03									
WS200FC31 (11)	N2S12	P4G03		E2D03	E2J03									
WS200FC31 (12)	N2U06	P4J04		E2P03	E2U03									
WS200FC31 (13)	N2U05	P4G04		Q2D03										
WS200FC31 (14)	N2U11	P4J05	YA420DA50	C2D08	C2J08									
WS200FC31 (15)	N2U09	P4J02		C2P08	C2U08									
WS300CC31	Q4B12			D2D08	D2J08									
WS300ER40	M2U09	Q4G05		D2P08	D2U08									
WS300ER50	M2S03	Q4J12		E2D08	E2J08									
WS300FC31 (PH)	N2U07	Q4B10		E2P08	E2U08									
WS300FC31 (PL)	N2S10	Q4G02		H2	J1A13*									
WS300FC31 (00)	N2S05	Q4D09		J1B11*										
WS300FC31 (01)	N2S03	Q4D07												
WS300FC31 (02)	N2U10	Q4B09												
WS300FC31 (03)	N2S09	Q4D10												
WS300FC31 (04)	N2S13	Q4J06												
WS300FC31 (05)	N2U13	Q4J07												
WS300FC31 (06)	N2S08	Q4G08												
WS300FC31 (07)	N2S07	Q4G07												
WS300FC31 (08)	N2U12	Q4D06												
WS300FC31 (09)	N2S04	Q4D13												
WS300FC31 (10)	N2U04	Q4D12												
WS300FC31 (11)	N2S12	Q4G03												
WS300FC31 (12)	N2U06	Q4J04												
WS300FC31 (13)	N2U05	Q4G04												
WS300FC31 (14)	N2U11	Q4J05												
WS300FC31 (15)	N2U09	Q4J02												
WS400FC31 (PH)	R4B10													
WS400FC31 (PL)	R4G02													
WS400FC31 (00)	R4D09													
WS400FC31 (01)	R4D07													
WS400FC31 (02)	R4B09													
WS400FC31 (03)	R4D10													
WS400FC31 (04)	R4J06													
WS400FC31 (05)	R4J07													
WS400FC31 (06)	R4G08													
WS400FC31 (07)	R4G07													
WS400FC31 (08)	R4D06													
WS400FC31 (09)	R4D13													
WS400FC31 (10)	R4D12													
WS400FC31 (11)	R4G03													
WS400FC31 (12)	R4J04													
WS400FC31 (13)	R4G04													
WS400FC31 (14)	R4J05													
WS400FC31 (15)	R4J02													
WS500AA00	R2B06													
WS500AA10	R2J09													
WS500AA20	R2J11													
WS500AA30	R2J13													

AD COPYRIGHT IBM CORP. 1978

NOTE: IF THE NET NAME HAS A TRAILING ZERO (I.E. CH005AC30), THIS TRAILING ZERO WILL BE SHOWN IN THE NET AND PIN LISTS. THE LOGIC PAGES WILL OMIT THESE TRAILING ZEROS. THUS CH005AC30 AND CH005AC3 REPRESENT THE SAME NET.

* DENOTES I/O CABLE PIN (NN) DENOTES BIT (NN) OF A BUNDLE NET

BOARD A-A2
P/N 423 6404

P/N 423 6406

P/N 826 4452

P/N 826 5212

P/N 826 5276

P/N 826 5352

P/N — — —

NET LIST

LOC=1A-A2
PN 4237968 EC 835083B
MACH TYPE=5340
DATE= 22FEB82

AD 200 PG06

PIN	NET NO.	PIN	NET NO.	PIN	NET NO.	PIN	NET NO.	PIN	NET NO.	PIN	NET NO.	PIN	NET NO.
	FA101AE21	D06	FA188AB11	5	FA588AD11	A5B04	GV240BA30	B4B12	HH002AA07	C2D10	GV270CB30	C2U13	HB200TP60
	FA101AE31	D06	FA100AG40	6	FA188AD11	A5B04	HH000GG00	B4D02	GV180AC50	C2D10	HB200AD20	C2W02	HD600AA55
	FA101AE41	D07	FA188AE20	6	FA188AG40	A5B05	HH000GG03	B4D03	HH002BB00	C2D10	HC020AK41	C2W05	HC375AK41
	FA101AE61	D08	FA188AE20	6	FA288AD11	A5B06	GV100AG40	B4D04	GV180AH10	C2D11	GV270AD10	C2W06	HD100AJ21
	FA101AE71	D08	FA288AD31	6	FA288AH30	A5B07	GV100AG40	B4D04	HH002AA01	C2D11	HB200AD20	C2W07	HD100AJ31
	FA101AE81	D09	FA188AE20	6	FA588AB11	A5B08	GV130AC11	B4D05	GV180BE30	C2D11	HC020AK31	C2W09	HD100AJ11
	FA101AE91	D10	FA091AJ20	7	FA188AD11	A5B09	GV130AC10	B4D05	HH002AA02	C2D12	HH000FF07	C2W10	HC225AR11
	FA188AA20	D10	FA201AG40	7	FA588AC11	A5B10	GV090AE03	B4D06	HH002AA03	C2D13	GV270AE20	C2W11	HC225AC12
	FA188AB11	D10	FA288AB11	8	FA188AD11	A5B11	GV100CF40	B4D07	HH002BB03	C2D13	HH001FF07	C2W13	HC320AG11
	FA188AD11	D10	FA288AC11	9	FA588AC11	A5B12	GV230BC30	B4D08	HH001TT10	C2G02	GV270CA30	C2W26	HD125AE11
	FA188AE20	D10	FA307AA20	A2B02	CH001AD01	A5B13	GV100AC40	B4D09	GV180AJ10	C2G02	HH002BB00	C2W28	HD525AF21
	FA188AF11	D10	FA388AC11	A2B03	CH001AD03	A5B13	HH001RR20	B4D09	HH002AA04	C2G03	GV260BG30	C2W28	HD525AF29
	FA188AF21	D10	FA507AA20	A2B04	CH007AC30	A5D02	HH001RRA0	B4D10	HH002BB05	C2G03	HH002DD00	C2W29	HD800AG11
	FA188AF31	D10	FA588AC11	A2B05	CH001AD05	A5D04	GV090AE03	B4D11	HH002AA05	C2G03	HH002DD03	C2W30	HD525AF29
	FA188AF41	D11	FA288AA11	A2B06	CH003AB01	A5D04	HH000GG04	B4D12	GV090AB01	C2G04	GV160CF30	C2W32	HD525AF19
	FA188AF51	D11	FA288AD11	A2B07	CH001AC01	A5D05	GV230BD30	B4D12	HH002BB06	C2G04	HH002BB03	C2W33	HD525AF15
	FA188AF61	D11	FA388AA11	A2B08	CH001AA01	A5D05	HH000GG05	B4D13	GV180AC20	C2G05	GV260BH10	C2X03	HD800AF11
	FA188AF71	D11	FA588AA11	A2B09	CH001AB01	A5D06	GV230VB20	B4J02	GV210CG30	C2G06	YA420CA30	C2X05	HD500AB71
	FA201AC20	D11	GV100AF10	A2B10	CH002AE01	A5D06	HH000GG06	B4J06	GV160EH40	C2G07	GV260BE20	C2X06	HD500AB61
	FA201AC40	D12	FA188AE20	A2B11	CH009AC30	A5D07	GV130AC11	B4J09	GV090AE01	C2G07	HH002BB02	C2X07	HC320AG31
	FA288AF11	D12	GV100AE10	A2B12	CH001AA03	A5D07	HH000GG07	B4J10	GV140BE30	C2G08	GV260AE20	C2X09	HC275AF11
	FA288AF21	D13	FA091AE20	A2B13	CH001AB07	A5D09	GV090AD03	B4J13	GV080AF01	C2G08	HH002DD02	C2X10	HC275AF11
	FA301AH20	D13	FA188AB11	A2D02	CH002AE01	A5D09	HH000GG08	B5B02	HH001VV20	C2G09	GV260BC30	C2X11	HD500AD11
	FA301AH40	D13	FA201AP20	A2D04	CH011AD30	A5D10	GV130AC10	B5B03	HH002CC00	C2G09	HH002BB06	C2X12	HD600AA49
	FA388AF11	D13	FA307HC20	A2D05	CH007HB30	A5D10	HH000GG09	B5B04	HH002DD01	C2G10	GV260BE40	C2X13	HD600AA55
	FA388AF21	D13	FA507HC20	A2D06	CH001AA07	A5D11	GV100CF40	B5B05	HH002DD02	C2G10	HH002DD06	C2X22	HD500AF11
	FA501AH20	GND	FA288AD11	A2D07	CH001AB05	A5D11	HH000GG10	B5B08	HH002DD04	C2G11	YA420BB50	C2X23	HD500AB81
	FA501AH40	G02	FA301AH20	A2D09	CH001AA05	A5D12	GV250DB30	B5B09	HH002DD07	C2G12	GV270CD40	C2X24	HD700AB31
	FA588AF11	G02	FA501AH20	A2D10	CH001AB03	A5D12	HH000GG11	B5B10	HH002CC06	C2G12	HH002BB05	C2X25	HD700AB41
	FA588AF21	G02	GV100AB40	A2D11	CH008AH30	A5D13	GV100AC40	B5B12	HH002CC07	C2G13	HH002DD05	C2X26	HD725AC31
	GV100AB20	G06	GV100AG40	A2D12	CH005AB30	A5D13	HH000GG12	B5D03	HH002DD00	C2J02	GV080AB07	C2X28	HD725AC41
	GV100AB40	G09	FA388AF11	A2D13	CH006AE30	A6D04	HH001PPA0	B5D04	HH002CC01	C2J02	HH000FF00	C2X29	HD925AL11
	GV100AC40	G09	FA588AF11	A3B02	CH005AA30	A6E02	HH001EE00	B5D05	HH002CC02	C2J03	YA420DA30	C2X30	HD925AL21
	GV100AF10	G09	GV100AD10	A3B03	CH005AC30	A6E02	HH001FF00	B5D06	HH002CC03	C2J04	GV080AF05	C2X32	HD925AL31
	GV100AG40	G11	GV100CF40	A3B04	CH005AD30	A6E04	HH001HH09	B5D07	HH002DD03	C2J04	HH001FF00	C2X33	HD925AL41
	GV100CF40	G13	GV100AC40	A3B05	CH006AF30	B1A11	HH0010W10	B5D08	HH0010W10	C2J05	HH000FF03	C2Y03	HC625AF11
	YA420BB50	J05	FA301AH40	A3B06	CH002AG01	B1B11	GV160BC40	B5D09	HH002CC04	C2J06	GV260BG30	C2Y05	HD200AA11
	YA420DA30	J05	FA501AH40	A3B07	CH008AG30	B2	GV160AD30	B5D10	HH002DD05	C2J06	HH001FF03	C2Y06	HD525AE14
	YA420DA50	J06	GV100AE10	A3B08	CH008AE30	B2	GV160AE30	B5D11	HH002CC05	C2J07	GV270AG10	C2Y07	HD400AD31
	FA388AB11	J11	GV100AD10	A3B09	CH007AD30	B2	GV160BB60	B5D12	HH002DD06	C2J07	HH000FF02	C2Y09	HD500AC31
	FA588AB11	J12	GV100AE10	A3B10	CH002AH01	B2	GV160BC20	B6A02	HH001EE01	C2J08	YA420DA50	C2Y10	HD500AB31
	FA188AB11	J13	FA388AF21	A3B11	CH002AH03	B2	GV160BC40	B6A04	HH001FF01	C2J08	GV250CB40	C2Y11	HD525AF25
	FA288AA11	J13	FA588AF21	A3B12	CH002AH05	B2	GV160DD40	B6A02	HH001EE02	C2J09	HH001FF02	C2Y13	HD525AF11
	FA288AD11	RED	FA388AD11	A3B13	CH002AG03	B2B02	GV160AB10	B6B02	HH001FF06	C2J10	GV250CB20	C2Y22	HD500AA41
	FA388AA11	RED	FA588AD11	A3D02	CH002AE05	B6B04	GV160AA20	B6B04	HH001FF02	C2J10	HH000FF06	C2Y23	HC930AC43
	FA588AA11	WTE	FA388AD11	A3D04	CH003AB03	B6D02	GV160BC20	B6C02	HH001EE03	C2J11	GV230BB40	C2Y23	HD525AB21
	FA188AB11	WTE	FA588AD11	A3D05	CH006AG30	B6D02	GV160BC40	B6D02	HH001FF03	C2J11	HH001FF06	C2Y24	HC930AC33
	FA088AA71	YEL	FA388AD11	A3D06	CH006AH30	B2B10	GV160BB40	B6E02	HH0010M10	C2J12	GV080AC01	C2Y25	HC930AC23
	FA188AB11	YEL	FA588AD11	A3D07	CH006AJ30	B2B12	GV160BB60	B6E04	HH001FF04	C2J12	HH000FF05	C2Y26	HC930AC13
	FA288AK25	1	FA388AA11	A3D09	CH003AB05	B2D02	GV160BB50	B6B02	GV250DB30	C2J13	GV270CD20	C2Y28	HC130AC43
	FA388AK25	1	FA388AD11	A3D10	CH008AF30	B2D04	GV160AA40	C2B02	HC020AL21	C2J13	HH001FF05	C2Y29	HC130AC33
	FA588AK25	1	FA588AD11	A3D11	CH003AC01	B2D05	GV160AE30	C2B03	GV080AD01	C2M02	HC010AB31	C2Y30	HC130AC23
	GV100AG40	10	FA588AB11	A3D12	CH002AG05	B2D08	GV160AB10	C2B03	HB100AP16	C2M03	HC010AB41	C2Y32	HC130AC13
	FA091AB20	11	FA188AA20	A3D13	CH002AG07	B2D08	GV160AD40	C2B03	HD525AF23	C2M04	HH002BB04	C2Y33	HD525AJ11
	FA201AM30	11	FA188AG60	A4B02	GV100AB20	B2D09	GV160EB10	C2B04	GV260AC20	C2M05	HH002DD04	C2Z02	HD200AK11
	FA091AA20	14	FA188AA20	A4B02	HH001QQA0	B2D10	GV160CB40	C2B04	HC020AM21	C2M07	HB100AP20	C2Z03	HE200AK11
	FA201AM20	15	FA188AD11	A4B03	GV180BA30	B2D11	GV160EA20	C2B05	GV270BC10	C2M08	HB200TP30	C2Z05	HD200AH31
	FA288AB11	15	FA188AG50	A4B03	HH000EE00	B2D13	GV160EA40	C2B05	HC020AM11	C2M08	HC625AG11	C2Z06	HD200AH11
	FA288AC11	17	FA188AD11	A4B03	HH000HH09	B2G02	GV130AM30	C2B06	YA420CA30	C2M10	HC625AD11	C2Z07	HD200AH51
	FA388AC11	17	FA188AG60	A4B04	GV180BB30	B2G03	GV190CA40	C2B07	GV270BF10	C2P02	HC200AG10	C2Z09	HD200AH71
	FA588AC11	18	FA188AA20	A4B04	HH000FF01	B2G04	GV160DA10	C2B07	HC020AJ21	C2P02	HC010AB11	C2Z10	HD225AJ11
	GV100AD10	18	FA188AG70	A4B05	GV100AB20	B2G05	GV190CD30	C2B08	HC020AJ11	C2P03	YA420DA30	C2Z11	HD225AJ31
	FA091AC20	2	FA188AA20	A4B05	HH000FF02	B2G12	GV160AB10	C2B09	GV270AT10	C2P05	HH000FF04	C2Z12	HD225AJ51
	FA188AE20	2	FA188AG20	A4B07	GV170CD40	B2J02	GV160CA30	C2B09	HC020AK21	C2P06	HH001FF04	C2Z13	HD200AH51
	FA201AF20	2	FA388AA11	A4B08	GV160AE30	B2J04	GV160DB10	C2B10	GV270BG30	C2P07	HB100AP20	C2Z22	HC930AB41
	FA304AT20	2	FA388AD11	A4B08	HH000FF04	B2J05	GV160DC30	C2P10	HC020AK11	C2P08	YA420DA50	C2Z23	HC930AB31
	FA504AT20	2	FA588AA11	A4B09	HH000FF06	B2J07	GV190CB40	C2P08	YA420BB50	C2P09	HC325AAJ3	C2Z24	HC930AB21
	GV100CF40	20	FA188AA20	A4B10	HH000EE06	B2J09	GV190CC30	C2B12	GV270AK10	C2S02	HB200BC10	C2Z25	HC930AB11
	FA091AG20	20	FA188AG40	A4B12	HH000EE07	B2J10	GV160CF30	C2B12	HH002BB07	C2S02	HC010AB21	C2Z26	HC130AB41
	FA188AE20	22	FA188AD11	A4D02	GV100AB20	A4D02	GV160BD10	C2B13	HH002DD07	C2S03	HB010AE70	C2Z28	HC130AB31
	FA201AF30	22	FA188AG30	A4D03	HH000FF00	B2J11	GV160CD30	C2D02	GV080AD03	C2S04	HC320AE11	C2Z29	HC130AB21
	FA307AJ20	23	FA188AA20	A4D04	HH000EE01	B4	GV100AB20	C2D02	HB200AD10	C2S05	HB100AP16	C2Z30	HC130AB11
	FA507AJ20	23	FA188AG50	A4D05	HH000EE02	B4	GV180AC50	C2D02	HC020AL41	C2S06	HD525AF23	C4	GV100AB20
	FA091AD20	3	FA188AD11	A4D06	HH000EE03	B4	GV180BA30	C2D03	YA420DA30	C2S07	HB100AP16	C4	GV170BC20
	FA188AB11	3	FA188AG70	A4D07	GV160AE30	B4	GV180BB30	C2D04	GV260BD50	C2S07	HD525AF23	C4	GV170BC60
	FA201AF40	3	FA288AB11	A4D07	HH000FF03	B4B02	HH001SS20	C2D04	HB200AD10	C2S08	HB200TP30	C4	GV170CD40
	FA307AR20	3	FA288AH20	A4D08	GV160AD30	B4B03							

PIN	NET NO.	PIN	NET NO.	PIN	NET NO.	PIN	NET NO.	PIN	NET NO.	PIN	NET NO.	PIN	NET NO.	PIN	NET NO.
C4G12	GV210CD20	D2G12	HD525AC51	D2S11	HB010AD90	D2Z13	HD225AJ71	E2M07	HA040AK60	F2B04	GV080AA01	G2B03	CH001AB05	G2B03	CH001AB05
C4J02	GV090AC01	D2G13	GV090AD05	D2S12	GV230BB40	D2Z22	HC930AB41	E2M08	GE100BB10	F2B05	GF070EW30	G2B04	CH001AA03	G2B04	CH001AA03
C4J04	GV170DF30	D2G14	HB100AH10	D2S13	HB010AC90	D2Z23	HC930AB31	E2M09	HA040AK60	F2B06	GE050DB70	G2B05	CH001AB03	G2B05	CH001AB03
C4J05	GV210CD40	D2G15	HD525AC71	D2S14	GV080AD05	D2Z24	HC930AB21	E2M10	GV090AC05	F2B07	CH001AC01	G2B06	CH001AB01	G2B06	CH001AB01
C4J07	GV170DF50	D2J02	GV200BB30	D2S15	HB010AD90	D2Z25	HC930AB11	E2M11	HB010AA60	F2B08	CH001AA01	G2B07	GV120AF50	G2B07	GV120AF50
C4J10	GV180BC30	D2J02	HB100AF20	D2U02	GV080ABC3	D2Z26	HC130AB41	E2M12	GE100FB30	F2B09	CH001AB01	G2B08	CH001AA07	G2B08	CH001AA07
C4J13	GV170BC20	D2J02	HD100AK11	D2U02	HB100AJA7	D2Z28	HC130AB31	E2M13	HB010AA60	F2B10	GV080AF05	G2B09	CH001AA05	G2B09	CH001AA05
C6A02	HH001EE04	D2J03	YA420DA30	D2U02	HD800AE12	D2Z29	HC130AB21	E2M14	HA001AI30	F2B11	GV090AA05	G2B10	CH001AA01	G2B10	CH001AA01
C6A04	HH001FF07	D2J04	HD100AK31	D2U03	YA420DA30	D2Z30	HC130AB11	E2M15	CH009AC30	F2B12	GV120AA03	G2B11	GV120AA03	G2B11	GV120AA03
C6B02	HH001FF05	D2J05	HB010AE70	D2U04	GV240BA30	D2Z33	HD200AE21	E2M16	GV090AC07	F2B13	CH001AB07	G2B12	GV140BD40	G2B12	GV140BD40
C6B04	HH001EE06	D2J06	HB100AJA6	D2U04	HB010AB90	D6E02	CH008AJ30	E2M17	GV090AB03	F2D02	GE050DB80	G2B13	GV120AE50	G2B13	GV120AE50
C6C02	GV250CB40	D2J06	HD500AA21	D2U05	GV230BD30	E1B11	PA120BA10	E2M18	PC554GH30	F2D04	CH003AA03	G2D02	GV090AC01	G2D02	GV090AC01
C6C02	HH001EE05	D2J07	GV210CE20	D2U05	HB010AB90	E1B13	PA120BA10	E2P02	GF020DB20	F2D05	GF070EW30	G2D04	GV090AC05	G2D04	GV090AC05
C6D04	HH001EE07	D2J07	HB100AH10	D2U06	GV080AC03	E1C11	PA120CP10	E2P02	HA040AH60	F2D06	CH001AA07	G2D05	GV090AD07	G2D05	GV090AD07
C6E02	GV250CB20	D2J07	HD525AB11	D2U06	HB010AB90	E1C13	PA120CD10	E2P03	YA420DA30	F2D07	GF030AK20	G2D07	CH011AD30	G2D07	CH011AD30
C6E02	HH001FF20	D2J08	YA420DA50	D2U07	GV230BC30	E1U11	PA120DS10	E2P04	GV080AB01	F2D09	GV080AD01	G2D10	GV080AD01	G2D10	GV080AD01
D2B02	GV170UD30	D2J09	GV080AF05	D2U07	HB010AB90	E1U13	PA120DV10	E2P04	HA040AH60	F2D10	CH001AB05	G2D11	GV080AB05	G2D11	GV080AB05
D2B02	HB100AAH0	D2J09	HB100HH10	D2U08	YA420DA50	E1E11	PA120EV10	E2P05	GE110BE20	F2D11	CH001AA05	G2D12	GV120HE30	G2D12	GV120HE30
D2B03	GV090AC07	D2J09	HD525AC31	D2U09	GV080HE07	E1E13	PA120EJ10	E2P05	HA040AH60	F2D12	CH001HB03	G2D13	GV130HC10	G2D13	GV130HC10
D2B03	HB100AAH0	D2J10	HB100AJA2	D2U09	HB010AB90	E2B02	CH002AE01	E2P06	CH002AF01	F2D13	CH008AH30	G2G03	GV130AC11	G2G03	GV130AC11
D2B04	GV210HE20	D2J10	HD500AA11	D2U10	GV120CA40	E2B03	CH001AD03	E2P06	HA040AK60	F2G02	CH005AA30	G2G04	GV090AEU3	G2G04	GV090AEU3
D2B04	HB100AAH0	D2J11	GV090AD05	D2U10	HB010AB90	E2B04	CH007AC30	E2P07	GE100CA20	F2G03	CH005AC30	G2G05	GV080AC05	G2G05	GV080AC05
D2B05	GV090AD07	D2J11	HB100AJA1	D2U11	GV240CB30	E2B05	CH001AD05	E2P07	HA040AK60	F2G04	CH005AD30	G2G07	CH006AE30	G2G07	CH006AE30
D2B05	HB100AAH0	D2J11	HD500AB21	D2U11	HB010AB90	E2B06	CH002AF07	E2P08	YA420DA50	F2G05	CH006AF30	G2G08	CH006AF30	G2G08	CH006AF30
D2B06	YA420CA30	D2J12	GV190CC30	D2U12	GV090AD03	E2B07	CH001AC01	E2P09	GE100BD20	F2G06	GV090AA07	G2G09	CH006AH30	G2G09	CH006AH30
D2B07	GV210CG30	D2J12	HA050AN30	D2U12	HB010AB90	E2B08	GF040AH30	E2P10	HA040AL60	F2G07	CH008AG30	G2G10	CH006AH30	G2G10	CH006AH30
D2B07	HB100AAH0	D2J12	HB100AAH0	D2U13	GV230AA10	E2B08	CH001AA01	E2P10	CH002AF05	F2G08	CH008AE30	G2G13	GV170DA30	G2G13	GV170DA30
D2B07	HD100AE21	D2J13	GV190CD30	D2U13	HB010AB90	E2B09	CH001AB01	E2P10	GV080AB03	F2G09	CH007AD30	G2J02	GV080AD05	G2J02	GV080AD05
D2B08	GV190AD20	D2J13	HB010AE70	D2U13	HD525AG11	E2B10	CH002AE03	E2P10	HB010AA60	F2G10	GE110BC20	G2J04	GV080AA05	G2J04	GV080AA05
D2B08	HB100AP20	D2M02	GV080AE05	D2W06	HD100AJ21	E2B11	CH003AA01	E2P11	GF300BAF6	F2G11	GE073FA60	G2J05	GV080AA07	G2J05	GV080AA07
D2B08	HD525AK12	D2M02	HB010AE70	D2W07	HD100AJ31	E2B12	CH001AA03	E2P11	HA001AH30	F2G12	GF040AH30	G2J07	GV090AC03	G2J07	GV090AC03
D2B09	GV090AC01	D2M03	GV190CB40	D2W09	HD100AJ11	E2B13	CH001AB07	E2P12	CH003AB01	F2J02	CH005AB30	G2J09	GV080AA03	G2J09	GV080AA03
D2B09	HB100AAH00	D2M03	HB010AE70	D2W10	HC225AA11	E2D02	CH001AD01	E2P12	GV090AA07	F2J04	CH006AE30	G2J10	GV090AE01	G2J10	GV090AE01
D2B09	HD500AB62	D2M04	GV190BF30	D2W11	HC225AC12	E2D03	YA420DA30	E2P13	CH003AB03	F2J05	CH006AG30	G2J12	GV130AD40	G2J12	GV130AD40
D2B10	GV190AC40	D2M04	HD125AL41	D2W13	HC320AG11	E2D04	CH008AJ30	E2P13	GV090AC03	F2J06	CH006AH30	G2J13	GV130AD01	G2J13	GV130AD01
D2B10	HB100AAH0	D2M05	GV230AB10	D2W26	HD125AE11	E2D05	CH007AB30	E2S02	CH003AB05	F2J07	CH006AJ30	G2M02	GV120AA80	G2M02	GV120AA80
D2B10	HD500AB52	D2M05	HD125AL31	D2W28	HD525AF21	E2D06	CH001AA07	E2S02	GE110CD20	F2J09	CH009AC30	G2M03	GV120AA50	G2M03	GV120AA50
D2B11	YA420BB50	D2M07	GV190AD20	D2W29	HD800AG11	E2D07	CH002AF01	E2S03	CH009AB30	F2J10	GV080AE05	G2M04	GV120BC10	G2M04	GV120BC10
D2B12	GV080AF01	D2M07	HH001RR20	D2W30	HD525AF29	E2D08	YA420DA50	E2S03	GF031AF20	F2J11	CH003AB05	G2M05	GV120BD10	G2M05	GV120BD10
D2B12	HB100AAH00	D2M08	GV230AA10	D2W32	HD525AF19	E2D09	CH002AE05	E2S04	GV080AD05	F2J12	GF300ABB0	G2M06	GV120AA40	G2M06	GV120AA40
D2B12	HD500AB72	D2M08	HB010AC90	D2W33	HD525AF15	E2D10	CH001AB05	E2S04	HA001AA30	F2J13	GV080AB07	G2M09	GV090AA03	G2M09	GV090AA03
D2B13	GV210CD20	D2M09	GV090AB07	D2X02	HD525AF13	E2D11	CH001AA05	E2S05	GV080AA01	F2M02	GE110EB20	G2M13	GV120BB10	G2M13	GV120BB10
D2B13	HB100AAH00	D2M09	HB010AC90	D2X03	HD800AF11	E2D12	CH001AB03	E2S05	HA060AC15	F2M03	GE070AD81	G2P02	GV270CA30	G2P02	GV270CA30
D2B13	HD500AB82	D2M10	GV190AB20	D2X05	HD500AB71	E2D13	CH008AH30	E2S06	HA060AC16	F2M04	GF051EC30	G2P04	GV140AA10	G2P04	GV140AA10
D2D02	GV090AA05	D2M10	HB010AC90	D2X06	HD500AB61	E2G02	CH005AA30	E2S07	GV080AA05	F2M05	GV090AD01	G2P05	GV140AA10	G2P05	GV140AA10
D2D02	HB100AAH0	D2M11	HB010AC90	D2X07	HC320AG31	E2G03	CH005AC30	E2S07	HA060AC17	F2M06	GE050DB30	G2P06	GV170AA30	G2P06	GV170AA30
D2D04	YA420DA30	D2M12	GV210CD40	D2X09	HC275AG11	E2G04	CH005AD30	E2S08	GE050DB70	F2M07	GE050DB50	G2P07	GV190BB20	G2P07	GV190BB20
D2D04	GV130AD40	D2M12	HB010AC90	D2X10	HC275AF11	E2G05	CH006AF30	E2S08	HA060AC18	F2M08	GF300BAN7	G2P09	GV130AM30	G2P09	GV130AM30
D2D04	HB100AAH0	D2M13	GV080AB01	D2X11	HD500AD11	E2G06	CH002AG01	E2S09	GE050DB80	F2M09	GV080AD05	G2P11	GV140CA40	G2P11	GV140CA40
D2D05	GV170DB30	D2M13	HB010AC90	D2X22	HD500AB51	E2G07	GE040EF30	E2S09	HA050AU30	F2M10	GV090AA03	G2P13	GV120BB10	G2P13	GV120BB10
D2D05	HB100AAH0	D2P02	GV200AD40	D2X23	HD500AB81	E2G07	HA050AN70	E2S10	GV090AA05	F2M11	GV080AF01	G2S02	GV140BE30	G2S02	GV140BE30
D2D06	GV090AD01	D2P02	HH000FF01	D2X24	HD700AB31	E2G08	GE040BF32	E2S10	HA040AG30	F2M12	GV080AF03	G2S04	GV140AC30	G2S04	GV140AC30
D2D06	HB100AAH0	D2P03	YA420DA30	D2X25	HD700AB41	E2G08	HD700AB41	E2S11	HA020AS30	F2M13	HA040AF30	G2S05	GV140AC30	G2S05	GV140AC30
D2D07	GV090AE01	D2P04	GV190CA40	D2X26	HD725AC31	E2G09	HD725AC31	E2S12	GV090AD01	F2P02	GV090AD03	G2S06	GV140CB40	G2S06	GV140CB40
D2D07	HB100AAH0	D2P04	HH000HH09	D2X28	HD725AC41	E2G09	HD725AC41	E2S12	GV090AE03	F2P04	GE110CD20	G2S07	GV140CB40	G2S07	GV140CB40
D2D08	YA420DA50	D2P05	HH002BB01	D2X29	HD925AL11	E2G10	HD925AL11	E2S13	CH003AA03	F2P05	GV080AE01	G2S08	GV140AC30	G2S08	GV140AC30
D2D09	GV090AE01	D2P06	HH002DD01	D2X30	HD925AL21	E2G10	HD925AL21	E2S13	CH007AA30	F2P06	GV080AA03	G2S09	GV140AC30	G2S09	GV140AC30
D2D09	HB100AAH0	D2P07	GV090AC05	D2X32	HD925AL31	E2G11	HD925AL31	E2U02	HA040AH60	F2P07	GE110EB20	G2S10	GV140AB20	G2S10	GV140AB20
D2D10	GV170AA30	D2P07	HD100AE31	D2X33	HD925AL41	E2G12	HD925AL41	E2U02	GE110BC20	F2P09	GF300BAF6	G2S11	GV140AC50	G2S11	GV140AC50
D2D10	HB100AAH0	D2P08	YA420DA50	D2Y02	HD200AE31	E2G12	HD200AE31	E2U03	HA040AH60	F2P10	GV080AC01	G2S12	GV120CA40	G2S12	GV120CA40
D2D11	GV140BD40	D2P09	GV190BB20	D2Y03	HC625AM11	E2G13	HC625AM11	E2U04	GF020DF30	F2P12	GV080AE03	G2S13	GV140AC30	G2S13	GV140AC30
D2D11	HH001FF01	D2P09	HD100AE41	D2Y05	HD200AA11	E2G13	HD200AA11	E2U04	GF030AK20	F2P13	GV090AB01	G2U02	GV090AB01	G2U02	GV090AB01
D2D12	GV080AF03	D2P10	GV160DC30	D2Y06	HD525AE14	E2J02	CH005AB30	E2U05	CH007AA30	F2S02	GE110BE20	G2U04	GV140AF10	G2U04	GV140AF10
D2D12	HB010AE70	D2P10	HB100AP16	D2Y07	HD400AD31	E2J03	YA420DA30	E2U05	GE050DB30	F2S03	CH003AB03	G2U05	GV140CB10	G2U05	GV140CB10
D2D13	GV090AB03	D2P10	HD525AF23	D2Y09	HD500AC31	E2J04	CH006AE30	E2U06	GV080AA07	F2S04	CH009AB30	G2U06	GV140AC30	G2U06	GV140AC30
D2G02	GV190AA20	D2P11	GV090AB05	D2Y10	HD500AB31	E2J05	CH006AG30	E2U06	HA020AE30	F2S05	GE100BB10	G2U07	GV140AC30	G2U07	GV140AC30
D2G02	HB100AAH0	D2P11	HB010AE70	D2Y11	HD525AF25	E2J06	HD525AF25	E2U07	GE050DB50	F2S06	GE040VEF30	G2U09	GV140AC70	G2U09	GV140AC70
D2G02	HD100AK21	D2P12	GV190AE30	D2Y12	HD200AE11	E2J07	CH006AJ30	E2U07	HA060AC11	F2S07	GE100CA20	G2U11	GV140AC30	G2U11	GV140AC30
D2G03	HB100AF30	D2P12	HB100AF40	D2Y13	HD525AF11	E2J07	GV080AF05	E2U08	YA420DA50	F2S08	GV080AC05	G2U12	GV140BC60	G2U12	GV140BC60
D2G03	HD100AE11	D2P12	HD125AL11	D2Y20	HC930AC13	E2J08	YA420DA50	E2U09	CH009AC30	F2S09	GV080AB05	G2U13	GV140BF60	G2U13	GV140BF60
D2G04	GV190AE30	D2P13	GV090AA07	D2Y22	HD500AA41	E2J09	HD500AA41	E2U09	HA060AC12	F2S11					

PIN	NET NO.	PIN	NET NO.	PIN	NET NO.	PIN	NET NO.	PIN	NET NO.	PIN	NET NO.	PIN	NET NO.	PIN	NET NO.
H2	FA410AC30	H2D12	FA091AF20	J2	FA055AE30	J2S07	FA091AF20	L2J02	CH005AB30	M1A11	CH011AC30	M2M02	WC008FX10		
H2	FA488AE10	H2D12	FA410AB60	J2	FA056AH30	J2S08	FA091AB20	L2J02	PT023AH21	M1A13	CH002AF07	M2M02	WS141DA63		
H2	FA488AF10	H2D12	FA610AF20	J2	FA056AJ30	J2S09	FA091AE20	L2J04	CH006AE30	M1B11	PC554BV30	M2M03	CH009AA30		
H2	FA488AH11	H2D13	FA091AE20	J2	FA088AA21	J2S10	FA091AD20	L2J04	PT023AH21	M1B13	CH011AA30	M2M03	WC012FN18		
H2	FA488AH21	H2D13	FA201AP20	J2	FA088AA31	J2S11	FA035AA21	L2J05	CH006AG30	M1C11	CH002AF01	M2M04	WC012FN17		
H2	FA488AH31	H2D13	FA307AC20	J2	FA088AA41	J2S12	CH008AH30	L2J05	PT023AH21	M1C13	PC554GH30	M2M04	WS143TB50		
H2	YA420BA30	H2D13	FA407AC20	J2	FA088AA51	J2S13	FA091AG20	L2J06	CH006AH30	M1D11	CH003AA01	M2M05	WC110RT40		
H2	YA420DA50	H2D13	FA507AC20	J2	FA088AA61	J2U02	FA040ABD3	L2J06	PT023AH21	M1D13	CH009AA30	M2M05	WS143WC81		
H2B02	FA088AA31	H2D13	FA607AC20	J2	FA088AA71	J2U04	PA120B110	L2J07	CH006AJ30	M1E13	CH003AA03	M2M06	WC003AA03		
H2B02	FA488AC29	H2GND	FA307AHB0	J2	FA088AA81	J2U05	PA120BA10	L2J07	FL110AA91	M2	WC014CD30	M2M07	WC022AMC2		
H2B02	FA688AC27	H2GND	FA410ADB0	J2B02	CH002AE01	J2U06	PA120EJ10	L2J08	FL220CC30	M2	WC020CA30	M2M07	WS017FP30		
H2B03	FA088AA51	H2GND	FA507AHB0	J2B02	FA088AB61	J2U07	PA120CD10	L2J09	FL220CB30	M2	WC140GF20	M2M08	WS181FH30		
H2B03	FA307AMB0	H2G02	FA201AC40	J2B03	CH001AD03	J2U09	FA056AH30	L2J10	CH008AG30	M2B02	CH002AE01	M2M09	WC012FN11		
H2B04	FA088AA61	H2G02	FA301AH20	J2B04	CH007AC30	J2U10	FA091AC20	L2J12	DL510DA30	M2B02	CH006AE30	M2M09	WS017FP50		
H2B04	FA488AC27	H2G02	FA501AH20	J2B04	FA088AB71	J2U11	CH002AH01	L2M02	CH003AB05	M2B03	CH001AD03	M2M10	WC012FN15		
H2B05	FA088AA71	H2G03	FA101AE31	J2B05	CH001AD01	J2U12	CH003AC01	L2M04	CH002AG01	M2B03	CH002AG01	M2M10	WS101RB50		
H2B05	FA288AK25	H2G03	FA110AC20	J2B06	FA030AU21	J2U13	CH002AG05	L2M04	DL020AAB0	M2B04	CH007AC30	M2M11	WC012FN10		
H2B05	FA388AK25	H2G03	FA610AL50	J2B07	CH001HC01	K1A11	FA188AF11	L2M04	FL230AD30	M2B04	WC022CB10	M2M11	WC012FN13		
H2B05	FA488AC25	H2G04	FA188AF31	J2B08	CH001HH01	K1A13	FA188AF41	L2M05	CH002AG07	M2B05	CH001AD05	M2M12	WS173AK60		
H2B05	FA588AK25	H2G05	FA101AE71	J2B08	FA088AB31	K1A13	FA488AH21	L2M07	DL520AF30	M2B05	CH007AD30	M2M13	CH009AA30		
H2B05	FA688AC25	H2G07	FA101AE61	J2B09	CH001HB01	K1A13	FA688AH23	L2M07	DX010BA30	M2B06	CH006AG30	M2M13	WC014CD20		
H2B07	FA091AB20	H2G08	FA101AE91	J2B10	CH002AE03	K1B11	FA101AE91	L2M07	DX020BA30	M2B07	CH001AC01	M2P02	CH002AF01		
H2B07	FA201AM30	H2G09	FA288AF11	J2B10	FA088AB41	K1B13	FA101HE61	L2M07	FL810BE70	M2B07	CH006AJ30	M2P02	WS200ER40		
H2B07	FA488AB41	H2G09	FA388AF11	J2B11	FA030AD31	L1D11	CH008AJ30	L2M07	FX010BA30	M2B08	CH001AA01	M2P04	WC016DH20		
H2B08	FA091AH20	H2G09	FA588AF11	J2B12	CH001AA01	L1E11	CH009AJ30	L2M07	FX020BA30	M2B08	CH002AA30	M2P04	WS1431B50		
H2B08	FA201AM20	H2G10	FA188AF41	J2B13	CH001AB07	L1E13	CH009AB30	L2M08	DL310HE20	M2B09	CH001AB01	M2P05	WC012FT10		
H2B09	FA088AB81	H2G10	FA488AH21	J2B13	FA088AB21	L2	CH001AA01	L2M08	FL320AD30	M2B09	CH006AF30	M2P05	WS013AK30		
H2B09	FA488AB51	H2G10	FA688AG23	J2D02	CH001AD01	L2	CH001AA03	L2M09	CH003AA03	M2B10	CH002AE03	M2P06	CH002AA30		
H2B10	FA091AC20	H2G12	FA101AE51	J2D02	FA088AB51	L2	CH001AA05	L2M10	DL061AA31	M2B10	CH008AH30	M2P06	WC022AMC3		
H2B10	FA201AF20	H2G13	FA188AF51	J2D04	CH008AJ30	L2	CH001AA07	L2M10	FL550AC81	M2B11	CH008AG30	M2P07	CH001AD01		
H2B10	FA304AT20	H2G13	FA488AH11	J2D04	FA088AB81	L2	CH001AB01	L2M12	DX020BB30	M2B12	CH001AA03	M2P07	WS173BC30		
H2B10	FA404AT20	H2G13	FA688AG25	J2D05	CH007AB30	L2	CH001AB05	L2M12	FL810BE30	M2B12	WC006ADD1	M2P09	WC010DD10		
H2B10	FA488AD11	H2J02	FA101AE21	J2D06	CH001AA07	L2	CH001AB07	L2M12	FX020BB30	M2B13	CH001AB07	M2P09	WC022AM01		
H2B10	FA488AE10	H2J02	FA410AC30	J2D07	CH002AF01	L2	CH002AF01	L2M13	DL510BA41	M2D02	CH001AD01	M2P09	WS143WC61		
H2B10	FA504AT20	H2J04	FA188AF61	J2D09	CH002AE05	L2	CH002AG01	L2M13	FL550AE41	M2D02	CH006AH30	M2P10	WC012FN12		
H2B10	FA604AT20	H2J05	FA201AC20	J2D10	CH001AB05	L2	CH011AA30	L2P02	CH011AA30	M2D04	CH008AJ30	M2P10	WS143WC41		
H2B11	FA610AP20	H2J05	FA301AH40	J2D11	CH001AA05	L2	DL020AA60	L2P04	CH002AF05	M2D05	CH007AB30	M2P11	WC014CH10		
H2B12	FA091AG20	H2J05	FA501AH40	J2D12	CH001AB03	L2	DL061AA11	L2P05	FL540AB30	M2D05	CH011AD30	M2P11	WS143VD30		
H2B12	FA201AF30	H2J06	FA101AE81	J2D13	FA001AF20	L2	DL061AA41	L2P07	CH003AA03	M2D06	CH001AA07	M2P12	CH002AA05		
H2B12	FA307AJ20	H2J07	FA101AE41	J2G02	CH005AA30	L2	DL510DA30	L2P07	FL810BE20	M2D06	CH005AB30	M2P12	WC012FN14		
H2B12	FA407AJ20	H2J09	FA188AF11	J2G03	CH005AC30	L2	DL520AF30	L2P09	CH003AA01	M2D07	CH002AF01	M2P13	WC014CH20		
H2B12	FA488AD11	H2J09	FA488AH31	J2G04	CH005AD30	L2	DL061AB93	L2P10	DL061AA51	M2D07	CH005AC30	M2P13	WS143WC21		
H2B12	FA488AE10	H2J09	FA610AN20	J2G05	CH006AF30	L2	FL230AD30	L2P10	DL061AA61	M2D09	CH002AE05	M2S02	WC014CD30		
H2B12	FA507AJ20	H2J10	FA188AF71	J2G06	FA001AA20	L2	FL330AD30	L2P10	FL320BB30	M2D09	CH005AD30	M2S03	WC014CH30		
H2B12	FA607AJ20	H2J11	FA101AFB2	J2G07	FA010AFB0	L2	FL540AB30	L2P11	DL061AB42	M2D10	CH001AB05	M2S03	WS300ER50		
H2B13	FA091AD20	H2J12	FA188AF21	J2G08	FA015AE80	L2	FL540DB30	L2P11	FL330AD30	M2D10	CH005AA30	M2S04	CH002AF07		
H2B13	FA201AF40	H2J13	FA288AF21	J2G09	FA025AA00	L2P11	CH002AE01	L2P11	FL330BB30	M2D11	CH001AA05	M2S05	WC012FN16		
H2B13	FA307AR20	H2J13	FA388AF21	J2G10	CH007AA30	L2B03	CH001AD03	L2P12	DL061AB22	M2D11	CH008AE30	M2S06	CH009AA30		
H2B13	FA410AJ20	H2J13	FA488AF21	J2G11	FA051AA30	L2B04	CH007AC30	L2P12	FL330BA30	M2D12	CH001AB03	M2S07	WC020AF30		
H2B13	FA501AP20	H2D01	FA488AF10	J2G12	FA030AAE0	L2B04	PT011AM20	L2P13	DL510BA31	M2D12	WC006ADD0	M2S08	WC020AG30		
H2B13	FA610AJ20	H2RH	FA488AD11	L2B05	FA050AI40	L2B05	CH001AD05	L2P13	FL550AE31	M2D13	CH008AH30	M2S09	WC020AH30		
H2CC1	FA488AD11	H2SG	FA488AF10	L2B07	CH005HB30	L2B07	CH001AC01	L2S02	DL061AA21	M2G01	CH007AB30	M2S09	WS500DA30		
H2DA	FA488AF10	H2SH	FA488AD11	L2B08	FA010AFB0	L2B08	CH001AA01	L2S02	FL550AC91	M2G02	CH001AD05	M2S10	WC020AA30		
H2DR	FA488AF10	J1A11	FA188AF61	L2B09	CH006AE30	L2B09	CH001AB01	L2S03	DM010BC30	M2G02	CH005AA30	M2S10	WS500BA30		
H2DT	FA488AF10	J1A13	FA688AH20	L2B10	CH006AG30	L2S03	CH002AE03	L2S03	FM110BF30	M2G03	CH001AD03	M2S11	WC020CA30		
H2D02	FA088AA41	J1A13	YA420DA50	L2B12	CH006AH30	L2S04	CH001AA03	L2S04	DM020CB50	M2G03	CH005AC30	M2S12	WC020BA30		
H2D02	FA288AK21	J1B11	YA420DA50	L2B13	FA030AD41	L2S04	CH001AB07	L2S04	FM120AF31	M2G04	CH002AE03	M2S12	WS173AB30		
H2D02	FA388AK21	J1B13	FA288AF11	L2D02	FA001AA20	L2S05	CH001AD01	L2S05	DM020CB70	M2G04	CH005AD30	M2S13	CH002AA01		
H2D02	FA488AC21	J1B13	FA388AF11	L2D04	PC554GH30	L2S05	CH008AJ30	L2S05	FM120AF51	M2G05	CH001AB03	M2S13	WS101RB30		
H2D02	FA488AD11	J1P13	FA588AF11	L2D04	FA041AD20	L2S07	PT011AD20	L2S07	DL061AA81	M2G05	CH006AF30	M2U02	CH003AC03		
H2D02	FA488AE10	J1C11	FA188AF21	L2D05	FA010AH20	L2S07	CH007AB30	L2S07	FL061AB93	M2G07	CH001AA03	M2U02	WC022CF10		
H2D02	FA588AK21	J1C13	FA401AT20	L2D05	FA055AF30	L2S08	PT011AM30	L2S08	DL310AG30	M2G07	CH008AG30	M2U04	WC010DD10		
H2D02	FA688AC21	J1C13	FA601AT20	L2D06	FA025AA80	L2S08	CH001AA07	L2S08	FL230DE30	M2G08	CH001AB05	M2U04	WS173ARF0		
H2D04	FA088AA21	J1D11	FA288AF21	L2D07	FA801AA40	L2S09	CH002AF01	L2S09	DL061AA41	M2G08	CH008AE30	M2U05	WC100KA20		
H2D04	FA288AK23	J1D11	FA388AF21	L2D09	FA041AA20	L2S09	CH002AE05	L2S09	FL062AA11	M2G09	CH001AA05	M2U06	WC012FT10		
H2D04	FA388AK23	J1D11	FA588AF21	L2D10	FA088AA81	L2S10	CH001AB05	L2S10	CH002AG03	M2G09	CH007AD30	M2U07	WC020AA30		
H2D04	FA488AB11	J1D13	FA188AF51	L2D11	FA088AA51	L2S10	CH001AA05	L2S10	FL540DB30	M2G10	CH001AB07	M2U09	WC022CH10		
H2D04	FA488AC23	J1D13	FA488AH11	L2D12	FA046AP30	L2S12	CH001AB03	L2S12	FL550AC21	M2G10	CH005AC30	M2U09	WS300ER40		
H2D04	FA588AK23	J1D13	FA688AG25	L2D13	FA046AR30	L2S13	CH008AH30	L2S13	DL510BA11	M2G11	CH001AA07	M2U10	WC020AB30		
H2D04	FA688AC23	J1E11	FA201AC20	L2D13	FA030AC40	L2S13	PL010AK40	L2S13	FL550AE11	M2G12	CH002AE01	M2L10	WS173AB30		
H2D05	FA101ALB0	J1E11	FA301AH40	L2G02	FA055AE30	L2G02	CH005AA30	L2U02	DX020CA72	M2G12	WS200ER50	M2U11	WC020AC30		
H2D05	FA301AT20	J1E11	FA501AH40	L2G02	FA088AA71	L2G02	PT023AH21	L2U02	FL810BE60	M2J02	CH002AG05	M2U11	WS101RB30		
H2D05	FA401AT20	J2	FA610AP20	L2G03	FA035AC10	L2G03	CH005AC30	L2U02	FX020CA72	M2J02	CH005AB30	M2U12	WC020AD30		
H2D05	FA601AT20	J2	CH002AH03	L2G04	CH002AH03	L2G04	PT023AH21	L2U04	DM010CC30	M2J04	CH001AD01	M2U12	WS500CA30		
H2D06	FA101AM20	J2	FA001AF20	L2G04	FA088AA31	L2G04	CH005AD30	L2U04	FM110CC30	M2J04	CH006AE30	M2U13	WC020AE30		
H2D06	FA301AT20	J2	FA010AH20	L2G05	FA041AC20	L2G05	PT023AH21	L2U05	DL220DA30	M2J04	WC022AMC9	M2U13	WS181AB30		
H2D06	FA401AT20	J2	FA030AAD0	L2G05	FA030AAD0	L2G05	CH006AF30	L2U05	FL220BC30	M2J05	CH001AB01	M2U02	WS015CF30		
H2D06	FA488AB21	J2	FA030AC40	L2G05	FA040AFE0	L2G05	PT023AH21	L2U06	DL220DB30	M2J05	CH006AG30	M2W03	WS009EB21		
H2D06	FA601AT20	J2	FA030AD21	L2G07	FA088AA41	L2G07	CH009AC30	L2U07	CH003AB03	M2J06	CH001AC01	M2W05	WC024GS10		
H2D07	FA101AA20	J2	FA030AD31	L2G07	CH002AG01	L2G07	FL115AF91	L2U09	DX020AB30	M2J06	CH006AH30	M2W06	WS005GG21		

PIN	NET NO.	PIN	NET NO.	PIN	NET NO.	PIN	NET NO.	PIN	NET NO.	PIN	NET NO.	PIN	NET NO.	PIN	NET NO.												
M2W23	WS005GG23	M2Y26	WS173FR32	N2B13	WS032EJ10	N2P11	WS032EJ10	N2U11	WS001CB45	N2Y02	WS005DE21	N2Z28	WS001AB31	M2W24	WS005GG22	M2Y27	WS173AH30	N2B13	WS011CL30	N2P11	WS003FB20	N2U11	WS200FC31	N2Y03	WS001ZEH10	N2Z29	WS0038RD5
M2W25	WS017CB30	M2Y28	WS173AH30	N2D02	WS036DJ30	N2P12	WS034FJ10	N2U11	WS300FC31	N2Y03	WS005DB21	N2Z30	WS001AB31	M2W26	WS017CF30	M2Y29	WS173FR30	N2D02	WS011CP32	N2P12	WS011CP32	N2U12	WS0038FR11	N2Y04	WS005DB21	N2Z30	WS005DB21
M2W27	WS030DN10	M2Y29	WS173FR30	N2D04	WS017FT33	N2P13	WS036DD20	N2U12	WS001AJ31	N2Y05	WS001ZEH10	N2Z31	WS001AB31	M2W28	WS022FM32	M2Y30	WS173FR30	N2D05	WS036DJ20	N2P13	WS036DJ20	N2U12	WS001CB41	N2Y05	WS005DB21	N2Z31	WS001AB31
M2W28	WS022FM32	M2Y30	WS173FR30	N2D05	WS017FP30	N2S02	WS032BN30	N2U12	WS001CB41	N2Y06	WS001ZEH10	N2Z32	WS001AB31	M2W29	WS111RD20	M2Y31	WS173FR30	N2D06	WS038ARC1	N2S02	WS038ARC1	N2U12	WS001CB41	N2Y06	WS005DB21	N2Z32	WS001AB31
M2W29	WS006DV10	M2Y31	WS173FR30	N2D06	WS009CCD0	N2S03	WS038FR15	N2U13	WS001CB41	N2Y06	WS001ZEH10	N2Z33	WS001AB31	M2W29	WS111VD20	M2Y32	WS141WB30	N2D07	WS017CJ30	N2S03	WS001AJ31	N2U13	WS001AJ31	N2Y07	WS001ZEH10	N2Z33	WS001AB31
M2W30	WS022FM34	M2Y32	WS012EH10	N2D09	WS024AQ00	N2S03	WS001CB31	N2U13	WS001CB31	N2Y07	WS001ZEH10	P1E11	WS003DB16	M2W30	WS131BD30	M2Y33	WS143GB50	N2D09	WS009GB30	N2S03	WS200FC31	N2U13	WS001CB31	N2Y07	WS005FC30	P2	WS0020AF90
M2W31	WS001FB23	M2Y33	WS024GS10	N2D10	WS034GP10	N2S03	WS300FC31	N2U13	WS300FC31	N2Y08	WS0020AF90	P2	WS0020DF30	M2W31	WS001FB23	M2Y33	WS024GS10	N2D10	WS034GP10	N2S03	WS300FC31	N2U13	WS300FC31	N2Y08	WS0020AF90	P2	WS0020DF30
M2W32	WS022FM31	M2Y33	WS173FR29	N2D10	WS017FT31	N2S04	WS038FR18	N2U13	WS001CB41	N2Y08	WS0020AF90	P2	WS0020DF30	M2W32	WS022FM31	M2Y33	WS173FR29	N2D10	WS017FT31	N2S04	WS038FR18	N2U13	WS001CB41	N2Y08	WS0020AF90	P2	WS0020DF30
M2W33	WS038CM20	M2Y33	WS008ET20	N2D11	WS038FR10	N2S04	WS001AJ31	N2U13	WS001AJ31	N2Y08	WS0020AF90	P2	WS0020DF30	M2W33	WS038CM20	M2Y33	WS008ET20	N2D11	WS038FR10	N2S04	WS001AJ31	N2U13	WS001AJ31	N2Y08	WS0020AF90	P2	WS0020DF30
M2W33	WS001FB23	M2Y33	WS173DB30	N2D11	WS017T34	N2S04	WS001CB41	N2U13	WS001CB41	N2Y08	WS0020AF90	P2	WS0020DF30	M2W33	WS001FB23	M2Y33	WS173DB30	N2D11	WS017T34	N2S04	WS001CB41	N2U13	WS001CB41	N2Y08	WS0020AF90	P2	WS0020DF30
M2X02	WS022FM33	M2Y33	WS018UL30	N2D12	WS038ARC2	N2S04	WS200FC31	N2U13	WS200FC31	N2Y09	WS0020AF90	P2	WS0020DF30	M2X02	WS022FM33	M2Y33	WS018UL30	N2D12	WS038ARC2	N2S04	WS200FC31	N2U13	WS200FC31	N2Y09	WS0020AF90	P2	WS0020DF30
M2X02	WS131FB40	M2Y33	WS173FB30	N2D12	WS017AMC1	N2S04	WS300FC31	N2U13	WS300FC31	N2Y09	WS0020AF90	P2	WS0020DF30	M2X02	WS131FB40	M2Y33	WS173FB30	N2D12	WS017AMC1	N2S04	WS300FC31	N2U13	WS300FC31	N2Y09	WS0020AF90	P2	WS0020DF30
M2X03	WS006UR10	M2Y33	WS173FB30	N2D13	WS032EJ10	N2S05	WS001AJ31	N2U13	WS001AJ31	N2Y09	WS0020AF90	P2	WS0020DF30	M2X03	WS006UR10	M2Y33	WS173FB30	N2D13	WS032EJ10	N2S05	WS001AJ31	N2U13	WS001AJ31	N2Y09	WS0020AF90	P2	WS0020DF30
M2X03	WS151BX31	M2Y33	WS173FR22	N2G02	WS032EJ10	N2S05	WS001CB31	N2U13	WS001CB31	N2Y09	WS0020AF90	P2	WS0020DF30	M2X03	WS151BX31	M2Y33	WS173FR22	N2G02	WS032EJ10	N2S05	WS001CB31	N2U13	WS001CB31	N2Y09	WS0020AF90	P2	WS0020DF30
M2X04	WS151BX31	M2Y33	WS012EH10	N2G03	WS032EJ10	N2S05	WS200FC31	N2U13	WS200FC31	N2Y09	WS0020AF90	P2	WS0020DF30	M2X04	WS151BX31	M2Y33	WS012EH10	N2G03	WS032EJ10	N2S05	WS200FC31	N2U13	WS200FC31	N2Y09	WS0020AF90	P2	WS0020DF30
M2X05	WS016BF10	M2Y33	WS173FR21	N2G03	WS009EB22	N2S05	WS300FC31	N2U13	WS300FC31	N2Y09	WS0020AF90	P2	WS0020DF30	M2X05	WS016BF10	M2Y33	WS173FR21	N2G03	WS009EB22	N2S05	WS300FC31	N2U13	WS300FC31	N2Y09	WS0020AF90	P2	WS0020DF30
M2X05	WS151BX31	M2Y33	WS018DH10	N2G04	WS032EJ10	N2S07	WS024AD10	N2U13	WS024AD10	N2Y09	WS0020AF90	P2	WS0020DF30	M2X05	WS151BX31	M2Y33	WS018DH10	N2G04	WS032EJ10	N2S07	WS024AD10	N2U13	WS024AD10	N2Y09	WS0020AF90	P2	WS0020DF30
M2X06	WS016BF13	M2Y33	WS018BN30	N2G04	WS009EB24	N2S07	WS001AJ31	N2U13	WS001AJ31	N2Y09	WS0020AF90	P2	WS0020DF30	M2X06	WS016BF13	M2Y33	WS018BN30	N2G04	WS009EB24	N2S07	WS001AJ31	N2U13	WS001AJ31	N2Y09	WS0020AF90	P2	WS0020DF30
M2X06	WS151BX31	M2Y33	WS004CH10	N2G05	WS013CBDD	N2S07	WS001CB35	N2U13	WS001CB35	N2Y09	WS0020AF90	P2	WS0020DF30	M2X06	WS151BX31	M2Y33	WS004CH10	N2G05	WS013CBDD	N2S07	WS001CB35	N2U13	WS001CB35	N2Y09	WS0020AF90	P2	WS0020DF30
M2X08	WS016BF12	M2Y33	WS181AJ30	N2G07	WS032ED10	N2S07	WS200FC31	N2U13	WS200FC31	N2Y09	WS0020AF90	P2	WS0020DF30	M2X08	WS016BF12	M2Y33	WS181AJ30	N2G07	WS032ED10	N2S07	WS200FC31	N2U13	WS200FC31	N2Y09	WS0020AF90	P2	WS0020DF30
M2X09	WS028AD10	M2Y33	WS004CH11	N2G07	WS005AB31	N2S07	WS300FC31	N2U13	WS300FC31	N2Y09	WS0020AF90	P2	WS0020DF30	M2X09	WS028AD10	M2Y33	WS004CH11	N2G07	WS005AB31	N2S07	WS300FC31	N2U13	WS300FC31	N2Y09	WS0020AF90	P2	WS0020DF30
M2X09	WS001FB19	M2Y33	WS181BN50	N2G08	WS032ED10	N2S08	WS038FR21	N2U13	WS038FR21	N2Y09	WS0020AF90	P2	WS0020DF30	M2X09	WS001FB19	M2Y33	WS181BN50	N2G08	WS032ED10	N2S08	WS038FR21	N2U13	WS038FR21	N2Y09	WS0020AF90	P2	WS0020DF30
M2X10	WS016BF11	M2Y33	WS028EL20	N2G08	WS017FT35	N2S08	WS001AJ31	N2U13	WS001AJ31	N2Y09	WS0020AF90	P2	WS0020DF30	M2X10	WS016BF11	M2Y33	WS028EL20	N2G08	WS017FT35	N2S08	WS001AJ31	N2U13	WS001AJ31	N2Y09	WS0020AF90	P2	WS0020DF30
M2X10	WS005FE31	M2Y33	WS173FR28	N2G09	WS032ED10	N2S08	WS001CB35	N2U13	WS001CB35	N2Y09	WS0020AF90	P2	WS0020DF30	M2X10	WS005FE31	M2Y33	WS173FR28	N2G09	WS032ED10	N2S08	WS001CB35	N2U13	WS001CB35	N2Y09	WS0020AF90	P2	WS0020DF30
M2X11	WS022AMC4	M2Y33	WS012EH10	N2G09	WS013CM30	N2S08	WS200FC31	N2U13	WS200FC31	N2Y09	WS0020AF90	P2	WS0020DF30	M2X11	WS022AMC4	M2Y33	WS012EH10	N2G09	WS013CM30	N2S08	WS200FC31	N2U13	WS200FC31	N2Y09	WS0020AF90	P2	WS0020DF30
M2X11	WS005FE31	M2Y33	WS131QA20	N2G10	WS038ARC7	N2S08	WS300FC31	N2U13	WS300FC31	N2Y09	WS0020AF90	P2	WS0020DF30	M2X11	WS005FE31	M2Y33	WS131QA20	N2G10	WS038ARC7	N2S08	WS300FC31	N2U13	WS300FC31	N2Y09	WS0020AF90	P2	WS0020DF30
M2X12	WS022AMC7	M2Y33	WS001FB17	N2G10	WS001FB17	N2S09	WS005GG23	N2U13	WS005GG23	N2Y09	WS0020AF90	P2	WS0020DF30	M2X12	WS022AMC7	M2Y33	WS001FB17	N2G10	WS001FB17	N2S09	WS005GG23	N2U13	WS005GG23	N2Y09	WS0020AF90	P2	WS0020DF30
M2X12	WS005FE31	M2Y33	WS173FR23	N2G12	WS007FH21	N2S09	WS0140TM20	N2U13	WS0140TM20	N2Y09	WS0020AF90	P2	WS0020DF30	M2X12	WS005FE31	M2Y33	WS173FR23	N2G12	WS007FH21	N2S09	WS0140TM20	N2U13	WS0140TM20	N2Y09	WS0020AF90	P2	WS0020DF30
M2X13	WS022AMC5	M2Y33	WS030FD10	N2G13	WS032ED10	N2S09	WS001AJ31	N2U13	WS001AJ31	N2Y09	WS0020AF90	P2	WS0020DF30	M2X13	WS022AMC5	M2Y33	WS030FD10	N2G13	WS032ED10	N2S09	WS001AJ31	N2U13	WS001AJ31	N2Y09	WS0020AF90	P2	WS0020DF30
M2X13	WS005FE31	M2Y33	WS173AB50	N2G13	WS007FH21	N2S09	WS001CB31	N2U13	WS001CB31	N2Y09	WS0020AF90	P2	WS0020DF30	M2X13	WS005FE31	M2Y33	WS173AB50	N2G13	WS007FH21	N2S09	WS001CB31	N2U13	WS001CB31	N2Y09	WS0020AF90	P2	WS0020DF30
M2X22	WS022AMC6	M2Y33	WS028AQ30	N2J02	WS032EJ10	N2S09	WS200FC31	N2U13	WS200FC31	N2Y09	WS0020AF90	P2	WS0020DF30	M2X22	WS022AMC6	M2Y33	WS028AQ30	N2J02	WS032EJ10	N2S09	WS200FC31	N2U13	WS200FC31	N2Y09	WS0020AF90	P2	WS0020DF30
M2X22	WS151BX31	M2Y33	WS171CL12	N2J02	WS500CA30	N2S09	WS300FC31	N2U13	WS300FC31	N2Y09	WS0020AF90	P2	WS0020DF30	M2X22	WS151BX31	M2Y33	WS171CL12	N2J02	WS500CA30	N2S09	WS300FC31	N2U13	WS300FC31	N2Y09	WS0020AF90	P2	WS0020DF30
M2X23	WS038CM30	M2Y33	WS008ET30	N2J04	WS032EJ10	N2S10	WS030GK10	N2U13	WS030GK10	N2Y09	WS0020AF90	P2	WS0020DF30	M2X23	WS038CM30	M2Y33	WS008ET30	N2J04	WS032EJ10	N2S10	WS030GK10	N2U13	WS030GK10	N2Y09	WS0020AF90	P2	WS0020DF30
M2X23	WS151BX31	M2Y33	WS171CB11	N2J04	WS009EB26	N2S10	WS001AJ31	N2U13	WS001AJ31	N2Y09	WS0020AF90	P2	WS0020DF30	M2X23	WS151BX31	M2Y33	WS171CB11	N2J04	WS009EB26	N2S10	WS001AJ31	N2U13	WS001AJ31	N2Y09	WS0020AF90	P2	WS0020DF30
M2X24	WS022FM35	M2Y33	WS018DL20	N2J05	WS032EJ10	N2S10	WS001CB49	N2U13	WS001CB49	N2Y09	WS0020AF90	P2	WS0020DF30	M2X24	WS022FM35	M2Y33	WS018DL20	N2J05	WS032EJ10	N2S10	WS001CB49	N2U13	WS001CB49	N2Y09	WS0020AF90	P2	WS0020DF30
M2X24	WS151BX31	M2Y33	WS173ARD0	N2J05	WS011CN30	N2S10	WS200FC31	N2U13	WS200FC31	N2Y09	WS0020AF90	P2	WS0020DF30	M2X24	WS151BX31	M2Y33	WS173ARD0	N2J05	WS011CN30	N2S10	WS200FC31	N2U13	WS200FC31	N2Y09	WS0020AF90	P2	WS0020DF30
M2X25	WS016BF20	M2Y33	WS016DJ10	N2J06	WS011CJ30	N2S10	WS300FC31	N2U13	WS300FC31	N2Y09	WS0020AF90	P2	WS0020DF30	M2X25	WS016BF20	M2Y33	WS016DJ10	N2J06	WS011CJ30	N2S10	WS300FC31	N2U13	WS300FC31	N2Y09	WS0020AF90	P2	WS0020DF30
M2X25	WS151BX31	M2Y33	WS173ARCO	N2J07	WS032EJ10	N2S12	WS038ARD1	N2U13	WS038ARD1	N2Y09	WS0020AF90	P2	WS0020DF30	M2X25	WS151BX31	M2Y33	WS173ARCO	N2J07	WS032EJ10	N2S12	WS038ARD1	N2U13	WS038ARD1	N2Y09	WS0020AF90	P2	WS0020DF30
M2X26	WS016BF23	M2Y33	WS173FR27	N2J07	WS005AB31	N2S12	WS001AJ31	N2U13	WS001AJ31	N2Y09	WS0020AF90	P2	WS0020DF30	M2X26	WS016BF23	M2Y33	WS173FR27	N2J07	WS005AB31	N2S12	WS001AJ31	N2U13	WS001AJ31	N2Y09	WS0020AF90	P2	WS0020DF30
M2X26	WS151BX31	M2Y33	WS012DF10	N2J09	WS032ED10	N2S12	WS001CB41	N2U13	WS001CB41	N2Y09	WS0020AF90	P2	WS0020DF30	M2X26	WS151BX31	M2Y33	WS012DF10	N2J09	WS032ED10	N2S12	WS001CB41	N2U13	WS001CB41	N2Y09	WS0020AF90	P2	WS0020DF30
M2X27	WS030FR10	M2Y33	WS173FR25	N2J09	WS001FB13	N2S12	WS200FC31	N2U13	WS200FC31	N2Y09	WS0020AF90	P2	WS0020DF30	M2X27	WS030FR												

PIN	NET NO.	PIN	NET NO.	PIN	NET NO.	PIN	NET NO.	PIN	NET NO.	PIN	NET NO.	PIN	NET NO.
P2D10	WC034FJ10	P2J13	FM110AE30	Q4G07	WS300FC31	R2B07	WS501AB60	R2S05	WC180BC50	S2	PS105DB21	S2J02	PS109BB00
P2D11	DM020ABH2	P2J13	WC032ED10	Q4G08	WS300FC31	R2B08	WC012FN10	R2S07	WC180FD40	S2	PS105DE21	S2J02	WS500CA30
P2D11	DM020ABD1	P4B04	WS200ER40	Q4J02	WS300FC31	R2B08	WS500FC60	R2S08	WC130FT20	S2	PS105FC30	S2J04	PS009EB26
P2D11	DM020DB30	P4B05	WS200ER50	Q4J04	WS300FC31	R2B09	WC012FN14	R2S09	WC190AA60	S2	PS105GG21	S2J04	PS105GG26
P2D11	FM020ABH2	P4B09	WS200FC31	Q4J05	WS300FC31	R2B09	WS501AC60	R2S10	WC190AB60	S2	PS105GG22	S2J05	PS011CN30
P2D11	FM020ABU1	P4B10	WS200FC31	Q4J06	WS300FC31	R2B10	WC014CD30	R2S11	WC180BP60	S2	PS105GG23	S2J05	PS111CN30
P2D11	FM020DB30	P4B12	WS200CC31	Q4J07	WS300FC31	R2B10	WS143WC81	R2S12	WC190AC60	S2	PS109EB21	S2J06	PS011CJ30
P2D11	FM120AC61	P4D06	WS200FC31	Q4J10	WS003FB20	R2B11	WC180BPC0	R2S13	WC190AD60	S2	PS109EB22	S2J06	PS111CJ30
P2D11	WC034FJ10	P4D07	WS200FC31	Q4J12	WS300ER50	R2B11	WS143WC61	R2U02	WC130CR20	S2	PS109EB23	S2J07	PS005AB31
P2D12	DM020CB70	P4D09	WS200FC31	Q4W02	WS005DE21	R2B12	WC012FN11	R2U04	WC180LC20	S2	PS109EB24	S2J07	PS105AB31
P2D12	FM020CB70	P4D10	WS200FC31	Q4W03	WS005DB21	R2B12	WS143WC41	R2U06	WC130CR20	S2	PS109EB25	S2J09	PS001FB13
P2D12	FM120AF51	P4D11	WS003FB00	Q4W04	WS005DB21	R2B13	WC012FN17	R2U07	WC180FD30	S2	PS109EB26	S2J09	PS101FB13
P2D12	WC034FJ10	P4D12	WS200FC31	Q4W05	WS005DB21	R2B13	WS500DA30	R2U09	WC170HC20	S2	PS111AM30	S2J10	PS005EH21
P2D13	DM020AE30	P4D13	WS200FC31	Q4W06	WS013CG30	R2D02	WC014CH10	R2U10	WC190AA30	S2	PS111CJ30	S2J10	PS105EH21
P2D13	FM020AE30	P4G02	WS200FC31	Q4W07	WS005FC30	R2D02	WS501AA30	R2U11	WC190AB30	S2	PS111CL30	S2J11	PS015CW30
P2D13	FM120AC52	P4G03	WS200FC31	Q4W10	WS009EB25	R2D04	WC020CA40	R2U12	WC190AC30	S2	PS111CN30	S2J11	PS115CW30
P2D13	WC032EJ10	P4G04	WS200FC31	Q4W11	WS003DB13	R2D04	WS500CA40	R2U13	WC190AD30	S2	PS111CP31	S2J12	PS007FH21
P2G02	DM020AB60	P4G07	WS200FC31	Q4W12	WS003UB16	R2U05	WC020BA40	R4B0Y	WS400FC31	S2	PS111CP32	S2J12	PS107FH21
P2G02	DM020ABM1	P4G08	WS200FC31	Q4W13	WS003DB16	R2U05	WS500HA50	R4B1U	WS400FC31	S2	PS111CW30	S2J13	PS015CZ30
P2G02	DM020ABJ1	P4J02	WS200FC31	Q4W22	WS005DB21	R2D06	WC012FN13	R4D06	WS400FC31	S2	PS111CZ30	S2J13	PS115CZ30
P2G02	DM020ABM1	P4J04	WS200FC31	Q4W23	WS005DE21	R4D07	WS500FB60	R4D07	WS400FC31	S2	PS113CB30	S2M02	PS007FH21
P2G02	DM020ABP1	P4J05	WS200FC31	Q4W24	WS005DE21	R4D09	WC008FX10	R4D09	WS400FC31	S2	PS113CE30	S2M02	PS107FH21
P2G02	FM020AH60	P4J06	WS200FC31	Q4W25	WS005DE21	R4D1U	WS501AB30	R4D1U	WS400FC31	S2	PS113CG30	S2M03	PS017FH46
P2G02	FM020ABM1	P4J07	WS200FC31	Q4W26	WS013CE30	R2D09	WC014CD20	R4D11	WS003FB20	S2	PS113CK50	S2M03	PS107FH21
P2G02	FM020ABJ1	P4J1U	WS003FB1U	Q4W27	WS013CB30	R2D09	WS501HC30	R4D12	WS400FC31	S2	PS113CM30	S2M04	PS005EH21
P2G02	FM020ABM1	P4W02	WS005DB21	Q4W30	WS003DB13	R2D10	WC012FN16	R4D13	WS400FC31	S2	PS113CP30	S2M04	PS105EH21
P2G02	FM020ABP1	P4W03	WS005DB21	Q4W31	WS003DB13	R2D10	WS181FH30	R4G02	WS400FC31	S2	PS115CF30	S2M07	PS011HM30
P2G02	FM120AD21	P4W04	WS005DB21	Q4W32	WS003DB16	R2D11	WC012FN12	R4G03	WS400FC31	S2	PS115CL30	S2M07	PS111AM30
P2G02	WC032ED10	P4W05	WS005DB21	Q4W33	WS003DB16	R2D11	WS173BC30	R4G04	WS400FC31	S2	PS115CW30	S2M08	PS003FB00
P2G03	DM010BB60	P4W06	WS013CG30	Q4X07	WS003DB16	R2D12	WC012FN15	R4G07	WS400FC31	S2	PS115CZ30	S2M08	PS103FB00
P2G03	FM010BB60	P4W07	WS005FC30	Q4X08	WS003DB16	R2D12	WS181AB30	R4G08	WS400FC31	S2	PT031AD30	S2M09	PS017AMC6
P2G03	FM120AD61	P4W10	WS009EB25	Q4X13	WS003DB16	R2D13	WC140TM20	R4G10	WS501BC30	S2	PU140AG41	S2M09	PS17AMC6
P2G03	WC034DD10	P4W11	WS003DB13	Q4X22	WS003DB16	R2D13	WS500BA30	R4G13	WS501BD30	S2	S2B02	S2M10	PS003FB10
P2G04	FM120AC62	P4W12	WS003DB16	Q4X27	WS003DB16	R2G02	WC020AA30	R4J02	WS400FC31	S2	S2B02	S2M10	PS103FB10
P2G04	WC034DD10	P4W13	WS003DB16	Q4X33	WS003DB16	R2G02	WS501AD60	R4J04	WS400FC31	S2	S2B03	S2M12	PS003FB30
P2G05	DM020CB80	P4W22	WS005DB21	Q6B02	FA088AA81	R2G03	WC020AC30	R4J05	WS400FC31	S2	S2B03	S2M12	PS103FB30
P2G05	FM020CB80	P4W23	WS005DE21	Q6B04	FA088AA71	R2G03	WS500FD60	R4J06	WS400FC31	S2	S2B04	S2M13	PS009BB00
P2G05	FM120AB21	P4W24	WS005DE21	R1A13	CH001AA01	R2G04	WC020AD30	R4J07	WS400FC31	S2	S2B04	S2M13	PS111CP31
P2G05	WC032ED10	P4W25	WS005DE21	R1B11	CH001AA05	R2G04	WS501BA30	R4J10	WS003FB30	S2	S2B05	S2P02	PS003DB30
P2G07	DM020AF90	P4W26	WS013CE30	R1B13	CH001AB01	R2G04	WC020AF30	R4J12	WS501BB30	S2	S2B05	S2P02	PS103DB30
P2G07	DM020DF30	P4W27	WS013CB30	R1C11	CH001AB03	R2G07	WC140SL30	R4J13	WS501BA30	S2	S2B07	S2P04	PS017AMC5
P2G07	FM020AF90	P4W30	WS003DB13	R1C13	CH002AE03	R2G08	WC140SL30	R4W10	WS009EB25	S2	S2B07	S2P04	PS117FT32
P2G07	FM020DF30	P4W31	WS003DB13	R1D11	CH008AH30	R2G08	WS501BB30	R4W11	WS003DB13	S2	S2B08	S2P05	PS009EB31
P2G07	FM120AG30	P4W32	WS003DB16	R1D13	CH009AC30	R2G09	WC009AC30	R4W30	WS003DB13	S2	S2B08	S2P05	PS109EB31
P2G07	WC032BN10	P4W33	WS003DB16	R1E11	CH005AB30	R2G09	WS501BC30	R4W31	WS003DB13	S2	S2B09	S2P06	PS009EB31
P2G08	FM120AH30	P4X07	WS003DB16	R1E13	CH001AA03	R2G10	WC110RH70	R6A04	FA088AA31	S2	S2B09	S2P06	PS109EB31
P2G08	WC032ED10	P4X08	WS003DB16	R2	WC008ET10	R2G11	WC008ET10	R6C04	FA088AA41	S2	S2B10	S2P07	PS011CW30
P2G09	WC032ED10	P4X13	WS003DB16	R2	WC012FN10	R2G11	WS501BD30	S1A11	CH006AE30	S2	S2B10	S2P07	PS111CW30
P2G10	FM110ACG0	P4X22	WS003DB16	R2	WC012FN11	R2G12	WC160HB20	S1A13	CH001AB07	S2	S2B12	S2P09	PS005AB31
P2G10	WC032ED10	P4X27	WS003DB16	R2	WC012FN12	R2G13	WC140GF20	S2	PR031AD30	S2	S2B12	S2P09	PS105AB31
P2G12	DM010CA60	P4X33	WS003DB16	R2	WC012FN13	R2G13	WS141DA63	S2	PS001AJ31	S2	S2B13	S2P10	PS005AB31
P2G12	FM010CA60	P6E02	FA088AA51	R2	WC012FN14	R2J02	WC020HB30	S2	PS001FB11	S2	S2B13	S2P10	PS105AB31
P2G12	WC032ED10	P6E04	FA088AA61	R2	WC012FN15	R2J02	WS501AD30	S2	PS001FB13	S2	S2D02	S2P11	PS003FB20
P2G13	DM020CC60	Q1A11	CH001AD01	R2	WC012FN16	R2J04	WC020AE30	S2	PS001GC30	S2	S2D02	S2P11	PS103FB20
P2G13	FM020CC60	Q1A13	CH001AD03	R2	WC012FN17	R2J04	WS500AA70	S2	PS003DB16	S2	S2D04	S2P12	PS011CZ30
P2G13	WC032BN20	Q1B11	CH011AD30	R2	WC110LB20	R2J05	WC020AG30	S2	PS005DB21	S2	S2D04	S2P12	PS117FT33
P2J02	DM010DB30	Q1B13	CH007AC30	R2	WC130FT20	R2J06	WC020AH30	S2	PS005DE21	S2	S2D05	S2P13	PS013AR30
P2J02	DM020ABI1	Q1C11	CH007AB30	R2	WC130LM30	R2J07	WC020AJ30	S2	PS005FC30	S2	S2D05	S2P13	PS117FP30
P2J02	DM020ABN2	Q1C13	CH001AV05	R2	WC130LM40	R2J09	CH003AC03	S2	PS005GG21	S2	S2D06	S2S02	PS047FP50
P2J02	FL220CB30	Q1D11	CH001AA07	R2	WC130TP20	R2J09	WS500PA10	S2	PS005GG22	S2	S2D06	S2S02	PS117FP50
P2J02	FM010DB30	Q1D13	CH003AB01	R2	WC140GF20	R2J10	WC140SL40	S2	PS005GG23	S2	S2D07	S2S03	PS001CB31
P2J02	FM020ABI1	Q1E11	CH001AB05	R2	WC140TE20	R2J11	WC110RT40	S2	PS009EB21	S2	S2D07	S2S03	PS101CB31
P2J02	FM020ABN2	Q1E13	CH001AC01	R2	WC160HB20	R2J11	WS500AA20	S2	PS009EB22	S2	S2D09	S2S04	PS009GB30
P2J02	WC036BF50	Q2B02	FA081AA60	R2	WC170CC20	R2J12	WC180NV15	S2	PS009EB23	S2	S2D09	S2S04	PS109GB30
P2J04	DM020AD20	Q2B03	YA420B650	R2	WC170EK30	R2J13	CH009AD30	S2	PS009EB24	S2	S2D10	S2S05	PS001CB31
P2J04	FM020AD20	Q2B05	YA420BA30	R2	WC180BC20	R2J13	WS500AA30	S2	PS009EB25	S2	S2D10	S2S05	PS107FT31
P2J04	WC032ED10	Q2D03	YA420DA30	R2	WC180BC30	R2M02	WC130LM40	S2	PS009EB26	S2	S2D11	S2S07	PS001CB35
P2J05	DM020BC71	Q2D07	FA801AA40	R2	WC180BC40	R2M03	WC110LB20	S2	PS011AM30	S2	S2D11	S2S07	PS101CB35
P2J05	FM020BC71	Q3B02	WC190AA60	R2	WC180BC50	R2M04	WC130LM30	S2	PS011CJ30	S2	S2D12	S2S08	PS001CB35
P2J05	WC034DD10	Q3B04	WC190AB60	R2	WC180FD30	R2M05	WC130FT40	S2	PS011CL30	S2	S2D12	S2S08	PS101CB35
P2J06	DM020AC20	Q3B05	WC190AC60	R2	WC180FD40	R2M07	WC180BPC0	S2	PS011CN30	S2	S2D13	S2S09	PS001CB31
P2J06	FM020AC20	Q3B07	WC190AD60	R2	WC180NS20	R2M08	WC170EK30	S2	PS011CP31	S2	S2D13	S2S09	PS101CB31
P2J06	WC032ED10	Q3D02	WC190AA30	R2	WS501AA30	R2M09	WC170HC20	S2	PS011CP32	S2	S2G03	S2S10	PS001CB49
P2J07	FM110BB20	Q3D04	WC190AB30	R2	WS501AA60	R2M10	WC180BC20	S2	PS011CW30	S2	S2G03	S2S10	PS101CB49
P2J07	FM120AB41	Q3D05	WC190AC30	R2	WS501AB30	R2M11	WC180BPC0	S2	PS011CZ30	S2	S2G04	S2S12	PS001CB41
P2J07	WC036BF60	Q3D07	WC190AD30	R2	WS501AB60	R2M1							

PIN	NET NO.	PIN	NET NO.	PIN	NET NO.	PIN	NET NO.	PIN	NET NO.	PIN	NET NO.	PIN	NET NO.	PIN	NET NO.	PIN	NET NO.
S2U09	PS001CB45	S2X25	PR830CZ21	S2Z06	PS101AB31	T2	PR101AJ30	T2B12	PT011AA40	T2M13	PT041AF51	T2W02	PS015CF30	T2W02	PS015CF30	T2W02	PS015CF30
S2U09	PS101CB45	S2X25	PT830CZ21	S2Z06	PS101AJ31	T2	PR101AL30	T2B13	CH001AB07	T2P02	PR003ABA9	T2W03	PS009EB21	T2P02	PR043AF30	T2W03	PS009EB21
S2U10	PS001CB31	S2X26	PR830CZ21	S2Z07	PS003DB16	T2	PR101AN30	T2B13	PT011AA40	T2P02	PT163AL30	T2W03	PS109EB21	T2P02	PT003BA05	T2W03	PS109EB21
S2U10	PS101CB31	S2X26	PT830CZ21	S2Z07	PS103DB16	T2	PR101AR30	T2B13	CH001AD01	T2D02	PR003BA05	T2W04	PS009EB23	T2D02	CH008AJ30	T2W04	PS009EB23
S2U11	PS001CB45	S2X27	PS001EB19	S2Z08	PS001EB19	T2	PR101AW30	T2D02	CH008AJ30	T2D04	PT003BA05	T2W05	PS109EB23	T2D04	PT011AD20	T2W05	PS109EB23
S2U11	PS101CB45	S2X27	PS001FB19	S2Z08	PS103DB16	T2	PR101AY30	T2D04	CH008AJ30	T2D05	PR121AB21	T2W05	PS013CK50	T2D05	CH007AB30	T2W05	PS013CK50
S2U12	PS001CB41	S2X27	PS001EB19	S2Z09	PS001AB31	T2	PR101AZ30	T2D05	PT011AA40	T2D05	PR003ACA1	T2W06	PS113CK50	T2D05	PT011AA40	T2W06	PS113CK50
S2U12	PS101CB41	S2X27	PS101FB19	S2Z09	PS001AJ31	T2	PR102AB21	T2D06	CH001AA07	T2D06	PR121AB21	T2W06	PS005GG21	T2D06	PR003ABA3	T2W06	PS005GG21
S2U13	PS001CB35	S2X28	PS001EB19	S2Z09	PS101AB31	T2	PR102AB31	T2D06	PT011AA40	T2D06	PR003ACA1	T2W06	PS005GG21	T2D06	PT011AA40	T2W06	PS005GG21
S2U13	PS101CB35	S2X28	PS001FB19	S2Z09	PS101AJ31	T2	PR102AB41	T2D06	PT011AA40	T2D06	PR121AB21	T2W06	PS005GG21	T2D06	PR003ABA3	T2W06	PS005GG21
S2W02	PS015CF30	S2X28	PS101EB19	S2Z10	PS001AB31	T2	PR103AC30	T2D06	PT011AA40	T2D06	PR121AB21	T2W06	PS005GG21	T2D06	PR003ABA3	T2W06	PS005GG21
S2W02	PS115CF30	S2X28	PS101FB19	S2Z10	PS001AJ31	T2	PR201BB30	T2D06	PT011AA40	T2D06	PR121AB21	T2W06	PS005GG21	T2D06	PR003ABA3	T2W06	PS005GG21
S2W03	PS009EB21	S2X29	PS005FE31	S2Z10	PS101AB31	T2	PR830CA30	T2D07	CH002AF05	T2D07	PR065AJ51	T2W08	PS009AK50	T2D07	CH002AF05	T2W08	PS009AK50
S2W03	PS109EB21	S2X29	PS105FE31	S2Z10	PS101AJ31	T2	PR830CD30	T2D09	CH002AE05	T2D09	PR163AD21	T2W10	PS013CK50	T2D09	CH002AE05	T2W10	PS013CK50
S2W04	PS009EB23	S2X30	PS005FF31	S2Z11	PS001AB31	T2	PR830CG30	T2D10	CH001AB05	T2D10	PT103AK30	T2W11	PS113CK50	T2D10	CH001AB05	T2W11	PS113CK50
S2W04	PS109EB23	S2X30	PS105FE31	S2Z11	PS001AJ31	T2	PR830CJ30	T2D10	PR011AA40	T2D10	PH121AB21	T2W11	PS113CK50	T2D10	PR011AA40	T2W11	PS113CK50
S2W05	PS013CK50	S2X31	PS005FE31	S2Z11	PS101AB31	T2	PR830CM30	T2D10	PI011AA40	T2D10	PH121AB21	T2W11	PS113CK50	T2D10	PI011AA40	T2W11	PS113CK50
S2W05	PS113CK50	S2X31	PS105FE31	S2Z11	PS101AJ31	T2	PR830CV30	T2D11	CH001AA05	T2D11	PH121AB21	T2W11	PS113CK50	T2D11	CH001AA05	T2W11	PS113CK50
S2W06	PS005GG21	S2X32	PS005FE31	S2Z12	PS001AB31	T2	PR830CY30	T2D11	CH001AA05	T2D11	PH121AB21	T2W11	PS113CK50	T2D11	CH001AA05	T2W11	PS113CK50
S2W06	PS105GG21	S2X32	PS105FE31	S2Z12	PS001AJ31	T2	PR830CV30	T2D11	CH001AA05	T2D11	PH121AB21	T2W11	PS113CK50	T2D11	CH001AA05	T2W11	PS113CK50
S2W07	PS017FM50	S2X33	PS005FE31	S2Z12	PS101AB31	T2	PR830CY30	T2D12	CH001AA05	T2D12	PH121AB21	T2W11	PS113CK50	T2D12	CH001AA05	T2W11	PS113CK50
S2W07	PS117FM50	S2X33	PS105FE31	S2Z12	PS101AJ31	T2	PS005FE31	T2D12	PR011AA40	T2D12	PH121AB21	T2W11	PS113CK50	T2D12	PR011AA40	T2W11	PS113CK50
S2W08	PS009AK50	S2Y02	PS005DE21	S2Z13	PS003DB16	T2	PS009EB21	T2D12	PR011AA40	T2D12	PH121AB21	T2W11	PS113CK50	T2D12	PR011AA40	T2W11	PS113CK50
S2W08	PS109AK50	S2Y02	PS105DE21	S2Z13	PS103DB16	T2	PS009EB21	T2D12	PR011AA40	T2D12	PH121AB21	T2W11	PS113CK50	T2D12	PR011AA40	T2W11	PS113CK50
S2W09	PS009AK50	S2Y03	PS005DB21	S2Z22	PS003DB16	T2	PS009EB21	T2D13	PI023AH21	T2D13	PH121AB21	T2W11	PS113CK50	T2D13	PI023AH21	T2W11	PS113CK50
S2W09	PS109AK50	S2Y03	PS105DB21	S2Z22	PS103DB16	T2	PS009EB21	T2D13	PI023AH21	T2D13	PH121AB21	T2W11	PS113CK50	T2D13	PI023AH21	T2W11	PS113CK50
S2W10	PR163AD21	S2Y04	PS005DB21	S2Z23	PS001AB31	T2	PS009EB21	T2D13	PI023AH21	T2D13	PH121AB21	T2W11	PS113CK50	T2D13	PI023AH21	T2W11	PS113CK50
S2W10	PT103AH21	S2Y04	PS105DB21	S2Z23	PS001AJ31	T2	PS009EB21	T2D13	PI023AH21	T2D13	PH121AB21	T2W11	PS113CK50	T2D13	PI023AH21	T2W11	PS113CK50
S2W11	PR163AD31	S2Y05	PS005DB21	S2Z23	PS101AB31	T2	PS009EB21	T2D13	PI023AH21	T2D13	PH121AB21	T2W11	PS113CK50	T2D13	PI023AH21	T2W11	PS113CK50
S2W11	PT103AH31	S2Y05	PS105DB21	S2Z23	PS101AJ31	T2	PS009EB21	T2D13	PI023AH21	T2D13	PH121AB21	T2W11	PS113CK50	T2D13	PI023AH21	T2W11	PS113CK50
S2W12	PS001FB23	S2Y06	PS013CG30	S2Z24	PS001AB31	T2	PS009EB21	T2D13	PI023AH21	T2D13	PH121AB21	T2W11	PS113CK50	T2D13	PI023AH21	T2W11	PS113CK50
S2W12	PS101FB23	S2Y06	PS113CG30	S2Z24	PS001AJ31	T2	PS009EB21	T2D13	PI023AH21	T2D13	PH121AB21	T2W11	PS113CK50	T2D13	PI023AH21	T2W11	PS113CK50
S2W13	PS001FB23	S2Y07	PS005FC30	S2Z24	PS101AB31	T2	PS009EB21	T2D13	PI023AH21	T2D13	PH121AB21	T2W11	PS113CK50	T2D13	PI023AH21	T2W11	PS113CK50
S2W13	PS101FB23	S2Y07	PS105FC30	S2Z24	PS101AJ31	T2	PS009EB21	T2D13	PI023AH21	T2D13	PH121AB21	T2W11	PS113CK50	T2D13	PI023AH21	T2W11	PS113CK50
S2W23	PS005GG23	S2Y08	PS003FB00	S2Z25	PS001AB31	T2	PS009EB21	T2D13	PI023AH21	T2D13	PH121AB21	T2W11	PS113CK50	T2D13	PI023AH21	T2W11	PS113CK50
S2W23	PS105GG23	S2Y08	PS005EH21	S2Z25	PS001AJ31	T2	PS009EB21	T2D13	PI023AH21	T2D13	PH121AB21	T2W11	PS113CK50	T2D13	PI023AH21	T2W11	PS113CK50
S2W24	PS005GG22	S2Y08	PS103FB00	S2Z25	PS101AB31	T2	PS009EB21	T2D13	PI023AH21	T2D13	PH121AB21	T2W11	PS113CK50	T2D13	PI023AH21	T2W11	PS113CK50
S2W24	PS105GG22	S2Y08	PS105EH21	S2Z25	PS101AJ31	T2	PS009EB21	T2D13	PI023AH21	T2D13	PH121AB21	T2W11	PS113CK50	T2D13	PI023AH21	T2W11	PS113CK50
S2W25	PS017CB30	S2Y09	PS017FM30	S2Z26	PS001AB31	T2	PS009EB21	T2D13	PI023AH21	T2D13	PH121AB21	T2W11	PS113CK50	T2D13	PI023AH21	T2W11	PS113CK50
S2W25	PS117CB30	S2Y09	PS117FM30	S2Z26	PS001AJ31	T2	PS009EB21	T2D13	PI023AH21	T2D13	PH121AB21	T2W11	PS113CK50	T2D13	PI023AH21	T2W11	PS113CK50
S2W26	PS017CF30	S2Y10	PS009EB25	S2Z26	PS101AB31	T2	PS009EB21	T2D13	PI023AH21	T2D13	PH121AB21	T2W11	PS113CK50	T2D13	PI023AH21	T2W11	PS113CK50
S2W26	PS117CF30	S2Y10	PS109EB25	S2Z26	PS101AJ31	T2	PS009EB21	T2D13	PI023AH21	T2D13	PH121AB21	T2W11	PS113CK50	T2D13	PI023AH21	T2W11	PS113CK50
S2W27	PR021AG31	S2Y11	PS003DB13	S2Z27	PS003DB16	T2	PS009EB21	T2D13	PI023AH21	T2D13	PH121AB21	T2W11	PS113CK50	T2D13	PI023AH21	T2W11	PS113CK50
S2W27	PT021AG31	S2Y11	PS103DB13	S2Z27	PS103DB16	T2	PS009EB21	T2D13	PI023AH21	T2D13	PH121AB21	T2W11	PS113CK50	T2D13	PI023AH21	T2W11	PS113CK50
S2W28	PR031AB31	S2Y12	PS003DB16	S2Z28	PS001AB31	T2	PS009EB21	T2D13	PI023AH21	T2D13	PH121AB21	T2W11	PS113CK50	T2D13	PI023AH21	T2W11	PS113CK50
S2W28	PT031AB31	S2Y12	PS103DB16	S2Z28	PS001AJ31	T2	PS009EB21	T2D13	PI023AH21	T2D13	PH121AB21	T2W11	PS113CK50	T2D13	PI023AH21	T2W11	PS113CK50
S2W29	PR031AD30	S2Y13	PS003DB16	S2Z28	PS101AB31	T2	PS009EB21	T2D13	PI023AH21	T2D13	PH121AB21	T2W11	PS113CK50	T2D13	PI023AH21	T2W11	PS113CK50
S2W29	PT031AD30	S2Y13	PS103DB16	S2Z28	PS101AJ31	T2	PS009EB21	T2D13	PI023AH21	T2D13	PH121AB21	T2W11	PS113CK50	T2D13	PI023AH21	T2W11	PS113CK50
S2W30	PR031AB71	S2Y22	PS005DB21	S2Z29	PS001AJ31	T2	PS009EB21	T2D13	PI023AH21	T2D13	PH121AB21	T2W11	PS113CK50	T2D13	PI023AH21	T2W11	PS113CK50
S2W30	PT031BD30	S2Y22	PS105DB21	S2Z29	PS001AJ31	T2	PS009EB21	T2D13	PI023AH21	T2D13	PH121AB21	T2W11	PS113CK50	T2D13	PI023AH21	T2W11	PS113CK50
S2W31	PS001FB23	S2Y23	PS005DE21	S2Z29	PS101AB31	T2	PS009EB21	T2D13	PI023AH21	T2D13	PH121AB21	T2W11	PS113CK50	T2D13	PI023AH21	T2W11	PS113CK50
S2W31	PS101FB23	S2Y23	PS105DE21	S2Z29	PS101AJ31	T2	PS009EB21	T2D13	PI023AH21	T2D13	PH121AB21	T2W11	PS113CK50	T2D13	PI023AH21	T2W11	PS113CK50
S2W32	PS005DJ30	S2Y24	PS005DE21	S2Z30	PS001AB31	T2	PS009EB21	T2D13	PI023AH21	T2D13	PH121AB21	T2W11	PS113CK50	T2D13	PI023AH21	T2W11	PS113CK50
S2W32	PS105DJ30	S2Y24	PS105DE21	S2Z30	PS001AJ31	T2	PS009EB21	T2D13	PI023AH21	T2D13	PH121AB21	T2W11	PS113CK50	T2D13	PI023AH21	T2W11	PS113CK50
S2W33	PS001FB23	S2Y25	PS005DE21	S2Z30	PS101AB31	T2	PS009EB21	T2D13	PI023AH21	T2D13	PH121AB21	T2W11	PS113CK50	T2D13	PI023AH21	T2W11	PS113CK50
S2W33	PS101FB23	S2Y25	PS105DE21	S2Z30	PS101AJ31	T2	PS009EB21	T2D13	PI023AH21	T2D13	PH121AB21	T2W11	PS113CK50	T2D13	PI023AH21	T2W11	PS113CK50
S2X02	PR031AP20	S2Y26	PS013CE30	S2Z31	PS001AB31	T2	PS009EB21	T2D13	PI023AH21	T2D13	PH121AB21	T2W11	PS113CK50	T2D13	PI023AH21	T2W11	PS113CK50
S2X02	PT031AP20	S2Y26	PS113CE30	S2Z31	PS001AJ31	T2	PS009EB21	T2D13	PI023AH21	T2D13	PH121AB21	T2W11	PS113CK50	T2D13	PI023AH21	T2W11	PS113CK50
S2X03	PR830CZ21	S2Y27	PS013CB30	S2Z31	PS101AB31	T2	PS009EB21	T2D13	PI023AH21	T2D13	PH121AB21	T2W11	PS113CK50	T2D13	PI023AH21	T2W11	PS113CK50
S2X03	PT830CZ21	S2Y27	PS113CB30	S2Z31	PS101AJ31	T2	PS009EB21	T2D13	PI023AH21	T2D13	PH121AB21	T2W11	PS113CK50	T2D13	PI023AH21	T2W11	PS113CK50
S2X04	PR830CZ21	S2Y28	PS005EH21	S2Z32	PS001AB31	T2	PS009EB21	T2D13	PI023AH21	T2D13	PH121AB21	T2W11	PS113CK50	T2D13	PI023AH21	T2W11	PS113CK50
S2X04	PT830CZ21	S2Y28	PS105EH21	S2Z32	PS001AJ31	T2	PS009EB21	T2D13	PI023AH21	T2D13	PH121AB21	T2W11	PS113CK50	T2D13	PI023AH21	T2W11	PS113CK50
S2X05	PR830CZ21	S2Y29	PR990CM20	S2Z32	PS101AB31	T2	PS009EB21	T2D13	PI023AH21	T2D13	PH121AB21	T2W11	PS113CK50	T2D13	PI023AH21	T2W11	PS113CK50
S2X05	PT830CZ21	S2Y29	PU140AP21	S2Z32	PS101AJ31	T2	PS009EB21	T2D13	PI023AH21	T2D13	PH121AB21	T2W11	PS113CK50	T2D13	PI023AH21	T2W11	

PIN	NET NO.	PIN	NET NO.	PIN	NET NO.	PIN	NET NO.	PIN	NET NO.	PIN	NET NO.
T2X24	PT830CZ21	T6A04	DL510BA11	U3D13	PU140AG41	U3D13	CH002AG07	V5B02	PR003ACA1	Z6D07	FL810AC50
T2X25	CH005AC30	T6B04	DL510BA21	U2U02	PS109EB26	U6A04	DX010AA90	V5B02	PU150AB21	Z6D07	FL810BB60
T2X25	PR830CG30	T6C04	DL510BA31	U2U04	PU140AG41	U6A04	DX020AA50	V5B03	PR121AB21	Z6D07	FL810BD61
T2X25	PR830CZ21	T6D04	DL510BA41	U2U05	PU140AG41	U6A04	FX010AA90	V5B03	PU150AB21	Z6D08	FL810BB20
T2X25	PT830CG30	U1A11	CH006AJ30	U2U06	PU140AG41	U6A04	FX020AA50	V5B04	PR121AB21	Z6D08	FL810BD21
T2X25	PT830CZ21	U1A13	CH008AG30	U2U07	PU140AG41	U6B04	DX020BB30	V5B04	PU150AB21	Z6D09	FL810BB40
T2X26	CH005AA30	U1B13	CH008AE30	U2U09	PU140AG41	U6C02	FX020BB30	V5B05	PR121AB21	Z6D09	FL810BD41
T2X26	PR830CA30	U1C11	CH003AB05	U2U10	PU140AG41	U6C04	DX020AB30	V5B05	PU150AB21	Z6D09	FL810BE40
T2X26	PR830CZ21	U1C13	CH007AD30	U2U11	PU140AG41	U6C04	FX020AB30	V5B06	PR121AB21	Z6D09	FX120AB30
T2X26	PT830CA30	U1D11	CH008AF30	U2U12	PU140AG41	U6C04	DX020CA72	V5B06	PU150AB21	Z6D10	FL810AA80
T2X26	PT830CZ21	U1D13	CH002AH01	U2U13	PU140AG41	U6C04	FX020CA72	V5B07	PR121AB21	Z6D11	FL810BB20
T2X27	PS001FB19	U1E11	CH003AC01	U2W03	PS109EB21	V1A11	CH002AG05	V5B07	PU150AB21	Z6D12	FL540AB30
T2X27	PS101FB19	U1E13	CH002AH03	U2W04	PS109EB23	V1A13	CH002AH05	V5B08	PR121AB21	Z6D12	FL810AA40
T2X28	PS001FB19	U2	CH001AA01	U2W12	PS101FB23	V1B11	CH002AG07	V5B08	PU150AB21	Z6D12	FL810AC65
T2X28	PS101FB19	U2	CH001AA03	U2W13	PS101FB23	V1B13	CH002AG03	V5B09	PK121AB21	Z6D13	FL810BB50
T2X2Y	PS005FE31	U2	CH001AAV5	U2W22	PU02VAE5U	V2B02	WC190AA60	V5B09	PU150AB21	Z6D13	FL810BU51
T2X2Y	PS105FE31	U2	CH001HHU7	U2W25	PS117CB3U	V2B02	WS501AA60	V5B10	PK003AD47	Z6D13	FL810BE50
T2X30	PS005FC30	U2	CH001AB01	U2W31	PS101FB23	V2B04	WC190AB60	V5B10	PR150AD30	Z6G02	FL810AH60
T2X30	PS005FE31	U2	CH001AHU3	U2W33	PS101FB23	V2B04	WS501AB60	V5B12	PK003AD07	Z6G02	FL810BB20
T2X30	PS105FC30	U2	CH001AB05	U2X08	PS101FB19	V2B05	WC190AC60	V5B12	PT003BD07	Z6G02	FL810AD20
T2X30	PS105FE31	U2	CH001AB07	U2X09	PS101FB19	V2B05	WS501AC60	V5B13	PK003BE03	Z6G03	FL810AB25
T2X31	PS005FE31	U2	PS105FE31	U2X10	PS105FE31	V2B07	WC190AD60	V5B13	PT003BE03	Z6G03	FL810AD25
T2X31	PS105FE31	U2	PS109EB21	U2X11	PS105FE31	V2B07	WS501AAV60	V5D04	PK003BD09	Z6G04	FL810AA70
T2X32	PS005FE31	U2	PS109EB24	U2X12	PS105FE31	V2D02	WC190AA30	V5D04	PT003BD09	Z6G04	FL810AB30
T2X32	PS105FE31	U2	PI025AF30	U2X13	PS105FE31	V2D02	WS501AA30	V5D05	PR003BEU1	Z6G04	FL810AU30
T2X33	PS005FE31	U2	PU030AL30	U2X13	PU06UABJ0	V2D04	WC190AB30	V5D05	PI003BE01	Z6G05	FL810AA75
T2X33	PS105FE31	U2	PU100AK41	U2X27	PS101FB19	V2D04	WS501AB30	V5D06	PK003AD49	Z6G05	FL810AB35
T2Y02	PS005FE31	U2	PU130AD21	U2X29	PS105FE31	V2D05	WC190AC30	V5D06	PU020AC30	Z6G05	FL810AD35
T2Y02	PU080AC81	U2	PU150AB21	U2X30	PS105FE31	V2D05	WS501AC30	V5D07	PR003ABA9	Z6G06	FL810AA45
T2Y03	PS005FE31	U2	PU150AD30	U2X31	PS105FE31	V2D07	WC190AD30	V5D07	PT163AL30	Z6G06	FL810AB55
T2Y03	PU080AC91	U2B02	CH001AD01	U2X32	PS105FE31	V2D07	WS501AD30	V5D09	PR003AEA1	Z6G06	FL810AD55
T2Y04	PS005FE31	U2B03	CH001AD03	U2X33	PS101FB23	V3B02	CH003AF03	V5D09	PT111AJ30	Z6G07	FL810AA50
T2Y05	PS005FE31	U2B04	CH007AC30	U2X33	PS105FE31	V3B02	PU070AH30	V5D10	PR003AEA3	Z6G07	FX110AA90
T2Y05	PT009BA01	U2B05	CH001AD05	U2Y02	PU080AC81	V3B03	PT003BH03	V5D10	PT111AK30	Z6G07	FX130BD30
T2Y06	PS013CG30	U2B06	CH003AB01	U2Y03	PU080AC91	V3B05	PR003BA01	V5D11	PR003AEA5	Z6G08	FX270BD30
T2Y07	PS005FE31	U2B06	CH003AF03	U2Y04	PU010AH41	V3B05	PT003BA01	V5D11	PT111AL30	Z6G09	FL810BA40
T2Y08	PS003FB00	U2B07	CH001AC01	U2Y05	PU040AD30	V3B06	PR003BA03	V5D12	PR003AEA7	Z6G09	FX142CA30
T2Y10	PS009EB25	U2B08	CH001AA01	U2Y06	PS113CG30	V3B06	PT003BA03	V5D12	PT111AM30	Z6G10	FL810AB80
T2Y10	PS109EB25	U2B09	CH001AB01	U2Y08	PS103FB00	V3B08	PR003BA05	V5D13	PR003AEA9	Z6G10	FL810AD80
T2Y11	PS003DB13	U2B10	CH002AE03	U2Y10	PS109EB25	V3B08	PT003BA05	V5D13	PT111AN30	Z6G11	FX270AC30
T2Y12	PS003DB16	U2B11	CH009AC30	U2Y11	PS103DB13	V3B11	PR003BA07	V6B04	DX010BA30	Z6G12	FL810AA65
T2Y13	PS004DB16	U2B12	CH001AA03	U2Y12	PS103DB16	V3B11	PT003BA07	V6B04	DX020BA30	Z6G12	FL810AB40
T2Y22	PS005FE31	U2B13	CH001AB07	U2Y13	PS103DB16	V3B12	PR003BA09	V6B04	FX010BA30	Z6G12	FL810AD40
T2Y23	PS005FE31	U2D02	CH002AE01	U2Y22	PS103DB16	V3D05	PT003BA09	V6B04	FX020BA30	Z6G13	FL810BA60
T2Y23	PT167AC50	U2D04	CH011AD30	U2Y23	PT167AC50	V3D05	PT003BH05	Z6B02	FL550AE11	Z6G13	FX110BA30
T2Y24	PS005FE31	U2D05	CH007AB30	U2Y24	PT167AF50	V3D07	PR003BB01	Z6B02	FL810AA60	Z6G13	FX142AD30
T2Y24	PT167AF50	U2D06	CH001AA07	U2Y25	PT167AJ50	V3D07	PT003BB01	Z6B02	FL810AC20	Z6J02	FL810AA20
T2Y25	PS005FE31	U2D07	CH001AB05	U2Y26	PS113CE30	V3D09	PR003AA01	Z6B03	FL550AE21	Z6J02	FL810AB60
T2Y25	PT167AJ50	U2D09	CH001AA05	U2Y27	PS113CB30	V3D09	PT041AF41	Z6B03	FL810AC25	Z6J02	FL810AD60
T2Y26	PS013CE30	U2D10	CH001AB03	U2Y27	PU130AD21	V3D10	PR003BB03	Z6B04	FL550AE31	Z6J03	FL810AA25
T2Y27	PS013CB30	U2D11	CH008AH30	U2Y28	PU030AL30	V3D10	PT003BB03	Z6B04	FL810AA70	Z6J04	FL810AA30
T2Y28	PU030AL30	U2D11	PU010AK40	U2Y29	PU140AB21	V3D11	PK003AAA4	Z6B04	FL810AC30	Z6J04	FL810AB70
T2Y29	PR990CM20	U2D12	CH005AB30	U2Y30	PS103DB13	V3D11	PT041AF51	Z6B05	FL550AE41	Z6J04	FL810PD70
T2Y30	PS003DB13	U2D13	CH006AE30	U2Y31	PS103DB13	V3D12	PR003AAA7	Z6B05	FL810AA75	Z6J05	FL810AA35
T2Y31	PS003DB13	U2G12	CH002AH05	U2Y32	PS103DB16	V3D12	PT041AF31	Z6B05	FL810AC35	Z6J05	FL810AB75
T2Y32	PS003DB16	U2G13	CH003AF03	U2Y33	PS103DB16	V3D13	PR003AAA5	Z6B06	FL550AC21	Z6J05	FL810AD75
T2Y33	PS003DB16	U2J02	CH002AE05	U2Z02	PT161AL30	V3D13	PT041AF21	Z6B06	FL810AAA5	Z6J06	FL810AA55
T2Z02	PS001AB31	U2J12	PU070AH30	U2Z03	PT163AJ30	V4B02	PR003BB05	Z6B06	FL810AC55	Z6J06	FL810PA45
T2Z02	PT161AL30	U2J13	PT003BA05	U2Z04	PT167AM30	V4B02	PT003BB05	Z6B07	FL810AA50	Z6J06	FL810AD45
T2Z03	PS001AB31	U2M03	PU020AC30	U2Z05	PT165AL30	V4B03	PR003BB07	Z6B07	FL810BE80	Z6J07	FL810AB50
T2Z03	PT163AJ30	U2M04	PU150AB21	U2Z07	PS103DB16	V4B03	PT003BB07	Z6B07	FX120AA50	Z6J07	FL810AD50
T2Z04	PS001GC30	U2M05	PU150AB21	U2Z08	PS103DB16	V4B04	PR003BB09	Z6B08	FL810BE30	Z6J07	FL810PB80
T2Z04	PT167AM30	U2M06	PU150AB21	U2Z13	PS103DB16	V4B04	PT003BB09	Z6B08	FX120BB30	Z6J07	FL810BC40
T2Z05	PS001AB31	U2M07	PU150AB21	U2Z22	PS103DB16	V4B06	PR003BC01	Z6B09	FL810BB30	Z6J08	FL810BA30
T2Z05	PT165AL30	U2M08	PU150AB21	U2Z23	PU100AK41	V4B06	PT003BC01	Z6B09	FL810BD31	Z6J09	FL810BA60
T2Z06	PS001AB31	U2M09	PU150AB21	U2Z24	PU100AK41	V4B07	PR003BC03	Z6B09	FL810BE60	Z6J09	FX271AC30
T2Z07	PS003DB16	U2M10	PU150AB21	U2Z25	PU100AK41	V4B07	PT003BC03	Z6B09	FX120CA72	Z6J10	FL810AA80
T2Z08	PS003DB16	U2M12	PU150AB21	U2Z27	PS103DB16	V4B08	PR003BC05	Z6B10	FL320BB30	Z6J11	FL810BA20
T2Z09	PS001AB31	U2M13	PU150AD30	U2Z33	PS103DB16	V4B08	PT003BC05	Z6B10	FL810AC80	Z6J12	FL810AA40
T2Z09	PT011AQ30	U2P02	PU080AB21	U3B02	CH005AA30	V4B09	PR003BC07	Z6B11	FL810BE20	Z6J12	FL810AB65
T2Z10	PS001AB31	U2P04	PU080AB21	U3B03	CH005AC30	V4B09	PT003BC07	Z6B12	FL550AC71	Z6J12	FL810AD65
T2Z11	PS001AB31	U2P05	PU080AB21	U3B04	CH005AD30	V4B11	PR003BC09	Z6B12	FL810AA65	Z6J13	FL810BA70
T2Z12	PS001AB31	U2P06	PU080AB21	U3B05	CH006AF30	V4B11	PT003BC09	Z6B12	FL810AC40	Z6J13	FL810BC30
T2Z13	PS003DB16	U2P07	PT111AJ30	U3B06	CH002AG01	V4B12	PR003BD01	Z6B13	FL810BA50	Z6J13	FX271BB30
T2Z22	PS003DB16	U2P09	PT111AM30	U3B07	CH008AG30	V4B12	PT003BD01	Z6B13	FL810BE70	Z6J13	
T2Z23	PS001AB31	U2P10	PT111AK30	U3B08	CH008AE30	V4D04	PR003AAA9	Z6B13	FX120BA30	Z6D02	FL320AD30
T2Z23	PU100AK41	U2P11	PT111AK30	U3B09	CH007AD30	V4D04	PT103AL30	Z6D02	FL810AA20	Z6D02	FL810AC60
T2Z24	PS001AB31	U2P11	PT111AN30	U3B10	CH002AH01	V4D06	PR003ABA1	Z6D02	FL810AA25	Z6D03	FL810AA25
T2Z24	PU100AK41	U2P12	PT111AL30	U3B11	CH002AH03	V4D06	PT043AA32	Z6D02	FL330BB30	Z6D04	FL810AA30
T2Z25	PS001AB31	U2P13	CH002AE03	U3B12	CH002AH05	V4D07	PR003ABA3	Z6D04	FL810AC70	Z6D04	FL810AC70
T2Z25	PU100AK41	U2P13	PT201AD30	U3B13	CH002AG03	V4D07	PT103AK30	Z6D05	FL330BA30	Z6D05	FL810AA35
T2Z26	PS001AB31	U2S02	PS109EB22	U3D02	CH002AE05	V4D09	PR003ABA5	Z6D05	FL810AA35	Z6D05	FL810AC75
T2Z27	PS003DB16	U2S03	PU140AG41	U3D04	CH003AB03	V4D09	PT043AC30	Z6D06	FL550AC81	Z6D06	FL810AA55
T2Z28	PS001AB31	U2S04	PU140AG41	U3D05	CH006AG30	V4D10	PT003BH01	Z6D06	FL810AC45	Z6D06	FL810AC45
T2Z28	PT025AF30	U2S06	PS109EB24	U3D06	CH006AH30	V4D11	PK003BD03	Z6D06	FL550AC91	Z6D07	
T2Z29	PS001GC30	U2S07	PU140AG41	U3D07	CH006AJ30	V4D11	PT003BD03	Z6D07			
T2Z30	PS001AB31	U2S08	PU140AG41	U3D09	CH003AB05	V4D12	PR003ABA7				
T2Z31	PS001AB31	U2S09	PU140AG41	U3D10	CH008AF30	V4D12	PT065AJ61				
T2Z32	PS001AB31	U2S10	PU140AG41	U3D11	CH003AC01	V4D13	PR003BD05				
T2Z33	PS003DB16	U2S12	PU140AG41	U3D12	CH002AG05	V4D13	PT003BD05				

A D COPYRIGT IBM CORP. 1978 * DENOTES I/O CABLE PIN BOARD A-02 P/N 423 6406 P/N 826 4452 P/N 826 5212
 2 5 NOTE: IF THE NET NAME HAS A TRAILING ZERO (I.E. CH005AC30), THIS TRAILING ZERO WILL BE SHOWN IN THE NET AND PIN LISTS. THE LOGIC PAGES WILL OMIT THESE TRAILING ZEROS, THUS CH005AC30 AND CH005AC3 REPRESENT THE SAME NET. (NM) DENOTES BIT (NM) OF A BUNDLE NET P/N 423 6404 P/N 826 5276 P/N 826 5352 P/N ---
 0 PIN LIST A D 2 5 0
 LOC#1A-A2 EC835093B PG07
 PN4237972 MACH TYPE=5340 PEC DATE= 81030
 TIME= 142538

PIN	NET NO.	PIN	NET NO.	PIN	NET NO.	PIN	NET NO.	PIN	NET NO.	PIN	NET NO.
Z6G05	FL810AB35										
Z6G05	FL810AD35										
Z6G06	FL810AA45										
Z6G06	FL810AB55										
Z6G06	FL810AD55										
Z6G07	FL810AA50										
Z6G07	FX110AA90										
Z6G07	FX130BD30										
Z6G08	FX270BD30										
Z6G09	FL810BA40										
Z6G09	FX142CA30										
Z6G10	FL810AB80										
Z6G10	FL810AD80										
Z6G11	FX270AC30										
Z6G12	FL810AA65										
Z6G12	FL810AB40										
Z6G12	FL810AD40										
Z6G13	FL810BA50										
Z6G13	FX110BA30										
Z6G13	FX142AD30										
Z6J02	FL810AA20										
Z6J02	FL810AB60										
Z6J02	FL810AD60										
Z6J03	FL810AA25										
Z6J04	FL810AA30										
Z6J04	FL810AB70										
Z6J04	FL810AD70										
Z6J05	FL810AA35										
Z6J05	FL810AB75										
Z6J05	FL810AD75										
Z6J06	FL810AA55										
Z6J06	FL810AB45										
Z6J06	FL810AD45										
Z6J07	FL810AB50										
Z6J07	FL810AD50										
Z6J07	FL810BA80										
Z6J07	FL810BC40										
Z6J08	FL810BA30										
Z6J09	FL810BA60										
Z6J09	FX271AC30										
Z6J10	FL810AA80										
Z6J11	FL810BA20										
Z6J12	FL810AA40										
Z6J12	FL810AB65										
Z6J12	FL810AD65										
Z6J13	FL810BA70										
Z6J13	FL810BC30										
Z6J13	FX271BB30										

A
D COPYRIGHT IBM CORP. 1978

5 NOTE: IF THE NET NAME HAS A TRAILING ZERO (I.E. CHO05AC30),
THIS TRAILING ZERO WILL BE SHOWN IN THE NET AND PIN
LISTS. THE LOGIC PAGES WILL OMIT THESE TRAILING ZEROS.
0 THUS CHO05AC30 AND CHO05AC3 REPRESENT THE SAME NET.

* DENOTES I/U CABLE PIN
(NN) DENOTES BIT (NN) OF A
BUNDLE NET

BOARD A-A2
P/N 423 6404

P/N 423 6406

P/N 826 4452

P/N 826 5212

P/N 826 5276

P/N 826 5352

P/N — — —

PIN LIST
LOC=1A-A2
PN 4237972 EC 835083B
MACH TYPE=5340
DATE= 22FEB82

A
D
S
0
PG08

NET NO.	PIN	PIN	NET NO.	PIN	PIN	NET NO.	PIN	PIN	NET NO.	PIN	PIN	NET NO.	PIN	PIN	NET NO.	PIN	PIN
CH001AA01	A2B08*	E2B08*	CH006AJ30	A3D07*	F2J07*	MR001BC59	U4D11*	J12	MR006FC31	J12		MR105AB31(3)	S2G07		MR205FS60	S2W29	
	F2B08*	G2B10*		R2J07	U3D07*	MR001BC62	H05	X12	MR006FC32	X12		MR105DB21(0)	R2Y05	S2Y05	MR205GJ30	R2W30	S2W30
CH001AA03	R2B08*	U2B08*	CH007AA30	G1A11*	V4D13*		U4D12*	J11	MR006FC33	J11		MR105DB21(1)	R2Y04	S2Y04	MR207GB21	R2G07	
	A2B12*	E2B12*	CH007AB30	A2D05*	E2D05*	MR001BC64	H13	X11	MR006FC34	X11		MR105DB21(2)	R2Y22	S2Y22	MR209DI20	R2X02	S2X02
	F2B12*	G2B09*		R2D05	U2D05*		U4D02*	J10	MR006FC35	J10		MR105DB21(3)	R2Y03	S2Y03	MR209EB30	R2U04	
CH001AA05	R2B12*	U2B12*	CH007AC30	A2B04*	E2B04*	MR002EC11	R2U12	X10	MR006FC36	X10		MR105DE21(4)	R2Y25	S2Y25	MR209FB30	R2P04	S2J02
	A2D09*	E2D11*		R2B04*	U2B04*	MR002EC13	R2U09	J09	MR006FC37	J09		MR105DE21(5)	R2Y24	S2Y24	MR209FC31	R2G09	
	F2D11*	G2B08*	CH007AD30	A2B09*	F2G09*	MR002EC15	R2U07	X09	MR006FC38	X09		MR105DE21(6)	R2Y23	S2Y23	MR209FD30	R2J10	
	R2D11	U2D09*		U3B09*		MR002EC17	R2U11	T13	MR006FC39	T13		MR105DE21(7)	R2Y02	S2Y02	MR211FQ30	R2W11	S2W11
CH001AA07	A2D06*	E2D06*	CH008AE30	A3B08*	F2G08*	MR002EC19	R2U10	G13	MR006FC41	G13		MR105DJ30	R2W32	S2W32	MR211FS30	R2W10	S2W10
	F2D06*	G2B07*		U3B08*		MR002EC21	R2U05	T12	MR006FC42	T12		MR105EH21(0)	S2Y28		MR217FA21(P)	R2X23	S2X23
	R2D06	U2D06*	CH008AF30	A3D10*	U3D10*	MR002EC23	R2S03	G12	MR006FC43	G12		MR105EH21(1)	S2J10		MR217FA21(0)	R2X26	S2X26
CH001AB01	A2B09*	E2B09*	CH008AG30	A3B07*	F2G07*	MR002EC25	R2U06	T11	MR006FC44	T11		MR105EH21(2)	S2M04		MR217FA21(1)	R2X04	S2X04
	F2B09*	G2B05*		U3B07*		MR002EC27	R2U13	G11	MR006FC45	G11		MR105EH21(3)	S2X07		MR217FA21(2)	R2X25	S2X25
	R2B09	U2B09*	CH008AH30	A2D11*	E2D13*	MR002EC29	R2S12	T10	MR006FC46	T10		MR105FC30	R2Y07	S2Y07	MR217FA21(3)	R2X03	S2X03
CH001AB03	A2D10*	E2D12*		F2D13*	R2D13	MR002EC31	R2S13	G10	MR006FC47	G10		MR105FE31(P)	R2X30	S2X30	MR217FA21(4)	R2X22	S2X22
	F2D12*	G2B04*		U2D11*		MR002EC33	R2S10	T09	MR006FC48	T09		MR105FE31(0)	R2X11	S2X11	MR217FA21(5)	R2X06	S2X06
	R2D12	U2D10*	CH008AJ30	D1E11*	E2D04*	MR002EC35	R2S05	G09	MR006FC49	G09		MR105FE31(1)	R2X29	R2X32	MR217FA21(6)	R2X24	S2X24
CH001AB05	A2D07*	E2D10*		R2D04	V4D02*	MR002EC37	R2S07	T06	MR006FC51	T06		MR105FE31(2)	R2X10	S2X10	MR217FA21(7)	R2X05	S2X05
	F2D10*	G2B03*	CH009AA30	E1E13*	V4B07*	MR002EC39	R2S08	G06	MR006FC52	G06		MR105FE31(3)	R2X32	S2X32	MR219DB40	R2G10	T2G03
	R2D10	U2D07*	CH009AB30	E1A13*	F2S04*	MR002EC41	R2S09	T08	MR006FC53	T08		MR105FE31(4)	R2X12	S2X12	MR219DF31	R2P13	T2G04
CH001AB07	A2B13*	E2B13*		V4B03*		MR002EC43	R2M13	G08	MR006FC54	G08		MR105FE31(5)	R2X31	S2X31	MR219DF41	R2P11	T2D13
	F2B13*	G2B02*	CH009AC30	A2B11*	F2J09*	MR002EC45	R2M12	E09	MR006FC55	E09		MR105FE31(6)	R2X33	S2X33	MR219DF51	R2P09	T2J02
	U2B13*	U2B13*		U2B11*		MR002EC47	R2M08	F09	MR006FC56	F09		MR105FE31(7)	R2X13	S2X13	MR219DF61	R2P02	T2G02
CH001AC01	A2B07*	F2B07*	CH011AA30	E1C13*	E2J09*	MR002EC49	R2M07	S2S03	MR101AJ31	S2S03	S2S04	MR105G21	R2W06	S2W06	MR219DF71	R2G12	T2J04
	R2B07	U2B07*		V4B05*		MR002EC51	R2M05	S2S05		S2S05	S2S07	MR105G22	R2W24	S2W24	MR219DK31	R2M10	T2G07
CH001AD01	A2B02*	E2D02*	CH011AC30	E1B11*	V4D04*	MR002EC53	R2M04	S2S08		S2S08	S2S09	MR105G23	R2W23	S2W23	MR219DK41	R2P05	T2G08
	R2D02	U2B02*	CH011AD30	A2D04*	E2J13*	MR002EC55	R2M03	S2S10		S2S10	S2S12	MR107FH21(0)	S2M02		MR219DK51	R2P06	T2G09
CH001AD03	A2B03*	E2B03*		G2D07*	R2M09	MR002EC57	F2M02	S2S13		S2S13	S2U04	MR107FH21(1)	S2G13		MR221CM70	R2P07	T2J09
	R2B03	U2B03*		U2D04*		MR002EC59	R2S04	S2U05		S2U05	S2U06	MR107FH21(2)	S2J12			R2Y29	S2U02
CH001AD05	A2B05*	E2B05*	GF400AA48	E2G10*		MR005DCJ0	T2D12	S2U07		S2U07	S2U09	MR107FH21(3)	S2G12				
	R2B05	U2B05*	GF400AA49	E2U09*		MR005DCZ1	T2G06	S2U10		S2U10	S2U11						
CH002AE01	A2B02*	E2B02*	MR001BC11	F10	T2F12	MR005DC11	D11	S2U12		S2U12	S2U13	MR109AK50	R2W08	S2W08	MR221ED11	R2Z06	
	R2B02	U2D02*		V5B03*			U5B02*	S2S06	MR101AJ31(6)	S2S06		MR109BB00	R2B04	S2B04	MR221ED11(PH)	R2Z28	S2Z28
CH002AE03	A2B10*	E2B10*	MR001BC12	B02	B03	MR005DC13	E08	S2S09	MR101CB31(2)	S2S05	S2U10	MR109BH30	S2W09		MR221ED11(PL)	R2Z02	S2Z02
	R2B10	U2B10*		B04	B05		U5B07*	S2S03	MR101CB31(3)	S2S03	S2S09	MR109CCD0	R2D06		MR221ED11(1)	R2Z30	S2Z30
CH002AE05	A2B02*	E2D09*		B06	B07	MR005DC15	D04	S2S13	MR101CB35(4)	S2S13		MR109EB21	R2W03	S2W03	MR221ED11(11)	R2Z06	
	R2D09	U3D02		B08	B09		U5B10*	S2U13	MR101CB35(5)	S2U13		MR109EB22	R2G03		MR221ED11(12)	R2Z26	S2Z26
CH002AF01	E1D11*	E2D07*		B10	B11	MR005DC17	J08	S2S08	MR101CB35(6)	S2S08		MR109EB23	S2W04		MR221ED11(13)	R2Z05	S2Z05
	K2D07	V4D06*		C11	K05		U5D09*	S2S07	MR101CB35(7)	S2S07		MR109EB24	S2G04		MR221ED11(14)	R2Z24	S2Z24
CH002AF05	E2P11*	F1D13*		K06	K07	MR005DC19	H04	S2U07	MR101CB39	S2U07		MR109EB25	R2Y10	S2Y10	MR221ED11(15)	R2Z23	S2Z23
	T2J07	V4B11*		K08	K09		U4D13*	S2U12	MR101CB41	S2U12		MR109EB26	S2J04		MR221ED11(2)	R2Z11	S2Z11
CH002AF07	E1B13*	E2F06*		K10	K11	MR005DC21	T04	S2U04	MR101CB41(10)	S2U04		MR109EB31	S2P05	S2P06	MR221ED11(3)	R2Z12	S2Z12
	V4B04*			K12	K13		V5D11*	S2U06	MR101CB41(11)	S2S12		MR109GB30	S2D09		MR221ED11(4)	R2Z32	S2Z32
CH002AG01	A3B06*	U3B06		S02	S03	MR005DC23	D07	S2U10	MR101CB41(8)	S2U12		MR111AM30	S2M07		MR221ED11(5)	R2Z31	S2Z31
CH002AG03	A3B13*	U3B13		X04	X06		U5B08*	S2S04	MR101CB41(9)	S2S04		MR111CJ30	S2J06		MR221ED11(6)	R2Z10	S2Z10
CH002AG05	A3D12*	U3D12		X07		MR005DC25	D09	S2U06	MR101CB45(12)	S2U06		MR111CL30	S2B13		MR221ED11(7)	R2Z09	S2Z09
CH002AG07	A3D13*	U3D13	MR001BC13	D03	T2S13		U5B04*	S2U05	MR101CB45(13)	S2U05		MR111CN30	S2J05		MR221ED11(8)	R2Z03	S2Z03
CH002AH01	A3B10*	U3B10*		U5B12*		MR005DC27	J13	S2U09	MR101CB45(14)	S2U11		MR111CP31	S2M13		MR221ED11(9)	R2Z04	S2Z04
CH002AH03	A3B11*	U3B11	MR001BC15	R02	T2U09		U5D02*	S2U09	MR101CB45(15)	S2U09		MR111CP32	S2D02		MR301AD31	S2S03	S2S04
CH002AH05	A3B12*	E2M05*		R03	T2S09	MR005DC29	J12	S2S10	MR101CB49	S2S10		MR111CP33	S2B02			S2S05	S2S07
	R2P12	U3B12	MR001BC17	V5B12*		MR005DC31	J11	S2X08	MR101EB19	S2X08	S2X09	MR111CW30	S2P07			S2S08	S2S09
CH002AH07	F1C13*	V4B10*		V5B12*			U5D04*	S2X27		S2X27	S2X28	MR111CZ30	S2P12			S2S10	S2S12
CH003AA03	A2B06*	F2S12*	MR001BC19	D02	T2U13	MR005DC33	J10	S2B12	MR101FB11	S2B12		MR113AR30	R2P10	S2P13		S2S13	S2U04
CH003AB01	A2B06*	F2S12*		U5B13*			U5D05*	S2G10	MR101FB12	S2G10		MR113CB00	S2G05			S2U05	S2U06
CH003AB03	A3D04*	F2S03*	MR001BC22	J07	T2U11	MR005DC35	U5D06*	S2J09	MR101FB13	S2J09		MR113CB30	R2Y27	S2Y27		S2U07	S2U09
	U3D04			U5D10*			J09	S2X28	MR101FB19(0)	S2X28		MR113CE30	R2Y26	S2Y26		S2U10	S2U11
CH003AB05	A3D09*	F2J11*	MR001BC24	J06	T2S12	MR005DC37	U5D07*	S2X08	MR101FB19(1)	S2X08		MR113CG30	R2Y06	S2Y06		S2U12	S2U13
	U3D09			U5D11*			T13	S2X27	MR101FB19(2)	S2X27		MR113CK50	S2W05		MR401AD31	S2S03	S2S04
CH003AC01	A3D11*	U3D11	MR001BC26	J04	T2U12	MR005DC39	V5D02*	R2X09	MR101FB19(3)	R2X09	S2X09	MR113CM30	S2G09			S2S05	S2S07
CH003AC03	F1C11*	V4D10*		U5D12*			T12	S2W13	MR101FB23(4)	R2W13	S2W13	MR113CP30	S2B08			S2S08	S2S09
CH003AD01	F1E13*	V4B12*	MR001BC28	R09	T2P13	MR005DC41	V5D04*	S2W31	MR101FB23(5)	R2W31	S2W31	MR115CF30	R2W02	S2W02		S2S10	S2S12
CH003AE01	F1B13*	F2U13*	MR001BC31	V5B04*			T11	S2W12	MR101FB23(6)	R2W12	S2W12	MR115CL30	S2B09			S2S13	S2U04
	V4B09*			R04	T2S08	MR005DC43	V5D05*	R2W33	MR101FB23(7)	R2W33	S2W33	MR115CW30	S2J11			S2U05	S2U06
CH003AF01	F1D11*	F6D02*	MR001BC33	V5B10*			T10	R2Z25	MR101GC30	R2Z25	R2Z29	MR115CZ30	S2J13			S2U07	S2U09
CH005AA30	A3B02*	E2G02*		R05	T2S06	MR005DC45	V5D06*	S2Z25		S2Z25	S2Z29	MR117AMC1	S2D12			S2U10	S2U11
	F2G02*	R2G02	MR001BC35	V5B09*			T09	S2Y11	MR103DB13	R2Y11	S2Y11	MR117AMC2	S2D13			S	

NET NO.	PIN	PIN	NET NO.	PIN	PIN	NET NO.	PIN	PIN	NET NO.	PIN	PIN	NET NO.	PIN	PIN
MR217FA21 (01)	S2X04													
MR217FA21 (02)	R2X25	S2X25												
MR217FA21 (03)	K2X03	S2X03												
MR217FA21 (04)	R2X22	S2X22												
MR217FA21 (05)	R2X06	S2X06												
MR217FA21 (06)	K2X24	S2X24												
MR217FA21 (07)	K2X05	S2X05												
MR219DB40	K2G10	T2G03												
MR219DF31	K2P13	T2G04												
	T2G05													
MR219DF41	K2P11	T2D13												
MR219DF51	R2P09	T2J02												
MR219DF61	R2P02	T2G02												
MR219DF71	R2G12	T2J04												
MR219DK31	R2M10	T2G07												
MR219DK41	R2P05	T2G08												
MR219DK51	R2P06	T2G09												
MR219DK61	K2P07	T2J09												
MR221CM70	R2Y29	S2U02												
	S2Y29													
MR221ED11 (06)	K2Z10	K2Z28												
	S2Z10	S2Z28												
MR221ED11 (07)	R2Z02	R2Z09												
	S2Z02	S2Z09												
MR221ED11 (08)	R2Z03	S2Z03												
MR221ED11 (09)	R2Z04	S2Z04												
MR221ED11 (11)	R2Z06	R2Z30												
	S2Z06	S2Z30												
MR221ED11 (12)	R2Z11	R2Z26												
	S2Z11	S2Z26												
MR221ED11 (13)	R2Z05	R2Z12												
	S2Z05	S2Z12												
MR221ED11 (14)	R2Z24	R2Z32												
	S2Z24	S2Z32												
MR221ED11 (15)	R2Z23	R2Z31												
	S2Z23	S2Z31												
MR301AD31 (PH)	S2U07													
MR301AD31 (PL)	S2S10													
MR301AD31 (00)	S2S05													
MR301AD31 (01)	S2S03													
MR301AD31 (02)	S2U10													
MR301AD31 (03)	S2S09													
MR301AD31 (04)	S2S13													
MR301AD31 (05)	S2U13													
MR301AD31 (06)	S2S08													
MR301AD31 (07)	S2S07													
MR301AD31 (08)	S2U12													
MR301AD31 (09)	S2S04													
MR301AD31 (10)	S2U04													
MR301AD31 (11)	S2S12													
MR301AD31 (12)	S2U06													
MR301AD31 (13)	S2U05													
MR301AD31 (14)	S2U11													
MR301AD31 (15)	S2U09													
MR401AD31 (PH)	S2U07													
MR401AD31 (PL)	S2S10													
MR401AD31 (00)	S2S05													
MR401AD31 (01)	S2S03													
MR401AD31 (02)	S2U10													
MR401AD31 (03)	S2S09													
MR401AD31 (04)	S2S13													
MR401AD31 (05)	S2U13													
MR401AD31 (06)	S2S08													
MR401AD31 (07)	S2S07													
MR401AD31 (08)	S2U12													
MR401AD31 (09)	S2S04													
MR401AD31 (10)	S2U04													
MR401AD31 (11)	S2S12													
MR401AD31 (12)	S2U06													
MR401AD31 (13)	S2U05													
MR401AD31 (14)	S2U11													
MR401AD31 (15)	S2U09													
PC554BV30	E1C11*	V4D05*												
PC554GH30	E1D13*	V4B06*												

AD (C) COPYRIGHT IBM CORP. 1978

NOTE: IF THE NET NAME HAS A TRAILING ZERO (I.E. CH005AC30), THIS TRAILING ZERO WILL BE SHOWN IN THE NET AND PIN LISTS. THE LOGIC PAGES WILL OMIT THESE TRAILING ZERUES, THUS CH005AC30 AND CH005AC3 REPRESENT THE SAME NET.

* DENOTES I/U CABLE PIN (NN) DENOTES BIT (NN) OF A BUNDLE NET

BOARD A-A3 P/N 423 6402

NET LIST
 LOC=1A-A3
 PN 4237969 EC 834824
 MACH TYPE=5340
 DATE= 22FEB82
 PG02

PIN	NET NO.	PIN	NET NO.	PIN	NET NO.	PIN	NET NO.	PIN	NET NO.	PIN	NET NO.	PIN	NET NO.
T2U06	MR002EC13	V4D06	CH002AF01										
T2U07	MR002EC29	V4D10	CH003AC03										
T2U09	MR001BC15	V4D13	CH007AA30										
T2U10	MR002EC23	V5B02	MR001BC42										
T2U11	MR001BC22	V5B03	MR001BC11										
T2U12	MR001BC26	V5B04	MR001BC28										
T2U13	MR001BC19	V5B05	MR001BC39										
U2B02	CH001AD01	V5B07	MR001BC37										
U2B03	CH001AD03	V5B08	MR001BC35										
U2B04	CH007AC30	V5B09	MR001BC33										
U2B05	CH001AD05	V5B10	MR001BC31										
U2B06	CH003AB01	V5B12	MR001BC17										
U2B07	CH001AC01	V5B13	MR001BC15										
U2B08	CH001AA01	V5D02	MR005DC37										
U2B09	CH001AB01	V5D04	MR005DC39										
U2B10	CH002AE03	V5D05	MR005DC41										
U2B11	CH009AC30	V5D06	MR005DC43										
U2B12	CH001AA03	V5D07	MR005DC45										
U2B13	CH001AB07	V5D09	MR005DC49										
U2D02	CH002AE01	V5D10	MR005DC47										
U2D04	CH011AD30	V5D11	MR005DC21										
U2D05	CH007AB30	V5D13	MR001BC44										
U2D06	CH001AA07												
U2D07	CH001AB05												
U2D09	CH001AA05												
U2D10	CH001AB03												
U2D11	CH008AH30												
U2D12	CH005AB30												
U2D13	CH006AE30												
U3B02	CH005AA30												
U3B03	CH005AC30												
U3B04	CH005AD30												
U3B05	CH006AF30												
U3B06	CH002AG01												
U3B07	CH008AG30												
U3B08	CH008AE30												
U3B09	CH007AD30												
U3B10	CH002AH01												
U3B11	CH002AH03												
U3B12	CH002AH05												
U3B13	CH002AG03												
U3D02	CH002AE05												
U3D04	CH003AB03												
U3D05	CH006AG30												
U3D06	CH006AH30												
U3D07	CH006AJ30												
U3D09	CH003AB05												
U3D10	CH008AF30												
U3D11	CH003AC01												
U3D12	CH002AG05												
U3D13	CH002AG07												
U4D02	MR001BC64												
U4D04	MR001BC46												
U4D05	MR001BC48												
U4D06	MR001BC51												
U4D07	MR001BC53												
U4D09	MR001BC55												
U4D10	MR001BC57												
U4D11	MR001BC59												
U4D12	MR001BC62												
U4D13	MR005DC19												
U5B02	MR005DC11												
U5B04	MR005DC25												
U5B07	MR005DC13												
U5B08	MR005DC23												
U5B10	MR005DC15												
U5B12	MR001BC13												
U5B13	MR001BC19												
U5D02	MR005DC27												
U5D04	MR005DC29												
U5D05	MR005DC31												
U5D06	MR005DC33												
U5D07	MR005DC35												
U5D09	MR005DC17												
U5D10	MR001BC22												
U5D11	MR001BC24												
U5D12	MR001BC26												
V4B03	CH009AE30												
V4B04	CH002AF07												
V4B05	CH011AA30												
V4B06	FC554GH30												
V4B07	CH009AA30												
V4B08	CH003AA03												
V4B09	CH003AE01												
V4B10	CH002AF07												
V4B11	CH002AF05												
V4B12	CH003AD01												
V4D02	CH008AJ30												
V4D04	CH011AC30												
V4D05	FC554BV30												

AD350

COPYRIGHT IBM CORP. 1978

* DENOTES I/O CABLE PIN
(NW) DENOTES BIT (NW) OF A BUNDLE NET

NOTE: IF THE NET NAME HAS A TRAILING ZERO (I.E. CH005AC30), THIS TRAILING ZERO WILL BE SHOWN IN THE NET AND PIN LISTS. THE LOGIC PAGES WILL OMIT THESE TRAILING ZEROES, THUS CH005AC30 AND CH005AC3 REPRESENT THE SAME NET.

BOARD A-A3
P/N 423 6402

PIN LIST

LDC=1A-A3
PN 4237973 EC 834824
MACH TYPE=5340
PPN PEC PG02
TIME= 135822 DATE= 79199

AD350

NET NO.	PIN	PIN	NET NO.	PIN	PIN	NET NO.	PIN	PIN	NET NO.	PIN	PIN	NET NO.	PIN	PIN	NET NO.	PIN	PIN
FA088A521	B13		FA71CAT30	M4G09		FA728AC30	G2J12		FA755AA01	R2D02		FA774AA81	Q2D02		FA794AA31	B08	
FA088A531	B08		FA713AA72	T2D07		FA731AQ20	E2G03		FA755AA60	R2D11		FA774AA91	Q2B07		FA794AA33	B09	
FA088A541	B10		FA713AD20	T2G03		FA731AQ50	E2J02		FA755AD30	R2D04	S3B03	FA779AA81	J03		FA794AA35	B10	
FA088A551	D02		FA713AE30	T2G03		FA731AT21	D2U11	E2B07	FA755AL60	R2J11	S3D04	FA779AA91	G13	K3D12	FA794AA41	B02	Q4G10
FA088A561	B02		FA713AF30	T2J04		FA731AT31	D2U09	E2J09	FA755AL60	R2B13			K4B10	M2G13	FA794AA43	D05	K4J06
FA088A571	B04		FA713AG30	T2B12		FA731AT41	D2S05	E2J11	FA755AM00	R2D13			B09	E2B09		Q4B13	
FA088A581	D04		FA713AH21	B12	T2D06	FA731AT51	G09	D2U06	FA755AM00	R2B05			J07	E2J07	FA794AA51	D02	K4G08
FA091AA20	D05		FA713AH22	B09	T2B05		E2G09		FA755AM00	R2G02	S3B02		J08			Q4J02	
FA091AB20	D07		FA713AH23	D05	T2B08	FA731AU20	E2G02		FA758AC21	S3B09			B13	K3B13	FA794AA53	B03	K4G09
FA091AC20	B12		FA713AH24	D07	T2D09	FA734AF20	E2B10	T2D02	FA758AC22	B05	S3D07		G03	T2G03		Q4G13	
FA091AD20	D13		FA713AH25	B07	T2B13	FA734AK20	D2D09	E2D02	FA758AC23	R2D06	S3D02		D13	P2D13	FA794AA55	D04	Q4G02
FA091AE20	B07		FA713AKD2	T2G05		FA734AK21	B12	E2B05	FA758AD21	D06	S3B12		S10	G2S10	FA794AA57	B04	Q4B10
FA091AF20	B05		FA713AKE2	T2J05		FA734AK30	D2J07	E2B02	FA758AD31	R2D09	S3D13		S09	G2S09	FA794AA61	D13	P2J06
FA091AG20	B09		FA713AKF2	T2G08		FA734AK31	D07	E2B12	FA758AD41	R2B02	S3B10		G05	P2G05		R2G13	
FA701AB30	J4J02		FA713AK20	T2B09		FA734AK40	D2J09	E2D04	FA758AD51	R2D05	S3D05		J06	T2J06	FA794AA63	D12	
FA701AE50	J4D11		FA713AK31	K4J09	T2D13	FA734AK41	D09	E2D06	FA758AF30	S3D06			D13	S4D13	FA794AA65	D08	
FA701AF50	J4D13		FA713AK41	G09	T2G09	FA734AK50	D2D13	E2J12	FA758AF30	S3B02			J04		FA794AB01	D08	
FA701AK30	J4J09		FA713AK51	Q4G07	T2G10	FA734AK51	B09	E2G10	FA758AH30	S3D12			G03		FA794AB11	B05	
FA701AL30	J4J11	Q2B02	FA713AK61	E2J06	G2G13	FA734AK60	D2D11	E2G12	FA758AL20	B02	S3B02		B02		FA794AB13	B07	
FA701AM50	J4D06			K4J05	T2J11	FA734AK61	D10	E2G13	FA758AL20	D06	S3D06		B03		FA794AB15	B04	
FA701AN50	J4B03		FA713AK71	G2U13	T2J02	FA734AK70	D2D12	E2J13	FA761AAD0	H3B12			J13		FA794AB17	B08	
FA701AQ30	J4B02		FA713AP20	H3D07	K3D07	FA734AK71	D13	E2B03	FA761AC30	D09	H3D09		J09		FA794AB19	B03	
FA701AR30	J4G13	Q2B05		Q4J09	T2B09	FA734AP20	E2J04		FA761AJ30	H3B07			D04		FA794AB21	B09	
FA701AS30	J4J13	Q2B03	FA713AQ20	T2D02		FA734AR20	J09	E2D09	FA761AJ71	H3D05	N4D07		D02		FA794AB23	D10	
FA701AT30	J4D05	M2B05	FA716AA10	D07	Q4J11		Q4D09		FA761AL30	H3B08			G10		FA794AB25	D09	
	S4D13		FA716AA31	Q4D09	T2D05	FA734AS20	B08	E2B08	FA761AN30	H3B05			B09	T2B09	FA794AB27	B11	
	J4J02			T2D11	T2G13		G2M13	H3B10	FA761AQ30	H3D06	Q4D06		B04	G2B04	FA794AB29	B10	
FA701AU00	J4J02			T2J12		FA734AT20	E2B09		FA761AR30	E2J05	H3B09		D13	T4D13	FA794AB31	D08	
FA701AU20	J4J02			K4G01	Q4D07	FA734AU20	E2J07		FA764AC30	K3B08			B09		FA794AE11	D02	D05
FA704AA20	G10	Q2G10	FA716AA41	G2G08	Q4J06	FA737AC40	D2G05		FA764AC30	D02	K3D02		B07		FA794AE13	B02	D07
FA704AA30	J13	Q2J13	FA716AC30	D10	Q4D02	FA737AH30	D2B02			T2D02			D06	S3D06	FA794AE21	B04	B12
FA704AA50	Q2J06		FA716AE30	D13	Q4D11	FA737AJ30	D2U05	E2G08	FA764AM30	D09	K3D09		B02		FA794AE23	B05	B10
FA704AA60	Q2J07		FA716AF20	Q4B12	Q4D05	FA737AK40	D2U02		FA764AS20	K3B13			B03		FA794AE31	B07	B13
FA704AF21	B13	M2B13	FA716AH30	D09	Q4J05	FA737AL40	D2S10	E2G05	FA764AS20	P2G13			J11	Q2J11	FA794AE33	B08	D13
	Q2D12		FA716AJ30	K4J07	Q4J07	FA737AM30	D4J05		FA764AC30	P2J12			G13	Q2G13	YA510AA10	D2B04	D2D03
FA704AF31	J02	M2J02	FA716AK30	P2J11	T4J05	FA740AA30	T4D09			P2J09			B12			D2G04	D2J03
	Q2D11		FA716AM30	R2D07	T4J13	FA740AC30	T4D09			P2J12			B13			D2M04	D2P03
FA704AG20	Q2J05			G09	E2B13	FA740AE30	T4J13			P2B12			2	4		D2S04	D2U03
FA704AK30	K4B12	Q2G08	FA716AP30	Q4G09		FA740AG30	T4G13			P2J04			D08			E2B04	E2D03
FA704AL30	H3B02	K3B02		Q4D06		FA740AJ30	T4J12			P2D05			B07	B09		E2G04	E2J03
	K4B08	Q2G09	FA716AS20	G2S02	G2S03	FA740AK30	B08	J09	FA767AL30	P2G12			D04	D06		G2B03	G2D03
FA704AM20	D12	M2D12	FA719AA40	G2B05	G2P04		M2B08	T4J09	FA767AM30	P2B05			D08	11		G2M08	G2U08
	Q2G12		FA719AB30	G2U02	K4D07	FA740AQ20	T4D13		FA767AM30	P2D06			20	23		H3B04	H3D03
FA704AM40	D11	M2D11	FA719AD30	G2D13	T2D04	FA743AA30	S4J05		FA767AN30	P2D02			7			J4B04	J4D03
	Q2J12		FA719AE30	G2S04	J4J12	FA743AC30	S4D09		FA767AN30	P2D02			1			J4G04	J4J03
FA704AP20	D13	D2B12	FA719AE30	G2U04	J4G10	FA743AE30	S4J13		FA767AN40	D05			1			K3B04	K3D03
	L2D13	Q2D13	FA719AH30	G2P02		FA743AG30	S4G13		FA767AN40	B02			1			K4B03	K4B04
FA707AA30	K4J09		FA719AJ30	G2J13		FA743AJ30	S4J12		FA767AN40	D02			1			K4D03	K4G04
FA707AD30	K4J13		FA719AJ40	G2G12		FA743AM30	B07	J09	FA767AN40	D04			1			K4J03	L2B04
FA707AE30	K4B13	P2G10	FA719AJ50	G2J07			M2B07	S4J09	FA767AN40	B04			1			L2D03	L2G04
	R2J13		FA719AJ60	G2M07	J4D02	FA743AQ20	S4D13		FA767AN40	D13			1			L2J03	M2B04
FA707AH30	G2B09	K4B02	FA719AL30	G2P07	J4B09	FA746AA30	L2J13		FA767AN40	D12			1			M2D03	M2G04
FA707AL30	K4G02	Q4J13	FA719AM30	G2G07		FA746AC30	L2D09		FA767AN40	B03			1			N4D03	N4G04
FA707AL40	K4G05	T2J07	FA719AN30	G2J06		FA746AE30	L2G13		FA767AN40	B05			1			N4J03	P2B04
FA707AM30	K4G13	Q4D06	FA719AN40	G2G05		FA746AL30	L2J09	M2D09	FA767AN40	B07			1			P2D03	P2G04
FA707AN30	K4G07	M2G10	FA719AN50	G2J05		FA749AA30	L2B07	M2G07	FA767AN40	B08			1			P2J03	Q2B04
	N4J02		FA719AN60	U11	G2U11	FA749AA40	L2D04	M2J12	FA767AN40	B04			1			Q2D03	Q2G04
FA707AP30	E2G07	K4D13	FA719AR20	G2D02	G2M10	FA749AA50	L2J07	M2G09	FA767AN40	B10			1			Q2J03	Q2Q04
FA707AQ30	D09	E2D13	FA719AR31	G2D05	Q4J12	FA749AD30	L2J04		FA767AN40	B09			1			Q4B04	Q4D03
	K4D09	Q4B09		T2B10		FA749AG30	G02	M2G02	FA767AN40	D10			1			Q4G04	Q4J03
FA707AR40	G2B12	K4D02	FA722AJ32	G2D04	H3D11	FA749AH30	M2G03		FA767AN40	B11			1			R2B04	R2D03
FA707AR60	G2B10	K4D04		K3D11	Q2J02	FA749AJ30	M2B12		FA767AN40	D09			1			R2G04	R2J03
FA707AR80	G2B13	K4B05	FA722AJ41	E2J07	G2D07	FA749AK21	M2B02		FA767AN40	J07	E2J07		1			S3B04	S3B05
FA707AS30	K4B09	K4J04		H3D04	K3D04	FA749AK41	M2B03		FA767AN40	J07			1			S3D03	S4B04
	Q2B08			K4G12	N4D13	FA749AL30	M2B10		FA767AN40	J4G02			1			S4D03	S4G04
FA707AT30	G2G03	K4D12	FA722AJ42	G2B08		FA749AM21	M2J07		FA767AN40	T4B07			1			S4J03	T2B02
FA707AW30	D11	K4D11	FA722AJ43	E2B09	G2B07	FA749AM31	M2G08		FA767AN40	T4D04			1			T2B04	T2D03
FA707AY20	K4J09		FA722AJ44	G2D09		FA749AM41	M2J09		FA767AN40	T4J02	T4G03		1			T2G04	T2J03
FA710AA30	N4B12		FA722AK30	G2J04	G2J10	FA749AM51	M2J13		FA767AN40	P2G03	T4G02		1			T4B04	T4D03
FA710AB30	N4B03		FA722AL30	G2D06	N4G09	FA749AN30	M2D13		FA767AN40	P2G02			1			T4G04	T4J03
FA710AC30	N4G09		FA722AQ30	G2M05		FA749AP21	M2D04		FA767AN40	S4B07			1			T4J04	T4K03
FA710AF30	D2M09	N4G02	FA722AQ50	G2M04	N4B02	FA749AP31	M2D02		FA767AN40	S4D04			1			T4K04	T4L03
FA710AG30	D2M10	N4B09	FA725AA30	G2S12	G2S13	FA74											

NET NO.	PIN	PIN	NET NO.	PIN	PIN	NET NO.	PIN	PIN	NET NO.	PIN	PIN	NET NO.	PIN	PIN
YA510AA40	S4D10	S4J10												
	T2D10	T2J10												
	T4D10	T4J10												
YA510AA50	D2U13	E2D11												
	G2D11	H3B03												
	K2	K2B02												
	K2D07	K2D12												
	K3B03	K4J02												
	N4D02	P2G09												
	T2D12													
YA510AA60	E2D10	E2D12												
	G2D10	G2D12												
	G2U10	G2U12												
	K4B07													

AD400

COPYRIGHT IBM CORP. 1978

* DENOTES I/O CABLE PIN
(NN) DENOTES BIT (NN) OF A BUNDLE NET

NOTE: IF THE NET NAME HAS A TRAILING ZERO (I.E. CH005AC30), THIS TRAILING ZERO WILL BE SHOWN IN THE NET AND PIN LISTS. THE LOGIC PAGES WILL OMIT THESE TRAILING ZEROES. THUS CH005AC30 AND CH005AC3 REPRESENT THE SAME NET.

BOARD B-A1
P/N 254 6838

NET LIST

LOC=1B-A1
PN 4237970 EC 834824
MACH TYPE=5340
PPN PEC
TIME= 1354131 DATE= 79199

AD400
PG02

PIN	NET NO.	PIN	NET NO.	PIN	NET NO.	PIN	NET NO.	PIN	NET NO.	PIN	NET NO.	PIN	NET NO.
R2D10	YA510AA40	T2G10	FA713AK51										
R2D11	FA755AA60	T2G12	FA791AJ61										
R2D13	FA755AL60	T2G13	FA716AA31										
R2G02	FA755AM30	T2J02	FA713AK71										
R2G04	YA510AA10	T2J03	YA510AA10										
R2G13	FA794AA61	T2J04	FA713AF30										
R2J03	YA510AA10	T2J05	FA713AKE2										
R2J10	YA510AA40	T2J06	FA779AE11										
R2J11	FA755AD30	T2J07	FA707AL40										
R2J13	FA707AE30	T2J09	FA791AJ51										
S3B02	FA755AM30	T2J10	YA510AA40										
S3B02	FA758AG30	T2J11	FA713AK61										
S3B02	FA758AL20	T2J12	FA716AA31										
S3B03	FA755AB60	T2J13	FA791AJ41										
S3B04	YA510AA10	T4B04	YA510AA10										
S3B05	YA510AA10	T4B07	FA773AC11										
S3B07	FA791AH11	T4D03	YA510AA10										
S3B08	FA791AJ11	T4D04	FA773AC21										
S3B09	FA758AC21	T4D09	FA740AC30										
S3B10	FA758AD41	T4D10	YA510AA40										
S3B12	FA758AD21	T4D13	FA704AF20										
S3B13	FA791AH21	T4D13	FA740AQ20										
S3D02	FA758AC23	T4D13	FA780AG11										
S3D03	YA510AA10	T4G02	FA773AC51										
S3D04	FA755AL30	T4G03	FA773AC41										
S3D05	FA758AD51	T4G04	YA510AA10										
S3D06	FA758AF30	T4G13	FA740AG30										
S3D06	FA758AN20	T4J02	FA773AC31										
S3D06	FA762AA31	T4J03	YA510AA10										
S3D07	FA758AC22	T4J05	FA740AA30										
S3D08	YA510AA30	T4J09	FA740AM30										
S3D09	FA773AG11	T4J10	YA510AA40										
S3D10	YA510AA40	T4J12	FA740AJ30										
S3D11	FA791AH31	T4J13	FA740AE30										
S3D12	FA758AH30												
S3D13	FA758AD31												
S4B04	YA510AA10												
S4B07	FA773AD11												
S4D03	YA510AA10												
S4D04	FA773AD21												
S4D09	FA743AC30												
S4D10	YA510AA40												
S4D13	FA701AT30												
S4D13	FA743AQ20												
S4D13	FA780AA11												
S4G02	FA773AD51												
S4G03	FA773AD41												
S4G04	YA510AA10												
S4G13	FA743AG30												
S4J02	FA773AD31												
S4J03	YA510AA10												
S4J05	FA743AA30												
S4J09	FA743AM30												
S4J10	YA510AA40												
S4J12	FA743AJ30												
S4J13	FA743AE30												
T2B02	YA510AA10												
T2B03	FA725AN20												
T2B04	YA510AA10												
T2B05	FA713AH22												
T2B07	FA728AB50												
T2B08	FA713AH23												
T2B09	FA713AK20												
T2B09	FA713AF20												
T2B09	FA780AD11												
T2B10	FA722AJ31												
T2B12	FA713AG30												
T2B13	FA713AH25												
T2D02	FA713AG20												
T2D02	FA734AF20												
T2D02	FA764AC30												
T2D03	YA510AA10												
T2D04	FA719AE30												
T2D05	FA716AA31												
T2D06	FA713AH21												
T2D07	FA713AA72												
T2D09	FA713AH24												
T2D10	YA510AA40												
T2D11	FA716AA31												
T2D12	YA510AA50												
T2D13	FA713AK31												
T2G02	FA791AJ31												
T2G03	FA713AD20												
T2G03	FA713AE30												
T2G03	FA779AD21												
T2G04	YA510AA10												
T2G05	FA713AKD2												
T2G07	FA791AJ21												
T2G08	FA713AKF2												
T2G09	FA713AK41												

4
5
0

COPYRIGHT IBM CORP. 1978

* DENOTES I/O CABLE PIN
(NN) DENOTES BIT (NN) OF A BUNDLE NET

NOTE: IF THE NET NAME HAS A TRAILING ZERO (I.E. CH005AC30), THIS TRAILING ZERO WILL BE SHOWN IN THE NET AND PIN LISTS. THE LOGIC PAGES WILL OMIT THESE TRAILING ZEROS. THUS CH005AC30 AND CH005AC3 REPRESENT THE SAME NET.

BOARD B-A1
P/N 254 6838

PIN LIST
LOC=1B-A1
PN 4237974 EC 834824
MACH TYPE=5340
PPN PEC PG02
TIME= 135900 DATE= 79199

4
5
0

NET NU.	PIN	PIN
CE140AA36	A2B09*	B2D12
CE140AA72	A2B08*	B2D11
CE140AA77	A2B05*	B2B11
CE140AA78	A2D02*	B2B10
CE140AA83	A2B11*	B2B12
CH002AF05	A2D05*	B2JU7
CH002AF07	A1B11*	A2DU4*
	A6B02*	A6CU2*
	B2G12	
CH0V3AF03	A2D07*	C2B03
CH0U9AG40	A2D06*	B2J10
UP110AAJ1	A2B02*	B2D10
UP110AAJ2	A2B04*	B2B13
PA120BBA10	A2D13*	B2B08
PA120BBA10	A2D11*	B2B06
PA120CD10	A2B13*	B2DU7
PA120CP10	A2D10*	B2DU5
PA120DG10	A2D12*	B2B07
PA120US10	A2B10*	B2B04
PA120EJ10	A2B12*	B2D06
PA120EV10	A2D09*	B2D04
YA020JJ01	A3B12*	C2G12
YA020JJ03	A3B14*	C2G11
YA020JJ04	A3B05*	A4D04*
	A6D02*	C2D11
	C2J11	
YA020JJ05	A3B08*	B3D08*
YA020JJ07	A3B13*	A4D08*
YA020JJ08	A4D06*	A4D05*
	A4D12*	A5D05
	A5D12	A6E02*
	C2J06	C4D06
	C5D06	
YA020JJ10	A3D02*	A3D03*
	B3A01*	
YA020JJ11	A3B03*	
YA020JJ12	A3B07*	A4D06*
	B6A02*	C2D06
YA040J501	A3B04*	B2S12
YA040J503	A3D05*	B2U10
YA040J504	A3D04*	B2U12
YA080BB02	A1B13*	B2S09
YA080BB03	A1C13*	B2U09
YA080BB04	A1D13*	C2B08
YA080BB05	A1E13*	C2U13
YA080BB06	B1H13*	C2D12
YA080BB07	B1B13*	C2D09
YA080BB08	B1C13*	C2B04
YA080BB09	B1D13*	B2U02
	C5B10	
YA080BB10	B1E13*	C4U07
YA080BB11	B2U02	C1H13*
	C4U02	
YA080BB12	C1B13*	C4D10
YA080BB13	C1C13*	C4B13
	C4D09	
YA080DD03	A1C11*	C2J12
YA080DD04	A1D11*	C2B09
YA080DD05	A1E11*	C2B12
YA080DD06	B1H11*	C2D10
YA080DD07	B1B11*	C2B11
YA080DD08	B1C11*	
YA080DD09	B1D11*	C2D02
YA080DD10	B1E11*	C2B05
YA080DD11	C1H11*	C4B05
	C5B05	
YA080DD12	C1B11*	C2D05
	C4B03	
YA080DU13	C1C11*	C5B07
YA132BA10	A4B03*	B2J12
YA134HP4U	A4B05*	B2S04
YA134BB4U	A4B06*	B2P11
YA142HAU5	A4B12*	B2S08
YA142AA06	A4B10*	B2G05
YA142HAU7	A4B13*	B2P13
YA181AB03	A6B02*	
YA181AB04	A6C02*	
YA182BB10	A6C04*	B2J05
YA184HB40	A6E04*	B2S02
YA184AC40	B2M08	B6A04*
YA200HA10	B2J06	C2B02
YA200AD10	C2B13	C4D11
	C5D11	
YA200HE10	C2G13	C4D13
	C5B11	C5D13
YA200AF10	B2P04	C2J09
YA200AF20	B2M10	C2G04
YA200AF30	B2M06	C2G03
YA200AF40	B2P12	C2G08
YA200AF50	B2P06	C2J10

NET NU.	PIN	PIN
YA200AF60	B2P07	C2G09
YA200AM10	B2S06	C2G05
YA200AM10	B2U11	C2J02
YA200AM20	B2U06	C2J05
YA200AU10	B2U13	C2V02
YA200AK10	B2P10	C2V06
YA200AK20	B2M05	C2J07
YA200AK30	B2M12	C2J04
YA200AK40	B2P05	C2G07
YA200AK50	B2M07	C2V10
YA200BNA1	C2J08*	C2J13
YA220AH20	B2G08	C4U05
YA220AB10	B2S05	C4U04
YA220AC20	B2M13	C4B04
YA220AU10	B2M02	C4B02
YA220AU20	B2P09	C4B06
YA220AE10	B2M11	C4B08
YA230AH20	C4B09	C4D12
YA240AH10	B2U04	C5D05
YA240AC10	B2J11	C5B12
YA240AC20	B2U07	C5B04
YA240AE10	B2G07	C5B08
YA301DA40	A3D12*	B2G13
YA301DC40	A3D13*	B2G11
YA301DD40	B2G04	B6D04*
YA302DA40	B2M03	B2M04
YA302DB40	B2J09	B2S11
YA302DC40	B2S07	B2S13
YA302EE30	B2B02	B2B03
YA303AD50	B2E14*	B2G02
YA303BC30	B2V10	C2B06
YA303FB30	A2B07*	B2B05
YA303FU30	A2B06*	B2D09
YA320AA01	A2B03*	A2D03*
	A3B02*	
YA320AA03	C2D03*	C2D04
YA320AA04	A4D03*	A4D10*
YA320AA05	A5D03*	A5D10*
YA320AA06	B5D03*	B6B02*
	B6B04*	B6C04*
YA320AB01	A3U08*	A3D09*
YA320AB04	A4C02*	A4D02*
YA320AB05	A4U09*	B4D08*
YA320AB06	A5C02*	A5D02*
YA320AB07	A5U08*	A5D09*
YA320AB09	A6D04*	B6C02*
YA320AD01	A3B09*	B2D13
YA320CC01	A4B04*	B2J13
YA320DC01	A4B02*	A4B09*
YA320EC01	A4B11*	A5B02*
YA320EF01	A5B03	B2JU4
YA320EF02	A5B05	B2S10
YA320EF03	A5B06	B2PU2
YA320EF07	A5B10	B2U05
YA320EF08	A5B12	B2S03
YA320EF09	A5B13	B2M09
YA320FC01	A5B04*	A5B09*
YA320GC01	A5B11*	A6B04*

NET NU.	PIN	PIN
---------	-----	-----

NET NU.	PIN	PIN
---------	-----	-----

NET NU.	PIN	PIN
---------	-----	-----

NET NU.	PIN	PIN
---------	-----	-----

ADSO

COPYRIGHT IBM CORP. 1979

* DENOTES I/O CABLE PIN
(NN) DENOTES BIT (NN) OF A BUNDLE NET

NOTE: IF THE NET NAME HAS A TRAILING ZERO (I.E. CH005AC30), THIS TRAILING ZERO WILL BE SHOWN IN THE NET AND PIN LISTS. THE LOGIC PAGES WILL OMIT THESE TRAILING ZEROS. THUS CH005AC30 AND CH005AC3 REPRESENT THE SAME NET.

BOARD C-A1
P/N 417 6732

NET LIST

LDC=10-A1
PN 4238370 EC 835083A
MACH TYPE=5340
PPN
TIME= 75810 DATE= 80326

ADSO

PG01

PIN	NET NU.	PIN	NET NU.	PIN	NET NU.	PIN	NET NU.	PIN	NET NU.	PIN	NET NU.	PIN	NET NU.	PIN	NET NU.
A1B11	CH002AF07	A6B04	YA120VC01	B2S12	YH040J501	C5B04	YH240HC20								
A1B13	YH080BB02	H6C02	CH002AF07	B2S13	YH320VC40	C5B05	YH080UD11								
A1C11	YH080DD03	A6C02	YA181AB04	B2U02	YH080BB09	C5B07	YH080UD13								
A1C13	YH080BB04	H6C04	YH182BB10	B2U04	YH240HA10	C5B08	YH240HE10								
A1D11	YA080DD04	A6D02	YH020JJ04	B2U05	YH320EF07	C5B10	YH080BB09								
A1D13	YA080BB04	H6D04	YA120AB09	B2U06	YH200HH20	C5B11	YH200HE10								
A1E11	YA080DD05	H6E02	YH020JJ08	B2U07	YH240HC20	C5B12	YH240HC10								
A1E13	YA080BB05	A6E04	YH184HB40	B2U09	YH080BB03	C5D05	YH240HA10								
A2B02	CP110AA31	B1H11	YA080DD06	B2U10	YA040J503	C5D06	YA020JJ08								
A2B03	YA120AA01	B1H13	YH080BB06	B2U11	YH200HH10	C5D11	YH200HD10								
A2B04	CP110AA32	B1B11	YA080DD07	B2U12	YH040J504	C5D13	YH200HE10								
A2B05	CE140AA77	B1B13	YH080BB07	B2U14	YH200HJ10										
A2B06	YH303FD30	B1C11	YA080DD08	B3A01	YH020JJ10										
A2B07	YH303FB30	B1C13	YH080BB08	B3D08	YH020JJ05										
A2B08	CE140AA72	B1D11	YH080DD09	B4D08	YH320HB05										
A2B09	CE140AA36	B1D13	YA080BB09	B5D03	YH320HA06										
A2B10	PA120DS10	B1E11	YA080DD10	B6A02	YH020JJ12										
A2B11	CE140AA83	B1E13	YA080BB10	B6A04	YH184AC40										
A2B12	PA120EJ10	B2B02	YH302EG30	B6B02	YH320HA06										
A2B13	PA120CD10	B2B03	YA302EG30	B6B04	YA320HA06										
A2D02	CE140AA78	B2B04	PA120US10	B6C02	YA320AB09										
A2D03	YA320AA01	B2B05	YA303FB30	B6C04	YA320AA06										
A2D04	CH002AF07	B2B06	PA120BM10	B6D04	YA301DD40										
A2D05	CH002AF05	B2B07	PA120DG10	C1A11	YA080DD11										
A2D06	CH009AG30	B2B08	PA120BA10	C1A13	YA080BB11										
A2D07	CH003AF03	B2B10	CE140AA78	C1B11	YA080DD12										
A2D09	PA120EV10	B2B11	CE140AA77	C1B13	YA080BB12										
A2D10	PA120CP10	B2B12	CE140AA83	C1C11	YH080UD13										
A2D11	PA120BM10	B2B13	CP110AA32	C1C13	YH080BB13										
A2D12	PA120DG10	B2D02	YA080BB11	C2B02	YH200AA10										
A2D13	PA120BA10	B2D04	PA120EV10	C2B03	CH003AF03										
A3B02	YA320AA01	B2D05	PA120CP10	C2B04	YH080BB08										
A3B03	YH020JJ11	B2D06	PA120EJ10	C2B05	YH080DD10										
A3B04	YA040J501	B2D07	PA120CD10	C2B06	YA303BC30										
A3B05	YA020JJ04	B2D09	YA303FD30	C2B08	YA080BB04										
A3B07	YA020JJ12	B2D10	CP110AA31	C2B09	YA080DD04										
A3B08	YA020JJ05	B2D11	CE140AA72	C2B11	YA080DD07										
A3B09	YA320AD01	B2D12	CE140AA36	C2B12	YA080DD05										
A3B10	YA020JJ03	B2D13	YA320AD01	C2B13	YA200AD10										
A3B12	YA020JJ01	B2E14	YH303AD50	C2D02	YH080DD09										
A3B13	YH020JJ07	B2G02	YA303AD50	C2D03	YA320AA03										
A3D02	YA020JJ10	B2G04	YA301DD40	C2D04	YA320AA03										
A3D03	YA020JJ10	B2G05	YA142AA06	C2D05	YA080DD12										
A3D04	YA040J504	B2G07	YH240HE10	C2D06	YH020JJ12										
A3D05	YH040J503	B2G08	YA220HA20	C2D09	YH080BB07										
A3D06	YA020JJ08	B2G10	YA303BC30	C2D10	YA080DD06										
A3D08	YA320AB01	B2G11	YH301DC40	C2D11	YH020JJ04										
A3D09	YA320AB01	B2G12	CH002AF07	C2D12	YH080BB06										
A3D12	YA301DH40	B2G13	YH301DA40	C2D13	YH080BB05										
A3D13	YH301DC40	B2J04	YA320EF01	C2G02	YA200AA10										
A4B02	YH320DC01	B2J05	YH182BB10	C2G03	YA200AF30										
A4B03	YH132BH10	B2J06	YH200HA10	C2G04	YH200AF20										
A4B04	YH320CC01	B2J07	CH002AF05	C2G05	YA200AF10										
A4B05	YA134AF40	B2J09	YA302DB40	C2G06	YA200AK10										
A4B06	YA134BB40	B2J10	CH009AF30	C2G07	YA200AK40										
A4B09	YA320DC01	B2J11	YA240AC10	C2G08	YA200AF40										
A4B10	YA142AA06	B2J12	YA132BA10	C2G09	YA200AF60										
A4B11	YA320EC01	B2J13	YA320CC01	C2G10	YA200AK50										
A4B12	YA142AA05	B2M02	YH220AA10	C2G11	YH020JJ03										
A4B13	YA142AA07	B2M03	YA302DH40	C2G12	YH020JJ01										
A4C02	YA320AB04	B2M04	YA302DH40	C2G13	YA200AE10										
A4D02	YA320AB04	B2M05	YA200AK20	C2J02	YA200AA10										
A4D03	YA320AA04	B2M06	YH200AF30	C2J04	YA200AK30										
A4D04	YA020JJ04	B2M07	YA200AK50	C2J05	YA200AA20										
A4D05	YA020JJ08	B2M08	YA184AC40	C2J06	YH020JJ08										
A4D06	YA020JJ12	B2M09	YA320EF09	C2J07	YA200AK20										
A4D08	YH020JJ07	B2M10	YA200AF20	C2J08	YH200BH41										
A4D09	YA320AB05	B2M11	YA220AE10	C2J09	YA200AF10										
A4D10	YA320AA04	B2M12	YA200AK30	C2J10	YH200AF50										
A4D12	YH020JJ08	B2M13	YA220AC20	C2J11	YH020JJ04										
A5B02	YA320EC01	B2M14	YH320EF03	C2J12	YH080UD03										
A5B03	YA120EF01	B2P04	YA200AF10	C2J13	YH200BH41										
A5B04	YA120FC01	B2P05	YA200AK40	C4B02	YH200HD10										
A5B05	YA320EF02	B2P06	YA200AF50	C4B03	YH080DD12										
A5B06	YA120EF03	B2P07	YA200AF60	C4B04	YH220HC20										
A5B09	YA320FC01	B2P09	YA220AA20	C4B05	YA080DD11										
A5B10	YA320EF07	B2P10	YA200AK10	C4B06	YA220AD20										
A5B11	YA320GC01	B2P11	YA134BB40	C4B08	YA220AE10										
A5B12	YA120EF08	B2P12	YA200AF40	C4B09	YH230AA20										
A5B13	YA320EF09	B2P13	YA142AA07	C4B13	YH080BB13										
A5C02	YA320AB06	B2S02	YA184AB40	C4D02	YH080BB11										
A5D02	YA320AB06	B2S03	YA320EF08	C4D04	YA220AB10										
A5D03	YA320AA05	B2S04	YA134AF40	C4D05	YA220HA20										
A5D05	YA020JJ08	B2S05	YA220AB10	C4D06	YH020JJ08										
A5D08	YA320AB07	B2S06	YA200AG10	C4D07	YH080BB10										
A5D09	YA320AB07	B2S07	YA302DC40	C4D09	YH080BB13										
A5D10	YA320AA05	B2S08	YA142AA05	C4D10	YH080BB12										
A5D12	YA020JJ08	B2S09	YH080BB02	C4D11	YH200AD10										
A6B02	CH002AF07	B2S10	YA320EF02	C4D12	YA230AA20										
A6B03	YA181AB03	B2S11	YA302DB40	C4D13	YA200AE10										

COPYRIGHT IBM CORP. 1979

* DENOTES I/O CABLE PIN
(NN) DENOTES BIT (NN) OF A BUNDLE NET

NOTE: IF THE NET NAME HAS A TRAILING ZERO (I.E. CH005AC30), THIS TRAILING ZERO WILL BE SHOWN IN THE NET AND PIN LISTS. THE LOGIC PAGES WILL OMIT THESE TRAILING ZEROS, THUS CH005AC30 AND CH005AC3 REPRESENT THE SAME NET.

BOARD C-41
P/N 417 6732

PIN LIST

LDC#10-A1
PN4238371 EC835083A
MACH TYPE#5340
PPN
TIME# 75618
PEC DATE# 80326
PG01

A
D
D
U
S
O

NET NO.	PIN	PIN	NET NO.	PIN	PIN	NET NO.	PIN	PIN	NET NO.	PIN	PIN	NET NO.	PIN	PIN
YA180AA10	J3B06*	J4D06*												
	J6D13													
YA180AA20	J3B05*	J4D05*												
	J4B05*													
	J6J10													
YA180AA30	J6J09													
YA180AB10	J3B02*	J4B02*												
	J6D10													
YA180AB20	J6D05													
YA180AB30	J6D04													
YA180AC10	J3B03*	J4B03*												
	J3D03*	J4D03*												
	J4B04*													
	J6J04													
YA180AC30	J6J02													
YA180AD10	J3D02*	J4D02*												
	J6D07													
YA180AD20	J6D09													
YA180AD30	J6D12													
YA180AE10	J3B13*	J4D13*												
	J4B13*													
	J6J05													
YA180AE20	J6J11													
YA180AE30	J6J12													
YA180CM10	J3B12*	J4D12*												
	J4B12*													
	J6J07													
YA181AA02	J6J06													
YA181AA04	J6D11													
YA181AA05	J6D08	J6J08												
YA181AA11	J6D03	J6J03												
YA181AA15	J6D06													
YA181AA16	J6J13													
YA181AB03	J3B11*	J5B05*												
YA181AB04	J4B11*	J5B07*												
YA181AC20	J3D04*	J5B06*												
	J5D04*	J6B08												
YA181BA20	J4D04*	J5B08*												
	J5D05*	J6B10												
YA182AA10	J6B13													
YA182AB10	J6G13													
YA182AD01	J5D07*	J6B12												
YA182BA20	J6G06													
YA182BA40	J6G05													
YA182BA60	J6G09													
YA182BB10	J5D09*	J6G02												
YA182BB20	J6G07													
YA182BB60	J6G08													
YA182BC20	J6D02													
YA182BC60	J6B04													
YA182BD20	J6B05													
YA182BD60	J6B03													
YA182BE20	J6B06													
YA184AA10	J5B02*	J6B02												
YA184AB40	J5B11*	J6G03												
YA184AC40	J5D10*	J6G04												
YA184AD01	J3B07*	J3D07*												
	J5B13*	J5D13*												
	J6B09													
YA301DD40	J5D02*	J6B07												
YA320AB09	J3D11*	J4D11*												
	J5D08*													

A
D
5
6
0

COPYRIGHT IBM CORP. 1980

* DENOTES I/O CABLE PIN
(MN) DENOTES BIT (MN) OF A BUNDLE NET

NOTE: IF THE NET NAME HAS A TRAILING ZERO (I.E. CH005AC30), THIS TRAILING ZERO WILL BE SHOWN IN THE NET AND PIN LISTS. THE LOGIC PAGES WILL OMIT THESE TRAILING ZEROES. THUS CH005AC30 AND CH005AC3 REPRESENT THE SAME NET.

BOARD C-B1
P/N 556 5105

NET LIST

LOC=1C-B1
PN 8266324 EC 835015
MACH TYPE=5340
FPN
TIME= 144604 PEC DATE= 80275

A
D
5
6
0

PG01

PIN	NET NO.	PIN	NET NO.	PIN	NET NO.	PIN	NET NO.	PIN	NET NO.	PIN	NET NO.
J3B02	YA180AB10	J6J11	YA180AE20								
J3B03	YA180AC10	J6J12	YA180AE30								
J3B04	YA180AC10	J6J13	YA181AA16								
J3B05	YA180AA20										
J3B06	YA180AA10										
J3B07	YA184AD01										
J3B11	YA181AB03										
J3B12	YA180CM10										
J3B13	YA180AE10										
J3D02	YA180AD10										
J3D03	YA180AC10										
J3D04	YA181AC20										
J3D05	YA180AA20										
J3D06	YA180AA10										
J3D07	YA184AD01										
J3D11	YA320AB09										
J3D12	YA180CM10										
J3D13	YA180AE10										
J4B02	YA180AB10										
J4B03	YA180AC10										
J4B04	YA180AC10										
J4B05	YA180AA20										
J4B06	YA180AA10										
J4B11	YA181AB04										
J4B12	YA180CM10										
J4B13	YA180AE10										
J4D02	YA180AD10										
J4D03	YA180AC10										
J4D04	YA181BA20										
J4D05	YA180AA20										
J4D06	YA180AA10										
J4D11	YA320AB09										
J4D12	YA180CM10										
J4D13	YA180AE10										
J5B02	YA184AA10										
J5B05	YA181AB03										
J5B06	YA181AC20										
J5B07	YA181AB04										
J5B08	YA181BA20										
J5B11	YA184AB40										
J5B13	YA184AD01										
J5D02	YA301DD40										
J5D04	YA181AC20										
J5D05	YA181BA20										
J5D07	YA182AD01										
J5D08	YA320AB09										
J5D09	YA182BB10										
J5D10	YA184AC40										
J5D13	YA184AD01										
J6B02	YA184AA10										
J6B03	YA182BD60										
J6B04	YA182BC60										
J6B05	YA182BD20										
J6B06	YA182BE20										
J6B07	YA301DD40										
J6B08	YA181AC20										
J6B09	YA184AD01										
J6B10	YA181BA20										
J6B12	YA182AD01										
J6B13	YA182AA10										
J6D02	YA182BC20										
J6D03	YA181AA11										
J6D04	YA180AB30										
J6D05	YA180AB20										
J6D06	YA181AA15										
J6D07	YA180AD10										
J6D08	YA181AA05										
J6D09	YA180AD20										
J6D10	YA180AB10										
J6D11	YA181AA04										
J6D12	YA180AD30										
J6D13	YA180AA10										
J6G02	YA182BB10										
J6G03	YA184AB40										
J6G04	YA184AC40										
J6G05	YA182BA40										
J6G06	YA182BA20										
J6G07	YA182BB20										
J6G08	YA182BB60										
J6G09	YA182BA60										
J6G13	YA182AB10										
J6J02	YA180AC30										
J6J03	YA181AA11										
J6J04	YA180AC10										
J6J05	YA180AE10										
J6J06	YA181AA02										
J6J07	YA180CM10										
J6J08	YA181AC05										
J6J09	YA180AA30										
J6J10	YA180AA20										

D
D
5
7
0

COPYRIGHT IBM CORP. 1980

* DENOTES I/O CABLE PIN
(NN) DENOTES BIT (NN) OF A BUNDLE NET

NOTE: IF THE NET NAME HAS A TRAILING ZERO (I.E. CH005AC30), THIS TRAILING ZERO WILL BE SHOWN IN THE NET AND PIN LISTS. THE LOGIC PAGES WILL OMIT THESE TRAILING ZEROES. THUS CH005AC30 AND CH005AC3 REPRESENT THE SAME NET.

BOARD C-81
P/N 556 5105

PIN LIST

LOC=1C-B1
PN8266325 EC835015
MACH TYPE=5340
PPN
TIME= 144817 PEC DATE= 80275 PG01

D
5
7
0

NET NO.	PIN	PIN	NET NO.	PIN	PIN	NET NO.	PIN	PIN	NET NO.	PIN	PIN	NET NO.	PIN	PIN
HH000EE00	A5B03*	C2G09	HH020CK00	A2B10*	A2B12*	HH044TT03	D2G06	D2G06	HH075AA03	A2D05*	B2D05			
HH000EE01	A5D04*	C2J13		A2D09*	A2D13*	HH045DA00	D2D11	F2S08	HH075AA04	A2D04*	B2D06			
HH000EE02	A5D05*	B2S02		F2S04		HH045DD00	C2B06	D2U10	HH075AA05	A2D05*	B2D05			
HH000EE03	A5D06*	C2S10	HH020CK01	E2D10	F2J10	HH045HR00	C2U05	D2P04	HH075AA06	A2D04*	B2D06			
	D2P13			F2P10	F2U10	HH045HB00	D2U05							
HH000EE04	A5D09*	C2J11	HH020DJ00	F2D10	F2D11	HH045HC00	C2U07	D2P10						
HH000EE05	A5D11*	C2G12	HH020EF00	F2G04		HH045HD00	C2J07	D2D06						
HH000EE06	A5B10*	B2U02	HH020EH00	F2G09			F2S13							
HH000EE07	A5B12*	C2B03	HH020EJ00	F2M10		HH045HE00	D2S11							
HH000FF00	A5D03*		HH020EL00	F2U09		HH045HF01	C2S08	D2M07						
HH000FF01	A5B04*		HH020EM00	F2P13		HH045HG00	C2M13	D2S07						
HH000FF02	A5B05*		HH020EN00	F2S03			F2P11							
HH000FF03	A5D07*		HH020EO00	F2U02		HH045HH00	C2U02	D2U07						
HH000FF04	A5B08*		HH020EO01	F2M12			F2M13							
HH000FF05	A5D10*		HH020EP00	F2U04		HH046BE00	C2D11	D2B03						
HH000FF06	A5D12*		HH020EP01	F2U07		HH046FD01	C2P11	D2J13						
HH000FF07	A5B09*		HH020FD00	C2G07	F2G03		F2S07							
HH000GG00	A3B04*	A4B04*	HH030AR00	C2U13		HH046FE00	D2S03							
	C2P07		HH030AR00	B2P07	C2P12	HH046GR00	D2S05	F2P05						
HH000GG01	A3B03*	A4B03*	HH030AR01	B2P05	C2P10	HH046G800	D2U04	F2P07						
	C2M07		HH030AR02	B2P10	C2J06	HH046GF00	C2U06	D2B05						
HH000GG02	A3B02*	A4B02*	HH030AR03	B2P06	C2G02	HH046GG00	D2B04							
	C2M09		HH030AR04	B2M05	C2D09	HH046GH00	C2B04	D2D10						
HH000GG03	A3B05*	A4B05*		D2J04		HH046GJ00	C2D04	D2B10						
	C2M08		HH030AR05	C2G04	D2P12	HH046RB00	D2G12							
HH000GG04	A3D04*	A4D04*	HH030BB02	C2S05		HH046RD00	C2J09	D2M03						
	C2M04		HH030CA07	C2D10		HH046RD01	C2S02	D2M02						
HH000GG05	A3D05*	A4D05*	HH030CC00	C2J04		HH046RF00	D2M02							
	C2P02		HH030CC01	C2G05	D2M08	HH046RJ00	C2B08	D2P07						
HH000GG06	A3D06*	A4D06*	HH030CD00	C2M12	D2P09		F2M02							
	C2M03		HH030CH00	C2B13	D2S04	HH046RK00	C2B02	D2B08						
HH000GG07	A3D07*	A4D07*	HH030CG00	C2D05	D2P11	HH046RN00	D2G11							
	C2M02		HH030FL00	C2D02	D2B02	HH046RN01	D2D10							
HH000GG08	A3D09*	A4D09*	HH030FG00	C2M04		HH046BA00	D2M13							
	C2M05		HH030FD00	C2P02		HH050AB03	B2D04							
HH000GG09	A3D10*	A4D10*	HH032DA01	C2M03		HH050AC02	A2B07*	B2D11						
	C2P06		HH032DA02	C2M02		HH050AD00	B2J09							
HH000GG10	A3D11*	A4D11*	HH032DA03	C2M05		HH050CA00	A2B06*	B2P09						
	C2P05		HH032DA04	C2P06		HH050CA01	A2B05*	B2M11						
HH000GG11	A3D12*	A4D12*	HH032DA05	C2P05		HH050CA02	A2B02*	B2M09						
	C2M06		HH032DA06	C2M06		HH050CA03	B2M08							
HH000GG12	A3D13*	A4D13*	HH032DA07	C2P04		HH050CA04	B2M07							
	C2P04		HH032DA08	B2M04	C2U09	HH050CA05	A2B03*	B2M04						
HH000HH09	A5B03*		HH035AC10	C2S04		HH050CA06	A2B04*	B2P04						
HH001FF05	A5D10*		HH035BB00	A2B13*	C2S12	HH050DF02	32G05							
HH001QQ80	A5D13*		HH035BC00	B2G13	C2U12	HH050DF03	B2G11							
HH001QQ10	A5B02*		HH035BD00	B2J12	C2J12	HH050DJ01	A2B08*	B2G03						
HH001RRB0	A3B13*		HH035FD00	B2J06	C2G11	HH050EA00	B2D13							
HH001RR10	A3D02*		HH035FE00	C2S09	E2J06	HH050EA01	B2B13							
HH005AA01	F2G10			F2B03		HH050EA02	B2G02							
HH010AB00	E2B08		HH035GA00	C2D06		HH050EA03	B2J02							
HH010AB01	E2D06		HH035GE00	C2J05	D4U02	HH050FB00	B2P11	E2G08						
HH010AC00	E2B02		HH035GF00	B2M02		HH050FD00	B2J07							
HH010AC01	C2G03	E2D09	HH035GG00	C2S07	D2M12	HH050FF03	B2U10							
HH010AC02	E2B07		HH035HJ00	C2P09		HH050FF04	B2P13							
HH010AC03	E2B10		HH035HL00	C2D07	D2G09	HH050NP00	32S10							
HH010AC04	E2D04			D2S09		HH050NP01	B2B03							
HH010AD01	E2B13	F2P06	HH040AA04	D2M06		HH050SE00	B2B10							
HH010AE00	E2J10		HH040AA06	D2B12		HH050SF00	B2B07							
HH010AE01	E2J11		HH040AC00	D2J10	E2J04	HH050SI00	A2D07*	B2D07						
HH010AE02	C2P13	E2J13	HH040BB00	D2G04	F2D09	HH050SP00	B2G12							
HH010AE03	B2U06	E2G03	HH040BB01	D2J06	F2B10	HH050SR00	B2U13							
HH010AE05	E2B09		HH040BB02	D2G03	F2B08	HH050SS00	B2U11	D2J05						
HH010AE06	E2J05		HH040BB03	D2G02	F2B09	HH050SU01	B2B02	E2B03						
HH010BB00	E2J12		HH040BC05	C2S03	D2S08	HH050SU01	B2B03	E2D02						
HH010BC00	B2M10	E2G12	HH040DB00	C2M10	D2M04	HH050TBA0	B2D09							
HH010DE00	E2G05		HH040EB00	D2S13		HH050TBA2	B2D10							
HH010HH00	E2B12		HH040EB01	D2S10		HH050TB00	B2D09							
HH010HI00	E2D05		HH040ED00	D2J09	E2G10	HH050TB01	B2D10							
HH020AA01	F2B02		HH040GB00	D2U13	E2G04	HH050TC00	A2D05*	B2D05						
HH020AB00	D2P06	F2G13	HH040GG00	B2B04	C2J02	HH050TC01	A2D04*	B2D06						
HH020AC00	C2S13	D2U09		D2G09		HH050TF00	B2U12							
	F2P02		HH040HA00	D2B13	E2G07	HH050TG00	B2G10	C2M11						
HH020AD00	D2M09	F2P09	HH040HB00	C2G10	D2U06	HH050TH00	B2S07							
HH020AF00	D2S12	F2D13	HH040HC00	C2G08	D2P05	HH050TI00	B2J07							
HH020AF01	D2U12	F2M08	HH040HD01	D2G08		HH050TJ00	B2J10							
HH020AF02	D2J07	F2S02	HH040HG00	C2D13	D2U11	HH050TK00	B2G07							
HH020AF03	D2B07	F2D11	HH040JH00	C2B10	D2P02	HH050TL00	B2J11							
HH020AG00	F2P04		HH040JB00	D2D13	E2D11	HH050TM00	A2D03*	B2B12						
HH020BA00	E2D13	F2D02	HH040JP00	D2J02	E2J07	HH050TM01	B2B09							
HH020BB00	F2J02		HH044DG00	D2M11		HH070BB00	F2J05							
HH020BC00	C2U11	F2J04	HH044FB00	D2J12		HH070BB01	F2M05							
HH020BD00	F2S12		HH044FE00	D2S06		HH070BB02	F2M04							
HH020CB00	F2J09		HH044FG00	C2U10	D2G07	HH070BB03	F2S05							
HH020CC00	D2B09	F2S10	HH044GC00	C2U04	D2D09	HH070BB05	F2U05							
HH020CD00	C2B12	E2G13	HH044QB00	C2S05	D2D07	HH070BB06	D2D04							
	F2G12		HH044QC00	C2S06	D2D05	HH070BB07	D2U08							
HH020CE00	E2B04	F2B07	HH044TT00	D2G13	F2B12	HH075AA00	A2D11*	F2D05						
HH020CG00	D2G05	F2B04	HH044TT01	D2M05		HH075AA01	A2D10*	F2D06						
HH020CJ00	F2J11		HH044TT02	D2J11		HH075AA02	A2D02*	B2P12						

PIN	NET NO.	PIN	NET NO.	PIN	NET NO.	PIN	NET NO.	PIN	NET NO.	PIN	NET NO.	PIN	NET NO.
A2B02	HH050CA02	B2D10	HH050TBA2	C2M04	HH032DA00	D2M03	HH04BAD00	F2D13	HH020AF00				
A2B03	HH050CA05	B2D10	HH050TBA1	C2M05	HH000GG08	D2M04	HH040DB00	F2G03	HH020CF00				
A2B04	HH050CA06	B2D11	HH050CA02	C2M05	HH032DA04	D2M05	HH04ATT01	F2G04	HH020EF00				
A2B05	HH050CA01	B2D13	HH050EA00	C2M06	HH000GG11	D2M06	HH040PA04	F2G09	HH020EH00				
A2B06	HH050CA00	B2G02	HH050EA02	C2M06	HH032DA07	D2M07	HH045HF01	F2G10	HH005AA01				
A2B07	HH050AC02	B2G03	HH050DJ01	C2M07	HH000GG01	D2M08	HH030CC01	F2G12	HH020CD00				
A2B08	HH050DJ01	B2G05	HH050DF02	C2M08	HH000GG03	D2M09	HH020AD00	F2G13	HH020AB00				
A2B10	HH020CK00	B2G07	HH050TK00	C2M09	HH000GG02	D2M10	HH044DG00	F2J02	HH020BB00				
A2B12	HH020CK00	B2G10	HH050TG00	C2M10	HH040DB00	D2M11	HH035GG00	F2J04	HH020BC00				
A2B13	HH035BB00	B2G11	HH050TF03	C2M11	HH050TG00	D2M12	HH048BA00	F2J05	HH070BB00				
A2D02	HH075AA02	B2G12	HH050SP00	C2M12	HH030CD00	D2M13	HH040JA00	F2J09	HH020CB00				
A2D03	HH050TH00	B2G13	HH035BC00	C2M13	HH045HG00	D2P04	HH045HA00	F2J10	HH020CK01				
A2D04	HH050TC01	B2J02	HH050EA03	C2P02	HH000GG05	D2P05	HH040HC00	F2J11	HH020CJ00				
A2D04	HH075AA04	B2J06	HH033FD00	C2P02	HH032DA01	D2P06	HH020AB00	F2M02	HH048AJ00				
A2D04	HH075AA06	B2J07	HH050FD00	C2P04	HH000GG12	D2P07	HH048AJ00	F2M04	HH070BB02				
A2D05	HH050TC00	B2J09	HH050AD00	C2P04	HH032DA08	D2P09	HH030CD00	F2M05	HH070BB01				
A2D05	HH075AA03	B2J10	HH050TJU0	C2P05	HH000GG10	D2P10	HH045HC00	F2M08	HH020AF01				
A2D05	HH075AA05	B2J11	HH050TL00	C2P05	HH032DA06	D2P11	HH030CF00	F2M10	HH020EJU0				
A2D07	HH050SI00	B2J12	HH035BD00	C2P06	HH000GG09	D2P12	HH030AF05	F2M12	HH020ELU1				
A2D09	HH020CK00	B2M02	HH035GF00	C2P06	HH032DA05	D2P13	HH000EE03	F2M13	HH045HH00				
A2D10	HH075AA01	B2M03	HH035AC00	C2P07	HH000GG00	D2S03	HH046FE00	F2P02	HH020AG00				
A2D11	HH075AA00	B2M04	HH050CA05	C2P09	HH035HJ00	D2S04	HH030CH00	F2P04	HH020AG00				
A2D13	HH020CK00	B2M05	HH030AG04	C2P10	HH030AG01	D2S05	HH046FA00	F2P05	HH046FA00				
A3B02	HH000GG02	B2M07	HH050CA04	C2P11	HH046FD01	D2S07	HH044FE00	F2P06	HH010AD01				
A3B03	HH000GG01	B2M08	HH050CA03	C2P12	HH030AG00	D2S07	HH045HG00	F2P07	HH0466B00				
A3B04	HH000GG00	B2M09	HH050CA02	C2S02	HH048AD01	D2S08	HH040BC05	F2P09	HH020AR00				
A3B05	HH000GG03	B2M10	HH010BC00	C2S03	HH040BC05	D2S09	HH035HL00	F2P10	HH020CK01				
A3B13	HH001RR80	B2M11	HH050CA01	C2S04	HH035AC10	D2S10	HH040EB01	F2P11	HH045HG00				
A3D02	HH001RR10	B2P04	HH050CA06	C2S05	HH044QB00	D2S11	HH045HE00	F2P13	HH020EH00				
A3D04	HH000GG04	B2P05	HH030AG01	C2S06	HH044QC00	D2S12	HH020CF00	F2S02	HH020AF02				
A3D05	HH000GG05	B2P06	HH030AG03	C2S07	HH035GG00	D2S13	HH040EB00	F2S03	HH020EN00				
A3D06	HH000GG06	B2P07	HH030AG00	C2S08	HH045HF01	D2U02	HH035GE00	F2S04	HH020CK00				
A3D07	HH000GG07	B2P09	HH050CA00	C2S09	HH035FE00	D2U04	HH046GB00	F2S05	HH070BB03				
A3D09	HH000GG08	B2P10	HH030AG02	C2S10	HH020EE03	D2U05	HH045HB00	F2S07	HH046FD01				
A3D10	HH000GG09	B2P11	HH050FB00	C2S11	HH035GF00	D2U06	HH040HB00	F2S08	HH045DA00				
A3D11	HH000GG10	B2P12	HH075AA02	C2S12	HH035BB00	D2U07	HH045HH00	F2S10	HH020CC00				
A3D12	HH000GG11	B2P13	HH050FF04	C2S13	HH020AC00	D2U08	HH070BB07	F2S12	HH020CC00				
A3D13	HH000GG12	B2S02	HH000EE02	C2U02	HH045HH00	D2U09	HH020AC00	F2S13	HH020BD00				
A4B02	HH000GG02	B2S07	HH050TH00	C2U04	HH044GC00	D2U10	HH045DD00	F2U02	HH020EB00				
A4B03	HH000GG01	B2S10	HH050NP00	C2U05	HH045HA00	D2U11	HH040HC00	F2U04	HH020EP00				
A4B04	HH000GG00	B2U02	HH000EE06	C2U06	HH046GF00	D2U12	HH020AF01	F2U05	HH070BB05				
A4B05	HH000GG03	B2U06	HH010AE03	C2U07	HH045HC00	D2U13	HH040GB00	F2U07	HH020EP01				
A4D04	HH000GG04	B2U07	HH050TI00	C2U09	HH035AC00	E2B02	HH010AC00	F2U09	HH020EL00				
A4D05	HH000GG05	B2U10	HH050FF03	C2U10	HH044FG00	E2B03	HH050SU00						
A4D06	HH000GG06	B2U11	HH050SS00	C2U11	HH020BC00	E2B04	HH020CE00						
A4D07	HH000GG07	B2U12	HH050TF00	C2U12	HH035BC00	E2B07	HH010AC02						
A4D09	HH000GG08	B2U13	HH050SR00	C2U13	HH030AB00	E2B08	HH010AB00						
A4D10	HH000GG09	C2B02	HH048AK00	D2B02	HH030FL00	E2B09	HH010AE05						
A4D11	HH000GG10	C2B03	HH000EE07	D2B03	HH046BE00	E2B10	HH010AC03						
A4D12	HH000GG11	C2B04	HH046GH00	D2B04	HH046GG00	E2B12	HH010HH00						
A4D13	HH000GG12	C2B05	HH030BB02	D2B05	HH046GF00	E2B13	HH010AD01						
A5B02	HH001QQ1U	C2B06	HH049DD00	D2B07	HH020AF03	E2D02	HH050SU01						
A5B03	HH000EE00	C2B08	HH048AJ00	D2B08	HH048AK00	E2D04	HH010GC04						
A5B03	HH000HH09	C2B10	HH040JA00	D2B09	HH020CC00	E2D05	HH010HI00						
A5B04	HH000FF01	C2B12	HH020CD00	D2B10	HH046GJ00	E2D06	HH010AB01						
A5B05	HH000FF02	C2B13	HH030CH00	D2B12	HH040CA06	E2D09	HH010AC01						
A5B08	HH000FF04	C2D02	HH030FL00	D2B13	HH040HA00	E2D10	HH020CK01						
A5B09	HH000FF07	C2D04	HH046GJ00	D2D04	HH070BB06	E2D11	HH040JB00						
A5B10	HH000EE06	C2D05	HH030FG00	D2D05	HH044QC00	E2D13	HH020BA00						
A5B12	HH000EE07	C2D06	HH035GA00	D2D06	HH045HD00	E2G03	HH010AE03						
A5D03	HH000FF00	C2D07	HH035HL00	D2D07	HH044QB00	E2G04	HH040GB00						
A5D04	HH000EE01	C2D09	HH030AG04	D2D09	HH044GC00	E2G05	HH010DE00						
A5D05	HH000EE02	C2D10	HH030CA07	D2D10	HH046GH00	E2G07	HH040HA00						
A5D06	HH000EE03	C2D11	HH046BE00	D2D11	HH045DA00	E2G08	HH050FB00						
A5D07	HH000FF03	C2D13	HH040HG03	D2D13	HH040JB00	E2G10	HH040ED00						
A5D09	HH000EE04	C2G02	HH030AG03	D2G02	HH040BB03	E2G12	HH010BC00						
A5D10	HH000FF05	C2G03	HH010AC01	D2G03	HH040BB02	E2G13	HH020CD00						
A5D11	HH000EE05	C2G04	HH030AG05	D2G04	HH040BB00	E2J04	HH040AC00						
A5D12	HH000FF06	C2G05	HH030CC01	D2G05	HH020CG00	E2J05	HH010AE06						
A5D13	HH001QQ80	C2G07	HH020FD00	D2G06	HH044TT03	E2J06	HH035FE00						
B2B02	HH050SU00	C2G08	HH040HC00	D2G07	HH044FG00	E2J07	HH040JH00						
B2B03	HH050SU01	C2G09	HH000EE00	D2G08	HH040HD01	E2J10	HH010AE00						
B2B04	HH040GC00	C2G10	HH040HB00	D2G09	HH035HL00	E2J11	HH010AE01						
B2B07	HH050SF00	C2G11	HH035FD00	D2G09	HH040GC00	E2J12	HH010BB00						
B2B08	HH050NP01	C2G12	HH000EE05	D2G10	HH048AN01	E2J13	HH010AE02						
B2B09	HH050TR01	C2G13	HH010AE02	D2G11	HH048AN00	F2B02	HH020AA01						
B2B10	HH050SE00	C2J02	HH040GC00	D2G12	HH048AB00	F2B03	HH035FE00						
B2B12	HH050TR00	C2J04	HH030CC00	D2G13	HH044TT00	F2B04	HH020CG00						
B2B13	HH050EA01	C2J05	HH035GE00	D2J02	HH040JM00	F2B07	HH020CE00						
B2D04	HH050AB03	C2J06	HH030AG02	D2J04	HH030AG04	F2B08	HH040BB02						
B2D05	HH050TC00	C2J07	HH045HD00	D2J05	HH050SS00	F2B09	HH040BB03						
B2D05	HH075AA03	C2J09	HH048AD00	D2J06	HH040BB01	F2B10	HH040BB01						
B2D05	HH075AA05	C2J11	HH000EE04	D2J07	HH020AF02	F2B12	HH044TT00						
B2D06	HH050TC01	C2J12	HH035BD00	D2J09	HH040ED00	F2D02	HH020BA00						
B2D06	HH075AA04	C2J13	HH000EE01	D2J10	HH040AC00	F2D05	HH075AA00						
B2D06	HH075AA06	C2M02	HH000GG07	D2J11	HH044TT02	F2D06	HH075AA01						
B2D07	HH050SI00	C2M02	HH032DA03	D2J12	HH044FB00	F2D09	HH040BB00						
B2D09	HH050TBA0	C2M03	HH000GG06	D2J13	HH046FD01	F2D10	HH020AJ00						
B2D09	HH050TBA0	C2M03	HH032DA02	D2M02	HH048AD01	F2D11	HH020AF03						
B2D09	HH050TBA0	C2M04	HH000GG04	D2M02	HH048AF00	F2D11	HH020DJ00						

A
 D
 5
 6
 0

COPYRIGHT IBM CORP. 1979

* DENOTES I/O CABLE PIN
 (NN) DENOTES BIT (NN) OF A BUNDLE NET

NOTE: IF THE NET NAME HAS A TRAILING ZERO (I.E. CH005AC30), THIS TRAILING ZERO WILL BE SHOWN IN THE NET AND PIN LISTS. THE LOGIC PAGES WILL OMIT THESE TRAILING ZERES. THUS CH005AC30 AND CH005AC3 REPRESENT THE SAME NET.

BOARD E-A1,E-B1,E-C1,E-D1
 P/N 588 2184
 P/N 514 8632

PIN LIST

LDC=1E-A1

PN 8265776 EC835201
 MACH TYPE=5340
 PPN PEC
 TIME= 74356 DATE= 81310

A
 D
 5
 6
 0

PC01

8266241

AF000

AF000

A-AI BOARD VOLTAGE DISTRIBUTION (LEVEL 2)

	A2	B2	C2	D2	E2	F2	G2	H2	J2	K2	L2	M2	N2	P2	Q2	R2	S2	T2	U2	V2
GND	D04 D08 J08 P08 U02 U08	D08 J08 P08 U08	D08 J08 P08 U08	D08 J08 P08 U08	D08 J08 P08 U08	D08 J08 P08 U08	D08 J08 P08 U08	D08 J08 P08 U08	D08 J08 P08 U08	D08 J08 P08 U08	D08 J08 P08 U08	D08 J08 P08 U08	D08 J08 P08 U08	D08 J08 P08 U08	D08 J08 P08 U08	D08 J08 P08 U08	D08 J08 P08 U08	D08 J08 P08 U08	D08 J08 P08 U08	D08 J08 P08 U08
-5V *		B06 G06 M06 S06										B06 G06 M07 S06	B06 G06 M06 S06	B06 G06 M06 S06	B06 G06 M06 S06	B06 G06 M06 S06	B06 G06 M06 S06	B06 G06 M06 S06	B06 G06 M06 S06	
+5V *	D03 D11 D07 U04 S03	D03 J03 P03 U03	D03 J03 P03 U03	D03 J03 P03 U03	D03 J03 P03 U03	D03 J03 P03 U03	D03 J03 P03 U03	D03 J03 P03 U03	D03 J03 P03 U03	D03 J03 P03 U03	D03 J03 P03 U03	D03 J03 P03 U03	D03 J03 P03 U03	D03 J03 P03 U03	D03 J03 P03 U03	D03 J03 P03 U03	D03 J03 P03 U03	D03 J03 P03 U03	D03 J03 P03 U03	D03 J03 P03 U03
+5V(S) *	B02 S02																			
+8.5V *		B11 G11 M11 S11										B11 G11 M11 S11	B11 G11 M11 S11	B11 G11 M11 S11	B11 G11 M11 S11	B11 G11 M11 S11	B11 G11 M11 S11	B11 G11 M11 S11	B11 G11 M11 S11	

CABLES

GND: B1E11, F1A11, J1B11, M1E11, R1A11, U1B11
B6E02, F6A02, J6B02, M6E02, R6A02, U6B02

+5V(S): A1E13

INPUT VOLTAGES AT MINI-BUS CONNECTOR

GND: D1C10, D1C13, G1D10, G1D13, P1C10, S1D10
D6C05, G6D05, P6B05, P6C05, P6C02, S6D02, S6D05
U2E14, U3E01, U3E14, U4E01, U4E14, U5E01

+5V: D1B10, D1B13, G1C10, G1C13, P1B10, S1C10 (BASE SUPPLY)
D6B05, G6C05, P6B02, S6C02, S6C05 (BASE SUPPLY)

+5V: U2A14, U3A01, U3A14, U4A01, U4A14, U5A01 (ONLY WITH 256K MEM)

-5V: P1B13, S1C13, D6B02, G6C02

+8.5V: D6C02, G6D02, P1C13, S1D13

* THESE VOLTAGES ARE FOR REF ONLY. FOR VOLTAGE MEASUREMENT, REFER TO SECTION 05-710 OF MAINTENANCE MANUAL (VOL B)

EC HISTORY		DRAWING TITLE	
07OCT80	835015	A-AI BOARD VOLTAGE DISTRIBUTION	
30JAN81	835139	MACH 5340	
		PART NO 8266241	
B		CLASSIFICATION	
		8/11/77	J.C.

IBM CORP

A
F
0
0
0

A
F
0
0
0

IBM COPYRIGHT 1980

SEE DETAIL A

A-A2 BOARD VOLTAGE DISTRIBUTION

4237976

A F 0 1 0

	A2	B2	C2	D2	E2	F2	G2	H2	J2	K2	L2	M2	.2	P2	Q2	R2	S2	T2	U2	V2	
GND	D08 J08 P08 U08	D08 J08 P08 U08	D08 J08 P08 U08	D08 J08 P08 U08	D08 J08 P08 U08	D08 J08 P08 U08	D08 J08 P08 U08	D08 J08 P08 U08	D08 J08 P08 U08	D08 J08 P08 U08	D08 J08 P08 U08	D08 J08 P08 U08	D08 J08 P08 U08	D08 J08 P08 U08	D08 J08 P08 U08	D08 J08 P08 U08	D08 J08 P08 U08	D08 J08 P08 U08	D08 J08 P08 U08	D08 J08 P08 U08	
-24V *	S13	B13 M13 S13	S13																		
NOTE 1 -12V *		D12 U12	U12				J06	D07 ** P07													
-5V *					B06 G06 M06 S06			B06 G06 M06 S06			B06 G06 M06 S06			B06 G06		G06					
-4V *	S06	B06 G06 M06 S06	B06 G06 M06 S06				D06														
+5V *	J03	D03 J03 P03 U03	D03 J03 P03 U03	D03 J03 P03 U03	D03 J03 P03 U03	D03 J03 P03 U03	D03 J03 P03 U03	D03 J03 P03 U03	D03 J03 P03 U03	D03 J03 P03 U03	D03 J03 P03 U03	D03 J03 P03 U03	D03 J03 P03 U03	D03 J03 P03 U03	D03 J03 P03 U03	D03 J03 P03 U03	D03 J03 P03 U03	D03 J03 P03 U03	D03 J03 P03 U03	D03 J03 P03 U03	
+8.5V *					B11 G11 M11 S11		D11	B11 G11 M11 S11			B11 G11 M11 S11	B11 G11 M11 S11	B11 G11 M11 S11	B11 G11 M11 S11	B11 G11 M11 S11	B11 G11 M11 S11	B11 G11 M11 S11	G11 S11	M11 S11		
NOTE 1 +12V *		B09 M09	S09				J11														
+24V *		M02 S02	S02																		
+24V(S) *	M02 M05																				
+6V *	S11	B11 G11	B11 G11																		

CABLES:

GND: B1E11, F1A11, J1B11, M1E11, R1A11, U1B11
B6E02, F6A02, J6B02, M6E02, R6A02, U6B02

INPUT VOLTAGES AT MINI-BUS CONNECTOR.

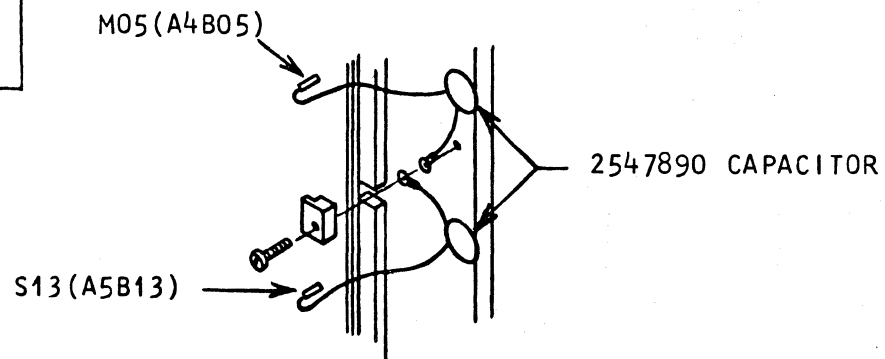
GND: B2E14, B3E14, B4E14, U2E14, U3E14, U4E14
-24V: B4A14
-5V: U2A14, U4A14
-4V: B3A14
+5V: B2A14, U3A01, B4E01, B5A01, U4A01, U5A01
+6V: B3E01, B4A01
+8.5V: U3E01, U5E01, U4E01
+24V: B5E01
+24(S): B3A01
-12V: U3A14 (SEE *)

NOTE 1: THESE VOLTAGES ARE GENERATED FROM THE BOARD

*: THESE VOLTAGES ARE FOR REF ONLY. FOR VOLTAGE MEASUREMENT, REFER TO SECTION 05-710 OF MAINTENANCE MANUAL (VOL B).

** : USED ONLY IF ANY DATA COMMUNICATIONS FEATURE IS INSTALLED COMES FROM U3A14.

COPYRIGHT IBM CORP., 1978



DETAIL A

EC HISTORY		DRAWING TITLE	
02DEC77	832850	A-A2 BOARD VOLTAGE DISTRIBUTION	
08MAY78	833014A	MACH 5340	
13DEC78	834777	PART NO 423 7976	
B	20FEB79	834778	CLASSIFICATION
			8/11/77 J.C.
		IBM CORP	

A F 0 1 0

A F 0 1 0

A-A3 BOARD VOLTAGE DISTRIBUTION

	A2	B2	C2	D2	E2	F2	G2	H2	J2	K2	L2	M2	N2	P2	Q2	R2	S2	T2	U2	V2	
GND	D08 J08 P08 U08	D08 J08 P08 U08	D08 J08 P08 U08	D08 J08 P08 U08	D08 J08 P08 U08	D08 J08 P08 U08	D08 J08 P08 U08	D08 J08 P08 U08	D08 J08 P08 U08	D08 J08 P08 U08	D08 J08 P08 U08	D08 J08 P08 U08	D08 J08 P08 U08	D08 J08 P08 U08	D08 J08 P08 U08	D08 J08 P08 U08	D08 J08 P08 U08	D08 J08 P08 U08	D08 J08 P08 U08	D08 J08 P08 U08	
-24V NOTE 1	S13	B13 M13 S13	S13	SEE DETAIL A																	
-12V NOTE 1		D12 U12	U12						J06												
-5V NOTE 1					B06 G06 M06 S06																
-4V NOTE 1	S06	B06 G06 M06 S06	B06 G06 M06 S06				D06														
-4V(S)* NOTE 1																					
+5V NOTE 1		D03 J03 P03 U03	D03 J03 P03 U03	D03 J03 P03 U03	D03 J03 P03 U03	D03 J03 P03 U03	D03 J03 P03 U03	D03 J03 P03 U03	D03 J03 P03 U03	D03 J03 P03 U03	D03 J03 P03 U03	D03 J03 P03 U03	D03 J03 P03 U03	D03 J03 P03 U03	D03 J03 P03 U03	D03 J03 P03 U03	D03 J03 P03 U03	D03 J03 P03 U03	D03 J03 P03 U03	D03 J03 P03 U03	
+6V NOTE 1	S11	B11 G11	B11 G11																		
+8.5V NOTE 1					B11 G11 M11 S11		D11									B11 G11 M11 S11	B11 G11 M11 S11				
+12V NOTE 1		B09 M09	S09				J11														
+24V NOTE 1		M02 S02	S02																		
+24V(S)* NOTE 1		M02 M05																			

4237977

A F 0 2 0

CABLES:

GND: B1E11, F1A11, J1B11, M1E11, R1A11, U1B11, B6E02, F6A02, J6B02, M6E02, R6A02, U6B02

INPUT VOLTAGES AT MINI-BUS CONNECTORS.

GND: B2E14, U2E14, B4E14, U4E14, B3E14, U3E14

-24V: B4A14

-4V: B3A14

-4V(S): U3A14

-5V: U2A14, U4A14

+5V: B2A14, B4E01, B5A01, U3A01, U4A01, U5A01

+6V: B3E01, B4A01

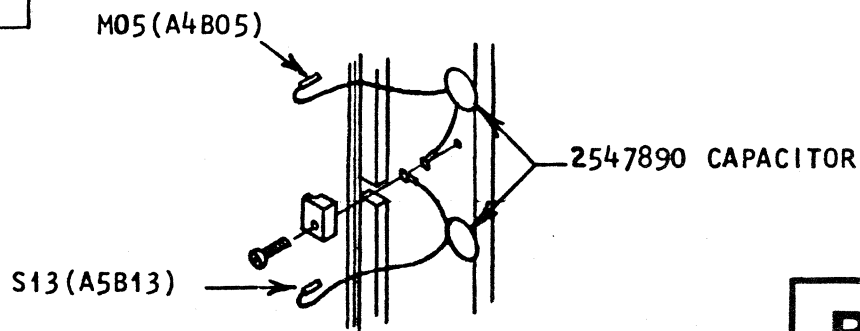
+8.5V: U3E01, U4E01, U5E01

24V: B5E01

+24V(S): B3A01

NOTE:

1 THESE VOLTAGES ARE FOR REF ONLY. FOR VOLTAGE MEASUREMENT, REFER TO SEC 05-710 OF MAINTENANCE MANUAL (VOL B).



*SPECIAL SEE DETAIL A

DETAIL A

COPYRIGHT IBM CORP., 1978

EC HISTORY		DRAWING TITLE	
02DEC77	832850	A-A3 BOARD VOLTAGE DISTRIBUTION	
08MAY78	833014A	MACH 5340	
29JUN78	832999	PART NO 423 7977	
B	13DEC78	834777	CLASSIFICATION
			8/11/77 J.C.
			IBM CORP

A F 0 2 0

A F 0 2 0

4237990

B-A1 AND A2 BOARD VOLTAGE DISTRIBUTION

	A2	B2	C2	D2	E2	F2	G2	H2	J2	K2	L2	M2	N2	P2	Q2	R2	S2	T2	U2	V2	
GND	D08 J08 P08 U08	D08 J08 P08 U08	D08 J08 P08 U08	D08 J08 P08 U08	D08 J08 P08 U08	D08 J08 P08 U08	D08 J08 M12 P08 S08 U08 U09	D08 J08 P08 U08	D08 J08 P08 U08	D02 B07 D08 B12 J08 P08 U08	D08 J08 P08 U08	D08 J08 P08 U08	D08 J08 P08 U08	D08 J08 P08 U08	D08 J08 P08 U08	D08 J08 P08 U08	D08 J08 P08 U08	D08 J08 P08 U08	D08 J08 P08 U07 *U08	D08 J08 P08 U08	
+12V NOTE 1				B04 G04 M04 S04	B04 G04		B03	G04	M04 S04	G04 M04 S04	B04 G04	B04 G04		B04	B03 B04 G04 M04 S04	B04 G04	G04 G05 M04 S04	B02 B04 G04 M04 S04	*U04	S08 S09 S10	
			**	**	**	**	**	**	**	**	**	**	**	**	**	**	**	**	**	**	
+8.5V NOTE 1				U13	D11		D11	G03		B02 D07 D12 G03 U02			P02	G09				D12		*U11	
-5V NOTE 1					D10 D12		D10 D12 U10 U12			M07											*U12
-12V NOTE 1				D10 J10 P10 U10	D05		B02	J10 P10 U10	P10 U10	J10 P10 U10	D10 J10	D10 J10		D10 J10	D10 J10 P10 U10	D10 J10	J10 P10 U10	D10 J10 P10 U10	U10 *		

NOTE:

- 1. THESE VOLTAGES ARE FOR REF ONLY. FOR VOLTAGE MEASUREMENT, REFER TO SECTION 05-710 OF MAINTENANCE MANUAL. (VCL B)
- * SOURCE INPUT
- ** D03, J03, P03, & U03

B-A1 AND A2 BOARD VOLTAGE DISTRIBUTION

COPYRIGHT IBM CORP. 1978

EC HISTORY		DRAWING TITLE	
02DEC77	832850	B-A1 AND A2 BOARD VOLTAGE DISTRIBUTION	
13DEC78	834777	MACH 5340	
25JUL79	834824	PART NO 4237990	
B	CLASSIFICATION		IBM CORP
	8/11/77	J.C.	

AF030

AF030

4237991

AF040

C-AI BOARD VOLTAGE DISTRIBUTION

	A2	B2	C2	Z1
GND	D08 G08 G13 P02 J08 P09 J09 U02 P08 U09 U08	D08 G02 J08 P08 U08	D08 J08 J13 P08 U08	A6D04 B6C02
-24V NOTE 1 *	P06 G07		D06	B6AD2
-6V NOTE 2 *			G13 P13 S11 U13	
-5V NOTE 1 *	J06 P05 P12 U05 U12		J06 P06 U06	A6E02
+5V NOTE 1 *	B03 D03 G02 G03 J02 J03 P10 P03 U10 U03	D03 J03 P03 U03	D03 J03 P03 U03 D04	B6B02 B6B04 B6C04
+6V NOTE 2 *			B13 P11 U11	
+24V NOTE 1 *	G05 P04		D11 J11	A6D02

CABLES:

GND: B1C11, B6C02
 MINI BUS CONNECTOR PINS (REF ONLY)
 GND: B2E14, B4E14
 +5V: B3A01, B5A01

NOTES:

1. SUPPLIED BY A3 CABLE.
 2. SUPPLIED BY C2 CARD.
- * THESE VOLTAGES ARE FOR REF ONLY. FOR VOLTAGE MEASUREMENT, REFER TO SECTION 05-710 OF MAINTENANCE MANUAL (VOL B).

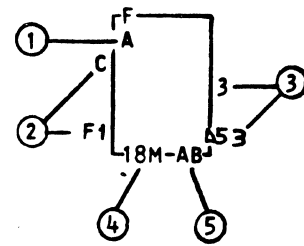
COPYRIGHT IBM CORP. 1978

EC HISTORY		DRAWING TITLE	
02DECT77	832850	C-AI BOARD VOLTAGE DISTRIBUTION	
11 NOV 80	835083	MACH	5340
		PART NO 4237991	
B		CLASSIFICATION	
		09/06/77	J.C.
		IBM CORP	

AF040

AF040

CONVENTIONS



1. FUNCTION

THIS IDENTIFIES THE FUNCTION OF THE BLOCK - (AND)

2. LINE POSITION

ALPHA CHARACTERS NEXT TO THE INPUT OF THE LOGIC BLOCK IDENTIFY THE POSITION OF THE LINE ON THE BLOCK

3. LINE POSITION

NUMERIC CHARACTER NEXT TO THE LOGIC BLOCK ON THE OUTPUT IDENTIFIES THE POSITION OF THE LINE ON THE BLOCK

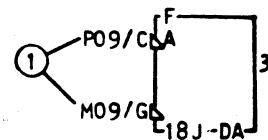
4. LOCATION

THIS IDENTIFIES THE POSITION OF THE BLOCK ON THE PAGE

5. BLOCK I.D.

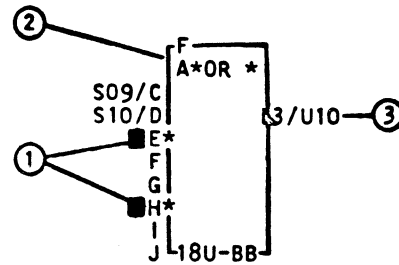
THIS IS USED TO IDENTIFY THE OUTPUT NET WITH ITEM 3

(EXAMPLE: OUTPUT NET OF THIS BLOCK WOULD BE AB3)



1. PROBEABLE INPUT BOARD PINS

CONVENTIONS



1. DELIMITER

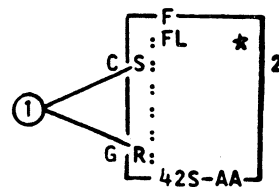
ASTERISK IS A DELIMITER AND SEPARATES GROUPS OF INPUTS

2. BLOCK FUNCTION

A*OR INDICATES 'AND' BLOCKS FEEDING AN 'OR' BLOCK

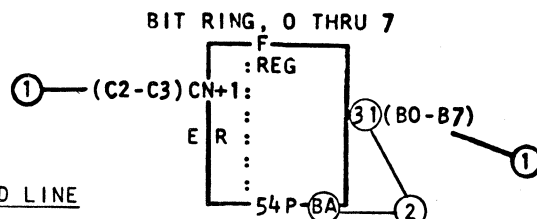
THIS EXAMPLE SHOWS 3 'AND' BLOCKS FEEDING AN 'OR' BLOCK. THE 3 'AND' BLOCK FUNCTIONS ARE SEPARATED BY THE ASTERISKS

3. PROBEABLE OUTPUT BOARD PIN



1. ENGLISH PIN CHARACTERS

THEY ARE INSIDE THE BLOCK AND DENOTED BY THE DOTTED LINE



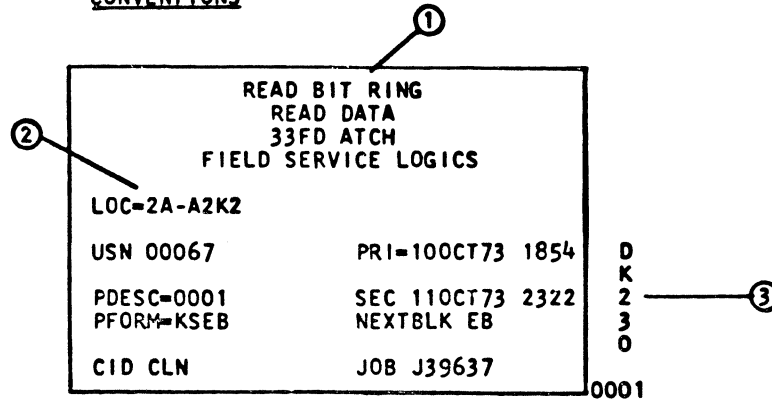
1. BUNDLED LINE

OUTPUT LINE CONTAINS 8 LINES, B0 THRU B7
INPUT LINE CONTAINS 2 LINES, C2 AND C3.

2. PROBEABLE BUNDLED LINE

USE PIN LOCATION TABLE IN THE LEFT CORNER OF THE COMMENT AREA. EACH GROUP OF BUNDLED LINES WILL BE IDENTIFIED BY BLOCK NAME (BA) AND STARTING LOCATION (31). IN THIS CASE, 31 WILL BE FOR B0; 32 WILL BE FOR B1; ETC

CONVENTIONS



PAGE TITLE BLOCK

- DESCRIPTION OF LOGIC ON THE PAGE
- CARD LOCATION OF LOGIC ON PAGE
- PAGE NUMBER

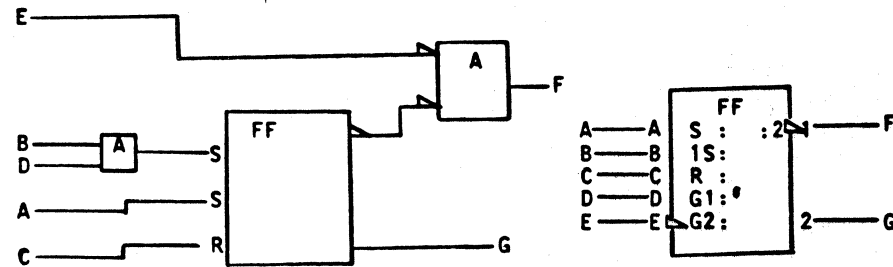
EDGE OF BLOCK CHARACTERS

- P - A POSITIVE-GOING SHIFT OR PULSE ACTIVATES THE BLOCK
- N - A NEGATIVE-GOING SHIFT OR PULSE ACTIVATES THE BLOCK
- T - A TEST POINT
- D - NEGATIVE DC ACTIVE LEVEL
- I - POSITIVE DC ACTIVE LEVEL

COPYRIGHT IBM CORP 1975

EC HISTORY		DRAWING TITLE	
29JUL77	832742M	LOGIC	BLOCK SYMBOLGY
02DECT77	832850	MACH	5340
		PART NO	4237827
C	CLASSIFICATION		EDM CORP
		27/05/77 JLC	

CONVENTIONS



LINE DEPENDENCY NOTATIONS

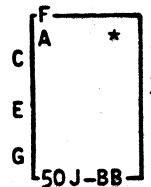
THIS FIGURE IS PROVIDED TO ILLUSTRATE THE DEPENDENCY NOTATION. INPUT B AND OUTPUT F ARE DEPENDENT LINES. INPUT D IS THE DEPENDENCY FOR INPUT B AND IS CALLED G1. THE INPUT B IS NOTED WITH A 1 TO COMPLETE THE INPUT DEPENDENCY NOTATION. INPUT E IS THE DEPENDENCY FOR OUTPUT F. IT IS INDICATED AS G2. OUTPUT F IS DESIGNATED WITH A 2 TO COMPLETE ITS DEPENDENCY NOTATION. INPUTS A, C AND OUTPUT G ARE LINES THAT HAVE NO DEPENDENCY.

ENGLISH PIN CHARACTERS

- A ADDRESS (READ AND/OR WRITE)
- AR* READ FROM ADDRESS
- AW* WRITE INTO ADDRESS
- C CONTROL (USED WITH DATA STORAGE)
- CD DATA
- G GATES OTHER SIGNALS
- J ALONE, CAUSES SET WITH K, COMPLEMENTS
- K ALONE, CAUSES RESET. WITH J, COMPLEMENTS
- R CAUSES RESET
- S CAUSES SET
- T COMPLEMENTS FUNCTION
- Z COMMON SIGNAL DISTRIBUTION
- > SHIFT DOWN
- < SHIFT UP
- + INCREMENT THE COUNT
- DECREMENT THE COUNT
- NUMERAL(S) DECODER LINE WEIGHT OR DEPENDENCY UPON CONTROLLING LINE

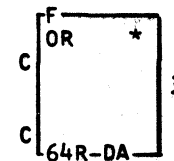
AND BLOCK

THE OUTPUT OF THIS AND BLOCK IS AT ITS INDICATED POLARITY ONLY WHEN ALL OF ITS INPUTS ARE AT THEIR INDICATED POLARITIES. THE LETTERS IN THE BLOCK ARE THE SYMBOL OF THE FUNCTION. IN THIS CASE, A IS THE SYMBOL FOR THE AND FUNCTION.



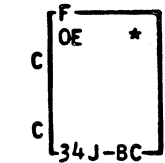
OR BLOCK

THE OUTPUT OF THE OR BLOCK IS AT ITS INDICATED POLARITY ONLY WHEN ONE OR MORE OF ITS INPUTS ARE AT THEIR INDICATED POLARITY.



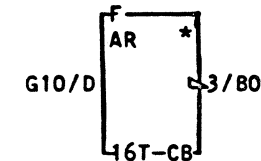
EXCLUSIVE OR

THE OUTPUT OF AN EXCLUSIVE OR BLOCK IS AT ITS INDICATED POLARITY WHEN ONLY ONE OF ITS INPUTS IS AT THE INDICATED POLARITY.



AMPLIFIER

THE AMPLIFIER PROVIDES ADEQUATE DRIVING ENERGY AND AN APPROPRIATE IMPEDANCE MATCH TO OTHER BLOCKS. THE AMPLIFIER OUTPUT IS AT ITS INDICATED POLARITY ONLY WHEN THE INPUT IS AT ITS INDICATED POLARITY. AN AMPLIFIER CAN HAVE NO MORE THAN ONE LOGIC INPUT. AN AMPLIFIER HAVING INPUT OR OUTPUT OF OTHER THAN STANDARD LOGIC SIGNAL VOLTAGE HAS DISTINCTIVE LABELING AT THE BLOCK.

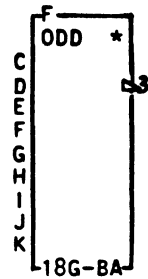


COPYRIGHT IBM CORP. 978

EC HISTORY		DRAWING TITLE	
29 JUL 77	832742m	LOGIC BLOCK SYMBOLY	
02 DEC 77	832850	MACH 5340	
		PART NO 4237828	
C		CLASSIFICATION	IBM CORP
		26/05/77 JLC	

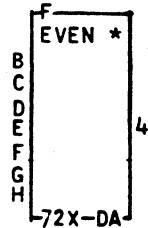
AY004

AY004



ODD COUNT

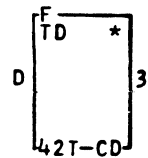
THE OUTPUT OF ODD COUNT (ODD) COUNT IS AT ITS INDICATED POLARITY ONLY WHEN AN ODD NUMBER (SUCH AS 1, 3, 5, OR 7) OF THE INPUTS ARE AT THEIR INDICATED POLARITY.



EVEN COUNT

SIMILAR TO THE ODD EXCEPT THE OUTPUT OF EVEN COUNT (EVEN) IS AT ITS INDICATED POLARITY ONLY WHEN AN EVEN NUMBER (SUCH AS 0, 2, 4, OR 6) OF THE INPUTS ARE AT THEIR INDICATED POLARITY

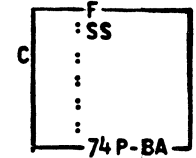
750 NANOSEC TYPICAL



TIME DELAY

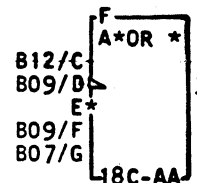
THE TIME DELAY BLOCK DELAYS A SIGNAL WITHOUT INTENTIONAL DISTORTION OF THE SIGNAL. THE TIME DELAY SYMBOL MUST ALWAYS BE ACCOMPANIED BY THE TIME DELAY. TIME DELAYS HAVING A DELAY TIME FOR THE LEADING EDGE OF THE OUTPUT THAT IS DIFFERENT FROM THE TIME DELAY FOR THE TRAILING EDGE ARE IDENTIFIED BY THE PLACEMENT OF AN L FOR LEADING AND A T FOR TRAILING IMMEDIATELY PRIOR TO THE SEPARATE DELAY TIMES IN THE BLOCK AREA. THE INPUT POLARITY AT THE BLOCK MUST BE THAT ASSOCIATED WITH THE LEADING EDGE OF THE OUTPUT.

8 MILLSEC MAX



SINGLESOT

THE OUTPUT OF THE SINGLESOT CHANGES TEMPORARILY TO THE INDICATED POLARITY WHEN IT RECEIVES AN INPUT SIGNAL OF THE INDICATED POLARITY. THE OUTPUT REMAINS IN THIS QUASI-STABLE STATE FOR A TIME CHARACTERISTIC OF THE PARTICULAR BLOCK. THE SINGLESOT ALWAYS HAS THE TIME DURATION SHOWN IN THE TITLE AREA OF THE BLOCK. IF A SINGLESOT HAS MORE THAN ONE OUTPUT NOT OF THE SAME DURATION, THE BLOCK IS LABELED OR A REFERENCE NOTE ON THE PAGE RELATES PIN NUMBERS TO TIME DURATION.

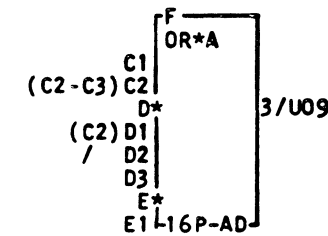


AND TO OR

THE A*OR OUTPUT(S) WILL STAND AT ITS INDICATED POLARITY WHEN AND ONLY WHEN ONE OR MORE OF THE INPUT AND GROUPINGS HAS ALL ITS INPUTS STANDING AT THEIR INDICATED POLARITY.

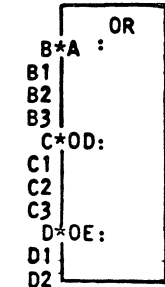
SYMMETRICAL TWO-LEVEL LOGIC COMBINATIONS

INPUT LEVEL	OUTPUT LEVEL	SYMBOL
OE	A	OE*A
OD		OD*A
OR		OR*A
A	OR	A*OR
OE		OE*OR
A		A*OD
OR	OD	OR*OD
A		A*OE
OR		OR*OE
A	SS	A*SS
OE		OE*SS
OR		OR*SS
OD		OD*SS



OR TO AND

THE OR*A OUTPUT(S) WILL STAND AT ITS INDICATED POLARITY WHEN AND ONLY WHEN ALL OF THE INPUT OR GROUPINGS HAVE ONE OR MORE OF THEIR INPUTS STANDING AT ITS INDICATED POLARITY.



TWO LEVEL LOGIC NON-SYMMETRICAL INPUTS

NON-SYMMETRICAL INPUT FUNCTIONS TO THE OR; THESE MAY BE ANY COMBINATION OF BASIC LOGIC FUNCTIONS, EXCLUDING STORAGE.

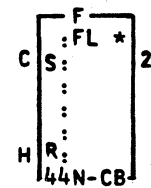
DEFINITION: THE OUTPUT(S) OF THIS OR WILL STAND AT ITS INDICATED POLARITY WHEN AND ONLY WHEN ONE OR MORE OF THE INPUT FUNCTIONS HAVE BEEN SATISFIED.

COPYRIGHT IBM CORP 1976

EC HISTORY		DRAWING TITLE	
29 JUL 77	832742M	LOGIC	BLOCK SYMBOLOGY
02 DEC 77	832850	MACH	5340
		PART NO 4237829	
C	CLASSIFICATION		IDM CORP
	26/05/77 JLC		

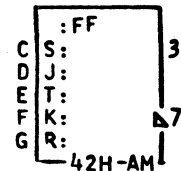
AY005

AY005



FLIPLATCH

THE FLIPLATCH IS A STORAGE BLOCK WITH TWO STABLE STATES, ONE IS THE SET STATE AND THE OTHER IS THE RESET STATE. AN ENGLISH CHARACTER, (S,R) ON THE OUTPUT INDICATES THE STATE THE OUTPUT WILL ASSUME IF THE SET AND RESET ARE ACTIVATED SIMULTANEOUSLY.

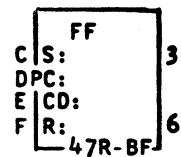


FLIP FLOP

THE FLIP-FLOP HAS TWO STABLE STATES. ONE OF THESE IS THE '1' STATE OR SET STATE, THE OTHER IS THE '0' STATE OR RESET STATE.

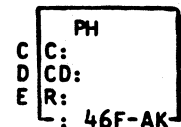
THE OUTPUT(S) WILL HAVE THE INDICATED POLARITY WHILE THE FLIP-FLOP IS IN THE SET STATE.

A FLIP-FLOP CAN HAVE FIVE TYPES (S, R, J, K, AND T) OF INPUTS, IN DIFFERENT COMBINATIONS. INPUTS J AND K, RESPECTIVELY, ACT LIKE INPUTS S AND R IN THE FLIP LATCH EXCEPT THAT SIMULTANEOUS APPLICATION OF A J SET AND K RESET WILL COMPLEMENT THE OUTPUT. THE T INPUT COMPLEMENTS EACH OUTPUT.



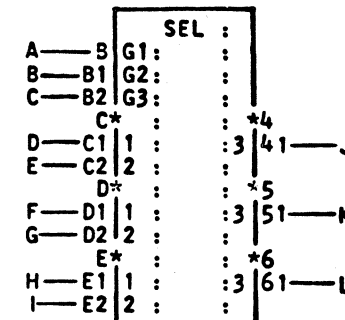
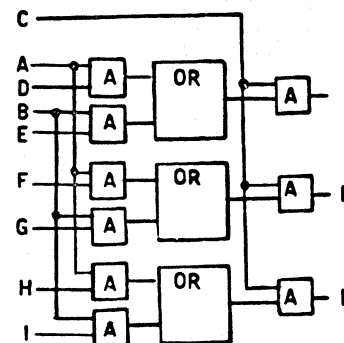
FLIP-FLOP WITH C AND CD

THE FLIP-FLOP CAN BE SET AND RESET WITH THE S AND R INPUTS. A PLUS SHIFT ON THE C INPUT WILL CLOCK THE CD INPUT. THIS WILL SET THE FLIP-FLOP IF THE CD LINE IS ACTIVE OR WILL RESET THE FLIP-FLOP IF THE CD LINE IS INACTIVE.



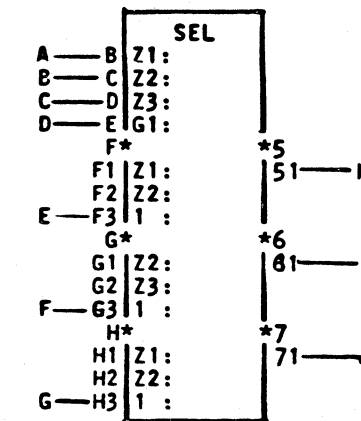
POLARITY HOLD

THE OUTPUT OF THIS BLOCK IS AT THE INDICATED POLARITY WHEN THE DATA LINE IS AT ITS INDICATED POLARITY AND THE CONTROL LINE IS AT ITS POLARITY. WHEN THE CONTROL INPUT GOES TO THE POLARITY OPPOSITE TO THAT INDICATED, THE OUTPUT REMAINS AT WHATEVER POLARITY IT POSSESSES AT THAT MOMENT. THE PH BLOCK MAY HAVE A RESET INPUT. WHEN RESET THE OUTPUT IS OPPOSITE TO THAT OF ITS INDICATED POLARITY.



SELECTOR

THE SELECTOR IS A GATING DEVICE. THE UPPER SECTION OF THE BLOCK CONTAINS THE GATES. THESE LINES ARE DESIGNATED G. THE LOWER SECTION CONTAINS THE GATED DATA LINES.



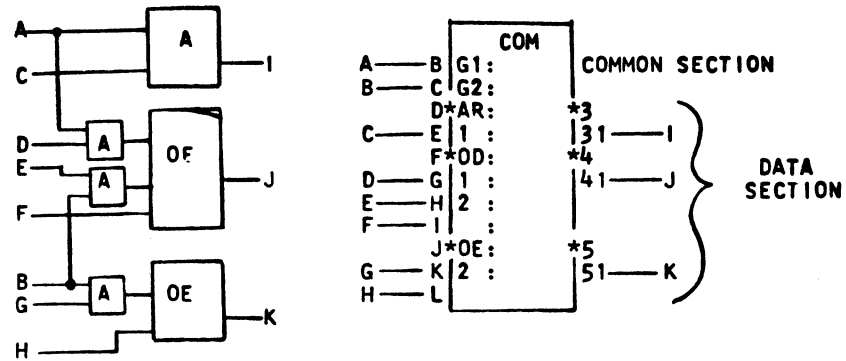
SELECTOR WITH Z INPUT

WHEN AN INPUT LINE IS COMMON TO A NUMBER OF FUNCTIONS IN A STACKED OR MACRO BLOCK CONFIGURATION IT IS DESIGNATED AS A Z LINE. THE Z INPUT LINE IS BROUGHT TO THE COMMON SECTION OF THE LOGIC SYMBOL AND THE APPROPRIATE Z DESIGNATION IS REPEATED IN ALL THE LOGIC FUNCTIONS AFFECTED. THE Z INPUT ACTIVE AT EACH FUNCTION WILL EXIST PROVIDING THE Z INPUT STANDS AT THE POLARITY INDICATED.

AY006

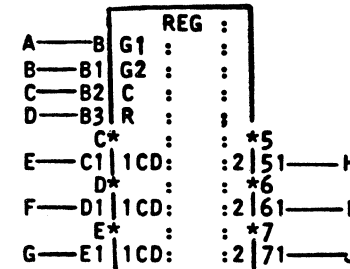
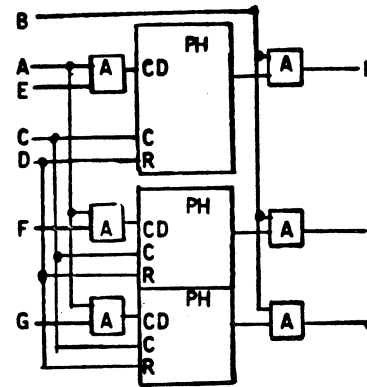
AY006

EC HISTORY		DRAWING TITLE	
29 JUL 77	832742M	LOGIC	BLOCK SYMBOLOGY
02 DEC 77	832850	MACH	5340
		PART NO 4237830	
C	CLASSIFICATION		IBM CORP
	26/05/77	JLC	



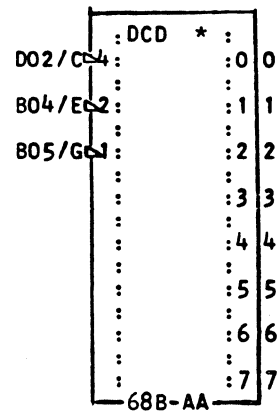
COMMON BLOCK

THE COMMON SECTION MAY BE ASSOCIATED WITH ANY GROUP OF BASIC LOGIC ELEMENTS FUNCTIONALLY GROUPED BY THEIR DEPENDENT GATING. FOR THIS APPLICATION, EACH FUNCTIONAL ELEMENT SHALL CONTAIN THE PROPER LETTER(S) THAT MAKES IT AN APPROVED LOGIC SYMBOL. THE COMMON SECTION MAY CONTAIN THE LETTERS COM AT THE TOP LINE.



REGISTER

A REGISTER LOGIC BLOCK CONSISTS OF A GROUP OF ASSOCIATED STORAGE ELEMENTS (FF, FL, PH) WITH COMMON INPUT AND/OR OUTPUT GATING OR OTHER COMMON INPUT LINES SUCH AS RESET.



DECODE

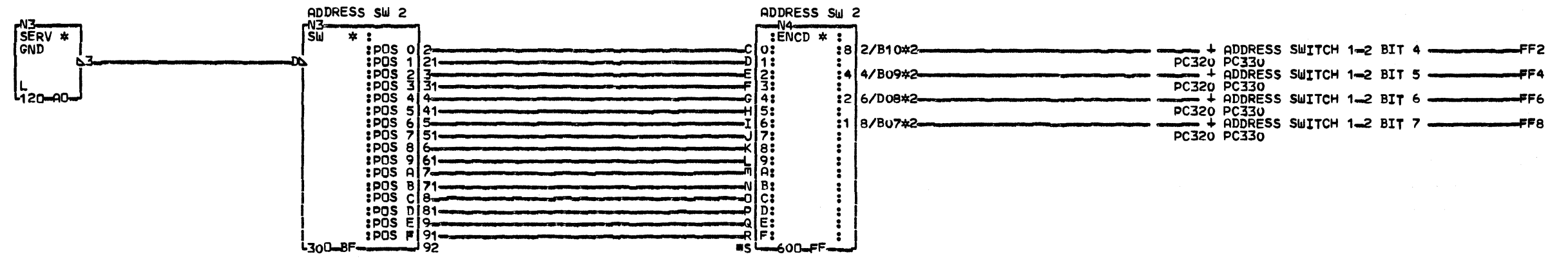
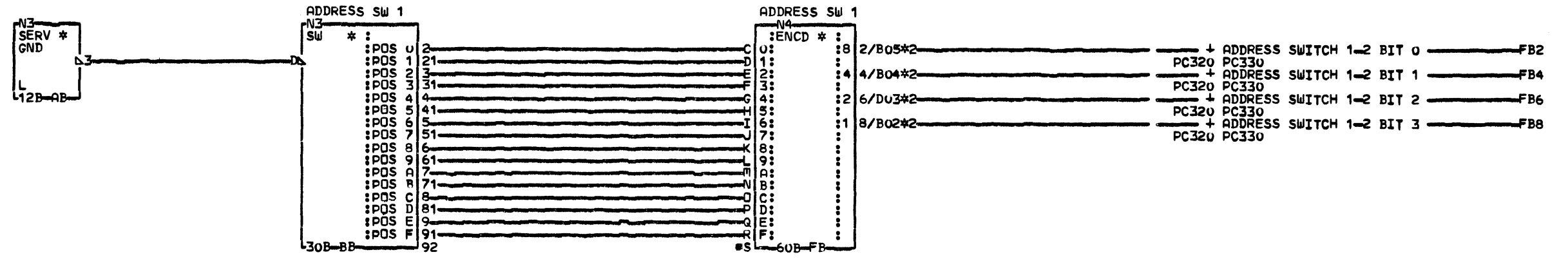
THE DECODER TRANSLATES A GROUP OF RELATED INPUTS INTO A SPECIFIC OUTPUT. INPUTS ARE NUMBERED IN BINARY PROGRESSION: 1, 2, 4, 8, AND SO ON. THE OUTPUT EQUALS THE SUM OF THE ACTIVE INPUTS.

COPYRIGHT IBM CORP. 1978

EC HISTORY		DRAWING TITLE	
29JUL77	832742M	LOGIC	BLOCK SYMBOLOGY
02DEC77	832850	MACH	5340
		PART NO 4237831	
C	CLASSIFICATION		IBM CORP
	26/05/77	JLC	

AY007

AY007

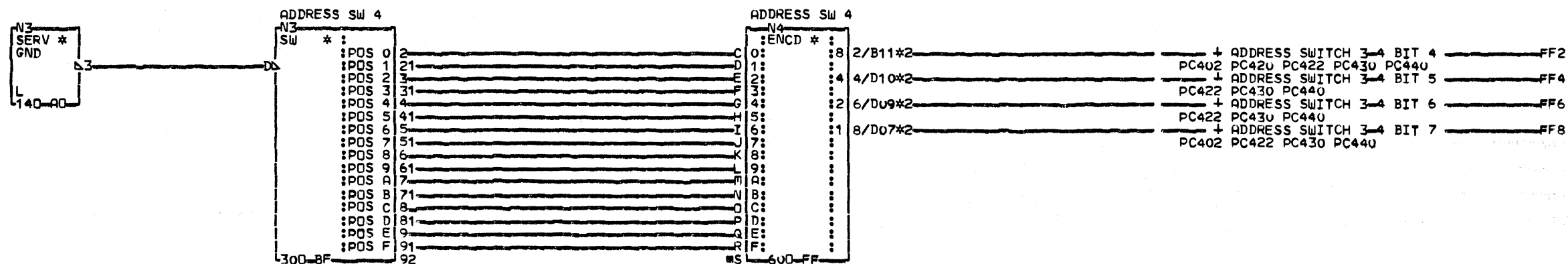
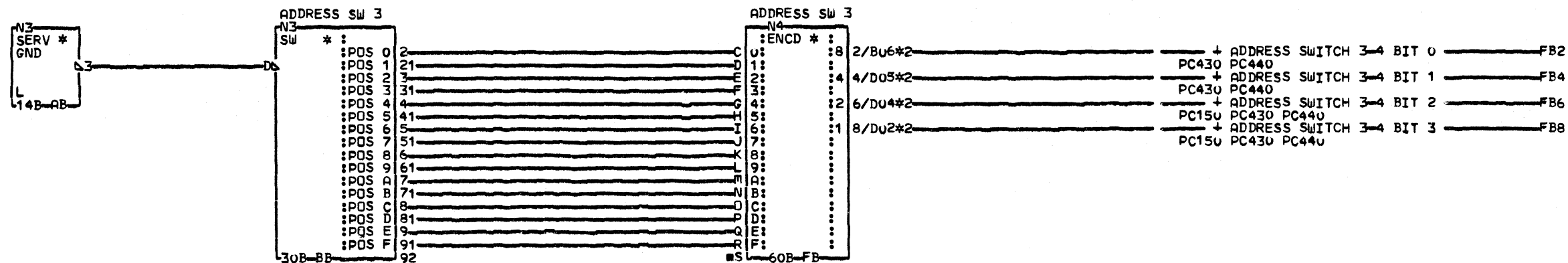


COMMENTS
D1COPYRIGHT IBM CORP. 1978

CONNECTORS
0001/1A-A1/A4D05
0002/1A-A1/A4D04
0003/1A-A1/A4B03
0004/1A-A1/A4D02
0005/1A-A1/A4D10
0006/1A-A1/A4D09
0007/1A-A1/A4B08

CONNECTORS
0008/1A-A1/A4D07

CE PANEL
ADDRESS SWITCHES
CE PANEL Y1
PN4237277 EC832850 PEC832742E
LOC=CE-PANELY1
USN 00006 PRI=09SEP77 0040
AUC= SEC
PFORM=KSEB NEXTBLK FG
CID PIOFE JOB M5301415



COMMENTS
D1COPYRIGHT IBM CORP. 1978

CONNECTORS
FB2
0001/1A-A1/A4D06
FB4
0002/1A-A1/A4B05
FB6
0003/1A-A1/A4B04
FB8
0004/1A-A1/A4B02
FF2
0005/1A-A1/A4D11
FF4
0006/1A-A1/A4B10
FF6
0007/1A-A1/A4B09

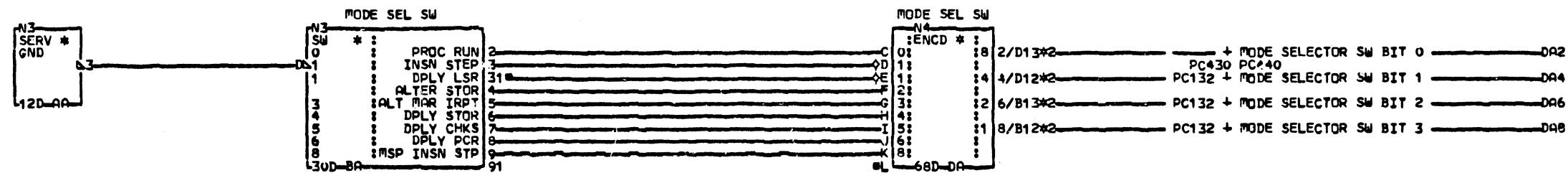
CONNECTORS
FF8
0008/1A-A1/A4B07

CE PANEL
ADDRESS SWITCHES
CE PANEL Y1
PM4237278 EC832850 PEC832742E
LOC=CE-PANELY1
USN 00006 PRI=09SEP77 0040
AUC= PFDR=KSEB SEC NEXTBLK FG
CID PIOFE JOB M5301415

CN-1-100

CE
1
2
0

0001



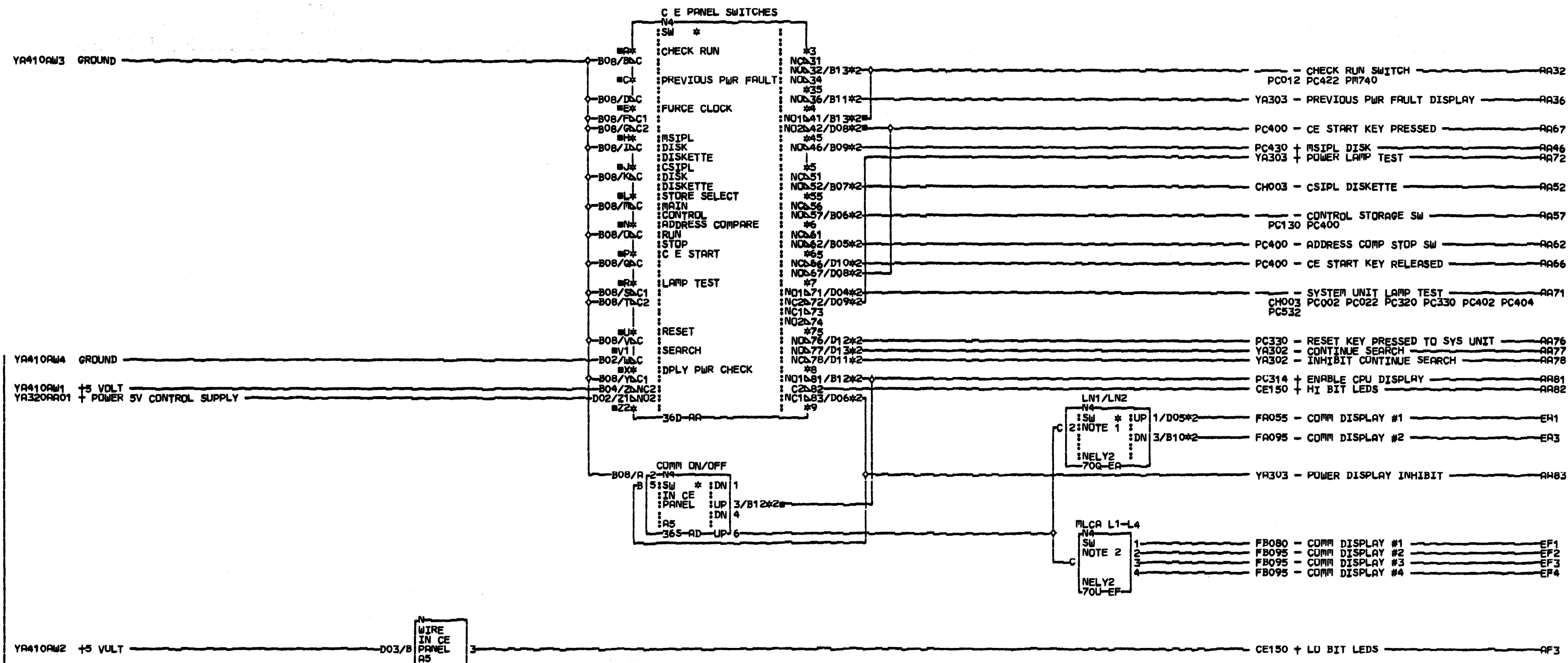
COMMENTS
 D1COPYRIGHT IBM CORP. 1978

CONNECTORS
 DA2
 0001/1A-A1/A4B13
 DA4
 0002/1A-A1/A4B12
 DA6
 0003/1A-A1/A4D13
 DA8
 0004/1A-A1/A4D12

CE PANEL
 MODE SELECTOR SWITCH
 CE PANEL Y1
 PN4237279 EC832850 PEC832742E
 LOC=CE-PANELY1
 USN 00006 PRI=19SEP77 1624
 AUC= SEC
 PFORM=KSEB NEXTBLK DB
 CID PICPE JOB #5301415

0001

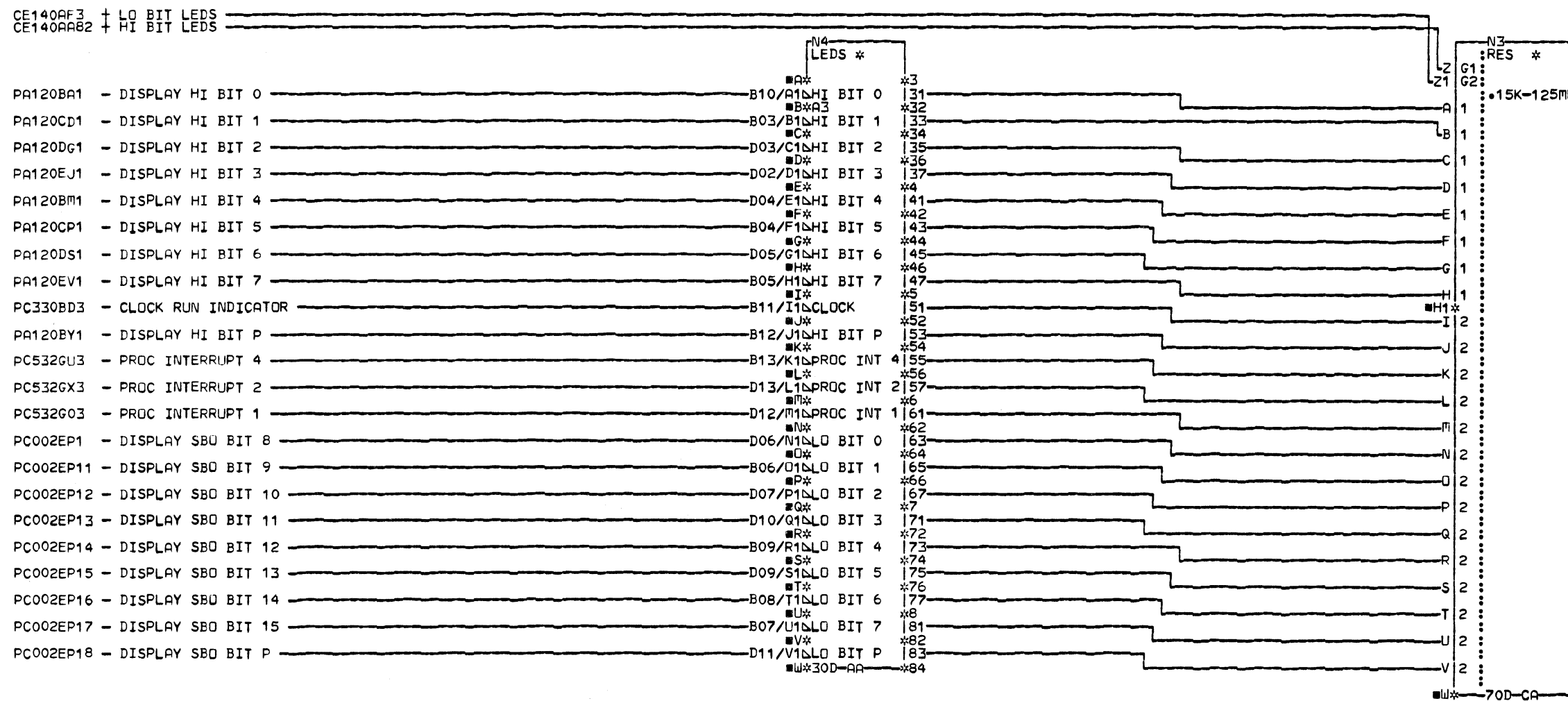
CE
 1
 3
 0



NOTE 1
 WHEN ONLY 1 COMM LINE IS INSTALLED, LN1/LN2 SW IS NOT INCLUDED. COMM ON/OFF 6 CONNECTS TO -COMM DISPLAY #1 (D05*2).
 302-ED

NOTE 2
 THIS IS INSTALLED ONLY FOR THE MLCA FEATURE. SEE NOTE 1 WHEN 1 OR 2 NON-MLCA COMM LINES ARE INSTALLED.
 602-EE

COMMENTS D1COPYRIGHT IBM CORP. 1978 0001	CONNECTORS	CONNECTORS	CONNECTORS	CONNECTORS	C E PANEL SWITCHES CONNECTOR-Y2 CE PANEL Y2 PN4237280 EC835083 PEC834941 LOC=CE-PANELY2 USN 00008 PRI=09SEP80 1209 AUC= SEC 24SEP80 1028 PFORM=KSEB NEXTBLK EG MACH=5340000 CID PIOFE JOB K3001256 C E 1 4 0 0001
	0003/1A-A1/A5D13	0010/1A-A1/A5B10	0028/1A-A1/B1B13	0032/1A-A1/F6B02	
	0004/1A-A1/A5D11	0011/1A-A1/A5B08	0029/1C-A1/A2B05	0034/1A-A2/F1B11	
	0022/1A-A1/C1A13	0018/1A-A1/A5D07	0030/1A-A1/A1D11	0002/1A-A1/A5D10	
	0023/1C-A1/A2B09	0008/1A-A1/A5D06	0016/1A-A1/A5B11	0033/1A-A1/F6C02	
0006/1A-A1/A5D09	0009/1A-A1/A5D05	0031/1C-A1/A2B02	0035/1A-A2/F1C11		
0018/1A-A1/A5D07		0017/1A-A1/A5D12			
0008/1A-A1/A5D06		0005/1A-A1/A5B06			
0009/1A-A1/A5D05		0024/1A-A1/C1C13			
		0025/1C-A1/A2B11			
		0001/1A-A1/A5B05			



COMMENTS

D1COPYRIGHT IBM CORP. 1978

C E PANEL LIGHTS
 SOCKET J2 EXCEPT AS NOTED
 CE PANEL Y3
 PN4237281 EC832984 PEC832850

LOC=CE-PANELY3

USN 00008 PRI=01FEB78 1748

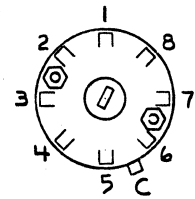
AUC= SEC
 PFORM=KSEB NEXTBLK CB

CID PIOFE JOB L6901004

AA1-A5 (Y2) CE140

- | | |
|----------------------------------|--------------------------------|
| B02 - GROUND TO DISPLAY PWR CHK | D02 + PWR 5V TO CONTROL SUPPLY |
| B03 - GROUND TO DISPLAY PWR CHK | D03 + SYS UNIT 5V TO CE PANEL |
| B04 + SYS UNIT 5V TO CE PANEL | D04 - SYS UNIT LAMP TEST |
| B05 - ADDRESS COMP STOP SW | D05 - COMM DISPLAY #1 |
| B06 - CONTROL STORAGE SW | D06 - POWER DISPLAY INHIBIT |
| B07 - CSIPL DISKETTE | D07 - CE METER KEY |
| B08 - GROUND TO DISPLAY PWR CHK | D08 - CE START KEY PRESSED |
| B09 + MSIPL DISK | D09 + POWER LAMP TEST |
| B10 - COMM DISPLAY #2 | D10 - CE START KEY RELEASED |
| B11 - PREVIOUS PWR FAULT DISPLAY | D11 - INHIBIT CONTINUE SEARCH |
| B12 + ENABLE PWR CK DISPLAY | D12 - RESET KEY PRESSED TO CP |
| B13 - CHECK RUN SWITCH | D13 - CONTINUE SEARCH |

B AND D POSITIONS ARE SWITCHED ON Y2 CABLE FROM THE MAPLE BLOCK TO THE SWITCHES.



- 1, C = COMM 1
- 2, C = COMM 2
- 3, C = COMM 3
- 4, C = COMM 4

* MODE SELECT SWITCH ADDRESS/DATA SW 1 AND 3

- BIT 0
- BIT 1
- BIT 2
- BIT 3

**ADDRESS/DATA SW 2 AND 4

- BIT 4
- BIT 5
- BIT 6
- BIT 7

DETAIL G

CE PANEL-REAR VIEW

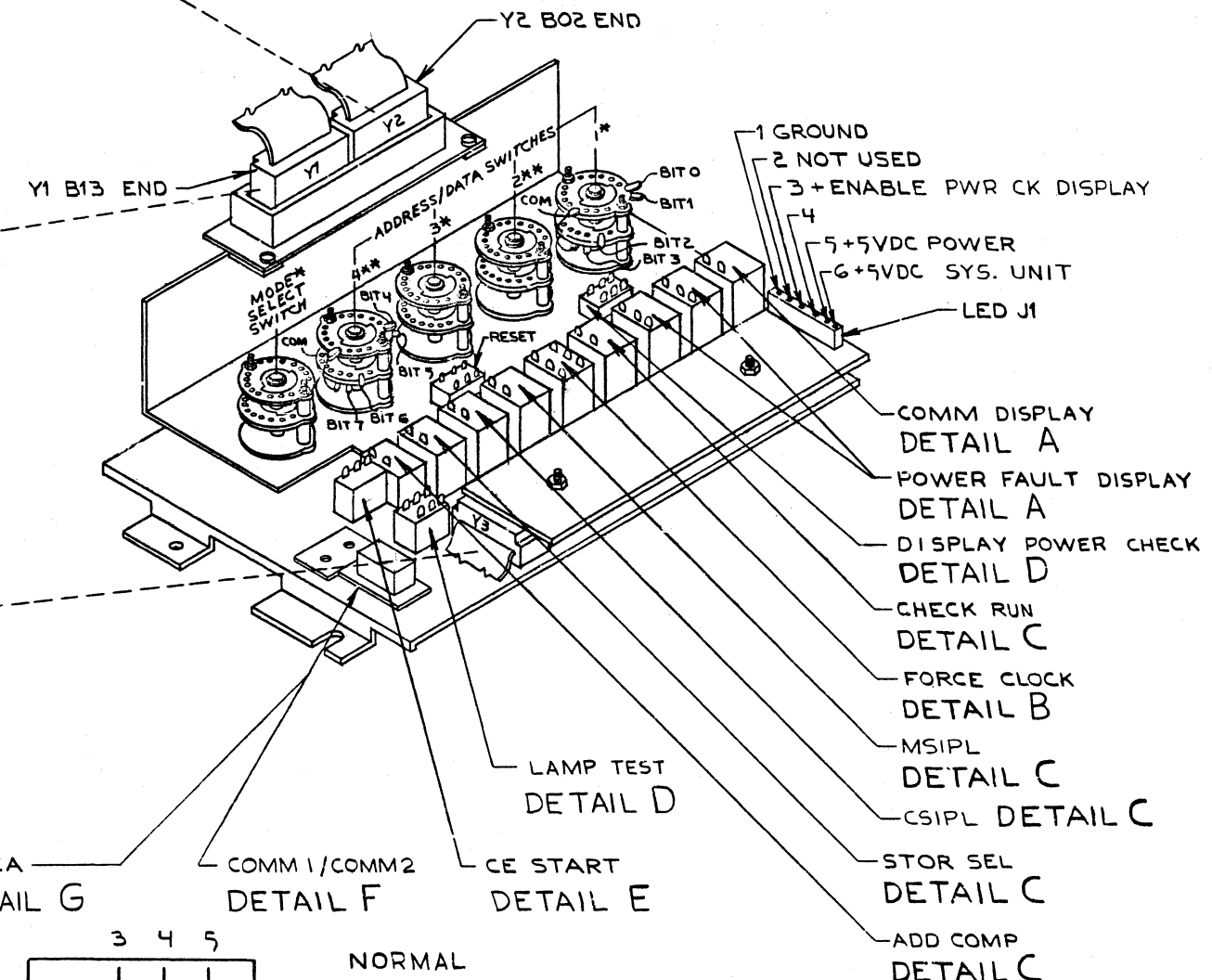
AA1-A4 (Y1) CE110,120,130

- | | |
|--------------------------------|--------------------------------|
| B02 + ADDRESS SWITCH 1-2 BIT 3 | D02 + ADDRESS SWITCH 3-4 BIT 3 |
| B03 + ADDRESS SWITCH 1-2 BIT 2 | D03 + ADDRESS SWITCH 1-2 BIT 2 |
| B04 + ADDRESS SWITCH 1-2 BIT 1 | D04 + ADDRESS SWITCH 3-4 BIT 2 |
| B05 + ADDRESS SWITCH 1-2 BIT 0 | D05 + ADDRESS SWITCH 3-4 BIT 1 |
| B06 + ADDRESS SWITCH 3-4 BIT 0 | D06 - |
| B07 + ADDRESS SWITCH 1-2 BIT 7 | D07 + ADDRESS SWITCH 3-4 BIT 7 |
| B08 - GROUND | D08 + ADDRESS SWITCH 1-2 BIT 6 |
| B09 + ADDRESS SWITCH 1-2 BIT 5 | D09 + ADDRESS SWITCH 3-4 BIT 6 |
| B10 + ADDRESS SWITCH 1-2 BIT 4 | D10 + ADDRESS SWITCH 3-4 BIT 5 |
| B11 + ADDRESS SWITCH 3-4 BIT 4 | D11 - |
| B12 + MODE SELECTOR SW BIT 3 | D12 + MODE SELECTOR SW BIT 1 |
| B13 + MODE SELECTOR SW BIT 2 | D13 + MODE SELECTOR SW BIT 0 |

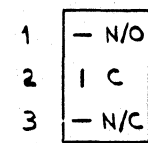
B AND D POSITIONS ARE SWITCHED ON Y1 CABLE FROM THE MAPLE BLOCK TO THE SWITCHES.

AA1-A3 (Y3) CE150

- | | |
|--------------------------|---------------------------------|
| D02 - DISPLAY HIGH BIT 3 | B02 - DISPLAY HIGH BIT 1 |
| D03 - DISPLAY HIGH BIT 2 | B03 - DISPLAY HIGH BIT 5 |
| D04 - DISPLAY HIGH BIT 4 | B04 - DISPLAY HIGH BIT 4 |
| D05 - DISPLAY HIGH BIT 6 | B05 - DISPLAY HIGH BIT 7 |
| D06 - DISPLAY SBO BIT 8 | B06 - DISPLAY SBO BIT 9 |
| D07 - DISPLAY SBO BIT 10 | B07 - DISPLAY SBO BIT 15 |
| D08 - GROUND | B08 - DISPLAY SBO BIT 14 |
| D09 - DISPLAY SBO BIT 13 | B09 - DISPLAY SBO BIT 12 |
| D10 - DISPLAY SBO BIT 11 | B10 - DISPLAY POWER CHECK BIT 0 |
| D11 - DISPLAY SBO BIT P | B11 - CLOCK RUN INDICATOR |
| D12 - PROC INTERRUPT 1 | B12 - DISPLAY HI BIT P |
| D13 - PROC INTERRUPT 2 | B13 - PROC INTERRUPT 4 |

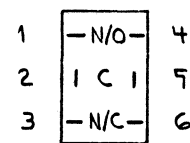


SPRING-LOADED



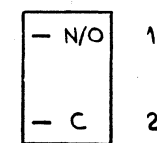
DETAIL A

NORMAL



DETAIL B

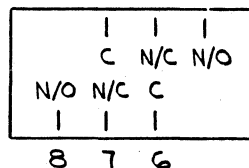
NORMAL



DETAIL C

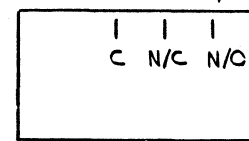
TOGGLE SWITCHES

3 4 5



DETAIL D

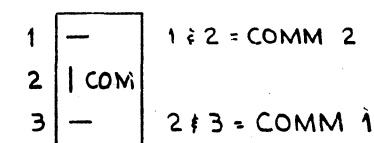
3 4 5



DETAIL E

PUSHBUTTON SWITCHES

NORMAL



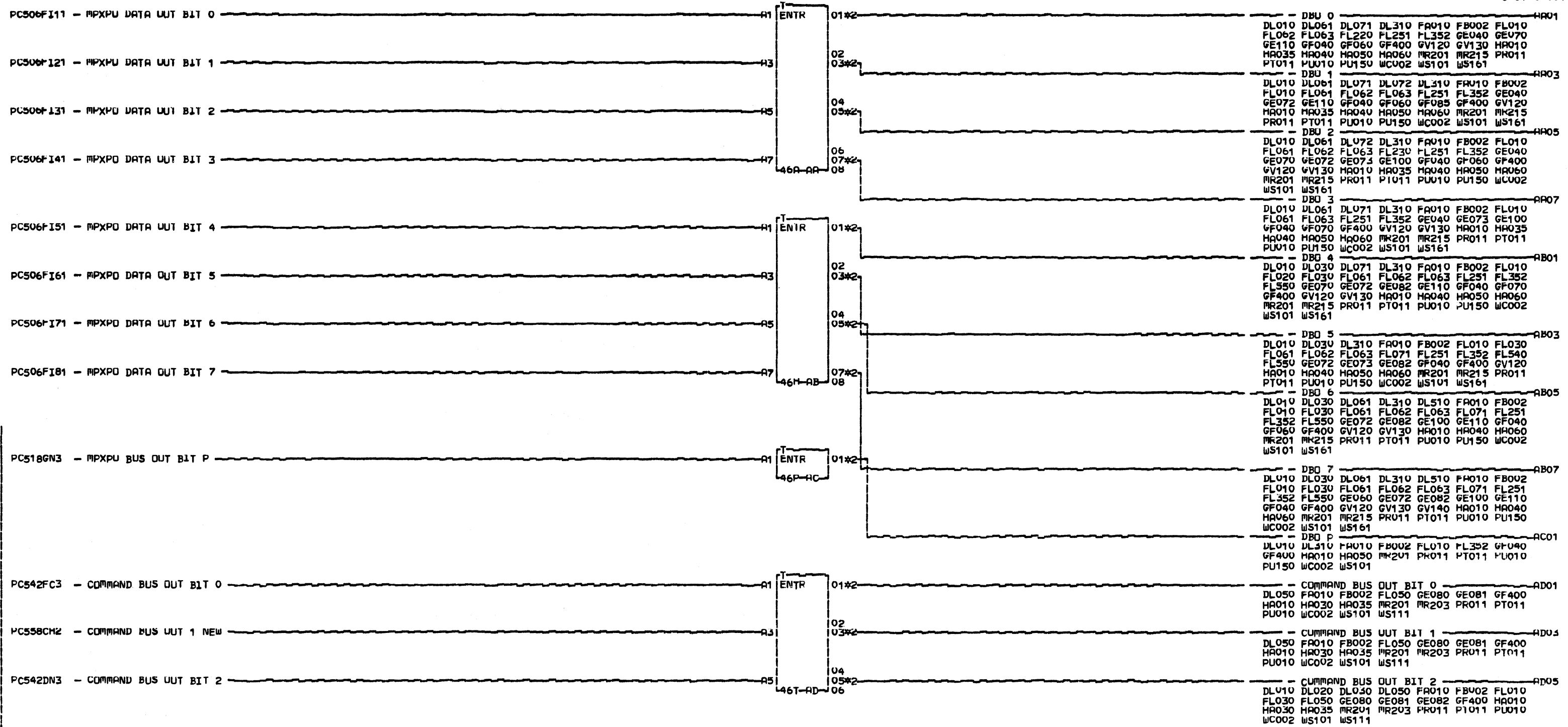
DETAIL F

CE 160

COPYRIGHT IBM CORP. 1978

EC HISTORY		DRAWING TITLE	
04MAY77	832742E	CE PANEL	
02DEC77	832850	MACH	5340
29JUN78	832999	PART NO 4237282	
13 DEC 78	834777	CLASSIFICATION	IBM CORP
21APR81	835146	4-13-77 JDS	

CE 160



COMMENTS
 D1 (C) COPYRIGHT IBM CORP. 1980

CH
 0
 0
 1
 0001

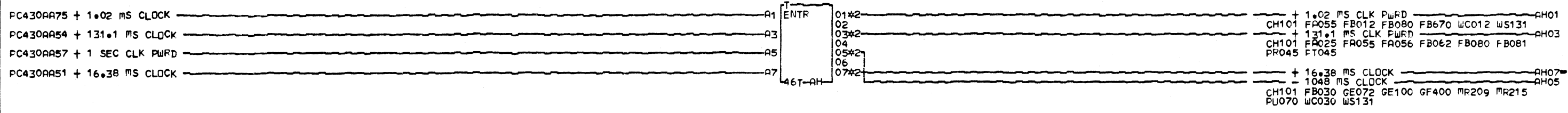
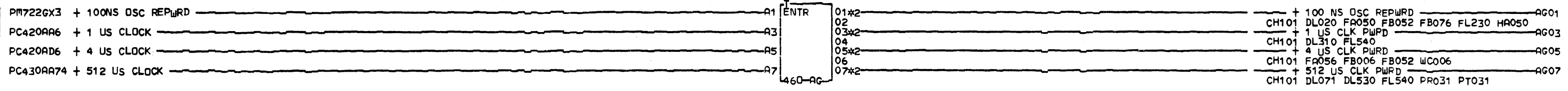
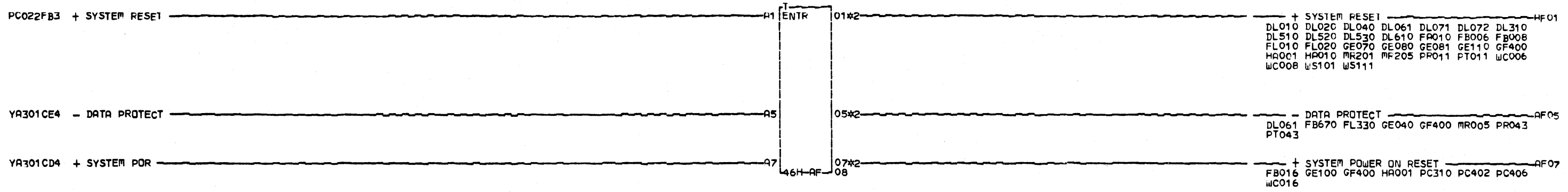
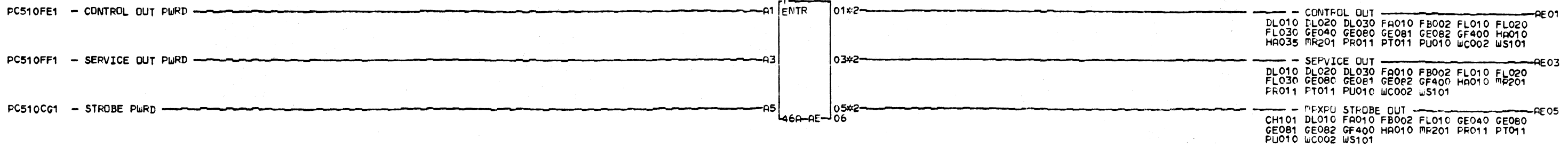
CONNECTORS
 AA01
 0179/1A-A1/R6A04
 0086/1A-A2/A *A2B08
 0030/1A-A2/A *R1A13
 0001/1A-A2/A *U2B08
 0144/1A-A3/A2B08
 0145/1A-A3/U2B08
 0180/1A-B3/A2B08
 0181/1A-B3/F1A13
 AA03
 0148/1A-A1/R6B04
 0087/1A-A2/A *A2B12
 0031/1A-A2/A *R1E13
 0002/1A-A2/A *U2B12
 0146/1A-A3/A2B12
 0147/1A-A3/U2B12
 0182/1A-B3/A2B12
 0183/1A-B3/F1E13
 AA05
 0151/1A-A1/R6C02
 0088/1A-A2/A *A2D09
 0032/1A-A2/A *R1B11
 0003/1A-A2/A *U2D09
 0149/1A-A3/A2D09
 0150/1A-A3/U2D09
 0184/1A-B3/A2D09
 0185/1A-B3/F1B11

CONNECTORS
 AA07
 0154/1A-A1/Q6D02
 0089/1A-A2/A *A2D06
 0033/1A-A2/A *Q1D11
 0004/1A-A2/A *U2D06
 0152/1A-A3/A2D06
 0153/1A-A3/U2D06
 0186/1A-B3/A2D06
 0187/1A-B3/E1D11
 AB01
 0157/1A-A1/R6B04
 0090/1A-A2/A *A2B09
 0034/1A-A2/A *R1B13
 0005/1A-A2/A *U2B09
 0155/1A-A3/A2B09
 0156/1A-A3/U2B09
 0188/1A-B3/A2B09
 0189/1A-B3/F1B13
 AB03
 0160/1A-A1/R6C02
 0091/1A-A2/A *A2D10
 0035/1A-A2/A *R1C11
 0006/1A-A2/A *U2D10
 0158/1A-A3/A2D10
 0159/1A-A3/U2D10
 0190/1A-B3/A2D10
 0191/1A-B3/F1C11

CONNECTORS
 AB05
 0163/1A-A1/Q6E02
 0092/1A-A2/A *A2D07
 0036/1A-A2/A *Q1E11
 0007/1A-A2/A *U2D07
 0161/1A-A3/A2D07
 0162/1A-A3/U2D07
 0192/1A-B3/A2D07
 0193/1A-B3/E1E11
 AB07
 0166/1A-A1/Q6E04
 0093/1A-A2/A *A2B13
 0037/1A-A2/A *R1A13
 0008/1A-A2/A *U2B13
 0164/1A-A3/A2B13
 0165/1A-A3/U2B13
 0194/1A-B3/A2B13
 0195/1A-B3/E1E13
 AC01
 0169/1A-A1/Q6E04
 0094/1A-A2/A *A2B07
 0038/1A-A2/A *Q1E13
 0009/1A-A2/A *U2B07
 0167/1A-A3/A2B07
 0168/1A-A3/U2B07
 0196/1A-B3/A2B07
 0197/1A-B3/E1E13

CONNECTORS
 AD01
 0172/1A-A1/Q6A02
 0095/1A-A2/A *A2B02
 0039/1A-A2/A *Q1A11
 0010/1A-A2/A *U2B02
 0170/1A-A3/A2B02
 0171/1A-A3/U2B02
 0198/1A-B3/A2B02
 0199/1A-B3/E1E13
 AD03
 0175/1A-A1/Q6A04
 0096/1A-A2/A *A2B03
 0040/1A-A2/A *Q1A13
 0011/1A-A2/A *U2B03
 0173/1A-A3/A2B03
 0174/1A-A3/U2B03
 0200/1A-B3/A2B03
 0201/1A-B3/E1A13
 AD05
 0178/1A-A1/Q6C04
 0097/1A-A2/A *A2B05
 0041/1A-A2/A *Q1C13
 0012/1A-A2/A *U2B05
 0176/1A-A3/A2B05
 0177/1A-A3/U2B05
 0202/1A-B3/A2B05
 0203/1A-B3/E1C13

CHIP ENTER BLOCKS
 I/O BOARD ENTER FROM CPU
 PN4237402 EC835124 PEC835000
 LUC=1A-A2
 USN 00008 PRI=05NOV80 2158
 AUC= SEC
 PFORM=KSEB NEXTBLK AK
 MACH=3340000
 CID PLOFE JOB K2900817

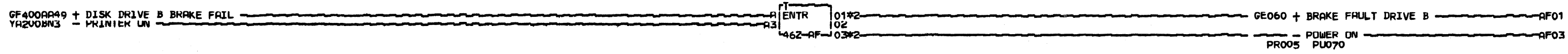
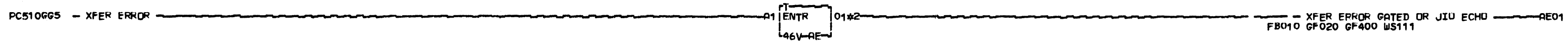
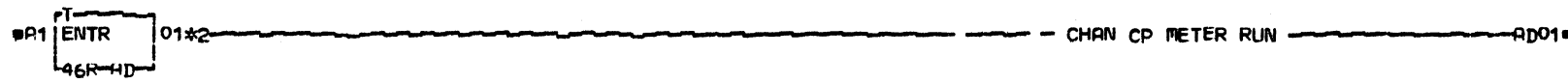
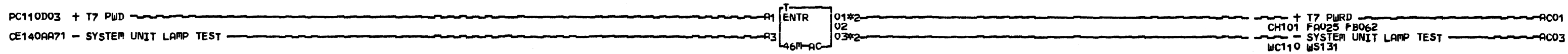
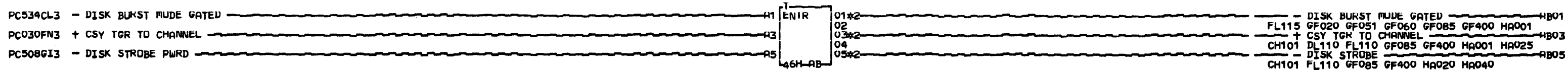
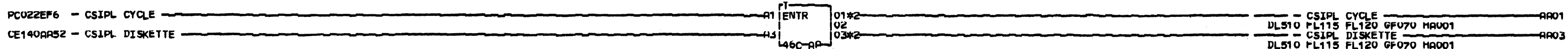


COMMENTS	CONNECTORS	CONNECTORS	CONNECTORS	CONNECTORS
D1 (C) COPYRIGHT IBM CORP. 1980	RE01 0147/1A-A1/P6E02 0098/1A-A2/A #A2D02 0042/1A-A2/A #P1E11 0013/1A-A2/A #U2D02 0145/1A-A3/A2D02 0146/1A-A3/U2D02 0185/1A-B3/A2D02 0186/1A-B3/D1E11 AE03 0150/1A-A1/R6C04 0099/1A-A2/A #A2B10 0043/1A-A2/A #R1C13 0028/1A-A2/A #U2B10 0148/1A-A3/A2B10 0149/1A-A3/U2B10 0187/1A-B3/A2B10 0188/1A-B3/F1C13 AE05 0153/1A-A1/T6B02 0100/1A-A2/A #A3D02 0044/1A-A2/A #T1B11 0015/1A-A2/A #U3D02 0151/1A-A3/A3D02 0152/1A-A3/U3D02 0189/1A-B3/A3D02 0190/1A-B3/U3D02 AF01 0140/1A-A1/M6C02 0016/1A-A2/A #E6D02 0045/1A-A2/A #M1C11	0154/1A-A3/E1D11 0155/1A-A3/V4D06 0191/1A-B3/A4D06 0192/1A-B3/H1E11 AF05 0142/1A-A1/B1B11 0143/1A-A1/N6C04 0018/1A-A2/A #F6D04 0047/1A-A2/A #N1C13 0156/1A-A3/F1D13 0157/1A-A3/V4B11 0193/1A-B3/A4B11 0194/1A-B3/J1E13 AF07 0182/1A-A2/E6B04 0181/1A-A2/M1A13 0183/1A-A3/E1B13 0184/1A-A3/V4B04 0195/1A-B3/A4B04 0196/1A-B3/H1C13 AG01 0144/1A-A1/T6E04 0101/1A-A2/A #A3B06 0048/1A-A2/A #T1E13 0019/1A-A2/A #U3B06 0158/1A-A3/A3B06 0159/1A-A3/A3B06 0197/1A-B3/A3B06 0198/1A-B3/U3B06 AG03 0162/1A-A1/V6B04	0102/1A-A2/A #A3B13 0020/1A-A2/A #U3B13 0049/1A-A2/A #V1B13 0160/1A-A3/A3B13 0161/1A-A3/U3B13 0199/1A-B3/A3B13 0200/1A-B3/U3B13 AG05 0165/1A-A1/V6A02 0103/1A-A2/A #A3D12 0021/1A-A2/A #U3D12 0050/1A-A2/A #V1A11 0163/1A-A3/A3D12 0164/1A-A3/U3D12 0201/1A-B3/A3D12 0202/1A-B3/U3D12 AG07 0168/1A-A1/V6B02 0104/1A-A2/A #A3D13 0022/1A-A2/A #U3D13 0051/1A-A2/A #V1B11 0166/1A-A3/A3D13 0167/1A-A3/U3D13 0203/1A-B3/A3D13 0204/1A-B3/U3D13 AG01 0171/1A-A1/V6D04 0105/1A-A2/A #A3B10 0052/1A-A2/A #U1D13 0023/1A-A2/A #U3B10 0169/1A-A3/A3B10	0170/1A-A3/U3B10 0205/1A-B3/A3B10 0206/1A-B3/U3B10 AG03 0174/1A-A1/V6E04 0106/1A-A2/A #A3B11 0053/1A-A2/A #U1E13 0024/1A-A2/A #U3B11 0172/1A-A3/A3B11 0173/1A-A3/U3B11 0207/1A-B3/A3B11 0208/1A-B3/U3B11 AG05 0177/1A-A1/V6A04 0107/1A-A2/A #A3B12 0025/1A-A2/A #U3B12 0054/1A-A2/A #V1A13 0175/1A-A3/A3B12 0176/1A-A3/U3B12 0209/1A-B3/A3B12 0210/1A-B3/U3B12 AG07 0180/1A-A1/V6B04 0029/1A-A2/A #F6C04 0055/1A-A2/A #N1B13 0178/1A-A3/F1C13 0179/1A-A3/V4B10 0211/1A-B3/A4B10 0212/1A-B3/J1D13

CHIP ENTER BLOCKS
I/O BOARD ENTER FROM CPU
PN4237403 EC835183 PEC835124
LDC=1A-A2
USN 00008 PRI=13JUL81 1055
AUC= PFDPM=KSEB SEC NEXTBLK AI
MACH=5340000 CIB P10FE JOB J8601450

CH002
0001

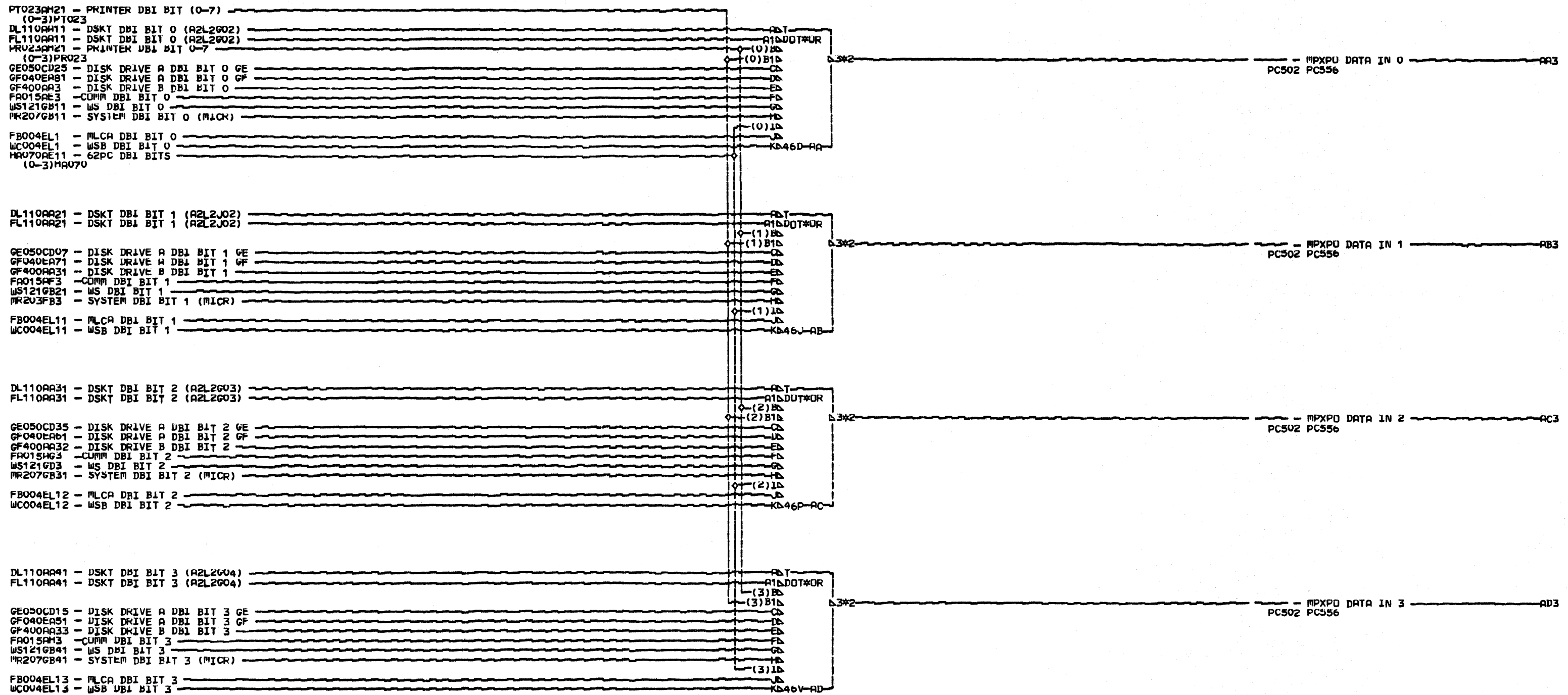
CH002
0001



COMMENTS	CONNECTORS	CONNECTORS	CONNECTORS	CONNECTORS
D1 (C) COPYRIGHT IBM CORP. 1980	0001/1A-A1/A 0010/1A-A2/A	0055/1A-B3/A2B06 0056/1A-B3/E1D13	0060/1A-B3/U3D09	0007/1A-A1/A 0017/1A-A2/A
	*M6D02 *M1D11	*A3D04 *T1C11 *U3D04	*AC01	*N6D04 *M1D13
	0002/1A-A1/A 0052/1A-A1/M6E04 0031/1A-A2/F6A04	0013/1A-A2/A 0004/1A-A2/A	0043/1A-A1/U6E02 0024/1A-A2/A 0015/1A-A2/A	0046/1A-A3/F1E13 0047/1A-A3/V4B12 0065/1A-B3/A4B12
	*A5D07	*A3D04 *T1C11 *U3D04	*A3D11 *U1E11 *U3D11	0066/1A-B3/K1A13
	0011/1A-A2/A 0029/1A-A3/F1A13 0030/1A-A3/V4B08 0053/1A-B3/A4B08 0054/1A-B3/J1B13	0035/1A-A3/A3D04 0036/1A-A3/U3D04 0057/1A-B3/A3D04 0058/1A-B3/U3D04	0041/1A-A3/A3D11 0042/1A-A3/U3D11 0061/1A-B3/A3D11 0062/1A-B3/U3D11	*AE01
	*M1E13	*AB05	*AC03	0008/1A-A1/A 0018/1A-A2/A
	0034/1A-A1/Q6D04 0022/1A-A2/A 0012/1A-A2/A 0003/1A-A2/A	0040/1A-A1/U6C02 0025/1A-A2/A 0014/1A-A2/A 0005/1A-A2/A	0009/1A-A1/A 0028/1A-A1/N6B02 0016/1A-A2/A 0044/1A-A3/F1C11 0045/1A-A3/V4D10 0063/1A-B3/A4D10 0064/1A-B3/J1D11	*N6A04 *M1A13
	*A2B06 *Q1D13 *U2B06	*A3D09 *U1C11 *U3D09	*A5B04 *M1B11	0048/1A-A3/F1B13 0049/1A-A3/V4B09 0067/1A-B3/A4B09 0068/1A-B3/J1C13
	0032/1A-A3/A2B06 0033/1A-A3/U2B06	0038/1A-A3/A3D09 0039/1A-A3/U3D09 0059/1A-B3/A3D09	*AD01	*AF01
				0050/1A-A3/F1D11 0051/1A-A3/F6D02
				*AF03
				0021/1A-A2/A 0020/1A-A2/A
				*M1D11 *V3B02

CHIP ENTER BLOCKS
I/O BOARD ENTER FROM
SYSTEM UNIT
PN4237404 EC835124 PEC835000

LDC=1A-A2
USN 00008 PRI=05NOV80 2158
AUC= SEC
PFORM=KSEB NEXTBLK AG
MACH=5340000
CID PIOFE JOB K2900817



COMMENTS
D1 (C) COPYRIGHT IBM CORP. 1980

CONNECTORS
AA3
0038/1A-A1/T6A02
0019/1A-A2/A *A3B02
0010/1A-A2/A *T1A11
0001/1A-A2/A *U3B02
AB3
0037/1A-A1/R6E02
0020/1A-A2/A *A2D12
0011/1A-A2/A *R1E11
0002/1A-A2/A *U2D12

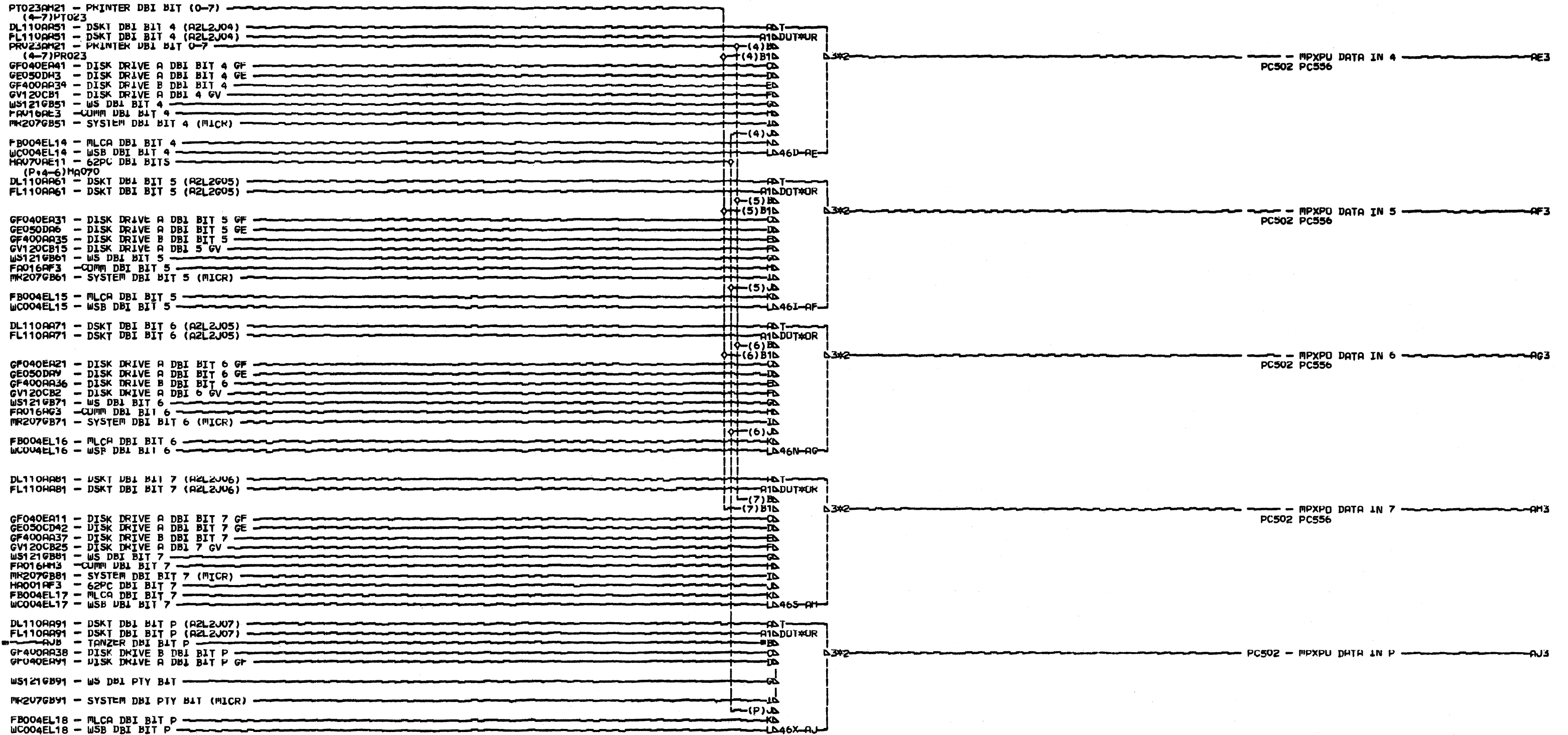
CONNECTORS
AC3
0043/1A-A3/A2D12
0044/1A-A3/U2D12
0051/1A-B3/A2D12
0052/1A-B3/F1E11
AD3
0039/1A-A1/T6B04
0021/1A-A2/A *A3B03
0012/1A-A2/A *T1B13
0003/1A-A2/A *U3B03
0045/1A-A3/A3B03
0046/1A-A3/U3B03
0053/1A-B3/A3B03
0054/1A-B3/U3B03

CONNECTORS
0040/1A-A1/T6C04
0022/1A-A2/A *A3B04
0013/1A-A2/A *T1C13
0004/1A-A2/A *U3B04
0047/1A-A3/A3B04
0048/1A-A3/U3B04
0055/1A-B3/A3B04
0056/1A-B3/U3B04

I/O BOARD EXIT TO SYS UNIT
PN4237405 EC835124 PEC835000
LUC=1A-A2
USN 00008 PRI=05NOV80 2158
AUC= PFDR=KSEB SEC NEXTBLK AK
MACH=5340000
CID PIOFE JOB K2900817

CH005
0001

CH005
0001

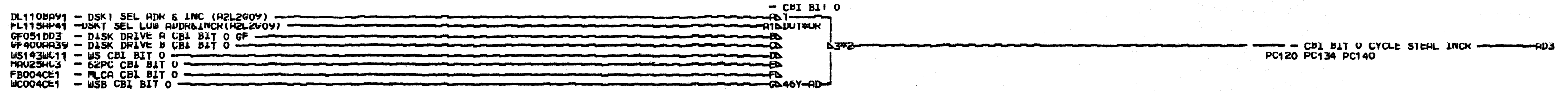
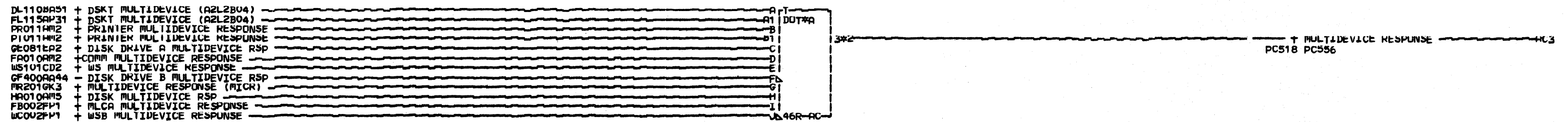
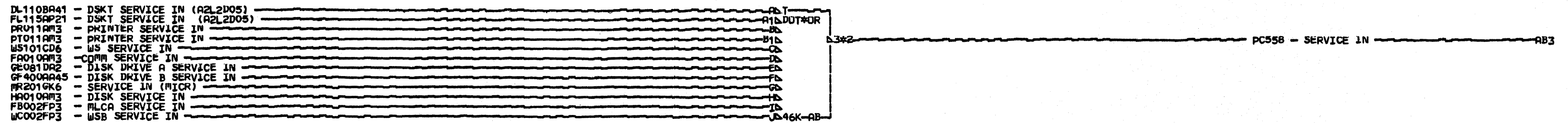
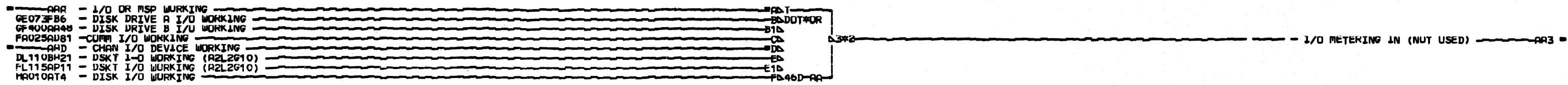


COMMENTS	CONNECTORS	CONNECTORS	CONNECTORS	CONNECTORS
D1 (C) COPYRIGHT IBM CORP. 1980	RE3 0037/1A-A1/S6A02 0023/1A-A2/A #A2D13 0014/1A-A2/A #S1A11 0005/1A-A2/A #U2D13 0042/1A-A3/A2D13 0043/1A-A3/U2D13 0052/1A-B3/A2D13 0053/1A-B3/G1A11 AF3 0039/1A-A1/T6D04 0006/1A-A2/A #A3B05 0015/1A-A2/A #T1D13 0024/1A-A2/A #I2RAE	0044/1A-A3/A3B05 0045/1A-A3/U3B05 0054/1A-B3/A3B05 0055/1A-B3/U3B05 AG3 0038/1A-A1/T6D02 0007/1A-A2/A #A3D05 0016/1A-A2/A #T1D11 0025/1A-A2/A #U3D05 0046/1A-A3/A3D05 0047/1A-A3/U3D05 0056/1A-B3/A3D05 0057/1A-B3/U3D05 AH3	0040/1A-A1/T6E02 0008/1A-A2/A #A3D06 0017/1A-A2/A #T1E11 0026/1A-A2/A #U3D06 0048/1A-A3/A3D06 0049/1A-A3/U3D06 0058/1A-B3/A3D06 0059/1A-B3/U3D06 AJ3 0041/1A-A1/U6A02 0009/1A-A2/A #A3D07 0018/1A-A2/A #U1A11 0027/1A-A2/A #U3D07 0050/1A-A3/A3D07	0051/1A-A3/U3D07 0060/1A-B3/A3D07 0061/1A-B3/U3D07

I/O BOARD EXIT TO SYS UNIT
 PN9237406 EC835124 PEC835000
 LUC=1A-A2
 USN 00008 PRI=05NOV80 2158
 AUC= SEC
 PFORM=KSEB NEXTBLK AK
 MACH=5340000
 CID PIDFE JOB K2900817

CH006

CH006

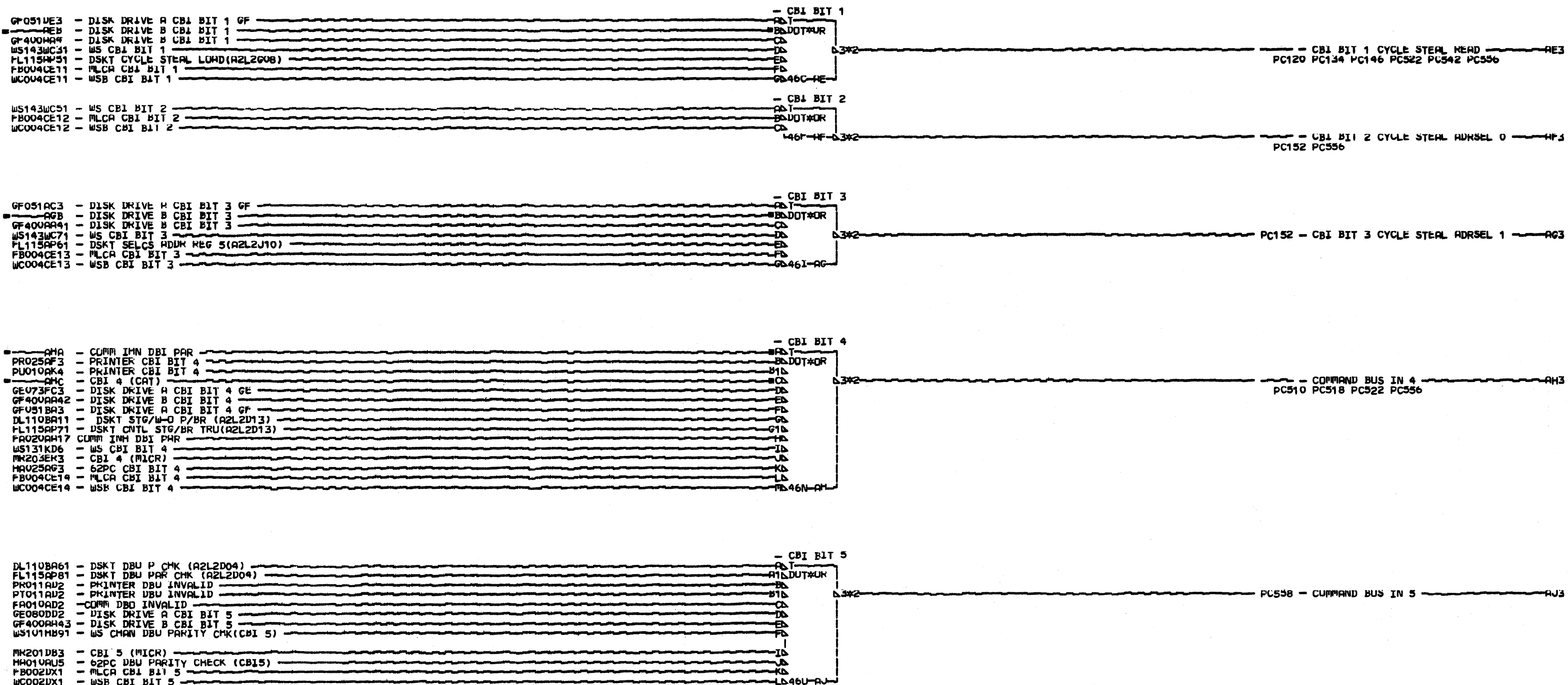


COMMENTS	CONNECTORS	CONNECTORS	CONNECTORS
D1 (C) COPYRIGHT IBM CORP. 1980	AA3 0034/1A-A1/N6E02 0001/1A-A2/A *G6A02 0010/1A-A2/A *N1E11 0035/1A-A3/G1A11 0036/1A-A3/V4D13 0043/1A-B3/A4D13 0044/1A-B3/K1B11 AB3 0032/1A-A1/Q6C02 0002/1A-A2/A *A2D05 0011/1A-A2/A *Q1C11 0019/1A-A2/A *U2D05 0037/1A-A3/A2D05	0038/1A-A3/U2D05 0045/1A-B3/A2D05 0046/1A-B3/E1C11 AC3 0031/1A-A1/Q6B04 0003/1A-A2/A *A2B04 0012/1A-A2/A *Q1B13 0021/1A-A2/A *U2B04 0039/1A-A3/A2B04 0040/1A-A3/U2B04 0047/1A-B3/A2B04 0048/1A-B3/E1B13 AD3 0033/1A-A1/U6C04	0023/1A-A2/A *A3B09 0013/1A-A2/A *U1C13 0004/1A-A2/A *U3B09 0041/1A-A3/A3B09 0042/1A-A3/U3B09 0049/1A-B3/A3B09 0050/1A-B3/U3B09

I/O BOARD EXIT TO SYS UNIT
 PN4237407 EC835124 PEC835000
 LOC#1A-A2
 USN 00008 PRI#05NOV80 2158
 AUC# SEC
 PFUR#KSEB NEXTBLK AK
 MACH#5340000
 CID P10FE JOB K2900817

CH007

CH007



COMMENTS	CONNECTORS	CONNECTORS	CONNECTORS	CONNECTORS	I/O BOARD EXIT TO SYS UNIT
D1 (C) COPYRIGHT IBM CORP. 1980	RE3 0031/1A-A1/U6B04 0024/1A-A2/A *A3B08 0014/1A-A2/A *U1B13 0005/1A-A2/A *U3B08 0036/1A-A3/A3B08 0037/1A-A3/U3B08 0046/1A-B3/A3B08 0047/1A-B3/U3B08 AF3 0032/1A-A1/U6D02 0025/1A-A2/A *A3D10 0015/1A-A2/A *U1D11 0006/1A-A2/A *U3D10	AG3 0038/1A-A3/A3D10 0039/1A-A3/U3D10 0048/1A-B3/A3D10 0049/1A-B3/U3D10 AG3 0035/1A-A1/U6A04 0026/1A-A2/A *A3B07 0016/1A-A2/A *U1A13 0007/1A-A2/A *U3B07 0040/1A-A3/A3B07 0041/1A-A3/U3B07 0050/1A-B3/A3B07 0051/1A-B3/U3B07 AH3	AJ3 0034/1A-A1/R6D02 0020/1A-A2/A *A2D11 0017/1A-A2/A *R1D11 0008/1A-A2/A *U2D11 0042/1A-A3/A2D11 0043/1A-A3/U2D11 0052/1A-B3/A2D11 0053/1A-B3/F1D11 AJ3 0033/1A-A1/L6D02 0009/1A-A2/A *D6E02 0018/1A-A2/A *L1D11 0044/1A-A3/D1E11 0045/1A-A3/V4D02	AH3 0054/1A-B3/A4D02 0055/1A-B3/H1A11	PN4237408 EC835124 PEC835000 LUC=1A-A2 USN 00008 PRI=05NOV80 2158 AUC= SEC PFORM=KSEB NEXTBLK AK MACH=5340000 CID PIOFE JOB K2900817

C H 0 0 8

C H 0 0 8

WS111CC5 - WS BASE CYCLE STEAL REQUEST (SEE NOTE 1)
 DOT#OR
 20B-AR-3*2 PC558 - BASE CYCLE STEAL REQUEST AR3

DL110BA71 - DSKT BLK PROC CLK (A2L2G12) AD1
 FL115AP93 - DSKT BLOCK PROC CLK (A2L2G12) A1B DOT#OR
 GF060EM3 - DISK DRIVE A BLOCK PROC CLOCK BA
 GF400AH5 - DISK DRIVE B BPC CA 3*2
 MA020AK3 - 62PC BLOCK PROCESSOR CLOCK DA 26E-AB PC508 - DISK/DSKT BLK PROCESSOR CLK AR3

DL110BA81 - DSKT CYC STEAL (A2L2G07) AD1
 FL115AP91 - DSKT CYCLE STEAL REQ (A2L2G07) A1B DOT#OR
 GF050ED2 - DISK DRIVE A CS REQUEST BA
 GF400AH51 - DISK DRIVE B CS REQUEST CA 3*2
 MA001BB3 - 62PC DISK CYCLE STEAL DA 26H-AC PC508 - P.D/RD (JMDL) BC REQ/MBBCS AR3

WS131HD3 - CONSOLE CHECK LED AD1
 WC110FB3 - CONSOLE CHECK LED (WSB) BA DOT#OR
 26K-AD-3*2 DP110 - CONSOLE CHECK LED AR3

WC006EH1 - WSB BASE CS REQ (SEE NOTE 2) AD1
 FB006EH1 - MLCA BASE CS REQ BA DOT#OR
 26N-AM-3*2 PC558 - BASE CYCLE STEAL REQ NEW AR3

GE060AC3 + CHAN BRAKE FAILURE AD1
 DOT#OR
 26T-AC-3*2 YA301 + DISK BRAKE FAULT (62 EH) AR3

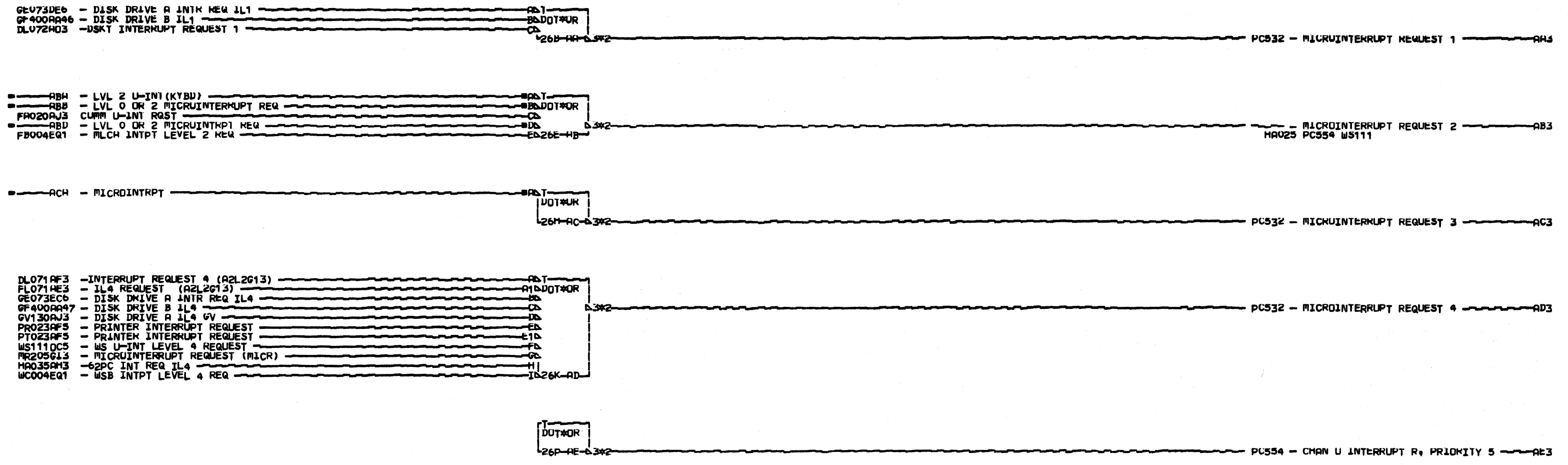
NOTE1: IF WORK STATION FEATURE C IS INSTALLED,
 NET WS111CC5 & CH009AA3 WILL BE OPEN
 AND NET WC006EH1 IS INSTALLED.
 46U-AR

NOTE2: IF 1A-A3 BOARD IS NOT INSTALLED, CHANNEL CABLES
 FOR THE 1A-B3 BOARD AND CONNECTED TO THE
 1A-A2 BOARD.
 46Z-AR

COMMENTS	CONNECTORS	CONNECTORS	CONNECTORS	I/O BOARD EXIT TO SYS UNIT
D1 (C) COPYRIGHT IBM CORP. 1980	0015/1A-A1/R6DU4 0004/1A-A2/A #E6E04 0008/1A-A2/A #M1D13 0019/1A-A3/E1E13 0020/1A-A3/V4BU7 0035/1A-B3/A4B07 0036/1A-B3/J1A13	0037/1A-B3/A4B03 0038/1A-B3/M1B13 0017/1A-A1/R6DU4 0012/1A-A2/A #A2B11 0010/1A-A2/A #K1D13 0006/1A-A2/A #U2B11 0023/1A-A3/A2B11 0024/1A-A3/U2B11 0039/1A-B3/A2B11 0040/1A-B3/F1D13	0007/1A-A2/A #L1E11 0027/1A-A1/B1C11 0026/1A-A1/N6C02 0002/1A-A2/A #N1C11 0029/1A-A1/N6E04 0031/1A-A2/G6A04 0030/1A-A2/N1E13 0032/1A-A3/G1A13 0033/1A-A3/V4B13 0034/1A-B3/A4B13 0041/1A-B3/K1B13	PN4237409 EC835124 PEC835000 LUC=1A-A2 USN 00008 PRI=05NOV80 2158 AUC= SEC PFORM=KSEB NEXTBLK AW MACH=5340000 CID PIOFE JOB K2900817

CH009
0001

CH009
0001



COMMENTS	CONNECTORS	CONNECTORS	CONNECTORS	I/O BOARD EXIT TO SYS UNIT
D1 (C) COPYRIGHT IBM CORP. 1980	0014/1A-A1/M6B04 0001/1A-A2/A *E6C04 0006/1A-A2/A *M1B13 0017/1A-A3/E1C13 0018/1A-A3/V4B05 0027/1A-B3/A4B05 0028/1A-B3/H1D13	0029/1A-B3/A4B06 0030/1A-B3/H1E13 0013/1A-A1/M6A03 0003/1A-A2/A *E6B02 0008/1A-A2/A *M1A11 0021/1A-A3/E1B11 0022/1A-A3/V4D04 0031/1A-B3/A4D04 0032/1A-B3/H1C11	0012/1A-A2/A *T2J09 0004/1A-A2/A *U2D04 0023/1A-A3/A2D04 0024/1A-A3/U2D04 0033/1A-B3/A2D04 0034/1A-B3/E1B11 0005/1A-A1/A *E6C02 0010/1A-A2/A *M1B11 0025/1A-A3/E1C11 0026/1A-A3/V4D05 0035/1A-B3/A4D05 0036/1A-B3/H1D11	PN4237410 EC835124 PEC835U00 LUC=1A-A2 USN 00008 PRI=05NDV80 2158 AUC= PFORA=KSEB SEC NEXTBLK AF MACH=5340000 CID PIDFE JOB K2900817
0001	0015/1A-A1/M6C04 0002/1A-A2/A *E6D04 0007/1A-A2/A *M1C13 0019/1A-A3/E1D13 0020/1A-A3/V4B06	0016/1A-A1/Q6B02 0011/1A-A2/A *A2D04 0009/1A-A2/A *Q1B11		

CH002AE05	- MPXPU STRUOE OUT	D02/B	N3 CHANNEL TERMINATOR CARD *
CH003AB03	+ CSY TGR TO CHANNEL	D04/C	
CH002AG01	+ 100 NS OSC REPRD	D06/D	
CH003AB05	- DISK STROBE	D09/E	
CH002AH01	+ 1.02 MS CLK PWRD	B10/F	
CH002AH03	+ 1.31.1 MS CLK PWRD	B11/G	
CH003AC01	+ 17 PWRD	D11/H	
CH002AG05	+ 4 US CLK PWRD	D12/I	
CH002AH05	- 1048 MS CLUCK	B12/J	
CH002AG03	+ 1 US CLK PWRD	B13/K	
CH002AG07	+ 512 US CLK PWRD	D13/L	40N-AB

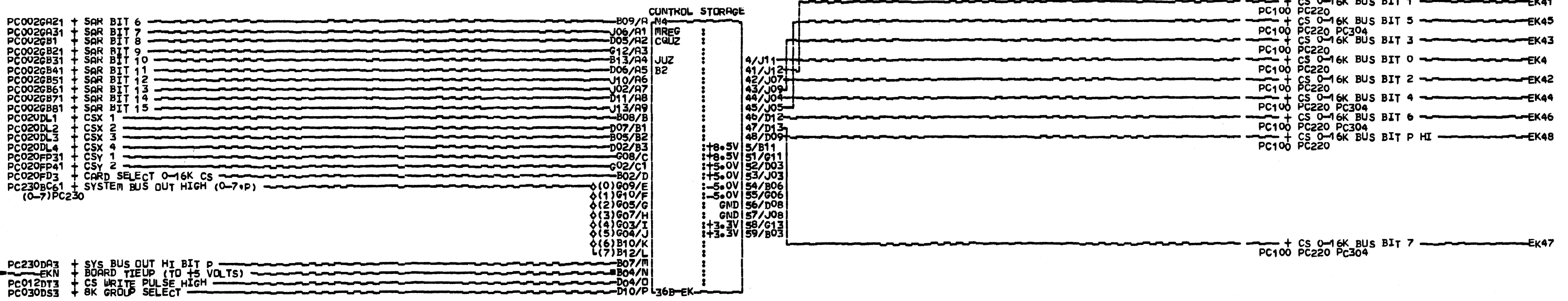
NOTE: IF THE 1A-B3 BOARD IS INSTALLED, THIS CARD IS IN THE 1A-B3U3 LOCATION.

40N-AB

COMMENTS
 D1COPYRIGHT IBM CORP. 1978

CHANNEL RESISTOR CARD
 PN4237433 EC835124 PEC835000
 LOC=1A-A3U3
 USN 00008 PRI=05NQV80 2158
 AUC# SEC
 PFORM=KSEB NEXTBLK AC
 RACH=5340000
 CID P10FE JOB K2900817

C
 H
 1
 0
 1
 0001



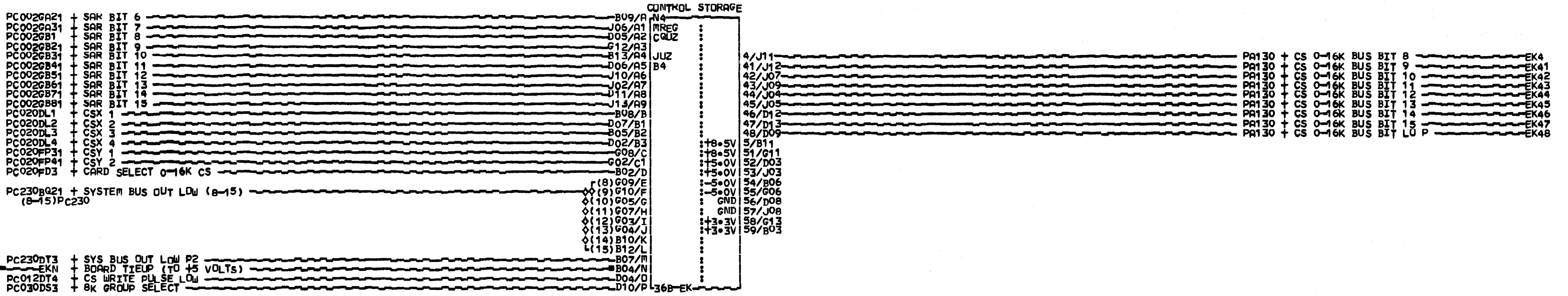
+ 8.5V ON B11, G11
 + 5.0V ON D03, J03
 - 5.0V ON B06, G06
 GND ON D08, J08
 26T-BT

COMMENTS
 D1 (C) COPYRIGHT IBM CORP. 1980

STORAGE CARD CS HI 0-16K
 CS STG CARD
 PN#8266235 EC#835083F
 LOC#1A-A1B2
 USN 00008 PRI#14DEC81 2000
 AUC# SEC
 PFORM#KSEB NEXTBLK EL
 MACH#5340000
 CID P10FE JOB 04000857

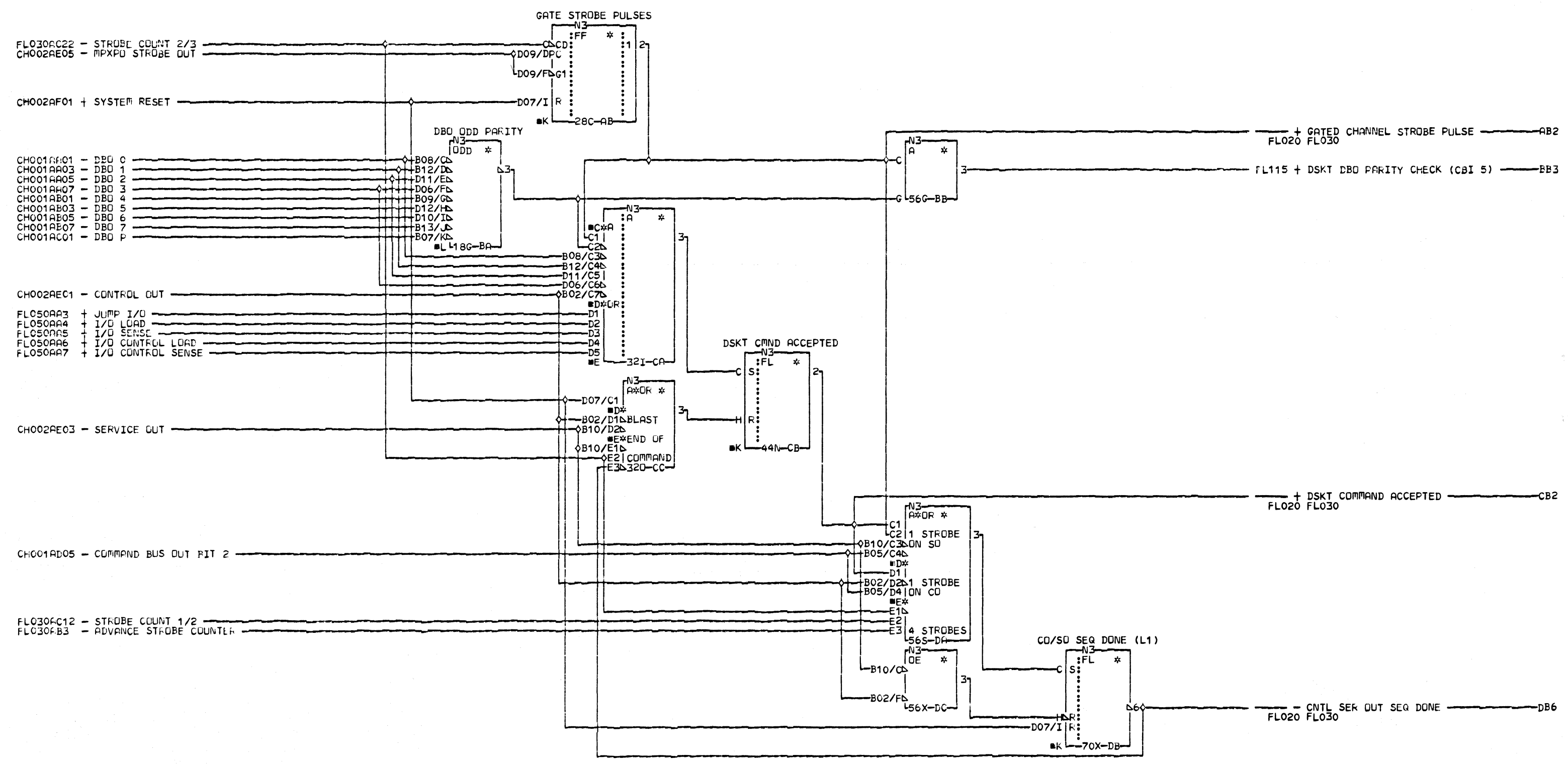
C
S
1
1
0

C
S
1
1
0



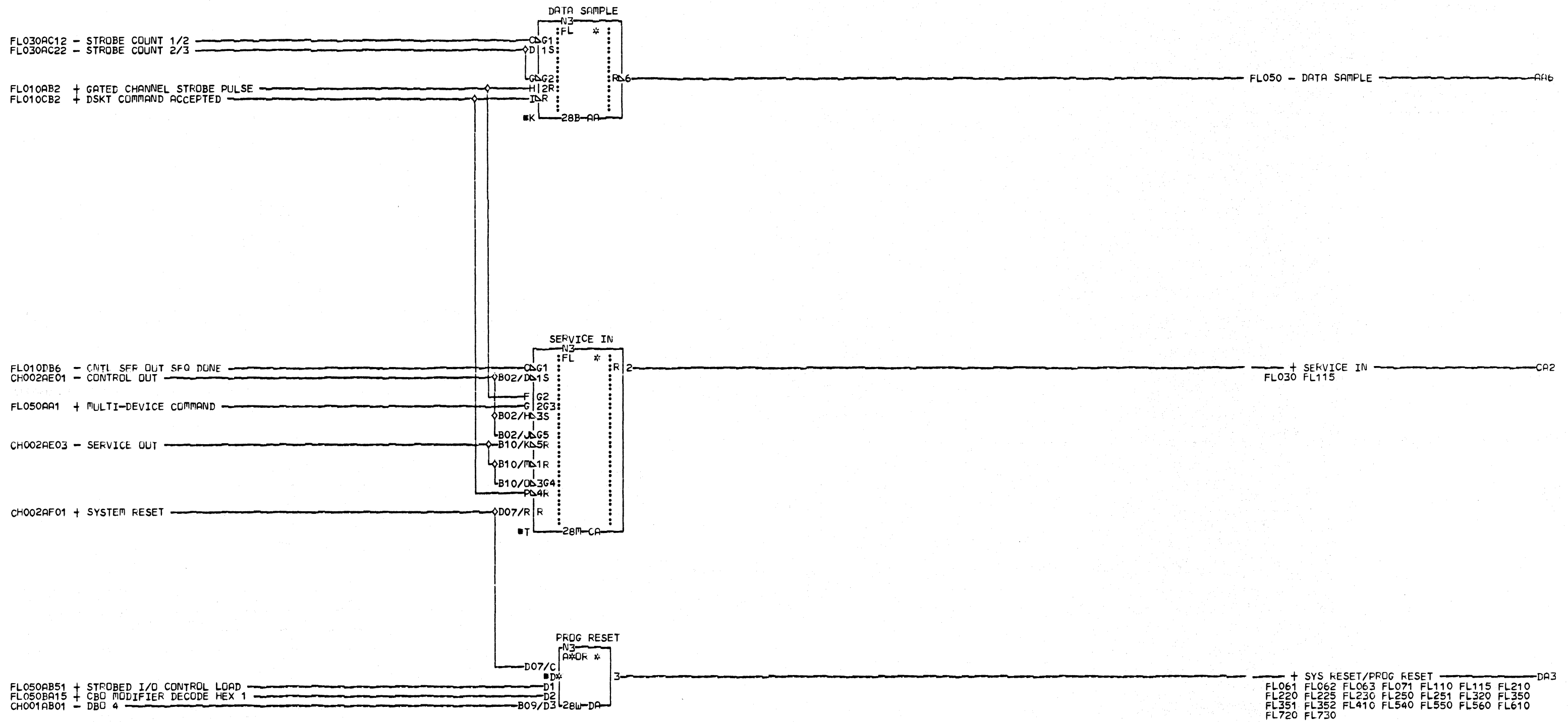
+ 8.5V ON B11, G11
+ 5.0V ON D03, J03
- 5.0V ON B06, G06
GND ON D08, J08

26T-BT



COMMENTS
D1COPYRIGHT IBM CORP. 1978

U-CODE CMD ACCEPT
CPU CHANNEL INTERFACE
DSKT ATCH
PN4238277 EC834824 PEC833174
LDC=1A-A2L2
USN 00008 FK1=08MAY79 2116
AUC= NEXTBLK DD
PFOR=KSEB
CID PIOFE JDB T4301503

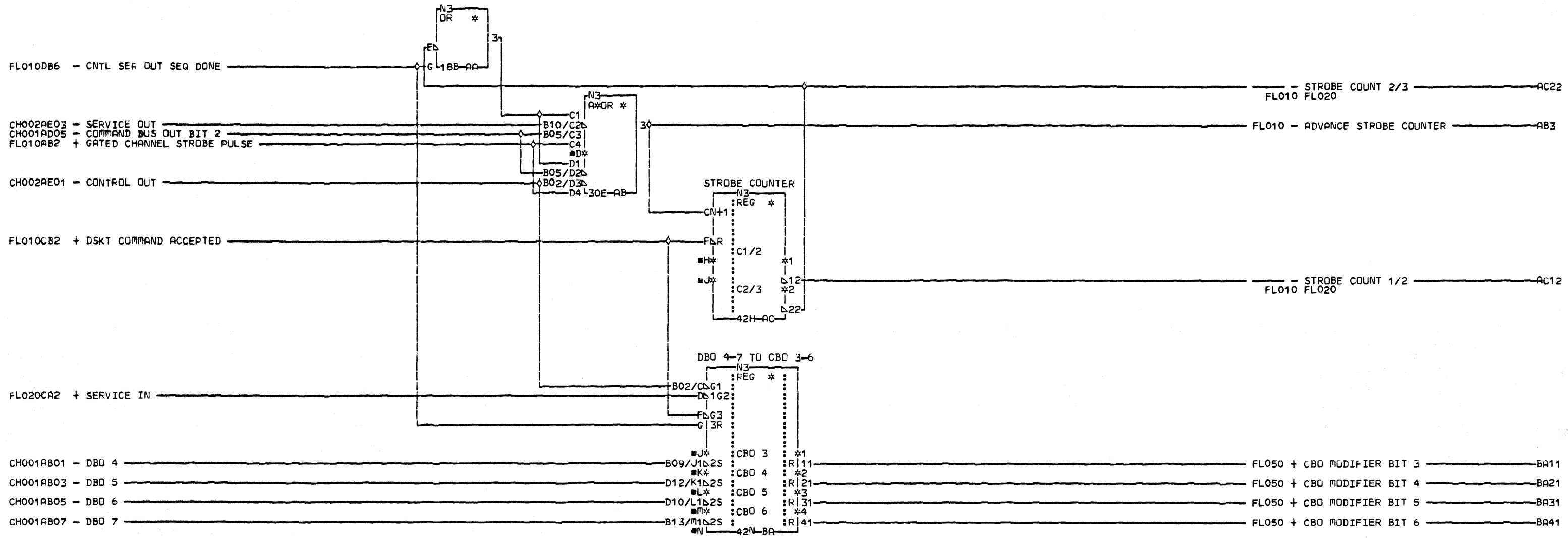


COMMENTS
 D1COPYRIGHT IBM CORP. 1978

CHANNEL TIMING LATCHES
 CPU CHANNEL INTERFACE
 DSKT ATCH
 PN4238278 EC834824 PEC833174
 LOC=1A-A2L2
 USN 0008 PRI=08MAY79 2116
 PUC= SEC
 PFORM=KSEB NEXTBLK DB
 CID PIOFE JOB T4301503

F L C 2 0
0001

F L C 2 0
0001



COMMENTS
 D1COPYRIGHT IBM CORP. 1978

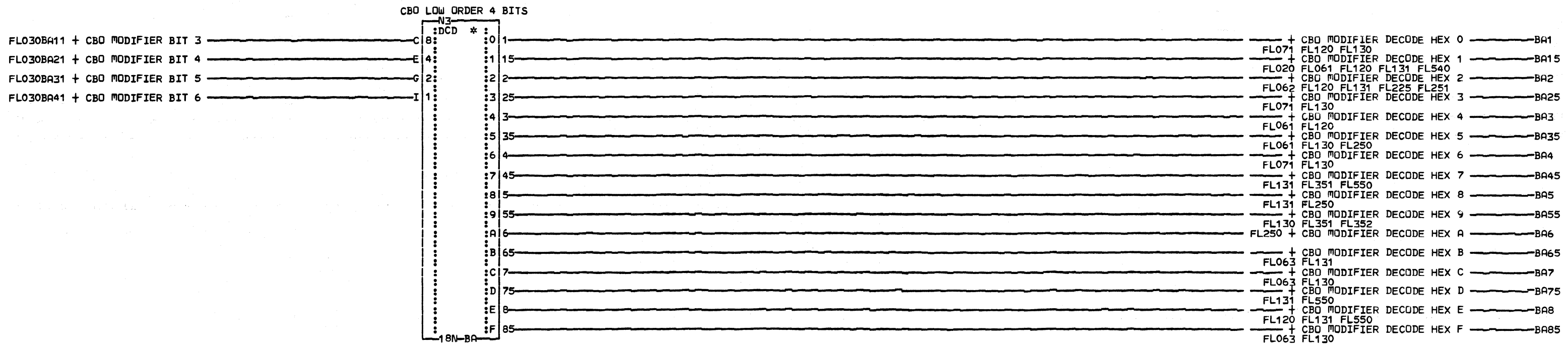
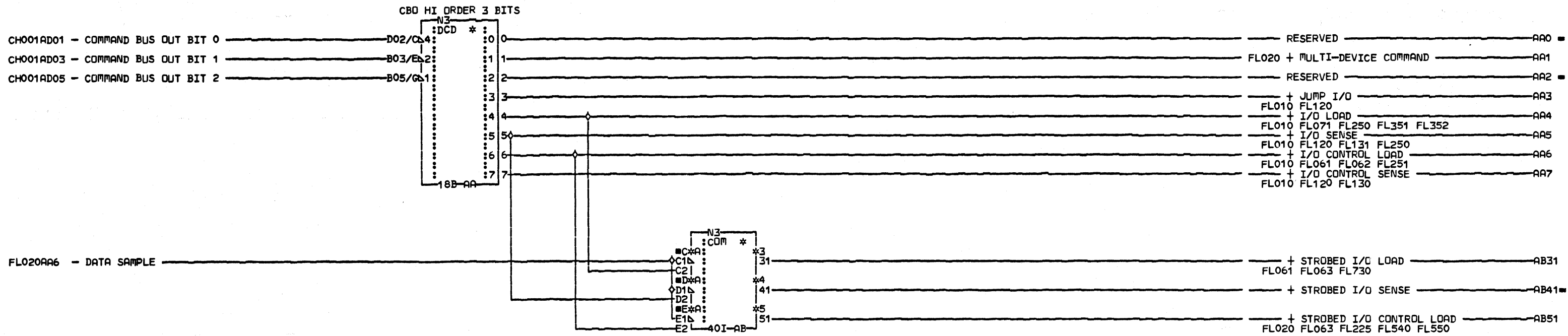
STROBE CNTR & CCB 3-6
 CPU CHANNEL INTERFACE
 DSKT ATCH
 PN4238279 EC833174

LOC=1A-A2L2

USN 00008 PRI=130CT78 1322
 AUC# SEC 22NOV78 1530
 PFORM=KSEB NEXTBLK BB
 CID PIOFE JOB N7501528

F
 L
 O
 3
 0

F
 L
 O
 3
 0



COMMENTS
D1COPYRIGHT IBM CORP. 1978

CBO DECODE
CPU CHANNEL INTERFACE
DSKT ATCH
PN4238280 EC833174

LOC=1A-A2L2

USN 00008 PRI=13OCT78 1322

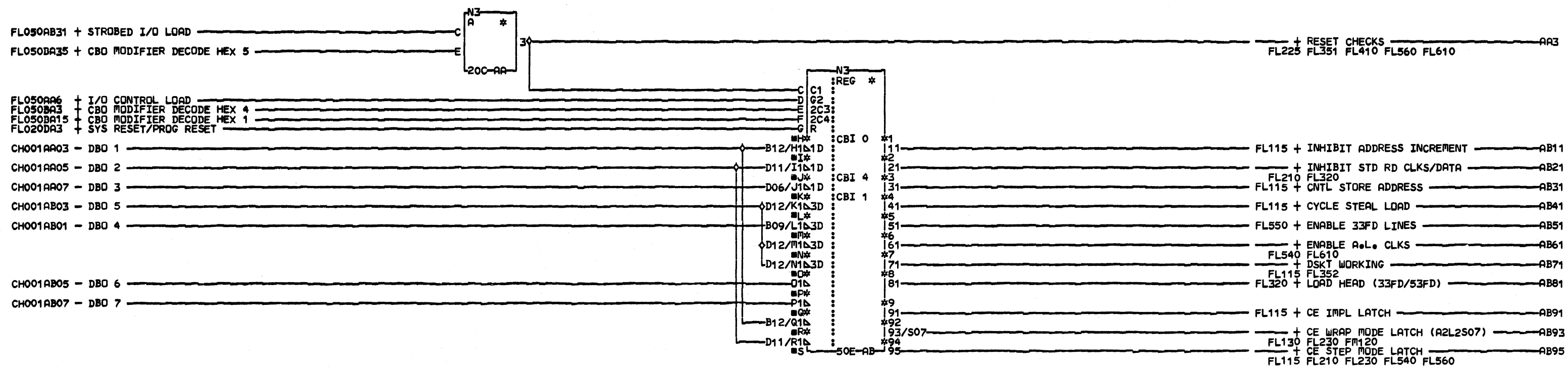
AUC= SEC 22NOV78 1530

PFORM=KSEB NEXTBLK BB

CID PIOFE JOB N7501528

FL050
0001

FL050
0001



COMMENTS
 D1COPYRIGHT IBM CORP. 1978

DECODES

PN4238281 EC834824 PEC833174

LDC=1A-A2L2

USN 00008

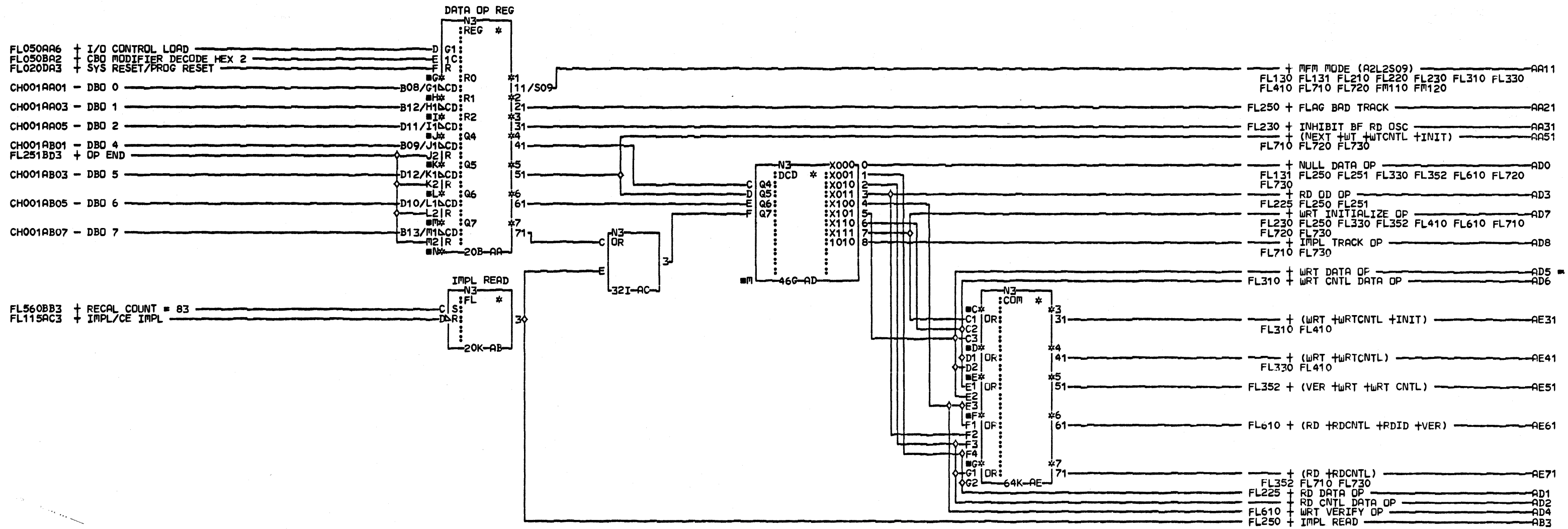
PRI=09MAY79 1445

AUC= PFDRM=KSEB

SEC NEXTBLK AC

CID PIOFE

JOB T4301503



COMMENTS
D1COPYRIGHT IBM CORP. 1978

DATA XFER OPERATION DECODES

PN4238282 EC834824 PEC833174

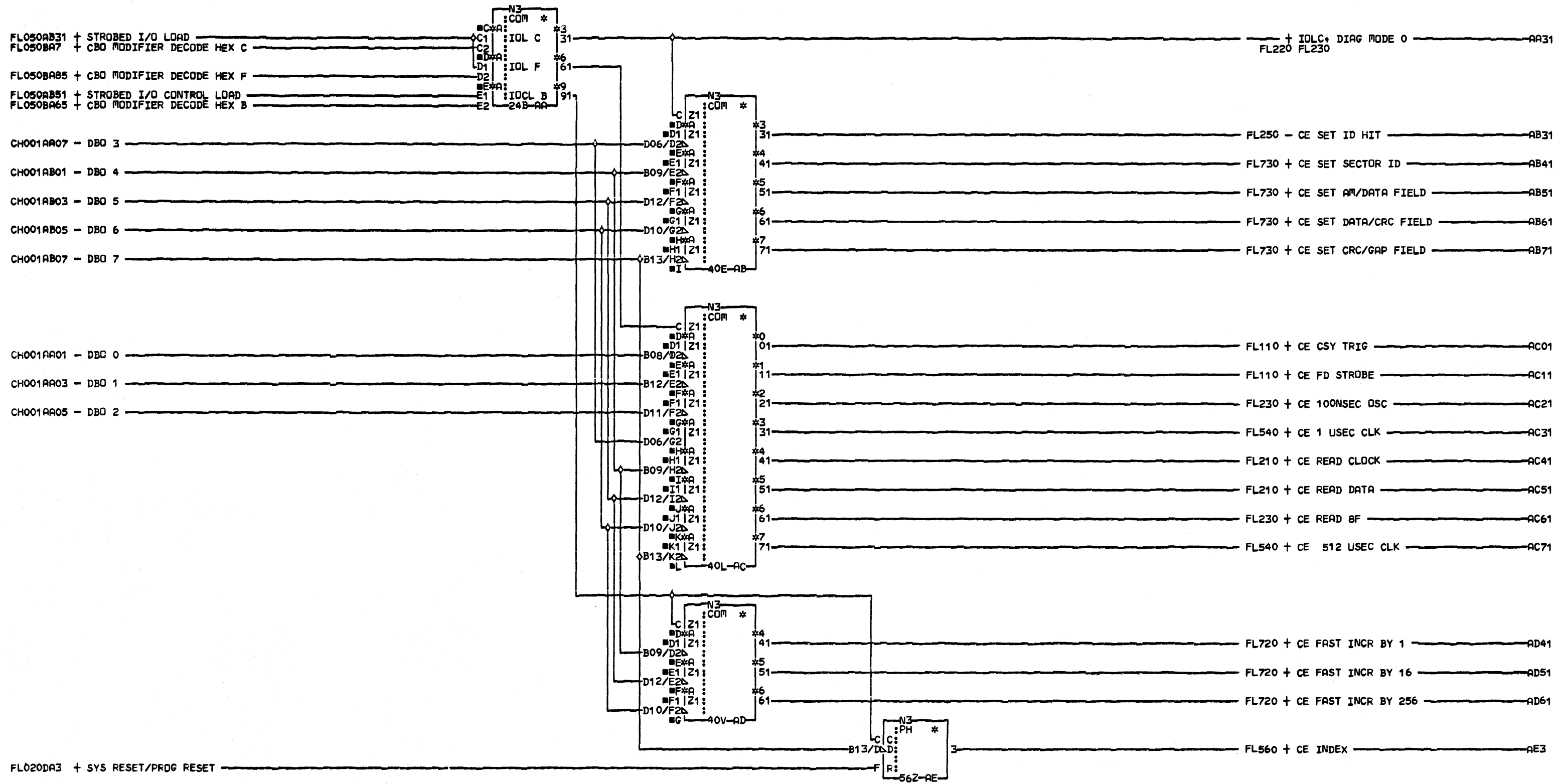
LDC=1A-A2L2

USN 00008 PRI=C8MAY79 2116

AUC= SEC

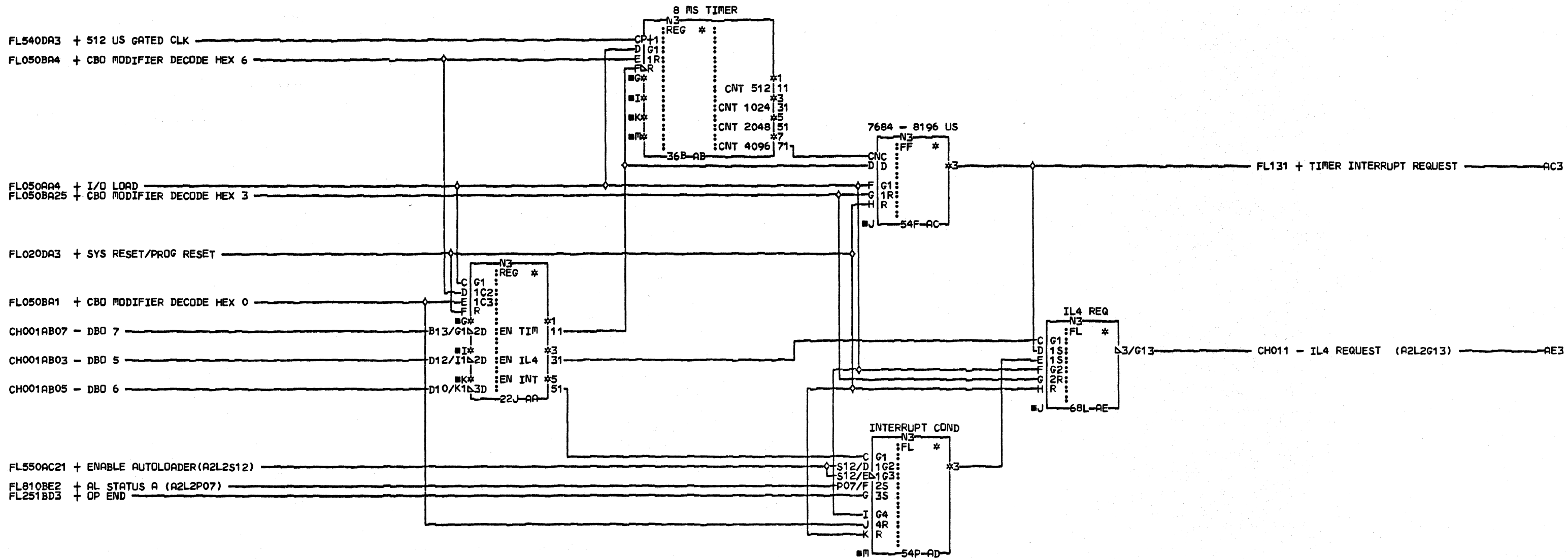
PFORM=KSEB NEXTBLK AF

CID PIDFE JOB T4301503



COMMENTS
D1 COPYRIGHT IBM CORP. 1978

CE DIAGNOSTIC DECODES	
PN4238283 EC834824 PEC833174	
LOC=1A-A2L2	
USN 00008	PRI=09MAY79 1445
AUC#	SEC
PFORM#KSEB	NEXTBLK AF
CID PIOFE	JOB T4301503



COMMENTS
D1COPYRIGHT IBM CORP. 1978

INTERRUPT LEVEL 4 REQUEST

PN4238284 EC834824 PEC833174

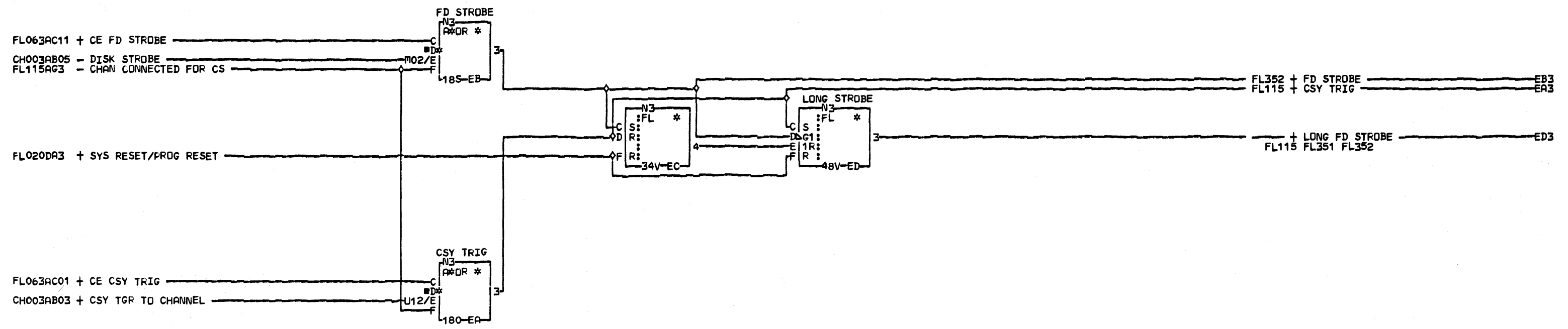
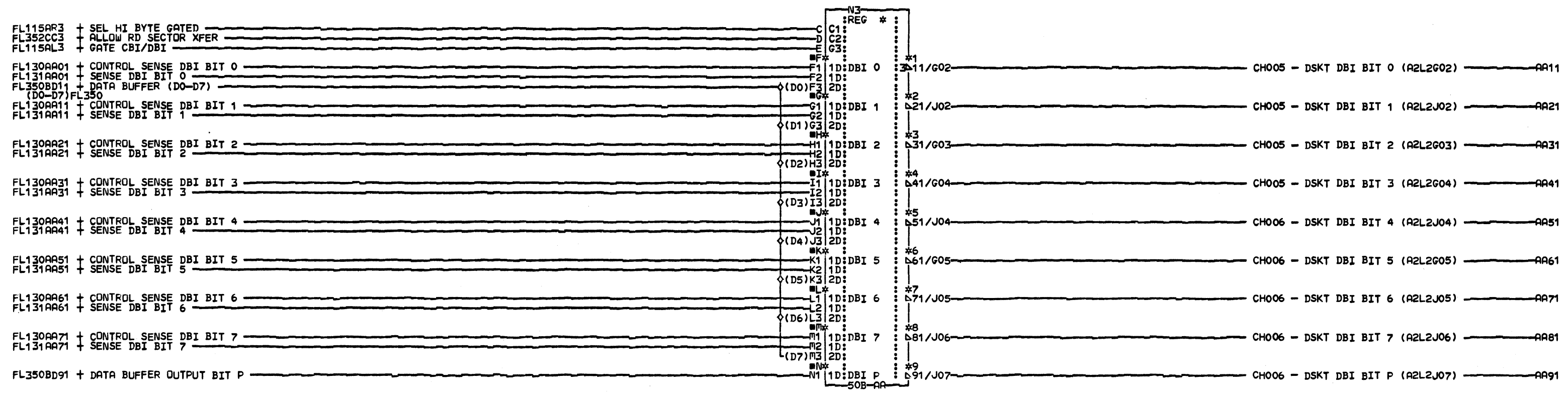
LOC#1A-A2L2

USN 00008 PRI=08MAY79 2116

AUC# SEC

PF0RM#KSEB NEXTBLK AF

CID P10FE JOB T4301503

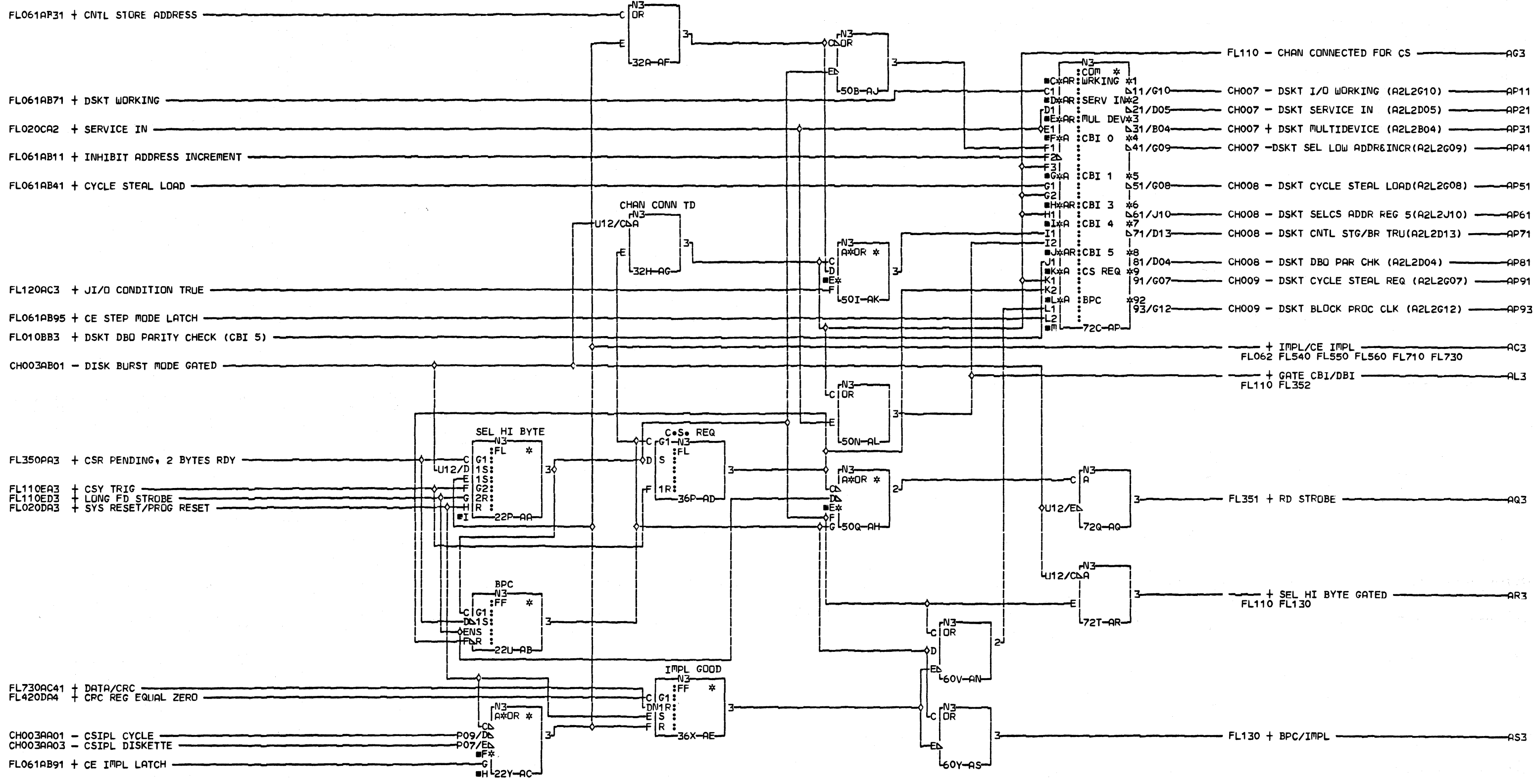


COMMENTS
D1COPYRIGHT IBM CORP. 1978

EXIT FROM DSKT TO CPU
CPU CHANNEL INTERFACE
DSKT ATCH
PN4238285 EC834824 PEC833174
LOC#1A-A2L2
USN 0008 PRI=08MAY79 2116
AUC# SEC
PFORM=KSEB NEXTBLK EE
CID P10FE JOB T4301503

FL110

FL110



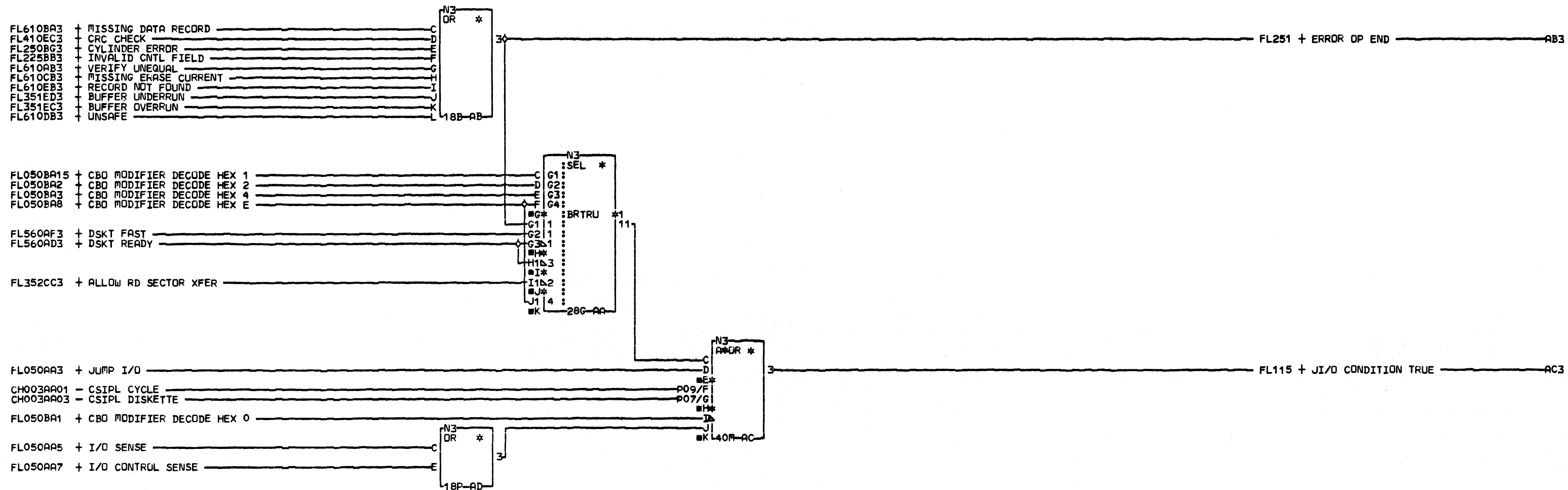
COMMENTS
D1COPYRIGHT IBM CORP. 1978

EXIT FROM DSKT TO CPU
CPU CHANNEL INTERFACE
PN4238286 EC833174

LDC=1A-A2L2
USN 00008 PRI=13OCT78 1322
AUC= SEC 08NOV78 1747
PFORM=KSEB NEXTBLK AT
CID PIOFE JOB N7501528

FL115
0001

FL115
0001



COMMENTS

D1COPYRIGHT IBM CORP. 1978

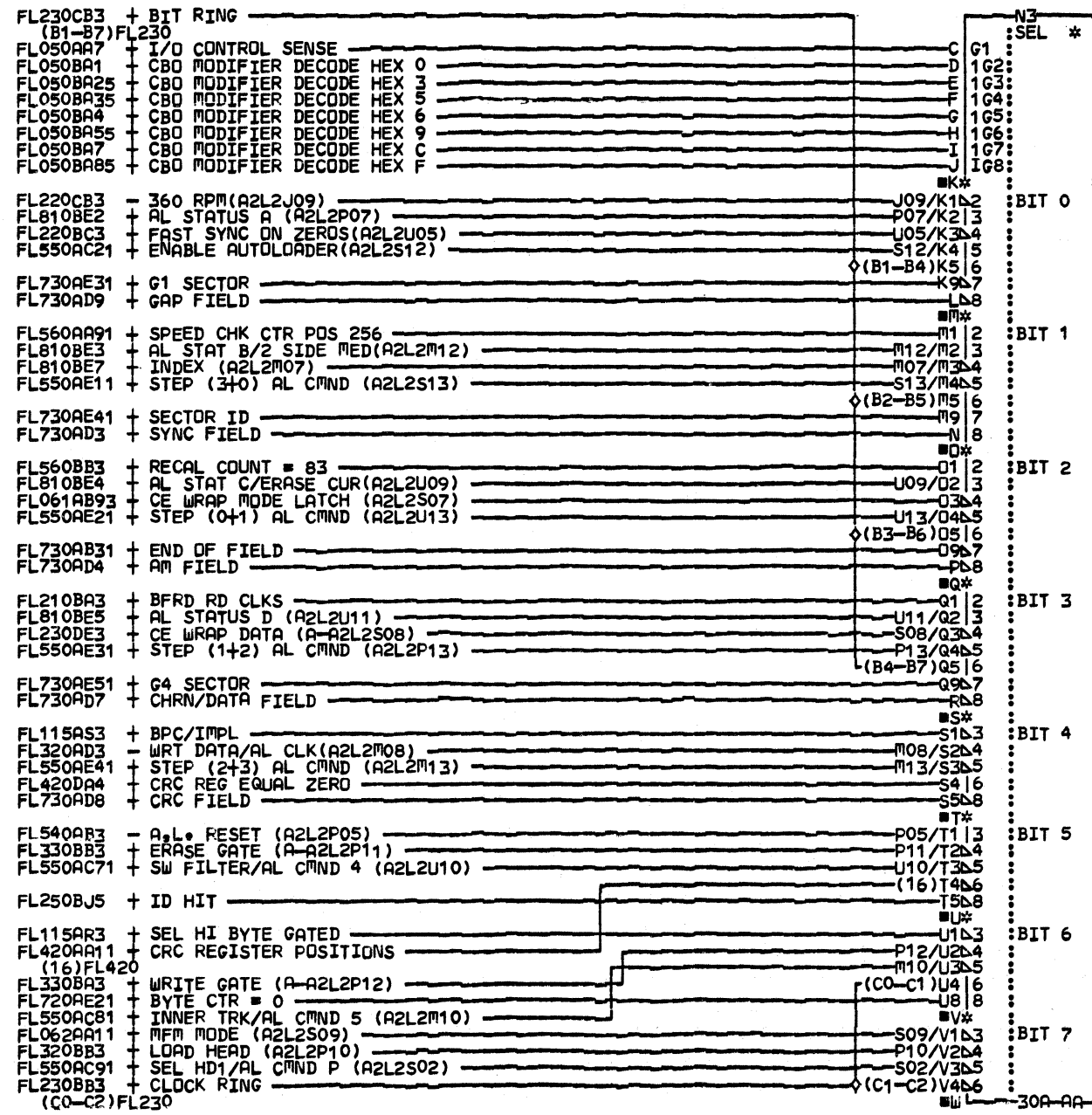
DBI REG & J10 TRUE REG
 CPU CHANNEL INTERFACE
 DSKT ATCH
 PN4238287 EC833174

LOC=1A-A2L2

USN 0008 PRI=13OCT78 1322

AUC# SEC
 PFORM=KSEB NEXTBLK BB

CID PIOFE JOB N7501528

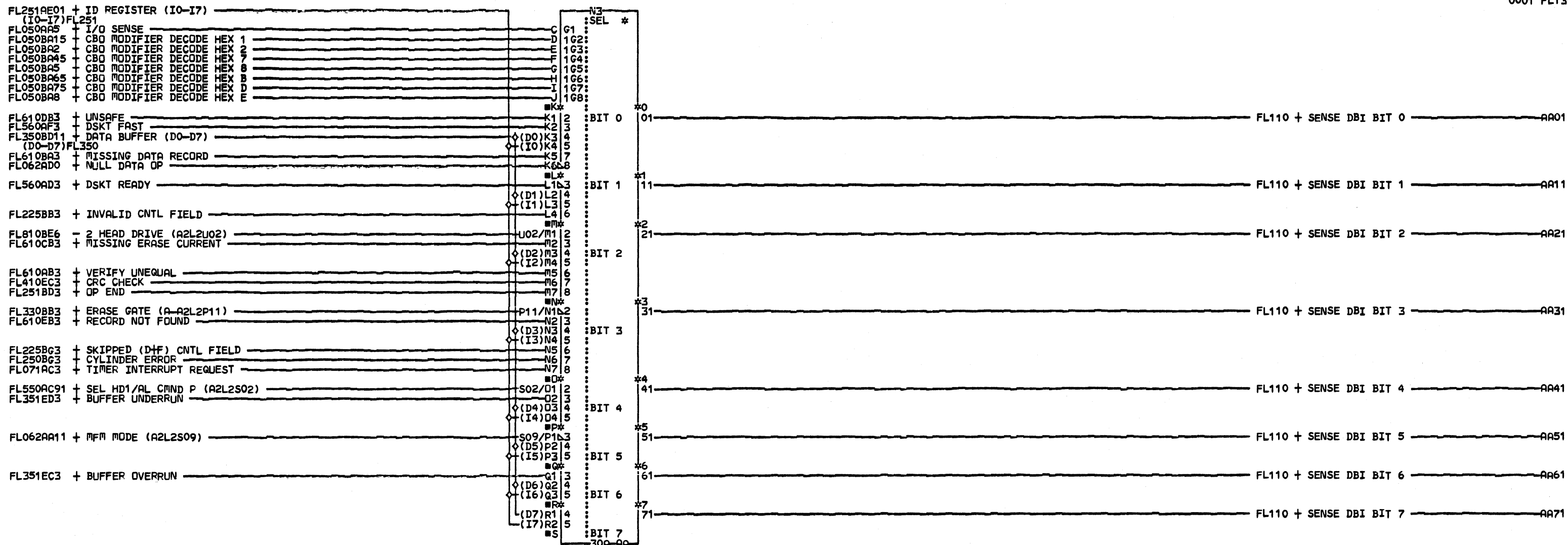


N3
SEL *
BIT 0 01
BIT 1 11
BIT 2 21
BIT 3 31
BIT 4 41
BIT 5 51
BIT 6 61
BIT 7 71
30A-AA

FL110 + CONTROL SENSE DBI BIT 0 AA01
FL110 + CONTROL SENSE DBI BIT 1 AA11
FL110 + CONTROL SENSE DBI BIT 2 AA21
FL110 + CONTROL SENSE DBI BIT 3 AA31
FL110 + CONTROL SENSE DBI BIT 4 AA41
FL110 + CONTROL SENSE DBI BIT 5 AA51
FL110 + CONTROL SENSE DBI BIT 6 AA61
FL110 + CONTROL SENSE DBI BIT 7 AA71

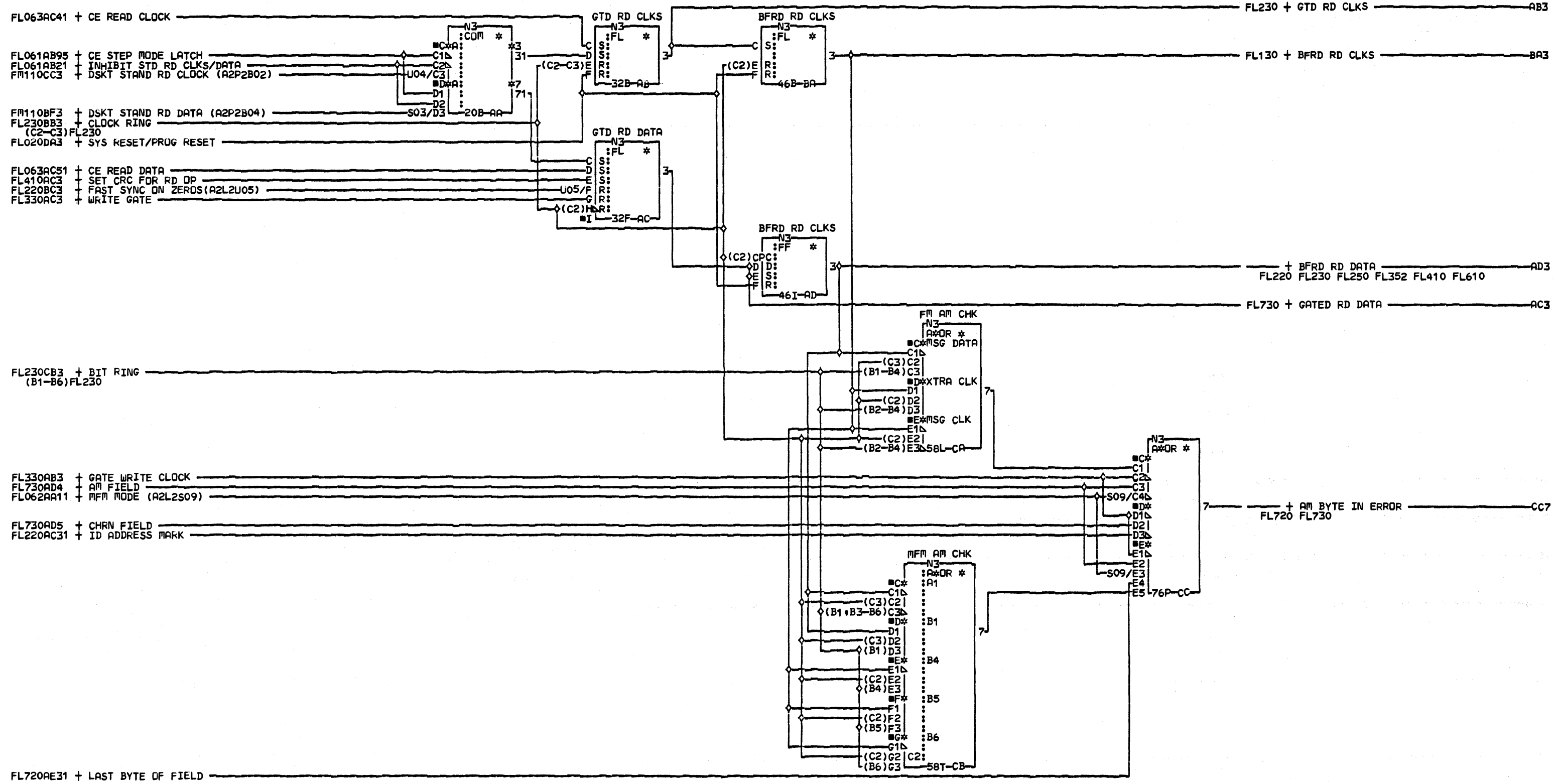
COMMENTS
D1COPYRIGHT IBM CORP. 1978

DBI SELECT
CONTROL SENSE
PN4238288 EC834824 PEC833174
LOC=1A-A2L2
USN 00008 PRI=08MAY79 2116
AUC= PF0RM=KSEB SEC NEXTBLK AB
CID PIDFE JOB T4301503



COMMENTS
 D1COPYRIGHT IBM CORP. 1978

DBI SELECT SENSE
 PN4238289 EC834824 PEC833174
 LOC=1A-A2L2
 USN 00008 PRI=16MAY79 2152
 AUC= SEC
 PFORM=KSEB NEXTBLK AB
 CID PIDFE JOB T4301503



COMMENTS
D1 COPYRIGHT IBM CORP. 1978

READ DATA, READ CLOCKS
AM VALIDITY CHECK

PN4238290 EC834824 PEC833174

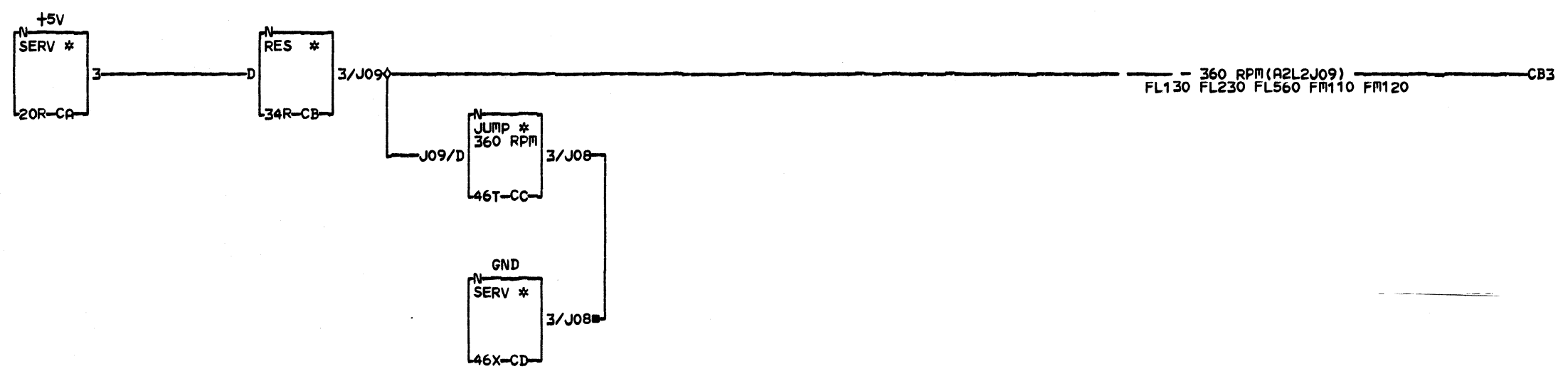
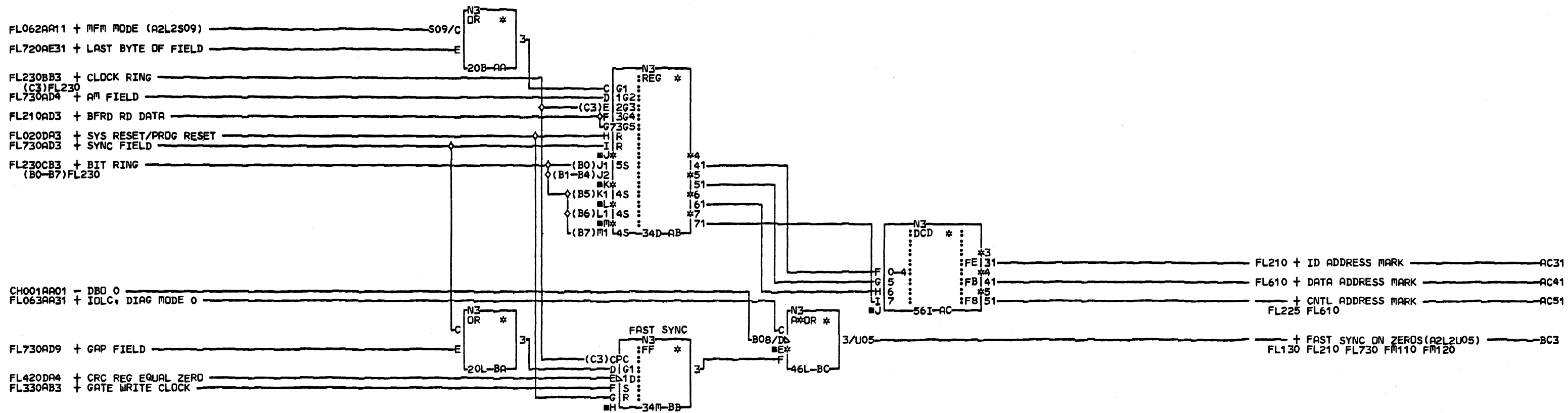
LOC=1A-A2L2

USN 00008 PRI=16MAY79 2152

AUC= SEC

PFORM=KSEB NEXTBLK CD

CID PIOFE JOB T4301503

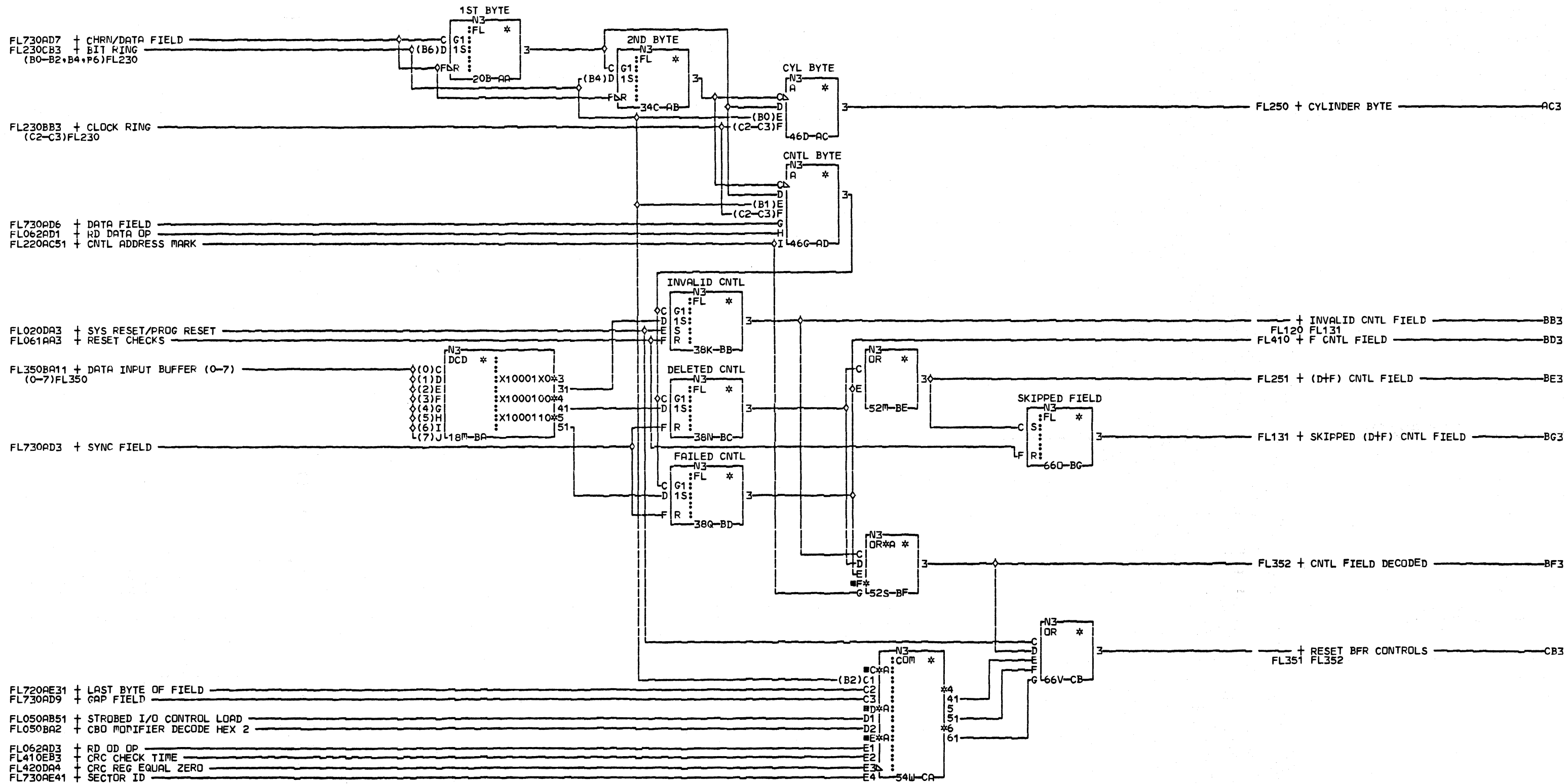


COMMENTS
 D1COPYRIGHT IBM CORP. 1978

A.M. RECOGNITION
 FAST SYNC CN ZEROS
 PN4238291 EC834824 PEC833174
 LOC=1A-A2L2
 USN 00008 PRI=08MAY79 2116
 AUC= PFORM=KSEB SEC NEXTBLK CE
 CID PIDFE JOB T4301503

0001

0001



FL730AD7 + CHRN/DATA FIELD
 FL230CB3 + BIT RING
 (B0-B2,B4,P6)FL230

FL230BB3 + CLOCK RING
 (C2-C3)FL230

FL730AD6 + DATA FIELD
 FL062AD1 + RD DATA OP
 FL220AC51 + CNTL ADDRESS MARK

FL020DA3 + SYS RESET/PROG RESET
 FL061AA3 + RESET CHECKS

FL350BA11 + DATA INPUT BUFFER (0-7)
 (0-7)FL350

FL730AD3 + SYNC FIELD

FL720AE31 + LAST BYTE OF FIELD
 FL730AD9 + GAP FIELD

FL050AB51 + STROBED I/O CONTROL LOAD
 FL050BA2 + CBO MODIFIER DECODE HEX 2

FL062AD3 + RD OD OP
 FL410EB3 + CRC CHECK TIME
 FL420DA4 + CRC REG EQUAL ZERO
 FL730AE41 + SECTOR ID

FL250 + CYLINDER BYTE AC3

+ INVALID CNTL FIELD BB3
 FL120 FL131
 FL410 + F CNTL FIELD BD3

FL251 + (D+F) CNTL FIELD BE3

FL131 + SKIPPED (D+F) CNTL FIELD BG3

FL352 + CNTL FIELD DECODED BF3

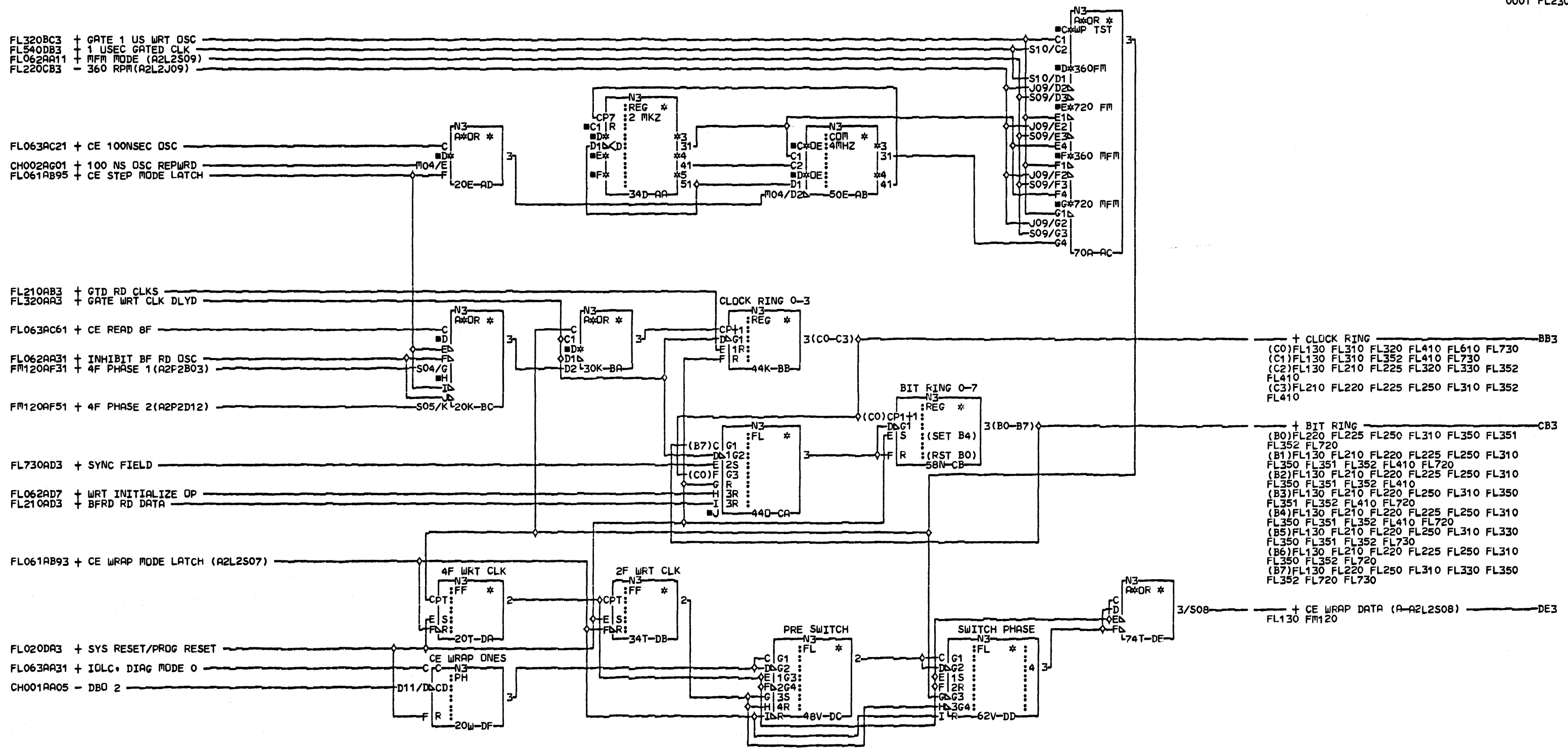
+ RESET BFR CONTROLS CB3
 FL351 FL352

COMMENTS
 D1COPYRIGHT IBM CORP. 1978

CONTROL FIELD DECODE
 PN4238292 EC833174
 LOC=1A-A2L2
 USN 00008 PRI=13OCT78 1322
 AUC= PFORM=KSEB SEC NEXTBLK CC
 C.ID PIOFE JOB N7501528

FL225
 0001

FL225
 0001



FL220CB3 + GATE 1 US WRT OSC
 FL540DB3 + 1 USEC GATED CLK
 FL062AA11 + MFM MODE (A2L2509)
 FL220CB3 - 360 RPM (A2L2J09)

FL063AC21 + CE 100NSEC OSC
 CH002AG01 + 100 NS OSC REPRD
 FL061AB95 + CE STEP MODE LATCH

FL210AB3 + GTD RD CLKS
 FL320AA3 + GATE WRT CLK DLYD

FL063AC61 + CE READ 8F
 FL062AA31 + INHIBIT BF RD OSC
 FM120AF31 + 4F PHASE 1 (A2P2B03)

FM120AF51 + 4F PHASE 2 (A2P2D12)

FL730AD3 + SYNC FIELD

FL062AD7 + WRT INITIALIZE OP
 FL210AD3 + BFRD RD DATA

FL061AB93 + CE WRAP MODE LATCH (A2L2507)

FL020DA3 + SYS RESET/PROG RESET

FL063AA31 + IDLC, DIAG MODE 0
 CH001AA05 - DBD 2

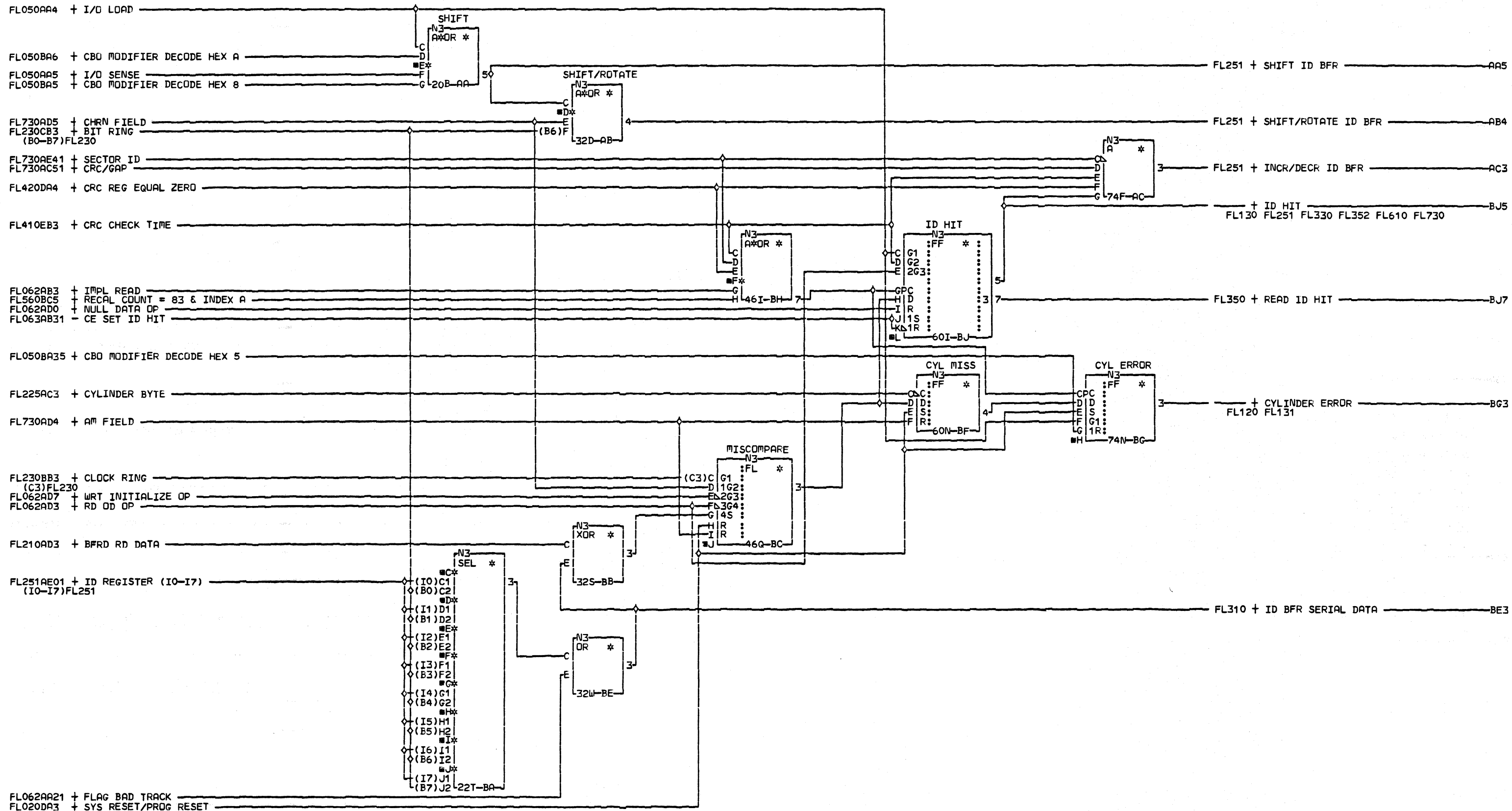
+ CLOCK RING BB3
 (C0) FL130 FL310 FL320 FL410 FL610 FL730
 (C1) FL130 FL310 FL352 FL410 FL730
 (C2) FL130 FL210 FL225 FL320 FL330 FL352
 FL410
 (C3) FL210 FL220 FL225 FL250 FL310 FL352
 FL410

+ BIT RING CB3
 (B0) FL220 FL225 FL250 FL310 FL350 FL351
 FL352 FL720
 (B1) FL130 FL210 FL220 FL225 FL250 FL310
 FL350 FL351 FL352 FL410 FL720
 (B2) FL130 FL210 FL220 FL225 FL250 FL310
 FL350 FL351 FL352 FL410
 (B3) FL130 FL210 FL220 FL250 FL310 FL350
 FL351 FL352 FL410 FL720
 (B4) FL130 FL210 FL220 FL225 FL250 FL310
 FL350 FL351 FL352 FL410 FL720
 (B5) FL130 FL210 FL220 FL250 FL310 FL330
 FL350 FL351 FL352 FL730
 (B6) FL130 FL210 FL220 FL225 FL250 FL310
 FL350 FL352 FL720
 (B7) FL130 FL220 FL250 FL310 FL330 FL350
 FL352 FL720 FL730

+ CE WRAP DATA (A-A2L2508) DE3
 FL130 FM120

COMMENTS
 D1 COPYRIGHT IBM CORP. 1978

CLOCK RING & BIT RING
 PN4238293 EC834824 PEC833174
 LDC=1A-A2L2
 USN 00008 PRI=16MAY79 2152
 AUC= SEC
 PFORM=KSEB NEXTBLK DG
 CID PIOFE JOB T4301503

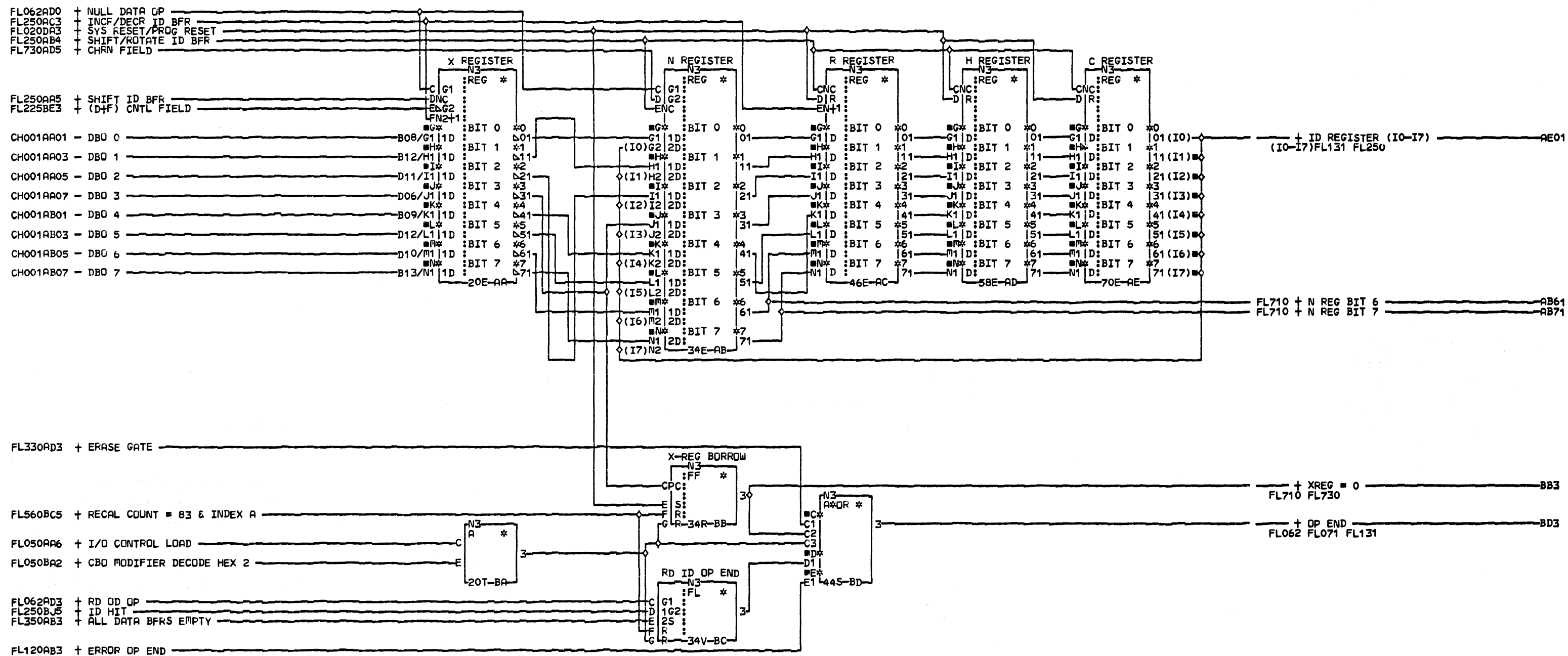


COMMENTS
 D1COPYRIGHT IBM CORP. 1978

ID BUFFER - CONTROLS,
 CYLINDER ERROR & ID HIT
 PN4238294 EC833174
 LOC=1A-A2L2
 USN 00008 PRI=130CT78 1322
 AUC= SEC
 PFORM=KSEB NEXTBLK BK
 CID PIOFE JOB N7501528

0001

FL250
 0001



COMMENTS
D1COPYRIGHT IBM CORP. 1978

ID BUFFER - CHRNX REGS
AND OP END

PN4238295 EC834824 PEC833174

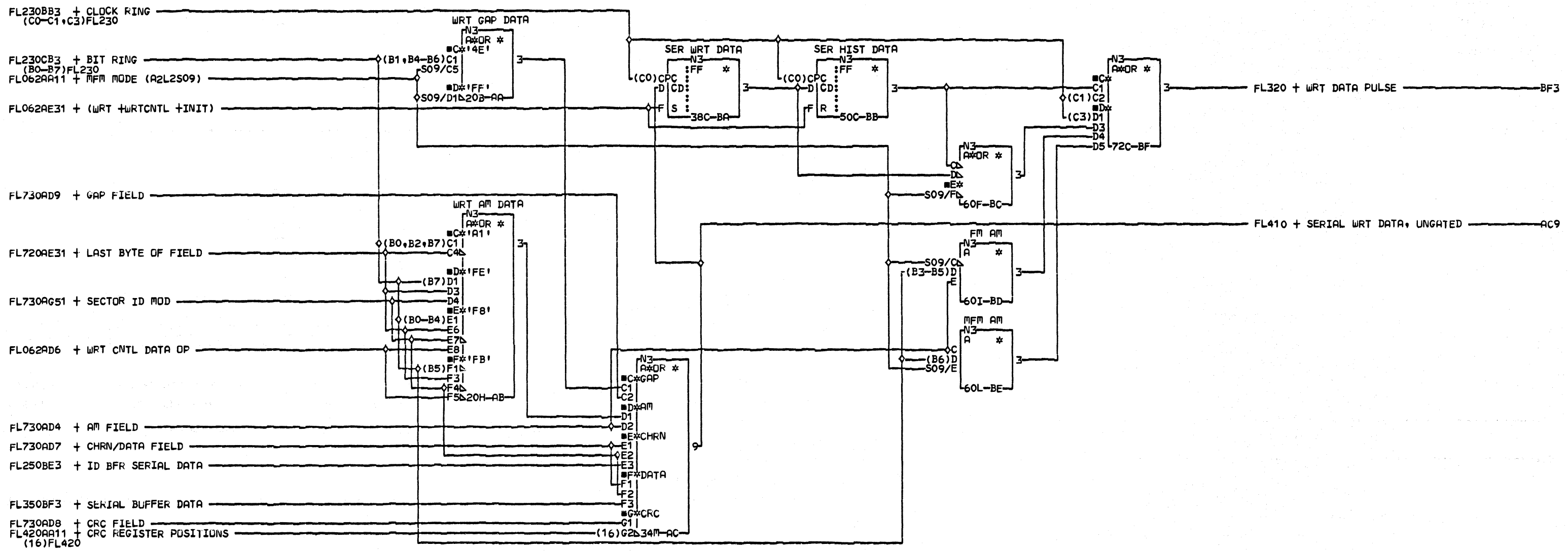
LDC=1A-A2L2

USN 00008 PRI=08MAY79 2116

AUC= SEC

PFORM=KSEB NEXTBLK BE

CID PIOFE JOB T4301503

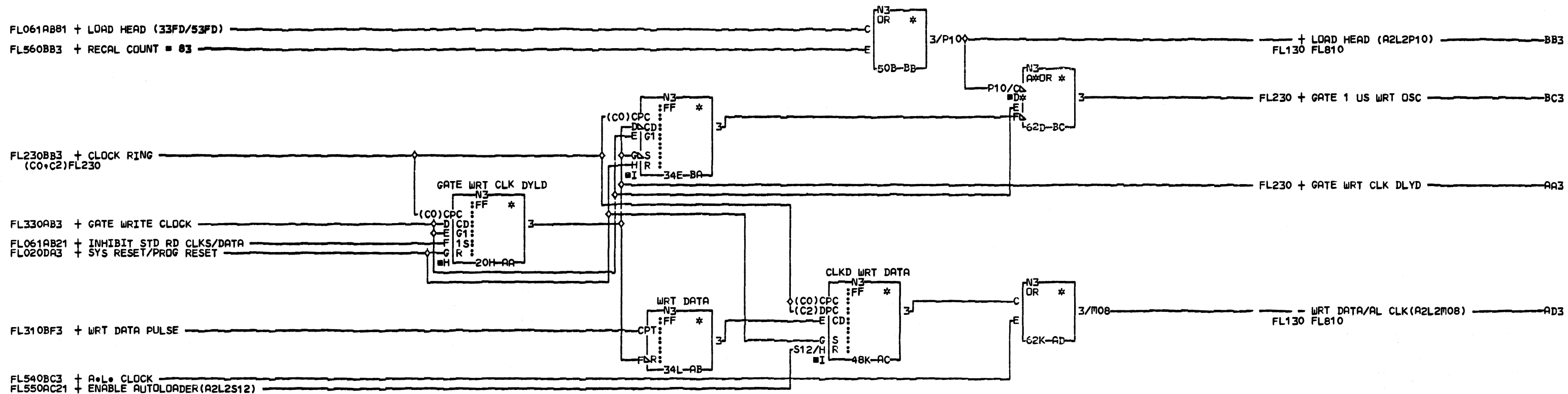


COMMENTS
D1COPYRIGHT IBM CORP. 1978

SERIAL WRITE DATA	
PN4238296 EC834824 FEC833174	
LOC=1A-P2L2	
USN 00008	PRI=09MAY79 1445
AUC#	SEC
PF0RM=KSEB	NEXTBLK BG
CID PIOFE	JOB T4301503

FL310
0001

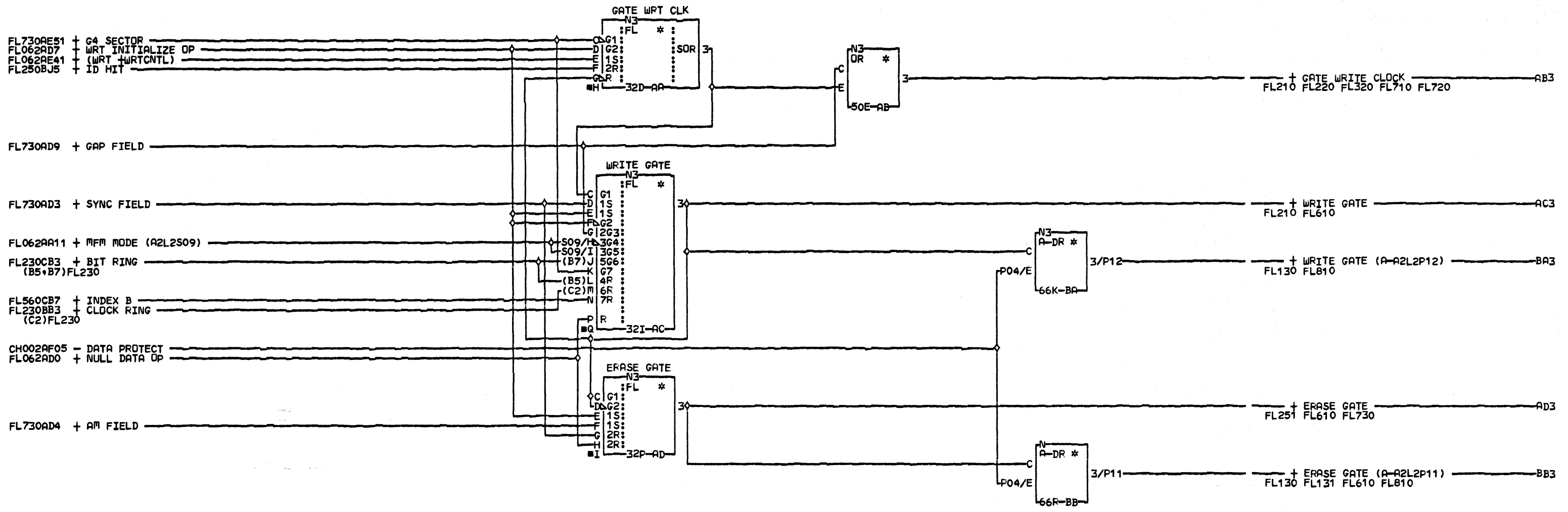
FL310
0001



COMMENTS
D1COPYRIGHT IBM CORP. 1978

CLOCKED WRITE DATA

PN4238297 EC834824 PEC833174
 LOC=1A-A2L2
 USN 00008 PRI=08MAY79 2116
 AUC= SEC
 PFORM=KSEB NEXTBLK BD
 CID PIDFE JOB T4301503

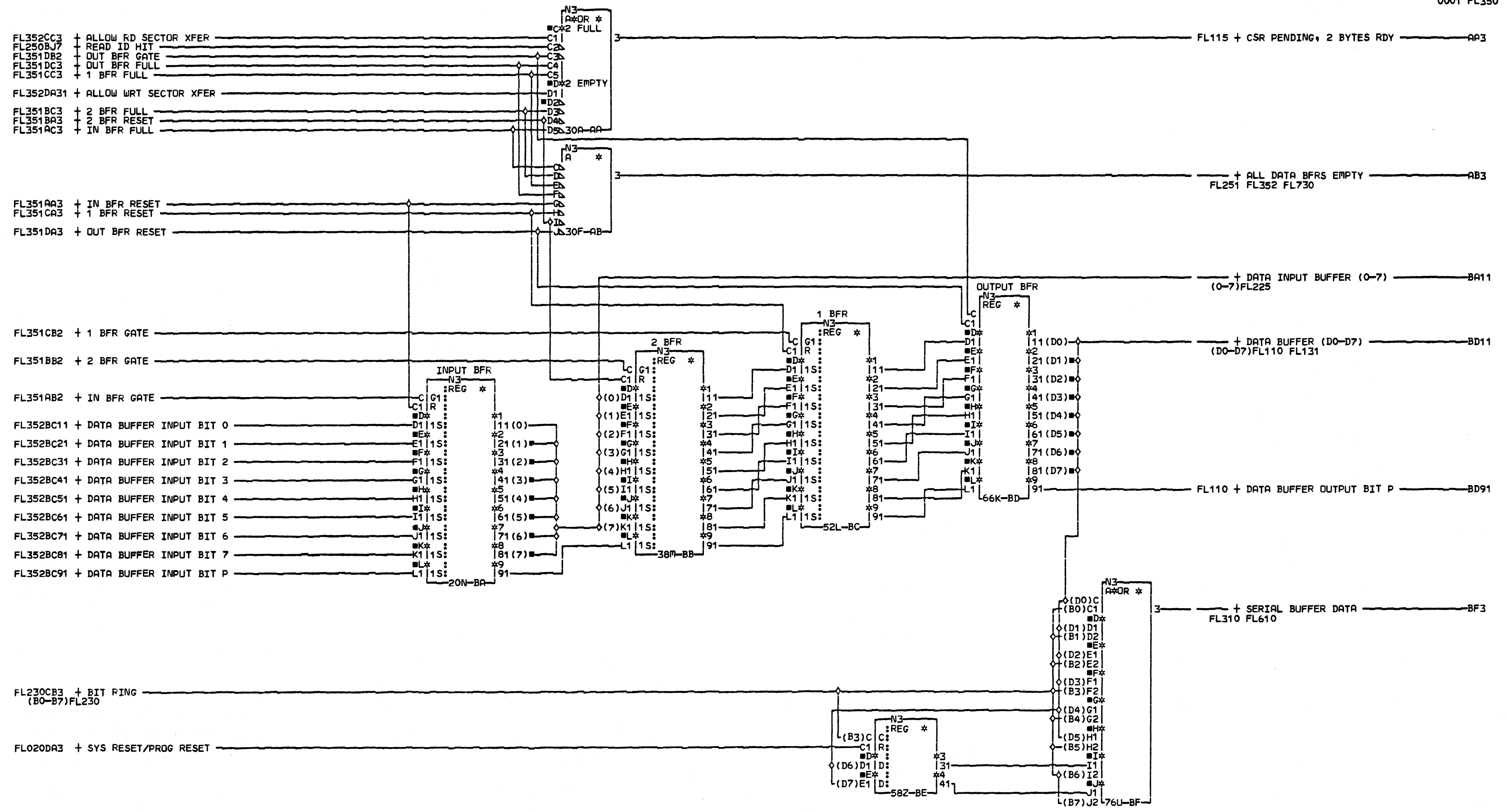


COMMENTS
D1COPYRIGHT IBM CORP. 1978

GATES - WRT CLK, WRITE
AND ERASE
PN4238298 EC834824 PEC833174
LDC=1A-A2L2
USN 00008 PRI=08MAY79 2116
AUC= PFORM=KSEB SEC NEXTBLK BC
CID PIDFE JOB T4301503

0001

0001



COMMENTS
D1COPYRIGHT IBM CORP. 1978

DATA BUFFER
4 REGISTERS AND STATUS
PN4238299 EC833174

LOC#1A-A2L2
USN 00008 PRI#13OCT78 1322
AUC=
PFORM#KSEB SEC
NEXTBLK BG
CID PIOFE JOB N7501528

FL350

FL350

FL020DA3 + SYS RESET/PRDG RESET

FL061AA3 + RESET CHECKS

FL110ED3 + LONG FD STROBE

FL352DA31 + ALLOW WRT SECTOR XFER

FL352CB3 + SNS DESER IN PROCESS

FL050BA55 + CBO MODIFIER DECODE HEX 9

FL225CB3 + RESET BFR CONTROLS

FL050AA4 + I/O LOAD

FL050BA45 + CBO MODIFIER DECODE HEX 7

FL352CC3 + ALLOW RD SECTOR XFER

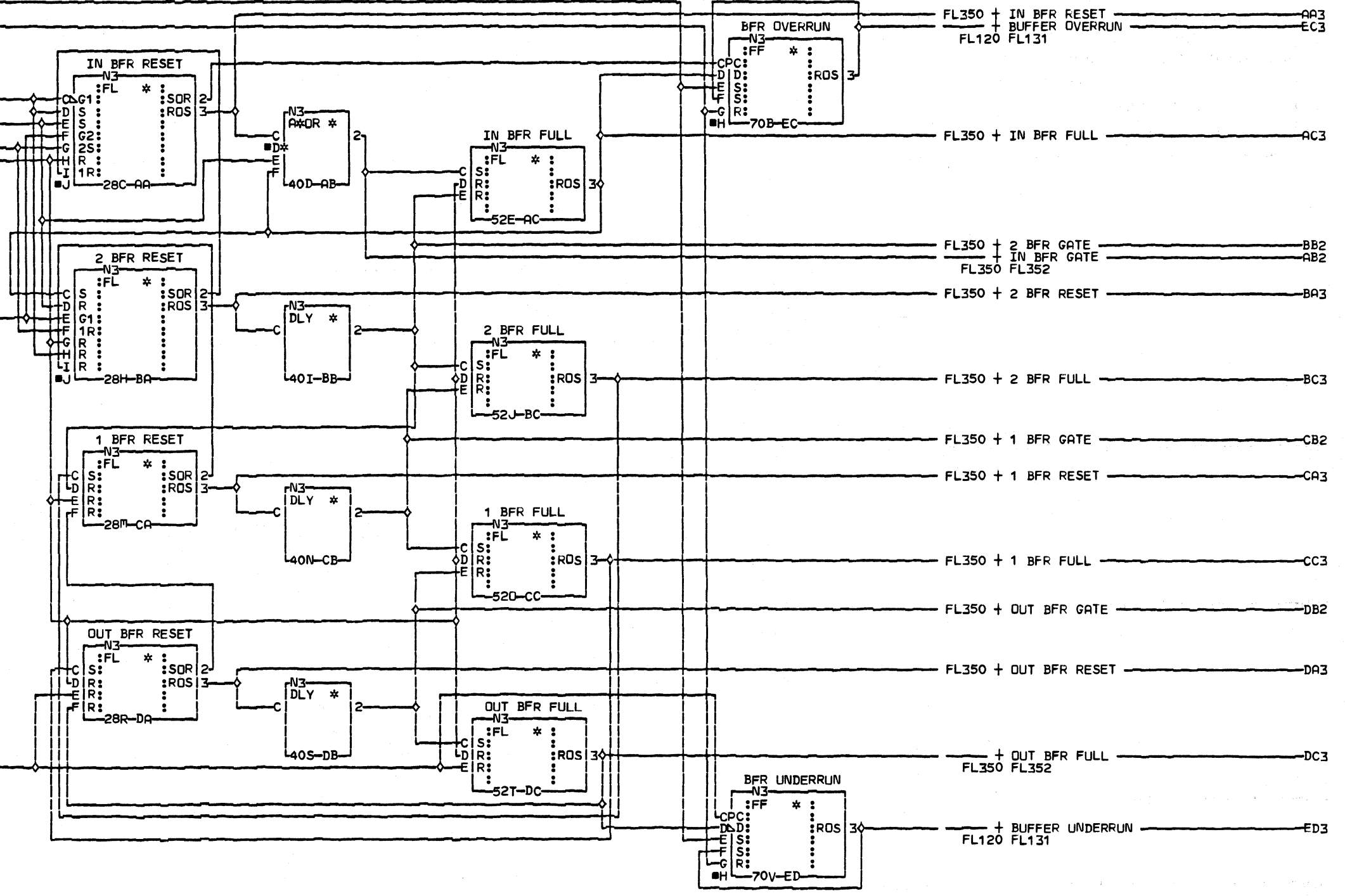
FL115AQ3 + RD STROBE

FL352DC3 + WRT SERIALIZE

FL730AD7 + CHRN/DATA FIELD

FL230CB3 + BIT RING (B0-B5)FL230

N3 A#OR *
C1
C2
D1
D2
E1
E2
(B0-B5)E3 16U-EB

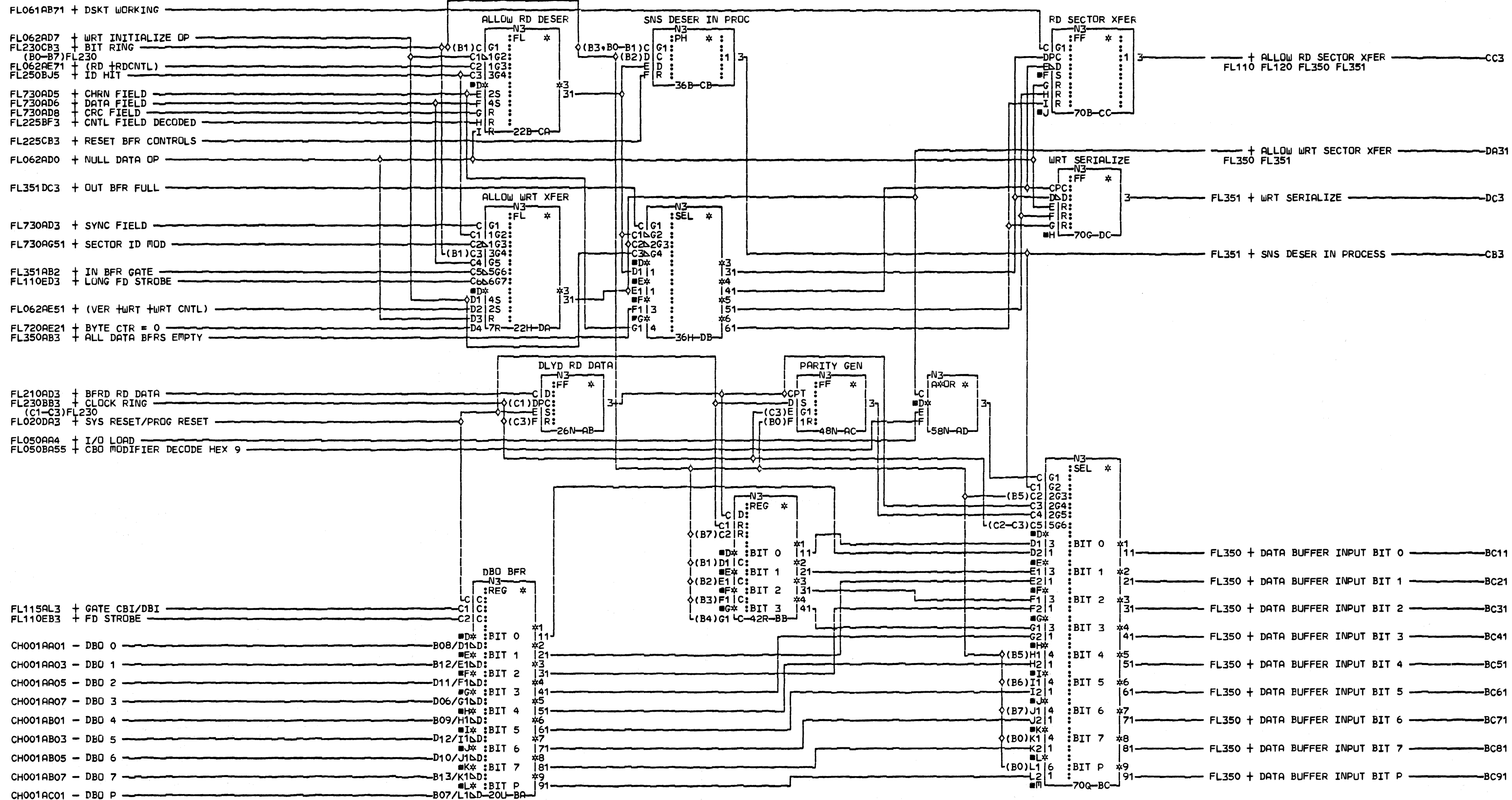


FL350 + IN BFR RESET AA3
 FL120 FL131 BUFFER OVERRUN EC3
 FL350 + IN BFR FULL AC3
 FL350 + 2 BFR GATE BB2
 FL350 IN BFR GATE AB2
 FL350 + 2 BFR RESET BA3
 FL350 + 2 BFR FULL BC3
 FL350 + 1 BFR GATE CB2
 FL350 + 1 BFR RESET CA3
 FL350 + 1 BFR FULL CC3
 FL350 + OUT BFR GATE DB2
 FL350 + OUT BFR RESET DA3
 + OUT BFR FULL DC3
 FL350 FL352
 + BUFFER UNDERRUN ED3
 FL120 FL131

COMMENTS

D1 COPYRIGHT IBM CORP. 1978

DATA BUFFER
 RIPPLE CONTROLS
 PN4238300 EC833174
 LOC=1A-A2L2
 USN 00008 PRI=130CT78 1322
 AUC= SEC
 PFORM=KSEB NEXTBLK EE
 CID PIOFE JOB N7501528



- FL061AB71 + DSKT WORKING
- FL062AD7 + WRT INITIALIZE OP
- FL230CB3 + BIT RING (B0-B7)FL230
- FL062AE71 + (RD +RDCNTL)
- FL250BJ5 + ID HIT
- FL730AD5 + CHRN FIELD
- FL730AD6 + DATA FIELD
- FL730AD8 + CRC FIELD
- FL225BF3 + CNTL FIELD DECODED
- FL225CB3 + RESET BFR CONTROLS
- FL062AD0 + NULL DATA OP
- FL351DC3 + OUT BFR FULL
- FL730AD3 + SYNC FIELD
- FL730AG51 + SECTOR ID MOD
- FL351AB2 + IN BFR GATE
- FL110ED3 + LONG FD STROBE
- FL062AE51 + (VER +WRT +WRT CNTL)
- FL720AE21 + BYTE CTR = 0
- FL350AB3 + ALL DATA BFRS EMPTY
- FL210AD3 + BFRD RD DATA
- FL230BB3 + CLOCK RING (C1-C3)FL230
- FL020DA3 + SYS RESET/PRDG RESET
- FL050AA4 + I/O LOAD
- FL050BA55 + CBO MODIFIER DECODE HEX 9
- FL115AL3 + GATE CBI/DBI
- FL110EB3 + FD STROBE
- CH001AA01 - DBO 0
- CH001AA03 - DBO 1
- CH001AA05 - DBO 2
- CH001AA07 - DBO 3
- CH001AB01 - DBO 4
- CH001AB03 - DBO 5
- CH001AB05 - DBO 6
- CH001AB07 - DBO 7
- CH001AC01 - DBO P
- CC3 + ALLOW RD SECTOR XFER FL110 FL120 FL350 FL351
- DA31 + ALLOW WRT SECTOR XFER FL350 FL351
- DC3 + FL351 + WRT SERIALIZE
- CB3 + FL351 + SNS DESER IN PROCESS
- BC11 - FL350 + DATA BUFFER INPUT BIT 0
- BC21 - FL350 + DATA BUFFER INPUT BIT 1
- BC31 - FL350 + DATA BUFFER INPUT BIT 2
- BC41 - FL350 + DATA BUFFER INPUT BIT 3
- BC51 - FL350 + DATA BUFFER INPUT BIT 4
- BC61 - FL350 + DATA BUFFER INPUT BIT 5
- BC71 - FL350 + DATA BUFFER INPUT BIT 6
- BC81 - FL350 + DATA BUFFER INPUT BIT 7
- BC91 - FL350 + DATA BUFFER INPUT BIT P

COMMENTS
D1COPYRIGHT IBM CORP. 1978

DATA BUFFER
DESERIALIZER & BFR I/O
CONTROLS
PN4238301 EC833174

L0C=1A-A2L2

USN 00008 PRI=13OCT78 1322

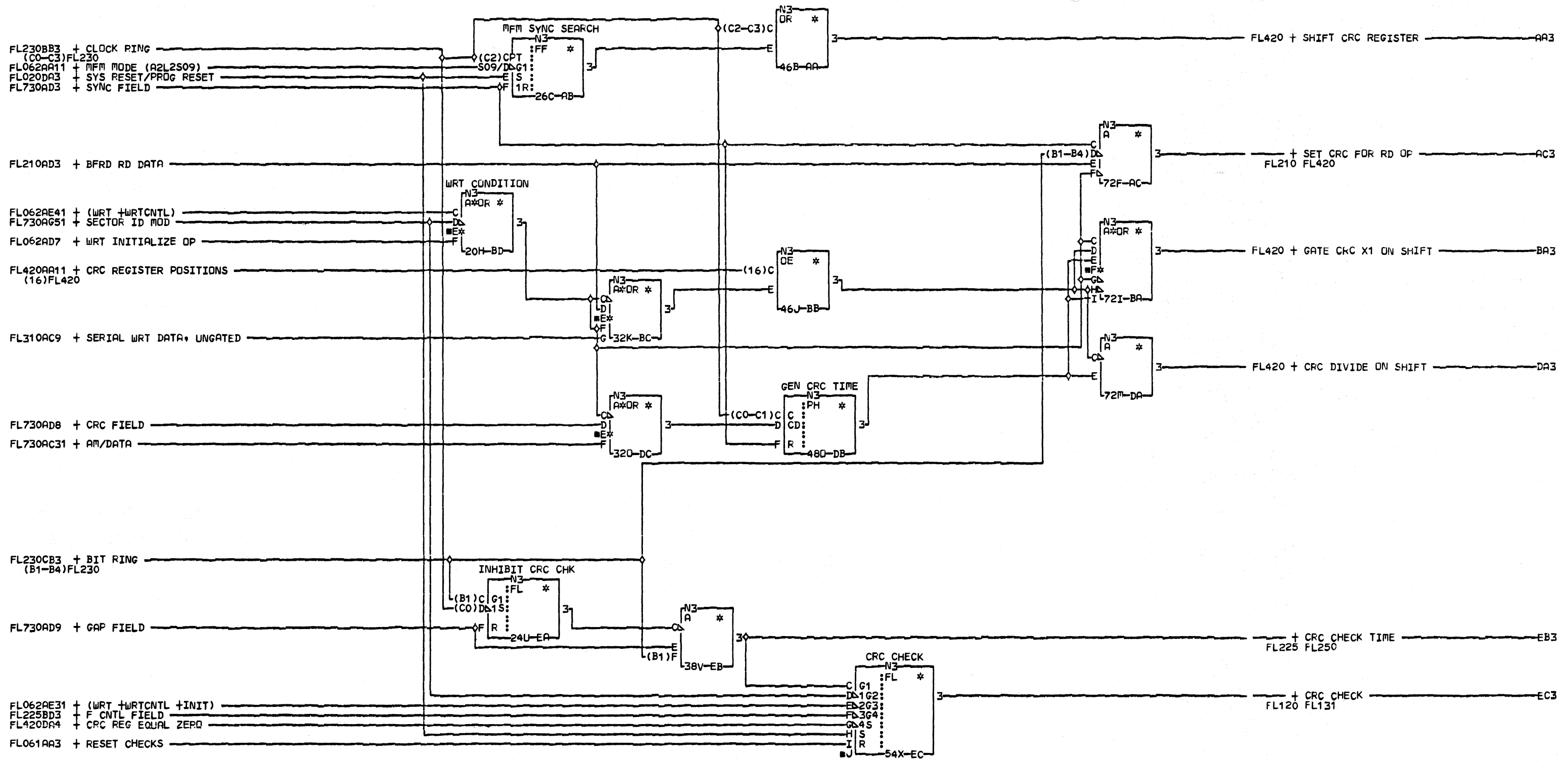
AUC= SEC 22NOV78 1530

PFORM=KSEB NEXTBLK DD

CID PIOQE JOB N7501528

FL352

FL352

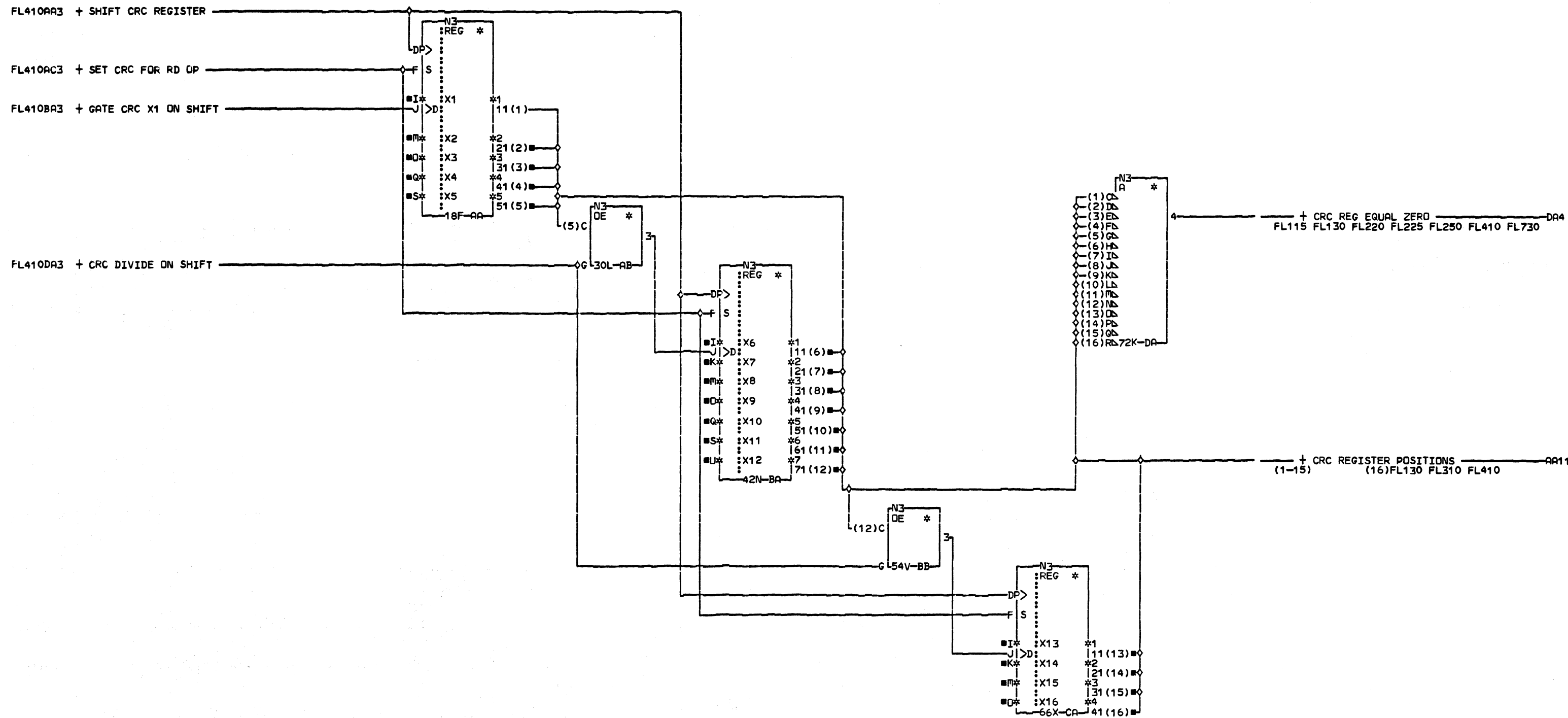


COMMENTS
D1COPYRIGHT IAM COPP, 1978

CRC CONTROL & CHECK
CRC
 FN4238302 EC834824 FEC833174
 LDC=1A-A2L2
 USN 00008 PRI=08MAY79 2116
 AUC= PFCRM=KSEB SEC NEXTBLK ED
 CID PIDPE JDB T4301503

FL410
0001

FL410
0001



COMMENTS

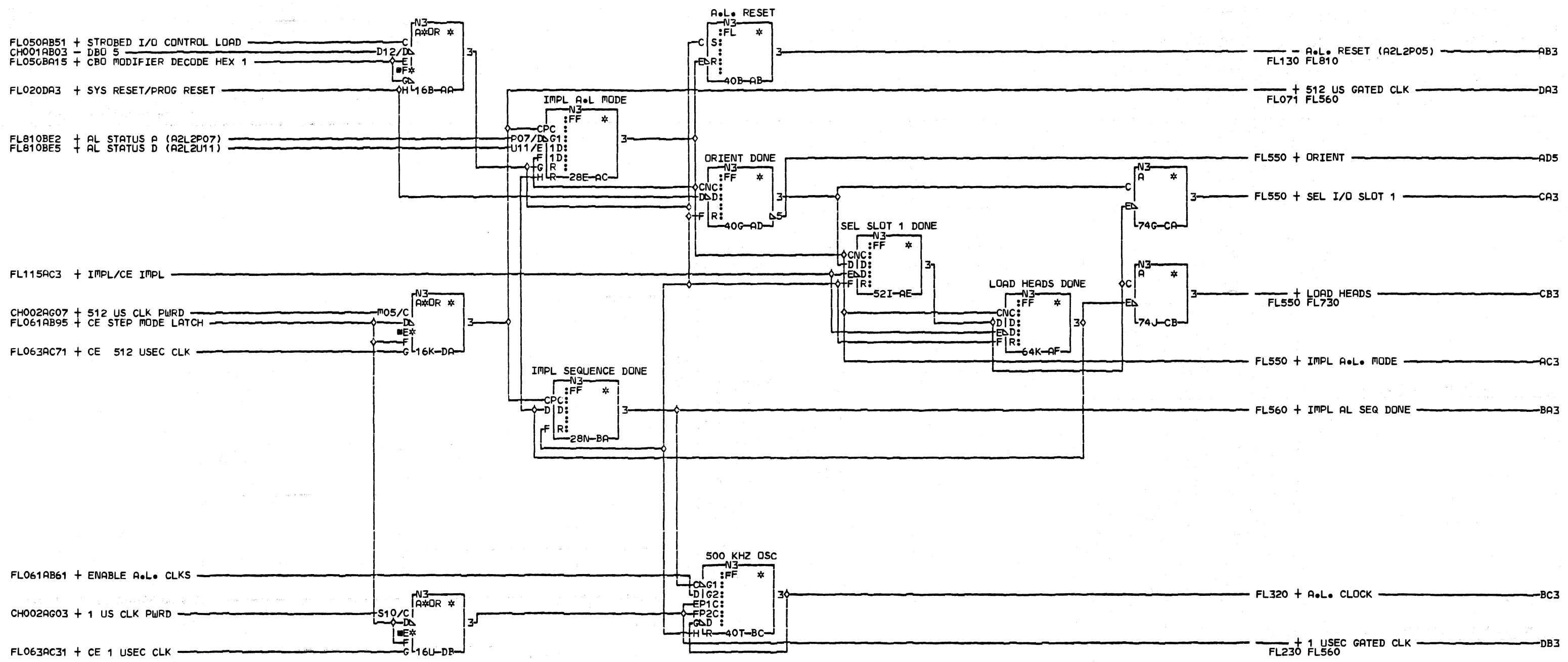
D1COPYRIGHT IBM CORP. 1978

CRC SHIFT REG
CRC
DSKT ATCH
PN4238303 EC833174

LDC=1A-A2L2
USN 00008 PRI=130CT78 1322
AUC= SEC
PFORM=KSEB NEXTBLK EB
CID PIQFE JOB N7501528

FL420

FL420

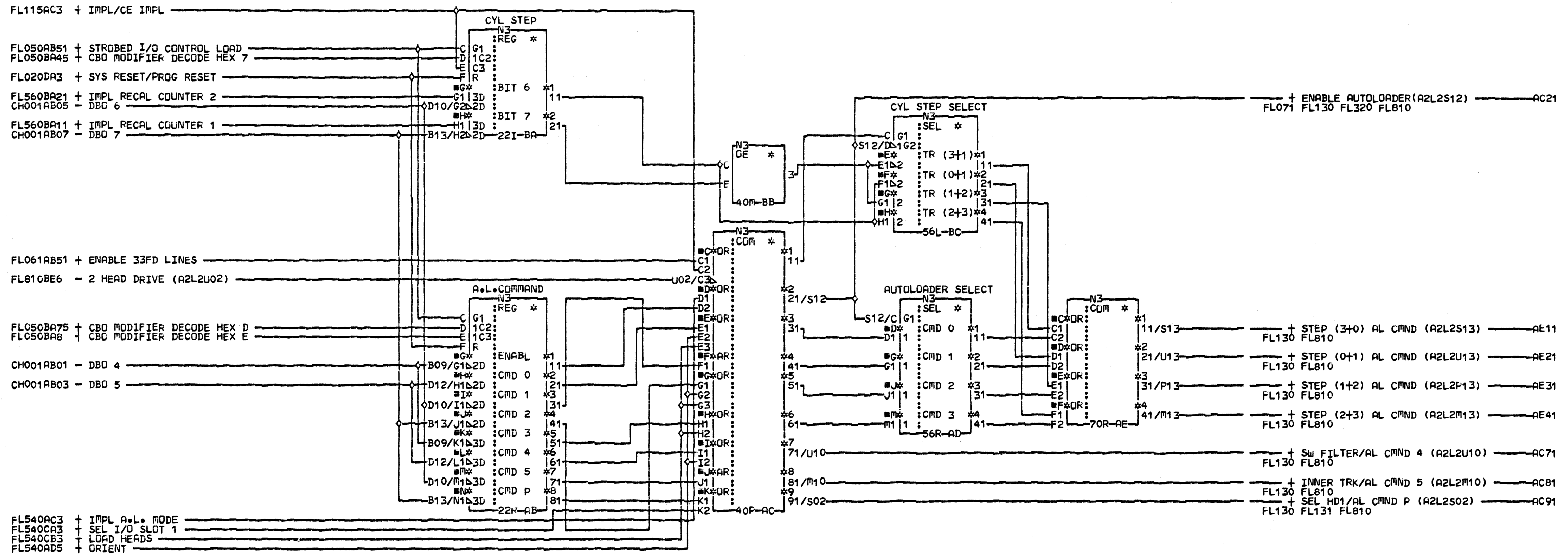


COMMENTS
 D1COPYRIGHT IBM CORP. 1978

IMPL/POR SEQUENCE	
PN4238304 EC833174	
LOC=1A-A2L2	
USN 00008	PRI=130CT78 1322
AJC=	SEC 22NOV78 1530
PFORM=KSEB	NEXTBLK DC
CID PIOFE	JOB N7501528

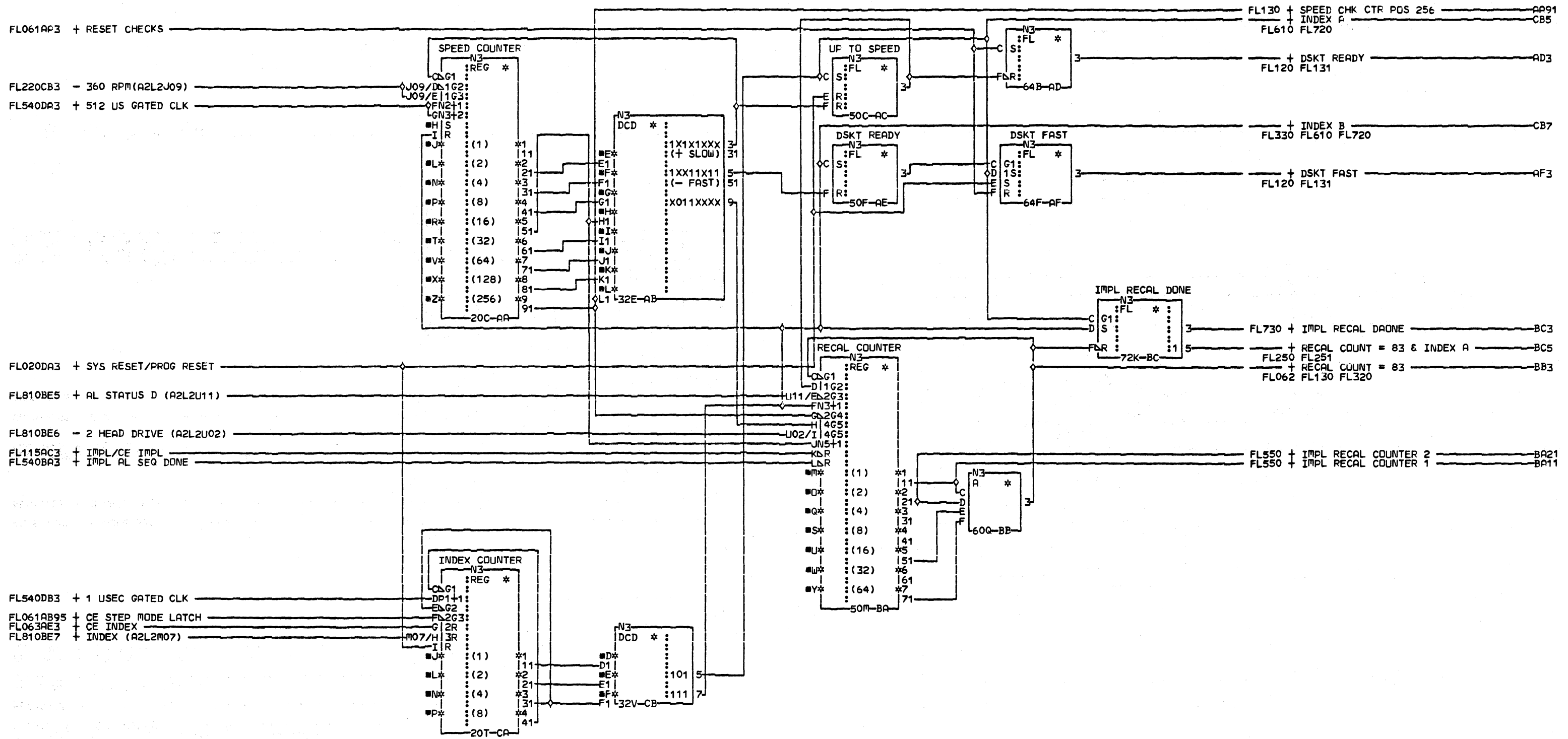
0001

0001



COMMENTS
 D1COPYRIGHT IBM CORP. 1978

AUTOLOADER CONTROL LINES
 HEAD ACCESS ADD MPXD DRIVE LINES
 FN4238305 EC834824 PEC833174
 LOC#1A-A2L2
 USN 00008 PRI#06MAY79 2116
 AUC# SEC
 PFORM#KSEB NEXTBLK BD
 CID PIOFE JOB T4301503

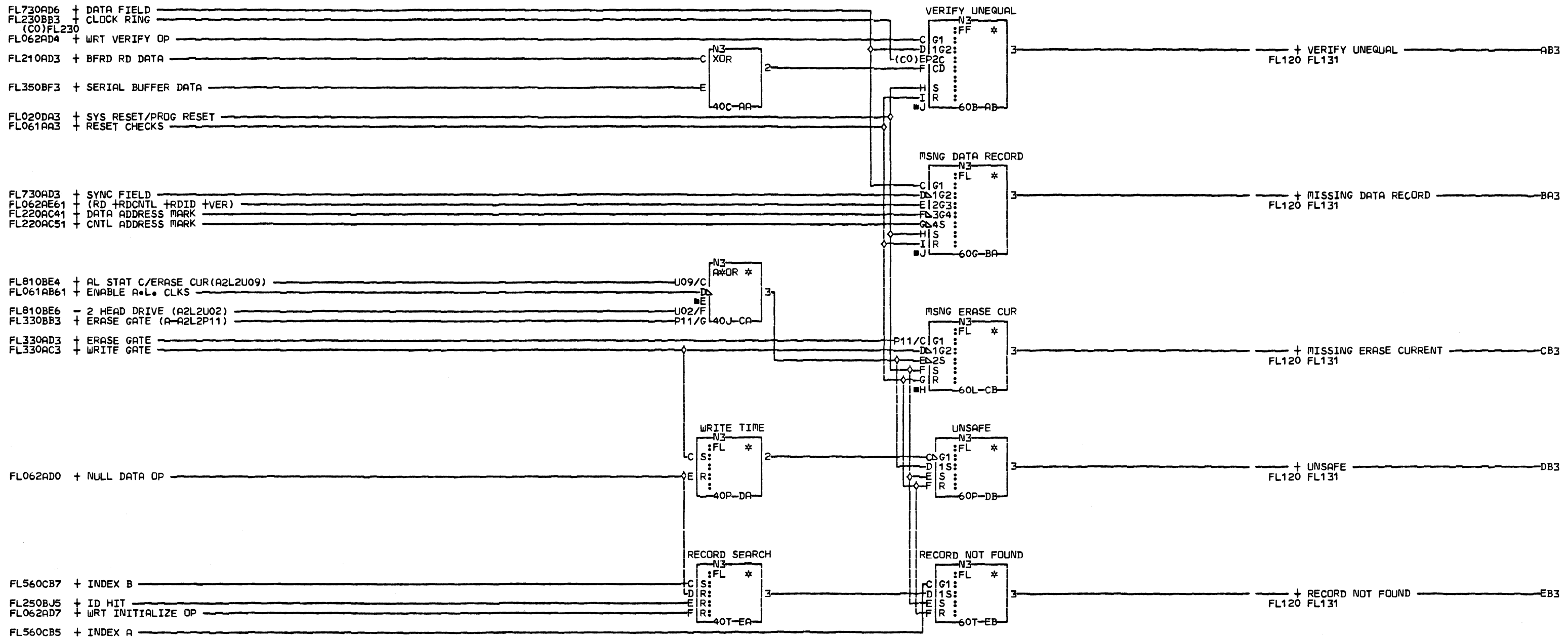


COMMENTS
 D1COPYRIGHT IBM CORP. 1978

SPEED CHECK AND IMPL
 RECAL COUNTER
 PN4238306 EC833174
 LOC=1A-A2L2
 USN 00008 PRI=13OCT78 1322
 AUC= SEC
 PFORM=KSEB NEXTBLK CC
 CID PIOFE JOB N7501528

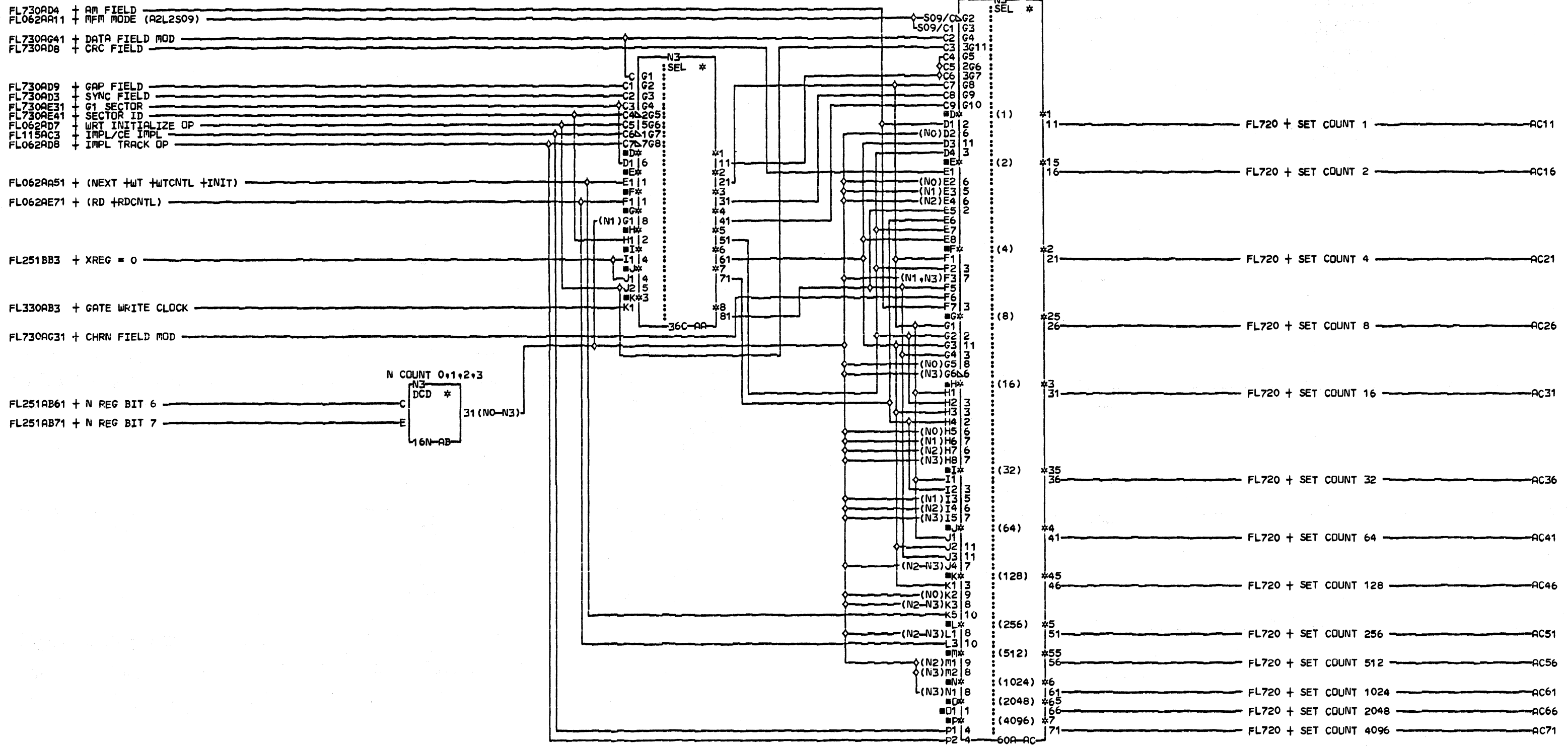
FL560
 0001

FL560
 0001



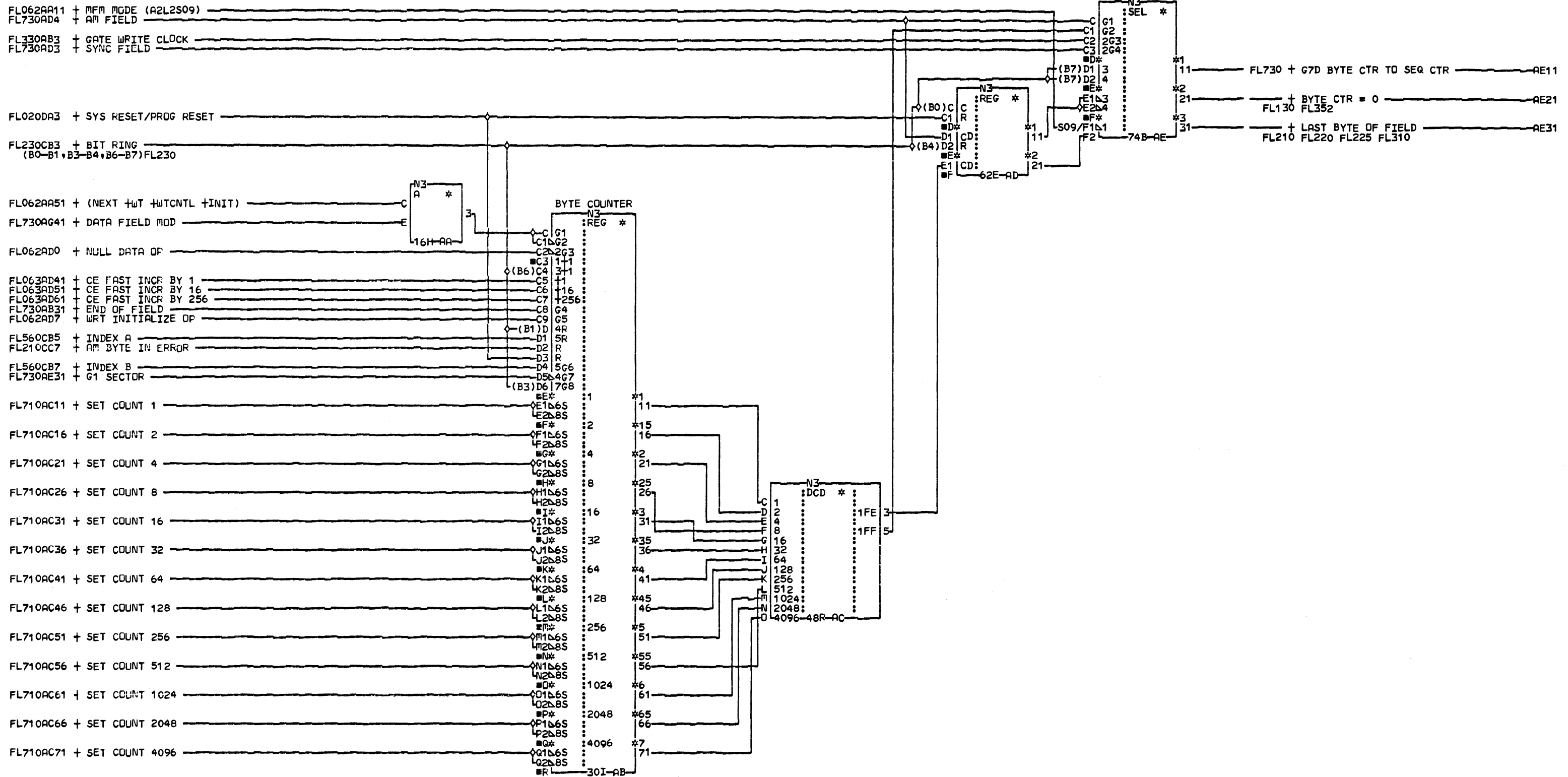
COMMENTS
D1COPYRIGHT IBM CORP. 1978

ERROR CHECK CIRCUITS
PN4238307 EC833174
LOC#1A-A2L2
USN 00008 PRI#130CT78 1322
AUC# SEC
PFORM#KSEB NEXTBLK EC
CID PIOFE JOB N7501528



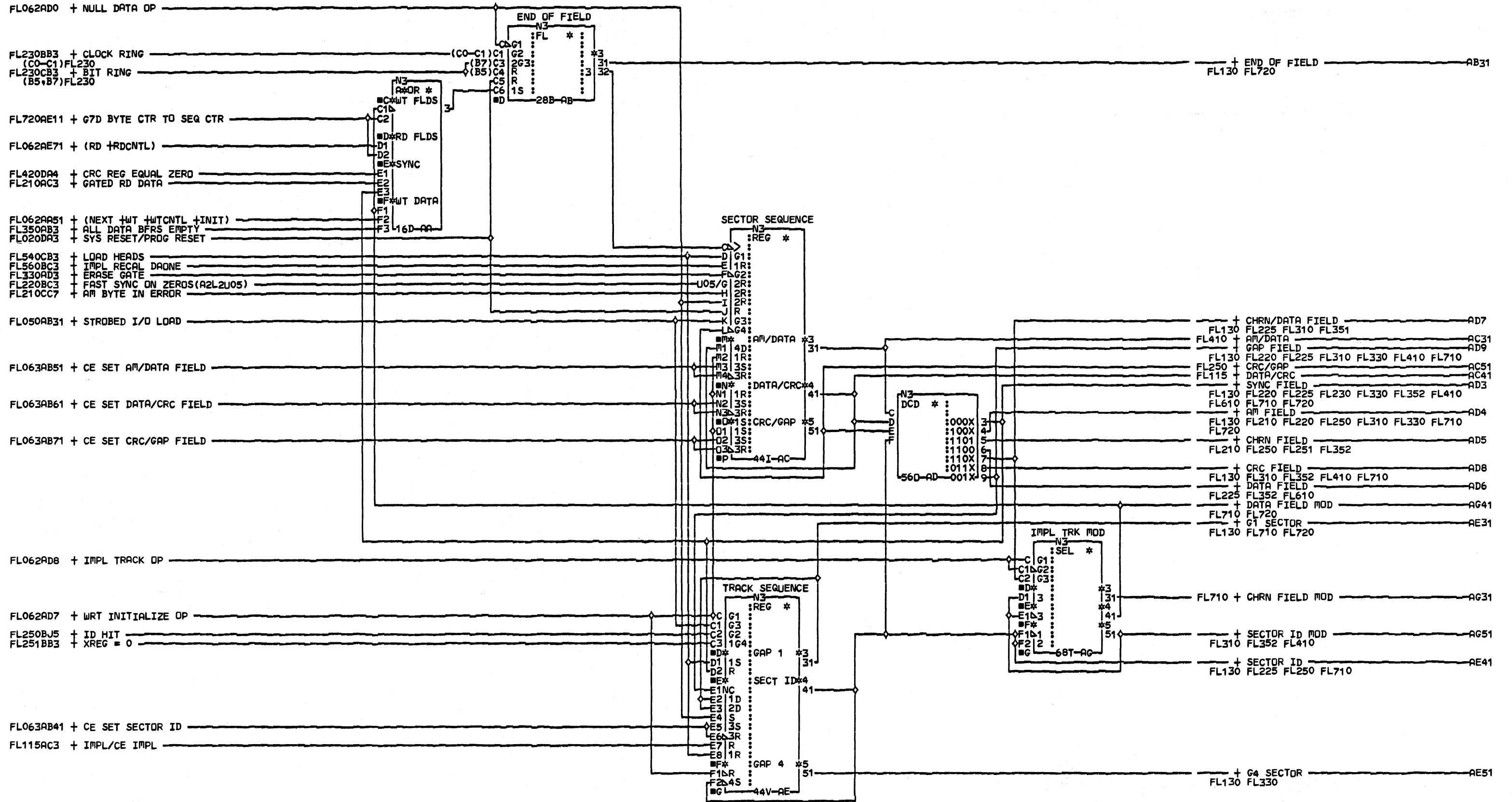
COMMENTS
D1COPYRIGHT IBM CORP. 1978

SEQUENCER
FIELD BYTE COUNT SELECT
PN4238308 EC834824 PEC833174
LDC=1A-A2L2
USN 00008 PRI=08MAY79 2116
AUC# SEC
PFORM=KSEB NEXTBLK AD
CID PIQFE JOB T4301503



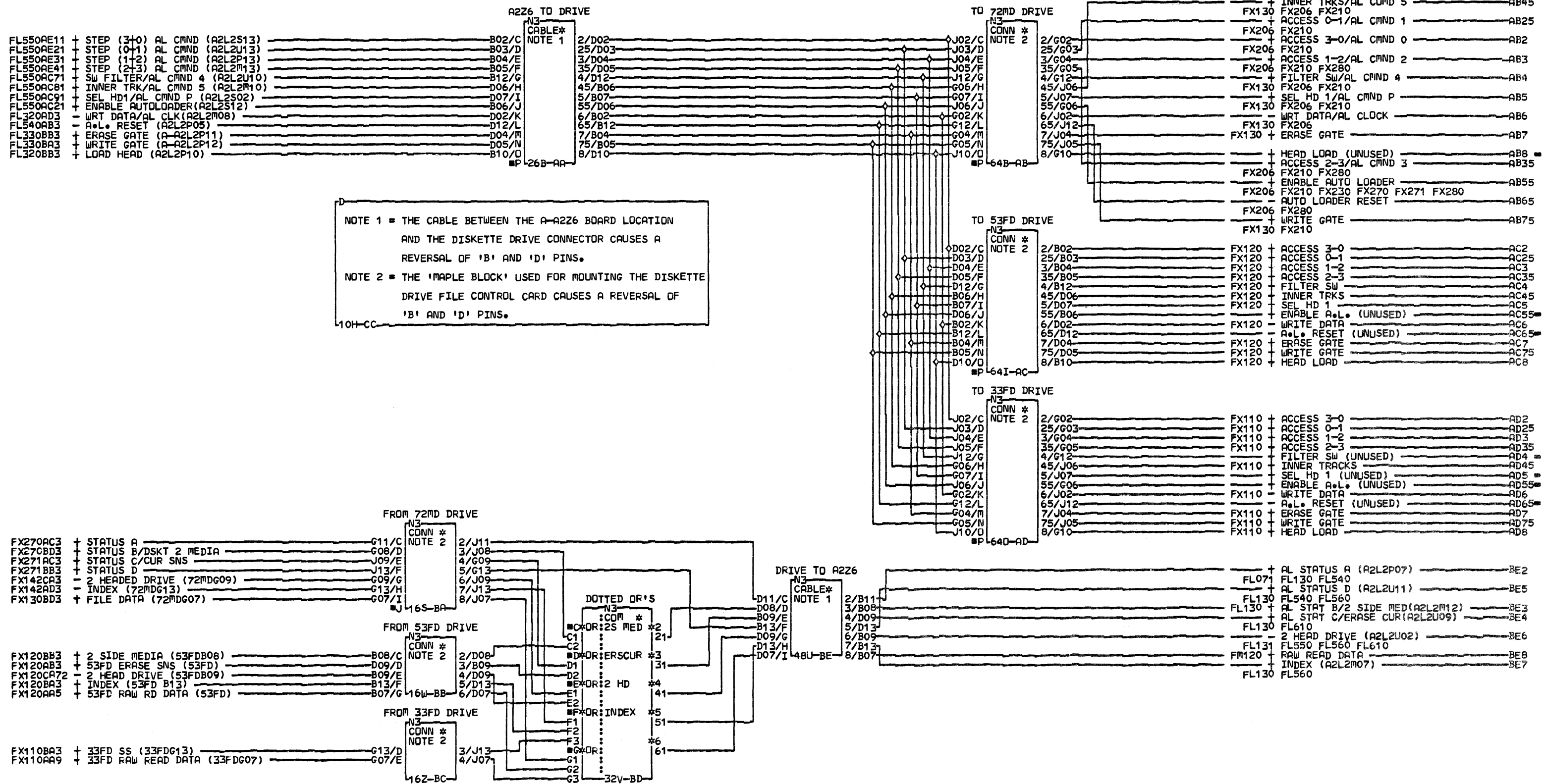
COMMENTS
D1COPYRIGHT IBM CORP. 1978

SEQUENCER
BYTE COUNTER
PN4238309 EC834824 PEC833174
LDC=1A-A2L2
USN 00008 PRI=08MAY79 2116
AUC= PFORM=KSEB SEC NEXTBLK AF
CID PIDFE JOB T4301503



COMMENTS
D1COPYRIGHT IBM CORP. 1978

SEQUENCER
SECTOR AND TRACK
PN4238310 EC834824 PEC833174
LDC=1A-A2L2
USN 00008 PRI=08MAY79 2116
AUC= SEC
PFDRM=KSEB NEXTBLK AH
CID PIOFE JOB T4301503

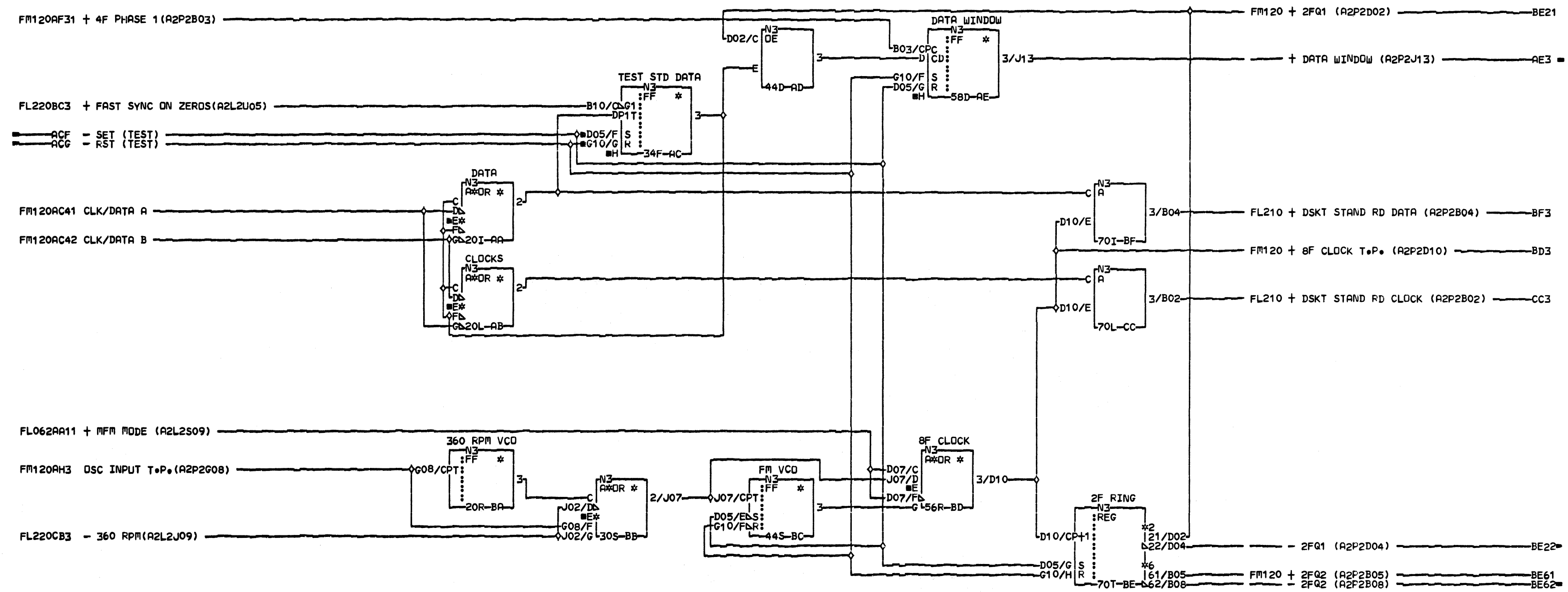


NOTE 1 = THE CABLE BETWEEN THE A-A226 BOARD LOCATION AND THE DISKETTE DRIVE CONNECTOR CAUSES A REVERSAL OF 'B' AND 'D' PINS.

NOTE 2 = THE 'MAPLE BLOCK' USED FOR MOUNTING THE DISKETTE DRIVE FILE CONTROL CARD CAUSES A REVERSAL OF 'B' AND 'D' PINS.

COMMENTS
D1COPYRIGHT IBM CORP. 1978

ENTRY/EXIT PAGE
DISKETTE DRIVE
PN4238311 EC834824 PEC833174
LDC=1A-A226
USN 0008 PRI=08MAY79 2116
AUC= SEC
PFORM=KSEB NEXTBLK CD
CID PIDFE JOB T4301503



COMMENTS
D1 COPYRIGHT IBM CORP. 1978

DATA CONTROL
DATA SEPARATOR
DSKT ATCH
PN4238312 EC834824 FEC833174

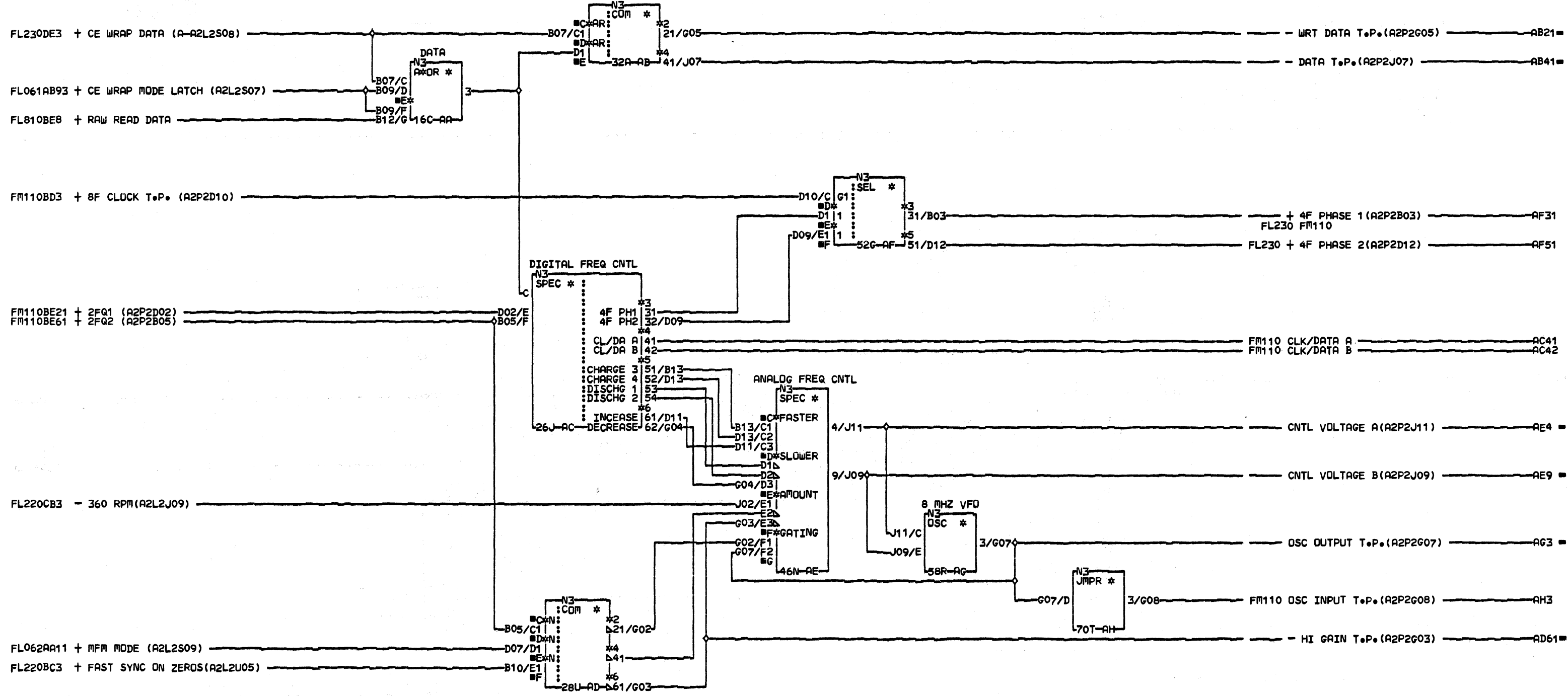
LUC=1A-A2P2
USN 00008 PRI=14JUN79 2037
AUC= PFORM=KSEB SEC NEXTBLK CD
CID PIUFE JOB T4301503

FM110

0001

FM110

0001

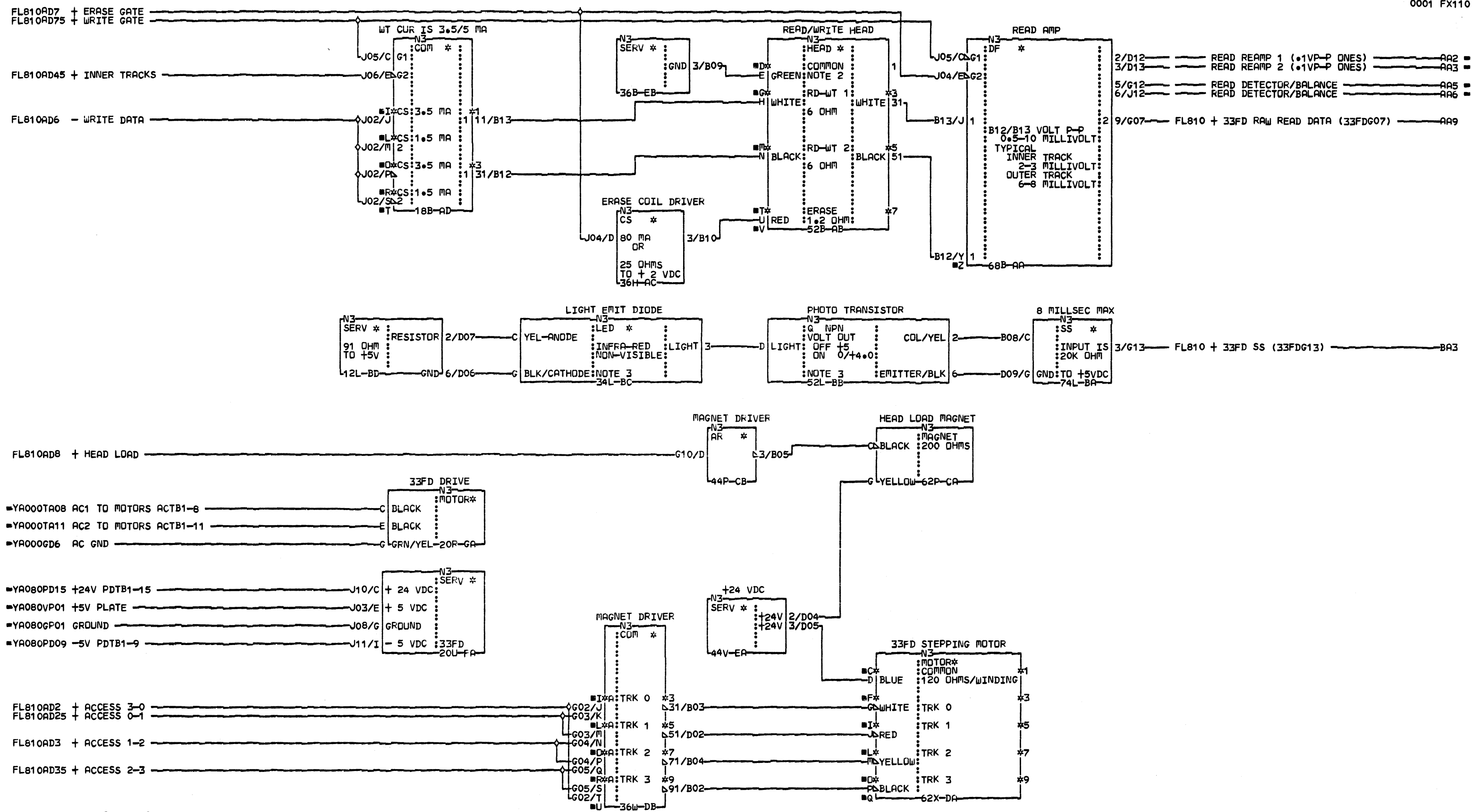


COMMENTS
D1COPYRIGHT IBM CORP. 1978

OSC CONTROL
DATA SEPARATOR
DSKT ATCH
PN4238313 EC834824 PEC833174
LOC#1A-A2P2
USN 00008 PRI#14JUN79 2037
AUC# PF0RM#KSEB SEC NEXTBLK AI
CID PIDFE JOB T4301503

FE120
0001

FM120
0001

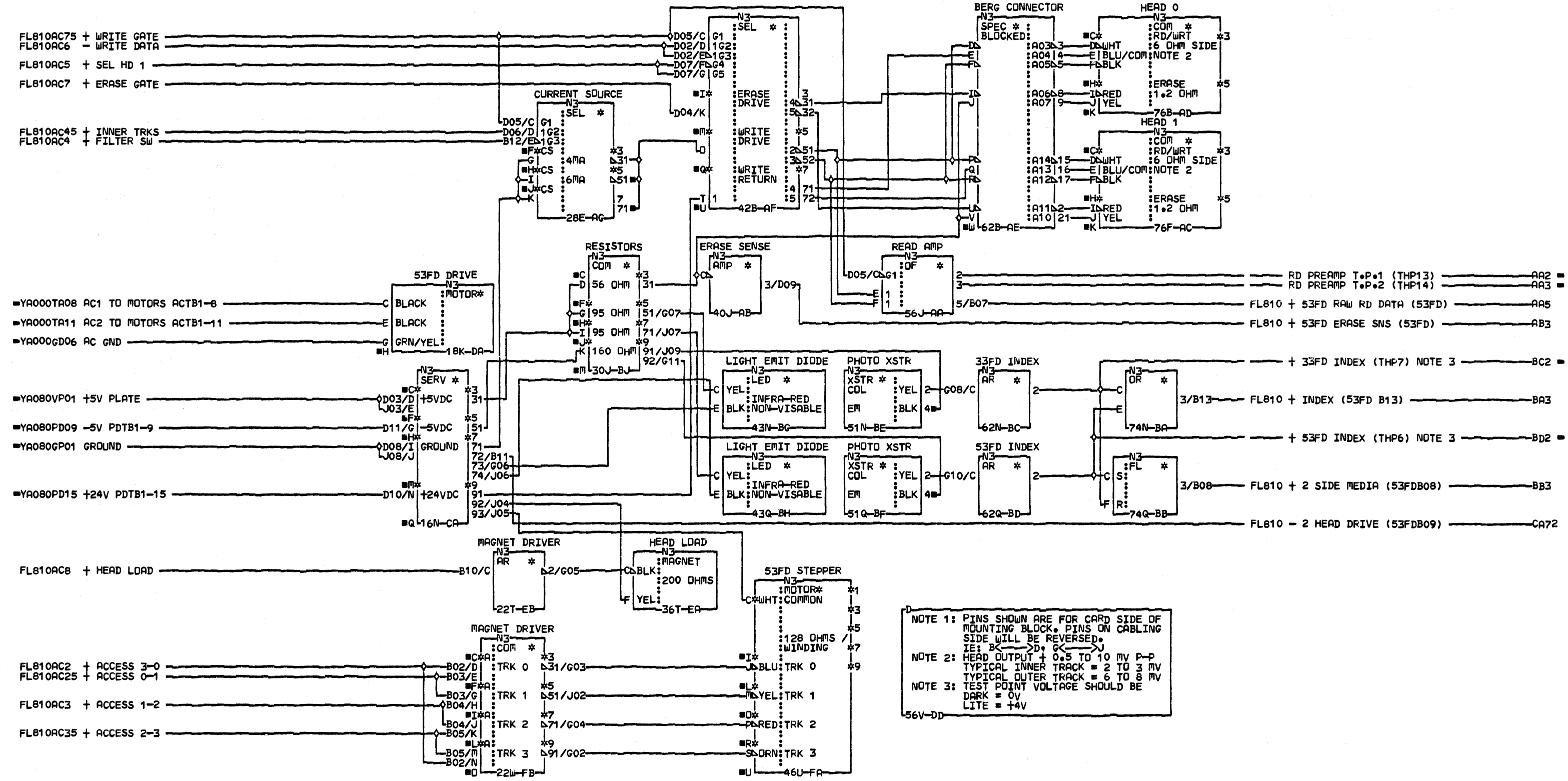


COMMENTS
D1COPYRIGHT IBM CORP. 1978

AMPLIFIERS & DRIVERS
1 SIDED DRIVE
33FD
PN4238314 EC834824 PEC833174
LOC=5A-33FD
USN 00008 PKI=08MAY79 2116
AUC= SEC 10MAY79 0925
PFORM=KSEB NEXTBLK GB
CID PIOFE JOB T4301503

F
X
1
1
0
0001

F
X
1
1
0
0001



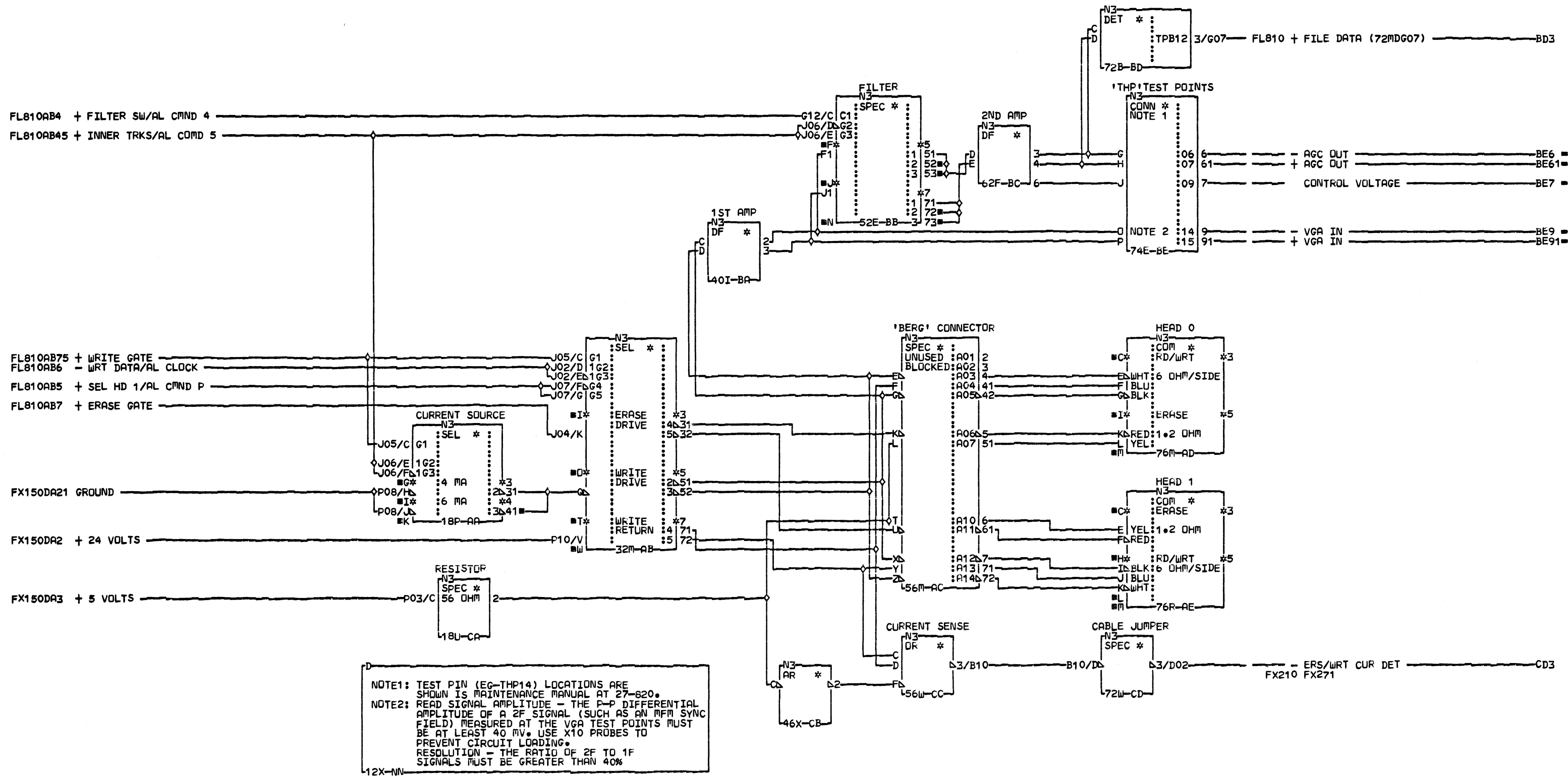
NOTE 1: PINS SHOWN ARE FOR CARD SIDE OF MOUNTING BLOCK. PINS ON CABLING SIDE WILL BE REVERSED.
 IE: B ← D, G ← J
 NOTE 2: HEAD OUTPUT + 0.5 TO 10 MV P-P
 TYPICAL INNER TRACK = 2 TO 3 MV
 TYPICAL OUTER TRACK = 6 TO 8 MV
 NOTE 3: TEST POINT VOLTAGE SHOULD BE
 DARK = 0V
 LITE = +4V

COMMENTS
 D1COPYRIGHT IBM CORP. 1978

AMPLIFIERS & DRIVERS
 2 SIDED DRIVE
 53FD
 PN4238315 EC834824 PEC833174
 LOC=5A-53FD
 USN 00008 PRI=09MAY79 1445
 AUC= PFORM=KSEB SEC 10MAY79 0925
 CID P10FE JOB T4301503
 NEXTBLK FC

FX120
 0001

FX120
 0001



COMMENTS
D1 COPYRIGHT IBM CORP. 1978

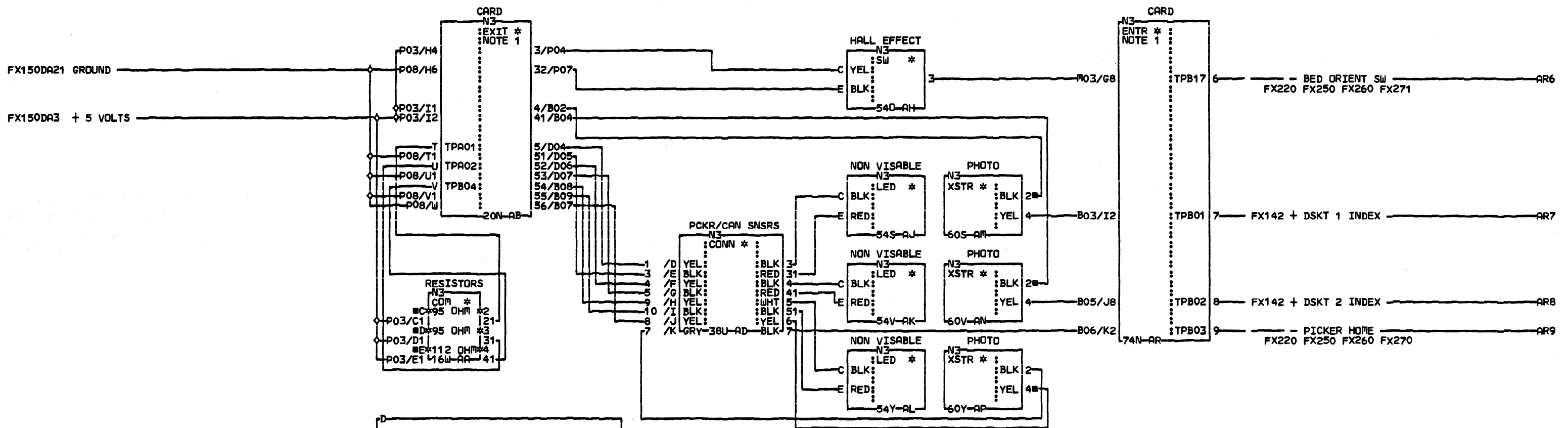
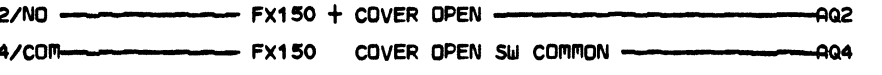
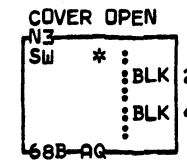
72MD DRIVE
RD/WRT HEAD & CIRCUITS
PN4238316 EC834824 PEC833174
LUC=5A-72MD
USN 06008 PRI=08MAY79 2116
AUC= SEC
PF0RM=KSEB NEXTBLK NO
CID P10FE JOB T4301503

FX130

0001

FX130

0001



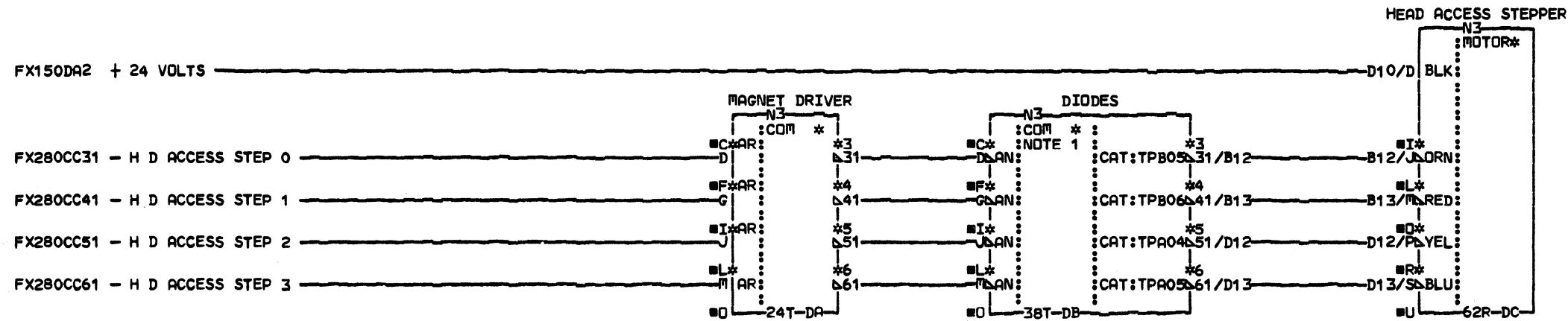
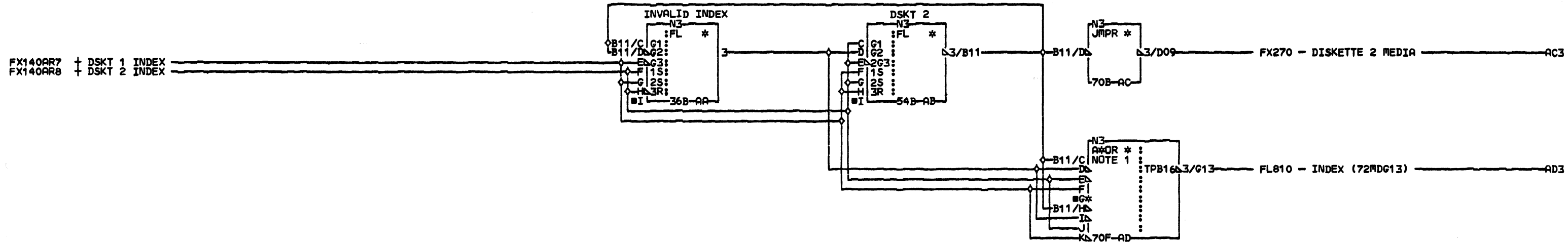
NOTE1: TEST PIN (EG TPA01) LOCATIONS ARE SHOWN IN THE MAINTENANCE MANUAL 27-620.
120-ZZ

COMMENTS
D1 (C)COPYRIGHT IBM CORP. 1978

72MD DRIVE SWITCH & SENSORS
PN4238317 EC835011 PEC834824
LDC=5A-72MD
USN 00008 PRI=24MAR80 2154
AUC= SEC
PFORM=KSEB NEXTBLK Z0
MACH=5340000
CID PIOFE JOB T4002241

FX140
0001

FX140
0001

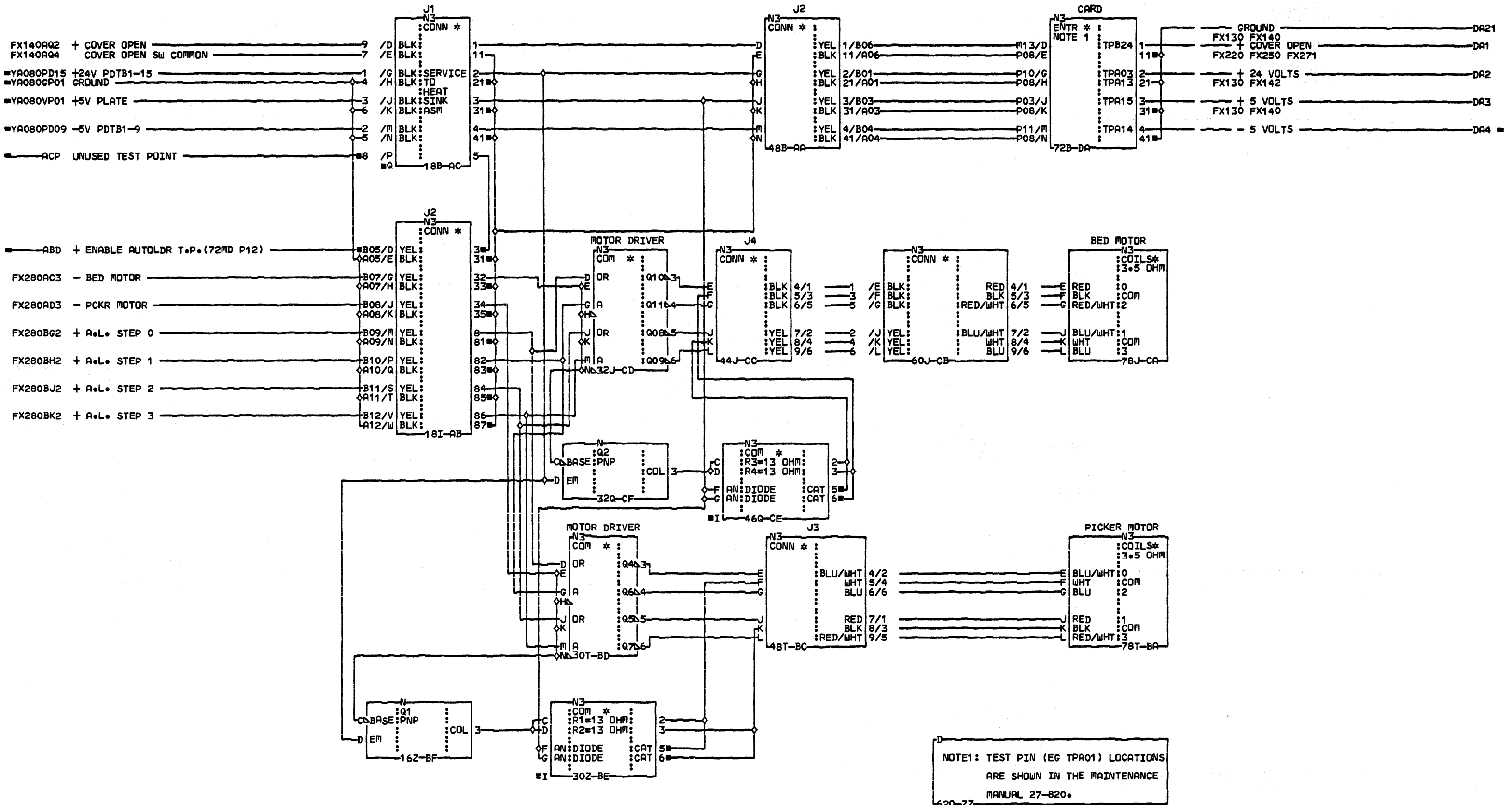


NOTE1: TEST PIN (EG TPA01) LOCATIONS
ARE SHOWN IN THE MAINTENANCE
MANUAL 27-820.

120-ZZ

COMMENTS
D1 (C) COPYRIGHT IBM CORP. 1978

72MD DRIVE
INDEX & DSKT TYPE MOTORS
PN4238318 EC835011 PEC834824
LOC=5B-72MD
USN 0008 PRI=24MAR80 2154
AUC= SEC
PFDRM=KSEB NEXTBLK 20
MACH=5340000
CID PIOFE JOB T4002241



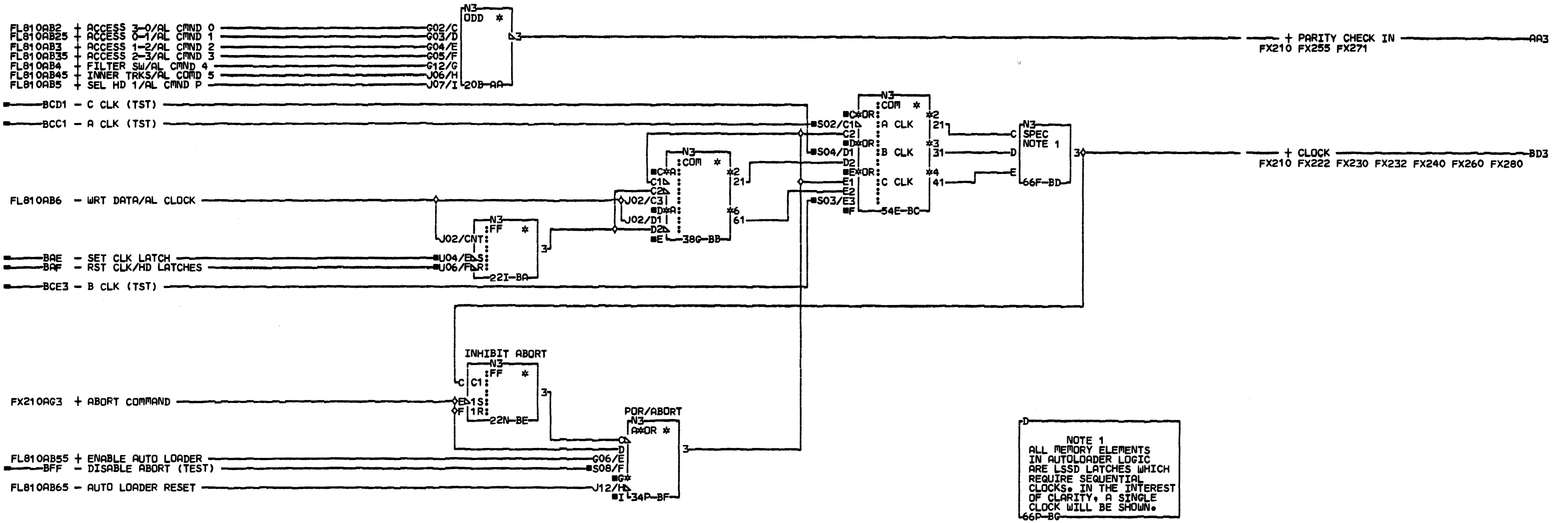
NOTE 1: TEST PIN (EG TPA01) LOCATIONS ARE SHOWN IN THE MAINTENANCE MANUAL 27-820.

COMMENTS
D1 (C) COPYRIGHT IBM CORP. 1978

72MD DRIVE
HEAT SINK & STEPPER MOTORS
PN4238319 EC835011 PEC834824
LOC=5B-72MD
USN 00008 PRI=24MAR80 2154
AUC= PFORM=KSEB SEC NEXTBLK 20
MACH=5340000
CID P10FE JOB T4002241

FX150
0001

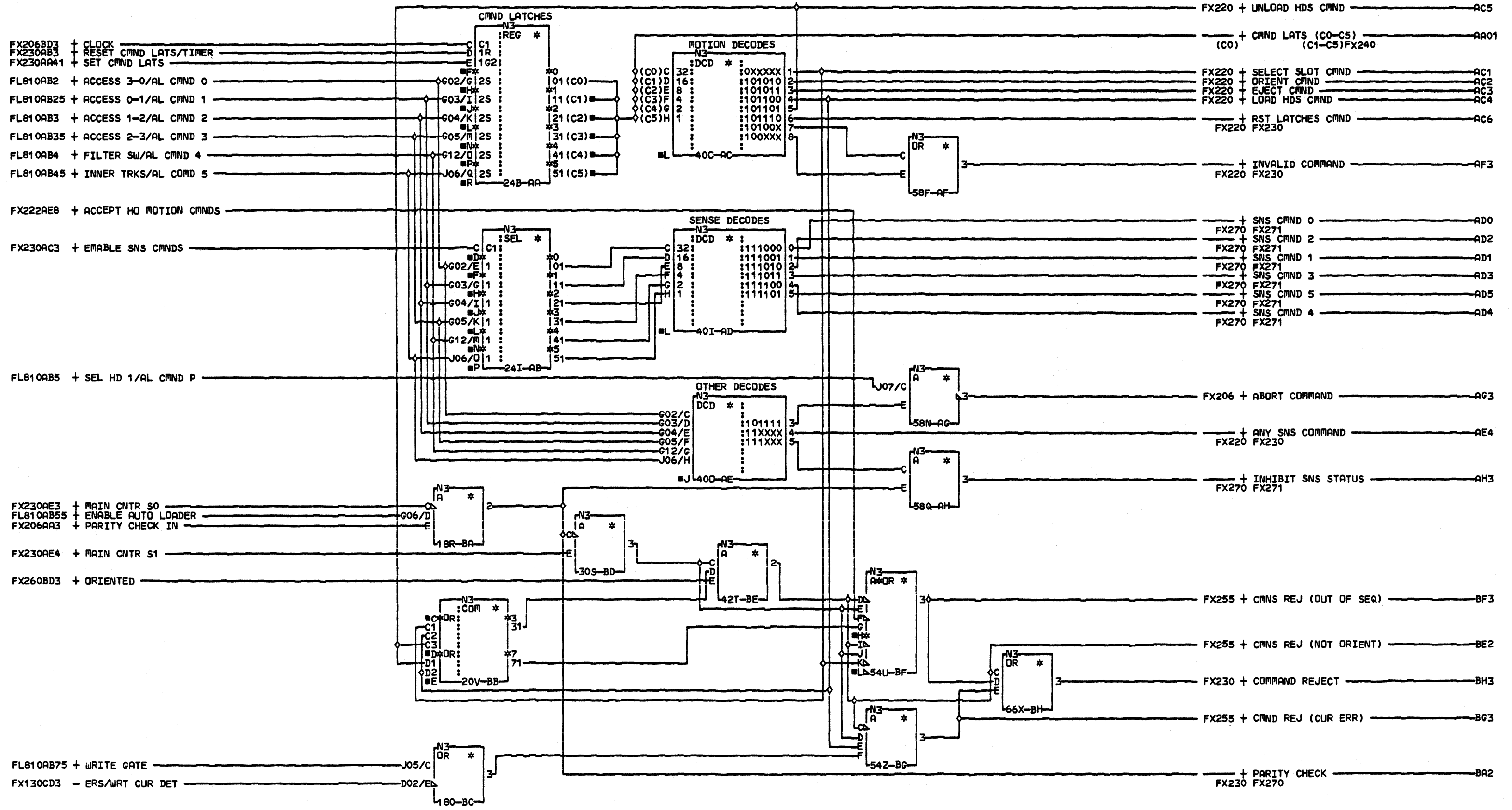
FX150
0001



NOTE 1
 ALL MEMORY ELEMENTS
 IN AUTOLOADER LOGIC
 ARE LSSD LATCHES WHICH
 REQUIRE SEQUENTIAL
 CLOCKS. IN THE INTEREST
 OF CLARITY, A SINGLE
 CLOCK WILL BE SHOWN.
 66P-80

COMMENTS
 D1 (C)COPYRIGHT IBM CORP. 1978

72MD AUTOLOADER
 CLOCK/CMND PARITY
 PN4238320 Ec835011 PEC834824
 LOC=72MD
 USN 00008 PRI=24MAR80 2154
 AUC= SEC
 PFORM=KSEB NEXTBLK BH
 MACH=5340000
 CID P10FE JOB T4002241

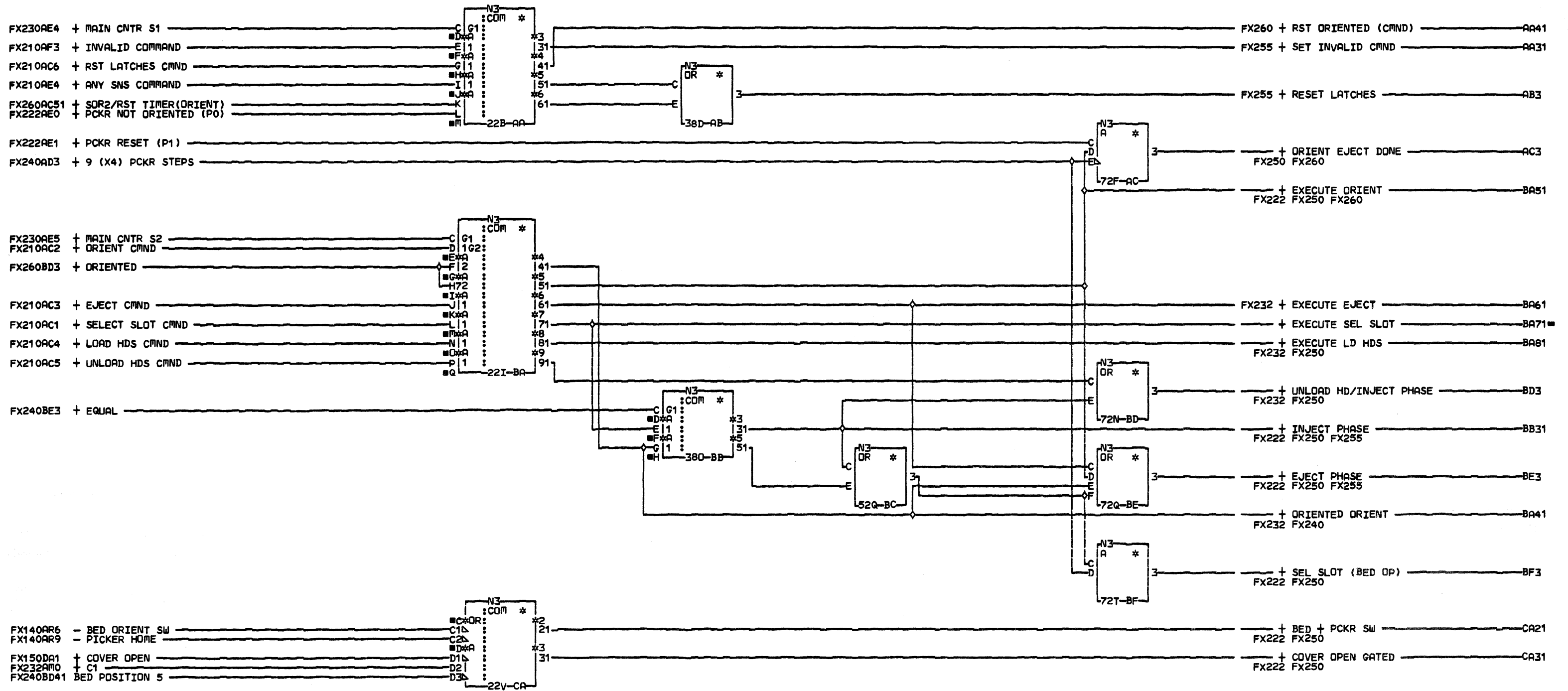


COMMENTS
 D1 (C) COPYRIGHT IBM CORP. 1978

72MD AUTOLOADER
 COMMAND DECODES
 PN4238321 EC835011 PEC834824
 LOC=72MD
 USN 00008 PRI=24MAR80 2154
 AUC= SEC
 PFORM=KSEB NEXTBLK BI
 MACH=5340000
 CID PIOFE JOB T4002241

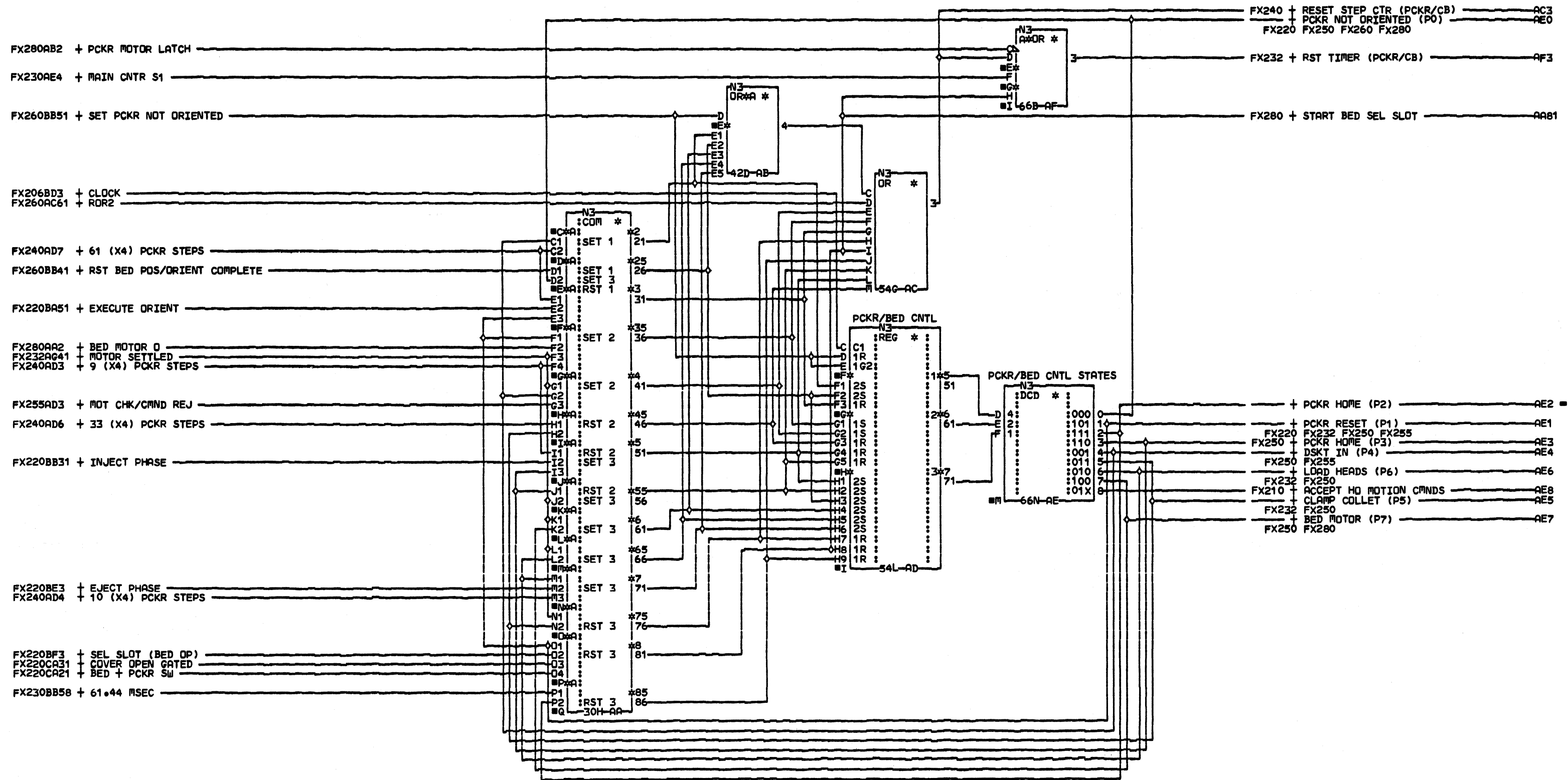
FX210
 0001

FX210
 0001



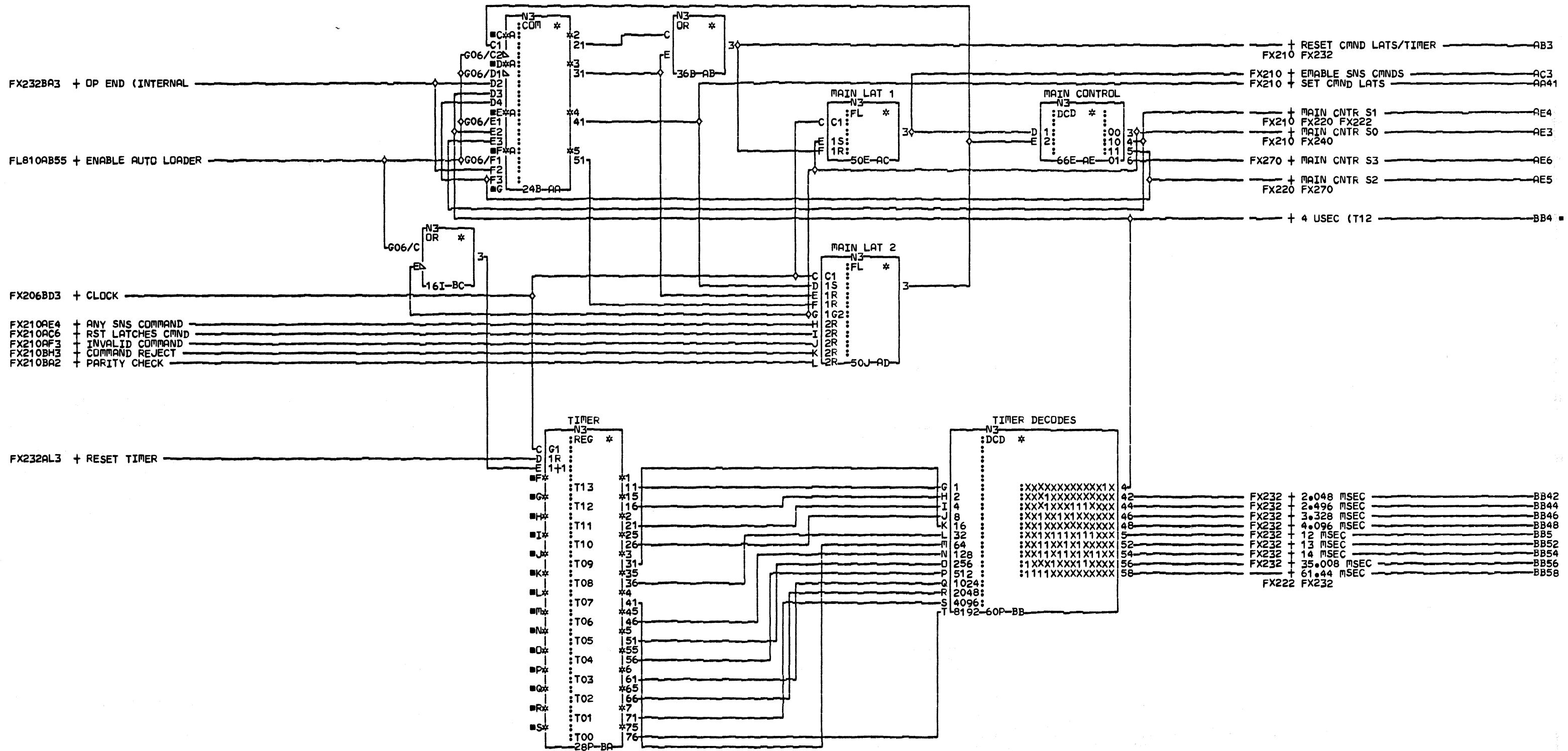
COMMENTS
D1 (C) COPYRIGHT IBM CORP. 1978

72MD AUTOLOADER
MISC CONTROL GATING
PN4238322 EC835011 PEC834824
LOC=72MD
USN 00008 PRI=24MAR80 2154
AUC= SEC
PFORM=KSEB NEXTBLK CB
MACH=5340000
CID P10FE JOB T4002241



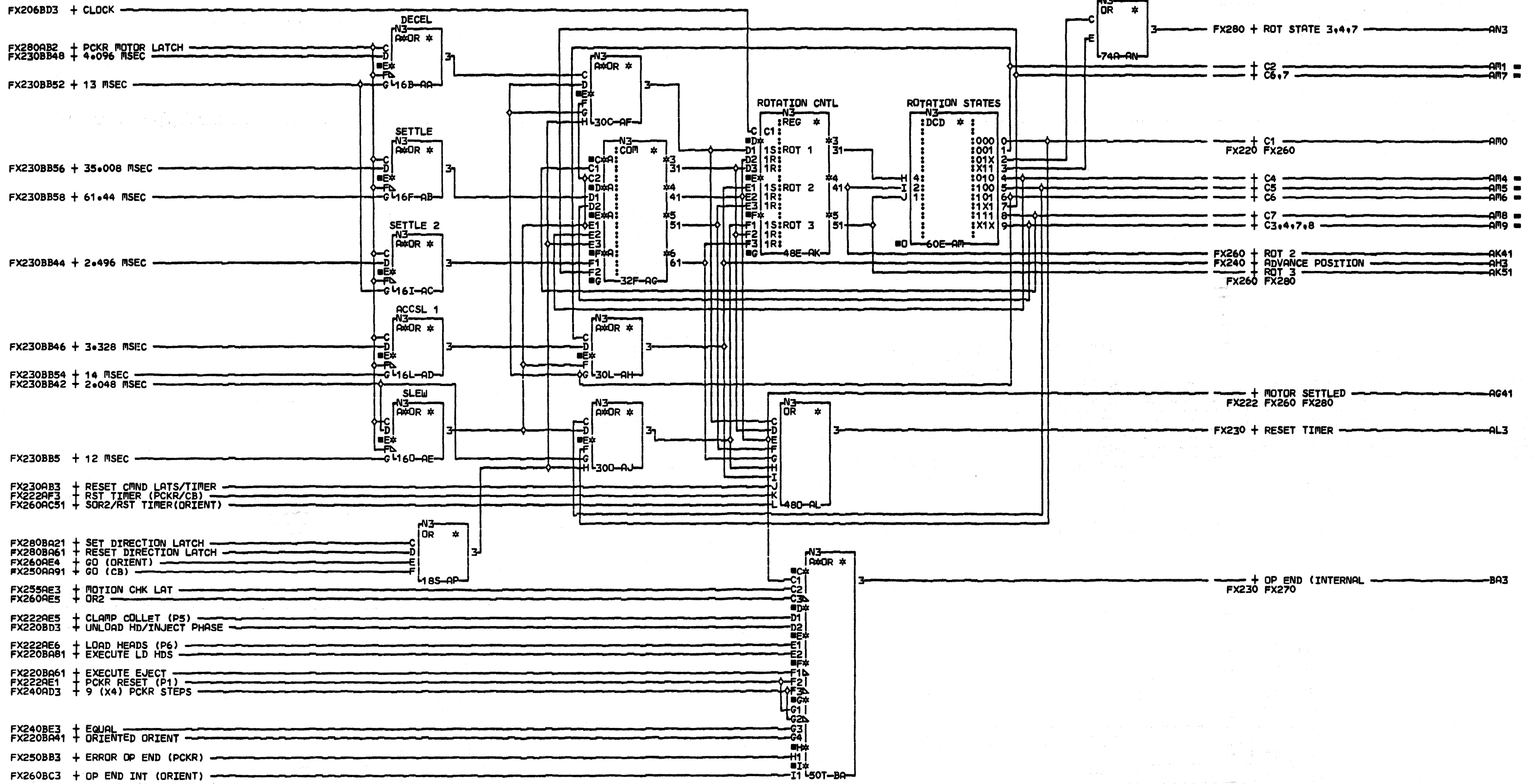
COMMENTS
D1 (C)COPYRIGHT IBM CORP. 1978

72ND AUTOLOADER
 PCKR/BED CONTROLLER
 PN4238323 EC835011 PEC834824
 LDC=72ND
 USN 00008 PRI=25MAR80 0848
 AJC= SEC
 PFORM=KSEB NEXTBLK AG
 MACH=5340000
 CID PIOFE JDB T4002241



COMMENTS
D1COPYRIGHT IBM CORP. 1978

72MD AUTOLOADER
TIMER & MAIN CONTROLLER
PN4238324 EC834824 PEC833174
LOC=72MD
USN 00008 PRI=16MAY79 2152
AUC= SEC
PFORM=KSEB NEXTBLK BD
CID PIOFE JOB T4301503

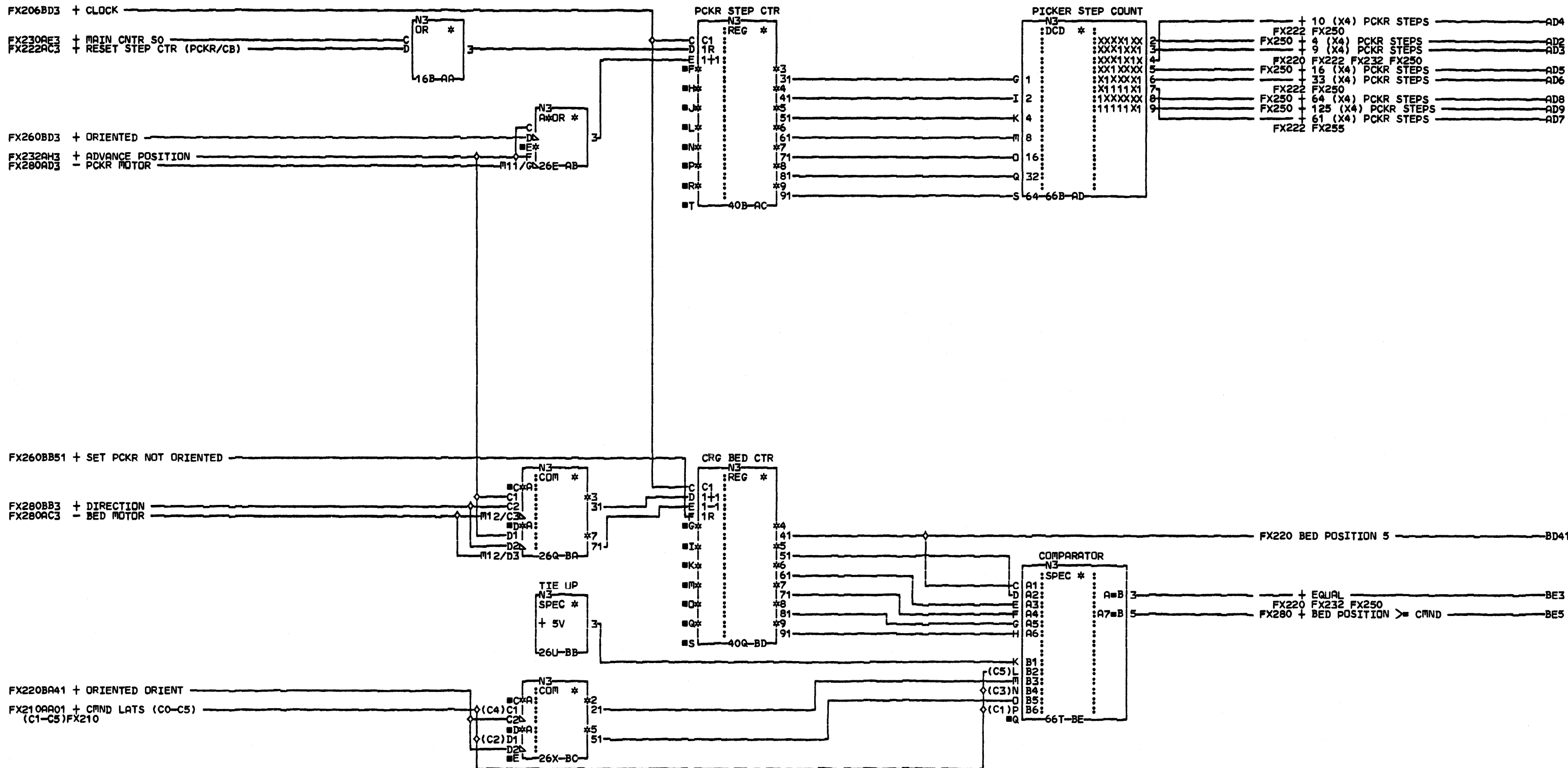


COMMENTS
 D1 (C) COPYRIGHT IBM CORP. 1978

72MD AUTOLOADER
 ROTATION CONTROLLER
 PN4238325 EC835011 PEC834824
 LDC=72MD
 USN 00008 PRI=24MAR80 2154
 AUC= SEC
 PFORM=KSEB NEXTBLK BB
 MACH=5340000
 CID PIOFE JOB T4002241

FX232
 0001

FX232
 0001

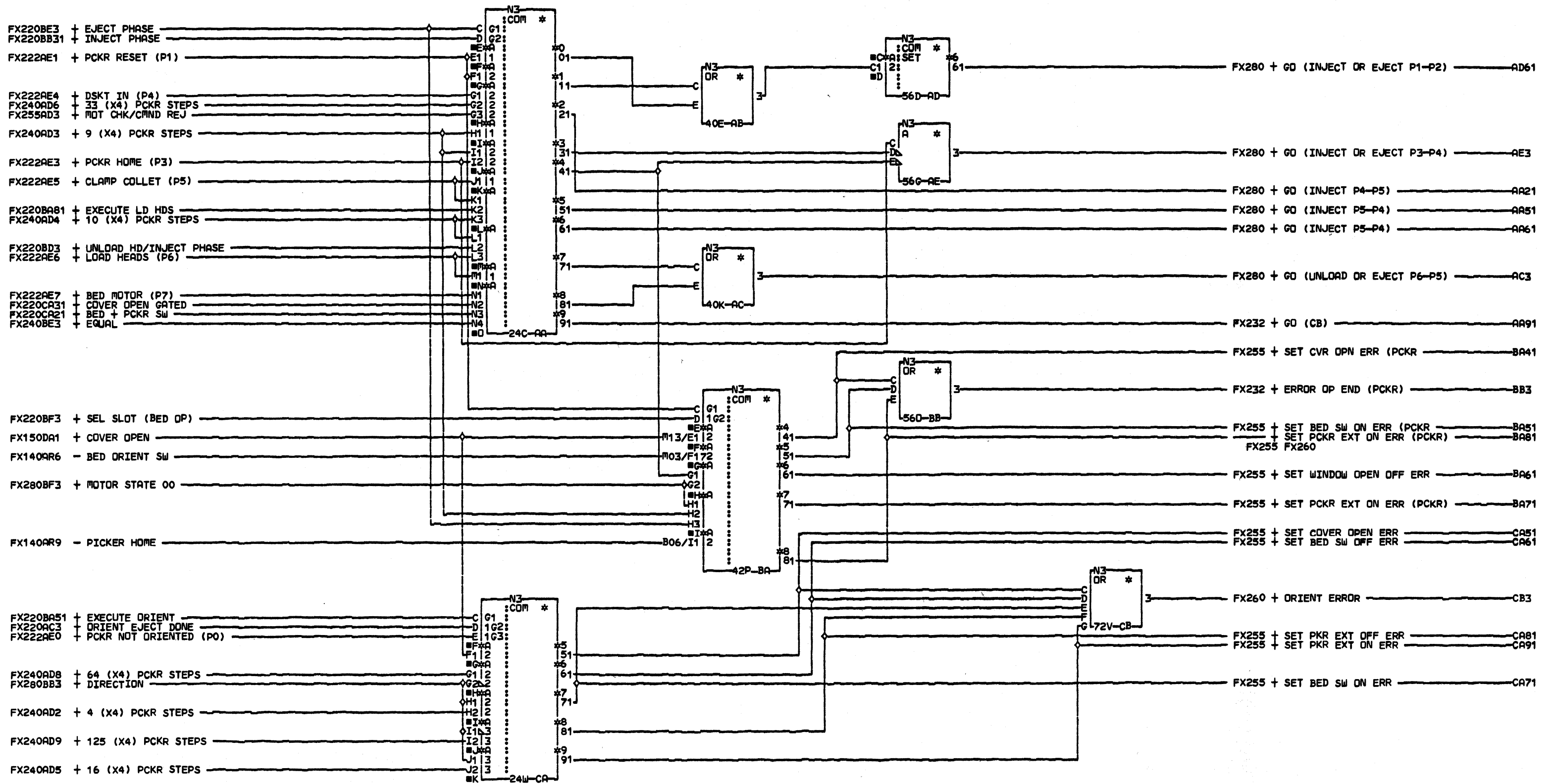


COMMENTS
D1 (C) COPYRIGHT IBM CORP. 1978

72MD AUTOLOADER
PCKR STEPS/CRG BED POSITION
PN4238326 EC835011 PEC834824
LDC=72MD
USN 00008 PRI=24MAR80 2154
AUC= SEC
PFORM=KSEB NEXTBLK BF
MACH=5340000
CID PIOFE JOB T4002241

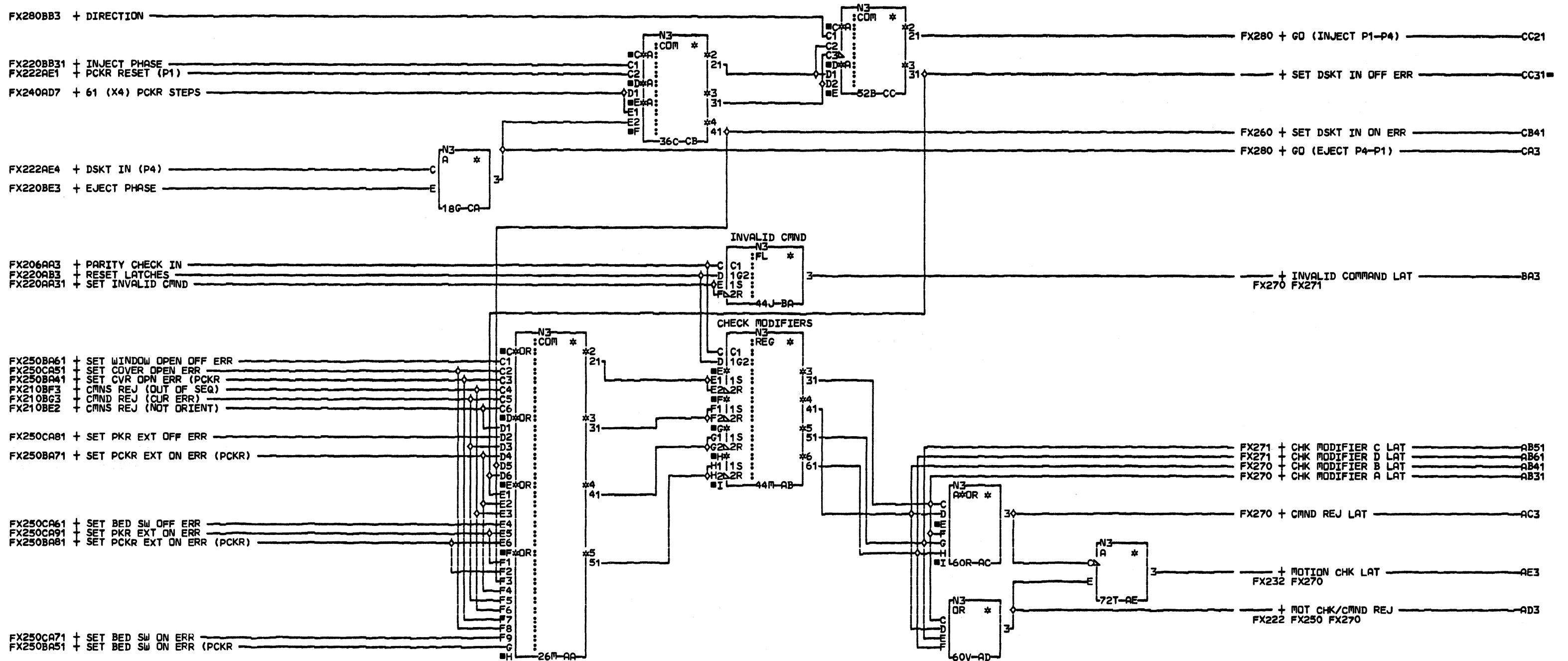
FX240
0001

FX240
0001



COMMENTS
D1 (C) COPYRIGHT IBM CORP. 1978

72MD AUTOLOADER
GO/ERROR CONDITIONS
PN4238327 EC835011 PEC834824
LOC=72MD
USN 00008 PRI=24MAR80 2154
AUC= SEC
PFORM=KSEB NEXTBLK CC
MACH=5340000
CID PIOFE JOB T4002241



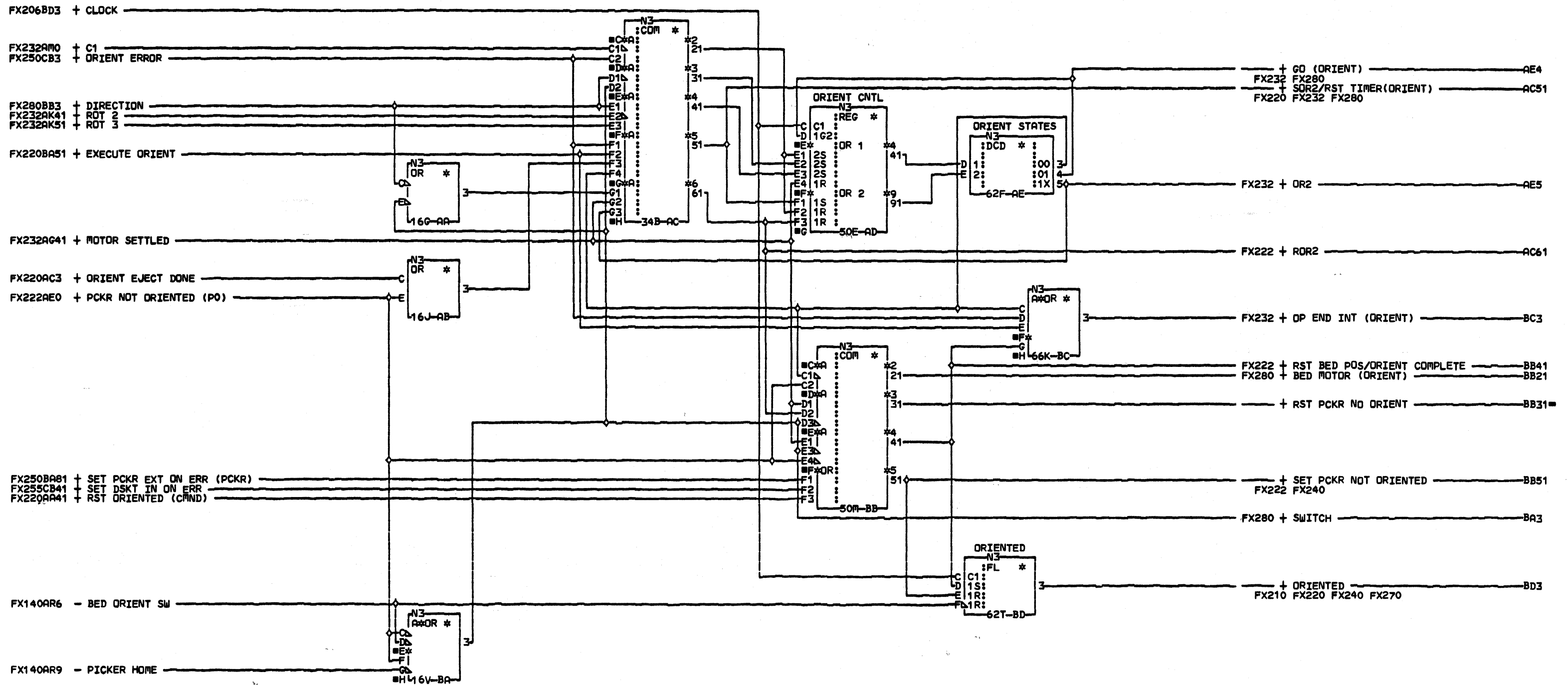
COMMENTS

D1 (C) COPYRIGHT IBM CORP. 1978

72MD AUTOLOADER
 ERROR CHKS/CHK MODIFIERS
 PN4238328 EC835011 PEC834824
 LOC=72MD
 USN 00008 PRI=24MAR80 2154
 AUC= SEC
 PFORM=KSEB NEXTBLK CD
 MACH=5340000
 CID P10FE JOB T4002241

FX255

FX255



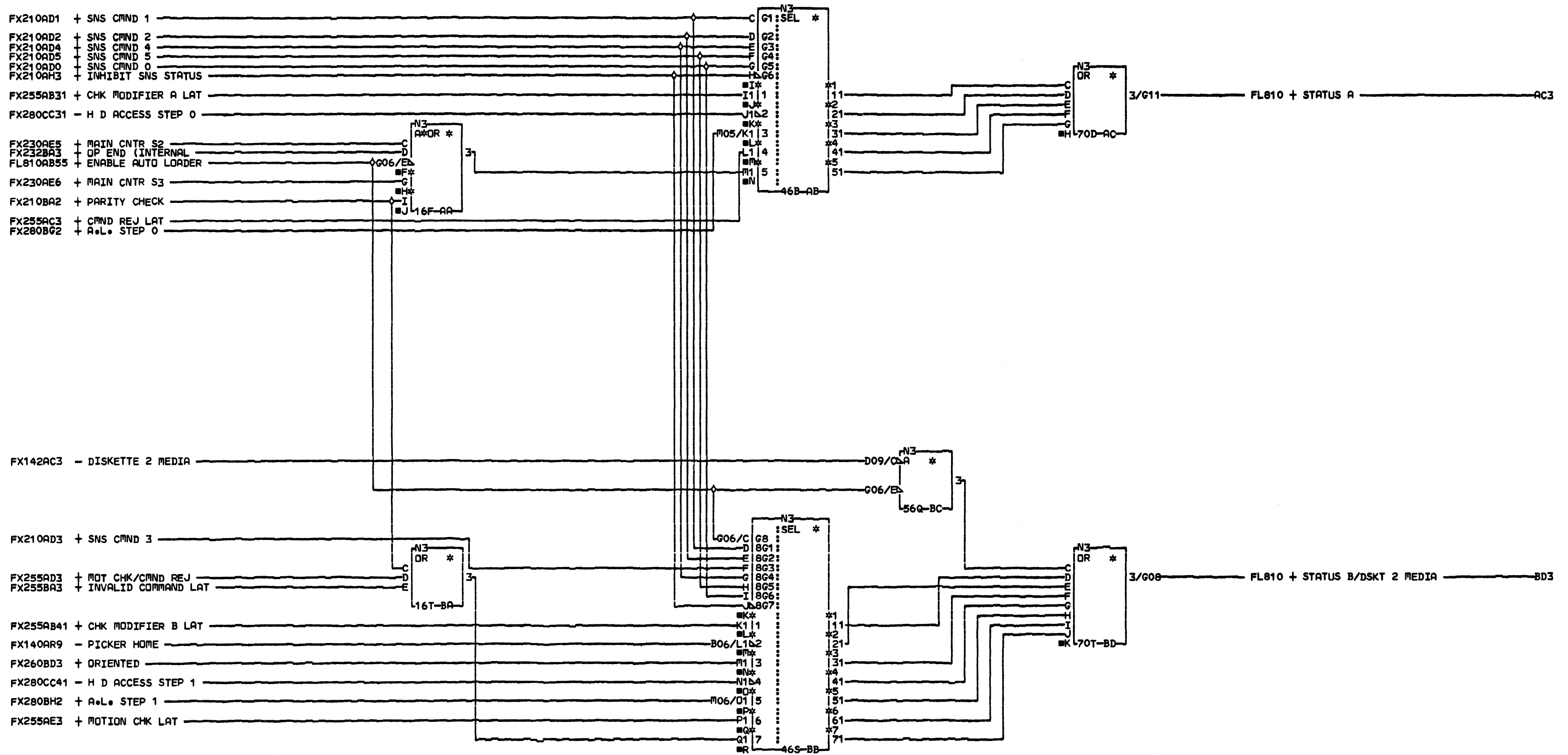
COMMENTS

D1 (C) COPYRIGHT IBM CORP. 1978

FX260
0001

72MD AUTOLOADER
ORIENT CONTROL
PN4238329 EC835011 PEC834824
LOC=72MD
USN 00008 PRI=24MAR80 2154
AUC# SEC
PFORM=KSEB NEXTBLK BE
MACH=5340000
CID PIOFE JOB T4002241

FX260
0001



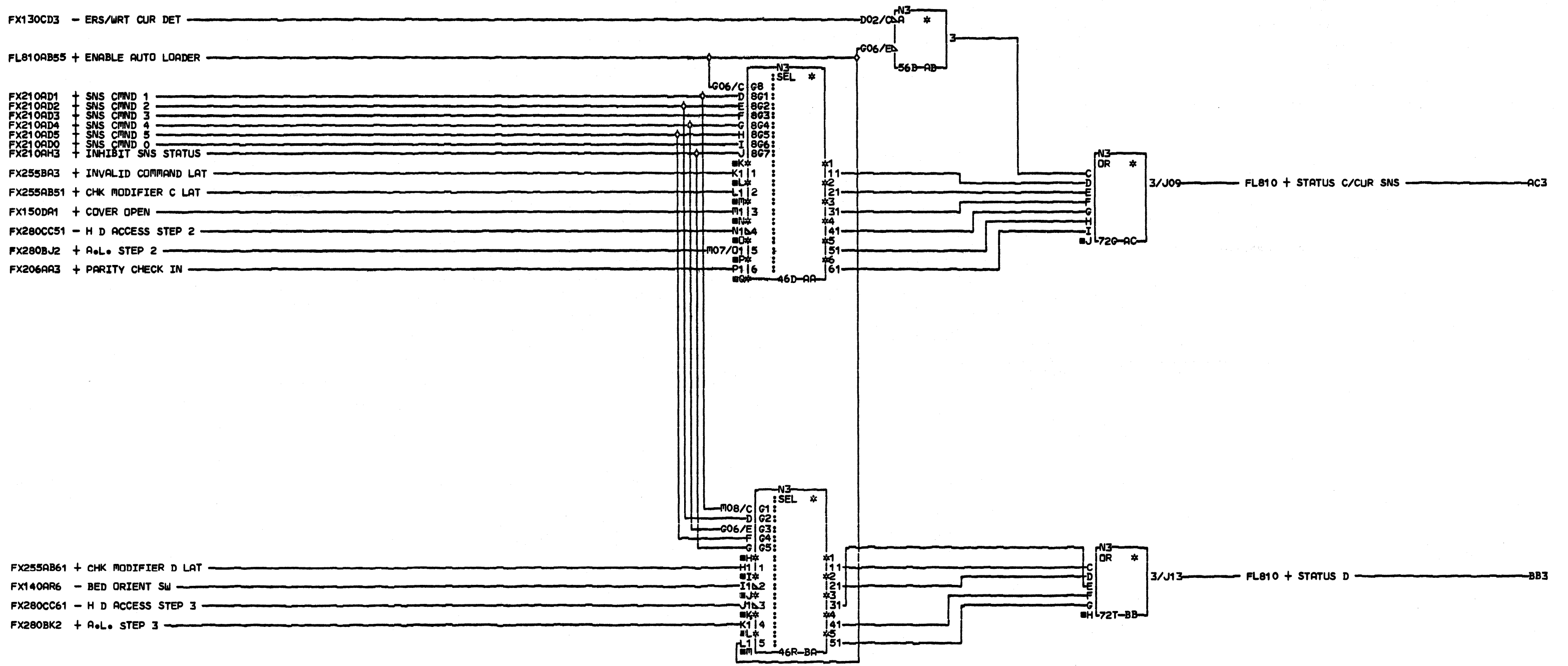
COMMENTS

D1 (C)COPYRIGHT IBM CORP. 1978

72MD AUTOLOADER
STATUS ASSEMBLER (A&B)
PN4238330 EC835011 PEC834824
LOC=72MD
USN 00008 PRI=24MAR80 2154
AUC= SEC
PFORM=KSEB NEXTBLK BE
MACH=5340000
CID P10FE JOB T4002241

FX270

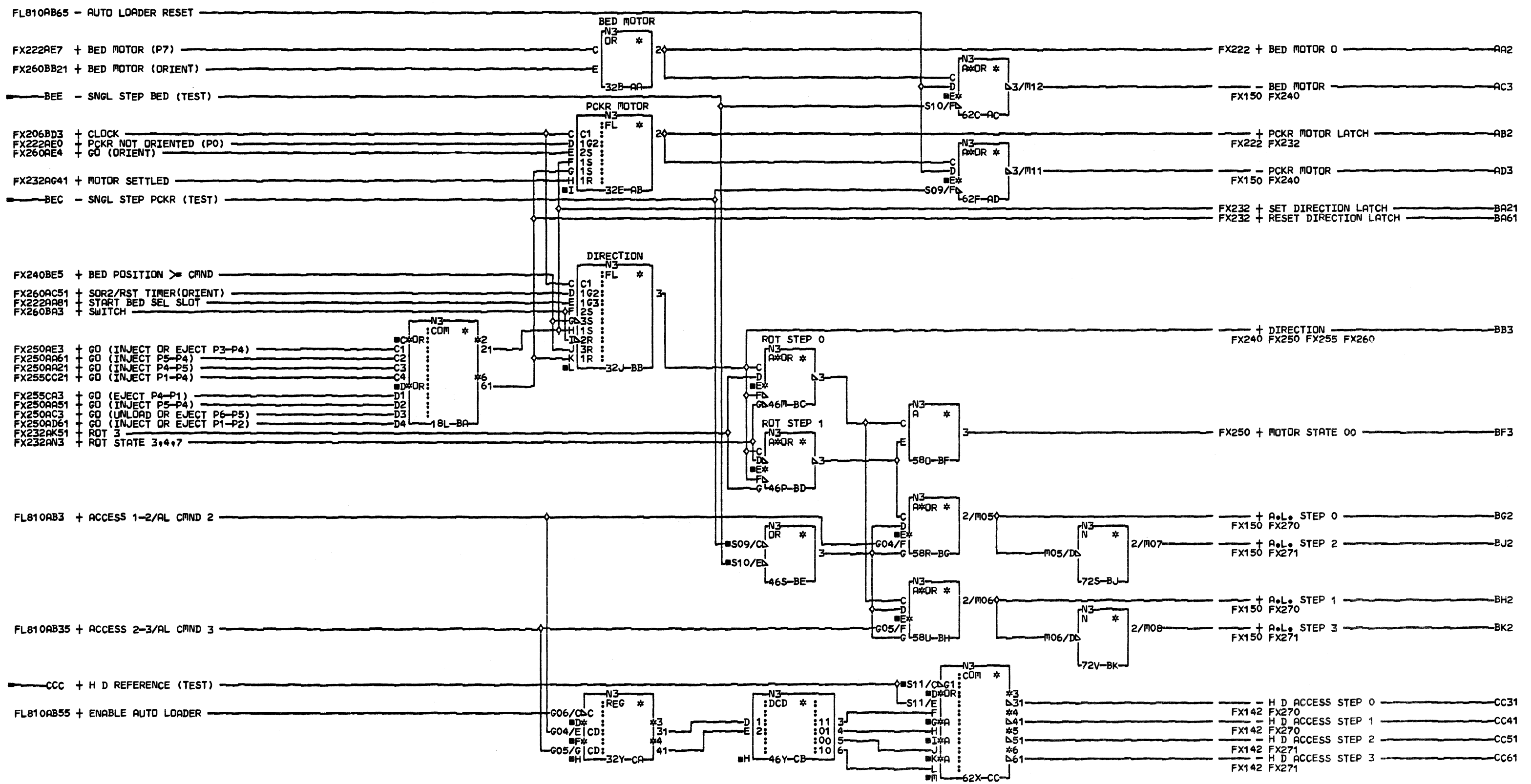
FX270



COMMENTS

D1 (C) COPYRIGHT IBM CORP. 1978

72MD AUTOLOADER
 STATUS ASSEMBLER (C&D)
 PN4238331 EC835011 PEC834824
 LOC=72MD
 USN 00008 PRI=24MAR80 2154
 AUC= SEC
 PFORM=KSEB NEXTBLK BC
 MACH=5340000
 CID PIOFE JOB T4002241

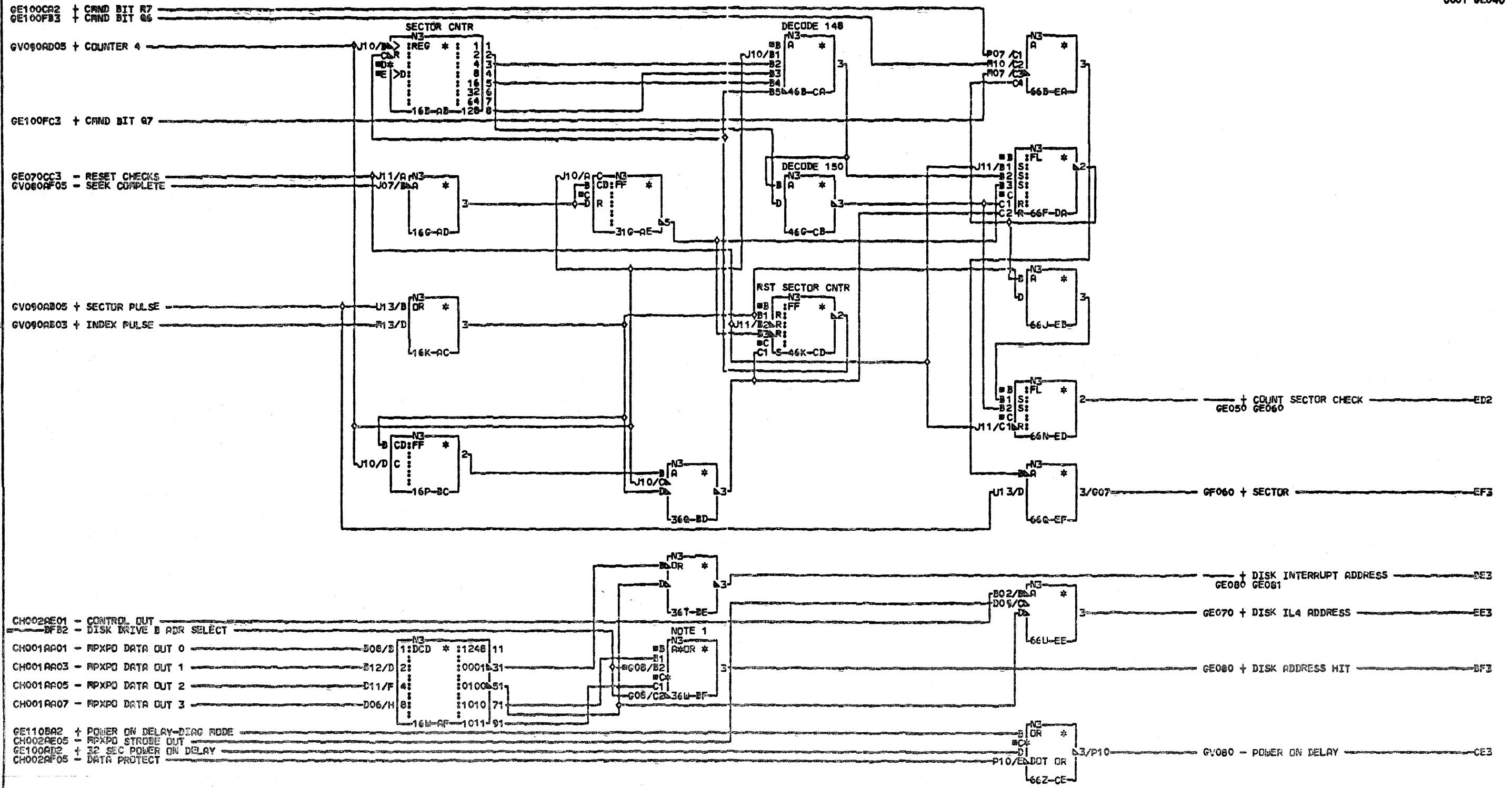


COMMENTS
D1COPYRIGHT IBM CORP. 1978

72MD AUTOLOADER
MOTOR CONTROL LINES
PN4238332 EC834824 PEC833174
LDC=72MD
USN 00008 PRI=08MAY79 2116
AUC= PF0RM=KSEB SEC NEXTBLK CD
CID PIOFE JDB T4301503

FX280

FX280



COMMENTS

A1 NOTE 1:
 2 INPUT BFB2 IS POSITIVE
 3 ON 1A' DISK DRIVE.
 4 GROUNDED ON 1B' DRIVE.
 D1COPYRIGHT IBM CORP. 1976

SECTOR CHECK
 POWER ON DELAY

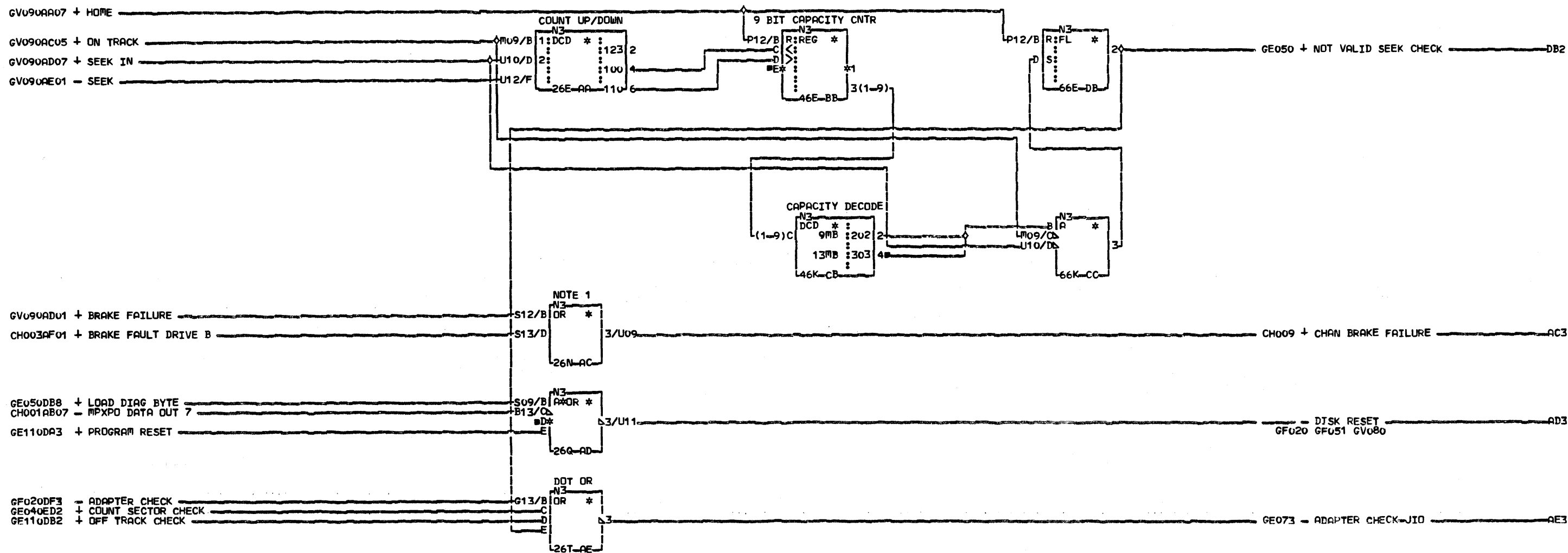
FN4237200 EC833040 PEC832850

LOC#1A-R2E2

USN 00008 PRI#01AUG76 1553

AUG# SEC
 PFORM#KSEB NEXTBLK EG

CID PIC#E JOB K0201315

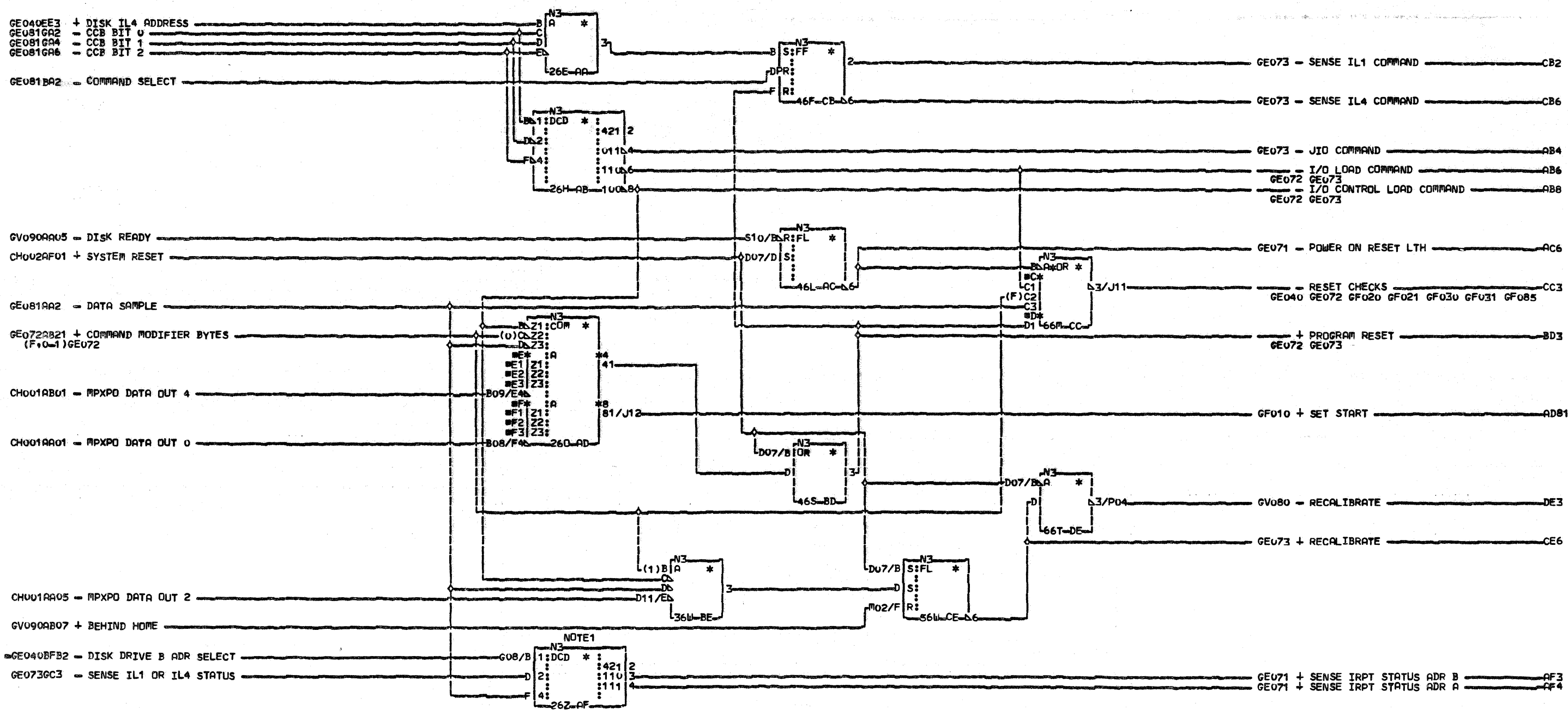


COMMENTS
 A1 NOTE 1:
 2 INPUT S13 DEPENDS ON
 3 CONFIGURATION OF MACHINE.
 4 ON SINGLE DRIVE MACHINES
 5 S13 IS GROUNDED. ON
 6 DUAL DRIVE MACHINES S13
 7 COMES FROM DRIVE B.
 8 S13 GROUNDED ON DRIVE B.
 D1 COPYRIGHT IBM CORP. 1978

NOT VALID SEEK CHECK
 DISK CAPACITY COUNTER
 PN4237202 EC832850 PEC832716
 LDC=1A-A2E2
 USN 00008 PRI=030CT77 0858
 AUC* SEC
 PFORM=KSEB NEXTBLK DC
 CID PIDFE JOB M5301328

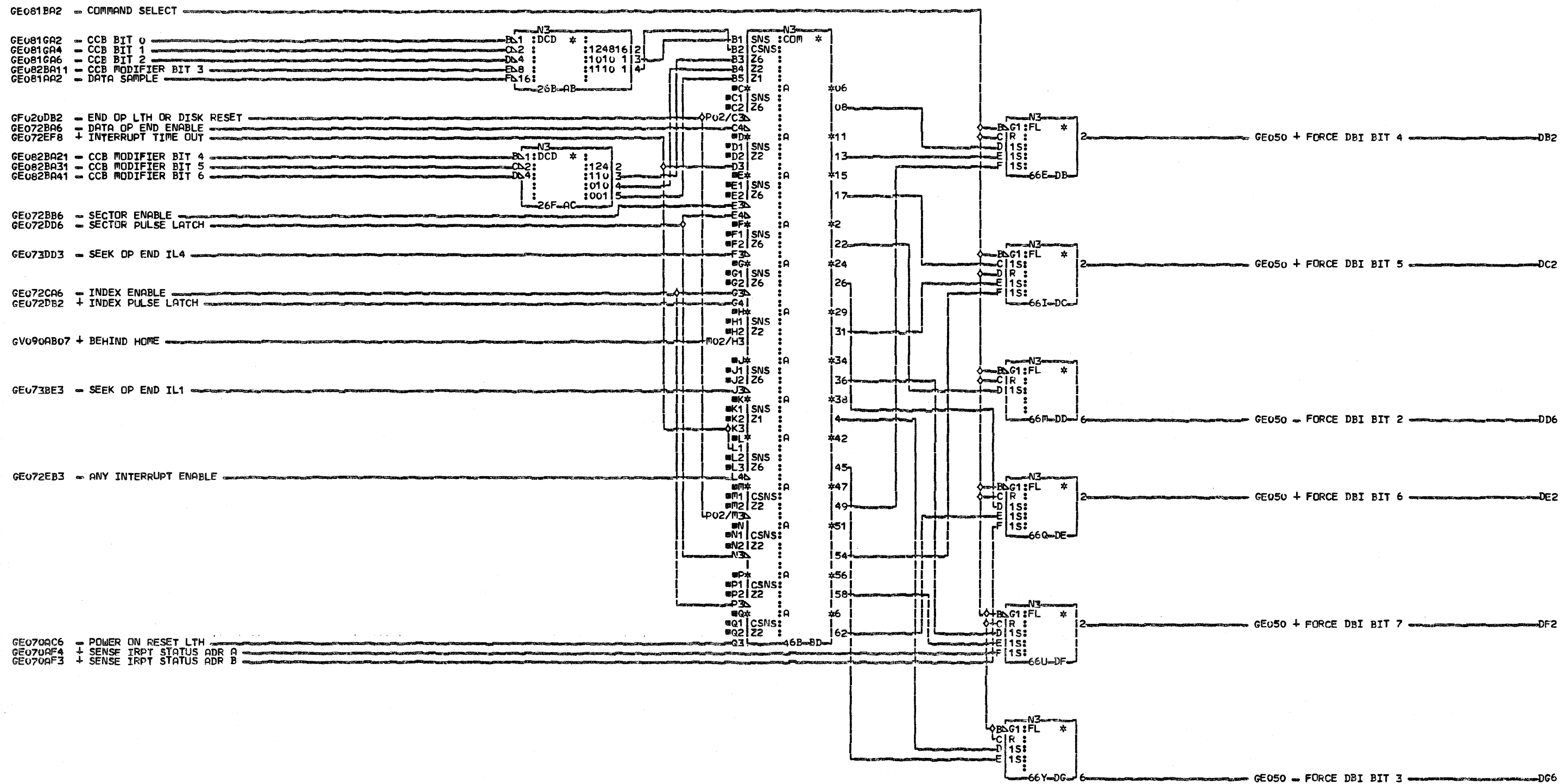
GE060
 0001

GE060
 0001



COMMENTS
 A1 NOTE 1:
 2 INPUT GE040BF02 IS
 3 POSITIVE ON 'A' DISK
 4 DRIVE, GROUNDED ON 'B'
 5 DISK DRIVE.
 D1COPYRIGHT IBM CORP., 1978

I/O COMMAND DECODES
 RECALIBRATE
 PN4237203 EC832850 PEC832716
 LOC=1A-A2E2
 USN 00008 PRI=030CT77 0858
 AUC= SEC
 PFORM=KSEB NEXTBLK DF
 CID PIOFE JOB #5301328

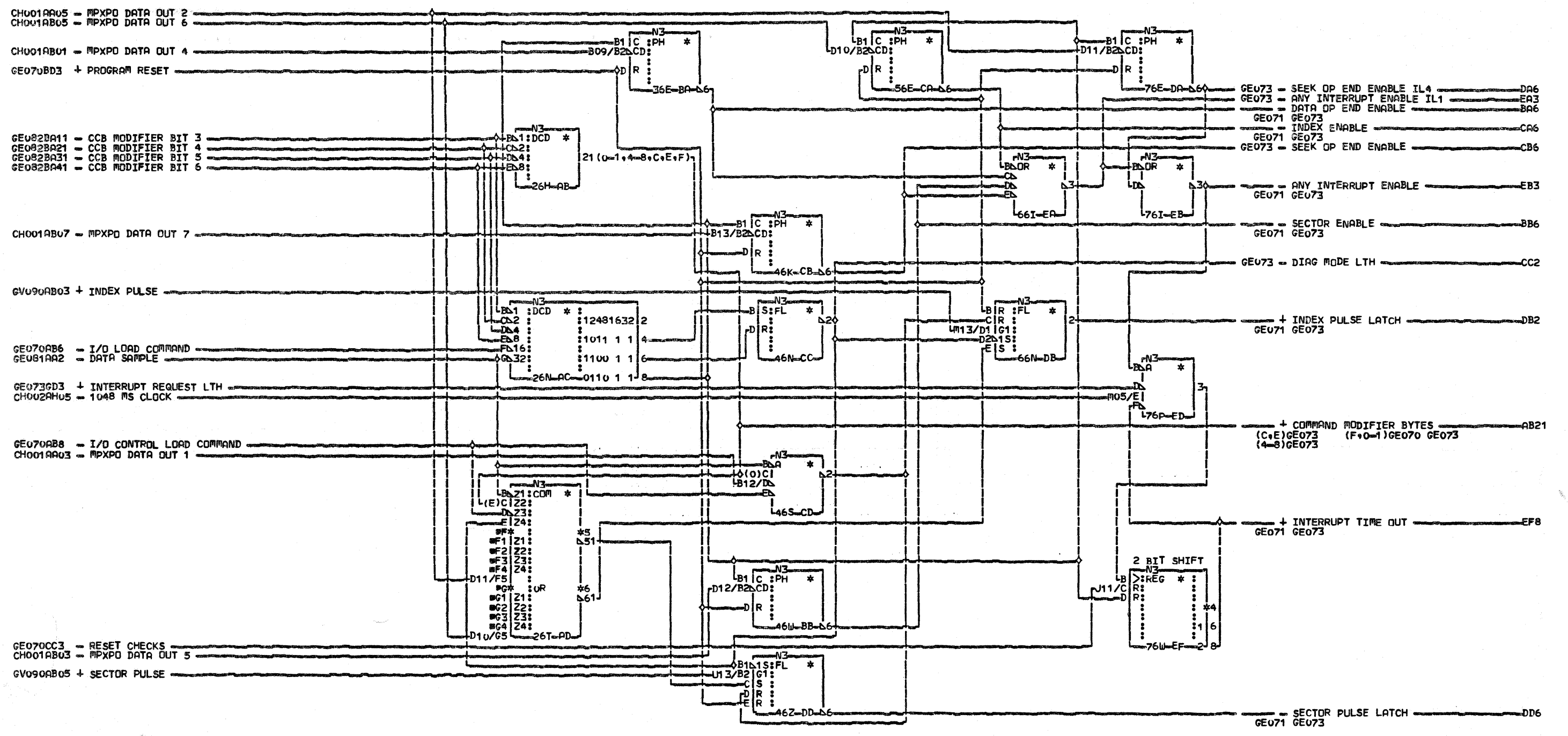


COMMENTS
 D1COPYRIGHT IBM CORP. 1978

INTERRUPT SENSE CONDITIONS	
PN4237204 EC832850 PEC832716	
LDC#1A-A2E2	
USN 00008	PRI#030CT77 0858
AJC#	SEC
PFORM#KSEB	NEXTBLK DH
CID PICFE	JOB M5301328

GE071

GE071

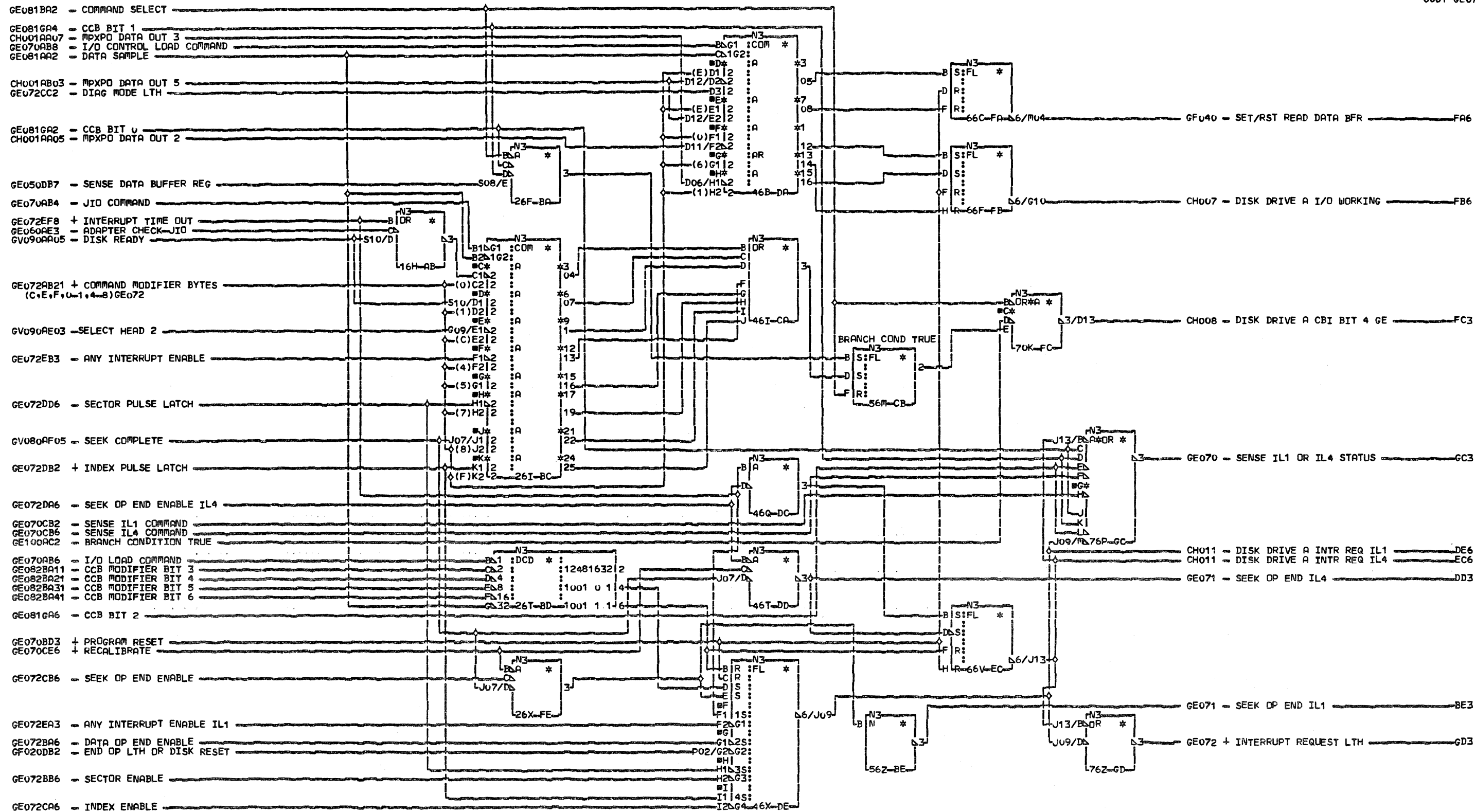


COMMENTS
D1COPYRIGHT IBM CORP. 1978

INTERRUPT ENABLES	
PN4237205 EC832850 PEC832716	
LOC=1A-A2E2	
USN 00008	PRI=030CT77 0858
AUC=	SEC
PFOR=KSEB	NEXTBLK EG
CID PIOFE	JOB M5301328

0001
E

0001



COMMENTS
D1COPYRIGHT IBM CORP. 1978

INTERRUPT REQUEST CONTROL

PN4237206 EC832850 PEC832716

LDC=1A-A2E2

USN 00008 PRI=030CT77 0858

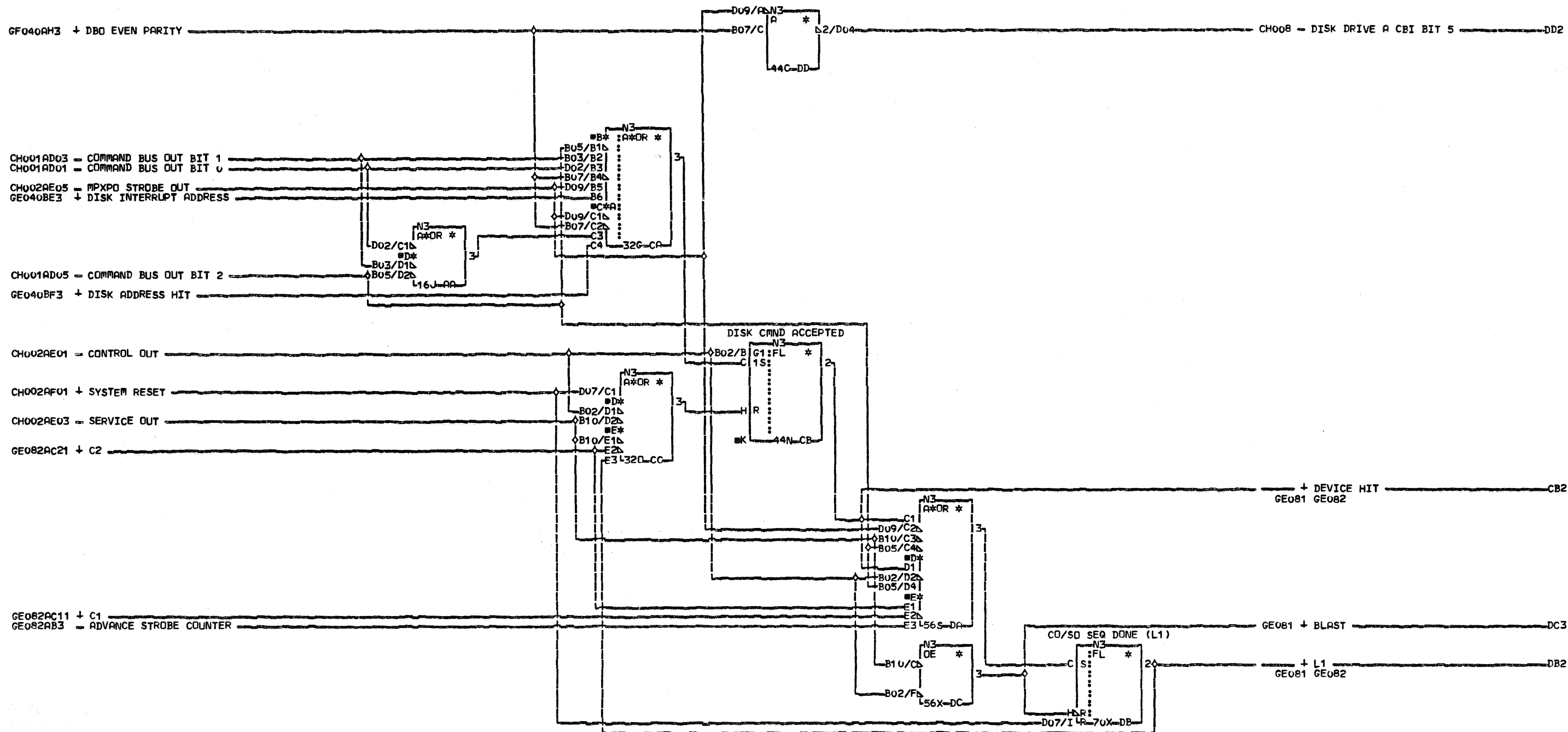
AJC# SEC

PFORM=KSEB NEXTBLK GE

CID PIDFE JOB M5301328

0001

GE073

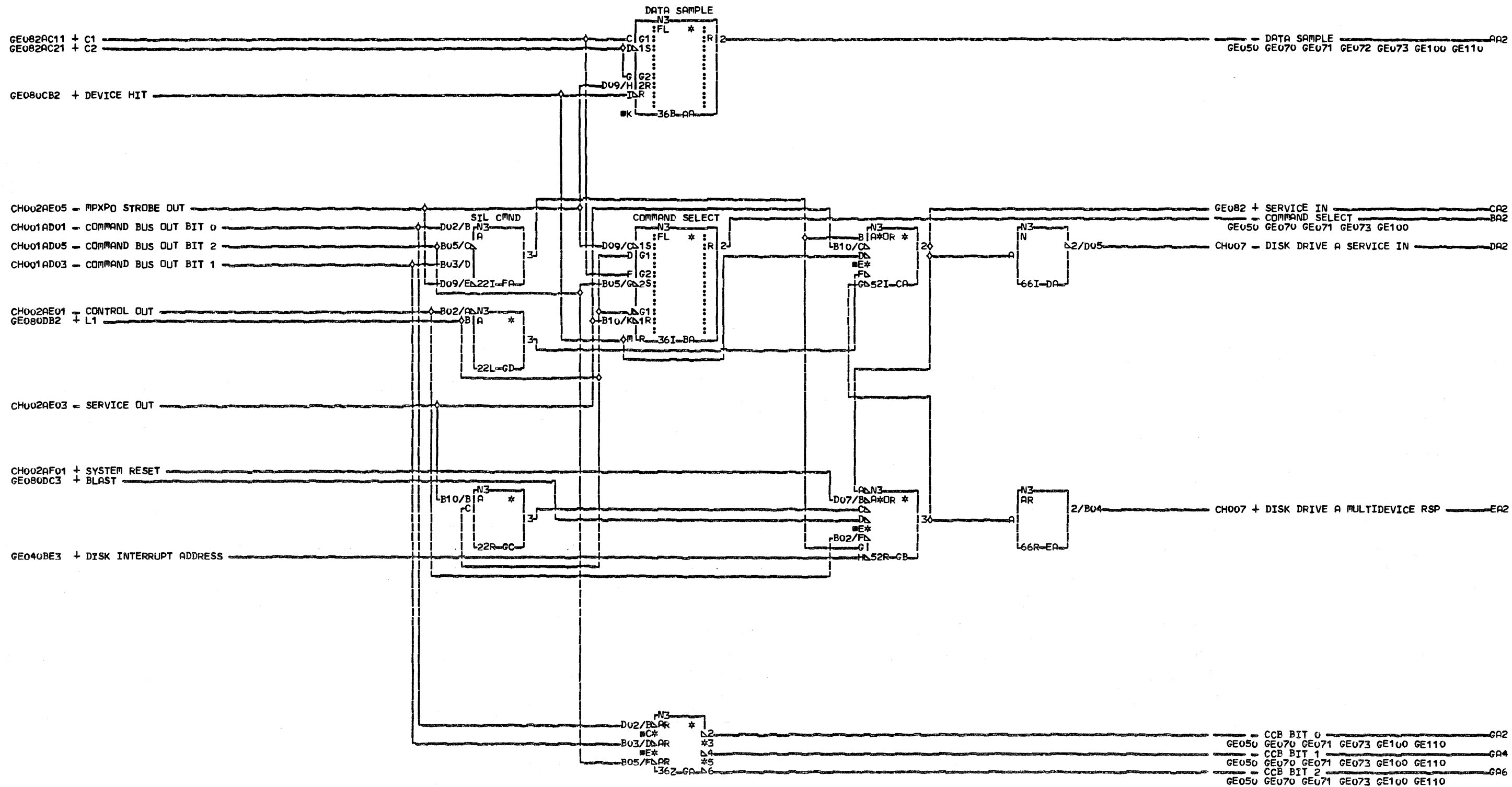


COMMENTS
D1COPYRIGHT IBM CORP. 1978

DISK I/O COMMAND ACCEPT
CPU CHANNEL/DISK ATTACHMENT
INTERFACE
PN4237207 EC832850 PEC832716
LOC#1A-A2E2
USN 00008 PRI#030CT77 0858
AUC# SEC
PFDRM#KSEB NEXTBLK DE
CID PIOFE JOB M5301328

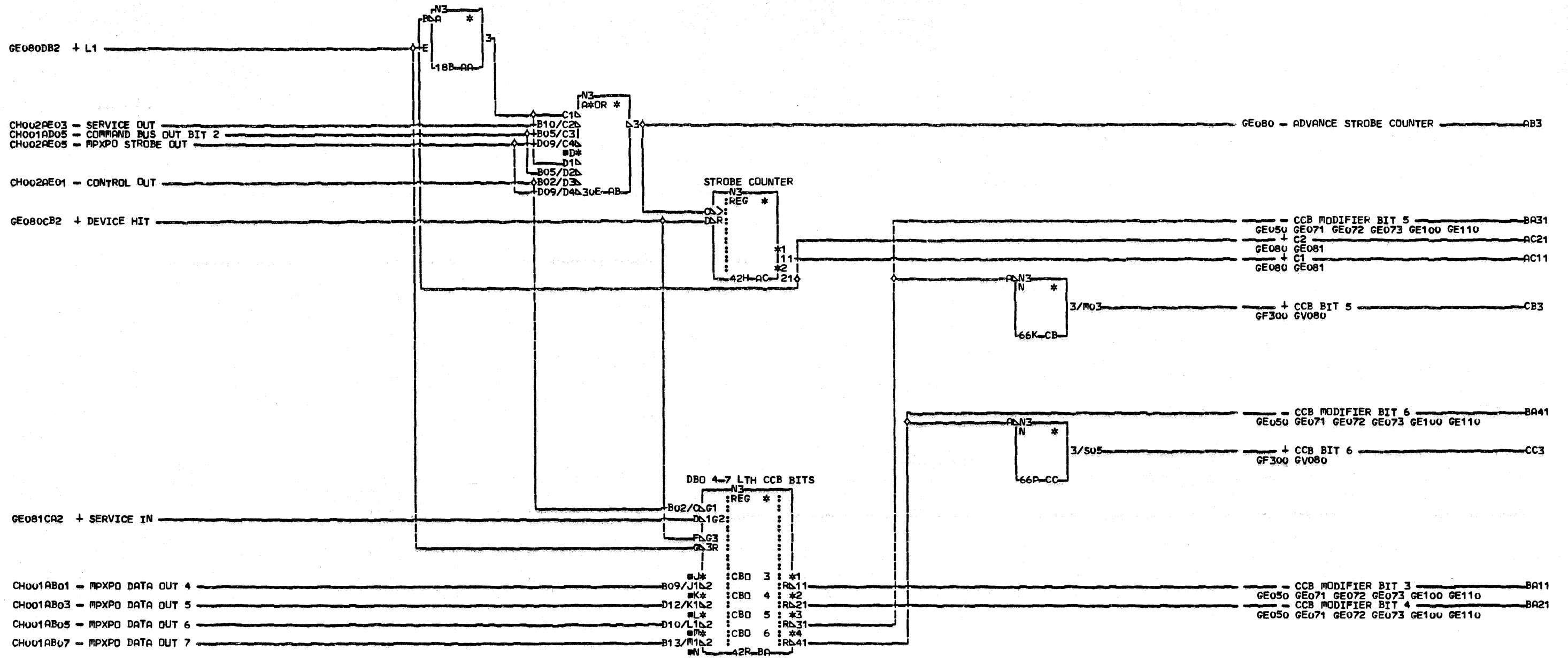
GE080
0001

GE080
0001



COMMENTS
D1COPYRIGHT IBM CORP. 1978

CHANNEL TIMING LATCHES
CPU CHANNEL/DISK ATTACHMENT
INTERFACE
PN4237208 EC832850 PEC832716
LOC=1A-A2E2
USN 00008 PRI=030CT77 0858
PJC= SEC
PFORM=KSEB NEXTBLK GE
CID PIDFE JOB M5301328



COMMENTS
D1COPYRIGHT IBM CORP. 1978

STROBE CNTR & CCB 3-6
CPU CHANNEL/DISK ATTACHMENT
INTERFACE
PN4237209 EC832850 PEC832716

LOC=1A-A2E2

USN 00008 PRI=03OCT77 0858

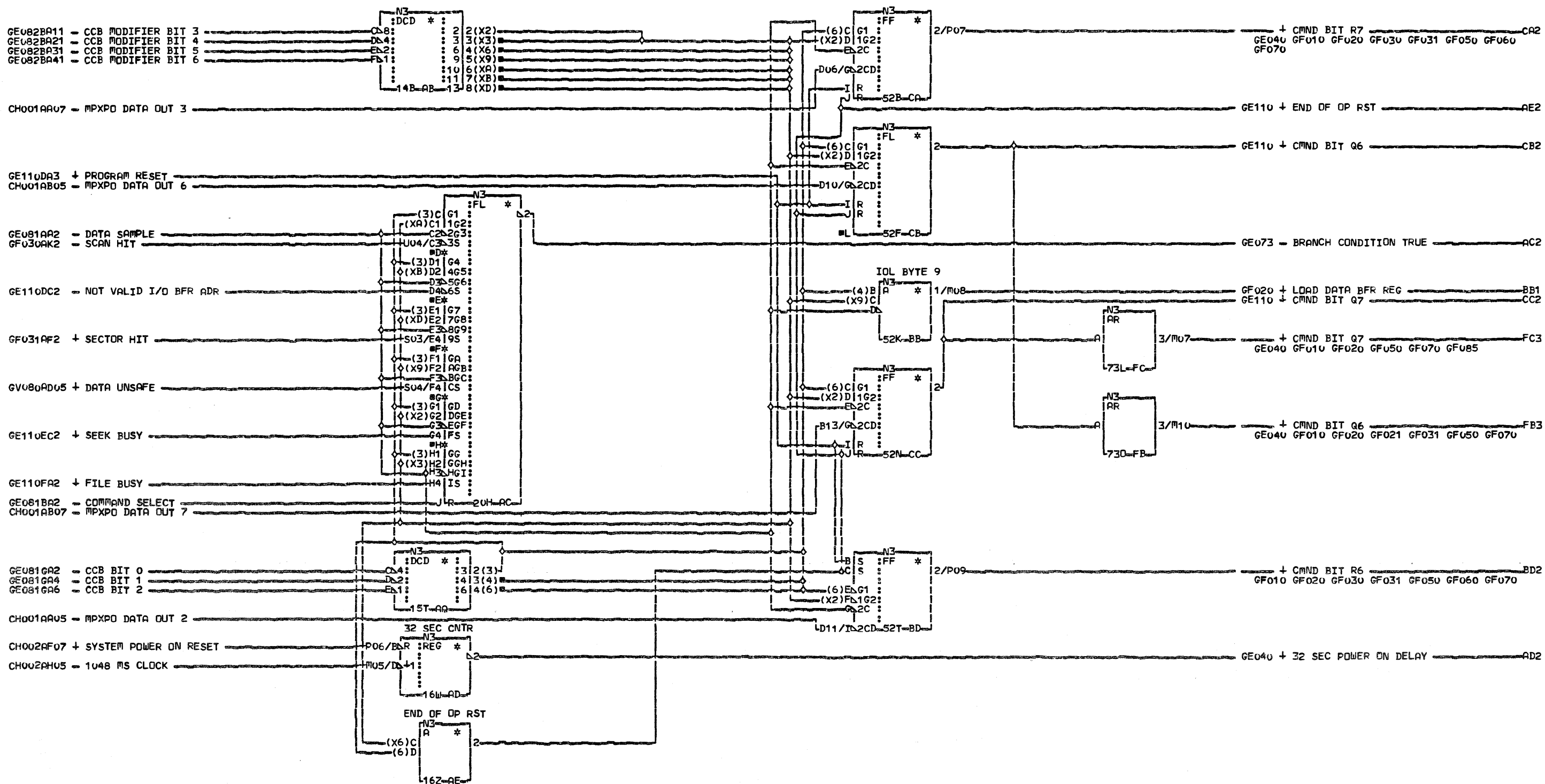
AUC= SEC

PFORM=KSEB NEXTBLK CD

CID P1DFE JOB M53U1328

GE082
0001

GE082
0001

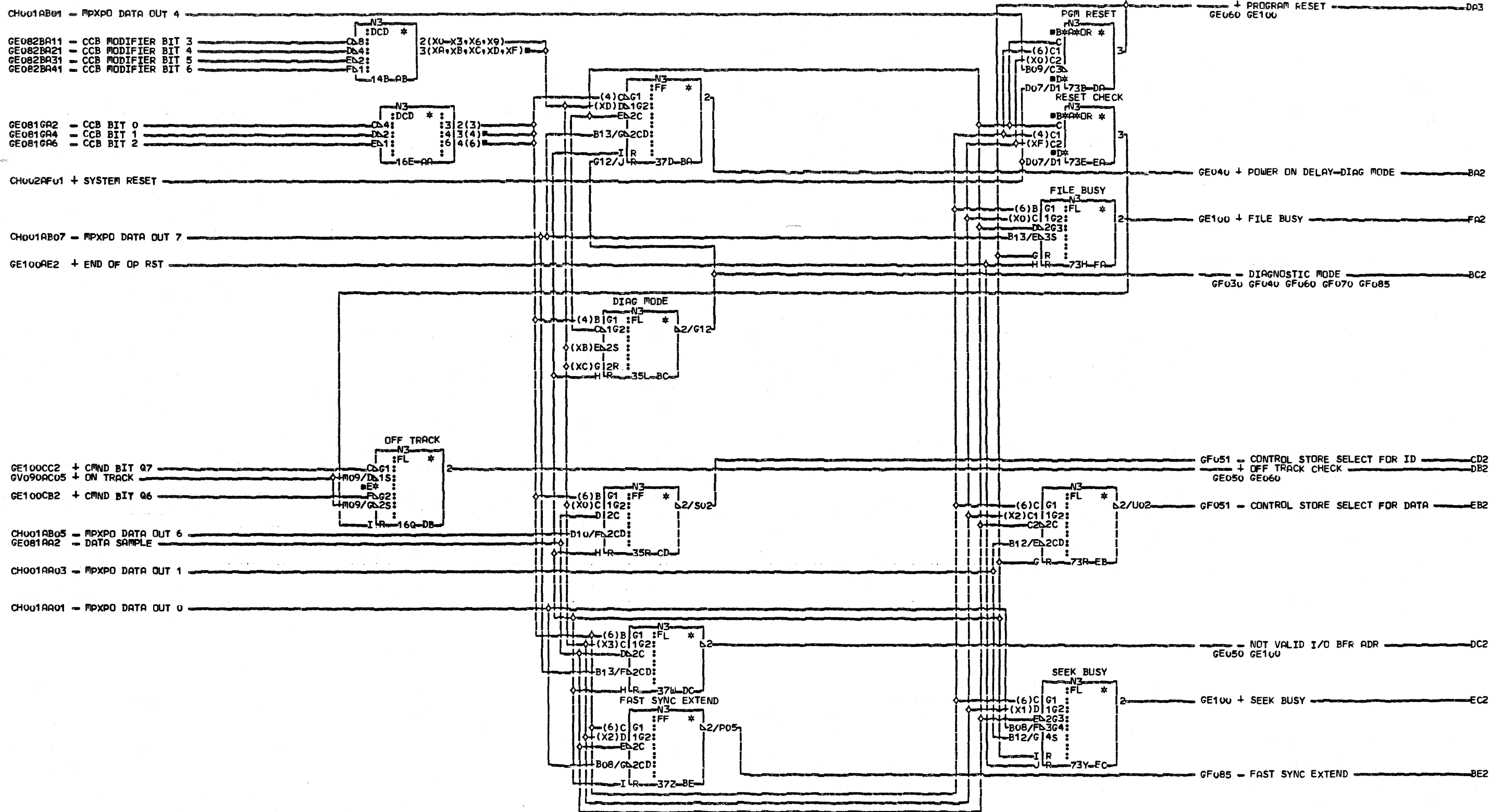


COMMENTS
 DICOPYRIGHT IBM CORP. 1978

RD/WR/SCAN CMD BYTES
 32 SECOND COUNTER
 BRANCH CONDITIONS
 PN4237210 EC832850 PEC832716

LOC=1A-A2E2

USN 00008 PRI=030CT77 0858
 AUC= SEC
 PFDR=KSEB NEXTBLK FD
 CID PIOFE JOB M5301328



COMMENTS

D1COPYRIGHT IBM CORP. 1978

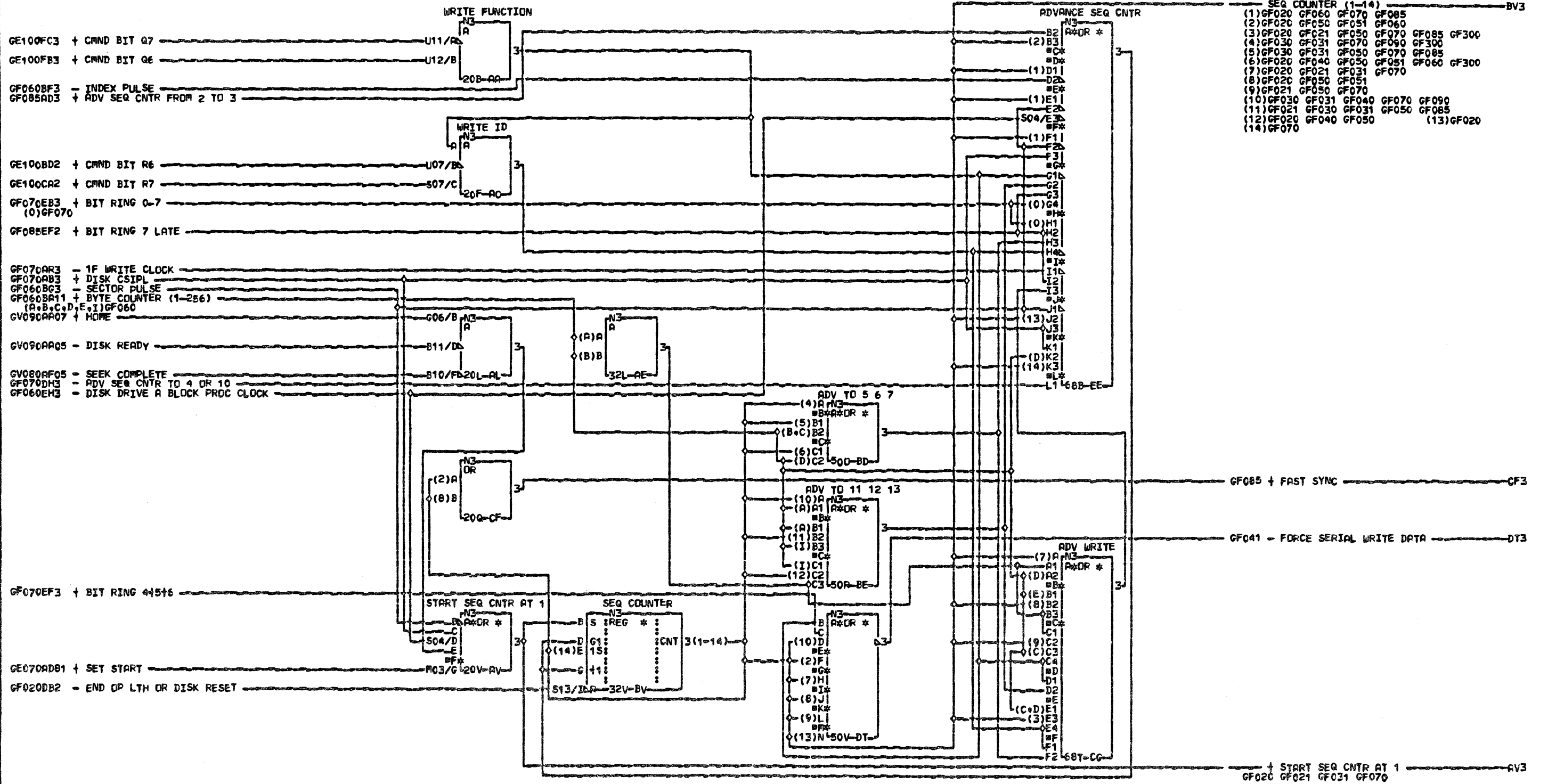
DIAGNOSTIC MODE
 FILE/SEEK BUSY
 PROGRAM RESET
 PN4237211 EC832850 PEC832716
 LOC=1A-A2E2
 USN 00008 PRI=03DCT77 0858
 AUC= PFDRM=KSEB SEC NEXTBLK FB
 CID P10FE JOB M5301328

GE110

E

GE110

0001

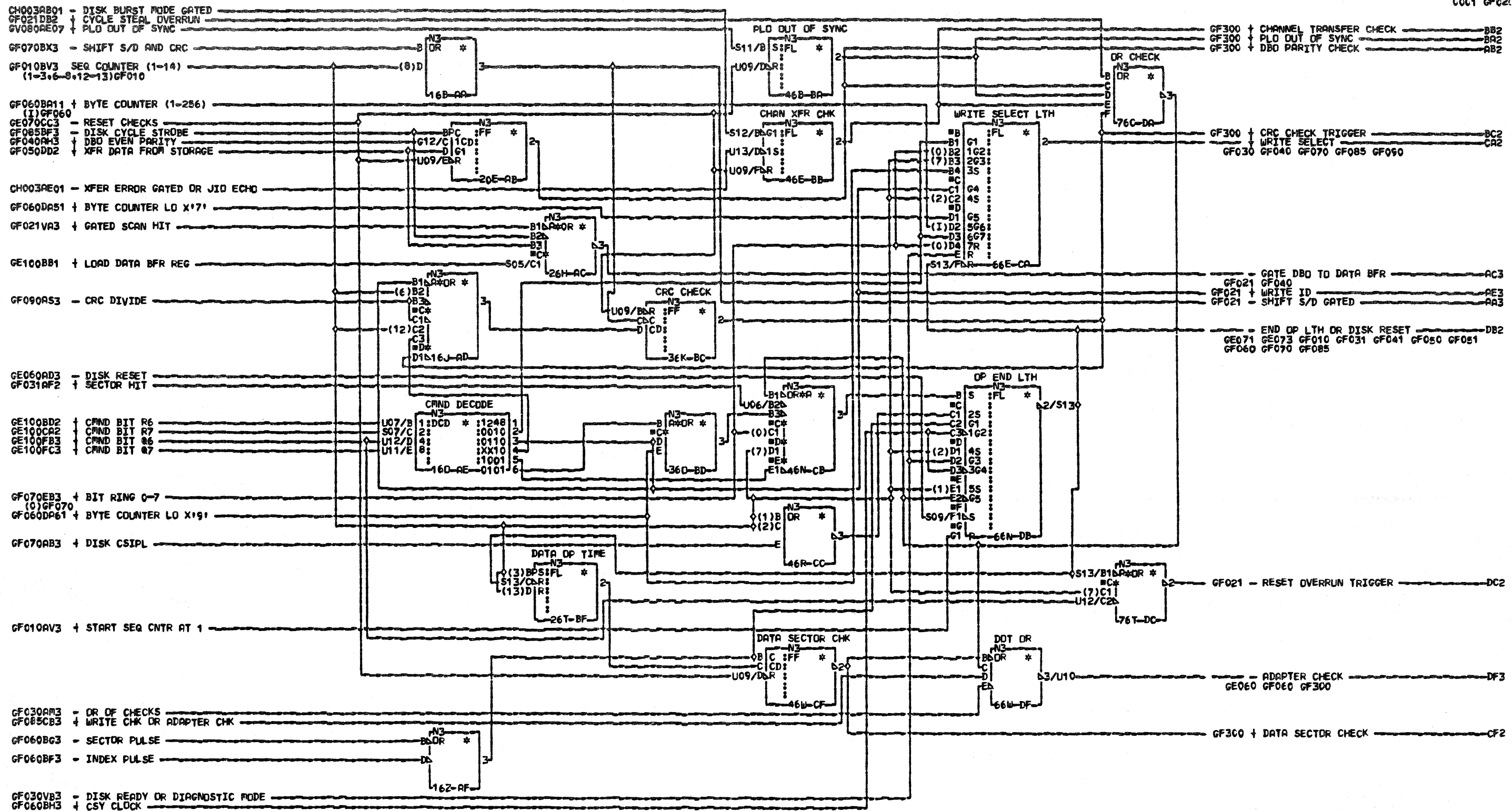


COMMENTS
D1COPYRIGHT IBM CORP. 1978

SEQUENCE COUNTER CONTROLS
 PN4237212 EC832859 PEC832850
 LDC#1A-A2F2
 USN 00008 PRI#06MAR78 2043
 AUC# SEC
 PFDR#KSEB NEXTBLK EF
 CID PIOFE JOB KC200909

0001

0001



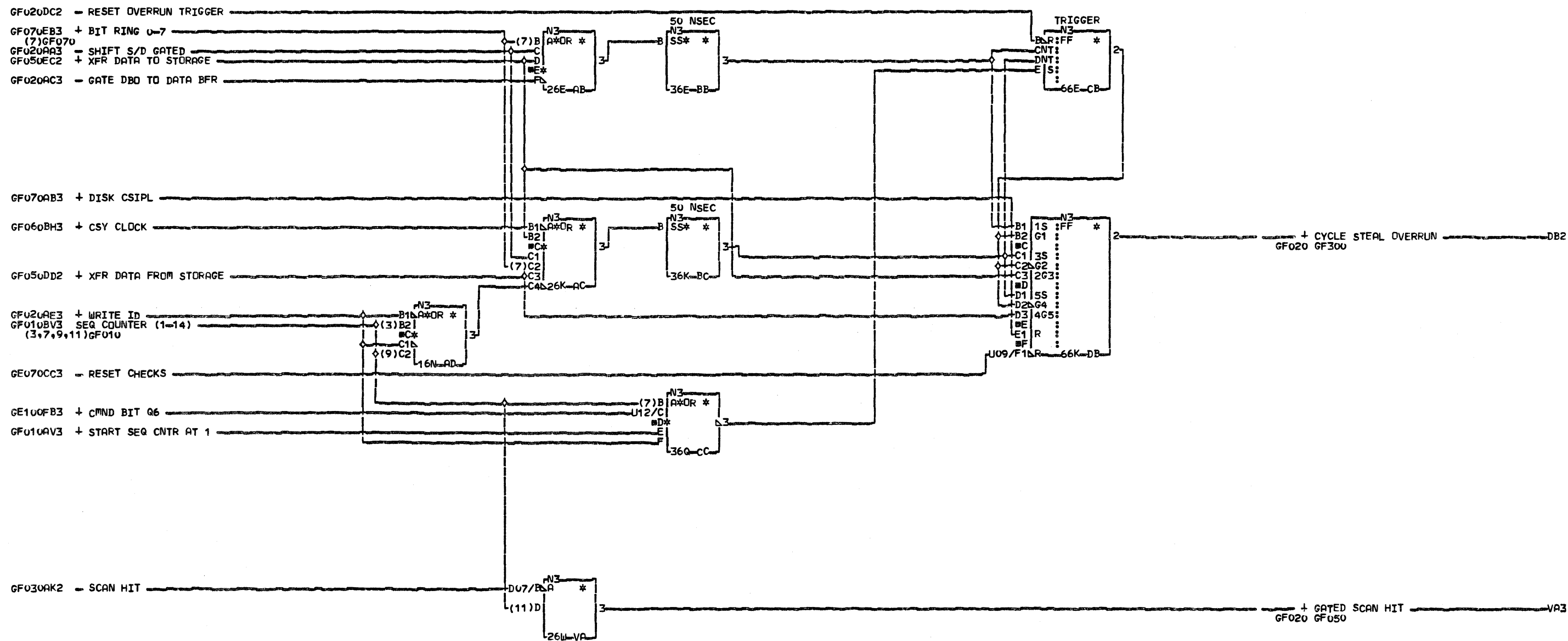
COMMENTS
 D1COPYRIGHT IBA CORP. 1978

0001

E

END OP LATCH
 WRITE SELECT
 ADAPTER CHECKS
 PN4237213 EC832859 PEC832850
 LDC#1A-A2F2
 USN 0000E PRI#01FEB78 1036
 AUC# SEC
 PFORM#KSEB NEXTBLK DG
 CID P10FE JOB K0200909

0001



COMMENTS
D1COPYRIGHT IBM CORP. 1978

GF021

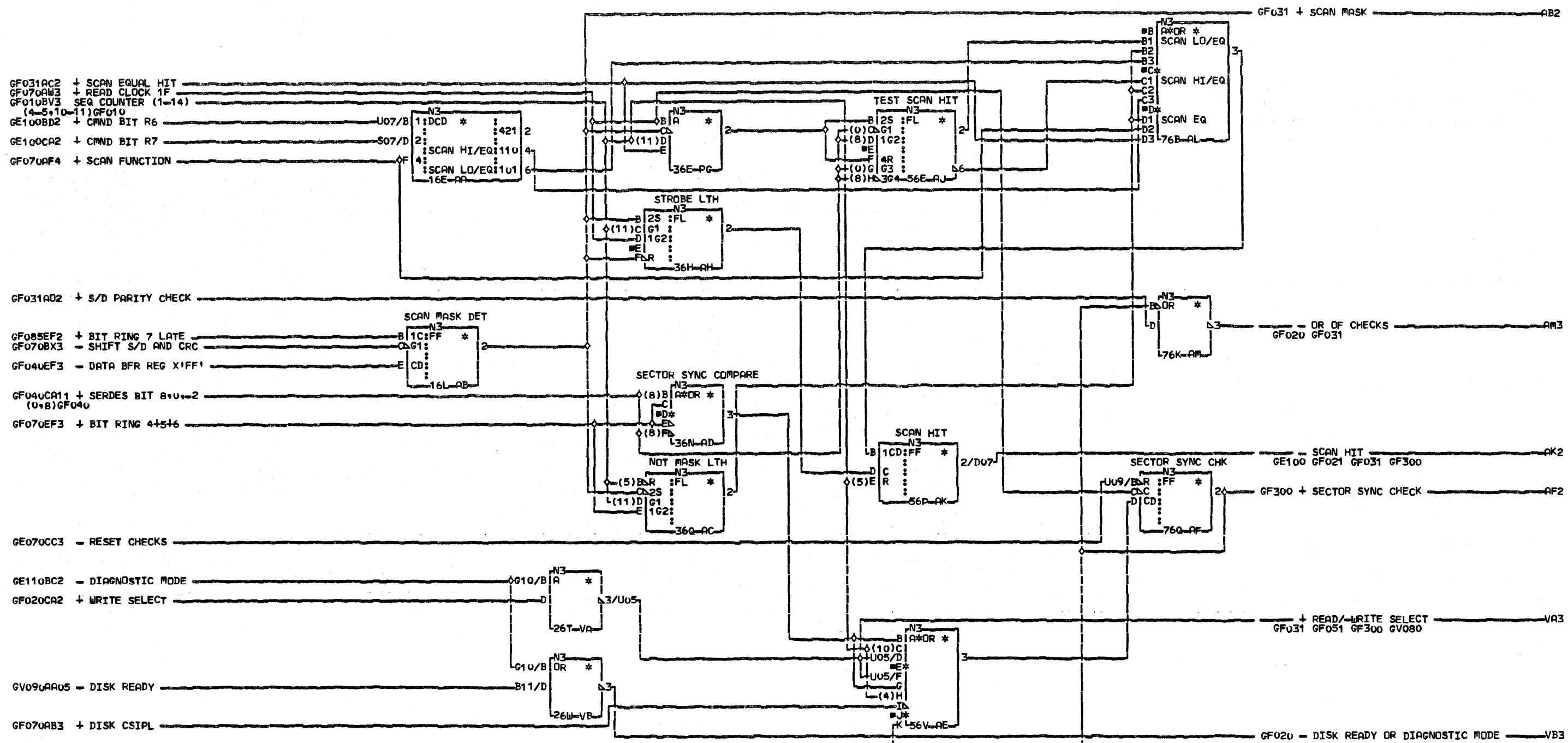
0

0001

CYCLE STEAL OVERRUN
 PN4237214 EC832850 PEC832716
 LQC=1A-A2F2
 USN 00008 PRI=030CT77 0858
 PJC= SEC
 PFORM=KSEB NEXTBLK VB
 CID PIOFE JOB M5301328

GF021

0001



COMMENTS
D1COPYRIGHT IBM CORP. 1978

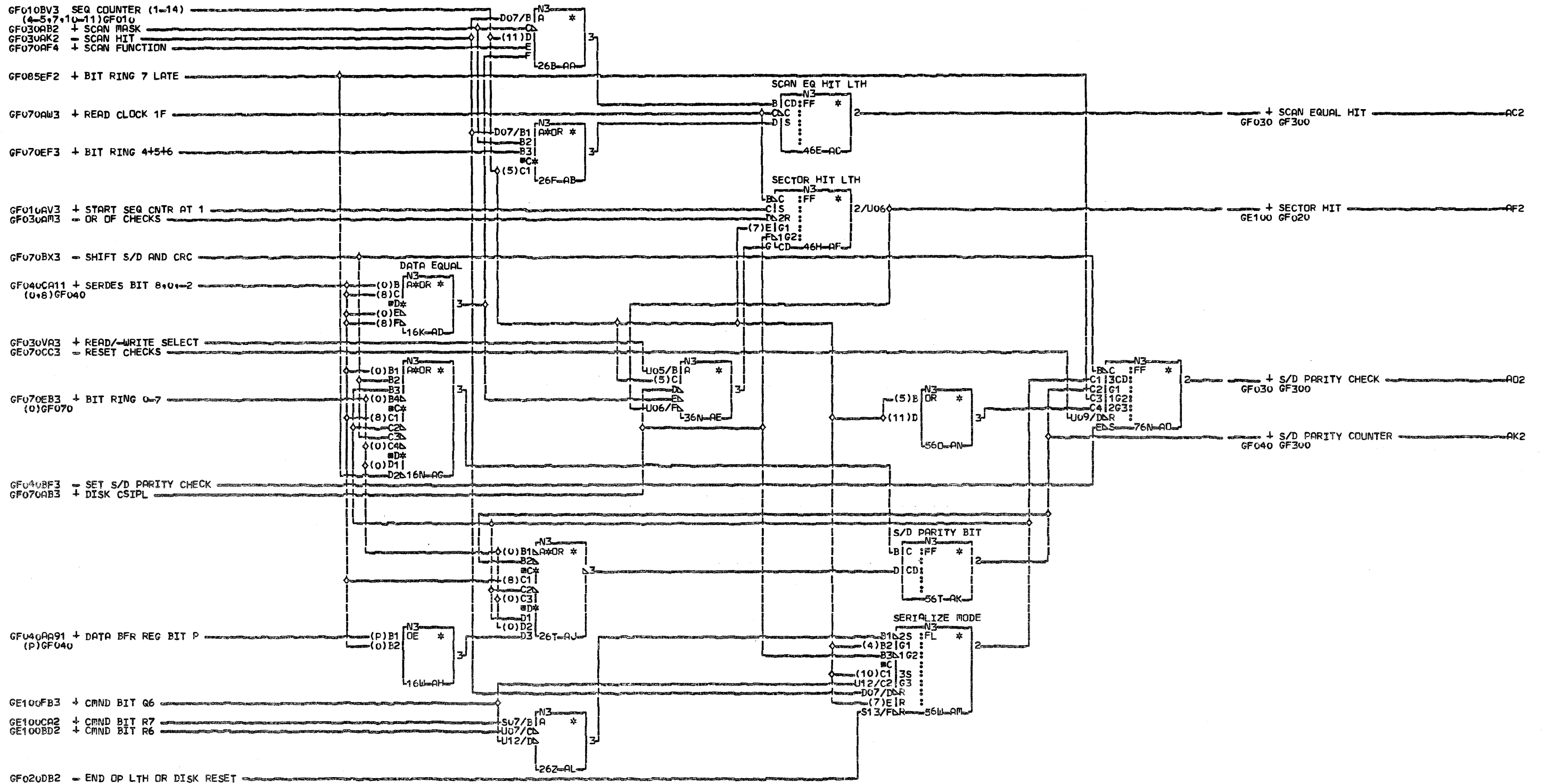
GF030
0001

E

SECTOR SYNC CHECK
SCAN HIT
SCAN HI/LQ/EQUAL
PN4237215 EC832850 PEC832716

LOC=1A-A2F2
USN 00008 PRI=030CT77 0858
AUC= PFORM=KSEB SEC NEXTBLK VC
CID PIOFE JOB M5301328

GF030
0001



COMMENTS
D1COPYRIGHT IBM CORP. 1978

SERDES PARITY CHECK
SECTOR HIT/SCAN EQUAL HIT
PN4237216 EC83285U PEC832716

LOC=1A-A2F2

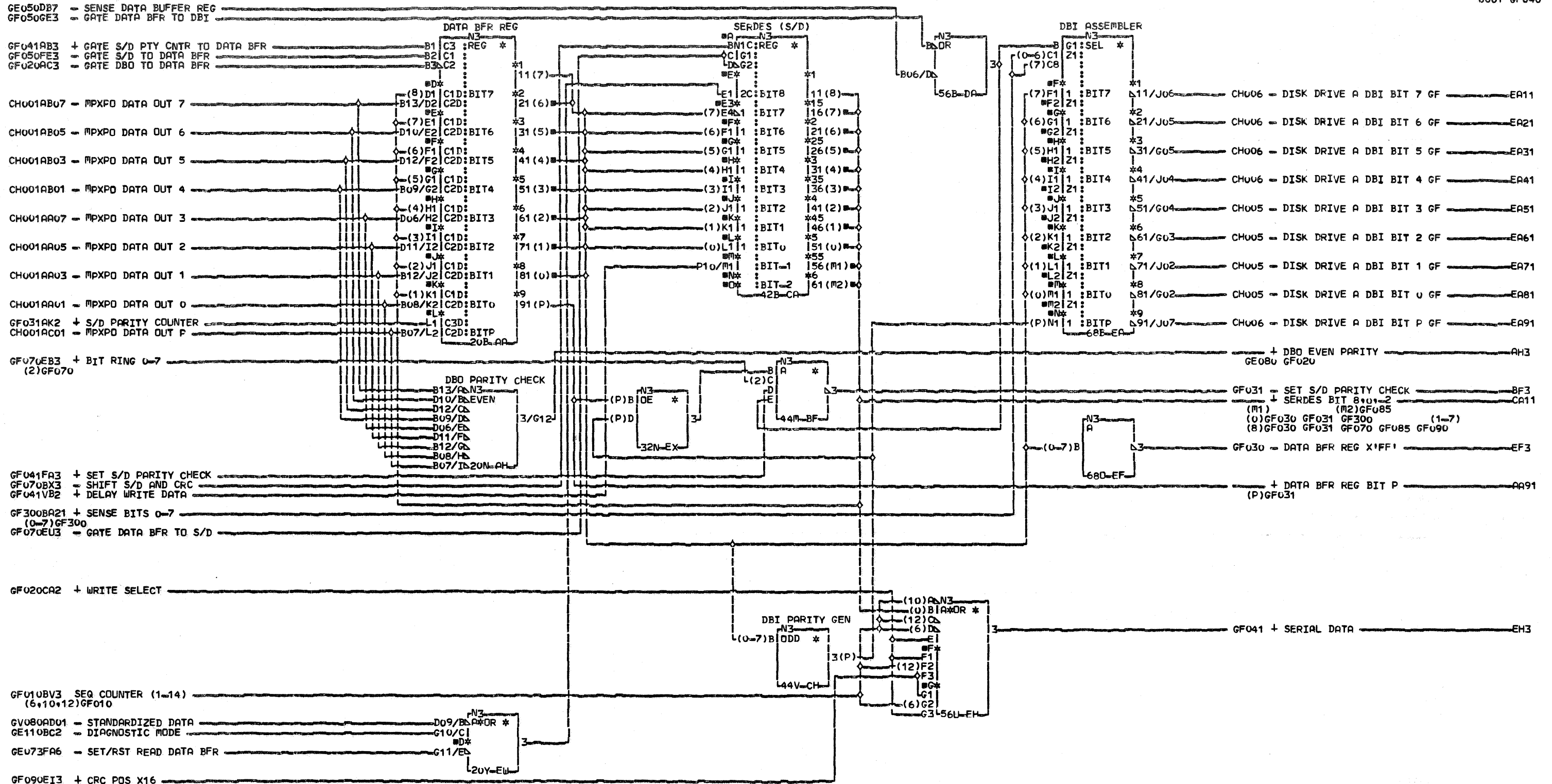
USN 00008 PRI=030CT77 0858

AJC= PFORM=KSEB SEC NEXTBLK AP

CID PICPE JOB M5301328

0001

0001



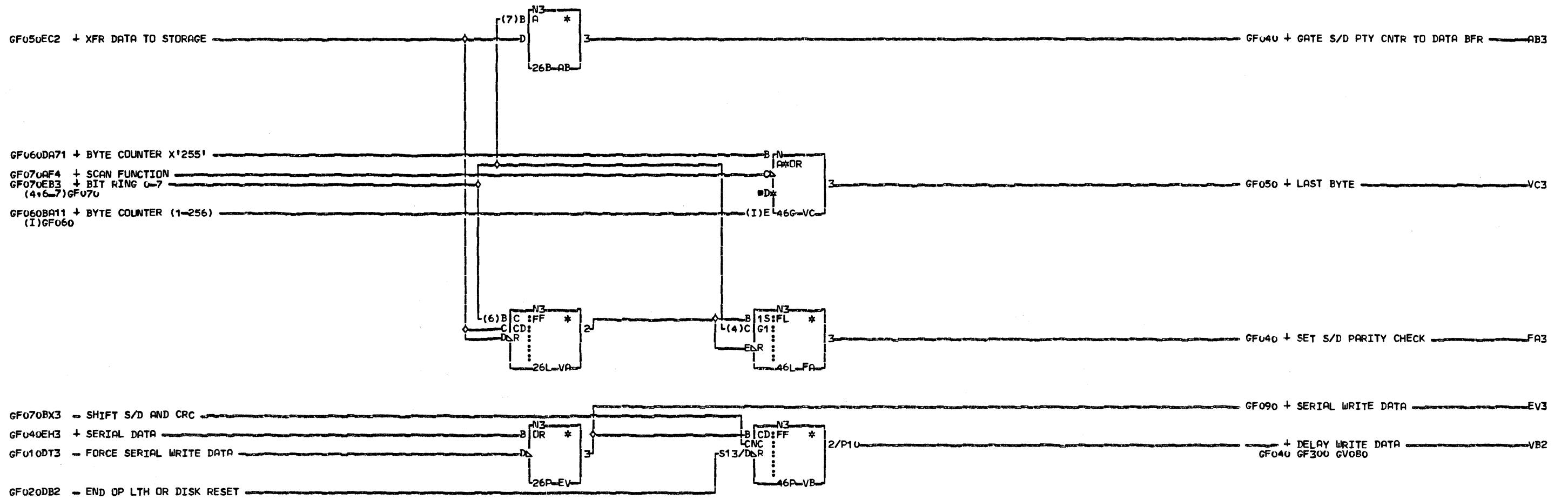
COMMENTS
D1COPYRIGHT IBM CORP. 1978

DATA BUFFER/SERDES
DBI 0-7,P TO CHANNEL
PN4237217 EC832850 PEC832716
LDC=1A-A2F2
USN 00008 PRI=030CT77 0858
AUC= PFORM=KSEB SEC NEXTBLK EY
CID PIOFE JOB M5301328

GF040
0001

E

GF040
0001

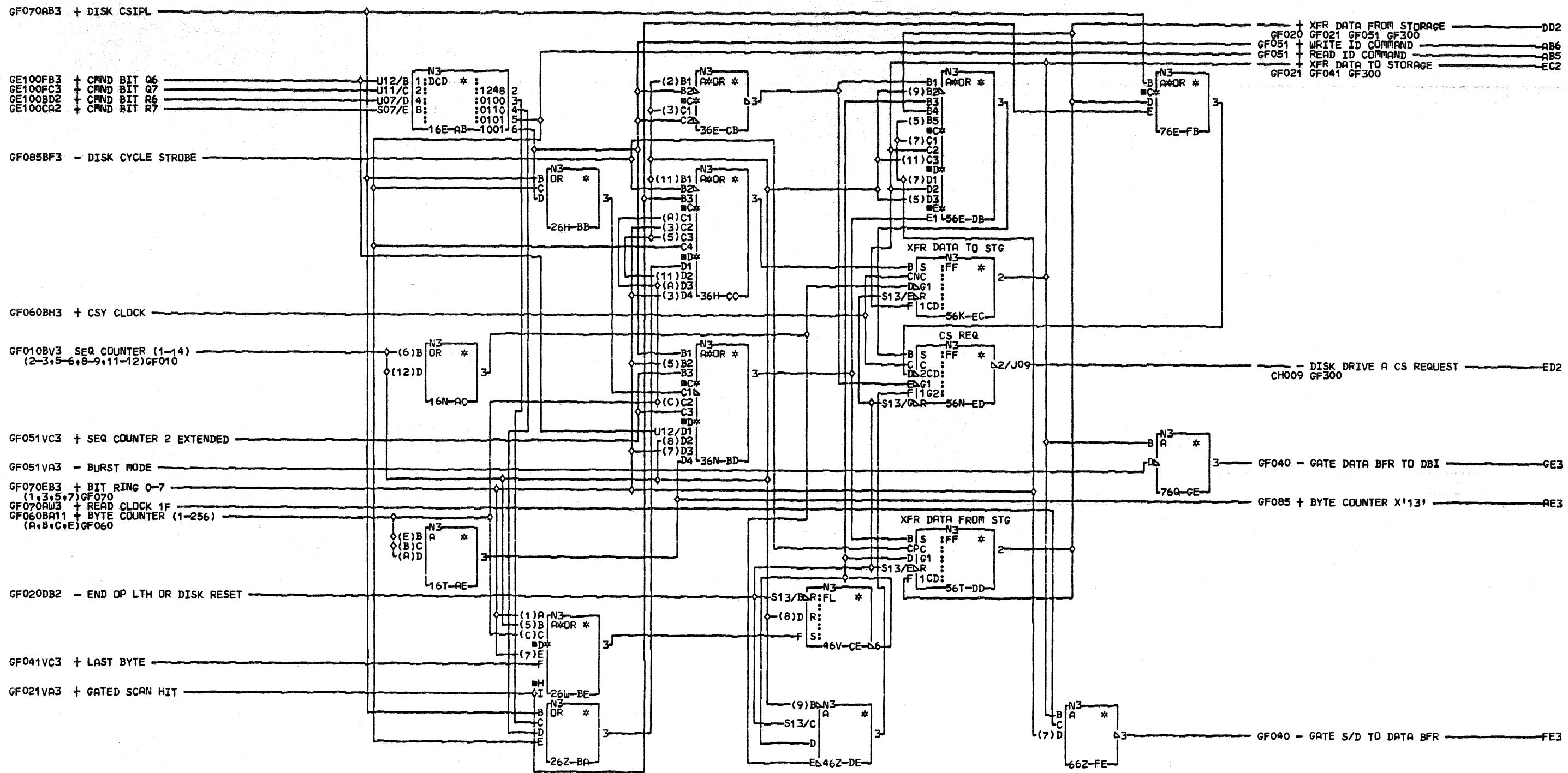


COMMENTS
D1COPYRIGHT IBM CORP. 1978

GF041
0001

WRITE DATA
PN4237218 EC832850 PEC832716
LDC=1A-A2F2
USN 00008 PRI=030CT77 0858
AUC= SEC
PFORM=KSEB NEXTBLK VD
CID PIOFE JOB M5301328

GF041
0001



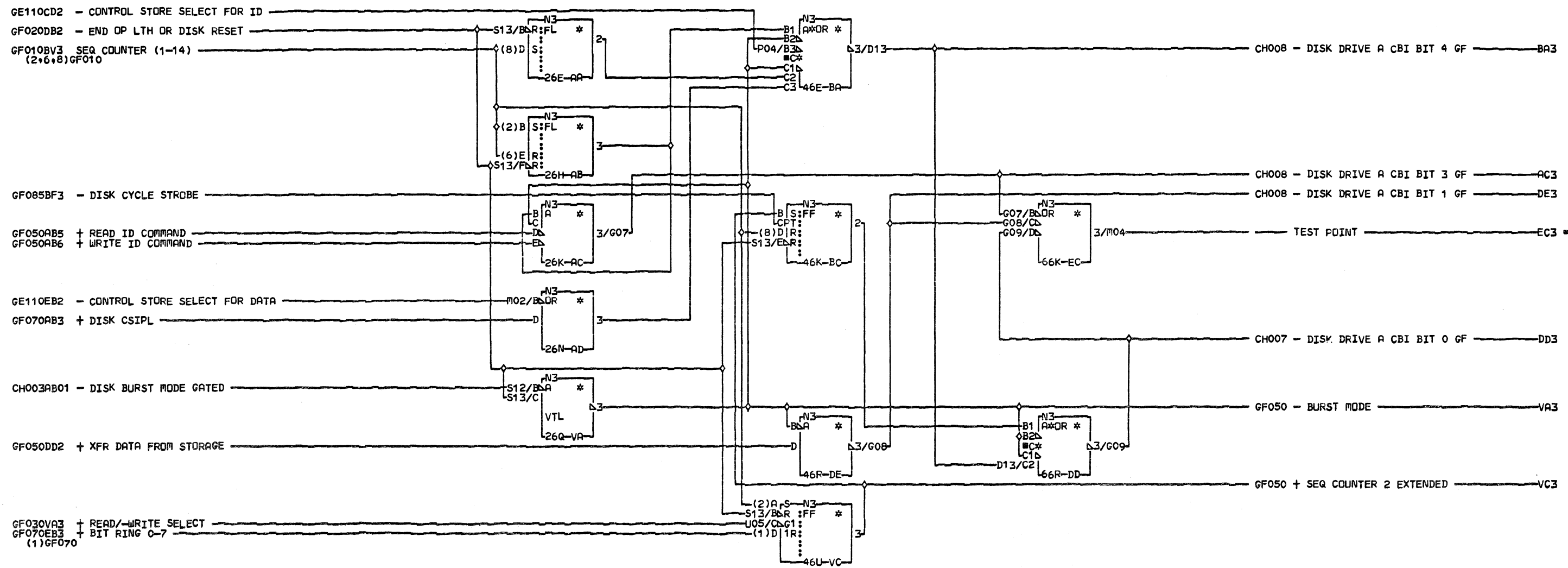
COMMENTS
D1COPYRIGHT IBM CORP. 1978

CYCLE STEAL REQUEST

PN4237219 EC834824 PEC832859
 LDC=1A-A2F2
 USN 00008 PRI=21MAY79 1423
 AUC= PFDRM=KSEB SEC NEXTBLK GF
 CID PIDFE JOB T4301503

GF050
0001

GF050
0001

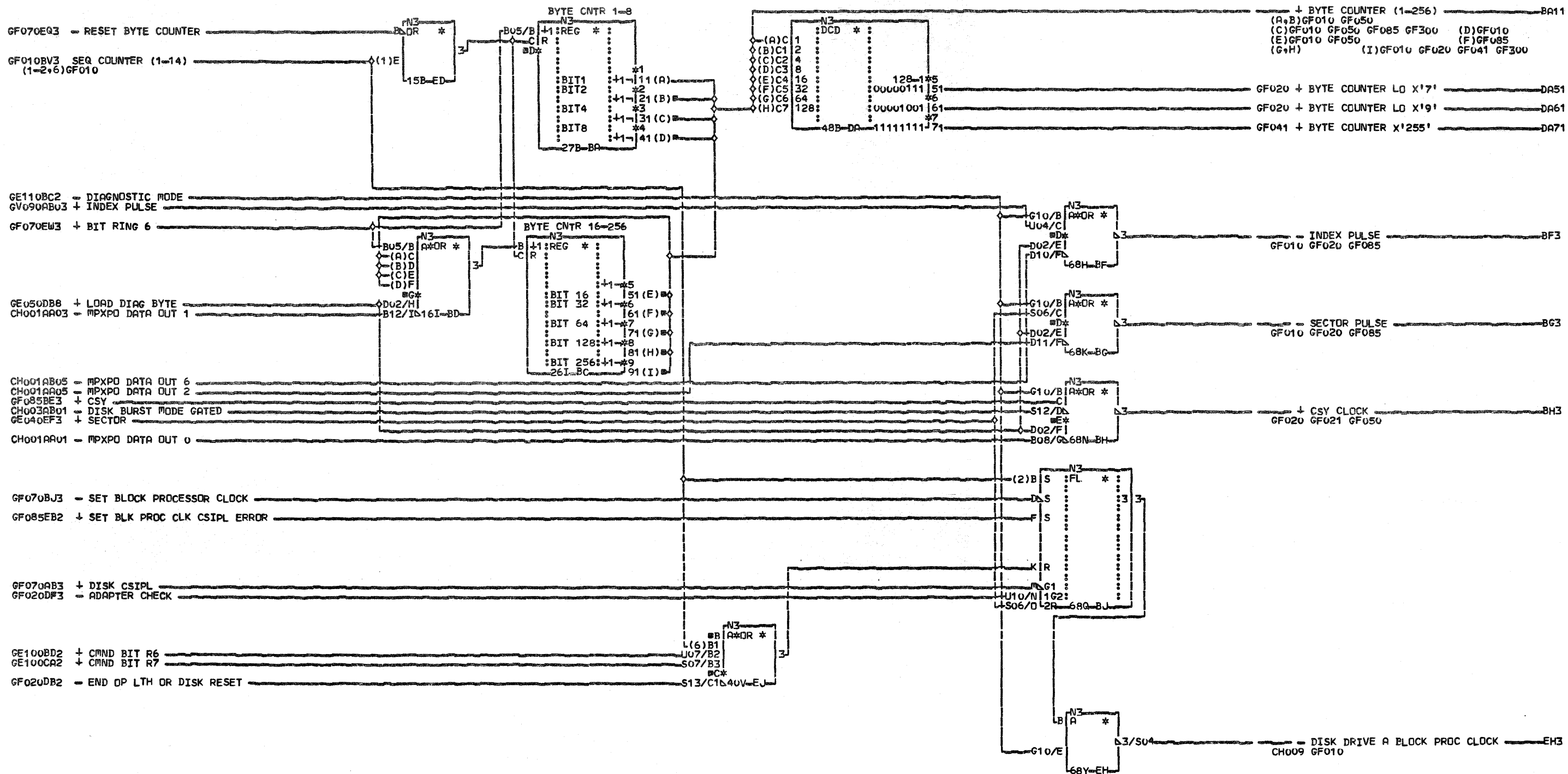


COMMENTS
 D1COPYRIGHT IBM CORP. 1978

DISK BURST MODE
 CBI ASSEMBLER
 PN4237220 EC834824 PEC832859
 LOC#1A-A2F2
 USN 00008 PRI#16MAY79 2152
 AUC# SEC
 PFORM#KSEB NEXTBLK VD
 CID P10FE JOB T4301503

GF051
 0001

GF051
 0001

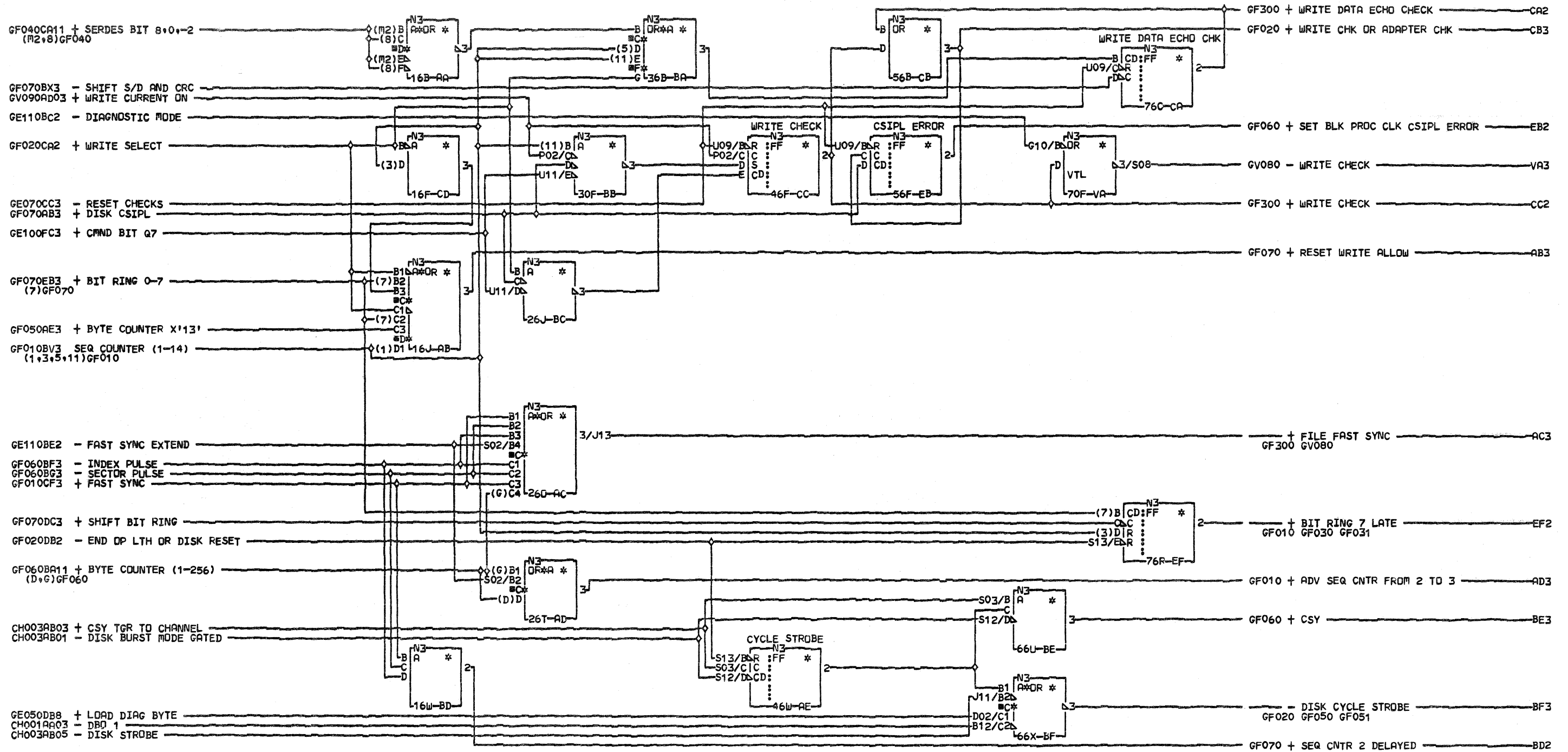


COMMENTS
D1COPYRIGHT IBM CORP. 1978

BYTE COUNTER
DISK BLOCK PROCESSOR CLOCK
PN4237221 EC832850 PEC832716
LOC=1A-A2F2
USN 00008 PRI=030CT77 0858
AUC= SEC
PFDR=KSEB NEXTBLK EK
CID PIOFE JOB M5301328

0001

GF060

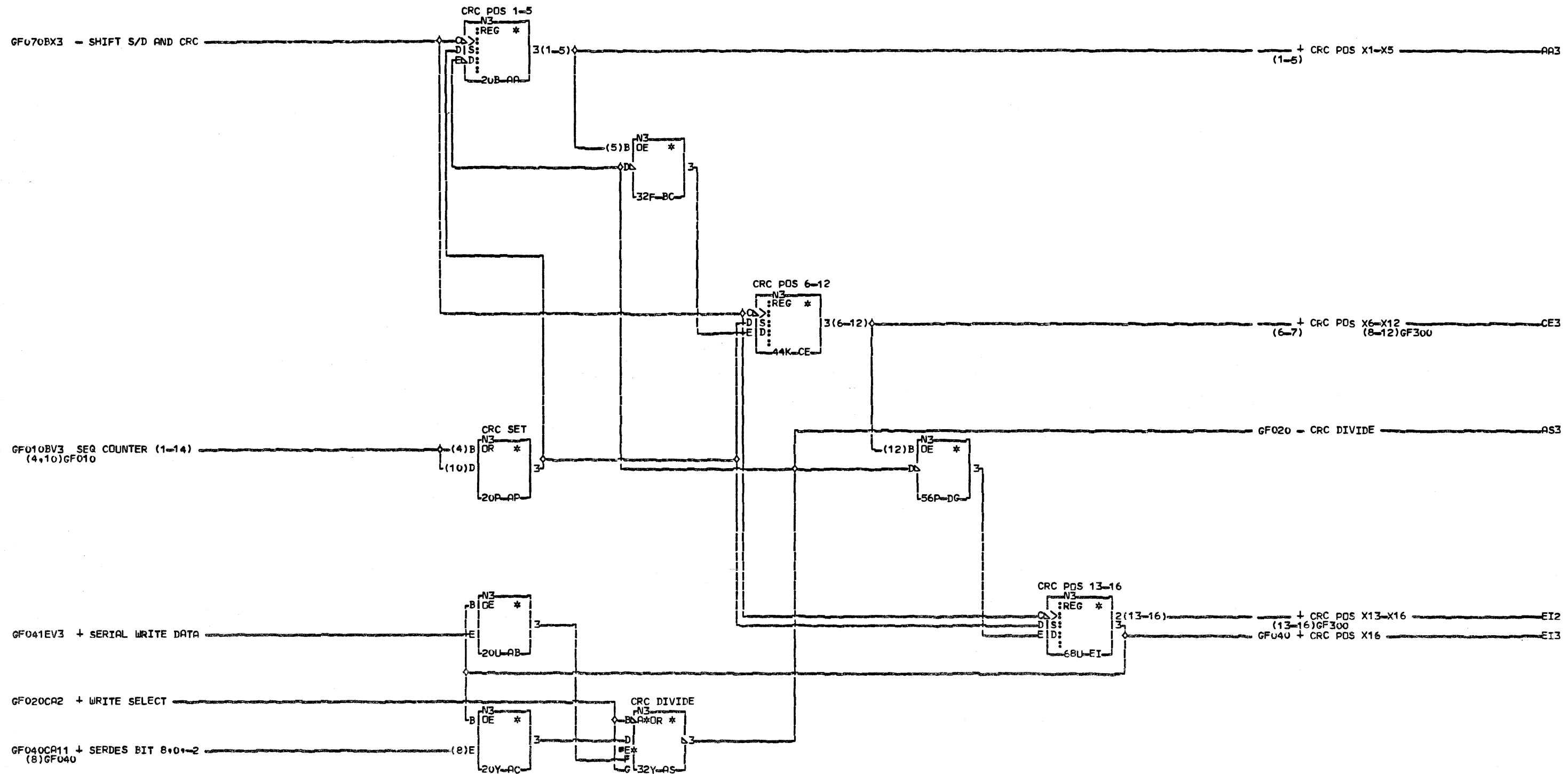


COMMENTS
D1COPYRIGHT IBM CORP. 1978

WRITE/WRITE DATA ECHO CHKS	
PN4237223 EC834824 PEC832859	
LOC=1A-A2F2	
USN 00008	PRI=16MAY79 2152
AUC=	SEC
PFORM=KSEB	NEXTBLK VB
CID PIOFE	JOB T4301503

0001

GF085

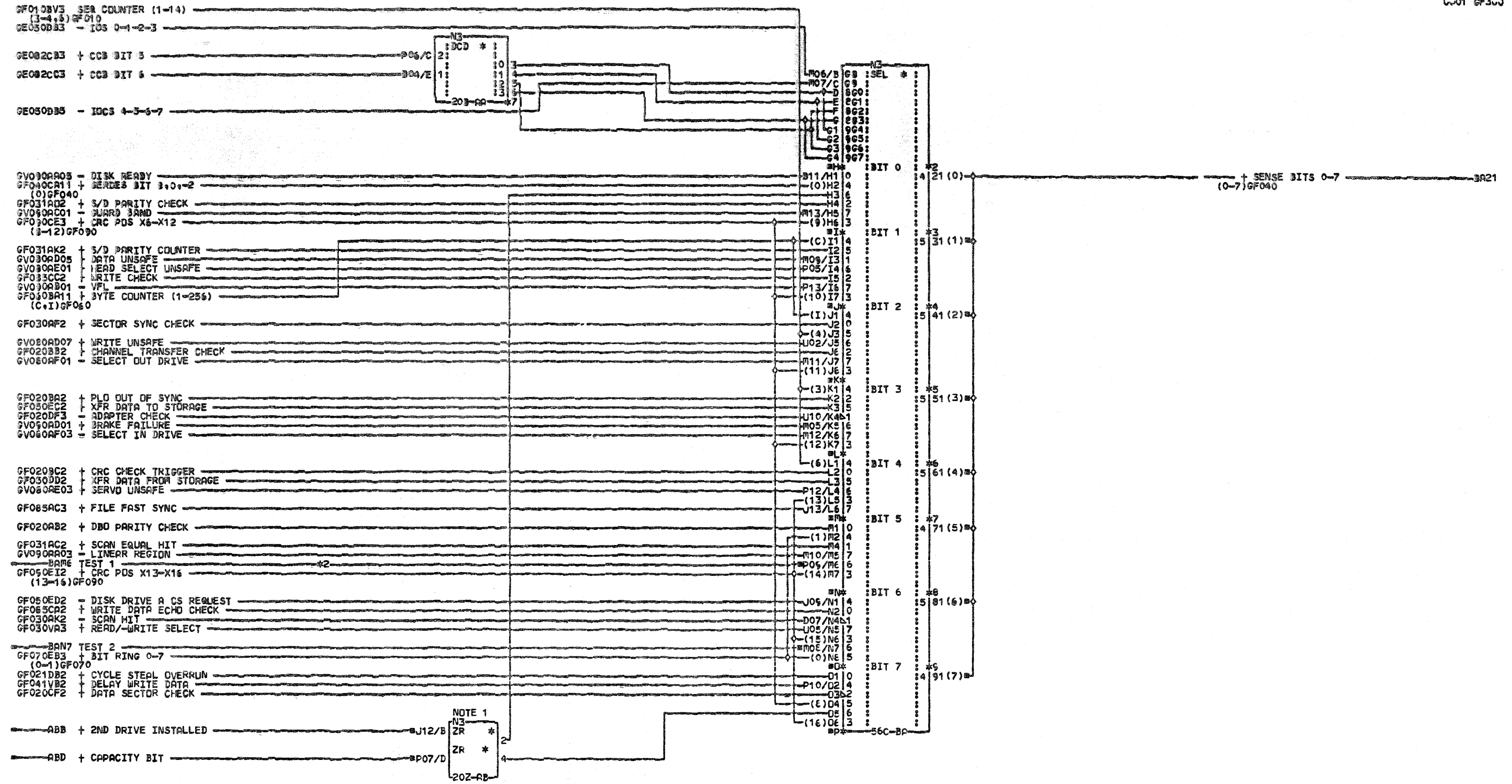


COMMENTS
 D1COPYRIGHT IBM CORP. 1979

CRC GENERATOR	
PN4237224 EC832850 PEC032716	
LDC#1A-A2F2	
USN 00008	PRI#030CT77 0658
AUC#	SEC
PFDRM#KSEB	NEXTBLK EJ
CID PIOFE	JOB M5301328

0001

GF090



COMMENTS	CONNECTORS
A1 NOTE 1: 2 DEPENDING ON CONFIGURATION 3 OF MACHINES, T&B PINS 4 P07 & J12 MAY BE GROUNDED, 5 OTHERWISE THEY ARE TIED UP. D1COPYRIGHT IBM CORP. 1976	NS 20Z-AA NS 20Z-AB

SENSE BITS 0-7 SELECTOR LOGIC	
PN4237225 EC833040 PEC832850	
LUC=1A-R2F2	
USN 00006	PKI=02AUG76 1449
AUC=	SEC
PFDRM=KSEB	NEXTBLK 88
CID PIOFE	JOB K0201315

0001

0001

YA430GA3 D.E.GROUND

- CH001AA01 - DB0 0
- CH001AA03 - DB0 1
- CH001AA05 - DB0 2
- CH001AA07 - DB0 3
- CH001AB01 - DB0 4
- CH001AB03 - DB0 5
- CH001AB05 - DB0 6
- CH001AB07 - DB0 7
- CH001AC01 - DB0 P
- CH001AD01 - COMMAND BUS OUT BIT 0
- CH001AD03 - COMMAND BUS OUT BIT 1
- CH001AD05 - COMMAND BUS OUT BIT 2
- CH002AE01 - CONTROL OUT
- CH002AE03 - SERVICE OUT
- CH002AE05 - MPXP0 STROBE OUT
- CH002AF01 - SYSTEM RESET

- CH002AF05 - DATA PROTECT
- CH002AF07 - SYSTEM POWER ON RESET
- CH002AH05 - 1048 MS CLOCK

- CH003AB01 - DISK BURST MODE GATED
- CH003AB03 - CSY TGR TO CHANNEL
- CH003AB05 - DISK STROBE
- CH003AE01 - XFER ERROR GATED OR JIG ECHO

- AA5 + 2ND DRIVE INSTALLED
- AA7 + CAPACITY BIT
- AAU - 2ND DRIVE ADDRESS SELECT
- AAV + BRAKE FAIL-INPUT GROUNDED

- YA430DA3 + 5V
- YA430AA3 - 5V
- YA430BB5 +8.5 VOLT
- YA430DA5 GROUND
- YA430EA3 - 4V
- YA430EB3 + 6V
- YA430FA3 + 24V
- YA430DB3 + 24V

NOTE 1

■A1*CHANNEL:DISK ELECTRONICS

■A2*INPUTS

POWER CONNECTOR TABLE

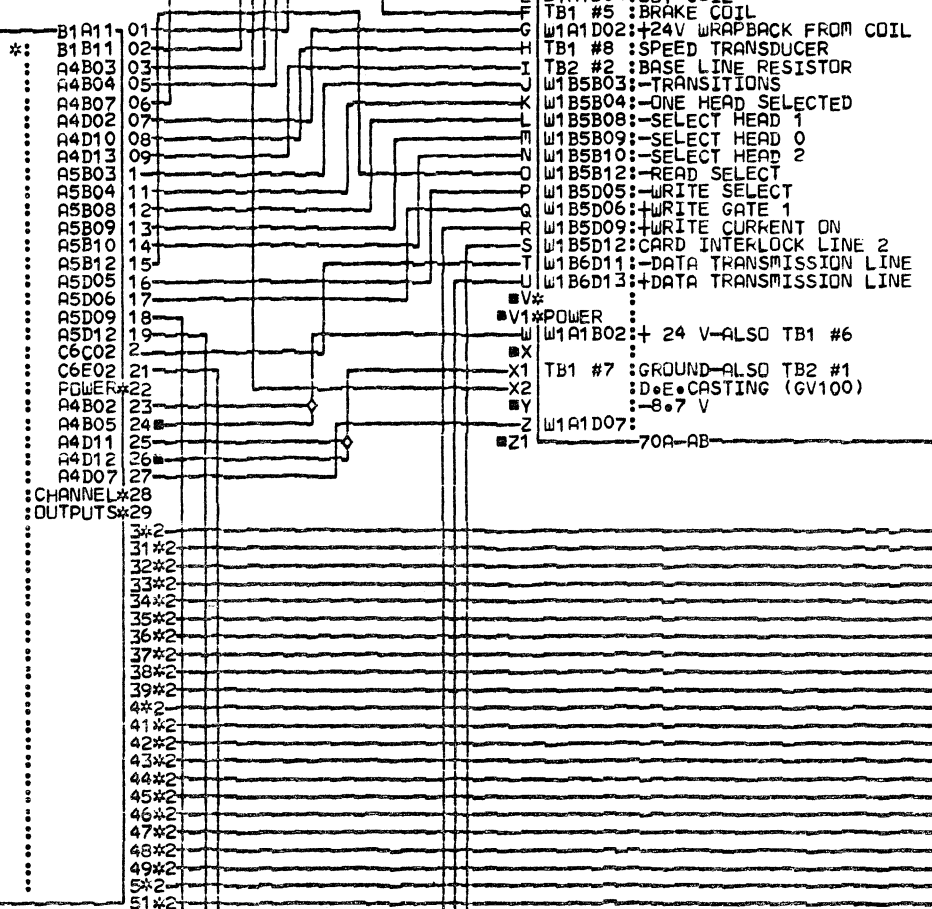
	+5V	GND	-5V	-4V
B1	B2D03	A2D08	E2B06	A5B06
B2	B3D03	A3D08	E3B06	B2B06
B3	B4D03	A4D08	E4B06	B3B06
B4	B5D03	A5D08	E5B06	B4B06
B5	C2D03	B2D08	+8.5V	B5B06
B6	C3D03	B3D08	E2B11	C2B06
B7	C4D03	B4D08	E3B11	C3B06
B8	C5D03	B5D08	E4B11	C4B06
C	D2D03	C2D08	E5B11	C5B06
D	D3D03	C3D08	G2D11	G2D06
D1	D4D03	C4D08	+6V	-12V
D2	D5D03	C5D08	A5B11	B2D12
E	E2D03	D2D08	B2B11	B5D12
F	E3D03	D3D08	B3B11	C5D12
G	E4D03	D4D08	C2B11	G3D06
H	E5D03	D5D08	C3B11	+12V
J	F2D03	E2D08	+24V	B2B09
K	F3D03	E3D08	B4B02	B4B09
L	F4D03	E4D08	B5B02	C5B09
M	F5D03	E5D08	C5B02	G3D11
N	G2D03	F2D08	-24V	+24V BRK
O	G3D03	F3D08	A5B13	A4B02
P	G4D03	F4D08	B2B13	A4B05
Q	G5D03	F5D08	B4B13	
R	G2D08	G2D08	B5B13	
S	G3D08	G3D08	C5B13	
T	G4D08	G4D08		
U	G5D08	G5D08		

■R1*CONFIG

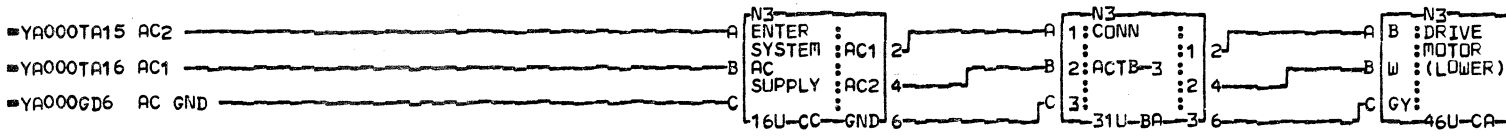
- S F2J12
- T F2P07
- U E2G08
- V E2S13

■Z*POWER

- Z1
- Z2
- Z3
- Z4
- Z5
- Z6
- Z7
- Z8



- CH005 - DISK DRIVE B DBI BIT 0
- CH005 - DISK DRIVE B DBI BIT 1
- CH005 - DISK DRIVE B DBI BIT 2
- CH005 - DISK DRIVE B DBI BIT 3
- CH006 - DISK DRIVE B DBI BIT 4
- CH006 - DISK DRIVE B DBI BIT 5
- CH006 - DISK DRIVE B DBI BIT 6
- CH006 - DISK DRIVE B DBI BIT 7
- CH006 - DISK DRIVE B DBI BIT P
- CH007 - DISK DRIVE B CBI BIT 0
- CH008 - DISK DRIVE B CBI BIT 1
- CH008 - DISK DRIVE B CBI BIT 3
- CH008 - DISK DRIVE B CBI BIT 4
- CH008 - DISK DRIVE B CBI BIT 5
- CH007 - DISK DRIVE B MULTIDEVICE RSP
- CH007 - DISK DRIVE B SERVICE IN
- CH011 - DISK DRIVE B IL1
- CH011 - DISK DRIVE B IL4
- CH007 - DISK DRIVE B I/O WORKING
- CH003 + DISK DRIVE B BRAKE FAIL
- CH009 - DISK DRIVE B BPC
- CH009 - DISK DRIVE B CS REQUEST



COMMENTS	CONNECTORS	CONNECTORS	CONNECTORS	CONNECTORS
A1 CONFIG:	CH001AA01	0023/1A-A3/F2B13	CH003AE01	0060/1A-A3/F2J07
2 ON THE A-A3 BOARD TAB	0001/1A-A3/E2B08	0024/1A-A3/G2B02	AA3	AA38
3 PINS E2G08 AND E2S13 ARE	CH001AC01	CH001AC01	AA39	AA39
4 GROUNDED. TAB PINS F2J12	0003/1A-A3/G2B10	0025/1A-A3/F2B07	AA4	AA44
5 AND F2P07 ARE TIED UP.	CH001AA03	CH001AD01	AA4	AA45
B1 NOTE 1:	0004/1A-A3/E2B12	0026/1A-A3/E2D02	AA31	AA46
2 THIS PAGE SHOWS PIN	CH001AD03	CH001AD03	AA32	AA47
3 POSITIONS FOR THE CHANNEL,	0005/1A-A3/F2B12	0027/1A-A3/E2B03	AA32	AA48
4 DISK AND POWER INTERFACES.	CH001AA05	CH001AD05	AA32	AA49
5 THE DISK LOGIC IS THE SAME	0007/1A-A3/E2D11	0028/1A-A3/E2B05	AA33	AA50
6 FOR BOTH A-A2,A-A3 BOARDS.	CH002AE01	CH002AE01	AA33	AA51
7 USE PAGES GE040-GV270 WHEN	0008/1A-A3/F2D11	0029/1A-A3/E2B02	AA33	AA52
8 REFERENCING THE DISK LOGIC	CH001AA07	CH002AE03	AA33	AA53
9 ON EITHER BOARD.	0010/1A-A3/E2D06	0030/1A-A3/E2B10	AA34	AA54
D1 COPYRIGHT IBM CORP. 1978	0011/1A-A3/F2D06	CH002AE05	AA34	AA55
	0012/1A-A3/G2B07	0031/1A-A3/E2D09	AA34	AA56
	CH001AB01	CH002AF07	AA35	AA57
	0013/1A-A3/E2B09	0032/1A-A3/E2D07	AA35	AA58
	0014/1A-A3/F2B09	CH002AF05	AA35	AA59
	0015/1A-A3/G2B05	0033/1A-A3/E2P11	AA35	AA60
	CH001AB03	CH002AF07	AA35	AA61
	0016/1A-A3/E2D12	0034/1A-A3/E2P06	AA36	AA62
	0017/1A-A3/F2D12	CH002AH05	AA36	AA63
	0018/1A-A3/G2B04	0035/1A-A3/E2M05	AA36	AA64
	CH001AB05	CH003AB01	AA37	AA65
	0019/1A-A3/E2D10	0036/1A-A3/F2S12	AA37	AA66
	0020/1A-A3/F2D10	CH003AB03	AA37	AA67
	0021/1A-A3/G2L03	CH003AB05	AA37	AA68
	CH001A07	0037/1A-A3/F2S03	AA37	AA69
	0022/1A-A3/E2B13	CH003AB05	AA37	AA70
		0038/1A-A3/F2J11	AA37	AA71

CHAN-ATTACH-DISK INTERFACES
FEATURE I/O BOARD

PN4237226 EC834824 FEC834777

LDC=1A-A3

USN 00008 PRI=16MAY79 2152

AUC# PGPRM#KSEB SEC NEXTBLK CD

CID P10FE JOB T4301503

0001

0001

GE082CC3 + CCB BIT 6 ----- A1 T----- 01----- + BYTE SELECT BIT 1 ----- 0001 GV080
 GE082CB3 + CCB BIT 5 ----- A3 ENTR----- 03----- GV120 GV130 ----- PA01
 GE050DB6 - LOAD PULSE ----- A5----- 05----- GV130 - LOAD PULSE ----- AA05
 GE050DB4 - SENSE PULSE ----- A7 46A-AA----- 07----- GV120 - SENSE PULSE ----- AA07
 ----- + BYTE SELECT BIT 2 ----- AA03
 ----- GV120 GV130

GE070DE3 - RECALIBRATE ----- A1 T----- 01----- - RECALIBRATE ----- AB01
 GE040CE3 - POWER ON DELAY ----- A3 ENTR----- 03----- GV130 GV210 ----- AB05
 GE060AD3 - DISK RESET ----- A5----- 05----- GV130 GV230 ----- AB03
 GF085AC3 + FILE FAST SYNC ----- A7 46D-PB----- 07----- GV190 GV200 GV210 GV220 GV230 ----- AB07
 ----- + FILE FAST SYNC -----

GF041VB2 + DELAY WRITE DATA ----- A1 T----- 01----- GV260 + WRITE ZEROS ----- AC01
 GF030VA3 + READ/-WRITE SELECT ----- A3 ENTR----- 03----- GV230 + READ/-WRITE SELECT ----- AC03
 GF085VA3 - WRITE CHECK ----- A5----- 05----- GV130 - WRITE CHECK ----- AC05
 ----- 46H-AC

GV270BE3 - STANDARDIZED DATA ----- A1 T----- 01----- GF040 - STANDARDIZED DATA ----- AD01
 GV270BJ3 - READ CLOCK 1F ----- A3 EXIT----- 03----- GF070 - READ CLOCK 1F ----- AD03
 GV230AG3 + DATA UNSAFE ----- A5----- 05----- + DATA UNSAFE ----- AD05
 GV230BA3 + WRITE UNSAFE ----- A7 46K-AD----- 07----- GE100 GF300 ----- AD07
 ----- + WRITE UNSAFE -----

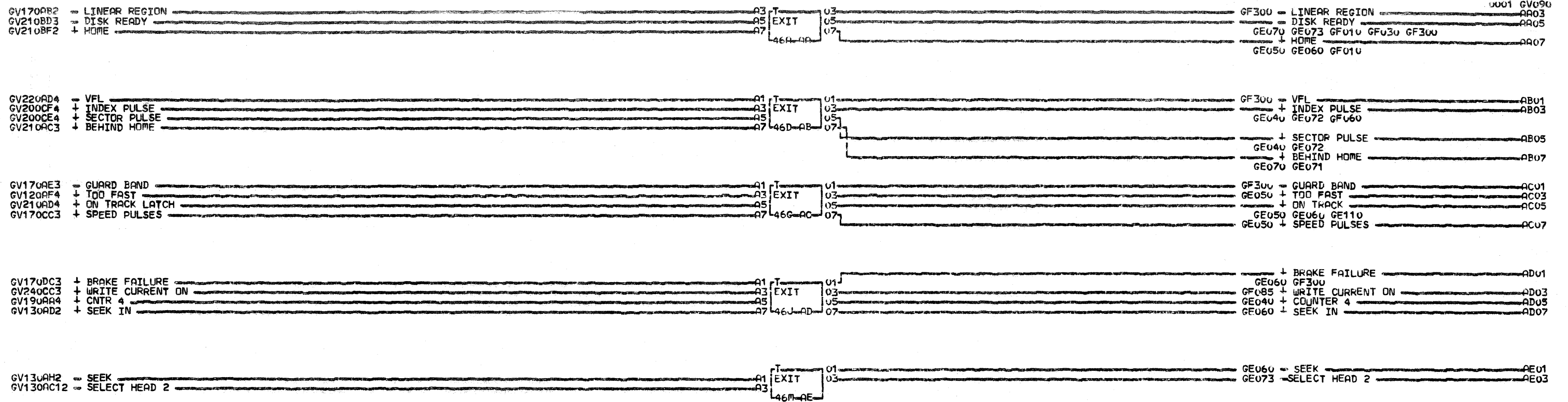
GV230AC2 + HEAD SELECT UNSAFE ----- A1 T----- 01----- GF300 + HEAD SELECT UNSAFE ----- AE01
 GV230AD3 + SERVO UNSAFE ----- A3 EXIT----- 03----- GF300 + SERVO UNSAFE ----- AE03
 GV260BD3 - WRITE CLOCK 1F ----- A5----- 05----- GF070 - WRITE CLOCK 1F ----- AE05
 GV190BE3 + PLD OUT OF SYNC ----- A7 46N-AE----- 07----- GF020 + PLD OUT OF SYNC ----- AE07

GV220BE3 - SELECT OUT DRIVE ----- A1 T----- 01----- GF300 - SELECT OUT DRIVE ----- AF01
 GV220BF3 - SELECT IN DRIVE ----- A3 EXIT----- 03----- GF300 - SELECT IN DRIVE ----- AF03
 GV220BD3 - SEEK COMPLETE ----- A5----- 05----- - SEEK COMPLETE ----- AF05
 ----- 46Q-AF
 ----- GE040 GE073 GF010

COMMENTS
 D1COPYRIGHT IBM CORP. 1978

G
 V
 0
 0
 001

ATTACHMENT/DISK INTERFACE
 PN4176902 EC829910 PEC829908
 LCC=
 USN 00008 PRI=030CT77 0858 G
 AUC= SEC U
 PFORM=KSEB NEXTBLK AI 8
 CID P10FE JOB K0201136 0
 0001



COMMENTS

©1978 IBM CORP.

GV900001

E

ATTACHMENT/DISK INTERFACE

PN4176903 EC829910 PEC829908

LDC#

USN 00008

AUC# PFORM#KSEB

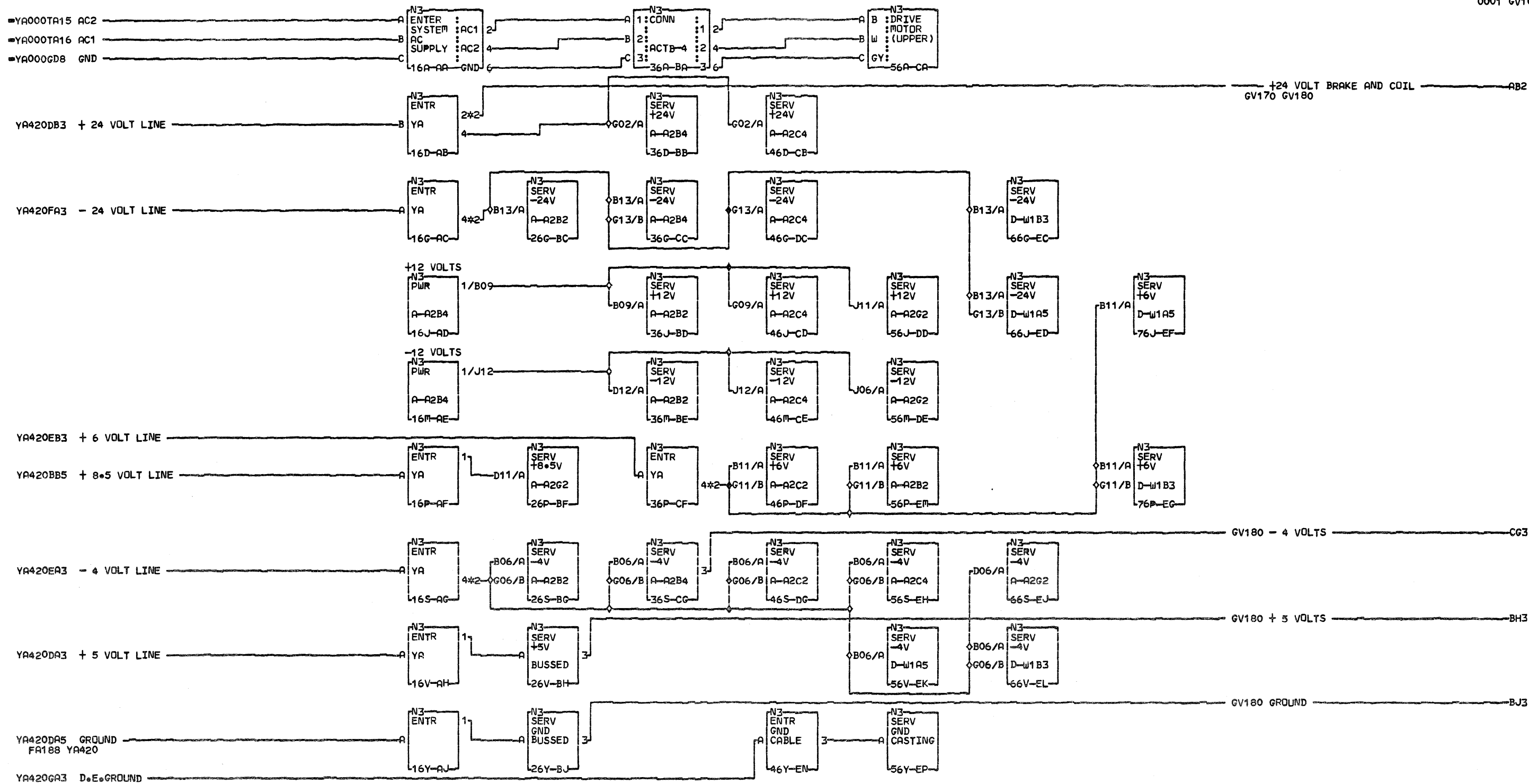
CID PIOFE

PFI=030CT77 0858

SEC NFXTBLK AF

JOB Ku201136

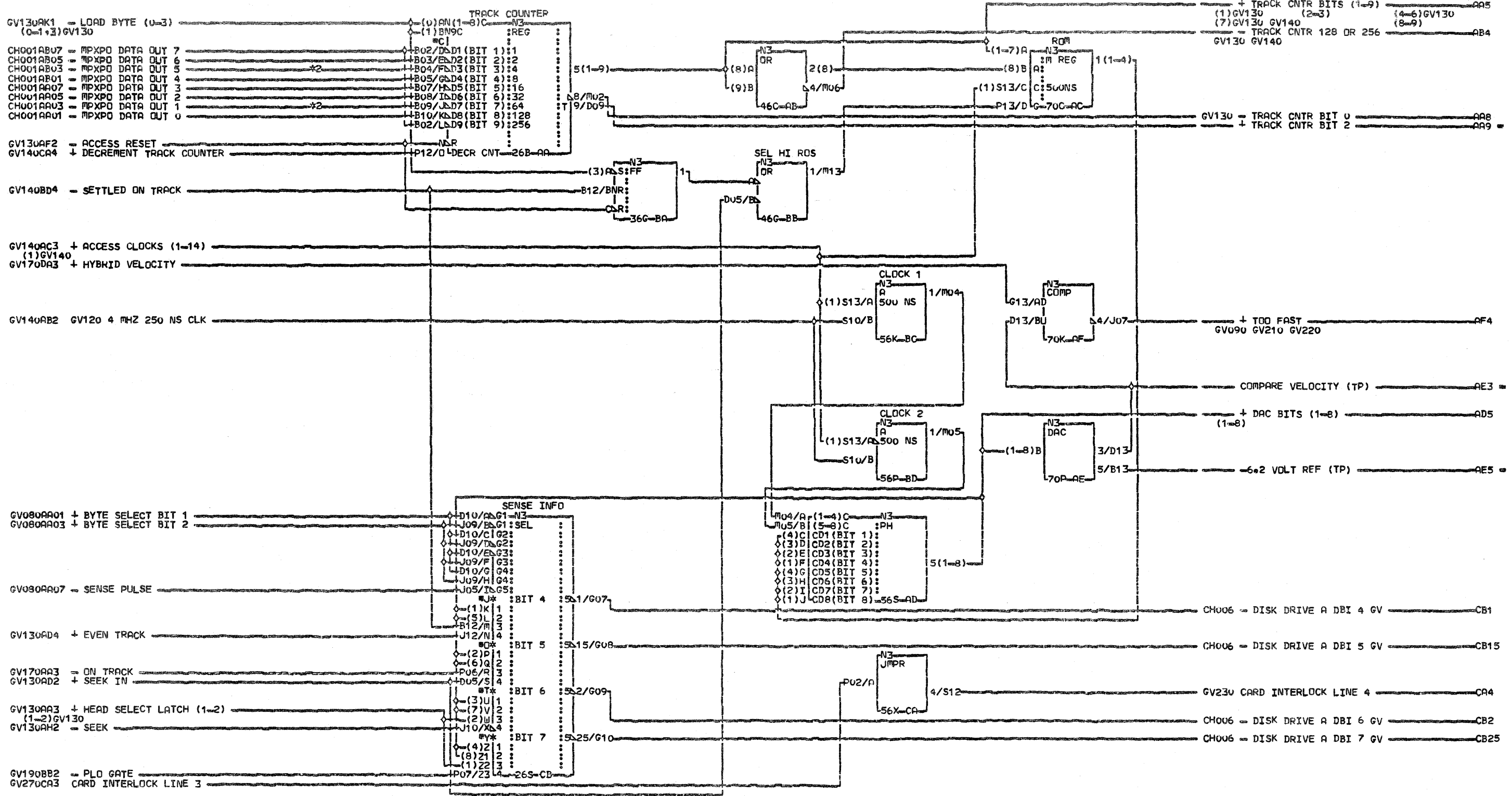
GV900001



COMMENTS	CONNECTORS	CONNECTORS	VOLTAGE DISTRIBUTION
D1COPYRIGHT IBM CORP. 1978	AB2 0012/D-W1/A1B02 0013/D-W1/A1D02 0011/1A-A2/A4B02 0010/1A-A2/A4B05 0015/1A-A2/A4D02 AC4 0002/D-W1/B5B13 0003/D-W1/B5D13 0001/1A-A2/A5B13 0016/1A-A2/A5D13 AG4 0008/D-W1/B5B06 0009/D-W1/B5B07	0007/1A-A2/A5B06 0014/1A-A2/A5B07 CF4 0005/D-W1/B5B11 0006/D-W1/B5D11 0004/1A-A2/A5B11 0017/1A-A2/A5D11	PN4176904 EC834778 PEC834777 LOC=1A-A2 USN 00008 PRI=26JAN79 2045 ALJC# SEC PFORM=KSEB NEXTBLK EQ CID PIOFE JOB N5001541

GV100
0001

GV100
0001



COMMENTS
D1COPYRIGHT IBM CORP. 1978

CONNECTORS
CH001AB03
0002/1A-A2/G2B04
CH001AB03
0001/1A-A2/G2B04

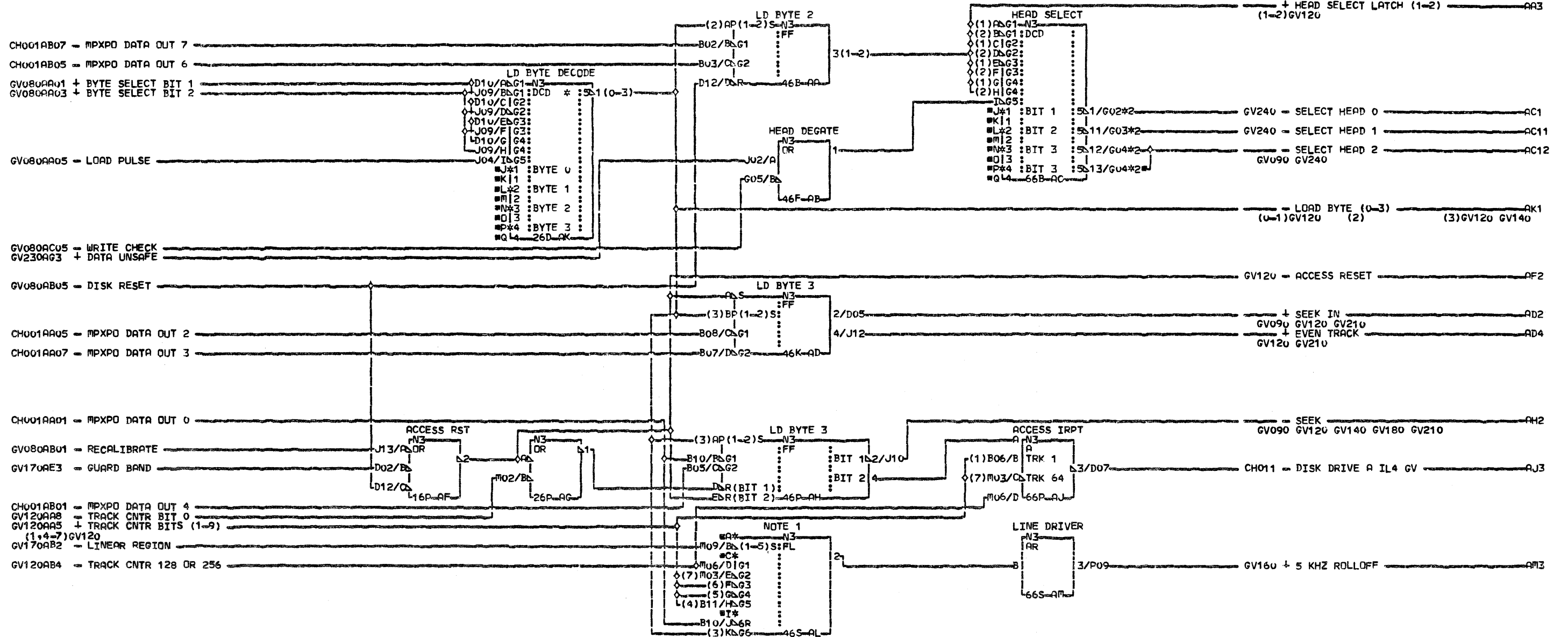
ACCESS CONTROL
TRACK COUNTER, ROM, DAC
AND VELOCITY COMPARATOR
PN4176905 EC829910 PEC829908

LDC=1A-A2G2
USN 00008 PRI=030CT77 0856
AUC= SEC
PFORM=KSEB NEXTBLK CC
CID P10FE JOB KU201136

GV
1
2
0
0001

E

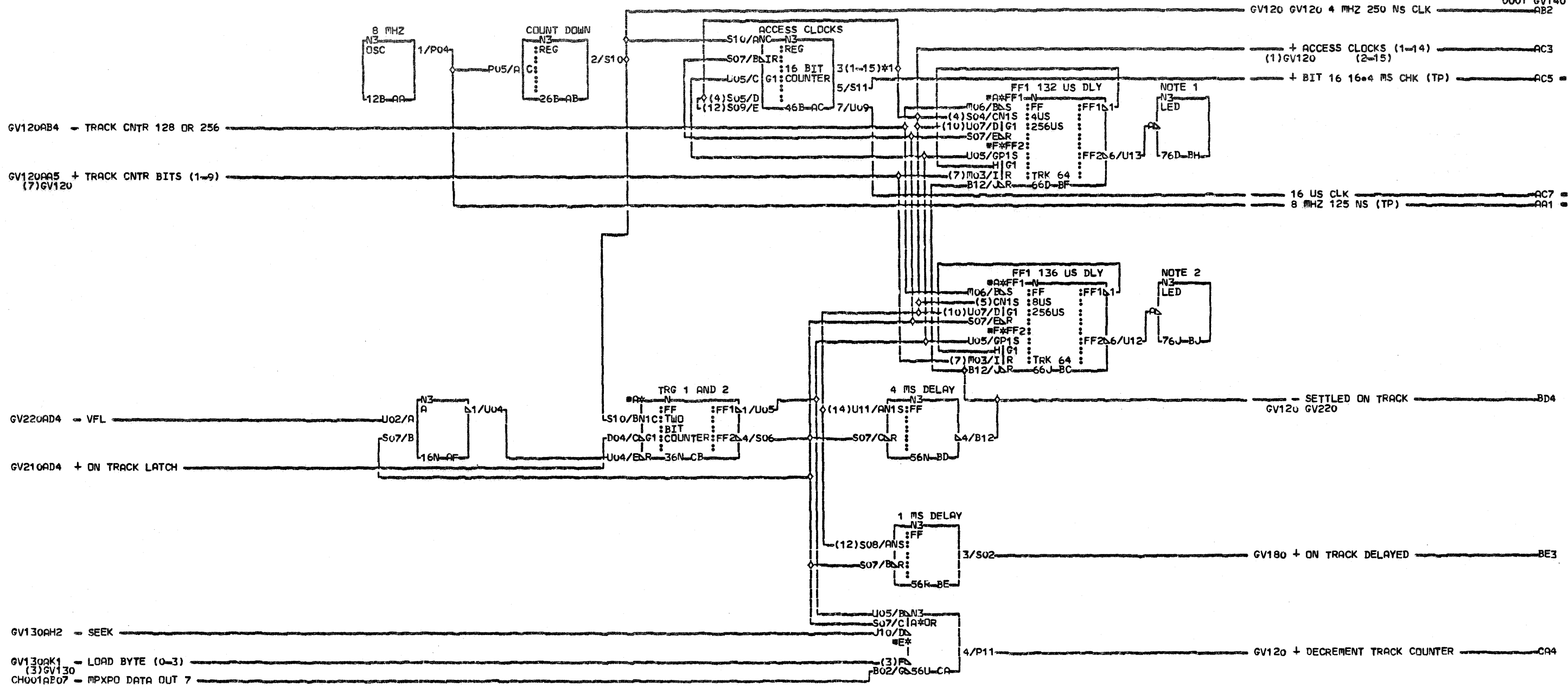
GV
1
2
0
0001



COMMENTS	CONNECTORS	CONNECTORS	ACCESS CONTROL COMMAND DECODES LD BYTE DECODE PN4176906 EC829910 PEC829908
A1 NOTE 1: 2 5 KHZ ROLLOFF COMES 3 ACTIVE AS ACCESS LEAVES 4 TRACK 8. RESET OF LATCH 5 OCCURS AT START SEEK 6 TIME. D1 COPYRIGHT IBM CORP. 1978	AC1 0002/D=U1/B5B09 0007/D=U1/B5D10 0001/1A=A2/A5B09 0010/1A=A2/A5D10 AC11 0004/D=U1/B5B08 0008/D=U1/B5D07 0003/1A=A2/A5B08 0011/1A=A2/A5D07 AC12 0006/D=U1/B5B10 0009/D=U1/B5D04 0005/1A=A2/A5B10	0012/1A=A2/P5D04	LDC=1A=A2G2 USN 00008 PRI=030CT77 0858 AJC= SEC PFORM=KSEB NEXTBLK AN CID P10FE JOB Ku201136

GV130
0001

GV130
0001

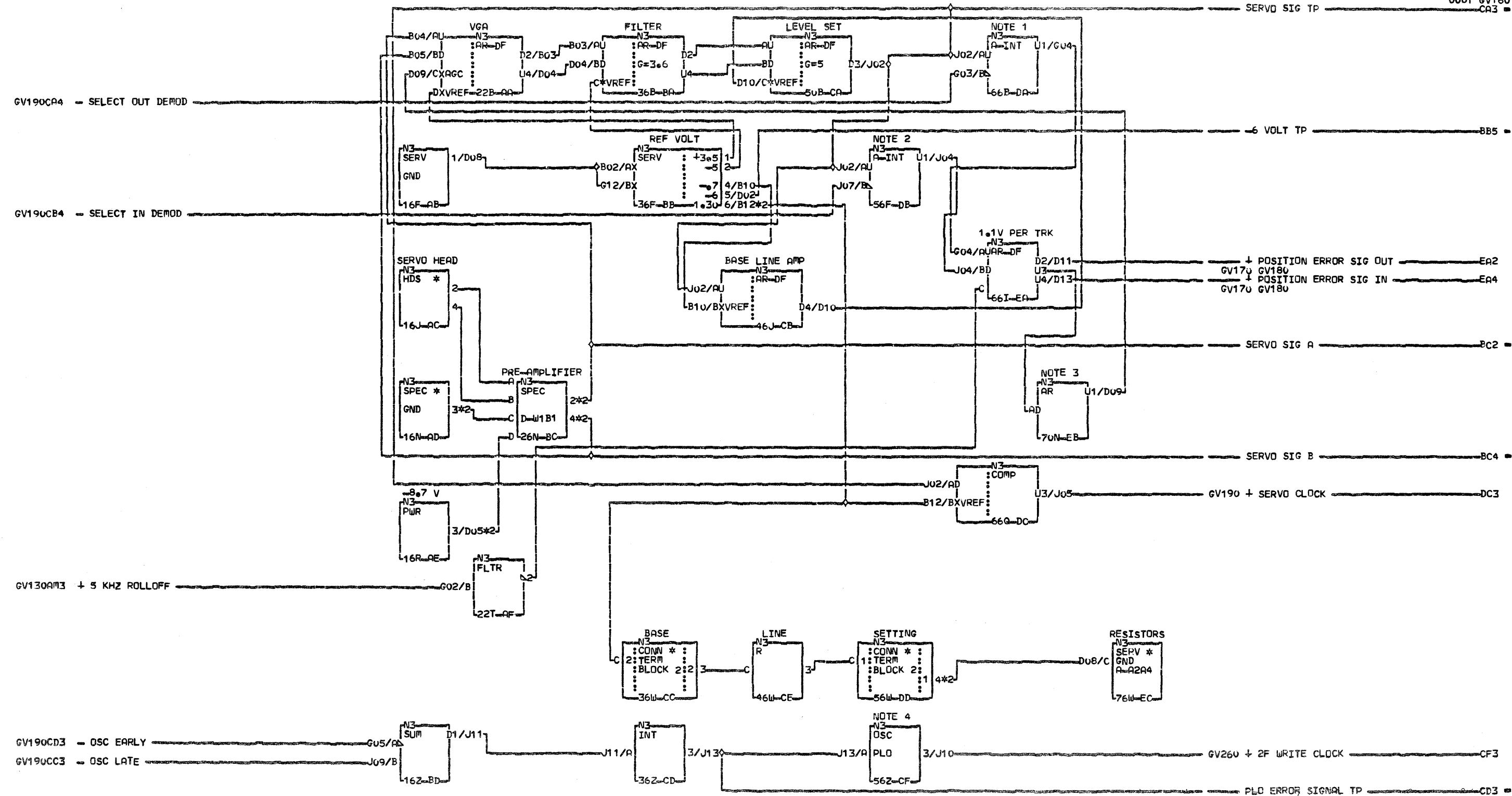


A1 NOTE 1:
 2 RIGHT LED, BLINKING LITE
 3 INDICATES TRACK TO TRACK
 4 CROSSING VELOCITY TO FAST
 SNOTE 2:
 6 LEFT LED, BLINKING LITE
 7 INDICATES TRACK TO TRACK
 8 CROSSING VELOCITY
 9 IS SET CORRECTLY
 B1 ACCESS CLOCKS:
 2 THIS IS A LIST OF NETNAMES
 3 FOR BUNDLED NET GV140AC3.
 4 NET NETNAME CARD PIN
 5 AC30 500 NS CK 1A-A262S13

COMMENTS
 6 AC33 4 US CK 1A-A262S05
 7 AC37 64 US CK 1A-A262U06
 8 AC39 256 US CK 1A-A262U07
 9 AC41 1024 US CK 1A-A262S09
 C1 AC43 4096 US CK 1A-A262S11
 D1 COPYRIGHT IBM CORP. 1978

PINS
 AC
 30/S13
 33/S05
 37/U06
 39/U07
 41/S09
 43/U11

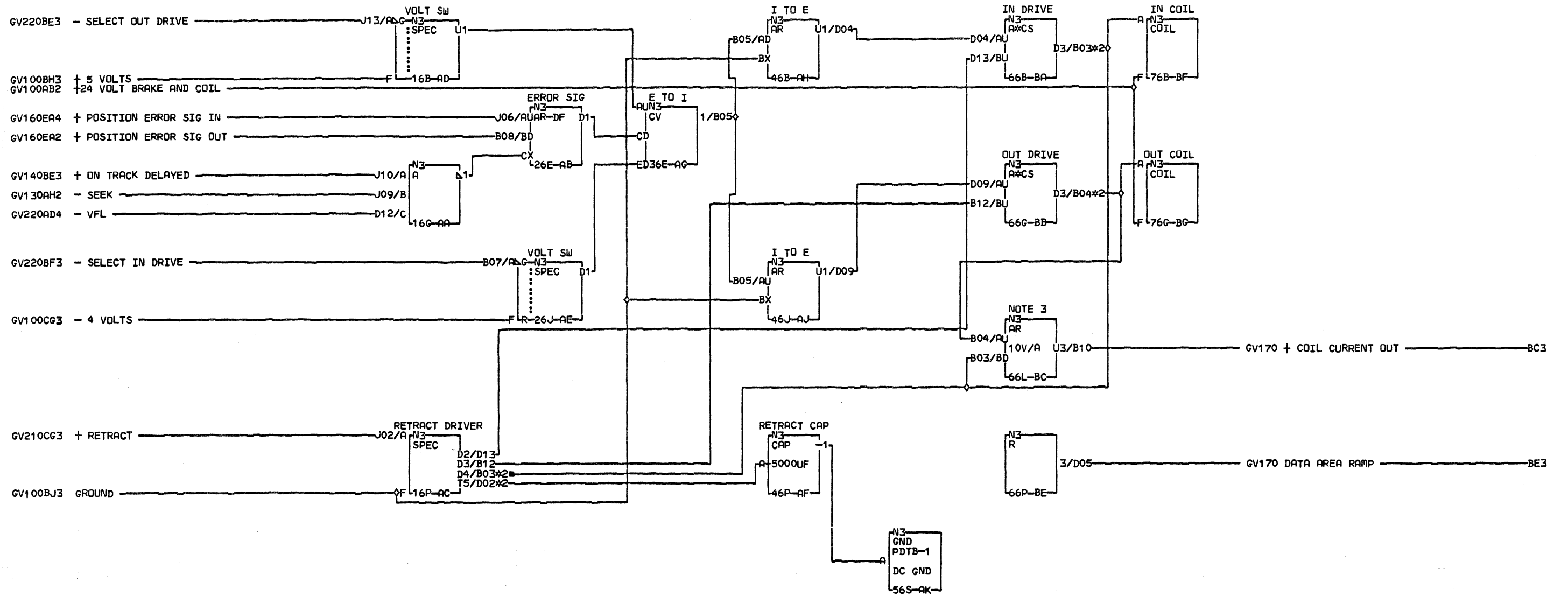
ACCESS CONTROL
 ACCESS CLOCK GENERATION
 SETTLED ON TRACK
 PN4176907 EC829010 PEC829908
 LOC#1A-A262
 USN 00008 PRI=030CT77 0858
 AUC# SEC
 PFORM#KSEB NEXTBLK CC
 CID PIOFE JOB K0201136



COMMENTS	CONNECTORS
A1 NOTE 1: OUT DEMOD,	4D3
2 POSITIVE PEAK STORE	0002/D=U1/A1D09
3 NOTE 2: IN DEMOD,	0001/1A=A2/A4D08
4 POSITIVE PEAK STORE	AE3
B1 NOTE 3:	0004/D=U1/A1B07
2 AGC, NOM APPROX 1.7 VOLTS,	0005/D=U1/A1D07
3 DEC VOLTAGE ALLOWS	0012/1A=A2/A4B08
4 INCREASE IN GAIN,	0003/1A=A2/A4D07
SNOTE 4:	BB6
6 NOM FREQ 14.22 MHZ,	0010/1A=A2/A4D13
7 VARIABLE DEPENDANT ON INPUT	BC2
0 D1 COPYRIGHT IBM CORP. 1978	0006/D=U1/B1D04
	0007/1A=A2/B1A11
	BC4

CONNECTORS
0008/D=U1/B1D05
0009/1A=A2/B1B11
DD4
0011/1A=A2/A4D12

POSITION DETECT AND PLD ANALOG	
PR4176908 EC829910 PEC829908	
LOC=1A=A2B2	
USN 00008	PRI=030CT77 0858
AJC=	SEC
PFOR=KSEB	NEXTBLK ED
CID PIOFE	JOB Ku201136

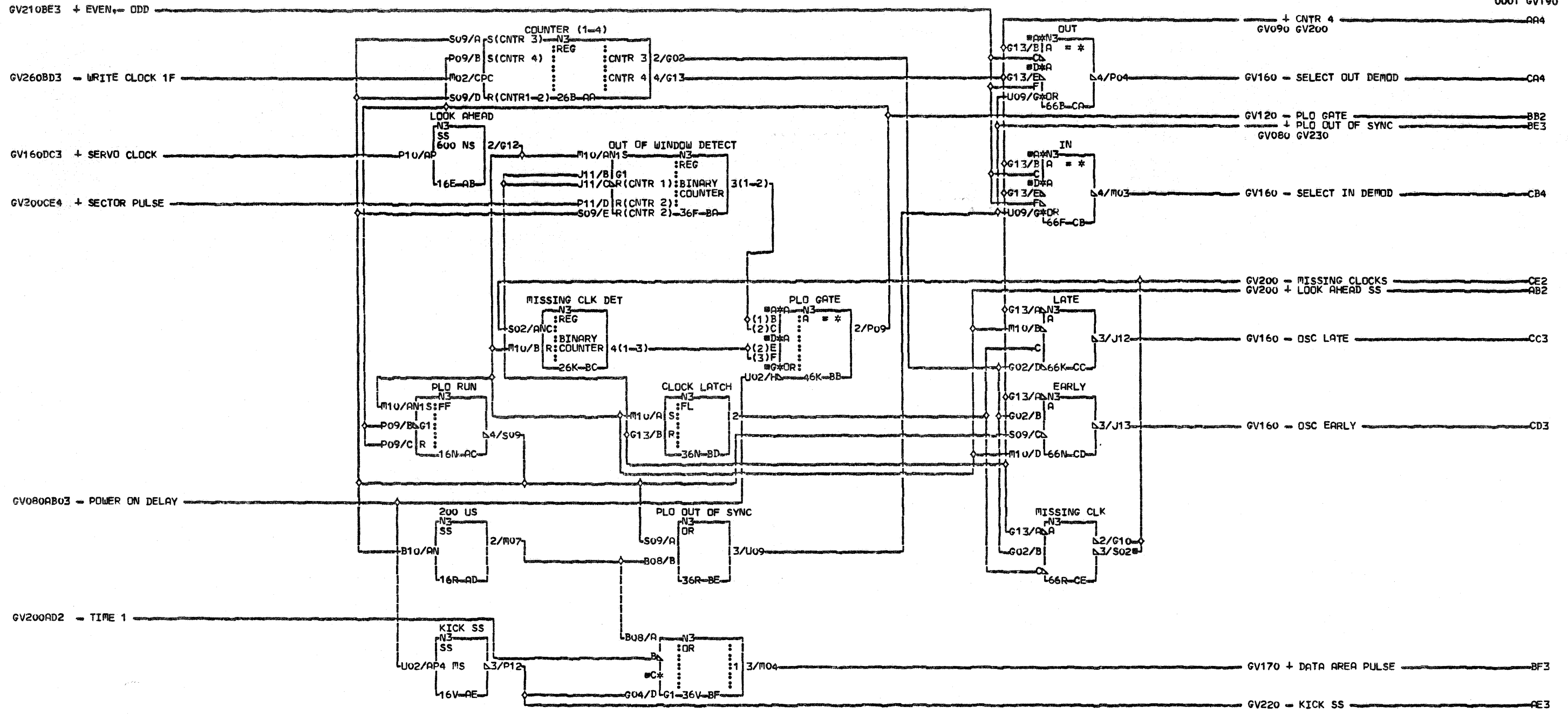


COMMENTS	CONNECTORS
A1NOTE 3:	AC5
2 COIL CURRENT SENSE	0005/1A-A2/B4B11
3PRODUCES A VOLTAGE WHICH IS	BA3
4PROPORTIONAL TO THE COIL	0002/D-W1/A1B03
5CURRENT WHICH IN TURN IS	0001/1A-A2/A4B03
6PROPORTIONAL TO THE	BB3
7ACCELERATION OF THE ARM.	0004/D-W1/A1B04
8POSITIVE SIGNAL INDICIATES	0003/1A-A2/A4B04
9OUT DIRECTION.	
D1COPYRIGHT IBM CORP. 1978	

COIL DRIVERS, CURRENT SENSE
ACTUATOR COILS
PN4176910 EC834777 PEC829910
LOC=1A-A2B4
USN 00008 PRI=08NOV78 1747
AUC= SEC
PFORM=KSEB NEXTBLK BH
CID PIQFE JOB L6301459

GV180
0001

GV180
0001

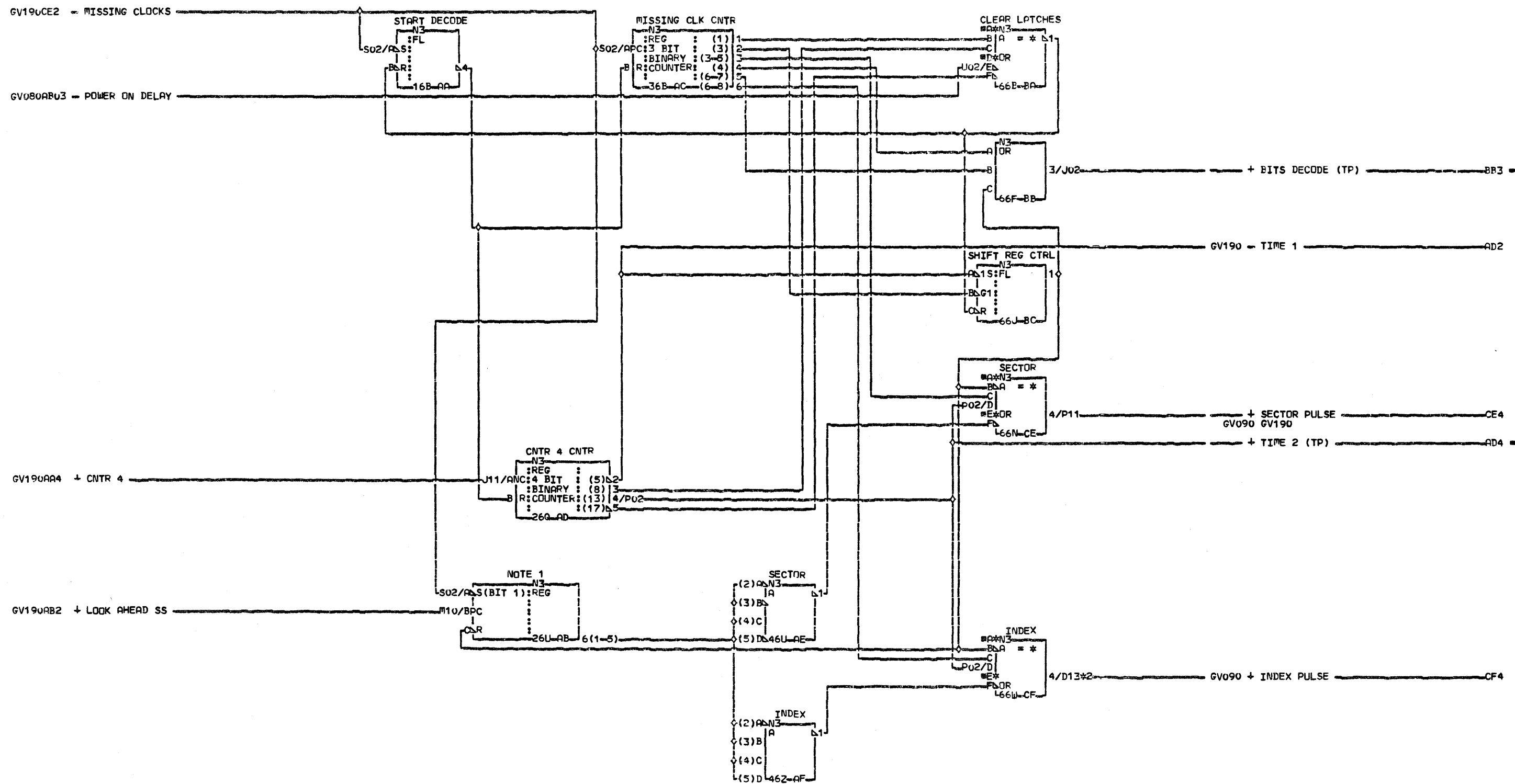


COMMENTS
 D1COPYRIGHT IBM CORP. 1978

CONTROL AND SAFETY
 PHASE COMPARE, DEMOD SELECT
 OUT OF SYNC DET AND KICK SS
 PN4176911 EC829910 PEC829908
 LOC=1A-A2D2
 USN 00008 PRI=030CT77 2243
 RUC= SEC
 PFORM=KSEB NEXTBLK CF
 CID PIOFE JOB K0201136

E
 G
 V
 1
 9
 0
 0001

G
 V
 1
 9
 0
 0001

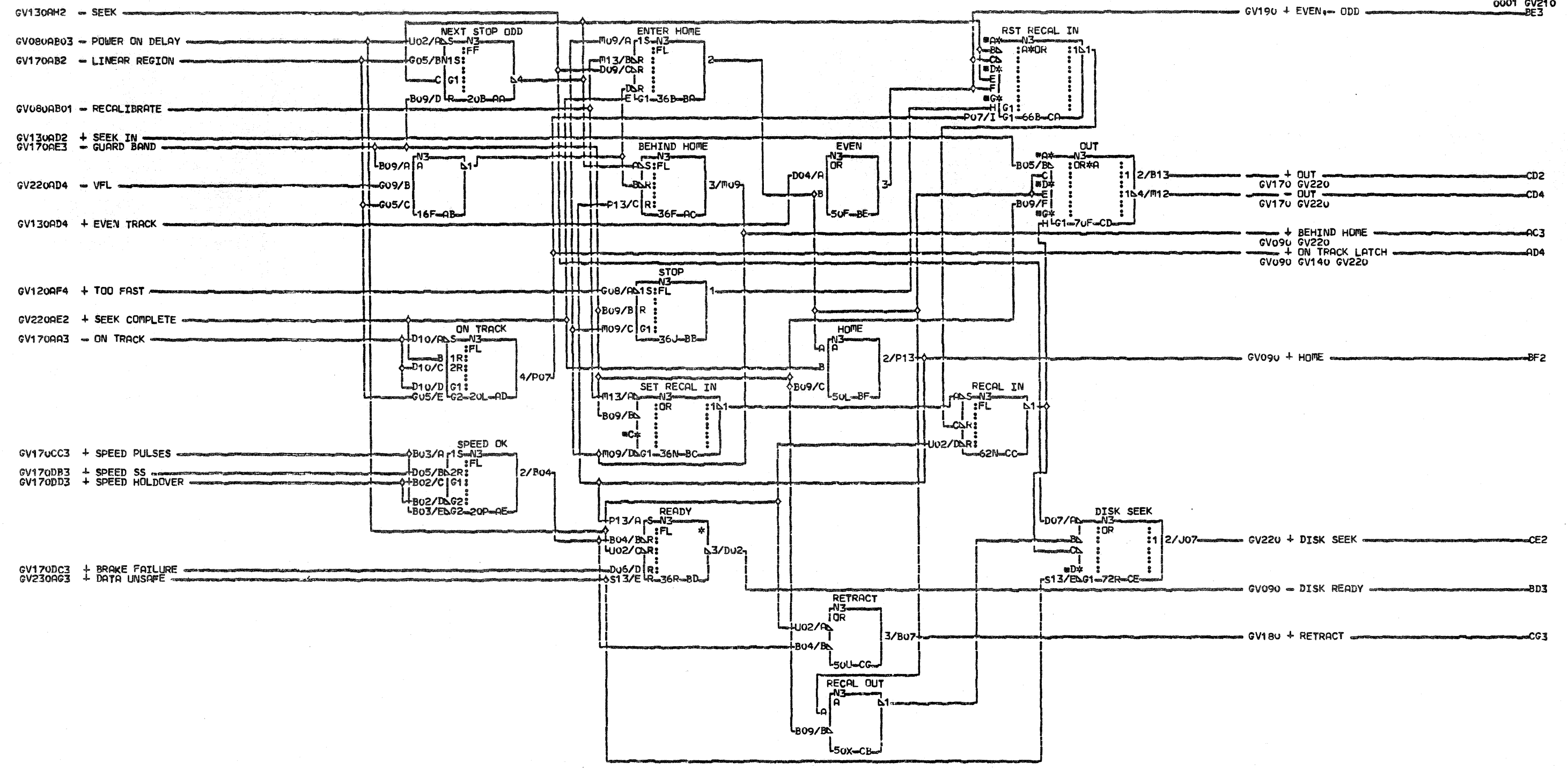


COMMENTS
 A1 NOTE 1:
 2 MISSING CLOCK
 3 SEQUENCE SHIFT REGISTER
 D1 COPYRIGHT IBM CORP. 1978

CONNECTORS
 CF4
 0001/1A-A2/D2D13

CONTROL AND SAFETY
 SECTOR AND INDEX DETECT
 PN4176912 EC829910 PEC829908
 LOC=1A-A2D2
 USN 00008 PRI=030CT77 0858
 AUC# SEC
 PFDRM#KSEB NEXTBLK CG
 CID PIOFE JDB K0201136

GV
 2
 0
 0
 0001



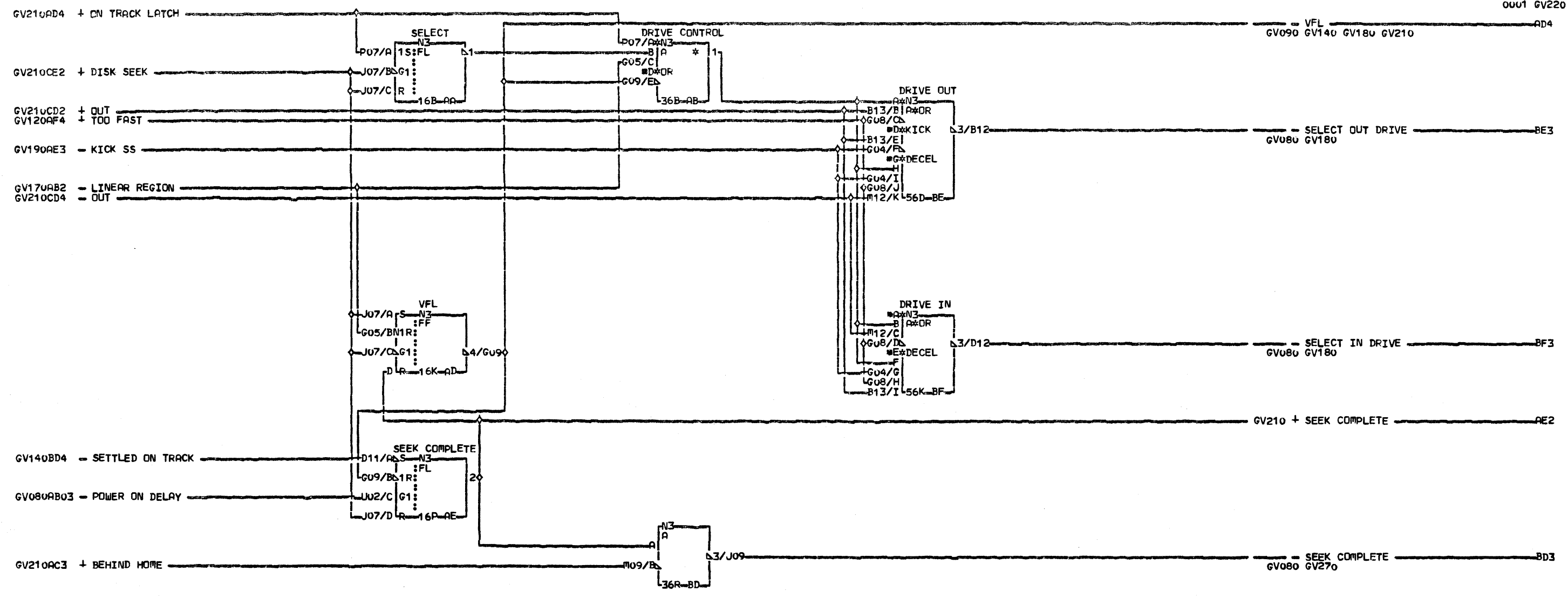
COMMENTS
D1COPYRIGHT IBM CORP. 1978

CONTROL AND SAFETY
HOME AND RECALIBRATE
ACCESS INTERLOCKS
PN4176913 EC829910 FEC829908

LDC#1A-A2D2
USN 00008 PRI=03DCT77 0858
AUC# SEC
PFORM#KSEB NEXTBLK CH
CID PIOFE JOB K0201136

GV210
E
0001

GV210
2
1
0
0001

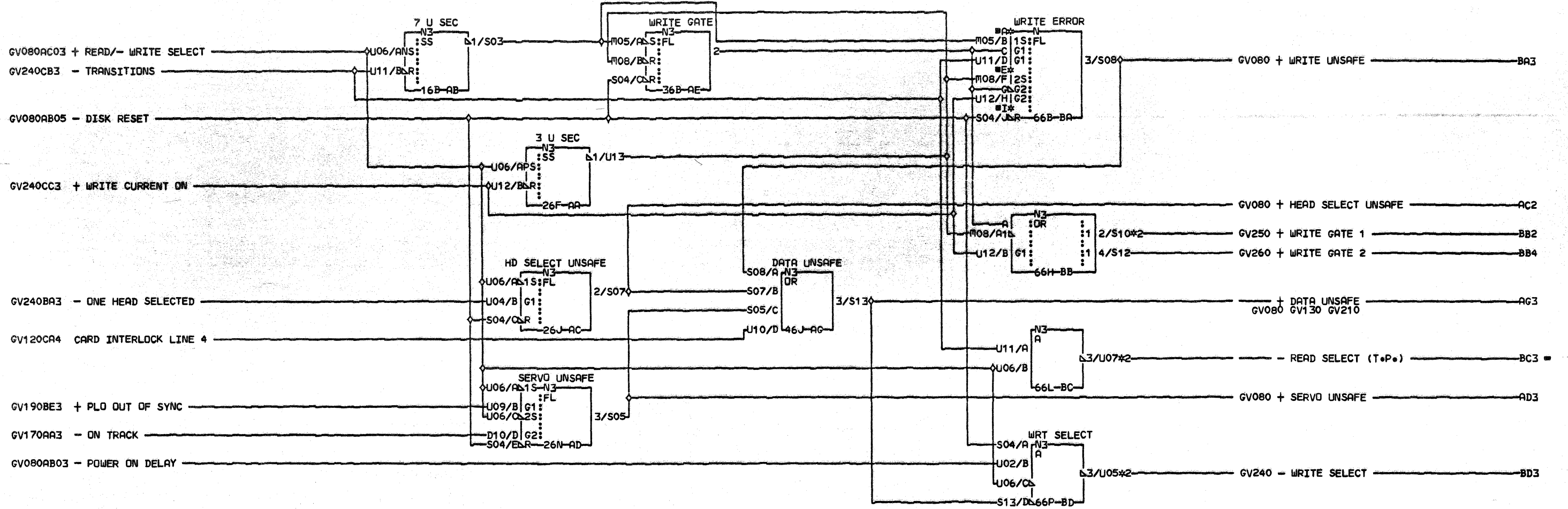


COMMENTS
 D1COPYRIGHT IBM CORP. 1978

CONTROL AND SAFETY
 ACCESS CONTROL AND SEEK COMPLETE
 PN4176914 EC829910 PEC829908
 LOC=1A-A2D2
 USN 00008 PRI=030CT77 0858
 AUC= SEC
 PFORM=KSEB NEXTBLK BG
 CID PIOFE JOB K0201136

GV220
 0001

GV220
 0001



COMMENTS
 D1COPYRIGHT IBM CORP. 1978

CONNECTORS
 BB2
 0004/D-U1/B5D06
 0003/1A-A2/A5D06
 BC3
 0002/D-U1/B5B12
 0001/1A-A2/A5B12
 BD3
 0006/D-U1/B5D05
 0005/1A-A2/A5D05

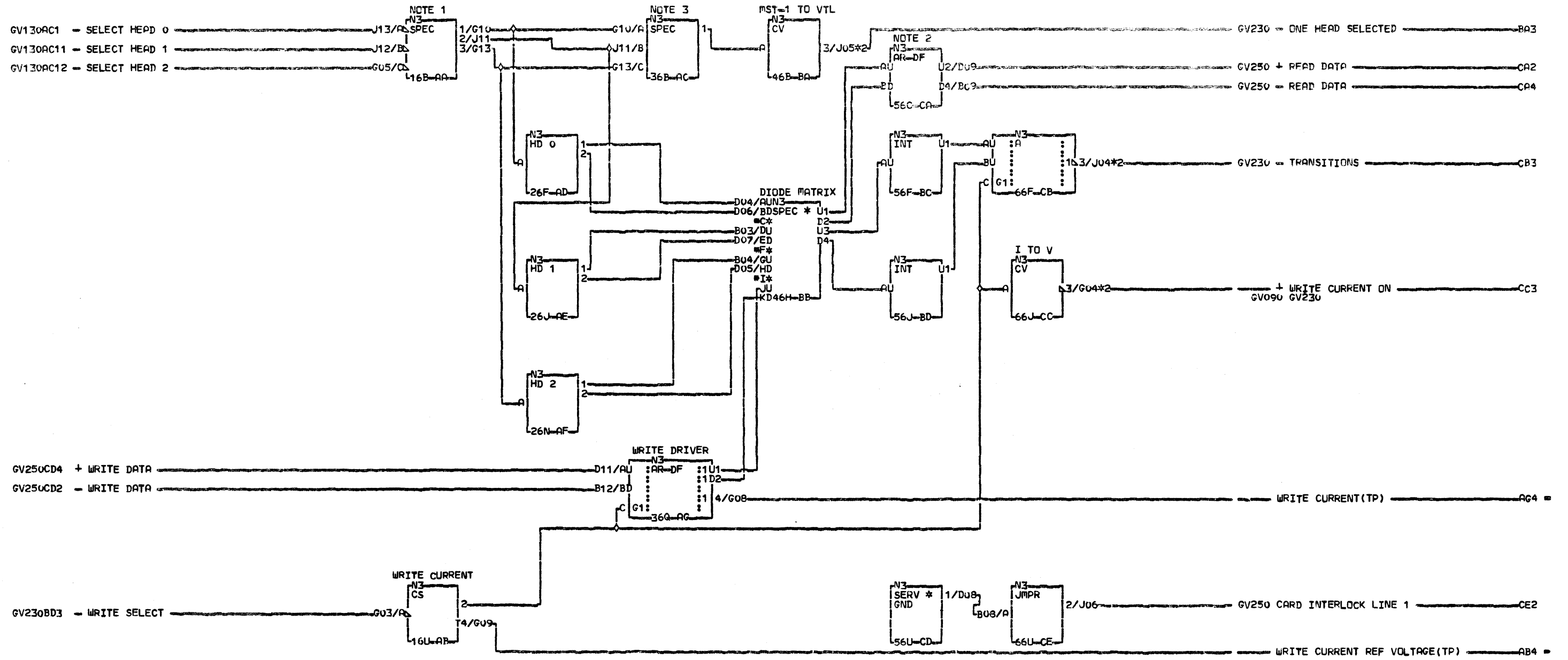
CONTROL AND SAFETY
 DATA UNSAFE LATCHES
 PN4176915 EC834777 PEC829908
 LOC=1A-A2D2
 USN 00008 PRI=08NOV78 1747
 AJC= SEC
 PFORM=KSEB NEXTBLK BE
 CID PIOFE JOB L6301459

GV230

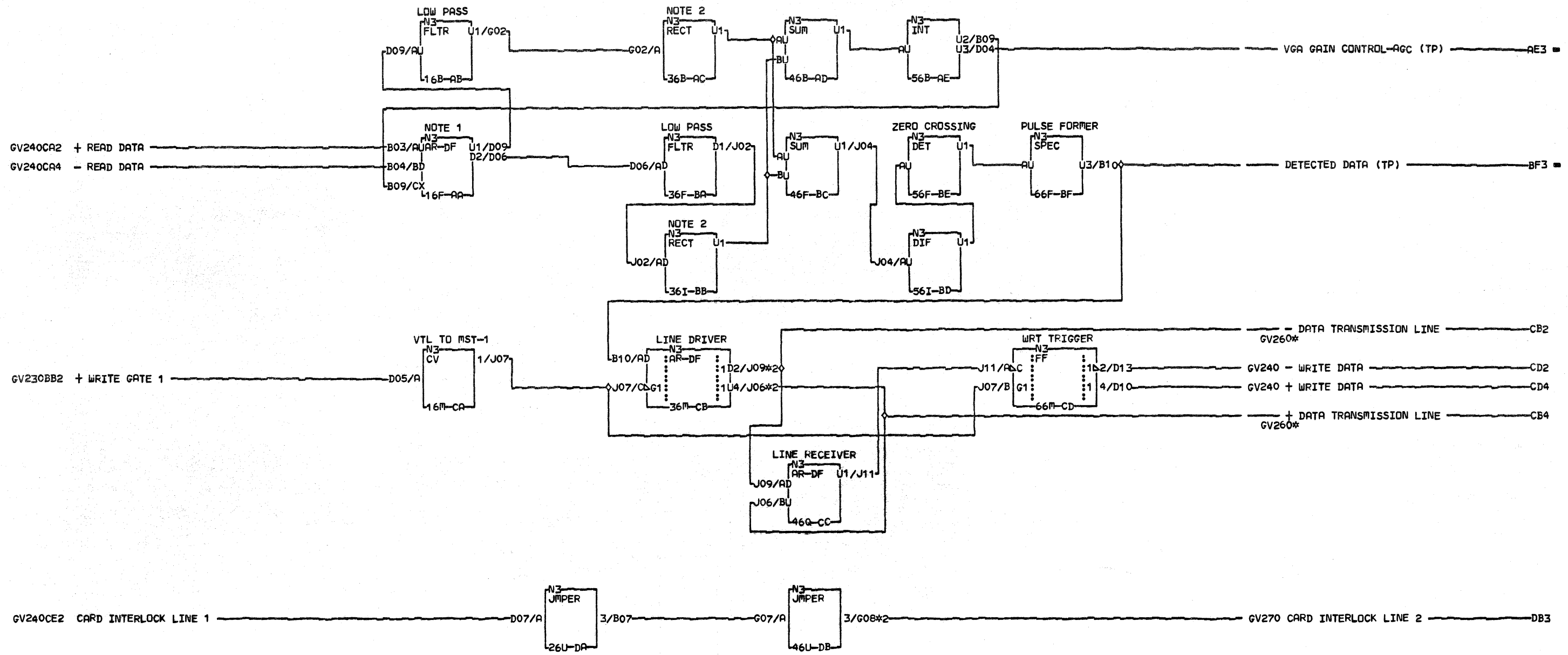
GV230

0001

0001



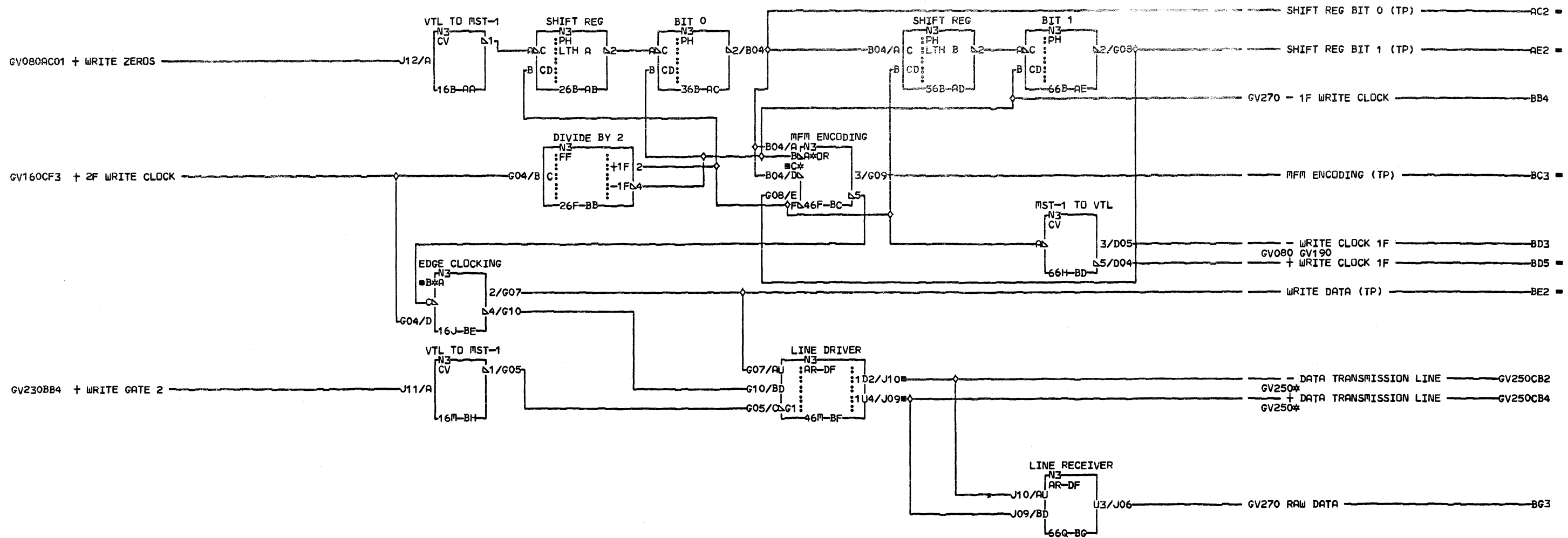
COMMENTS	CONNECTORS	PRE-AMPLIFIER AND WRITE DRIVERS
1 NOTE 1: HEAD SELECT DECODE.	0003/D=U1/B5B04	PN4176916 EC829910 PEC829908
2 OUTPUT OF HD SELECTED	0004/1A=A2/P5B04	LOC=1D=U1B3
3 WILL GO TO GROUND.	0006/D=U1/B5B03	USN 00008 PRI=03OCT77 0858
4 NOTE 2: PRE-AMP. GAIN = 50	0005/1A=A2/P5B03	AUC= SEC
5 NOTE 3: MULTI HEAD SELECTED DECODE.	0001/D=U1/B5D09	PFORM=KSEB NEXTBLK CF
6 D1 COPYRIGHT IBM CORP. 1978	0002/1A=A2/R5D09	CID PIOFE JOB K0201136



COMMENTS	CONNECTORS	AGC + DETECT
1 NOTE 1: VARIABLE GAIN 2 AMPLIFIER (VGA). 3 INPUT PIN D04 CONTROLS GAIN. 4 NOTE 2: 5 HALF WAVE 6 RECTIFIER AND CLIPPER. 7 COPYRIGHT IBM CORP. 1978	CB2 0001/D-W1/B6D13 0002/1A-A2/C6E02 CB4 0003/D-W1/B6D11 0004/1A-A2/C6C02 DB3 0005/D-W1/B5D12 0006/1A-A2/A5D12	PN4176917 EC834824 PEC829910 LOC=1D-W1A5 USN 00008 PRI=16MAY79 2152 AUC= SEC PFORM=KSEB NEXTBLK DC CID PIOFE JOB T4301503

GV250
0001

GV250
0001



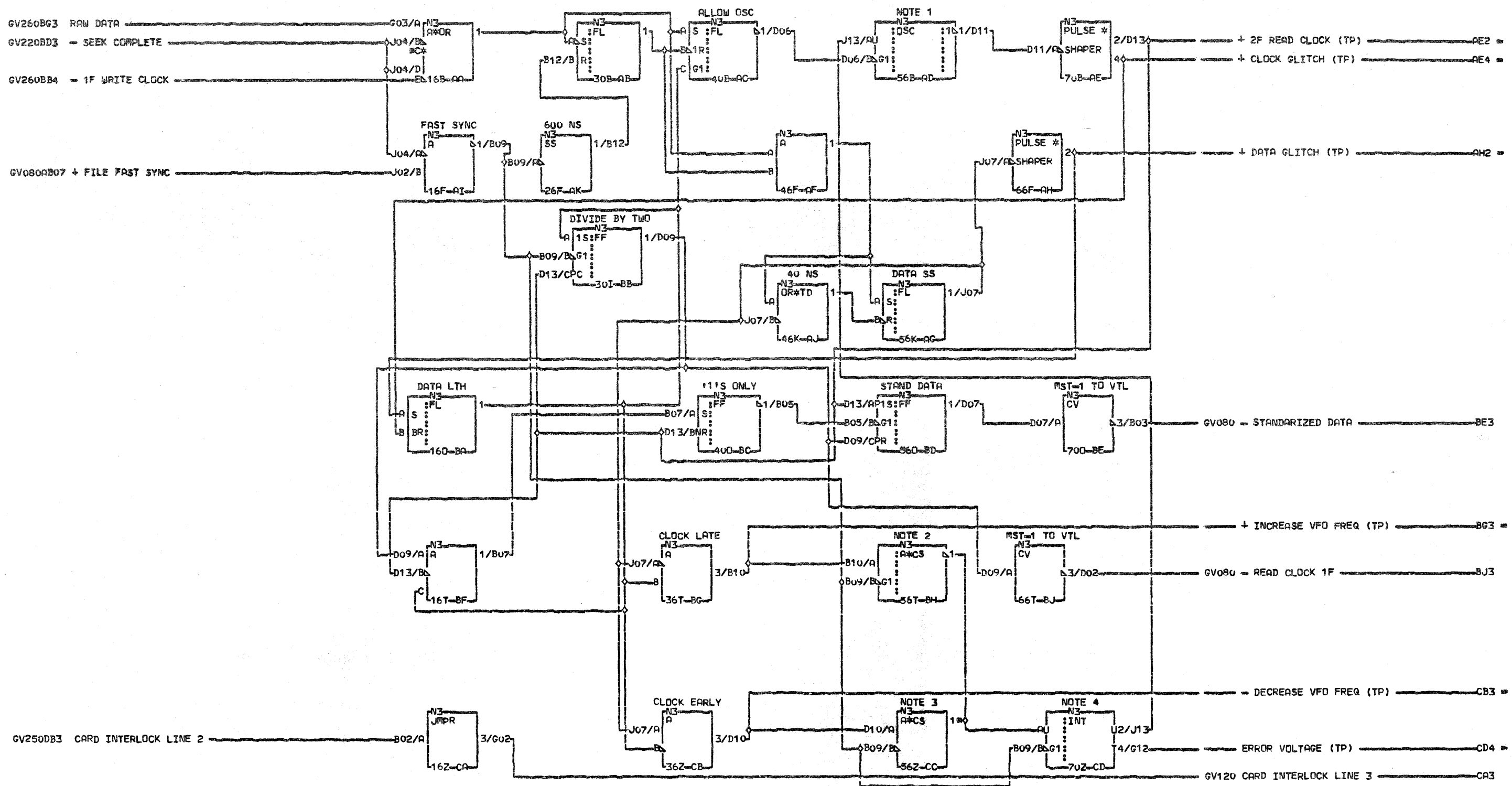
COMMENTS

D1COPYRIGHT IBM CORP. 1978

DATA SEPARATOR 1
MFM ENCODING
PN4176918 EC834777 PEC829910
LOC=1A-A2C2
USN 00008 PRI=14NOV78 1620
AJC= SEC
PFORM=KSEB NEXTBLK BI
CID PIOFE JOB L6301459

GV260
0001

GV260
0001



COMMENTS

A1NOTE 1:
 2 VFO, NUMINAL FREQ,
 314.22 MHZ, VARIABLE
 4DEPENDANT ON INPUT J13.
 5NOTE 2:
 6 INCREASE ERROR VOLT TO
 7INCREASE FREQ OF READ CLK.
 8G1 PRESENT ALLOWS HIGHER
 9GAIN
 B1NOTE 3:
 2 DECREASE ERROR VOLT TO
 3DECREASE FREQ OF READ CLK.
 4G1 PRESENT ALLOWS HIGHER
 5GAIN.

COMMENTS

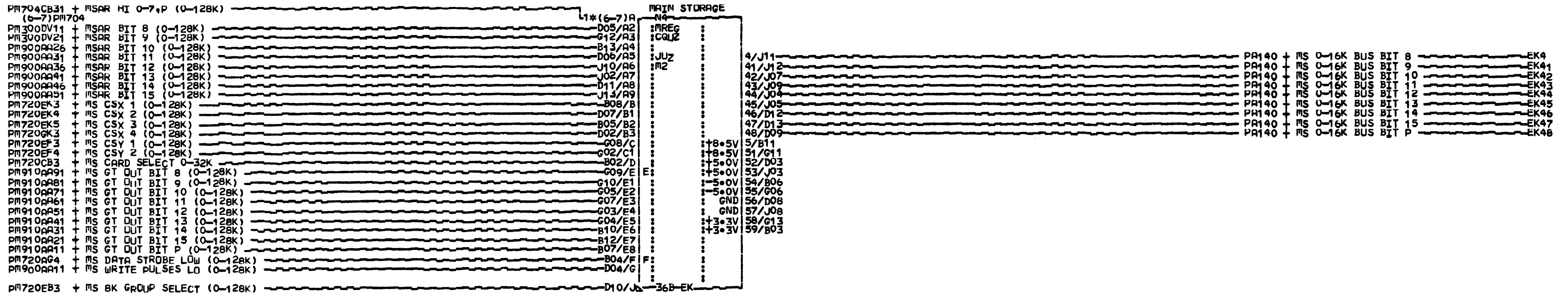
6NOTE 4:
 7 G1 NOT ACTIVE
 8TC=0.064 S, G1 ACTIVE
 9TC=1.8 US
 D1COPYRIGHT IBM CORP. 1978

DATA SEPARATOR 2
 READ CLOCK CONTROL,
 STANDARDIZE DATA
 PN4176919 EC829910 PEC829908

LOC#1A-A2C2
 USN 00008 PRI#030CT77 0858
 AUC# PF0RM#KSEB SEC NEXTBLK CE
 CID PIDFE JOB K0201136

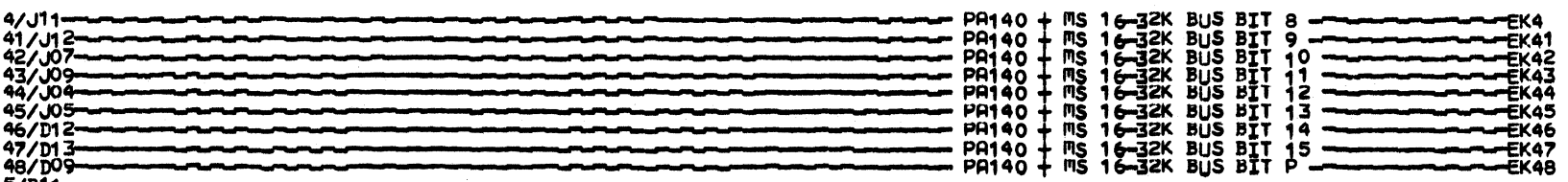
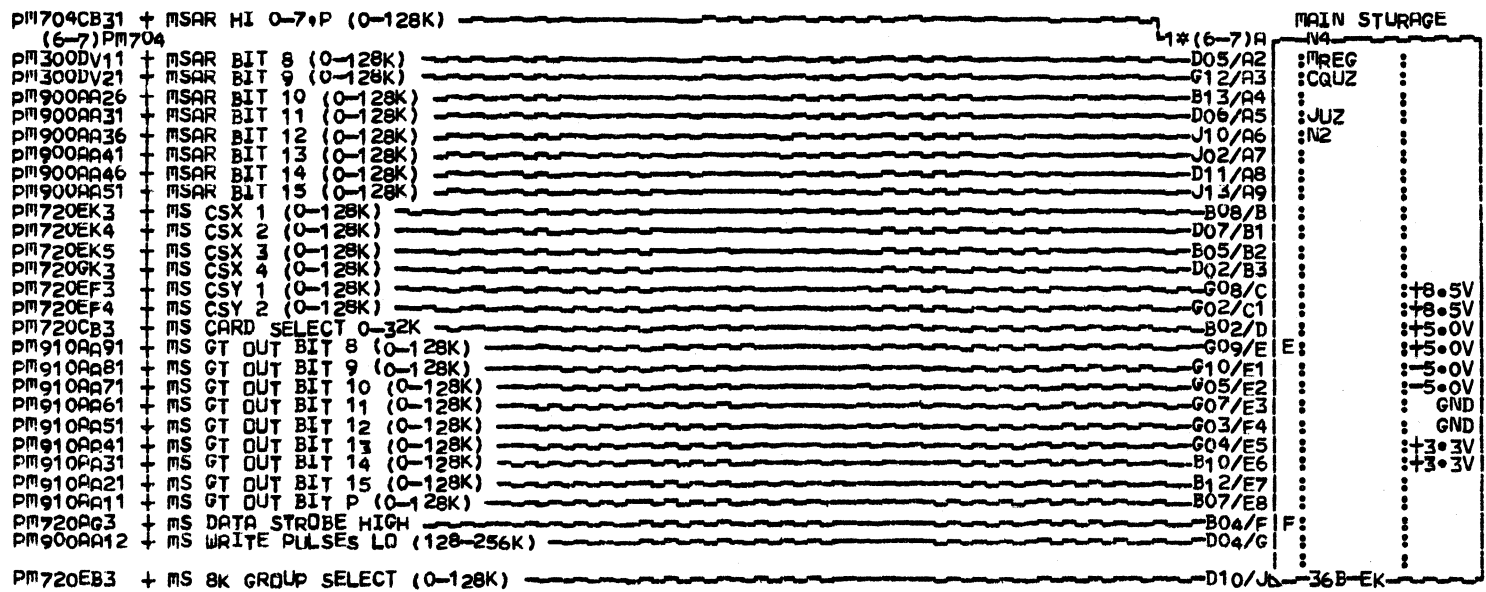
GV270
 0001

GV270
 0001



+ 8.5V ON B11, G11
 + 5.0V ON D03, J03
 - 5.0V ON B06, G06
 GND ON D08, J08
 26T-BT

<p>COMMENTS D1 (C) COPYRIGHT IBM CORP. 1980</p>	<p>PINS EK A0/B09 A1/J06</p>	<p>STORAGE CARD MS 0-16K 0-16K MS STG CARD PN#8266215 EC#835083F LDC#1A-A1M2 USN 00008 PRI#14DEC81 2000 AUC# PFORM#KSEB SEC MACH#5340000 NEXBLK EL CID PIOFE JUB 04000857</p>
---	--	---



D
+ 8.5V ON B11, G11
+ 5.0V ON D03, J03
- 5.0V ON B06, G06
GND ON D08, J08
26T-BT

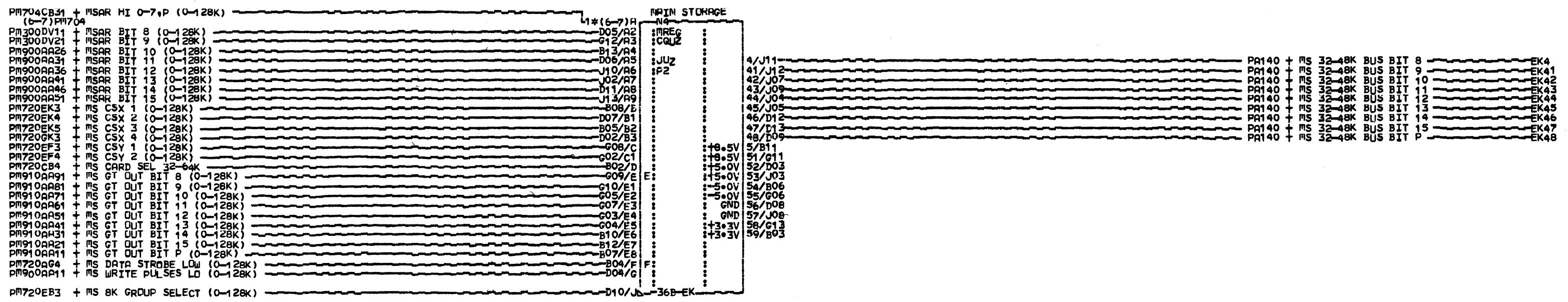
COMMENTS
D1 (C)COPYRIGHT IBM CORP. 1980

MS
1
2
0
0001

PINS
EK
A0/B09
A1/J06

STORAGE CARD MS 16-32K
16-32K MS STG CARD
PN=8266216 EC=835083F
LOC=1A-A1N2
USN 00008 PRI=14DEC81 2000
AUC= SEC
PFORM=KSEB NEXTBLK EL
MACH=5340000
CID PIOFE JOB 04000857

MS
1
2
0
0001

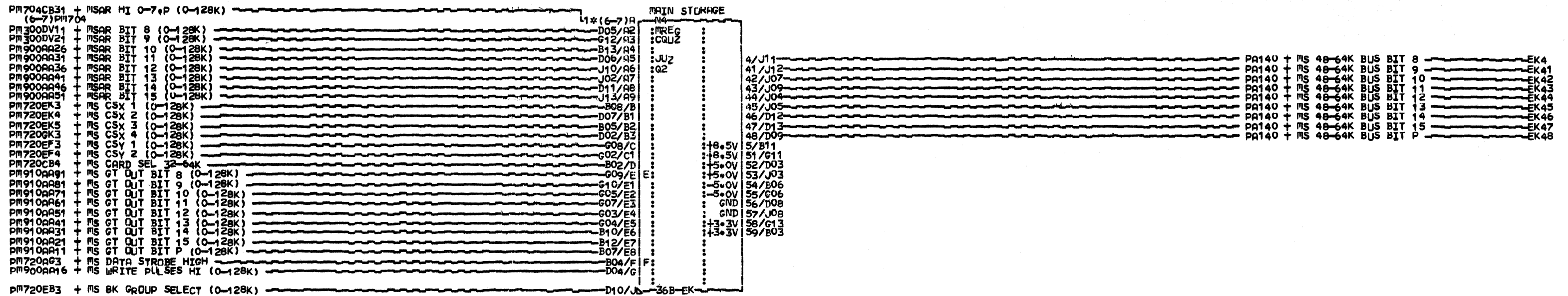


D
 + 8.5V CN B11, G11
 + 5.0V CN D03, J03
 - 5.0V CN B06, G06
 GND CN D08, J08
 26T-BT

COMMENTS
 D1 (C) COPYRIGHT IBM CORP. 1980

PINS
 Ek
 A0/B09
 A1/J06

STORAGE CARD MS 32-48K
 32-48K MS STG CARD
 PN=8266217 EC=835083F
 LUC=1A-A1P2
 USM 00008 PRI=14DEC81 2000
 AUC= SEC
 PFORM=KSEB NEXTBLK EL
 MACH=5340000
 CID PIQFE JOB 04000857

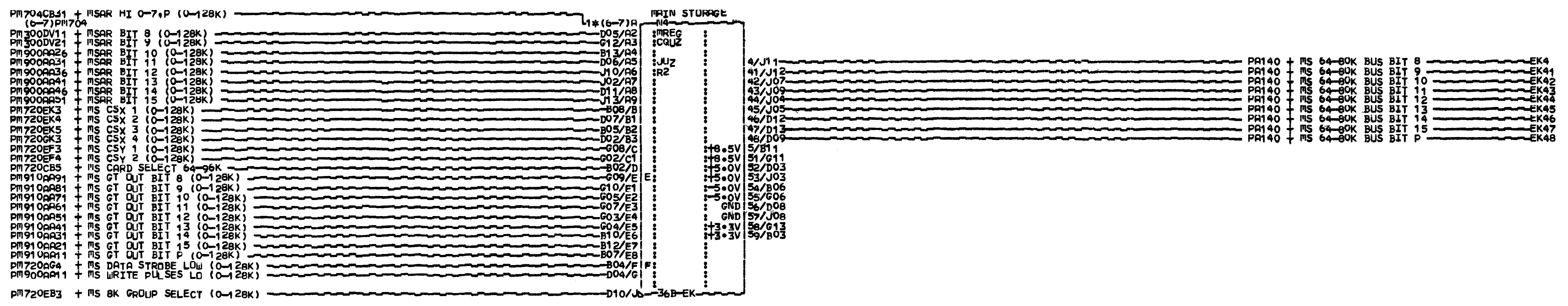


+ 8.5V ON B11, G11
 + 5.0V ON D03, J03
 - 5.0V ON B06, G06
 GND ON D08, J08
 26T-BT

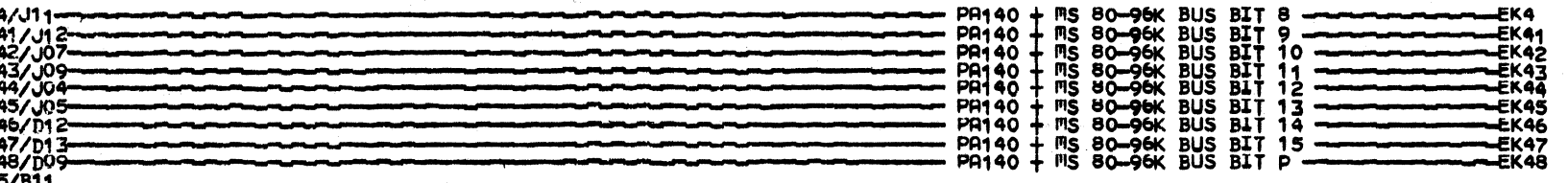
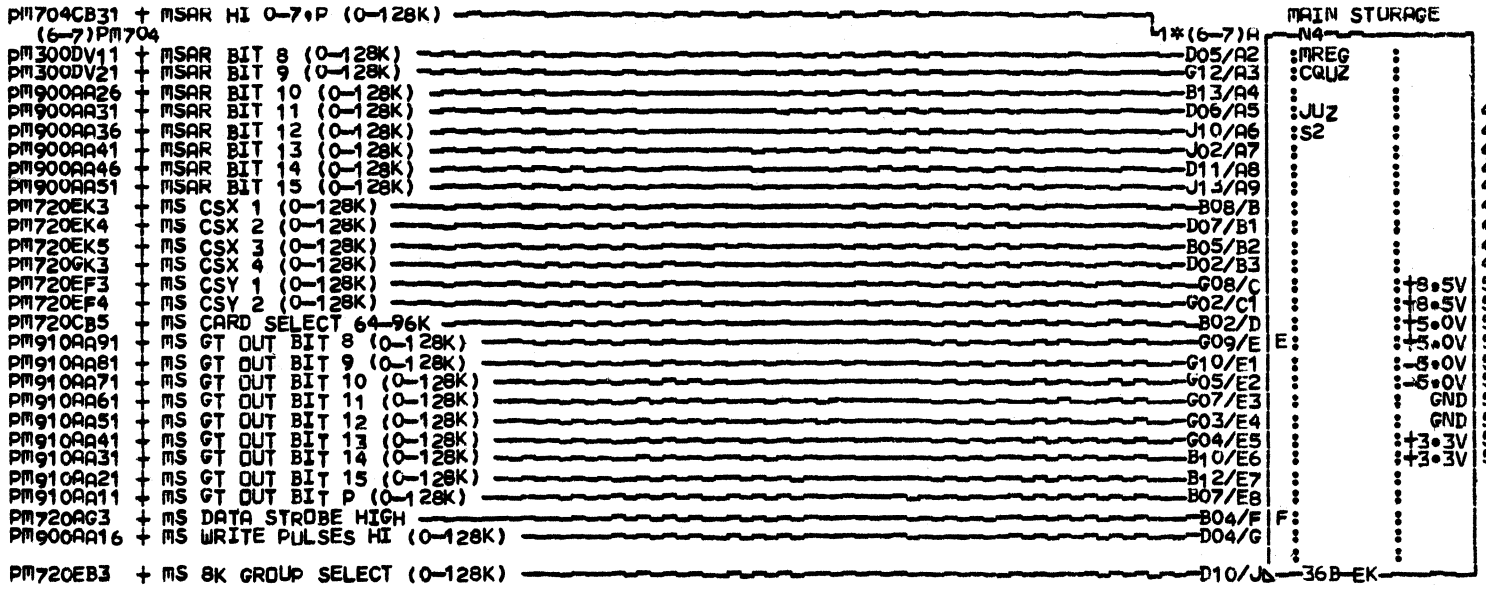
COMMENTS	PINS	STORAGE CARD MS 48-64K 48-64K MS STG CARD PN#8266218 EC#835083F LUC#1A-A1Q2 USN 00008 PRI#14DEC81 2000 AUC# SEC PFORM#KSEB NEXTBLK EL MACH#5340000 CID P10FE JDB 04000857
D1 (C) COPYRIGHT IBM CORP. 1980	EK R0/B09 R1/J06	

MS140

MS140



+ 8.5V ON B11, G11
 + 5.0V ON D03, J03
 - 5.0V ON B06, G06
 GND ON D08, J08
 26T-BT



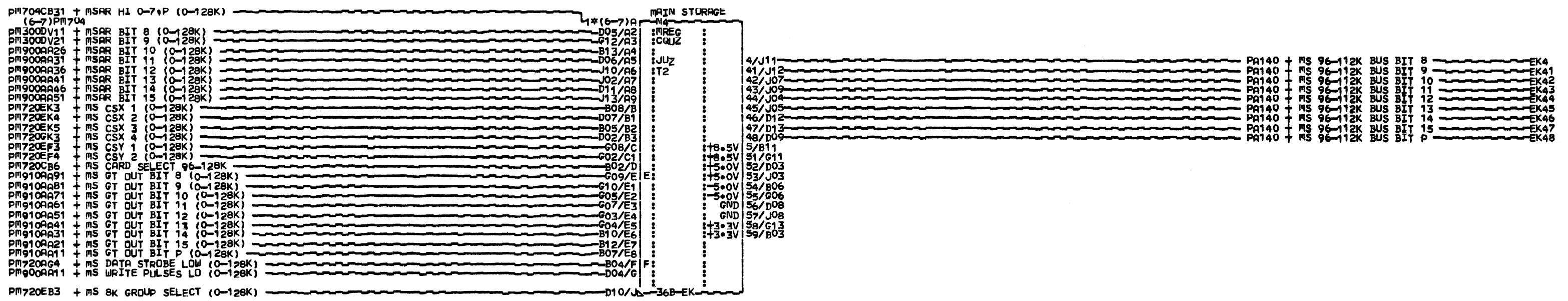
COMMENTS
D1 (C) COPYRIGHT IBM CORP. 1980

PINS
EK
A0/B09
A1/J06

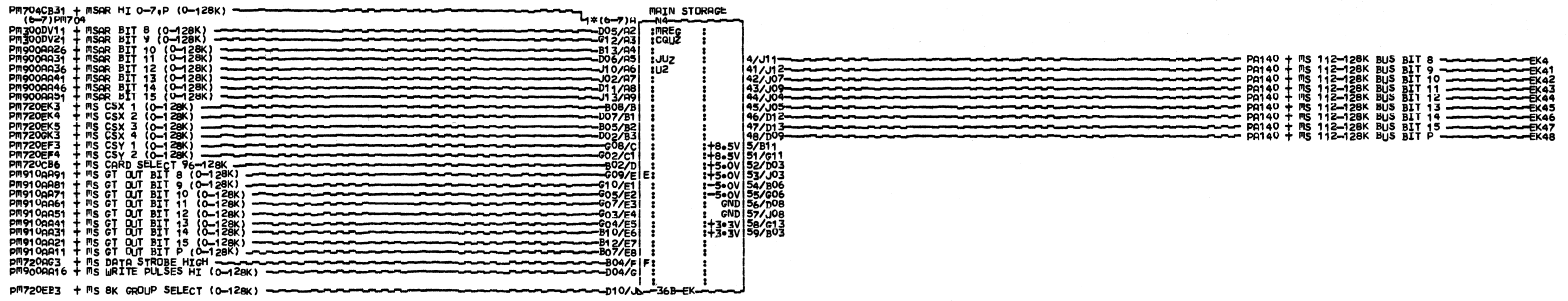
MS
1
6
0
0001

STORAGE CARD MS 80-96K
80-96K MS STG CARD
PN#8266220 EC#835083F
LOC#1A-A1S2
USN 00008 PRI#14DEC81 2000
AUC# PFOR#KSEB SEC NEX#BLK EL
MACH#5340000
CID PIDFE JOB 04000857

MS
1
6
0
0001



D
+ 8.5V ON B11, G11
+ 5.0V ON D03, J03
- 5.0V ON B06, G06
GND ON D08, J08
26T-BT



+ 8.5V ON B11, G11
 + 5.0V ON D03, J03
 - 5.0V ON B06, G06
 GND ON D08, J08
 26T-BT

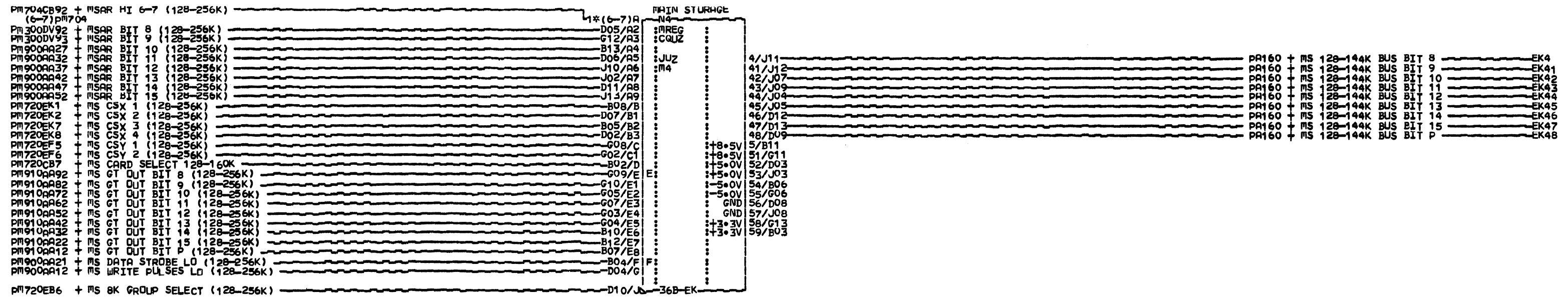
COMMENTS
D1 (C) COPYRIGHT IBM CORP. 1980

PINS
EK
A0/B09
A1/J06

STORAGE CARD MS 112-128K
 112-128K MS STG CARD
 PN#8266222 Ec#835083F
 LOC#1A-A1U2
 USN 00008 PRI#14DEC81 2000
 AUC# SEC
 PFORM#KSEB NEXTBLK EL
 MACH#5340000
 CID PIDFE JOB 04000857

MS180
0001

MS180
0001

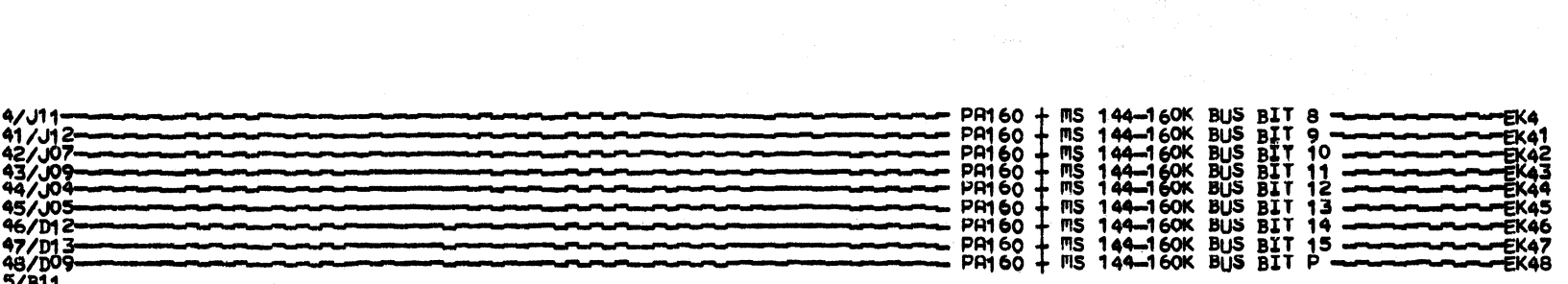
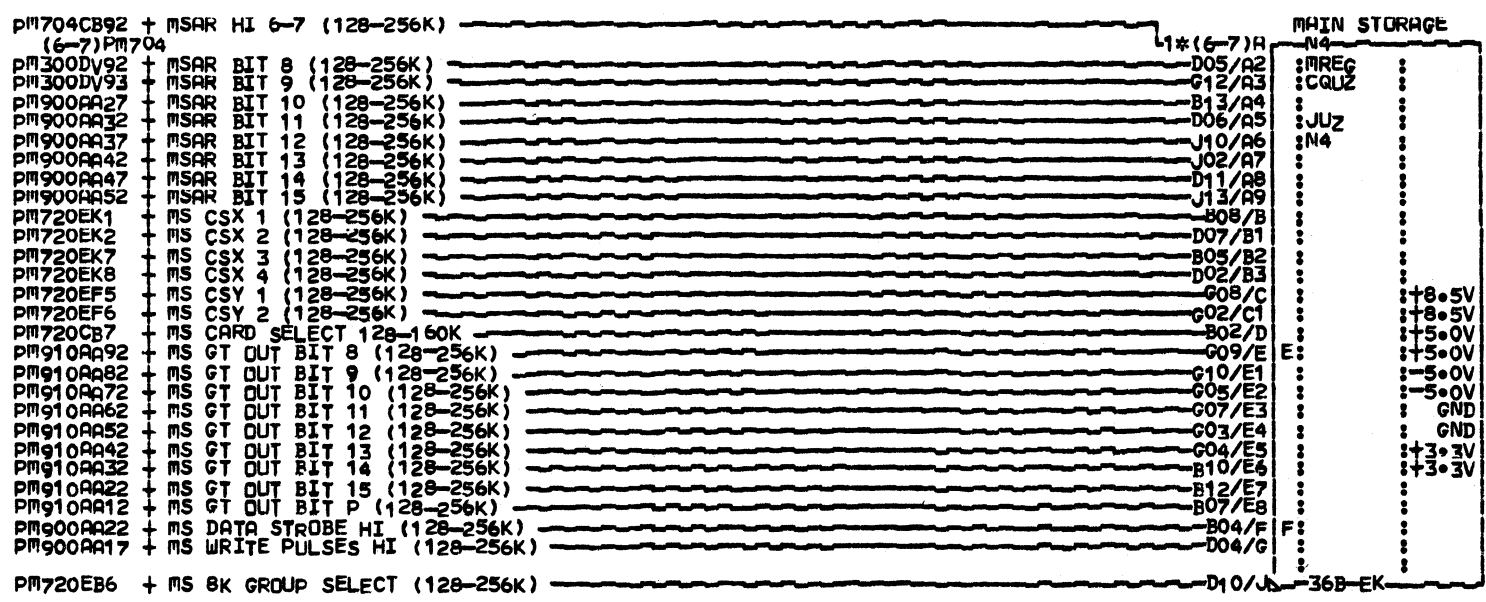


+ 8.5V ON B11, G11
 + 5.0V ON D03, J03
 - 5.0V ON B06, G06
 GND ON D08, J08
 26T-BT

COMMENTS
 D1 (C) COPYRIGHT IBM CORP. 1980

PINS
 EK
 A0/B09
 A1/J06

STORAGE CARD MS 128-144K
 128-144K MS STG CARD
 PN#8266223 EC#835083F
 LOC#1A-A1M4
 USN 00008 PRI#14DEC81 2000
 AUC# SEC
 PFORM#KSEB NEXTBLK EL
 MACH#5340000
 CID P10FE JOB 04000857



+ 8.5V ON B11, G11
 + 5.0V ON D03, J03
 - 5.0V ON B06, G06
 GND ON D08, J08
 26T-BT

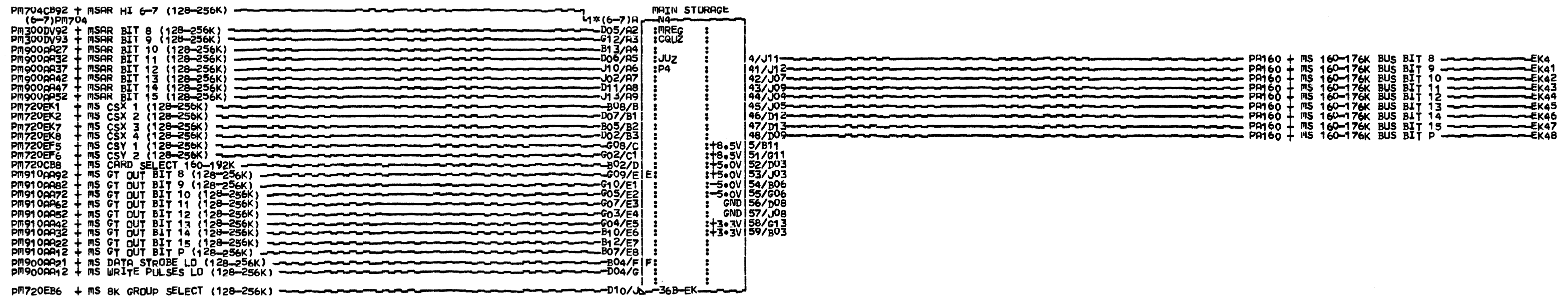
COMMENTS
D1 (C) COPYRIGHT IBM CORP. 1980

PINS
EK
A0/B09
A1/J06

STORAGE CARD MS 144-160K
 144-160K MS STG CARD
 PN=8266224 EC=835083F
 LOC=1A-A1N4
 USN 00008 PRI=14DEC81 2000
 AUC# PFORM=KSEB SEC
 MACH=5340000 NEXTBLK EL
 CID PIDPE JDB 04000857

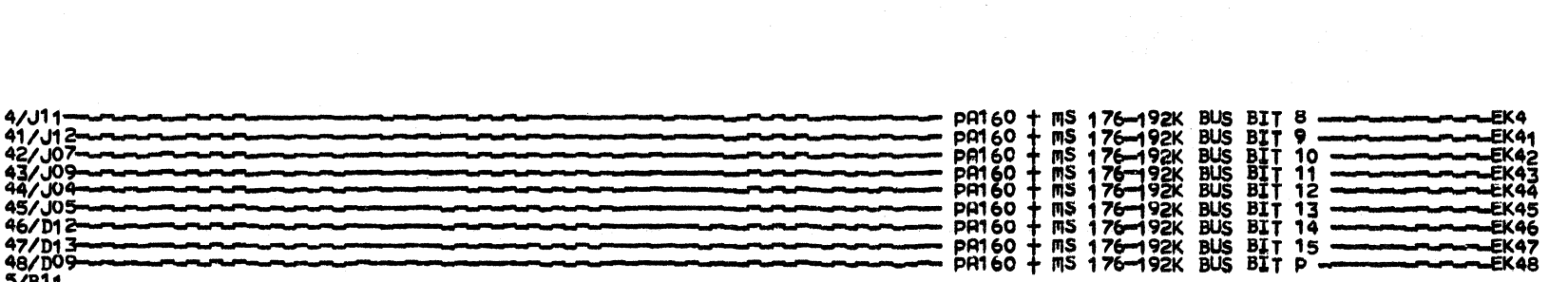
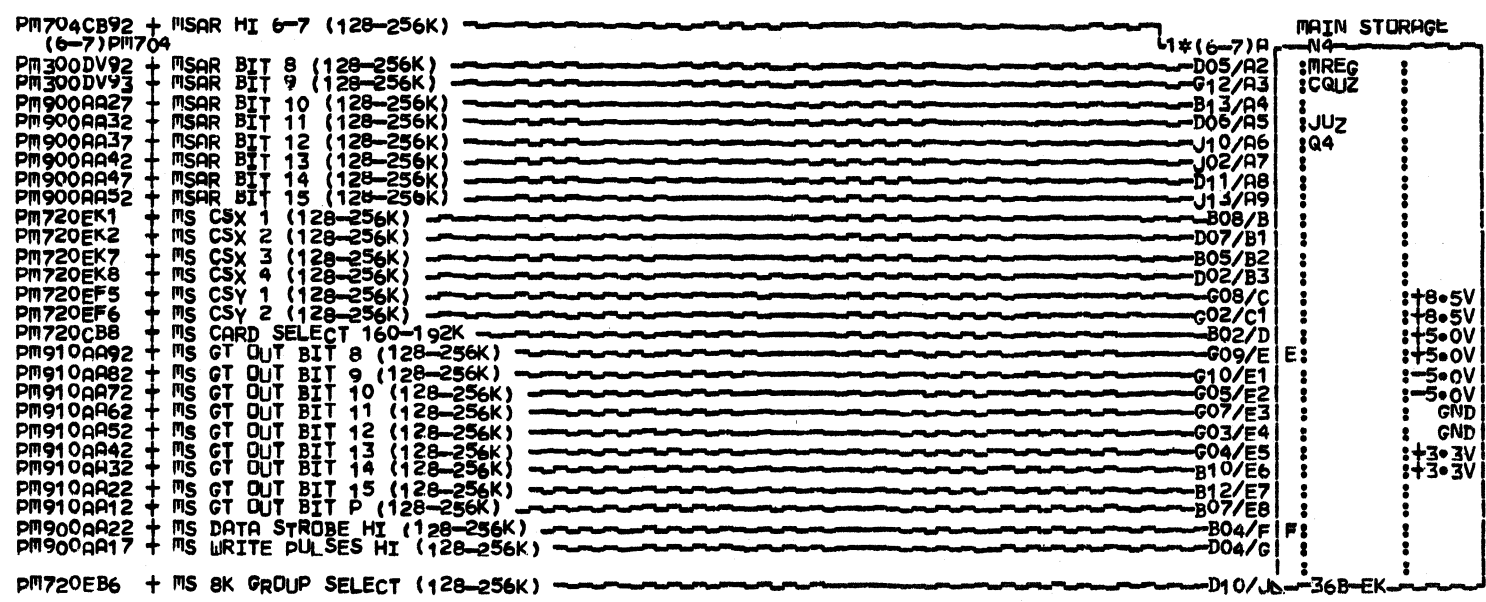
ENUNO
0001

ENUNO
0001

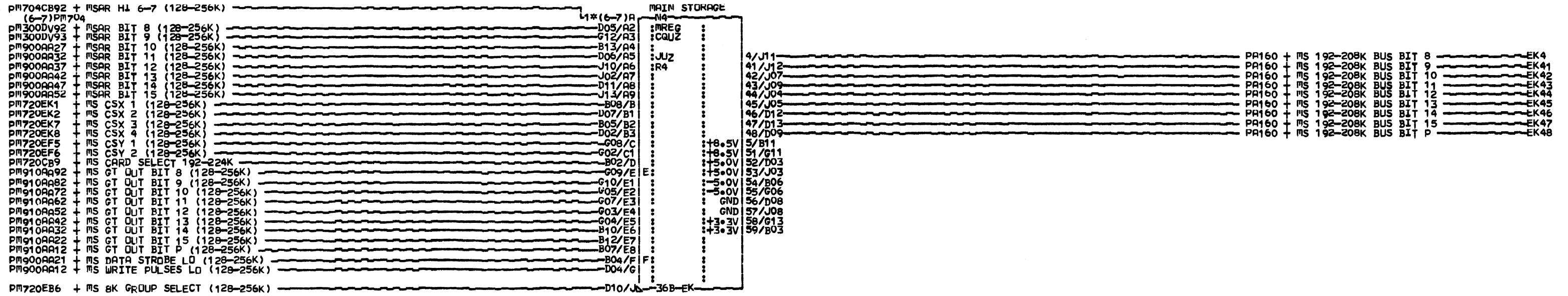


+ 8.5V ON B11, G11
 + 5.0V ON D03, J03
 - 5.0V ON B06, G06
 GND ON D08, J08
 26T-BT

E SUMO 0004	COMMENTS	PINS	STORAGE_CARD MS 160-176K 160-176K MS STG CARD PN=8266225 EC=835083F LOC=1A-A1P4 USN 00008 PRI=14DEC81 2000 AUC= SEC PFORM=KSEB NEXTBLK EL MACH=5340000 CID P10FE JOB 04000857	M S 3 0 0001
	D1 (C) COPYRIGHT IBM CORP. 1980	EK A0/B09 A1/J06		

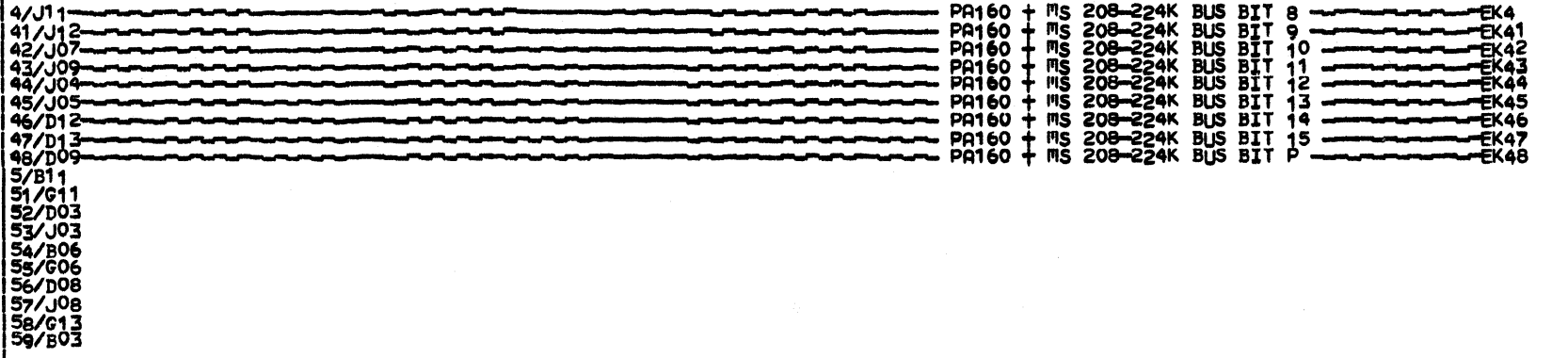
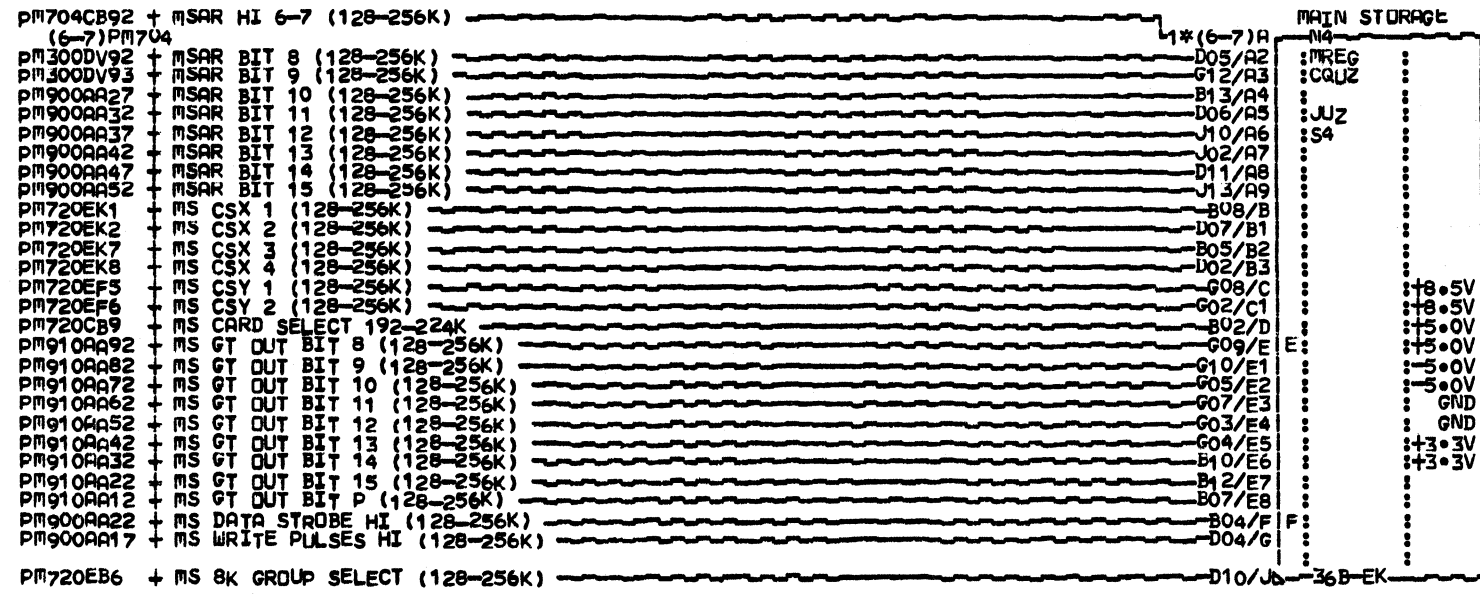


+ 8.5V ON B11, G11
 + 5.0V ON D03, J03
 - 5.0V ON B06, G06
 GND ON D08, J08
 26T-BT



D
 + 8.5V ON B11, G11
 + 5.0V ON D03, J03
 - 5.0V ON B06, G06
 GND ON D08, J08
 -26T-BT

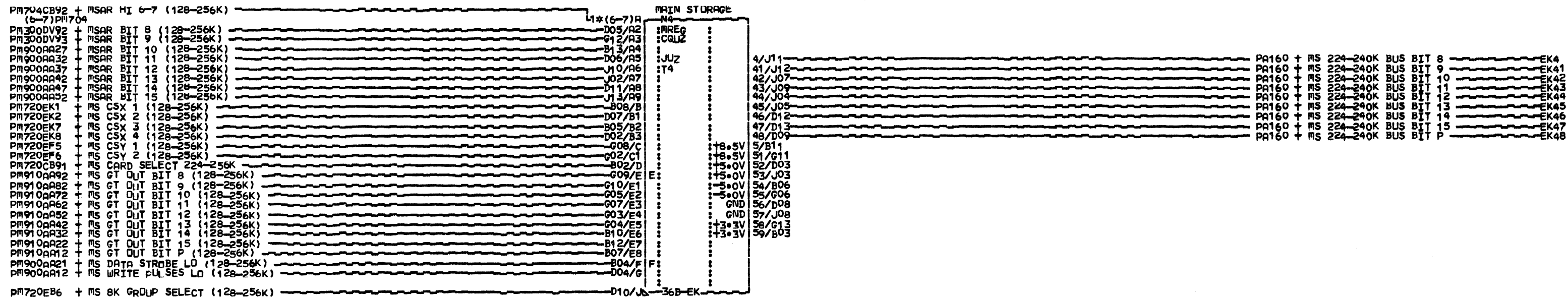
E M U N O	COMMENTS	PINS	STORAGE CARD MS 192-208K 192-208K MS STG CARD PN#8266227 EC#835083F LOC#1A-A1R4 USN 00008 PRI#14DEC81 2000 AUC# SEC PFORM#KSEB NEXTBLK EL MACH#5340000 CID PIDFE JOB 04000857	E M U N O
	D1 (C) COPYRIGHT IBM CORP. 1980	EK A0/B09 A1/J06		
0001				0001



+ 8.5V ON B11, G11
 + 5.0V ON D03, J03
 - 5.0V ON B06, G06
 GND ON D08, J08
 26T-BT

COMMENTS
 D1 (C) COPYRIGHT IBM CORP. 1980
 PINS
 EK
 A0/B09
 A1/J06

STORAGE CARD MS 208-224K
 208-224K MS STG CARD
 PN#8266228 EC#835083F
 LOC#1A-A1S4
 USN 00008 PRI#14DEC81 2000
 AUC# SEC
 PFORM#KSEB NEXTBLK EL
 MACH#5340000
 CID PLOFE JOB 04000857



D
 + 8.5V ON B11, G11
 + 5.0V ON D03, J03
 - 5.0V ON B06, G06
 GND ON D08, J08
 26T-BT

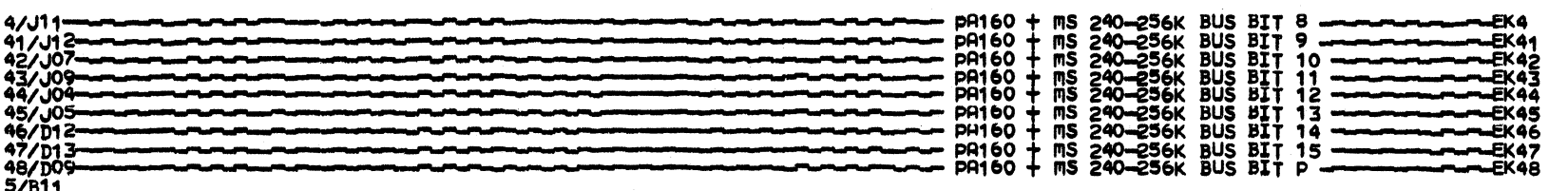
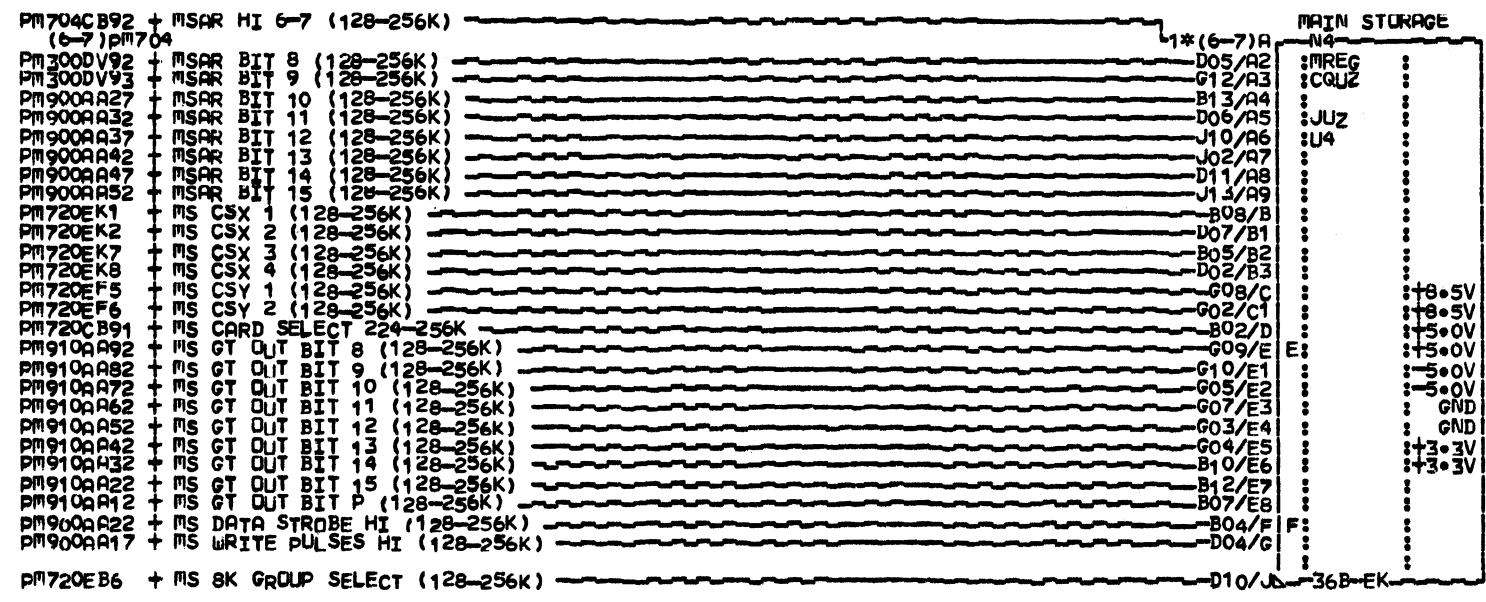
COMMENTS
 D1 (C) COPYRIGHT IBM CORP. 1980

PINS
 Ek
 A0/B09
 A1/J06

STORAGE CARD MS 224-240K
 224-240K MS STG CARD
 PN#8266229 EC#835083F
 LOC#1A-A1T4
 USN 00008 PRI#14DEC81 2000
 AUC# SEC
 PFORM#KSEB NEXTBLK EL
 MACH#5340000
 CID P10FE J0B 04000857

ESNO

MSNO



+ 8.5V ON B11, G11
 + 5.0V ON D03, J03
 - 5.0V ON B06, G06
 GND ON D08, J08
 26T-BT

COMMENTS
D1 (C) COPYRIGHT IBM CORP. 1980

PINS
EK
A0/B09
A1/J06

STORAGE CARD MS 240-256K
 240-256K MS STG CARD
 PN#8266230 EC#835083F
 LOC#1A-A1U4
 USN 00008 PRI#14DEC81 2000
 AUC# SEC
 PFORM#KSEB NEXTBLK EL
 MACH#5340000
 CID P10FE JOB 04000857

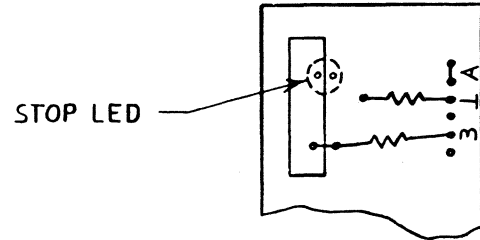
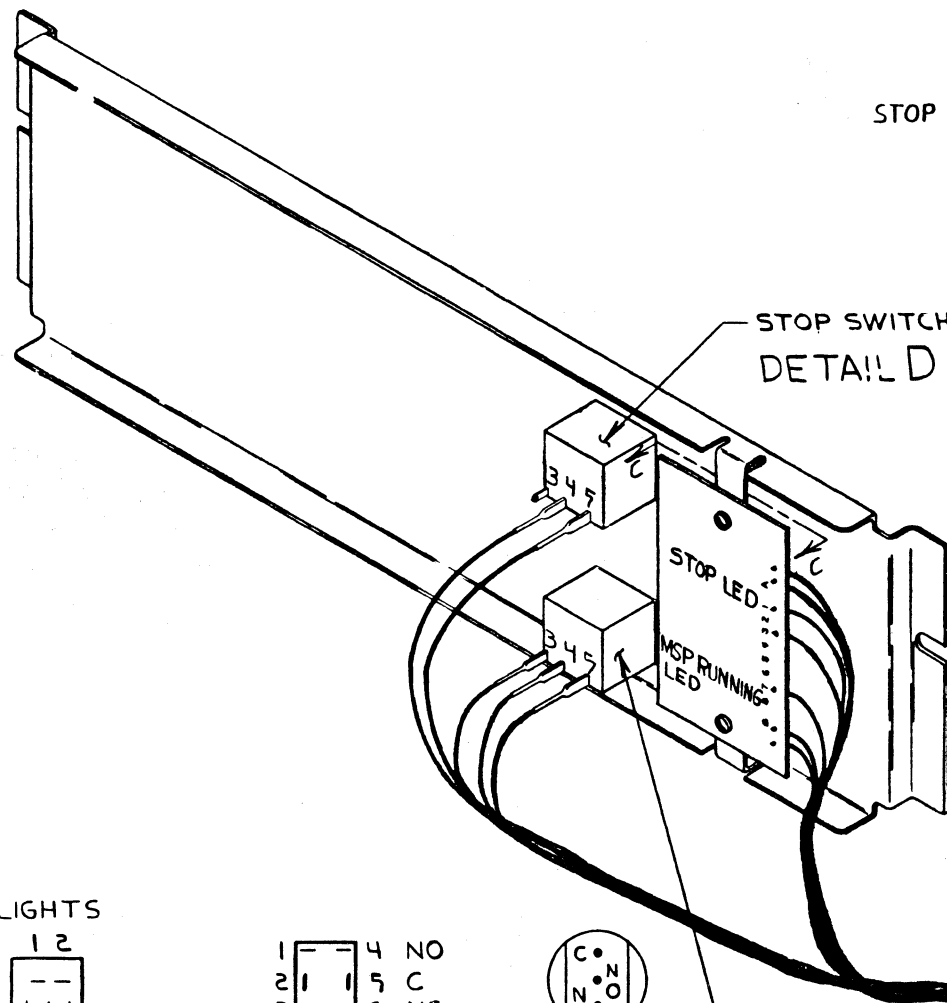
MS280
0001

MS280
0001

- D02 - POWER OFF SWITCH
- D03+ SYS. UNIT 5V
- D04 - GROUND
- D05 - SYSTEM IN USE
- D06 - SYSTEM IN USE
- SYS. UNIT 5V TO OP PANEL
- D08 - GROUND
- D09 - START INDICATOR LED
- D10 - LOAD INDICATOR
- SYS. UNIT 5V TO OP PANEL
- D12 - CONSOLE CHECK LED
- D13 - DISPLAY POWER CHECK LED

- B02 + POWER 5V TO CONTROL SUPPLY
- B03 - POWER ON SWITCH
- B04 - OP START KEY PRESSED
- B05 - OP START KEY RELEASED
- B06 - LOAD KEY PRESSED
- B07 - LOAD KEY RELEASED
- B08 + STOP KEY PRESSED
- B09 - STOP INDICATOR LED
- B10 - LOAD INDICATOR
- B11
- B12 - PROCESSOR CHECK INDICATOR LED
- B13 - DISPLAY THERMAL CHECK LED

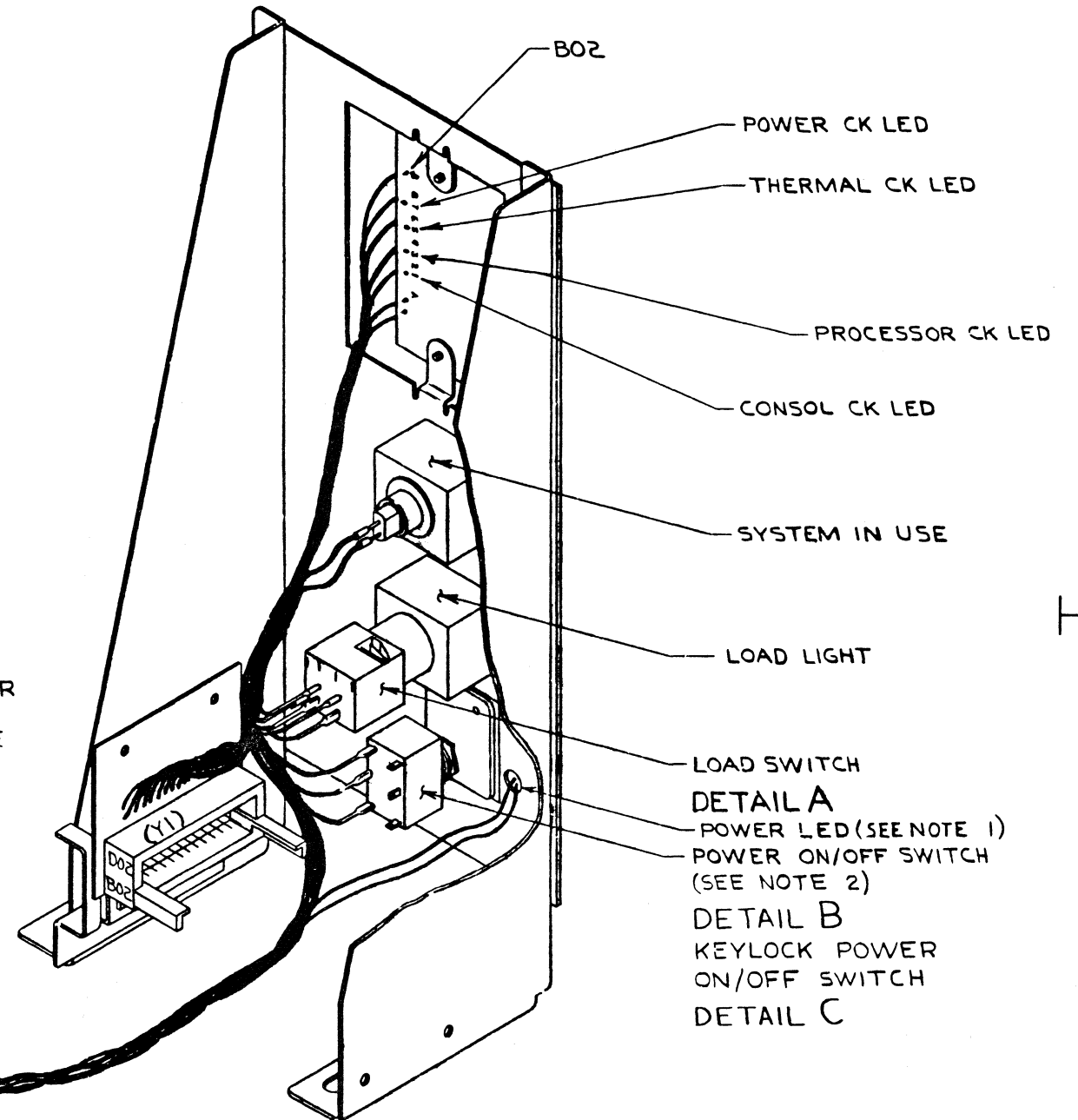
A A1-A2 (Y1) OP110



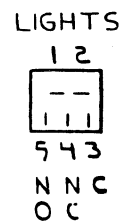
VIEW C-C

A - Y1D03
1 - Y1B09
3 - POWER LED

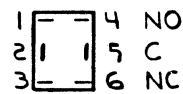
NOTE 1: GROUND FOR POWER LED IS Y1D08
NOTE 2: WIRING THE SAME IF KEYLOCK INSTALLED



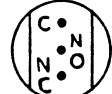
DETAIL A
POWER LED (SEE NOTE 1)
POWER ON/OFF SWITCH (SEE NOTE 2)
DETAIL B
KEYLOCK POWER ON/OFF SWITCH
DETAIL C



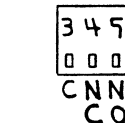
DETAIL A



DETAIL B



DETAIL C



DETAIL D

START SWITCH DETAIL D

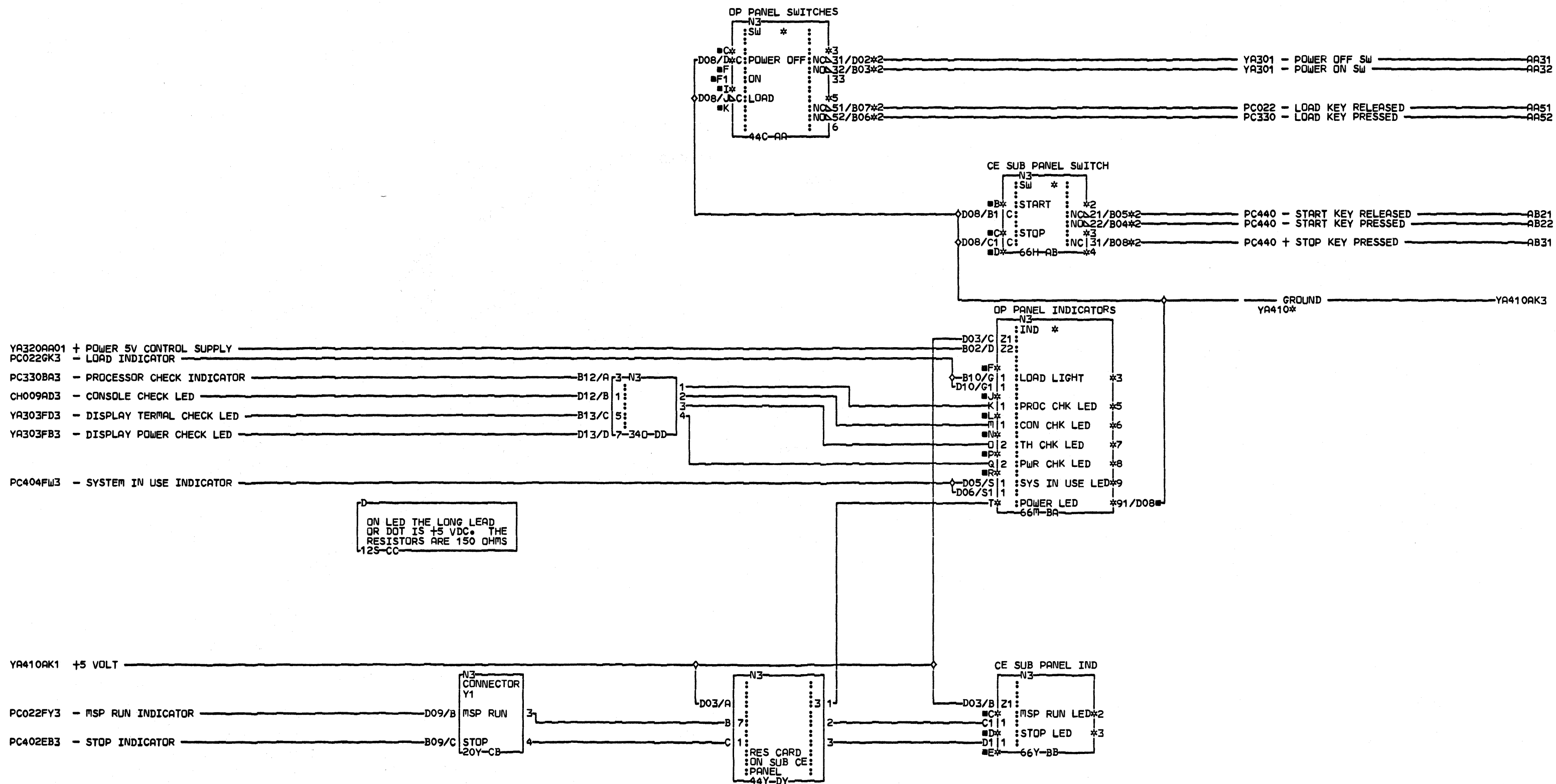
STOP SWITCH DETAIL D

COPYRIGHT IBM CORP 1978

EC HISTORY		DRAWING TITLE	
04MAY77	832742E	OP PANEL	
29JUL77	832742M	MACH	5340
02DEC77	832850	PART NO 4237290	
16MAY78	832976	CLASSIFICATION	IBM CORP
29JUN78	832999	4-13-77 JDS	

OP015

5-0100



COMMENTS	CONNECTORS	CONNECTORS	OPERATOR PANEL LIGHTS & SWITCHES
D1COPYRIGHT IBM CORP. 1978	AA31	AB22	PN4237289 EC834777 PEC832850 LOC=OP-PANEL USN 00008 PRI=27SEP78 1444 AUC= PFORM=KSEB SEC NEXTBLK DZ CID PIOFE JOB L6301459
	0008/1A-A1/A1D13	0004/1A-A1/A2B04	
	0001/1A-A1/A2D02	AB31	
	0009/1C-A1/A2B02	0007/1A-A1/A2B08	
	AA32		
	0002/1A-A1/A2B03		
	0010/1A-A1/B1A13		
	0011/1C-A1/A2B04		
	AA51		
	0005/1A-A1/A2B07		
	AA52		
	0012/1A-A1/A2B06		
	AB21		
	0003/1C-A1/A2B04		

DP110

DP110

PC320EE31 - STATUS 1 BIT 0
 PC406GM3 - STATUS 2 BIT A/B BIT 0
 PC506FA2 - PORT SBI BIT 8

rT3
 B&OR DOT
 CA
 D626A-BA

PC230 - SYS BUS IN BIT 8

BA1

PC320EE32 - STATUS 1 BIT 1
 PC430CA21 - STATUS 2 BIT 1
 PC506FA3 - PORT SBI BIT 9

rT3
 B&OR DOT
 CA
 D626D-CD

PC230 - SYS BUS IN BIT 9

CD1

PC320EE33 - STATUS 1 BIT 2
 PC430CA31 - STATUS 2 BIT 2
 PC506FA4 - PORT SBI BIT 10

rT3
 B&OR DOT
 CA
 D626G-DG

PC230 - SYS BUS IN BIT 10

DG1

PC320EE34 - STATUS 1 BIT 3
 PC430CA41 - STATUS 2 BIT 3
 PC506FA5 - PORT SBI BIT 11

rT3
 B&OR DOT
 CA
 D626J-EJ

PC230 - SYS BUS IN BIT 11

EJ1

PC320EE35 - STATUS 1 BIT 4
 PC430CA51 - STATUS 2 BIT 4
 PC506FA6 - PORT SBI BIT 12

rT3
 B&OR DOT
 CA
 D626M-BM

PC230 - SYS BUS IN BIT 12

BM1

PC320EE36 - STATUS 1 BIT 5
 PC406GB3 - STATUS 2 BIT A/B BIT 5
 PC506FA7 - PORT SBI BIT 13

rT3
 B&OR DOT
 CA
 D626P-CP

PC230 - SYS BUS IN BIT 13

CP1

PC320EE37 - STATUS 1 BIT 6
 PC406GF3 - STATUS 2 BIT A/B BIT 6
 PC506FA8 - PORT SBI BIT 14

rT3
 B&OR DOT
 CA
 D626S-DS

PC230 - SYS BUS IN BIT 14

DS1

PC320EE38 - STATUS 1 BIT 7
 PC406GJ3 - STATUS 2 BIT A/B BIT 7
 PC506FA9 - PORT SBI BIT 15

rT3
 B&OR DOT
 CA
 D626V-EV

PC230 - SYS BUS IN BIT 15

EV1

PC320EE39 - STATUS 1 BIT P
 PC406GR3 - STATUS 2 BIT P
 PC518FL3 - PORT DBI BIT P

rT3
 B&OR DOT
 CA
 D626Y-CY

PC230 - SYS BUS IN BIT P

CY1

COMMENTS

D1 (C)COPYRIGHT IBM CORP. 1980

P
A
1
1
0

0001

SYSTEM BUS IN 8-15+P DUTS

PN8266103 EC835139 PEC835015

LOC=1A-A1-LEVEL-2

USN 00008 PRI=28JAN81 0040

AUC= SEC

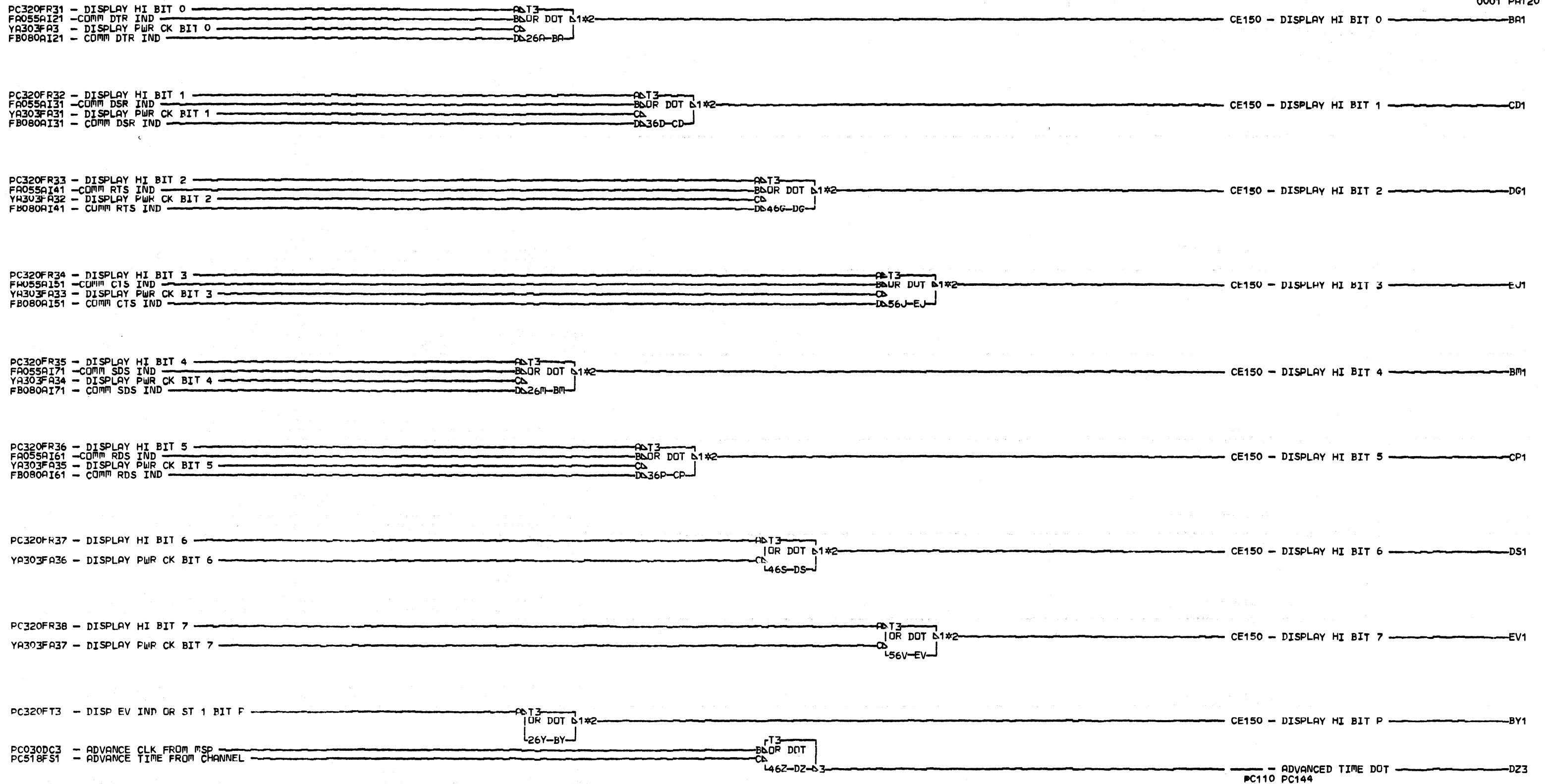
PFORM=KSEB NEXTBLK EW

MACH=5340000

CID P10FE JOB J4100802

P
A
1
1
0

0001



COMMENTS	CONNECTORS	CONNECTORS	CONNECTORS	DISPLAY HI DOTS
D1 (C) COPYRIGHT IBM CORP. 1980	BA1 0002/1A-A1/A3B10 0062/1A-A1/E6B04 0080/1A-A2/E1B13	0068/1A-A1/E6C04 0083/1A-A2/E1C13 CP1 0032/1A-A1/A3B04 0070/1A-A1/E6C02 0084/1A-A2/E1C11	0030/1A-A1/A3D02 0076/1A-A1/E6E04 0087/1A-A2/E1E13 EV1 0012/1A-A1/A3B05 0078/1A-A1/E6E02 0088/1A-A2/E1E11	PN8266104 EC835139 PEC835124 LOC=1A-A1-LEVEL-2 USN 00008 PRI=28JAN81 0040 AUC= SEC PFORM=KSER NEXTBLK EV MACH=5340000 CID PIDFE JOB J4100802
	BM1 0031/1A-A1/A3D04 0064/1A-A1/E6B02 0081/1A-A2/E1B11 BY1 0033/1A-A1/A3B12 0066/1A-A1/F6A04 0082/1A-A2/F1A13 CD1 0005/1A-A1/A3B03	DG1 0004/1A-A1/A3D03 0072/1A-A1/E6D04 0085/1A-A2/E1D13 DS1 0010/1A-A1/A3D05 0074/1A-A1/E6D02 0086/1A-A2/E1D11		

PA120

PA120

PM380CF31 + CP GT BIT 8
CS112EK4 + CS 0-16K BUS BIT 8
PM766FM31 + M5CTRL TO CP BUS (P,8-15)
(P,8-15)PM766

(8)A T3
B OR DOT
C 26A-BA

+ STORAGE BUS BIT 8
PC100 PC220
BA1

PM380CF32 + CP GT BIT 9
CS112EK41 + CS 0-16K BUS BIT 9

(9)A T3
B OR DOT
C 26D-DD

+ STORAGE BUS BIT 9
PC100 PC220
DD1

PM380CF33 + CP GT BIT 10
CS112EK42 + CS 0-16K BUS BIT 10

(10)A T3
B OR DOT
C 26G-BG

+ STORAGE BUS BIT 10
PC100 PC220
BG1

PM380CF34 + CP GT BIT 11
CS112EK43 + CS 0-16K BUS BIT 11

(11)A T3
B OR DOT
C 26J-DJ

+ STORAGE BUS BIT 11
PC100 PC220
DJ1

PM380CF35 + CP GT BIT 12
CS112EK44 + CS 0-16K BUS BIT 12

(12)A T3
B OR DOT
C 26M-BM

+ STORAGE BUS BIT 12
PC100 PC220
BM1

PM380CF36 + CP GT BIT 13
CS112EK45 + CS 0-16K BUS BIT 13

(13)A T3
B OR DOT
C 26P-PP

+ STORAGE BUS BIT 13
PC100 PC220
PP1

PM380CF37 + CP GT BIT 14
CS112EK46 + CS 0-16K BUS BIT 14

(14)A T3
B OR DOT
C 26S-SS

+ STORAGE BUS BIT 14
PC100 PC220
SS1

PM380CF38 + CP GT BIT 15
CS112EK47 + CS 0-16K BUS BIT 15

(15)A T3
B OR DOT
C 26V-DV

+ STORAGE BUS BIT 15
PC100 PC220
DV1

PM380CF39 + CP GT BIT P
CS112EK48 + CS 0-16K BUS BIT LO P

(P)A T3
B OR DOT
C 26Y-BY

+ STORAGE BUS BIT LU P
PC100 PC220
BY1

COMMENTS

D1 (C)COPYRIGHT IBM CORP. 1980

STORAGE BUS BITS 0-15,P DOTTED

PN8266105 EC835139 PEC835015

LQC=1A-A1-LEVEL-2

USN 00008 PRI=28JAN81 0040

AUC= SEC

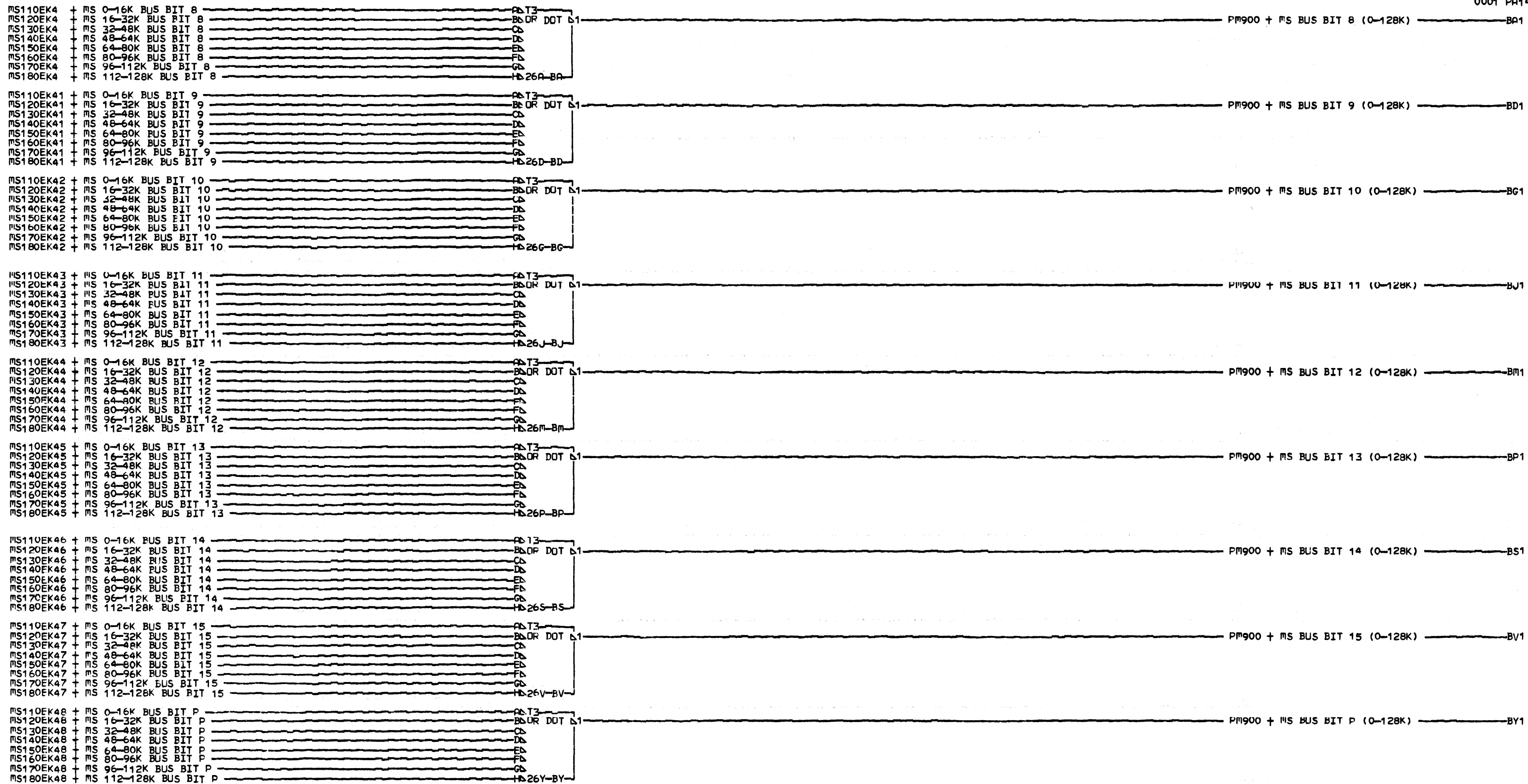
PFORM=KSEB NEXTBLK DW

MACH=5340000

CID P10FE JOB J4100802

P
A
1
3
0

P
A
1
3
0



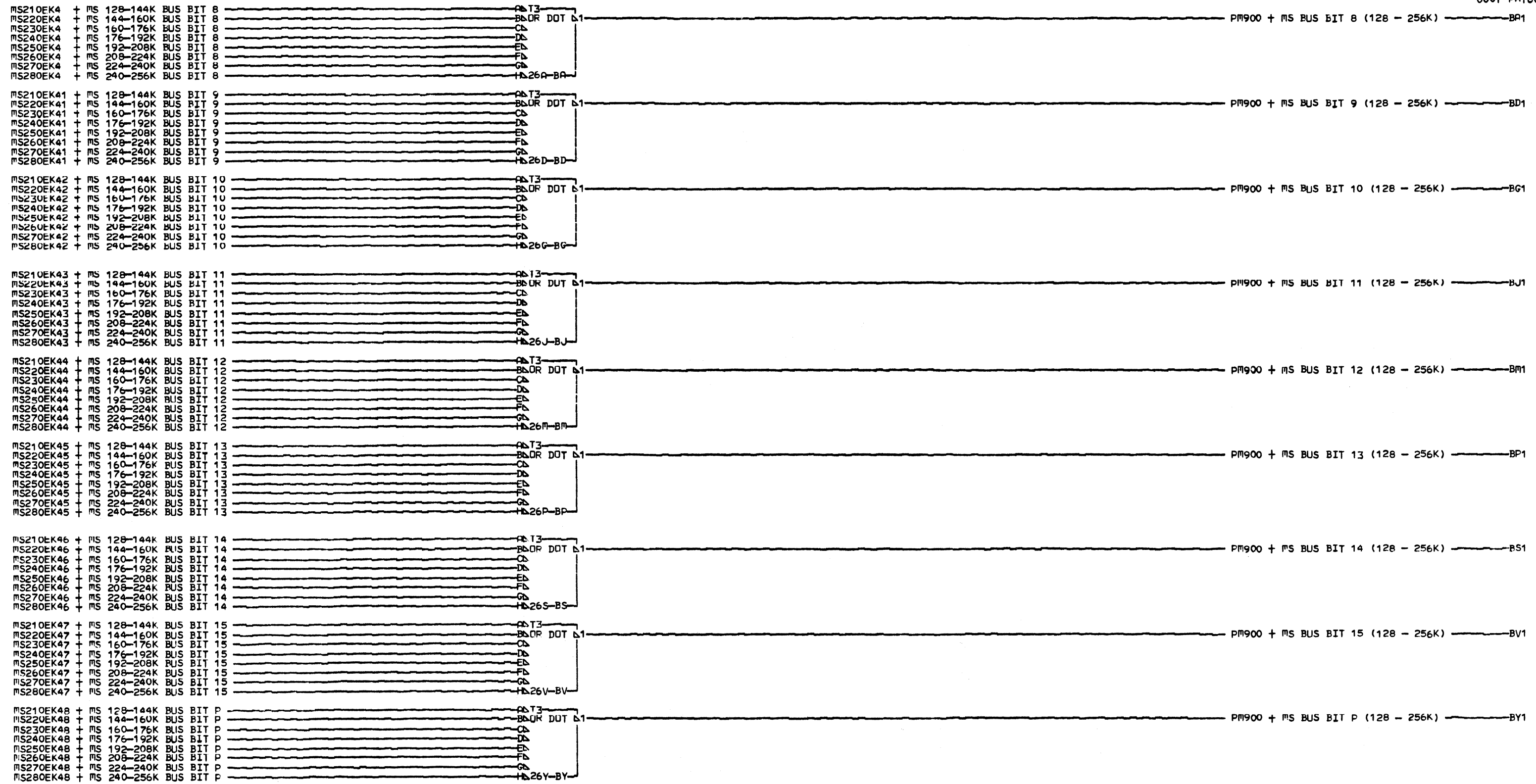
COMMENTS

D1 (C) COPYRIGHT IBM CORP. 1980

MAIN STG BUS DOTS
0-128K
PN8266106 EC835139 PEC835015
LDC=1A-A1-LEVEL-2
USN 00008 PRI=28JAN81 0040
AUC= SEC
PFORM=KSEB NEXTBLK BZ
MACH=5340000
CID PIDFE JOB J4100802

PA140
0001

PA140
0001



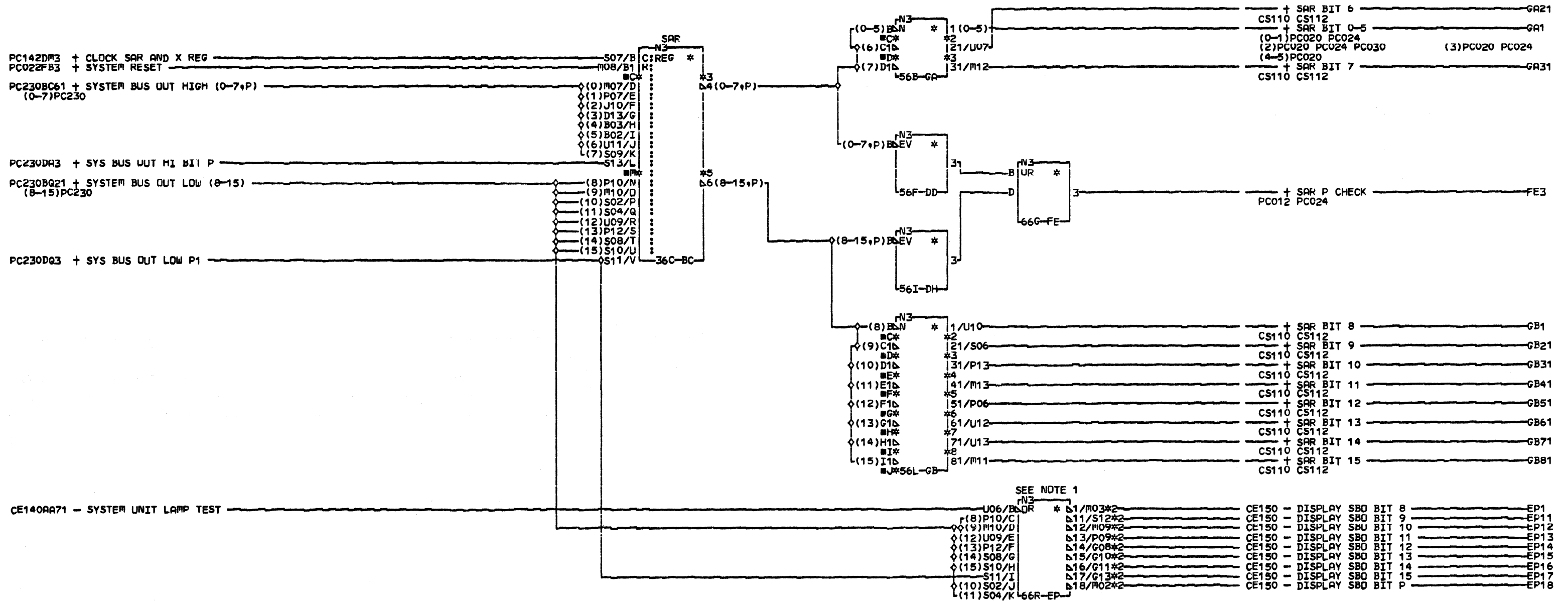
COMMENTS

D1 (C) COPYRIGHT IBM CORP. 1980

MAIN STG BUS DOTS
 128 - 256K
 PN8266237 EC835139 FEC835015
 LOC=1A-A1-LEVEL-2
 USN 00008 PRI=28JAN81 0040
 AUC= PFURM=KSEB SEC NEXTBLK BZ
 MACH=5340000
 CID PIOFE JOB J4100802

P
A
1
6
0

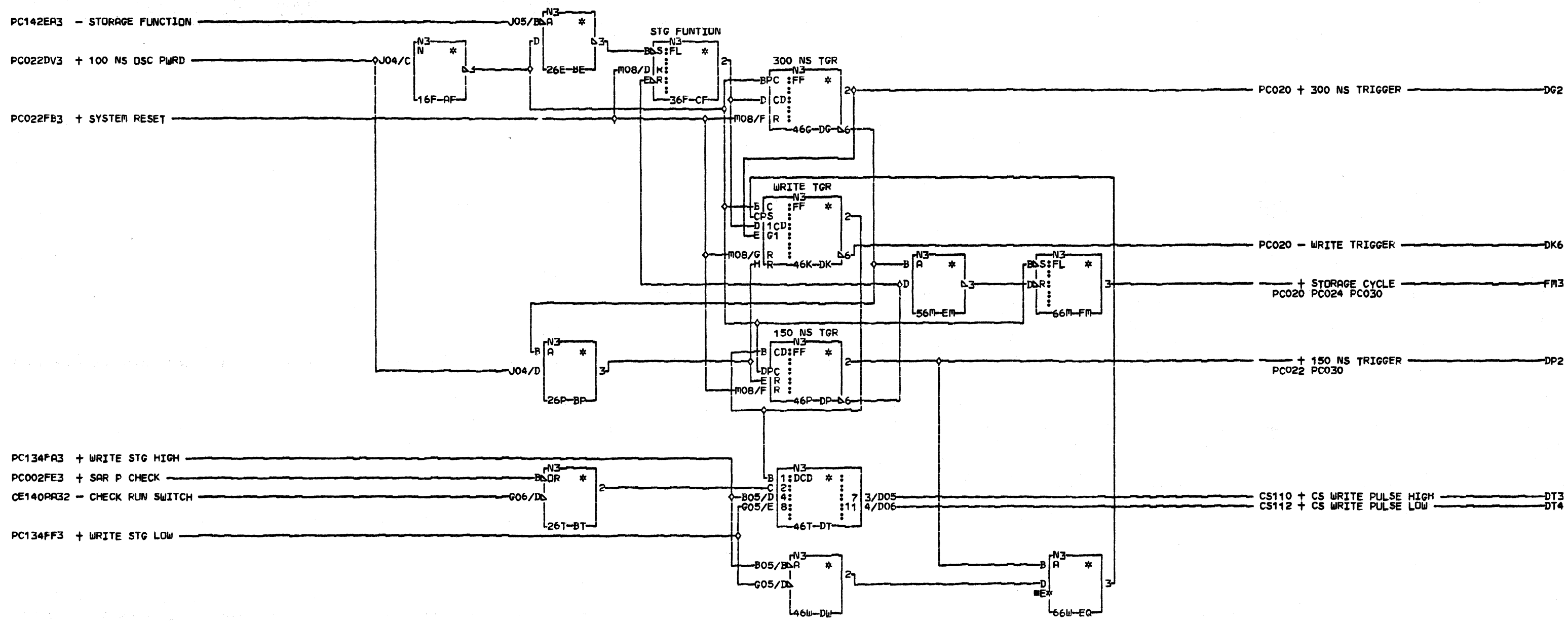
P
A
1
6
0



SEE NOTE 1

NOTE 1
LAMP TEST ORED
WITH ALL BITS
66X-FX

P C O O 2 0001	COMMENTS	CONNECTORS	CONNECTORS	SAR AND DISPLAY BITS GEN CP STG CTRL CARD PN8266107 EC835015		
	D1 (C) COPYRIGHT IBM CORP. 1980	EP1	EP17	LDC=1A-A1C2		
		0013/1A-A1/A3D06	0020/1A-A1/A3B07	USN 00008	PRI=24SEP80 0817	P
		EP11	EP18	AUC=	SEC	C
		0014/1A-A1/A3B06	0021/1A-A1/A3D11	PFDRM=KSEB	NEXTBLK GC	0
		EP12		MACH=5340000	JOB K3801510	2
		0015/1A-A1/A3D07		CID P10FE		0001
		EP13				
		0016/1A-A1/A3D10				
		EP14				
	0017/1A-A1/A3B09					
	EP15					
	0018/1A-A1/A3D09					
	EP16					
	0019/1A-A1/A3B08					



COMMENTS

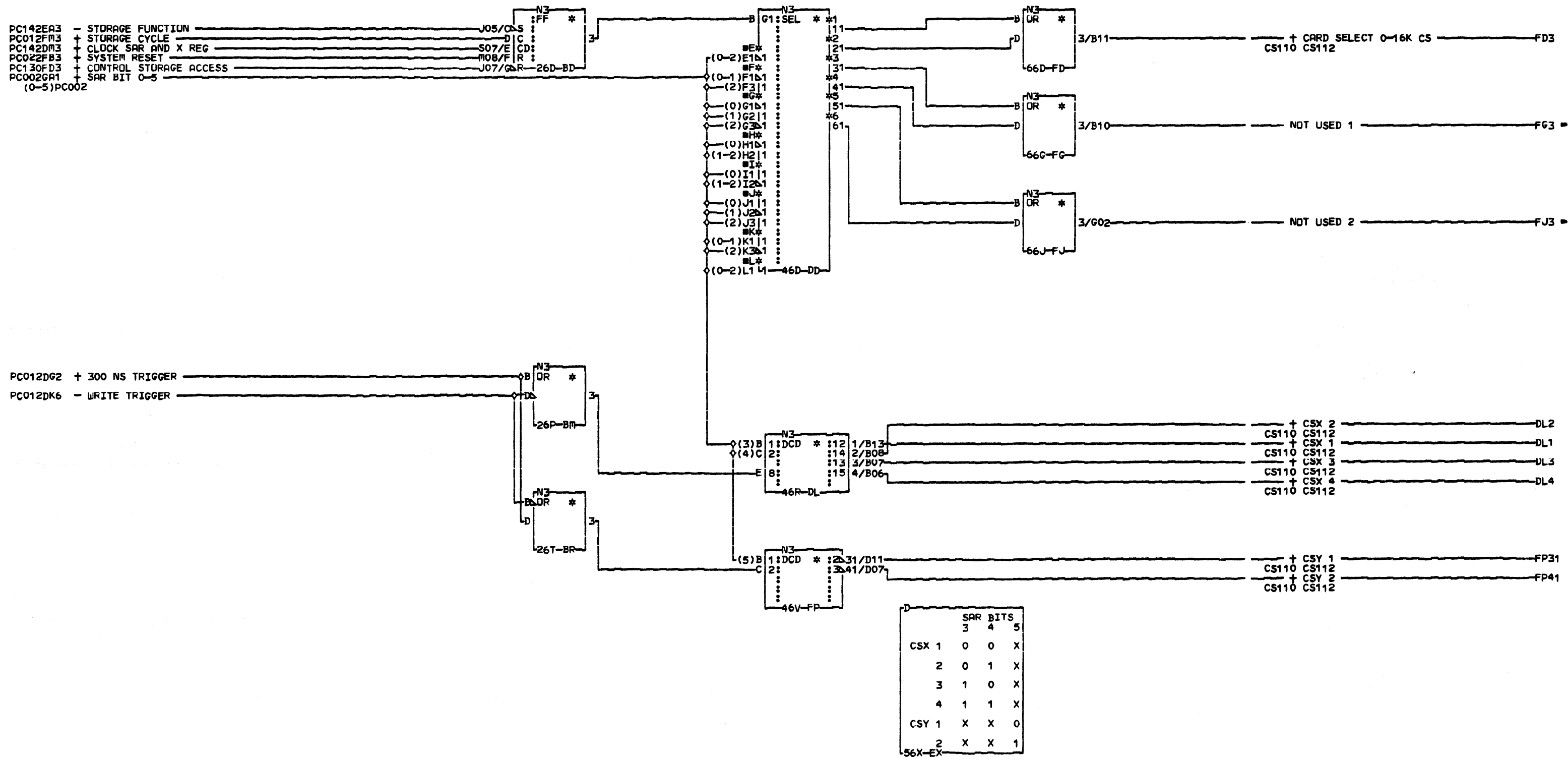
D1 (C) COPYRIGHT IBM CORP. 1980

STORAGE CLOCK
 CP STG CTRL CARD
 PN8266108 EC835015

LDC=1A-A1C2
 USN 00008 PRI=16SEP80 1727
 AUC= SEC
 PFORM=KSEB NEXTBLK FN
 MACH=5340000
 CID P10FE JOB K3801510

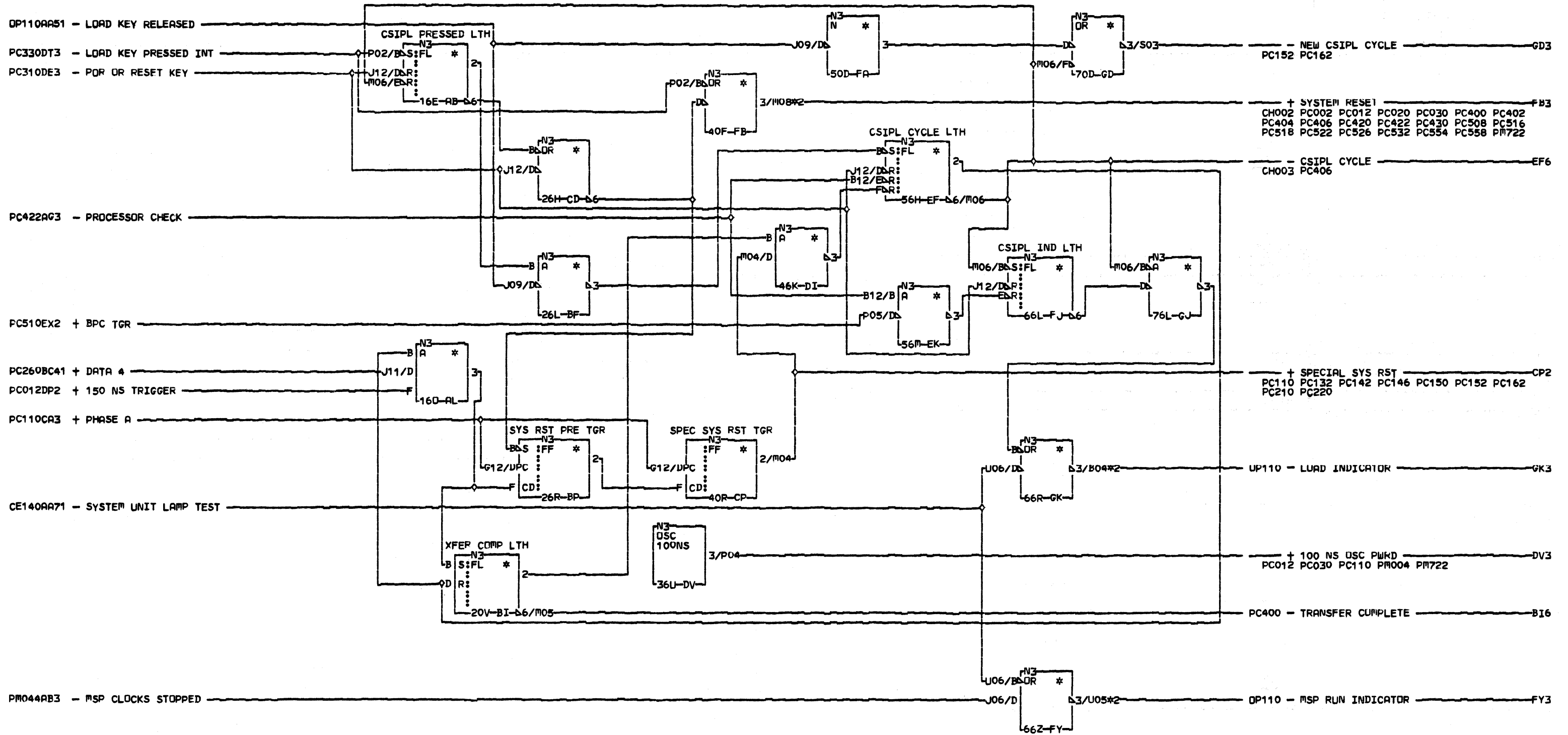
PC012
0001

PC012
0001



COMMENTS
 D1 (C) COPYRIGHT IBM CORP. 1980

CARD SELECT
 CP STG CTRL CARD
 PN8266109 EC835015
 LDC=1A-A1C2
 USN 00008 PRI=11SEP80 0852
 AUC= SEC
 PFORM=KSEB NEXTBLK FQ
 MACH=5340000
 CID P10FE JOB K3801510



COMMENTS
D1 (C)COPYRIGHT IBM CORP. 1980

CONNECTORS
FB3
0023/1A-A1/M6C02
FY3
0022/1A-A1/A2B09
GK3
0016/1A-A1/A2B10
0021/1A-A1/A2D10

100 NS OSC AND SYS RST
CP STG CTRL CAPD
PN8266110 EC835015
LOC=1A-A1C2
USN 00008 PRI=18SEP80 1727
AUC= SEC
PFORM=KSEB NEXTBLK GL
MACH=5340000
CID PIOFE JOB K3801510

0001

PC022
0001

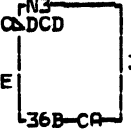
PC012FM3 + STORAGE CYCLE

CAC - JUMPER (0-3)
(0-3)

PC002GA1 + SAR BIT 0-5
(0-3)PC002

PC002FE3 + SAR P CHECK

SEE TABLE



3/D10

PC340 - CTRL STG ADDRESS CHK

EA3

3/D09

PC340 - CTRL STG SAR P CHK

FE3

TABLE

ADDRESS CHECKING JUMPER CONFIGURATION				
AMT STG	JUMPR 0	JUMPR 1	JUMPR 2	JUMPR 3
16K WORDS	1	1	0	0
1 DENOTES JUMPER INSTALLED				

16G-AC

JUMPER PIN LOCATION

MODULE SIDE OF CARD - 1A-A1C2
 JUMPER PINS (8) * * * *
 * * * *
 JUMPER (4 POSSIBLE) 0 1 2 3
 THE JUMPER INSTALLED ON THE CARD WILL
 DEPEND ON THE AMOUNT OF CONTROL
 STORAGE INSTALLED IN THE MACHINE.
 SEE ALSO PAGE AE020.

16P-AP

COMMENTS

D1 (C) COPYRIGHT IBM CORP. 1980

CTL STG ADDR CHK
CP STG CTRL CARD

PN 8266111 EC 835015

LOC=1A-A1C2

USN 00008

AUC=

PFOR=KSEB

MACH=5340000

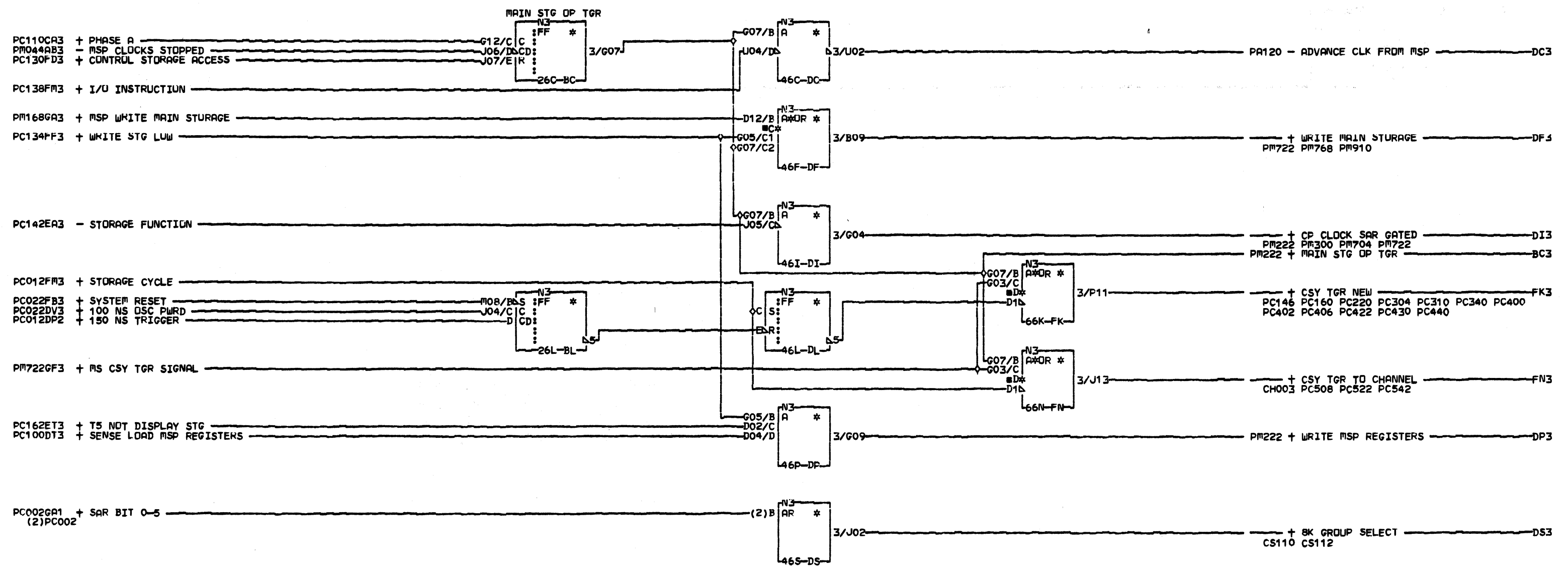
CID PIOFE

PRI=11SEP80 0852

SEC

NEXBLK FF

JOB K3801510



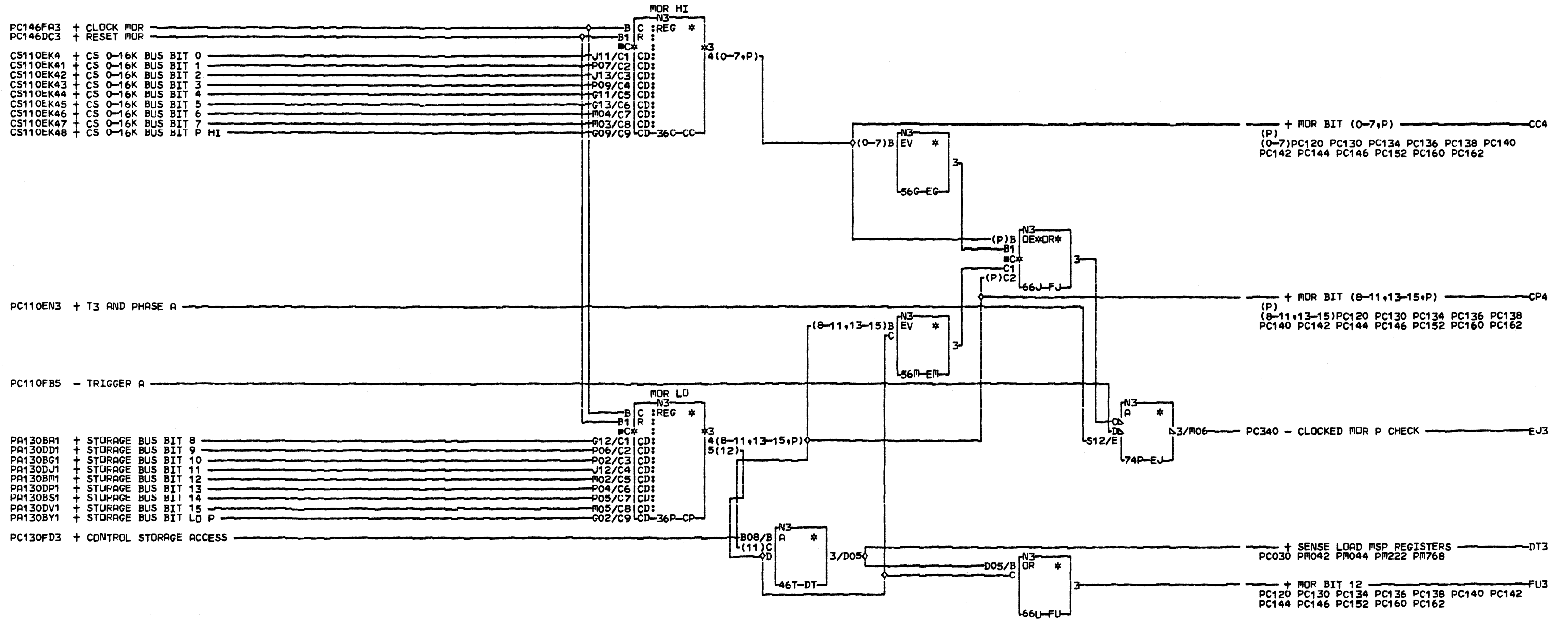
COMMENTS
D1 (C)COPYRIGHT IBM CORP. 1980

CSY TGR
 CP STG CTRL CARD
 PN8266112 EC835015

LOC=1A-A1C2
 USN 00008 PRI=11SEP80 0852
 AUC= SEC
 PFORM=KSEB NEXTBLK FD
 MACH=5340000
 CID P10FE JOB K3801510

0001

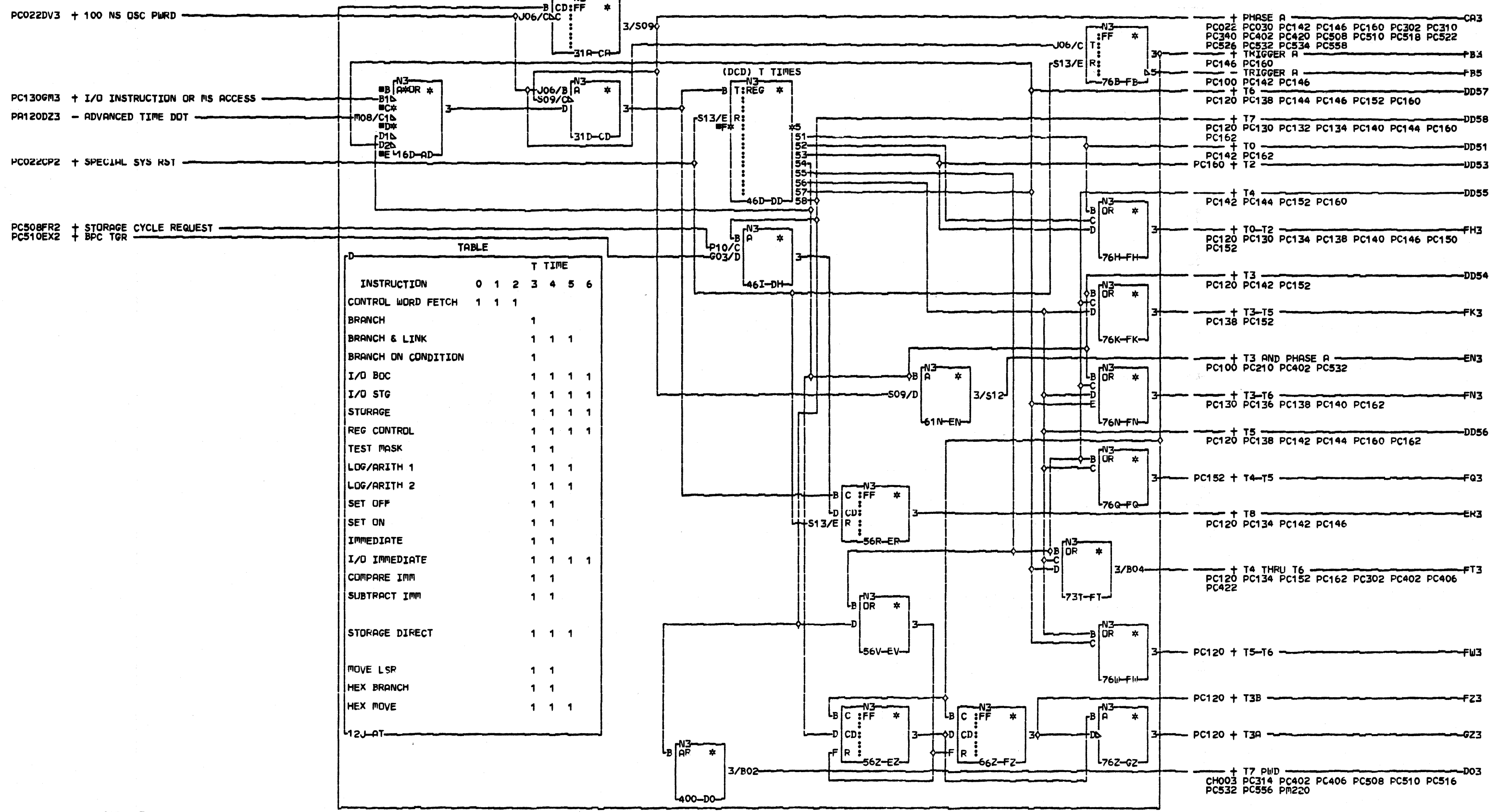
0001



COMMENTS

D1 (C) COPYRIGHT IBM CORP. 1980

MICRO OPERATION REGISTER (MOR)
 CP SYSTEM CONTROL CARD
 PN8266113 EC835015
 LQC=1A-A1D2
 USN 00008 PRI=11SEP80 0852
 AUC= PFDRM=KSEB SEC NEXTBLK FV
 MACH=5340000
 CID PIOFE JOB K3801510



COMMENTS
D1 (C) COPYRIGHT IBM CORP. 1980

T TIMES
CP SYSTEM CONTROL CARD
PN8266114 EC835015

LDC=1A-A1D2

USN 00008 PRI=11SEP80 0852

AUC= SEC

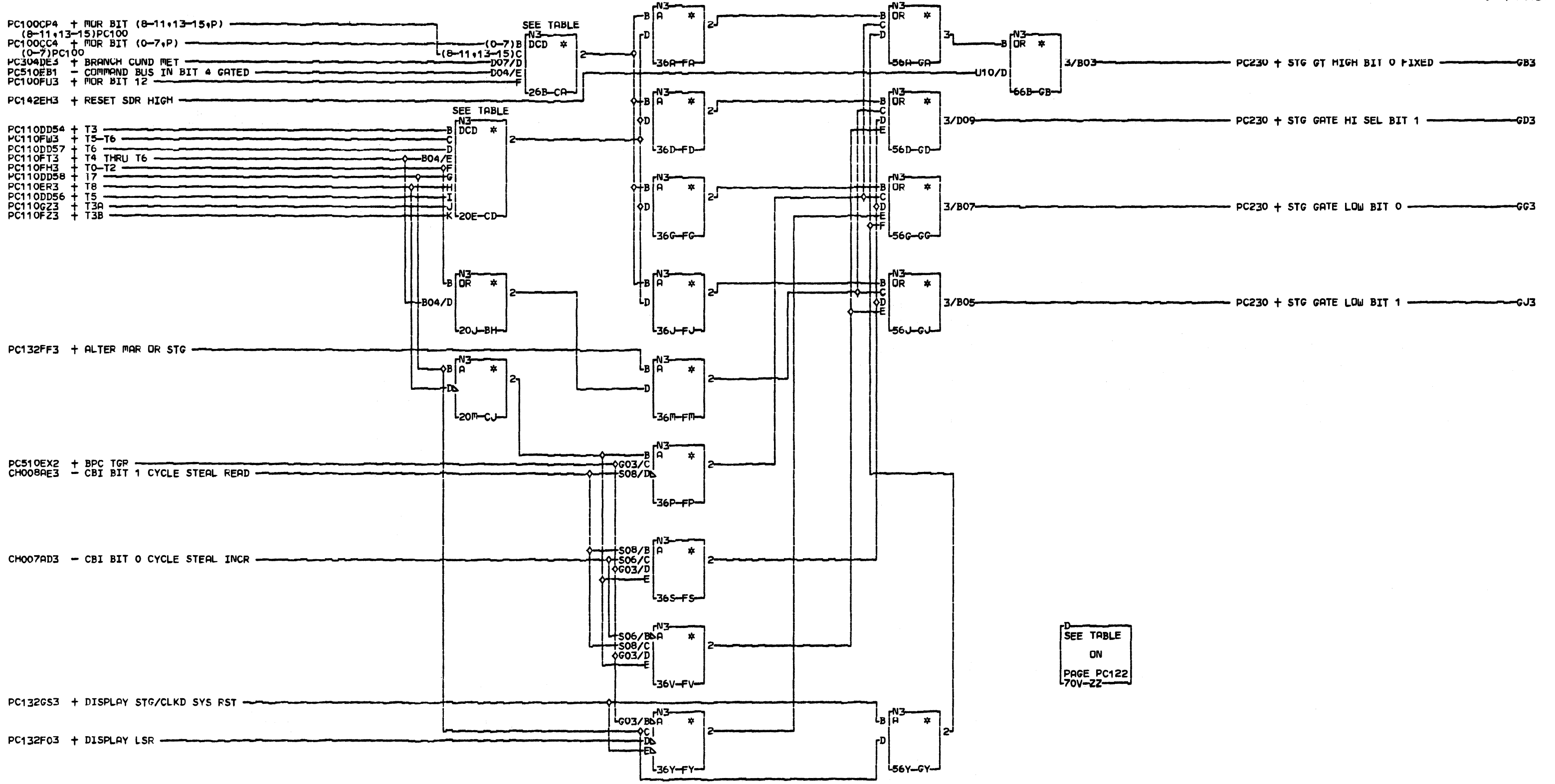
PFURM=KSEB NEXTBLK GO

MACH=5340000

CID P10FE JOB K3801510

P
C
1
1
0
0001

P
C
1
1
0
0001

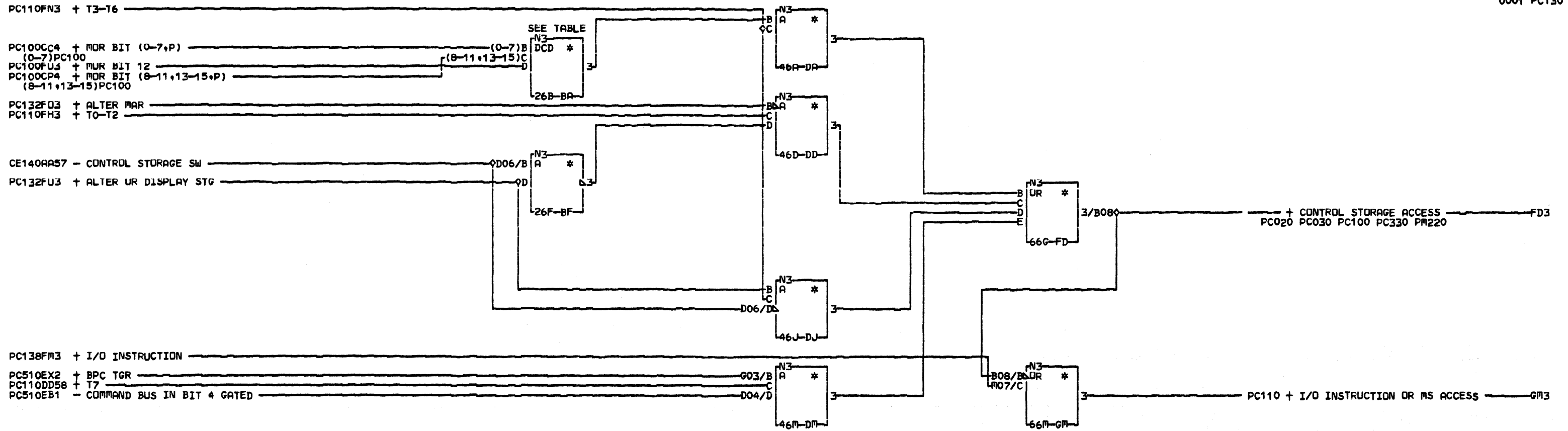


COMMENTS
D1 (C) COPYRIGHT IBM CORP. 1980

STG GATE BITS
 CP SYSTEM CONTROL CARD
 PN8266115 EC835015
 LDC=1A-A1D2
 USN 00008 PRI=18SEP80 1727
 AUC= SEC
 PFORM=KSEB NEXTBLK 20
 MACH=5340000
 CID P10FE JOB K3801510

PC120

PC120



TABLE

INSTRUCTION	TIME	MOR BITS															
		0	1	2	3	4	5	6	7	8	9	10	11	12	13	14	15
STORAGE DIRECT	SD	3-6	1	1	1	0					0						
I/O STORAGE	IDS	3-6	0	1	0	0				0	1						
STORAGE	STG	3-6	0	1	0	0				1	1						

COMMENTS

D1 (C) COPYRIGHT IBM CORP. 1980

CONTROL STORE ACCESS
CP SYSTEM CONTROL CARD
PN8266117 EC835015

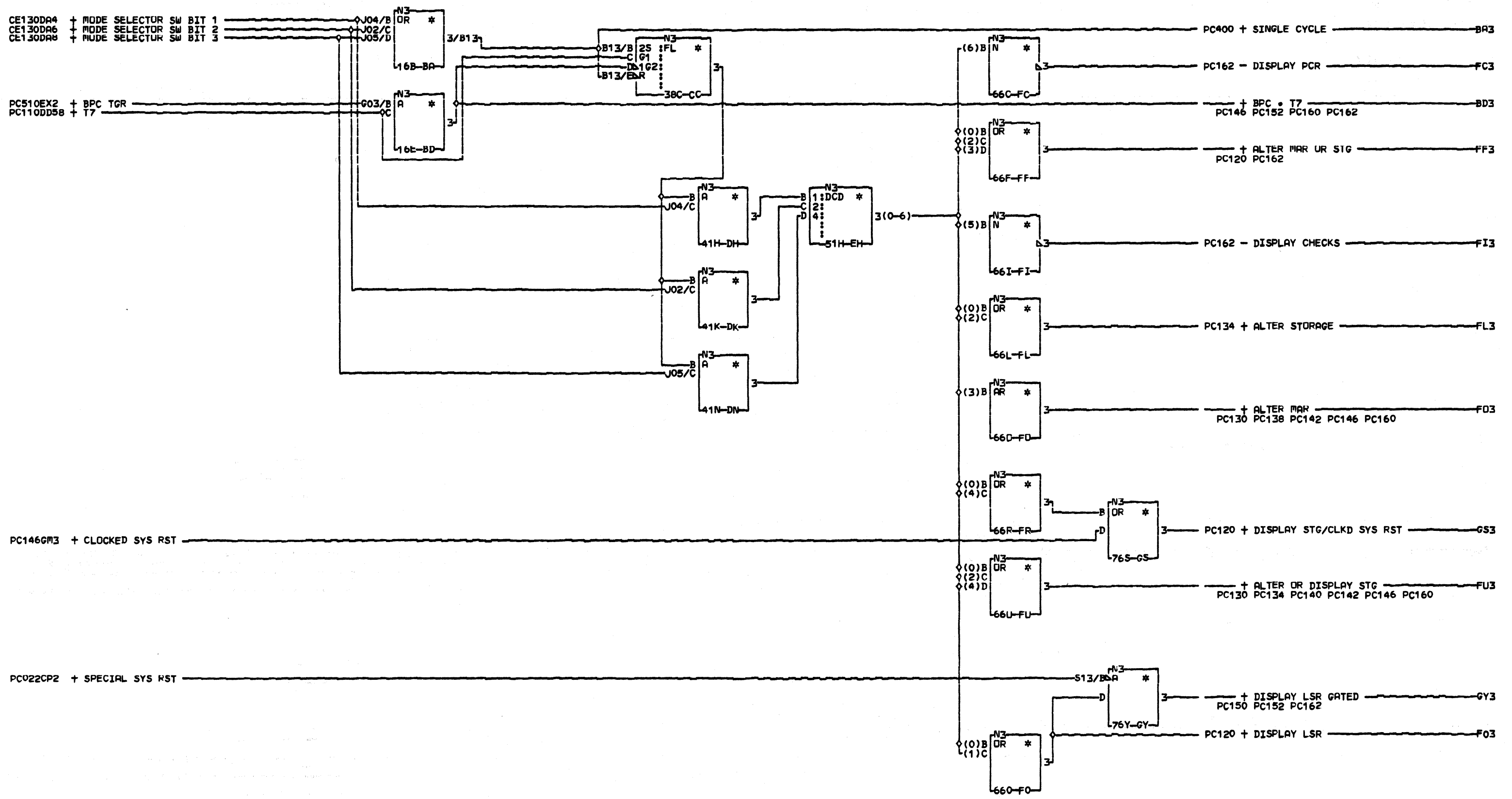
LDC=1A-A1D2

USN 00008

PRI=18SEP80 1727

AUC=
PFORM=KSEB
MACH=5340000
CID PIOFE

SEC
NEXTBLK GN
JOB K3801510



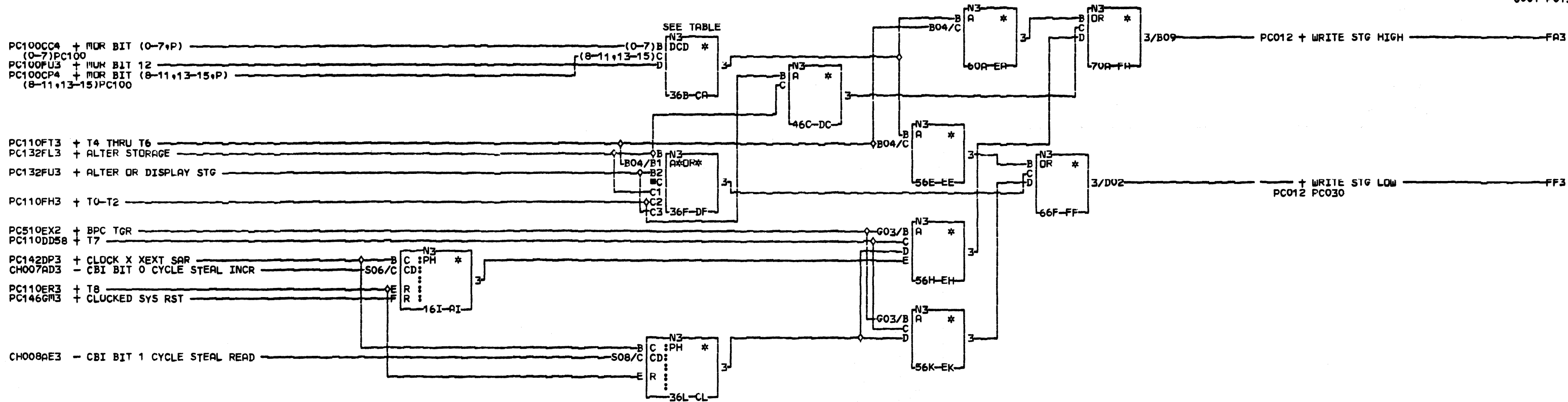
COMMENTS

D1 (C) COPYRIGHT IBM CORP. 1980

ALTER AND DISPLAY
 SYSTEM CONTROL CARD
 PN8266118 EC835015
 LDC=1A-A1D2
 USN 00008 PRI=24SEP80 0817
 AUC= SEC
 PFORM=KSEB NEXTBLK GZ
 MACH=5340000
 CID PIDFE JOB K3801510

P
C
M
2
0001

P
C
M
2
0001



TABLE

INSTRUCTION	TIME	MDR BITS															WRITE STG		
		0	1	2	3	4	5	6	7	8	9	10	11	12	13	14	15	HI	LO
STORAGE	STG	4-6	0	1	0	0					1	1						1	
	STG	4-6	0	1	0	0					1								1
STORAGE DIRECT	SD	4-6	1	1	1	0	1											1	1
I/O STG	IOS	4-6	0	1	0	0	1				1	1						1	
		4-6	0	1	0	0	0				1								1
		4-6	0	1	0	0					1	0							1

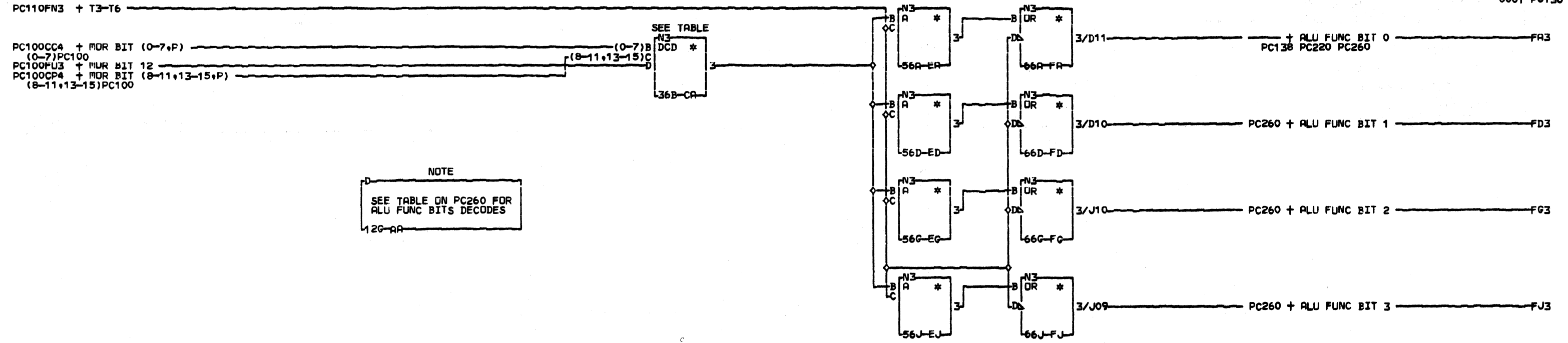
16P-AP

COMMENTS
 D1 (C) COPYRIGHT IBM CORP. 1980

WRITE STG HIGH/LOW
 CP SYSTEM CONTROL CARD
 PN8266119 EC835015
 LDC=1A-A1D2
 USN 00008 PRI=18SEP80 1727
 AJC= SEC
 PFORM=kSEB NEXTBLK FG
 MACH=5340000
 CID P10FE JOB K3801510

P
 C
 1
 3
 4

P
 C
 1
 3
 4



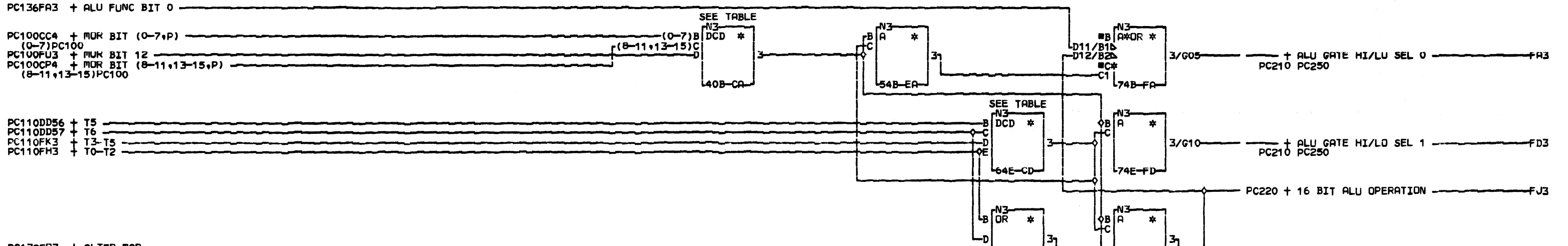
TABLE

MICRO INSTRUCTION	MDR BITS IN															ALU FUNCTION BITS				
	0	1	2	3	4	5	6	7	8	9	10	11	12	13	14	15	0	1	2	3
BRANCH	BR	0	0	0	0												1	1	1	1
BRANCH & LINK	BAL	0	0	0	1												1	1	1	1
BR ON COND	BUC	0	0	1	0												1	1	1	1
I/O BDC	IDB	0	0	1	1												1	1	1	1
I/O STG	IDS	0	1	0	0				0								1	0	0	0
STORAGE	STG	0	1	0	0				1								1	0	0	0
TEST MASK	TM	0	1	0	1												0	1	1	0
LOG/ARITH 1	LA1	0	1	1	0					X	X	X	X				SAME AS MDR			
LOG/ARITH 2	LA2	0	1	1	1					X	X	X	X				BITS 8,9,10,11			

SET OFF	SF	1	0	0	0												0	1	0	1
SET ON	SN	1	0	0	1												0	0	1	1
IMMEDIATE	IMM	1	0	1	0												1	1	1	1
I/O IMMEDIATE	IOI	1	0	1	1												1	1	1	1
COMPARE IMM	CI	1	1	0	0												1	1	1	0
SUBTRACT IMM	SI	1	1	0	1												1	1	1	0
STORAGE DIRECT	SD	1	1	1	0				0								1	1	1	1
MOVE LSR	ML	1	1	1	0				1								1	1	1	1
HEX BRANCH	HB	1	1	1	1							0					1	1	1	1
HEX MOVE	HM	1	1	1	1							1					1	1	1	1

COMMENTS
D1 (C) COPYRIGHT IBM CORP. 1980

ALU FUNCTION BITS
SYSTEM CONTROL CARD
PN8266120 EC835015
LDC=1A-A1D2
USN 00008 PRI=11SEP80 0852
AUC= SEC
PFORM=KSEB NEXTBLK FK
MACH=5340000
CID PIDFE JOB K3801510



TABLE

INSTRUCTION	TIME	MOR BITS IN														OP	16 BIT ALU GATE SEL			I/O	INST		
		0	1	2	3	4	5	6	7	8	9	10	11	12	13		14	15	0			1	2
DEFAULT	SELECTS ALU HI AND ALU LO																	0	0	0			
BRANCH	BR	0	0	0	0													0	0	0			
BRANCH & LINK	BAL 5	0	0	0	1													0	0	1			
CPU BR COND MET	BDC	0	0	1	0													0	0	0			
I/O BOC	IOB 6	0	0	1	1													0	0	1	1		
I/O STG	IDS	0	1	0	0				0									0	0	0		1	
STORAGE	STG 6	0	1	0	0				1	0	1							0	0	1			
	STG 6	0	1	0	0				1	0	0							1	0	1			
TEST MARK	TM	0	1	0	1													0	0	0			
LOG/ARITH 1	LA1	0	1	1	0													1	0	0			
LOG/ARITH 2	LA2	0	1	1	1				0								1	0	0	0			
	LA2	0	1	1	1				1								1	0	0	0			
SET OFF	SF	1	0	0	0													1	0	0			
SET ON	SN	1	0	0	1													1	0	0			
IMMEDIATE	IMM	1	0	1	0													1	0	0			
I/O IMMEDIATE	IOI 3-5	1	0	1	1													1	0	1			
	IOI 3-5	1	0	1	1					0								1	0	1		1	
COMPARE IMM	CI 3-5	1	1	0	0													1	0	0			
SUBTRACT IMM	SI 3-5	1	1	0	1													1	0	0			
STORAGE DIRECT	SD 6	1	1	1	0				0									0	0	1			
MOVE LSR	ML	1	1	1	0				1									0	0	0			
HEX BRANCH	HB 3-5	1	1	1	1						0				0			1	1	1			
	HB 3-5	1	1	1	1						0				0			1	1	0			
HEX MOVE	HM 3-5	1	1	1	1				0	0	1							0	1	1			
	HM 3-5	1	1	1	1				0	1	1							0	1	0			
	HM 3-5	1	1	1	1				1	0	1							1	1	0			
	HM 3-5	1	1	1	1				1	1	1							1	1	1			

12J-AM

12T-AM

PC110FN3 + T3-T6

COMMENTS

D1 (C)COPYRIGHT IBM CORP. 1980

ALU GATE HIGH/LOW SEL 0-2
CP SYSTEM CONTROL CARD
SYSTEM CONTROL CARD
PN8266121 EC835015

LOC=1A-A1D2.

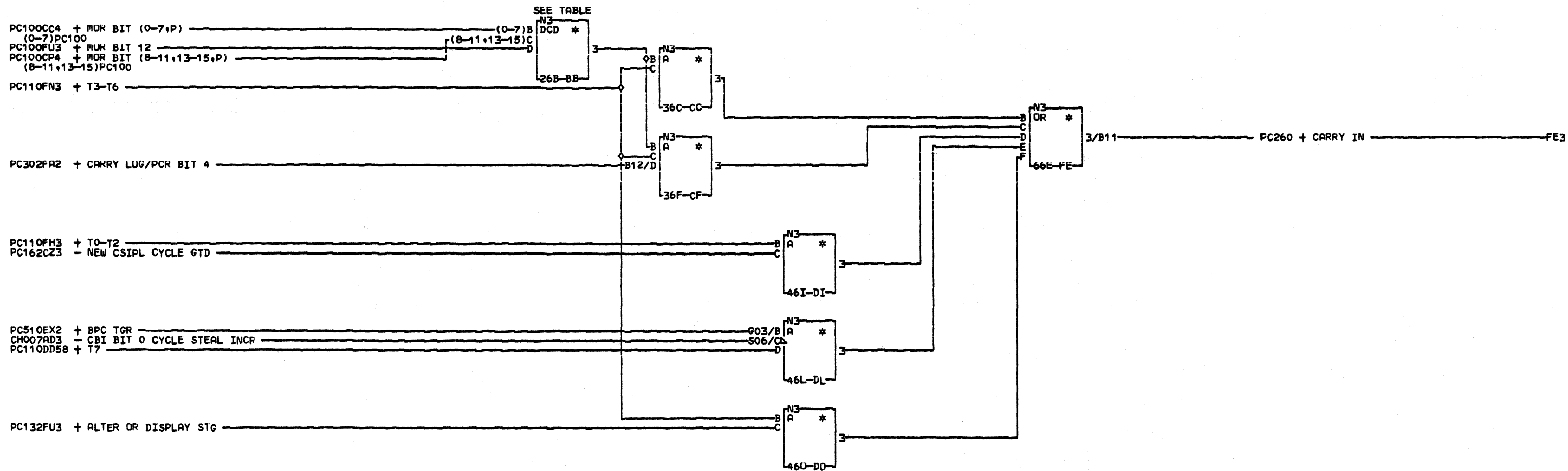
USN 00008 PRI=11SEP80 0852

AUC= SEC

PFORM=KSEB NEXTBLK GH

MACH=5340000

CID P10FE JCB K3801510



TABLE

INSTRUCTION	TIME	MOR BITS															CARRY TGR	
		0	1	2	3	4	5	6	7	8	9	10	11	12	13	14		15
STG	3-6	0	1	0	0				1			0	1					
IDS	3-6	0	1	0	0				0			0	1					
LA1	3-6	0	1	1	0				1	0	1	0						
LA1	3-6	0	1	1	0				1	1	0	0						
LA1	3-6	0	1	1	0				1	1	1	1						
LA1/LA2	3-6	0	1	1					1	0	0	1						1
LA1/LA2	3-6	0	1	1					1	1	1	0						1
LA2	3-6	0	1	1	1				1	0	1	0						
LA2	3-6	0	1	1	1				1	1	0	0						
LA2	3-6	0	1	1	1				1	1	1	1						
CI	3-6	1	1	0	0													
SI	3-6	1	1	0	1													

COMMENTS
D1 (C) COPYRIGHT IBM CORP. 1980

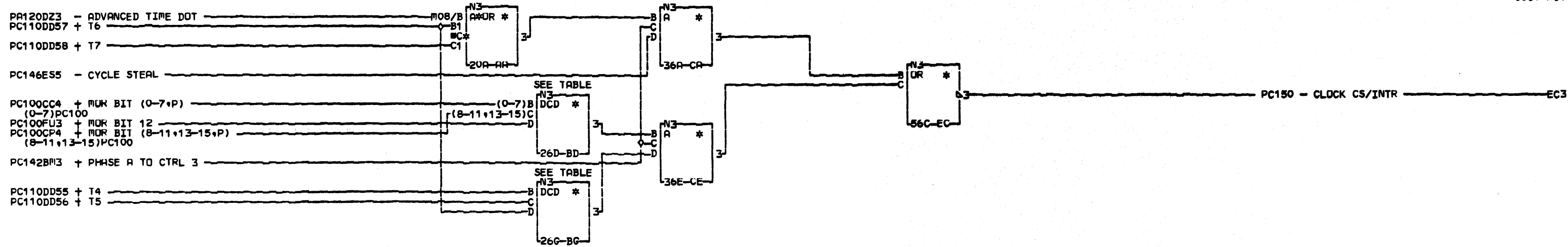
CARRY IN
CP SYSTEM CONTROL CARD
PN8266122 EC835015
LOC=1A-A1D2
USN 00008 PRI=18SEP80 1727
AUC= SEC
PFORM=KSEB NEXTBLK FF
RACH=5340000
CID PIDFE JOB K3801510

PC140

PC140

000

0001



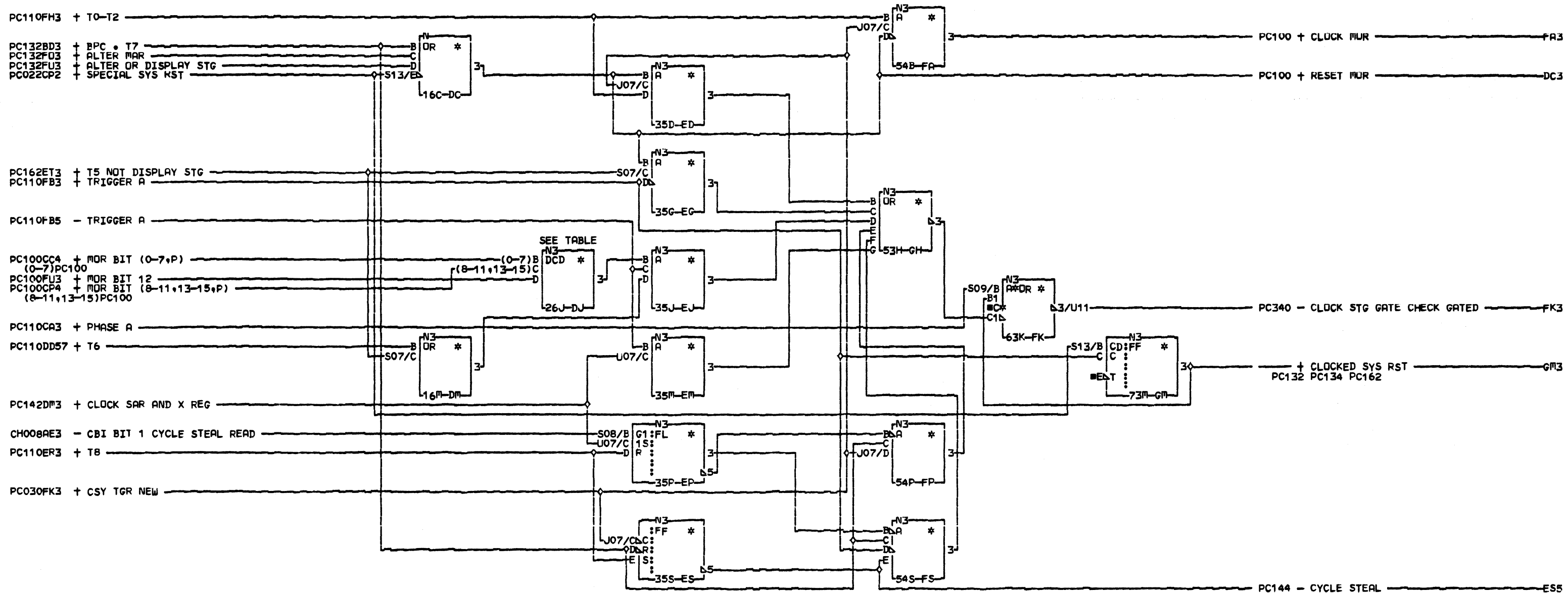
TABLE

INSTRUCTION	TIME	MDR BITS															
		0	1	2	3	4	5	6	7	8	9	10	11	12	13	14	15
BRANCH & LINK	BAL	5	0	0	0	1											
LOG/ARITH 1	LA1	5	0	1	1	0											
TEST MASK	TM	4	0	1	0	1											
LOG/ARITH 2	LA2	5	0	1	1	1											
SET OFF	SF	4	1	0	0	0											
SET ON	SN	4	1	0	0	1											
IMMEDIATE	IMM	4	1	0	1	0											
COMPARE IMM	CI	4	1	1	0	0											
SUBTRACT IMM	SI	4	1	1	0	1											
STORAGE DIRECT	SD	5	1	1	1	0			0								
MOVE LSK	ML	4	1	1	1	0			1								
HEX BRANCH	HB	4	1	1	1	1								0			
HEX MOVE	HM	5	1	1	1	1								1			
		6			0	1											
		6			1	0											
STORAGE	STG	6	0	1	0	0			1								

COMMENTS

D1 (C) COPYRIGHT IBM CORP. 1980

CLOCK CS/INTR
 CP SYSTEM CONTROL CARD
 PN9266124 EC835015
 LOC=1A-A1D2
 USN 00008 PRI=11SEP80 0852
 AUC= SEC
 PFORM=KSEB NEXTBLK ED
 MACH=5340000
 CID PIOFE JOB K3801510



TABLE

INSTRUCTION	TIME	WR	TGR	MOR BITS														
				0	1	2	3	4	5	6	7	8	9	10	11	12	13	14
I/O STORAGE	IDS	6	0	0	1	0	0											
I/O STORAGE	IDS	5		0	1	0	0							0	1			
STORAGE	STG	5		0	1	0	0							1	1			
	STG	6		0	1	0	0							1	0			
	STG	6	0	0	1	0	0							0				
STORAGE DIRECT	SD	6	0	1	1	1	0							0				
	SD	5		1	1	1	0	1						0				

16W-AS

COMMENTS
D1 (C)COPYRIGHT IBM CORP. 1980

CLK STG GT CHK
CP SYSTEM CONTROL CARD
PN8266125 EC835015
LOC=1A-A1D2
USN 00008 PRI=23SEP80 1351
AUC= SEC
PFORM=KSEB NEXTBLK GN
MACH=5340000
CID PIOFE JOB K3801510

PC146

PC146

PC132BD3 + BPC * T7
 PC022GD3 - NEW CSIPL CYCLE
 PC022CP2 + SPECIAL SYS RST
 CH008AF3 - CBI BIT 2 CYCLE STEAL ADRSEL 0

PC100CC4 + MOR BIT (0-7,P)
 (0-7)PC100
 CH008AG3 - CBI BIT 3 CYCLE STEAL ADRSEL 1
 PC132GY3 + DISPLAY LSR GATED
 PC100CP4 + MOR BIT (8-11,13-15,P)
 (8-11,13-15)PC100
 PC162FF3 + STATUS SEL 1

PC110FH3 + T0-T2
 PC110DD54 + T3
 PC110FK3 + T3-T5
 PC110DD55 + T4
 PC110FG3 + T4-T5
 PC110FT3 + T4 THRU T6
 PC110DD57 + T6
 PC100FU3 + MOR BIT 12

SEE TABLE
 N3 DCD *
 B C D E F H
 B04/G
 H 26F-CD

INSTRUCTION	TIME	MOR BITS															LSR ADDR BITS		
		0	1	2	3	4	5	6	7	8	9	10	11	12	13	14	15	3	4
MACHINE CHK INT																	0	1	0
FETCH	0-1-2																SEE NOTE		
BR ON COND	B0C 3	0	0	1	0	1	1	1	1							1			
I/O STG	I0S 4-5-6	0	1	0	0					0			X	X	X	SAME			
STORAGE	STG 3	0	1	0	0					1			X	X	X	AS MOR			
	STG 4-5	0	1	0	0					0			X	X	X	13-15			
	STG 4-5	0	1	0	0		X	X	X	1	1					SAME AS			
	STG 6	0	1	0	0		X	X	X	1	0					MOR 5-7			
	STG 6	0	1	0	0					1	1		X	X	X	MOR 13-15			
TEST MASK	TM 3-4	0	1	0	1		X	X	X							MOR 5-7			
LOG/ARITH 1	LA1 3	0	1	1	0							X	X	X		MOR 13-15			
	LA1 4-5	0	1	1	0		X	X	X							MOR 5-7			
LOG/ARITH 2	LA2 3	0	1	1	1							X	X	X		MOR 13-15			
	LA2 4-5	0	1	1	1		X	X	X							SAME			
SET OFF	SF 3-4	1	0	0	0		X	X	X							AS			
SET ON	SN 3-4	1	0	0	1		X	X	X							MOR			
IMMEDIATE	IM 3-4	1	0	1	0		X	X	X							5-7			
I/O IMMEDIATE	IOI 4-5-6	1	0	1	1							X	X	X		MOR 13-15			
COMPARE IMM	CI 3-4	1	1	0	0		X	X	X							SAME			
SUBTRACT IMM	SI 3-4	1	1	0	1		X	X	X							AS MOR			
STORAGE DIRECT	SD 4-5-6	1	1	1	0		X	X	X	0						5-7			
MOVE LSR	ML 3	1	1	1	0		X	X	X	1	0		X	X	X	MOR 5-7			
	4	1	1	1	0		X	X	X	1	0		X	X	X	MOR 13-15			
	4	1	1	1	0		X	X	X	1	0		X	X	X	MOR 13-15			
	4	1	1	1	0		X	X	X	1	1		X	X	X	MOR 5-7			
HEX BRANCH	HB 3	1	1	1	1		X	X	X							MOR 5-7			
HEX MOVE	HM 3	1	1	1	1							1	X	X	X	MOR 13-15			
	4-5	1	1	1	1		X	X	X		1					MOR 5-7			

NOTE
 THESE LSR ADDR BITS
 DEPEND UPON WHAT LSR
 YOU ARE SELECTING WITHIN
 A GIVEN INTERRUPT
 60U-AU

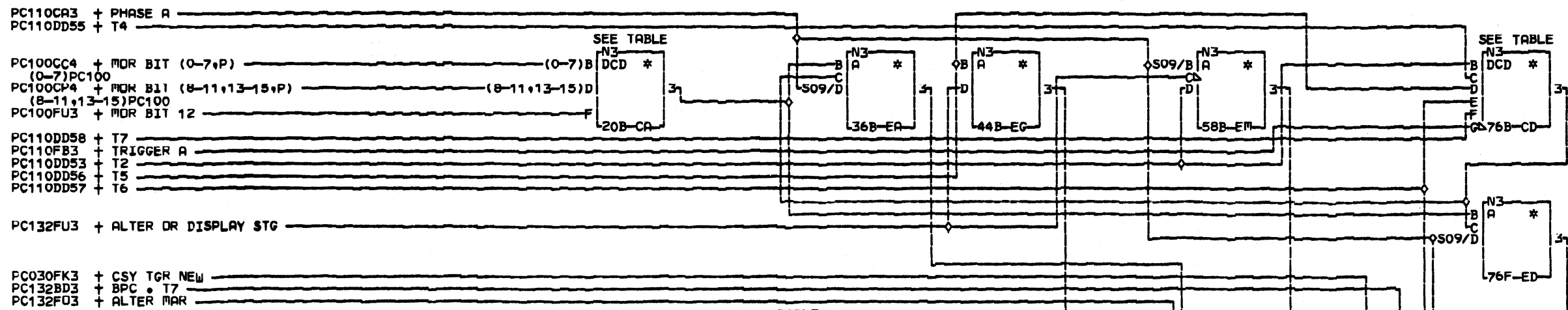
PC162FD3 + STATUS SEL 0 GATED
 PC162FH3 + STATUS SEL 2

COMMENTS
 D1 (C) COPYRIGHT IBM CORP. 1980

LSR ADDR BITS 3,4,5
 SYSTEM CONTROL CARD
 PN8266127 EC835015
 LDC=1A-A1D2
 USN 00008 PRI=18SEP80 1727
 AUC= SEC
 PFDRM=KSEB NEXTBLK FL
 MACH=5340000
 CID PIOFE JOB K3801510

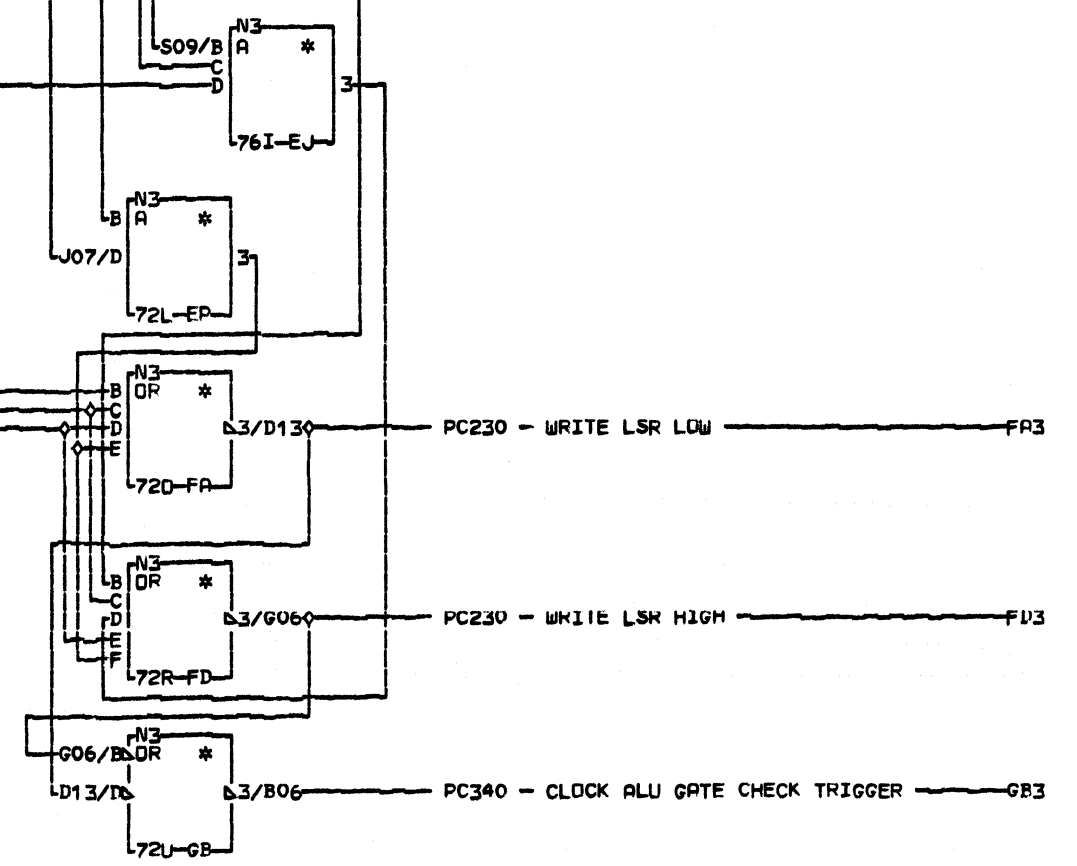
PC152

PC152



TABLE

INSTRUCTION	PHASE	TIME	TRA	MOR BITS IN															WRITE LSR	
				0	1	2	3	4	5	6	7	8	9	10	11	12	13	14	15	HIGH
BRANCH & LINK	BAL	A	4		0	0	0	1										1	1	
	BAL		5	0	0	0	0	1										1	1	
I/O BOC	IDB	A	6		0	0	1	1										0	1	
I/O STG	IDS	A	6		0	1	0	0		0								1	1	
	STG	A	5	0	0	1	0	0		1	0							1	1	
STORAGE	STG	A	6		0	1	0	0		1	1							1	1	
	STG	A	6		0	1	0	0	1									1	0	
	STG	A	6		0	1	0	0	0		1							0	1	
	STG	A	6		0	1	0	0		1	1							1	1	
LOG/ARITH 1	LA1		5	0	0	1	1	0	1									1	0	
	LP1		5	0	0	1	1	0	0									0	1	
LOG/ARITH 2	LA2		5	0	0	1	1	1	1									1	1	
	LA2		5	0	0	1	1	1	0									1	1	
10I-AK																				
SET OFF	SF	A	4		1	0	0	0	1									1	0	
	SF	A	4		1	0	0	0	0									0	1	
SET ON	SN	A	4		1	0	0	1	1									1	0	
	SN	A	4		1	0	0	1	0									0	1	
IMMEDIATE	IMM	A	4		1	0	1	0	1									1	0	
I/O IMMEDIATE	IOI		5	0	1	0	1	1		1	1							1	0	
	IOI		5	0	1	0	1	1		1	0							0	1	
SUBTRACT IMM	SI	A	4		1	1	0	1	1									1	0	
	SI	A	4		1	1	0	1	0									0	1	
STORAGE DIRECT	SD	A	6		1	1	1	0		0								1	1	
MOVE LSR	ML	A	4		1	1	1	0		1								1	1	
HEX BRANCH	HB	A	4		1	1	1	1					0					0	1	
HEX MOVE	HM		5	0	1	1	1	1	1					1				1	0	
	HM		5	0	1	1	1	1	0					1				0	1	
	HM		5	0	1	1	1	1		0	1							1	1	

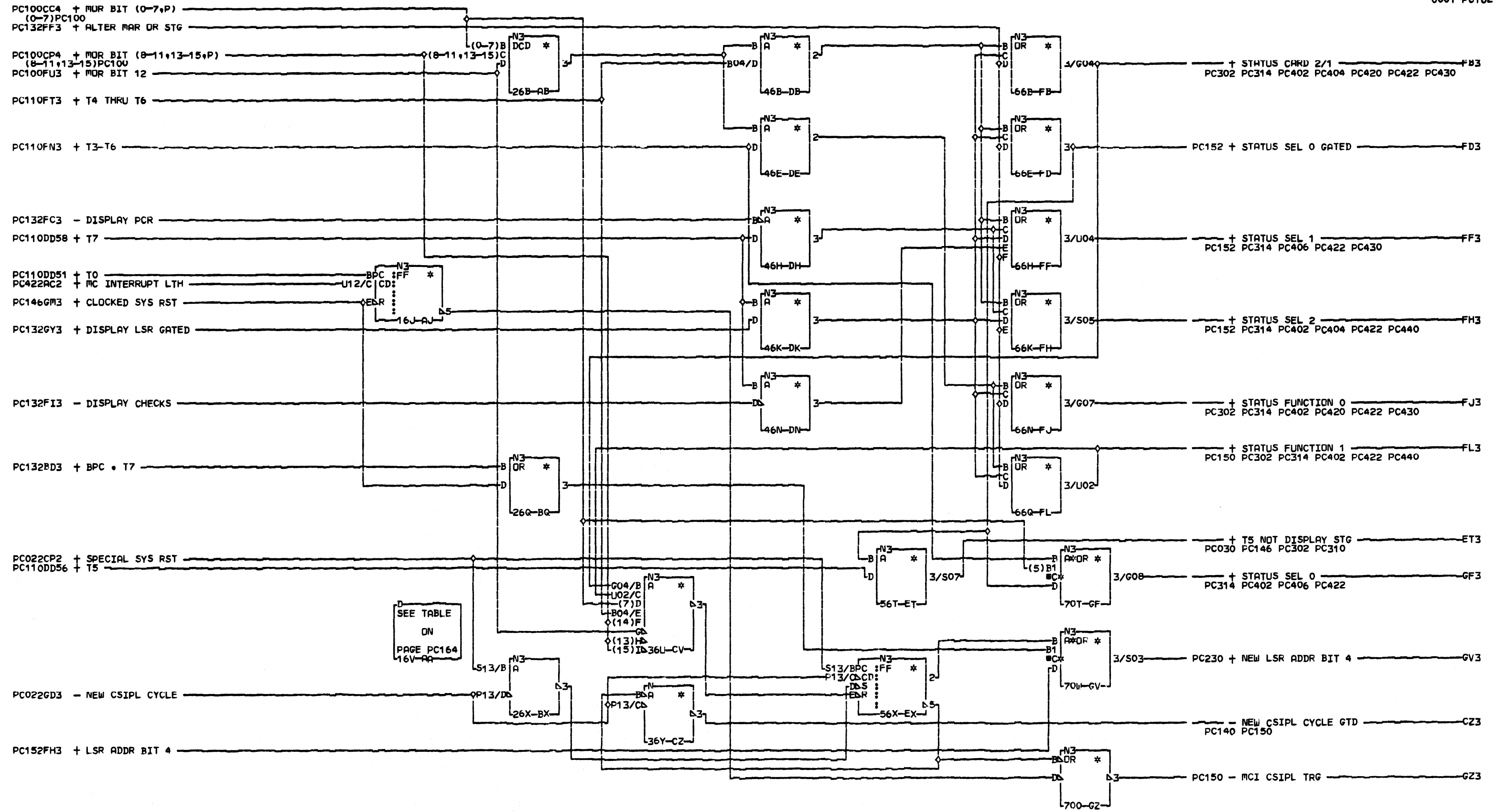


COMMENTS
D1 (C) COPYRIGHT IBM CORP. 1980

WRITE LSR HIGH/LOW
SYSTEM CONTROL CARD
PNB266128 EC835015
LDC=1A-A1D2
USN 00008 PRI=11SEP80 0852
AUC= SEC
PFORM=KSEB NEXTBLK GC
MACH=5340000
CID PIOFE JOB K3801510

P
C
1
6
0
0001

P
C
1
6
0
0001



COMMENTS
D1 (C) COPYRIGHT IBM CORP. 1980

STATUS SELECT SYSTEM CONTROL CARD		P C 1 6 2
PN8266129 EC835015		
LOC=1A-A1D2	USN 00008	P C 1 6 2
AUC#	PRI=11SEP80 0852	
PFORM#KSEB	SEC	
MACH#5340000	NEXTBLK GO	
CID PIOFE	JOB K3801510	0001

TABLE

INSTRUCTION		MOR BITS															
		0	1	2	3	4	5	6	7	8	9	10	11	12	13	14	15
LUG ARITH	LA	0	1	1	0					0							
LOG ARITH	LA	0	1	1	0					1							
LOG ARITH	LA	0	1	1	1												
LOG ARITH	LA	0	1	1	1					1							
TEST MASK	TM	0	1	0	1												
COMPARE IMM	CI	1	1	0	0												
SUBTRACT IMM	SI	1	1	0	1												
I/O IMMEDIATE	IOI																
SENSE SW 1/2		1	0	1	1	1	0	0	0	0	1	1	0				
CP ERROR BYTE		1	0	1	1	1	0	0	1	0	0	1	1	0			
SENSE PRCESSUR COND. REG		1	0	1	1	1	0	1	1	0	1	1	1	0			
CUNSOLE STATUS BYTE		1	0	1	1	0	1	0	0	0	1	1	1	0			
SENSE SW 3/4		1	0	1	1	0	1	0	1	0	1	1	0				

SENSE CLOCK LOW BYTE		1	0	1	1	0	1	1	0	0	1	1	0				
SENSE CLOCK HIGH BYTE		1	0	1	1	0	0	1	1	0	1	1	0				
LOAD PCR		1	0	1	1	0	0	0	0	1	0	1	1		X	X	X
RESET CARRY-SET EQUAL		1	0	1	1	0	0	0	0	1	0	1	0		1	1	1
RESET EVEN IND 2		1	0	1	1	0	0	1	0	1	0	1	0		1	1	1
RESET EVEN IND 3		1	0	1	1	0	0	1	0	1	0	1	0		1	1	1
RESET EVEN IND 4		1	0	1	1	0	0	1	0	1	0	1	0		1	1	1
RESET EVEN IND 5		1	0	1	1	0	0	1	0	1	0	1	0		1	1	1
RESET EVEN IND 6		1	0	1	1	0	0	1	1	0	1	0	1		1	1	1
RESET EVEN IND 7		1	0	1	1	0	1	1	1	0	1	0	1		1	1	1
SET FLAG		1	0	1	1	1	0	0	0	1	0	1	0		1	1	1
RESET FLAG		1	0	1	1	1	0	1	1	0	1	0	1		1	1	1
SET I/O SERVICE REQUEST		1	0	1	1	1	1	0	1	0	1	0	1		0	0	1
RESET I/O SERVICE REQUEST		1	0	1	1	1	1	1	1	0	1	0	1		0	0	1
PROCESSOR CHECK HALT		1	0	1	1	1	1	1	0	1	0	1	0		0	0	1
DISABLE CHECKS		1	0	1	1	1	1	1	0	1	0	1	0		0	1	0

ENABLE INTERRUPTS		1	0	1	1	1	1	1	0	1	0	1	0		1	0	1
DISABLE INTERRUPTS		1	0	1	1	1	1	1	0	1	0	1	0		1	1	0
ENABLE CHECKS		1	0	1	1	1	1	1	0	1	0	1	0		1	1	1
SET CP WORKING		1	0	1	1	1	1	1	1	1	0	1	0		0	0	0
RESET STOP LATCH		1	0	1	1	1	1	1	1	1	0	1	0		0	0	1
RESET MCI LATCH		1	0	1	1	1	1	1	1	1	0	1	0		0	0	1
RESET GO LATCH		1	0	1	1	1	1	1	1	1	0	1	0		0	0	1
ENABLE MICROLOOP TIMEDUT		1	0	1	1	1	1	1	1	1	0	1	0		0	0	0
SET STOP LATCH		1	0	1	1	1	1	1	1	1	0	1	0		0	0	1
RES RET/MICROLP TMOU & SET GO		1	0	1	1	1	1	1	1	1	0	1	0		0	0	1
SET RETRY		1	0	1	1	1	1	1	1	1	0	1	0		0	0	1
ENABLE I/O CLOCKS		1	0	1	1	1	1	1	1	1	0	1	0		1	0	0
RESET I/O CLOCKS		1	0	1	1	1	1	1	1	1	0	1	0		1	0	0
DISABLE I/O CLOCKS		1	0	1	1	1	1	1	1	1	0	1	0		1	1	1
RESET CP WORKING		1	0	1	1	1	1	1	1	1	0	1	0		1	0	1
PROCESSOR WAIT		1	0	1	1	1	1	1	1	1	0	1	0		1	1	0

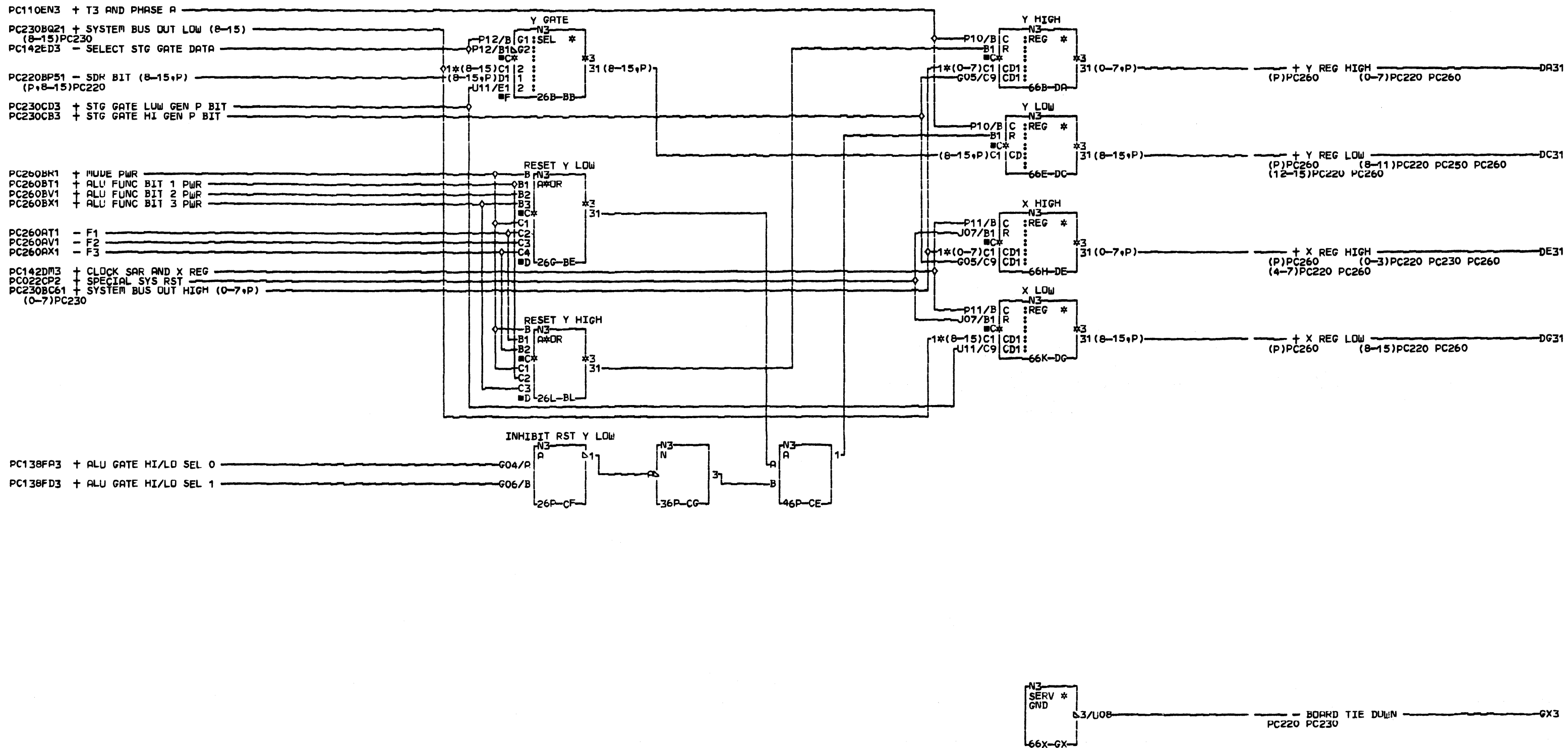
STATUS SELECT					
CD.2/1	FUN0	FUN1	SELO	SEL1	SEL2
0	1	0	0	0	0
0	1	1	0	0	0
0	1	1	0	0	0
0	1	1	0	0	0
0	1	0	0	0	0
0	1	0	0	0	0
0	0	0	1	0	1
0	0	0	1	1	0
1	0	0	X	0	0
1	0	0	X	0	1

1	0	0	X	1	0
1	0	0	X	1	1
0	0	1	1	0	0
0	0	1	1	0	1
0	0	1	1	1	0
0	0	1	1	1	1
0	0	1	1	1	1
0	0	1	1	1	1
0	0	1	1	1	1
0	0	1	1	1	1
0	0	1	1	1	1
0	0	1	1	1	1
1	0	1	1	1	0
1	0	1	1	1	0
1	0	1	1	1	0

1	0	1	1	1	0
1	0	1	1	1	0
1	0	1	1	1	0
1	0	1	1	1	0
1	0	1	1	1	0
1	0	1	1	1	0
1	0	1	1	1	0
1	0	1	1	1	0
1	0	1	1	1	0
1	0	1	1	1	0
1	0	1	1	1	0
1	0	1	1	1	0
1	0	1	1	1	0
1	0	1	1	1	0
1	0	1	1	1	0

COMMENTS
D1 (C) COPYRIGHT IBM CORP. 1980

STATUS SELECT
CP SYSTEM CONTROL CARD
PN8266130 EC835015
LOC=1A-A1D2
USN 00008 PRI=11SEP80 0852
AUC= SEC
PFORM=KSEB NEXTBLK AU
MACH=5340000
CID P10FE JOB K3801510

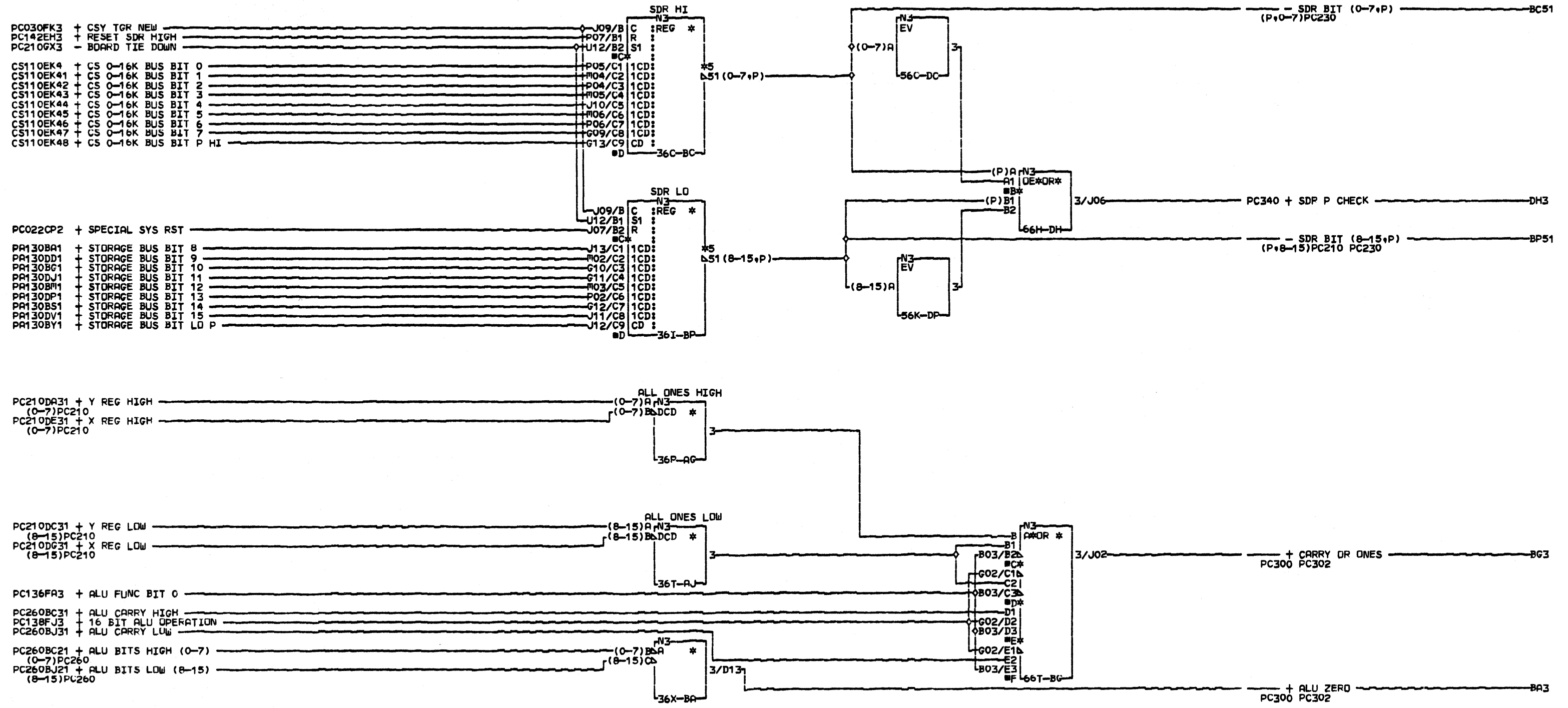


- PC110EN3 + T3 AND PHASE A
- PC230BQ21 + SYSTEM BUS OUT LOW (8-15)
(8-15)PC230
- PC142ED3 - SELECT STG GATE DATA
- PC220BP51 - SDR BIT (8-15,P)
(P,8-15)PC220
- PC230CD3 + STG GATE LOW GEN P BIT
- PC230CB3 + STG GATE HI GEN P BIT
- PC260BK1 + MUVE PWR
- PC260BT1 + ALU FUNC BIT 1 PWR
- PC260BV1 + ALU FUNC BIT 2 PWR
- PC260BX1 + ALU FUNC BIT 3 PWR
- PC260AT1 - F1
- PC260AV1 - F2
- PC260AX1 - F3
- PC142DM3 + CLOCK SAR AND X REG
- PC022CP2 + SPECIAL SYS RST
- PC230BC61 + SYSTEM BUS OUT HIGH (0-7,P)
(0-7)PC230
- PC138FA3 + ALU GATE HI/LO SEL 0
- PC138FD3 + ALU GATE HI/LO SEL 1

BOARD TIE DUNN
PC220 PC230

COMMENTS	PINS	PINS	PINS
D1 (C) COPYRIGHT IBM CORP. 1980	BB	C5/B07	C1/U02
	C1/U02	C6/B05	C2/U04
	C2/U04	C7/B11	C3/S02
	C3/S02	C8/D05	C4/S04
	C4/S04	DE	C5/U09
	C5/U09	C1/D12	C6/U10
	C6/U10	C2/D07	C7/S08
	C7/S08	C3/B12	C8/S10
	C8/S10	C4/E06	
	DA	C5/B07	
	C1/D12	C6/B05	
	C2/D07	C7/B11	
	C3/B12	C8/D05	
	C4/B06	DC	

X-Y REGISTERS
CP DATA FLOW CARD
PN8266131 EC835015
LOC=1A-A1E2
USN 00008 PRI=11SEP80 0852
ALC= SEC
PFORM=KSEB NEXTBLK GY
MACH=5340000
CID P10FE JOB K3801510



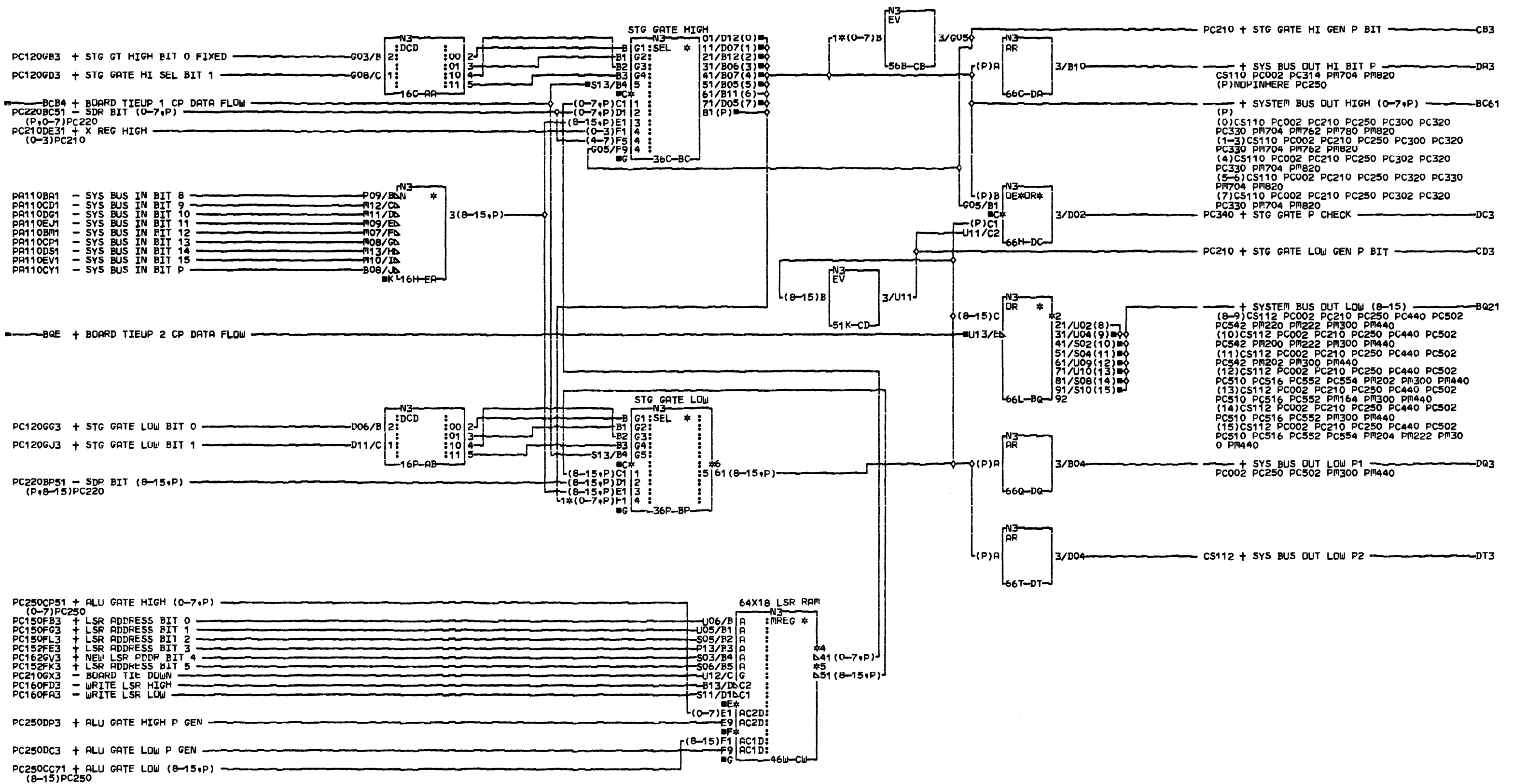
COMMENTS
D1 (C) COPYRIGHT IBM CORP. 1980

STORAGE DATA REGISTERS
 ALU ZERO/ONES/CARRY
 CP DATA FLOW CARD
 PN8266132 EC835015

LDC=1A-A1E2
 USN 00008 PRI=11SEP80 0852
 AUC= SEC
 PFORM=KSEB NEXTBLK DQ
 RACH=5340000
 CID PIDFE JOB K3801510

0001

0001



PC1206B3 + STG GT HIGH BIT 0 FIXED
 PC1206D3 + STG GATE HI SEL BIT 1
 BCB4 + BOARD TIEUP 1 CP DATA FLOW
 PC220BC51 - SDR BIT (0-7,P)
 (P,0-7)PC220
 PC210DE31 + X REG HIGH
 (0-3)PC210

PA110BA1 - SYS BUS IN BIT 8
 PA110CD1 - SYS BUS IN BIT 9
 PA110DG1 - SYS BUS IN BIT 10
 PA110EJ1 - SYS BUS IN BIT 11
 PA110BM1 - SYS BUS IN BIT 12
 PA110CP1 - SYS BUS IN BIT 13
 PA110DS1 - SYS BUS IN BIT 14
 PA110EV1 - SYS BUS IN BIT 15
 PA110CY1 - SYS BUS IN BIT P

BQE + BOARD TIEUP 2 CP DATA FLOW

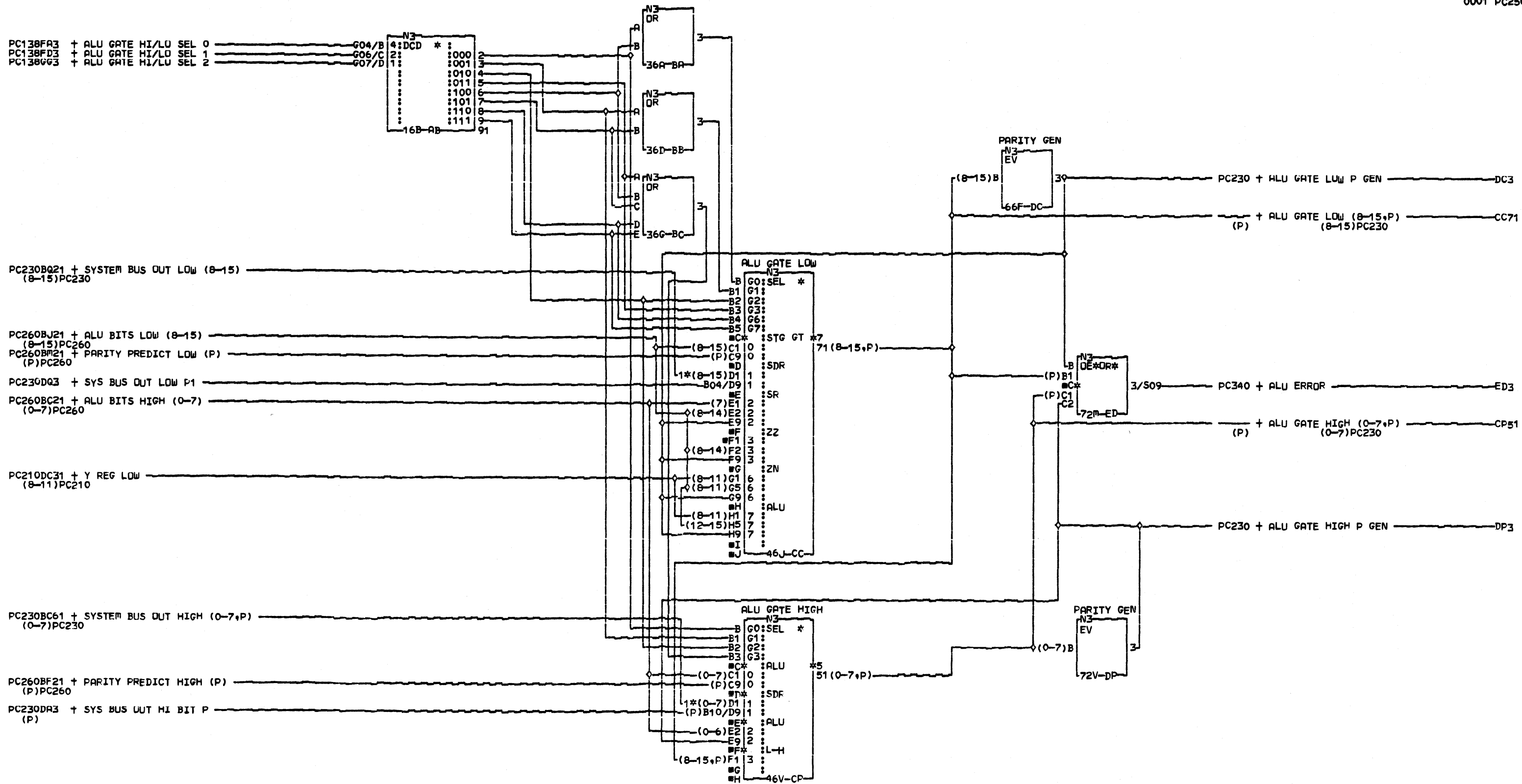
PC120GG3 + STG GATE LOW BIT 0
 PC120GJ3 + STG GATE LOW BIT 1
 PC220BP51 - SDR BIT (8-15,P)
 (P,8-15)PC220

PC250CP51 + ALU GATE HIGH (0-7,P)
 (0-7)PC250
 PC150FB3 + LSR ADDRESS BIT 0
 PC150FG3 + LSR ADDRESS BIT 1
 PC150FL3 + LSR ADDRESS BIT 2
 PC152FE3 + LSR ADDRESS BIT 3
 PC162GV3 + NEW LSR ADDR BIT 4
 PC152FK3 + LSR ADDRESS BIT 5
 PC210GX3 - BOARD TIE DOWN
 PC160FD3 - WRITE LSR HIGH
 PC160FR3 - WRITE LSR LOW
 PC250DP3 + ALU GATE HIGH P GEN
 PC250DC3 + ALU GATE LOW P GEN
 PC250CC71 + ALU GATE LOW (8-15,P)
 (8-15)PC250

PC210 + STG GATE HI GEN P BIT - CB3
 + SYS BUS OUT HI BIT P - DA3
 CS110 PC002 PC314 PM704 PM820
 (P)NDPINHERE PC250
 + SYSTEM BUS OUT HIGH (0-7,P) - BC61
 (P)
 (0)CS110 PC002 PC210 PC250 PC300 PC320
 PC330 PM704 PM762 PM780 PM820
 (1-3)CS110 PC002 PC210 PC250 PC300 PC320
 PC330 PM704 PM762 PM820
 (4)CS110 PC002 PC210 PC250 PC302 PC320
 PC330 PM704 PM820
 (5-6)CS110 PC002 PC210 PC250 PC320 PC330
 PM704 PM820
 (7)CS110 PC002 PC210 PC250 PC302 PC320
 PC330 PM704 PM820
 PC340 + STG GATE P CHECK - DC3
 PC210 + STG GATE LOW GEN P BIT - CD3
 + SYSTEM BUS OUT LOW (8-15) - BQ21
 (8-9)CS112 PC002 PC210 PC250 PC440 PC502
 PC542 PM220 PM222 PM300 PM440
 (10)CS112 PC002 PC210 PC250 PC440 PC502
 PC542 PM200 PM222 PM300 PM440
 (11)CS112 PC002 PC210 PC250 PC440 PC502
 PC542 PM202 PM300 PM440
 (12)CS112 PC002 PC210 PC250 PC440 PC502
 PC510 PC516 PC552 PM164 PM300 PM440
 (13)CS112 PC002 PC210 PC250 PC440 PC502
 PC510 PC516 PC552 PM164 PM300 PM440
 (14)CS112 PC002 PC210 PC250 PC440 PC502
 PC510 PC516 PC552 PM300 PM440
 (15)CS112 PC002 PC210 PC250 PC440 PC502
 PC510 PC516 PC552 PC554 PM204 PM222 PM300
 PM440
 + SYS BUS OUT LOW P1 - DQ3
 PC002 PC250 PC502 PM300 PM440
 CS112 + SYS BUS OUT LOW P2 - DT3

COMMENTS	PINS	PINS
D1 (C)COPYRIGHT IBM CORP. 1980	BP	B4/B07
	F1/D12	B5/B05
	F2/D07	B6/B11
	F3/B12	B7/D05
	F4/B06	
	F5/B07	
	F6/B05	
	F7/B11	
	F8/D05	
	CB	
	B0/D12	
	B1/D07	
	B2/B12	
	B3/B06	

STORAGE GATE HIGH/LOW
 CP DATA FLOW CARD
 PN8266133 Ec835015
 LOC=1A-A1E2
 USN 00008 PRI=11SEP80 0852
 AUC= SEC
 PFORM=KSEB NEXBLK EB
 MACH=5340000
 CID PIOFE JOB K3801510

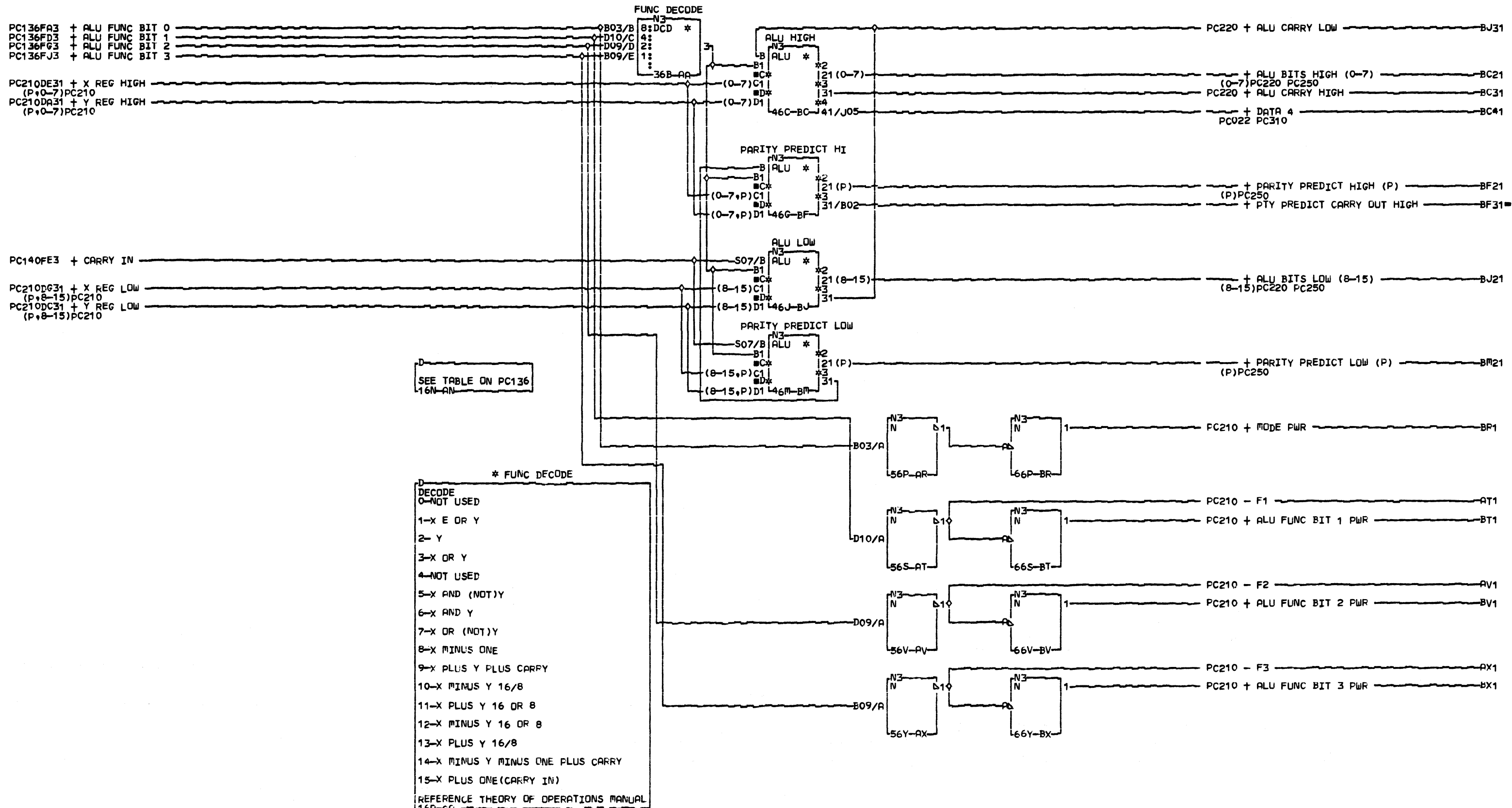


COMMENTS	PINS	PINS
D1 (C) COPYRIGHT IBM CORP. 1980	CC	D5/B07
	D1/U02	D6/B05
	D2/U04	D7/B11
	D3/S02	D8/D05
	D4/S04	
	D5/U09	
	D6/U10	
	D7/S08	
	D8/S10	
	CP	
	D1/D12	
	D2/D07	
	D3/B12	
	D4/B06	

ALU GATE HIGH/LOW
CP DATA FLOW CARD
PN8266134 EC835015
LDC=1A-A1E2
USN 00008 PRI=11SEP80 0852
AUC= SEC
PFORM=KSEB NEXTBLK EE
MACH=5340000
CID FIOFE JOB K3801510

0001

PC250



SEE TABLE ON PC136

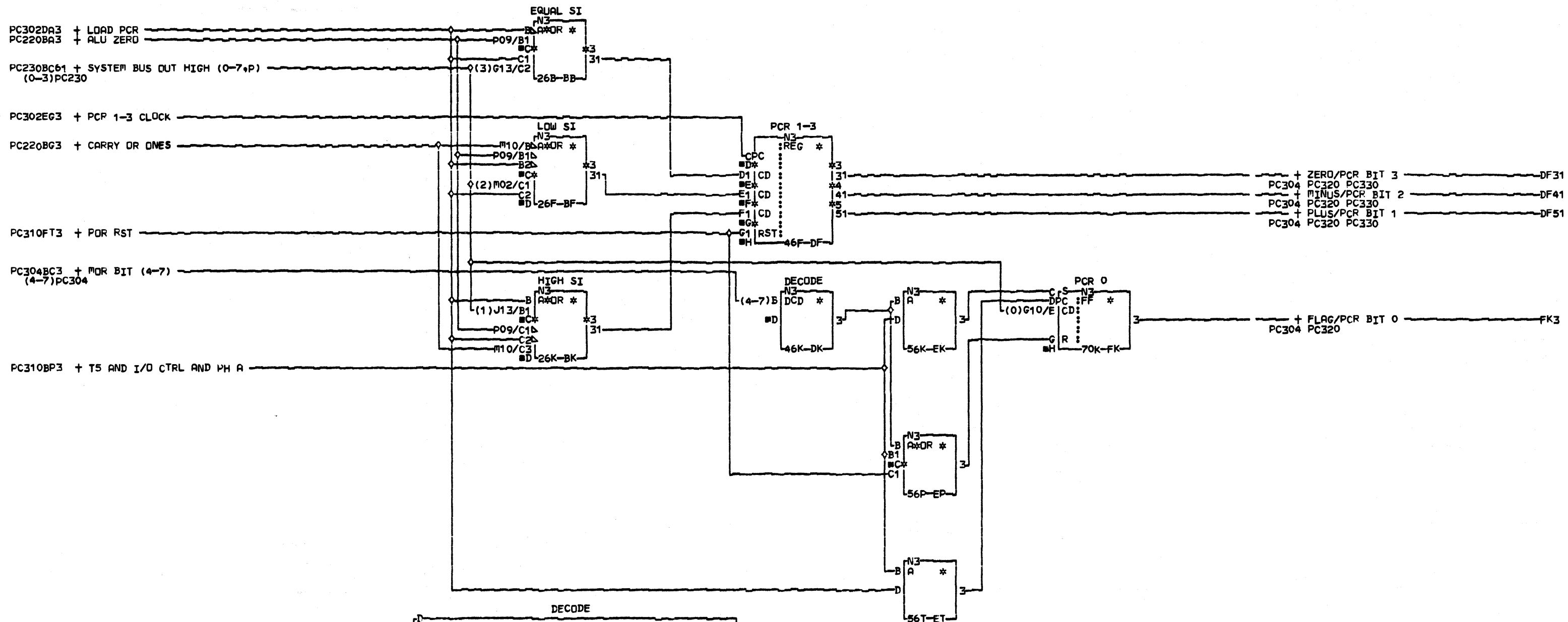
*** FUNC DECODE**

0	NOT USED
1	X E OR Y
2	Y
3	X OR Y
4	NOT USED
5	X AND (NOT)Y
6	X AND Y
7	X OR (NOT)Y
8	X MINUS ONE
9	X PLUS Y PLUS CARRY
10	X MINUS Y 16/B
11	X PLUS Y 16 OR B
12	X MINUS Y 16 OR B
13	X PLUS Y 16/B
14	X MINUS Y MINUS ONE PLUS CARRY
15	X PLUS ONE (CARRY IN)

REFERENCE THEORY OF OPERATIONS MANUAL
16R-GF

COMMENTS
D1 (C) COPYRIGHT IBM CORP. 1980

ALU HIGH/LOW
CP DATA FLOW CARD
PN8266135 EC835015
LOC=1A-A1F2
USN 00008 PRI=11SEP80 0852
AUC= SEC
PFOR=KSEB NEXTBLK GB
MACH=5340000
CID PIOFE JOB K3801510



DECODE

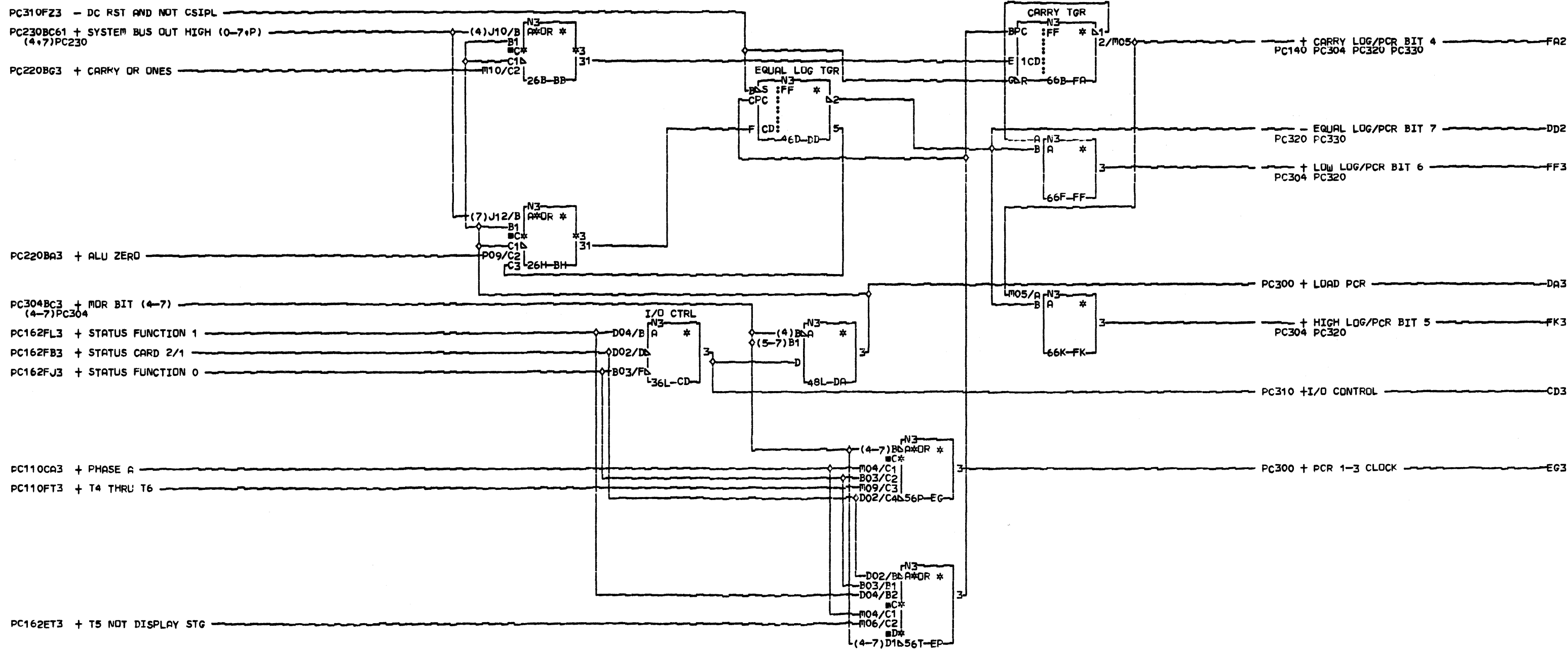
	MOR BIT	T5	I/O CTRL	PH A	SYS RST
CONDITION	0 4 5 6 7				
SET PCR	0 1 0 0 0			1	
RST PCR	0 1 0 1 1			1	
RST PCT	0				1

COMMENTS
D1 (C) COPYRIGHT IBM CORP. 1980

PRDC COND REG 0-3
CP STATUS 1 CARD
PN8266136 EC835015
LDC=1A-A1F2
USN 00008 PRI=11SEP80 0852
AUC# SEC
FFOR#K5EE NEXTBLK FL
MACH=5340000
CID PIDFE JOB K3801510

0000
0001

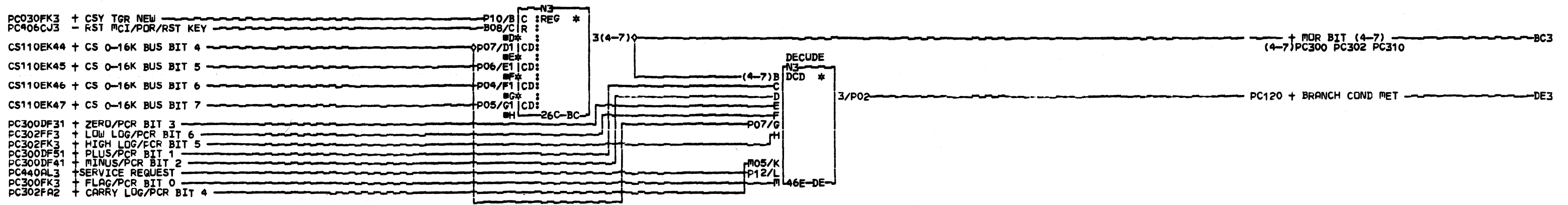
P
C
E
O
0001



COMMENTS
D1 (C) COPYRIGHT IBM CORP. 1980

PROC COND REG 4-7
PCP CLOCKS
CP STATUS 1 CARD
PN8266137 EC835015

LOC=1A-A1F2
USN 00008 PRI=11SEP80 0852
AUC= SEC
PFORM=KSER NEXTBLK FL
PACH=5340000
CID PIOFE JOB K3801510

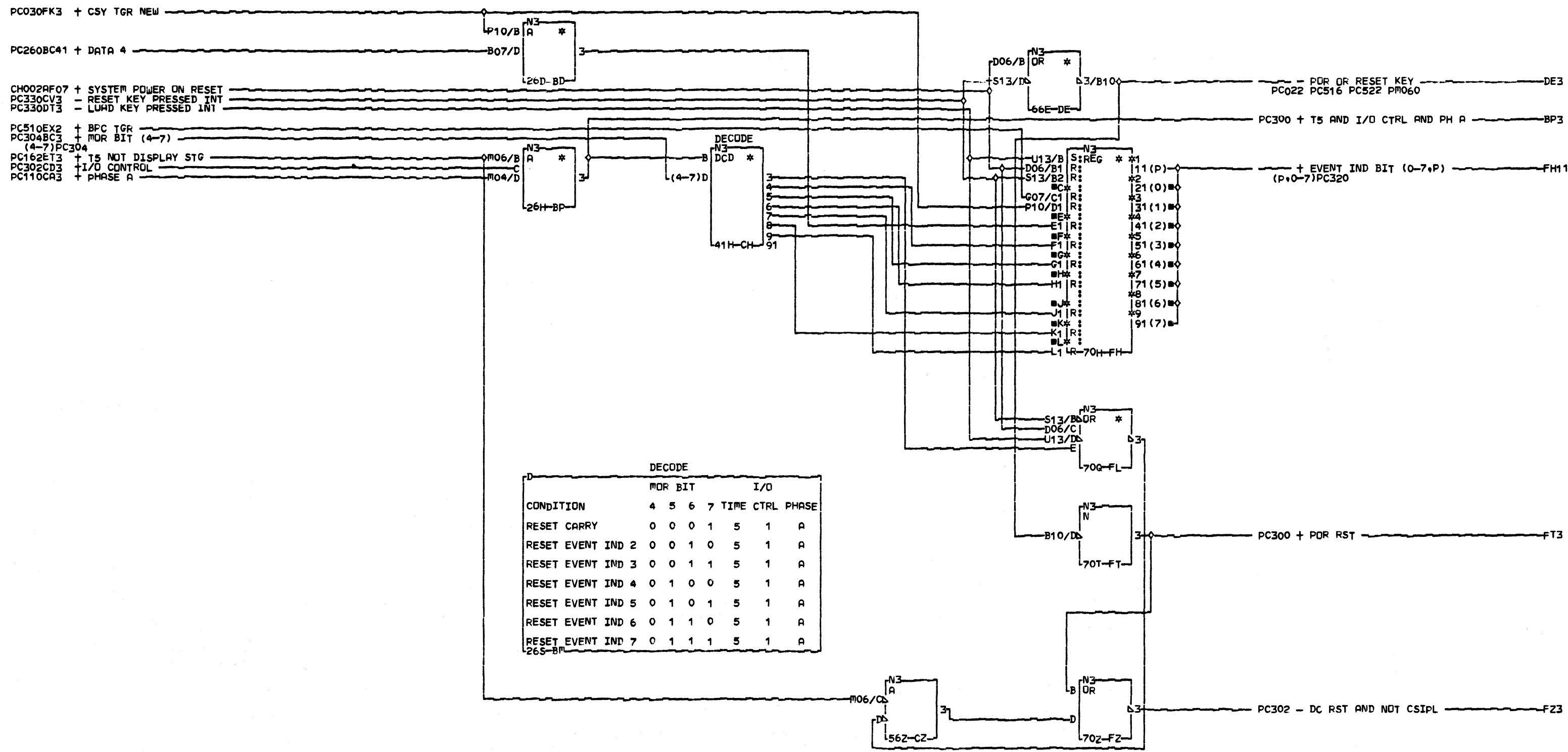


DECORDE

CONDITION	MDR BIT				PCR BIT							BR COND MET	
	4	5	6	7	0	1	2	3	4	5	6		7
NOT HIGH LOG	1	0	0	1						0			1
HIGH LOG	0	0	0	1						1			1
CARRY LOG	0	0	0	0					1				1
NOT LOW LOG	1	0	1	0							0		1
LOW LOG	0	0	1	0							1		1
NCT EQUAL LOG	1	0	1	1								0	1
EQUAL LOG	0	0	1	1								1	1
NOT PLUS	1	1	0	0		0							1
PLUS	0	1	0	0		1							1
NOT MINUS	1	1	0	1			0						1
MINUS	0	1	0	1			1						1
NOT ZERO	1	1	1	0				0					1
ZERO	0	1	1	0				1					1
FLAG	0	1	1	1		1							1
SERVICE REQUEST	1	0	0	0									1

COMMENTS
 D1 (C)COPYRIGHT IBM CORP. 1980

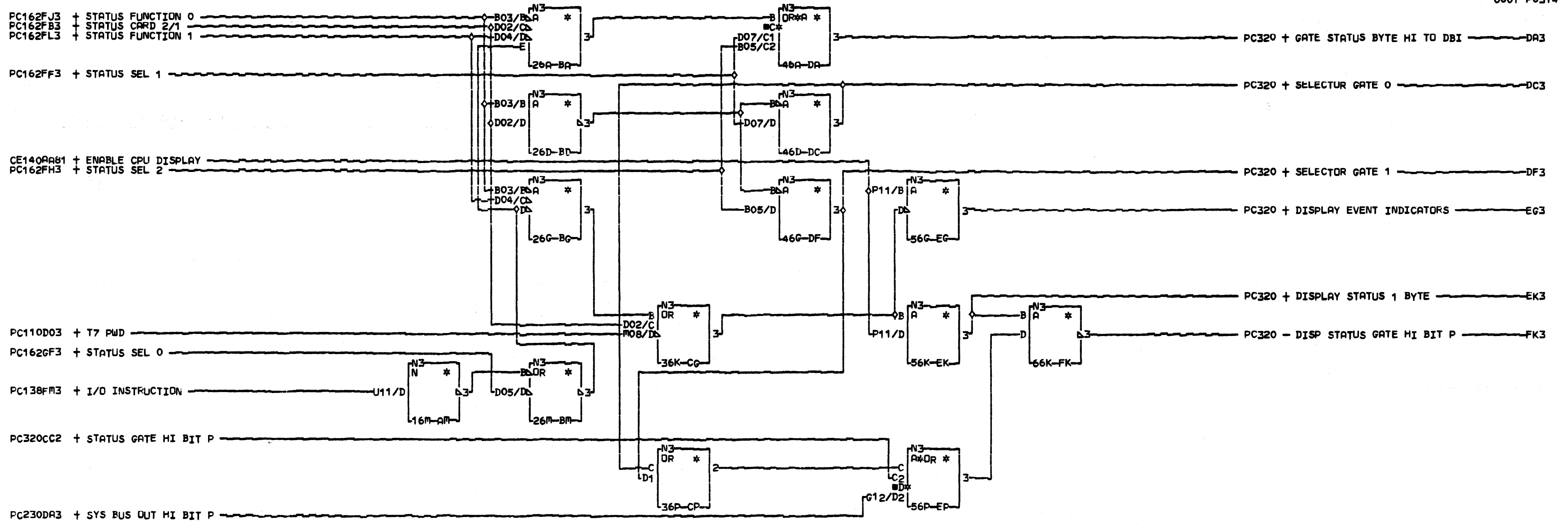
BR COND MET
 CP STATUS 1 CARD
 PN8266138 EC835015
 LDC=1A-A1F2
 USN 00008 PRI=11SEP80 0852
 AUC= SEC
 PFOFM=KSEB NEXTBLK DF
 MACH=5340000
 CID P10FE JOB K3801510



CONDITION	MOR BIT				I/O	
	4	5	6	7	TIME CTRL	PHASE
RESET CARRY	0	0	0	1	5	1 A
RESET EVENT IND 2	0	0	1	0	5	1 A
RESET EVENT IND 3	0	0	1	1	5	1 A
RESET EVENT IND 4	0	1	0	0	5	1 A
RESET EVENT IND 5	0	1	0	1	5	1 A
RESET EVENT IND 6	0	1	1	0	5	1 A
RESET EVENT IND 7	0	1	1	1	5	1 A

COMMENTS
D1 (C) COPYRIGHT IBM CORP. 1980

EVENT IND 0-7,P
CP STATUS 1 CARD
PN 8266139 EC 835015
LOC#1A-A1F2
USN 00008 PRI#23SEP80 1351
AUC# SEC
PFOFM#KSEB NEXTBLK FO
MACH#5340000
CID PIDFE JOB K3801510



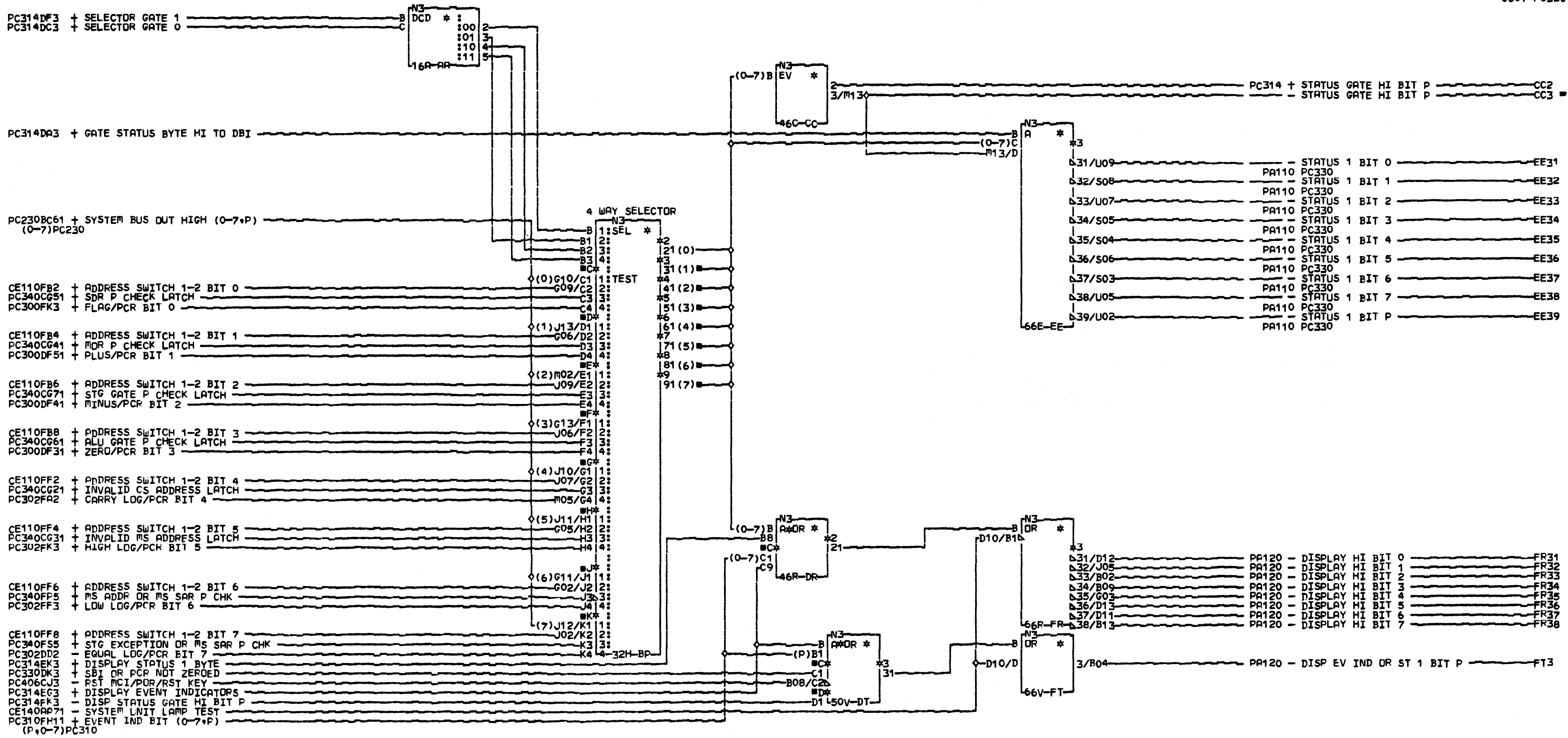
COMMENTS

D1 (C) COPYRIGHT IBM CORP. 1980

CONTROL DECODES
 CP STATUS 1 CARD
 FN8266140 EC835015
 LOC=1A-A1F2
 USN 00008 PRI=18SEP80 1727
 AUC= SEC
 PFORM=KSEB NEXTBLK FL
 MACH=5340000
 CID PIOFE JOB K3801510

P
C
3
1
4
0001

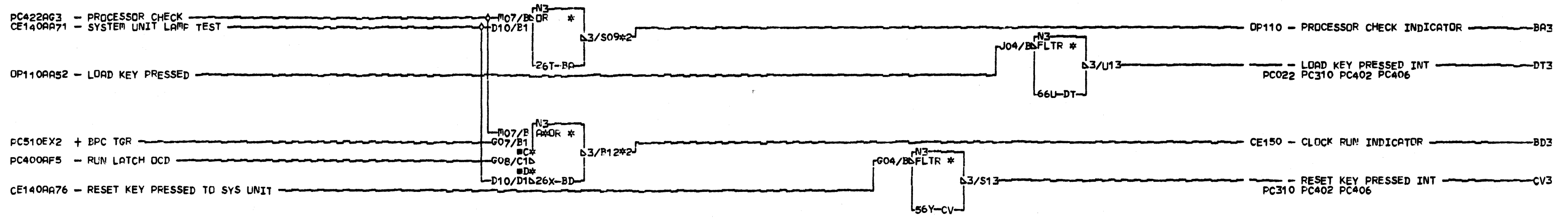
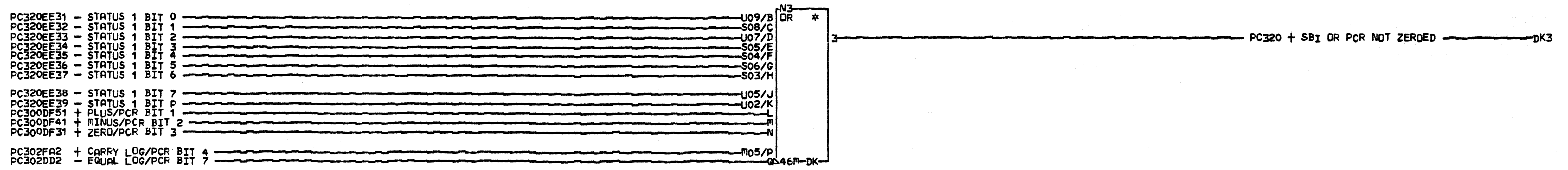
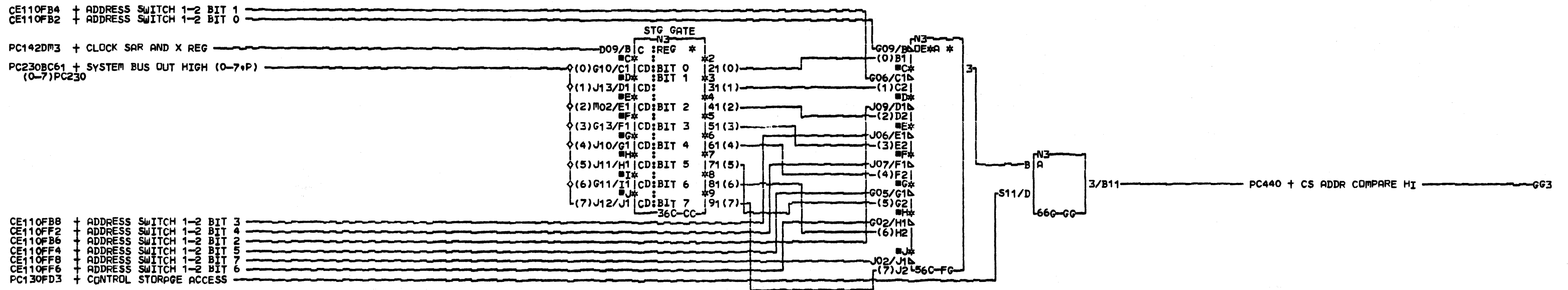
P
C
3
1
4
0001



COMMENTS

D1 (C)COPYRIGHT IBM CORP. 1980

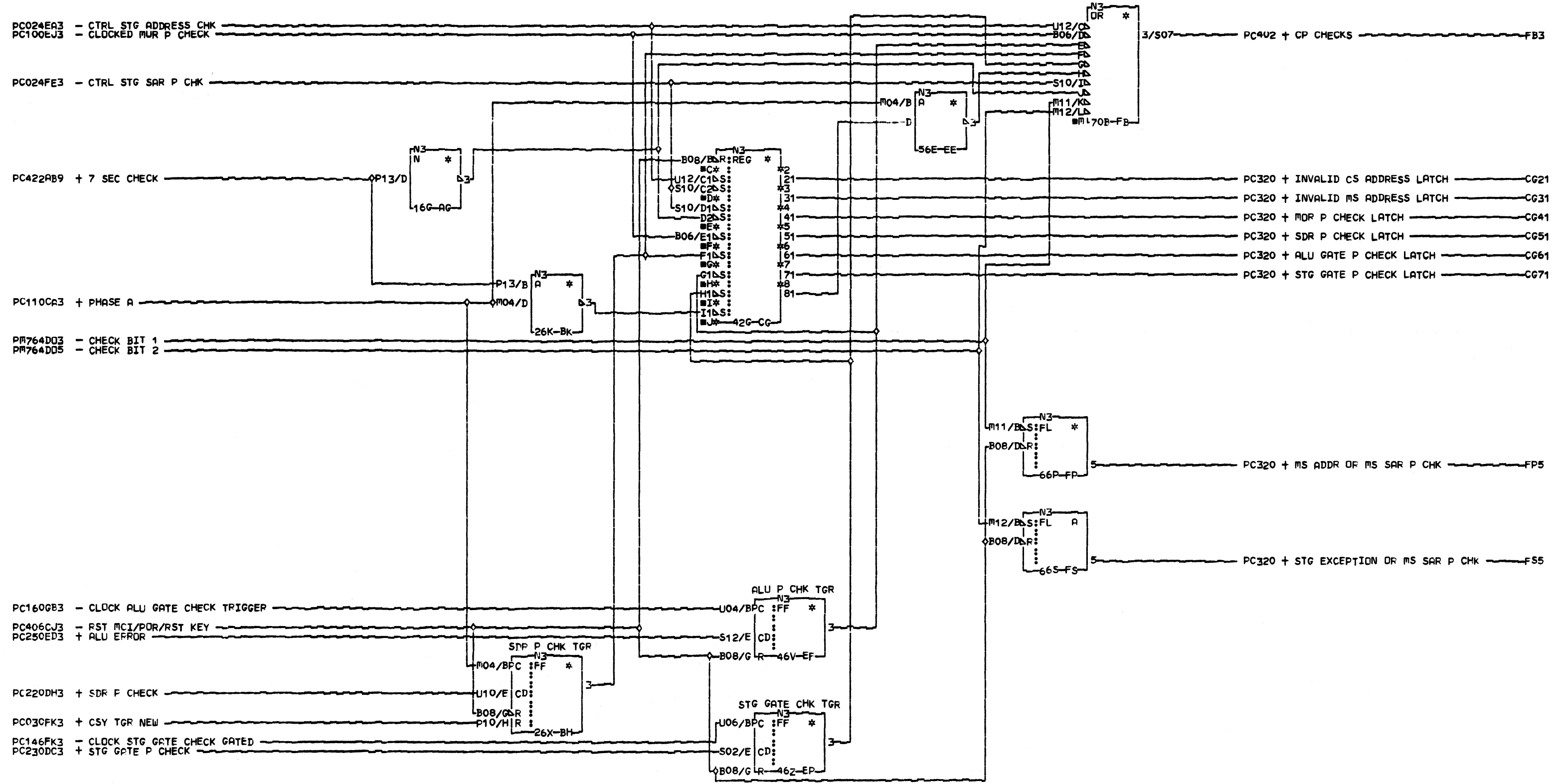
4 WAY SEL AND DISPLAY HI BIT
 CP STATUS 1 CARD
 PN8266141 EC835015
 LOC=1A-A1F2
 USN 00008 PRI=18SEP80 1727
 AUC= SEC
 PFORM=KSEE NEXTBLK FU
 MACH=5340000
 CID P10FE JOB K3801510



COMMENTS	CONNECTORS	ADDRESS COMPARE HI BYTE CP STATUS 1 CARD
D1 (C) COPYRIGHT IBM CORP. 1980	BA3 0001/1A-A1/A2B12 BD3 0002/1A-A1/A3B11	PN8266142 EC835015 LOC=1A-A1F2 USN 00008 PRI=23SEP80 1351 ALC= PF0RM=KSEB SEC MACH=5340000 NEXTBLK GH CID PIOFE JOB K3801510

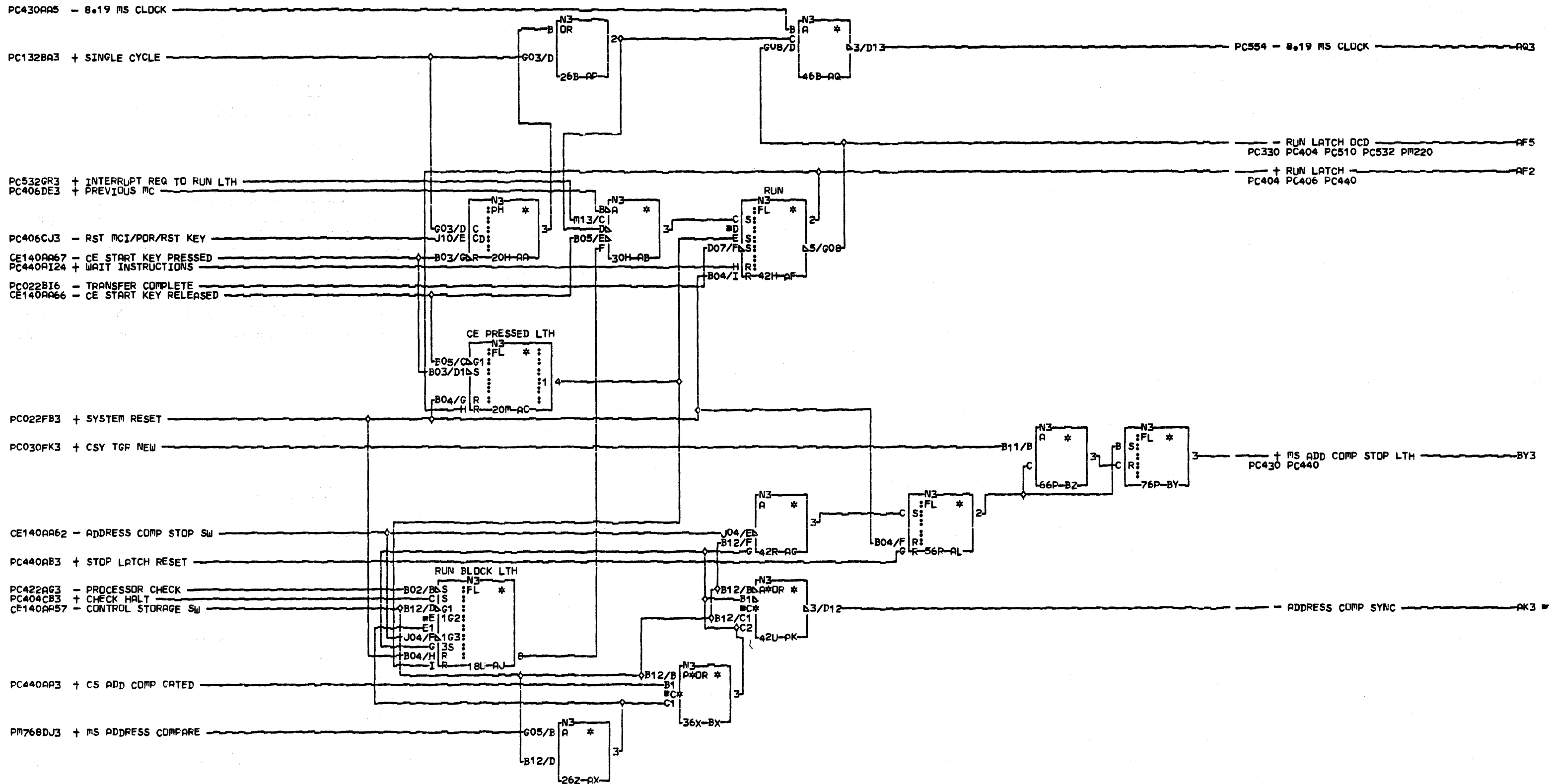
P C M M O
0001

P C M M O
0001



COMMENTS
D1 (C) COPYRIGHT IBM CORP. 1980

CHECK LATCHES
CP STATUS 1 CARD
PN 8266143 EC 835015
LOC=1A-A1F2
USN 00008 PRI=11SEP80 0852
AUC# SEC
PF0RM#KSEB NEXTBLK FT
MACH=5340000
CID PI0FE JOB K3801510



COMMENTS
D1 (C) COPYRIGHT IBM CORP. 1980

RUN LTH, ADD COMP LTH
ADD COMP SYNC
CP STATUS 2 CARD
PN8266144 EC835015

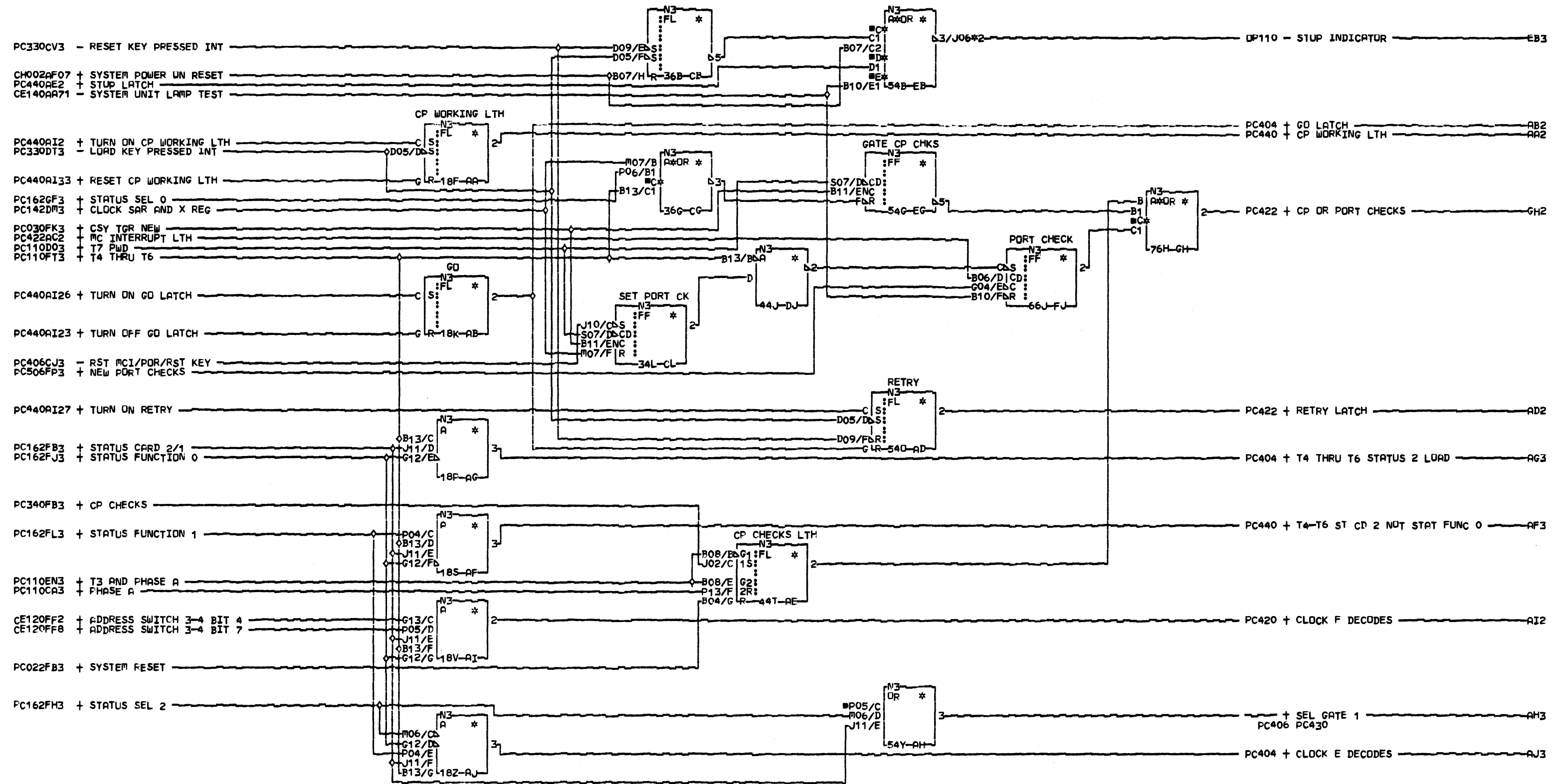
LDC=1A-P1G2

USN 00008 PRI=24SEP80 0817

RUC= SEC
PFORM=KSEB NEXTBLK B0
MACH=5340000 JOB K3801510
CID P10FE

PC
4
0
0
0001

P
C
4
0
0
0001

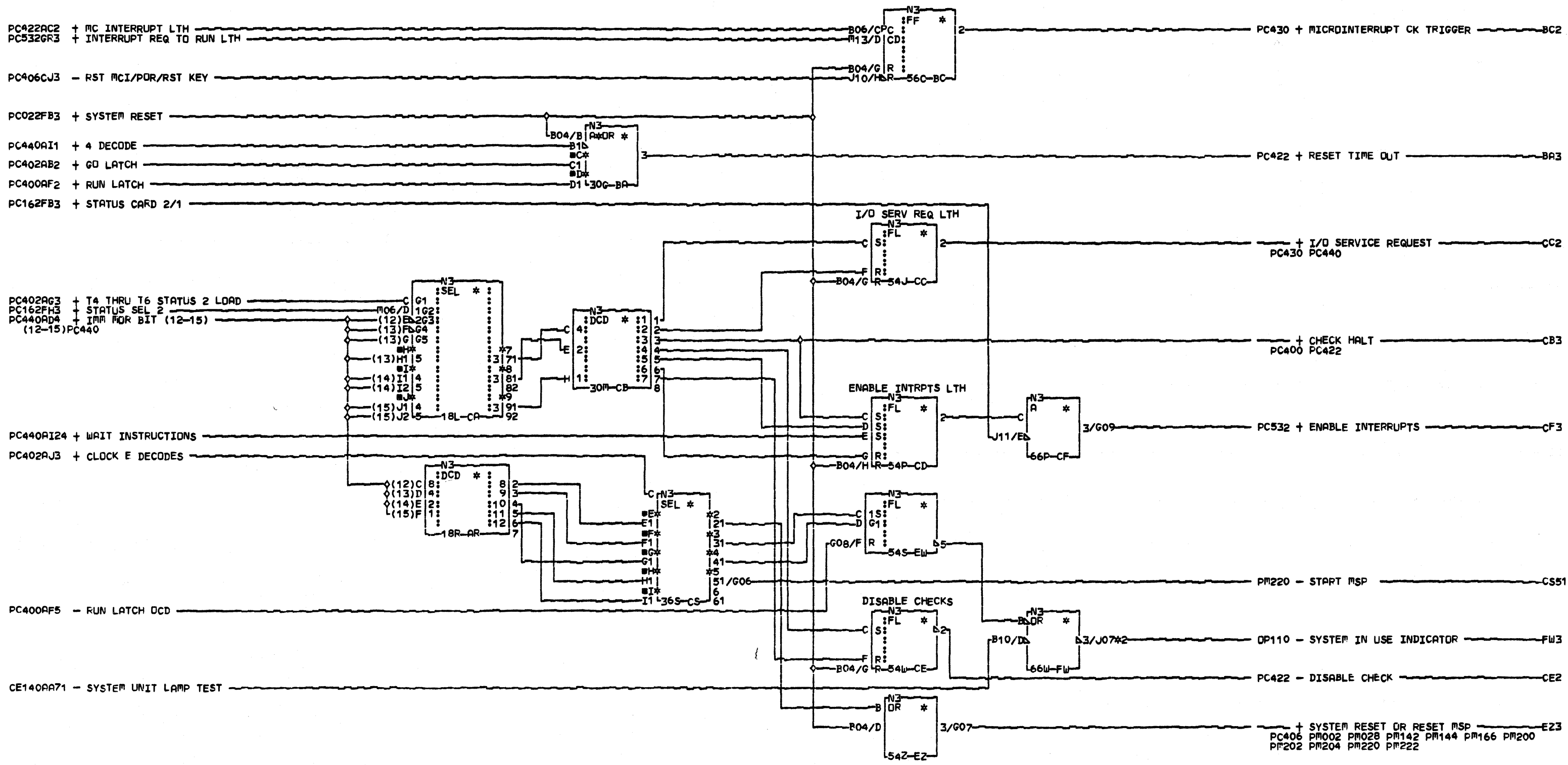


COMMENTS
D1 (C) COPYRIGHT IBM CORP. 1980

CONNECTORS
EB3
0001/1A-A1/A2D09

IMMEDIATE DECODE
 CP STATUS 2 CARD
 PN8266145 EC835015

LDC=1A-A1G2
 USN 00008 PRI=18SEP80 1727
 AUC= SEC
 PFORM=KSEB NEXTBLK GI
 MACH=5340000
 CID PIOFE JOB K3801510



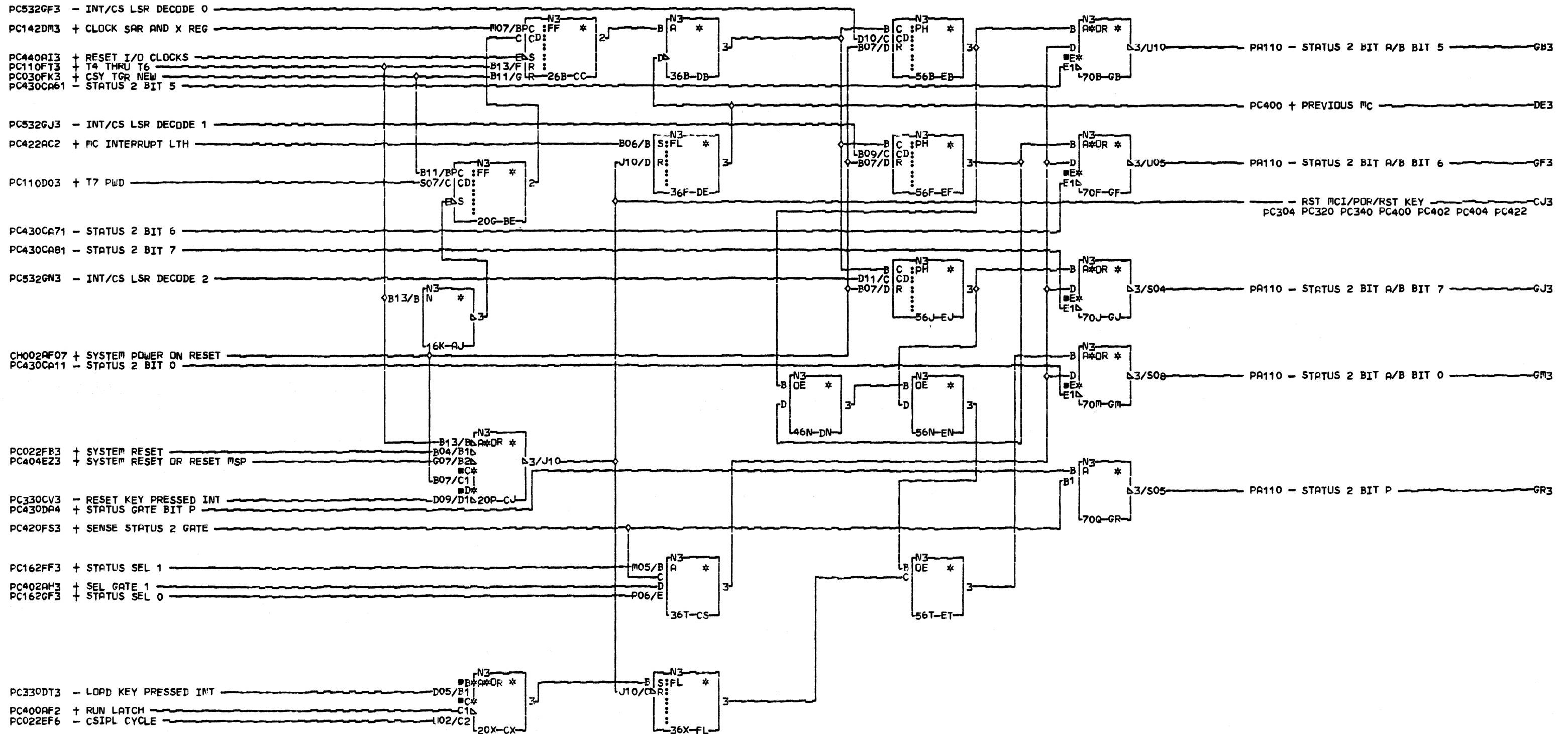
COMMENTS
D1 (C)COPYRIGHT IBM CORP. 1980

CONNECTORS
FW3
0001/1A-A1/A2D05
0002/1A-A1/A2D06

DECODES
CP STATUS 2 CARD
PN 8266146 EC 835015
LOC=1A-A1G2
USN 00008 PRI=18SEP80 1727
AUC= SEC
PFORM=KSEB NEXTBLK FX
MACH=5340000
CID P10FE JOB K3801510

PC404
0001

PC404
0001



COMMENTS

D1 (C)COPYRIGHT IBM CORP. 1980

CHECK INTERRUPT
CP STATUS 2 CARD

FN 8266147 EC 835015

LOC=1A-A1G2

USN 00008

AUC=

PFDRM=KSEE

MACH=5340000

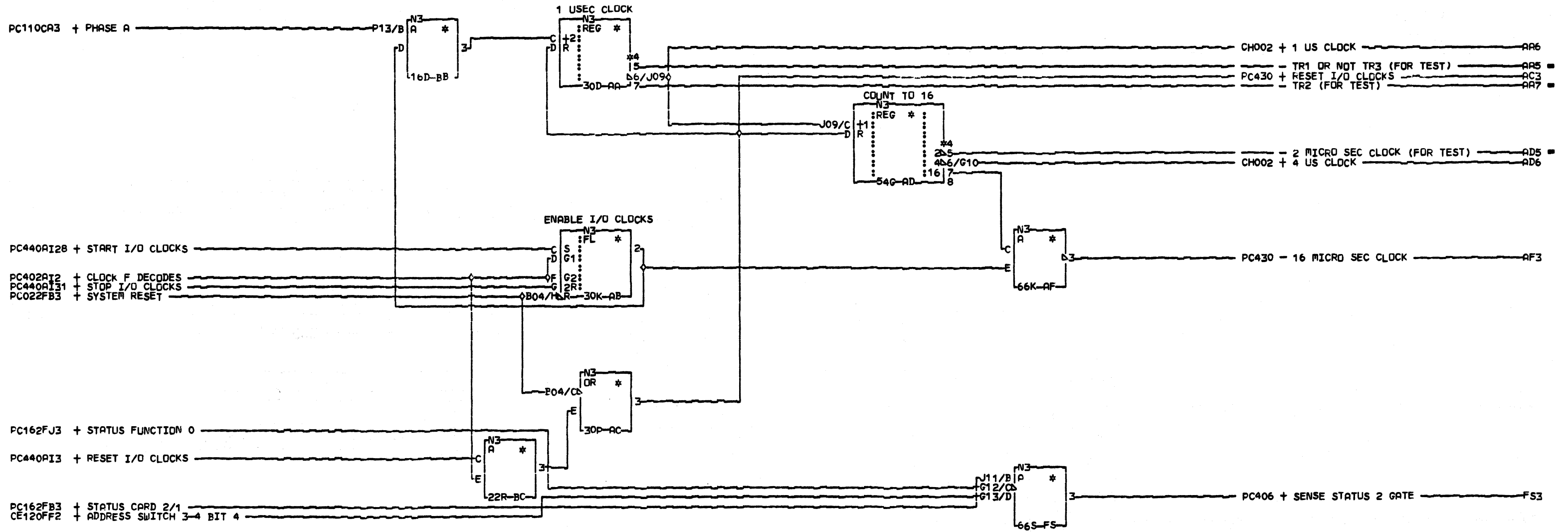
CID P10FE

PRI=18SEP80 1727

SEC

NEXTBLK GS

JOB K3801510



COMMENTS

D1 (C) COPYRIGHT IBM CORP. 1980

I/O CLOCKS
 DISP SYS BUS OUT 12-15
 CP STATUS 2 CARD
 PN8266148 EC835015

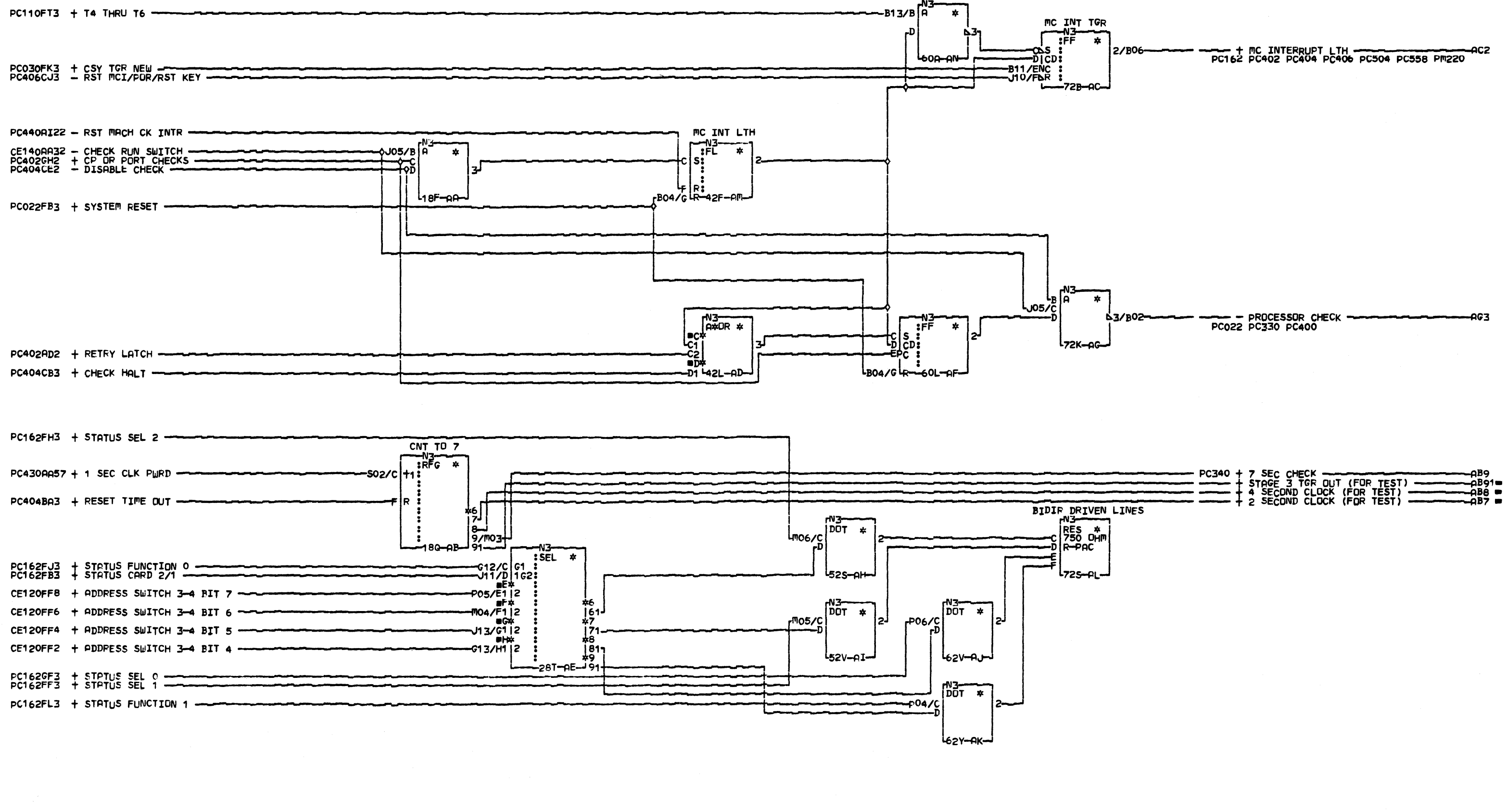
L0C=1A-A1G2
 USN 00008 PRI=18SEP80 1727
 AUC= SEC
 PFOR=KSEB NEXTBLK FT
 MACH=5340000
 CID PI0FE JOB K3801510

0040 P

0001

P 024 C

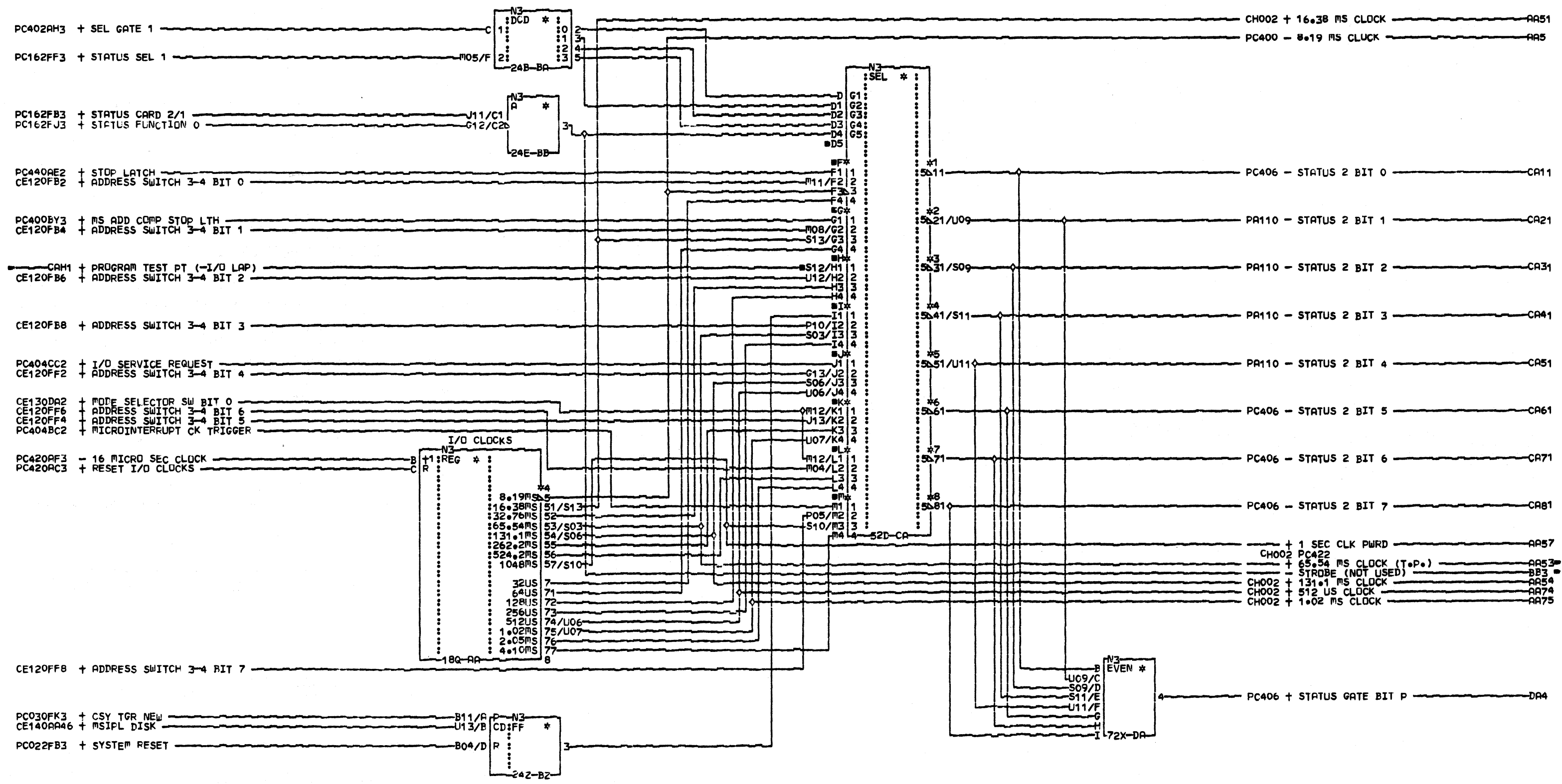
0001



COMMENTS
D1 (C) COPYRIGHT IBM CORP. 1980

MACH CHK, PROC CHK
7 SEC CHECK
CP STATUS 2 CARD
PN8266149 ECR35015

LDC=1P-A1G2
USN 00008 PRI=18SEP80 1727
AUC# SEC
FFORM=KSEB NEXTELK AD
MACH=5340000
CID PIDFE JOB K3801510



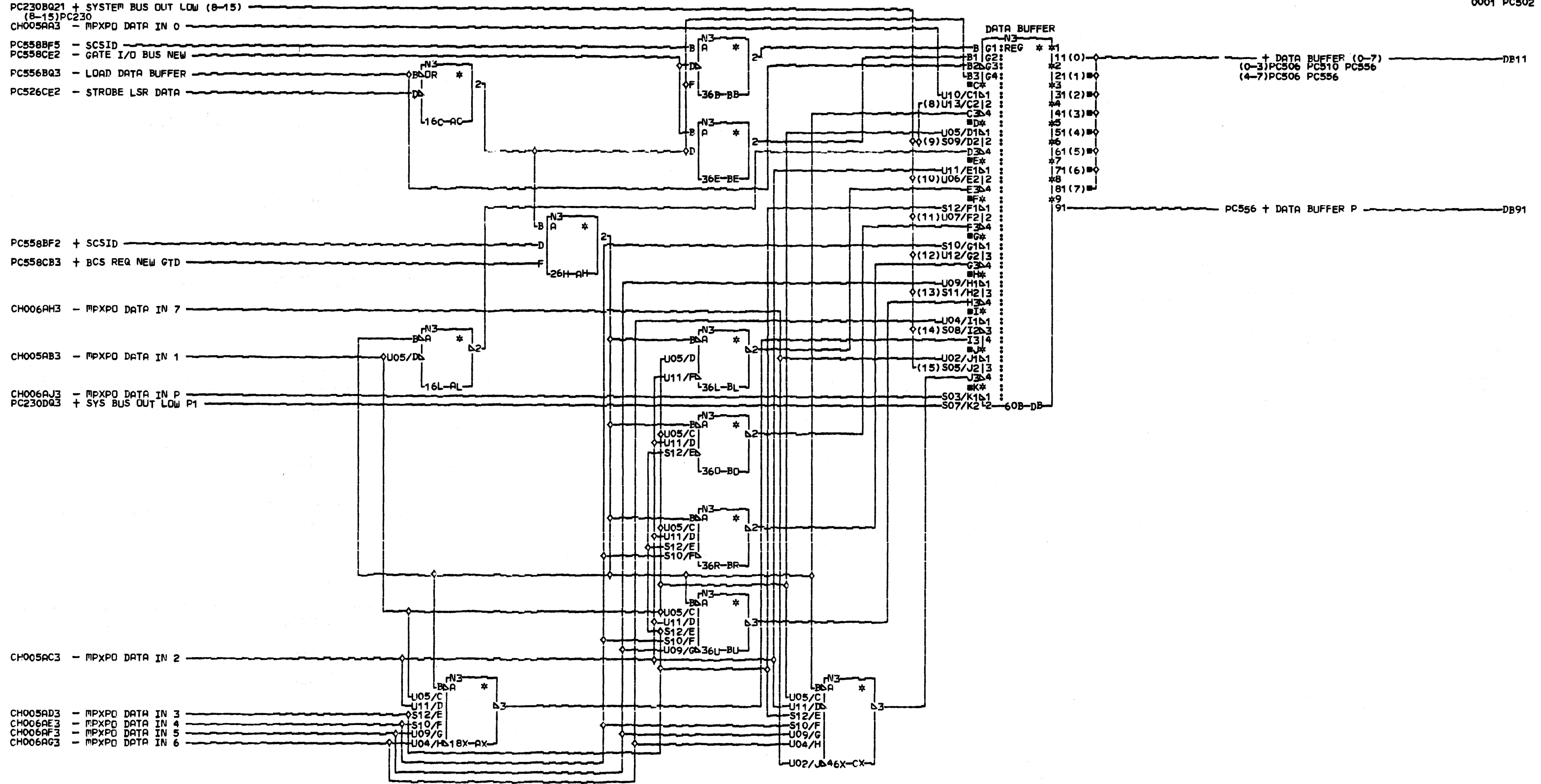
COMMENTS
D1 (C)COPYRIGHT IBM CORP. 1980

STATUS 2 CARD
SELECTOR GATE BITS
CP STATUS 2 CARD
PN 8266150 EC 835015

LOC=1A-A1G2
USN 00008 PRI=23SEP80 1351
ALC= PF OR M=KSEB SEC
MACH=5340000 NEXTBLK DB
CID PIOFE JOB K3801510

P
C
&
L
C

P
C
4
3
0

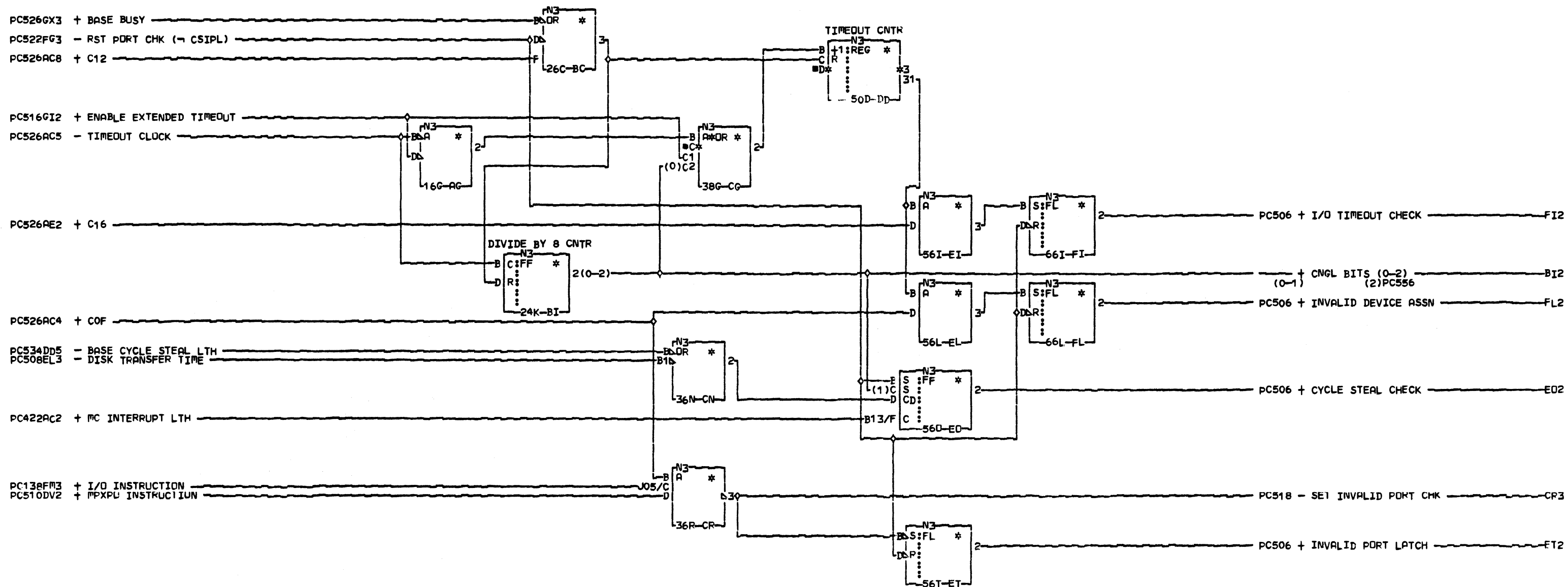


COMMENTS
D1 (C) COPYRIGHT IBM CORP. 1980

DATA BUFFER
CP PORT CARD
PN8266152 EC835015
LDC=1A-A1H2
USN 00008 PRI=18SEP80 1727
AUC= SEC
PFD=KSEB NEXTBLK DC
MACH=5340000
CID PIOFE JOB K3801510

0001

0001



COMMENTS

D1 (C) COPYRIGHT IBM CORP. 1980

PORT CHECKS
CP PORT CARD

PN 8266153 EC 835015

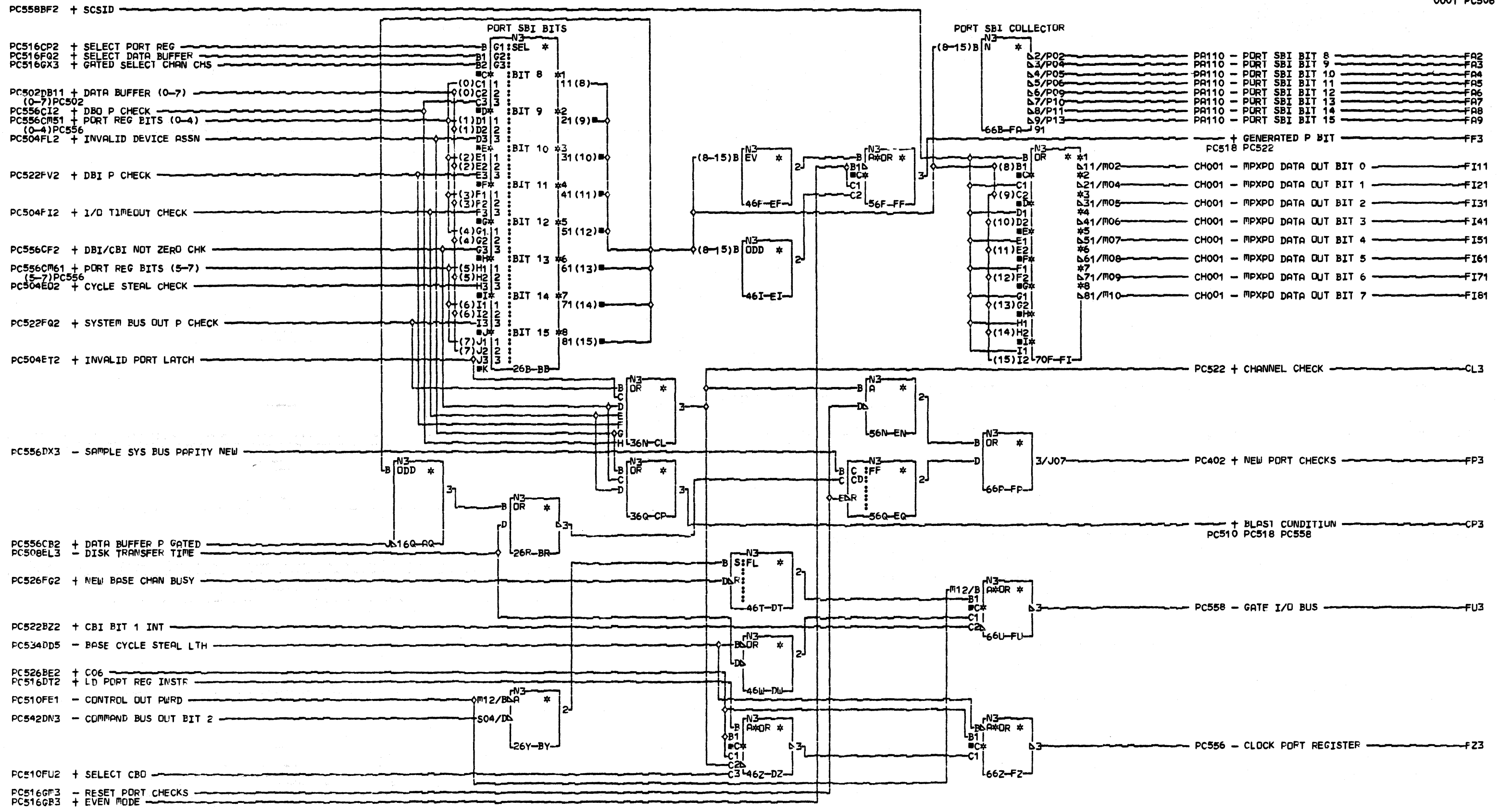
LOC=1A-A1H2

USN 00008

AUC=
PFORM=KSEB
MACH=5340000
CID PIDFE

PRI=11SEP80 0852

SFC
NEXTBLK FM
JOB K3801510

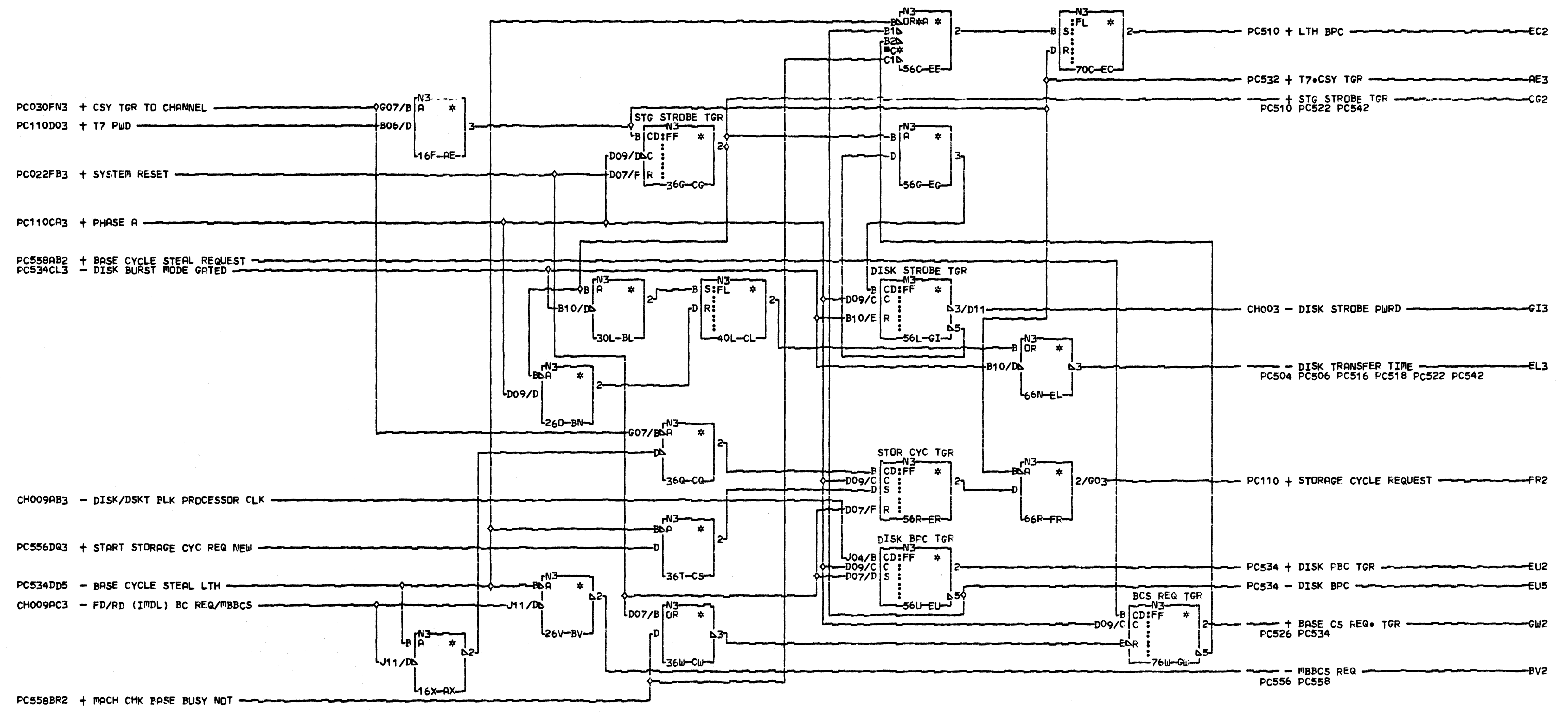


COMMENTS
 D1 (C) COPYRIGHT IBM CORP. 1980

PORT DATA CUT
 CP PORT CARD
 PN8266154 EC835015
 LOC=1A-A1H2
 USN 00008 PRI=11SEP80 0852
 AUC= PFOR=KSER SEC
 MACH=5340000 NEXTBLK FO
 CID P10FE JOB K3801510

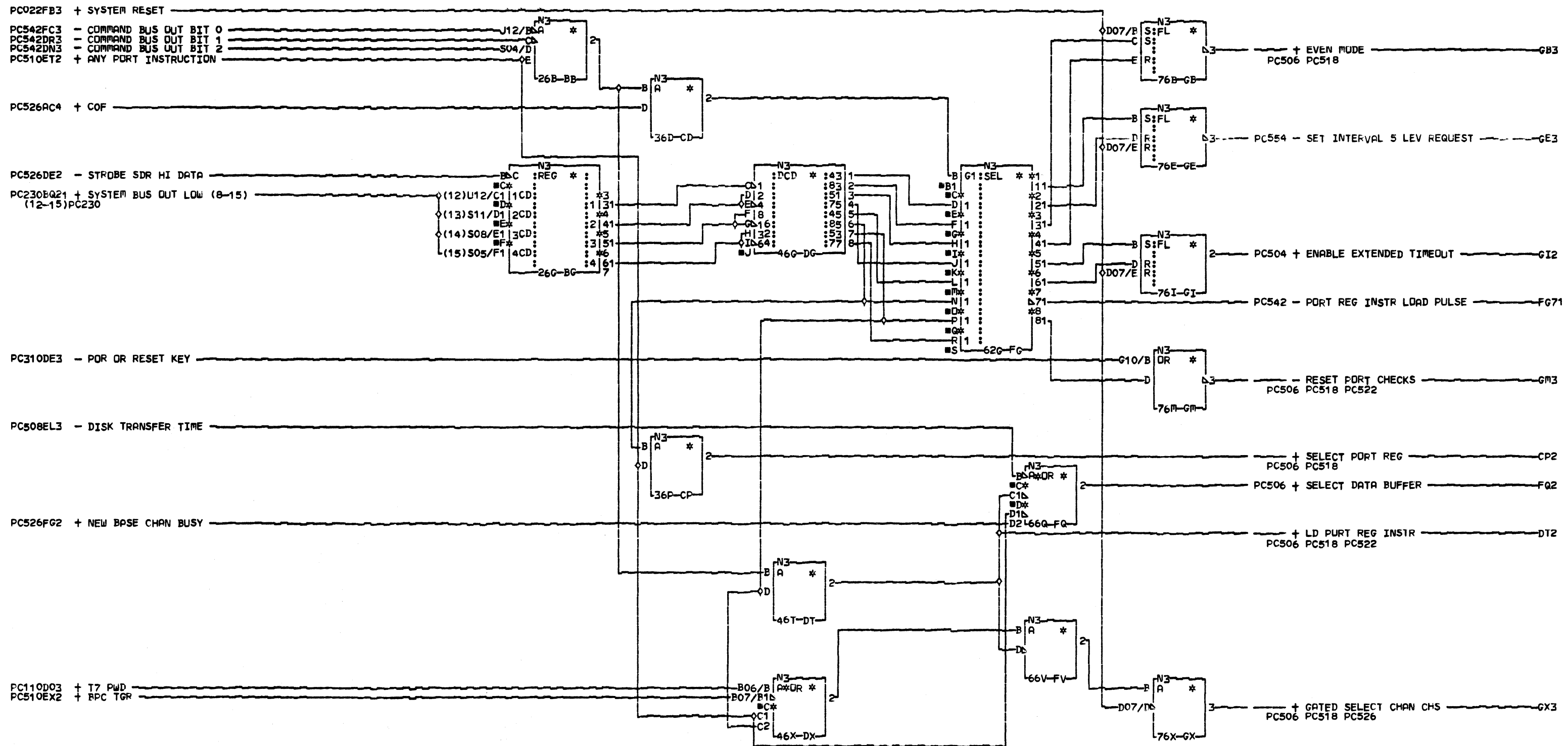
PC506
 0001

PC506
 0001



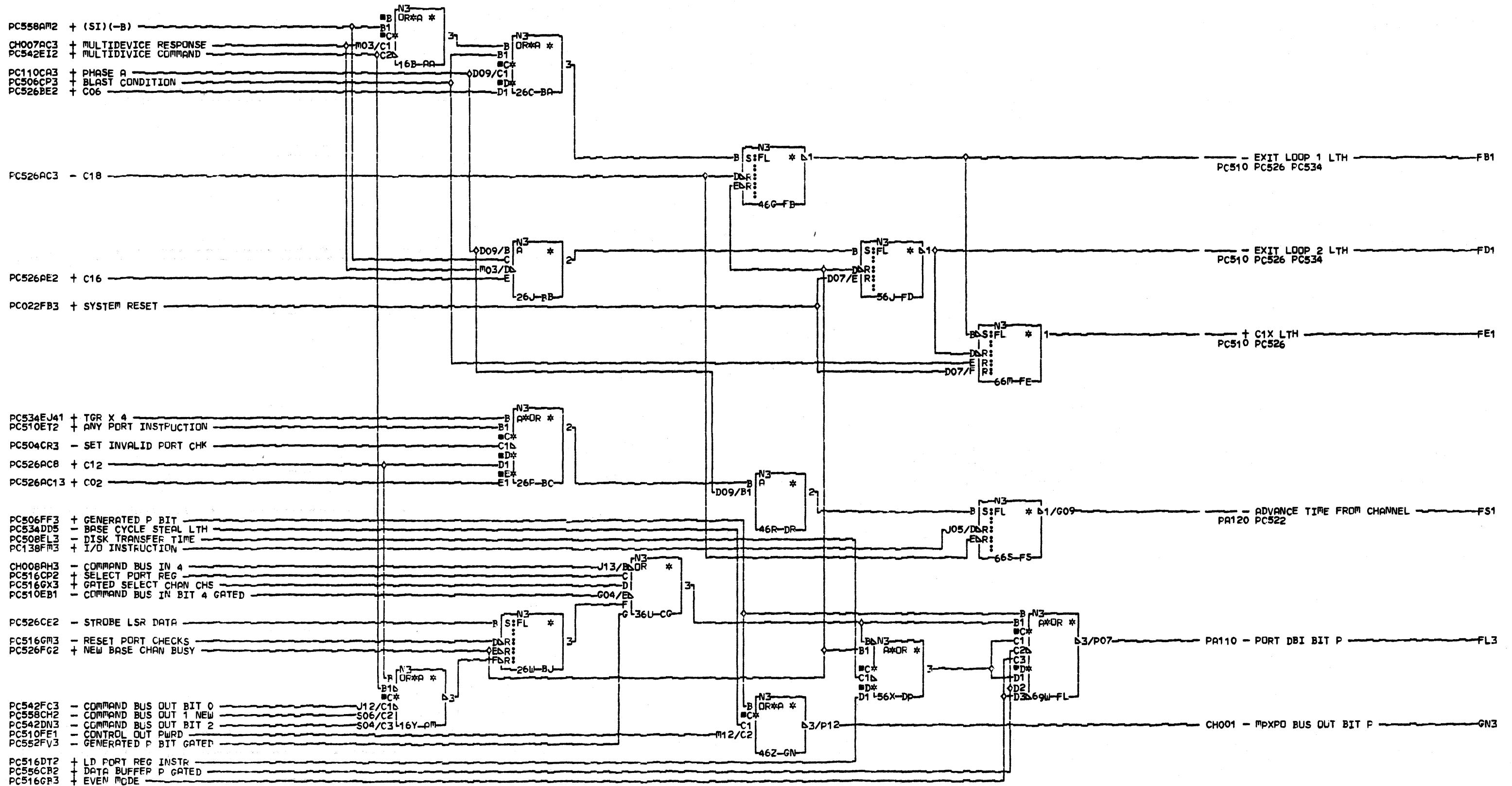
COMMENTS
D1 (C)COPYRIGHT IBM CORP. 1980

CYCLE STEAL
CP PORT CARD
PN 8266155 Ec 835015
LOC=1A-A1H2
USN 00008 PRI=18SEP80 1727
AUC= SEC
PFORM=KSEB NEXTBLK GX
MACH=5340000
CID PIOFE JOB K3801510



COMMENTS
D1 (C) COPYRIGHT IBM CORP. 1980

PORT STATUS CP PORT CARD	
PN8266157 EC835015	
LOC=1A-A1H2	
USN 00008	PRI=11SEP80 0852
AUC=	SEC
PFORM=KSEB	NEXTBLK GY
MACH=5340000	JOB K3801510
CID PIOFE	

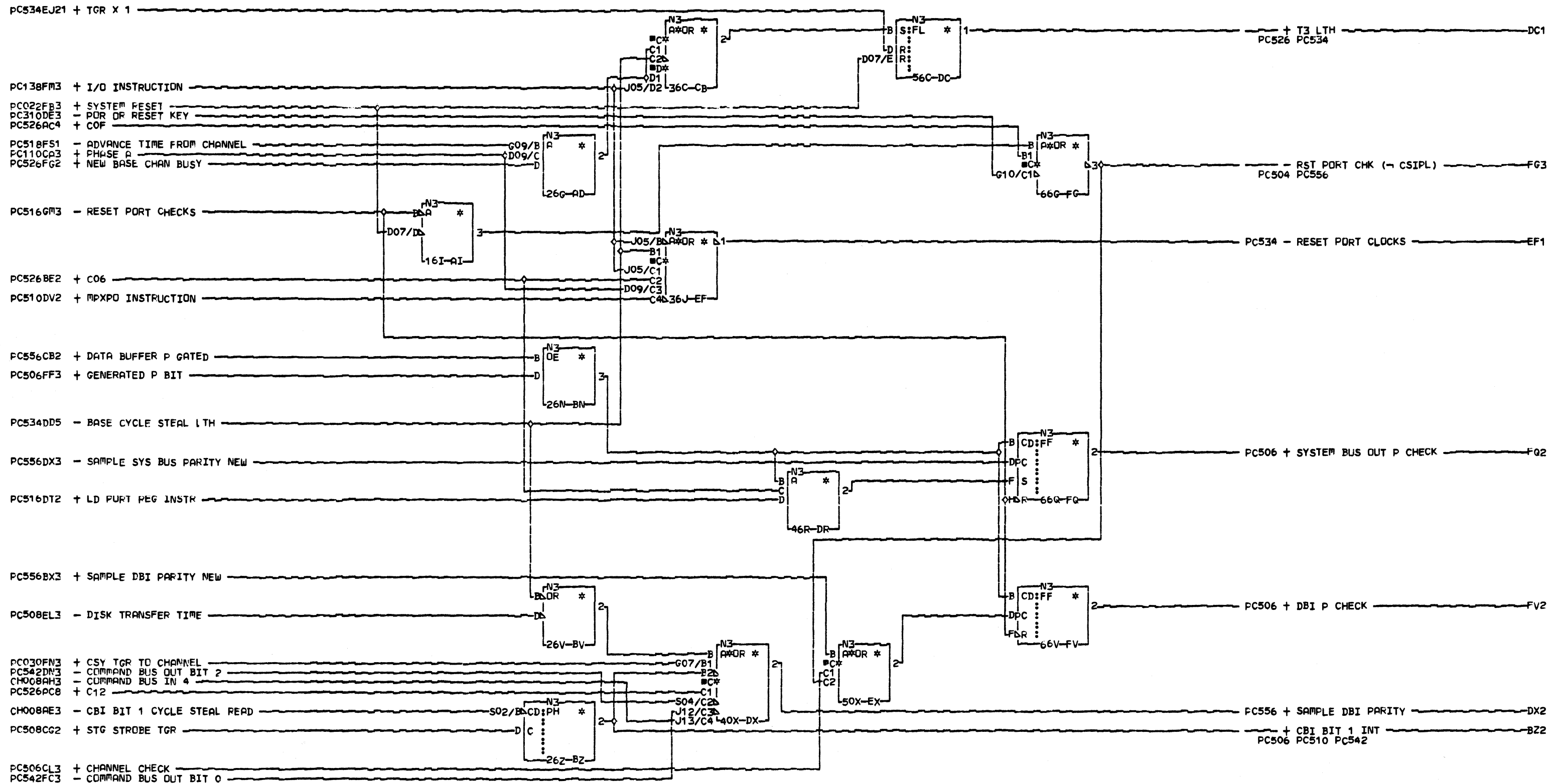


COMMENTS
 D1 (C) COPYRIGHT IBM CORP. 1980

PORT CLOCKS CONTROL
 CP PORT CARD
 PN8266158 EC835015
 LOC#1A-A1H2
 USN 00008 PRI#18SEP80 1727
 AUC# SEC
 PFOF#KSEB NEXTBLK GO
 MACH#5340000
 CID PIUFE JOB K3801510

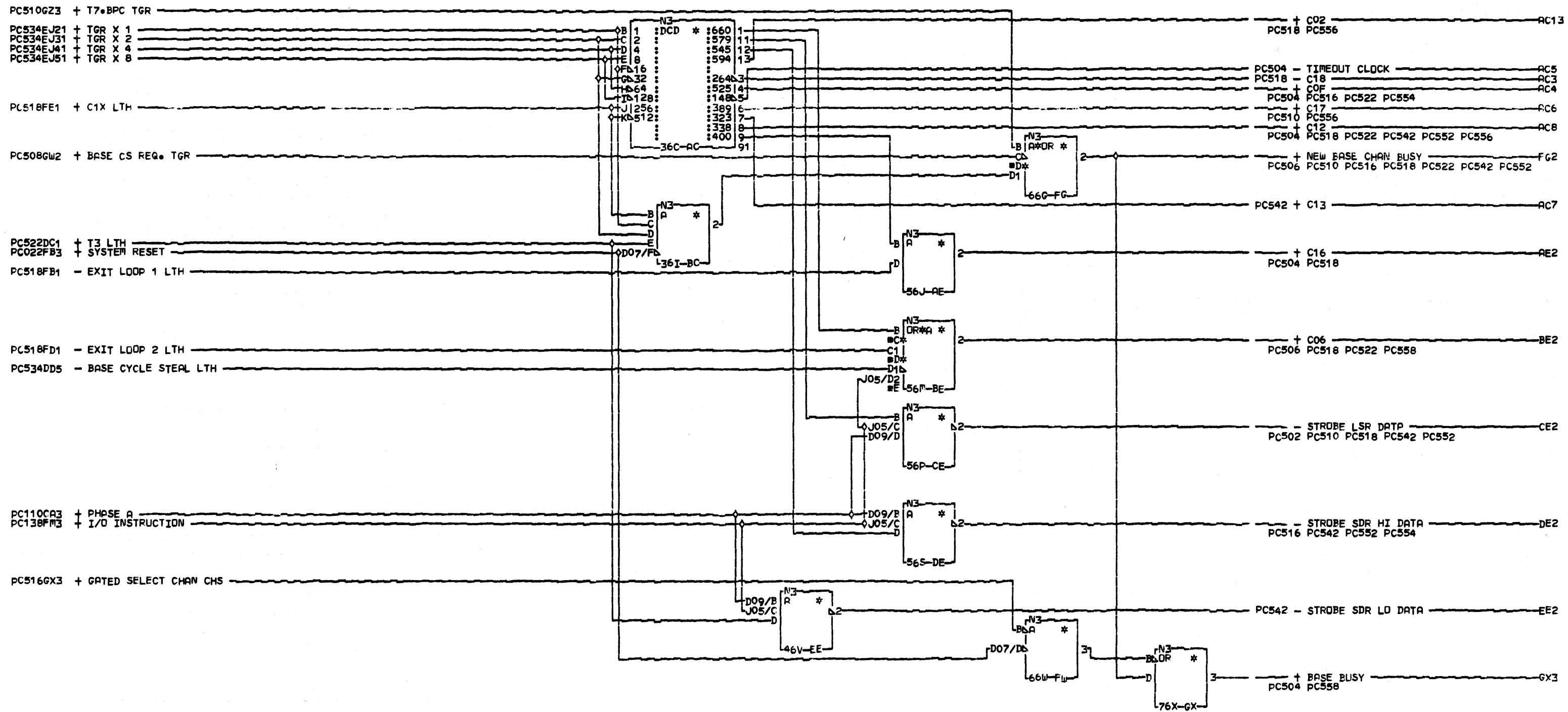
P
 C
 5
 1
 8
 0001

P
 C
 5
 1
 8
 0001



COMMENTS
D1 (C) COPYRIGHT IBM CORP. 1980

CLOCKS CTRLS/PORT CHKS
CF PORT CARD
PN8266159 EC835015
LOC=1A-A1H2
USN 00008 PRI=18SEP80 1727
AUC= SEC
PFORM=KSEB NEXTBLK FU
MACH=5340000
CID PIDFE JOB K3801510

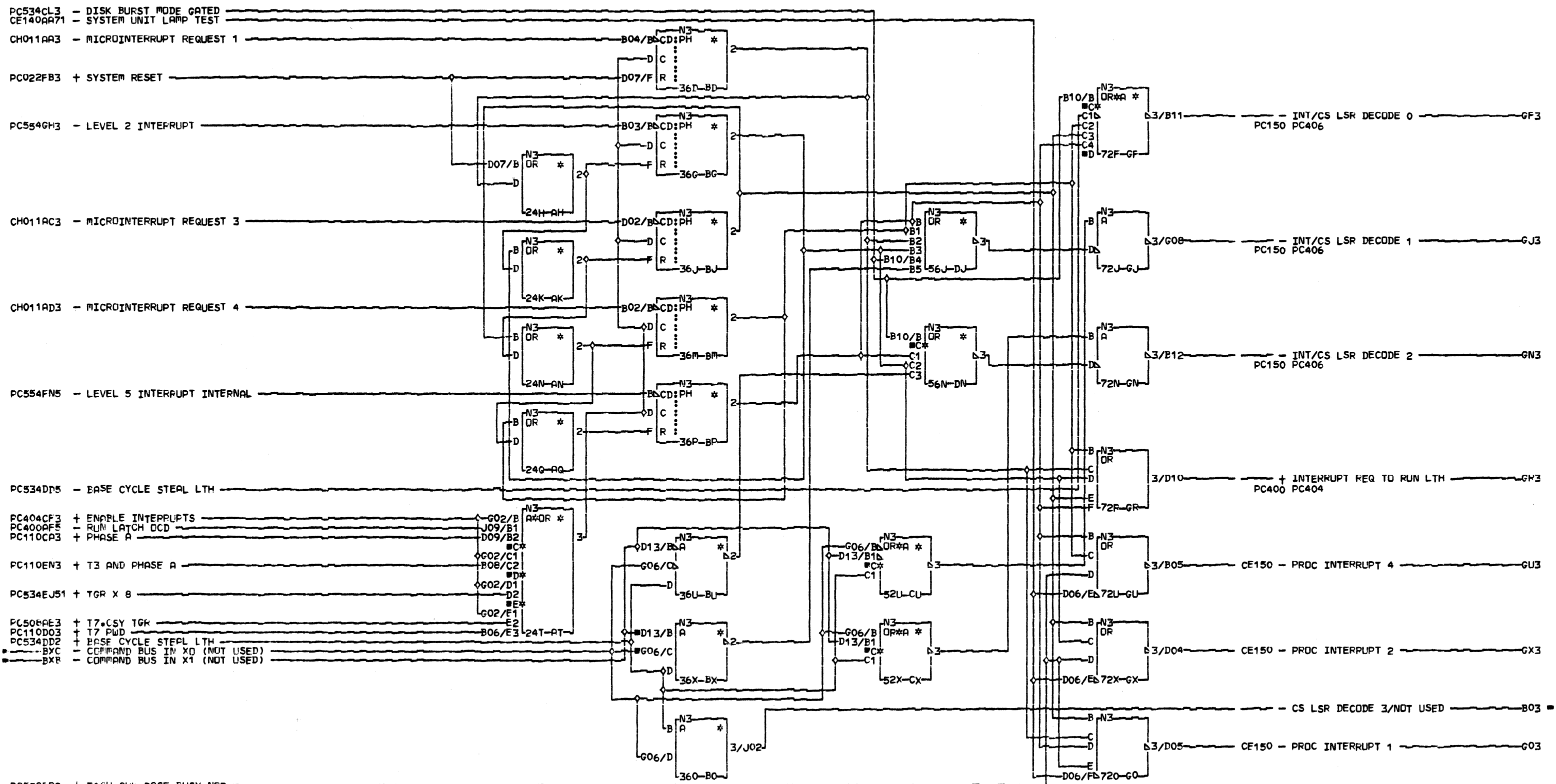


COMMENTS
D1 (C) COPYRIGHT IBM CORP. 1980

CLOCKS DECODES CP PORT CARD	
PN8266160 EC835015	
LDC#1A-A1H2	
USN 00008	PRI#11SEP80 0852
AUC#	SEC
PFC#KSEB	NEXTBLK GY
MACH#5340000	
CID P10FE	JOB K3801510

0001

0001

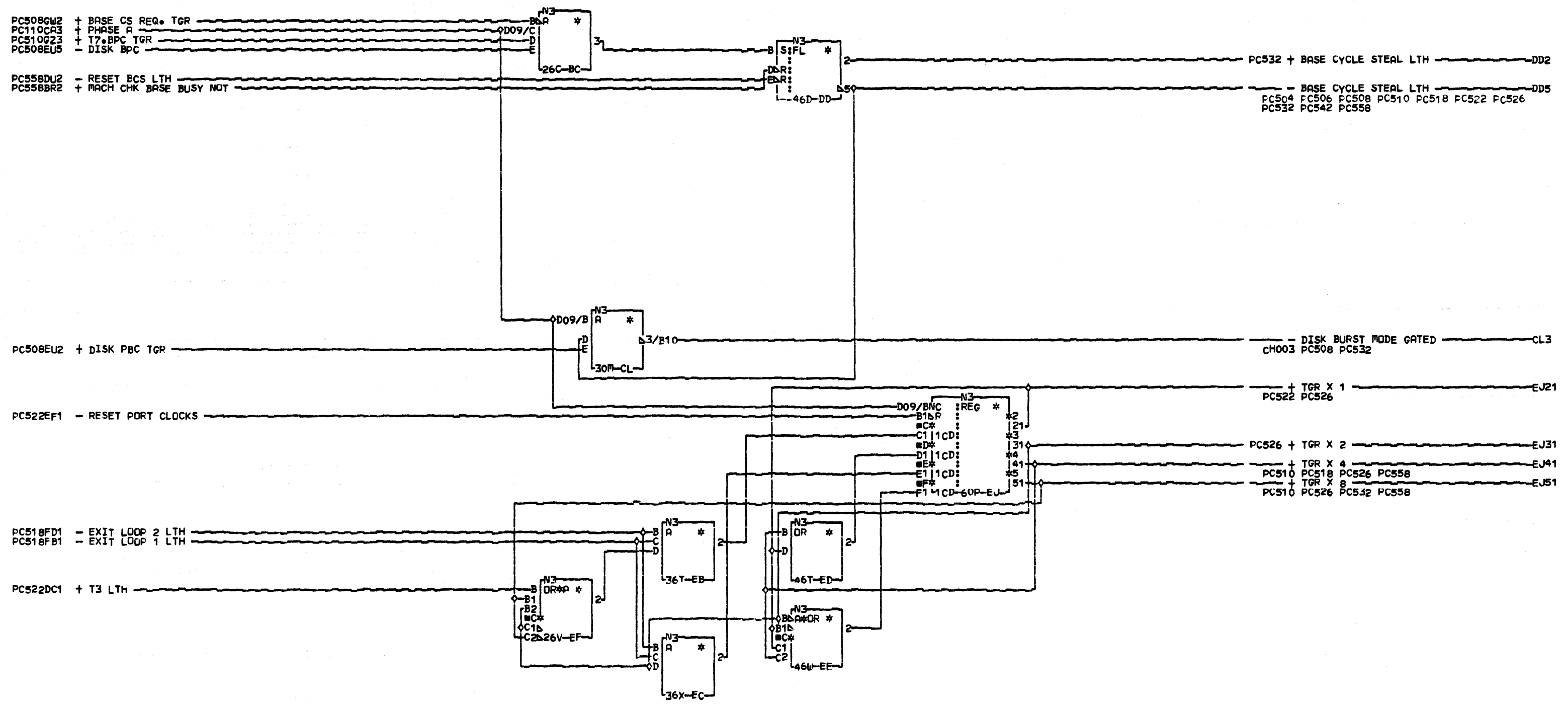


PC558ER2 + MACH CHK BASE BUSY NCT
 COMMENTS
 D1 (C)COPYRIGHT IBM CORP. 1980

INTERRUPT
 CP PORT CARD
 PN8266161 EC835015
 LOC=1A-A1H2
 USN 00008 PRI=24SEP80 1028
 AUC= SEC
 PFORM=KSEB NEXTELK G1
 MACH=5340000
 CID P10FE JOB K3801510

PC532

PC532



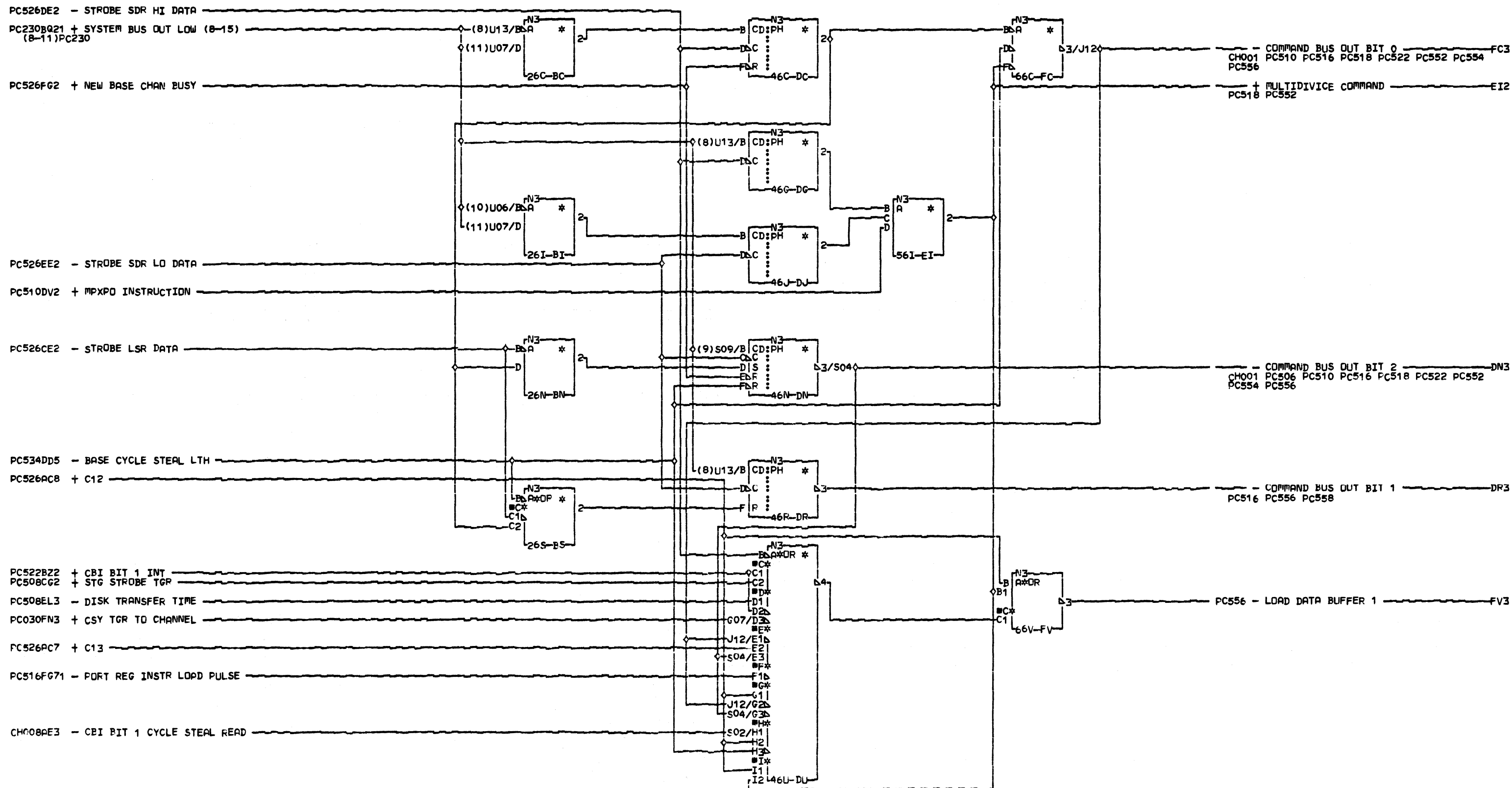
COMMENTS
D1 (C) COPYRIGHT IBM CORP. 1980

PORT CONTROLS
CLOCKS TGRS
CP PORT CARD
PN8266162 EC835015

LDC#1A-A1H2
USN 00008 PRI#11SEP80 0852
AUC# SEC
PFORM#K5EB NEXTBLK EK
MACH#5340000 JOB K3801510
CID P10F

4450 D
0001

P
C
5
3
4
0001

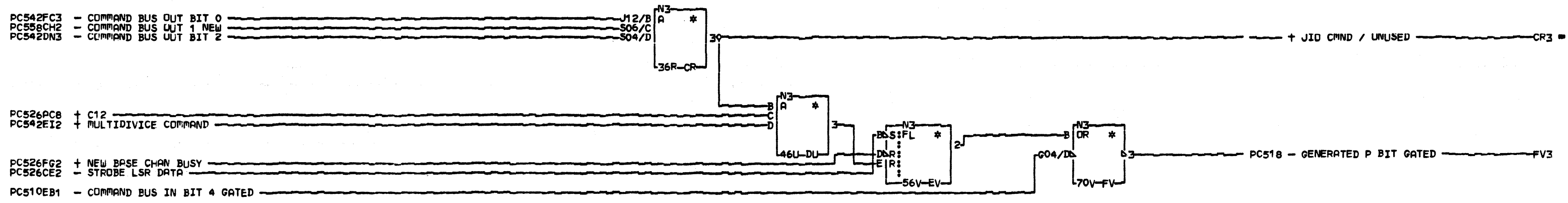
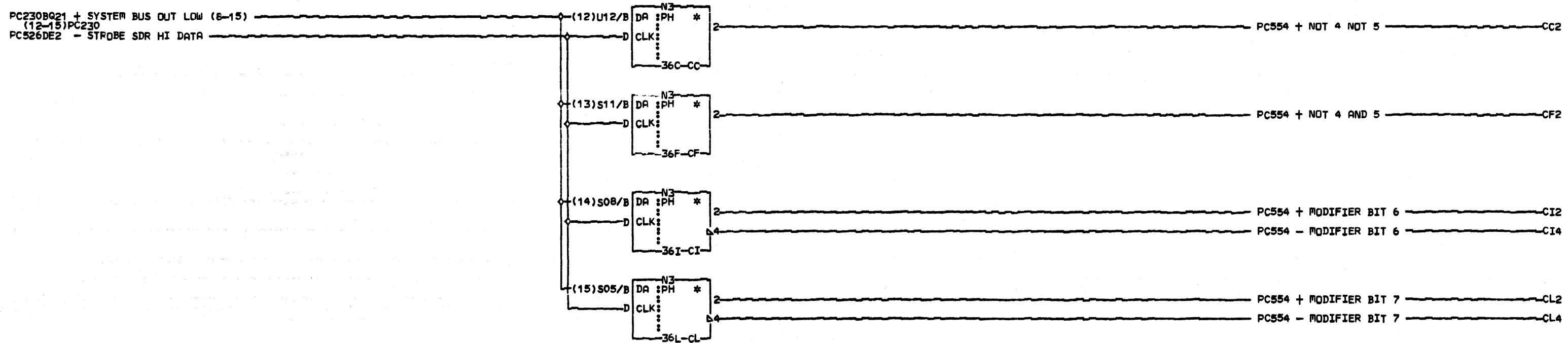


COMMENTS

D1 (C) COPYRIGHT IBM CORP. 1980

CBD BITS 0-2
CP PORT CARD
PN8266163 EC835015

LOC=1A-A1H2
 USN 0008 PRI=18SEP80 1727
 AJC= SEC
 FFORM=KSEB NEXTBLK FW
 MACH=5340000
 CID PIDFE JOB K3801510

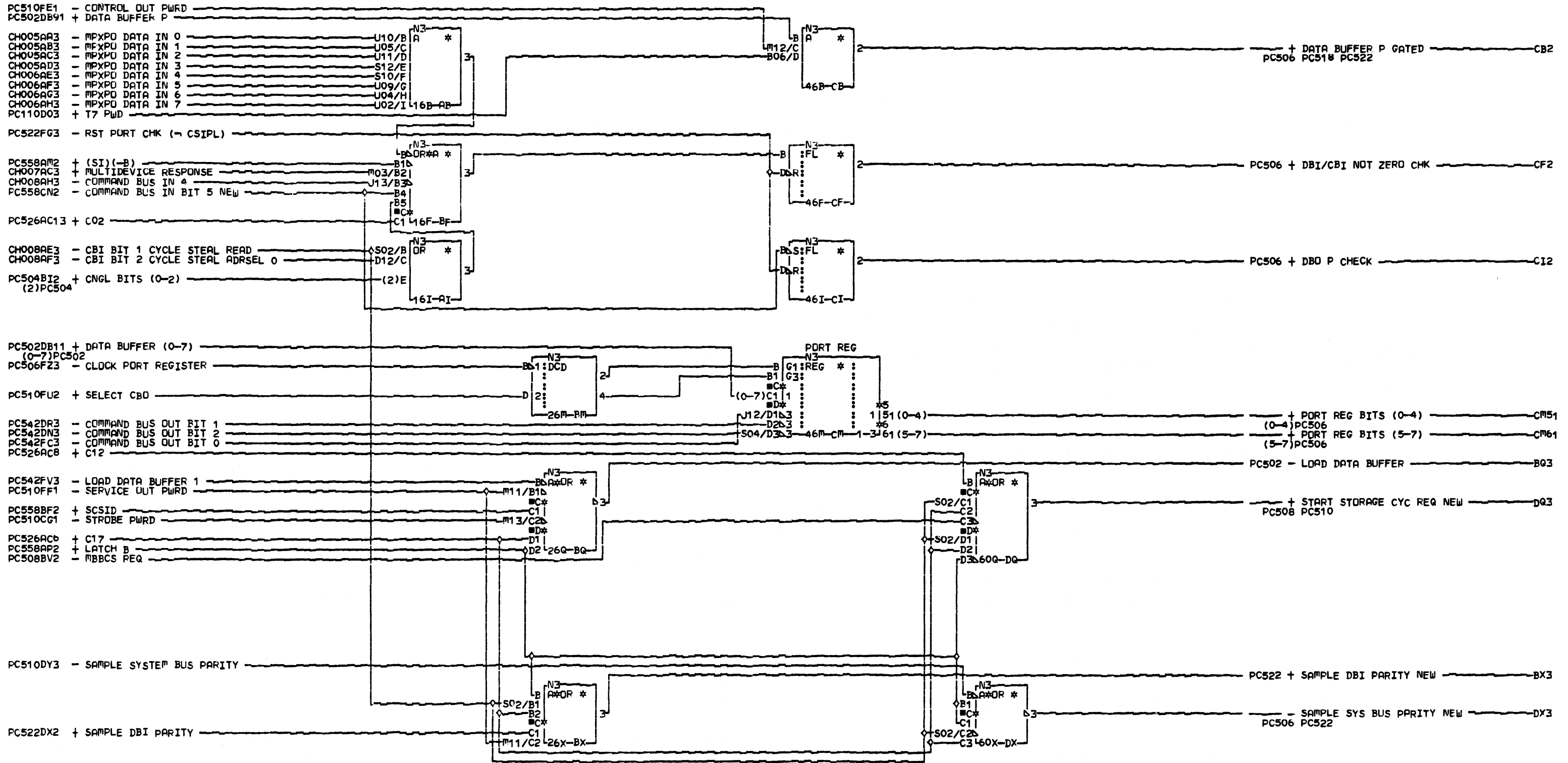


COMMENTS
 D1 (C) COPYRIGHT IBM CORP. 1980

MODIFIER BITS - J10 CMND
 CF PORT CARD
 PN8266164 EC835015
 LOC=1A-A1H2
 USN 00008 PRI=11SEP80 0852
 AUC= SEC
 PFOF=KSEB NEXTBLK FW
 MACH=5340000
 CID PIOFE JOB K3801510

0001

0001



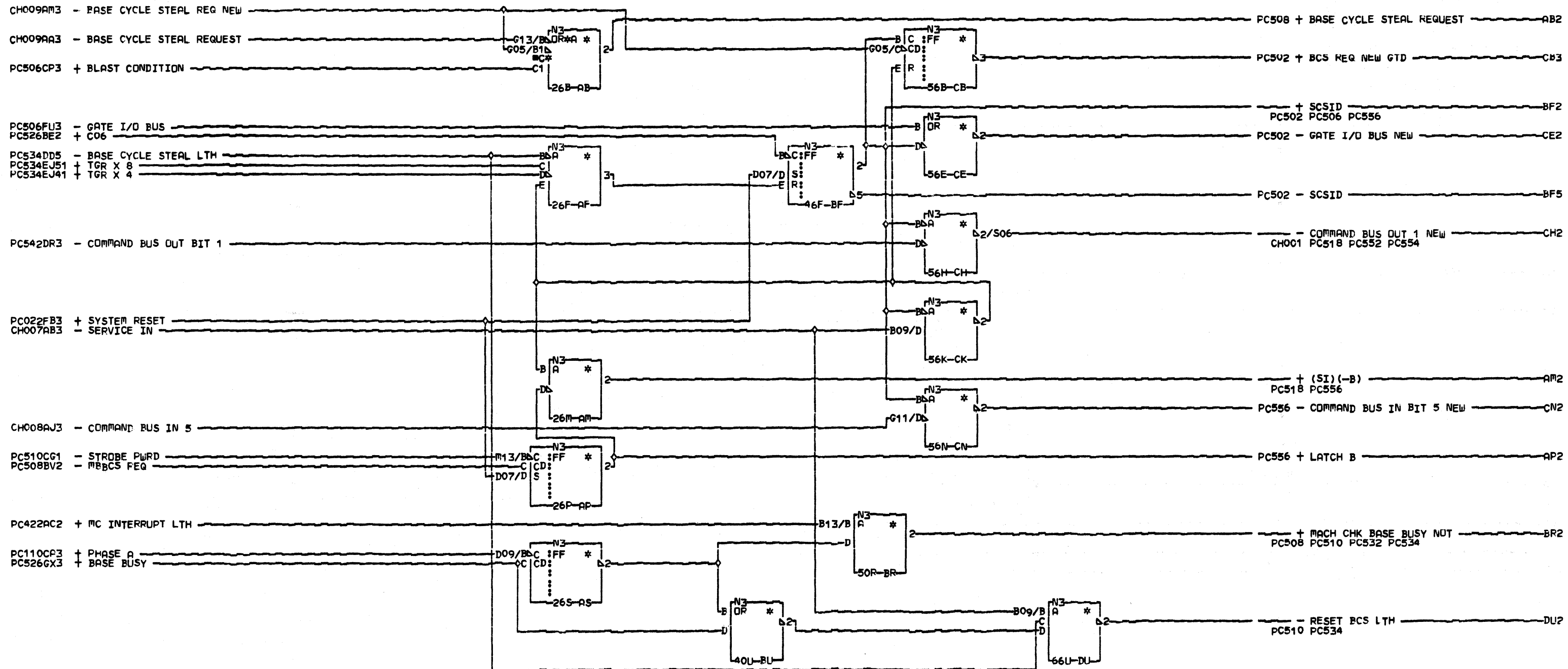
COMMENTS
D1 (C) COPYRIGHT IBM CORP. 1980

PORT REGISTER
CF PORT CARD
PN8266233 EC835015

LDC=1A-A1H2
USN 00008 PRI=18SEP80 1727
AUC= SEC
PFORM=KSEB NEXTBLK DY
MACH=5340000
CID P10FE JOB K3801510

P
5
5
6
0001

P
5
5
6
0001

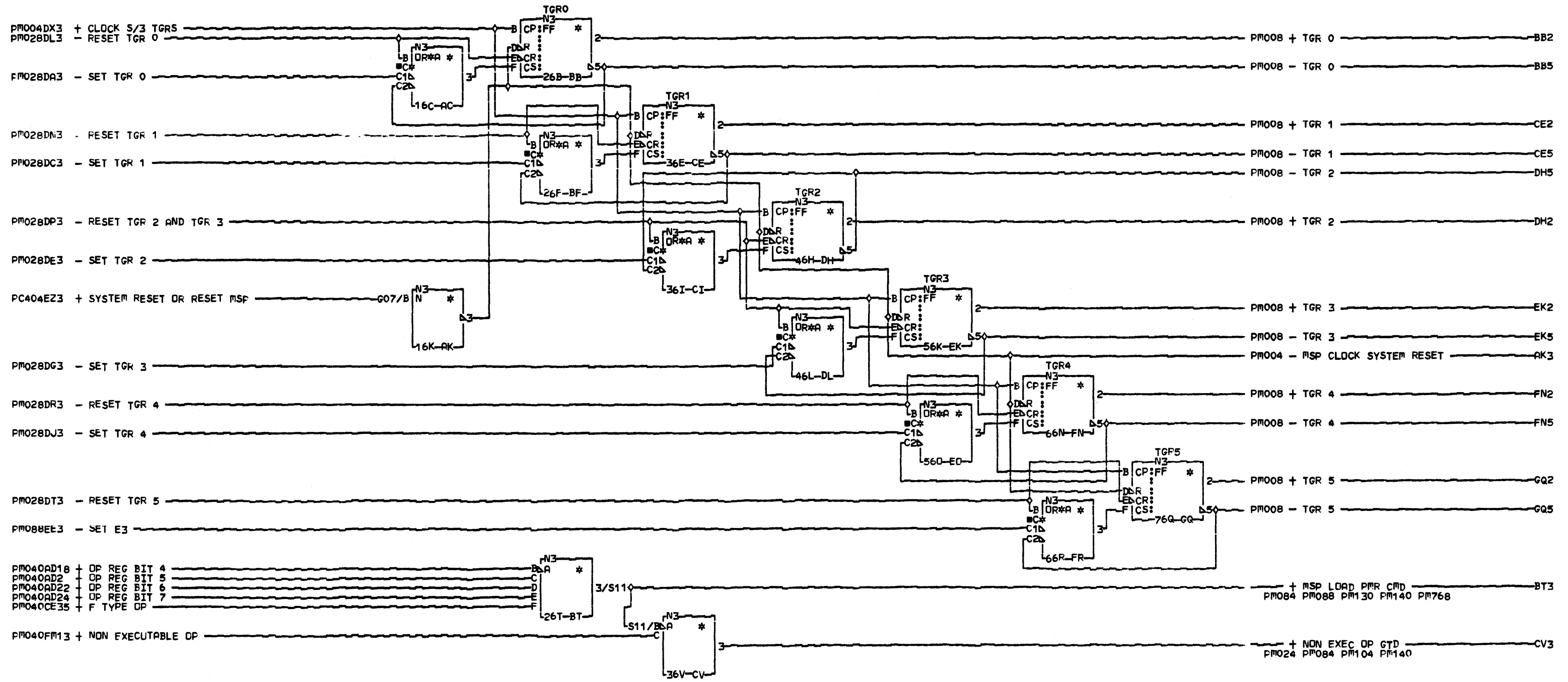


COMMENTS
D1 (C)COPYRIGHT IBM CORP. 1980

NEW CYCLE STEAL
CF PDP1 CARD
FN8266234 EC835015
LDC#1A-A1H2
USN 00008 PRI#24SEP80 0817
AUC# PFDR#KSEB SEC
MACH#5340000 NEXTELK DV
CID PIOFE JOB K3801510

0001

0001

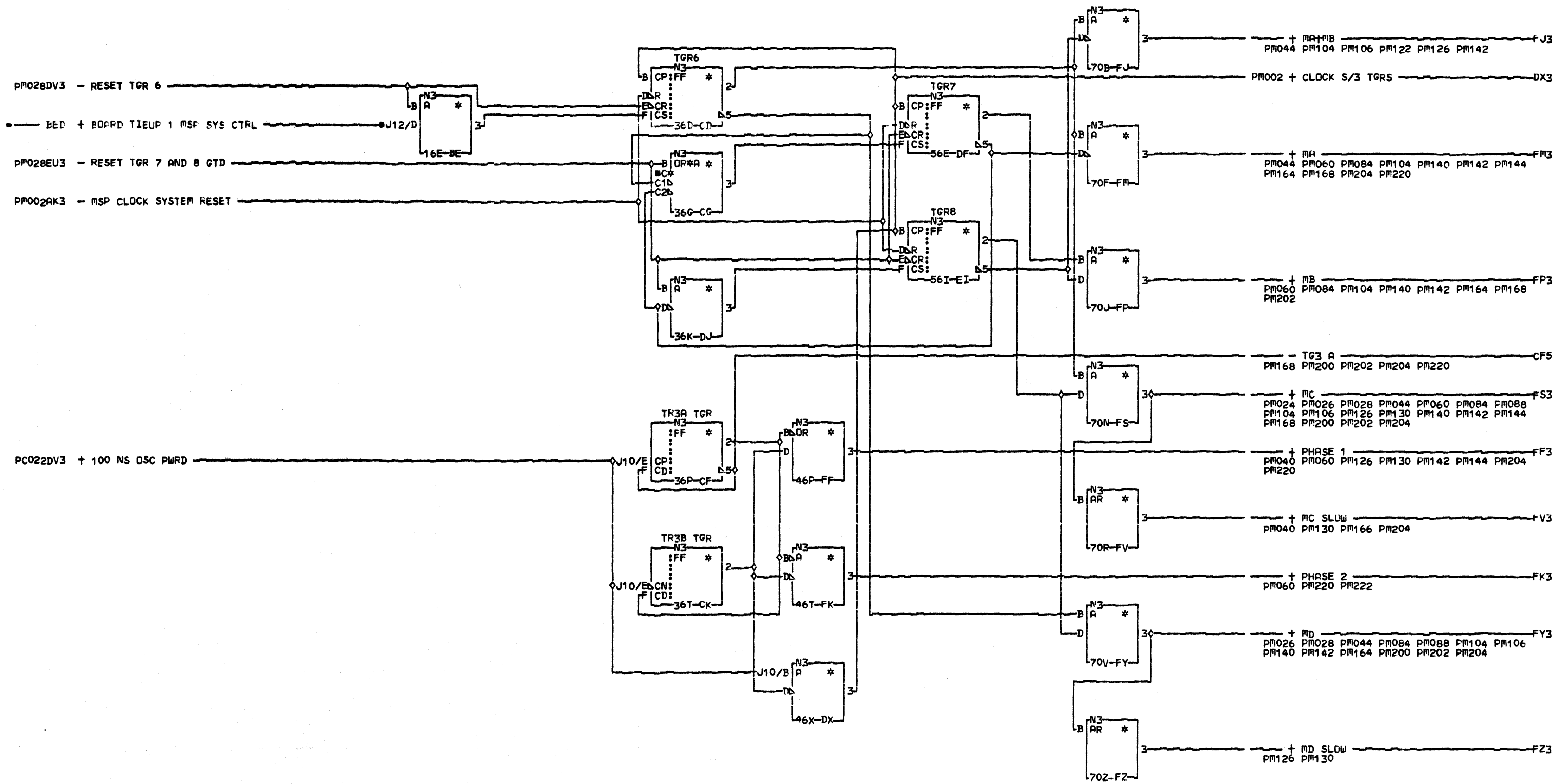


COMMENTS
D1 (C)COPYRIGHT IBM CORP. 1980

TRIGGERS 0-5
MSP SYS CTRL CARD
PN8266166 EC835015

LOC=1A-A1J2	
USN 00008	PRI=11SEP80 0852
AUC=	SEC
PFOR=KSEB	NEXTBLK GR
MACH=5340000	JOB K3801510
CID P10FE	

DEON



COMMENTS
D1 (C) COPYRIGHT IBM CORP. 1980

TRIGGERS 6-8
MSP SYS CTRL CARD
PN8266167 EC835015

LDC=1A-A1J2

USN 00008 PRI=11SEP80 0852

AUC= SEC

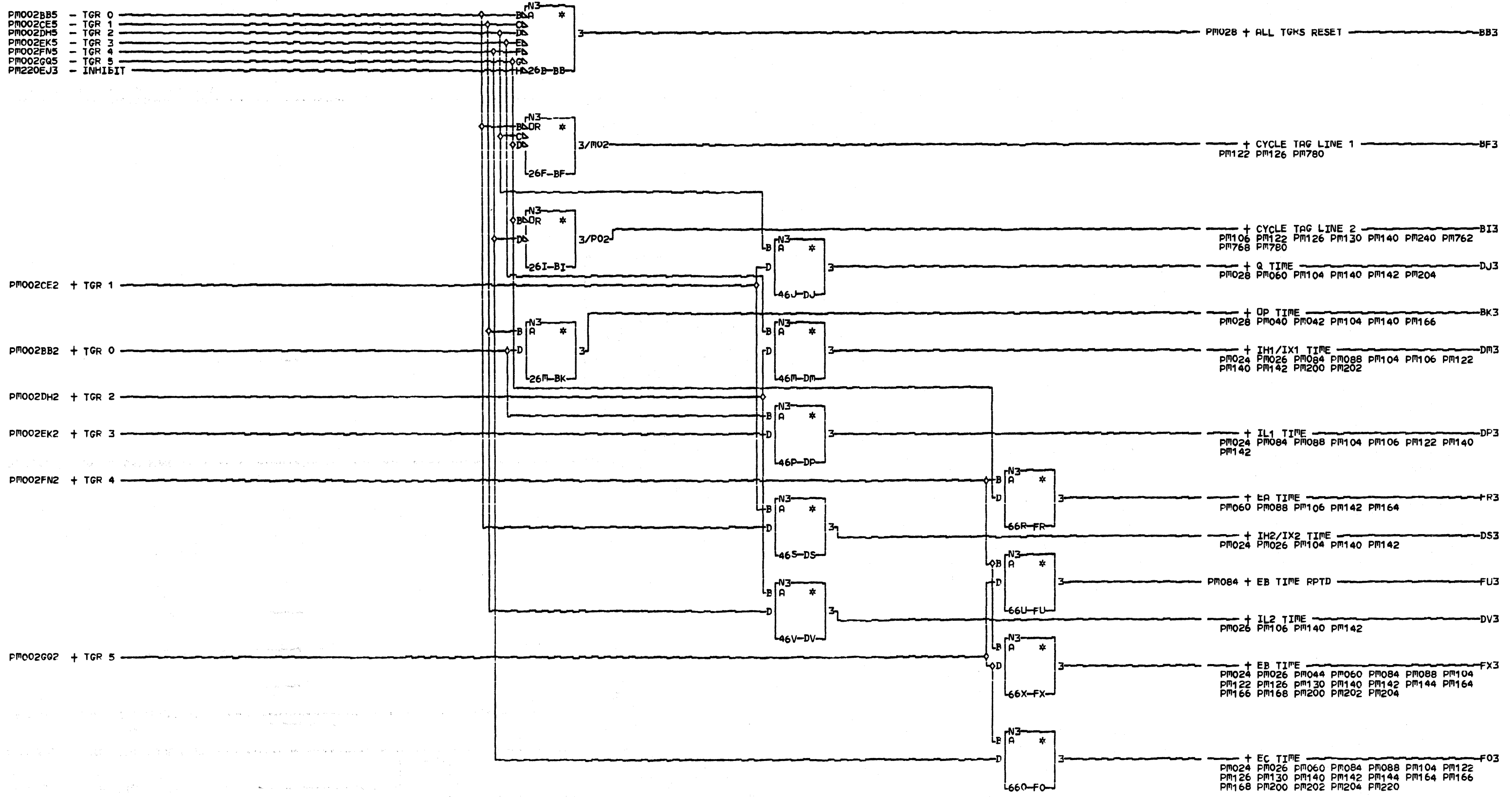
PFOR=KSEB NEXTBLK FO

MACH=5340000

CID P10FE JOB K3801510

0001

PM004

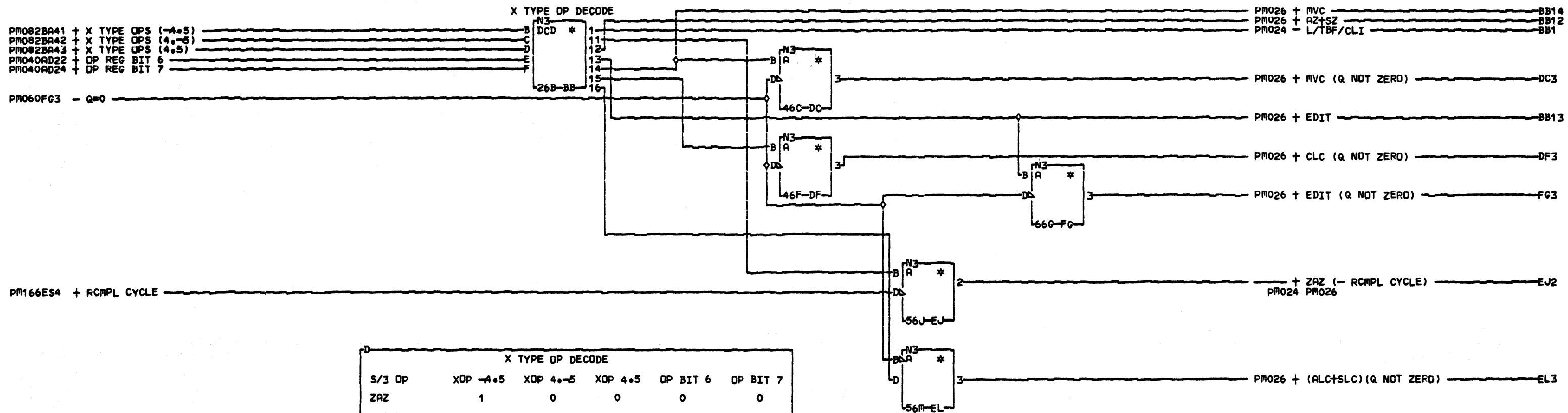


COMMENTS
D1 (C) COPYRIGHT IBM CORP. 1980

MAJOR CYCLE DECODES
MSP SYS CTRL CD
FN8266168 EC835015
LDC=1A-A1J2
USN 00008 PRI=11SEP80 0852
AUC=
PFORM=KSEB SEC
MACH=5340000 NEXTBLK F1
CID PIOFE JOB K3801510

DECOB
0001

PEOCB
0001

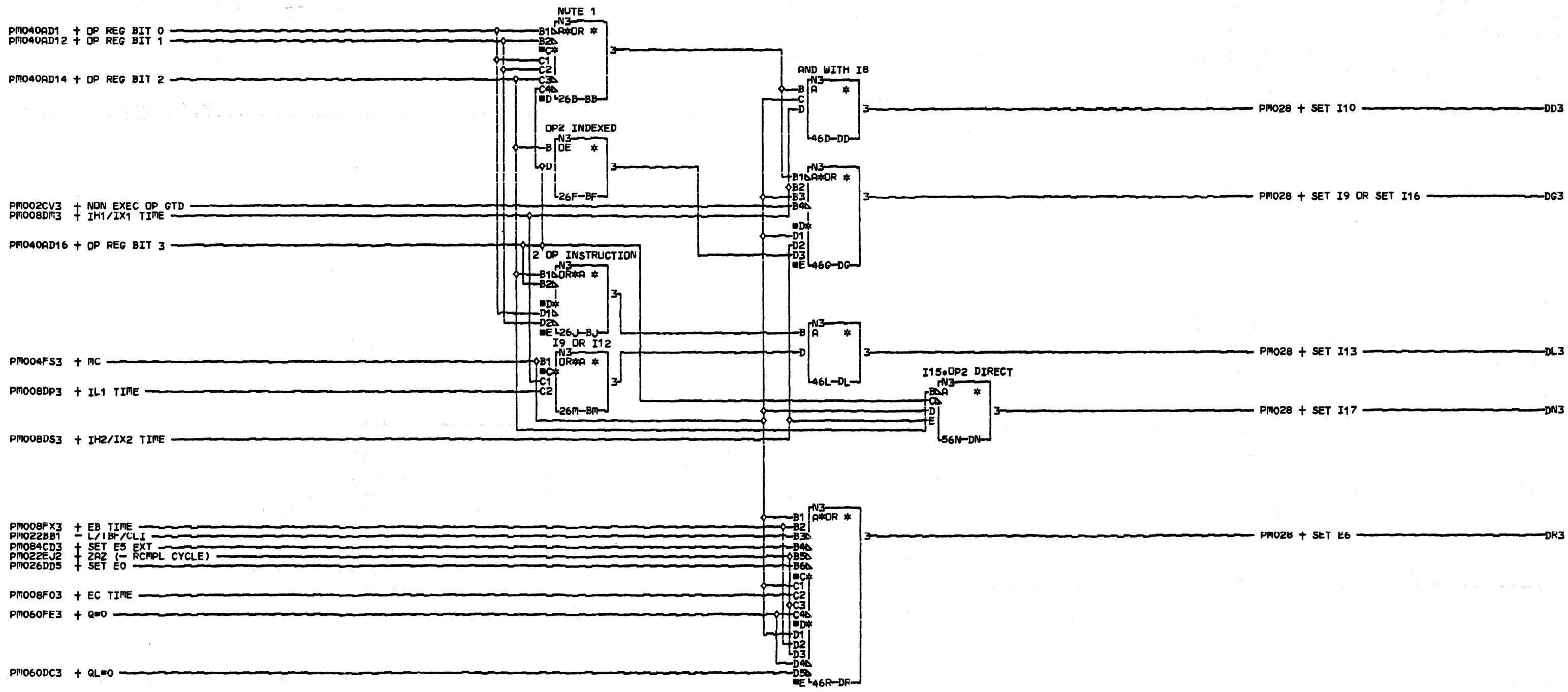


X TYPE OP DECODE					
S/3 OP	XOP -A.5	XOP 4.0-5	XOP 4.0-5	OP BIT 6	OP BIT 7
ZAZ	1	0	0	0	0
AZ+SZ	1	0	0	1	*
EDIT	0	1	0	1	0
MVC	0	0	1	0	0
CLC	0	0	1	0	1
ALC+SLC	0	0	1	1	*
L+CLI+TBF	0	0	0	0	1

* = DU NOT CARE

COMMENTS
D1 (C) COPYRIGHT IBM CORP. 1980

OP DECODES
MSP SYS CTRL CD
PN8266169 EC835015
LOC=1A-A1J2
USN 0000B PRI=11SEP80 0852
AUC= SEC
PFORM=KSEB NEXTBLK FH
MACH=5340000
CID P10FE JOB K3801510

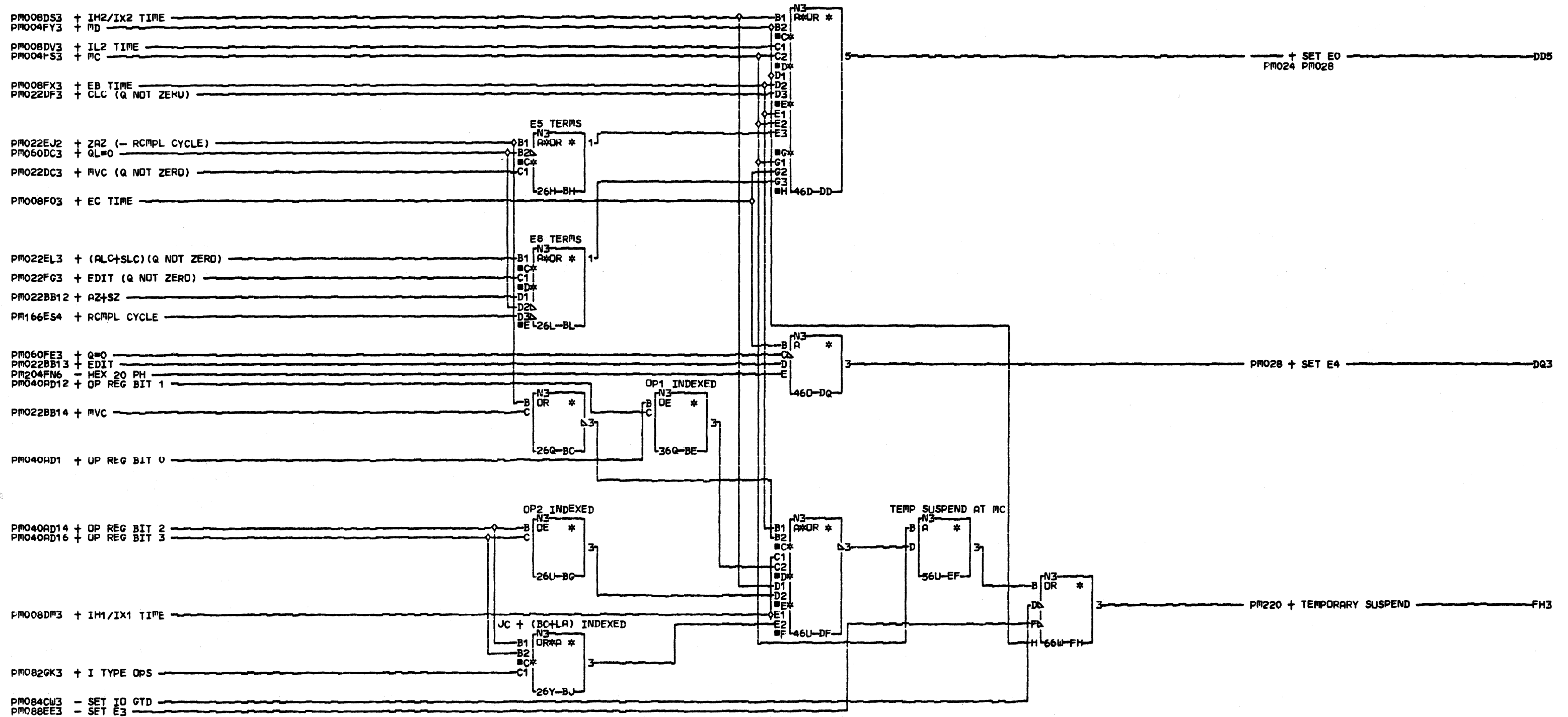


COMMENTS
 A1 NOTE 1: OP1 DIRECT OR
 2 (NO OP1 AND OP2 DIRECT)
 D1 (C) COPYRIGHT IBM CORP. 1980

I TIME SET EQUATIONS
 MSP SYS CTRL CD
 PN8266170 EC835015
 LOC=1A-A1J2
 USN 00008 PRI=11SEP80 0852
 AUC= PFORM=KSEB SEC
 RACH=5340000 NEXTBLK DS
 CID PIOFE JOB K3801510

0001

0001



COMMENTS

D1 (C) COPYRIGHT IBM CORP. 1980

E TIME SET EQUATIONS
MSP SYS CTRL CD
PN8266171 EC835015

LDC=1A-A1J2

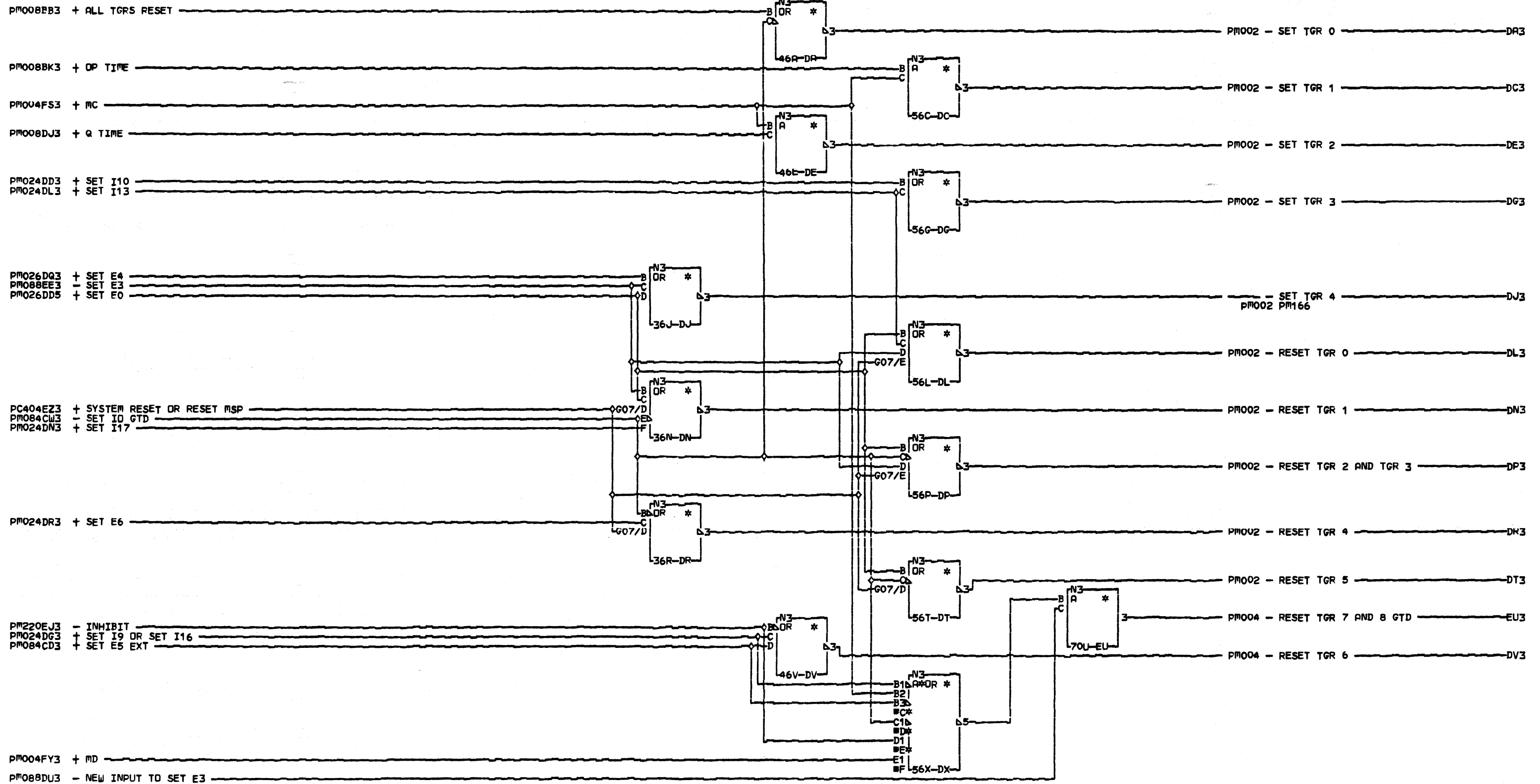
USN 00008

AUC= PFORM=KSEB
RACH=5340000
CID PIDFE

PRI=11SEP80 0852

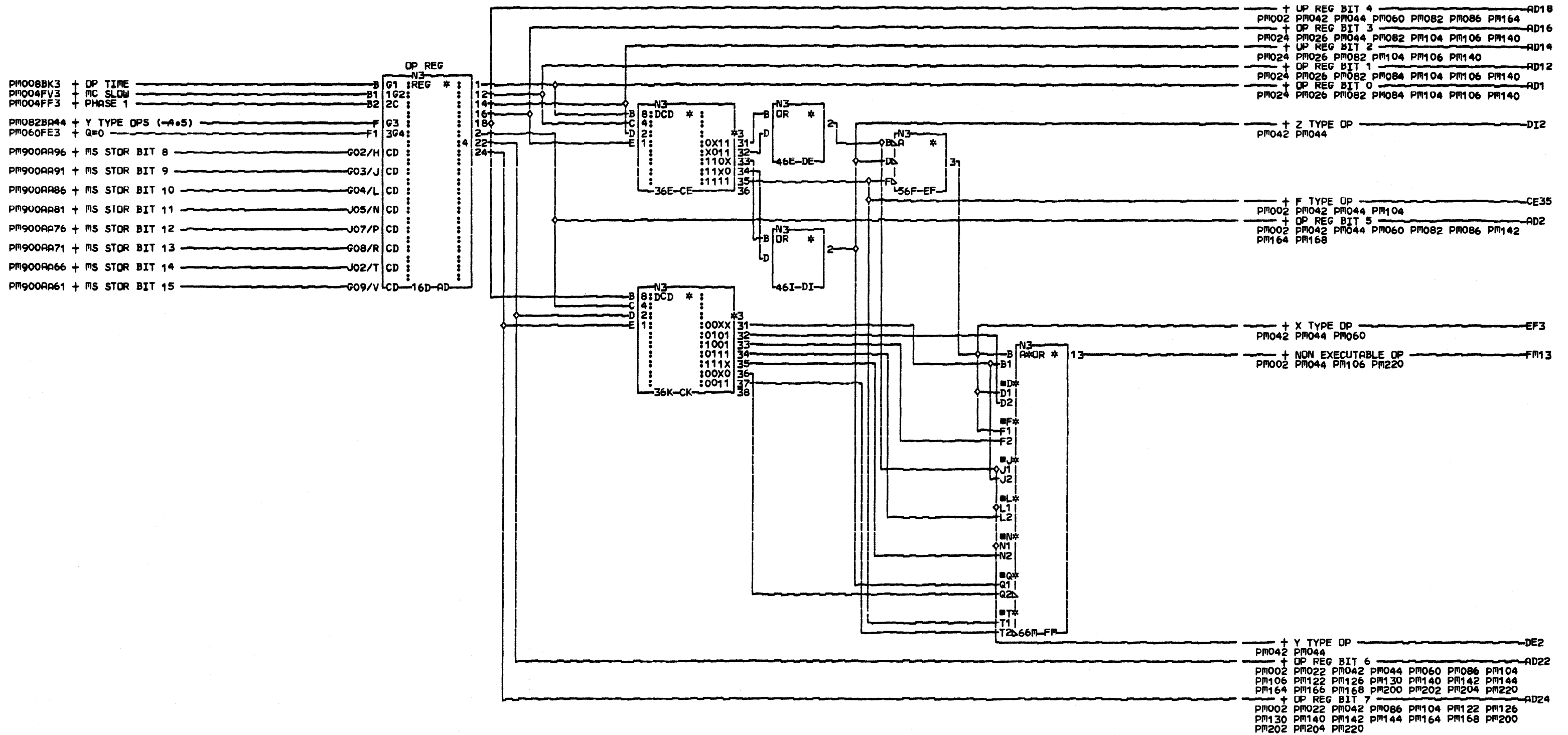
SEC NEXTBLK FI

JOB K3801510



COMMENTS
D1 (C)COPYRIGHT IBM CORP. 1980

CLOCK TRIGGER EQUATIONS
MSP SYS CTRL CD
PN8266172 EC835015
LOC=1A-A1J2
USN 00008 PRI=11SEP80 0852
AUC# PF0RM=KSEB SEC
MACH=5340000 NEXTBLK EV
CID P10FE JOB K3801510



COMMENTS

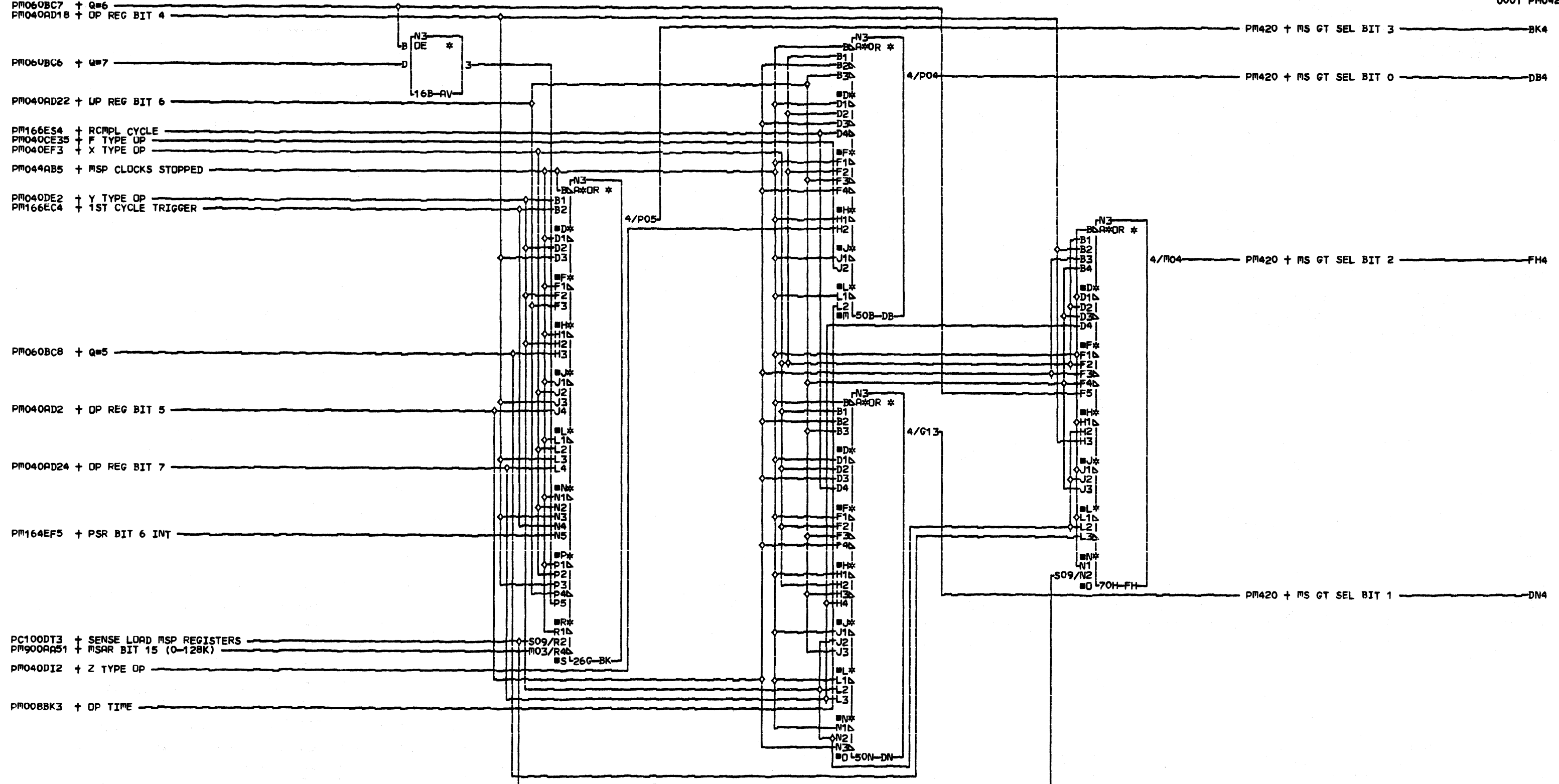
D1 (C) COPYRIGHT IBM CORP. 1980

NON EXECUTABLE OP CODE
MSP SYS CTRL CD
PN8266173 EC835015

LDC=1A-A1J2

USN 00008 PRI=11SEP80 0852

AUC= SEC
PFORM=KSEB NEXTBLK FN
MACH=5340000
CID PIUPE JOB K3801510

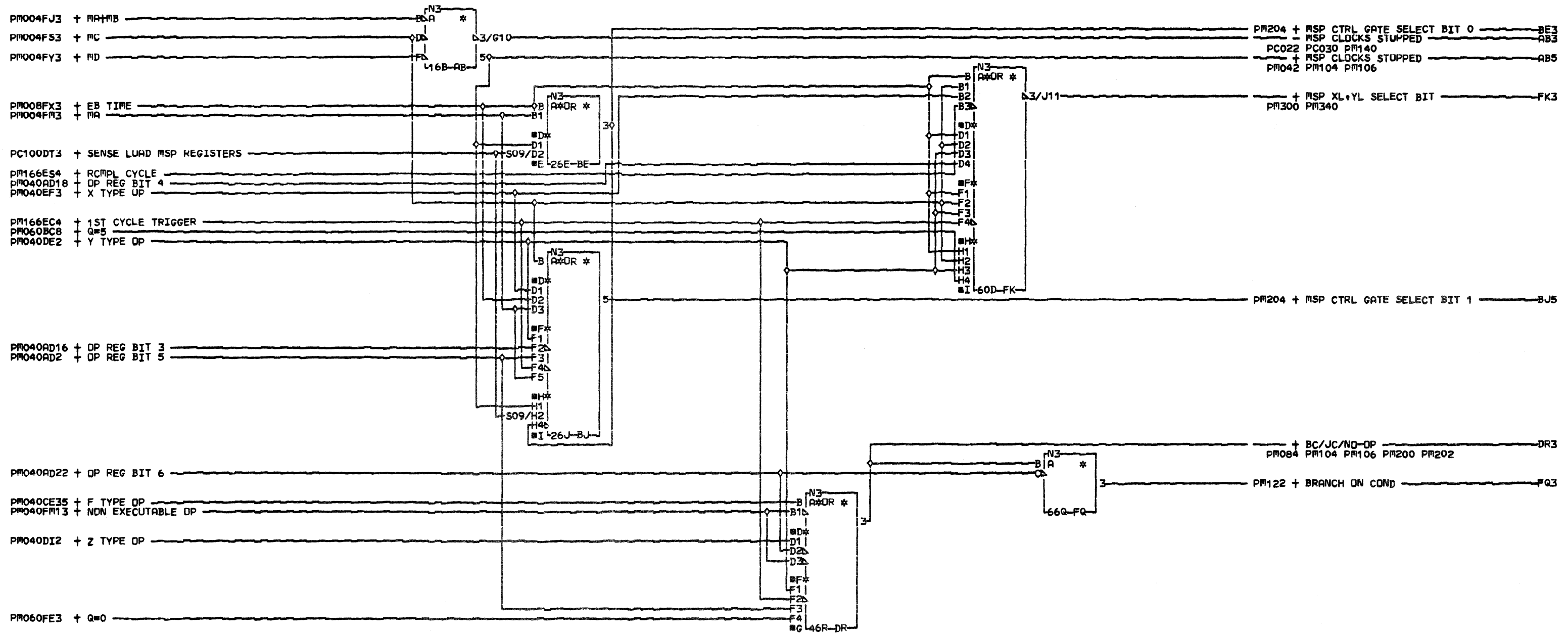


COMMENTS
 D1 (C) COPYRIGHT IBM CORP. 1980

DE04N
0001

MS GT SEL BITS
 MSP SYS CTRL CD
 PN8266174 EC835015
 LOC=1A-A1J2
 USN 00008 PRI=11SEP80 0852
 AUC= PF0RM=KSEB SEC
 MACH=5340000 NEXTBLK FI
 CID PIDFE JOB K3801510

P
M
0
4
2
0001

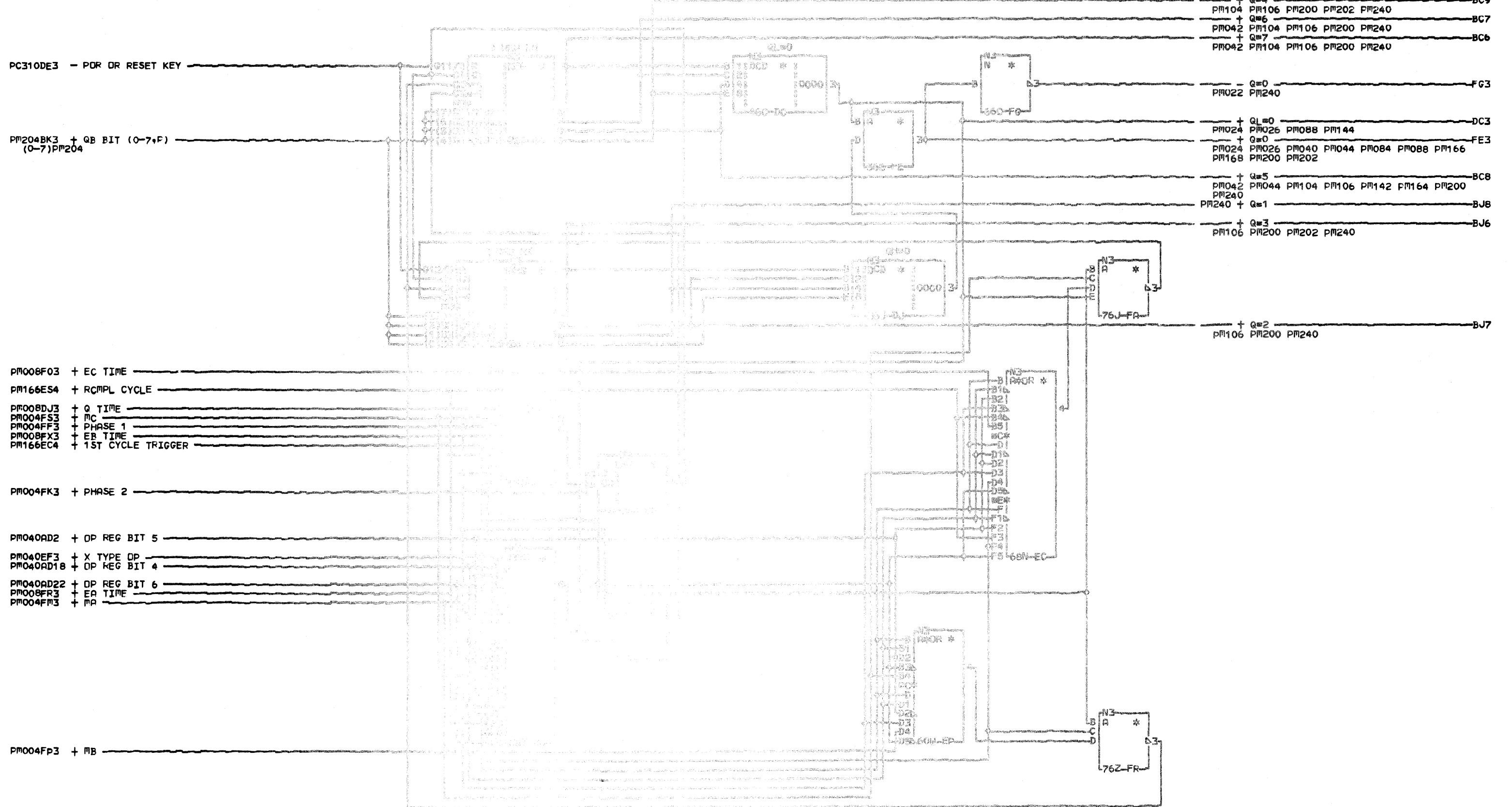


COMMENTS

D1 (C)COPYRIGHT IBM CORP. 1980

MSP CTR GT BITS
 BC/JC/NO-OP
 MSP SYS CTRL CD
 PN8266175 EC835015

LDC=1A-A1J2
 USN 00008 PRI=11SEP80 0852
 AUC= SEC
 PFORM=KSEB NEXTBLK FR
 MACH=5340000
 CID PIUFE JOB K3801510



COMMENTS
D1 (C) COPYRIGHT IBM CORP. 1980

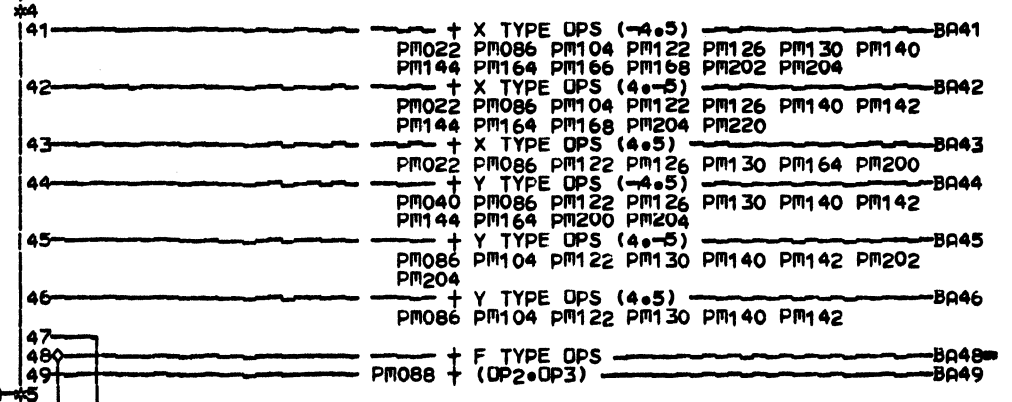
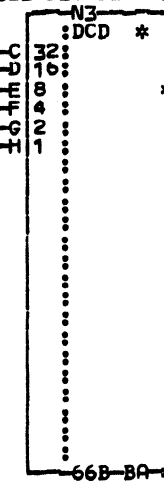
Q=0
MSP SYS CTRL CD
PN8266176 EC835015
LOC#1A-A1J2
USN 00008 PRI#11SEP80 0852
AUC# SEC
PFORM#KSEB NEXTBLK FS
MACH#5340000
CID PIOFE JOB K3801510

PM060
0001

PM060
0001

PM040AD1 + OP REG BIT 0
 PM040AD12 + UP REG BIT 1
 PM040AD14 + OP REG BIT 2
 PM040AD16 + UP REG BIT 3
 PM040AD18 + UP REG BIT 4
 PM040AD2 + UP REG BIT 5

SEE DECODE TABLE

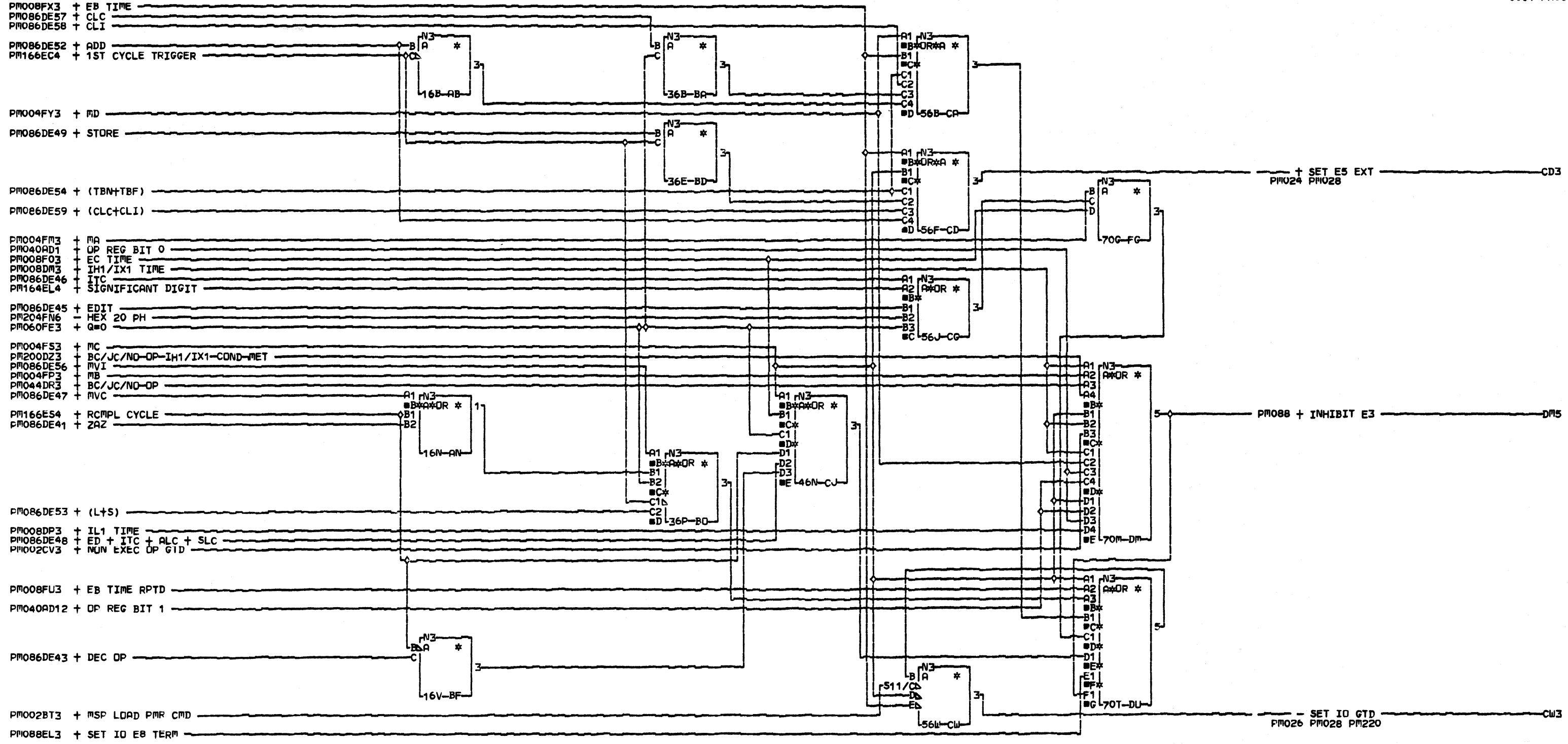


DECODE TABLE

OP REG BIT:	0	1	2	3	4	5	DECODE
	0	*	0	*	0	1	X TYPE OP (-4.5)
	0	*	0	*	1	0	X TYPE OP (4.5)
	0	*	0	*	1	1	X TYPE OP (4.5)
	0	*	*	0	0	1	X TYPE OP (-4.5)
	0	*	*	0	1	0	X TYPE OP (4.5)
	0	*	*	0	1	1	X TYPE OP (4.5)
	*	0	0	*	0	1	X TYPE OP (-4.5)
	*	0	0	*	1	0	X TYPE OP (4.5)
	*	0	0	*	1	1	X TYPE OP (4.5)
	*	0	*	0	0	1	X TYPE OP (-4.5)
	*	0	*	0	1	0	X TYPE OP (4.5)
	*	0	*	0	1	1	X TYPE OP (4.5)
	0	*	1	1	0	1	Y TYPE OP (-4.5)
	0	*	1	1	1	0	Y TYPE OP (4.5)
	0	*	1	1	1	1	Y TYPE OP (4.5)
	*	0	1	1	0	1	Y TYPE OP (-4.5)
	*	0	1	1	1	0	Y TYPE OP (4.5)
	*	0	1	1	1	1	Y TYPE OP (4.5)
	1	1	1	*	0	0	Z TYPE OP
	1	1	0	1	0	0	Z TYPE OP
	1	1	*	*	*	*	I TYPE OPS
	1	1	1	1	*	*	F TYPE OPS
	*	*	1	1	*	*	(OP2•OP3)

* DO NOT CARE - I AND F TYPE OPS MAY BE HIGH TOGETHER





COMMENTS
D1 (C) COPYRIGHT IBM CORP. 1980

SET I/O TERMS
MSP SYS CTRL CARD
PNB266178 ECB35015

LDC=1A-A1J2
USN 00008 PRI=11SEP80 0852
AUC= SEC
PFOR=KSEB NEXTBLK FH
MACH=5340000 JOB K3801510
CID P1DFE

PM084
0001

PM084
0001

SEE DECODE TABLE

PM082BA41 + X TYPE OPS (-4.5)
 PM082BA42 + X TYPE OPS (4.0-5)
 PM082BA43 + X TYPE OPS (4.5)
 PM082BA44 + Y TYPE OPS (-4.5)
 PM082BA45 + Y TYPE OPS (4.0-5)
 PM082BA46 + Y TYPE OPS (4.5)
 PM040AD18 + OP REG BIT 4
 PM040AD2 + OP REG BIT 5
 PM040AD22 + OP REG BIT 6
 PM040AD24 + OP REG BIT 7



41 + ZAZ DE41
 PM084 + PM088 (AZ+SZ) DE42
 PM084 + DEC UP DE43
 PM088 + MVX DE44
 PM084 + EDIT DE45
 + ITC DE46
 PM084 + PM088 MVC DE47
 PM084 + ED + ITC + ALC + SLC DE48
 + STORE DE49
 *5
 PM084 + PM088 LOAD DE51
 PM088 + ADD DE52
 PM084 + PM088 (L+S) DE53
 PM084 + (TBN+TBF) DE54
 PM088 + (SBN+SBF) DE55
 PM084 + MVI DE56
 PM084 + CLC DE57
 PM084 + CLI DE58
 PM084 + (CLC+CLI) DE59

DECODE TABLE

CODE	X OP -4.5	X OP 4.0-5	X OP 4.5	Y OP -4.5
ZAZ	1	0	0	0
AZ+SZ	1	0	0	0
DEC OP	1	0	0	0
MVX	0	1	0	0
EDIT	0	1	0	0
ITC	0	1	0	0

Y OP 4.0-5	Y OP 4.5	OP BIT 4	OP BIT 5	OP BIT 6	OP BIT 7
0	0	0	1	0	0
0	0	0	1	1	*
0	0	0	1	*	*
0	0	1	0	0	0
0	0	1	0	1	0
0	0	1	0	1	1

MVC	0	0	1	0
ED+ITC+ALC+SLC	0	*	*	0
STORE	0	0	0	1
LOAD	0	0	0	1
ADD	0	0	0	1
L+S	0	0	0	1

0	0	1	1	0	0
0	0	1	*	1	*
0	0	0	1	0	0
0	0	0	1	0	1
0	0	0	1	1	0
0	0	0	1	0	*

TBN+TBF	0	0	0	0
SBN+SBF	0	0	0	0
MVI	0	0	0	0
CLC	0	0	1	0
CLI	0	0	0	0
CLC+CLI	0	0	*	0

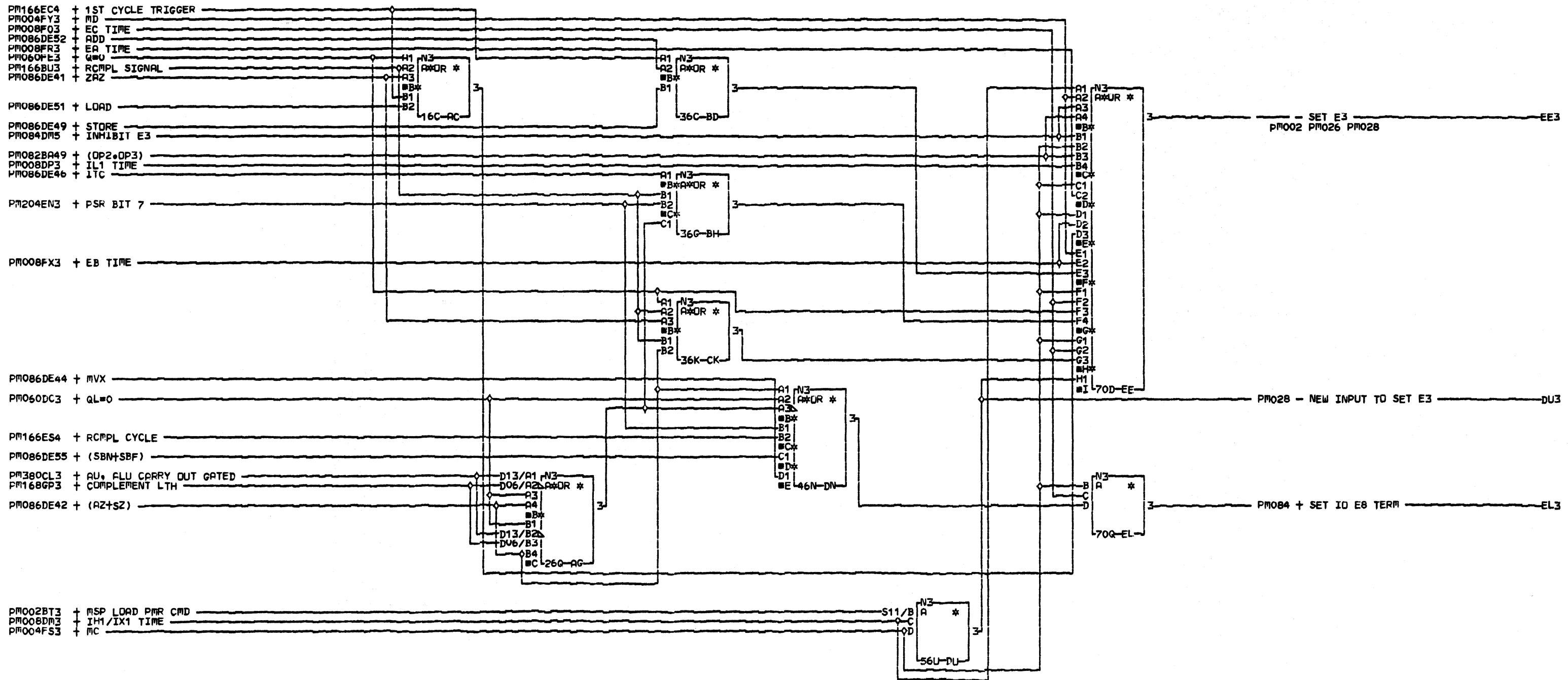
1	0	1	0	0	*
1	0	1	0	1	*
0	1	1	1	0	0
0	0	1	1	0	1
0	1	1	1	0	1
0	*	1	1	0	1

COMMENTS
 D1 (C) COPYRIGHT IBM CORP. 1980

DECODER
 MSP SYS CTRL CARD
 PN8266179 EC835015
 LOC=1A-A1J2
 USN 00008 PRI=11SEP80 0852
 AUC= SEC
 PFORM=KSEB NEXTBLK DF
 RACH=5340000
 CID PIOFE JOB K3801510

DE086

PM086



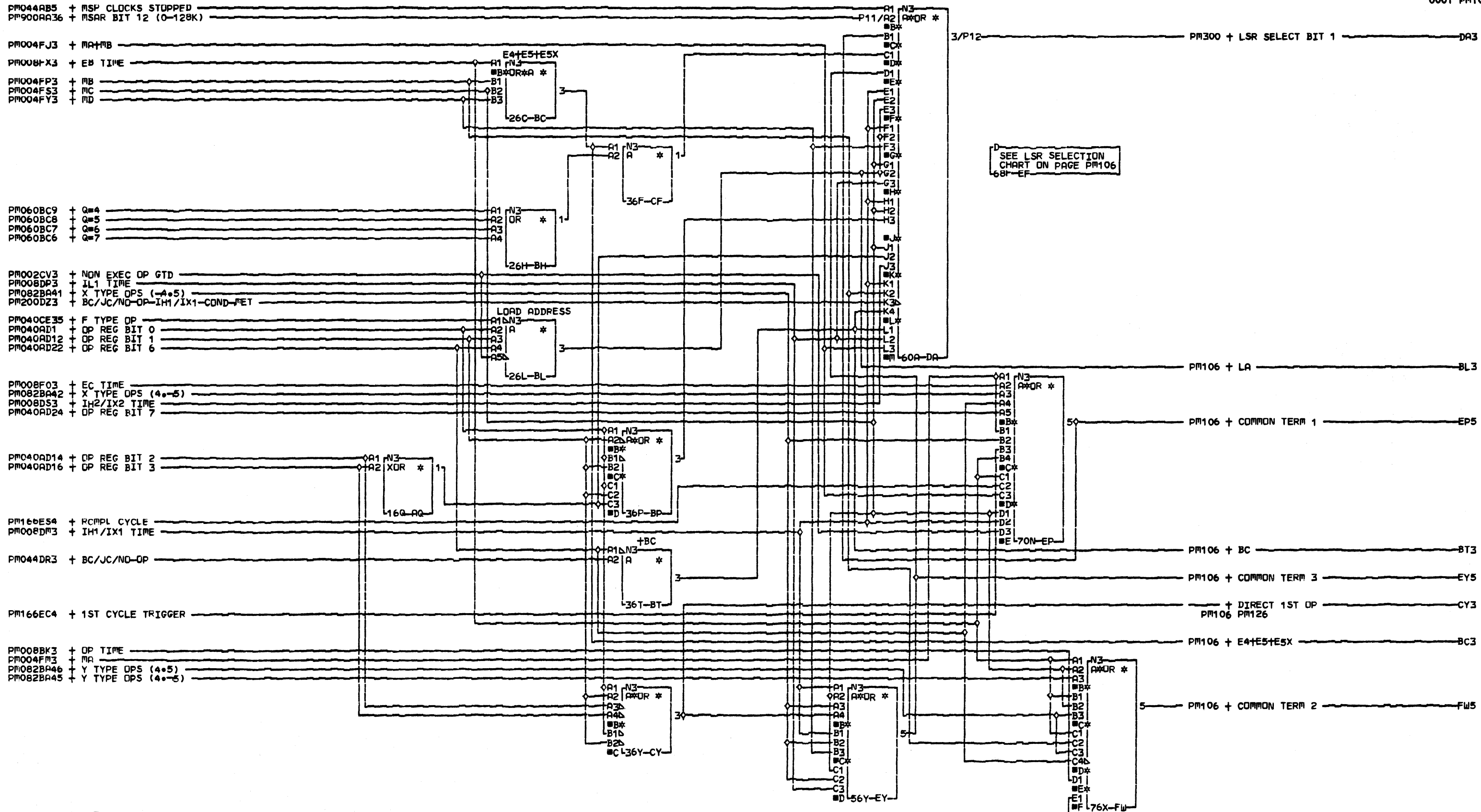
COMMENTS
D1 (C) COPYRIGHT IBM CORP. 1980

SET E3-SET ID E8 TERM
MSP SYS CTRL CARD
PN8266180 EC835015

LOC=1A-A1J2
USN 00008 PRI=11SEP80 0852
AUC= PFORM=KSEB SEC NEXTBLK EM
MACH=5340000
CID PIOFE JOB K3801510

0001

0001

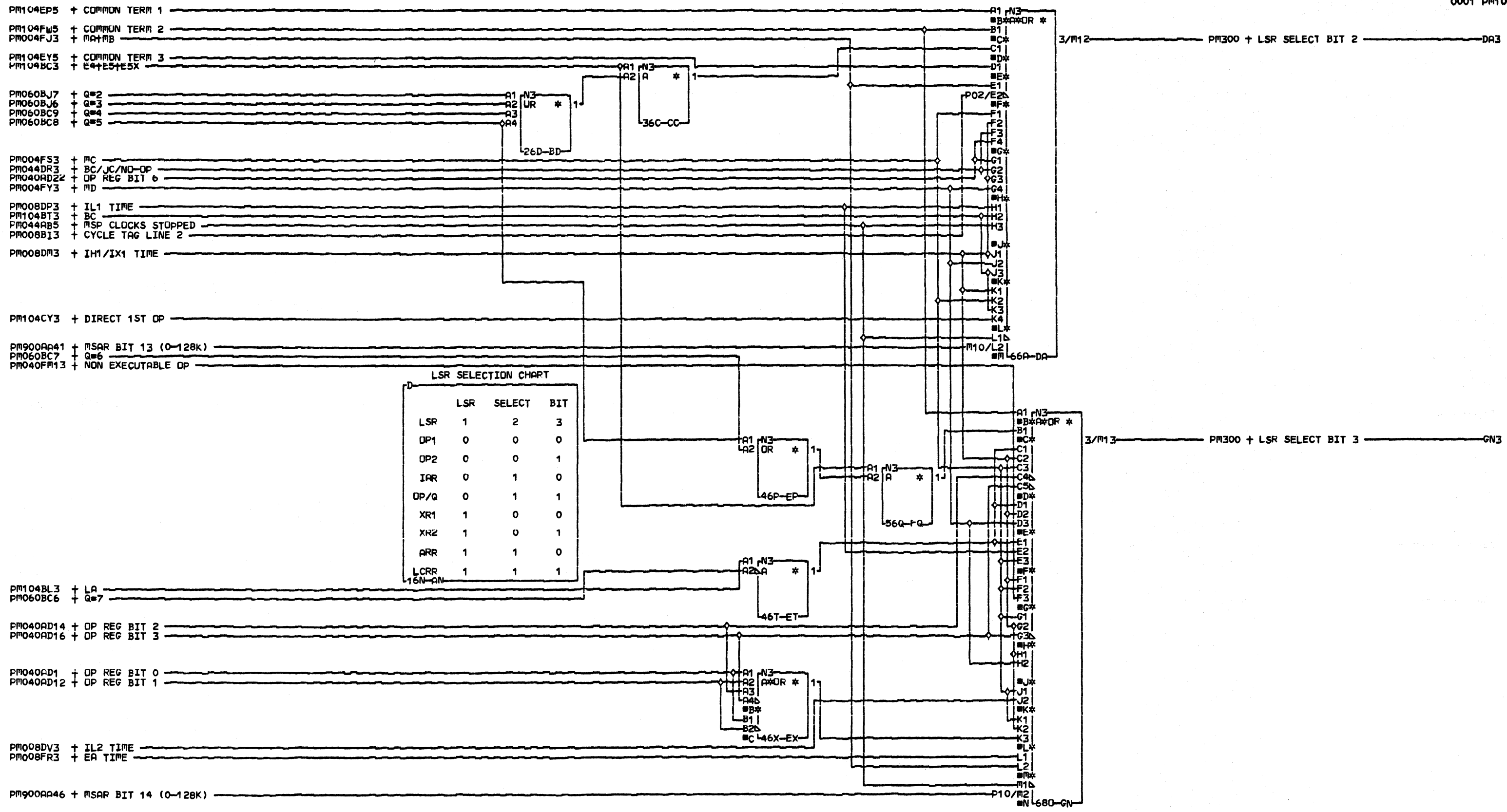


PM008DJ3 + Q TIME
 COMMENTS
 D1 (C)COPYRIGHT IBM CORP. 1980

LSR SELECT BIT 1
 MSP SYS CTRL CARD
 PN8266181 EC835015
 LOC=1A-A1J2
 USN 00008 PRI=11SEP80 0852
 AUC= SEC
 PFORM=KSEB NEXTBLK FX
 MACH=5340000
 CID PIOFE JOB K3801510

0001
 4
 1
 0
 4

P
 M
 1
 0
 4
 0001



LSR SELECTION CHART

	LSR	SELECT	BIT
LSR	1	2	3
OP1	0	0	0
OP2	0	0	1
IAR	0	1	0
OP/Q	0	1	1
XR1	1	0	0
XR2	1	0	1
ARR	1	1	0
LARR	1	1	1

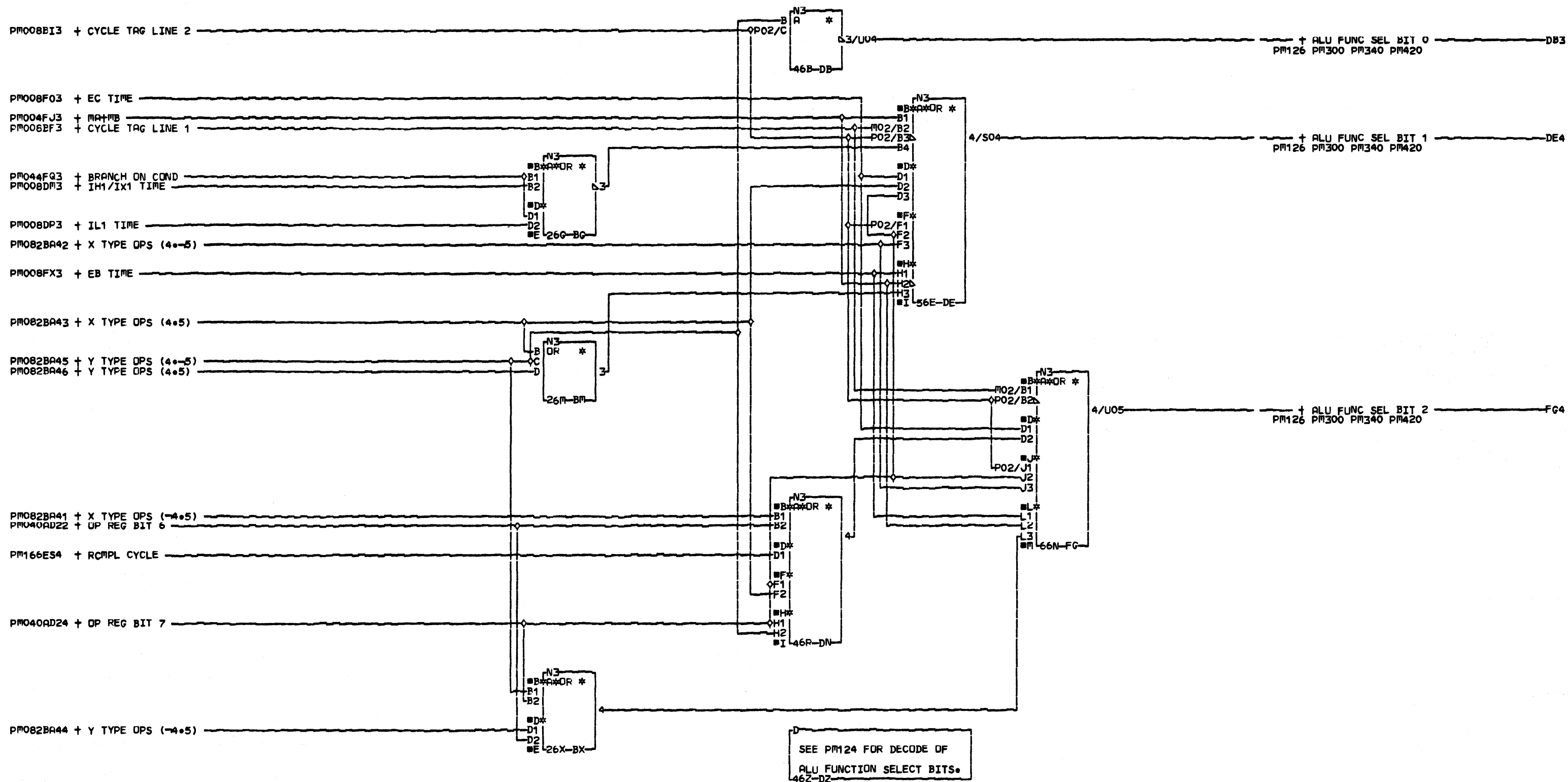
COMMENTS
D1 (C) COPYRIGHT IBM CORP. 1980

LSR SELECT BIT 2 AND 3
MSP SYS CTRL CARD
PN8266182 EC835015

LDC=1A-A1J2
USN 00008 PRI=11SEP80 0852
AUC= SEC
PFOR=KSEB NEXTBLK GD
MACH=5340000 JOB K3801510
CID PIOFE

PM
1
0
6
0001

PM
1
0
6
0001



COMMENTS

D1 (C) COPYRIGHT IBM CORP. 1980

ALU FUNC SEL BITS 0 & 1
MSP SYS CTRL CD
PN8266183 EC835015

LOC=1A-A1J2

USN 00008 PRI=11SEP80 0852

AUC= SEC

PFORM=KSEB NEXTBLK FH

RACH=5340000

CID PIOFE JOB K3801510

D
 DECODE OF ALU FUNCTION SELECT BITS
 ALU FUNCTION SELECT BITS 0,1,2
 BITS 0,1,2 ON EQUAL HEX 7
 BITS 0,1,2 OFF EQUAL HEX 0
 BIT 0=4; BIT 1=2; BIT 2=1
 10A-AA

INSTR	TYPE	OP	OP			Q			IH1/IX1			IH2/IX2			IL2			EA			EB			EC						
			I0	I1	I2	I3	I4	I5	I6	I7	I8	I9	I10	I11	I12	I13	I14	I15	I16	I17	I18	I19	E0	E1	E2	E3	E4	E5	E5X	E6
ZAZ	X		7	7	5	7	7	5	7	7	5	5	7	7	5	5	7	7	5	4	4	4	4	4	4	*	4	4	4	
AZ	X		7	7	5	7	7	5	7	7	5	5	7	7	5	5	7	7	5	4	4	4	4	4	4	*	5	5	5	
SZ	X		7	7	5	7	7	5	7	7	5	5	7	7	5	5	7	7	5	4	4	4	4	4	4	*	5	5	5	
MX	X		7	7	5	7	7	5	7	7	5	5	7	7	5	5	7	7	5	4	4	4	4	4	4	*	4	4	4	
ED	X		7	7	5	7	7	5	7	7	5	5	7	7	5	5	7	7	5	4	4	4	4	4	4	*	4	4	4	
ITC	X		7	7	5	7	7	5	7	7	5	5	7	7	5	5	7	7	5	7	7	7	7	7	*	7	7	7		
MVC	X		7	7	5	7	7	5	7	7	5	5	7	7	5	5	7	7	5	4	4	4	4	4	6	*	*	*	*	
CLC	X		7	7	5	7	7	5	7	7	5	5	7	7	5	5	7	7	5	4	4	4	4	4	6	6	*	*	*	
ALC	X		7	7	5	7	7	5	7	7	5	5	7	7	5	5	7	7	5	4	4	4	4	4	6	*	5	5	5	
SLC	X		7	7	5	7	7	5	7	7	5	5	7	7	5	5	7	7	5	4	4	4	4	4	6	*	6	6	6	
ST	Y		7	7	5	7	7	5	7	7	5	5	7	7	5	5	7	7	5	*	*	*	*	*	*	*	*	*	*	
L	Y		7	7	5	7	7	5	7	7	5	5	7	7	5	5	7	7	5	*	*	*	*	*	*	*	*	*	*	
A	Y		7	7	5	7	7	5	7	7	5	5	7	7	5	5	7	7	5	*	*	*	*	*	*	*	*	*	*	
TBN	Y		7	7	5	7	7	5	7	7	5	5	7	7	5	5	7	7	5	*	*	*	*	*	*	*	*	*	*	
TBF	Y		7	7	5	7	7	5	7	7	5	5	7	7	5	5	7	7	5	*	*	*	*	*	*	*	*	*	*	
SBN	Y		7	7	5	7	7	5	7	7	5	5	7	7	5	5	7	7	5	*	*	*	*	*	*	*	*	1	1	1
SBF	Y		7	7	5	7	7	5	7	7	5	5	7	7	5	5	7	7	5	*	*	*	*	*	*	*	*	0	0	0
MVI	Y		7	7	5	7	7	5	7	7	5	5	7	7	5	5	7	7	5	*	*	*	*	*	*	*	*	*	*	*
CLI	Y		7	7	5	7	7	5	7	7	5	5	7	7	5	5	7	7	5	*	*	*	*	*	*	*	*	*	*	*
BC	Z		7	7	5	7	7	5	5	5	5	5	5	5	5	5	5	5	5	*	*	*	*	*	*	*	*	*	*	*
LA	Z		7	7	5	7	7	5	7	7	5	5	7	7	5	5	7	7	5	*	*	*	*	*	*	*	*	*	*	*
JC	F		7	7	5	7	7	5	7	7	5	5	*	*	*	*	*	*	*	*	*	*	*	*	*	*	*	*	*	*
PMR	F		7	7	5	7	7	5	7	7	5	*	*	*	*	*	*	*	*	*	*	*	*	*	*	*	*	*	*	*
SVC	F		7	7	5	7	7	5	7	7	5	*	*	*	*	*	*	*	*	*	*	*	*	*	*	*	*	*	*	*
XFER	F		7	7	5	7	7	5	7	7	5	*	*	*	*	*	*	*	*	*	*	*	*	*	*	*	*	*	*	*
RCMP	X		*	*	*	*	*	*	*	*	*	*	*	*	*	*	*	*	*	*	*	*	*	*	*	*	7	7	7	7

NOTE: RECOMPLEMENT (RCMP) ZAZ, AZ, SZ
 * = NOT USED
 10D-BA

D
 36D-CA

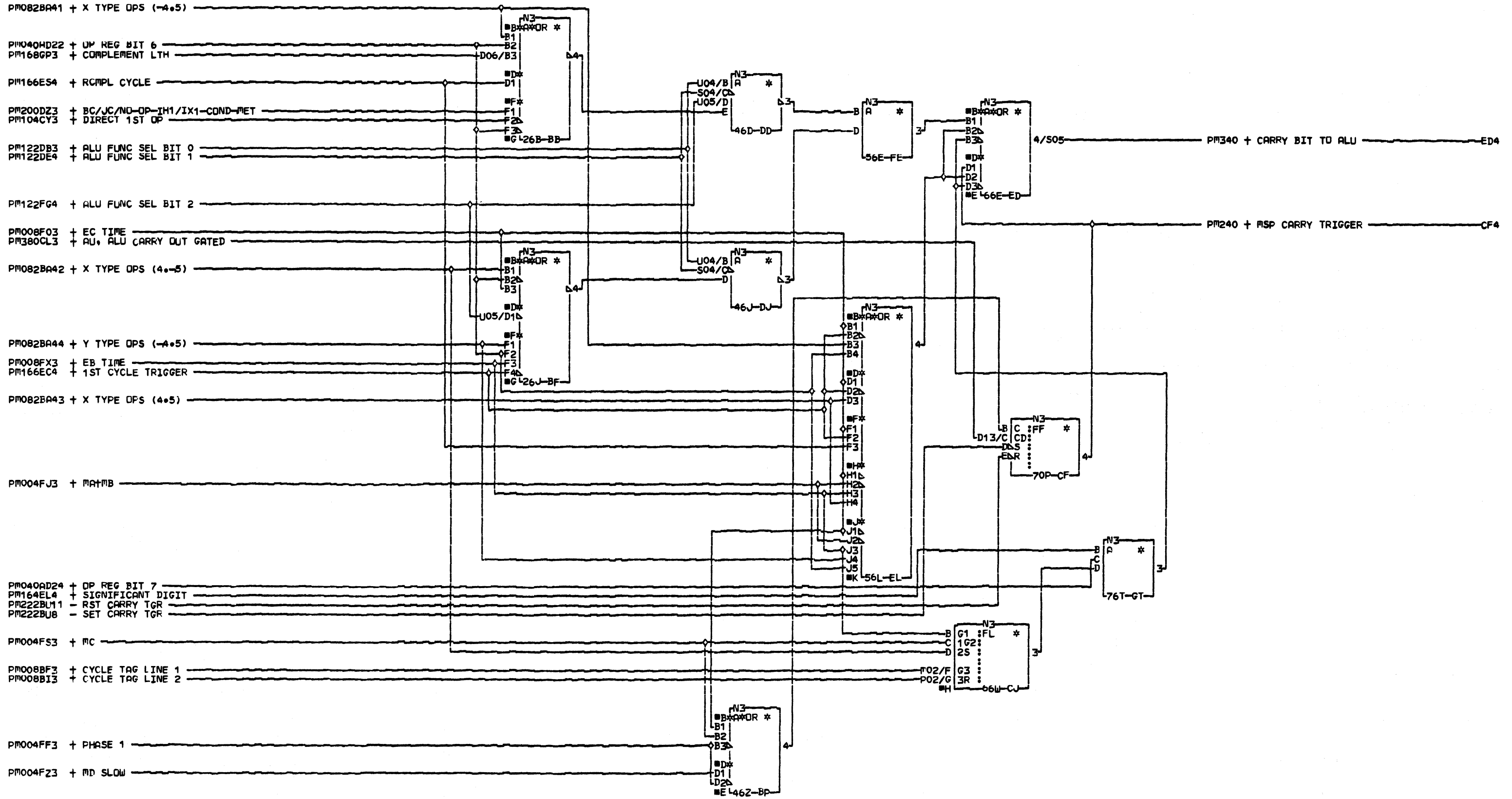
D
 58D-DA

COMMENTS
 D1 (C) COPYRIGHT IBM CORP. 1980

DECODE ALU FUNC SEL BITS
 MSP SYS CTRL CD
 PN8266184 EC835015
 LOC=1A-A1J2
 USN 00008 PRI=11SEP80 0852
 RJC= SEC
 PFORM=KSEB NEXTBLK DB
 MACH=5340000
 CID PIOFE JOB K3801510

0001
 DE-NA

P
 M
 1
 2
 4
 0001

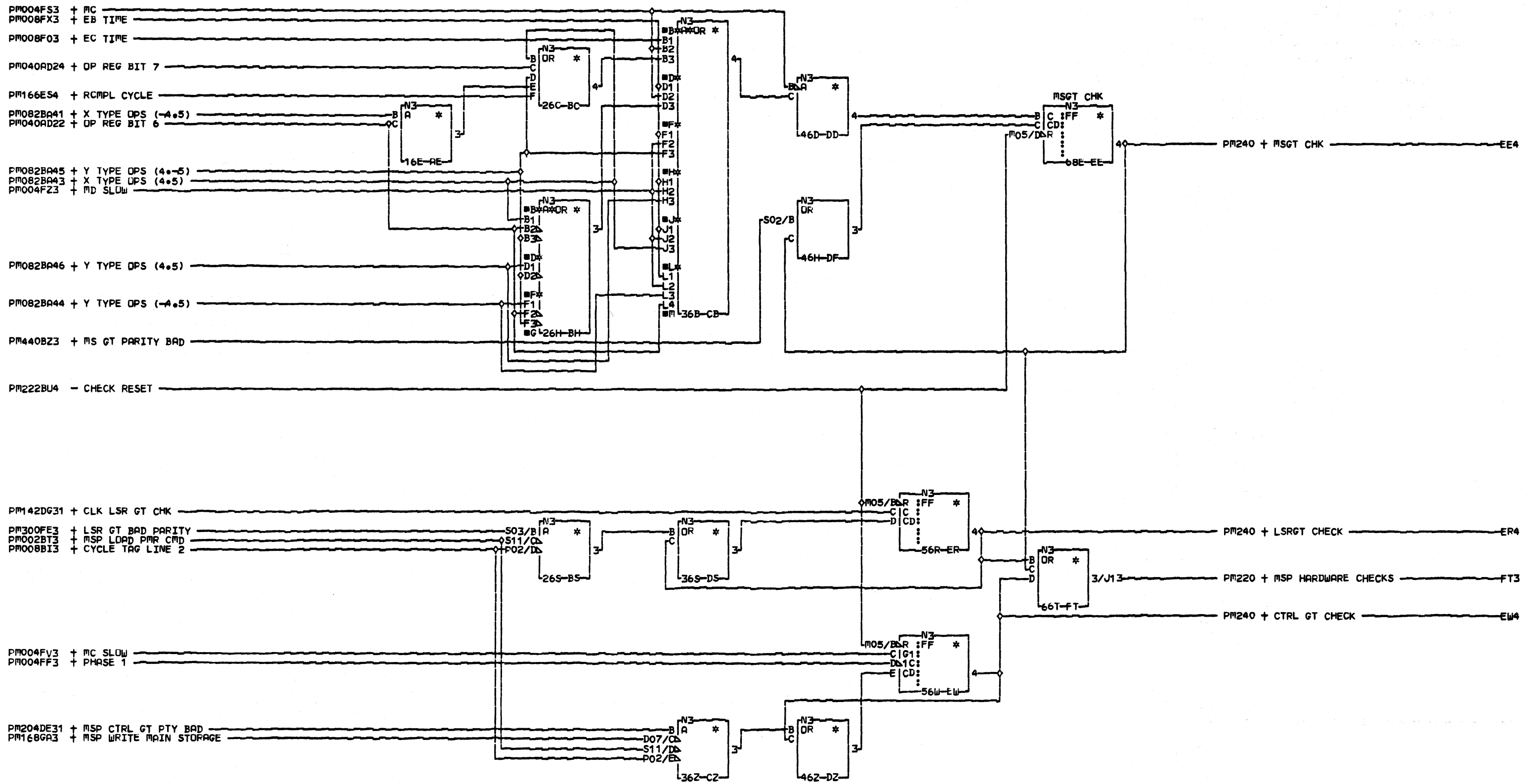


COMMENTS

D1 (C) COPYRIGHT IBM CORP. 1980

CARRY BIT TO ALU
MSP SYS CTRL CD
PN8266185 EC835015

LOC=1A-A1J2
 USN 00008 PRI=11SEP80 0852
 AUC# SEC
 PFORM=KSEB NEXTBLK GU
 MACH=5340000
 CID PIDFE JOB K3801510

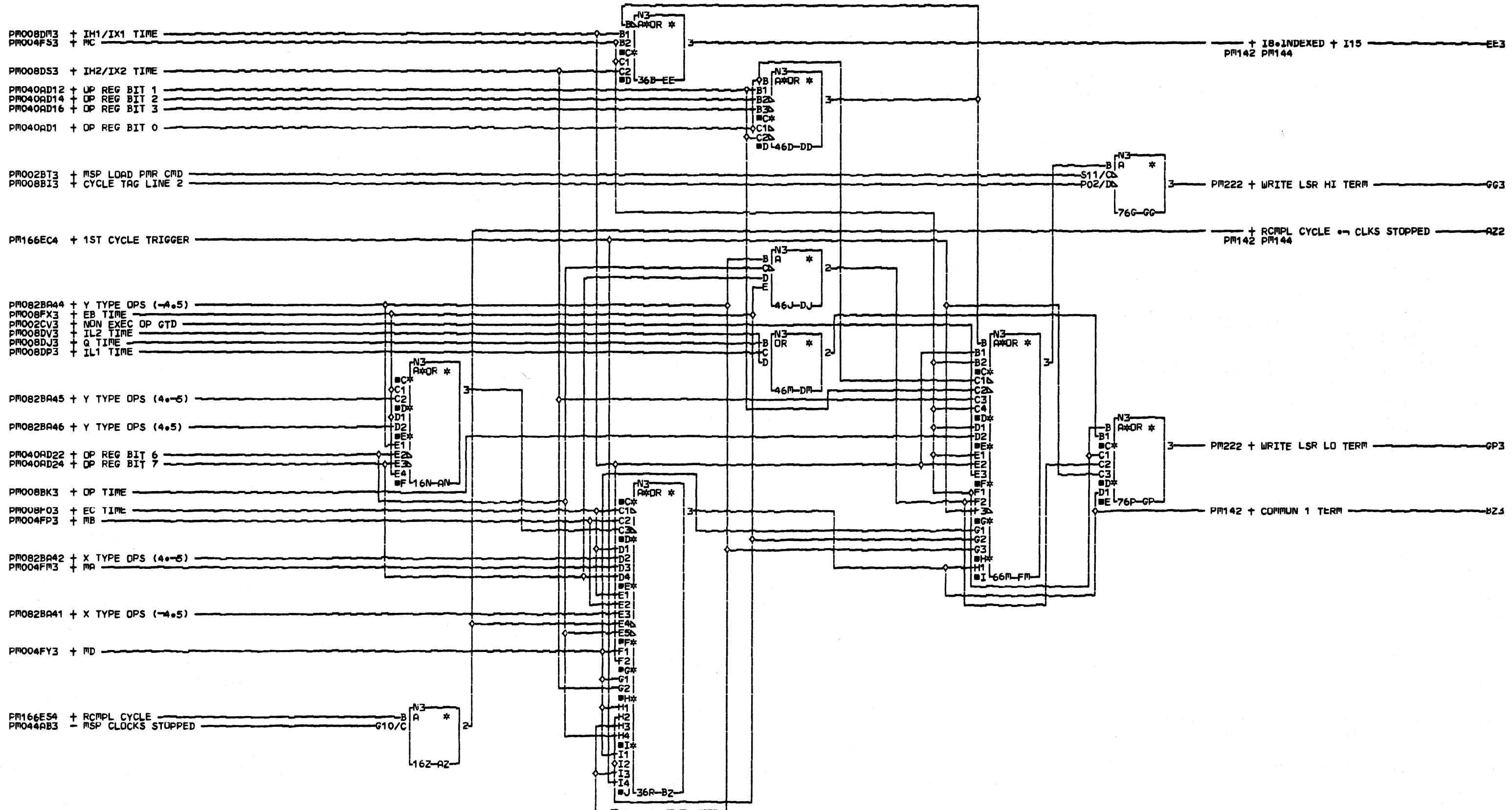


COMMENTS
 D1 (C) COPYRIGHT IBM CORP. 1980

MSGT CHK
 MSP SYS CTRL CD
 PN8266186 EC835015
 LDC=1A-A1J2
 USN 00008 PRI=11SEP80 0852
 AUC= SEC
 PFORM=KSEB NEXTBLK FU
 MACH=5340000
 CID PIOFE JOB K3801510

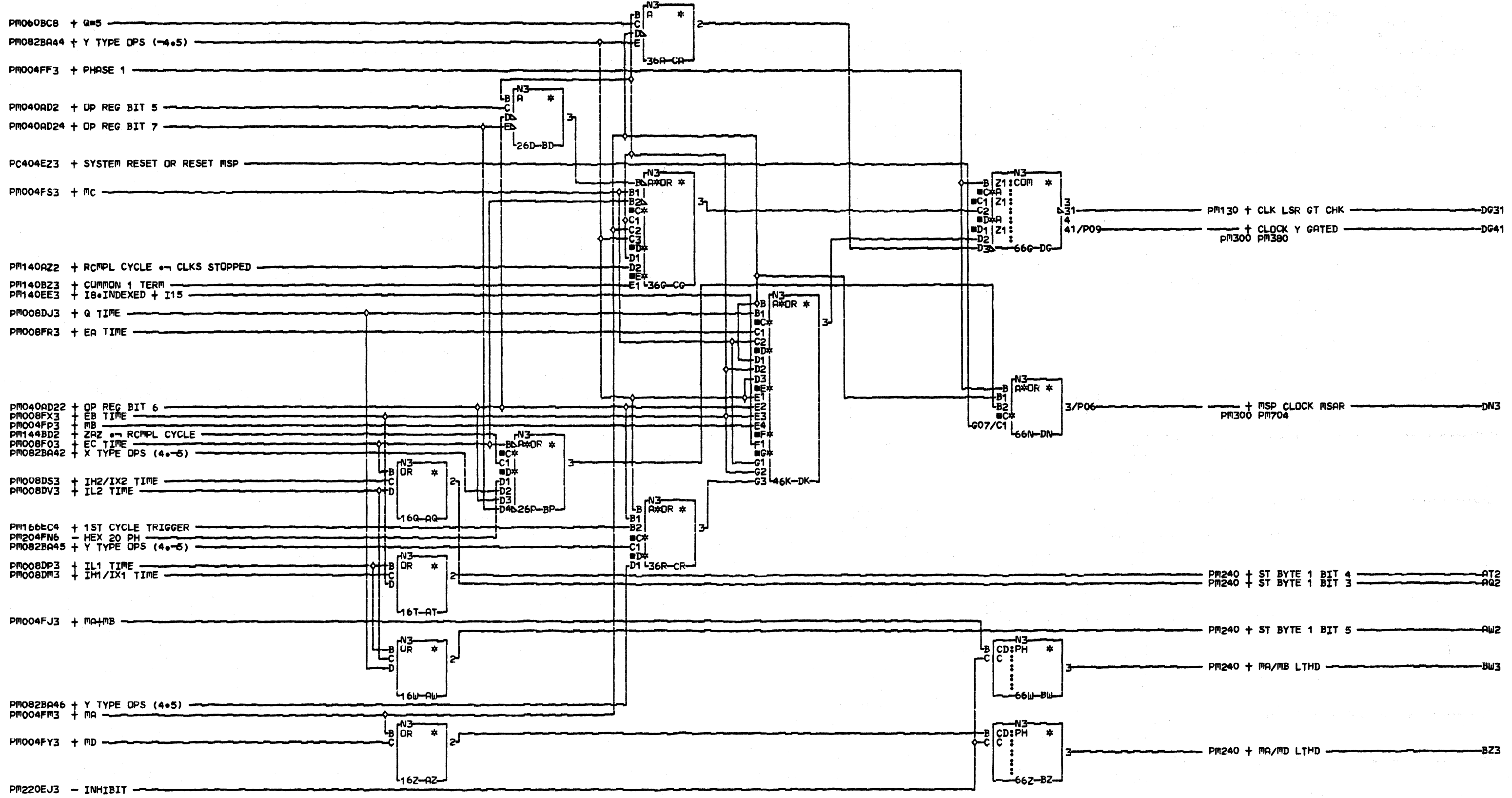
P E I T N O
0001

P E I T N O
0001



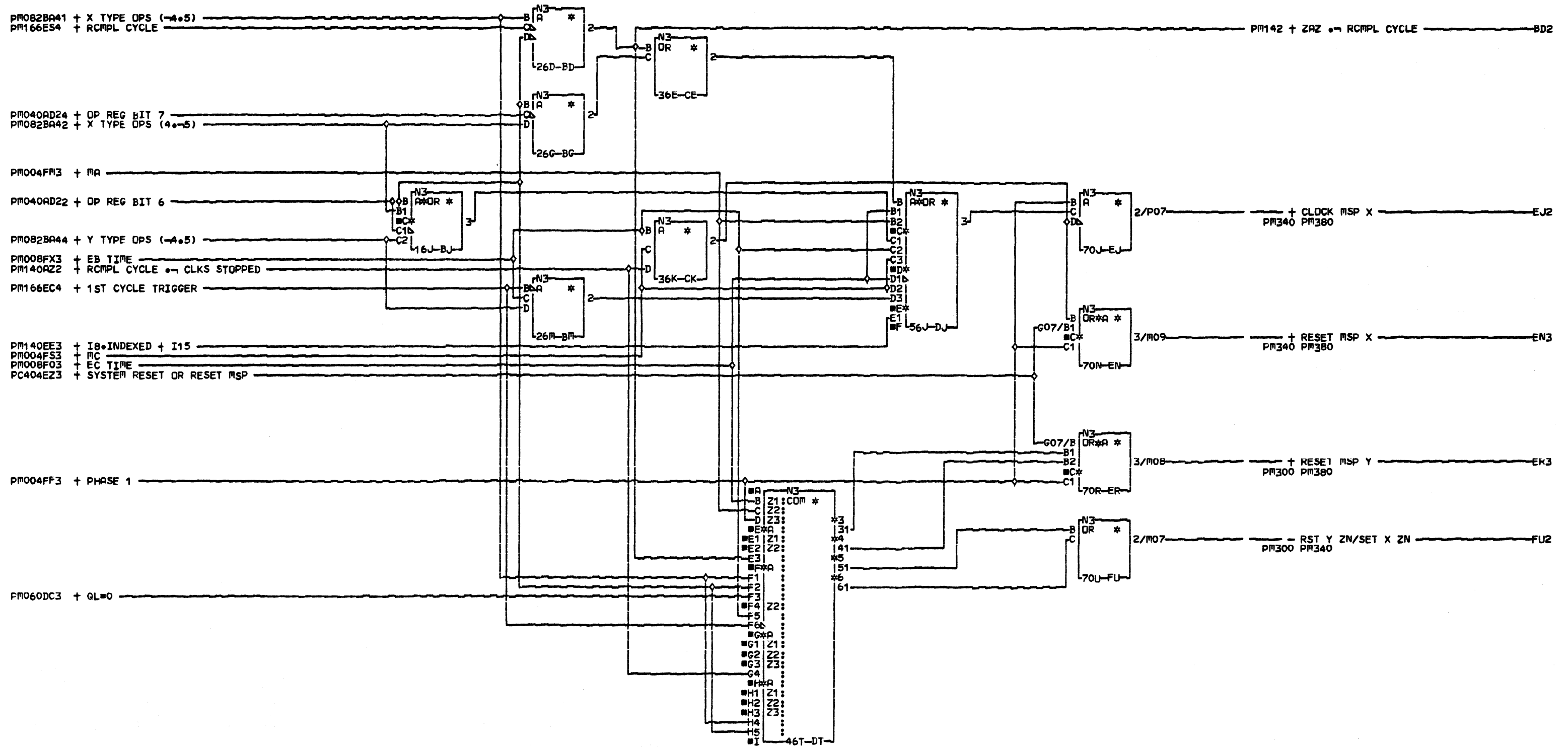
COMMENTS
 D1 (C) COPYRIGHT IBM CORP. 1980

WRITE LSR TERMS
 MSP SYS CTRL CARD
 PN8266187 EC835015
 LOC=1A-A1J2
 USN 00008 PRI=11SEP80 0852
 AUC= PFORM=KSER SEC
 PACH=5340000 NEXTBLK GG
 CID P10FE JOB K3801510



COMMENTS
D1 (C) COPYRIGHT IBM CORP. 1980

CLOCK MSAR, Y AND LSR GT CHK
MSP SYS CTRL CARD
PN8266188 EC835015
LDC=1A-A1J2
USN 00008 PRI=11SEP80 0852
AUC= PFORM=KSEB SEC NEXTBLK DD
MACH=5340000 CID PDUFE JOB K3801510



COMMENTS
D1 (C)COPYRIGHT IBM CORP. 1980

CLK X+ RST X&Y
MSP SYS CTRL CARD
PN8266189 EC835015

LDC=1A-A1J2

USN 00008 PRI=11SEP80 0852

AUC= SEC

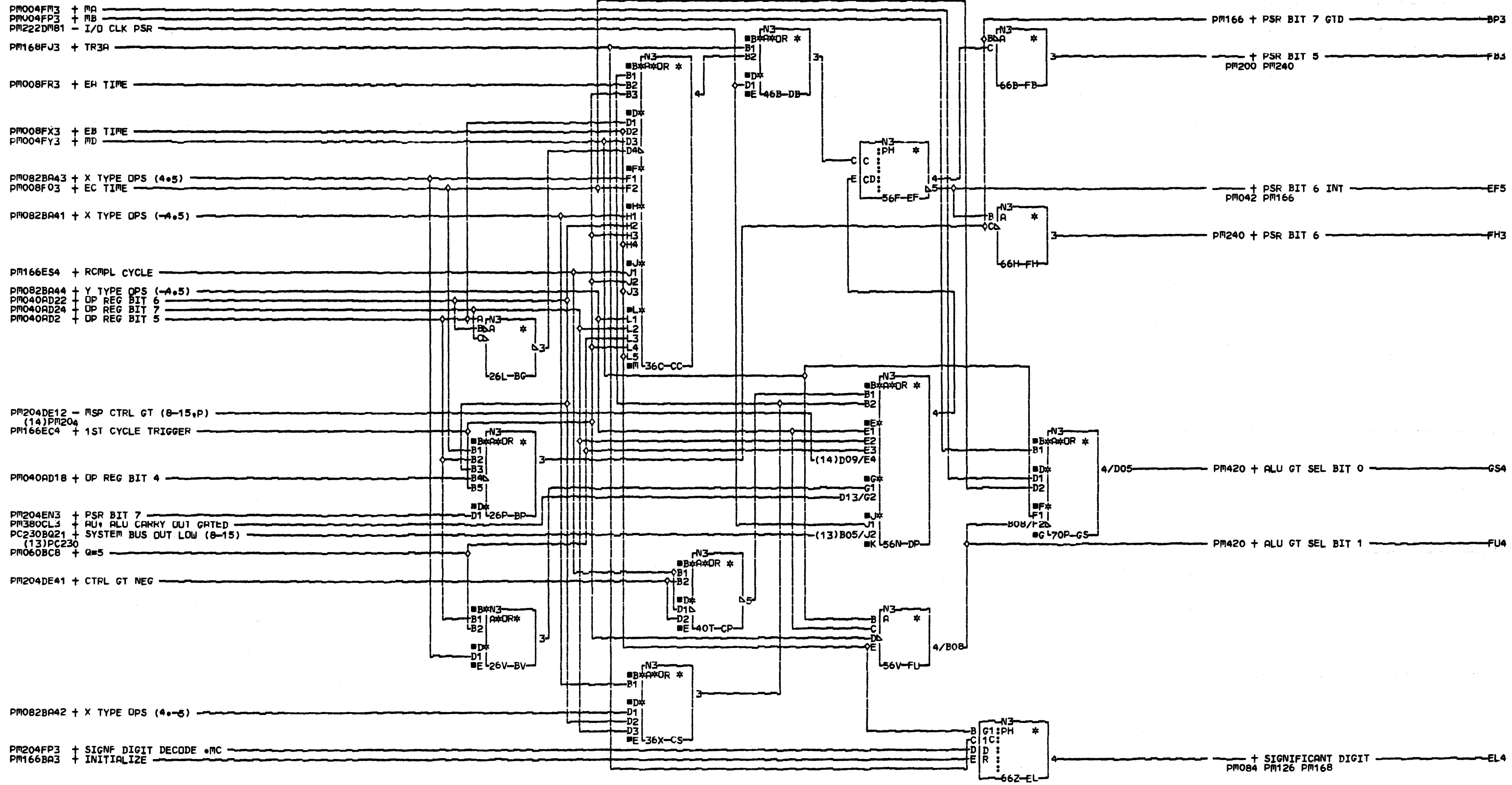
PFORM=KSEB NEXTBLK FV

MACH=5340000

CID PIOFE JOB K3801510

PM144

P
M
1
4
4
0001

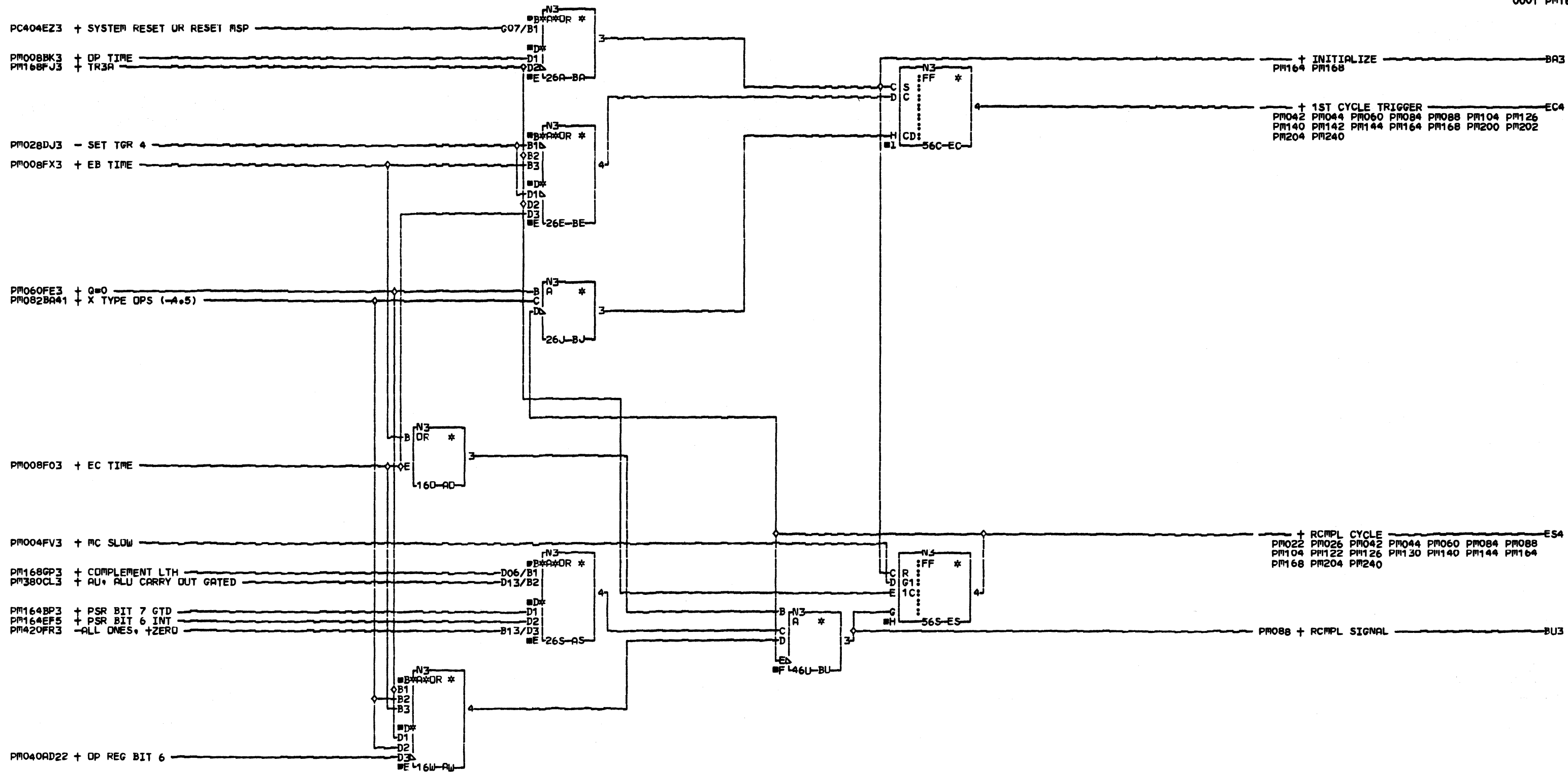


COMMENTS
 D1 (C) COPYRIGHT IBM CORP. 1980

P E 1 6 4
0001

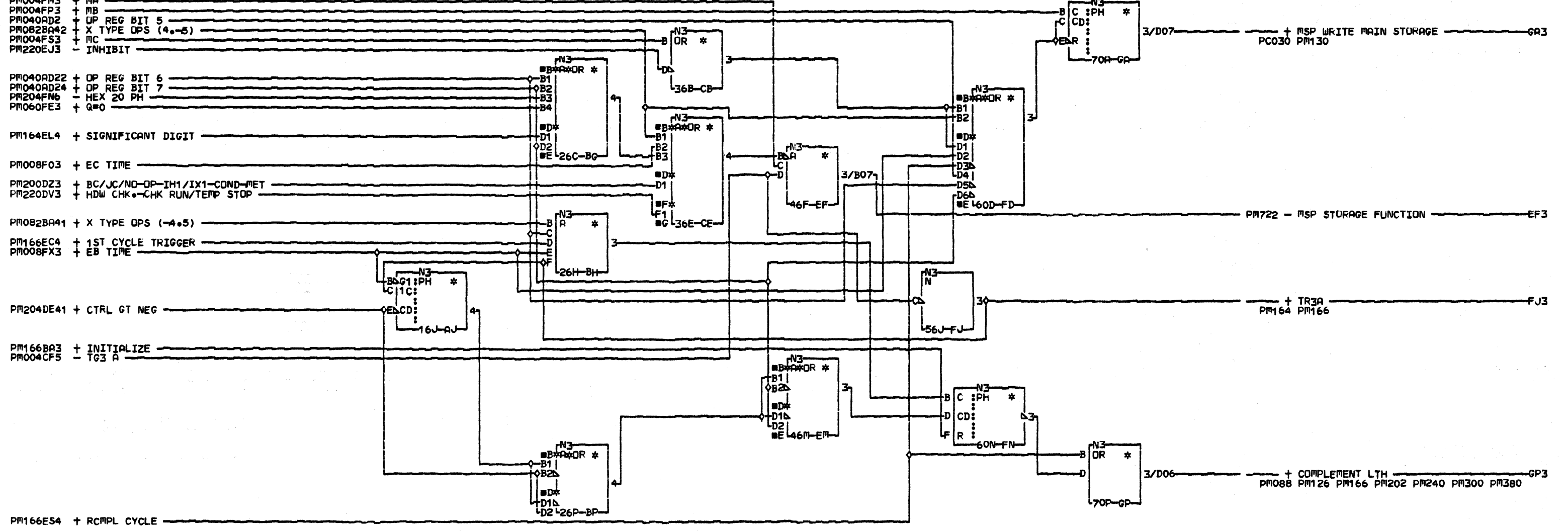
PSR BIT 5 & 6 MSP SYS CTRL CD	
PN8266190 Ec835015	
LOC=1A-A1J2	
USN 0008	PRI=11SEP80 0852
RJC=	SEC
PFDR=KSEB	NEXTBLK GT
MACH=5340000	JOB K3801510
CID P10FE	

P M 1 6 4
0001



COMMENTS
D1 (C) COPYRIGHT IBM CORP. 1980

RCMP L, INITIALIZE, & 1ST CYCLE
MSP SYS CTRL CD
PN8266191 EC835015
LOC=1A-A1J2
USN 00008 PRI=11SEP80 0852
AUC= SEC
PFORM=KSEB NEXTBLK ET
MACH=5340000
CID PIDFE JOB K3801510



COMMENTS

D1 (C)COPYRIGHT IRM CORP. 1980

DE 168
0001

MSP WRT MAIN STG
MSP STG FUCT
MSP SYS CTRL CD
PN8266192 EC835015

LDC=1A-A1J2

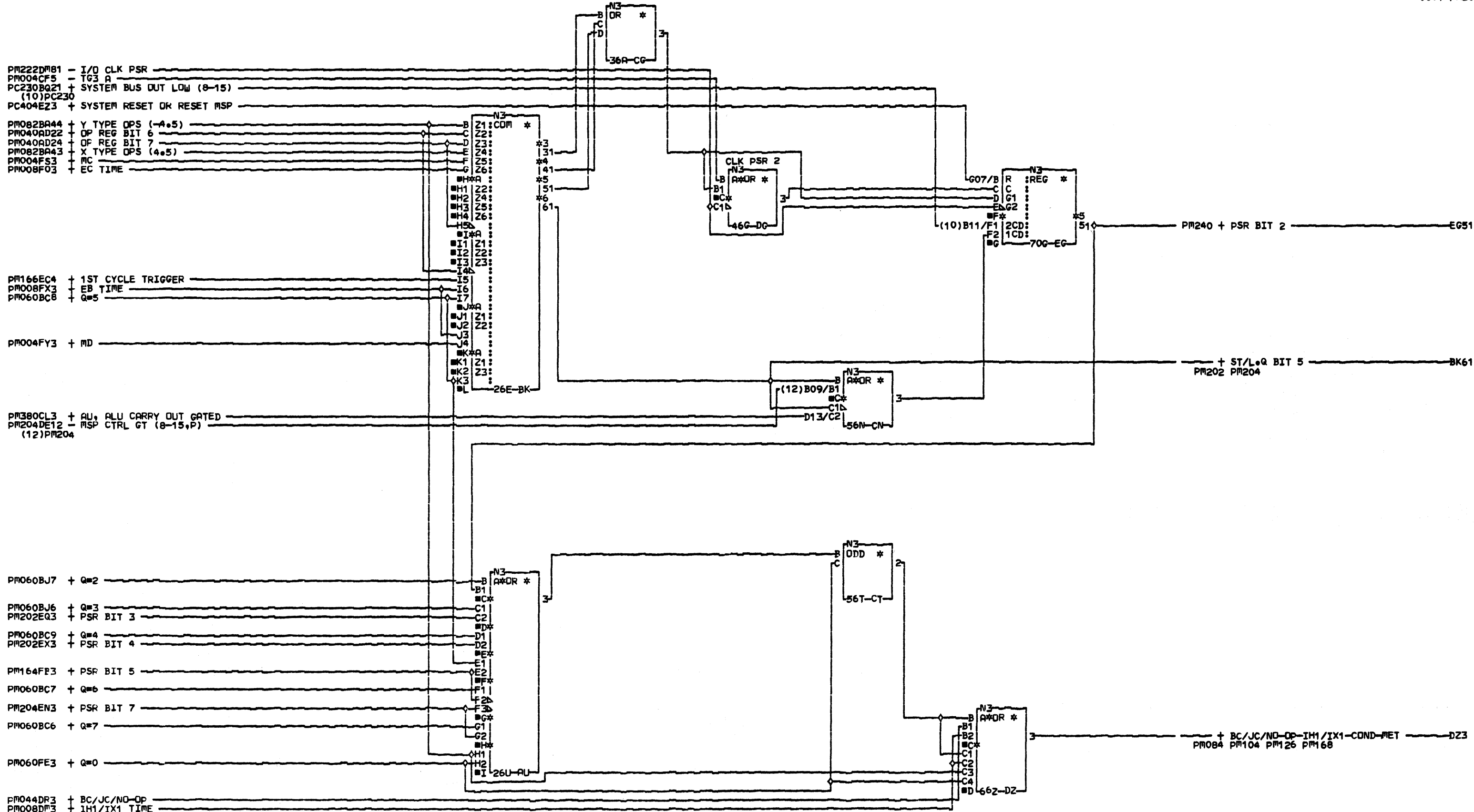
USN 00008 PRI=11SEP80 0852

AUC= SEC
PFORM=KSEB NEXTBLK GQ

MACH=5340000 JDB K3801510

CID PIOFE

P
M
1
6
8
0001



PM222DM81 - I/O CLK PSR
 PM004CF5 - TG3 A
 PC230BQ21 + SYSTEM BUS OUT LOW (8-15)
 (10)PC230
 PC404E23 + SYSTEM RESET OR RESET MSP

PM082BA44 + Y TYPE OPS (-A.5)
 PM040AD22 + OP REG BIT 6
 PM040AD24 + OP REG BIT 7
 PM082BA43 + X TYPE OPS (4.5)
 PM004FS3 + MC
 PM008F03 + EC TIME

PM166EC4 + 1ST CYCLE TRIGGER
 PM008FX3 + EB TIME
 PM060BC8 + Q#5

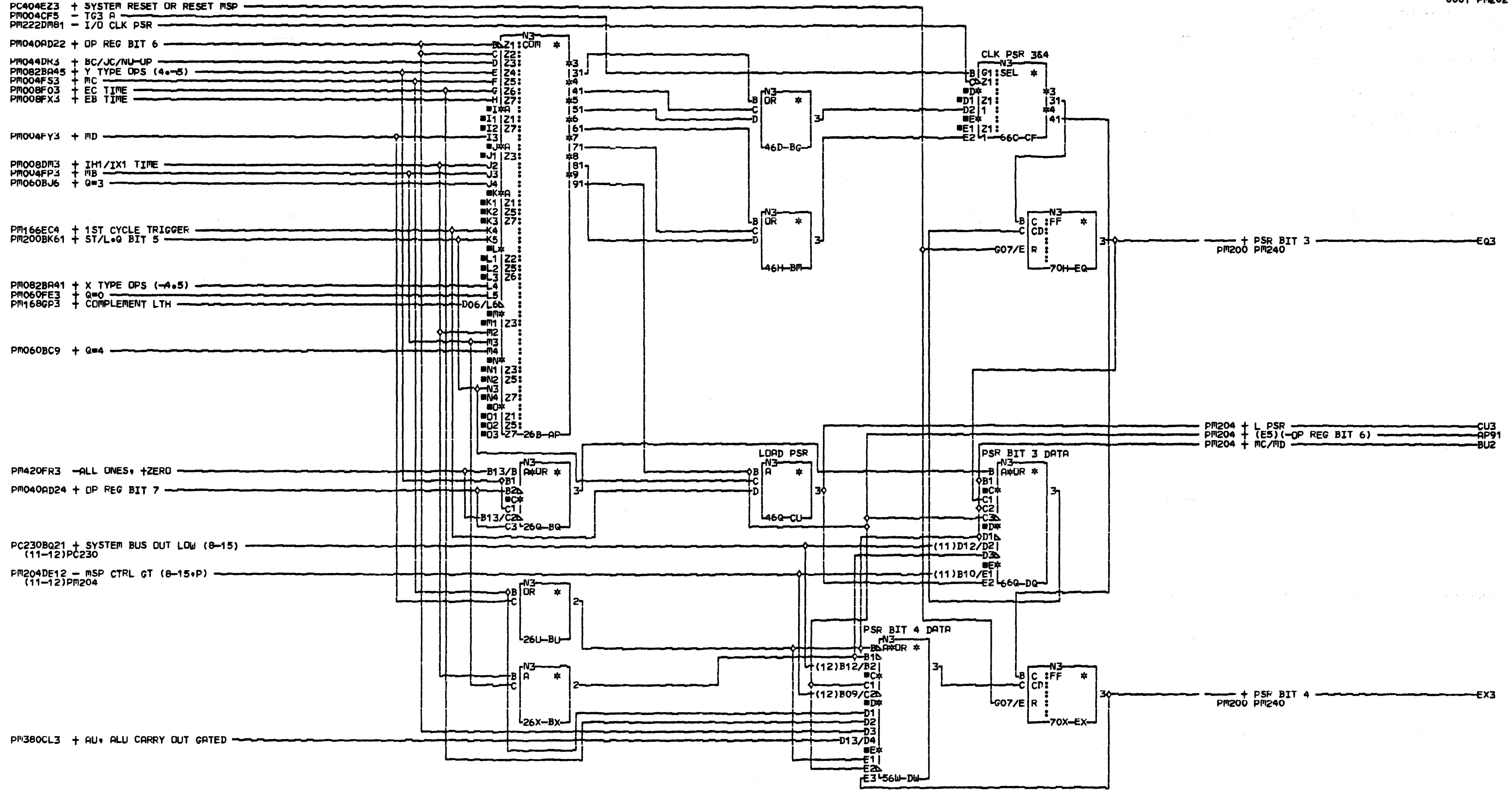
PM004FY3 + MD
 PM380CL3 + AU, ALU CARRY OUT GATED
 PM204DE12 - MSP CTRL GT (8-15,P)
 (12)PM204

PM060BJ7 + Q#2
 PM060BJ6 + Q#3
 PM202EQ3 + PSR BIT 3
 PM060BC9 + Q#4
 PM202EX3 + PSR BIT 4
 PM164FE3 + PSR BIT 5
 PM060BC7 + Q#6
 PM204EN3 + PSR BIT 7
 PM060BC6 + Q#7
 PM060FE3 + Q#0

PM044DR3 + BC/JC/NO-OP
 PM008DM3 + IH1/IX1 TIME

COMMENTS
 D1 (C)COPYRIGHT IBM CORP. 1980

PSR BIT 2
 MSP SYS CTRL CARD
 PN8266193 EC835015
 LOC=1A-A1J2
 USN 00008 PRI=11SEP80 0852
 AUC= SEC
 PFORM=KSEB NEXTBLK EH
 MACH=5340000
 CID P10FE JOB K3801510

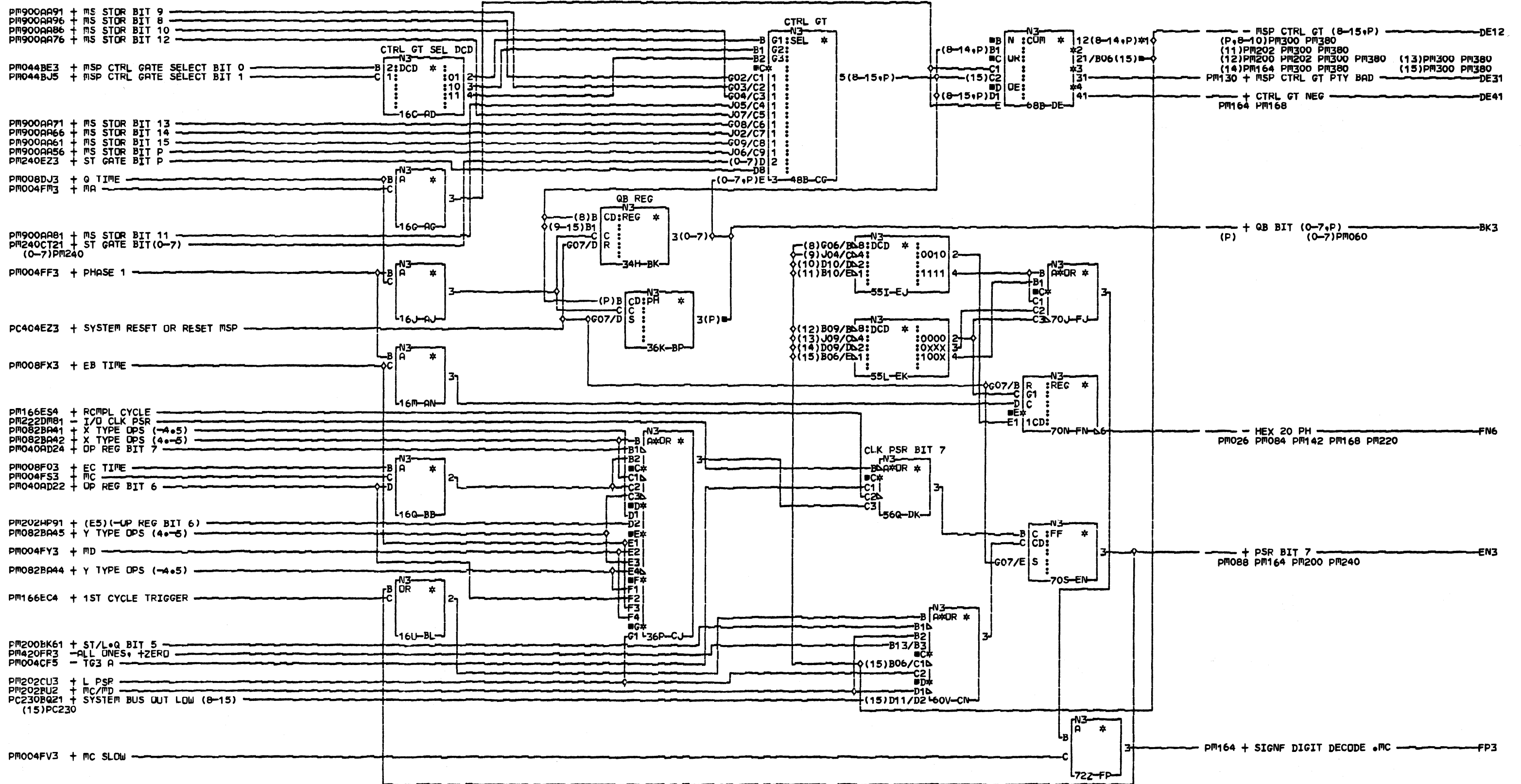


COMMENTS
 D1 (C) COPYRIGHT IBM CORP. 1980

PSR BIT 3 AND 4
 MSP SYS CTRL CARD
 PN8266194 EC835015
 LOC=1A-A1J2
 USN 00008 PRI=11SEP80 0852
 AUC= SEC
 PFORM=KSEB NEXTBLK EY
 MACH=5340000
 CID PIDFE JOB K3801510

P
 E
 2
 0
 2
 0001

P
 E
 2
 0
 2
 0001



COMMENTS
 D1 (C) COPYRIGHT IBM CORP. 1980

PINS
 DE
 12/G06
 13/J04
 14/D10
 15/B10
 16/B09
 17/J09
 18/D09
 19/G05

PSR BIT 7
 CONTROL GATE
 MSP SYS CTRL CARD
 PN8266195 EC835015
 LDC=1A-A1J2
 USN 00008 PRI=11SEP80 0852
 AUC= PFOR=KSEB SEC
 MACH=5340000 NEXTBLK Fq
 CID PIQFE JOB K3801510

PC404CS51 - START MSP

PC230BQ21 + SYSTEM BUS OUT LOW (8-15)
(8-9)PC230

PM222BU4 - CHECK RESET

PM084CW3 - SET IO GTD
PC440AK3 + SERVICE REQUEST TO MSP

PM026FH3 + TEMPORARY SUSPEND
PM222BZ5 + STEP MODE

PM222BZ7 + CHECK RUN
PM130FT3 + MSP HARDWARE CHECKS

PM040FM13 + NON EXECUTABLE OP

PC422AC2 + MC INTERRUPT LTH

PC510EX2 + BPC TGR
PC110D03 + T7 PWD

PC130FD3 + CONTRL STORAGE ACCESS

PC400AF5 - RUN LATCH OCD

PM764EK3 + MSP ADDR CHKS

PM004CF5 - T63 A

PC404EZ3 + SYSTEM RESET OK RESET MSP

PM040AD24 + OP REG BIT 7

PM040PD22 + OP REG BIT 6

PM082BA42 + X TYPE OPS (4-5)

PM008F03 + EC TIME

PM004FM13 + MA

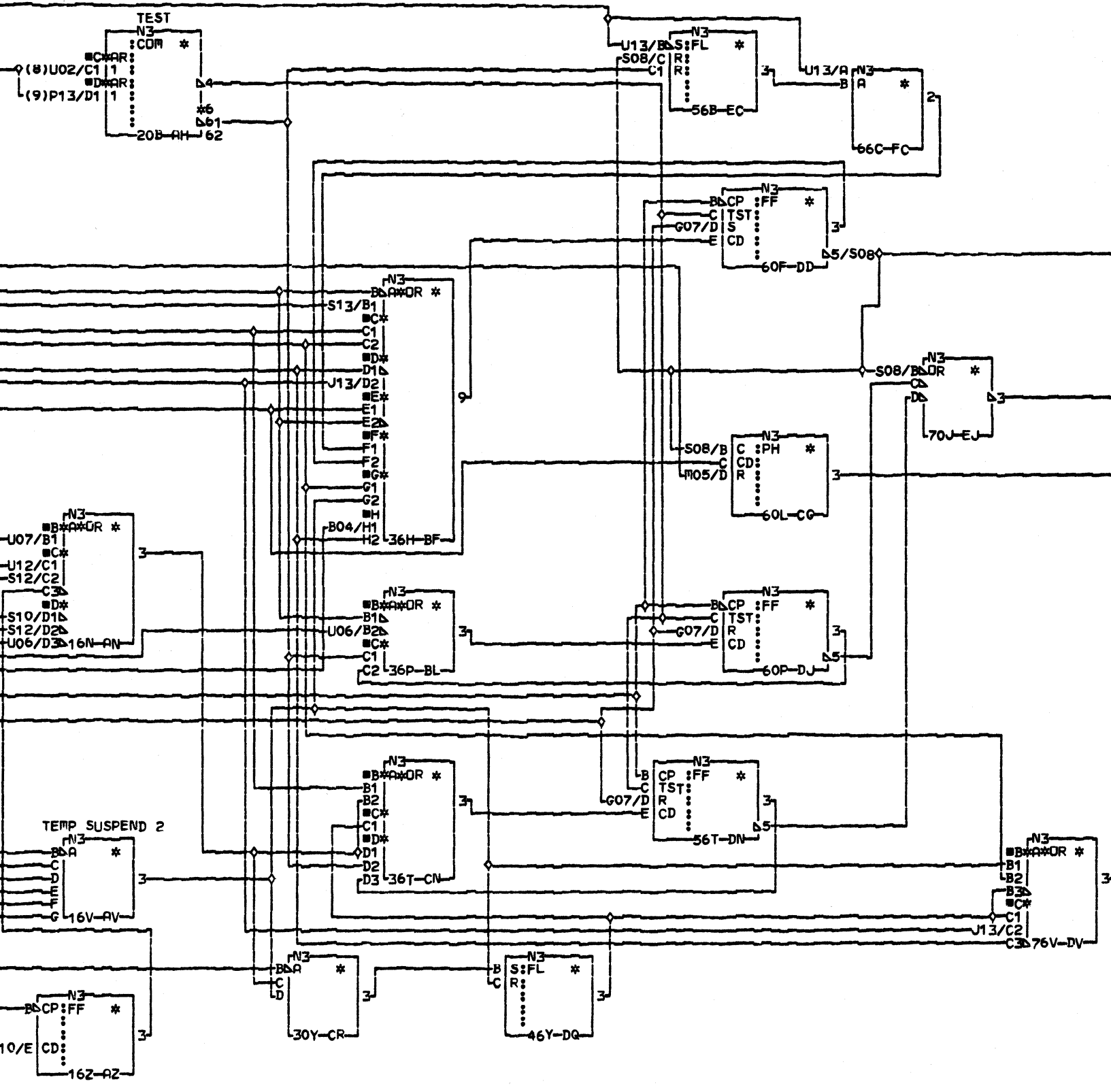
PM204FN6 - HEX 20 PH

PM004FF3 + PHASE 1

PM004FK3 + PHASE 2

0001
P E N N O

COMMENTS
D1 (C) COPYRIGHT IBM CORP. 1980



PC554 - SET INTERRUPT LEVEL 5 - DD5

INHIBIT - E J 3
PM008 PM026 PM142 PM168 PM222

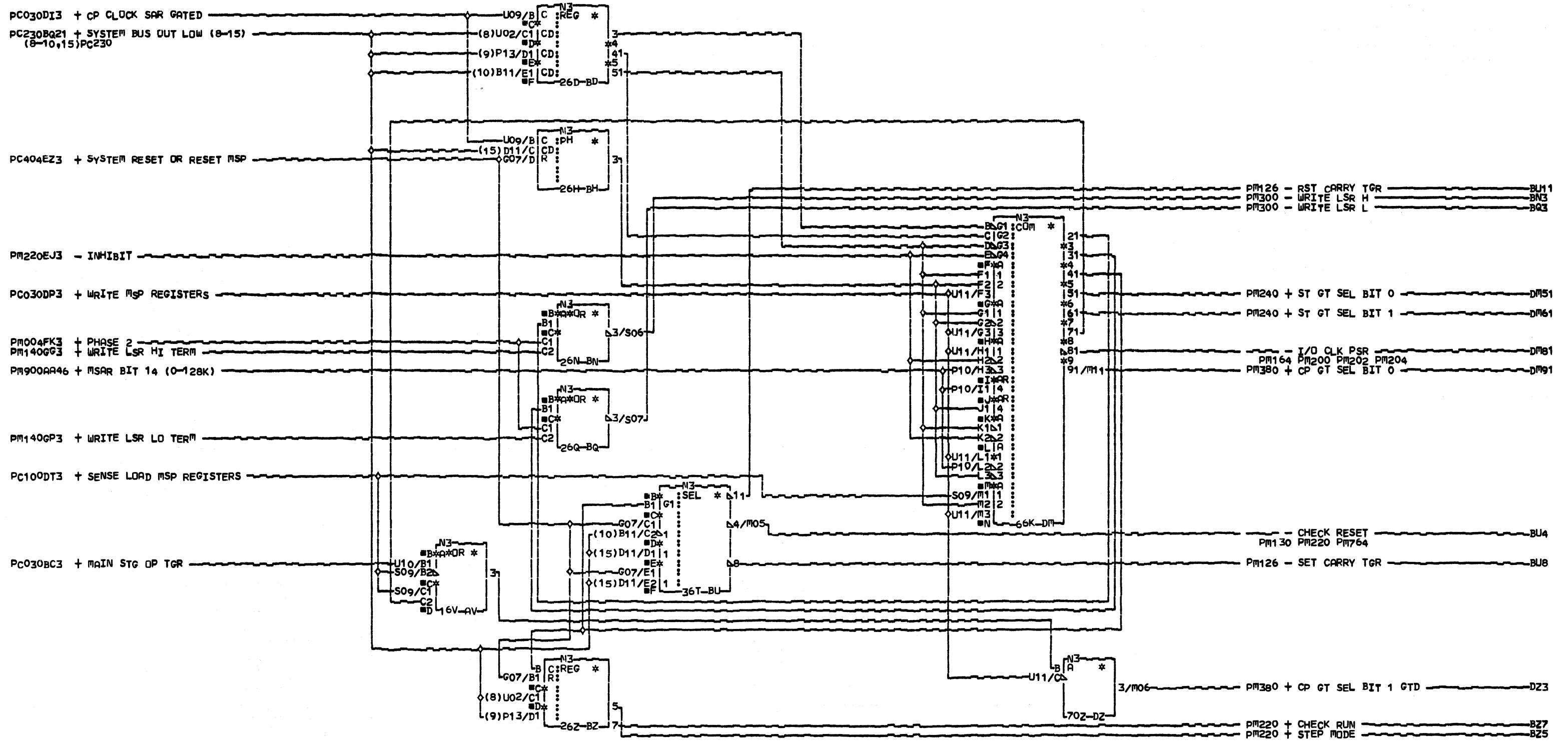
PM240 + NON-EXECUTABLE LTH - C G 3

PM168 + HDW CHK. - CHK RUN/TEMP STOP - D V 3

INHIBIT TRIGGERS
MSP SYS CTRL CARD
PN8266196 EC835015

LOC=1A-A1J2
USN 00008 PRI=11SEP80 0852
AUC= PFORM=KSEB SEC
MACH=5340000 NEXTBLK FD
CID P10FE JOB K3801510

0001
P E N N O



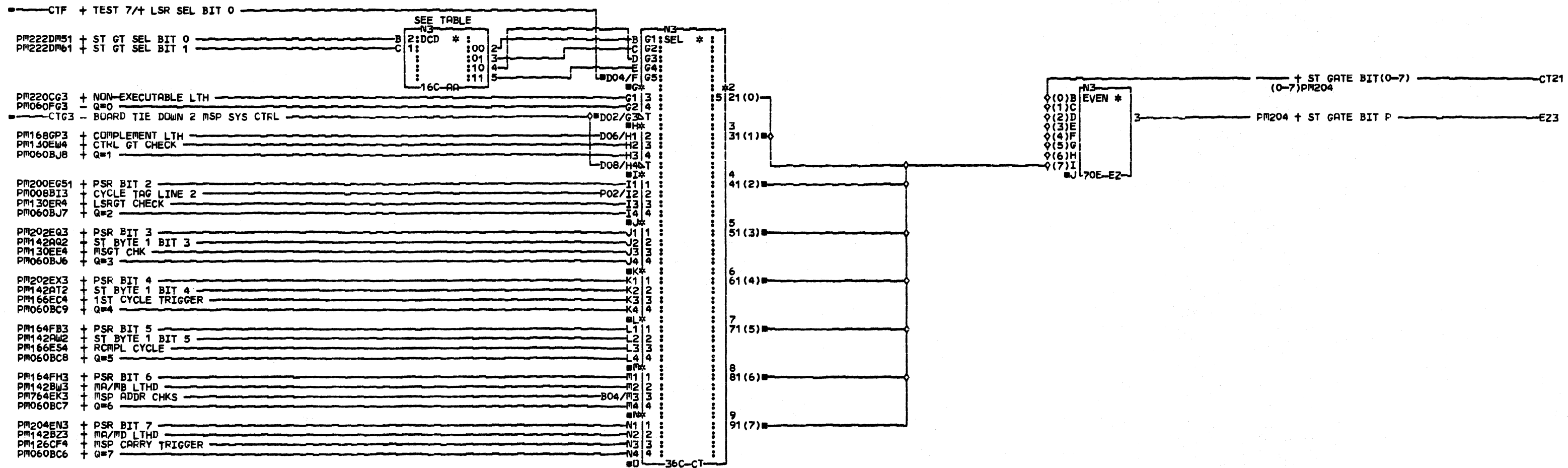
COMMENTS
D1 (C) COPYRIGHT IBM CORP. 1980

STATUS BYTE DECODES
MSP SYS CTRL CARD
PN#8266197 EC#835083F

LDC#1A-A1J2
USN 00008 PRI#14DEC81 2000
AUC# SEC
PFORM#KSEB NEXTBLK DO
MACH#5340000 JOB 04000857
CID P10FE

2301

PENN



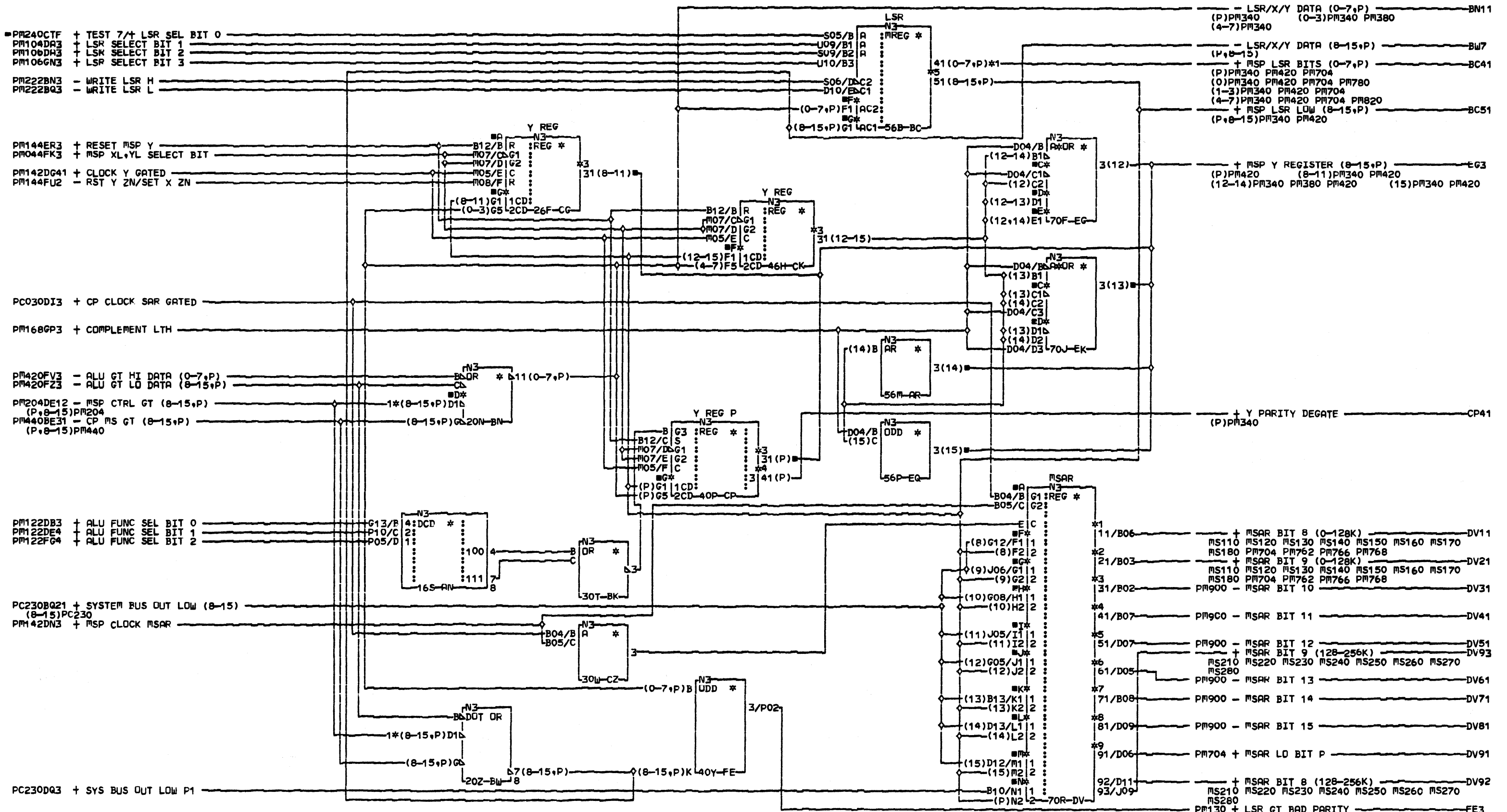
STATUS GATE DECODE

ST GT SEL BITS		SELECTION
0	1	
0	0	PSR
0	1	ST BYTE 0
1	0	ST BYTE 1
1	1	Q REG

COMMENTS
D1 (C) COPYRIGHT IBM CORP. 1980

STATUS GATE
MSP SYS CTRL CARD
PN8266198 EC835015

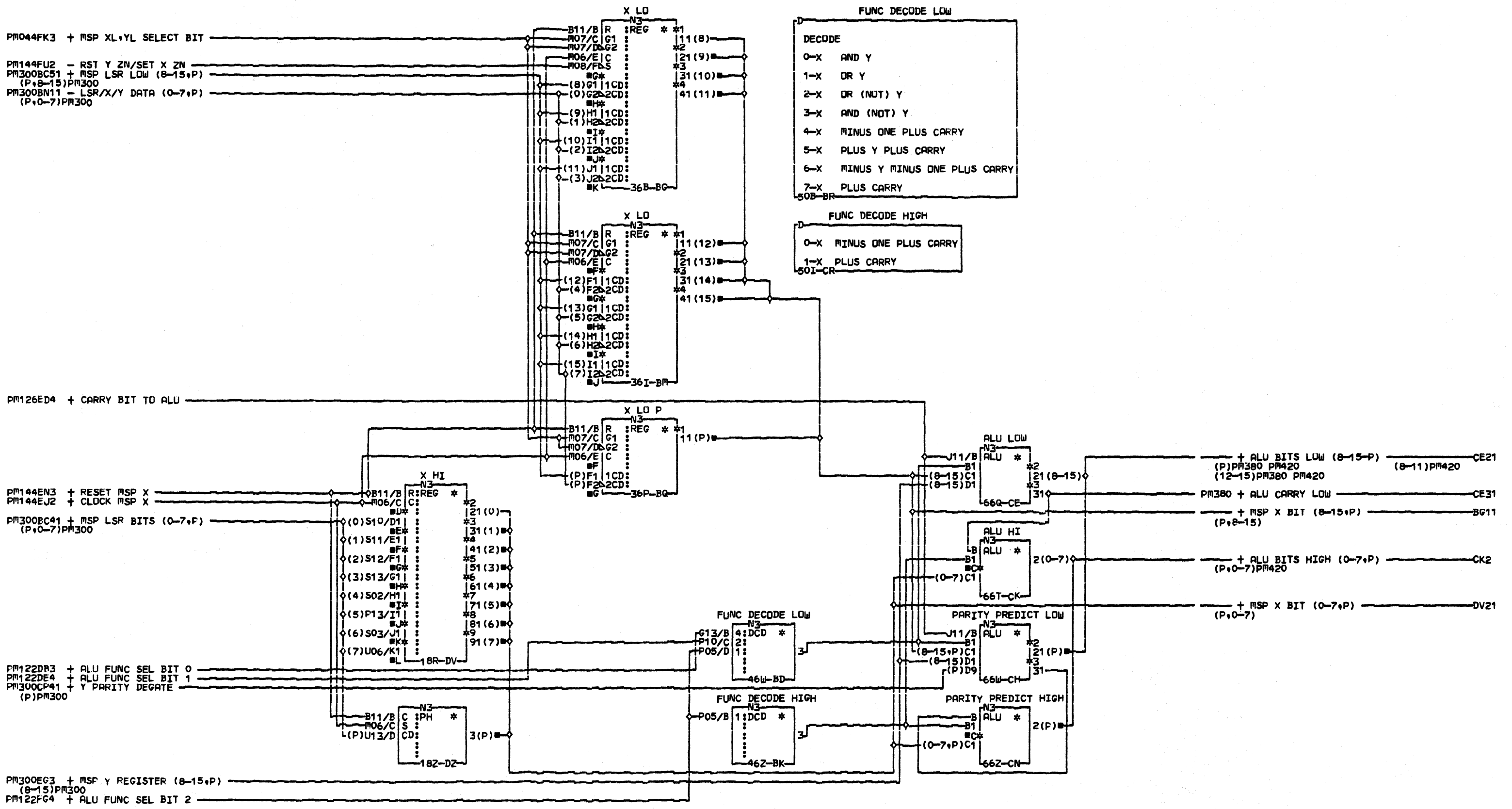
LOC=1A-A1J2
USN 00008 PRI=11SEP80 0852
AUC= SEC
PFORM=KSEB NEXTBLK E0
MACH=5340000 JOB K3801510
CID PIDFE



COMMENTS
D1 (C) COPYRIGHT IBM CORP. 1980

PINS	PINS	PINS
BC	D4/S07	D8/G11
41/S10	D5/U05	D9/S04
42/S11	D6/S08	
43/S12	D7/U04	
44/S13	D8/G11	
45/S02	D9/S04	
46/P13	BW	
47/S03	D1/U11	
48/U06	D2/U07	
49/U13	D3/U12	
BN	D4/S07	
D1/U11	D5/U05	
D2/U07	D6/S08	
D3/U12	D7/U04	

LSR GT & MSAR LOW MSP DATAFLOW CARD	
PN8266199 EC835015	
LOC=1A-A1K2	
USN 00008	PRI=11SEP80 0852
AUC=	SEC 23SEP80 1351
PFORM=KSEB	NEXTBLK FF
MACH=5340000	
CID P10FE	JOB K3801510



FUNC DECODE LOW

DECODE	
0-X	AND Y
1-X	OR Y
2-X	OR (NOT) Y
3-X	AND (NOT) Y
4-X	MINUS ONE PLUS CARRY
5-X	PLUS Y PLUS CARRY
6-X	MINUS Y MINUS ONE PLUS CARRY
7-X	PLUS CARRY

FUNC DECODE HIGH

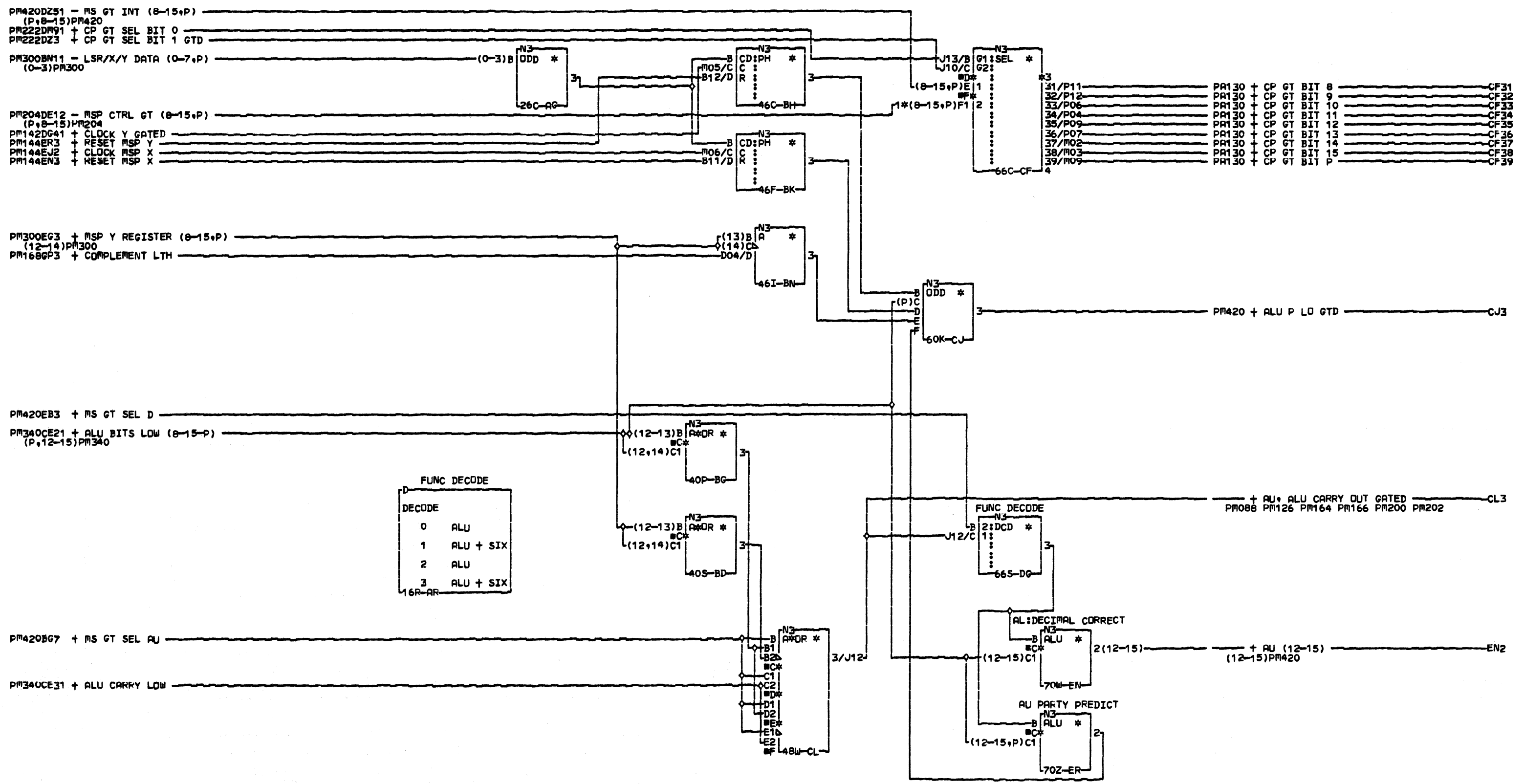
0-X	MINUS ONE PLUS CARRY
1-X	PLUS CARRY

COMMENTS
 D1 (C) COPYRIGHT IBM CORP. 1980

MSP X REGISTER
 ALU
 MSP DATAFLOW CARD
 PN8266200 EC835015
 LDC=1A-A1K2
 USN 00008 PRI=11SEP80 0852
 AUC= SEC
 PFORM=KSEB NEXTBLK DO
 MACH=5340000
 CID PIUFE JOB K3801510

P E 3 4 0
0001

P E 3 4 0
0001



COMMENTS
D1 (C) COPYRIGHT IBM CORP. 1980

P
E
3
8
0

0001

PINS
CF
F1/U11
F2/U07
F3/U12
F4/S07
F5/U05
F6/S08
F7/U04
F8/G11
F9/S04

DECIMAL CORRECT
CP GT
MSP DATAFLOW CARD
PN8266201 EC835015

LOC=1A-A1K2

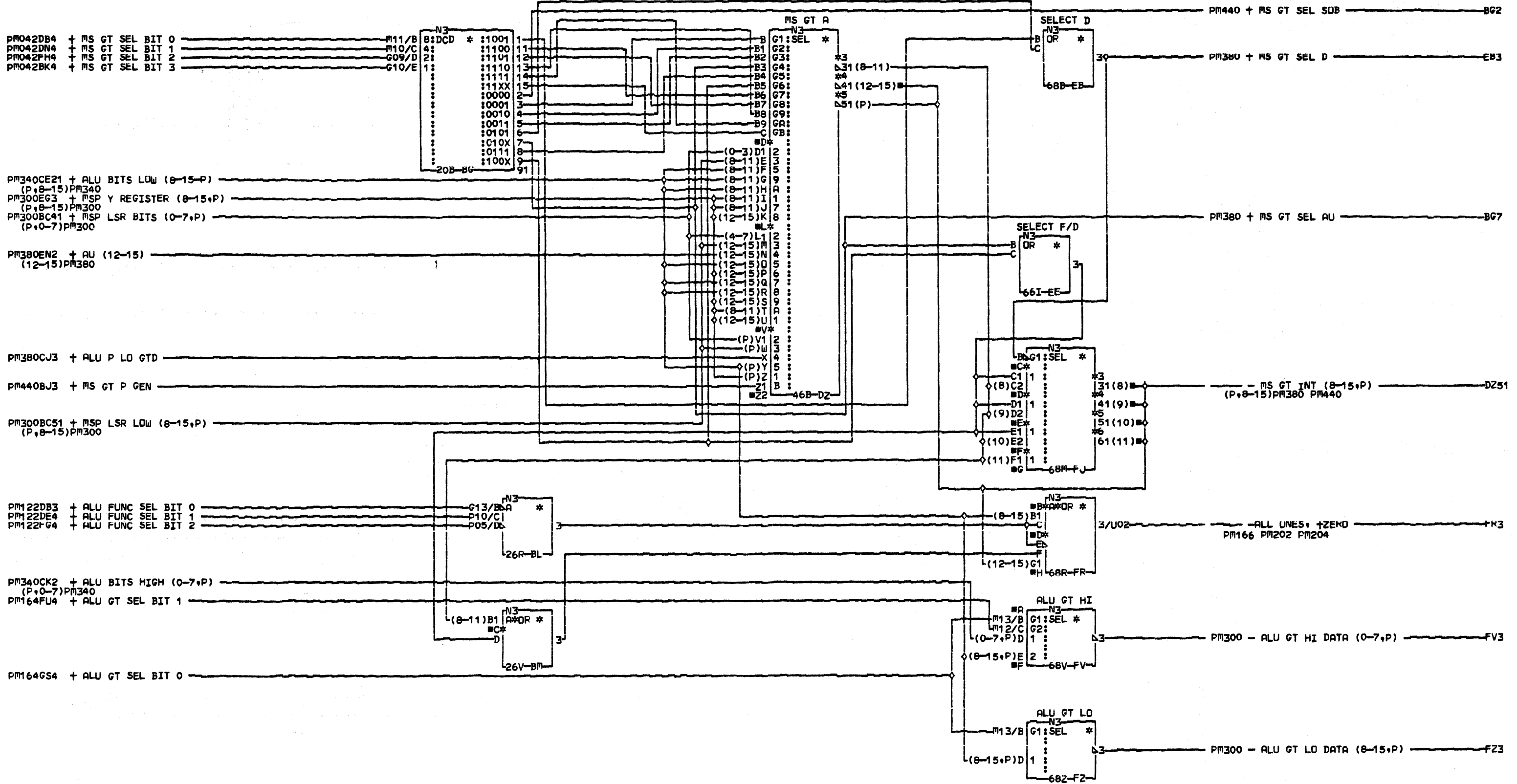
USN 00008 PRI=11SEP80 0852

AUC= SEC
PFORM=KSEB NEXTBLK ES

MACH=5340000
CID PIOFE JOB K3801510

P
M
3
8
0

0001



PM042DB4 + MS GT SEL BIT 0
 PM042DN4 + MS GT SEL BIT 1
 PM042FH4 + MS GT SEL BIT 2
 PM042BK4 + MS GT SEL BIT 3

PM340CE21 + ALU BITS LOW (8-15,P)
 (P,8-15)PM340
 PM300EG3 + MSP Y REGISTER (8-15,P)
 (P,8-15)PM300
 PM300BC41 + MSP LSR BITS (0-7,P)
 (P,0-7)PM300

PM380EN2 + ALU (12-15)
 (12-15)PM380

PM380CJ3 + ALU P LD GTD

PM440BJ3 + MS GT P GEN

PM300BC51 + MSP LSR LOW (8-15,P)
 (P,8-15)PM300

PM122DB3 + ALU FUNC SEL BIT 0
 PM122DE4 + ALU FUNC SEL BIT 1
 PM122FG4 + ALU FUNC SEL BIT 2

PM340CK2 + ALU BITS HIGH (0-7,P)
 (P,0-7)PM340
 PM164FU4 + ALU GT SEL BIT 1

PM164GS4 + ALU GT SEL BIT 0

PM440 + MS GT SEL SDB -----BG2

PM380 + MS GT SEL D -----EB3

PM380 + MS GT SEL AU -----BG7

MS GT INT (8-15,P)
 (P,8-15)PM380 PM440 -----DZ51

ALL UNES + ZERD
 PM166 PM202 PM204 -----TK3

PM300 - ALU GT HI DATA (0-7,P) -----FV3

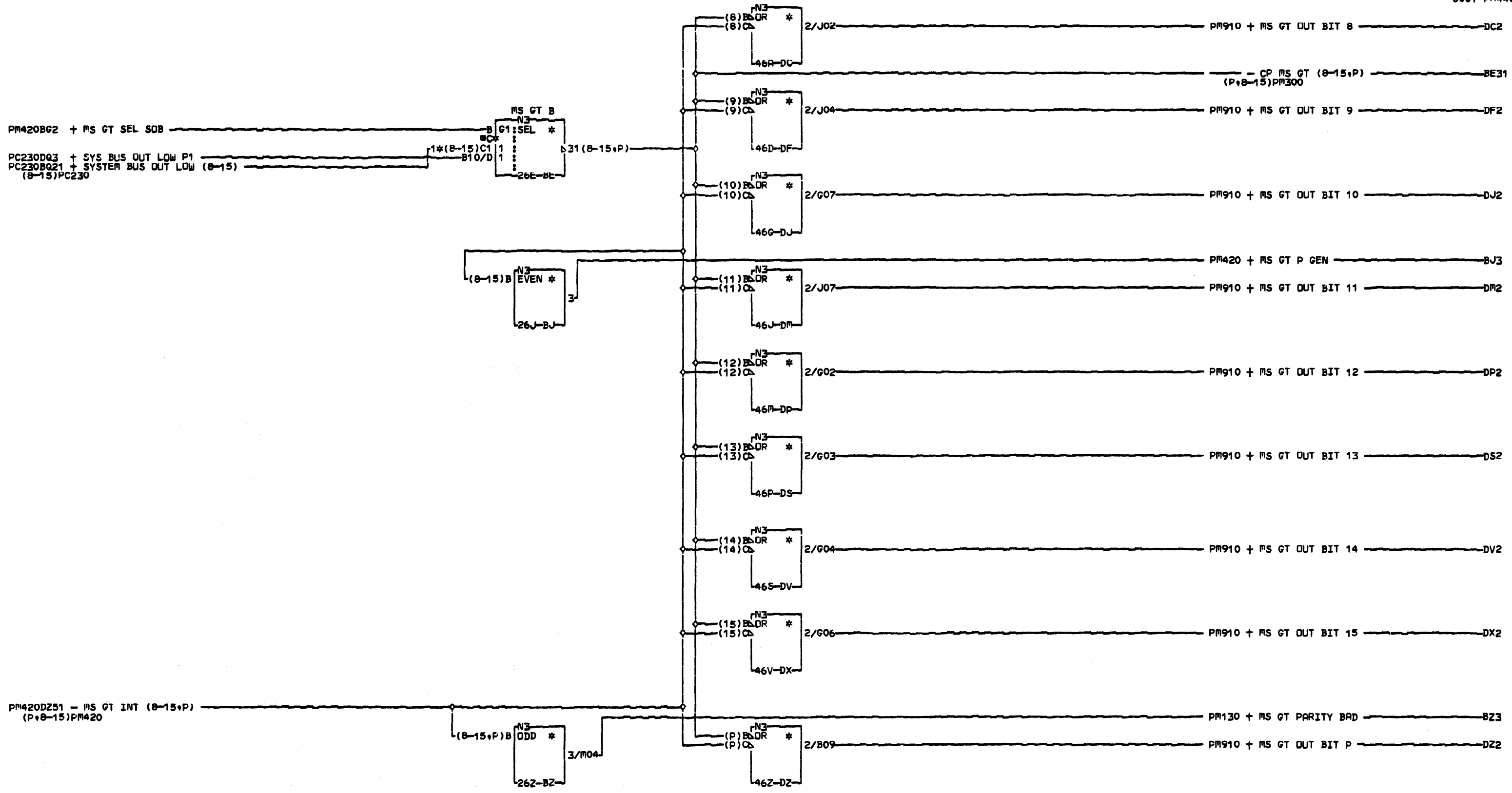
PM300 - ALU GT LD DATA (8-15,P) -----FZ3

COMMENTS
 D1 (C)COPYRIGHT IBM CORP. 1980

MS GT A
 MSP DATAFLOW CARD
 PN8266202 EC835015
 LDC=1A-A1K2
 USN 00008 PRI=23SEP80 1351
 AJC= SEC
 PFDRM=KSEB NEXTBLK F0
 MACH=5340000
 CID PI0FE JOB K3801510

P
 4
 2
 0
 0001

P
 4
 2
 0
 0001



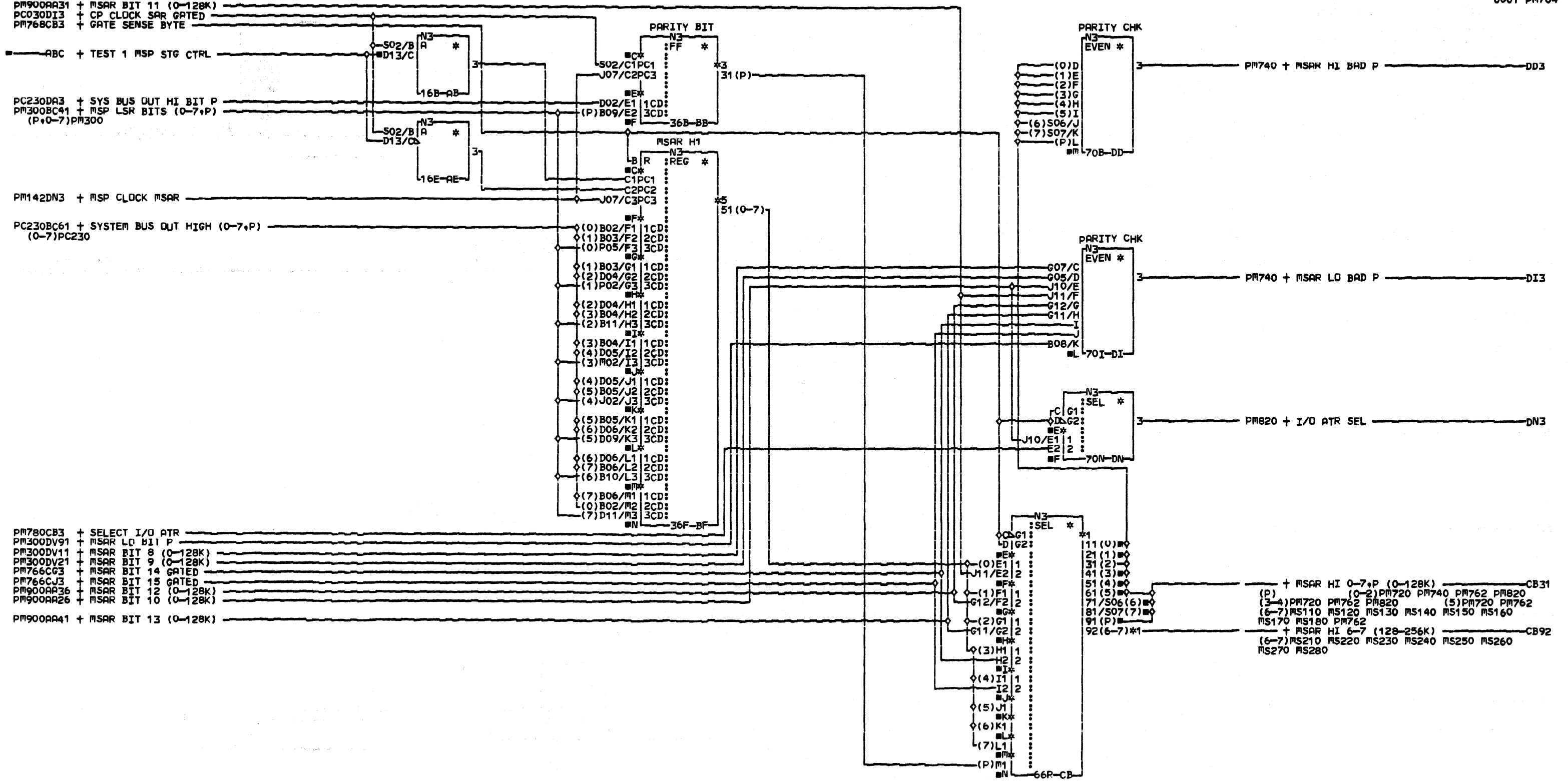
COMMENTS
D1 (C) COPYRIGHT IBM CORP. 1980

PINS
BE
C1/G12
C2/J06
C3/G08
C4/J05
C5/G05
C6/B13
C7/D13
C8/D12

MS GT B
MSP DATAFLOW CARD
PN8266203 EC835015
LDC=1A-A1K2
USN 00008 PRI=11SEP80 0852
AUC= SEC
PFORM=KSEB NEXTBLK D0
MACH=5340000
CID PIUFE JDB K3801510

4440

P
M
4
4
0



COMMENTS
D1 (C) COPYRIGHT IBM CORP. 1980

PINS
CB
92/J05
93/J09

MSAR AND P CHK
MAIN STORAGE CONTROL CARD
PN8266204 EC835015

LOC=1A-A1L2

USN 00008 PRI=11SEP80 0852

AUC= SEC

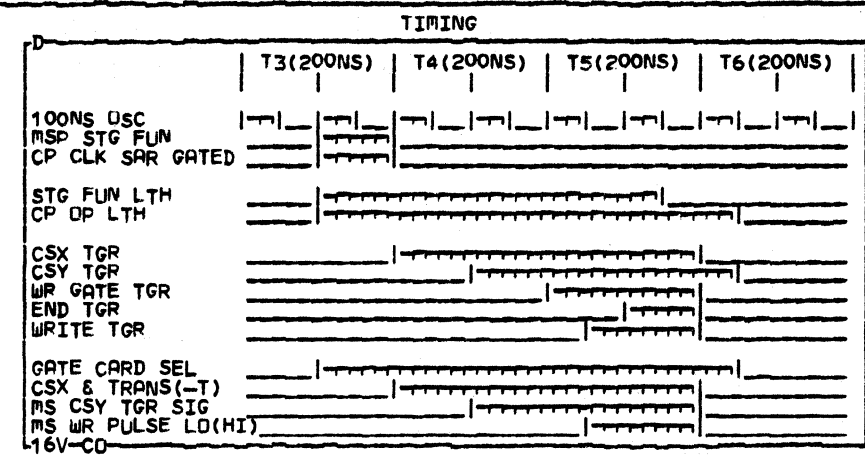
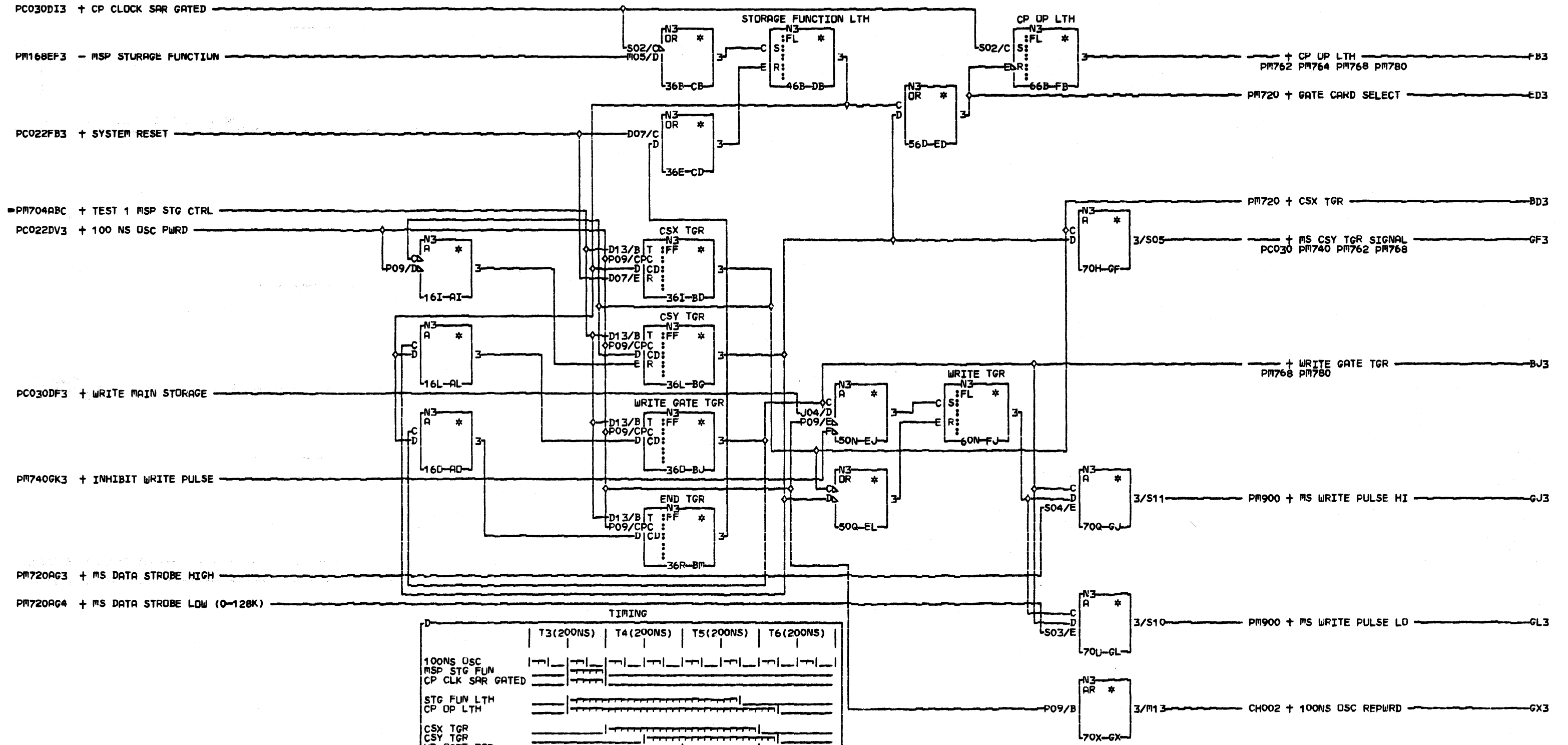
PFORM=KSEB NEXTBLK DO

MACH=5340000

CID P10FE JOB K3801510

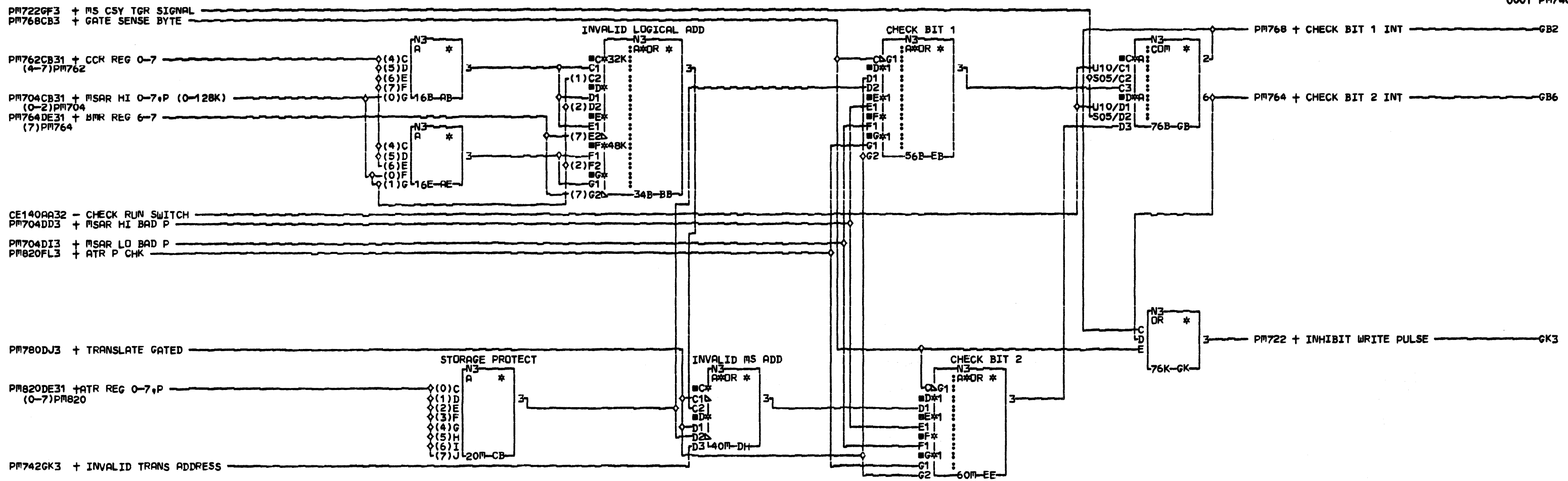
DEL04
0001

PM704
0001



COMMENTS
D1 (C) COPYRIGHT IBM CORP. 1980

MAIN STORAGE CONTROL SIGNALS
MAIN STORAGE CONTROL CARD
PN8266206 EC835015
LOC=1A-A1L2
USN 00008 PRI=11SEP80 0852
AUC# SEC
PFORM#KSEB NEXTBLK GY
MACH#5340000
CID P1DFE JDB K3801510



MEMORY CONFIGURATION

MAIN STORAGE CONFIGURATION				
CCR4	CCR5	CCR6	CCR7	CONFIG
1	1	1	1	32K
1	1	1	0	48K
1	1	0	1	64K
1	1	0	0	96K
1	0	1	1	128K

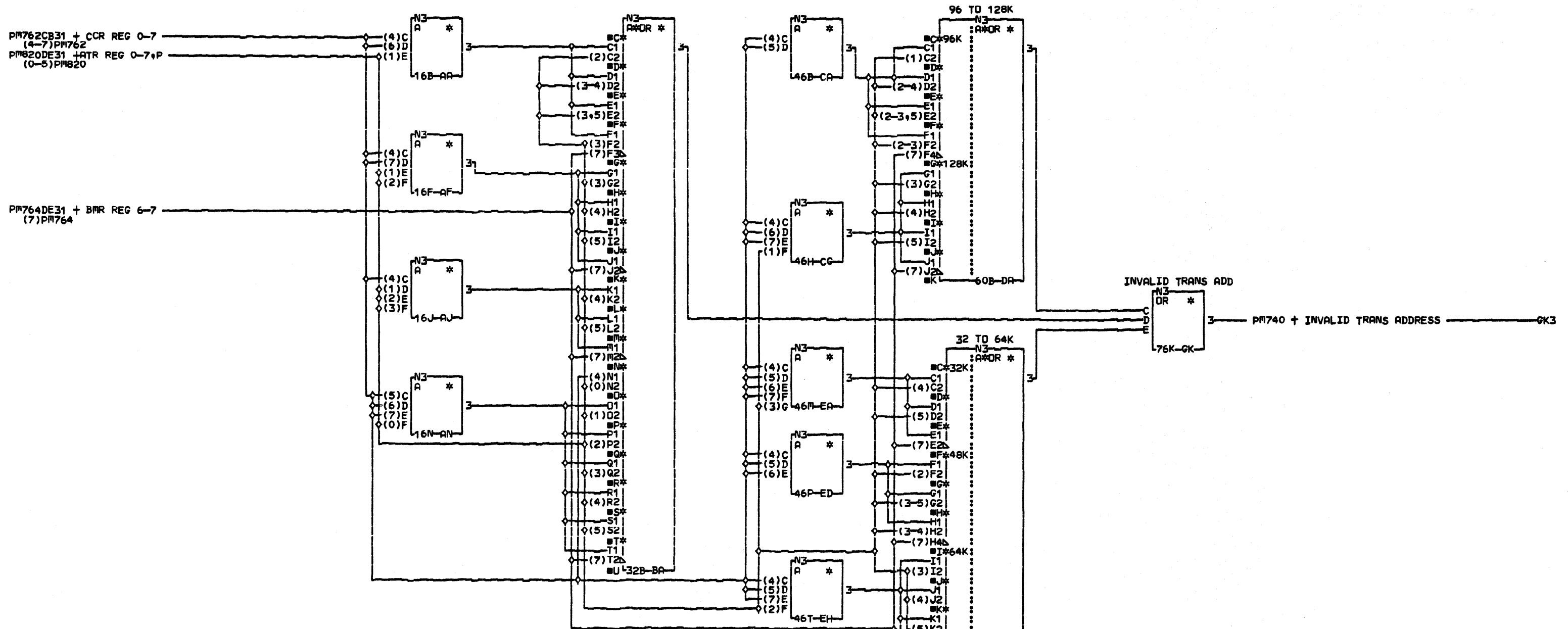
16S-AN

COMMENTS
D1 (C) COPYRIGHT IBM CORP. 1980

MS ADDRESS CHECKS
MAIN STORAGE CONTROL CARD
PN8266207 EC835015
LDC=1A-A1L2
USN 00008 PRI=23SEP80 1351
AUC= SEC
PFORM=KSEB NEX.TBLK GL
MACH=5340000
CID P10FE JOB K3801510

DEL 40

P 7 4 0



MEMORY CONFIGURATION

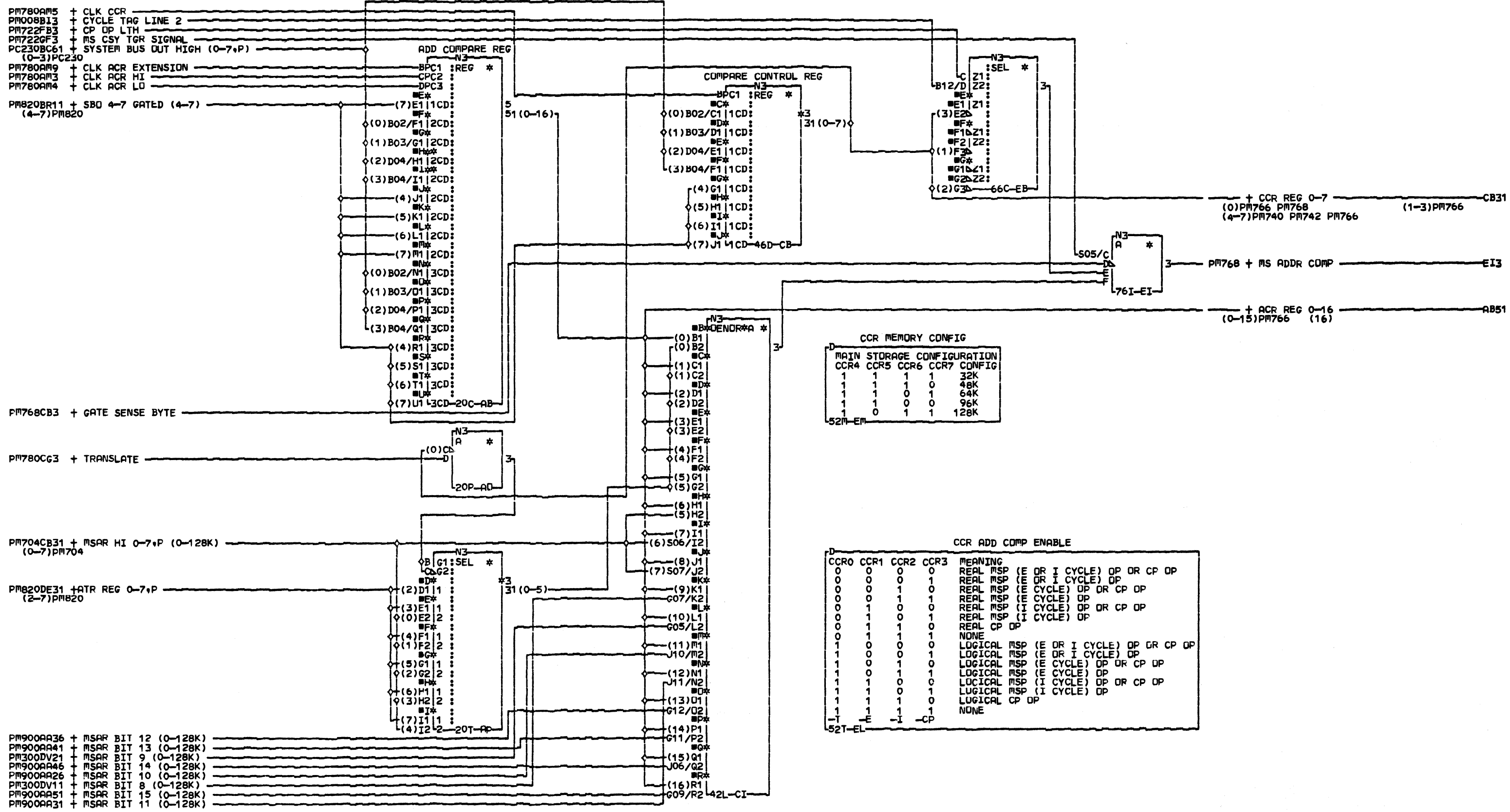
MAIN STORAGE CONFIGURATION				
CCR4	CCR5	CCR6	CCR7	CONFIG
1	1	1	1	32K
1	1	1	0	48K
1	1	0	1	64K
1	1	0	0	96K
1	0	1	1	128K

COMMENTS
D1 (C) COPYRIGHT IBM CORP. 1980

MS INVALID TRANS ADD
MAIN STORAGE CONTROL CARD
PN8266208 EC835015
LDC=1A-A1L2
USN 00008 PRI=11SEP80 0852
AUC= SEC
PFORM=KSEB NEXTBLK GL
MACH=5340000
CID PIOFE JOB K3801510

DENAVN
0001

PM742
0001



CCR MEMORY CONFIG

MAIN STORAGE CONFIGURATION				
CCR4	CCR5	CCR6	CCR7	CONFIG
1	1	1	1	32K
1	1	1	0	48K
1	1	0	1	64K
1	1	0	0	96K
1	0	1	1	128K

CCR ADD COMP ENABLE

CCR0	CCR1	CCR2	CCR3	MEANING
0	0	0	0	REAL MSP (E OR I CYCLE) OP OR CP OP
0	0	0	1	REAL MSP (E OR I CYCLE) OP
0	0	1	0	REAL MSP (E CYCLE) OP OR CP OP
0	0	1	1	REAL MSP (E CYCLE) OP
0	1	0	0	REAL MSP (I CYCLE) OP OR CP OP
0	1	0	1	REAL MSP (I CYCLE) OP
0	1	1	0	REAL CP OP
0	1	1	1	NONE
1	0	0	0	LOGICAL MSP (E OR I CYCLE) OP OR CP OP
1	0	0	1	LOGICAL MSP (E OR I CYCLE) OP
1	0	1	0	LOGICAL MSP (E CYCLE) OP OR CP OP
1	0	1	1	LOGICAL MSP (E CYCLE) OP
1	1	0	0	LOGICAL MSP (I CYCLE) OP OR CP OP
1	1	0	1	LOGICAL MSP (I CYCLE) OP
1	1	1	0	LOGICAL CP OP
1	1	1	1	NONE

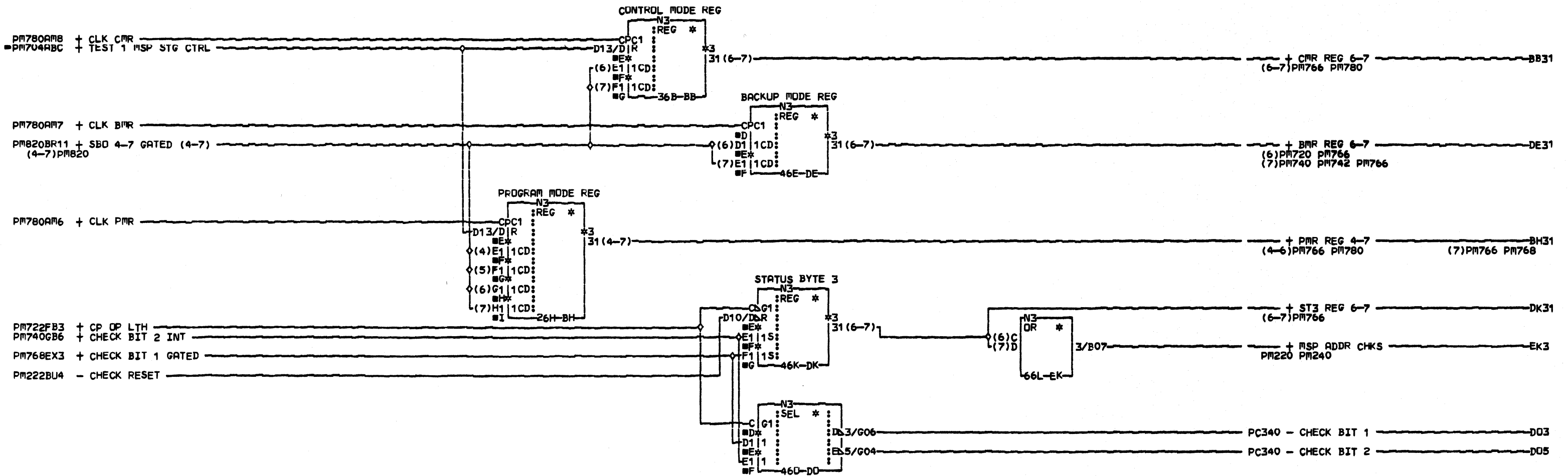
COMMENTS
D1 (C) COPYRIGHT IBM CORP. 1980

ADDRESS COMPARE
MAIN STORAGE CONTROL CARD
PN8266209 EC835015
LDC=1A-A1L2
USN 0008 PRI=11SEP80 0852
AUC= PFORM=KSEB SEC
MACH=5340000 NEXTBLK EN
CID PIDFE JDB K3801510

DEL 02

PM762

0001



REGISTER MEANING

BIT	CMR	PMR	BMR	ST3
4	BIT NOT USED	TRANSLATE DURING MSP I	NOT USED	NOT USED
5	BIT NOT USED	TRANSLATE DURING MSP EA	NOT USED	NOT USED
6	BIT (ON) I/O ATRS (OFF) TASK ATRS	TRANSLATE DURING MSP EB	SWAP 0-16K WITH 16-32K	INVALID MS ADD AND PARITY CHK
7	BIT TRANSLATED CP OP	NOT USED	ALLOW EXTRA 8K ADDRESSING	STOR PROTECT AND PARITY CHK

COMMENTS

D1 (C) COPYRIGHT IBM CORP. 1980

CONTROL REGS
MAIN STORAGE CONTROL CARD
PN8266210 EC835015

LDC=1A-A1L2

USN 00008

PRI=11SEP80 0852

AUC=
PFORM=KSEB
MACH=5340000
CID PIOFE

SEC
NEXTBLK EL
JOB K3801510

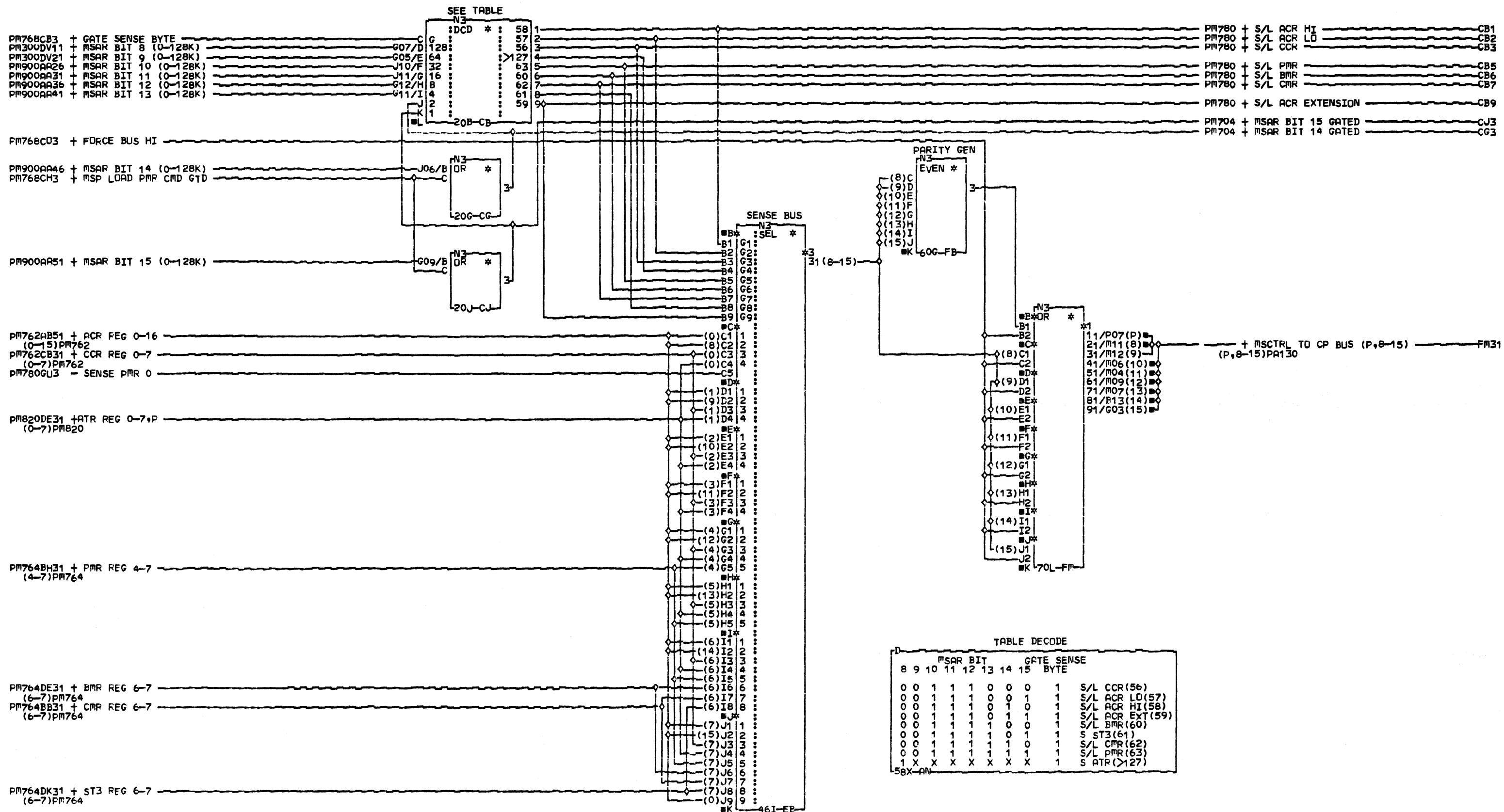


TABLE DECODE

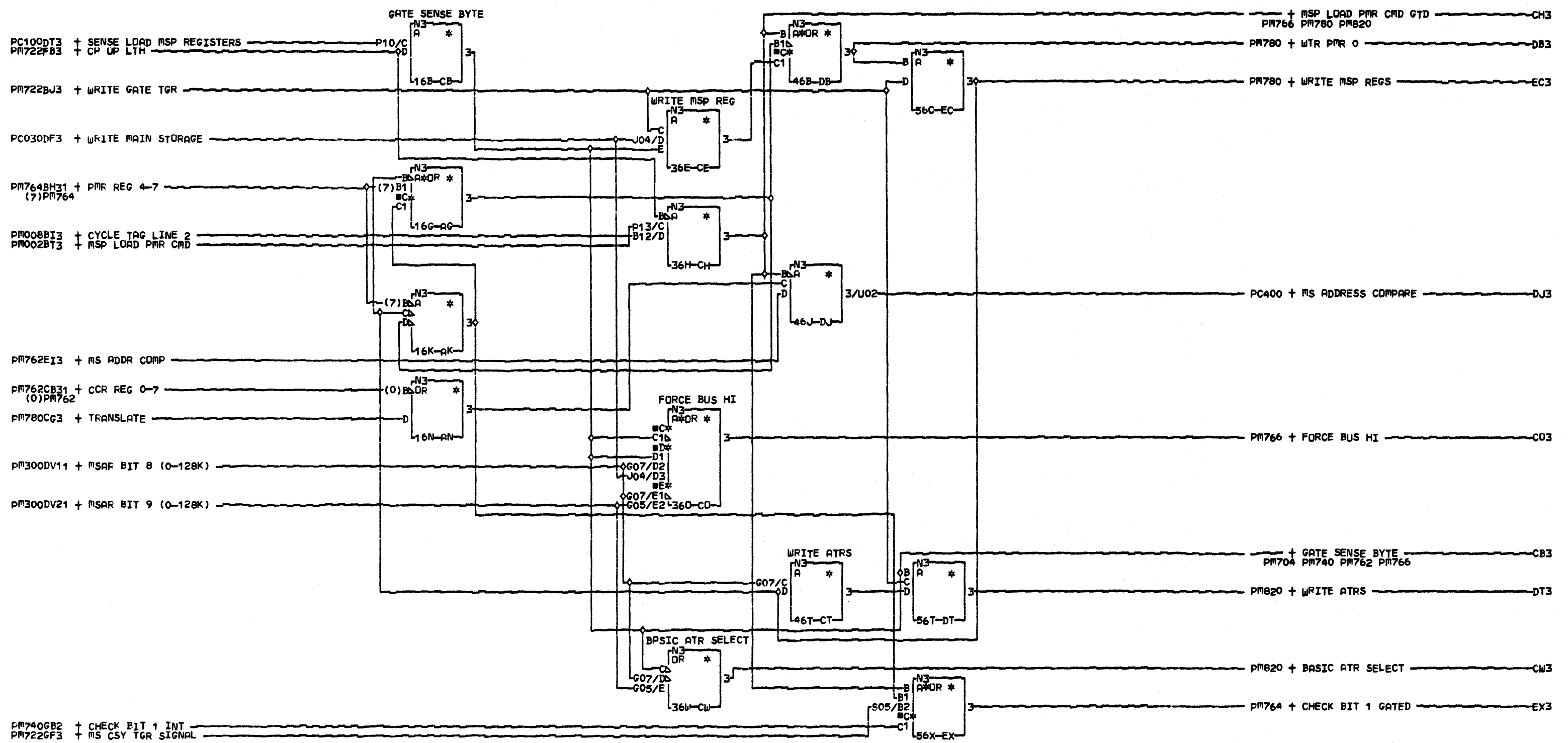
MSAR BIT		GATE SENSE		BYTE					
8	9	10	11	12	13	14	15		
0	0	1	1	1	0	0	0	1	S/L CCR (56)
0	0	1	1	1	0	0	1	1	S/L ACR LD (57)
0	0	1	1	1	0	1	0	1	S/L ACR HI (58)
0	0	1	1	1	0	1	1	1	S/L ACR EXT (59)
0	0	1	1	1	1	0	0	1	S/L BMR (60)
0	0	1	1	1	1	0	1	1	S ST3 (61)
0	0	1	1	1	1	1	0	1	S/L CMR (62)
0	0	1	1	1	1	1	1	1	S/L PMR (63)
1	X	X	X	X	X	X	X	1	S ATR (>127)

COMMENTS
D1 (C) COPYRIGHT IBM CORP. 1980

SENSE REGS
MAIN STORAGE CONTROL CARD
PN8266211 EC835015
LDC=1A-A1L2
USN 00008 PRI=11SEP80 0852
AUC= SEC
PFORM=KSEB NEXTBLK FN
MACH=5340000
CID P10FE JOB K3801510

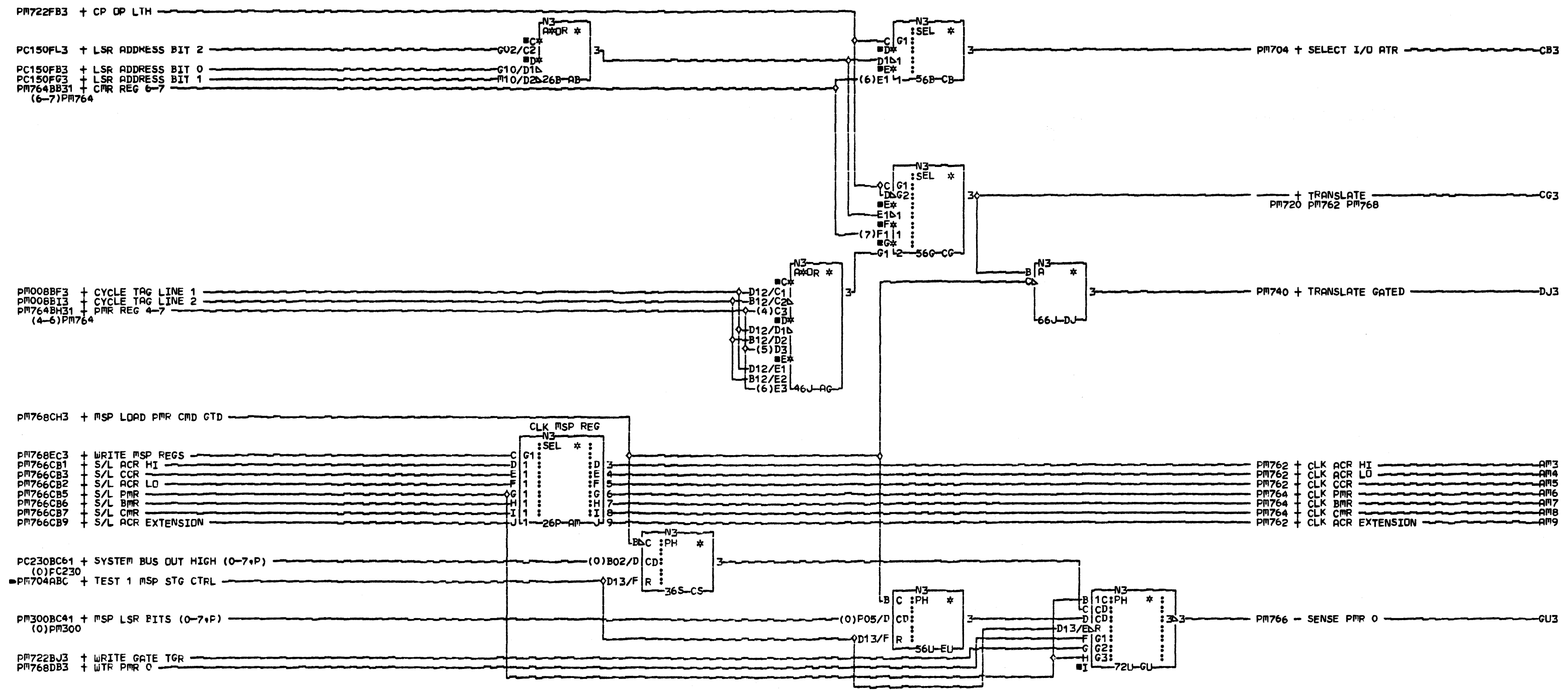
PM766

PM766



COMMENTS
D1 (C) COPYRIGHT IBM CORP. 1980

MISC
MAIN STORAGE CONTROL CARD
PN8266212 EC835015
LOC=1A-A1L2
USN 0008 PRI=11SEP80 0852
AUC= SEC
FORM=KSEB NEXTBLK EY
MACH=5340000
CID P10FE JOB K3801510



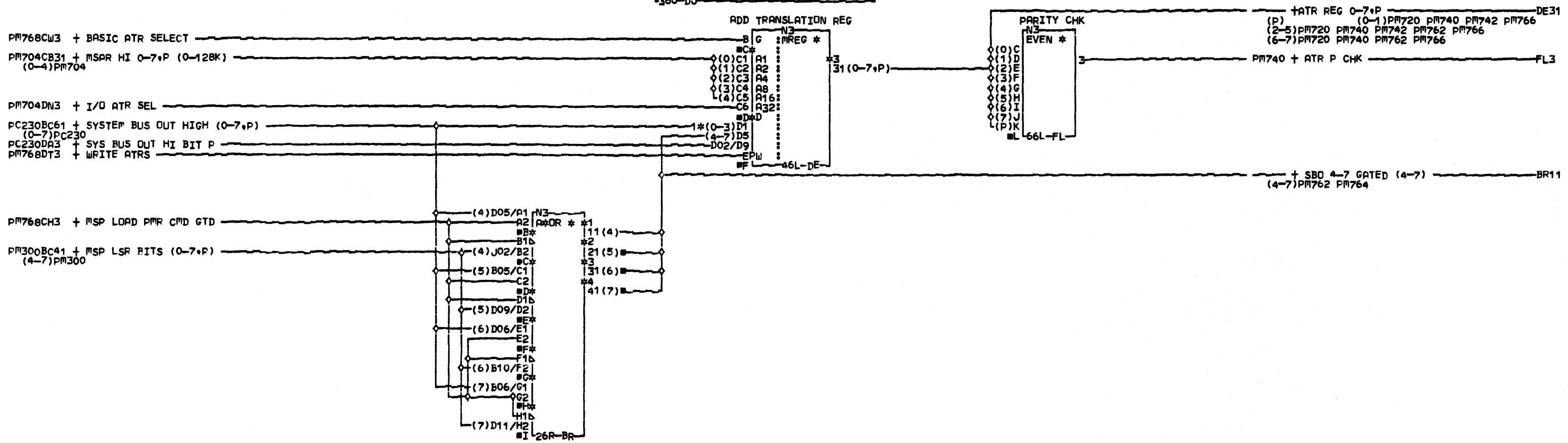
COMMENTS
D1 (C) COPYRIGHT IBM CORP. 1980

MISC
MAIN STORAGE CONTROL CARD
PN8266213 EC835015
LOC=1A-A1L2
USN 00008 PRI=11SEP80 0852
AUC= SEC
PFORM=KSEB NEXTBLK GV
MACH=5340000
CID PIOFE JOB K3801510

PM780

PM780

REGISTERS 0 ==> 31 ARE TASK ATRS
REGISTERS 32 ==> 63 ARE I/O ATRS
-36J-DJ



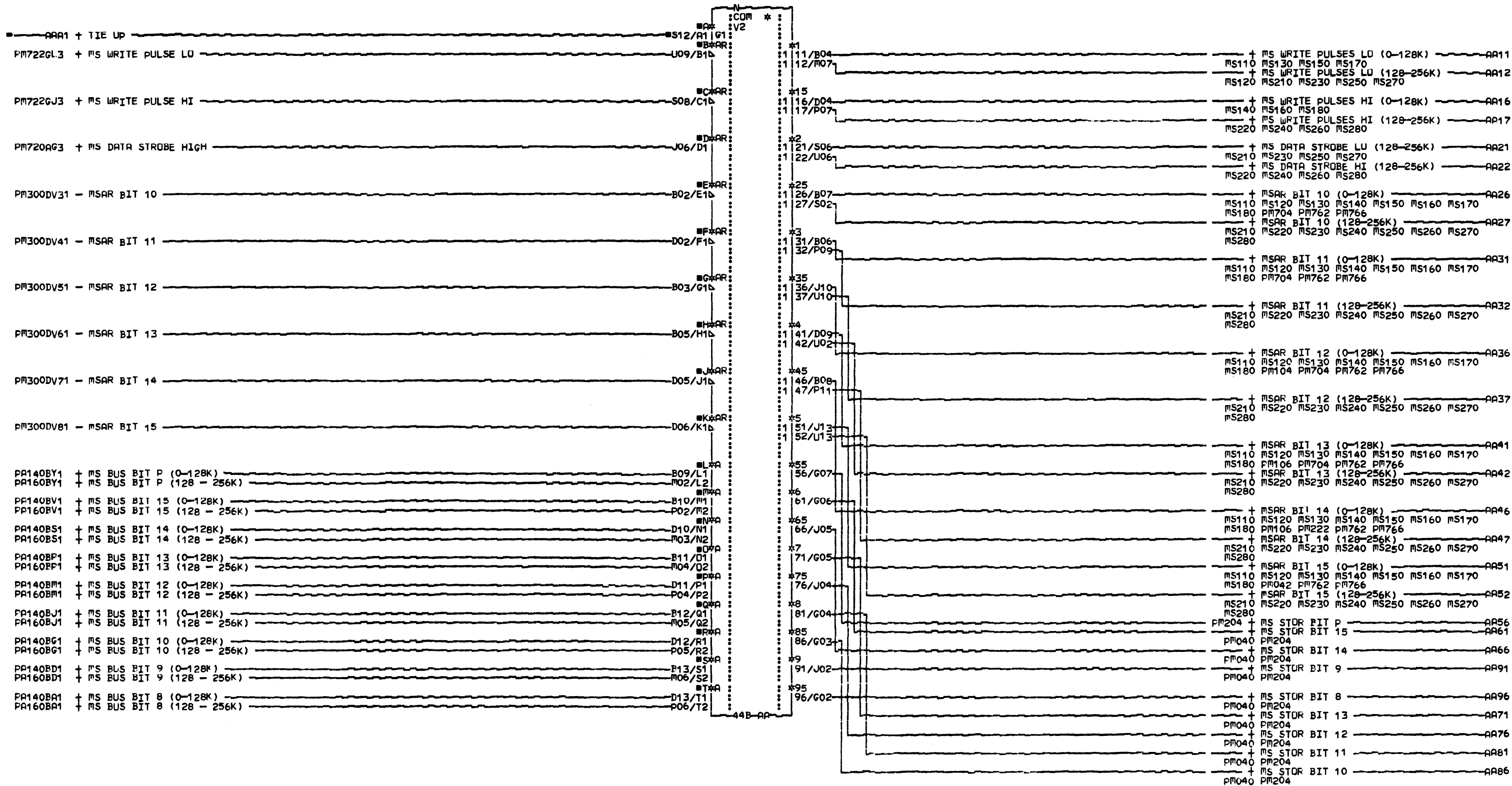
COMMENTS
D1 (C) COPYRIGHT IBM CORP. 1980

PINS
DE
D1/R02
D2/R03
D3/D04
D4/E04

ATR
MAIN STORAGE CONTROL CARD
PN8266214 EC835015
LDC=1A-A1L2
USN 00008 PRI=11SEP80 0852
AUC= SEC
PFORM=KSER NEXTELK FM
MACH=5340000
CID PIOFE JOB K3801510

0001

0001



COMMENTS
D1 (C) COPYRIGHT IBM CORP. 1980

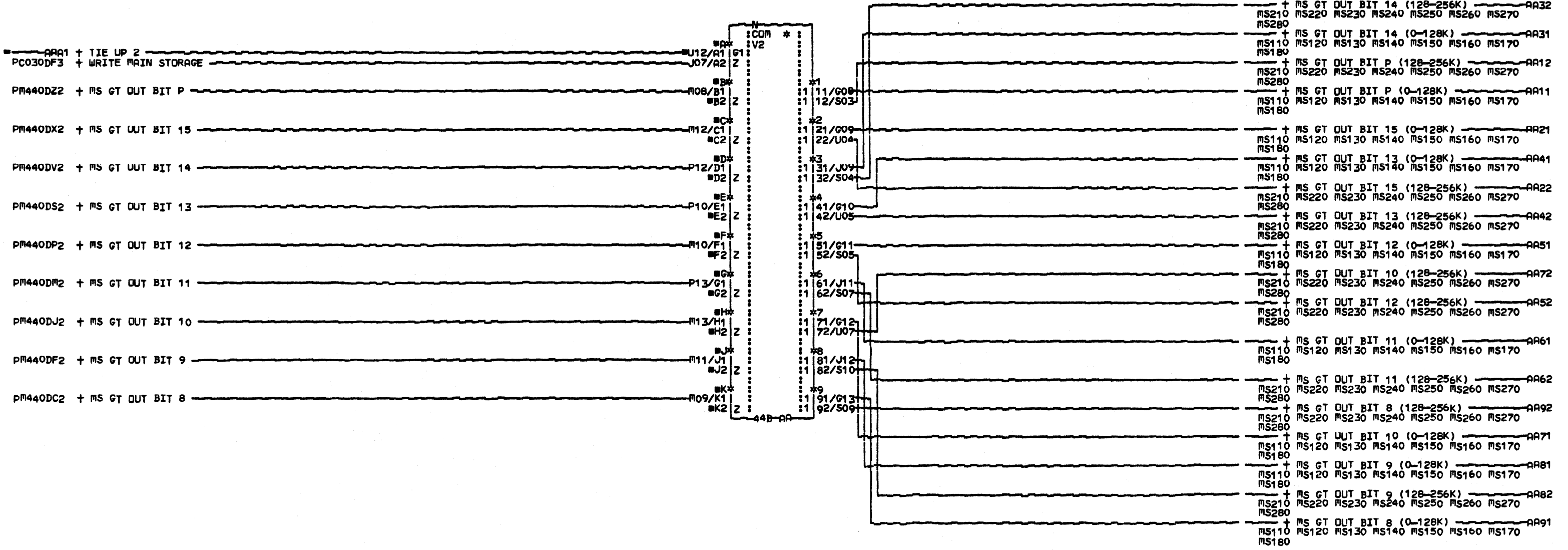
REPOWER MEMORY CNTL
REPOWER DATA FROM MEM
VTL COMPONENTS
PN8266231 EC835015

LDC=1A-A1V2

USN 00008 PRI=11SEP80 0852

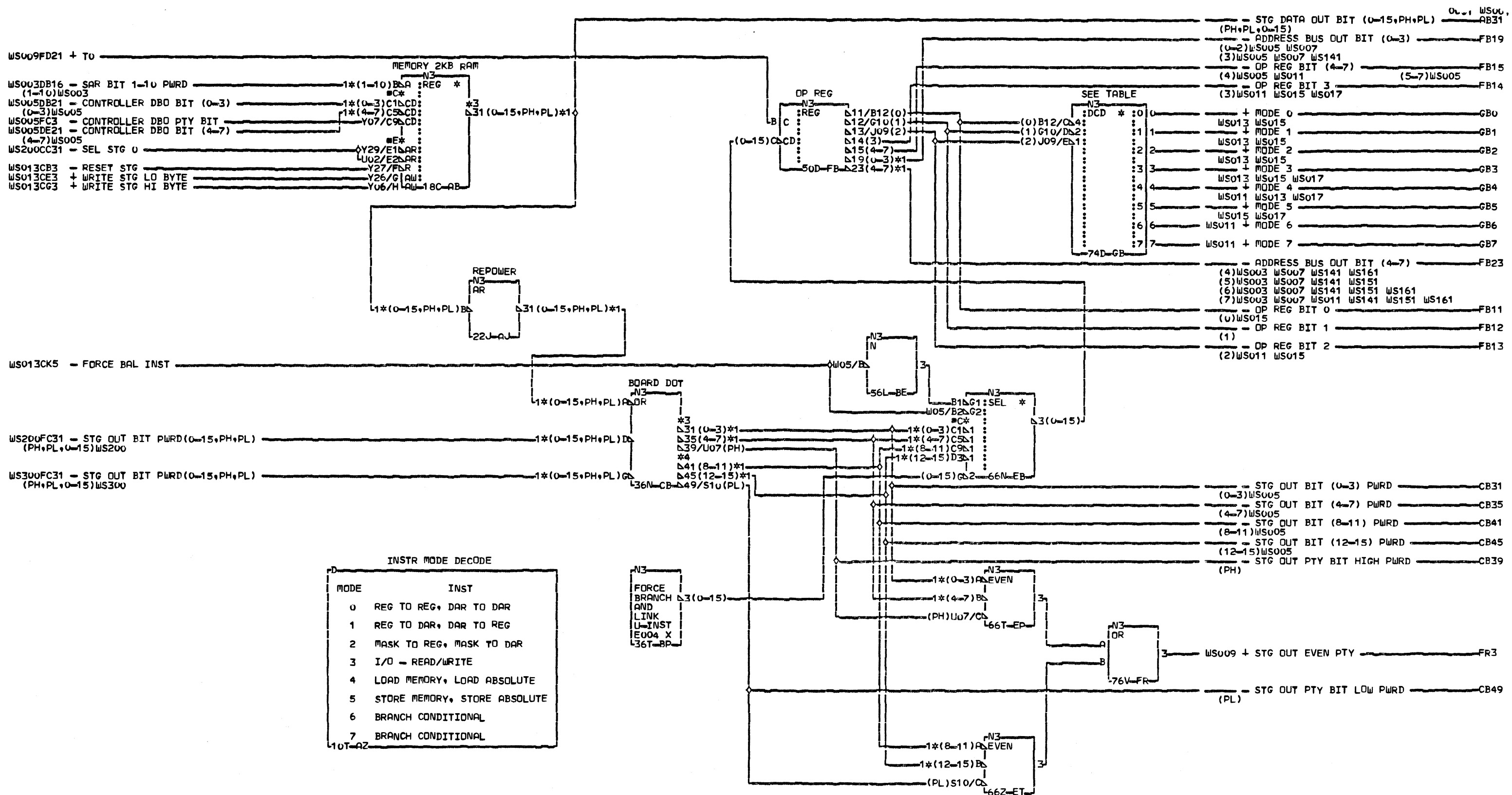
AUC= SEC
PFORM=KSEB NEXTBLK AB
MACH=5340000
CID PIDFE JOB K3801510

P
M
9
0
0
0001



COMMENTS
D1 (C) COPYRIGHT IBM CORP. 1980

DATA REPOWER TO MEM
MEMORY INTERFACE CARD
PN8266232 EC835015
LOC=1A-A1V2
USN 00008 PRI=11SEP80 0852
AUC= SEC
PFOR=KSEB NEXBLK AB
MACH=5340000
CID P1DFE JOB K3801510



INSTR MODE DECODE

MODE	INST
0	REG TO REG, DAR TO DAR
1	REG TO DAR, DAR TO REG
2	MASK TO REG, MASK TO DAR
3	I/O - READ/WRITE
4	LOAD MEMORY, LOAD ABSOLUTE
5	STORE MEMORY, STORE ABSOLUTE
6	BRANCH CONDITIONAL
7	BRANCH CONDITIONAL

COMMENTS: D1COPYRIGHT IBM CORP. 1978

PINS	PINS	PINS	PINS	PINS	PINS	PINS	PINS	PINS	PINS	PINS	PINS	PINS	PINS	PINS	PINS
AB	C4/Y03	40/Z04	B4/Z32	31/S05	45/U11	A9/S04	D5/U13	G1/S03	H5/U09	44/S12	C9/U12	B1/U13	20/X08	B0/Y13	C5/Y25
B1/Z22	C6/Y24	42/Z06	B6/Z10	33/U10	47/U07	B1/S12	D7/S07	G3/S09	H7/S10	46/U05	D1/U04	B3/S07	22/X09	B2/Z08	C7/Y23
B3/Y33	C8/Y02	44/Z05	B8/Z03	35/S13	CB	B3/U05	D9/S04	G5/U13	31/S05	47/U11	D2/S12	ET	23/W13	B4/Z27	C1/Y01
B4/Z27	C1/Y22	45/Z24	B9/Z04	36/U13	A0/S05	B4/U11	E0/U04	G6/S08	33/U10	EB	D4/U05	A1/S04	25/W12	B5/Z07	C2/Y02
B5/Z07	C2/Y23	46/Z23	C0/Z25	37/S08	A1/S03	B5/U09	E1/S12	G7/S07	34/S09	C1/S05	D5/U11	A2/U04	26/W33	B6/Y32	C3/Y03
B6/Y32	C3/Y21	47/Z28	C1/Z06	38/S07	A2/U10	B6/U07	E2/U06	G8/U12	35/S13	C2/S03	D6/U09	A3/S12	B7/Z33	B7/Z33	C4/Y22
B7/Z33	C4/Y21	48/Z02	C2/Z26	39/U12	A3/S09	B7/S10	E3/U05	G9/S04	36/U13	C3/U10	EP	B0/U06	B8/Z13	B8/Z13	C5/Y23
B8/Z13	C5/Y22	AJ	C3/Z05	40/S04	A4/S13	D0/S05	E4/U11	H0/U04	37/S08	C4/S09	A0/S05	B1/U05	B9/Y12	B9/Y12	C6/Y24
B9/Y12	C6/Y21	B0/Z29	C4/Z24	41/U04	A5/U13	D1/S03	E5/U09	H1/S12	38/S07	C5/S13	A1/S03	B2/U11	C1/Y05	C1/Y05	C7/Y25
C1/Y05	C7/Y20	B1/Z30	C5/Z23	42/S12	A6/S08	D2/U10	E6/U07	H2/U06	41/U12	C6/U13	A2/U10	B3/U09	C2/Y04	C2/Y04	C8/Y26
C2/Y04	C8/Y20	B2/Z11	C6/Z28	43/U06	A7/S07	D3/S09	E7/S10	H3/U05	42/S04	C7/S08	A3/S09	FB	C3/Y22	C3/Y22	C9/Y27
C3/Y22	C9/Y20	B3/Z12	C7/Z02	44/U05	A8/U12	D4/S13	G0/S05	H4/U11	43/U04	C8/S07	B0/S13	19/X28			

WORKSTATION CONTROLLER
MEMORY
OP REG
PN4237411 EC832850 PEC832742G

LOC=1A-A2N2

USN 00008 PRI=22SEP77 1845

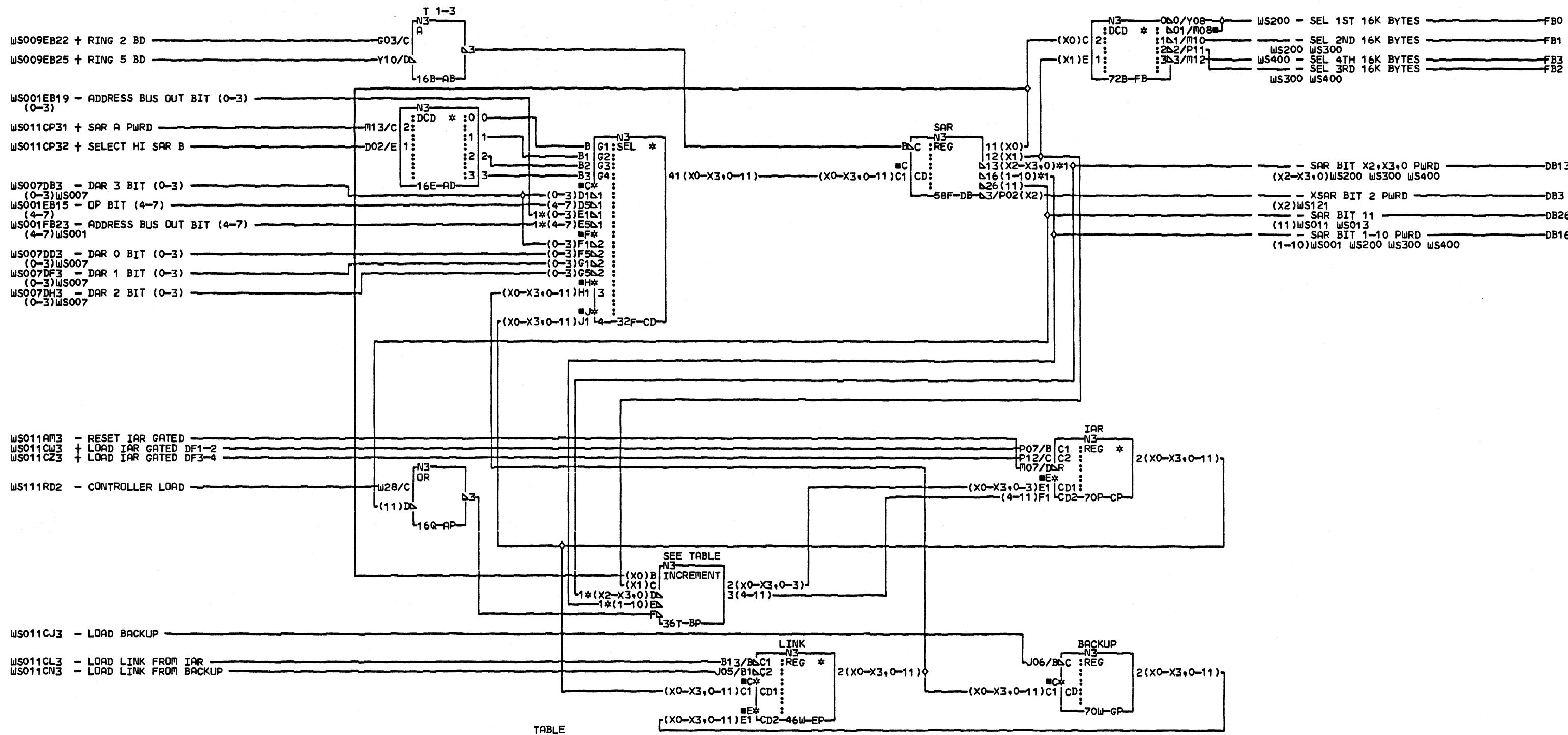
AUC= SEC

PFORM=KSEB NEXTBLK GC

CID PIOFE JOB Ku201356

WS001

WS001



TABLE

CONTROLLER LOAD MODE	OUTPUT=INPUT +1
NOT CONTROLLER LOAD MODE	OUTPUT=INPUT +1

16Z-AZ

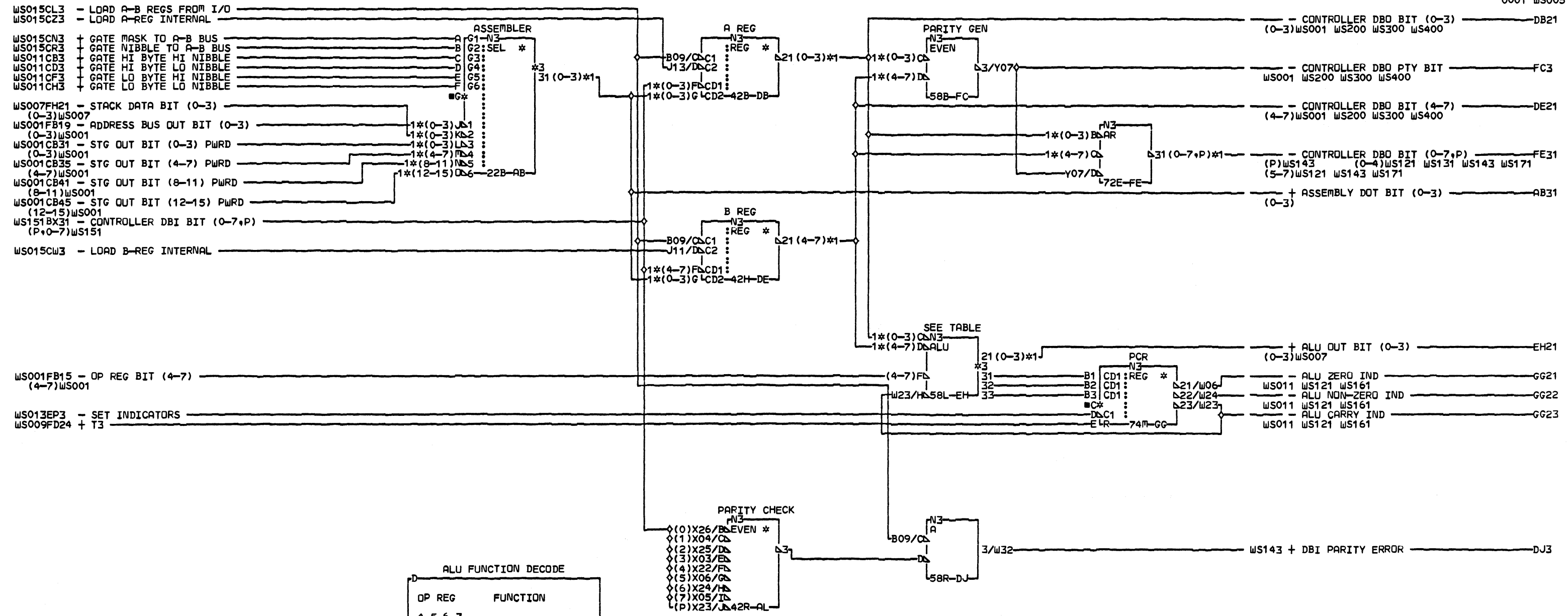
COMMENTS
D1COPYRIGHT IBM CORP. 1978

PINS	PINS	PINS
BP	CD	17/Z22
D0/Y11	E1/X28	18/Z08
D1/Y31	E2/X08	19/Y33
D2/Y30	E3/X27	20/Z27
E0/Y13	E4/X09	21/Z07
E1/Z22	E5/W13	22/Y32
E2/Z08	E6/W31	23/Z33
E3/Y33	E7/W12	24/Z13
E4/Z27	E8/W33	25/Y12
E5/Z07	DB	
E6/Y32	13/Y11	
E7/Z33	14/Y31	
E8/Z13	15/Y30	
E9/Y12	16/Y12	

WORKSTATION CONTROLLER
DATA FLOW
PN4237412 EC834777 PEC832850
LOC=1A-A2N2
USN 00008 PRI=04AUG78 1208
AUC= PFORM=KSEB SEC NEXTBLK GQ
CID PIOFE JOB L6301459

WS003

WS003



ALU FUNCTION DECODE

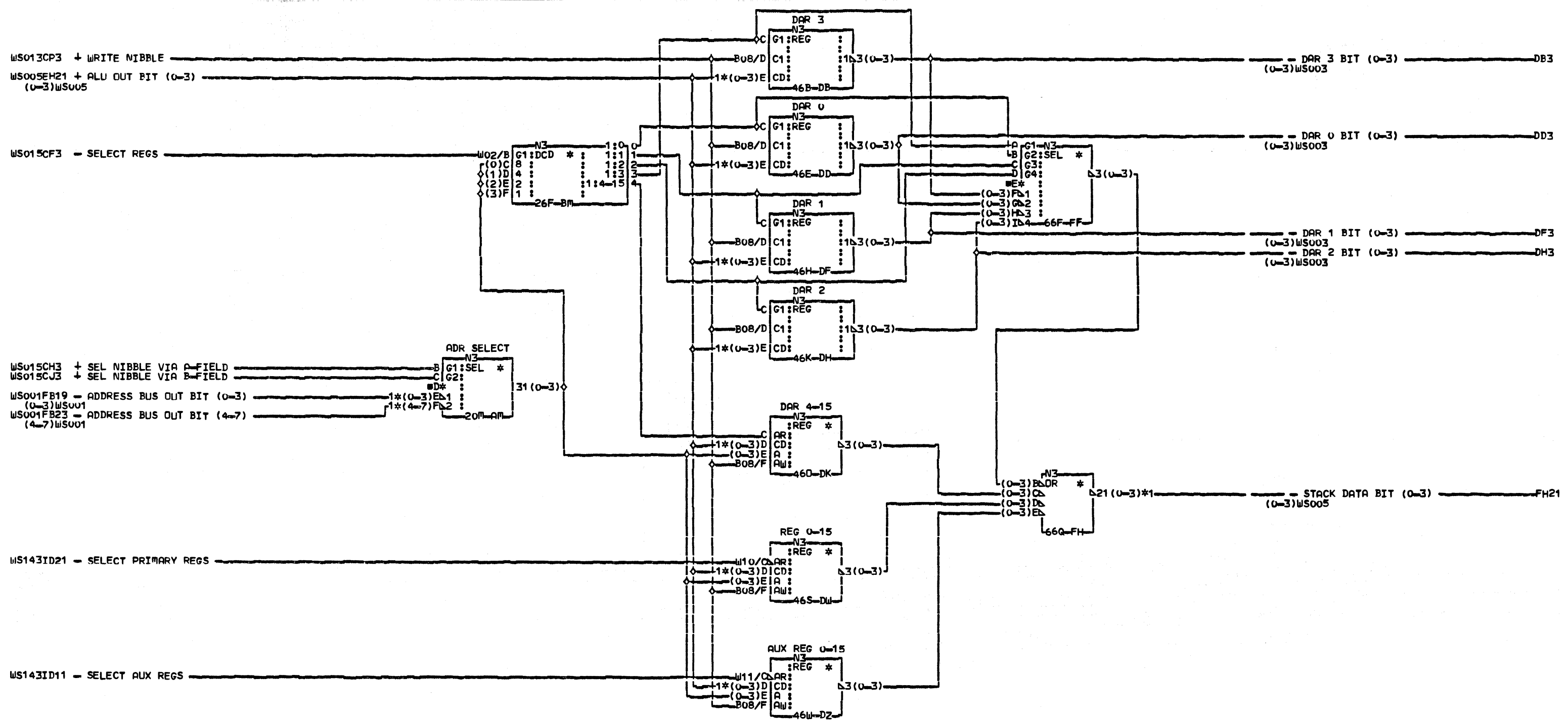
OP	REG	FUNCTION
4	5 6 7	
0	0 0 0	ADD
0	0 0 1	ADD W/CARRY
0	0 1 0	MOVE
0	0 1 1	SUB W/BORROW
0	1 0 0	SUB
0	1 0 1	COMPARE
0	1 1 0	SUB SUMMARY
0	1 1 1	COMPARE SUMMARY
1	0 0 0	AND
1	0 0 1	TEST BITS
1	0 1 0	AND SUMMARY
1	0 1 1	TEST SUMMARY
1	1 0 0	OR
1	1 0 1	OR INHIBIT
1	1 1 0	XOR
1	1 1 1	XOR INHIBIT

16T-AZ

COMMENTS
D1COPYRIGHT IBM CORP. 1978

PINS	PINS	PINS	PINS	PINS	PINS	PINS	PINS
AB	M1/U13	34/G07	DE	C0/Y05	C1/Y04	C2/Y23	C3/Y02
J0/X28	M2/S08	DB	F0/X22	C1/Y04	C2/Y22	C3/Y03	31/X11
J1/X08	M3/S07	F0/X26	F1/X06	C2/Y22	C3/Y03	D0/Y25	32/X29
J2/X27	N0/U12	F1/X04	F2/X24	C3/Y03	D0/Y25	D1/Y24	33/X10
J3/X09	N1/S04	F2/X25	F3/X05	D0/Y25	D1/Y24	D2/Y23	34/X32
K0/M02	N2/U04	F3/X03	G0/J07	D1/Y24	D2/Y23	D3/Y02	35/X12
K1/G13	N3/S12	G0/J07	G1/P09	D2/Y23	D3/Y02	FE	36/X31
K2/J12	O0/U06	G1/P09	G2/P10	D3/Y02	FE	B0/Y05	37/X33
K3/G12	O1/U05	G2/P10	G3/G07	21/Y28	B0/Y05	B1/Y04	38/X13
L0/S05	O2/U11	G3/G07	21/Y25	22/J10	B1/Y04	B2/Y22	39/X30
L1/S03	O3/U09	21/Y05	22/Y24	23/M04	B2/Y22	B3/Y03	
L2/U10	31/J07	22/Y04	23/Y23	24/X07	B3/Y03	C0/Y25	
L3/S09	32/P09	23/Y22	24/Y02	FC	C0/Y25		
M0/S13	33/P10	24/Y03	FH	C0/Y05	C1/Y24		

WORKSTATION CONTROLLER
ALU
PN4237413 EC834777 PEC832850
LOC=1A-A2N2
USN 00008 PRI=04AUG78 1208
ALJC= SEC
PFORM=KSEB NEXTBLK GH
CID PIOFE JOB L6301459

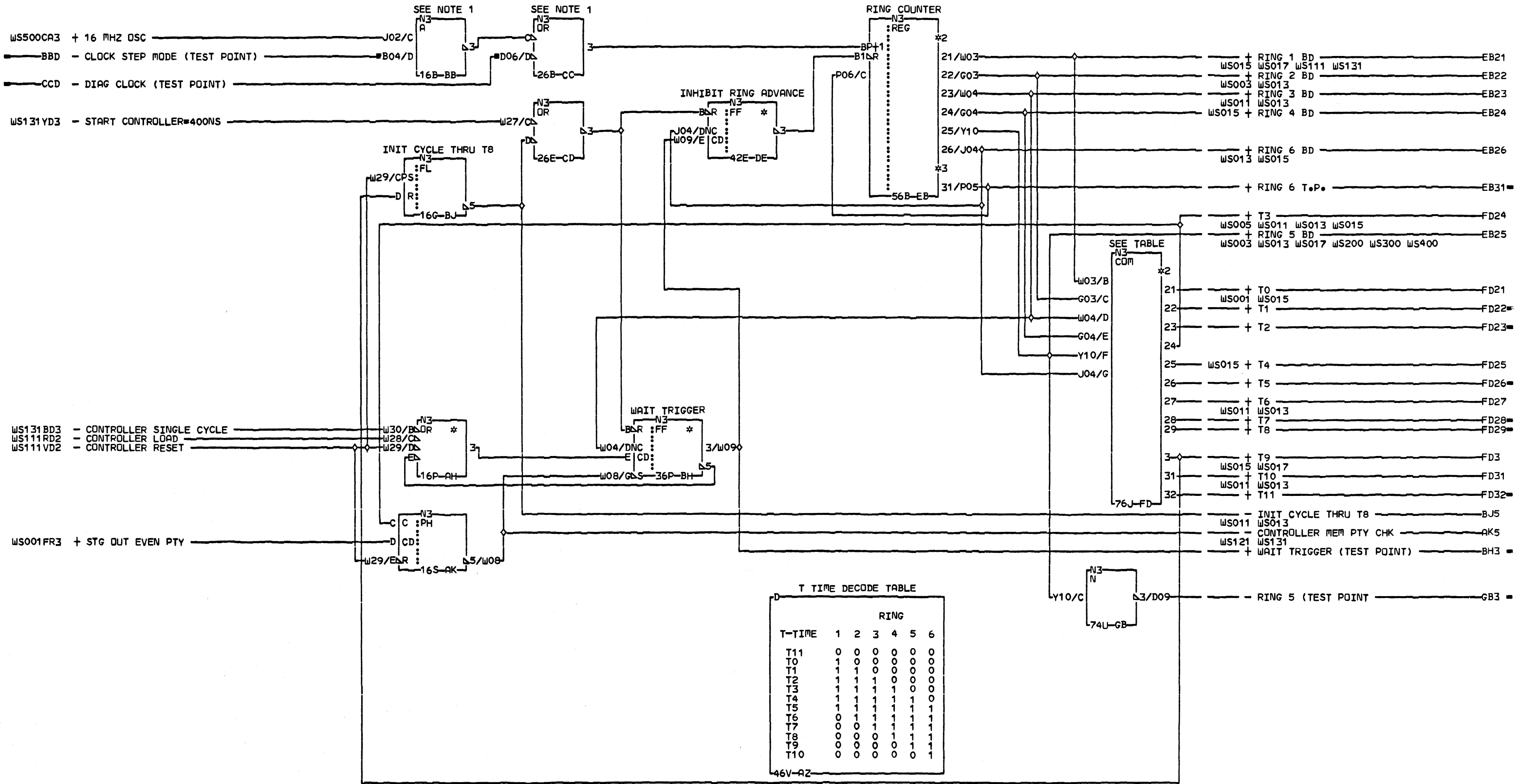


COMMENTS
 D1COPYRIGHT IBM CORP. 1978
 WS007
 0001

PINS	PINS	PINS	PINS
AM	DD	E3/X07	D2/M04
E0/X28	E0/Y28	DK	D3/X07
E1/X08	E1/J10	D0/Y28	FH
E2/X27	E2/M04	D1/J10	21/M02
E3/X09	E3/X07	D2/M04	22/G13
F0/W13	DF	D3/X07	23/J12
F1/W31	E0/Y28	DW	24/G12
F2/W12	E1/J10	D0/Y28	
F3/W33	E2/M04	D1/J10	
DB	E3/X07	D2/M04	
E0/Y28	DH	D3/X07	
E1/J10	E0/Y28	DZ	
E2/M04	E1/J10	D0/Y28	
E3/X07	E2/M04	D1/J10	

WORKSTATION CONTROLLER
 LSR
 PN4237414 EC832850 PEC8327426
 LOC=1A-A2N2
 USN 00008 PRI=22SEP77 1845
 AUC= PFORM=KSEB SEC NEXTBLK FI
 CID PIOFE JOB K02U1356

WS007
 0001

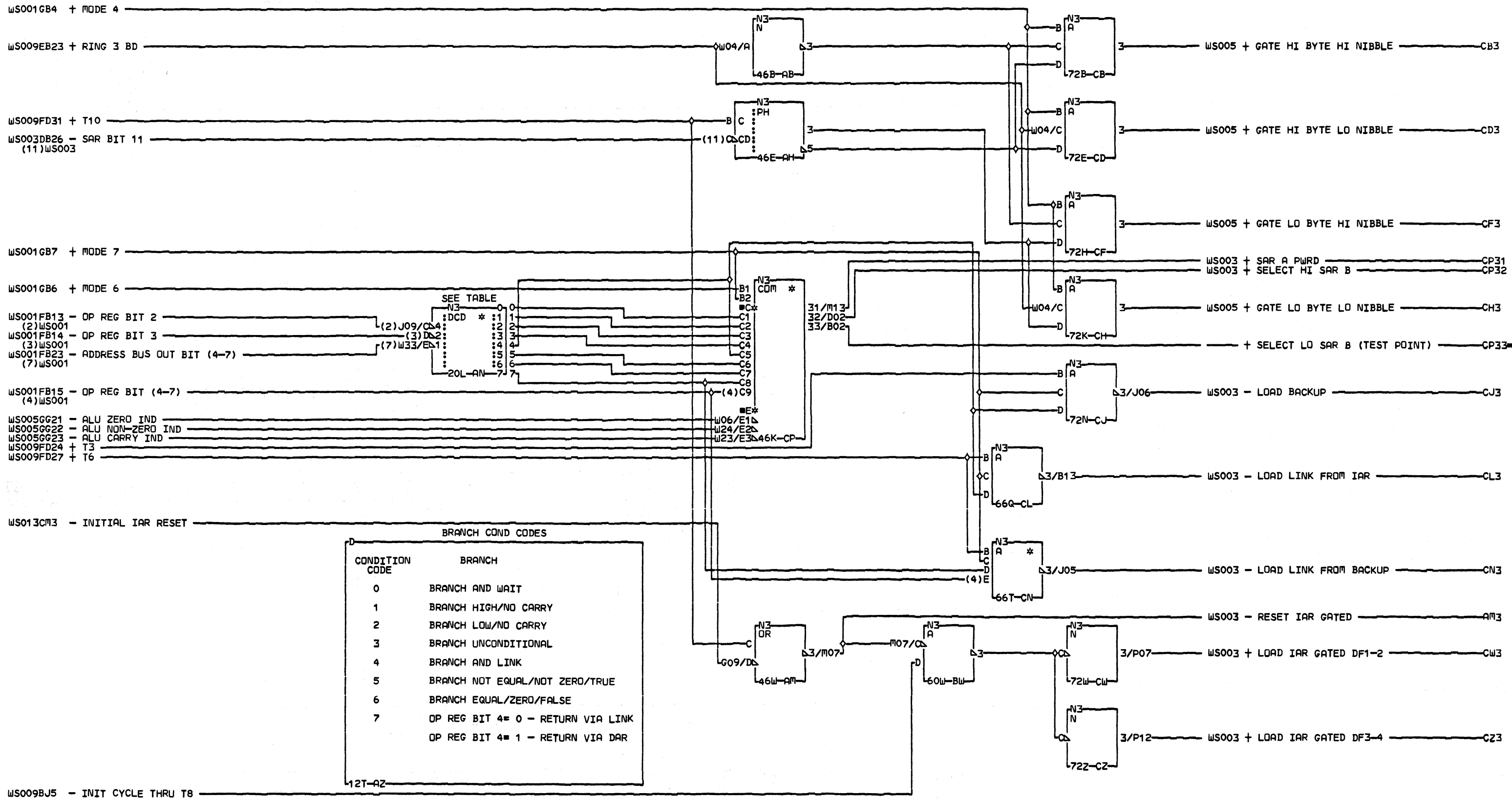


T TIME DECODE TABLE

T-TIME	1	2	3	4	5	6
T11	0	0	0	0	0	0
T0	1	0	0	0	0	0
T1	1	1	0	0	0	0
T2	1	1	1	0	0	0
T3	1	1	1	1	0	0
T4	1	1	1	1	1	0
T5	1	1	1	1	1	1
T6	0	0	1	1	1	1
T7	0	0	0	1	1	1
T8	0	0	0	0	1	1
T9	0	0	0	0	1	1
T10	0	0	0	0	0	1

COMMENTS
 A1 NOTE 1: WS009BBD AND
 2 WS009CCD ARE TIED TO +5
 3 VOLTS ON THE CARD
 D1COPYRIGHT IBM CORP. 1978

WORKSTATION CONTROLLER
 T-TIME GENERATION
 PN4237415 EC834777 PEC832850
 LOC=1A-A2N2
 USN 00008 PRI=14NOV78 1620
 AUC= SEC
 PFORM=KSEB NEXTBLK GC
 CID PIOFE JOB L6301459



BRANCH COND CODES

CONDITION CODE	BRANCH
0	BRANCH AND WAIT
1	BRANCH HIGH/NO CARRY
2	BRANCH LOW/NO CARRY
3	BRANCH UNCONDITIONAL
4	BRANCH AND LINK
5	BRANCH NOT EQUAL/NOT ZERO/TRUE
6	BRANCH EQUAL/ZERO/FALSE
7	OP REG BIT 4 = 0 - RETURN VIA LINK OP REG BIT 4 = 1 - RETURN VIA DAR

SEE TABLE

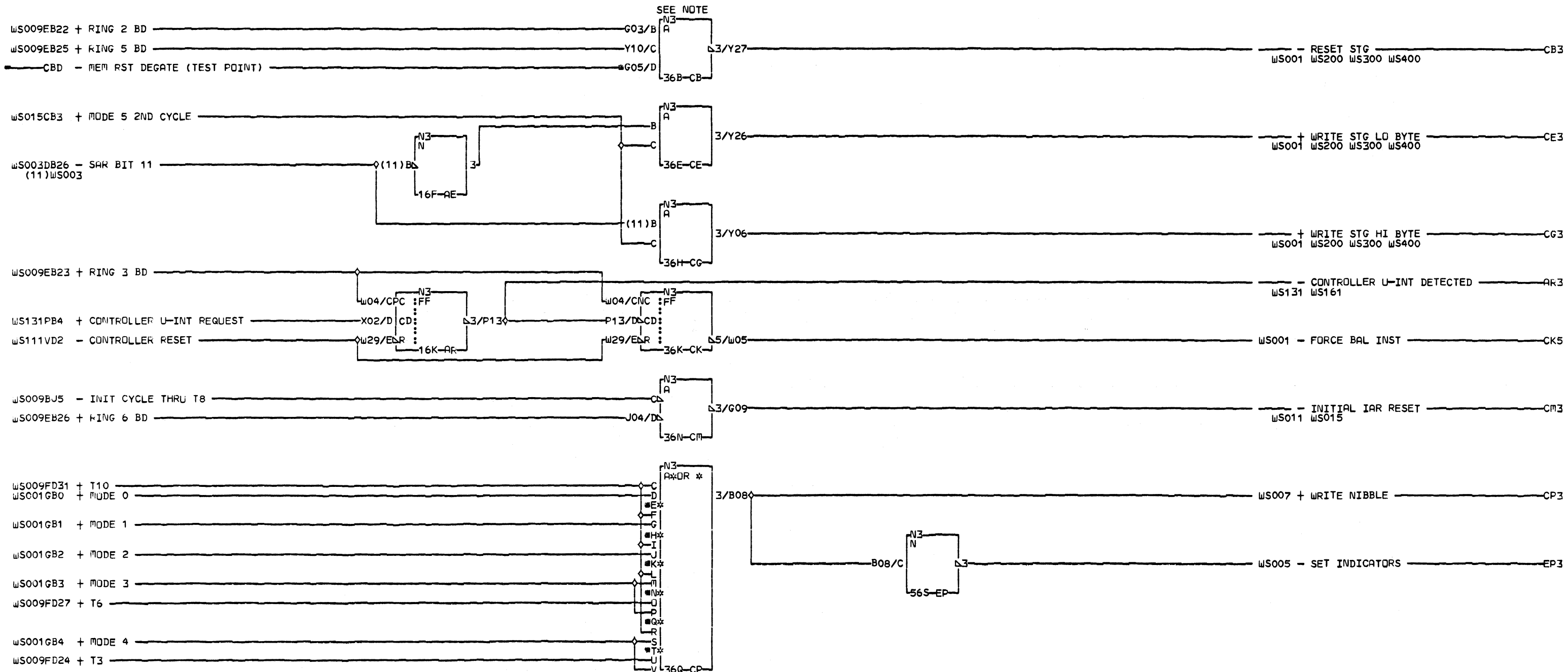
N3	DCD *	1	2	3	4	5	6	7
0	0	1	2	3	4	5	6	7

COMMENTS
D1COPYRIGHT IBM CORP. 1978

WORKSTATION CONTROLLER
CONTROL SIGNALS
PN4237416 EC834777 PEC832850
LOC=1A-A2N2
USN 00008 PRI=08NOV78 1747
AUC= PFORM=KSEB SEC NEXTBLK CO
CID PIOFE JOB L6301459

WS011
0001

WS011
0001

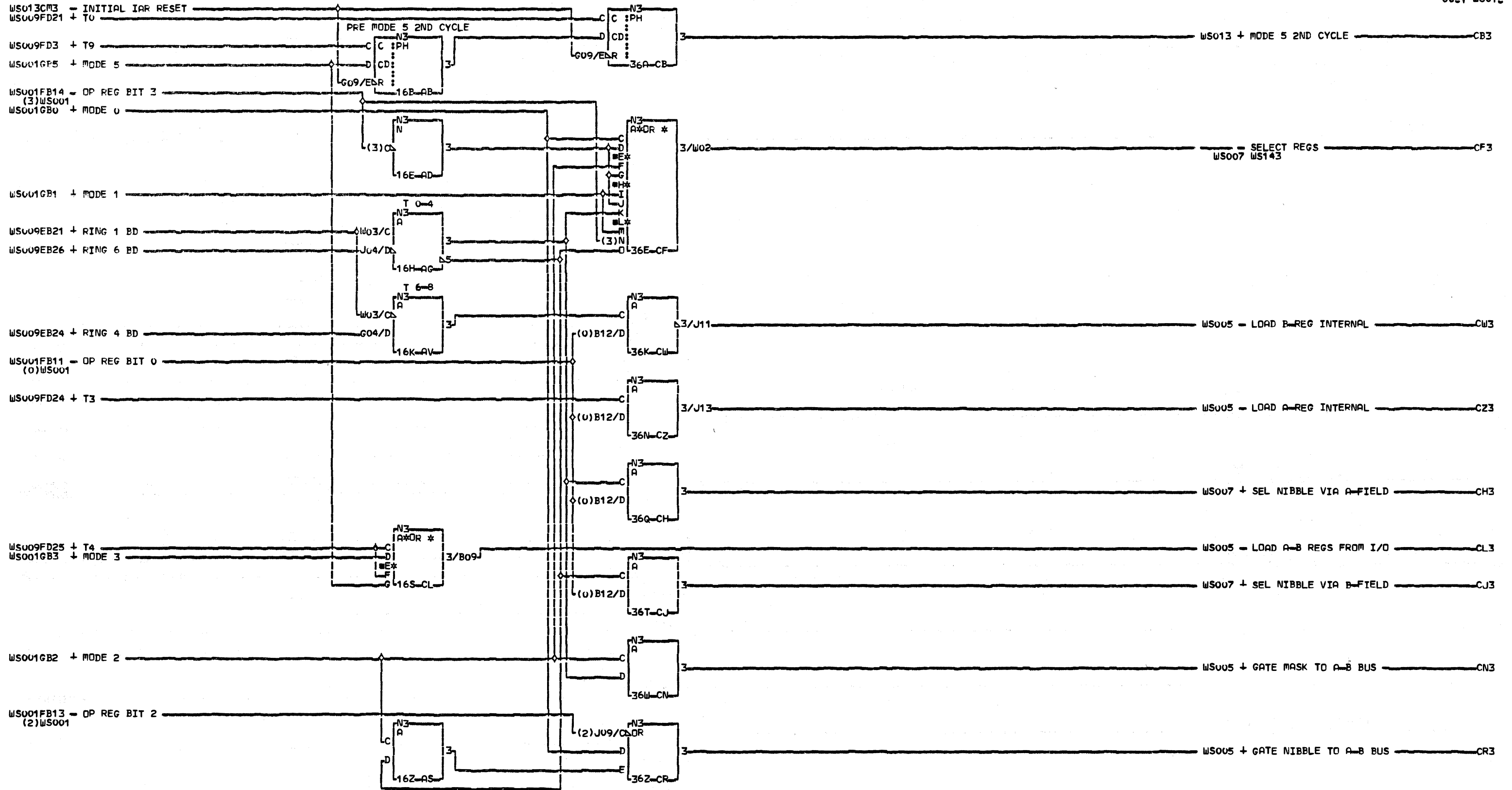


COMMENTS

A1 NOTE 1: NET WS013CBD IS
 2 TIED TO +5 VOLTS ON
 3 THE CARD
 ©COPYRIGHT IBM CORP. 1978

WORKSTATION CONTROLLER
 MEMORY CONTROL

PN4237417 EC834777 PEC832850
 LOC=1A-A2N2
 USN 00008 PRI=08NOV78 1747
 AUC= SEC
 PFORM=KSEB NEXTBLK EQ
 CID PIDFE JOB L6301459



COMMENTS

D1COPYRIGHT IBM CORP. 1978

WORKSTATION CONTROLLER
A-B REG CONTROL

PN4237418 EC832850 PEC832742G

LDC=1A-A2N2

USN 00008 PRI=22SEP77 1845

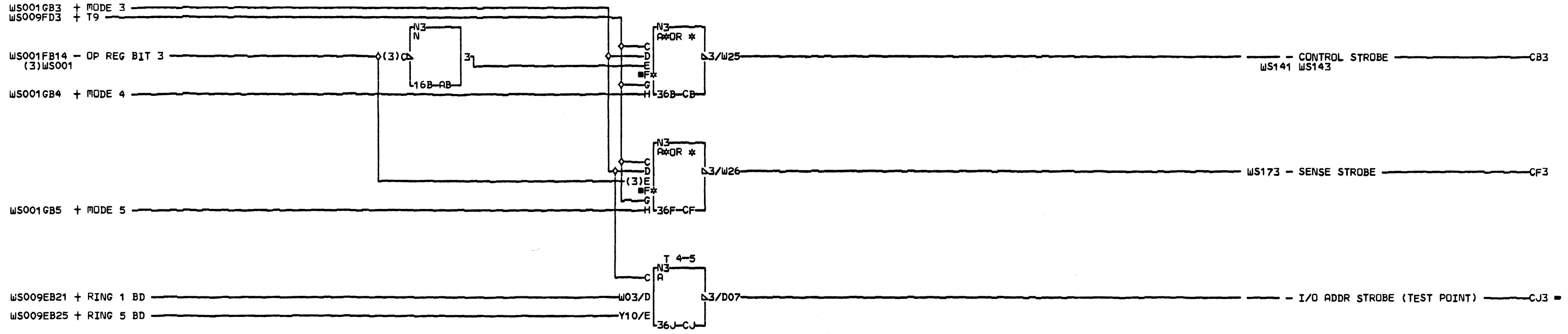
AUC= SEC

PFORM=KSEB NEXTBLK CO

CID PIDFE JOB K0201356

0001

WS015



SEE TABLE
N3
TEST CNTLS
16M-AM

- AMC1 - CE TEST POINT 2
- AMC2 - CE TEST POINT 1
- AMC3 - TEST POINT RESET 1
- AMC4 + TIEUP CTL 1
- AMC5 + TEST DF4
- AMC6 + TIE UP

N3
SERVICE
66M-FM

- 3/Y09 - CONSOLE GND (TEST POINT) FM3
- 5/W07 - +5 VOLTS TO CONSOLE (TEST POINT) FM5

N3
TIEDOWN
66P-FP

- 3/D05 - WS131 + CONT CARD UNPLUGGED PT 1 FP3
- 5/S02 - WS131 + CONT CARD UNPLUGGED PT 2 FP5

TEST CONTROLS

PIN	TEST MODE	RUN MODE
D12	DOWN	UP
D13	DOWN	UP
B03	DOWN	UP
B05	DOWN	UP
P04	UP	DOWN
M09	DOWN	UP

16T-AT

CARD VOLTAGE PINS

+5V	D03	J03	P03	U03
+8.5V	G11	S11		
GND	D08	J08	P08	U08

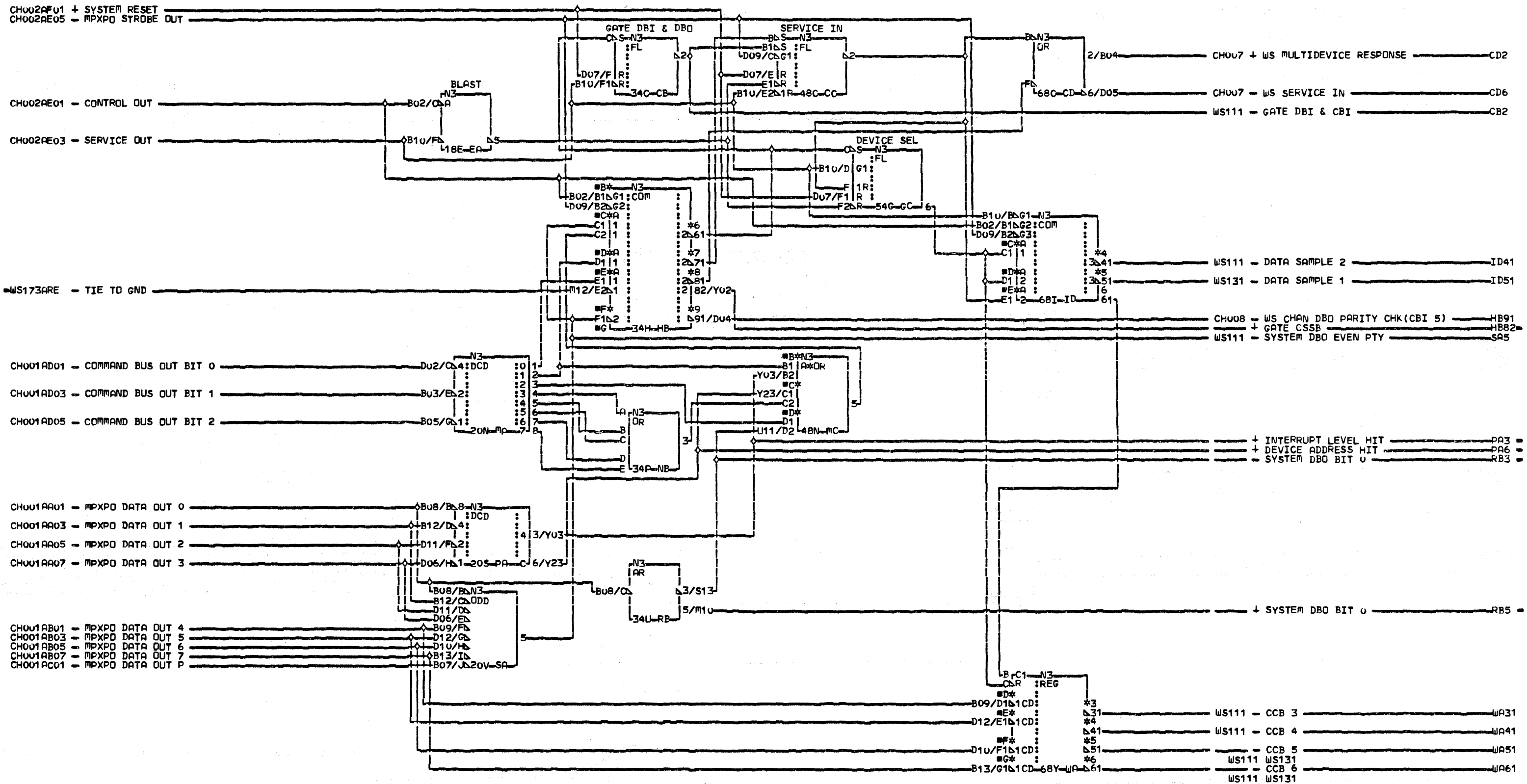
36W-CW

N3
TEST OUTPUT
66T-FT

- 31/D10 - CE TEST POINT 1 FT31
- 32/B07 - CE TEST POINT 2 FT32
- 33/D04 - SET 1ST CYCLE TP FT33
- 34/D11 - RST TST PT UNUSED FT34
- 35/G08 - FC MULTIPLE TEST POINT FT35
- 36/M03 - SEL B EXPANSION FT36
- 37/B10 - ALU CARRY IN FT37

COMMENTS
A1 NOTE 1: TEST CONTROLS ARE
2 TIED TO RUN MODE ON CARD
3 OR BOARD
D1COPYRIGHT IBM CORP. 1978

WORKSTATION CONTROLLER
I/O STROBE PULSES
PN4237419 EC834777 PEC832850
LOC=1A-A2N2
USN 00008 PRI=08NOV78 1747
AUC= SEC
PFDRM=KSEB NEXTBLK FU
CID PIOFE JOB L6301459



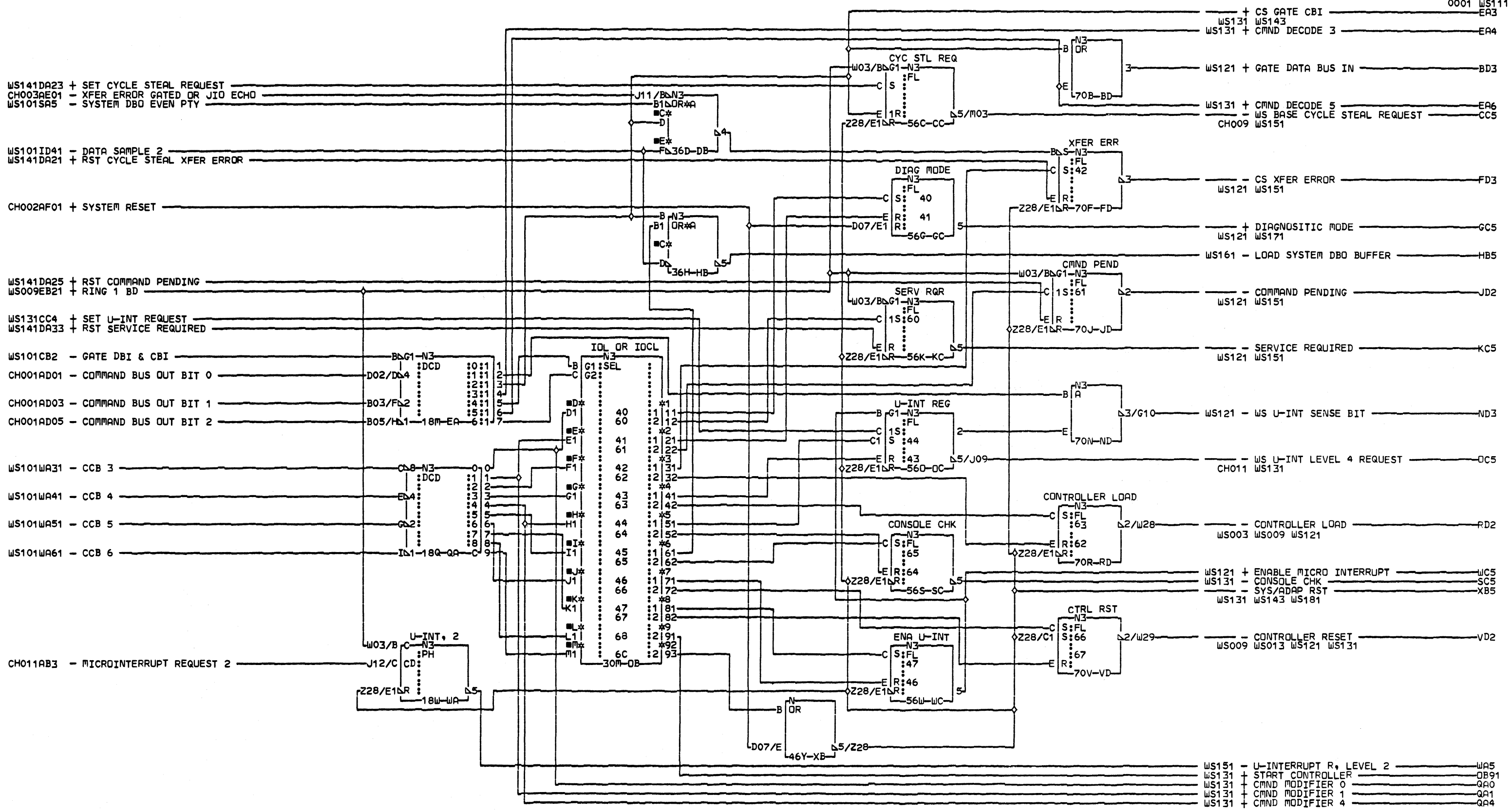
COMMENTS

D1COPYRIGHT IBM CORP. 1978

WORKSTATION ADAPTER
INTERFACE CONTROLS
PN4237420 EC832850 PEC832742G
LOC=1A-A2M2
USN 00008 PRI=22SEP77 1845
AUC= PFDRM#KSEB SEC NEXTBLK WB
CID PIOFE JOB KU201356

0001

WS101001



WS141DA23 + SET CYCLE STEAL REQUEST
 CH003AE01 - XFER ERROR GATED OR JIO ECHO
 WS101SA5 - SYSTEM DBO EVEN PTY

WS101ID41 - DATA SAMPLE 2
 WS141DA21 + RST CYCLE STEAL XFER ERROR

CH002AF01 + SYSTEM RESET

WS141DA25 + RST COMMAND PENDING
 WS009EB21 + RING 1 BD

WS131CC4 + SET U-INT REQUEST
 WS141DA33 + RST SERVICE REQUIRED

WS101CB2 - GATE DBI & CBI
 CH001AD01 - COMMAND BUS OUT BIT 0
 CH001AD03 - COMMAND BUS OUT BIT 1
 CH001AD05 - COMMAND BUS OUT BIT 2

WS101WA31 - CCB 3
 WS101WA41 - CCB 4
 WS101WA51 - CCB 5
 WS101WA61 - CCB 6

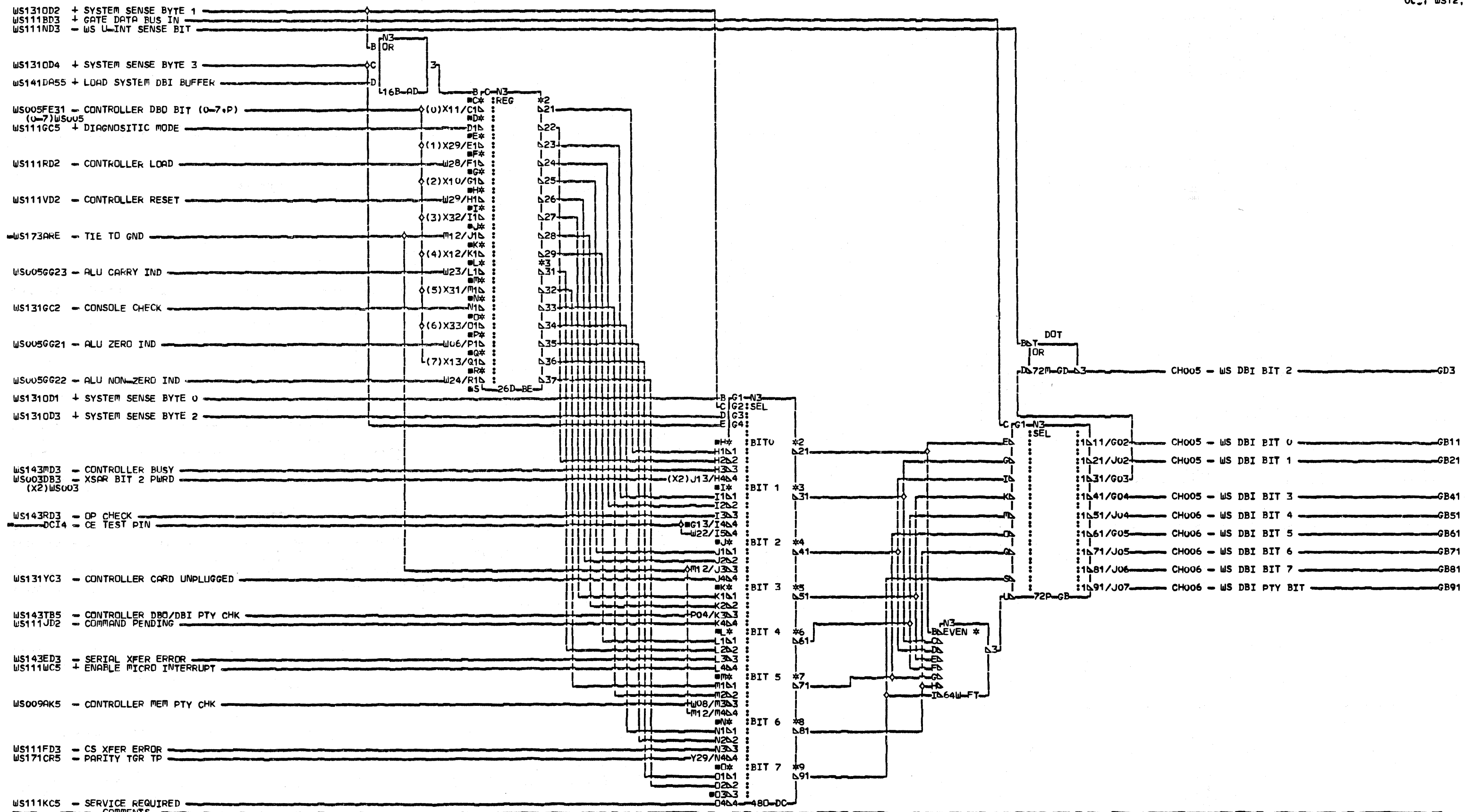
CH011AB3 - MICROINTERRUPT REQUEST 2

WS131 + CS GATE CBI EA3
 WS131 + WS143 EA3
 WS131 + CMND DECODE 3 EA4
 WS121 + GATE DATA BUS IN BD3
 WS131 + CMND DECODE 5 EA6
 CH009 WS151 - WS BASE CYCLE STEAL REQUEST CC5
 CS XFER ERROR FD3
 WS121 WS151
 + DIAGNOSTIC MODE GC5
 WS121 WS171
 WS161 - LOAD SYSTEM DBO BUFFER HB5
 - COMMAND PENDING JD2
 WS121 WS151
 - SERVICE REQUIRED KC5
 WS121 WS151
 WS121 - WS U-INT SENSE BIT ND3
 WS121 WS131 - WS U-INT LEVEL 4 REQUEST OC5
 CH011
 - CONTROLLER LOAD RD2
 WS003 WS009 WS121
 WS121 + ENABLE MICRO INTERRUPT WC5
 WS131 - CONSOLE CHK SC5
 WS131 - SYS/ADAP RST XB5
 WS131 WS143 WS181
 - CONTROLLER RESET VD2
 WS009 WS013 WS121 WS131
 WS151 - U-INTERRUPT R, LEVEL 2 WA5
 WS131 + START CONTROLLER QB91
 WS131 + CMND MODIFIER 0 QA0
 WS131 + CMND MODIFIER 1 QA1
 WS131 + CMND MODIFIER 4 QA4

COMMENTS

D1COPYRIGHT IBM CORP. 1978

WORKSTATION ADAPTER
 COMMAND DECODE
 PN4237421 EC832999 PEC832850
 LOC=1A-A2M2
 USN 00008 PRI=03MAY78 1007
 AUC= PF0RM=KSEB SEC NEXTBLK XC
 CID PIOFE JOB N5101128

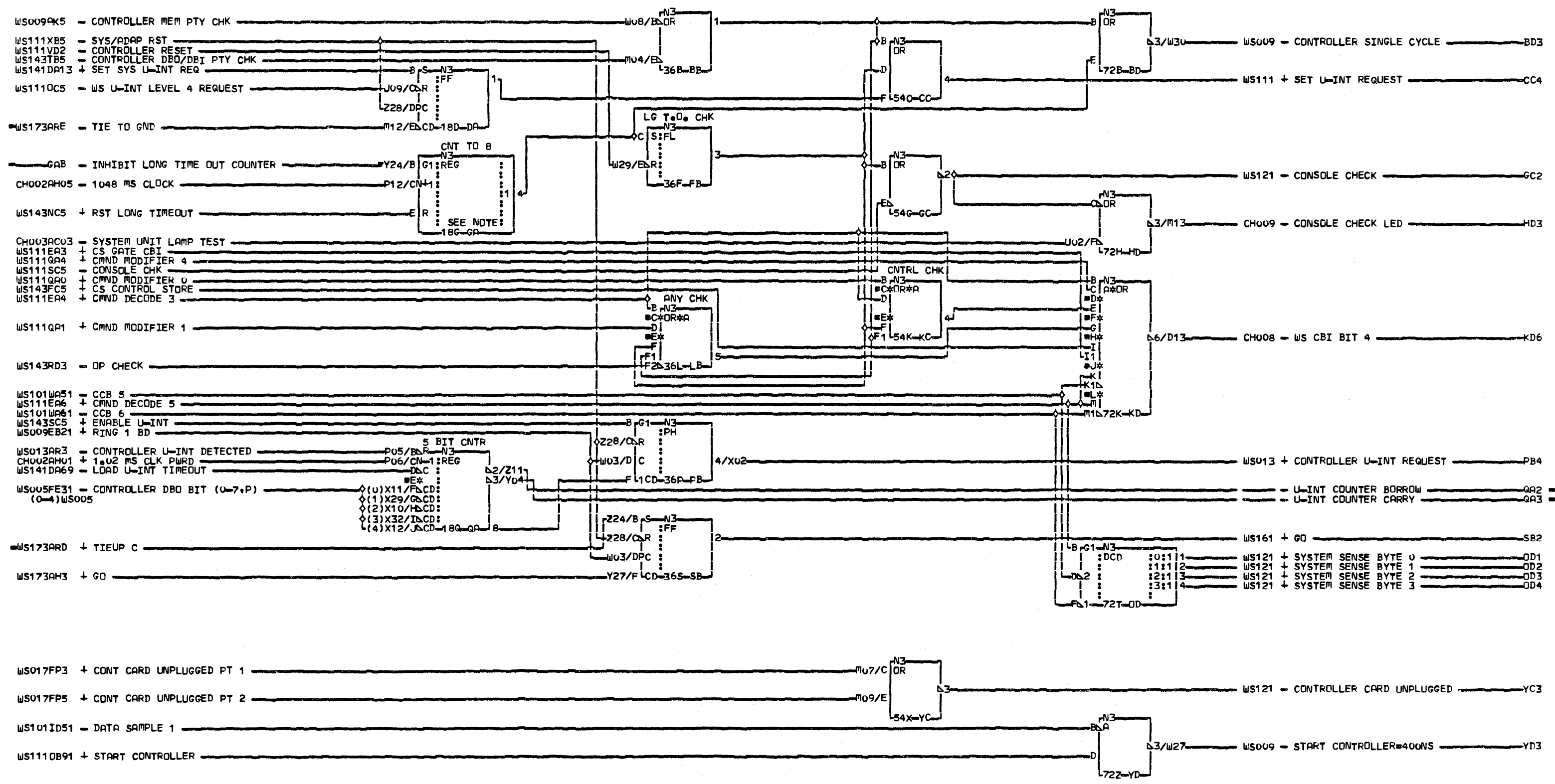


WS111KC5 - SERVICE REQUIRED
 COMMENTS
 D1COPYRIGHT IBM CORP. 1978

WORKSTATION ADAPT SYS DBI ASM
 PN4237422 EC832850 PEC832742G
 LOC=1A-A2M2
 USN 00008 PRI=22SEP77 1845
 AUC= SEC
 PFORM=KSEB NEXTBLK GE
 CID PIOFE JOB Ku201356

WS
1
2
1
0001

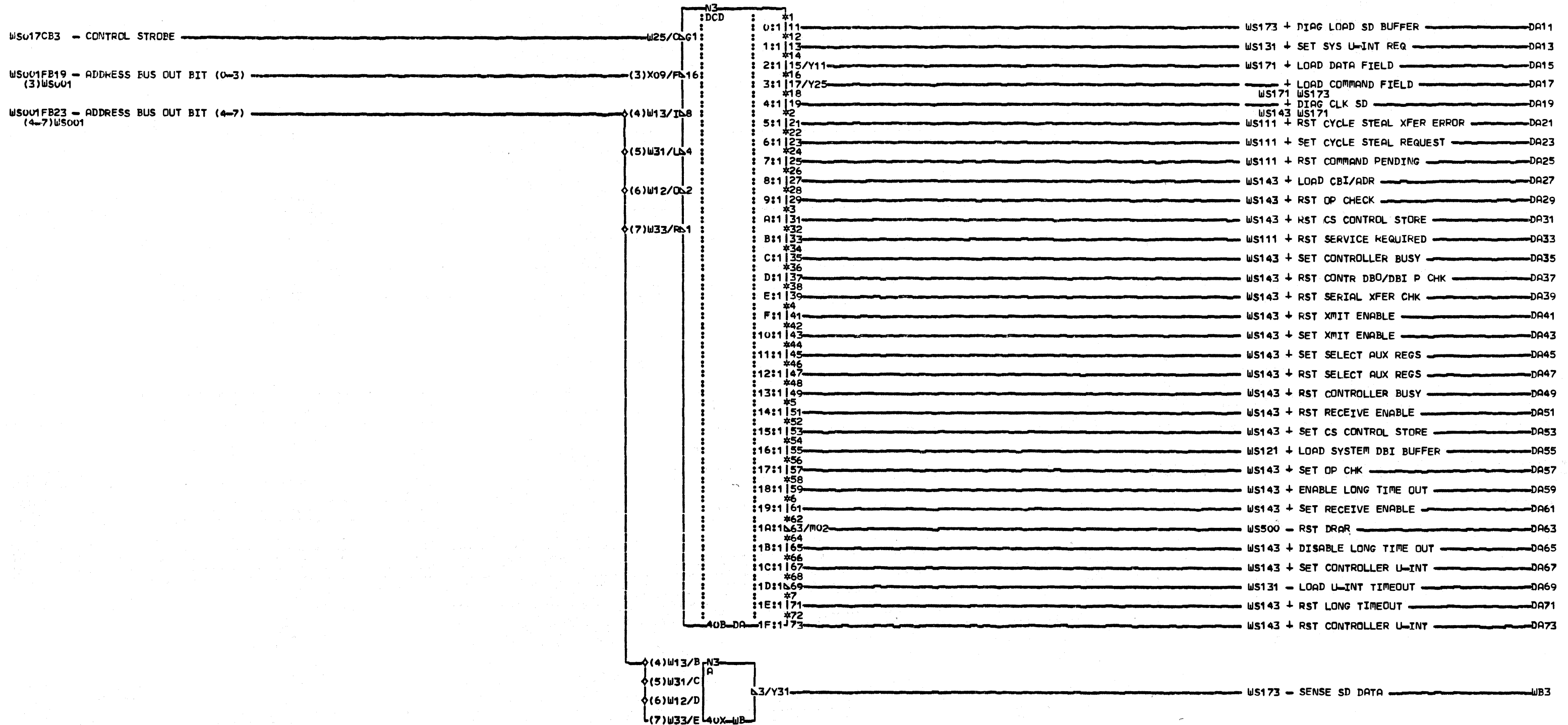
WS
1
2
1
0001



COMMENTS

A1 NOTE: NET WS131GAB IS
 2 TIED TO +5 VOLTS ON
 3 THE CARD.
 ©COPYRIGHT IBM CORP. 1978

WORKSTATION ADAPTEK
 MISC LOGIC
 PN4237423 EC832850 PEC832742G
 LOC#1A-A2M2
 USN 00008 PRI#225EP77 1845
 AUC# PFORM#KSEB SEC NEXTBLK YE
 CID PIOFE JOB K0201356

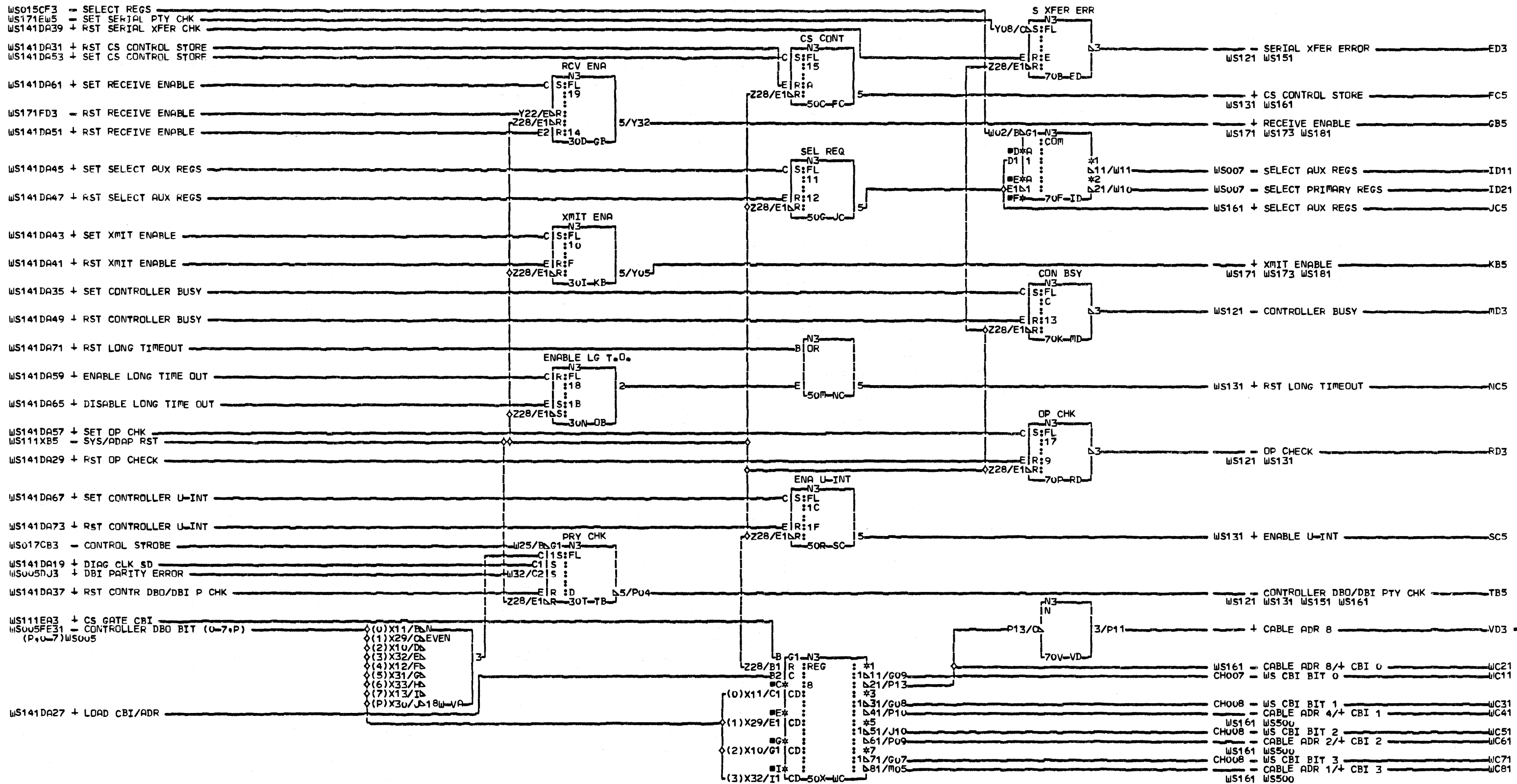


COMMENTS
 D1COPYRIGHT IBM CORP. 1978

WORKSTATION ADAPTER
 ABO DECODE
 PN4237424 EC832850 PEC832742G
 LOC=1A-A2M2
 USN 00008 PRI=22SEP77 1845
 AUC= SEC
 PFORM=KSEB NEXTBLK WD
 CID PIOFE JOB K0201356

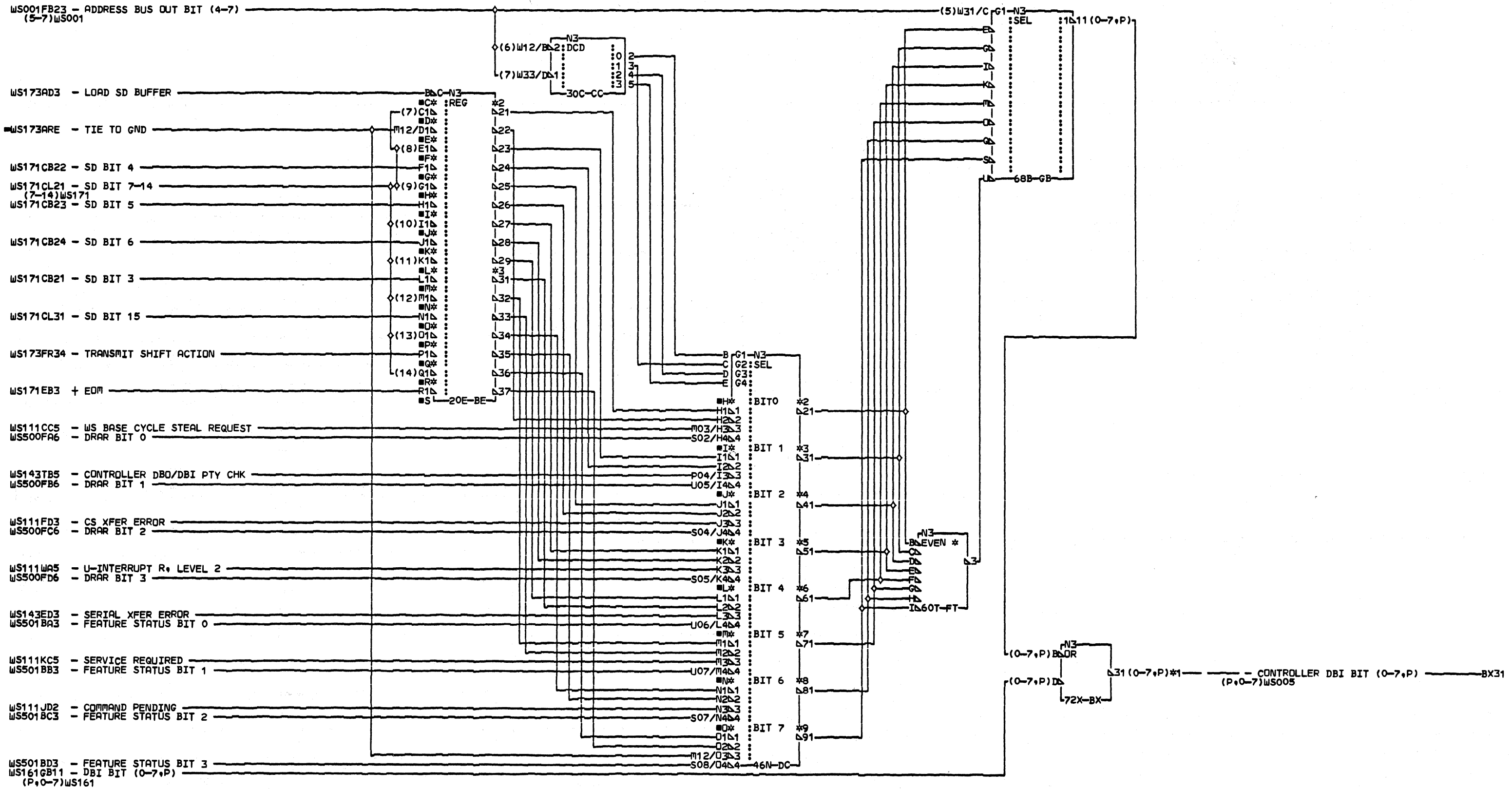
WS
 1
 4
 1
 0001

WS
 1
 4
 1
 0001



COMMENTS
D1COPYRIGHT IBM CORP. 1976

WORKSTATION ADAPTER
ABD DECODE LATCHES
PN4237425 EC832850 PEC832742G
LDC=1A-A2M2
USN 00008 PRI=22SEP77 1845
AUC= PFDRM=KSEB SEC NEXTBLK WD
CID PIOFE JOB K0201356



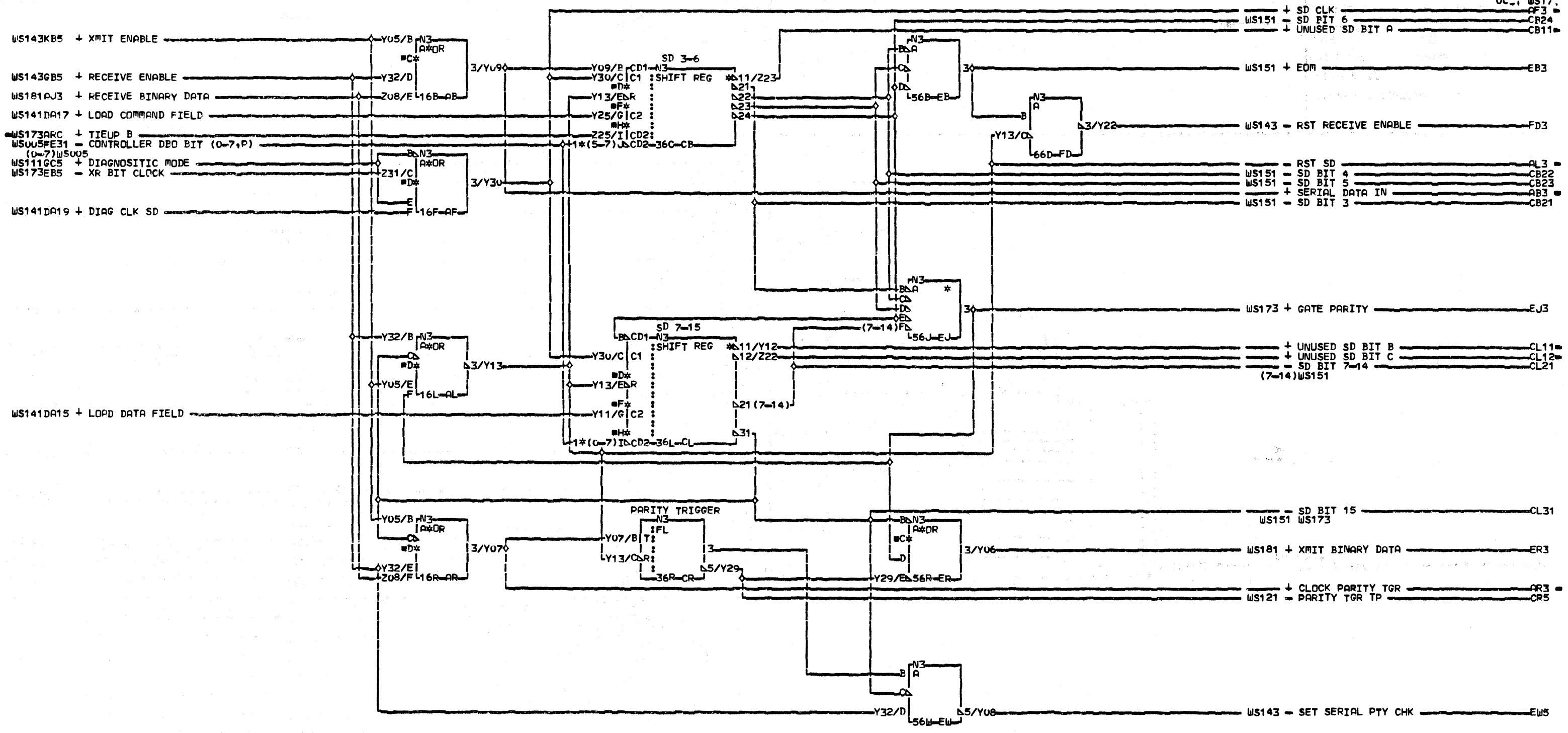
COMMENTS
D1COPYRIGHT IBM CORP. 1978

PINS
BX
31/X26
32/X04
33/X25
34/X03
35/X22
36/X06
37/X24
38/X05
39/X23

WORKSTATION ADAPTER
CONTROLLER DBI ASM
PN4237426 EC834777 PEC832850
LOC=1A-A2M2
USN 00008 PRI=01AUG78 1014
AUC= PFORM=KSEB SEC NEXTBLK GC
CID PIOFE JOB L6301459

WS151

WS151



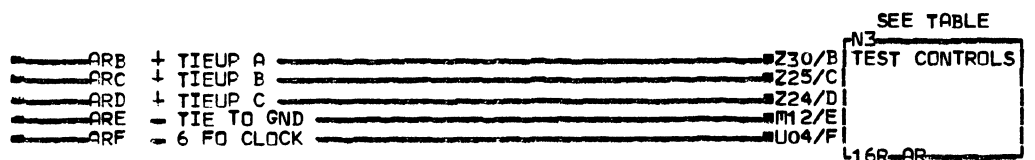
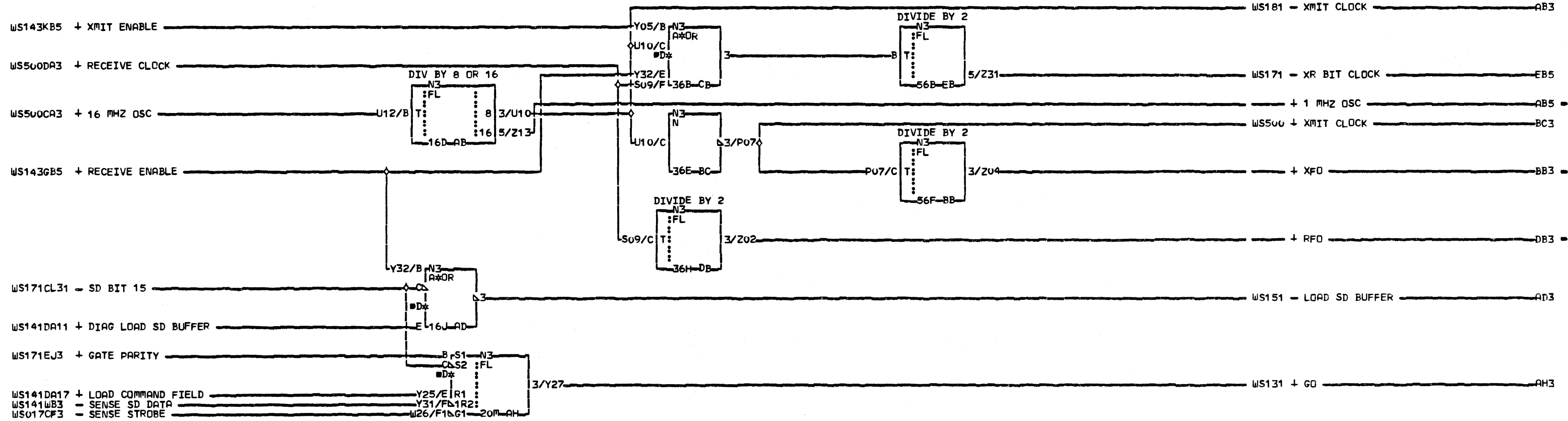
COMMENTS
D1COPYRIGHT IBM CORP. 1978

PINS
CB
J0/X31
J1/X33
J2/X13
CL
I0/X11
I1/X29
I2/X10
I3/X32
I4/X12
I5/X31
I6/X33
I7/X13

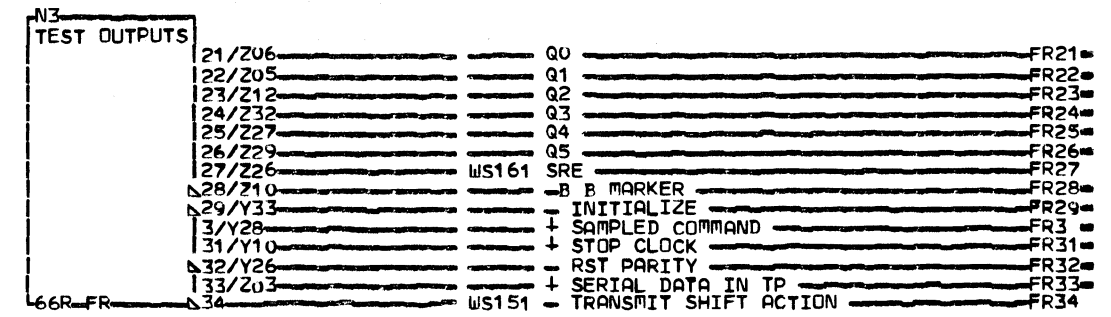
WORKSTATION ADAPTER
SERDES AND SERDES CONTROL
PN4237428 EC832850 PEC832742G
LDC=1A-A2M2
USN 00008 PRI=22SEP77 1845
AUC= SEC
PFORM=KSEB NEXTBLK FE
CID PIDFE JOB K0201356

WS171
0001

WS171
0001

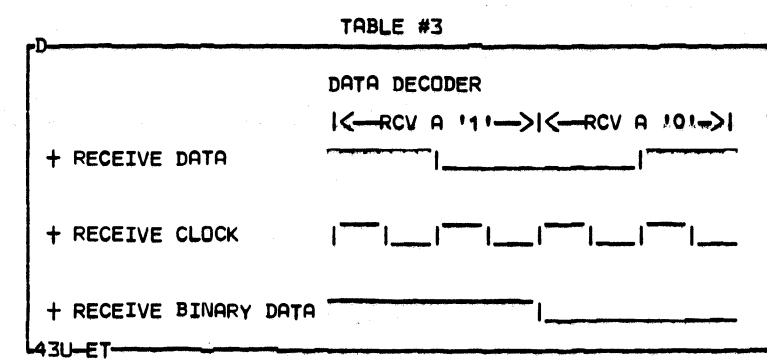
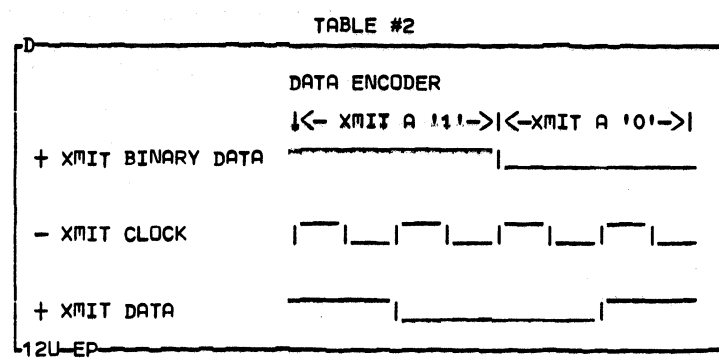
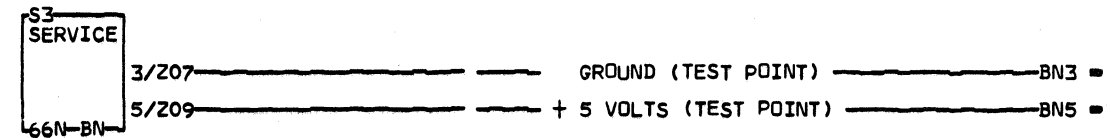
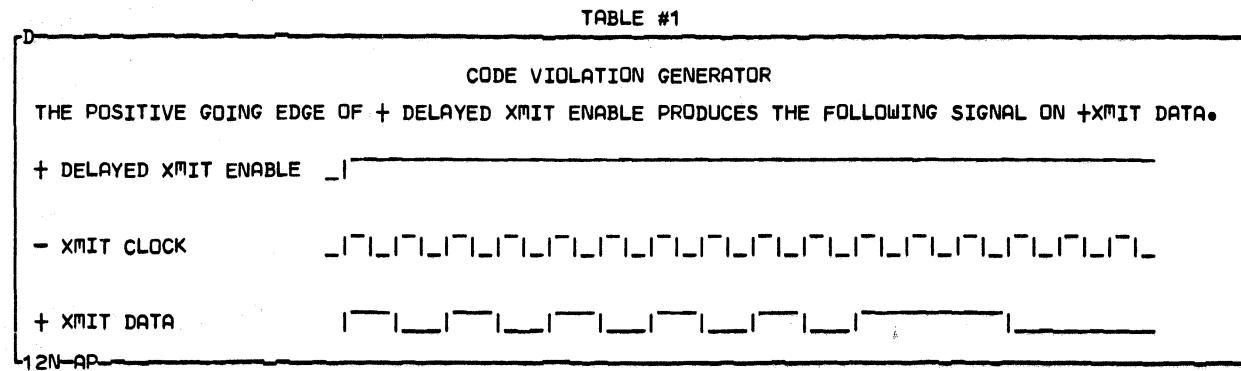
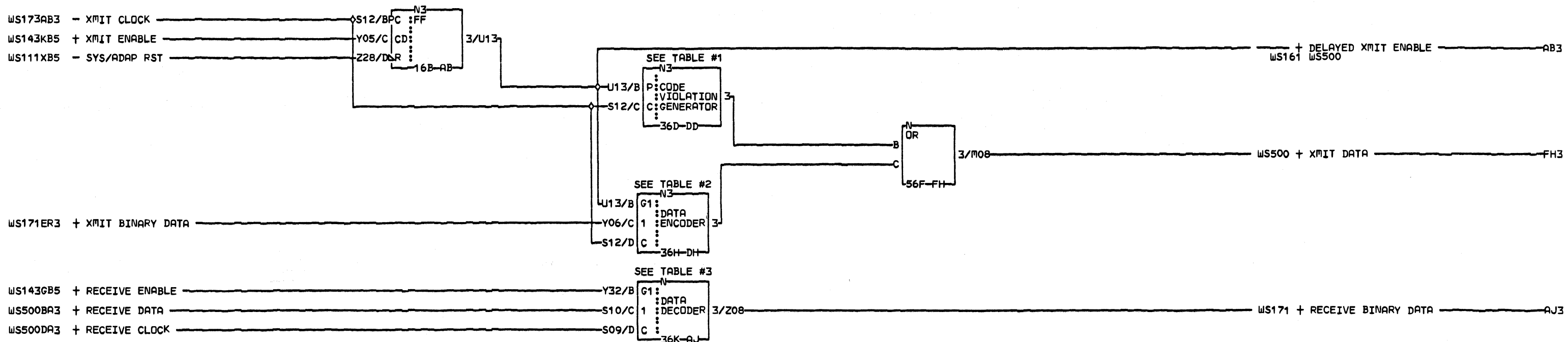


PIN	RUN MODE	TEST MODE
Z30	UP	DOWN
Z25	UP	DOWN
Z24	UP	DOWN
M12	DOWN	UP
U04	DOWN	UP



COMMENTS
 A1 NOTE 1: TEST CONTROLS
 2 TIED TO RUN MODE ON
 3 BOARD OF CARD
 ©COPYRIGHT IBM CORP. 1978

WORKSTATION ADAPTER
 SERDES CLOCK GENERATION
 PN4237429 EC832850 PEC832742G
 LOC=1A-A2M2
 USN 00008 PRI=22SEP77 1845
 AUC= SEC
 PFORM=KSEB NEXTBLK FS
 CID PIOFE JOB K0201356



CARD VOLTAGES

+5V	D03, J03, P03, U03
GND	D08, J08, P08, U08

120-AX

COMMENTS
 D1COPYRIGHT IBM CORP. 1978

WORKSTATION ADAPTER
 LINK CONTROL

PN4237430 EC834777 PEC832850

LOC=1A-A2M2

USN 00008 PRI=08NOV78 1747

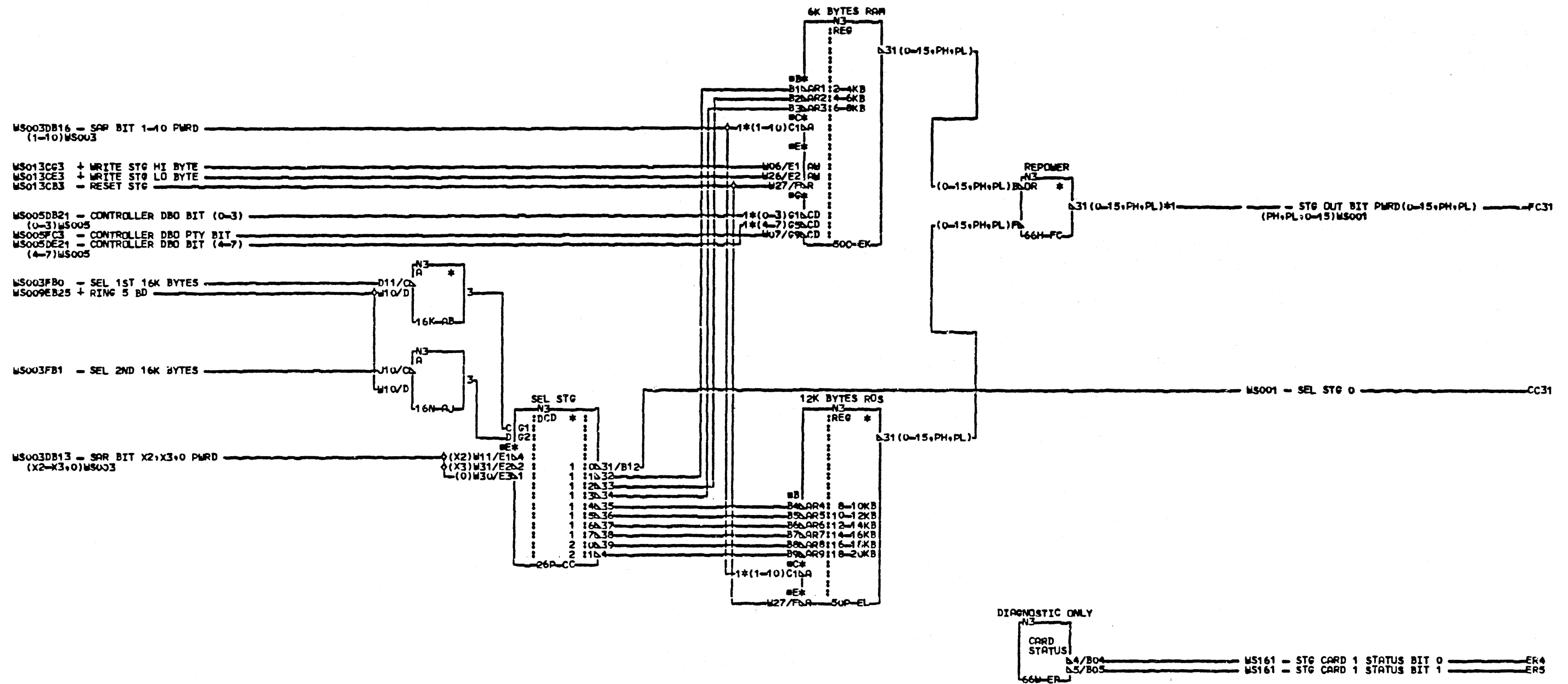
AUC= SEC

PFORM=KSEB NEXTBLK GC

CID PIOFE JOB L6301459

WS181

WS181



CARD VOLTAGE PINS

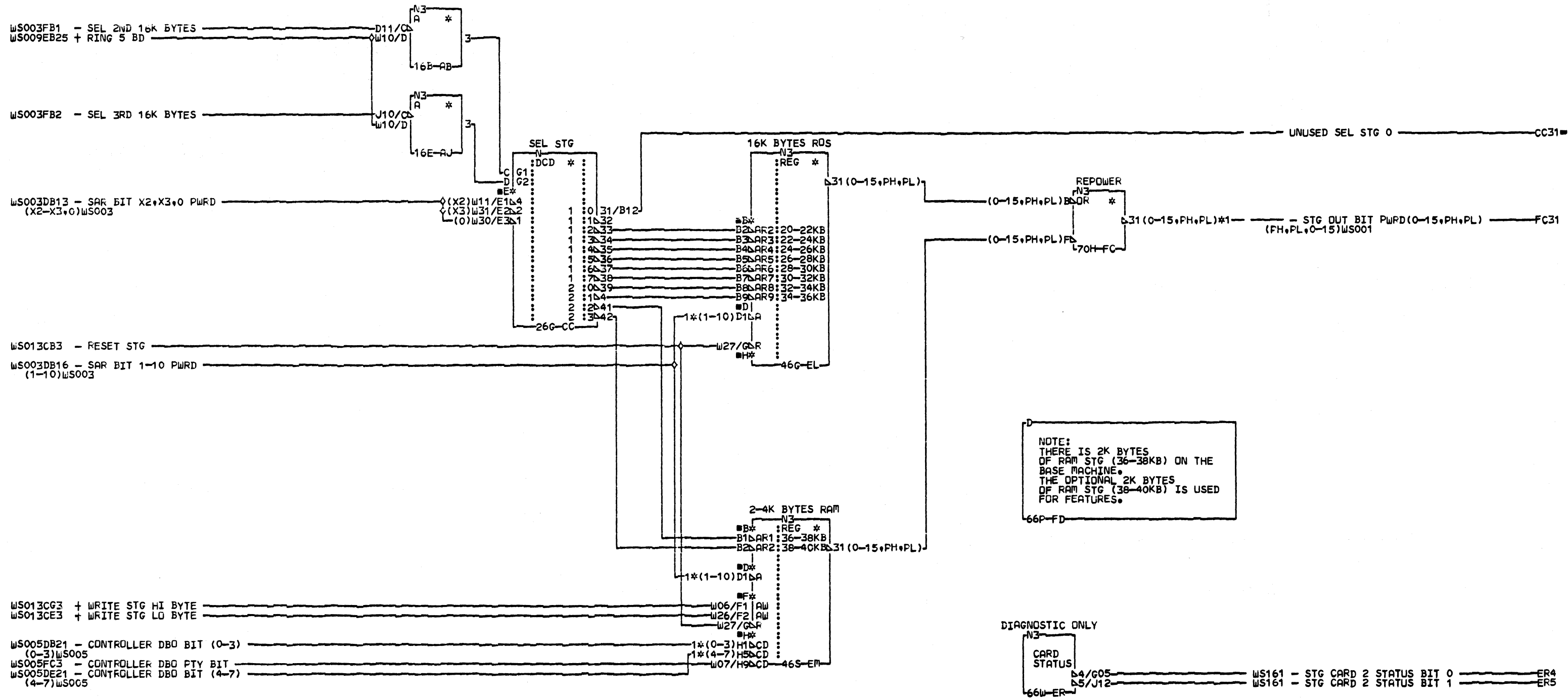
+5V	D03, J03
+8.5V	B11, G11
GND	D08, J08
162-BA	

COMMENTS	PINS			
	EK	G4/W03	C9/X13	42/G03
D1COPYRIGHT IBM CORP. 1978	C1/W13	G5/W25	D0/W12	43/J04
	C2/X22	G6/W24	FC	44/G04
	C3/X08	G7/W23	31/D09	45/J05
	C4/W33	G8/W02	32/D07	46/J02
	C5/X27	EL	33/B09	47/B10
	C6/X07	C1/W13	34/D10	48/G02
	C7/W32	C2/X22	35/J06	
	C8/X33	C3/X08	36/J07	
	C9/X13	C4/W33	37/G08	
	D0/W12	C5/X27	38/G07	
	G1/W05	C6/X07	39/D06	
	G2/W04	C7/W32	40/D13	
	G3/W22	C8/X33	41/D12	

STG CARD 1	
6K BYTES RAM	
12K BYTES ROM	
PM4237431 EC832850 PEC832742G	
LDC=1A-A2P4	
USN 00008	PRI=22SEP77 1845
ALC=	SEC
PFCR=KSEB	NEXTBLK FD
CID PIOFE	JOB Ku201356

0001

0001



NOTE:
THERE IS 2K BYTES
OF RAM STG (36-38KB) ON THE
BASE MACHINE.
THE OPTIONAL 2K BYTES
OF RAM STG (38-40KB) IS USED
FOR FEATURES.

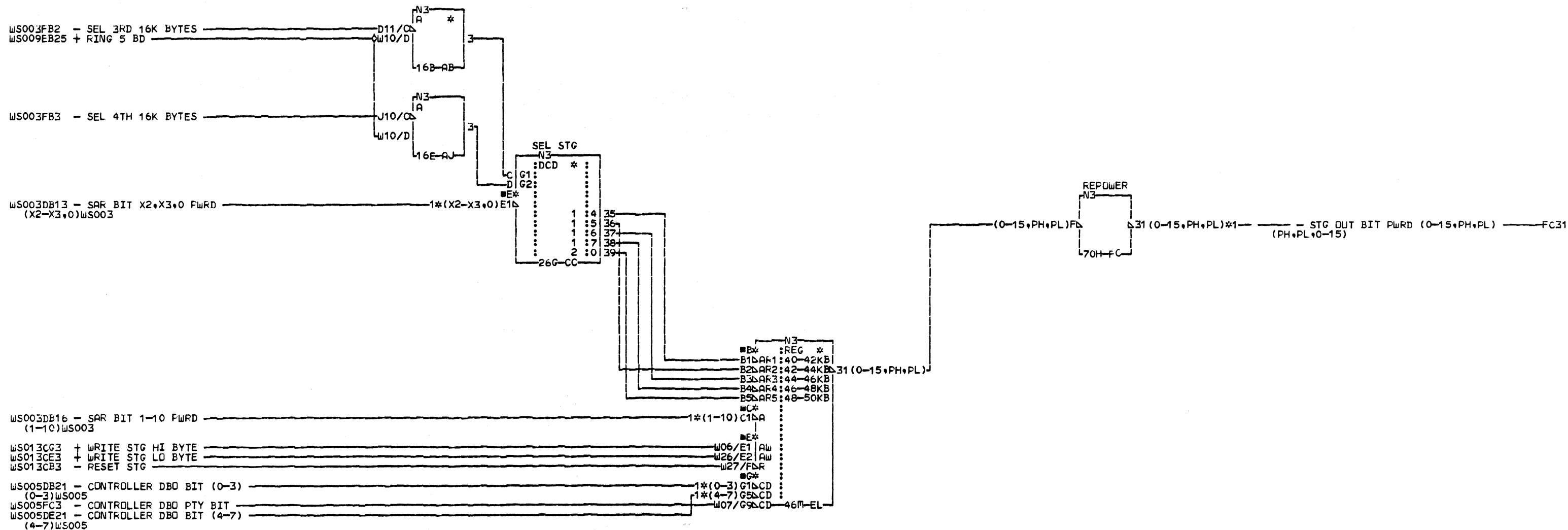
CARD VOLTAGE PINS

+5V	D03, J03
+8.5V	B11, G11
GND	D08, J08

COMMENTS
D1COPYRIGHT IBM CORP. 1978

FINS	FINS	FINS	PINS
EL	D3/X08	H7/W23	42/G03
D1/W13	D4/W33	H8/W02	43/J04
D2/X22	D5/X27	FC	44/G04
D3/X08	D6/X07	31/D09	45/J05
D4/W33	D7/W32	32/D07	46/J02
D5/X27	D8/X33	33/B09	47/B10
D6/X07	D9/X13	34/D10	48/G02
D7/W32	E0/W12	35/J06	
D8/X33	H1/W05	36/J07	
D9/X13	H2/W04	37/G08	
E0/W12	H3/W22	38/G07	
EM	H4/W03	39/D06	
D1/W13	H5/W25	40/D13	
D2/X22	H6/W24	41/D12	

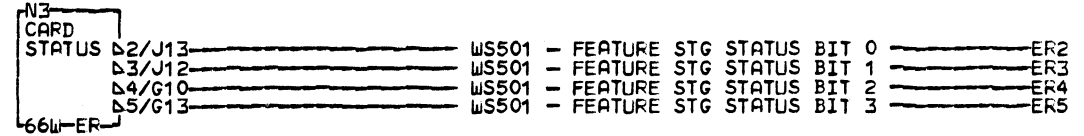
STG CARD 2
16K BYTES RDS, 2-4K BYTES RAM
PN4237432 EC834824 PEC834777
LDC=1A-A2Q4
USN 00008 PRI=21MAY79 1423
AJC= SEC
PFDR=KSEB NEXTBLK FE
CID PIOFE JOB T4301503



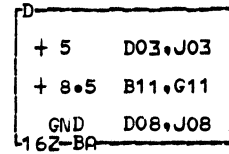
THERE ARE TWO VERSIONS OF THE FEATURE STORAGE CARD. ONE VERSION HAS 4K BYTES OF RAM STORAGE. THE OTHER HAS 10K BYTES OF RAM STORAGE.

36T-DA

DIAGNOSTIC ONLY



CARD VOLTAGE PINS



COMMENTS	PINS	FINS	FINS
D1COPYRIGHT IBM CORP, 1978	CC	D0/W12	35/J06
	E1/W11	G1/W05	36/J07
	E2/W31	G2/W04	37/G08
	E3/W30	G3/W22	38/G07
	EL	G4/W03	39/D06
	C1/W13	G5/W25	40/D13
	C2/X22	G6/W24	41/D12
	C3/X08	G7/W23	42/G03
	C4/W33	G8/W02	43/J04
	C5/X27	FC	44/G04
	C6/X07	31/D09	45/J05
	C7/W32	32/D07	46/J02
	C8/X33	33/B09	47/B10
	C9/X13	34/D10	48/G02

FEATURE STG	
4K OR 10K BYTES RAM	
PN 4238227 EC 834926 FEC 834777	
LOC=1A-A2R4	
USM 00008	FRI=26UCT79 0744
AUC=	SEC
PFORM=KSEB	NEXTBLK FD
CID PIOFE	JOB N7901525

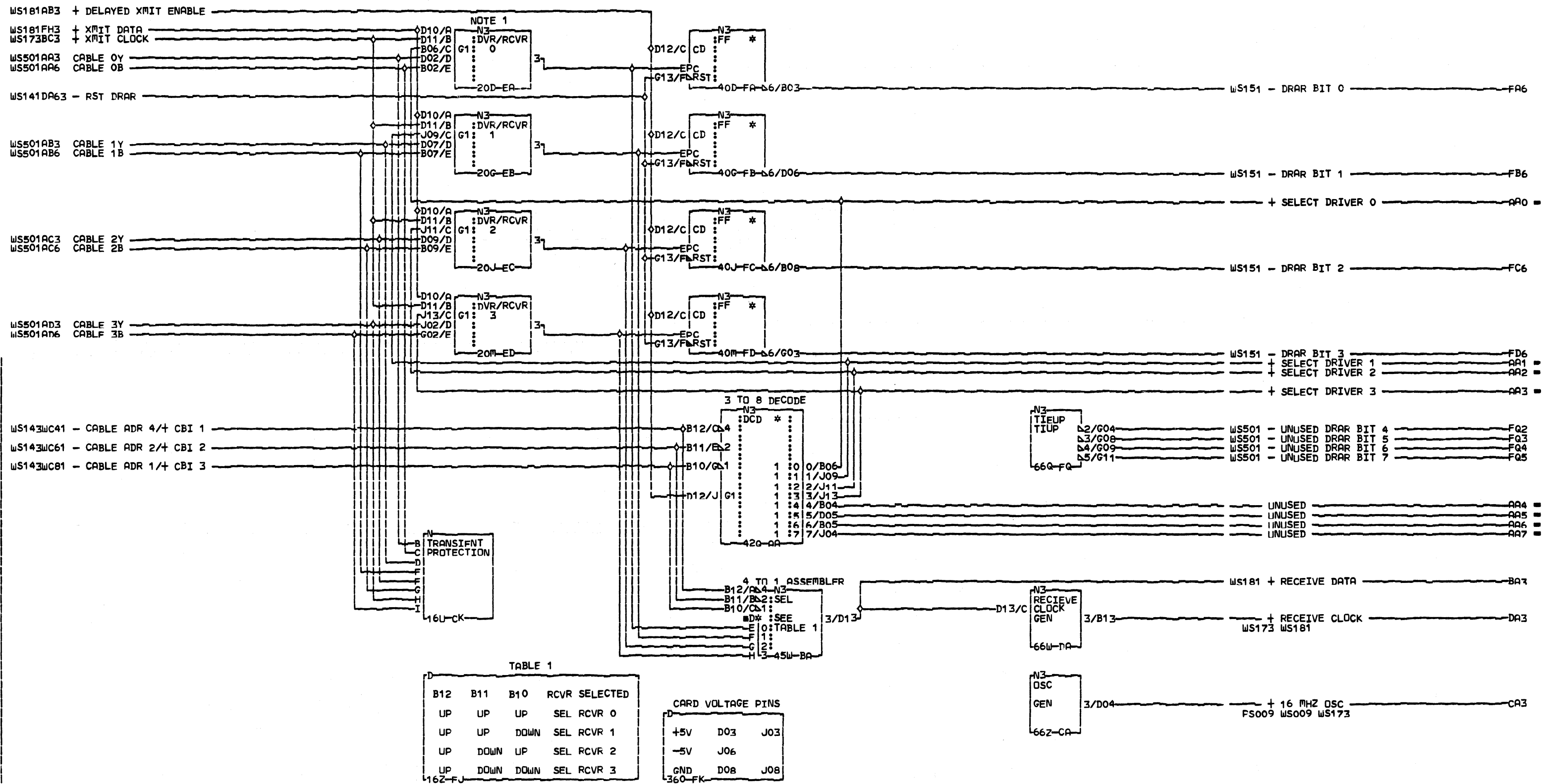


TABLE 1

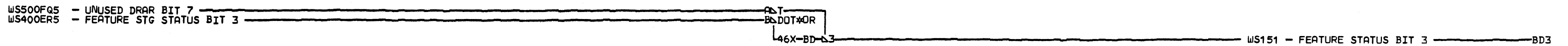
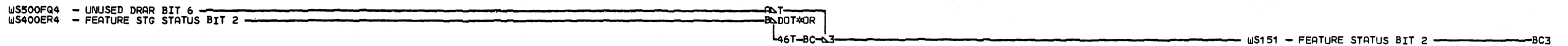
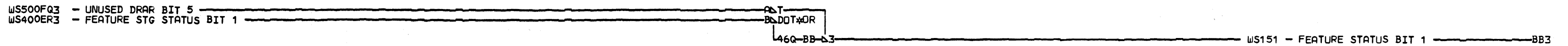
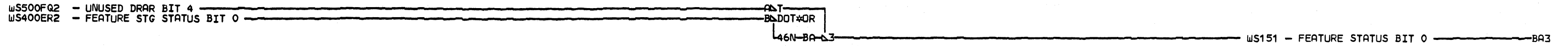
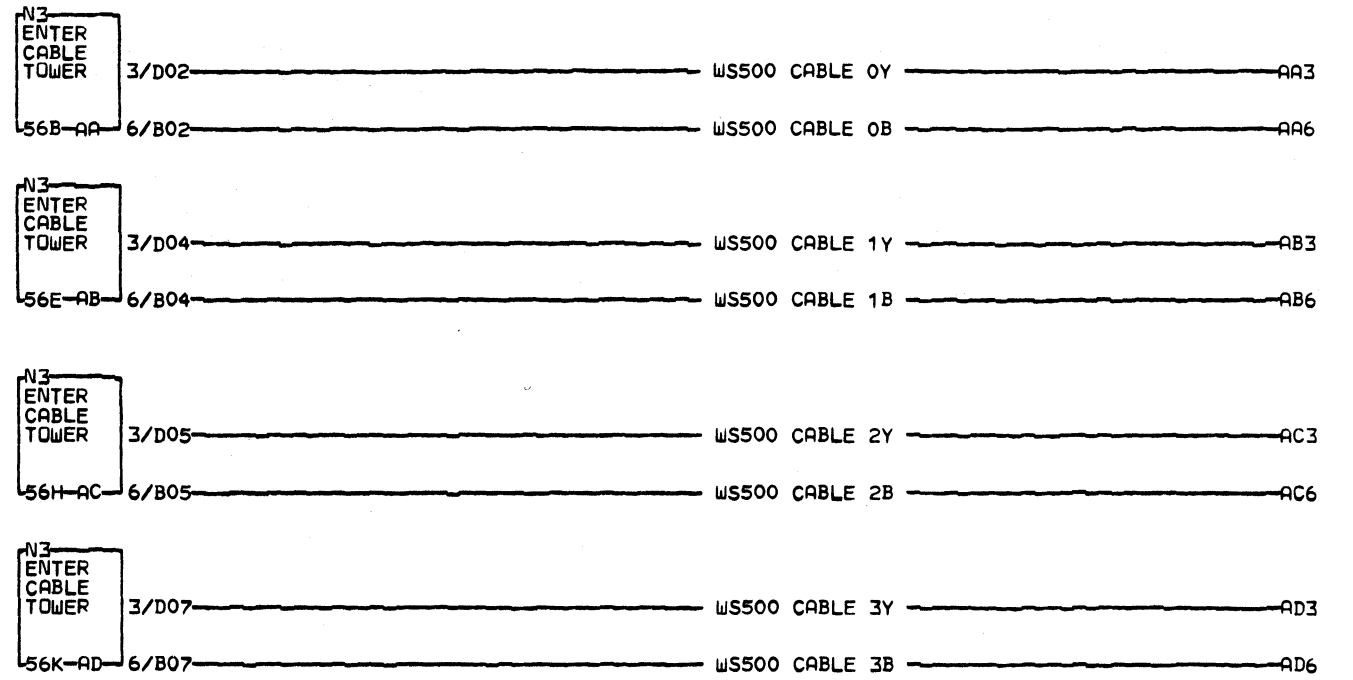
B12	B11	B10	RCVR SELECTED
UP	UP	UP	SEL RCVR 0
UP	UP	DOWN	SEL RCVR 1
UP	DOWN	UP	SEL RCVR 2
UP	DOWN	DOWN	SEL RCVR 3

CARD VOLTAGE PINS

+5V	D03	J03
-5V	J06	
GND	D08	J08

COMMENTS
 A1 NOTE 1: + XMIT CLOCK IS
 2 CLOCK FOR XMIT DATA WHEN
 3 DRVR/RCVR IS SELECT FROM
 4 3 TO 8 DECODE RCVR
 5 OUTPUT IS ALWAYS ENABLED.
 B1 NOTE 2: CABLE INPUTS ARE
 2 BIDIRECTIONAL - USED FOR
 3 BOTH XMIT AND RCV
 4 OPERATIONS.
 D1 COPYRIGHT IBM CORP. 1978

WORKSTATION
 DRIVER/RECEIVER CARD
 PN4237843 EC834841 PFC834777
 LOC#1A-A2R2
 USN 00008 PRI=10JUNAO 0618
 A/C# SEC
 PFORM#KSF8 NEXTBLK FR
 MACH#5340000
 CID PIOFE JOB T3700016



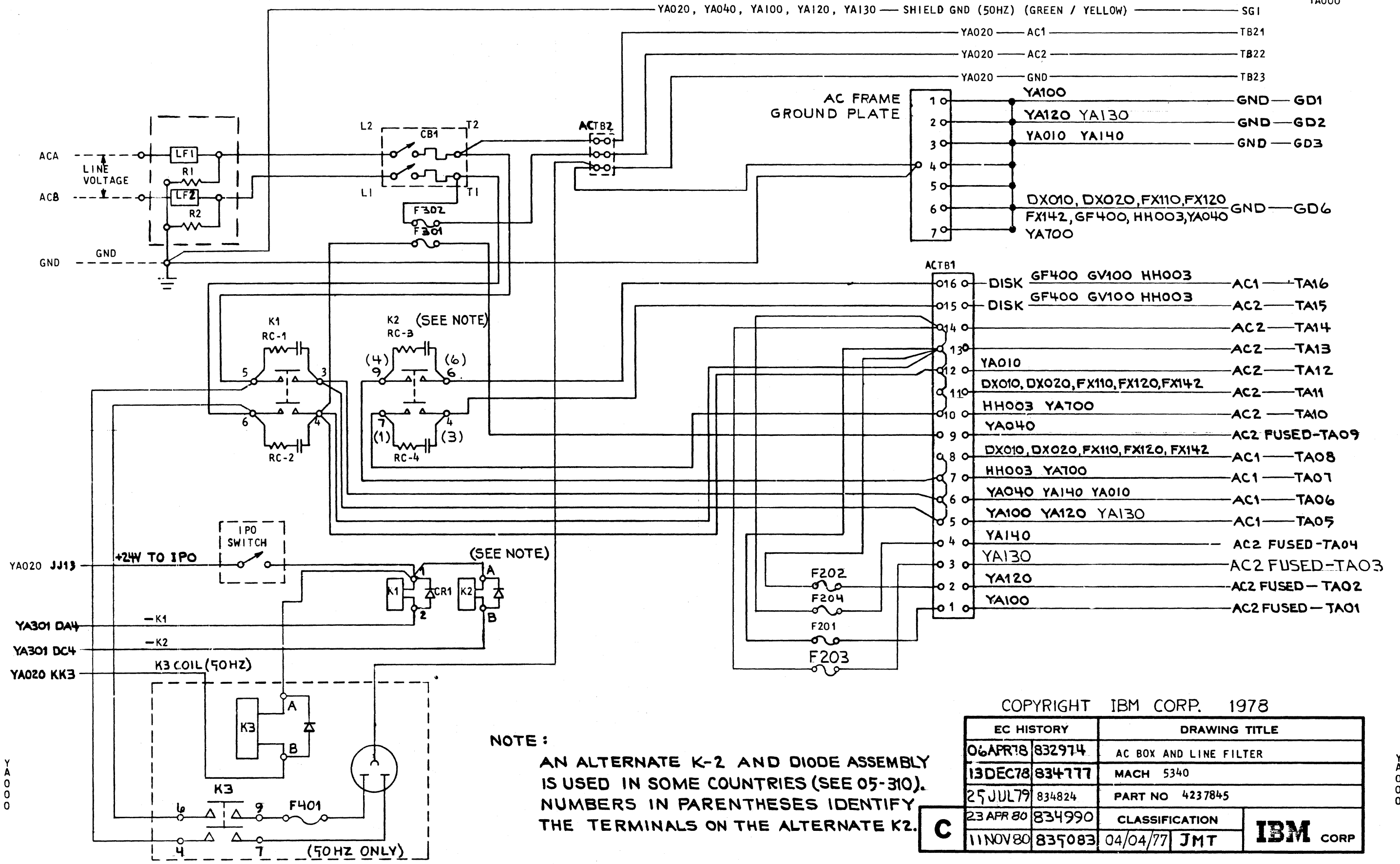
COMMENTS
D1COPYRIGHT IBM CORP. 1978

WORKSTATION CABLE
FROM 1A-A2V2 TO
CABLE ENTRY TOWER
PN4237844 EC834777 PEC832850
LOC=1A-A2V2
USN 00008 PRI=04AUG78 0800
AUC= SEC
PFORM=KSEB NEXTBLK BE
CID PIOFE JOB L6301459

4237845

YA000

YA020, YA040, YA100, YA120, YA130 — SHIELD GND (50HZ) (GREEN / YELLOW) — SG1



NOTE:
 AN ALTERNATE K-2 AND DIODE ASSEMBLY IS USED IN SOME COUNTRIES (SEE 05-310). NUMBERS IN PARENTHESES IDENTIFY THE TERMINALS ON THE ALTERNATE K2.

COPYRIGHT IBM CORP. 1978

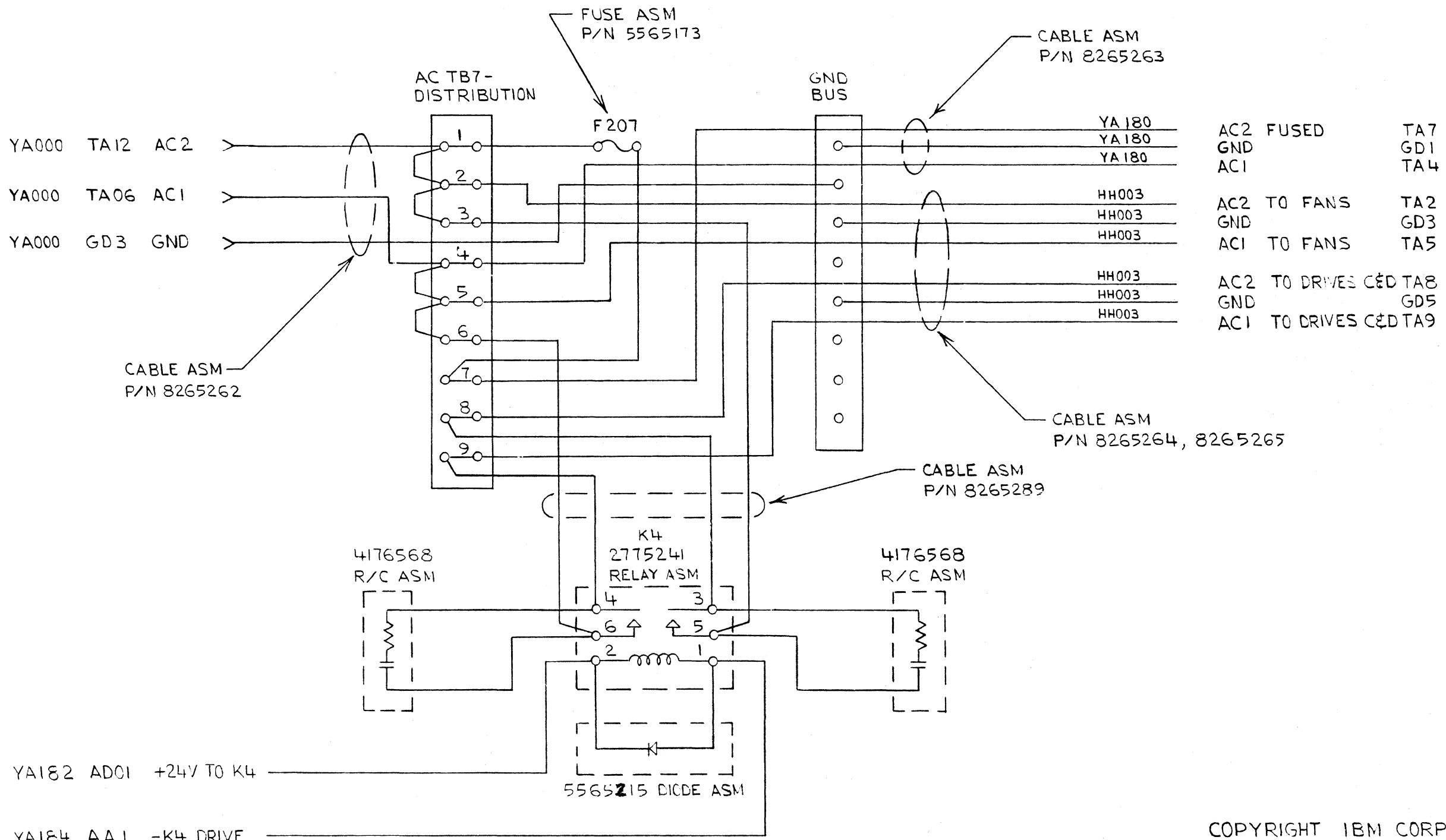
EC HISTORY		DRAWING TITLE	
06 APR 78	832974	AC BOX AND LINE FILTER	
13 DEC 78	834777	MACH 5340	
25 JUL 79	834824	PART NO 4237845	
23 APR 80	834990	CLASSIFICATION	IBM CORP
11 NOV 80	835083	04/04/77 JMT	

YA000

YA000

8266292

YA010



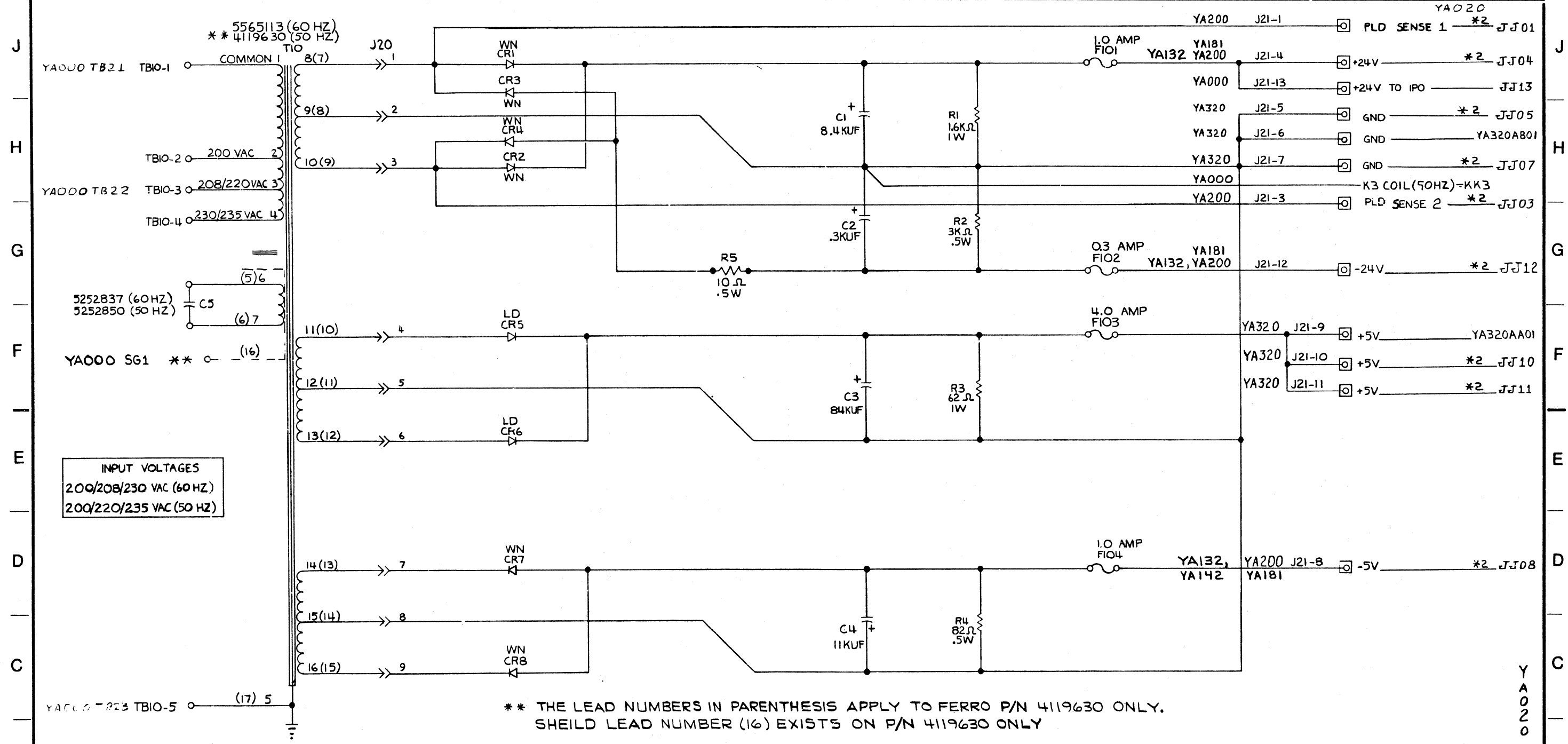
COPYRIGHT IBM CORP. 1980

EC HISTORY		DRAWING TITLE	
	15 MAY 80	FEATURE AC BOX	
07OCT80	835015	MACH	
04DEC81	835201	PART NO 8266292	
C		CLASSIFICATION	
		04 SEP 80	JMT
		IBM CORP	

YA010

YA010

Rel for Asm	Qty	Technical Approval		Date	EC No.	Date	EC No.	Part No.
		Electrical		28 OCT 77	832855	11 NOV 80	835083	4237846
		Material		RED 02 DEC 77	832850			Development No.
				06 APR 78	832974			Q/M
				25 JUL 79	834824			



INPUT VOLTAGES
 200/208/230 VAC (60 HZ)
 200/220/235 VAC (50 HZ)

** THE LEAD NUMBERS IN PARENTHESIS APPLY TO FERRO P/N 4119630 ONLY. SHEILD LEAD NUMBER (16) EXISTS ON P/N 4119630 ONLY

CONNECTORS	CONNECTORS	CONNECTORS
JJ01	JJ07	JJ12
01/1C-A1/A3B12	06/1C-A1/A3B13	11/1C-A1/A3B07
JJ03	JJ08	
02/1C-A1/A3B10	07/1C-A1/A3D06	
JJ04		
03/1C-A1/A3B05		
JJ05	JJ10	
04/1C-A1/A3B08	09/1C-A1/A3D02	
	JJ11	
	10/1C-A1/A3B03	

IBM Material No.	Must Conform to Eng Spec:	
Matl Alternate No.	Tolerances Unless Noted	
Case Depth	Linear ±	
Hardness	Angles ±	
Surface Treatment	Radil Unless Noted	
Code No.	Edge/Corner Breaks	Outside Max
		Inside Max

Scale: NONE

0 25 mm

Third Angle Projection

SI metric A1

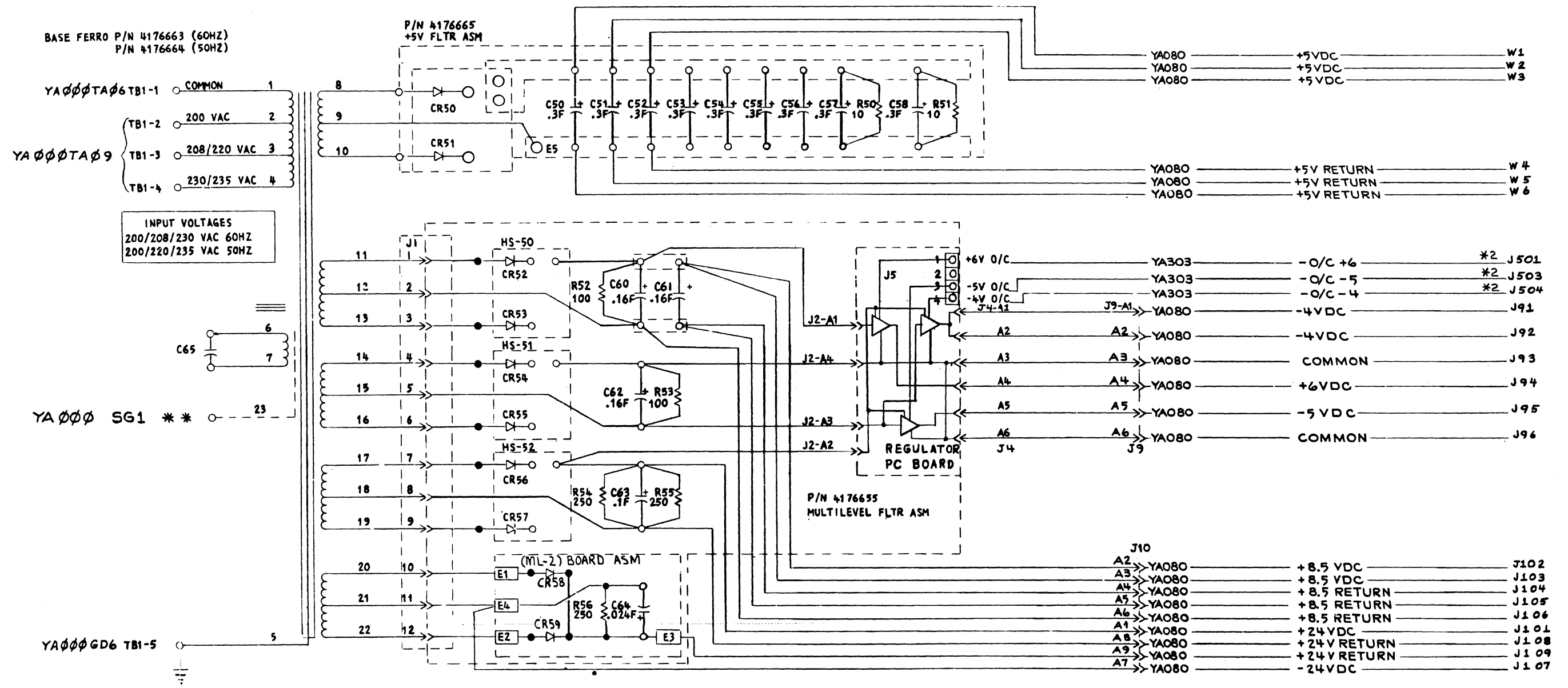
COPYRIGHT IBM CORP 1978

This document is the property of IBM. Its use is authorized only for responding to a request for quotation or for the performance of work for IBM. All questions must be referred to the IBM purchasing department.

Title	MACH 5340	
	CONTROL SUPPLY	
Designer	JMT	09/09/77
Checked	JMT	09/09/77
Approved	JLC	09/08/77
Classification	JMT	04/18/77

4237847

YAØ4Ø



INPUT VOLTAGES
200/208/230 VAC 60HZ
200/220/235 VAC 50HZ

CONNECTORS

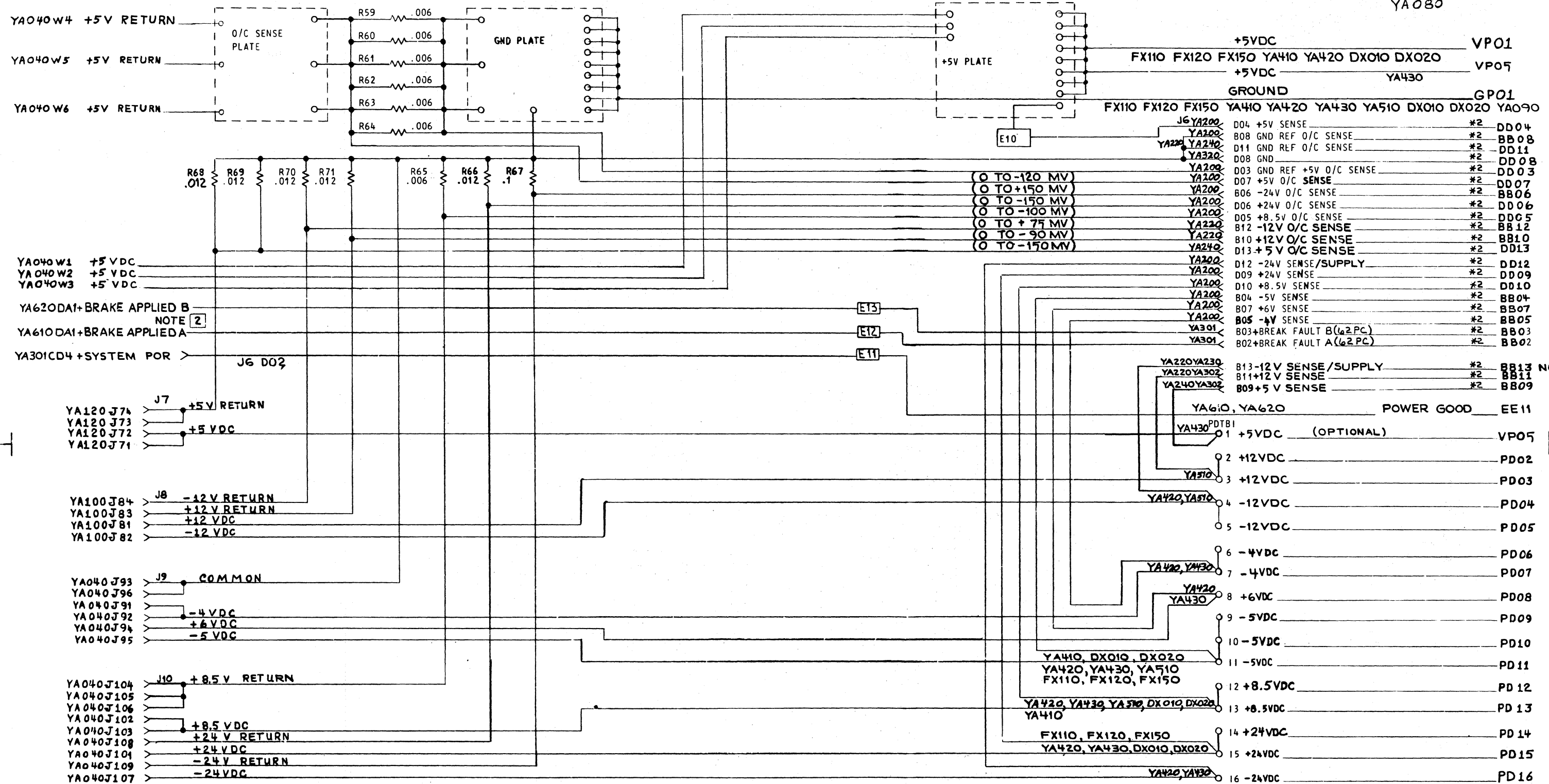
- J5Ø1
- Ø1/1C-A1/A3BØ4
- J5Ø3
- Ø2/1C-A1/A3DØ5
- J5Ø4
- Ø3/1C-A1/A3DØ4

** LEAD 23 IS A SHIELD LEAD AND EXISTS ON P/N 417664 ONLY

COPYRIGHT IBM CORP. 1978

EC HISTORY		DRAWING TITLE	
28OCT77	832855	BASE DC POWER	
02DEC77	832850	MACH 5340	
13DEC 78	834711	PART NO 4237847	
D	25 JUL 79	834824	CLASSIFICATION
	11 NOV 80	835083	04/18/77 JMT

IBM CORP



YA080

CONNECTORS	CONNECTORS	CONNECTORS	CONNECTORS	CONNECTORS	CONNECTORS
—BB02	—BB06	—BB10	—DD03	—DD07	—DD11
01/1C-A1/A1B13	05/1C-A1/B1A13	09/1C-A1/B1E13	13/1C-A1/A1C11	17/1C-A1/B1B11	21/1C-A1/C1A11
—BB03	—BB07	—BB11	—DD04	—DD08	—DD12
02/1C-A1/A1C13	06/1C-A1/B1B13	10/1C-A1/C1A13	14/1C-A1/A1D11	18/1C-A1/B1C11	22/1C-A1/C1B11
—BB04	—BB08	—BB12	—DD05	—DD09	—DD13
03/1C-A1/A1D13	07/1C-A1/B1C13	11/1C-A1/C1B13	15/1C-A1/A1E11	19/1C-A1/B1D11	23/1C-A1/C1C11
—BB05	—BB09	—BB13	—DD06	—DD10	
04/1C-A1/A1E13	08/1C-A1/B1D13	12/1C-A1/C1C13	16/1C-A1/B1E11	20/1C-A1/B1E11	

NOTE

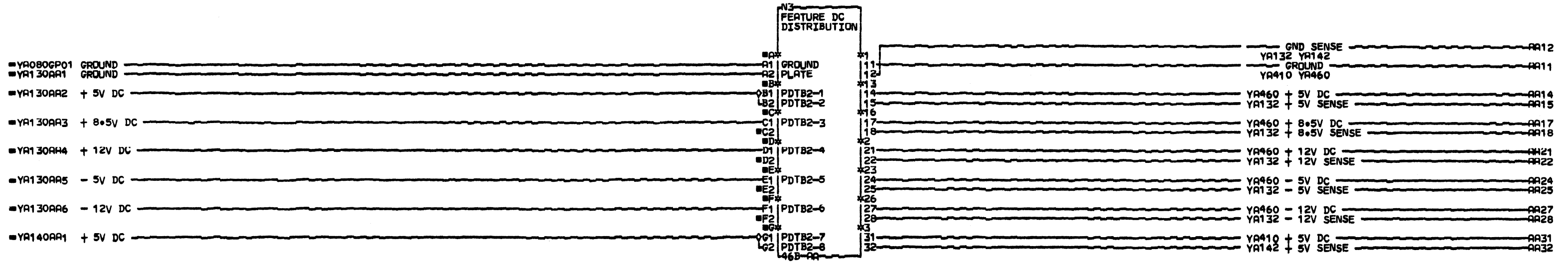
1 THIS IS AN INPUT LINE IF THE FEATURE REGULATOR CARD IS INSTALLED (SEE YA230) OR THIS IS AN OUTPUT LINE IF FEATURE POWER SUPPLY "A" IS INSTALLED (SEE YA220)

2 IF ONLY ONE 62PC DRIVE IS INSTALLED THEN E12 AND E13 HAVE TO BE JUMPED TOGETHER

COPYRIGHT IBM CORP. 1978

EC HISTORY		DRAWING TITLE	
13DEC 78	834777	BASE DC POWER	
25 JUL 79	834824	MACH	5340
12 DEC 79	834926	PART NO	4237848
27 JUN 80	835000	CLASSIFICATION	IBM CORP
11 NOV 80	835083	JMT	04/18/77

YA080



COMMENTS

D1 (C) COPYRIGHT IBM CORP. 1980

FEATURE DC POWER

PN4238271 EC835083 PEC834990

LOC#

USN 00008 PRI=09SEP80 1209

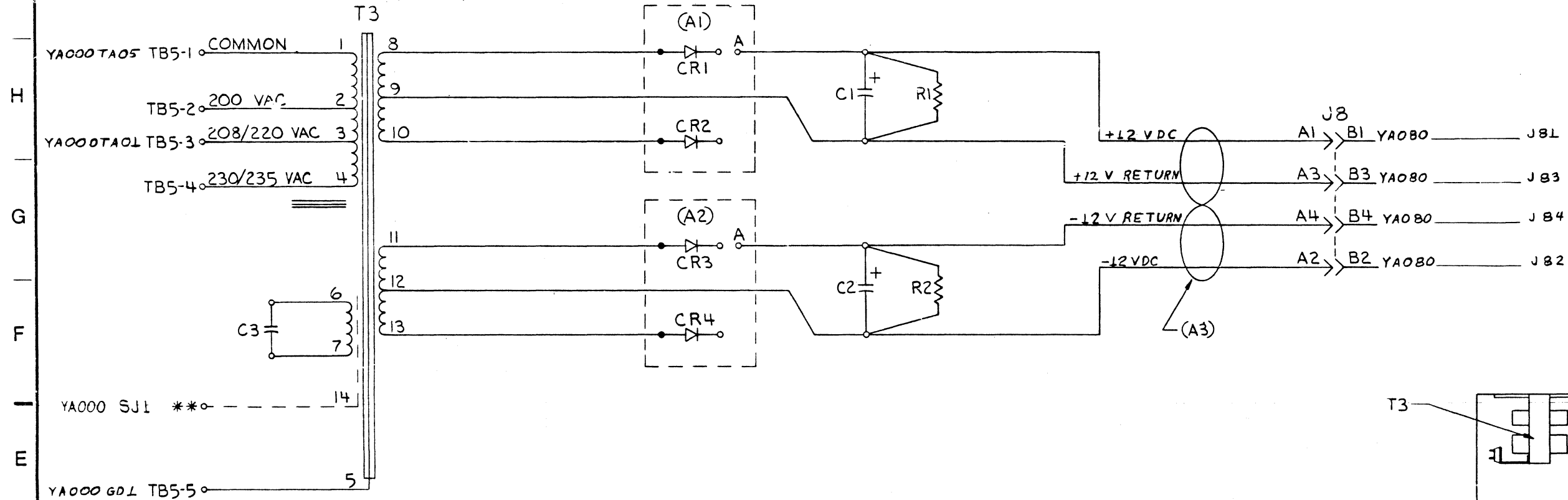
AJC# SEC
PFORM=KSEB NEXTBLK AB

MACH=5340000
CID P10FE JOB K3001256

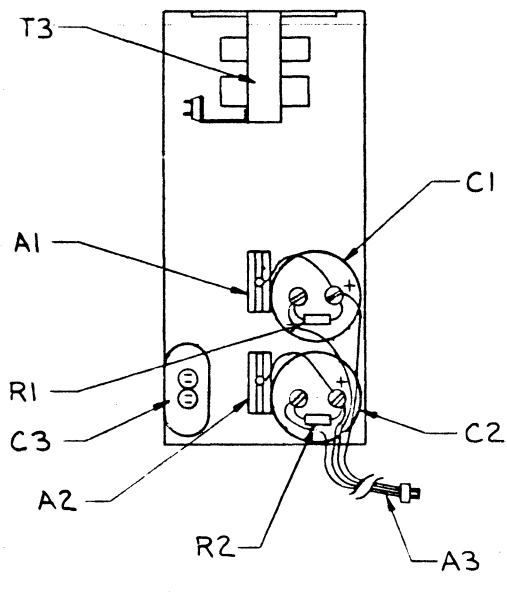
Rel for Asm	Qty	Technical Approval	Date	EC No.	Date	EC No.	Part No.
		Electrical	28 OCT 77	832855			4237849
		Material	RED 02 DEC 77	832850			Development No.
			25 JUL 79	834824			Q/M

FERRO
P/N 4176673 (60 HZ)
P/N 4176674 (50 HZ)

YAL00



INPUT VOLTAGES
200/208/230 VAC 60 HZ
200/220/235 VAC 50 HZ

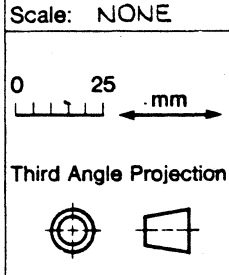


** LEAD 14 IS A SHIELD LEAD AND EXISTS ON P/N 4176674 ONLY

COPYRIGHT IBM CORP. 1978

IBM This document is the property of IBM. Its use is authorized only for responding to a request for quotation or for the performance of work for IBM. All questions must be referred to the IBM purchasing department.

IBM Material No.	Must Conform to Eng Spec:
Matl Alternate No.	Tolerances Unless Noted
Case Depth	Linear ±
Hardness	Angles ±
Surface Treatment	Radii Unless Noted
Code No.	Edge/Corner Breaks
	Outside Max
	Inside Max



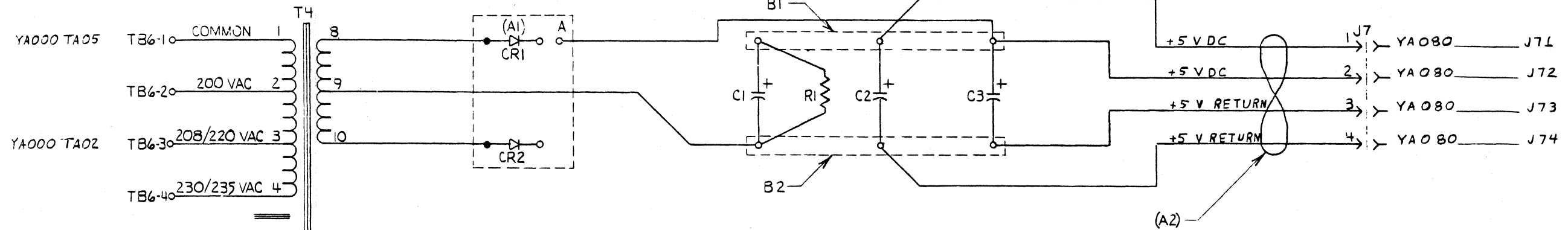
Title	MACH 5340	
Designer	GJK	09/09/77
Checked	GJK	09/09/77
Approved	GJK	09/09/77
Classification	JMT	04/18/77

11 10 9 8 7 6 5 4 3 2

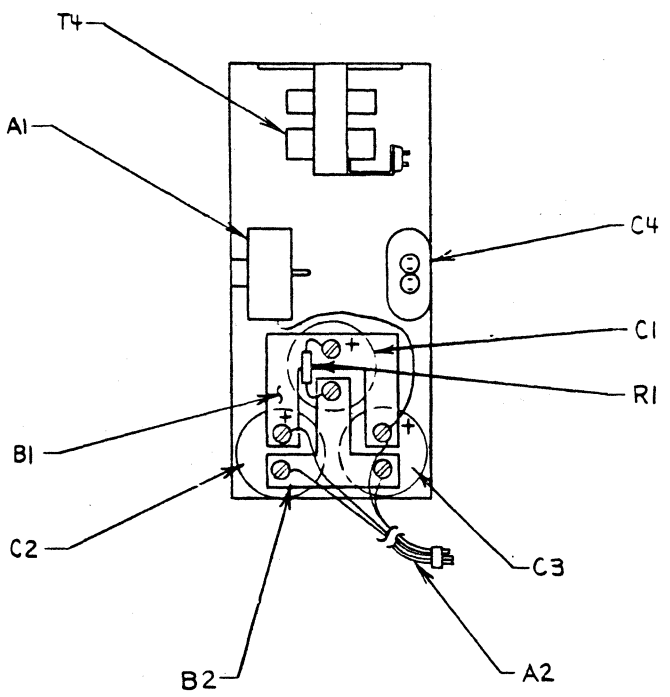
Rel for Asm 4237839	Qty ↓	Technical Approval	Date 02 DEC 77	EC No. 832850	Date	EC No.	Part No. 4238217
		Electrical	25 JUL 79	834824			Development No.
		Material					Q/M

FERRO
P/N 4176683 (60 HZ)
P/N 4176684 (50 HZ)

YA120



INPUT VOLTAGES
200/208/230 VAC (60 HZ)
200/220/235 VAC (50 HZ)



** LEAD 11 IS A SHIELD LEAD AND EXISTS ON P/N 4176684 ONLY

YA120

COPYRIGHT IBM CORP. 1978

Title			MACH 5340		
FEATURE POWER SUPPLY B					
Designer	GJK	09/06/77			
Checked	GJK	09/06/77			
Approved	GJK	09/06/77			
Classification	JLC	09/08/77			

IBM Material No.		Must Conform to Eng Spec:	
Matl Alternate No.		Tolerances Unless Noted	
Case Depth		Linear ±	
Hardness		Angles ±	
Surface Treatment	Code No.	Radii Unless Noted	
		Edge/Corner Breaks	Outside Max
			Inside Max

Scale: NONE

0 25 mm

Third Angle Projection

SI
metric
A1

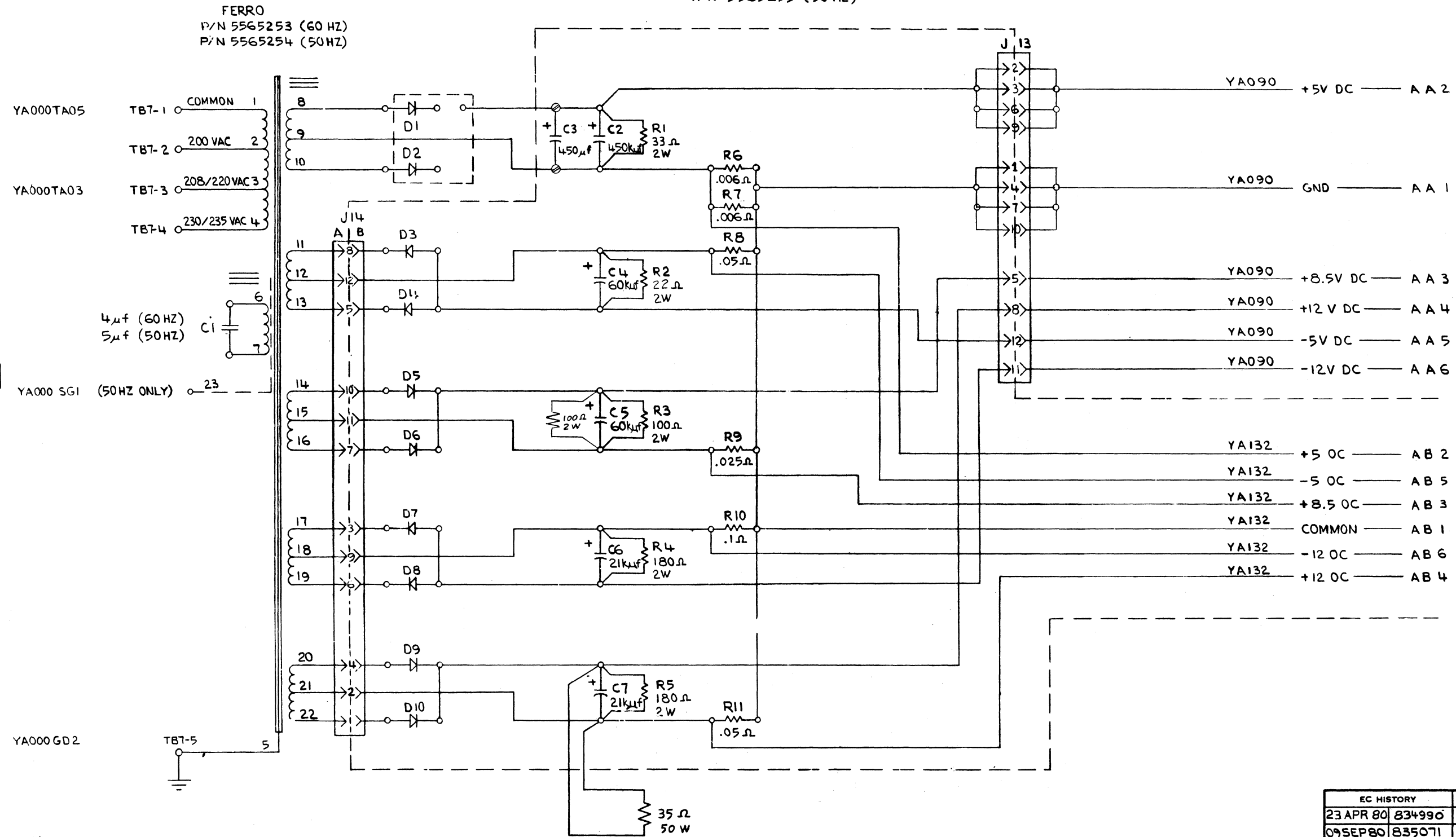
4238217

11 10 9 8 7 6 5 4 3 2

4238372

FEATURE POWER SUPPLY "C"
P/N 5565250 (60 HZ)
P/N 5565255 (50 HZ)

YA130



YA000TA05

YA000TA03

YA000 SG1 (50 HZ ONLY)

YA000 GD2

FERRO
P/N 5565253 (60 HZ)
P/N 5565254 (50 HZ)

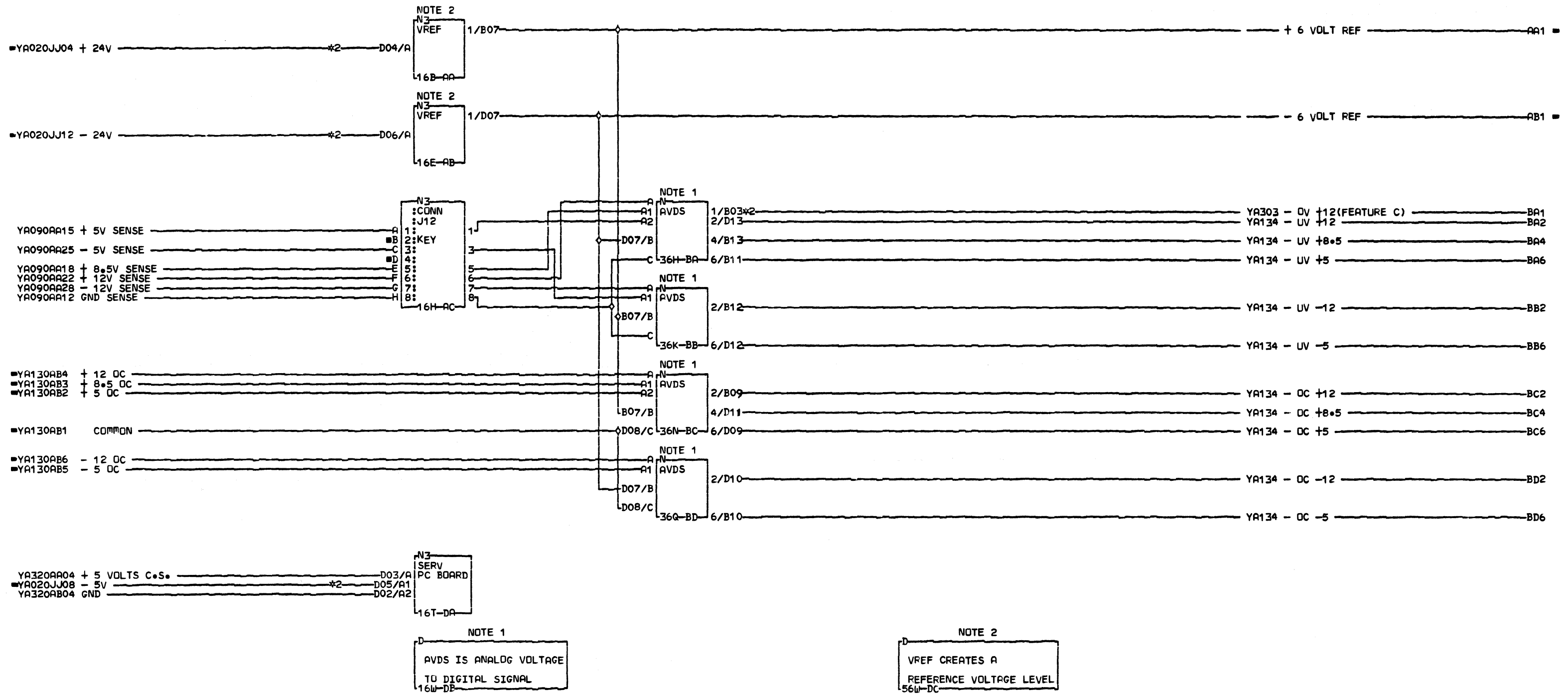
- YA090 +5V DC — A A 2
- YA090 GND — A A 1
- YA090 +8.5V DC — A A 3
- YA090 +12 V DC — A A 4
- YA090 -5V DC — A A 5
- YA090 -12V DC — A A 6
- YA132 +5 OC — AB 2
- YA132 -5 OC — AB 5
- YA132 +8.5 OC — AB 3
- YA132 COMMON — AB 1
- YA132 -12 OC — AB 6
- YA132 +12 OC — AB 4

© COPYRIGHT IBM CORP. 1980

EC HISTORY		DRAWING TITLE	
23 APR 80	834990	FEATURE POWER SUPPLY "C"	
09 SEP 80	835071	MACH	5340
		PART NO 4238372	
		CLASSIFICATION	IBM CORP
		JM	06/07/79

YA130

YA130



NOTE 1
AVDS IS ANALOG VOLTAGE
TO DIGITAL SIGNAL
16W-DB

NOTE 2
VREF CREATES A
REFERENCE VOLTAGE LEVEL
56W-DC

COMMENTS
D1COPYRIGHT IBM CORP. 1980

CONNECTORS
YA020JJ04
0001/1C-A1/A4D04
YA020JJ08
0003/1C-A1/A4D05
YA020JJ12
0002/1C-A1/A4D06
BA1
0004/1C-A1/A4B03

FEATURE C SENSE CIRCUITS

PN4238373 EC834990

LDC#J11

USN 00008

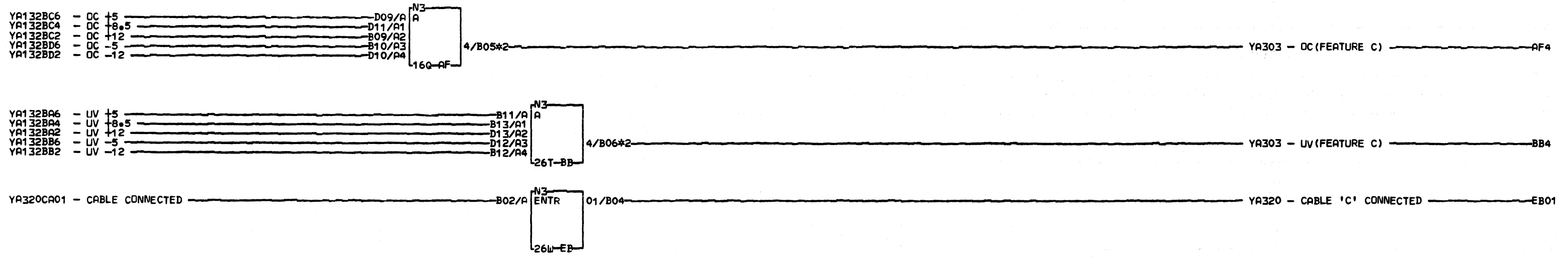
AUC#
PFORM#KSEB
MACH#5340000
CID PIOFE

PRI#16APR80 0748

SEC
NEXTBLK DD
JDB T5900952

Y
1
1
3
2

Y
1
1
3
2



COMMENTS
 D1COPYRIGHT IBM CORP. 1980

CONNECTORS
 AF4
 0001/1C-A1/A4B05
 BB4
 0002/1C-A1/A4B06

FEATURE C LOGIC CIRCUITS
 PN4238374 EC834990
 LOC=J11
 USN 00008 PRI=16APR80 0748
 AUC= SEC
 PFORM=KSEB NEXTBLK EC
 MACH=5340000
 CID PIOFE JOB T5900952

Y
A
1
3
4
0001

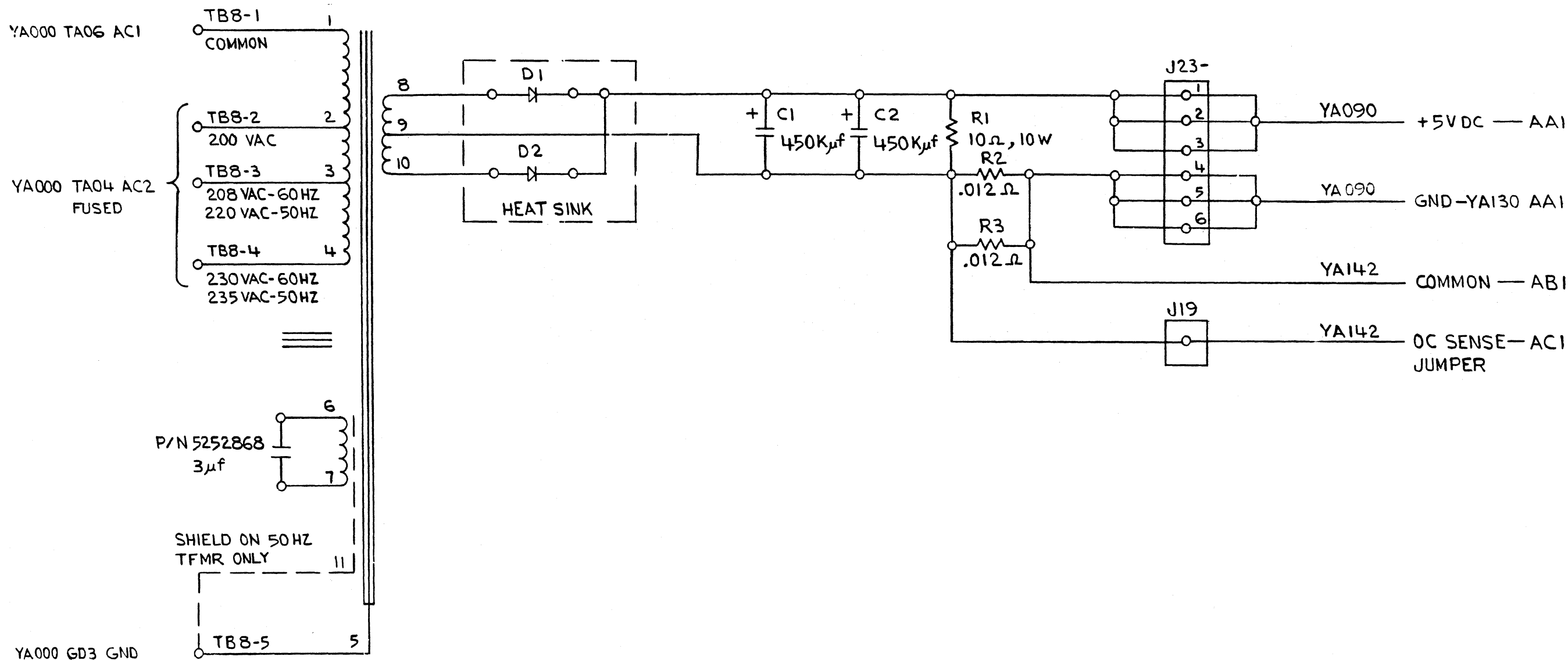
Y
A
1
3
4
0001

YA140

FEATURE POWER SUPPLY "D"

FERRO
P/N 5565093 (60HZ)
P/N 5565094 (50HZ)

P/N 5565050 (60 HZ)
P/N 5565095 (50 HZ)



COPYRIGHT IBM CORP 1980

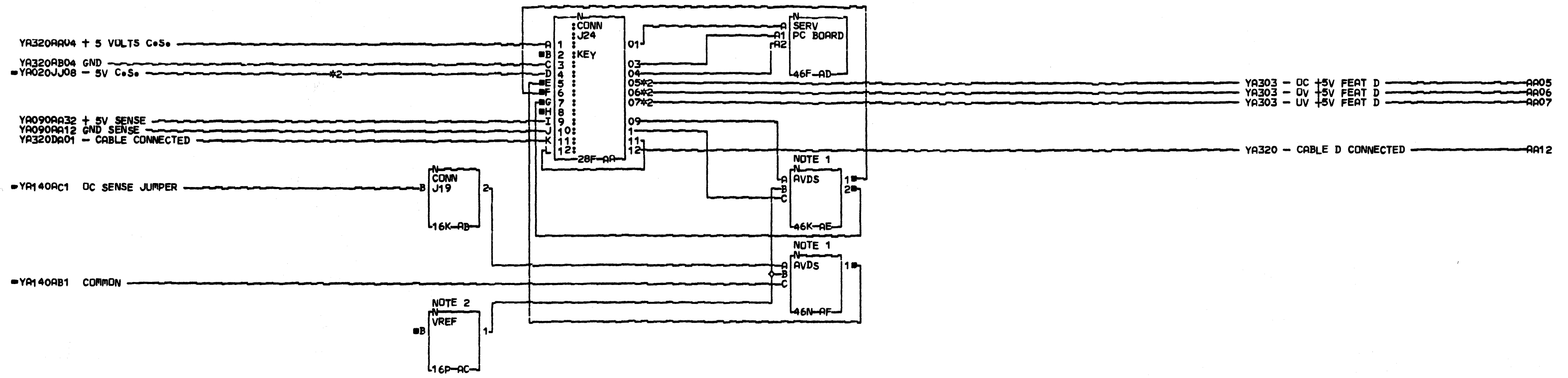
EC HISTORY		DRAWING TITLE	
	15MAY80	FEATURE POWER SUPPLY "D"	
07OCT80	835015	MACH	
		PART NO 8266293	
C		CLASSIFICATION	
		04SEP80	JMT
		IBM CORP	

YA-140

YA-140

NOTE 1
 AVDS IS ANALOG VOLTAGE
 TO DIGITAL SIGNAL.
 16B-DB

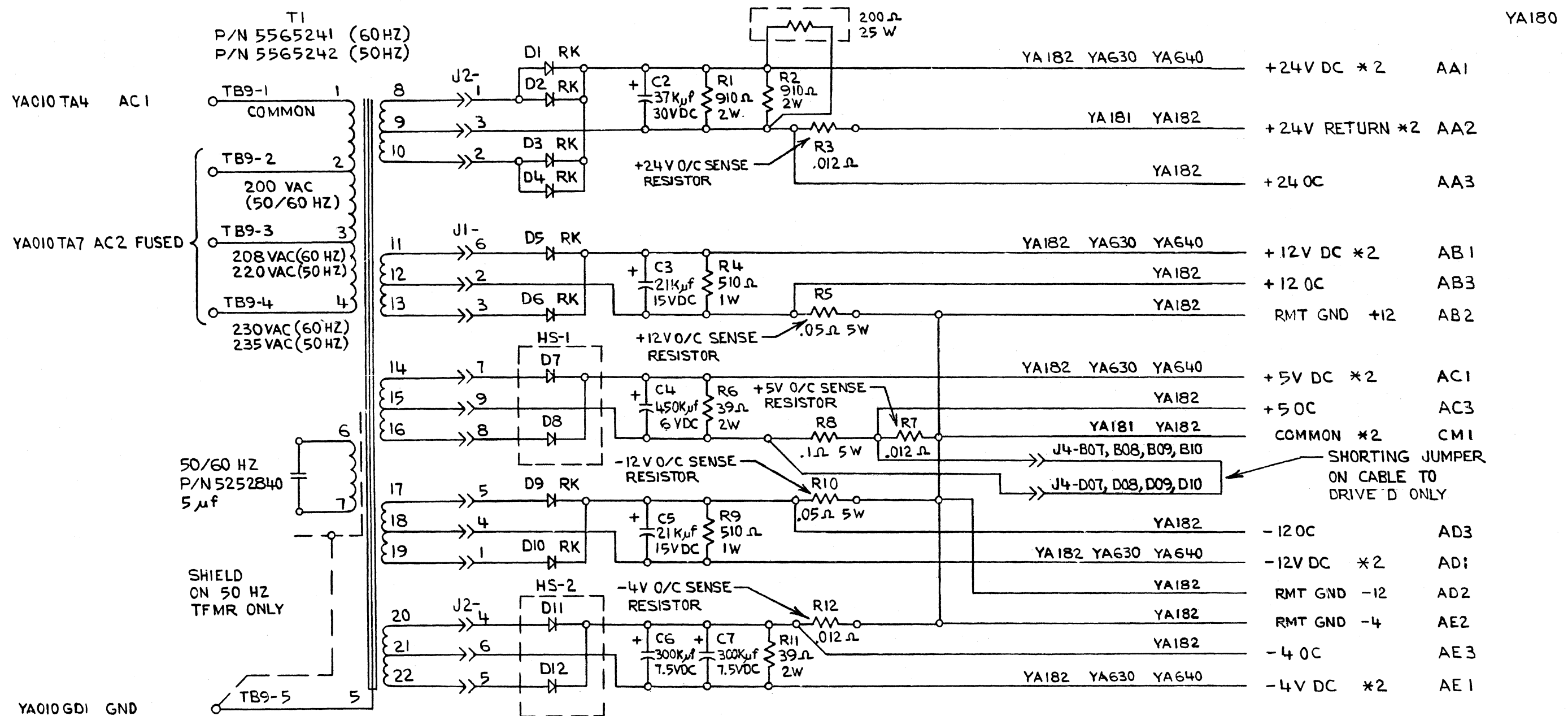
NOTE 2
 VREF CREATES A
 REFERENCE VOLTAGE LEVEL.
 156B-DC



COMMENTS
 D1 (C) COPYRIGHT IBM CORP. 1980

CONNECTORS
 YA020JJ08
 0004/1C-A1/A4D12
 AA05
 0001/1C-A1/A4B12
 AA06
 0002/1C-A1/A4B10
 AA07
 0003/1C-A1/A4B13

FEATURE D SENSE CIRCUITS
 PN8266294 EC835015
 LOC=J24
 USN 00008 PRI=09SEP80 1209
 AUC= SEC
 PFORM=KSEB NEXTBLK DD
 MACH=5340000
 CID PIOFE JOB K3801510



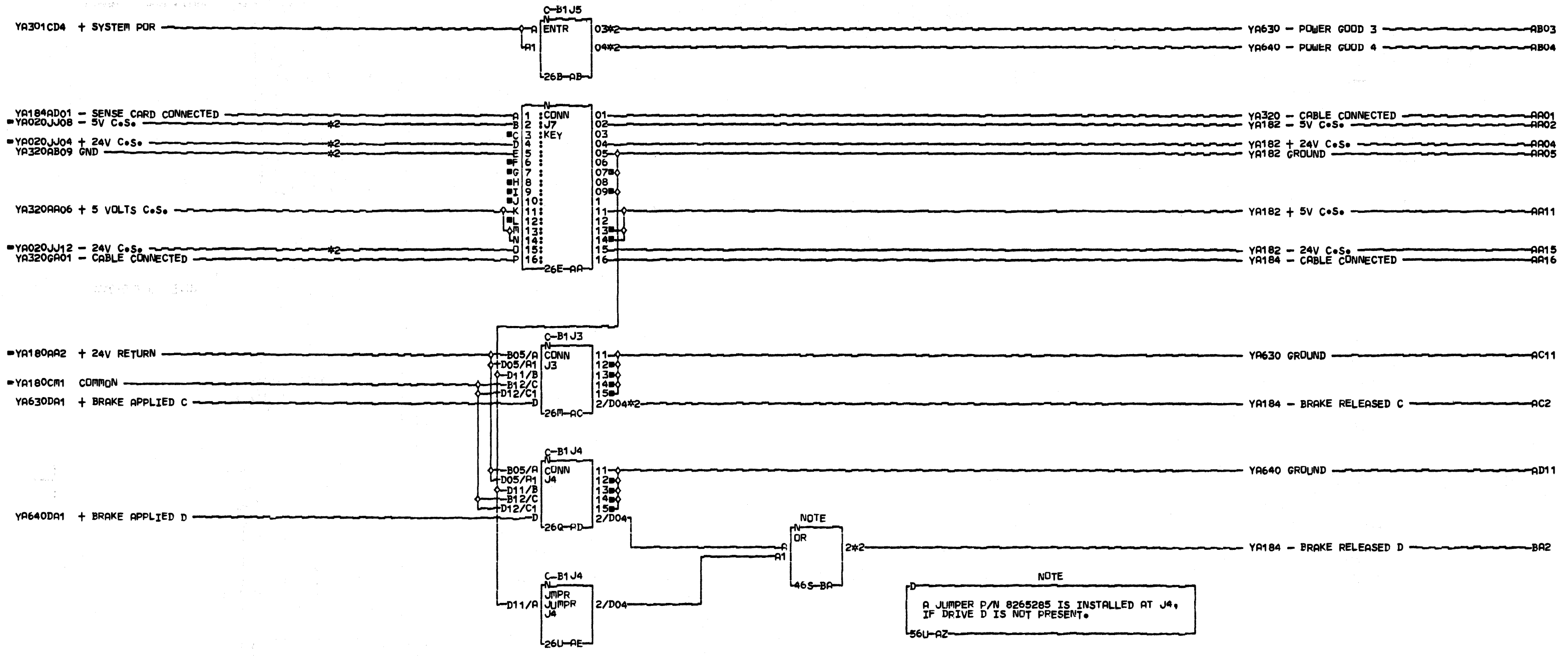
CONNECTORS	CONNECTORS	CONNECTORS	CONNECTORS
— AA1	— AB1	— AD1	— CM1
01 / IC-B1 / J3B06	09 / IC-B1 / J3 B02	17 / IC-B1 / J3 D02	23 / IC-B1 / J3 B12
02 / IC-B1 / J3D06	10 / IC-B1 / J4 B02	18 / IC-B1 / J4 D02	24 / IC-B1 / J3 D12
03 / IC-B1 / J4B06	— AC1	— AE1	25 / IC-B1 / J4 B12
04 / IC-B1 / J4D06	11 / IC-B1 / J3 B03	19 / IC-B1 / J3 B13	26 / IC-B1 / J4 D12
— AA2	12 / IC-B1 / J3 B04	20 / IC-B1 / J3 D13	
05 / IC-B1 / J3 B05	13 / IC-B1 / J3 D03	21 / IC-B1 / J4 B13	
06 / IC-B1 / J3D05	14 / IC-B1 / J4 B03	22 / IC-B1 / J4 D13	
07 / IC-B1 / J4B05	15 / IC-B1 / J4 B04		
08 / IC-B1 / J4D05	16 / IC-B1 / J4 D03		

COPYRIGHT IBM CORP. 1980

EC HISTORY		DRAWING TITLE	
	15 MAY 80	FEATURE POWER "G"	
07 OCT 80	835015	MACH	
		PART NO 8266295	
C	CLASSIFICATION		IBM CORP
	04 SEP 80	JMT	

YAI80

YAI80



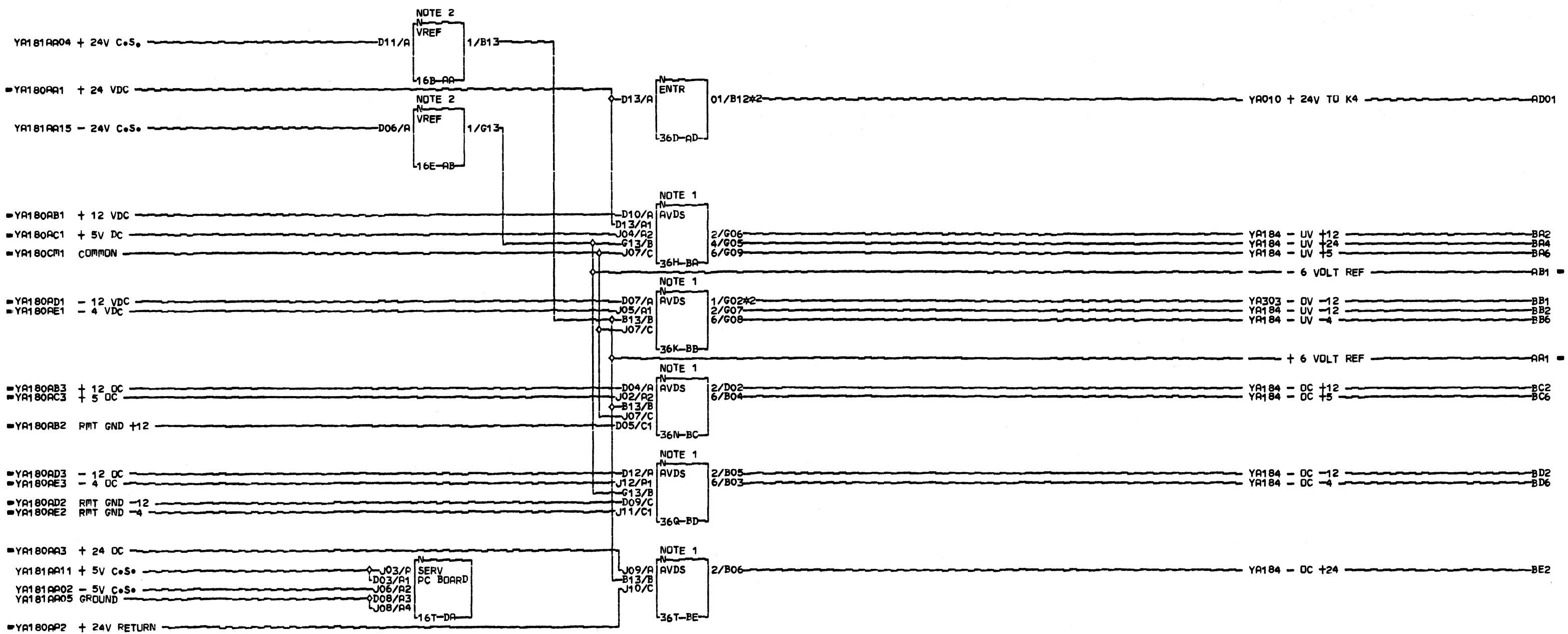
COMMENTS
 D1 (C) COPYRIGHT IBM CORP. 1980

CONNECTORS
YA020JJ04
0018/1C-A1/A6D02
YA020JJ08
0019/1C-A1/A6E02
YA020JJ12
0020/1C-A1/B6A02
AB03
0004/1C-A1/A6B02
0006/1C-B1/J3B11
0005/1C-B1/J5B05
AB04
0007/1C-A1/A6C02
0009/1C-B1/J4B11
0008/1C-B1/J5B07

CONNECTORS
AC2
0014/1C-B1/J3D04
0010/1C-B1/J5B06
0011/1C-B1/J5D04
BA2
0015/1C-B1/J4D04
0012/1C-B1/J5B08
0013/1C-B1/J5D05
YA320AB09
0016/1C-B1/J3D11
0017/1C-B1/J4D11
0003/1C-B1/J5D08

FEATURE POWER G PC BOARD CONNECTIONS PN8266296 EC835015	
LDC=1C-B1	
USN 00008	
PRI=19SEP80 0944	
AUC#	
PFORM=KSEB	
MACH=5340000	
CID PIDFE	
SEC	
NEXTBLK BB	
JOB K3801510	

Y
A
1
8
1
0001



NOTE 1
 AVDS IS ANALOG VOLTAGE
 TO DIGITAL SIGNAL.
 16X-DB

NOTE 2
 VREF CREATES A
 REFERENCE VOLTAGE LEVEL.
 56X-DC

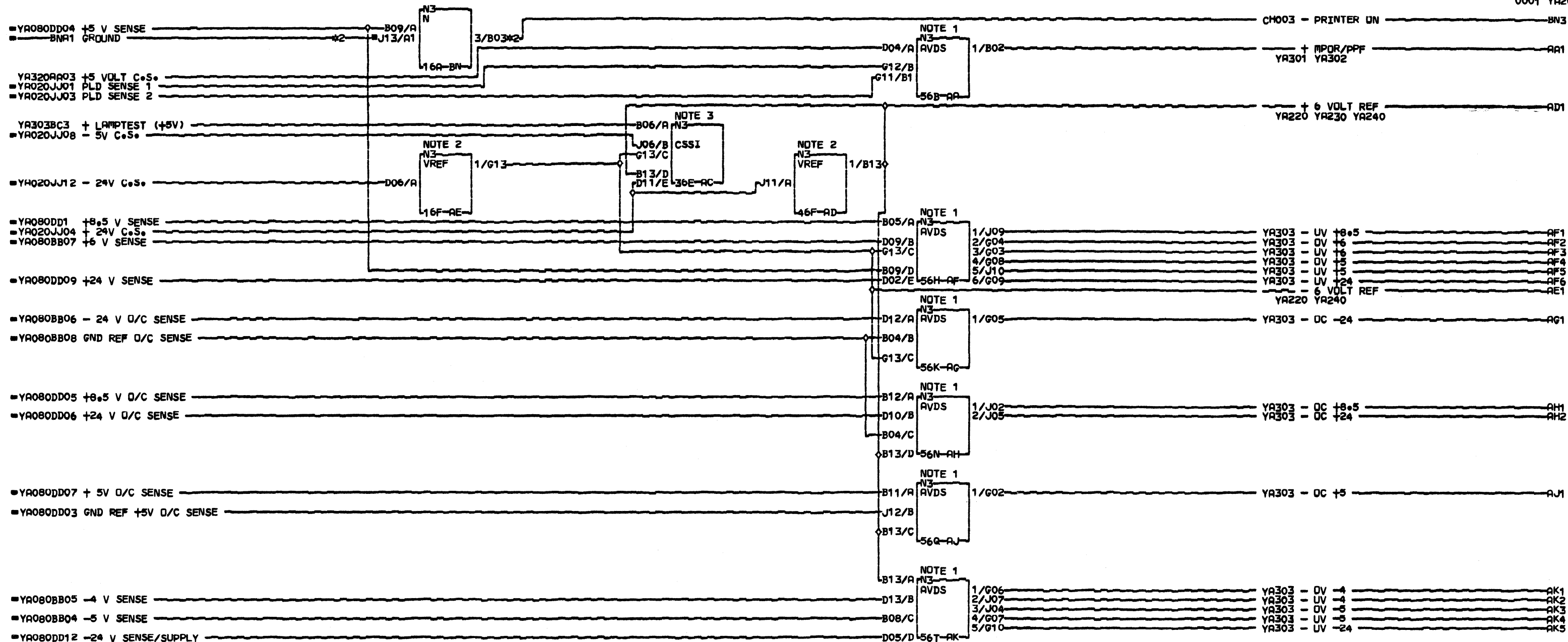
COMMENTS
 D1 (C) COPYRIGHT IBM CORP. 1980

CONNECTORS
 AD01
 0003/1C-B1/J5D07
 BB1
 0002/1C-A1/A6C04
 0001/1C-B1/J5D09

FEATURE POWER G
 SENSE CARD
 PN8266297 EC835015
 LDC=1C-B1J6
 USN 00008 PRI=09SEP80 1209
 AUC= SEC 19SEP80 0758
 FFORM=KSEB NEXTBLK DD
 MACH=5340000
 CID P10FE JOB K3801510

YA182
 0001

YA182
 0001



NOTE 1
AVDS IS ANALOG VOLTAGE TO DIGITAL SIGNAL
16W-BA

+5V	D03	J03	D04
-24V	D06		
-5V	J06		
GND	D08	J08	J13
+24V	D11	J11	

36W-BB

NOTE 2
VREF CREATES A REFERENCE VOLTAGE LEVEL
56W-BC

NOTE 3
CSSI IS THE CIRCUIT THAT TURNS ON THE CONTROL SUPPLY STATUS INDICATOR
56Z-BD

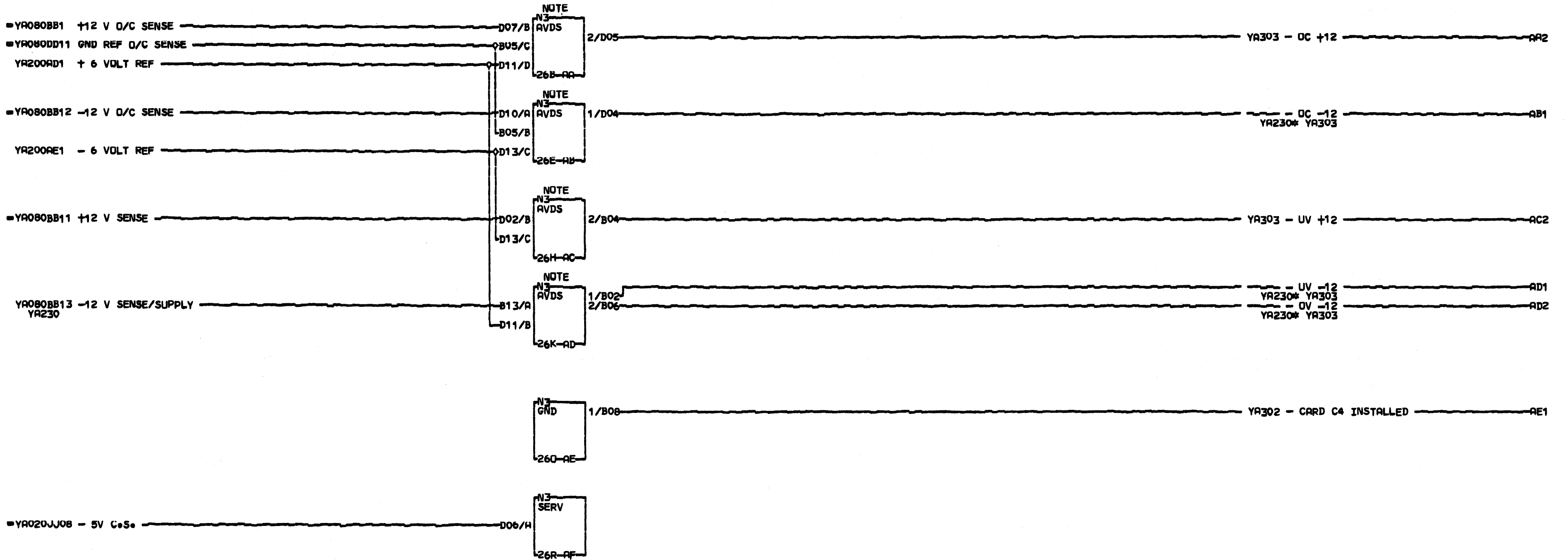
COMMENTS
D1 COPYRIGHT IBM CORP. 1978

CONNECTORS
BNA1
0004/1C-A1/C2J08
BN3
0001/1A-A1/B1D11
0002/1A-A1/N6D02
0003/1C-A1/A2D07

BASE SENSE
PN4237850 EC835083 PEC834777
LOC=1C-A1C2
USN 00008 PRI=09SEP80 1209
AUC= SEC
PFORM=KSEB NEXTBLK 80
MACH=5340000
CID PIDFE JOB K3001256

YA200

YA200



NOTE

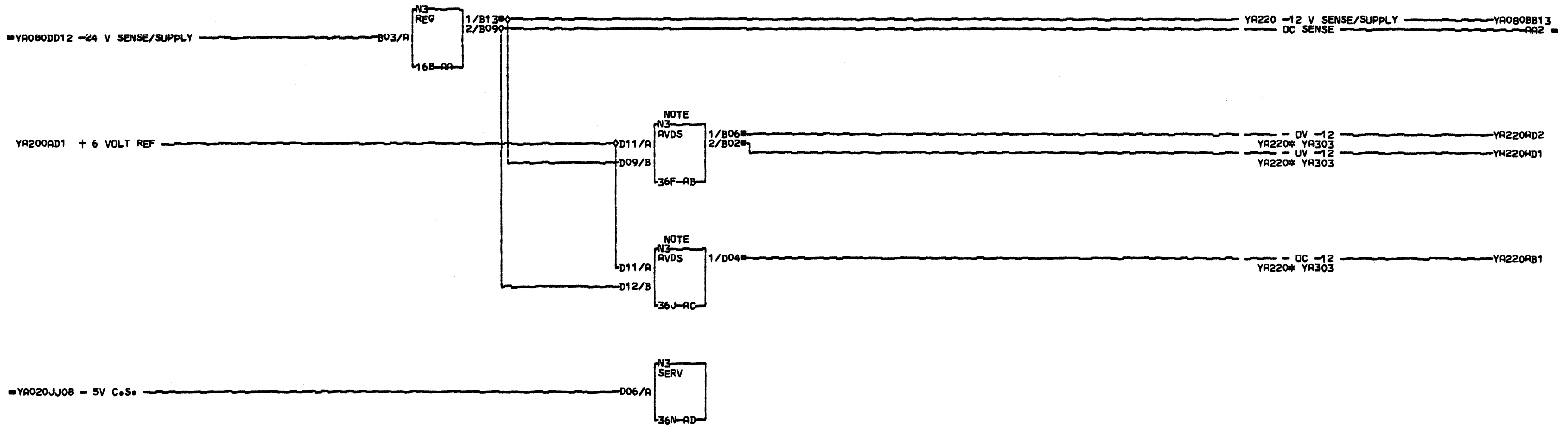
+5V	D03
-5V	D06
GND	D08
26W	BA

NOTE

AVDS IS ANALOG VOLTAGE TO DIGITAL SIGNAL
56W-BB

COMMENTS
D1COPYRIGHT IBM CORP. 1978

FEATURE A SENSE CARD	
PN4237851 EC835083 PEC834777	
LDC=1C-A1C4	
USN 00008	PRI=09SEP80 1209
AUC=	SEC
PFORM=KSEB	NEXTBLK BC
MACH=5340000	JOB K3001256
CID PIUFE	



NOTE
 AVDS IS ANALOG VOLTAGE
 TO DIGITAL SIGNAL
 26W-BA

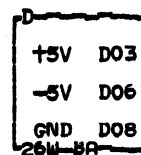
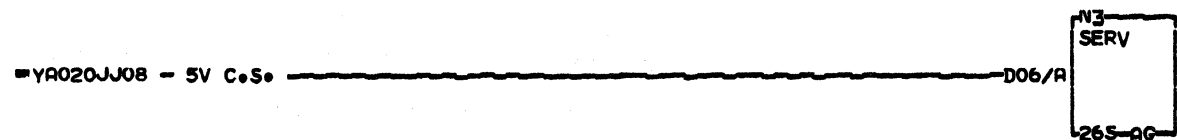
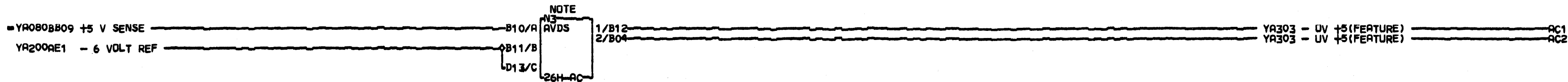
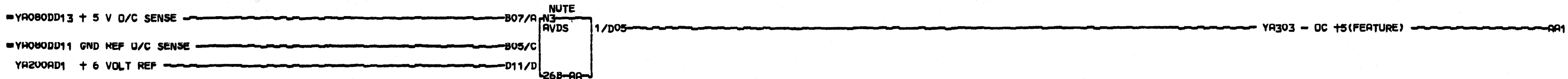
+5V D03
 -5V D06
 GND D08
 56W-BB

COMMENTS
 D1COPYRIGHT IBM CORP. 1978

FEATURE REGULATOR CARD
 -12 VOLT REGULATED
 SUPPLY
 PN4237852 EC835083 PEC834777
 LDC=1C-A1CA
 USN 00008 PRI=09SEP80 1209
 AUC= SEC
 PFORM=KSEB NEXTBLK CL
 MACH=5340000
 CID PIOPE JOB K3001256

0001

Y
 A
 2
 3
 0
 0001



NOTE

AVDS IS ANALUG VOLTAGE
 TO DIGITAL SIGNAL

56W-BB

COMMENTS
 D1COPYRIGHT IBM CORP. 1978

FEATURE B SENSE CARD

PN4238218 EC835083 PEC834777

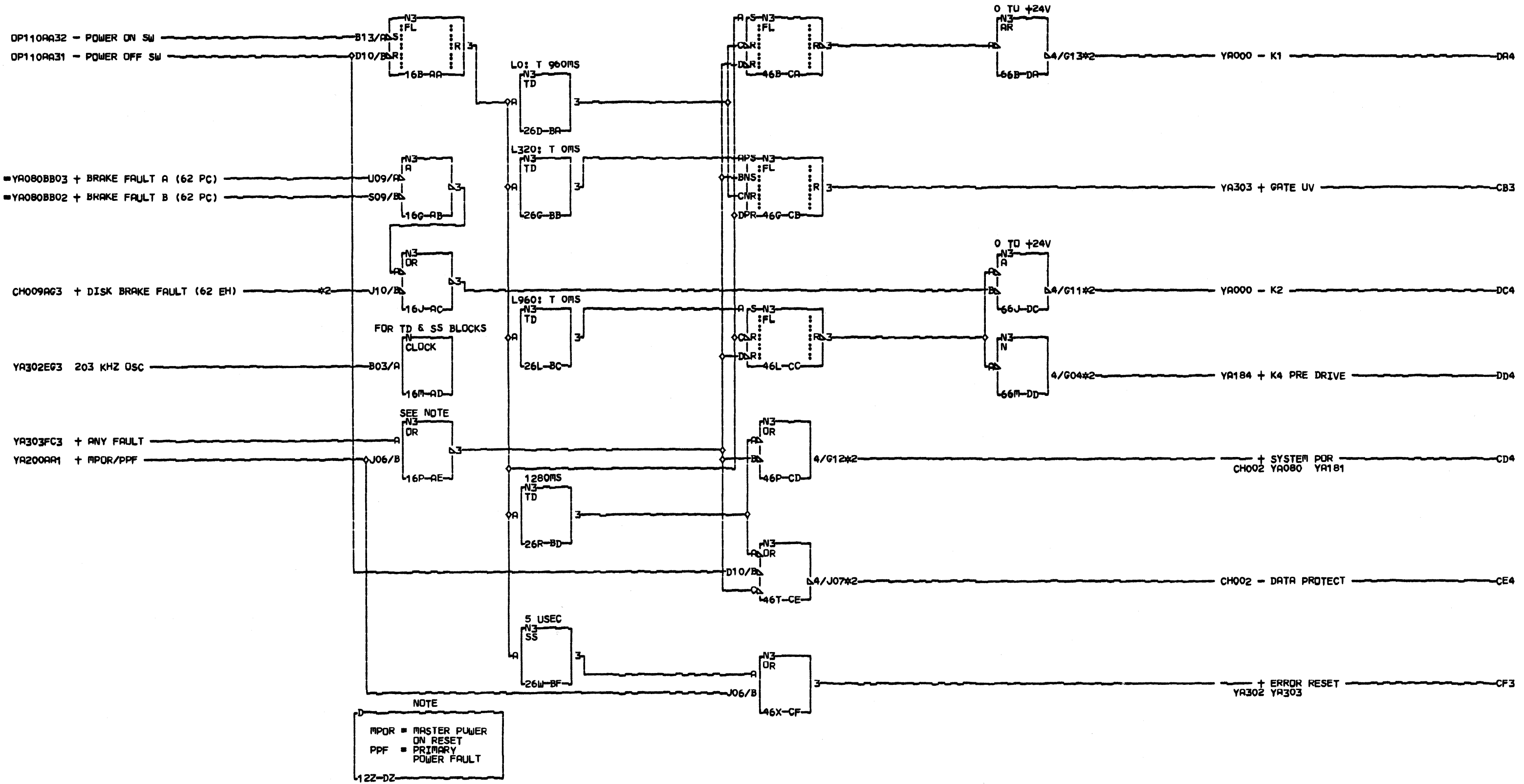
LDC=1C-A1C5

USN 00008 PRI=25SEP80 0713

AJC= SEC
 PFOR=KSEB NEXTBLK BC
 MACH=5340000
 CID PIOFE JOB K3001256

Y
2
4
2
0
0001

Y
2
4
2
0
0001



NOTE

MPOR = MASTER POWER ON RESET
 PPF = PRIMARY POWER FAULT

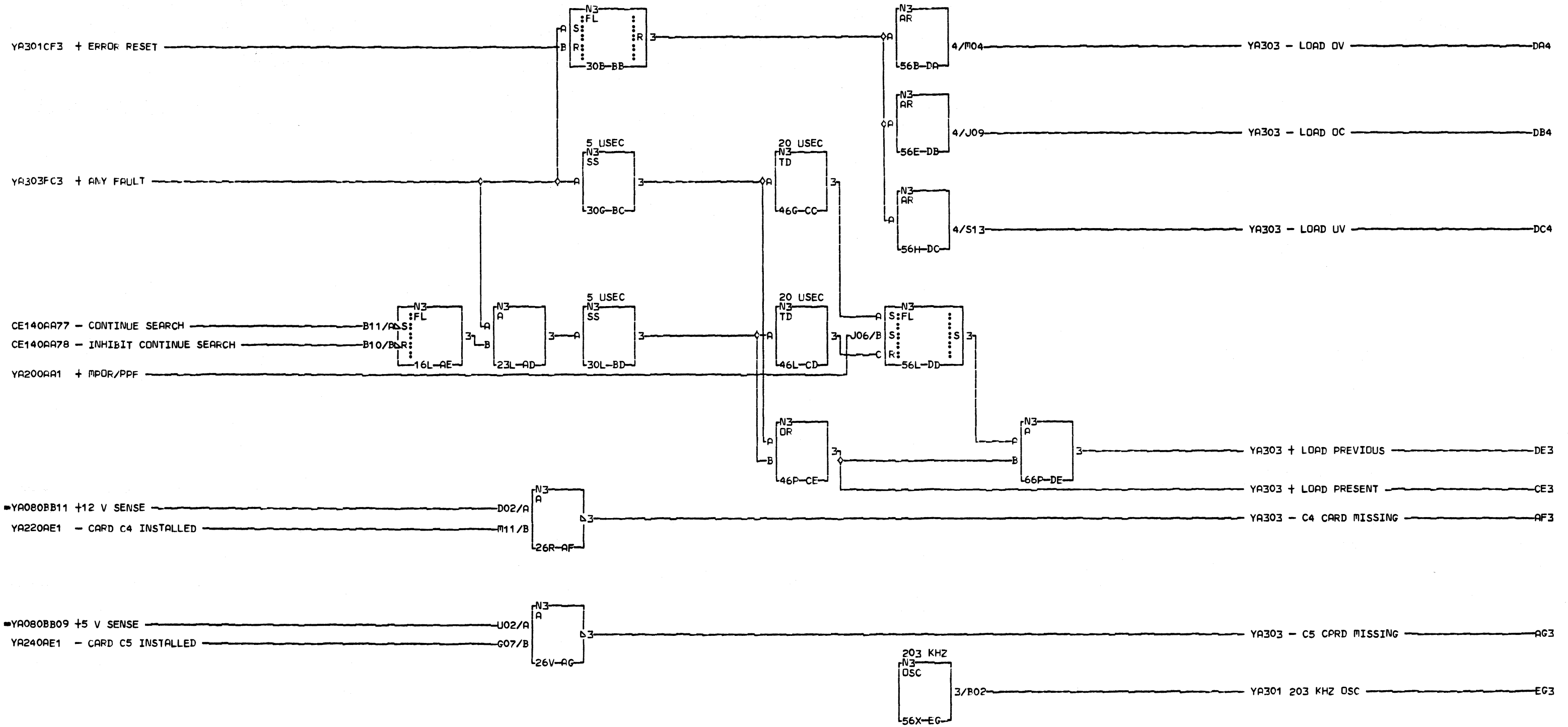
122-DZ

COMMENTS
 D1COPYRIGHT IBM CORP. 1978

CONNECTORS
 CH009AG3
 0019/1C-A1/A2D06
 CD4
 0009/1A-A1/B1A11
 0010/1A-A1/M6A04
 0011/1C-A1/A1B11
 0012/1C-A1/A2D04
 0017/1C-A1/A6B02
 0018/1C-A1/A6C02
 CE4
 0013/1A-A1/B1B11
 0014/1C-A1/A2D05
 DR4
 0001/1C-A1/A3D12

CONNECTORS
 DC4
 0002/1C-A1/A3D13
 DD4
 0015/1C-A1/B6D04
 0016/1C-B1/J5D02

PROTECT CARD
 SEQUENCING CONTROL
 PN4238264 EC835083 PEC834824
 LOC=1C-A1B2
 USN 00008 PRI=24SEP80 1727
 AUC= SEC
 PFORM=KSEB NEXTBLK D0
 MACH=5340000
 CID P10FE JOB K3001256



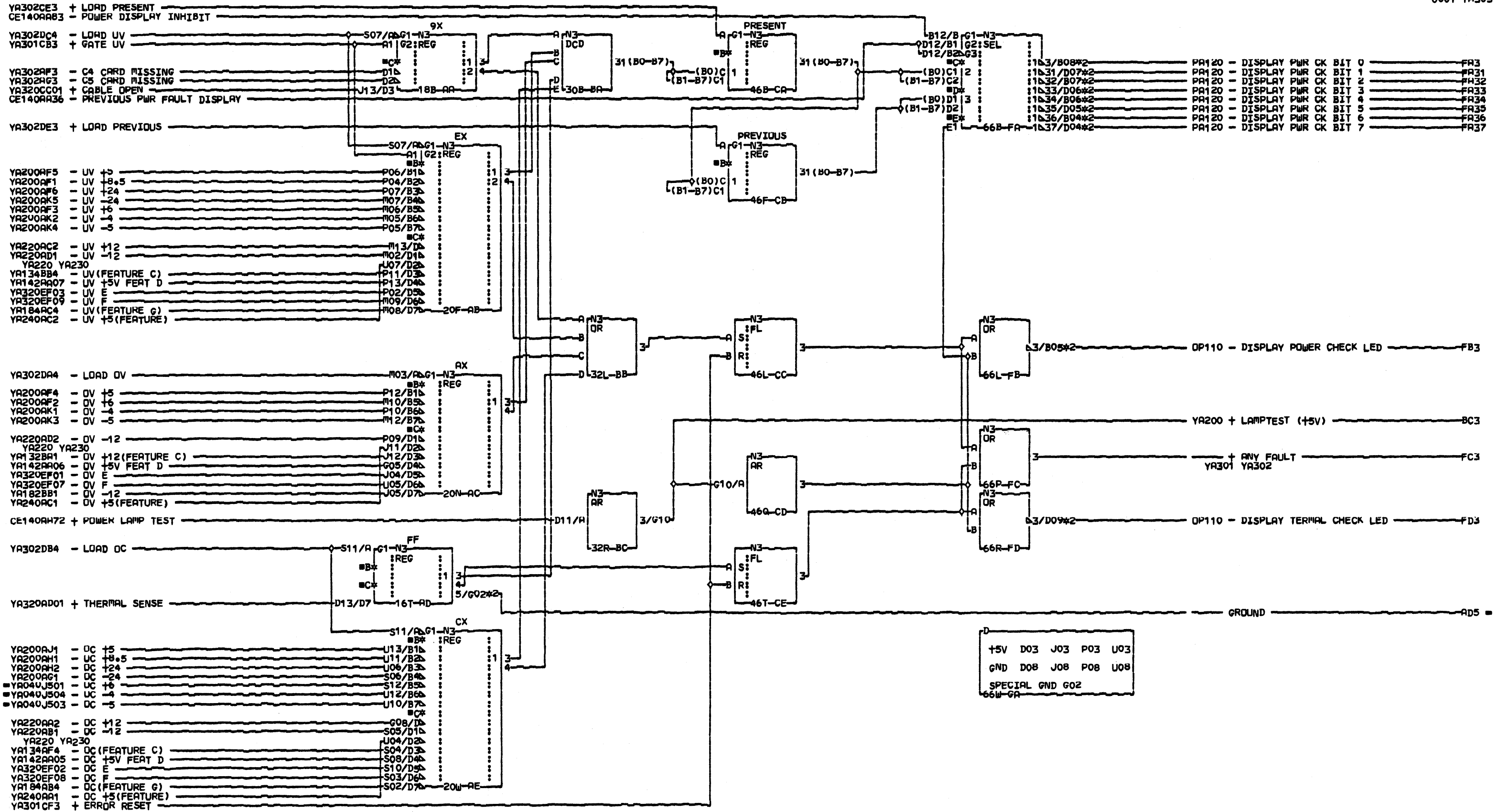
COMMENTS

D1COPYRIGHT IBM CORP. 1978

PROTECT CARD
 DIAGNOSTIC CONTROL
 PN4238265 EC834990 PEC834824
 LOC=1C-A1B2
 USN 00008 PRI=24JAN80 1116
 AUC= PFOR=KSEB SEC NEXTBLK EH
 MACH=5340000
 CID PIDFE JOB T5900952

Y
3
0
2
0001

Y
3
0
2
0001



COMMENTS
D1COPYRIGHT IBM CORP. 1978

CONNECTORS

AD5
0023/1C-A1/B2E14
FA3
0007/1A-A1/C1E11
0008/1C-A1/A2D13
FA31
0009/1A-A1/C1E13
0010/1C-A1/A2B13
FA32
0011/1A-A1/C1D11
0012/1C-A1/A2D12
FA33
0013/1A-A1/C1D13
0014/1C-A1/A2B12

CONNECTORS

FA34
0015/1A-A1/C1C11
0016/1C-A1/A2D11
FA35
0017/1A-A1/C1B11
0018/1C-A1/A2D10
FA36
0019/1A-A1/C1B13
0020/1C-A1/A2B10
FA37
0021/1A-A1/C1A11
0022/1C-A1/A2D09
FB3
0001/1A-A1/A2D13

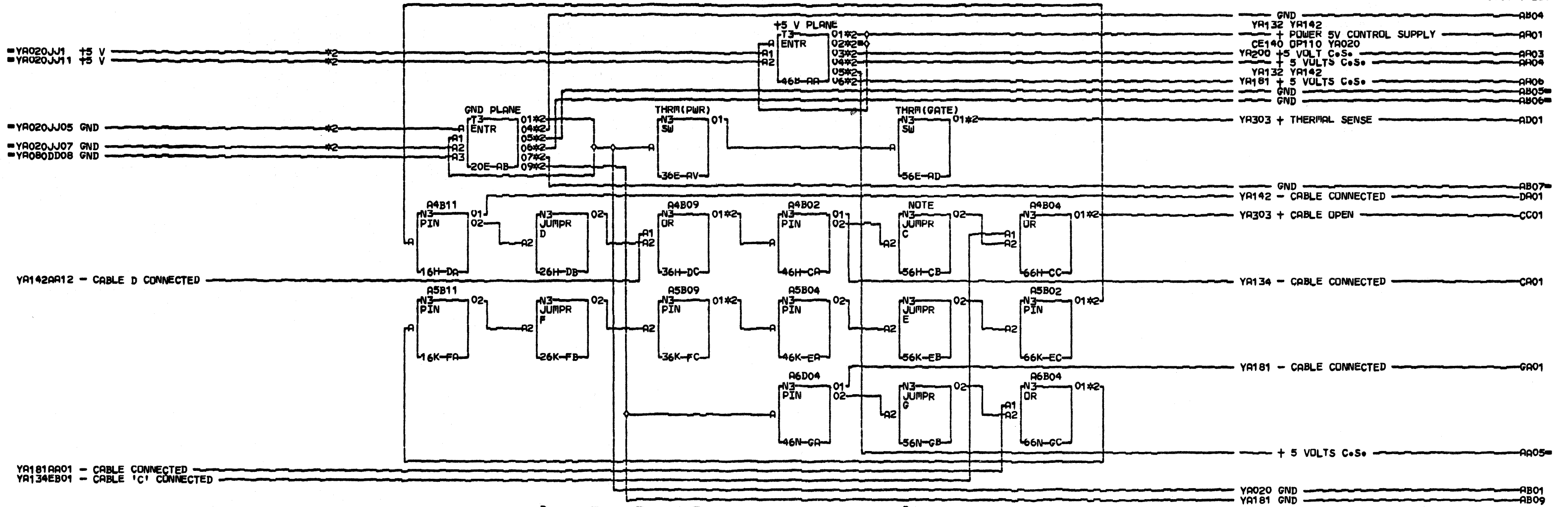
CONNECTORS

0002/1A-A1/B1D13
0003/1C-A1/A2B09
FD3
0004/1A-A1/A2B13
0005/1A-A1/B1C13
0006/1C-A1/A2B06

CONNECTORS

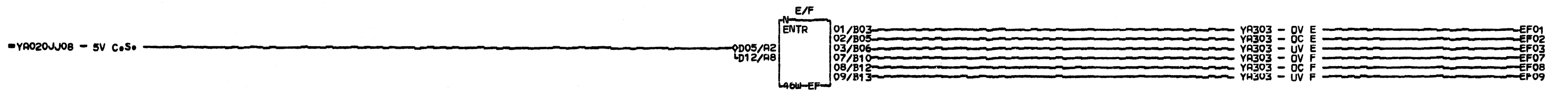
0002/1A-A1/B1D13
0003/1C-A1/A2B09
FD3
0004/1A-A1/A2B13
0005/1A-A1/B1C13
0006/1C-A1/A2B06

PROTECT CARD
DIAGNOSTIC DATA
PN4239266 EC835083 PEC834990
LOC=1C-A1 B2
USN 00008 PRI=09SEp80 1209
AUC= PFORM=KSEB SEC 18SEP80 1727
MACH=5340000 NEXTBLK GB
CID PIOFE JOB K3001256



NOTE:
 JUMPER P/N 815925
 IS TO BE REMOVED
 WHEN THE FEATURE
 IS INSTALLED.

NOTE:
 JUMPER C IS MLCA
 JUMPER D IS 256K
 JUMPER E _____
 JUMPER F _____
 JUMPER G IS DRIVE C & D



COMMENTS
 DICOPYRIGHT IBM CORP. 1978

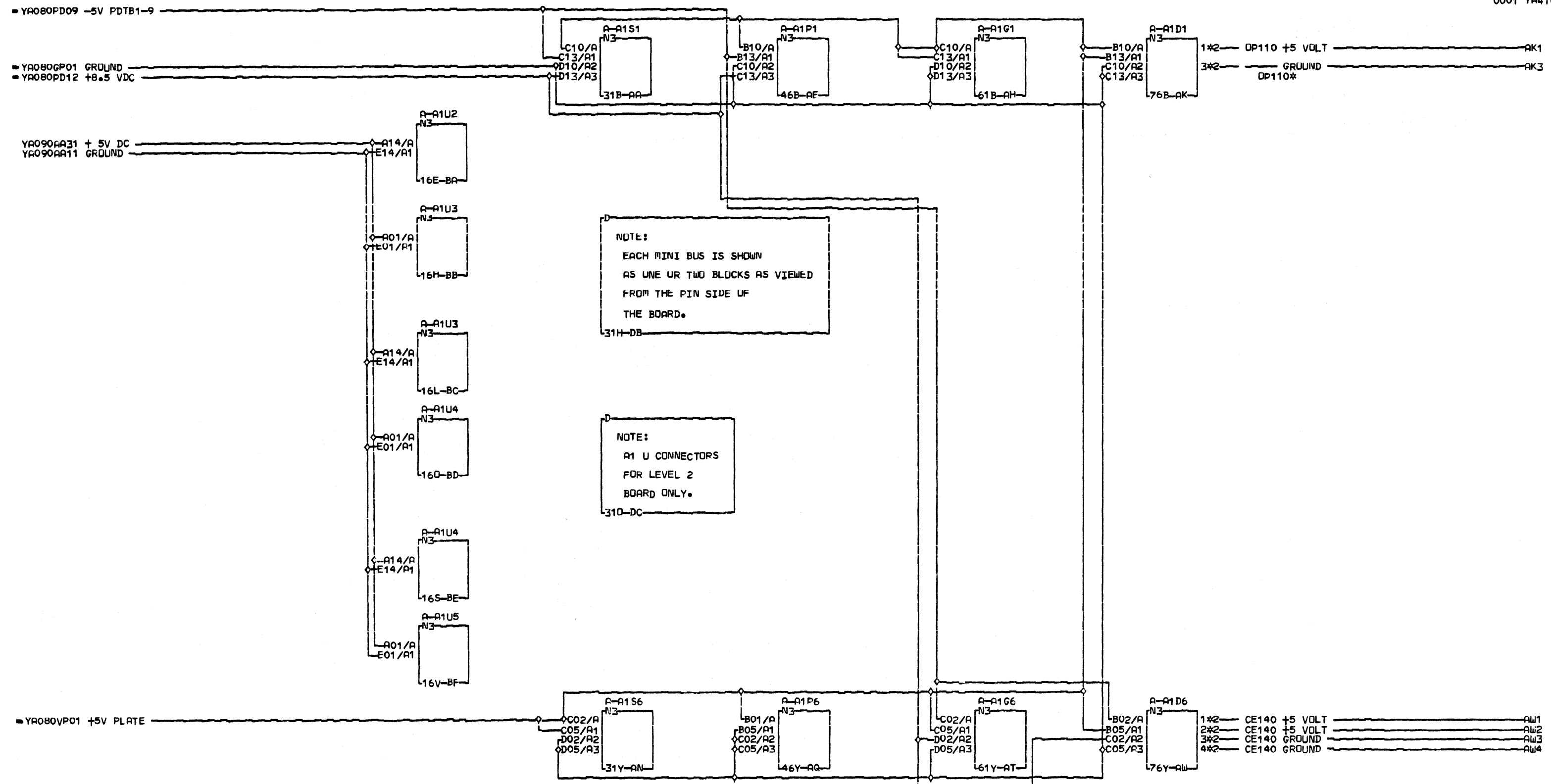
CONNECTORS
 YA020JJ05
 0038/1C-A1/B3D08
 YA020JJ07
 0039/1C-A1/A4D08
 YA020JJ1
 0040/1C-A1/A3D03
 YA020JJ11
 0041/1C-A1/B3A01
 AA01
 0003/1A-A1/A1E11
 0004/1A-A1/A1E13
 0005/1A-A1/A2B02
 0006/1A-A1/A5B02
 0001/1C-A1/A2B03
 0002/1C-A1/A2D03
 0042/1C-A1/A3B02

CONNECTORS
 AA03
 0007/1C-A1/C2D03
 AA04
 0011/1C-A1/A4D03
 0025/1C-A1/A4D10
 AA05
 0026/1C-A1/A5D03
 0027/1C-A1/A5D10
 AA06
 0028/1C-A1/B5D03
 0029/1C-A1/B6B02
 0030/1C-A1/B6B04
 0031/1C-A1/B6C04
 AB01
 0008/1C-A1/A3D08
 0009/1C-A1/A3D09

CONNECTORS
 AB04
 0012/1C-A1/A4C02
 0013/1C-A1/A4D02
 AB05
 0032/1C-A1/A4D09
 0033/1C-A1/B4D08
 AB06
 0034/1C-A1/A5C02
 0035/1C-A1/A5D02
 AB07
 0036/1C-A1/A5D08
 0037/1C-A1/A5D09
 AB09
 0015/1C-A1/A6D04
 0014/1C-A1/B6C02
 AD01

CONNECTORS
 0010/1C-A1/A3B09
 CC01
 0024/1C-A1/A4B04
 DC01
 0023/1C-A1/A4B02
 0022/1C-A1/A4B09
 EC01
 0021/1C-A1/A4B11
 0020/1C-A1/A5B02
 FC01
 0019/1C-A1/A5B04
 0018/1C-A1/A5B09
 GC01
 0017/1C-A1/A5B11
 0016/1C-A1/A6B04

POWER LOGIC BOARD
 PN4237854 EC835083 PEC835000
 LOC=1C-A1A5
 USN 00008 PRI=19SEP80 1126
 AUC= PFORM=KSEB SEC NEXTBLK GF
 MACH=5340000 CID PIOFE JOB K3001256



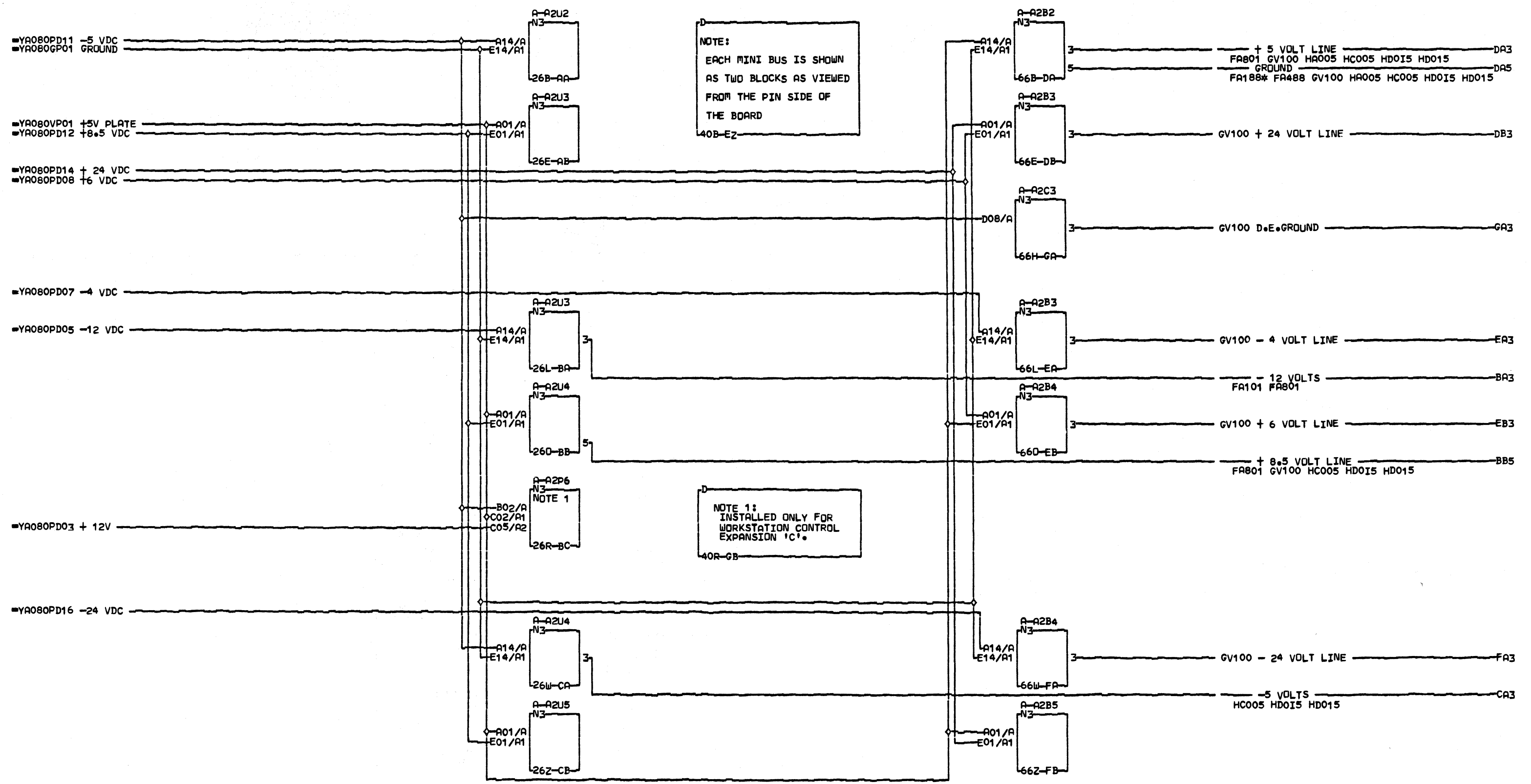
NOTE:
EACH MINI BUS IS SHOWN
AS ONE OR TWO BLOCKS AS VIEWED
FROM THE PIN SIDE OF
THE BOARD.

NOTE:
A1 U CONNECTORS
FOR LEVEL 2
BOARD ONLY.

COMMENTS	CONNECTORS	MINI BUSS CONNECTORS
D1COPYRIGHT IBM CORP. 1978	AK1	PN4237855 EC835139 PEC835083
	0001/1A-A1/A2D03	LOC=A-A1
	AK3	USN 00008
	0002/1A-A1/A2D08	PRI=29JAN81 0907
	AW1	AUC=
	0003/1A-A1/A5D04	SEC
	AW2	PFORM=KSEB
	0004/1A-A1/A5B03	NEXTBLK DD
	AW3	MACH=5340000
	0005/1A-A1/A3D08	CID PIOFE
	0006/1A-A1/A4D08	
	0007/1A-A1/A5D08	
	AW4	
	0008/1A-A1/A5D02	

Y
A
4
1
0
0001

Y
A
4
1
0
0001



COMMENTS
D1COPYRIGHT IBM CORP. 1978

PN4237856 EC835000 PEC834777
CONNECTORS

PN4237856 EC835000 PEC834777

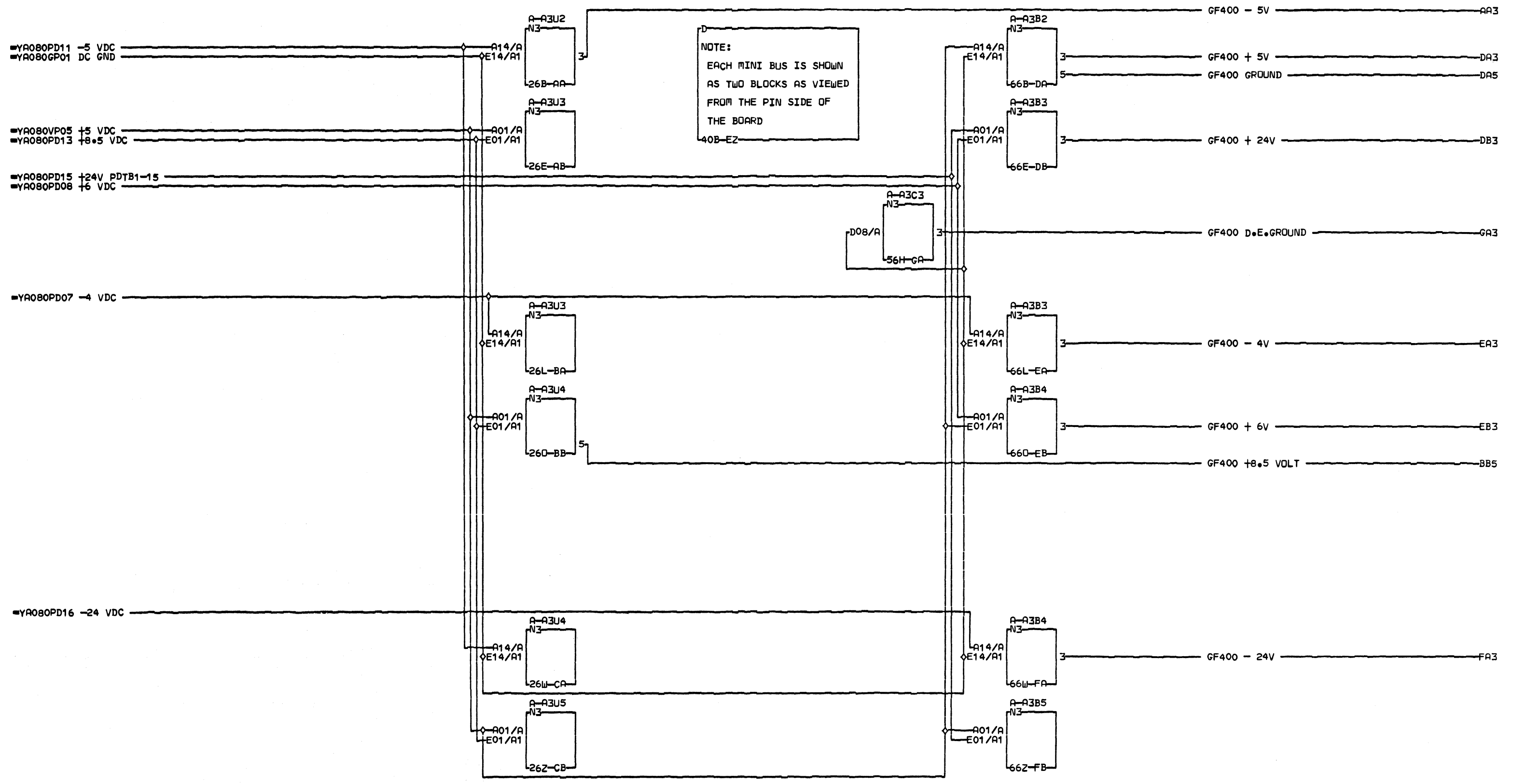
LQC=A-A2

USN 00008 PRI=06MAY80 1126

AJC= SEC
 PFORM=KSEB NEXTBLK GC
 MACH=5340000
 CID PIOFE JOB N1101032

Y
A
4
2
0
0001

Y
A
4
2
0
0001

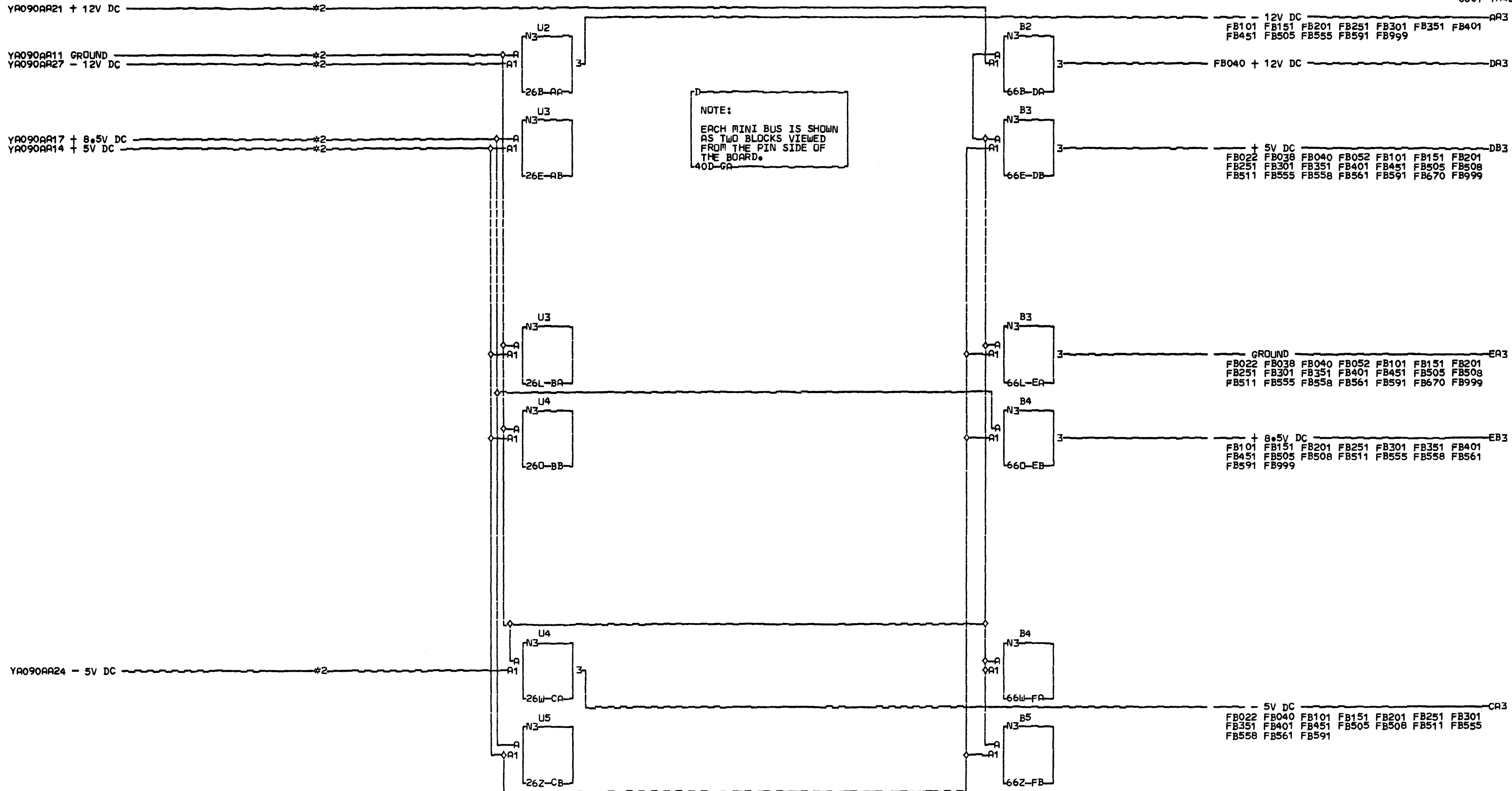


COMMENTS
D1COPYRIGHT IBM CORP. 1978

MINI BUSS
CONNECTORS
PN4237857 EC834777 PEC832999
LOC=A-A3
USN 00008 PRI=20NOV78 1159
AUC= PFORM=KSEB SEC NEXTBLK GB
CID PIOFE JOB L6301459

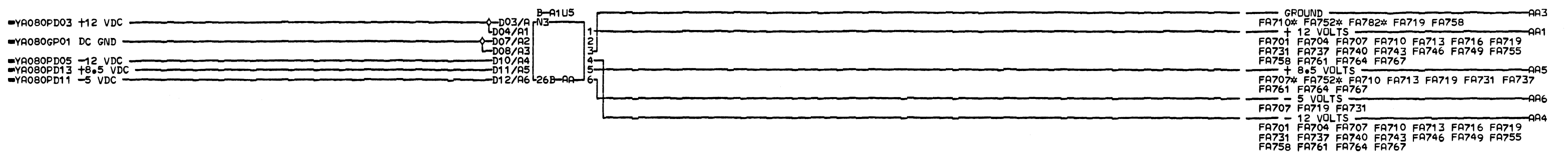
OWADY

Y
A
4
3
0



NOTE:
EACH MINI BUS IS SHOWN
AS TWO BLOCKS VIEWED
FROM THE PIN SIDE OF
THE BOARD.
40D-GA

COMMENTS	CONNECTORS	CONNECTORS	CONNECTORS	MINI BUSS CONNECTIONS
D1COPYRIGHT IBM CORP. 1980	YA090AA11 0010/1A-B3/B2E14 0007/1A-B3/B3E01 0005/1A-B3/B3E14 0003/1A-B3/B4A14 0011/1A-B3/B4E14 0009/1A-B3/B5E01 0002/1A-B3/U2E14 0004/1A-B3/U3E14 0006/1A-B3/U4E01 0008/1A-B3/U4E14 YA090AA14 0022/1A-B3/B3A01 0023/1A-B3/B3A14	0021/1A-B3/B4A01 0020/1A-B3/B5A01 0016/1A-B3/U3A01 0017/1A-B3/U3A14 0018/1A-B3/U4A01 0019/1A-B3/U5A01 YA090AA17 0015/1A-B3/B4E01 0013/1A-B3/U3E01 0014/1A-B3/U5E01 YA090AA21 0001/1A-B3/B2A14 YA090AA24 0024/1A-B3/U4A14	YA090AA27 0012/1A-B3/U2A14	MINI BUSS CONNECTIONS PN4238276 EC835183 PEC835124 LOC=1A-B3 USN 00008 PRI=13JUL81 1055 AUC= SEC PFORM=KSEB NEXTBLK GB MACH=5340000 CID PIDFE JQB J8601450



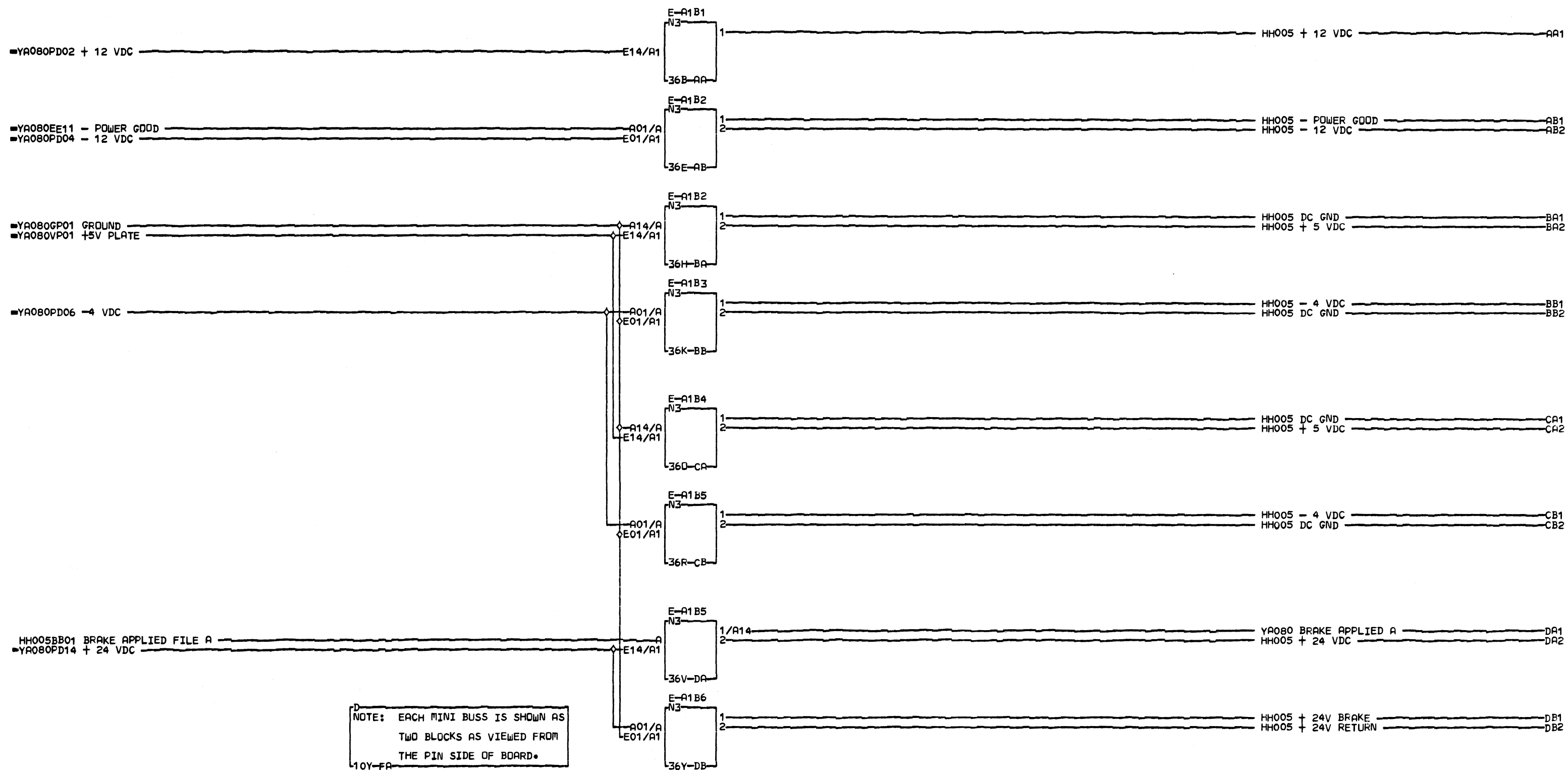
COMMENTS

D1COPYRIGHT IBM CORP. 1978

POWER CABLE CONNECTORS	
PN4237858 EC834777 PEC832976	
LOC=B-A1U5	
USN 00008	PRI=02OCT78 0942
AJC=	SEC 21NOV78 1202
PFORM=KSEB	NEXTBLK AB
CID PIQFE	JOB L6301459

Y
A
5
1
0
0001

Y
A
5
1
0
0001



NOTE: EACH MINI BUSS IS SHOWN AS TWO BLOCKS AS VIEWED FROM THE PIN SIDE OF BOARD.

10Y-FR

COMMENTS
D1COPYRIGHT IBM CORP. 1978

MINI BUSS CONNECTORS

PN4238268 EC834824 PEC834777

LUC=E-A1

USN 00008

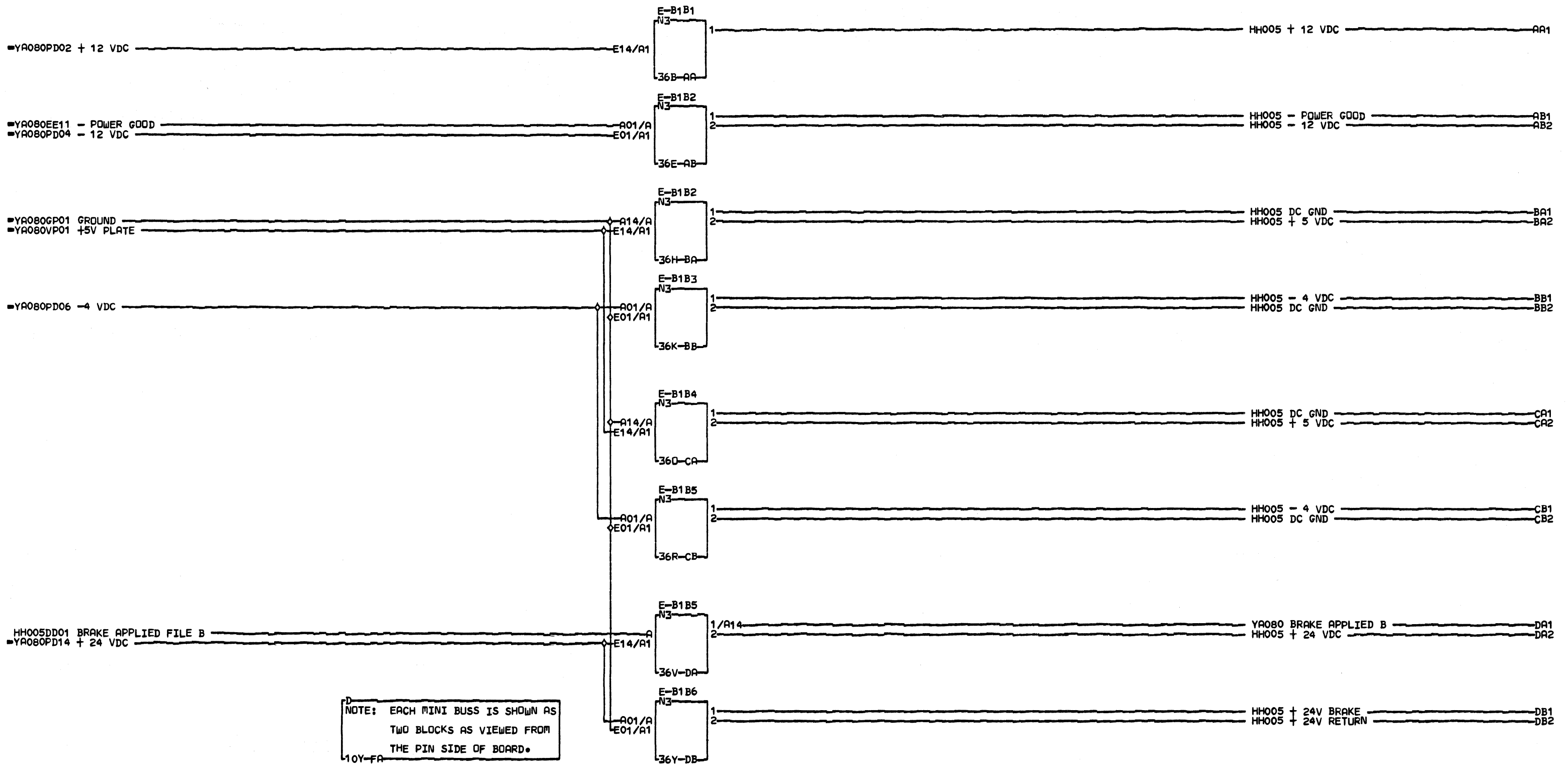
AUC= PFORM=KSEB

CID PIQFE

FRI=18MAY79 2041

SEC NEXTBLK FB

JOB T4301503

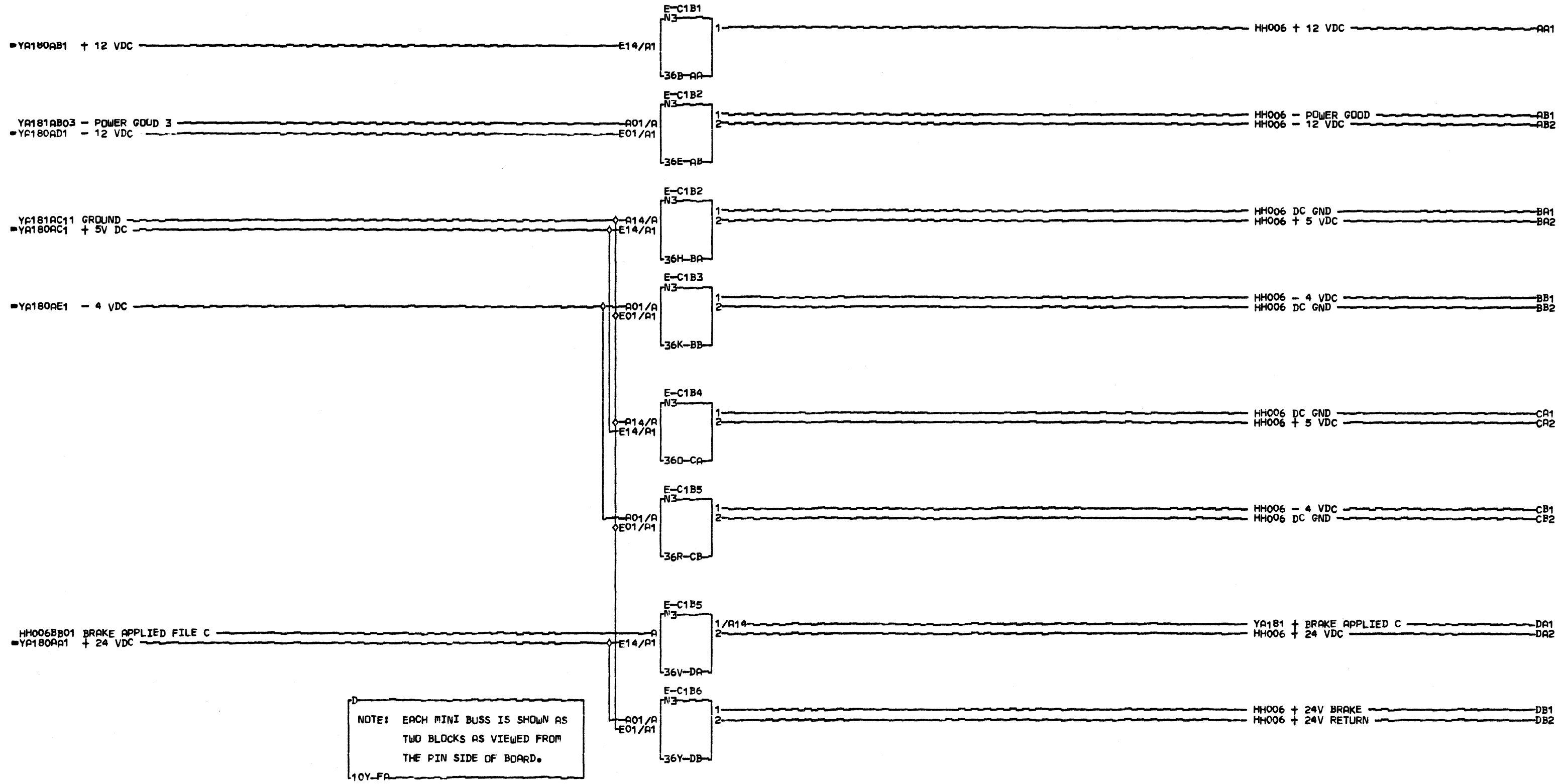


COMMENTS
D1COPYRIGHT IBM CORP. 1978

MINI BUSS CONNECTORS
 PN4238269 EC834824 PEC834777
 LOC=E-B1
 USN 00008 PRI=18MAY79 2041
 AUC= SEC
 PFORM=KSEB NEXTBLK FB
 CID PIOFE JOB T4301503

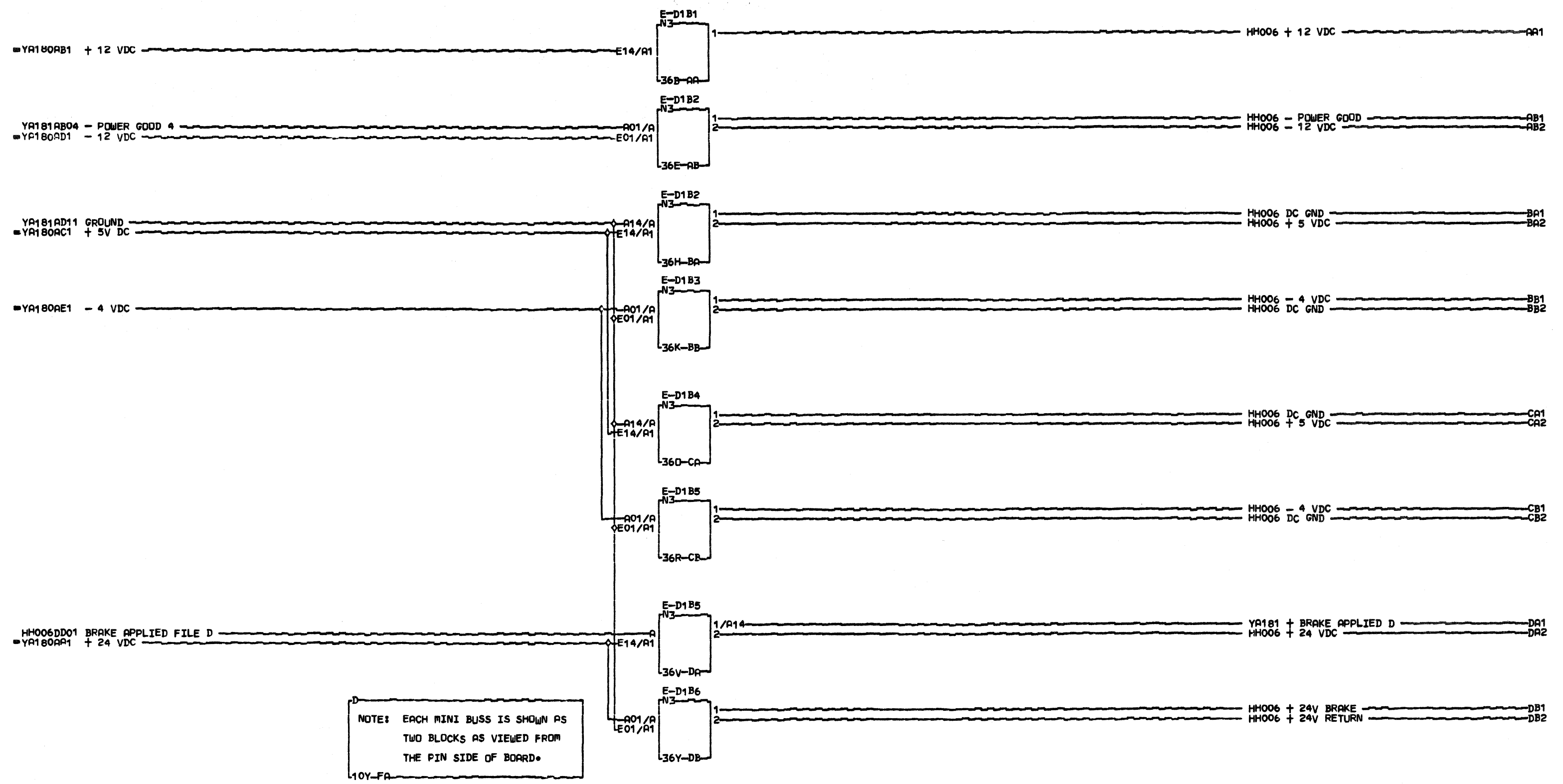
0001

Y A 6 2 0
0001



COMMENTS
 D1 (C) COPYRIGHT IBM CORP. 1980

MINI BUSS CONNECTORS	
PN8266299 EC835015	
LDC=1E-C1	
USN 00008	PRI=15SEP80 1433
AUC=	SEC
PFORM=KSEB	NEXTBLK FB
MACH=5340000	JOB K3801510
CID P10FE	



NOTE: EACH MINI BUSS IS SHOWN AS TWO BLOCKS AS VIEWED FROM THE PIN SIDE OF BOARD.

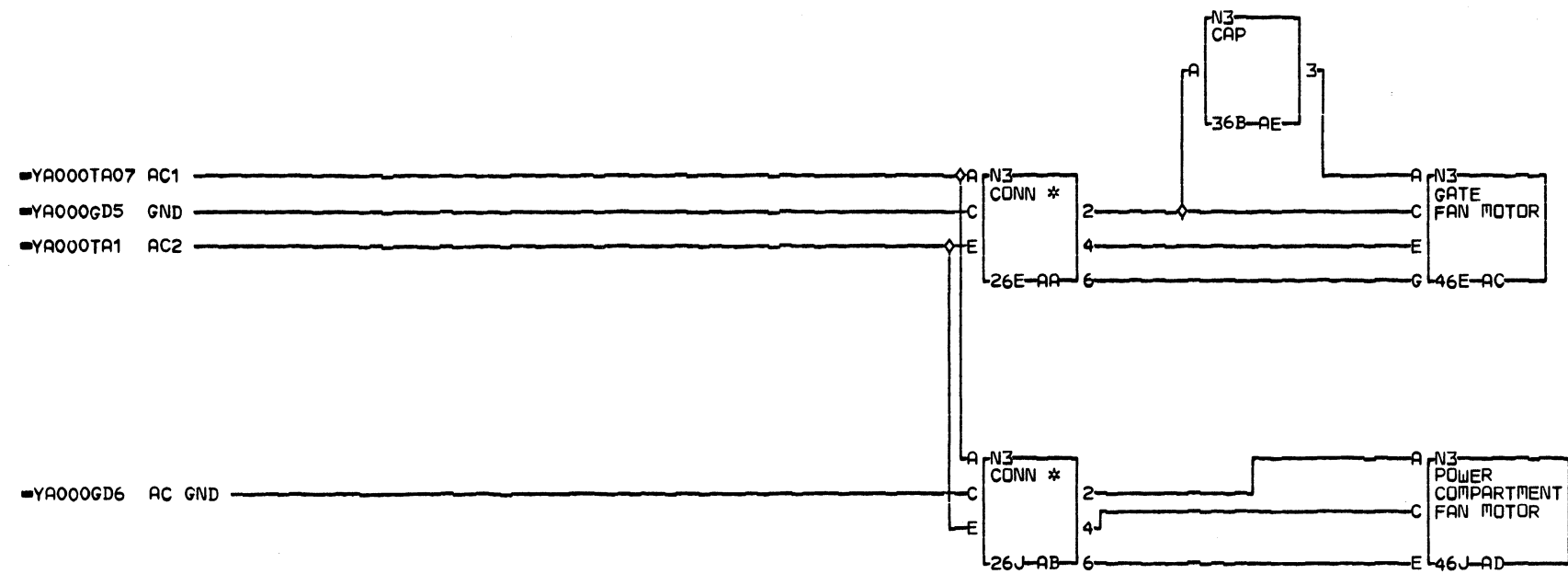
10Y-FA

COMMENTS
D1 (C) COPYRIGHT IBM CORP. 1980

MINI BUSS CONNECTORS
PN8266300 EC835015
LDC=1E-D1
USN 00008 PRI=15SEP80 1433
AUC# SEC
PFDR#KSEB NEXTBLK FB
MACH#5340000
CID PIOFE JOB K3801510

0001

Y A 6 4 0 0001



COMMENTS

D1COPYRIGHT IBM CORP. 1978

AC FAN CONNECTIONS

PN4238272 EC834777

LOC=1A

USN 00008

AUC= PFORM=KSEB

CID PIQFE

PRI=20NOV78 1159

SEC 04DEC78 1951
NEXTBLK AF

JOB L6301459

Y
A
7
0
0

0001

Y
A
7
0
0

0001