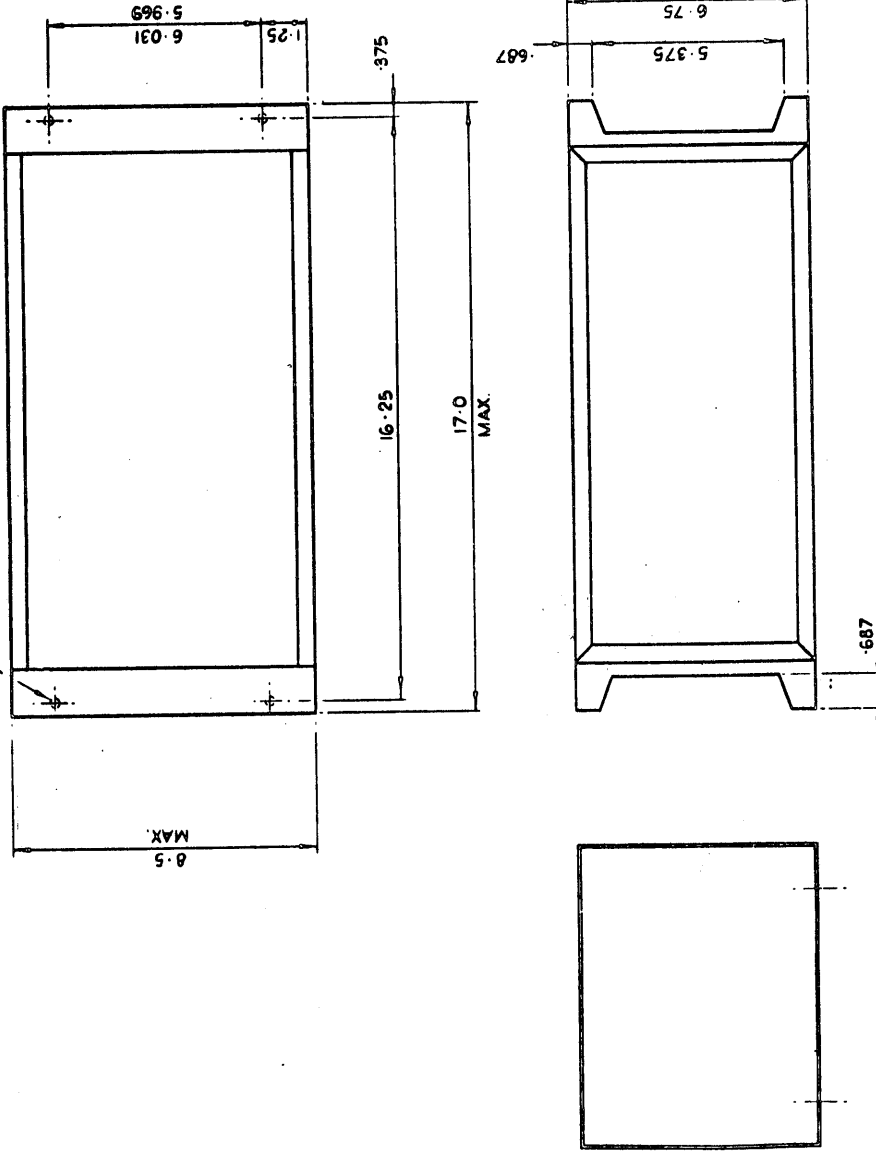


CHANGES

ISS.

2	7343	16	6-65
3	7796	Rev	8-65

4 HOLES
.25 DIA.



PERDEX COVER OVER TERMINALS
HOLES TO ALLOW ACCESS TO
TERMINAL SCREWS.

ALL FUSES, SWITCHES ETC.
TO BE KEPT WITHIN SHADED
AREA & PROTECTED BY
FLANGED PANEL.

③ ATTACH LABEL RED LETTERS
ON WHITE GROUND AS SHOWN.

POWER SUPPLY
-28V

889990
ASSEMBLY

ISSUE 3 / SHEET 1

ISSUE	2	2	2	2	2	2	2	2	2	2	2	2	2	2	2	2	2	2		
SHEET	1	2	3	4	5	6	7	8	9	10	11	12	13	14	15	16	17	18	19	20

ISSUE NUMBERS OF OTHER SHEETS AT THE TIME OF ISSUING THIS SHEET.



ITEM No.	ISSUE No. IN	ISSUE No. OUT	PART No.	QTY	DESCRIPTION	ITEM No.	ISSUE No. IN	ISSUE No. OUT	PART No.	QTY	DESCRIPTION
2	1		1110112 D		TECH SPEC						
1	1	2			CHANGES						
3	1	2	5000262 D		7343						
	1	2	5000254 D		7343						
	2		ADDED		7343						

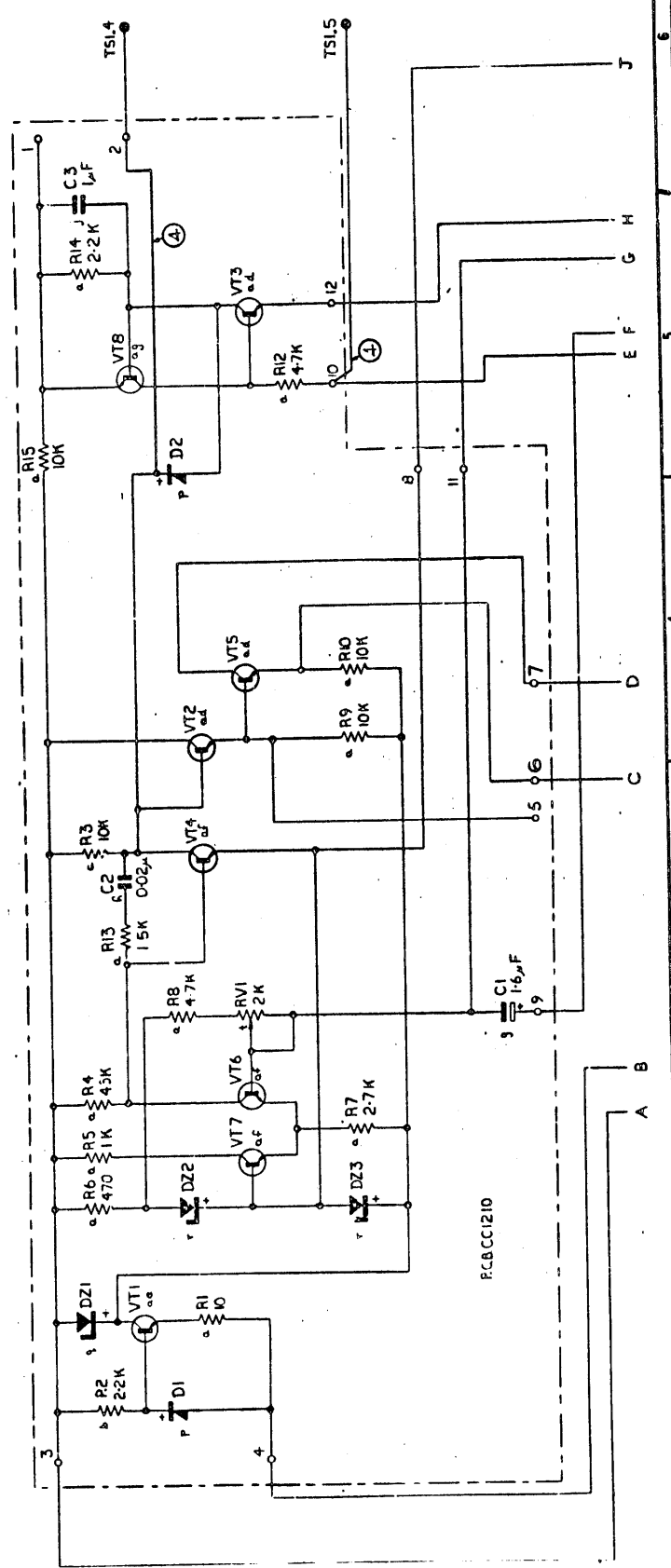
DRN. TO / ISSUE : 2 2 2 2
 PROV. STD. SHEET 1 2 3 4 5 6 7 8 9 10 11 12 13 14 15 16 17 18 19 20
 790 110 / ISSUE NUMBERS OF OTHER SHEETS AT THE TIME OF ISS. THIS SH.

POWER SUPPLY
 889994 / 2
 ASSEMBLY
 ISSUE SHEET



CHANGES

2 7343 6-65
 4 DELETED CONN. BETWEEN PINS 2 & 5. SEE C3
 7804
 P.S. 8-65



1 2 3 4 5 6

POWER SUPPLY - 28V
 BELIX

889990 / 4

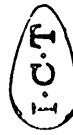
DIAGRAM

ISSUE SHEET 3

DRAWN TO ISSUE 3 2 4 4
 PROJ. STD 7902101

1	2	3	4	5	6	7	8	9	10	11	12	13	14	15	16	17	18	19	20	21	22	23	24	25	26	27	28	29	30
---	---	---	---	---	---	---	---	---	----	----	----	----	----	----	----	----	----	----	----	----	----	----	----	----	----	----	----	----	----

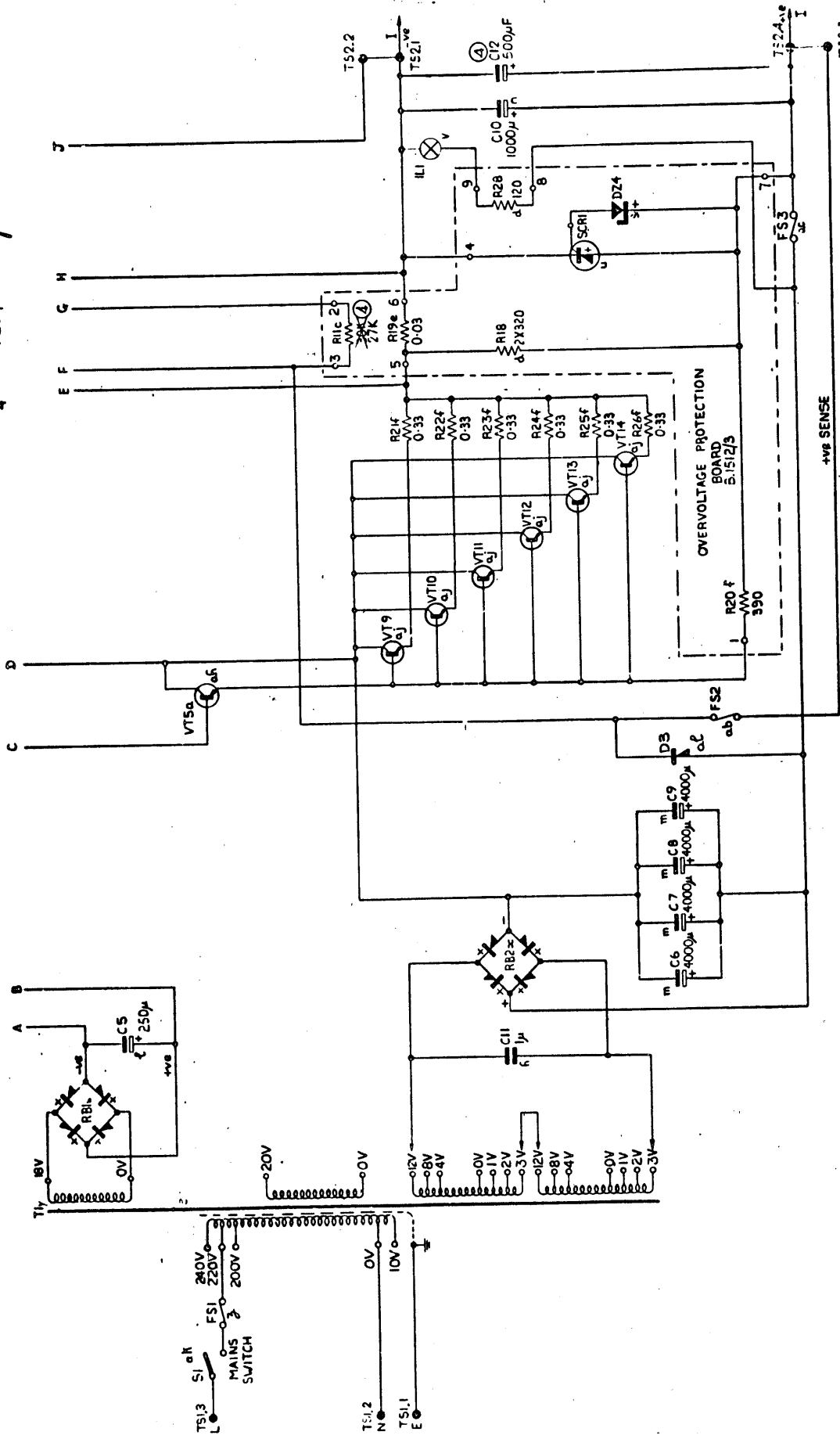
ISSUE NUMBERS OF OTHER SHEETS AT THE TIME OF ISSUING THIS SHEET



CHANGES

2 CH 7343 16 6-65
4 7804 8-65

ISS



ISS

2 CH 7343 16 6-65
4 7804 8-65

ISS

DRAWN TO ISSUE 3 2 4 4
PROV. STD SHEET 1 2 3 4 5 6 7 8 9 10 11 12 13 14 15 16 17 18 19 20 21 22 23 24 25 26 27 28 29 30
7802181 ISSUE NUMBERS OF OTHER SHEETS AT THE TIME OF ISSUING THIS SHEET

889990 / 4

DIAGRAM

POWER SUPPLY - 28V
BELIX

I.C.T.

ITEM No.	CCT. REF.	ITEM No.	CCT. REF.	ITEM No.	ISSUE No. IN/OUT	PART No.	C A QTY.	DESCRIPTION	ITEM No.	ISSUE No. IN/OUT	PART No.	C A QTY.	DESCRIPTION.
11	G1	33	R7	11	4	5011535	E	CAP 1.5	31	2	5007514	E	RES 1K
12	G2	34	R8,12	12	2	5007501	E	CAP 0.02	32	2	5007515	E	RES 470
13	G3	35	R11	13	2	5007502	E	CAP 1.0	33	2	5007516	E	RES 2.7K
14	G4	36	R13	14	2	5007503	E	CAP 3.0	34	2	811468	0	RES 4.7K
15	G5	37	R14	15	2	5007505	E	CAP 250	35	2	811490	0	RES 2.7K
16	G6,7,8,9	38	R18	16	2	5007590	E	CAP 4000	36	2	811489	0	RES 1.5K
17	G10	39	R19	17	2	5010860	E	CAP 1000	37	2	5007518	E	RES 2.2K
18	G11	40	R20	18	2	7700374	0	CAP 1	38	2	5010882	E	RES 340
19	D1,2,3	41	R21,22,23,24,25,26	19	2	5007507	E	DIODE	39	2	5010866	E	RES 0.05
20	D21	42	BB1	20	2	5007508	E	ZEN DIODE	40	2	5010883	0	RES 390
21	D2,3	43	BB2	21	2	5007509	E	ZEN DIODE	41	2	5008071	0	RES 0.33
22	D24	44	RV1	22	2	5007593	E	ZEN DIODE	42	2	5010881	E	RES 120
23	FS1	45	RV2	23	2	5007598	E	FUSE 2A	43	2	5007524	E	RECTIFIER
24	FS2	46	S1	24	2	5010862	E	FUSE 0.1A	44	2	5007589	E	RECTIFIER
25	FS3	47	SCR1	25	2	5010863	E	FUSE 10A	45	4	5011534	E	POT 2K
26	IL1	48	T1	26	2	774452	0	LAMP 0V	46	2	5010869	E	SWITCH
27	R1	49	VT1	27	2	875618	0	RES 10	47	2	5010875	E	RECTIFIER
28	R2	50	VT2,3,5	28	2	875618	0	RES 10	48	2	5007588	E	TRANSFORMER
29	R3,9,10,15,16	51	VT4,6,7	29	2	888341	0	RES 2.2K	49	2	879857	0	TRANSISTOR
30	R4	52	VT5a	30	2	5007512	E	RES 10K	50	2	5004663	0	TRANSISTOR
31	R5	53	VT8	31	2	5007513	E	RES 45K	51	2	5007527	E	TRANSISTOR
32	R6	54	VT9,10,11,12,13,14	32	2	5007513	E	RES 45K	52	2	861772	0	TRANSISTOR
33		55		33					53	2	5007528	E	TRANSISTOR
									54	4	5011536	E	TRANSISTOR
									55	4	5011533	E	CAP 500
											CHANGES		
									11	2	5007500	E	7804
									45	2	5007525	E	7804
									54	2	5007591	E	7804

NOTE 1-- For guidance only - components designated as spares.

I.C.T.	POWER SUPPLY	889990	ISSUE	4	5	DRAWING	ISSUE	3	2	4	4															
	BELIX	ASSEMBLY	ISSUE	4	5	PROV. STD.	ISSUE NUMBERS OF OTHER SHEETS AT TIME OF ISSUING THIS SHEET.	1	2	3	4	5	6	7	8	9	10	11	12	13	14	15	16	17	18	19