

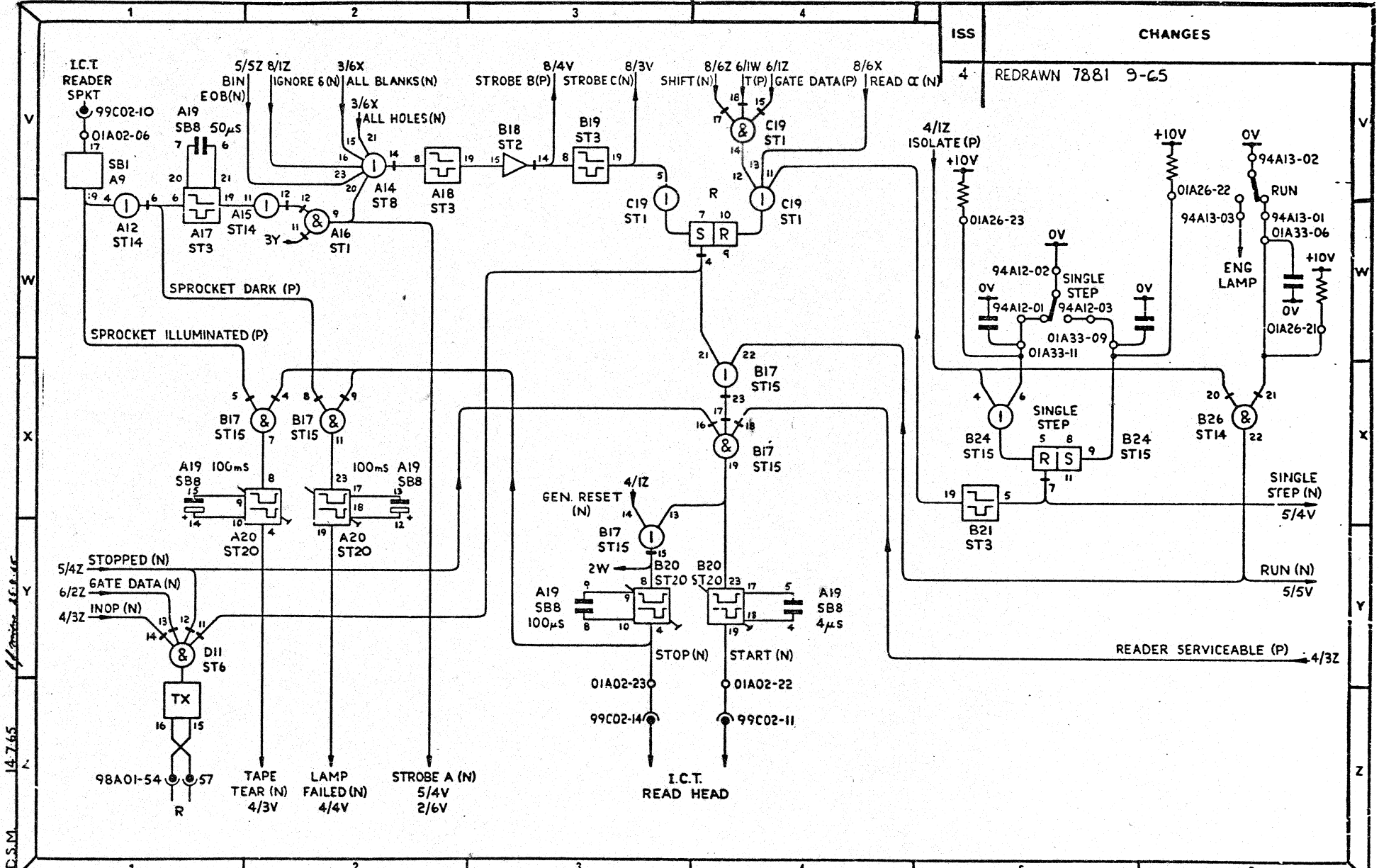
## LOGIC DIAGRAMS

for

Tape	1915	Paper Tape Reader
Tape	1916	Paper Tape Reader
Tape	1925	Paper Tape Punch

## CONTENTS

	Diagram Nos.
Type 1915	5005571 5005572
Type 1916	887042 887044
Type 1925	887043 887045



ISS CHANGES

REDRAWN 7881 9-65



READER CONTROL  
PAPER TAPE READER

5005571/ 4

DIAGRAM

ISSUE

SHEET

DRAWN TO  
PROV. STD  
7902101

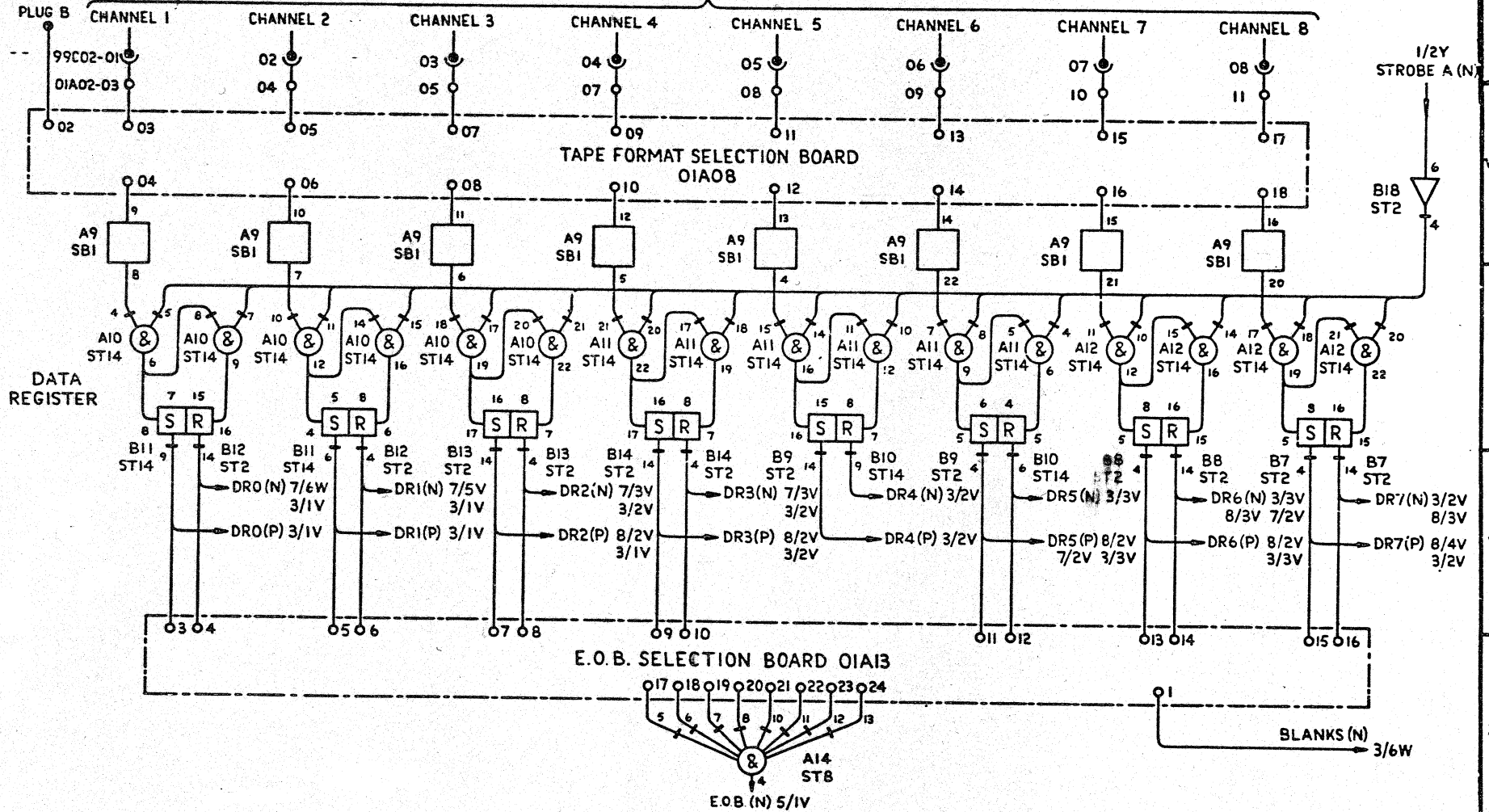
ISSUE	4	4	4	4	4	4	4	4	4	4	4	4	4	4	4	4	4	4	4	
SHEET	1	2	3	4	5	6	7	8	9	10	11	12	13	14	15	16	17	18	19	20

ISSUE NUMBERS OF OTHER SHEETS AT THE TIME OF ISSUING THIS SHEET

14-745 D.S.M.

ISS CHANGES  
4 REDRAWN 7881 9-65

I.C.T. READ HEAD

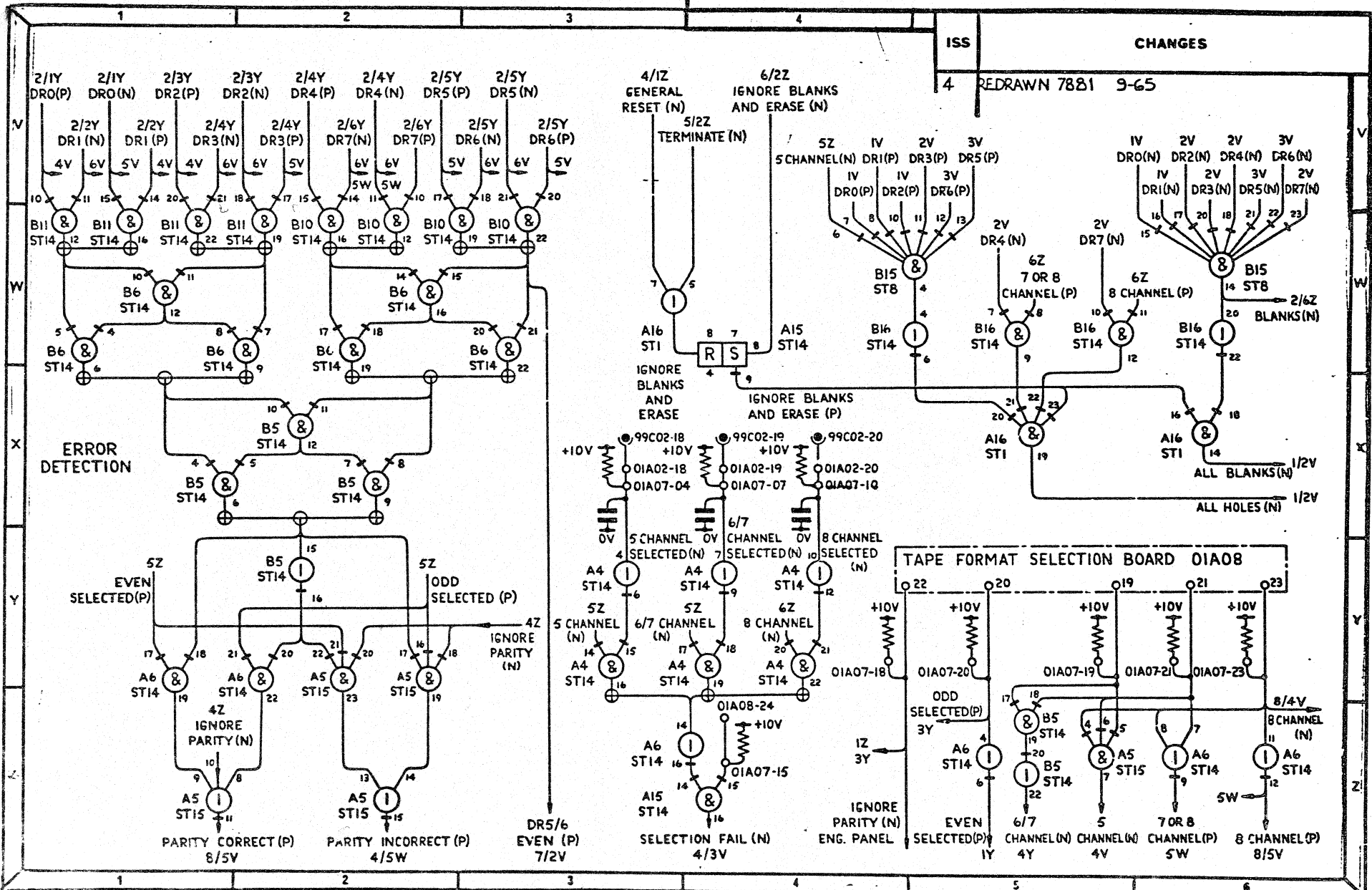


9-7-65 DSM

	DATA REGISTER AND E.O.B. SELECTION PAPER TAPE READER	5005571/4	2	DRAWN TO PROV. STD 7902101	ISSUE 4																			
	DIAGRAM	ISSUE	SHEET	ISSUE NUMBERS OF OTHER SHEETS AT THE TIME OF ISSUING THIS SHEET																				
					<table border="1" style="display: inline-table; border-collapse: collapse;"> <tr> <td>1</td><td>2</td><td>3</td><td>4</td><td>5</td><td>6</td><td>7</td><td>8</td><td>9</td><td>10</td><td>11</td><td>12</td><td>13</td><td>14</td><td>15</td><td>16</td><td>17</td><td>18</td><td>19</td><td>20</td> </tr> </table>	1	2	3	4	5	6	7	8	9	10	11	12	13	14	15	16	17	18	19
1	2	3	4	5	6	7	8	9	10	11	12	13	14	15	16	17	18	19	20					

19765

DSM



ISS  
 CHANGES  
 4 REDRAWN 7881 9-65



ERROR DETECTION  
 PAPER TAPE READER

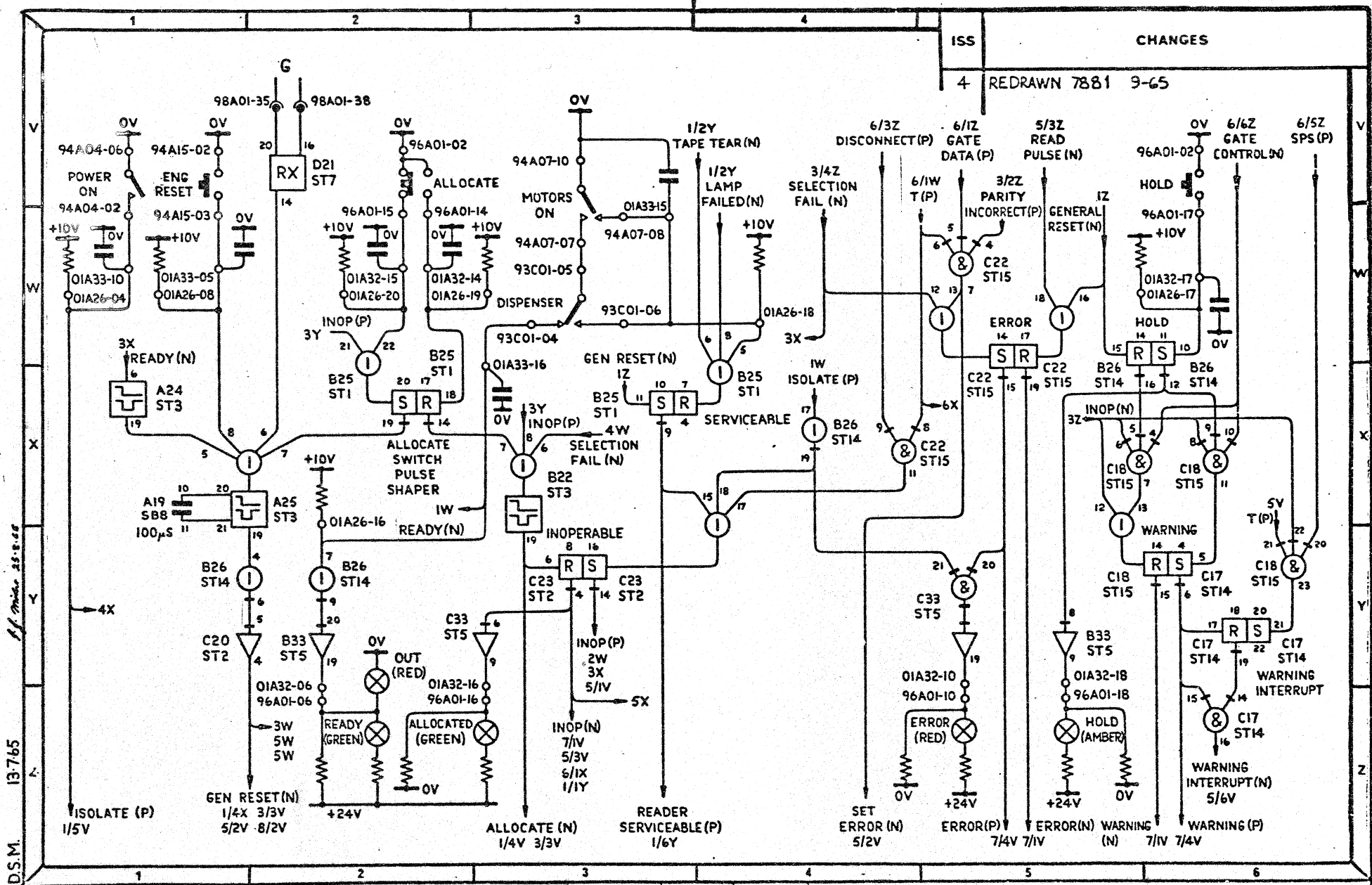
5005571 / 4  
 DIAGRAM ISSUE

3  
 SHEET

DRAWN TO  
 PROV. STD  
 79 02101

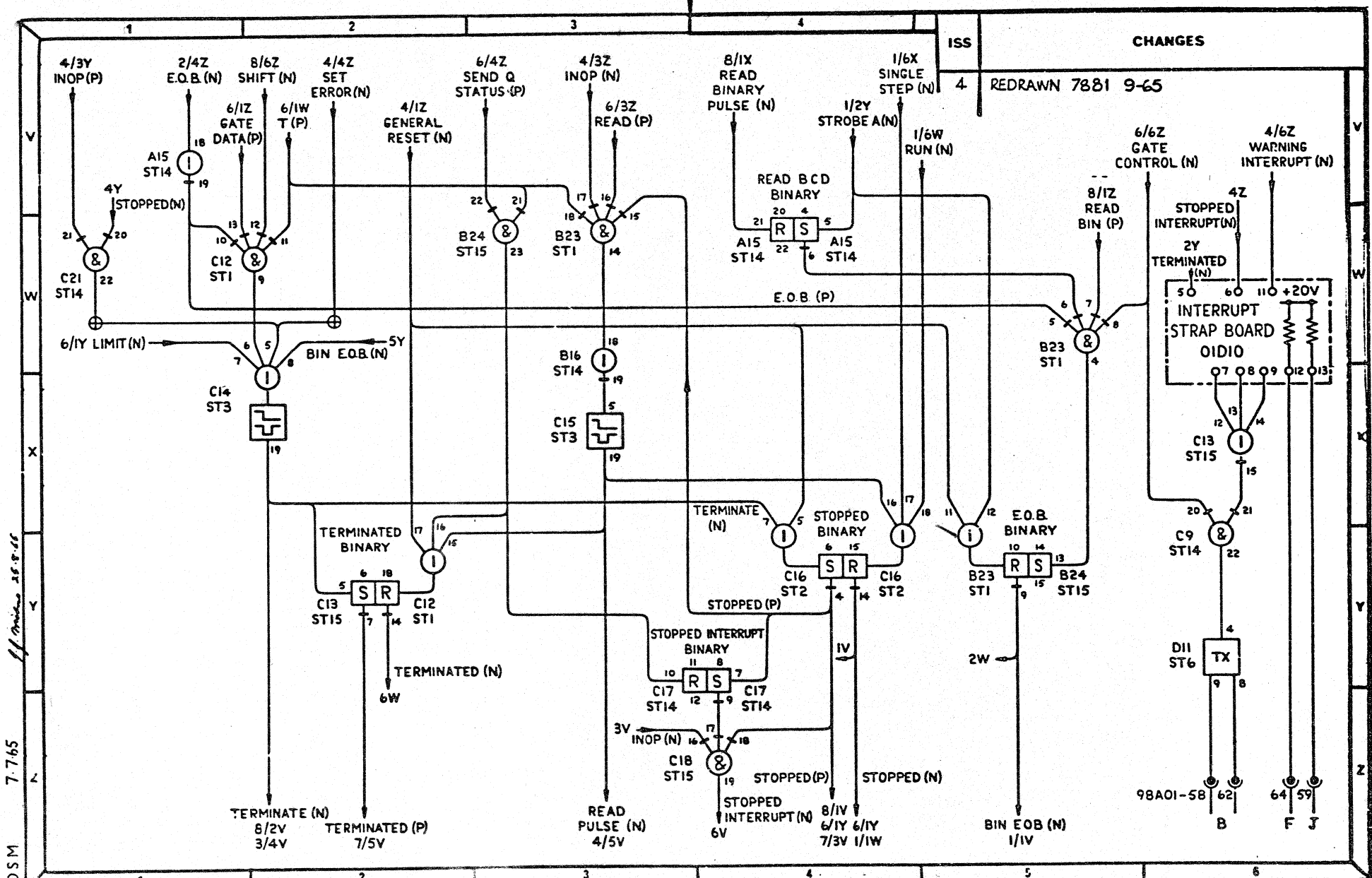
ISSUE	4	4	4	4	4	4	4	4	4	4	4	4	4	4	4	4	4	4	4	
SHEET	1	2	3	4	5	6	7	8	9	10	11	12	13	14	15	16	17	18	19	20

ISSUE NUMBERS OF OTHER SHEETS AT THE TIME OF ISSUING THIS SHEET



13765  
 D.S.M.  
 3/1/65

	P STATUS GENERATION PAPER TAPE READER	5005571/4	4	DRAWN TO PROV. STD	ISSUE 4 4 4 4 4 4 4																																	
	DIAGRAM	ISSUE	SHEET	7902101	<table border="1" style="width: 100%; border-collapse: collapse;"> <tr> <td>SHEET</td><td>1</td><td>2</td><td>3</td><td>4</td><td>5</td><td>6</td><td>7</td><td>8</td><td>9</td><td>10</td><td>11</td><td>12</td><td>13</td><td>14</td><td>15</td><td>16</td><td>17</td><td>18</td><td>19</td><td>20</td> </tr> </table>														SHEET	1	2	3	4	5	6	7	8	9	10	11	12	13	14	15	16	17	18	19
SHEET	1	2	3	4	5	6	7	8	9	10	11	12	13	14	15	16	17	18	19	20																		
					ISSUE NUMBERS OF OTHER SHEETS AT THE TIME OF ISSUING THIS SHEET																																	



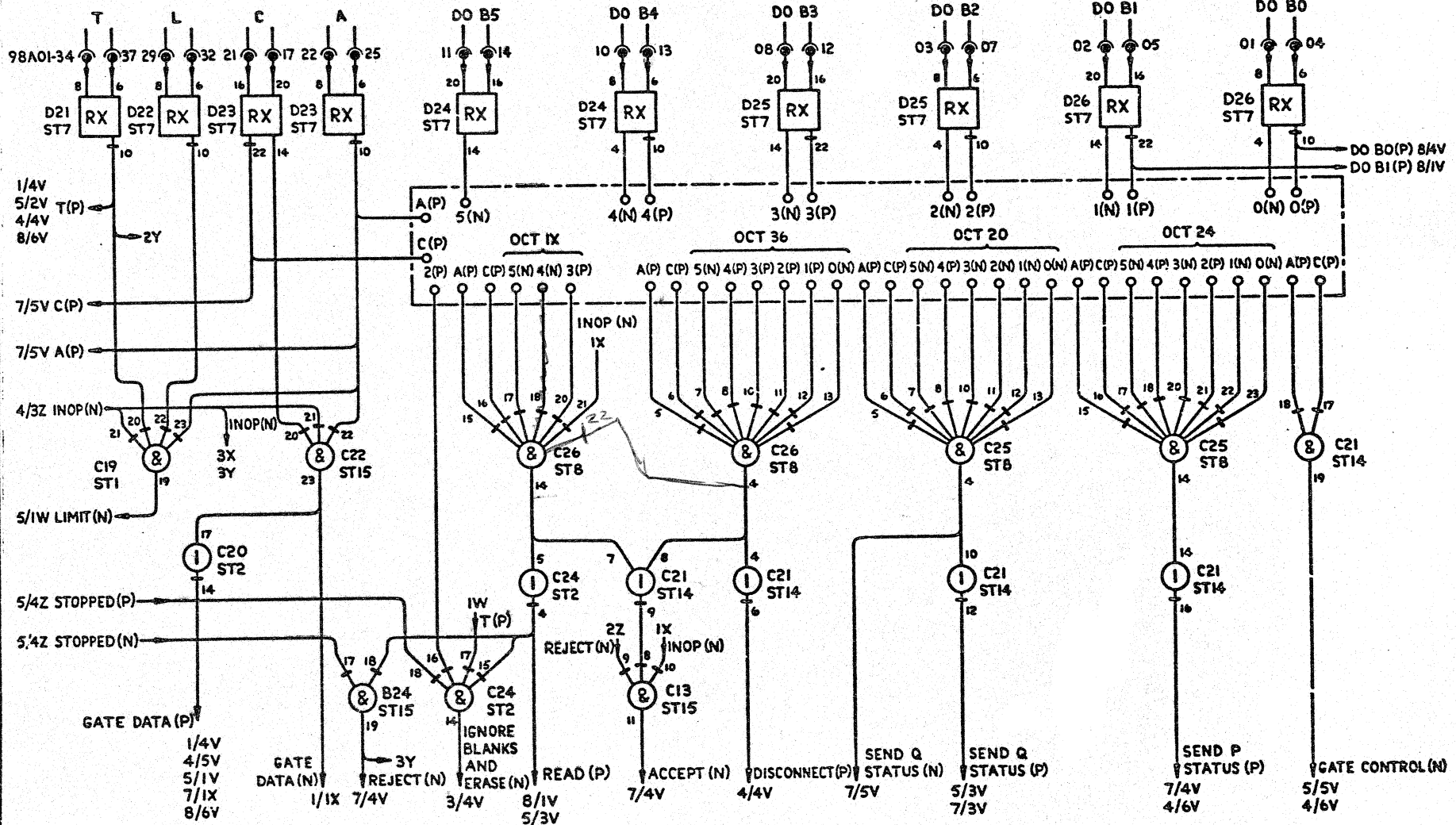
ISS CHANGES

4 REDRAWN 7881 9-65

7-7-65 DSM

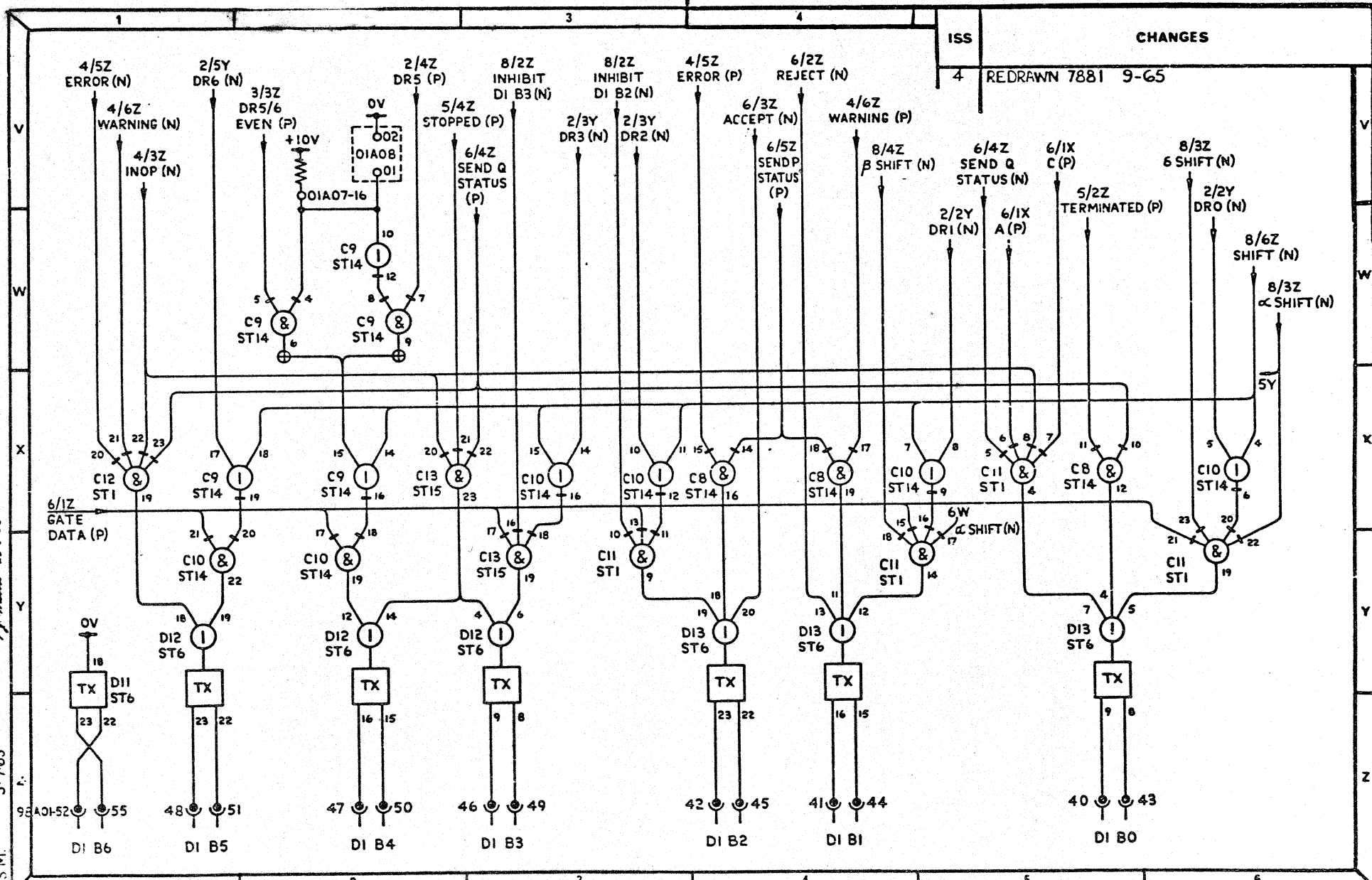
	Q STATUS GENERATION PAPER TAPE READER	5005571/4	5	DRAWN TO PROV. STD	ISSUE 4 4 4 4 4 4 4
	DIAGRAM	ISSUE	SHEET	79 02101	SHEET 1 2 3 4 5 6 7 8 9 10 11 12 13 14 15 16 17 18 19 20
	ISSUE NUMBERS OF OTHER SHEETS AT THE TIME OF ISSUING THIS SHEET				

ISS CHANGES  
4 REDRAWN 7881 9-65



D.S.M. 4-7-65

<b>IC-T</b>	INPUT DECODING PAPER TAPE READER	5005571 / 4	6	DRAWN TO	ISSUE 4 4 4 4 4 4 4 4
	DIAGRAM	ISSUE	SHEET	PROV. STD	SHEET 1 2 3 4 5 6 7 8 9 10 11 12 13 14 15 16 17 18 19 20
	7902101				

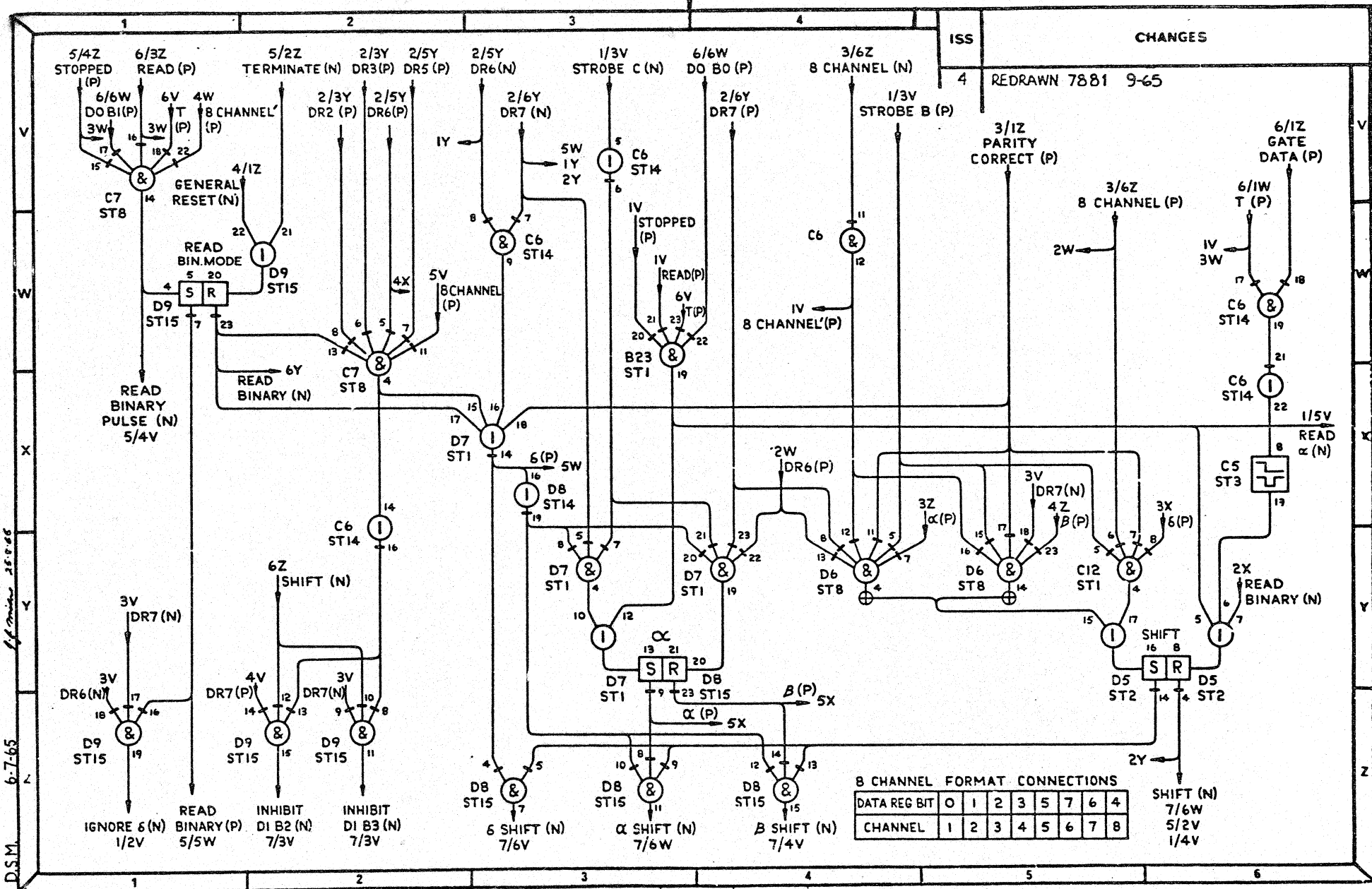


ISS  
 4 REDRAWN 7881 9-65

D.S.M. 5-7-65 1/10/65 25.0.05

	PAPER TAPE READER OUTPUT CONTROL		5005571/4	7	DRAWN TO	ISSUE 4 4 4 4 4 4 4
	DIAGRAM		ISSUE	SHEET	7902101	SHEET 1 2 3 4 5 6 7 8 9 10 11 12 13 14 15 16 17 18 19 20
	ISSUE NUMBERS OF OTHER SHEETS AT THE TIME OF ISSUING THIS SHEET					



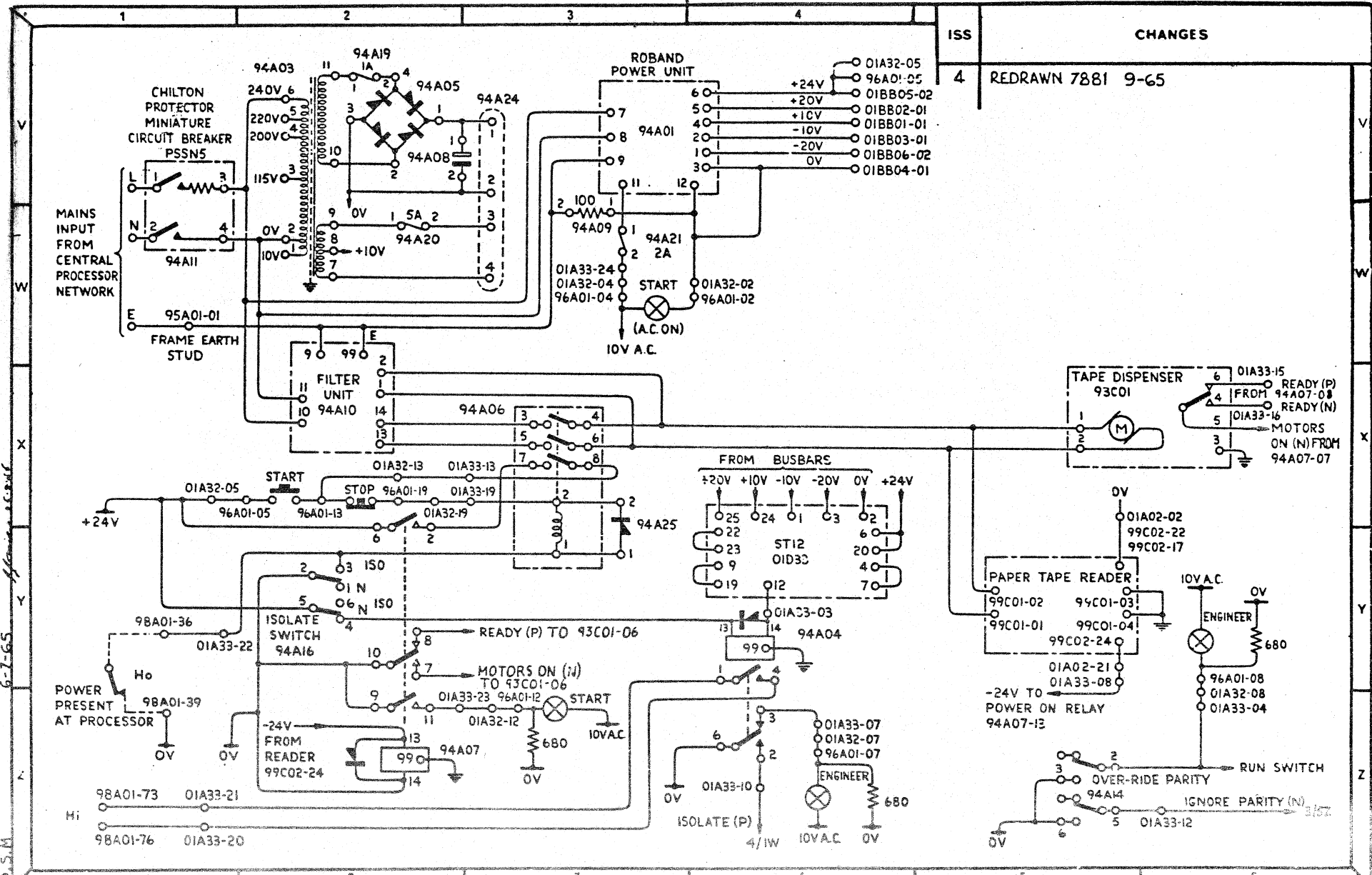


ISS CHANGES  
 4 REDRAWN 7881 9-65

B CHANNEL FORMAT CONNECTIONS

DATA REG BIT	0	1	2	3	5	7	6	4
CHANNEL	1	2	3	4	5	6	7	8

D.S.M. 6-7-65



ISS CHANGES  
4 REDRAWN 7881 9-65

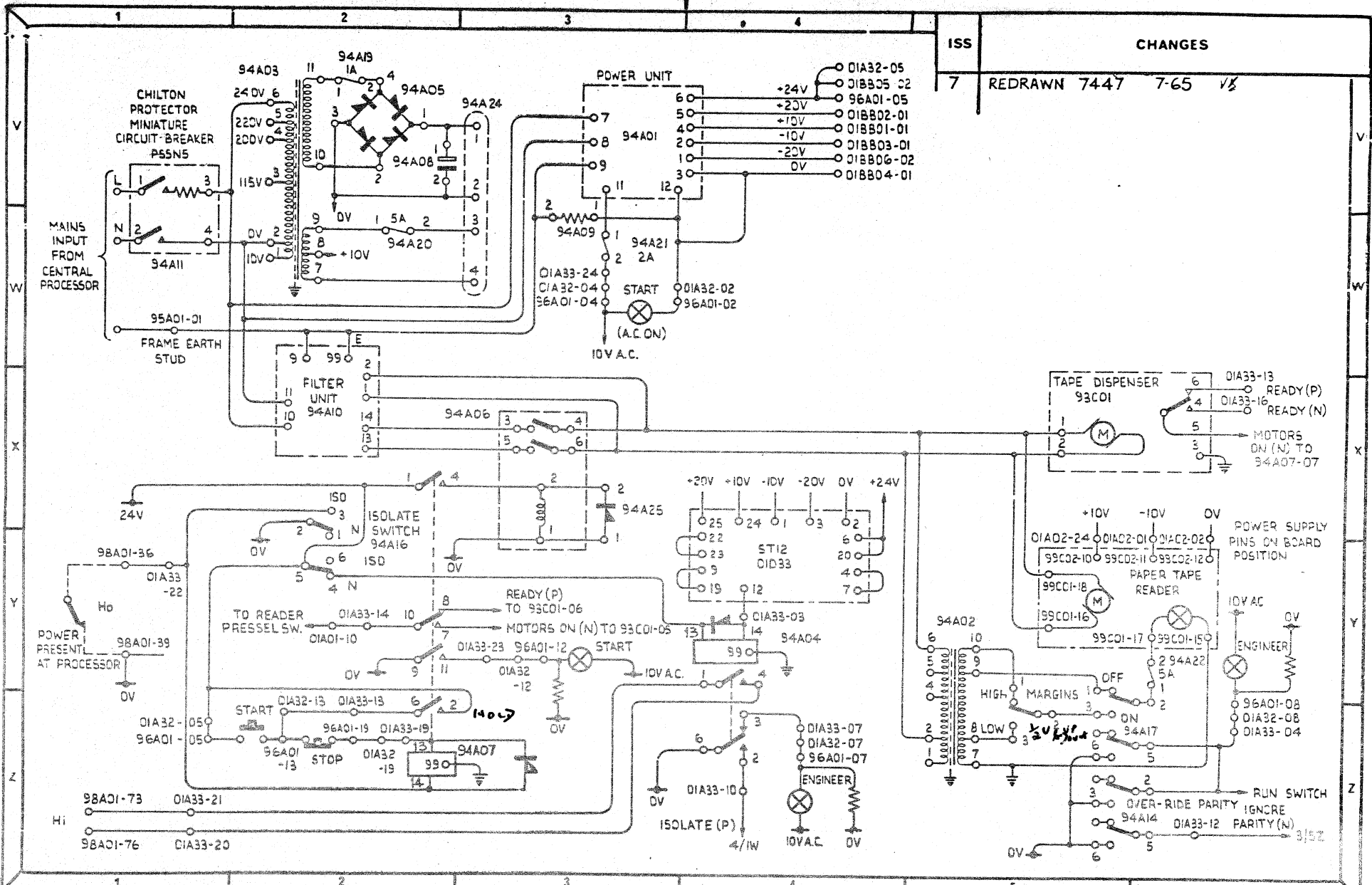
6-7-65 R.S.M.

	POWER SUPPLIES AND CONTROL SCHEMATIC PAPER TAPE READER		5005572/ 4		DRAWN TO ISSUE																				
	DIAGRAM		ISSUE		SHEET																				
	SHEET 7992101		ISSUE NUMBERS OF OTHER SHEETS AT THE TIME OF ISSUING THIS SHEET		<table border="1" style="width: 100%; text-align: center;"> <tr> <td>1</td><td>2</td><td>3</td><td>4</td><td>5</td><td>6</td><td>7</td><td>8</td><td>9</td><td>10</td><td>11</td><td>12</td><td>13</td><td>14</td><td>15</td><td>16</td><td>17</td><td>18</td><td>19</td><td>20</td> </tr> </table>		1	2	3	4	5	6	7	8	9	10	11	12	13	14	15	16	17	18	19
1	2	3	4	5	6	7	8	9	10	11	12	13	14	15	16	17	18	19	20						

W. Mitchell 24 6-65

I-3-65

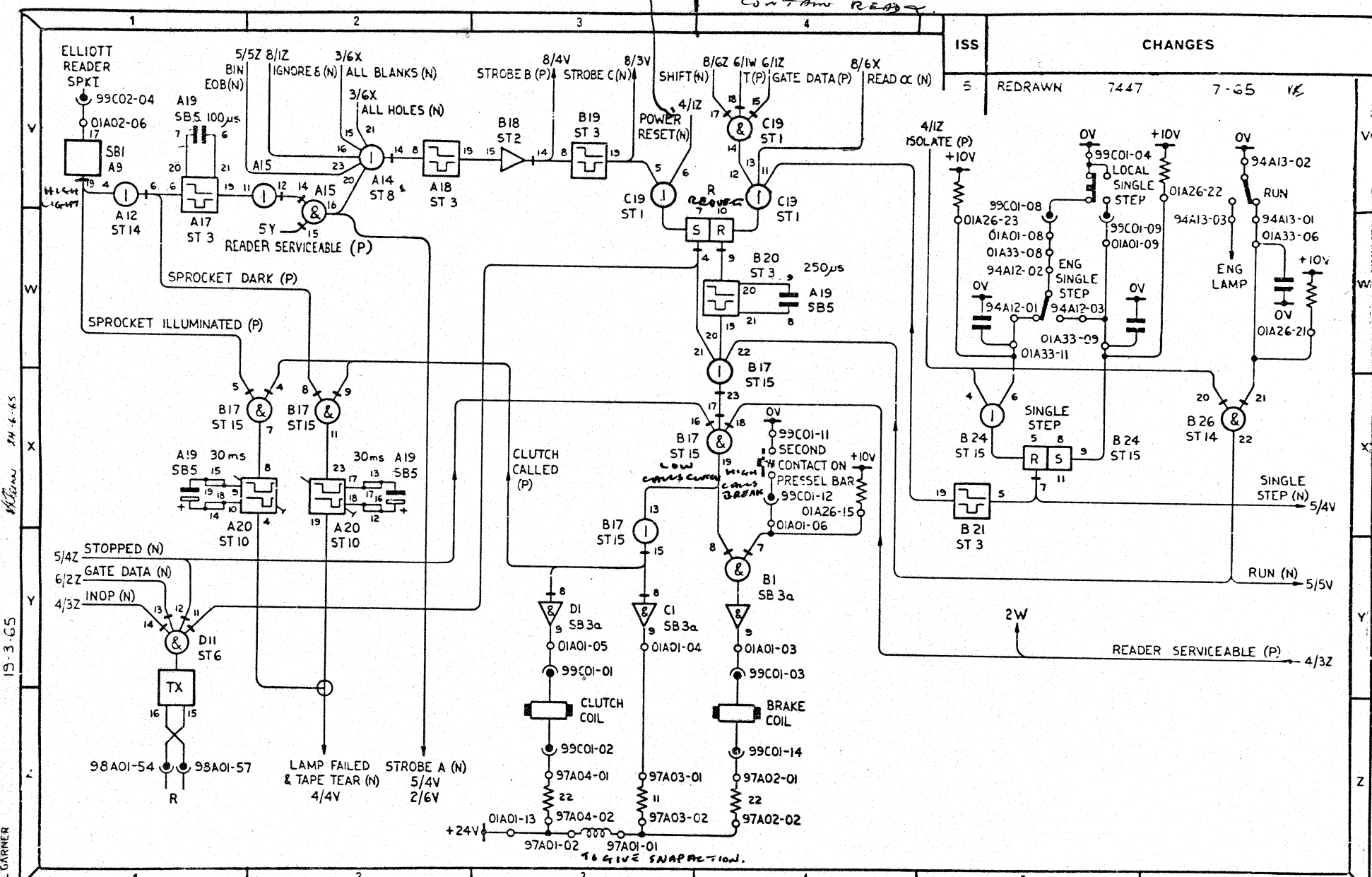
W. Mitchell



ISS	CHANGES
7	REDRAWN 7447 7-65 $\frac{1}{2}$

	POWER SUPPLIES & CONTROL SCHEMATIC PAPER TAPE READER	<h1 style="text-align: center;">887042 / 7</h1>	DRAWN TO	ISSUE	
	DIAGRAM		ISSUE SHEET	PROV. STD	SHEET
	79 02101		7	1 2 3 4 5 6 7 8 9 10 11 12 13 14 15 16 17 18 19 20	ISSUE NUMBERS OF OTHER SHEETS AT THE TIME OF ISSUING THIS SHEET

FIRST SWITCH ON  
RESET. RESTARTS IT CONTAINS ON  
SWITCH ON MUST  
CONTAIN READY.



ISS CHANGES

5	REDRAWN	7447	7-65	IK
---	---------	------	------	----

Redrawn 24-6-65

19-3-65

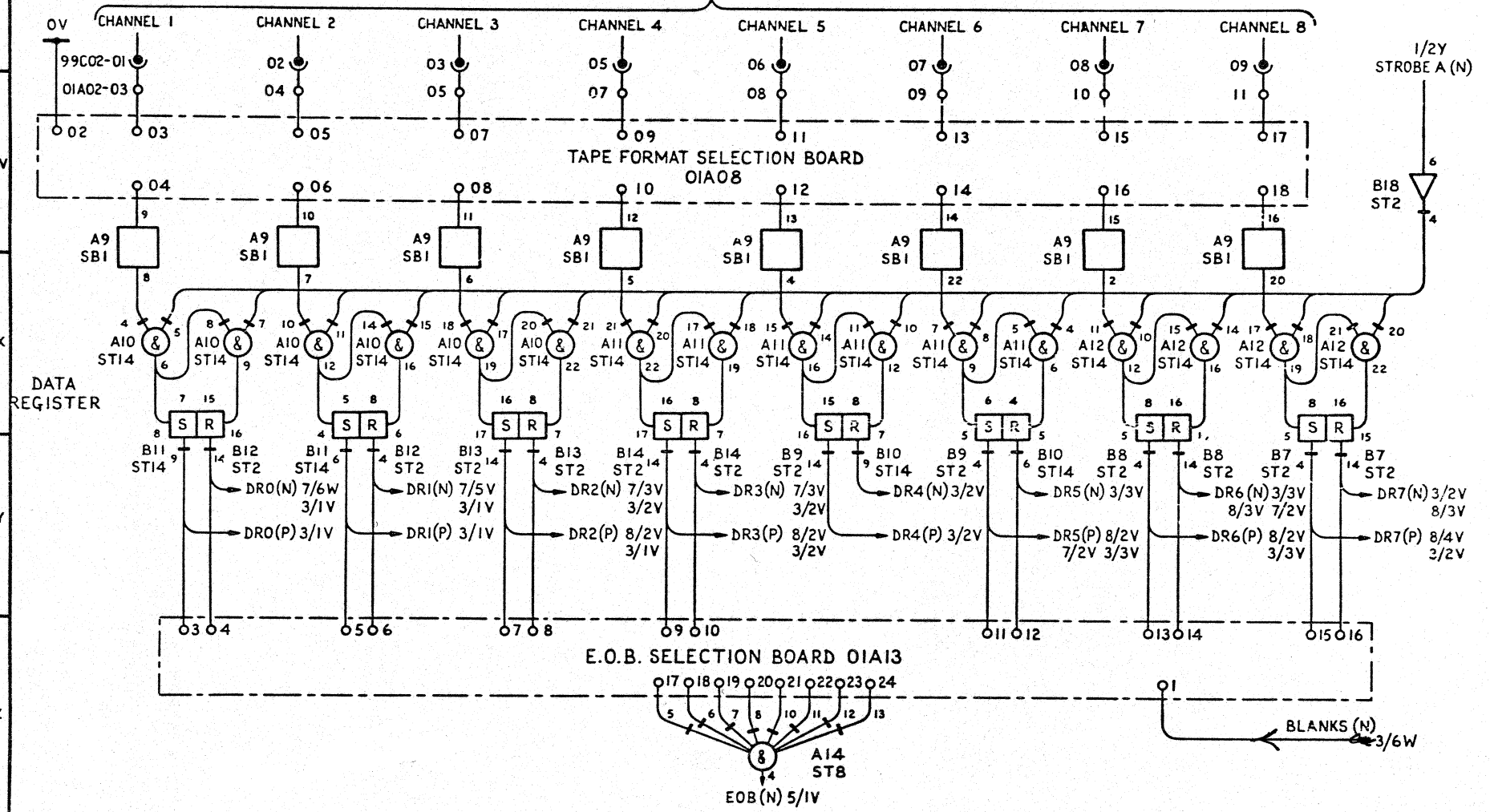
L GARNER

	READER CONTROL PAPER TAPE READER	<h1>887044/5</h1>	1 SHEET	DRAWN TO	ISSUE	5	5	5	5	5	5	5	5	5	5	5	5	5	5			
	PROV. STD			7902101	SHEET	1	2	3	4	5	6	7	8	9	10	11	12	13	14	15	16	17

DIAGRAM ISSUE

ISSUE NUMBERS OF OTHER SHEETS AT THE TIME OF ISSUING THIS SHEET

ELLIOTT READ HEAD



19-2-65  
 J. WELLS



DATA REGISTER AND  
 E.O.B. SELECTION  
 PAPER TAPE READER

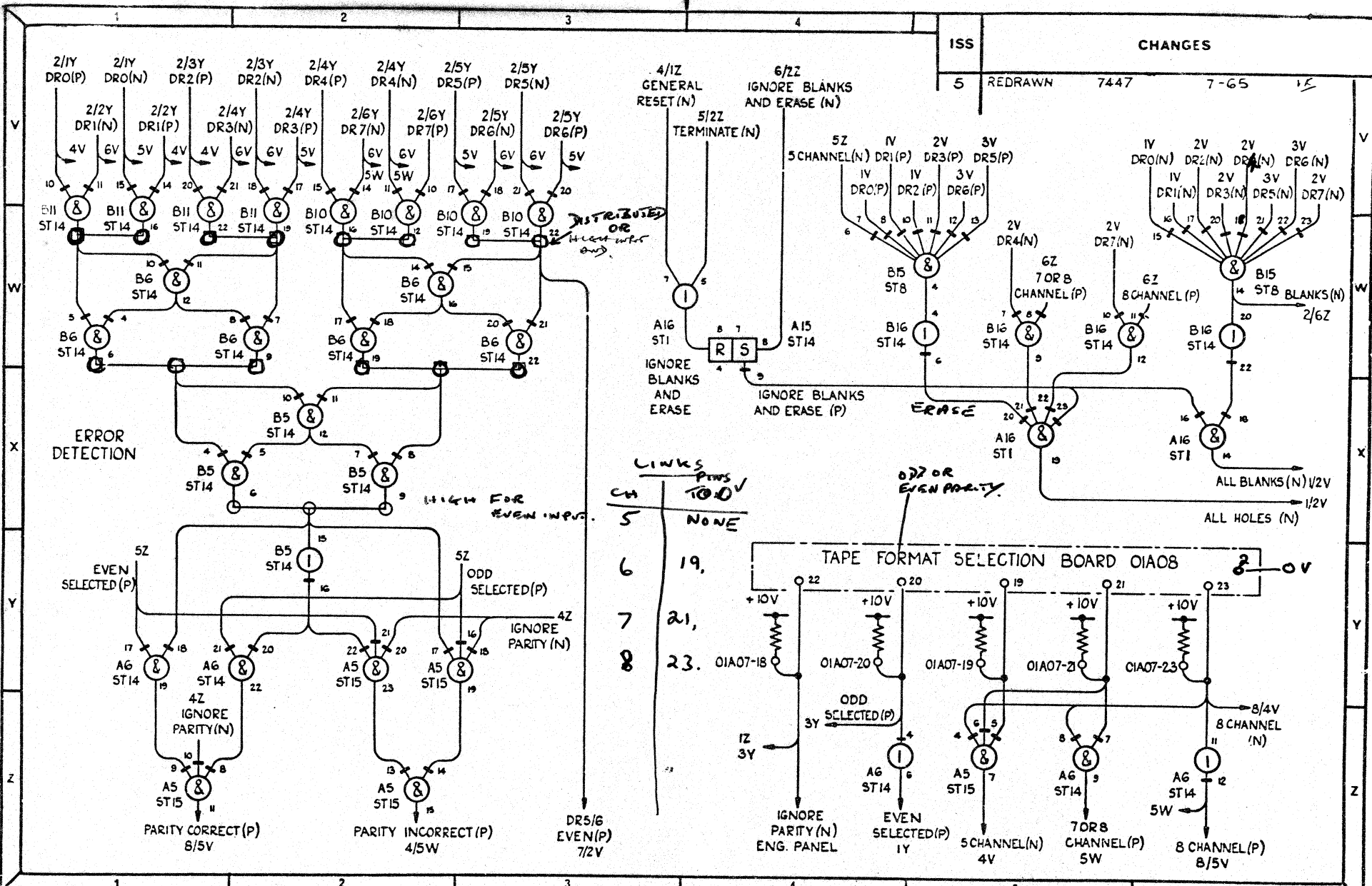
DIAGRAM **887044/5** ISSUE **2** SHEET

DRAWN TO  
 PROV. STD  
 79 02101

ISSUE	5	5	5	5	5	5	5	5	5	5	5	5	5	5	5	5	5	5	5	
SHEET	1	2	3	4	5	6	7	8	9	10	11	12	13	14	15	16	17	18	19	20

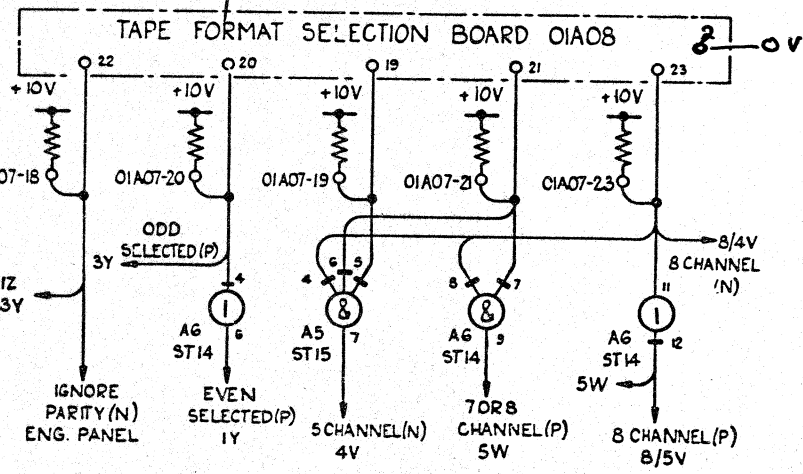
ISSUE NUMBERS OF OTHER SHEETS AT THE TIME OF ISSUING THIS SHEET

16-2-G-4  
 1/2 Rev 94-6-65  
 M TAYLOR



LINKS PINS TO 0V

CH	LINKS PINS TO 0V
5	NONE
6	19,
7	21,
8	23.



ERROR DETECTION  
PAPER TAPE READER

887044/ 5

DIAGRAM

ISSUE

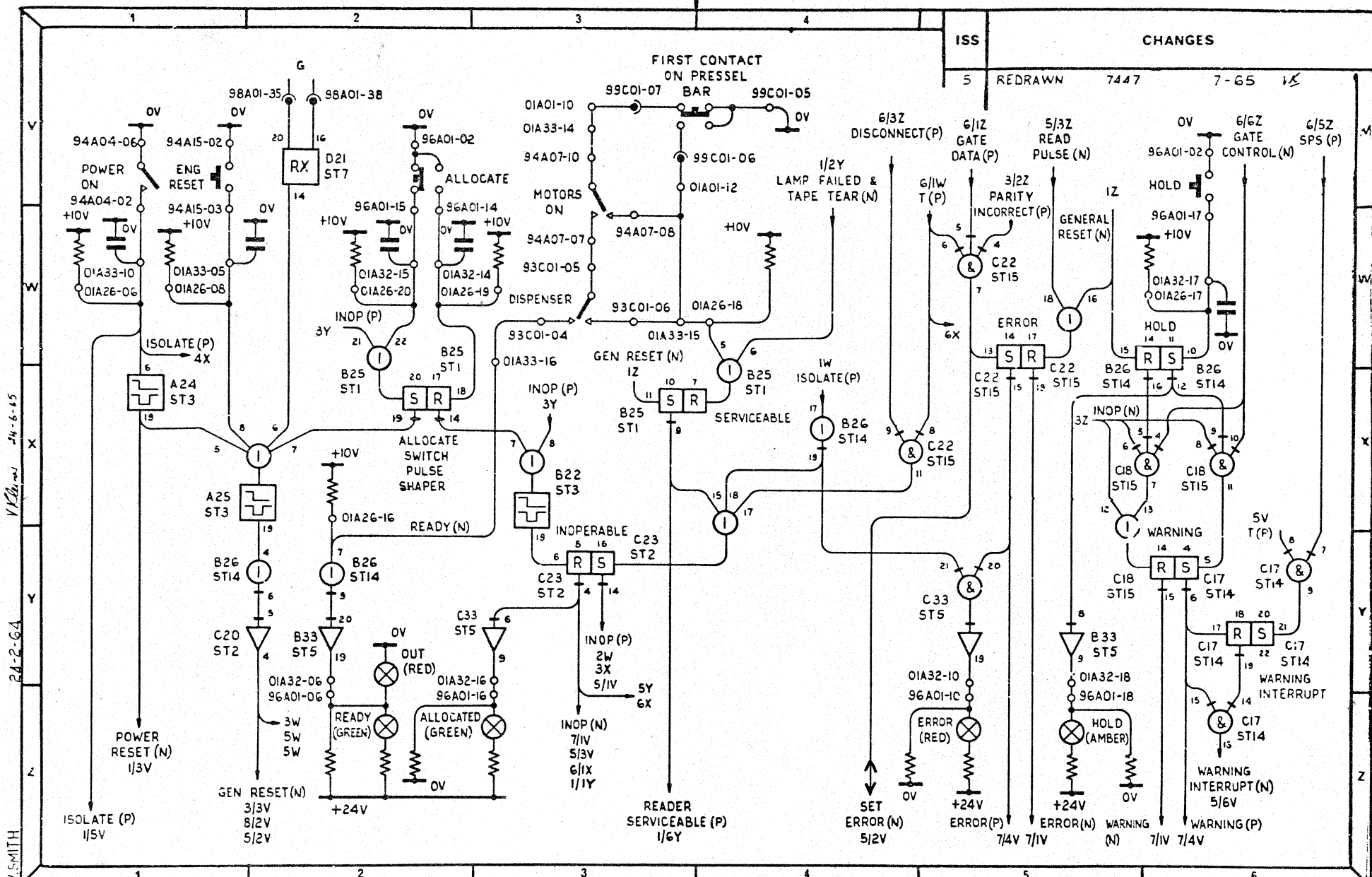
3

SHEET

DRAWN TO  
PROV. STD  
79 02101

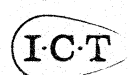
ISSUE	5	5	5	5	5	5	5	5	5	5	5	5	5	5	5	5	5	5	5	
SHEET	1	2	3	4	5	6	7	8	9	10	11	12	13	14	15	16	17	18	19	20

ISSUE NUMBERS OF OTHER SHEETS AT THE TIME OF ISSUING THIS SHEET



ISS CHANGES  
 5 REDRAWN 7447 7-65

V. SMITH 24-2-64 24-6-65



P STATUS GENERATION  
 PAPER TAPE READER

887044/ 5

DIAGRAM

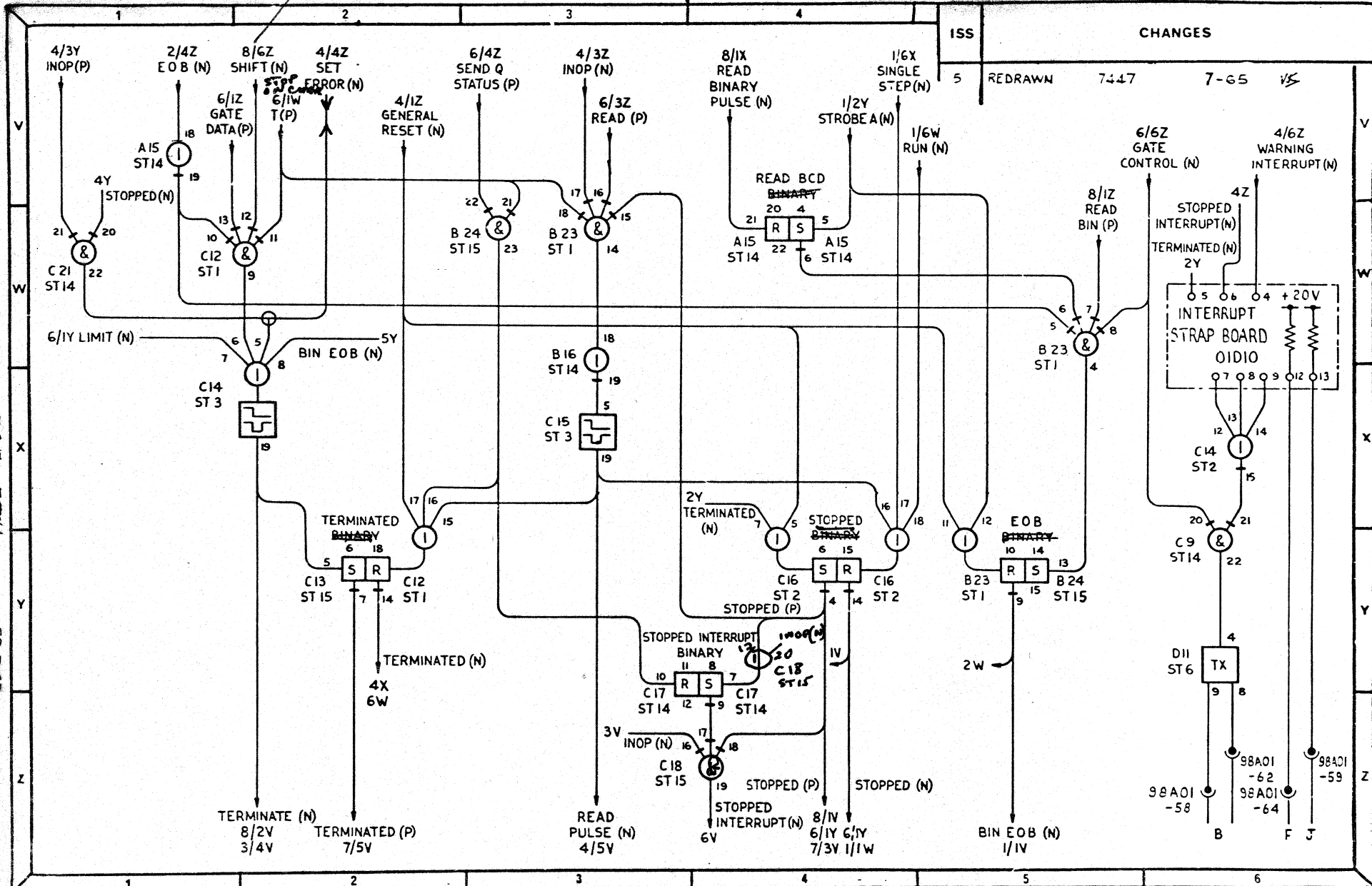
ISSUE

4 SHEET

DRAWN TO  
 PROV. STD  
 7902101

ISSUE	5	5	5	5	5	5	5	5	5	5	5	5	5	5	5	5	5	5	5	
SHEET	1	2	3	4	5	6	7	8	9	10	11	12	13	14	15	16	17	18	19	20
ISSUE NUMBERS OF OTHER SHEETS AT THE TIME OF ISSUING THIS SHEET																				

PREVENTS STOPPING ON  
CUTTER UNTIL  
3 BIT CUTTERS HAVE GONE ACCROSS.



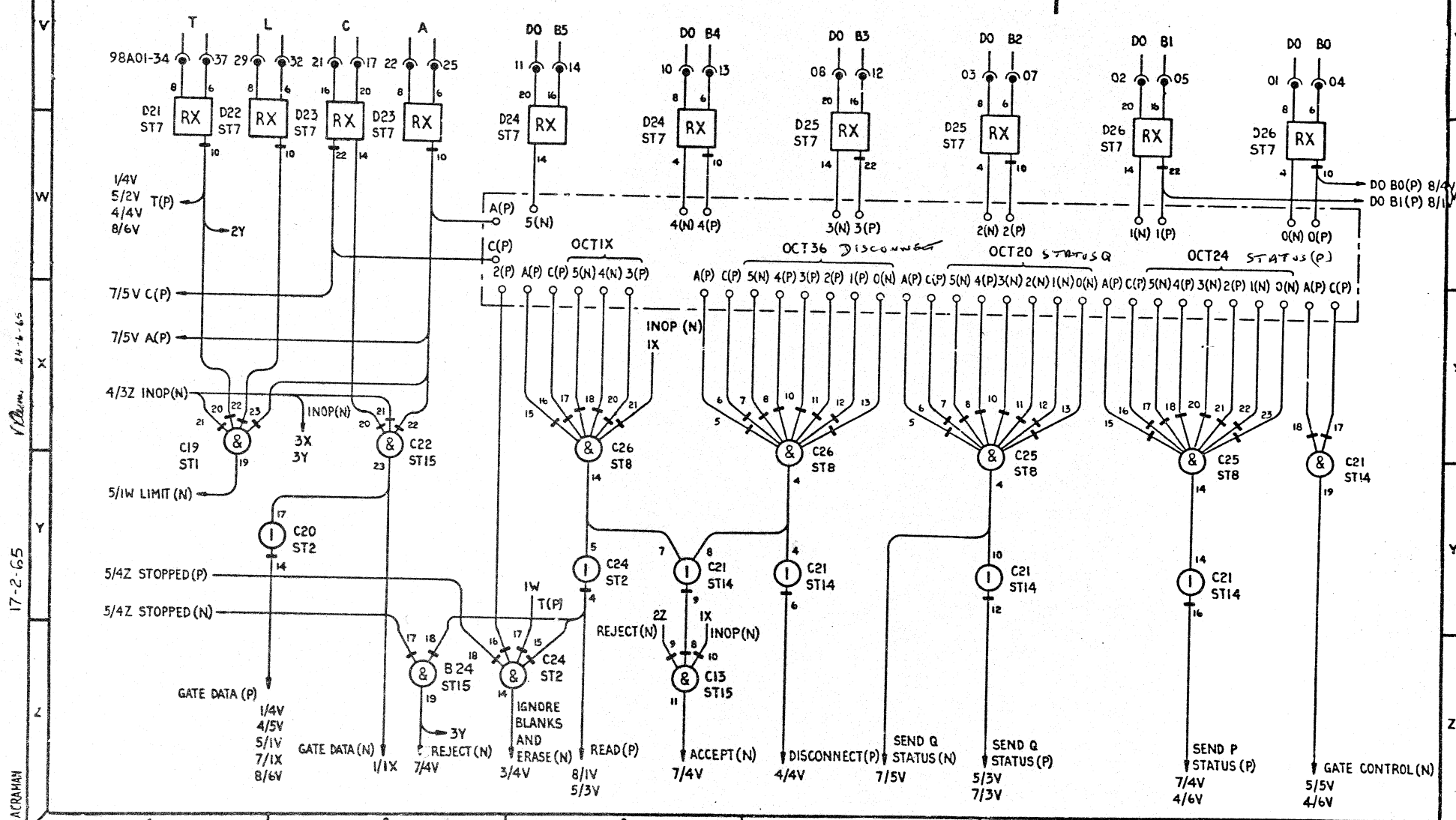
ISS CHANGES  
5 REDRAWN 7447 7-65 VS

V. J. 20-8-65

L. J. 2-65

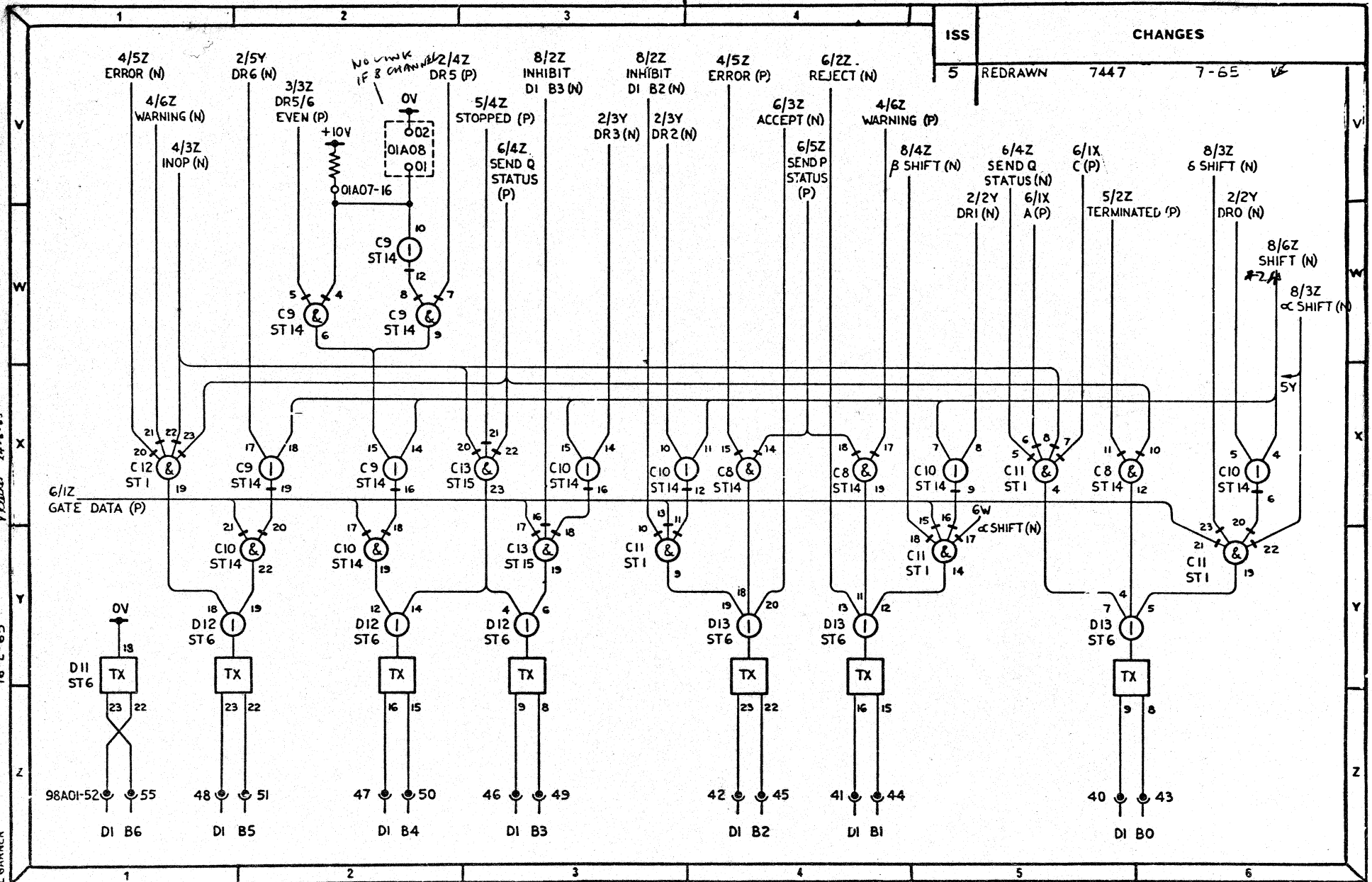


ISS	CHANGES				
5	REDRAWN	7447	7-65	YK	



17-2-65  
 G. AKRAMAN  
 1/22/65  
 24-4-65

	INPUT DECODING PAPER TAPE READER.	887044/5 DIAGRAM ISSUE SHEET 6	DRAWN TO: 5 5 5 5 5 5 5 5 PROV. STD: 1 2 3 4 5 6 7 8 9 10 11 12 13 14 15 16 17 18 19 20 7902101	ISSUE 5 5 5 5 5 5 5 5 SHEET 1 2 3 4 5 6 7 8 9 10 11 12 13 14 15 16 17 18 19 20 ISSUE NUMBERS OF OTHER SHEETS AT THE TIME OF ISSUING THIS SHEET	



Y. Kline 24-6-65

16-2-65

L. GARNER



PAPER TAPE READER  
OUTPUT CONTROL

887044/5

DIAGRAM

ISSUE

7  
SHEET

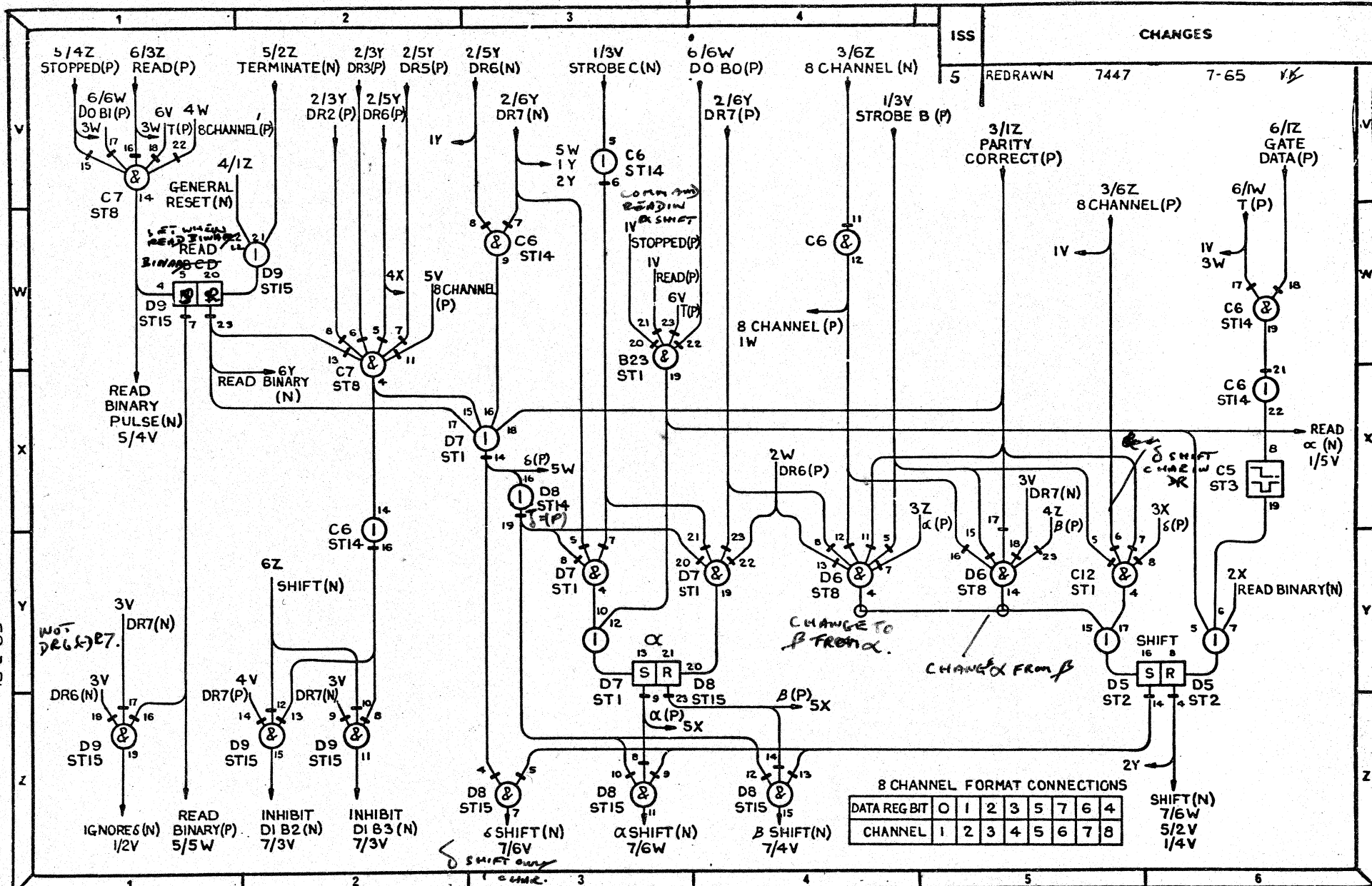
DRAWN TO  
PROV. STD  
7902101

ISSUE 5 5 5 5 5 5 5

SHEET 1 2 3 4 5 6 7 8 9 10 11 12 13 14 15 16 17 18 19 20

ISSUE NUMBERS OF OTHER SHEETS AT THE TIME OF ISSUING THIS SHEET

V Kaban 2/11-6-65  
IB-2-65  
SCOOPER



ISS CHANGES  
5 REDRAWN 7447 7-65 1/6



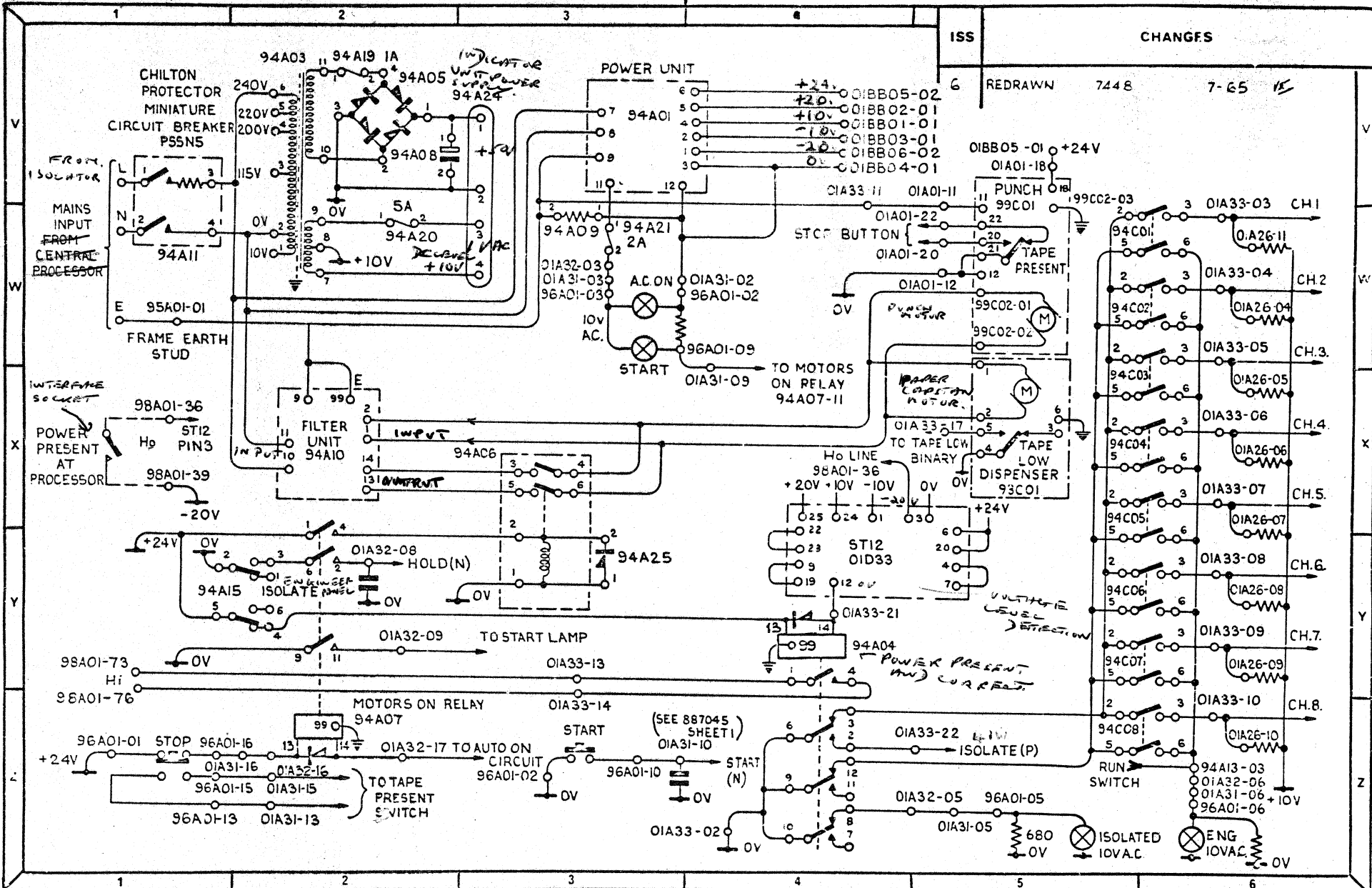
SHIFT CONTROL  
PAPERTAPE READER

887044/5  
DIAGRAM ISSUE

8 SHEET

DRAWN TO  
PROV. STD  
7902101

ISSUE 5 5 5 5 5 5 5  
SHEET 1 2 3 4 5 6 7 8 9 10 11 12 13 14 15 16 17 18 19 20  
ISSUE NUMBERS OF OTHER SHEETS AT THE TIME OF ISSUING THIS SHEET



ISS		CHANGES	
6	REDRAWN	7448	7-65

V. K. K. 24 6 15

8-3-65

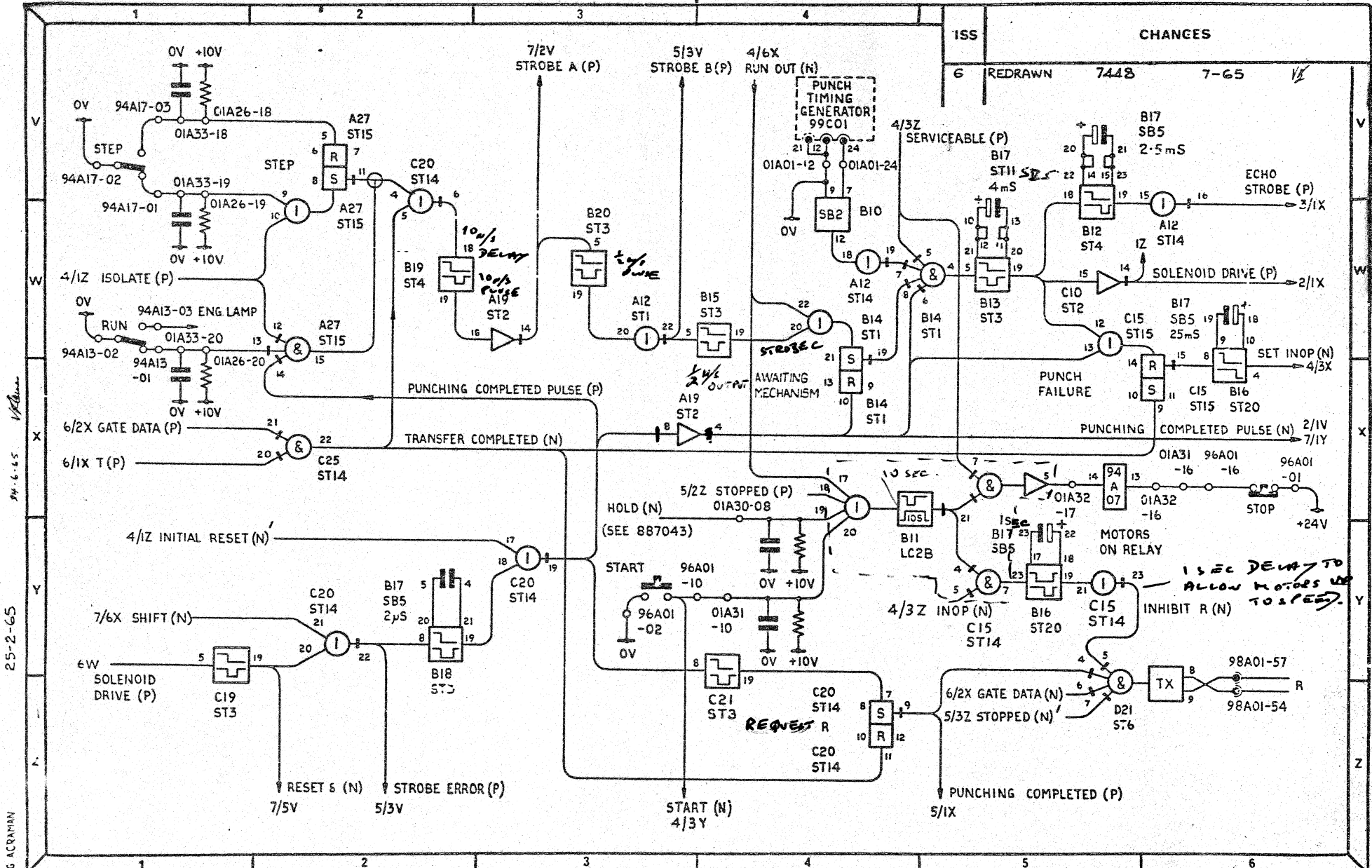
S. C. O. M. P. N.



POWER SUPPLIES  
& CONTROL SCHEMATIC  
PAPER TAPE PUNCH

887043/6  
DIAGRAM ISSUE SHEET

DRAWN TO:	ISSUE
PROV. STD:	SHEET 1 2 3 4 5 6 7 8 9 10 11 12 13 14 15 16 17 18 19 20
7902101	ISSUE NUMBERS OF OTHER SHEETS AT THE TIME OF ISSUING THIS SHEET



94-6-65

25-2-65

G ACRAMIN



PUNCHING CONTROL  
PAPER TAPE PUNCH

887045/6

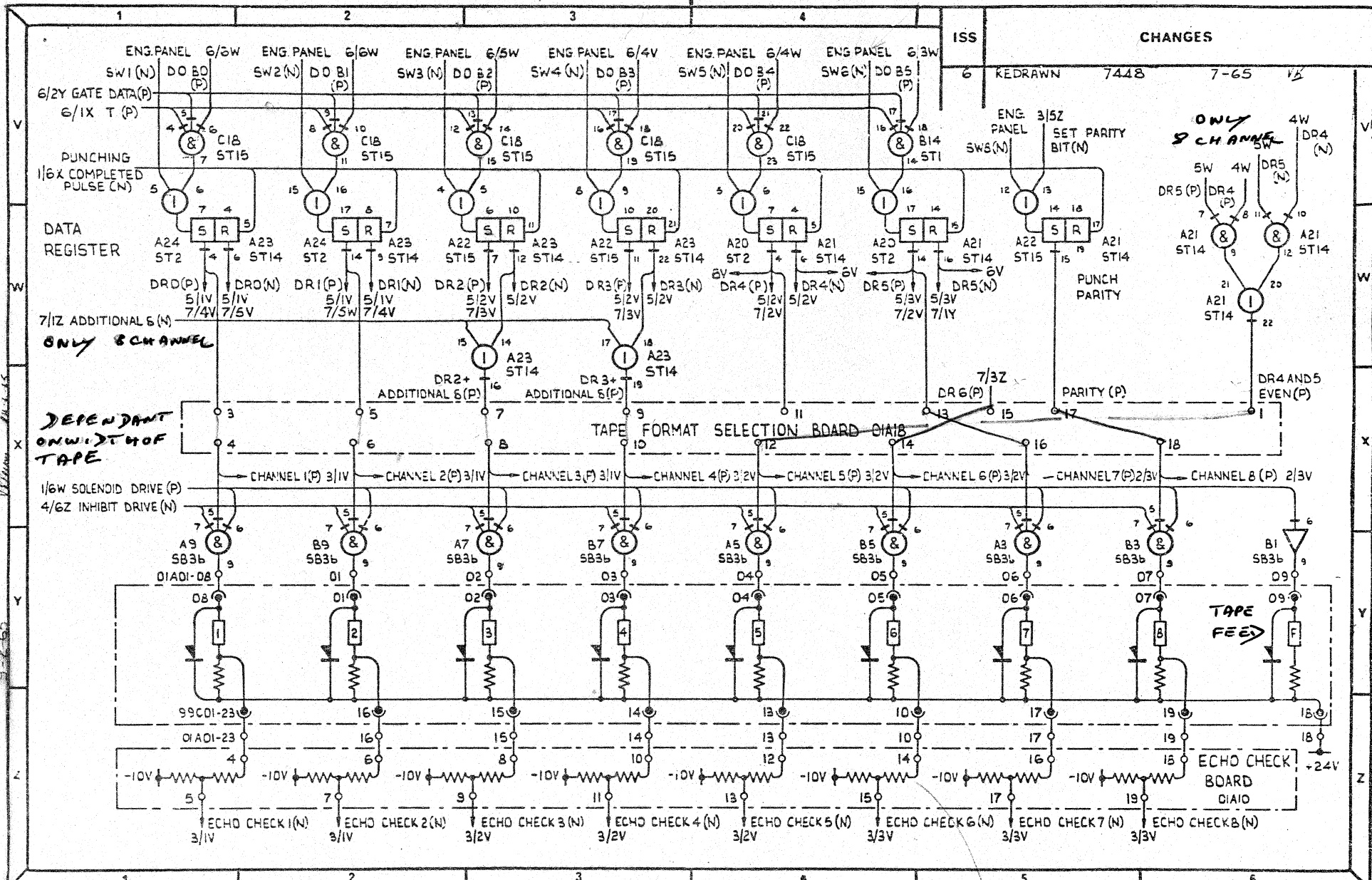
DIAGRAM

ISSUE

SHEET

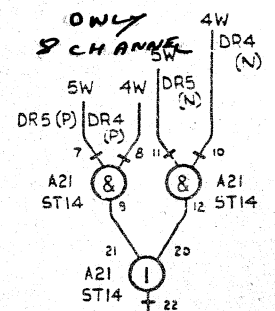
DRAWN TO  
PROV. STD  
7902101

ISSUE	6	6	6	6	6	6	6	6	6	6	6	6	6	6	6	6	6	6	6	
SHEET	1	2	3	4	5	6	7	8	9	10	11	12	13	14	15	16	17	18	19	20
ISSUE NUMBERS OF OTHER SHEETS AT THE TIME OF ISSUING THIS SHEET																				

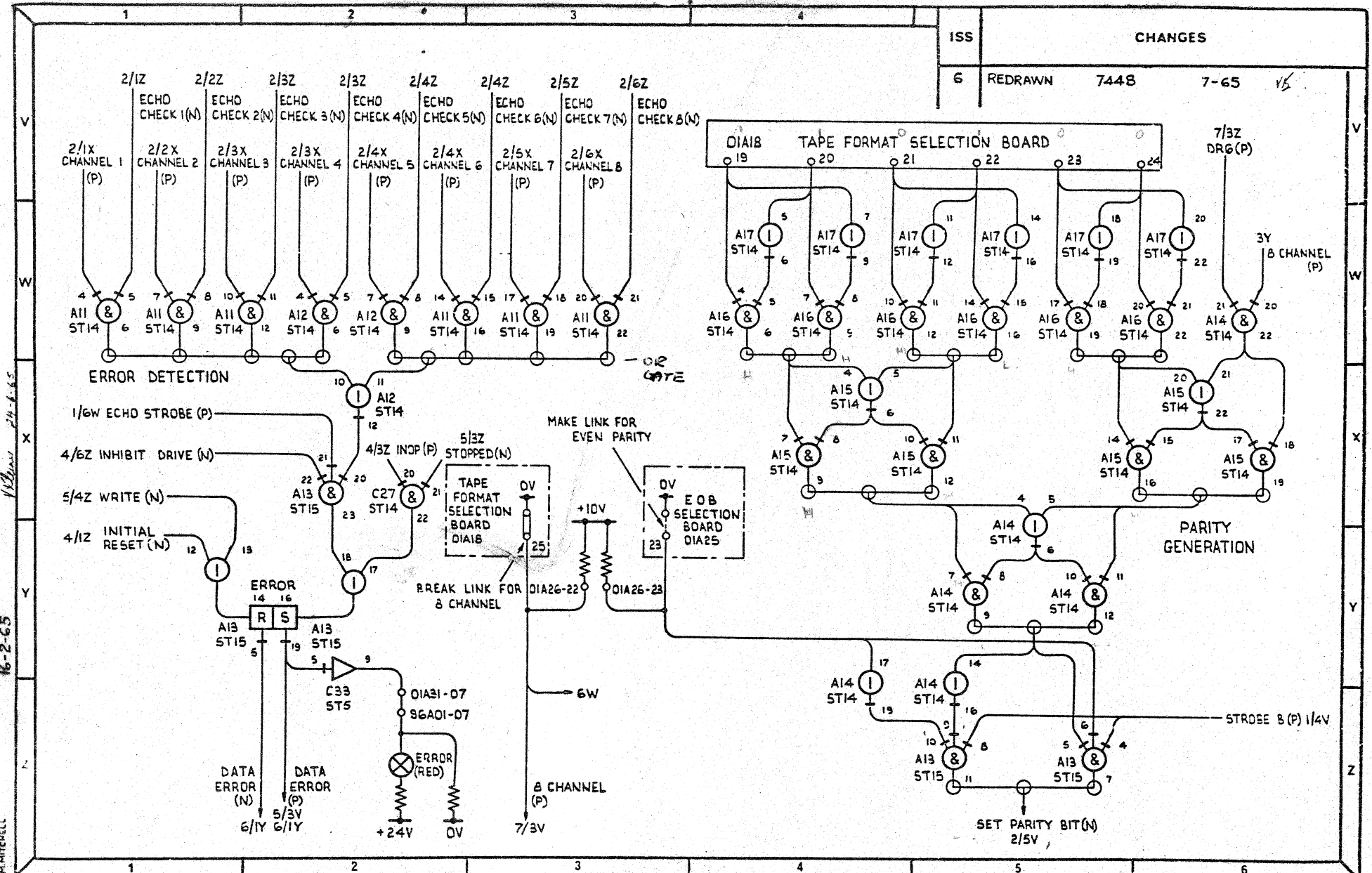


ISS

6	7	8	9	10	11	12	13	14	15	16	17	18	19	20
KEDRAWN	7448	7-65	1/2											



ISS	CHANGES				
6	REDRAWN	7448	7-65	1/5	



16-2-65

M. MITCHELL



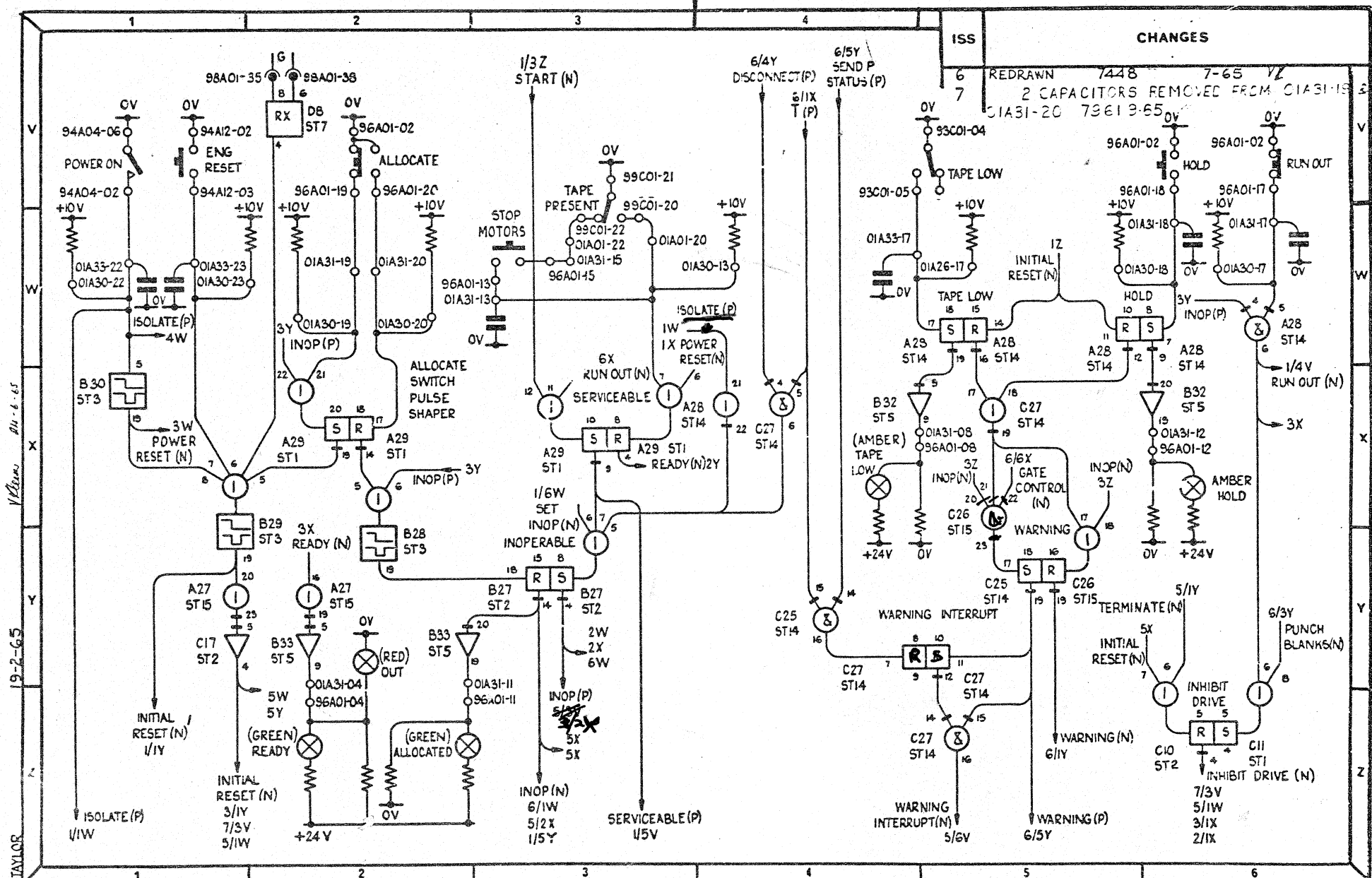
PARITY GENERATION & ERROR DETECTION PAPER TAPE PUNCH

DIAGRAM 887045/6 ISSUE 3

SHEET 7902101

DRAWN TO	ISSUE	6	6	6	6	6	6	6	6	6	6	6	6	6	6	6	6	6	6		
PROV. STD.	SHEET	1	2	3	4	5	6	7	8	9	10	11	12	13	14	15	16	17	18	19	20

ISSUE NUMBERS OF OTHER SHEETS AT THE TIME OF ISSUING THIS SHEET



ISS CHANGES  
 6 REDRAWN 7448  
 7 2 CAPACITORS REMOVED FROM CIA31-15 & CIA31-20 7-65 VZ  
 CIA31-20 79613-65

19-2-65  
 V. K. TAYLOR



P STATUS GENERATION  
 & INITIAL RESET CONTROL  
 PAPER TAPE PUNCH

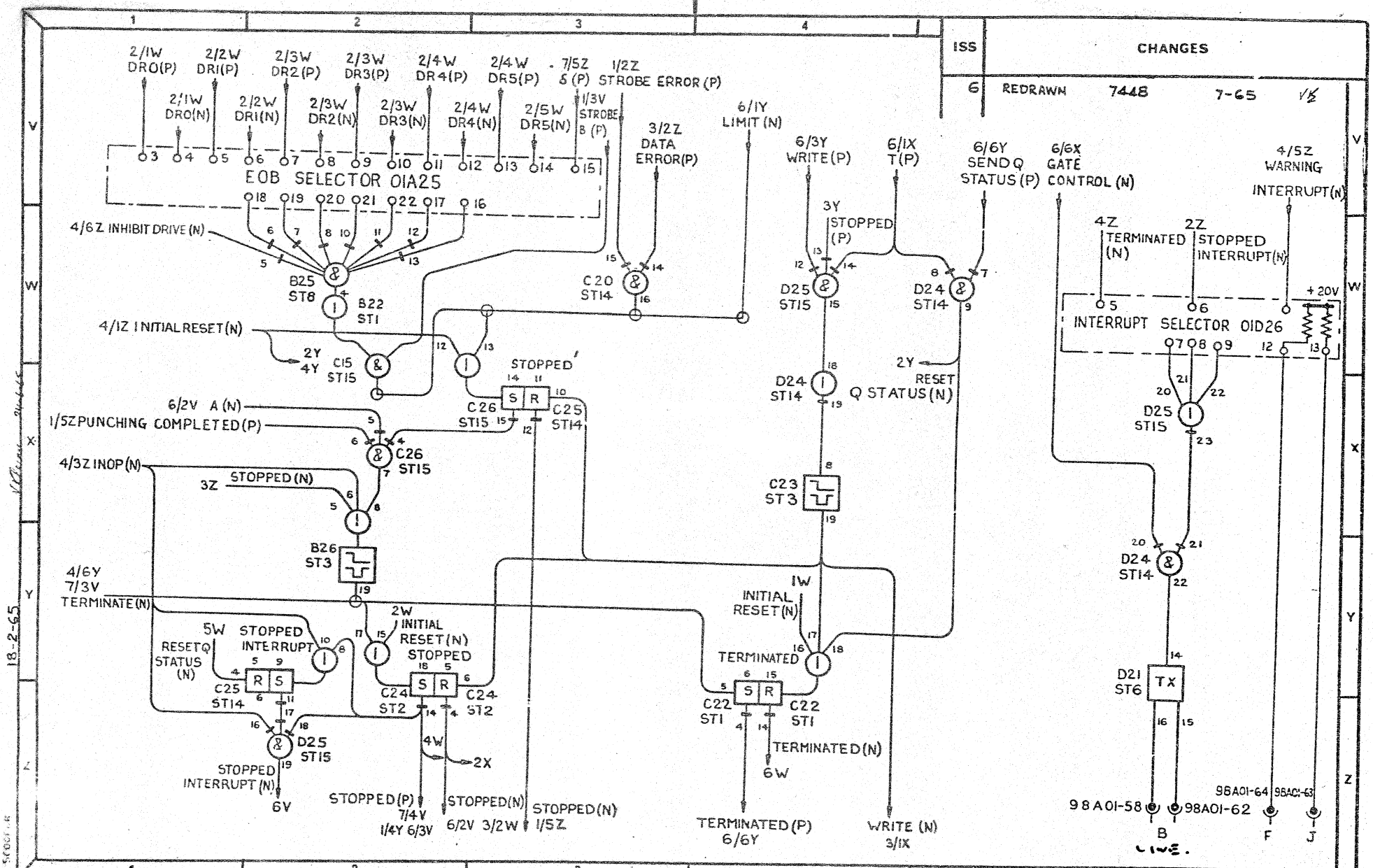
887045/7  
 DIAGRAM ISSUE

4 SHEET  
 79 02101

ISSUE	6	6	6	6	6	6	6	6	6	6	6	6	6	6	6	6	6	6	6	
SHEET	1	2	3	4	5	6	7	8	9	10	11	12	13	14	15	16	17	18	19	20

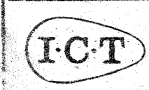
ISSUE NUMBERS OF OTHER SHEETS AT THE TIME OF ISSUING THIS SHEET





ISS CHANGES  
 6 REDRAWN 7448 7-65 1/2

18-2-65



Q STATUS GENERATION  
 PAPER TAPE PUNCH

887045/6

DIAGRAM

ISSUE

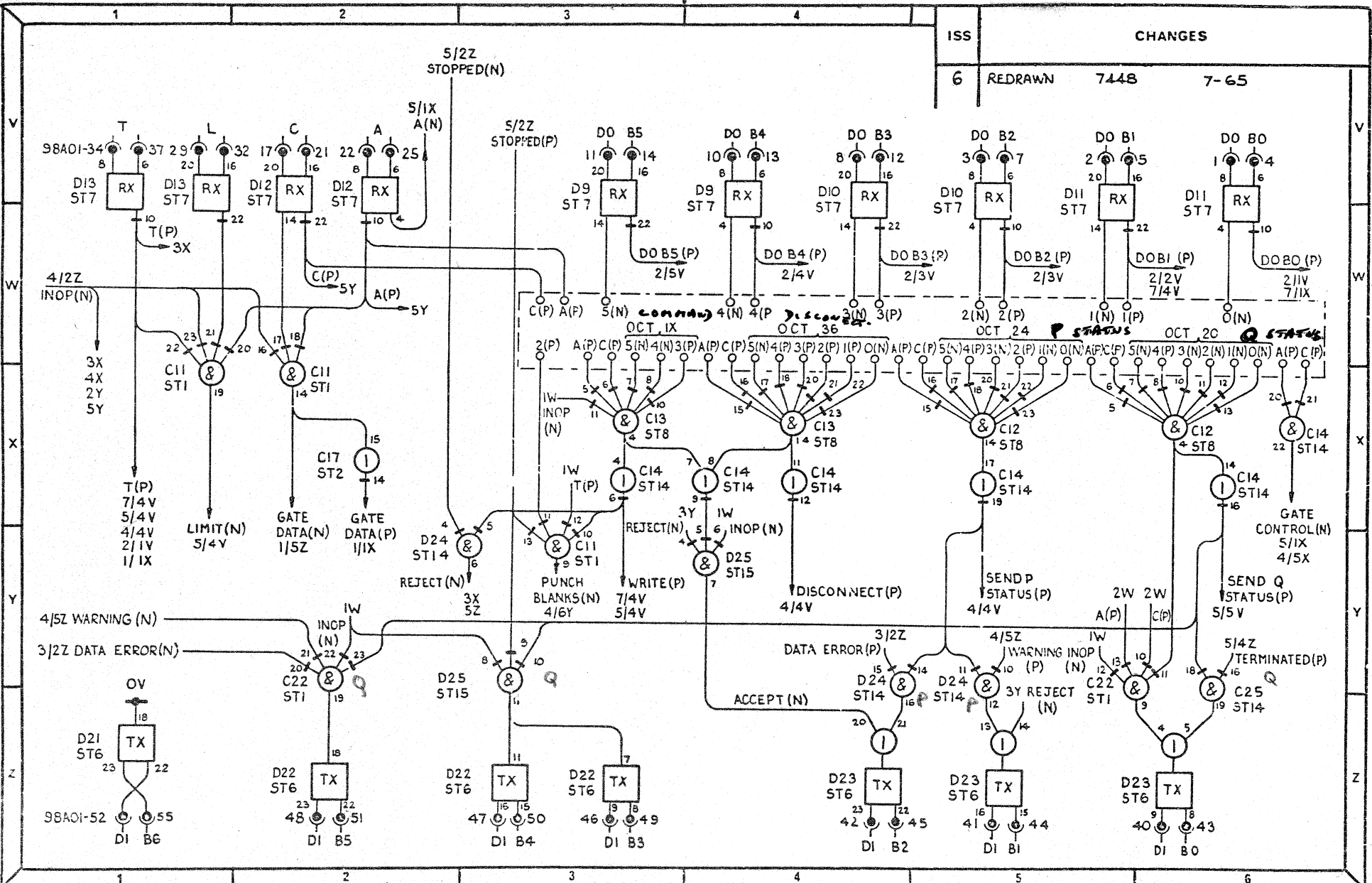
5 SHEET 7902101

ISSUE	6	6	6	6	6	6	6	6	6	6	6	6	6	6	6	6	6	6	6	
SHEET	1	2	3	4	5	6	7	8	9	10	11	12	13	14	15	16	17	18	19	20
ISSUE NUMBERS OF OTHER SHEETS AT THE TIME OF ISSUING THIS SHEET																				

1/2/6/6 44-6-65

23-3-65

3-6-65



ISS	CHANGES																			
6	REDRAWN	7448	7-65																	



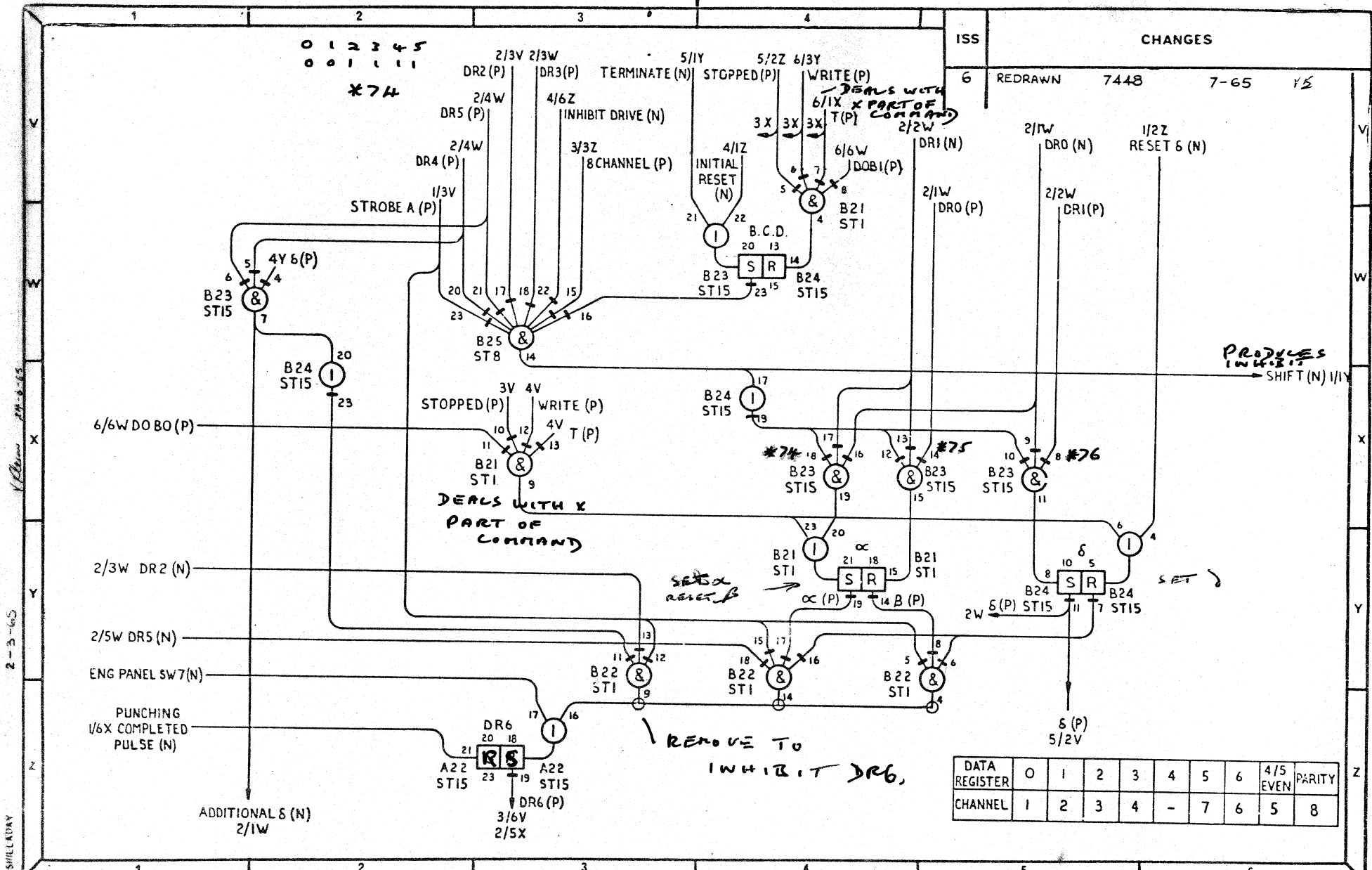
INPUT AND OUTPUT  
DECODING  
PAPER TAPE PUNCH

887045/6  
DIAGRAM ISSUE SHEET

6  
SHEET

DRAWN TO  
PROV. STD  
7902101

ISSUE	6	6	6	6	6	6	6	6	6	6	6	6	6	6	6	6	6	6	6	6
SHEET	1	2	3	4	5	6	7	8	9	10	11	12	13	14	15	16	17	18	19	20
ISSUE NUMBERS OF OTHER SHEETS AT THE TIME OF ISSUING THIS SHEET																				



ISS	CHANGES				
6	REDRAWN	7448	7-65	1/5	

DATA REGISTER	0	1	2	3	4	5	6	4/5 EVEN	PARITY
CHANNEL	1	2	3	4	-	7	6	5	8

2-3-65

2-3-65

SHIELDADY