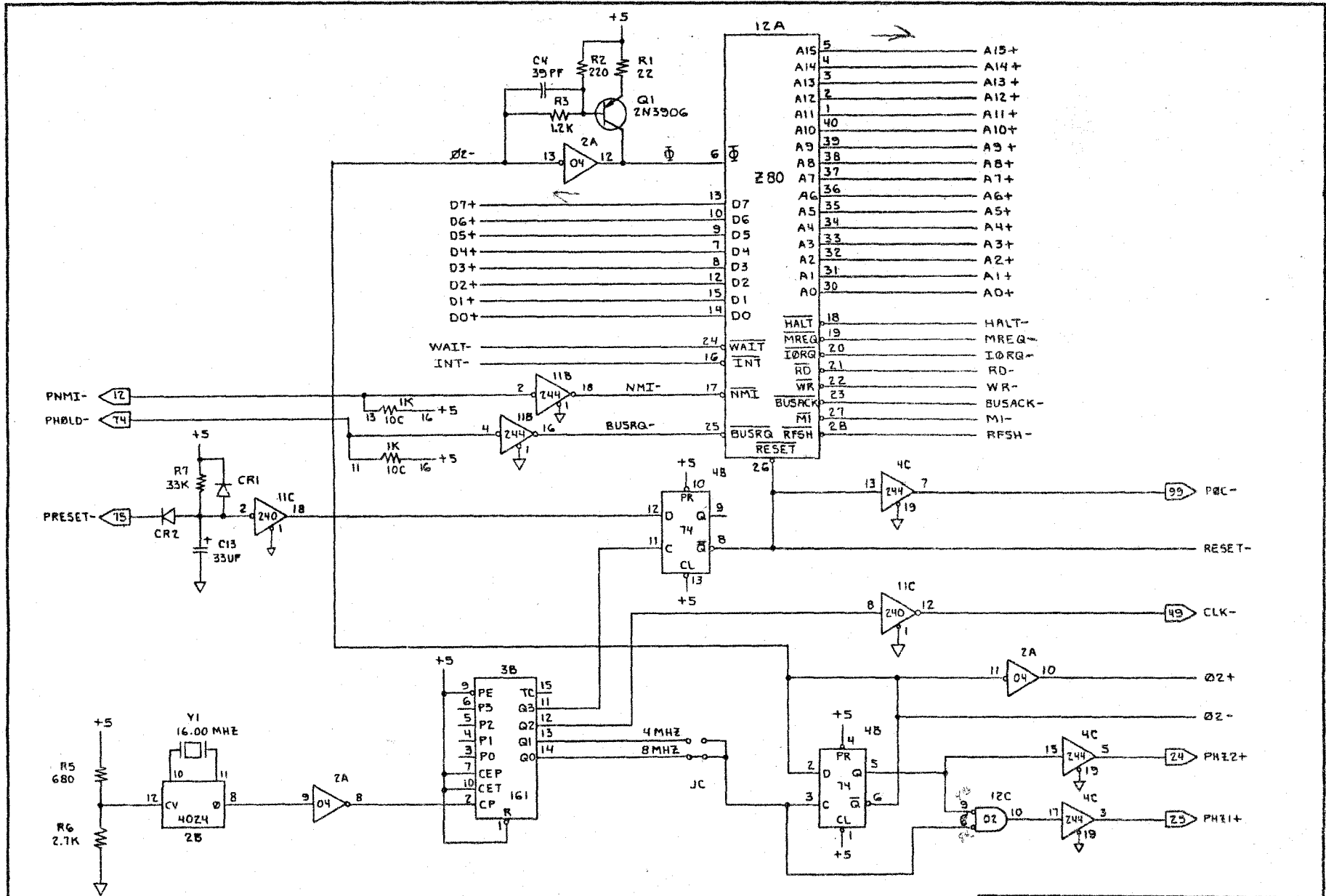


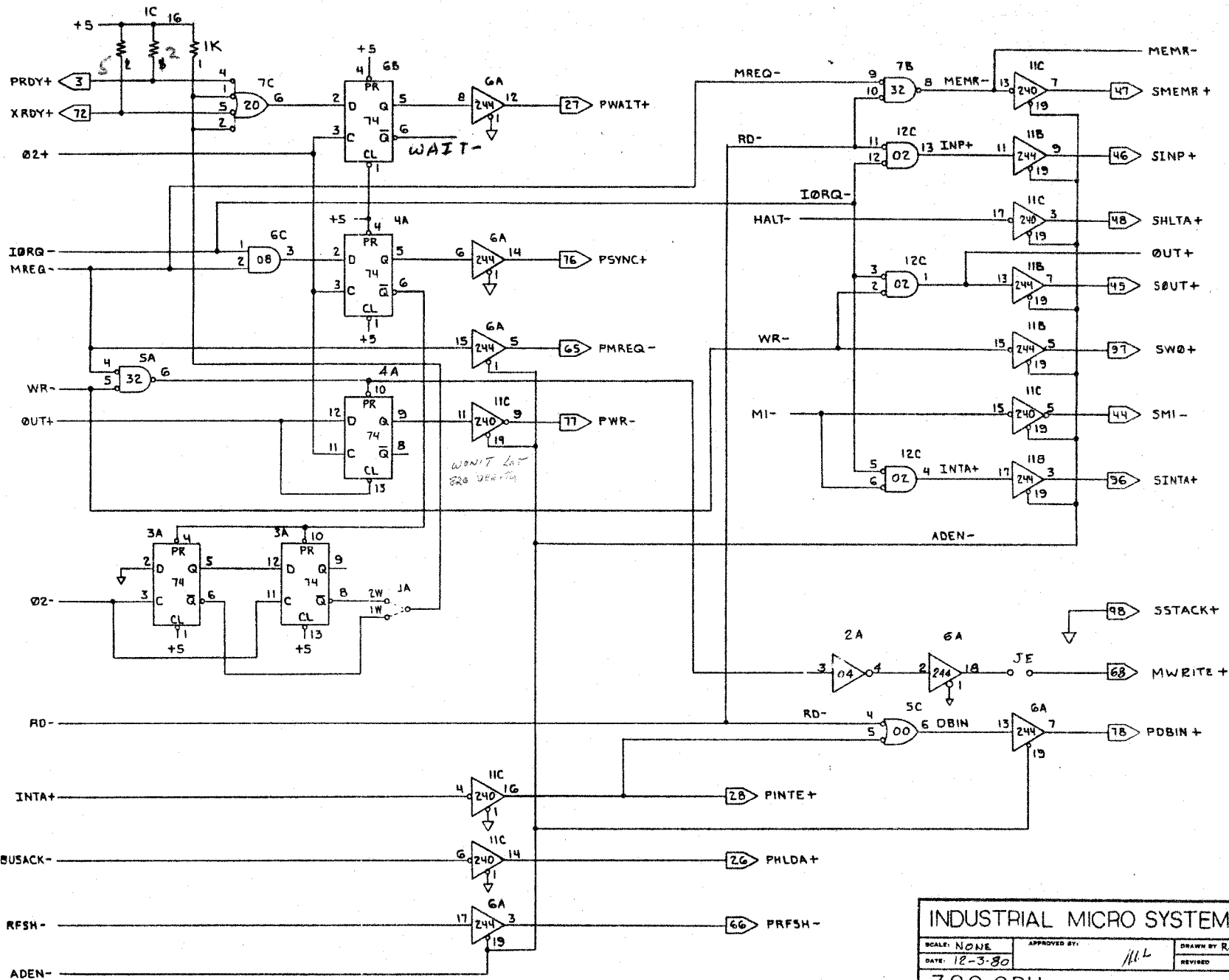
741508 AT GC High Failure

NO SIG 240'S AT 11C

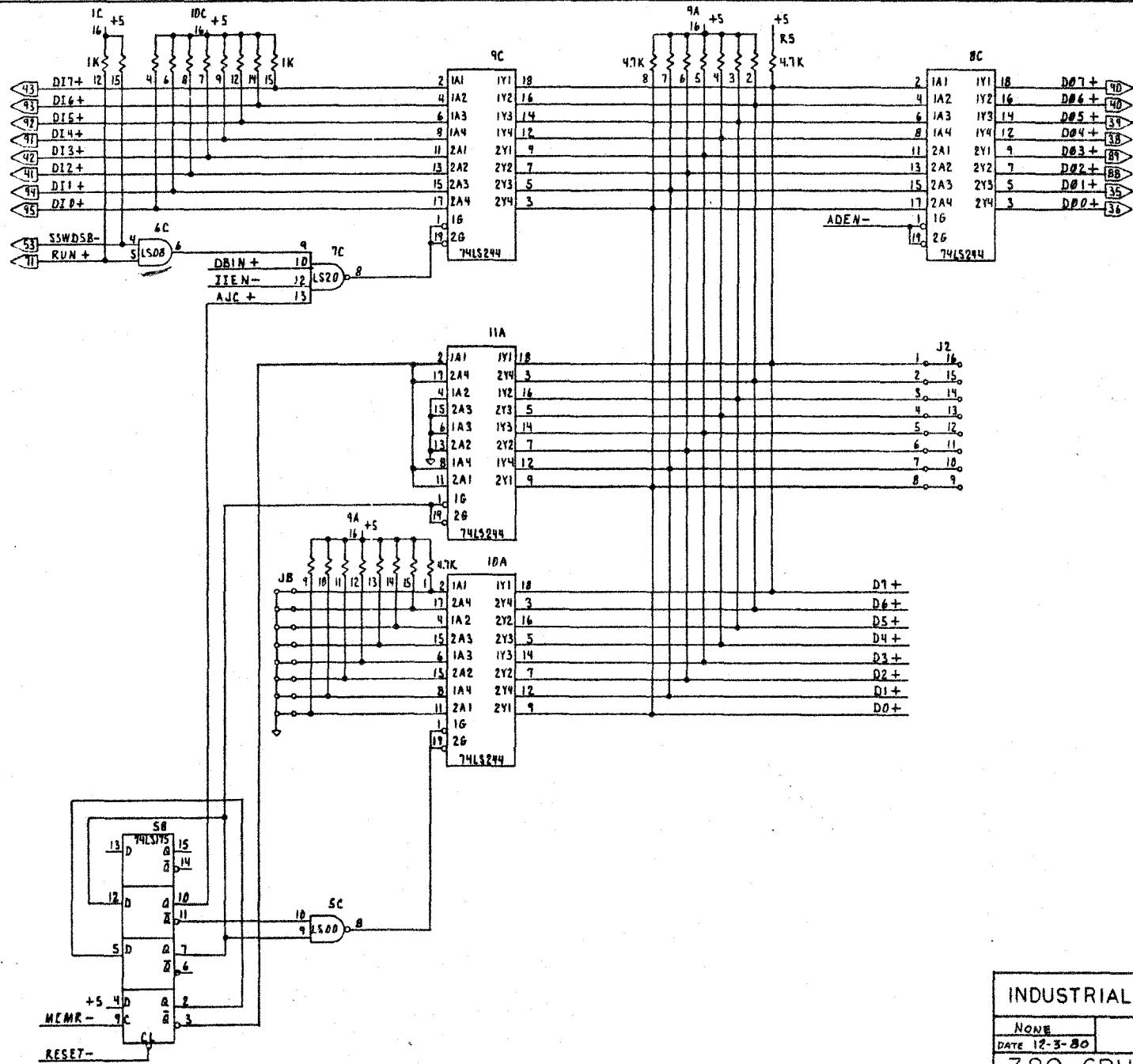


- 1. ALL RESISTORS ARE 1/4W ±5%
- 2. ALL DIODES ARE SILICON SWITCHING

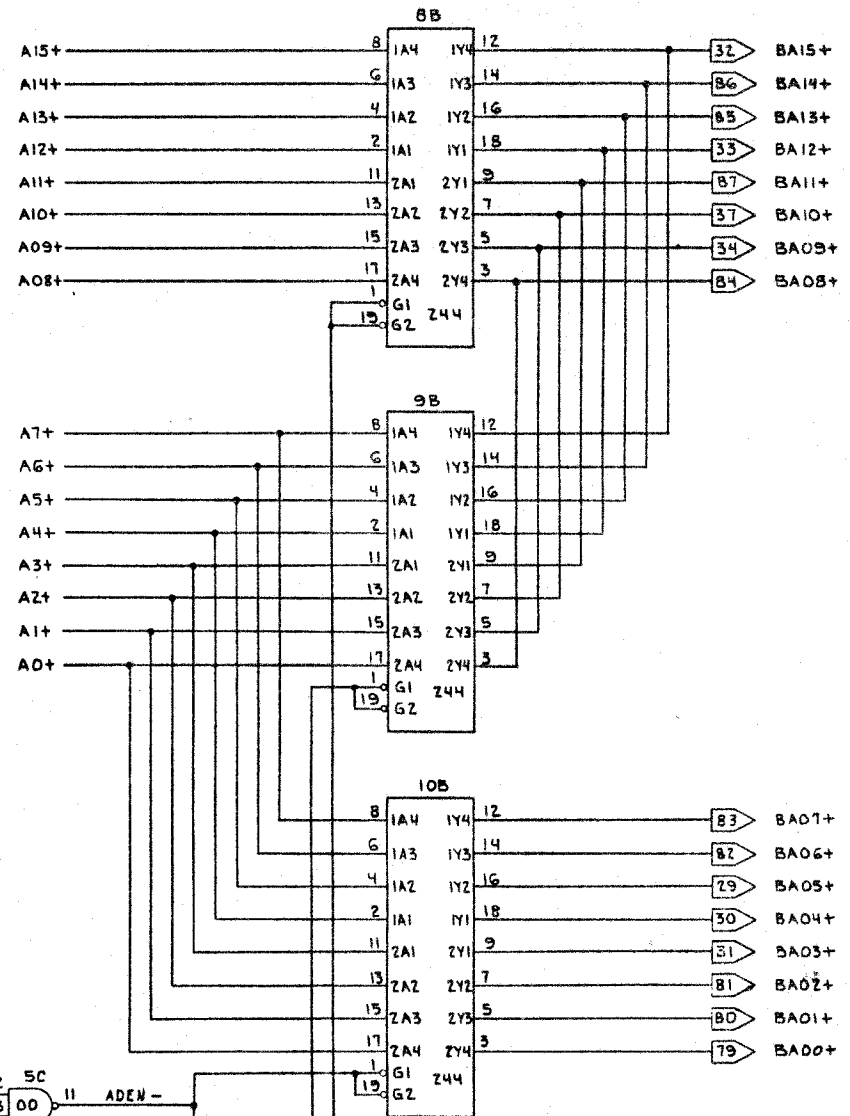
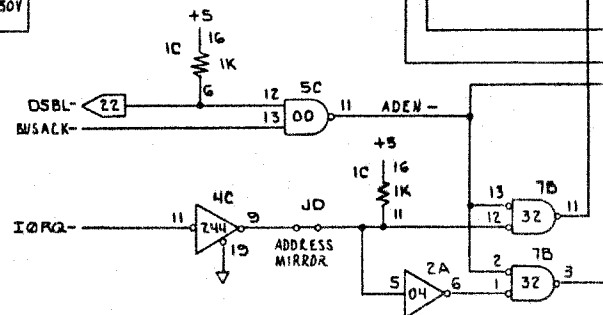
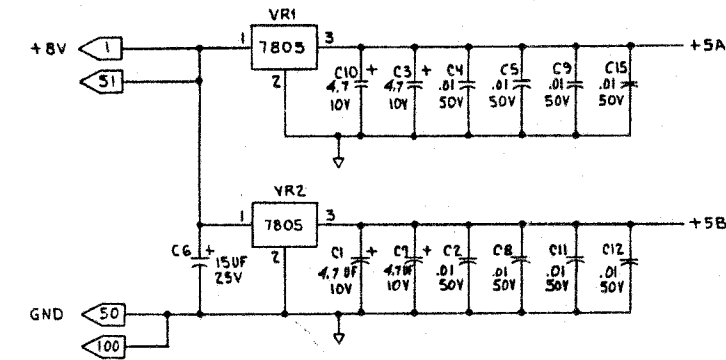
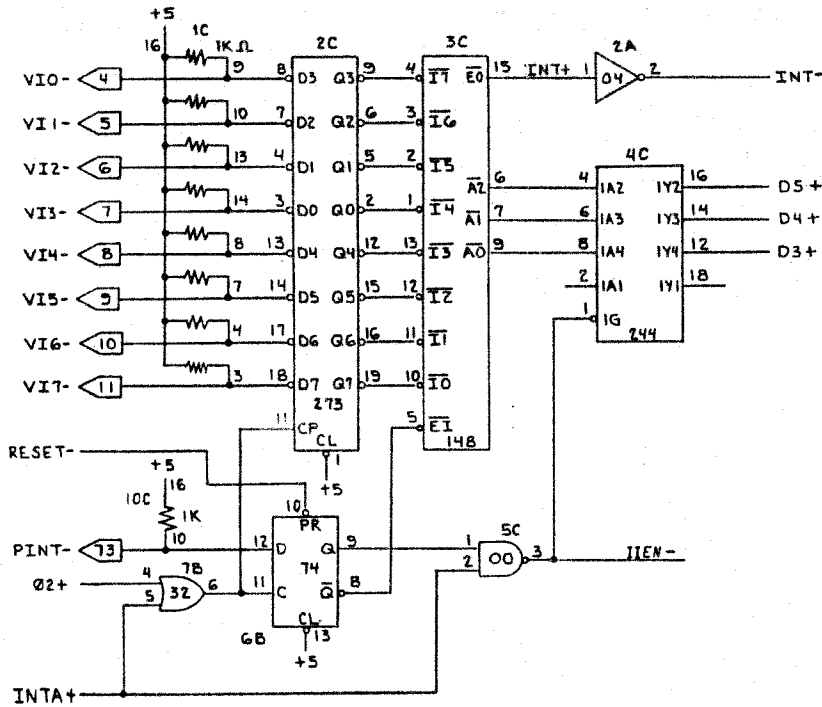
INDUSTRIAL MICRO SYSTEMS		
SCALE: NONE	APPROVED BY: <i>ALC</i>	DRAWN BY: RJV
DATE: 12-3-80	REVISED:	
Z80 CPU		
DRAWING NUMBER		SHT 1 OF 4



INDUSTRIAL MICRO SYSTEMS		
SCALE: NONE	APPROVED BY: <i>HL</i>	DRAWN BY: RJV
DATE: 12-3-80		REVISED:
Z80 CPU		DRAWING NUMBER: SH2 OF 4
L00451 A		



INDUSTRIAL MICRO SYSTEMS		
NONE	M.L.	DRAWN BY R.J.V.
DATE 12-3-80		REVISED
Z80 CPU		
L00451A		SH30F4



INDUSTRIAL MICRO SYSTEMS
 SCALE NONE
 DATE 12-3-80
 Z80 CPU
 L00451 A
 SH4OF4
 DL-WR BY RJV