

ICE-85

Manual Order Number: 9800546A

B115/1078/1.5K NCG

schematic drawings

intel[®]



ICE-85

Manual Order Number: 9800546A

B115/1078/1.5K NCG

NUMBER	TITLE	PAGE
2001357	Controller Schematic (8 sheets).....	1
2001193	Trace Board Schematic (5 sheets).....	9
2001287	MDS-85 CC-85 Schematic (9 sheets).....	14
2001297	18 Channel Buffer Schematic (1 sheet).....	23
2001275	User Cable Schematic (1 sheet).....	24

The information in this document is subject to change without notice.

Intel Corporation makes no warranty of any kind with regard to this material, including, but not limited to, the implied warranties of merchantability and fitness for a particular purpose. Intel Corporation assumes no responsibility for any errors that may appear in this document. Intel Corporation makes no commitment to update nor to keep current the information contained in this document.

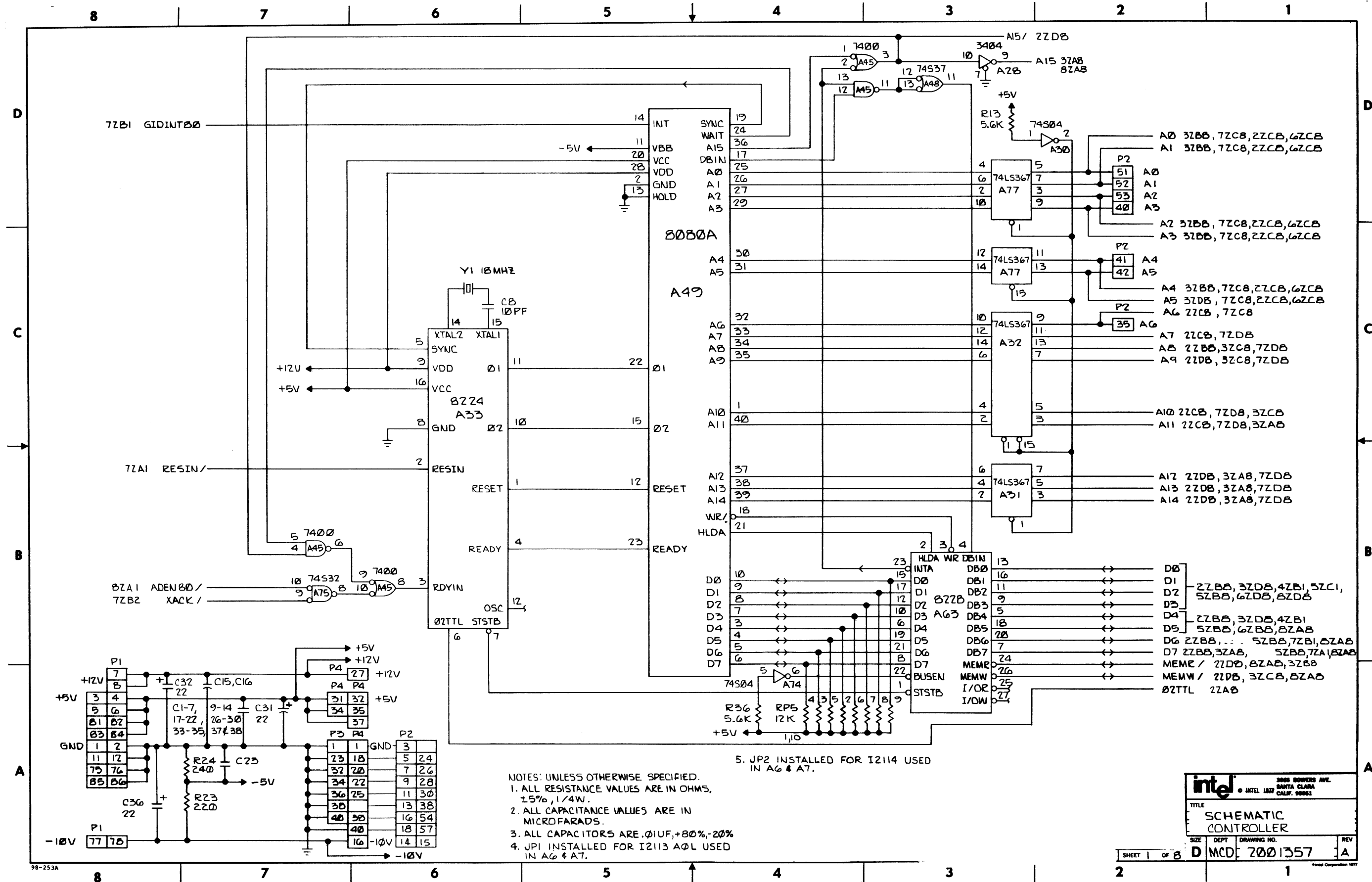
No part of this document may be copied or reproduced in any form or by any means without the prior written consent of Intel Corporation.

The following are trademarks of Intel Corporation and may be used only to describe Intel products:

ICE
 INSITE
 INTEL
 INTELLEC
 ISBC

LIBRARY MANAGER
 MCS
 MEGACHASSIS
 MICROMAP
 MULTIBUS

PROMPT
 RMX
 UPI
 μSCOPE



- NOTES: UNLESS OTHERWISE SPECIFIED.
1. ALL RESISTANCE VALUES ARE IN OHMS, ±5%, 1/4W.
 2. ALL CAPACITANCE VALUES ARE IN MICROFARADS.
 3. ALL CAPACITORS ARE .01UF, +80%,-20%
 4. JPI INSTALLED FOR I2113 AQL USED IN A6 & A7.
 5. JP2 INSTALLED FOR I2114 USED IN A6 & A7.

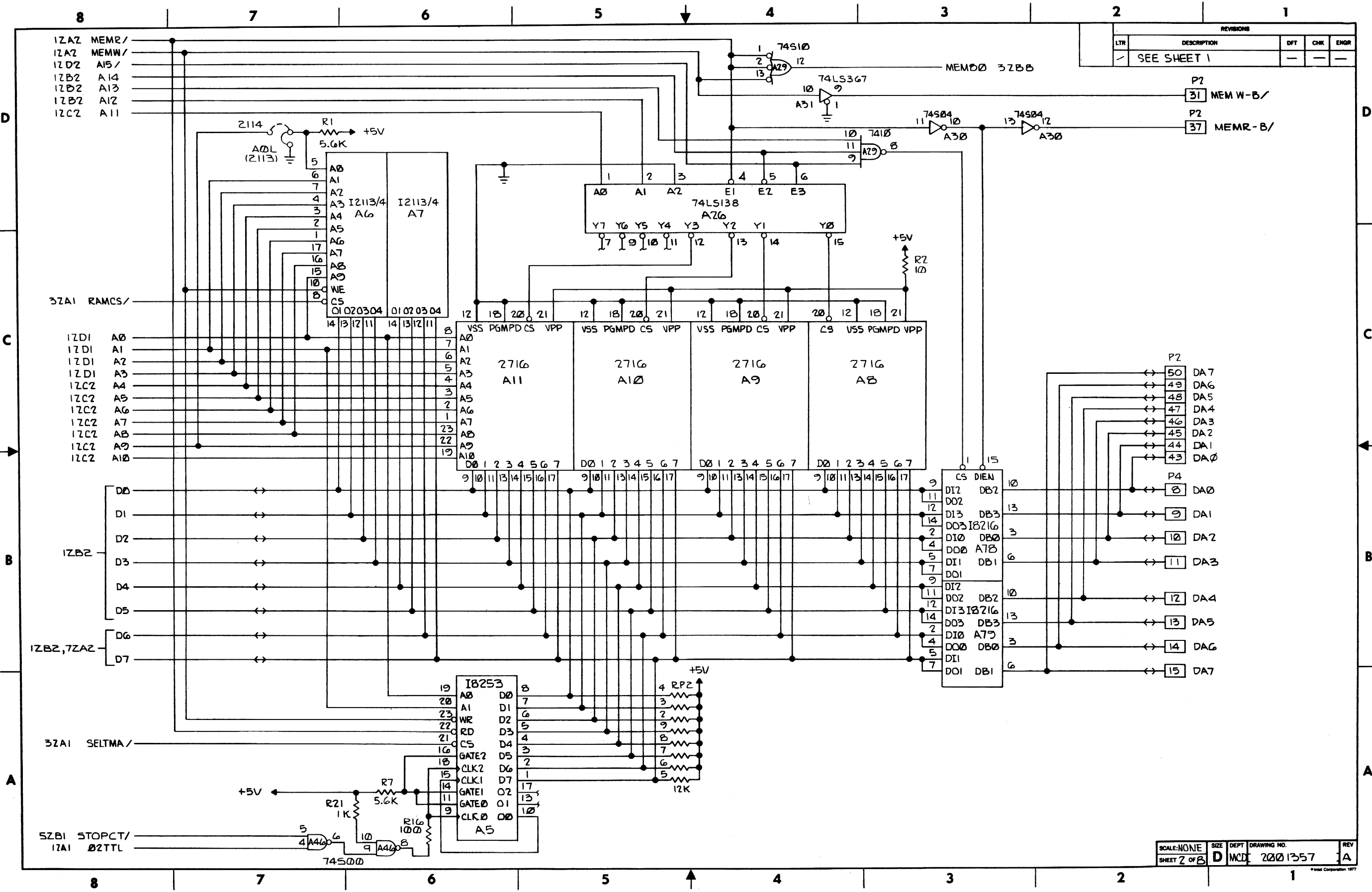
intel 3065 BOWERS AVE. SANTA CLARA, CALIF. 95051

TITLE: SCHEMATIC CONTROLLER

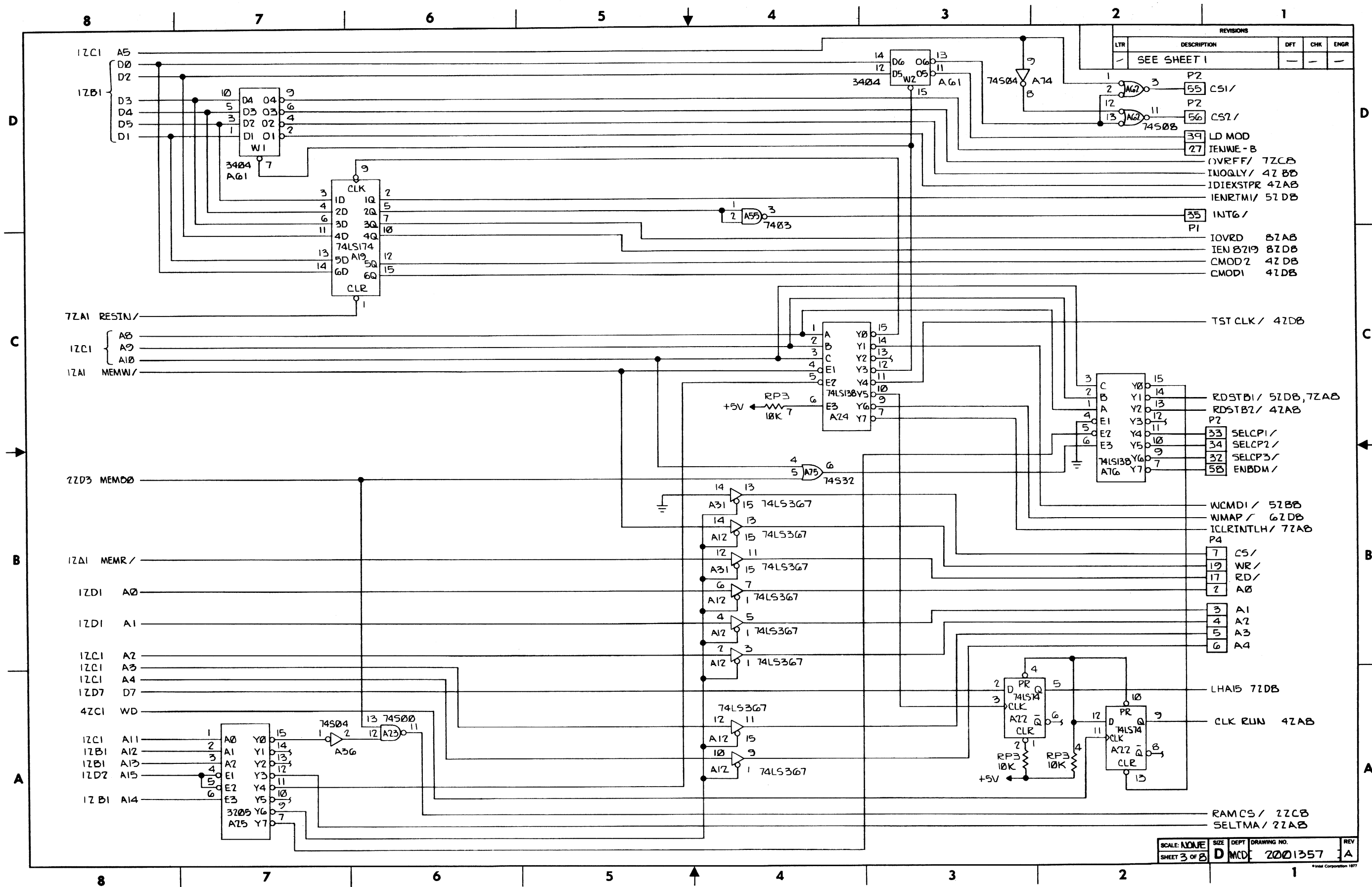
SIZE: D DEPT: MCD DRAWING NO: 2001357 REV: A

SHEET 1 OF 8

REVISIONS				
LTR	DESCRIPTION	DFT	CHK	ENGR
-	SEE SHEET 1	-	-	-



SCALE: NONE	SIZE: D	DEPT: MCD	DRAWING NO.: 2001357	REV: A
SHEET 2 OF 3				

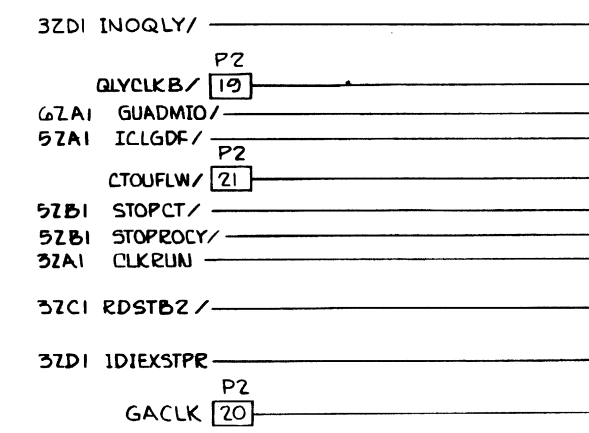
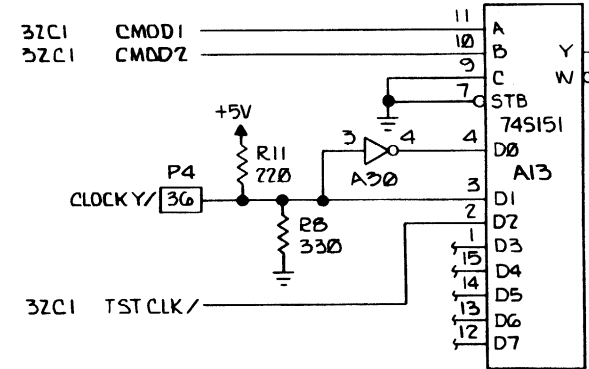
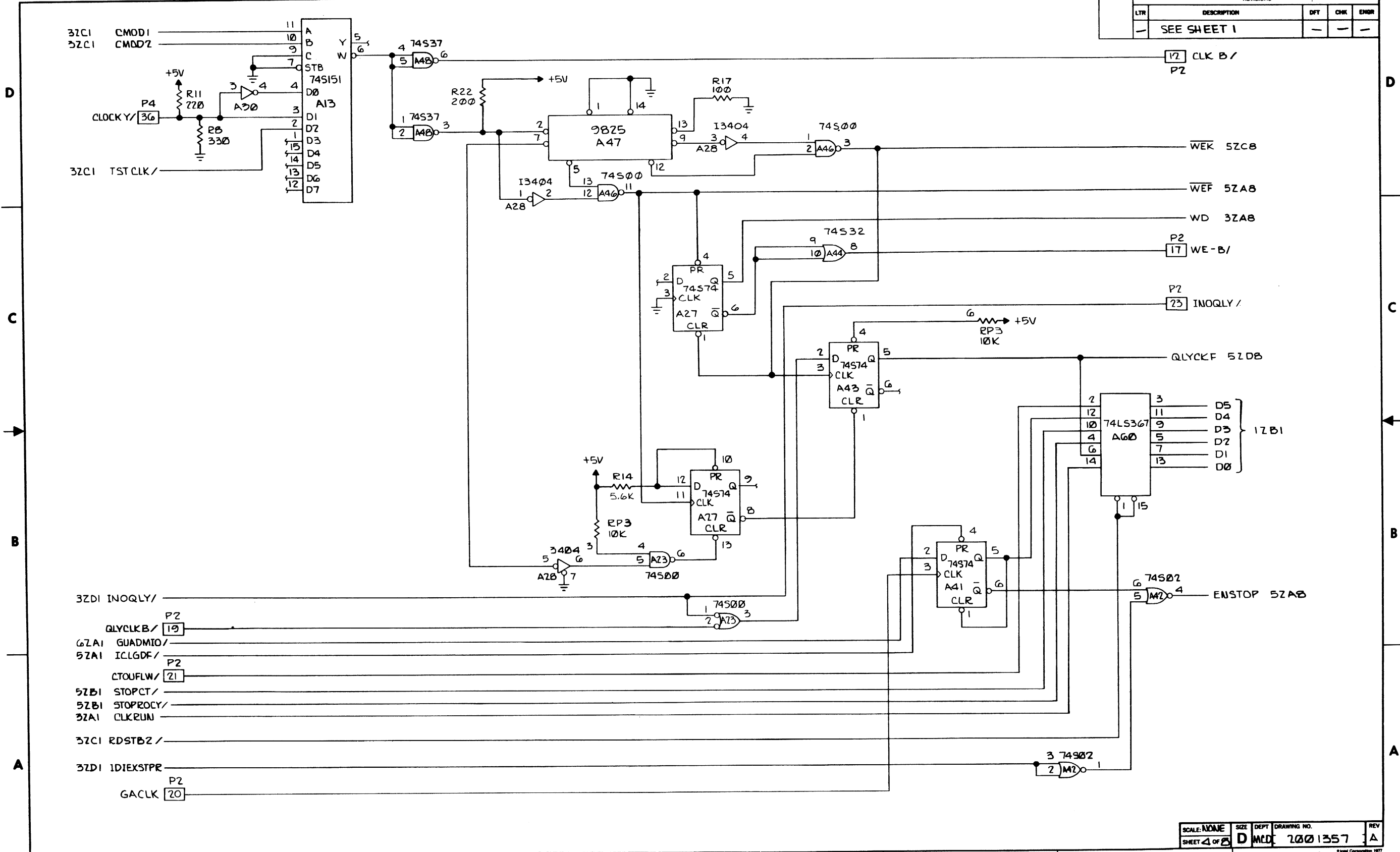


REVISIONS				
LTR	DESCRIPTION	DFT	CHK	ENGR
-	SEE SHEET 1	-	-	-

SCALE: NONE	SIZE: D	DEPT: MCD	DRAWING NO.: 2001357	REV: A
SHEET 3 OF 8				REV: A

8 7 6 5 4 3 2 1

REVISIONS				
LTR	DESCRIPTION	DFT	CHK	ENGR
-	SEE SHEET 1	-	-	-



SCALE: NONE	SIZE: D	DEPT: MLD	DRAWING NO. 2001357	REV: A
SHEET 4 OF 8				

8

7

6

5

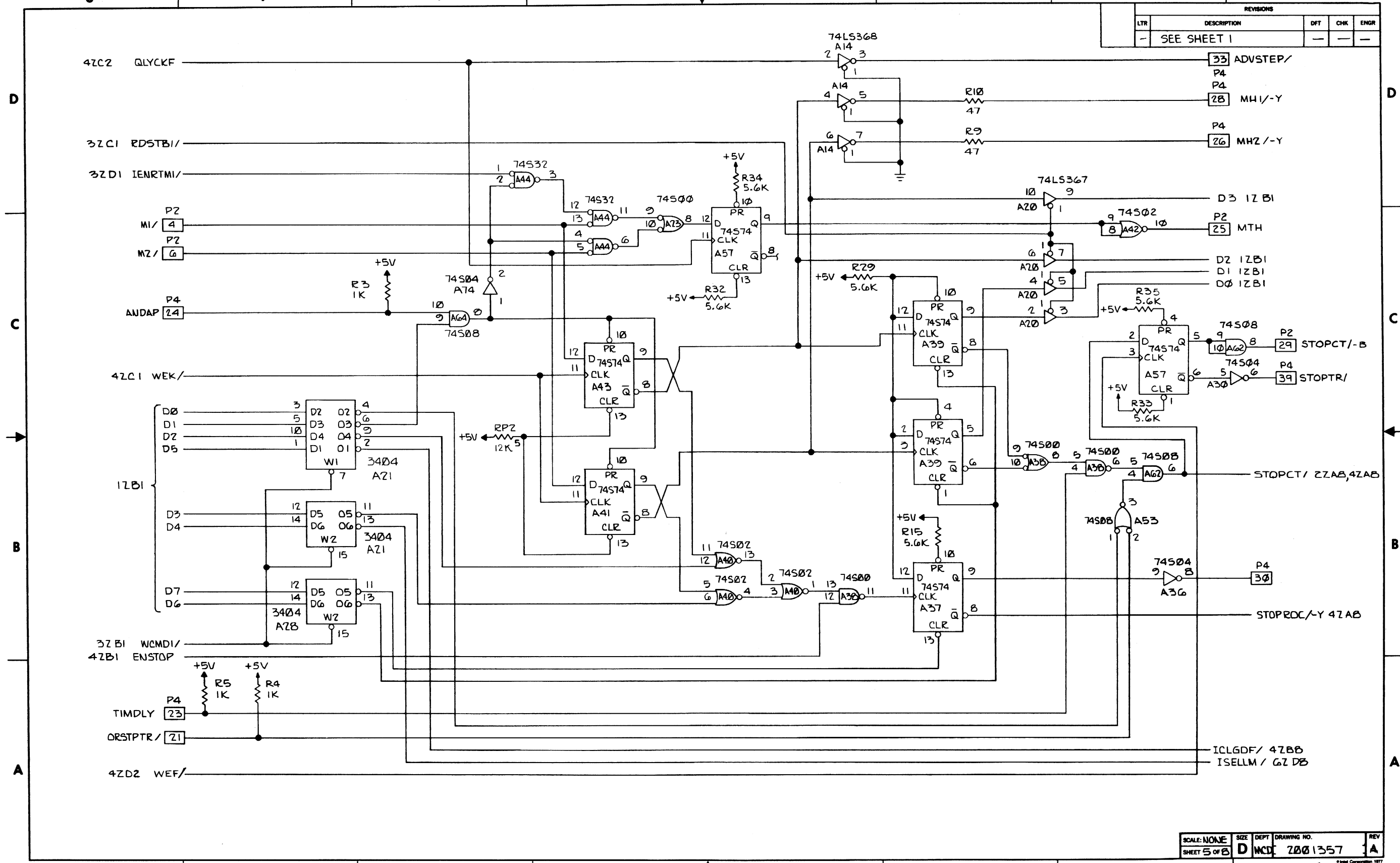
4

3

2

1

REVISIONS				
LTR	DESCRIPTION	DFT	CHK	ENGR
-	SEE SHEET 1	-	-	-



SCALE: NONE	SIZE: D	DEPT: MCD	DRAWING NO: 2001357	REV: A
SHEET 5 OF 8				REV

8

7

6

5

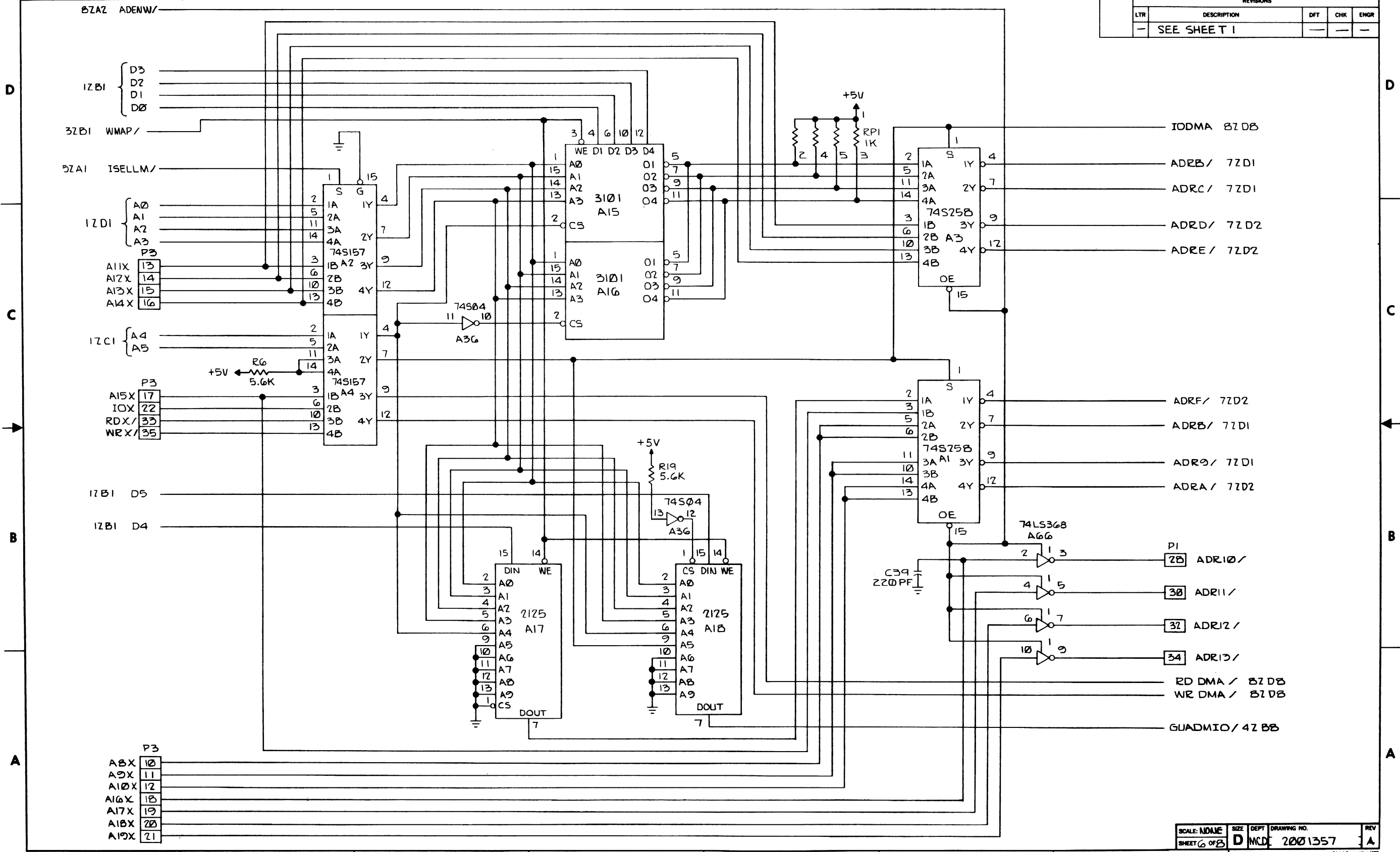
4

3

2

1

REVISIONS				
LTR	DESCRIPTION	DFT	CHK	ENGR
-	SEE SHEET 1	-	-	-



8

7

6

5

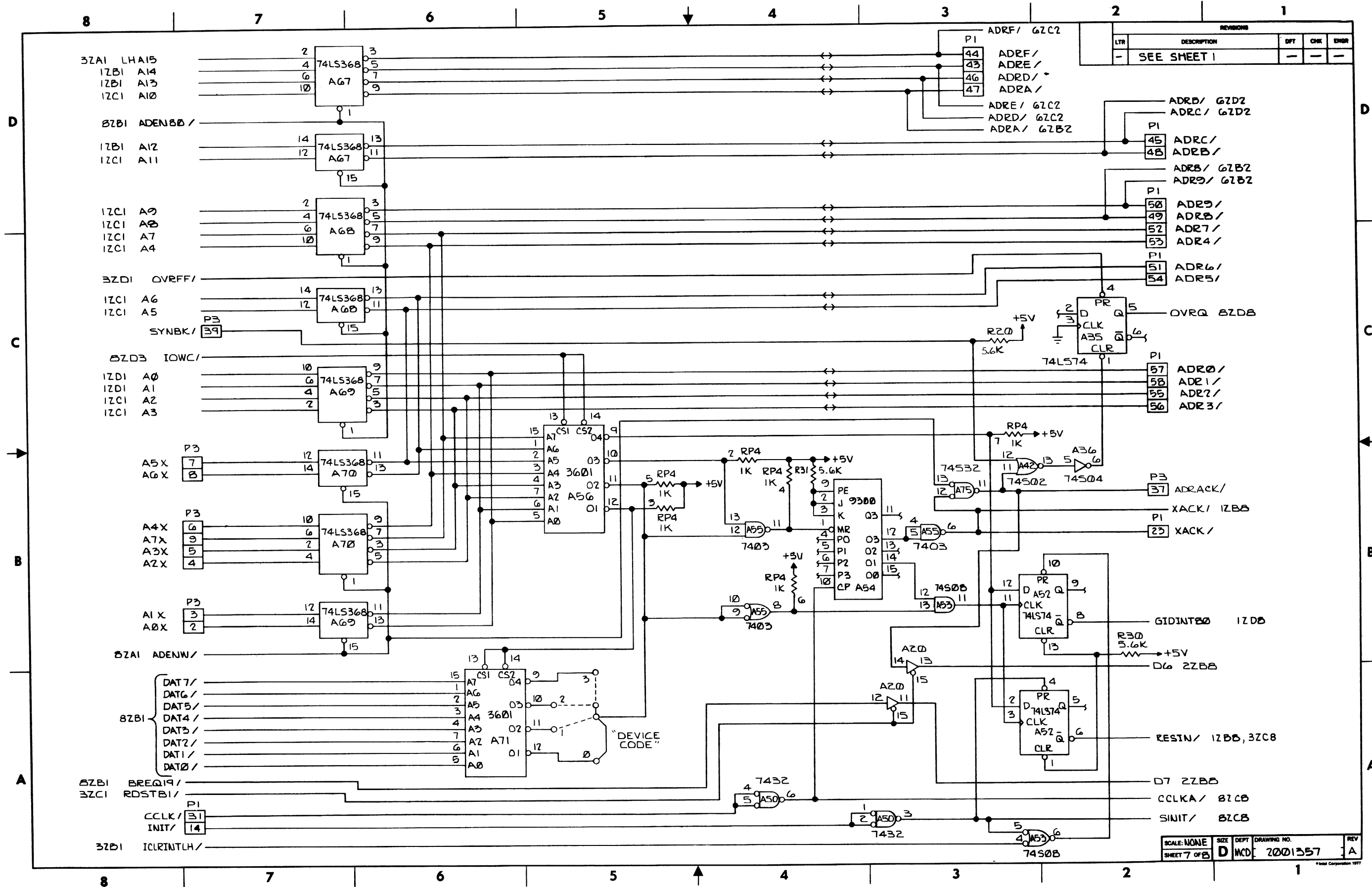
4

3

2

1

SCALE: NONE	SIZE: D	DEPT: MCD	DRAWING NO: 2001357	REV: A
SHEET 6 OF 8				

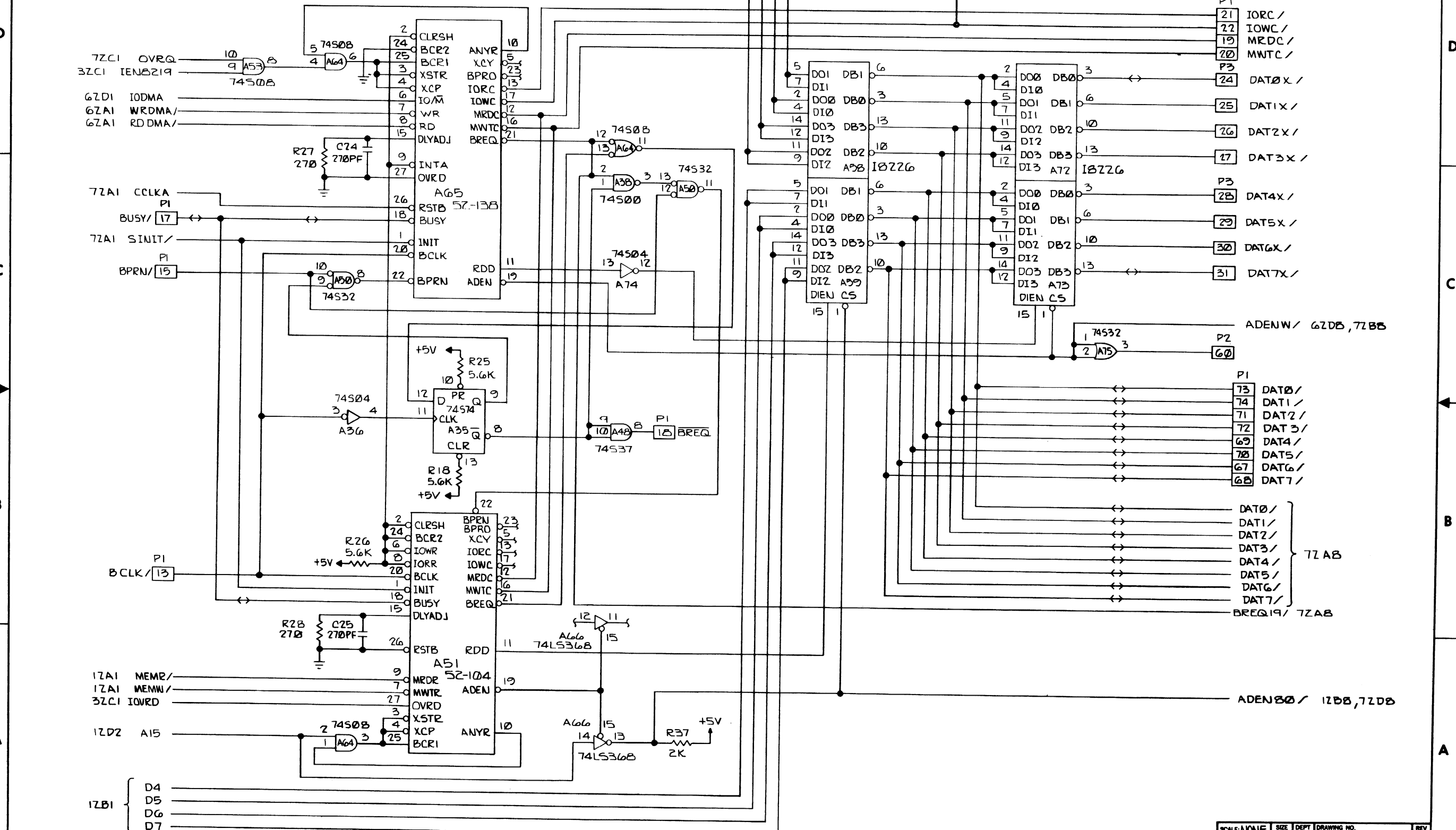


REVISIONS			
LTR	DESCRIPTION	DFT	CHK
-	SEE SHEET 1	-	-

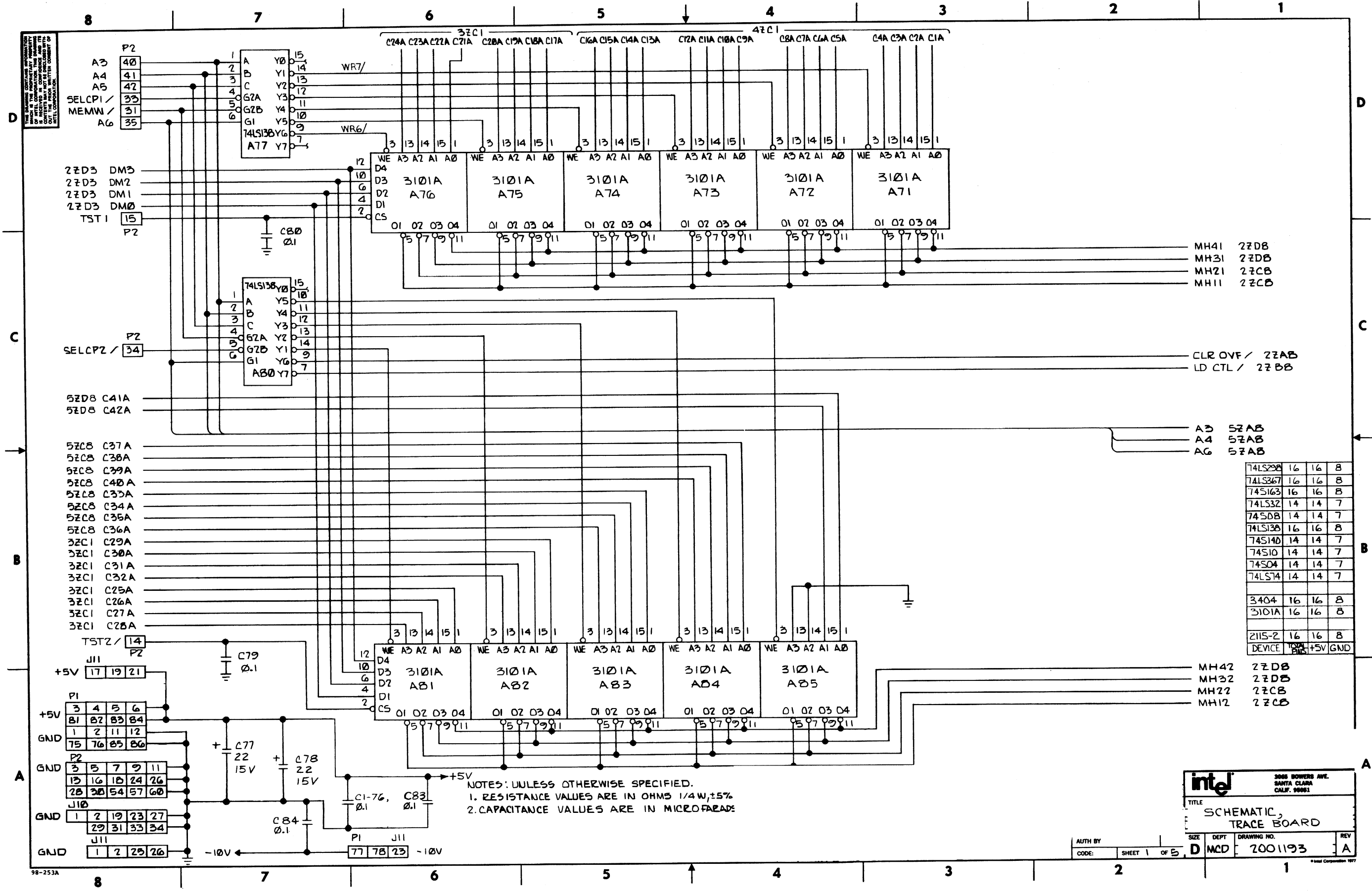
SCALE: NONE	SIZE: D	DEPT: MCD	DRAWING NO: 2001357	REV: A
SHEET 7 OF 8			© Intel Corporation 1977	

8 7 6 5 4 3 2 1

REVISIONS				
LTR	DESCRIPTION	DFT	CHK	ENGR
-	SEE SHEET 1	-	-	-



SCALE: NONE	SIZE: D	DEPT: WCD	DRAWING NO. 2001357	REV: A
SHEET 8 OF 8				



THE DRAWING CONTAINS INFORMATION WHICH IS THE PROPERTY OF INTEL CORPORATION AND IS TO BE KEPT CONFIDENTIAL AND NOT TO BE REPRODUCED OR TRANSMITTED IN ANY FORM OR BY ANY MEANS WITHOUT THE WRITTEN CONSENT OF INTEL CORPORATION.

MH41 27DB
 MH31 27DB
 MH21 27CB
 MH11 27CB

CLR OVF / 27AB
 LD CTL / 27BB

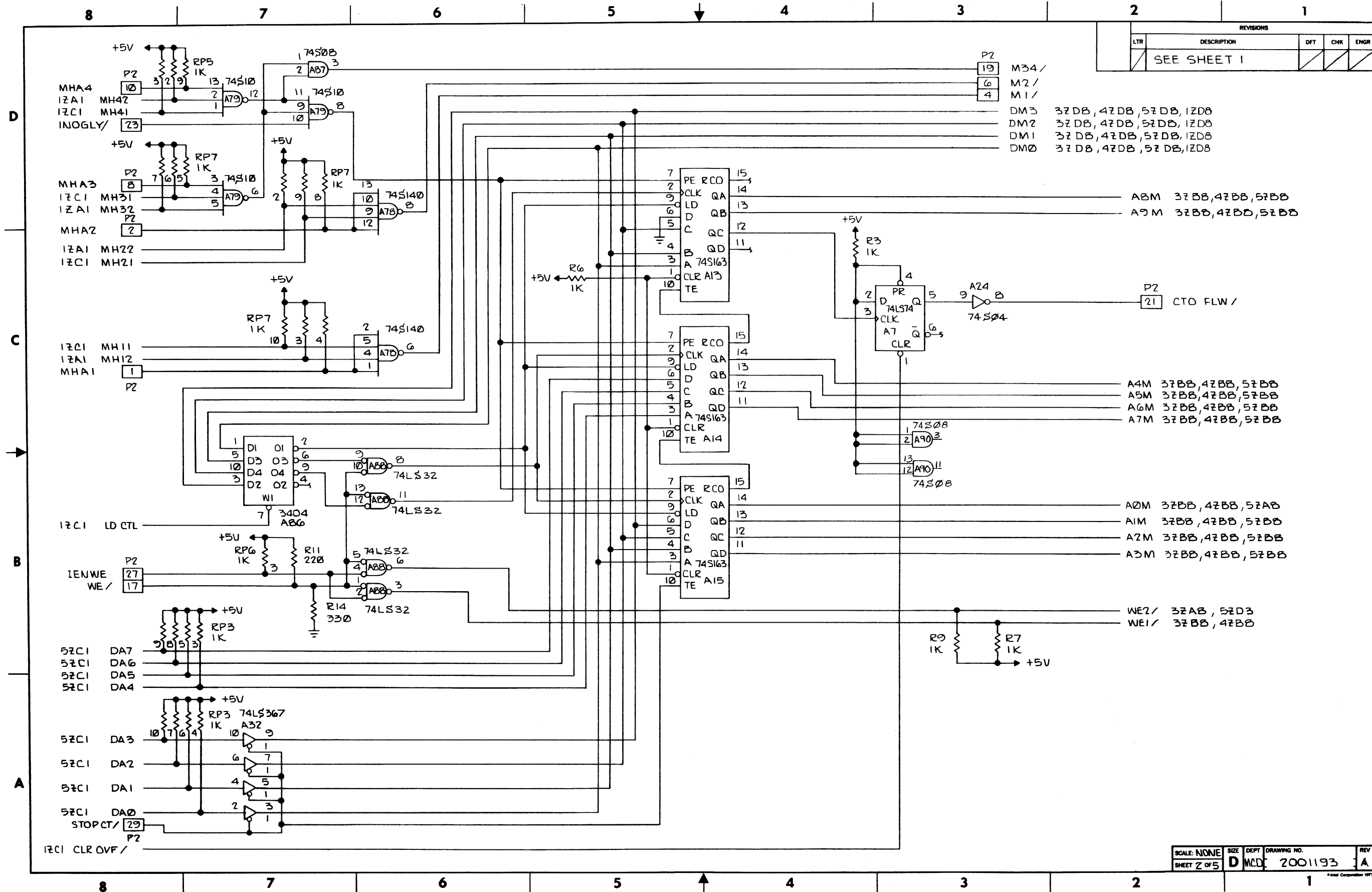
A3 57AB
 A4 57AB
 A6 57AB

74LS298	16	16	8
74LS367	16	16	8
74S163	16	16	8
74LS32	14	14	7
74S08	14	14	7
74LS138	16	16	8
74S140	14	14	7
74S10	14	14	7
74S04	14	14	7
74LS74	14	14	7
3404	16	16	8
3101A	16	16	8
2115-2	16	16	8
DEVICE	+5V	GND	

MH42 27DB
 MH32 27DB
 MH22 27CB
 MH12 27CB

NOTES: UNLESS OTHERWISE SPECIFIED.
 1. RESISTANCE VALUES ARE IN OHMS 1/4W, ±5%
 2. CAPACITANCE VALUES ARE IN MICROFARADS

intel		3065 BOWERS AVE. SANTA CLARA CALIF. 95051	
TITLE SCHEMATIC, TRACE BOARD			
AUTH BY	SIZE	DEPT	DRAWING NO.
CODE:	SHEET 1 OF 5	D MCD	2001193
			REV A



REVISIONS				
LTR	DESCRIPTION	DFT	CHK	ENGR
	SEE SHEET 1			

P2 19 M34 /
 P2 6 M2 /
 P2 4 M1 /
 DM3 37DB, 47DB, 57DB, 1ZDB
 DM2 37DB, 47DB, 57DB, 1ZDB
 DM1 37DB, 47DB, 57DB, 1ZDB
 DM0 37DB, 47DB, 57DB, 1ZDB

A8M 37BB, 47BB, 57BB
 A9M 37BB, 47BB, 57BB

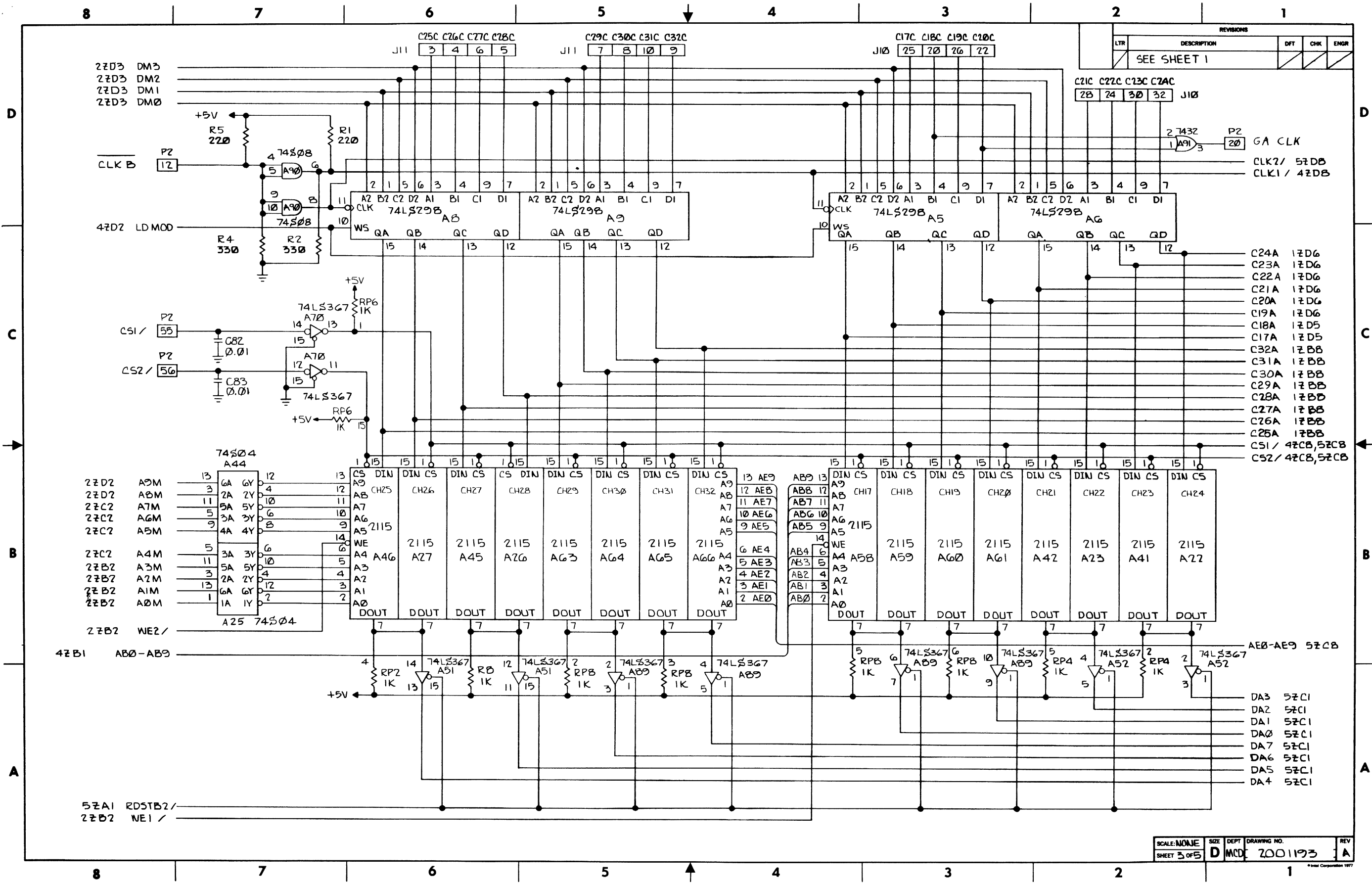
P2 21 CTO FLW /

A4M 37BB, 47BB, 57BB
 A5M 37BB, 47BB, 57BB
 A6M 37BB, 47BB, 57BB
 A7M 37BB, 47BB, 57BB

A0M 37BB, 47BB, 57BB
 AIM 37BB, 47BB, 57BB
 A2M 37BB, 47BB, 57BB
 A3M 37BB, 47BB, 57BB

WE2/ 37AB, 57DB
 WE1/ 37BB, 47BB

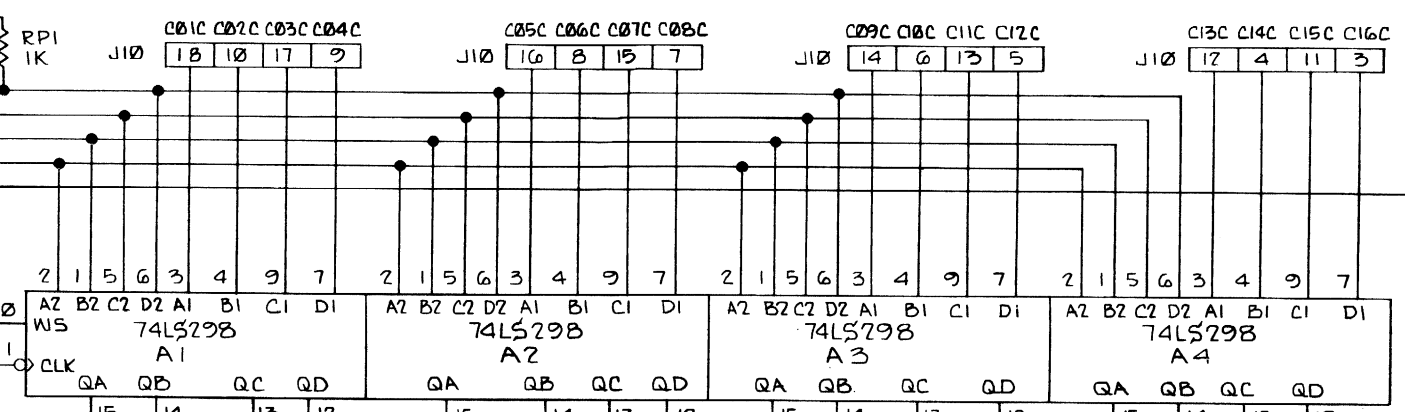
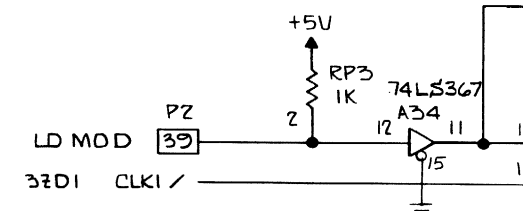
SCALE: NONE	SIZE: D	DEPT: MCD	DRAWING NO.: 2001193	REV: A
SHEET 2 OF 5		ICE Corporation 1977		



8 7 6 5 4 3 2 1

REVISIONS			
LTR	DESCRIPTION	DFT	CHK ENGR
	SEE SHEET 1		

27D3 DM3
27D3 DM2
27D3 DM1
27D3 DM0



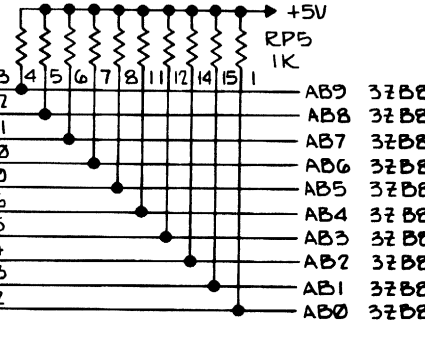
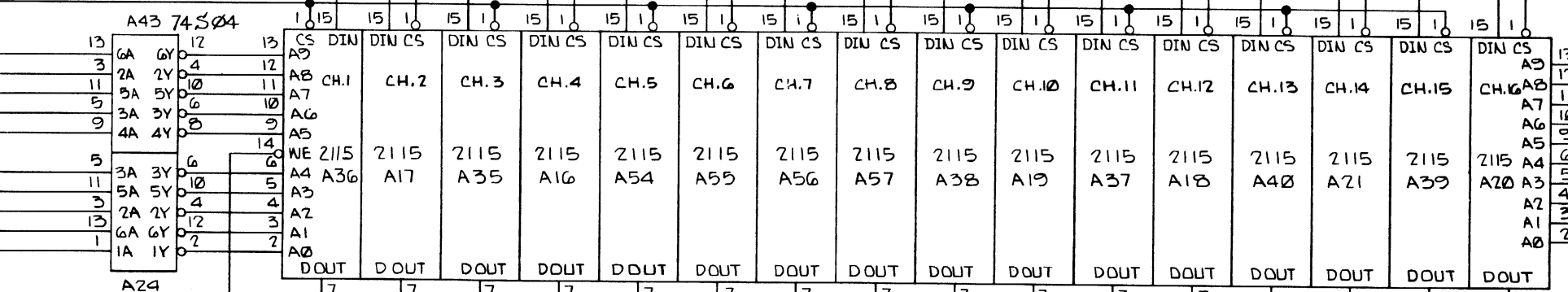
LD MOD 37DB, 57DB

- C16A 17D5
- C15A 17D5
- C14A 17D5
- C13A 17D5
- C12A 17D4
- C11A 17D4
- C10A 17D4
- C9A 17D4
- C8A 17D4
- C7A 17D4
- C6A 17D4
- C5A 17D4
- C4A 17D3
- C3A 17D3
- C2A 17D3
- C1A 17D3

37B1 C81/
37B1 C52/

27D2 A9M
27D2 ABM
27C2 A7M
27C2 A6M
27C2 A5M

27C2 A4M
27B2 A3M
27B2 A2M
27B2 A1M
27B2 A0M



- AB9 37BB
- AB8 37BB
- AB7 37BB
- AB6 37BB
- AB5 37BB
- AB4 37BB
- AB3 37BB
- AB2 37BB
- AB1 37BB
- AB0 37BB

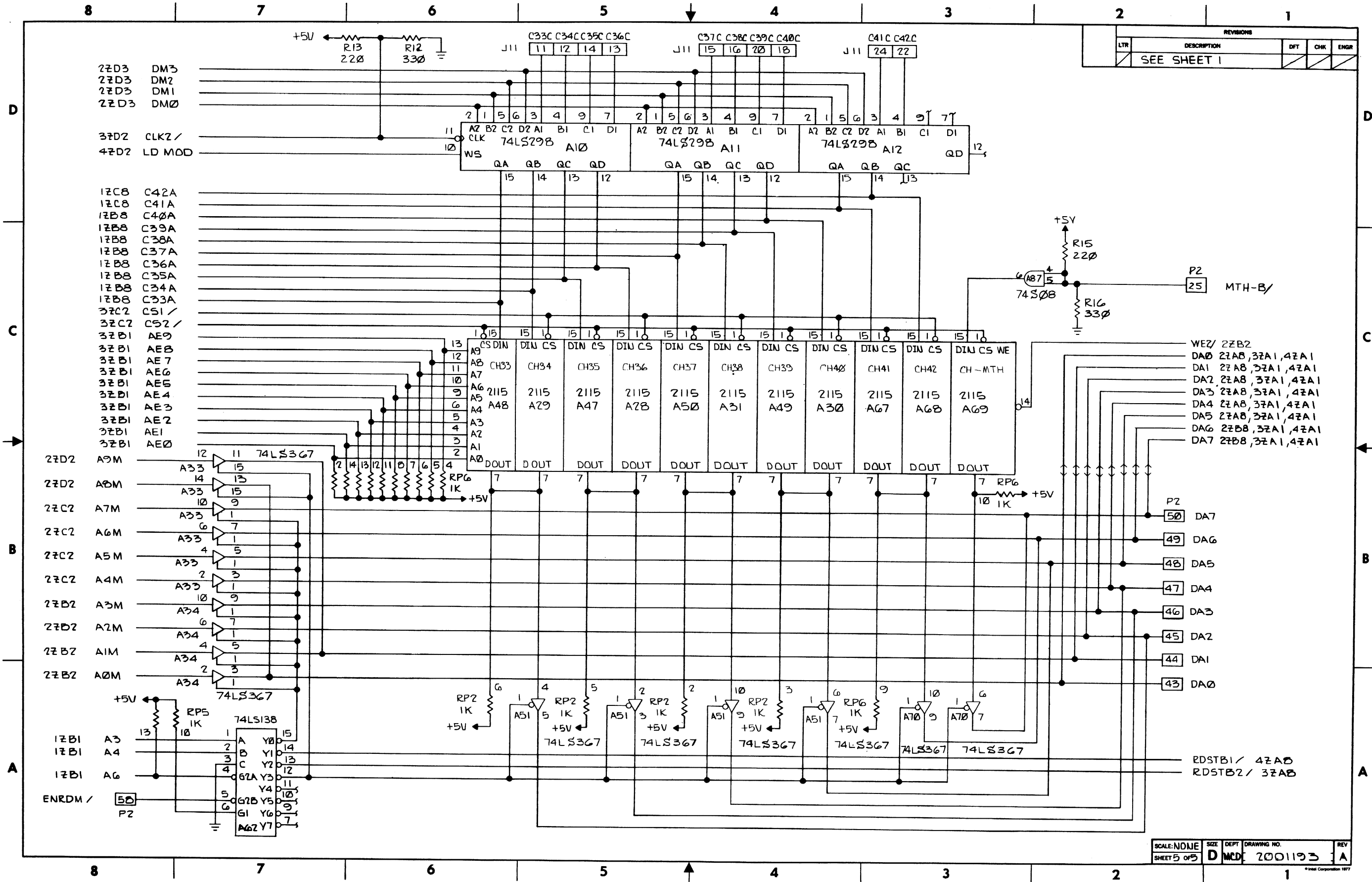
- DA7 57C1
- DA6 57C1
- DA5 57C1
- DA4 57C1
- DA3 57C1
- DA2 57C1
- DA1 57C1
- DA0 57C1

57A1 RDSTBI/

SCALE: NONE	SIZE: D	DEPT: MCD	DRAWING NO.: 7001193	REV: A
SHEET 4 OF 5				

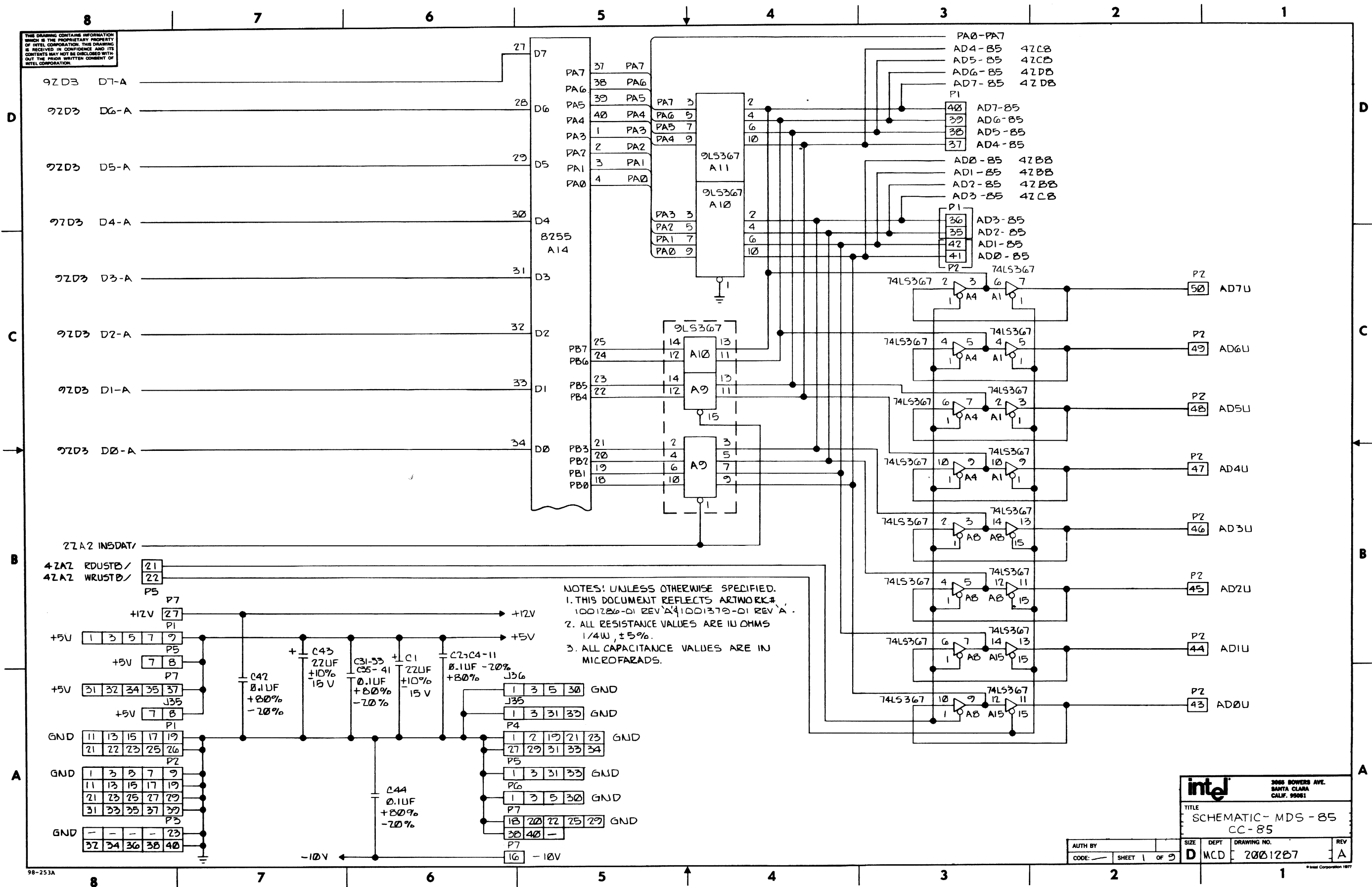
8 7 6 5 4 3 2 1

REVISIONS				
LTR	DESCRIPTION	DFT	CHK	ENGR
	SEE SHEET 1			



SCALE: NONE	SIZE: D	DEPT: MCD	DRAWING NO.: 2001193	REV: A
SHEET 5 OF 5				

THIS DRAWING CONTAINS INFORMATION WHICH IS THE PROPRIETARY PROPERTY OF INTEL CORPORATION. THIS DRAWING IS RECEIVED IN CONFIDENCE AND ITS CONTENTS MAY NOT BE DISCLOSED WITHOUT THE PRIOR WRITTEN CONSENT OF INTEL CORPORATION.



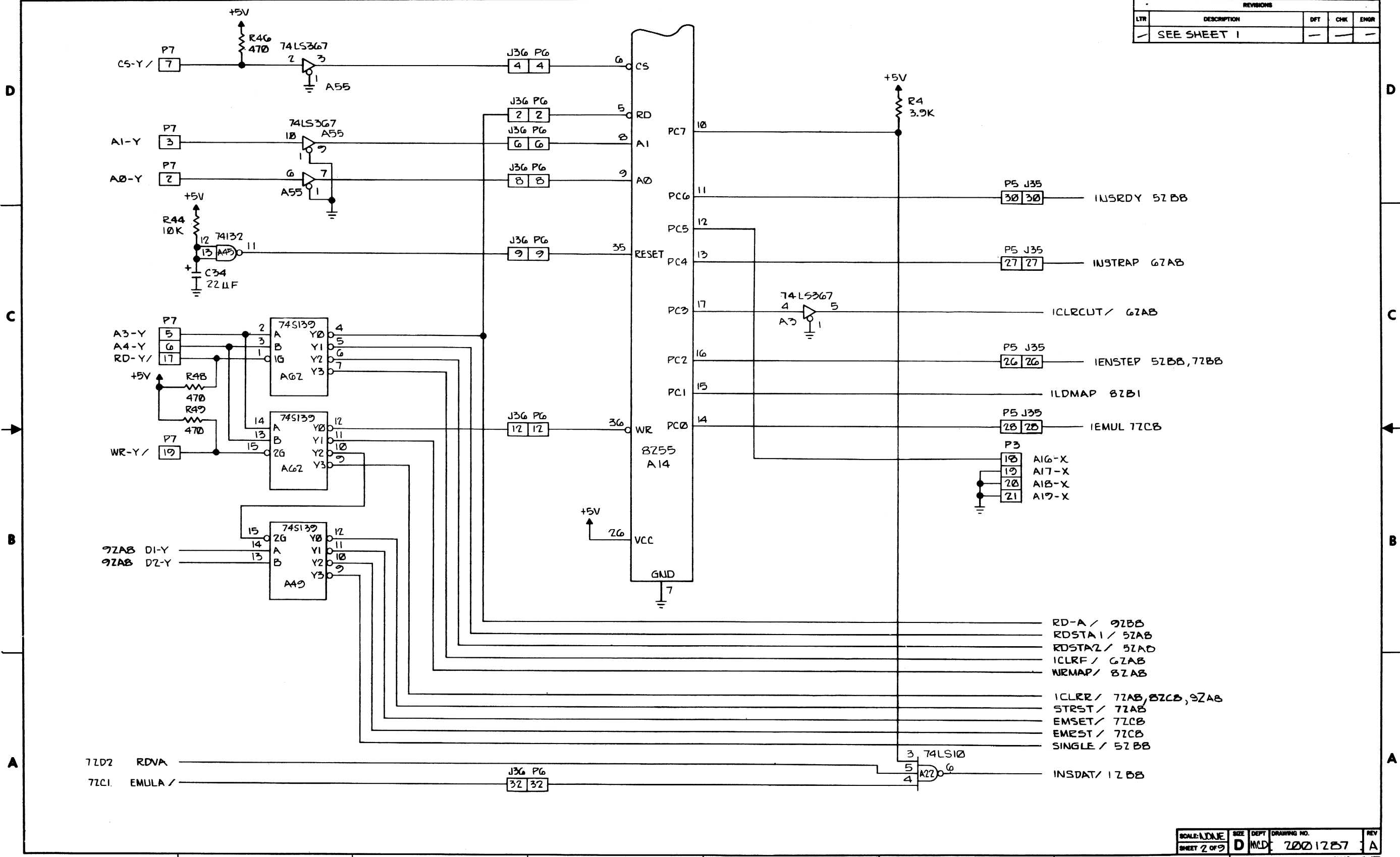
NOTES: UNLESS OTHERWISE SPECIFIED.
 1. THIS DOCUMENT REFLECTS ARTWORK# 1001286-01 REV 'A' & 1001379-01 REV 'A'.
 2. ALL RESISTANCE VALUES ARE IN OHMS 1/4W, ±5%.
 3. ALL CAPACITANCE VALUES ARE IN MICROFARADS.

intel		3065 BOWERS AVE. SANTA CLARA CALIF. 95051	
TITLE SCHEMATIC - MDS - 85 CC - 85			
AUTH BY	SIZE	DEPT	DRAWING NO.
CODE	SHEET 1 OF 9	D MCD	2001287
			REV A

98-253A

8 7 6 5 4 3 2 1

REVISIONS			
LTR	DESCRIPTION	DFT	CHK
-	SEE SHEET 1	-	-



D

C

B

A

D

C

B

A

72D2 RDVA
72C1 EMULA /

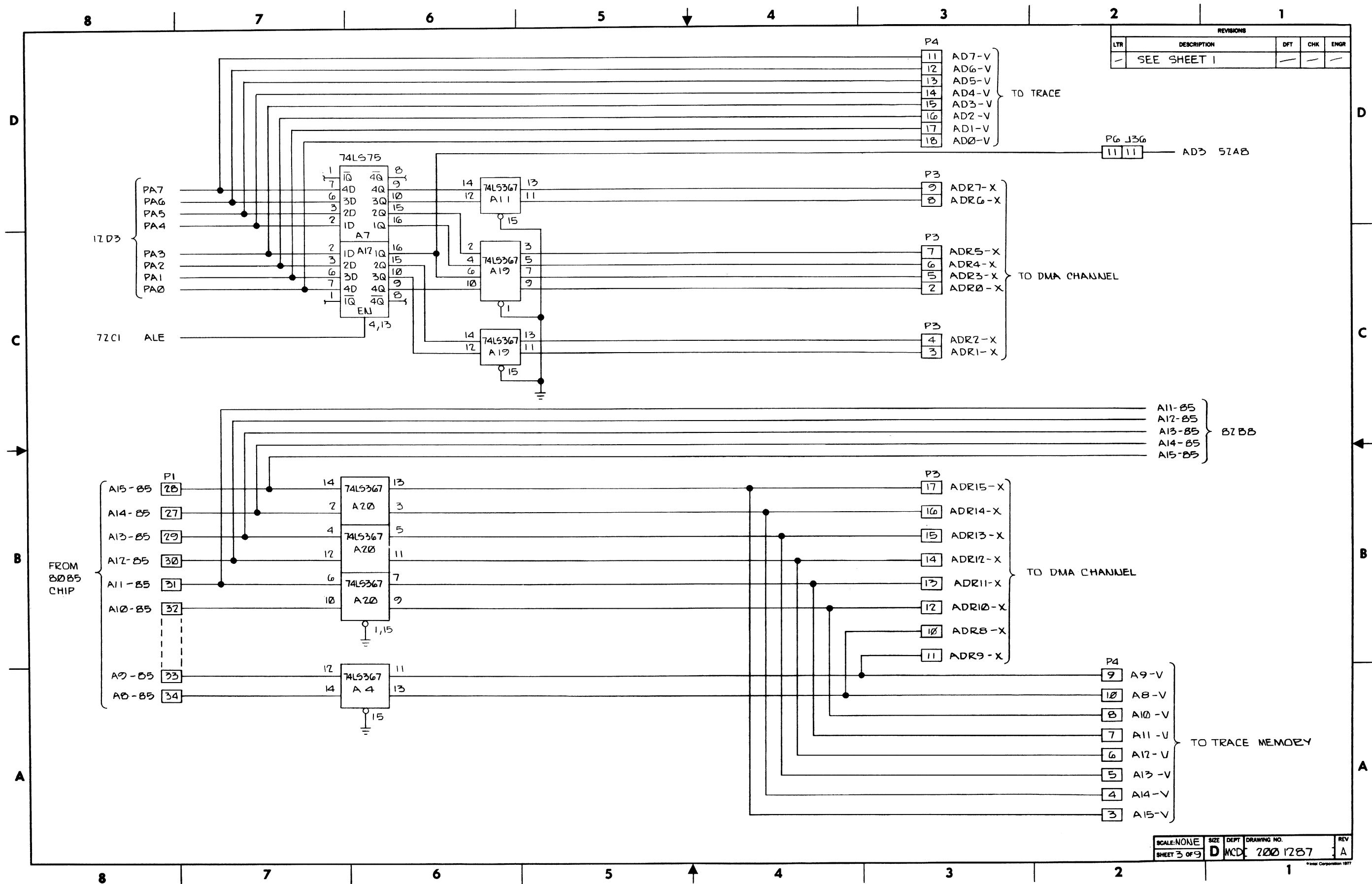
RD-A / 92BB
RDSTA1 / 52AB
RDSTA2 / 52AD
ICLRf / 62AB
WRMAP / 82AB

ICLRr / 72AB, 82CB, 92AB
STRST / 72AB
EMSET / 72CB
EMRST / 72CB
SINGLE / 52BB

INSDAT / 12BB

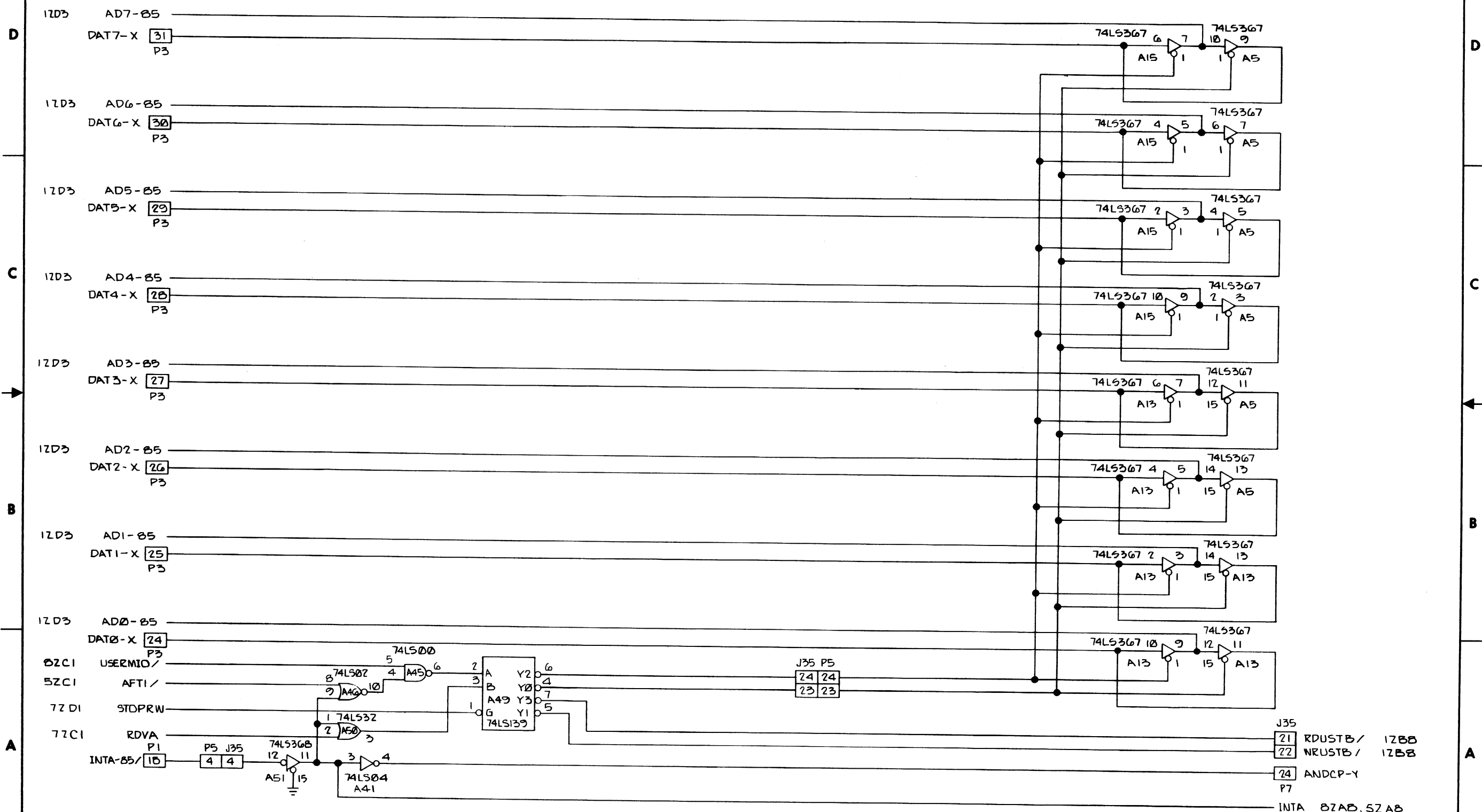
SCALE: 1:1	SIZE: D	DEPT: MCLD	DRAWING NO. 2001287	REV: A
SHEET 2 OF 2				

8 7 6 5 4 3 2 1



8 7 6 5 4 3 2 1

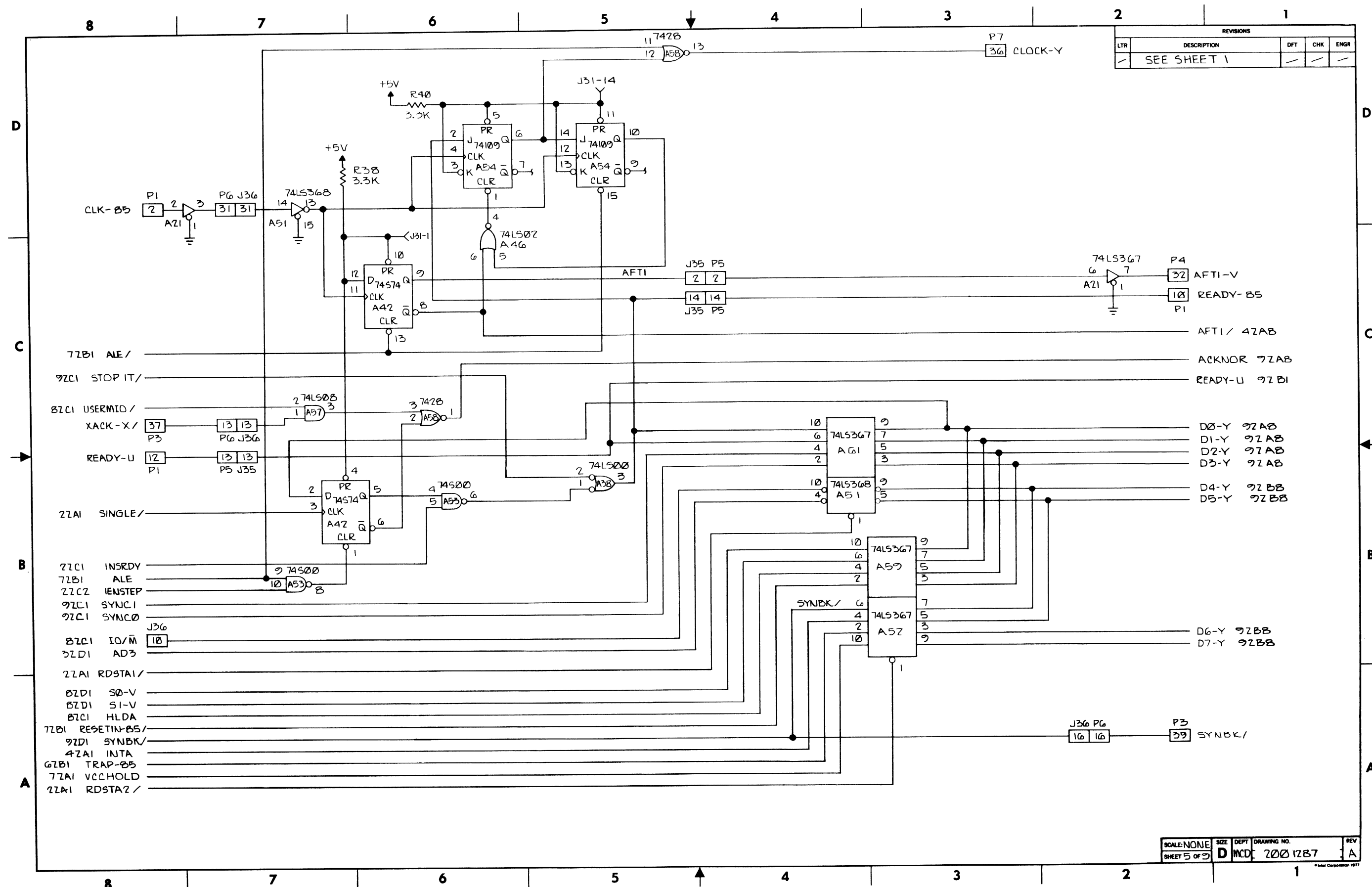
REVISIONS				
LTR	DESCRIPTION	DFT	CHK	ENGR
-	SEE SHEET 1	-	-	-



SCALE	SIZE	DEPT	DRAWING NO.	REV
NONE	D	WLD	2001287	A

8 7 6 5 4 3 2 1

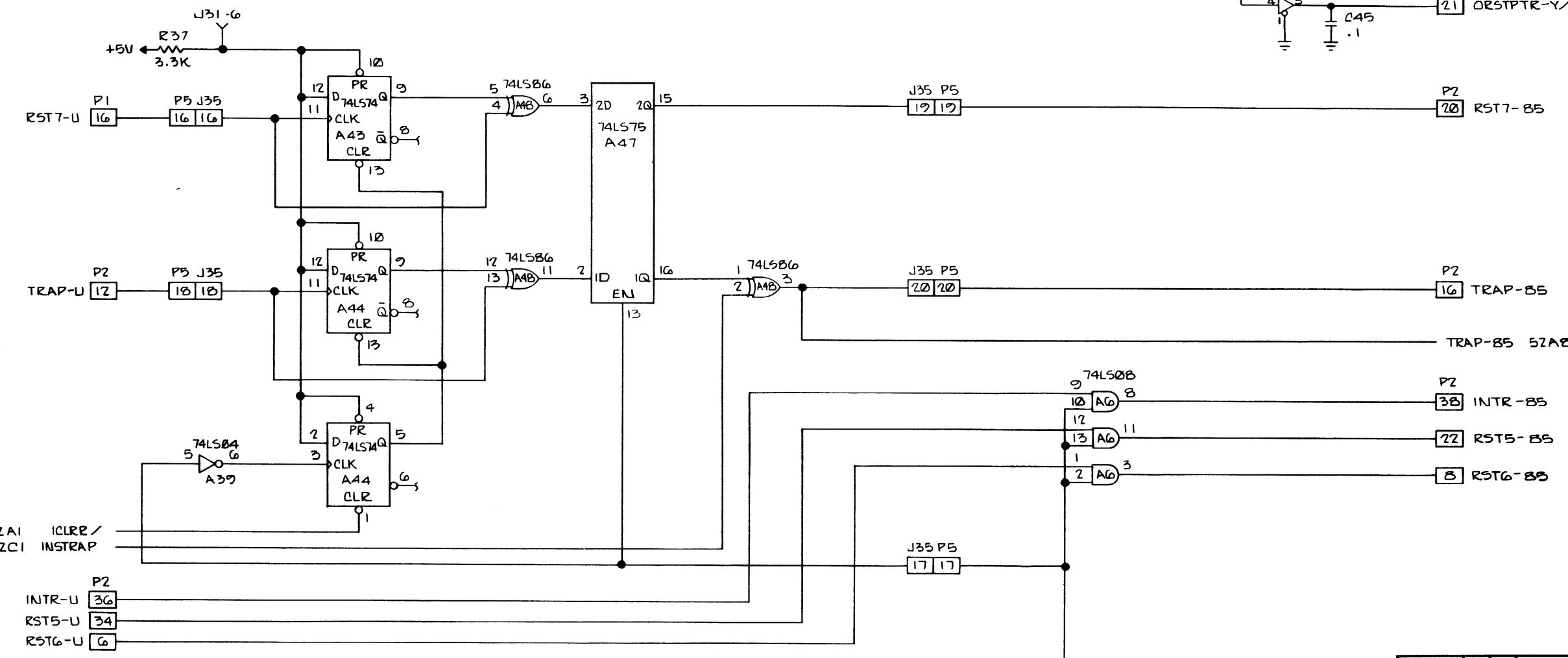
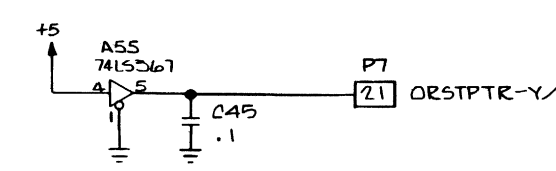
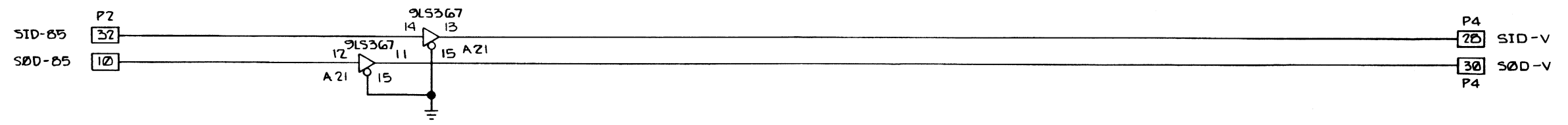
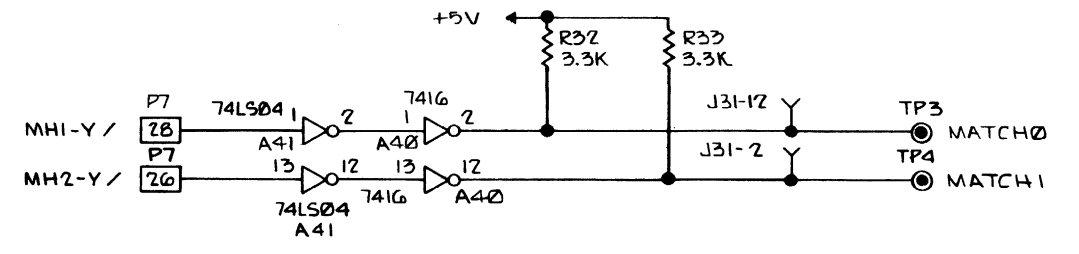
REVISIONS				
LTR	DESCRIPTION	DFT	CHK	ENGR
-	SEE SHEET 1	-	-	-



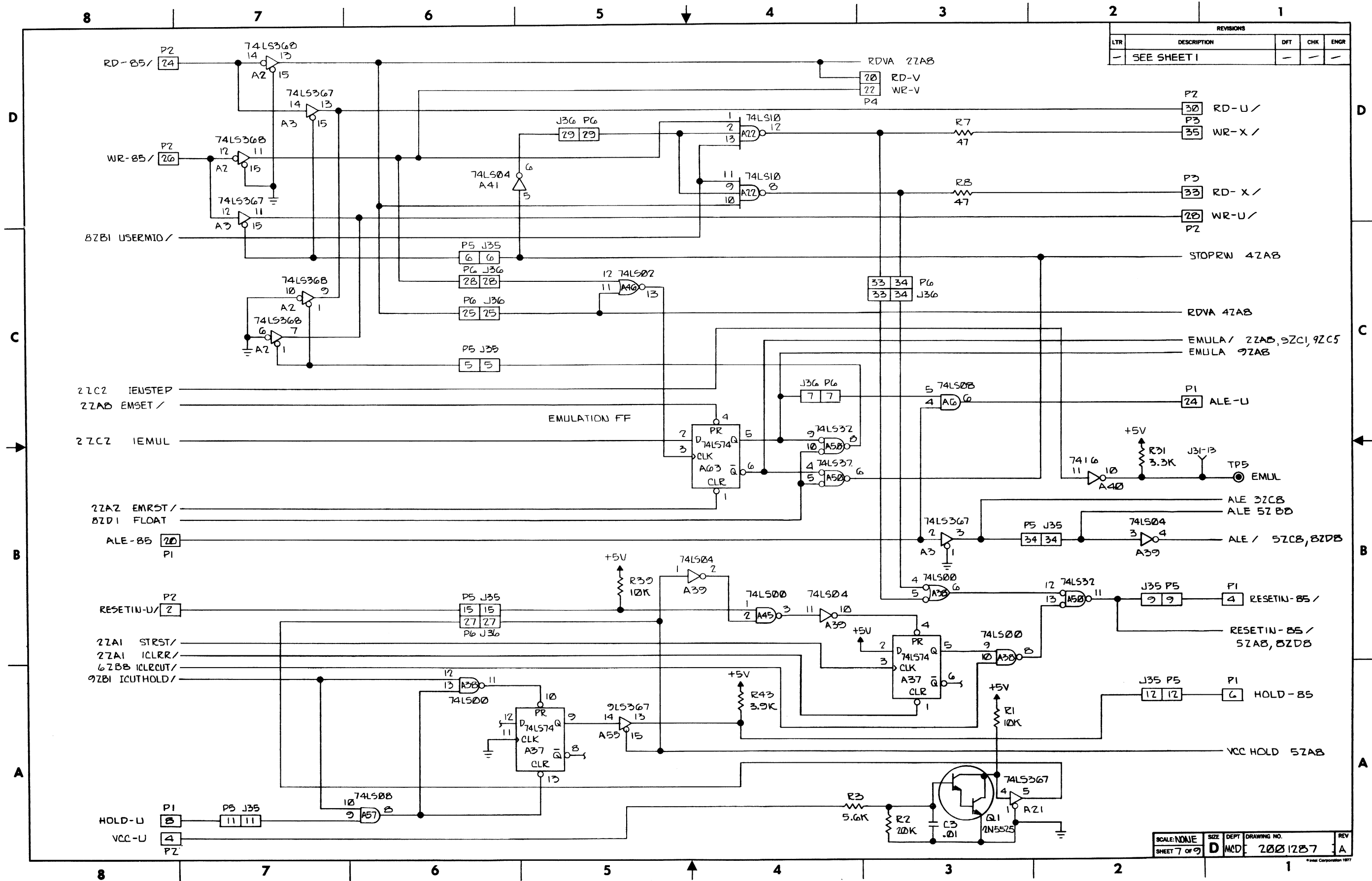
SCALE: NONE	SIZE: D	DEPT: MCD	DRAWING NO: 200 1287	REV: A
SHEET 5 OF 5				

8 7 6 5 4 3 2 1

REVISIONS				
LTR	DESCRIPTION	DFT	CHK	ENGR
-	SEE SHEET 1	-	-	-

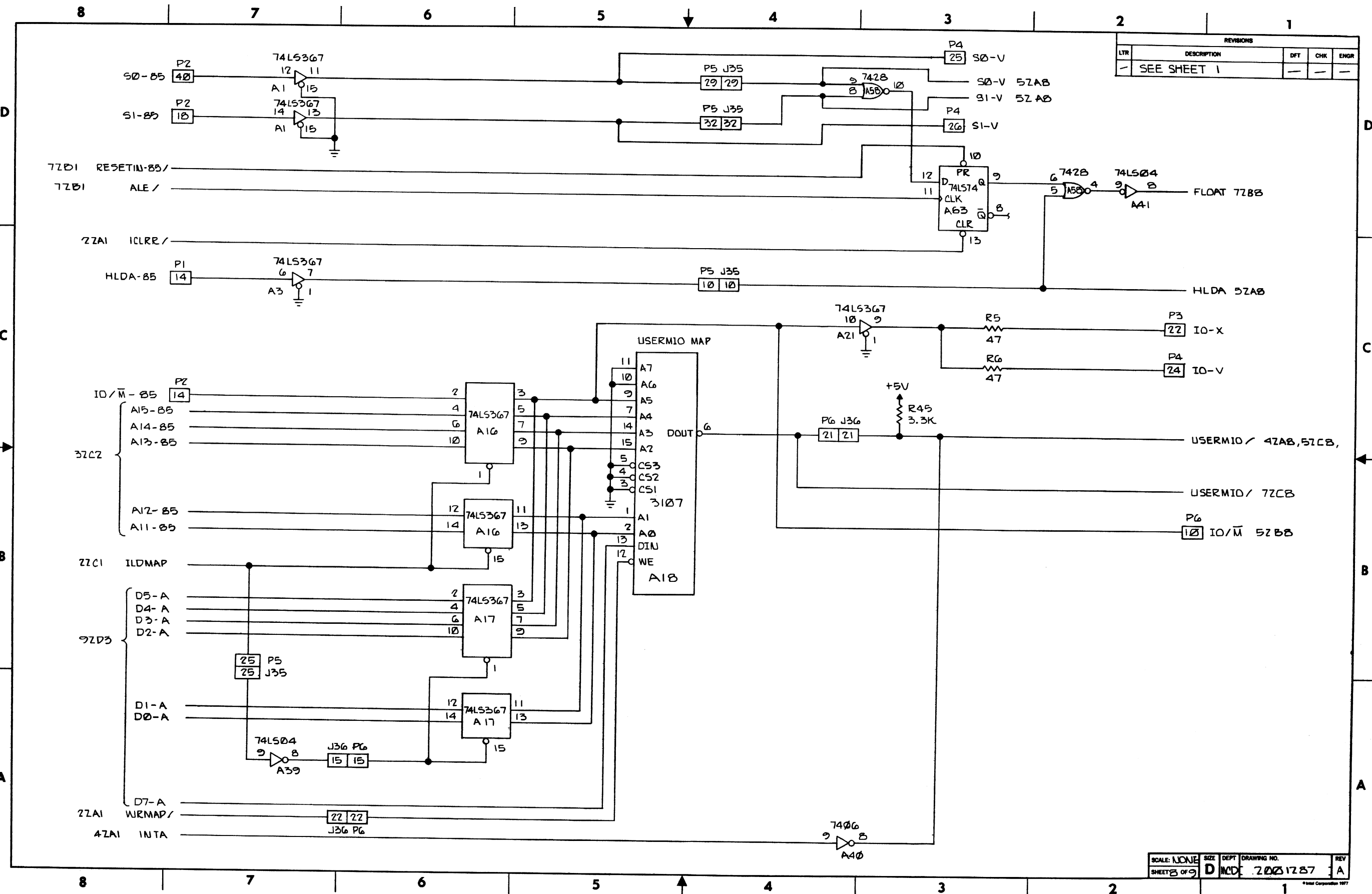


SCALE: NONE	SIZE: D	DEPT: MCD	DRAWING NO.: 2001287	REV: A
SHEET 6 OF 9				



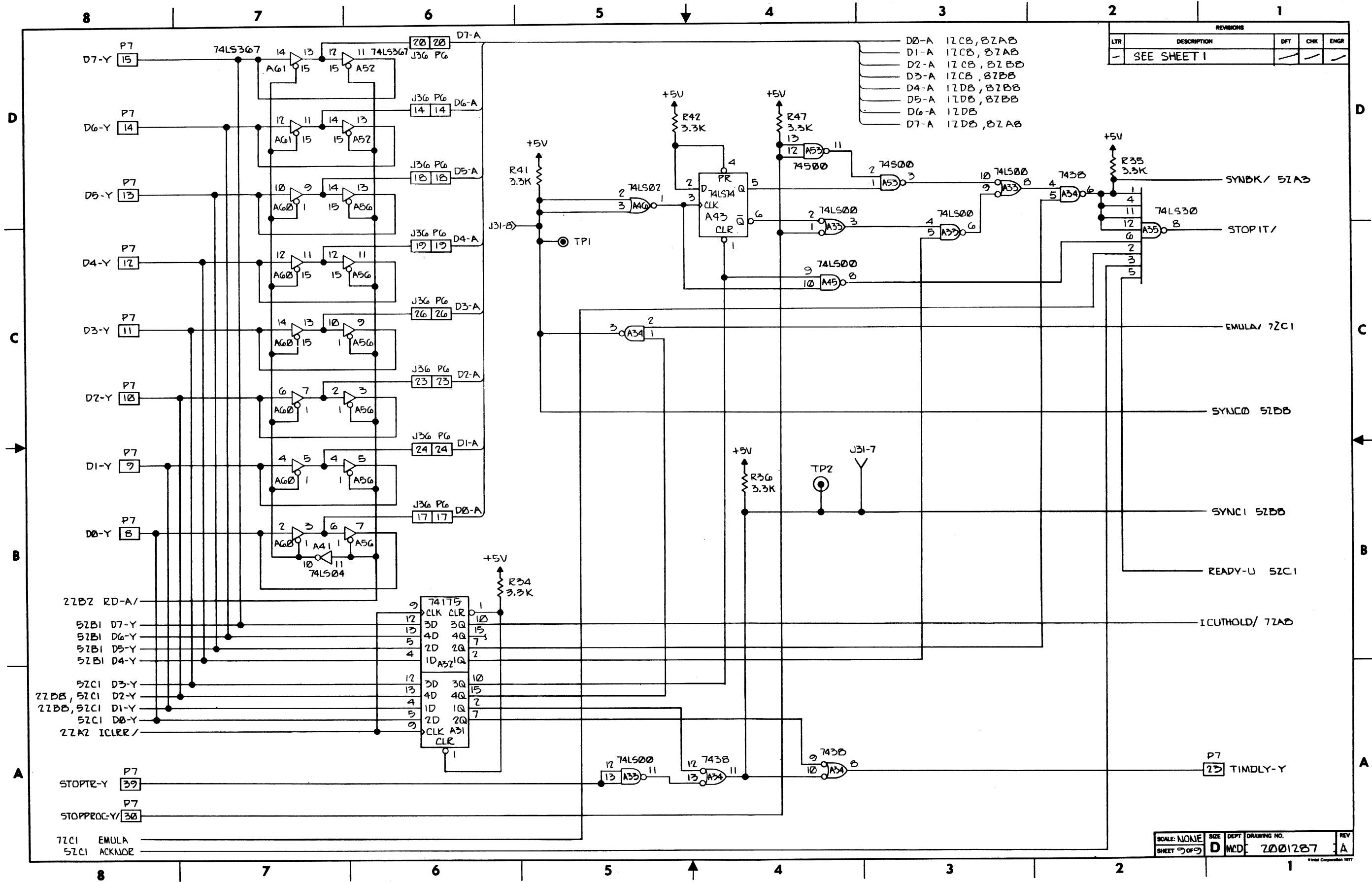
REVISIONS			
LTR	DESCRIPTION	DFT	CHK
-	SEE SHEET 1	-	-

SCALE: NONE	SIZE: D	DEPT: MCD	DRAWING NO.: 2001287	REV: A
SHEET 7 OF 9				



REVISIONS				
LTR	DESCRIPTION	DFT	CHK	ENGR
-	SEE SHEET 1	-	-	-

SCALE: NONE	SIZE: D	DEPT: INC	DRAWING NO. 2001787	REV: A
SHEET 3 OF 9				



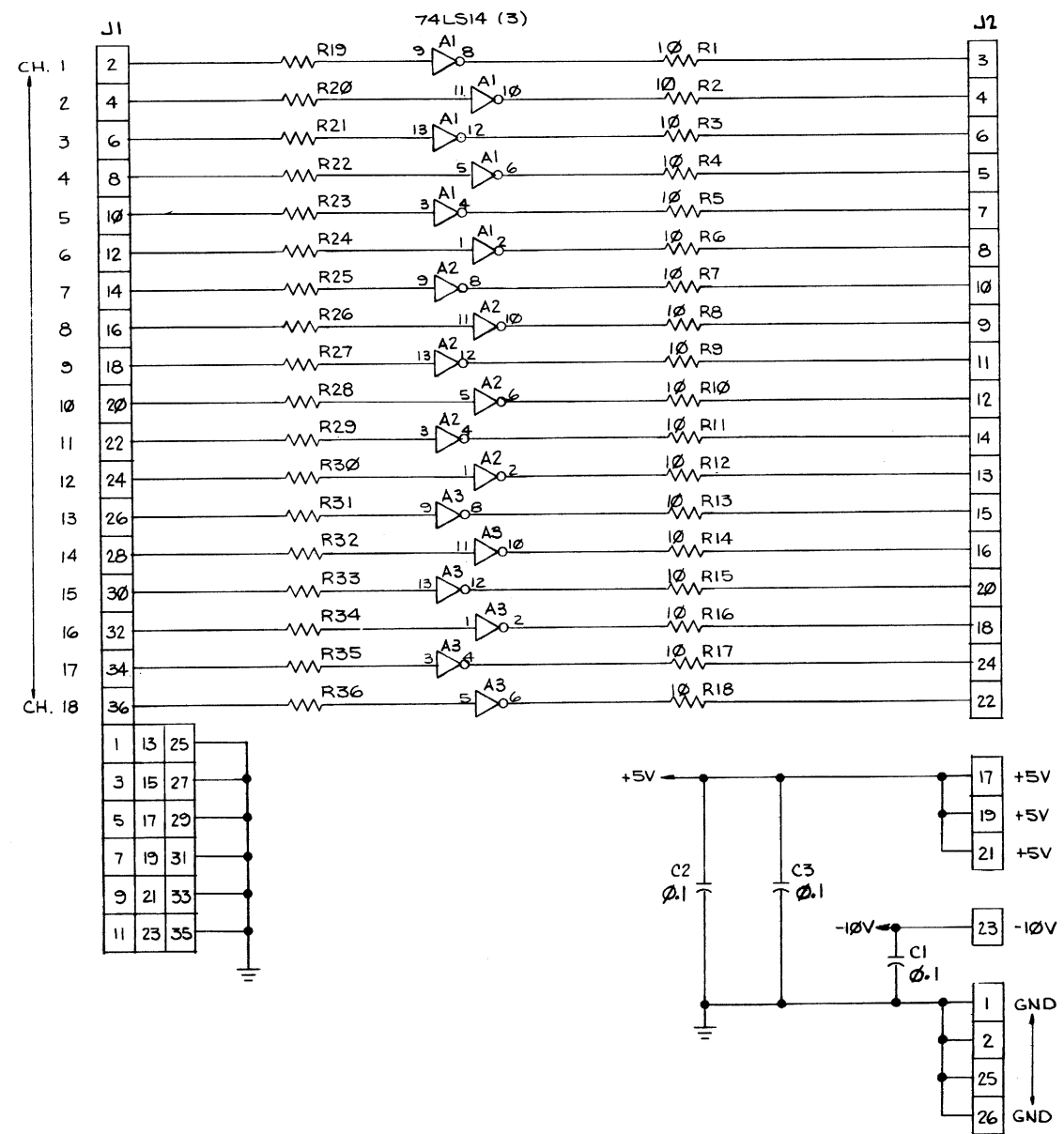
REVISIONS			
LTR	DESCRIPTION	DFT	CHK
-	SEE SHEET 1		

- D0-A 17CB, 82AB
- D1-A 17CB, 82AB
- D2-A 17CB, 82BB
- D3-A 17CB, 82BB
- D4-A 17DB, 82BB
- D5-A 17DB, 82BB
- D6-A 17DB
- D7-A 17DB, 82AB

- SYNCK/ 52AB
- STOPIT/
- EMULA/ 72C1
- SYNCK 52BB
- SYNCK 52BB
- READY-U 52C1
- ICUTHOOLD/ 72AD
- P7 27 TIMDLY-Y

SCALE: NONE	SIZE D	DEPT MCD	DRAWING NO. 2001287	REV A
SHEET 3 OF 3				

THIS DRAWING CONTAINS INFORMATION WHICH IS THE PROPRIETARY PROPERTY OF INTEL CORPORATION. THIS DRAWING IS RECEIVED IN CONFIDENCE AND ITS CONTENTS MAY NOT BE DISCLOSED WITHOUT THE PRIOR WRITTEN CONSENT OF INTEL CORPORATION.



NOTES: UNLESS OTHERWISE SPECIFIED
 1. ALL RESISTORS 100Ω, ±5%, 1/4W CARBON
 2. CAPACITANCE VALUES ARE IN MICROFARADS

74LS14	14	14	7
DEVICE	TOT PINS	+5V	GND

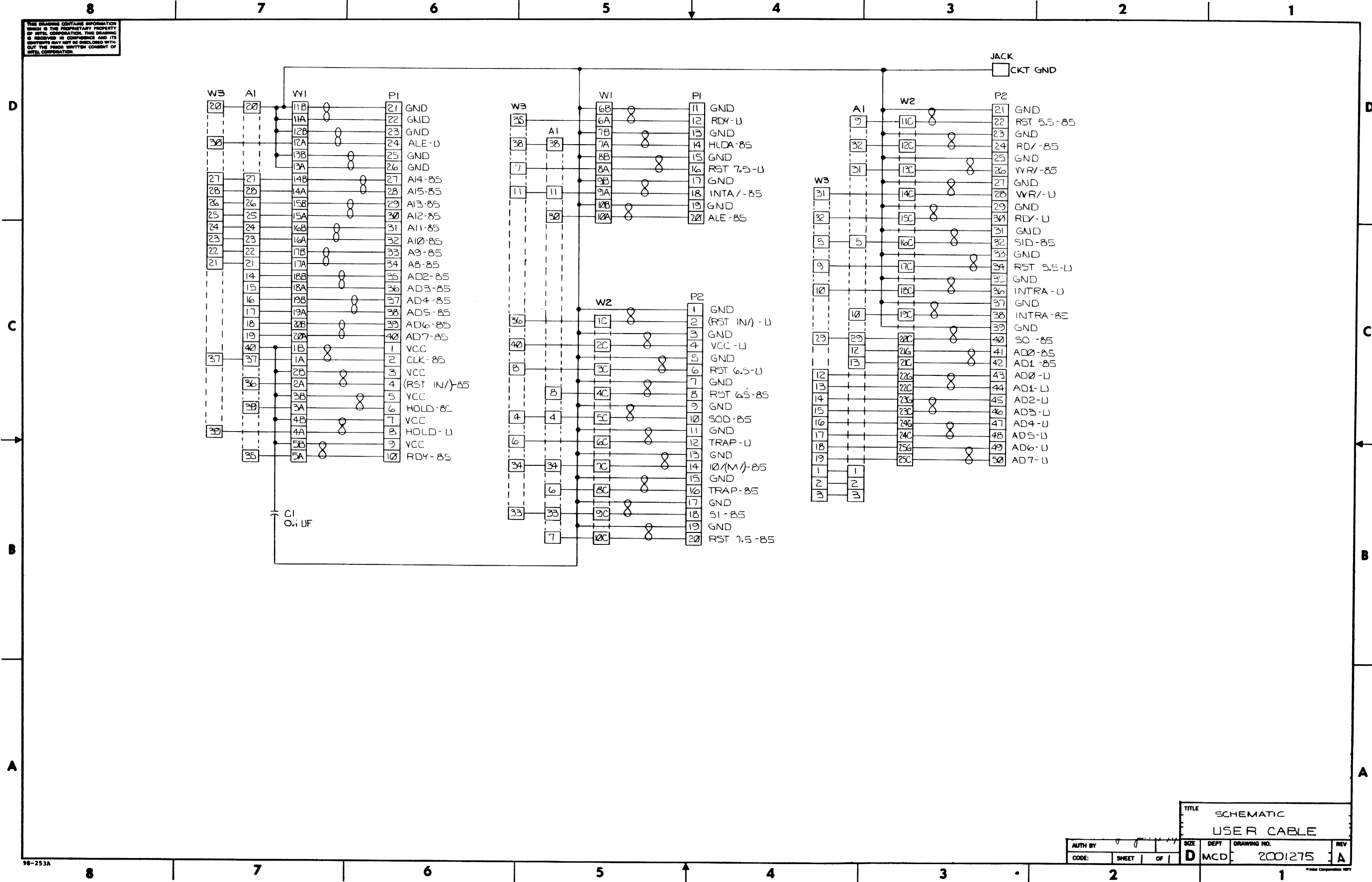
intel 3065 BOWERS AVE. SANTA CLARA CALIF. 95051

TITLE: SCHEMATIC DIAGRAM 18 CHANNEL BUFFER

AUTH BY	SIZE	DEPT	DRAWING NO.	REV
	D	MCD	2001297	A

98-253A

THIS DRAWING CONTAINS INFORMATION WHICH IS THE PROPRIETARY PROPERTY OF INTEL CORPORATION. THIS DRAWING IS REPRODUCED IN CONFIDENCE AND ITS CONTENTS MAY NOT BE DISCLOSED WITHOUT THE WRITTEN CONSENT OF INTEL CORPORATION.



TITLE
SCHEMATIC
USER CABLE

AUTH BY: [Signature]
DEPT: MCD
DRAWING NO.: 2001275
REV: A



INTEL CORPORATION, 3065 Bowers Avenue, Santa Clara, California 95051

Printed in U.S.A.