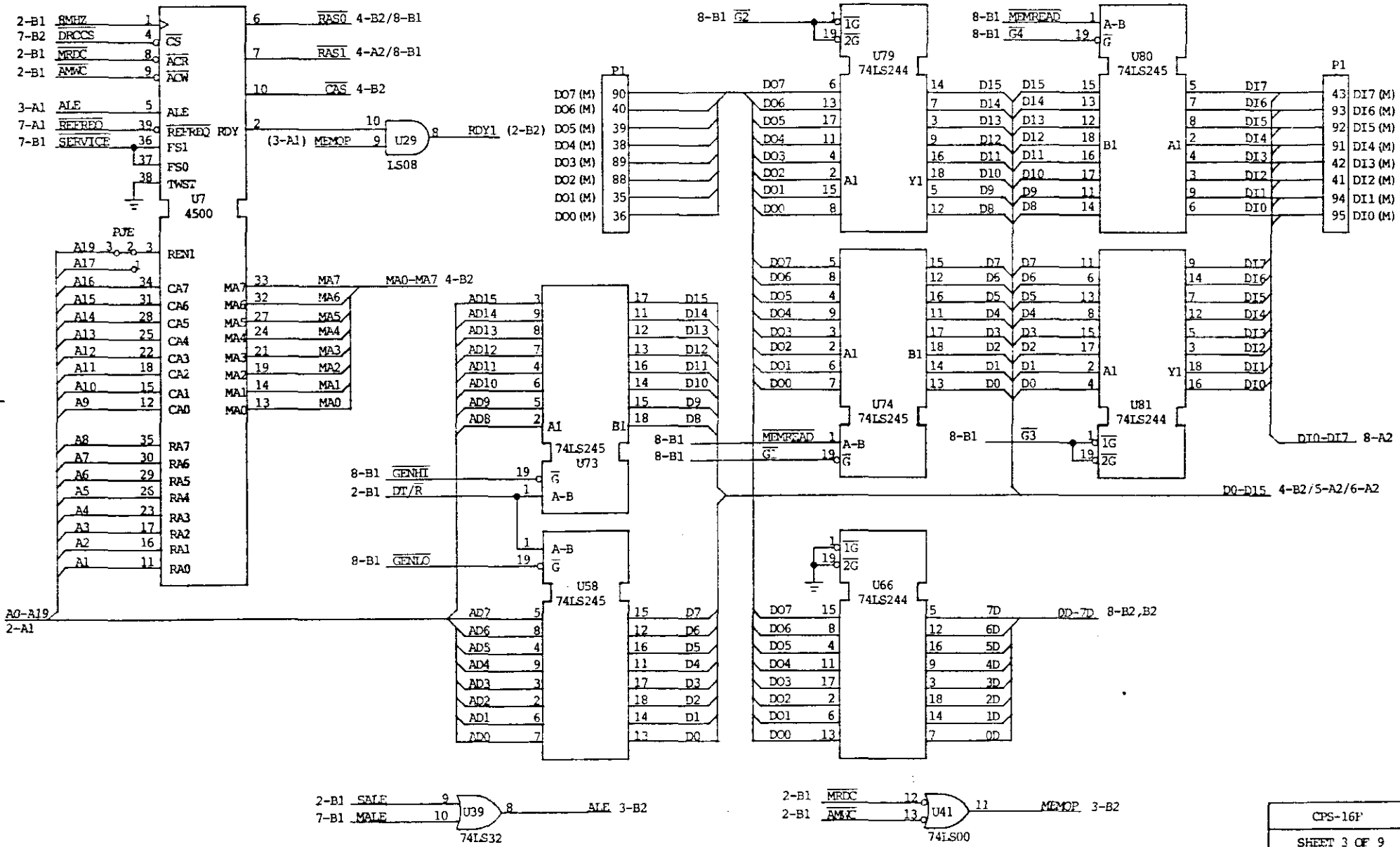


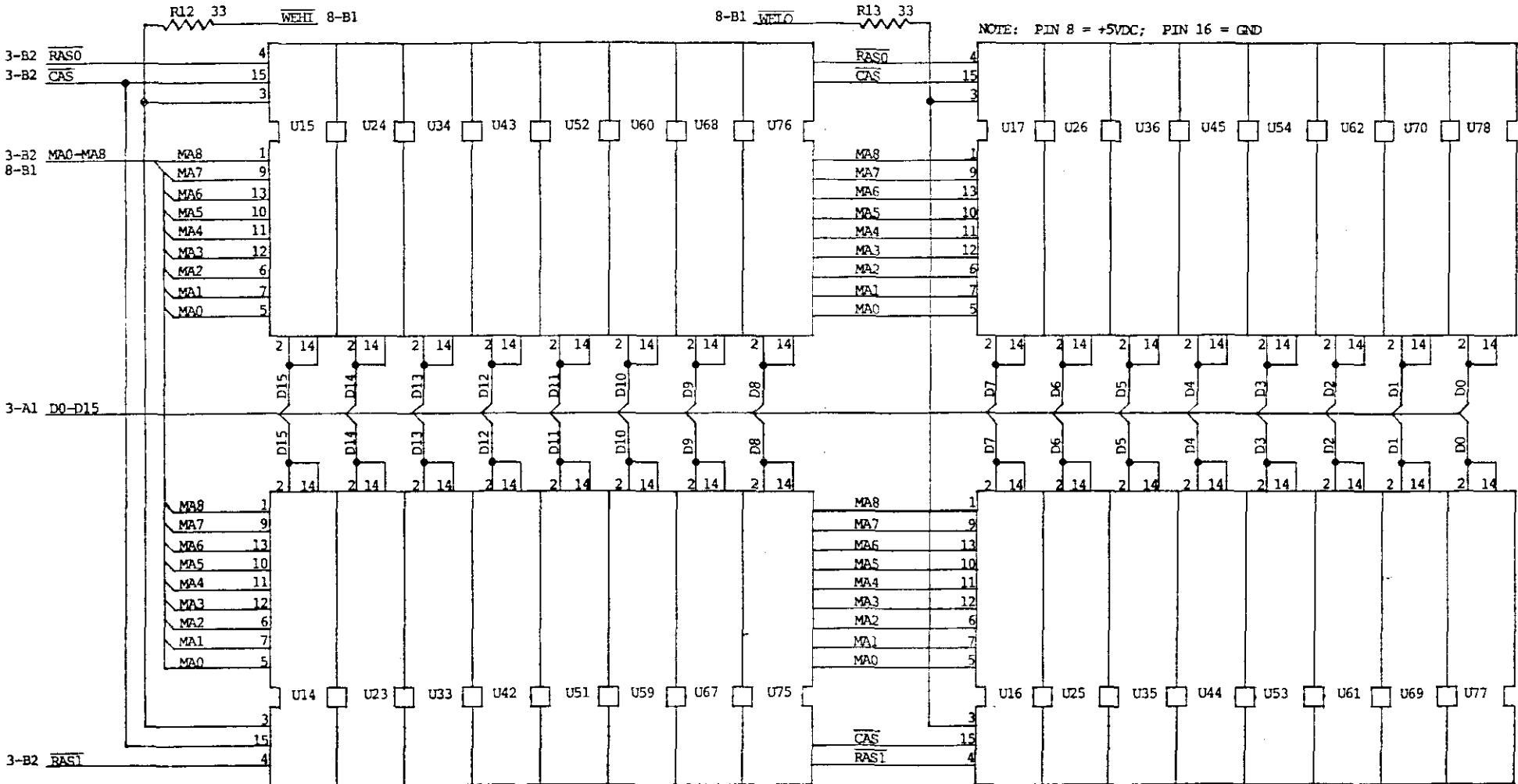
DYNAMIC RAM CONTROLLER

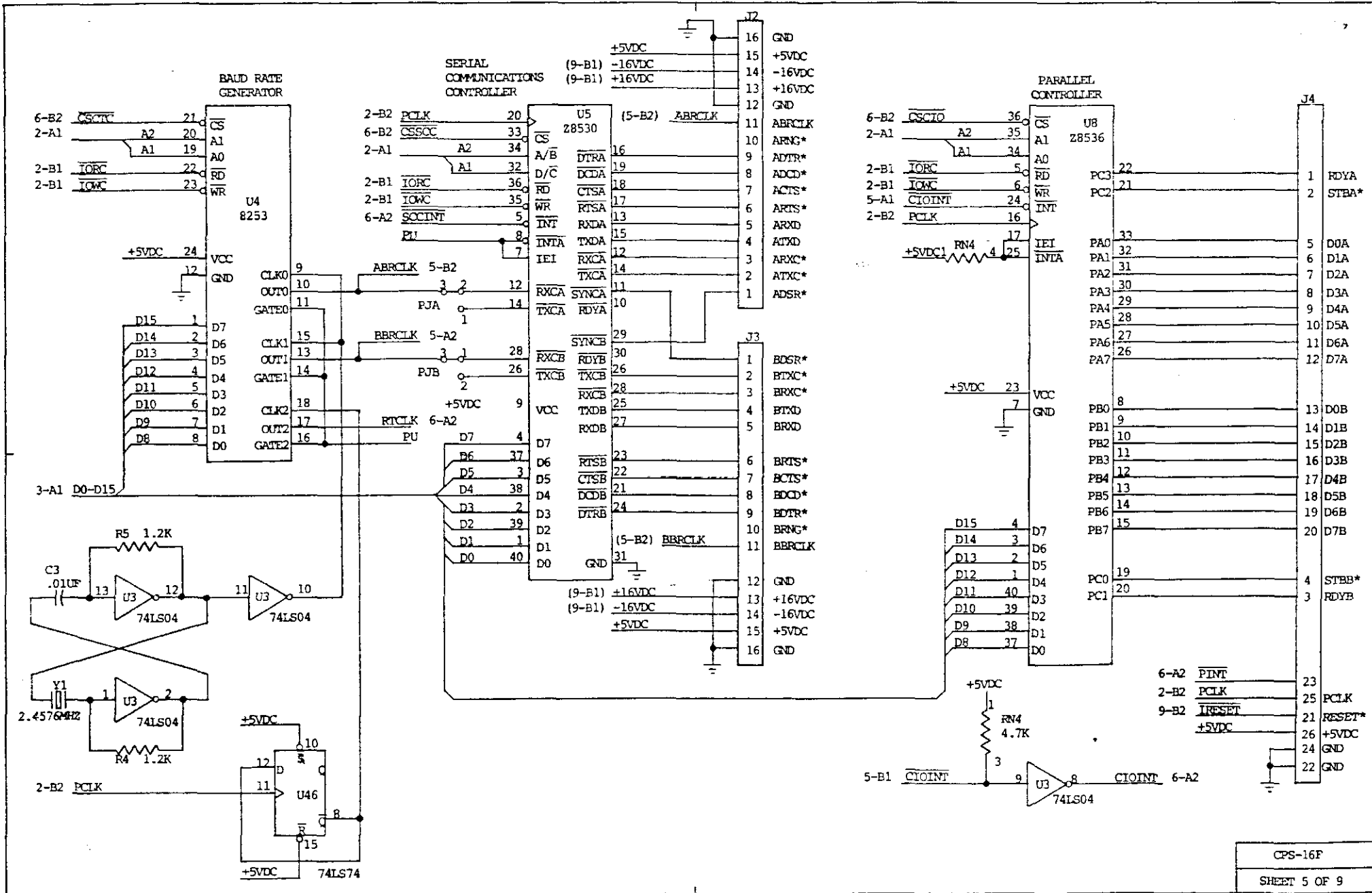
S-100 DATA BUFFERS

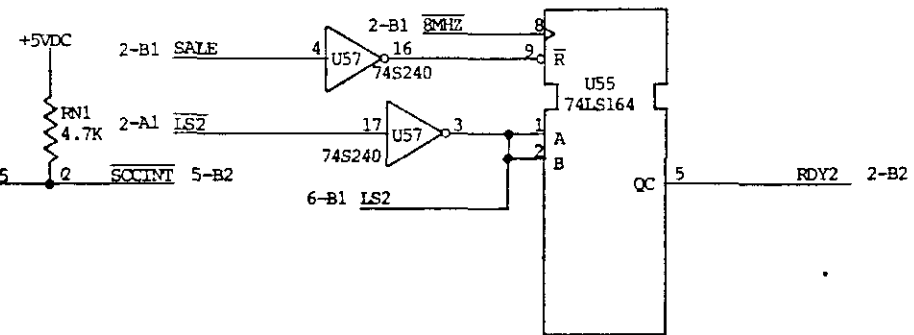
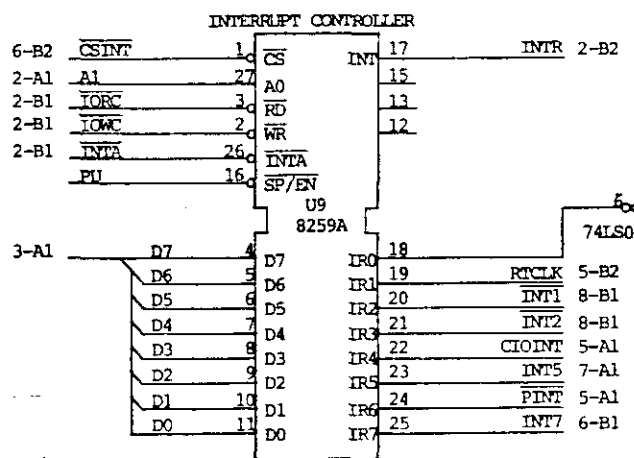
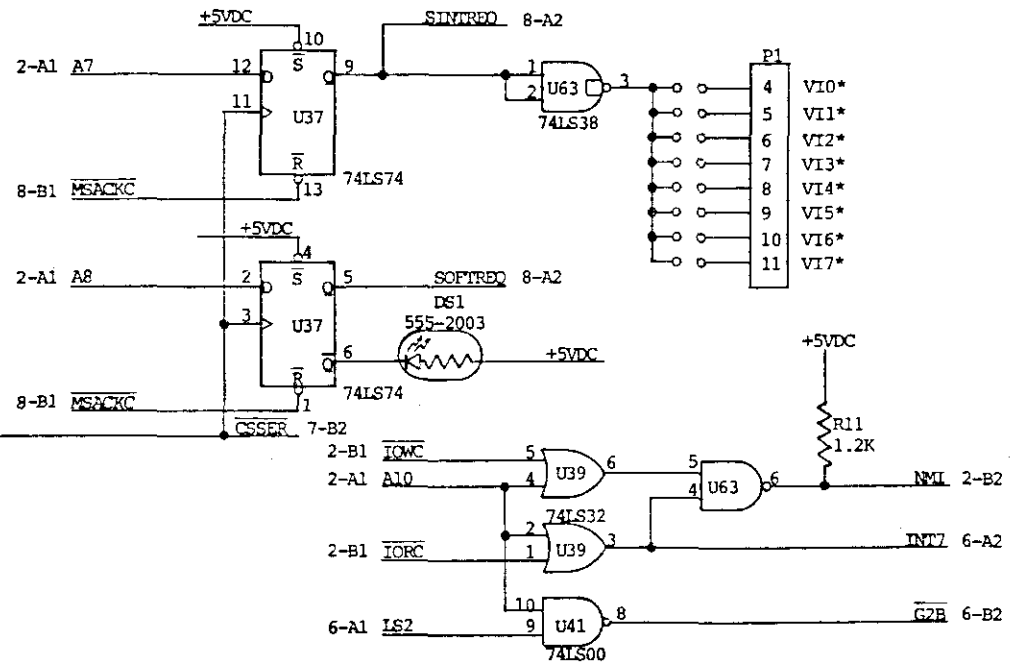
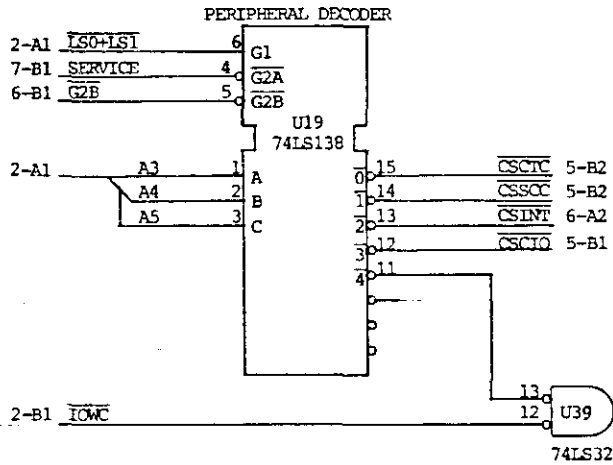


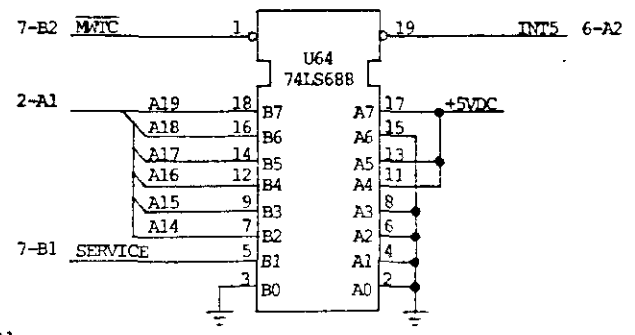
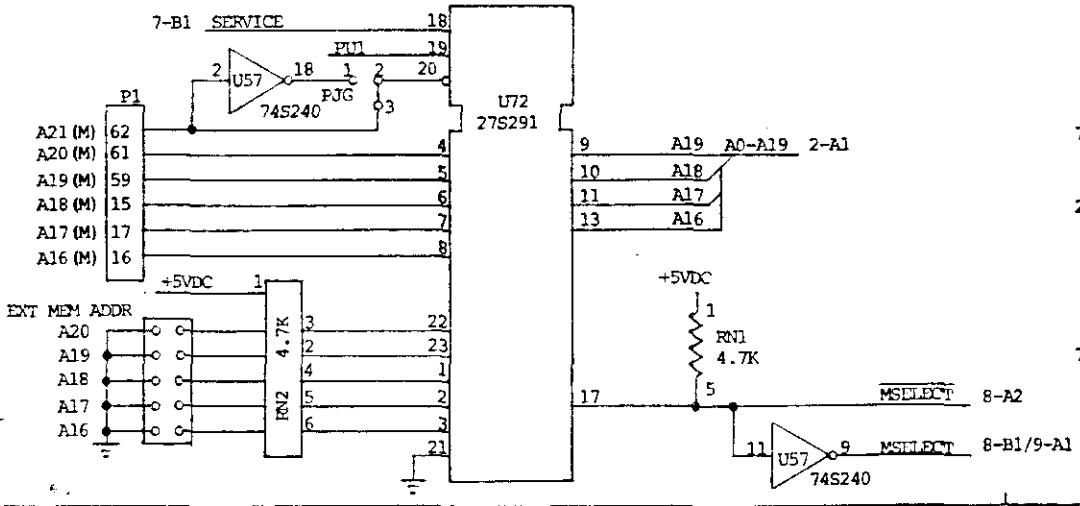
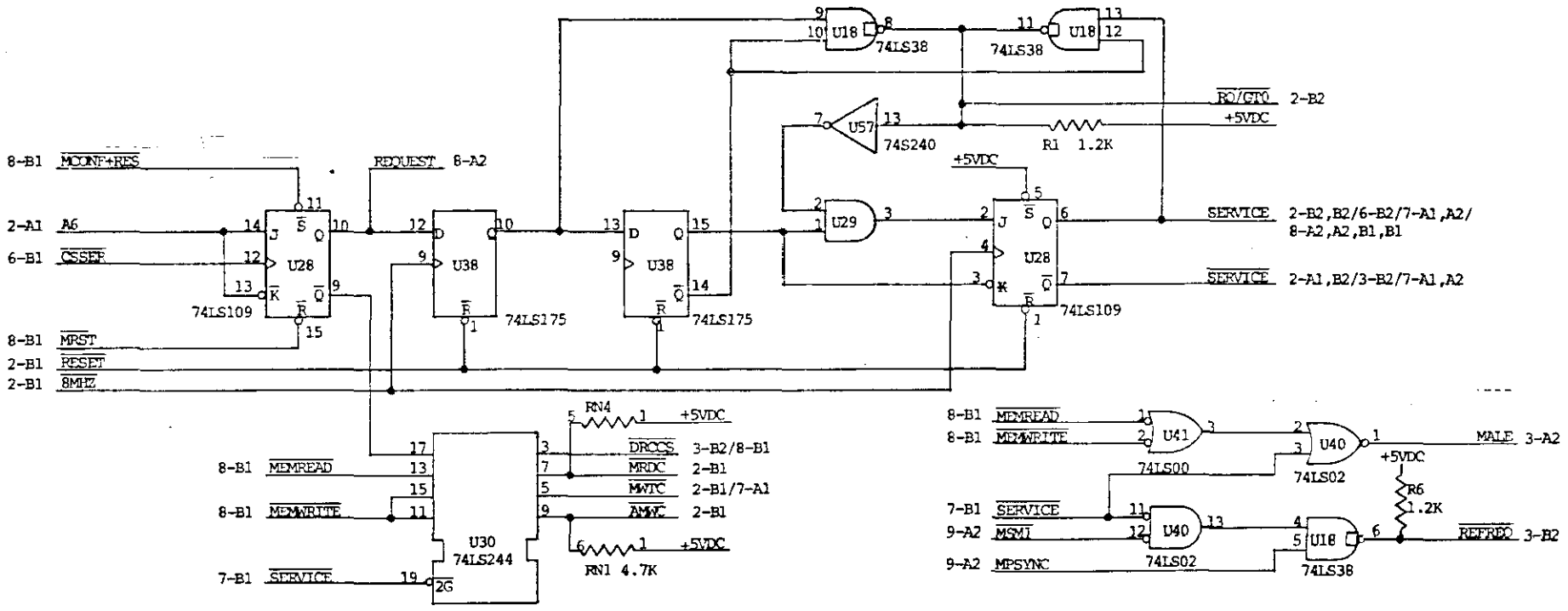
1 MEGABYTE (512K x 16) DYNAMIC RAM MEMORY

NOTE: PIN 8 = +5VDC; PIN 16 = GND









I/O ADDRESS COMPARATOR

I/O PORT SELECT

