

# DISC OPERATING SYSTEM (DOS) REFERENCE MANUAL

INFORMATION CONTAINED IN THIS  
MANUAL IS SUBJECT TO DESIGN  
CHANGE OR PRODUCT IMPROVEMENT



Subsidiary of PERKIN-ELMER  
Oceanport, New Jersey 07757, U.S.A.

# DISC OPERATING SYSTEM REFERENCE MANUAL

## TABLE OF CONTENTS

CHAPTER 1	SYSTEM CONCEPTS .....	1-1
	1.1 INTRODUCTION .....	1-1
	1.2 FEATURES .....	1-1
	1.3 ELEMENTS OF THE SYSTEM .....	1-3
	1.3.1 Executive .....	1-3
	1.3.2 Supervisor .....	1-3
	1.3.3 Loader .....	1-4
	1.3.4 Device Drivers .....	1-4
	1.3.5 User Programs .....	1-4
	1.3.6 Other Programs .....	1-4
	1.3.7 DOS Directory .....	1-4
	1.3.8 Memory .....	1-4
	1.4 SYSTEM CONFIGURATION .....	1-6
	1.4.1 Hardware Configuration .....	1-6
	1.4.2 Disc Allocation .....	1-7
	1.4.3 Security and Protection .....	1-7
	1.4.4 Relationship to other Operating Systems .....	1-7
CHAPTER 2	DOS OPERATIONS .....	2-1
	2.1 INTRODUCTION .....	2-1
	2.2 LOADING AND STARTING THE SYSTEM .....	2-1
	2.2.1 Re-Starting at SYSGO .....	2-1
	2.2.2 Loading from Bulk Storage Devices .....	2-1
	2.3 PROGRAM INTERRUPTS AND ERRORS .....	2-2
	2.3.1 I/O Device Errors .....	2-3
	2.3.2 Privileged or Illegal Instruction .....	2-3
	2.3.3 Arithmetic Fault Interrupts .....	2-3
	2.4 OPERATOR COMMAND PROCESSOR .....	2-4
	2.4.1 Commands for Mass Storage Devices .....	2-4
	2.4.2 General Commands .....	2-12
	2.4.3 I/O Control Commands .....	2-19
	2.4.4 Summary of DOS Operator Commands .....	2-22
	2.4.5 Summary of DOS System Messages .....	2-24
CHAPTER 3	APPLICATION PROGRAMMING .....	3-1
	3.1 PROGRAMMING CONVENTIONS .....	3-1
	3.1.1 Privileged Instructions .....	3-1
	3.2 SUPERVISOR CALL .....	3-2
	3.3 INPUT/OUTPUT PROGRAMMING .....	3-3
	3.3.1 Examples of Data Transfers .....	3-4
	3.3.2 Teletype Input/Output .....	3-7
	3.3.3 High Speed Paper Tape Reader Input .....	3-8
	3.3.4 High Speed Paper Tape Punch Output .....	3-8
	3.3.5 Card Reader Input .....	3-8
	3.3.6 Line Printer Output .....	3-10
	3.3.7 Magnetic Tape Input/Output .....	3-10
	3.3.8 Cassette Tape Input/Output .....	3-11
	3.3.9 Disc Input/Output .....	3-11

TABLE OF CONTENTS  
(Continued)

	3.3.10 CRT Input/Output . . . . .	3-11
	3.3.11 Control Operations . . . . .	3-12
3.4	SVC 2 - SERVICE FUNCTIONS (see Figure 3-3) . . . . .	3-13
3.5	SVC 3 - END OF JOB . . . . .	3-18
3.6	SVC 4 - EXECUTE COMMAND STATEMENT . . . . .	3-18
3.7	SVC 5 - FETCH OVERLAY . . . . .	3-19
3.8	SVC 6 - CALL A PROGRAM . . . . .	3-20
CHAPTER 4	SYSTEM USAGE . . . . .	4-1
	4.1 INTRODUCTION . . . . .	4-1
	4.2 MEMORY USAGE AND REQUIREMENTS . . . . .	4-1
	4.3 SYSTEM USAGE EXAMPLES . . . . .	4-2
	4.3.1 Establishing a Program on Disc . . . . .	4-2
	4.3.2 Assemblies with Disc Scratch . . . . .	4-2
	4.3.3 FORTRAN Compile and Go . . . . .	4-3
	4.3.4 Cataloging and Batch Operations . . . . .	4-3
	4.4 OVERLAYS . . . . .	4-4
	4.5 DISC FILE USE . . . . .	4-6
	4.6 PERFORMANCE TIMES . . . . .	4-7
	4.6.1 Sequential Disc File Timing Chart . . . . .	4-7
	4.6.2 Useful Time Estimates (Model 70) . . . . .	4-7
CHAPTER 5	DOS SYSTEM GENERATION AND MODIFICATION . . . . .	5-1
	5.1 SYSTEM GENERATION . . . . .	5-1
	5.1.1 Introduction . . . . .	5-1
	5.1.2 Conditional Assembly Procedure using the Teletype to Input SYSGEN Statements . . . . .	5-1
	5.1.3 Conditional Assembly using Tape or Cards to Input SYSGEN Statements . . . . .	5-4
	5.1.4 Assembly Procedures to Add New Drivers . . . . .	5-4
	5.1.5 Sample DOS System Generation . . . . .	5-5
	5.1.6 Adding User Written Drivers . . . . .	5-7

ILLUSTRATIONS

Figure 1-1.	DOS System Elements . . . . .	1-3
Figure 1-2.	DOS Memory Map . . . . .	1-5
Figure 1-3.	Typical DOS Configuration . . . . .	1-6
Figure 2-1.	Core Map . . . . .	2-14
Figure 3-1.	Data Transfer Operations . . . . .	3-5
Figure 3-2.	Control Operation Example . . . . .	3-12
Figure 3-3.	Parameter Blocks for SVC 2 Supervisor Calls . . . . .	3-13
Figure 3-4.	Core Map . . . . .	3-14
Figure 5-1.	I/O Logic General Flow . . . . .	5-9
Figure 5-2.	I/O Logic Detailed Flow . . . . .	5-10

TABLES

TABLE 1-1.	OPERATING SYSTEM COMPARISON . . . . .	1-7
TABLE 2-1.	AVAILABLE EQUIPMENT . . . . .	2-13
TABLE 3-1.	PRIVILEGED INSTRUCTIONS . . . . .	3-1
TABLE 3-2.	LOGICAL STATUS CODES RETURNED BY DOS . . . . .	3-9
TABLE 3-3.	CONSTANT TABLE . . . . .	3-16
TABLE 5-1.	SYSTEM GENERATION STATEMENTS . . . . .	5-2

APPENDICES

APPENDIX 1	APPROXIMATE NUMBER OF BYTES REQUIRED FOR OPTIONAL SYSTEM MODULES . . . . .	A1-1
APPENDIX 2	SYSTEM SUMMARY . . . . .	A2-1

# CHAPTER 1

## SYSTEM CONCEPTS

### 1.1 INTRODUCTION

The objective of an operating system is to provide a method of program management that, by establishing conventional responses to external and internal stimuli, creates an environment in which user programs can function more nearly as pure problem solvers. The Disc Operating System (DOS) creates an environment. This manual describes the standards and conventions, and the convenience features of DOS that allow the user to program efficiently by concentrating more on the problem at hand and less on the tasks of input/output processing and interrupt handling.

### 1.2 FEATURES

A significant feature of DOS is that it allows programs to be device independent. That is, I/O calls to DOS do not specify any device dependent information such as physical address and special format characters. Programs written to run under DOS do not have to be modified when hardware is reconfigured or when new hardware is added. DOS fully supports the FORTRAN IV Compiler and the INTERDATA Assembler. It is a modularly organized system containing built-in drivers for a system console CRT or Teletype, Disc, High Speed Paper Tape Reader/Punch, Card Reader, Line Printer, Magnetic Tape, and Cassette Tape. User written driver programs for special devices can easily be added to the system. DOS provides the user with convenient and efficient methods of using an INTERDATA disc system, as a program preparation tool, a program library, and an application data storage device. DOS, by means of a conditional generation procedure, may be installed tailored to a user's hardware configuration; i. e., only those routines needed by the user are included in the system.

Features of the Disc Operating System (DOS) are:

Concurrent Input/Output. I/O can be performed in both overlapped (I/O proceed) and non-overlapped (I/O Wait) modes. All interrupts are automatically handled by the DOS executive. Concurrent I/O on multiple devices of the identical type is not supported; DOS handles I/O proceeds to multiple CRT's, for example, as I/O Wait's.

Logical to Physical Device Independence. The user may, with minimum constraints, transfer logical control from one physical device to another without modifying his program. Up to 16 user logical units (files) may be open at any one time. The number of logical units available on a system can be established at System Generation (SYSGEN) time.

Batch Operation. Operator commands to DOS may be accepted from any input device including catalogued disc files, allowing the user to batch job control statements. (e. g., FORTRAN Compile and GO operation.)

Named Files. The DOS allows the user to have up to 368 named files on a 10 Megabyte disc pack or 198 named files on a 2.5 Megabyte disc pack.

Allocation. DOS allows the user to initially allocate desired space to a disc file and automatically allocates further disc space up to three cylinders to satisfy user requirements. This automatic overflow allocation is invisible to the user.

File Manipulation. The DOS allows files to be named, examined, and manipulated. The user may copy a disc file to another disc file, or may append a disc file to another disc file. In addition, files may be deleted and all files may be listed with appropriate parameters.

File Attributes and Protection. Associated with each disc file is a set of attributes which the user may specify. These attributes include read and write protection plus data and file descriptors. The file protection feature allows a user to save a file and protect against unauthorized access to that file.

Disc Access Methods. The DOS provides three access methods: sequential, random, and direct physical access. Sequential mode is normally used to access records consecutively such as in compilations and assemblies whereas random access mode allows accessing a particular record by specifying a logical record number. Random access is useful in updating master files on disc and in accessing large tables that are kept on disc. Direct physical access allows reference to logical sector numbers within a file, and permits rapid transfer of variable length records which can be any number of sectors.

Variable Physical Record Length. The physical record size on disc may be varied at system generation time to best suit the user's application. Physical record sizes may be 256, 512, 768, or 1,024 bytes. A small physical record size is best suited for random applications, while a large record size increases throughput in sequential operations.

Logical Record I/O. DOS read and write requests to the disc are performed via logical records. DOS performs all blocking and unblocking of physical records based on the specified logical record length of the file and the disc physical record size. In all cases the user simply makes an I/O request for a Read or Write operation (specifying the logical record number for random files).

Disc I/O via Supervisor Call. The user program performs all disc I/O via a SVC 1 instruction, which passes appropriate parameters to the DOS executive. Specific operations which can be performed are described later but basically the user specifies the operation as Read/Write, Wait/Proceed, Random/Sequential, or as a specific control operation (i. e., Rewind).

Disc I/O Buffering. To insure a minimum of accesses, the user may specify the length of the logical records within a physical record as well as the access method. DOS determines if a logical record is already buffered in core rather than do an unconditional access, and if a Write operation is requested, DOS places the logical record in the DOS buffer and outputs the buffer only when necessary. In a sequential file, a Read operation is not performed prior to sequential Write operations.

Overlays and Program Callable Programs. User programs running under the DOS can issue a SVC to fetch a named overlay into memory or load a program and transfer control to that program. When an overlay is loaded, control is returned to the main program. This capability is useful in FORTRAN programs which are too large for a memory size but, when divided into a main program and one or more subroutines, can fit if the main program is resident and the subroutines can overlay each other. The generation of overlays with the linkages to the main program and library routines is handled by the OS Library Loader.

FORTTRAN Programming with Random Accessing. A FORTRAN program may access a specific logical record by calling a disc positioning subroutine (POSITN) prior to executing a Read or Write statement.

Disc Pack Interchange. The DOS allows the interchange of disc packs since all the disc pack control information required by the DOS is resident on the disc pack.

DOS Bootstrap. An OS Random Access Bootstrap tape, Program Number 07-046, is provided for loading DOS from disc. A core image of DOS is kept on Cylinder 0 or Cylinder 0, 1 of each disc pack.

System Generation. The user has the capability of tailoring his system to his own configuration and use, by means of a System Generation assembly, thus assuring a compact DOS environment.

Compatibility. Programs which run under the INTERDATA Basic Operating System (BOSS) execute under DOS with no modifications.

Operator Commands via Supervisor Call. DOS has a feature that allows operator commands to be executed via a program supervisor call. A user program while running may, for example, allocate, open, and close files.

### 1.3 ELEMENTS OF THE SYSTEM

DOS is a modular system, made up of many elements which contribute to the whole system. The basic DOS modules—the Executive, the Supervisor, the Loader—and the various drivers combine to produce the complete DOS system. Refer to Figure 1-1.

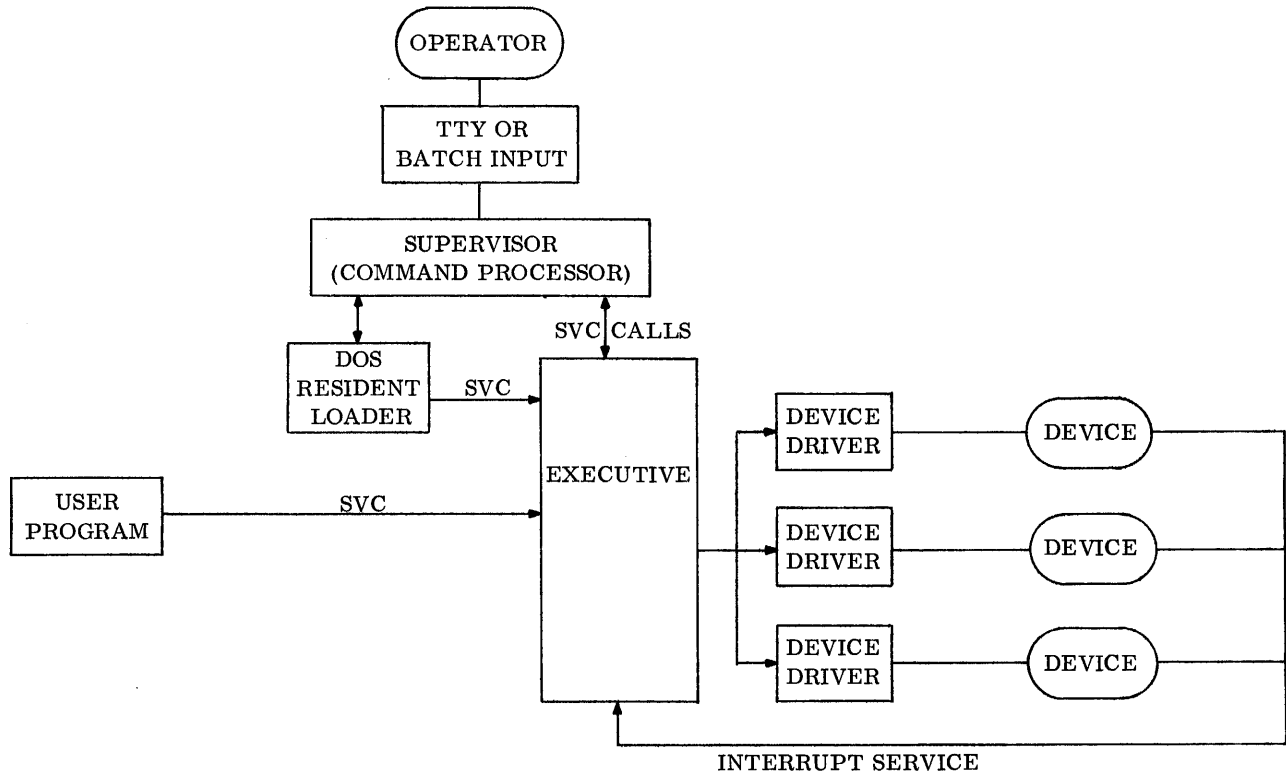


Figure 1-1. DOS System Elements

#### 1.3.1 Executive

The Executive handles all internal interrupts; supervisor call, arithmetic fault, illegal instruction, queue termination, and machine malfunction. In its handling of the supervisor call interrupt, it services all requests and initiates all I/O operations. The Executive is always entered as the result of an internal interrupt. All executive routines exit to the user program state (PSW Bit-7 set).

#### 1.3.2 Supervisor

This module is responsible for operator message logging, and for operator command processing. The Supervisor issues SVC calls to the Executive portion of DOS. Operator commands are provided for:

- |                            |   |
|----------------------------|---|
| System Initialization      | - PACK, CHANGE PACK, INITIALIZE PACK AND DIRECTORY, REINITIALIZE PACK AND MAINTAIN DIRECTORY, AND SET DIRECTORY |
| Program Execution Controls | - LOAD, CONTINUE, BIAS, START, TRANSFER, RUN, CLOSE, HALT   |
| Device Controls            | - BACKSPACE FM, FORWARDSpace FM, BACKSPACE RECORD, FORWARD-SPACE RECORD, REWIND, WTFM, ASSIGN, LIST UNITS       |
| Operator Debug Aides       | - OPEN, REPLACE, PLUS, MINUS, BASE  |
| Disc File Management       | - ALLOCATE, ATTRIBUTE, DELETE, LIST, ACTIVATE, POSITION   |
| System Utility             | - COPY  |

### 1.3.3 Loader

The DOS resident Loader can be called by the operator or by a running program. It loads programs from the system library or any sequential device.

### 1.3.4 Device Drivers

These routines, the unique coding sequences that control actual I/O transfers, are activated and terminated by the executive. Drivers are written such that interrupts are disabled for the shortest possible period of time, thus enabling the system to remain responsive to external interrupts even while the executive is running, thus increasing throughput.

### 1.3.5 User Programs

A user program may consist of a single program, or it may include a main program and a number of subprograms and overlays. User programs may be permanently resident in memory, or they may be loaded from the system library as required. The total number of user programs allowed in memory at any given time is limited only by the amount of memory available, but only one program may be in execution at any given time.

### 1.3.6 Other Programs

The OS Library Loader accepts its own set of operator commands and runs as a user program under DOS. It loads, links, edits and produces object modules and overlays. The Hex Debug program contains features useful for debugging (i.e., breakpoints) and various utility features such as memory save and memory dump. For details on these programs, see the appropriate program descriptions.

### 1.3.7 DOS Directory

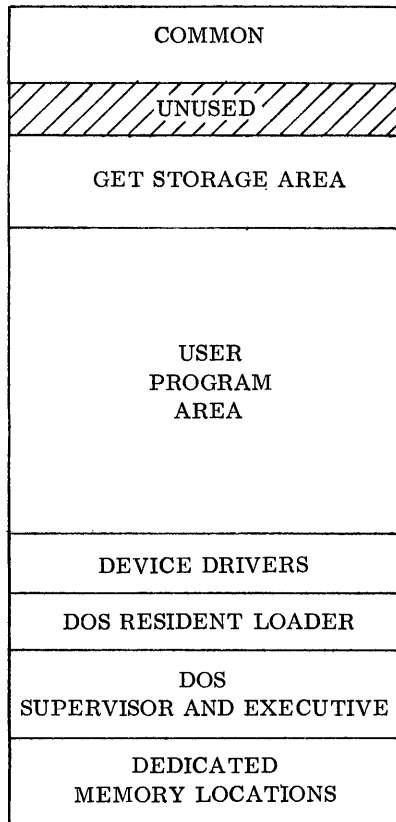
The DOS Directory is a sequential file on each disc pack containing the parameter information of all named files on that pack. It is used by the supervisor for file management operations. The cylinder that the directory is located on depends upon the SYSGEN length of DOS. If DOS is less than X'3000' bytes, 12KB; the directory is on Cylinder 1. If DOS is greater than X'3000' bytes, 12KB; the directory is on Cylinder 2.

At load time from a non-disc device, the directory is sought for from Cylinder 1. If a particular SYSGEN of DOS is greater than 12KB in size, the user must issue a Set Directory 2 command (SD2) to instruct that DOS loaded from a non-disc device, that the directory is on Cylinder 2.

Bootstrapping DOS from disc, DOS automatically seeks the directory on the proper cylinder.

### 1.3.8 Memory

Figure 1-2 shows a typical memory map for a DOS System. DOS itself occupies the lower memory locations. Within this area are the permanently resident system modules.



CTOP (TOP OF COMMON)

COMBOT (BOTTOM OF COMMON)

UTOP (USER TOP OF MEMORY)

LDBIAS (UPDATED LOADER BIAS)

UBOT (USER BOTTOM OF MEMORY) =  
SUPTOP (SUPERVISOR TOP)

SYSGO X'2D0'

Figure 1-2. DOS Memory Map



## 1.4 SYSTEM CONFIGURATION

### 1.4.1 Hardware Configuration

The minimum hardware configuration to support DOS with DISC is:

- Model 5, 50, 70, 7/16, 74 or 80 Processor
- 16KB Memory
- Teletypewriter
- Disc Controller with one Disc File (on a Selector Channel)

Refer to Figure 1-3 for a typical DOS configuration.

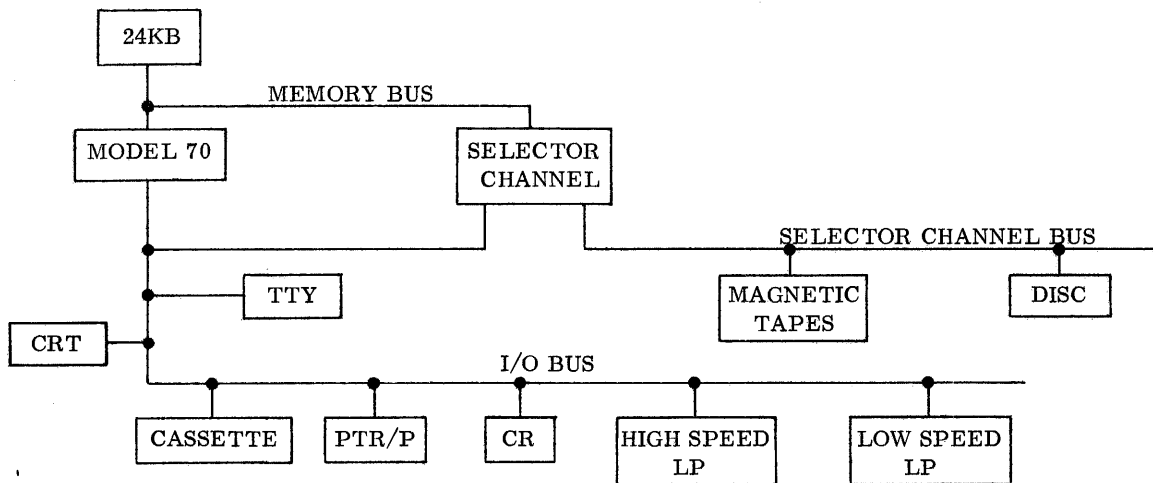


Figure 1-3. Typical DOS Configuration

Other devices supported by DOS are:

- 1 High Speed Paper Tape Reader or Reader/Punch
- 1 Card Reader
- 2 Line Printers (high speed and/or low speed printers)
- 4 9-Track Magnetic Tapes (requires Selector Channel)
- 3 Additional Disc Files on the same disc controller
- 4 INTERTAPE Cassette units
- 1 Additional Teletype
- 4 CRT Video Displays

Refer to Chapter 5 for System Generation (SYSGEN) and configuration details.

NOTES

1. In a Model 50 system generation, DOS provides trap routines for performing RR format multiply and divide instructions (X'0C' and X'0D'). These instructions are normally illegal on a Model 50 Processor.
2. In a Model 74 system generation, DOS allows drivers within DOS to perform the list instruction ATL SPTR, LIOTRM (X'6470', X'035A').
3. In a basic Model 7/16 system generation, DOS provides trap routines for either multiply/divide MH(R), DH(R), MHU(R) instructions and/or the list instructions and the floating-point instructions.

1.4.2 Disc Allocation

DOS organizes a disc pack as follows:

- Cylinder 0 or Cylinder 0 and 1 - DOS itself is made resident on Cylinder 0 if the user's SYSGENed version of DOS is less than 12KB. DOS is made resident on Cylinder 0 and 1 if the user's SYSGENed version of DOS is greater than 12KB. DOS can be loaded by the OS Random Access Storage Bootstrap Loader, 07-046.
- Cylinder 1 - The DOS file directory is kept here if the DOS is less than 12KB in size.
- Cylinder 2 - The DOS file directory is kept here if the DOS is greater than 12KB in size.
- Directory Cylinder + 1 to 202 - (404 for double density drives) - These cylinders are available for allocation to named user files.

1.4.3 Security and Protection

User disc files may be protected against both unwanted Writes and Reads. For more complete protection, files may be assigned names with non-printing characters.

1.4.4 Relationship to other Operating Systems

DOS is one of several operating systems offered by INTERDATA which include the Basic Operating System (BOSS); the OS/16 Multitasking Operating System (OS/16MT); and the Real Time Operating System (RTOS). Table 1-1 shows a comparison of data and features on INTERDATA operating systems.

TABLE 1-1. OPERATING SYSTEM COMPARISON

	BOSS	DOS	OS/16-MT	RTOS
PROGRAM NUMBER	03-019	03-022	03-068	03-017
REFERENCE DOCUMENT	29-292	29-293	29-367	29-240
CPU	5, 50, 70, 7/16, 74, 80	5, 70, 74, 7/16, 50, 80	5, 70, 80	5, 70, 80
I/O METHOD	WAIT	INTERRUPT CONTROLLED	INTERRUPT CONTROLLED	INTERRUPT CONTROLLED
BULK STORAGE	YES	YES (DISC FILE MANAGEMENT)	YES	YES
SIZE	SOURCE SYSGENABLE 2.5-4.5KB	SOURCE SYSGENABLE 5-14KB	OBJECT SYSGENABLE	OBJECT SYSGENABLE 16KB MIN.

BOSS is a single-tasking Basic Operating System. RTOS is a comprehensive Real Time Operating System which includes multiprogramming capability among other extensive features. DOS is a single-tasking interrupt driven system. OS/16-MT is a memory resident multi-tasking operating system.

# CHAPTER 2

## DOS OPERATIONS

### 2.1 INTRODUCTION

During the period of program development, it is desirable to work with a communicative system that allows and encourages operator intervention. The ability for operator communication is necessary in a system used for program development, report generation, or data reduction. To meet these needs, DOS provides a comprehensive set of operator commands in addition to its other features.

### 2.2 LOADING AND STARTING THE SYSTEM

Loading DOS for the first time, or reloading DOS from a device other than disc, requires the use of either the General Loader, INTERDATA Program 06-025, or the Relocating Loader, INTERDATA Program 06-024. Either of these programs can be used to load the DOS object program produced by the System Generation process described in Chapter 5. DOS is an absolute program that includes all the standard DOS modules and any user written modules required for the particular system. Once this program has been loaded without error, the message "DOSR0N" (where N is the latest revision level) is printed on the System Console and DOS is ready to receive operator command input. All logical units are assigned to the System Console.

#### 2.2.1 Re-Starting at SYSGO

To re-start at SYSGO, address location X'02D0', place the Processor in the Run mode, and depress the Execute switch. This activates an initialize routine that performs the following actions.

1. It does a non-destructive top of memory search and sets an address in the memory map to indicate that all memory above the top of DOS is available for loading user programs.
2. It disables the Memory Protect Controller if one is in the system.
3. It places the System Console in the Read mode, after logging the message "DOSR0N" (where N is the latest revision level), to indicate that the system is ready. All logical unit assignments remain unchanged.

#### 2.2.2 Loading from Bulk Storage Devices

Once DOS has been initially loaded and written to a disc, via a PACK initialize command, the memory image copy can be reloaded with the OS Random Access Bulk Storage Bootstrap Program 07-046. This program reads the memory image of DOS into memory and starts the system at SYSGO (X'2D0').

The OS Random Access Bootstrap loads the memory image of any program previously written to disc or drum, and branches to X'2D0'. INTERDATA Operating Systems with facilities for generating a system image in a format usable by this program include BOSS, DOS, RTOS, and OS/16-MT. The program is loaded by the 50-sequence, with locations X'78' through X'7E' set up as follows:

<u>LOCATION</u>	<u>CONTENTS</u>	<u>MEANING</u>
X'78'	XXYY	BINDV (STANDARD 50-SEQUENCE FORMAT)
X'7A'	DDZZ	DD = DISC DRIVE ADDRESS : ZZ = CODE VALID CODES : X'00' = 2.5 OR 10MB DISC X'02' = DRUM X'04' = 40MB DISC
X'7C'	CCSS	CC = CONTROLLER : SS = SELCH ADDRESS
X'7E'	SSSS	SECTOR ADDRESS ON DISC OR DRUM

When the bootstrap is loaded, it performs a top-of-memory search and relocates itself to the top X'138' bytes of memory. The program reads from the specified device and sector, memory-image binary data into memory from location X'0000' to the top-of-memory minus X'138' bytes. If any errors occur during the load process, then the program halts, with the PSW set for restarting at initialize routine. No retries are performed on parity failures.

### 2.3 PROGRAM INTERRUPTS AND ERRORS

While user programs are running they may inadvertently generate error conditions that require some action by the system. The action taken by the system depends on the severity of the error condition. I/O device errors may also occur. When they do, the system does not log a message. Instead, the Executive passes device status to the calling program and leaves it to the program to output a message.

When a memory parity or power failure occurs, DOS logs the message:

MM xxxxxxxx

where xxxxxxxx is the PSW where the parity error occurred. Once the message is logged, DOS is ready to receive operator command input. An interrupted user program may be resumed by entering CONTINUE.

#### NOTES

1. A program interrupted by a power failure may not be able to be restarted if I/O was in progress at the time of the power failure.
2. On systems without the AUTO RESTART option, the operator is required to depress the EXECUTE (RUN) switch to enter DOS command mode.

### 2.3.1 I/O Device Errors

When an I/O device error occurs, the system returns a halfword of error information to the program. The first byte of this halfword is an encoded error status; the second byte is the device address. Many programs log a message to the console device that includes the error condition and device address, such as:

I/O ERR xxpa

where xx is the error status and pa is the physical device address. The error status conditions are:

1. X'A0' - Device unavailable. Check to insure the device is on-line and functioning properly. If the device address is that of a non-existent device, check the logical unit assignments.
2. X'C0' - Illegal operation. Check the logical unit assignments. This type of error occurs if, for instance, a Write operation is attempted on a read only device.
3. X'90' - End of medium. The action to be taken depends on the program. For example, it may mean mounting a new tape.
4. X'84' - Unrecoverable data error; i. e., parity fail. Action depends on the type of program. It may be enough to reassign logical units.
5. X'88' - End of file. On magnetic tape devices or disc, the program has read through an End of File Mark. Action to be taken depends on the program.

### 2.3.2 Privileged or Illegal Instruction

If a program attempts to execute an instruction for which the operation code is illegal or privileged, the system responds by aborting the program and logging the message:

II xxxxxxxx

where xxxxxxxx is the PSW where the instruction occurred. This message also occurs if a user program attempts a supervisor call with an invalid logical unit number.

### 2.3.3 Arithmetic Fault Interrupts

There are two types of arithmetic fault interrupts, fixed point and floating point. DOS logs one of the following messages and continues the interrupted program at the next instruction.

Fixed Point Divide Fault:

DF xxxxxxxx

Floating Point Arithmetic Fault:

FD xxxxxxxx

where xxxxxxxx is the interrupted PSW.

## 2.4 OPERATOR COMMAND PROCESSOR

The operator Command Processor (Supervisor) interprets and acts upon directive received from the operator through the Teletype or other system input devices. If the system Teletype or CRT is the command input device DOS types an '\*' indicating that it is ready to accept command input. Characters are read as typed and passed to the Supervisor. If a back arrow is typed (←), the previous character is deleted. If a hash mark is typed (#), the current line is deleted, and an '\*' asterisk is written to the system console to signify that the system is ready for another input. After 72 characters have been typed, or when a Carriage Return is recognized, the Supervisor is activated. Operator commands consist of at least one command word such as:

START

Only the first two characters of the command word need be typed. The command is interpreted on the basis of these two characters and anything between them and blank is ignored. Some commands require one or more operands, which are separated from the command word by a single blank.

ASsign XXXX

Multiple operands must be separated by commas, for example:

ASsign XXXX, YYYY, ZZZZ

In some commands there are optional operands which come at the end of the operand string. The notation used to describe these commands is:

TR XXXX[, YYYY]

indicating that if the operand is not used, the preceding comma must also be left out. In some cases, there is more than one optional operand. These operands may be left out optionally from right to left.

ALlocate XXXX[, YYYY, ZZZZ, DDDD]

If for any reason, such as a misspelled command or incorrect operand, the supervisor cannot react to the command, it returns with the message:

?

### NOTE

Blanks found in the operand string are considered incorrect and the command is rejected unless they are only found between the last character of an operand, and the Carriage Return or Column 72.

#### 2.4.1 Commands for Mass Storage Devices

The following commands relate to disc based files. They enable the operator to define, redefine, and examine the limits of mass storage files. Each disc pack on the system may be divided into as many as 198 (368 if double density) separate files. The files are named by the user. Each name contains from one to six printing or non-printing characters. Combining the file name with the device address of the disc pack completes the identification of the file.

## ALLOCATE

The ALLOCATE command is used to reserve a named area on a particular physical disc pack. It may also be used to assign a file to a specific logical unit number at the time of allocation.

$$\text{AL NNNNNN [ , UPP, CCC, LLLL ]}$$

where NNNNNN is the name to be assigned to the disc file.

U is an optional logical unit to which the file is to be assigned.

PP is the physical disc pack address in hexadecimal (default is value of DSC1).

CCC is the decimal number of cylinders to be allocated to the file (default value 1).

LLLL is the decimal logical record length of the file in bytes (default value 108).

Note that 108 has been chosen as the default value for LLLL because program object records are 108 bytes long, and occur often in system operations.

Examples:

AL SOURCE, 3C6, 20, 80	Allocate a 20 cylinder file called SOURCE on pack C6, assign to logical unit 3 with a record length of 80.
AL OBJECT, C6, 2	Allocate a 2 cylinder file called OBJECT on pack C6 with a record length of 108.
AL OBJECT, D6	Allocate a 1 cylinder file called OBJECT on pack D6 with a record length of 108.
AL OBJECT	Allocate a 1 cylinder file called OBJECT on pack DSC1 with a record length of 108.

An ALLOCATE command may generate the following messages if error conditions are recognized.

NA-ERR	NNNNNN already occurs on the specified disc pack.
LU-ERR	U is invalid.
PU-ERR	PP is invalid (must be defined using SYSGEN parameters).
CY-ERR	The number of cylinders to be allocated (CCC) do not exist contiguously on the specified disc pack. (202 cylinders are available on a single density disc pack.)
RL-ERR	LLLL is larger than the SYSGEN value for the disc physical record length.
DO-ERR	Directory Overflow - the directory is filled, no other allocations can be made.

Programming Note:

To calculate the number of cylinders needed for initial allocation of a file, the following approximation may be used:

$$C = \text{INT} \left( \frac{N * P}{256 * D * \text{INT}(P/L)} \right) + 1$$

where C = approximate number of cylinders required.

N = number of records in the file.

L = logical record length in bytes.

P = disc physical record length (usually 256; established at system generation).

D = sector density (48 for single density disc).

(96 for double density disc).

and the function INT refers to the integer portion of the value within the parentheses.

Beyond the initial allocation, DOS automatically allocates up to three overflow cylinders for sequential files and for random files if accesses are within three cylinders of the initial allocation. The user is not informed immediately when overflow cylinders have been allocated. The user may determine file overflow status by using the LIST command. Overflow cylinders are only allocated on Write operations, and never for files using the direct physical access method. If overflow cylinders cannot be allocated, because of the above conditions, or because no free cylinders remain, EOM status is returned to the user.

## ACTIVATE

This command assigns a previously allocated named disc file to a logical unit number.

AC NNNNNN, U [PP, Z]

where NNNNNN is the name of the disc file to be activated.

U is the logical unit number.

PP is the optional physical disc pack number (default is value of DSC1).

Z is an optional modifier, either an 'A' or 'N' depending on how the file is to be opened. If 'A' is specified, the file is to be opened at the next available unused record. If 'N' is specified, the file is opened with the file pointer at the current record (file is not rewound). If no optional modifier is specified, the file is opened at Logical Record 0 (a logical rewind).

### Examples:

AC TEST, 1C6, N	Assign file TEST on pack C6 to logical unit 1 with the file not rewound.
AC SOURCE, 3D6, A	Assign file SOURCE on pack D6 to logical unit 3 using the file append feature.
AC OBJECT, 2D6	Assign file OBJECT on pack D6 to logical unit 2.
AC OBJ, 2	Assign file OBJ on pack C6 to logical unit 2.

An ACTIVATE command may generate the following messages if error conditions are recognized:

NA-ERR	NNNNNN does not exist of the specified disc pack.
LU-ERR	U is invalid.
PU-ERR	PP is invalid (must be C6, D6, E6, or F6).

### Programming Note:

After activation, a file remains assigned to a logical unit until the logical unit is reassigned or the PACK command is given. So that the no rewind feature operates properly, the file must be closed in order that the disc directory can be updated with the current logical record pointer.

## SET DIRECTORY

This command instructs DOS to find or set up a directory on Cylinder 1 or 2. Only one SD command may be issued for each PACK command. The format for the command is:

SD X

where X is a Cylinder which is to contain the directory. If any other value except 1 or 2 is given, the user will get a set directory error (SD-ERR) message. This command is provided for DOS, which can be SYSGENed to occupy either less than or greater than a cylinder's 12KB, to access a directory on either Cylinder 1 or 2.



Examples:

- 1) DOS loaded from non-DISC device and with a SYSGEN length of less than X'3000' bytes ( 12KB).

- A) Access of files on previously created disc packs with directory on Cylinder 1.

```
*PA          C6          Pack Initialize
*AC          SCRT,4      Activate a scratch file
*RN          ASM        Run the Assembler
  BIAS       3000
PASS 1
```

- B) Access of files on previously created disc packs with directory on Cylinder 2.

```
*PA          C6          Pack Disc
*SD          2          Set directory on Cyl. 2
*AC          SCRT,4      Scratch file
*RN          ASM        Run the Assembler
  BIAS       3000
PASS 1
```

- C) Pack DOS to DISC without destroying the directory currently on Cylinder 1.

```
*PD          C6          Put DOS out (default CYL = 1)
```

- D) Pack DOS to DISC without destroying the directory currently on Cylinder 2.

```
*PD          C6
```

- 2) DOS loaded from non-disc with SYSGEN length of greater than X'3000' bytes.

- A) Same as Example 1A above, for a DOS > 12KB

- B) Same as Example 1B above, for a DOS > 12KB

- C) Attempting to pack DOS to DISC without destroying the directory on Cylinder 1 when DOS is greater than 12KB (a cylinder's length) would result in the following error message; for example:

```
*PD          C6          Attempt to Pack DOS to DISC
SD-ERR                               Set directory error
```

Because DOS now requires 2 cylinders and with the directory on Cylinder 1, the pack DOS command cannot be processed.

- D) Same as Example 1D above, for a DOS > 12KB

NOTE

The PA C6,A command does not require and over-rides the set directory command.

If DOS is loaded from a disc, no set directory command has to be issued.

## PACK

This utility command has three forms:

### 1. PA PP (CHANGE PACK)

where PP is the physical disc address, indicating to the system that a disc pack has been changed on drive PP. Any logical units that were previously assigned to disc files on the removed pack are now assigned to the system Teletype, thus insuring against accidental destruction of data on the new pack. The Set Directory command can be reused after this command has been executed.

### 2. PA PP,A (INITIALIZE PACK AND DIRECTORY)

initializes the disc pack with device address PP. The entire file directory and allocation map are zeroed (Cylinder 1), thus any previous data on the disc can no longer be referenced by the system. The initialize command also checks all cylinders to determine if the defective track bit is set. Defective cylinders are flagged as "in-use" in the cylinder allocation map, thus making them non-allocatable. In addition, initialization outputs a core image of DOS to Cylinder 0, thus making DOS available for bootstrap loading. Before using the pack initialize command on a disc pack for the first time, the pack should be formatted with Disc Test/Format Program 06-122. The Pack initialize operation must be performed on all new disc packs, or packs used by programs or operating systems other than DOS.

If PP is not C6, D6, E6, or F6, then the message PU-ERR is logged on the console.

### 3. PD PP, (REINITIALIZE PACK AND MAINTAIN DIRECTORY)

initializes the disc pack with device address PP without destroying the file directory or allocation map, thus assuring accessibility of previous data on the pack. An error message of SD-ERR is logged on the console when the end cylinder used for the DOS image is the same as the cylinder that the directory is to be placed on. Refer to the SET Directory command description above.

## ATTRIBUTE

This command is used to define certain characteristics of a disc file.

AT NNNNNN, X<sub>1</sub>X<sub>2</sub>X<sub>3</sub>X<sub>4</sub> [, PP]

where NNNNNN is the name of a previously allocated disc file.

X<sub>1</sub>X<sub>2</sub>X<sub>3</sub>X<sub>4</sub> is the required attribute value of one to four hex digits. If one digit is present, it is assumed to be X<sub>4</sub>. If two digits are present, they are assumed to be X<sub>3</sub>X<sub>4</sub>, etc.

PP is the optional physical pack number (C6 is the default value).

### Description of Attributes:

Hex digit X<sub>1</sub> = unused

Hex digit X<sub>2</sub> = unused

Hex digit X<sub>3</sub> = 0 sequential

1 random (access method)

2 direct physical

Hex digit X<sub>4</sub> = 0 unprotected

1 write protected (file protection)

2 read protected

Programming Notes:

When a disc file is allocated, the default attributes are 0000. File attributes may be changed later by the ATTRIBUTE command. This command causes the attribute to be immediately changed on the disc directory. If the file has already been activated, a reactivation is not necessary to reflect the new attributes. If a SVC 1 attempts to Write to a Write protected file or Read from a Read protected file, illegal function status is returned to the caller. Attributes X<sub>1</sub> and X<sub>2</sub> may be specified for information purposes but are not presently used in system operation. Unspecified attribute digits are set to zero.

The sequential or random nature of a data transfer is determined by the SVC making the request. The sequential and random file attributes are used only to aid system efficiency; i. e., sequential Write operation to files with sequential attributes do not cause a preceding read.

When a file is designated as direct physical, two rules hold for all I/O transfers.

1. The random address supplied by the SVC is assumed to be the starting logical sector of the data transfer within the file.
2. The length of the data transfer is determined by the starting and ending addresses of the SVC call.

Examples:

AT SOURCE, 11, D6	Make file SOURCE on pack D6 a Write protected, random file.
AT OBJ, 0	Unprotect file OBJ on pack defined by DSC1.

The ATTRIBUTE command may generate the following messages if error conditions are recognized.

NA-ERR	NNNNNN does not exist on the specified disc pack.
AT-ERR	invalid attribute (X <sub>1</sub> X <sub>2</sub> X <sub>3</sub> X <sub>4</sub> is invalid).
PU-ERR	PP is invalid (must be defined using SYSGEN parameters).

DELETE (de-allocate)

This command removes a file from the disc pack library and releases its cylinders for use by subsequent allocations.

DE NNNNNN [, PP]

where NNNNNN must be a currently allocated file.

PP is an optional physical pack address (default is the value of DSC1).

NOTE

A Read or Write protected file may not be deleted. The attribute must be changed to remove protect status.

Examples:

DE SOURCE, D6	Delete file SOURCE on pack D6.
DE OBJ	Delete file OBJ on pack defined by DSC1.

The DELETE command may generate the following messages if error conditions are recognized.

NA-ERR	NNNNNN does not exist of the specified disc pack.
AT-ERR	File NNNNNN is protected.
PU-ERR	PP is invalid (must be defined using SYSGEN parameters).

CLOSE

CL

The CLOSE command performs the following two functions:

1. If the DOS disc buffer contains any logical records that have been written to/from a user program and not physically written on the disc, then these records are written on the disc.
2. The file parameter information for any currently activated files are updated on the disc library. If a disc file is assigned to more than one logical unit, the parameter information of the highest logical unit is used to update the library. This fact must be considered if a file is to be activated at a later time without being rewound.

Programming Note:

A SVC EOJ causes a close operation to occur. If a program using disc is terminated by an SVC PAUSE, a console interrupt, or any means other than a SVC EOJ, a CLOSE command may be needed to insure that all initiated disc transfers have been physically completed.

LIST

LI U[PP]

This command lists the entire file directory for physical disc device address PP (default is the value of DSC1) on a list device whose logical unit is U. The following is the heading and format for the List printout. Each file prints one line of data:

DISC	ADDR = PP										
NAME	CYL	RECL	USED	ATRB	OV	START	END	OV1	OV2	OV3	
NNNNNN	CCC	LLLL	DDDD	XXXX	O	SSS	EEE	VVV	YYY	ZZZ	

where NNNNNN is the file name.

CCC is the decimal number of cylinders initially allocated.

LLLL is the decimal logical record length.

DDDD is the decimal number of records used (sequential files only); last logical record written (direct and random files).

XXXX is the hex attribute halfword.

O is the number of overflow cylinders in use.

SSS is the decimal number of the first cylinder in the file.

EEE is the decimal number of the last cylinder in the file.

VVV is the decimal number of the first overflow cylinder used, if any.

YYY is the decimal number of the second overflow cylinder used, if any.

ZZZ is the decimal number of the third overflow cylinder used, if any.

Example:

```
LI 3C6
DISC ADDR = C6
NAME    CYL  RECL  USED  ATRB  OV  START  END  OV1  OV2  OV3
SOURCE   15   80  2010  0001   0    3    17
OBJECT   1   108   150  0000   1    18   18
OVFLOW   1    80   433  0000   3    19   19   20   21   22
```

RUN

RU NNNNNN [,PP]

This command instructs DOS to load an object program contained on file NNNNNN on physical pack PP (default value is DSC1). After loading, DOS transfers to the origin of the program or the program transfer address, if specified.

The RUN (RU) command resets the DOS loader bias to UBOT before loading, and displays the bias value on the System Console.

Example:

RU FORTRN (Load at UBOT and Execute FORTRN on pack C6.)

Another form of this command is: RN NNNNNN [,PP]

This command instructs DOS to load an object program contained on file NNNNNN on physical pack PP (default value is DSC1) at a physical specified bias. If no bias has been specified by the BIAS command, loading takes place at UBOT. The bias is displayed on the System Console. DOS then transfers to the origin of the program or transfer address of the program, if specified.

If another run command is issued, the program will be loaded behind the previously loaded program, thus, building consecutive load modules.

```
Example: *BIAS      4000      (User enters bias)
         *RN       OSAIDS    (User reruns OSAIDS)
         BIAS      4000      (DOS types out bias)
         .
         .
         *RN       OSCOPY    (User loads OSCOPY above OSAIDS and runs)
         BIAS      6000      (DOS types out bias)
```

The RUN commands may generate the following messages if error conditions are recognized.

```
NA-ERR      NNNNNN does not exist of the specified pack.
PU-ERR      PP is invalid (must be defined by using SYSGEN parameters).
```

## Dump Disc Command

This command dumps a disc to a bulk storage device. Transmission of data is done on a cylinder to cylinder basis. In the case of dumping to a non-disc device, data is transmitted to the device in 12,288 byte records. The 12,288 bytes above DOS (SUPTOP to SUPTOP + X'3000') contains the buffer to which data is read, then written.

The format for the CMD is:

DD A, B, C, DE

Where A is the start cylinder number from which data is to be read from on Device D.

B is the start cylinder number from which data is to be written to on Device E.

C is the number of cylinders to be dumped, less than or equal to NUMCYL (see SYSGEN parameters).

D is the logical unit number of a non-disc device from which data is to be read, or D is the physical unit of the disc the data is to be read from.

E is the logical unit number of a non-disc device to which data is to be written or the physical unit number of the disc that data is to be written to.

A and B must be given values, even though they may not be used when D or E are non-disc devices.

Example:

DE may be:

D	E	Note that DE may not be both logical units.
PP	PP	LU LU
PP	LU	(LU in the E position requires 2 digits (e.g. 02 not 2))
LU	PP	

## KILL

The KILL command (KI) is provided to terminate the Disc Dump (DD) command prior to normal termination. This enables the user to interrupt the disc dump routine, resetting all disc pointers so other disc related commands may be processed. Upon an error message during a disc dump, this command must be issued, prior to issuing any other command, so the disc directory pointer is reset. It has the form:

KI

### 2.4.2 General Commands

#### ASSIGN

This command establishes the logical to physical relationship required for all non-disc I/O calls in DOS. (Its disc counterpart is ACTIVATE.)

The format is:

AS UPP[, UPP, . . . . ., UPP]

where U is the logical unit number

PP is the physical device address in hexadecimal notation.

DOS allows Logical Unit Numbers 0 through F. The physical device addresses recognized by DOS are maintained in the Available Equipment Table (see Table 2-1) which is created by the system generation procedure (see Chapter 5). (The Available Equipment Table is referenced AETAB in the DOS listing.) The number of assignments is limited by the number of input characters found prior to Column 72 of the input buffer.

TABLE 2-1. TYPICAL AVAILABLE EQUIPMENT

DEVICE ADDRESS (HEXADECIMAL)	DEVICE
02	Teletype Keyboard/Printer or CRT Video Display on TTY Interface
12	Additional Teletype Keyboard/Printer
03	High Speed Paper Tape Reader
04	Card Reader
13	High Speed Paper Tape Reader/Punch
62	Line Printer
85	Magnetic Tape (9 Track)
95	Magnetic Tape (9 Track)
FF	Teletype Reader/Punch
FE	Additional Teletype Reader/Punch
00	Null Device
45	Cassette Tape
55	Cassette Tape
B6	Disc Controller
10	CRT Video Display on a PASLA

An example of the ASSIGN command is:

ASSIGN 213,500

This command establishes a relationship between Logical Unit 2 and physical address 13 so that all program references to Logical Unit 2 are directed to the DOS driver program for physical device 13, and causes Logical Unit 5 to be associated with the Null device which suppresses all I/O activity related to Logical Unit 5.

The ASSIGN command:

ASSIGN 01FF

associates Logical Unit 01 with the Teletype Reader/Punch device. This is not actually a separate device with physical address FF. It is a fictitious device whose use directs DOS to a special entry point in the Teletype driver to perform tape operations. This mechanism provides users with only Teletype I/O, to obtain Assembler and FORTRAN listings in which the source input is not interleaved with the list output. If a second Teletype has been SYSGENed into the system the TTY Reader/Punch device number is X'FE'.

Logical unit assignments remain in force until changed by another ASSIGN, ACTIVATE or PACK command. Logical Units 0 through F may be assigned to any physical device for which there is an entry in the Available Equipment Table. If an ASSIGN command references a logical unit greater than F, or an unrecognized physical device address, DOS rejects the command and types out a question mark. More than one logical unit may be assigned to one physical device, but a single logical unit cannot be assigned to more than one physical device. If this is attempted, only the final assignment remains in force. Assignments are made from left to right of the command input stream. If an illegal assignment is attempted; all assignments following, including the illegal assignment are not made.

## BIAS and LOAD

The BIAS command sets a constant in DOS (LDBIAS in listing), which is used by the DOS resident loader as the origin of relocatable object programs. Its format is:

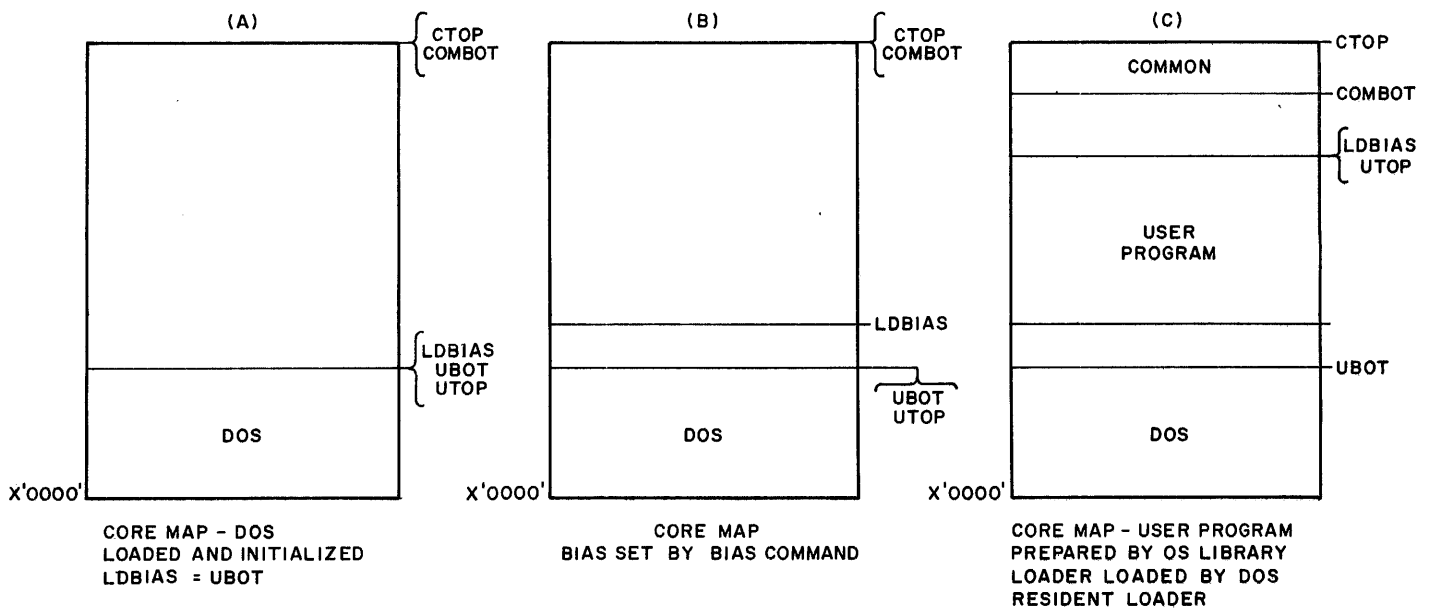
```
BI xxxx
```

where xxxx is the desired program origin expressed in hexadecimal notation.

The LOAD command activates the DOS resident loader. Its format is:

```
LO U
```

where U refers to a logical unit that has previously been assigned to a physical device. Figure 2-1 shows the effects of the LOAD and BIAS commands.



### NOTE:

CTOP = TOP OF CORE  
 COMBOT = BOTTOM OF COMMON  
 UTOP = TOP OF USER PROGRAM  
 LDBIAS = LOAD BIAS  
 UBOT = BOTTOM OF USER CORE AREA

Figure 2-1. Core Map

Use of the BIAS Command. When DOS is first loaded or when it is reinitialized, the Load Bias Constant (LDBIAS) is set equal to the first available memory address above the top of DOS, see Figure 2-1(A). When the BIAS command is entered, LDBIAS is set equal to the operand value, see Figure 2-1(B). For example:

```
BIAS 1500
```

sets LDBIAS to hexadecimal 1500. Use of the BIAS command is optional. The loader uses the current value of LDBIAS as the origin of relocatable programs and updates the value after each load. If SYSGEN parameter MINSYS EQU X'1', DOS permits a BIAS value to be set such that the user may overlay a section of DOS from location "LOKUP" to "SUPTOP", to allow loading of large user programs. With the SYSGEN parameter, MINSYS EQU 0 DOS will not permit the loading of any program below the value of "SUPTOP".



Use of the LOAD Command. The LOAD command must be preceded by an ASSIGN or ACTIVATE command. For example:

```
ASSIGN 713 or AC OBJECT, 7
LOAD 7
```

assigns Logical Unit 7 to a physical file or device, and executes the resident loader with instructions to load from Logical Unit 7. This sequence shows the ASSIGN command immediately before the LOAD command. This is not a requirement. The only requirement is that a valid assignment be in force at the time the LOAD command is entered.

Loader Operation. The DOS resident loader loads binary object programs in loader format as generated by the Assembler, OS Library Loader and Hex Debug. Either zoned programs, labeled M08 or M09, or non-zoned programs labeled M16 or M17 can be loaded. The resident loader also loads binary data in loader format from 9 Track Magnetic Tape or disc. The loader performs all loader functions, including relocation and forward reference chaining, except the following:

1. EXTRNS and Common references (from a compiled FORTRAN program) cause the message LD ERR to be typed out. The Load operation terminates, and DOS waits for command input from the Console Teletype.
2. ENTRYs and LABELs are ignored. These items are passed over by the loader and the operator is given no indication or message.
3. Transfer addresses, if specified, are stored by the loader, but transfer to the loaded program does not occur at the completion of the load. The stored transfer address can be used in conjunction with the START command described below.

As soon as the resident loader is properly activated, it types out the message:

```
BIAS xxxx
```

where xxxx is the current value of the Load Bias Constant. During the load process, it types out the message:

```
LD ERR
EOJ
```

if the load address is less than location LOKUP in DOS. It types out the message:

```
SEQ ERR
PAUSE
```

if it detects a sequence error in the input records. If it computes a checksum that does not agree with that of the input record, it types out the message:

```
CKSM ERR
PAUSE
```

Following either sequence or checksum errors, the operator can reposition the input device, if paper tape, and resume the Load operation by typing CONTINUE. If the calculated load address at any time exceeds the top of core (CTOP in Figure 2-1), the message:

```
MEM FULL
EOJ
```

is typed out. If an I/O error occurs during the load, the loader types out the message:

```
I/O ERR xxxx
PAUSE
```

where xxxx is the error status and device address (see Chapter 3). The I/O can be retried by typing CONTINUE. At the end of each load, the loader types out the message:

```
END xxxx
EOJ
```

where xxxx is the adjusted value of the Load Bias (LDBIAS), see Figure 2-1(C).

BIAS commands with no operand field or with an operand less than location LOKUP in DOS are rejected with a question mark. For especially large user programs the user has the means of overlaying several utility routines near the top of DOS, from location LOKUP to the top of DOS (UBOT). The user should refer to the DOS listing for the routines that lie between location LOKUP and location UBOT. If the user loads a program below location SUPTOP, he must reload DOS before using any commands in Section 2.4.1.

## START

The START command causes DOS to transfer control to a previously loaded user program. The format is:

```
ST xxxx
```

where xxxx is the hexadecimal address of the first instruction to be executed.

The operand field (starting address) is optional in the START command. If it is omitted, DOS starts the program at the transfer address specified on loading. If no transfer address has been specified, DOS transfers control to the instruction located at the first halfword above DOS (UBOT in listing). When the user program is started, all internal and external interrupts are enabled. The following table describes the PSW bits of the user program state.

BIT	MEANING	VALUE
0	WAIT STATE	0
1	EXTERNAL INTERRUPT ENABLE	1
2	MACHINE MALFUNCTION INTERRUPT ENABLE	1
3	FIXED POINT DIVIDE FAULT INTERRUPT ENABLE	1
4	AUTOMATIC I/O SERVICE ENABLE	1
5	FLOATING POINT ARITHMETIC FAULT INTERRUPT ENABLE	1
6	CHANNEL TERMINATION INTERRUPT ENABLE	1
7	PROTECT MODE	1
8-15		0

If MINSYS EQU 1, the starting address specified by the START command must not be less than the value of location LOKUP in DOS (except zero, which is interpreted as "no operand"). If the starting address is less than LOKUP, DOS rejects the command and types out a question mark. When MINSYS EQU 0, the value LOKUP is replaced by SUPTOP.

@ (At sign)

The @ suspends a currently running user program. The format is:

@

Upon receipt of an @ command, DOS types PAUSE and suspends the user program. The user Program Status Word and registers are saved, and any I/O in progress is allowed to go to completion. The program can be restarted with the CONTINUE command described in the following paragraph. The @ command can be entered at any time after the START command and before the program terminates itself with an END OF JOB supervisor call (see Chapter 3). If the @ command is entered at any other time, it is rejected with a question mark.

CONTINUE

The CONTINUE command causes a previously suspended program to be restarted at the next instruction as indicated by the saved user Program Status Word. The format is:

CO

The CONTINUE command can be entered after a programmed halt (SVC PAUSE), a memory parity interrupt, or after the @ operator command.

OPEN, REPLACE, PLUS, and MINUS

These commands are used to examine and replace specified core locations. The format of the OPEN command is:

OP xxxx

where xxxx is the address, in hexadecimal, of a core location. DOS responds by typing out the contents of the specified location. For example:

OPEN 12F0	(Entered by operator to open location 12F0.)
4300	(Contents of 12F0 typed out by DOS.)

When DOS is loaded, the address of the currently open location is set to zero. Any subsequent OPEN command may change this address, but DOS does not reset it on initialization or restart. The format of the REPLACE command is:

RE xxxx  
or  
RP xxxx

where xxxx is the value, in hexadecimal, that is to replace the contents of the currently open location. The REPLACE command is usually preceded by an OPEN command. For example:

OPEN 12F0	(Entered by operator to open location 12F0.)
4300	(Contents of 12F0 typed out by DOS.)
REPLACE 4130	(4130 replaces 4300 in location 12F0.)

The second form of the REPLACE command (RP xxxx) is additionally provided to allow users the option of distinguishing between the REwind command of the OS Library Loader, and the REplace command (now RP) command in DOS.

The PLUS (+) and MINUS (-) commands have the format + and - to be used with the OPEN and REPLACE commands to open the next location or the preceding location. For example:

OPEN 12F0	(Entered by operator to open location 12F0.)
4300	(Contents of 12F0 typed out by DOS.)
REPLACE 4130	(4130 replaces 4300 in location 12F0.)
+	(Entered by operator to open location 12F2.)
13D8	(Contents of 12F2 typed out by DOS.)
OPEN 12F0	(Entered by operator to open location 12F0.)
4130	(Contents of 12F0 typed out by DOS.)
-	(Entered by operator to open location 12EE.)
12F8	(Contents of 12EE typed out by DOS.)

The PLUS (+) and MINUS (-) commands have the following format:

+ ␣XXXX  
- ␣XXXX

where ␣ is a required space and XXXX is an optional four digit hex number which is a number of bytes to be added to or subtracted from the currently opened location. If XXXX is omitted, the + and - are usually used with the OPEN and REPLACE commands to open the next location or preceding location.

If XXXX is used, DOS opens the open cell plus or minus XXXX bytes from the current open.

For example:

OPEN	12F0	(Entered by operator to open location 12F0).
4130		(Contents of 12F0 typed out by DOS).
+ 8		(Entered by operator to open location 12F8).
C8A0		(Contents of 12F8 typed out by DOS).

#### BASE Command

This command provides a relative addressing capability for the cell examination commands. That is, it allows the values specified in the open command to be relocated by the value previously entered by the base command. The BASE command is of the form:

BA XXXX

where XXXX is a four digit hex number of a relative address.

For example:

BASE	1000	(Entered by operator to set base of 1000).
OP	2F0	(Entered by operator to open relative location 2F0).
4130		(Contents of 12F0 typed out by DOS).

### 2.4.3 I/O Control Commands

There are four operator commands which allow the operator to control magnetic tape, cassette, or disc from the System Console. They all have a single operand which is the logical unit assigned to the desired physical device.

The commands are:

Write File Mark	WF	U
Skip Forward to File Mark	FF	U [,n]
Backspace to File Mark	BF	U [,n]
Rewind	RW	U
Backspace n Record's	BS	U [,n]
Forwardspace n Record's	FS	U [,n]

where U is the logical unit number, and n is the number of times to forwardspace/backwardspace to file mark/records.

These commands are ignored if an improper device is specified. For disc files a logical record consisting of X'1313' is written as a file mark.

#### LIST LOGICAL UNIT

This command, which has the form:

LU [U]

which lists all the logical to physical assignments except those assigned to the system console of DOS on a list device specified by Logical Unit U. If U is omitted the Teletype is assumed as the list device. The output heading and format is as follows:

```
LU PU NAME
U  PP NNNNNN
```

where U is the hexadecimal logical unit number.

PP is the physical device number.

NNNNNN is the file name if a disc file.

Examples:

AS 162	Assign Logical Unit 1 to the line printer.
LU 1	List logical unit assignments on the line printer.
LU PU NAME	Logical units 4 thru F are assigned to the System Console, therefore they are not displayed.
0 02	
1 62	
2 C6 SOURCE	
3 D6 OBJECT	

#### TRANSFER

The TRANSFER command is used to allow the Supervisor to Read command input from devices other than the System Console (i.e., job control batch input). It also allows the user to log input commands on a list device if desired. The TRANSFER command has the form:

TR [U<sub>1</sub>,U<sub>2</sub>]

where U<sub>1</sub> is the logical unit of the new command input device and U<sub>2</sub> is the logical unit of the command log device. If U<sub>2</sub> is omitted, no logging occurs. If U<sub>1</sub> is omitted, command input control is returned to the System Console.

Examples:

AS 204,162	Assign the Card Reader and the Line Printer.
TR 2,1	Transfer to Card Reader, log on Line Printer.
TR 2	Stop logging.
TR	Transfer back to TTY.

Note that several conditions cause control to be unconditionally returned to the Teletype:

1. An error in the command input statement.
2. An I/O error on any device involved in the command.
3. AN SVC PAUSE
4. Re-starting DOS at SYSGO.
5. A character other than a blank following the last operand and before Column 72.

$U_1$  may be assigned to any input device, while  $U_2$  may be assigned to any output device.

Note that a command input logging feature has been added to the OS Library Loader (03-030) which corresponds to the log feature of the TRANSFER command. The Library Loader accepts the command:

LG XUU

where UU is the logical unit of the log device. The digit X is used to suppress the message 'LOADER' after each command in cases where commands are not being read from the Teletype. If X=0 the 'LOADER' message is not suppressed; if X=1 the 'LOADER' message is suppressed.

All Loader commands read from the Loader command input unit (Logical Unit 5) are logged on the specified logical unit. If U=0, then no logging will occur.

Examples:

DOS Commands	{	AS 504,362	Assign Card Reader and Line printer.
		TR 5,3	Transfer to the Card Reader.
		ST	Start loader.
LOADER Commands	{	LG 103	Log loader commands on printer, and suppresses 'LOADER' message.
		LG 3	Continue logging and restore 'LOADER' message.
		LG 0	Stop logging.

COPY

The COPY command allows the user to copy a file from any input device to any output device. The command is:

CP  $U_1, U_2$ , DDDD [ ,A ]

where  $U_1$  is the logical unit of the input device.

$U_2$  is the logical unit of the output device.

DDDD is the input logical record length (decimal).

A is an optional modifier indicating termination of the COPY operation only on recognition of a file mark (disc, magnetic tape and cassette only).

If DDDD is zero, DOS assumes the input file to be 108 byte loader format records and terminates the COPY operation after a single program has been copied (the end program record has been recognized). If DDDD is non-zero, DOS assumes ASCII or binary data and terminates the COPY operation on an END statement (00 . . . . 00END). If the modifier "A" is specified, the COPY operation is terminated only by a file mark. If an output disc file does not have sufficient logical record length, then data up to the disc files record length is transferred. If DDDD is less than an input disc file's record length, the DDDD bytes are transferred.

POSSIBLE  
SOURCE DEVICES

Card Reader  
HSPTR  
TTY Reader/Keyboard  
Magnetic Tape  
Disc  
Cassette Tape

POSSIBLE  
DESTINATION DEVICES

Line Printer  
HSPTP  
TTY Punch/Printer  
Magnetic Tape  
Disc  
Cassette Tape

Examples:

AS 104, 262, 485  
AC SOURCE, 5  
AC LIBRY, 6  
AC SCRT, 7  
CP 1, 2, 80  
CP 6, 4, 0, A  
CP 5, 7, 80

Assign the Card Reader, Line Printer and Magnetic Tape.  
Activate disc files.  
  
ASCII card to print, 80 columns.  
Copy entire program library on disc to tape.  
Copy ASCII disc to disc.

Note that the COPY command issues a SVC 2 GET STORAGE to obtain a buffer area. The length of the buffer is equal to the length of the logical record being copied.

POSITION

This command may be used to position a file to a subfile contained within it. The beginning of a subfile is defined by a label record.

\*\*NNNNNN

where NNNNNN is the name of the subfile. NNNNNN may be from one to six characters, with trailing blanks.

The POSITION command is of the form:

PO NNNNNN, U

where NNNNNN is the desired name, and U is the logical unit of the device containing the subfile. The POSITION command searches from the point where the file is positioned until the subfile NNNNNN is found or until an EOF or EOM condition is encountered. If either of the later conditions occur, the message I/O ERR XXXX is logged on the Teletype. If subfile NNNNNN is found, DOS returns to command mode, and the file remains positioned at the record following the label record. The POSITION command may be used to position to INTERDATA supplied source programs on Cassette or Mag tape. The \*\*NNNNNN label record is the standard source label.

## Examples:

The user wishes to create a disc file (JOBCTL) containing several job control programs, each having a unique name. A card deck may appear as follows:

```
**JOBCT1
AS 104,213,362
AC SCRT,4
RU ASMBLR
TR 0
**JOBCT2
PA C6,A
AL SCRT,C6,30,80
TR 0
**JOBCT3
.
.
.
END
```

After copying his card deck to file JOBCTL, the user may, for example, execute the second job control program by the following commands:

```
AC JOBCTL,3
PO JOBCT2,3
TR 3
```

The POSITION command may also be used for source programs, user data files, etc., and on any input device. It allows the user to group large numbers of small files on a single disc file, resulting in more efficient usage of the disc.

Write a Label Record: LA NNNNNN, U

where: NNNNNN is a six character label record as defined under the POSITION command.

U is the logical unit number of the device.

This command writes an eight character label record \*\*NNNNNN to the specified logical unit. The device remains positioned following the record written. A Carriage Return and Line Feed is also written at the end of the label.

### 2.4.4 Summary of DOS Operator Commands

ALLOCATE	AL NNNNNN[,UPP,CCC,LLLL] File name, logical and disc physical unit, number of cylinders, logical record length.
ACTIVATE	AC NNNNNN, U[PP, Z] File name, logical and disc physical unit, Z = 'A' for file append or Z = 'N' for file not rewind.
PACK	PA PP[,A] Disc physical unit, pack initialize modifier.
PACK - Reinitialize	PD PP Disc physical unit
ATTRIBUTE	AT NNNNNN,XXXX[,PP] File name, attribute halfword, disc physical unit.
DELETE	DE NNNNNN [,PP] File name, disc physical unit.



CLOSE	CL	
LIST PACK	LI U [PP]	List device logical unit, disc physical unit.
RUN	RU NNNNNN [, PP]	File name, disc physical unit.
RUN - Consecutive load	RN NNNNNN [, PP]	File name, disc physical unit
ASSIGN	AS UPP [, UPP, . . . . . , UPP]	Logical unit, physical unit other than disc.
BIAS	BI XXXX	Program origin location.
LOAD	LO U	Load device logical unit.
START	ST [XXXX]	Address of first instruction to be executed.
CONTINUE	CO	
BASE	BA XXXX	
OPEN	OP XXXX	Memory address to be examined.
REPLACE	RE XXXX	Value to be replaced.
PLUS	+ [ XXXX]	Value to be added to open cell address
MINUS	- [ XXXX]	Value to be subtracted from open cell address
HALT	@	
WRITE FILE MARK	WF U	
SKIP FORWARD (n) FILE MARK(s)	FF U [, n]	Logical unit, number of forward file mark commands
FORWARDSPACE (n) RECORD(s)	FS U [, n]	Logical unit, number of forwardspace record commands
BACKSPACE TO (n) FILE MARK(s)	BF U [, n]	Logical unit, number of backspace file mark commands
BACKSPACE (n) RECORD(s)	BS U [, n]	Logical unit, number of backspace record commands
REWIND	RW U	Logical unit of desired device.
LIST UNITS	LU [U]	Logical unit of list device.
TRANSFER	TR [U, U]	Logical unit of input device, logical unit of log device.

COPY	CP U,U, DDDD [,A] Logical unit of input device, logical unit of output device, logical record length, file mark termination modifier.
DISC DUMP	DD A,B,C,DE Start of read cylinder, start of write cylinder, number of cylinders, logical/physical units of input/output devices
POSITION	PO NNNNNN,U Subfile name, logical unit.
KILL	KI

#### 2.4.5 Summary of DOS System Messages

##### EXEC MESSAGES

ILLEGAL INSTRUCTION	II XXXXXXXXX
PARITY/POWER FAILURE	MM XXXXXXXXX
FIXED PT DIVIDE FAULT	DF XXXXXXXXX
FLT PT ARITHMETIC FAULT	FD XXXXXXXXX
END OF JOB	EOJ
PROGRAMMED HALT	PAUSE

##### RESIDENT LOADER MESSAGES

BIAS VALUE	BIAS XXXX
LOAD ERROR	LD ERR
SEQUENCE ERROR	SEQ ERR
CHECKSUM ERROR	CKSM ERR
MEMORY FULL	MEM FULL
INPUT/OUTPUT ERROR	I/O ERR XXXX
END PROGRAM ADDRESS	END XXXX

SUPERVISOR MESSAGES

LIST UNITS	LU PU NAME
LIST PACK	DISC ADDR = PP NAME CYL RECL USED ATRB OV START END OV1 OV2 OV3
INPUT/OUTPUT ERROR	I/O ERR XXXX
COMMAND INPUT ERROR	?
SET DIRECTORY ERROR	SD-ERR
FILE NAME ERROR	NA-ERR
LOGICAL UNIT ERROR	LU-ERR
PHYSICAL UNIT ERROR	PU-ERR
ATTRIBUTE ERROR	AT-ERR
NUMBER OF CYLINDERS ERROR	CY-ERR
RECORD LENGTH ERROR	RL-ERR
DIRECTORY OVERFLOW	DO-ERR
READY FOR COMMAND INPUT	{ DOSR0N (where N is the current DOS revision level) * }

# CHAPTER 3

## APPLICATION PROGRAMMING

### 3.1 PROGRAMMING CONVENTIONS

Programs written to execute within the framework of DOS must adhere to certain established conventions to preserve the integrity of the system and to make the best use of the I/O and other supervisor services performed by DOS.

#### 3.1.1 Privileged Instructions

The major constraint on user programming deals with the use of instructions that affect the status of the system. Because DOS controls all I/O and interrupts, user programs must not issue any instructions related to I/O functions or any instructions that change the current program status. All user programs run with external interrupts enabled, but selected internal interrupts may be disabled by a special request to the system. Table 3-1 lists the Privileged instructions. Use of these instructions results in an illegal instruction interrupt.

TABLE 3-1. PRIVILEGED INSTRUCTIONS

LPSW	SINT
EPSR	AL
WBR	WB
RBR	RB
WHR	WH
RHR	RH
WDR	WD
RDR	RD
SSR	SS
OCR	OC
AIR	AI

### 3.2 SUPERVISOR CALL

User programs must have a means of accessing peripheral devices and, in general, of communicating with the system in a dignified manner. INTERDATA's answer is the supervisor call interrupt, an interrupt generated by the task itself whenever it executes a Supervisor Call instruction. The format of the Supervisor Call instruction is:

```
SVC R1,A(X2)
```

The hardware interprets the R1 field as a value rather than a register designation. It uses this value to index to 1 of 16 unique locations for servicing the interrupt. The A(X2) field, an address, is saved in a special location from which the servicing routine can retrieve it. DOS does not use all of the 16 possible variations on the Supervisor Call instruction. It recognizes only six, and uses codes in the location specified by the A(X2) field to achieve further variations. Those not recognized are treated as illegal instructions. A summary of DOS supervisor calls follows:

SVC	1,A(X2)	INPUT/OUTPUT OPERATIONS
SVC	2,A(X2)	CODE 1 - PAUSE
		CODE 2 - GET STORAGE
		CODE 3 - RELEASE STORAGE
		CODE 4 - SET STATUS
		CODE 5 - FETCH POINTER
		CODE 6 - UNPACK
		CODE 7 - LOG MESSAGE
SVC	3,0	END OF JOB
SVC	4,A(X2)	EXECUTE JOB CONTROL STATEMENT
SVC	5,A(X2)	FETCH OVERLAY
SVC	6,A(X2)	CALL A USER PROGRAM

Assigning these functions to the various supervisor calls is arbitrary. BOSS uses SVC 1 for I/O, SVC 3 for End of Job, and SVC 2 for all other supervisory services. These calls are retained in DOS for the sake of compatibility. The other calls were given unique SVC numbers to make them easier to use and easier to remember.

### 3.3 INPUT/OUTPUT PROGRAMMING

All supervisor calls that initiate operations on peripheral devices have two things in common. First, the first operand of the Supervisor Call instruction has a value of one; and second, the parameter block pointed to by the second operand consists of at least a function code and a logical unit, for example:

```

SVC          1, PARBLK          I/O SUPERVISOR CALL
.
.
.
PARBLK DC    X'xxxx'          FUNCTION CODE AND LOGICAL UNIT
.                          ADDITIONAL
.                          PARAMETERS
.                          AS REQUIRED

```

The logical unit number, which occupies the second byte of the 'FUNCTION CODE LOGICAL UNIT' halfword, identifies, through the logical unit table, the peripheral device involved in the requested operation. Since DOS allows up to 16 logical units, this byte may have any value between X'00' and the number of logical units specified at SYSGEN time.

If an invalid logical unit is specified, the illegal instruction message II xxxxxxxx is logged and the program is suspended. (xxxxxxx=PSW of the invalid supervisor call.)

The first byte of the 'FUNCTION CODE AND LOGICAL UNIT' halfword contains a value that, upon interpretation by the system, specifies the type of I/O operation. The most general interpretation of this byte hinges on the condition of its first bit, Bit-0. Setting this bit (Bit 0=1) indicates to the system that the program is requesting a control operation, such as Rewind, Backspace, or Write File Mark. Since these operations are meaningful only when applied to devices capable of performing the requested action, explanation of the control function is deferred to the sections on individual device characteristics. It is sufficient to say that, if a control function is requested of a device incapable of responding, the request is ignored.

If Bit-0 of the function byte is reset (Bit 0=0), the system infers that the program is requesting a data transfer. The encoded value of Bits 1 through 6 of the function byte indicates the type of transfer (read or write), and the modifying options selected by the program. Setting Bit-1 of the function byte indicates a Read operation. Setting Bit-2, a Write operation. Bits 3 through 5 indicate the optional modifiers chosen. Bits 6 and 7 are not used, and should always be zero. The optional modifiers offered are: ASCII or binary, wait or proceed, and random or sequential. The following list shows the various operations and options together with their binary and hexadecimal values.

OPERATION/OPTION	BINARY	HEXADECIMAL
Read	0100 0000	X'40'
Write	0010 0000	X'20'
Binary	0001 0000	X'10'
ASCII	0000 0000	X'00'
Wait	0000 1000	X'08'
Proceed	0000 0000	X'00'
Random	0000 0100	X'04'
Sequential	0000 0000	X'00'

In the binary and hexadecimal values already given, it is assumed that all bits in the function code other than the one that identifies the operation or option are zero. This was done to show the cumulative nature of these values. A coding example best illustrates this:

```

READ   EQU      X'4000'
BINARY EQU      X'1000'
WAIT   EQU      X'0800'
LU     EQU      X'0003'
      .
      .
      .
      SVC      1, PARBLK          I/O SUPERVISOR CALL
      .
      .
      .
PARBLK DC      READ+BINARY+WAIT+LU  FUNCTION CODE AND LOGICAL UNIT

```

The code generated by the constant defined at PARBLK would be equal to X'4000' + X'1000' + X'0800' + X'0003' or X'5803'. The binary representation of this constant is 0101 1000 0000 0011, in which Bits 1, 3 and 4 of the function code are set to indicate read binary and wait. The value of three in the low order byte indicates that the operation is to be performed on the device associated with Logical Unit 3.

The significance of the ASCII or binary and random or sequential options is covered in the discussions on the individual devices for which they are significant. The wait or proceed option pertains to all devices, and their interpretations are as follows. I/O and Wait causes the user program to go into the I/O Wait state until the data transfer is complete or terminated for some reason. I/O and proceed causes the program to wait until the transfer can be started, but then allows the task to continue execution while the transfer is going on. The following programming examples show how these options may be used.

If the program specifies a function code of zero, the system returns illegal function status. If the program specifies both Read and Write, Read is assumed, and the callers Condition Code is set to zero.

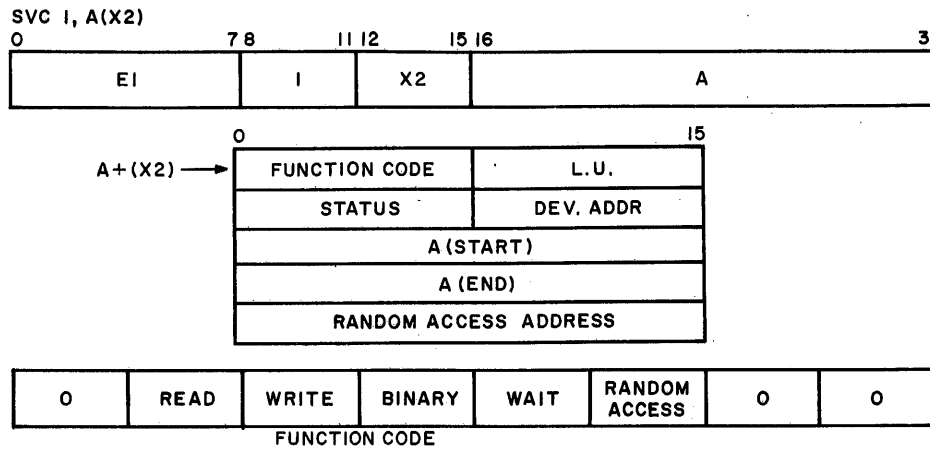
### 3.3.1 Examples of Data Transfers

As shown in Figure 3-1, Read and Write operations require at least three, and possibly four, additional halfwords in the parameter block of the Supervisor Call instruction. For example:

```

      SVC      1, PARBLK          I/O SUPERVISOR CALL
      .
      .
      .
PARBLK DC      X'xxxx'          FUNCTION CODE AND LOGICAL UNIT
      DC      X'xxxx'          STATUS AND DEVICE NUMBER
      DC      A(START)        ADDRESS OF FIRST DATA BYTE
      DC      A(END)          ADDRESS OF LAST DATA BYTE
      DC      RANDOM          RANDOM ACCESS ADDRESS
      .
      .
      .
START  DS      N              DATA BUFFER
END    EQU     *-1            ADDRESS OF LAST BYTE

```



OPERATION	BINARY	HEX
WRITE ASCII AND PROCEED	0010 0000	20
WRITE RANDOM AND PROCEED	0010 0100	24
WRITE ASCII AND WAIT	0010 1000	28
WRITE RANDOM AND WAIT	0010 1100	2C
WRITE BINARY AND PROCEED	0011 0000	30
WRITE BINARY AND WAIT	0011 1000	38
READ ASCII AND PROCEED	0100 0000	40
READ RANDOM AND PROCEED	0100 0100	44
READ ASCII AND WAIT	0100 1000	48
READ RANDOM AND WAIT	0100 1100	4C
READ BINARY AND PROCEED	0101 0000	50
READ BINARY AND WAIT	0101 1000	58
WAIT	0000 1000	08

Figure 3-1. Data Transfer Operations

The operating system uses the first byte of the 'STATUS AND DEVICE ADDRESS' halfword to return ending status to the user upon completion of the I/O operation. If the system is able to complete the transfer as requested, it stores a value of zero in this byte (and in the byte immediately following). If anything is wrong with the device before the transfer, or if anything goes wrong during the transfer, the system stores a negative value (Bit 0=1) in this byte. In addition, it stores the physical address of the device in the byte immediately following. With these items of information, the program can analyze the error condition and issue an intelligent message to the operator, who would more readily recognize a physical address rather than a logical unit number. The status returned to the program indicates any one of the following conditions.

CONDITION	BINARY	HEXADECIMAL
Illegal Function	1100 0000	X'C0'
Device Unavailable	1010 0000	X'A0'
End of Medium	1001 0000	X'90'
End of File	1000 1000	X'88'
Unrecoverable Error	1000 0100	X'84'

In general, if End of Medium, End of File, or Unrecoverable Error is indicated, then some data may have been transferred. If Illegal Function is indicated, then no data has been transferred. If Device Unavailable is indicated, and if no other bits are set, then again, no data has been transferred. Specific interpretations of these conditions, as they apply to various devices, are discussed in the following sections on individual device characteristics.

The third and fourth halfwords of the I/O parameter block specify the starting and ending addresses of the user's buffer area.

The 'RANDOM ACCESS ADDRESS' pertains only to disc and is discussed in the section on individual device characteristics.



The following examples illustrate the general programming techniques for handling data transfers. The first example uses I/O and wait.

```

SVC      1, PARBLK      I/O SUPERVISOR CALL
LH       R0, STAT      GET STATUS IN GENERAL REGISTER ZERO
BM       ERROR         BRANCH IF NEGATIVE TO ERROR ROUTINE
.
.
.
PARBLK DC      X'4806'   FUNCTION CODE AND LOGICAL UNIT
* CALLS FOR READ ASCII AND WAIT ON LOGICAL UNIT SIX
STAT  DS      2        RESERVED FOR STATUS AND DEVICE NUMBER
      DC      A(START)  STARTING ADDRESS OF BUFFER
      DC      A(END)    ENDING ADDRESS OF BUFFER
.
.
.
START  DS      N        START OF BUFFER, LENGTH = N
END    EQU     *-1      FINAL BUFFER ADDRESS

```

In this example, the program requests that the system read ASCII data into the specified buffer and suspend the task until the transfer is complete. In general, specifying wait in an I/O call causes the program to go into the I/O Wait state and remain there until the data transfer is complete. There are two exceptions to this rule: if the function is illegal, as would be the case if Logical Unit 6 were assigned to the Line Printer; or if the device is unavailable, as would be the case if Logical Unit 6 were assigned to a non-existent device, or to an inoperative device. If either of these exceptions apply, the user program resumes execution. Thus, the coding for ERROR might look like the following:

```

ERROR  THI     R0, X'4000'  TEST STATUS FOR ILLEGAL FUNCTION
      BNZ     ILLFUN       BRANCH IF ILLEGAL
      THI     R0, X'2000'  TEST STATUS FOR DEVICE UNAVAILABLE
      BNZ     DEVUNV       BRANCH IF UNAVAILABLE
      THI     R0, X'xxxx'  TEST OTHER ERROR CONDITIONS

```

Note that the program uses a define storage to reserve a location for the status and device address. This is acceptable when using I/O and wait because the contents of this halfword will always be changed by the system. Upon return to the program, it contains zero if the transfer was successful or a negative value and the device number if the transfer failed.

Another example illustrates the use of calls to read and proceed that allow processing to overlap I/O.

```

LOOP   SVC     1, PBLK1    FIRST I/O SUPERVISOR CALL FIRST BUFFER
      SVC     1, PBLK2    SECOND SUPERVISOR CALL SECOND BUFFER
      LH      R0, STAT1   CHECK STATUS OF FIRST CALL
      BM      ERROR      BRANCH ON ERROR STATUS
      BAL     Rx, PROC     BRANCH AND LINK TO PROCESS FIRST BUFFER
      SVC     1, PBLK1    REFILL FIRST BUFFER
      LH      R0, STAT2   CHECK STATUS OF SECOND CALL
      BM      ERROR      BRANCH ON ERROR STATUS
      BAL     Rx, PROC     BRANCH AND LINK PROCESS SECOND BUFFER
      B       LOOP       REFILL SECOND BUFFER
.
.
.
PBLK1  DC      X'4002'    READ ASCII PROCEED LOGICAL UNIT TWO
STAT1  DS      2        RESERVED LOCATION FOR STATUS AND DEVICE NUMBER
      DC      A(START1)  START OF BUFFER NUMBER ONE
      DC      A(END1)    END OF BUFFER NUMBER ONE
PBLK2  DC      X'4002'    READ ASCII PROCEED LOGICAL UNIT TWO
STAT2  DS      2        RESERVED FOR STATUS AND DEVICE NUMBER
      DC      A(START2)  START OF SECOND BUFFER
      DC      A(END2)    END OF SECOND BUFFER

```

In this example, the program issues three supervisor calls that refer to two parameter blocks. All the calls request Read ASCII and Proceed on logical unit 2. As soon as the data transfer for the first call is started, the program resumes execution. At the second supervisor call, if the first transfer is still not complete, the task is put in the I/O Wait state. When the second call can be processed, the program is again allowed to proceed. At this point, since the system was able to start a second transfer on logical unit 2, the program knows that the first transfer is complete. It checks the status and processes the data.

It then issues a third call to refill the first buffer. If the second call is not complete, the program again goes into the Wait state. When the second transfer is complete, the system starts processing the third call and the program can proceed with the knowledge that the second buffer is full. It checks the status, processes the data, and loops back to repeat the sequence.

### 3.3.2 Teletype Input/Output

DOS supports all Teletypes as ASR Teletypes. If an ASR Teletype is used with the system, it is treated as two separate devices—a keyboard printer, and a reader/punch. The system distinguishes between these two on the basis of device assignment. Valid operations with the keyboard/printer are Read, Write, and Wait. ASCII must always be specified on Read and Write operations. Wait and Proceed are optional.

When data is read from the keyboard, it is masked to seven bit ASCII before being stored in the user's buffer. Delete characters are ignored. The transfer terminates when the buffer is full or when a Carriage Return is found in the data stream. Upon termination, the system automatically outputs a Carriage Return and Line Feed to the printer. If the transfer terminates because a Carriage Return character is found in the input stream, this character goes into the user buffer. Typing the hash mark character (#) causes the previous characters in the input stream to be ignored. The system outputs a Carriage Return and Line Feed, and the Read operation is restarted.

On output to the printer, data is sent to the printer until the user buffer is exhausted, or until a Carriage Return character is found in the data stream. On termination of the transfer, the system automatically transmits a Carriage Return and Line Feed.

Valid operations on the Reader/Punch are Read, Write, and Wait. All options, ASCII or binary, Wait or Proceed are allowed.

In processing a read ASCII request on the paper tape reader, the system first outputs an X-ON character. It then transfers the data into the user's buffer ignoring blank tape and delete characters. Input characters are masked to seven bit ASCII before being placed in the buffer. Tapes are read in the blocked mode so data is not printed while being read. The transfer stops when the buffer is full or when a Carriage Return character is found in the data. If a Carriage Return is found, it is placed in the buffer. On termination, the system continues to advance the tape until it finds a delete character or a blank. It then outputs an X-OFF character to stop the tape.

On a request for an ASCII Write to the Teletype punch, the system first outputs a RUB OUT character, a TAPE ON character, two more RUB OUT characters, and eight frames of blank tape. This is followed by the user's buffer. The transfer stops when the user's buffer is exhausted or when a Carriage Return character is found in the output stream. On termination, the system outputs a Carriage Return character (if not already output by the user), a Line Feed character, TAPE OFF, and RUBOUT. Printable ASCII characters output to the Teletype punch are printed at the same time the tape is being punched.

Binary Read operations on the Teletype reader start with an X-ON character output by the system. The tape is then advanced until the first non-zero character is found. If this character is X'F0', subsequent characters punched on the tape are read into the user's buffer until it is full. If this character is anything other than X'F0', the system assumes that the tape is punched in non-printing ASCII. In this case, the characters are read, stripped of their zone bits, and packed into the user's buffer. This process continues until the user's buffer is full. Invalid ASCII=zoned characters are ignored. After the buffer is full, the tape advances to the first blank character. On both types of binary Reads, if the buffer length is shorter than the record length, overflow is lost. If the buffer length is greater than the record length, data may be garbled. The system terminates binary Read operations by sending an X-OFF character to the reader.

For binary Writes on the Teletype punch, the system first sends out a RUB OUT character, TAPE ON, two more RUB OUT characters, and eight frames of blank leader. This is followed by the user's buffer. As it is output, the data is converted to non-printing ASCII characters which require two frames of punched tape for each data byte. This operation terminates when the end of the buffer is reached. The system then outputs TAPE OFF followed by a RUB OUT character.

Two error conditions can be returned to programs using the Teletype for I/O. These are Device Unavailable (X'A0') and Illegal Operation (X'C0'). Device Unavailable is returned if the Teletype is off-line at the time of the request, or if the Break key is depressed during the transfer. The system returns Illegal Operation status if the program attempts binary operations on the keyboard/printer.

### 3.3.3 High Speed Paper Tape Reader Input

The High Speed Paper Tape Reader, operating under DOS, can accept Read and Wait commands. ASCII or binary, Wait or Proceed are optional with Read operations.

On ASCII input, the system ignores blank tape and delete characters. The characters are masked to seven bit ASCII before being placed in the buffer. The operation terminates when the buffer is full or if a Carriage Return character is found in the input stream. On termination, the tape continues to advance until blank tape or a delete character is found. Overflow data is lost.

The system returns an error status of Device Unavailable (X'A0') if the reader is off-line at the time of the call. It returns Illegal Operation (X'C0') if a Write operation is attempted. (Write operations are legal on combined reader/punch devices that share the same device address.) The High Speed Paper Tape Reader ignores control commands. Refer to Table 3-2.

### 3.3.4 High Speed Paper Tape Punch Output

The High Speed Paper Tape Punch accepts Write and Wait commands. ASCII or binary, Wait or Proceed, are optional.

For ASCII output, the system first sends out eight frames of blank tape as an inter-record gap. It follows this with the contents of the buffer. The output terminates when the buffer is exhausted or if a Carriage Return is found in the data stream. The system automatically outputs a Carriage Return and Line Feed immediately following the user's data. If the user's buffer includes a Carriage Return character, this is sent to the punch followed by a system provided line feed.

For binary output, the system sends out eight frames of blank tape followed immediately by the data from the user's buffer in eight bit format. The operation terminates when the buffer is exhausted.

The system returns Device Unavailable status (X'A0') to the program if the device is off-line at the time of the call, or if it goes off-line during an operation. The High Speed Paper Tape Punch ignores control commands. Refer to Table 3-2.

### 3.3.5 Card Reader Input

The Card Reader accepts Read and Wait commands. ASCII or binary, Wait or Proceed, are optional with Read commands.

On ASCII input, the system converts each card column (12 bits) into one seven bit ASCII character. Illegal codes generate an asterisk (\*) character. Each read command causes a maximum of 80 characters to be stored in the user's buffer. If the buffer is less than 80 characters in length, overflow is lost.

TABLE 3-2. LOGICAL STATUS CODES RETURNED BY DOS

DEVICE	HEX. VALUE	CAUSE
Teletype Keyboard/ Printer	00	NO ERRORS or a function was ignored.
	C0	ILLEGAL FUNCTION: an incorrect function code (i.e. write binary to the printer or read binary from the Keyboard...).
	A0	DEVICE UNAVAILABLE: Break key was depressed or an off-line condition was detected.
Teletype Reader/ Punch	00	NO ERRORS or a function was ignored.
	C0	ILLEGAL FUNCTION: as described above.
	A0	DEVICE UNAVAILABLE: as described above.
High Speed Paper Tape Reader/ Punch	00	NO ERRORS or a function was ignored.
	C0	ILLEGAL FUNCTION: a Write operation was attempted on a reader only system.
	A0	DEVICE UNAVAILABLE: an off-line condition was detected.
Card Reader	00	NO ERRORS or a function was ignored.
	C0	ILLEGAL FUNCTION: a Write operation was specified.
	A0	DEVICE UNAVAILABLE: an off-line condition was detected.
Line Printer	00	NO ERRORS or a function was ignored.
	C0	ILLEGAL FUNCTIONS: a Read operation was specified or a write binary operation was attempted.
	A0	DEVICE UNAVAILABLE: either the DU bit or the EX bit was detected.
Magnetic Tape or Cassette Tape	00	NO ERRORS
	C0	ILLEGAL FUNCTION: a Write operation was specified to a write protected device.
	A0	DEVICE UNAVAILABLE: an off-line condition was detected.
	90	END-OF-MEDIUM: an end-of-tape or a beginning-of-tape condition was detected.
	88	END-OF-FILE: an end-of-file condition was detected. (file mark)
	84	UNRECOVERABLE ERROR: a parity error was detected on a Read or Write operation (ten retries are attempted before this status is returned).
Disc	00	NO ERRORS
	C0	ILLEGAL FUNCTION: a Read or Write operation has been attempted on a file with a Read or Write protect attribute, or a Write operation has been attempted on a file with hardware Write protect enabled.
	A0	DEVICE UNAVAILABLE: the user has attempted to use a physical file where an off-line condition, a seek-incomplete, an overrun error or a Write check condition was detected.
	90	END-OF-MEDIUM: file overflow condition has occurred on a direct physical file, or on a file where three overflow cylinders have already been allocated, or at a time when no unused cylinders are available for overflow allocation.
	88	END-OF-FILE: an end-of-file condition was detected. (file mark)
	84	UNRECOVERABLE ERROR: a parity error was detected on a Read operation (five rereads are attempted before this status is returned) or a defective track condition has occurred.
CRT Video Display	00	NO ERRORS or a function was ignored.
	C0	ILLEGAL FUNCTION: Write or Read binary to the video Display.
	A0	DEVICE UNAVAILABLE: an off-line condition was detected.

For binary input, the system transfers twelve bits of data as read from each card column into the buffer. Two bytes of data result from each card column, with six bits of data right justified in each byte. If the buffer is less than 160 bytes in length, overflow data is lost.

Device Unavailable status is returned to the program if the Card Reader is off-line at the time of a Read request. It is also returned if the device malfunctions during an operation. After receipt of Device Unavailable status, the program should notify the operator and then attempt to reread the card into the same buffer. The system returns Illegal Operation status if a program attempts to Write to the Card Reader. The Card Reader ignores all control commands. Refer to Table 3-2.

### 3.3.6 Line Printer Output

The Line Printer accepts Write and Wait commands. ASCII must always be specified with Write commands. Wait or Proceed are optional.

The system outputs the contents of the user buffer. The operation terminates when the end of the buffer is reached or if a Carriage Return character is found in the data stream. A Line Printer is capable of printing 132 characters per line. If the user attempts to output more, the overflow is lost. On termination, the system causes the line to be printed on the paper and the paper to be advanced one line. Form feed and other page control characters must be contained within the user's buffer. Refer to the appropriate Line Printer manual for details.

Device Unavailable status is returned to the program if the printer is off-line at the time a write request is made. Illegal Operation status (X'C0') is returned if the user attempts any Read or a Write binary operation. Control commands are ignored. Refer to Table 3-2.

### 3.3.7 Magnetic Tape Input/Output

DOS supports nine track magnetic tape using the Selector Channel for data transfers. Read, Write, and Wait and Control operations are allowed. Read and Write operations may specify wait or proceed. The ASCII or binary option has no significance and sequential operations are always assumed.

Read requests cause eight bit data to be read from the tape directly into the user's buffer. The transfer stops when the buffer is full or when the hardware senses an end of record condition. If a parity error occurs, the system attempts to reread the record ten times before giving up. At the end of the reread operation, the tape is positioned in the inter-record gap following the defective record.

If the buffer length is less than the record length, a parity error condition occurs.

Write requests cause eight bit data to be written from memory to the tape. The operation terminates when the buffer limit is reached. If the tape is positioned at the beginning of tape marker when a write request is received, the system writes a file mark and backspaces over it before starting the Write operation. The buffer limits specified for magnetic tape transfers must start on an even byte boundary and end on an odd byte boundary.

When working with magnetic tape, all control commands are accepted. Rewind causes the tape to be positioned at the beginning of tape marker. Backspacing one record moves the tape backward over one record and leaves it positioned in the previous inter-record gap. Forward spacing one record positions the tape in the next inter-record gap. Skip forward to file mark causes the tape to skip as many records as necessary to get it to the next file mark. The tape is positioned in the inter-record gap just beyond the file mark. Skip backward to file mark causes the tape to move backward until it reaches a file mark. It goes past the file mark and stops in the preceding gap.

### 3.3.8 Cassette Tape Input/Output

For Cassette tape, Read, Write, and Wait and control operations are allowed. Read and Write operations may specify Wait or Proceed. The ASCII or binary option has no significance and sequential operations are always assumed.

Read requests cause eight bit data to be read from the Cassette directly into the user's buffer. The transfer stops when the buffer is full or when the hardware senses an end of record condition. If the buffer length is less than the record length, overflow data is lost. If a parity error occurs, the system attempts to reread the record five times before giving up. At the end of the reread operation, the cassette is positioned in the inter-record gap following the defective record.

Write requests cause eight bit data to be written from memory to the Cassette. The operation terminates when the buffer limit is reached. If the Cassette is positioned at the beginning of tape marker when a Write request is received, the system writes a file mark and backspaces over it before starting the Write operation. When end of tape is sensed, a file mark is written and ET status is transmitted.

When working with Cassette tape, all control commands are accepted. Rewind causes the tape to be positioned at the beginning of the tape marker. Backspacing one record moves the tape backward over one record and leaves it positioned in the previous inter-record gap. Forward spacing one record positions the Cassette in the next inter-record gap. Skip forward to file mark causes the Cassette to skip as many records as necessary to get it to the next file mark. The tape is positioned in the inter-record gap just beyond the file mark. Skip backward to file mark causes the tape to move backward until it reaches a file mark. It goes past the file mark and stops in the preceding gap.

### 3.3.9 Disc Input/Output

Each disc on the system may be divided into many named files. Individual files are treated as separate physical devices. The operator command 'ALLOCATE' defines the limits of each file on cylinder boundaries. A protect attribute can be set up for the file that prevents unauthorized programs from accessing the data in it. Read, Write, Wait and Control operations are allowed. Wait or Proceed and random or sequential are optional.

The parameter block for disc I/O contains a halfword for random addressing. The random access address is a logical record number relative to the start of the file. (Logical sector number for files attributed as 'DIRECT PHYSICAL'.) Within each file, the records are numbered from zero, and the system makes the conversion to absolute disc address. For operations specified as sequential, the random access address is ignored.

The system maintains a current logical record address for each file. On a Read or Write operation, it increments the current address to point to the next record. This allows programs to position the current record pointer using a random access Read or Write and then continue the operation sequentially. For random and sequential accesses, the transfer length is limited to the logical record length of the file as allocated. For direct physical transfer, the record length may be any number of sectors as specified by the starting and ending addresses in the SVC parameter block. The starting sector may be specified by a random access address (Bit 5 set in the function code).

### 3.3.10 CRT Input/Output

For CRT devices, Read, Write, and Wait operations are allowed. Read and Write operations may specify Wait or Proceed, but must always specify ASCII. CRT's on a current loop interface are driven with Teletype I/O drivers. CRT's on a PASLA are driven over the PASLA in the half-duplex mode, 8-bit two stop bits, and no parity. It assumes the displayable carriage return option found on some CRT's, displays no other character than a space, and that the automatic linefeed option on a full line of 80 characters has not been enabled.

When data is read from the keyboard, it is masked to seven-bit ASCII before being stored in the user's buffer. Delete and Null characters are ignored. The transfer terminates when the buffer is full or when a Carriage Return character is found in the input stream. Upon termination (up to 80 characters), the system automatically outputs a Line Feed (followed by a Null character) and Carriage Return (followed by a rubout) to the CRT screen. If the transfer terminates because a Carriage Return character is found in the input stream, this character goes into the user buffer. Typing the hashmark character (#) causes the previous characters in the input stream to be ignored. The system outputs a Line Feed and Carriage Return, as described above for a read termination, and the Read operation is restarted. When using the Editing CRT, the left cursor Key (←) causes the previous character in the input stream to be replaced.

On the output to the CRT screen, data is sent to the screen until the user buffer is exhausted, or until a Carriage Return is found in the data stream. On termination, the system automatically transmits a Line Feed and Carriage Return, as described for Read termination.

### 3.3.11 Control Operations

When the first bit of the function byte is set, (Bit 0=1), the function code is interpreted by the system as a device control operation. These operations apply to disc and magnetic tape devices. Bits 1 through 6 each designate a different operation. Bit-7 is not used and should always be ZERO. Valid control codes are:

BIT	OPERATION	BINARY	HEXADECIMAL
1	Rewind	1100 0000	X'C0'
2	Backspace One Record	1010 0000	X'A0'
3	Forward Space One Record	1001 0000	X'90'
4	Write File Mark	1000 1000	X'88'
5	Skip Forward to File Mark	1000 0100	X'84'
6	Backspace to File Mark	1000 0010	X'82'

The system scans the function byte from left to right. It will therefore initiate the first operation for which it finds a bit set. All control operations have an implied proceed. That is, the program goes into I/O wait only if the device is busy at the time the Supervisor call is issued. Once the call can be processed, the program is allowed to continue. The following example illustrates a typical control operation (see Figure 3-2):

#### CONTROL OPERATIONS

	REWIND	BACKSPACE ONE RECORD	FORWARD SPACE ONE RECORD	WRITE FILE MARK	SKIP FORWARD FILE MARK	BACKSPACE FILE MARK
MAG TAPE AND CASSETTE	←----- HARDWARE FUNCTIONS -----→					
DISC	The Current Logical Record Pointer is Set to 0	1 is subtracted from the Logical Record Pointer	1 is added to the Logical Record Pointer	Logical Record of X'1313' half-words is written	The current logical record pointer is set to one record beyond the first detected file mark record	The current logical record is reduced and set to one record before the first detected file mark record.
OTHER DEVICES	←----- OPERATION IGNORED -----→					

MORE	SVC	1, PBLK1	I/O SUPERVISOR CALL
	LH	R0, STAT1	STATUS IN REGISTER ZERO
	BM	ERR1	BRANCH IF BAD
	LH	R1, START	FIRST INPUT HALFWORD IN REGISTER ONE
	CLHR	R1, R2	COMPARE WITH END INDICATOR
	BNE	MORE	MORE DATA TO INPUT
	SVC	1, PBLK2	CONTROL SUPERVISOR CALL
	LH	R0, STAT2	STATUS IN REGISTER ZERO
	BM	ERR2	BRANCH FOR ERROR RECOVERY
		.	
		.	
		.	
PBLK1	DC	X'4804'	READ AND WAIT, LOGICAL UNIT FOUR
STAT1	DS	2	STATUS AND DEVICE ADDRESS
	DC	A(START)	BUFFER START
	DC	A(END)	BUFFER END
PBLK2	DC	X'C004'	REWIND LOGICAL UNIT FOUR
STAT2	DS	2	STATUS AND DEVICE ADDRESS

Figure 3-2. Control Operation Example

In this example, the program is reading records from Logical Unit 4. When it discovers that it has read the last record, it issues a rewind command to Logical Unit 4 and immediately checks the status. If the status is zero, the operation has been started, but is not necessarily complete. Subsequent operations with Logical Unit 4 (Read, Write, or Control) are delayed until the rewind is complete.

3.4 SVC 2 - SERVICE FUNCTIONS (see Figure 3-3)

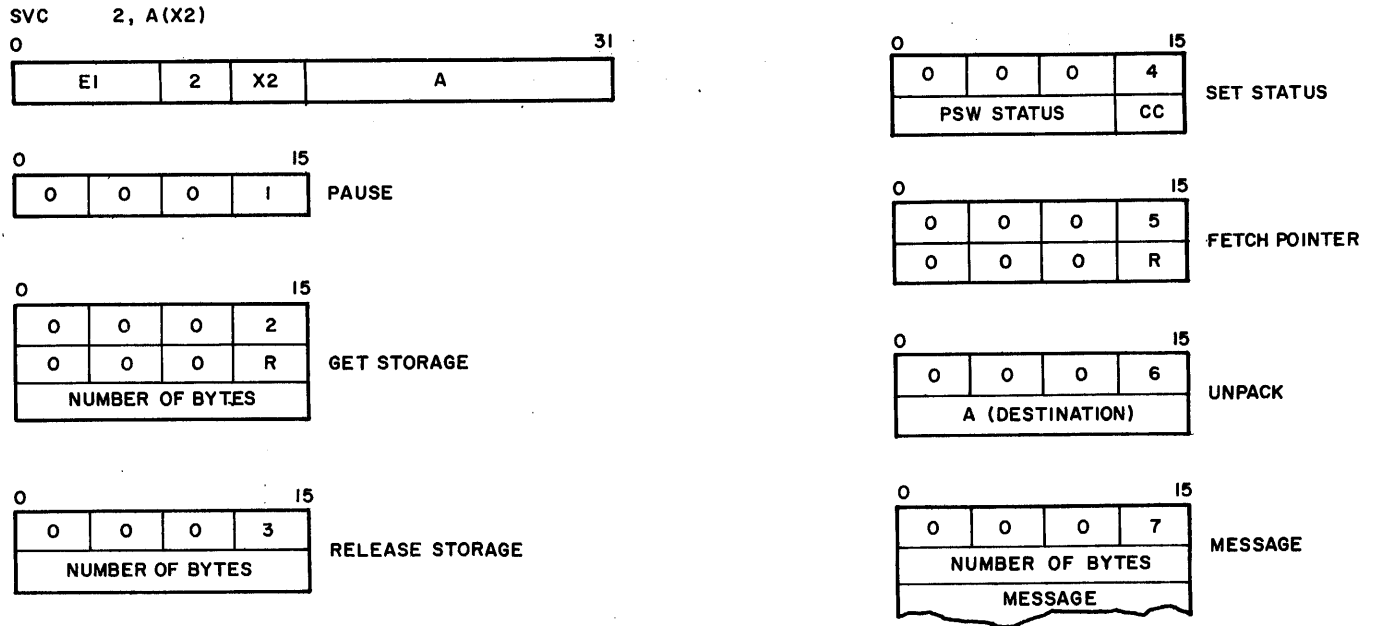


Figure 3-3. Parameter Blocks for SVC 2 Supervisor Calls

PAUSE

A program may occasionally find that it cannot continue without operator intervention. (A typical reason is trouble with a peripheral device.) The Pause Supervisor call allows the calling task to suspend itself until the operator takes some action. The form of this call is:

```

SVC      2, PARBLK      PAUSE SUPERVISOR CALL
      .
      .
      .
PARBLK DC   X'0001'      FUNCTION CODE FOR PAUSE
    
```

This call causes the user program to be suspended, and the word 'PAUSE' is sent to the Console Teletype. The operator, after taking whatever action may be required, can resume execution at the instruction immediately following the supervisor call by entering the CONTINUE command.

GET STORAGE

This call causes the user program to be suspended, and the word 'PAUSE' is sent to the Console Teletype. The operations it calls - especially FORTRAN Run Time Library subroutines, which since they are reentrant, require storage outside themselves.

```

SVC      2, PARBLK      GET STORAGE
      .
      .
      .
PARBLK DC   X'0002'      GET STORAGE CODE
      DC   X'000x'      DESIGNATED REGISTER
      DC   N              N=NUMBER OF BYTES
    
```



The starting address of the area is loaded into the register specified by the second halfword of the parameter block. The third halfword of the parameter block must contain the number of bytes requested. Subsequent requests obtain new areas. In processing the Get Storage request, DOS increments UTOP, a constant initially set to the top of the user program exclusive of Common, by the amount of storage requested. It compares the new value to COMBOT, the address of the bottom of Common (or top of core when Common is not used), which is used in conjunction with FORTRAN programs. If the new value is greater than the limit, DOS terminates the program with the message:

II xxxxxxxx

where xxxxxxxx is the user Program Status Word whose Location Counter points to the Supervisor call that caused the termination. Figure 3-4(A) shows the effect of a Get Storage SVC.

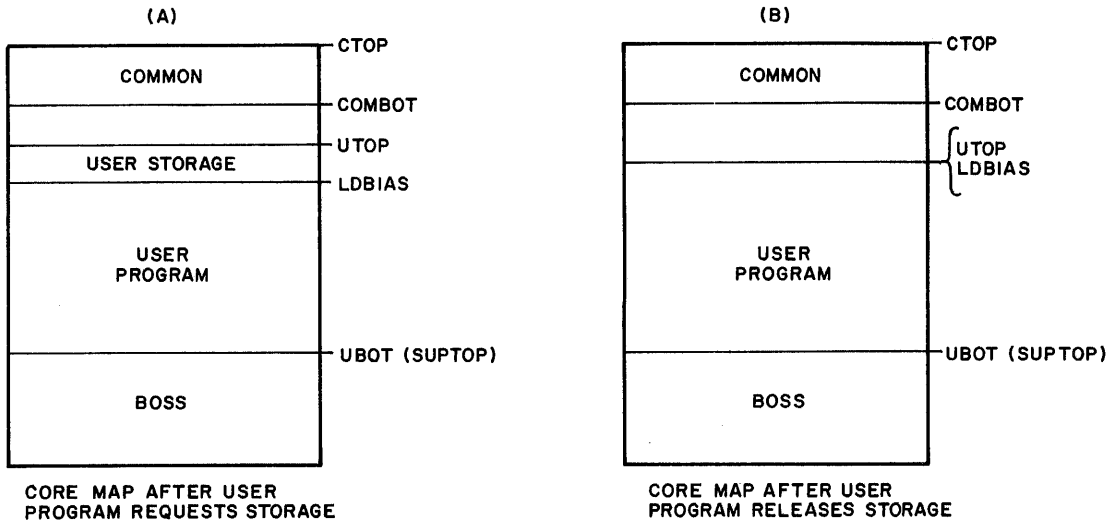


Figure 3-4. Core Map

RELEASE STORAGE

The inverse of the Get Storage call is the Release Storage call. It releases storage previously obtained. The order in which it releases core is the reverse of the order in which it was obtained. That is, the last obtained is the first released. Coding for this call is:

```

SVC      2, PARBLK      RELEASE STORAGE SVC
.
.
.
PARBLK DC   X'0003'    RELEASE STORAGE CODE
DC      N              N=NUMBER OF BYTES

```

The system releases the number of bytes specified by the second halfword of the parameter block, and makes those locations available for future Get Storage requests. The UTOP pointer is adjusted downward by this call.

If the value obtained is less than the value of SUPTOP, DOS terminates the program with the message:

II xxxxxxxx

where xxxxxxxx is the user Program Status Word whose Location Counter points to the Supervisor call that caused the termination. Figure 3-4(B) shows the effect of a Release Storage SVC.

## SET STATUS

The usual Program Status Word for application tasks is set up to allow floating point and fixed point arithmetic interrupts. At times, a task may choose not to be interrupted because of division by zero, or underflow/overflow. The Set Status Supervisor call allows a task to disable and enable floating point and fixed point interrupts. The coding for this is:

```
          SVC          2, PARBLK          SET STATUS
          .
          .
          .
PARBLK DC          X'0004'          SET STATUS CODE
          DC          X'xxxx'          NEW STATUS
```

The second halfword of the parameter block indicates how arithmetic interrupts are to be handled. The following combinations are allowed:

```
X'0000' Disable Floating Point and Fixed Point
X'1400' Enable Floating Point and Fixed Point
X'0400' Enable Floating Point, Disable Fixed Point
X'1000' Disable Floating Point, Enable fixed Point
```

Execution of this call also sets the program's Condition Code to the value of the last hexadecimal digit of the new status. A variation on this call allows the user to set only the Condition Code. It has the form:

```
          SVC          2, PARBLK          SET CONDITION CODE
          .
          .
          .
PARBLK DC          X'8004'          SET CC CODE
          DC          X'xxxx'          NEW CONDITION CODE
```

In this call, the Condition Code of the Program Status Word is set equal to the last four bits of the second halfword of the parameter block. These calls manipulate the arithmetic interrupt enable bits and the Condition Code. They cannot be used to set or reset other bits in the Program Status Word.

## FETCH POINTER

This Supervisor call returns to the caller the address of a table of constants contained with DOS. It has the form:

```
          SVC          2, PARBLK          FETCH POINTER
          .
          .
          .
PARBLK DC          X'0005'          FETCH POINTER CODE
          DC          X'000x'          REGISTER DEFINITION
```

The Fetch Supervisor call places in the register specified by the second halfword of the parameter block the address of CONTAB, a table of constants in DOS. This table is summarized in Table 3-3. The table contains addresses, such as the Top of Core, which can be used by programs to communicate with the system and control storage allocation.

TABLE 3-3. CONSTANT TABLE

CONTAB - 2	LASTAD	ADDRESS OF LAST BYTE TRANSFERRED
+ 0	CTOP	TOP OF CORE
+ 2	COMBOT	BOTTOM OF COMMON
+ 4	UTOP	USER AREA TOP
+ 6	UBOT	USER AREA BOTTOM
+ 8	LDBIAS	LOAD BIAS
+ A	XFRADR	TRANSFER ADDRESS

PARAMETER      MEANING

- LASTAD      Address of the last byte transferred.
- CTOP      Address of the last halfword within memory. This value is the highest addressable memory location.
- COMBOT      Address of the first halfword within Common. This value, which is the lowest address used for Common, equals CTOP if Common is not used.
- UTOP      Address of the first halfword following the user program and storage area. This value, which is the lowest available address for more storage, equals LDBIAS after a program is loaded, but no storage is allocated.
- UBOT      Address of the first halfword following the DOS resident system.
- LDBIAS      Address of the location to be used for loading the next relocatable program. This value which defines the first available halfword following the last program loaded, equals UBOT when no programs have been loaded, or after DOS initialization.
- XFRADR      Address of execution starting point for the last program loaded. This value equals zero if the last program loaded did not specify a starting address.

UNPAK

The Unpack Supervisor call converts a halfword binary constant into four ASCII hexadecimal characters. The constant to be converted must first be loaded into General Register Zero. For example:

```

                LH      R0,CONST      LOAD CONSTANT IN REGISTER ZERO
                SVC      2,PARBLK     UNPACK SUPERVISOR CALL
                .
                .
                .
PARBLK DC      X'0006'      UNPACK CODE
                DC      A(DEST)     DESTINATION ADDRESS
                .
                .
                .
DEST   DS      4           DESTINATION

```

In this case, the constant loaded into General Register Zero is converted into four ASCII hexadecimal digits. These four bytes are then stored in consecutive locations starting at the address designated by the second halfword of the parameter block.

LOG MESSAGE

The Log Message Supervisor call outputs a string of ASCII characters to the console device. The second halfword of the parameter block contains the number of characters, followed immediately by the message. This Supervisor call should be used to output I/O error messages and operator instructions since the message always goes to the Console Device.

The following example of the use of the Log Message Supervisor call illustrates a typical way of using several Supervisor calls already described.

	SVC	1, PBLK1	I/O SUPERVISOR CALL
	LH	R0, STAT1	GET STATUS AND DEVICE NUMBER IN R0
	BM	ERROR	BRANCH ON ERROR
	.		
	.		
ERROR	SVC	2, PBLK2	UNPACK CONTENTS OF REGISTER ZERO
	SVC	2, PBLK3	LOG MESSAGE
	SVC	2, PBLK4	PAUSE
	B	CONTIN	RESUME EXECUTION AFTER PAUSE
PBLK1	DC	X'4008'	READ FROM LOGICAL UNIT 8
STAT1	DS	2	STATUS AND DEVICE NUMBER
	DC	A(START)	STARTING ADDRESS OF BUFFER
	DC	END	ENDING ADDRESS OF BUFFER
PBLK2	DC	X'0006'	UNPACK CODE
	DC	A(DEST)	DESTINATION
PBLK3	DC	X'0007'	LOG MESSAGE CODE
	DC	14	LENGTH OF MESSAGE
	DC	C'I/O ERROR'	MESSAGE TEXT
DEST	DS	4	DESTINATION FOR UNPACK
PBLK4	DS	X'0001'	PAUSE

The parameter block for the Log Message Supervisor call 'PBLK3' in the example, contains the function code, X'0007', the number of characters in the message text, in the example (14), followed immediately by the text itself. Note that in the example, the destination for the Unpack Supervisor call follows the message text. The message produced by this particular sequence of coding would be:

I/O ERROR XXXX

where XXXX is the unpacked contents of General Register Zero; i. e., the logical status and physical device address returned to the program after an unsuccessful Read operation. This message would be followed by:

PAUSE

indicating that the program has suspended itself.

### 3.5 SVC 3 - END OF JOB

The End of Job Supervisor call allows a program to terminate itself in an orderly manner. It is, following the program logic, the last executable instruction. This call has the form:

```
SVC      3,0
```

Note that there is no parameter block associated with this call. If the program issuing this call has I/O in progress at the time the call is made, the I/O is allowed to go to completion.

The End of Job SVC also causes all activated disc files to be closed. (see CLOSE command).

### 3.6 SVC 4 - EXECUTE COMMAND STATEMENT

This Supervisor call allows the user to perform operator commands from within a running program.

The address field of the SVC 4 instruction points to an operator command statement in memory. Commands processed by SVC 4 are of the same format as those input by an operator. Commands are represented internally in seven bit ASCII and must be terminated by a Carriage Return (X'0D'). If any errors are detected during the processing of a command, the incorrect command and an error message is logged on the Console Teletype and DOS retains control in the Command mode. The user may reenter the command and then enter CONTINUE to resume his program.

Example:

```
          SVC      4,PARBLK      EXECUTE OPERATOR COMMAND
PARBLK DC      C'AC OBJECT,2 '  ACTIVATE A DISC FILE
          DB      X'0D'
```

While executing a SVC 4 the following conditions cause unconditional return to DOS command mode:

1. Execution of a TRANSFER command.
2. Execution of a SVC 2 PAUSE.

### 3.7 SVC 5 - FETCH OVERLAY

Any user program may be segmented into a trunk, or root section that resides in memory and any number of subroutines, or overlays, that are brought into memory as required. This feature is especially useful in FORTRAN applications. (See Chapter 4 for application examples.) Overlays are loaded at a location above the root section. Overlays can reference blank and labeled Common, and can reference routines in the reentrant library. Communication between the root phase and overlays is through EXTRN and ENTRY statements. The following example illustrates the use of the Fetch Overlay Supervisor call:

	SVC	5, PARBLK	FETCH OVERLAY CALL
	BAL	RTN, OVERL1	BRANCH AND LINK TO OVERLAY
		.	
		.	
		.	
PARBLK	DC	C'OVERL1'	SIX CHARACTER OVERLAY NAME
STAT	DC	X'0000'	STATUS AND OPTIONS
	DC	X'0004'	LOAD FROM LOGICAL UNIT 4

When this Supervisor call is processed, the named overlay is brought into memory. The calling program must wait until the overlay is loaded.

The device assigned to specified logical unit may be any sequential input device or file capable of binary read operations. The complete overlay must be available on the device specified, (i.e., no check of the overlay name is performed).

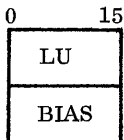
A status of ZERO is always returned if control is returned to the caller. If an error occurs while the overlay is being loaded, an appropriate error message is logged on the Console Teletype, and DOS returns to the command mode. The following are the possible error messages that may occur (see Chapter 2 for detailed explanation). No recovery is allowed from these conditions during overlay operations. The user should restart his program:

LD ERR  
SEQ ERR  
CKSM ERR  
MEM FULL  
I/O ERR XXXX

### 3.8 SVC 6 - CALL A PROGRAM

This Supervisor call allows application programs to exercise considerable control over the system by calling other programs.

The parameter block for the SVC is:



where LU is the logical unit of the device from which the program is loaded. LU must have been previously assigned to a physical unit. For relocatable programs, the second halfword of the parameter block is the BIAS at which the program is loaded. If the BIAS is zero, then the program is loaded at SUPTOP. Control is passed to the loaded program at the BIAS specified in the parameter block. However, if the loaded program contained a transfer address, then control is passed to this point. Absolute programs are loaded at their origin address.

If errors occur while the program is being loaded, the appropriate error message is logged on the Console Teletype, and DOS returns control to the Command mode.

The following are the possible error messages that may occur. (See Chapter 2 for detailed explanation.)

```
LD ERR
SEQ ERR
CKSM ERR
MEM FULL
I/O ERR XXXX
```

Example:

	SVC	4, ASSIGN	ASSIGN A FILE
	SVC	6, PARBLK	CALL A PROGRAM
		.	
		.	
		.	
ASSIGN	DC	C'AC OBJECT, 3 '	
	DC	X'0D00'	
PARBLK	DC	X'0003'	LOAD FROM LOGICAL UNIT 3
	DC	X'0000'	LOAD AT SUPTOP

# CHAPTER 4

## SYSTEM USAGE

### 4.1 INTRODUCTION

Efficient use of the system requires that the user take full advantage of the features inherent in DOS. This chapter provides the user with a look at various applications under DOS and thus familiarizes him with job control techniques.

### 4.2 MEMORY USAGE AND REQUIREMENTS

The actual size of DOS may vary from about 5KB to a maximum of 14KB depending upon the features included by the user in his System Generation procedure. DOS may be System Generated as a non-disc system, similar to the INTERDATA Basic Operating System (BOSS). For a full disc system the following memory is required for use of the major INTERDATA system software:

OS LIBRARY LOADER	16KB
OS ASSEMBLER	16KB
FORTTRAN IV COMPILER	24KB

#### NOTE

To operate the OS Assembler on a 16KB system it is necessary to overlay various utility routines in DOS by setting the loader BIAS to location LOKUP (see DOS listing) before loading the Assembler.



### 4.3 SYSTEM USAGE EXAMPLES

#### 4.3.1 Establishing a Program on Disc

The following example demonstrates how the user may establish a program on a disc file for convenient access. To place the INTERDATA OS Assembler object tape on disc, Allocate a file on pack C6 as follows:

```
*AL ASMBLR,1C6
```

Note that at the same time file ASMBLR is assigned to Logical Unit 1.

Assign Logical Unit 2 to the Paper Tape Reader:

```
*AS 213
```

With the COPY command, establish the Assembler on disc:

```
*CP 2,1,0
```

To conserve disc space, two or more programs may be placed on a single disc file, and may be searched for sequentially and loaded by the OS Library Loader, or positioned via the Position command and loaded by the DOS loader.

#### 4.3.2 Assemblies with Disc Scratch

Allocate a disc scratch file if one does not already exist.

```
*AL SCRT,C6,20,80
```

Twenty cylinders are enough for a source deck of about 3000 cards. Assume that the object program is written to a disc file called OBJECT. The following commands initiate the assembly.

```
*AS 104,362          ASSIGN THE SOURCE INPUT AND LIST DEVICES TO THE CARD
                    READER AND LINE PRINTER RESPECTIVELY
*AC SCRT,4           ASSIGN THE SCRATCH DEVICE TO FILE SCRT
*AC OBJECT,2        ASSIGN THE BINARY OUTPUT DEVICE TO FILE OBJECT
*RU ASMBLR           EXECUTE THE ASSEMBLER
```

#### NOTE

The Assembly OPTION card must have the SCRT option specified.

### 4.3.3 FORTRAN Compile and Go

Assume the FORTRAN compiler, the OS Library Loader, and the FORTRAN Run Time Library have been established on disc files FORTRN, LIBLDR and RUNTME respectively. The user wishes to compile and execute a FORTRAN source program on cards. The FORTRAN program itself reads card input from Logical Unit 1, outputs object code on Logical Unit 2, and prints output on Logical Unit 3.

```
*AS 104,362          ASSIGN THE COMPILER SOURCE INPUT AND LIST DEVICE TO
                     THE CARD READER AND LINE PRINTER RESPECTIVELY
*AC OBJECT,2         ASSIGN THE BINARY OUTPUT DEVICE TO DISC FILE OBJECT
*RU FORTRN           EXECUTE THE FORTRAN COMPILER
*AC RUNTME,6        ASSIGN THE RUN TIME LIBRARY
*RU LIBLDR           EXECUTE THE LIBRARY LOADER
```

The following are commands to the OS Library Loader.

```
RE 2                REWIND LOGICAL UNIT 2
LO 2                LOAD FORTRAN OBJECT PROGRAM
ED 6                EDIT WITH THE RUN TIME LIBRARY
GO                 EXECUTE THE FORTRAN PROGRAM
```

### 4.3.4 Cataloging and Batch Operations

Using the previous example to demonstrate disc cataloging and a batch operation, allocate a disc file called JOBFTN to hold the operator commands of the previous example.

```
*AL JOBFTN,C6,1,80
```

Making the proper device assignments enables the cataloging of commands on file JOBFTN by the COPY command.

```
*AS 202             ASSIGN LOGICAL UNIT 2 TO THE TELETYPE
*AC JOBFTN,5        ASSIGN JOBFTN TO LOGICAL UNIT 5
*CP 2,5,80          TYPE OUT COMMANDS ONTO THE DISC
```

The COPY function may be terminated by typing  $\text{␣}END$ , where  $\text{␣}$  is a required space.

To execute the job, transfer command input control to file JOBFTN. Note that JOBFTN is assigned to Logical Unit 5. This is necessary because the OS Library Loader, which also reads commands in this job stream, always reads command input from Logical Unit 5.

```
*AC JOBFTN,5        EXECUTE CATALOGUED JOB STREAM
*TR 5
```

#### 4.4 OVERLAYS

The subject of overlays is an important one for system planning. The use of overlays can substantially reduce the memory requirements for a system. There is no limit to the number of overlays a program may have.

Overlays should not call other overlays. They should always return to the root segment (main program) and allow it to call the next overlay. If an overlay calls another overlay, the new overlay is loaded on top of (overlays) the first, and program execution resumes from the location immediately following the Supervisor Call instruction in the first overlay. This would not likely be the starting location for the new overlay.

Overlays and root segments can communicate with EXTRN and ENTRY statements. Overlays can reference subroutines that are loaded with them or loaded with the main program. Overlays can reference both blank and labeled Common.

Overlays can be very helpful in conserving memory space. However, this saving is achieved by sacrificing time. Even when disc is used as the system library, it takes time to load an overlay. For this reason, overlays should be used for processing that is not time critical.

A feature has been added to OS Library Loader 03-030 to enable the establishing of overlays. This feature is described in the Loader Descriptions Manual, Publication Number 29-231. It consists of a single command (OV), which informs the Library Loader that the subroutine about to be linked is an overlay subroutine. It is this command that origins the overlay subroutines such that they occupy a common area of memory. Overlays are established by using the OUT feature of the Library Loader. Established overlays are in absolute form.

As an example of overlay establishing procedures, assume a FORTRAN application program and two subroutines which are to be linked as overlays. The program and its subroutines have been compiled and their object programs are on paper tape. The main program calls the first overlay via Logical Unit 2 and the second via Logical Unit 3 using the IFETCH routine in the Run-Time Library. We begin by allocating disc files for the main program and the overlay subroutines, and assigning them to Logical Units 1, 2, and 3 respectively.

*AL	MAINP,1C6	
*AL	OVER1,2C6	
*AL	OVER2,3C6	
*AC	RUNTME,6	ASSIGN THE RUN TIME LIBRARY
*AS	413	ASSIGN THE PAPER TAPE READER
*RU	LIBLDR	EXECUTE THE LIBRARY LOADER

The following commands are read by the Library Loader.

OUT	1	SET THE OUT OPTION FOR LOGICAL UNIT 1
LO	4	LOAD THE MAIN PROGRAM
ED	6	EDIT WITH THE RUN TIME LIBRARY
XOUT		
OV		INDICATE AN OVERLAY TO BE LINKED
OUT	2	SET THE OUT OPTION FOR LOGICAL UNIT 2
LI	4	LINK FIRST OVERLAY
ED	6	EDIT WITH THE RUN TIME LIBRARY
XOUT		
OV		INDICATE ANOTHER OVERLAY IS TO BE LINKED
OUT	3	SET THE OUT OPTION FOR LOGICAL UNIT 3
LI	4	LINK SECOND OVERLAY
ED	6	EDIT WITH THE RUN TIME LIBRARY
XOUT		TERMINATE OUT OPTION
EN		TERMINATE LIBRARY LOADER

The main program and its overlays have been established and may be executed from disc by the following sequence of commands.

```
*AC  OVER1,2  
*AC  OVER2,3  
*RU  MAINP
```

#### NOTE

If an overlay is to be loaded more than once by a main program, the overlay logical unit should be rewound by the main program prior to loading the overlay (i. e., in FORTRAN by a call to subroutine REW).

#### 4.5 DISC FILE USE

To demonstrate the use of sequential, random and direct physical access, the following sample problem is presented.

File A, which has been previously allocated by:

```
*AL FILEA,C6,1,10
```

is a sequential file that contains 200 10-byte records followed by a file mark. The first halfword of each record contains a unique binary number from 0 to 199. We wish to copy File A to another file sorting by this binary number.

Allocate File B as follows:

```
*AL FILEB,C6,1,10
```

and make FILEB random by:

```
*AT FILEB,0010
```

Activate the files:

```
*AC FILEA,1  
*AC FILEB,2
```

The following sample program shows a procedure for writing File A to File B.

START	SVC	1,READA	READ FILE-A SEQUENTIAL
	LH	R0,READA+2	GET STATUS
	BZS	GOWRIT	NO ERRORS IF 0
	THI	R0,X'100'	CHECK FOR EOF
	BNZ	DONE	YES, DONE
	B	ERROR	NO, I/O ERROR
GOWRIT	LH	R0,BUFFER	GET BINARY NUMBER (FIRST HALFWORD OF RECORD)
	STH	R0,RANADR	MOVE TO RANDOM ADDRESS POINTER OF WRITE SVC
	SVC	1,WRITEB	WRITE FILE-B RANDOM
	LH	R0,WRITEB+2	CHECK STATUS
	BM	ERROR	I/O ERROR IF MINUS
	B	START	LOOP
READA	DC	X'4801'	READ, WAIT, LOGICAL UNIT 1
	DC	0	STATUS
	DC	BUFFER	
	DC	BUFFER+9	
WRITEB	DC	X'2C02'	WRITE, WAIT, RANDOM, LOGICAL UNIT 2
	DC	0	STATUS
	DC	BUFFER	
	DC	BUFFER+9	
RANADR	DC	0	RANDOM ADDRESS
BUFFER	DS	10	

Now that File B has been created, let us read the entire FILEB (2000 bytes) into memory at location TABLE with one Read operation using the direct physical access method. Change the File B attribute to denote direct physical access.

```
*AT      FILEB,0020
```

The following code performs the desired read:

```

SVC      1,READB
READB   DC      X'4802'          READ, WAIT, LOGICAL UNIT 2
        DC      0
        DC      TABLE
        DC      TABLE+1999
TABLE   DS      2000

```

NOTE

Other access methods such as an index-sequential access method may be implemented under DOS with the use of user written subroutines. These subroutines, upon receiving control information (record keys, etc.) could perform the actual SVC 1 I/O calls to DOS.

4.6 PERFORMANCE TIMES

4.6.1 Sequential Disc File Timing Chart

This chart gives examples of the number of physical disc accesses required for transferring 1000 logical records.

		PHYSICAL RECORD LENGTH			
		256	512	768	1024
LOGICAL RECORD LENGTH	40	167	84	53	40
	80	334	167	112	84
	108	500	250	143	112
	150	1000	334	200	167
	256	1000	500	334	250
	512	—	1000	1000	500

4.6.2 Useful Time Estimates (Model 70)

I/O Driver Interrupt disable overhead time	116 microseconds
Pack Initialize time	11.5 seconds
Read time for 100 108 byte logical records (256 byte physical record length)	2.5 seconds

Examples: An overlay consisting of 100 loader format records will take approximately three seconds to load from a disc file.

To POSITN to the 100th record of an 80 byte record disc file will take approximately two seconds.

# CHAPTER 5

## DOS SYSTEM GENERATION AND MODIFICATION

### 5.1 SYSTEM GENERATION

#### 5.1.1 Introduction

To provide the user with the flexibility of configuring DOS to conform to individual system requirements, a System Generation (SYSGEN) capability has been included. The user is provided with a complete object tape of DOS that includes all DOS options, and DOS source paper tapes. DOS System Generation is accomplished by assembling the source version of DOS with the appropriate control statements described in the following paragraphs. The user, by proper usage of these control statements, may include or delete modules of DOS during the assembly process.

DOS is designed to have a modular command and I/O structure. Because of this, all drivers with the exception of the TTY driver, and certain system commands, may be deleted. In addition, the number of available logical units or files may be selected by the user. A facility is also provided for the addition of up to two special user-written drivers. (See Section 5.1.4.)

Addition or deletion of drivers to DOS during the assembly process are made via control instructions. An assembly IF statement surrounds each module. The user must define, via EQU statements, the conditional variables for each module. The SYSGEN statements are detailed in Table 5-1. The approximate size of modules within DOS is shown in Appendix 1.

#### 5.1.2 Conditional Assembly Procedure using the Teletype to input SYSGEN Statements

1. Load a DOS or BOSS object tape, with either the GENERAL or RELOCATING loader.
2. Load OS ASSEMBLER with the DOS or BOSS resident loader.
3. Make the desired device assignments (LU1 should be assigned to the Teletype).
4. Start the ASSEMBLER.
5. Type in an OPTION statement followed by the SYSGEN statements as described in Table 5.1. Note that the SQCHK option should not be specified. For example:

```
                OPT      PASS2
SYSTTY EQU      2
PRINT  EQU      X'62'
etc.
```

All SYSGEN control statements must be included or "undefined symbol" errors result during the assembly. If new drivers are to be added, see Section 5.1.4.

6. After all control statements have been entered, the user types:

```
ØPAUSE
```

Control is now passed to DOS where the user must now assign LU1 to the paper tape reader or TTY reader, mount the DOS source paper tape, and type CONTINUE.

7. The ASSEMBLY process continues. Since the DOS source (when ordered on papertape) consists of 21 separate papertapes, a PAUSE statement ends each tape, so that the user may mount the next tape. The user types CONTINUE to resume the assembly process. On Pass 2 (or Pass 3) of the assembly, the SYSGEN control information need not be reentered.

TABLE 5-1. SYSTEM GENERATION STATEMENTS

SYSGEN STATEMENTS:

SYSTTY	Equate to System Teletype device address or System CRT over a current loop interface (normally X'02'); do not exclude unless SYSCRT has been selected. Exclude by equating to 0.
SYSCRT	Equate to System CRT device address of a PASLA (Programmable Asynchronous Single Line Adapter); do not exclude unless SYSTTY has been selected. Exclude by equating to 0.
CRT1 CRT2 CRT3 CRT4	} Equate to CRT device addresses of associated PASLA's, equate to zero to exclude.
HSPTR	Equate to High Speed Paper Tape Reader/Punch device address (normally X'13'); equate to 0 to exclude.
CARD	Equate to Card Reader device address (normally X'04'); equate to 0 to exclude.
PRINT	Equate to Line Printer device address (normally X'62'); equate to 0 to exclude.
PRINT2	Same as above; used if a second line printer is on the system.
MAG1	Equate to Magnetic Tape #1 device address (normally X'85'); equate to 0 to exclude.
MAG2 MAG3 MAG4	} Same as above; used if more than one magnetic tape is on the system.
CAS1	Equate to Cassette Tape #1 device address (normally X'45'); equate to 0 to exclude.
CAS2 CAS3 CAS4	} Same as above; used if more than one Cassette tape is on the system.
DSKCTL	Equate to Disc Controller device address (normally X'B6'); equate to 0 to exclude.
SELCHM	Equate to the device address of the Selector Channel attached to the mag tape controller; Equate to 0 if no mag tape on the system.
SELCH	Equate to the device address of the Selector Channel attached to the disc controller; Equate to 0 if no disc on the system.
DSC1	Equate to disc file #1 device address (normally X'C6'); equate to 0 to exclude.
DSC2 DSC3 DSC4 DSC5 DSC6 DSC7 DSC8	} Same as above; used if more than one disc file is on the system.
TTY2	Equate to TTY device address if more than one TTY is on the system. Equate to 0 to exclude.
SPENT1 SPENT2 SPENT3 SPENT4	} Equate to device address of special device; used for adding special drivers to system; equate to 0 if no special drivers are to be added.



**COPY**           Equate to 1 to include the COPY utility in DOS; equate to 0 to exclude.

**NUMLGU**       Equate to maximum number of logical units allowed in system (must be from 1 to 16).

**PHSRCL**       Equate to the desired physical record in size for DOS logical disc I/O operations (must be 256, 512, 768, or 1,024). For systems with sequential processing applications a large physical record size is desirable. For random processing a small physical record size is more time efficient.

**NUMCYL**       Equate to the number of cylinders available on a disc file (must be 202 or 407 cylinders).

**NUMSEC**       Equate to the number of sectors per cylinder on disc (must be 0 for 48 sectors/cylinder, or 1 for 96 sectors/cylinder).

**NOMDV**       Equate to 1 if the Processor does not contain the multiply/divide instructions to include trap routines for MH(R), DH(R), and MHU(R). Equate to 0 to exclude.

Note: DOS, itself, uses multiply and list instructions such that users of a basic Model 7/16 must select at least the following:

```
NOMDV    EQU    1
MOD74T   EQU    0
MOD74     EQU    1
```

or if the user wishes to include trap routines for Model 70 floating point, list and multiply/divide instructions:

```
NOMDV    EQU    1
MOD74T   EQU    1
MOD74     EQU    1
```

The NOMDV parameter traps the following instructions:

<u>Instruction</u>	<u>Op-Code</u>
MH	X'4C'
MHR	0C
DH	4D
DHR	0D
MHU	DC
MHUR	9C

The Multiply/Divide traps require approximately 374 bytes.

**MOD50**       Equate to X'400' if the Processor in an INTERDATA Model 50, otherwise equate to 0.

**MOD74**       Equate to 1 if the Processor is an INTERDATA Model 74, otherwise equate to 0.

**MOD74T**       Equate to 1 if the Processor is a Model 74 and the user wishes to include trap routines for Model 70 floating point and list instructions; Equate to 0 to exclude.

The user may have a Model 74 and not wish to include the trap routines.

```
i. e., MOD74    EQU    1
      MOD74T   EQU    0
```

The Model 74 trap routines allow the following Model 70 instructions to be executed by user programs. See the Model 70 Users Manual for details on the instructions.

**MINSYS**       Equate to 1 if area of DOS from LOKUP to SUPTOP is to be overlaid, otherwise equate to 0.

<u>INSTRUCTIONS</u>	<u>OP-CODE</u>	<u>M74 AVERAGE EXECUTION TIME (usec.)</u>
LER	X' 28'	163
CER	29	186
AFR	2A	134
SER	2B	240
MER	2C	357
DER	2D	617
STE	60	165
LE	68	186
CE	69	188
AE	6A	257
SE	6B	263
ME	6C	380
DE	6D	640
ATL	64	210
ABL	65	211
RTL	66	212
RBL	67	211

The Model 74 trap routines require approximately 1150 bytes.

### 5.1.3 Conditional Assembly using Tape or Cards to input SYSGEN Statements

1. Prepare the SYSGEN tape or deck. This tape or deck must begin with an OPTION statement and end with a PAUSE statement. The SQCHK option should not be specified.
2. Load DOS or BOSS with the RELOCATING or GENERAL Loader.
3. Load the OS ASSEMBLER. Make the desired device assignments. LU1 should be assigned to the device used to input the SYSGEN tape or deck.
4. Start the ASSEMBLER.
5. When the SYSGEN tape or deck has been processed, a PAUSE message is printed. The user should now mount the DOS source tape, reassign LU1 if necessary, and type CONTINUE.

### 5.1.4 Assembly Procedures to Add New Drivers

1. Follow procedures in Section 5.1.2, Steps 1-7, entering the SYSGEN statements as described in Table 5-1, including the additional optional device number SPENT1 (and SPENT2 if two drivers are being added.)
2. At the end of the last DOS source tape, there is an additional pause prior to the END statement on the source tape. At this pause, the user should place his driver source module(s) into the Assembler source input device and type CONTINUE to resume the assembly process.

The following rules for user driver source must be observed:

- The entry point for driver module 1 must be or be equated to ENTRY1.
- The entry point for driver module 2 must be or be equated to ENTRY2.
- The user's source must end with the source statements

```
SUPTOP EQU      *
                END  SYSGO
```

On second and third passes, SYSGEN EQU information need not be reentered but the user's source and END statement must be re-read in second and third passes.

### 5.1.5 Sample DOS System Generation

#### Configuration:

Model 70

One Disc Controller with 1 Disc File

Card Reader

Teletype/CRT Video Display on current loop interface

Line Printer

Paper Tape Reader/Punch

Two Magnetic Tape Drives

Additional CRT Video Display on a PASLA

#### SYSGEN Control Statements

```
                OPT PASS2

SYSTTY  EQU 2    }
SYSCRT  EQU 0    }      Console Teletype (or CRT Video Display on TTY current loop
                          }      interface) is device 2.

HSPTR   EQU X'13'      Paper Tape Reader/Punch is device X'13'.

DSKCTL  EQU X'B6'     Disc Controller is device X'B6'.

NUMLGU  EQU 8         Eight logical units selected.

CARD    EQU 4         Card Reader is device 4.

PRINT   EQU X'62'     Line Printer is device X'62'.

PRINT2  EQU 0         No second printer.

MAG1    EQU X'85'     Magnetic Tape #1 is device X'85'.

MAG2    EQU X'95'     Magnetic Tape #2 is device X'95'.

MAG3    EQU 0         Only two Magnetic Tapes.

MAG4    EQU 0

CAS1    EQU 0         No Cassettes.

CAS2    EQU 0

CAS3    EQU 0

CAS4    EQU 0

TTY2    EQU 0         No second Teletype.

MINSYS  EQU 0         Does not allow loading of programs below SUPTOP.
```

**SYSGEN Control Statements (continued)**

SPENT1	EQU 0	No user drivers.
SPENT2	EQU 0	
SPENT3	EQU 0	
SPENT4	EQU 0	
PHSRCL	EQU 256	Disc physical record length is 256.
NUMCYL	EQU 202	Number of cylinders per disc is 202.
NUMSEC	EQU 0	Number of sectors per cylinder is 48.
CRT1	EQU X'10'	} CRT Video Display on PASLA device address X'10'.
CRT2	EQU 0	
CRT3	EQU 0	
CRT4	EQU 0	
NOMDV	EQU 0	Processor not a basic Model 7/16.
MOD74	EQU 0	Processor not a Model 74.
MOD74T	EQU 0	
MOD 50	EQU 0	Processor not a Model 50.
SELCH	EQU X'F0'	
SELCHM	EQU X'F0'	
COPY	EQU 1	
DSC1	EQU X'C6'	One disc file.
DSC2	EQU 0	
DSC3	EQU 0	
DSC4	EQU 0	
DSC5	EQU 0	
DSC6	EQU 0	
DSC7	EQU 0	
DSC8	EQU 0	

The following facts should be noted when performing SYSGEN assemblies.

1. The DOS object tape provided to the user is SYSGENed for operation on Models 70, 7/16, 74, or 80. Model 50 users must use BOSS when doing SYSGEN assembly to create a DOS for Model 50 use.
2. When four Cassette devices are specified, CAS1 and CAS2 must be on the same controller, and CAS3 and CAS4 must be on the same controller.

### 5.1.6 Adding User Written Drivers

Drivers for non-standard devices may be readily included in a DOS system providing these drivers are written to conform with the procedures used in the writing of standard drivers. Standard drivers are designed in such a way as to minimize the period of time during which the external interrupt line must be disabled. DOS drivers consist of at least two, and sometimes three, distinct parts. The first part, required in all drivers, is the initialize routine. In operation, this part of the driver becomes a subroutine of the Executive, which runs with external interrupts enabled. The initialize routine interprets the function code, checks buffer limits, and in general, performs any preliminary function that can be done with interrupts enabled. The second part of the driver is the interrupt service routine. This is an independent routine, although it is assembled along with other parts of the driver. The third part which, depending on the type of device and the needs of the user, may not be required, is the termination routine. Like the initialize routine, this becomes a subroutine of the executive. It performs such functions as error identification, movement of data, code conversion, and interpretation of final device status.

The user written driver routines can be added to the system, provided they use the same linkage conventions as INTERDATA supplied drivers. The DOS listing supplies several examples of driver programming. The user should refer to the DOS drivers for examples of driver linkage logic. All driver programs must be entered through the Supervisor. The general flow is as follows (see Figure 5-1): (Refer to Figure 5-2 for detailed I/O logic flow.)

1. The user program issues a Supervisor call for I/O.
2. The Supervisor saves the user registers, establishes the logical to physical relationship, loads the driver registers with pertinent information from the Device Control Block (DCB) and branches to the driver. External Interrupts are enabled upon initial entry to the driver.
3. The driver does any initial processing and verification necessary, and performs a BALR DVR, INTRET which returns to the user program.
4. The driver now regains control (via the SINT instruction executed in subroutine SVCRET) with interrupts disabled. The user may now activate his device and perform other BALR DVR, INTRET to await device interrupts. (To exit from all resulting device interrupts, execute a BALR DVR, INTRET.)
5. When all device interrupts have been processed, the user performs the instruction ATL SPTR, LIOTRM (causing a queue termination interrupt) and exits via a BAL DVR, INTRTL as indicated in the common exit routine HSPRDN.
6. The driver soon regains control via the queue termination interrupt, with interrupts enabled. The user may now do any termination processing, and make a final exit with the instruction BR UBSY.

As an example of driver logic, we will examine the card reader driver in a step by step manner. Refer to the DOS listing to follow the logic.

A SVC read causes entry to the driver, with external interrupts enabled, at location CRDVR. After checking for illegal commands and bad device status, the driver executes a BALR DVR, INTRET which returns to the Executive. The Executive executes a SINT 0(DEV) which causes an external interrupt and a return to the driver at the instruction following BALR. With interrupts now disabled, the driver adjusts FBA, if necessary, and feeds a card. DVR is now loaded to point to a routine called SENSE which checks the device status on every card column interrupt. The driver branches to SENSE via BALR RTN, DVR. SENSE exits to the user via BPCR 8, INTRET if busy is high (a column not available for reading). When a card column is ready for reading, an interrupt occurs, and control is passed to SENSE (contents of DVR). Since busy is now low, SENSE executes BR RTN which, in turn, returns us to the RHR instruction in the card reader driver. After reading the column, code conversion is performed and the resulting byte is stored in the user buffer (routine HTAXIT). The BXLE CBA,INTRTN instruction returns to wait for another column interrupt if all requested columns have not been processed. If all columns have been read, it loads DVR to force a loop waiting for EOM status. If no EOM status is sensed, the BPCR 2,INTRET exits to wait for another interrupt. If EOM status is sensed, the driver performs an ATL SPTR, LIOTRM (subroutine HSRPDN) instruction which places the contents of SPTR in a list and causes a queue termination interrupt. A BALR DVR, INTRTL returns from the previous external interrupt (EOM), and we return almost immediately following the BALR DVR, INTRTL as a result of the queue termination interrupt. At this time, external interrupts are enabled, and we may perform any desired termination processing. In this case, there is none, so the driver completes the process with BR UBSY which frees the device for subsequent calls.

Each device driver requires a Device Control Block (DCB). The Device Control Block is used to save the driver registers, and control entry to the driver from external interrupts. When user drivers are added to the system using SYSGEN statements SPENT1 and SPENT2, a DCB is automatically created for the user. All DCB's are of the form:

DCB	DC 0,0,0,0,0,1,0, DEVISP, DEV, DEVBSY, UBSY1, 0,0,0,0,0	
DEVISP	DC 0,0,0	External interrupt PSW save area
	STM 0, RSAVE	Save user registers
	LM 0, *-42	Load driver registers
	BR DVR	Go to driver

DEVISP is pointed to by the Interrupt Service Table (location X'D0'). The following is a breakdown of driver registers and their uses.

<u>REG</u>	<u>SYMBOLIC</u>	<u>CONSTANT CONTENTS</u>	<u>MEANING</u>
0	DVR		Driver re-entry address whenever a driver is exited; DVR should be pointing to the return location.
1	INTRET	SVCRET or INTRTN	Address of the SVC return routine (first entry to driver) or the external interrupt return routine (subsequent entries).
2	AX2		Pointer to the SVC parameter block.
3	FCN		Contents of first halfword of SVC parameter block (function code and logical unit).
4	CBA		User buffer start address.
5	ONE	1	Constant of 1.
6	FBA		User buffer end address.
7	SPTR	A(DEVISP)	Pointer to the interrupt service entry of the DCB.
8	DEV	DEV	Device number.
9	AET	A(DEVBSY)	Pointer to the device busy flag in the available equipment table.
10	UBSY	A(UBSY1)	Pointer to the common driver termination routine.
11	ERRTN		Error status register.
12	ACO		General accumulator
13	AC1(RTN)		General accumulator (subroutine return address).
14	AC2		General accumulator.
15	AC3		General accumulator.

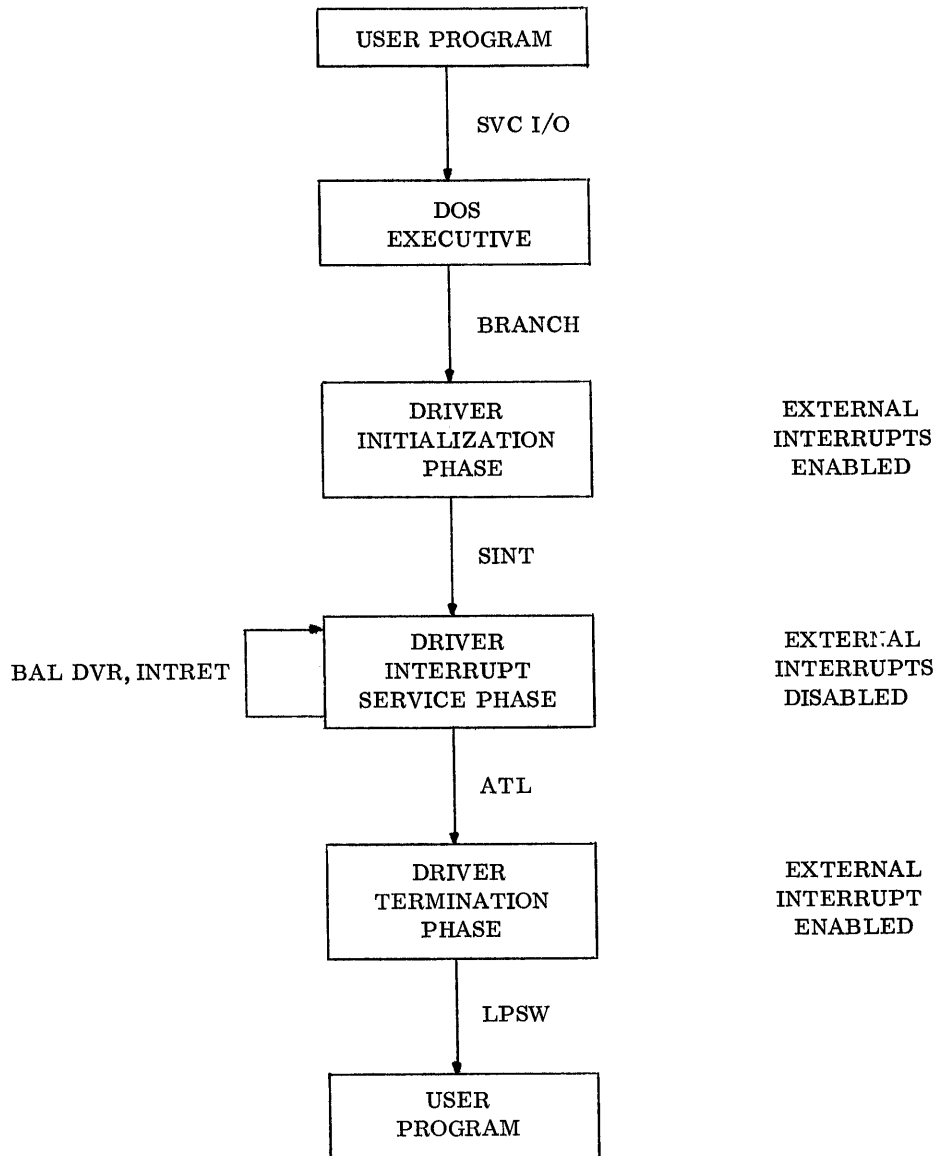


Figure 5-1. I/O Logic General Flow

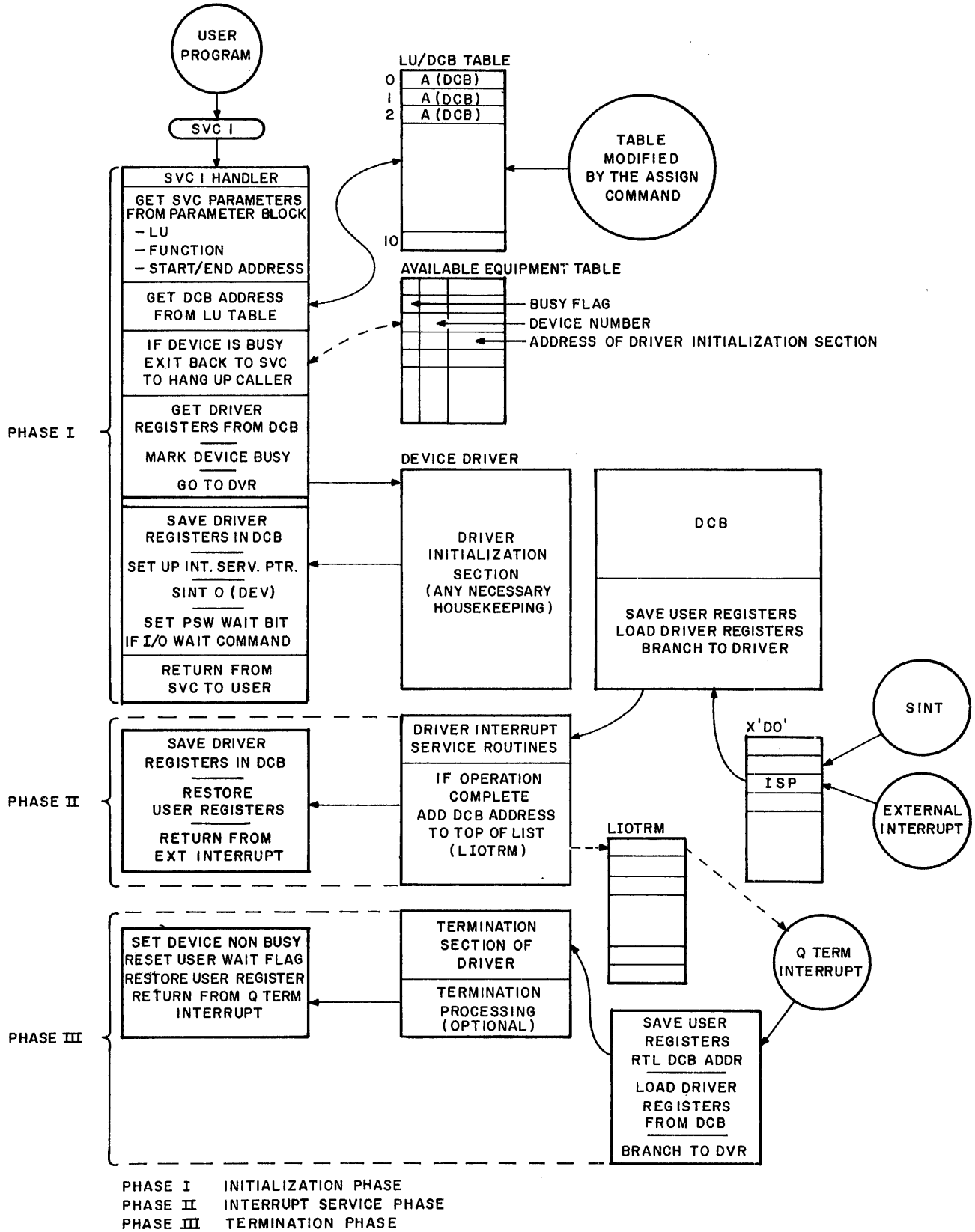


Figure 5-2. I/O Logic Detailed Flow



APPENDIX 1  
APPROXIMATE NUMBER OF BYTES REQUIRED  
FOR OPTIONAL SYSGEN MODULES

(Base Size of DOS is 4500 bytes)

MOD74T and MOD74	1170
NOMDV	374
CRT	386
HSPTR	171
DSKCTL	3100 (includes all disc oriented operator commands)
NUMLGU	32 per logical unit if DSKCTL specified
CARD	300
PRINT	120
MAG1	400
CAS1	400
PHSRCL	value specified in EQU statement
MOD74	64
MOD50	275
COPY	320

APPENDIX 2

SYSTEM SUMMARY

NOTE: The DOS Absolute Object Tape, 03-022F01M16 and DOS Assembly Listing reflect the following SYSGEN configuration parameters. This object program runs on Models 5, 70, 74, 7/16 or 80.

<u>DEVICE</u>	<u>ADDRESS/VALUE</u>
MOD 70/74/7-16/80 Processor	
System Console TTY	X'02'
Disc Controller	B6
Disc Drive	C6
Disc Drive	D6
Card Reader	04
High Speed Paper Tape Reader/Punch	13
Printer	62
Cassette	45
Cassette	55
Mag Tape	85
Mag Tape	95
Selector Channel (One)	F0
and NUMLGU	15
PHSRCL	256
NUMCYL	200
NUMSEC	0
COPY	1

The DOS Absolute Object Tape included in the DOS package may be used to perform a SYSGEN assembly for a specific configuration.

SYSTEM REQUIREMENTS:

Model 50, 70, 74, 80, or 7/16 Processor with 16KB or more.

DEVICES SUPPORTED:

M48-010	ASR Model 33/35 TTY Interface
M46-410	2,500,000 Byte Removable Cartridge Disc System
M46-416	10,000,000 Byte Removable Cartridge Disc System
M46-400	Intertape Cassette System
M46-470	9 Track, 800 c. p. i., Magnetic Tape Transport Interface
M46-475	9 Track, 1600 c. p. i., Magnetic Tape Transport Interface
M46-235	Card Reader Interface
M46-202	Line Printer Interface (60 to 200 LPM Line Printer)
M46-206	Line Printer Interface (200 to 600 LPM Line Printer)
M46-250	Combination Paper Tape Reader/Punch Interface
M46-100	Alpha-Numeric Video Display Unit (440 CRT on PASLA)
M46-102	Alpha-Numeric Video Display Unit (455 CRT on PASLA)