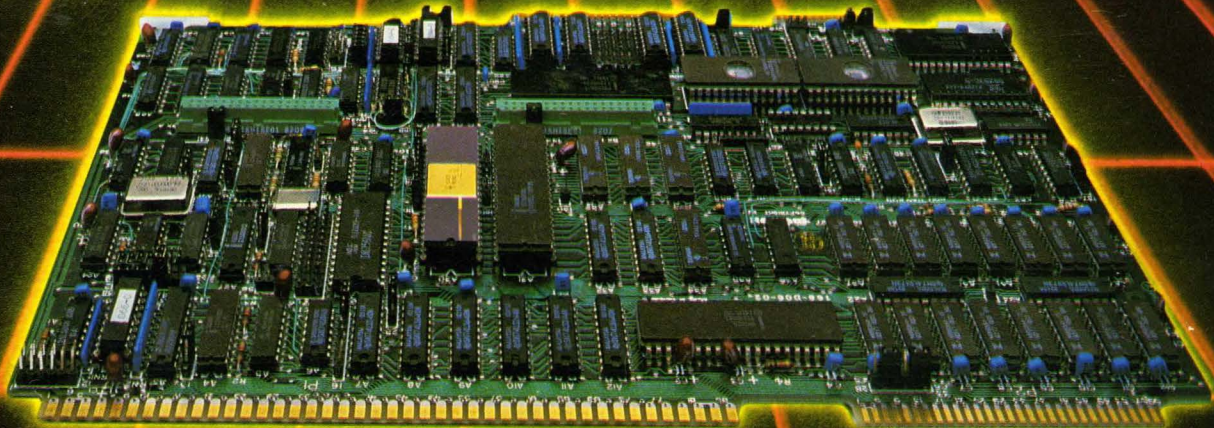


matrox





matrox
electronic systems ltd.

**OEM
BOARDS AND SYSTEMS
DATA CATALOG**

PRICE: \$25

CAT-01-01
JUNE 1983

Matrox Electronic Systems Ltd reserves the right to make changes in specifications at any time and without notice. The information furnished by Matrox Electronic Systems Ltd in this publication is believed to be accurate and reliable. However, no responsibility is assumed by Matrox Electronic Systems Ltd for its use; nor for any infringements of patents or other rights of third parties resulting from its use. No license is granted under any patents or patent rights of Matrox Electronic Systems Ltd.



TABLE OF CONTENTS

QUALITY ASSURANCE	SECTION	i
CUSTOM CAPABILITY	SECTION	ii
PRODUCT INDEX	SECTION	iii
MULTIBUS VIDEO BOARDS	SECTION	1
Q-BUS (LSI-11) VIDEO BOARDS	SECTION	2
UNIBUS (PDP-11) VIDEO BOARDS	SECTION	3
STD-BUS VIDEO BOARDS	SECTION	4
S-100 BUS VIDEO BOARDS	SECTION	5
EXORCISER BUS VIDEO BOARDS	SECTION	6
SPECIAL PURPOSE VIDEO BOARDS	SECTION	7
VIDEO CONTROLLER MODULES	SECTION	8
SINGLE CHIP LED DISPLAY CONTROLLERS	SECTION	9
CRT MONITORS AND VIDEO ACCESSORIES	SECTION	10
MULTIBUS CPU BOARDS	SECTION	11
MULTIBUS MEMORY, DISK CONTROLLER, COMMUNICATIONS, AND ACCESSORY BOARDS	SECTION	12
CARDCAGES, DISK DRIVES, AND KEYBOARDS	SECTION	13
OEM COMPUTER SYSTEMS	SECTION	14
GRAPHICS TERMINALS	SECTION	15
GRAPHICS SOFTWARE	SECTION	16
APPLICATION NOTES	APPENDIX	A
ORDERING INFORMATION	APPENDIX	B

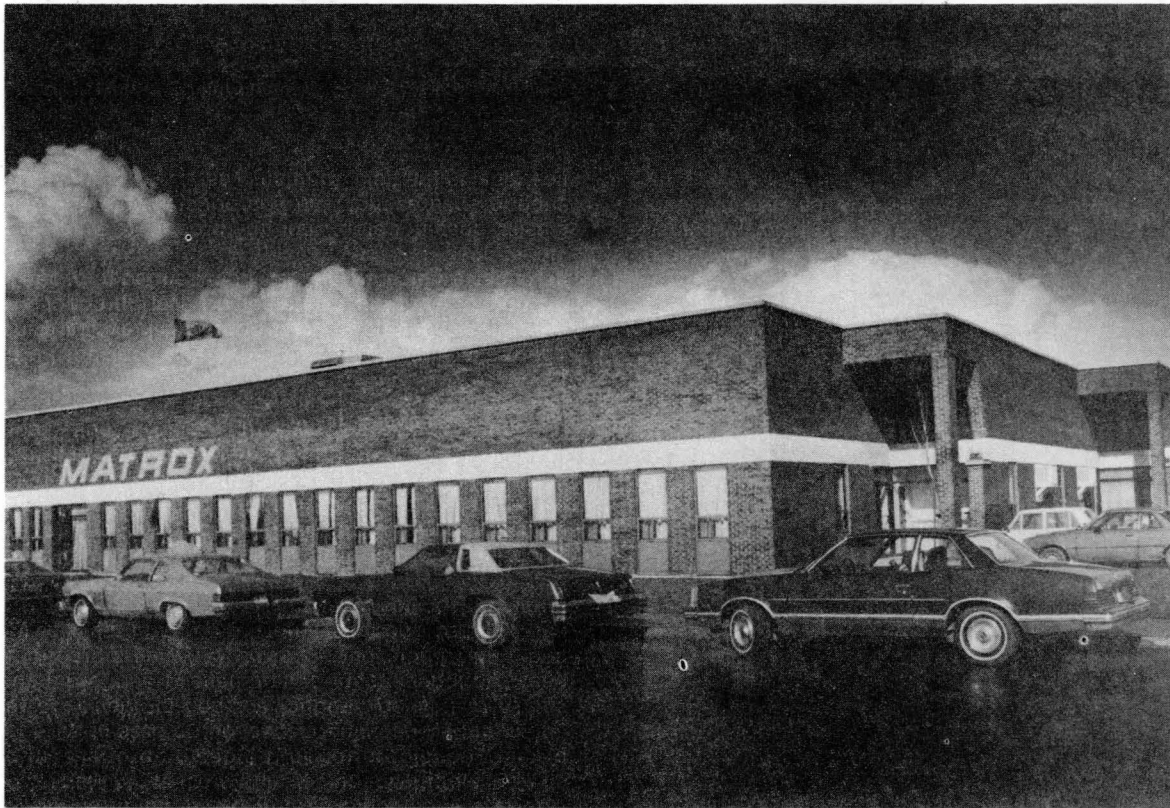


Figure 1. Matrox 27,000 square foot production facility in Montreal, Canada.

INTRODUCTION

Matrox is a world leader in the design and manufacture of computer graphics boards and systems. The company is one of the pioneers in raster scan graphics, having been manufacturing video and computer systems for OEM's for over seven years.

PRODUCTS

The original Matrox product offering consisted of a series of Video RAM modules providing simple inexpensive displays for OEM applications. These video modules were so successful, that they still remain as viable products today.

With the introduction of standardized bus architectures in the late 70's, the Matrox product line grew to include several "board" level offerings. Matrox video boards are available for a number of industrial buses including Multibus, Q-Bus, Uni-Bus, STD-Bus, S-100 bus and Exorcisor bus.

As the company's expertise in graphics developed, marketing opportunities for complete graphics systems led Matrox to expand the Multibus product line to include CPU boards, memory boards, communication controllers, disk controllers, and Multibus cardcages.

Matrox currently markets a complete line of boards, cardcages, color monitors, keyboards and complete turnkey color graphics terminals and systems.

Future growth for the company will come from new products. Matrox will continue to set the pace in the development of high resolution high performance video boards and systems, and will expand its software and service offerings to support the future needs of a growing base of customers.

FACILITIES

Matrox was founded in 1976. The company currently employs about 200 people in two Montreal based plants and a New York based distribution centre. A 22,000 square foot facility houses sales, R & D and administration. A second 27,000 square foot plant houses production, and production engineering.

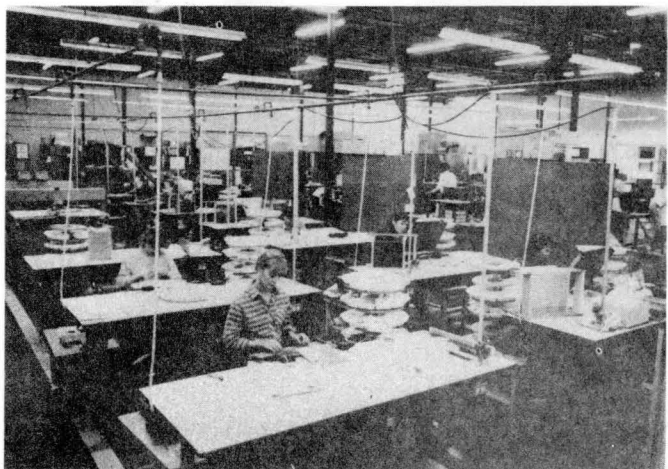
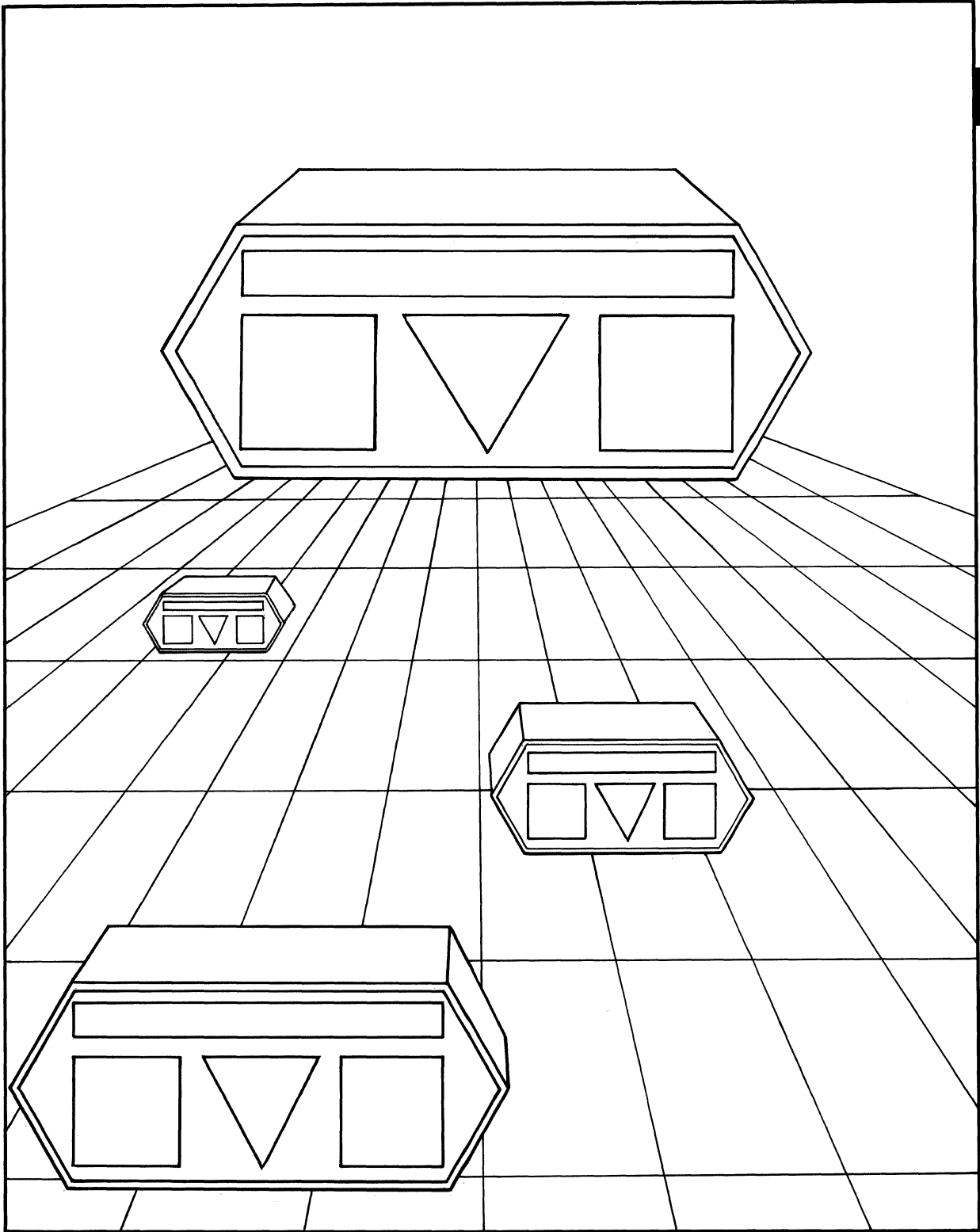


Figure 2. Board assembly area.



QUALITY ASSURANCE



Figure 3. Matrox 22,000 square foot administration and engineering facility in Montreal, Canada.

DISTRIBUTION

Matrox products are sold world wide through a network of representatives and distributors. Over 95% of the company's production is shipped to export markets including the United States, Europe, Australia and Japan.

Matrox is dedicated to serving the world marketplace, and will continue to emphasize solid relationships with the company's distributors in order to provide strong local support for its clients.

APPLICATIONS

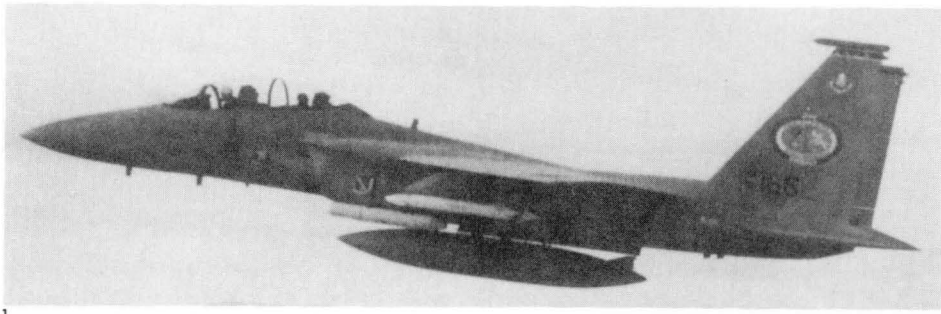
Matrox products have provided a cost effective solution for a wide and varied number of applications. Some of the larger industries served by the company include:

- Process control
- CAD/CAM
- Medical Electronics
- Robotics
- Computer Aided Instruction
- Financial Displays
- Engineering Work Stations
- Geophysical/Seismic Displays
- Military Electronics
- Presentation Graphics
- Business Graphics
- Public Information Displays

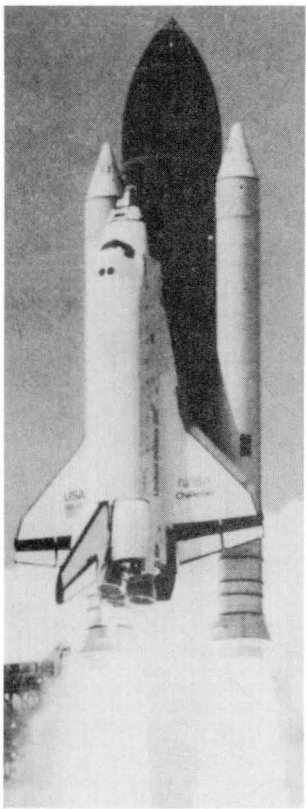


Figure 4. Matrox MTX-1632 Video RAM is used in the console of this industrial robotics system.
(photo courtesy of Graco Robotics Inc.)

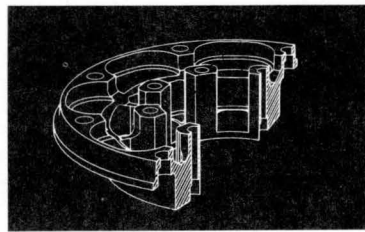
Matrox typically manufactures board or system level products for OEM customers. OEM's incorporate additional hardware and applications software to suit their particular requirements.



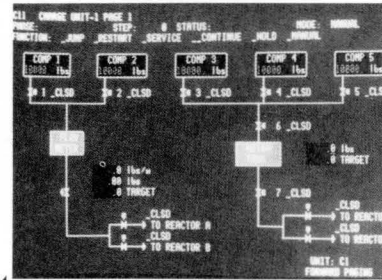
1



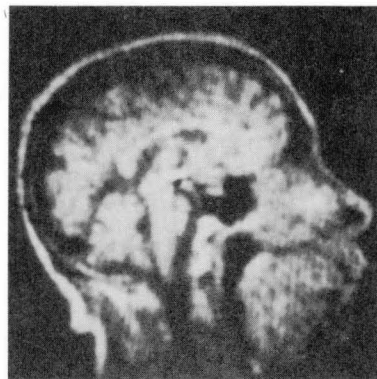
2



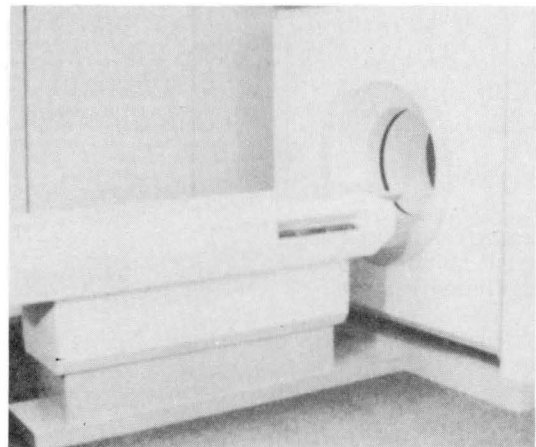
3



4



5



6



7

Matrox OEM customers use Matrox products in a wide range of applications

- 1 & 2 – Matrox products are used in a number of applications in the Aerospace Industry.
- 3 – Matrox display controllers are capable of generating very high resolution color CAD/CAM images.
- 4 – Process control displays can be generated using high resolution bit-mapped graphics or low cost character graphics with Matrox display controllers.
- 5 & 6 – Matrox is a major supplier of graphic display controllers to the OEM Medical Electronics Industry.
- 7 – Process control workstations use several computer controlled graphic displays.



QUALITY ASSURANCE

Quality assurance means conforming to specifications.

QUALITY IN DESIGN

Performance, reliability, and quality are all important considerations in the design process. Quality must be woven into the design fabric, not added to the finished design. A good designer considers the customer, the service technician, and the manufacturing staff when developing a new product.

At Matrox, we are strongly committed to excellence in design. Our component library lists all Q.A. approved parts and approved sources for those parts. Much emphasis is placed on second source components. All new engineering designs are tested, at the prototype level, with complete sets of integrated circuits from several manufacturers. Engineering prototypes are submitted to an extensive series of tests which include: functional, temperature, and humidity testing, as well as a full 200 hour dynamic burn-in at 60°C.

QUALITY IN PROCUREMENT

To ensure the reliability of our products, we must demand quality from our suppliers. Matrox works closely with reputable vendors to set up long term stable sources of supply. In the case of critical items, such as multilayer circuit boards, each approved vendor is visited at least once a year to ensure that their quality control measures are up to our standards.

INCOMING INSPECTION

Occasionally, vendors do slip up. It is the role of the Matrox Incoming Inspection Group to ensure that all supplies entering the manufacturing area do conform to specifications. All items are subjected to thorough electrical and mechanical analysis. Bare circuit boards are 100% checked for warpage, twists, size, registration, revision level, silkscreen, and proper plating before being allowed into the raw materials inventory. All dig-

ital integrated circuits are 100% inspected on a go/no-go GENRAD "hot-rail" IC tester which performs a complete electrical test at an elevated temperature.

Any rejected materials are clearly tagged, logged, and turned over to a Management Review Board (MRB) for disposition. If one vendor consistently has rejects, the situation is flagged, and corrective action can be taken.

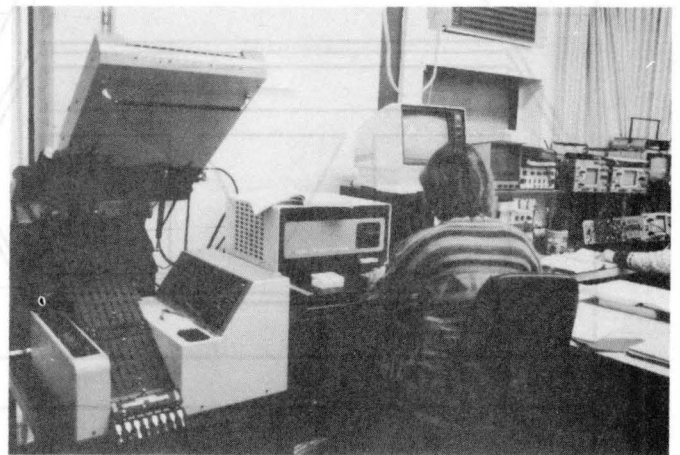


Figure 1. All digital ICs are tested at an elevated temperature on a "hot-rail tester" before entering raw materials inventory.

QUALITY AS AN ATTITUDE

Quality in a manufacturing environment requires more than a series of inspection stations. Quality starts with people, and their attitude towards their work.

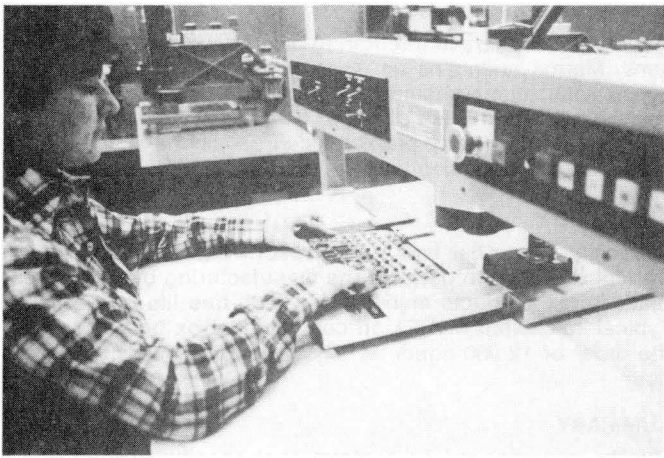


Figure 2. Semi-automatic insertion equipment simplifies assembly and reduces assembly errors.

Taking a lesson from the Japanese, the company has set up a Quality Circles program, whereby every worker has an opportunity to introduce improvements that pertain to his particular job in the manufacturing process.

Quality circles get people involved in their work, and allow them to see tangible results from their efforts. Quality products and pride in workmanship are closely correlated. Attitudes are an important factor in ensuring that products conform to specifications.

QUALITY IN ASSEMBLY

Matrox has an enviable production record from the standpoint of quality control. A meticulous set of checks and balances between assembly and inspection has resulted in almost zero reworks, and a defective goods return rate of less than 1%.

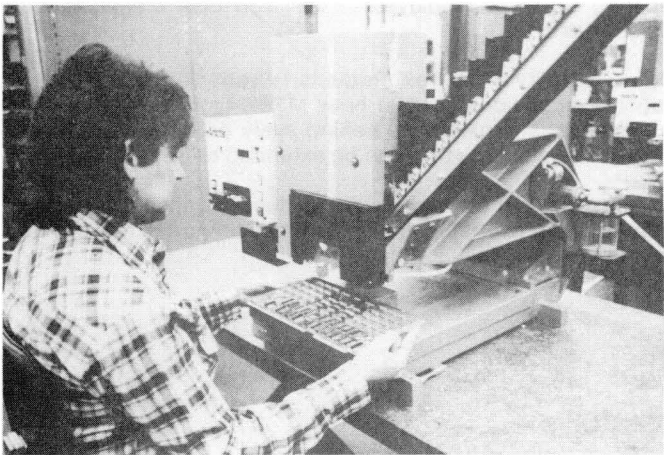


Figure 3; DIP inserter automatically inserts, bends, and clips IC leads to the proper length.

Our excellent quality record is due in part to a substantial investment in automatic assembly equipment including: DIP insertors, component insertors, lead forming equipment, pin insertors and a wave soldering machine. The automatic equipment is ideal for manufacturing large quantities of product.

Soldering is a very important stage in the manufacturing process. Matrox technicians thoroughly inspect the wave solder machine daily and measure solder contaminant levels on a monthly basis. Wave soldering consistently turns out excellent soldering results because every board is preheated to the cor-

rect temperature, and passed through a flux bath just prior to entering the wave. After soldering, all boards are cleaned in a freon bath and carefully inspected for flaws.

All of the production personnel involved with soldering are required to attend and pass a comprehensive course on soldering techniques. Also, each assembler is provided with a "workmanship standards" manual which identifies, using large color pictures, what is and is not acceptable for a solder joint. The workmanship manual is based on the Martin Marietta standards for the aerospace industry.

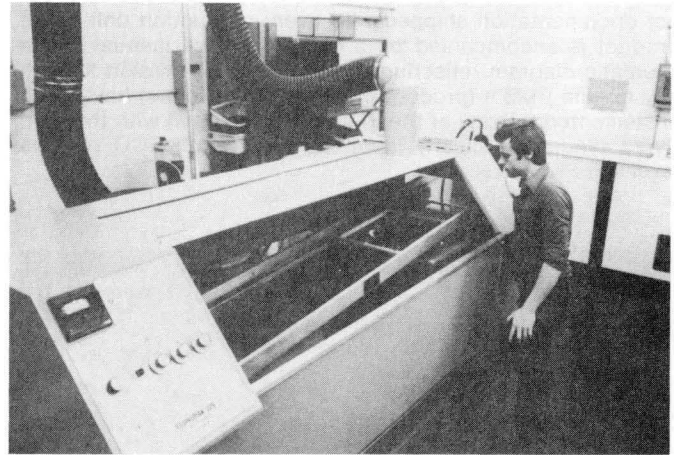


Figure 4: All Matrox boards pass through a wave solder machine which turns out consistent excellent results.

INSPECTION

After each step in the assembly procedure, all products are fully inspected by an inspector who must stamp the board and the routing sheet with his unique marker. Boards are 100% inspected after insertion, after wave soldering, after touch-up, after test and after system test. Boards are assigned a serial number immediately after wave soldering, thus allowing complete inspection and test records to be maintained throughout the manufacturing process.

QUALITY IN TEST

Every Matrox product undergoes two extensive functional tests and a 48 to 72 hour dynamic burn-in at 60°C. Every board is functionally tested against a comprehensive set of minimal performance specifications, which include normal, low voltage, and high voltage checks.

Initial testing is performed on a Zentehl "bed of nails" tester which provides a diagnostic printout for every board. The Zentehl tester identifies 95% of all faults on all cards. After the initial test, any faults are repaired, the board is retested, and is then sent to burn-in.

After burn-in, a comprehensive systems test is performed to identify any infant mortality problems. If a fault is found, the card is again burned-in and recycled through the systems test.

DOCUMENTATION AND TRACEABILITY

Despite an extremely rigorous test and inspection program, some number of products do reach the customer with a problem. It is extremely important that problems discovered both in the field and in the plant be properly identified, so that remedial action can be taken. To ensure traceability of problems, Matrox keeps comprehensive records on each individual product shipped (referenced by serial number). These records provide a log of all of the assemblers, inspectors, and test technicians who worked on the product, as well as a listing of

any faults found in the production of that product. A summary of field repairs is analyzed every month, so that any trends can be identified. If a large number of faults appear to be associated with a particular assembler or a particular test jig, corrective action is taken.

Similarly, for all batches of new materials coming into the plant, records are maintained for the incoming inspection test results. If a problem appears to be associated with a particular batch of components, that batch and the supplier of the parts can be identified.

Another important quality consideration is the standard product documentation shipped with every production unit. Each product is accompanied by a comprehensive manual and a schematic diagram reflecting the proper ECO revision level. If any interim PMB's (product modification bulletins) have been implemented, a copy of the PMB is also shipped with the unit. Every product is clearly identified as to both ECO revision level and PMB level.

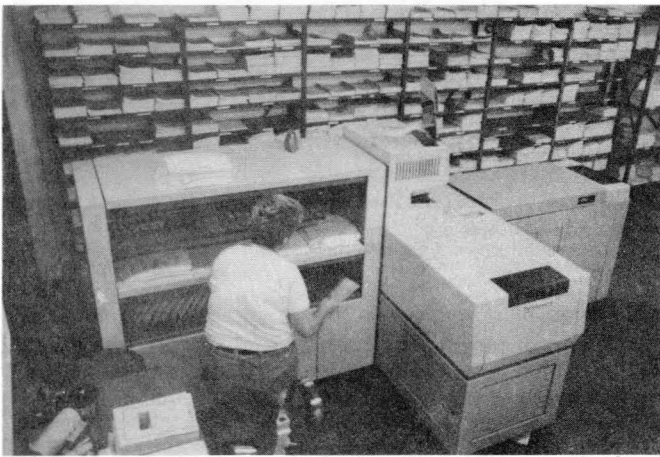


Figure 5: Matrox product documentation is complete and accurate. All documentation is controlled in-house.

WARRANTY

Matrox guarantees the functionality of every manufactured item with a six month all inclusive parts and labor warranty. This warranty can be extended to one or even two full years for volume OEM customers.

AFTER SALES SUPPORT

To assist customers in integrating our products into their systems, Matrox maintains an Applications Engineering Group. These applications engineers work with customers in setting up, testing, and trouble shooting Matrox products. Over 50% of all perceived quality problems can usually be isolated and corrected over the telephone.

RELIABILITY

Reliability is another important aspect of Quality Assurance. Careful attention to detail in the manufacturing cycle assures that Matrox products enjoy a long fault-free life in the field. Typical calculated MTBFs on complex Matrox boards are on the order of 12,000 hours. MTTRs are typically less than one hour.

SUMMARY

Quality assurance means conforming to specifications.

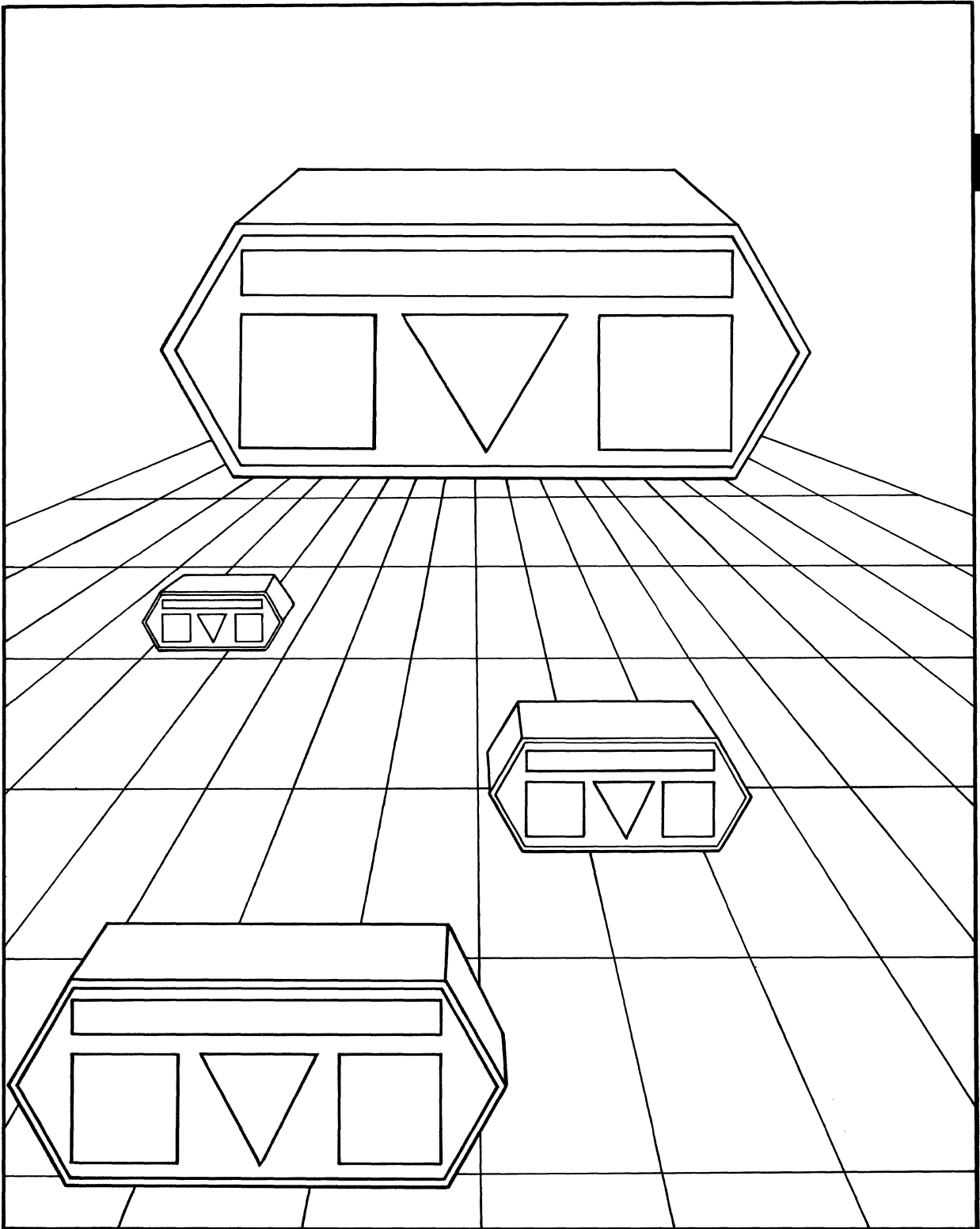
Matrox has an excellent quality record which boasts less than a 1% return rate of defective goods. This performance is achieved by people, who are dedicated to precision and perfection in what they do.

Quality can be achieved only by careful attention to detail at all stages of the manufacturing process. At Matrox, quality is a primary consideration in the design process, in parts procurement, in incoming inspection, in assembly, in inspection, and in test. Every product shipped by Matrox is required to pass two independent comprehensive sets of functional tests and a 48-72 hour burn-in at 60°C. When a product is allowed into finished goods inventory, we guarantee that it fully conforms to specifications.

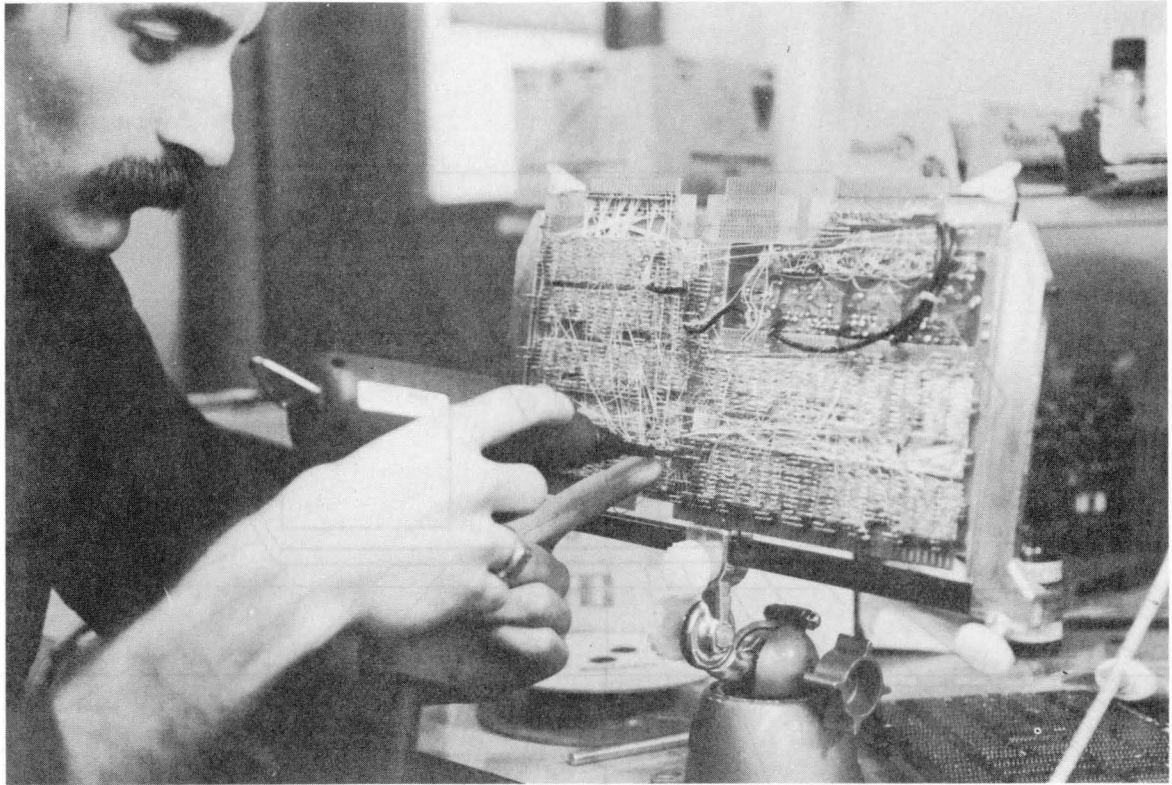
In order to correct problems on that fraction of a per cent of units that do fail in the field, Matrox maintains comprehensive records at all stages of the manufacturing process. These records provide the traceability necessary for proper feedback to the production group. Also, a well staffed Applications Engineering Group is employed to assist in fault diagnosis and field repairs.

The reliability of Matrox products is born out both by theoretical calculations (12,000 hour MTBF typical) and by field experience. Matrox stands behind every product with a comprehensive warranty that can be extended to two full years.

Quality does not stop when the product is shipped. Customer support ensures that Matrox products continue to meet specifications, in the field, for many years.



CUSTOM CAPABILITY



CUSTOM CAPABILITY

Matrox has extensive engineering expertise in both hardware and software for computer graphics systems. The company has done custom systems work for several Fortune 500 companies including McDonnell Douglas, General Electric, Philips, and Xerox. Our design ability, our experience, and our solid manufacturing capability permit Matrox to undertake complex projects with tight delivery schedules. Many of the company's

standard products were originally developed as custom designs for large customers. Where new designs are undertaken for products with a significant market beyond the immediate requirements of a single customer, Matrox will share the development costs, or forego completely any engineering charges.

An engineering staff of over 80 people are organized by function into 6 engineering groups; Hardware, Software, Systems, Production, Applications and Research & Development (R & D) Groups. Additional engineering support groups include Drafting and Technical Documentation. Matrox's strong commitment to R & D has contributed substantially to the company's role as a technological leader in the computer graphics industry.

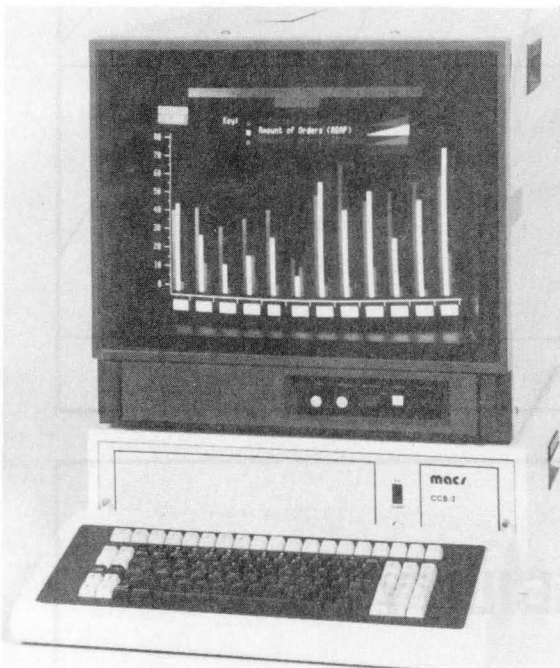


Figure 1. GF-18 graphics terminal is a custom product developed for McDonnell Douglas Corp.

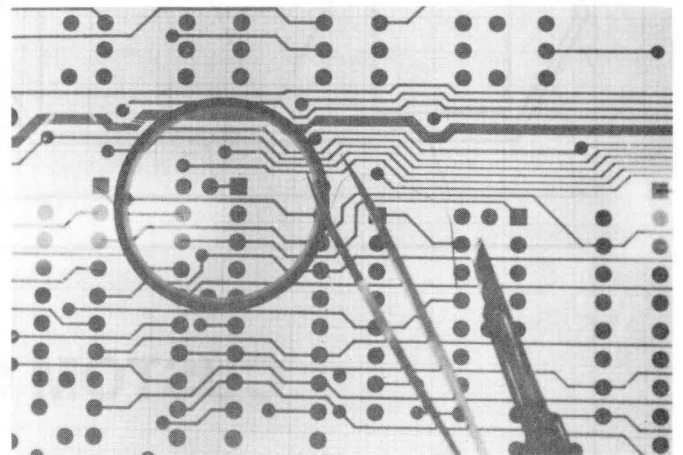


Figure 2. Matrox can generate complex multilayer board designs in 4 to 6 months.

HARDWARE DESIGN

Matrox has a hardware design staff of over 30 experienced engineers. The company can develop entirely new board designs in about 4 to 6 months for prototypes, and 9 to 12 months for volume production.

For major contracts, a design team headed by a project manager is assigned to develop and maintain a schedule for the system. The schedule, which identifies all significant milestones and critical path items, is reviewed on a weekly basis in order to keep any deviations in check.

Matrox has considerable expertise in graphics design, CPU design, communications, and distributed processing systems.

SOFTWARE DESIGN

Over ten experienced software engineers are employed in the Matrox Software Engineering Group. The company has extensive experience in assembly language programming for most popular microprocessors, as well as high level language programming in Fortran, C, and Pascal using a variety of operating systems including CP/M, CP/M-86, UNIX, RT-11, and VMS. Over 90% of all program development is done on a VAX-11/750 running under a VMS operating system.

At the heart of the company's new high resolution graphics system is a real-time multi-tasking operating system which supports multiple processors. The ROM-based MRTOS software was developed, in-house, in response to a need for real-time interactive system performance.

Much of the graphics systems work that Matrox has done has required that the software be compatible with the emerging CORE and GKS graphics standards. Matrox has also been involved in the proposed VDI (Virtual Device Interface), VDM (Virtual Device Metafile), and NAPLPS (North American Presentation Level Protocol Syntax) standards.

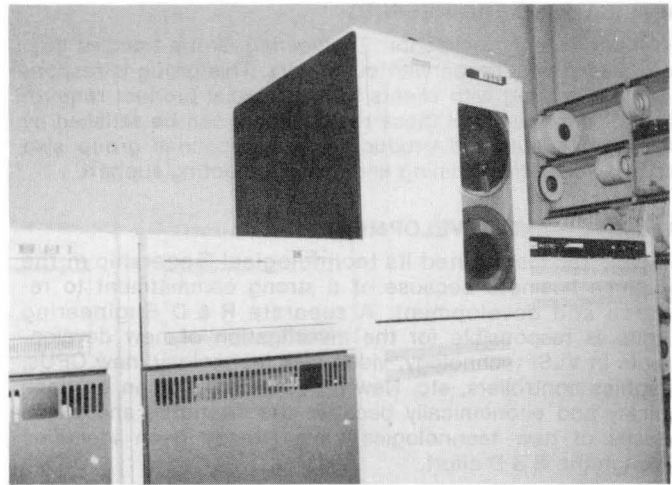


Figure 3. A VAX-11/750 is used for software development for most of the company's ROM and disk based software packages.

SYSTEMS DESIGN

A separate Systems Engineering Group is responsible for all mechanical design and systems integration work. The systems group is also responsible for securing all regulatory approvals for Matrox products, including UL, CSA, DIN, VDE, and FCC. The systems group provides the experienced project management capabilities required for complex systems products.

PRODUCTION ENGINEERING

A large well equipped Production Engineering Group is responsible for overseeing the introduction of new engineering designs to the production assembly line. The production engineering group designs all of the test fixtures and test procedures used in assembling, testing, trouble-shooting, and burning-in Matrox products.

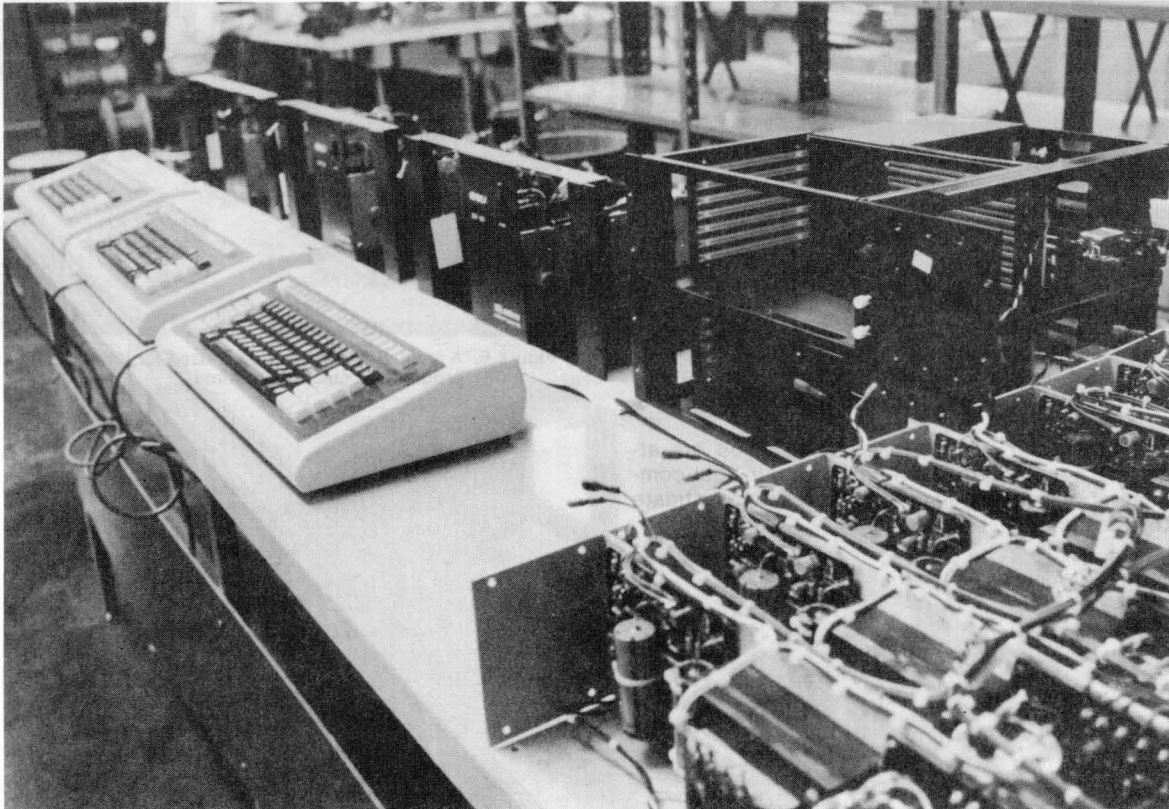


Figure 4. A large mechanical assembly area is used for custom systems work for OEM customers.

APPLICATIONS ENGINEERING

An independent Application Engineering Group handles day-to-day technical liason with customers. This group is responsible for working with clients having special product requirements, to determine if these requirements can be satisfied by modifying a standard product. The applications group also provides customer training and trouble-shooting support.

RESEARCH AND DEVELOPMENT

Matrox has maintained its technological leadership in the graphics business because of a strong commitment to research and development. A separate R & D Engineering Group is responsible for the investigation of new developments in VLSI technology, video disk technology, new CPUs, graphics controllers, etc. New product designs can be done quickly and economically because the strengths and weaknesses of new technologies have already been identified through the R & D effort.



Figure 5. A video disk research project has produced a commercially viable 1.2 gigabyte archival storage system for picture, text, and audio data.

MAKE VS. BUY

Many successful companies who have manufacturing capability are eager to build new products "in-house" if they cannot find an existing product that exactly meets their requirements.

The "in-house" approach is not always best. If you are attempting to source a product that is not generally in your company's main line of business, it is probably best to investigate outside custom designs.

Matrox's graphics experience and capability have been built up over a long period of time, and the costs associated with acquiring this expertise have been substantial. Typically the overhead costs associated with in-house designs far outweigh the benefits of lower direct costs, unless significant quantities of the product can be guaranteed.

SUMMARY

Matrox has extensive experience in custom board and system design. Many Fortune 500 companies have come to Matrox for custom products because of the company's engineering know-how, experience, and manufacturing capability to design, integrate, and produce top quality products in a short amount of time.

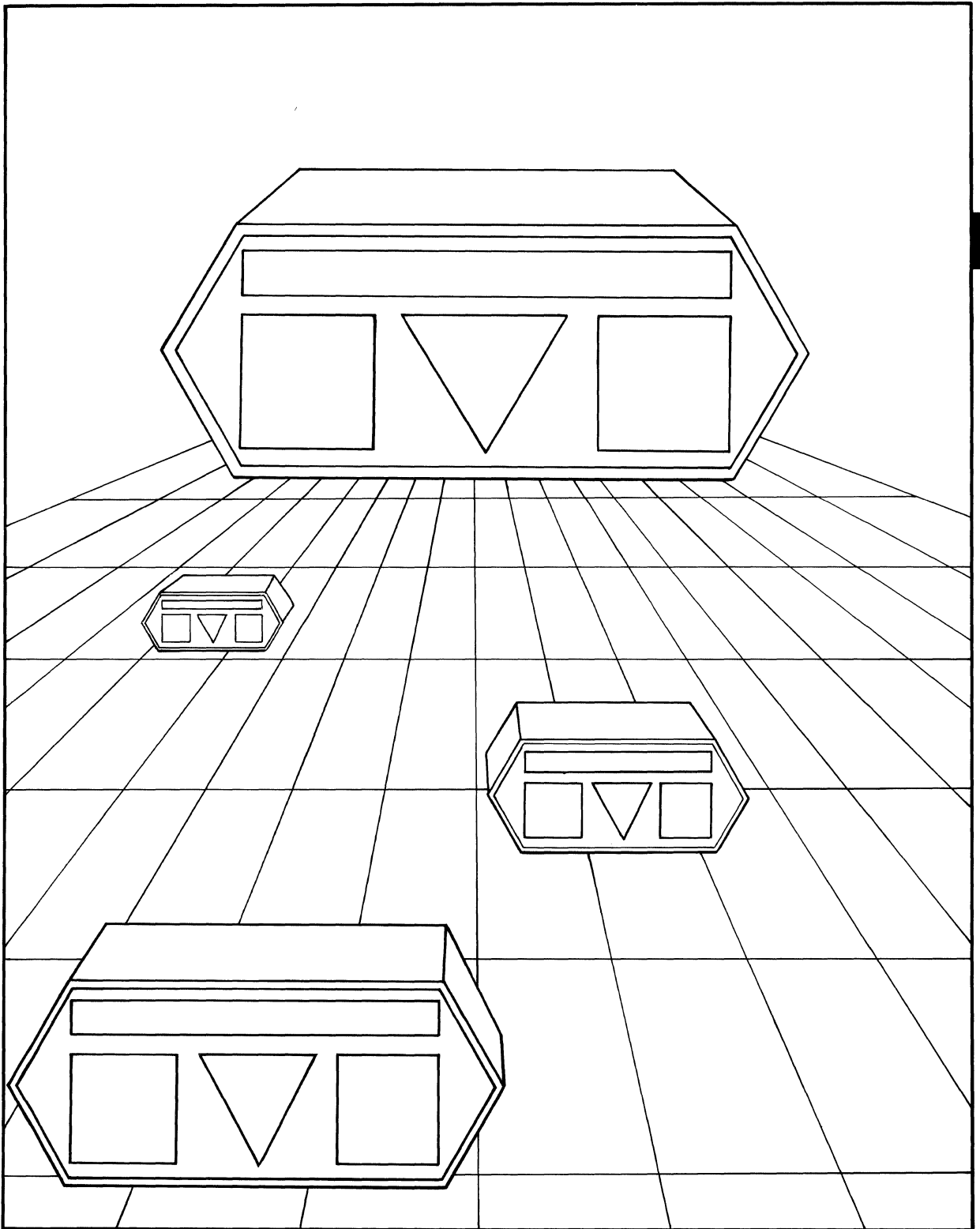
Most of the major products introduced by Matrox have originated as custom designs for our customers. This type of approach to product development has several benefits for both parties; the vendor is guaranteed at least one major customer for the product, and the customer is guaranteed a stable source of supply and minimal engineering costs.

Separate engineering groups are employed in hardware design, software design, systems work, production, applications, and R & D. Because of our strong engineering capability and our consistent product excellence, Matrox is regarded as a technological leader in the computer graphics field.

Matrox has the capability, the experience, and the resources to undertake custom graphics and microprocessor products. Talk to us about your special requirements before you commit to a Make/Buy decision.



Figure 6. A manual assembly area is used for low-volume standard products or custom products.



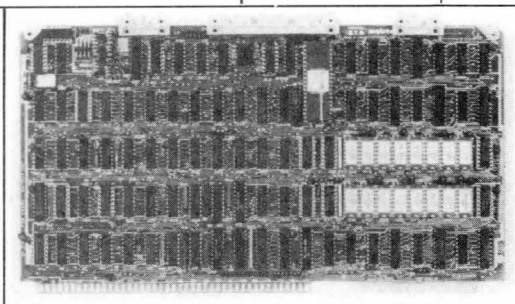
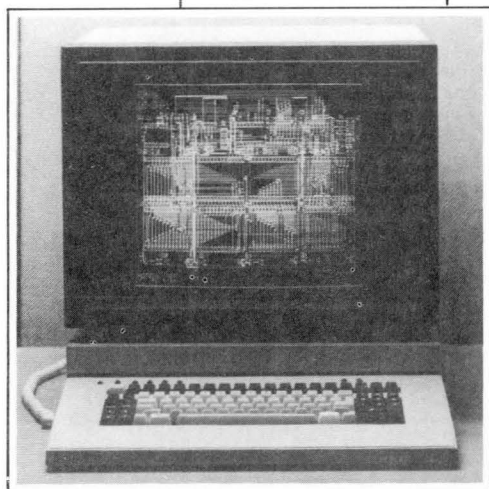
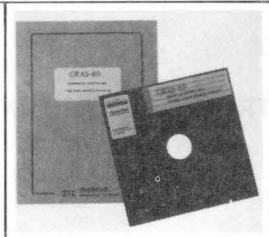
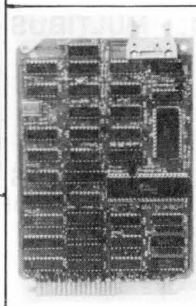
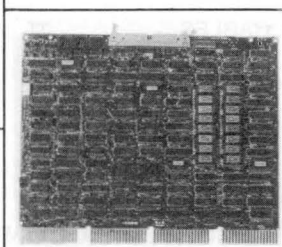
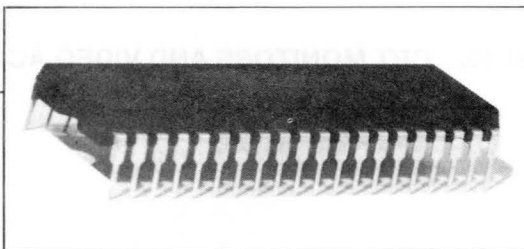
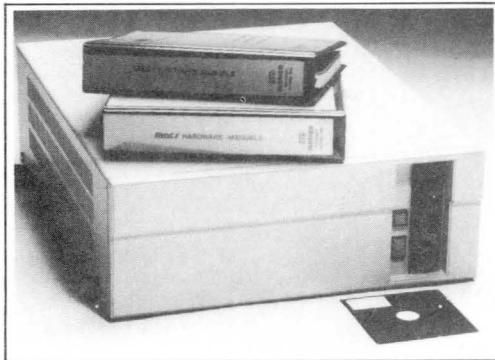
PRODUCT INDEX

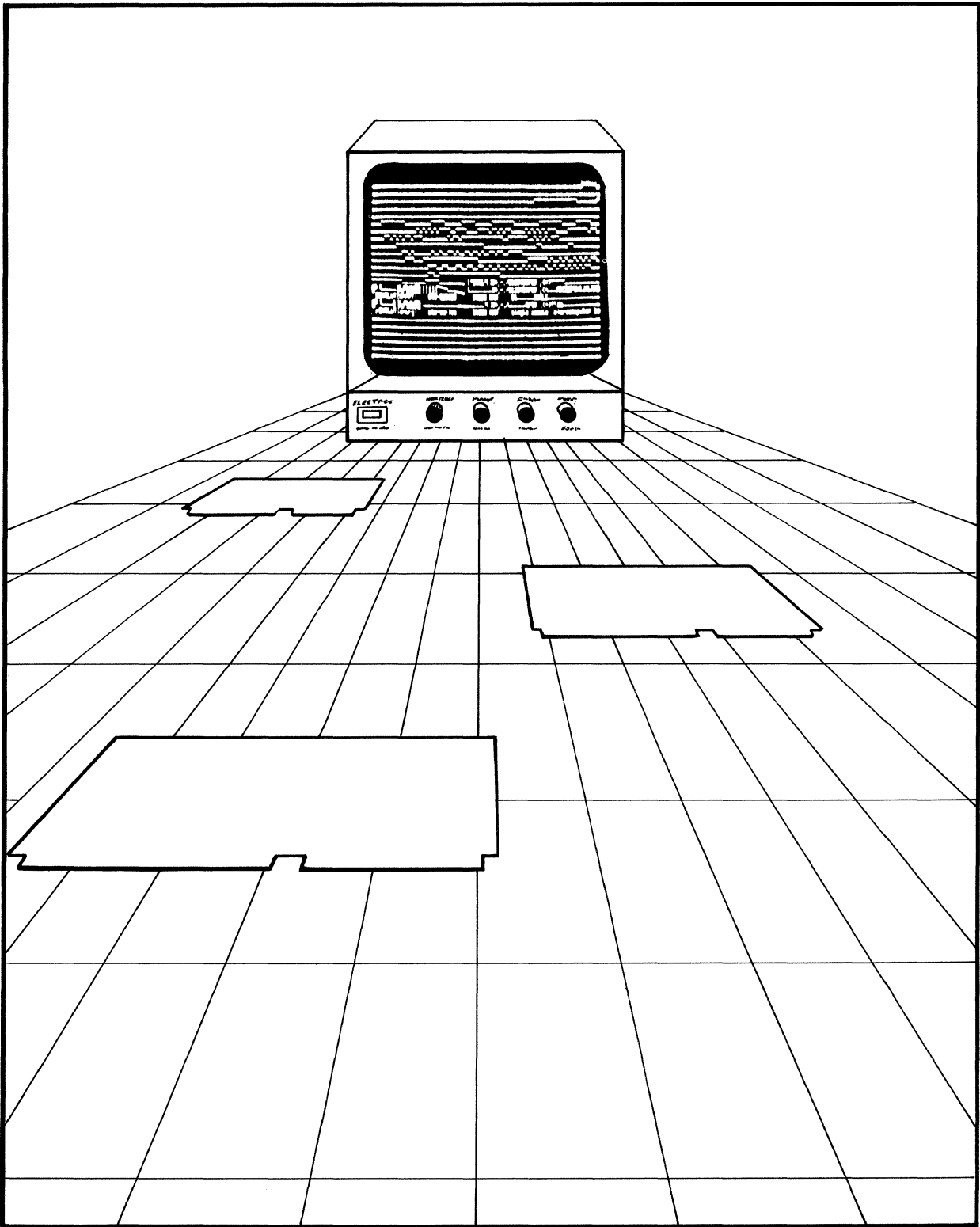
PRODUCT INDEX

SECTION 1.	MULTIBUS VIDEO BOARDS	1-1
	GXB-1000	1-3
	RGB-GRAPH	1-15
	VAF-512	1-23
	RGB-ALPHA	1-31
	BW-ALPHA	1-35
	MSBC-QV3	1-39
	MSBC-QV2	1-47
	MSBC-2480	1-51
	MSBC-512	1-55
	NSBC-512	1-59
	RGB-256	1-63
	FG-01	1-67
SECTION 2.	Q-BUS (LSI-11) VIDEO BOARDS	2-1
	QRGB-GRAPH	2-3
	QVAF-512	2-11
	QRGB-ALPHA	2-19
	QBW-ALPHA	2-23
	MLSI-2480	2-27
	MLSI-512	2-31
	QRGB-256	2-35
	QFG-01	2-39
SECTION 3.	UNI-BUS (PDP-11) VIDEO BOARDS	3-1
	MDC-2480	3-3
	MDC-512	3-7
SECTION 4.	STD-BUS VIDEO BOARDS	4-1
	STD-ALPHA	4-3
	STD-2480	4-11
	STD-256	4-15
	STD-800	4-19
SECTION 5.	S-100 BUS VIDEO BOARDS	5-1
	ALTR-2480	5-3
	ALT-512	5-7
SECTION 6.	EXORCISER BUS VIDEO BOARDS	6-1
	EXO-2480	6-3
	EXO-512	6-7
SECTION 7.	SPECIAL PURPOSE VIDEO BOARDS	7-1
	GT-600A	7-3
	CTM-300/BRD	7-7
	MSBX-800	7-11
SECTION 8.	VIDEO CONTROLLER MODULES	8-1
	MTX-816	8-3
	MTX-1632	8-7
	MTX-1632SL	8-11
	PV-1	8-15
	MTX-2064	8-19
	MMD-2480	8-23
	MMD-256	8-27

PRODUCT INDEX Cont'd.

SECTION 9. SINGLE CHIP LED DISPLAY CONTROLLERS	9-1
MTX-A1	9-3
MTX-B1	9-7
SECTION 10. CRT MONITORS AND VIDEO ACCESSORIES	10-1
MCM-2000L	10-3
MCM-1000L	10-5
MCM-1014L	10-7
MCM-19L	10-9
MCM-14L	10-11
MEC-12A	10-13
MCRT-9/14	10-15
LP-600	10-17
PLL-01	10-19
CABLES	10-21
SECTION 11. MULTIBUS CPU BOARDS	11-1
MBC-86/12A	11-3
PBC-80	11-11
ZBC-80	11-19
SECTION 12. MULTIBUS MEMORY, DISK CONTROLLER, COMMUNICATIONS AND ACCESSORY BOARDS	12-1
MEGA-4	12-3
FFD-1	12-7
COM-1	12-11
MSBX-423	12-23
MSBX-422	12-27
ROM-86	12-31
PTB-2	12-35
BEX-1	12-36
SECTION 13. CARDCAGES, DISK DRIVES, AND KEYBOARDS	13-1
CCB-9	13-3
CCB-4	13-7
CCB-7	13-9
KB-100	13-11
KB-300	13-13
KB-16	13-15
DF-28	13-17
SYS-CAB	13-19
SECTION 14. OEM COMPUTER SYSTEMS	14-1
MACS-86	14-3
MACS-10	14-7
SECTION 15. GRAPHICS TERMINALS	15-1
GXT-1000	15-3
CTM-300	15-15
CTM-300/R	15-19
SECTION 16. GRAPHICS SOFTWARE	16-1
GRAS-80	16-3
QUARTO	16-7
PLOT-512	16-11





MULTIBUS VIDEO BOARDS

SECTION 1 MULTIBUS VIDEO BOARDS

GXB-1000 2K x 2K Superhigh Resolution Color Graphics Board System for Multibus	1-3
RGB-GRAPH Vector Plot 512 x 512 Color Graphics Display Controller for Multibus	1-15
VAF-512 RGB-GRAPH Video Input/Output Processor for Multibus	1-23
RGB-ALPHA Programmable Color Alphanumeric Display Controller for Multibus	1-31
BW-ALPHA Programmable B/W Alphanumeric Display Controller for Multibus	1-35
MSBC-QV3 Quad Color Alphanumeric Display Controller for Multibus	1-39
MSBC-QV2 Quad Programmable B/W Alphanumeric Display Controller for Multibus	1-47
MSBC-2480 24 x 80 Alphanumeric Display Controller for Multibus	1-51
MSBC-512 512 x 512 Graphics Display Controller for Multibus	1-55
NSBC-512 Vector Plot 512 x 512 Graphics Display Controller for Multibus	1-59
RGB-256 256 x 256 Color Graphics Display Controller for Multibus	1-63
FG-01 High Speed Video A/D Converter for Multibus	1-67



matrox
electronic systems Ltd.

5800 ANDOVER AVE., T.M.R., QUE., H4T 1H4, CANADA
TEL.: 514-735-1182 TELEX: 05-825651

GXB-1000

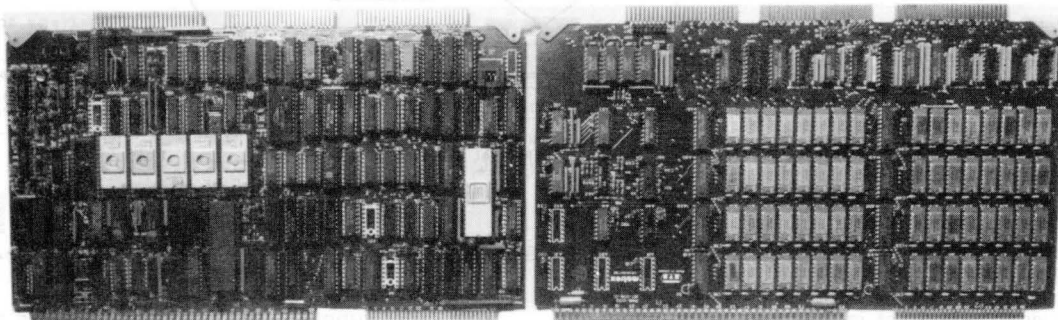
2K x 2K SUPERHIGH RESOLUTION COLOR GRAPHICS BOARD SYSTEM FOR MULTIBUS

- 2K x 2K read/write area
- 1600 x 1200 and 1024 x 768 display resolution
- 60 Hz noninterlaced/interlaced refresh
- 4, 8, 12, or 16 image planes (bits/pixel)
- Hardware vector generator (800 nsec/pixel)
- 256 color look-up table
- Four pipelined on-board processors
- On-board 16 bit CPU (8088/5MHz)
- 32K byte graphics interpreter
- 2D primitives plus segments
- Flash preset, clear, pan, blink, pixel processor, raster ops, flash load
- Modular design
- Fully Multibus compatible
- Single +5V power supply
- Bus Master or Slave modes

The GXB-1000 is a two board Multibus based graphics system. The GXB-1000 provides the highest performance raster scan color graphics for an extremely low cost. By adding a simple custom software instruction translator in a high level language (C, Pascal, Fortran), the GXB-1000 can be used to build a powerful high resolution color system capable of interpreting any graphics terminal communications protocol. This feature enables the CAD/CAM user to upgrade his existing installation with the GXB-1000 color graphics display controller without changing existing data bases or application software.

Over 6 programmer years of Matrox software effort have gone into the development of the resident graphics interpreter, which recognizes over 256 graphics commands.

The latest state-of-the-art color raster graphics hardware and software are incorporated into the GXB-1000 boards. Advanced features include: 1600 x 1200 resolution, 60 Hz noninterlaced refresh, hardware vector and circle generators (800 nsec/pixel), on-board 16 bit CPU, look-up table, pixel processor, etc. A combination of the highest possible raster display resolution with ultrafast drawing speed yields the top performance required for CAD/CAM applications at the lowest possible cost.



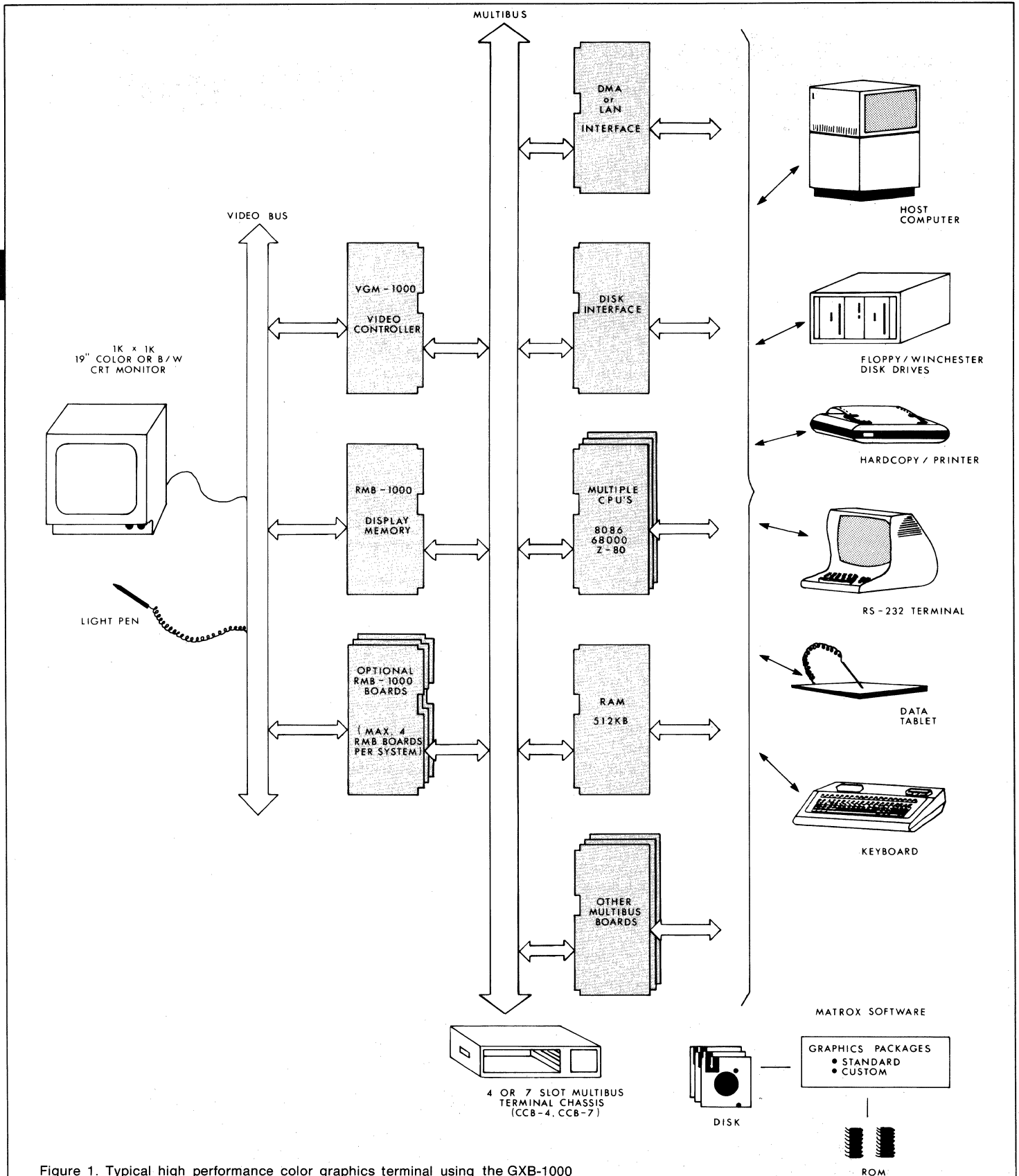


Figure 1. Typical high performance color graphics terminal using the GXB-1000

The GXB-1000 video board set is the basis of an extremely powerful and versatile graphics display system. Using additional boards available off-the-shelf from Matrox such as 8 or 16 bit CPUs (ZBC-80 [Z-80A], MBC-86/12 [8086/87], MRC-68K [68000]), 512K byte RAM (MEGA-4), floppy disk interface (FFD-1), plus DMA, ETHERNET, and other Multibus boards

from other suppliers, the user can assemble a high performance graphics system with minimal engineering effort, short development time, and low cost. Matrox supplied graphics software and accessories (CRT monitors, light pen, etc.) enable the OEM user to tailor system performance for a wide range of applications.

GXB-1000 FEATURES

Resolution:	1024 x 768 standard 1600 x 1200 optional 1280 x 1024 1024 x 1024 (other resolutions are user-selectable)	Multibus Interface:	Memory board takes only +5V power from the Multibus. VGM board fully conforms to Multibus specs.
Bits/Pixel:	4 bits/pixel standard 8, 12, and 16 bits/pixel optional	Metabus:	The two boards are interconnected via three 50-pin ribbon cables at the top of each board (supplied).
R/W Area:	Read/write memory is 1K x 1K standard 2K x 2K optional	Pipeline Processors:	Four on-board processors include 16 bit CPU, pixel processor, video ECL processor, and hardware vector generator.
Refresh Rate:	Noninterlaced or interlaced (50/60 Hz) all resolutions except 1600 x 1200 which is interlaced only.	On-Board CPU:	5MHz 8088 CPU with 32K of ROM, 4K RAM, and Multibus interface. Interprets off-board display file through on-board ROM interpreter (graphics mode). Can also be used as system CPU executing 8088 code (direct mode).
Figure Draw Speed:	800 nsec/pixel min. ("snow") 3.2 μ sec/pixel min. (retrace only) includes vectors, arcs, circles, area fills, and character draws.	Multibus Mode:	On-board CPU executes graphics instructions as either Bus Master or Slave. In Master mode, the 8088 CPU fetches instructions from an off-board RAM display file. In Slave mode, the host transfers the instructions from the display file to the 8088 CPU via an on-board FIFO buffer through an on-board I/O port. Byte by byte or 256 byte block transfers are supported.
Flash Preset Speed:	12 nsec/pixel. All pixels (on single or multiple surfaces) are preset to a fixed value in one field (16 msec).	Pixel Processor (PIP):	100 nsec cycle time processor for processing pixel values. Used for pixel complement, color offset, load, shift, etc. Program for PIP loaded by local 8088 CPU or the user's CPU.
Slice Draw Speed:	50 nsec/pixel. 16 pixel horizontal (slices) segments are written in one 800 nsec write cycle. Used in alphanumeric mode for character draws, window clear, fill, marker, etc.	Video Processor (VIP):	16 x 8 high speed ECL look-up RAM used for color mapping and video processing. Program for the VIP is loaded by the local 8088 CPU or by the user's CPU.
Flash Load Speed:	12 nsec/pixel. 16 successive horizontal pixels in one bit plane are loaded in one 200 nsec memory cycle. Synchronous with the display refresh. Used for high speed load from external sources via Metabus.	Vector Generator:	High speed VLSI graphics processor generates vectors, circles, arcs, rectangles, characters, etc. at 800 nsec/pixel. Program for the graphics generator is loaded by the local 8088 CPU.
Raster OP Speed:	6 μ sec/pixel for direct raster operations (Bit Blitz) on raster rectangles. 2D transform (translation, rotation, zoom/scale, and reflection) and logic/arithmetic operations between source and destination pixels are supported.	SOFTWARE SUPPORT	
Preset Mask:	Individual control of each bit plane by plane mask.	MIG-1 Graphics Package:	Local CPU with resident MIG-1 interpreter recognizes approximately 256 high level graphics commands. Included are various figure draw commands, video effects, pan, clear, control, etc. The MIG-1 interpreter is stored in EPROM and can be accessed either by MACRO commands from a data file or directly by the CPU via a library table. MIG-1 source code is available separately.
Scroll:	Smooth vertical scroll (by 1 pixel).	ACCESSORIES	
Shift:	Horizontal shift by 4 pixels.	CRT Monitors:	Matrox supports a full line of 19" color monitors for 1K x 1K resolution displays with noninterlaced or interlaced refresh.
Pan:	Scroll and Shift can be combined for a smooth two dimensional pan within the 2K x 2K area.	Light Pen:	High speed light pen (LP-600).
Look-Up Table:	256 color look-up table for each 4 bit/pixel surface.		
Overlay Video:	Any bit plane can be used for overlay functions such as blink, alpha, cursors, etc.		
Cursors:	Cross-hair or user-defined cursor for graphics. Underline cursor for alphanumeric and dialog areas.		
Light Pen:	Built-in interface detects the light pen position to one pixel accuracy in 100 msec.		
Video Parameters:	All video parameters including horizontal and vertical syncs, blanks, frequency, and display format are user software programmable.		
Video Outputs:	R,G,B color signals 1Vpp, 75 Ω with composite sync on green. Separate video signal connector.		

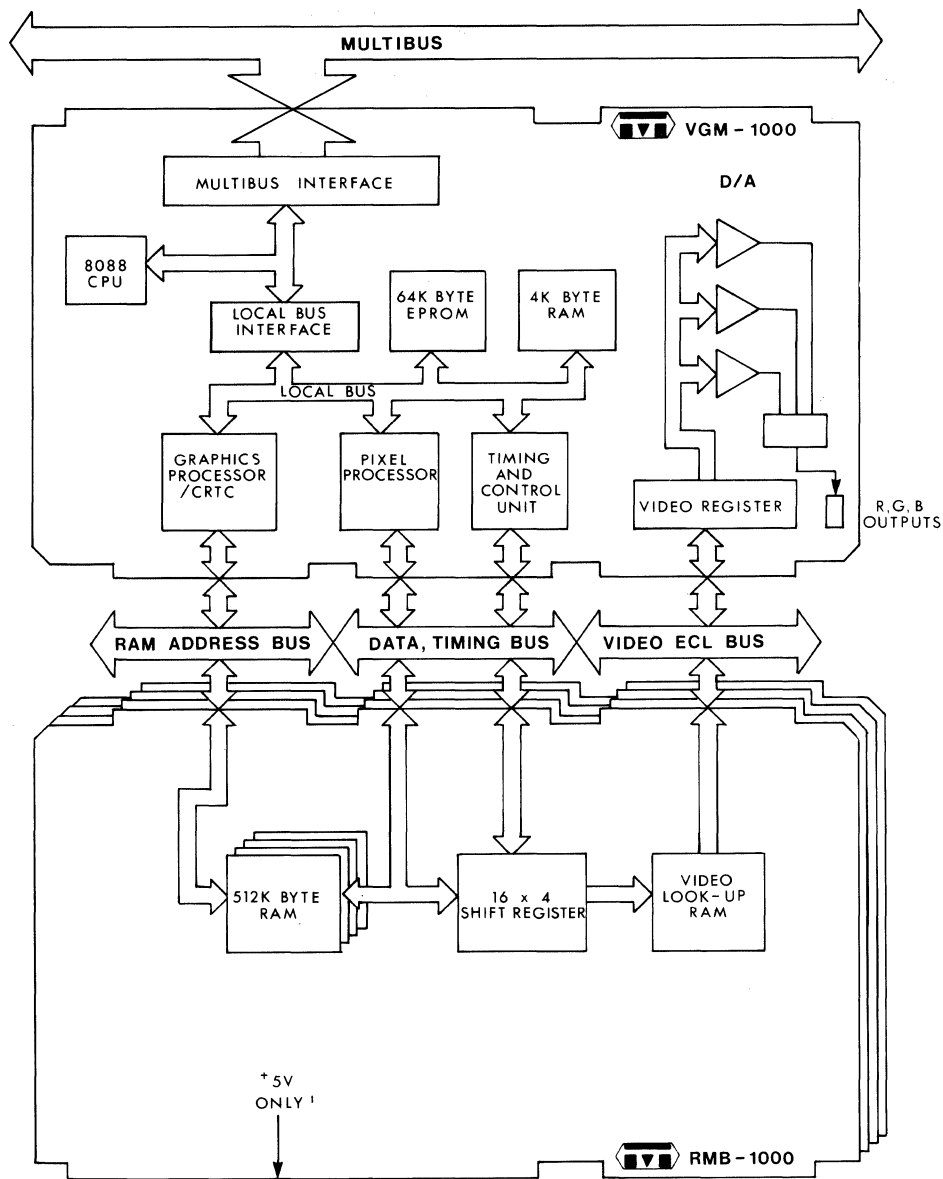


Figure 2. GXB-1000 functional blocks

FUNCTIONAL DESCRIPTION

The GXB-1000 board set is a complex high speed digital graphics system. By using the latest state-of-the-art VLSI circuits together with high speed ECL logic and advanced software, Matrox can offer the highest performance in color raster graphics. A board level product means lower cost, higher reliability, easier system design, and faster product introduction.

The system consists of two boards; VGM-1000 (Virtual Graphics Machine) and RMB-1000 (Refresh Memory Board). The VGM-1000 generates all of the video timing signals and provides local intelligence with an on-board graphics interpreter executed by an 8088 CPU. The RMB-1000 contains 512K bytes of high speed RAM for four bit plane storage. The memory is organized as 1024 x 1024 x 4 pixels. The system has also been designed to accommodate 256K RAMs. When these parts become available a single RMB-1000 memory board can hold 2M bytes of RAM organized as 2048 x 2048 x 4 pixels.

The VGM-1000 and the RMB-1000 boards are connected via three 50 pin ribbon cables at the top of each board (Me-

tabus). Both boards require only +5V power from the Multi-bus. The VGM-1000 board appears to the system bus as an 8088 master CPU with full bus arbitration logic.

The user can configure the RMB-1000 memory board for a variety of different display formats and memory configurations through a combination of software programming, jumper changes, and crystal clock changes.

A minimal configuration consists of two boards; one VGM-1000 and one RMB-1000. This system can be structured for any display format within 1 Mega pixels, with each pixel being 4 bits deep. Examples are 1024 x 1024, 1024 x 768, 640 x 480, 800 x 600 landscape and portrait displays.

For displays requiring more bits per pixel (up to 16 bits per pixel) or more resolution (up to 2K x 2K) additional RMB-1000 memory boards can be used. A maximum of four RMB-1000s can be "stacked" together with one VGM-1000. For example, a display of 1600 x 1200 x 4 requires two RMB memory boards configured for serial operation. A display of 1024 x 768 x 16 requires four RMBs configured to operate in parallel.

VIRTUAL GRAPHICS MACHINE

The GXB-1000 design incorporates the concept of pipelined distributed processors. The four GXB-1000 processors represent the lowest level of the pipeline (as far as the actual picture generation is concerned). The higher level CPU (on-bus or off-bus via a data link) loads a display file containing the picture description (data and instructions) into off-board RAM memory on the Multibus (there can be multiple display files in the off-board RAM). The display file can be up to 16 million bytes long. Multiple display files can also exist anywhere in the 24 bit Multibus address space.

The user can think of the GXB-1000 board set as a graphics processor which executes its own instruction set. The internal CPU together with local resources (ROM, RAM, graphics processor, VIP, PIP, refresh memory, etc.) can be thought of as a single graphics CPU with microcode stored in on-board ROM. A particular graphics instruction is performed by executing microcode (actually 8088 machine language).

The display file containing the graphics instructions can be interpreted by the VGM in either Multibus Master or Slave mode (selected by jumper).

In the Master mode, the host computer has to transfer only the starting address of the display file to the VGM's I/O Command Input Port (3 byte transfer). The host then issues a Run Display File (CONTINUE) command, after which the VGM fetches successive bytes starting from the starting address by becoming the Bus Master for every fetch.

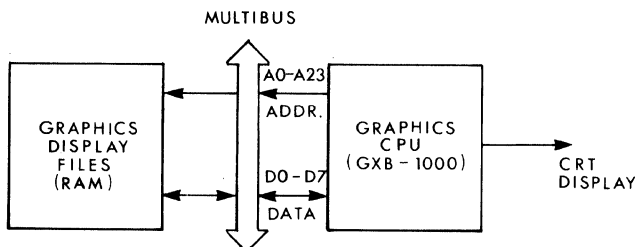


Figure 3. GXB-1000 Bus Master mode configuration.

In the Slave mode, the host must transfer every byte from the display file to the VGM's internal FIFO buffer via the Command Input Port. Up to 256 bytes of the display file commands can be stored in the buffer. Commands can be loaded sequentially or in a single 256 byte block transfer. At the end of a transfer, the VGM's 8088 CPU will fetch instructions from the FIFO buffer until the buffer is empty. At that time the VGM will issue an interrupt to the host. The Slave mode is used for Multibus systems that do not support multimasters.

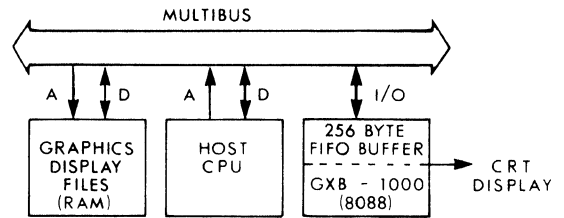


Figure 4. GXB-1000 Bus Slave mode configuration.

The local CPU executes instructions using on-board resources; vector generator, VIP, and PIP. The instruction execution time varies from slow (milliseconds) for long vectors, clear screen, area fills, etc. to very fast (nanoseconds) for control instructions. During execution the Multibus is not used, thereby freeing it for higher level CPU communications. After execution of the complete display file, the local CPU (8088) sends an interrupt signal to the host, notifying it that the display file has been finished. Alternately, multiple display files can be linked so that at the completion of one file the on-board 8088 will jump to the beginning of the next file. Nesting of display files is also supported.

The same byte (fetched from off-board RAM or internal FIFO buffer) can be interpreted by the 8088 as either 8088 instruction opcode or as graphics instruction opcode. The mode is determined by executing the instructions "Switch to Graphics Mode" or "Switch to 8088 Mode". This feature enables the programmer to combine the full 8088 instruction set (at full speed) with Matrox graphics instructions, in the same or different files.

TYPICAL APPLICATIONS

The GXB-1000 graphics board set is a powerful video display driver that represents the state of the art in raster graphics equipment. The Matrox building block approach to both hardware and software allows the system designer to implement a new graphics terminal, or emulate an existing terminal, with considerable savings in development effort, cost, and time.

By writing the terminal's high level graphics software in a high level language (C, Fortran, Pascal), executed by the in-bus user CPU, any graphics terminal can be designed (Matrox offers both 8086/87 or 68000 based Multibus CPU cards as in-bus host processors). The Matrox graphics commands are treated as user macrocommands and are defined as such to the user's high level language assembler. The programmer does not have to be concerned with the display hardware, and can therefore write high level terminal programs on the CPU of his choice to generate display files. These display files are in turn executed by the Virtual

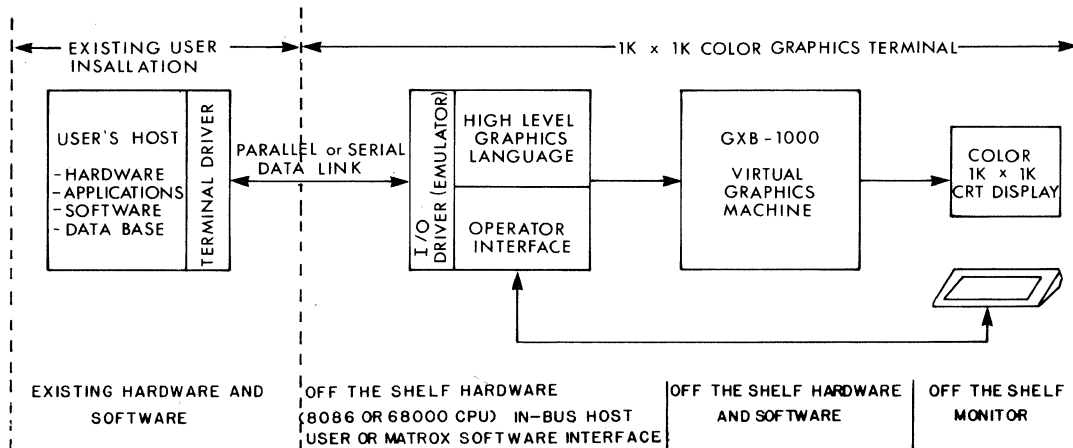


Figure 5. 1K x 1K color graphics terminal implementation.

Graphics Machine in a pipelined fashion, providing the high throughput required for interactive graphics.

This approach significantly simplifies the design of a graphics terminal and enables the user to construct a custom terminal or emulate and upgrade any existing terminal in the shortest possible time. All of the existing user application software and hardware can be used without any change.

As an example of this philosophy, Matrox has developed a Tektronix 4113 emulator software package in "C" which runs on the Matrox MBC-86/12 (8086/87) Multibus CPU board. The package uses a real-time kernel, written in "C", which supports multitasking.

The software is available in "C" source code for the user wanting to add special functions.

USER MODEL OF THE GXB-1000

The GXB-1000 display appears to the user as a series of 4 plane read/write surfaces. One RMB board represents a single 1K x 1K x 4 bit surface. Up to four RMB boards can be combined serially to provide a larger surface (2K x 2K x 4 bits), or, they can be combined in parallel to provide up to four 1K x 1K x 4 surfaces.

Two bytes are required to define a unique X address, and two bytes are required to define a unique Y address within a read/write surface (64K x 64K addressable area). The graphics interpreter uses only the first 11 address bits (2K x 2K read/write area) and ignores the upper five bits (wrap-around). The actual displayed area may be less than the full read/write area (i.e. 1024 x 768 display area). The display area can be panned to any position within the read/write area.

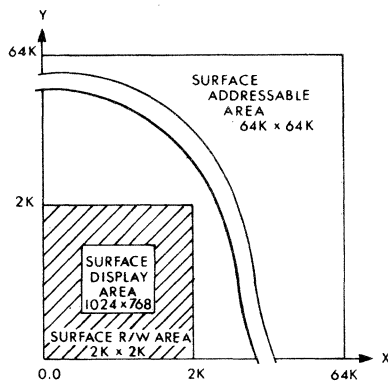


Figure 6. Surface addressable, read/write, and display area definitions.

Each surface can be organized into subsurfaces, with each subsurface consisting of one to four planes. The number of planes used for each subsurface determines the maximum number of colors that can be displayed by that subsurface. Up to 16 one-plane subsurfaces can be defined if four RMB boards are used.

Every surface has its own color look-up table (LUT). As each pixel is displayed, its color index (the four bit binary value stored in the display memory) addresses one of sixteen positions in the look-up table. The output from the look-up table is an 8-bit binary number which, after D/A conversion, defines one of 256 possible display colors. When more than one display surface is used the outputs of the look-up tables can be combined in a "logical OR" or a priority manner (figure 6).

Each subsurface produces its own graphics image. These various images are combined to create a single display, according to the user's overlay and priority commands; "Surface Video Combination", "Set Surface Priority", "Set Surface Visibility", etc. (see GRAPHICS INSTRUCTION

SET). If a given subsurface uses a transparent background the next lower priority subsurface will be seen. If, on the other hand, the background is opaque, all other lower priority subsurfaces will be hidden.

Once a subsurface has been specified, the graphics processor can draw various figures, patterns, or characters. The primitives include: point, vector, arc, circle, marker, rectangle, polygon, filled window, and filled character cell. Figures and figure attributes (thickness, texture, addressing and data modes, etc.) are specified by the figure drawing instructions.

There are three possible drawing speeds selectable by the user (Set Drawing Speed instruction). The highest speed is 64 clock cycles per pixel (800 nsec with an 80 MHz clock, or 1.25 million pixels/sec). However, in this mode the display is blanked when accessed by the graphics processor resulting in a "snow" effect on the screen. If the drawing is limited to the retrace period only (i.e. when the display is blanked), to avoid "snow" on the screen, the resulting drawing speed is 3.2 μsec/pixel or over 300,000 pixels/sec. The third speed, obtained by using a wider display blanking signal, is 1.2 μsec/pixel or 830,000 pixels/sec. The user can switch at any time between these drawing speeds depending on the desired effect and the amount of data to be drawn.

A complete surface can be preset to any color by a hardware flash preset command which loads each pixel in the surface at 12.5 nsec/pixel or one field for the complete surface (16 million pixels in 16.6 msec).

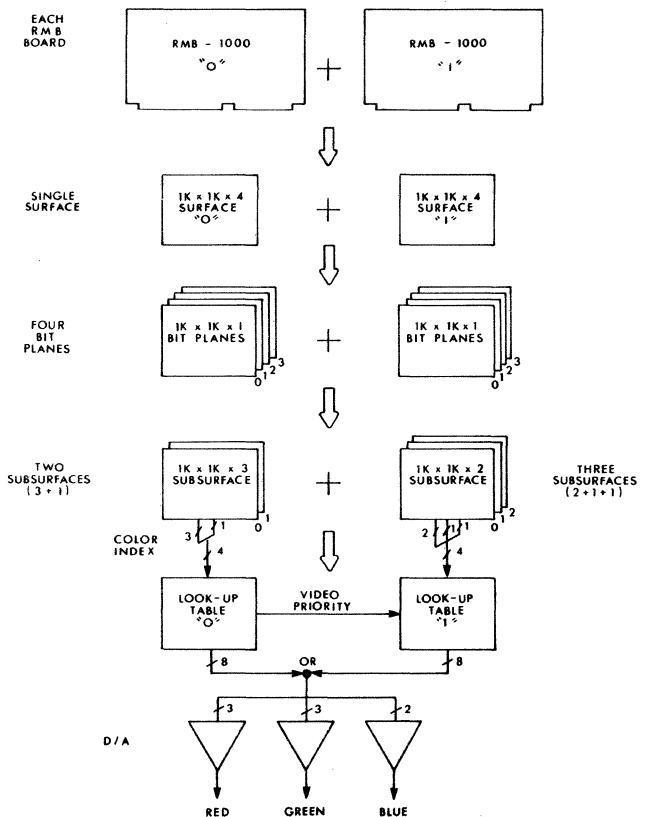


Figure 7. Five subsurface/two surface display example.

In the Alphanumeric display mode, the GXB-1000 works as a color alphanumeric terminal, supporting commands such as carriage return, line feed, back space, etc. Either the full screen or up to four rectangular display areas (Dialog Areas) can be specified for writing text. Alphanumeric Mode and Dialog Area instructions are used for text manipulation.

Any 1-bit subsurface on each surface can be designated for pixel blink control. Setting the pixel bit "on" will result in an on/off blink rate of 4 Hz for all the pixels with the same X,Y address on the same surface. A designated subsurface can also be used as an overlay plane, a graphics cursor plane, or an alphanumeric plane.

GRAPHICS INSTRUCTION SET

The instruction set has been organized into 10 different functional groups:

1. Flow Control Instructions
2. Context Switching Instructions
3. Configuration and Initialization Instructions
4. Command Instructions
5. Direct Raster Instructions (Raster Op)
6. Figure Drawing Instructions
7. Alphanumeric Terminal Mode Instructions
8. Dialog Area Instructions
9. Miscellaneous Instructions
10. Input Function Support Instructions

The execution times shown in the following tables apply only to the "worst case" mode, where only one instruction is executed at a time. Normally execution times are much shorter (approaching zero) due to the pipelined architecture of the GXB-1000. For example, when drawing polygons, the execution time is a function of the pixel drawing speed only, since the graphics processor and the 8088 CPU operate in the pipelined fashion; i.e. one draws the vector while the other calculates the parameters for the next vector.

The instruction set shown is a superset of all available instructions for the virtual graphics machine. Actual versions of available MIG-XX interpreters execute a subset of the GXB-1000 superset, since not all users require all the instructions. For information on the MIG-XX implementations currently available, consult the factory.

Flow Control Instructions — These instructions are used for various housekeeping functions related to the display file and program flow control.

INSTRUCTION	# BYTES	EXECUTION TIME (μs)	DESCRIPTION
Go To	4	100	Loads graphics program counter with address of next instruction (24 bits).
Go Sub	4	100	Loads graphics program counter with address of next instruction and stores the current PC on the stack.
Return	1	100	Return to main program from the subroutine.
Stop	1	60	Stops program execution requires an I/O command to restart.
NOP	1	100	Dummy instruction. No operation.
Idle	1	50	Wait loop, 8088 fetches the same instruction byte, looping conditional on code change.
Reset	1	50,000	Resets and initializes all local resources after executing self-test.
Load Status	1	100	Loads current status of local resources (stored in VGM RAM) to shared buffer.
Interrupt	1	60	Sends interrupt to Host CPU.
Fetch Single/Page	2	60	Sets subsequent fetches from file as single byte or 256 bytes (stored in cache).

Table 1. Flow Control Instructions.

Context Switching Instructions — Data fetched from the display file can be interpreted as direct 8088 op code, or as graphics op code. After a power-up or reset, the VGM defaults to "native 8088 mode". In this mode all instructions are interpreted as 8088 commands. The user can operate in this mode, or can select the "graphics interpreter mode" by executing a CALL instruction to the starting address of the on-board graphics interpreter (switch to graphics mode). The 8088 then interprets all op codes as graphics instructions. When operating in the graphics mode, an instruction is provided to return to the native 8088 mode (Switch to 8088 Mode).

INSTRUCTION	# BYTES	EXECUTION TIME (μs)	DESCRIPTION
Switch to 8088 Mode	5	120	Disengages the graphics interpreter (display file).
Switch to Graphics Mode	5	120	Engages the graphics interpreter.

Table 2. Command Instructions.

Configuration and Initializing Instructions — This group of instructions defines and initializes display parameters such as; number of horizontal and vertical pixels, drawing speed, pan, syncs, blanking, and refresh rate.

INSTRUCTION	# BYTES	EXECUTION TIME (μs)	DESCRIPTION
Set Video Format	2	100	Selects standard video display formats: 1024 x 768, 1024 x 1024, 1600 x 1200.
Set Drawing Speed	2	100	Selects drawing in retrace only (4 μsec/pixel), all the time (800 nsec/pixel), or 50% video (1.2 μsec/pixel).
Pan Display	5	100	Positions display within 2K x 2K area.
Surfaces Video Combination	2	100	Define combination function for multiple surfaces (visibility, priority/OR overlay).
Select Surface	2	100	Selects one of four surfaces for read/write operations.
Subsurface Priority Set	2	400	Define overlay function for multiple subsurfaces on a surface (priority/OR overlay).
Select Subsurface	2	400	Select one of several subsurfaces on a surface for read/write operations.
Define Subsurfaces	2	400	Defines one to four subsurfaces on a four plane surface.
Set Subsurface Color	2	400	Defines foreground color for subsurface write operations.
Set Subsurface Combination	2	400	Defines background color and combined subsurface display color.
Set Subsurface Visibility	2	400	Enables/disables subsurface visibility.
Load Surface LUT Directly	17	200	Loads 16 byte Look-Up Table directly.
Load Surface UCS Start Address	5	100	Loads start address of user character set file (file = 256 x 16 x 16 = 8K bytes).
Load Shared Buffer Start Address	5	100	Loads off-board RAM buffer start address (8 bytes long).
Define Video	9	200	Defines special video display formats (sync, blanks, no. of lines, etc.).

Table 3. Configuration and Initializing Instructions.

Commands — This group of instructions provide the highest priority control of the on-board 8088 by the host. These are the only instructions that are transferred directly to the I/O port on the VGM-1000 board, and are not fetched from external Multibus RAM (Master mode). The I/O port address is hardware selectable by the user.

INSTRUCTION	# BYTES	EXECUTION TIME (μ s)	DESCRIPTION
Load Start Address	4	200	Loads internal graphics 24-bit program counter (start address of display file in Multibus RAM).
Reset	1	50,000	Resets and initializes all local resources after executing self-test.
Load Status	4	200	Load current status of local resources (stored in VGM RAM) to Multibus memory.
Stop	1	100	Suspends all 8088 operations, no Multibus access.
Continue	1	100	Resumes program execution after a stop command.

Table 4. Context Switching Instructions.

Direct Raster Instructions — This group of instructions works directly on a rectangular area of the raster. Both run length and bit by bit encoding can be used. Execution speed is a function of the number of pixels in the rectangle, N, and the pixel op speed (3 μ sec/pixel).

The instructions; Read Back Raster, Write to Raster, and Set Data Packing Mode, are used for the transfer of raster data to/from off-board RAM.

The Raster Operations work on pixels inside a specified raster rectangle. First a 2D transformation is performed on each "source" pixel, then each transformed pixel is combined with the corresponding pixel at the new destination on the same or different subsurface.

The available 2D transforms and raster operations are described below:

Source/Destination Raster Rectangle — Defines size, initial X/Y position, and destination subsurface of the raster rectangle on the current subsurface.

2D Transform Parameters — Defines the 2D transformation performed on each source pixel before combination with the destination pixel.

- Translation** — X, Y translation offset for each pixel.
- Rotation** — Rotates each source pixel about the Z-axis with the lower left corner of the rectangle at the origin (8 angles in multiples of 45°).
- Zoom/Scale** — Source raster is multiplied by 1, 2, 4, or 8 (zoom by pixel replication) or divided by 1, 2, 4, or 8 (scaling by pseudo random dither sampling).
- Reflection** — Source raster can be reflected about any one of four axes (X, Y, Y = X, Y = -X).

Raster Operations — After the 2D transformation, the source raster is combined with the destination raster pixel by pixel. Source pixels can be complemented before the operation. Logic operation (AND, OR, X-OR), arithmetic operations (ADD, SUBTRACT), copy and user-defined pixel functions can also be specified. Operations with a constant are also supported.

INSTRUCTION	# BYTES	EXECUTION TIME (μ s)	DESCRIPTION
Read Back Raster	13	100 + Nx3	Reads raster rectangle to off-board RAM.
Write to Raster	13	100 + Nx3	Write raster rectangle from off-board RAM.
Set Data Packing Mode	2	100	Defines data packing; bit x bit, run length.
Raster Op	14	100 + 2Nx3	Moves raster rectangle from one screen location to another with operation.

Table 5. Direct Raster Instructions.

Figure Drawing Instructions — The VGM-1000 draws graphics primitives at a rate of 800 nsec/pixel. The nine primitives include line draw commands (point, vector, arc, circle, marker, rectangle, and polygon) and area draw commands (window and character cell). Several attributes are associated with each figure to be drawn:

- Texture** — Write/skip pixel pattern (16 x 1 bit). Used to define texture of a line primitive.
- Fill Pattern** — Write/skip pixel pattern (8 x 8 bits). Used to define the fill pattern of an area primitive.
- Thickness** — Defines the "pen size" to be used in line drawing operations: 1 x 1 pixels, 2 x 2 pixels, 3 x 3 pixels, up to 16 x 16 pixels.
- Chain** — Specifies the number of times the figure is to be drawn in succession.
- Addressing** — The coordinates can be specified in one of three ways:
 - Absolute** — 2 bytes for each X, Y coordinate. range = 0 — 65,535
 - Relative** — 2 bytes for each coordinate relative to the cursor. range = \pm 32,767
 - Short Relative** — 1 byte for each coordinate relative to the cursor. range = \pm 127
- PIP Function** — Specifies the pixel data to be written to the addressed pixel. Five possible functions can be defined:
 - Complement Pixel** — complements each pixel bit
 - Color Index** — defines 1 of 16 colors
 - Offset to Index** — reads value and offsets by 0 — 15
 - User PIP Function** — user defined truth table used for pixel transformation
 - Chromakey Switch** — used for user defined chromakey outline fill or hardware clipping (used only with window command).

The texture, fill pattern, thickness, and PIP are each selected through separate explicit instructions. The figure, chain, and addressing mode are selected implicitly by the figure draw instruction op code.

INSTRUCTION	# BYTES	EXECUTION TIME (μs)	DESCRIPTION
Set Texture	3	100	Loads 16 bit write/skip pixel pattern.
Set Fill Pattern	9	200	Loads 8 x 8 bit fill pattern (organized as 8 bytes).
Set Thickness	2	100	Selects 1 of 16 pen sizes from 1 x 1 to 16 x 16.
Set Chromakey Index	2	100	Selects chromakey index 0-15 for fill and clip functions.
Select PIP Function	2	100	Selects 1 of 5 PIP functions (complement, color, offset, chromakey, user).
Load User PIP	9	100	Loads user PIP, pixel in/pixel out table — 16 x 4 organized as 8 bytes.
Select Marker	2	100	Selects 1 of 16 Matrox defined markers.
Select User Marker	4	100	Selects user defined 8 x 8 bit marker located in Multibus RAM.
Move (A,R,SR)	5	100	Moves current position (absolute, relative, or short relative).
Point (A,R,SR)	3	100	Draws point.
Vector (A,R,SR)	3	100 + P.8	Draws vector from current position to endpoint.
Arc	3	100 + Px.8	Draws an arc from point A to Point B with center at current position.
Circle	2	100 + 2πRx.8	Draws a circle of radius R with center at current position.
Marker (A,R,SR)	2	100 + MxPx.8	Draws a marker at current position (dimensions = MxP).
Polygon	4 + 2N	100 + NxPx.8	Draws polygon (closed vector chain).
Rectangle	4	100 + 4Px.8	Draws rectangle (outline only) from current position.
Window	4	100 + MxPx.8	Draws rectangle (filled) from current position (dimensions = M x P).
Character Cell	2	200	Draws 8 x 8 filled character cell from current position.

Table 6. Figure Drawing Instructions.

Note — Bytes and Execution times shown in Table 6 reflect a 1 x 1 pen size and short relative addressing.

Alphanumeric Terminal Mode Instructions — In this mode, the GXB-1000 becomes a full screen color alphanumeric terminal. The user can select a character cell size of 8 x 8 or 16 x 16 pixels. The character generator can use either the standard ASCII set (stored in EPROM) or a user defined set (stored in Multibus RAM). The display format is determined by the number of pixels in the X and Y directions.

$$\text{Number of Characters/Line} = \frac{\text{no. of X pixels}}{\text{character X size}} \text{ i.e. } \frac{1024}{8} = 128$$

$$\text{Number of Lines/Display} = \frac{\text{no. of Y pixels}}{\text{character Y size}} \text{ i.e. } \frac{768}{8} = 96$$

INSTRUCTION	# BYTES	EXECUTION TIME (μs)	DESCRIPTION
Enable ATM	1	100	Enable alphanumeric terminal mode.
Define Alpha Mode	2	100	Defines character size, character generator, format, etc.
Define Alpha Surface/Subsurface	2	100	Defines surface/subsurface to be used for alpha- numerics.
Define Character Color	3	100	Defines character foreground and background color.
Set AT Cursor Position	3	100	Positions alpha cursor.
Enable AT Cursor	1	100	Enable/disable cursor visibility.
Clear Screen	1	16000	Clears screen and positions cursor to home.
Clear to End of Line	1	1000	Clear to end of line.
Character	2	1000	Draws one character.
Character N	1 + N	Nx1000	Draws N characters (up to 256 characters).
Character Many	2 + M + 1	Mx1000	Draws a string of characters until an SA instruction is received.
SA (Stop Alpha)	1	100	Alpha string terminator.
CR	1	100	Carriage return. Positions cursor to left margin.
LF	1	100	Line Feed. Moves cursor down one line.
BS	1	100	Backspace. Moves cursor left one space.
HT	1	100	Horizontal tab. Moves cursor right one space.
VT	1	100	Vertical Tab. Moves cursor up one line.

Table 7. Alphanumeric Terminal Mode Instructions.

Dialog Area Instructions — A dialog area is a rectangular region of the screen used to display text. Up to four dialog areas of different sizes can be defined on the screen. Instructions for dialog areas are similar to the Alphanumeric Terminal Mode Instructions and use the same character sets and sizes. The number of lines in a dialog area is determined by the number of X and Y pixels and the character size. For example, in a 300 x 200 dialog area using 16 x 16 characters:

$$\text{Number of Characters/Line} = \frac{300}{16} \rightarrow 18$$

$$\text{Number of Lines} = \frac{200}{16} \rightarrow 12$$

The characters are positioned on multiples of 8 or 16 in the X and Y directions. Note that in a dialog area, when the window is complete, the cursor moves to the start position (page mode) whereas in Alpha Terminal Mode the display is moved up one line and the cursor goes to the new bottom line (scroll mode).

INSTRUCTION	# BYTES	EXECUTION TIME (μ s)	DESCRIPTION
Select Dialog Area	2	100	Enable/disables one of four dialog areas.
Define DA	6	200	Defines dialog area, size and position.
Define DA Character Set	2	100	Defines character size and font.
Define DA Character Color	3	100	Defines character foreground and background colors.
Set DA Cursor Position	3	100	Positions DA cursor.
Enable DA Cursor	1	100	Enables/disables DA cursor visibility.
Clear DA	1	MxNx300	Clear dialog area. (M x N pixels).
Clear to End of DA Line	1	1000	Clear to end of line.
DA Character	2	1000	Draws one character in dialog area.
DA Character N	2 + N	Nx1000	Draws N characters in dialog area (up to 256).
DA Character Many	2 + M + 1	Mx1000	Draws character string until SA instruction is received.
SA (Stop Alpha)	1	100	Alpha string terminator.
CR	1	100	Carriage Return. Moves cursor to left of DA line.
LF	1	100	Line Feed. Moves cursor down one line.
BS	1	100	Backspace. Moves cursor left one space.
HT	1	100	Horizontal Tab. Moves cursor right one space.
VT	1	100	Vertical Tab. Moves cursor up one line.

Table 8. Dialog Area Instructions.

The characters are positioned on multiples of 8 or 16 in the X and Y directions. Note that in a dialog area, when the window is complete, the cursor moves to the start position (page mode) whereas in Alpha Terminal Mode the display is moved up one line and the cursor goes to the new bottom line (scroll mode).

Miscellaneous Instructions — These instructions include surface blink, highlight, preset, and light pen.

INSTRUCTION	# BYTES	EXECUTION TIME (μ s)	DESCRIPTION
Surface Hardware Blink	1	100	Enables/disables surface hardware blink (on/off 4 Hz).
Surface Software Blink	1	100	Enables/disables surface software blink (on/off any frequency).
Subroutine Highlight	1	100	Enables/disables subroutine highlight (complements subroutine once/second).
Flash Surface Preset	4	16000	Presets to an affixed color, the entire screen or any rectangular display area, on one surface.
Light Pen	1	32000	Loads the light pen address to the Multibus shared buffer.
Blank/Enable Display	1	100	Blanks (disables)/enables the entire display

Table 9. Miscellaneous Instructions.

Input Function Support Instructions — These instructions generate various graphics cursors and video effects. The user can define a special graphics cursor, stored as a subroutine, which is then used for all graphics cursor operations. Multiple cursors can be defined, but only one is active at a time. The default cursor is a ¼ screen crosshair shown at the cursor position (complement).

INSTRUCTION	# BYTES	EXECUTION TIME (μ s)	DESCRIPTION
Define Graphics Cursor	4	100	Defines starting address of the display file (subroutine) describing the user's cursor.
Define GC Surface	2	100	Define graphics cursor surface and subsurface.
Start Track GC	5	—	Positions and displays graphics cursor at X, Y.
Track to GC	5	—	Moves cursor to new X, Y, displays it, and erases old GC (complement).
End Track GC	1	—	Sets GC invisible.
Start Ink GC	5	—	Positions cursor to X, Y, displays GC, and enables ink mode color.
Ink to GC	5	—	Moves GC to new X, Y, inks trail of movement with color.
End Ink GC	1	—	Disables ink mode and sets cursor invisible.
Start Rubber Band	5	—	Positions and displays GC at X, Y and enables "rubber band" mode.
Rubber Band to GC	5	—	Moves cursor to new X, Y and draws a line from old to new position.
End Rubber Band	2	—	Disables rubber band mode and sets cursor invisible.

Table 10. Input Function Support Instructions.

SPECIFICATIONS

FUNCTIONAL

DISPLAY PARAMETERS

NO. OF RMB BOARDS/SYSTEM	MAXIMUM RESOLUTION
1	1K x 1K x 4
2	1K x 1K x 8 or 1600 x 1200 x 4
3	1K x 1K x 12
4	1K x 1K x 16 or 1600 x 1200 x 8

VIDEO TIMING

Display formats and video timing parameters are user software programmable. For a format of 1024 x 768, on a Mitsubishi 8912 monitor, using a 68 MHz crystal, the following timing parameters are programmed:

SIGNAL	VALUE
Active Video	15.06 μ s
Horizontal Sync Frequency	44.27 KHz
Horizontal Sync Width	1.88 μ s
Vertical Sync Frequency	55.34 Hz
Vertical Sync Width	67.76 μ s

INPUT SIGNALS

Light-pen Enable
Light-pen Strobe

OUTPUT SIGNALS

Red Drive
Blue Drive
Green Drive with composite sync. (Grey Scale Drive)

BUS INTERFACE

MULTIBUS

Data, address, and control lines conform to the Intel Multibus Specification No. 9800683 and the IEEE-796 Multibus specification.

Command Input Port — Selectable on any I/O address location 0000 — FFFF

METABUS (Special Applications)

The three 50-pin buses at the top of each board include: an ECL Video Bus, and Data and Timing Buses for direct access to the refresh RAM. These buses are transparent to the user in normal mode application.

The Metabus can be used for special applications such as: larger color selection look-up RAM (16 million colors), multidisplay/multiuser configurations (one VGM-1000 driving multiple RMB-1000's for up to four different display stations or users), high speed display RAM transparent load (12 nsec/pixel) without tying up the Multibus (used for image dump using high resolution cameras), etc.

For large quantity (100 and up) OEM users, requiring these or similar hardware features, Matrox will design additional custom Multibus boards or will supply all technical information required for the user's own design (subject to certain restrictions — consult the factory).

CONNECTORS

DESCRIPTION	MATING CONNECTOR
P1 : 86 pin edge connector, 0.156" centers — Multibus Interface	COMPAR ESM-43-DSRI
J1 : 10 pin right angle header, — R,G,B Video Output	AMP 87922-1
J2 : 10 pin right angle header, — Light Pen interface	AMP 87922-1
J3 : 50 pin edge connector, 0.1" centers } — Metabus Interface	WINCHESTER 53-50-0 (3 required)
J4 : 50 pin edge connector, 0.1" centers }	
J5 : 50 pin edge connector, 0.1" centres }	

PHYSICAL

SIZE

Width — 12.00 in. (30.48 cm)
Height — 6.75 in. (17.15 cm)
Depth — 0.50 in. (1.27 cm)

POWER REQUIREMENTS

VGM-1000 — +5V DC \pm 5% @ 4.5A
RMB-1000 — +5V DC \pm 5% @ 3.5A

ENVIRONMENTAL REQUIREMENTS

Operating Temperature: 0° — 50°C
Relative Humidity: 0 — 95% (non-condensing)

ORDERING INFORMATION

The standard GXB-1000 consists of two Multibus boards; one VGM-1000 and one RMB-1000. The VGM-1000 board includes the MIG-1 graphics interpreter firmware which executes all of the commands listed in this data sheet. The RMB-1000 board contains 512K bytes of video memory organized as a 1024 x 1024 x 4 bit frame buffer.

GXB-1000

Complete two board graphics controller

RESOLUTION/REFRESH RATE AVAILABILITY

RESOLUTION REFRESH	640 x 480	1024 x 768	1280 x 1024
25 Hz	—	X	X
30 Hz	—	X	X
50 Hz	X	X	—
60 Hz	X	X	—

Note 1: Since the 1280 x 1024 format exceeds the 1K x 1K memory stored on a single RMB, two RMB boards are required for each four bit surface.

Note 2: For refresh rates or resolutions not covered by the above table (i.e. 1600 x 1200) please consult the factory.

OPTIONS

Video Memory

GXRMB-01

Adds a second refresh memory board (RMB-1000) for more video planes, or a larger read/write area.

GXRMB-02

Adds two additional refresh memory boards.

GXRMB-03

Adds three additional refresh memory boards.

Monitors

MCM-1000L

Adds a high resolution 19" RGB color monitor (supports all resolutions except 1024 x 768 @ 50/60 Hz).

MCM-1014L

Adds a high resolution 14" RGB color monitor (supports all resolutions except 1024 x 768 @ 50/60 Hz).

MCM-2000L

Adds a high bandwidth high resolution 19" RGB color monitor (supports 1024 x 768 @ 50/60 Hz).

Matrox Electronic Systems Ltd reserves the right to make changes in specifications at any time and without notice. The information furnished by Matrox Electronic Systems Ltd in this publication is believed to be accurate and reliable. However, no responsibility is assumed by Matrox Electronic Systems Ltd for its use; nor for any infringements of patents or other rights of third parties resulting from its use. No license is granted under any patents or patent rights of Matrox Electronic Systems Ltd.



8088, 8086/87, Multibus Intel TM
Z-80A Zilog TM
VAX/VMS DEC TM



matrox
electronic systems Ltd.

5800 ANDOVER AVE., T.M.R., QUE., H4T 1H4, CANADA
TEL.: 514-735-1182 TELEX: 05-825651

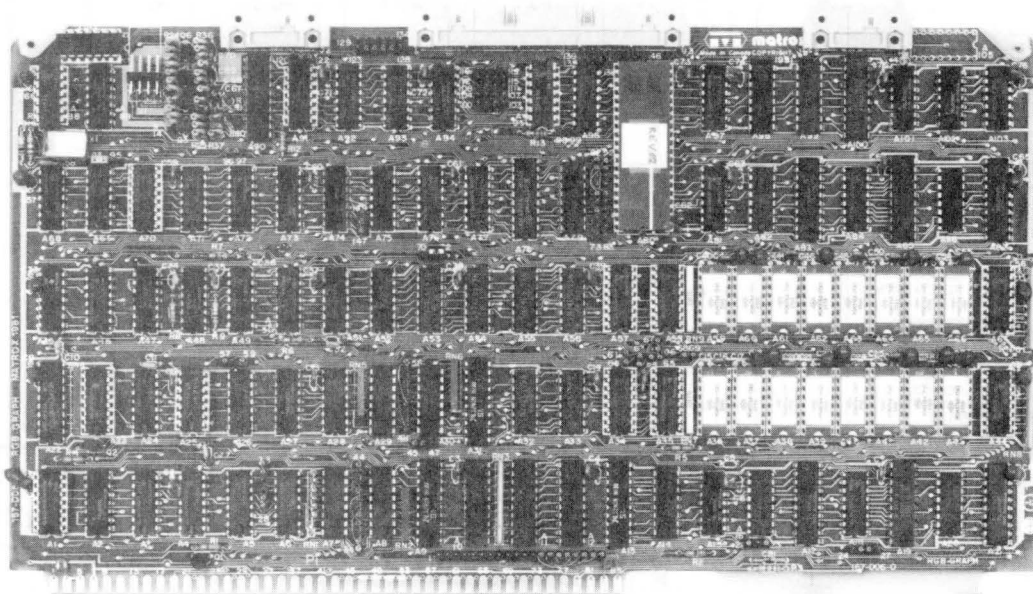
RGB-GRAPH

VECTOR PLOT 512 x 512 COLOR GRAPHICS DISPLAY CONTROLLER FOR MULTIBUS

- 512 x 512 pixel resolution standard
- 4 bits/pixel expandable to 16 bits/pixel
- Writing speed of 800ns/pixel
- DMA access to video RAM
- Light pen interface built-in
- Vector plot
- Hardware zoom, pan, scroll, and shift, clear, overlay, clipping, video enable
- Works with any 8 or 16 bit Multibus* CPU
- Add-on RGB-ALPHA board provides color alphanumeric overlay
- Add-on VAF-512 board adds:
 - Real-time 512 x 512 frame grabber
 - 16 million color look-up table
 - Hardware vector generator

The RGB-GRAPH is a member of Matrox's complete line of modular Multibus* compatible color video boards. By using the latest state of the art LSI and VLSI technology, the RGB-GRAPH provides an economical, self-contained solution for OEM color graphics applications requiring high resolution, top performance, and low cost. The board contains advanced video features such as hardware zoom, scroll, shift, pan, clipping, overlay, video masking, etc. which have previously been available only on the most expensive graphics systems at a much higher cost.

Furthermore, the RGB-GRAPH can be combined with other Matrox color video boards such as the color alphanumerics RGB-ALPHA and video processor board VAF-512 (containing real-time 512 x 512 frame grabber, color look-up tables, and a hardware vector generator). The OEM system designer can now easily incorporate powerful tailor-made graphics into his system at a fraction of the cost of a turn-key system.



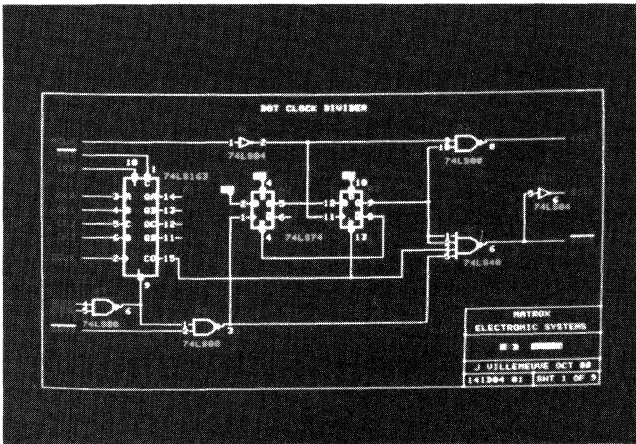


Figure 1. CAD/CAM applications

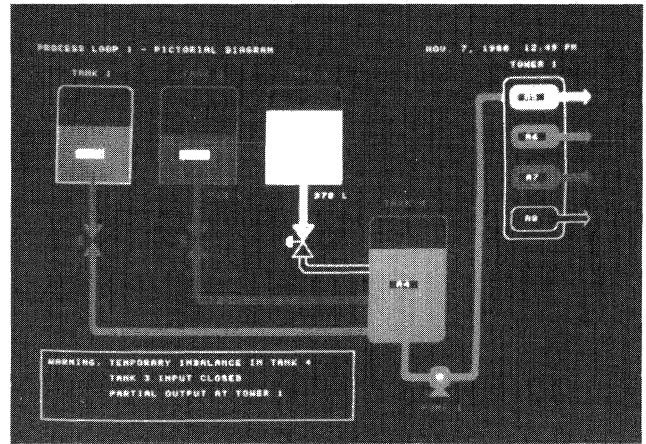


Figure 2. Process Control applications

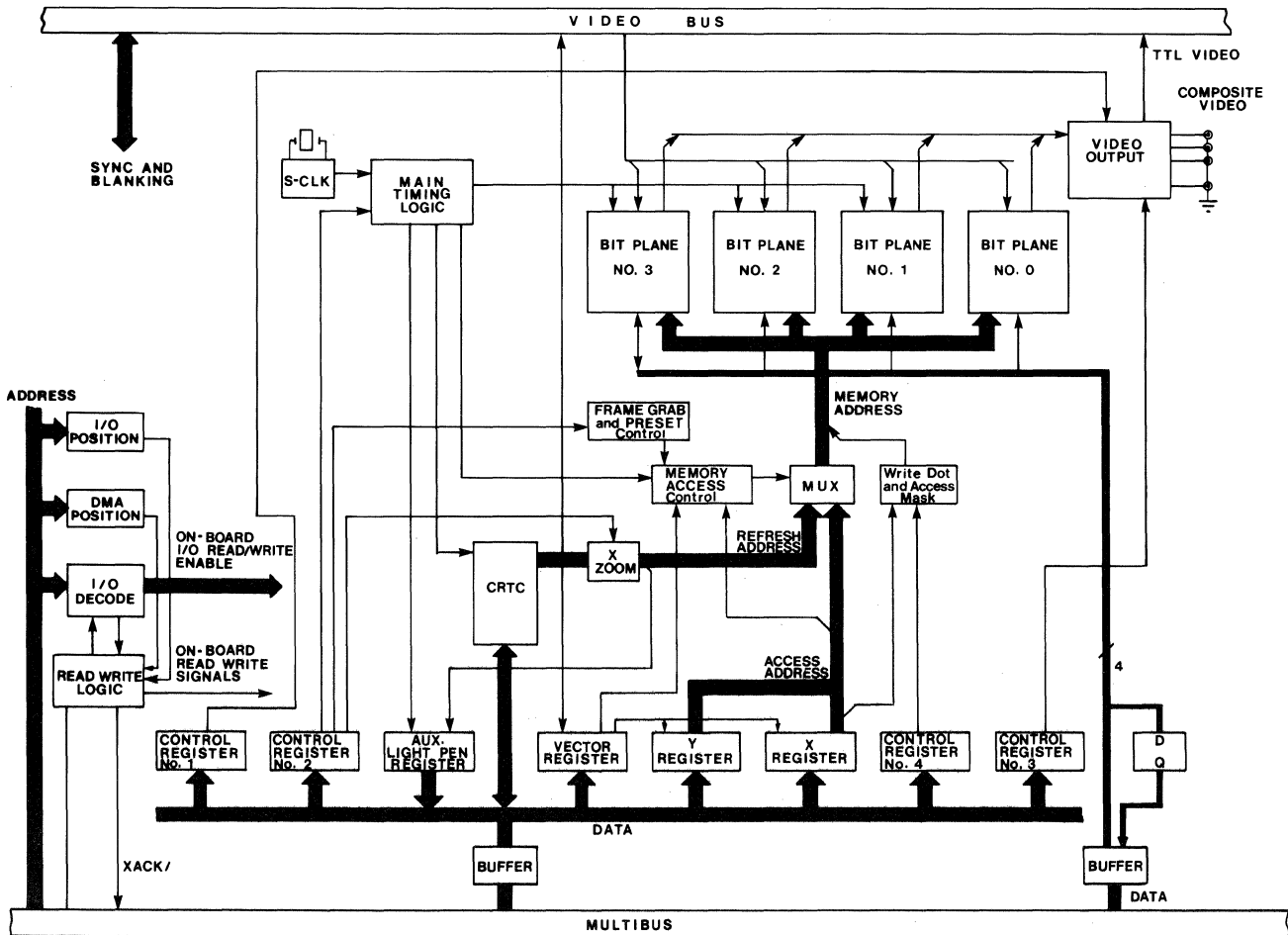


Figure 3. RGB-GRAPH block diagram

RGB-GRAPH FEATURES

Resolution:	512 x 512 or 256 x 256 (special horizontal interlace mode can support 1024 x 512 or 512 x 256)
Bits/Pixel:	1-4 bits/pixel, expandable to 16 bits/pixel with additional RGB-GRAPH boards.
Zoom:	Independent X-zoom by 1, 2, 3, 4, 5, 6, 7, 8 Y-zoom by 1, 2, 4 Zoom works on any segment of the 512 x 512 display
Scroll:	Up/down scroll (vertical) by multiple of 8 pixels
Shift:	Left/right (horizontal) by single or multiple dots
Pan:	Scroll and shift can be combined for full two dimensional pan inside the 512 x 512 area
Clipping:	4096 x 4096 addressable area with hardware clip to 512 x 512 for read/write and display
Clear Display:	Memory hardware clear to zero (black). All pixels cleared in one frame (33 msec.)
Preset Display:	Memory hardware preset to value (color) in data register. All pixels preset in one frame (33 msec.)
Preset Mask:	Clear/Preset control of each bit plane by Plane Mask
Video Mask:	Video on/off control of each bit plane by VIDEO MASK
Overlay Video:	One bit plane video can be combined with the three others for video effects. Functions available are AND, NAND, OR, X-OR
Video Parameters:	All video parameters including horizontal and vertical syncs, blanking, frequency, and display format are user software programmable to drive any direct or composite B/W or color CRT monitor
Video Outputs:	Direct TTL video (4), composite 75 Ω R.G.B. color signals and 16-level grey scale signals are available
Light Pen:	Detects true light pen position within one pixel accuracy. Interface built-in
Vector Plot:	X-Y registers are auto-increment/decrement
Display RAM:	Up to 128K byte on-board memory. CPU can read/write with 400ns (min.) and 1.2 μ s (max.) access time/pixel. Memory looks like 262,144 x 4 RAM (single RGB-GRAPH), 262,144 x 16 (four RGB-GRAPHS)
X, Y Pixel Address:	Each pixel can be addressed via X, Y registers (12 bits each). Data registers contain pixel color for read/write (I/O addressing)
DMA Pixel Address:	262,144 x 4 (8, 12, 16) display RAM can be accessed in 1K byte blocks (block address in X, Y registers) in DMA mode for image dumping (each pixel is one memory address)
Double Resolution:	512 x 512 x 4 display can be switched to 1024 x 512 x 2 under software control by combining two 512 x 512 x 1 planes. Effectively doubles horizontal resolution
Multibus* Interface:	The RGB-GRAPH looks to the user like 16 I/O locations. All communications including pixel read/write, video functions, etc. are accomplished through I/O R/W (no DMA used). With DMA, 1K additional memory space is used.

Access Time:	500ns (max.) for any I/O port; 50ns (min.) — 1.2 μ s (max.) for DMA
Video Bus:	50 pin connector provides video inputs and outputs for expanded performance using RGB-ALPHA, VAF-512 and additional RGB-GRAPH boards

ADDITIONAL ADD-ON FEATURES

RGB-ALPHA

Alphanumerics:	Color alphanumeric displays can be added by the RGB-ALPHA board (synchronized to the RGB-GRAPH). Formats of up to 132 characters/line and up to 48 lines are user software programmable
-----------------------	---

RGB-GRAPH

16 Bits/Pixel:	By connecting additional RGB-GRAPH boards (max. 4) up to 16 bits/pixel can be obtained (each RGB-GRAPH adds 4 bits/pixel)
-----------------------	---

VAF-512

Color Look-up:	RAM video look-up table increases the number of displayable colors to $2^{24} = 16,772,216$. CPU can read/write look-up table
-----------------------	--

Frame Grabber:

Real-time frame grabber digitizes TV camera outputs with 4 or 8 bits/pixel resolution. Spatial resolution is 512 x 512 or 512 x 256. Single frame grab or continuous frame grab under software control

Color Frame Grab:

By connecting R.G.B. outputs from a TV camera to the video switcher and grabbing each channel separately, a color picture can be digitized

External Sync:

Built-in phase-lock loop synchronizes the RGB-GRAPH to an external composite sync (serrated) for broadcast and mixing applications

Video Switcher:

Four-input video switcher enables the user to digitize four separate TV camera inputs under software control

Vector Generator:

On-board hardware vector generator with speed of 800ns/pixel. Vector length, slope, and texture are user defined.

ACCESSORIES

CRT Monitors:	Matrox supplies a full line of 9" and 14" monochrome monitors, as well as 12", 14", and 19" high resolution (.3 mm pitch) color monitors for interlaced and non-interlaced operations
Light Pen:	High speed light pen (LP-600)

SOFTWARE SUPPORT

GRAS-80:	Library of high-level graphic primitives (subroutines) including points, vectors, arcs, circles, characters, zoom, scroll, video effects, etc. is available (floppy diskette) in CP/M format. Runs under any Z-80 based CP/M system with the RGB-GRAPH plugged in. Subroutines are accessible from Z-80 assembler or "C".
-----------------	---

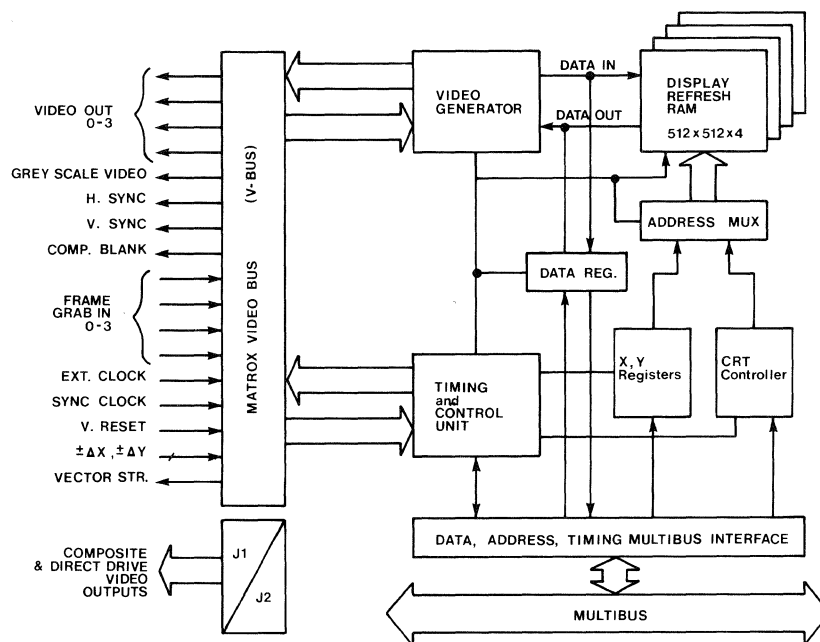


Figure 4. RGB-GRAPH functional blocks

FUNCTIONAL DESCRIPTION

The RGB-GRAPH is a very complex digital graphics system on a single 6.5" x 12" PC board (figure 3). It consists of six main functional blocks (figure 4): CRT Controller, Video Generator, Display RAM, XY Registers, Timing and Control Unit, and Multibus Interface.

The **CRT Controller (CRTC)** is a VLSI IC which provides all video timing signals including horizontal and vertical sync and blanking, display refresh RAM addresses, as well as various other timing and control signals such as cursor, light pen interface, etc. The CRT Controller is software programmable allowing the user to program parameters such as vertical refresh frequency, width and position of horizontal and vertical sync pulses (important when using non-standard CRT monitors), display resolution, etc. To the Multibus CPU, the CRTC appears as an array of 18 registers which are indirectly addressed via two I/O ports.

The **Display Refresh Memory** is made up of 128K bytes of on-board dynamic RAM (for 512 x 512 x 4 resolution) which contains the binary picture information. Each pixel is identified by a unique address in the 262,144 address space (512 x 512). Each address contains 4 data bits which represent the pixel color. The memory is organized as four independent "planes", each containing one data bit (512 x 512 x 1). The display memory can be expanded to 16 planes through the combination of three additional RGB-GRAPH boards.

The CPU can read/write the display RAM in one of two ways. In the XY mode the CPU loads the X and Y registers with the pixel address and then reads/writes the pixel color information through the Data Register. This mode is normally used when drawing graphics point by point. For high speed read/write operations the CPU can access the refresh memory in DMA mode. The display memory is accessed in 1K byte blocks with the starting address of the desired block loaded into the X and Y registers before executing DMA. This mode is usually used when transferring complete images from/to mass storage devices (floppy, Winchester, etc.) or for hard copies.

In addition to the CPU read/write, the display memory is continually scanned by the CRTC every 16.66ms (60 Hz) to generate video signals or, in the frame grabbing mode, to load digitized TV camera images into memory at speeds of over 100 Megabits/second. Memory access arbitration circuitry on the RGB-GRAPH efficiently resolves any contention problems between read/write requests and CRT refresh requests in such a way that the display refresh is "transparent" to the user.

The **X-Y Registers** are 12 bit up/down counter/latches with associated logic containing the address of the pixel being accessed by the graphics cursor (4096 x 4096 addressable area) as shown in figure 5. The CPU can load the X and Y Registers, through programmed I/O, with the pixel's absolute position. Two 8 bit ports are used for each Register. If the contents of either the X or Y Registers exceed the maximum resolution (i.e. $X > 512$, $Y > 512$) the Clip Circuit will prevent CPU read/write.

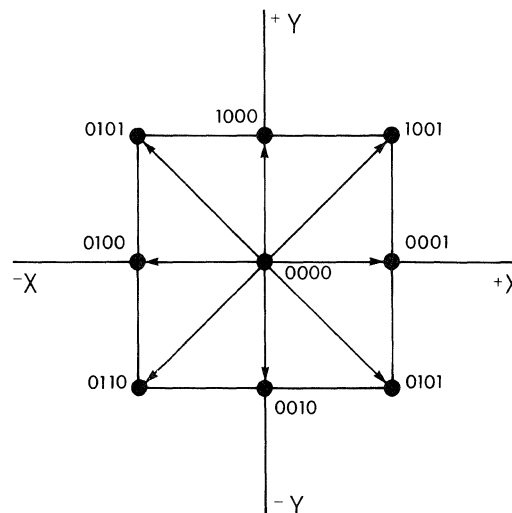


Figure 6. Vector Step Direction

These digital video signals are then passed through double density switches (used for multiplexing two planes to enable the user to double the horizontal resolution, eg. 1024 x 512) and are gated by video mask bits which are stored in the Video Mask Register. The user can, under software control, switch on/off selectively any bit plane enabling a variety of video effects such as animation, multiple page displays, mixing, etc. Overlay logic combines the fourth plane with the other three for various video effects. By plugging the appropriate IC into the overlay socket, the fourth plane can be NANDed (74LS00), ANDed (74LS08), ORed (74LS32), or X-ORed (74LS86) with the other three planes. Video effects such as alphanumeric mixing, multiple windows, graphics cursor, etc. can be accomplished through the use of the overlay feature.

After masking and overlay, the video signals are buffered by high drive buffers (74LS374) with 3-state outputs which are controlled by the video enable signal. The video signals are then placed on the Matrox video bus as TTL video signals (for use by a direct drive TV monitor). The video can alternately be fed to the on-board D/A converter where a composite sync signal is combined with the D/A output to produce a 16 level composite grey scale video signal (75Ω impedance) to drive B/W monitors or hardcopy devices. The TTL level video signals are also combined with a composite sync signal through the composite video buffer to provide composite R,G,B drivers. One of these outputs (normally green) can be intensity controlled by a 2-bit D/A converter connected to planes 2 and 3.

While operating in the frame grabbing mode, the video signals from a TV camera via the VAF-512 board are fed, through a phase lock loop (synchronizes the RGB-GRAPH timing to that of the external sync), to an 8-bit 10 MHz A/D converter. This video signal is then serially input to the 4-bit shift register where it is converted to parallel form and written to the display refresh memory. Note that this is exactly opposite to the generation of video signals during the read operation. Both the read and write video operations are synchronized so that the RGB-GRAPH can operate in a continuous frame grabbing mode (write new pixel data after previous pixel is read).

Various hardware video functions are performed in different sections of the RGB-GRAPH board rather than at one place. Video masking, overlay, D/A conversion, and double density switching are performed in the Video Generator section. Vector plotting and clipping are done through the X, Y Registers, X-zoom, shift, screen clear, and selected plane clear are done in the Timing and Control Unit, and scroll, Y-zoom, user programmable video parameters and light pen interface are handled by the CRT Controller chip.

The **Timing and Control Unit** generates signals for the CRTC as well as all signals required by the display refresh memory (figure 8). It consists of the main oscillator (X-TAL = 10 MHz), variable modulo counters (divide by 1-8) which

are controlled by the X-zoom factor to produce the appropriate load and shift signals for the display and a divide by 16 counter which, with a timing PROM, generates a series of timing signals for the memory refresh (RAS, CAS).

The **Multibus* Interface** contains the logic required to interface the RGB-GRAPH to the Multibus*. The RGB-GRAPH looks like 16 consecutive 8-bit wide I/O locations strapped to any 16 address boundary. 8-bit (8085, Z-80A) or 12-bit (8086) I/O addressing can be used. The CPU communicates with the RGB-GRAPH by reading or writing into these I/O registers. The only exception is when the board is used in DMA mode. Then the display memory looks to the CPU like a 1K byte block of RAM (4, 8, 12 or 16 bits wide for 1, 2, 3, or 4 RGB-GRAPH cards). The starting address of the 1K byte block can be positioned anywhere in the 20-bit address space.

DISPLAY SYSTEM CONFIGURATIONS

The Matrox family of advanced color graphics boards; which include the RGB-GRAPH, RGB-ALPHA and VAF-512 offer the OEM system designer the unique capability to design a powerful optimal graphics system with equal or even superior performance to turn-key graphics system, at a lower cost. Furthermore, by using general purpose OEM boards (from Matrox, Intel, NEC, or other suppliers), the user can add CPUs (8 or 16 bit), memory, disk interfaces, etc. Software support, in the form of a graphics primitives library, which runs under CP/M DOS still further simplifies design of the custom graphics systems. Hardware upgrade capabilities enables adding extra display functions by simply plugging in additional boards (more bits/pixel, higher speed, frame grabbing, etc.).

SINGLE BOARD DISPLAY SYSTEM

Using a single RGB-GRAPH board provides for a versatile graphics system that can be used in many display applications from B/W to color.

RESOLUTION	BITS/PIXEL	PART NUMBER	APPLICATION
256 x 256	1	RGB-G/16/1	Non interlaced B/W or color systems
256 x 256	4	RGB-G/16/4	Grey scale or 16 color display system
512 x 256	2	RGB-G/16/4	High res. B/W, one bit for graphics and one bit for alphanumerics
512 x 512	1	RGB-G/64/1	B/W display systems
512 x 512	4	RGB-G/64/4	Grey scale or 16 color display system
1024 x 512	2	RGB-G/64/4	High res. B/W, one bit for graphics and one bit for alphanumerics

Table 1: Examples of display systems using single RGB-GRAPH

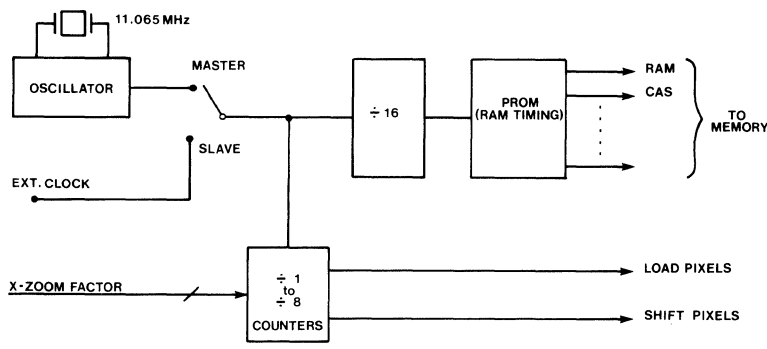


Figure 8. Timing and Control Unit

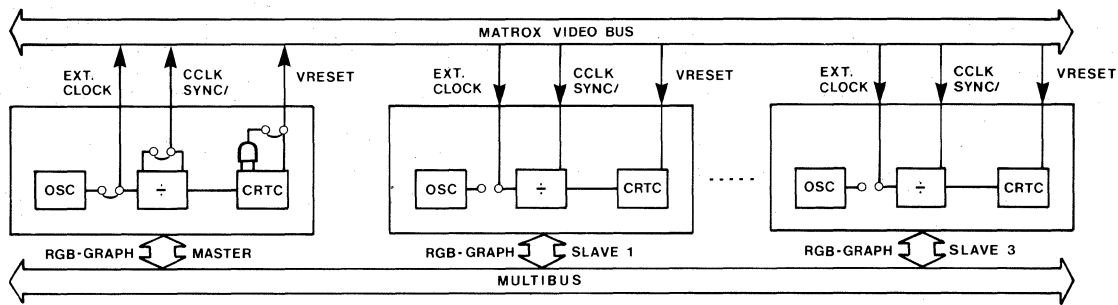


Figure 9. Multiple RGB-GRAPH System

ADDING MORE BITS/PIXEL

Up to four RGB-GRAPH boards can be synchronized together via the video bus (single 50 pin ribbon cable) for up to 16 bits/pixel. Each RGB-GRAPH adds up to 4 bits/pixel.

ADDING ALPHANUMERICS

Alphanumerics can be added to the graphics in three ways. The simplest way is to write alphanumerics, pixel by pixel, from a table stored in RAM or ROM. This offers flexibility in character size, color, position, and font but interferes with the graphics display. The second way is to use one of the bit planes on the RGB-GRAPH exclusively for alphanumerics and overlay it with the graphics planes. The use of a separate alphanumerics board (RGB-ALPHA) offers the highest speed. RGB-GRAPH and RGB-ALPHA are synchronized via the video bus connector. The alphanumeric format (character/line x lines) is user programmable. Video signals can be ORed (on the RGB-ALPHA) or mixed together via a color look-up table (on the VAF-512).

VAF-512

The addition of a VAF-512 board enables the RGB-GRAPH system to digitize a real-time B/W or color video signal from a TV camera or VCR with 4 or 8 bits/pixel. Also, a high speed look-up table on the VAF-512 expands the number of displayable colors to over 16 million. The VAF-512 can also be used for video mixing, animation, etc. A high speed hardware vector generator executes high level graphics commands at 800ns/pixel. The VAF-512 is synchronized via the video bus and it works in 256 x 256, 512 x 256 and 512 x 512 resolution.

ber of displayable colors to over 16 million. The VAF-512 can also be used for video mixing, animation, etc. A high speed hardware vector generator executes high level graphics commands at 800ns/pixel. The VAF-512 is synchronized via the video bus and it works in 256 x 256, 512 x 256 and 512 x 512 resolution.

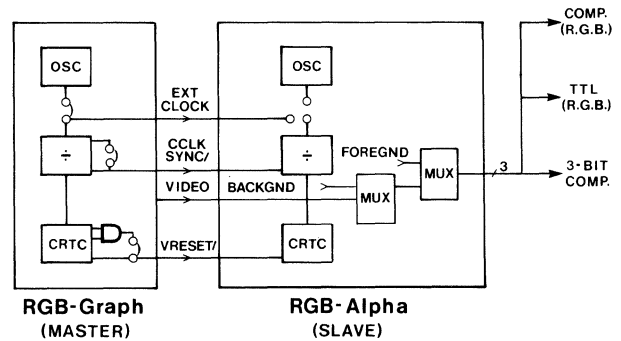


Figure 10. Alphanumerics Overlay

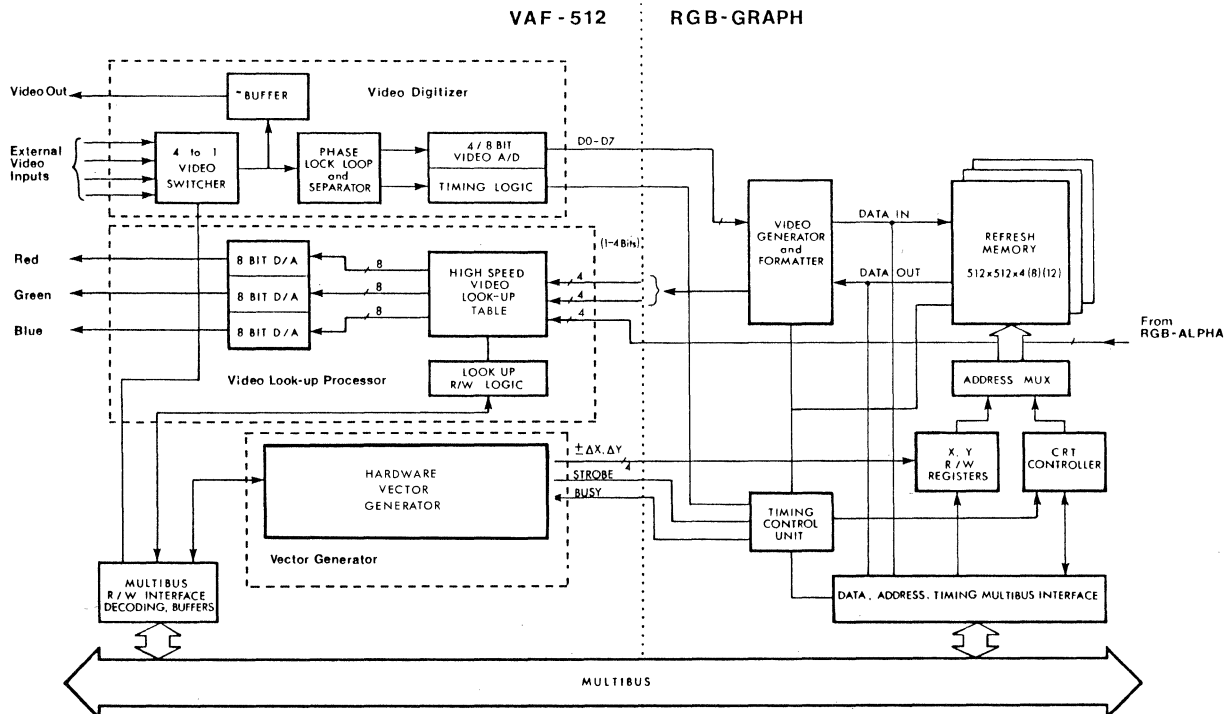


Figure 11. VAF-512 Video Processor

SPECIFICATIONS

FUNCTIONAL

MEMORY ACCESS TIME

CRTC Data, CRTC Address, CRTC Status, and Vector Register access time is fixed at 500ns. Access time to all other locations (including DMA) varies from 50ns to 1.2 μ s for boards using 64K parts (see ORDERING INFORMATION), and from 50ns to 2.4 μ s for boards using 16K parts. Average access time for 64K boards is approximately 800ns, and for 16K boards is about 1600ns.

DISPLAY PARAMETERS

RESOLUTION	RAM TYPE
256x 256 x 4	16K
512x 256 x 2	16K
512 x 512 x 4	64K
1024 x 512 x 2	64K

VIDEO TIMING

For a display format of 512 horizontal dots x 512 vertical dots on a monitor with a 51.2 μ s active video time a 10.000 MHz crystal is used. The following table gives the timing in both American and European standards.

SIGNAL	AMERICAN	EUROPEAN
Active Video	51.2 μ s	51.2 μ s
Horizontal Sync Frequency	15.82 KHz	15.82 KHz
Horizontal Sync Width	4.80 μ s	4.80 μ s
Vertical Sync Frequency	62.2 Hz	51.2 Hz
Vertical Sync Width	189.6 μ s	189.6 μ s

INPUT SIGNALS

Light-pen Enable
Light-pen Strobe

OUTPUT SIGNALS

TTL Level Video: TTL level Red Analog Video: Red
 TTL level Green0 Green (composite)
 TTL level Green1 Blue
 TTL level Blue Grey Scale (composite)
 Vertical Drive
 Horizontal Drive

BUS INTERFACE

Address, data and control signals conform to Intel Multibus Specification No. 9800683
 Command and Status Registers — Selectable on 16 byte I/O address boundaries 000 — FFF (0A0H)
 Display Refresh Memory (DMA only) — Selectable on 1K byte memory address boundaries 0000-FFFF (07C00H)

CONNECTORS

DESCRIPTION	MATING CONNECTOR
P1 : 86 pin edge connector, 0.156" centers, Multibus interface	COMPAR ESM-43-DSRI
J1 : 10 pin right angle header, Analog video outputs	AMP 87922-1
J2 : 10 pin right angle header, TTL video outputs	AMP 87922-1
J3 : 50 pin right angle header, Matrox video bus	Molex 15-25-4505
J4 : 10 pin right angle header, Light pen interface	AMP 87922-1

PHYSICAL

SIZE

Width — 12.00 in. (30.48 cm)
 Height — 6.75 in. (17.15cm)
 Depth — 0.50 in. (1.27cm)

POWER REQUIREMENTS

64K — \pm 5V DC \pm 5% @ 2.25A
 16K — \pm 5V DC \pm 5% @ 1.80A
 +12V DC \pm 5% @ 128mA
 -12V DC \pm 5% @ 30mA

ENVIRONMENTAL REQUIREMENTS

Operating Temperature: 0°C to 55°C
 Relative Humidity: 0° to 95° non-condensing

ORDERING INFORMATION

RGB-G/XX /X



Example: RGB-G/64/4: 512 x 512 color graphics controller with four bit planes

Note: The RGB-GRAPH should be ordered in exact configurations. User field upgrades (different resolutions, more bits/pixel) are not recommended as these require straps and PROM.

Software Support:

GRAS-80: CP/M compatible graphics primitives library

Matrox Electronic Systems Ltd reserves the right to make changes in specifications at any time and without notice. The information furnished by Matrox Electronic Systems Ltd in this publication is believed to be accurate and reliable. However, no responsibility is assumed by Matrox Electronic Systems Ltd for its use; nor for any infringements of patents or other rights of third parties resulting from its use. No license is granted under any patents or patent rights of Matrox Electronic Systems Ltd.



CP/M, CP/M-86 Digital Research TM
 Multibus, 8086 Intel TM
 Z-80, Z-80A Zilog TM



matrox
electronic systems ltd.

5800 ANDOVER AVE., T.M.R., QUE., H4T 1H4, CANADA
TEL.: 514-735-1182 TELEX: 05-825651

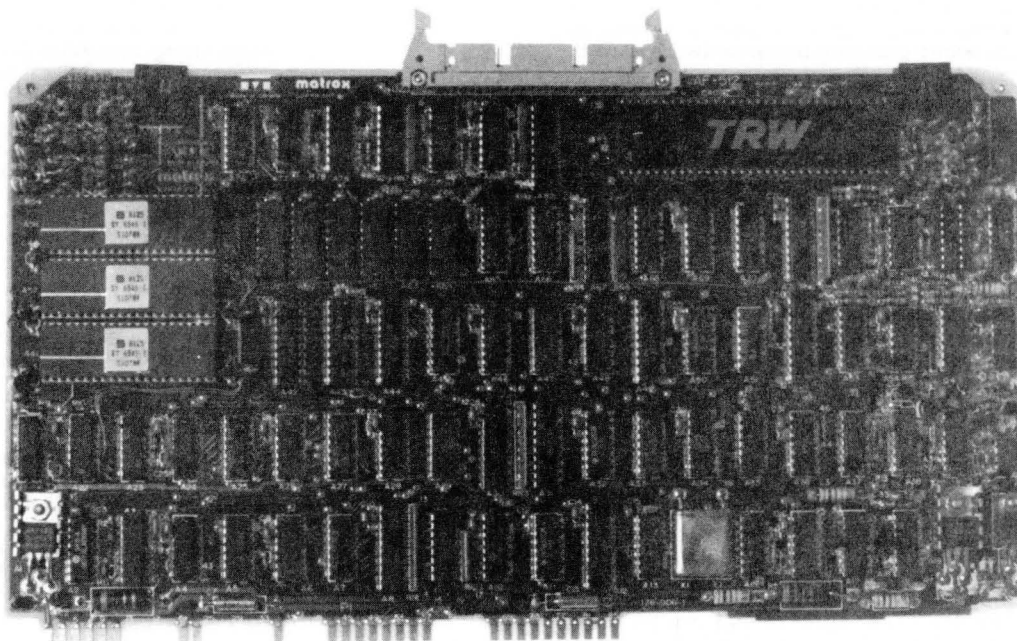
VAF-512

RGB-GRAPH VIDEO INPUT/OUTPUT PROCESSOR FOR MULTIBUS

- Real Time Video Frame Grabber
 - 4 or 8 bit A/D
 - 4 input video switch
 - Programmable clamping and gain
 - Internal/external, block/serrated sync
 - Phase locked loop for Genlock
- Color Look-Up Table (RAM)
 - 10 input lines/24 output lines
 - Three 8 bit D/A converters (R, G, B)
 - 16 million color palette
 - Blink and overlay control
- Hardware Vector Generator
 - High speed line drawing (800ns/pixel)
 - Length, slope, and texture control
- Multibus* Compatible
- Works With RGB-GRAPH Board
- RGB-ALPHA Overlay Compatibility
- American/European Operation

The VAF-512 is a video I/O processor board designed to extend the performance of the Matrox RGB-GRAPH video controller. The VAF-512 has three main subsections: a real time video digitizer (frame grabber), a color look-up table, and a high speed vector generator. The video A/D converter provides real time grey scale digitizing, of a camera, videodisk, or VCR signal (4 or 8 bits/pixel), into one or two RGB-GRAPH frame buffers. The color look-up table provides a palette of over 16 million output shades and colors. The look-up table can accommodate one or two RGB-GRAPH boards and an RGB-ALPHA. The on-board vector generator provides high speed line drawings (800ns/pixel). The length, slope, and texture of the displayed lines are all software controlled.

The VAF-512 plugs into any standard Multibus backplane and interfaces to the RGB-GRAPH/RGB-ALPHA via a single 50-pin ribbon cable. The board can be used with both 8 and 16 bit CPUs and will operate in either American or European standard systems.



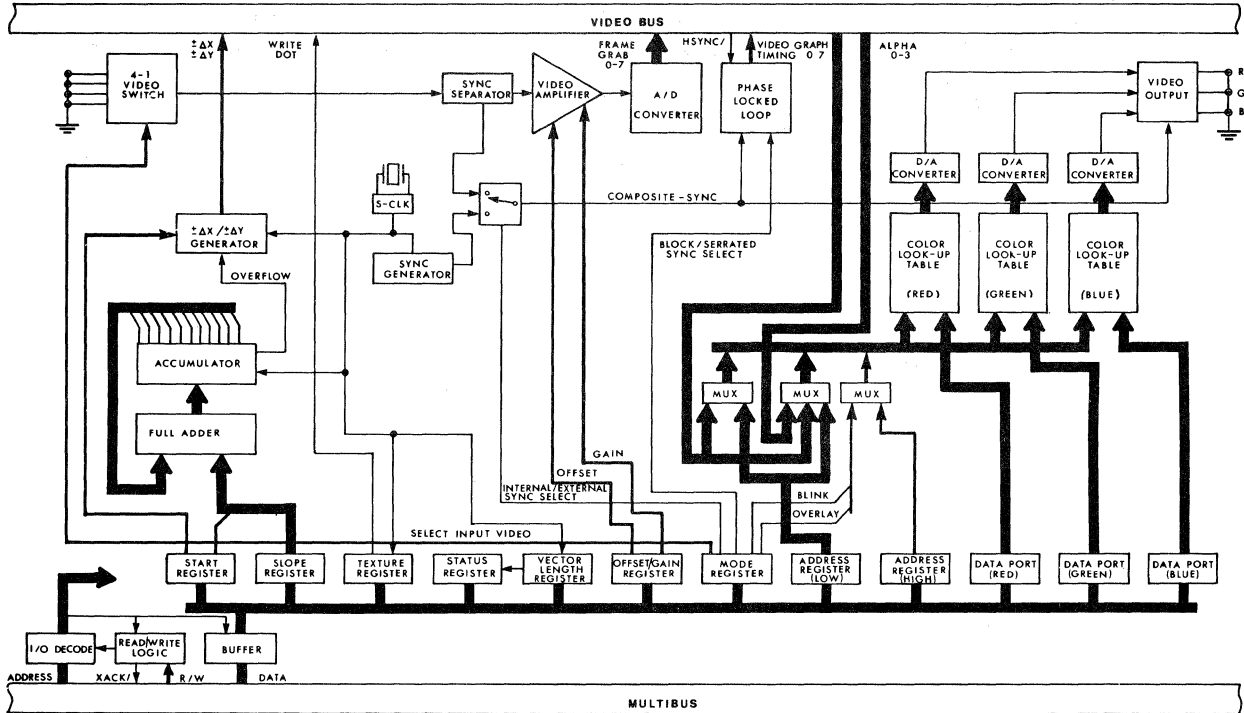


Figure 1. VAF-512 block diagram

VAF-512 FEATURES

FRAME GRABBER

High Speed A/D Converter:

The VAF-512 contains an on-board 10 MHz A/D converter for real-time frame grabbing applications. Images can be digitized to either 4 or 8 bits/pixel.

4 Input Video Switch:

Up to four different analog video inputs can be accepted by the VAF-512. Each video source can be individually selected for frame grabbing under software control.

Color Frame Grabbing:

By connecting the R, G, B outputs from a color video camera to separate inputs on the video switcher, and then grabbing each channel separately, a color picture can be digitized.

Software Controlled Gain and Offset:

The VAF-512 Frame Grabber enables the user to introduce a software programmable gain and/or offset to the input video signal. This feature enables the user to concentrate the digitizing operation on that part of the input signal which contains most of the video information — effectively increasing the contrast.

Programmable Sync:

Under software control the VAF-512 can be programmed to lock to either block or serrated sync. Sync signals can be generated on-board, or stripped from the input video signal for broadcast and video mixing applications.

VECTOR GENERATOR

High Speed Line Drawings:

Vectors can be drawn to the graphics display, via the VAF-512 hardware Vector Generator, at speeds that are 20 to 40 times faster than conventional software vector generation techniques.

Vector Texture Control:

The texture of the displayed vectors (dotted, dashed, solid, etc.) can be programmed by the user through an on-board

8 bit Texture Register. Up to 512 different texture patterns can be defined.

COLOR LOOK-UP TABLE

Programmable Colors:

The VAF-512 Color Look-Up Table allows the user to select the available display colors from over 16 million possible shades. Up to 16 colors can be displayed with systems using one RGB-GRAPH board, and 256 colors can be displayed using two RGB-GRAPH boards.

Overlay:

Alphanumeric characters (from the RGB-ALPHA) can be overlaid on the graphics display through the Color Look-Up Table. When characters are to be overlaid on the display, the 4 bits from the RGB-ALPHA board will replace the four most significant graphics bits on the look-up table address lines.

Blink:

The graphics display can be set to blink between any of the available display colors. The VAF-512 can also be programmed to blink only the overlaid alphanumeric characters. The blink frequency can be software selected for 1.8 Hz or 3.75 Hz.

MULTIBUS INTERFACE

The VAF-512 looks to the user like 12 consecutive I/O locations. All communications between the host CPU and the VAF-512 (including read/write operations to the Color Look-Up Table) are accomplished via I/O read/write.

ACCESS TIME:

Time from CMD/ to XACK/ for all registers is fixed at 200ns.

VIDEO BUS:

A 50 pin connector provides all the video input and output lines required to interface the VAF-512 with up to two RGB-GRAPH boards and one RGB-ALPHA board.

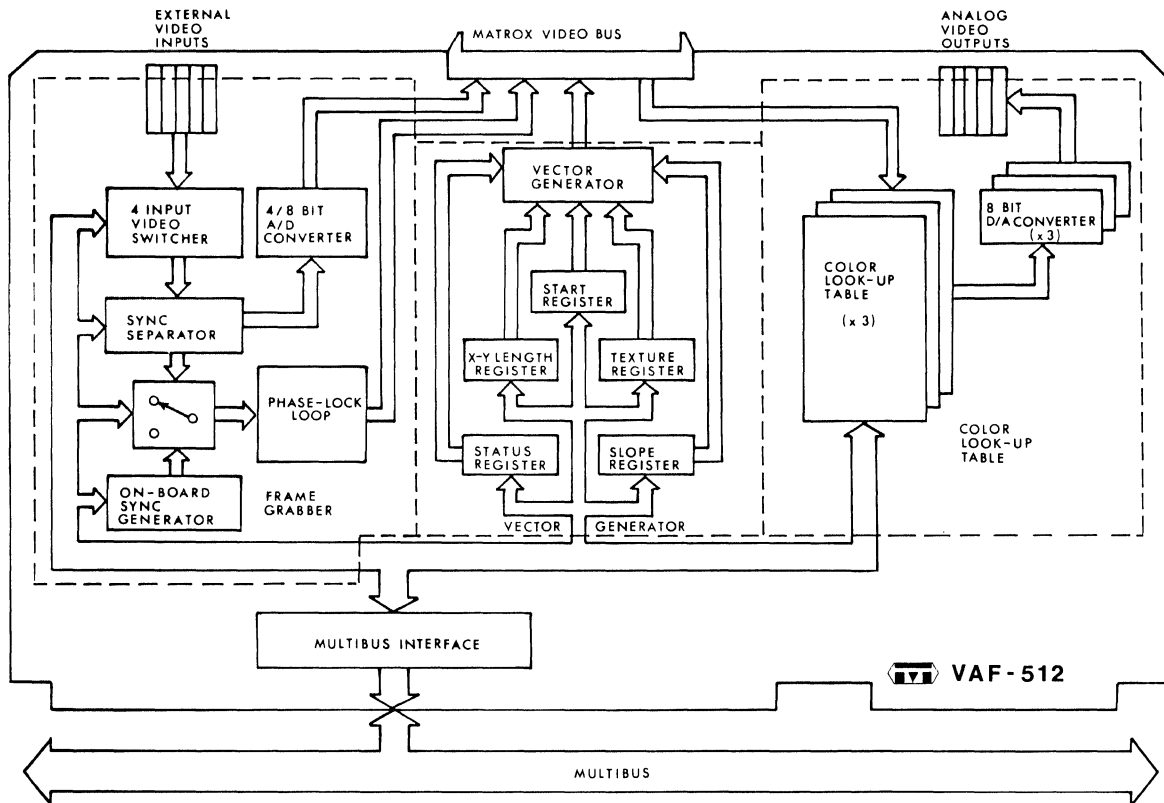


Figure 2. VAF-512 functional blocks

FUNCTIONAL DESCRIPTION

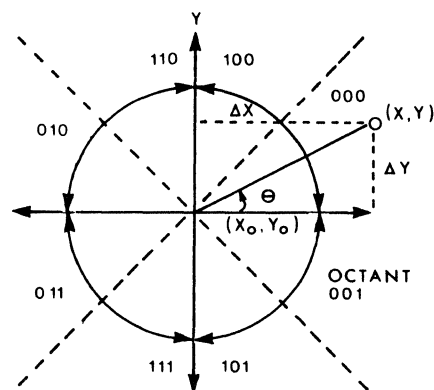
The VAF-512 has been designed to complement the operation of Matrox's RGB-GRAPH/RGB-ALPHA family of color video controllers. The VAF-512 comprises three independent operational sections (figure 2) contained on a single Multibus compatible PC board.

The on-board **Hardware Vector Generator** provides an efficient means of drawing vectors to the RGB-GRAPH display memory. Three parameters are required to specify a line draw operation; length, slope, and texture. The 10 bit Length Register stores the length of the larger of the two components (ΔX , ΔY). This permits vectors of up to 1024 pixels to be drawn with a single software Write command. A 10 bit Slope Register stores, with single pixel precision, the $\tan\theta$ where θ is an angle between 0° and 45° . Three bits in the Start Register define the proper octant. The Vector Generator circuit calculates the ΔX and ΔY addressing, as required by the RGB-GRAPH, on a pixel by pixel basis until the full vector has been drawn. A Busy Flag in the Status Register is used to indicate completion.

The texture of the displayed vector is stored in an 8 bit Texture Register. The contents of the Texture Register define an 8 bit repeating pattern of pixel information (figure 4). In this way solid, dotted, dashed, and hidden vectors can be drawn. Note that the Data Register on the RGB-GRAPH board is used to set the color of the vector.

The hardware Vector Generator operates with a drawing speed of 800ns/pixel. This represents an increase of about 20 to 40 times the conventional drawing speeds achieved by software vector generation.

The VAF-512 **Frame Grabber** enables the user to digitize a frame of video information (from an external video camera, VCR or videodisk), with either 4 or 8 bits per pixel, and store that frame in the RGB-GRAPH display memory (512 x 512 x 4 bits per GRAPH board). Using commands issued by the RGB-GRAPH, this frame grabbing operation can be continuous (RGB-GRAPH will display a continually updated or "live" picture) or one shot, effectively "freezing" the ac-



$$\text{IF } |\Delta X| \geq |\Delta Y|$$

$$\text{THEN LENGTH} = |\Delta X|$$

$$\text{AND SLOPE} = \left| \frac{\Delta X}{\Delta Y} \right|$$

$$\text{IF } |\Delta X| < |\Delta Y|$$

$$\text{THEN LENGTH} = |\Delta Y|$$

$$\text{AND SLOPE} = \left| \frac{\Delta Y}{\Delta X} \right|$$

Figure 3. Determining vector length and slope parameters

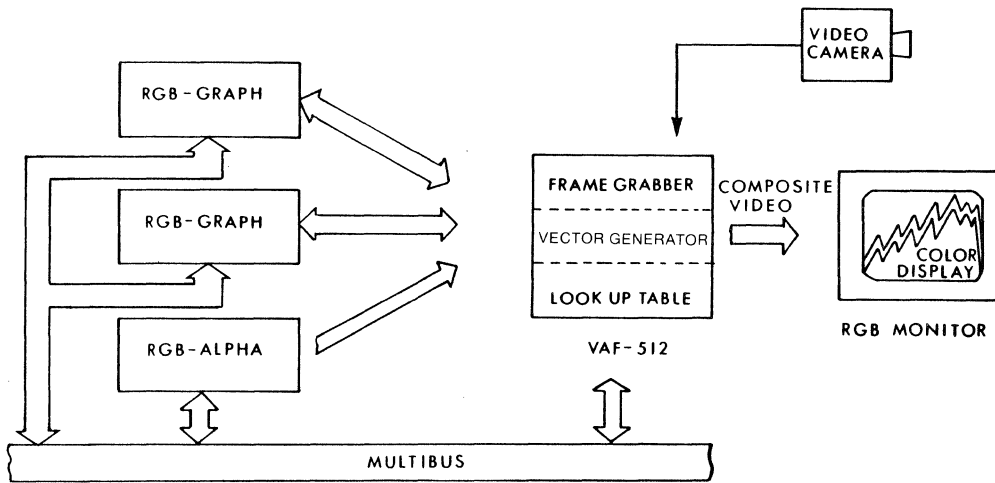


Figure 5. VAF-512 in system

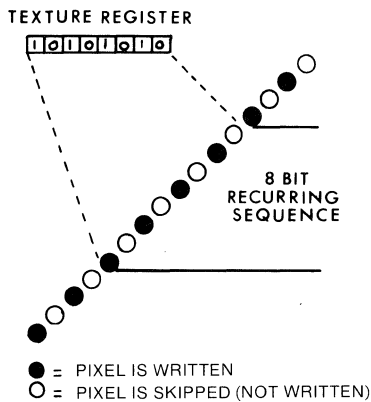


Figure 4. Defining the "Texture" pattern for the displayed vectors

tion. Up to four video cameras can be interfaced to the VAF-512 through an on-board four input video switcher which permits software selection between the four video sources.

Incorporated into the design of the frame grabber is a Phase-Lock Loop circuit (PLL). The PLL uses the sync signal stripped from the input video signal as a reference frequency to which it synchronizes the rest of the system (RGB-GRAPH/RGB-ALPHA). If required, an on-board sync generator (strappable for American EIA or European CCIR standard sync) can be software-selected to act as a master sync source for both the video display boards and the video source. The PLL can also be programmed to accept either block or serrated sync.

The VAF-512's frame grabber provides software control over the gain of the input signal. This feature, together with a software-variable voltage offset (clamping level) on the input, allows the user to take advantage of the full digitizing range of the A/D converter for a given input signal amplitude. This technique can be used to concentrate the operation of the A/D converter on that part of the input signal that contains the most video information, in effect increasing the contrast of the image. There are sixteen different levels of gain and sixteen different levels of offset.

The VAF-512 **Color Look-Up Table** is made up of three 1K x 8 RAM look-up tables (one for each primary color: red, green, and blue), each of which are divided into four 256 byte sections: Normal, Overlay, Blink, and Blink And Overlay. These Color Look-Up Tables provide the RGB-GRAPH

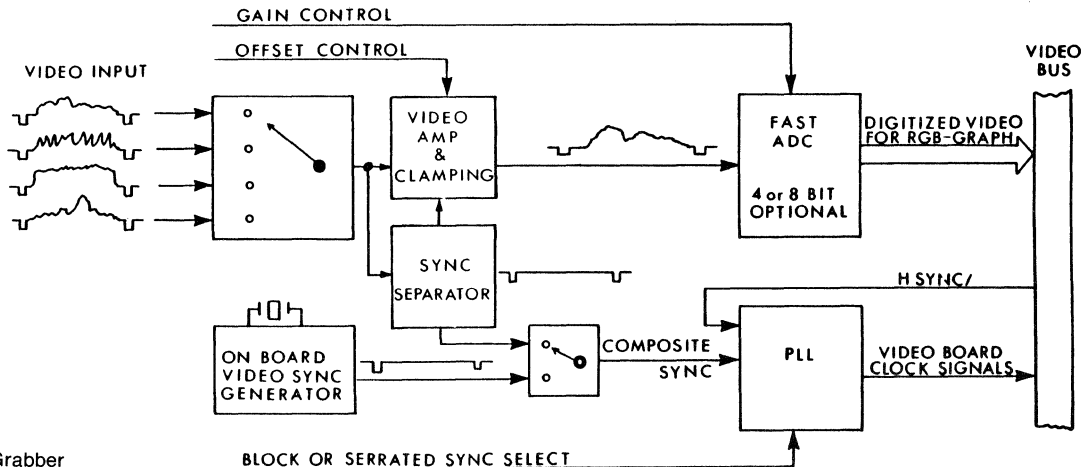


Figure 6. Frame Grabber

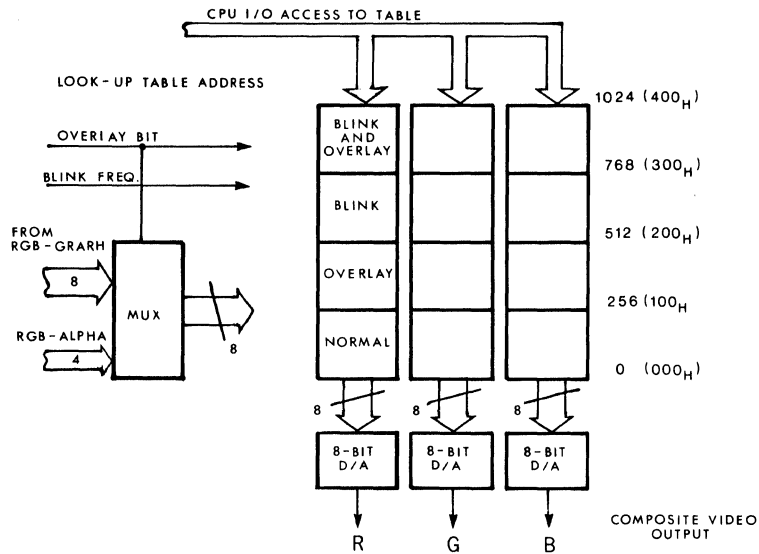


Figure 7. Color Look-Up Table

with a color palette of over 16 million colors. To display a desired color at a certain pixel location, the user simply loads that color's look-up table address into the RGB-GRAPH display memory location corresponding to the pixel position. The contents of the look-up table can be changed at any time. A single RGB-GRAPH board (4 bits) can address 16 different locations in the look-up table. Two RGB-GRAPH boards (8 bits) can address up to 256 locations in the look-up table. Additionally, the Color Look-Up Table is sectored into four 256 byte blocks (figure 5) in order to allow separate color mappings for overlaid alphanumeric and for blinking. The blink rate is software selectable to be either 1.8 Hz or 3.75 Hz.

When an RGB-ALPHA is interfaced to the VAF-512 the four bits from the alpha board replace 4 of the 8 graphic bits in addressing the Color Look-Up Table. When at least one of these bits is high (alphanumeric data is to be displayed) access to the look-up table is shifted to the Overlay section which contains its own color map. As a result, alphanumeric text from the RGB-ALPHA can be superimposed (overlaid) on the graphics background. The user can also program the VAF-512 to blink the alphanumeric characters between the colors defined in the Overlay and Overlay And Blink sections of the look-up table (similar to blinking graphics pixels between the Normal and Blinking sections). This method of generating blinking characters is very flexible as it allows characters to blink to colors other than their background color.

MATROX VIDEO BUS

The VAF-512 is interfaced to the RGB-GRAPH and RGB-ALPHA boards by way of a 50-pin Matrox Video Bus. Digitized video data as well as X and Y increment/decrement strobes are bussed from the VAF-512 to the RGB-GRAPH. The Video Bus also carries the 4 TTL video bits from each of the RGB-GRAPHS and the RGB-ALPHA boards for color look-up on the VAF-512.

BUS INTERFACE

The VAF-512 plugs directly into the Multibus and works with both 8 and 16 bit processors using byte wide data transfers. The twelve Command and Status Registers are positioned on any 16 byte I/O address boundary between 0000H and FFFFH.

PROGRAMMING

The VAF-512 is programmed via twelve on-board I/O registers. On power-up or reset all control registers must be loaded with the VAF-512's operational parameters (table 1).

REGISTER	ADDRESS	DEFINITION
ADDRESS REGISTER LOW	BASE + 0	Lower 8 bits of look-up table address
ADDRESS REGISTER HIGH	BASE + 1	2 most significant bits of look-up table address
GAIN/OFFSET REGISTER	BASE + 2	Select gain/Select offset
MODE REGISTER	BASE + 3	Select input video to frame grabber/Enable on-board sync generator/Select block sync/Enable overlay/Select blink frequency/Enable blink
VECTOR SLOPE REGISTER	BASE + 4	Lower 8 bits of vector slope
X-Y LENGTH REGISTER	BASE + 5	Lower 8 bits of vector length
TEXTURE REGISTER	BASE + 6	Texture pattern
START REGISTER	BASE + 7	2 most significant bits of vector slope/Complement Texture Register/vector slope < 45/vector quadrant/2 most significant bits of vector length
RED DATA PORT	BASE + 8	Read/write port to Red look-up table
BLUE DATA PORT	BASE + 9	Read/write port to Blue look-up table
GREEN DATA PORT	BASE + A	Read/write port to Green look-up table
STATUS REGISTER	BASE + B	Vector generator status (BUSY)

Table 1. Register Definitions

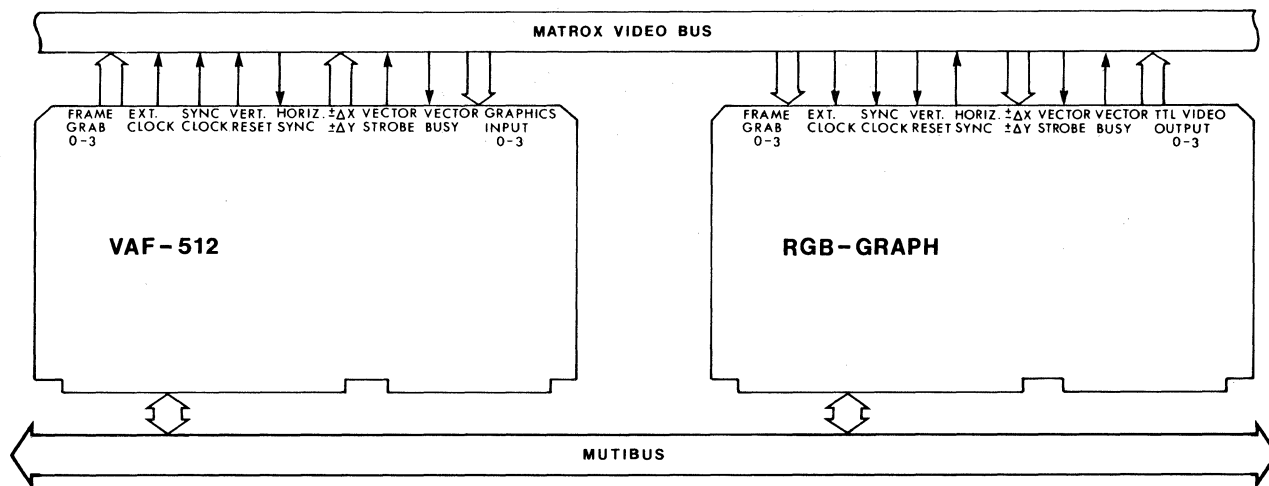


Figure 8. 512 x 512 x 4 video imaging system

DISPLAY SYSTEM CONFIGURATIONS

The Matrox family of advanced color video boards, which include the VAF-512, RGB-GRAPH, and RGB-ALPHA, offer the OEM system designer a unique capability to design a powerful optimal graphics system with the equal or even superior performance of a turn-key graphics system — at a lower cost. Furthermore, by using general purpose OEM boards (from Matrox, Intel, NEC, or other suppliers), the user can add CPUs (8 or 16 bit), memory, disk interfaces, etc. to configure his system to his exact requirements. Software support, in the form of a graphics primitive library which runs under CP/M DOS, further simplifies design of custom video systems. Hardware upward capability enables adding extra display functions by simply plugging in additional boards (more bits/pixel, higher speed, alphanumeric overlay, etc).

An alphanumeric overlay can also be added to the graphics display by plugging in an RGB-ALPHA alphanumeric controller to the system.

4 BIT/PIXEL IMAGING SYSTEM

Combining the VAF-512 with a single RGB-GRAPH (figure 8) yields a video imaging system using 4 bits/pixel. Whole frames of video picture information with up to 16 color or grey levels can be digitized and stored in the display memory of the RGB-GRAPH.

8 BIT/PIXEL IMAGING SYSTEM

Adding another RGB-GRAPH graphics controller to the system (figure 9) doubles the number of bit planes to eight. This enables the system to store and display images with a resolution of 512 x 512 dots using up to 256 colors or grey levels.

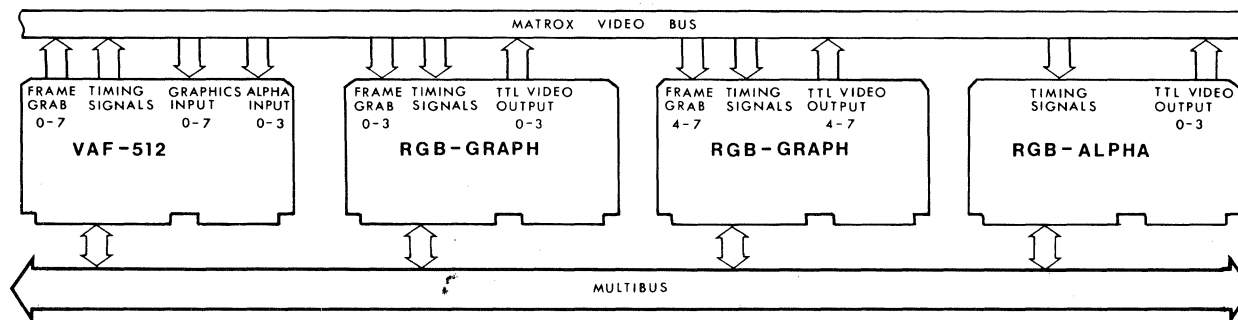


Figure 9. 512 x 512 x 8 video imaging system with alphanumeric overlay

SPECIFICATIONS

FUNCTIONAL

OPERATIONAL PARAMETERS

VECTOR GENERATOR

DESCRIPTION	RESTRICTIONS
Drawing Speed	800ns/pixel (512 x 512 resolution)
Vector Texture	512 texture patterns (software selectable)

FRAME GRABBER

DESCRIPTION	RESTRICTIONS
Spatial Resolution	512 x 512 max.
Video Inputs	4 analog video inputs (software switchable)
Sync	Internal/external, block/serrated (software selectable)
Bits/pixel	4 or 8 bits
Offset	16 increments from Black level to nominal mid-range (software selectable)
Gain	16 increments from 0.7 to 1.9 of nominal (software selectable)

COLOR LOOK-UP TABLE

DESCRIPTION	RESTRICTIONS
Palette Size	$2^{24} = 16,777,216$ colors
Addressable Colors	16 colors (1 x RGB-GRAPH)/256 colors (2 x RGB-GRAPH)
Blink Rate	1.8 Hz/3.75 Hz (software selectable)

INPUT SIGNALS

ANALOG INPUTS:	Camera 0 Camera 1 Camera 2 Camera 3	TTL LEVEL INPUTS:	4/8 graphics bits 4 overlays bits HSYNC/ BUSY/
----------------	--	-------------------	---

OUTPUT SIGNALS

ANALOG OUTPUTS:	Composite Video (RED) Composite Video (BLUE) Composite Video (GREEN)	TTL LEVEL OUTPUTS:	8 Video bits System Clock $\pm \Delta X, \pm \Delta Y$ V. Reset
-----------------	--	--------------------	--

BUS INTERFACE

Address, data, and control signals conform to Intel Multibus Specification No. 9800683
Command and Status Register — Selectable on any 16 byte I/O address boundaries 0000 — FFFFh (0060h).

CONNECTORS

DESCRIPTION	MATING CONNECTOR
P1: 86 pin edge connector, 0.156" centers — Multibus Interface	COMAR ESM-43-DSRI
J1: 10 pin right angle header — Composite Video Output	AMP 87922-1
J2: 10 pin right angle header — Analog Video Input	AMP 87922-1
J3: 50 pin right angle header — Matrox Video Bus	MOLEX 15-25-4505

PHYSICAL

SIZE

WIDTH: 12.00 in. (30.48 cm)
HEIGHT: 6.75 in. (17.15 cm)
DEPTH: 0.50 in. (1.27 cm)

POWER REQUIREMENTS

+5V DC $\pm 5\%$ @ 3.2A
+12V DC $\pm 5\%$ @ 120mA
-12V DC $\pm 5\%$ @ 0.95A (VAF-512/8)
-12V DC $\pm 5\%$ @ 0.55A (VAF-512/4)

ENVIRONMENTAL REQUIREMENTS

Operating Temperature: 0°C to 55°C
Relative Humidity: 0% to 90% non-condensing

ORDERING INFORMATION

VAF-512 / X - XX

} AS — American standard (60 Hz)
} ES — European standard (50 Hz)

Number of bits per pixel (4/8)

Example: VAF-512/8-AS: American standard board with an 8 bit/pixel A/D converter (frame grabber).

Matrox Electronic Systems Ltd reserves the right to make changes in specifications at any time and without notice. The information furnished by Matrox Electronic Systems Ltd in this publication is believed to be accurate and reliable. However, no responsibility is assumed by Matrox Electronic Systems Ltd for its use; nor for any infringements of patents or other rights of third parties resulting from its use. No license is granted under any patents or patent rights of Matrox Electronic Systems Ltd.



Multibus Intel TM
CP/M Digital Research TM



matrox
electronic systems ltd.

5800 ANDOVER AVE., T.M.R., QUE., H4T 1H4, CANADA
TEL.: 514-735-1182 TELEX: 05-825651

RGB-ALPHA

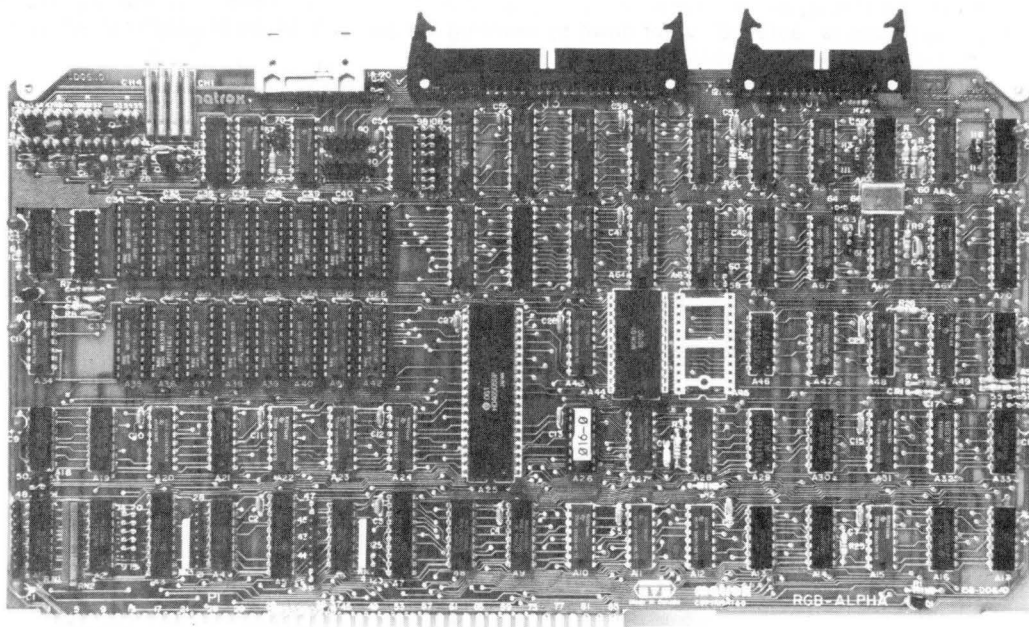
PROGRAMMABLE COLOR ALPHANUMERIC DISPLAY CONTROLLER FOR MULTIBUS

- User Programmed Display Format
- Up to 4000 Characters
- 8 Display Colors
- Blink
- Double Height Characters
- Underline
- Addressable Cursor
- Multibus* Compatible
- Keyboard Interface
- Light Pen Interface
- RAM and EPROM Character Generator
- Transparent Memory
- 50 or 60 Hz Operation
- Drives any RGB Color Monitor

The RGB-ALPHA is a Multibus* compatible, color video display controller card which allows the display (characters/line x lines/page) and character formats (5 x 7, 7 x 9 etc.) to be set by programmed I/O commands. Each character is displayed in 1 of 8 foreground colors on 1 of 8 background colors. Characters may be either single or double height and either normal, blinking at 2 Hz or underlined.

The character font provided with the RGB-ALPHA contains 128 - 5 x 7 dot upper/lower case alphanumeric characters and graphics symbols. By adding a second character generator ROM/RAM, 128 additional symbols may be defined. When using a RAM character generator, the character font may be rewritten at any time by the system processor.

The RGB-ALPHA works with all monochrome and color (RGB) video monitors in Europe (50 Hz) and America (60 Hz). Interfaces for a high-speed light pen and an 8-bit parallel keyboard are also provided.



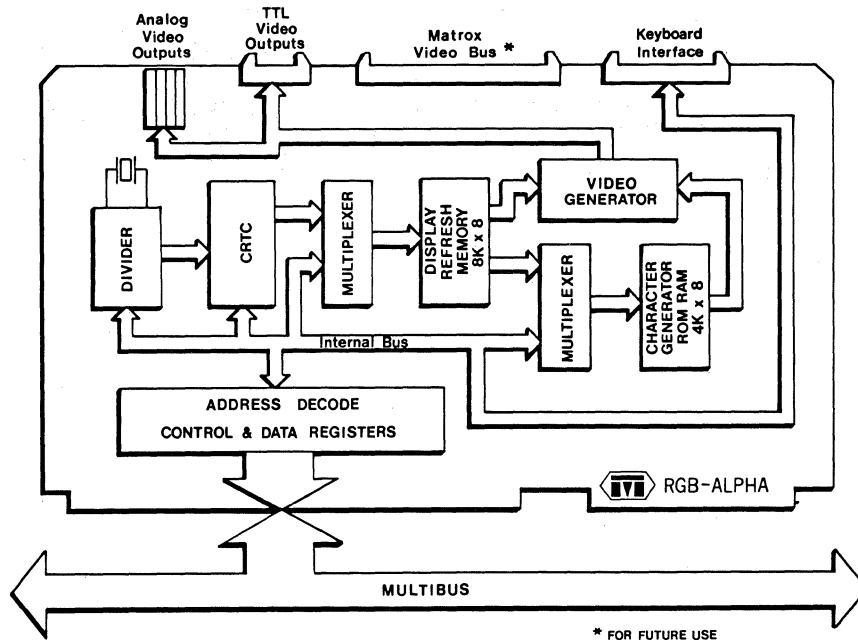


Figure 1. RGB-ALPHA block diagram

FUNCTIONAL DESCRIPTION

The block diagram, Figure 1, shows the major functional components of the RGB-ALPHA.

CRT CONTROLLER

In the design of the RGB-ALPHA, the 6845 CRT controller replaces many of the SSI/MSI components used in older designs and provides the RGB-ALPHA with features previously found only in the most expensive equipment. All display parameters are now user specified and displays can be configured to have virtually any combination of rows and columns up to a maximum of 4000 characters. In addition, the character cell size is variable and accomodates all commonly used character font sizes (5 x 7, 7 x 9, etc.).

DISPLAY MEMORY

Each character position on the CRT screen corresponds to a pair of locations in the display refresh memory. The display refresh memory, 8K bytes in total, occupies 1K, 2K, 4K or 8K of system address space depending on the display size. The processor can read or write the display memory at full speed using all memory reference instructions ($t_a < 1052ns$). All accesses to the memory are "transparent". The processor can read or write the refresh memory at any time, and the display is free of "glitches".

When a character is to be displayed, its character Code and Attribute Code are written into the appropriate display memory locations. The display is "scrolled" up or down by rewriting the contents of the Display Start Address Register.

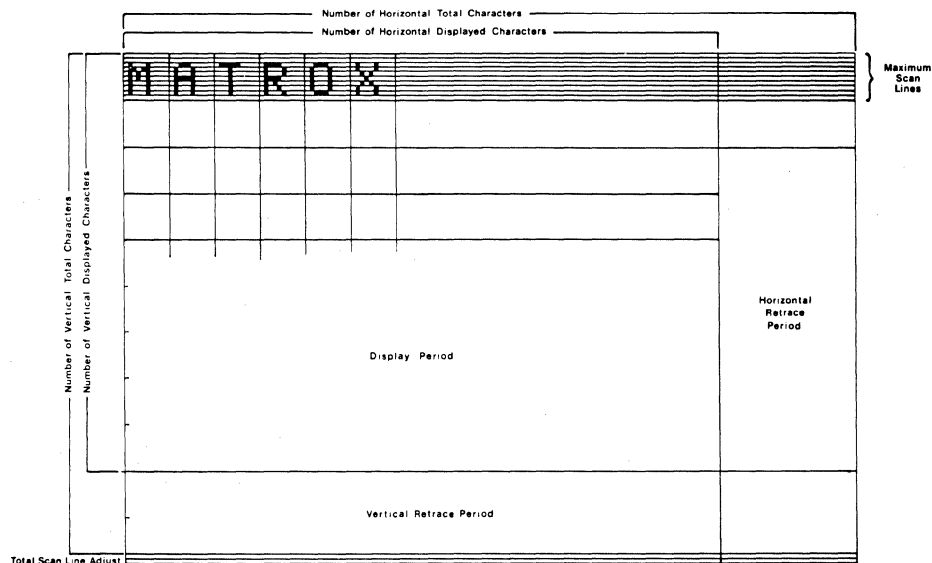


Figure 2. RGB-ALPHA display parameters

As supplied, the Character and Attribute Memories are mapped into 4K bytes of system address space and are enabled/disabled through programmed I/O commands. Two other operating modes are provided (Auto-Attribute Mode and Unified Memory Mode). When operating in the Auto-Attribute Mode, the Attribute Code is latched in the Attribute Register and is automatically written into Attribute Memory each time a Character Code is written into Character Memory. When operating in the Unified Memory Mode, all of the display refresh memory stores Character Codes. Only 1 attribute is permitted. All of the 8000 characters can be viewed by "scrolling" the display up or down.

CHARACTER GENERATOR

Two 24-pin DIP sockets accept up to 4K bytes of ROM/EPROM/RAM thereby permitting up to 256 different characters and symbols to be defined. When using a RAM character generator, the character font may be rewritten at any time by the processor. Read/write access to the character generator is enabled/disabled through programmed I/O commands.

As supplied, the RGB-ALPHA contains the Matrox MCH-01 character generator ROM (128 - 5 x 7 dot upper/lower case alphanumeric characters and graphic symbols). Other devices that may be used include TMS2516 (EPROM) and TMS4016 (RAM). Note that $t_a < 450\text{ns}$ for displays having up to 80 characters/line and $t_a < 350\text{ns}$ for displays having up to 132 characters/line.

ATTRIBUTES

Each character can be specified to be 1 of 8 foreground colors on 1 of 8 background colors. On an RGB monitor, the displayed colors are red, green, blue, cyan, magenta, yellow, black, and white. Characters may be either single or double height with character foreground and/or background normal or blinking at 2 Hz. Additionally, characters may be underlined or hidden (stored in display memory but not displayed).

CURSOR

An independently addressable cursor is provided. The Cursor Start and End Registers specify the scan lines in a character cell that are inverted to produce the cursor symbol. The position of the cursor on the screen is determined by the contents of the Cursor Register. The cursor blink rate is set to either 2 or 4 Hz.

LIGHT PEN

User-display interaction is possible through the use of a high-speed light pen. When the user points the pen at an illuminated spot on the CRT screen, the CRT loads the screen coordinates in to the Light Pen Register. The pen position may then be read by the processor. Note that the light pen can be used only with monitors having short persistence phosphors.

KEYBOARD INTERFACE

An 8-bit parallel keyboard interface is also provided. When a key is pressed, an interrupt is generated. The processor can read the keyboard data from the Keyboard Data Register.

MATROX VIDEO BUS

The RGB-ALPHA may be "slaved" to the RGB-GRAPH color graphic display controller card to provide a high-resolution graphics system with color alphanumeric overlay. All video and sync. signals required to "slave" the cards are bussed over the MATROX VIDEO BUS.

BUS INTERFACE

The RGB-ALPHA plugs directly into the Multibus* and works with both 8-bit and 16-bit processors using byte wide data transfers. The seven Command and Status Registers are positioned on any 8 byte I/O address boundary between 000H and FFFH. The Display Refresh Memory is positioned on any 4K memory address boundary between 00000H and FFFFFH.

VIDEO GENERATOR

All monochrome and RGB color video monitors work with the RGB-ALPHA. Red, Green, Blue TTL level and analog video, H. Drive, V. Drive, and composite B/W video signals are provided.

GRAPHICS

The RGB-ALPHA is ideal for producing character oriented graphics having a maximum resolution of 640H x 480V (interlaced) or 1024H x 240V (non-interlaced). An image is built up from graphic symbols written into the character generator RAM. Images are changed at high speed by rewriting the contents of the display memory and character generator.

PROGRAMMING

On power-up, all display control registers must be set, the display memory cleared and the character generator RAM, if used, loaded with the character font.

REGISTER	ADDRESS	DESCRIPTION
CRTC ADDRESS	BASE + 0	Select CRTC Register
CRTC DATA	BASE + 1	CRTC Data
CONTROL 1	BASE + 2	Enable Video Output/Select Character Cell Width/Select Dot Clock Frequency
CONTROL 2	BASE + 3	Enable Attributes/Enable Memory read/write
AUTO ATTRIBUTE	BASE + 4	Character Attributes
NOT USED	BASE + 5	—
KEYBOARD	BASE + 6	Keyboard Data
FLAG	BASE + 7	Keyboard Status

Table 1. Register definitions

SPECIFICATIONS

FUNCTIONAL

MEMORY ACCESS TIME

Display memory access time varies from access to access depending on when the access occurs with respect to the display refresh cycle: the worst case access time depends on the number of horizontal dots per character cell (see table). The best case access time is 315ns, and the average access time approaches 450ns as formats become less dense.

HORIZONTAL DOTS/CELLS	6	7	8	9	10	11
Worst case time from MWTC/ or MRDC/ to XACK/	870ns	1050ns	1130ns	1220ns	960ns	1050ns

DISPLAY PARAMETERS

DESCRIPTION	RESTRICTION
Resolution	4000 characters max.
Horizontal Characters	132 characters max.
Vertical Lines	48 lines max. (American Standard), 52 lines max. (European Standard)
Character Cell Size	6, 7, 8, 9, 10 or 11 horizontal dots (special 16 dot cell can be strap-selected)

VIDEO TIMING

For a display format of 80 characters by 24 lines with 5 x 7 dot characters within a 7 x 10 dot character cell an 11.667 MHz crystal is used. The following table gives the timing in both American and European standards.

SIGNAL	AMERICAN	EUROPEAN
Active Video	48 μ s	48 μ s
Horizontal Sync Frequency	15.723 KHz	15.576 KHz
Horizontal Sync Width	4.80 μ s	5.40 μ s
Vertical Sync Frequency	60.01 Hz	49.92 Hz
Vertical Sync Width	190.8 μ s	256.8 μ s

INPUT SIGNALS

Light Pen: Light-pen Enable
Light-pen Strobe

Keyboard: Keyboard Data
Keyboard Strobe

OUTPUT SIGNALS

TTL Level Video: TTL level Red
TTL level Green
TTL level Blue
Vertical Drive
Horizontal Drive

Analog Video: Red
Green (composite)
Blue
Grey Scale (composite)

BUS INTERFACE

Address, data and control signals conform to Intel Multibus Specifications No. 9800683.
Command and Status Registers — Selectable on 8 byte I/O address boundaries 000 - FFF (098H).
Display Refresh Memory — Selectable on 4K byte memory address boundaries 00000 - FFFFF (07000H).
Keyboard Interrupt — Selectable for INTR0/ — INTR7/ (uncommitted).

CONNECTORS

DESCRIPTION	MATING CONNECTOR
P1: 86 pin edge connector, 0.156" centers — Multibus Interface	COMPAR ESM-43-DSRI
J1: 10 pin right angle header — Analog Video Outputs	AMP 87922-1
J2: 10 pin right angle header — TTL Video Outputs	AMP 87922-1
J3: 50 pin right angle header — Matrox Video Bus	Molex 15-25-4504
J4: 26 pin right angle header — Keyboard and Lightpen Interface	Molex 15-25-5103

PHYSICAL

SIZE

Width — 12.00 in. (30.48cm)
Height — 6.75 in. (17.15cm)
Depth — 0.50 in. (1.27cm)

POWER REQUIREMENTS

+5V DC \pm 5% @2A

ENVIRONMENTAL REQUIREMENTS

Operating Temperature: 0°C to 55°C
Relative Humidity: 0% to 95% non-condensing

ORDERING INFORMATION

RGB-ALPHA : Color alphanumeric display controller for stand alone operation
RGB-ALPHA-SL : Color alphanumeric display controller for operation with RGB-GRAPH
X-TAL : 10.0000 MHz } Optional crystals for special display format requirements
X-TAL : 11.6666 MHz }

Matrox Electronic Systems Ltd reserves the right to make changes in specifications at any time and without notice. The information furnished by Matrox Electronic Systems Ltd in this publication is believed to be accurate and reliable. However, no responsibility is assumed by Matrox Electronic Systems Ltd for its use; nor for any infringements of patents or other rights of third parties resulting from its use. No license is granted under any patents or patent rights of Matrox Electronic Systems Ltd.



CP/M Digital Research TM
Multibus Intel TM



5800 ANDOVER AVE., T.M.R., QUE., H4T 1H4, CANADA
TEL.: 514-735-1182 TELEX: 05-825651

BW-ALPHA

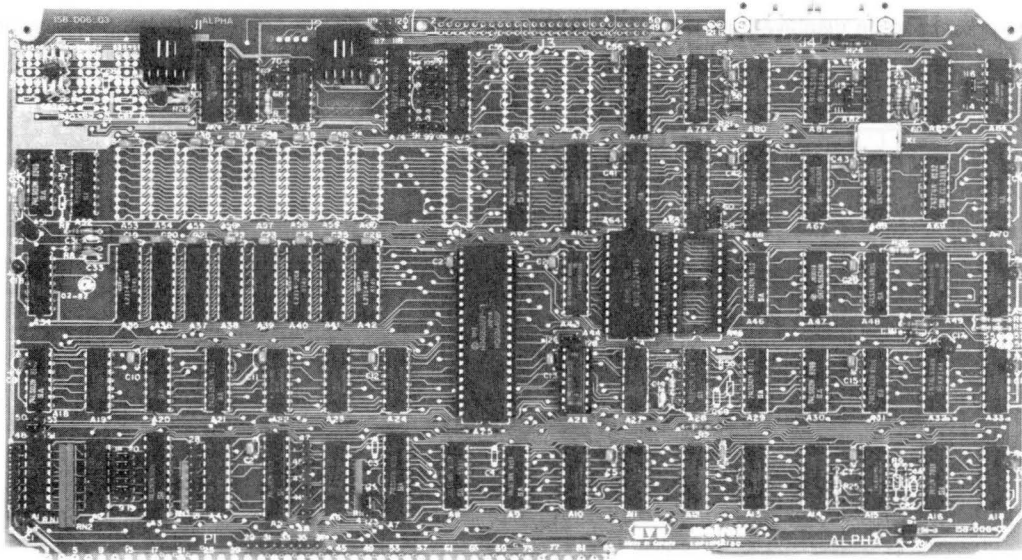
PROGRAMMABLE B/W ALPHANUMERIC DISPLAY CONTROLLER FOR MULTIBUS

- User Programmed Display Format
- Up to 4000 Characters on screen
- Blink
- Inverse Video
- Underline
- Double Height Characters
- Addressable Cursor
- Multibus* Compatible
- Keyboard Interface
- Light Pen Interface
- RAM and EPROM Character Generators
- Transparent Memory
- 50 or 60 Hz Operation

The BW-ALPHA is a Multibus* compatible, video display controller card which allows the display (characters/line x lines/page) and character formats (5 x 7, 7 x 9, etc.) to be set by programmed I/O commands. Available attributes include: blink, inverse video, double height characters, underline, and foreground disable.

The character font provided with the BW-ALPHA contains 128 - 5 x 7 dot upper/lower case alphanumeric characters and graphics symbols. By adding a second character generator ROM/RAM, 128 additional symbols may be defined. When using a RAM character generator, the character font may be rewritten at any time by the system processor.

The BW-ALPHA works with all monochrome video monitors in Europe (50 Hz) and America (60 Hz). Interfaces for a high-speed light pen and an 8-bit parallel keyboard are also provided.



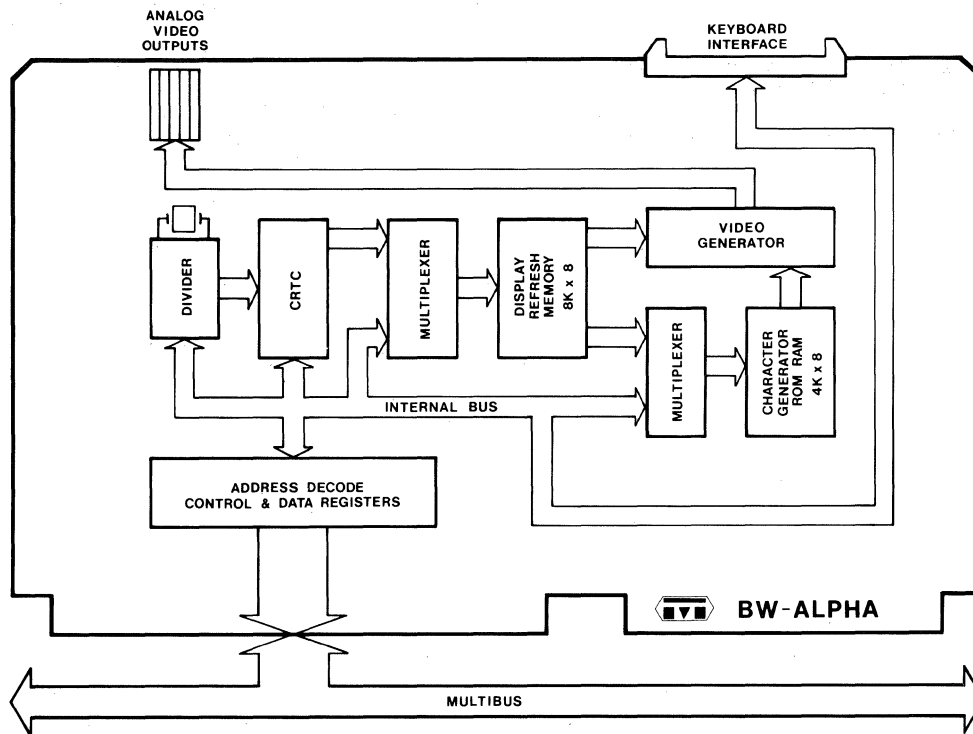


Figure 1. BW-ALPHA block diagram

FUNCTIONAL DESCRIPTION

The block diagram, Figure 1, shows the major functional components of the BW-ALPHA.

CRT CONTROLLER

In the design of the BW-ALPHA, the 6845 CRT controller replaces many of the SSI/MSI components used in older designs and provides the BW-ALPHA with features previously found only in the most expensive equipment. All display parameters are now user specified and displays can be configured to have virtually any combination of rows and columns up to a maximum of 4000 characters. In addition, the character cell size is variable and accommodates all commonly used character font sizes (5 x 7, 7 x 9, etc.).

DISPLAY MEMORY

Each character position on the CRT screen corresponds to an 8-bit location in the display refresh memory. The display refresh memory, 4K bytes in total, occupies 1K, 2K, 4K of system address space depending on the display size. The processor can read or write the display memory at full speed using all memory reference instructions ($t_a < 1052ns$). All accesses to the memory are "transparent". The processor can read or write the refresh memory at any time, and the display is free of "glitches".

When a character is to be displayed, its Character Code is written into the appropriate display memory locations. The display is "scrolled" up or down by rewriting the contents of the Display Start Address Register.

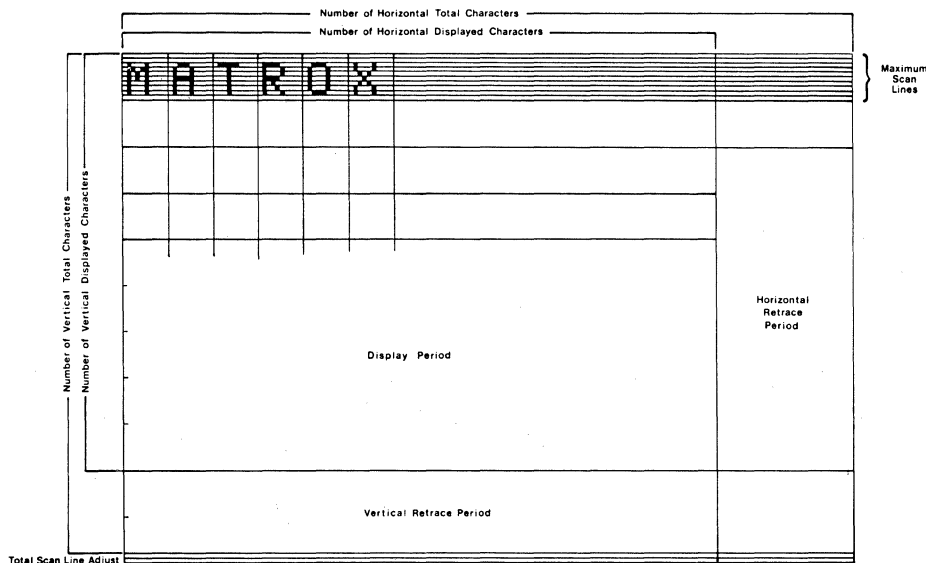


Figure 2. BW-ALPHA display parameters

CHARACTER GENERATOR

Two 24-pin DIP sockets accept up to 4K bytes of ROM/EPROM/RAM thereby permitting up to 256 different characters and symbols to be defined. When using a RAM character generator, the character font may be rewritten at any time by the processor. Read/write access to the character generator is enabled/disabled through programmed I/O commands.

As supplied, the BW-ALPHA contains the Matrox MCH-01 character generator ROM (128 - 5 x 7 dot upper/lower case alphanumeric characters and graphic symbols). Other devices that may be used include TMS2516 (EPROM) and TMS4016 (RAM). Note that $t_a < 450\text{ns}$ for displays having up to 80 characters/line and $t_a < 350\text{ns}$ for displays having up to 132 characters/line.

ATTRIBUTES

The BW-ALPHA provides five strap-selectable character attributes: inverted video, underline, extended height, blink, and foreground disable. As supplied, each character may be assigned one of these attributes which is enabled by the surplus bit in the 8-bit Character Code.

The MCH-01 character set can be reduced, by hardware straps, to produce a 64 character set comprised of the upper case alphanumeric characters only. With this reduced set one extra bit is released from the Character Code enabling the implementation of a second character attribute per character. This extra bit may be alternatively used to control the selection between the two character generators, effectively combining the two character generators as one double size unit capable of holding video information for 256 different characters.

CURSOR

An independently addressable cursor is provided. The Cursor Start and End Registers specify the scan lines in a character cell that are inverted to produce the cursor symbol. The position of the cursor on the screen is determined by the contents of the Cursor Register. The cursor blink rate is set to either 2 or 4 Hz.

LIGHT PEN

User-display interaction is possible through the use of a high-speed light pen. When the user points the pen at an illuminated spot on the CRT screen, the CRT loads the screen coordinates in to the Light Pen Register. The pen position may then be read by the processor. Note that the light pen can be used only with monitors having short persistence phosphors.

KEYBOARD INTERFACE

An 8-bit parallel keyboard interface is also provided. When a key is pressed, an interrupt is generated. The processor can read the keyboard data from the Keyboard Data Register.

BUS INTERFACE

The BW-ALPHA plugs directly into the Multibus* and works with both 8-bit and 16-bit processors using byte wide data transfers. The seven Command and Status Registers are positioned on any 8 byte I/O address boundary between 000H and FFFH. The Display Refresh Memory is positioned on any 4K memory address boundary between 00000H and FFFFFH.

VIDEO GENERATOR

All monochrome video monitors work with the BW-ALPHA. Composite B/W video signals are provided.

GRAPHICS

The BW-ALPHA is ideal for producing character oriented graphics having a maximum resolution of 640H x 480V (interlaced) or 1024H x 240V (non-interlaced). An image is built up from graphic symbols written into the character generator RAM. Images are changed at high speed by rewriting the contents of the display memory and character generator.

PROGRAMMING

On power-up, all display control registers must be set, the display memory cleared and the character generator RAM, if used, loaded with the character font.

REGISTER	ADDRESS	DESCRIPTION
CRTC ADDRESS	BASE + 0	Select CRTC Register
CRTC DATA	BASE + 1	CRTC Data
CONTROL 1	BASE + 2	Enable video output/Select character cell width/select dot clock frequency
CONTROL 2	BASE + 3	Enable attributes/Enable memory read/write
NOT USED	BASE + 4	—
NOT USED	BASE + 5	—
KEYBOARD	BASE + 6	Keyboard data
FLAG	BASE + 7	Keyboard status

Table 1. Register definitions

SPECIFICATIONS

FUNCTIONAL

MEMORY ACCESS TIME

Display memory access time varies depending on when the access occurs with respect to the display refresh cycle. The worst case access time depends on the number of horizontal dots per character cell (see table). The best case is 315 nsec., and the average access time approaches 450 nsec. as formats become less dense.

HORIZONTAL DOTS/CELLS	6	7	8	9	10	11
Worst case time from MWTC/ or MRDC/ to XACK/	870ns	1050ns	1130ns	1220ns	960ns	1050ns

DISPLAY PARAMETERS

DESCRIPTION	RESTRICTION
Resolution	4000 characters max.
Horizontal Characters	132 characters max.
Vertical Lines	48 lines max. (American Standard), 52 lines max. (European Standard)
Character Cell Size	6, 7, 8, 9, 10 or 11 horizontal dots (special 16 dot cell can be strap-selected)

VIDEO TIMING

For a display format of 80 characters by 24 lines with 5 x 7 dot characters within a 7 x 10 dot character cell an 11.667 MHz crystal is used. The following table gives the timing in both American and European standards.

SIGNAL	AMERICAN	EUROPEAN
Active Video	48 μ s	48 μ s
Horizontal Sync Frequency	15.723 KHz	15.576 KHz
Horizontal Sync Width	4.80 μ s	5.40 μ s
Vertical Sync Frequency	60.01 Hz	49.92 Hz
Vertical Sync Width	190.8 μ s	256.8 μ s

INPUT SIGNALS

Light Pen: Light-pen enable
 Light-pen strobe
 Keyboard: Keyboard data
 Keyboard strobe

OUTPUT SIGNALS

Composite Analog Video

BUS INTERFACE

Address, data and control signals conform to Intel Multibus Specification No. 9800683.
 Command and Status Registers — Selectable on 8 byte I/O address boundaries 000-FFF (098H).
 Display Refresh Memory — Selectable on 4K byte memory address boundaries 00000-FFFFF (07000H).
 Keyboard Interrupt — Selectable for INTR0/ — INTR7/ (uncommitted).

CONNECTORS

DESCRIPTION	MATING CONNECTOR
P1: 86 pin edge connector, 0.156" centers, Multibus Interface	COMPAR ESM-43-DSRI
J1: 10 pin right angle header, composite video outputs	AMP 87922-1
J4: 26 pin right angle header, Keyboard and lightpen interface	MOLEX 15-25-4264

PHYSICAL

SIZE

Width — 12.00 in. (30.48cm)
 Height — 6.75 in. (17.15cm)
 Depth — 0.50 in. (1.27cm)

POWER REQUIREMENTS

+5V DC \pm 5% @2A

ENVIRONMENTAL REQUIREMENTS

Operating Temperature: 0°C to 55°C
 Relative Humidity: 0% to 95% non-condensing

ORDERING INFORMATION

BW-ALPHA : B/W alphanumeric display controller for stand alone operation
 BW-ALPHA-SL: B/W alphanumeric controller For slave lock operation with RGB-GRAPH
 X-TAL : 10.0000 MHz }
 X-TAL : 11.6666 MHz } Optional crystals for special display format requirements

Matrox Electronic Systems Ltd reserves the right to make changes in specifications at any time and without notice. The information furnished by Matrox Electronic Systems Ltd in this publication is believed to be accurate and reliable. However, no responsibility is assumed by Matrox Electronic Systems Ltd for its use; nor for any infringements of patents or other rights of third parties resulting from its use. No license is granted under any patents or patent rights of Matrox Electronic Systems Ltd.



Multibus Intel TM



matrox
electronic systems Ltd.

5800 ANDOVER AVE., T.M.R., QUE., H4T 1H4, CANADA
TEL.: 514-735-1182 TELEX: 05-825651

MSBC-QV3

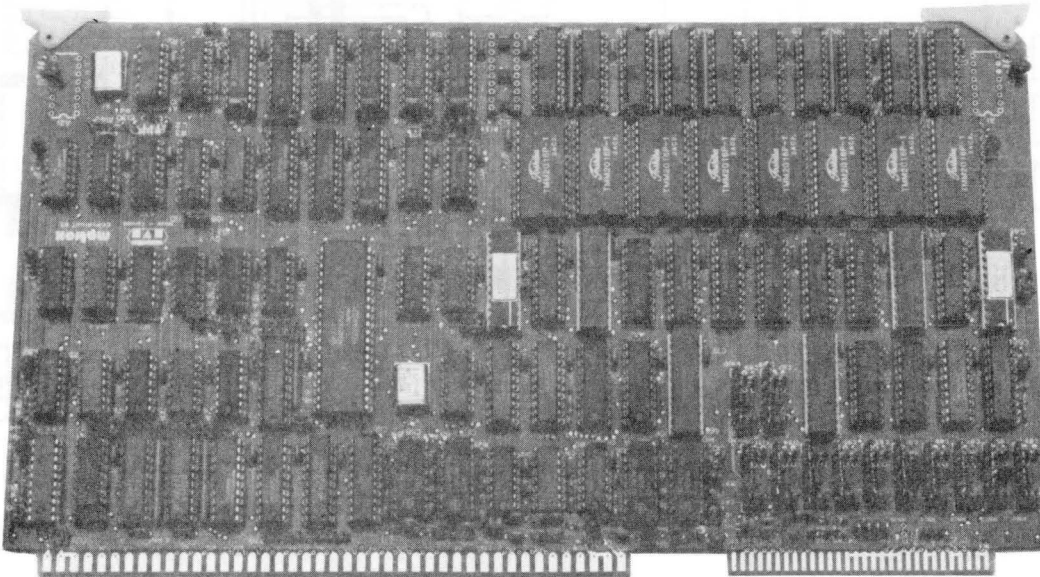
QUAD COLOR ALPHANUMERIC DISPLAY CONTROLLER FOR MULTIBUS

- Four independent displays
- Programmable display format
- 256 displayable colors
- Hardware scroll
- Underline and blink attributes
- 128 ASCII character set
- Four DTMF keyboard interfaces
- Multibus compatible
- RS-330 video outputs
- Transparent memory
- 20-bit address decoding
- American or European operation

The Matrox MSBC-QV3 is a programmable color alphanumeric display controller which supports four independent displays. Display formats (characters per line and lines per page) are user definable to a maximum of 2000 characters per display. Powerful color manipulation capabilities are incorporated on-board which allows the user to independently select the color of the background, foreground, and underline components of each displayed character. Each of these components can also be programmed to blink to a different color.

The MSBC-QV3 features a Copy command which enables the user to copy the contents of one display memory into another display memory. Another on-board hardware feature allows the user to change his view (displayed image on his screen) from one display memory to another, without effecting the contents of either display memory.

The MSBC-QV3 generates RS-330 video signals capable of driving most standard RGB video display monitors. Sync signals generated by the MSBC-QV3 are user programmable to enable the board to operate in either American or European environments. Four separate DTMF keyboard interfaces are also supported on-board.



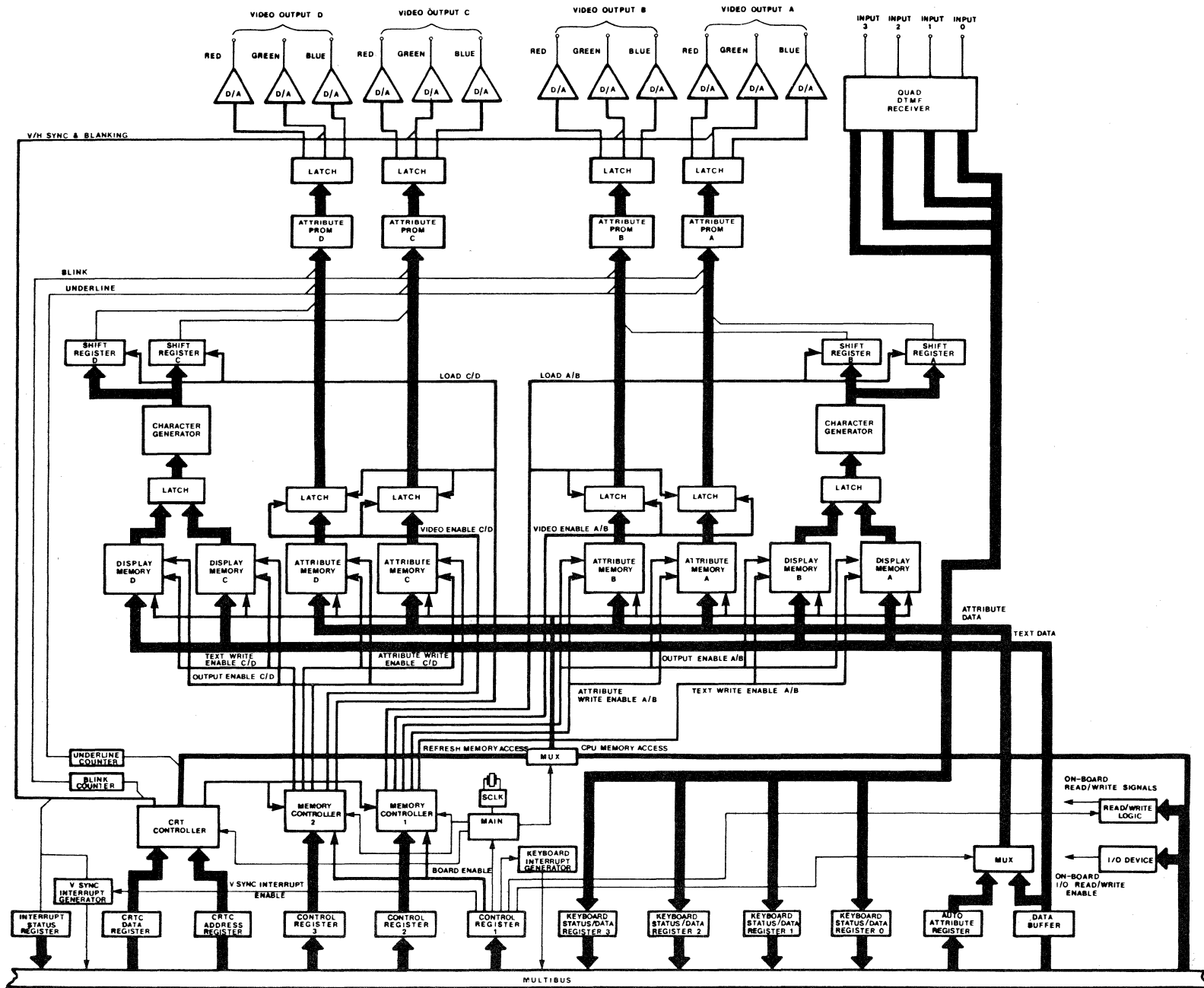


Figure 1. MSBC-QV3 block diagram

MSBC-QV3 FEATURES

- Quad Displays:** The MSBC-QV3 generates four independent color alphanumeric displays on four separate CRT monitors.
- Programmable Formats:** The display format used by the MSBC-QV3 (i.e. characters/line and lines/page) is user programmable via software. Any format using up to 2000 characters can be accommodated. The standard display format is 80 characters on 24 (25) lines.
- Video Attributes:** On-board attribute memory stores 7 bits of attribute code per character. Video attributes include foreground and background color selection, underline, and blink. A color look-up PROM selects foreground, background, and underline colors from a palette of 256 possible colors. The look-up table also defines to what color the foreground, background, and underline will blink. A total of 127 attribute color combinations are available for each character.
- Character Generator:** The MSBC-QV3 is supplied with 128 characters, including upper and lower case alphanumeric characters and 32 special graphics symbols.
- Copy:** The MSBC-QV3 allows the user to transfer data from one display memory to another display memory using a single I/O command. Copy operations are completely transparent to the host CPU and normal read/write operations to the display RAMs not involved in the COPY are not impeded.
- Change Display:** Users can select which display memory will be viewed on his particular CRT screen. For example, User A can select, using a single command, to view display memory B. Change Display operations do not effect the contents of either of the involved display memories.
- Keyboard Interface:** The MSBC-QV3 accepts tone-encoded DTMF data from four separate external keyboards. On-board receivers decode this information and provide 4-bit binary data which can be read by the system processor. The Matrox KB-16 keyboard can be used to generate the DTMF signals.
- Multibus Interface:** The MSBC-QV3 plugs directly into the Multibus. The board occupies a 4K byte block of system memory and is controlled via 11 I/O registers which reside on any 8 consecutive I/O locations.

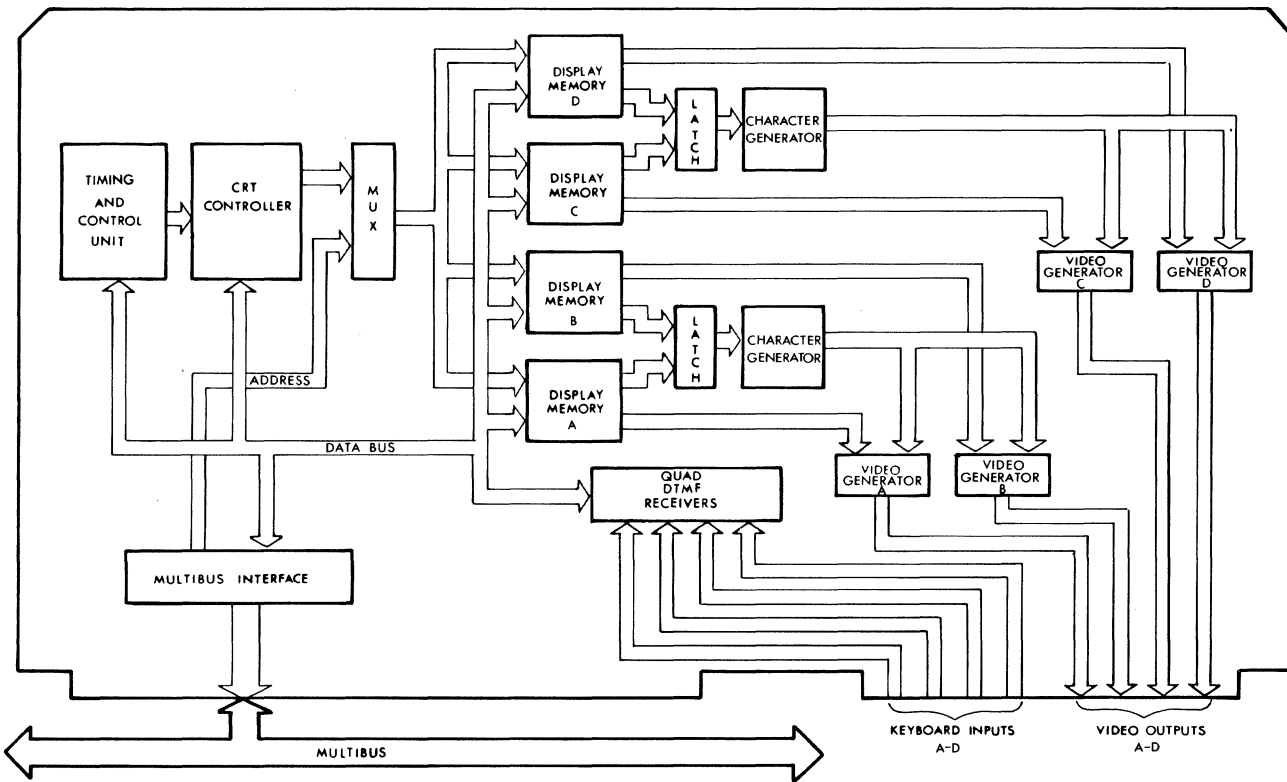


Figure 2. MSBC-QV3 functional blocks

GENERAL DESCRIPTION

Contained on a single Multibus standard PCB (12.0" x 6.75"), the MSBC-QV3 is a sophisticated color alphanumeric display system capable of controlling up to four independent displays. Powerful on-board color manipulation techniques yield advanced character highlighting capabilities.

The MSBC-QV3 is made up of seven functional blocks: Display Memory, CRT Controller, Character Generators, Video Generators, Timing and Control Unit, Keyboard Interface, and Multibus Interface. These functional blocks are outlined in figure 2.

CRT CONTROLLER

The MSBC-QV3 uses one single-chip CRT Controller to generate all of the required video timing signals for all four of the video displays. This VLSI IC provides the horizontal and vertical sync and blanking signals, and display refresh RAM addressing signals. The CRT Controller is software programmable, allowing the user to define parameters such as vertical refresh frequency, width and position of the horizontal and vertical sync pulses (important when using non-standard monitors), display resolution, etc. To the Multibus, the CRT controller appears as an array of 18 registers which are indirectly accessed via a pair of I/O locations.

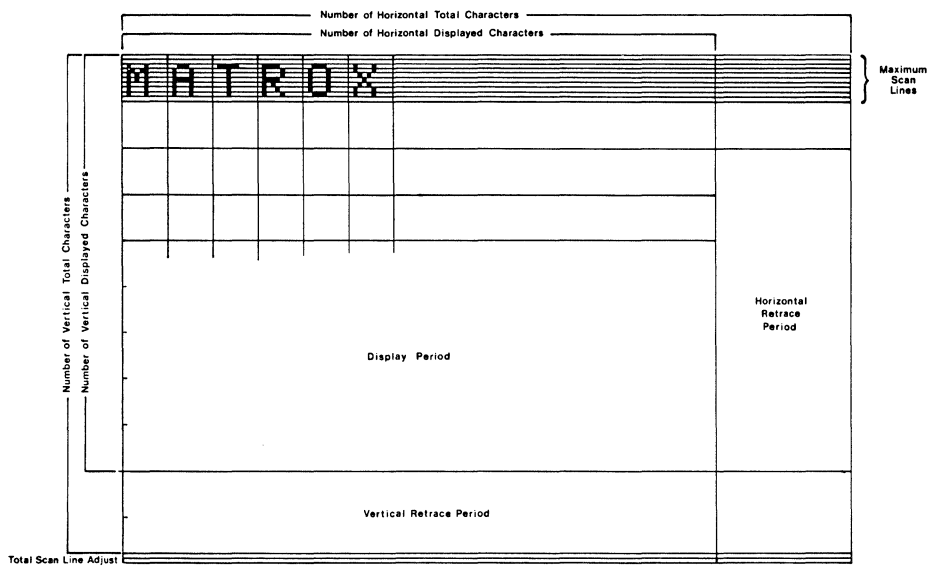


Figure 3. Display parameters

		LEAST SIGNIFICANT HEX DIGIT OF ASCII CODE															
		0	1	2	3	4	5	6	7	8	9	A	B	C	D	E	F
MOST SIGNIFICANT HEX DIGIT OF ASCII CODE	0	█	█	█	█	█	█	█	█	█	█	█	█	█	█	█	█
	1																
	2		!	"	#	\$	%	&	'	<	>	*	+	,	-	.	/
	3	0	1	2	3	4	5	6	7	8	9	:	;	<	=	>	?
	4	@	A	B	C	D	E	F	G	H	I	J	K	L	M	N	O
	5	P	Q	R	S	T	U	V	W	X	Y	Z	[\]	^	_
	6	`	a	b	c	d	e	f	g	h	i	j	k	l	m	n	o
	7	p	q	r	s	t	u	v	w	x	y	z	{		}	~	█

Figure 4. MSBC-QV3 character set

The CRT Controller allows the user to define the display parameters (horizontal characters/line, vertical lines/field, etc.) under software control. Due to memory access timing requirements, display formats are limited to a maximum of 80 characters per line on up to 25 lines per field. Note that all four displays must be programmed for the same display format.

DISPLAY MEMORY

The MSBC-QV3 contains 16K bytes of on-board read/write display memory. This RAM memory is divided into four 4K byte blocks, each of which corresponds to a separate display. These 4K blocks are further divided into a 2K byte character text memory and a 2K byte attribute memory. The four MSBC-QV3 display memories are mapped into a single 4K byte block of system memory, which is strap-locatable on any 4K byte boundary in the 1M byte Multibus memory address space. The host CPU selects, via programmed I/O, which of the four displays is enabled for read/write access from the Multibus. Multibus access to the MSBC-QV3 can be disabled through software. This feature makes the MSBC-QV3 transparent to the host processor and enables multiple boards to occupy the same memory address space.

Each character position on the CRT screen corresponds to a unique 8-bit location in the 2K character text memory. When a character is to be displayed, its ASCII Character Code is written into the appropriate memory location. The desired Attribute Code, for that character, is then written to the corresponding location in the attribute memory.

The attribute memory can be accessed in one of two modes. Normally, the attribute memory appears as 2K bytes of RAM, where an attribute is located at an address 2048 bytes above the corresponding character byte. Optionally the attribute can be stored in an I/O latch (Auto-Attribute Register). Whenever a character is written to the character memory, the stored attribute is automatically copied into the appropriate attribute memory location. A single attribute latch is used for all four video channels. The Auto-Attribute Mode is enabled via programmed I/O.

In addition to the CPU read/write, the display memory (character memory and attribute memory) is continually scanned by the CRT controller every 16.66ms (in 60 Hz systems) to generate video signals. Memory access arbitration circuitry on the MSBC-QV3 efficiently resolves any contention problems between read/write requests and CRT refresh requests in such a way that the display refresh is "transparent" to the user.

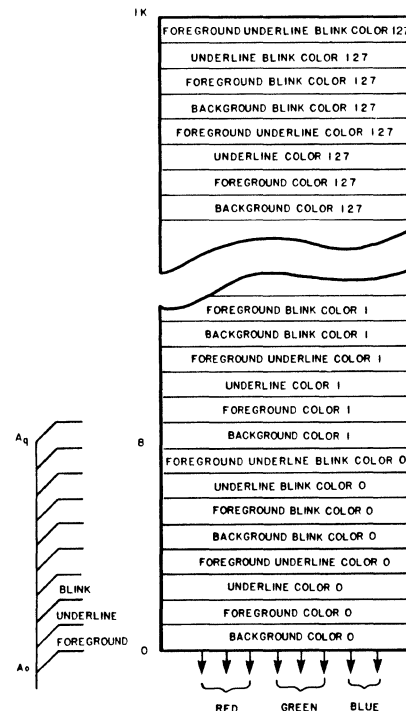
CHARACTER GENERATOR

The MSBC-QV3 uses the Matrox MCH-01 character generator. This 24 pin DIP IC chip contains all the necessary video infor-

mation required to generate a 128 character set. This character set consists of all the upper and lower case alphanumeric characters plus 32 special graphics symbols to permit the generation of limited graphics displays (eg. bar charts, trend displays, etc.). Alphanumeric characters are formed in a 5 x 7 dot matrix built up within a 7 x 10 dot character cell. The MSBC-QV3 can also support an optional 8 x 10 dot character cell.

VIDEO GENERATOR

The MSBC-QV3 video generator processes the textual data from the text memory (via the character generator) adds color attributes and produces the output video signals which are RS-330 compatible. Each channel (display) of the MSBC-QV3 drives 8 levels of red, 8 levels of green, and 4 levels of blue, for a total of 256 possible displayable colors. Sync and blanking signals are composite on the green drive. Each video channel can also be enabled or disabled through programmed I/O.



Note: Attribute color combination 0 is reserved. All locations in this combination are set to black and are used, by the MSBC-QV3 for blanking.

Figure 6. Attribute PROM architecture

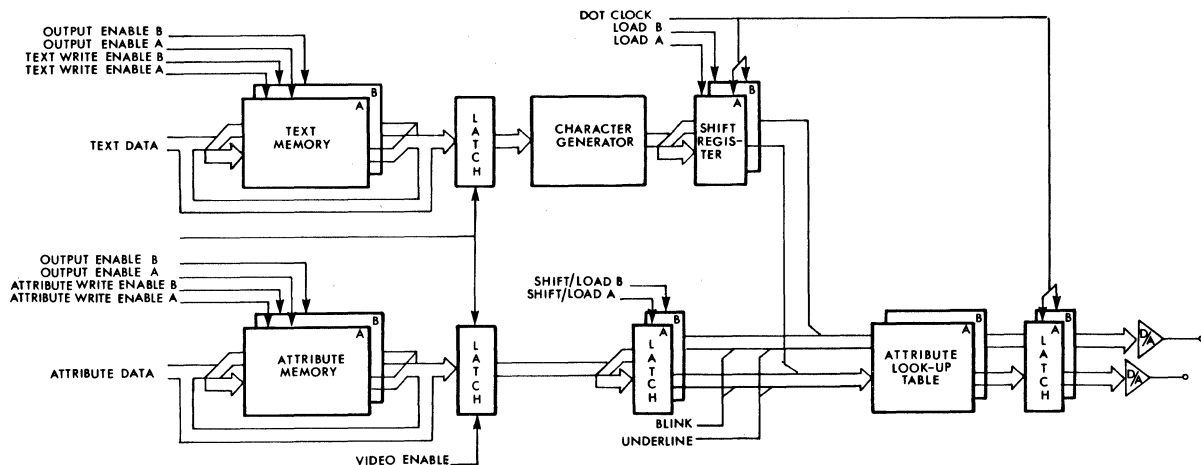


Figure 5. Video generator

Attributes — The MSBC-QV3 utilizes 1K byte look-up PROMS (one for each of the four display channels) for powerful color manipulation. Each look-up table is divided into 128 blocks (figure 6), each of which contains the color information for the background, foreground (character), underline, and underline over foreground. Each block also contains the color information to which each of these display components (i.e. foreground, background, underline, etc.) will blink. In this way each component can be set to blink to a separate color. The seven least significant bits from the attribute memory byte allow the color combination information for each character position to be individually selected from 127 available combinations.

Copy — The MSBC-QV3 features the capability to copy the contents of one display memory into another display memory with a single instruction. Internally, the MSBC-QV3 groups the four display channels into two groups of two channels each (A, B and C, D). Memory contents can be copied within each group with the direction of the copy operation being user defined.

The Copy operation is completely transparent to the user and does not effect or inhibit normal CPU accesses to the MSBC-QV3. Using signals generated internally (figure 5), the Copy command enables the output of the source memory while simultaneously write enabling the destination memory. In this way, while the CRT Controller reads the source memory to the screen (for CRT refresh), the destination memory is being written to, using this same data.

Change Display — Another feature of the MSBC-QV3 allows the user to select which display memory of the two channel group (i.e. A or B, C or D) is used to produce the display on his screen. Changing views from one display memory to another does not effect the display memory, but merely selects from which memory the screen refresh data will be taken.

TIMING AND CONTROL UNIT

The MSBC-QV3's Timing and Control Unit synchronizes the operation of the various functional blocks on the board and generates most of the internal timing signals required by the board. This proprietary Matrox circuitry manages access to the display memory, between CPU read/write and display refresh, and times the display refresh so that each display is updated without interference from any of the other displays. The unique Matrox "transparent memory refresh" feature allows the CPU to read/write the display memory at any time, using all memory reference instructions, without causing snow on the screen.

KEYBOARD INTERFACE

The MSBC-QV3 includes four keyboard interface channels. Each interface accepts tone-encoded (DTMF) data from an external keyboard and converts this signal into the 4-bit binary code representative of the depressed key (table 1). Keyboards can be located up to 500 feet from the MSBC-QV3.

Each keyboard interface includes an associated 8-bit I/O register which can be read by the CPU. The four least significant bits in these registers contain the keyboard data for the corresponding keyboard, while the four most significant bits specify which keyboard is requesting service. The MSBC-QV3 will generate an interrupt whenever data is available at any of the four keyboard channels.

MULTIBUS INTERFACE

The MSBC-QV3 plugs directly into the Multibus backplane and conforms to the IEEE-796 (Multibus) bus specification. To the host processor, the MSBC-QV3 looks like a single 4K byte block of RAM located in system memory. This RAM memory can be located, by on-board hardware straps, on any 4K byte boundary in the available system memory space. The board also occupies 8 I/O locations which represent 11 control and

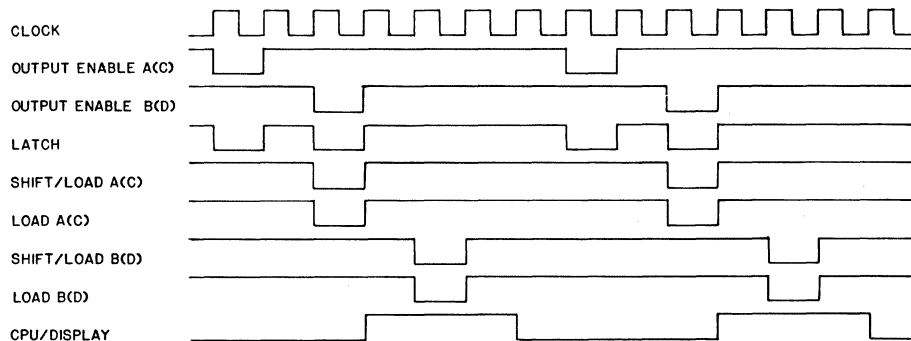


Figure 7. Video timing diagram

KEYBOARD CHARACTER	KEYBOARD REGISTER DATA			
	BIT 4	BIT 3	BIT 2	BIT 1
1	0	0	0	1
2	0	0	1	0
3	0	0	1	1
4	0	1	0	0
5	0	1	0	1
6	0	1	1	0
7	0	1	1	1
8	1	0	0	0
9	1	0	0	1
0	1	0	1	0
*	1	0	1	1
#	1	1	0	0
A	1	1	0	1
B	1	1	1	0
C	1	1	1	1
D	0	0	0	0

status registers. The MSBC-QV3 decodes 20 bits of memory address and 8 or 16 bits of I/O address.

A software disable feature enables multiple MSBC-QV3 boards to occupy the same space in system memory, each board only requiring separate I/O addressing. A special provision has also been incorporated onto the MSBC-QV3 to enable several boards, which occupy the same memory space, to be written to simultaneously.

PROGRAMMING

On power-up and reset, the MSBC-QV3 automatically resets all on-board control and status registers. To program these boards the user loads these registers with the appropriate parameters (table 2). Two of these control registers, CRTC Data Register and CRTC Address Register are used to indirectly access a further 18 register, located in the CRT Controller.

Table 1. DTMF character codes

NAME	DIRECTION	ADDRESS	FUNCTION
Auto-Attribute	WRITE ONLY	BASE + 0	Attribute data for auto-loading to attribute memory
Keyboard 0	READ ONLY	BASE + 0	Keyboard data 0/Keyboard status
Control 1	WRITE ONLY	BASE + 1	Select screen to read/Enable keyboard interrupt/Enable sync interrupt/Select 80 column mode/Enable Auto-Attribute mode/Enable on-board memory
Keyboard 1	READ ONLY	BASE + 1	Keyboard data 1/Keyboard status
Control 2	WRITE ONLY	BASE + 2	Select display channel to write to (A/B)/Enable video (A/B)/Set Copy direction (A/B)/Execute Copy function (A/B)/Execute Change Display function (A/B)/Write Enable (A/B)
Keyboard 2	READ ONLY	BASE + 2	Keyboard data 2/Keyboard status
Control 3	WRITE ONLY	BASE + 3	Select display channel to write to (C/D)/Enable video (C/D)/Set Copy direction (C/D)/Execute Copy function (C/D)/Execute Change Display function (C/D)/Write Enable (C/D)
Keyboard 3	READ ONLY	BASE + 3	Keyboard data 3/Keyboard status
Interrupt Status	READ ONLY	BASE + 4	Vertical sync interrupt flag/Vertical sync flag/Blanking Flag
CRTC Address	WRITE ONLY	BASE + 6	Address to one of 16 internal CRTC registers
CRTC Data	WRITE ONLY	BASE + 7	Data to internal CRTC register pointed to by CRTC Address Register

Table 2. Register definitions

SPECIFICATIONS

FUNCTIONAL

ACCESS TIME

Access time to all on-board I/O locations is fixed at 600ns.

The display memory access time varies from access to access depending on when the access is initiated with respect to the display refresh cycle. The worst case access time is 1.5 μ s.

DISPLAY PARAMETERS

DESCRIPTION	RESTRICTIONS
Resolution	8000 characters total (2K character x 4 displays)
Horizontal Characters	80 characters max.
Vertical Lines	25 lines max.
Character Cell Size	7 x 10 dots or 8 x 10 dots (strap-selectable)

VIDEO TIMING

For a display format of 80 characters x 24 lines using a 7 x 10 dot character cell, an 11.66 MHz crystal is used. The following table gives the video timing parameters required for this format for both American and European standard systems. Note that these parameters are programmable, through the CRT Controller, and must be defined by the user on power-up.

SIGNAL	AMERICAN	EUROPEAN
Active video	48 μ s	48 μ s
Horizontal Sync Frequency	15.723KHz	15.576KHz
Horizontal Sync Width	4.80 μ s	5.40 μ s
Vertical Sync Frequency	60.01Hz	49.92Hz
Vertical Sync Width	190.8 μ s	256.8 μ s

INPUT SIGNALS

KEYBOARD — 4 channels of balanced power/signal lines
 — keyboards may be located up to 500 ft.

OUTPUT SIGNALS

VIDEO — Red, Green, and Blue video for each channel
 — RS-330, 1.0Vp-p into 75 ohms
 — Sync signals are composite on the Green video

BUS INTERFACE

Address, data, and control signals conform to the IEEE-796 (Multibus) bus specification

Command and Status Registers — Selectable on any 8 byte I/O address boundary 0000H — FFFFH
 Display Refresh Memory — Selectable on any 4K byte memory address boundary 00000H — FFFFFH

CONNECTORS

DESCRIPTION	MATING CONNECTOR
P1: 86 pin edge connector, 0.156" centers — Multibus Interface	COMPAR ESM-43-DSRI
P2: 60 pin edge connector, 0.156" centers — Video Interface	MOLEX 15-25-8601
	— Keyboard Interface

PHYSICAL

SIZE

Width — 12.00 in. (30.48 cm)
 Height — 6.75 in. (17.15 cm)
 Depth — 0.50 in. (1.27 cm)

POWER REQUIREMENTS

+5V DC \pm 5% @ 4.5A
 +12V DC \pm 5% @ 150mA

ENVIRONMENTAL REQUIREMENTS

Operating Temperature — 0°C to 50°C
 Relative Humidity — 0% to 95% non-condensing

ORDERING INFORMATION

MSBC-QV3/11/X/55/54 Quad color alphanumeric video display controller (7 x 10 cell)

{ 0 — No DTMF decoders
 { 1 — Complete with 4 DTMF decoders

SUPPORT PRODUCTS

XTAL: 12.8 MHz (must be ordered for 8 x 10 character cell)

Matrox Electronic Systems Ltd reserves the right to make changes in specifications at any time and without notice. The information furnished by Matrox Electronic Systems Ltd in this publication is believed to be accurate and reliable. However, no responsibility is assumed by Matrox Electronic Systems Ltd for its use; nor for any infringements of patents or other rights of third parties resulting from its use. No license is granted under any patents or patent rights of Matrox Electronic Systems Ltd.



Multibus Intel TM



matrox
electronic systems Ltd.

5800 ANDOVER AVE., T.M.R., QUE., H4T 1H4, CANADA
TEL.: 514-735-1182 TELEX: 05-825651

MSBC QV-2

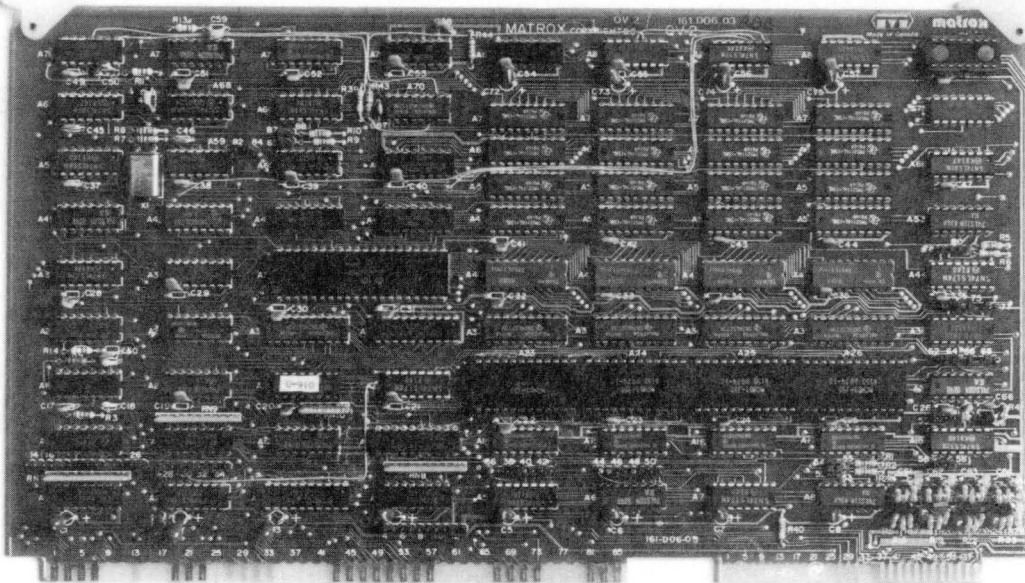
QUAD PROGRAMMABLE B/W ALPHANUMERIC CONTROLLER FOR MULTIBUS

- Four independent displays
- User programmable display format
- Up to 132 characters per line
- Up to 52 lines per page
- Variable character cell sizes
- Hardware scroll
- Underline, blink and inverse video
- 128 ASCII character set
- Composite and TTL video outputs
- 8K byte memory-mapped display memory
- Multibus* compatible
- Single +5V supply
- American or European operation
- Transparent memory
- 20 bit address decoding

The MSBC-QV2 generates four separate video displays on four separate monitors. The number of character per line, number of lines, inter-character spacing, interline spacing, character height, etc. are all user programmable.

The on-board character generators provide 128 - 5 x 7 upper/lower case alphanumeric characters and graphic symbols. Each character can be displayed as normal (white on a black background), inverted (black on white), or blinking at 2 or 4 Hz.

Four separate composite and TTL video signals as well as TTL sync/drive outputs are available on-board. The MSBC-QV2 works with all monochrome video monitors in Europe (50 Hz) and America (60 Hz).



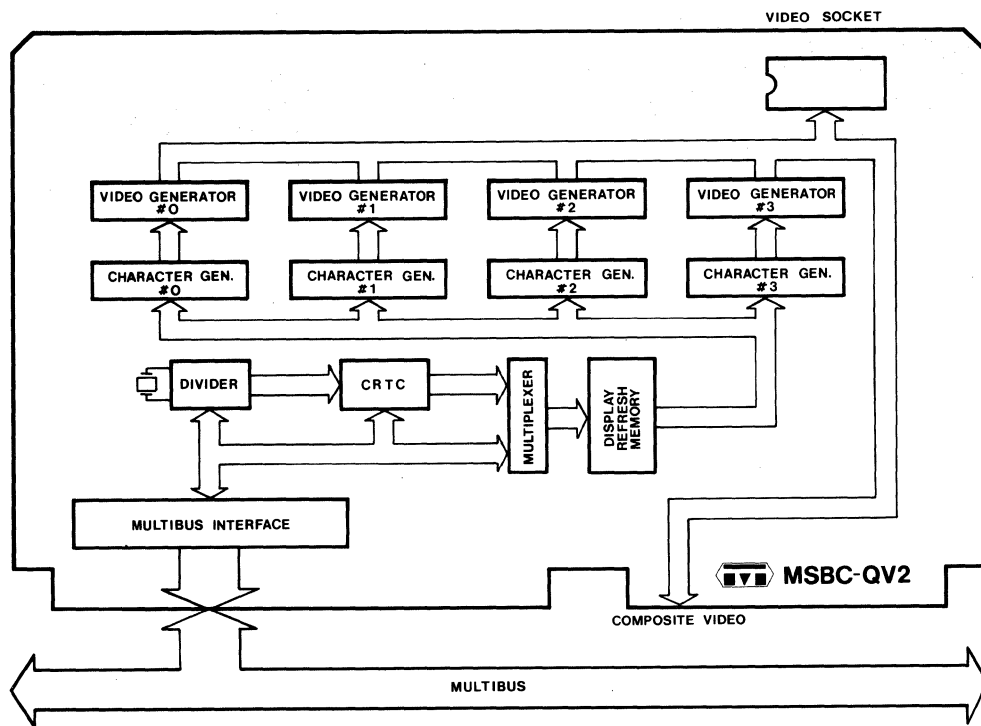


Figure 1. MSBC-QV2 block diagram

FUNCTIONAL DESCRIPTION

The MSBC-QV2 is functionally divided into five major operational blocks: The CRT Controller, the Display Memory, the Character Generator, and the Multibus Interface. These five blocks are shown in figure 1.

CRT CONTROLLER

The MSBC-QV2 uses one single chip CRT controller to generate all the required timing and control signals for all four displays. This VLSI IC replaces many of the SSI/MSI components used in earlier designs and provides the MSBC-QV2 with features that have previously been found only in the most expensive video display equipment.

The CRT controller allows the user to define the display parameters (horizontal characters per line, vertical lines per field, etc.) under software control. Virtually any display format can be programmed on the MSBC-QV2, limited only by the size of the display memory and the monitor specifications. For most standard CRT monitors, formats of up to 132 characters per line or up to 52 lines per field can be accommodated. In addition the character cell size is variable and accommodates all commonly used character font sizes (5 x 7, 7 x 9, etc.). Note that all four displays must use the same display format.

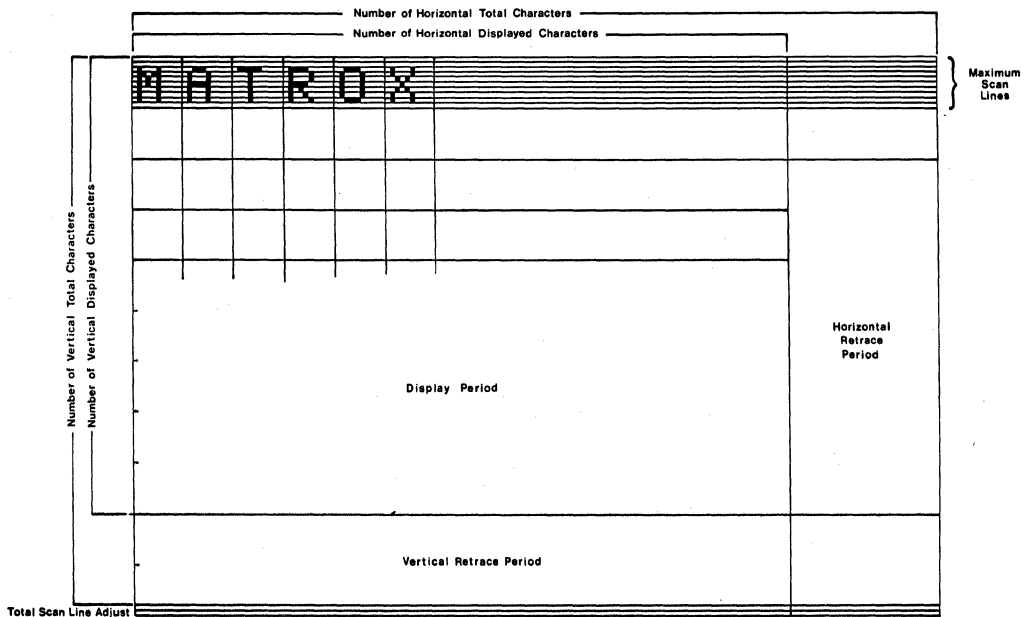


Figure 2. Display Parameters

DISPLAY MEMORY

The MSBC-QV2 contains a two port display memory that can be accessed by either the CRT controller, for display refresh, or by the CPU, for text manipulation. During display refresh the display memory is accessed as four 2K blocks of RAM that are addressed in parallel, by the CRT controller, for simultaneous updating of all four displays. When an external access occurs, the display memory appears as 8K bytes of contiguous RAM, strap-locatable to any 8K boundary in system address space. During CPU accesses the display memory is masked from the display to prevent streaking on the display. External accesses to the display memory can be disabled, through software, permitting more than one board to occupy the same space in the system memory.

Each character position on the CRT screen corresponds to a unique 8-bit location in the display refresh memory. When a character is to be displayed, its ASCII Character Code is written into the appropriate memory location. The processor can read/write the display memory at full speed using all memory reference instructions.

As supplied, the MSBC-QV2's display memory is arranged to generate four displays, each with a maximum resolution of 2048 characters. For larger displays the display memory can be arranged, via hardware straps, so as to produce two displays of 4096 characters per display.

SCROLL

The four displays can be simultaneously scrolled up or down to permit viewing of the entire display memory. Scrolling is achieved by rewriting the contents of the Display Start Address Register, contained within the CRT controller.

CHARACTER GENERATOR

As supplied, the MSBC-QV2 contains the MCH-01 character generator. This 24 pin DIP IC chip contains the necessary binary video information required to generate a 128 character set. This character set consists of all the upper/lower case alphanumeric characters plus special graphic characters to permit the generation of limited graphic displays. The alphanumeric characters are formed in a 5 x 7 dot matrix built up within a variable-sized character cell (the size of the character cell is software programmable through the CRT controller). The QV2 provides 4 different character heights so that proper character proportions can be maintained for both large and small formats. Normal, double, triple, and quadruple height characters can be programmed via the Control Register and these heights are halved in the interlace mode.

The MCH-01 character generator is pin-compatible with the 2516 EPROM. In this way the user can easily implement his own custom character font by simply replacing the MCH-01 with an EPROM loaded with the desired font.

ATTRIBUTES

Circuits for three different character attributes (blink, inverse video, and underline) are incorporated on-board the MSBC-QV2. These attributes are enabled/disabled by the surplus eighth bit in the ASCII Character Code. As supplied, one character attribute can be strap selected for each display. However the character generator can be hardware strapped to produce a reduced 64 character set, consisting of the upper case alphanumeric characters only. In this way an extra bit is released from the Character Code, thereby permitting the selection of an additional character attribute per display.

BUS INTERFACE

The MSBC-QV2 plugs directly into the Multibus and works with both 8-bit and 16-bit processors using byte wide data transfers. Although the QV2 occupies 8 I/O locations, only the four even locations are actually used. This is done to facilitate the use of 16-bit CPUs. The I/O registers can be strapped to reside at any 8 byte I/O address boundary between 000H and FFFH. The display refresh memory can be positioned on any 8K byte system memory address boundary between 00000H and FFFFFH.

VIDEO GENERATOR

There are four independent video generators on-board the MSBC-QV2. Both TTL level and composite analog video output signals are supported. Separate horizontal and vertical sync as well as composite sync signals are also provided. Note that the sync ports are bi-directional to enable the user to slave the QV2 to an external sync source.

PROGRAMMING

The MSBC-QV2 is programmed through 4 directly accessible I/O registers. Two of these registers (CRTC Address Register and CRTC Data Register) allow the user to access another 18 registers within the CRT controller, to specify the display format parameters. On power-up, all display control registers must be set and the display memory cleared. Register definitions for the four directly addressable I/O ports are given in Table 1.

REGISTER	ADDRESS	DESCRIPTION
CRTC ADDRESS	BASE + 0	Select CRTC register
CRTC DATA	BASE + 2	CRTC data
CONTROL 1	BASE + 4	Enable memory/Select character cell width/Select dot clock frequency
CONTROL 2	BASE + 6	Enable Video 1/Enable Video 2/Enable Video 3/Enable Video 4/Select character height

Table 2. Register Definitions

SPECIFICATIONS

FUNCTIONAL

MEMORY ACCESS TIME

The display memory access time varies from access to access depending on when the access is initiated with respect to the display refresh cycle. The best case access time is 225 nsec., while the worst case access time depends on the number of horizontal dots per character cell (see table)

HORIZONTAL DOTS/CELLS	6	7	8	9	10	11
Worst case time from MRDC/ or MWTC/ to XACK/	678ns	818ns	888ns	957ns	748ns	818ns

DISPLAY PARAMETERS

DESCRIPTION	RESTRICTIONS
Resolution	8000 characters total (2K characters x 4 displays/4K characters x 2 displays)
Horizontal Characters	132 characters max.
Vertical Lines	48 lines max. (American Standard), 52 lines max. (European Standard)
Character Cell Size	6, 7, 8, 9, 10 or 11 horizontal dots

VIDEO TIMING

For a display format of 80 characters by 25 lines with 5 x 7 dot characters within a 7 x 10 dot character cell a 14.381 MHz crystal was used. The following table gives the video timing in both American and European standards. Note that these timing parameters are programmable, through the CRT controller, and must therefore be defined by the user on power-up.

SIGNAL	AMERICAN	EUROPEAN
Active Video	39.11 μ s	39.11 μ s
Horizontal Sync Frequency	15.77 KHz	15.77 KHz
Horizontal Sync Width	4.87 μ s	5.85 μ s
Vertical Sync Frequency	59.96 Hz	50.06 Hz
Vertical Sync Width	190.23 μ s	190.23 μ s

INPUT SIGNALS

- 4 x TTL Video
- 4 x Composite Video
- 4 x Horizontal/Vertical Sync

BUS INTERFACE

Address, data and control signals conform to Intel Multibus Specification No. 9800693
 Command and Status Registers — Selectable on any 8 byte I/O address boundary 000-FFFH (088H)
 Display Refresh Memory — Selectable on any 8K memory address boundary 00000-FFFFFH (06000H)

CONNECTORS

DESCRIPTION	MATING CONNECTOR
P1: 86 pin edge connector, 0.156" centers — Multibus Interface	COMPAR ESM-43-DSRI
J1: 60 pin edge connector, 0.156" centers — Composite/TTL Video	MOLEX 15-25-8601
V: 16 pin DIP socket — Video Expansion Socket	AUGAT 516-A6-37D

PHYSICAL

SIZE

Width — 12.00 in. (30.48cm)
 Height — 6.75 in. (17.15cm)
 Depth — 0.50 in. (1.27cm)

POWER REQUIREMENTS

5V DC \pm 5% @2A

ENVIRONMENTAL REQUIREMENTS

Operating Temperature: 0°C to 55°C
 Relative Humidity: 0% to 95% non-condensing

ORDERING INFORMATION

MSBC-QV2 : Programmable format quad video controller

Matrox Electronic Systems Ltd reserves the right to make changes in specifications at any time and without notice. The information furnished by Matrox Electronic Systems Ltd in this publication is believed to be accurate and reliable. However, no responsibility is assumed by Matrox Electronic Systems Ltd for its use; nor for any infringements of patents or other rights of third parties resulting from its use. No license is granted under any patents or patent rights of Matrox Electronic Systems Ltd.





matrox
electronic systems Ltd.

5800 ANDOVER AVE., T.M.R., QUE., H4T 1H4, CANADA
TEL.: 514-735-1182 TELEX: 05-825651

MSBC-2480

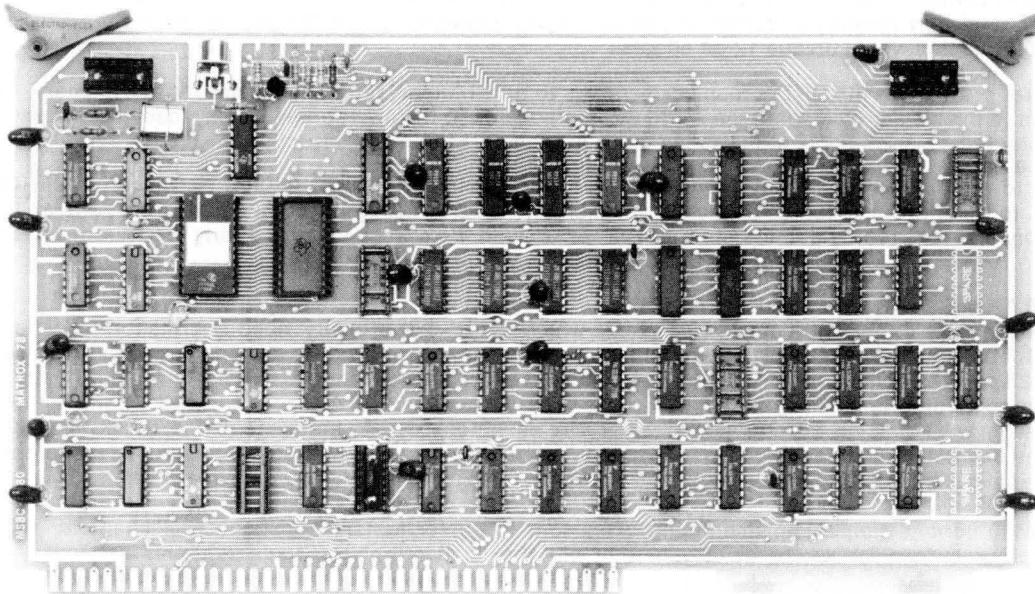
24 x 80 ALPHANUMERIC DISPLAY CONTROLLER FOR MULTIBUS

- 24 row x 80 column alphanumeric video display
- 32 x 80 display memory
- Normal, inverse, blink attributes
- Hardware scroll
- EPROM ASCII character generator
- 4K byte memory-mapped display
- Transparent memory access
- Multibus compatible
- Directly drives any monochrome monitor
- On-board ASCII keyboard interface
- Single +5V supply
- External/internal sync capability
- Decodes full 20 address lines

The MSBC-2480 is a Multibus compatible alphanumeric display controller which is capable of generating displays of 24 lines of 80 characters per line. Characters can be displayed as either white on a black background or black on a white background. Each character can also be set to blink under software control.

The character font provided with the MSBC-2480 contains 128 - 5 x 7 upper/lower case alphanumeric characters and graphic symbols. The character generator is user-programmable, allowing the user to implement his own custom character font.

The MSBC-2480 works with all standard monochrome video monitors in Europe (50 Hz) and America (60 Hz).



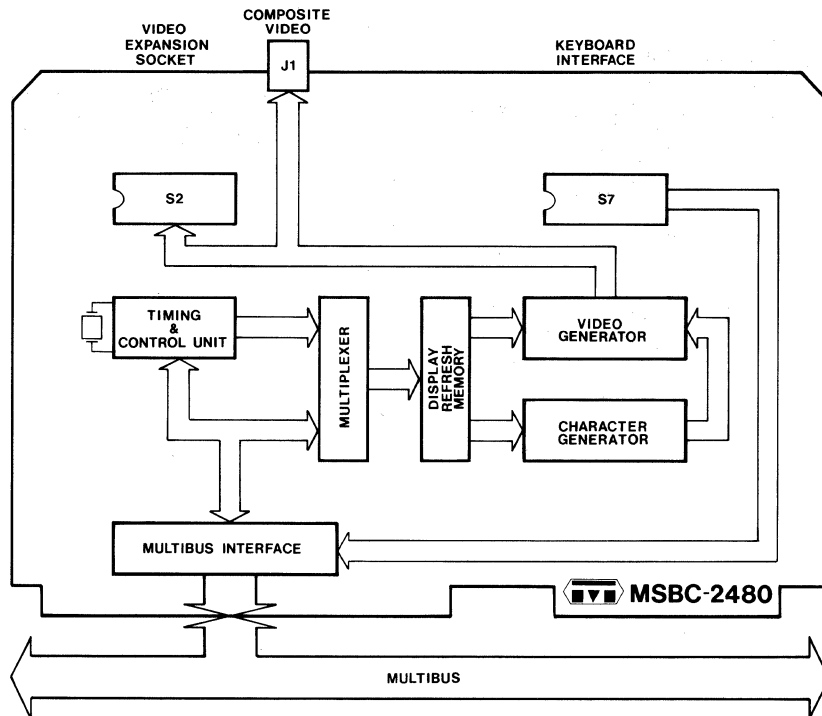


Figure 1. MSBC-2480 block diagram

FUNCTIONAL DESCRIPTION

The MSBC-2480 is made up of five major operational blocks: Timing and Control Unit, Display Memory, Character Generator, Video Generator, and Multibus Interface. Communications between these blocks are shown in figure 1.

TIMING AND CONTROL UNIT

All timing and control signals required to generate a video display with 24 lines of 80 characters per line are supported on-board the MSBC-2480. The Timing and Control Unit, consisting of the master oscillator (11 MHz) and various modulo counters, produces the horizontal and vertical sync signals needed by the monitor as well as all timing signals for display refresh memory (RAS, CAS).

The horizontal/vertical reset signals as well as the dot clock can be either generated on-board or accepted, through a bidirectional port, from an external sync source. In this way the MSBC-2480 can be synchronized to operate with other video boards as part of a complete video display system.

DISPLAY MEMORY

The MSBC-2480 contains 2.5K bytes of on-board display refresh memory, to store up to 32 lines of 80 characters (2560 characters). The display memory occupies 4K bytes of system address space thereby permitting the CPU to identify each character location with a unique 12 bit address.

Each character position on the CRT screen corresponds to an 8 bit location in the display refresh memory. Characters are written on to the display by loading the ASCII Character Code to the appropriate display memory location. The CPU can read/write the display memory at full speed using all memory reference instructions.

All accesses to the display memory are controlled by a "Transparent Memory" control circuit within the Timing and Control Unit. In this way all accesses to the display memory (read, write, refresh) are efficiently arbitrated. The Transparent Memory control circuitry permits the CPU to read or write the refresh memory at any time and the display is free of glitches.

CHARACTER GENERATOR

The MSBC-2480 contains an on-board 2716 EPROM which contains the binary video information to generate a 128 character set. The supplied character font consists of the full 96 upper/lower case alphanumeric character set with the addition of 32 special graphic characters. The alphanumeric characters are formed in a 5 x 7 dot matrix within a 6 x 10 dot character cell. The graphics characters utilize the entire character cell to allow for drawing continuous lines. For greater inter-character spacing the character cell size can be increased, with hardware straps, to 8 x 10 dots. Note that increasing the character cell size will cause gaps to appear between the graphics characters. Also, a different crystal is required for applications utilizing an 8 dot cell.

The MSBC-2480 permits simple implementation of custom character fonts. To install a new character set, the user need only reprogram the EPROM character generator with the video information to generate his own font.

ATTRIBUTES

Each character is accessed by seven bits of the eight bit ASCII Character Code. This releases the most significant eighth bit for attribute selection. Characters displayed on the MSBC-2480 can be displayed either as normal (white on a black background), inverted (black on a white background), blinking, or both inverted and blinking. Character attributes are selected by on-board hardware straps and are enabled/disabled by the eighth bit of the character code.

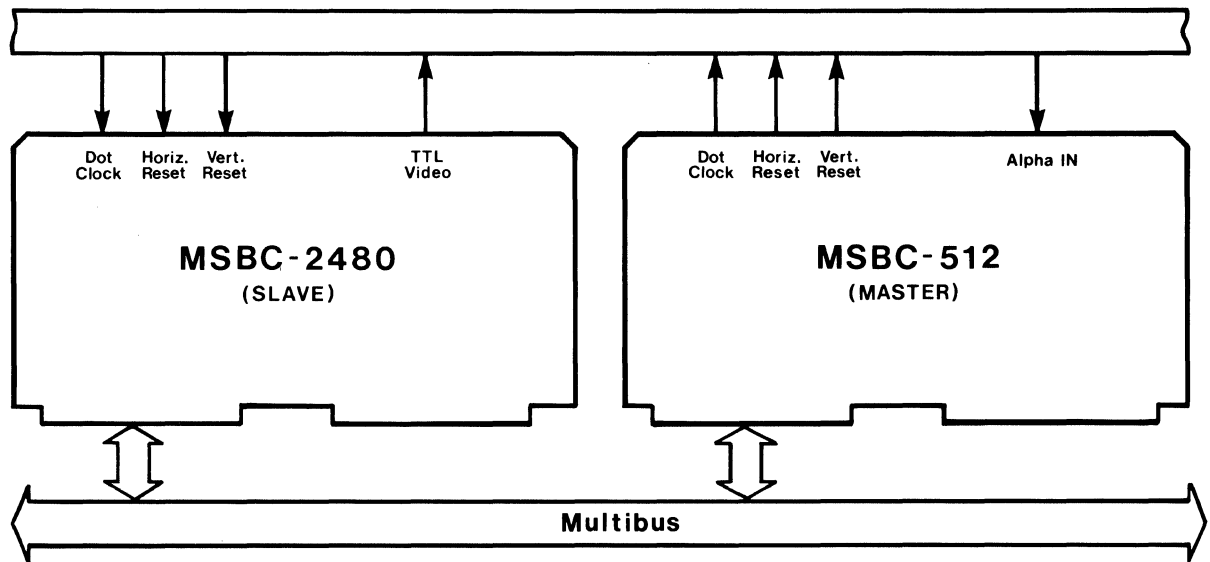


Figure 2. Combining MSBC-2480 with MSBC-512 for alpha/graph displays

The on-board character generator can be strapped to generate a reduced 64 character upper case only set. In this configuration an extra bit from the character code is released. These two surplus bits can be used to enable/disable any one of the four character attributes.

SCROLL

Although the MSBC-2480 can store up to 32 lines x 80 characters in the display memory, only 24 x 80 characters can be displayed at any one time. To enable the user to view the entire contents of the display memory a scroll feature has been incorporated into the design of the MSBC-2480. Through a Scroll Register, the user can specify which vertical line (0 to 31) will be displayed at the top of the screen.

VIDEO GENERATOR

The MSBC-2480 can directly drive any standard monochrome video monitor. Composite video signals as well as separate TTL level video, horizontal/vertical sync and blanking signals are supported on-board.

KEYBOARD INTERFACE

A keyboard can be interfaced to the MSBC-2480 through a 16 pin DIP socket, S7. The keyboard input port consists of eight input lines and one strobe line (positive pulse). Once the keyboard data strobe has been received, an interrupt is generated.

BUS INTERFACE

The MSBC-2480 plugs directly into the Multibus. The display refresh memory, which is memory mapped into the Multibus memory address space, can be strapped to reside at any 4K byte memory address boundary between 00000H and FFFFFH. The three internal registers (Scroll Register, Flag Register, and Keyboard Interface) are accessed through the unused locations of the occupied 4K byte address space.

GRAPHICS

The MSBC-2480 can be integrated, as an alphanumeric controller, within a complete alpha/graph video system. By configuring the MSBC-2480 to operate in the slave mode, the horizontal/vertical reset lines and the dot clock line are set to act as input ports. In this way the board can be synchronized to a master sync source. These lines can also be configured to operate as output ports to enable the user to configure his system to synchronize to the MSBC-2480. A typical application of combined alphanumerics/graphics is shown in figure 2, where the graphics board (MSBC-512) acts as the master sync source.

PROGRAMMING

The MSBC-2480 is programmed via three memory-mapped registers and 48 on-board hardware straps. Through the three registers the user can: select which vertical line will be displayed at the top of the screen (Scroll Register), accept data from an external keyboard (Keyboard Register), and read horizontal and vertical blanking (Flag Register). The board's operational status is determined by the hardware straps. Table 1 outlines the definitions of these straps.

JUMPER NO.	DESCRIPTION	JUMPER NO.	DESCRIPTION
S1	Select base address	W7	Enable Transparent memory access mode
S3	Select American/European operation	W8	Enable "Slave" mode
S4	Select Character Cell Size	W11	Enable non-interlaced scan mode
S5	Select character attribute	W12	Enable interlaced scan mode
W1	Enable "Master" mode	W14	Enable European standard
W2	Enable 8 x 10 character cell	W15	Enable American standard
W3	Enable 6 x 10 character cell	W16	Disable Transparent memory access mode
W4	Enable 6 x 10 character cell	W17	Enable Transparent memory access mode
W5	Enable 8 x 10 character cell	10-7	Select keyboard interrupt priority
W6	Disable Transparent memory access mode		

Table 1. Jumper definitions

SPECIFICATIONS

FUNCTIONAL

MEMORY ACCESS TIME

With Transparent Memory Access: 800ns
 Without Transparent Memory Access: 500ns

DISPLAY PARAMETERS

DESCRIPTION	DISPLAYED	STORED
Resolution	1920 characters	2560 characters
Horizontal Characters	80 characters	80 characters
Vertical Lines	24 lines	32 lines
Character Cell Size	6 or 8 horizontal dots	

VIDEO TIMING

To generate a video display of 24 x 80 characters with a 6 dot cell, the MSBC-2480 uses an 11.06688 MHz crystal. The following table gives the video timing for both American and European standards.

SIGNAL	AMERICAN	EUROPEAN
Active Video	43.5 μ s	43.5 μ s
Horizontal Sync Frequency	15.8 KHz	15.8 KHz
Horizontal Sync Width	4.4 μ s	4.4 μ s
Vertical Sync Frequency	60.0 Hz	50.2 Hz
Vertical Sync Width	192.0 μ s	190.0 μ s

INPUT SIGNALS

Keyboard Data
 Keyboard Strobe

OUTPUT SIGNALS

TTL Level Video
 Horizontal Drive
 Vertical Drive
 Composite Sync
 Composite Video

BUS INTERFACE

Address, data, and control signals conform to Intel Multibus Specification No. 9800683
 Control Registers and Display Memory — Selectable on any 4K byte memory address boundary 00000H - FFFFH (04000H)

CONNECTORS

DESCRIPTION	MATING CONNECTOR
P1 : 86 pin edge connector, 0.156" centers — Multibus Interface	COMPAR ESM-43-DSRI
S2 : 16 pin DIP socket — Video Expansion Socket	AUGAT 516-A6-37D
S7 : 16 pin DIP socket — Keyboard Interface	AUGAT 516-A6-37D
J1 : phono connector — Composite Video	RCA 901

PHYSICAL

SIZE

Width: 12.00 in. (30.48 cm)
 Height: 6.75 in. (17.15 cm)
 Depth: 0.50 in. (1.27 cm)

POWER REQUIREMENTS

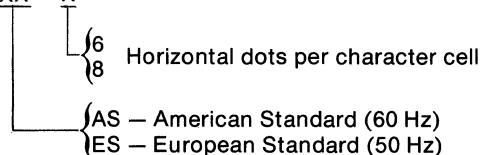
+5V DC \pm 5% @ 0.9A

ENVIRONMENTAL REQUIREMENTS

Operating Temperature: 0°C to 55°C
 Relative Humidity: 0% to 95% non-condensing

ORDERING INFORMATION

MSBC-2480 — XX — X



Example: MSBC-2480-6-AS: 24 x 80 character display with 6 horizontal dots per character cell and a vertical refresh rate of 60 Hz.

Matrox Electronic Systems Ltd reserves the right to make changes in specifications at any time and without notice. The information furnished by Matrox Electronic Systems Ltd in this publication is believed to be accurate and reliable. However, no responsibility is assumed by Matrox Electronic Systems Ltd for its use; nor for any infringements of patents or other rights of third parties resulting from its use. No license is granted under any patents or patent rights of Matrox Electronic Systems Ltd.



Multibus Intel TM



5800 ANDOVER AVE., T.M.R., QUE., H4T 1H4, CANADA
TEL.: 514-735-1182 TELEX: 05-825651

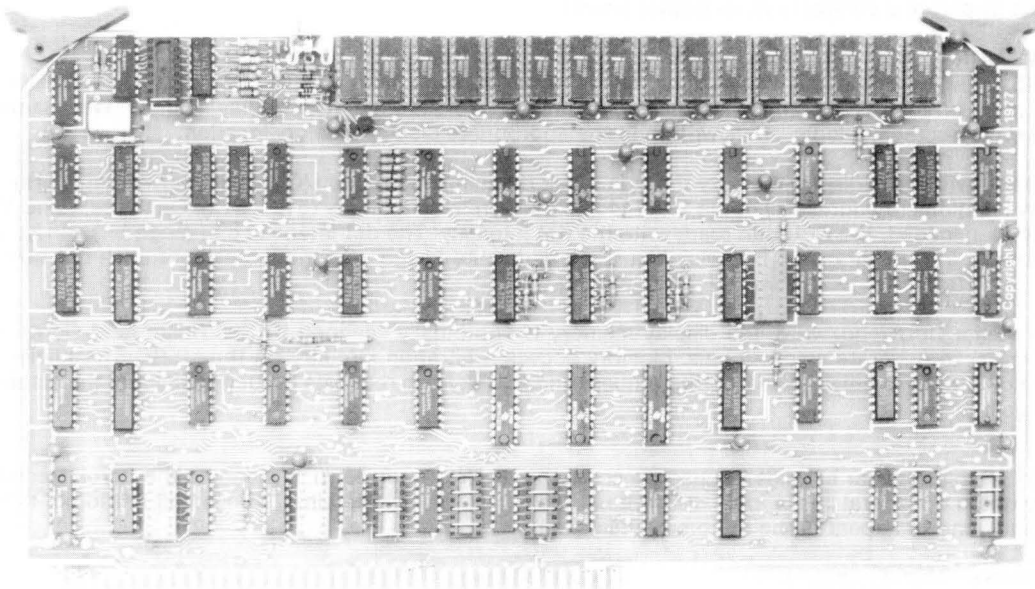
MSBC-512

512 x 512 GRAPHICS DISPLAY CONTROLLER FOR MULTIBUS

- Bit mapped 512 x 512 pixel display
- 256 x 256, 512 x 256, 1024 x 256 formats also available
- Powerful X-Y virtual memory addressing
- Hardware scroll built-in
- Single instruction memory erase
- Color/grey-scale expansion
- Can be combined with MBSC-2480
- Transparent memory access
- Multibus* compatible
- Works with 8 and 16-bit CPUs
- Internal/external sync
- American/European operation

The MSBC-512 is a member of Matrox's complete line of Multibus compatible graphics video boards. The MSBC-512 family of cards is designed to interface a mini or microcomputer to a CRT monitor and produce a B/W display of 512 x 512 points. The board also features built-in hardware scroll capabilities and a single instruction memory erase.

The MSBC-512 can also be combined with the MSBC-2480 to produce a complete alphanumerics/graphics video display system. Combining multiple MSBC-512 cards, the OEM system designer can construct a graphics display system with up to 24 bits/pixel (16 million different colors or grey levels).



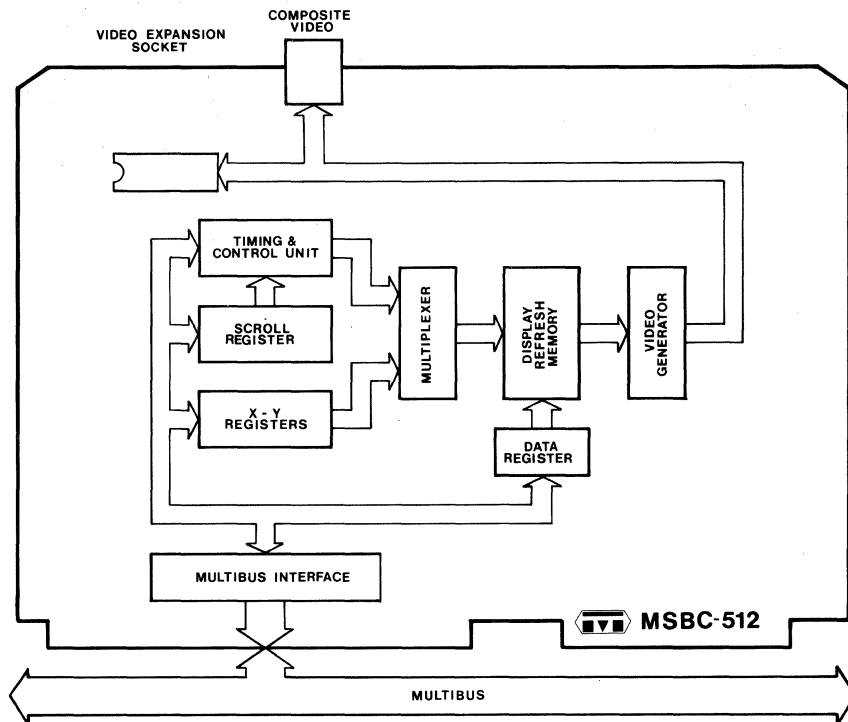


Figure 1. MSBC-512 Block Diagram

FUNCTIONAL DESCRIPTION

The MSBC-512 consists of six main functional blocks (figure 1): Timing and Control Unit, Scroll Register, X-Y Registers, Display Memory, Video Generator, and Multibus Interface.

TIMING AND CONTROL UNIT

All timing and control signals required by the video monitor (horizontal/vertical sync and blanking), display refresh memory (row/column addressing), and video generator (dot clock, load and shift) are generated by the Timing and Control Unit. The exact configurations of these signals are user-programmable, via hardware straps, to enable the MSBC-512 to generate displays with up to 512 horizontal dots by 512 vertical dots. The board can also be strapped to operate in either 50 Hz (European) or 60 Hz (American) systems.

The horizontal/vertical reset signals as well as the dot clock can be either generated on-board or accepted through a bidirectional port, from an external sync source. In this way the MSBC-512 can be synchronized to operate with other video boards as part of a complete video display system.

DISPLAY MEMORY

The MSBC-512 can be populated with 4, 8, or 16K RAMs for displays of 256 x 256, 512 x 256, 512 x 512, or 1024 x 256 dots. Each point on the CRT screen is identified by a unique address within the display memory. When a point is to be illuminated on the screen, a logic "1" is written to the appropriate display memory location.

The CPU reads/writes the display memory through a pair of memory-mapped I/O locations (X-Y Registers). This allows two memory locations to address all of the 262,144 bits of the refresh memory (512 x 512). Once the X and Y address of the dot has been loaded, the CPU can read/write the dot intensity. The dot intensity bit (image bit) can be assigned to any data bus bit. The resultant CRT display is a black and white image with the intensity of each dot being either on (logic "1") or off (logic "0").

In addition to the CPU read/write, the display memory is continually scanned by the Timing and Control Unit every 16.66ms (60 Hz) to generate video signals. Memory access arbitration circuitry on the MSBC-512 efficiently resolves any contention problems between read/write request and CRT refresh requests in such a way that the display is "transparent" to user.

SCROLL

An on-board Scroll Register enables the user to scroll the display up or down. By loading the Scroll Register the user can specify which horizontal line is to be displayed at the top of the screen. Lines scrolled off the top of the display will "wrap-around" and re-appear at the bottom of the screen.

SCREEN ERASE

The entire refresh memory on the MSBC-512 can be erased by a single OUTput instruction. Setting the memory erase enable bit when writing to the display memory will cause the entire memory to be set to that intensity (0 = black, 1 = white).

VIDEO GENERATOR

The MSBC-512 works with all standard monochrome video monitors in American (60 Hz) and European (50 Hz) systems. TTL level video, horizontal sync, vertical sync, as well as composite video signals are supported on-board.

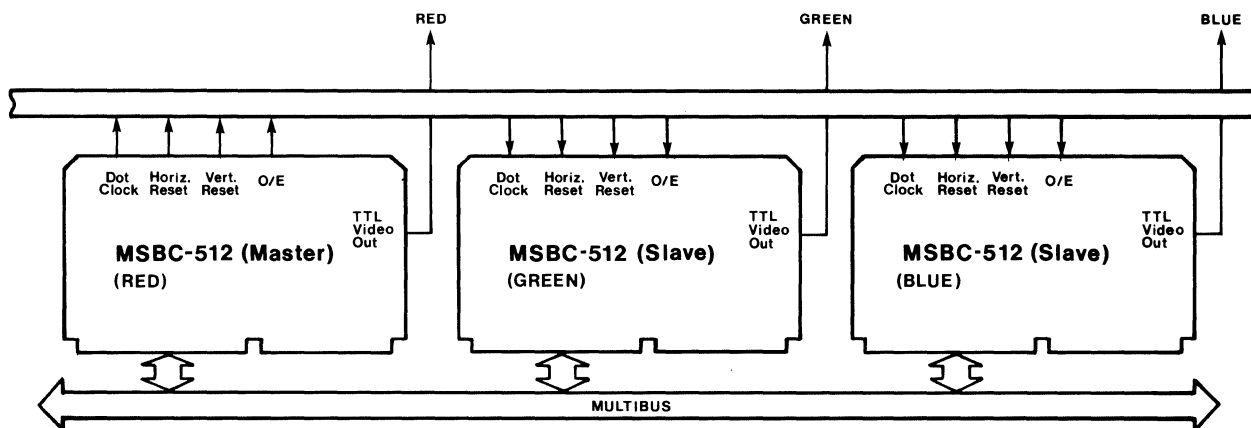


Figure 2. Stacking MSBC-512 cards for Color/Grey-scale displays

BUS INTERFACE

The MSBC-512 plugs directly into the Multibus and works with both 8-bit and 16-bit processors. All the Command and Status Registers as well as the Display Memory are accessed via memory mapped I/O. The MSBC-512 can be positioned on any 8 byte memory address boundary between 0000H and FFFFH.

ALPHA-GRAPH DISPLAYS

The MSBC-512 can be combined with the MSBC-2480 to generate alphanumeric/graphic displays. An on-board alphanumeric input port accepts the TTL level alphanumeric video information from the MSBC-2480 and combines it with the graphics video from the MSBC-512. The result is a powerful display combining both alphanumeric and graphics without the overhead involved in generating alphanumeric characters using graphic techniques.

COLOR/GREY-SCALE EXPANSION

Multiple MSBC-512 cards can be combined to provide for color/grey-scale displays. As previously outlined (DISPLAY MEMORY), the image bit on a given card can be assigned to any data bus bit. Thus the output of each card can be assigned a different weight or color. By assigning cards to different data bus bits and strapping all the cards with the same address, the intensity or color of a given dot can be loaded in a single instruction. A typical example of building up a color video system using the MSBC-512 is shown in figure 2.

PROGRAMMING

The MSBC-512 is programmed, for various display resolutions, by on-board hardware straps. These straps are organized into three 16 pin "programming sockets" to facilitate simple re-programming of the board. Table 1 defines the on-board jumpers used to configure the MSBC-512 for the various resolution options.

SOCKET	JUMPER	DESCRIPTION
P	1	Vertical display = 240 lines (American standard) or 256 lines (European standard)
	2	Vertical reset = 262½ lines (American standard)
	3	Vertical reset = 312½ lines (European standard)
	4	Vertical sync = 244 lines (American standard)
	5	Vertical sync = 276 lines (European standard)
	6	Not used
	7	Enable 512 dot vertical resolution
	8	Not used
R	1	Enable 1024 dot horizontal resolution
	2	Set memory access mode for RAM type used
	3	Enable 1024 dot horizontal resolution
	4	Disable 1024 dot horizontal resolution
	5	Synchronize blanking for 512/1024 dot horizontal resolution
	6	Synchronize blanking for 256 dot horizontal resolution
	7	Dot clock = 5.53344 MHz (256 dot horizontal resolution)
	8	Dot clock = 11.06688 MHz (512/1024 dot horizontal resolution)
J	1	Enable 256 x 256 addressing
	2	Enable 512 x 256 addressing
	3	Enable interlaced addressing (512 x 512/1024 x 256)
	4	Enable 512 dot horizontal addressing
	5	Enable 1024 dot horizontal addressing
	6	Enable 512 dot vertical addressing
	7	Synchronize LOAD SCROLL signal to 60 Hz (American standard)
	8	Synchronize LOAD SCROLL signal to 50 Hz (European standard)

Table 1. Jumper Configurations

SPECIFICATIONS

FUNCTIONAL

MEMORY ACCESS TIME

Dot Write Time: 1.4 μ s

DISPLAY PARAMETERS

RESOLUTION	RAM TYPE
256 X 256	4K
512 X 256	8K
512 X 512	16K
1024 X 256	16K

VIDEO TIMING

For a 256 x 256 or 512 x 256 display, the video output is non-interlaced. For a 512 x 512 or 256 x 1024 display, the video output is interlaced (two fields per frame). In order to avoid display flicker, a monitor with long persistence phosphors must be used.

SIGNAL	AMERICAN	EUROPEAN
Active Video	46 μ s	46 μ s
Horizontal Sync Frequency	15.8 KHz	15.8 KHz
Horizontal Sync Width	5.67 μ s	5.67 μ s
Vertical Sync Frequency	60 Hz	50.2 Hz
Vertical Sync Width	190 μ s	190 μ s

OUTPUT SIGNALS

TTL Level Video
Horizontal Sync
Vertical Sync
Composite Sync
Composite Video

BUS INTERFACE

Address, data, and control signals conform to Multibus Specifications No. 9800683

Display Memory, Command and Status Registers — Selectable on any 8 byte memory address boundary 0000-FFFFH (5000H)
— or selectable on any 8 byte I/O address boundary

CONNECTORS

DESCRIPTION	MATING CONNECTOR
P1 : 86 pin edge connector, 0.156" centers — Multibus Interface	COMPAR ESM-43-DSRI
J1 : phono connector — Composite Video	RCA 901
V : 16 pin DIP socket — Video Expansion Socket	AUGAT 516-A6-37D

PHYSICAL

SIZE

Width: 12.00 in. (30.48 cm)
Height: 6.75 in. (17.15 cm)
Depth: 0.50 in. (1.27 cm)

POWER REQUIREMENTS

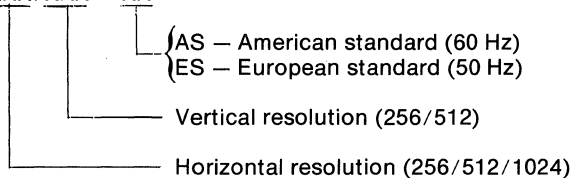
+ 5V DC \pm 5% @ 800mA
+ 12V DC \pm 5% @ 200mA

ENVIRONMENTAL REQUIREMENTS

Operating Temperature: 0°C to 55°C
Relative Humidity: 0% to 95% non-condensing

ORDERING INFORMATION

MSBC — XXX/XXX — XX



Example: MSBC-512/512 — AS: 512 x 512 dot display with a 60 Hz vertical frame refresh rate.

Matrox Electronic Systems Ltd reserves the right to make changes in specifications at any time and without notice. The information furnished by Matrox Electronic Systems Ltd in this publication is believed to be accurate and reliable. However, no responsibility is assumed by Matrox Electronic Systems Ltd for its use; nor for any infringements of patents or other rights of third parties resulting from its use. No license is granted under any patents or patent rights of Matrox Electronic Systems Ltd.



Multibus Intel TM



matrox
electronic systems ltd.

5800 ANDOVER AVE., T.M.R., QUE., H4T 1H4, CANADA
TEL.: 514-735-1182 TELEX: 05-825651

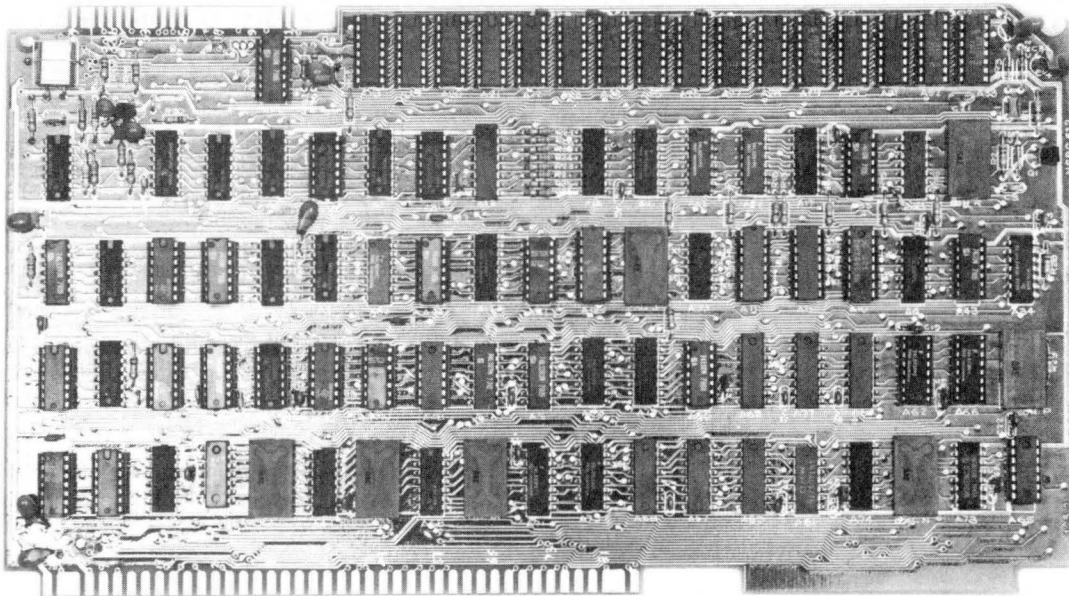
NSBC-512

VECTOR PLOT 512 x 512 GRAPHICS DISPLAY CONTROLLER FOR MULTIBUS

- Bit mapped 512 x 512 dot display
- 256 x 256, 512 x 256, 1024 x 256 formats available
- Powerful X-Y virtual memory addressing
- High speed vector plot
- Single instruction memory erase
- Color/grey-scale expansion
- Can be combined with MSBC-2480
- Transparent memory access
- Multibus* compatible
- Works with 8 and 16-bit CPUs
- Internal/external sync
- American/European operation

The NSBC-512 is a member of Matrox's complete line of Multibus compatible graphics video boards. The NSBC-512 family of cards is designed to interface a mini or microcomputer to a CRT monitor and produce a B/W display of 512 x 512 points. The board also features a high speed vector plot capability and a single instruction memory erase.

The NSBC-512 can also be combined with the MSBC-2480 to produce a complete alphanumeric/graphics video display system. Combining multiple NSBC-512 cards, the OEM system designer can construct a graphics display system with up to 24 bits/pixel (16 million different colors or grey levels).



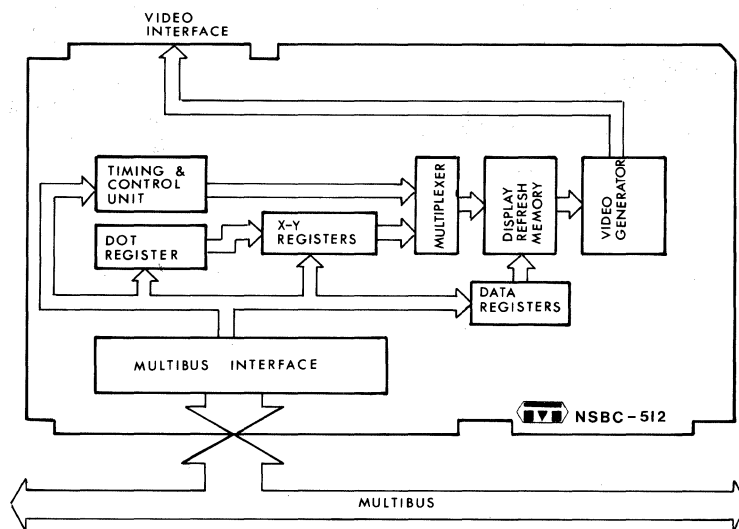


Figure 1. NSBC-512 Block Diagram

FUNCTIONAL DESCRIPTION

The NSBC-512 consists of six main functional blocks (figure 1): Timing and Control Unit, Dot Register, X-Y Registers, Display Memory, Video Generator, and Multibus Interface.

TIMING AND CONTROL UNIT

All timing and control signals required by the video monitor (horizontal/vertical sync and blanking), display refresh memory (row/column addressing), and video generator (dot clock, load and shift) are generated by the Timing and Control Unit. The exact configurations of these signals are user-programmable, via hardware straps, to enable the NSBC-512 to generate displays with up to 512 horizontal dots by 512 vertical dots. The board can also be strapped to operate in either 50 Hz (European) or 60 Hz (American) systems.

The horizontal/vertical reset signals as well as the dot clock can be either generated on-board or accepted, through a bidirectional port, from an external sync source. In this way the NSBC-512 can be synchronized to operate with other video boards as part of a complete video display system.

DISPLAY MEMORY

The NSBC-512 contains a 32K byte on-board dynamic read/write display refresh memory capable of generating a display with up to 512 x 512 dots. Each point on the CRT screen is identified by a unique address within the display memory. When a point is to be illuminated on the screen, a logic "1" is written to the appropriate display memory location.

The CPU reads/writes the display memory through a pair of memory-mapped I/O locations (X-Y Registers). This allows two memory locations to address all of the 262,144 bits of the refresh memory (512 x 512). Once the X and Y address of the dot has been loaded, the CPU can read/write the dot intensity. The dot intensity bit (image bit) can be assigned to any data bus bit. The resultant CRT display is a black and white image with the intensity of each dot being either on (logic "1") or off (logic "0").

The NSBC-512 uses a 4096 x 4096 virtual address space. Within this space, the display memory can be accessed in either Wrap-Around mode or Clipping mode. When operating in the Wrap-Around mode the higher order address bits not allowed by the NSBC-512 will be ignored. The board will attempt to write to the specified location, but since it will not see the higher address bits it will actually write to a lower address. In this way the displayed image will appear to "wrap around" the screen. Alternatively, the NSBC-512 can be strapped to ignore addresses outside of the display area completely. In this way a "blind" working space is created in which Vector Plot software will continue to work, but will not be displayed.

In addition to the CPU read/write, the display memory is continually scanned by the Timing and Control Unit every 16.66ms (60 Hz) to generate video signals. Memory access arbitration circuitry on the NSBC-512 efficiently resolves any contention problems between read/write requests and CRT refresh requests in such a way that the display is "transparent" to user.

The NSBC-512 can optionally be populated with either 4K or 8K memory for less dense display requirements. In this way displays of 256 x 256 or 512 x 256 dots can be configured without any wasted memory. Moreover the standard 512 x 512 memory configuration can be configured, via on-board hardware straps, to operate in a horizontal interlace mode whereby displays of 1024 x 256 dots can be generated.

VECTOR PLOT

Lines and curves can be drawn at high speeds on the NSBC-512 with the vector plot feature. When drawing a line at high speed, the start point is written to the display by first specifying the X and Y coordinates and then writing the dot intensity to the Data Register. The next point on the line is written to the display by loading the Dot Register with the cursor step direction. The X and Y coordinates of the cursor will automatically be modified and the dot intensity will automatically be written to this location.

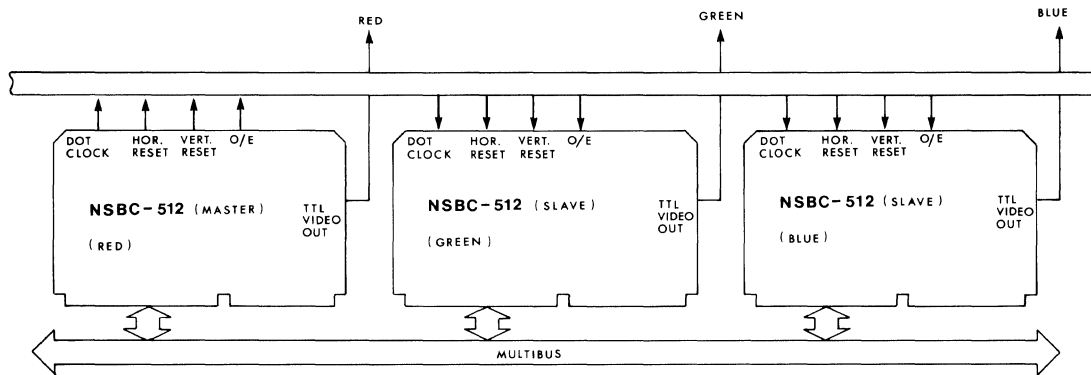


Figure 2. "Stacking" NSBC-512 cards for Color/Grey-scale displays

SCREEN ERASE

The entire refresh memory on the NSBC-512 can be erased by a single OUTput instruction. Setting the memory erase enable bit when writing to the display memory will cause the entire memory to be set to that intensity (0 = black, 1 = white).

VIDEO GENERATOR

The NSBC-512 works with all standard monochrome video monitors in American (60 Hz) and European (50 Hz) systems. TTL level video, horizontal sync, vertical sync, as well as composite video signals are supported on-board.

BUS INTERFACE

The NSBC-512 plugs directly into the Multibus and works with both 8-bit and 16-bit processors. All the Command and Status Registers as well as the Display Memory are accessed via memory mapped I/O. The NSBC-512 can be positioned on any 8 byte memory address boundary between 0000H and FFFFH.

ALPHA/GRAPH DISPLAYS

The NSBC-512 can be combined with the MSBC-2480 to generate alphanumeric/graphic displays. An on-board alphanumeric input port accepts the TTL level alphanumeric video information from the MSBC-2480 and combines it with the graphics video from the NSBC-512. The result is a powerful display combining both alphanumerics and graphics without the overhead involved in generating alphanumeric characters using graphic techniques.

COLOR/GREY-SCALE EXPANSION

Multiple NSBC-512 cards can be combined to provide for color/grey-scale displays. As previously outlined (DISPLAY MEMORY), the image bit on a given card can be assigned to any data bus bit. Thus the output of each card can be assigned a different weight or color. By assigning cards to different data bus bits and strapping all the cards with the same address, the intensity or color of a given dot can be loaded in a single instruction. A typical example of building up a color video system using the NSBC-512 is shown in figure 2.

PROGRAMMING

The NSBC-512 is programmed, for various display resolutions, by on-board hardware straps. These straps are organized into three 16 pin "programming sockets" to facilitate simple re-programming of the board.

SOCKET	JUMPER	DESCRIPTION
P	1	Vertical display = 240 lines (American standard) or 256 lines (European standard) Vertical reset = 262½ lines (American standard) Vertical reset = 312½ lines (European standard) Vertical sync = 244 lines (American standard) Vertical sync = 276 lines (European standard) Not used Enable 512 dot vertical resolution Not used
	2	
	3	
	4	
	5	
	6	
	7	
	8	
R	1	Enable 1024 dot horizontal resolution Set memory access mode for RAM type used Enable 1024 dot horizontal resolution Disable 1024 dot horizontal resolution Synchronize blanking for 512/1024 dot horizontal resolution Synchronize blanking for 256 dot horizontal resolution Dot clock = 5.53344 MHz (256 dot horizontal resolution) Dot clock = 11.06688 MHz (512/1024 dot horizontal resolution)
	2	
	3	
	4	
	5	
	6	
	7	
	8	
J	1	Display memory addressing straps (exact configurations depend on resolution and type of RAM used)
	2	
	3	
	4	
	5	
	6	
	7	
	8	

Table 1. Jumper Descriptions

SPECIFICATIONS

FUNCTIONAL

MEMORY ACCESS TIME

Dot Write Time: 1.4 μ s

DISPLAY PARAMETERS

RESOLUTION	RAM TYPE
256 X 256	4K
512 X 512	8K
512 X 512	16K
1024 X 256	16K

VIDEO TIMING

For a 256 x 256 or 512 x 256 display, the video output is non-interlaced. For a 512 x 512 or 256 x 1024 display, the video output is interlaced (two fields per frame). In order to avoid display flicker, a monitor with long persistence phosphors must be used.

SIGNAL	AMERICAN	EUROPEAN
Active Video	46 μ s	46 μ s
Horizontal Sync Frequency	15.8 KHz	15.8 KHz
Horizontal Sync Width	5.67 μ s	5.67 μ s
Vertical Sync Frequency	60 Hz	50.2 Hz
Vertical Sync Width	190 μ s	190 μ s

OUTPUT SIGNALS

TTL Level Video
 Horizontal Sync
 Vertical Sync
 Composite Sync
 Composite Video

BUS INTERFACE

Address, data, and control signals conform to Multibus Specifications No. 9800683

Display Memory, Command and Status Registers — Selectable on any 8 byte memory address boundary 0000-FFFFH (5000H)
 — or selectable on any 8 byte I/O address boundary

CONNECTORS

DESCRIPTION	MATING CONNECTOR
P1 : 86 pin edge connector, 0.156" centers — Multibus Interface	COMPAR ESM-43-DSRI
J1 : 50 pin edge connector, — TTL/Composite Video	MOLEX 15-25-8501

PHYSICAL

SIZE

Width: 12.00 in. (30.48 cm)
 Height: 6.75 in. (17.15 cm)
 Depth: 0.50 in. (1.27 cm)

POWER REQUIREMENTS

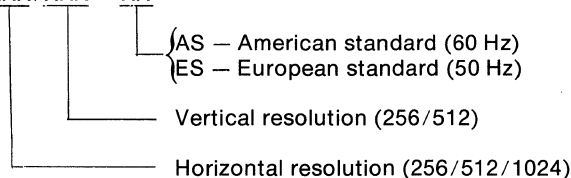
+ 5V DC \pm 5% @ 800mA
 + 12V DC \pm 5% @ 200mA

ENVIRONMENTAL REQUIREMENTS

Operating Temperature: 0°C to 55°C
 Relative Humidity: 0% to 95% non-condensing

ORDERING INFORMATION

NSBC — XXX/XXX — XX



Example: NSBC-512/512 — AS: 512 x 512 dot display with a 60 Hz vertical frame refresh rate.

Matrox Electronic Systems Ltd reserves the right to make changes in specifications at any time and without notice. The information furnished by Matrox Electronic Systems Ltd in this publication is believed to be accurate and reliable. However, no responsibility is assumed by Matrox Electronic Systems Ltd for its use; nor for any infringements of patents or other rights of third parties resulting from its use. No license is granted under any patents or patent rights of Matrox Electronic Systems Ltd.





5800 ANDOVER AVE., T.M.R., QUE., H4T 1H4, CANADA
TEL.: 514-735-1182 TELEX: 05-825651

RGB-256

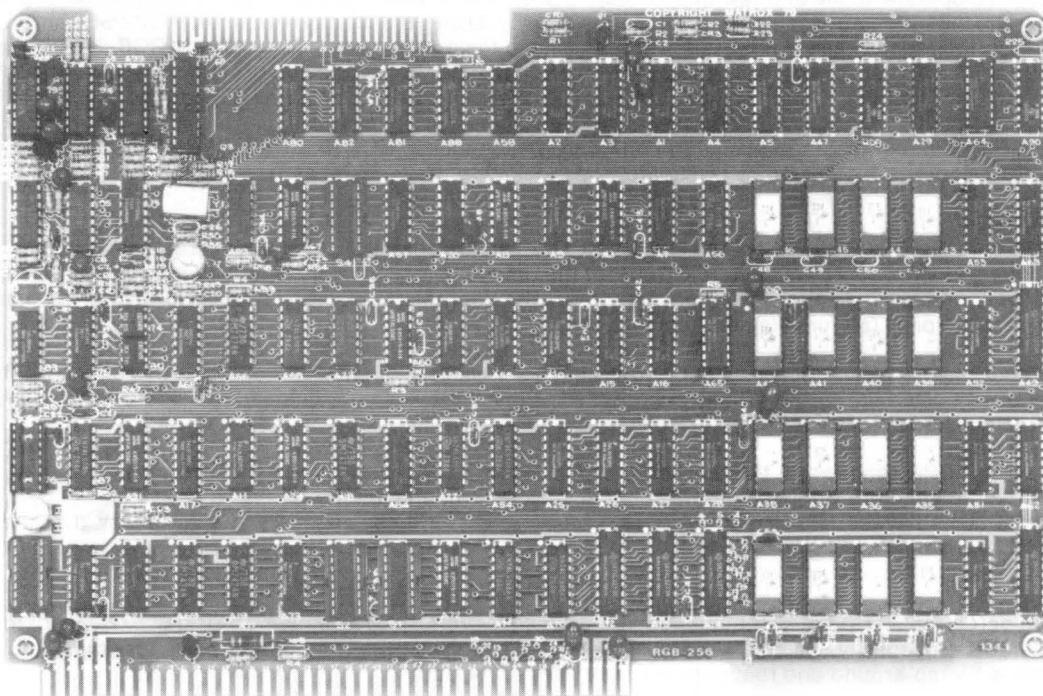
256 x 256 COLOR GRAPHICS DISPLAY CONTROLLER FOR MULTIBUS

- 256 x 256 resolution
- 4 bits/pixel expandable to 8 bits/pixel
- Built-in 8-bit D/A converter (grey scale)
- Built-in composite color encoder
- Single instruction erase
- Built-in phase lock loop (for genlock)
- Multibus* compatible
- Hardware scroll
- Internal/external sync
- American/European operation

The RGB-256 is a powerful color graphics display controller built on a single Multibus* compatible card. Graphics images of up to 256 x 256 dots can be displayed in up to 16 colors or grey levels. The RGB-256 also includes such advanced features as hardware scroll, single instruction erase and digitize commands.

The RGB-256 can be combined with other Matrox video boards such as the MSBC-2480 (alphanumerics) and the FG-01 (frame grabber). The OEM system designer can therefore integrate the RGB-256 into a powerful tailor-made video display system.

The RGB-256 works with all standard video monitors in Europe (50 Hz) and America (60 Hz). An on-board phase lock loop can be synchronized to an external sync source to enable the RGB-256 to be used in broadcast applications.



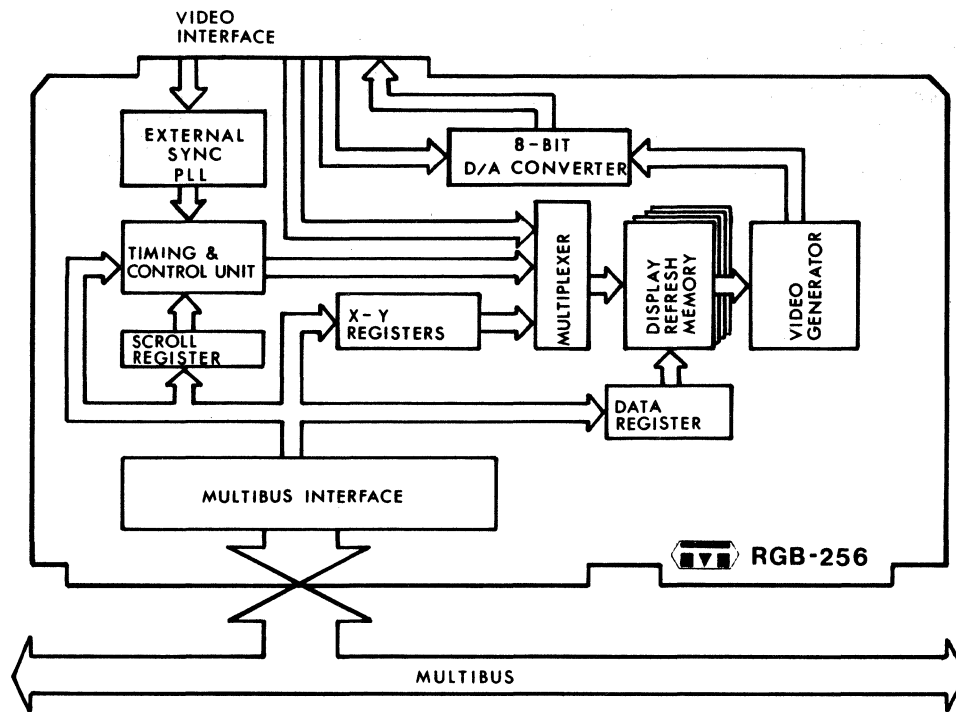


Figure 1. RGB-256 Block Diagram

FUNCTIONAL DESCRIPTION

The RGB-256 is a single board color graphics controller. It consists of five main operational blocks: Timing and Control Unit, X-Y Registers, Display Memory, Video Generator, and Multibus Interface. A block diagram of the RGB-256 is shown in figure 1.

TIMING AND CONTROL UNIT

The Timing and Control Unit consists of three major subsystems: Phase Lock Loop, Sync Generator, and Internal Reference. Through these three subsystems the RGB-256 is capable of generating all the necessary timing signals to produce a composite color or grey-scale video display. These timing signals include: horizontal/vertical sync and blanking, display refresh RAM addressing, as well as a color subcarrier.

The RGB-256 can operate in one of three modes: Master, External, or Slave. In the Master mode, the RGB-256 generates all the necessary video timing signals required for the display. Using the Master mode the RGB-256 can be used as a stand-alone controller or as a system master, where the video timing signals produced by the RGB-256 are used to synchronize one or more other boards into a complete video imaging system. The Slave mode is used to synchronize the RGB-256 to another RGB-256 system master. Slaved RGB-256 boards can be used to expand the number of bits/pixel.

Using the RGB-256 in external mode locks the on-board phase-locked loop to an external sync source. Fully NTSC or PAL compatible signals are provided by the board when locked to broadcast standard inputs.

DISPLAY MEMORY

The RGB-256 contains 32K bytes of on-board dynamic RAM which contains the binary picture information. The display memory is arranged as 256 x 256 x 4 bits, with each of the unique 65,536 memory locations representing a specific location on the CRT screen. To display a point on the screen, the appropriate memory location is loaded with four data bits which represent the pixel (picture element) color.

The RGB-256 uses a simple yet powerful X-Y addressing scheme. Two directly addressable registers store the X and Y coordinates of any given dot in the display memory. After the dot's X-Y coordinates have been defined, the CPU can read/write the pixel information to the Data Register.

In addition to the CPU read/write, the display memory is continually scanned by the Timing and Control Unit every 16.66 ms (60 Hz) to generate video signals. Memory access arbitration circuitry on the RGB-256 efficiently resolves any contention problems between CPU read/write requests and CRT refresh requests in such a way that the display is "transparent" to the user.

SCROLL

An on-board scroll register permits the user to vertically shift the displayed image up or down. By loading the Scroll Register, the user can specify which horizontal line will be displayed at the top of the screen. Lines scrolled off the top of the display will wrap-around and reappear at the bottom of the screen.

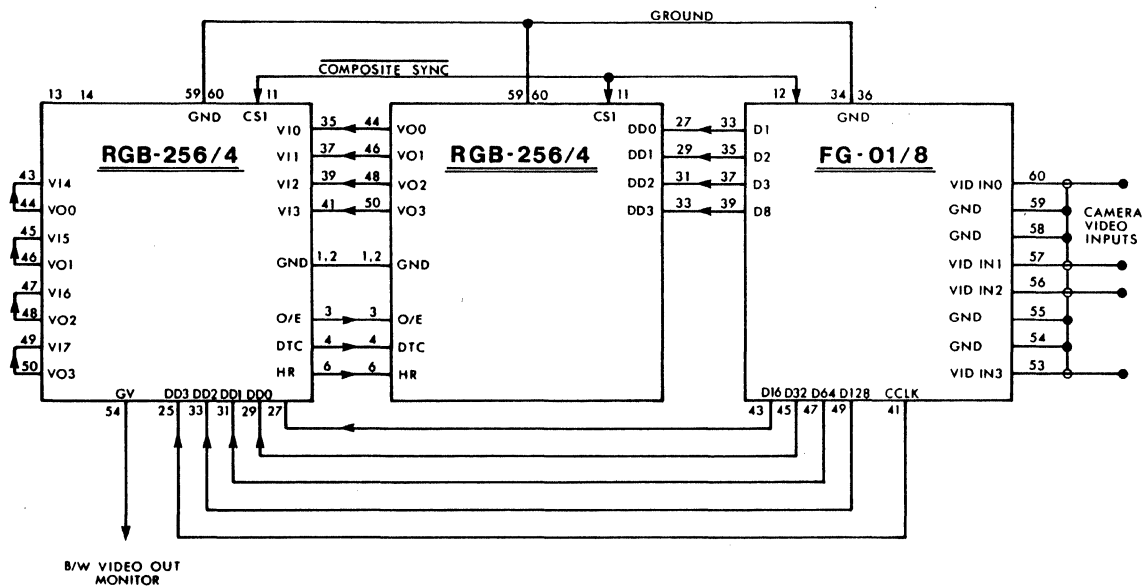


Figure 2. Combining RGB-256 and FG-01 — 256 x 256 x 8 bit imaging system

ERASE/DIGITIZE COMMAND

The RGB-256 has an erase/digitize command built into hardware. This command enables the user to preset the entire display refresh memory to a given value or to load one field of a digitized video signal obtained from an external frame grabber card. In the erase mode, the user can set the entire display memory to a specified value with a single INput instruction.

VIDEO GENERATOR

The RGB-256 includes a built-in color encoder which can provide up to 16 colors or grey levels. Most monochrome and composite color monitors will work with the RGB-256. Red, Green, Blue, and Mid-Green TTL level video, horizontal drive, vertical drive, as well as composite color and grey-scale video signals are provided.

BUS INTERFACE

The RGB-256 plugs directly into the Multibus and works most mini and microcomputers. The RGB-256 can be located on any 8 byte system I/O address boundary between 00H and FFH. Since the display refresh memory on the RGB-256 is directly accessed by two I/O ports (X-Y Registers), no system memory address space is required.

SYSTEM CONFIGURATIONS

The RGB-256 can be used as a stand alone controller or, by "stacking" cards, can be integrated into a complete video imaging system. As a stand alone controller the RGB-256 provides a 256 x 256 dot raster in 16 different colors or grey levels. Additionally the RGB-256 can be combined with other boards to provide more colors (multiple RGB-256 boards), digitized TV pictures (RGB-256 + FG-01) or a complete alphanumeric/graphics display system (RGB-256 + MSBC-2480). The RGB-256 can also be synchronized to an external sync source via the on-board phase lock loop. This feature enables the boards to generate NTSC/PAL compatible video signals for integration into a broadcasting environment.

PROGRAMMING

The RGB-256 is programmed via five I/O registers in combination with a series of on-board hardware straps. Address bits A2 and A3 are used to select between registers (Data Register, Scroll Register, X Register, and Y Register) which are located on even addresses relative to the RGB-256's base address (Table 1). A Flag Register is included on-board (accessed by reading location 2) to enable the host processor to monitor the board's status (Busy and Vertical Blank). Reading the X Register will initiate the Frame/Digitize command.

Much of the board's operational parameters are defined through on-board hardware straps, which have been organized into four 16-pin DIP sockets. With these jumpers, the user can program the on-board Sync Generator for American (60 Hz) or European (50 Hz) operation, in either Master, External, or Slave sync mode. Straps are also provided to set the RGB-256 video outputs for NTSC (American) or PAL (European) standard compatibility. The board's base address is determined by the on-board straps.

Register	Relative Address	Description	
		WRITE	READ
DATA	0	Write display memory	Read display memory
SCROLL	2	Set topmost displayed line	Read Flag Register
X	4	Set X coordinate	Initiate Erase/Digitize Command
Y	6	Set Y coordinate	Not used

Table 1. Register definitions

SPECIFICATIONS

FUNCTIONAL

MEMORY ACCESS TIME

Dot Write Time: 1.4 μ sec. max.

DISPLAY PARAMETERS

DESCRIPTION	RESTRICTIONS
Horizontal Resolution	256 dots
Vertical Resolution	256 dots (European standard), 240 dots (American standard)

VIDEO TIMING

The RGB-256 generates a 256 x 256 dot raster graphics display. The following table gives the video timing for both American and European standards.

SIGNAL	AMERICAN	EUROPEAN
Active Video	46.1 μ s	46.5 μ s
Horizontal Sync Frequency	15.734 KHz	15.638 KHz
Horizontal Sync Width	5.8 μ s	5.8 μ s
Vertical Sync Frequency	60.05 Hz	50.12 Hz
Vertical Sync Width	190.66 μ s	191.83 μ s

OUTPUT SIGNALS

TTL Level Video: Red	Composite Video: Composite Color
Green	Composite Grey-Scale
Blue	
Vertical Drive	
Horizontal Drive	

BUS INTERFACE

Address, data and control signals conform to Intel Multibus Specification No. 9800683
 Command Status and Data Registers — Selectable on any 8 byte I/O address boundary 00H — FFH (80H)

CONNECTORS

DESCRIPTION	MATING CONNECTOR
P1 : 86 pin edge connector, 0.156" centers — Multibus Interface	COMPAR ESM-43-DSRI
J1 : 60 pin edge connector — Video Interface	MOLEX 15-25-8601

PHYSICAL

SIZE

Width: 12.00 in. (30.48 cm)
 Height: 8.00 in. (20.32 cm)*
 Depth: 0.50 in. (1.27 cm)

POWER REQUIREMENTS

+5V DC \pm 5% @ 1A
 +12V DC \pm 5% @ 400mA
 -12V DC \pm 5% @ 250mA

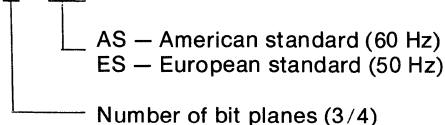
ENVIRONMENTAL REQUIREMENTS

Operating Temperature: 0°C to 55°C
 Relative Humidity: 0% to 95% non-condensing

*Note — The RGB-256 is slightly taller than the standard Multibus card size.

ORDERING INFORMATION

RGB-256/X — XX



Example: RGB-256/3-AS: 256 x 256 graphics display with 3 bit planes (8 possible colors or grey levels) using a vertical refresh rate of 60 Hz.

Matrox Electronic Systems Ltd reserves the right to make changes in specifications at any time and without notice. The information furnished by Matrox Electronic Systems Ltd in this publication is believed to be accurate and reliable. However, no responsibility is assumed by Matrox Electronic Systems Ltd for its use; nor for any infringements of patents or other rights of third parties resulting from its use. No license is granted under any patents or patent rights of Matrox Electronic Systems Ltd.





matrox
 electronic systems Ltd.

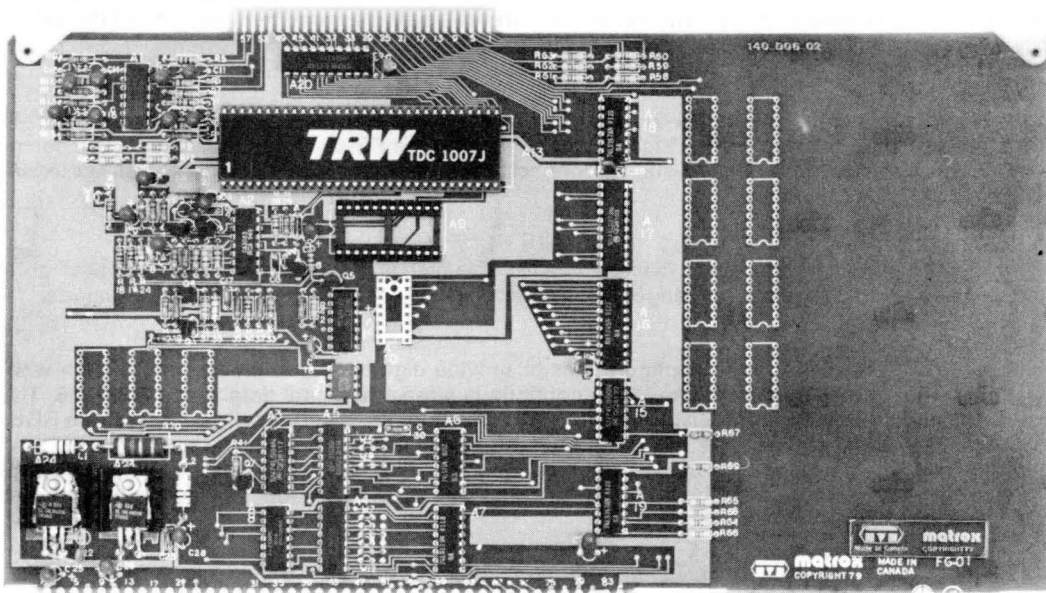
5800 ANDOVER AVE., T.M.R., QUE., H4T 1H4, CANADA
 TEL.: 514-735-1182 TELEX: 05-825651

FG-01

HIGH SPEED VIDEO A/D CONVERTER FOR MULTIBUS

- 4, 6, or 8 bit A/D converter
- 4 video inputs
- Accommodates most video amplitudes
- Interfaces directly to RGB-256 to store TV picture
- Continuous or "Freeze" grab operation
- Multibus[®] compatible
- On-board sync separator circuit
- American/European operation

The FG-01 is a high speed analog to digital converter card that is intended to be used with the Matrox RGB-256 graphics display controller cards. The FG-01 permits the user to digitize a standard monochrome video signal (1V_{p-p}) and, on command, to write one digitized field of video information into the RGB-256 display refresh memory.



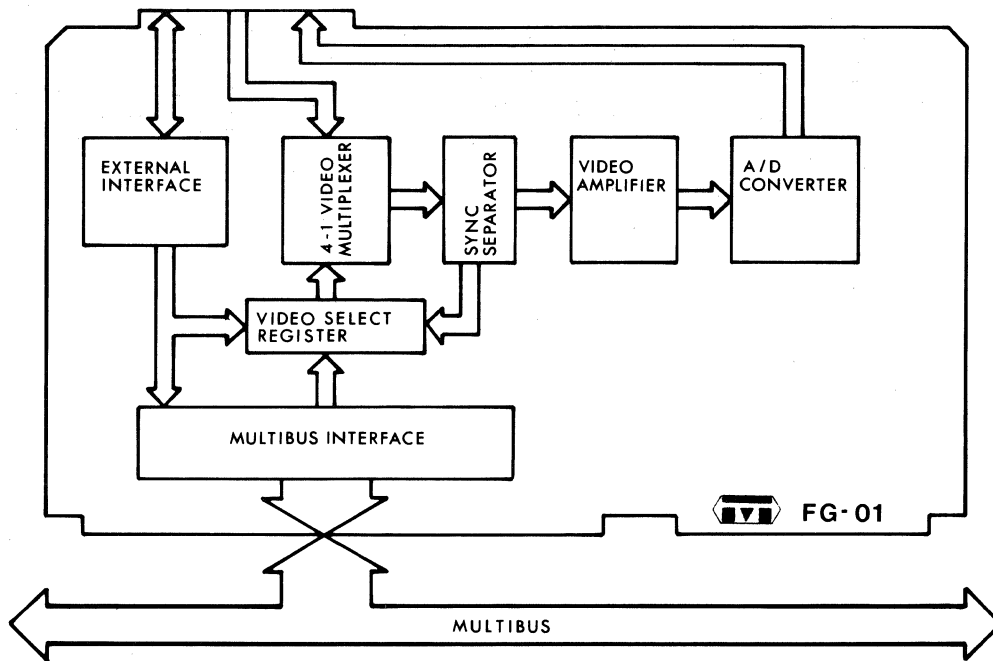


Figure 1. FG-01 block diagram

FUNCTIONAL DESCRIPTION

The FG-01 frame grabber card can be functionally divided into six operational blocks. These blocks (figure 1) are: Input Multiplexer, Sync Generator, Video Amplifier, A/D Converter, Multibus Interface, and External Interface.

The FG-01 has been designed to operate with the RGB-256 graphics controller. Through commands generated by the RGB-256 the FG-01 will digitize a frame of video information (from an external TV camera) and store it in the RGB-256 display memory. This frame grabbing operation can be continuous (the RGB-256 will display a continually updated or "live" picture) or one-shot, effectively "freezing" the action. Figure 2 illustrates the connections between the RGB-256 and the FG-01.

INPUT MULTIPLEXER

The FG-01 contains an on-board 4 to 1 input video multiplexer. In this way the user can interface up to four analog video inputs (composite video from four different TV cameras) to the 30 MHz A/D converter. Switching, between these four video inputs, is under software control. The FG-01 can "freeze" a single frame from any one of the video inputs or, by periodically accessing the board, can provide a continuous "grabbing" of consecutive fields.

SYNC SEPARATOR

Composite video signals, accepted by the FG-01, are stripped of the horizontal and vertical sync signals. These sync signals are then used by the FG-01 as control signals to synchronize the FG-01 to the TV camera. The composite sync signals are also made available on the video output connector to enable the user to synchronize the RGB-256 color graphics board to the TV camera as well.

VIDEO AMPLIFIER

The selected input video goes to a backporch clamp and a variable gain stage. An on-board gain control potentiometer allows the user to take advantage of the full range of the A/D converter for a given input signal amplitude.

VIDEO A/D CONVERTER

The FG-01 can be ordered in one of three configurations to provide digitized video picture information with 4, 6, or 8 bits per pixel. The on-board A/D converter provides a continuous stream of digital data to the RGB-256. The initiation of the storage of this data in the RGB-256 display memory is done, under software control, through the RGB-256 card. A/D conversion is initiated on the negative edge of the Convert Command generated by the RGB-256. On this same negative edge the data from the previous conversion is made valid. The digital outputs from the A/D converter are buffered before being passed out from the board. In this way the validity of the produced video information is assured.

BUS INTERFACE

The FG-01 plugs directly into the Multibus. To the Multibus computer the FG-01 looks like a single I/O addressable register (Video Select Register). The user can locate the FG-01 anywhere in the system I/O address map (00 to FFH).

EXTERNAL INTERFACE

An external interface is provided on-board the FG-01 to permit computers, external to the Multibus, to communicate with the FG-01. The external interface drives the 8 data lines, 8 address lines, and the IORC/ and IOWC/ lines of the Multibus to allow the host computer to access any device in the Multibus I/O address map. This allows the interfaced computer to fully access the RGB-256 or any other I/O mapped board on the Multibus system bus.

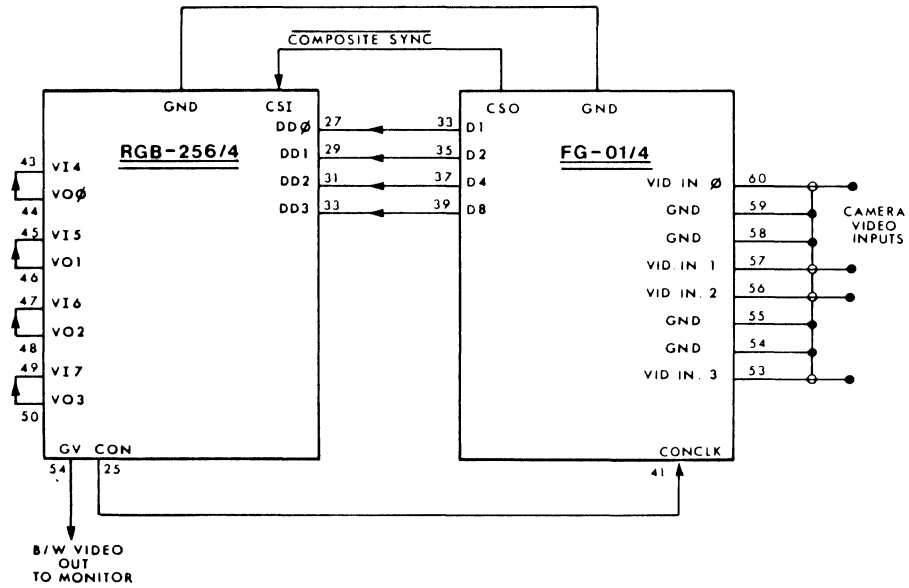


Figure 2. 256 x 256 x 4 bit imaging system

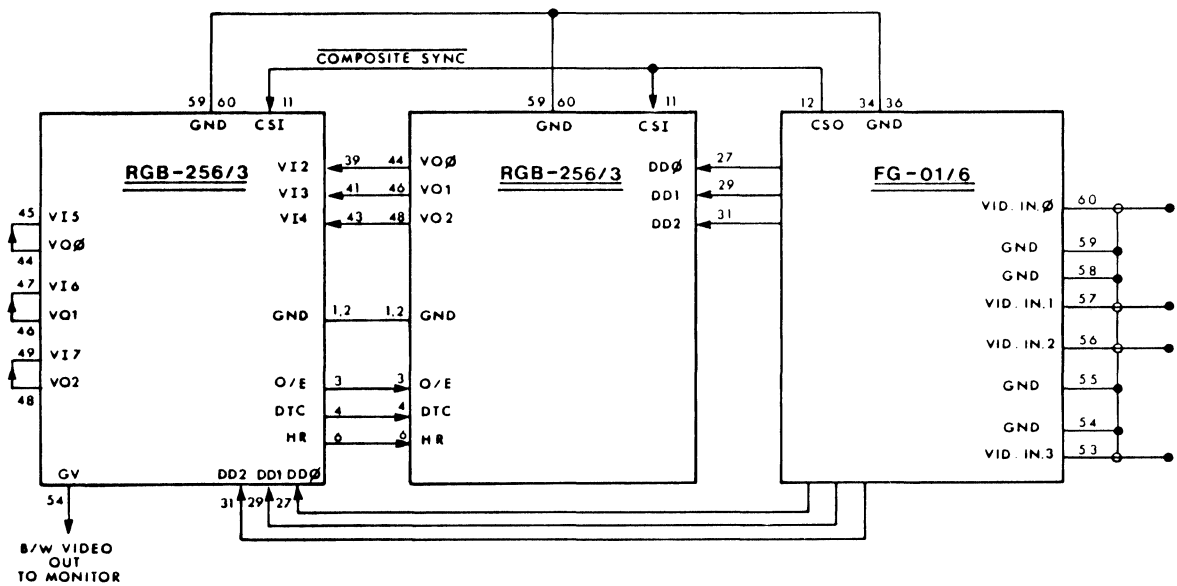


Figure 3. 256 x 256 x 6 bit imaging system

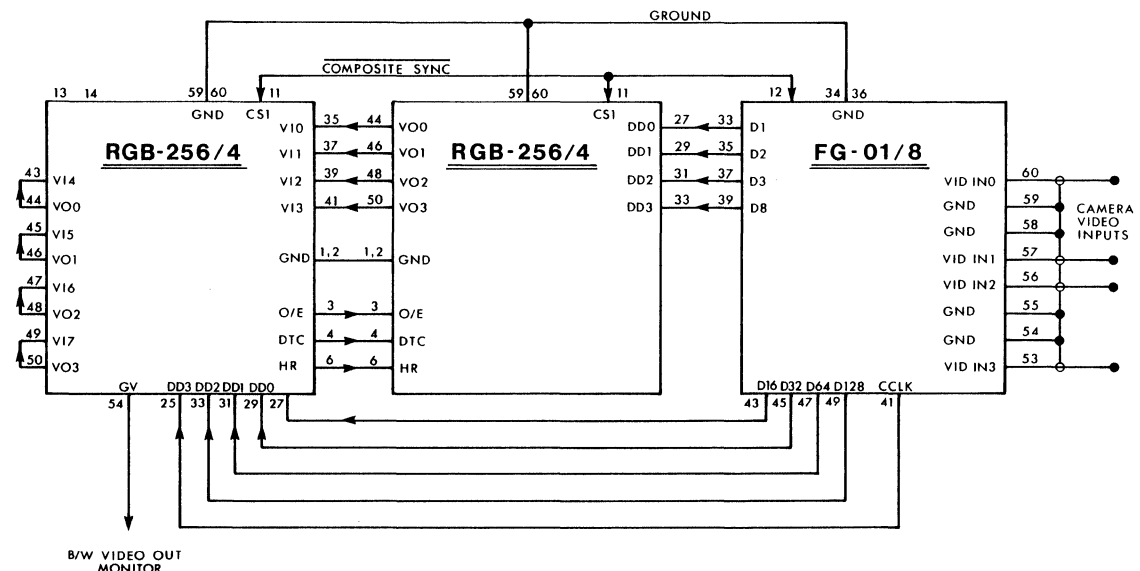


Figure 4. 256 x 256 x 8 bit imaging system

SPECIFICATIONS

FUNCTIONAL

INPUT SIGNALS

Analog Video 0*
 Analog Video 1
 Analog Video 2
 Analog Video 3
 Convert Clock (TTL, 20 MHz max.)

*All analog video inputs are composite video (75Ω, 0.6V to 1.5V_{p-p})

OUTPUT SIGNALS

TTL Level Video (4, 6, or 8 bits)
 TTL Level Composite Sync (negative going)

BUS INTERFACE

Address, data and control signals conform to Intel Multibus Specification No. 9800683
 Video Select Register — Strappable on any I/O address from 00 to FFH (FOH)

CONNECTORS

DESCRIPTION

J1 : 86 pin edge connector, 0.156" centers — Multibus Interface
 J2 : 60 pin edge connector,
 — Analog Video IN
 — Digital Video Out
 — External Interface

MATING CONNECTOR

COMPAR ESM-43-DSRI
 MOLEX 15-25-8601

PHYSICAL

SIZE

Width: 12.00 in. (30.48 cm)
 Height: 6.75 in. (17.15 cm)
 Depth: 0.50 in. (1.27 cm)

POWER REQUIREMENTS

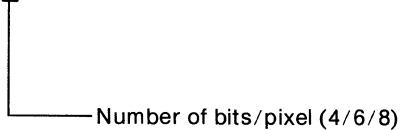
+ 5V DC ± 5% @ 300 mA
 + 12V DC ± 5% @ 100 mA
 -12V DC ± 5% @ 200 mA (4 bits)
 -12V DC ± 5% @ 300 mA (6 bits)
 -12V DC ± 5% @ 500 mA (8 bits)

ENVIRONMENTAL REQUIREMENTS

Operating Temperature: 0°C to 55°C
 Relative Humidity: 0% to 95% non-condensing

ORDERING INFORMATION

FG-01/X

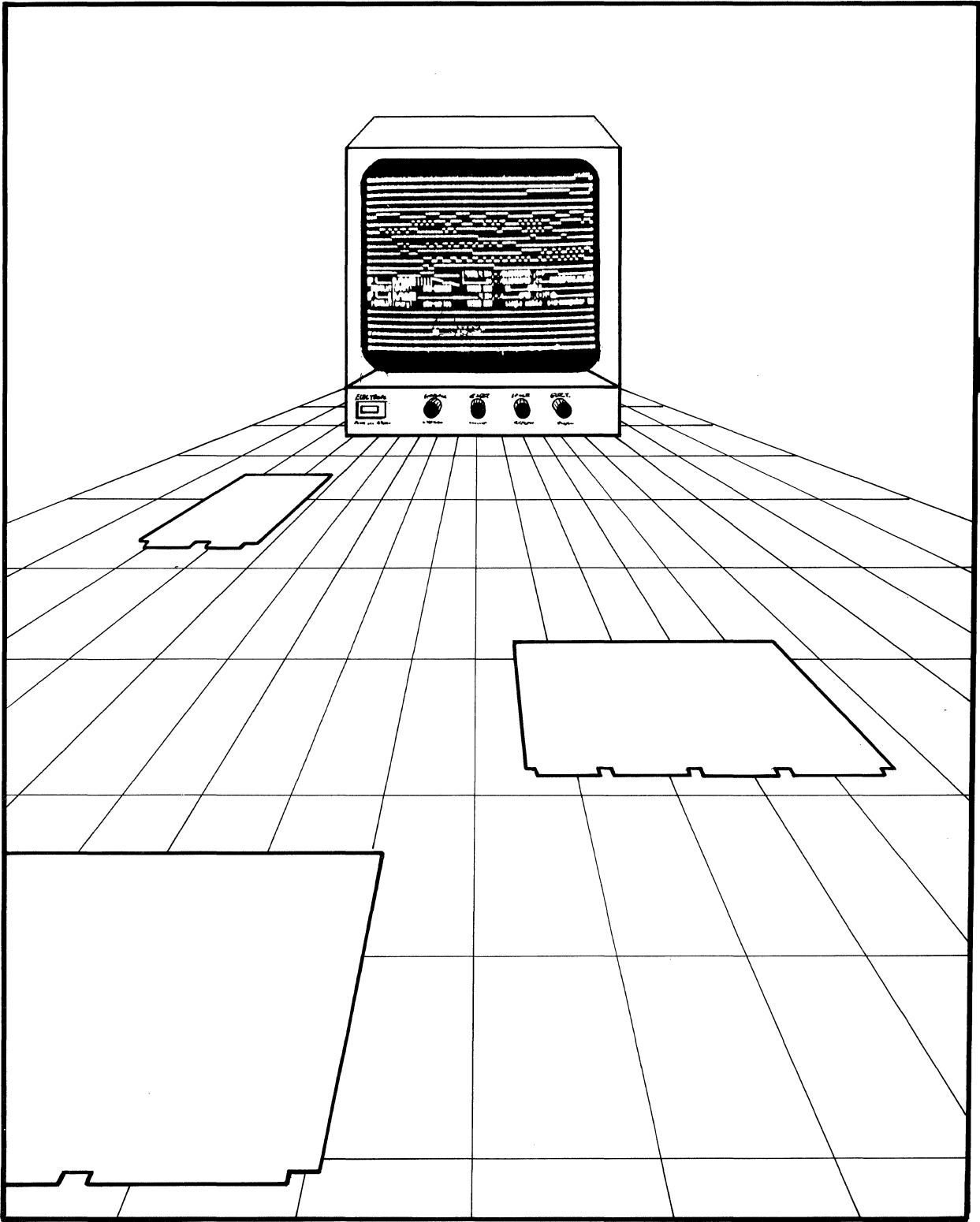


Example: FG-01/4: Frame grabber with a 4 bit/pixel A/D converter.

Matrox Electronic Systems Ltd reserves the right to make changes in specifications at any time and without notice. The information furnished by Matrox Electronic Systems Ltd in this publication is believed to be accurate and reliable. However, no responsibility is assumed by Matrox Electronic Systems Ltd for its use; nor for any infringements of patents or other rights of third parties resulting from its use. No license is granted under any patents or patent rights of Matrox Electronic Systems Ltd.



Multibus Intel™



Q-BUS (LSI-11) VIDEO BOARDS

SECTION 2 Q-BUS (LSI-11) VIDEO BOARDS

QRGB-GRAPH Vector Plot 512 x 512 Color Graphics Display Controller for LSI-11 Q-bus	2-3
QVAF-512 QRGB-GRAPH Video Input/Output Processor for LSI-11 Q-bus	2-11
QRGB-ALPHA Programmable Color Alphanumeric Display Controller for LSI-11 Q-bus	2-19
QBW-ALPHA Programmable B/W Alphanumeric Display Controller for LSI-11 Q-bus	2-23
MLSI-2480 24 x 80 Alphanumeric Display Controller for LSI-11 Q-bus	2-27
MLSI-512 512 x 512 Graphics Display Controller for LSI-11 Q-bus	2-31
QRGB-256 256 x 256 Color Graphics Display Controller for LSI-11 Q-bus	2-35
QFG-01 High Speed Video A/D Converter for LSI-11 Q-bus	2-39



matrox
electronic systems Ltd.

5800 ANDOVER AVE., T.M.R., QUE., H4T 1H4, CANADA
TEL.: 514-735-1182 TELEX: 05-825651

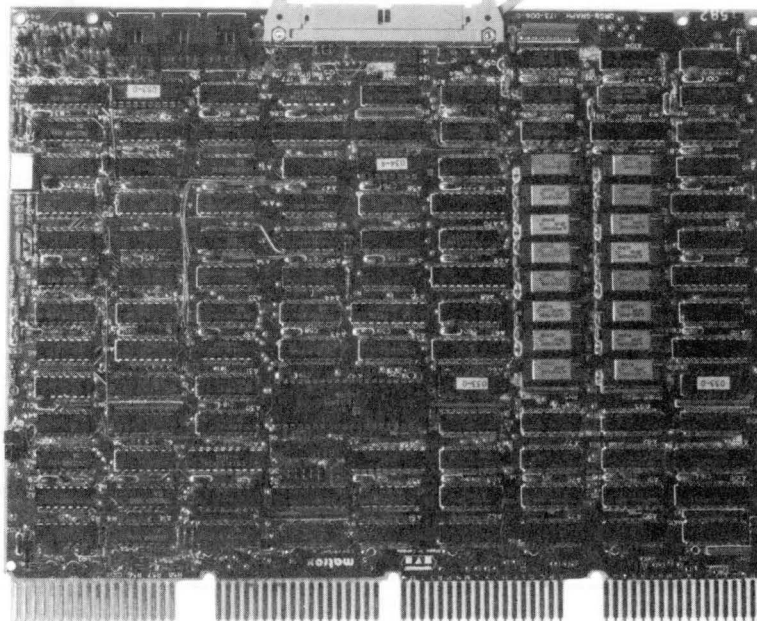
QRGB-GRAPH

VECTOR PLOT 512 x 512 COLOR GRAPHICS CONTROLLER FOR LSI-11 Q-BUS

- 512 x 512 pixel resolution standard
- 4 bits/pixel expandable to 16 bits/pixel
- Writing speed of 800ns/pixel
- DMA access to video RAM
- Light pen interface built-in
- Vector plot
- Plug-in compatible with DEC LSI-11 Q-bus*
- Hardware zoom, pan, scroll, and shift, clear, overlay, clipping, video enable
- Hardware blink
- Vectored interrupts
- Compatible with 16-bit and 18-bit addressing
- On-board ROM Color Look-up Table (256 shades)
- Add-on QRGB-ALPHA board provides color alphanumeric overlay
- Add-on QVAF-512 board adds:
 - Real-time 512 x 512 frame grabber
 - 16 million RAM color look-up table
 - Hardware vector generator

The QRGB-GRAPH is a member of Matrox's complete line of modular color video boards for the DEC LSI-11 Q-bus*. By using the latest state of the art LSI and VLSI technology, the QRGB-GRAPH provides an economical, self-contained solution for OEM color graphics applications requiring high resolution, top performance, and low cost. The board contains advanced video features such as hardware zoom, scroll, shift, pan, clipping, overlay, video masking, etc. which have previously been available only on the most expensive graphics systems at a much higher cost.

Furthermore, the QRGB-GRAPH can be combined with other Matrox color video boards such as the color alphanumerics QRGB-ALPHA and video I/O processor board, QVAF-512, (containing a real-time 512 x 512 frame grabber, color look-up table, and a hardware vector generator). The OEM system designer can now easily incorporate powerful tailor-made graphics into his system at a fraction of the cost of a turn-key system.



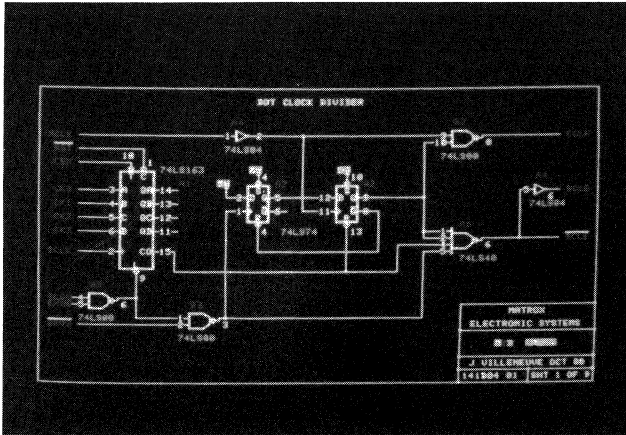


Figure 1. CAD/CAM application

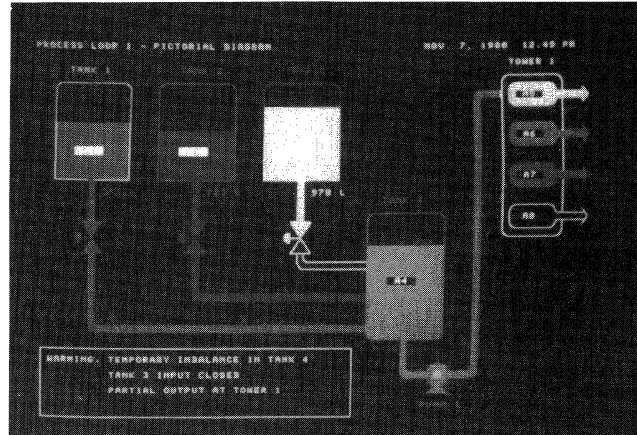


Figure 2. Process control application

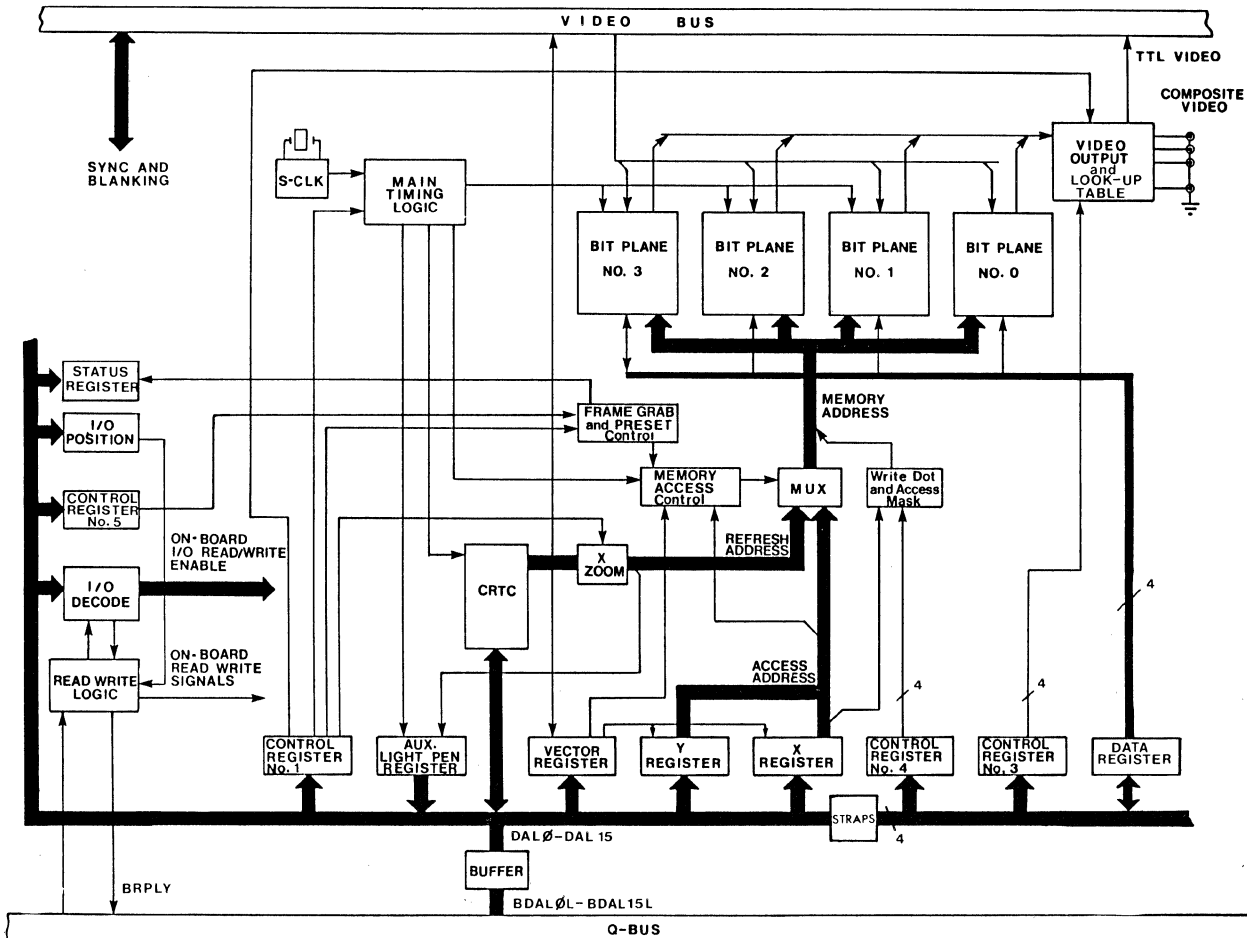


Figure 3. QRGB-GRAPH block diagram

QRGB-GRAPH FEATURES

Resolution:	512 x 512 standard, 1024 x 512 optional
Bits/Pixel:	1-4 bits/pixel, expandable to 16 bits/pixel with additional QRGB-GRAPH boards.
Zoom:	Independent X-zoom by 1, 2, 3, 4, 5, 6, 7, 8 Y-zoom by 1, 2, 4 Zoom works on any segment of the 512 x 512 display
Scroll:	Up/down scroll (vertical) by multiple of 8 pixels
Shift:	Left/right (horizontal) by single or multiple dots
Pan:	Scroll and shift can be combined for full two dimensional pan inside the 512 x 512 area
Clipping:	4096 x 4096 addressable area with hardware clip to 512 x 512 for read/write and display
Clear Display:	Memory hardware clear to zero (black). All pixels cleared in one frame (33 msec.)
Preset Display:	Memory hardware preset to value (color) in data register. All pixels preset in one frame (33 msec.)
Preset Mask:	Clear/Preset control of each bit plane by Plane Mask
Color Look-Up Table:	An on-board color look-up table enables the user to select the 16 displayed colors from a palette of 256 shades. The ROM table consists of 32 separate 4 line in/8 line out software selectable partitions. The color look-up table also permits the implementation of various video effects, such as: overlay, and animation
Blink:	The QRGB-GRAPH display can be set to blink to any of the 16 displayable colors.
Video Mask:	The on-board color look-up table allows video on/off control of each bit plane through software
Video Parameters:	All video parameters including horizontal and vertical syncs, blanking, frequency, and display format are user software programmable to drive any direct or composite B/W or color CRT monitor
Video Outputs:	Direct TTL video (4), composite 75 Ω R.G.B. color signals and 16-level grey scale signals are available
Light Pen:	Detects true light pen position within one pixel accuracy. Interface built-in
Vector Plot:	X-Y registers are auto-increment/decrement
Display RAM:	Up to 128K byte on-board memory. CPU can read/write with 50ns (min.) and 1.2 μ s (max.) access time/pixel. Memory looks like 262,144 x 4 RAM (single QRGB-GRAPH), 262,144 x 16 (four QRGB-GRAPHS)
X, Y Pixel Address:	Each pixel can be addressed via X, Y registers (12 bits each). Data registers contains pixel color for read/write (I/O addressing)
DMA Pixel Address:	262,144 x 4 (8, 12, 16) display RAM can be accessed in 256 byte blocks (block base address in X, Y registers) in DMA mode for image dumping (each pixel is one memory address)
Vectored Interrupt:	The QRGB-GRAPH can generate vectored interrupts when either a light pen strobe has been detected, or when a Display Preset command is completed. The interrupt vector, released by the QRGB-GRAPH, can be strapped to point to a service routine starting at any even word address in system memory.

Q-bus Interface: The QRGB-GRAPH looks to the user like 8 word wide I/O locations. All communications including pixel read/write, video functions, etc. are accomplished by I/O R/W (no DMA used). With DMA, 256 bytes of additional memory address space is used

Access Time: 500ns (max.) for any I/O port; 50ns (min.) — 1.2 μ s (max.) for DMA

Video Bus: 50 pin connector provides video inputs and outputs for expanded performance using QRGB-ALPHA, QVAF-512 and additional QRGB-GRAPH boards

ADDITIONAL ADD-ON FEATURES

QRGB-ALPHA

Alphanumerics: Color alphanumeric displays can be added by the QRGB-ALPHA board (synchronized to the QRGB-GRAPH). Formats of up to 132 characters/line and up to 48 lines are user software programmable

QRGB-GRAPH

16 Bits/Pixel: By connecting additional QRGB-GRAPH boards (max. 4) up to 16 bits/pixel can be obtained (each QRGB-GRAPH adds 4 bits/pixel)

QVAF-512

Color Look-up: RAM video look-up table increases the number of displayable colors to 2^{24} = 16,772,216. CPU can read/write look-up table

Frame Grabber: Real-time frame grabber digitizes TV camera outputs with 4 or 8 bits/pixel resolution. Spatial resolution is 512 x 512 or 512 x 256. Single frame grab or continuous frame grab under software control

Color Frame Grab: By connecting R.G.B. outputs from a TV camera to the video switcher and grabbing each channel separately, a color picture can be digitized

External Sync: Built-in phase-lock loop synchronizes the QRGB-GRAPH to an external composite sync (serrated) for broadcast and mixing applications

Video Switcher: Four-input video switcher enables the user to digitize four separate TV camera inputs under software control

Vector Generator: On-board hardware vector generator with drawing speed of 800nsec/pixel. Vector length, slope, and texture are user defined.

ACCESSORIES

CRT Monitors: Matrox supplies a full line of 9" and 14" monochrome monitors, as well as 12", 14", and 19" high resolution (.3mm pitch) color monitors for interlaced and non-interlaced operations

Light Pen: High speed light pen (LP-600)

SOFTWARE SUPPORT

QUARTO: The QUARTO software package includes a set of high level primitives (subroutines), similar to those found in the CORE standard, and low level operations allowing access to all of the features on the QRGB-GRAPH card.

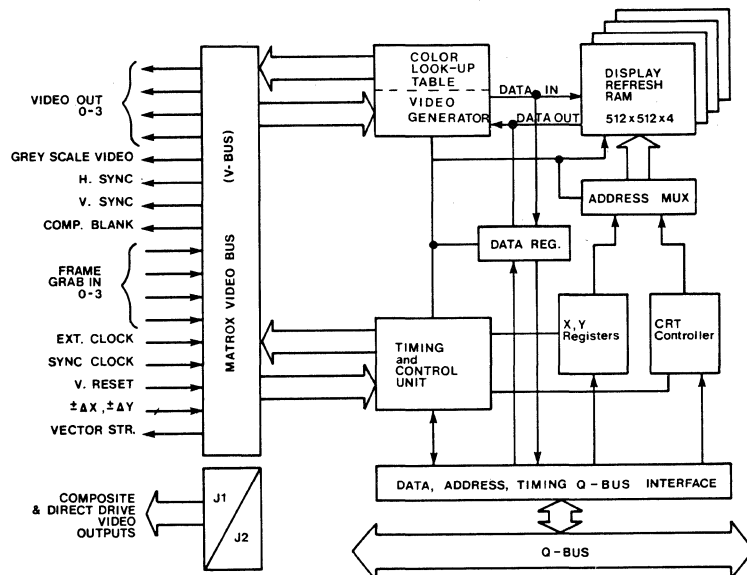


Figure 4. QRGB-GRAPH functional blocks

FUNCTIONAL DESCRIPTION

The QRGB-GRAPH is a very complex digital graphics system on a single 10.45" x 8.43" PC board (figure 3). It consists of six main functional blocks (figure 4): CRT Controller, Video Generator, Color Look-Up Table, Display RAM, XY Registers, Timing and Control Unit, and Q-bus Interface.

The **CRT Controller (CRTC)** is a VLSI IC which provides all video timing signals including horizontal and vertical sync and blanking, display refresh RAM addresses, as well as various other timing and control signals such as cursor, light pen interface, etc. The CRT Controller is software programmable allowing the user to program parameters such as vertical refresh frequency, width and position of horizontal and vertical sync pulses (important when using non-standard CRT monitors), display resolution, etc. To the host CPU, the CRTC appears as an array of 18 registers which are indirectly addressed via two I/O ports.

The **Display Refresh Memory** is made up of 128K bytes of on-board dynamic RAM (for 512 x 512 x 4 resolution) which contains the binary picture information. Each pixel is identified by a unique address in the 262,144 address space (512 x 512). Each address contains 4 data bits which represent the pixel color. The memory is organized as four independent "planes", each containing one data bit (512 x 512 x 1). The display memory can be expanded to 16 planes through the combination of three additional QRGB-GRAPH boards.

The CPU can read/write the display RAM in one of two ways. In the XY mode the CPU loads the X and Y registers with the pixel address and then reads/writes the pixel color information through the Data Register. This mode is normally used when drawing graphics point by point. For high speed read/write operations the CPU can access the refresh memory in DMA mode. The display memory is accessed in 256 byte blocks with the starting address of the desired block loaded into the X and Y registers before executing DMA. This mode is usually used when transferring complete images from/to mass storage devices (floppy, Winchester, etc.) or for hard copies.

In addition to the CPU read/write, the display memory is continually scanned by the CRTC every 16.66ms (60 Hz) to generate video signals or, in the frame grabbing mode, to load digitized TV camera images into memory at speeds of over 100 Megabits/second. Memory access arbitration circuitry on the QRGB-GRAPH efficiently resolves any con-

tention problems between read/write requests and CRT refresh requests in such a way that the display refresh is "transparent" to the user.

The **X-Y Registers** are 12 bit up/down counter/latches with associated logic containing the address of the pixel being accessed by the graphics cursor (4096 x 4096 addressable area) as shown in figure 5. The CPU can load the X and Y Registers, through programmed I/O, with the pixel's absolute position. Two 8 bit ports are used for each Register. If the contents of either the X or Y Registers exceed the maximum resolution (i.e. $X > 512$, $Y > 512$) the Clip Circuit will prevent CPU read/write.

For high speed relative drawings, the vector plot feature can be used. By writing into the Vector Register the drawing direction (4 bits), the X and Y Registers are automatically incremented/decremented (figure 6).

The vector register can be interfaced with the hardware vector generator contained on the QVAF-512 board. The QVAF vector generator generates $\pm \Delta X$, $\pm \Delta Y$ increment/

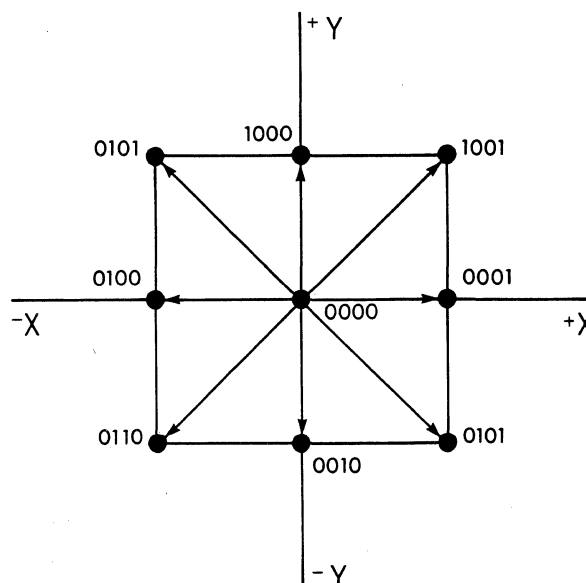


Figure 6. Vector step direction

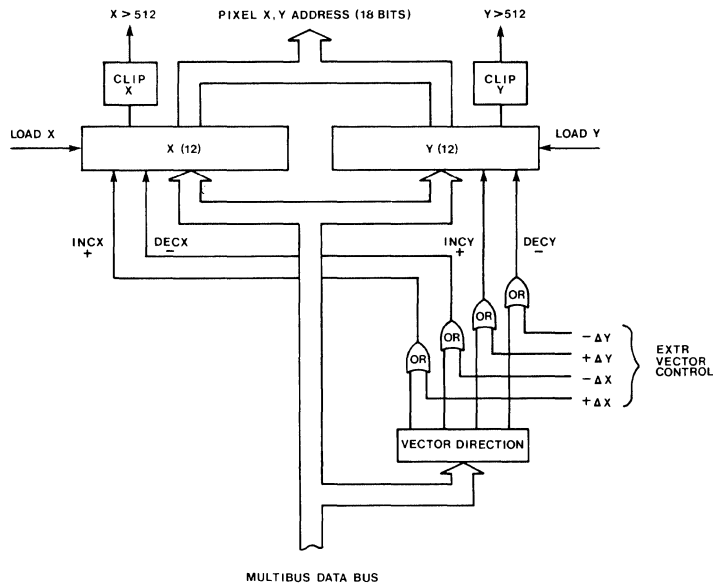


Figure 5. X-Y Registers

decrement pulses when drawing vectors, circles, etc. at the speed of 800ns/pixel. The vector plot function can also be used for drawing pictures without tying up the system bus in multiprocessor applications by connecting the $\pm \Delta X$, $\pm \Delta Y$ inputs to the I/O ports of the CPU board.

The X, Y Registers are also used in the DMA mode for auto-incrementing the RAM address within the 256 byte DMA block.

The **Video Generator** performs three basic functions: conversion of digital data from the refresh RAM into the proper video signals to drive B/W and color monitors, conversion of digital video data from a frame grabber into a format required to write the data into the refresh RAM at video speeds, and the performance of various other video processing functions in hardware (zoom, scroll, clipping, etc.). The Video Generator (Video Input/Output Processor) is shown in figure 7.

Data is read from the display RAM as 4 consecutive pixels at one time for each plane (for refresh each plane looks like 512 rows x 128 strings/row x 4 1-bit pixels/string). This 4 pixel data is loaded into a shift register and then shifted

out at the video clock speed (10 MHz for 512 x 512 resolution) to produce a serial TTL signal for each plane (four in total). These digital video signals are then used to address the on-board ROM Color Look-Up Table.

The **Color Look-Up Table** is contained in a 512 byte ROM, which is electrically divided into 32 16-byte blocks. Each block represents a separate 4 line in/8 line out (256 shade) color map, any of which can be selected by the user under software control (figure 8). Each "color map" is further divided into 16 locations, with each location being addressed by the four data bits from the QRGB-GRAPH display refresh memory (one bit from each memory plane). A blink bit can be ANDed with the most significant of these data bits to enable the user to blink the display between colors.

The major advantage of the on-board Color Look-Up Table is its flexibility. By switching between color maps, the user can implement a wide range of video effects such as overlay and animation. The QRGB-GRAPH is supplied with a pre-programmed Color Look-Up Table in PROM, which is supported by the Matrox graphics software package QUARTO.

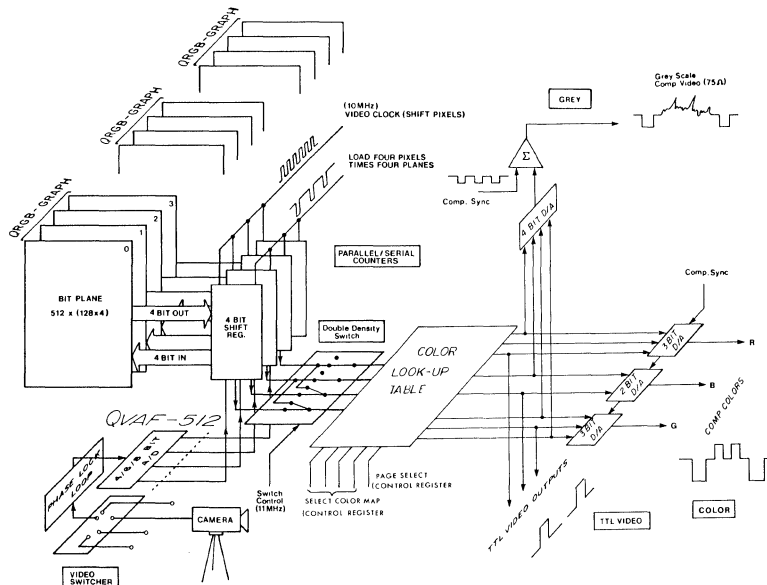


Figure 7. QRGB-GRAPH Video Generator

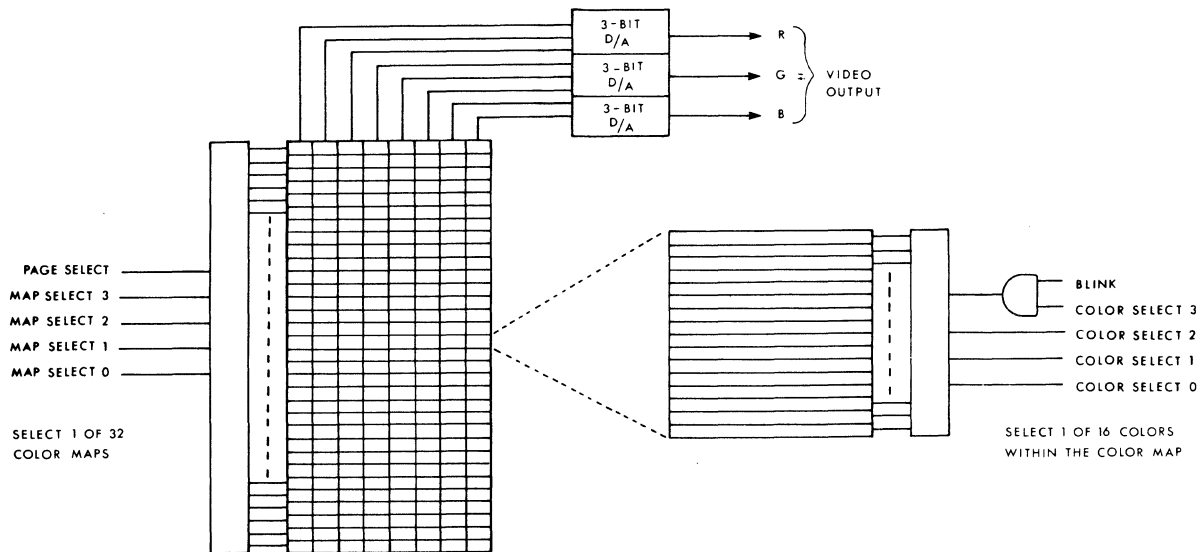


Figure 8. Color Look-Up Table

The Color Look-Up Table releases 8 bits of video data per pixel. This video information is fed to a series of D/A converters where a composite sync signal is combined with the outputs of the D/A converters to provide composite R, G, and B drives. Each color output is intensity controlled, with both red and green having 8 intensity levels (3 bits/pixel) and the blue output having 4 intensity levels (2 bits/pixel). Alternatively, four of the eight data bits (one red, one blue, and two green) can be fed to a 4-bit D/A converter which is combined with the composite sync signal for 16-level composite grey scale video signals (75 Ω impedance) to drive monochrome monitors or hardcopy devices. R, G, B TTL signals are also provided for driving direct input CRT monitors and, via the Matrox video bus, for interfacing with video signals from a QRGB-ALPHA, an additional QRGB-GRAPH, or a QVAF-512 board.

While operating in the frame grabbing mode, the video signals from a TV camera via the QVAF-512 board are fed, through a phase lock loop (synchronizes the QRGB-GRAPH timing to that of the external sync), to an 8-bit 10 MHz A/D converter. The digitized video data is then serially input to a 4-bit shift register from where it is written to the display refresh memory. Note that this is exactly opposite to the generation of video signals during the read operation. Both the read and write video operations are synchronized so that the QRGB-GRAPH can operate in a continuous frame grabbing mode (write new pixel data after previous pixel is read).

Various hardware video functions are performed in different sections of the QRGB-GRAPH board rather than at one place. Video masking, overlay, and D/A conversion are performed in the Video Generator section. Vector plotting and clipping are done through the X, Y Registers, X-zoom, shift, screen clear, and selected plane clear are done in the Timing and Control Unit, and scroll, Y-zoom, user programmable video parameters and light pen interface are handled by the CRT Controller chip.

The **Timing and Control Unit** generates timing signals for the CRTC as well as all signals required by the display refresh memory (figure 9). It consists of the main oscillator (X-TAL = 10 MHz), variable modulo counters (divide by 1-8) which are controlled by the X-zoom factor to produce the appropriate load and shift signals for the display and a divide by 16 counter which, with a timing PROM, generates a series of timing signals for the memory refresh (RAS, CAS).

The **Q-bus* Interface** contains the logic required to interface the QRGB-GRAPH to the DEC LSI-11 Q-bus*. The QRGB-GRAPH looks like 8 consecutive 16-bit wide I/O locations strapped to any 16 address boundary. The CPU communicates with the QRGB-GRAPH by reading or writing into these I/O registers. The only exception is when the board is used in DMA mode. Then the display memory looks to the CPU like a 256 byte block of RAM (4, 8, 12, or 16 bits wide for 1, 2, 3, or 4 QRGB-GRAPH cards). The starting address of the 256 byte block can be positioned anywhere in the LSI-11 system I/O address space.

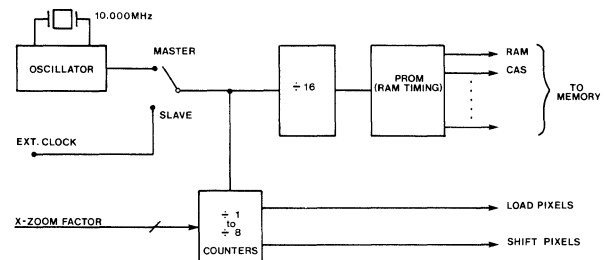


Figure 9. Timing and Control Unit

DISPLAY SYSTEM CONFIGURATIONS

The Matrox family of advanced color graphics boards; which including the QRGB-GRAPH, QRGB-ALPHA and QVAF-512 offer the OEM system designer the unique capability to design a powerful optimal graphics system with equal or even superior performance to turn-key graphics systems, at a lower cost. Furthermore, by using general purpose OEM boards, the user can add CPUs, memory disk interface, etc. The software support package, which is supplied in the form of a graphics primitives library, further simplifies design of a custom graphics system. Hardware expansion capabilities allow extra display functions to be added by simply plugging in additional boards (more bits/pixel, higher speed, frame grabbing, etc.).

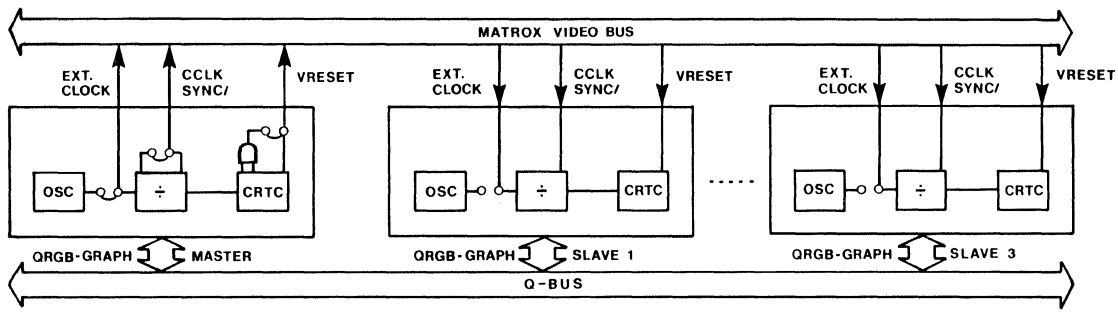


Figure 10. Multiple QRGB-GRAPH system

SINGLE BOARD DISPLAY SYSTEM

Using a single QRGB-GRAPH board provides for a versatile graphics system that can be used in many display applications from B/W to color.

RESOLUTION	BITS/PIXEL	PART NUMBER	APPLICATION
512 x 512	1	QRGB-G/64/1	B/W display systems
512 x 512	4	QRGB-G/64/4	Grey scale or color display system
1024 x 512	2	QRGB-G/64/4	High res. B/W, one bit for graphics and one bit for alphanumeric

Table 1: Examples of display systems using single QRGB-GRAPH

ADDING MORE BITS/PIXEL

Up to four QRGB-GRAPH boards can be synchronized together via the video bus (single 50 pin ribbon cable) for up to 16 bits/pixel. Each QRGB-GRAPH adds up to 4 bits/pixel.

ADDING ALPHANUMERICS

Alphanumerics can be added to the graphics in three ways. The simplest way is to write alphanumerics, pixel by pixel, from a table stored in RAM or ROM. This offers flexibility in character size, color, position, and font but interferes with the graphics display. The second way is to use one of the bit planes on the QRGB-GRAPH exclusively for alphanumerics and overlay it with the graphics planes. The use of a separate alphanumerics and overlay it with the graphics planes. The use of a separate alphanumerics board (QRGB-ALPHA) offers the highest speed. QRGB-GRAPH and

QRGB-ALPHA are synchronized via the video bus connector. The alphanumeric format (character/line x lines) is user programmable. Video signals can be Ored (on the QRGB-ALPHA) or mixed together via a color look-up table (via the QVAF-512).

QVAF-512

The addition of a QVAF-512 board enables the QRGB-GRAPH system to digitize a real-time B/W or color video signal from a TV camera or VCR with 4 or 8 bits/pixel. Also, a high speed look-up table on the QVAF-512 expands the number of displayable colors to over 16 million. The QVAF-512 can also be used for video mixing, animation, etc. A high speed hardware vector generator executes high level graphics commands at 800ns/pixel. The QVAF-512 is synchronized via the video bus and it works in 256 x 256, 512 x 256 and 512 x 512 resolution.

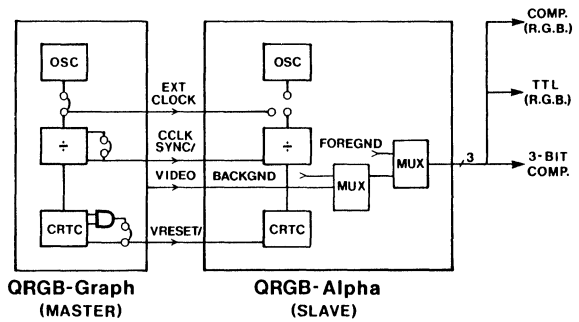


Figure 11. Alphanumerics overlay

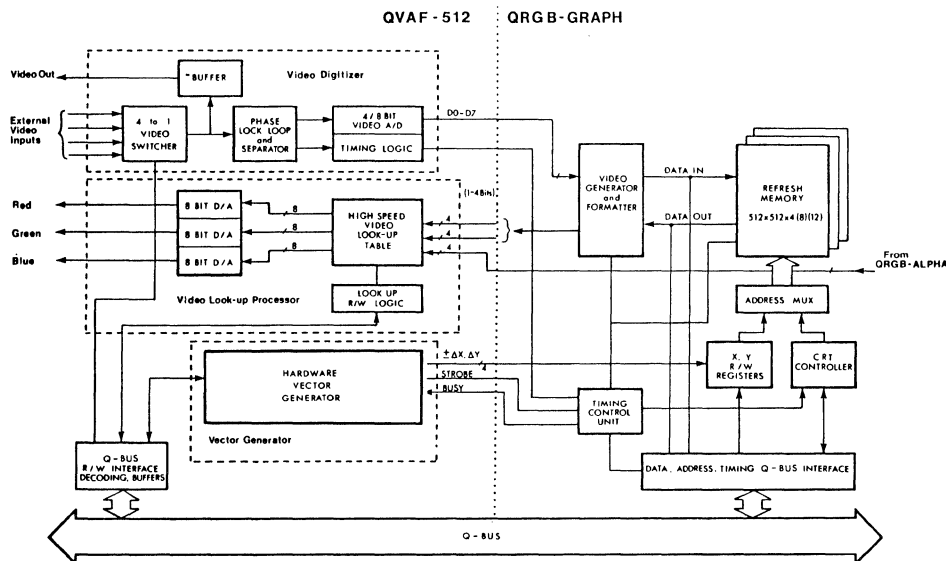


Figure 12. QVAF-512 Video Processor

SPECIFICATIONS

FUNCTIONAL

MEMORY ACCESS TIME

CRTC Data, CRTC Address, CRTC Status, and Vector Register access time is fixed to 500ns. Access time to all other locations (including DMA) varies from 50ns to 1.2 μ s depending if an internal cycle is in progress at time of access.

DISPLAY PARAMETERS

RESOLUTION	RAM TYPE
512 x 512 x 1	64K
512 x 512 x 4	64K
1024 x 512 x 2	64K

VIDEO TIMING

For a display format of 512 horizontal dots x 512 vertical dots on a monitor with a 51.2 μ s active video time a 10.000 MHz crystal is used. The following table gives the timing in both American and European standards.

SIGNAL	AMERICAN	EUROPEAN
Active Video	51.2 μ s	51.2 μ s
Horizontal Sync Frequency	15.82 KHz	15.82 KHz
Horizontal Sync Width	4.80 μ s	4.80 μ s
Vertical Sync Frequency	62.2 Hz	51.2 Hz
Vertical Sync Width	189.6 μ s	189.6 μ s

INPUT SIGNALS

Light-pen Enable
Light-pen Strobe

OUTPUT SIGNAL

TTL Level Video: TTL level Red
TTL level Green0
TTL level Green 1
TTL level Blue
Vertical Drive
Horizontal Drive

Analog Video: Red
Green (composite)
Blue
Grey Scale (composite)

BUS INTERFACE

Address, data and control signals conform to DEC LSI-11 Bus specifications.
Command and Status Registers — Selectable on 16 byte memory address boundaries 760 000₈ — 777 777₈ (164 400₈)
Display Refresh Memory (DMA only) — Selectable on 256 byte memory address boundaries 760 000₈ — 777 777₈ (164 000₈)
Interrupt Vector Address — Selectable on any even word address — (400₈)

CONNECTORS

DESCRIPTION	MATING CONNECTOR
A: 36 pin edge connector, 0.125" centers, B: 36 pin edge connector, 0.125" centers, C: 36 pin edge connector, 0.125" centers, D: 36 pin edge connector, 0.125" centers, } LSI-11 Bus interface	DEC H8030 (2 required)
J1: 10 pin right angle header, Analog video outputs	AMP 87922-1
J2: 10 pin right angle header, TTL video outputs	AMP 87922-1
J3: 50 pin right angle header, Matrox video bus	Molex 15-25-4505
J4: 10 pin right angle header, Keyboard and lightpen interface	AMP 87922-1

PHYSICAL

SIZE

Width — 10.45 in. (26.54cm)
Height — 8.43 in. (21.41cm)
Depth — 0.50 in. (1.27cm)

POWER REQUIREMENTS

\pm 5V DC \pm 5% @2A

ENVIRONMENTAL REQUIREMENTS

Operating Temperature: 0°C to 55°C
Relative Humidity: 0% to 95% non-condensing

ORDERING INFORMATION

QRGB-G / 64 / X
└─ Number of bits/pixel (1/4)

Example: QRGB-G/64/4: 512 x 512 color graphics controller with four bit planes

Matrox Electronic Systems Ltd reserves the right to make changes in specifications at any time and without notice. The information furnished by Matrox Electronic Systems Ltd in this publication is believed to be accurate and reliable. However, no responsibility is assumed by Matrox Electronic Systems Ltd for its use; nor for any infringements of patents or other rights of third parties resulting from its use. No license is granted under any patents or patent rights of Matrox Electronic Systems Ltd.



LSI-11, Q-BUS and DEC are registered trademarks of Digital Equipment Corp.



matrox
electronic systems ltd.

5800 ANDOVER AVE., T.M.R., QUE., H4T 1H4, CANADA
TEL.: 514-735-1182 TELEX: 05-825651

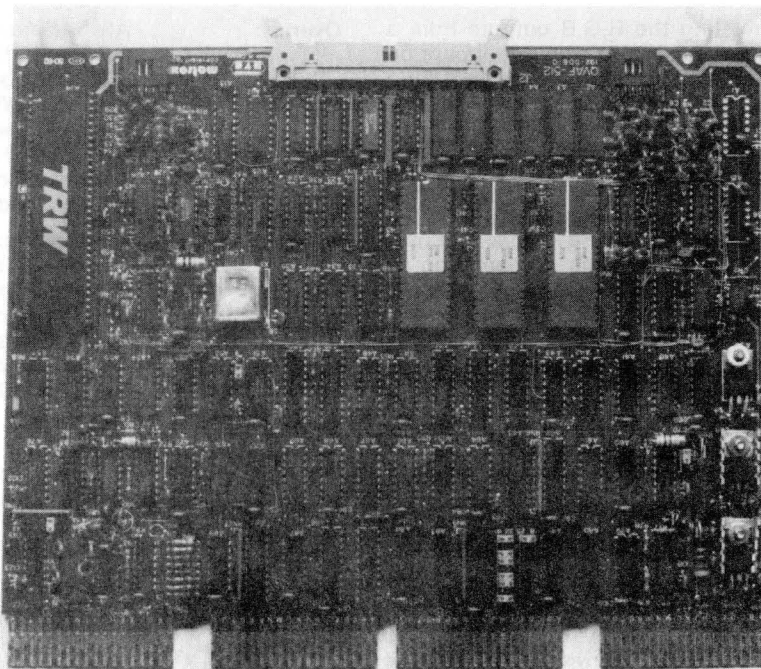
QVAF-512

QRGB-GRAPH VIDEO INPUT/OUTPUT PROCESSOR FOR LSI-11 Q-BUS

- Real Time Video Frame Grabber
 - 4 or 8 bit A/D
 - 4 input video switch
 - Programmable clamping and gain
 - Internal/external, block/serrated sync
 - Phase locked loop for Genlock
- Color Look-Up Table (RAM)
 - 10 input lines/24 output lines
 - Three 8 bit D/A converters (R,G,B)
 - 16 million color palette
 - Blink and overlay control
- Hardware Vector Generator
 - High speed line drawing (800ns/pixel)
 - Length, slope, and texture control
- LSI-11 Q-Bus* Compatible
- Works With QRGB-GRAPH Board
- QRGB-ALPHA Overlay Compatibility
- American/European Operation

The QVAF-512 is a video I/O processor board designed to extend the performance of the Matrox QRGB-GRAPH video controller. The QVAF-512 has three main subsections: a real time video digitizer (frame grabber), a color look-up table, and a high speed vector generator. The video A/D converter provides real time grey scale digitizing, of a camera, videodisk, or VCR signal (4 or 8 bits/pixel), into one or two QRGB-GRAPH frame buffers. The color look-up table provides a palette of over 16 million output shades and colors. The look-up table can accommodate one or two QRGB-GRAPH boards and a QRGB-ALPHA. The on-board vector generator provides high speed line drawings (800ns/pixel). The length, slope, and texture of the displayed lines are all software controlled.

The QVAF-512 plugs into any standard LSI-11 Q-bus backplane and interfaces to the QRGB-GRAPH/QRGB-ALPHA via a single 50-pin ribbon cable. The board will operate in either American or European standard systems.



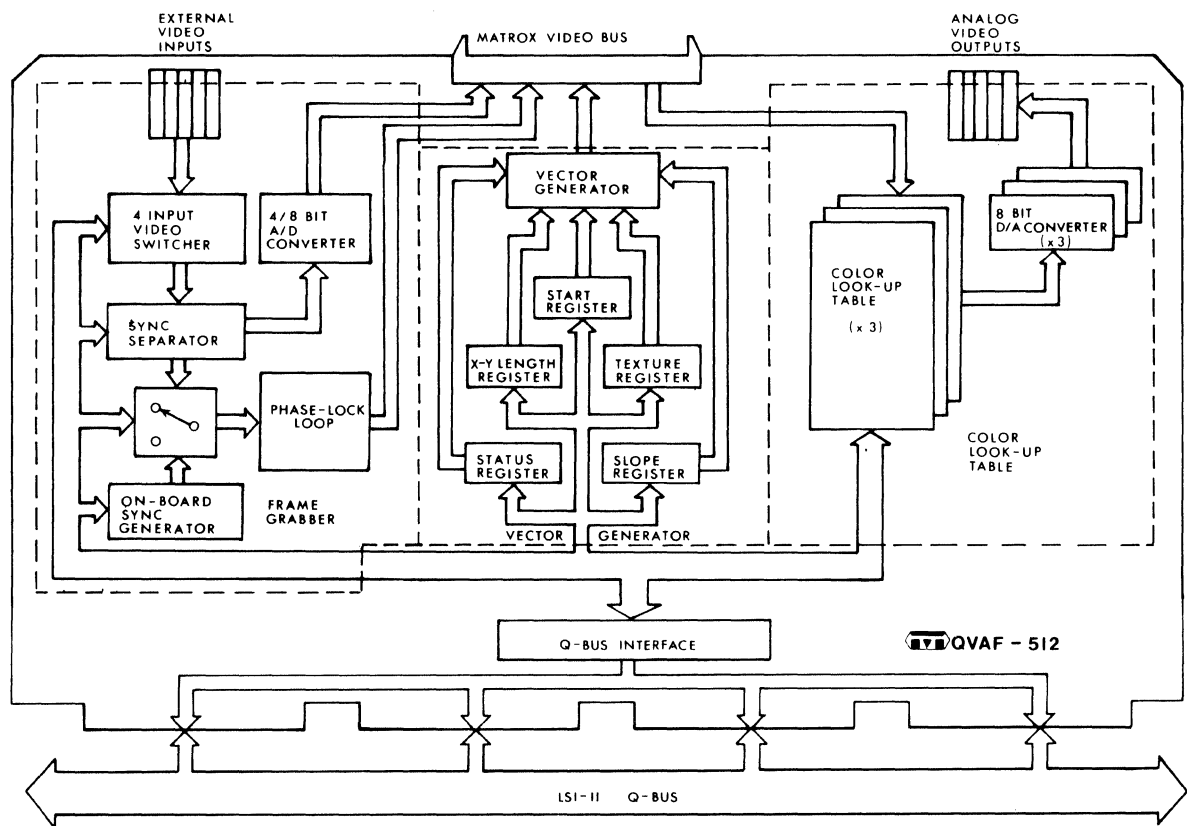


Figure 2. QVAF-512 functional blocks

FUNCTIONAL DESCRIPTION

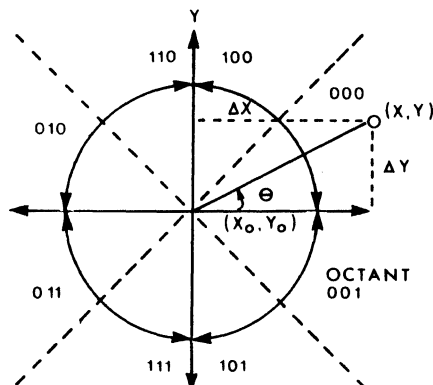
The QVAF-512 has been designed to complement the operation of Matrox's QRGB-GRAPH/QRGB-ALPHA family of color video controllers. The QVAF-512 comprises three independent operational sections (figure 2) contained on a single Q-bus compatible PC board.

The on-board **Hardware Vector Generator** provides an efficient means of drawing vectors to the QRGB-GRAPH display memory. Three parameters are required to specify a line draw operation; length, slope, and texture. The 10 bit Length Register stores the length of the larger of the two components (ΔX , ΔY). This permits vectors of up to 1024 pixels to be drawn with a single software Write command. A 10 bit Slope Register stores, with single pixel precision, the $\tan\theta$ where θ is an angle between 0° and 45° . Three bits in the Start Register define the proper octant. The Vector Generator circuit calculates the X and Y addressing, as required by the QRGB-GRAPH, on a pixel by pixel basis until the full vector has been drawn. A Busy Flag in the Status Register or a hardware interrupt can be used to indicate completion.

The texture of the displayed vector is stored in a 16 bit Texture Register. The contents of the Texture Register defines a 16 bit repeating pattern of pixel information (figure 4). In this way solid, dotted, dashed, and hidden vectors can be drawn. Note that the Data Register on the QRGB-GRAPH board is used to set the color of the vector.

The hardware Vector Generator operates with a drawing speed of 800ns/pixel. This represents an increase of about 20 to 40 times the conventional drawing speeds achieved by software vector generation.

The QVAF-512 **Frame Grabber** enables the user to digitize a frame of video information (from an external video camera, VCR or video disk), with either 4 or 8 bits per pixel, and store that frame in the QRGB-GRAPH display memory ($512 \times 512 \times 4$ bits per GRAPH board). Using commands issued by the QRGB-GRAPH, this frame grabbing operation can be continuous (QRGB-GRAPH will display a continually updated or "live" picture) or one shot, effectively "freezing"



$$\begin{aligned} \text{IF } |\Delta X| \geq |\Delta Y| \\ \text{THEN LENGTH} &= |\Delta X| \\ \text{AND SLOPE} &= \left| \frac{\Delta X}{\Delta Y} \right| \end{aligned}$$

$$\begin{aligned} \text{IF } |\Delta X| < |\Delta Y| \\ \text{THEN LENGTH} &= |\Delta Y| \\ \text{AND SLOPE} &= \left| \frac{\Delta Y}{\Delta X} \right| \end{aligned}$$

Figure 3. Determining vector length and slope parameters

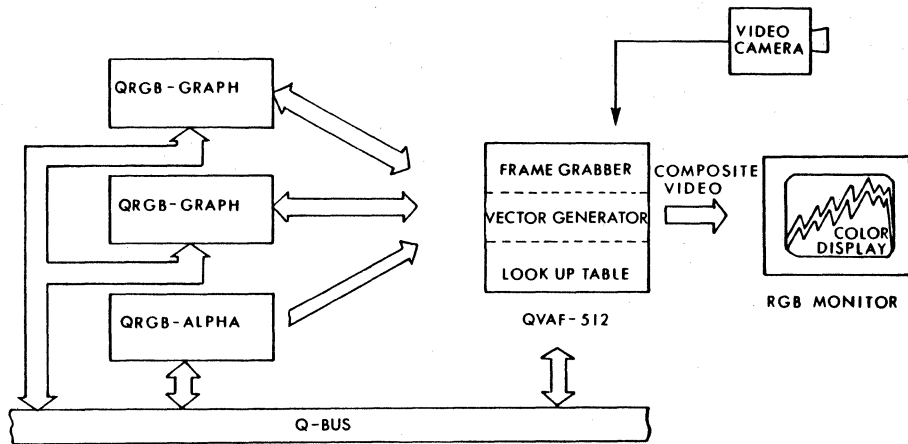


Figure 5. QVAF-512 in system

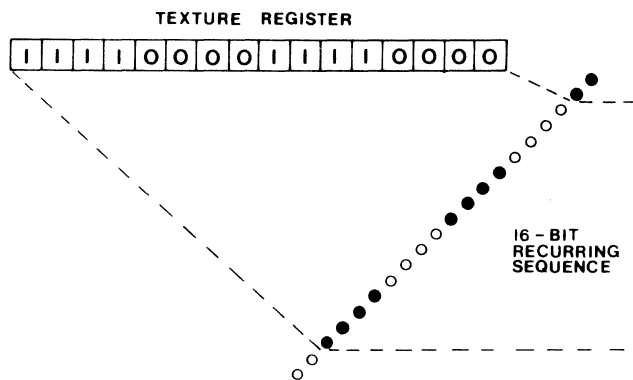


Figure 4. Defining the "Texture" pattern for the displayed vectors

the action. Up to four video cameras can be interfaced to the QVAF-512 through an on-board four input video switcher which permits software selection between the four video sources.

Incorporated into the design of the frame grabber is a Phase-Lock Loop circuit (PLL). The PLL uses the sync signal stripped from the input video signal as a reference frequency to which it synchronizes the rest of the system (QRGB-GRAPH/QRGB-ALPHA). If required, an on-board sync generator (strappable for American EIA or European CCIR standard sync) can be software-selected to act as a master sync source for both the video display boards and the video source. The PLL can also be programmed to accept either block or serrated sync.

The QVAF-512's frame grabber provides software control over the gain of the input signal. This feature, together with a software-variable voltage offset (clamping level) on the input, allows the user to take advantage of the full digitizing range of the A/D converter for a given input signal amplitude. This technique can be used to concentrate the operation of the A/D converter on that part of the input signal that contains the most video information, in effect increasing the contrast of the image. There are sixteen different levels of gain and sixteen different levels of offset.

The QVAF-512 **Color Look-Up Table** is made up of three 1K x 8 RAM look-up tables (one for each primary color: red, green, and blue), each of which are divided into four 256 byte sections: Normal, Overlay, Blink, and Blink And Overlay. These Color Look-Up Table provide the QRGB-GRAPH with a color palette of over 16 million colors. To display a

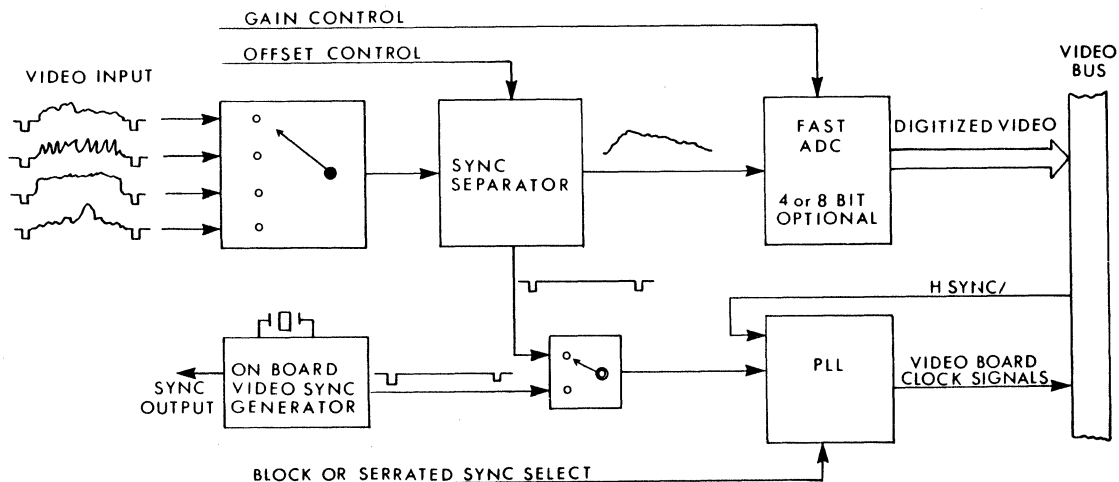


Figure 6. Frame Grabber

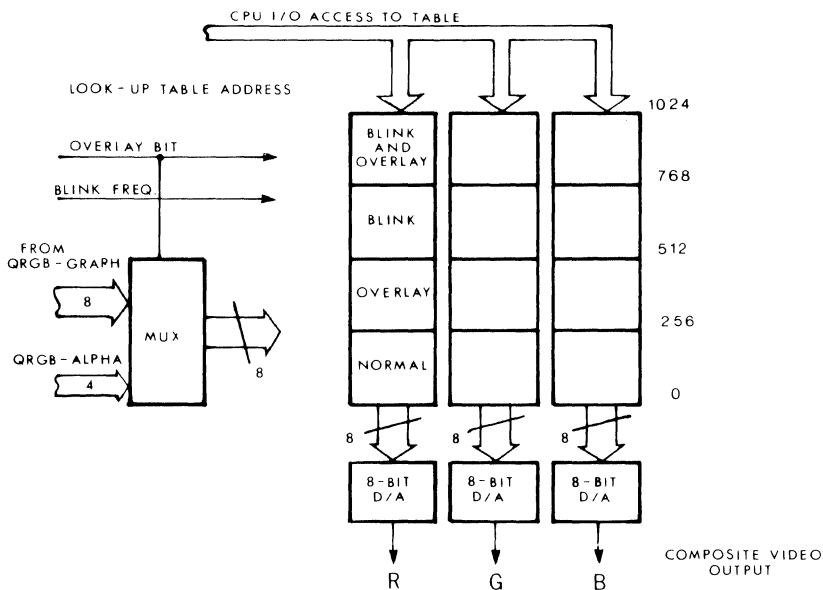


Figure 7. Color Look-Up Table

desired color at a certain pixel location, the user simply loads that color's look-up table address into the QRGB-GRAPH display memory location corresponding to the pixel position. The contents of the look-up table can be changed at any time. A single QRGB-GRAPH board (4 bits) can address 16 different locations in the look-up table. Two QRGB-GRAPH boards (8 bits) can address up to 256 locations in the look-up table. Additionally, the Color Look-Up Table is sectored into four 256 byte blocks (figure 5) in order to allow separate color mappings for overlaid alphanumeric and for blinking. The blink rate is software selectable to be either 1.8 Hz or 3.75 Hz.

When an QRGB-ALPHA is interfaced to the QVAF-512 the four bits from the alpha board replace 4 of the 8 graphic bits in addressing the Color Look-Up Table. When at least one of these bits is high (alphanumeric data is to be displayed) access to the look-up table is shifted to the Overlay section which contains its own color map. As a result, alphanumeric text from the QRGB-ALPHA can be superimposed (overlaid) on the graphics background. The user can also program the QVAF-512 to blink the alphanumeric characters between the colors defined in the Overlay and Overlay And Blink sections of the look-up table (similar to blinking graphics pixels between the Normal and Blinking sections). This method of generating blinking characters is very flexible as it allows characters to blink to colors other than their background color.

MATROX VIDEO BUS

The QVAF-512 is interfaced to the QRGB-GRAPH and QRGB-ALPHA boards by way of a 50-pin Matrox Video Bus. Digitized video data as well as ΔX and ΔY increment/decrement strobes are bussed from the QVAF-512 to the QRGB-GRAPH. The Video Bus also carries the 4 TTL video bits from each of the QRGB-GRAPHS and the QRGB-ALPHA boards for color look-up on the QVAF-512.

BUS INTERFACE

The QVAF-512 plugs directly into the LSI-11 Q-Bus. The seven Command and Status Registers are positioned on any 8 word I/O address boundary between 760 000h and 777 777h.

PROGRAMMING

The QVAF-512 is programmed via seven on-board I/O registers. On power-up or reset all control registers must be loaded with the QVAF-512's operational parameters (table 1).

REGISTER	ADDRESS	DEFINITION
TEXTURE REGISTER	BASE + 0	16 bit vector texture pattern
VECTOR LENGTH REGISTER	BASE + 2	10 bit vector length
GAIN/OFFSET/MODE REGISTER	BASE + 4	Select gain/Select offset/Select input video to frame grabber/Enable on-board sync generator/Select block sync/Enable overlay/Enable blink frequency/Enable blink
VECTOR REGISTER	BASE + 6	10 bit vector slope/Complement Texture Register/Vector slope < 45/vector quadrant
STATUS REGISTER	BASE + 10	QVAF-512 status
ADDRESS REGISTER	BASE + 12	10 bit look-up table address/Select look-up table
DATA PORT	BASE + 14	Read/write data to the selected look-up table

Table 1. Register Definitions

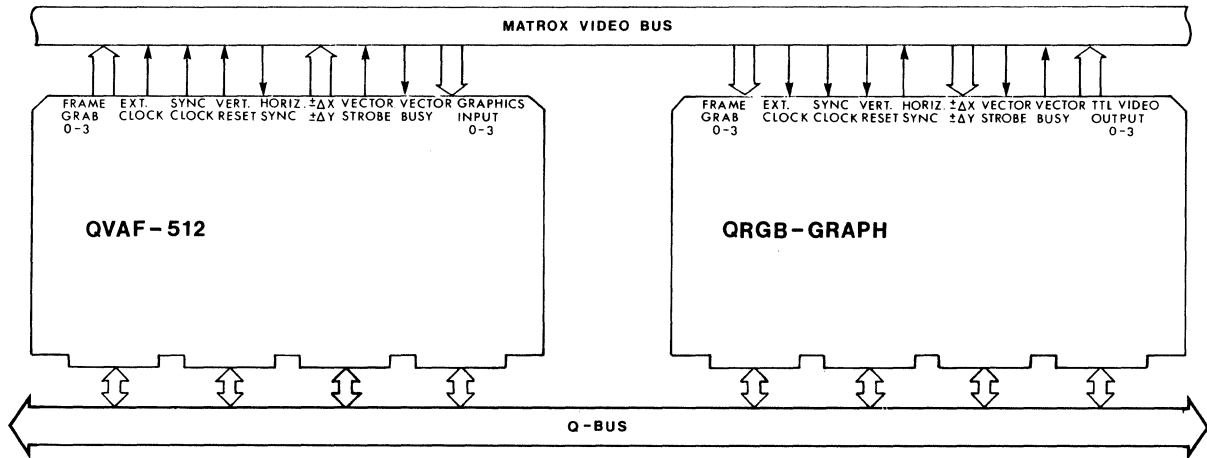


Figure 8. 512 x 512 x 4 video imaging system

DISPLAY SYSTEM CONFIGURATIONS

The Matrox family of advanced color video boards, which include the QVAF-512, QRGB-GRAPH, and QRGB-ALPHA, offer the OEM system designer a unique capability to design a powerful optimal graphics system with the equal or even superior performance of a turn-key graphics system — at a lower cost. Furthermore, by using general purpose OEM boards, the user can add CPUs, memory disk interfaces, etc. to configure his system to his exact requirements. Software support, in the form of a graphics primitive library, further simplifies design of the custom video systems. Hardware upward capability enables adding extra display functions by simply plugging in additional boards (more bits/pixel, higher speed, alphanumeric overlay, etc).

An alphanumeric overlay can also be added to the graphics display by plugging in a QRGB-ALPHA alphanumeric controller to the system.

4 BIT/PIXEL IMAGING SYSTEM

Combining the QVAF-512 with a single QRGB-GRAPH (figure 8) yields a video imaging system using 4 bits/pixel. Whole frames of video picture information with up to 16 color or grey levels can be digitized and stored in the display memory of the QRGB-GRAPH.

8 BIT/PIXEL Imaging system

Adding another QRGB-GRAPH graphics controller to the system (figure 9) doubles the number of bit planes to eight. This enables the system to store and display images with a resolution of 512 x 512 dots using up to 256 colors or grey levels.

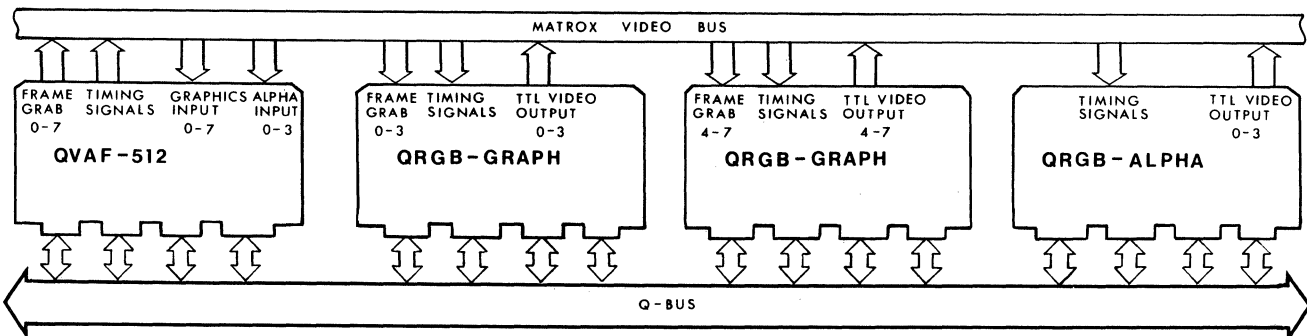


Figure 9. 512 x 512 x 8 video imaging system with alphanumeric overlay

SPECIFICATIONS

FUNCTIONAL

OPERATIONAL PARAMETERS

VECTOR GENERATOR

DESCRIPTION	RESTRICTIONS
Drawing Speed	800ns/pixel (512 x 512 resolution)
Vector Texture	65,000 texture patterns (software selectable)

FRAME GRABBER

DESCRIPTION	RESTRICTIONS
Spatial Resolution	512 x 512 max.
Video Inputs	4 analog video inputs (software switchable)
Sync	Internal/external, block/serrated (software selectable)
Bits/pixel	4 or 8 bits
Offset	16 increments from Black level to nominal mid-range (software selectable)
Gain	16 increments from 0.7 to 1.9 of nominal (software selectable)

COLOR LOOK-UP TABLE

DESCRIPTION	RESTRICTIONS
Palette Size	2 ²⁴ = 16,777,216 colors
Addressable Colors	16 colors (1 x QRGB-GRAPH)/256 colors (2 x QRGB-GRAPH)
Blink Rate	1.8 Hz/3.75 Hz (software selectable)

INPUT SIGNALS

ANALOG INPUTS:	Camera 0	TTL LEVEL INPUTS:	4/8 graphics bits
	Camera 1		4 overlay bits
	Camera 2		HSYNC/
	Camera 3		BUSY/

OUTPUT SIGNALS

ANALOG OUTPUTS:	Composite Video (RED)	TTL LEVEL OUTPUTS:	8 Video Bits
	Composite Video (BLUE)		System Clock
	Composite Video (GREEN)		± ΔX, ± ΔY
			V. Reset
			Composite Sync
			Horizontal Sync
			Vertical Sync
			Composite Blanking

BUS INTERFACE

Address, data, and control signals conform to DEC LSI-11 Q-bus specifications.
 Command and Status Registers — Selectable on any 8 word I/O address boundaries 760 000₈ - 777 777₈

CONNECTORS

DESCRIPTION	MATING CONNECTOR
A: 36 pin edge connector, 0.125" centers	LSI-11 Bus interface
B: 36 pin edge connector, 0.125" centers	
C: 36 pin edge connector, 0.125" centers	
D: 36 pin edge connector, 0.125" centers	
J1: 10 pin right angle header	— Composite Video Output
J2: 10 pin right angle header	— Analog Video Input
	— Sync Output to Camera
	— Matrox Video Bus
J3: 50 pin right angle header	AMP 87922-1
	AMP 87922-1
	MOLEX 15-25-4505

PHYSICAL

SIZE

WIDTH: 10.45 in. (26.54 cm)
 HEIGHT: 8.43 in. (21.41 cm)
 DEPTH: 0.50 in. (1.27 cm)

POWER REQUIREMENTS

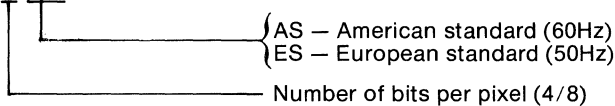
+ 5V DC ± 5% @ 3.2A
 + 12V DC ± 5% @ 120mA
 -12V DC ± 5% @ 0.95A (QVAF-512/8)*
 -12V DC ± 5% @ 0.55A (QVAF-512/4)*

ENVIRONMENTAL REQUIREMENTS

Operating Temperature: 0°C to 55°C
 Relative Humidity: 0% to 90% non-condensing

ORDERING INFORMATION

QVAF-512/X-XX



Example: QVAF-512/8-AS: American standard board with a 8 bit/pixel A/D converter (frame grabber).

*The -12V power supply is not installed on all DEC systems.

Matrox Electronic Systems Ltd reserves the right to make changes in specifications at any time and without notice. The information furnished by Matrox Electronic Systems Ltd in this publication is believed to be accurate and reliable. However, no responsibility is assumed by Matrox Electronic Systems Ltd for its use; nor for any infringements of patents or other rights of third parties resulting from its use. No license is granted under any patents or patent rights of Matrox Electronic Systems Ltd.



LSI-11, Q-bus, and DEC are all registered trademarks of Digital Equipment Corp.



5800 ANDOVER AVE., T.M.R., QUE., H4T 1H4, CANADA
TEL.: 514-735-1182 TELEX: 05-825651

QRGB-ALPHA

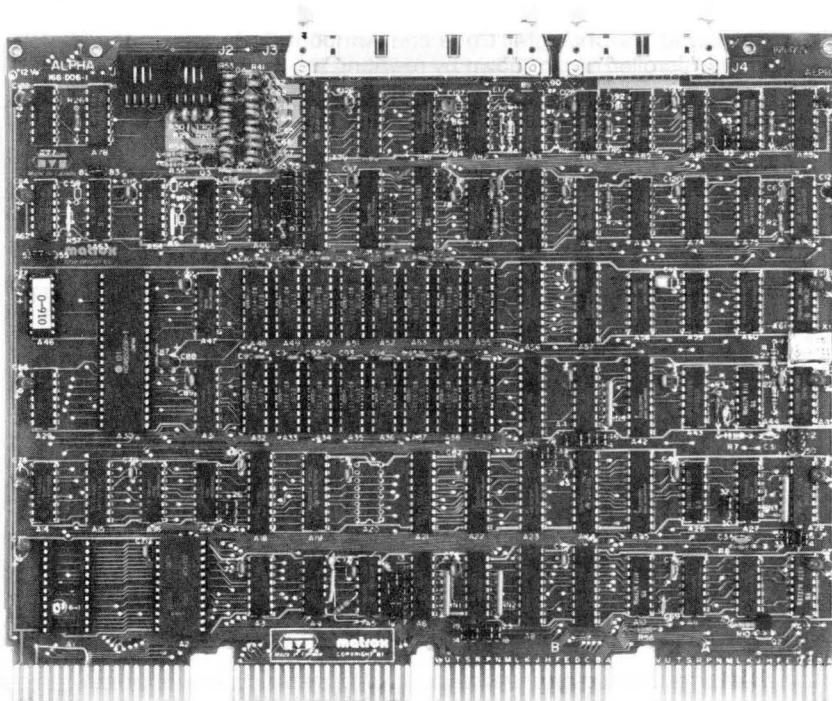
PROGRAMMABLE COLOR ALPHANUMERIC DISPLAY CONTROLLER FOR LSI-11 Q-BUS

- User Programmed Display Format
- Up to 4000 Characters
- 8 Display Colors
- Blink
- Double Height Characters
- Underline
- Addressable Cursor
- LSI-11 Q-Bus* Compatible
- Keyboard Interface
- Light Pen Interface
- RAM and EPROM Character Generator
- Transparent Memory
- 50 or 60 Hz Operation
- Drives any RGB Color Monitor
- Works with 16-bit and 18-bit addressing

The QRGB-ALPHA is an LSI-11 compatible, color video display controller card which allows the display (characters/line x lines/page) and character formats (5 x 7, 7 x 9, etc.) to be set by programmed I/O commands. Each character is displayed in 1 of 8 foreground colors on 1 of 8 background colors. Characters may be either single or double height and either normal, blinking at 2 Hz or underlined.

The character font provided with the QRGB-ALPHA contains 128 — 5 x 7 dot upper/lower case alphanumeric characters and graphics symbols. By adding a second character generator ROM/RAM, 128 additional symbols may be defined. When using a RAM character generator, the character font may be rewritten at any time by the system processor.

The QRGB-ALPHA works with all monochrome and color (RGB) video monitors in Europe (50 Hz) and America (60 Hz). Interfaces for a high-speed light pen and an 8-bit parallel keyboard are also provided.



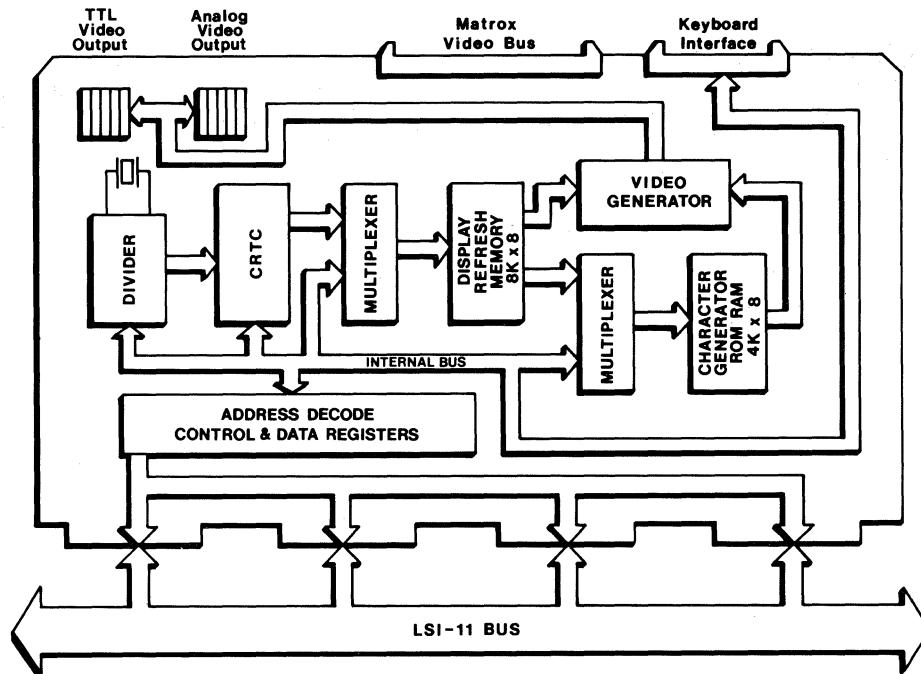


Figure 1. QRGB-ALPHA block diagram

FUNCTIONAL DESCRIPTION

The block diagram, Figure 1, shows the major functional components of the QRGB-ALPHA.

CRT CONTROLLER

In the design of the QRGB-ALPHA, the 6845 CRT controller replaces many of the SSI/MSI components used in older designs and provides the QRGB-ALPHA with features previously found only in the most expensive equipment. All display parameters are now user specified and displays can be configured to have virtually any combination of rows and columns up to a maximum of 4000 characters. In addition, the character cell size is variable and accommodates all commonly used character font sizes (5 x 7, 7 x 9, etc.).

DISPLAY MEMORY

Each character position on the CRT screen corresponds to a pair of locations in the display refresh memory. The 8K byte display refresh memory can be fully memory mapped, or addressed through a 256 byte "window". In this way the QRGB-ALPHA can be memory-mapped without requiring a large overhead in system address space. The processor can read or write the display memory at full speed using all memory reference instructions ($T_a < 1052ns$). All accesses to the memory are "transparent". The processor can read or write the refresh memory at any time, and the display is free of "glitches".

When a character is to be displayed, its Character Code and Attribute Code are written into the appropriate display memory locations. The display is "scrolled" up or down by rewriting the contents of the Display Start Address Register.

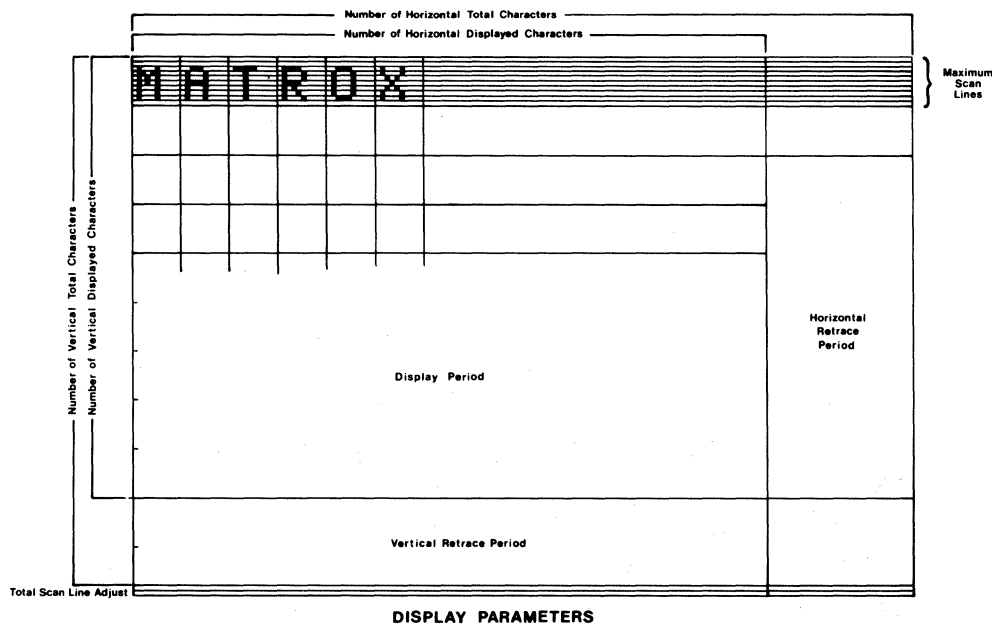


Figure 2. QRGB-ALPHA display parameters

As supplied, the Character and Attribute Memories are mapped into 256 bytes of system address space and are enabled/disabled through programmed I/O commands. The full display refresh memory, (8K bytes), is accessed by mapping the 256 byte system memory "window" into one of thirty-two, 256 byte, blocks. Block selection is determined by the Window Address Register. A Unified Memory Mode is also provided: when operating in the Unified Memory Mode all of the display refresh memory stores Characters Codes. Only 1 attribute is permitted. All of the 8000 characters can be viewed by "scrolling" the display up or down.

CHARACTER GENERATOR

Two 24-pin DIP sockets accept up to 4k bytes of ROM/EPROM/RAM thereby permitting up to 256 different characters and symbols to be defined. When using a RAM character generator, the character font may be rewritten at any time by the processor. Read/write access to the character generator is enabled/disabled through programmed I/O commands.

As supplied, the QRGB-ALPHA contains the Matrox MCH-01 character generator ROM (128 - 5 x 7 dot upper/lower case alphanumeric characters and graphic symbols). Other devices that may be used include TMS2516 (EPROM) and TMS4016 (RAM). Note that $t_a < 450\text{ns}$ for displays having up to 80 characters/line and $t_a < 350\text{ns}$ for displays having up to 132 characters/line.

ATTRIBUTES

Each character can be specified to be 1 of 8 foreground colors on 1 of 8 background colors. On an RGB monitor, the displayed colors are red, green, blue, cyan, magenta, yellow, black, and white. Characters may be either single or double height with character foreground and/or background normal or blinking at 2 Hz. Additionally, characters may be underlined or hidden (stored in display memory but not displayed).

CURSOR

An independently addressable cursor is provided. The Cursor Start and End Registers specify the scan lines in a character cell that are inverted to produce the cursor symbol. The position of the cursor on the screen is determined by the contents of the Cursor Register. The cursor blink rate is set to either 2 or 4 Hz.

LIGHT PEN

User-display interaction is possible through the use of a high-speed light pen. When the user points the pen at an illuminated spot on the CRT screen, the CRT loads the screen coordinates in to the Light Pen Register. The pen position may then be read by the processor. Note that the light pen can be used only with monitors having short persistence phosphors.

KEYBOARD INTERFACE

An 8-bit parallel keyboard interface is also provided. When a key is pressed, an interrupt flag is set in the Keyboard Status Register. The processor can read the keyboard data from the Keyboard Data Register.

MATROX VIDEO BUS

The QRGB-ALPHA may be "slaved" to the QRGB-GRAPH color graphic display controller card to provide a high-resolution graphics system with color alphanumeric overlay. All video and sync. signals required to "slave" the cards are bussed over the MATROX VIDEO BUS.

BUS INTERFACE

The QRGB-ALPHA plugs directly into the LSI-11 Q-bus and works with 16-bit processors using byte wide data transfers. The eight Command and Status Registers are positioned on any 8 byte I/O address boundary between 760 000_h and 777 777_h. The Display Refresh Memory is positioned on any 256 byte memory address boundary between 000 000_h and 777 777_h. Alternately, all 2K/4K/8K bytes of the display refresh memory can be mapped directly into system memory between 000 000_h and 777 777_h.

VIDEO GENERATOR

All monochrome and RGB color video monitors work with the QRGB-ALPHA. Red, Green, Blue TTL level and analog video, H. Drive, V. Drive, and composite B/W video signals are provided.

GRAPHICS

The QRGB-ALPHA is ideal for producing character oriented graphics having a maximum resolution of 640H x 480V (interlaced) or 1024H x 240V (non-interlaced). An image is built up from graphic symbols written into the character generator RAM. Images are changed at high speed by rewriting the contents of the display memory and character generator.

PROGRAMMING

On power-up, all display control registers must be set, the display memory cleared and the character generator RAM, if used, loaded with the character font.

ADDRESS	READ		WRITE	
	UPPER BYTE	LOWER BYTE	UPPER BYTE	LOWER BYTE
BASE + 0	—	CRTC Status	Window Address	CRTC Address
BASE + 2	—	CRTC Data	Window Address	CRTC Data
BASE + 4	—	Keyboard Data	Window Address	Control 1
BASE + 6	—	Keyboard Status	Window Address	Control 2

Table 1. Register definitions

SPECIFICATIONS

FUNCTIONAL

MEMORY ACCESS TIME

Display memory access time varies from access to access depending on when the access occurs with respect to the display refresh cycle. The worst case access time depends on the number of horizontal dots per character cell (see table). The best case access time is 315ns, while the average access time approaches 450ns. as formats become less dense.

HORIZONTAL DOTS/CELLS	6	7	8	9	10	11
Worst case time from BDINL or BDOULT to BREPLYL	870ns	1050ns	1130ns	1220ns	960ns	1050ns

DISPLAY PARAMETERS

DESCRIPTION	RESTRICTION
Resolution	4000 characters max.
Horizontal Characters	132 characters max.
Vertical Lines	48 lines max. (American Standard), 52 lines max. (European Standard)
Character Cell Size	6, 7, 8, 9, 10 or 11 horizontal dots (special 16 dot cell can be strap-selected)

VIDEO TIMING

For a display format of 80 characters by 24 lines with 5 x 7 dot characters within a 7 x 10 dot character cell an 11.667 MHz crystal is used. The following table gives the timing in both American and European standards.

SIGNAL	AMERICAN	EUROPEAN
Active Video	48 μ s	48 μ s
Horizontal Sync Frequency	15.723 KHz	15.576 KHz
Horizontal Sync Width	4.80 μ s	5.40 μ s
Vertical Sync Frequency	60.01 Hz	49.92 Hz
Vertical Sync Width	190.8 μ s	256.8 μ s

INPUT SIGNALS

Light Pen: Light-pen enable
Light-pen strobe

Keyboard: Keyboard data
Keyboard strobe

OUTPUT SIGNALS

TTL Level Video: TTL level Red
TTL level Green
TTL level Blue
Vertical Drive
Horizontal Drive

Analog Video: Red
Green (composite)
Blue
Grey Scale (composite)

BUS INTERFACE

Address, data and control signals conform to DEC LSI-11 Q-Bus specifications.

Command and Status Registers — Selectable on 8 byte I/O address boundaries 760 000 — 777 777 (766 400₈)

Display Refresh Memory — Selectable on 256 byte memory address boundaries 000 000 — 777 777 (766 000₈)
(Alternately selectable on any 8K memory address boundary)

CONNECTORS

DESCRIPTION	MATING CONNECTOR
A: 36 pin edge connector, 0.125" centers, B: 36 pin edge connector, 0.125" centers, C: 36 pin edge connector, 0.125" centers, D: 36 pin edge connector, 0.125" centers, } LSI-11 Bus interface	DEC H8030 (2 required)
J1: 10 pin right angle header, Analog video outputs	AMP 87922-1
J2: 10 pin right angle header, TTL video outputs	AMP 87922-1
J3: 50 pin right angle header, Matrox video bus	Molex 15-25-4505
J4: 26 pin right angle header, Keyboard and lightpen interface	Molex 15-25-4264

PHYSICAL

SIZE

Width — 10.45 in. (26.54cm)
Height — 8.43 in. (21.41cm)
Depth — 0.50 in. (1.27cm)

POWER REQUIREMENTS

+ 5V DC \pm 5% @2A

ENVIRONMENTAL REQUIREMENTS

Operating Temperature: 0°C to 55°C
Relative Humidity: 0% to 95% non-condensing

ORDERING INFORMATION

QRGB-ALPHA : Color alphanumeric display controller for stand alone operation
QRGB-ALPHA-SL : Color alphanumeric display controller for slave lock operation with QRGB-GRAPH

X-TAL : 10.000 MHz
X-TAL : 11.666 MHz Optional crystals for special display format requirements

Matrox Electronic Systems Ltd reserves the right to make changes in specifications at any time and without notice. The information furnished by Matrox Electronic Systems Ltd in this publication is believed to be accurate and reliable. However, no responsibility is assumed by Matrox Electronic Systems Ltd for its use; nor for any infringements of patents or other rights of third parties resulting from its use. No license is granted under any patents or patent rights of Matrox Electronic Systems Ltd.





matrox
electronic systems ltd.

5800 ANDOVER AVE., T.M.R., QUE., H4T 1H4, CANADA
TEL.: 514-735-1182 TELEX: 05-825651

QBW-ALPHA

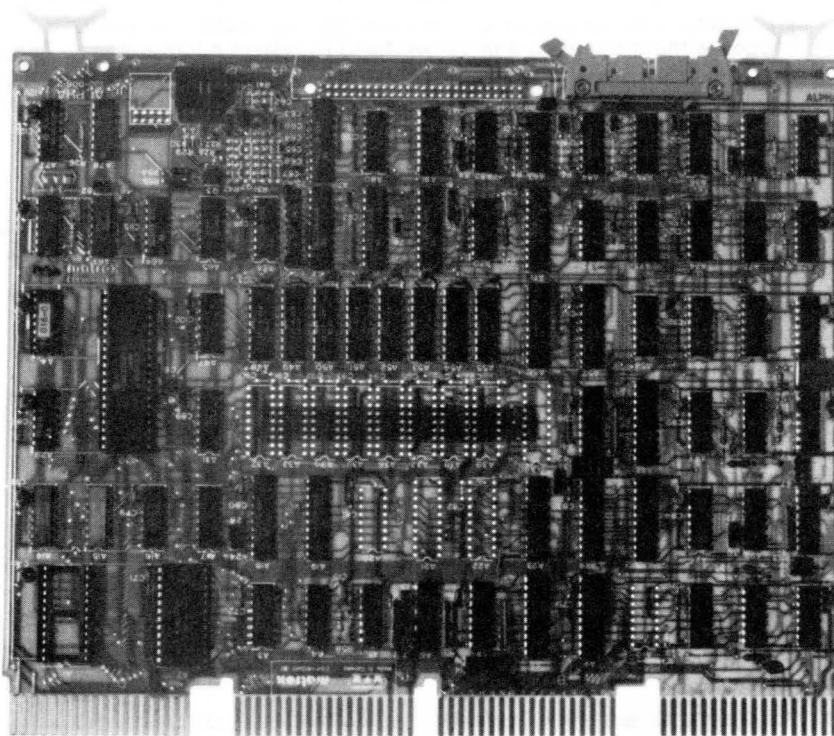
PROGRAMMABLE B/W ALPHANUMERIC DISPLAY CONTROLLER FOR LSI-11 Q-BUS

- User Programmed Display Format
- Up to 4000 Characters on screen
- Blink
- Inverse Video
- Underline
- Double Height Characters
- Addressable cursor
- LSI-11 Q-bus* compatible
- Keyboard interface
- Light pen interface
- RAM and EPROM character generators
- Transparent memory
- 50 or 60Hz operation
- Works with 16-bit and 18-bit addressing

The QBW-ALPHA is a LSI-11 Q-bus* compatible, video display controller card which allows the display (characters/line x lines/page) and character formats (5 x 7, 7 x 9 etc.) to be set by programmed I/O commands. Available attributes include: blink, inverse video, double height characters, underline, and foreground disable.

The character font provided with the QBW-ALPHA contains 128 - 5 x 7 dot upper/lower case alphanumeric characters and graphics symbols. By adding a second character generator ROM/RAM, 128 additional symbols may be defined. When using a RAM character generator, the character font may be rewritten at any time by the system processor.

The QBW-ALPHA works with all monochrome video monitors in Europe (50 Hz) and America (60 Hz). Interface for a high-speed light pen and an 8-bit parallel keyboard are also provided.



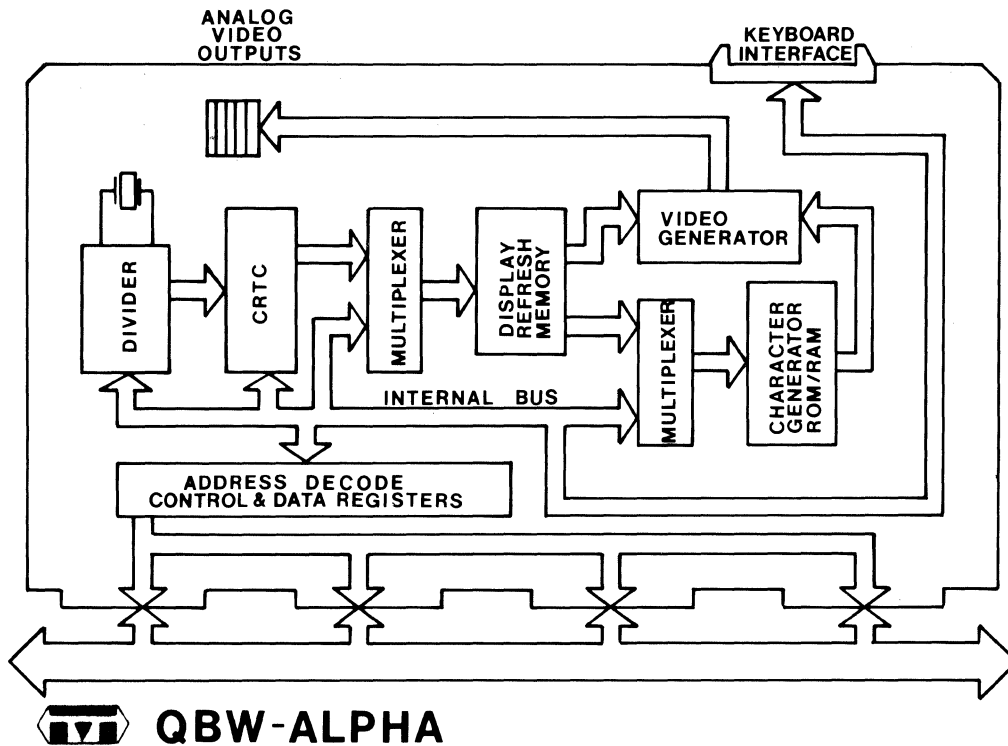


Figure 1. QBW-ALPHA block diagram

FUNCTIONAL DESCRIPTION

The block diagram, Figure 1, shows the major functional components of the QBW-ALPHA.

CRT CONTROLLER

In the design of the QBW-ALPHA, the 6845 CRT controller replaces many of the SSI/MSI components used in older designs and provides the QBW-ALPHA with features previously found only in the most expensive equipment. All display parameters are now user specified and displays can be configured to have virtually any combination of rows and columns up to a maximum of 4000 characters. In addition, the character cell size is variable and accommodates all commonly used character font sizes (5 x 7, 7 x 9, etc.).

DISPLAY MEMORY

Each character position on the CRT screen corresponds to an 8-bit location in the display refresh memory. The 4K byte display refresh memory can be fully memory mapped, or addressed through a 256 byte "window". In this way the QBW-ALPHA can be memory mapped without requiring a large overhead in system address space. The processor can read or write the display memory at full speed using all memory reference instructions ($t_a < 1052\text{ns}$). All accesses to the memory are "transparent". The processor can read or write the refresh memory at any time, and the display is free of "glitches".

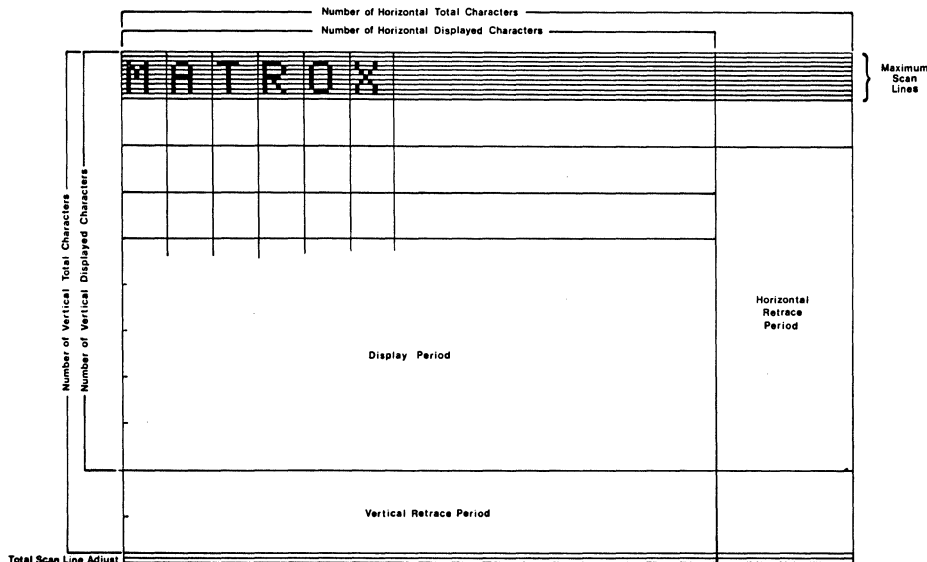


Figure 2. QBW-ALPHA display parameters

When a character is to be displayed, its Character Code is written into the appropriate display memory locations. The display is "scrolled" up or down by rewriting the contents of the Display Start Address Register.

As supplied the Character Memory is mapped into 256 bytes of system address space and is enabled/disabled through programmed I/O commands. The full display memory (4K bytes) is accessed by mapping the 256 byte system memory "window" into one of sixteen, 256 byte, blocks. Block selection is determined by the Window Address Register.

CHARACTER GENERATOR

Two 24-pin DIP sockets accept up to 4K bytes of ROM/EPROM/RAM thereby permitting up to 256 different characters and symbols to be defined. When using a RAM character generator, the character font may be rewritten at any time by the processor. Read/write access to the character generator is enabled/disabled through programmed I/O commands.

As supplied, the QBW-ALPHA contains the Matrox MCH-01 character generator ROM (128 - 5 x 7 dot upper/lower case alphanumeric characters and graphic symbols). Other devices that may be used include TMS2516 (EPROM) and TMS4016 (RAM). Note that $t_a < 450\text{ns}$ for displays having up to 80 characters/line and $t_a < 350\text{ns}$ for displays having up to 132 characters/line.

ATTRIBUTES

The QBW-ALPHA provides five strap-selectable character attributes: inverted video, underline, extended height, blink, and foreground disable. As supplied, each character may be assigned one of these attributes which is enabled by the surplus bit in the 8-bit Character Code.

The MCH-01 character set can be reduced, by hardware straps, to produce a 64 character set comprised of the upper case alphanumeric characters only. With this reduced set one extra bit is released from the Character Code enabling the implementation of a second character attribute per character. This extra bit may be alternatively used to control the selection between the two character generators, effectively combining the two character generators as one double size unit capable of holding video information for 256 different characters.

CURSOR

An independently addressable cursor is provided. The Cursor Start and End Registers specify the scan lines in a character cell that are inverted to produce the cursor symbol. The position of the cursor on the screen is determined by the contents of the Cursor Register. The cursor blink rate is set to either 2 or 4 Hz.

LIGHT PEN

User-display interaction is possible through the use of a high-speed light pen. When the user points the pen at an illuminated spot on the CRT screen, the CRT loads the screen coordinates in to the Light Pen Register. The pen position may then be read by the processor. Note that the light pen can be used only with monitors having short persistence phosphors.

KEYBOARD INTERFACE

An 8-bit parallel keyboard interface is also provided. When a key is pressed, an interrupt flag is set in the Keyboard Status Register. The processor can read the keyboard data from the Keyboard Data Register.

BUS INTERFACE

The QBW-ALPHA plugs directly into the Q-bus and works with 16-bit processors using byte or word data transfers. The seven Command and Status Registers are positioned on any 8 byte I/O address boundary between 760 000 and 777 777. The Display Refresh Memory is positioned on any 256 byte memory address boundary between 000 000 and 777 777.

VIDEO GENERATOR

All monochrome video monitors work with the QBW-ALPHA. Composite B/W video signals are provided.

GRAPHICS

QBW-ALPHA is ideal for producing character oriented graphics having a maximum resolution of 640H x 480V (interlaced) or 1024H x 240V (non-interlaced). An image is built up from graphic symbols written into the character generator RAM. Images are changed at high speed by rewriting the contents of the display memory and character generator.

PROGRAMMING

On power-up, all display control registers must be set, the display memory cleared and the character generator RAM, if used, loaded with the character font.

ADDRESS	READ		WRITE	
	UPPER BYTE	LOWER BYTE	UPPER BYTE	LOWER BYTE
BASE + 0	—	CRTC Status	Window Address	CRTC Address
BASE + 2	—	CRTC Data	Window Address	CRTC Data
BASE + 4	—	Keyboard Data	Window Address	Control 1
BASE + 6	—	Keyboard Status	Window Address	Control 2

table 1. Register Definitions

SPECIFICATIONS

FUNCTIONAL

MEMORY ACCESS TIME

Display memory access time varies depending on when the access occurs with respect to the display refresh cycle. The worst case access time depends on the number of horizontal dots per character cell (see table). The best case is 315 nsec., while the average access time approaches 450 nsec. as formats become less dense.

HORIZONTAL DOTS/CELLS	6	7	8	9	10	11
Worst case time from MWTC/ or MRDC/ to XACK/	870ns	1050ns	1130ns	1220ns	960ns	1050ns

DISPLAY PARAMETERS

DESCRIPTION	RESTRICTION
Resolution	4000 characters max.
Horizontal Characters	132 characters max.
Vertical Lines	48 lines max. (American Standard), 52 lines max. (European Standard)
Character Cell Size	6, 7, 8, 9, 10 or 11 horizontal dots (special 16 dot cell can be strap-selected)

VIDEO TIMING

For a display format of 80 characters by 24 lines with 5 x 7 dot characters within a 7 x 10 dot character cell an 11.667 MHz crystal is used. The following table gives the timing in both American and European standards.

SIGNAL	AMERICAN	EUROPEAN
Active Video	48 μ s	48 μ s
Horizontal Sync Frequency	15.723 KHz	15.576 KHz
Horizontal Sync Width	4.80 μ s	5.40 μ s
Vertical Sync Frequency	60.01 Hz	49.92 Hz
Vertical Sync Width	190.8 μ s	256.8 μ s

INPUT SIGNALS

Light Pen: Light-pen enable
 Light-pen strobe
 Keyboard: Keyboard data
 Keyboard strobe

OUTPUT SIGNAL

Composite Analog Video

BUS INTERFACE

Address, data and control signals conform to DEC LSI-11 Q-bus specifications.
 Command and Status Registers — Selectable on 8 byte memory address boundaries 760 000 — 777 777 (766 400s)
 Display Refresh Memory — Selectable on 256 byte memory address boundaries 000 000 — 777 777 (766 000s)
 (Alternately selectable on any 4K memory address boundary)

CONNECTORS

DESCRIPTION	MATING CONNECTOR
A: 36 pin edge connector, 0.125" centers } B: 36 pin edge connector, 0.125" centers } C: 36 pin edge connector, 0.125" centers } D: 36 pin edge connector, 0.125" centers } LSI-11 interface	DEC H8030 (2 required)
J1: 10 pin right angle header, composite video outputs	AMP 87922-1
J4: 26 pin right angle header, Keyboard and lightpen interface	MOLEX 15-25-4264

PHYSICAL

SIZE

Width — 10.45 in. (26.54cm)
 Height — 8.43 in. (21.41cm)
 Depth — 0.50 in. (1.27cm)

POWER REQUIREMENTS

+5V DC \pm 5% @2A

ENVIRONMENTAL REQUIREMENTS

Operating Temperature: 0°C to 55°C
 Relative Humidity: 0-95% non-condensing

ORDERING INFORMATION

QBW-ALPHA : B/W alphanumeric display controller for stand alone operation
 QBW-ALPHA-SL : B/W alphanumeric display controller for slave locked with QRGB-GRAPH

X-TAL : 10.0000 MHz }
 X-TAL : 11.6666 MHz } Optional crystals for special display format requirements

Matrox Electronic Systems Ltd reserves the right to make changes in specifications at any time and without notice. The information furnished by Matrox Electronic Systems Ltd in this publication is believed to be accurate and reliable. However, no responsibility is assumed by Matrox Electronic Systems Ltd for its use; nor for any infringements of patents or other rights of third parties resulting from its use. No license is granted under any patents or patent rights of Matrox Electronic Systems Ltd.





5800 ANDOVER AVE., T.M.R., QUE., H4T 1H4, CANADA
TEL.: 514-735-1182 TELEX: 05-825651

MLSI-2480

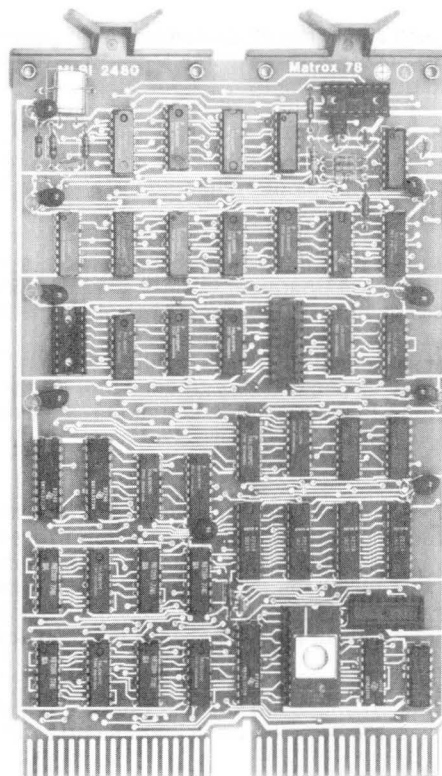
24 x 80 ALPHANUMERIC DISPLAY CONTROLLER FOR LSI-11 Q-BUS

- 24 row x 80 column alphanumeric video display
- Normal, inverse, blink attributes
- 4K byte memory mapped display
- LSI-11 Q-bus compatible
- Dual width board
- EPROM ASCII character generator
- Directly drives any monochrome monitor
- Single +5V supply
- External/internal sync capability
- American/European operation
- Decodes 16 address lines

The MLSI-2480 is a LSI-11 Q-bus compatible alphanumeric display controller which is capable of generating displays of 24 lines of 80 characters per line. Characters can be displayed as either white on a black background or black on a white background. Each character can also be set to blink under software control.

The character font provided with the MLSI-2480 contains 128 - 5 x 7 upper/lower case alphanumeric characters and graphic symbols. The character generator is user-programmable, allowing the user to implement his own custom character font.

The MLSI-2480 works with all standard monochrome video monitors in Europe (50 Hz) and America (60 Hz).



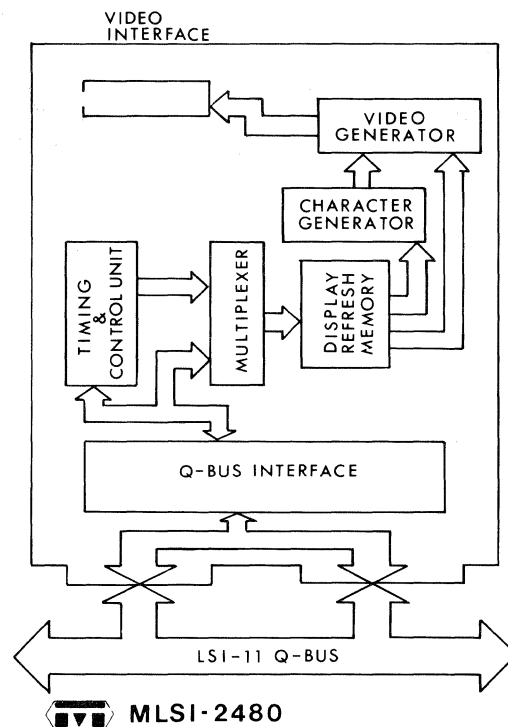


Figure 1. MLSI-2480 block diagram

FUNCTIONAL DESCRIPTION

The MLSI-2480 is made up of five major operational blocks: Timing and Control Unit, Display Memory, Character Generator, Video Generator, and Bus Interface. Communications between these blocks are shown in figure 1.

TIMING AND CONTROL UNIT

All timing and control signals required to generate a video display with 24 lines of 80 characters per line are supported on-board the MLSI-2480. The Timing and Control Unit, consisting of the master oscillator (11 MHz) and various modulo counters, produces the horizontal and vertical sync signals needed by the monitor as well as all timing signals for display refresh memory (RAS, CAS).

The horizontal/vertical reset signals as well as the dot clock can be either generated on-board or accepted, through a bidirectional port, from an external sync source. In this way the MLSI-2480 can be synchronized to operate with other video boards as part of a complete video display system.

DISPLAY MEMORY

The MLSI-2480 contains 2K bytes of on-board display refresh memory, to store up to 24 lines of 80 characters (1920 characters). The display memory occupies 4K bytes of system address space thereby permitting the CPU to identify each character location with a unique 12 bit address.

Each character position on the CRT screen corresponds to an 8 bit location in the display refresh memory. Characters are written on to the display by loading the ASCII Character Code to the appropriate display memory location. The CPU can read/write the display memory at full speed using all memory reference instructions.

All accesses to the display memory are controlled by a "Transparent Memory" control circuit within the Timing and Control Unit. In this way all accesses to the display memory (read, write, refresh) are efficiently arbitrated. The Transparent Memory control circuitry permits the CPU to read or write the refresh memory at any time and the display is free of glitches.

CHARACTER GENERATOR

The MLSI-2480 contains an on-board 2716 EPROM which contains the binary video information to generate a 128 character set. The supplied character font consists of the full 96 upper/lower case alphanumeric character set with the addition of 32 special graphic characters. The alphanumeric characters are formed in a 5 x 7 dot matrix within a 6 x 10 dot character cell. The graphics characters utilize the entire character cell to allow for drawing continuous lines. For greater inter-character spacing the character cell size can be increased, with hardware straps, to 8 x 10 dots. Note that increasing the character cell size will cause gaps to appear between the graphics characters. Also, a different crystal is required for applications utilizing an 8 dot cell.

The MLSI-2480 permits simple implementation of custom character fonts. To install a new character set, the user need only reprogram the EPROM character generator with the video information to generate his own font.

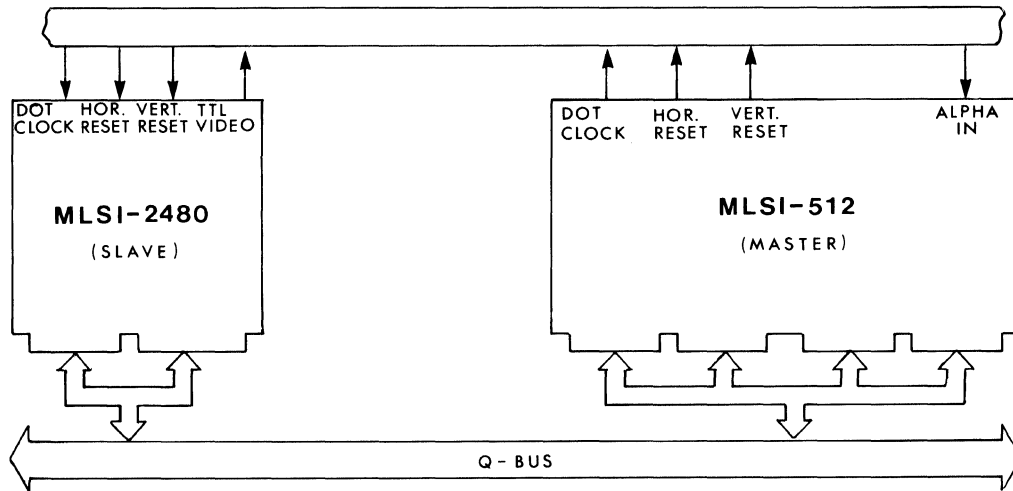


Figure 1. Combining MLSI-2480 with MLSI-512 for alpha/graph displays

ATTRIBUTES

Each character is accessed by seven bits of the eight bit ASCII Character Code. This releases the most significant eighth bit for attribute selection. Characters displayed on the MLSI-2480 can be displayed either as normal (white on a black background) or inverted (black on a white background). Character attributes are selected by on-board hardware straps and are enabled/disabled by the eighth bit of the character code.

VIDEO GENERATOR

The MLSI-2480 can directly drive any standard monochrome video monitor. Composite video signals as well as separate TTL level video, horizontal/vertical sync and blanking signals are supported on-board.

BUS INTERFACE

The MLSI-2480 plugs directly into the LSI-11 Q-bus. The display refresh memory, which is memory mapped into the LSI-11 Q-bus memory address space, can be strapped to reside at any 4K byte memory address boundary between 000 000₈ and 177 777₈.

GRAPHICS

The MLSI-2480 can be integrated, as an alphanumeric controller, within a complete alpha/graph video system. By configuring the MLSI-2480 to operate in the slave mode, the horizontal/vertical reset lines and the dot clock line are set to act as input ports. In this way the board can be synchronized to a master sync source. These lines can also be configured to operate as output ports to enable the user to configure his system to synchronize to the MLSI-2480. A typical application of combined alphanumerics/graphics is shown in figure 2, where the graphics board (MLSI-512) acts as the master sync source.

PROGRAMMING

The MLSI-2480 operational status (American/European compatibility, Master/Slave operation, base address, etc) is programmed via on-board hardware straps. Table 1 outlines the definitions of these straps.

JUMPER NO.	DESCRIPTION
S1 1-8	Select base address
S3 1-10	Select American/European TV standards
S4 1-2,6-9	Select character cell size
S4 4-5	Select character attribute
W1	Enable "Master" mode
W2	Enable 8 x 10 character cell
W3	Enable 6 x 10 character cell
W4	Disable transparent memory mode
W5	Enable transparent memory mode

Table 1. Jumper definitions

SPECIFICATIONS

FUNCTIONAL

MEMORY ACCESS TIME

With Transparent Memory Access: 800ns
 Without Transparent Memory Access: 500ns

DISPLAY PARAMETERS

DESCRIPTION	DISPLAYED
Resolution	1920 characters
Horizontal Characters	80 characters
Vertical Lines	24 lines
Character Cell Size	6 or 8 horizontal dots

VIDEO TIMING

To generate a video display of 24 x 80 characters with a 6 dot cell, the MLSI-2480 uses an 11.06688 MHz crystal. The following table gives the video timing for both American and European standards.

SIGNAL	AMERICAN	EUROPEAN
Active Video	43.0 μ S	43.0 μ S
Horizontal Sync Frequency	15.8 KHz	15.8 KHz
Horizontal Sync Width	4.3 μ S	4.3 μ S
Vertical Sync Frequency	60.0 Hz	50.2 Hz
Vertical Sync Width	255.0 μ S	255.0 μ S

OUTPUT SIGNALS

TTL Level Video
 Horizontal Drive
 Vertical Drive
 Composite Sync
 Composite Video

BUS INTERFACE

Address, data and control signals conform to LSI Q-bus specifications.
 Control Registers and Display Memory — Selectable on any 4K byte memory address boundary between 000 000s and 177 777s (160 000s).

CONNECTORS

DESCRIPTION	MATING CONNECTOR
A : 36 pin edge connector } — Bus Interface	DEC H8030
B : 36 pin edge connector }	
J1 : 16 pin DIP socket — Video Interface	AUGAT 516-A6-37D

PHYSICAL

SIZE	POWER REQUIREMENTS	ENVIRONMENTAL REQUIREMENTS
Width: 5.25 in. (13.33 cm)	+5V DC \pm 5% @ 0.9A	Operating Temperature: 0°C to 55°C
Height: 8.50 in. (21.59 cm)		Relative Humidity: 0% to 95% non-condensing
Depth: 0.50 in. (1.27 cm)		

ORDERING INFORMATION

MLSI-2480 — XX — X
 |
 | Horizontal dots per character (6/8)
 |
 | { AS — American standard (60 Hz)
 | { ES — European standard (50 Hz)

Example: MLSI-2480-AS-6: 24 x 80 character display with 6 horizontal dots per character cell and a vertical refresh rate of 60 Hz

Matrox Electronic Systems Ltd reserves the right to make changes in specifications at any time and without notice. The information furnished by Matrox Electronic Systems Ltd in this publication is believed to be accurate and reliable. However, no responsibility is assumed by Matrox Electronic Systems Ltd for its use; nor for any infringements of patents or other rights of third parties resulting from its use. No license is granted under any patents or patent rights of Matrox Electronic Systems Ltd.





matrox
electronic systems Ltd.

5800 ANDOVER AVE., T.M.R., QUE., H4T 1H4, CANADA
TEL.: 514-735-1182 TELEX: 05-825651

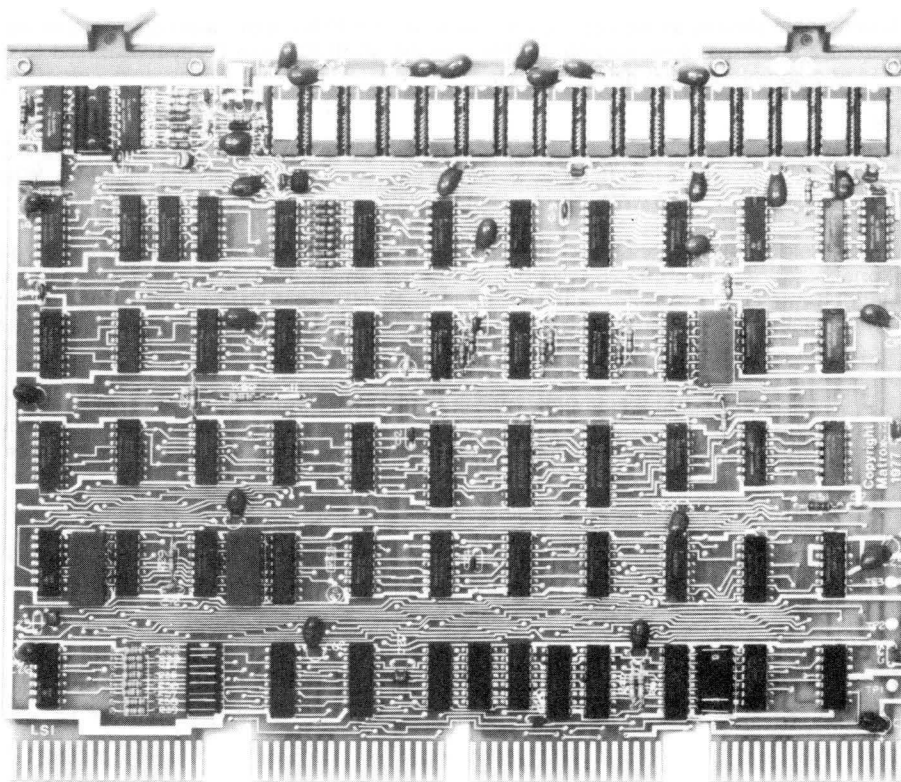
MLSI-512

512 x 512 GRAPHICS DISPLAY CONTROLLER FOR LSI-11 Q-BUS

- Bit mapped 512 x 512 pixel display
- 256 x 256, 512 x 256, 1024 x 256 formats available
- Powerful X-Y virtual memory addressing
- Hardware scroll built-in
- Single instruction memory erase
- Color/grey-scale expansion
- Can be combined with MLSI-2480
- Transparent memory access
- LSI-11 Q-bus* compatible
- Internal/external sync
- American/European operation

The MLSI-512 is a member of Matrox's complete line of LSI-11 Q-bus compatible graphics video boards. The MLSI-512 family of cards is designed to interface a mini or microcomputer to a CRT monitor and produce a B/W display of 512 x 512 points. The board also features built-in hardware scroll capabilities and a single instruction memory erase.

The MLSI-512 can also be combined with the MLSI-2480 to produce a complete alphanumerics/graphics video display system. Combining multiple MLSI-512 cards, the OEM system designer can construct a graphics display system with up to 24 bits/pixel (16 million different colors or grey levels).



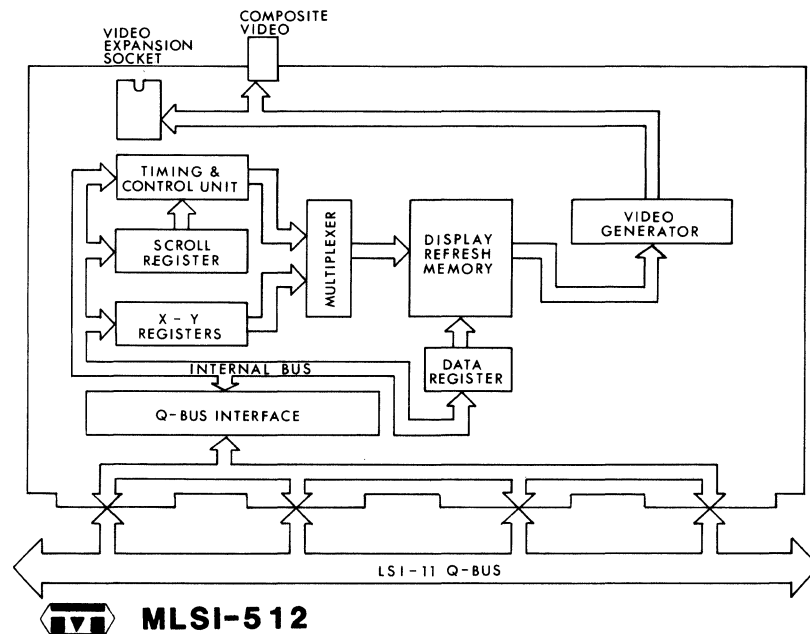


Figure 1. MLSI-512 block diagram

FUNCTIONAL DESCRIPTION

The MLSI-512 consists of six main functional blocks (figure 1): Timing and Control Unit, Scroll Register, X-Y Registers, Display Memory, Video Generator, and Bus Interface.

TIMING AND CONTROL UNIT

All timing and control signals required by the video monitor (horizontal/vertical sync and blanking), display refresh memory (row/column addressing), and video generator (dot clock, load and shift) are generated by the Timing and Control Unit. The exact configurations of these signals are user-programmable, via hardware straps, to enable the MLSI-512 to generate displays with up to 512 horizontal dots by 512 vertical dots. The board can also be strapped to operate in either 50 Hz (European) or 60 Hz (American) systems.

The horizontal/vertical reset signals as well as the dot clock can be either generated on-board or accepted, through a bidirectional port, from an external sync source. In this way the MLSI-512 can be synchronized to operate with other video boards as part of a complete video display system.

DISPLAY MEMORY

The MLSI-512 can be populated with 4, 8, or 16K RAMs for displays of 256 x 256, 512 x 256, 512 x 512, or 1024 x 256 dots. Each point on the CRT screen is identified by a unique address within the display memory. When a point is to be illuminated on the screen, a logic "1" is written to the appropriate display memory location.

The CPU reads/writes the display memory through a pair of memory-mapped I/O locations (X-Y Registers). This allows two memory locations to address all of the 262,144 bits of the refresh memory (512 x 512). Once the X and Y address of the dot has been loaded, the CPU can read/write the dot intensity. The dot intensity bit (image bit) can be assigned to any data bus bit. The resultant CRT display is a black and white image with the intensity of each dot being either on (logic "1") or off (logic "0").

In addition to the CPU read/write, the display memory is continually scanned by the Timing and Control Unit every 16.66ms (60 Hz) to generate video signals. Memory access arbitration circuitry on the MLSI-512 efficiently resolves any contention problems between read/write requests and CRT refresh requests in such a way that the display is "transparent" to user.

SCROLL

An on-board Scroll Register enables the user to scroll the display up or down. By loading the Scroll Register the user can specify which horizontal line is to be displayed at the top of the screen. Lines scrolled off the top of the display will "wrap-around" and re-appear at the bottom of the screen.

SCREEN ERASE

The entire refresh memory on the MLSI-512 can be erased by a single OUTput instruction. Setting the memory erase enable bit when writing to the display memory will cause the entire memory to be set to that intensity (0 = black, 1 = white).

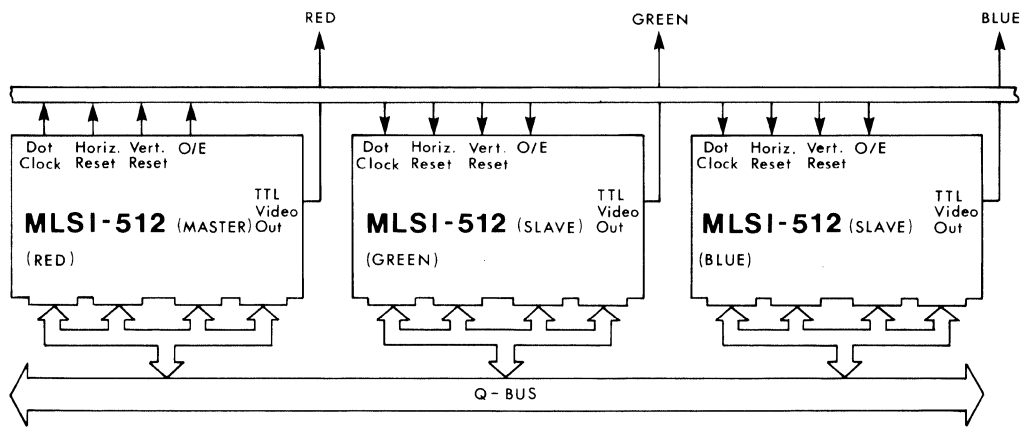


Figure 2. "Stacking" MLSI-512 cards for color/grey scale displays

VIDEO GENERATOR

The MLSI-512 works with all standard monochrome video monitors in American (60 Hz) and European (50 Hz) systems. TTL level video, horizontal sync, vertical sync, as well as composite video signals are supported on-board.

BUS INTERFACE

The MLSI-512 plugs directly into the LSI-11 Q-bus and works with both 8-bit and 16-bit processors. All the Command and Status Registers as well as the Display Memory are accessed via memory mapped I/O. The MLSI-512 can be positioned on any 8 byte memory address boundary between 160 000 and 177 778.

ALPHA/GRAPH DISPLAYS

The MLSI-512 can be combined with the MLSI-2480 to generate alphanumeric/graphic displays. An on-board alphanumeric input port accepts the TTL level alphanumeric video information from the MLSI-2480 and combines it with the graphics video from the MLSI-512. The result is a powerful display combining both alphanumeric and graphics without the overhead involved in generating alphanumeric characters using graphic techniques.

COLOR/GREY-SCALE EXPANSION

Multiple MLSI-512 cards can be combined to provide for color/grey-scale displays. As previously outlined (DISPLAY MEMORY), the image bit on a given card can be assigned to any data bus bit. Thus the output of each card can be assigned a different weight or color. By assigning cards to different data bus bits and strapping all the cards with the same address, the intensity or color of a given dot can be loaded in a single instruction. A typical example of building up a color video system using the MLSI-512 is shown in figure 2.

PROGRAMMING

The MLSI-512 is programmed, for various display resolutions, by on-board hardware straps. These straps are organized into three 16 pin "programming sockets" to facilitate simple re-programming of the board. Table 1 defines the on-board jumpers used to configure the MLSI-512 for the various resolution options.

SOCKET	JUMPER	DESCRIPTION
P	1	Vertical display = 240 lines (American standard) or 256 lines (European standard)
	2	Vertical reset = 262½ lines (American standard)
	3	Vertical reset = 312½ lines (European standard)
	4	Vertical sync = 244 lines (American standard)
	5	Vertical sync = 276 lines (European standard)
	6	Not used
	7	Enable 512 dot vertical resolution
	8	Not used
R	1	Enable 1024 dot horizontal resolution
	2	Set memory access mode for RAM type used
	3	Enable 1024 dot horizontal resolution
	4	Disable 1024 dot horizontal resolution
	5	Synchronize blanking for 512/1024 dot horizontal resolution
	6	Synchronize blanking for 256 dot horizontal resolution
	7	Dot clock = 5.53344 MHz (256 dot horizontal resolution)
	8	Dot clock = 11.06688 MHz (512/1024 dot horizontal resolution)
J	1	Enable 256 x 256 addressing
	2	Enable 512 x 256 addressing
	3	Enable interlaced addressing (512 x 512/1024 x 256)
	4	Enable 512 dot horizontal addressing
	5	Enable 1024 dot horizontal addressing
	6	Enable 512 dot vertical addressing
	7	Synchronize LOAD SCROLL signal to 60 Hz (American standard)
	8	Synchronize LOAD SCROLL signal to 50 Hz (European standard)

Table 1. Jumper Configurations

SPECIFICATIONS

FUNCTIONAL

MEMORY ACCESS TIME

Dot Write Time: 1.4 μ s

DISPLAY PARAMETERS

RESOLUTION	RAM TYPE
256 X 256	4K
512 X 256	8K
512 X 512	16K
1024 X 256	16K

VIDEO TIMING

For a 256 x 256 or 512 x 256 display, the video output is non-interlaced. For a 512 x 512 or 1024 x 256 display, the video output is interlaced (two fields per frame). In order to avoid display flicker, a monitor with long persistence phosphors must be used.

SIGNAL	AMERICAN	EUROPEAN
Active Video	46 μ s	46 μ s
Horizontal Sync Frequency	15.8 KHz	15.8 KHz
Horizontal Sync Width	5.67 μ s	5.67 μ s
Vertical Sync Frequency	60 Hz	50.2 Hz
Vertical Sync Width	190 μ s	190 μ s

OUTPUT SIGNALS

TTL Level Video
Horizontal Sync
Vertical Sync
Composite Sync
Composite Video

BUS INTERFACE

Address, data, and control signals conform to LSI-11 Q-bus Specifications
Display Memory, Command and Status Registers — Selectable on any 8 byte memory address boundary between 160 000₈ and 177 777₈ (160 000₈)

CONNECTORS

DESCRIPTION	MATING CONNECTOR
A : 36 pin edge connector, 0.125" centers B : 36 pin edge connector, 0.125" centers C : 36 pin edge connector, 0.125" centers D : 36 pin edge connector, 0.125" centers J1 : phono connector V : 16 pin DIP socket	DEC H8030 (2 required) RCA 901 AUGAT 516-A6-37D
Bus Interface — Composite Video — Video Expension Socket	

PHYSICAL

SIZE

Width: 10.50 in. (26.67 cm)
Height: 7.75 in. (19.69 cm)
Depth: 0.50 in. (1.27 cm)

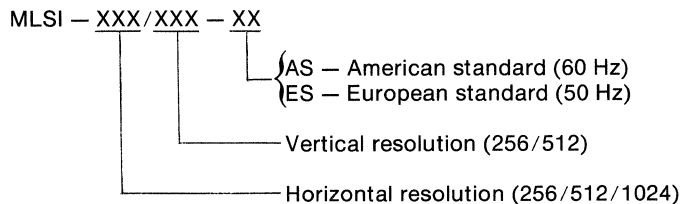
POWER REQUIREMENTS

+ 5V DC \pm 5% @ 800mA
+ 12V DC \pm 5% @ 200mA

ENVIRONMENTAL REQUIREMENTS

Operating Temperature: 0°C to 55°C
Relative Humidity: 0% to 95% non-condensing

ORDERING INFORMATION



Example: MLSI-512/512-AS: 512 x 512 pixel display with a vertical refresh rate of 60 Hz.

Matrox Electronic Systems Ltd reserves the right to make changes in specifications at any time and without notice. The information furnished by Matrox Electronic Systems Ltd in this publication is believed to be accurate and reliable. However, no responsibility is assumed by Matrox Electronic Systems Ltd for its use; nor for any infringements of patents or other rights of third parties resulting from its use. No license is granted under any patents or patent rights of Matrox Electronic Systems Ltd.





matrox
electronic systems ltd.

5800 ANDOVER AVE., T.M.R., QUE., H4T 1H4, CANADA
TEL.: 514-735-1182 TELEX: 05-825651

QRGB-256

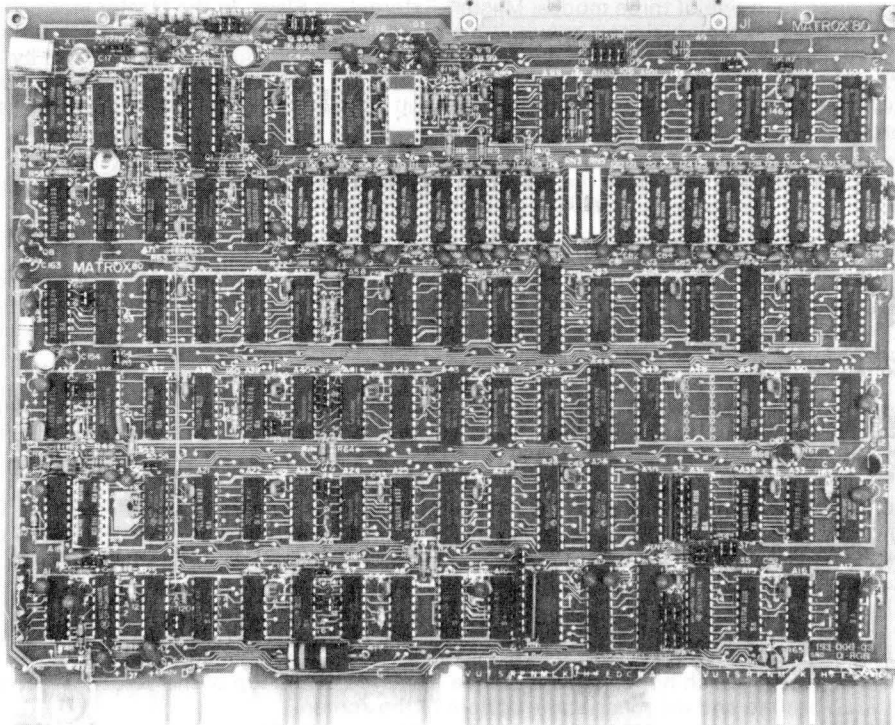
256 x 256 COLOR GRAPHICS DISPLAY CONTROLLER FOR LSI-11 Q-BUS

- 256 x 256 resolution
- 4 bits/pixel expandable to 8 bits/pixel
- Built-in 8-bit D/A converter (grey scale)
- Built-in 8-bit composite color encoder
- Single instruction erase
- LSI-11 Q-bus* compatible
- Hardware scroll
- Internal/external sync
- American/European operation
- Built-in phase lock loop (for genlock)

The QRGB-256 is a powerful color graphics display controller built on a single LSI-11 Q-bus* compatible card. Graphics images of up to 256 x 256 dots can be displayed in up to 16 colors or grey levels. The QRGB-256 also includes such advanced features as hardware scroll, single instruction erase and digitize commands.

The QRGB-256 can be combined with other Matrox video boards such as the MLSI-2480 (alphanumerics) and the QFG-01 (frame grabber). The OEM system designer can therefore integrate the QRGB-256 into a powerful tailor-made video display system.

The QRGB-256 works with all standard video monitors in Europe (50 Hz) and America (60 Hz). An on-board phase lock loop can be synchronized to an external sync source to enable the QRGB-256 to be used in broadcast applications.



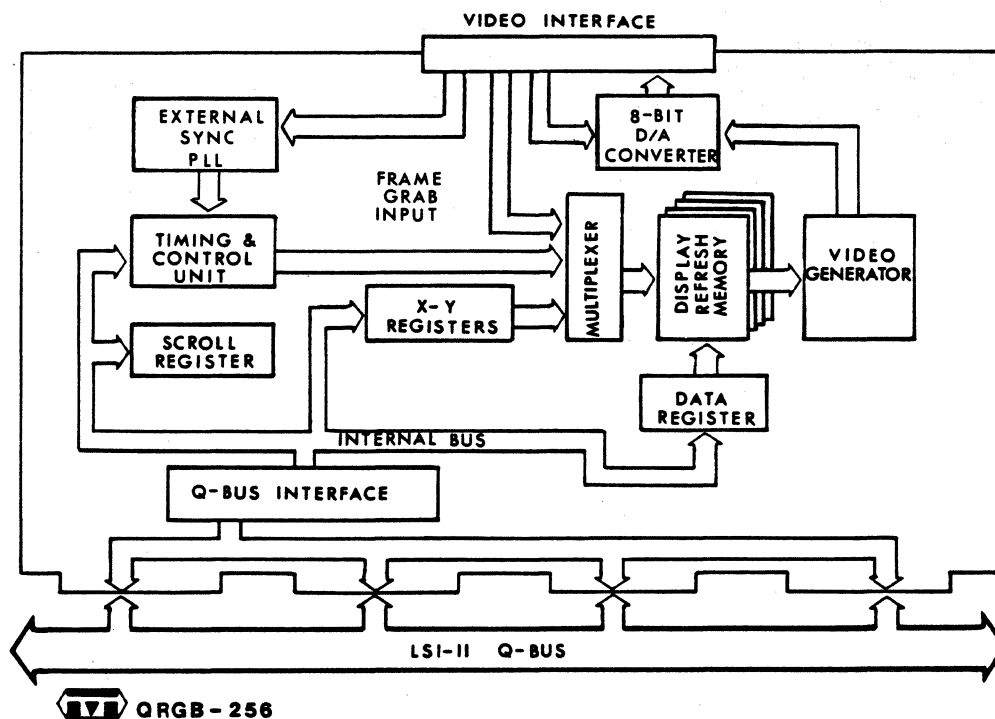


Figure 1. QRGB-256 block diagram

FUNCTIONAL DESCRIPTION

The QRGB-256 is a single board color graphics controller. It consists of five main operational blocks: Timing and Control Unit, X-Y Registers, Display Memory, Video Generator, and Q-bus Interface. A block diagram of the QRGB-256 is shown in figure 1.

TIMING AND CONTROL UNIT

The Timing and Control Unit consists of three major subsystems; Phase Lock Loop, Sync Generator, and Internal Reference. Through these three subsystems the QRGB-256 is capable of generating all the necessary timing signals to produce a composite color or grey-scale video display. These timing signals include: horizontal/vertical sync and blanking, display refresh RAM addressing, as well as a color subcarrier.

The QRGB-256 can operate in one of three modes: Master, External, or Slave. In the Master mode, the QRGB-256 generates all the necessary video timing signals required for the display. Using the Master mode the QRGB-256 can be used as a stand-alone controller or as a system master, where the video timing signals produced by the QRGB-256 are used to synchronize one or more other boards into a complete video imaging system. The Slave mode is used to synchronize the QRGB-256 to another QRGB-256 system master. Slaved QRGB-256 boards can be used to expand the number of bits/pixel.

Using the QRGB-256 in external mode locks the on-board phase-locked loop to an external sync source. NTSC or PAL compatible signals are provided by the board when locked to broadcast standard inputs.

DISPLAY MEMORY

The QRGB-256 contains 32K bytes of on-board dynamic RAM which contains the binary picture information. The display memory is arranged as 256 x 256 x 4 bits, with each of the unique 65,536 memory locations representing a specific location on the CRT screen. To display a point on the screen the appropriate memory location is loaded with four data bits which represent the pixel (picture element) color.

The QRGB-256 uses a simple yet powerful X-Y addressing scheme. Two directly addressable registers store the X and Y coordinates of any given dot in the display memory. After the dot's X-Y coordinates have been defined, the CPU can read/write the pixel information to the Data Register.

In addition to the CPU read/write, the display memory is continually scanned by the Timing and Control Unit every 16.66 ms (60 Hz) to generate video signals. Memory access arbitration circuitry on the QRGB-256 efficiently resolves any contention problems between CPU read/write requests and CRT refresh requests in such a way that the display is "transparent" to the user.

SCROLL

An on-board scroll register permits the user to vertically shift the displayed image up or down. By loading the Scroll Register, the user can specify which horizontal line will be displayed at the top of the screen. Lines scrolled off the top of the display will wrap-around and reappear at the bottom of the screen.

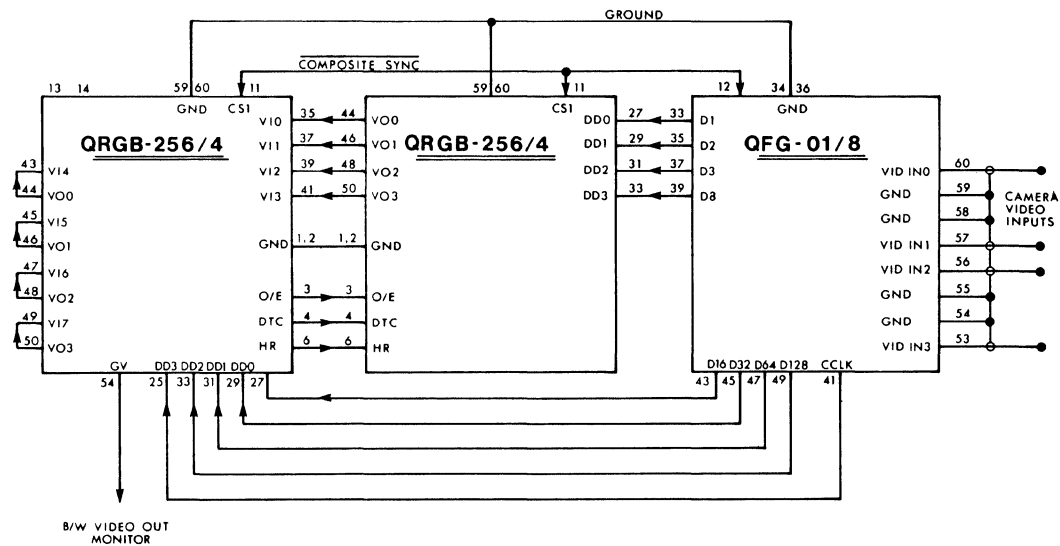


Figure 2. Combining QRGB-256 and QFG-01 — 256 x 256 x 8 bit imaging system

ERASE/DIGITIZE COMMAND

The QRGB-256 has an erase/digitize command built into hardware. This command enables the user to preset the entire display refresh memory to a given value or to load one field of a digitized video signal obtained from an external frame grabber card. In the erase mode, the user can set the entire display memory to a specified value with a single INput instruction.

VIDEO GENERATOR

The QRGB-256 includes a built-in color encoder which can provide up to 16 colors or grey levels. Most monochrome and composite color monitors will work with the QRGB-256. Red, Green, Blue, and Mid-Green TTL level video, horizontal drive, vertical drive, as well as composite color and grey-scale video signals are provided.

BUS INTERFACE

The QRGB-256 plugs directly into the LSI-11 Q-Bus and works with both 8 and 16 bit processors. The QRGB-256 can be located on any 8 byte system I/O address boundary between 160 000 and 177 777.

SYSTEM CONFIGURATIONS

The QRGB-256 can be used as a stand alone controller or, by "stacking" cards, can be integrated into a complete video imaging system. As a stand alone controller the QRGB-256 provides a 256 x 256 dot raster in 16 different colors or grey levels. Additionally the QRGB-256 can be combined with other boards to provide more colors (multiple QRGB-256 boards), digitized TV pictures (QRGB-256 + QFG-01) or a complete alphanumeric/graphics display system (QRGB-256 + MLSI-2480). The QRGB-256 can also be synchronized to an external sync source via the on-board phase lock loop. This feature enables the board to generate NTSC/PAL compatible video signals for integration into a broadcasting environment.

PROGRAMMING

The QRGB-256 is programmed via five I/O registers in combination with a series of on-board hardware straps. Address bits A0 to A2 are used to select between registers (Data Register, Control Register, Scroll Register, X Register, and Y Register) which are located for either byte-wide or word-wide accesses (Table 1). A Flag Register is also included on-board (accessed by reading the Control Register) to enable the host processor to monitor the board's status (Busy, Vertical Blank). The Control Register is used to initialize the erase/digitize command on the QRGB-256 as well as provide a means of video control (video output enable/disable).

Much of the board's operational parameters are defined through on-board hardware straps. With these jumpers, the user can program the on-board Sync Generator for American (60 Hz) or European (50 Hz) operation, in either Master, External, or Slave sync mode. Straps are also provided to set the QRGB-256 video outputs for NTSC (American) or PAL (European) standard compatibility. The board's base address is determined by the on-board straps.

RELATIVE LOCATION	8-BIT SYSTEM		16-BIT SYSTEM	
	READ	WRITE	READ	WRITE
0	Data Register	Data Register	Flag/Data Registers	Control/Data Registers
1	Flag Register	Control Register	not used	—
2	not used	X Register	not used	X/Y Registers
3	not used	Y Register	not used	—
4	not used	Scroll Register	not used	Scroll Register
5	not used	not used	not used	—
6	not used	not used	not used	not used
7	not used	not used	not used	—

Table 1. Register definitions

SPECIFICATIONS

FUNCTIONAL

MEMORY ACCESS TIME

Dot Write Time: 1.4 μ sec. max.

DISPLAY PARAMETERS

DESCRIPTION	RESTRICTIONS
Horizontal Resolution	256 dots
Vertical Resolution	256 dots (European standard), 240 dots (American standard)

VIDEO TIMING

The QRGB-256 generates a 256 x 256 dot raster graphics display. The following table gives the video timing for both American and European standards.

SIGNAL	AMERICAN	EUROPEAN
Active Video	46 μ s	46.5 μ s
Horizontal Sync Frequency	15.735 KHz	15.638 KHz
Horizontal Sync Width	5.8 μ s	5.8 μ s
Vertical Sync Frequency	60 Hz	50 Hz
Vertical Sync Width	190 μ s	191 μ s

OUTPUT SIGNALS

TTL Level Video: Red
 Green
 Blue
 Vertical Drive
 Horizontal Drive

Composite Video: Composite Color
 Composite Grey-Scale

BUS INTERFACE

Address, data, and control signals conform to DEC LSI-11 Q-bus specifications
 Command Status and Data Registers — Selectable on any 8 byte memory-mapped I/O address boundary between 160 000₈ and 177 777₈ (170 000₈)

CONNECTORS

DESCRIPTION	MATING CONNECTOR
A : 36 pin edge connector B : 36 pin edge connector C : 36 pin edge connector D : 36 pin edge connector J1 : 50 pin right angle header — Video Interface	DEC H8030 (2 required) MOLEX 15-25-8601

PHYSICAL

SIZE

Width: 10.48 in. (26.56 cm)
 Height: 8.50 in. (21.59 cm)
 Depth: 0.50 in. (1.27 cm)

POWER REQUIREMENTS

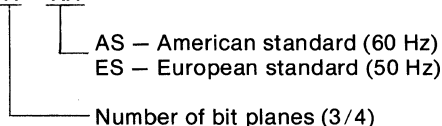
+5V DC \pm 5% @ 1A
 +12V DC \pm 5% @ 400mA
 -12V DC \pm 5% @ 250mA

ENVIRONMENTAL REQUIREMENTS

Operating Temperature: 0°C to 55°C
 Relative Humidity: 0% to 95% non-condensing

ORDERING INFORMATION

QRGB-256/X — XX



Example: QRGB-256/3-AS: 256 x 256 graphics display with 3 bits per pixel (8 possible colors or grey levels) and a vertical refresh rate of 60 Hz.

Matrox Electronic Systems Ltd reserves the right to make changes in specifications at any time and without notice. The information furnished by Matrox Electronic Systems Ltd in this publication is believed to be accurate and reliable. However, no responsibility is assumed by Matrox Electronic Systems Ltd for its use; nor for any infringements of patents or other rights of third parties resulting from its use. No license is granted under any patents or patent rights of Matrox Electronic Systems Ltd.





matrox
electronic systems ltd.

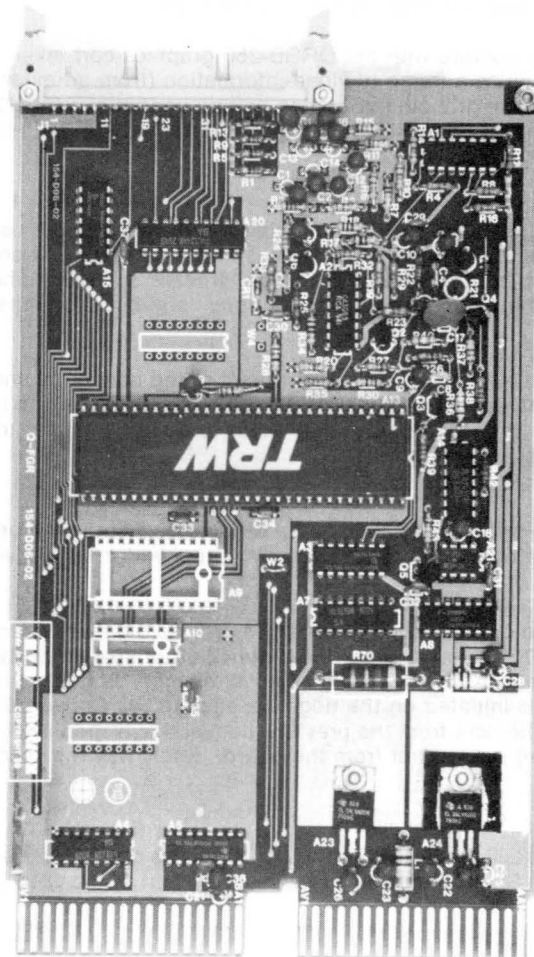
5800 ANDOVER AVE., T.M.R., QUE., H4T 1H4, CANADA
TEL.: 514-735-1182 TELEX: 05-825651

QFG-01

HIGH SPEED VIDEO A/D CONVERTER FOR LSI-11 Q-BUS

- 4, 6, or 8 bit A/D converter
- 4 video inputs
- Accomodates most video amplitudes
- Interfaces directly to QRGB-256 to store TV picture
- Continuous or "Freeze" grab operation
- LSI-11 Q-Bus* compatible
- On-board sync separator circuit
- American/European operation

The QFG-01 is a high speed analog to digital converter card that is intended to be used with the Matrox QRGB-256 graphics display controller cards. The QFG-01 permits the user to digitize a standard monochrome video signal (1V p-p) and, on command, to write one digitized field of video information into the QRGB-256 display refresh memory.



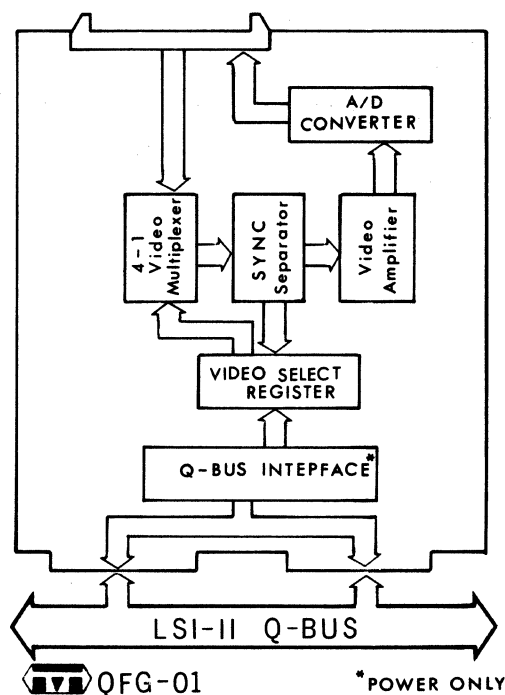


Figure 1. QFG-01 block diagram

FUNCTIONAL DESCRIPTION

The QFG-01 frame grabber card can be functionally divided into four operational blocks. These blocks (figure 1) are: Input Multiplexer, Sync Generator, Video Amplifier, and A/D Converter.

The QFG-01 has been designed to operate with the QRGB-256 graphics controller. Through commands generated by the QRGB-256, the QFG-01 will digitize a frame of video information (from an external TV camera) and store it in the QRGB-256 display memory. This frame grabbing operation can be continuous (the QRGB-256 will display a continually updated or "live" picture) or one-shot, effectively "freezing" the action. Figure 2 illustrates the connections between the QRGB-256 and the QFG-01.

INPUT MULTIPLEXER

The QFG-01 contains an on-board 4 to 1 input video multiplexer. In this way the user can interface up to four analog video inputs (composite video from four different TV cameras) to the 30 MHz A/D converter. Switching, between these four video inputs, is under software control. The QFG-01 can "freeze" a single frame from any one of the video inputs or, by continually accessing the board, can provide a continuous "grabbing" of consecutive fields.

SYNC SEPARATOR

Composite video signals, accepted by the QFG-01, are stripped of the horizontal and vertical sync signals. These sync signals are then used by the QFG-01 as control signals to synchronize the QFG-01 to the TV camera. The composite sync signals are also made available on the video output connector to enable the user to synchronize the QRGB-256 color graphics board to the TV camera as well.

VIDEO AMPLIFIER

The selected input video goes to a backporch clamp and a variable gain stage. An on-board gain control potentiometer allows the user to take advantage of the full range of the A/D converter for a given input signal amplitude.

VIDEO A/D CONVERTER

The QFG-01 can be ordered in one of three configurations to provide digitized video picture information with 4, 6, or 8 bits per pixel. The on-board A/D converter provides a continuous stream of digital data to the QRGB-256. The initiation of the storage of this data in the QRGB-256 display memory is done, under software control, through the QRGB-256 card. A/D conversion is initiated on the negative edge of the Convert Command generated by the QRGB-256. On this same negative edge the data from the previous conversion is made valid. The digital outputs from the A/D converter are buffered before being passed out from the board. In this way the validity of the produced video information is assured.

BUS INTERFACE

The QFG-01 plugs directly into the LSI-11 Q-Bus. To the LSI-11 Q-Bus computer the QFG-01 looks like a single register (Video Select Register). The Video Select Register is addressed as part of the QRGB-256 Control Register.

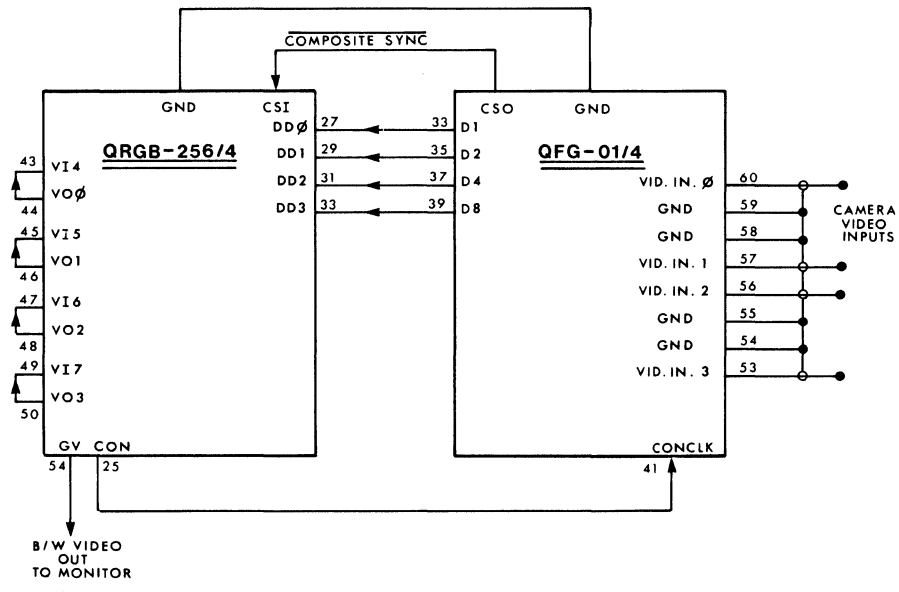


Figure 2. 256 x 256 x 4 bit imaging system

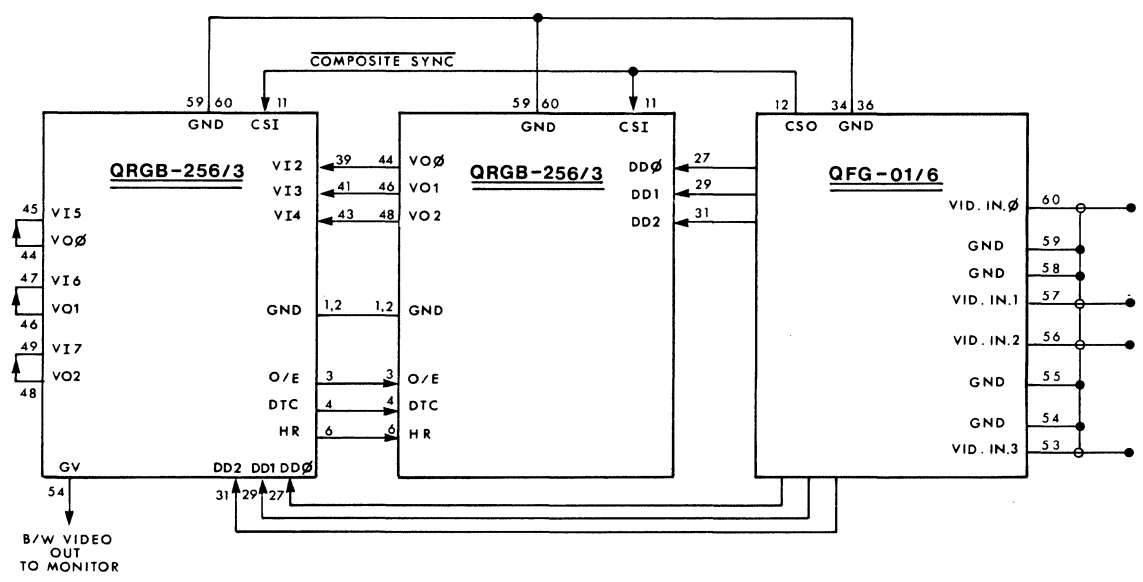


Figure 3. 256 x 256 x 6 bit imaging system

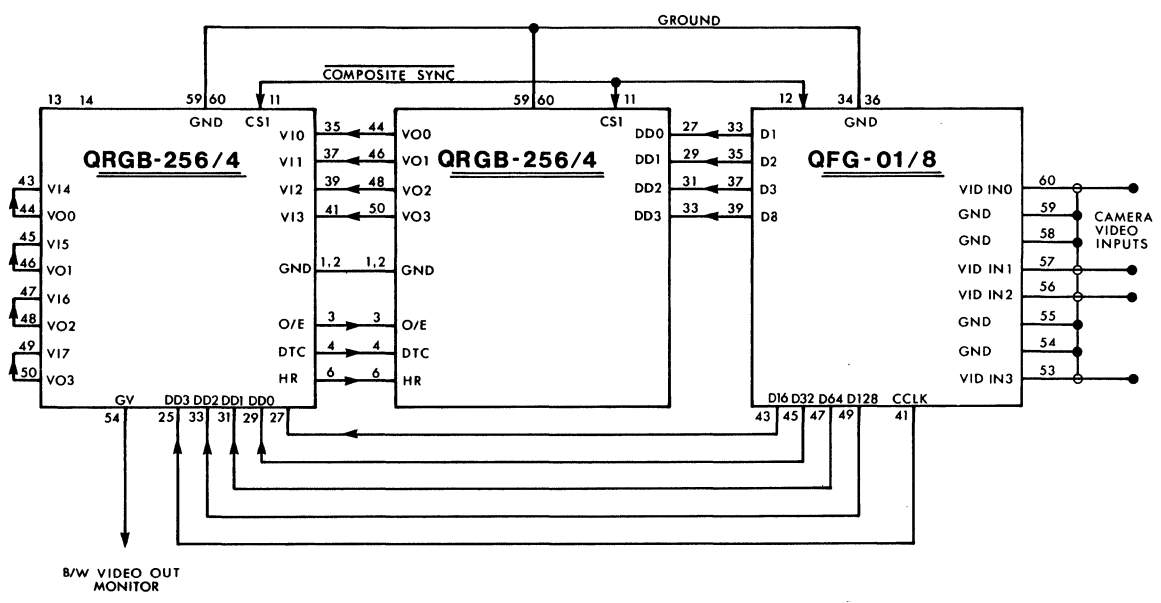


Figure 4. 256 x 256 x 8 bit imaging system.

SPECIFICATIONS

FUNCTIONAL

INPUT SIGNALS

Analog Video 0*
 Analog Video 1
 Analog Video 2
 Analog Video 3
 Convert Clock (TTL, 20 MHz max.)

*All analog video inputs are composite video (75Ω, 0.6V to 1.5V_{p-p})

OUTPUT SIGNALS

TTL Level Video (4, 6 or 8 bits)
 TTL Level Composite Sync (negative going)

BUS INTERFACE

Address, data and control signals conform to DEC LSI-11 Q-Bus specifications
 Video Select Register — Accessed via QRGB-256 Control Register

CONNECTORS

DESCRIPTION

A : 36 pin edge connector B : 36 pin edge connector P2 : 50 pin dual right angle header	} Bus Interface — Analog Video In — Digital Video Out
---	---

MATING CONNECTOR

DEC H8030
 MOLEX 15-25-8601

PHYSICAL

SIZE

Width: 5.23 in. (13.28 cm)
 Height: 8.50 in. (21.59 cm)
 Depth: 0.50 in. (1.27 cm)

POWER REQUIREMENTS

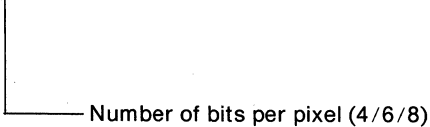
+ 5V DC ± 5% @ 300 mA
 + 12V DC ± 5% @ 100 mA
 -12V DC ± 5% @ 200 mA (4 bits)
 -12V DC ± 5% @ 300 mA (6 bits)
 -12V DC ± 5% @ 500 mA (8 bits)

ENVIRONMENTAL REQUIREMENTS

Operating Temperature: 0°C to 55°C
 Relative Humidity: 0% to 95% non-condensing

ORDERING INFORMATION

QFG-01 / X

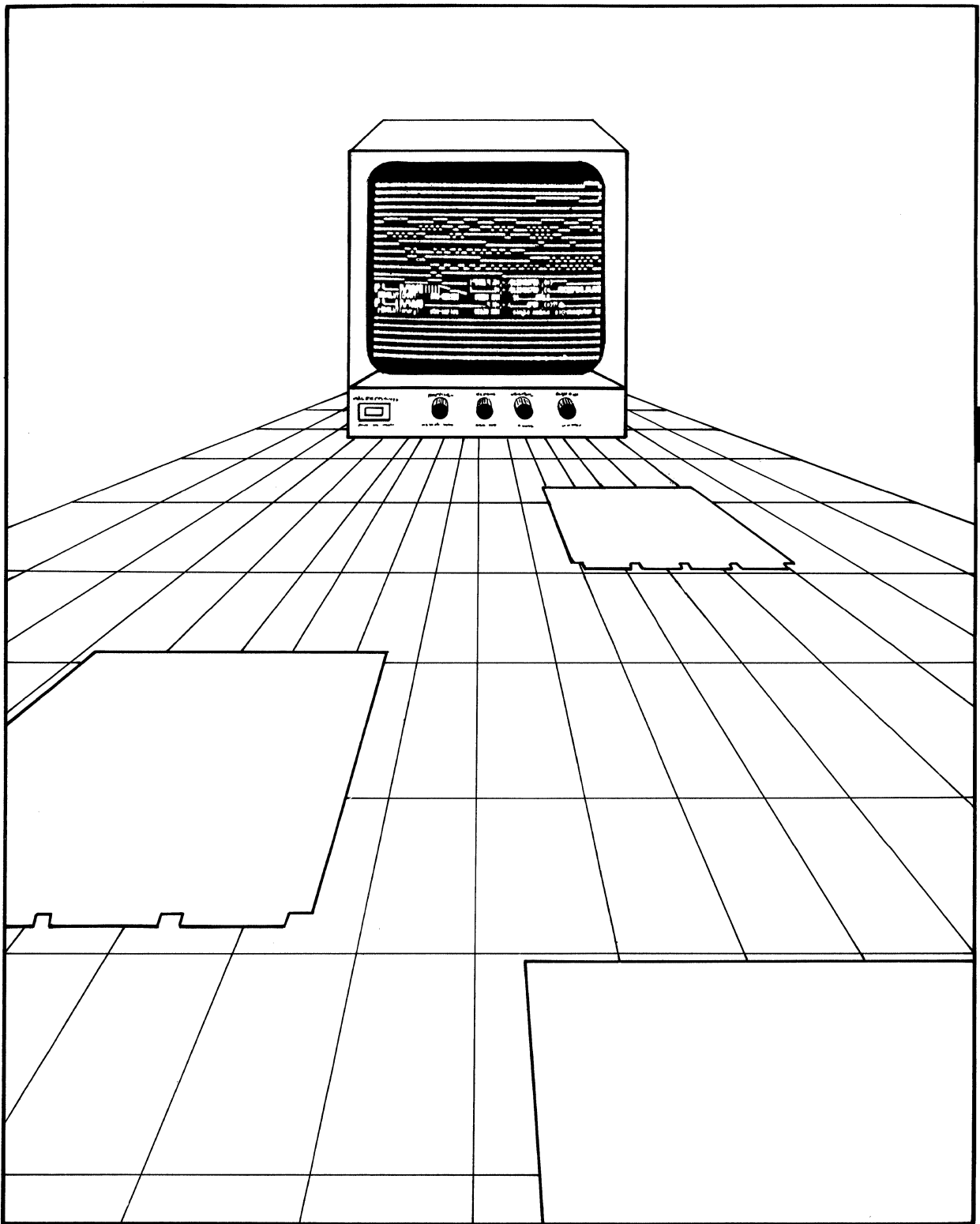


Example: QFG-01/8: Frame grabber with an eight bit A/D converter.

Matrox Electronic Systems Ltd reserves the right to make changes in specifications at any time and without notice. The information furnished by Matrox Electronic Systems Ltd in this publication is believed to be accurate and reliable. However, no responsibility is assumed by Matrox Electronic Systems Ltd for its use; nor for any infringements of patents or other rights of third parties resulting from its use. No license is granted under any patents or patent rights of Matrox Electronic Systems Ltd.



LSI-11 Digital Equipment Corp. TM



UNI-BUS (PDP-11) VIDEO BOARDS

SECTION 3 UNI-BUS (PDP-11) VIDEO BOARDS

MDC-2480 **3-3**
24 x 80 Alphanumeric Display Controller for PDP-11 UNI-bus

MDC-512 **3-7**
512 x 512 Graphics Display Controller for PDP-11 UNI-bus

NOTE: All Matrox Q-bus video boards can also be used with PDP-11 computers through the use of an interface card called a QNVERTER. See Application Note # 7 for details.



matrox
electronic systems ltd.

5800 ANDOVER AVE., T.M.R., QUE., H4T 1H4, CANADA
TEL.: 514-735-1182 TELEX: 05-825651

MDC-2480

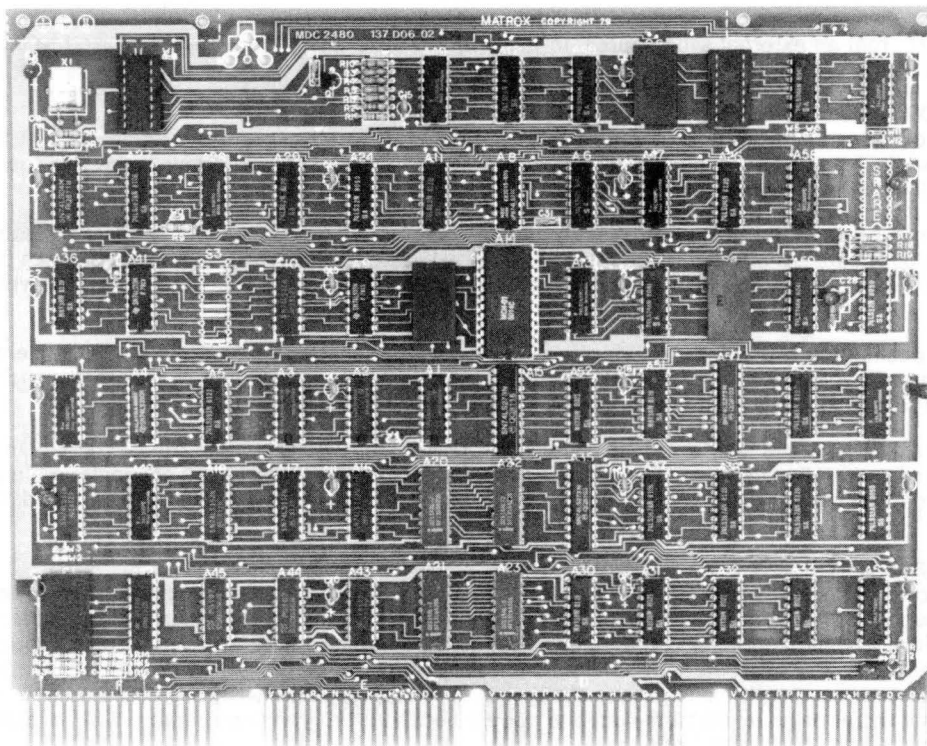
24 x 80 ALPHANUMERIC DISPLAY CONTROLLER FOR PDP-11 UNI-BUS

- 24 row x 80 column alphanumeric video display
- 4K byte memory mapped display
- Normal, inverse, blink attributes
- EPROM ASCII character generator
- Transparent memory access
- PDP-11 UNI-bus compatible
- Directly drives any monochrome monitor
- Single +5V supply
- External/internal sync capability
- American/European operation
- Built-in keyboard interface
- Hardware scroll

The MDC-2480 is a PDP-11 UNI-bus compatible alphanumeric display controller which is capable of generating displays of 24 lines of 80 characters per line. Characters can be displayed as either white on a black background or black on a white background. Each character can also be set to blink under software control.

The character font provided with the MDC-2480 contains 128 - 5 x 7 upper/lower case alphanumeric characters and graphic symbols. The character generator is user-programmable, allowing the user to implement his own custom character font.

The MDC-2480 works with all standard monochrome video monitors in Europe (50 Hz) and America (60 Hz).



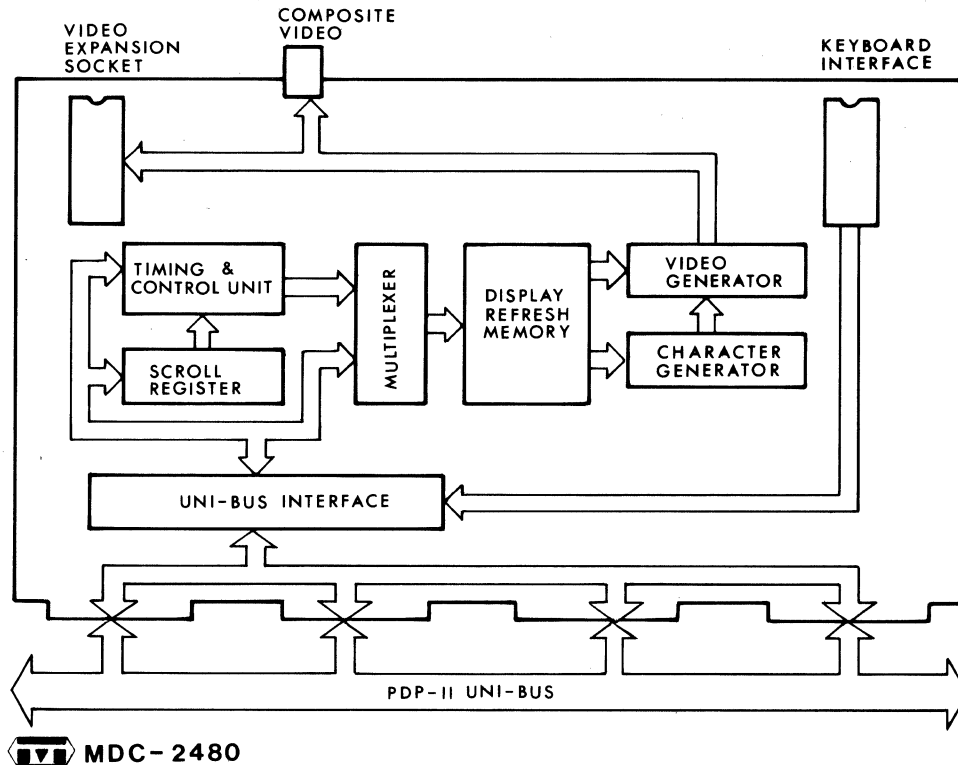


Figure 1. MDC-2480 block diagram

FUNCTIONAL DESCRIPTION

The MDC-2480 is made up of five major operational blocks: Timing and Control Unit, Display Memory, Character Generator, Video Generator, and Bus Interface. Communications between these blocks are shown in figure 1.

TIMING AND CONTROL UNIT

All timing and control signals required to generate a video display with 24 lines of 80 characters per line are supported on-board the MDC-2480. The Timing and Control Unit, consisting of the master oscillator (11 MHz) and various modulo counters, produces the horizontal and vertical sync signals needed by the monitor as well as all timing signals for display refresh memory (RAS, CAS).

The horizontal/vertical reset signals as well as the dot clock can be either generated on-board or accepted, through a bidirectional port, from an external sync source. In this way the MDC-2480 can be synchronized to operate with other video boards as part of a complete video display system.

DISPLAY MEMORY

The MDC-2480 contains 2K bytes of on-board display refresh memory, to store up to 24 lines of 80 characters (1920 characters). The display memory occupies 4K bytes of system address space thereby permitting the CPU to identify each character location with a unique 12 bit address.

The MDC-2480 can be strapped so that the display memory is arranged as two independently accessible pages. In this way the MDC-2480 is capable of storing two displays of 24 x 40 characters, of which one display can be updated while the other is being displayed. An on-board Video Control Register allows the user to software select which page is to be displayed.

Each character position on the CRT screen corresponds to an 8 bit location in the Display refresh memory. Characters are written on to the display by loading the ASCII Character Code to the appropriate display memory location. The CPU can read/write the display memory at full speed using all memory reference instructions.

All accesses to the display memory are controlled by a "Transparent Memory" control circuit within the Timing and Control Unit. In this way all accesses to the display memory (read, write, refresh) are efficiently arbitrated. The Transparent Memory control circuitry permits the CPU to read or write the refresh memory at any time and the display is free of glitches.

CHARACTER GENERATOR

The MDC-2480 contains an on-board 2716 EPROM which contains the binary video information to generate a 128 character set. The supplied character font consists of the full 96 upper/lower case alphanumeric character set with the addition of 32 special graphic characters. The alphanumeric characters are formed in a 5 x 7 dot matrix within a 6 x 10 dot character cell. The graphics characters utilize the entire character cell to allow for drawing continuous lines. For greater inter-character spacing the character cell size can be increased, with hardware straps, to 8 x 10 dots. Note that increasing the character cell size will cause gaps to appear between the graphics characters. Also, a different crystal is required for applications utilizing an 8 dot cell.

The MDC-2480 permits simple implementation of custom character fonts. To install a new character set, the user need only reprogram the EPROM character generator with the video information to generate his own font.

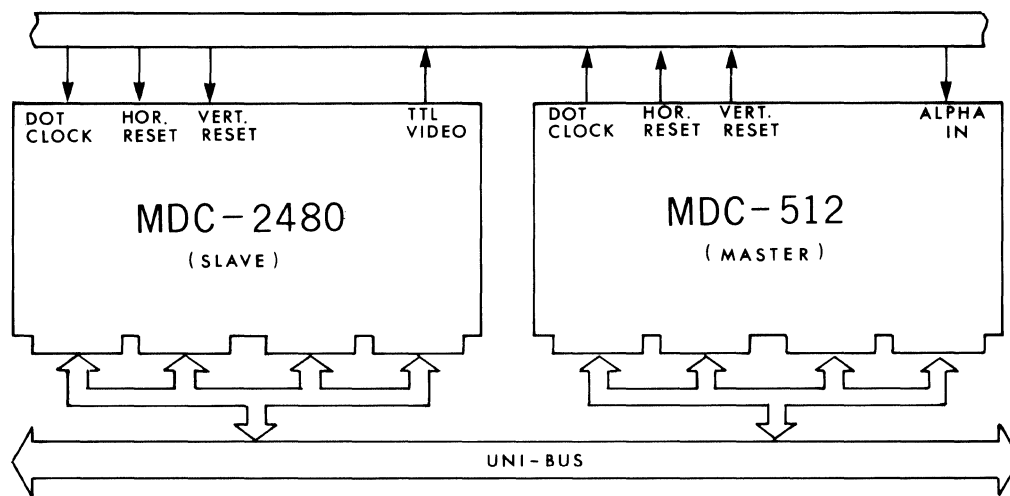


Figure 2. Combining MDC-2480 with MDC-512 for alpha/graph displays

ATTRIBUTES

Each character is accessed by seven bits of the eight bit ASCII Character Code. This releases the most significant eighth bit for attribute selection. Characters displayed on the MDC-2480 can be displayed either as normal (white on a black background) or inverted (black on a white background), and can be set as blinking or non-blinking. Character attributes are selected by on-board hardware straps and are enabled/disabled by the eighth bit of the character code.

The on-board character generator can be strapped to provide a reduced 64 character set which contains only the upper case alphanumeric characters. Using this character set the MDC-2480 uses only six of the eight data bits and therefore enables selection of two attributes per character.

SCROLL

The MDC-2480 allows the user to vertically rotate the display (scroll). Loading the on-board Scroll Register with any line number (0 to 23) will cause the display to vertically rotate until the specified line is displayed at the top of the screen.

VIDEO GENERATOR

The MDC-2480 can directly drive any standard monochrome video monitor. Composite video signals as well as separate TTL video, horizontal/vertical sync and blinking signals are supported on-board.

KEYBOARD INTERFACE

A keyboard can be interfaced to the MDC-2480 through a 16 pin DIP socket, S7. The keyboard input port consists of seven input lines and one strobe line (positive pulse). Once the keyboard data strobe has been received, the Keyboard Flag is set.

BUS INTERFACE

The MDC-2480 plugs directly into the PDP-11 UNI-bus. The display refresh memory, which is memory mapped into the PDP-11 UNI-bus memory address space, can be strapped to reside at any 4K byte memory address boundary between 000 0008 and 777 7778.

GRAPHICS

The MDC-2480 can be integrated, as an alphanumeric controller, within a complete alpha/graph video system. By configuring the MDC-2480 to operate in the slave mode, the horizontal/vertical reset lines and the dot clock line are set to act as input ports. In this way the board can be synchronized to a master sync source. These lines can also be configured to operate as output ports to enable the user to configure his system to synchronize to the MDC-2480. A typical application of combined alphanumerics/graphics is shown in figure 2, where the graphics board (MDC-512) acts as the master sync source.

PROGRAMMING

The MDC-2480 operational status (American/European compatibility, Master/Slave operation, base address, etc) is programmed via on-board hardware straps. Table 1 outlines the definitions of these straps.

JUMPER NO.	DESCRIPTION	JUMPER NO.	DESCRIPTION
S1 1-6	Select base address	S6 4-6	Enable "Dual Page" mode
S3 1-10	Select American/European TV standard	W2	Enable "Dual Page" mode
S4 1-3,6-7	Select character attribute	W3	Enable "Dual Page" mode
S5 1-8	Select character cell size	W4	Enable "Dual Page" mode
S4 4-5	Select character cell size	W0	Enable "Master" mode
S6 7-8	Select character set	W1	Enable "Slave" mode
S8 8	Select character set	W5	Enable transparent memory mode
S6 1-2	Select displayed page	W6	Disable transparent memory mode

Table 1. Jumper Definitions

SPECIFICATIONS

FUNCTIONAL

MEMORY ACCESS TIME

With Transparent Memory: 800ns
 Without Transparent Memory: 500ns

DISPLAY PARAMETERS

DESCRIPTION	DISPLAY
Resolution	1920 characters
Horizontal Characters	80 characters
Vertical Lines	24 lines
Character Cell Size	6 or 8 horizontal dots

VIDEO TIMING

To generate a video display of 24 x 80 characters with a 6 dot wide character cell, the MDC-2480 uses an 11.06688 MHz crystal. The following tables gives the video timing for both American and European standards.

SIGNAL	AMERICAN	EUROPEAN
Active Video	43.0 μ s	43.0 μ s
Horizontal Sync Frequency	15.8 KHz	15.8 KHz
Horizontal Sync Width	4.3 μ s	4.3 μ s
Vertical Sync Frequency	60.0 Hz	50.2 Hz
Vertical Sync Width	255.0 μ s	255.0 μ s

OUTPUT SIGNALS

TTL Level Video
 Horizontal Drive
 Vertical Drive
 Composite Sync
 Composite Video

BUS INTERFACE

Address, data and control signals conform to PDP-11 UNI-bus specifications
 Control Registers and Display Memory — Selectable on any 4K byte memory address boundary between 000 0008 and 777 7778 (760 0008).

CONNECTORS

DESCRIPTION	MATING CONNECTOR
C : 36 pin edge connector D : 36 pin edge connector E : 36 pin edge connector F : 36 pin edge connector J1 : 16 pin DIP socket	DEC H8030 (2 required) AUGAT 516-A6-37D
} Bus Interface — Video Interface	

PHYSICAL

SIZE	POWER REQUIREMENTS	ENVIRONMENTAL REQUIREMENTS
Width: 5.25 in. (13.33 cm) Height: 8.50 in. (21.59 cm) Depth: 0.50 in. (1.27 cm)	+ 5V \pm 5% @ 0.9A	Operating temperature: 0°C to 55°C Relative Humidity: 0% to 95% non-condensing

ORDERING INFORMATION

MDC-2480 — XX-X
 |
 | — Horizontal dots per character (6/8)
 |
 | } AS — American standard (60 Hz)
 | } ES — European standard (50 Hz)

Example: MDC-2480-AS-6: 24 x 80 character display using a six dot wide character cell. Vertical refresh rate is 60 Hz

Matrox Electronic Systems Ltd reserves the right to make changes in specifications at any time and without notice. The information furnished by Matrox Electronic Systems Ltd in this publication is believed to be accurate and reliable. However, no responsibility is assumed by Matrox Electronic Systems Ltd for its use; nor for any infringements of patents or other rights of third parties resulting from its use. No license is granted under any patents or patent rights of Matrox Electronic Systems Ltd.





5800 ANDOVER AVE., T.M.R., QUE., H4T 1H4, CANADA
TEL.: 514-735-1182 TELEX: 05-825651

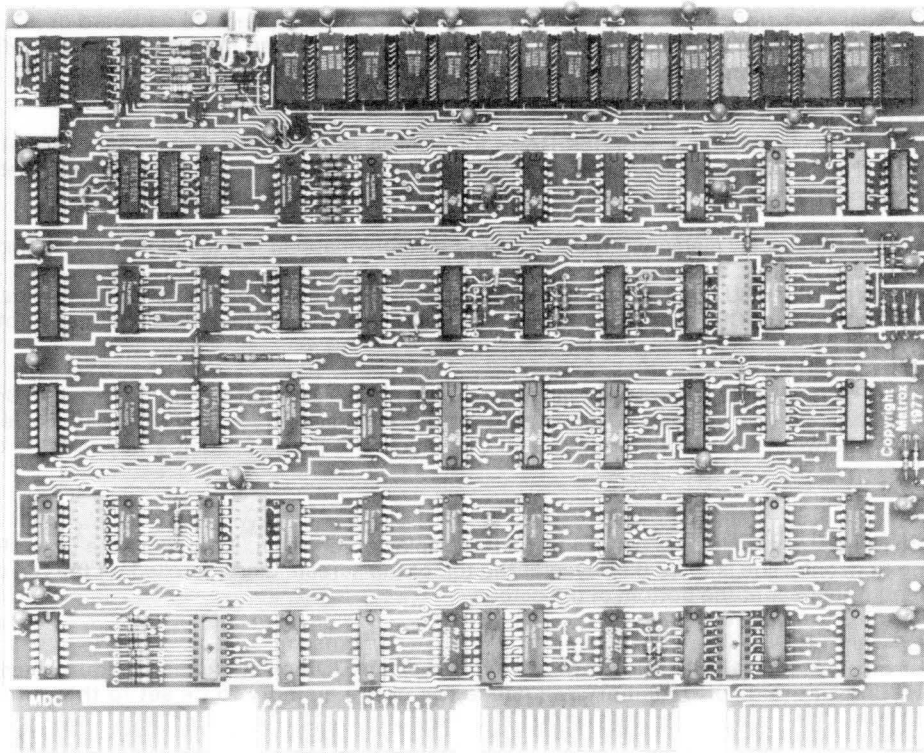
MDC-512

512 x 512 GRAPHICS DISPLAY CONTROLLER FOR PDP-11 UNI-BUS

- Bit mapped 512 x 512 pixel display
- 256 x 256, 512 x 256, 1024 x 256 formats available
- Powerful X-Y virtual memory addressing
- Hardware scroll built-in
- Single instruction memory erase
- Color/grey-scale expansion
- Can be combined with MDC-2480
- Transparent memory access
- PDP-11 UNI-bus* compatible
- Internal/external sync
- American/European operation

The MDC-512 is a member of Matrox's complete line of PDP-11 UNI-bus compatible graphics video boards. The MDC-512 family of cards is designed to interface a mini or microcomputer to a CRT monitor and produce a B/W display of 512 x 512 points. The board also features built-in hardware scroll capabilities and a single instruction memory erase.

The MDC-512 can also be combined with the MDC-2480 to produce a complete alphanumeric/graphics video display system. Combining multiple MDC-512 cards, the OEM system designer can construct a graphics display system with up to 24 bits/pixel (16 million different colors or grey levels).



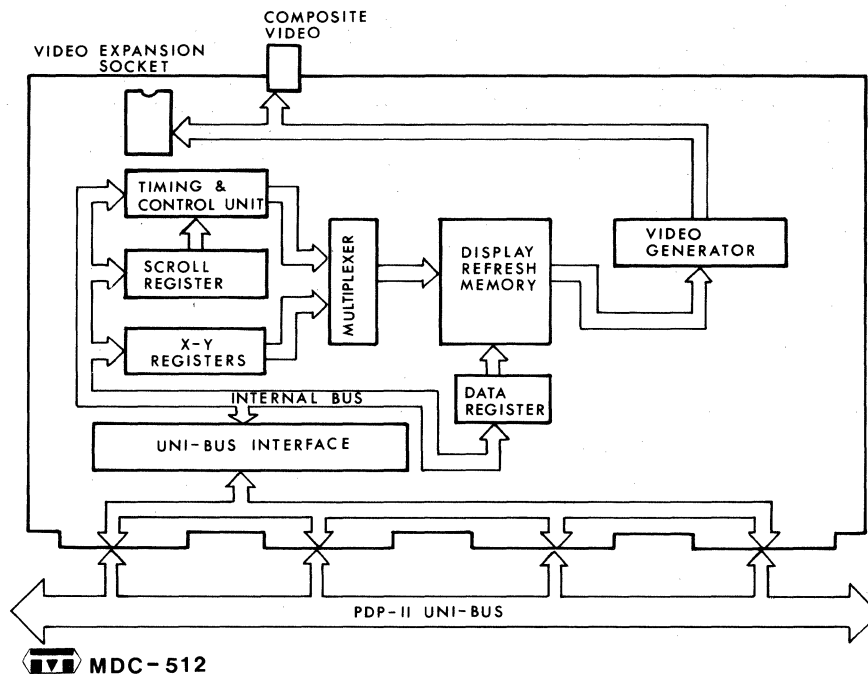


Figure 1. MDC-512 block diagram

FUNCTIONAL DESCRIPTION

The MDC-512 consists of six main functional blocks (figure 1): Timing and Control Unit, Scroll Register, X-Y Registers, Display Memory, Video Generator, and Bus Interface.

TIMING AND CONTROL UNIT

All timing and control signals required by the video monitor (horizontal/vertical sync and blanking), display refresh memory (row/column addressing), and video generator (dot clock, load and shift) are generated by the Timing and Control Unit. The exact configurations of these signals are user-programmable, via hardware straps, to enable the MDC-512 to generate displays with up to 512 horizontal dots by 512 vertical dots. The board can also be strapped to operate in either 50 Hz (European) or 60 Hz (American) systems.

The horizontal/vertical reset signals as well as the dot clock can be either generated on-board or accepted, through a bidirectional port, from an external sync source. In this way the MDC-512 can be synchronized to operate with other video boards as part of a complete video display system.

DISPLAY MEMORY

The MDC-512 can be populated with 4, 8 or 16K RAMs for displays of 256 x 256, 512 x 256, 512 x 512, or 1024 x 256 dots. Each point on the CRT screen is identified by a unique address within the display memory. When a point is to be illuminated on the screen, a logic "1" is written to the appropriate display memory location.

The CPU reads/writes the display memory through a pair of memory-mapped I/O locations (X-Y Registers). This allows two memory locations to address all of the 262,144 bits of the refresh memory (512 x 512). Once the X and Y address of the dot has been loaded, the CPU can read/write the dot intensity. The dot intensity bit (image bit) can be assigned to any data bus bit. The resultant CRT display is a black and white image with the intensity of each dot being either on (logic "1") or off (logic "0").

In addition to the CPU read/write, the display memory is continually scanned by the Timing and Control Unit every 16.66ms (60 Hz) to generate video signals. Memory access arbitration circuitry on the MDC-512 efficiently resolves any contention problems between read/write requests and CRT refresh requests in such a way that the display is "transparent" to user.

SCROLL

An on-board Scroll Register enables the user to scroll the display up or down. By loading the Scroll Register the user can specify which horizontal line is to be displayed at the top of the screen. Lines scrolled off the top of the display will "wrap-around" and re-appear at the bottom of the screen.

SCREEN ERASE

The entire refresh memory on the MDC-512 can be erased by a single OUTput instruction. Setting the memory erase enable bit when writing to the display memory will cause the entire memory to be set to that intensity (0 = black, 1 = white).

VIDEO GENERATOR

The MDC-512 works with all standard monochrome video monitors in American (60 Hz) and European (50 Hz) systems. TTL level video, horizontal sync, vertical sync, as well as composite video signals are supported on-board.

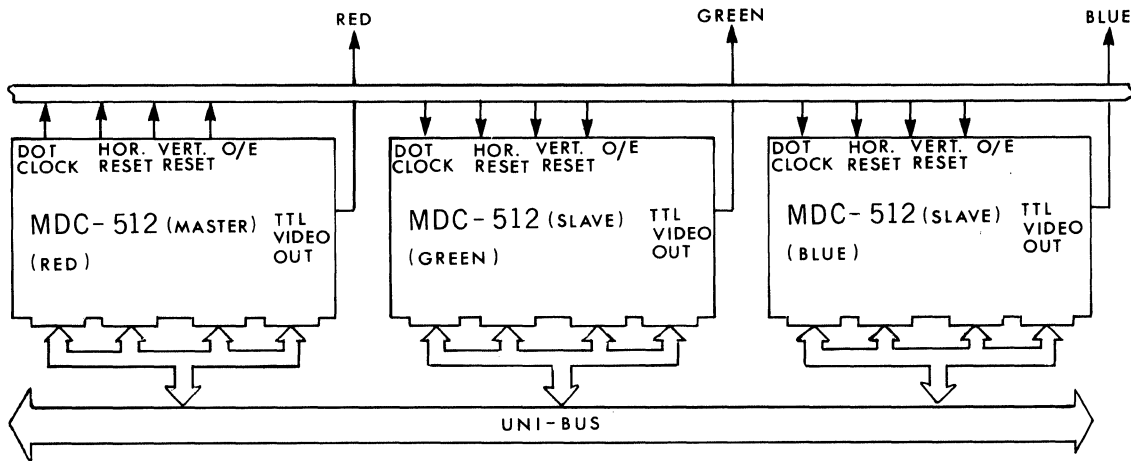


Figure 2. "Stacking" MDC-512 cards for color/grey scale displays

BUS INTERFACE

The MDC-512 plugs directly into the PDP-11 UNI-bus and works with both 8-bit and 16-bit processors. All the Command and Status Registers as well as the Display Memory are accessed via memory mapped I/O. The MDC-512 can be positioned on any 8 byte memory address boundary between 000 000 and 777 777h.

ALPHA/GRAPH DISPLAYS

The MDC-512 can be combined with the MDC-2480 to generate alphanumeric/graphic displays. An on-board alphanumeric input port accepts the TTL level alphanumeric video information from the MDC-2480 and combines it with the graphics video from the MDC-512. The result is a powerful display combining both alphanumeric and graphics without the overhead involved in generating alphanumeric characters using graphic techniques.

COLOR/GREY-SCALE EXPANSION

Multiple MDC-512 cards can be combined to provide for color/grey-scale displays. As previously outlined (DISPLAY MEMORY), the image bit on a given card can be assigned to any data bus bit. Thus the output of each card can be assigned a different weight or color. By assigning cards to different data bus bits and strapping all the cards with the same address, the intensity or color of a given dot can be loaded in a single instruction. A typical example of building up a color video system using the MDC-512 is shown in figure 2.

PROGRAMMING

The MDC-512 is programmed, for various display resolutions, by on-board hardware straps. These straps are organized into three 16 pin "programming sockets" to facilitate simple re-programming of the board. Table 1 defines the on-board jumpers used to configure the MDC-512 for the various resolution options.

SOCKET	JUMPER	DESCRIPTION
P	1	Vertical display = 240 lines (American standard) or 256 lines (European standard)
	2	Vertical reset = 262½ lines (American standard)
	3	Vertical reset = 312½ lines (European standard)
	4	Vertical sync = 244 lines (American standard)
	5	Vertical sync = 276 lines (European standard)
	6	Not used
	7	Enable 512 dot vertical resolution
	8	Not used
R	1	Enable 1024 dot horizontal resolution
	2	Set memory access for RAM type used
	3	Enable 1024 dot horizontal resolution
	4	Disable 1024 dot horizontal resolution
	5	Synchronize blanking for 512/1024 dot horizontal resolution
	6	Synchronize blanking for 256 dot horizontal resolution
	7	Dot clock = 5.53344 MHz (256 dot horizontal resolution)
	8	Dot clock = 11.06688 MHz (512/1024 dot horizontal resolution)
J	1	Enable 256 x 256 addressing
	2	Enable 512 x 256 addressing
	3	Enable interlaced addressing (512 x 512/1024 x 256)
	4	Enable 512 dot horizontal addressing
	5	Enable 1024 dot horizontal addressing
	6	Enable 512 dot vertical addressing
	7	Synchronize LOAD SCROLL signal to 60 Hz (American standard)
	8	Synchronize LOAD SCROLL signal to 50 Hz (European standard)

Table 1. Jumper Configurations

SPECIFICATIONS

FUNCTIONAL

MEMORY ACCESS TIME

Dot Write Time: 1.4 μ s

DISPLAY PARAMETERS

RESOLUTION	RAM TYPE
256 X 256	4K
512 X 256	8K
512 X 512	16K
1024 X 256	16K

VIDEO TIMING

For a 256 x 256 or 512 x 256 display, the video output is non-interlaced. For a 512 x 512 or 1024 x 256 display, the video output is interlaced (two fields per frame). In order to avoid display flicker, a monitor with long persistence phosphors must be used.

SIGNAL	AMERICAN	EUROPEAN
Active Video	46 μ s	46 μ s
Horizontal Sync Frequency	15.8 KHz	15.8 KHz
Horizontal Sync Width	5.67 μ s	5.67 μ s
Vertical Sync Frequency	60 Hz	50.2 Hz
Vertical Sync Width	190 μ s	190 μ s

OUTPUT SIGNALS

TTL Level Video
Horizontal Sync
Vertical Sync
Composite Sync
Composite Video

BUS INTERFACE

Address, data, and control signals conform to PDP-11 UNI-bus Specifications
Display Memory, Command and Status Registers — Selectable on any 8 byte memory address boundary between 000 000₈ and 777 777₈ (760 000₈)

CONNECTORS

DESCRIPTION	MATING CONNECTOR
C : 36 pin edge connector, 0.125" centers D : 36 pin edge connector, 0.125" centers E : 36 pin edge connector, 0.125" centers F : 36 pin edge connector, 0.125" centers	DEC H8030 (2 required)
J1 : phono connector V : 16 pin DIP socket	
Bus Interface	
— Composite Video	RCA 901
— Video Expansion Socket	AUGAT 516-A6-37D

PHYSICAL

SIZE

Width: 10.50 in. (26.67 cm)
Height: 7.75 in. (19.69 cm)
Depth: 0.50 in. (1.27 cm)

POWER REQUIREMENTS

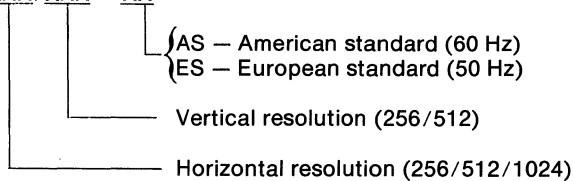
+5V DC \pm 5° @ 800mA
+12V DC \pm 5° @ 200mA

ENVIRONMENTAL REQUIREMENTS

Operating Temperature: 0°C to 55°C
Relative Humidity: 0% to 95% non-condensing

ORDERING INFORMATION

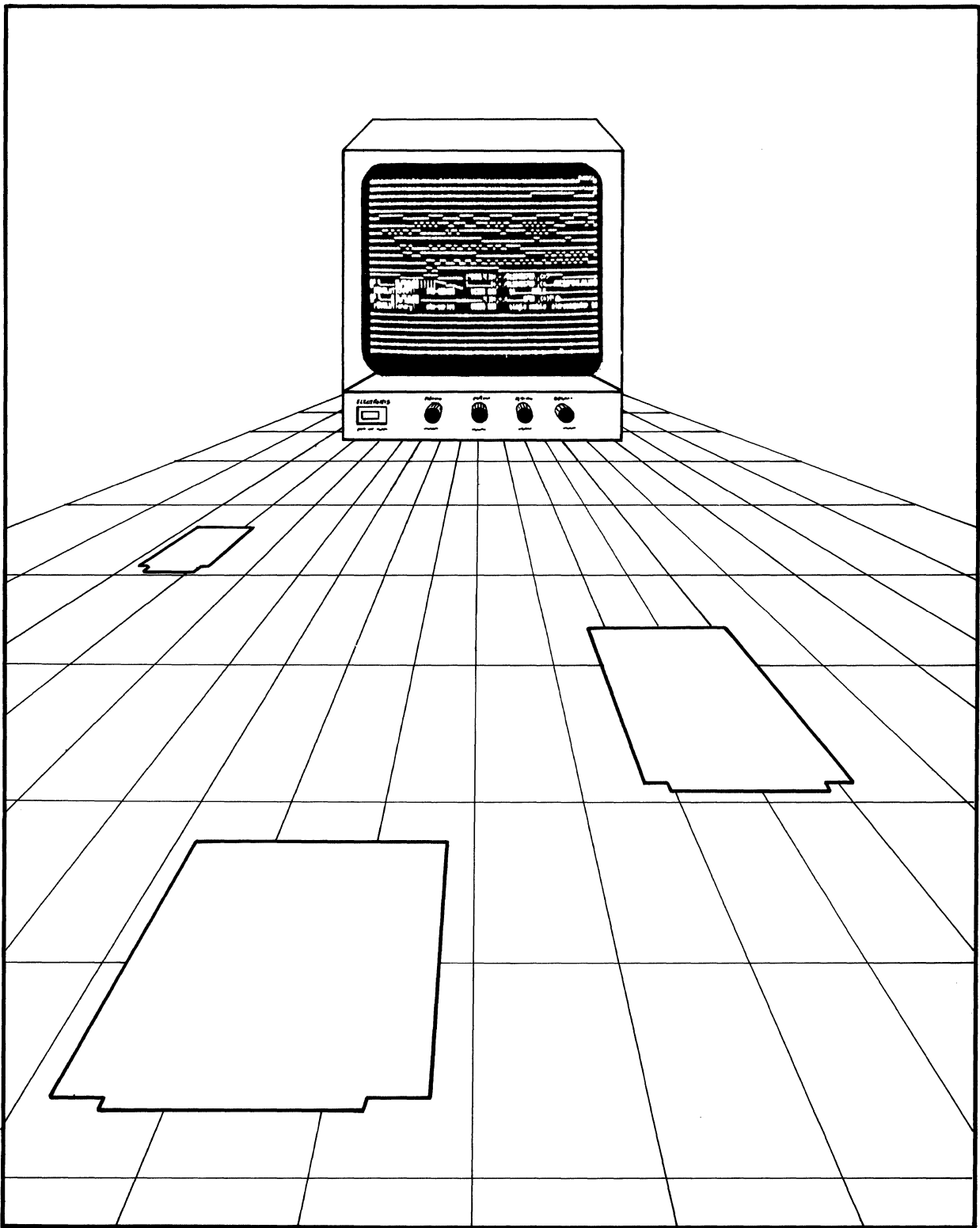
MDC — XXX/XXX — XX



Example: MDC-512/512-AS: 512 x 512 pixel display with a vertical refresh rate of 60 Hz.

Matrox Electronic Systems Ltd reserves the right to make changes in specifications at any time and without notice. The information furnished by Matrox Electronic Systems Ltd in this publication is believed to be accurate and reliable. However, no responsibility is assumed by Matrox Electronic Systems Ltd for its use; nor for any infringements of patents or other rights of third parties resulting from its use. No license is granted under any patents or patent rights of Matrox Electronic Systems Ltd.





STD-BUS VIDEO BOARDS

SECTION 4 STD-BUS VIDEO BOARDS

STD-ALPHA Variable Format Alphanumeric Display Controller for STD-bus	4-3
STD-2480 24 x 80 Alphanumeric Display Controller for STD-bus	4-11
STD-256 256 x 256 Graphics Display Controller for STD-bus	4-15
STD-800 High Resolution Color Graphics Board for STD-bus	4-19



matrox
electronic systems Ltd.

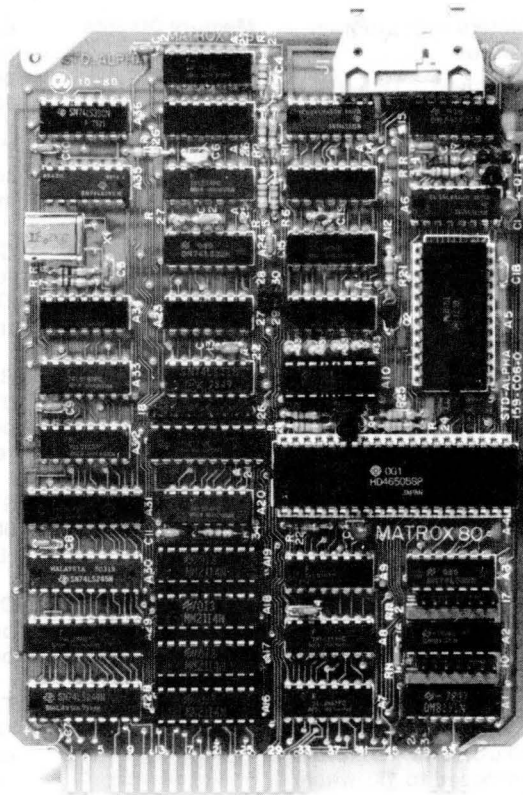
5800 ANDOVER AVE., T.M.R., QUE., H4T 1H4, CANADA
TEL.: 514-735-1182 TELEX: 05-825651

STD-ALPHA

VARIABLE FORMAT ALPHANUMERIC DISPLAY CONTROLLER FOR STD-BUS

- Software programmable text format
- Up to 128 characters/row
- Up to 48 characters/column
- Up to 2048 characters/page
- Scroll
- Blink
- Inverse video
- Underline
- Programmable character height
- 128 text/graphic symbols
- STD-bus compatible
- Single +5V power supply
- 50/60 Hz operation
- Programmable cursor
- Light pen interface

The STD-ALPHA is a very flexible alphanumeric video controller. The video display format (number of rows and columns of characters) is software programmable over a wide range. Also, the video sync information is software programmable for 50 Hz, 60 Hz or non-standard monitor requirements. The STD-ALPHA also features several powerful attributes including scroll, blink, inverse video, and underline.



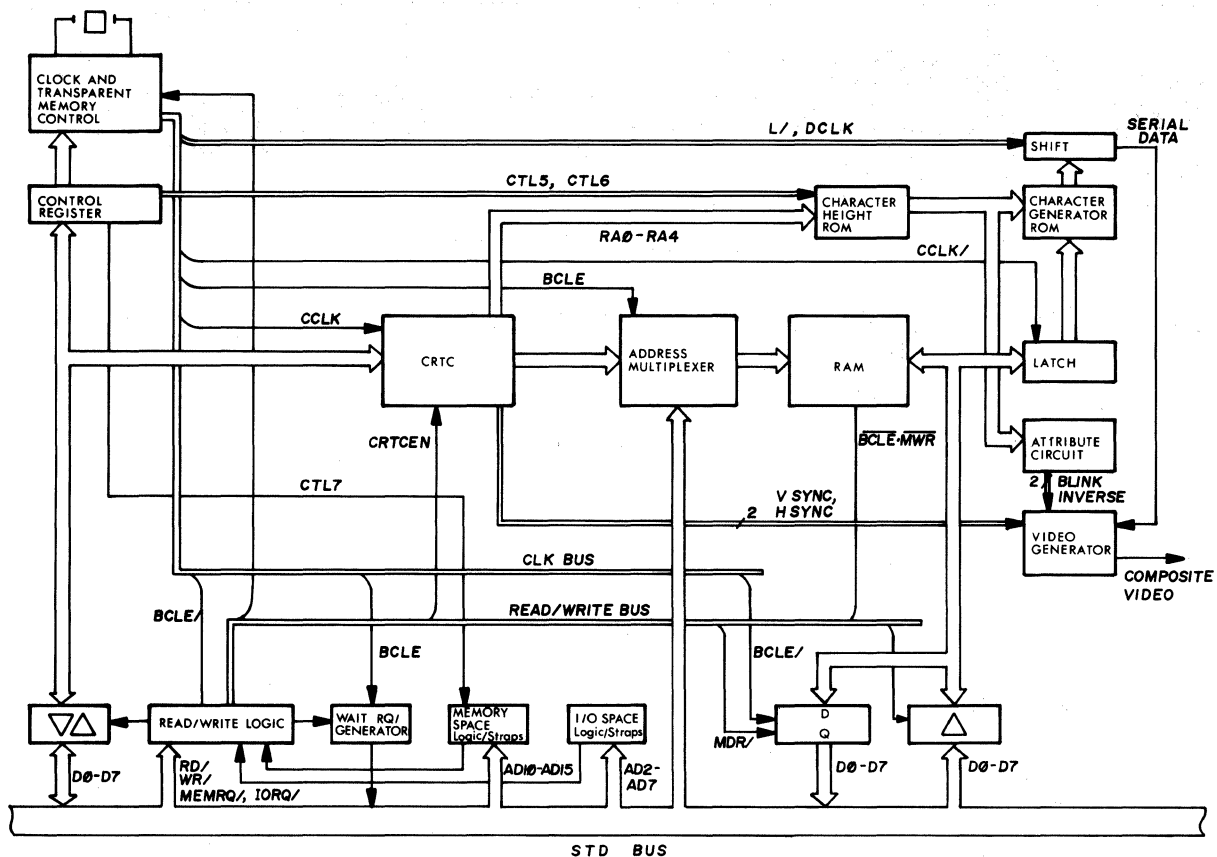


Figure 1. STD-ALPHA block diagram

STD-ALPHA FEATURES

Resolution	Up to 2048 characters with programmable display features	Memory Disable	External access to the display memory can be software-disabled to permit multiple boards to occupy the same space in system memory.
Display Parameters	All video parameters including horizontal and vertical sync, blanking, and display formats are user software programmable to drive any direct or composite B/W monitor.	Scroll	The display "window" can be scrolled up or down with respect to information in the display memory.
Character Attributes	Inverse video, blink, and underline attributes are available on-board.	Cursor	Cursor is inverted video that can be full character, underline, or blink. The cursor position is software controlled.
Character Set	128 upper/lower alphanumeric characters and graphics symbols are available through an on-board MCH-01 character generator. The character set can be reduced, with hardware straps, to produce a 64 lower case only alphanumeric character set.	Light Pen	Built-in light pen interface. CPU can dynamically read the light pen position through an internal CRTC register.
Character Height	Characters can be software selected to be 1, 2, 3, or 4 times normal height.	TV Standard	STD-ALPHA can operate in either 60 Hz (American standard) or 50 Hz (European standard).
Display Ram	2K bytes of on-board memory, strap-selectable on any 2K byte boundary in system address space. CPU can read/write memory using all memory reference instructions. Display memory can be reduced to 1K, when used with small formats, to economize on RAM.	Video Outputs	Direct TTL level or 1Vpp, 75Ω composite video signals are available on-board.
		STD-Bus Interface	The STD-ALPHA is contained on a single 6.5" x 4.48" PC board which is plug-in compatible with the STD-bus. All address, data, and control signals are STD-bus compatible.

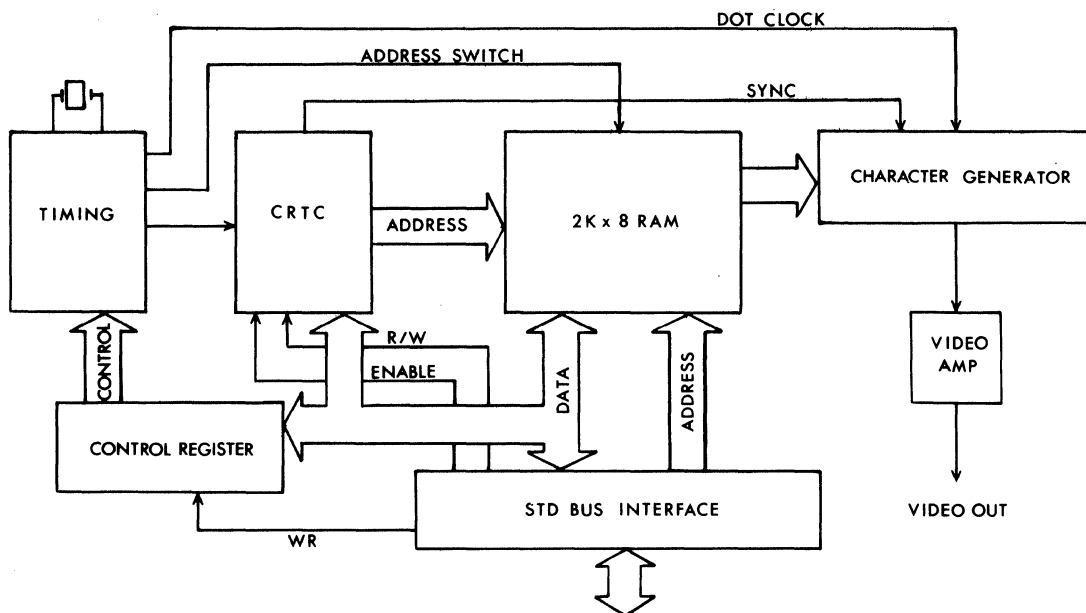


Figure 2. STD-ALPHA functional blocks

FUNCTIONAL DESCRIPTION

The STD-ALPHA provides a versatile alphanumeric display system for the STD-bus based system designer. Contained on a single 6.5" x 4.48" printed circuit board is all the required circuitry for generating up to 2048 character displays. The STD-ALPHA can be regarded as six major functional blocks (figure 2); Display Memory, CRT Controller, Character Generator, Video Amplifier, Timing and Control Unit, and a Bus Interface.

The **Display Memory** on the STD-ALPHA is made up of 4 2114 static RAMs providing a 2K byte memory-mapped storage area. Addressable on any 2K byte boundary in system address space, the STD-ALPHA's display memory can be software disabled through programmed I/O command to enable the user to place multiple boards in the same address space. Also, when used with small display formats, the display memory can be reduced to 1K bytes to economize on address space. Access time varies from access to access depending on the display format and timing requirements used and on where the access is initiated with respect to the display refresh cycle. The average access time for formats using 128 characters/line is 343ns with 6 dots/cell and 500ns with 8 dots/cell. In less dense formats the average access time approaches 240ns.

Each character position on the CRT screen corresponds to a single location (8 bits) in the display refresh memory. When a character is to be displayed, its Character Code is written into the appropriate display memory locations. The processor can read or write the display memory at full speed using all memory reference instructions.

All display memory accesses (read, write, or refresh) are controlled via a Transparent Memory Control circuit. Through this circuit the RAM address lines are switched between the CRTC (display refresh) and the system bus (display memory read/write) by three 1 to 2 line multiplexers. By assuring that the system bus can not acquire memory access while the display is being refreshed (figure 3), the STD-ALPHA avoids any memory contention problems that would result in display streaking.

The **CRT Controller (CRTC)** is a VLSI IC which provides all the necessary signals (horizontal and vertical blanking and sync, display refresh RAM addresses, etc.) required to generate video displays. Through the CRTC, virtually all display format parameters are user selectable (figure 4). Display resolutions are only restricted by the intrinsic characteristics of the monitor used. For most monitors (active video

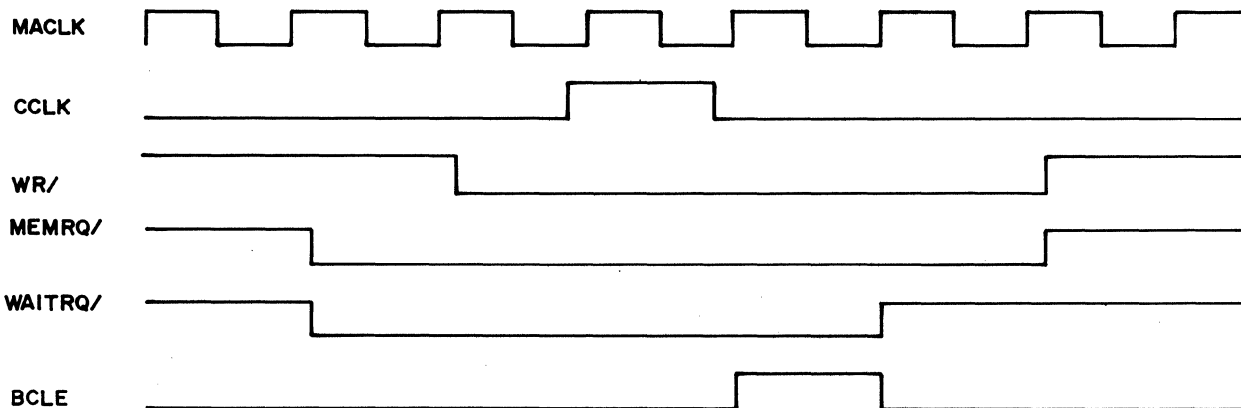


Figure 3: Transparent Memory Control Timing Diagram

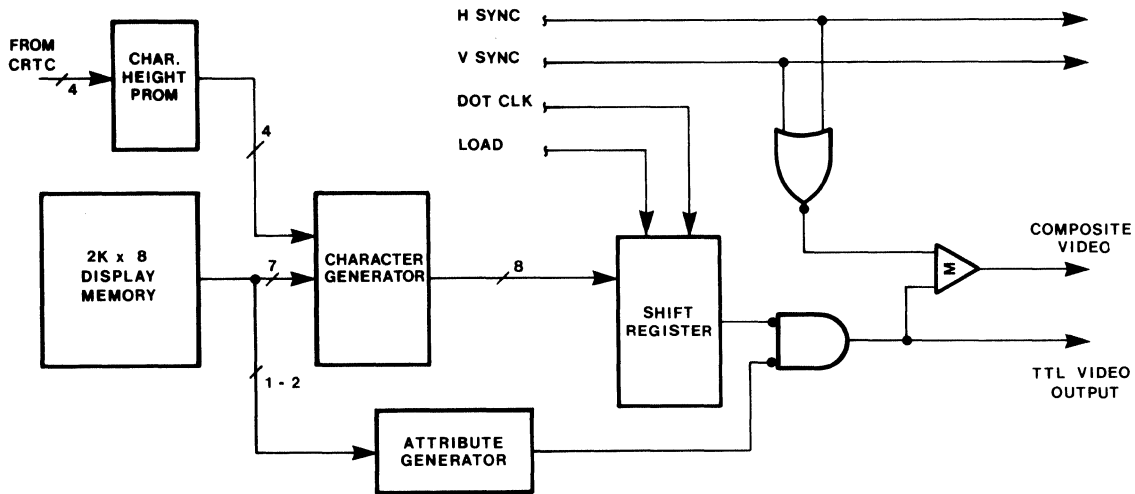


Figure 6: Video Amplifier and Attribute Generation Circuitry

The **Video Amplifier** (figure 6) on the STD-ALPHA accepts the video information as a serial data stream, through a shift register, from the character generator. This data is then synchronized with the vertical and horizontal sync signals and sent out as TTL level video outputs. Alternately the output video can be combined with the sync signals to produce a standard 1Vpp, 75Ω terminated composite video signal.

Character attributes can be added to each character as it passes through the video amplifier. The STD-ALPHA offers three on-board character attributes; blink, inverse video, and underline. When used with the full 128 character set any one of these attributes can be strap-selected. With the reduced 64 character set, up to two attributes per character may be selected. Character attributes are enabled by the unused bits in the Character Code (1 bit in the 128 character set and 2 bits in the reduced set).

The **Timing and Control Unit** generates the timing signals required by the CRTIC (Character Clock) and the video amplifier (Dot Clock and Load) to generate the video displays. The Timing and Control Unit also generates the timing signals necessary for the display refresh memory (Memory Access Clock). This circuit (figure 7) consists of the master oscillator (16 MHz crystal), variable modulo counter (divide by 1-8) which is controlled by the programmed number of dots/cell to produce the Memory Access Clock (used to switch memory accesses between system bus and display refresh) and the appropriate load and shift signals for the display. The Timing and Control Unit also includes two divide by 16 counters which provide the Dot Clock and Character Clock signals.

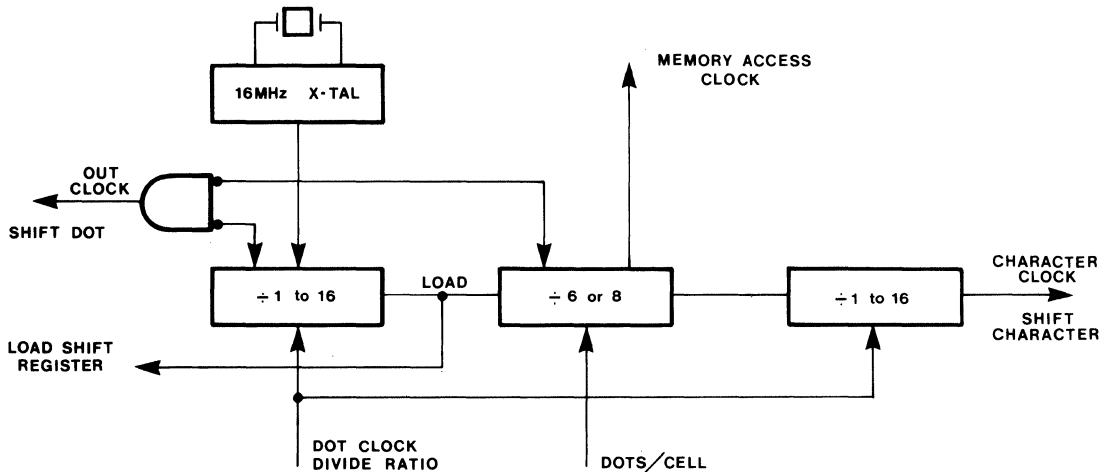


Figure 7: Timing and Control Unit

The **STD-Bus Interface** contains the logic required to interface the STD-ALPHA with the STD-bus. The position of the STD-ALPHA's I/O ports and display memory within the system address space is determined by comparing bus addresses against a set of straps (I/O ports are addressable on any 4 byte address boundary in system address space and the display memory can be strapped to any 2K block of system memory space).

Programming

The STD-ALPHA is programmed through 3 I/O registers. Two of these registers (CRTIC Address Register and CRTIC Data Port) are used in turn to load 18 internal CRTIC registers. By loading these registers the user can program the STD-ALPHA to generate displays using virtually any display format (Table 1).

Parameter	Description
Horizontal Characters	Up to 128
Vertical Lines	Up to 48 (52 with European standard)
Character Height	1, 2, 3, 4 times normal
Character Cell Width	6/8 dots
Vertical Refresh Rate	50 Hz/60 Hz
Raster Scan	Interlaced/non-interlaced

Table 1: Programmable Display Format Parameters

Relative Location	Direction	Name	Function
00H	WRITE ONLY	CRTC Address Register	Select CRTC register to be accessed.
01H	READ WRITE	CRTC Data Port	CRTC register addressed by the CRTC Address Register
02H	WRITE ONLY	Control Register	Selects Dot Clock Divider, Dots/cell, Character height, memory enabled/disabled.

Table 2: STD-ALPHA I/O registers

Address 4 3 2 1 0	Register Number	Register Name	Function
0 0 0 0 0	R0	Horizontal Total	Total number of horizontal characters including retrace.
0 0 0 0 1	R1	Horizontal Displayed	Number of characters displayed per line.
0 0 0 1 0	R2	H. Sync Position	Horizontal sync position in units of horizontal character time.
0 0 0 1 1	R3	Sync Width	Horizontal and vertical sync pulse widths in units of horizontal character time.
0 0 1 0 0	R4	Vertical Total	Total number of vertical lines per frame including retrace.
0 0 1 0 1	R5	Vertical Total Adjust	Optimum number from 0-31 to adjust total number of rasters per frame.
0 0 1 1 0	R6	Vertical Displayed	Number of displayed character rows per frame.
0 0 1 1 1	R7	V. Sync Position	Vertical sync position in units of horizontal character time.
0 1 0 0 0	R8	Interlace/Skew	Set up raster scan mode and skews of CUDISP, DISPTMG signals.
0 1 0 0 1	R9	Max. Raster Address	Defines total number of rasters per character including spacing.
0 1 0 1 0	R10	Cursor Start Address	Cursor start raster address and cursor display mode.
0 1 0 1 1	R11	Cursor End Address	Cursor end raster address.
0 1 1 0 0	R12	Start Address (HI)	Address of refresh memory to read out.
0 1 1 0 1	R13	Start Address (LO)	
0 1 1 1 0	R14	Cursor (HI)	Cursor display address.
0 1 1 1 1	R15	Cursor (LO)	
1 0 0 0 0	R16	Light Pen (HI)	Light Pen latch.
1 0 0 0 1	R17	Light Pen (LO)	

Table 3: CRTC Registers

SPECIFICATIONS

FUNCTIONAL

MEMORY ACCESS TIME

The number of wait states required by the STD-ALPHA depends upon the type of access (read or write), the speed of the CPU, and where the RD and WR requests fall in relation to the board's internal timing. In the worst case three wait states are required for a memory write using a 4 MHz CPU.

Access to the STD-ALPHA I/O ports is fast enough that wait states, other than the one automatically inserted by the CPU, are not required and WAITRQ is never pulled low.

DISPLAY PARAMETERS:

PARAMETER	DESCRIPTION
Resolution	2048 characters max.
Horizontal columns	128 characters max.
Vertical rows	48 lines max. (American), 52 lines (European)
Character cell size	6/8 dots horizontal
Character height	1,2,3,4 times normal
Vertical refresh rate	50 Hz/60 Hz

VIDEO TIMING

The following table gives the video timing, for both American and European systems, of a display with 24 lines of 80 character using the standard 16 MHz crystal. Note that all these parameters are programmable and are determined by the user.

SIGNAL	AMERICAN	EUROPEAN
Active Video	40 μ s	30 μ s
Horizontal Sync Frequency	15.78 KHz	15.68 KHz
Horizontal Sync Width	5.25 μ s	5.62 μ s
Vertical Sync Frequency	59.97 Hz	49.95 Hz
Vertical Sync Width	191.12 μ s	191.25 μ s

INPUT SIGNALS

Light Pen Enable
Light Pen Strobe

OUTPUT SIGNALS

TTL Level Video
Horizontal Drive
Vertical Drive
Composite Video

BUS INTERFACE

Address, data, and control signals conform to Mostek-Prolog STD-bus specifications.

Command and Status Registers — Selectable on 4 byte I/O boundaries 00 - FF (FCH)

Display Refresh Memory — Selectable on 2K byte memory address boundaries 0000 — FFFF (B000H)

CONNECTORS

DESCRIPTION	MATING CONNECTOR
P1 : 56 pin edge connector — STD-bus Interface	ANSLEY 609-561 5M
J1 : 10 pin right angle header — Video Interface/Light Pen Interface	MOLEX 10-55-3103

PHYSICAL

SIZE

Width: 4.48 in. (11.38 cm)
Height: 6.50 in. (16.51 cm)
Depth: 0.50 in. (1.27 cm)

POWER REQUIREMENTS

+5V DC \pm 5% @ 2A

ENVIRONMENTAL REQUIREMENTS

Operating Temperature: 0°C to 55°C
Relative Humidity: 0% to 95% non-condensing

ORDERING INFORMATION

STD-ALPHA — XXX

{ 015 — No underline
 { 016 — Underline in row 12 (in character cell)
 { 072 — Underline in row 10 (in character cell)

Example: STD-ALPHA-016: Programmable format alphanumeric display controller with an underline attribute supported in line 12 of the character cell.

Matrox Electronic Systems Ltd reserves the right to make changes in specifications at any time and without notice. The information furnished by Matrox Electronic Systems Ltd in this publication is believed to be accurate and reliable. However, no responsibility is assumed by Matrox Electronic Systems Ltd for its use; nor for any infringements of patents or other rights of third parties resulting from its use. No license is granted under any patents or patent rights of Matrox Electronic Systems Ltd.





matrox
electronic systems Ltd.

5800 ANDOVER AVE., T.M.R., QUE., H4T 1H4, CANADA
TEL.: 514-735-1182 TELEX: 05-825651

STD-2480

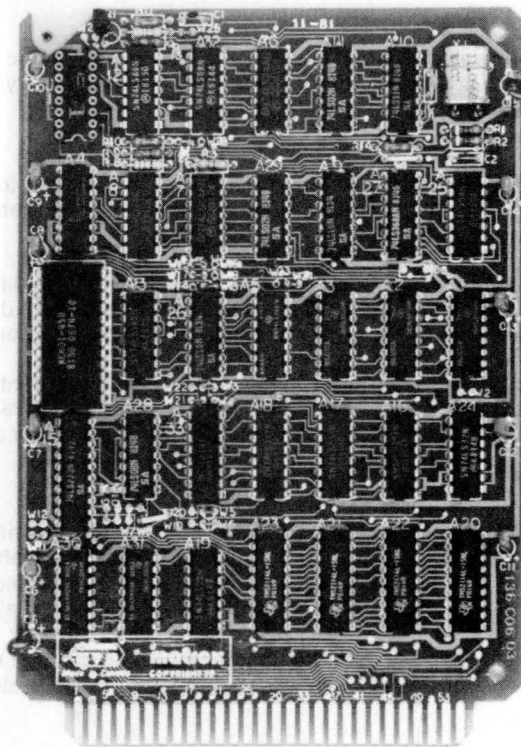
24 x 80 ALPHANUMERIC DISPLAY CONTROLLER FOR STD-BUS

- 24 row x 80 column alphanumeric video display
- STD-bus compatible
- Inverse video
- Blink
- Directly drives any monochrome monitor
- Single +5V supply
- External/internal Sync capability
- American/European operation

The STD-2480 is a STD-bus compatible alphanumeric display controller which is capable of generating displays of 24 lines of 80 characters per line. Characters can be displayed as either white on a black background or black on a white background. Each character can also be set to blink under software control.

The character font provided with the STD-2480 contains 128 - 5 x 7 upper/lower case alphanumeric characters and graphic symbols. A custom character generator can be user programmed for special font requirements.

The STD-2480 works with all standard monochrome video monitors in Europe (50 Hz) and America (60 Hz).



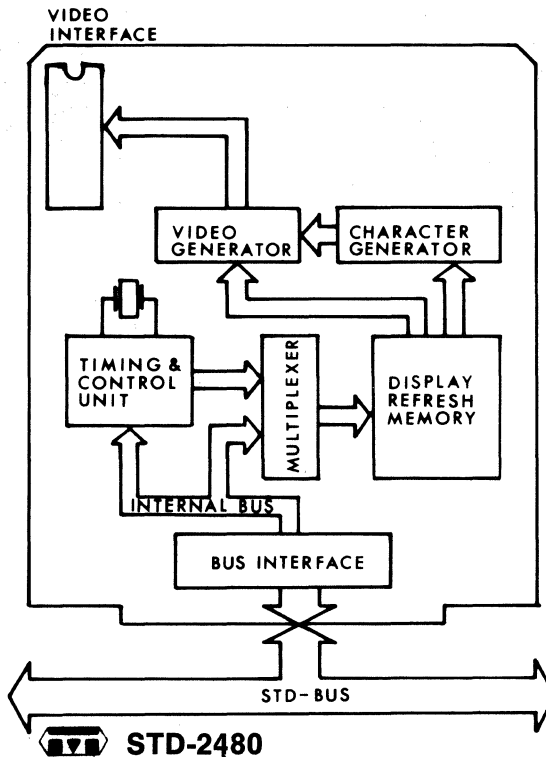


Figure 1. STD-2480 block diagram

FUNCTIONAL DESCRIPTION

The STD-2480 is made up of five major operational blocks: Timing and Control Unit, Display Memory, Character Generator, Video Generator, and Bus Interface. Communications between these blocks are shown in figure 1.

TIMING AND CONTROL UNIT

All timing and control signals required to generate a video display with 24 lines of 80 characters per line are supported on-board the STD-2480. The Timing and Control Unit, consisting of the master oscillator (11 MHz) and various modulo counters, produces the horizontal and vertical sync signals needed by the monitor as well as all timing signals for display refresh memory (RAS, CAS).

The horizontal/vertical reset signals as well as the dot clock can be either generated on-board or accepted through a bidirectional port, from an external sync source. In this way the STD-2480 can be synchronized to operate with other video boards as part of a complete video display system.

DISPLAY MEMORY

The STD-2480 contains 2K bytes of on-board display refresh memory, to store up to 24 lines of 80 characters (1920 characters). The display memory occupies 4K bytes of system address space thereby permitting the CPU to identify each character location with a unique 12 bit address.

Each character position on the CRT screen corresponds to an 8 bit location in the display refresh memory. Characters are written on to the display by loading the ASCII Character Code to the appropriate display memory location. The CPU can read/write the display memory at full speed using all memory reference instructions.

All accesses to the display memory are controlled by a "Transparent Memory" control circuit within the Timing and Control Unit. In this way all accesses to the display memory (read, write, refresh) are efficiently arbitrated. The Transparent Memory control circuitry permits the CPU to read or write the refresh memory at any time and the display is free of glitches.

CHARACTER GENERATOR

The STD-2480 contains an on-board 2716 EPROM which contains the binary video information to generate a 128 character set. The supplied character font consists of the full 96 upper/lower case alphanumeric character set with the addition of 32 special graphic characters. The alphanumeric characters are formed in a 5 x 7 dot matrix within a 6 x 10 dot character cell. The graphics characters utilize the entire character cell to allow for drawing continuous lines.

The STD-2480 permits simple implementation of custom character fonts. To install a new character set, the user need only reprogram the EPROM character generator with the video information to generate his own font.

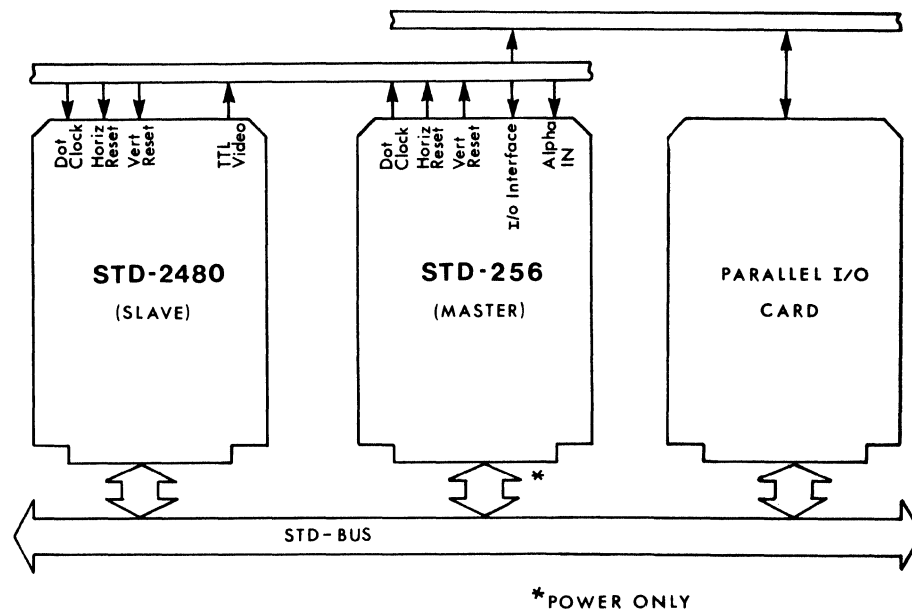


Figure 2. Combining STD-2480 and STD-256 cards for alpha/graph displays

ATTRIBUTES

Each character is accessed by seven bits of the eight bit ASCII Character Code. This releases the most significant eighth bit for attribute selection. Characters displayed on the STD-2480 can be displayed either as normal (white on a black background), inverted (black on a white background), blinking, or both inverted and blinking. Character attributes are selected by on-board hardware straps and are enabled/disabled by the eighth bit of the character code.

The on-board character generator can be strapped to generate a reduced 64 upper case only character set. In this configuration an extra bit from the character code is released. These two surplus bits can be used to independently enable/disable the two character attributes.

VIDEO GENERATOR

The STD-2480 can directly drive any standard monochrome video monitor. Composite video signals as well as separate TTL level video, horizontal/vertical sync and blanking signals are supported on-board.

BUS INTERFACE

The STD-2480 plugs directly into the STD-bus. The display refresh memory, which is memory mapped into the STD-bus memory address space, can be strapped to reside at any 4K byte memory address boundary between 0000H and FFFFH.

GRAPHICS

The STD-2480 can be integrated as an alphanumeric controller, within a complete alpha/graph video system. By configuring the STD-2480 to operate in the slave mode, the horizontal/vertical reset lines and the dot clock line are set to act as input ports. In this way the board can be synchronized to a master sync source. These lines can also be configured to operate as output ports to enable the user to configure his system to synchronize to the STD-2480. A typical application of combined alphanumerics/graphics is shown in figure 2, where the graphics board (STD-256) acts as the master sync source.

PROGRAMMING

The STD-2480 operational status (American/European compatibility, Master/Slave operation, base address, etc) is programmed via on-board hardware straps. Table 1 outlines the definitions of these straps.

JUMPER NO.	DESCRIPTION
W 1,2	Select Master/Slave mode
W 3,4,5,6,19,20,21,22	Select base address
W 7,8,9,10,11,12	Select character attributes
W 13,14,15,16,17,18,23,24,27,28	Select American/European TV standard
W 25,26	Enable/disable external sync to output video

Table 1. Jumper definitions

SPECIFICATIONS

FUNCTIONAL

MEMORY ACCESS TIME

With Transparent Memory Access: 800ns
 Without Transparent Memory Access: 500ns

DISPLAY PARAMETERS

DESCRIPTION	DISPLAYED
Resolution	1920 characters
Horizontal Characters	80 characters
Vertical Lines	24 lines
Character Cell Size	6 horizontal dots x 10 vertical dots

VIDEO TIMING

To generate a video display of 24 x 80 characters with a 6 dot wide character cell, the STD-2480 uses an 11.06688 MHz crystal. The following table gives the video timing in both American and European standards.

SIGNAL	AMERICAN	EUROPEAN
Active Video	43.0 μ s	43.0 μ s
Horizontal Sync Frequency	15.8 KHz	15.8 KHz
Horizontal Sync Width	4.4 μ s	4.4 μ s
Vertical Sync Frequency	60.0 Hz	50.2 Hz
Vertical Sync Width	192.0 μ s	190.0 μ s

OUTPUT SIGNALS

TTL Level Video
 Horizontal Drive
 Vertical Drive
 Composite Sync
 Composite Video

BUS INTERFACE

Address, data and control signals conform to Pro-Log STD-bus specifications
 Control Registers and Display Memory — Selectable on any 4K byte memory address boundary 0000H — FFFFH (4000H)

CONNECTORS

DESCRIPTION	MATING CONNECTOR
P1 : 56 pin edge connector — Bus Interface	ANSLEY 609-561 5M
J1 : 16 pin DIP socket — Video Interface	AUGAT 516-A6-37D

PHYSICAL

SIZE

Width: 4.50 in. (11.43 cm)
 Height: 6.75 in. (17.15 cm)
 Depth: 0.50 in. (1.27 cm)

POWER REQUIREMENTS

+5V DC \pm 5% @ 0.8A

ENVIRONMENTAL REQUIREMENTS

Operating Temperature: 0°C to 55°C
 Relative Humidity: 0% to 95% non-condensing

ORDERING INFORMATION

STD-2480 — XX

{
 AS — American standard (60 Hz)
 ES — European standard (50 Hz)

Example: STD-2480-AS: 24 x 80 character display with a vertical refresh rate of 60 Hz.

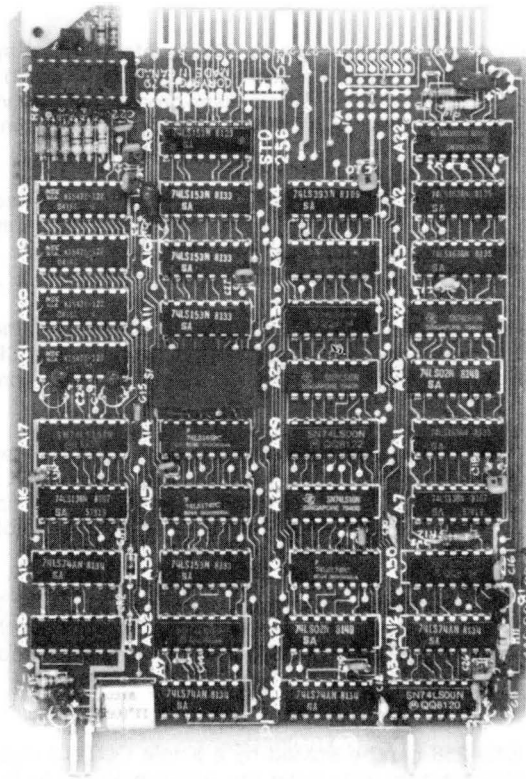
Matrox Electronic Systems Ltd reserves the right to make changes in specifications at any time and without notice. The information furnished by Matrox Electronic Systems Ltd in this publication is believed to be accurate and reliable. However, no responsibility is assumed by Matrox Electronic Systems Ltd for its use; nor for any infringements of patents or other rights of third parties resulting from its use. No license is granted under any patents or patent rights of Matrox Electronic Systems Ltd.



256 x 256 GRAPHICS DISPLAY CONTROLLER FOR STD-BUS

- Displays 256 x 256 dot raster graphics
- Powerful X-Y addressing
- Single instruction memory erase
- Color/grey-scale expansion
- Can be combined with STD-2480
- STD-bus compatible
- Internal/external sync
- American/European operation

The STD-256 is a complete graphics display controller on a single STD-bus plug-in board. It contains its own 65,536 bit refresh memory and TV sync and video generators. Each display dot (pixel) is addressable via X-Y Registers and can be either written to or read from. Three STD-256 cards can be combined to provide a full 256 x 256 x 8 color graphics display.



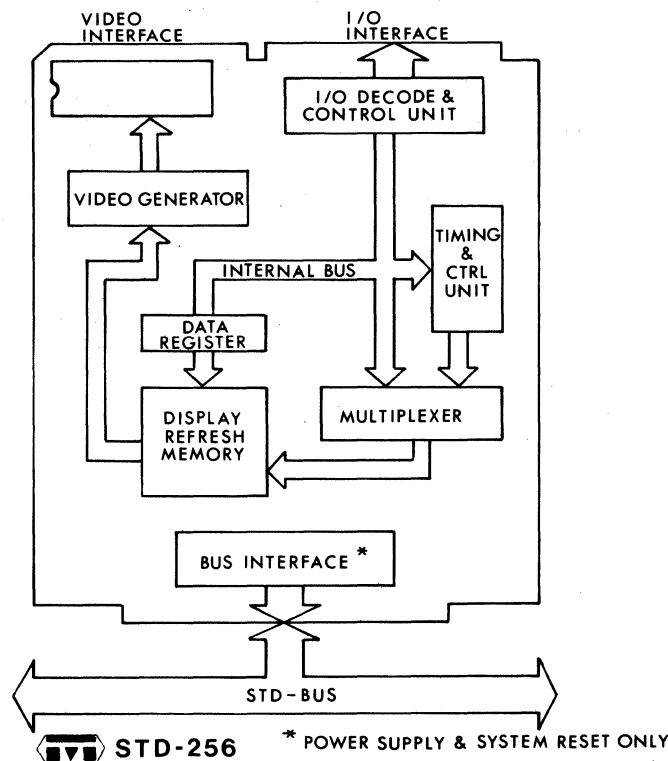


Figure 1. STD-256 block diagram

FUNCTIONAL DESCRIPTION

The STD-256 consists of five main functional blocks (figure 1): Timing and Control Unit, X-Y Registers, Display Memory, Video Generator, and Bus Interface.

TIMING AND CONTROL UNIT

All timing and control signals required by the video monitor (horizontal/vertical sync and blanking), display refresh memory (row/column addressing), and video generator (dot clock, load and shift) are generated by the Timing and Control Unit. The exact configurations of these signals are user-programmable, via hardware straps, to enable the STD-256 to generate displays with up to 256 horizontal dots by 256 vertical dots in either 50 Hz (European) or 60 Hz (American) systems.

The horizontal/vertical reset signals as well as the dot clock can be either generated on-board or accepted, through a bidirectional port, from an external sync source. In this way the STD-256 can be synchronized to operate with other video boards as part of a complete video display system.

DISPLAY MEMORY

The STD-256's display refresh memory is made up of 8K bytes of on-board dynamic RAM which contains the binary picture information for a 256 x 256 dot raster graphics display. Each point on the CRT screen is identified by a unique address within the display memory. When a point is to be illuminated on the screen, a logic "1" is written to the appropriate display memory location.

The CPU reads/writes the display memory through a pair of I/O locations (X-Y Registers). This allows two I/O locations to address all of the 65,536 bits of the refresh memory (256 x 256). Once the X and Y address of the dot has been loaded, the CPU can read/write the dot intensity. The dot intensity bit (image bit) can be assigned to any data bus bit. The resultant CRT display is a black and white image with the intensity of each dot being either on (logic "1") or off (logic "0").

In addition to the CPU read/write, the display memory is continually scanned by the Timing and Control Unit every 16.66ms (60 Hz) to generate video signals. Memory access arbitration circuitry on the STD-256 efficiently resolves any contention problems between read/write requests and CRT refresh requests in such a way that the display is "transparent" to the user.

SCREEN ERASE

The entire refresh memory on the STD-256 can be erased by a single OUTput instruction. Setting the memory erase enable bit when writing to the display memory will cause the entire memory to be set to that intensity (0 = black, 1 = white).

VIDEO GENERATOR

The STD-256 works with all standard monochrome video monitors in American (60 Hz) and European (50 Hz) systems. TTL level video, horizontal sync, vertical sync, as well as composite video signals are supported on-board.

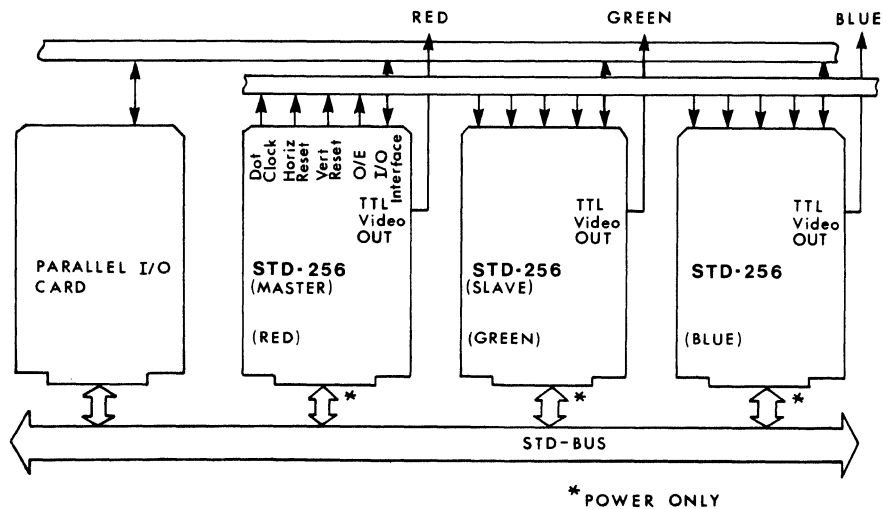


Figure 2. "Stacking" STD-256 cards for 8 level color/grey scale displays

BUS INTERFACE

The STD-256 plugs directly into the STD-bus. The card uses four eight bit ports for control, data, and X and Y addressing.

A parallel I/O card such as the Mostek MDX-PIO or the Prolog 7601 is required to provide data bus buffering for the STD-256. Up to six STD-256 cards can be supported by a single interface card.

ALPHA/GRAPH DISPLAYS

The STD-256 can be combined with the STD-2480 to generate alphanumeric/graphic displays. An on-board alphanumeric input port accepts the TTL level alphanumeric video information from the STD-2480 and combines it with the graphics video from the STD-256. The result is a powerful display combining both alphanumerics and graphics without the overhead involved in generating alphanumeric characters using graphic techniques.

COLOR/GREY-SCALE EXPANSION

Multiple STD-256 boards can be "stacked" to provide for sophisticated color or grey-scale applications that require more bits per pixel. Up to 24 STD-256 boards may be combined in this way to provide up to 24 bits/pixel (over 16 million colors).

PROGRAMMING

The STD-256 can be programmed for American/European standard operation via a series of on-board hardware straps. Additional straps are provided to program the board to operate in either master or slave mode and to set the boards base address.

JUMPER	DEFINITION
W1	Select master/slave operation
S1 1	Enable video software control
2	Disable video software control
3	} Select European/American operation
4	
5	
6	
7	
8	
P3 jumper matrix	Locate data input/output lines

Table 1. Jumper definitions

SPECIFICATIONS

FUNCTIONAL

MEMORY ACCESS TIME

Dot Write Time: 1.4 μ s

DISPLAY PARAMETERS

DESCRIPTION	RESTRICTION
Horizontal Resolution	256 dots max.
Vertical Resolution	256 dots displayed max. (50 Hz), 240 dots displayed max. (60 Hz)

VIDEO TIMING

The STD-256 generates a display of 256 horizontal dots by 256 vertical dots using an 11.06688 MHz crystal. The following table gives the timing in both American and European standards.

SIGNAL	AMERICAN	EUROPEAN
Active Video	45.6 μ s	45.6 μ s
Horizontal Sync Frequency	15.7 KHz	15.7 KHz
Horizontal Sync Width	5.60 μ s	5.60 μ s
Vertical Sync Frequency	60.0 Hz	50.0 Hz
Vertical Sync Width	240.0 μ s	240.0 μ s

OUTPUT SIGNALS

TTL Level Video
Horizontal Sync
Vertical Sync
Composite Sync
Composite Video

BUS INTERFACE

Four 8-bit ports must be interfaced to the STD-bus via a Mostek or Prolog parallel I/O card. The STD-256 takes only power and reset directly from the bus.

CONNECTORS

DESCRIPTION	MATING CONNECTOR
P1 : 56 pin edge connector — STD-Bus Interface	ANSLEY 609-5615M
P3 : 56 pin edge connector — I/O Interface	ANSLEY 609-5615
V : 16 pin DIP socket — Video Interface	AUGAT 516-A6-37D

PHYSICAL

SIZE

Width: 4.48 in. (11.38 cm)
Height: 6.50 in. (16.51 cm)
Depth: 0.50 in. (1.27 cm)

POWER REQUIREMENTS

+5V DC \pm 5% @ 400 mA
+12V DC \pm 5% @ 100 mA

ENVIRONMENTAL REQUIREMENTS

Operating Temperature: 0°C to 55°C
Relative Humidity: 0% to 95% non-condensing

ORDERING INFORMATION

STD-256 — XX

{
AS — American standard (60 Hz)
ES — European standard (50 Hz)

Example: STD-256-AS: 256 x 256 graphics display with a vertical refresh rate of 60 Hz.

Matrox Electronic Systems Ltd reserves the right to make changes in specifications at any time and without notice. The information furnished by Matrox Electronic Systems Ltd in this publication is believed to be accurate and reliable. However, no responsibility is assumed by Matrox Electronic Systems Ltd for its use; nor for any infringements of patents or other rights of third parties resulting from its use. No license is granted under any patents or patent rights of Matrox Electronic Systems Ltd.





matrox
electronic systems Ltd.

5800 ANDOVER AVE., T.M.R., QUE., H4T 1H4, CANADA
TEL.: 514-735-1182 TELEX: 05-825651

STD-800

HIGH RESOLUTION COLOR GRAPHICS BOARD FOR STD-BUS

- Display resolution up to 800 x 600 x 4
- 16 colors selectable from a palette of 4096
- System expansion capabilities allow up to 12 bits/pixel (4096 simultaneously displayable colors)
- VLSI graphics processor (7220) draws vectors, arcs, circles, rectangles, and characters
- Split-screen, pan, and scroll
- Analog RGB video outputs
- Single +5V supply
- Supports DMA transfers
- Light pen support
- 50/60 Hz interlaced or non-interlaced operation

The Matrox STD-800 is a powerful color graphics display controller board for the STD-bus. Complex graphic images can be created on the STD-800 with resolutions ranging from 256 x 256 x 4 to 800 x 600 x 4.

The STD-800 recognizes an instruction set of 19 commands. These instructions enable the user to create displays with minimal host intervention or calculational overhead. Instructions include: defining video parameters, draw a line, draw an arc, draw a circle, draw a rectangle, draw a character, pan, and scroll. Area fills and pixel blink are also supported.

AVAILABLE
4th QUARTER
1983

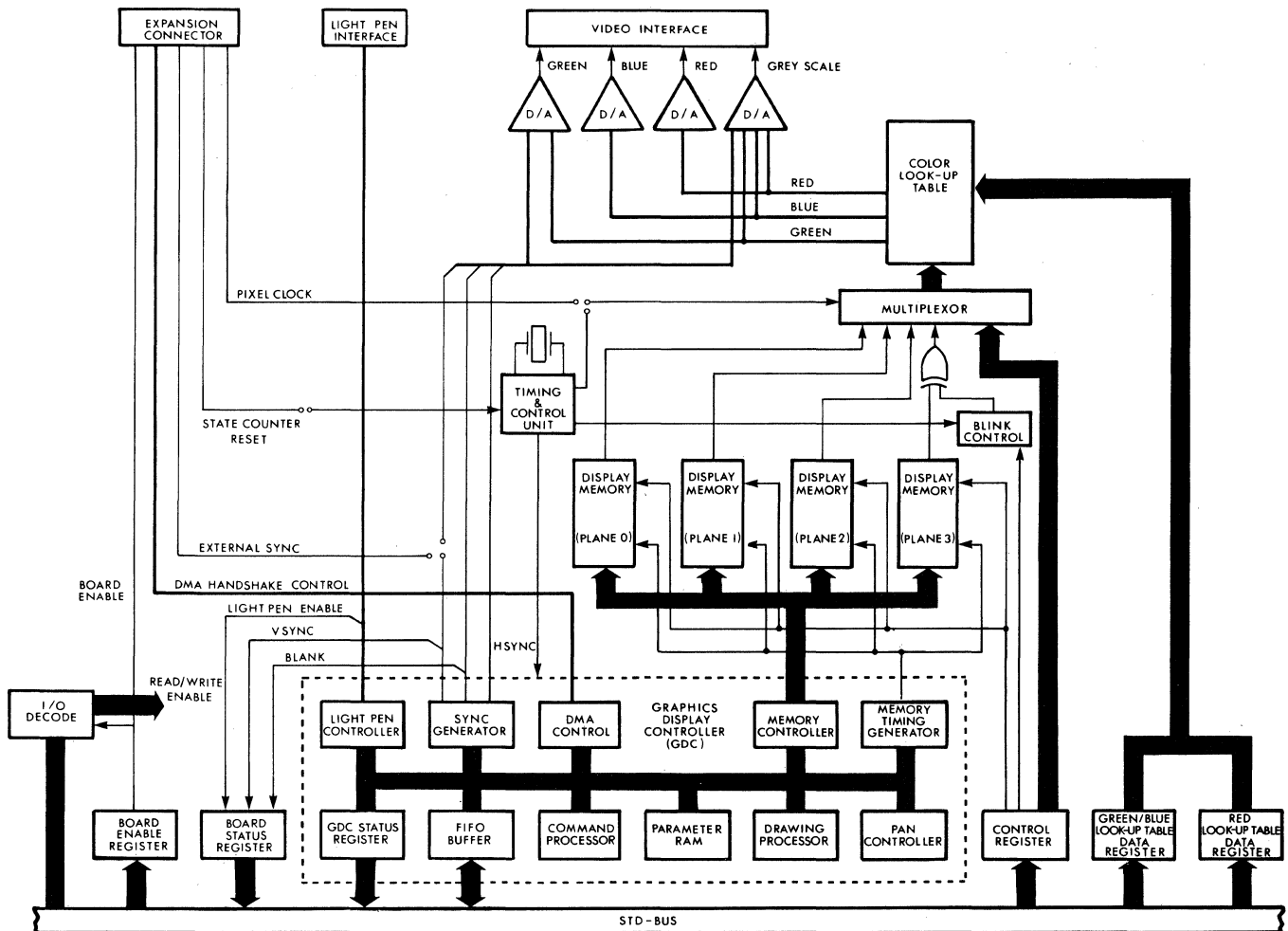


Figure 1. STD-800 block diagram

STD-800 FEATURES

Read/Write Area: Read/write memory is 128K bytes (with 64K RAMs) expandable to 512K bytes (with 256K RAMs)

Standard Resolution: 512 x 512 interlaced or non-interlaced (512 x 480 with 60 Hz vertical refresh rate)

User Selectable Resolutions: 256 x 256 x 4 to 800 x 600 x 4 resolutions can be programmed by the user. Note that some resolutions will require crystal and/or RAM part changes.

Bits/Pixel: 4 bits/pixel (expandable to 12 bits/pixel)

Blink: Selected areas of the graphics display can be set to blink between any two pre-defined colors. The blink frequency is set at 1.8 Hz.

Split Screen: The display screen can be split horizontally into two independent image areas. The size of each area is software programmable.

Pan: Each image area can be horizontally panned, inside the read/write area, by multiples of 16 pixels.

Scroll: Smooth vertical scroll by one line resolution on either image area.

Graphics Instructions: The STD-800 understands 19 graphics instructions.

Figure Generation: Graphics primitives, such as lines, arcs, circles, and rectangles are drawn by the STD-800 using single instructions.

Characters: Any character can be defined by the user and then drawn by the STD-800 using a single instruction.

Draw Speed: 1.6 μ sec./pixel/plane minimum; includes vectors, arcs, circles, rectangles, and character draws.

DMA Data Transfers: The STD-800 supports DMA handshaking for high speed image transfers.

Video Parameters: All video parameters including horizontal and vertical syncs, blanking, frequency, and display format are user software programmable.

Light Pen: On-board register latches deglitched light pen position. Interface built-in.

Video Outputs: R,G,B color signals 1V_{p-p} into 75 Ω , sync can be either composite on green or supplied as a separate signal.

STD-Bus Interface: The STD-800 plugs directly into the STD-bus and looks to the host like five I/O registers.

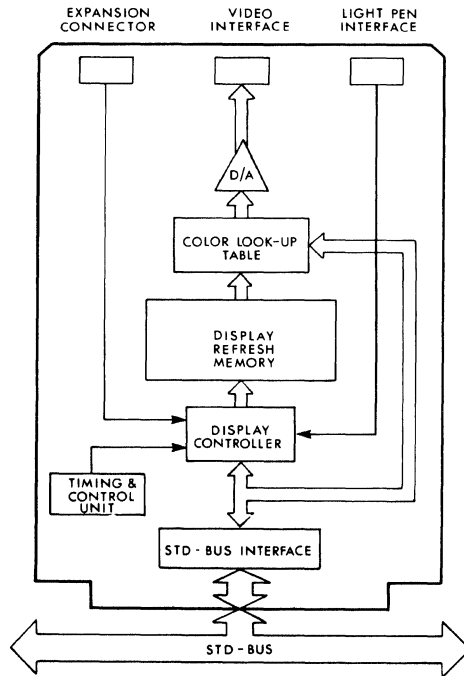


Figure 2. STD-800 functional blocks

FUNCTIONAL DESCRIPTION

The STD-800 is a powerful, high resolution, graphics controller contained on a single STD-bus PC board (4.5" x 6.5"). The STD-800 contains four major subsections (figure 2): the Graphics Display Controller, the Display Refresh Memory, the Color Look-up Table, and the STD-bus Interface.

CATEGORY	COMMAND	FUNCTION
Video Control	RESET	Reset the GDC to its idle state and specifies the display format.
	SYNC	Specifies the display format.
	VSYNC	Selects master or Slave video synchronization mode.
	CCHAR	Specifies the cursor and character row height.
Display Control	START	Starts the display scanning process.
	STOP	Blanks the display.
	CURS	Sets the position of the cursor in the display memory.
	PRAM	Defines the starting addresses and length of the display areas and specifies the eight bytes for the graphics character.
	PITCH	Specifies the width of the X dimension of the display memory.
Drawing Control	WDAT	Writes data words or bytes into the display memory.
	MASK	Sets the mask register contents.
	FIGS	Specifies the parameters of the drawing process.
	FIGD	Draws the figure as specified by FIGS.
	GCHRD	Draws the graphics character into the display memory.
Data Read	RDAT	Reads data words or bytes from the display memory.
	CURD	Reads the cursor position.
	LPRD	Reads the light pen address.
DMA Control	DMAR	Requests a DMA read transfer.
	DMAW	Requests a DMA write transfer.

Table 1. STD-800 instruction set

DISPLAY MEMORY

The STD-800 contains 16 64K bit RAM chips, on-board, for a total display read/write memory of 1,042,176 bits (128K bytes). This memory area is divided into 4 bit planes (allowing up to 16 simultaneously displayable colors or grey levels) and can be configured, by the user, into a three dimensional array of up to 512 horizontal x 512 vertical pixels x 4 bits/pixel. The resolution capabilities of the STD-800 can be increased by sacrificing bit planes. This feature enables the user to configure the on-board read/write memory for 800 x 655 x 2 bits/pixel. By using 256K x 1 RAMs, a 512K byte display refresh memory can be implemented and read/write arrays of up to 800 x 655 pixels can be configured, with 4 bits/pixel.

DISPLAY CONTROLLER

An on-board VLSI display controller chip is the heart of the STD-800. All of the display maintenance requirements (horizontal/vertical syncs and blanking) and the display memory refresh functions are provided by the Display Controller and are completely transparent to the user. Much of the low level display memory addressing is off-loaded from the host processor, by the Display Controller, reducing software overhead and increasing system throughput.

The STD-800 Display Controller recognizes a 19 instruction set, which simplifies programming of the display. The instruction set is divided into five major categories (Video Control, Display Control, Drawing Control, Data Read, and DMA Control) and are shown in table 1.

Display Organization — The on-board Display Controller allows the user to configure the display memory for any display resolution format, so long as that format does not exceed the total available memory (128K bytes standard). The standard STD-800 can be configured for displays of 256 x 256, 512 x 256, 512 x 384, or 640 x 400 pixels with 4 bits per pixel, or 640 x 480 or 800 x 600 pixels using 2 bits/pixel. Optionally, using 256K RAMs, displays of up to 640 x 480 or 800 x 600 pixels by 4 bits/pixel can be programmed.

The Display Controller also generates all of the timing signals required by the CRT monitor (figure 3). These signals (horizontal sync, horizontal blanking, vertical sync, and vertical blanking) are user definable to allow the STD-800 to drive any analog RGB or monochrome video monitor. Sync frequencies

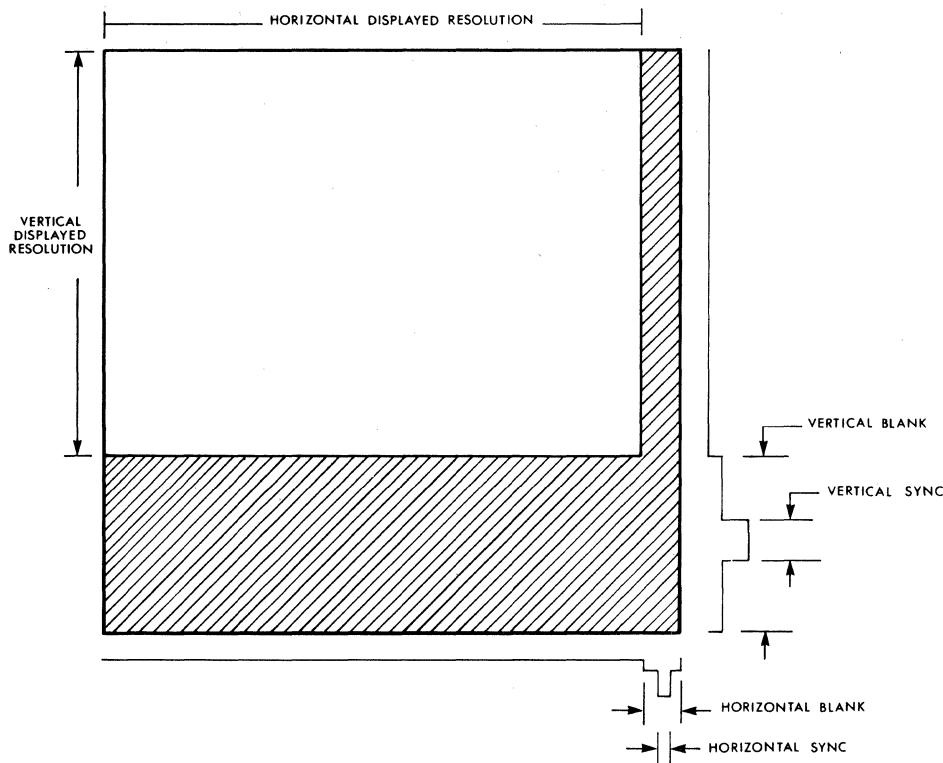


Figure 3. Display format parameters

can be defined to operate the system in either 50 Hz European or 60 Hz American Standard environments (interlaced or non-interlaced).

Pan and Scroll — The STD-800 allows the user to pan and/or scroll the generated graphics display. When using a small display format (i.e. 256 x 256 or 512 x 256) some of the available read/write display memory is not viewed on the screen. This "hidden" memory can be viewed by moving the CRT screen's "window" of the display memory either vertically or horizontally. Scrolling is accomplished on a line basis, for a "smooth" vertical image shift, while horizontal panning is done on 16-bit word boundaries.

Split-Screen — The CRT screen area can be divided into two, horizontally separate, independent display areas. The length of each area is independently user definable up to full screen. Note that the sum of the length of the two display areas can not exceed the total available screen area. Each display area can also be independently scrolled and/or panned.

Figure Drawing — The STD-800 features an ability to draw various graphics primitives with little or no assistance from the host CPU. Lines, arcs, circles, and rectangles can be constructed on the display by simply passing the figure's parameters to the STD-800. Calculation and generation of the addresses of the pixels, that make up the figure, are performed internally to the STD-800 and are transparent to the user.

Rectangular area fills are also easily implemented using the STD-800.

The "texture" of the displayed figure (i.e. solid, dashed, or dotted) and the pattern of the area fill are also user programmable. The figure texture is defined by the user specified 16-bit texture pattern (figure 4) which represents those pixels, along the figure, which can be modified. A "1" in the texture pattern register will determine if the corresponding display memory bit is modified. The effect of writing to the display memory can produce one of four results, (replace, complement, set, or clear), selectable by the programmer. The Replace mode of writing to the display memory rewrites the contents of the memory with the contents of the texture register. Other writing modes available on the STD-800 allow the programmer to complement those bits in the display memory which correspond to 1s in the texture register, set the "modify-enabled" bits, or clear these bits. Likewise, the area fill pattern can be set by defining an 8 x 8 recurring matrix.

Characters can also be drawn to the graphics display, in any position and orientation, with a minimum of host CPU overhead. A character is drawn by first downloading an 8 x 8 pattern matrix, for that character, to the STD-800. Upon receipt of a character draw command, the GDC will then draw the character, pixel by pixel, to the display memory at the cursor position. Using this technique, any character (upper/lower case alphanumeric or special graphics symbol) can be drawn to the display.

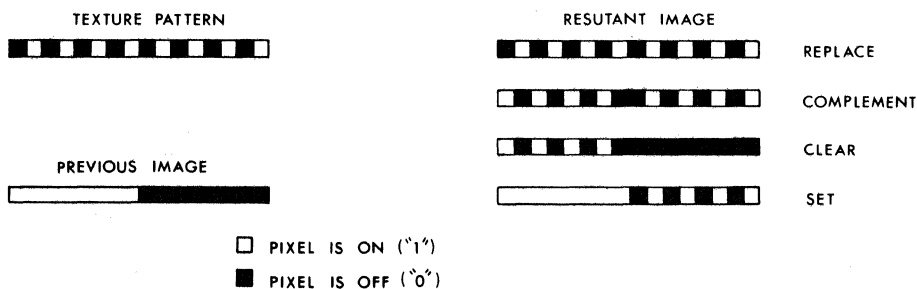


Figure 4. STD-800 "texture" pattern control

DMA — The STD-800 supports DMA data transfers to and from the display refresh memory. DMA Request and Acknowledge handshaking lines are provided, on a 10-pin Expansion connector, to permit direct communications between the STD-800 and an external DMA controller. This feature is useful in storing and/or loading entire images to/from disk.

BLINK

Selected areas of the graphics image generated by the STD-800 can be set to blink, under software control, at a blink rate of 1.8 Hz. Setting the Blink Enable bit in the on-board Control Register causes any image data stored on bit plane 3 to toggle between two colors. The colors, from which and to which this data will blink, are defined by the user when the color look-up table is loaded.

COLOR LOOK-UP TABLE

The STD-800 contains an on-board color look-up table which looks, to the user, like a 16 x 12 bit RAM. Through this look-up table, displays with up to 16 colors can be accommodated; with the displayed colors being user selected from a palette of 4096 colors. The color look-up table can be rewritten at any time.

The color look-up table allows the user to create a wide variety of video effects. Manipulation of the color look-up table allows the generation of such high performance effects as animation.

TIMING AND CONTROL UNIT

The STD-800 contains an on-board 20 MHz clock which is the heart for the module's Timing and Control Unit. The Timing and Control Unit, using the 20 MHz crystal together with a pair of PALs* (Programmable Array Logic), supplies all of the individual functional blocks of the STD-800 with their required timing inputs and synchronizes their operation for maximum throughput. This proprietary Matrox circuit also enables the STD-800 to generate displays of up to 800 x 655 x 4 bits per pixel using an average drawing speed of 1.6 μ sec./pixel. Optional 10.0, 11.66, and 13.33 MHz crystals are available, together with on-board strap-selectable divide by 2 and divide by 4 circuitry, to enable the STD-800 to accommodate video timing parameters for display formats ranging from 256 x 256 to 800 x 600 (see SPECIFICATIONS).

VIDEO INTERFACE

The output video signals are supplied, via a 10-pin header on the module, as analog (1V_{p-p}) RGB signals (figure 5). Sync signals are provided either combined with the Green video output or as a separate composite signal.

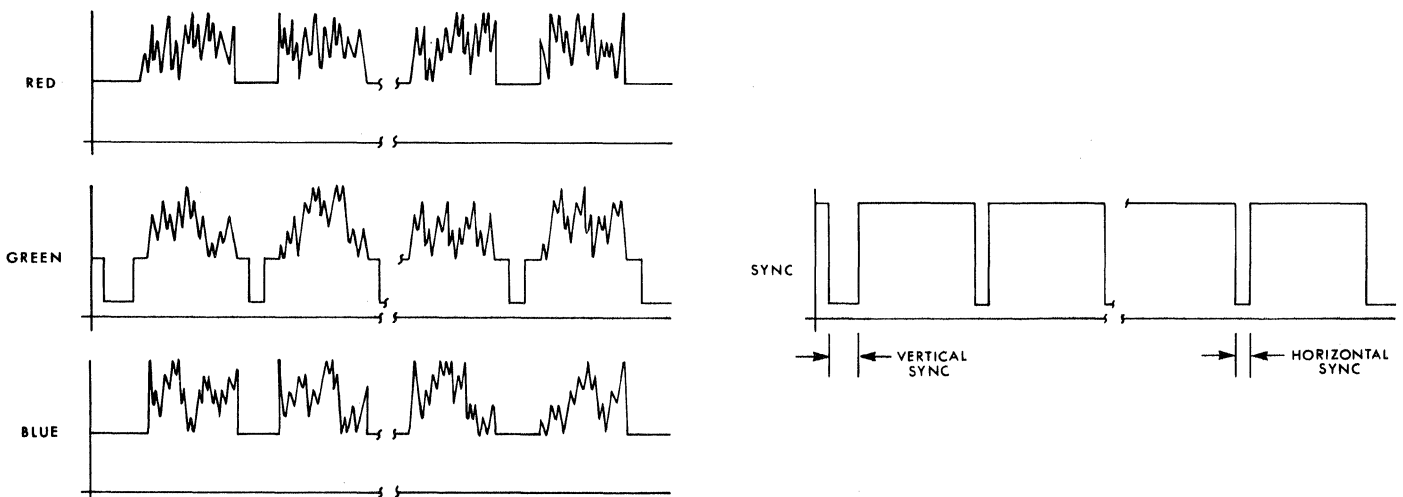


Figure 5. STD-800 video output signals

LIGHT PEN INTERFACE

User interaction with the display is enabled through a light pen interface. The STD-800 latches the address of the word, pointed to by the light pen, and makes this information available to the host processor. An interrupt is generated on-board the STD-800 which can signal the host processor that light pen data is available. A "blue flood" feature is incorporated on the STD-800 to facilitate the use of a light pen. The light pen is interfaced to the STD-800 via a 10-pin right angle header.

STD-BUS INTERFACE

The STD-800 interfaces directly to the STD-bus and meets all STD-bus specifications as laid out in the Mostek-Prolog STD-bus specification. To the host computer, the STD-800 looks like a group of six 8-bit registers which can be strapped to any 8-byte block of I/O address space. Reading locations 0 and 1, will read the Display Controller's Status and FIFO Read buffer respectively (table 2). Writing to these locations will transfer either a command byte (location 1) or a parameter byte (location 0) to the STD-800 FIFO. Writing to I/O port 2 (Control Register) sets various control parameters for the board, i.e. Blue Flood Enable and Blink Enable, and also loads the address for the next Color Look-Up Table write instruction. Reading this port allows the user to monitor the status of the Light Pen Enable signal and the Horizontal Blank. The remaining three registers are used to write the Color Look-Up Tables and enable read/write accesses to the board (Board Enable Register). The Board Enable Register allows strapping of up to three STD-800 boards within the same address space. By enabling or disabling access to the board, each board can be accessed individually or all three at the same time.

PROGRAMMING

The STD-800 simplifies the programmer's task in generating a graphics display by performing much of the calculational overhead involved in producing a graphics image. All of the repetitive, low-level accesses to the display memory (pixel, addresses) are handled internally to the STD-800. The programmer, then, creates the graphics image as a combination of graphics primitives (lines, arcs, circles, etc). These primitives are invoked by passing the appropriate instruction to the STD-800 accompanied by the necessary parameters (eg. to draw a line the parameters required include the direction of the vector, the length of the vector, etc.). An on-board 16 byte FIFO instruction buffer allows the programmer to pipeline commands for greater system throughput.

ADDRESS	READ	WRITE
Base + 0	Read Status Register	Write Parameter into FIFO Buffer
Base + 1	Read FIFO Command Buffer	Write Command into FIFO Buffer
Base + 2	Read Board Status	Write Control Register
Base + 4	Not Used	Write Color Look-Up Table (Green and Blue)
Base + 5	Not Used	Write Color Look-Up Table (Red)
Base + 6	Not Used	Board Enable Register

Table 2. STD-800 register definitions.

USER DEFINABLE RESOLUTIONS

The display format, used by the STD-800, is initialized by writing a Reset command (see table 1) to the board's FIFO command buffer, followed by eight bytes of video format parameter data. The desired format is expressed by defining the number of horizontally displayed dots (expressed as an integer number of 16-bit words), the number of vertically displayed lines, and the horizontal and vertical sync parameters (front and back porch widths, and sync signal widths). Also included as a Reset parameter is an 8-bit Mode of Operation descriptor which defines whether the resultant display will be interlaced or non-interlaced, and whether drawing will be restricted to retrace only or allowed to occur at any time. A Sync command is also recognized by the STD-800 and can be used, followed by the same parameter bytes as the Reset command, to dynamically change the display format without reinitializing the board. The Sync command can also be used alone (with no parameter bytes) to blank the screen for "all time" drawing (drawing can occur during active video as well as during retrace blanking). Note that "all time" drawing may result in streaking on the display.

Another command (PRAM), followed by up to 16 bytes of parameters, is used to define the starting address and length of the image areas on the display (up to two independent display image areas can be maintained by the STD-800). The PRAM parameters also define the 16-bit vector "texture" pattern and the 8 x 8 character (or area fill) pattern.

SYSTEM EXPANSION

Two or three STD-800 boards can be synchronized together to provide 8 bits (two boards) or 12 bits (three boards) per pixel. In the case of a two board system, one board provides the drives for two guns; each with four colors from a palette of 4096. The second board provides the drives for the third gun with 16 colors from the 4096 palette. If three boards are used, each board drives one gun with 16 possible intensities per gun. The total number of displayable colors in such a system is 4096.

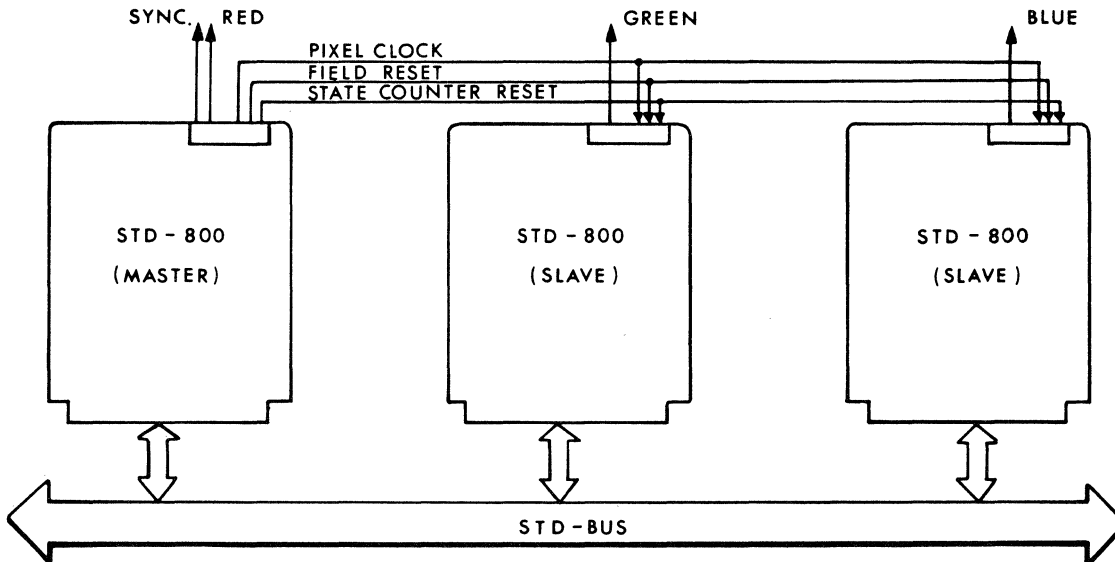


Figure 6. Combining STD-800 boards for 12 bits/pixel.

SPECIFICATIONS

FUNCTIONAL

DISPLAY PARAMETERS

ON-BOARD RAM	READ/WRITE AREA	RESOLUTION	BITS/PIXEL	CLOCK FREQUENCY	
				INTERLACED	NON-INTERLACED
128K	512 x 512	256 x 256	4	—	5.8 MHz
128K	512 x 512	512 x 256	4	—	11.6 MHz
128K	512 x 512	512 x 384	4	10.0 MHz	20.0 MHz
128K	512 x 512	512 x 480	4	10.0 MHz	20.0 MHz
128K	640 x 400	640 x 400	4	13.3 MHz	20.0 MHz
128K	800 x 655	640 x 480	2	13.3 MHz	—
128K	800 x 655	800 x 600	2	20.0 MHz	—
512K	1024 x 1024	640 x 480	4	13.3 MHz	—
512K	1024 x 1024	800 x 600	4	20.0 MHz	—

Note 1: To obtain 640 x 480 x 4 or 800 x 600 x 4 display resolution, 256K RAM parts must be used.

Note 2: Divide by 2 and divide by 4 circuitry is included for obtaining the given clock frequencies using standard crystal oscillators.

VIDEO TIMING

For a display format of 512 horizontal dots x 384 vertical lines, the following video parameters must be programmed. The table gives the parameters for both American and European systems using either Interlaced or Non-Interlaced Video formats.

	AMERICAN		EUROPEAN	
	INTERLACED	NON-INTERLACED	INTERLACED	NON-INTERLACED
Active Video	51.2 μ s	25.6 μ s	51.2 μ s	25.6 μ s
Horizontal Sync Frequency	16.02 KHz	28.4 KHz	16.02 KHz	28.4 KHz
Horizontal Sync Width	6.4 μ s	3.2 μ s	6.4 μ s	3.2 μ s
Vertical Sync Frequency	30.01 Hz	60.06 Hz	25.04 Hz	50.01 Hz
Vertical Sync Width	249.6 μ s	105.6 μ s	249.6 μ s	105.6 μ s

INPUT SIGNALS

Light Pen Enable
Light Pen Strobe

OUTPUT SIGNALS

Analog Video: Red
Green (composite)
Blue
Composite Sync

Expansion: Pixel Clock
State Counter Reset
Frame Reset
Board 1 Enable
Board 2 Enable
Board 3 Enable
DMA Request
DMA Acknowledge

BUS INTERFACE

Address, data, and control lines conform to the Mostek-Prolog STD-bus specification

Command and Status Registers — Selectable on any 8 byte I/O address boundary — 00 — FFH

— Detailed information on the STD-800 command set is available in the 7220 GDC manual.

CONNECTORS

DESCRIPTION

P1: 56-pin edge connector — STD-bus Interface
J1: 10-pin header — Video Interface
J2: 10-pin header — Light Pen Interface
J3: 10-pin header — Expansion Connector

MATING CONNECTOR

Ansley 609-561-5M
AMP 89722-1
Molex 15-25-5103 # 4700
Molex 15-25-5103 # 4700

PHYSICAL

SIZE

Width: 4.5 in. (11.38 cm)
Height: 6.5 in. (16.51 cm)
Depth: 0.5 in. (1.27 cm)

POWER REQUIREMENTS

+5V DC \pm 5% @ 1.8A (STD-800/64)
+5V DC \pm 5% @ 2.5A (STD-800/256)

ENVIRONMENTAL REQUIREMENTS

Operating Temperature: 0°C to 55°C
Relative Humidity: 0 – 95% non-condensing

ORDERING INFORMATION

STD-800 / XXX

High resolution color graphics board (uses 20 MHz crystal)

- { 64 – uses 64K RAMs
- { 256 – uses 256K RAMs

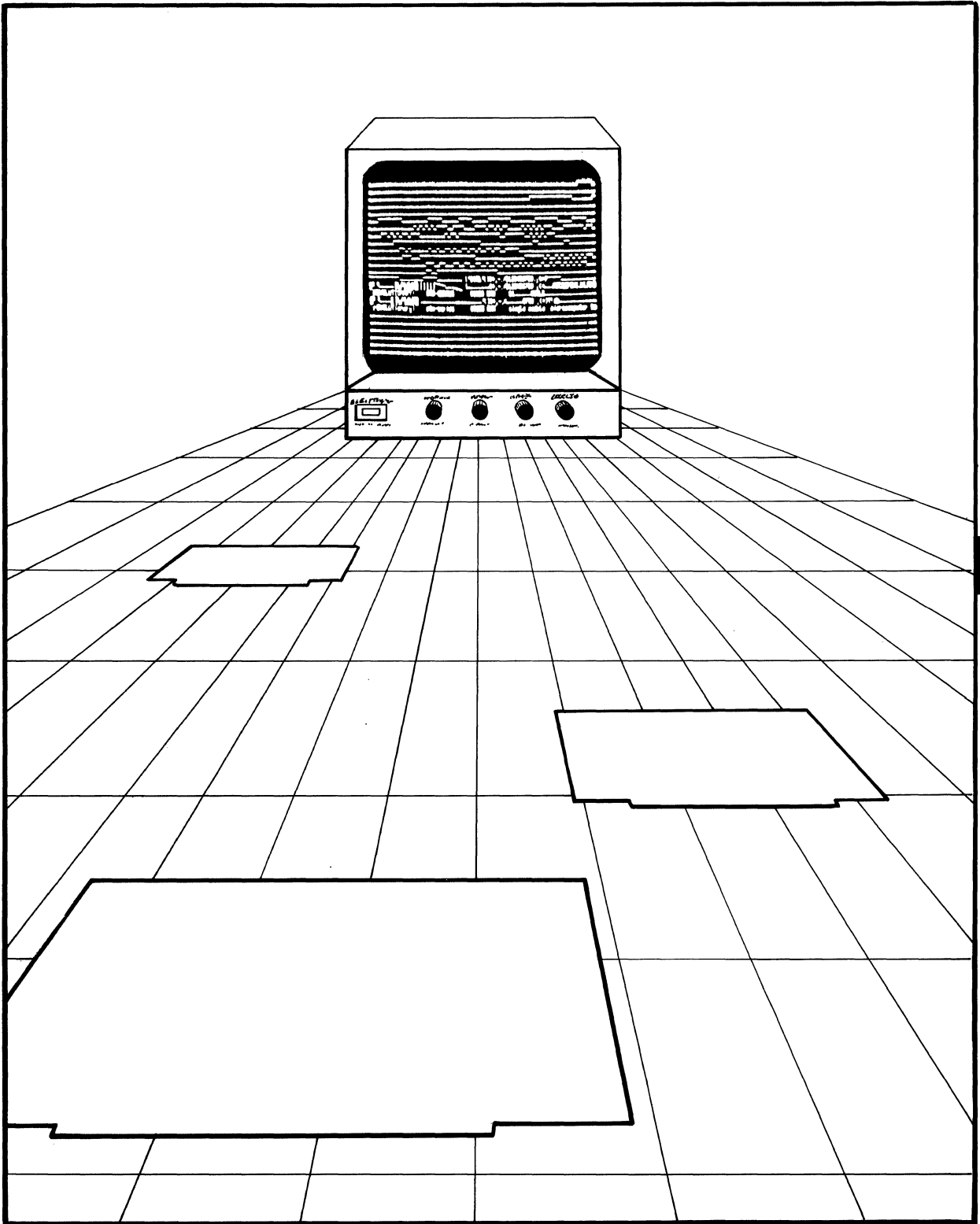
SUPPORT PRODUCTS

XTAL	10.000 MHz
XTAL	11.666 MHz
XTAL	13.333 MHz

Matrox Electronic Systems Ltd reserves the right to make changes in specifications at any time and without notice. The information furnished by Matrox Electronic Systems Ltd in this publication is believed to be accurate and reliable. However, no responsibility is assumed by Matrox Electronic Systems Ltd for its use; nor for any infringements of patents or other rights of third parties resulting from its use. No license is granted under any patents or patent rights of Matrox Electronic Systems Ltd.



PAL is a registered trademark of Monolithic Memories Inc.



S-100 BUS VIDEO BOARDS

SECTION 5 S-100 BUS VIDEO BOARDS

ALTR-2480
24 x 80 Alphanumeric Display Controller for S-100 Bus

5-3

ALT-512
512 x 256 Graphics Display Controller for S-100 Bus

5-7



5800 ANDOVER AVE., T.M.R., QUE., H4T 1H4, CANADA
TEL.: 514-735-1182 TELEX: 05-825651

ALTR-2480

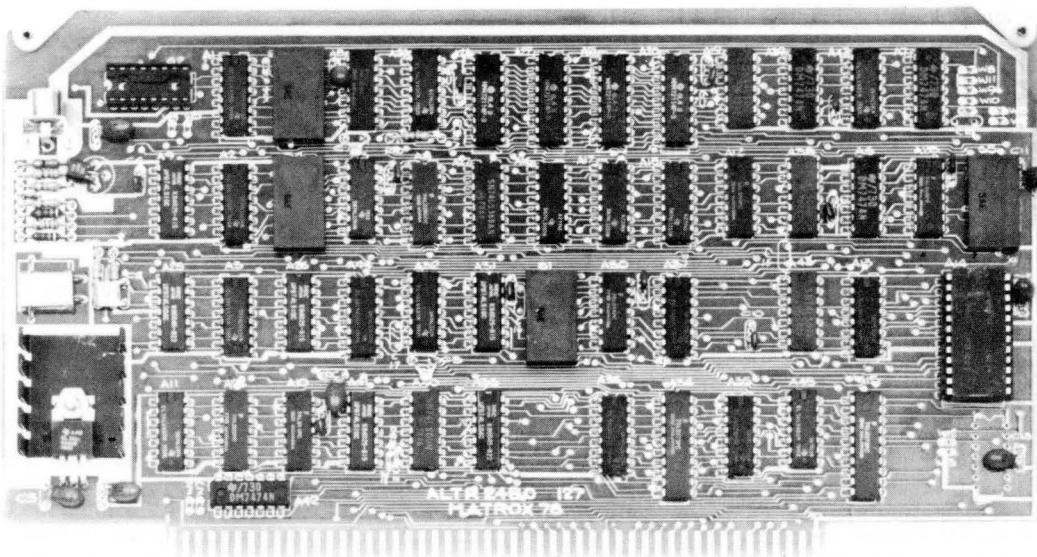
24 x 80 ALPHANUMERIC DISPLAY CONTROLLER FOR S-100 BUS

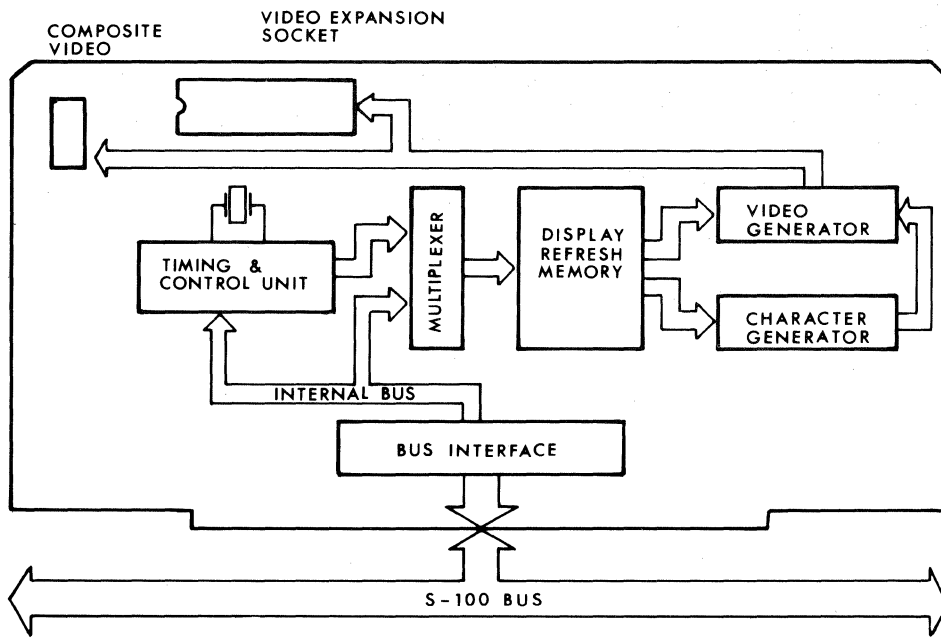
- 24 row x 80 column alphanumeric video display
- 4K byte memory mapped display
- Normal, inverse, blink attributes
- EPROM ASCII character generator
- Transparent memory access
- S-100 bus compatible
- Directly drives any monochrome monitor
- Alpha/graph expansion
- External/internal sync capability
- American/European operation

The ALTR-2480 is an S-100 bus compatible alphanumeric display controller which is capable of generating displays of 24 lines of 80 characters per line. Characters can be displayed as either white on a black background or black on a white background. Each character can also be set to blink under software control.

The character font provided with the ALTR-2480 contains 128 - 5 x 7 upper/lower case alphanumeric characters and graphic symbols. The character generator is user-programmable, allowing the user to implement his own custom character font.

The ALTR-2480 works with all standard monochrome video monitors in Europe (50 Hz) and America (60 Hz).





 **ALTR-2480**

Figure 1. ALTR-2480 block diagram

FUNCTIONAL DESCRIPTION

The ALTR-2480 is made up of five major operational blocks: Timing and Control Unit, Display Memory, Character Generator, Video Generator, and Bus Interface. Communications between these blocks are shown in figure 1.

TIMING AND CONTROL UNIT

All timing and control signals required to generate a video display with 24 lines of 80 characters per line are supported on-board the ALTR-2480. The Timing and Control Unit, consisting of the master oscillator (11 MHz) and various modulo counters, produces the horizontal and vertical sync signals needed by the monitor as well as all timing signals for display refresh memory (RAS, CAS).

The horizontal/vertical reset signals as well as the dot clock can be either generated on-board or accepted, through a bidirectional port, from an external sync source. In this way the ALTR-2480 can be synchronized to operate with other video boards as part of a complete video display system.

DISPLAY MEMORY

The ALTR-2480 contains 2K bytes of on-board display refresh memory, to store up to 24 lines of 80 characters (1920 characters). The display memory occupies 4K bytes of system address space thereby permitting the CPU to identify each character location with a unique 12 bit address.

The ALTR-2480 can be strapped so that the display memory is arranged as two independently accessible pages. In this way the ALTR-2480 is capable of storing two displays of 24 x 40 characters, of which one display can be updated while the other is being displayed. An on-board Video Control Register allows the user to software select which page is to be displayed.

Each character position on the CRT screen corresponds to an 8 bit location in the display refresh memory. Characters are written on to the display by loading the ASCII Character Code to the appropriate display memory location. The CPU can read/write the display memory at full speed using all memory reference instructions.

All accesses to the display memory are controlled by a "Transparent Memory" control circuit within the Timing and Control Unit. In this way all accesses to the display memory (read, write, refresh) are efficiently arbitrated. The Transparent Memory control circuitry permits the CPU to read or write the refresh memory at any time and the display is free of glitches.

CHARACTER GENERATOR

The ALTR-2480 contains an on-board 2716 EPROM which contains the binary video information to generate a 128 character set. The supplied character font consists of the full 96 upper/lower case alphanumeric character set with the addition of 32 special graphic characters. The alphanumeric characters are formed in a 5 x 7 dot matrix within a 6 x 10 dot character cell. The graphics characters utilize the entire character cell to allow for drawing continuous lines. For greater inter-character spacing the character cell size can be increased, with hardware straps, to 8 x 10 dots. Note that increasing the character cell size will cause gaps to appear between the graphics characters. Also, a different crystal is required for operations using an 8 dot cell.

The ALTR-2480 permits simple implementation of custom character fonts. To install a new character set, the user need only reprogram the EPROM character generator with the video information to generate his own font.

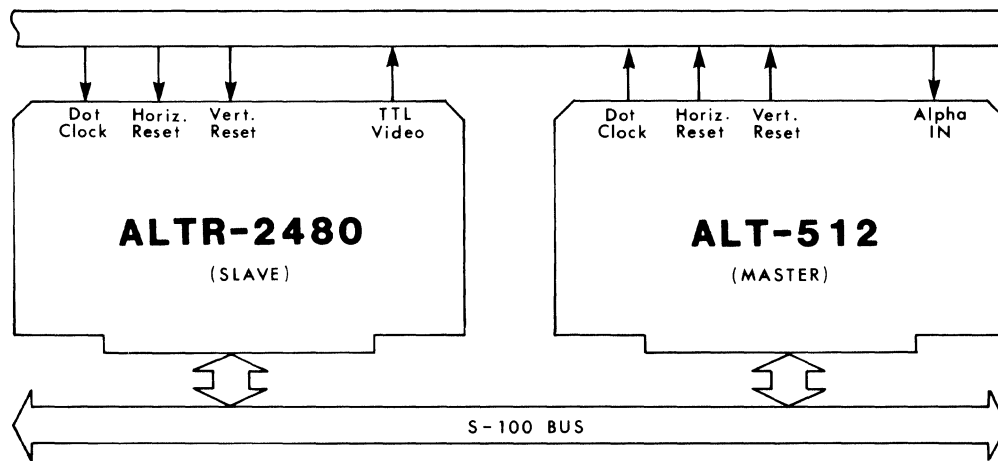


Figure 2. Combining ALTR-2480 with ALT-512 for alpha/graph displays

ATTRIBUTES

Each character is accessed by seven bits of the eight bit ASCII Character Code. This releases the most significant eighth bit for attribute selection. Characters displayed on the ALTR-2480 can be displayed either as normal (white on a black background), inverted (black on a white background), blinking, or both inverted and blinking. Character attributes are selected by on-board hardware straps and are enable/disable by the eighth bit of the character code.

The on-board character generator can be strapped to generate a reduced 64 upper case only character set. In this configuration an extra bit from the character code is released. These two surplus bits can be used to enable/disable any one of the four character attributes.

VIDEO GENERATOR

The ALTR-2480 can directly drive any standard monochrome video monitor. Composite video signals as well as separate TTL level video, horizontal/vertical sync and blinking signals are supported on-board.

BUS INTERFACE

The ALTR-2480 plugs directly into the S-100 bus. The display refresh memory, which is memory mapped into the S-100 memory address space, can be strapped to reside at any 4K byte memory address boundary between 0000H and FFFFH. The two internal registers (Video Control Register and Bank Select Register) are accessed through the unused location of the occupied 4K byte address space.

An on-board Bank Select Register allows up to eight ALTR-2480 boards to occupy the same address space in system memory. A single write instruction can select one of the resident ALTR-2480 boards for operation, making the other boards transparent to the user. The Bank Select Register is never inhibited by software and the display itself is not affected.

GRAPHICS

The ALTR-2480 can be integrated, as an alphanumeric controller, within a complete alpha/graph video system. By configuring the ALTR-2480 to operate in the slave mode, the horizontal/vertical reset lines and the dot clock line are set to act as input ports. In this way the board can be synchronized to a master sync source. These lines can also be configured to operate as output ports to enable the user to configure his system to synchronize to the ALTR-2480. A typical application of combined alphanumeric/graphics is shown in figure 2, where the graphics board (ALT-512) acts as the master sync source.

PROGRAMMING

The ALTR-2480 is programmed via two memory-mapped registers and 55 on-board hardware straps. Through the two registers the user can select which page is to be displayed (Video Control Register) when used in the 2 x 24 x 80 mode. The user can also select which ALTR-2480 board will be operational if more than one board occupies the same space in system address (Bank Select Register). The board's operational status is determined by the hardware straps. Table 1 outlines the definitions of these straps.

JUMPER NO.	DESCRIPTION	JUMPER NO.	DESCRIPTION
S1 1-8	Select base address	W4,6,8	Enable 24 x 80 resolution
S3 1-8	Select character cell size	W5,7,9	Enable 2 x 24 x 40 resolution
S4 1-8	Select American/European standard	W10,11	Enable/disable Logic Video control
S5 1-2	Select American/European standard	W12,13	Select character attribute
S5 3-7	Select character attribute	W15	Enable 8080 CPU interface
W1,14	Enable "Master" mode	W16	Enable Z-80 CPU interface
W2	Enable transparent memory mode	W17,18	Enable/disable bank select option
W3	Disable transparent memory mode	BS 0-7	Select bank address

Table 1. Jumper definitions.

SPECIFICATIONS

FUNCTIONAL

MEMORY ACCESS TIME

With Transparent Memory Access: 800ns
 Without Transparent Memory Access: 500ns

DISPLAY PARAMETERS

DESCRIPTION	DISPLAYED
Resolution	1920 characters
Horizontal Characters	80 characters
Vertical Lines	24 lines
Character Cell Size	6 or 8 horizontal dots

VIDEO TIMING

To generate a video display of 24 x 80 characters with a 6 dot wide character cell, the ALTR-2480 uses an 11.06688 MHz crystal. The following table gives the video timing for both American and European standards.

SIGNAL	AMERICAN	EUROPEAN
Active Video	42.0 μ s	43.0 μ s
Horizontal Sync Frequency	15.8 KHz	15.8 KHz
Horizontal Sync Width	4.3 μ s	4.3 μ s
Vertical Sync Frequency	60.0 Hz	50.2 Hz
Vertical Sync Width	255.0 μ s	255.0 μ s

OUTPUT SIGNALS

TTL Level Video
 Horizontal Drive
 Vertical Drive
 Composite Sync
 Composite Video

BUS INTERFACE

Address, data and control signals conform to S-100 Bus Specifications.

Control Registers and Display Memory — Selectable on any 4K byte memory address boundary 0000H — FFFFH (4000H)

CONNECTORS

DESCRIPTION	MATING CONNECTOR
P1: 100 pin edge connector, 0.156" centers — Bus Interface	COMPAR ESA-50-DRSH
S2: 16 pin DIP socket — Video Expansion Socket	AUGAT 516-A6-37D
J1: phono connector — Composite Video	RCA 901

PHYSICAL

SIZE

Width: 12.00 in. (30.48 cm)
 Height: 6.75 in. (17.15 cm)
 Depth: 0.50 in. (1.27 cm)

POWER REQUIREMENTS

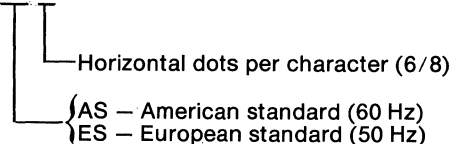
+8V DC \pm 5% @ 0.8A

ENVIRONMENTAL REQUIREMENTS

Operating Temperature: 0°C to 55°C
 Relative Humidity: 0% to 95% non-condensing

ORDERING INFORMATION

ALTR-2480 — XX-X



Example: ALTR-2480-AS-6: 24 x 80 display using a 6 dot wide character cell. Vertical refresh rate is 60 Hz.

Matrox Electronic Systems Ltd reserves the right to make changes in specifications at any time and without notice. The information furnished by Matrox Electronic Systems Ltd in this publication is believed to be accurate and reliable. However, no responsibility is assumed by Matrox Electronic Systems Ltd for its use; nor for any infringements of patents or other rights of third parties resulting from its use. No license is granted under any patents or patent rights of Matrox Electronic Systems Ltd.





matrox
electronic systems ltd.

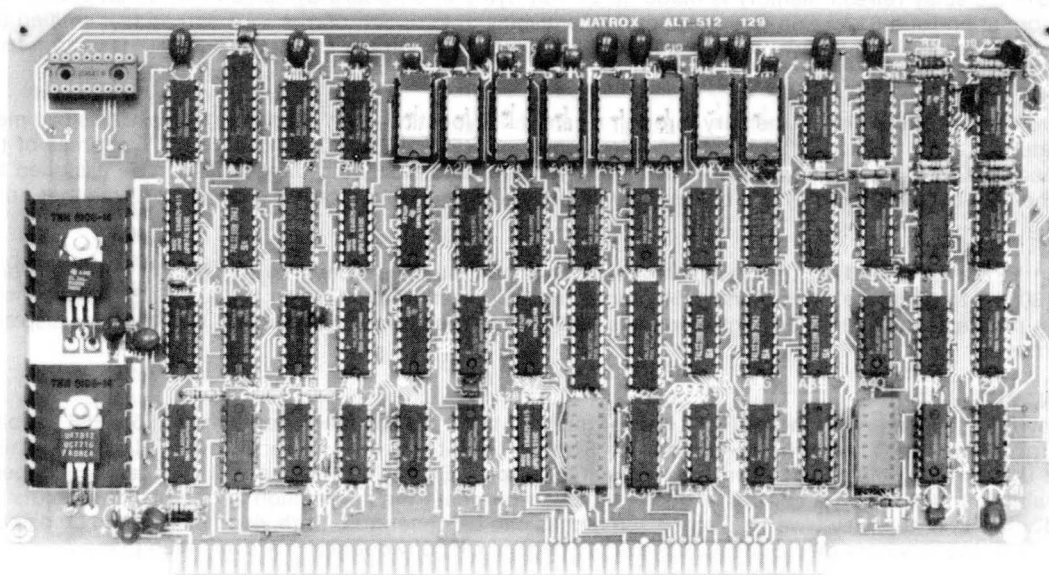
5800 ANDOVER AVE., T.M.R., QUE., H4T 1H4, CANADA
TEL.: 514-735-1182 TELEX: 05-825651

ALT-512

512 x 256 GRAPHICS DISPLAY CONTROLLER FOR S-100 BUS

- Displays 512 x 256 x 1 or 256 x 256 x 2
- Powerful X-Y virtual memory addressing
- Single instruction memory erase
- Grey-scale mode
- Color/grey-scale expansion
- Can be combined with ALTR-2480
- Transparent memory access
- S-100 bus compatible
- Internal/external sync
- American/European operation

The ALT-512 is a complete graphics display controller on a single S-100 bus plus-in board. It contains its own 131,072 bit refresh memory, TV sync and video generators, and all the necessary I/O for the S-100 bus. Each display dot (pixel) is addressable via X-Y Registers and can be either written to or read from.



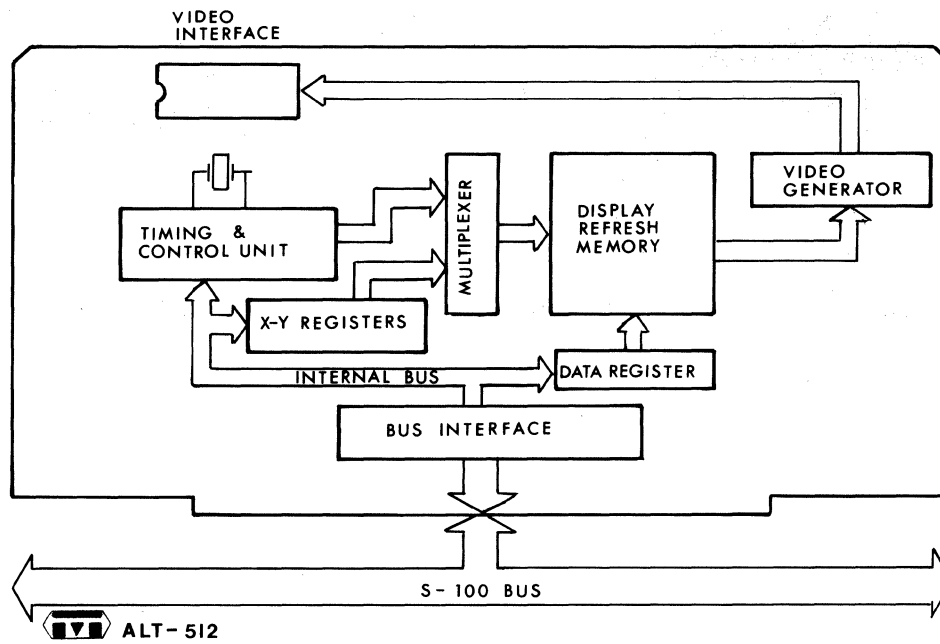


Figure 1. ALT-512 block diagram

FUNCTIONAL DESCRIPTION

The ALT-512 consists of five main functional blocks (figure 1): Timing and Control Unit, X-Y Registers, Display Memory, Video Generator, and Bus Interface.

TIMING AND CONTROL UNIT

All timing and control signals required by the video monitor (horizontal/vertical sync and blanking), display refresh memory (row/column addressing), and video generator (dot clock, load and shift) are generated by the Timing and Control Unit. The exact configurations of these signals are user-programmable, via hardware straps, to enable the ALT-512 to generate displays with up to 512 horizontal dots by 256 vertical dots in either 50 Hz (European) or 60 Hz (American) systems.

The horizontal/vertical reset signals as well as the dot clock can be either generated on-board or accepted, through a bidirectional port, from an external sync source. In this way the ALT-512 can be synchronized to operate with other video boards as part of a complete video display system.

DISPLAY MEMORY

The ALT-512's display refresh memory is made up of 16K bytes of on-board dynamic RAM which contains the binary picture information for a 512 x 256 dot raster graphics display. Each point on the CRT screen is identified by a unique address within the display memory. When a point is to be illuminated on the screen, a logic "1" is written to the appropriate display memory location.

The CPU reads/writes the display memory through a pair of I/O locations (X-Y Registers). This allows two memory locations to address all of the 131,072 bits of the refresh memory (512 x 256). Once the X and Y address of the dot has been loaded, the CPU can read/write the dot intensity. The dot intensity bit (image bit) can be assigned to any data bus bit. The resultant CRT display is a black and white image with the intensity of each dot being either on (logic "1") or off (logic "0").

In addition to the CPU read/write, the display memory is continually scanned by the Timing and Control Unit every 16.66ms (60 Hz) to generate video signals. Memory access arbitration circuitry on the ALT-512 efficiently resolves any contention problems between read/write requests and CRT refresh requests in such a way that the display is "transparent" to user.

VIDEO ENABLE

The display refresh memory on the ALT-512 is arranged into two "pages", each containing 256 x 256 x 1 bits of binary picture information. Through an on-board Plane Register and Video Control Register the ALT-512 allows the user to manipulate the texture of the resultant display. Each video page or "plane" can be independently enabled/disabled, under software control, allowing the user to update the information in one plane while the other plane is being displayed. In this way "live" animated sequences can be generated. Both video planes can be displayed simultaneously, with the resultant display being the overlay (logical OR) of video plane A over video plane B.

GREY-SCALE MODE

The output video signal from each of the two video planes on the ALT-512 can be assigned a different weight or intensity. In this way the user can configure the ALT-512 to generate displays using up to 4 different grey-scale levels.

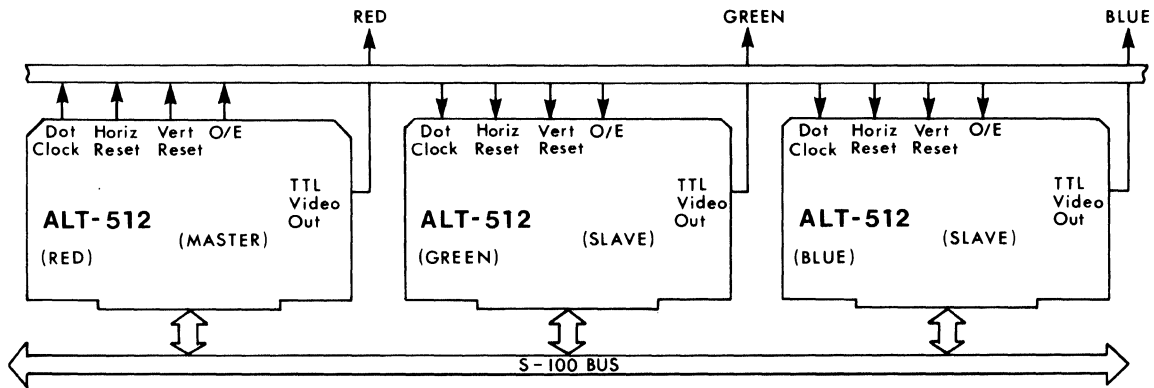


Figure 2. "Stacking ALT-512 cards for color /grey scale displays

SCREEN ERASE

The entire refresh memory on the ALT-512 can be erased by a single OUTput instruction. Setting the memory erase enable bit when writing to the display memory will cause the entire memory to be set to that intensity (0 = black, 1 = white).

VIDEO GENERATOR

The ALT-512 works with all standard monochrome video monitors in American (60 Hz) and European (50 Hz) systems. TTL level video, horizontal sync, vertical sync, as well as composite video signals are supported on-board.

BUS INTERFACE

The ALT-512 plugs directly into the S-100 bus and works with most 8-bit processors. All the Command and Status Registers as well as the Display Memory are accessed via I/O locations. The ALT-512 can be positioned on any 8 byte I/O address boundary between 00H and FFH.

ALPHA/GRAPH DISPLAYS

The ALT-512 can be combined with the ALTR-2480 to generate alphanumeric/graphic displays. An on-board alphanumeric input port accepts the TTL level alphanumeric video information from the ALTR-2480 and combined it with the graphics video from the ALT-512. The result is a powerful display combining both alphanumerics and graphics without the overhead involved in generating alphanumeric characters using graphic techniques.

COLOR/GREY-SCALE EXPANSION

Multiple ALT-512 boards can be "stacked" to provide for sophisticated color or grey-scale applications that require more bits per pixel. Up to 24 ALT-512 boards may be combined in this way to provide up to 24 bits/pixel (over 16 million colors).

PROGRAMMING

The ALT-512 can be programmed for American or European standard operation via a series of on-board hardware straps. Additional straps are provided to program the board to operate in either master or slave mode. These on-board straps are arranged into two 16 DIP sockets to facilitate simple field re-programming.

SOCKET	DESCRIPTION
S1 1-6	Select American/European operation
S1 8	Enable Master mode
S2 1-8	Select board base address

Table 1. Jumper Definitions

SPECIFICATIONS

FUNCTIONAL

MEMORY ACCESS TIME

Dot Write Time: 1.4 μ s

DISPLAY PARAMETERS

DESCRIPTION	RESTRICTION
Horizontal Resolution	512 dots max.
Vertical Resolution	256 dots max.

VIDEO TIMING

The ALT-512 generates a display of 512 horizontal dots x 256 vertical dots using an 11.06688 MHz crystal. The following table gives the timing in both American and European standards.

SIGNAL	AMERICAN	EUROPEAN
Active Video	46 μ s	46 μ s
Horizontal Sync Frequency	15.8 KHz	15.8 KHz
Horizontal Sync Width	5.67 μ s	5.67 μ s
Vertical Sync Frequency	60 Hz	50.2 Hz
Vertical Sync Width	190 μ s	190 μ s

OUTPUT SIGNALS

TTL Level Video
 Horizontal Sync
 Vertical Sync
 Composite Sync
 Composite Video

BUS INTERFACE

Address, data, and control signals conform to S-100 Bus Specifications.

Display Memory, Command and Status Registers — Selectable on any 8 byte I/O address boundary 00H — FFH (08H)

CONNECTORS

DESCRIPTION	MATING CONNECTOR
P1: 100 pin edge connector — Bus Interface	COMPAR ESA-50-DRSH
V: 16 pin DIP socket — Video Interface	AUGAT 516-A6-37D

PHYSICAL

SIZE

Width: 10.00 in. (24.50 cm)
 Height: 5.00 in. (12.70 cm)
 Depth: 0.50 in. (1.27 cm)

POWER REQUIREMENTS

+8V DC \pm 5% @ 100mA
 -8V DC \pm 5% @ 600mA
 -18V DC \pm 5% @ 10mA

ENVIRONMENTAL REQUIREMENTS

Operating Temperature: 0°C to 55°C
 Relative Humidity: 0% to 95% non-condensing

ORDERING INFORMATION

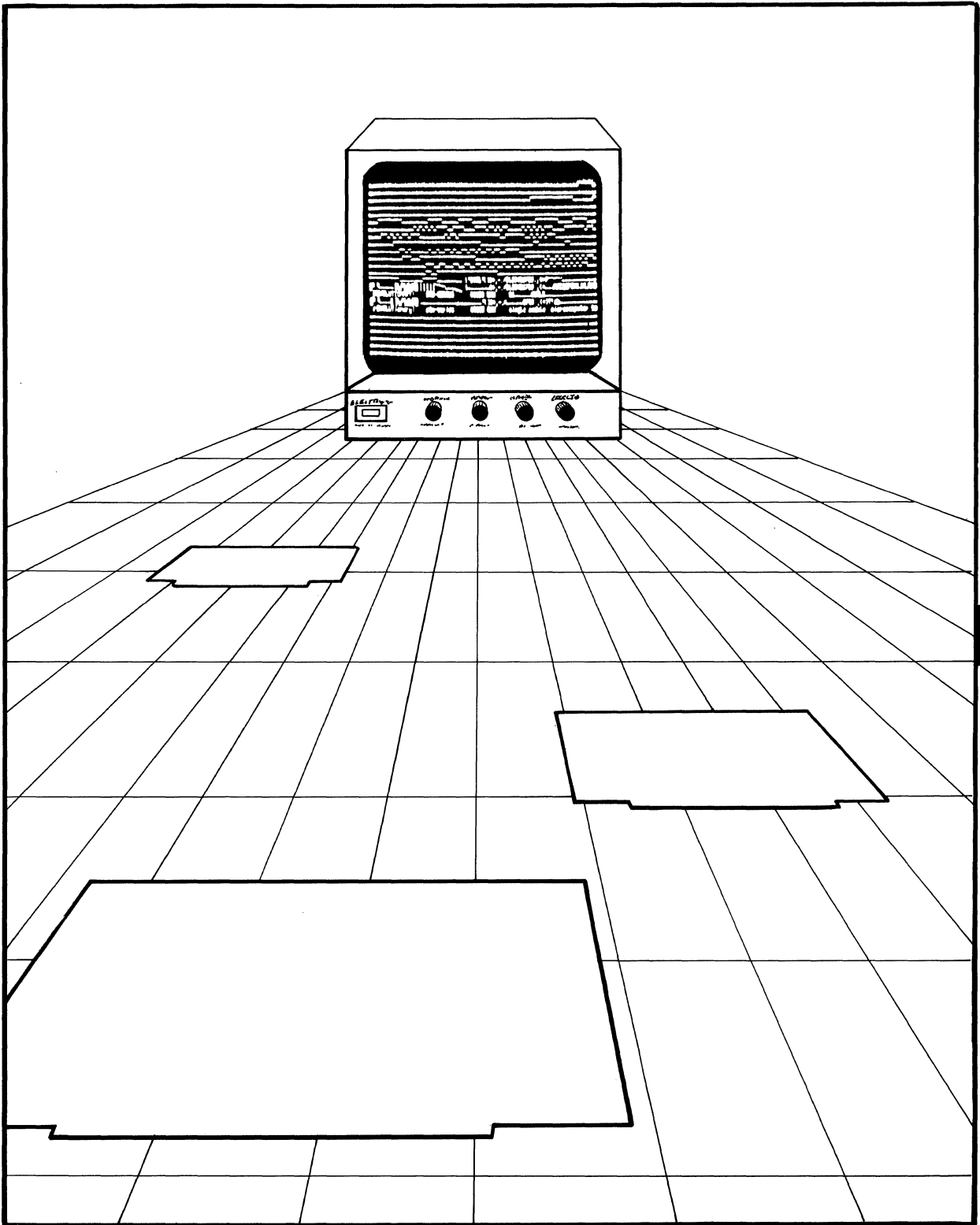
ALT-512 — XX

{ AS — American standard (60 Hz)
 { ES — European standard (50 Hz)

Example: ALT-512-AS: 512 x 256 pixel display with a vertical refresh rate of 60 Hz.

Matrox Electronic Systems Ltd reserves the right to make changes in specifications at any time and without notice. The information furnished by Matrox Electronic Systems Ltd in this publication is believed to be accurate and reliable. However, no responsibility is assumed by Matrox Electronic Systems Ltd for its use; nor for any infringements of patents or other rights of third parties resulting from its use. No license is granted under any patents or patent rights of Matrox Electronic Systems Ltd.





EXORCISER BUS VIDEO BOARDS

SECTION 6

EXORCISER BUS VIDEO BOARDS

EXO-2480

24 x 80 Alphanumeric Display Controller for Exorciser Bus

6-3

EXO-512

512 x 256 Graphics Display Controller for Exorciser Bus

6-7



5800 ANDOVER AVE., T.M.R., QUE., H4T 1H4, CANADA
TEL.: 514-735-1182 TELEX: 05-825651

EXO-2480

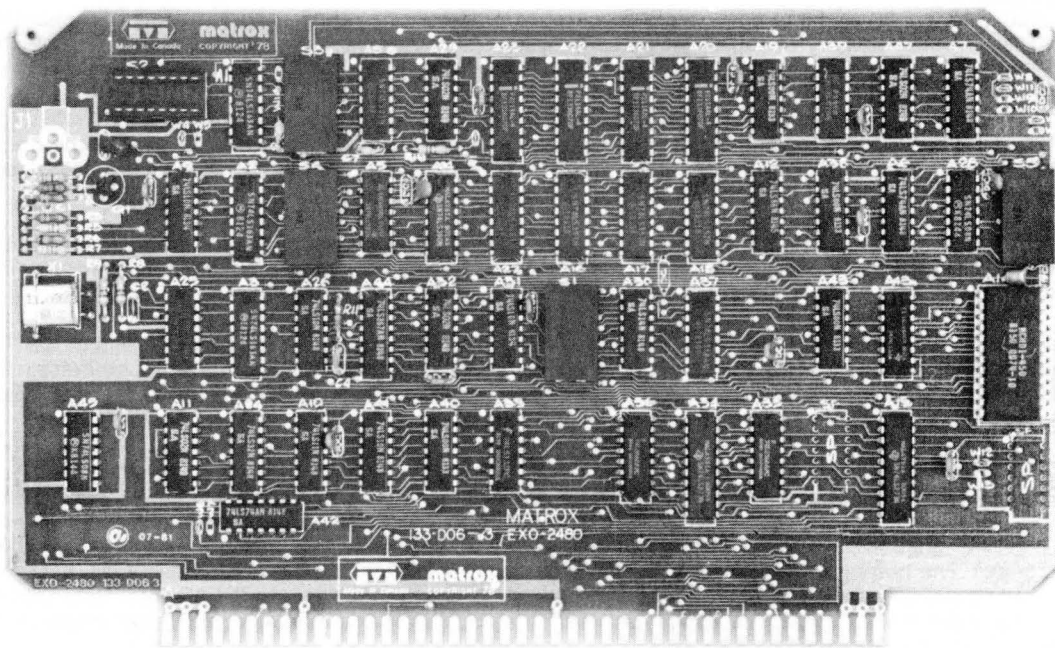
24 x 80 ALPHANUMERIC DISPLAY CONTROLLER FOR EXORCISER BUS

- 24 row x 80 column alphanumeric video display
- 4K byte memory mapped display
- Normal, inverse, blink attributes
- EPROM ASCII character generator
- Transparent memory access
- Exorciser bus compatible
- Directly drives any monochrome monitor
- Alpha/graph expansion
- Single +5V supply
- External/internal sync capability
- American/European operation

The EXO-2480 is an Exorciser* bus compatible alphanumeric display controller which is capable of generating displays of 24 lines of 80 characters per line. Characters can be displayed as either white on a black background or black on a white background. Each character can also be set to blink under software control.

The character font provided with the EXO-2480 contains 128 - 5 x 7 upper/lower case alphanumeric characters and graphic symbols. The character generator is user-programmable, allowing the user to implement his own custom character font.

The EXO-2480 works with all standard monochrome video monitors in Europe (50 Hz) and America (60 Hz).



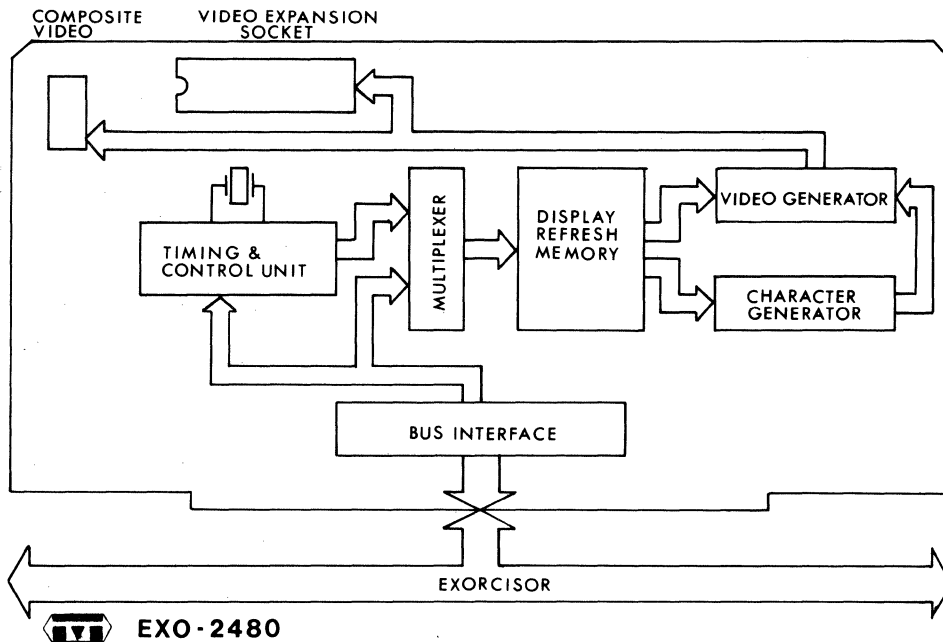


Figure 1. EXO-2480 block diagram

FUNCTIONAL DESCRIPTION

The EXO-2480 is made up of five major operational blocks: Timing and Control Unit, Display Memory, Character Generator, Video Generator, and Bus Interface. Communications between these blocks are shown in figure 1.

TIMING AND CONTROL UNIT

All timing and control signals required to generate a video display with 24 lines of 80 characters per line are supported on-board the EXO-2480. The Timing and Control Unit, consisting of the master oscillator (11 MHz) and various modulo counters, produces the horizontal and vertical sync signals needed by the monitor as well as all timing signals for display refresh memory (RAS, CAS).

The horizontal/vertical reset signals as well as the dot clock can be either generated on-board or accepted, through a bidirectional port, from an external sync source. In this way the EXO-2480 can be synchronized to operate with other video boards as part of a complete video display system.

DISPLAY MEMORY

The EXO-2480 contains 2K bytes of on-board display refresh memory, to store up to 24 lines of 80 characters (1920 characters). The display memory occupies 4K bytes of system address space thereby permitting the CPU to identify each character location with a unique 12 bit address.

The EXO-2480 can be strapped so that the display memory is arranged as two independently accessible pages. In this way the EXO-2480 is capable of storing two displays of 24 x 40 characters, of which one display can be updated while the other is being displayed. An on-board Video Control Register allows the user to software select which page is to be displayed.

Each character position of the CRT screen corresponds to an 8 bit location in the display refresh memory. Characters are written on to the display by loading the ASCII Character Code to the appropriate display memory location. The CPU can read/write the display memory at full speed using all memory reference instructions.

All accesses to the display memory are controlled by a "Transparent Memory" control circuit within the Timing and Control Unit. In this way all accesses to the display memory (read, write, refresh) are efficiently arbitrated. The Transparent Memory control circuitry permits the CPU to read or write the refresh memory at any time and the display is free of glitches.

CHARACTER GENERATOR

The EXO-2480 contains an on-board 2716 EPROM which contains the binary video information to generate a 128 character set. The supplied character font consists of the full 96 upper/lower case alphanumeric character set with the addition of 32 special graphic characters. The alphanumeric characters are formed in a 5 x 7 dot matrix within a 6 x 10 dot character cell. The graphics utilize the entire character cell to allow for drawing continuous lines. For greater inter-character spacing the character cell size can be increased, with hardware straps, to 8 x 10 dots. Note that increasing the character cell size will cause gaps to appear between the graphics characters. Also, a different crystal is required in applications utilizing an 8 dot cell.

The EXO-2480 permits simple implementation of custom character fonts. To install a new character set, the user need only reprogram the EPROM character generator with the video information to generate his own font.

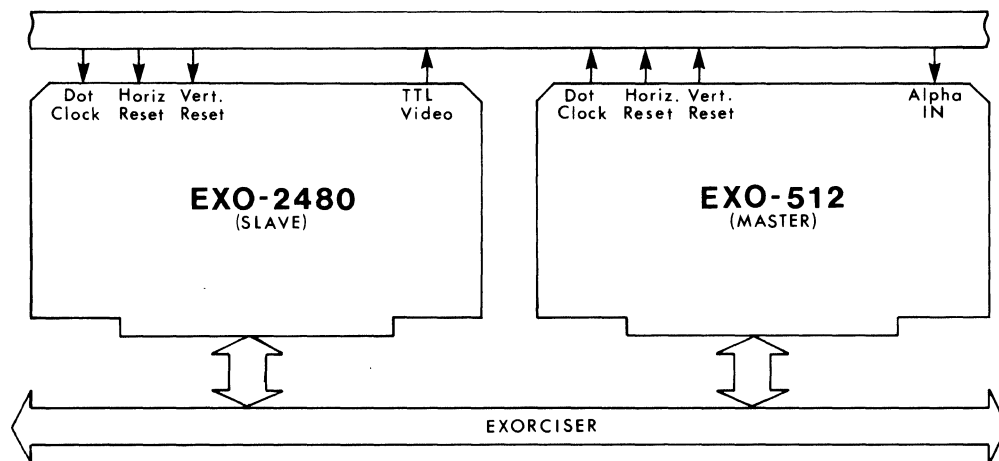


Figure 2. Combining EXO-2480 with EXO-512 for alpha/graph displays

ATTRIBUTES

Each character is accessed by seven bits of the eight bit ASCII Character Code. This releases the most significant eighth bit for attribute selection. Characters displayed on the EXO-2480 can be displayed either as normal (white on a black background), inverted (black on a white background), blinking, or both inverted and blinking. Character attributes are selected by on-board hardware straps and are enabled/disabled by the eighth bit of the character code.

The on-board character generator can be strapped to generate a reduced 64 upper case only character set. In this configuration an extra bit from the character code is released. These two surplus bits can be used to enable/disable any one of the four character attributes.

VIDEO GENERATOR

The EXO-2480 can directly drive any standard monochrome video monitor. Composite video signals as well as separate TTL level video, horizontal/vertical sync and blanking signals are supported on-board.

BUS INTERFACE

The EXO-2480 plugs directly into the Exorciser bus. The display refresh memory, which is memory mapped into the system memory address space, can be strapped to reside at any 4K byte memory address boundary between 0000H and FFFFH.

GRAPHICS

The EXO-2480 can be integrated, as an alphanumeric controller, within a complete alpha/graph video system. By configuring the EXO-2480 to operate in the slave mode, the horizontal/vertical reset lines and the dot clock line are set to act as input ports. In this way the board can be synchronized to a master sync source. These lines can also be configured to operate as output ports to enable the user to configure his system to synchronize to the EXO-2480. A typical application of combined alphanumerics/graphics is shown in figure 2, where the graphics board (EXO-512) acts as the master sync source.

PROGRAMMING

Through an on-board I/O register the user can select which page is to be displayed (Video Control Register) when used in the 2 x 24 x 40 mode. This register is also used to allow software control of the video output of the board. Resetting the Logic Video Bit within the Video Control Register inhibits the video output of the EXO-2480. This feature is useful in applications combining alphanumerics and graphics. The board's operational status is determined by a series of on-board hardware straps. Table 1 outlines the definitions of these straps.

JUMPER NO.	DESCRIPTION	JUMPER NO.	DESCRIPTION
S1 1-8	Select base address	W6	Enable 24 x 80 resolution
S3 1-8	Select character cell size	W7	Enable 2 x 24 x 40 resolution
S4 1-8	} Select American/European standard	W8	Enable 24 x 80 resolution
S5 1-2		W9	Enable 2 x 24 x 40 resolution
S5 3-7	Select character attribute	W10	Enable logic video control
W1	Enable "Master" mode	W11	Disable logic video control
W2	Disable transparent memory mode	W12	Select character attribute
W3	Enable transparent memory mode	W13	Select character attribute
W4	Enable 24 x 80 resolution	W14	Enable "External sync" mode
W5	Enable 2 x 24 x 40 resolution		

Table 1. Jumper definitions

SPECIFICATIONS

FUNCTIONAL

MEMORY ACCESS TIME

With Transparent Memory Access: 800ns
 Without Transparent Memory Access: 500ns

DISPLAY PARAMETERS

DESCRIPTION	DISPLAYED
Resolution	1920 characters
Horizontal Characters	80 characters
Vertical Lines	24 lines
Character Cell Size	6 or 8 horizontal dots

VIDEO TIMING

To generate a video display of 24 x 80 characters with a 6 dot wide character cell, the EXO-2480 uses an 11.06688 MHz crystal. The following table gives the video timing for both American and European standards.

SIGNAL	AMERICAN	EUROPEAN
Active Video	43.0 μ s	43.0 μ s
Horizontal Sync Frequency	15.8 KHz	15.8 KHz
Horizontal Sync Width	4.3 μ s	4.3 μ s
Vertical Sync Frequency	60.0 Hz	50.2 Hz
Vertical Sync Width	255.0 μ s	255.0 μ s

OUTPUT SIGNALS

TTL Level Video
 Horizontal Drive
 Vertical Drive
 Composite Sync
 Composite Video

BUS INTERFACE

Address, data and control signals conform to Motorola Exorciser Bus Specifications.
 Control Registers and Display Memory — Selectable on any 4K byte memory address boundary 0000H — FFFFH (4000H)

CONNECTORS

DESCRIPTION	MATING CONNECTOR
P1: 86 pin edge connector — Bus Interface	COMPAR ESM-43-DSRI
S2: 16 pin DIP socket — Video Expansion Socket	AUGAT 516-A6-37D
J1: phono connector — Composite Video	RCA 901

PHYSICAL

SIZE	POWER REQUIREMENTS	ENVIRONMENTAL REQUIREMENTS
Width: 9.75 in. (30.01 cm)	+5V DC \pm 5% @ 0.8A	Operating Temperature: 0°C to 55°C Relative Humidity: 0% to 95% non-condensing
Height: 5.97 in. (15.18 cm)		
Depth: 0.50 in. (1.27 cm)		

ORDERING INFORMATION

EXO-2480 — XX — X
 |
 | Horizontal dots per character (6/8)
 |
 | AS — American standard (60 Hz)
 | ES — European standard (50 Hz)

Example: EXO-2480-AS-6: 24 x 80 display using 6 dot wide character cell. Vertical refresh rate is 60 Hz.

Matrox Electronic Systems Ltd reserves the right to make changes in specifications at any time and without notice. The information furnished by Matrox Electronic Systems Ltd in this publication is believed to be accurate and reliable. However, no responsibility is assumed by Matrox Electronic Systems Ltd for its use; nor for any infringements of patents or other rights of third parties resulting from its use. No license is granted under any patents or patent rights of Matrox Electronic Systems Ltd.





matrox
 electronic systems ltd.

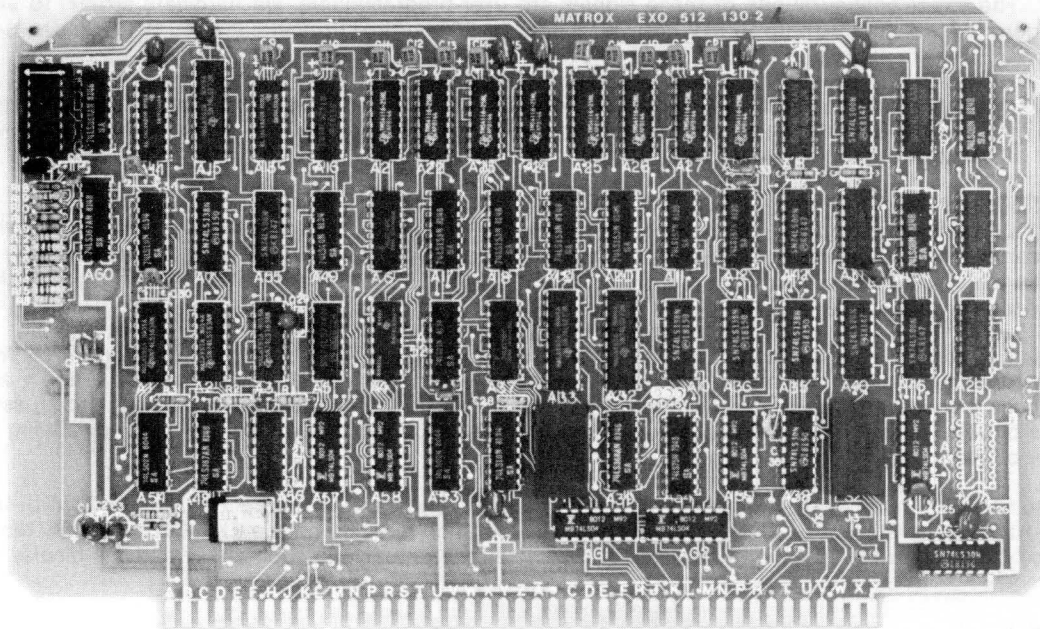
5800 ANDOVER AVE., T.M.R., QUE., H4T 1H4, CANADA
 TEL.: 514-735-1182 TELEX: 05-825651

EXO-512

512 x 256 GRAPHICS DISPLAY CONTROLLER FOR EXORCISER BUS

- Displays 512 x 256 x 1 or 256 x 256 x 2
- Powerful X-Y virtual memory addressing
- Single instruction memory erase
- Grey-scale mode
- Color/grey-scale expansion
- Can be combined with EXO-2480
- Transparent memory access
- Exorciser bus compatible
- Internal/external sync
- American/European operation

The EXO-512 is a complete graphics display controller on a single Exorciser bus plug-in board. It contains its own 131,072 bit refresh memory, TV sync and video generators, and all the necessary I/O for the Exorciser bus. Each display dot (pixel) is addressable via X-Y Registers and can be either written to or read from.



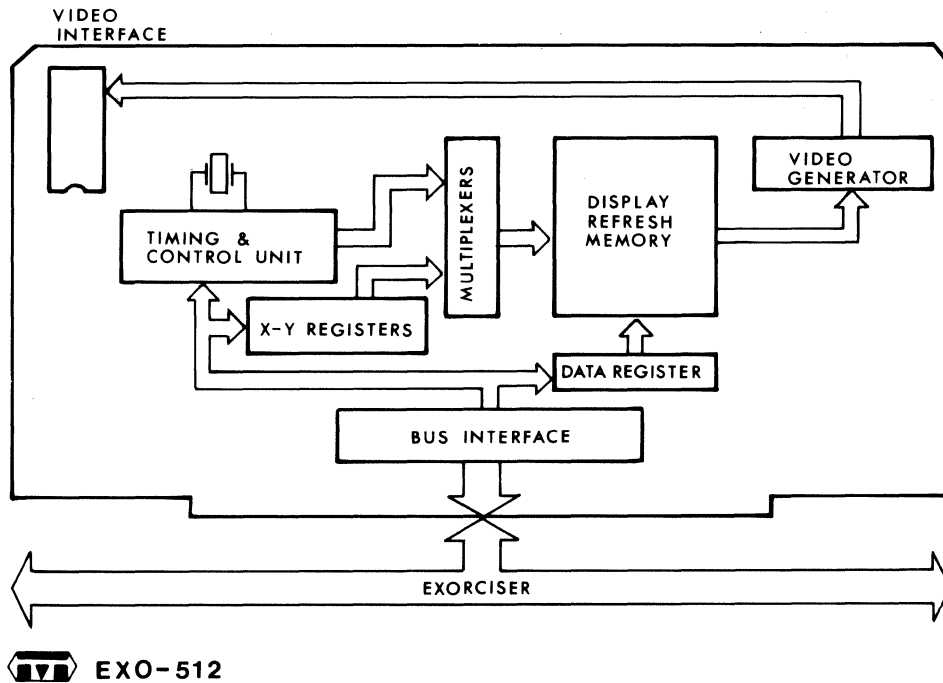


Figure 1. EXO-512 block diagram

FUNCTIONAL DESCRIPTION

The EXO-512 consists of five main functional blocks (figure 1): Timing and Control Unit, X-Y Registers, Display Memory, Video Generator, and Bus interface.

TIMING AND CONTROL UNIT

All timing and control signals required by the video monitor (horizontal/vertical sync and blanking), display refresh memory (row/column addressing), and video generator (dot clock, load and shift) are generated by the Timing and Control Unit. The exact configurations of these signals are user-programmable, via hardware straps, to enable the EXO-512 to generate displays with up to 512 horizontal dots by 256 vertical dots in either 50 Hz (European) or 60 Hz (American) systems.

The horizontal/vertical reset signals as well as the dot clock can be either generated on-board or accepted, through a bidirectional port, from an external sync source. In this way the EXO-512 can be synchronized to operate with other video boards as part of a complete video display system.

DISPLAY MEMORY

The EXO-512's display refresh memory is made up of 16K bytes of on-board dynamic RAM which contains the binary picture information for a 512 x 256 dot raster graphics display. Each point on the CRT screen is identified by a unique address within the display memory. When a point is to be illuminated on the screen, a logic "1" is written to the appropriate display memory location.

The CPU reads/writes the display memory through a pair of memory-mapped I/O locations (X-Y Registers). This allows two memory locations to address all of the 131,072 bits of the refresh memory (512 x 256). Once the X and Y address of the dot has been loaded, the CPU can read/write the dot intensity. The dot intensity bit (image bit) can be assigned to any data bus bit. The resultant CRT display is a black and white image with the intensity of each dot being either on (logic "1") or off (logic "0").

In addition to the CPU read/write, the display memory is continually scanned by the Timing and Control Unit every 16.66ms (60 Hz) to generate video signals. Memory access arbitration circuitry on the EXO-512 efficiently resolves any contention problems between read/write requests and CRT refresh requests in such a way that the display is "transparent" to user.

VIDEO ENABLE

The display refresh memory on the EXO-512 is arranged into two "pages", each containing 256 x 256 x 1 bits of binary picture information. Through an on-board Plane Register and Video Control Register the EXO-512 allows the user to manipulate the texture of the resultant display. Each video page or "plane" can be independently enabled/disabled, under software control, allowing the user to update the information in one plane while the other plane is being displayed. In this way "live" animated sequences can be generated. Both video planes can be displayed simultaneously, with the resultant display being the overlay (logical OR) of video plane A over video plane B.

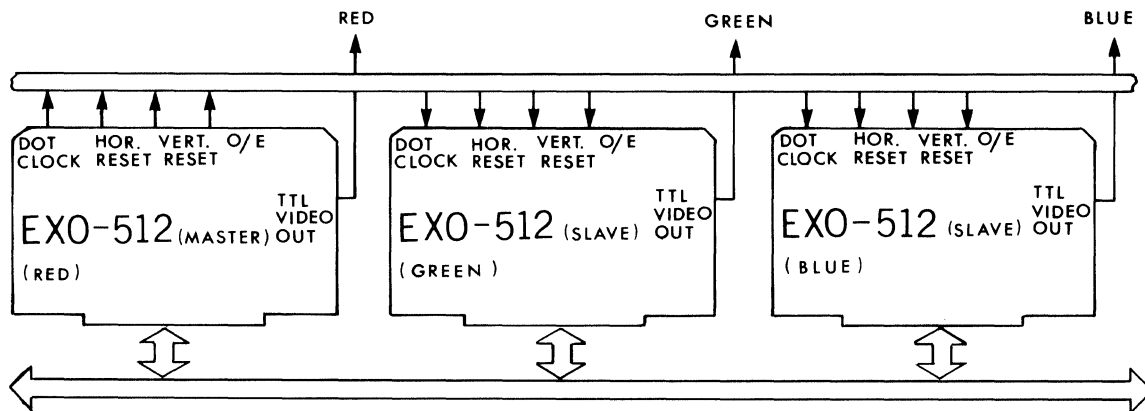


Figure 2. Stacking EXO-512 cards for color/grey scale displays

GREY-SCALE MODE

The output video signal from each of the two video planes on the EXO-512 can be assigned a different weight or intensity. In this way the user can configure the EXO-512 to generate displays using up to 4 different grey-scale levels.

SCREEN ERASE

The entire refresh memory on the EXO-512 can be erased by a single OUTPUT instruction. Setting the memory erase enable bit when writing to the display memory will cause the entire memory to be set to that intensity (0 = black, 1 = white).

VIDEO GENERATOR

The EXO-512 works with all standard monochrome video monitors in American (60 Hz) and European (50 Hz) systems. TTL level video, horizontal sync, vertical sync, as well as composite video signals are supported on-board.

BUS INTERFACE

The EXO-512 plugs directly into the Exorciser bus and works with most 8-bit processors. All the Command and Status Registers as well as the Display Memory are accessed via memory-mapped I/O locations. The EXO-512 can be positioned on any 8 byte memory address boundary between 0000H and FFFFH.

ALPHA/GRAPH DISPLAYS

The EXO-512 can be combined with the EXO-2480 to generate alphanumeric/graphic displays. An on-board alphanumeric input port accepts the TTL level alphanumeric video information from the EXO-2480 and combines it with the graphics video from the EXO-512. The result is a powerful display combining both alphanumerics and graphics without the overhead involved in generating alphanumeric characters using graphic techniques.

COLOR/GREY-SCALE EXPANSION

Multiple EXO-512 boards can be "stacked" to provide for sophisticated color or grey-scale applications that require more bits per pixel. Up to 24 EXO-512 boards may be combined in this way to provide up to 24 bits/pixel (over 16 million colors).

PROGRAMMING

The EXO-512 can be programmed for American or European standard operation via a series of on-board hardware straps. Additional straps are provided to program the board to operate in either master or slave mode. These on-board straps are arranged into two 16 DIP sockets to facilitate simple field re-programming.

SOCKET	DESCRIPTION
S1 1-6	Select American/European operation
S1 7	Enable Master mode
S2 1-8	Select board base address

Table 1. Jumper Definitions

SPECIFICATIONS

FUNCTIONAL

MEMORY ACCESS TIME

Dot Write Time: 1.4 μ s

DISPLAY PARAMETERS

DESCRIPTION	RESTRICTION
Horizontal Resolution	512 dots max.
Vertical Resolution	256 dots max.

VIDEO TIMING

The EXO-512 generates a display of 512 horizontal dots x 256 vertical dots using an 11.06688 MHz crystal. The following table gives the timing in both American and European standards.

SIGNAL	AMERICAN	EUROPEAN
Active Video	46 μ s	46 μ s
Horizontal Sync Frequency	15.8 KHz	15.8 KHz
Horizontal Sync Width	5.67 μ s	5.67 μ s
Vertical Sync Frequency	60 Hz	50.2 Hz
Vertical Sync Width	190 μ s	190 μ s

OUTPUT SIGNALS

TTL Level Video
 Horizontal Sync
 Vertical Sync
 Composite Sync
 Composite Video

BUS INTERFACE

Address, data, and control signals conform to Motorola Exorciser Bus Specifications.

Display Memory, Command and Status Registers — Selectable on any 8 byte memory address boundary 0000-FFFFH (57F8H)

CONNECTORS

DESCRIPTION	MATING CONNECTOR
P1 : 86 pin edge connector — Bus Interface	COMPAR ESM-43-DSRI
V : 16 pin DIP socket — Video Interface	AUGAT 516-A6-37D

PHYSICAL

SIZE	POWER REQUIREMENTS	ENVIRONMENTAL REQUIREMENTS
Width: 9.75 in. (24.76 cm)	+5V DC \pm 5% @ 600mA	Operating Temperature: 0°C to 55°C
Height: 5.97 in. (15.18 cm)	+12V DC \pm 5% @ 100mA	Relative Humidity: 0% to 95% non-condensing
Depth: 0.50 in. (1.27 cm)	-12V DC \pm 5% @ 10mA	

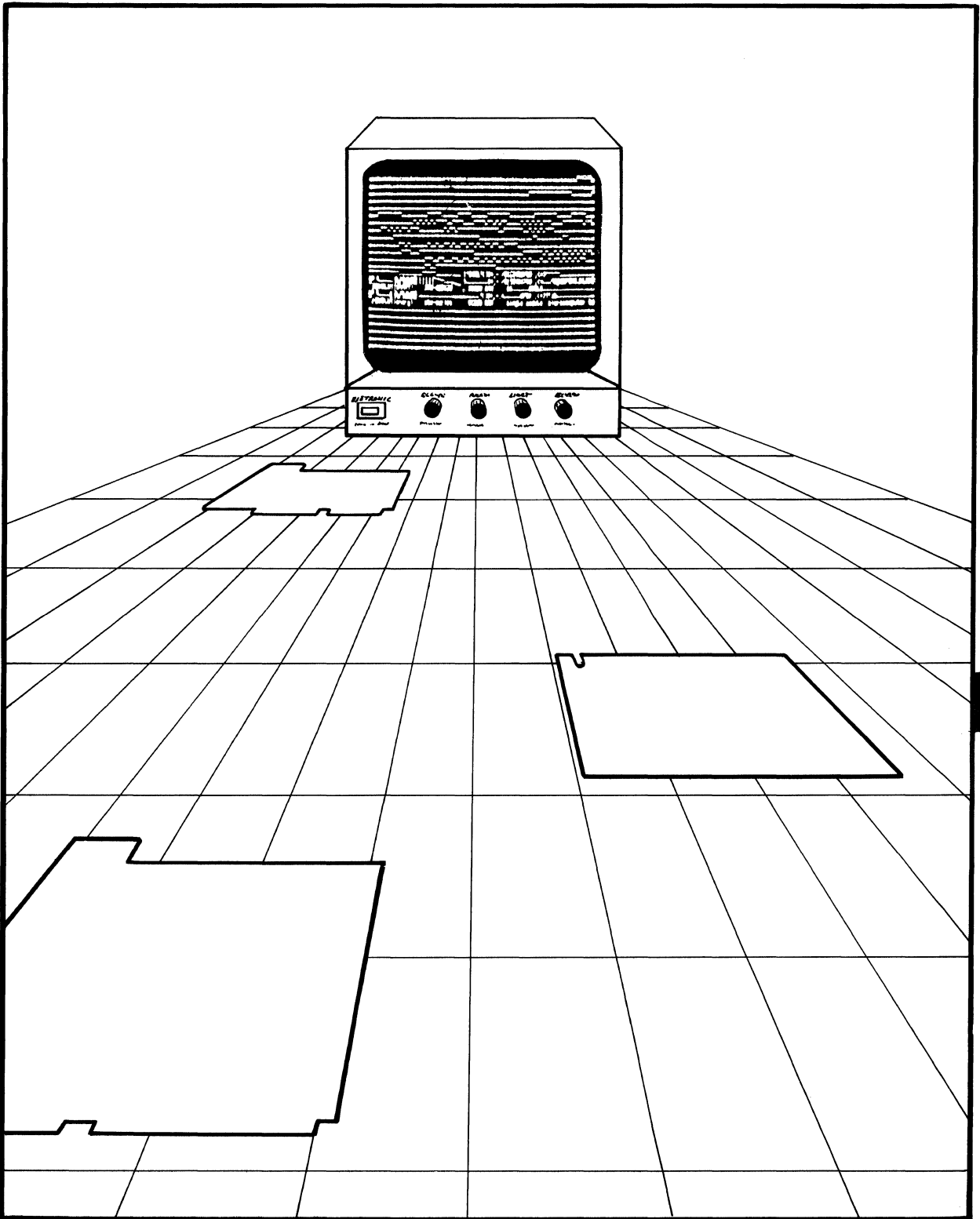
ORDERING INFORMATION

EXO-512 — XX
 { AS — American standard (60 Hz)
 { ES — European standard (50 Hz)

Example: EXO-512-AS: 512 x 256 display with a vertical refresh rate of 60 Hz.

Matrox Electronic Systems Ltd reserves the right to make changes in specifications at any time and without notice. The information furnished by Matrox Electronic Systems Ltd in this publication is believed to be accurate and reliable. However, no responsibility is assumed by Matrox Electronic Systems Ltd for its use; nor for any infringements of patents or other rights of third parties resulting from its use. No license is granted under any patents or patent rights of Matrox Electronic Systems Ltd.





SPECIAL PURPOSE VIDEO BOARDS

SECTION 7 SPECIAL PURPOSE VIDEO BOARDS

GT-600A **7-3**
Graphics Upgrade Board for VT-100 Terminal

CTM-300/BRD **7-7**
Single Board Intelligent Color Alphanumeric Terminal

MSBX-800 **7-11**
High Resolution Color Graphics iSBX Multimodule

7



matrox
electronic systems ltd.

5800 ANDOVER AVE., T.M.R., QUE., H4T 1H4, CANADA
TEL.: 514-735-1182 TELEX: 05-825651

GT-600A

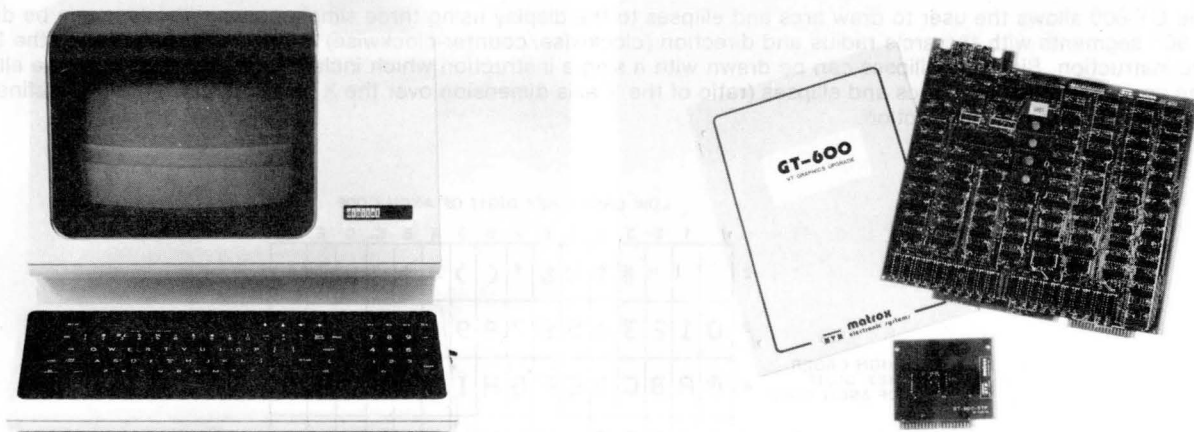
GRAPHICS UPGRADE BOARD FOR VT-100 TERMINAL

- Tektronix 4016 emulation
- PLOT-10 software compatibility
- Programmable resolution:
640 x 480, 1280 x 240, 640 x 240 x 2
- Pan, Zoom, and Scroll
- Printer interface (C.ITOH 8510A)
- VT-100, VT-103 compatible
- Vector generation for lines and circles
- Simple installation
- Low cost

The Matrox GT-600 is a low cost/high performance plug in graphics board that upgrades the popular DEC VT-100 (VT-103) alphanumeric terminal to a graphics terminal. The on-board Z-80A CPU, resident firmware, and high speed vector generation make the GT-600/VT-100 combination an extremely powerful graphics terminal at a very low cost.

The powerful set of commands includes a subset emulation of the Tektronix 4010 series of graphic terminals. Existing Plot-10* based software is immediately transportable to the upgraded terminal without any change. In addition to executing all of the Tektronix 4010, 4014, 4016 commands, the GT-600 has many other enhancements. Included are generation of arcs and ellipses, a 96 ASCII character set with an inclined character baseline, software selection of pen size, pen aspect ratio, dashed line format, and high speed whole screen or selective area erase. Hardware functions include: pan (X direction) and scroll (Y direction) on a per pixel basis, independent X, Y zoom (from 1 to 8), and hardware erase.

Matrox's unique user defined resolution feature allows the software selection of four possible display configurations which are: 1280 x 240 x 1, 640 x 480 x 1, 640 x 240 x 2 (logical OR), and 64 x 240 x 2 (4 level grey scale). Automatic scaling from 1024 x 1024 input format can be selected for all configurations.



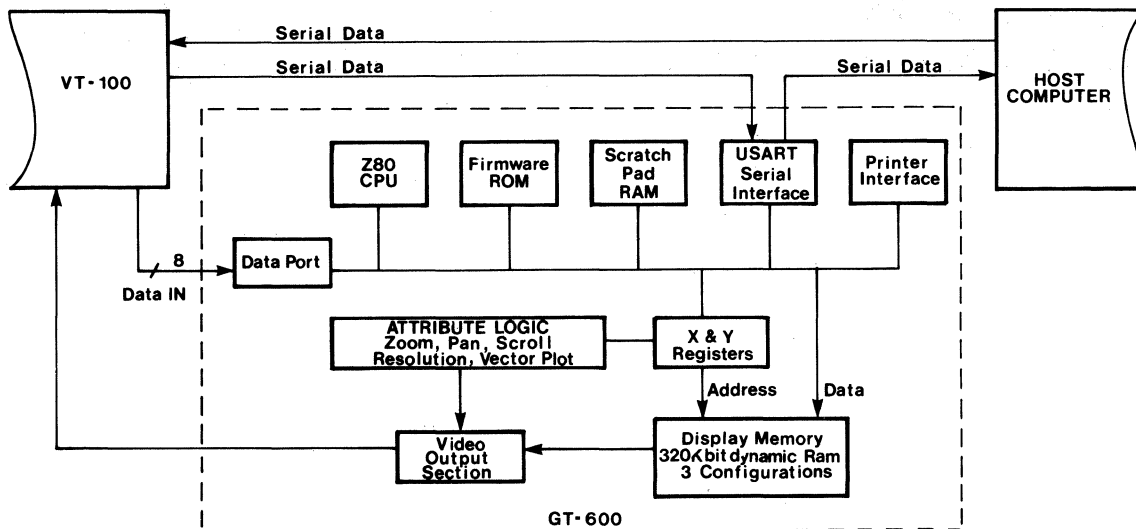


Figure 1. GT-600 block diagram

FUNCTIONAL DESCRIPTION

The Matrox GT-600 is a plug-in graphics add-on board for the VT-100 and VT-103 alphanumeric terminals manufactured by Digital Equipment Corp. (DEC). When installed, it allows these terminals to emulate the Tektronix 401x (4010, 4014, 4016) series of graphic terminals and provides compatibility with the powerful PLOT-10 graphics package, also from Tektronix. In addition to its Tektronix compatible functions, the GT-600 provides a number of useful supplementary functions which can be exploited by the user.

DISPLAY

The GT-600 features a unique user-definable resolution capability which allows the operator to select one of three available display configurations: 1280 x 240, 640 x 480, or 640 x 240 x 2. The third resolution option (640 x 240 x 2) is stored as two independent 640 x 240 bit planes. The two planes can be selected to be logically ORed together, (overlay), or used as intensity control bits to produce a 4 level grey scale image. The GT-600 also supports an automatic scaling feature which allows the user to run PLOT-10 software with any of the three format resolutions provided. When scaling is enabled, the GT-600 looks like the 1024 x 740 display used by the Tektronix 401x series terminals. Addresses and distance parameters sent by the host computer are automatically scaled to be compatible with the current display format resolution whether it be 1280 x 240, 640 x 480, or 640 x 240.

Every point on the display can be individually addressed and points can be drawn by simply defining the X and Y coordinates of the desired location (Point Plot Mode). Furthermore, strings of dots can be plotted on the GT-600 using relative address commands (Incremental Point Plot Mode). This mode enables the user to draw a line, up to 16 dots in length, from the present cursor position in any one of eight directions. Absolute vectors are drawn from the cursor position to a point whose X-Y coordinates are defined by the user. Line formats used to draw vectors are user selectable as solid, dashed, or dotted with the exact duty cycle defined in a special instruction.

The GT-600 allows the user to draw arcs and ellipses to the display using three simple commands. Arcs can be drawn in 90° segments with the arc's radius and direction (clockwise/counter-clockwise) information imbedded in the Draw Arc instruction. Similarly ellipses can be drawn with a single instruction which includes the dimensions of the ellipse. The aspect ratio for both arcs and ellipses (ratio of the Y axis dimension over the X axis dimension) can be defined by the user in a separate instruction.

		LOW ORDER HEX DIGIT OF ASCII CODE															
		1	2	3	4	5	6	7	8	9	A	B	C	D	E	F	
HIGH ORDER HEX DIGIT OF ASCII CODE	2		!	"	#	\$	%	&	'	()	*	+	,	-	.	/
	3	0	1	2	3	4	5	6	7	8	9	:	;	<	=	>	?
	4	@	A	B	C	D	E	F	G	H	I	J	K	L	M	N	O
	5	P	Q	R	S	T	U	V	W	X	Y	Z	[\]	^	_
	6	`	a	b	c	d	e	f	g	h	i	j	k	l	m	n	o
	7	p	q	r	s	t	u	v	w	x	y	z	{		}	~	■

Figure 2. Alpha Mode character set

A crosshair graphics cursor is supported on board the GT-600 for efficient user-display interaction. The graphics cursor is positioned with the keyboard's cursor arrow keys which enable left, right, up, and down movement. Keeping any one of these keys depressed will cause the cursor to move continuously in the corresponding direction at an ever increasing rate.

ALPHANUMERIC

The GT-600's Alpha Mode allows for maximum flexibility in applying alphanumeric labels to the graphics display. The GT-600 supports a font of 96 upper/lower case alphanumeric characters (Figure 2) that are normally displayed light on a dark background. Up to 160 characters can be displayed per line on a maximum of 30 lines per page. Furthermore, the GT-600 supports two independent margins to allow two full pages of textual data to be displayed simultaneously (80 x 30 characters per page). The displayed characters are formed in a 5 x 7 "pen point" matrix within a 8 x 8 pen point character cell.

Several software commands are recognized by the GT-600 to set the alphanumeric display format. A variable baseline feature allows the user to display characters on a slope. The offset between characters can be up to 128 pen points up or down. Horizontal spacing between characters is also user selectable. Inserting a negative value for inter-character spacing allows the user to enter alphanumeric characters backwards (i.e. from right to left). The attitude of the displayed characters can be set to normal (rightside-up), upside-down, or oriented to the right or left.

CONTROLS

The GT-600 allows the user to set the size of the display "pen". Through this feature the operator can vary the width of the displayed lines: useful in creating bar graphs. By increasing the pen size, the user can also increase the size of the displayed alphanumeric characters.

A group of commands enable the user to manipulate the position of the display. Seperate commands are used to shift the display either vertically (scroll) or horizontally (pan) by an operator defined number of pixels. The GT-600 can also zoom in one any segment of the display (Zoom Window). This Zoom Window can be expanded by independent X and Y factors of 2 through 8.

VIDEO INTERFACE

The GT-600 can be used to drive an external monitor as well as the VT-100 display. Using sync signals generated within the VT terminal, the GT-600 provides a 1Vp-p composite video signal.

PRINTER INTERFACE

A parallel printer port is provided on the GT-600 to drive an external hard copy device. The standard GT-600 firmware supports a C.ITOH model 8510A Prowriter (drivers for other printers are available on special request).

INSTALLATION

The GT-600 is supplied with all the supplementary material required for installation. Once installed the GT-600 interfaces with the VT-terminal (VT-100 or VT-103) and the host computer as illustrated in figure 1. When the VT-terminal is operating in its normal manner, the GT-600 is transparent and has no effect on the system. However, once control has been given to the GT-600, serial data from the host computer is automatically forwarded to it via the 8-bit parallel port on the VT-terminal's Graphics Connector. The GT-600 sends data to the host computer through its serial interface which is tied into the serial line coming from the VT-terminal. Serial data coming from the VT-terminal, however, passes through this interface on its way to the host computer without affecting the GT-600's operation.

PROGRAMMING

Upon initialization, all of the GT-600's attributes and special functions are configured to emulate the Tektronix 401X series graphics terminals. This emulator configuration, called the Tek Configuration, is special because it can not be changed until a modification enabling command is sent, and it can be returned to any time by sending a return command. If changes to attributes are attempted while in the Tek Configuration, the changed parameters will be stored but will not take effect until the modification enable command is received.

FORMAT RESOLUTION	1240 X 240
SCALING	On
PEN ASPECT RATIO	Y/X = 1/1
PEN SIZE	1
LINE FORMAT	Solid lines
HORIZONTAL IMAGE SHIFT	0
VERTICAL IMAGE SHIFT	0
ZOOM	Zoom by one
ELLIPSE & ARC ASPECT RATIO	Y/X = 1/1
PEN COLOR	Bit plane 0 = light/bit plane 1 = dark
VIDEO DISABLE	Video 0 = enable/video 1 = disable
STATUS TERMINATION	CR
ALPHANUMERIC OFFSET	Vertical = 0/horizontal = 0
ATTITUDE	Normal

Table 1. Tek Configuration

A series of numbered wire-wrap pins are also included to implement various serial interface formats. The user can select to use either 7 or 8-bit data words and 1 or 2 stop bits. The user can also select either even, odd, or no parity.

SPECIFICATIONS

OPERATING MODES

TRANSPARENT MODE

- In this mode the GT-600 becomes inactive and the VT-100 behaves exactly as it would without the add-on board

ALPHA MODE

- Full ASCII character set
- User selectable character size: (8 x 8 to 255 x 255)
- Variable slope character baseline
- Inverse video alpha cursor
- Selectable character shape (tall/thin, short/wide)

COMMAND SET

DRAW

- Absolute vector
- Incremental vector
- Point plot
- Arc (size, quadrant)
- Ellipse (size)
- Text

ALPHA CURSOR

- Move right space
- Backspace
- Linefeed
- Vertical tab
- Carriage return

HARDCOPY

- Output to parallel port

VIDEO SPECIFICATIONS

RESOLUTION

- 1280 x 240 x 1 bit
- 640 x 480 x 1 bit
- 640 x 240 x 2 bit (logical OR)
- 640 x 240 x 2 bit (grey scale)

PHYSICAL SPECIFICATIONS

POWER REQUIREMENTS

- +5V @ 2A
- +12V @ 500mA
- +12V @ 100mA

ORDERING INFORMATION

The GT-600A is ordered as a complete kit and contains:

- one video and processor board that plugs into the VT terminal Graphics Board connector
- a serial interface card (4.5" x 1.275") that plugs into the terminal control board
- a backplane
- all mounting hardware
- technical manual

- the GT-600A is compatible with the VT-100, VT-103, VT-125, and VT-132.

POINT PLOT MODE

- Absolute addressing of points

INCREMENTAL POINT PLOT MODE

- Relative addressing in any one of 8 directions
- "Long" form allows condensing of up to 16 moves in the same direction for compact representations of user defined fonts, etc.

STATUS INQUIRY

- Graphic cursor position
- Current pen position
- Current alpha position

SET ATTRIBUTES

- Pen size
- Pen color
- Pen aspect ratio
- Ellipse aspect ratio
- Dash line format
- Character baseline slope
- Character orientation

GRAPHIC INPUT

CROSSHAIR CURSOR

- Load start location
- Move crosshair cursor

VIDEO OUTPUT

- RS-170 composite video (75 ohm)
- Separate output for external monitor

ENVIRONMENTAL REQUIREMENTS

- Operating Temperature: 10° to 40° C
- Relative Humidity: 10 to 90% (non-condensing)

VECTOR MODE

- Absolute addressing of vectors
- User selectable line formats (solid, dashed, dotted)
- Can intermix commands for arcs and ellipses
- Variable line width (1 - 255)

SET SPECIAL FUNCTIONS

- Pan
- Scroll
- Zoom
- Preset (clear) screen
- Video enable

SELECT

- Resolution
- Scaling
- Tektronix emulator mode
- Point Plot Mode
- Incremental Point Plot Mode
- Vector Mode
- Crosshair Cursor Mode
- Graphics Input Mode
- Graphic Input Mode termination string

HARDWARE FUNCTION GENERATOR

- Clear screen (16.6 ms)
- X, Y zoom (from 1 to 8)
- X, Y pan and scroll (single pixel and up)

Matrox Electronic Systems Ltd reserves the right to make changes in specifications at any time and without notice. The information furnished by Matrox Electronic Systems Ltd in this publication is believed to be accurate and reliable. However, no responsibility is assumed by Matrox Electronic Systems Ltd for its use; nor for any infringements of patents or other rights of third parties resulting from its use. No license is granted under any patents or patent rights of Matrox Electronic Systems Ltd.





matrox
electronic systems Ltd.

5800 ANDOVER AVE., T.M.R., QUE., H4T 1H4, CANADA
TEL.: 514-735-1182 TELEX: 05-825651

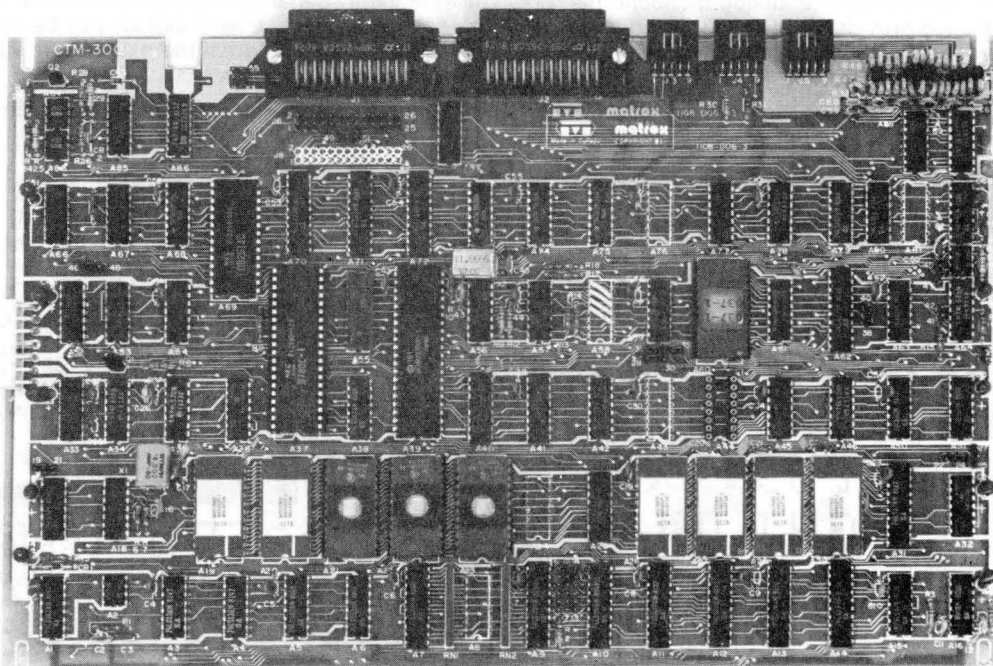
CTM-300/BRD

SINGLE BOARD INTELLIGENT COLOR ALPHANUMERIC TERMINAL

- 8-color alphanumeric display
- Programmable display format
- On-board Z-80A CPU
- 256 different displayable characters
- ANSI standard firmware
- RS-232C input
- RGB color output (RS-170)
- Keyboard, printer, and light pen interfaces
- 2K byte program download
- 50/60 Hz operation
- 19" rack-mount
- Blink, extended height, underline, and protected character attributes

The Matrox CTM-300/BRD is an intelligent color alphanumeric terminal controller contained on a single PC board. When combined with an external keyboard and color CRT monitor, the CTM-300/BRD provides all of the features of an intelligent black and white terminal with the addition of color. The CTM-300/BRD supports 256 different displayable characters which include all of the alphanumeric characters and punctuation symbols for displaying text in one of six languages; English, French, Spanish, German, Greek, or Swedish. A set of graphic symbols are also supported by the CTM-300/BRD to enable the user to generate "character-oriented" graphic displays (business forms, process loop displays, bar charts, etc.).

The CTM-300/BRD firmware conforms to ANSI X3.64 and includes a comprehensive set of cursor, erase, and character attribute controls which facilitate text editing. The on-board firmware also configures the video output to produce a standard display format of 80 characters per line by 25 lines. A unique program download feature, together with a series of DIP switches, enable the user to adapt most of the CTM-300/BRD functions to conform to his specific requirements.



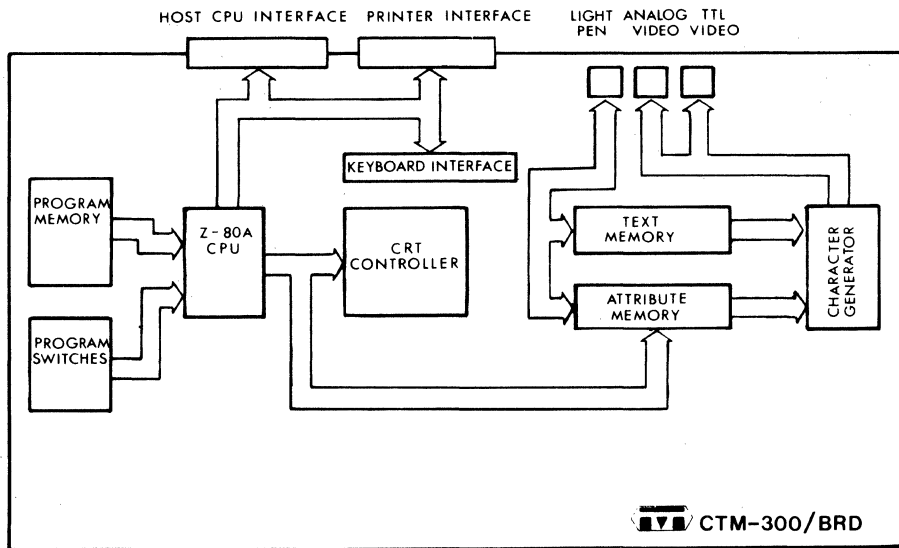


Figure 1. CTM-300/BRD Intelligent Color Terminal – Typical system configuration

DISPLAY

The CTM-300/BRD generates a color alphanumeric display consisting of 25 horizontal lines with 80/132 characters (switch selectable) displayed per line. These parameters, however, can be redefined by the user to accommodate virtually any configuration of characters/line and lines/page up to maximum of 4000 characters per display. Characters can be assigned as blinking, underlined, or protected (protected characters can not be erased or edited while the erasure mode is not in effect). The blink or underline attribute can optionally be replaced (via a hardware strap) by an extended height attribute for displaying double height characters. Furthermore, each character can be assigned to be displayed in one of eight different foreground colors on one of eight different background colors. Color selection (foreground/background) is also user selectable via user function keys on the CTM-300/BRD.

As supplied, the CTM-300/BRD contains a font of 256 displayable characters. This character set (figure 2) consists of all the alphanumeric characters and punctuation symbols for displaying text in one of six different languages: English, French, Spanish, German, Greek, or Swedish. The CTM-300/BRD also includes a set of 32 "graphic characters" which can be used for generating character oriented graphics such as: business forms, process loop displays, bar charts, etc. Moreover, the user can redefine the character set for custom applications by simply replacing the supplied character generator with a 2532 EPROM loaded with his custom character font.

MONITOR INTERFACE

Two video output connectors are available on the CTM-300/BRD to drive either a direct drive TTL color monitor, an analog RGB color monitor, or a composite analog monochrome (grey scale) monitor. Separate R,G,B video as well as horizontal and vertical sync signals are provided on the TTL video connector. The polarity of the TTL sync signals can be strapped for either positive or negative logic. On-board circuitry is also provided to allow the user to program the exact sync width and position, for use in non-standard monitors.

A separate 1Vp-p composite video signal is provided which permits monochrome displays with up to 8 different grey levels. Sync polarity on the composite signal is fixed to negative going.

KEYBOARD INTERFACE

An on-board 8-bit parallel port latches data from an external keyboard in response to a negative going strobe from the keyboard. The resident Z-80A CPU, signaled via an interrupt generated by the keyboard strobe, can then read the keyboard buffer.

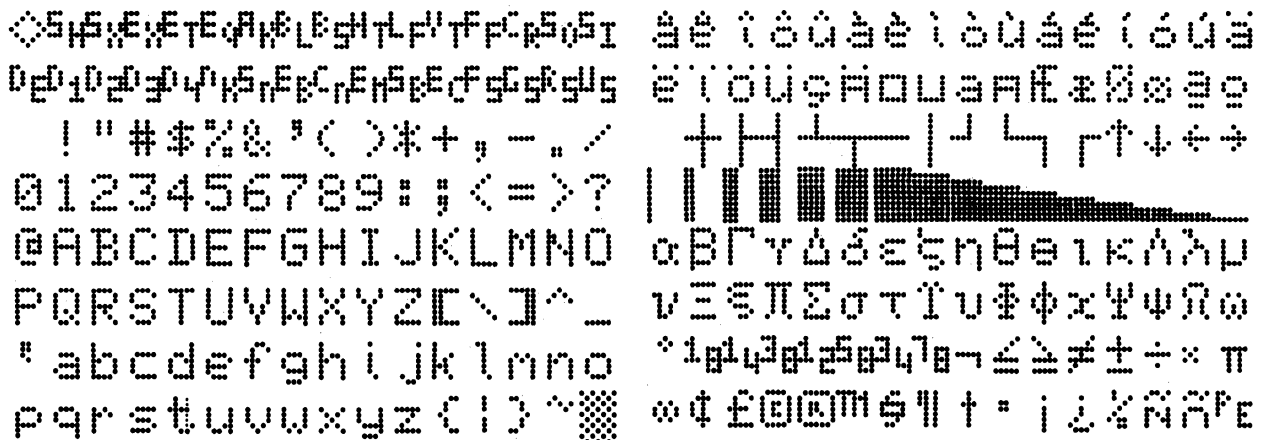


Figure 2. CTM-300/BRD Character set

EDITING

The CTM-300/BRD includes a comprehensive set of cursor, erase, and character attribute controls which facilitate text editing. Cursor control commands enable the user to redefine the position of the cursor using either "relative" or "absolute" movement commands. Relative cursor movement commands include: Backward Field, Back Space, Cursor Down, and Cursor Up, which defines the cursor's position "relative" to its former position. Absolute cursor positioning places the cursor in a location whose X and Y coordinates are explicitly defined in the instruction. Other editing commands include: Insert/delete a character/line, erase a line/area/display, and protect a selected area. The CTM-300/BRD also includes a scroll feature which will cause the display to be scrolled up one line when a Carriage Return (CR) command is issued while the cursor is in the bottom-most line of the display.

The full usable command set of the CTM-300/R is shown below, and conforms to the ANSI standard X3.64. Moreover the CTM-300/R includes 2K bytes of user RAM into which the user can download custom functions. These user-defined functions are executed by a special Execute User Function command. The terminal firmware can be replaced with 20K bytes of user installed ROM/RAM loaded with the user's custom firmware.

COMMAND SET

Self Test	Clear Screen	Set Tab	Set Line Number
Unlock Keyboard	Clear Protected Only	Clear Tab	Set Column Number
Lock Keyboard	Clear Unprotected Only	Clear All Tabs	Set Color
Start Protected Field	Clear to End of Line	Back Tab	Set Cursor On/Off
End Protected Field	Clear from Start of Line to Cursor	Tab	Read Light Pen
Protect Selected Area	Clear Line	Cursor Left	Connect to Printer
Protected Field	Clear Protected Fields on Line	Cursor Down	Set Alternate Character Set
Insert Character	Clear Unprotected Fields on Line	Cursor Up	Set Standard Character Set
Insert Line	Auto Line Feed On/Off	Cursor Right	Load Character Set Map
Delete Character	Start of Selected Area	Cursor to Left of Line	Load User Defined Function
Delete Line	End of Selected Area	Cursor Home	Execute User Function
Clear Selected Area	Read Back Selected Area	Set Cursor Position	Load Screen Format
Clear to End of Screen	Define Scrolling Area	Read Cursor Position	Beep
Clear from Beginning of Screen to Cursor			

COMPUTER INTERFACE

The CTM-300/BRD communicates with the host computer via an RS-232C serial interface, which can be configured by switches for several modes of operation. Input and output parity is selectable as even, odd, or no parity; and the user can choose one or two stop bits. Both full and half duplex operation are possible and the unit can be operated in an on-line or off-line mode. The user can also select the baud rate which can be from 110 baud to 19.2K baud.

PRINTER INTERFACE

Any Centronics-compatible printer using positive logic can be connected to the CTM-300/BRD. In addition to the parallel ASCII inputs, the unit provides a strobe output and a Busy Input.

LIGHT PEN INTERFACE

User-display interaction is possible through the use of a high speed light pen. When the user points the light pen at an illuminated spot on the CRT, the CTM-300/BRD loads the screen coordinates into an internal light pen register. The pen position may then be read by the processor. Note that the light pen can only be used with monitors having short persistence phosphors.

PROGRAMMING

Functions that are not normally changed during actual operation are set by a series of switches located on the CTM-300/BRD mother board (table 1). 2K bytes of user RAM is also available for the user to define special functions. The CTM-300/BRD accepts data, from the host computer, in Intel Hex Format.

SWITCH	NUMBER	DESCRIPTION
SW0	1	Select baud rate (110 – 19.2K baud)
	2	
	3	
	4	Select number of bits per character (7/8)
	5	Select parity (on/off)
	6	Select parity (even/odd)
	7	Select number of stop bits (1/2)
	8	Select full/half duplex
SW1	1	Select control mode (normal/monitor)
	2	Select terminal mode (local/on-line)
	3	Select cursor (steady/blinking)
	4	Select cursor (underline/block)
	5	Select number of characters per line (80/132)
	6	Select transmission protocol (XON-XOFF/RTS-CTS)
	7	Enable key click
	8	Select display mode (interlaced/non-interlaced)

Table 1. Programming switches description

SPECIFICATIONS

DISPLAY PARAMETERS

PARAMETER	RESTRICTION
Resolution	4000 characters max.
Characters per Line	80 standard, 132 max.
Lines per Page	25 standard, 50 max.
Character Matrix Size	5 x 7, 7 x 9 dots
Character Set	256 upper/lower case alphanumeric and graphic characters
Languages	English, French, German, Greek, Spanish, Swedish
Foreground Colors	Red, green, blue, magenta, yellow, cyan, white, black
Background Colors	Red, green, blue, magenta, yellow, cyan, white, black
Cursor	Displayed/non-displayed, block/underline, blinking/steady

INTERFACES

INTERFACE	DESCRIPTION	MATING CONNECTOR
Host Computer (J1)	RS-232C and 20mA current loop	DB-25 type connector (male)
Parallel Printer (J2)	Centronics compatible	DB-25 type connector (male)
Light Pen (J3)	10 pin header	AMP 102184-3
TTL Video (J4)	10 pin header	AMP 102184-3
Analog Video (J5)	10 pin header	AMP 102184-3
Keyboard Input (J6)	26 pin header	3M # 3399
Power Supply (J7)	8 pin header	Molex 26-11-6074

SIZE

Height:	7.75 in. (19.8 cm)
Width:	12.0 in. (30.5 cm)
Depth:	0.50 in. (1.27 cm)

POWER REQUIREMENTS

± 5V DC @ 1.6A
± 12V DC @ 50mA

ENVIRONMENTAL REQUIREMENTS

Operating Temperature:	10° to 40° C
Relative Humidity:	0 to 95% non-condensing

ORDERING INFORMATION

CTM-300/BRD-X	Single board intelligent color alphanumeric terminal
	{ A — American standard (60 Hz) E — European standard (50 Hz)

Matrox Electronic Systems Ltd reserves the right to make changes in specifications at any time and without notice. The information furnished by Matrox Electronic Systems Ltd in this publication is believed to be accurate and reliable. However, no responsibility is assumed by Matrox Electronic Systems Ltd for its use; nor for any infringements of patents or other rights of third parties resulting from its use. No license is granted under any patents or patent rights of Matrox Electronic Systems Ltd.





5800 ANDOVER AVE., T.M.R., QUE., H4T 1H4, CANADA
TEL.: 514-735-1182 TELEX: 05-825651

MSBX-800

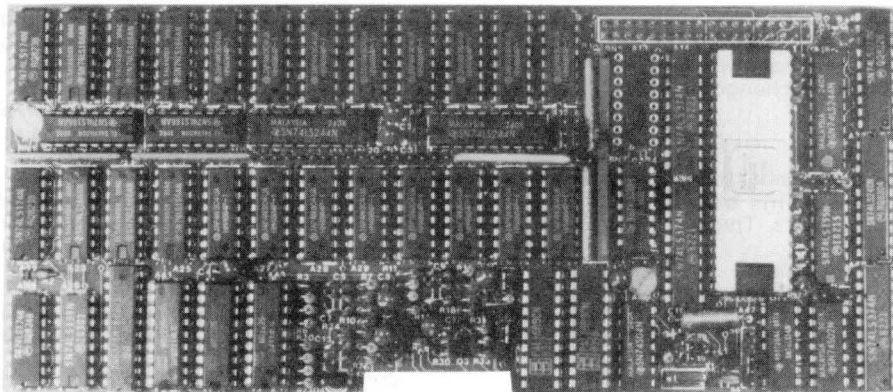
HIGH RESOLUTION COLOR GRAPHICS iSBX MULTIMODULE*

- Display resolution up to 800 x 600 x 4
- 16 colors selectable from a palette of 4096
- 50/60 Hz interlaced or non-interlaced operation
- VLSI graphics processor (7220) draws vectors, arcs, circles, rectangles, and characters
- Split-screen, pan, and scroll
- Analog RGB video outputs
- Double width iSBX Multimodule*
- All mounting hardware supplied
- Single +5V supply
- Plugs into Matrox PBC-80 (Z-80A) or MBC-86/12 (8086) Multibus CPUs
- Light pen support

The Matrox MSBX-800 is a powerful color graphics display controller contained on a double-width iSBX Multimodule. The MSBX-800 piggybacks onto any processor board using iSBX expansion connectors, including the Matrox MBC-86/12A and PBC-80. The host CPU transfers data directly to the MSBX-800 without having to access the Multibus, hence increasing system throughput. Complex graphic images can be created on the MSBX-800 with resolutions ranging from 256 x 256 x 4 to 800 x 600 x 4.

The MSBX-800 recognizes an instruction set of 17 commands. These instructions enable the user to create displays with minimal host intervention or calculational overhead. Instructions include: defining video parameters, draw a line, draw an arc, draw a circle, draw a rectangle, draw a character, pan, and scroll. Area fills and pixel blink are also supported.

The MSBX-800 provides extremely powerful graphics functionality at a very low cost. By adding this module to a CPU board, the user can create a low cost intelligent graphics terminal with his own specialized graphics firmware.



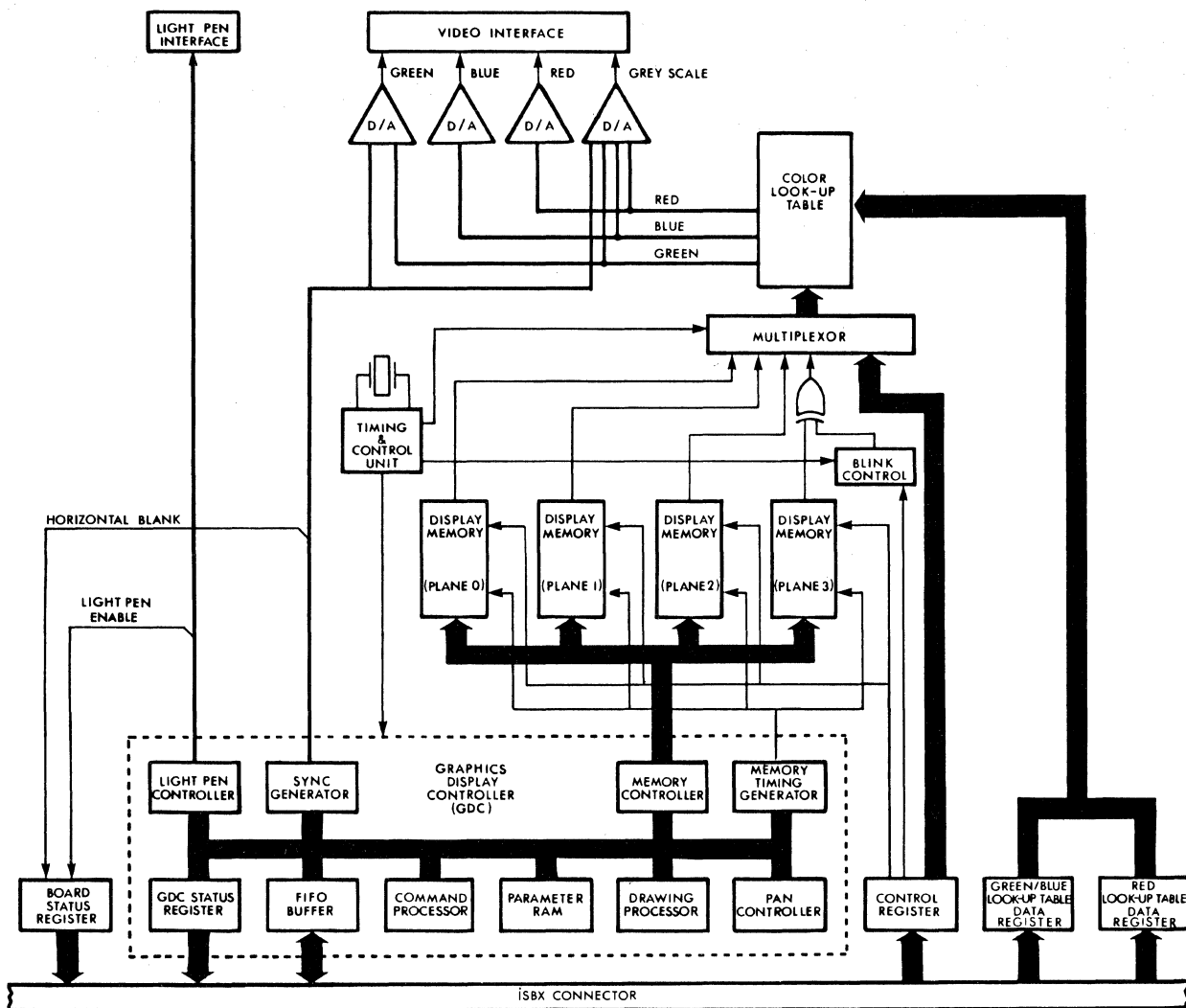


Figure 1. MSBX-800 block diagram

MSBX-800 FEATURES

Read/Write Area: Read/write memory is 128K bytes (with 64K RAMs) expandable to 512K bytes (with 256K RAMs)

Standard Resolution: 512 x 512 interlaced or non-interlaced (512 x 480 with 60 Hz vertical refresh rate)

User Selectable Resolutions: 256 x 256 x 4 to 800 x 600 x 4 resolutions can be programmed by the user. Note that some resolutions will require crystal and/or RAM part changes.

Bits/Pixel: 4 bits/pixel

Blink: Selected areas of the graphics display can be set to blink between any two pre-defined colors. The blink frequency is set at 1.8 Hz.

Split Screen: The display screen can be split horizontally into two independent image areas. The size of each area is software programmable.

Pan: Each image area can be horizontally panned, inside the read/write area, by multiples of 16 pixels.

Scroll: Smooth vertical scroll by one line resolution on either image area.

Graphics Instructions: The MSBX-800 understands 17 graphics instructions.

Figure Generation: Graphics primitives, such as lines, arcs, circles, and rectangles are drawn by the MSBX-800 using single instructions.

Characters: Any character can be defined by the user and then drawn by the MSBX-800 using a single instruction.

Draw Speed: 1.6 μ sec./pixel/plane minimum; includes vectors, arcs, circles, rectangles, and character draws.

Video Parameters: All video parameters including horizontal and vertical syncs, blanking, frequency, and display format are user software programmable.

Light Pen: On-board register latches deglitched light pen position. Interface built-in.

Video Outputs: R,G,B color signals 1V_{p-p} into 75 Ω , sync can be either composite on green or supplied as a separate signal.

iSBX Interface: The MSBX-800 plugs directly into the iSBX bus and looks to the host like five local registers.

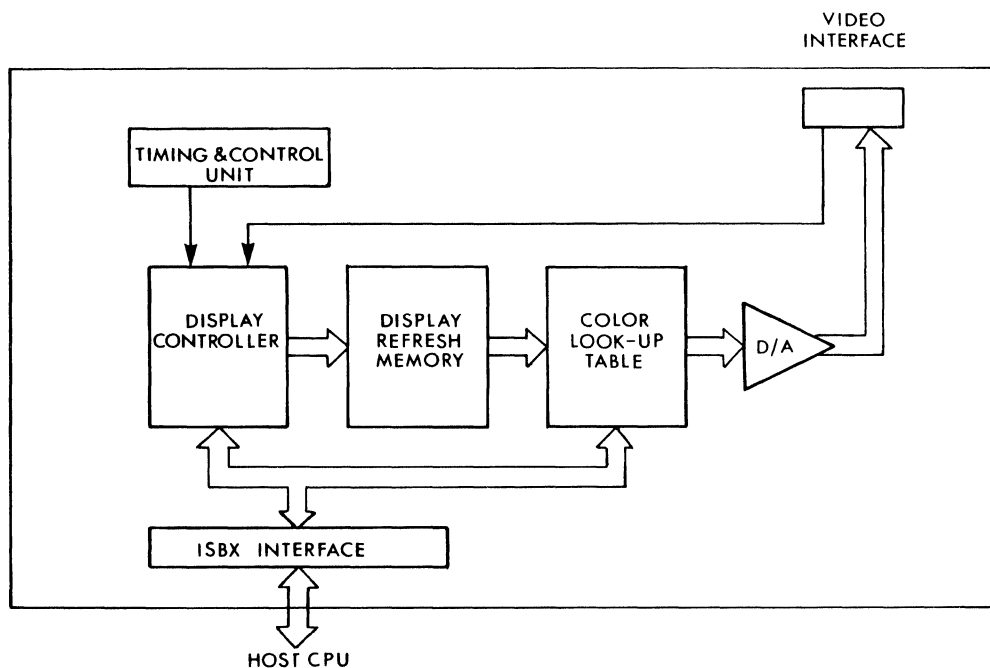


Figure 2. MSBX-800 functional blocks

FUNCTIONAL DESCRIPTION

The MSBX-800 is a powerful, high resolution, graphics controller contained on a dual-width iSBX module. The MSBX-800 contains four major subsections (figure 2): the Graphics Display Controller, the Display Refresh Memory, the Color Look-up Table, and the iSBX Interface.

CATEGORY	COMMAND	FUNCTION
Video Control	RESET	Reset the GDC to its idle state and specifies the display format.
	SYNC	Specifies the display format.
	VSUNC	Selects master or Slave video synchronization mode.
	CCHAR	Specifies the cursor and character row height.
Display Control	START	Starts the display scanning process.
	STOP	Blanks the display.
	CURS	Sets the position of the cursor in the display memory.
	PRAM	Defines the starting addresses and length of the display areas and specifies the eight bytes for the graphics character.
	PITCH	Specifies the width of the X dimension of the display memory.
Drawing Control	WDAT	Writes data words or bytes into the display memory.
	MASK	Sets the mask register contents.
	FIGS	Specifies the parameters of the drawing process.
	FIGD	Draws the figure as specified by FIGS.
	GCHRD	Draws the graphics character into the display memory.
Data Read	RDAT	Reads data words or bytes from the display memory.
	CURD	Reads the cursor position.
	LPRD	Reads the light pen address.

Table 1. MSBX-800 instruction set

DISPLAY MEMORY

The MSBX-800 contains 16 64K bit RAM chips, on-board, for a total display read/write memory of 1,042,176 bits (128K bytes). This memory area is divided into 4 bit planes (allowing up to 16 simultaneously displayable colors or grey levels) and can be configured, by the user, into a three dimensional array of up to 512 horizontal x 512 vertical pixels x 4 bits/pixel. The resolution capabilities of the MSBX-800 can be increased by sacrificing bit planes. This feature enables the user to configure the on-board read/write memory for 800 x 655 x 2 bits/pixel. By using 256K x 1 RAMs, a 512K byte display refresh memory can be implemented and read/write arrays of up to 800 x 655 pixels can be configured, with 4 bits/pixel.

DISPLAY CONTROLLER

An on-board VLSI display controller chip is the heart of the MSBX-800. All of the display maintenance requirements (horizontal/vertical syncs and blanking) and the display memory refresh functions are provided by the Display Controller and are completely transparent to the user. Much of the low level display memory addressing is off-loaded from the host processor, by the Display Controller, reducing software overhead and increasing system throughput.

The MSBX-800 Display Controller recognizes a 17 instruction set, which simplifies programming of the display. The instruction set is divided into four major categories (Video Control, Display Control, Drawing Control, Data Read) and are shown in table 1.

Display Organization — The on-board Display Controller allows the user to configure the display memory for any display resolution format, so long as that format does not exceed the total available memory (128K bytes standard). The standard MSBX-800 can be configured for displays of 256 x 256, 512 x 256, 512 x 384, or 640 x 400 pixels with 4 bits per pixel, or 640 x 480 or 800 x 600 pixels using 2 bits/pixel. Optionally, using 256K RAMs, displays of up to 640 x 480 or 800 x 600 pixels by 4 bits/pixel can be programmed.

The Display Controller also generates all of the timing signals required by the CRT monitor (figure 3). These signals (horizontal sync, horizontal blanking, vertical sync, and vertical blanking) are user definable to allow the MSBX-800 to drive any

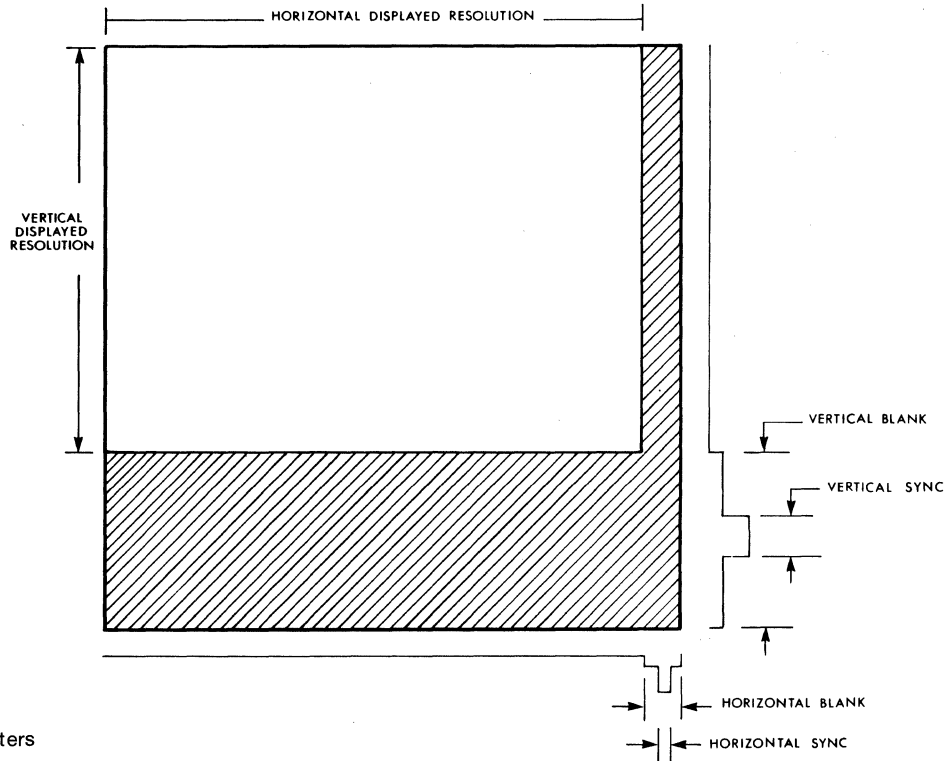


Figure 3. Display format parameters

analog RGB or monochrome video monitor. Sync frequencies can be defined to operate the system in either 50 Hz European or 60 Hz American Standard environments (interlaced or non-interlaced).

Pan and Scroll — The MSBX-800 allows the user to pan and/or scroll the generated graphics display. When using a small display format (i.e. 256 x 256 or 512 x 256) some of the available read/write display memory is not viewed on the screen. This "hidden" memory can be viewed by moving the CRT screen's "window" of the display memory either vertically or horizontally. Scrolling is accomplished on a line basis, for a "smooth" vertical image shift, while horizontal panning is done on 16-bit word boundaries.

Split-Screen — The CRT screen area can be divided into two, horizontally separate, independent display areas. The length of each area is independently user definable up to full screen. Note that the sum of the length of the two display areas can not exceed the total available screen area. Each display area can also be independently scrolled and/or panned.

Figure Drawing — The MSBX-800 features an ability to draw various graphics primitives with little or no assistance from the host CPU. Lines, arcs, circles, and rectangles can be constructed on the display by simply passing the figure's parameters to the MSBX-800. Calculation and generation of the addresses of the pixels, that make up the figure, are performed internally to the MSBX-800 and are transparent to the user. Area fills are also easily implemented using the MSBX-800.

The "texture" of the displayed figure (i.e. solid, dashed, or dotted) and the pattern of the area fill are also user programmable. The figure texture is defined by the user specified 16-bit texture pattern (figure 4) which represents those pixels, along the figure, which can be modified. A "1" in the texture pattern register will determine if the corresponding display memory bit is modified. The effect of writing to the display memory can produce one of four results, (replace, complement, set, or clear), selectable by the programmer. The Replace mode of writing to the display memory rewrites the contents of the memory with the contents of the texture register. Other writing modes available on the MSBX-800 allow the programmer to complement those bits in the display memory which correspond to 1s in the texture register, set the "modify-enabled" bits, or clear these bits. Likewise, the area fill pattern can be set by defining an 8 x 8 recurring matrix.

Characters can also be drawn to the graphics display, in any position and orientation, with a minimum of host CPU overhead. A character is drawn by first downloading an 8 x 8 pattern matrix, for that character, to the MSBX-800. Upon receipt of a character draw command, the GDC will then draw the character, pixel by pixel, to the display memory at the cursor position. Using this technique, any character (upper/lower case alphanumeric or special graphics symbol) can be drawn to the display.

BLINK

Selected areas of the graphics image generated by the MSBX-800 can be set to blink, under software control, at a blink rate

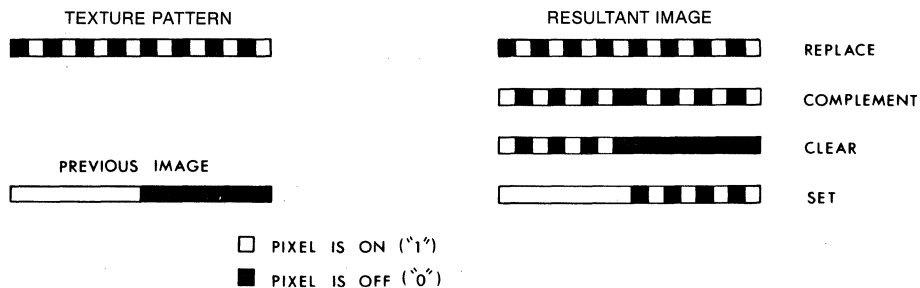


Figure 4. MSBX-800 "texture" pattern control

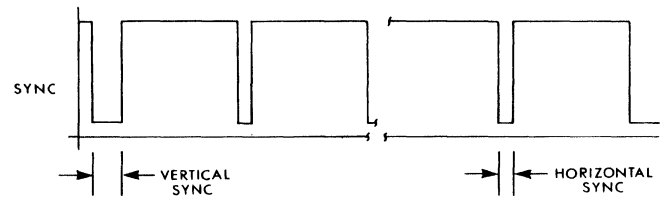
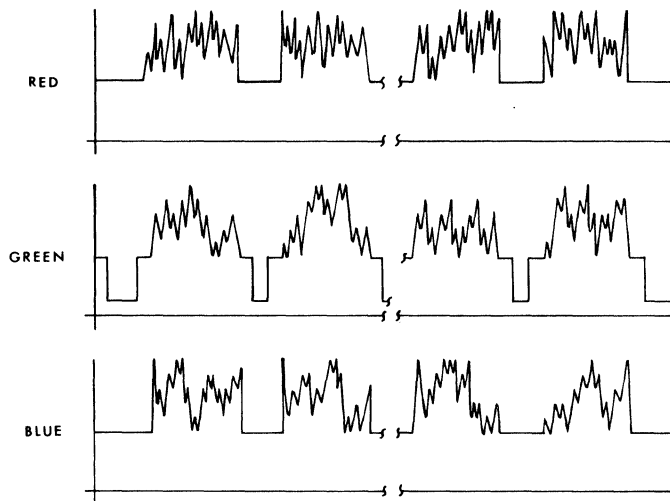


Figure 5. MSBX-800 video output signals

of 1.8 Hz. Setting the Blink Enable bit in the on-board Control Register causes any image data stored on bit plane 3 to toggle between two colors. The colors, from which and to which this data will blink, are defined by the user when the color look-up table is loaded.

COLOR LOOK-UP TABLE

The MSBX-800 contains an on-board color look-up table which looks, to the user, like a 16 x 12 bit RAM. Through this look-up table, displays with up to 16 colors can be accommodated; with the displayed colors being user selected from a palette of 4096 colors. The color look-up table can be rewritten at any time.

The color look-up table allows the user to create a wide variety of video effects. Manipulation of the color look-up table allows the generation of such high performance effects as animation.

TIMING AND CONTROL UNIT

The MSBX-800 contains an on-board 20 MHz clock which is the heart for the module's Timing and Control Unit. The Timing and Control Unit, using the 20 MHz crystal together with a pair of PALs* (Programmable Array Logic), supplies all of the individual functional blocks of the MSBX-800 with their re-

quired timing inputs and synchronizes their operation for maximum throughput. This proprietary Matrox circuit also enables the MSBX-800 to generate displays of up to 800 x 655 x 4 bits per pixel using an average drawing speed of 1.6 μ sec./pixel/plane. Optional 10.0, 11.66, and 13.33 MHz crystals are available, together with on-board strap-selectable divide by 2 and divide by 4 circuitry, to enable the MSBX-800 to accommodate video timing parameters for display formats ranging from 256 x 256 to 800 x 600 (see SPECIFICATIONS).

VIDEO INTERFACE

The output video signals are supplied, via a 12-pin header on the module, as analog (1V_{p-p}) RGB signals (figure 5). Sync and blanking signals are provided either combined with the Green video output or as a separate composite signal.

LIGHT PEN INTERFACE

User interaction with the display is enabled through a light pen interface. The MSBX-800 latches the address of the word, pointed to by the light pen, and makes this information available to the host processor. An interrupt is generated on-board the MSBX-800 which can signal the host processor that light pen data is available. A "blue flood" feature is incorporated on the MSBX-800 to facilitate the use of a light pen. The light

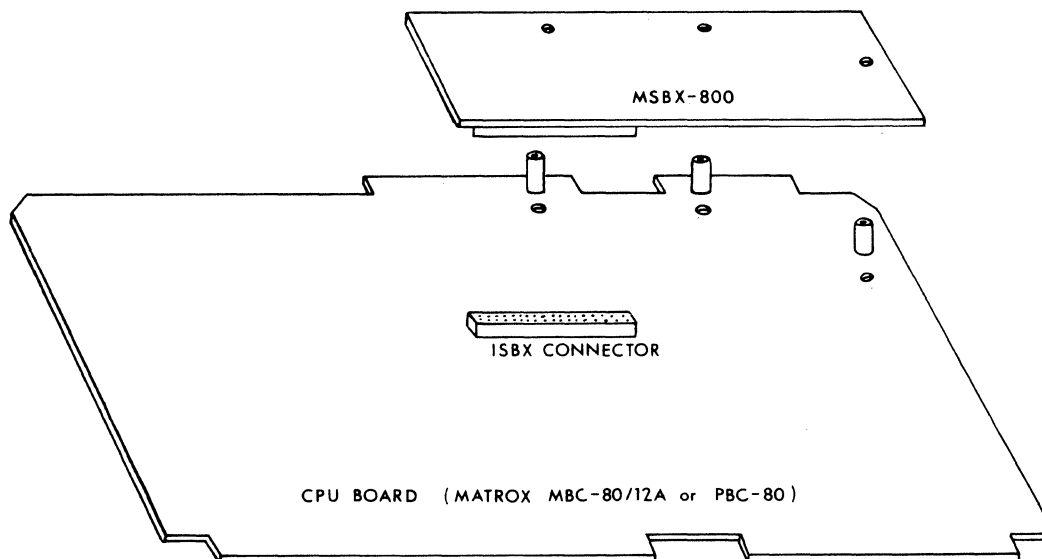


Figure 6. Mounting the MSBX-800

LOCATION	READ	WRITE
0	Read Status Register	Write Parameter into FIFO Buffer
1	Read FIFO Command Buffer	Write Command into FIFO Buffer
2	Read Board Status	Write Control Register
4	Not Used	Write Color Look-Up Table (Green and Blue)
6	Not Used	Write Color Look-Up Table (Red)

Table 2. MSBX-800 register definitions

pen is interfaced, to the MSBX-800, via the 12-pin video interface connector.

ISBX INTERFACE

The MSBX-800 interfaces directly to the iSBX bus and meets all iSBX bus specifications as laid out in the Intel Specification No. 142686-001. To the host computer, the MSBX-800 looks like a group of five 8-bit registers which can be strapped anywhere in the host's I/O address space. Reading locations 0 and 1, will read the Display Controller's Status and FIFO Read buffer respectively (table 2). Writing to these locations will transfer either a command byte (location 1) or a parameter byte (location 0) to the MSBX-800 FIFO. Writing to I/O port 2 (Control Register) sets various control parameters for the board, i.e. Blue Flood Enable and Blink Enable, and also loads the address for the next Color Look-Up Table write instruction. Reading this port allows the user to monitor the status of the Light Pen Enable signal and the Horizontal Blank. The remaining two registers are used to write the Color Look-Up Table.

MOUNTING

The MSBX-800 can be mounted on any microcomputer board which has on-board facilities for at least one double-width iSBX Multimodule. The module is secured to the host board by two threaded nylon spacers, which are supplied with the MSBX-800. Figure 6 shows how the MSBX-800 would mount on a typical iSBX-equipped Multibus CPU card (e.g. Matrox MBC-86/12A, Intel iSBC 86/30 (8086), Matrox PBC-80 (Z-80A), etc.).

PROGRAMMING

The MSBX-800 simplifies the programmer's task in generating a graphics display by performing much of the calculational overhead involved in producing a graphics image. All of the repetitive, low-level accesses to the display memory (pixel addresses) are handled internally to the MSBX-800. The programmer, then, creates the graphics image as a combination of graphics primitives (lines, arcs, circles, etc). These primitives are invoked by passing the appropriate instruction to the MSBX-800 accompanied by the necessary parameters (eg. to draw a line the parameters required include the direction of the vector, the length of the vector, etc.). An on-board 16 byte FIFO instruction buffer allows the programmer to pipeline commands for greater system throughput.

USER DEFINABLE RESOLUTIONS

The display format, used by the MSBX-800, is initialized by writing a Reset command (see table 1) to the board's FIFO command buffer, followed by eight bytes of video format parameter data. The desired format is expressed by defining the number of horizontally displayed dots (expressed as an integer number of 16-bit words), the number of vertically displayed lines, and the horizontal and vertical sync parameters (front and back porch widths, and sync signal widths). Also included as a Reset parameter is an 8-bit Mode of Operation descriptor which defines whether the resultant display will be interlaced or non-interlaced, and whether drawing will be restricted to retrace only or allowed to occur at any time. A Sync command is also recognized by the MSBX-800 and can

PIN	MNEMONIC	DESCRIPTION	PIN	MNEMONIC	DESCRIPTION
1	—	Not Used	2	—	Not Used
3	GND	Signal Ground	4	+5V	+ 5 Volts
5	RESET	Reset	6	—	Not Used
7	MA2	Address Line 2	8	MPST/	Board Present Output
9	MA1	Address Line 1	10	—	Not Used
11	MA0	Address Line 0	12	MINTR1	Interrupt Line 1
13	IOWRT/	I/O Write Command	14	MINTR0	Interrupt Line 0
15	IORD/	I/O Read Command	16	—	Not Used
17	GND	Signal Ground	18	+5V	+ 5 Volts
19	MD7	Data Line 7	20	—	Not Used
21	MD6	Data Line 6	22	MCS0/	Chip Select
23	MD5	Data Line 5	24	—	Not Used
25	MD4	Data Line 4	26	—	Not Used
27	MD3	Data Line 3	28	—	Not Used
29	MD2	Data Line 2	30	—	Not Used
31	MD1	Data Line 1	32	MDACK/	Reserved
33	MD0	Data Line 0	34	MDRQT	Reserved
35	GND	Signal Ground	36	+5V	+ 5 Volts

Table 3. MSBX-800 Address, data, and control lines

be used, followed by the same parameter bytes as the Reset command, to dynamically change the display format without reinitializing the board. The Sync command can also be used alone (with no parameter bytes) to blank the screen for "all time" drawing (drawing can occur during active video as well as during retrace blanking). Note that "all time" drawing may result in streaking on the display.

Another command (PRAM), followed by up to 16 bytes of parameters, is used to define the starting address and length of the image areas on the display (up to two independent display image areas can be maintained by the MSBX-800). The PRAM parameters also define the 16-bit vector "texture" pattern and the 8 x 8 character (or area fill) pattern.

INTERFACING THE MSBX-800 TO OTHER COMPUTER SYSTEMS

Aside from mounting on a CPU board, equipped with a standard iSBX Multimodule connector, the MSBX-800 can also be easily interfaced to any computer via a parallel port which emulates the iSBX standard (figure 7). The small size of the MSBX-800 enables the board to be mounted either within the host computer chassis, in a separate box, or even within the CRT monitor housing. Table 3 outlines the address, data, and control lines required by the MSBX-800.

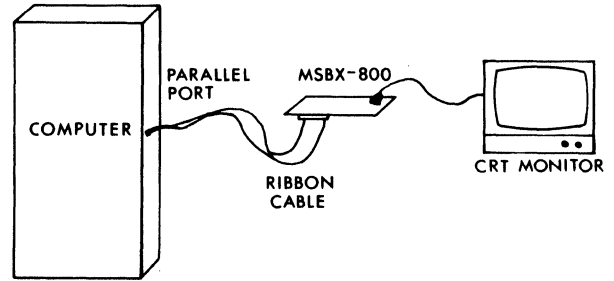


Figure 7. Interfacing the MSBX-800 via a parallel port

SPECIFICATIONS

FUNCTIONAL DISPLAY PARAMETERS

ON-BOARD RAM	READ/WRITE AREA	RESOLUTION	BITS/PIXEL	CLOCK FREQUENCY	
				INTERLACED	NON-INTERLACED
128K	512 x 512	256 x 256	4	—	5.8 MHz
128K	512 x 512	512 x 256	4	—	11.6 MHz
128K	512 x 512	512 x 384	4	10.0 MHz	20.0 MHz
128K	512 x 512	512 x 480	4	10.0 MHz	20.0 MHz
128K	640 x 400	640 x 400	4	13.3 MHz	20.0 MHz
128K	800 x 655	640 x 480	2	13.3 MHz	—
128K	800 x 655	800 x 600	2	20.0 MHz	—
512K	1024 x 1024	640 x 480	4	13.3 MHz	—
512K	1024 x 1024	800 x 600	4	20.0 MHz	—

Note 1: To obtain 640 x 480 x 4 or 800 x 600 x 4 display resolution, 256K RAM parts must be used.

Note 2: Divide by 2 and divide by 4 circuitry is included for obtaining the given clock frequencies using standard crystal oscillators.

VIDEO TIMING

For a display format of 512 horizontal dots x 384 vertical lines, the following video parameters must be programmed. The table gives the parameters for both American and European systems using either Interlaced or Non-Interlaced Video formats.

	AMERICAN		EUROPEAN	
	INTERLACED	NON-INTERLACED	INTERLACED	NON-INTERLACED
Active Video	51.2 μ s	25.6 μ s	51.2 μ s	25.6 μ s
Horizontal Sync Frequency	16.02 KHz	28.4 KHz	16.02 KHz	28.4 KHz
Horizontal Sync Width	6.4 μ s	3.2 μ s	6.4 μ s	3.2 μ s
Vertical Sync Frequency	30.01 Hz	60.06 Hz	25.04 Hz	50.01 Hz
Vertical Sync Width	249.6 μ s	105.6 μ s	249.6 μ s	105.6 μ s

INPUT SIGNALS

Light Pen Enable
Light Pen Strobe

OUTPUT SIGNALS

Analog Video: Red
Green (composite)
Blue
Composite Sync

BUS INTERFACE

Address, data, and control lines conform to the Intel iSBX bus Specification No. 142686-001
Command and Status Registers — Selectable on any 8 byte I/O address boundary — 000 — FFFH
— Detailed information on the MSBX-800 command set is available in the 7220 GDC manual.

CONNECTORS

DESCRIPTION

P1: 36-pin iSBX connector — iSBX-bus Interface
J1: 12-pin header — Video Interface
— Light Pen Interface

MATING CONNECTOR

Intel iSBX Connector (female)
JS TERMINAL CORP. #H12P-SHF-AA

PHYSICAL

SIZE

Width: 7.5 in. (19.05 cm)
Height: 3.2 in. (9.24 cm)
Depth: 0.8 in. (2.05 cm)

POWER REQUIREMENTS

+5V dc \pm 5% @ 1.8A (MSBX-800/64)
+5V dc \pm 5% @ 2.5A (MSBX-800/256)

ENVIRONMENTAL REQUIREMENTS

Operating Temperature: 0°C to 55°C
Relative Humidity: 0 — 95% non-condensing

ORDERING INFORMATION

MSBX-800 / XXX

High resolution iSBX Multimodule (uses 20 MHz crystal)

{ 64 — uses 64K RAMs
256 — uses 256K RAMs

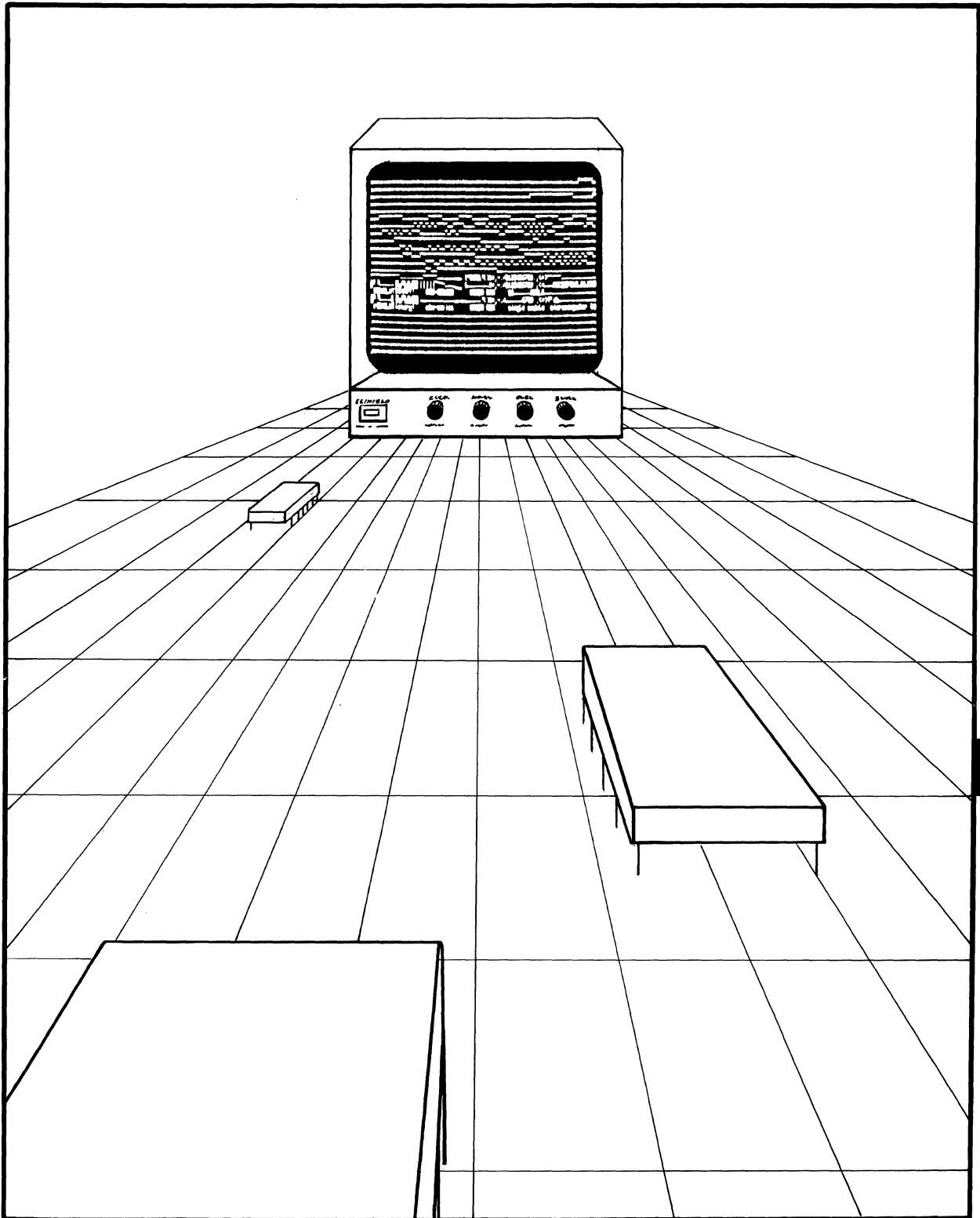
SUPPORT PRODUCTS

XTAL 10.000 MHz
XTAL 11.666 MHz
XTAL 13.333 MHz

Matrox Electronic Systems Ltd reserves the right to make changes in specifications at any time and without notice. The information furnished by Matrox Electronic Systems Ltd in this publication is believed to be accurate and reliable. However, no responsibility is assumed by Matrox Electronic Systems Ltd for its use; nor for any infringements of patents or other rights of third parties resulting from its use. No license is granted under any patents or patent rights of Matrox Electronic Systems Ltd.



iSBX, iSBC, and Multimodule are registered trademarks of Intel Corp.
PAL is a registered trademark of Monolithic Memories Inc.



VIDEO CONTROLLER MODULES

SECTION 8 VIDEO CONTROLLER MODULES

MTX-816 8 x 16 Video Random Access Memory	8-3
MTX-1632 16 x 32 Video Random Access Memory	8-7
MTX-1632SL Externally Synchronized 16 x 32 Video Random Access Memory	8-11
PV-1 Programmable Video Random Access Memory	8-15
MTX-2064 20 x 64 Video Random Access Memory	8-19
MMD-2480 24 x 80 TV CRT Controller	8-23
MMD-256 256 x 256 Dot Graphics CRT Controller Module	8-27



matrox
electronic systems ltd.

5800 ANDOVER AVE., T.M.R., QUE., H4T 1H4, CANADA
TEL.: 514-735-1182 TELEX: 05-825651

MTX-816

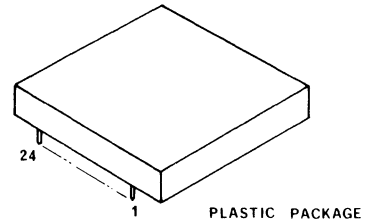
MTX TV CRT CONTROLLER FAMILY

8x16 VIDEO RANDOM ACCESS MEMORY

The MTX-816 is a TV CRT controller designed for use in systems that require display of alphanumeric data. On the input side the device is directly connected to bus organized systems and looks like a 128x8 RAM. The output is a video signal which directly drives a TV monitor to provide an 8x16 field of 128 ASCII characters.

- organized as 128x8 RAM
- 8x16 display field
- bidirectional data bus
- CMOS/TTL compatible
- access time <1 usec
- flicker free display
- single +5V power supply
- low power <800 mW
- ASCII font standard (5x7)
- standard video output
- drives up to 25 TV monitors
- electronic intensity control

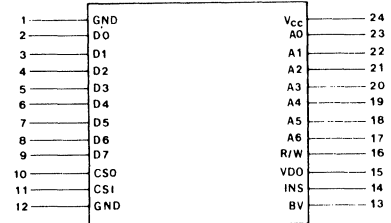
HYBRID
(MOS, TTL)
8x16 ASCII Character
VIDEO RANDOM ACCESS MEMORY



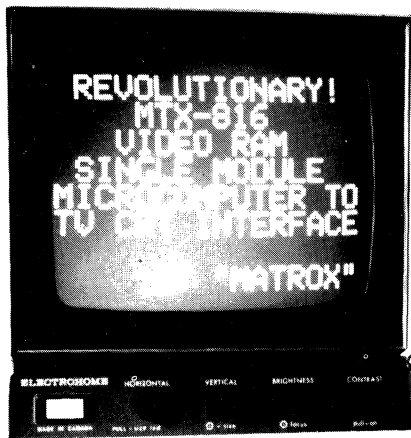
ABSOLUTE MAXIMUM RATINGS

Supply Voltage	V _{CC}	-0.3 to +7	Vdc
Input Voltage	V _{in}	-0.3 to V _{CC}	Vdc
Operating Temp.	T _A	0 to 70	°C
Storage Temp.	T _{sta}	-55 to 150	°C
Lead Solder Temp.	T _{SD}	+400	°C

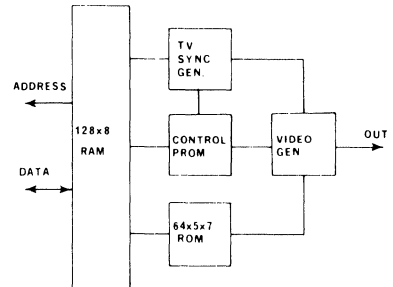
PIN ASSIGNMENT



TYPICAL APPLICATION



MTX-816 VIDEO RAM BLOCK DIAGRAM



DC OPERATING CONDITIONS AND CHARACTERISTICS

(Full operating voltage and temperature range unless otherwise noted)

RECOMMENDED DC OPERATING CONDITIONS

PARAMETER	SYMBOL	MIN.	TYP.	MAX.	UNIT
Supply Voltage	V _{CC}	4.75	5.0	5.25	V _{dc}
Temperature	T _A	0	25	70	C
Power Dissipation	P _D	700	800	1200	mW
Input High Voltage	V _{IH}	3.5	—	V _{CC}	V _{dc}
Input Low Voltage	V _{IL}	0	—	0.8	V _{dc}

This device contains circuitry to protect the inputs against damage due to high static voltages or electric fields; however, it is advised that normal precautions be taken to avoid application of any voltage higher than maximum rated voltages to this high-impedance circuit.

DC CHARACTERISTICS

Input Current (An, R/W, CS)	I _{IN}	—	—	10	pA _{dc}
Input High Threshold	V _{IHT}	2.0	—	—	V _{dc}
Input Low Threshold	V _{ILT}	—	—	0.8	V _{dc}
Output High Voltage	V _{OH}	2.4	—	—	V _{dc}
Output Low Voltage	V _{OL}	—	—	0.4	V _{dc}
Output Leakage (D0—D7)	I _{LOH,L}	—	—	10	μA _{dc}
Output Current (High)	I _{OH}	—	—	-100	μA
Output Current (Low)	I _{OL}	—	—	0.8	mA
Supply Current (+5V)	I _{CC}	—	160	200	mA _{dc}

CAPACITANCE

CHARACTERISTIC	SYMBOL	MAX.	UNIT
Input Capacitance	C _{IN}	15	pF
Output Capacitance	C _{OUT}	15	pF

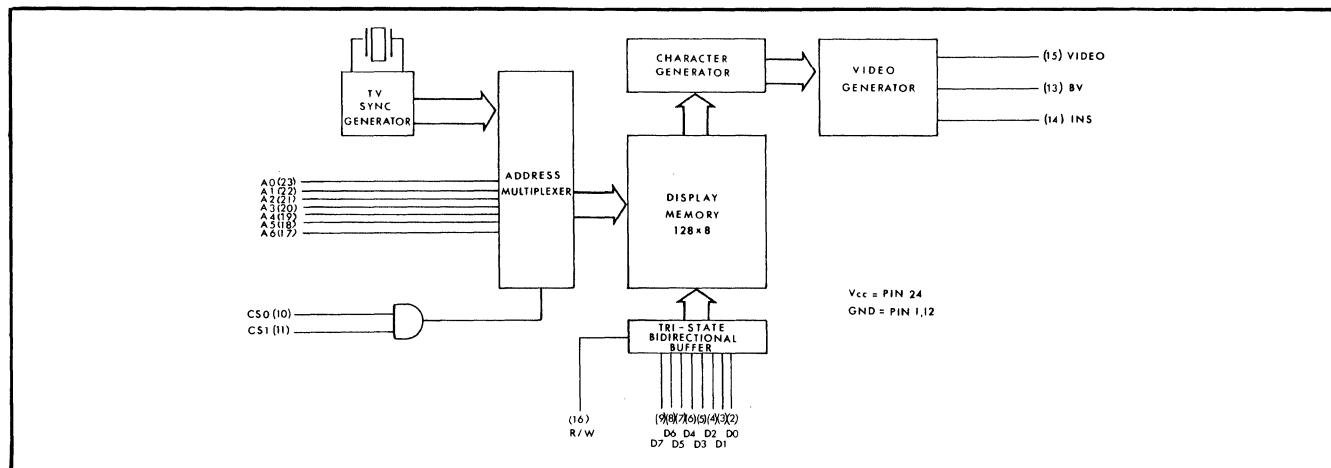
All MTX-816 inputs are CMOS equivalent (CD4000 or MC14000 family or equivalent).

FUNCTIONAL DESCRIPTION

The MTX-816 is a TV CRT controller module which generates a video signal that can directly drive any standard TV monitor. The display is 128 ASCII alphanumeric characters arranged in an 8x16 matrix. Characters are displayed white on a black background. Intensity control pin allows electronic control of the brightness of the whole field. It can also be used for blanking of the screen during a read/write operation or for flashing.

On the input side, the MTX-816 looks like an ordinary 128x8 RAM and can be directly connected to the address and data bus of any bus organized system.

The MTX-816 is particularly suitable for use in microcomputer systems due to low cost, small size, high speed, low power requirement, and no additional interface circuitry.



AC OPERATING CONDITIONS AND CHARACTERISTICS

(Full operating voltage and temperature unless otherwise noted)

RECOMMENDED AC OPERATING CONDITIONS

PARAMETER	SYMBOL	MIN.	UNIT
Address Setup Time	t_{AS}	0	ns
Address Hold time	t_{AH}	0	ns

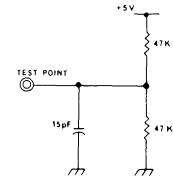
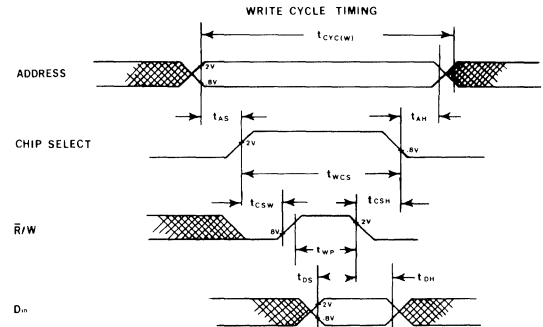


FIG 1. AC TEST LOAD

WRITE CYCLE

(All timing with rise time/fall time = 20ns.)
(Load of Fig. 1)

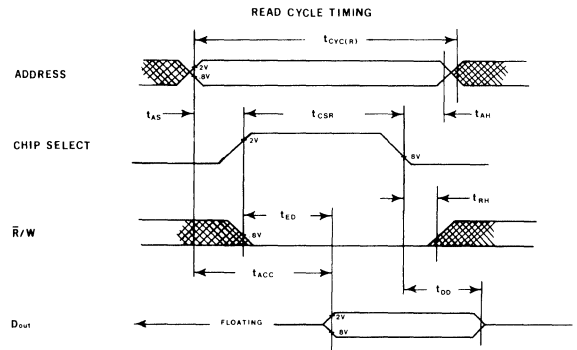
CHARACTERISTIC	SYMBOL	MIN.	MAX.	UNIT
Write Cycle Time	$t_{CYC(W)}$	900	—	ns
Write Chip Select Width	t_{WCS}	800	—	ns
CS to Write Setup Time	t_{CSW}	400	—	ns
Write Pulse Width	t_{WP}	400	—	ns
Chip Select Hold Time	t_{CSH}	0	—	ns
Data Setup Time	t_{DS}	350	—	ns
Data Hold Time	t_{DH}	100	—	ns



READ CYCLE

(All timing with rise time/fall time = 20ns.)
(Load of Fig. 1)

CHARACTERISTIC	SYMBOL	MIN.	MAX.	UNIT
Read Cycle Time	$t_{CYC(R)}$	975	—	ns
Read Chip Select Width	t_{CSR}	975	—	ns
Read Access Time	t_{ACC}	—	975	ns
Output Enable Delay	t_{ED}	—	975	ns
Output Disable Delay	t_{DD}	30	150	ns
Read Hold Time	t_{RH}	150	—	ns



VIDEO OUTPUTS

Sync. frequency
Horizontal: 15.840 kHz
Vertical: 60 Hz/50 Hz
Crystal controlled.
Output impedance: 75 ohms
Short circuit protection built in.

BV signal can be used as a flag to access VRAM during vertical retrace only. (no flicker during access).
BV drive current (max.)
.1 mA source
.25 mA sink.

Pin 14 open - white max.
Pin 14 ground - no video (black)
INS input allows electronic control of the brightness of the whole field.

ASCII CHARACTER FONT

OCTAL

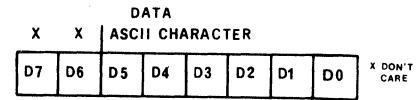
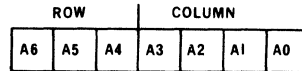
00 01 02 03 04 05 06 07
 10 11 12 13 14 15 16 17
 20 21 22 23 24 25 26 27
 30 31 32 33 34 35 36 37
 40 41 42 43 44 45 46 47
 50 51 52 53 54 55 56 57
 60 61 62 63 64 65 66 67
 70 71 72 73 74 75 76 77

SCREEN DISPLAY ORGANISATION

ROW	0	1	2	3	4	5	6	7	8	9	10	11	12	13	14	15
0																
1																
2																
3																
4																
5																
6																
7																

COLUMN

CHARACTER POSITION ADDRESS



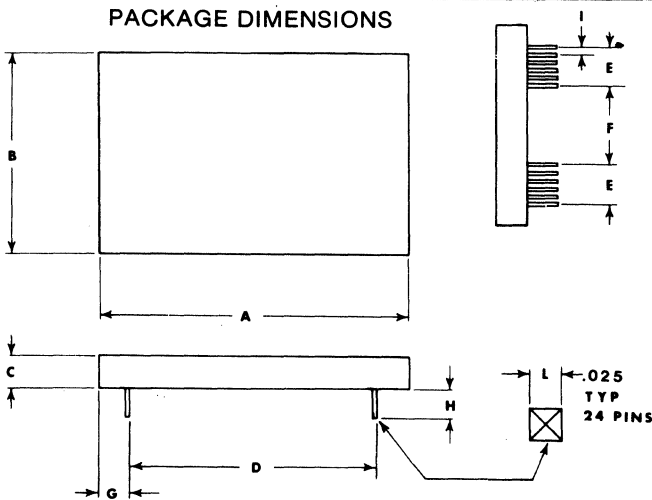
BITS D7 AND D6 NOT USED FOR VIDEO DISPLAY

ORDERING INFORMATION

MTX-816-XX

AS—American standard (60 Hz)
 ES—European standard (50 Hz)

PACKAGE DIMENSIONS



MODULE CASE IS ISOLATED ALLOWING ETCH RUNS UNDERNEATH.

DIM	CM		INCHES	
	NOM.	TOL.	NOM.	TOL.
A	11.191	.02	4.406	.01
B	8.331	.02	3.280	.01
C	1.549	.02	.610	.01
D	9.957	.02	3.920	.01
E	1.270	.02	.500	.01
F	2.540	.02	1.000	.01
G	.587	.02	.235	.01
H	.432	.02	.170	.01
I	.254	.007	.100	.003
L	.063	.002	.025	.001

Matrox Electronic Systems Ltd reserves the right to make changes in specifications at any time and without notice. The information furnished by Matrox Electronic Systems Ltd in this publication is believed to be accurate and reliable. However, no responsibility is assumed by Matrox Electronic Systems Ltd for its use; nor for any infringements of patents or other rights of third parties resulting from its use. No license is granted under any patents or patent rights of Matrox Electronic Systems Ltd.





matrox
electronic systems Ltd.

5800 ANDOVER AVE., T.M.R., QUE., H4T 1H4, CANADA
TEL.: 514-735-1182 TELEX: 05-825651

MTX TV CRT CONTROLLER FAMILY

16x32 VIDEO RANDOM ACCESS MEMORY

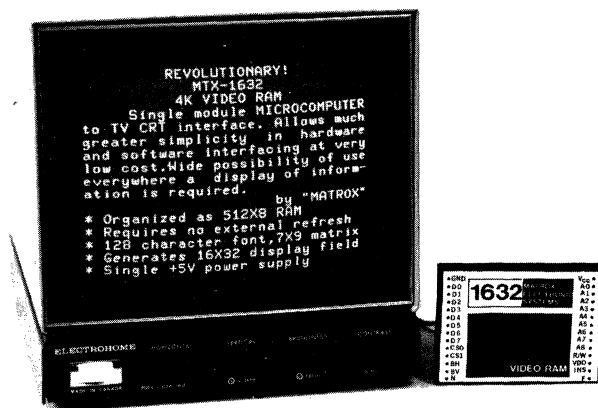
The MTX-1632 is a TV CRT controller designed for use in systems that require display of alphanumeric data. On the input side the device is directly connected to bus organized systems and looks like a 512x8 RAM. The output is a video signal which directly drives a TV monitor to provide a 16x32 field of 512 ASCII characters.

- organized as 512x8 RAM
- 16x32 display field
- bidirectional data bus
- TTL compatible
- access time < 550 ns
- flicker free display
- single +5V power supply
- low power
- ASCII font standard (7x9)
- standard video output
- drives up to 25 TV monitors
- character blinking
- electronic intensity control

ABSOLUTE MAXIMUM RATINGS

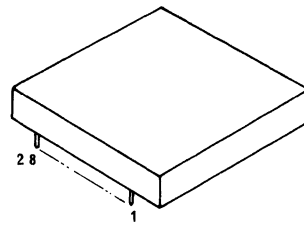
Supply Voltage	V _{CC}	-0.3 to + 6	Vdc
Input Voltage	V _{in}	-0.3 to V _{CC}	Vdc
Operating Temp.	T _A	0 to 70	°C
Storage Temp.	T _{sta}	-55 to 125	°C
Lead Solder Temp	T _{SD}	+ 400	°C

TYPICAL APPLICATION



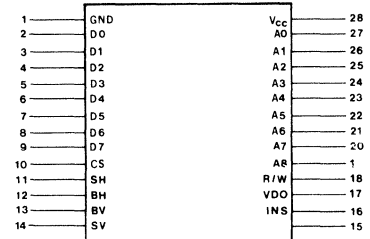
MTX-1632

HYBRID
(MOS, TTL)
16x32 ASCII Character
VIDEO RANDOM ACCESS MEMORY

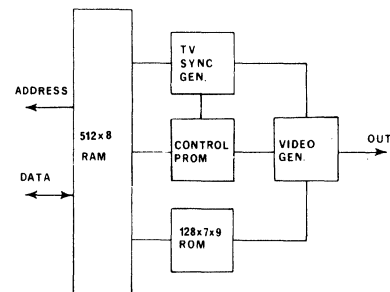


PLASTIC PACKAGE

PIN ASSIGNMENT



MTX-1632 VIDEO RAM BLOCK DIAGRAM



DC OPERATING CONDITIONS AND CHARACTERISTICS
(Full operating voltage and temperature range unless otherwise noted)

RECOMMENDED DC OPERATING CONDITIONS

PARAMETER	SYMBOL	MIN.	TYP.	MAX.	UNIT
Supply Voltage	V _{CC}	4.75	5.0	5.25	Vdc
Input High Voltage	V _{IH}	2.0		V _{CC}	Vdc
Input Low Voltage	V _{IL}	0		0.7	Vdc

SH(pin 11) is horizontal sync.
Low = 5.8 μs,
High = 58.3 μs
SV(pin 14) is vertical sync.
Low = .256 ms
High = 16.41 ms

DC CHARACTERISTICS

Input Current (High)	I _{IN}			20	μA
Input Current (Low)	I _{IN}	—	—	-0.4	mA
Output Current (High)	I _{OH}		—	-400	μA
Output Current (Low)	I _{OL}	—	—	8	mA
Output High Voltage	V _{OH}	2.4	3.4	—	Vdc
Output Low Voltage	V _{OL}	—	0.3	0.5	Vdc
Output Leakage (D0—D7)	I _{LOH,L}	—	—	20	μA
Output Current (High) D0—D7	I _{OH}	—	—	-2.6	mA
Output Current (Low) D0—D7	I _{OL}	—	—	24	mA
Supply Current (.5V)	I _{CC}	—	400	600	mA

CAPACITANCE

CHARACTERISTIC	SYMBOL	MAX.	UNIT
Input Capacitance	C _{IN}	15	pF
Output Capacitance	C _{OUT}	15	pF

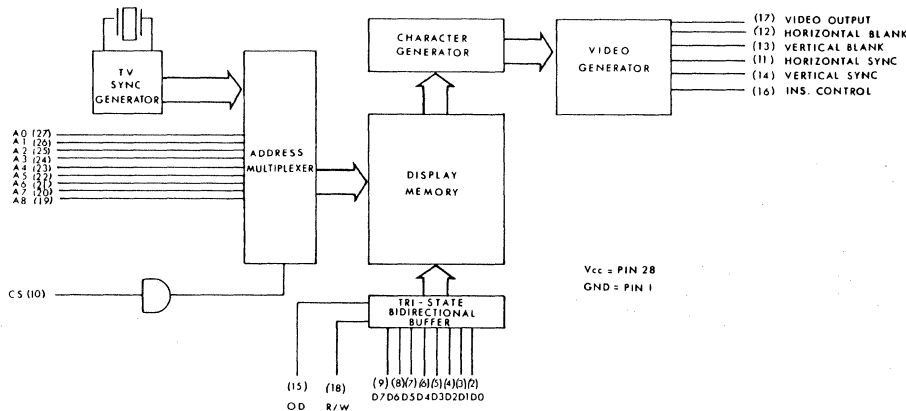
Note: All MTX-1632 inputs are TTL equivalent (74LSxxx family or equivalent).

FUNCTIONAL DESCRIPTION

The MTX-1632 is a TV CRT controller which generates a video signal that can directly drive any standard TV monitor. The display is 512 ASCII alphanumeric characters arranged in 16x32 matrix. Characters are displayed white on a black background. Intensity control pin allows electronic control of the brightness of the whole field. It can also be used for blanking of the screen during a read/write operation or for flashing.

On the input side, the MTX-1632 looks like an ordinary 512x8 RAM and can be directly connected to the address and data bus of any bus organized system.

The MTX-1632 is particularly suitable for use in microcomputer systems due to low cost, small size, high speed, low power requirement, and no additional interface circuitry.

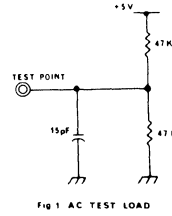


AC OPERATING CONDITIONS AND CHARACTERISTICS

(Full operating voltage and temperature unless otherwise noted)

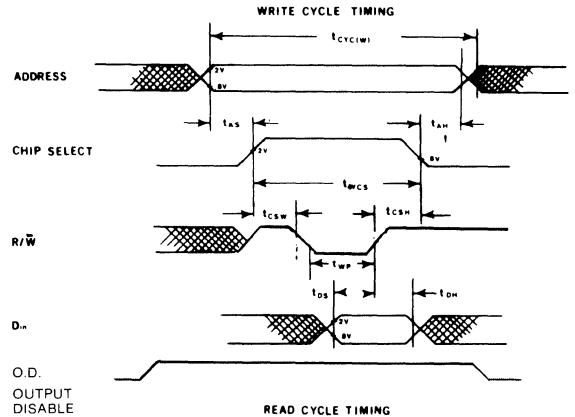
RECOMMENDED AC OPERATING CONDITIONS

PARAMETER	SYMBOL	MIN.	UNIT
Address Setup Time	t_{AS}	0	ns
Address Hold Time	t_{AH}	0	ns



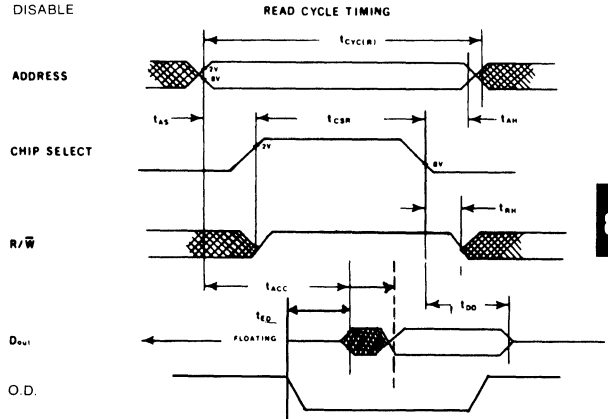
WRITE CYCLE (All timing with rise time/fall time = 20ns)
(Load of Fig. 1)

CHARACTERISTIC	SYMBOL	MIN.	MAX.	UNIT
Write Cycle Time	$t_{CYC(W)}$	565	—	ns
Write Chip Select Width	t_{WCS}	565	—	ns
CS to Write Setup Time	t_{CSW}	240	—	ns
Write Pulse Width	t_{WP}	250	—	ns
Chip Select Hold Time	t_{CSH}	75	—	ns
Data Setup Time	t_{DS}	250	—	ns
Data Hold Time	t_{DH}	40	—	ns

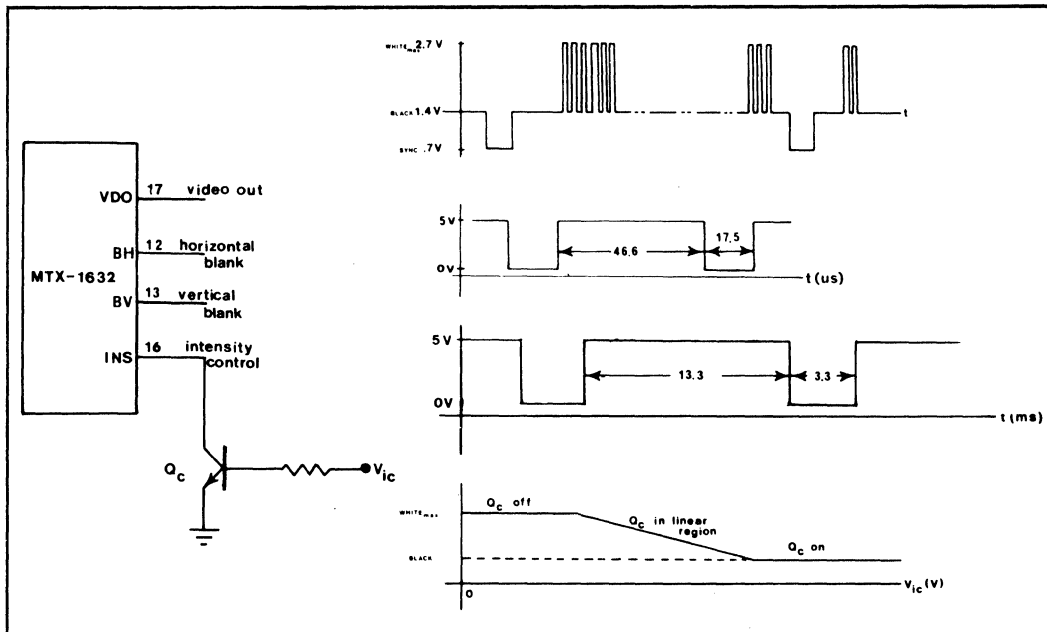


READ CYCLE (All timing with rise time/fall time = 20ns)
(Load of Fig. 1)

CHARACTERISTIC	SYMBOL	MIN.	MAX.	UNIT
Read Cycle Time	$t_{CYC(R)}$	550	—	ns
Read Chip Select Width	t_{CSR}	550	—	ns
Read Access Time	t_{ACC}	—	550	ns
Output Enable Delay	t_{ED}	—	50	ns
Output Disable Delay	t_{DD}	—	50	ns
Read Hold Time	t_{RH}	0	—	ns



WRITE PULSE SWITCHES TRANCEIVERS FROM μP TO VRAM (WRITE)
O.D. PULSE SWITCHES TRANCEIVERS TO μP FROM VRAM (READ)



Sync. frequency
Horizontal: 15.600 kHz
Vertical: 60 Hz/50 Hz
Crystal controlled.
Output impedance: 75 ohms
Short circuit protection built in.

BH or BV signal can be used as a flag to access VRAM during horizontal or vertical retrace only.
(No flicker during access)

Pin 16 open - white max.
Pin 16 ground - no video (black)
INS input allows electronic control of the brightness of the whole field.

ASCII CHARACTER FONT

MTX-1632 A

Character set A grid showing characters from 000 to 111 in a 7x9 matrix. The grid includes characters such as 'P', 'Q', 'R', 'S', 'T', 'U', 'V', 'W', 'X', 'Y', 'Z', 'a', 'b', 'c', 'd', 'e', 'f', 'g', 'h', 'i', 'j', 'k', 'l', 'm', 'n', 'o', 'p', 'q', 'r', 's', 't', 'u', 'v', 'w', 'x', 'y', 'z', and various symbols.

MTX-1632 B

Character set B grid showing characters from 000 to 111 in a 7x9 matrix. The grid includes characters such as 'P', 'Q', 'R', 'S', 'T', 'U', 'V', 'W', 'X', 'Y', 'Z', 'a', 'b', 'c', 'd', 'e', 'f', 'g', 'h', 'i', 'j', 'k', 'l', 'm', 'n', 'o', 'p', 'q', 'r', 's', 't', 'u', 'v', 'w', 'x', 'y', 'z', and various symbols.

Additional character fonts are available from stock.
Custom made font (128 characters in 7x9 matrix) available at extra cost.

SCREEN DISPLAY ORGANIZATION

0	1	2	3	4	5	6	7	8	9	10	11	12	13	14	15	16	17	18	19	20	21	22	23	24	25	26	27	28	29	30	31		
1																																	
2																																	
3																																	
4																																	
5																																	
6																																	
7																																	
8																																	
9																																	
10																																	
11																																	
12																																	
13																																	
14																																	
15																																	

ROW

COLUMN

CHARACTER POSITION ADDRESS
ROW I COLUMN

A8	A7	A6	A5	A4	A3	A2	A1	A0
----	----	----	----	----	----	----	----	----

DATA
X ASCII CHARACTER

D7	D6	D5	D4	D3	D2	D1	D0
----	----	----	----	----	----	----	----

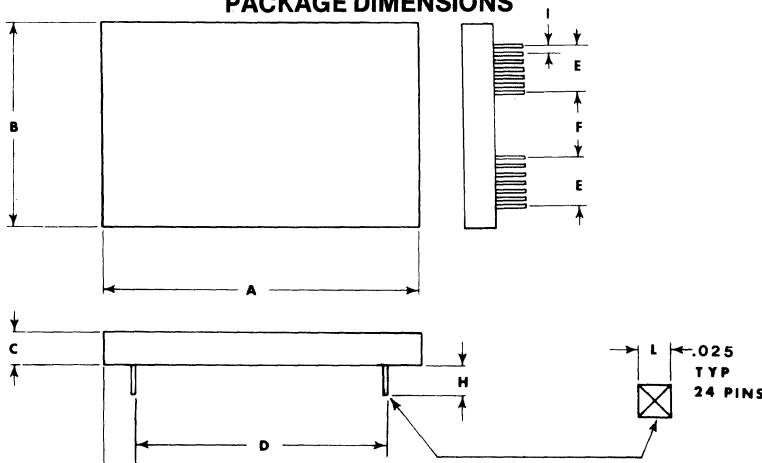
D0-D6 ...character
D7 ...blink bit
0...normal
1...character flashing at 1 Hz

ORDERING INFORMATION

MTX-1632-X X

- A—American standard (60 Hz)
- E—European standard (50 Hz)
- A—Character set A (see ASCII CHARACTER FONT)
- B—Character set B (see ASCII CHARACTER FONT)
- G—German character set
- J—Japanese character set

PACKAGE DIMENSIONS



MODULE CASE IS ISOLATED ALLOWING ETCH RUNS UNDERNEATH.

DIM	MM		INCHES	
	NOM.	TOL.	NOM.	TOL.
A	114.300	.254	4.500	.01
B	101.600	.254	4.000	.01
C	12.700	.254	.50	.01
D	99.568	.254	3.920	.01
E	15.240	.254	.600	.01
F	20.320	.254	.800	.01
G	7.366	.254	.29	.01
H	4.318	.254	.170	.01
I	2.540	.076	.100	.003
L	.635	.025	.025	.001

Matrox Electronic Systems Ltd. reserves the right to make changes in specifications at any time and without notice. The information furnished by Matrox Electronic Systems Ltd. in this publication is believed to be accurate and reliable. However, no responsibility is assumed by Matrox Electronic Systems Ltd. for its use; nor for any infringements of patents or other rights of third parties resulting from its use. No license is granted under any patents or patent rights of Matrox Electronic Systems Ltd.





matrox
electronic systems Ltd.

5800 ANDOVER AVÉ., T.M.R., QUE., H4T 1H4, CANADA
TEL.: 514-735-1182 TELEX: 05-825651

MTX-1632SL

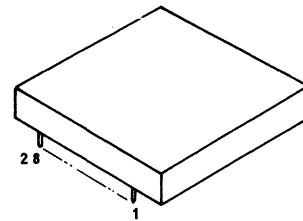
MTX TV CRT CONTROLLER FAMILY

EXTERNALLY SYNCHRONIZED 16x32 VIDEO RANDOM ACCESS MEMORY

The MTX-1632SL is a TV CRT controller designed for use in systems that require display of alphanumeric data. On the input side the device is directly connected to bus organized systems and looks like a 512x8 RAM. The output is a video signal which directly drives a TV monitor to provide a 16x32 field of 512 ASCII characters. The device can be slave locked to an external source (TV sync. generator).

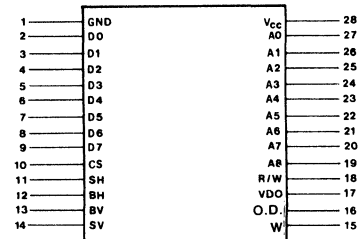
- external synchronization
- organized as 512x8 RAM
- 16x32 display field
- bidirectional data bus
- TTL compatible
- access time < 550 ns
- flicker free display
- broadcasting applications
- single + 5V power supply
- low power
- ASCII font standard (7x9)
- standard video output
- drives up to 25 TV monitors
- character blinking

HYBRID
(MOS, TTL)
16x32 ASCII Character
VIDEO RANDOM ACCESS MEMORY



PLASTIC PACKAGE

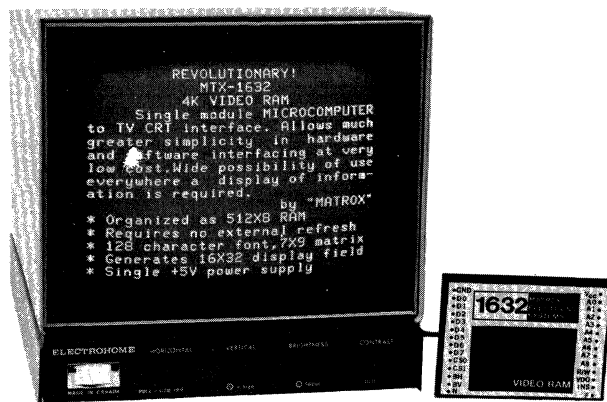
PIN ASSIGNMENT



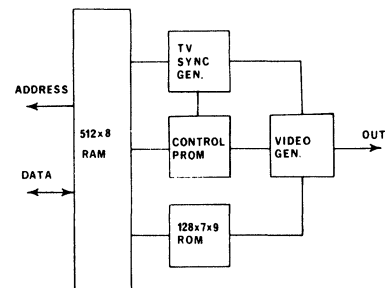
ABSOLUTE MAXIMUM RATINGS

Supply Voltage	V _{cc}	-0.3 to + 6	Vdc
Input Voltage	V _{in}	-0.3 to V _{cc}	Vdc
Operating Temp.	T _A	0 to 70	°C
Storage Temp.	T _{sta}	-55 to 125	°C
Lead Solder Temp	T _{SD}	+ 400	°C

TYPICAL APPLICATION



MTX-1632 VIDEO RAM BLOCK DIAGRAM



DC OPERATING CONDITIONS AND CHARACTERISTICS

(Full operating voltage and temperature range unless otherwise noted)

RECOMMENDED DC OPERATING CONDITIONS

PARAMETER	SYMBOL	MIN.	TYP.	MAX.	UNIT
Supply Voltage	V _{CC}	4.75	5.0	5.25	Vdc
Input High Voltage	V _{IH}	2.0		V _{CC}	Vdc
Input Low Voltage	V _{IL}	0		0.7	Vdc

SH (pin 11) is horizontal sync. input positive TTL pulse
1 μs min. 8 μs max.
f min. = 15 KHz, f max = 17 KHz

SV (pin 14) is vertical sync. input positive TTL pulse
150 μs min. 1ms max.
f min. = 45 Hz, f max. = 65 Hz

W (pin 15) is video only output
TTL level, no sync. added

DC CHARACTERISTICS

Input Current (High)	I _{IN}			20	μA
Input Current (Low)	I _{IN}	—	—	-0.4	mA
Output Current (High)	I _{OH}		—	-400	μA
Output Current (Low)	I _{OL}	—	—	8	mA
Output High Voltage	V _{OH}	2.4	3.4	—	Vdc
Output Low Voltage	V _{OL}	—	0.3	0.5	Vdc
Output Leakage (D0—D7)	I _{LOH,L}	—	—	20	μA
Output Current (High) D0—D7	I _{OH}	—	—	-2.6	mA
Output Current (Low) D0—D7	I _{OL}	—	—	24	mA
Supply Current (.5V)	I _{CC}	—	400	600	mA

CAPACITANCE

CHARACTERISTIC	SYMBOL	MAX.	UNIT
Input Capacitance	C _{IN}	15	pF
Output Capacitance	C _{OUT}	15	pF

Note: All MTX-1632SL inputs are TTL equivalent (74LSxxx family or equivalent).

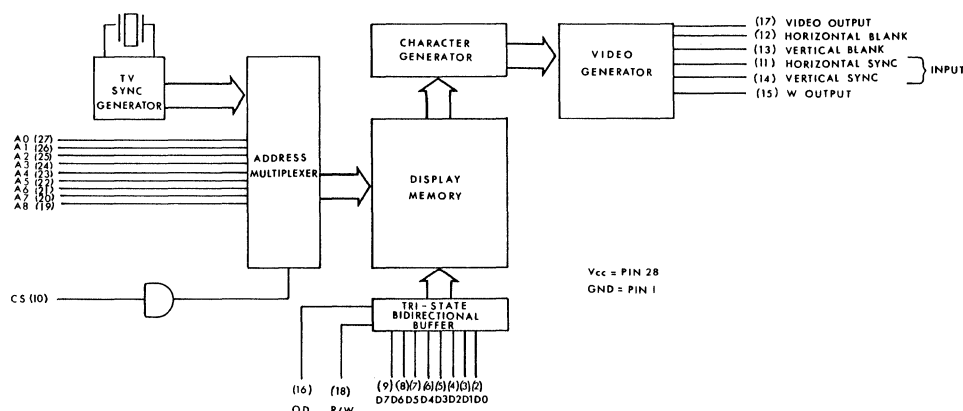
FUNCTIONAL DESCRIPTION

The MTX-1632SL is a TV CRT controller module which generates a video signal that can directly drive any standard TV monitor. The display is 512 ASCII alphanumeric characters arranged in 16x32 matrix. Characters are displayed white on a black background. Intensity control pin allows electronic control of the brightness of the whole field. It can also be used for blanking of the screen during a read/write operation or for flashing.

The MTX-1632SL can be slave locked to an external sync. source. This feature allows the MTX-1632SL to be used in broadcasting (mixing with video from a TV camera, any standard TV system can be used as a sync. source). The device can be also used together with graphics VRAM MMD-256 to obtain full graphic/alphanumeric capability.

On the input side, the MTX-1632SL looks like an ordinary 512x8 RAM and can be directly connected to the address and data bus of any bus organized system.

The MTX-1632SL is particularly suitable for use in microcomputer systems due to low cost, small size, high speed, low power requirement, and no additional interface circuitry.



AC OPERATING CONDITIONS AND CHARACTERISTICS

(Full operating voltage and temperature unless otherwise noted)

RECOMMENDED AC OPERATING CONDITIONS

PARAMETER	SYMBOL	MIN.	UNIT
Address Setup Time	t_{AS}	0	ns
Address Hold Time	t_{AH}	0	ns

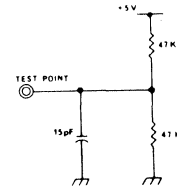
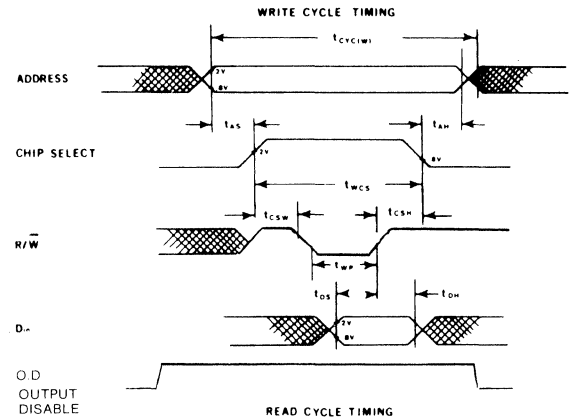


FIG 1 AC TEST LOAD

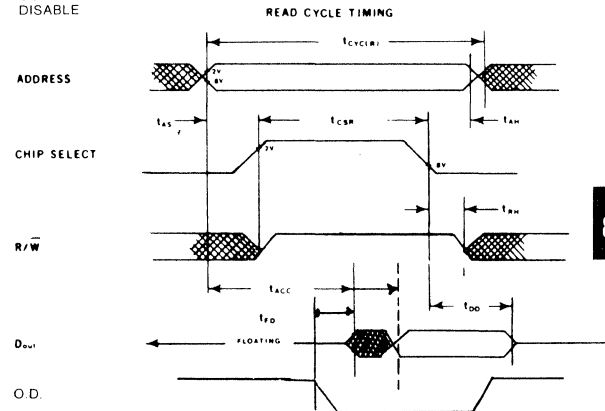
WRITE CYCLE (All timing with rise time/fall time = 20ns) (Load of Fig. 1)

CHARACTERISTIC	SYMBOL	MIN.	MAX.	UNIT
Write Cycle Time	$t_{CYC(W)}$	565	—	ns
Write Chip Select Width	t_{WCS}	565	—	ns
CS to Write Setup Time	t_{CSW}	240	—	ns
Write Pulse Width	t_{WP}	250	—	ns
Chip Select Hold Time	t_{CSH}	75	—	ns
Data Setup Time	t_{DS}	250	—	ns
Data Hold Time	t_{DH}	40	—	ns

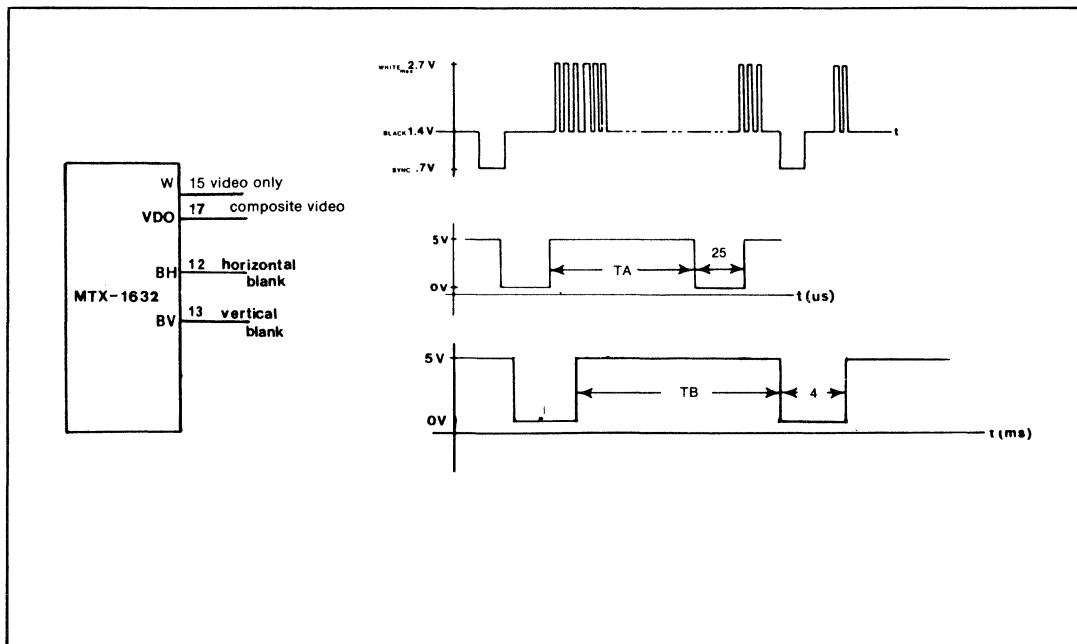


READ CYCLE (All timing with rise time/fall time = 20ns) (Load of Fig. 1)

CHARACTERISTIC	SYMBOL	MIN.	MAX.	UNIT
Read Cycle Time	$t_{CYC(R)}$	550	—	ns
Read Chip Select Width	t_{CSR}	550	—	ns
Read Access Time	t_{ACC}	—	550	ns
Output Enable Delay	t_{ED}	—	50	ns
Output Disable Delay	t_{DD}	—	50	ns
Read Hold Time	t_{RH}	0	—	ns



WRITE PULSE SWITCHES TRANCEIVERS FROM μP TO VRAM (WRITE) O.D. PULSE SWITCHES TRANCEIVERS TO μP FROM VRAM (READ)

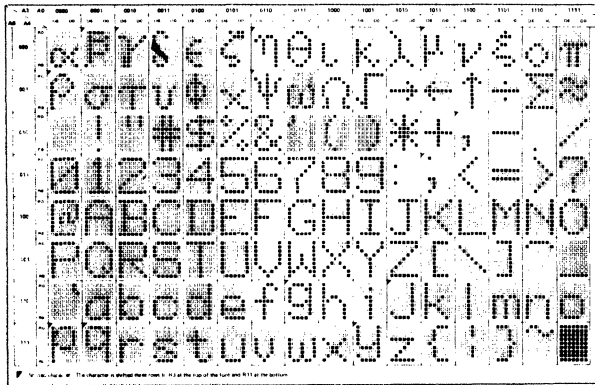


W is video only output. Can be used for mixing with other video signals. Composite video (VDO). Output impedance: 75 ohms. Short circuit protection built in.

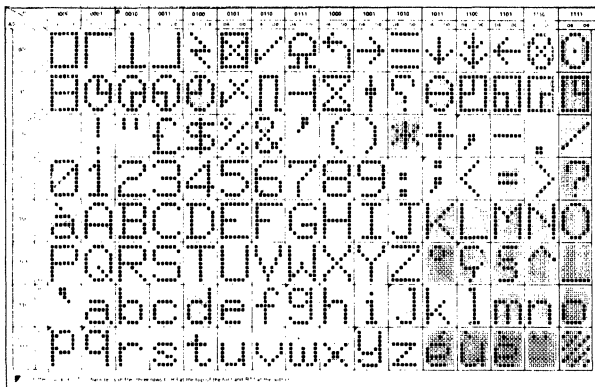
BH or BV signal can be used as a flag to access VRAM during horizontal or vertical retrace only. (No flicker during access) TA, TB depend on external sync.

ASCII CHARACTER FONT

MTX-1632 SL-A

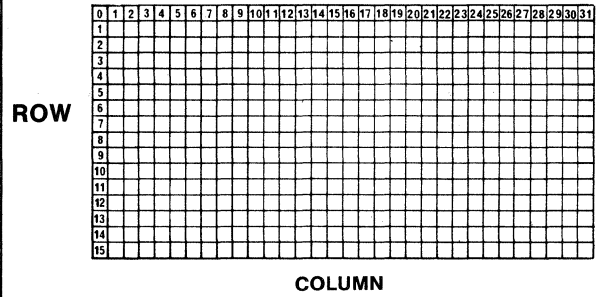


MTX-1632 SL-B

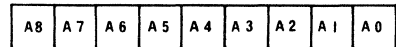


Additional character fonts are available from stock.
Custom made font (128 characters in 7x9 matrix) available at extra cost.

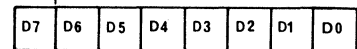
SCREEN DISPLAY ORGANIZATION



CHARACTER POSITION ADDRESS



DATA ASCII CHARACTER



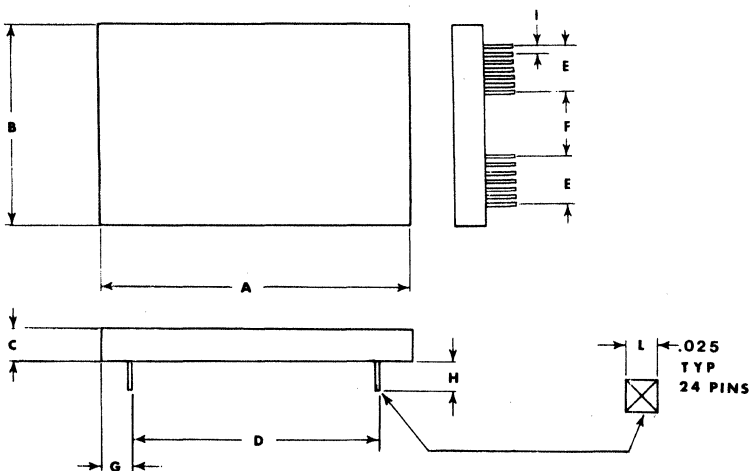
D0-D6 ...character
D7 ...blink bit
0...normal
1...character flashing at 1 Hz

ORDERING INFORMATION

MTX-1632SL-X X

- A—American standard (60 Hz)
- E—European standard (50 Hz)
- A—Character set A (see ASCII CHARACTER FONT)
- B—Character set B (see ASCII CHARACTER FONT)
- G—German character set
- J—Japanese character set

PACKAGE DIMENSIONS



MODULE CASE IS ISOLATED ALLOWING ETCH RUNS UNDERNEATH.

DIM	MM		INCHES	
	NOM.	TOL.	NOM.	TOL.
A	114.300	.254	4.500	.01
B	101.600	.254	4.000	.01
C	12.700	.254	.50	.01
D	99.568	.254	3.920	.01
E	15.240	.254	.600	.01
F	20.320	.254	.800	.01
G	7.366	.254	.29	.01
H	4.318	.254	.170	.01
I	2.540	.076	.100	.003
L	.635	.025	.025	.001

Matrox Electronic Systems Ltd reserves the right to make changes in specifications at any time and without notice. The information furnished by Matrox Electronic Systems Ltd in this publication is believed to be accurate and reliable. However, no responsibility is assumed by Matrox Electronic Systems Ltd for its use; nor for any infringements of patents or other rights of third parties resulting from its use. No license is granted under any patents or patent rights of Matrox Electronic Systems Ltd.





matrox
electronic systems ltd.

5800 ANDOVER AVE., T.M.R., QUE., H4T 1H4, CANADA
TEL.: 514-735-1182 TELEX: 05-825651

MTX TV CRT CONTROLLER FAMILY

PROGRAMMABLE VIDEO RANDOM ACCESS MEMORY

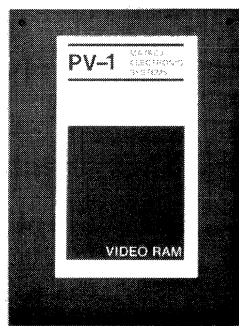
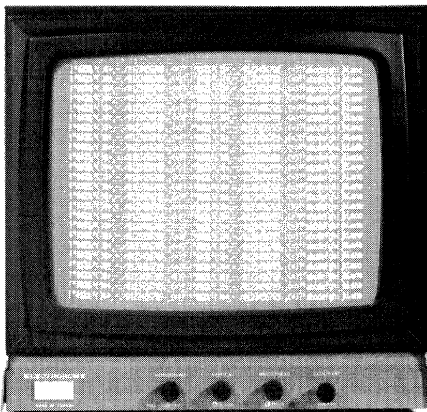
The PV-1 is a multiple format alphanumeric controller designed to satisfy the majority of users who have special display requirements. The module contains a programmable CRT controller with internal/external lock capability and all required circuitry to generate any screen format for up to 16 lines x 64 characters. On the input side the device is directly connected to any bus organized system and looks like a 1K x 8 RAM (500ns access). The output is a video signal which directly drives a TV monitor.

- External/internal sync.
- Programmable display field
- 8/16 columns
- 8 to 64 rows
- Built-in 1K x 8 refresh RAM
- Access time 500ns
- Upper/lower case (7 x 9)
- Single +5V power supply
- American/European standard
- Standard video output
- Digital and analog video mixers built-in
- uP intensity control
- Character blink/inverse control
- Broadcast application

ABSOLUTE MAXIMUM RATINGS

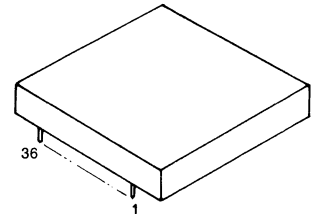
Supply Voltage	V_{CC}	-0.3 to +6	Vdc
Input Voltage	V_{in}	-0.3 to V_{CC}	Vdc
Operating Temp.	T_A	0 to 70	°C
Storage Temp.	T_{sta}	-55 to 125	°C
Lead Solder Temp.	T_{SD}	+ 400	°C

TYPICAL APPLICATION



PV-1

HYBRID
(MOS, TTL)
PROGRAMMABLE
VIDEO RANDOM ACCESS MEMORY

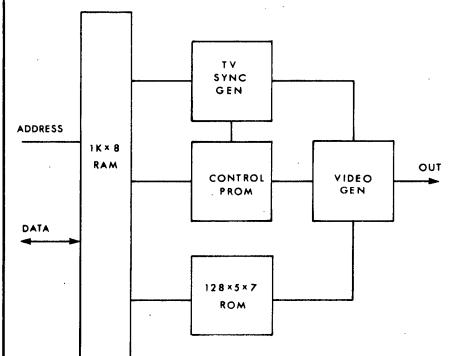


PLASTIC PACKAGE

PIN ASSIGNMENT

1	GND	+5V	36
2	D0	A0	35
3	D1	A1	34
4	D2	A2	33
5	D3	A3	32
6	D4	A4	31
7	D5	A5	30
8	DV	A6	29
9	AV	A7	28
10	E/I	IC	27
11	SC	ED	26
12	D6	A8	25
13	D7	A9	24
14	CS	NC	23
15	SH	WR	22
16	BH	VDO	21
17	BV	RD	20
18	SV	W	19

PV-1 VIDEO RAM BLOCK DIAGRAM



DC OPERATING CONDITIONS AND CHARACTERISTICS

(Full operating voltage and temperature range unless otherwise noted)

RECOMMENDED DC OPERATING CONDITIONS

PARAMETER	SYMBOL	MIN.	TYP.	MAX.	UNIT
Supply Voltage	V_{CC}	4.75	5.0	5.25	Vdc
Input High Voltage	V_{IH}	2.0		V_{CC}	Vdc
Input Low Voltage	V_{IL}	0		0.7	Vdc

DC CHARACTERISTICS

Input Current (High)	I_{in}			20	μA
Input Current (Low)	I_{in}	—	—	-0.4	mA
Output Current (High)	I_{OH}		—	-400	μA
Output Current (Low)	I_{OL}	—	—	8	mA
Output High Voltage	V_{OH}	2.4	3.4	—	Vdc
Output Low Voltage	V_{OL}	—	0.3	0.5	Vdc
Output Leakage (D0—D7)	$I_{LOH, L}$	—	—	20	μA_{dc}
Output Current (High) D0—D7	I_{OH}	—	—	-2.6	mA _{dc}
Output Current (Low) D0—D7	I_{OL}	—	—	24	mA
Supply Current (.5V)	I_{CC}	—	400	600	mA _{dc}

E/I (pin 10) External/Internal sync mode control
External = high; Internal = low

SC (pin 11) Composite sync input/output
Direction controlled by E/I pin

SH (pin 15) Horizontal sync input/output

SV (pin 18) Vertical sync input/output

W (pin 19) TTL digital video only output

ED (pin 26) Video enable control
High will disable video portion of composite video, low enables video

DV (pin 8) Digital input to video mixer

AV (pin 9) Analog video input to video mixer

CAPACITANCE

CHARACTERISTIC	SYMBOL	MAX.	UNIT
Input Capacitance	C_{IN}	15	pF
Output Capacitance	C_{OUT}	15	pF

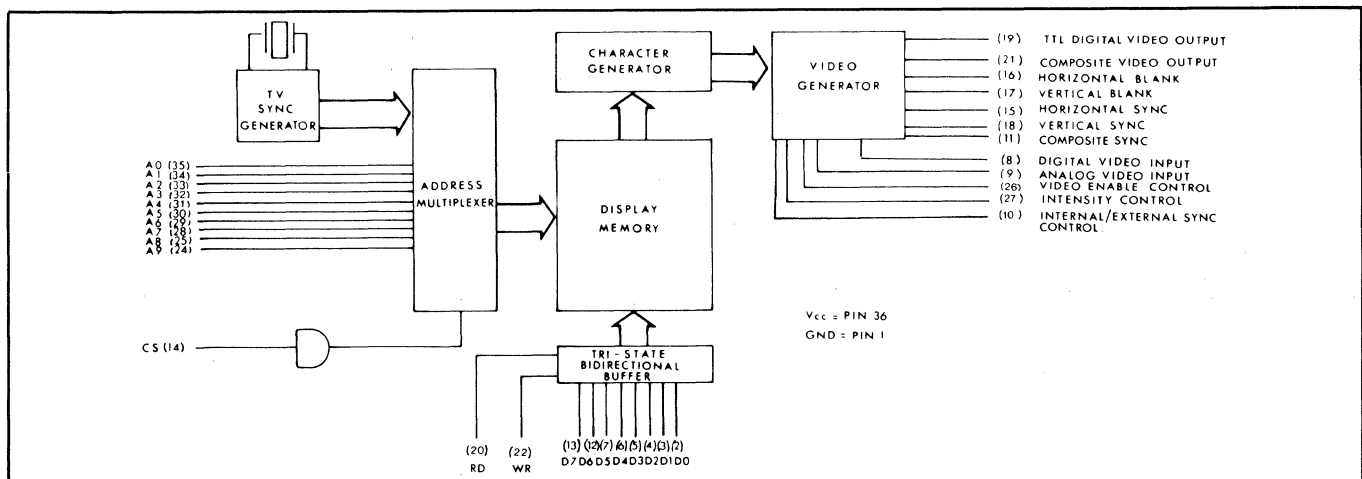
Note: All PV-1 inputs are TTL equivalent (74LSxxx family or equivalent).

FUNCTIONAL DESCRIPTION

The PV-1 is a programmable TV CRT controller which generates a video signal that can drive directly any standard TV monitor. By changing on-board straps any display format using 8 or 16 lines and 8 to 64 characters per line can be accommodated. Characters are displayed white on a black background. An intensity control pin allows electronic control of the brightness of the whole field. This pin can be used for blanking of the screen during a read/write operation or for flashing.

The PV-1 can be slave locked to an external sync. source. This feature allows the PV-1 to be used in broadcasting (mixing with video from a TV camera, any standard TV system can be used as the sync. source). The device can also be used together with a graphics VRAM (MMD-256) to obtain full alphanumeric/graphic capabilities.

The PV-1 is particularly suitable for use in microcomputer systems due to low cost, small size, high speed, low power requirement, and no additional interface circuitry.



AC OPERATING CONDITIONS AND CHARACTERISTICS

(Full operating voltage and temperature unless otherwise noted)

RECOMMENDED AC OPERATING CONDITIONS

PARAMETER	SYMBOL	MIN.	UNIT
Address Setup Time	t _{AS}	0	ns
Address Hold Time	t _{AH}	0	ns

WRITE CYCLE

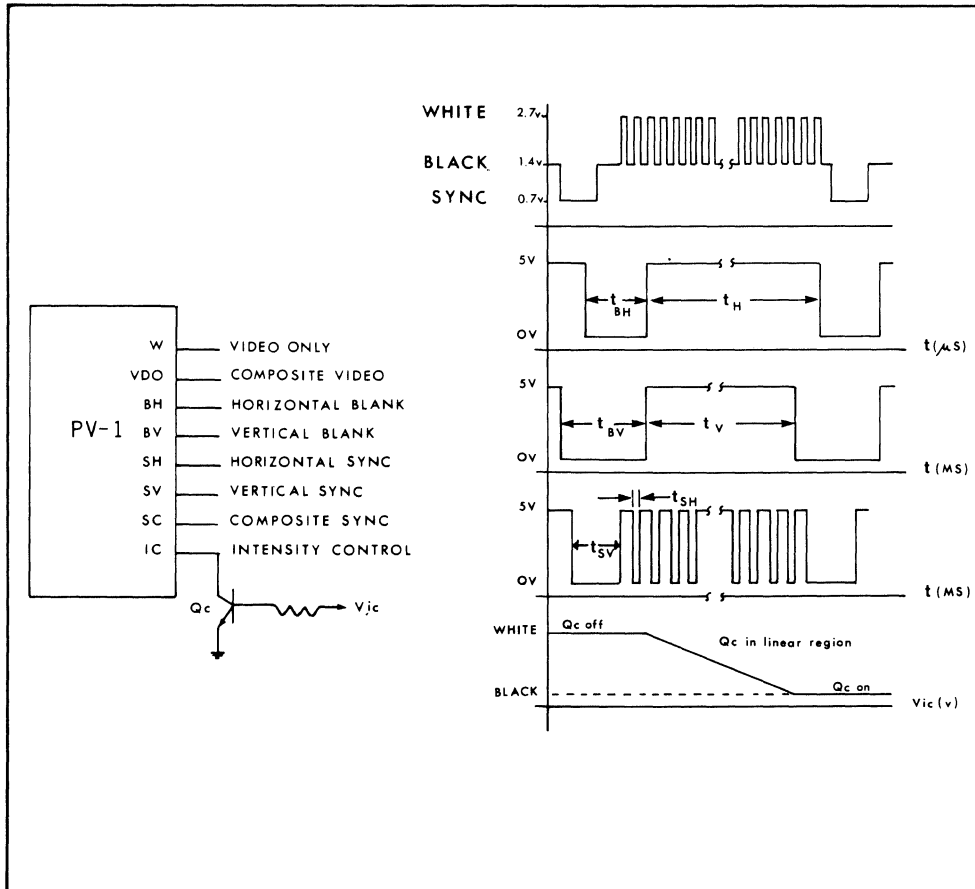
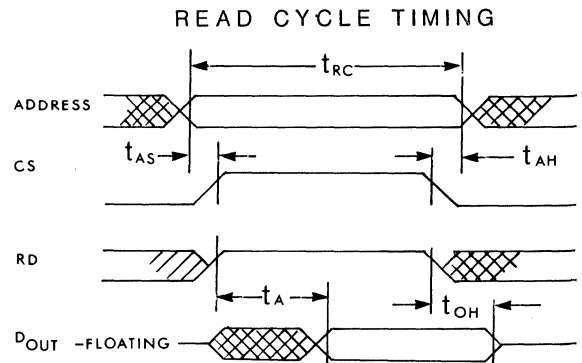
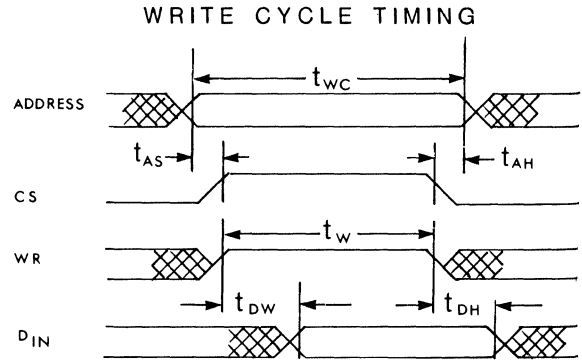
(All timing with rise time/fall time = 20ns)

CHARACTERISTIC	SYMBOL	MIN.	MAX.	UNIT
Write Cycle Time	t _{WC}	500	-	NS
Write Time	t _W	200	-	NS
Data to Write Time Overlap	t _{DW}	200	-	NS
Data Hold From Write Time	t _{DH}	0	-	NS

READ CYCLE

(All timing with rise time/fall time = 20ns)

CHARACTERISTIC	SYMBOL	MIN.	MAX.	UNIT
Read Cycle Time	t _{RC}	500	-	NS
Access Time	t _A	-	500	NS
Output Hold Time	t _{OH}	-	10	NS



W is Digital Video only output. Can be used for mixing with other video signals. Composite video (VDO). Output impedance: 75 Ohms. Short circuit protection built-in.

BH or BV signal can be used as a flag to access VRAM during horizontal or vertical blanking only. (No flicker during access)

SH, SV and SC output the horizontal sync., vertical sync. and composite sync. respectively. If PV-1 is used in the External sync. mode, these pins are used as inputs to lock the device to an external source.

IC allows electronic control of the brightness of the whole field.
 Pin 27 open - white
 Pin 27 ground - black

CHARACTER FONT

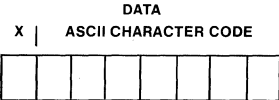
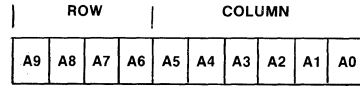
MCH-01 (MATROX STANDARD 2716 EPROM)

```

  1 2 3 4 5 6 7 8 9 10 11 12 13 14 15 16 17 18 19 20
  | | | | | | | | | | | | | | | | | | | | | |
  ! " # $ % & ' ( ) * + , - . /
  0 1 2 3 4 5 6 7 8 9 : ; < = > ?
  @ A B C D E F G H I J K L M N O
  P Q R S T U V W X Y Z [ \ ] ^ _
  ' a b c d e f g h i j k l m n o
  p q r s t u v w x y z { | } ~ ■
  
```

The Matrox character generator ROM includes upper and lower case alphanumeric (5 x 7 dot matrix) with below line extenders and special characters (6 x 10 dot matrix) for limited graphics applications. Should the user require special character fonts, the MCH-01 may be replaced by a user programmed EPROM (2716 Intel type).

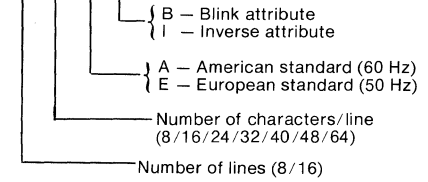
CHARACTER POSITION ADDRESS



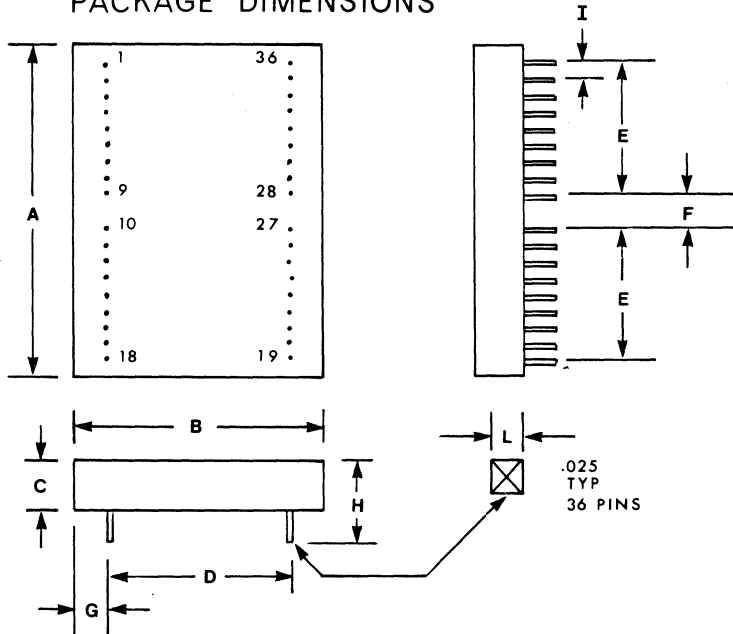
DO-D6 ... character
 D7 ... attribute bit
 0 ... normal
 1 ... character inverse or flashing at 4 Hz

ORDERING INFORMATION

PV-1 - XX/XX-X-X



PACKAGE DIMENSIONS



MODULE CASE IS ISOLATED ALLOWING ETCH RUNS UNDERNEATH.

DIM	MM		INCHES	
	NOM.	TOL.	NOM.	TOL.
A	114.300	.254	6.000	.01
B	101.600	.254	4.500	.01
C	12.700	.254	.50	.01
D	99.568	.254	3.920	.01
E	20.32	.254	.800	.01
F	10.16	.254	.400	.01
G	7.366	.254	.29	.01
H	4.318	.254	.170	.01
I	2.540	.076	.100	.003
L	.635	.025	.025	.001

Matrox Electronic Systems Ltd reserves the right to make changes in specifications at any time and without notice. The information furnished by Matrox Electronic Systems Ltd in this publication is believed to be accurate and reliable. However, no responsibility is assumed by Matrox Electronic Systems Ltd for its use; nor for any infringements of patents or other rights of third parties resulting from its use. No license is granted under any patents or patent rights of Matrox Electronic Systems Ltd.





matrox
electronic systems ltd.

5800 ANDOVER AVE., T.M.R., QUE., H4T 1H4, CANADA
 TEL.: 514-735-1182 TELEX: 05-825651

MTX-2064

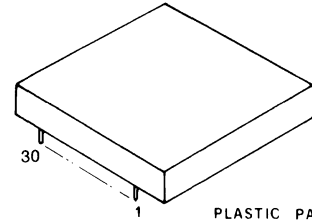
HYBRID
 (MOS, TTL)
 24x80 ASCII Character
 VIDEO RANDOM ACCESS MEMORY

MTX TV CRT CONTROLLER FAMILY

20x64 VIDEO RANDOM ACCESS MEMORY

The MTX-2064 is a TV CRT controller designed for use in systems that require display of alphanumeric data. On the input side the device is directly connected to bus organized systems and looks like a 1280X8 RAM. The output is a video signal which directly drives a TV monitor to provide a 20x64 field of 1280 ASCII characters.

- organized as 1280x8 RAM
- 20x64 display field
- bidirectional data bus
- TTL compatible
- access time 550 ns
- flicker free display
- single +5V power supply
- ASCII font standard
- standard video output
- drives up to 25 TV monitors
- character blinking
- upper/lower case/graphics

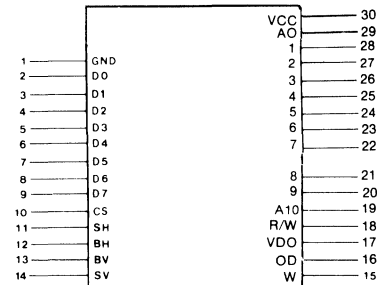


PLASTIC PACKAGE

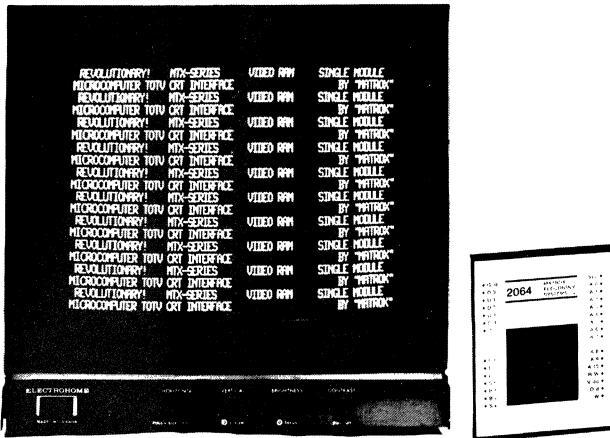
ABSOLUTE MAXIMUM RATINGS

Supply Voltage	V _{CC}	-0.3 to +6	Vdc
Input Voltage	V _{in}	-0.3 to V _{CC}	Vdc
Operating Temp.	T _A	0 to 70	°C
Storage Temp.	T _{sta}	-55 to 125	°C
Lead Solder Temp.	T _{SD}	+400	°C

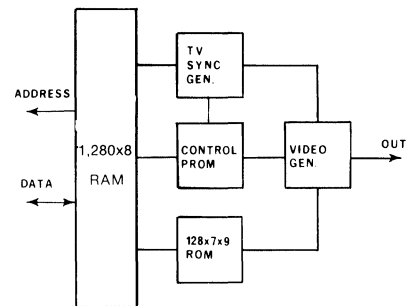
PIN ASSIGNMENT



TYPICAL APPLICATION



MTX-2064 VIDEO RAM BLOCK DIAGRAM



8

DC OPERATING CONDITIONS AND CHARACTERISTICS
(Full operating voltage and temperature range unless otherwise noted)

RECOMMENDED DC OPERATING CONDITIONS

PARAMETER	SYMBOL	MIN.	TYP.	MAX.	UNIT
Supply Voltage	V _{CC}	4.75	5.0	5.25	Vdc
Input High Voltage	V _{IH}	2.0	—	V _{CC}	Vdc
Input Low Voltage	V _{IL}	0	—	0.7	Vdc

SH (pin 11) is horizontal sync.
Low = 5.8 μs,
High = 58.3 μs

SV (pin 14) is vertical sync.
Low = .256 ms,
High = 16.41 ms

W (pin 15) TTL Video out
OD (pin 16) Output disable

DC CHARACTERISTICS

Input Current (High)	I _{IN}	—	—	20	μA
Input Current (Low)	I _{IN}	—	—	-0.4	mA
Output Current (High)	I _{OH}	—	—	-400	μA
Output Current (Low)	I _{OL}	—	—	8	mA
Output High Voltage	V _{OH}	2.4	3.4	—	Vdc
Output Low Voltage	V _{OL}	—	0.3	0.5	Vdc
Output Leakage (D0—D7)	I _{LOH,L}	—	—	20	μA
Output Current (High) (D0—D7)	I _{OH}	—	—	-2.6	mA
Output Current (Low) (D0—D7)	I _{OL}	—	—	24	mA
Supply Current (+5V)	I _{CC}	—	400	600	mA

CAPACITANCE

CHARACTERISTIC	SYMBOL	MAX.	UNIT
Input Capacitance	C _{IN}	15	pF
Output Capacitance	C _{OUT}	15	pF

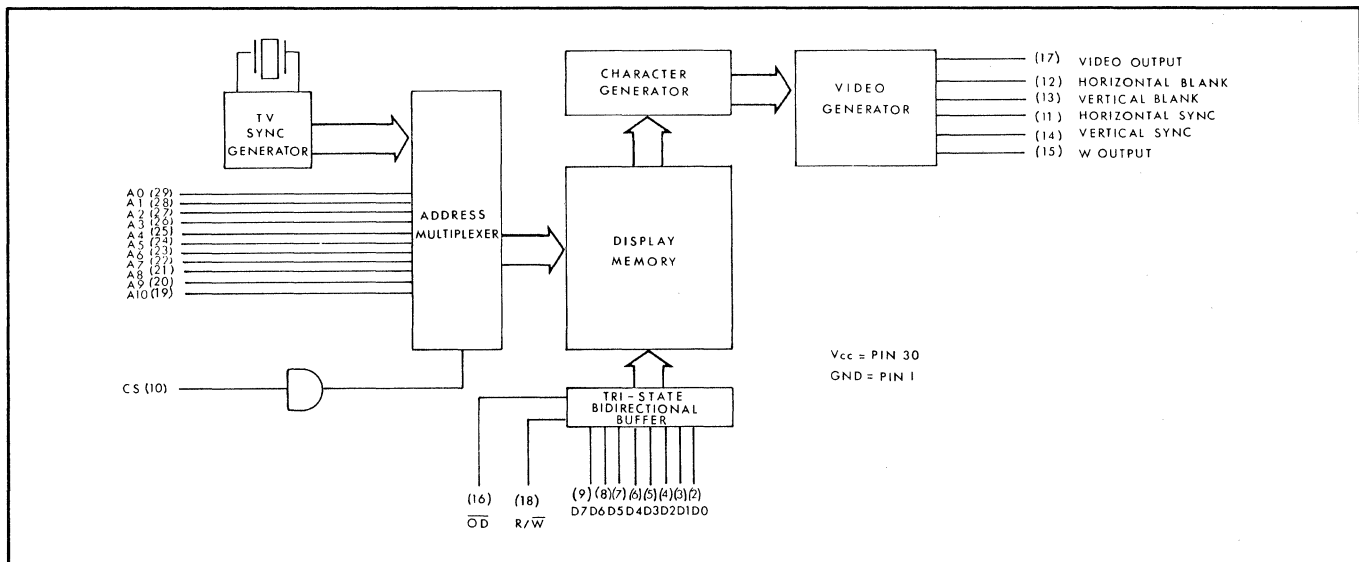
Note: All MTX-2064 inputs are TTL equivalent (74LSxxx family or equivalent).

FUNCTIONAL DESCRIPTION

The MTX-2064 is a TV CRT controller module which generates a video signal that can directly drive any standard TV monitor. The display is 1,280 ASCII alphanumeric characters arranged in an 20x64 matrix. Characters are displayed white on a black background.

On the input side, the MTX-2064 looks like an ordinary 1,280x8 RAM and can be directly connected to the address and data bus of any bus organized system.

The MTX-2064 is particularly suitable for use in microcomputer systems due to low cost, small size, high speed, low power requirement, and no additional interface circuitry.

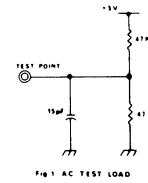


AC OPERATING CONDITIONS AND CHARACTERISTICS

(Full operating voltage and temperature unless otherwise noted)

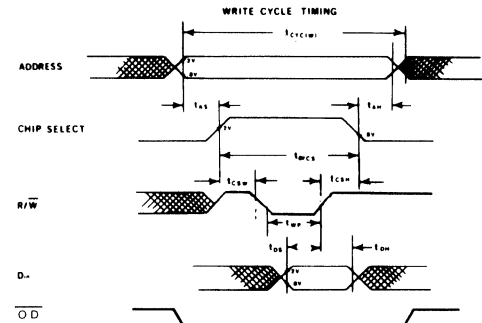
RECOMMENDED AC OPERATING CONDITIONS

PARAMETER	SYMBOL	MIN.	UNIT
Address Setup Time	t_{AS}	0	ns
Address Hold time	t_{AH}	0	ns



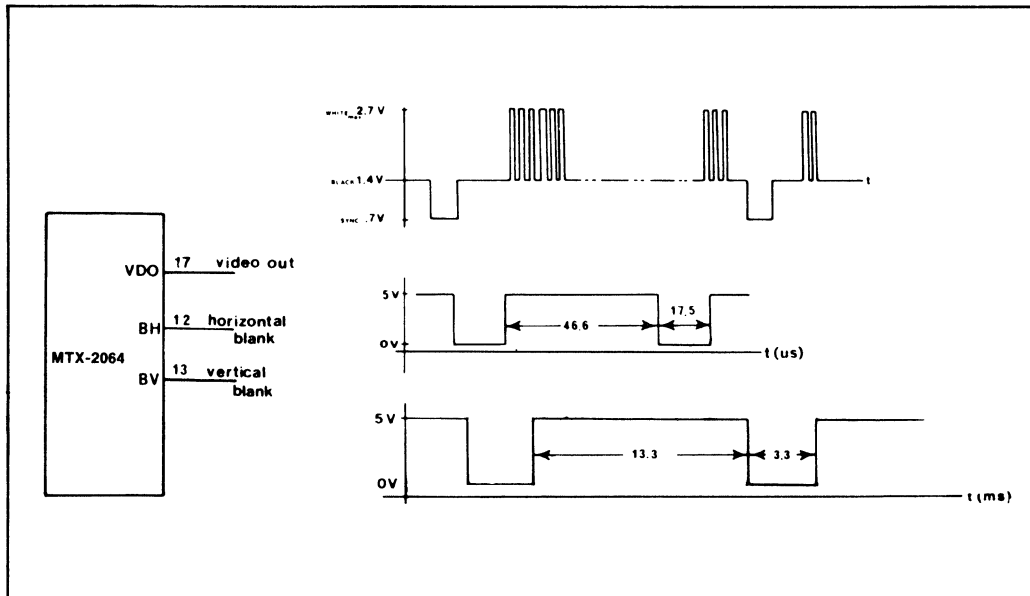
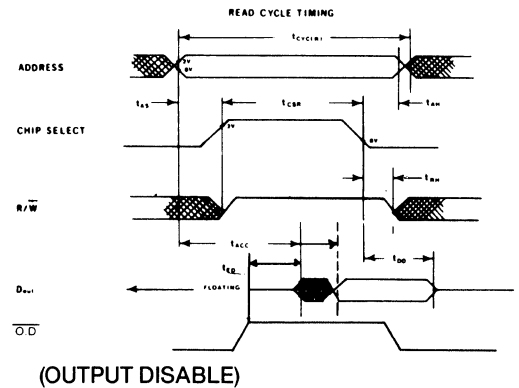
WRITE CYCLE (All timing with rise time/fall time = 20ns) (Load of Fig. 1)

CHARACTERISTIC	SYMBOL	MIN.	MAX.	UNIT
Write Cycle Time	$t_{CYC(W)}$	565	—	ns
Write Chip Select Width	t_{WCS}	565	—	ns
CS to Write Setup Time	t_{CSW}	240	—	ns
Write Pulse Width	t_{WP}	250	—	ns
Chip Select Hold Time	t_{CSH}	75	—	ns
Data Setup Time	t_{DS}	250	—	ns
Data Hold Time	t_{DH}	40	—	ns



READ CYCLE (All timing with rise time/fall time = 20ns) (Load of Fig. 1)

CHARACTERISTIC	SYMBOL	MIN.	MAX.	UNIT
Read Cycle Time	$t_{CYC(R)}$	550	—	ns
Read Chip Select Width	t_{CSR}	550	—	ns
Read Access Time	t_{ACC}	—	550	ns
Output Enable Delay	t_{ED}	—	50	ns
Output Disable Delay	t_{DD}	—	50	ns
Read Hold Time	t_{RH}	0	—	ns

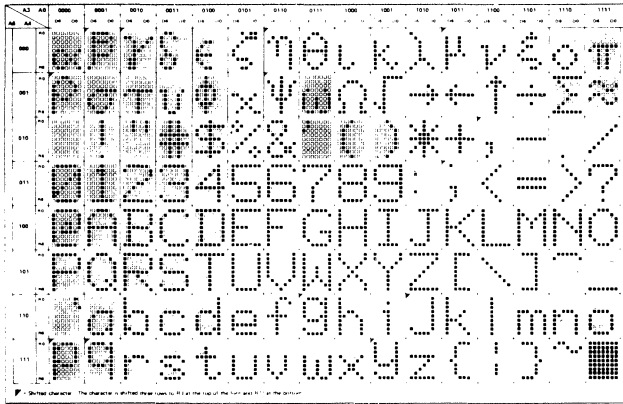


Sync. frequency
 Horizontal: 15.600 kHz
 Vertical: 60 Hz / 50 Hz
 Crystal controlled.
 Output impedance: 75 ohms
 Short circuit protection built in.

BH or BV signal can be used as a flag to access VRAM during horizontal or vertical retrace only.
 (No flicker during access).

ASCII CHARACTER FONT

MTX-2064 A

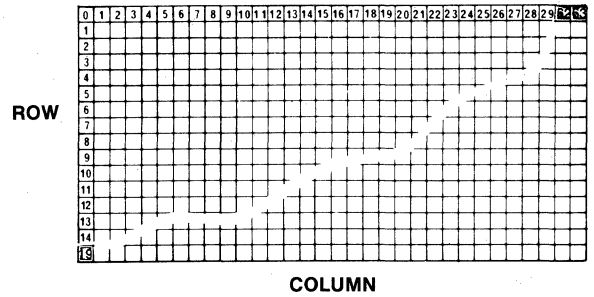


MTX-2064 B

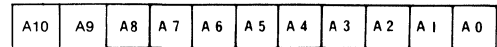


Additional character fonts are available from stock.
Custom made font (128 characters in a 7x9 matrix)
available at extra cost.

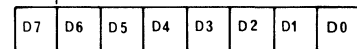
SCREEN DISPLAY ORGANISATION



CHARACTER POSITION ADDRESS



DATA ASCII CHARACTER



D0-D6 ...character

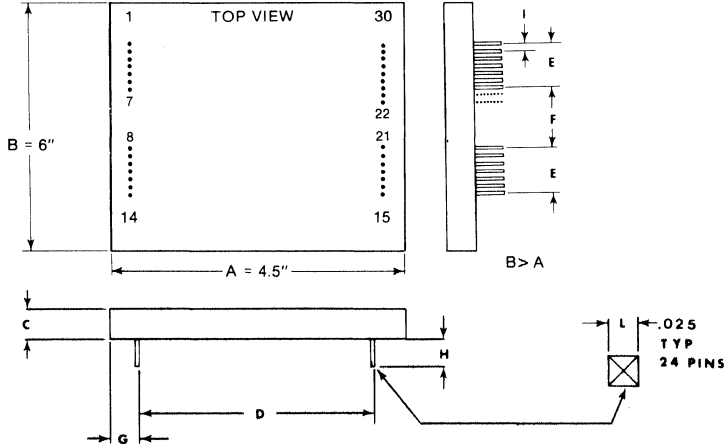
D7 ...blink bit
0...normal
1...character
flashing at 1 Hz

ORDERING INFORMATION

MTX-2064-X X

- A—American standard (60 Hz)
- E—European standard (50 Hz)
- A—Character set A (see ASCII CHARACTER FONT)
- B—Character set B (see ASCII CHARACTER FONT)
- G—German character set
- J—Japanese character set

PACKAGE DIMENSIONS



DIM	MM		INCHES	
	NOM.	TOL.	NOM.	TOL.
A	114.300	.254	4.50	.01
B	152.2	.254	6.000	.01
C	12.700	.254	.500	.01
D	99.06	.254	3.90	.01
E	15.240	.254	.600	.01
F	20.32	.254	.800	.01
G	8.32	.254	.325	.01
H	4.318	.254	.170	.01
I	2.540	.076	.100	.003
L	.635	.025	.025	.001

Matrox Electronic Systems Ltd reserves the right to make changes in specifications at any time and without notice. The information furnished by Matrox Electronic Systems Ltd in this publication is believed to be accurate and reliable. However, no responsibility is assumed by Matrox Electronic Systems Ltd for its use; nor for any infringements of patents or other rights of third parties resulting from its use. No license is granted under any patents or patent rights of Matrox Electronic Systems Ltd.





matrox
 electronic systems ltd.

5800 ANDOVER AVE., T.M.R., QUE., H4T 1H4, CANADA
 TEL.: 514-735-1182 TELEX: 05-825651

MMD-2480

HYBRID
 (MOS, TTL)
 24x80 ASCII Character
 VIDEO RANDOM ACCESS MEMORY

MTX TV CRT CONTROLLER FAMILY

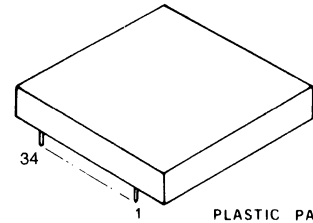
24x80 TV CRT CONTROLLER FAMILY

The MMD-2480 is a TV CRT controller designed for use in systems that require display of alphanumeric data. On the input side the device is directly connected to bus organized systems and looks like a 4Kx8 RAM. The output is a video signal which directly drives a TV monitor to provide a 24x80 field of 1920 ASCII characters.

- 24x80 display field
- organized as 4Kx8 RAM
- bidirectional data bus
- TTL compatible
- access time 500 ns
- flicker free display
- single +5V power supply
- ASCII font standard
- standard video output
- drives up to 25 TV monitors
- character blinking
- upper/lower case/graphics

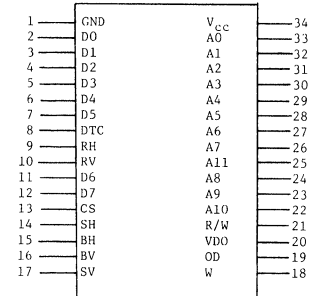
ABSOLUTE MAXIMUM RATINGS

Supply Voltage	V _{CC}	-0.3 to + 6	Vdc
Input Voltage	V _{in}	-0.3 to V _{CC}	Vdc
Operating Temp.	T _A	0 to 70	°C
Storage Temp.	T _{sta}	-55 to 125	°C
Lead Solder Temp.	T _{SD}	+ 400	°C

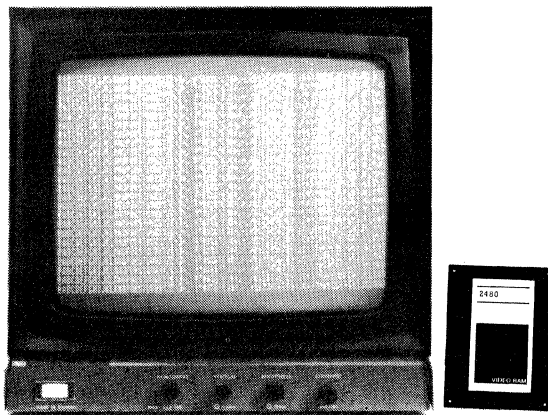


PLASTIC PACKAGE

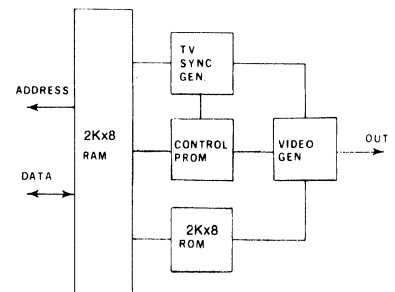
PIN ASSIGNMENT



TYPICAL APPLICATION



MMD-2480 VIDEO RAM BLOCK DIAGRAM



DC OPERATING CONDITIONS AND CHARACTERISTICS

(Full operating voltage and temperature range unless otherwise noted)

RECOMMENDED DC OPERATING CONDITIONS

PARAMETER	SYMBOL	MIN.	TYP.	MAX.	UNIT
Supply Voltage	V _{CC}	4.75	5.0	5.25	V _{DC}
Input High Voltage	V _{IH}	2.0		V _{CC}	V _{DC}
Input Low Voltage	V _{IL}	0		0.7	V _{DC}

SH(pin 14) is horizontal sync.
 High = 5.8 μs
 Low = 58.3 μs

SV(pin 17) is vertical sync.
 High = .256 ms
 Low = 16.41 ms

W(pin 18) TTL Video out
 \overline{OD} (pin 19) Output disable

DC CHARACTERISTICS

Input Current (High)	I _{IN}			20	μA
Input Current (Low)	I _{IN}	—	—	-0.4	mA
Output Current (High)	I _{OH}		—	-400	μA
Output Current (Low)	I _{OL}	—	—	8	mA
Output High Voltage	V _{OH}	2.4	3.4	—	V _{DC}
Output Low Voltage	V _{OL}	—	0.3	0.5	V _{DC}
Output Leakage (D0—D7)	I _{LOH,L}	—	—	20	μA
Output Current (High) D0—D7	I _{OH}	—	—	-2.6	mA
Output Current (Low) D0—D7	I _{OL}	—	—	24	mA
Supply Current (.5V)	I _{CC}	—	400	900	mA

CAPACITANCE

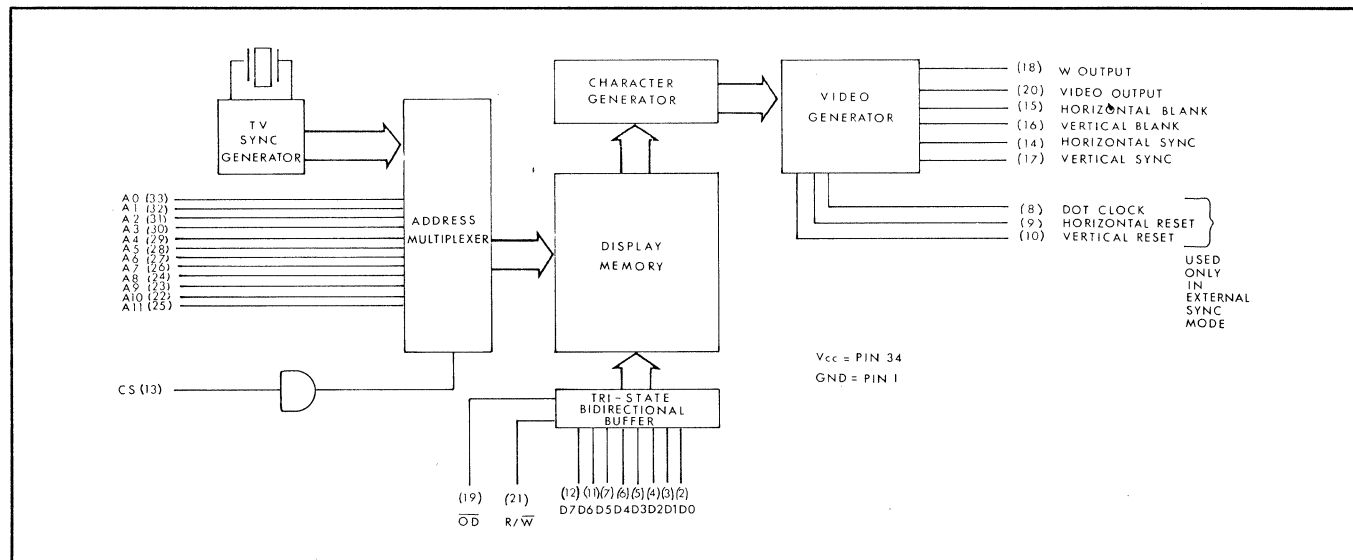
CHARACTERISTIC	SYMBOL	MAX.	UNIT
Input Capacitance	C _{IN}	15	pF
Output Capacitance	C _{OUT}	15	pF

Note: All MMD-2480 inputs are TTL equivalent (74LSxxx family or equivalent).

FUNCTIONAL DESCRIPTION

The MMD-2480 is a TV CRT controller module which generates a video signal that can directly drive any standard TV monitor. The display is 1920 ASCII alphanumeric characters arranged in a 24x80 matrix. Characters are displayed white on a black background. The character generator is a 2Kx8 EPROM (2716) programmed by Matrox. The user can program his own character generator by plugging in his 2716 EPROM (8x10 or 6x10 character cell).

On the input side, the MMD-2480 looks like an ordinary 4Kx8 RAM and can be directly connected to the address and data bus of any bus organized system. The MMD-2480 is particularly suitable for use in microcomputer systems due to low cost, small size, high speed, low power requirement, and no additional interface circuitry.

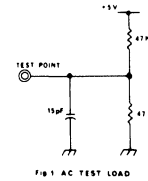


AC OPERATING CONDITIONS AND CHARACTERISTICS

(Full operating voltage and temperature unless otherwise noted)

RECOMMENDED AC OPERATING CONDITIONS

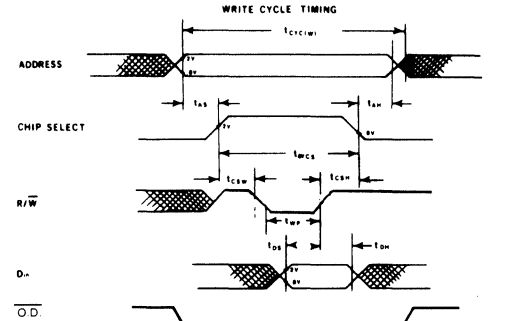
PARAMETER	SYMBOL	MIN.	UNIT
Address Setup Time	t_{AS}	0	ns
Address Hold Time	t_{AH}	0	ns



WRITE CYCLE

(All timing with rise time/fall time = 20ns)
(Load of Fig. 1)

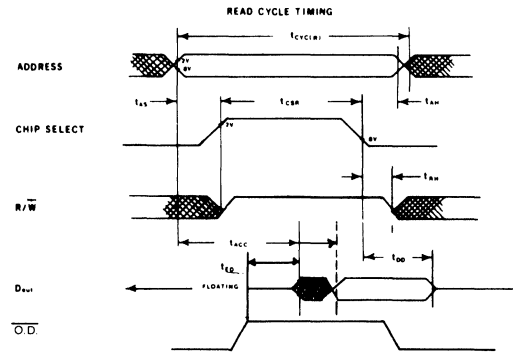
CHARACTERISTIC	SYMBOL	MIN.	MAX.	UNIT
Write Cycle Time	$t_{CYC(W)}$	500	—	ns
Write Chip Select Width	t_{WCS}	450	—	ns
CS to Write Setup Time	t_{CSW}	200	—	ns
Write Pulse Width	t_{WP}	200	—	ns
Chip Select Hold Time	t_{CSH}	50	—	ns
Data Setup Time	t_{DS}	200	—	ns
Data Hold Time	t_{DH}	60	—	ns



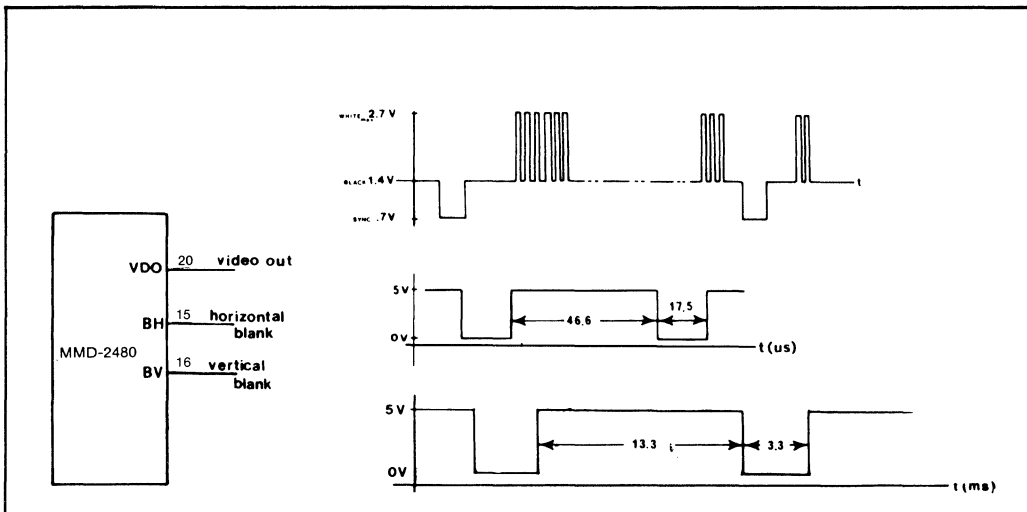
READ CYCLE

(All timing with rise time/fall time = 20ns)
(Load of Fig. 1)

CHARACTERISTIC	SYMBOL	MIN.	MAX.	UNIT
Read Cycle Time	$t_{CYC(R)}$	500	—	ns
Read Chip Select Width	t_{CSR}	500	—	ns
Read Access Time	t_{ACC}	—	500	ns
Output Enable Delay	t_{ED}	—	50	ns
Output Disable Delay	t_{DD}	—	50	ns
Read Hold Time	t_{RH}	0	—	ns



(OUTPUT DISABLE)



Sync. frequency
Horizontal: 15.600 kHz
Vertical: 60 Hz/50 Hz
Crystal controlled
Output impedance: 75 ohms
Short circuit protection built in.
Non interlaced.

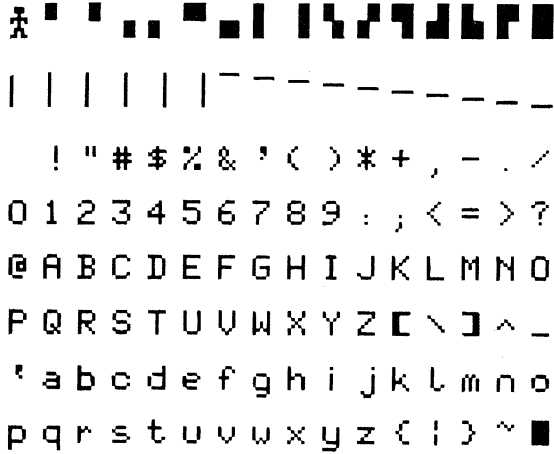
BH or BV signal can be used as a flag to access VRAM during horizontal or vertical retrace only.
(No flicker during access).

The MMD-2480 can be externally synchronised for special applications. To synchronise to external sync the PLL-01 module is required. Internal TV sync generator is forced in slave mode by cutting the jumper W1 inside the module (module cover can be removed). Dot clock(8) and Reset Vert(10) are bidirectional signals; outputs when module is master, inputs when module is slave. All units are initially shipped in master mode.

For more data on external sync application consult PLL-01 data sheet.

ASCII CHARACTER FONT

MCH-01 (MATROX STANDARD 2716 EPROM)

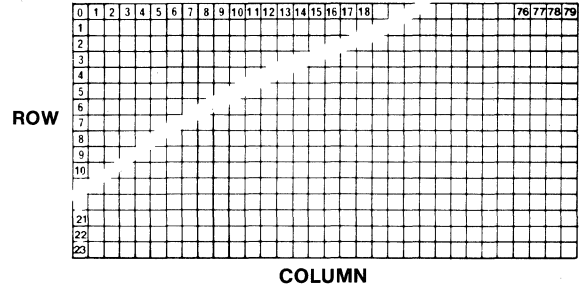


A 2716 (2Kx8) EPROM is used as character generator. If the user wants other character sets, he can program his own EPROM and replace the one in the module.

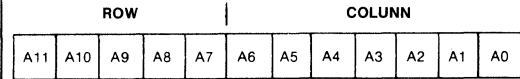
JUMPER OPTIONS

JUMPER		ATTRIBUTE
IN	OUT	
W1	W2	64 Character Set
W2	W1	128 Character Set
W1,W3	W2	Bit 6 = BLINK (64 Characters)
W4		Bit 7 = BLINK and INVERSE
W5	W6	8 x 10 Character Cell
W6	W5	6 x 10 Character Cell
W7		For External PLL
W8		MASTER Mode
	W8	SLAVE Mode

SCREEN DISPLAY ORGANISATION

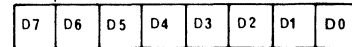


CHARACTER POSITION ADDRESS



DATA

X | 128 ASCII CHARACTER/GRAPHICS



X X | 64 ASCII CHARACTER

128 ASCII CHARACTERS

D0-D6 = CHARACTER CODE
 D7 = ATTRIBUTE BIT (INVERSE/BLINK)

64 ASCII CHARACTERS

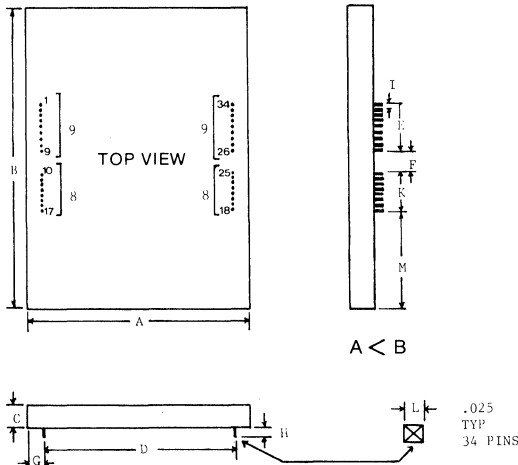
D0-D5 = CHARACTER CODE
 D6 = BLINK ATTRIBUTE
 D7 = INVERSE ATTRIBUTE

ORDERING INFORMATION

MMD-2480-X X

AS—American standard (60 Hz)
 ES—European standard (50 Hz)

PACKAGE DIMENSIONS



MODULE CASE IS ISOLATED ALLOWING ETCH RUNS UNDERNEATH

DIM	MM		INCHES	
	NOM.	TOL.	NOM.	TOL.
A	114.300	.254	.500	.01
B	152.2	.254	6.000	.01
C	12.700	.254	.500	.01
D	99.06	.254	3.90	.01
E	20.32	.254	.800	.01
F	12.7	.254	.500	.01
G	7.366	.254	.29	.01
H	4.318	.254	.170	.01
I	2.540	.076	.100	.003
L	.635	.025	.025	.001
K	17.78	.259	.700	.01
M	50.70	.254	2.00	.01

Matrox Electronic Systems Ltd reserves the right to make changes in specifications at any time and without notice. The information furnished by Matrox Electronic Systems Ltd in this publication is believed to be accurate and reliable. However, no responsibility is assumed by Matrox Electronic Systems Ltd for its use; nor for any infringements of patents or other rights of third parties resulting from its use. No license is granted under any patents or patent rights of Matrox Electronic Systems Ltd.





matrox
electronic systems ltd.

5800 ANDOVER AVE., T.M.R., QUE., H4T 1H4, CANADA
 TEL.: 514-735-1182 TELEX: 05-825651

MTX TV CRT CONTROLLER FAMILY

256 X 256 DOT GRAPHICS CRT CONTROLLER MODULE

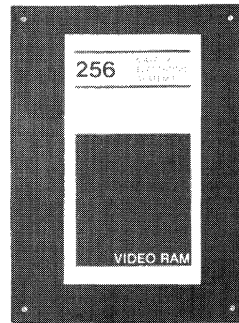
The MMD-256 is a TV CRT controller designed for use in systems that require the display of graphic data. On the input side, an XY matrix addressing scheme is used to access the 64K screen positions. The output is a video signal which directly drives a TV monitor to provide a 256 x 256 dot raster.

- 256 x 256 x 1 graphics
- Interfaces to any μ P
- 8K on-board RAM
- 1.4 μ s access time
- External clear
- Flicker free display
- External/internal sync
- Color/grey scale expansion
- Combines with alpha VRAMs
- Drives any TV monitor
- CPU on/off video control
- Low cost

ABSOLUTE MAXIMUM RATINGS

Supply Voltage	VCC	-0.3 to +6V	Vdc
	VDD	-0.3 to +13V	Vdc
Input Voltage	Vin	-0.3 to VCC	Vdc
Operating Temp.	TA	0 to 70	°C
Storage Temp.	Tsta	-55 to 125	°C
Lead Solder Temp.	TSD	+400	°C

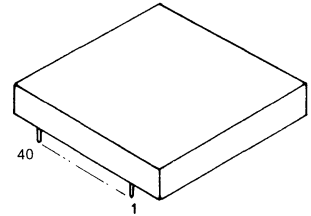
TYPICAL APPLICATION



MMD-256

HYBRID
 (MOS, TTL)

256x256 DOT GRAPHICS
 VIDEO RANDOM ACCESS MEMORY

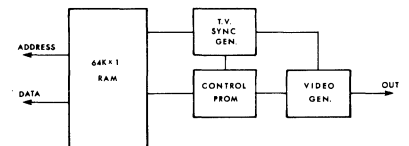


PLASTIC PACKAGE

PIN ASSIGNMENT

1	GND	+5V	40
2	Y 2	+12V	39
3	X 3	INS	38
4	Y 1	COMP. VIDEO	37
5	X 2	ALPHA IN	36
6	Y 4	GRAPH ON/OFF	35
7	X 5	TTL VIDEO	34
8	Y 3	BLANK H	33
9	X 4	BLANK V	32
10	X 1	SYNC H	31
11	X 0	SYNC V	30
12	Y 6	MASTER/SLAVE	29
13	X 7	RESET V	28
14	Y 5	PRH	27
15	X 6	RESET H	26
16	Y 7	DOT CLOCK	25
17	Y 0	RD	24
18	CLEAR	WR	23
19	DIN	CS	22
20	WATT	DOUT	21

MMD-256 VIDEO RAM BLOCK DIAGRAM



DC OPERATING CONDITIONS AND CHARACTERISTICS
(Full operating voltage and temperature range unless otherwise noted)

RECOMMENDED DC OPERATING CONDITIONS

PARAMETER	SYMBOL	MIN.	TYP.	MAX.	UNIT
Supply Voltage	VCC	4.75	5.0	5.25	Vdc
	VDD	11.25	12.0	12.75	Vdc
Input High Voltage	VIH	2.0	—	VCC	Vdc
Input Low Voltage	VIL	0	—	0.7	Vdc
Input Current (High)	Iin	—	—	20	μA
Input Current (Low)	Iin	—	—	-0.4	mA
Input Current (High)	IOH	—	—	-400	μA
Output Current (Low)	IOL	—	—	8	mA
Output High Voltage	VOH	2.4	3.4	—	Vdc
Output Low Voltage	VOL	—	0.3	0.5	Vdc
Output Leakage (Dout)	ILOH,L	—	—	40	μA
Output Current (High)	IOH	—	—	2	mA
Output Current (Low)	IOL	—	—	12	mA
Supply Current (+ 5V)	ICC	—	—	400	mA
Supply Current(+ 12V)	IDD	—	—	100	mA

MASTER/SLAVE (Pin 29)	Control signal used to configure the MMD-256 in either Master (Low) mode or Slave (High) mode. In Master mode Dot Clock, Hor. Reset, and Vert. Reset lines are output. In Slave mode Dot Clock, Hor. Reset and Vert. Reset are inputs.
PRH (Pin 27)	Connected to Hor. Reset when PLL-01 is used to lock MMD-256 to external sync generator.
CLEAR (Pin 18)	Clear input (active low) erases entire display memory. Minimum pulse width = 40ms.
INS (Pin 38)	Intensity control input. Open = white.
GRAPH ON/OFF (Pin 35)	On/off control of video output. Low = off.
ALPHA IN (Pin 36)	TTL level video input from an alphanumeric VRAM or another MMD-256. Resulting video is logic OR.

CAPACITANCE

CHARACTERISTIC	SYMBOL	MAX.	UNIT
Input Capacitance	CIN	15	pF
Output Capacitance	COUT	15	pF

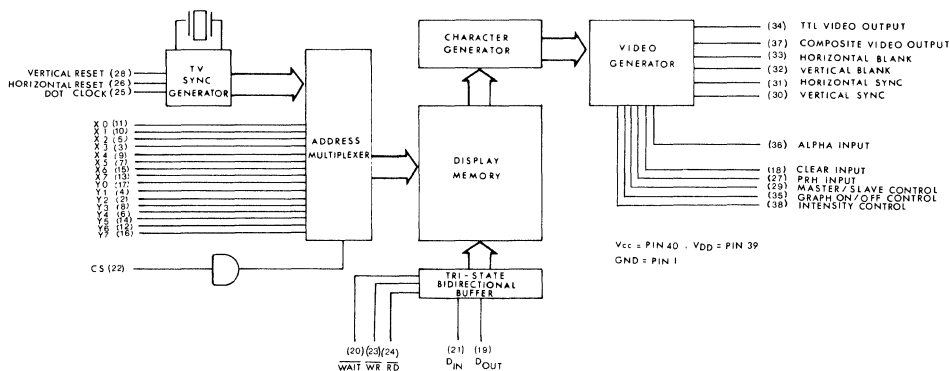
8

The MMD-256 is a complete 256 x 256 x 1 graphics CRT display controller in a small Matrox standard 4.5" x 6" x .5" self-enclosed module. The module contains an on-board TV sync generator, video generator, built-in refresh memory, and all the required electronics necessary to interface the MMD-256 to any 8 or 16 bit microprocessor. The composite video output from the MMD-256 module can directly drive any standard video monitor.

The MMD-256 features a CLEAR input pin which when pulled low will cause the entire display to be "cleared" to the value defined by DIN ("0" = black, "1" = white).

Multiple MMD-256 modules can be "stacked" together for various graphics effects. Increased resolution, more bits per pixel, color, or live animation are some examples of the enhancements of multiple module configurations. Also the MMD-256 can be combined with any of the Matrox alphanumeric VRAM modules to provide a combined alpha/graph display.

BLOCK DIAGRAM



AC OPERATING CONDITIONS AND CHARACTERISTICS
(Full operating voltage and temperature unless otherwise noted)

RECOMMENDED AC OPERATING CONDITIONS

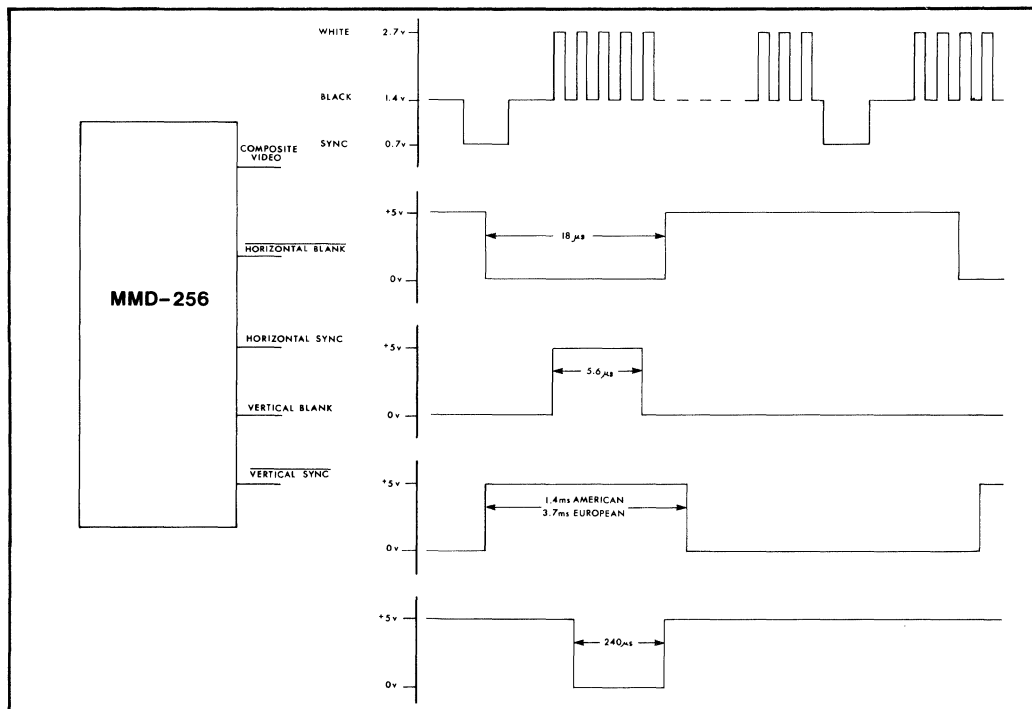
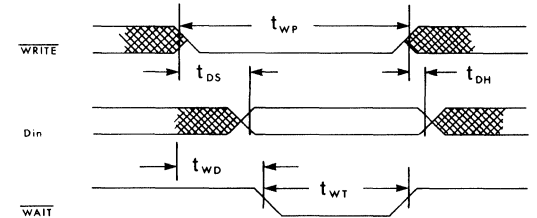
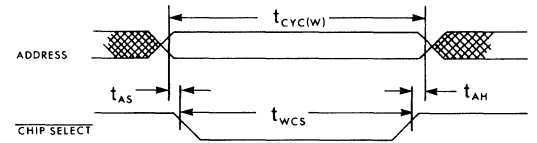
PARAMETER	SYMBOL	MIN.	UNIT
Address Setup Time	t _{AS}	0	ns
Address Hold time	t _{AH}	0	ns

WRITE CYCLE (All timing with rise time/fall time = 20ns)

CHARACTERISTIC	SYMBOL	MIN.	MAX.	UNIT
Write Cycle Time	t _{CYC(W)}	770	—	ns
Write Chip Select Width	t _{WCS}	770	—	ns
Write Pulse Width	t _{WP}	750	—	ns
Data Set Up Time	t _{DS}	0	—	ns
Data Hold Time	t _{DH}	0	—	ns
Wait Pulse Width	t _{WT}	750	2150	ns
Wait Pulse Delay	t _{WD}	20	50	ns

READ CYCLE (All timing with rise time/fall time = 20ns)

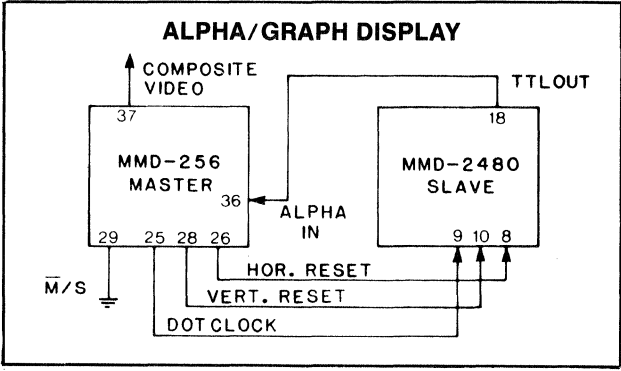
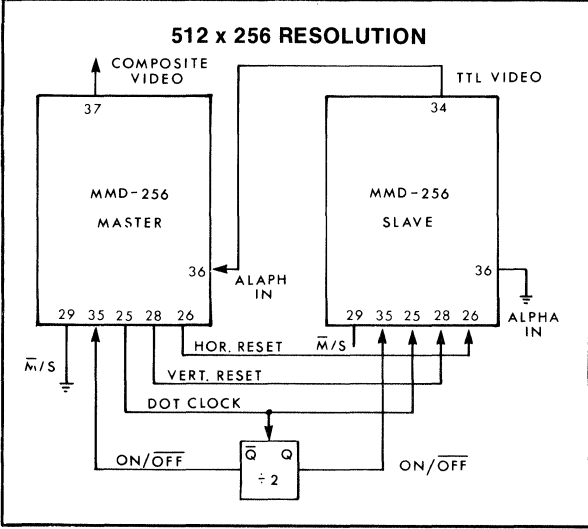
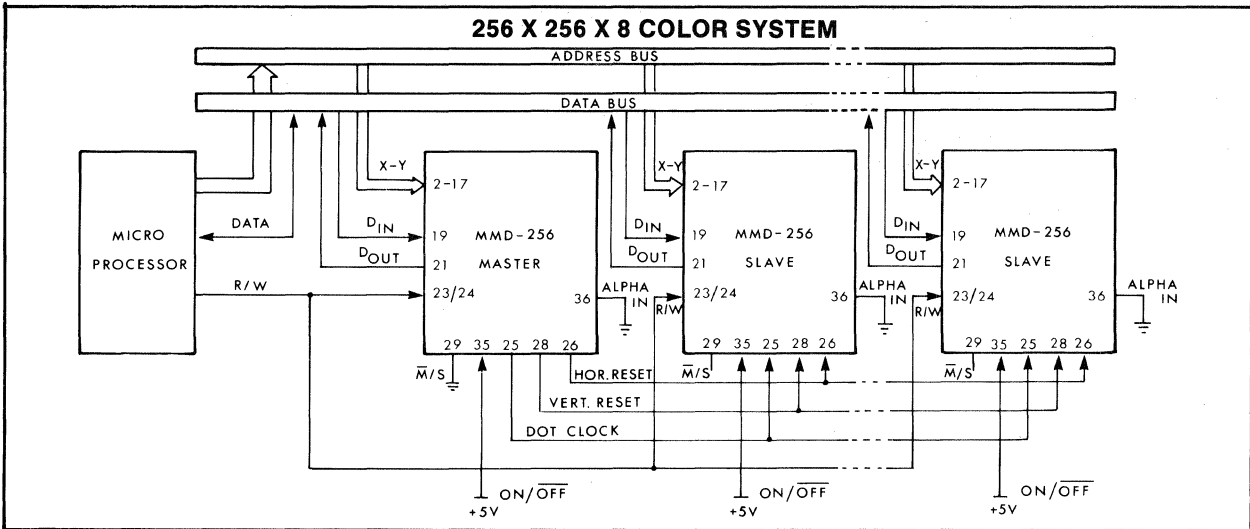
CHARACTERISTIC	SYMBOL	MIN.	MAX.	UNIT
Read Cycle Time	t _{CYC(R)}	770	—	ns
Read Chip Select Width	t _{CSR}	770	—	ns
Read Access Time	t _{ACC}	750	—	ns
Read Hold Time	t _{RH}	0	—	ns
Wait Pulse Width	t _{WT}	750	2150	ns
Wait Pulse Delay	t _{WD}	20	50	ns



Sync. Frequency
Horizontal: 15.720 kHz
Vertical: 50/60 Hz (strap selectable)
Crystal controlled
Output impedance: 75 ohms
Short circuit protection built-in.

Horizontal or Vertical Blank signal can be used as a flag to access VRAM during horizontal or vertical retrace only. (no flicker during access)

TTL Video output (pin 34) contains the video information without the sync signals. This output is useful for mixing with other, video signals.



ORDERING INFORMATION

MMD-256D-XX

{ AS—American standard (60 Hz)
 { ES—European standard (50 Hz)

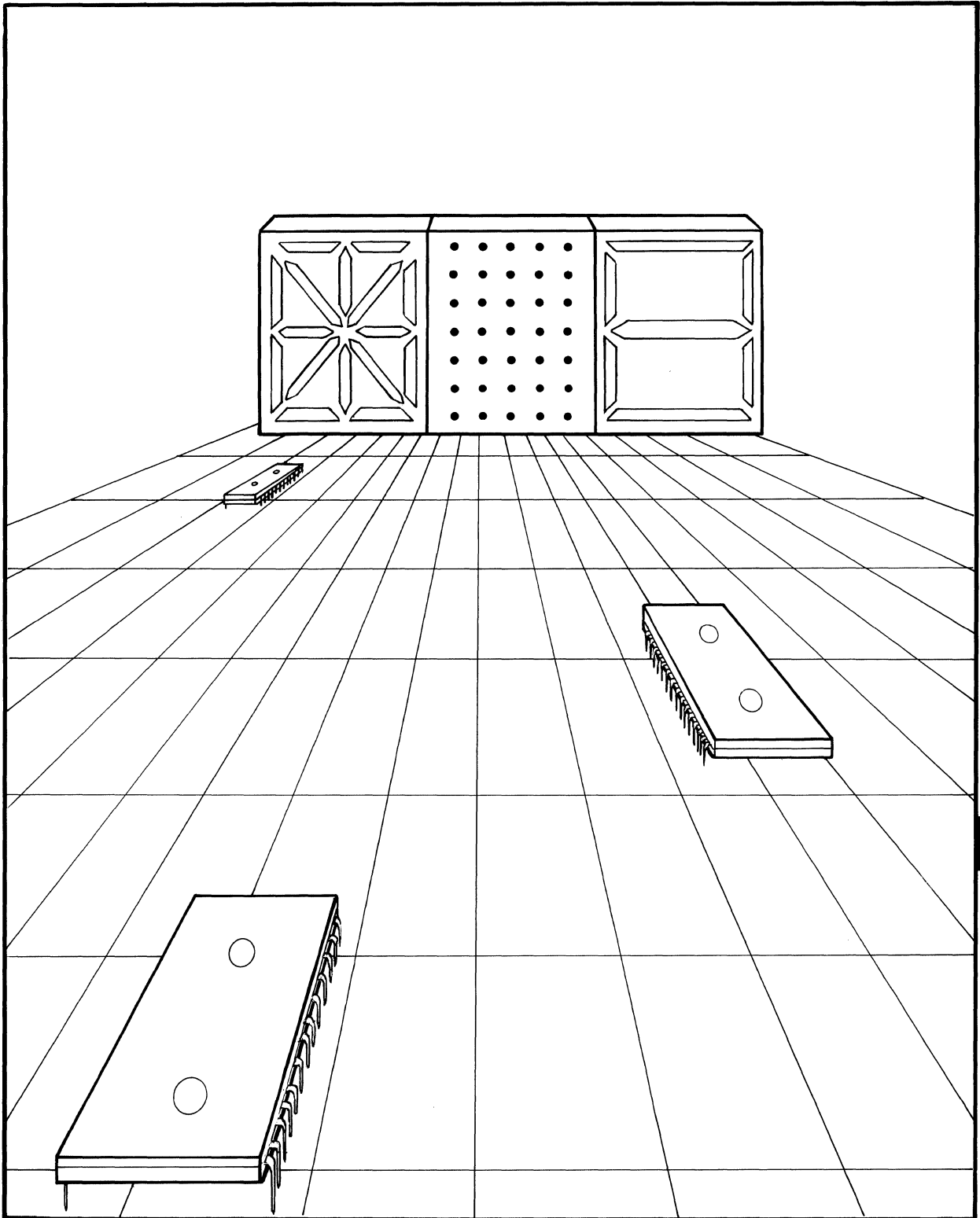
PACKAGE DIMENSIONS

DIM	MM		INCHES	
	NOM.	TOL.	NOM.	TOL.
A	114.300	.254	4.500	.01
B	152.200	.254	6.000	.01
C	12.700	.254	.50	.01
D	99.060	.254	3.900	.01
E	22.830	.254	.900	.01
F	5.070	.254	.200	.01
G	7.366	.254	.29	.01
H	4.318	.254	.170	.01
I	2.540	.076	.100	.003
L	.635	.025	.025	.001

Module case is isolated, allowing etch runs underneath.

Matrox Electronic Systems Ltd reserves the right to make changes in specifications at any time and without notice. The information furnished by Matrox Electronic Systems Ltd in this publication is believed to be accurate and reliable. However, no responsibility is assumed by Matrox Electronic Systems Ltd for its use, nor for any infringements of patents or other rights of third parties resulting from its use. No license is granted under any patents or patent rights of Matrox Electronic Systems Ltd.





**SINGLE CHIP LED
DISPLAY CONTROLLERS**

SECTION 9 SINGLE CHIP LED DISPLAY CONTROLLERS

MTX-A1 9-3
Alphanumeric (Dot) Display / Keyboard Controller

MTX-B1 9-7
Alphanumeric (Segment) Display / Keyboard Controller



matrox
electronic systems Ltd.

5800 ANDOVER AVE., T.M.R., QUE., H4T 1H4, CANADA
TEL.: 514-735-1182 TELEX: 05-825651

MTX-A1

NMOS, Monolithic
single chip interface
32 ASCII character display
64 keys ASCII keyboard

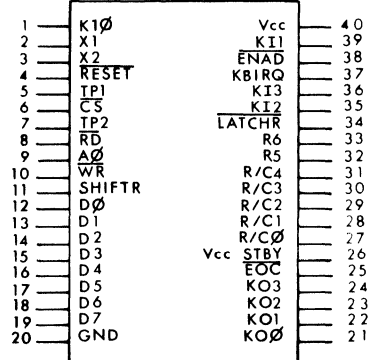
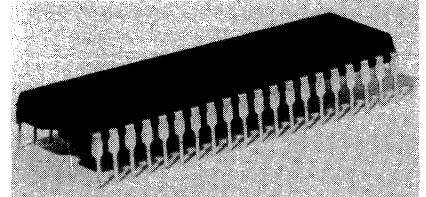
MTX INTELLIGENT SINGLE CHIP DISPLAY INTERFACE FAMILY

ALPHANUMERIC (DOT) DISPLAY/KEYBOARD CONTROLLER

The MTX-A1 is a general purpose programmable three-way interface between a keyboard, an alphanumeric LED display, and a central processor. The single chip controller contains all the internal circuitry required to debounce and decode any keyboard with up to 64 keys. The display portion of the MTX-A1 provides all timing and refresh signals necessary to drive up to 32 popular 5x7 dot matrix LED displays. Many intelligent commands for display and keyboard manipulation are incorporated.

- Single chip controller
- Drives up to 32 5x7 LEDs
- Built-in character generator
- Built-in 32x8 display memory
- No external refresh required
- Self-test built-in
- Scans up to 64 keys
- Interfaces to any μ P
- Programmable display/keyboard parameters
- Single +5V supply
- Low power (NMOS)

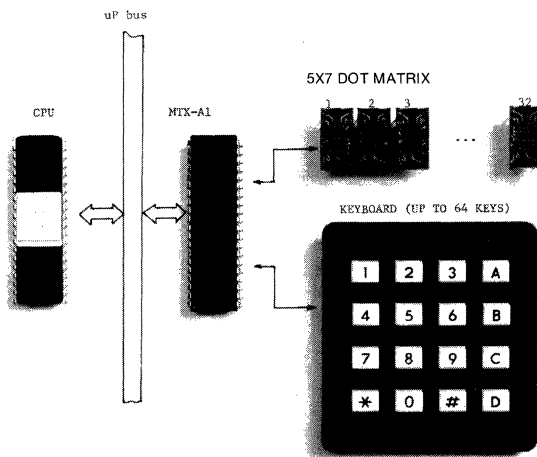
40-LEAD HERMETIC DUAL IN-LINE PACKAGE



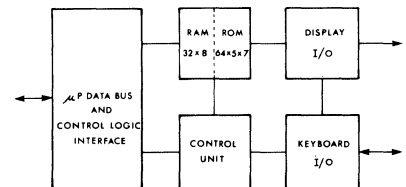
ABSOLUTE MAXIMUM RATINGS

Ambient Temperature Under Bias	Ta	0 to 70	°C
Storage Temperature	Tsta	-65 to +150	°C
Voltage on Any Pin with Respect to Ground	Vpg	0.5 to +7	Vdc
Power Dissipation	Pd	1.5	W

TYPICAL APPLICATION



BLOCK DIAGRAM



D.C. AND OPERATING CHARACTERISTICS

TA = 0°C TO 70°C, VCC = VDD = +5V ±5%, VSS = 0V

Symbol	Parameter	Limits			Unit	Test Conditions
		Min.	Typ.	Max.		
VIL	Input Low Voltage (All Except X1, X2)	-0.5		0.8	V	
VIH	Input High Voltage (All Except X1, X2 RESET)	2.0		VCC	V	
VIH2	Input High Voltage (X1, X2, RESET)	3.0		VCC	V	
VOL	Output Low Voltage (D0-D7)			0.45	V	IO _L = 2.0 mA
VOL2	Output Low Voltage (All Other Outputs)			0.45	V	IO _L = 1.6 mA
VOH	Output High Voltage (D0-D7)	2.4			V	IO _H = 400 μA
VOH2	Output High Voltage (All Other Outputs)	2.4			V	IO _H = 50 μA
IIL	Input Leakage Current (T0, T1, RD, WR, CS, A0, EA)			±10	μA	VSS ≤ VIN ≤ VCC
IOL	Output Leakage Current (D0-D7, High Z State)			-10	μA	VSS + 0.45 ≤ VIN ≤ VCC
IDD	VDD Supply Current (STBY)		10	25	mA	TA = 25°C
IDD + ICC	Total Supply Current		65	135	mA	TA = 25°C
ILI1	Low Input Source Current R/C0, R6, K00-3, K10-3			0.4	mA	VIL = 0.8V
ILI2	Low Input Source Current RESET,			0.2	mA	VIL = 0.8V

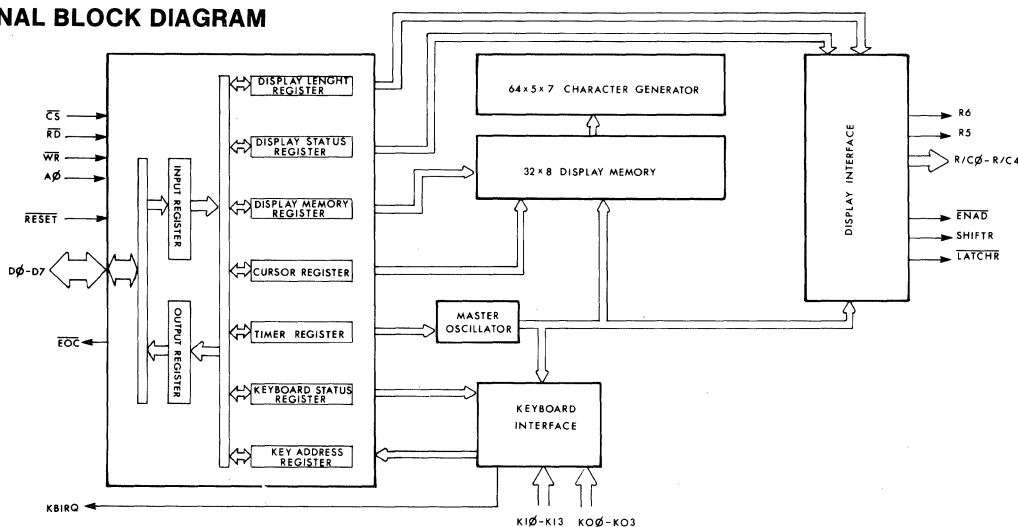
FUNCTIONAL DESCRIPTION

The MTX-A1 recognizes a 22 command instruction set which enables the user to program the display and keyboard parameters by read/writing a set of on-chip command registers (see MTX-A1 FUNCTIONAL BLOCK DIAGRAM). The command registers allow the user to monitor the keyboard and display and control all internal operational parameters such as display length (1 to 32 characters), display attributes (display on/off, display blink on/off, cursor blink on/off, cursor index on/off, cursor index up/down), display refresh rate, and keyboard status (keyboard scan on/off, 16/64 key scan). Additionally the MTX-A1 instruction set enables the user to manipulate the display (Clear, rotate or shift display) as well as execute a self-test of the device whereby the MTX-A1 will display the first 32 characters in the ASCII alphabet in ascending order.

The on-chip display interface contains all the required circuitry to drive up to 32 5x7 dot matrix LEDs. A built-in character generator contains the binary information for a 64 character alphanumeric ASCII character set. In addition the user can program the MTX-A1 to display a blinking underline cursor (cursor position will blink between displayed character and an underline). The user can also disable the display through software.

The MTX-A1 can interface any standard 16 or 64 key keyboard. Key closure will be detected by either continuously testing D7 of the Keyboard Status Register or by a CPU interrupt, via the KBIRQ line. The MTX-A1 uses a lock-out scan method so that only one key closure will be detected at a time. Key scanning will not resume until the closed key is released.

FUNCTIONAL BLOCK DIAGRAM

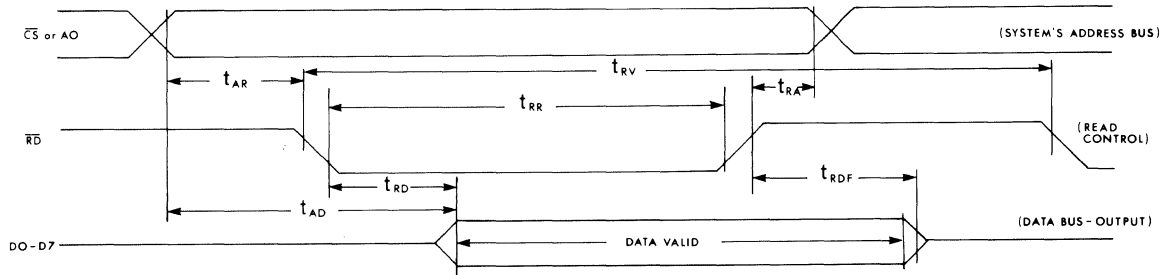


A.C. CHARACTERISTICS $T_A = 0^\circ\text{C TO } 70^\circ\text{C}$, $V_{CC} = V_{DD} = +5V \pm 5\%$, $V_{SS} = 0V$

A.C. TEST CONDITIONS

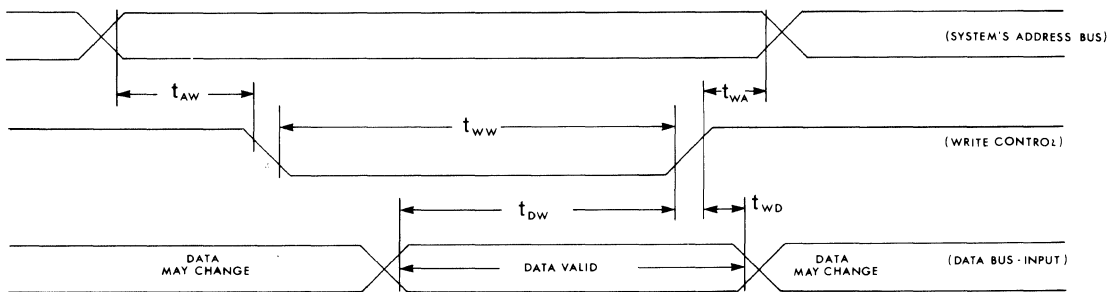
D7-D0 Outputs $R_L = 2.2k \text{ to } V_{SS}$
 $4.3k \text{ to } V_{CC}$
 $C_L = 100 \text{ pF}$

1. READ OPERATION



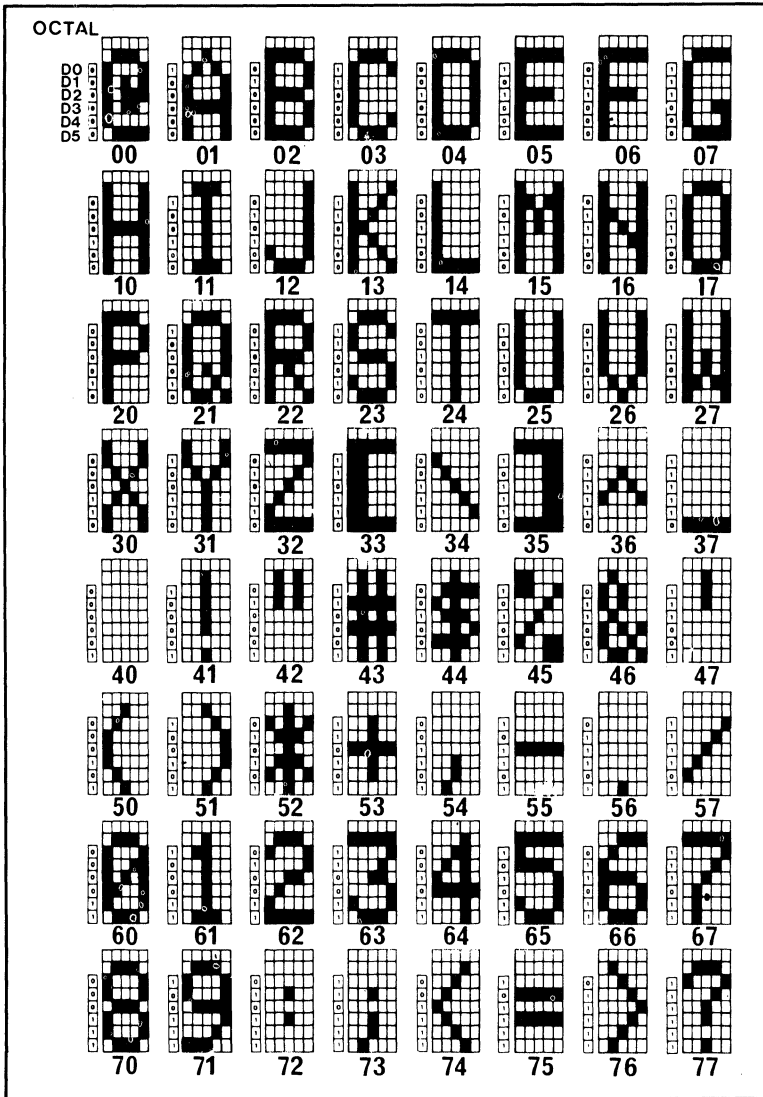
Symbol	Parameter	Min.	Typ.	Max.	Unit	Test Conditions
tAR	CS, A0 Setup to RD	0	100		ns	
tRA	CS, A0 Hold After RD	0	25		ns	
tRR	RD Pulse Width	250	280	2 x tCY	ns	tCY = 2.5 μs
tAD	CS, A0 to Data Out Delay		200	225	ns	
tRD	RD to Data Out Delay		200	225	ns	
tRDF	RD to Data Float Delay	10		100	ns	CL = 15 pF
			120		ns	CL = 100 pF
tRV	Recovery Time Between Reads And/Or Write	.300	1		μs	
tCY	Cycle Time	2.5	2.5		μs	6 MHz Crystal

2. WRITE OPERATION



Symbol	Parameter	Min.	Typ.	Max.	Unit	Test Conditions
tAW	CS, A0 Setup to WR	0	50		ns	
tWA	CS, A0 Hold After WR	0-	40		ns	
tWW	WR Pulse Width	250	280	2 x tCY	ns	tCY = 5 μs
tDW	Data Setup to WR	150	220		ns	
tWD	Data Hold After WR	0	0		ns	

ASCII CHARACTER FONT



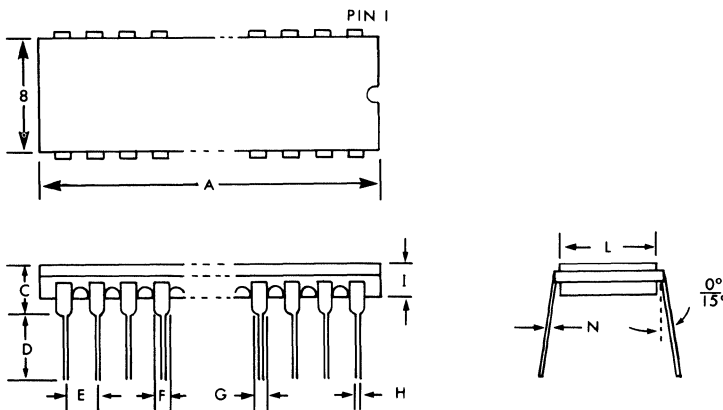
MTX-A1 INSTRUCTION SET

MNEMONIC	CODE							DESCRIPTION	
	D7	D6	D5	D4	D3	D2	D1		D0
CLA	1	1	1	0	0	0	0	0	Clear display memory
BLA	1	1	1	0	0	0	0	1	Load blank to display memory
RTL	1	1	1	0	0	0	1	0	Rotate display left
RTR	1	1	1	0	0	0	1	1	Rotate display right
SHL	1	1	1	0	0	1	0	0	Shift display left
SHR	1	1	1	0	0	1	0	1	Shift display right
INC	1	1	1	0	0	1	1	0	Increment cursor
DEC	1	1	1	0	0	1	1	1	Decrement cursor
STT	1	1	1	0	1	0	0	0	Execute self-test
GKA	1	1	1	0	1	0	0	1	Get key address
GDM	1	1	1	0	1	0	1	0	Get display memory
GDL	1	1	1	0	1	0	1	1	Get display length
GKS	1	1	1	0	1	1	0	0	Get keyboard status
GDS	1	1	1	0	1	1	0	1	Get display status
GTR	1	1	1	0	1	1	1	0	Get timer register
GCA	1	1	1	0	1	1	1	1	Get cursor address
LCR	1	0	0	e	d	c	b	a	Load cursor and read display
LDL	0	1	0	e	d	c	b	a	Load display length
LKS	1	0	1	X	X	X	b	a	Load keyboard status
LDS	1	1	0	e	d	c	b	a	Load display status
LTR	0	1	1	e	d	c	b	a	Load timer register
LDM	0	0	f	e	d	c	b	a	Load display memory

Note: The MTX-A1 is supplied with the ASCII character font as shown. However other character fonts (including Japanese Kata-Kana and general European) are available. Additionally custom designed character fonts can be supplied at extra cost. For more details consult the factory.

ORDERING INFORMATION: MTX-A1

PACKAGE DIMENSIONS



DIM	MM		INCHES	
	MIN.	MAX.	MIN.	MAX.
A	51.562	52.832	2.030	2.080
B	13.081	15.240	0.515	0.600
C	—	5.588	—	0.220
D	3.175	—	0.125	—
E	2.286	2.794	0.090	0.110
F	1.524	—	0.060	—
G	0.813	—	0.032	—
H	0.406	0.508	0.016	0.020
I	3.683	4.750	0.145	0.187
L	—	15.875	—	0.625
M	0.254	—	0.010	—

Matrox Electronic Systems Ltd reserves the right to make changes in specifications at any time and without notice. The information furnished by Matrox Electronic Systems Ltd in this publication is believed to be accurate and reliable. However, no responsibility is assumed by Matrox Electronic Systems Ltd for its use, nor for any infringements of patents or other rights of third parties resulting from its use. No license is granted under any patents or patent rights of Matrox Electronic Systems Ltd.





matrox
 electronic systems Ltd.

5800 ANDOVER AVE., T.M.R., QUE., H4T 1H4, CANADA
 TEL.: 514-735-1182 TELEX: 05-825651

MTX-B1

NMOS, Monolithic
 single chip interface
 32 ASCII character display
 64 keys ASCII keyboard

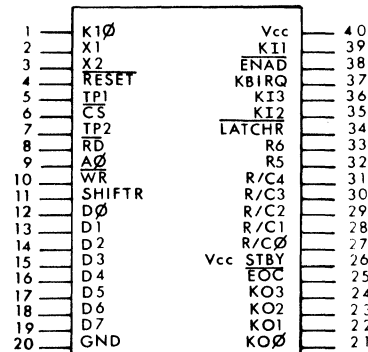
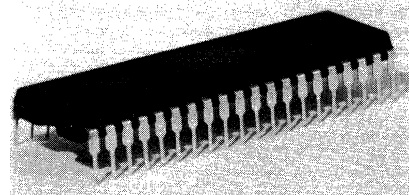
MTX INTELLIGENT SINGLE CHIP DISPLAY INTERFACE FAMILY

ALPHANUMERIC (SEGMENT) DISPLAY/KEYBOARD CONTROLLER

The MTX-B1 is a general purpose programmable three-way interface between a keyboard, an alphanumeric LED display, and a central processor. The single chip controller contains all the internal circuitry required to debounce and decode any keyboard with up to 64 keys. The display portion of the MTX-B1 provides all timing and refresh signals necessary to drive up to 32 popular segment type displays. Many intelligent commands for display and keyboard manipulation are incorporated.

- Single chip controller
- Drives up to 32 displays
- 7 to 16 segment displays
- Built-in character generator
- Built-in 32x8 display memory
- Scans up to 64 keys
- Interfaces to any uP
- Self-test built-in
- Programmable display/keyboard parameters
- Single +5V supply
- Low power (NMOS)

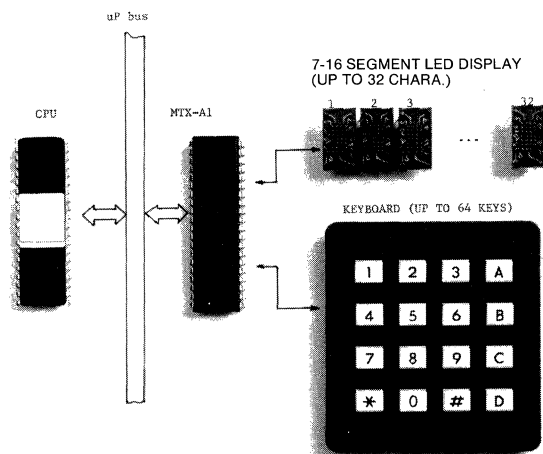
40-LEAD HERMETIC DUAL IN-LINE PACKAGE TYPE D



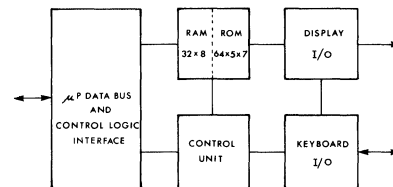
ABSOLUTE MAXIMUM RATINGS

Ambient Temperature Under Bias	Ta	0 to 70	°C
Storage Temperature	Tsta	-65 to +150	°C
Voltage on Any Pin with Respect to Ground	Vpg	0.5 to +7	Vdc
Power Dissipation	Pd	1.5	W

TYPICAL APPLICATION



BLOCK DIAGRAM



D.C. AND OPERATING CHARACTERISTICS

TA = 0°C TO 70°C, VCC = VDD = +5V ±5%, VSS = 0V

Symbol	Parameter	Limits			Unit	Test Conditions
		Min.	Typ.	Max.		
VIL	Input Low Voltage (All Except X1, X2)	-0.5		0.8	V	
VIH	Input High Voltage (All Except X1, X2 RESET)	2.0		VCC	V	
VIH2	Input High Voltage (X1, X2, RESET)	3.0		VCC	V	
VOL	Output Low Voltage (D0-D7)			0.45	V	IOL = 2.0 mA
VOL2	Output Low Voltage (All Other Outputs)			0.45	V	IOL = 1.6 mA
VOH	Output High Voltage (D0-D7)	2.4			V	IOH = 400 μA
VOH2	Output High Voltage (All Other Outputs)	2.4			V	IOH = 50 μA
IIL	Input Leakage Current (T0, T1, RD, WR, CS, A0, EA)			±10	μA	VSS ≤ VIN ≤ VCC
IOL	Output Leakage Current (D0-D7, High Z State)			-10	μA	VSS + 0.45 ≤ VIN ≤ VCC
IDD	VDD Supply Current (STBY)		10	25	mA	TA = 25°C
IDD + ICC	Total Supply Current		65	135	mA	TA = 25°C
ILI1	Low Input Source Current R/C0, R6, K00-3, K10-3			0.4	mA	VIL = 0.8V
ILI2	Low Input Source Current RESET, SS			0.2	mA	VIL = 0.8V

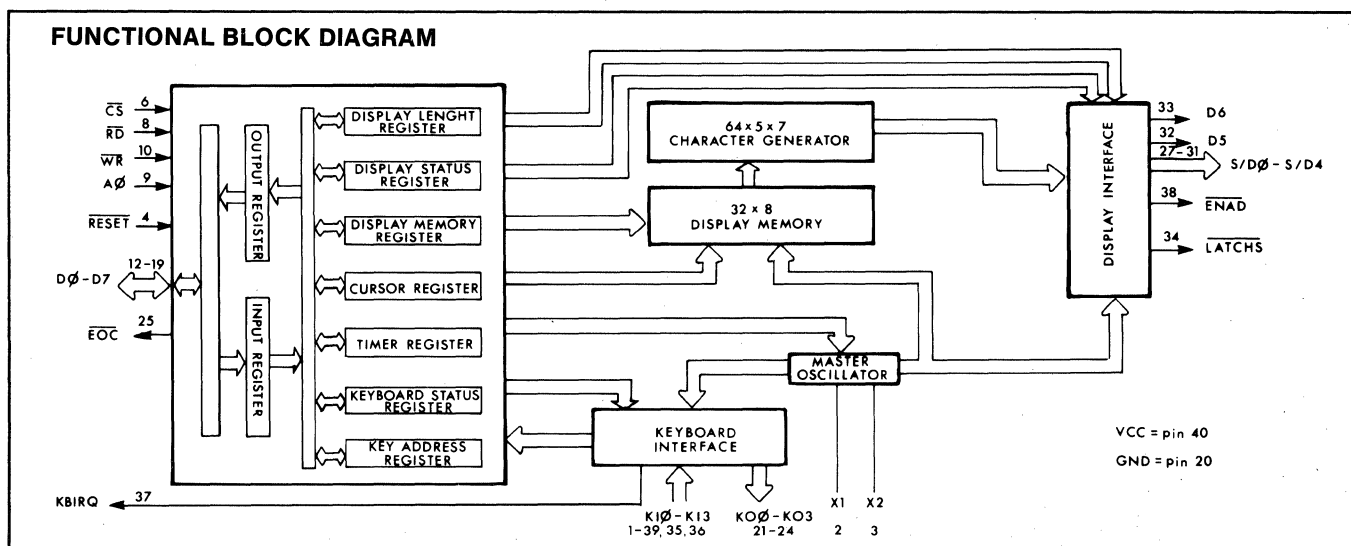
FUNCTIONAL DESCRIPTION

The MTX-B1 recognizes a 22 command instruction set which enables the user to program the display and keyboard parameters by read/writing a set of on-chip command registers (see MTX-B1 FUNCTIONAL BLOCK DIAGRAM). The command registers allow the user to monitor the keyboard and display and control all internal operational parameters such as display length (1 to 32 characters), display attributes (display on/off, display blink on/off, cursor blink on/off, cursor index on/off, cursor index up/down), display refresh rate, and keyboard status (keyboard scan on/off, 16/64 key scan). Additionally the MTX-B1 instruction set enables the user to manipulate the display (Clear, rotate or shift display) as well as execute a self-test of the device whereby the MTX-B1 will display the first 32 characters in the ASCII alphabet in ascending order.

The on-chip display interface contains all the required circuitry to drive up to 32 segment type (from 7 to 16) displays. A built-in character generator contains the binary information for a 64 character alphanumeric ASCII character set. In addition the user can program the MTX-B1 to display a blinking underline cursor (cursor position will blink between displayed character and an underline). The user can also disable the display through software.

The MTX-B1 can interface any standard 16 or 64 key keyboard. Key closure will be detected by either continuously testing D7 of the Keyboard Status Register or by a CPU interrupt, via the KBIRQ line. The MTX-B1 uses a lock-out scan method so that only one key closure will be detected at a time. Key scanning will not resume until the closed key is released.

FUNCTIONAL BLOCK DIAGRAM

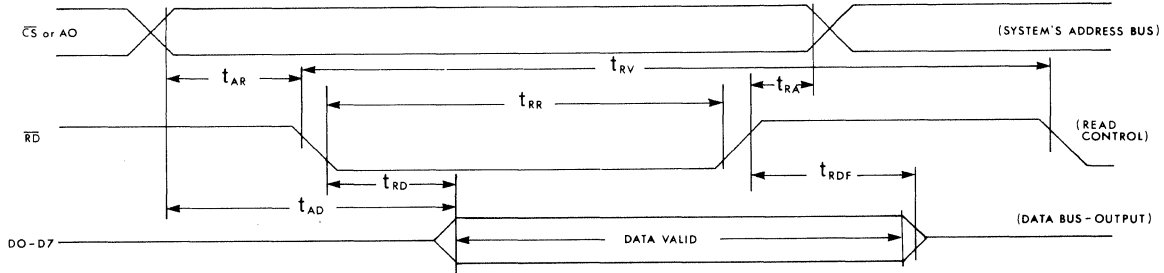


A.C. CHARACTERISTICS $T_A = 0^{\circ}\text{C TO } 70^{\circ}\text{C}$, $V_{CC} = V_{DD} = +5\text{V} \pm 5\%$, $V_{SS} = 0\text{V}$

A.C. TEST CONDITIONS

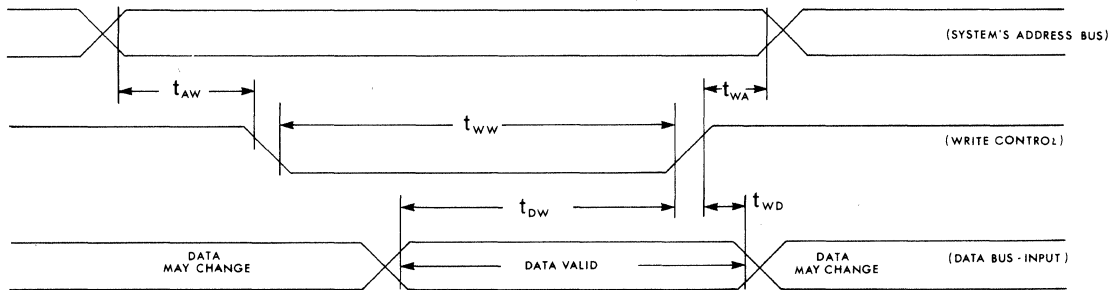
D7-D0 Outputs $R_L = 2.2\text{k to } V_{SS}$
 $4.3\text{k to } V_{CC}$
 $CL = 100\text{ pF}$

1. READ OPERATION



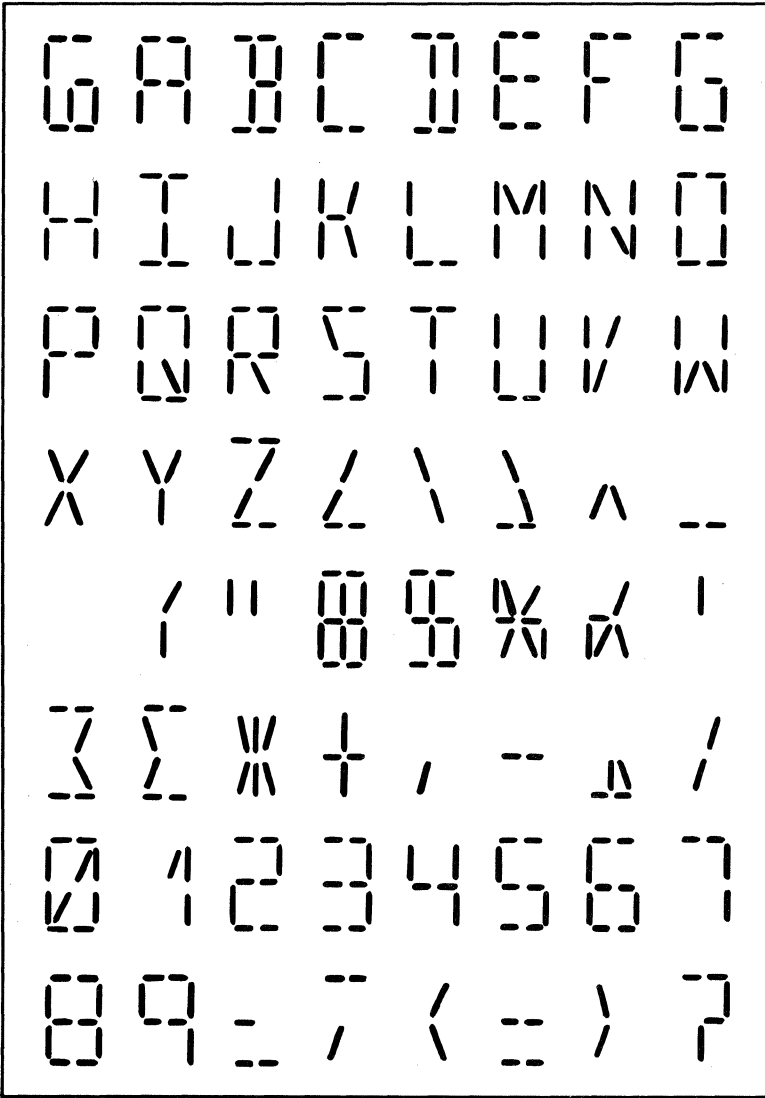
Symbol	Parameter	Min.	Typ.	Max.	Unit	Test Conditions
t_{AR}	CS, A0 Setup to RD	0	100		ns	
t_{RA}	CS, A0 Hold After RD	0	25		ns	
t_{RR}	RD Pulse Width	250	280	$2 \times t_{CY}$	ns	$t_{CY} = 2.5 \mu\text{s}$
t_{AD}	CS, A0 to Data Out Delay		200	225	ns	
t_{RD}	RD to Data Out Delay		200	225	ns	
t_{RDF}	RD to Data Float Delay	10		100	ns	$CL = 15\text{ pF}$
			120		ns	$CL = 100\text{ pF}$
t_{RV}	Recovery Time Between Reads And/Or Write	.300	1		μs	
t_{CY}	Cycle Time	2.5	2.5		μs	6 MHz Crystal

2. WRITE OPERATION



Symbol	Parameter	Min.	Typ.	Max.	Unit	Test Conditions
t_{AW}	CS, A0 Setup to WR	0	50		ns	
t_{WA}	CS, A0 Hold After WR	0	40		ns	
t_{WW}	WR Pulse Width	250	280	$2 \times t_{CY}$	ns	$t_{CY} = 5 \mu\text{s}$
t_{DW}	Data Setup to WR	150	220		ns	
t_{WD}	Data Hold After WR	0	0		ns	

ASCII CHARACTER FONT



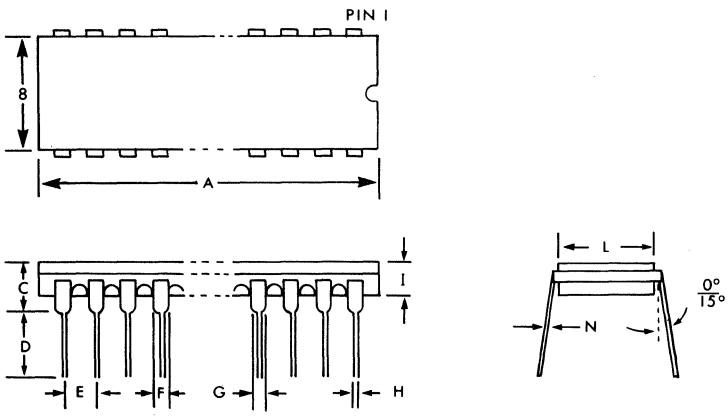
MTX-B1 INSTRUCTION SET

MNEMONIC	CODE							DESCRIPTION	
	D7	D6	D5	D4	D3	D2	D1		D0
CLA	1	1	1	0	0	0	0	0	Clear display memory
BLA	1	1	1	0	0	0	0	1	Load blank to display memory
RTL	1	1	1	0	0	0	1	0	Rotate display left
RTR	1	1	1	0	0	0	1	1	Rotate display right
SHL	1	1	1	0	0	1	0	0	Shift display left
SHR	1	1	1	0	0	1	0	1	Shift display right
INC	1	1	1	0	0	1	1	0	Increment cursor
DEC	1	1	1	0	0	1	1	1	Decrement cursor
STT	1	1	1	0	1	0	0	0	Execute self-test
GKA	1	1	1	0	1	0	0	1	Get key address
GDM	1	1	1	0	1	0	1	0	Get display memory
GDL	1	1	1	0	1	0	1	1	Get display length
GKS	1	1	1	0	1	1	0	0	Get keyboard status
GDS	1	1	1	0	1	1	0	1	Get display status
GTR	1	1	1	0	1	1	1	0	Get timer register
GCA	1	1	1	0	1	1	1	1	Get cursor address
LCR	1	0	0	e	d	c	b	a	Load cursor and read display
LDL	0	1	0	e	d	c	b	a	Load display length
LKS	1	0	1	X	X	X	b	a	Load keyboard status
LDS	1	1	0	e	d	c	b	a	Load display status
LTR	0	1	1	e	d	c	b	a	Load timer register
LDM	0	0	f	e	d	c	b	a	Load display memory

Note: The MTX-B1 is supplied with the ASCII character font as shown. However custom designed character fonts can be supplied at extra cost. For more details consult the factory.

**ORDERING INFORMATION:
MTX-B1**

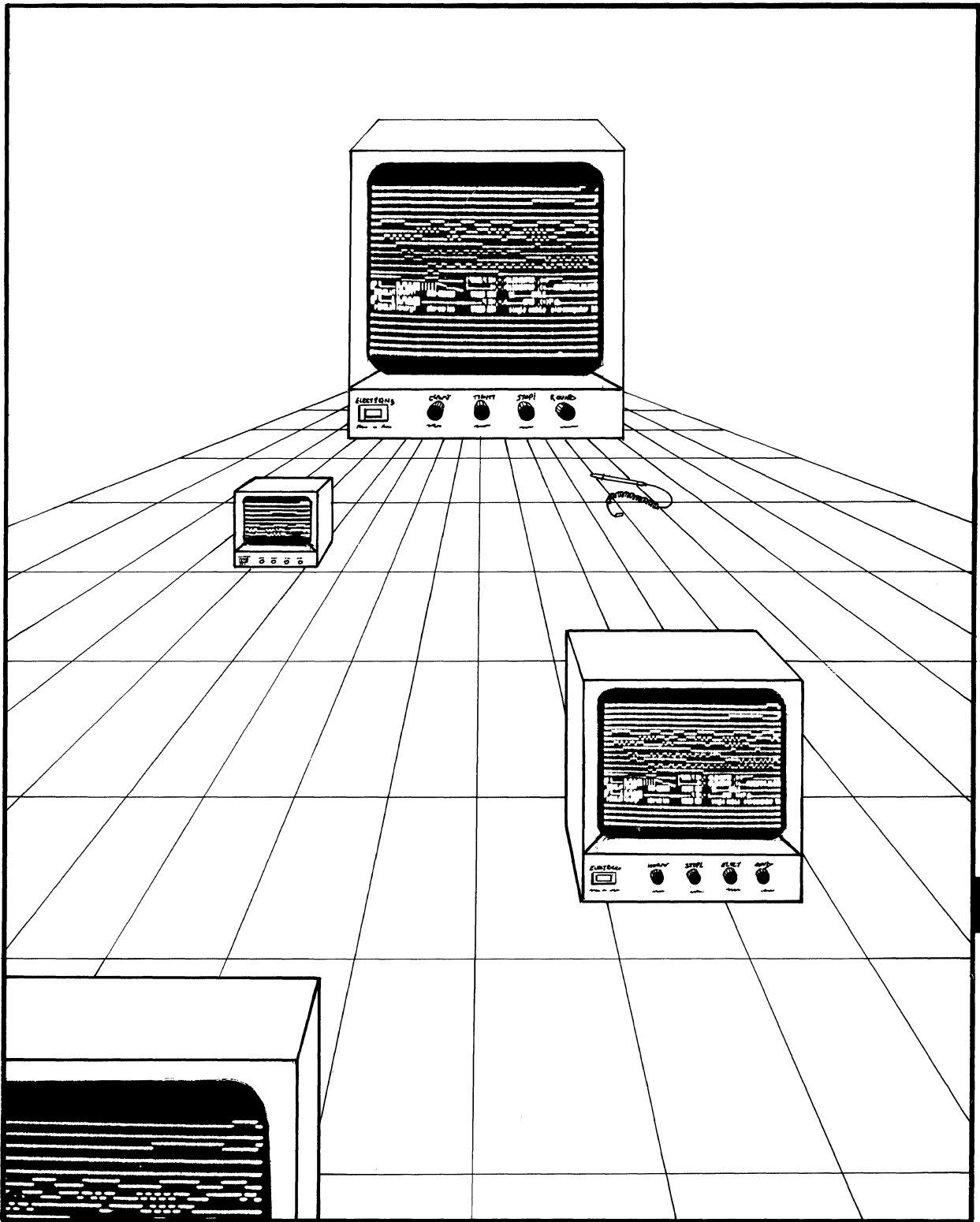
PACKAGE DIMENSIONS



DIM	MM		INCHES	
	MIN.	MAX.	MIN.	MAX.
A	51.562	52.832	2.030	2.080
B	13.081	15.240	0.515	0.600
C	—	5.588	—	0.220
D	3.175	—	0.125	—
E	2.286	2.794	0.090	0.110
F	1.524	—	0.060	—
G	0.813	—	0.032	—
H	0.406	0.508	0.016	0.020
I	3.683	4.750	0.145	0.187
L	—	15.875	—	0.625
M	0.254	—	0.010	—

Matrox Electronic Systems Ltd reserves the right to make changes in specifications at any time and without notice. The information furnished by Matrox Electronic Systems Ltd in this publication is believed to be accurate and reliable. However, no responsibility is assumed by Matrox Electronic Systems Ltd for its use; nor for any infringements of patents or other rights of third parties resulting from its use. No license is granted under any patents or patent rights of Matrox Electronic Systems Ltd.





CRT MONITORS AND VIDEO ACCESSORIES

SECTION 10 CRT MONITORS AND VIDEO ACCESSORIES

MCM-2000L 19" High Resolution (55 MHz) RGB Color Monitor	10-3
MCM-1000L 19" High Resolution (40 MHz) RGB Color Monitor	10-5
MCM-1014L 14" High Resolution (40 MHz) RGB Color Monitor	10-7
MCM-19L 19" High Resolution (25 MHz) RGB Color Monitor	10-9
MCM-14L 14" High Resolution (20 MHz) RGB Color Monitor	10-11
MEC-12A 12" Medium Resolution RGB Color Monitor	10-13
MCRT-9/14 9" and 14" Monochrome Video Monitors	10-15
LP-600 High Speed Light Pen	10-17
PLL-01 External Sync Interface for Video Modules	10-19
CABLES Cables for Matrox Video Boards	10-21



matrox
electronic systems Ltd.

5800 ANDOVER AVE., T.M.R., QUE., H4T 1H4, CANADA
TEL.: 514-735-1182 TELEX: 05-825651

MCM-2000L

19" HIGH-RESOLUTION (55 MHz) RGB COLOR MONITOR

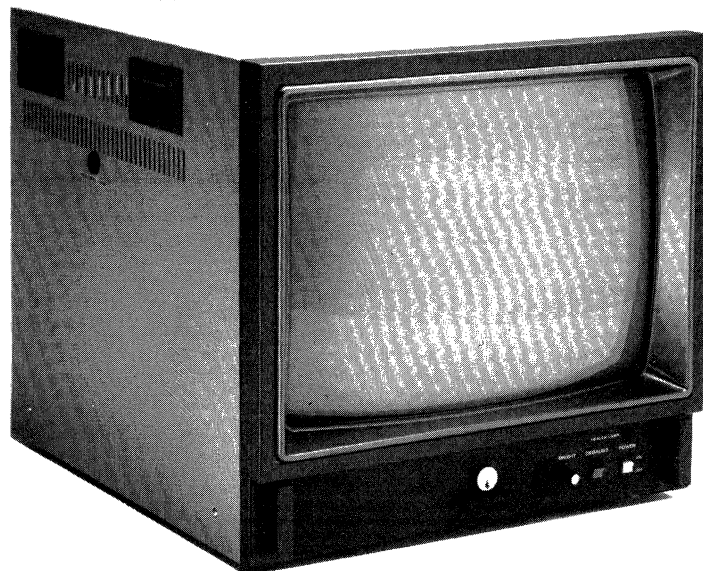
- 55 MHz bandwidth
- 19" screen size
- Designed for computer controlled color displays
- American or European operation
- Analog R,G,B video inputs
- Long persistence phosphors
- Interlaced/non-interlaced modes
- No flicker
- .31 mm dot triad pitch

The Matrox MCM-2000L is a high quality color display monitor designed for high-resolution computer controlled color displays. This monitor is capable of displaying 1024 x 768 dots, non-interlaced at 55 Hz, or up to 1600 x 1200 dots interlaced at 30 Hz.

The MCM-2000L monitor uses a fine pitch shadow mask to provide high resolution color displays, and delta electron guns to maximize focus of individual dots to yield the highest resolution possible. Long persistence phosphors are used in the CRT to eliminate flicker in the display when the monitor is used in the interlaced mode.

Superior video signal regulation ensures the reliability of the displayed video information and raster size regulation circuitry maintains raster size within 1% of raster height. MCM-series monitors also offer internal circuitry protection through an anti-spark circuit which shunts dangerous voltage surges caused by arcing in the electron guns.

The MCM-series monitors operate using analog R,G,B video input signals which can be either non-composite or composite on green. The MCM-series monitors can operate at 60 Hz (American Standard) or 50 Hz (European Standard).



SPECIFICATIONS

ACTIVE DISPLAY AREA

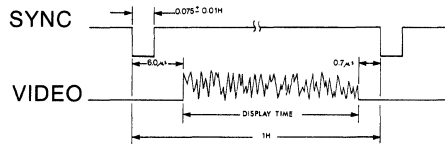
HEIGHT: 11.6 in. (29.5 cm)
 WIDTH: 15.5 in. (39.4 cm)

VIDEO BANDWIDTH

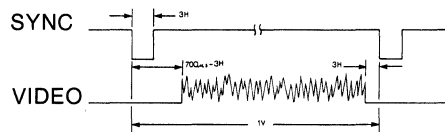
55 MHz

TIMING DIAGRAM

HORIZONTAL:



VERTICAL:



SCANNING FREQUENCY

HORIZONTAL RANGE: 37 KHz to 45 KHz
 VERTICAL RANGE: 40 Hz to 70 Hz

DOT TRIAD PITCH

.31mm

INPUT TERMINAL

BNC connectors (high impedance or 75Ω — switch selectable)
 All connectors are loop-through to permit daisy-chaining of monitors

INPUT SIGNALS

VIDEO SIGNALS: Analog, Positive white (composite sync on green drive)
 HORIZONTAL SYNC.: TTL level, Negative
 VERTICAL SYNC.: TTL level, Negative

CONTROLS

Power
 Degauss
 Brightness
 Color/Monochrome } (front mounted)

MISCONVERGENCE

STATIC: 0.50mm
 DYNAMIC: 1.00mm

AMBIENT TEMPERATURE

0°C-40°C

RELATIVE HUMIDITY

95% (non-condensing)

POWER SUPPLY

100/115/120/220/240 Vac ± 10% 50/60 Hz (tap selectable)

POWER CONSUMPTION

200 W

DIMENSIONS

HEIGHT: 18.00 in. (45.2 cm)
 WIDTH: 18.75 in. (47.6 cm)
 DEPTH: 21.25 in. (53.9 cm)

WEIGHT

54 kg

ORDERING INFORMATION

MCM-2000L: 19" color display monitor
 } No suffix — short persistence phosphor
 } L — long persistence phosphor

Matrox Electronic Systems Ltd reserves the right to make changes in specifications at any time and without notice. The information furnished by Matrox Electronic Systems Ltd in this publication is believed to be accurate and reliable. However, no responsibility is assumed by Matrox Electronic Systems Ltd for its use; nor for any infringements of patents or other rights of third parties resulting from its use. No license is granted under any patents or patent rights of Matrox Electronic Systems Ltd.





matrox
electronic systems ltd.

5800 ANDOVER AVE., T.M.R., QUE., H4T 1H4, CANADA
TEL.: 514-735-1182 TELEX: 05-825651

MCM-1000L

19" HIGH-RESOLUTION (40 MHz) RGB COLOR MONITOR

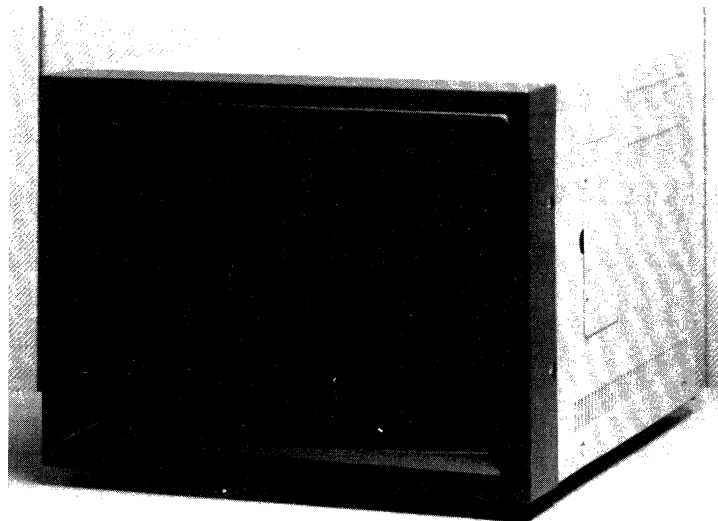
- 40 MHz bandwidth
- 19" screen size
- Designed for computer controlled color displays
- American or European operation
- In-line electron guns
- Analog R,G,B video inputs
- Long persistence phosphors
- Interlaced/non-interlaced modes
- No flicker
- .31mm dot triad pitch

The Matrox MCM-1000L is a high quality color display monitor designed for high-resolution computer controlled color displays. This monitor is capable of displaying up to 768 x 576 dots non-interlaced at 60 Hz, or up to 1280 x 1024 dots interlaced at 30 Hz.

The MCM-1000L monitor uses a fine pitch shadow mask to provide high resolution color displays, and in-line electron guns to minimize color distortion due to convergence error. Long persistence phosphors are used in the CRT to eliminate flicker in the display when the monitor is used in the interlaced mode.

Superior video signal regulation ensures the reliability of the displayed video information and raster size regulation circuitry maintains raster size within 4mm. MCM-series monitors also offer internal circuitry protection through an anti-spark circuit which shunts dangerous voltage surges caused by arcing in the electron guns.

The MCM-series monitors operate using analog R,G,B, video input signals which can be either non-composite or composite in green. The MCM-1000L monitors accept video signals compatible with EIA-STD-RS-343, and can operate at 60 Hz (American Standard) or 50 Hz (European Standard).



SPECIFICATIONS

ACTIVE DISPLAY AREA

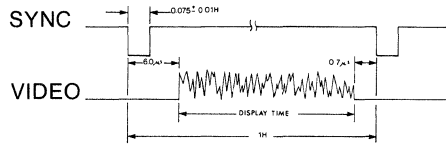
HEIGHT: 11.02 in. (27.0 cm)
 WIDTH: 14.98 in. (35.0 cm)

VIDEO BANDWIDTH

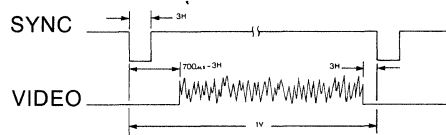
40 MHz

TIMING DIAGRAM

HORIZONTAL:



VERTICAL:



SCANNING FREQUENCY

HORIZONTAL RANGE: 28 KHz to 35 KHz
 VERTICAL RANGE: 40 Hz to 60 Hz

DOT TRIAD PITCH

.31mm

INPUT TERMINAL

BNC connectors (high impedance or 75Ω — switch selectable)
 All BNC connectors are loop-through to permit daisy-chaining of monitors

INPUT SIGNALS

VIDEO SIGNALS: Analog, Positive white (composite sync on green drive)
 HORIZONTAL SYNC.: TTL level, Negative
 VERTICAL SYNC.: TTL level, Negative

CONTROLS

Power }
 Degauss } (side mounted)
 Brightness }
 Gain }

MISCONVERGENCE

STATIC: 0.75mm
 DYNAMIC: 1.25mm

AMBIENT TEMPERATURE

0°C-40°C

RELATIVE HUMIDITY

95% (non-condensing)

POWER SUPPLY

100-120 Vac ± 10% (50/60 Hz)
 220-240 Vac ± 10% (50/60 Hz)

POWER CONSUMPTION

200 W

DIMENSIONS

HEIGHT: 17.44 in. (38.5 cm)
 WIDTH: 18.97 in. (48.2 cm)
 DEPTH: 19.68 in. (45.0 cm)

WEIGHT

40 kg

ORDERING INFORMATION

MCM-1000L: } 19" color display monitor
 } No suffix — short persistence phosphor
 } L — long persistence phosphor

Matrox Electronic Systems Ltd reserves the right to make changes in specifications at any time and without notice. The information furnished by Matrox Electronic Systems Ltd in this publication is believed to be accurate and reliable. However, no responsibility is assumed by Matrox Electronic Systems Ltd for its use; nor for any infringements of patents or other rights of third parties resulting from its use. No license is granted under any patents or patent rights of Matrox Electronic Systems Ltd.





matrox
electronic systems ltd.

5800 ANDOVER AVE., T.M.R., QUE., H4T 1H4, CANADA
TEL.: 514-735-1182 TELEX: 05-825651

MCM-1014L

14" HIGH-RESOLUTION (40 MHz) RGB COLOR MONITOR

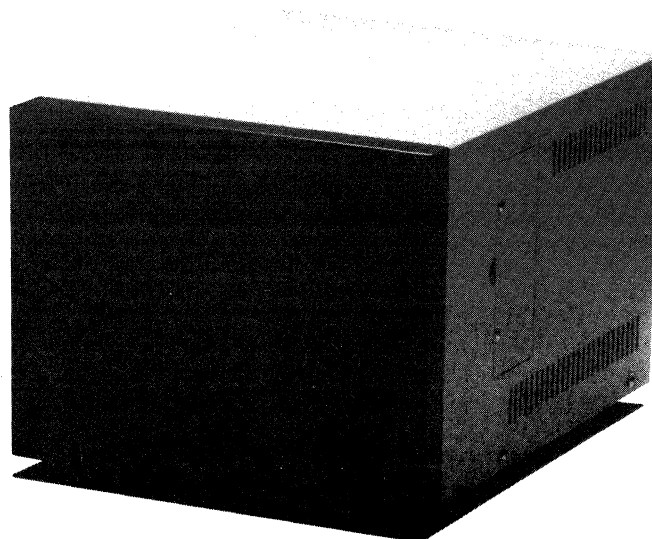
- 40 MHz bandwidth
- 14" screen size
- Designed for computer controlled color displays
- American or European operation
- In-line electron guns
- Analog R,G,B video inputs
- EIA-STD-RS-343 video signal compatible
- Long persistence phosphors
- Interlaced/non-interlaced modes
- No flicker
- .31mm dot triad pitch
- Anti-glare shield

The Matrox MCM-1014L is a high quality color display monitor designed for high-resolution computer controlled color displays. This monitor is capable of displaying up to 768 x 576 dots non-interlaced at 60 Hz, or up to 1024 x 768 dots interlaced at 30 Hz.

The MCM-1014L monitor uses a fine pitch shadow mask to provide high resolution color displays, and in-line electron guns to minimize color distortion due to convergence error. Long persistence phosphors are used in the CRT to eliminate flicker in the display when used in the interlaced mode.

Superior video signal regulation ensures the reliability of the displayed video information and raster size regulation circuitry maintains raster size within 4mm. MCM-series monitors also offer internal circuitry protection through an anti-spark circuit which shunts dangerous voltage surges caused by arcing in the electron guns.

The MCM-series monitors operate using analog R,G,B video input signals which can be either non-composite or composite in green. The MCM-series monitors accept video signals compatible with EIA-STD-RS-343, and can operate at 60 Hz (American Standard) or 50 Hz (European Standard) in interlaced or non-interlaced mode.



SPECIFICATIONS

ACTIVE DISPLAY AREA

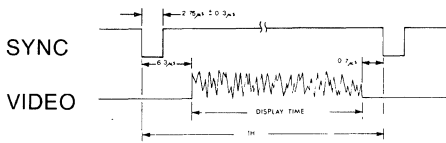
HEIGHT: 7.09 in. (18.0 cm)
 WIDTH: 9.84 in. (25.0 cm)

BANDWIDTH

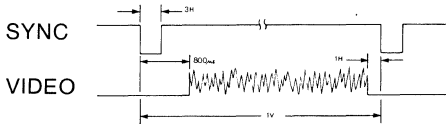
40 MHz

TIMING DIAGRAM

HORIZONTAL:



VERTICAL:



SCANNING FREQUENCY

HORIZONTAL RANGE: 28 KHz to 35 KHz
 VERTICAL RANGE: 50 Hz to 60 Hz

DOT TRIAD PITCH

.31mm

INPUT TERMINALS

BNC connectors (high impedance or 75 — switch selectable)
 All connectors are loop-through to permit daisy-chaining of monitors

INPUT SIGNALS

VIDEO SIGNALS: Analog, Positive white (composite sync on green drive)
 HORIZONTAL SYNC.: TTL level, Negative
 VERTICAL SYNC.: TTL level, Negative

CONTROLS

Power }
 Degauss } (side-mounted)
 Gain }
 Brightness }

MISCONVERGENCE

STATIC: 0.50mm
 DYNAMIC: 0.80mm

AMBIENT TEMPERATURE

0°C-40°C

RELATIVE HUMIDITY

95% (non-condensing)

POWER SUPPLY

100-120Vac ± 10% (50/60 Hz)
 220-240Vac ± 10% (50/60 Hz)

POWER CONSUMPTION

160W

DIMENSIONS

HEIGHT: 10.86 in. (27.6 cm)
 WIDTH: 13.77 in. (35.0 cm)
 DEPTH: 17.80 in. (45.2 cm)

WEIGHT

18kg

ORDERING INFORMATION

MCM-1014X: 14" high resolution color display monitor
 { No suffix — short persistence phosphors
 { L — long persistence phosphors

Matrox Electronic Systems Ltd reserves the right to make changes in specifications at any time and without notice. The information furnished by Matrox Electronic Systems Ltd in this publication is believed to be accurate and reliable. However, no responsibility is assumed by Matrox Electronic Systems Ltd for its use; nor for any infringements of patents or other rights of third parties resulting from its use. No license is granted under any patents or patent rights of Matrox Electronic Systems Ltd.





matrox
electronic systems Ltd.

5800 ANDOVER AVE., T.M.R., QUE., H4T 1H4, CANADA
TEL.: 514-735-1182 TELEX: 05-825651

MCM-19L

19" HIGH RESOLUTION (25 MHz) RGB COLOR MONITOR

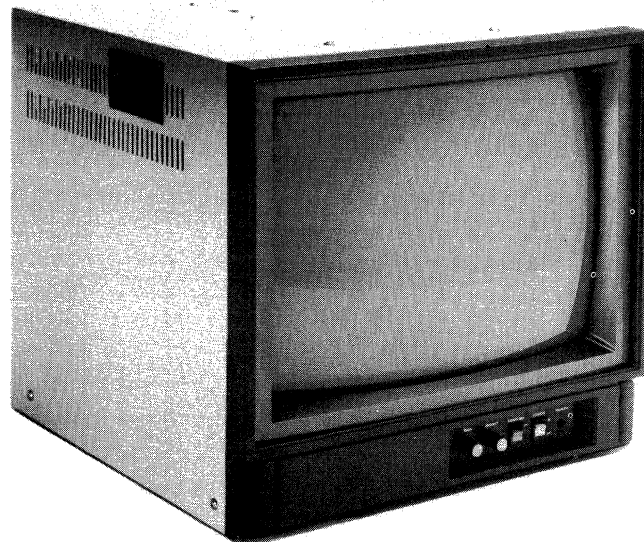
- Up to 6000 characters or 1140 x 810 dots
- 19" screen size
- Designed for computer controlled color displays
- American or European operation
- In-line electron guns
- Analog R,G,B video inputs
- EIA-STD-RS-170 video signal compatible
- Long persistence phosphors
- Interlaced/non-interlaced modes
- No flicker
- .31mm dot triad pitch

The Matrox MCM-19L is a high quality color display monitor designed for high-resolution computer controlled color displays. This monitor is capable of displaying up to 6000 characters or 1140 x 810 dots.

The MCM-19L monitor uses a fine pitch shadow mask to provide high resolution color displays, and in-line electron guns to minimize color distortion due to convergence error. Long persistence phosphors are used in the CRT to eliminate flicker in the display when used in the interlaced mode.

Superior video signal regulation ensures the reliability of the displayed video information and raster size regulation circuitry maintains raster size within 4mm. MCM-series monitors also offer internal circuitry protection through an anti-spark circuit which shunts dangerous voltage surges caused by arcing in the electron guns.

The MCM-series monitors operate using analog R,G,B video input signals which can be either non-composite or composite in green. The MCM-series monitors accept video signals compatible with EIA-STD-RS-170, and can operate at 60 Hz (American Standard) or 50 Hz (European Standard) in interlaced or non-interlaced mode.



10

SPECIFICATIONS

ACTIVE DISPLAY AREA

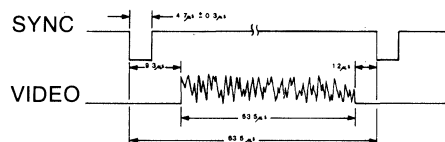
HEIGHT: 11.02 in. (28.0 cm)
WIDTH: 14.98 in. (38.0 cm)

BANDWIDTH

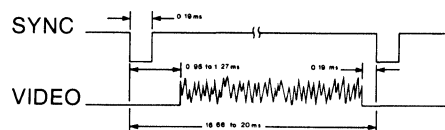
25 MHz

TIMING DIAGRAM

HORIZONTAL



VERTICAL:



SCANNING FREQUENCY

HORIZONTAL RANGE: 15.5 KHz to 19.0 KHz
VERTICAL RANGE: 50 hz to 60 Hz

DOT TRIAD PITCH

.31mm

INPUT TERMINAL

BNC connectors

INPUT SIGNALS

VIDEO SIGNALS: Analog, Positive white (composite sync on green drive)
HORIZONTAL SYNC.: TTL level, Negative
VERTICAL SYNC.: TTL level, Negative

MISCONVERGENCE

STATIC: 0.75mm
DYNAMIC: 1.25mm

AMBIENT TEMPERATURE

0°C-40°C

RELATIVE HUMIDITY

95% (non-condensing)

POWER SUPPLY

100-120Vac ± 10% (50/60 Hz)
200-240Vac ± 10% (50/60 Hz)

POWER CONSUMPTION

240VA (140W)

DIMENSIONS

HEIGHT: 17.44 in. (44.3 cm)
WIDTH: 18.97 in. (48.2 cm)
DEPTH: 19.68 in. (50.0 cm)

WEIGHT

27.5 kg

ORDERING INFORMATION

MCM-19L: 19" color display monitor

Matrox Electronic Systems Ltd reserves the right to make changes in specifications at any time and without notice. The information furnished by Matrox Electronic Systems Ltd in this publication is believed to be accurate and reliable. However, no responsibility is assumed by Matrox Electronic Systems Ltd for its use; nor for any infringements of patents or other rights of third parties resulting from its use. No license is granted under any patents or patent rights of Matrox Electronic Systems Ltd.





matrox
electronic systems Ltd.

5800 ANDOVER AVE., T.M.R., QUE., H4T 1H4, CANADA
TEL.: 514-735-1182 TELEX: 05-825651

MCM-14L

14" HIGH RESOLUTION (20 MHz) RGB COLOR MONITOR

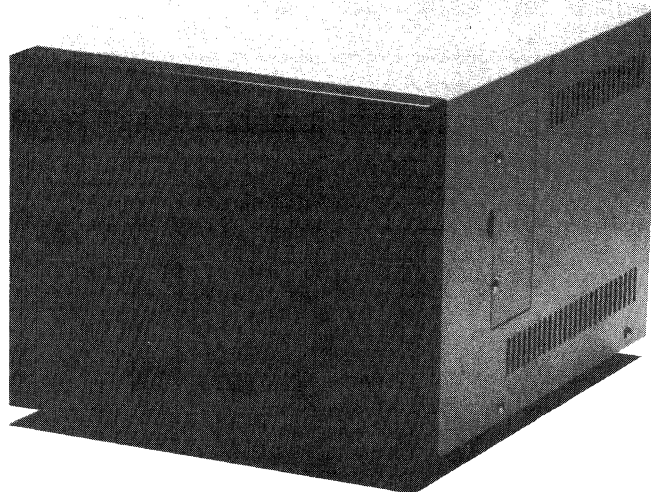
- Up to 4000 characters or 840 x 595 dots
- 14" screen size
- Designed for computer controlled color displays
- American or European operation
- In-line electron guns
- Analog R,G,B video inputs
- EIA-STD-RS-170 video signal compatible
- Long persistence phosphors
- Interlaced/non-interlaced modes
- No flicker
- .31mm dot triad pitch
- Anti-glare shield

The Matrox MCM-14L is a high quality color display monitor designed for high-resolution computer controlled color displays. This monitor is capable of displaying up to 4000 characters or 840 x 595 dots.

The MCM-14L monitor uses a fine pitch shadow mask to provide high resolution color displays, and in-line electron guns to minimize color distortion due to convergence error. Long persistence phosphors are used in the CRT to eliminate flicker in the display when used in the interlaced mode.

Superior video signal regulation ensures the reliability of the displayed video information and raster size regulation circuitry maintains raster size within 4mm. MCM-series monitors also offer internal circuitry protection through an anti-spark circuit which shunts dangerous voltage surges caused by arcing in the electron guns.

The MCM-series monitors operate using analog R,G,B video input signals which can be either non-composite or composite in green. The MCM-series monitors accept video signals compatible with EIA-STD-RS-170, and can operate at 60Hz (American Standard) or 50Hz (European Standard) in interlaced or non-interlaced mode.



SPECIFICATIONS

ACTIVE DISPLAY AREA

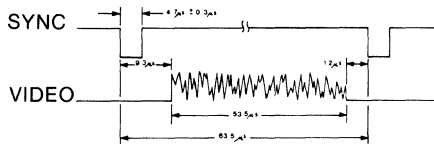
HEIGHT: 7.48 in. (19.0 cm)
WIDTH: 10.4 in. (25.5 cm)

BANDWIDTH

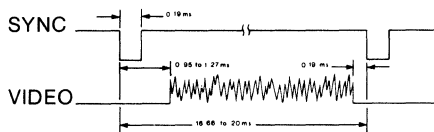
20 MHz

TIMING DIAGRAM

HORIZONTAL:



VERTICAL:



SCANNING FREQUENCY

HORIZONTAL RANGE: 15.5 KHz to 19.0 KHz
VERTICAL RANGE: 50 Hz to 60 Hz

DOT TRIAD PITCH

.31mm

INPUT TERMINALS

BNC connectors

INPUT SIGNALS

VIDEO SIGNALS: Analog, Positive white (composite sync on green drive)
HORIZONTAL SYNC.: TTL level, Negative
VERTICAL SYNC.: TTL level, Negative

MISCONVERGENCE

STATIC: 0.75mm
DYNAMIC: 1.25mm

AMBIENT TEMPERATURE

0°C-40°C

RELATIVE HUMIDITY

95% (non-condensing)

POWER SUPPLY

100-120Vac ± 10% (50/60 Hz)
220-240Vac ± 10% (50/60 Hz)

POWER CONSUMPTION

180VA (100W),

DIMENSIONS

HEIGHT: 10.86 in. (27.6 cm)
WIDTH: 13.77 in. (35.0 cm)
DEPTH: 17.80 in. (45.2 cm)

WEIGHT

20kg

ORDERING INFORMATION

MCM-14L: 14" color display monitor

Matrox Electronic Systems Ltd reserves the right to make changes in specifications at any time and without notice. The information furnished by Matrox Electronic Systems Ltd in this publication is believed to be accurate and reliable. However, no responsibility is assumed by Matrox Electronic Systems Ltd for its use; nor for any infringements of patents or other rights of third parties resulting from its use. No license is granted under any patents or patent rights of Matrox Electronic Systems Ltd.





matrox
electronic systems Ltd.

5800 ANDOVER AVE., T.M.R., QUE., H4T 1H4, CANADA
TEL.: 514-735-1182 TELEX: 05-825651

MEC-12A

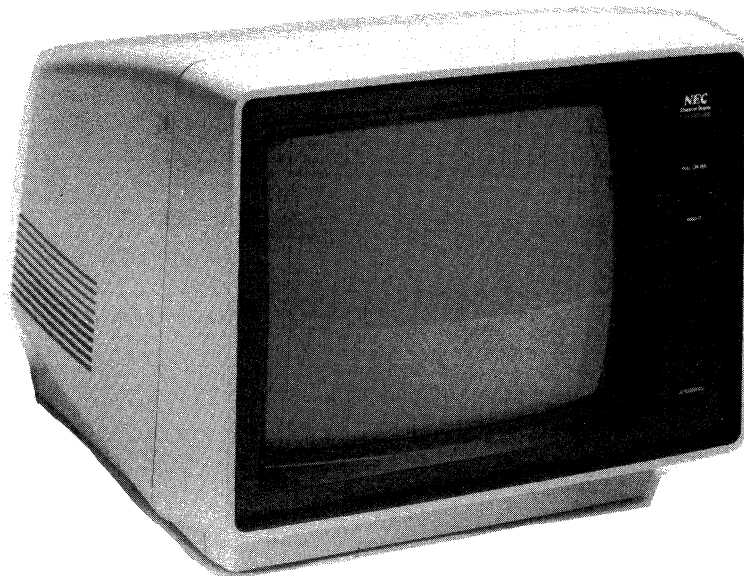
12" MEDIUM RESOLUTION RGB COLOR MONITOR

- Up to 2000 characters or 690 x 280 dots
- Displays in 8 different colors
- Designed for computer controlled color displays
- Separate R,G,B and V,H sync. inputs
- Audio circuit (1.2W)
- In-line electron guns
- Short persistence phosphors
- TTL level video input
- Enhanced display stability
- Stable convergence
- .3mm dot triad pitch

The Matrox MEC-12 is a high quality direct drive color display monitor designed for high resolution computer controlled color displays. The MEC-12's 12" screen can generate displays with up to 2000 characters (690 x 280 dots) in 8 colors.

The MEC-12 is equipped with a fine pitch shadow mask (.3mm dot triad pitch) for high resolution color displays, and in-line electron guns to minimize color distortion due to convergence error. The MEC-12's self convergence system controls convergence to within 0.6mm at the center of the screen and within 1.1mm around the perimeter. Short persistence phosphors are used in the MEC-12's CRT, to enable the use of a light pen.

Sharper, clearer pictures result from separate red, green, and blue TTL level video and vertical, horizontal sync. signals. Strict video signal regulation ensures the reliability of the displayed video information. The MEC-12's sophisticated circuit design ensures that variations in the power supply or environmental temperature can never affect display stability.



SPECIFICATIONS

ACTIVE DISPLAY AREA

HEIGHT: 6.30 in. (16.0 cm)
 WIDTH: 8.46 in. (21.5 cm)

BANDWIDTH

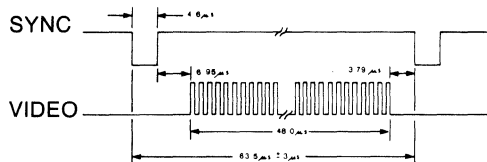
18 MHz

DISPLAY COLORS

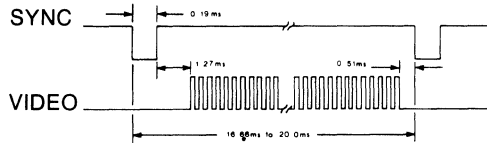
INPUT			DISPLAY
R	G	B	COLOR
0	0	0	Black
0	0	1	Blue
0	1	0	Green
0	1	1	Cyan
1	0	0	Red
1	0	1	Magenta
1	1	0	Yellow
1	1	1	White

TIMING DIAGRAM

HORIZONTAL:



VERTICAL:



SCANNING FREQUENCY

HORIZONTAL: 15.75 KHz
 VERTICAL: 50 Hz to 60 Hz

DOT TRIAD PITCH

.3 mm

INPUT TERMINAL

8-pin connector (PC-8091(G) or equivalent)

INPUT SIGNALS

VIDEO SIGNALS: TTL level, Positive white
 HORIZONTAL SYNC.: TTL level, Negative
 VERTICAL SYNC.: TTL level, Negative

MISCONVERGENCE

DYNAMIC: 1.1mm
 STATIC: 0.6mm

AMBIENT TEMPERATURE

0°C-40°C

RELATIVE HUMIDITY

95% (non-condensing)

POWER SUPPLY

100-120Vac ± 10% (60 Hz)

POWER CONSUMPTION

67W

DIMENSIONS

HEIGHT: 12.08 in. (30.7 cm)
 WIDTH: 14.90 in. (37.8 cm)
 DEPTH: 16.26 in. (41.3 cm)

WEIGHT

11.7 kg

ORDERING INFORMATION

MEC-12A: 12" color display monitor

Matrox Electronic Systems Ltd reserves the right to make changes in specifications at any time and without notice. The information furnished by Matrox Electronic Systems Ltd in this publication is believed to be accurate and reliable. However, no responsibility is assumed by Matrox Electronic Systems Ltd for its use; nor for any infringements of patents or other rights of third parties resulting from its use. No license is granted under any patents or patent rights of Matrox Electronic Systems Ltd.





matrox
electronic systems ltd.

5800 ANDOVER AVE., T.M.R., QUE., H4T 1H4, CANADA
TEL.: 514-735-1182 TELEX: 05-825651

MCRT-9/14

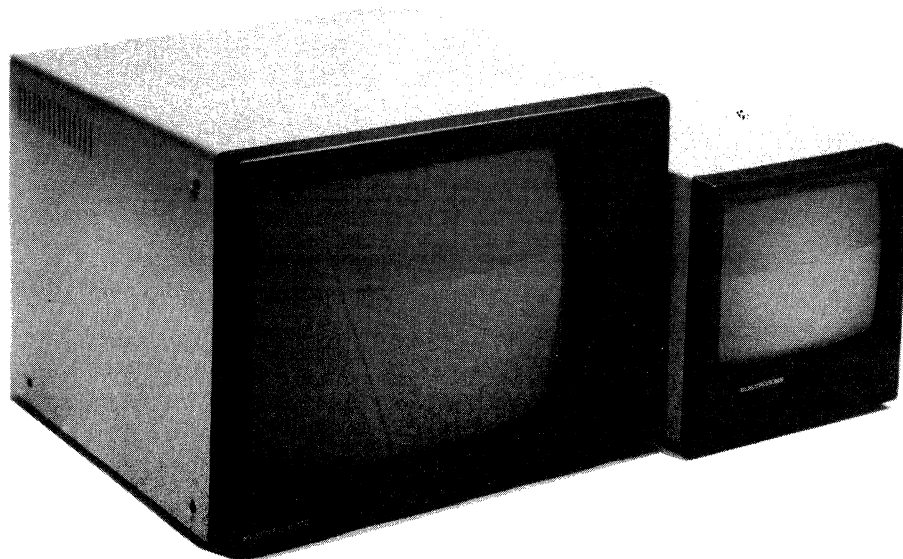
9" AND 14" MONOCHROME VIDEO MONITORS

- 18 MHz bandwidth
- Wide dynamic range
- Black level clamping
- Hum suppression
- Composite input video
- Enhanced display stability
- Internal/external sync
- American/European operation
- Attractive styling
- UL/CSA approved

The MCRT series of video monitors are high quality monochrome display devices that are specifically designed for computer controlled display applications; including commercial, medical and industrial monitoring.

The MCRT series monitors operate using 1.0V p-p composite video input signals. The MCRT-9/G and 14/G versions are equipped with long persistence P39 phosphors enabling the monitors to operate in interlaced mode without flicker. Strict signal regulation ensures the reliability of the displayed video information.

Cabinets are constructed of Steltex textured steel and are finished in beige and brown. All units comply with CSA, UL, and DHEW regulations and standards.



SPECIFICATIONS

ACTIVE DISPLAY AREA

MONITOR	DISPLAY AREA			
	WIDTH		HEIGHT	
	MM	IN	MM	IN
MCRT-9	181	7.12	135	5.31
MCRT-14	290	11.42	215	8.46

BANDWIDTH

18 MHz

SCANNING FREQUENCY

HORIZONTAL RANGE: 15.75 KHz to 18.00 KHz
 VERTICAL RANGE: 40 Hz to 65 Hz

INPUT TERMINAL

BNC connectors

INPUT SIGNALS

Composite video: 1.0V p-p nominal, negative sync

AMBIENT TEMPERATURE

0°-50°C

RELATIVE HUMIDITY

90% non-condensing

POWER SUPPLY

110/220/240 volts, 50/60 Hz

POWER CONSUMPTION

60W

DIMENSIONS

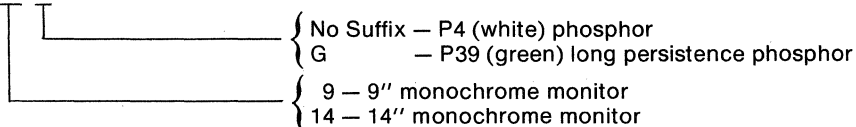
MONITOR	WIDTH		HEIGHT		DEPTH	
	MM	IN	MM	IN	MM	IN
MCRT-9	222	8.74	220	8.66	352	13.85
MCRT-14	400	15.74	251	9.88	451	17.75

WEIGHT

7.65kg (MCRT-9)
 13.0kg (MCRT-14)

ORDERING INFORMATION

MCRT-XX/X



Matrox Electronic Systems Ltd reserves the right to make changes in specifications at any time and without notice. The information furnished by Matrox Electronic Systems Ltd in this publication is believed to be accurate and reliable. However, no responsibility is assumed by Matrox Electronic Systems Ltd for its use; nor for any infringements of patents or other rights of third parties resulting from its use. No license is granted under any patents or patent rights of Matrox Electronic Systems Ltd.





matrox
electronic systems Ltd.

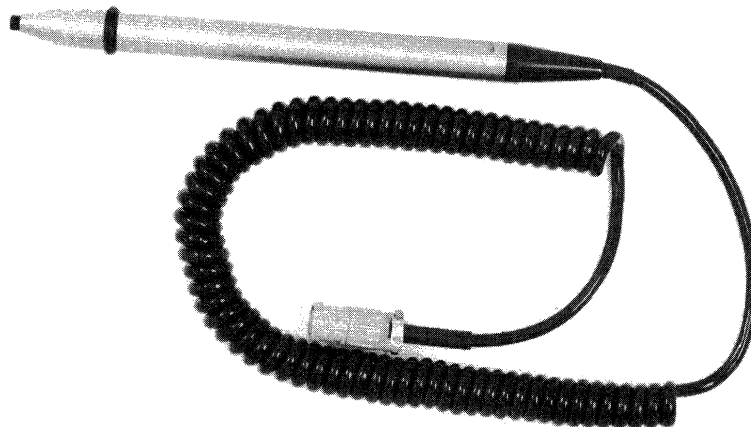
5800 ANDOVER AVE., T.M.R., QUE., H4T 1H4, CANADA
TEL.: 514-735-1182 TELEX: 05-825651

LP-600

HIGH SPEED LIGHT PEN

- High sensitivity
- Sharply defined acceptance area
- Retractable cable with connector
- Light weight and small diameter for user comfort
- Push-tip or touch ring actuation

The LP-600 is a high speed light pen that serves as an easy to use input device in interactive CRT display applications. The pen features high sensitivity, small barrel diameter for operator comfort, sharply defined acceptance area, push or touch actuation methods, and retractable cable with connector. The LP-600 is completely self-contained and requires only a single power supply voltage, +5V \pm 5%, 80 mA maximum.



SPECIFICATIONS

Functional

Luminous Sensitivity

1 foot-lanbert

Response Time

300 nanosecond

Spectral Response

420-1100 nanometers

Acceptance Area

0.25 cm (0.10 in.) diameter

Output-Light

1 usec pulse, TTL compatible

Output-Actuation

Push Tip/Touch Ring — Level shift (TTL compatible) active high

Background Tolerance

Direct sunlight

Cable

Retractable, 120 cm (48 in.) extended, 35 cm (14 in.) retracted

Mating Connector

Viking TKR-07-100

Power Requirements

+ 5V \pm 5% @ 80mA

Operating Temperature

+ 10° — + 50°C

Dimensions

Length: 6.00 in. (15.00 cm)
Diameter: 0.50 in. (1.25 cm)
Weight: 1.8 oz. (50 gr)

Construction Material

Pen Body: stainless steel
Pen Tip: polycarbonate

Ordering Information

LP-600

Matrox Electronic Systems Ltd reserves the right to make changes in specifications at any time and without notice. The information furnished by Matrox Electronic Systems Ltd in this publication is believed to be accurate and reliable. However, no responsibility is assumed by Matrox Electronic Systems Ltd for its use; nor for any infringements of patents or other rights of third parties resulting from its use. No license is granted under any patents or patent rights of Matrox Electronic Systems Ltd.





matrox
electronic systems ltd.

5800 ANDOVER AVE., T.M.R., QUE., H4T 1H4, CANADA
TEL.: 514-735-1182 TELEX: 05-825651

PLL-01

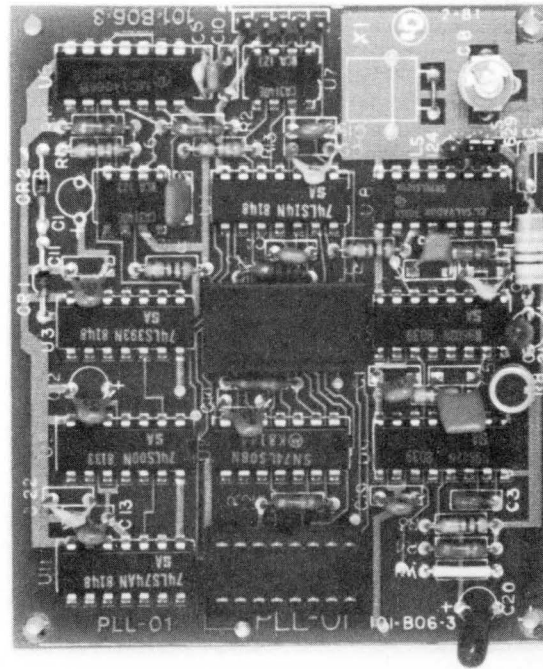
EXTERNAL SYNC INTERFACE FOR VIDEO BOARDS

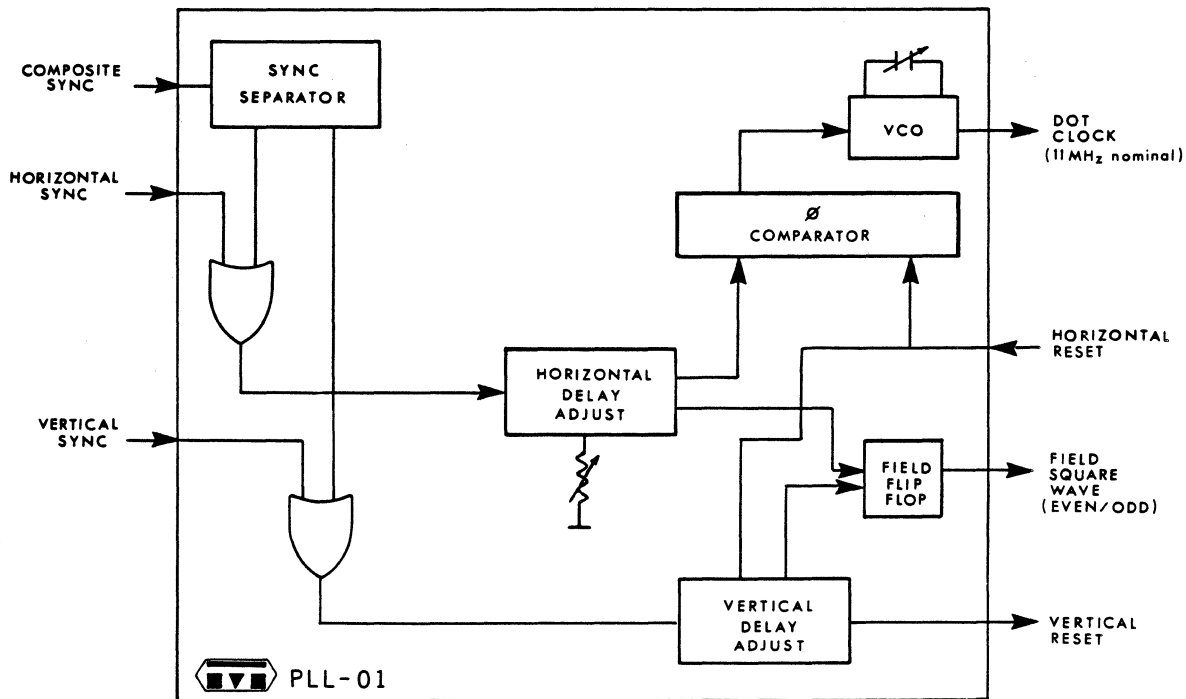
- Synchronizes Matrox video controllers to an external sync source
- Composite sync or separate horizontal and vertical sync inputs
- Applications include closed circuit TV, broadcast, research, and industrial control
- Operates with 50/60 Hz sync
- Single +5V power supply

The Matrox PLL-01 is a 3" x 3.5" module intended for use with the Matrox family of Video RAMs (VRAM) and video interface boards, in applications requiring external sync capabilities. This module allows the user to synchronize most Matrox video display products to a TV camera, studio master sync generator, etc. for applications requiring video mixing.

The PLL-01 requires only a single +5V power supply which can be obtained from the Matrox VRAM. The module interfaces directly to the VRAM. The PLL-01 can accept either composite or separate syncs. The user can also adjust the relative horizontal and vertical delay, to position the VRAM picture relative to the external syncs.

Typical applications exist in closed circuit TV, broadcast, research, and industrial control environments where alphanumeric and/or graphic data must be overlaid on a TV camera picture.





SPECIFICATIONS

Compatibility

MSBC-512	MLSI-512	MDC-512
NSBC-512	MLSI-2480	MDC-2480
MSBC-2480	EXO-512	ALT-512
STD-256	EXO-2480	ALTR-2480
STD-2480	MMD-2480	MMD-256

Input Signals

Composite Sync
Horizontal Sync
Vertical Sync
Horizontal Reset

Output Signals

Dot Clock
Vertical Reset
Field Square Wave

Connector

16 pin DIP socket (AUGAT 516-16-37D)

Dimensions

Height: 3.0 in. (7.62 cm)
Width: 3.5 in. (8.89 cm)
Depth: 0.5 in. (1.27 cm)

Power Requirements

+5V \pm 5%

Environmental Requirements

Operating Temperature: 0 - 55°C
Relative Humidity: 0 - 95% (non-condensing)

Ordering Information

PLL-01

Matrox Electronic Systems Ltd reserves the right to make changes in specifications at any time and without notice. The information furnished by Matrox Electronic Systems Ltd in this publication is believed to be accurate and reliable. However, no responsibility is assumed by Matrox Electronic Systems Ltd for its use; nor for any infringements of patents or other rights of third parties resulting from its use. No license is granted under any patents or patent rights of Matrox Electronic Systems Ltd.





matrox
 electronic systems Ltd.

5800 ANDOVER AVE., T.M.R., QUE., H4T 1H4, CANADA
 TEL.: 514-735-1182 TELEX: 05-825651

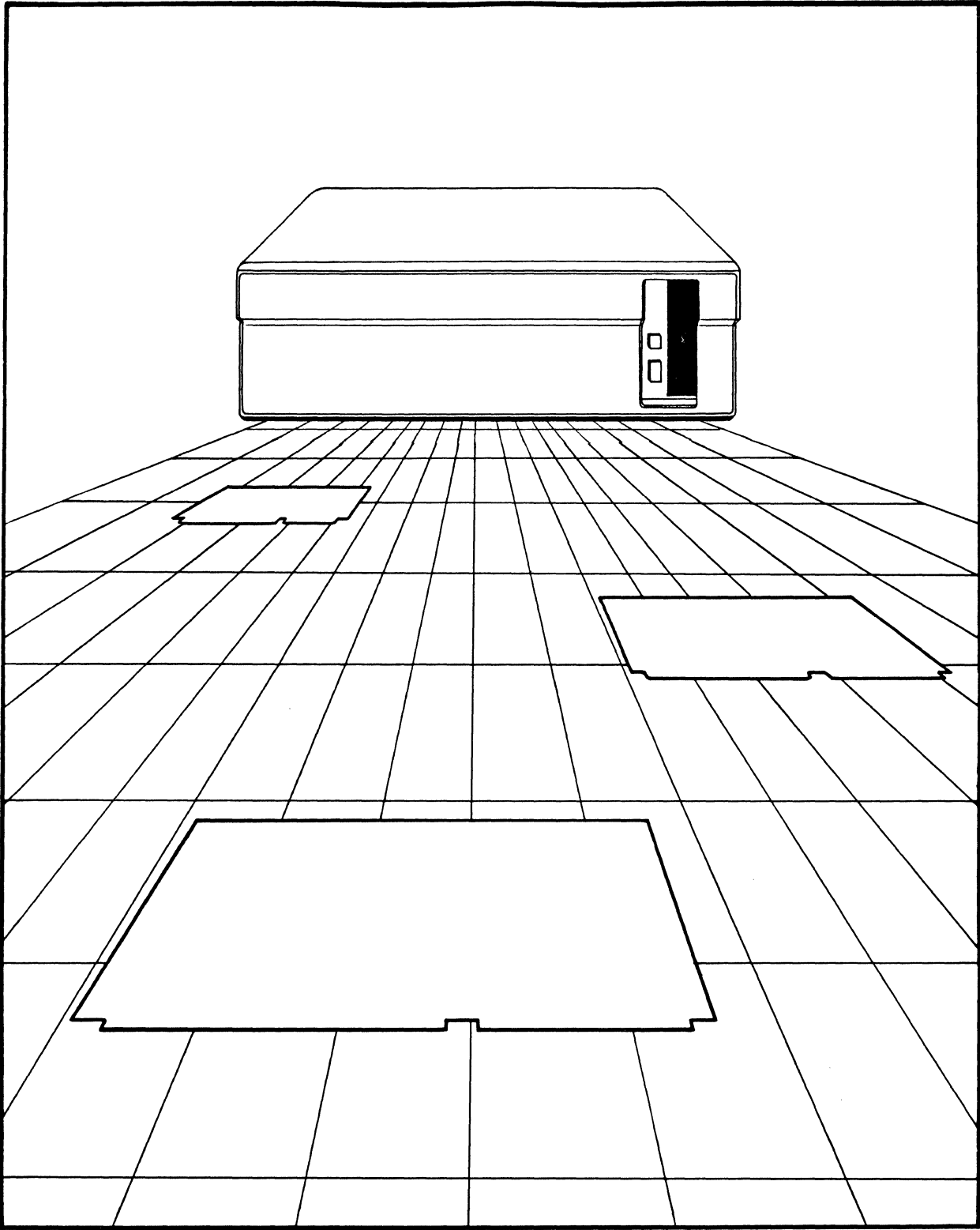
CABLES

CABLES FOR MATROX VIDEO BOARDS

Matrox offers several standard cable assemblies for use with the graphics product line.

PART NUMBER	DESCRIPTION
15501-A01-00	2 header 50-pin ribbon cable for use with: BW-ALPHA/QBW-ALPHA } RGB-ALPHA/QRGB-ALPHA } Video Bus RGB-GRAPH/QRGB-GRAPH } VAF-512/QVAF-512 }
15502-A01-00	3 header 50-pin ribbon cable for use with: BW-ALPHA/QBW-ALPHA } RGB-ALPHA/QRGB-ALPHA } Video Bus RGB-GRAPH/QRGB-GRAPH } VAF-512/QVAF-512 }
15503-A01-00	4 header 50-pin ribbon cable for use with: BW-ALPHA/QBW-ALPHA } RGB-ALPHA/QRGB-ALPHA } Video Bus RGB-GRAPH/QRGB-GRAPH } VAF-512/QVAF-512 }
CABX/1	Set of three 2 connector ribbon cables for use with the GXB-1000 (one VGM-1000 to one RMB-1000)
CABX/2	Set of three 3 connector ribbon cables for use with the GXB-1000 (one VGM-1000 to two RMB-1000s)
CABX/3	Set of three 4 connector ribbon cables for use with the GXB-1000 (one VGM-1000 to three RMB-1000s)
CABX/4	Set of three 5 connector ribbon cables for use with the GXB-1000 (one VGM-1000 to four RMB-1000s)
15004-A01-00	4 foot video output cable (RGB color/grey-scale) for use with: BW-ALPHA/QBW-ALPHA GXB-1000 RGB-ALPHA/QRGB-ALPHA CTM-300/R RGB-GRAPH/QRGB-GRAPH CTM-300/BRD VAF-512/QVAF-512 CTM-300 10-pin AMP connector to four BNC connectors.
15006-A01-00	6 foot BNC to BNC cable
KBL-4	Video cable for CTM-300M terminal (with MEC-12 monitor) 10-pin connector (AMP 87922-1) to 8-pin connector (NEC PC-8091(G))
KBL-4A	Video cable for CTM-300M terminal (with MEC-12A monitor) 10-pin connector (AMP 87922-1) to 8-pin connector (NEC PC-8091(G))

10



MULTIBUS CPU BOARDS

SECTION 11

MULTIBUS CPU BOARDS

MBC-86/12A

High Performance 16-Bit Multibus CPU Card

11-3

PBC-80

High Performance 8-Bit Multibus CPU Card

11-11

ZBC-80

High Performance 8-Bit Multibus CPU Card

11-19



matrox
electronic systems Ltd.

5800 ANDOVER AVE., T.M.R., QUE., H4T 1H4, CANADA
TEL.: 514-735-1182 TELEX: 05-825651

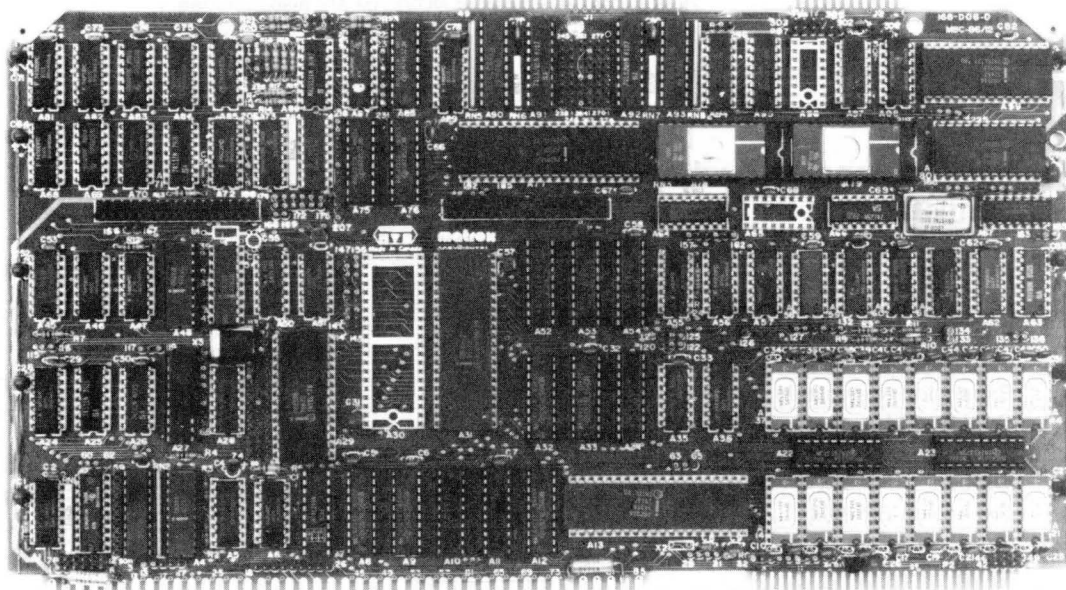
MBC-86/12A

HIGH PERFORMANCE 16-BIT MULTIBUS CPU BOARD

- CPU – Powerful 16-bit 8086
- RAM – Up to 128K bytes dual ported
- EPROM – Up to 32K bytes
- PARALLEL I/O – 24 programmable lines
- SERIAL I/O – One RS-232C port
- 8 MHz CPU available (standard 5 MHz)
- On board socket for 8087 NDP co-processor
- Direct replacement for iSBC-86/12A and iSBC-86/30
- Can emulate iSBC-86/12A and iSBC-86/30
- Multibus compatible
- 1 Megabyte addressing range
- 2 programmable hardware timers
- 9 interrupt levels (externally expandable to 65 levels)
- 2 iSBX connectors

The MBC-86/12 is a member of the Matrox line of modular Multibus*-compatible single board computers. Featuring the 8086 16-bit CPU, the MBC-86/12 is software compatible with the Intel iSBC-86/12A and iSBC-86/30 CPU boards. The MBC-86/12 also offers several enhancements over the Intel boards: 128K byte on-board RAM, 8087 arithmetic coprocessor, optional 8 MHz version for faster cycle times, and two iSBX connectors for expansion.

The MBC-86/12 offers the system designer a base for a potentially powerful system. Programmable I/O interfaces provide the flexibility required to adapt the MBC-86/12 to virtually any combination of I/O peripherals. Moreover, the MBC-86/12 features master-slave capabilities for applications requiring multiprocessor configurations and/or high speed peripheral control.



MBC-86/12A FEATURES:

Fast Cycle Times	The 8086 CPU is internally divided into an independent Execution Unit and Bus Interface Unit. This allows the CPU to maintain an instruction queue and thereby significantly reduce instruction cycle time.
Powerful Instructions Set	8086 operations include: multiplication and division of signed/unsigned binary numbers, move, scan, and compare, for strings of up to 64K bytes. Also the 8086 can perform non-destructive bit testing, byte translations, and software generated interrupts.
Ram Priority	On-board memory refresh is guaranteed through a RAM access priority scheme. The on-board CPU takes precedence over the Multibus* system bus for access to on-board RAM.
Local Memory	On-board RAM can be protected from system accesses in multiples of 8K bytes on 32K byte boards (multiples of 16K bytes on 128K byte boards).
Catastrophic Interrupt	A non-maskable interrupt line is available on-board to signal a catastrophic event (such as an impending power failure).
Minimal Real Time Overhead on Interrupt	A programmable interrupt controller generates an 8-bit pointer to a service routine on interrupt. Eight interrupt levels are supported.
Hardware Generated Time Delays	A 8253 Programmable Interval Timer can support up to three independent counter/timer functions. This feature eliminates the need to maintain timing loops in software thereby minimizing the system's software overhead.
Flexible I/O Interfacing	A programmable peripheral interface lends flexibility to the MBC-86/12's interfacing capabilities. This allows the MBC-86/12 to be "tailored" to suit most I/O requirements.
Programmable Serial Interface	Baud rate, synchronous/asynchronous operation, number of bits per character, etc. are all user-selectable.
Power Failure Protection	An auxiliary power bus is included to protect the contents of the on-board RAM during a power failure.
Optional Coprocessor Expansion	An optional 8087 coprocessor is available to further enhance the performance of the MBC-86/12.
iSBX-BUS Expansion	Two iSBX-Multimodule* connectors are included on-board for further expansion.
CPU Upgrade	The MBC-86/12 is also available in an 8 MHz version for increased throughput.
CPU Expansion	An optional piggy-back board increases on-board ROM to 128K bytes and RAM to 256K bytes. 256 bytes of NOVRAM are also included.

Matrox's MBC-86/12A in comparison with Intel's iSBC-86/12A and iSBC-86/12

FEATURE	MBC-86/12	iSBC-86/12A	iSBC-86/30
iSBC-86/12 Software Compatibility	YES	YES	YES
iSBC-86/30 Software Compatibility	YES	NO	YES
Clock Rate (MHz)	5 or 8	5	5 or 8
8087 Coprocessor Socket	YES	NO	NO
Two iSBX Connectors	YES	NO	YES
Expansion Nonvolatile RAM	YES	NO	NO
Dual Port Memory Lock	YES	NO	YES
24-bit Multibus Address Space	YES	NO	YES
On-board EPROM	32KB	16KB	64KB
Expansion EPROM	128KB	32KB	64KB
On-board RAM	32KB/128KB	32KB	128KB
Expansion RAM	256KB	64KB	256KB
Dual Port RAM for Multibus	128KB	64KB	256KB

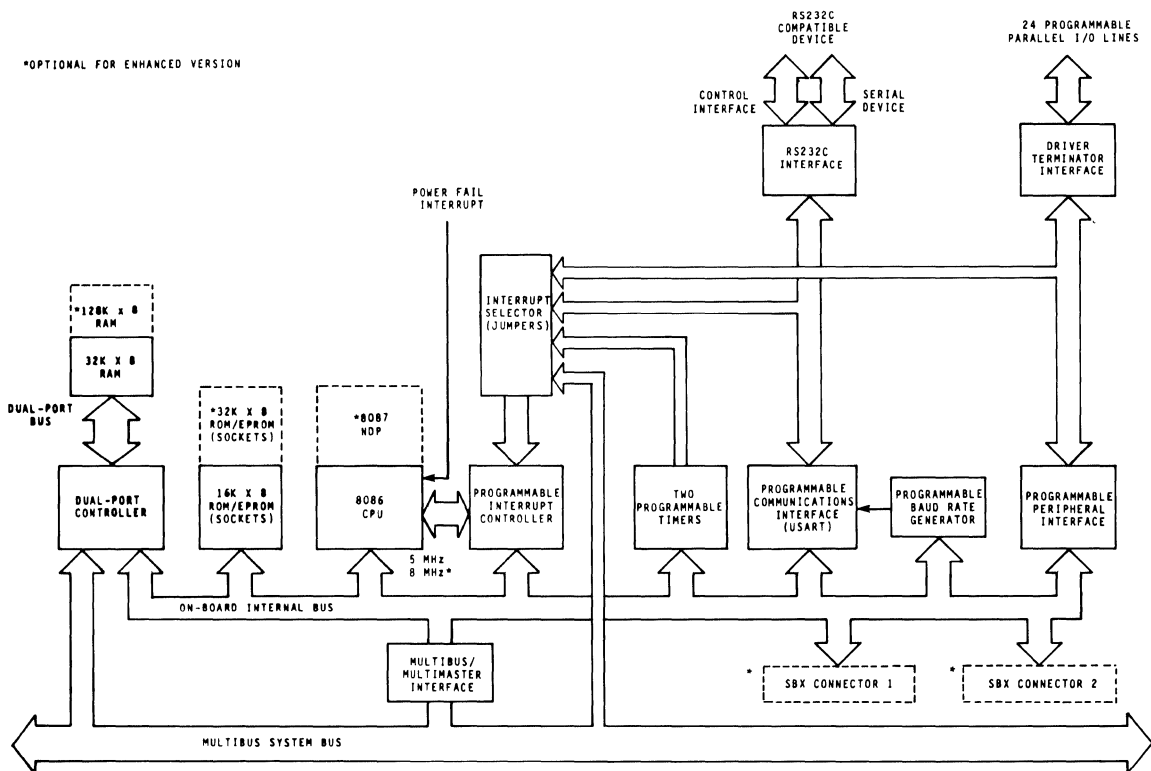


Figure 1: MBC-86/12 Block Diagram

The Matrox MBC-86/12 high power 16-bit CPU card is an enhanced version of Intel's iSBC 86/12A. The MBC-86/12 and the iSBC 86/12 are fully software compatible. The MBC-86/12 will run any Intel software without modifications.

The user can upgrade existing or new designs based on the iSBC 86/12 with a high speed 8 MHz CPU, more RAM (128K bytes), arithmetic processor (8087 NDP) and two iSBX connectors for Multimodules.

Other features include a programmable interrupt controller, programmable serial and parallel communications interfaces, programmable timers, up to 128K bytes on board RAM, and sockets for up to 32K bytes ROM/EPROM. Connecting a battery to the auxiliary connector allows saving of RAM contents in the event of a power failure.

For upgrading existing Multibus systems from 8 bits to 16 bits or for upgrading iSBC 86/12A systems the MBC-86/12 is ideal. All Multibus signals are supported and, with the auxiliary connector, battery power back-up may be implemented.

A full range of supporting products such as floppy disk controllers, 512K byte memory boards, CRT display interfaces and a system chassis are also available.

CENTRAL PROCESSING UNIT

The core of the MBC-86/12 is an 8086 microprocessor chip. The 8086 is a third generation microprocessor which can accommodate 8 or 16-bit data transfers and is housed in a standard 40-pin dual in-line package operating from a single +5V power supply.

The 8086 CPU is substantially more powerful than earlier designs. Actual performance varies from application to application, but comparison to the industry standard 2MHz 8080A shows the 8086 to be seven to ten times more powerful. The high performance of the 8086 is realized by combining a 16-bit internal data path with a pipelined structure that allows instructions to be prefetched during spare bus cycles. Also contributing to performance is a compact instruction format that enables more instructions to be fetched in a given amount of

time. Execution times of 1.2µs (800ns if instruction is in the queue) are provided with the 5MHz CPU, faster times are attainable with the 8MHz version (see specifications).

Architecture — The 8086 CPU is internally divided into two operational sections (figure 2): the Execution Unit (EU) and the Bus Interface Unit (BIU). The BIU maintains an instruction queue, which can store up to six instruction bytes, as well as performing all bus operations for the EU. Using the instruction queue, the BIU can keep the EU supplied with prefetched instructions without monopolizing the system bus. Both the BIU and the EU can operate independently of each other and are able to extensively overlap instruction fetch with execution. This technique significantly reduces the time required to execute instructions.

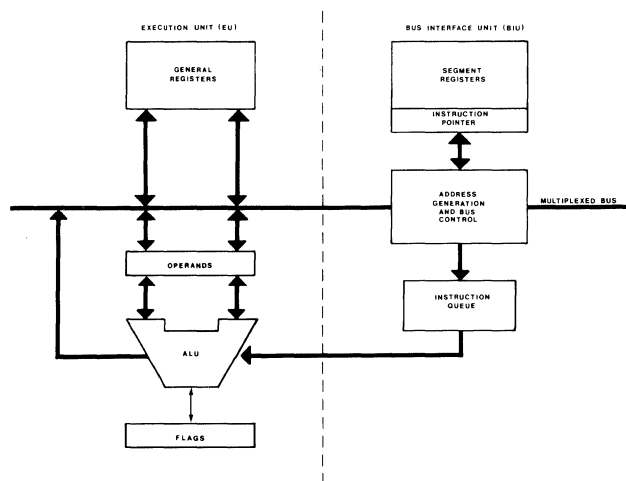


Figure 2. Execution and Bus Interface Units (EU and BIU)

Instruction Set — The instruction set of the 8086 is essentially a superset of the 8080A/8085A instruction set. Operations unique to the 8086 include: multiplication and division of signed and unsigned binary numbers as well as unpacked decimal numbers, move, scan and compare operations for strings of up to 64K bytes in length, non-destructive bit testing, byte translations from one code to another, software generated interrupts and instructions that can help coordinate the activities of multiprocessor systems. Instructions can be 8, 16, 24 or 32 bits long and may be aligned on byte or word boundaries.

RAM CAPABILITIES

The MBC-86/12 is supplied with 32K bytes of on-board dynamic RAM in the basic version. Moreover enhanced versions are available which contain up to 128K bytes of dynamic read/write memory on-board. Off-board memory is expandable to 1M byte of any user specified combination of RAM, ROM or EPROM. Also contained on-board is a dual port controller which allows access to the on-board RAM from the MBC-86/12 CPU or from any other Multibus* master via the system bus. Data transfers to RAM from the system bus can be done, through the dual port controller, in either byte (8-bit) or word (16-bit) modes. All accesses to the on-board RAM by the MBC-86/12 are handled over a 16-bit data path. Priorities have been established whereby memory refresh is guaranteed by the on-board refresh logic and the on-board CPU has priority over Multibus* system bus requests for access to RAM. The dual port controller includes independent addressing logic for RAM accesses from the on-board CPU and from the Multibus* system bus. Straps are provided so that the system bus can position the base address of on-board RAM to any 8K byte boundary on any 128K byte segment of the 1M byte system address space. In addition to this, the MBC-86/12 has the capability to protect on-board memory from Multibus* system access. Any or all of the on-board memory can be protected in 8K byte segments (16K byte segments for 128K byte enhanced version). This feature allows multiprocessor systems to establish local memory for each processor and shared memory configurations where the total system memory size (including local on-board memory) can exceed 1M byte without addressing conflicts. Power for the on-board RAM and refresh circuitry may be optionally provided by an auxiliary power bus, and memory protect logic is included for RAM battery back-up requirements.

EPROM/ROM CAPABILITIES

Sockets are included on the MBC-86/12 to accommodate up to 32K bytes of user-installed nonvolatile read-only memory. EPROM/ROM may be added in either 4K, 8K or 16K byte increments. Data is transferred to and from the on-board EPROM/ROM over a 16-bit data path.

Mode	Operation
Fully-nested	Interrupt request line priorities fixed at 0 as highest, 7 as lowest.
Auto-rotating	Equal priority. Each level, after receiving service, becomes the lowest priority level until the next interrupt occurs.
Specific priority	System software assigns lowest priority level. Priority of all other levels based on sequence numerically on this assignment.
Polled	System software examines priority-encoded system interrupt status via interrupt status register.

Table 1. Programmable Interrupt Modes

Function	Operation
Interrupt on terminal count	When terminal count is reached, an interrupt request is generated. This function is extremely useful for generation of real-time clocks.
Programmable one-shot	Output goes low upon receipt of an external trigger edge or software command and returns high when terminal count is reached. This function is retriggerable.
Rate generator	Divide by N counter. The output will go low for one input clock cycle, and the period from one low going pulse to the next is N times the input clock period.
Square-wave rate generator	Output will remain high until one half the count has been completed, and then go low for the other half of the count.
Software triggered strobe	Output remains high until software loads count (N). N counts after count is loaded, output goes low for one input clock period.
Hardware triggered strobe	Output goes low for one clock period N counts after rising edge counter trigger input. The counter is retriggerable.
Event counter	On a jumper selectable basis, the clock input becomes an input from the external system. CPU may read the number of events occurring after the counting "window" has been enabled or an interrupt may be generated after N events occur in the system.

Table 2. Programmable Timer Functions

PROGRAMMABLE INTERRUPT CONTROLLER

The MBC-86/12 recognizes nine vectored interrupt levels (expandable to 65 levels by cascading interrupt controllers via the Multibus* system bus). The highest level of these interrupts is the non-maskable interrupt (NMI) which is tied directly to the CPU and is usually used to signal a catastrophic event, such as a power failure. The other eight levels are managed through an 8259 Programmable Interrupt Controller. The Interrupt Controller initiates interrupts on a priority basis and can assign priorities to each level by one of four priority modes (Table 1). Priority modes can be changed or reconfigured dynamically at any time during the main program. This means that the complete interrupt structure can be defined as required, based on the total system environment. The interrupt controller is programmed by the system's software as an I/O peripheral.

Interrupt Sequence — The Programmable Interrupt Controller can accept interrupt requests from the programmable parallel and serial I/O interfaces, the programmable timers, the system bus or directly from peripheral equipment. When the interrupt controller receives an interrupt request it will evaluate the request according to the programmed priority mode and send an INT signal to the CPU, if appropriate. Upon acknowledgment of the interrupt request by the CPU (INTA), the interrupt controller releases an 8-bit pointer onto the data bus where it is read by the CPU. This pointer contains the code segment and offset at which the service routine for that interrupt is located. The CPU will then store its status flags on the stack and execute an indirect CALL instruction through the vector location to the service routine. Each interrupt request input can be masked individually, via software, by storing a single byte in the Interrupt Mask Register in the interrupt controller. An Interrupt request can be recognized through either level-sensitive or edge-sensitive input circuitry.

PROGRAMMABLE INTERVAL TIMER

The MBC-86/12 provides for accurate generation of time delays through an on-board 8253 Programmable Interval Timer. The 8253 is made up of three independent 16-bit counters, each with a count rate of up to 2MHz. By using the 8253 to generate time delays, the necessity of establishing timing loops in system software is eliminated. Therefore the software overhead is minimal. Using the Programmable Interval Timer, in conjunction with the 8259A Interrupt Controller, to generate an interrupt to the CPU on terminal count allows the user to maintain multiple delays by assignment of priority levels. Also non-delay type timer/counter functions can be implemented with the 8253. These non-delay functions include: Programmable Rate Generator, Event Counter, Binary Rate Multiplier, Real-Time Clock, Digital One-Shot and Complex Motor Controller. The outputs from the 8253 may be independently routed, through hardware straps, to the 8259A Interrupt Controller and to the I/O line drivers associated with the 8255A Programmable Peripheral Interface, or may be routed as inputs to the 8255A. The gate/trigger inputs may be routed to I/O terminators or as outputs from the 8255A. Note that the third counter in the 8253 is used by the MBC-86/12 to provide the programmable baud rate generator for the board's RS-232C USART serial port.

Programming — Each counter in the 8253 is a 16-bit pre-settable down counter that can operate either in binary or binary-coded decimal (BCD). Each counter is initialized by loading an 8-bit control word into an internal register (control words specify the counter to be used, mode of operation, and whether the count is to be in binary or BCD), followed by the count value. Each counter is fully independent and can have separate modes of operation (Table 2), and count type (binary or BCD). Special features in the control words handle the loading of the count so that software overhead is minimized. Also special commands and logic are included so that the contents of each counter can be read "on the fly" without having to inhibit the clock input. The 8253 Programmable Interval Timer is seen by the CPU as an array of I/O ports in system memory and therefore can be programmed by the system software with simple I/O operations.

PARALLEL I/O INTERFACE

The MBC-86/12 utilizes an 8255A Programmable Peripheral Interface (PPI) whose function is that of a general purpose I/O component to interface peripheral equipment to the micro-computer board. Contained within the 8255A are three 8-bit ports (A, B and C) each of which may be assigned one of three basic modes of operation (Table 3). Port C can be divided into two 4-bit ports under the mode control. Each 4-bit port contains a 4-bit latch and can be used for the control signal outputs in conjunction with Port A and Port B. Operational modes for the 8255's I/O ports may be combined so that their functional description can be "tailored" to almost any I/O structure. In order to take full advantage of the large number of possible I/O configurations, sockets are provided for interchangeable I/O line drivers. Hence the flexibility of the I/O interface is further enhanced by the capability of selecting the appropriate combination of optional line drivers to provide the

required sink current, polarity and drive/termination characteristics for each application. The 24 programmable I/O lines and signal ground lines are brought out to a 50-pin edge connector that mates with flat, woven or round cables.

Programming — The 8255A is programmed by the system software so that normally no external logic is required to interface peripheral devices or structures. During execution of the system program any of the operational modes may be selected using a single OUTput instruction. This allows a single 8255A to service a variety of peripheral devices with a simple software maintenance routine. The modes for Port A and Port B can be separately defined, while Port C is divided into two portions as required by the definition of Ports A and B. Any of the eight bits of Port C can be set or reset using a single OUTput instruction. This feature reduces software requirements in control-based applications.

SERIAL I/O INTERFACE

An 8251A Programmable Communications Interface is incorporated into the MBC-86/12. Used as a peripheral device by the CPU, the 8251A is programmed by system software to operate using virtually any serial data transmission technique presently in use. The 8251A Universal Asynchronous/Synchronous Receiver/Transmitter (USART) accepts data characters from the CPU in parallel format and then converts them into a continuous data stream for transmission. Simultaneously it can receive data as a serial stream and convert it to a suitable parallel format to be read by the CPU. The mode of operation (synchronous or asynchronous), data format, control character format, parity and baud rate are all under program control. The 8251A provides full duplex, double buffered transmit and receive capabilities. Parity, overrun and framing error detection are all incorporated on-chip. The RS-232C interface on the MBC-86/12, in conjunction with the 8251A USART, provides a direct interface to RS-232C compatible peripherals (terminals, cassettes, asynchronous and synchronous modems, etc). The RS-232C command lines, serial data lines, and signal ground lines are brought out to a 26-pin edge connector that mates with RS-232C round or flat cables.

Port	Lines (qty)	Mode of Operation				Bidirectional	Control
		Unidirectional					
		Input		Output			
		Latched	Latched & Strobed	Latched	Latched & Strobed		
A	8	X	X	X	X	X	
B	8	X	X	X	X		
C	4	X		X			X1
	4	X		X			X1

Note:

1. Part of Port C must be used as a control port when either Port A or Port B is used as a latched and strobed input or a latched and strobed output port or if Port A is used as a bidirectional port.

Table 3. Input/Output Port Modes of Operation

SYSTEM BUS INTERFACE

The MBC-86/12 interfaces directly to the industry standard Multibus*. All address, data, and control signals conform to the Intel Multibus Specification No. 9800683. A failsafe timer is included in the MBC-86/12's design which can be used to generate an interrupt if an addressed device does not respond within 6 msec.

Multimaster Capabilities — The MBC-86/12 is ideally suited for systems requiring additional processing capacity and the benefits of multiprocessing (several CPUs and/or controllers logically sharing system tasks through communications over the system bus). On-board control logic allows up to three bus masters to share the system bus in serial (daisy chain) priority fashion or up to 16 masters to share the Multibus* with the addition of an external priority network.

HARDWARE EXPANSION

Matrox supports the MBC-86/12 with a variety of specialized IC chips. These chips can easily be integrated on board to provide added power and versatility.

8 MHz CPU — For special applications requiring very high speed execution times, the MBC-86/12 is available in 8 MHz version.

128K byte RAM — On-board random access memory can be expanded up to 128K bytes for applications requiring large amounts of local storage area. On-board RAM can be protected from system access in 16K byte segments to allow multiprocessor systems to establish protected local memory.

iSBX-Bus expansion — The MBC-86/12 contains two iSBX Multimodule* connectors which can accept any of the iSBX Multimodules (8087 Numeric Data Processing Module, 8089 Input/Output Processing Module, Fixed Point Math Module, Floating Point Math Module, etc.). In this way the MBC-86/12 can be easily upgraded to meet the specific requirements of most applications.

Numeric Data Processor (NDP) — The MBC-86/12 includes a socket to accept an 8087 Numeric Data Processor IC chip (NDP). The NDP option allows for easy implementation of floating point (32 and 64 bit), integer (16 bit, 32 bit and 64 bit) and BCD (up to 18 bits) arithmetic functions. Functions are 10-100 times faster, using the 8087 NDP, than the same functions executed in software (Table 4). Functions include: addition, subtraction, multiplication, division; TAN, ARCTAN, $2X - 1$, SQRT, $Y \cdot \log_2(X + 1)$ and $Y \cdot \log_2 X$. For evaluating functions such as: COS, SIN, COS^{-1} , \log_{10} etc. the following constants are provided: PI, $\log_{10} 2$, $\log_2 e$, $\log_{10} e$ and $\log_2 10$. Numbers are stored internally in 80 bit registers allowing for precision with 64 bit real numbers and integers. The 8087's unique coprocessor interface to the CPU can yield an additional performance increment beyond that of simple instruction speed. No overhead is incurred in setting up the device for a computation; the 8087 decodes its own instructions automatically in parallel with the CPU. Moreover, built-in coordination facilities allow the CPU to proceed with other instructions while the 8087 is simultaneously executing its numeric instructions. Programs can exploit this processor parallelism to increase total system throughput.

ROM-86 ROM-86 is a piggyback EPROM expansion module that can be added to the MBC-86/12. ROM-86 expands on-board EPROM to 128K bytes and adds 256 bytes of NOVRAM.

Instruction	Approximate Execution Time (μ s) (5 MHz Clock)	
	8087	8086 Emulation
Multiply (single precision)	19	1,600
Multiply (double precision)	27	2,100
Add	17	1,600
Divide (single precision)	39	3,200
Compare	9	1,300
Load (single precision)	9	1,700
Store (single precision)	18	1,200
Square root	36	19,600
Tangent	90	13,000
Exponentiation	100	17,100

Table 4. 8087 — 8086 Emulation Speed Comparison

SPECIFICATIONS

WORD SIZE:

INSTRUCTIONS: 8, 16, 24, or 32 bits
 DATA: 8-bit (byte) or 16-bit (word)
 CYCLE TIME:

CLOCK	CYCLE TIME	
	INSTRUCTION IN QUEUE	INSTRUCTION NOT IN QUEUE
5MHz	400ns	1.2 μ s
8MHz	250ns	750ns

MEMORY CAPACITY:

ON-BOARD ROM/EPROM: Up to 32K bytes — user installed in 4K, 8K, or 16K increments (expandable to 128K bytes).
 ON-BOARD RAM: 32K, 128K bytes of dual port dynamic RAM (expandable to 256K bytes). (specify amount of RAM required when ordering — see ORDERING INSTRUCTIONS)
 OFF-BOARD EXPANSION: Up to 1 Megabyte of user-specified combination of RAM, ROM, or EPROM

MEMORY ADDRESSING:

ON-BOARD ROM/EPROM: FE000-FFFF_H (using 4732 ROMs or 2532 EPROMs)
 FC000-FFFF_H (using 4764 ROMs or 2564 EPROMs)
 F8000-FFFF_H (using 47128 ROMs or 25128 EPROMs)

ON-BOARD RAM:
 CPU ACCESS: 00000-07FFF_H (32K bytes)
 00000-1FFFF_H (128K bytes)
 MULTIBUS ACCESS: Jumper-selectable on any 8K boundary within any 128K segment of the 1 Megabyte system address space
 Accesses are selectable for 8K, 16K, 24K, 32K, or 64K bytes (or 16K increments for 128K option)
 Jumpers and switches allow the board to act as a slave RAM for access by another bus master

I/O CAPACITY:

PARALLEL: 8255A Programmable Peripheral Interface — 24 lines with three software selectable operating modes
 SERIAL: 8251A Programmable Communications Interface — EIA standard RS-232C
 SYNCHRONOUS: 5-8 bit characters; internal or external character synchronization; automatic sync insertion
 ASYNCHRONOUS: 5-8 bit characters; break character generation; 1, 1.5, or 2 stop bits; false start bit detection
 BAUD RATES:

FREQUENCY (KHz) (software selectable)	BAUD RATE (Hz)		
	Synchronous	Asynchronous	
		$\div 16$	$\div 64$
153.6	—	9600	2400
76.8	—	4800	1200
38.4	38400	2400	600
19.2	19200	1200	300
9.6	9600	600	150
4.2	4800	300	75
2.4	2400	150	—
1.76	1760	110	—

INTERRUPT CAPABILITIES:

INTERRUPT LEVELS: 1 Non-Maskable Interrupt (NMI)
 8 vectored interrupt levels (expandable to 64 levels by cascading interrupt controllers)
 INTERRUPT PRIORITIES: 4 software selectable priority modes — Fully nested
 — Auto-rotating
 — Specific priority
 — Polled

COUNTER/TIMERS:

COUNTER/TIMERS:

OPERATING MODES:

8253A Programmable Interval Timer

1 16-bit timer for baud rate generation

2 16-bit timer/counters are available to the system designer

7 software selectable counter/timer functions — Interrupt on terminal count

- Programmable one-shot
- Rate generator
- Square wave rate generator
- Software triggered strobe
- Hardware triggered strobe
- Event counter

OUTPUT FREQUENCIES/
TIMING INTERVALS:

FUNCTION	SINGLE TIMER/COUNTER		DUAL TIMER/COUNTERS (Two timers cascaded)	
	MIN.	MAX.	MIN.	MAX.
Real Time Interrupt	0.8138 μ s	853.3 ms	1.628 μ s	15.534 hr
Programmable One-Shot	0.8138 μ s	853.3 ms	1.628 μ s	15.534 hr
Rate Generator	1.1719 Hz	1.2288 MHz	0.0000179 Hz	614.4 kHz
Square Wave				
Rate generator	1.1719 Hz	1.2288 MHz	0.0000179 Hz	614.4 kHz
Software Triggered				
Strobe	0.8138 μ s	853.3 ms	1.628 μ s	15.534 hr
Hardware Triggered				
Strobe	0.8138 μ s	853.3 ms	1.628 μ s	15.534 hr
Event Counter	—	2.46 MHz	—	—

INTERFACES:

MULTIBUS:

PARALLEL I/O:

SERIAL I/O:

INTERRUPT REQUESTS:

TIMERS:

All signals TTL compatible

All signals TTL compatible

RS-232C compatible

All signals TTL compatible

All signals TTL compatible

CONNECTORS:

MULTIBUS:

PARALLEL I/O:

SERIAL I/O:

86 pin edge connector, 0.156" centers

50 pin edge connector, 0.1" centers

26 pin edge connector, 0.1" centers

PHYSICAL CHARACTERISTICS:

WIDTH:

HEIGHT:

DEPTH:

WEIGHT:

12.00 in. (30.48 cm)

6.75 in. (17.15 cm)

0.62 in. (1.57 cm)

19 oz. (539 gm)

POWER REQUIREMENTS:

+ 12V @ 25mA

-12V @ 90mA

+ 5V @ 5A

-5V @ 2mA (32K version only)

ENVIRONMENTAL CHARACTERISTICS:

OPERATING TEMPERATURE:

RELATIVE HUMIDITY:

0°-55°C (32°-131°F)

Up to 95% (non-condensing)

ORDERING INSTRUCTIONS:

MBC-86/12A-XXX/X

Enhanced 16-bit CPU board

CPU speed: 5, 8MHz

On-board RAM: 32, 128K bytes

Example: MBC-86/12A-128/8 = 8MHz CPU with 128KB RAM

SUPPORT ICs and Modules

C8087-3:

ROM-86:

MSBX-423:

MSBX-422:

MSBX-800:

Numerical coprocessor chip (5MHz)

128KB EPROM expansion module with 256 bytes NOVRAM

iSBX board with two RS-232/423 interfaces

iSBX board with RS-449/422 interface

iSBX board for high resolution color graphics

Matrox Electronic Systems Ltd reserves the right to make changes in specifications at any time and without notice. The information furnished by Matrox Electronic Systems Ltd in this publication is believed to be accurate and reliable. However, no responsibility is assumed by Matrox Electronic Systems Ltd for its use; nor for any infringements of patents or other rights of third parties resulting from its use. No license is granted under any patents or patent rights of Matrox Electronic Systems Ltd.



Multibus, iSBX-86/12A and iSBX Multimodules are all registered trademarks of Intel Corp.



matrox
electronic systems ltd.

5800 ANDOVER AVE., T.M.R., QUE., H4T 1H4, CANADA
TEL.: 514-735-1182 TELEX: 05-825651

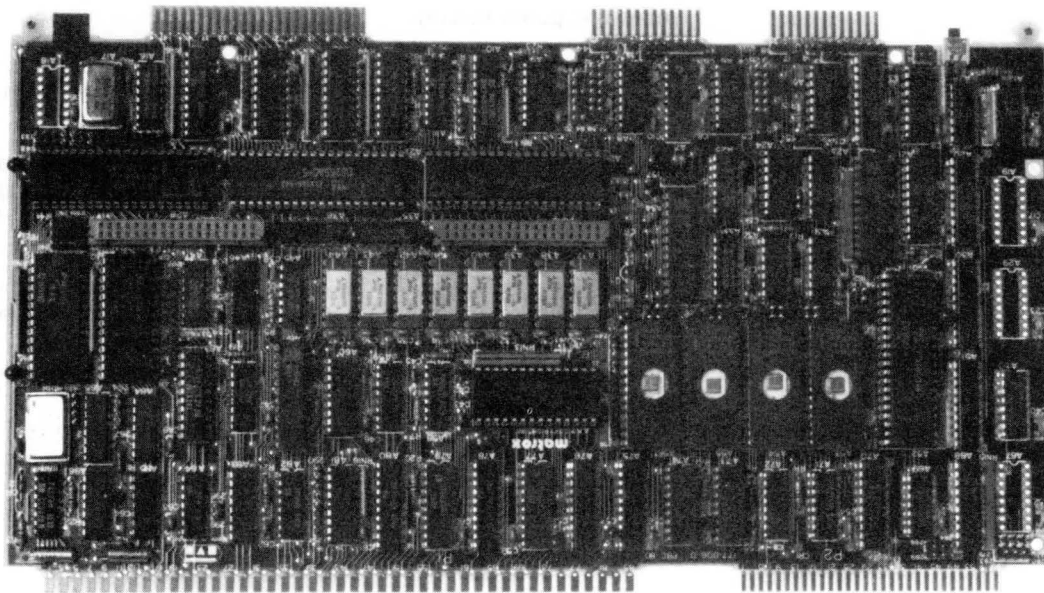
PBC-80

HIGH PERFORMANCE 8-BIT MULTIBUS CPU CARD

- Z-80A Central Processing Unit (4MHz)
- On-board 64K byte dual-port RAM
- 4 sockets for up to 128K bytes of ROM/EPROM
- On-board Memory Management Unit
- 24 programmable I/O lines
- 2 RS-232/423 serial ports
- 5 programmable counter/timers
- 256 bytes NOVRAM
- 2 iSBX connectors
- Multibus compatible
- Multi-master bus arbitration
- 1 Megabyte extended local addressing
- 16 Megabyte Multibus addressing

The PBC-80 is a member of the Matrox line of modular Multibus compatible single board computers. Using a 4MHz Z-80A CPU, the PBC-80 is a powerful 8-bit microcomputer with an advanced chip set for maximum flexibility in system configurations. On-board memory includes 64K bytes of dual-ported dynamic RAM, 256 bytes of non-volatile RAM (NOVRAM), as well as provisions for up to 128K bytes of user-installed ROM/EPROM or up to 8K bytes of static RAM.

Programmable I/O interfaces provide the flexibility required to adapt the PBC-80 to virtually any combination of I/O peripherals. The PBC-80 also features master-slave capabilities for applications requiring multiprocessors and for high speed peripheral control. Extended local addressing (1M byte) and full Multibus address decoding (16M bytes) provide full compatibility with all existing 8 and 16-bit Multibus CPUs and DMA controllers.



PBC-80 FEATURES

- Powerful Central Processing Unit** 4MHz Z-80A CPU results in rapid instruction execution with consequent high data throughput. In addition, duplicate sets of both general-purpose and flag registers are provided to ease the design and operation of system software through single-context switching, background-foreground programming, and single level interrupt processing.
- Extensive Instruction Set** The Z-80A instruction set contains 158 instructions including a subset emulation of the 8080A and 8085 instructions. Z-80A instructions include string, bit, byte, and word operations. Block search and block transfers together with indexed and relative addressing result in powerful data handling capabilities.
- Shared and Local Memory** The PBC-80 contains 64K bytes of on-board dynamic RAM which is dual-ported to allow access from either the on-board Z-80A CPU or any other Multibus system master (Multibus can access on-board RAM through a 16K, 32K, or 64K address window). Furthermore, the Z-80A can establish a restricted local memory by protecting any or all of the on-board RAM in 2K, 4K, or 8K blocks (depending on the size of the Multibus address window).
- On-Board ROM/EPROM** The PBC-80 supports four sockets for user-installed ROM/EPROM. These sockets can be populated with 2K, 4K, 8K, or 32K byte (when they become available) parts, for a total of 128K bytes of read-only memory. These sockets can optionally be populated with byte-wide static RAM (up to 8K bytes).
- Non-Volatile RAM** The PBC-80 supports 256 bytes of non-volatile read/write memory (NOVRAM).
- Programmable Wait State Generator** Provisions have been made on-board the PBC-80 to accommodate memory devices of different makes, models, and speeds. 0 to 2 wait states can be programmed for each device.
- Memory Management Unit** An on-board Memory Management Unit is used to map all of the on-board resources (RAM, ROM, NOVRAM, etc.) and the Multibus window, into the Z-80 memory map. The MMU also positions the 64K byte local addressing space within a 1M byte Multibus address space.
- Programmable Interrupt Structure** On-board Am9519 Interrupt Controllers support 16 software maskable interrupt levels with a fixed or rotating priority schedule. Also, a separate, non-maskable interrupt line is available on-board to signal a catastrophic event (such as an impending power failure).
- Programmable Timer Functions** Five independent 16-bit counter/timers can be programmed to operate in one of 17 count modes. This feature eliminates the need to maintain timing loops in software thereby minimizing the system's overhead.
- Dual RS-232/423 Serial Interfaces** Two separate serial communications channels are supported on-board the PBC-80. These RS-232/423 compatible ports are capable of high speed digital data communications over distances of up to 4000 feet. The on-board serial channels can also interface to RS-232C compatible peripherals.
- Programmable Parallel Interface** A programmable peripheral interface lends flexibility to the PBC-80's interfacing capabilities. This feature allows the PBC-80 to be "tailored" to suit most I/O requirements.
- iSBX-Bus Expansion** Two iSBX-Multimodule connectors are included on-board to enhance the performance of the PBC-80.

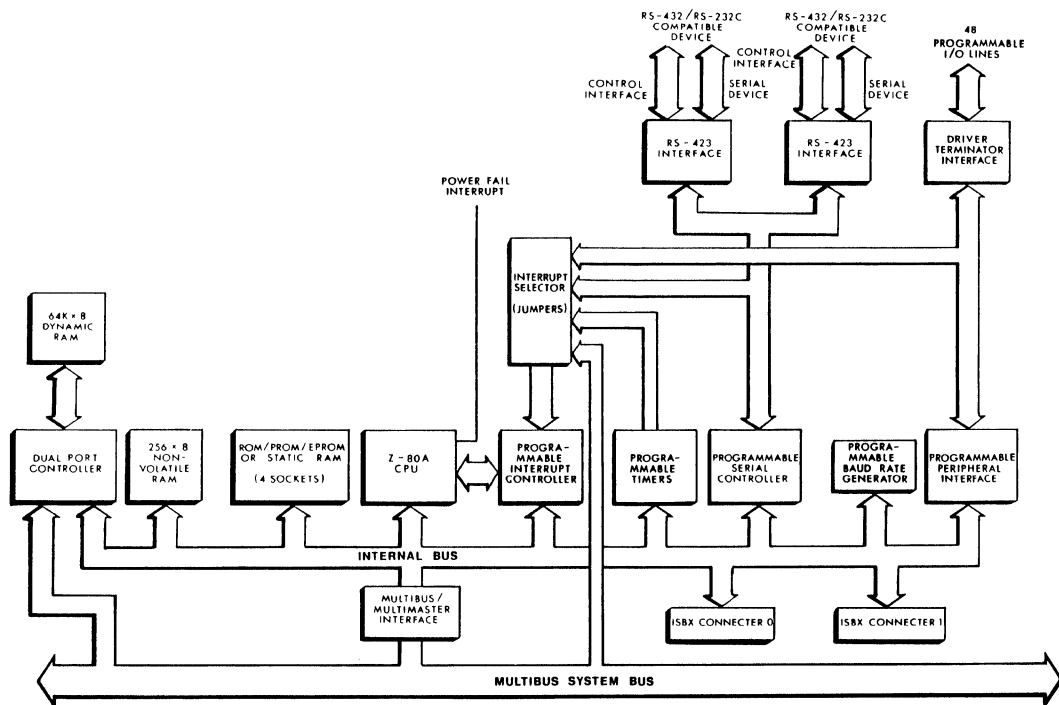


Figure 1. PBC-80 block diagram

FUNCTIONAL DESCRIPTION

Figure 1 shows a block diagram of the PBC-80 single board computer. It has been designed, using a fast Z-80A CPU and state-of-the-art LSI peripheral chips, to provide high throughput in a real-time processing environment.

CENTRAL PROCESSING UNIT (CPU)

Architecture — At the heart of the design of the PBC-80 is the 4 MHz Z-80A CPU, a powerful 8-bit processor on a single LSI chip, with a minimum instruction execution time of 1.00 μ s. The Z-80A is essentially software compatible with the Intel 8080A or 8085A CPUs and can run programs written for these processors with little or no change required. In addition to the accumulator and flag register, the Z-80A contains six internal general purpose registers which can be addressed individually or in pairs. Used in pairs, these general purpose registers are ideal for 16-bit addressing or double precision arithmetic operations. The Z-80A

also contains a duplicate set of these registers (accumulator, flag register, and general purpose registers) which can be activated by one of two unique instructions. This register duplication is useful to store the CPU's "environment" (contents of the register file) after receiving an interrupt. This technique eliminates the requirement for software routines that commit the "environmental" data to external memory during interrupts. The Z-80A contains a pair of 16-bit registers (IX and IY) which allow indexed memory addressing by summing the contents of either of these registers with a 16-bit "displacement field" contained within the executing instruction. The Z-80A also contains a 16-bit program counter. A memory stack, located within any portion of the PBC-80 read/write memory, may be used as a last-in/first-out storage area for the contents of the program counter, flags, accumulator, and any or all of the six general purpose registers. A 16-bit stack pointer controls the addressing of the stack. Completing the internal Z-80A register file are an 8-bit interrupt register and a 7-bit refresh

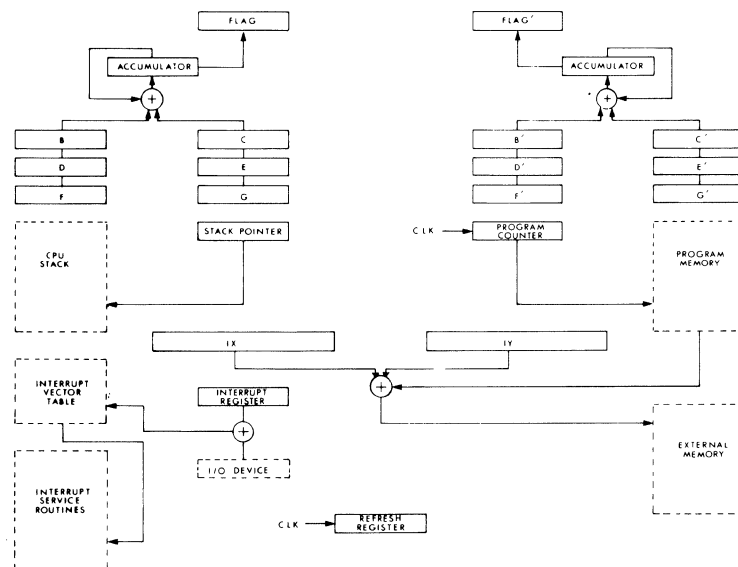


Figure 2. Z-80A internal registers

register. The interrupt register is loaded with an 8-bit pointer which when combined with an 8-bit offset (supplied by an interrupting device) will access a location in an external interrupt vector table. The refresh register assures the validity of system RAM by automatically providing refresh addressing for dynamic RAMs.

Instruction Set — The Z-80A instruction set is essentially a superset of the Intel 8080A or 8085A instruction set. The Z-80A instruction set, however, represents a significant increase in executable instructions over the 8080A and 8085A. Operations unique to the Z-80A include: indexed addressing capabilities on most instructions, rotate and shift operations on any of the general purpose registers or memory locations, digit rotation, non-destructive bit testing, and interrupt mode control. Instructions can be 8, 16, 24 or 32 bits long and are aligned on byte boundaries.

RAM CAPABILITIES

The PBC-80 is supplied with 64K bytes of on-board dynamic read/write memory. All read and write operations to this on-board memory are performed at maximum processor speed. The on-board RAM memory is dual-ported and can be accessed by any other Multibus master. Hardware straps allow the Multibus to access on-board RAM through a 16K, 32K, or 64K byte window that can be located on any boundary of the same size within the 16M byte address space. Furthermore, the PBC-80 can inhibit bus accesses to RAM in 2K, 4K, or 8K blocks depending on whether a 16K, 32K, or 64K byte window (respectively) is selected. This feature allows multiprocessor systems to establish local memory for each processor and shared memory where the total system memory size can exceed 16M bytes without addressing conflicts.

ROM/EPROM CAPABILITIES

Four sockets are available on-board the PBC-80 to accommodate up to 128K bytes of non-volatile read-only memory. Additionally these sockets may be populated with compatible byte wide static RAM for up to 8K bytes. The PBC-80 also contains 256 bytes of non-volatile random access memory (NOVRAM).

MEMORY MANAGEMENT

The PBC-80 Memory Management Unit contains 32 software selectable memory address maps (stored in PROM)

which map the 64K bytes of CPU address space into the first 1M byte of system address space. Each of the PROM memory address maps divides the CPU address space into 16 blocks of 4K bytes per block, and assigns each block a base address on any 4K byte boundary in system address. The Memory Management Unit also contains a corresponding device map for each of the 32 memory address maps. The device map further divides the 4K address blocks, defined in the address mapping, into 2K byte device blocks. Within each of these device blocks, then, the device map enables CPU access to one of seven available memory devices (figure 3). This feature allows efficient allocation of available memory resources as well as conserving system address space by placing all the memory devices at the same physical base address.

The PBC-80 Memory Management Unit is supplied with 32 independent memory address maps (and associated device maps). However, only the first eight maps are pre-programmed to allow the user to complete the remaining 24 maps according to his own specific environment. Upon initialization, Map 0 is selected which places EPROM 0 at location 00000H. This feature enables a Bootstrap-on-Reset capability.

WAIT STATE GENERATOR

Provisions have been made on the PBC-80 to accommodate memory devices of different makes, types, and speeds. A variable number of wait states can be programmed for each of the four types of memory devices (dynamic RAM, ROM, static RAM, and NOVRAM) and for the two different command durations (instruction fetch cycle and normal memory request cycle).

The wait state structure is established by choosing one of four hardware-selectable PROM look-up tables. Each table contains separate wait state sequences for each of the different on-board memory devices. For custom wait state requirements, the user need only program another PROM look-up table.

PROGRAMMABLE INTERRUPT CONTROLLER

The PBC-80 recognizes 17 independent interrupt sources. A non-maskable interrupt (NMI) is tied directly to the Z-80A CPU and is assigned to the highest priority level, and will therefore supercede any other interrupt request. This non-maskable interrupt is usually used to signal a catastrophic

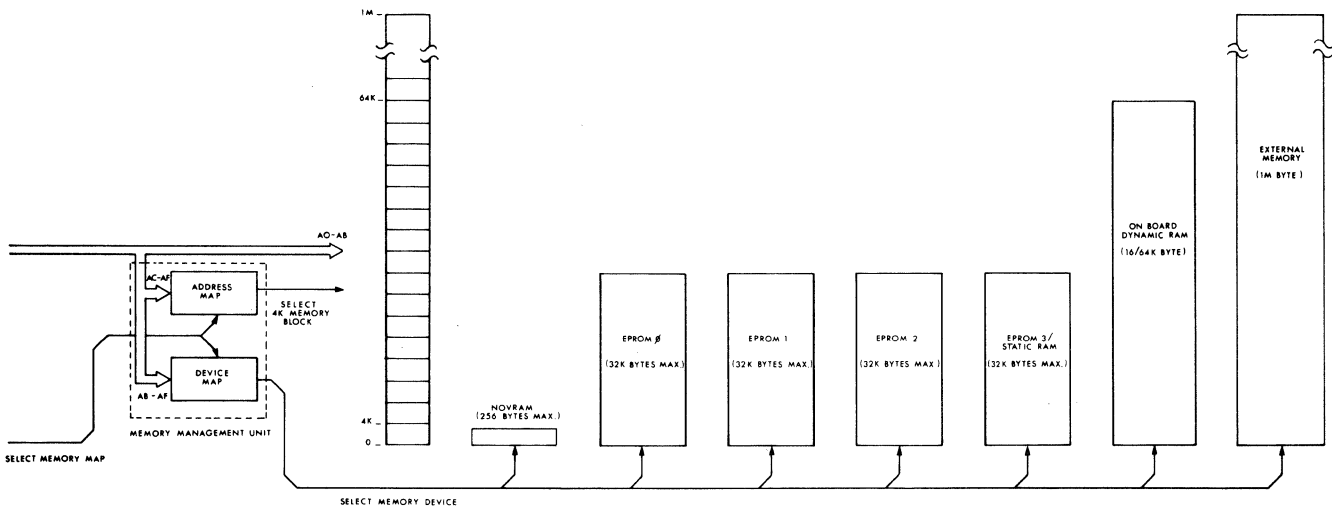


Figure 3. Memory Management Unit

Port	Lines (qty)	Mode of Operation				Bidirectional	Control
		Unidirectional					
		Input		Output			
		Latched	Latched & Strobed	Latched	Latched & Strobed		
A	8	X	X	X	X	X	
B	8	X	X	X	X		
C	4	X		X			X ₁
	4	X		X			X ₁

Note:

1. Part of Port C must be used as a control port when either Port A or Port B is used as a latched and strobed input or a latched and strobed output port or if Port A is used as a bidirectional port.

Table 1. Input/Output Port Modes of Operation

event, such as an impending power failure. The remaining 16 interrupt inputs are managed by two on-board Am9519 Universal Interrupt Controllers. These devices initiate interrupts on a priority basis and assign priorities to each interrupt line in either fixed or rotating priority modes. Using a fixed priority scheme assigns the highest interrupt priority to interrupt line 0 and the lowest priority to interrupt line 15. In the auto-rotating mode, each interrupt line, after receiving service, becomes the lowest priority level. Upon acknowledgement of an interrupt, the Am9519 releases a data byte which, when combined with the contents of the CPU's Interrupt Register, provides a vector to the required service routine.

Interrupt Sequence — The PBC-80 can accept interrupt requests from the programmable parallel and serial interfaces, the programmable timers, the system bus, or directly from peripheral equipment. A special non-maskable interrupt (power fail interrupt) can also be acknowledged directly by the CPU. When the on-board Interrupt Controller receives an interrupt request, it will evaluate the request according to the programmed priority mode and send an INT signal to the CPU, if appropriate. The Z-80A CPU then processes the request in one of three software selectable modes. In Mode 0, the CPU looks to the Interrupt Controller for the next executable instruction (normally a Restart instruction) which can be up to two bytes long. Interrupt Mode 1 causes the CPU to jump to a service routine (starting at location 0038H) in response to an interrupt request from the Interrupt Controller. Mode 2, similar to Mode 1, causes the CPU to jump to a service routine stored in system memory. In Mode 2, however, the CPU expects an 8-bit offset, from the Interrupt Controller, which combines with the preprogrammed contents of the CPU's I register to form a pointer to a memory look-up table (containing the starting address for the service routine). This Interrupt Mode enables the PBC-80 to maintain a unique service routine for each of the interrupt sources. Each interrupt request input can be individually masked, through software, by storing a single byte in the Interrupt Mask Register in the Interrupt Controller.

A non-maskable interrupt line is connected directly to the Z-80A CPU and causes a restart to a service routine at location 0066H. The non-maskable interrupt input can be connected to the TIME OUT ACK/line and/or the Power Fail Interrupt (PFI/) line. The TIME OUT line goes low if an instruction takes longer than 6 msec to complete while the PFI/line warns of an impending power failure.

SYSTEM TIMER CONTROLLER

The PBC-80 supports an on-board Am9513 System Timer Controller to enable the PBC-80 to service many types of counting, sequencing and timing applications without the

necessity of maintaining cumbersome timing loops in software. The System Timing Controller is made up of five 16-bit counters, each of which can be independently configured for count mode, input source, and output polarity. Each counter can also be programmed for up or down counting in either binary or BCD. This programmable versatility together with the provisions for both hardware and software gating of each counter, enable the implementation of a wide variety of complex counter/timer functions. Any of the counters may also be internally cascaded to form an effective counter length of up to 80 bits.

Counter 1 and 2 of the Am9513 contain additional internal logic to enable them to operate as a Time-of-Day clock or as alarm comparators. As a Time-of-Day clock, the Am9513 can hold a maximum count of 23 hours, 59 minutes, and 59.9 seconds. Input frequency scalars are available to allow real-time clocking using 50Hz, 60Hz, or 100Hz frequency inputs. Extra registers (Alarm Registers) are also included with Counters 1 and 2 so that when the value in the counter reaches the value in the Alarm Register, the Comparator output will become active.

Programming — Each counter in the Am9513 can be individually programmed by loading a Counter Mode control word which defines the mode of operation for that counter, the input source, and the polarity of the output. Another 16-bit control word further defines additional parameters such as: enabling Comparator or Time-of-Day operations for Counters 1 and 2, and selecting the input source and divider for the Frequency Output (Am9513 provides a frequency divider output that is completely independent of the counters).

The Am9513 maintains a powerful command set to simplify user interaction with the counters. ARM and DISARM instructions permit software gating of the count process. Data can be written to or read from any of the counters using LOAD and SAVE commands respectively (internal registers associated with each counter enable LOAD and SAVE instructions to be executed without interfering with the counting process). Additional commands are provided to: step an individual counter by one count, set or clear an output toggle, issue a software reset, set or clear special bits in the Master Mode Register, or load the Data Pointer Register.

PARALLEL I/O INTERFACE

The PBC-80 utilizes an 8255A Programmable Peripheral Interface (PPI) chip whose function is that of a general purpose I/O component to interface peripheral equipment to the microcomputer board. Contained within the 8255A are three 8-bit ports (A, B and C) each of which may be assigned one of three basic modes of operation (Table 1). Port C can be divided into two 4-bit ports under the mode

control. Each 4-bit port contains a 4-bit latch and can be used for the control signal outputs in conjunction with Port A and Port B. Operational modes for the 8255A's I/O ports may be combined so that their functional description can be "tailored" to almost any I/O structure. The 24 programmable I/O lines from this PPI chip and signal ground lines are brought out to a 50-pin edge connector that mates with flat, woven or round cables.

Programming — The functional description of the 8255A is programmed by the system software so that normally no external logic is required to interface peripheral devices or structures. During execution of the system program any of the operational modes may be selected using a single OUTput instruction. This allows a single 8255A to service a variety of peripheral devices with a simple software maintenance routine. The modes for Port A and Port B can be separately defined, while Port C is divided into two portions as required by the definition of Ports A and B. Any of the eight bits of Port C can be set or reset using a single OUTput instruction. This feature reduces software requirements in control-based applications.

SERIAL I/O INTERFACE

An on-board μ PD7201 Multi-Protocol Serial Controller provides the PBC-80 with two independent serial communications channels. This programmable controller allows user-definition of most communications protocol parameters to permit operations using most popular asynchronous and synchronous byte-oriented protocols, such as IBM Bisync, and synchronous bit-oriented protocols, such as HDLC and IBM SDLC. Double buffered transmitter data and quadruply buffered receiver data ensures data integrity.

Drivers and receivers on all serial communications lines are RS-423 compatible. This EIA unbalanced, bipolar voltage specification permits the high speed transmission of digital information over distances of up to 4000 feet. The PBC-80's serial ports are also designed to interface to RS-232C, thereby greatly enhancing its operation.

SYSTEM BUS INTERFACE

The PBC-80 interfaces directly to the industry standard Multibus. All address, data, and control signals conform to the IEEE-796 (Multibus) Specifications. A failsafe timer is included in the PBC-80's design which can be used to generate an interrupt if an addressed device does not respond within 6 msec.

Multimaster Capabilities — The PBC-80 is ideally suited for systems requiring additional processing capacity and the benefits of multiprocessing (several CPUs and/or controllers logically sharing system tasks through communications over the system bus). On-board control logic allows up to five bus masters to share the system bus in serial (daisy chain) priority fashion or up to 16 masters to share the Multibus with the addition of an external priority network. Also, with an on-board Multibus clock, different speed controllers can share resources on the same bus without interference from other controllers.

HARDWARE EXPANSION

iSBX-Bus Expansion — The PBC-80 contains two iSBX Multimodule* connectors which can accept any of the iSBX Multimodules. In this way, the PBC-80 can be easily upgraded to meet the specific requirements of most applications.

Matrox manufactures a dual RS-232/423 piggy-back board (MSBX-423), which can be added to the PBC-80 to provide up to six on-board serial I/O ports.

MON-80 — Matrox supports the PBC-80 with the MON-80 monitor program. Upon boot-up or reset MON-80 will first establish the baud rate needed to communicate with the terminal connected to the serial port. Then the monitor will set up the Programmable Communications Interface with the baud rate which it has calculated. The MON-80 monitor also recognizes a set of commands which allow the user to perform certain functions, such as: compare two memory blocks, display the contents of a memory block, find a match in a memory block, input data, output data, move a memory block, etc. MON-80 also contains a CP/M bootstrap loader which works with the Matrox FFD-1 floppy disk controller.

COMMAND	FUNCTION
A	Assigns reader, punch, console, or list device options from the console.
B	Boot CP/M.
C	Compare the contents of memory with the reader input and display the differences.
D	Display the contents of any defined memory area in Hex and ASCII.
E	End of File statement generator.
F	Fill any defined area of memory with a constant.
G	Go to an address and execute with five breakpoints.
H	Hex math, gives the sum and difference of two Hex numbers.
I	Input data from a defined I/O port.
J	Justify Memory — a non-destructive test for hard memory failures.
L	Load a binary file.
M	Move a defined memory area to another starting address.
N	Write Nulls to the punch device.
O	Output data to a defined I/O port.
P	Put ASCII characters into memory from the keyboard.
R	Read Intel Hex formats.
S	Substitute and/or examine any value at any address (in Hex).
U	Unload a binary tape to the punch device.
V	Verify the contents of a defined memory block against that of another block and display the differences.
W	Write a checksummed hex file to the punch device.
X and X'	Examine and/or modify any or all registers including the special Z-80A registers.
Y	Search memory for a defined byte string and display all the addresses where they are found.

Table 2. MON-80 monitor instructions

SPECIFICATIONS

WORD SIZE:

INSTRUCTIONS: 8, 16, 24 or 32 bits
DATA: 8-bit (byte)

CYCLE TIME:

CLOCK: 4MHz
CYCLE TIME: 1000ns min.

MEMORY CAPACITY:

ON-BOARD ROM/EPROM: Up to 128K bytes — user installed in 2K, 4K, 8K, 16K, or 32K increments.
ON-BOARD RAM: 64K bytes of dynamic RAM
256 bytes of non-volatile RAM
Up to 8K bytes of static RAM (user installed)
OFF-BOARD EXPANSION: Up to 1M bytes of user-specified combination of RAM, ROM, or EPROM

MEMORY ADDRESSING:

LOCAL ACCESS: The Memory Management Unit allows the local CPU to access all on-board resources (ROM, RAM, NOVRAM, I/O, etc.) within a 1M byte address range. Local access to the Multibus is restricted to the lower 1M byte of the 16M byte address space.

MULTIBUS ACCESS: On-board RAM can be accessed from the Multibus via a 16K, 32K, or 64K byte window, within any section of the 16M byte address space. The memory window is locatable on any 16K byte boundary when using either a 16K or a 64K byte window. 32K byte memory windows can be located on any 32K byte boundary.

I/O CAPACITY:

PARALLEL: 8255A Programmable Peripheral Interface — 24 lines with three software selectable operating modes
— Basic input/output
— Strobed input/output
— Bidirectional bus

SERIAL: uPD7201 Multi-Protocol Serial Controller — 2 RS-232/423 channels

ASYNCHRONOUS:
— 5-8 bit characters
— 1, 1.5, or 2 stop bits
— Odd/even parity
— Break detection and generation
— Transmission speed x1, x16, x32, or x64 clock frequency
— Interrupt on parity overrun or framing errors

SYNCHRONOUS:
Monosync, Bisync, and
External Sync
— Software selectable sync characters (8/16 bits)
— Automatic sync insertion
— CRC generation and checking

HDLC and SDLC
— Abort sequence generation and detection
— Automatic zero insertion and detection
— CRC generation and checking
— I-field residue handling

BAUD RATES:
— 110 to 19.2K baud (software selectable)
— Will support up to 302K baud with external clock

I/O ADDRESSING:

The PBC-80 supports the standard 8 bit addressing mode (256 locations), as well as a pseudo 16 bit addressing mode (64K locations). On-board resources occupy 64 I/O locations.

INTERRUPT CAPABILITIES:

INTERRUPT LEVELS: 1 Non-Maskable Interrupt (NMI)
16 vectored interrupt levels

COUNTER/TIMERS:

COUNTER/TIMERS:
OPERATING MODES:

Am9513 System Timer Controller
5 16-bit timer/counters
17 software selectable counter/timer functions
– Software-Triggered Strobe
– Software-Triggered Strobe with Level Gating
– Hardware-Triggered Strobe
– Rate Generator
– Rate Generator with Level Gating
– Non-Retriggerable One-Shot
– Software-Triggered Delayed Pulse One-Shot
– Software-Triggered Delayed Pulse One-Shot with Hardware Gating
– Hardware Triggered Delayed Pulse Strobe
– Variable Duty Cycle Rate Generator
– Variable Duty Cycle Rate Generator with Level Gating
– Hardware-Triggered Delayed Pulse One-Shot
– Software-Triggered Strobe with Level Gating and Hardware Retriggering
– Software-Triggered Strobe with Edge Gating and Hardware Retriggering
– Retriggerable One-Shot
– Frequency-Shift Keying

INTERFACES

MULTIBUS:
PARALLEL I/O:
SERIAL I/O:
INTERRUPT REQUESTS:
TIMERS:

All signals TTL compatible
All signals TTL compatible
RS-232/423 compatible
All signals TTL compatible
All signals TTL compatible

CONNECTORS:

MULTIBUS:
AUXILLARY:
PARALLEL I/O:
SERIAL I/O:
ISBX:

86 pin edge connector, 0.156" centers
60 pin edge connector, 0.156" centers
50 pin edge connector, 0.1" centers
2 x 26 pin edge connector, 0.1" centers
2 x 36 pin ISBX Multimodule connectors

PHYSICAL CHARACTERISTICS:

WIDTH: 12.00 in. (30.48 cm)
HEIGHT: 6.75 in. (17.15 cm)
DEPTH: 0.50 in. (1.27 cm)

POWER REQUIREMENTS:

+5V ± 5% @ 3A
–12V ± 5% @ 25mA

ENVIRONMENTAL CHARACTERISTICS:

OPERATING TEMPERATURE: 0° – 55°C (32° – 131°F)
RELATIVE HUMIDITY: Up to 95% (non-côndensing)

ORDERING INFORMATION:

PBC-80 8-bit CPU board with 64K bytes of dynamic RAM and 256 bytes of NOVDRAM
SUPPORT ICs:
MON-86 EPROM monitor with CP/M bootstrap.

Matrox Electronic Systems Ltd reserves the right to make changes in specifications at any time and without notice. The information furnished by Matrox Electronic Systems Ltd in this publication is believed to be accurate and reliable. However, no responsibility is assumed by Matrox Electronic Systems Ltd for its use; nor for any infringements of patents or other rights of third parties resulting from its use. No license is granted under any patents or patent rights of Matrox Electronic Systems Ltd.



Multibus, iSBX Multimodule Intel TM
Z-80, Z-80A Zilog TM
CP/M Digital Research TM



matrox
electronic systems Ltd.

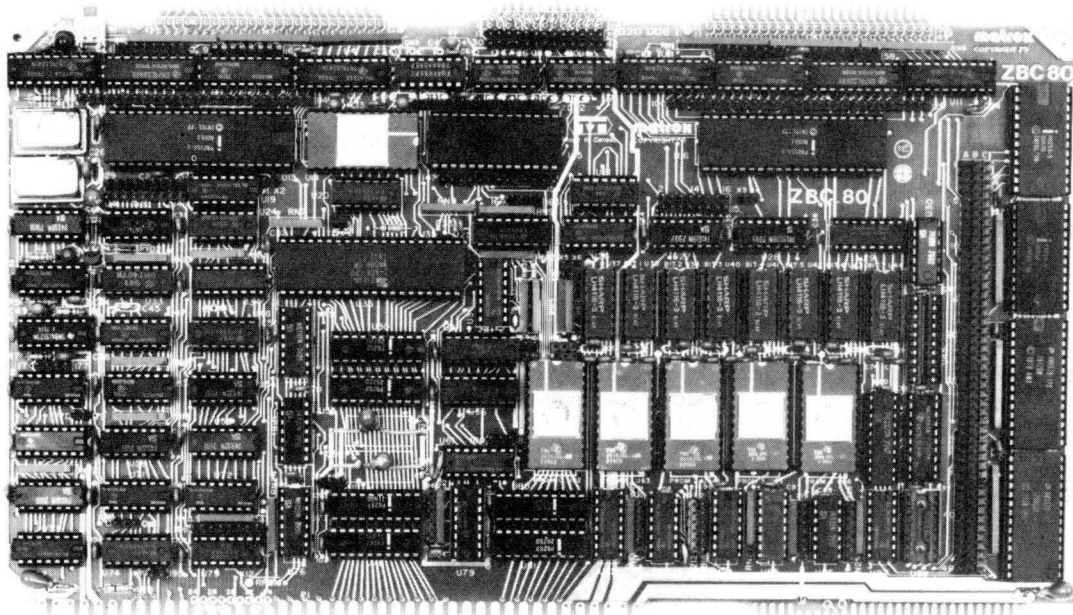
5800 ANDOVER AVE., T.M.R., QUE., H4T 1H4, CANADA
TEL.: 514-735-1182 TELEX: 05-825651

ZBC-80

HIGH PERFORMANCE 8-BIT MULTIBUS CPU CARD

- Z-80A* CPU (4 MHz)
- Bootstrap-on-reset capability
- ZBC-80 runs CP/M 2.2* DOS
- 5 sockets for up to 40K bytes of ROM/ EPROM
- Programmable USART with RS-232C interface.
- 48 programmable parallel I/O lines
- Large wire-wrap area and one spare socket
- Software enable/disable of on-board RAM/ROM
- Multibus* compatible
- Multimaster bus arbitration
- 16K/64K bytes of on-board RAM
- Socket for Arithmetic/Floating Point Processor
- Up to 16 interrupt levels

The Matrox ZBC-80 is a Z-80A* based single board computer that is compatible with the Multibus*. Software support in the form of CP/M*, the industry standard 8080/Z80 disk operating system, and a wide variety of high level language utilities such as FORTRAN, COBOL, PASCAL, and BASIC, are available from a number of sources. The card itself can contain a dedicated arithmetic processor, a 16-level programmable interrupt controller, bus arbitration logic for multi-processor applications, 64K bytes of dynamic RAM and sockets for up to 40K bytes of ROM/ EPROM. Also included are bootstrap-on-reset circuitry, six programmable parallel I/O ports, three programmable timers, and a serial communications controller. This advanced chip set maximizes processor speed and efficiency and at the same time provides the system designer with the greatest possible flexibility.



ZBC-80 FEATURES

Powerful Central Processing Unit	4MHz Z-80A CPU results in rapid instruction execution with consequent high data throughput. In addition, duplicate sets of both general-purpose and flag registers are provided to ease the design and operation of system software through single-context switching, background-foreground programming, and single level interrupt processing.
Extensive Instruction Set	The Z-80A instruction set contains 158 instructions including a subset emulation of the 8080A and 8085 instructions. Z-80A instructions include string, bit, byte, and word operations. Block search and block transfers together with indexed and relative addressing result in powerful data handling capabilities.
Bootstrap-On-Reset	On-board Bootstrap circuitry allows software to roll the memory so that a PROM bootstrap or monitor program appears at location 0000 _H on reset. This program can later be "rolled" out of the way to allow RAM to occupy the beginning of address space.
Dynamic RAM Controller	The ZBC-80 allows ROM and RAM to be positioned in overlapping address space. On-board memory automatically takes precedence over off-board memory in the same address space.
Catastrophic Interrupt	A non-maskable interrupt line is available to signal a catastrophic event (such as an impending power failure).
Minimal Real Time Overhead on Interrupt	A programmable interrupt controller generates an 8-bit pointer to a service routine on interrupt. 8 interrupt levels are supported with an additional 8 levels supported through an optional second interrupt controller.
Hardware Generated Time Delays	A 8253 Programmable Interval Timer can support up to three independent counter/timer functions. This feature eliminates the need to maintain timing loops in software thereby minimizing the system's software overhead. Up to two 8253 Interval Timers can be supported on-board the ZBC-80 (one 8253 is standard).
Programmable Parallel Interface	A programmable peripheral interface lends flexibility to the ZBC-80's interfacing capabilities. This feature allows the ZBC-80 to be "tailored" to suit most I/O requirements.
Programmable Serial Interface	Baud Rate, synchronous/asynchronous operation, number of bits/character, etc. are all user-selectable.
Optional Coprocessor Expansion	An optional Am9511 (Am9512) Arithmetic Coprocessor is available to further enhance the operation of the ZBC-80.

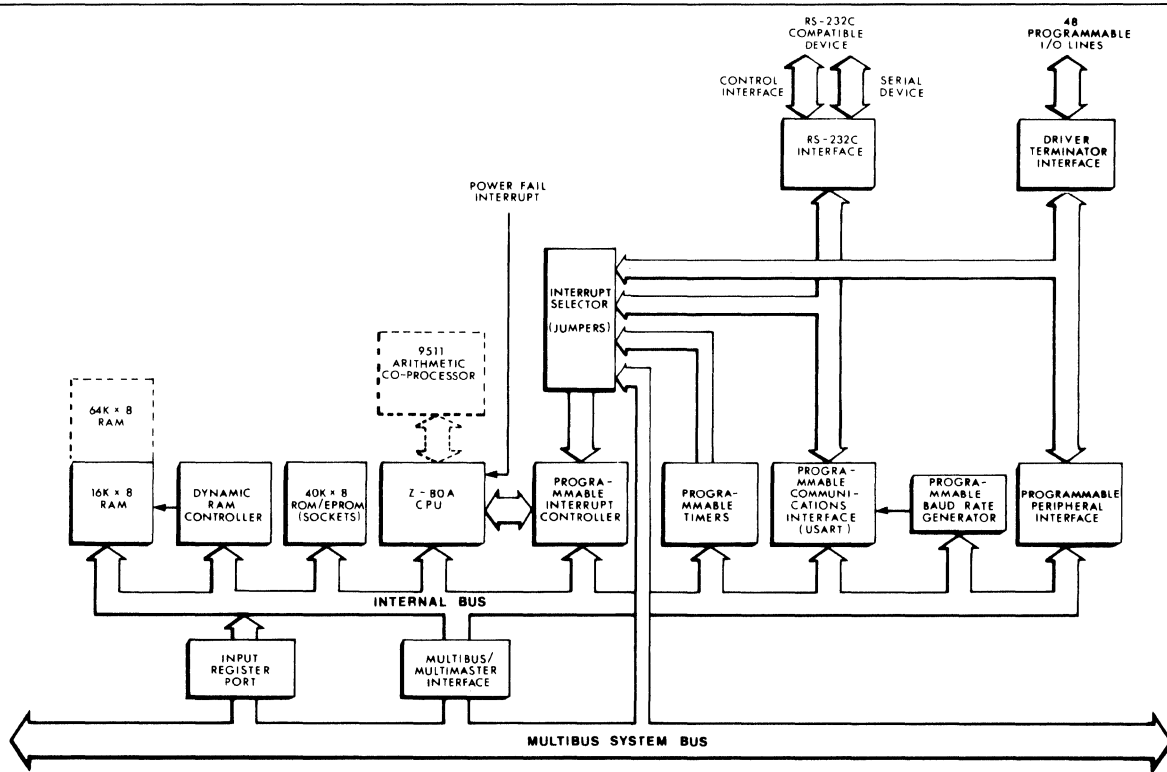


Figure 1. ZBC-80 block diagram

FUNCTIONAL DESCRIPTION

Figure 1 shows a block diagram of the ZBC-80 single board computer. It has been designed, using a fast Z-80A CPU and state-of-the-art LSI peripheral chips, to provide high throughput in a real-time processing environment.

CENTRAL PROCESSING UNIT (CPU)

Architecture — At the heart of the design of the ZBC-80 is the 4 MHz Z-80A CPU, a powerful 8-bit processor on a single LSI chip, with a minimum instruction execution time of 1.00 μ s. The Z-80A is essentially software compatible with the Intel 8080A or 8085A CPUs and can run programs written for these processors with little or no change required. In addition to the accumulator and flag register, the Z-80A contains six internal general purpose registers which can be addressed individually or in pairs. Used in pairs,

these general purpose registers are ideal for 16-bit addressing or double precision arithmetic operations. The Z-80A also contains a duplicate set of these registers (accumulator, flag register, and general purpose registers) which can be activated by one of two unique instructions. This register duplication is useful to store the CPU's "environment" (contents of the register file) after receiving an interrupt. This technique eliminates the requirement for software routines that commit the "environmental" data to external memory during interrupts. The Z-80A contains a pair of 16-bit registers (IX and IY) which allow indexed memory addressing by summing the contents of either of these registers with a 16-bit "displacement field" contained within the executing instruction. The Z-80A also contains a 16-bit program counter. A memory stack, located within any portion of the ZBC-80 read/write memory, may be used as a last-in/first-out storage area for the contents of the program counter, flags, accumulator, and any or all of the six

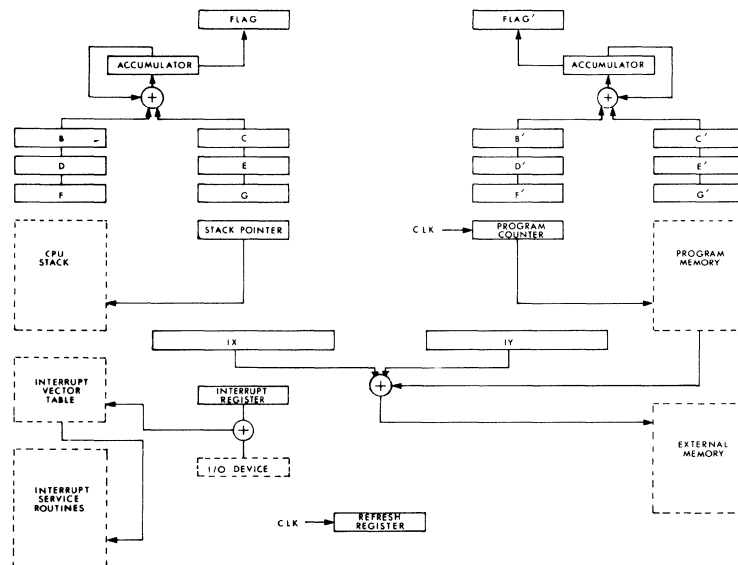


Figure 2. Z-80A internal registers

general purpose registers. A 16-bit stack pointer controls the addressing of the stack. Completing the internal Z-80A register file are an 8-bit interrupt register and a 7-bit refresh register. The interrupt register is loaded with an 8-bit pointer which when combined with an 8-bit offset (supplied by an interrupting device) will access a location in an external interrupt vector table. The refresh register assures the validity of system RAM by automatically providing refresh addressing for dynamic RAMs.

Instruction Set — The Z-80A instruction set is essentially a superset of the Intel 8080A or 8085A instruction set. The Z-80A instruction set, however, represents a significant increase in executable instructions over the 8080A and 8085A. Operations unique to the Z-80A include: indexed addressing capabilities on most instructions, rotate and shift operations on any of the general purpose registers or memory locations, digit rotation, non-destructive bit testing, and interrupt mode control. Instructions can be 8, 16, 24 or 32 bits long and are aligned on byte boundaries.

MEMORY CAPACITY

RAM — The ZBC-80 is supplied with 16K bytes or 64K bytes of on-board dynamic read/write memory. All read and write operations to this on-board memory are performed at maximum processor speed. Straps are provided on-board to enable the user to position on-board RAM on any 16K byte boundary within the 64K byte system addressing range. Moreover, the CPU can disable access to the on-board RAM through software. For enhanced versions (64K RAM), memory can be disabled in 16K byte increments. This technique allows the user to make all (or part) of the on-board RAM "transparent" to the CPU. In this way the user can configure his system whereby the total system memory (including local on-board memory) exceeds 64K bytes without addressing conflicts. RAM refresh is assured by the CPU at the end of each instruction fetch.

ROM/EPROM — The ZBC-80 contains five sockets which can be populated with user installed 1K, 2K, 4K, or 8K byte ROM, PROM or EPROM chips, for a total of 40K bytes of non-volatile read only memory. Provisions have been made to accommodate ROMs of different makes, types, and speeds. The ZBC-80 also allows the user to configure the wait state structure to maximize throughput for any given ROM or PROM. The on-board wait state generator can be programmed (via hardware straps) to insert wait states during all ROM accesses, only during ROM accesses occurring during an instruction fetch cycle, or no wait states at all. On-board read only memory is strap-locatable anywhere within the available address space and can be software enabled/disabled.

Dynamic RAM Controller — The ZBC-80 allows the on-board RAM and ROM to overlap each other (in system memory space) when required. When an address where enabled ROM and RAM are both situated is accessed, an on-board Dynamic RAM Controller will allow the ROM to be read but will limit RAM access to writing. In order to read from the affected RAM the user must first disable the ROM in that address area. The Dynamic RAM Controller also generates multiplexed addressing and control strobes necessary to access RAM.

Bootstrap Circuit — The on-board Bootstrap Circuit, sometimes called a program loading circuit, allows the user, by using software, to shift the position of memory within address space. Upon reset, the Z-80A CPU always starts executing instructions at 0000_H. Because of this any ROM bootstrap or monitor program must be located there, even though it might be desirable to have RAM in that address space. The ZBC-80 allows the user to have RAM at 0000_H and ROM at some higher address, because when the board is reset, a predetermined offset is added to the addresses,

causing the CPU to see ROM at 0000_H. After the ROM bootstrap program has been used to load a program into RAM, the Bootstrap Circuit can be disabled by software, and the CPU will see RAM at the start of memory.

PROGRAMMABLE INTERRUPT CONTROLLER

The ZBC-80 recognizes 9 independent interrupt sources. A non-maskable interrupt (NMI) is tied directly to the Z-80A CPU and is assigned to the highest priority level, and will therefore supercede any other interrupt request. This non-maskable interrupt is usually used to signal a catastrophic event, such as an impending power failure. The remaining 8 interrupt inputs are managed by an on-board Am9519 Universal Interrupt Controller. This device initiates interrupts on a priority basis and assigns priorities to each interrupt line in either fixed or rotating priority modes. Using a fixed priority scheme assigns the highest interrupt priority to interrupt line 0 and the lowest priority to interrupt line 7. In the auto-rotating mode, each interrupt line, after receiving service, becomes the lowest priority level. Upon acknowledgement of an interrupt, the Am9519 releases a data byte which, when combined with the contents of the CPU's Interrupt Register, provides a vector to the required service routine. The ZBC-80 supports an extra socket for an optional second interrupt controller which increases the board's interrupt capabilities to a maximum of 17 levels.

Interrupt Sequence — The ZBC-80 can accept interrupt requests from the programmable parallel and serial interfaces, the programmable timers, the system bus, or directly from peripheral equipment. A special non-maskable interrupt (power fail interrupt) can also be acknowledged directly by the CPU. When the on-board Interrupt Controller receives an interrupt request, it will evaluate the request according to the programmed priority mode and send an INT signal to the CPU, if appropriate. The Z-80A CPU then processes the request in one of three software selectable modes. In Mode 0, the CPU looks to the Interrupt Controller for the next executable instruction (normally a Restart instruction) which can be up to two bytes long. Interrupt Mode 1 causes the CPU to jump to a service routine (starting at location 0038_H) in response to an interrupt request from the Interrupt Controller. Mode 2, similar to Mode 1, causes the CPU to jump to a service routine stored in System memory. In Mode 2, however, the CPU expects an 8-bit offset, from the Interrupt Controller, which combines with the preprogrammed contents of the CPU's I register to form a pointer to a memory look-up table (containing the starting address for the service routine). This Interrupt Mode enables the ZBC-80 to maintain a unique service routine for each of the interrupt sources. Each interrupt request input can be individually masked, through software, by storing a single byte in the Interrupt Mask Register in the Interrupt Controller.

A non-maskable interrupt line is connected directly to the Z-80A CPU and causes a restart to a service routine at location 0066_H. The non-maskable interrupt input can be connected to the TIME OUT ACK/ line and/or the Power Fail Interrupt (PFI/) line. The TIME OUT line goes low if an instruction takes longer than 50 μ s to complete while the PFI/line warns of an impending power failure.

PROGRAMMABLE INTERVAL TIMER

The ZBC-80 provides for accurate generation of time delays through an on-board 8253 Programmable Interval Timer. The 8253 is made up of three independent 16-bit counters, each with a count rate of up to 2MHz. By using the 8253 to generate time delays, the necessity of establishing timing loops in system software is eliminated. Therefore the software overhead is minimal. Using the Programmable Interval Timer, in conjunction with the 8259A

Function	Operation
Interrupt on terminal count	When terminal count is reached, an interrupt request is generated. This function is extremely useful for generation of real-time clocks.
Programmable one-shot	Output goes low upon receipt of an external trigger edge or software command and returns high when terminal count is reached. This function is retriggerable.
Rate generator	Divide by N counter. The output will go low for one input clock cycle, and the period from one low going pulse to the next is N times the input clock period.
Square-wave rate generator	Output will remain high until one half the count has been completed, and then go low for the other half of the count.
Software triggered strobe	Output remains high until software loads count (N). N counts after count is loaded, output goes low for one input clock period.
Hardware triggered strobe	Output goes low for one clock period N counts after rising edge counter trigger input. The counter is retriggerable.
Event counter	On a jumper selectable basis, the clock input becomes an input from the external system. CPU may read the number of events occurring after the counting "window" has been enabled or an interrupt may be generated after N events occur in the system.

Table 1. Programmable Timer Functions

Interrupt Controller, to generate an interrupt to the CPU on terminal count allows the user to maintain multiple delays by assignment of priority levels. Also non-delay type timer/counter functions can be implemented with the 8253. These non-delay functions include: Programmable Rate Generator, Event Counter, Binary Rate Multiplier, Real-Time Clock, Digital One-Shot and Complex Motor Controller. The outputs from the 8253 may be independently routed, through hardware straps, to the Am9519 Interrupt Controller and to the I/O line drivers associated with the 8255A Programmable Peripheral Interface, or may be routed as inputs to the 8255A. The gate/trigger inputs may be routed to I/O terminators or as outputs from the 8255A. Note that the third counter in the 8253 is used by the ZBC-80 to provide the programmable baud rate generator for the board's RS232C USART serial port. The ZBC-80 has provisions to accept a second 8253 chip to provide for a total of six independent timers.

Programming — Each counter in the 8253 is a 16-bit pre-settable down counter that can operate either in binary or binary-coded decimal (BCD). Each counter is initialized by loading an 8-bit control word into an internal register (control words specify the counter to be used, mode of operation, and whether the count is to be in binary or BCD), followed by the count value. Each counter is fully independent and can have separate modes of operation (Table 1), and count type (binary or BCD). Special features in the control words handle the loading of the count so that software overhead is minimized. Also special commands and logic are included so that the contents of each counter can be read "on the fly" without having to inhibit the clock input. The 8253 Programmable Interval Timer is seen by the CPU as an array of I/O ports in system memory and therefore can be programmed by the system software with simple I/O operations.

PARALLEL I/O INTERFACE

The ZBC-80 utilizes two 8255A Programmable Peripheral Interface (PPI) chips whose function is that of a general purpose I/O component to interface peripheral equipment to the microcomputer board. Contained within the 8255A are three 8-bit ports (A, B and C) each of which may be assigned one of three basic modes of operation (Table 2). Port C can be divided into two 4-bit ports under the mode control. Each 4-bit port contains a 4-bit latch and can be used for the control signal outputs in conjunction with Port A and Port B. Operational modes for the 8255A's I/O ports may be combined so that their functional description can be "tailored" to almost any I/O structure. The 48 programmable I/O lines from these PPI chips and signal ground lines are brought out to a pair of 50-pin edge connectors that mates with flat, woven or round cables.

Programming — The functional description of the 8255A is programmed by the system software so that normally no external logic is required to interface peripheral devices or structures. During execution of the system program any of the operational modes may be selected using a single OUTput instruction. This allows a single 8255A to service a variety of peripheral devices with a simple software maintenance routine. The modes for Port A and Port B can be separately defined, while Port C is divided into two portions as required by the definition of Ports A and B. Any of the eight bits of Port C can be set or reset using a single OUTput instruction. This feature reduces software requirements in control-based applications.

SERIAL I/O INTERFACE

An 8251A Programmable Communications Interface is incorporated into the ZBC-80. Used as a peripheral device by the CPU, the 8251A is programmed by system software to

Port	Lines (qty)	Mode of Operation				Bidirectional	Control
		Unidirectional					
		Input		Output			
		Latched	Latched & Strobed	Latched	Latched & Strobed		
A	8	X	X	X	X		
B	8	X	X	X	X		
C	4	X		X			X ₁
	4	X		X			X ₁

Note:
1. Part of Port C must be used as a control port when either Port A or Port B is used as a latched and strobed input or a latched and strobed output port or if Port A is used as a bidirectional port.

Table 2. Input/Output ports modes of operation

operate using virtually any serial data transmission technique presently in use. The 8251A Universal Asynchronous/Synchronous Receiver/Transmitter (USART) accepts data characters from the CPU in parallel format and then converts them into a continuous data stream for transmission. Simultaneously it can receive data as a serial stream and convert it to a suitable parallel format to be read by the CPU. The mode of operation (synchronous or asynchronous), data format, control character format, parity and baud rate are all under program control. The 8251A provides full duplex, double buffered transmit and receive capabilities. Parity, overrun and framing error detection are all incorporated on-chip. The RS-232C interface on the ZBC-80, in conjunction with the 8251A USART, provides a direct interface to RS-232C compatible peripherals (terminals, cassettes, asynchronous and synchronous modems, etc). The RS-232C command lines, serial data lines, and signal ground lines are brought out to a 26-pin edge connector that mates with RS-232C round or flat cables.

INPUT REGISTER PORT

The ZBC-80 has an Input Register Port (IRP) which can be written into from the Multibus system bus and can be read by the on-board CPU. The IRP permits ZBC-80 boards operating in multi-master mode to exchange data without using common intermediate memory. A ZBC-80 sending data write to the IRP of the receiving board, which then reads the IRP internationally to complete the transfer. Reads and writes are automatically interleaved, allowing both the sender and the receiver to use the Z-80's repetitive I/O instructions for IRP access. This capability facilitates fast transfer of strings of data and, unlike standard DMA, it allows block transfers to be interrupted. The maximum transfer rate occurs when the IRP is used with bus override, and is 150K bytes/sec in bursts of 256 bytes.

SYSTEM BUS INTERFACE

The ZBC-80 interfaces directly to the industry standard Multibus. All address, data, and control signals conform to the Intel Multibus Specification No. 9800683. A failsafe timer is included in the ZBC-80's design which can be used to generate an interrupt if an addressed device does not respond within 50 usec.

Multimaster Capabilities — The ZBC-80 is ideally suited for systems requiring additional processing capacity and the benefits of multiprocessing (several CPUs and/or controllers logically sharing system tasks through communications over the system bus). On-board control logic allows up to five bus masters to share the system bus in serial (daisy chain) priority fashion or up to 16 masters to share the Multibus with the addition of an external priority network. Also, with an on-board Multibus clock, different speed controllers can share resources on the same bus without interference from other controllers.

HARDWARE EXPANSION

MONTRAX — Matrox supports the ZBC-80 with the MONTRAX monitor program. Upon boot-up or reset MONTRAX will first establish the baud rate needed to communicate with the terminal connected to the serial port. Then the monitor will set up the Programmable Communications Interface with the baud rate which it has calculated. The MONTRAX monitor also recognizes a set of commands which allow the user to perform certain functions, such as: compare two memory blocks, display the contents of a memory block, find a match in a memory block, input data, output data, move a memory block, etc. MONTRAX also contains a CP/M bootstrap loader which works with the Matrox FFD-1 floppy disk controller.

Arithmetic Processors — The ZBC-80 supports a socket for an optional math processor chip (Am9511 or Am9512). The Am9511 Arithmetic Processor provides for high performance fixed and floating point trigonometric and mathematical operations. Operations performed by the Am9511 include: 16 and 32-bit fixed point mathematics (add, subtract, multiply, and divide), 32-bit floating point mathematics, and floating point trigonometric functions (SQRT, SIN, COS, TAN, LOG, etc.). The Am9511 also includes a number of data manipulation commands such as: convert floating point to fixed point, change sign, copy operand, etc.

Alternatively the ZBC-80 can accept the AM9512 Floating Point Processor. This device, which performs only mathematical operations, trades the speed and number of functions provided by the AM9511 for greater precision. The Am9512 is capable of performing 32-bit fixed point and 32 or 64-bit floating point arithmetic operations.

COMMAND	FUNCTION
A	Assigns reader, punch, console, or list device options from the console.
B	Boot CP/M.
C	Compare the contents of memory with the reader input and display the differences.
D	Display the contents of any defined memory area in Hex and ASCII.
E	End of File statement generator.
F	Fill any defined area of memory with a constant.
G	Go to an address and execute with five breakpoints.
H	Hex math, gives the sum and difference of two Hex numbers.
I	Input data from a defined I/O port.
J	Justify Memory — a non-destructive test for hard memory failures.
L	Load a binary file.
M	Move a defined memory area to another starting address.
N	Write Nulls to the punch device.
O	Output data to a defined I/O port.
P	Put ASCII characters into memory from the keyboard.
R	Read Intel Hex formats.
S	Substitute and/or examine any value at any address (in Hex).
U	Unload a binary tape to the punch device.
V	Verify the contents of a defined memory block against that of another block and display the differences.
W	Write a checksummed hex file to the punch device.
X and X'	Examine and/or modify any or all registers including the special Z-80A registers.
Y	Search memory for a defined byte string and display all the addresses where they are found.

Table 3. MONTRAX monitor instructions

SPECIFICATIONS

WORD SIZE:

INSTRUCTIONS: 8, 16, 24, or 32 bits
 DATA: 8-bit (byte)

CYCLE TIME:

CLOCK: 4MHz
 CYCLE TIME: 1000ns min.

MEMORY CAPACITY:

ON-BOARD ROM/EPROM: Up to 40K bytes — user installed in 1K, 2K, 4K, or 8K increments.
 ON-BOARD RAM: 16K, 64K, bytes of dynamic RAM
 (specify amount of RAM required when ordering — see ORDERING INSTRUCTIONS)
 OFF-BOARD EXPANSION: Up to 64K bytes of user-specified combination of RAM, ROM, or EPROM.

MEMORY ADDRESSING:

Memory addressing on the ZBC-80 is user selectable by on-board hardware straps. The addresses shown here reflect the as-shipped values.

ON-BOARD ROM/EPROM: C000-C7FF_H

ON-BOARD RAM: 0000-3FFF_H (16K bytes)
 0000-FFFF_H (64K bytes)

I/O CAPACITY:

PARALLEL: 2 x 8255A Programmable Peripheral Interface — 48 lines with three software selectable operating modes

SERIAL: 8251A Programmable Communications Interface — EIA standard RS-232C
 SYNCHRONOUS: 5-8 bit characters; internal or external character synchronization; automatic sync insertion

ASYNCHRONOUS: 5-8 bit characters; break character generation; 1, 1.5, or 2 stop bits; false start bit detection

BAUD RATES:

FREQUENCY (KHz) (software selectable)	BAUD RATE (Hz)			
	Synchronous	Asynchronous		
		÷ 16	÷ 64	
153.6	—	9600	2400	
76.8	—	4800	1200	
38.4	38400	2400	600	
19.2	19200	1200	300	
9.6	9600	600	150	
4.8	4800	300	75	
2.4	2400	150	—	
1.76	1760	110	—	

INTERRUPT CAPABILITIES:

INTERRUPT LEVELS: 1 Non-Maskable Interrupt (NMI)
 8 vectored interrupt levels (expandable to 16 levels by cascading interrupt controllers)

COUNTER/TIMERS:

COUNTER/TIMERS: 8253A Programmable Interval Timer
 1 16-bit timer for baud rate generation
 2 16-bit timer/counters are available to the system designer (expandable to 5 timer/counters with optional second 8253A)

OPERATING MODES: 7 software selectable counter/timer functions — Interrupt on terminal count
 — Programmable one-shot
 — Rate generator
 — Square wave rate generator
 — Software triggered strobe
 — Hardware triggered strobe
 — Event counter

OUTPUT FREQUENCIES:

FUNCTION	SINGLE TIMER/COUNTER		DUAL TIMER/COUNTER (Two Timers Cascaded)	
	Min.	Max.	Min.	Max.
Real-time interrupt	1.63 μs	427.1 ms	3.26 μs	466.50 min.
Programmable one-shot	1.63 μs	427.1 ms	3.26 μs	466.50 min.
Rate generator	2.342 Hz	613.5 KHz	0.000036 Hz	306.8 KHz
Square-wave rate generator	2.342 Hz	613.5 KHz	0.000036 Hz	306.8 KHz
Software triggered strobe	1.63 μs	427.1 ms	3.26 μs	466.50 min.
Hardware triggered strobe	1.63 μs	427.1 ms	3.26 μs	466.50 min.
Event counter	—	2.46 MHz	—	—

INTERFACES:

MULTIBUS:	All signals TTL compatible
PARALLEL I/O:	All signals TTL compatible
SERIAL I/O:	RS-232C compatible
INTERRUPT REQUESTS:	All signals TTL compatible
TIMERS:	All signals TTL compatible

CONNECTORS:

MULTIBUS:	86 pin edge connector, 0.156" centers
PARALLEL I/O:	2 x 50 pin edge connector, 0.1" centers
SERIAL I/O:	26 pin edge connector, 0.1" centers

PHYSICAL CHARACTERISTICS:

WIDTH:	12.00 in. (30.48 cm)
HEIGHT:	6.75 in. (17.15 cm)
DEPTH:	0.50 in. (1.27 cm)

POWER REQUIREMENTS:

+5V ± 5% @ 2.5A
 -5V ± 5% @ 2mA (16K version only)
 +12V ± 5% @ 75mA
 -12V ± 5% @ 10mA

ENVIRONMENTAL CHARACTERISTICS:

OPERATING TEMPERATURE:	0°-55°C (32°-131°F)
RELATIVE HUMIDITY:	Up to 95% (non-condensing)

ORDERING INSTRUCTIONS:

ZBC-80/XX	8-bit single board computer
	{ 16 — 16K bytes of on-board RAM
	{ 64 — 64K bytes of on-board RAM
ZBC-80C/XX	8-bit single board computer with 9511 numerical coprocessor, additional Programmable Interrupt Controller, and an additional timer
	{ 16 — 16K bytes of on-board RAM
	{ 64 — 64K bytes of on-board RAM

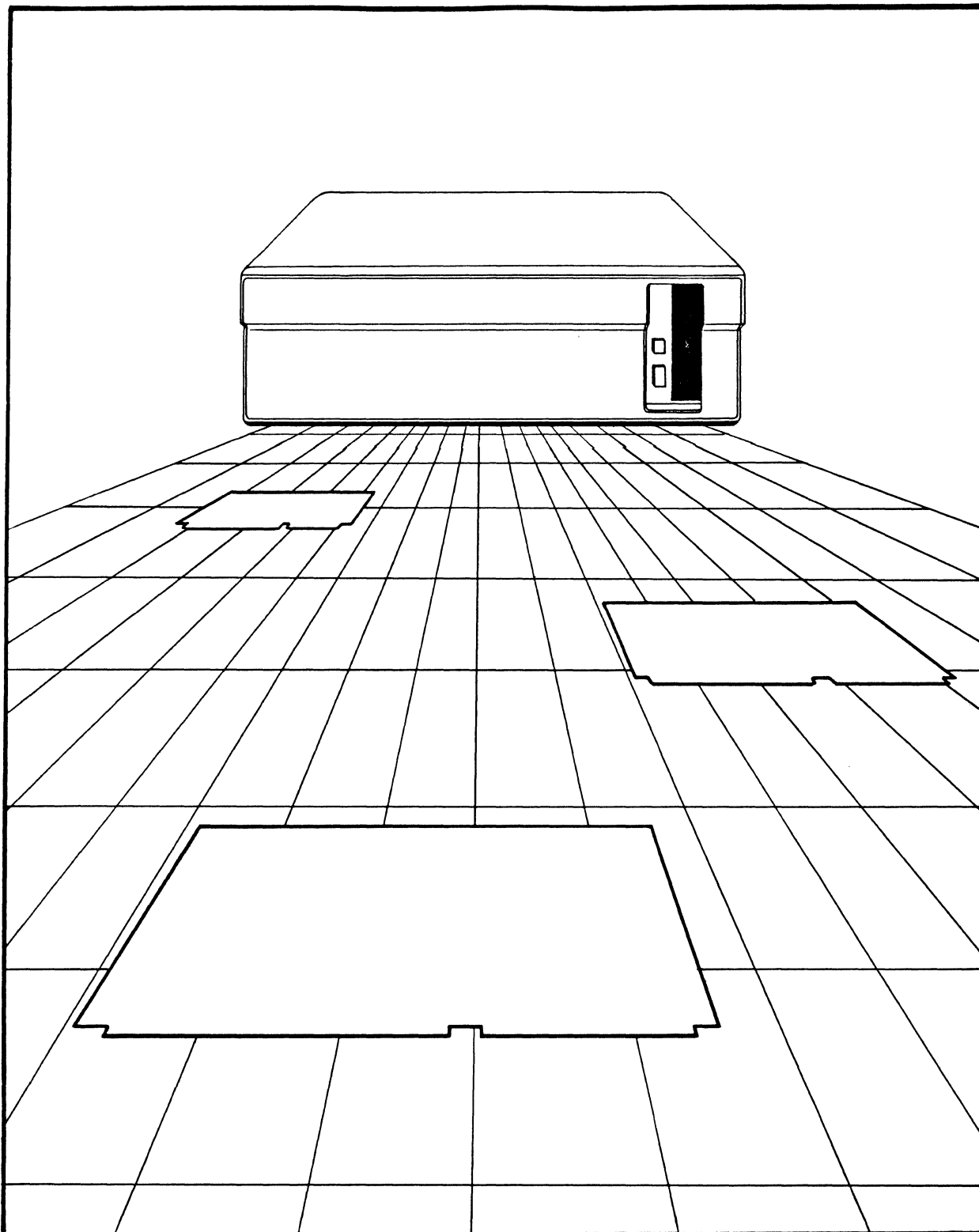
SUPPORT ICs:

9511/9512	Numerical coprocessor chip
MONTRAX	EPROM monitor
AM9519A-1	Programmable Interrupt Controller
8253-5	Programmable Timer

Matrox Electronic Systems Ltd reserves the right to make changes in specifications at any time and without notice. The information furnished by Matrox Electronic Systems Ltd in this publication is believed to be accurate and reliable. However, no responsibility is assumed by Matrox Electronic Systems Ltd for its use; nor for any infringements of patents or other rights of third parties resulting from its use. No license is granted under any patents or patent rights of Matrox Electronic Systems Ltd.



Mutibus	Intel TM
Z-80, Z-80A	Zilog TM
CP/M	Digital Research TM



**MULTIBUS MEMORY, DISK CONTROLLER,
COMMUNICATIONS
AND ACCESSORY BOARDS**

SECTION 12**MULTIBUS MEMORY, DISK CONTROLLER, COMMUNICATIONS
AND ACCESSORY BOARDS**

MEGA-4 512K Byte Multibus Memory Board	12-3
FFD-1 Multibus Floppy Disk Controller Board	12-7
COM-1 High Speed Multibus Communications Board	12-11
MSBX-423 Dual RS-232/423 Serial Interface iSBX Module	12-23
MSBX-422 RS-449/422 Serial Interface iSBX Module	12-27
ROM-86 EPROM Expansion Card for Matrox MBC-86/12A CPU Board	12-31
PTB-2 Multibus Wirewrap Prototype Board	12-35
BEX-1 Multibus Extender Board	12-36



matrox
electronic systems ltd.

5800 ANDOVER AVE., T.M.R., QUE., H4T 1H4, CANADA
TEL.: 514-735-1182 TELEX: 05-825651

MEGA-4

512K BYTE MULTIBUS MEMORY BOARD

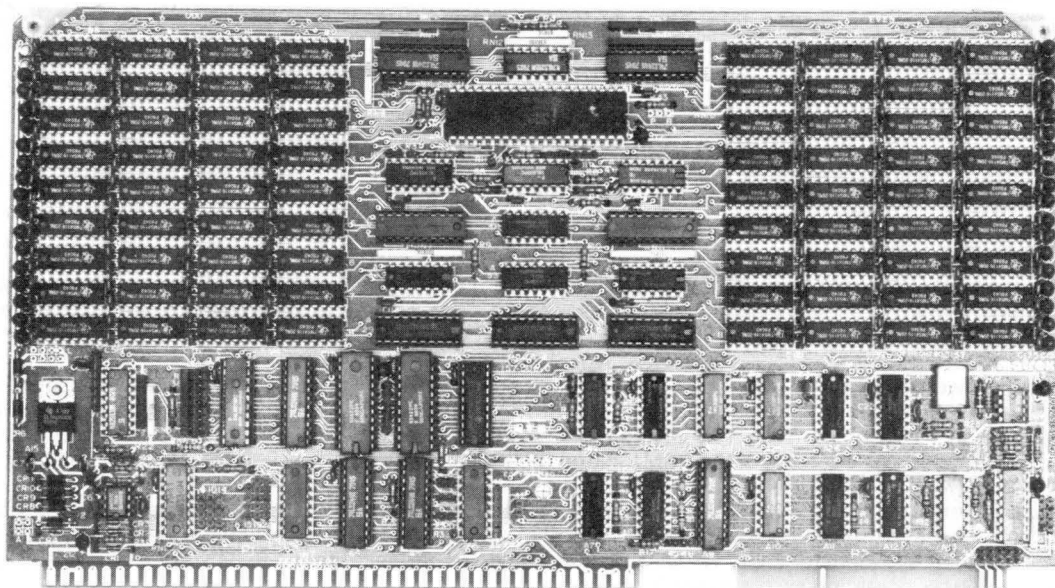
- 512K byte random access memory
- 8-bit byte or 16-bit word transfers
- Multibus* compatible
- Full parity checking on each byte
- Memory management
- Parity error interrupt generator
- Transparent memory refresh
- 24-bit address range

The Matrox MEGA-4 is a Multibus* compatible memory board containing up to 512K bytes of read/write memory. It supports 8 or 16-bit data transfers making it compatible with both 8-bit and 16-bit CPUs. Memory refresh cycles are distributed and hence, transparent to the user.

Parity generating/checking circuitry provides for enhanced data transfer integrity in both byte and word mode. An interrupt signal is generated on parity error.

The on-board Memory Management Unit (MMU) enables mapping of the physical memory into the system memory address space. Each 8K byte memory block is assigned either read/write, read only, write only or read/write disable attributes. This mapping is changed at any time by rewriting the MMU register file.

In the event of power loss, the memory contents can be maintained by a single +12V battery supplying 1A of current through the back-up supply terminals.



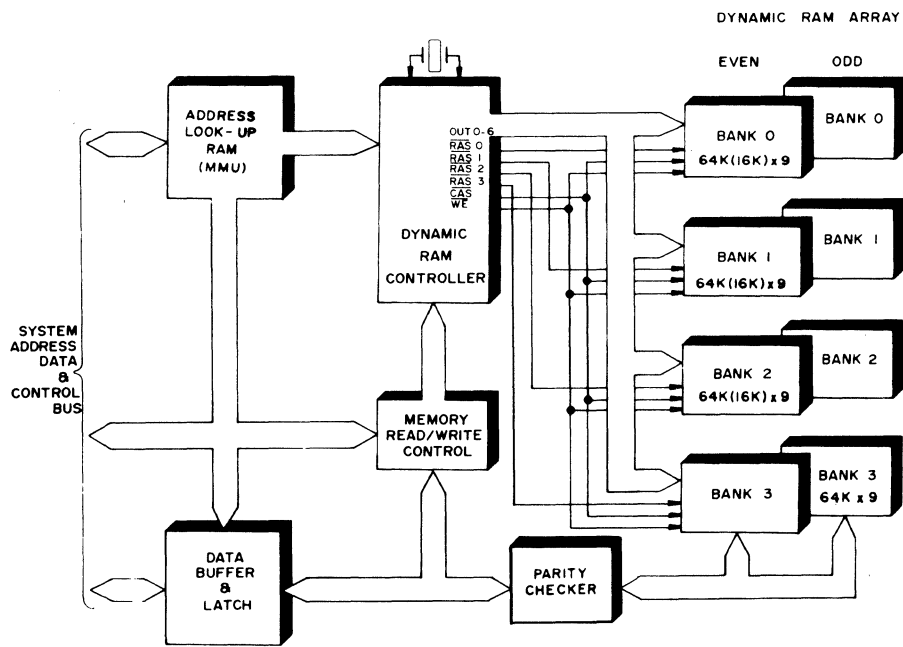


Figure 1. MEGA-4 Block Diagram

FUNCTIONAL DESCRIPTION

MEMORY

The MEGA-4 add-on memory board contains up to 512K bytes of read/write memory. High memory density and low power consumption/bit are assured through the use of 16k or 64k dynamic RAMs. Memory access time is 625ns max. while read/write cycle time is 725ns.

MEMORY CONFIGURATIONS

BYTE	WORD	NO. x RAM TYPE
64K x 8	32K x 16	32 x 16K
128K x 8	64K x 16	64 x 16K
256K x 8	128K x 16	32 x 64K
512K x 8	256K x 16	64 x 64K

The MEGA-4's physical memory is divided, through on-board RAM look-up tables, into 8K byte blocks. Each is assigned to be read/write, read only, write only, or read/write disabled. The number of physical memory blocks on the MEGA-4 varies from 8 (64K x 8) to 64 (512K x 8).

DYNAMIC RAM CONTROLLER

The heart of the MEGA-4 is the 8202 Dynamic RAM Controller. It performs all distributed memory refresh functions and resolves any conflicts between refresh cycle requests and read/write cycle requests. To the user the card appears as static RAM having a 625ns access time.

MEMORY MANAGEMENT UNIT (MMU)

The Memory Management Unit maps each 8K byte block of on-board memory (physical block) into an 8K byte block of system address space (logical block). The MMU also enables the user to assign to each physical memory block read/write disable, read only, write only or read/write enable attributes.

The MMU consists of two fast bipolar RAM look-up tables containing 128 8-bit Memory Management Registers (MMR) each. The physical memory block number is specified by bits 0-5 of the MMR, while bits 6 and 7 specify the read/write attributes. Through I/O instructions, one of the two look-up tables is selected, making it possible for two complete mappings of the MEGA-4 memory to be made. The contents of the RAM look-up tables are rewritten at any time through programmed I/O transfers.

The Memory Management Unit makes the MEGA-4 ideal for multi-user systems. By initializing the RAM look-up table with a unique mapping, each user will have access to his own space in the MEGA-4's memory without disturbing space reserved for any other users. This feature is ideal for users with 8-bit CPUs which are normally limited to 64K bytes of memory, or for users of 16-bit CPUs with multi-user operating systems requiring virtual memory.

The MMU can map the MEGA-4 physical memory anywhere within the standard 1M byte Multibus* addressing range. MEGA-4 can also be strapped to any 1M byte boundary within the proposed IEEE 24-bit Multibus* addressing range.

The MMU can be disabled by on-board jumpers, allowing the MEGA-4 to operate as a conventional memory board.

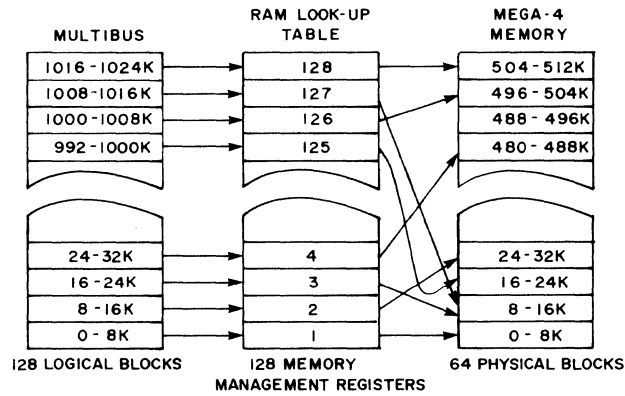


Figure 2. MMU Block Diagram

PARITY GENERATOR/CHECKER

On-board parity generation and checking ensures validity of data transfers from the MEGA-4. Each byte is stored on the MEGA-4 as 9-bits (8 data bits and 1 parity bit). When writing to MEGA-4 memory, the parity generator inserts either a logic 1 or 0 to yield an odd number of logics 1s. During a read cycle, the parity checker will look for odd parity. If a parity error is encountered, the MEGA-4 generates an interrupt. The interrupt flag is reset when the CPU reads I/O port 0. When a word is addressed, parity error is the logical OR function of the byte parity error bits. The parity generator/checker is disabled by either on-board jumpers or by I/O command.

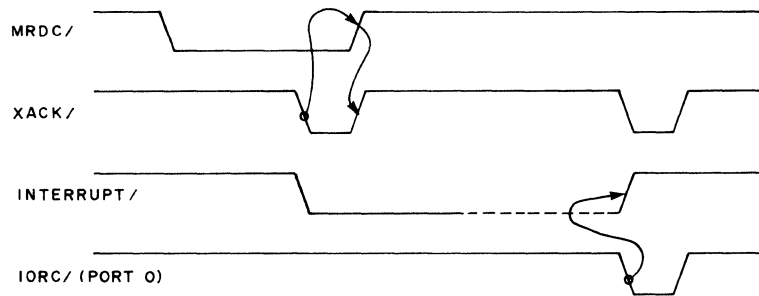
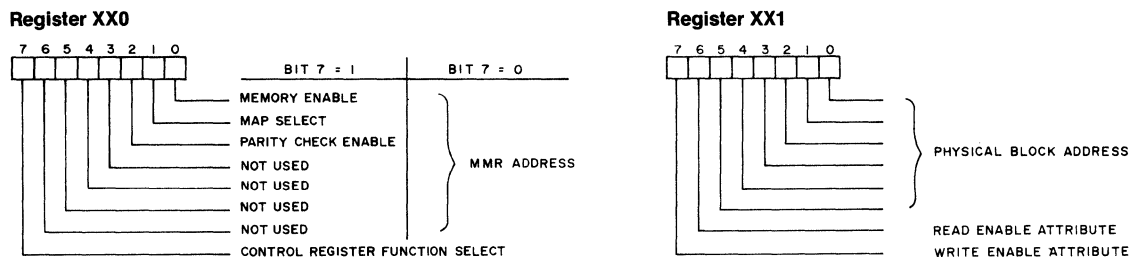


Figure 3. Parity Interrupt Timing Diagram

PROGRAMMING INFORMATION

SOFTWARE I/O

The MEGA-4 contains two control registers. When equal to zero, data bit 7 of register 0 selects the MMR Address Register (bit 0-6 specify the MMR number). If bit 7 is equal to one, the MEGA-4's Status Register (MEGA-4 enable/disable, look-up table selection, parity checking enable/disable) is selected. Reading register 0 resets the interrupt flags. The Memory Management Registers are loaded and their read/write attributes assigned via register 1.



HARDWARE STRAPS

Jumpers on the MEGA-4 establish the address size (16 bit, 20 bit, or 24 bit), define the base address, and enable/disable the MMU and parity checker.

SPECIFICATIONS

WORD SIZE

8/16-bits

MEMORY SPEED

	ACCESS (ns max.)	CYCLE (ns max.)
READ	625	725
WRITE	—	725

MEMORY CONFIGURATIONS

BYTE	WORD	NO. x RAM TYPE
64K x 8	32K x 16	32 x 16K
128K x 8	64K x 16	64 x 16K
256K x 8	128K x 16	32 x 64K
512K x 8	256K x 16	64 x 64K

BUS INTERFACE

Address, data and control signals conform to IEEE-796 bus specifications.

MMR and Status Registers:

Positioned at any even address 0000-FFFF (0078H).

Read/Write Memory:

Positioned at any 32K byte boundary (at any 8K byte boundary through MMU) 000000-FFFFFF (000800H).

Parity Error Interrupt:

INT0/-INT7/ (uncommitted).

CONNECTORS

DESCRIPTION	MATING CONNECTOR
P1: 86 pin edge connector; 0.156" centers — Multibus interface	COMPAR ESM-43-DSRI
P2: 60 pin edge connector; 0.1" centers — Auxiliary connector	MOLEX 15-25-8601

SIZE

WIDTH: 12.00 in. (30.48 cm)
 HEIGHT: 6.75 in. (17.15 cm)
 DEPTH: 0.50 in. (1.27 cm)

POWER REQUIREMENTS

SUPPLY	POWER CONSUMPTION		
	NO BACK-UP CONNECTED	BACK-UP CONNECTED	BACK-UP ACTIVE
+ 5V ± 10%	1.5A	1.0A	0
+ 12V ± 10%	100mA	700mA	0
+ 12V back-up	0	0	700mA

ENVIRONMENTAL REQUIREMENTS

OPERATING TEMPERATURE: 0 — 55°C
 RELATIVE HUMIDITY: 0 — 90% non-condensing

ORDERING INFORMATION

MEGA-4/XX

{ 64 — MEGA-4 with 64KB memory
 128 — MEGA-4 with 128KB memory
 256 — MEGA-4 with 256KB memory
 512 — MEGA-4 with 512KB memory

Matrox Electronic Systems Ltd reserves the right to make changes in specifications at any time and without notice. The information furnished by Matrox Electronic Systems Ltd in this publication is believed to be accurate and reliable. However, no responsibility is assumed by Matrox Electronic Systems Ltd for its use; nor for any infringements of patents or other rights of third parties resulting from its use. No license is granted under any patents or patent rights of Matrox Electronic Systems Ltd.



Multibus Intel Corp. TM



matrox
electronic systems ltd.

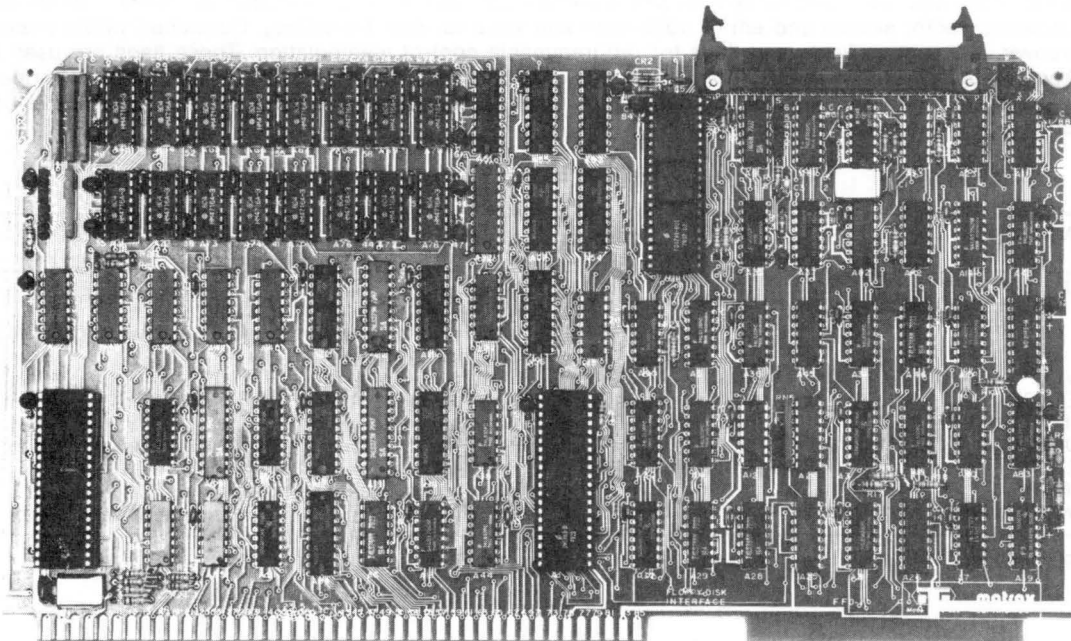
5800 ANDOVER AVE., T.M.R., QUE., H4T 1H4, CANADA
TEL.: 514-735-1182 TELEX: 05-825651

FFD-1

MULTIBUS FLOPPY DISK CONTROLLER BOARD

- FD-1791 Floppy Disk Controller
- Controls up to four single/double sided drives
- IBM 3740 (FM) single-density
- IBM System 34 (MFM) double-density
- Commands include single/multiple sector R/W
- Runs under CP/M 2.2 DOS
- Multibus compatible
- Optional 32K bytes on-board two-port RAM
- DMA controller
- Works with most 5¼" or 8" disk drives

The Matrox FFD-1 floppy disk controller/RAM card uses a state of the art ship set to provide for up to 5 megabytes of mass storage in Multibus-based systems using 5¼" or 8" floppy disk drives. The FFD-1 handles up to four single or double-sided drive units and is compatible with both the IBM 3740 (FM) single density and IBM System 34 (MFM) double density recording formats. In addition it may also be programmed for compatibility with sector lengths of 512 or 1024 bytes. The card may be ordered with 32K bytes of on-board dual-ported RAM that can be read from or written to by either the DMA controller or the bus master. The on-board DMA controller can transfer data between the disk controller and the on-board RAM or the disk controller and system memory. The FFD-1, when teamed up with any of the Matrox single board computers forms an extremely powerful floppy disk based computer system. CP/M 2.2 from Matrox is tailored to run on this card.



12

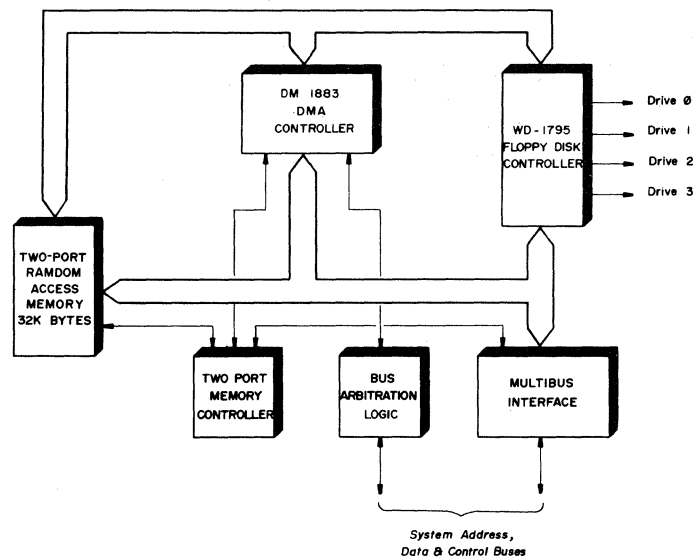


Figure 1. FFD-1 Block Diagram

FLOPPY DISK CONTROLLER

At the heart of the FFD-1 design is the FD-1791-01 Programmable Floppy Disk Formatter/Controller chip. This 40-pin MOS LSI device provides all the control circuitry required to interface virtually any standard 5¼" or 8" floppy diskette drives using either single or double density recording formats. Advanced features of the FD-1791-01 include read/write and format of address mark detection, FM and MFM encode and decode logic, window extension, and write precompensation. Because the Floppy Disk Controller is programmable, its performance is not compromised by its universal drive compatibility. The track-to-track access, head-load, and head-unload characteristics of the selected drive model are program specified.

The FD-1791-01 Floppy Disk Controller allows the user to configure his system to use most standard and non-standard recording formats. Sector lengths of 128, 256, 512, or 1024 bytes per sector are obtainable in either FM (single density) or MFM (double density) formats. The number of sectors per track (as far as the FD-1791-01 is concerned) is user selectable from 1 to 255 sectors per track. The number of tracks can also be programmed from 0 to 255 tracks. For IBM 3740 compatibility, sector lengths are 128 bytes with 26 sectors per track. For system 34 (MFM) compatibility, sector lengths are 256 bytes/sector with 26 sectors/track, or 1024 bytes/sector with 8 sectors/track.

The Floppy Disk Controller (FDC) chip recognizes 11 unique instructions (table 1), simplifying system software development. The FDC can read, write and verify both single and multiple sectors. Also included in the FD-1791-01 instruction set are automatic sector search and entire track read and write for disk formatting. Contained within these instructions, moreover, are various fields and flags for programmable control manipulation. These flags are used to select track-to-track stepping rate, single/multiple read/write, and interrupt conditions. Other functions performed by the instruction flags are: enable verification on destination track, update Track Register for each Head Step command, enable side select, and enable side compare.

COMMAND	BITS								FUNCTION
	7	6	5	4	3	2	1	0	
RESTORE	0	0	0	0	h	V	r	r	Move head to track 00
SEEK	0	0	0	1	h	V	r	r	Move head to specified track
STEP	0	0	1	u	h	V	r	r	Step head in same direction as previous step command
STEP IN	0	1	0	u	h	V	r	r	Step head toward track 76
STEP OUT	0	1	1	u	h	V	r	r	Step head toward track 00
READ SECTOR	1	0	0	m	S	E	C	0	Read specified sector(s)
WRITE SECTOR	1	0	1	m	S	E	C	a	Write specified sector(s)
READ ADDRESS	1	1	0	0	0	E	0	0	Read track number, side, sector number, and sector length
READ TRACK	1	1	1	0	0	E	0	0	Read entire track starting at sector 0
WRITE TRACK	1	1	1	1	0	E	0	0	Write entire track starting at sector 0
FORCE INTERRUPT	1	1	0	1	l	l	l	l	Terminate current command and generate interrupt

Table 1. Command Summary

ON-BOARD MEMORY

The FFD-1 can be supplied with an optional 32K bytes of on-board dynamic RAM. This on-board memory can be used as a supplement to system memory and can be positioned on any 32K byte boundary within the one megabyte Multibus system address space. It can be either byte or word oriented and may be enabled/disabled (in 4K byte increments) through programmed I/O.

Access to the on-board RAM memory is controlled by a dual port dynamic RAM controller. Memory access requests from the Multibus system are assigned highest priority, however if a memory request occurs while another cycle is in progress it will be delayed until the present request has been completed. The dynamic RAM controller also ensures that the on-board memory is refreshed in such a way as to be "transparent" to the rest of the system.

DMA CONTROLLER

DMA transfers between the FFD-1 and the system memory (or between the Floppy Disk Controller and the on-board memory) can be made without CPU intervention by the on-board DMA controller. The FFD-1 employs a unique two mode DMA data transfer scheme for the highest possible data transfer rate.

In Mode 1, the FFD-1 card becomes the bus master and the DMA Controller transfers data between the disk controller and the system memory. Single or multiple sectors are transferred without CPU intervention. On completion of the task, an interrupt is generated or a flag bit is set in the DMAC status register. DMA transfers may be either transparent (the DMAC will release control of the bus after the transfer of each byte or burst), or the DMA Controller will retain control of the bus until the task is complete. The DMA Controller can address system memory anywhere within the one megabyte Multibus address space.

Mode 2 is similar to Mode 1 except that the DMA Controller transfers data between the disk controller and the on-board RAM. This technique allows memory-disk transfers to be made while the system bus is left free for other uses.

MULTIBUS INTERFACE

The Matrox FFD-1 plugs directly into the Multibus and works with both 8 and 16-bit processors. Bus arbitration logic enables the card to take control of the system bus and perform direct data transfers between disk and system memory.

PROGRAMMING

The host processor programs, controls, and communicates with the FFD-1 by accessing 15 I/O locations. On power-up or reset, the FFD-1's command registers must be loaded with the correct operating parameters.

REGISTER	ADDRESS	DESCRIPTION	
		READ	WRITE
FDC STATUS/COMMAND	BASE + 0	FDC status	FDC command
FDC TRACK	BASE + 1	Current track number	Desired track number
FDC SECTOR	BASE + 2	Current sector number	Desired sector number
FDC DATA	BASE + 3	Data from disk	Data or track number for seek command
CONTROL and WAIT	BASE + 4	Wait for- — End of Command — Data Request	FFD-1 controls
DRIVE SELECT and FLAG	BASE + 5	Flags	Select drive
MEMORY BLOCK ENABLE	BASE + 6		Enable/disable 4K segments of on-board memory
DMAC CONTROL	BASE + 8	DMAC controls	DMAC controls
DMAC STATUS	BASE + 9	DMAC status	DMAC status
DMAC TRANSFER COUNT LOW	BASE + A		Lower 8 bits of DMA transfer count
DMAC TRANSFER COUNT HIGH	BASE + B		Higher 8 bits of DMA transfer count
DMAC MEMORY ADD LOW	BASE + C		Lower 8 bits of DMA destination memory address
DMAC MEMORY ADD HIGH	BASE + D		Higher 8 bits of DMA destination memory address
DMAC MEMORY ADD EXTENSION	BASE + E		Bits 16-17 of DMA destination memory address (1 megabyte range)
DMAC INTERRUPT VECTOR	BASE + F	Interrupt vector address	Interrupt vector address

Table 2. FFD-1 Register Definitions

SPECIFICATIONS

MEDIA

Flexible 5¼" or 8" standard disk
One or two surfaces per disk

COMPATIBLE DRIVES

SHUGART SA800
SHUGART SA850 (double sided)
SIEMENS FFD-100-8
SIEMENS FFD-200-8 (double sided)
PERTEC FD-650 (double sided)
REMEX RFD 2000/2001
REMEX RFD 4000/4001 (double sided)

DRIVE CHARACTERISTICS

TRANSFER RATE (K bytes/sec)	250 (single density), 500 (double density)
DISK SPEED (RPM)	360
TRACK-TO-TRACK ACCESS	3, 6, 10 or 15ms
HEAD SETTling TIME	182ms (max)
HEAD LOAD TIME	15ms (min)

DISK FORMATS

	SINGLE DENSITY (FM)						DOUBLE DENSITY (MFM)			
	IBM			NON-IBM			IBM		NON-IBM	
BYTES/SECTOR	128	256	512	128	512	1024	256	128	512	1024
SECTORS/TRACK	28	15	8	30	8	4	26	52	16	9
TRACKS/DISKETTE	77	77	77	up to 255	up to 255	up to 255	77		up to 255	
BYTES/DISKETTE	256,256	295,980	315,392	295,680	315,392	315,392	512,512		700,000	

ON-BOARD RAM

32K bytes of two-port dynamic RAM with on-board refresh circuitry (OPTIONAL)

	ACCESS	CYCLE
READ	425ns	600ns
WRITE	—	600ns

DMA CONTROLLER

DATA TRANSFERS up to 65,536 bytes
TRANSFER RATE 62K bytes/sec (max)

BUS INTERFACE

Address, data, and control signals conform to Intel Multibus Specification No. 9800683.
Control, Status, and Data Registers — Strap selectable to any 16 I/O address boundary — 00-FF_H (B0_H)
On-board dynamic RAM — Strap selectable on any 32K byte memory address boundary — 00000-FFFF_H (00000_H)

CONNECTORS

DESCRIPTION	MATING CONNECTOR
P1: 86 pin edge connector, 0.156" centers — Multibus interface	COMPAR ESM-43-DSRI
J2: 50 pin right angle header — Disk Drive interface	MOLEX 10-55-3505

SIZE

WIDTH: 12.00 in. (30.48 cm)
HEIGHT: 6.75 in. (17.15 cm)
DEPTH: 0.50 in. (1.27 cm)

POWER REQUIREMENTS

+5V DC ± 5% @ 2.5A
-12V DC ± 5% @ 0.3A

ENVIRONMENTAL REQUIREMENTS

OPERATING TEMPERATURE: 0-50°C
RELATIVE HUMIDITY: 0-90% non-condensing

ORDERING INFORMATION

FFD-1/XX

00 — Floppy disk controller board
32 — Floppy disk controller with 32K bytes of on board dynamic RAM

SUPPORT PRODUCTS

DF-28S Dual 8" single sided disk drives (19" rack mount)

Matrox Electronic Systems Ltd reserves the right to make changes in specifications at any time and without notice. The information furnished by Matrox Electronic Systems Ltd in this publication is believed to be accurate and reliable. However, no responsibility is assumed by Matrox Electronic Systems Ltd for its use; nor for any infringements of patents or other rights of third parties resulting from its use. No license is granted under any patents or patent rights of Matrox Electronic Systems Ltd.

Multibus Intel Corp. TM
CP/M Digital Research TM





matrox
electronic systems ltd.

5800 ANDOVER AVE., T.M.R., QUE., H4T 1H4, CANADA
TEL.: 514-735-1182 TELEX: 05-825651

COM-1

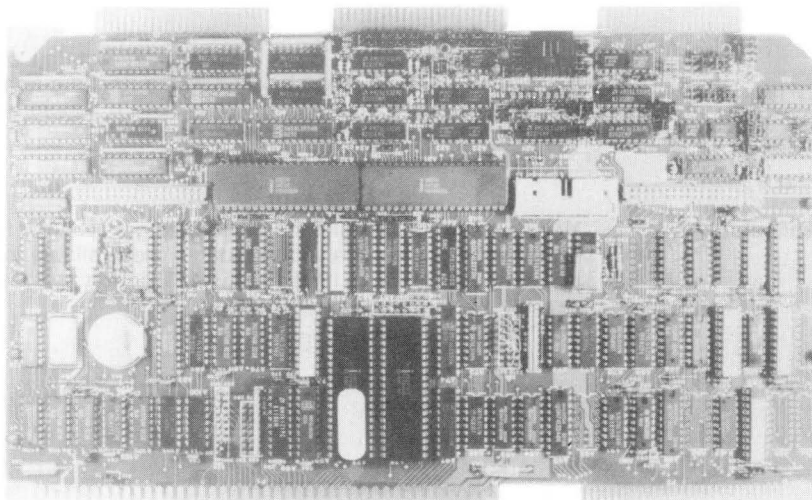
HIGH SPEED MULTIBUS COMMUNICATIONS BOARD

- 9 I/O ports and 8 Multibus DMA channels
- 16-bit parallel I/O port accommodates DMA transfers at up to 400K words/second
- Up to 8 serial I/O ports with data transfer rates up to 880K baud
- Local Area Network node interface
- 1 Megabyte/second Multibus transfer rate
- VAX to Multibus DMA interface
- Real-time clock with battery back-up
- Two iSBX Multimodule sockets
- Multibus compatible (24-bit addressing)

The COM-1 is a high performance communications board which enables any Multibus system to communicate with a wide range of computers and peripherals, at very high speeds, using DMA. The board has one on-board parallel port and up to eight serial I/O ports. Eight on-board Multibus DMA channels handle data transfers between any combination of Multibus RAM and I/O ports.

One bi-directional 16-bit parallel I/O port transfers data between a Multibus based system and a DEC VAX supermini, PDP-11, or LSI-11 computer at speeds of up to 400K words/second over distances of up to 50 feet. Three high speed serial lines (RS-232/RS-423) are standard and support transfer rates of up to 300K baud at 40 feet or up to 2.4K baud at 4000 feet. A fourth, multipurpose, serial port can be used in one of four modes: RS-449/422 (800K baud over 400 feet or 100K baud over 4000 feet max.), RS-449/423, RS-232/423 (300K baud over 40 feet or 2.4K baud over 4000 feet max.) or as a local area network node interface (MANET). MANET can support up to twelve nodes with data transfer rates of up to 880K baud. Two on-board iSBX connectors allow expansion to a total of 8 serial ports by using two Matrox MSBX-423 multimodules.

The COM-1's built-in flexibility and user programmability allows the OEM system designer to easily configure the board for a wide range of applications. Very high speed system communications performance is obtained with a minimum of design time and effort, at a low cost.



COM-1 FEATURES

Parallel Interface to VAX:

The COM-1 can be directly interfaced to a VAX super minicomputer. The VAX communicates with the COM-1 as it would with any other DEC computer (Inter-processor Link) and can transfer data at transfer rates of 400K words/second over distances of up to 50 feet. The parallel DMA handshaking is compatible with DEC's DR-11W series interface cards. PDP-11 and LSI-11 computers can also be interfaced to the COM-1.

Four Programmable Serial Channels:

Four independent serial communications channels are supported on-board the COM-1. Each channel can be individually programmed to operate using most popular serial communications protocols, including asynchronous, character-oriented synchronous such as IBM Bisync, and bit-oriented synchronous such as HDLC and SDLC. Transmission rates can be individually defined, for each channel, up to 307.2K baud for channels 0-2 and up to 880K baud for channel 3.

Distance and Cabling:

A maximum data transfer rate/distance tradeoff enables the user to optimize the communications link. The parallel interface can run at 400K words/second at up to 50 feet. An RS-449 serial interface, with RS-422 drivers, supports data transfers of 880K baud over 400 feet or a maximum of 100K baud at 4000 feet. RS-232 serial interfaces, using RS-423 drivers, are capable of 300K baud at 40 feet or 2.4K baud at 4000 feet. Standard flat ribbon cables are used.

LAN Node:

An on-board multipurpose serial port can be used as a MANET Local Area Network node. Matrox's MANET supports up to 12 nodes at speeds up to 880K baud over distances up to 50 feet.

8 DMA Channels:

High speed data transfers can be made, via the COM-1, between Multibus memory and any one of eight peripheral devices, including memory to memory data transfers. Block transfers of up to 64K bytes can be supported. A user programmable DMA request matrix enables the user to select which 8, out of a possible 13, devices will transfer data through DMA. The other five devices transfer data by I/O port.

Interrupt Matrix:

The COM-1 can generate up to 13 different interrupts which are mapped, by the on-board user-programmable interrupt matrix, to up to 8 direct vector interrupt lines on the Multibus.

Real-Time Clock:

An on-board real-time clock provides time-of-day calculation to within one tenth of one second precision and with automatic Leap Year adjustments. The real-time clock is backed-up by an on-board lithium battery to ensure the time count validity during power interruptions.

Two iSBX Expansion Connectors:

Two on-board iSBX Multimodule connectors allow for further system I/O expansion. Multimodule expansion modules are available from a number of sources including Matrox and Intel (MSBX-423 option increases the number of serial ports to 8).

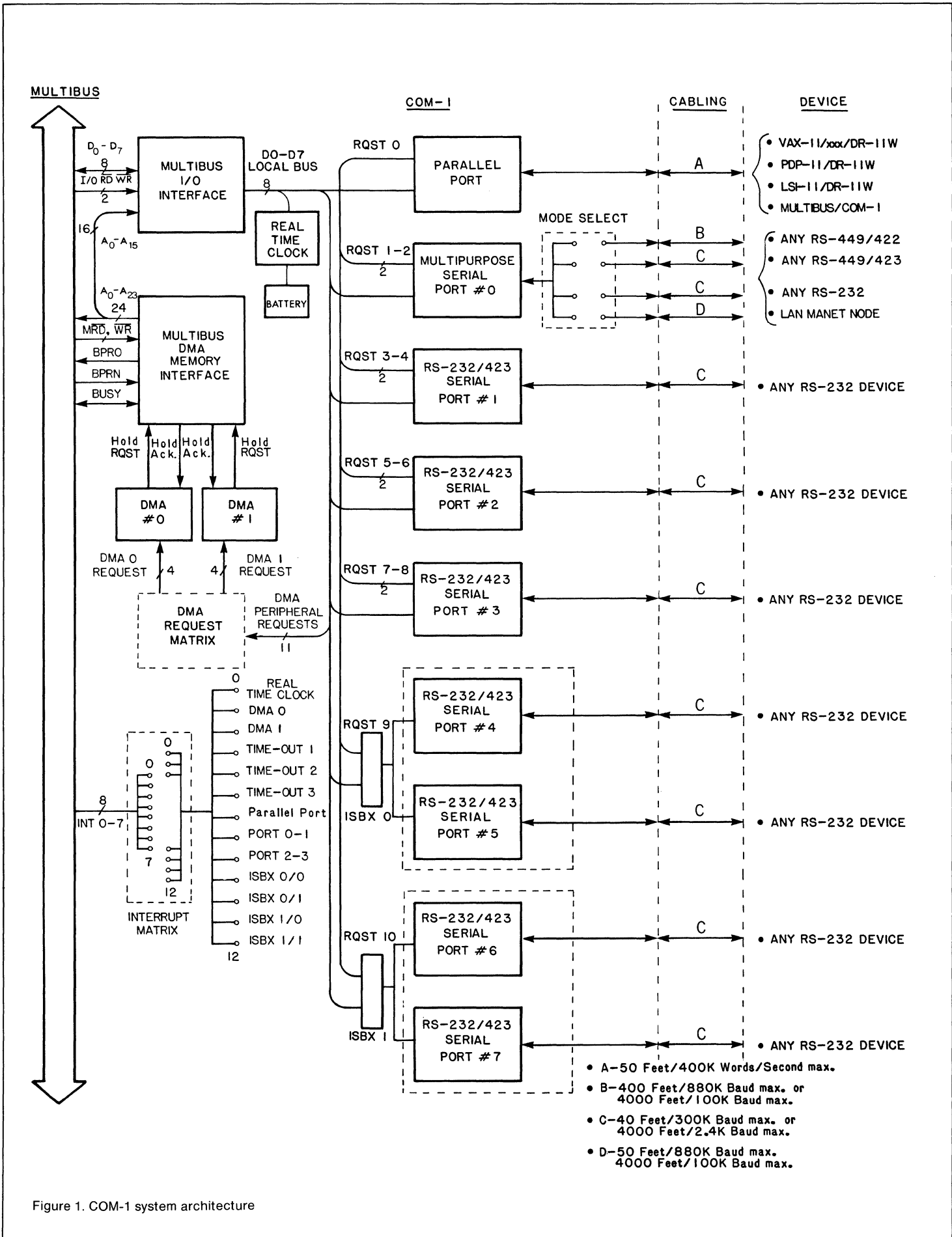


Figure 1. COM-1 system architecture

FUNCTIONAL DESCRIPTION

The COM-1 has one parallel port (port 0) and four serial ports (ports 1-4). Optionally, by adding two Matrox MSBX-423 Multi-modules, the number of serial ports can be expanded to eight. Each serial port has its own baud rate generator and can be programmed for a wide range of speeds, protocols, and formats.

Two DMA controllers accept 8 DMA data transfer requests from I/O ports. Since there can be more I/O requests than available DMA channels, the system designer can program which ports will transfer data using DMA and which will transfer data by programmed I/O, by straps on the DMA request matrix.

The COM-1 has an 8-level interrupt matrix which enables the user to program access to the Multibus for any combination of up to 13 internally generated interrupts. The rest of the interrupts can be polled and read by the host to determine which one caused the particular interrupt, through internal COM-1 I/O registers.

A real-time clock provides continuous time-of-day, accurate to within one-tenth of a second. On-board battery back-up can maintain the operation of the clock, in stand-by mode, for several years.

The user has access to all control and data registers on the COM-1 through the Multibus I/O space. COM-1 registers occupy 113 positions of a 128 addressing block from an 8-bit or 16-bit (strap-selectable) I/O addressing space.

SERIAL PORTS (1-8)

Two LSI multi-protocol serial controllers handle the four serial lines on the COM-1. Each of the four channels can be programmed and operated independently and can support communications using either synchronous or asynchronous protocols. Data integrity, on each channel, is assured by double buffered transmitters and quadruple buffered receivers.

Protocols — Each of the four serial channels can be programmed to operate using any of the popular communications protocols. Character length can be defined as being 5, 6, 7, or 8 bits long. In asynchronous mode the user can further select the number of stop bits as being 1, 1½, or 2 bits. Transmission speeds in the asynchronous mode can be 1, 1/16, 1/32, or 1/64 the input clock frequency.

Both Character-Oriented and Bit-Oriented synchronous protocols are also supported on the COM-1. When programmed for character-oriented protocols, the on-board serial controller allows the user to define the sync character. Sync characters can be either 8-bits (Monosync) or 16-bits (Bisync) long. Synchronization can alternately be established by monitoring the Sync input line (External). In bit-oriented (SDLC/HDLC) the COM-1 includes automatic zero insertion and deletion logic to differentiate between data and framing flags. The maximum data rate for all synchronous operations is 307.2K baud for channels 2 to 8. Channel 1 can be strapped to operate using the RS-449 serial interface standard, and as such can transmit data at up to 880K baud.

The COM-1 allows the user to program the Cyclic Redundancy Check (CRC) algorithm. Either the CRC-16 or the CRC-CCITT polynomial can be used. Internal logic allows the user to selectively exclude characters from the CRC calculations for both the transmitter and the receiver. This feature permits various portions of the message to be defined as non-character binary data ("transparent data").

Programming — The on-board serial controllers are programmed via a pair of I/O registers (Data Port and Control Port) for each channel. These registers are used, in turn, to indirectly

FREQUENCY SELECT	OUTPUT FREQUENCY (KHz)	
	GENERATORS 0-2	GENERATOR 3
0 0 0 0	0.800	275.000
0 0 0 1	1.200	293.333
0 0 1 0	1.759	314.286
0 0 1 1	2.152	338.462
0 1 0 0	2.400	366.667
0 1 0 1	4.800	400.000
0 1 1 0	9.600	440.000
0 1 1 1	19.200	488.888
1 0 0 0	28.744	550.000
1 0 0 1	31.917	628.571
1 0 1 0	38.400	733.333
1 0 1 1	57.826	880.000
1 1 0 0	76.800	1.100 MHz
1 1 0 1	114.307	1.467 MHz
1 1 1 0	153.600	2.200 MHz
1 1 1 1	307.200	—

Note: Frequency Select 1111 is invalid for channel 3

Table 1. Baud Rate generator output frequencies

access a further set of 8 Control registers and 3 Status registers which are internal to the serial controllers. These internal registers are independently maintained for each serial channel with the exception of one Control and one Status register, which are shared between two channels.

The COM-1's serial controllers recognize a number of commands commonly used during the operation of the serial channels. These commands are executed by passing the appropriate command code to the Command Register of that channel. Commands include: Abort, Reset External/Status Interrupts, Channel Reset, Enable Interrupt on Next Character, Reset pending "Transmitter Becoming Empty" Interrupt, Error Reset, and End of Interrupt.

Baud Rate Generators — The on-board baud rate generators are independent; one for each serial channel. Each baud rate generator, in addition, provides two separate frequency outputs to allow the user to independently select the data rates for each receiver and transmitter. Each frequency output can be individually programmed to generate one of 16 different frequencies. Baud Rate Generators 2 — 8 can be programmed to produce output frequencies of from 800 Hz to 307.2 KHz. These clock frequencies are then divided, in the serial controller, by a user selectable divisor of from one to 64 to yield usable data rates ranging from 12.5 baud to 307.2K baud. Baud Rate Generator 3 can be programmed for clock frequencies of from 220 KHz to 1.76 MHz, or effective baud rates of from 3.43K baud to 880K baud.

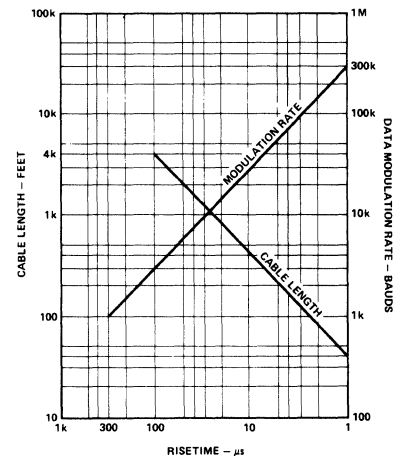


Figure 2. Data rate or cable length versus risetime for RS-423

The frequency outputs of each of the four baud rate generators is separately defined by loading an 8-bit register in each device. Using this data byte, the user can select one of 16 receiver frequencies (encoded in the lower four bits) and one of 16 transmitter frequencies (contained in the four most significant bits). Table 1 outlines the available frequencies for each baud rate generator.

Drivers/Receivers — The drivers and receivers for serial channels 2 — 8 conform to the EIA RS-232C serial interface standard and employ RS-423 (electrical characteristics for unbalanced digital interface circuits) standard line drivers and receivers. This configuration allows serial transmissions of up to 300K baud along interconnecting cables of 40 feet (cable length is dependent on the data rate and longer cables can be used with reduced data rates).

Serial channel 1 can be hardware strapped to conform to either EIA RS-232C or RS-449 standards using RS-423 (unbalanced) or RS-422 (balanced) standard drivers and receivers. Using the RS-449 interface standard with RS-422 drivers results in a maximum throughput rate of 880K baud over a 400 foot cable. The RS-422 balanced electrical standard also provides improved noise immunity characteristics.

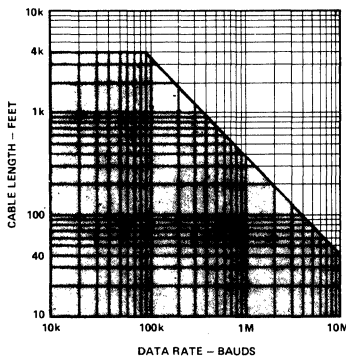


Figure 3. Data rate versus cable length for RS-422

PARALLEL PORT (0)

The COM-1 contains an on-board 16-bit parallel interface, designed to allow direct communications between the Multibus and a DEC VAX super minicomputer, via a DR-11W interface module. To the DEC machine, the COM-1 resembles another DR-11W device. Communication with the COM-1 is the same as communication with any other DEC computer (VAX, PDP-11, LSI-11). Data transfers between the COM-1 and the DR-11W can be processed in a block mode, whereby a continuous block of data of up to 32K words can be transmitted in a single operation. In the block, or burst, mode, data can be transferred between the COM-1 and the DR-11W at up to 400K words/second.

Two COM-1's can be interconnected together, via this parallel interface, to form a high speed communications link between two Multibus systems.

DMA MULTIBUS CHANNELS

The COM-1 can transfer data between the Multibus memory and any one of eight different peripherals via two on-board VLSI DMA controllers, at transfer rates of up to 880K bytes/second. DMA transfers can be made on continuous blocks of up to 64K bytes and can use one of three available transfer modes. In Single Transfer Mode, the DMA controller will release the system bus after every single byte transfer between memory and the peripheral device. Block Transfer Mode enables the DMA controller to continue making transfers, until a user defined word count expires. Finally, a Demand Transfer Mode is available to accommodate slower peripherals. Using the Demand Transfer Mode, the peripheral device holds its DMA request line active, and the DMA transfer continues, until it has exhausted its data capacity. After the device has had a chance to catch up, it re-asserts DREQ and the transfer process resumes. During the time between services, the intermediate address and word count values are stored and the host processor is allowed to regain control of the Multibus. Memory to memory DMA transfers are also supported via the COM-1.

Each of the on-board DMA controllers has two types of priority encoding schemes available as software selectable options. In the Fixed Priority Mode, each channel (each DMA controller supports four channels) is assigned a fixed priority whereby Channel 0 has the highest priority and Channel 3 represents the lowest priority. Optionally, the DMA controllers can be programmed to operate using a Rotating Priority scheme. This priority schedule assigns the last serviced channel as the lowest priority while the other channels are rotated accordingly. DMA Controller 1 always takes precedence over DMA Controller 0 in the priority hierarchy.

Programming — Each DMA controller is programmed via eight read/write I/O registers and four write-only registers (Command Register, Mode Register, Request Register, and Mask Register). Associated with each DMA channel (four channels/controller) is a 16-bit address register and a 16-bit word count register. These registers define the starting address, of the Multibus memory space to or from which the data transfer will take place, and the number of bytes to be transferred. Separate Address Extension Registers (for each DMA Request source) allow the DMA window to be positioned on any 64K byte boundary in the 16M byte Multibus memory address space.

The 8-bit Command Register and 8-bit Mode Register define the operational parameters of the DMA controller. Through the Command Register the user can: enable/disable the controller, enable/disable memory to memory transfers, and set

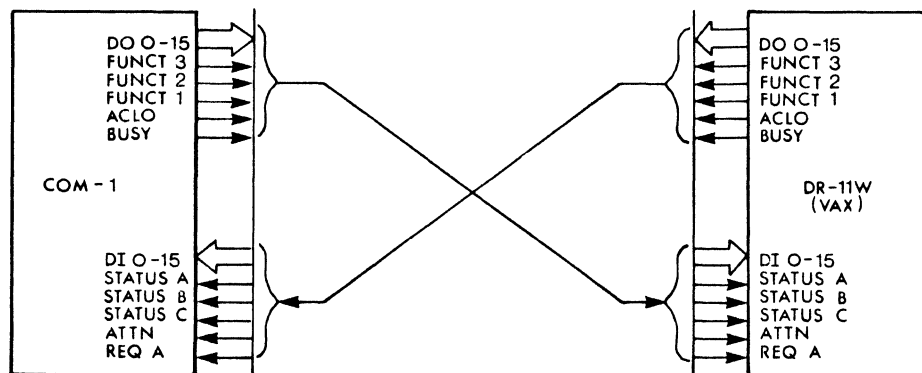


Figure 4. COM-1 to DR-11W interface cabling

the priority scheme. The Mode Register is used to define the type of DMA transfer each channel will respond with when a DMA request is sensed. The Mode Register is also used to enable an Autoinitialization feature of the DMA controller. The Autoinitialize feature resets the address and word count registers to their original values after a DMA transfer has been completed. The three-bit write-only Request Register can be used to request a DMA transfer through software, while the three-bit Mask Register can disable DMA requests from any of the four DMA channels. The DMA request enable/disable status for all four channels can be set in a single instruction through a separate four-bit Mask Register.

REAL-TIME CLOCK

An on-board real-time clock provides continuous time of day measurement, accurate to within one-tenth of a second. Internal counters are available to yield the elapsed time in tenth of seconds, seconds, minutes, hours, days, and months since the initialization of the clock. Internal logic is also incorporated to compensate for the effects of Leap Year, once every four years.

The real-time clock can be programmed to generate an interrupt at 60 second, 5.0 second, or 0.5 second intervals. Interrupts can also be programmed to operate either as a one-shot interrupt (single interrupt at the completion of the selected timing period) or in continuous mode which allows for automatically repeated timer interrupts.

Programming — The on-board real-time clock is programmed via 16 4-bit I/O registers. Nine of these registers are used to load the initial time data into the clock (minutes, hours, days, and months). An additional write-only register is used to program the current year, in relation to Leap Year (i.e. Leap Year, Leap Year + 1, Leap Year + 2, Leap Year + 3). In reading the time-of-day from the clock, three read only registers combine with the nine registers previously mentioned to provide a time count precision to within one-tenth of one second. A Start/Stop Register permits precise starting of the clock, once the initial values have been loaded.

Battery Back-Up — An on-board 3V Lithium battery ensures the continued time-of-day integrity through any power interruptions. Relying strictly on the Lithium battery for power, the real-time clock could maintain operation for well over a year. Under normal operations, with the battery in stand-by mode, the battery will last for several years.

INTERRUPTS

The COM-1 supports 13 different interrupt sources, up to 8 of which can be hardware strapped to the eight available Multibus interrupt lines. Two on-board I/O registers also latch the status of each of the 13 interrupt sources and can be read by the host processor as an optional method of determining which interrupt source is requesting service. This method of interrupt servicing allows all 13 interrupt sources to be supported and also minimizes the number of Multibus interrupt lines required by the board. The interrupt sources recognized by the COM-1 include:

- 4 interrupt lines from iSBX connector 0
- 2 interrupt lines from the serial controllers
- 2 interrupt lines from the DMA controllers
- 1 interrupt line from the parallel port
- 1 interrupt line from the real-time clock
- 3 interrupt lines indicating time-outs during iSBX, DR-11W, or memory accesses

MULTIBUS INTERFACE

The COM-1 plugs directly into the Multibus and conforms to the IEEE-796 bus specification. All COM-1 registers are I/O mapped and occupy 113 positions of a 128 addressing block from an 8-bit or 16-bit (strap selectable) I/O addressing

space. Table 2 outlines this I/O register mapping. DMA transfers are performed using 8-bit data bytes. Memory addressing can be extended from 16 bits to 24 bits during DMA transfers, via an on-board address extension RAM table, although the source or destination address cannot cross 64K byte boundaries. The COM-1 can also provide a 10 MHz bus clock to the Multibus.

A software controlled Bus Override feature allows the COM-1 to retain control of the bus, during DMA transfers, until the transfer is complete. The COM-1 can also be strapped to release the bus to any other module, when requested by the CBREQ line.

EXPANSION

The COM-1 supports two on-board iSBX Multimodule connectors to facilitate I/O communications expansion. Matrox offers a pair of Multimodule compatible serial interface controllers (MSBX-422 and MSBX-423) which can be plugged into these connectors. With two MSBX-423 modules installed, the COM-1 supports 8 serial lines. The two expansion sockets can also accept any other Multimodule, from any other manufacturer (Intel, Zendex, etc.) which conforms to the Intel iSBX-bus specification no. 142686-001.

TYPICAL APPLICATIONS

The COM-1 is a versatile communications board which can be used in a wide range of systems. The COM-1 greatly reduces OEM system design time and effort and provides very high speed performance at a low cost. Typical applications include computer to computer communications, Local Area network communications, serial interfaces to peripheral devices. Multibus 8-channel DMA controller board, high speed data multiplexer/demultiplexer applications, etc. Multiple COM-1 boards can be used in the same Multibus chassis to increase the number of interface lines and DMA channels. The built-in flexibility and user-programmability allows the OEM system designer to easily adapt the board to these or any other applications requiring high speed communications.

VAX-11/XXX TO MULTIBUS INTERFACE

The COM-1 will interface DEC VAX-11/730, 750, 780, or 790 series computers with any Multibus system. The bidirectional 16-bit port enables a sustained data transfer rate of over 400,000 words/second at up to 50 feet. The DEC DR-11W parallel interface in the Unibus VAX chassis is connected directly to the COM-1, in the Multibus chassis, by a dual 40-pin ribbon cabling and a Matrox supplied cable adaptor.

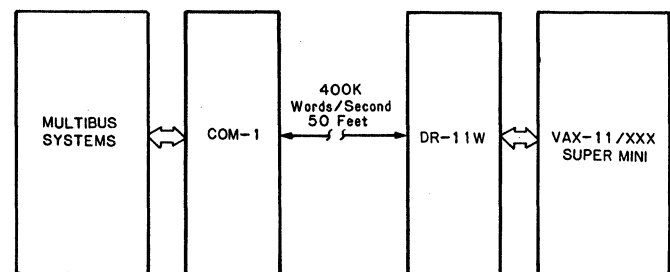


Figure 5. VAX to Multibus Interface

PDP-11 TO MULTIBUS INTERFACE

The COM-1 will interface DEC PDP-11 series computers with any Multibus system. The bidirectional 16-bit port enables a sustained data transfer rate of over 400,000 words/second at up to 50 feet. The DEC DR-11W parallel interface in the Unibus chassis is connected directly to the COM-1, in the Multibus chassis, by a dual 40-pin ribbon cabling and a Matrox supplied cable adaptor.

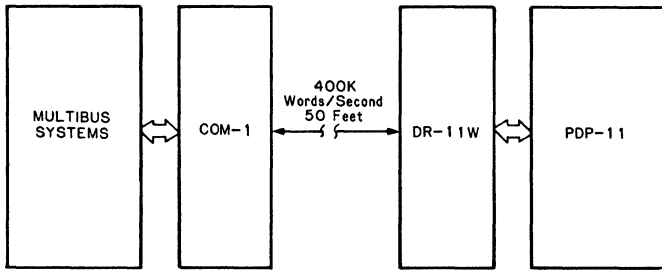


Figure 6. PDP-11 to Multibus Interface

LSI-11 (Q-BUS) TO MULTIBUS INTERFACE

The COM-1 will interface DEC LSI-11 series computers with any Multibus system. The bidirectional 16-bit port enables a sustained data transfer rate of over 400,000 words/second at up to 50 feet. The DEC DR-11W parallel interface in the Q-bus chassis is connected directly to the COM-1, in the Multibus chassis, by a dual 40-pin ribbon cabling and a Matrox supplied cable adaptor.

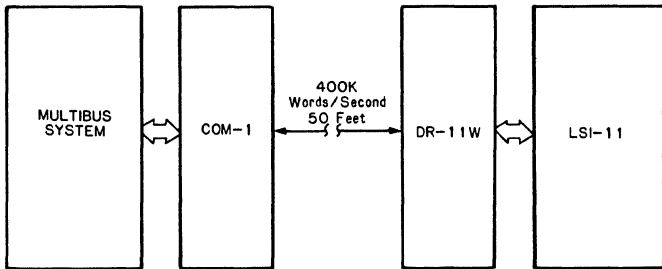


Figure 7. LSI-11 to Multibus Interface

MULTIBUS TO MULTIBUS INTERFACE

Two Multibus systems can be interfaced with a COM-1 board in each system. Up to 800K byte/second transfer rates can be sustained from one Multibus RAM to the other Multibus RAM, using the 16-bit bidirectional port. If the serial RS-449/422 I/O port is used, 800K baud data rates over distances of 400 feet can be sustained.

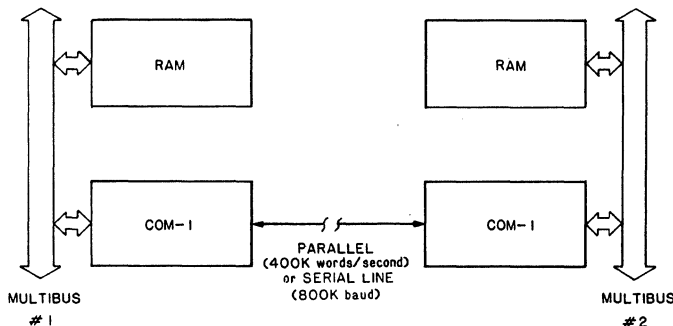


Figure 8. Multibus to Multibus Interface

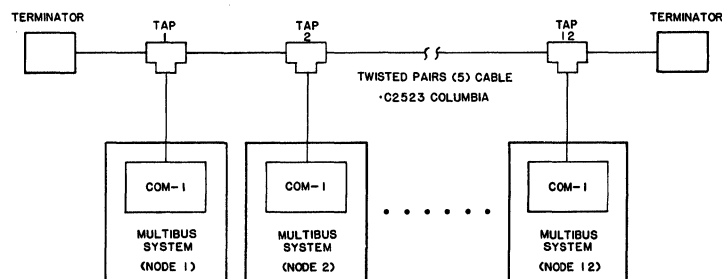


Figure 10. MANET LAN with 12 Multibus system nodes

MULTIPLE SERIAL LINE INTERFACES

The COM-1 can be used as a four, or eight, serial line interface board to any RS-232, RS-423, or RS-422 peripheral device. A wide range of protocols, speeds, and formats are supported. The I/O data can be transferred to/from Multibus RAM at very high speed without any CPU support using the 8 on-board DMA channels, capable of sustaining a combined 1 Megabyte/second transfer rate on the Multibus. Alternatively, any serial port can be interfaced to the CPU by using I/O port transfers under CPU control. Up to 880K baud (RS-449/422) transfer rates per channel can be supported.

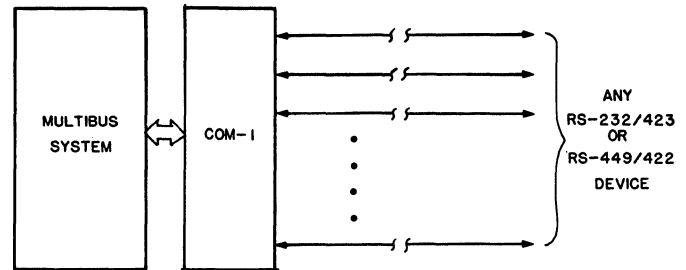


Figure 9. Multiple Serial Interface lines for Multibus systems

MULTIBUS DMA CONTROLLER BOARD

The COM-1 can also be used as an 8 channel DMA controller board for any Multibus system. Memory to memory, I/O to memory, and memory to I/O DMA transfers are available for each channel under software control. Sustained combined Multibus DMA throughput is 1 Megabyte/second. Two iSBX connectors are also supported by the on-board DMA controllers, enabling the user to transfer data between any Multi-module (floppy or Winchester controller, laser printer, etc.) and Multibus RAM at up to 1 Megabytes/second.

MANET — LOCAL AREA NETWORK

Multiple Multibus systems can be connected in a Matrox MANET Local Area Network by using the multipurpose serial port available on the COM-1 board. Transfer speeds of up to 880K baud using a network length of 50 feet, or 100K baud over a length of 4000 feet, are supported. A single cable with multiple twisted wires (5) is used as the transmission media. The MANET is software compatible with the Ethernet protocol at levels 2 and up.

For media access, the MANET uses the Carrier Sense Multiple Access with Collision Detection (CSMA/CD) method which is similar to Ethernet. In order to transmit, any station wishing to transmit listens first. If the cable is busy (i.e. some other station is transmitting) the station waits until the line is clear before transmitting. (This is known as Carrier Sense and is implemented by the COM-1 hardware). When the cable is free

(no other station is transmitting) a station can start transmitting. The transmitting station always listens while transmitting (local looping) in order to detect if any other station is also transmitting, causing a "collision". In that case the transmitting stations will continue transmitting for a fixed time to ensure that all transmitting stations detect the collision. This is known as a "Jam". After the jam, the stations stop transmitting and wait for a random period of time before retrying. The MANET is a multiple access network with no central controller, since all stations have equal priority access.

The above protocol is executed by the user's CPU, with a MANET driver routine, and the COM-1 hardware. The MANET driver routine is available from Matrox for 8088, 8086, or 80286 CPUs, under the CP/M-86 DOS, and is equivalent to Ethernet level 1. The user can also write his own protocol to drive the COM-1 hardware for optimum performance without using the MANET driver.

HIGH SPEED DATA MULTIPLEXER/DEMULTIPLEXER

The COM-1 can be used as a multiple slow speed lines to single high speed line concentrator. For example, up to 8 RS-232 ports can be used locally at slow speed. The data from these seven or eight ports is then concentrated (packed) and transmitted to the remote host or other system using a single

high speed line available on the COM-1. Either Parallel Port 0 (400,000 words/second) or Serial Port 1 (RS-449/422 at 880K baud) can be used. (Note that if Serial Port 1 is used, only seven serial lines are available as input data lines). This approach can significantly offload the host CPU and cut the number of interconnections to the host, from 8 to one. (The total sum of the sustained data rates on the multiple lines can not exceed the maximum data transfer rate of the single line; 400K words for the parallel port or 880K baud for the serial port).

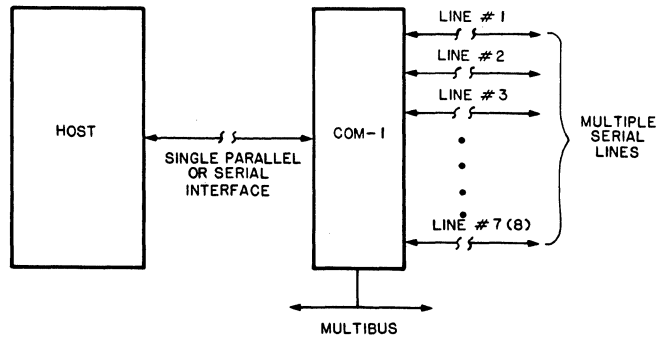


Figure 11. Multiple Serial Lines to Single Parallel (or serial) Line Data Multiplexer/Demultiplexer

COM-1 I/O REGISTER	ADDRESS	TYPE	DESCRIPTION
Not Used	00 to 06	—	These locations are not used by the COM-1
Memory to Memory Extension Register	07	WRITE ONLY	8-bit destination memory address extension for data transfers between two blocks of memory
DREQ4 Extension Register	08	WRITE ONLY	8-bit source/destination memory address extension for data transfer between memory and DMA device 4
DREQ5 Extension Register	09	WRITE ONLY	8-bit source/destination memory address extension for data transfer between memory and DMA device 5
DREQ6 Extension Register	0A	WRITE ONLY	8-bit source/destination memory address extension for data transfer between memory and DMA device 6
DREQ7 Extension Register	0B	WRITE ONLY	8-bit source/destination memory address extension for data transfer between memory and DMA device 7
DREQ0 Extension Register	0C	WRITE ONLY	8-bit source/destination memory address extension for data transfer between memory and DMA device 0
DREQ1 Extension Register	0D	WRITE ONLY	8-bit source/destination memory address extension for data transfer between memory and DMA device 1
DREQ2 Extension Register	0E	WRITE ONLY	8-bit source/destination memory address extension for data transfer between memory and DMA device 2
DREQ3 Extension Register	0F	WRITE ONLY	8-bit source/destination memory address extension for data transfer between memory and DMA device 3
Real-Time Clock Registers	10 to 1F	READ/WRITE	Control, Status, and Data registers used to program the on-board real-time clock or read the time-of-day
DMA Controller 0 Registers	20 to 2F	READ/WRITE	Command and Status registers used to program DMA Controller 0
DMA Controller 1 Registers	30 to 3F	READ/WRITE	Command and Status registers used to program DMA Controller 1
Serial Controller 0 Registers	40 to 43	READ/WRITE	Command and Status registers used to program Serial Controller 0 (serial channels 0 and 1)
Serial Controller 1 Registers	44 to 47	READ/WRITE	Command and Status registers used to program Serial Controller 1 (serial channels 2 and 3)
Baud Rate Select Register 0	48	WRITE ONLY	8-bit register used to select the receiver and transmitter clock frequencies for serial channel 0
Baud Rate Select Register 1	49	WRITE ONLY	8-bit register used to select the receiver and transmitter clock frequencies for serial channel 1
Baud Rate Select Register 2	4A	WRITE ONLY	8-bit register used to select the receiver and transmitter clock frequencies for serial channel 2
Baud Rate Select Register 3	4B	WRITE ONLY	8-bit register used to select the receiver and transmitter clock frequencies for serial channel 3
DR-11W Control Register	4C	WRITE ONLY	6-bit register used to pass control information to the DR-11W (VAX)
Clear Time-Out Flags	4D	WRITE ONLY	Reset interrupt lines 4-6 (iSBX time-out, memory time-out, and DR-11W time-out respectively)
COM-1 Control Register	4E	WRITE ONLY	Set/reset interrupt enable and bus override enable
DR-11W Interrupt Clear	4F	WRITE ONLY	Clear interrupt register of parallel interface
iSBX Module 0 Registers	50 to 5F	READ/WRITE	16 8-bit I/O registers for iSBX module 0
iSBX Module 2 Registers	60 to 6F	READ/WRITE	16 8-bit I/O registers for iSBX module 1
Interrupt Status Register 0	70	READ ONLY	6-bit register containing the status of interrupt lines 0-3 and the two iSBX present lines
Interrupt Status Register 1	71	READ ONLY	8-bit register containing the status of interrupt lines 4-11
DR-11W Status Register	72	READ ONLY	4-bit register containing DR-11W (VAX) status information
Clear Interrupt Flag 0	73	READ ONLY	Reset interrupt line 0 (from iSBX connector 0)
Clear Interrupt Flag 1	74	READ ONLY	Reset interrupt line 1 (from iSBX connector 0)
Clear Interrupt Flag 2	75	READ ONLY	Reset interrupt line 2 (from iSBX connector 1)
Clear Interrupt Flag 3	76	READ ONLY	Reset interrupt line 3 (from iSBX connector 1)
Clear Interrupt Flag 4	77	READ ONLY	Reset interrupt lines 10 and 11 (from the DMA controllers)
Note: Interrupt lines 7 (real-time clock), 8 and 9 (serial controllers) are reset by writing to registers internal to the respective devices.			

Table 2. COM-1 I/O mapping

SPECIFICATIONS

SERIAL INTERFACE

Interface specifications

Channel 1-3: RS-232C
Channel 0: RS-232C, RS-449, or MANET (strap selectable)

LINE DRIVERS/RECEIVERS

Channel 1-3: RS-423
Channel 0: RS-423, RS-422, or MANET (strap selectable)

Asynchronous Operation

Character Length: 5, 6, 7 or 8 bits
Stop Bits: 1, 1½, or 2 bits
Parity: Even, odd, or disabled
Transmission Speed: 1, 1/16, 1/32, 1/64 clock frequency
Break Generation and Detection
Interrupt on Parity Overrun, or Framing Error (vectored or non-vectored)

Synchronous Operation

MONOSYNC, BISYNC, AND EXTERNAL SYNC OPERATION

Sync Characters: 8 or 16 bits
CRC Generation and Checking: CRC-16 or CRC-CCITT
Automatic Sync Insertion

HDLC AND SDLC OPERATION

Abort Sequence Generation and Detection
Automatic Zero Insertion and Detection
CRC Generation and Checking
I-Field Residue Handling

Baud Rates

Channel 0-2: 50 baud to 307.2K baud
Channel 3: 50 baud to 880K baud

PARALLEL INTERFACE

Word Size: 16-bits
Transfer Rate: 400K words/second max.

DMA CONTROLLER

Word Size: 8-bits
Block Size: 65,536 words max.
No. of DMA Channels: 8
Priority Schedule: Fixed or Rotating (software selectable)

REAL-TIME CLOCK

Count Capability: 0.1 seconds to 1 year
Interrupt Intervals: 0.5, 5.0, or 60 seconds — one-shot or continuous
Battery Back-Up
Duration: 1 year
Part No.: CR2032

INTERRUPTS

Sources: Serial controllers (2)
iSBX connectors (4)
Real-time clock (1)
DMA controllers (2)
Time-outs (3)
Parallel Interface (1)

Addressing: 8 of the 13 available interrupt sources can be strapped to the 8 Multibus Interrupt lines. Alternatively the 13 sources can be ORed to drive a single interrupt line and the CPU can interrogate a pair of on-board registers to determine which of the 13 interrupt sources is requesting service.

ADDRESSING

DMA:	Data can be transferred to or from a block of system memory located at any 64K byte boundary in the 16M byte Multibus memory address space; 000000 — FFFFFFFH
I/O Registers:	Command, and Status Registers occupy 113 locations of any 128 block of system I/O space; 0000 — FFFFH

INTERFACES

Multibus:	All signals TTL compatible
Serial I/O	
Channel 0-2:	RS-232C compatible
Channel 3:	RS-232C or RS-449 compatible
Parallel I/O:	All signals TTL compatible
Interrupt Requests:	All signals TTL compatible

CONNECTORS

Multibus:	86-pin edge connector, 0.156" centers
Serial I/O	
Channel 0-1:	50-pin edge connector, 0.1" centers
Channel 2:	26-pin header
Channel 3:	40-pin edge connector, 0.1" centers
Parallel I/O:*	50-pin edge connector, 0.1" centers

Note: The COM-1 is supplied with a separate cable adaptor to convert the 50-pin parallel interface, on the COM-1, to a dual 40-pin format like that on the DR-11W.

PHYSICAL CHARACTERISTICS

Width:	12.00 in. (30.48 cm)
Height:	6.75 in. (17.15 cm)
Depth:	0.62 in. (1.57 cm)

POWER REQUIREMENTS

+ 5V @ 4.0A
+ 12V @ 220mA
- 12V @ 220mA

ENVIRONMENTAL CHARACTERISTICS

Operating Temperature:	0° to 55°C (32° — 131°F)
Relative Humidity:	Up to 95% (non-condensing)

OPERATING INFORMATION

COM-1/1/X:	High-speed communications board
	{
	0 — No serial ports
	1 — Includes 4 serial ports (3 x RS-232/423, 1 x MANET)
	2 — Includes 4 serial ports (3 x RS-232/423, 1 x RS-422)

Matrox Electronic Systems Ltd reserves the right to make changes in specifications at any time and without notice. The information furnished by Matrox Electronic Systems Ltd in this publication is believed to be accurate and reliable. However, no responsibility is assumed by Matrox Electronic Systems Ltd for its use; nor for any infringements of patents or other rights of third parties resulting from its use. No license is granted under any patents or patent rights of Matrox Electronic Systems Ltd.



ISBX Multibus, and Multimodule are all registered trademarks of Intel Corp.
DEC, VAX, and DR-11W are registered trademarks of Digital Equipment Corp.



matrox
electronic systems Ltd.

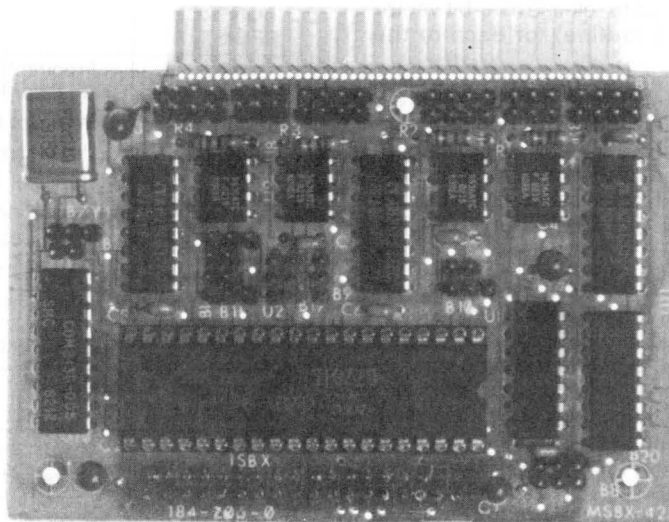
5800 ANDOVER AVE., T.M.R., QUE., H4T 1H4, CANADA
TEL.: 514-735-1182 TELEX: 05-825651

MSBX-423

DUAL RS-232/423 SERIAL INTERFACE iSBX MODULE

- Two independent serial communications ports
- Synchronous and Asynchronous operations
- Transmission Rates up to 307K baud
- iSBX bus compatible
- Programmable communications protocol
- RS-423/RS-232C compatible
- Modem control signals
- Interrupt on parity, overrun, or framing error
- Compatible with Matrox MBC-86/12, PBC-80 CPU cards

The MSBX-423 module provides the user with two independent serial communications ports on a 3.70" x 2.85" board, which interfaces to a single width iSBX connector. An on-board Multi-Protocol Serial Controller allows user-definition of most communications protocol parameters, permitting operation in most popular asynchronous protocols, character-oriented synchronous protocols such as IBM Bisync, and bit-oriented synchronous protocols such as HDLC and IBM SDLC. Each channel can be programmed for data transmission rates up to 307K baud. Double-buffered transmitters and quadruple-buffered receivers ensures data validity.



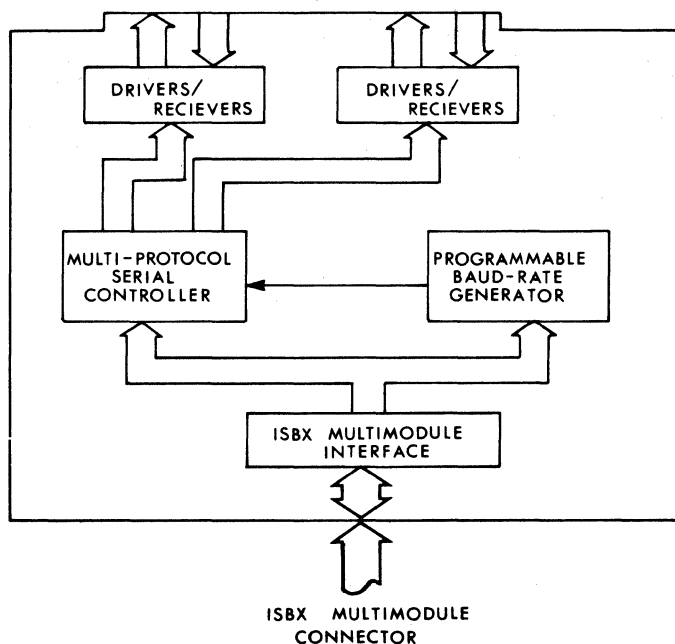


Figure 1. MSBX-423 block diagram

MULTI-PROTOCOL SERIAL CONTROLLER

At the heart of the MSBX-423 is a Multi-Protocol Serial Controller. This VLSI IC supports two serial channels and permits communications using synchronous or asynchronous protocols. Each channel may be programmed and operated independently. Data integrity on the MSBX-423 is assured by double-buffered transmitters and quadruple-buffered receivers. Modem control signals are also supported for each channel.

Internal interrupt control logic prioritizes interrupt requests generated on the MSBX-423. These interrupts can originate from any one of three sources: Receiver Interrupts (Interrupt on First Character, Interrupt on All Characters, Parity, Overrun, or Framing Error, etc.), Transmitter Interrupt (Transmitter Buffer Empty), or External Status Interrupt (DCD, CTS, or Sync input transition, Break, Abort, etc.) The MSBX-423 can be programmed to release an 8-bit vector (pointer to an external service routine) for each of the interrupt requests.

Protocols — The MSBX-423 can be programmed to operate using virtually any serial communications protocol. Character length can be defined as being 5, 6, 7, or 8 bits long. In asynchronous mode the user can further select the number of stop bits as 1, 1½, or 2 bits. Transmission speeds in the asynchronous mode can be 1, 1/16, 1/32, or 1/64 the input clock frequency.

Both Character-Oriented and Bit-Oriented synchronous protocols are also supported on the MSBX-423. When programmed for character-oriented protocols, the on-board Serial Controller allows the user to define the sync character. Sync characters can be either 8-bit (Monosync) or 16-bits (Bisync) long. Synchronization can alternately be established by monitoring the Sync input line (External). In bit-oriented protocols (SDLC/HDLC) the MSBX-423 includes automatic zero insertion and deletion logic to differentiate between data and framing flags. The maximum data rate for all synchronous operations is 307.2K baud.

The MSBX-423 allows the user to program the Cyclic Redundancy Check (CRC) algorithm. Either the CRC-16 or the CRC-CCITT polynomial can be used. Internal logic

allows the user to selectively exclude characters from the CRC calculations for both the transmitter and the receiver. This feature permits various portions of the message to be defined as non-character binary data ("transparent data").

Programming — The on-board Serial Controller is programmed via two I/O registers (Data Port and Command Port) for each channel. The registers are used, in turn, to access a set of registers internal to the Serial Controller (table 1). The internal registers are duplicated and independently maintained for each of the two serial channels with the exception of Control Register 2 and Status Register 2.

CONTROL REGISTERS	
CONTROL REGISTER	FUNCTION
0	Frequently used commands and Register Pointer Control
1	Interrupt Control
2	Processor/Bus Interface Control
3	Receiver Control
4	Mode Control
5	Transmitter Control
6	Sync/Address Character
7	Sync Character

STATUS REGISTERS	
STATUS REGISTER	FUNCTION
0	Buffer and "External/Status" Status
1	Received Character Error and Special Condition Status
2 (Channel B Only)	Interrupt Vector

Table 1. Serial Controller internal registers

Control Register 2A is used to program the Controller's interface control circuitry, while Control Register 2B is used to define the Interrupt Vector response byte (if used). The Interrupt Vector can be read from Status Register 2B only.

The MSBX-423 recognizes a number of commands commonly used during the operation of the board. These commands are executed by passing the appropriate command code to Control Register 1. Commands include: Abort, Reset External/Status Interrupts, Channel Reset, Enable Interrupt on Next Character, Reset Pending "Transmitter Buffer Empty" Interrupt, Error Reset, and End of Interrupt.

BAUD RATE GENERATOR

The on-board Baud Rate generator can be programmed, via system software, to provide one of 16 available frequencies at each of the two outputs. These output frequencies can then be routed, independently, to either the receiver or transmitter of either serial channel. In this way data transmission rates can be established such that:

- a) Both channels have independent baud rates, but on each channel the transmitting and receiving rates are equal.
- b) On each channel the transmitting and receiving rates are independent, but the two channels have the same frequencies.

Programming — The output frequencies from the Baud Rate Generator are defined by selecting one of 16 input frequency dividers for each output. Both dividers are selected simultaneously, by loading a single byte to the Baud Rate Generator Register. The four lower bits of this data byte are used to define the frequency divider for output 1 while the four most significant bits are used to select the divider for output 2. Dividers are available to provide output frequencies of up to 307.2 KHz (table 2).

DRIVERS/RECEIVERS

The drivers and receivers on all communications lines are RS-423 compatible. This EIA unbalanced, bipolar voltage specification permits the communication of digital information over distances of up to 4000 feet and at data rates of up

DIVIDER SELECT	DIVIDER	OUTPUT* FREQUENCY (KHz)
0000	6144	0.800000
0001	4096	1.200000
0010	2793	1.758983
0011	2284	2.152000
0100	2048	2.400000
0101	1024	4.800000
0110	512	9.600000
0111	256	19.200000
1000	171	28.743859
1001	154	31.916883
1010	128	38.400000
1011	85	57.825882
1100	64	76.800000
1101	43	114.306976
1110	32	153.600000
1111	16	307.200000

*Input Reference Frequency = 4.9152 MHz

Table 2. Programmable data rates

to 300 kilobaud. The MSBX-423 is also designed to interface with RS-232C thereby greatly enhancing its operational capabilities.

BUS INTERFACE

The MSBX-423 plugs directly into any single width iSBX connector. Many companies now support CPU cards with the on-board facilities to accept modules such as the MSBX-423. Matrox supports two such CPU cards: the PBC-80 (8-bit Z-80A) and the MBC-86/12 (16-bit 8086).

MOUNTING

The MSBX-423 is a "piggy back" card designed to be mounted directly onto host CPU cards that have provided provisions for iSBX modules. There are many CPU cards on the market today that meet this requirement, including the PBC-80 and MBC-86/12 from Matrox. The MSBX-423 is held in place on the host card by the iSBX connector and one nylon spacer (figure 2).

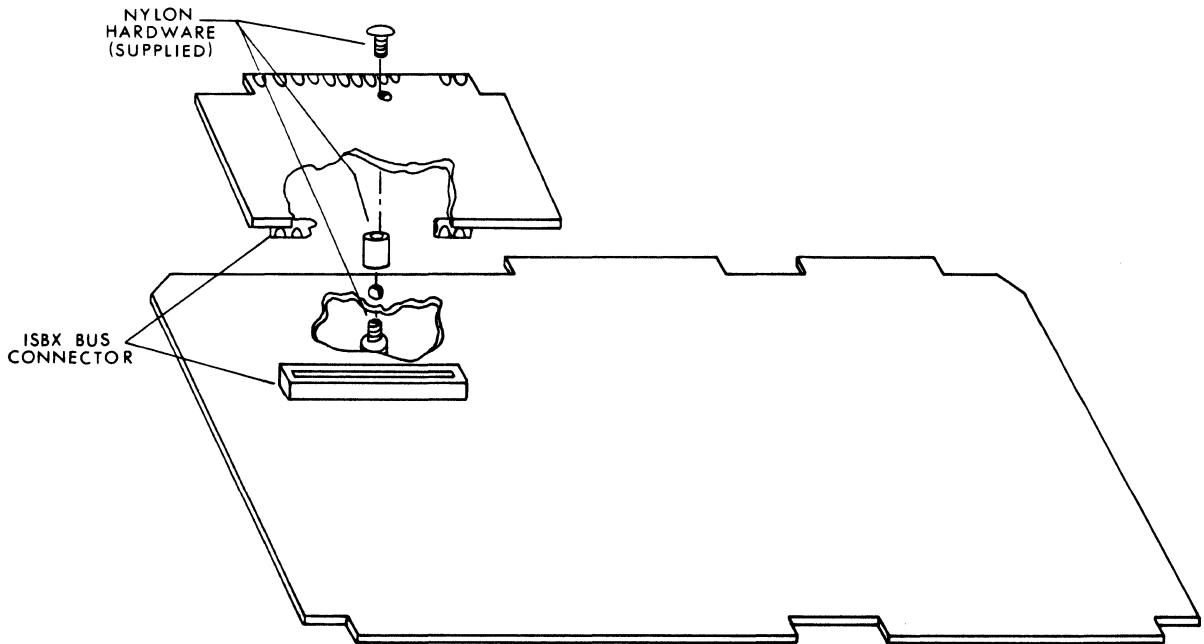


Figure 2. Mounting the MSBX-423

SPECIFICATIONS

ASYNCHRONOUS OPERATION

Character Length: 5, 6, 7, or 8 bits
 Stop Bits: 1, 1½, or 2 bits
 Parity: Even, odd, or disabled
 Transmission Speed: x1, x16, x32, x64 clock frequency
 Break Generation and Detection
 Interrupt on Parity, Overrun, or Framing Error (vector or non-vector)

SYNCHRONOUS OPERATION

MONOSYNC, BISYNC, AND EXTERNAL SYNC OPERATION

Sync Characters: 8 or 16 bits
 CRC Generation and Checking (CRC-16 or CRC-CCITT)
 Automatic Sync Insertion

HDLC AND SDLC OPERATION

Abort Sequence Generation and Detection
 Automatic Zero Insertion and Detection
 CRC Generation and Checking
 I-Field Residue Handling

BAUD RATES

FREQUENCY (KHz) (software selectable)	BAUD RATE (Hz)			
	SYNCHRONOUS	ASYNCHRONOUS		
		+16	+32	+64
0.800000	800.00	50.00	25.00	12.50
1.200000	1200.00	75.00	37.50	18.75
1.758983	1758.98	109.93	54.96	27.48
2.152000	2152.00	134.50	67.25	33.62
2.400000	2400.00	150.00	75.00	37.50
4.800000	4800.00	300.00	150.00	75.00
9.600000	9600.00	600.00	300.00	150.00
19.200000	19200.00	1200.00	600.00	300.00
28.743859	28743.86	1796.49	898.24	449.12
31.916883	31916.88	1994.81	997.40	498.70
38.400000	38400.00	2400.00	1200.00	600.00
57.825882	57825.88	3614.11	1807.05	903.52
76.800000	76800.00	4800.00	2400.00	1200.00
114.306976	114306.97	7144.19	3572.09	1786.04
153.600000	153600.00	9600.00	4800.00	2400.00
307.200000	307200.00	19200.00	9600.00	4800.00

INTERFACES

iSBX bus: All signals compatible with Intel iSBX bus Specification No. 142686-001
 Serial I/O: RS-423/RS-232C compatible

CONNECTORS

iSBX bus: iSBX bus connector
 Serial I/O: 50 pin edge connector, 0.1" centers

PHYSICAL CHARACTERISTICS

Width: 3.70 in. (9.39 cm)
 Height: 2.85 in. (7.24 cm)
 Depth: 0.50 in. (1.27 cm)

ENVIRONMENTAL CHARACTERISTICS

Operating Temperature: 0° to 55°C (32° to 131°F)
 Relative Humidity: Up to 95% (non-condensing)

ORDERING INFORMATION

MSBX-423 Dual serial interface card

Matrox Electronic Systems Ltd reserves the right to make changes in specifications at any time and without notice. The information furnished by Matrox Electronic Systems Ltd in this publication is believed to be accurate and reliable. However, no responsibility is assumed by Matrox Electronic Systems Ltd for its use; nor for any infringements of patents or other rights of third parties resulting from its use. No license is granted under any patents or patent rights of Matrox Electronic Systems Ltd.





matrox
electronic systems Ltd.

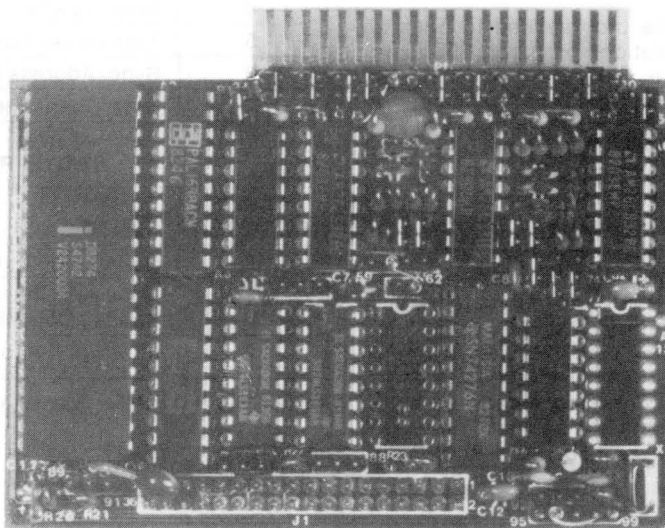
5800 ANDOVER AVE., T.M.R., QUE., H4T 1H4, CANADA
TEL.: 514-735-1182 TELEX: 05-825651

MSBX-422

RS-449/422 SERIAL INTERFACE iSBX MODULE

- High speed serial communications port
- Synchronous and Asynchronous operations
- Transmission Rates up to 307K baud
- iSBX bus compatible
- Programmable communications protocol
- RS-422/RS-449 compatible
- Modem control signals
- Interrupt on parity, overrun, or framing error
- Compatible with Matrox MBC-86/12, PBC-80 CPU cards

The MSBX-422 module provides the user with a high speed RS-449 serial communications port on a 3.70 x 2.85" board, which interfaces to a single width iSBX connector. An on-board Multi-Protocol Serial Controller allows user-definition of most communications protocol parameters, permitting operation in most popular asynchronous protocols, character-oriented synchronous protocols such as IBM Bisync, and bit-oriented synchronous protocols such as HDLC and IBM SDLC. Double-buffered transmitters and quadruple-buffered receivers ensures data validity.



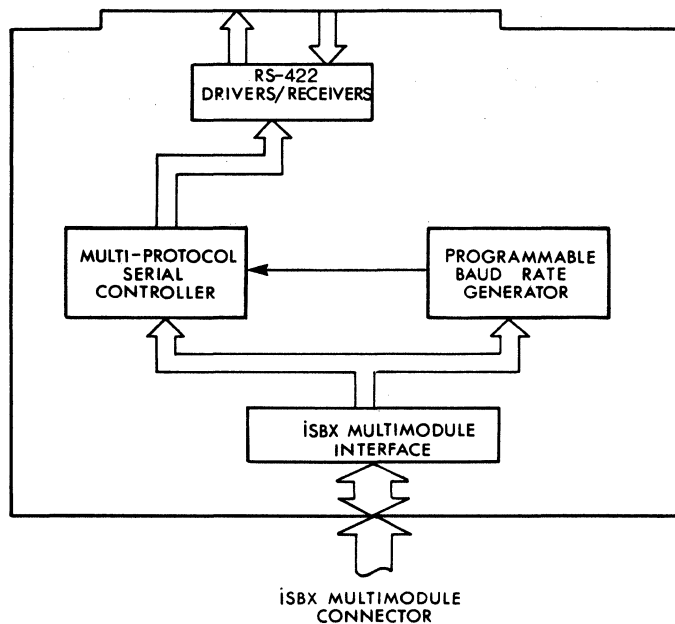


Figure 1. MSBX-422 block diagram

MULTI-PROTOCOL SERIAL CONTROLLER

At the heart of the MSBX-422 is a Multi-Protocol Serial Controller which permits communications using synchronous or asynchronous protocols. Data integrity on the MSBX-422 is assured by double-buffered transmitters and quadruple-buffered receivers. Modem control signals are also supported.

Internal interrupt control logic prioritizes interrupt requests generated on the MSBX-422. These interrupts can originate from any one of three sources: Receiver Interrupts (interrupt on First Character, Interrupt on All Characters, Parity, Over-run, or Framing Error, etc.), Transmitter Interrupt (Transmitter Buffer Empty), or External Status Interrupt (DCD, CTS, or Sync input transition, Break, Abort, etc.). The MSBX-422 can be programmed to release an 8-bit vector (pointer to an external service routine) for each of the interrupt requests.

Protocols — The MSBX-422 can be programmed to operate using virtually any serial communications protocol. Character length can be defined as being 5, 6, 7, or 8 bits long. In asynchronous mode the user can further select the number of stop bits as 1, 1-1/2, or 2 bits. Transmission speeds in the asynchronous mode can be 1, 1/16, 1/32, or 1/64 the input clock frequency.

Both Character-Oriented and Bit-Oriented synchronous protocols are also supported on the MSBX-422. When programmed for character-oriented protocols, the on-board Serial Controller allows the user to define the sync character. Sync characters can be either 8-bits (Monosync) or 16-bits (Bisync) long. Synchronization can alternately be established by monitoring the Sync input line (External). In bit-oriented protocols (SDLC/HDLC) the MSBX-422 includes automatic zero insertion and deletion logic to differentiate between data and framing flags. The maximum data rate for all synchronous operations is 307.2K baud.

The MSBX-422 allows the user to program the Cyclic Redundancy Check (CRC) algorithm. Either the CRC-16 or the CRC-CCITT polynomial can be used. Internal logic allows the user to selectively exclude characters from the CRC calculations for both the transmitter and the receiver. This feature permits various portions of the message to be defined as non-character binary data ("transparent data").

Programming — The on-board Serial Controller is programmed via two I/O registers (Data Port and Command Port). These registers are used, in turn, to access a set of Control and Status registers internal to the Serial Controller (table 1).

CONTROL REGISTERS	
CONTROL REGISTER	FUNCTION
0	Frequently used commands and Register Pointer Control
1	Interrupt Control
2A	Processor/Bus Interface Control
2B	Load Interrupt Vector
3	Receiver Control
4	Mode Control
5	Transmitter Control
6	Sync/Address Character
7	Sync Character

STATUS REGISTERS	
STATUS REGISTER	FUNCTION
0	Buffer and "External/Status" Status
1	Received Character Error and Special Condition Status
2	Interrupt Vector

Table 1. Serial Controller internal registers

The MSBX-422 recognizes a number of commands commonly used during the operation of the board. These commands are executed by passing the appropriate command code to Control Register 1. Commands include: Abort, Reset External/Status Interrupts, Channel Reset, Enable Interrupt on Next Character, Reset Pending "Transmitter Buffer Empty" Interrupt, Error Reset, and End of Interrupt.

BAUD RATE GENERATOR

The on-board Baud Rate Generator provides two separate output frequencies to allow the user to independently select the data rates for the receiver and the transmitter. Each of the frequency outputs can be individually programmed, via the system software, to generate one of 16 different output frequencies. Frequencies of from 800 Hz to 307.2 KHz are available, from the Baud Rate Generator, which are then divided in the Serial Controller by a user selectable divisor of from 1 to 64 to yield a usable data rate ranging from 12.5 baud to 307.2K baud.

Programming — The output frequencies from the Baud Rate Generator are defined by selecting one of 16 input frequency dividers for each output. Both dividers are selected simultaneously, by loading a single byte to the Baud Rate Generator Register. The four lower bits of this data byte are used to define the frequency divider for output 1 (receiver) while the four most significant bits are used to select the divider for output 2 (transmitter). Dividers are available to provide output frequencies of up to 307.2 KHz (table 2).

DRIVERS/RECEIVERS

The drivers and receivers on all communications lines are RS-422 compatible. This EIA balanced, bipolar voltage specification permits the communication of digital information over distances of up to 4000 feet and at data rates of up to 10 megabaud. The MSBX-422 is designed to interface with external peripherals using the RS-449 interface standard.

DIVIDER SELECT	DIVIDER	OUTPUT* FREQUENCY (KHz)
0000	6144	0.800000
0001	4096	1.200000
0010	2793	1.758983
0011	2284	2.152000
0100	2048	2.400000
0101	1024	4.800000
0110	512	9.600000
0111	256	19.200000
1000	171	28.743859
1001	154	31.916883
1010	128	38.400000
1011	85	57.825882
1100	64	76.800000
1101	43	114.306976
1110	32	153.600000
1111	16	307.200000

*Input Reference Frequency = 4.9152 MHz

Table 2. Programmable data rates

BUS INTERFACE

The MSBX-422 plugs directly into any single width iSBX connector. Many companies now support CPU cards with the on-board facilities to accept modules such as the MSBX-422. Matrox supports two such CPU cards: the PBC-80 (8-bit Z-80A) and the MBC-86/12 (16-bit 8086).

MOUNTING

The MSBX-422 is a "piggy back" card designed to be mounted directly onto host CPU cards that have provided provisions for iSBX modules. There are many CPU cards on the market today that meet this requirement, including the PBC-80 and MBC-86/12 from Matrox. The MSBX-422 is held in place on the host card by the iSBX connector and one nylon spacer (figure 2).

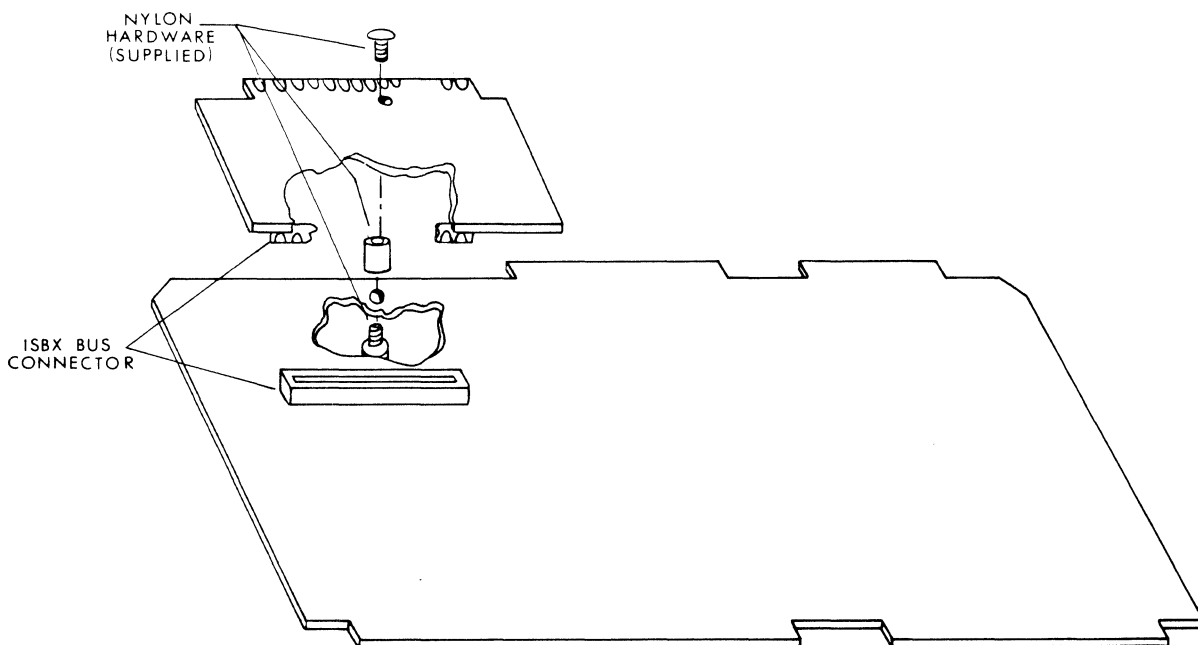


Figure 2. Mounting the MSBX-422

SPECIFICATIONS

ASYNCHRONOUS OPERATION

Character Length: 5, 6, 7, or 8 bits
 Stop Bits: 1, 1½, or 2 bits
 Parity: Even, odd, or disabled
 Transmission Speed: x1, x16, x32, x64 clock frequency
 Break Generation and Detection
 Interrupt on Parity, Overrun, or Framing Error (vector or non-vector)

SYNCHRONOUS OPERATION

MONOSYNC, BISYNC, AND EXTERNAL SYNC OPERATION

Sync Characters: 8 or 16 bits
 CRC Generation and Checking (CRC-16 or CRC-CCITT)
 Automatic Sync Insertion

HDLC AND SDLC OPERATION

Abort Sequence Generation and Detection
 Automatic Zero Insertion and Detection
 CRC Generation and Checking
 I-Field Residue Handling

BAUD RATES

FREQUENCY (KHz) (software selectable)	BAUD RATE			
	SYNCHRONOUS	ASYNCHRONOUS		
		+16	+32	+64
0.800000	800.00	50.00	25.00	12.50
1.200000	1200.00	75.00	37.50	18.75
1.758983	1758.98	109.93	54.96	27.48
2.152000	2152.00	134.50	67.25	33.62
2.400000	2400.00	150.00	75.00	37.50
4.800000	4800.00	300.00	150.00	75.00
9.600000	9600.00	600.00	300.00	150.00
19.200000	19200.00	1200.00	600.00	300.00
28.743859	28743.86	1796.49	898.24	449.12
31.916883	31916.88	1994.81	997.40	498.70
38.400000	38400.00	2400.00	1200.00	600.00
57.825882	57825.88	3614.11	1807.05	903.52
76.800000	76800.00	4800.00	2400.00	1200.00
114.306976	114306.97	7144.19	3572.09	1786.04
153.600000	153600.00	9600.00	4800.00	2400.00
307.200000	307200.00	19200.00	9600.00	4800.00

INTERFACES

iSBX bus: All signals compatible with Intel iSBX bus Specification No. 142686-001
 Serial I/O: RS-422/RS-449 compatible

CONNECTORS

iSBX bus: iSBX bus connector
 Serial I/O: 50 pin edge connector, 0.1" centers

PHYSICAL CHARACTERISTICS

Width: 3.70 in. (9.39 cm)
 Height: 2.85 in. (7.24 cm)
 Depth: 0.50 in. (1.27 cm)

ENVIRONMENTAL CHARACTERISTICS

Operating Temperature: 0° to 55°C (32° to 131°F)
 Relative Humidity: Up to 95% (non-condensing)

ORDERING INFORMATION

MSBX-422 Serial interface card

Matrox Electronic Systems Ltd reserves the right to make changes in specifications at any time and without notice. The information furnished by Matrox Electronic Systems Ltd in this publication is believed to be accurate and reliable. However, no responsibility is assumed by Matrox Electronic Systems Ltd for its use; nor for any infringements of patents or other rights of third parties resulting from its use. No license is granted under any patents or patent rights of Matrox Electronic Systems Ltd.





matrox
electronic systems Ltd.

5800 ANDOVER AVE., T.M.R., QUE., H4T 1H4, CANADA
TEL.: 514-735-1182 TELEX: 05-825651

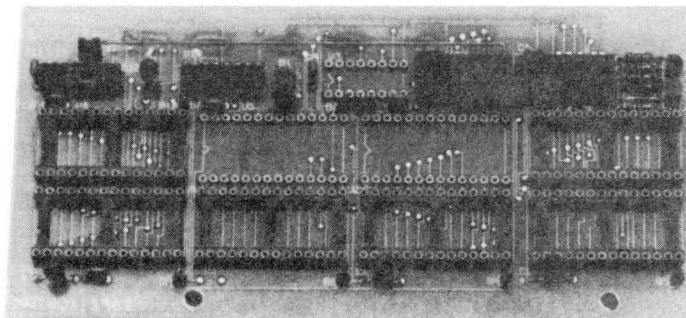
ROM-86

EPROM EXPANSION CARD FOR MATROX CPU BOARDS

- Up to 512K bytes of EPROM
- 256 bytes of on-board NOVRAM
- Provides eight 28-pin sockets
- Accomodates 8K, 16K, or 32K byte-wide EPROM parts
- Compatible with MBC-86/12
- Small size (6.3" x 3.2")
- Additional chip selects for double socketing

The ROM-86 card plugs into the existing EPROM sockets of the MBC-86/12 CPU board and is mounted on two spacers. It has eight 28-pin sockets which can be configured for 8K x 8, 16K x 8, or 32K x 8 EPROMs. This gives a total of 64K, 128K, or 256K bytes of storage. Note that different sized EPROMs may not be mixed on the same card. Extra chip selects are available to allow for a second set of "piggy-back" EPROMs. This allows a total of 128K, 256K, or 512K bytes.

The ROM-86 card also has two 256 x 4 NOVRAMs for a total of 256 bytes of non-volatile static RAM. The NOVRAM is addressed as an array of I/O registers which can be written to and read from. The data is transferred to non-volatile storage by an I/O strobe and is recalled on power up or reset. The NOVRAM is very useful in graphics terminal applications having user-definable set up parameters.



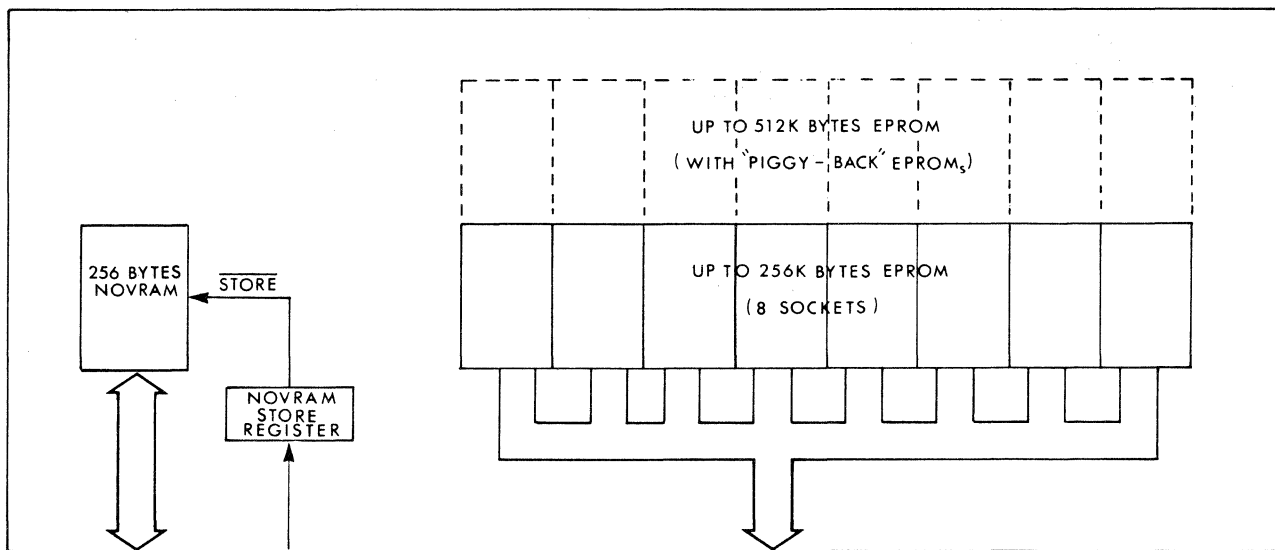


Figure 1. ROM-86 block diagram

FUNCTIONAL DESCRIPTION

The ROM-86 is an EPROM extension board designed for the Matrox MBC-86/12 CPU board and provides up to 512K bytes of non-volatile memory. With the expanded ROM capabilities provided by ROM-86, large applications programs and even sophisticated operating systems can be implemented without external storage, and without tying up the Multibus.

The ROM-86 card also contains 256 bytes of non-volatile RAM. The NOVDRAM allows the user to store several key "set-up" parameters which can be modified, but which are still maintained in a power-off state.

EPROM

ROM-86 contains 8 sockets for user installed EPROM memory. Each socket can be populated with 8K x 8, 16K x 8, or 32K x 8 (2764, 27E4, 27256) EPROMs to yield up to 256K bytes of read-only memory. This memory is electrically organized as an array of 16-bit (2 byte) words for a total of 128K words. Furthermore, extra chip select lines are provided which enable the user to "piggy-back" the memory chips and further expand EPROM capacity to a maximum of 512K bytes (256K words).

Addressing — MBC-86/12 allocates the top of its memory space for read-only memory (figure 2). Hardware straps, on the ROM-86 board, are provided to establish the amount of address space required as being 64K, 128K, 256K, or 512K bytes depending on the type of EPROMs being used. EPROM memory on the ROM-86 interfaces directly into the MBC-86/12 address and data bus and can only be accessed by the 8086 CPU resident on the MBC-86/12 board

NOVDRAM

ROM-86 also contains 256 bytes of non-volatile RAM (NOVDRAM). This memory can be functionally viewed as two distinct memory devices (figure 3); a 256 byte static RAM array and a 256 byte Electrically Erasable PROM (E²PROM) array. The static RAM behaves like a normal static read/write memory device and data transfers to and from this array require no special handling. The user communicates with the static RAM array using standard read and write commands.

The E²PROM array in NOVDRAM can save the contents of the static RAM array and protect this data against a "power-down" condition. A Store command copies the contents of the static RAM array to the E²PROM. Note that when a Store command is executed, the contents of the

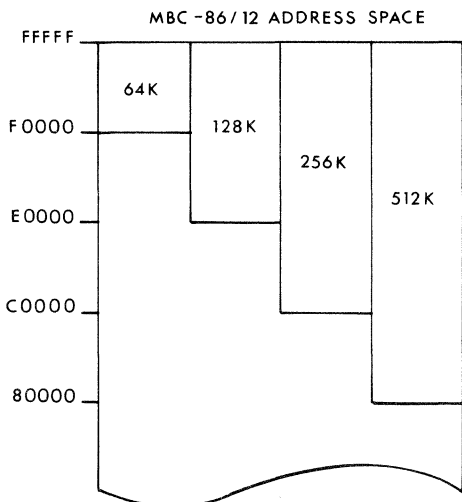


Figure 2. ROM address allocation

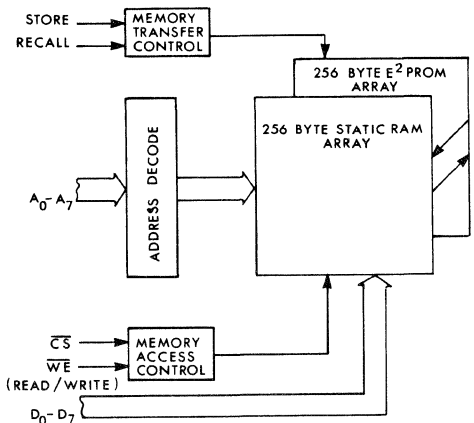


Figure 3. NOVDRAM functional diagram

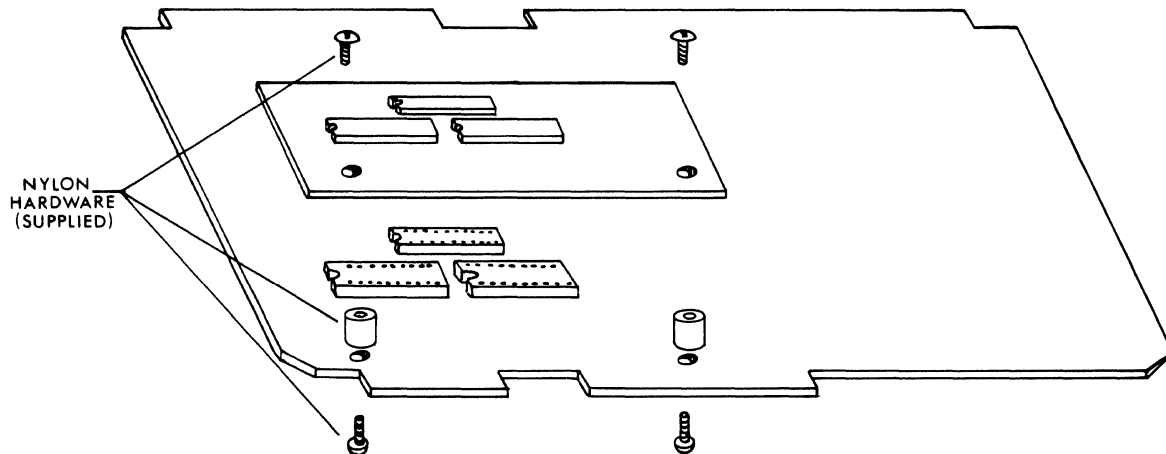


Figure 4. Mounting diagram

static RAM will "overwrite" the contents of the E²PROM and any data previously stored in E²PROM will be lost. On power-up, the contents of the E²PROM array will automatically be transferred to the static RAM and hence become available to the user. On-board straps are also available to enable the ROM-86 NOVRAM to "recall" the contents of E²PROM memory every time a Reset is executed by the MBC-86/12.

Addressing — The MBC-86/12 accesses the ROM-86 NOVRAM as an array of I/O locations which are positioned on I/O addresses 200H to 3FEH. Another I/O port, located at 0E0H, is used as a control register for storing data from the static RAM array to the E²PROM array. Any write access to this Control Register will initialize a Store command.

MOUNTING

ROM-86 is plugged directly into the MBC-86/12 and connects to the CPU card via the two empty ROM sockets and an interface socket (figure 4). The ROM-86 is then secured to the host board using two threaded nylon spacers (supplied with ROM-86). Note that the MBC-86/12 (when mounted with a ROM-86) should be installed in the top-most slot of the Multibus chassis. This is recommended since the top slot usually provides the extra room required by the piggy-back ROM board. If a lower slot is used, the slot immediately above it must be left vacant so as not to interfere with the ROM-86.

The ROM-86 card is located directly over one of the two iSBX connectors on the MBC-86/12. Full access to the second iSBX connector is still possible, as is access to the 8086 socket (for in-circuit emulator cables).

SPECIFICATIONS

WORD SIZE

EPROM: 16 bits
NOVRAM: 8 bits

MEMORY CAPACITY

EPROM:

TYPE	ON-BOARD MEMORY (bytes)	
	NORMAL	PIGGY-BACK
8K x 8	64K	128K
16K x 8	128K	256K
32K x 8	256K	512K

NOVRAM: 256 bytes

MEMORY ADDRESSING

EPROM:

MEMORY SIZE	ADDRESS (hex)
64K	F0000 — FFFFF
128K	E0000 — FFFFF
256K	C0000 — FFFFF
512K	B0000 — FFFFF

NOVRAM: 200H — 3FEH (NOVRAM is I/O mapped)
0E0H (NOVRAM Store Register)

PHYSICAL CHARACTERISTICS

Width: 6.30 in. (16.00 cm)
Height: 3.20 in. (8.13 cm)
Depth: 0.50 in. (1.27 cm)

ENVIRONMENTAL CHARACTERISTICS

Operating Temperature: 0° to 55°C (32° to 131°F)
Relative Humidity: Up to 95% (non-condensing)

ORDERING INFORMATION

ROM-86-XX

{ NV — Includes 256 bytes of NOVRAM
{ No Suffix — ROM-86 without NOVRAM

Matrox Electronic Systems Ltd reserves the right to make changes in specifications at any time and without notice. The information furnished by Matrox Electronic Systems Ltd in this publication is believed to be accurate and reliable. However, no responsibility is assumed by Matrox Electronic Systems Ltd for its use; nor for any infringements of patents or other rights of third parties resulting from its use. No license is granted under any patents or patent rights of Matrox Electronic Systems Ltd.





matrox
electronic systems Ltd.

5800 ANDOVER AVE., T.M.R., QUE., H4T 1H4, CANADA
TEL.: 514-735-1182 TELEX: 05-825651

PTB-2

MULTIBUS WIREWRAP PROTOTYPE BOARD

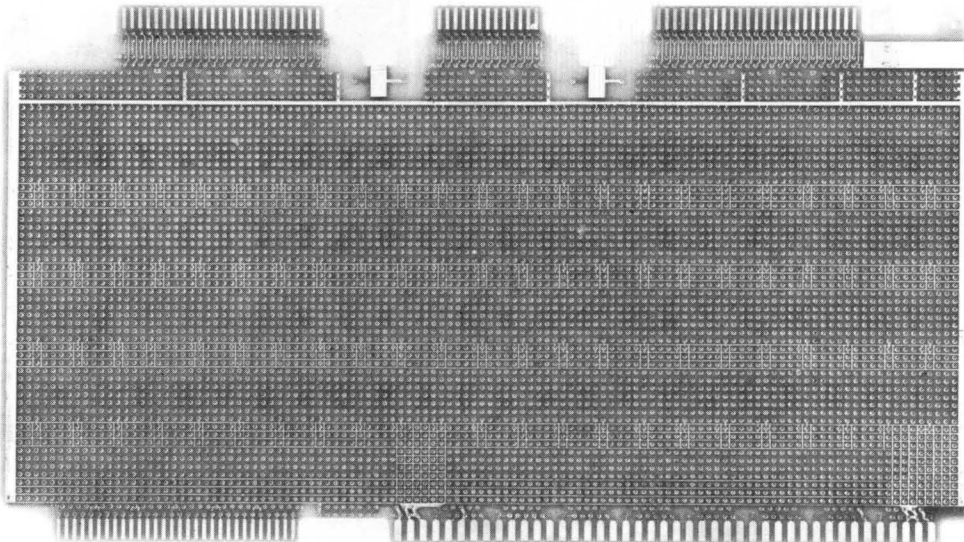
- Holds over 120 ICs
- Uncommitted power supply buses
- Gold-plated edge connectors
- Plated-through holes (0.1 inch centers)
- Two 50 pin and one 26 pin user definable board edge connectors
- Multibus compatible connectors
- Cutouts for two BNC edgemount connectors

The Matrox PTB-2 is a high quality wire-wrap or solder prototype board which allows the user to build his own cards. The board will hold over 120 ICs and its uncommitted power supply buses allow the user maximum flexibility in IC type and placement. All PCB edge contacts are gold plated to ensure a long and trouble free life.

The top-side edge connectors are designed to provide a simple means of interfacing to serial port, parallel port, and analog I/O devices.

ORDERING INFORMATION

PTB-2: Wirewrap prototype board



Matrox Electronic Systems Ltd reserves the right to make changes in specifications at any time and without notice. The information furnished by Matrox Electronic Systems Ltd in this publication is believed to be accurate and reliable. However, no responsibility is assumed by Matrox Electronic Systems Ltd for its use; nor for any infringements of patents or other rights of third parties resulting from its use. No license is granted under any patents or patent rights of Matrox Electronic Systems Ltd.





matrox
electronic systems Ltd.

5800 ANDOVER AVE., T.M.R., QUE., H4T 1H4, CANADA
TEL.: 514-735-1182 TELEX: 05-825651

BEX-1

MULTIBUS EXTENDER BOARD

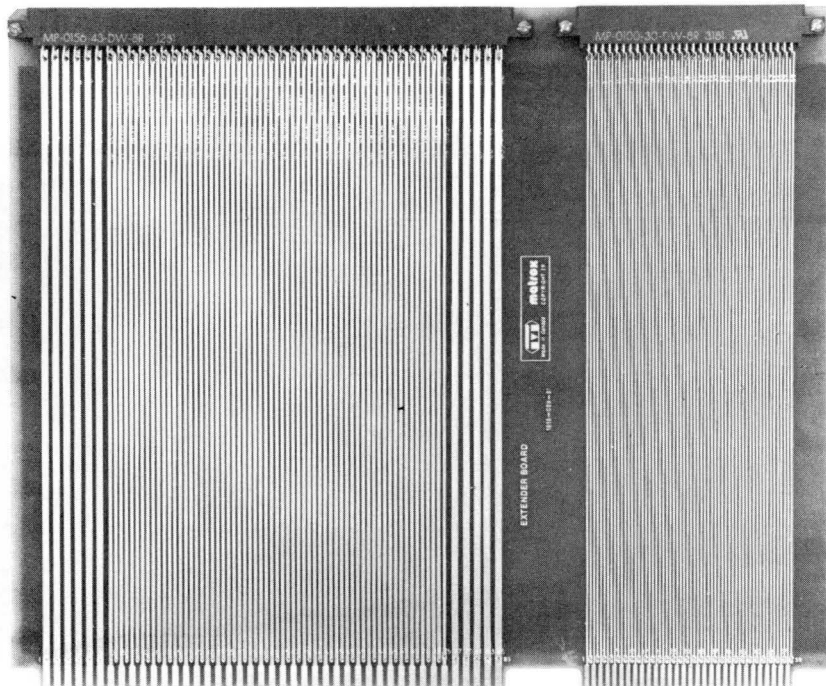
- Numbered pins for easy identification
- 8" card height enabling easy access to all pins
- Gold-plated edge connectors
- Multibus compatible connectors

The BEX-1 extender card is used for experimenting on or trouble-shooting defective boards within the users computer system. The card has both a standard Multibus (P1) and an auxiliary (P2) connector to maintain flexibility. All pins are numbered for easy identification. To minimize cross-coupling and signal degradation, all signal lines are contained on one side of the PCB while the other side serves as a ground plane.

The BEX-1 is 8" high, enabling easy access to all pins including those on the connectors. This facilitates connection of voltmeters, logic probes, or oscilloscopes. All PCB edge contacts are gold plated to ensure a long and trouble free life.

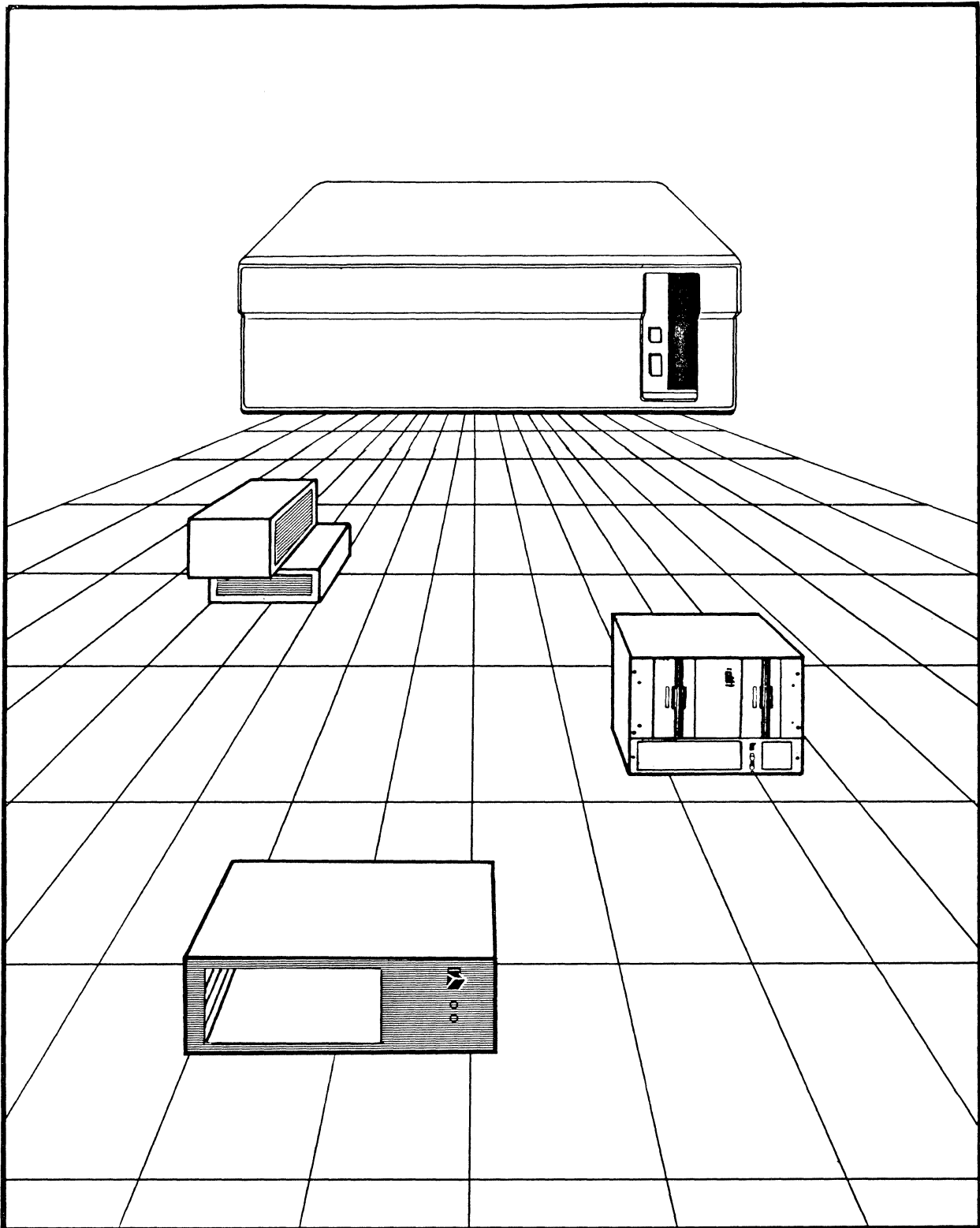
ORDERING INFORMATION

BEX-1: Extender board



Matrox Electronic Systems Ltd reserves the right to make changes in specifications at any time and without notice. The information furnished by Matrox Electronic Systems Ltd in this publication is believed to be accurate and reliable. However, no responsibility is assumed by Matrox Electronic Systems Ltd for its use; nor for any infringements of patents or other rights of third parties resulting from its use. No license is granted under any patents or patent rights of Matrox Electronic Systems Ltd.





CARDCAGES, DISKDRIVES AND KEYBOARDS

SECTION 13 CARDCAGES, DISKDRIVES AND KEYBOARDS

CCB-9 9-Slot Multibus System Chassis	13-3
CCB-4 4-Slot Multibus Desktop System Chassis	13-7
CCB-7 7-Slot Multibus System Chassis/Power Supply	13-9
KB-100 Low Profile Graphics Keyboard	13-11
KB-300 Parallel Output System Keyboard	13-13
KB-16 16-Key DTMF Keyboard	13-15
DF-28 Dual 8" Floppy Disk Drives	13-17
SYS-CAB System Cabinets	13-19



matrox
electronic systems ltd.

5800 ANDOVER AVE., T.M.R., QUE., H4T 1H4, CANADA
TEL.: 514-735-1182 TELEX: 05-825651

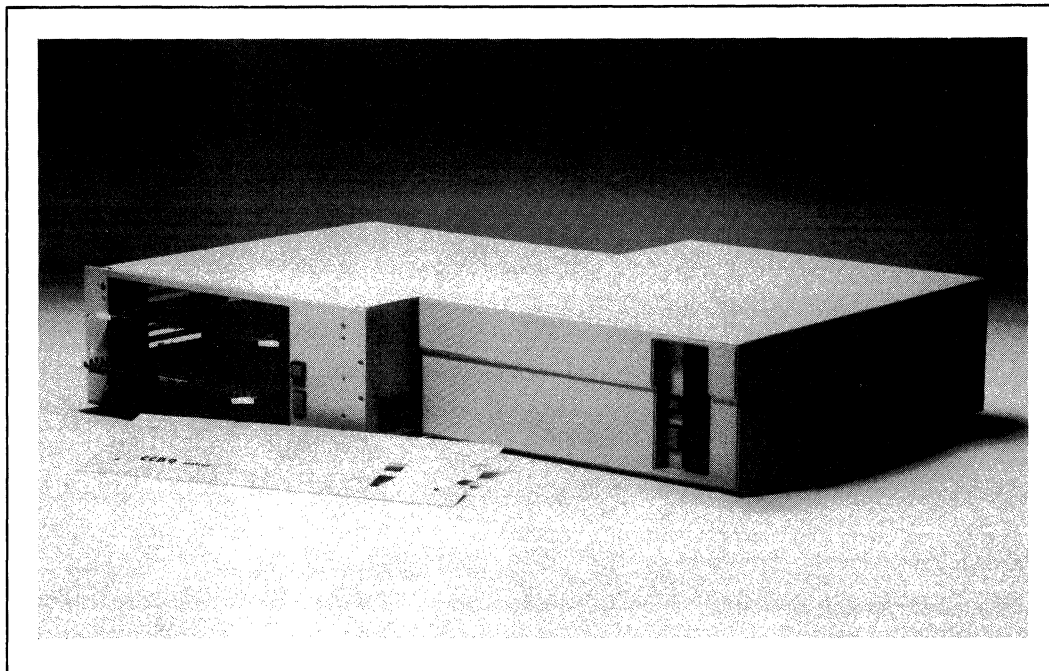
CCB-9

9-SLOT MULTIBUS SYSTEM CHASSIS

- 9-slot Multibus cardcage and backplane
- Front loading
- Desktop or rackmount construction
- Winchester and floppy disk drive options
- Built-in switching power supply, 20, 40, or 60 amps
- Automatic power-failure detection
- Battery back-up with trickle charger
- Large custom connector panel on back
- Quiet force-air cooling
- Accomodates 50/60 Hz operation
- UL, CSA approved

The Matrox CCB-9 is a 9-slot microcomputer cardcage, with a built-in Multibus backplane, designed for use in applications requiring both smart appearance and solid construction. The CCB-9 conforms to the IEEE-796 bus specifications and can accomodate any Multibus-standard card including Matrox's own wide range of Multibus compatible microcomputer boards (CPU cards, memory boards, communications controllers, graphic display controllers, etc.). Frontal access to the cardcage promotes simple board insertion and maintenance.

The CCB-9 provides many powerful features including a priority arbitrator, which resolves bus request contentions between bus masters on the Multibus, and battery back-up, for emergency back-up power during power failures. Local mass storage is available through optional 20M byte Winchester disk and 1M byte 5¼" floppy disk drives. A large connector panel on the back of the CCB-9 can be used to customize connector configurations to suit the user's specific requirements. The built-in power supplies are available for 50 Hz or 60 Hz operations and can be ordered to deliver 20, 40, or 60 amps.



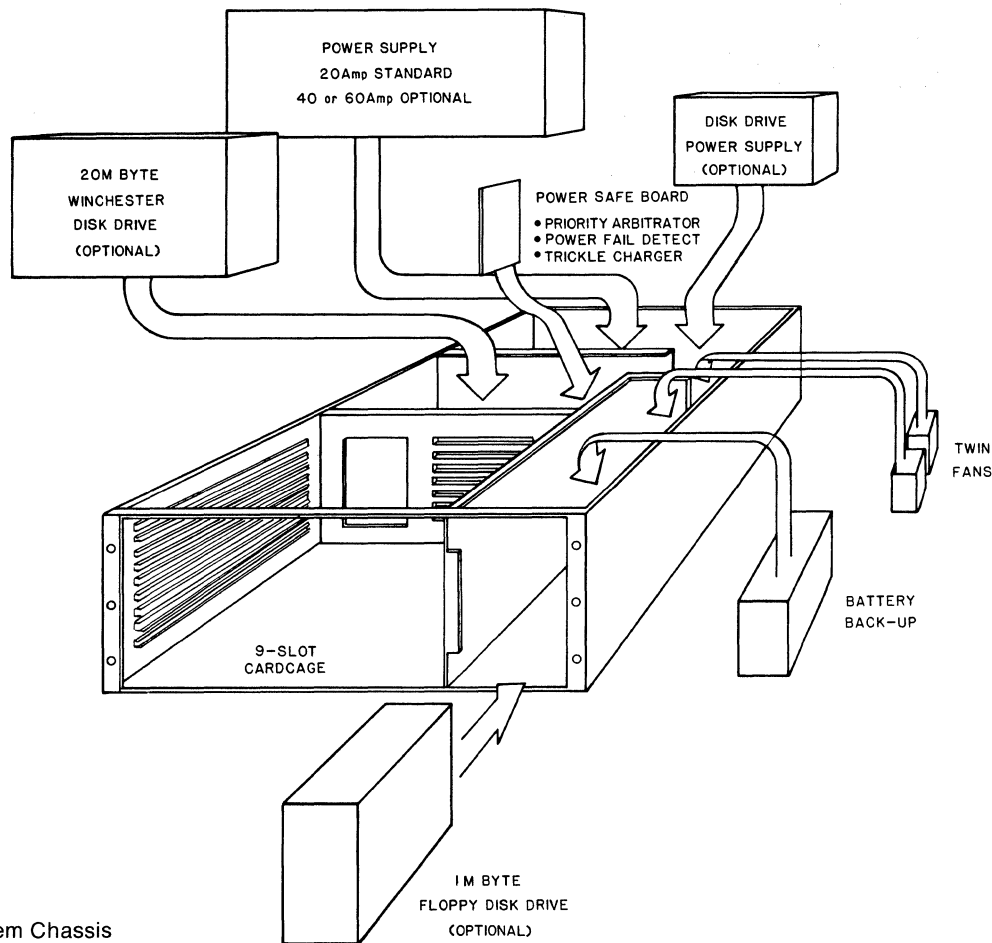


Figure 1. CCB-9 System Chassis

FUNCTIONAL DESCRIPTION

The CCB-9 is a 9-slot system chassis based on the industry standard Multibus. Standard features of the CCB-9 include: bus request priority arbitration, power-fail detect, battery back-up, either 50 Hz (European) or 60 Hz (American) operation, and frontal loading of the Multibus cardcage. Frontal loading permits easy access to the cardcage for convenient insertion or removal of cards. The CCB-9 can be ordered as either a 19" EIA-standard rackmount or attractive desktop unit.

Optional add-ons to the CCB-9 include 21M bytes of mass memory storage and either a 40 or 60 amp switching power supply.

POWER SAFE BOARD

A small (3" x 6") PC board contains the required circuitry for implementing the Multibus parallel priority arbitration and battery back-up. The Priority Arbitrator resolves any Multibus contentions by assigning a fixed parallel priority scheme to the Multibus backplane. Under the supplied priority schedule, card slot #1 is assigned the highest priority level and as such bus requests issued by a card residing in slot #1 will take precedence over any other bus request. The remaining priority levels are assigned to the remaining card slots in descending order (i.e. card slot #2 has priority level #2, card slot #3 has priority level #3, . . . , card slot #9 has priority level #9). The priority schedule can be changed, by the user, via a set of hardware straps. Serial priority is also supported, by the CCB-9, directly on the Multibus backplane.

A power-fail detect and battery back-up feature is also included with the CCB-9. The power-fail detect circuitry monitors the input AC line and detects a power failure if the input voltage drops below the low level voltage (105V in American

systems and 210V for European systems) for more than 11 msec. On power-fail detection, the CCB-9 issues a NMI/ (non-maskable interrupt) to the Multibus and then brings the reset line (INIT/) low and holds it low until power is restored. A 5 msec. delay is implemented between NMI/ and INIT/ to allow the system CPU(s) to execute power-fail service routines. Also, on issuing INIT/, the CCB-9 activates the battery back-up supply which provides emergency power to certain system devices such as RAM memory. The duration of the back-up power is fixed at 20 minutes, however this can be varied by changing the value of the associated RC time constant on the CCB-9 Power-Safe Board.

When AC power is restored, the INIT/ line will remain low for a period of 1 second to allow for settling of any oscillations in the power supply. During normal operations the back-up battery power is restored and maintained by a trickle charger contained on the CCB-9 Power-Safe Board.

MASS MEMORY STORAGE

A 5¼" Winchester and a 5¼" Floppy disk drive can be added to the CCB-9, as an option, to provide 21M bytes of local mass memory storage. The Winchester drive provides a maximum of 19.14M bytes (unformatted) on three double sided/double density platters. The minifloppy drive yields up to 1.0M bytes using a double sided/double density diskette.

POWER SUPPLIES

The CCB-9 uses two independent power supplies; a switching supply which delivers +5V @ 20A and a linear supply for ±12V @ 3.4A. For systems requiring greater current ratings, the +5V switching supply can optionally be replaced by a 40 or 60 amp version. Also, when ordered with the local disk option, the CCB-9 is equipped with a separate +12V/5A supply for the drive motors.

SPECIFICATIONS

CAPACITY

Number of Cards: 9 cards maximum per CCB-9
 Inter-Card Spacing: 0.6" spacing (center to center)
 Card Size: Accepts any standard Multibus compatible cards (12" x 6.5")

BUS

All address, data, and control lines supported on the CCB-9 backplane conform to the IEEE-796 (Multibus) specification.

The CCB-9 supports bus contention arbitration using either a serial or parallel priority structure. As supplied slot #1 is assigned the highest priority and slot #9 is assigned the lowest priority. The priority schedule can be changed via hardware straps.

BATTERY BACK-UP

A 6V, 2.6A.H. battery supplies back-up power to the system in case of power interruptions. The back-up power must be wired into the system by the user.

Power fail detection circuitry is provided which activates the battery back-up when the line power drops below 105V (210V in European systems) for more than 11 msec.

A trickle charger is included to maintain the battery during normal operation (battery on stand-by).

DISK STORAGE

		5¼ FLOPPY DISK		WINCHESTER
		SINGLE DENSITY	DOUBLE DENSITY	
CAPACITY	Unformatted per disk per surface per track	500K bytes 250K bytes 3125 bytes	1.0M bytes 500K bytes 6250 bytes	19.14M bytes 3.19M bytes 10416 bytes
	Formatted per disk per surface per track sectors/track	409.6K bytes 204.8K bytes 2560 bytes 10	819.2K bytes 409.6K bytes 5120 bytes 10	15.0M bytes 2.5M bytes 8.2K bytes 32
TRANSFER RATE		125K bits/sec.	250K bits/sec.	5.0M bits/sec.
LATENCY		100 msec.	100 msec.	8.33 msec.
ACCESS TIME				
track-track		3 msec.	3 msec.	2 msec.
average		94 msec.	94 msec.	72 msec.
SETTLING TIME		15 msec.	15 msec.	13 msec.

CONTROLS

Power Switch } front-mounted
 Reset Switch }

CONNECTORS

Cut-Outs For: 16 BNC connectors
 10 DB-25 connectors
 2 40-pin connectors
 1 50-pin connector
 1 6-pin plug
 1 5-pin plug

Supplied: 3 BNC connectors
 1 DB-25 connectors

COOLING

Twin "Whisper" fans (100 CFM)

SIZE

	RACKMOUNT	DESKTOP
Height	6.969 in. (17.7 cm)	7.0 in. (17.78 cm)
Width	19.0 in. (48.26 cm)	19.0 in. (48.26 cm)
Depth	22.2 in. (56.2 cm)	23.2 in. (58.42 cm)

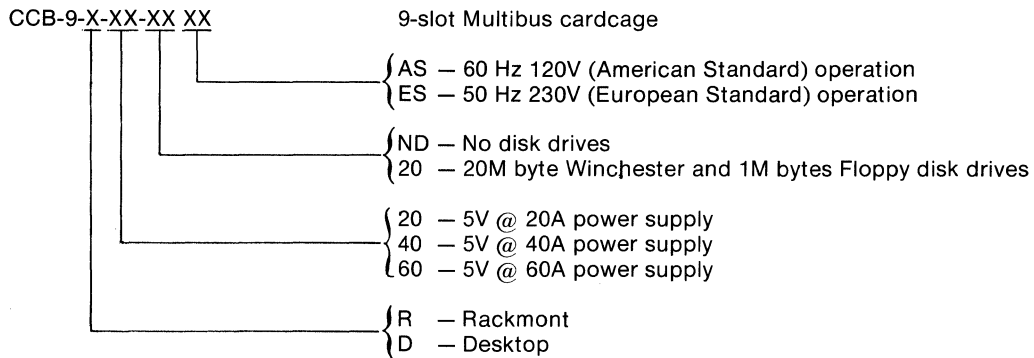
ELECTRICAL CHARACTERISTICS

	PS-20	PS-40	PS-60
AC Input	90-130V @ 47-63 Hz	90-130V @ 47-63 Hz	90-132 @ 47-63 Hz
	180-260V @ 47-63 Hz	180-260V @ 47-63 Hz	180-264V @ 47-63 Hz
DC Output	+ 5V @ 20A	+ 5V @ 40A	+ 5V @ 60A
	± 12V @ 3.4A	± 12V @ 3.4A	± 12V @ 3.4A
	+ 12V @ 5A (optional supply for disk drives)		

ENVIRONMENTAL CHARACTERISTICS

Operating Temperature: 0° – 40°C
 Relative Humidity: 0 – 90% (non-condensing)

ORDERING INFORMATION



Matrox Electronic Systems Ltd reserves the right to make changes in specifications at any time and without notice. The information furnished by Matrox Electronic Systems Ltd in this publication is believed to be accurate and reliable. However, no responsibility is assumed by Matrox Electronic Systems Ltd for its use; nor for any infringements of patents or other rights of third parties resulting from its use. No license is granted under any patents or patent rights of Matrox Electronic Systems Ltd.





matrox
electronic systems Ltd.

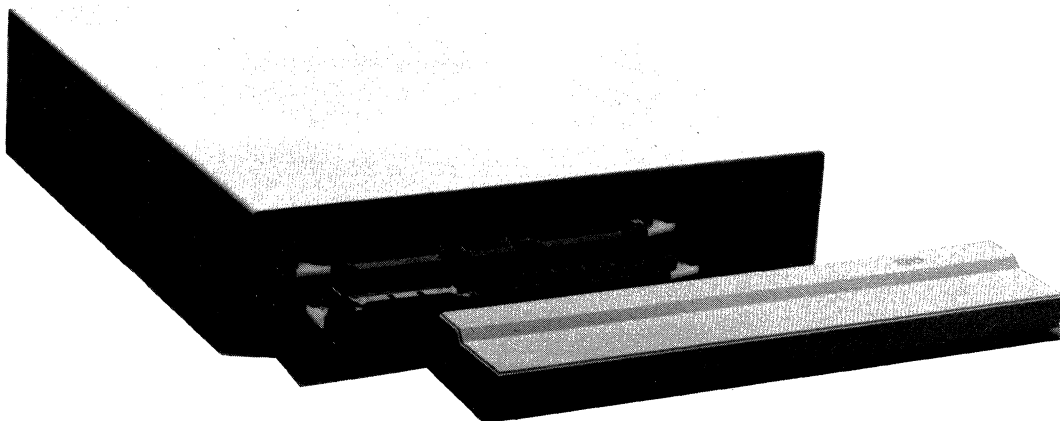
5800 ANDOVER AVE., T.M.R., QUE., H4T 1H4, CANADA
TEL.: 514-735-1182 TELEX: 05-825651

CCB-4

MULTIBUS DESKTOP SYSTEM CHASSIS

- 4-slot Multibus backplane
- Top slot is double height to accommodate iSBX Multimodules
- Front loading of boards
- Built-in switching power supply, 20A or 28A
- Smart appearance for office or lab
- Designed to serve as a base for a 19" CRT monitor
- UL and CSA approved
- Large custom connector panel on back
- Quiet forced-air cooling
- Accommodates any mains voltage

The Matrox CCB-4 is a microcomputer chassis designed for use in applications requiring both smart appearance and solid construction. It supports all Multibus compatible cards, including Matrox's own wide range of Multibus compatible CPU boards and graphic controller boards. The CCB-4 has been designed to mate and coordinate with the Matrox KB-100 low profile keyboard. The low profile cabinet provides an excellent base for a CRT monitor, making the CCB-4 ideal for OEM graphics and alphanumeric terminal systems.



SPECIFICATIONS

CAPACITY

Number of Cards: 4 cards max. per CCB-4
 Inter-card Spacing: 0.6" spacing; top card slot has 1.2" spacing to accomodate multimodules
 Card Size: Accepts any standard Multibus compatible card (12" x 6.5")

BUS

All address, data, and control lines supported on the CCB-4 backplane conform to IEEE-796 (Multibus) specifications

CONTROLS

Rear-mounted Power switch
 Side-mounted Reset switch

CONNECTORS

CUT-OUTS FOR: 6 BNC connectors
 6 DB-25 serial connectors
 SUPPLIED: 1 6-pin Berg serial keyboard plug (side mounted)
 3 BNC connectors
 1 DB-25 connector
 1 3" x 3.5" blank connector plate for custom connectors

COOLING

"Whisper Fan" forced-air cooled

SIZE

Height: 3.9 in. (10 cm)
 Width: 19.0 in. (48 cm)
 Depth: 20.0 in. (51 cm)

ELECTRICAL CHARACTERISTICS

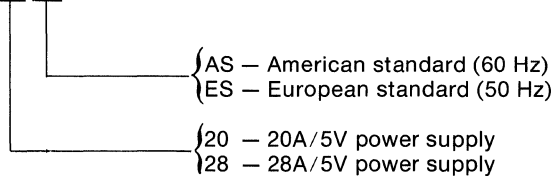
	PS-20	PS-28
AC Input:	90-130V 47/63 Hz 180-250V 47/63 Hz 225W (2.0A at 110VAC)	90-132V 47/63 Hz 184-264V 47/63 Hz 340W (3.8A at 90VAC)
DC Output:	+5V @ 20A (switching supply) ±12V @ .5A (linear supply) -5V @ .05A (linear supply)	+5V @ 28A (switching supply) ±12V @ .5A (linear supply) -5V @ .05A (linear supply)

ENVIRONMENTAL CHARACTERISTICS

Operating Temperature: 0-55°C
 Relative Humidity: 0-95% (non-condensing)

ORDERING INFORMATION

CCB-4/PS-XX-XX



Matrox Electronic Systems Ltd reserves the right to make changes in specifications at any time and without notice. The information furnished by Matrox Electronic Systems Ltd in this publication is believed to be accurate and reliable. However, no responsibility is assumed by Matrox Electronic Systems Ltd for its use; nor for any infringements of patents or other rights of third parties resulting from its use. No license is granted under any patents or patent rights of Matrox Electronic Systems Ltd.



Multibus Intel TM



matrox
electronic systems Ltd.

5800 ANDOVER AVE., T.M.R., QUE., H4T 1H4, CANADA
TEL.: 514-735-1182 TELEX: 05-825651

CCB-7

MULTIBUS SYSTEM CHASSIS/POWER SUPPLY

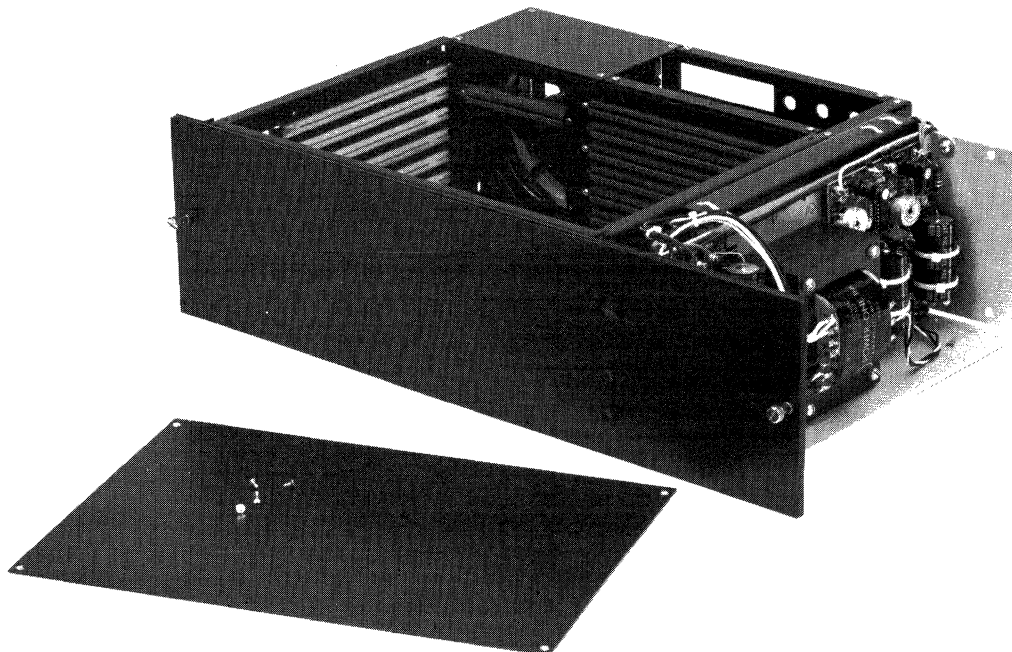
- 7-slot cardcage
- Expandable to 21 slots (3 x CCB-7)
- Multibus* backplane
- Only 5.25" high, EIA standard
- Forced air cooled
- Choice of three power supplies
- Easy frontal access to all boards
- User defined front panel
- American/European power supply standards

The Matrox CCB-7 is a modular 7-slot cardcage with a built-in Multibus* backplane. Up to three cardcages may be stacked for systems requiring up to 21 slots. The CCB-7 is constructed adhering to EIA standard rack mount dimensions (5.25" x 19"), and it may be placed in any 19" EIA enclosure.

An increased depth allows the CCB-7 to accept cards larger than the Multibus standard size (6.75" x 12") boards. Extended size cards (up to 8.5") may be placed within the cardcage allowing for greater flexibility and performance.

The CCB-7 may be ordered with one of three available power supplies mounted within the cage. The PS-6 is a +5V/6A and $\pm 12V/1.5A$ power supply whereas the PS12 features +5V/12A and $\pm 12V/3A$. For systems requiring extra power; the PS20 switching power supply supplies +5V/25A and $\pm 12V/4A$.

The CCB-7 is supplied with all connectors and card guides completely assembled.



SPECIFICATIONS

CAPACITY

Number of Cards: 7 cards max. per CCB-7 (expandable to 14 or 21 by stacking cardcages)
 Inter-card Spacing: 0.6" spacing
 Card Size: Accepts any standard 12" wide Multibus compatible card (CCB-7 will accept oversize cards to a max. of 8.5" deep)

BUS

All address, data, and control lines supported on the CCB-7 backplane conform to Intel Multibus Specification No. 9800683.

CONNECTORS

1 RS-232 connector (supplied standard)
 2 RS-232 connectors
 2 7-contact Hex connectors } (user-installed)
 10 BNC connectors

COOLING

Forced-air cooled (75 CPM capacity fan)

SIZE

EIA standard rack mount dimensions:

	SHORT VERSION (with PS6)	LONG VERSION (with PS12/PS20)
Height:	5.25 in. (13.33 cm)	5.25 in. (13.33 cm)
Width:	19.0 in. (48.26 cm)	19.0 in. (48.26 cm)
Depth:	11.0 in. (27.94 cm)	16.0 in. (40.64 cm)

WEIGHT

With PS20 Supply: 31 lbs.
 With PS6/PS12 Supply: 45 lbs.

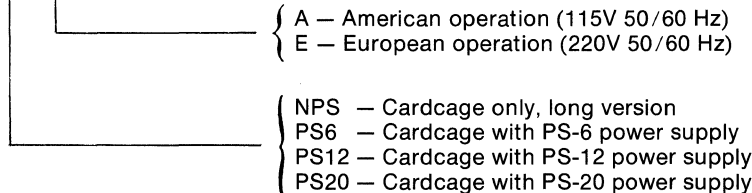
ELECTRICAL CHARACTERISTICS

AC Input: 115/230V 47-440 Hz
 DC Output:

PS6 POWER SUPPLY	PS12 POWER SUPPLY	PS20 POWER SUPPLY
+ 5V @ 6A	+ 5V @ 12A	+ 5V @ 25A
- 12V @ 1.5A	- 12V @ 3.4A	- 12V @ 4A
+ 12V @ 1.5A	+ 12V @ 3.4A	+ 12V @ 4A

ORDERING INFORMATION

CCB-7-XXXX-X



SUPPORT PRODUCTS

SYS-1 : 19" rack mount cabinet for CCB-7-PS6
 SYS-2 : 19" rack mount cabinet for CCB-7 (all models except PS6)

Matrox Electronic Systems Ltd reserves the right to make changes in specifications at any time and without notice. The information furnished by Matrox Electronic Systems Ltd in this publication is believed to be accurate and reliable. However, no responsibility is assumed by Matrox Electronic Systems Ltd for its use; nor for any infringements of patents or other rights of third parties resulting from its use. No license is granted under any patents or patent rights of Matrox Electronic Systems Ltd.





matrox
electronic systems Ltd.

5800 ANDOVER AVE., T.M.R., QUE., H4T 1H4, CANADA
TEL.: 514-735-1182 TELEX: 05-825651

KB-100

LOW PROFILE GRAPHICS KEYBOARD

- 101 Keys
- Illuminated Shift Lock and Caps Lock keys
- 18 user functions keys
- Numeric keypad
- Sculptured typing area
- RS-423 serial interface
- Detachable coiled cord
- 8 programmable LED indicator lamps
- Audible bell
- Works with CCB-4 desktop chassis
- N-key rollover
- Stylish appearance
- UL, CSA approved

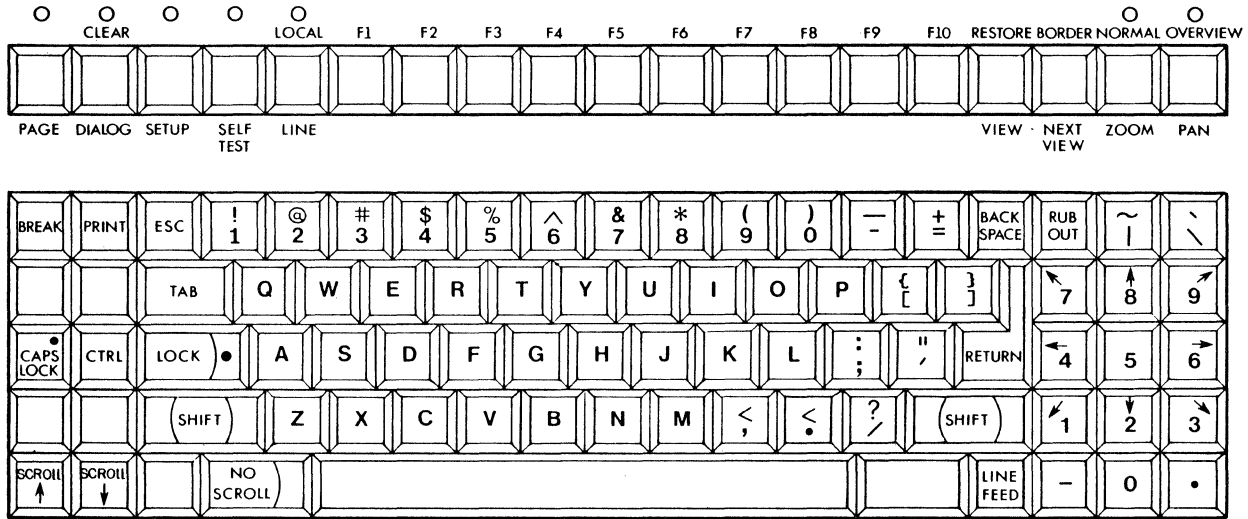
The KB-100 is a serial keyboard designed to be used as an operator interface to graphics and alphanumeric terminals. The KB-100's "silent typing" feature, together with its attractive styling, make the keyboard ideal for office environments. A sculptured typing area promotes operator comfort, thus increasing data entry efficiency. N-key rollover circuitry is built into the keyboard, eliminating the possibility of missing a character during high-speed typing.

The KB-100 features an auxiliary keypad which can be used for high speed numeric data entry, graphics cursor control, or other special graphics functions. Also included are 18 user definable function keys which enable the user to customize his terminal functions.



SPECIFICATIONS

KEYBOARD LAYOUT



CONNECTIONS

PIN	FUNCTION
1	Ground
2	+5V
3	-12V
4	RxD (Keyboard output)
5	TxC
6	TxD

MATING CONNECTOR

Berg #66011-002

BAUD RATE

1200/2400/4800/9600 baud (switch selectable)

POWER REQUIREMENTS

+5V DC 500mA
-12V DC 15mA

DIMENSIONS

WIDTH: 19.0 in. (48.2 cm)
HEIGHT: 3.9 in. (9.9 cm)
DEPTH: 10.0 in. (25.4 cm)

ORDERING INFORMATION

KB-100

Serial keyboard with 8 LED indicator lamps and sonalert

Matrox Electronic Systems Ltd reserves the right to make changes in specifications at any time and without notice. The information furnished by Matrox Electronic Systems Ltd in this publication is believed to be accurate and reliable. However, no responsibility is assumed by Matrox Electronic Systems Ltd for its use; nor for any infringements of patents or other rights of third parties resulting from its use. No license is granted under any patents or patent rights of Matrox Electronic Systems Ltd.





matrox
electronic systems Ltd.

5800 ANDOVER AVE., T.M.R., QUE., H4T 1H4, CANADA
TEL.: 514-735-1182 TELEX: 05-825651

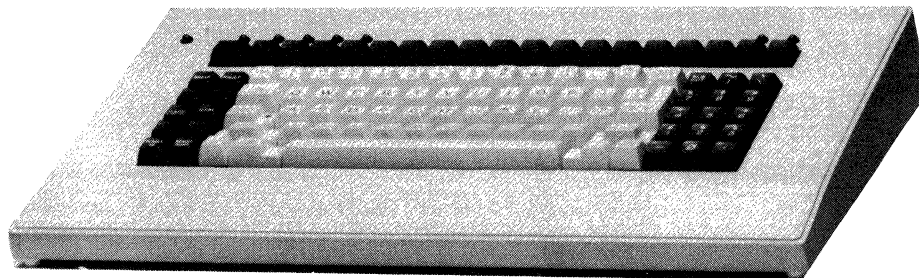
KB-300

PARALLEL OUTPUT SYSTEM KEYBOARD

- 101 keys
- Illuminated Shift Lock and Caps Lock keys
- 18 user function keys
- Numeric keypad
- Sculptured typing area
- Parallel interface
- Works with CTM-300/R
- N-Key rollover
- Stylish appearance
- UL, CSA approved

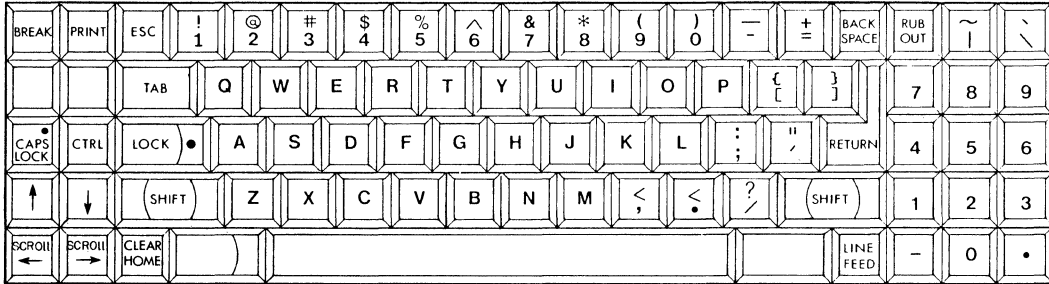
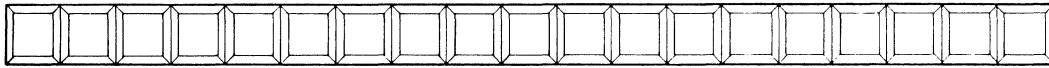
The KB-300 is a parallel keyboard designed to be used as an operator interface to graphics and alphanumeric terminals. The KB-300's "silent typing" feature, together with its attractive styling, make the keyboard ideal for office environments. A sculptured typing area promotes operator comfort, thus increasing data entry efficiency. N-key rollover circuitry is built into the keyboard eliminating the possibility of missing a character during high speed typing.

The KB-300 features a separate numeric keypad, and a row of 18 user-definable function keys.



SPECIFICATIONS

KEYBOARD LAYOUT



CONNECTIONS

PIN	FUNCTION	PIN	FUNCTION
1	Ground	14	Data Bit 6
2	Data Bit 0	15	Ground
3	Ground	16	Strobe
4	Data Bit 1	17	Ground
5	Ground	18	Strobe/
6	Data Bit 2	19	Ground
7	Ground	20	Data Bit 7
8	Data Bit 3	21	Not Used
9	Ground	22	+ 5V
10	Data Bit 4	23	Ground
11	Ground	24	+ 5V
12	Data Bit 5	25	Ground
13	Ground	26	Not Used

MATING CONNECTOR

26-pin connector (Molex 15-25-4264 or equivalent)

POWER REQUIREMENTS

+ 5V @ 160mA

DIMENSIONS

Width: 19.0 in. (48.2 cm)
 Height: 2.4 in. (6.0 cm)
 Depth: 10.0 in. (25.4 cm)

ORDERING INFORMATION

KB-300 Parallel keyboard

Matrox Electronic Systems Ltd reserves the right to make changes in specifications at any time and without notice. The information furnished by Matrox Electronic Systems Ltd in this publication is believed to be accurate and reliable. However, no responsibility is assumed by Matrox Electronic Systems Ltd for its use; nor for any infringements of patents or other rights of third parties resulting from its use. No license is granted under any patents or patent rights of Matrox Electronic Systems Ltd.





matrox
electronic systems Ltd.

5800 ANDOVER AVE., T.M.R., QUE., H4T 1H4, CANADA
TEL.: 514-735-1182 TELEX: 05-825651

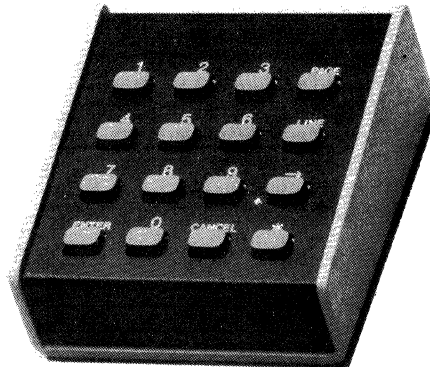
KB-16

DTMF KEYBOARD

- 16 keys
- Rugged metal case
- Low power requirements
- Attractive styling
- DTMF encoded output
- Double key lockout protection
- Compatible with Matrox MSBC-QV3

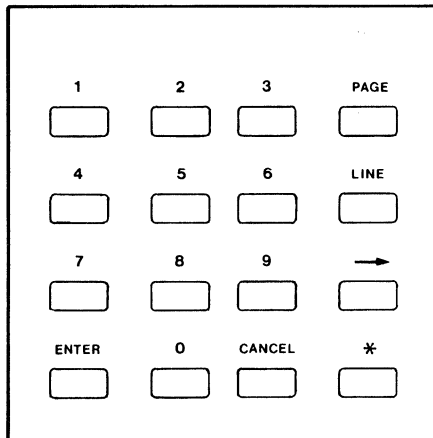
The KB-16 is a DTMF (Dual Tone Multi Frequency) keyboard designed to be used as a remote operator interface for graphics and computer systems. The KB-16 can be located several hundred feet away from the computer system.

The KB-16 is housed in a small attractive case, which fits well into an office environment. The keyboard can be interfaced to the Matrox MSBC-QV3 Multibus quad display controller which supports DTMF decoders for up to four keyboards.



SPECIFICATIONS

KEYBOARD LAYOUT



CONNECTIONS

PIN	FUNCTION
1	Vcc (Modulated)
2	GND
3	Shield

MATING CONNECTOR

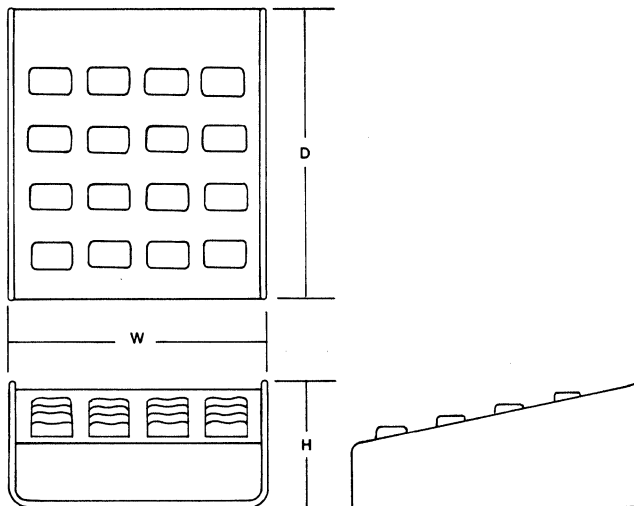
SMR-03V-B

POWER REQUIREMENTS

+ 5V @ 5mA

DIMENSIONS

WIDTH: 3.78 in. (9.6 cm)
 HEIGHT: 1.70 in. (4.3 cm)
 DEPTH: 4.09 in. (10.4 cm)



ORDERING INFORMATION

KB-16

DTMF Keyboard

Matrox Electronic Systems Ltd reserves the right to make changes in specifications at any time and without notice. The information furnished by Matrox Electronic Systems Ltd in this publication is believed to be accurate and reliable. However, no responsibility is assumed by Matrox Electronic Systems Ltd for its use; nor for any infringements of patents or other rights of third parties resulting from its use. No license is granted under any patents or patent rights of Matrox Electronic Systems Ltd.





matrox
electronic systems Ltd.

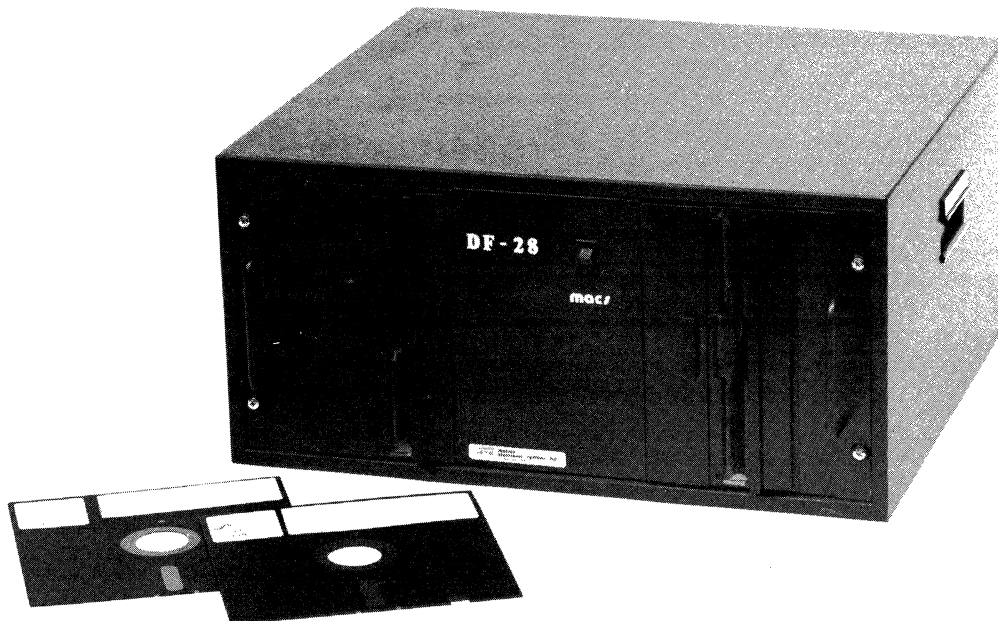
5800 ANDOVER AVE., T.M.R., QUE., H4T 1H4, CANADA
TEL.: 514-735-1182 TELEX: 05-825651

DF-28

DUAL 8" FLOPPY DISK DRIVES

- Dual 8" drive system
- Shugart SA-800 or equivalent
- Single/double density
- Power supply included 50/60 Hz, 115/220V
- Standard EIA 19" mounting
- Modular, available with/without enclosure
- Works with FFD-1 controller

The DF-28 is a dual 8" floppy drive unit with power supply. The drives are compatible with the Matrox FFD-1 floppy disk controller card. The modular system is supplied with chassis only to facilitate easy mounting in a 19" rack, or it can be supplied as a stand-alone desk top unit. A single 50 pin ribbon cable connects both drives to the FFD-1. The DF-28 is available in either American or European power supply versions.



SPECIFICATIONS

	SINGLE DENSITY	DOUBLE DENSITY
CAPACITY		
Unformatted		
per disk:	3.2 megabits	6.4 megabits
per track:	41.7 kilobits	83.4 kilobits.
IBM Format		
per disk:	2.0 megabits	4.4 megabits
per track:	26.6 kilobits	45.2 kilobits
TRANSFER RATE		
	250 kilobits/sec.	500 kilobits/sec.
LATENCY (AVERAGE)		
	83 ms	83 ms
ACCESS TIME		
Track to Track:	8 ms	8 ms
Average:	260 ms	260 ms
Settling Time:	8 ms	8 ms
HEAD LOAD TIME		
	35 ms	35 ms
ROTATIONAL SPEED		
	360 rpm	360 rpm
RECORDING DENSITY		
(inside track)	3200 bpi	.6400 bpi
FLUX DENSITY		
	6400 fci	6400 fci
TRACK DENSITY		
	48 tpi	48 tpi
ENCODING METHOD		
	FM	MFM/M ₂ FM
SIZE		
Width:	19.0 in. (48.26 cm)	
Height:	9.7 in. (24.64 cm)	
Depth:	16.0 in. (40.64 cm)	
POWER REQUIREMENTS		
American:	115V/60 Hz, 150W	
European:	220V/50 Hz, 150W	
ENVIRONMENTAL REQUIREMENTS		
Ambient Temperature:	40° to 115°F (4.4° to 46.1°C)	
Relative Humidity:	20% to 80%	
ORDERING INFORMATION		
DF-28-S-X		
	{ A — American operation (115V 60 Hz) { E — European operation (220V 50 Hz)	
SUPPORT PRODUCTS		
SYS-4 :	19" rack mount cabinet	
RKM-1 :	Rack mount slide kit	

Matrox Electronic Systems Ltd reserves the right to make changes in specifications at any time and without notice. The information furnished by Matrox Electronic Systems Ltd in this publication is believed to be accurate and reliable. However, no responsibility is assumed by Matrox Electronic Systems Ltd for its use; nor for any infringements of patents or other rights of third parties resulting from its use. No license is granted under any patents or patent rights of Matrox Electronic Systems Ltd.





matrox
electronic systems Ltd.

5800 ANDOVER AVE., T.M.R., QUE., H4T 1H4, CANADA
TEL.: 514-735-1182 TELEX: 05-825651

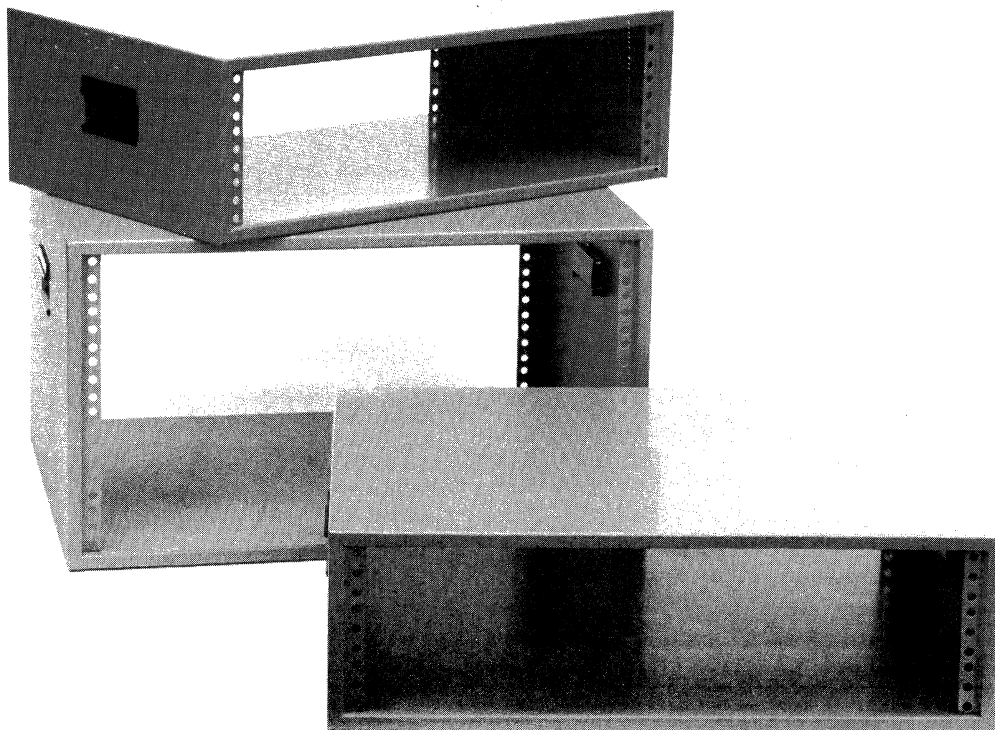
SYS-CAB

SYSTEM CABINETS

Matrox offers standard desk top enclosures for the microcomputer system designer. These modular cabinets are constructed from 18 gauge CR steel adhering to an EIA standard rack width of 19". They feature recessed side lifting grips and a flat raised bottom with rubber feet. The cabinets are painted a textured semi-gloss blue (Gulf) and all mounting hardware is included.

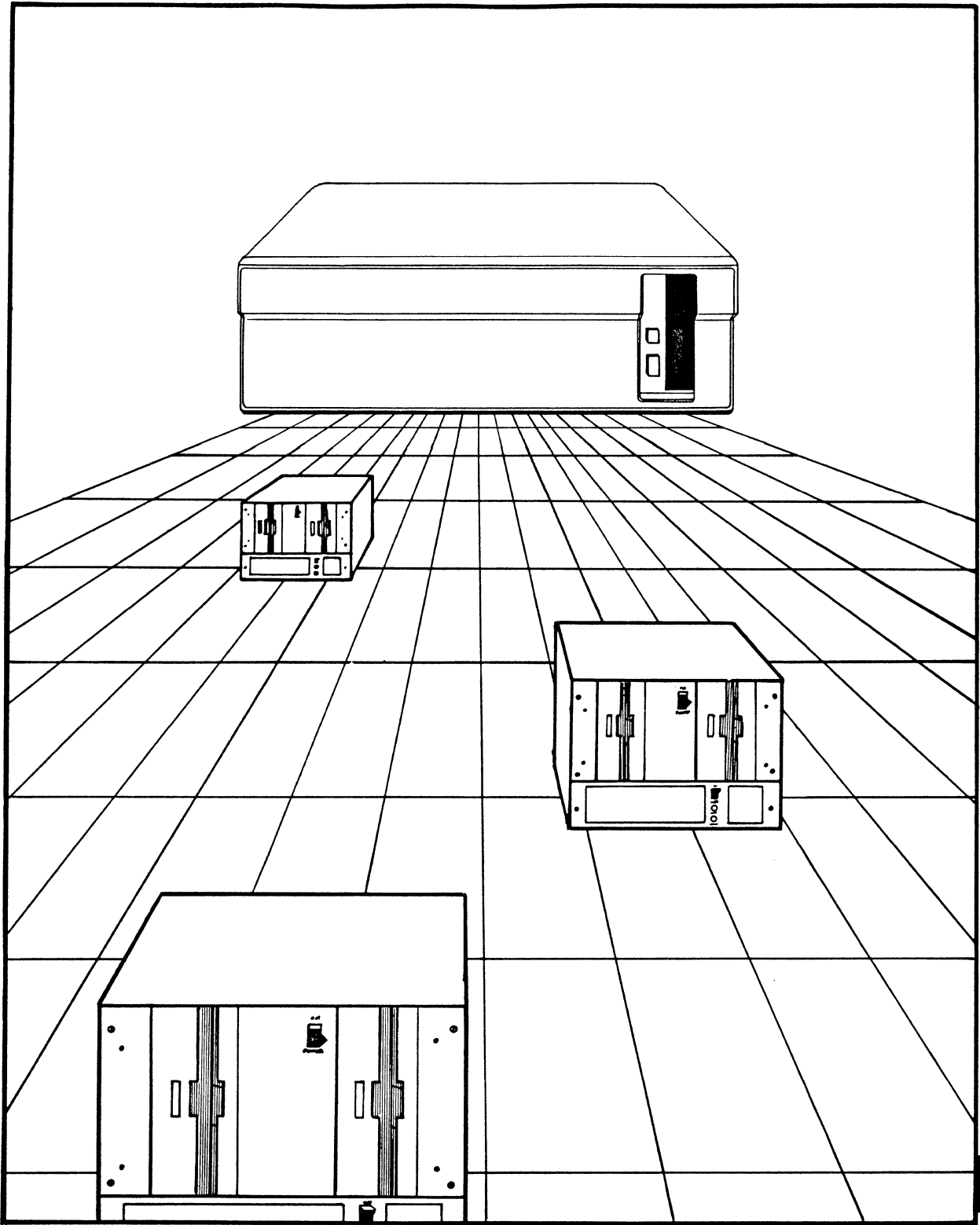
ORDERING INFORMATION

NO.	DESCRIPTION	SIZE (IN.)		
		W	H	D
SYS-1	Houses one CCB7/PS-6 cardcage	19	6.25	13
SYS-2	Houses one CCB7/PS-12; PS-20 cardcage	19	6.25	17
SYS-3	Houses two CCB7/PS-12; PS-20 cardcages	19	11.5	17
SYS-4	Houses dual 8" floppy disk drives and power supply	19	9.7	17
SYS-5	Houses one CCB7/PS-12 cardcage and dual 8" floppy disk drives with power supply	19	15	17



Matrox Electronic Systems Ltd reserves the right to make changes in specifications at any time and without notice. The information furnished by Matrox Electronic Systems Ltd in this publication is believed to be accurate and reliable. However, no responsibility is assumed by Matrox Electronic Systems Ltd for its use; nor for any infringements of patents or other rights of third parties resulting from its use. No license is granted under any patents or patent rights of Matrox Electronic Systems Ltd.





OEM COMPUTER SYSTEMS

SECTION 14 OEM COMPUTER SYSTEMS

MACS-86 **14-3**
8086 Based Multibus OEM Computer System with CP/M-86 DOS

MACS-10 **14-7**
Z-80 Based Multibus Computer System



matrox
electronic systems Ltd.

5800 ANDOVER AVE., T.M.R., QUE., H4T 1H4, CANADA
TEL.: 514-735-1182 TELEX: 05-825651

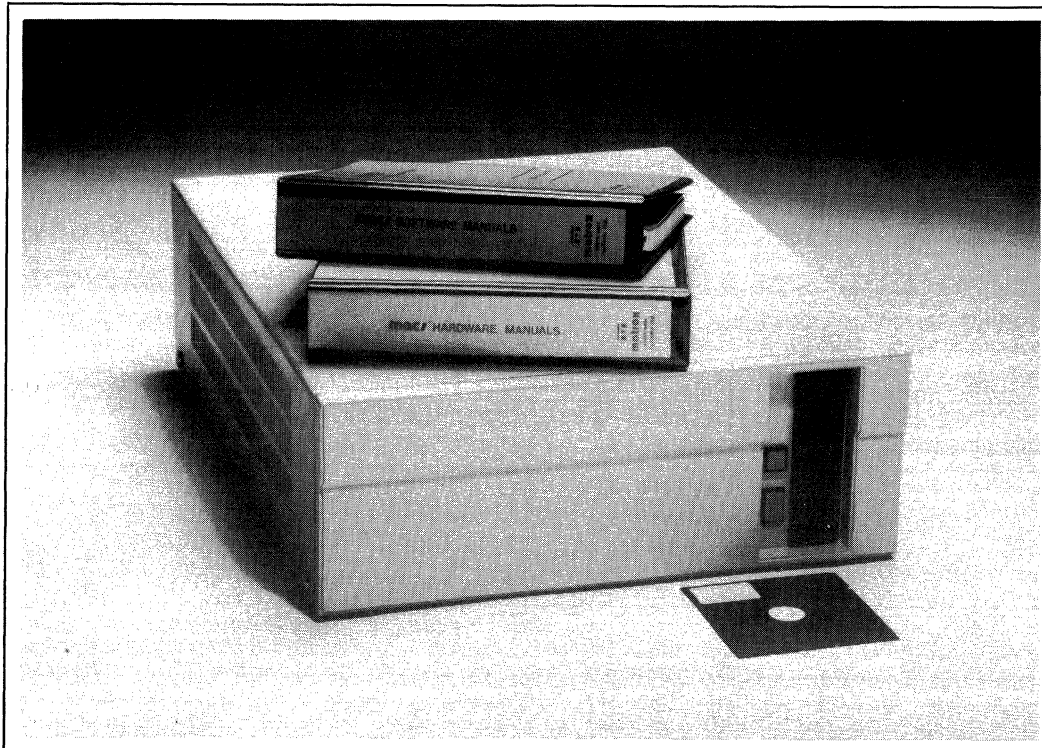
MACS-86

8086 BASED MULTIBUS OEM COMPUTER SYSTEM WITH CP/M-86 DOS

- 8086 10 MHz CPU board
- 640K bytes system RAM
- 1MB floppy disk
- 20MB Winchester disk
- 9-slot card cage with power supply
- Desktop or rackmount chassis
- Equivalent to Intel system 86/330
- CP/M-86 or Concurrent CP/M-86 operating system
- Multibus architecture
- RS-232C terminal interface
- Parallel interface for printer
- 115/230 volt, 50/60 Hz operation
- 2 hour battery back-up for RAM
- Automatic power failure recovery

The MACS-86 is a versatile OEM microcomputer system based on the industry standard 8086 CPU and CP/M-86 operating system. The system contains 640K bytes of dynamic RAM memory, a 1M byte 5¼" floppy disk drive, and a 20M byte hard disk drive. The complete electronics are contained on three Multibus boards, leaving six slots available for user expansion.

Interfaces are included for a video terminal and a line printer.



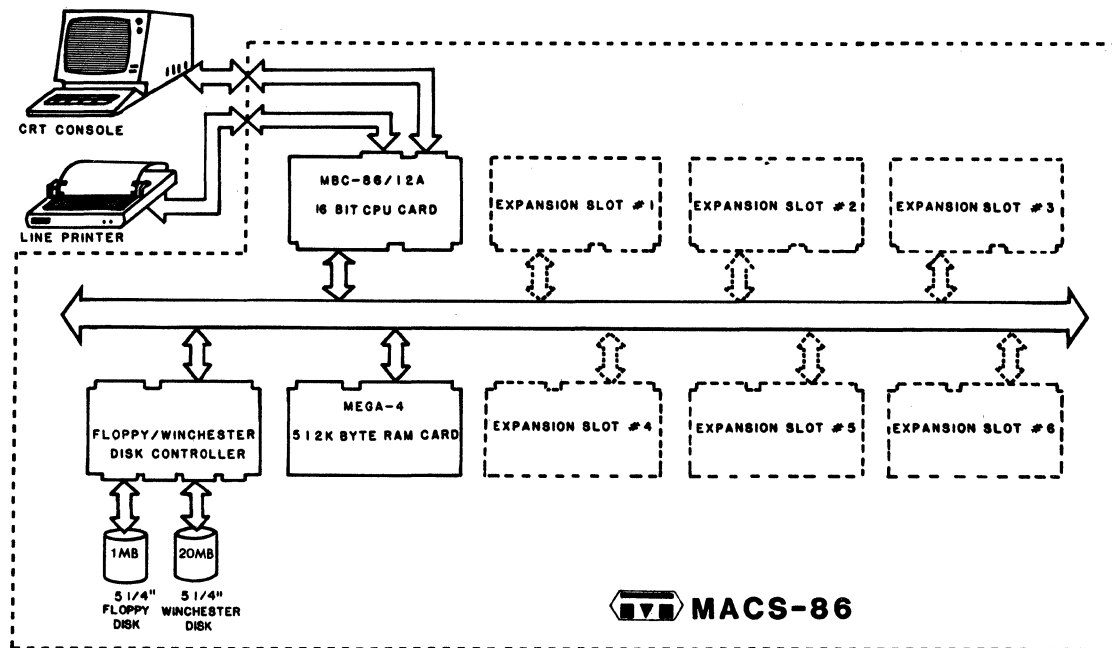


Figure 1. MACS-86 block diagram

FUNCTIONAL DESCRIPTION

The MACS-86 is a powerful 16-bit OEM microcomputer system, based on the 10 MHz 8086 CPU, which runs under the industry standard CP/M-86 operating system. Housed within the system cabinet (rackmount or attractive desktop versions are available) are the CPU board, a combined Winchester/Floppy disk controller, and a 512K byte RAM memory board (figure 1). Also included in the MACS-86 are a 1M byte floppy disk drive and a 19M byte Winchester drive.

CENTRAL PROCESSING UNIT

At the heart of the MACS-86 microcomputer system is the Matrox MBC-86/12A CPU board. Based on the industry standard 8 MHz 8086 16-bit central processing unit, the MBC-86/12A supplies the MACS-86 with high speed, high performance processing capabilities. Standard on-board features of the MBC-86/12A include an 8-level programmable interrupt controller, two programmable counter/timers, RAM, ROM, parallel and serial interfaces, two iSBX connectors for I/O expansion, and an 8087 coprocessor socket.

On-Board Memory — The MBC-86/12A contains 128K bytes of on-board dynamic RAM memory which is dual ported to permit read/write accesses from either the on-board 8086 or an external processor via the Multibus. The MBC-86/12A's on-board processor has priority over Multibus requests for access to the on-board RAM and can also "protect" any or all of this memory, from Multibus access, in 16K byte segments.

SYSTEM MEMORY

Besides the 128K bytes of RAM on the MBC-86/12A CPU board, the MACS-86 contains a memory board (MEGA-4) which provides an additional 512K bytes of read/write system memory. The MEGA-4 features an on-board Memory Management Unit (MMU) which divides the 512K bytes of MEGA-4 memory into 8K byte blocks, and maps each of these blocks into an 8K byte block of system address space (figure 2). The Memory Management Unit also enables the user to define each 8K byte block of memory as read/write protected, read only, write only, or read/write. The user can change the memory mapping or read/write definition for any or all of the 8K byte memory blocks by simply writing to a pair of I/O registers.

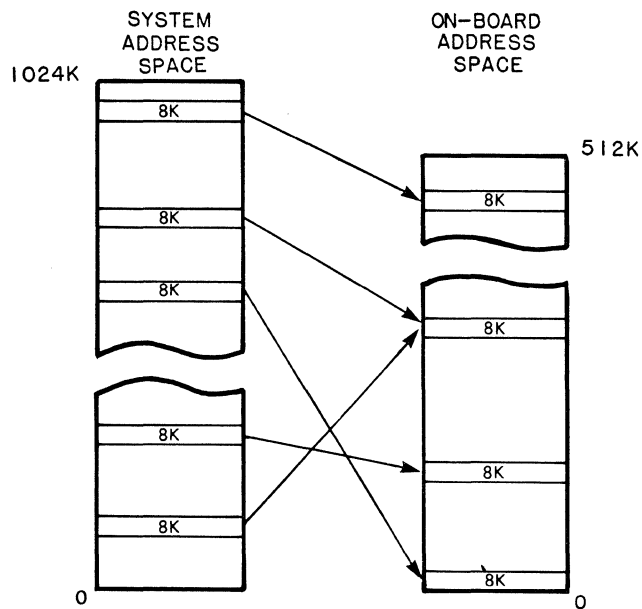


Figure 2. Memory Management Unit

The MEGA-4 has on-board parity generation and checking, which ensures the validity of data transfers from the memory board. On parity error (the MEGA-4 uses an odd parity scheme), an interrupt is issued.

BATTERY BACK-UP

The contents of the MACS-86 system RAM memory (MEGA-4 and MBC-86/12A) are protected against power interruptions by a 6V, 2.6 A.H. back-up battery. If the input AC line voltage drops below a low level voltage level (105V for American systems and 210V for European systems) for more than 11 msec., the Power Fail Detect circuitry informs the 8086 CPU of an impending power failure and activates the back-up supply. The back-up battery power is maintained, during normal operations, by an integral trickle charger.

Power Fail Recovery — The MACS-86 has an automatic power-fail recovery feature usually found only in mainframe and supermini computers. When an advanced power fail detect interrupt occurs, the CPU saves all internal register contents and activates a back-up supply for RAM. When line power is restored, the CPU will reinitialize all registers and continue at the point of power interruption.

DISK CONTROLLER

A mass storage controller board is supplied with the MACS-86 to provide high speed DMA transfers between the system bus and the integral mass storage devices. A pipelined hardware architecture permits high data throughput and an on-board dual-ported 4K byte RAM buffer allows a full track of data to be read in one disk rotation. A proprietary error correction chip is incorporated on the disk controller board which can generate both Winchester ECC and CRC codes for the floppy disk. When disk data is read, this error correction chip will detect error bursts of up to 22 bits in length and will correct up to 11 bits. If "hard errors" are detected on a disk track (attempts to re-read data fails to produce correct data), an alternate track address is written on the bad track's ID sector header. This alternate track address acts as a pointer to an alternative track during all subsequent disk operations. The controller automatically seeks an alternate track whenever a bad track is encountered. The disk controller is capable of controlling two 5¼" Winchester drives (ST506 or equivalent) and two 5¼" floppy disk drives (SA460 or equivalent).

DISK DRIVES

The MACS-86 incorporates a 5¼" floppy disk drive and a 5¼" Winchester disk drive providing a total of 20M bytes of formatted mass memory storage. The Winchester drive supplies 19.14M bytes of mass storage on three double sided/double density platters. The drive has an average access time of 72 msec. and a transfer rate of 5.0M bits/second. The floppy disk drive is a 1.0M byte double sided/double density unit which has an average access time of 94 msec. and a data transfer rate of 250K bits/second. This drive can be used for both data storage and system back-up.

CONSOLE INTERFACE

The MACS-86, as supplied, supports a serial interface for a standard ASCII CRT console device. This port is wired as a data set modem and supports TxD, RxD, CTS, DTR, and DSR lines compatible with the EIA-RS-232C serial interface specification. The console interface is implemented using a programmable communications controller on the MBC-86/12A board, which is initialized by a ROM monitor program (see MON-86/12). The serial interface is accessed via a standard DB-25 connector located on the back panel of the system chassis.

PRINTER INTERFACE

The parallel port on the MBC-86/12A CPU board is initialized, by the CP/M-86 operating system, as an interface to any Centronics compatible printer. A negative going software strobe is used to transfer data to the printer when the BUSY line is low. A edge connector and wiring harness connect printer data from the MBC-86/12A to a DB-25 connector on the back panel of the system chassis.

SOFTWARE

The MACS-86 is supplied with a comprehensive software package which includes the industry standard CP/M-86 Operating System, a ROM-based monitor program for the MBC-86/12A CPU board (MON-86/12), and diagnostics routines for system debugging (TESTMACS-86).

CP/M-86 — The powerful CP/M-86 Operating System, supplied with the MACS-86, contains all of the facilities of the popular CP/M 8-bit Operating System with additional features to

account for increased processor address space of up to one megabyte of main memory. CP/M-86 also takes advantage of the static relocation capabilities inherent in the 8086 processor. Concurrent CP/M-86 is also available as an option with the MACS-86 system.

The MACS-86 CP/M-86 Operating System is supported by a number of utility programs such as ED, PIP, STAT, FORMAT, and SUBMIT which operate in the same way as the equivalent routines under CP/M. Also, ASM-86 allows assembly language programming and development for the 8086 and DDT-86 provides debugging of 8086 machine code.

MON-86/12 — The MBC-86/12A CPU board contains an on-board ROM-based monitor program. On reset, the MON-86/12 monitor is used to determine and match the baud rate of the console device, to establish serial communications. Succeeding this, MON-86/12 will then either boot CP/M-86 (if a formatted disk is present in drive A) or display the prompt character "." on the console device and wait for a command to be typed. MON-86/12 supports an 18 instruction command set which permits the user to perform such functions as: Compare two memory blocks, Display the contents of a memory block, Find a match in a memory block, Execute a program, Examine and modify registers, and Input or output data from/to an I/O port. MON-86/12 also provides the power fail recovery service routines.

TESTMACS-86 — TESTMACS-86 is a diagnostics program designed to isolate problems in the MACS-86. It allows the user to test the disk subsystems, the system RAM, the printer port interface, and the console interface. If a problem is encountered by the disk or memory tests, an error message will be displayed. TESTMACS-86 also keeps two sets of tables for recording errors. The user can display these tables at any time.

BUS COMPATIBILITY

The Matrox MACS-86 implements the industry standard Multibus (IEEE-796). The Multibus enables several bus masters, such as CPU and DMA devices, to share the bus and memory by operating at different priority levels. MACS-86 supports two modes of priority arbitration; serial and parallel. As supplied, the MACS-86 uses parallel priority arbitration with a fixed priority scheme which assigns the top card slot as priority level #1, slot #2 as priority level #2, slot #3 as priority level #3, ... , and slot #9 as priority level #9. The priority schedule can be changed by the user via a set of hardware straps.

SYSTEM EXPANSION

The MACS-86 system chassis (CCB-9) contains 9 slots of which only three are used in the basic system configuration. The other six slots are available for adding on additional boards for increased versatility. Matrox supports a full line of alphanumeric and graphic video boards that can be incorporated into the MACS-86 to add computer generated display capabilities. Additional system memory can be added to the MACS-86 by plugging in more Matrox MEGA-4 memory boards for up to 2M bytes of RAM.

The I/O capabilities of the CPU board can be expanded via the two iSBX Multimodule sockets. Matrox supports a number of Multimodules including a dual RS-232C/RS-423 serial interface module (MSBX-423), an RS-232C/RS-422 serial interface (MSBX-422), and a high resolution color graphics CRT controller module (MSBX-800), which fit in these sockets. A numerical coprocessor (8087) can be plugged into the MBC-86/12A CPU's coprocessor socket to add floating point capabilities.

A large variety of CP/M-86 software packages are current available. High level languages include; FORTRAN, COBOL, BASIC, PASCAL, and C. Moreover, numerous applications packages are available from a variety of sources. Matrox supports a number of software packages designed to work with the Matrox video boards.

SPECIFICATIONS

HOST PROCESSOR (MBC-86/12A)

CPU	8086, 10 MHz	CYCLE TIME	250ns (min.)
WORD SIZE — instructions	8, 16, 24, 32 bits	ON-BOARD MEMORY — RAM	128K bytes
— data	8, 16 bits	— ROM	4K bytes (MON-86/12 monitor)
— address	20 bits		sockets for up to 32K bytes

MEMORY BOARD (MEGA-4)

WORD SIZE	8, 16 bits
CYCLE TIME	725ns
ON-BOARD MEMORY	512K bytes

DISK CONTROLLER (DSD-5215)

DISK FORMAT

	FLOPPY DISK			WINCHESTER			
	bytes/sector	512	1024	128	256	512	1024
sectors/track	16	8	4	54	31	17	9

DISK STORAGE

	FLOPPY DISK		WINCHESTER	
	Unformatted	Formatted	Unformatted	Formatted
CAPACITY	per disk	per disk	per disk	per disk
	per surface	per surface	per surface	per surface
	per track	per track	per track	per track
	1.0M bytes	655.4K bytes	20.0M bytes	17.7M bytes
	500K bytes	327.7K bytes	5.0M bytes	4.4M bytes
	6250 bytes	4096 bytes	10416 bytes	9.2K bytes

SOFTWARE

MON-86/12	— media	ROM	TESTMACS-86 — media
	— function	MBC-86/12A monitor	— function
CP/M-86	— media	double density diskette	double density diskette
	— function	disk operating system	system diagnostics program

BUS COMPATIBILITY

All control, address, and data lines conform to Multibus (IEEE-796) specifications.

ADDRESSING

	MEMORY	I/O
MBC-86/12A RAM	00000H — 1FFFFH	00C0H — 00FFH
MEGA-4 RAM	20000H — 9FFFFH	0078H — 0079H
MON-86/12 ROM	FF000H — FFFFFH	00B0H

SIZE

Width:	19.0 in. (48.26 cm)	Depth:	23.2 in. (58.42 cm)
Height:	7.0 in. (17.78 cm)	Weight:	60.0 lb. (27.27 kg)

POWER REQUIREMENTS

115V/60 Hz @ 120W
220V/50 Hz @ 120W

POWER SUPPLIES AVAILABLE FOR EXPANSION

SUPPLY	CURRENT DRAWN BY MACS-86	CURRENT AVAILABLE FOR EXPANSION
+ 5V	10.7A	29.3A
+ 12V	825mA	2.57A
- 12V	90mA	3.31A

ENVIRONMENTAL REQUIREMENTS

Operating Temperature:	0°C — 50°C (dual fans included)
Relative Humidity:	95% non-condensing

ORDERING INFORMATION

MACS-86/X/XX 16-bit OEM microcomputer (specify CP/M-86 or Concurrent CP/M-86 operating system)

- AS — American standard (60 Hz)
- ES — European standard (50 Hz)
- R — Rackmount chassis
- D — Desktop chassis

Matrox Electronic Systems Ltd reserves the right to make changes in specifications at any time and without notice. The information furnished by Matrox Electronic Systems Ltd in this publication is believed to be accurate and reliable. However, no responsibility is assumed by Matrox Electronic Systems Ltd for its use; nor for any infringements of patents or other rights of third parties resulting from its use. No license is granted under any patents or patent rights of Matrox Electronic Systems Ltd.

Multibus, Multimodule Intel TM
CP/M-86 Digital Research TM





matrox
electronic systems Ltd.

5800 ANDOVER AVE., T.M.R., QUE., H4T 1H4, CANADA
TEL.: 514-735-1182 TELEX: 05-825651

MACS-10

Z-80 BASED MULTIBUS COMPUTER SYSTEM

- Z-80 based CPU board
- 64K RAM
- Floppy disk controller
- Dual 8" floppy disk drives
- 7 slot card cage with power supply
- CP/M 2.2 operating system
- Multibus architecture
- RS-232C terminal interface
- Parallel interface for printer
- 115/230 volt, 50/60 Hz operation

The MACS-10 is a powerful OEM computer system based on the Z-80 (4MHz) CPU. The hardware runs under the CP/M 2.2 disk operating system software. All hardware is contained on two Multibus cards (ZBC-80 and FFD-1). Five card slots are available for system expansion. The system contains 64K bytes of RAM as well as sockets for up to 40K bytes of ROM/EPROM. A 2K monitor program, dual 8" floppy disk drives with controller, and interfaces for a video terminal and line printer are also included.

Applications for the MACS-10 system range from software development systems to OEM computers as part of larger systems where modularity, low cost, and high performance are called for. Applications software, compatible with the industry standard CP/M operating system, is available from a wide range of vendors.



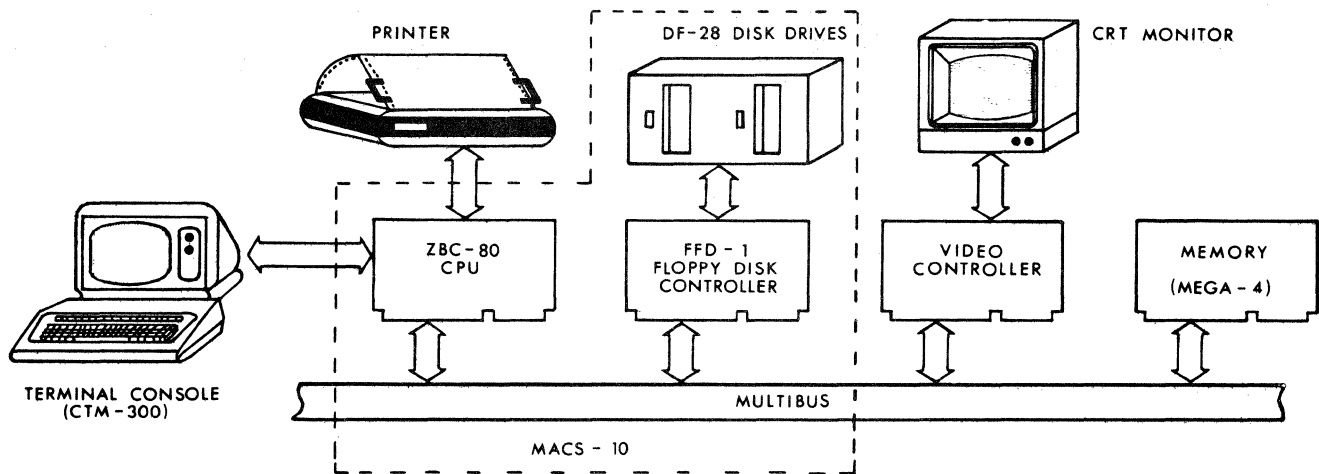


Figure 1. MACS-10 block diagram

CENTRAL PROCESSING UNIT

The MACS-10 is based on the Matrox ZBC-80 single board computer which utilizes a 4MHz Z-80A CPU. The ZBC-80 card contains an advanced chip set to provide a high throughput in a real-time processing environment. Using the ZBC-80, the MACS-10 boasts such features as user programmable interrupts, timers, and I/O interfaces. In addition an optional dedicated arithmetic co-processor chip can be plugged in to the ZBC-80 to provide efficient high-speed number crunching without tying up the resources of the master CPU.

The ZBC-80 contains 64K of on-board dynamic RAM. This on-board RAM does not require the insertion of wait states and thereby increases system throughput by as much as 20%. A 2K byte ROM monitor (MONTRAX), with CP/M bootstrap loader, is also supplied on-board the ZBC-80 and 4 sockets are provided for additional ROM/EPROM.

DISK CONTROLLER

A Floppy Disk Controller card (FFD-1) is supplied with the MACS-10 to provide a means of communication between the disk drives and the system bus. The FFD-1 utilizes a state of the art chip set which puts virtually all operational parameters under user software control. Recording formats can be programmed for IBM 3740 (FM) single density and IBM System 34 (MFM) double density. Non-standard sector lengths of 512 and 1024 bytes can also be used. A powerful command set is supported by the FFD-1 which includes single/multiple sector read and write.

DISK DRIVES

The MACS-10 incorporates the Matrox DF-28 which contains two 8" floppy disk drives. Each drive can be assigned to operate using either single or double density recording formats. The DF-28 provides the MACS-10 with up to 3.2 Megabytes (double sided/double density) of mass storage with a data transfer rate of 500 Kilobits per second. Furthermore, using the FFD-1, the MACS-10 is capable of supporting a second set of dual disk drives for up to 6.4 Megabytes of on-line storage.

CONSOLE INTERFACE

When shipped, the ZBC-80 is wired as a data set Modem that supports (among others) the TxD, RxD, CTS, DTR, and DSR lines of an RS-232C serial interface. The serial interface is implemented using a programmable communications interface (on the ZBC-80) that is initialized by the MONTRAX monitor and is accessed via a standard RS-232 connector on the back of the system chassis.

PRINTER INTERFACE

Two of the six ports of the ZBC-80's programmable peripheral interface are initialized by the BIOS to be a port to any Centronics compatible printer. A negative going software strobe is used to transfer data to the printer when the BUSY line is low. An edge connector and wiring harness connect printer data from the ZBC-80 to a miniature "D" connector on the back of the system chassis.

READER/PUNCH INTERFACE

The operating system software, CP/M 2.2, contains software to control a reader/punch. The user just must install some straps and make signal interconnections to complete the interface, if a reader/punch is to be used.

SOFTWARE

The MACS-10 is supplied with a comprehensive set of software, including the ZBC-80 monitor program (MONTRAX) and the CP/M 2.2 disk operating system. A system test program, TESTMACS, is also included.

MONTRAX is supplied as firmware on the ZBC-80 and it comes up when the system is reset. On reset MONTRAX will first attempt to determine and match the baud rate of the console device, to establish serial communications. Succeeding this, MONTRAX will then either boot CP/M (if there is a disk present in drive 0) or display the prompt character "." and wait for a command to be typed. MONTRAX supports a 22 instruction command set which permit the user to perform such functions as: Display contents of defined memory area, Fill defined memory area with a constant, Hex math, and Input data from a defined I/O port.

The MACS-10 computer is designed to run under the CP/M 2.2 disk operating system. CP/M is comprised of four sections or operational units; BIOS, BDOS, CCP, and TPA. Through these units CP/M provides a machine level interface with the floppy disk controller, the console, and the line printer. CP/M also provides a disk management system which can find and manipulate information stored on disk. The CCP section of CP/M together with the Transient Program Area (TPA) permit the user to enter and implement commands from the console device.

TESTMACS is a diagnostics program designed to isolate problems in the MACS-10. It allows the user to test the disk system, the RAM, the printer interface, and the console interface. If a problem is encountered by the disk or memory tests, an error message will be displayed. TESTMACS also keeps two sets of tables for recording errors. The user can display these tables at any time.

BUS COMPATIBILITY

The Matrox MACS-10 implements the industry standard Multibus. Multibus enables several bus masters, such as CPU and DMA devices, to share the bus and memory by operating at different priority levels. Resolution of bus exchanges is synchronized by the independently derived bus clock signal. Figure 2 shows how the MACS-10 memory and I/O maps are organized.

SYSTEM EXPANSION

The MACS-10 system chassis (CCB-7) contains 7 slots of which only two are used in the basic system configuration. The other five slots are available for adding on additional boards for increased versatility. Matrox supports a full line of alphanumeric and graphic video boards that can be incorporated into the MACS-10 to add computer generated display capabilities. Matrox also offers a 512K byte memory board (MEGA-4) which can be plugged into the MACS-10 system chassis for increased system memory.

A large variety of CP/M compatible software packages are currently available. High level languages include; FORTRAN-80, COBOL-80, BASIC-80, and PASCAL/MT. Moreover numerous applications packages and video graphics packages are available from Matrox and any other software manufacturers.

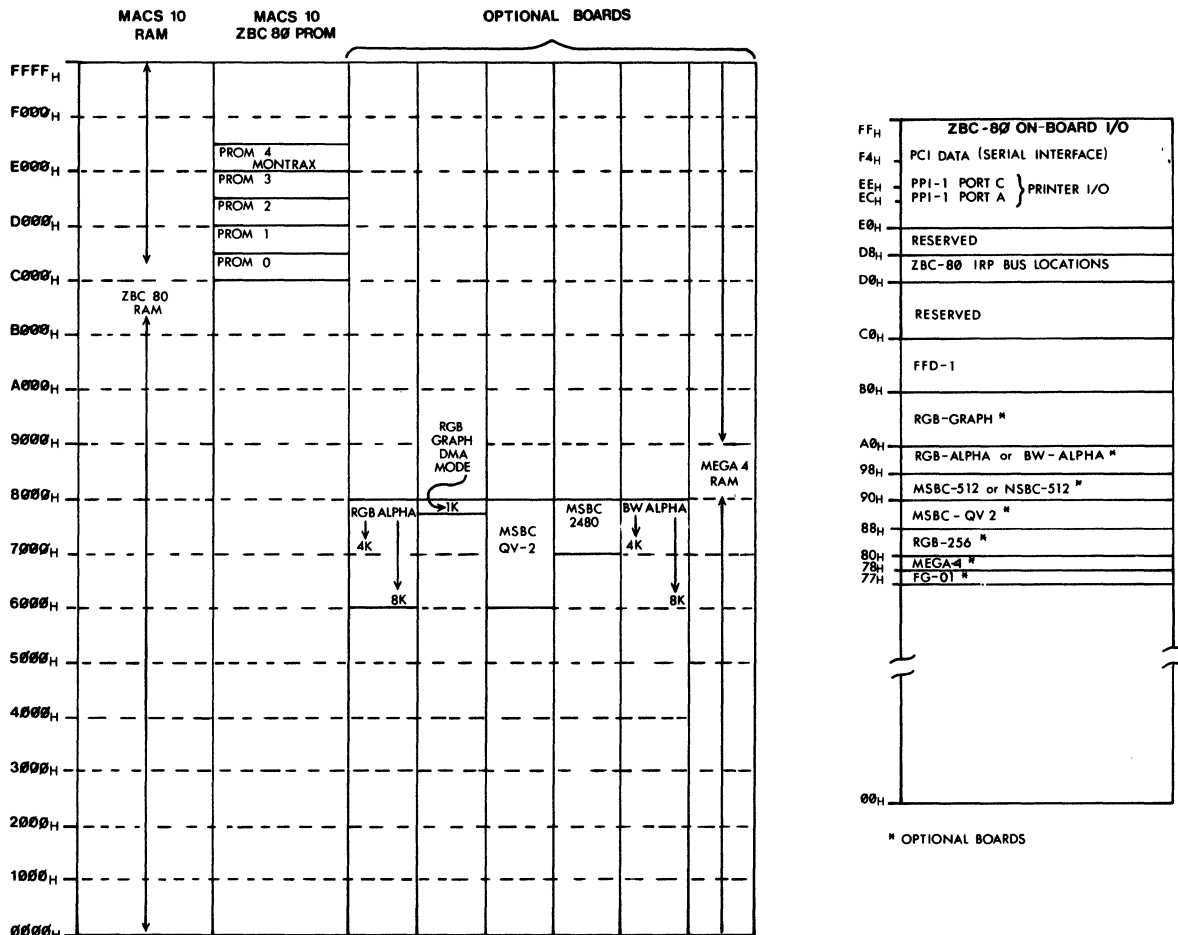


Figure 2. MACS-10 memory and I/O space distribution

SPECIFICATIONS

HOST PROCESSOR (ZBC-80)

CPU	Z-80A
WORD SIZE — instructions	8, 16, 4, 32 bits
— data	8 bits
— address	16 bits
CYCLE TIME	1000 ns (min.)
ON-BOARD MEMORY — RAM	64K bytes
— ROM	2K bytes (MONTRAX monitor)
	sockets for up to 40K bytes

DISK CONTROLLER (FFD-1)

DISK FORMAT

	SINGLE DENSITY (FM)			DOUBLE DENSITY (MFM)		
	IBM	NON-IBM		IBM	NON-IBM	
bytes/sector	128	256	512	128	512	1024
sectors/track	28	15	8	30	8	4
tracks/diskette	77			up to 225		
				256	128	512
				26	52	16
				77		
				up to 225		

DISK SYSTEM (DF-28)

CAPACITY

Unformatted

	SINGLE DENSITY	DOUBLE DENSITY
	3.2 megabits/disk	6.4 megabits/disk
	41.7 kilobits/track	83.4 kilobits/track
IBM format	2.0 megabits/disk	5.6 megabits/disk
	26.6 kilobits/track	73.7 kilobits/track

IBM format

TRANSFER RATE

250 kilobits/sec. 500 kilobits/sec.

ACCESS TIME

Track to track:	8 ms	8 ms
Settling time:	8 ms	8 ms
Average:	260 ms	260 ms

SOFTWARE

MONTRAX — media	ROM
— function	ZBC-80 monitor
CP/M 2.2 — media	double density diskette
— function	disk operating system
TESTMACS — media	double density diskette
— function	system diagnostics program

BUS COMPATIBILITY

All control, address and data lines conform to Inter Multibus specification no. 9800683

SIZE

Width:	20.00 in. (50.8 cm)
Height:	15.00 in. (38.1 cm)
Depth:	18.00 in. (45.7 cm)
Weight:	90.00 lb. (40.5 kg)

POWER REQUIREMENTS

115/230V AC 50/60 Hz

ENVIRONMENTAL REQUIREMENTS

Operating Temperature:	0°C — 50°C dual fans included
Relative Humidity:	95% non-condensing

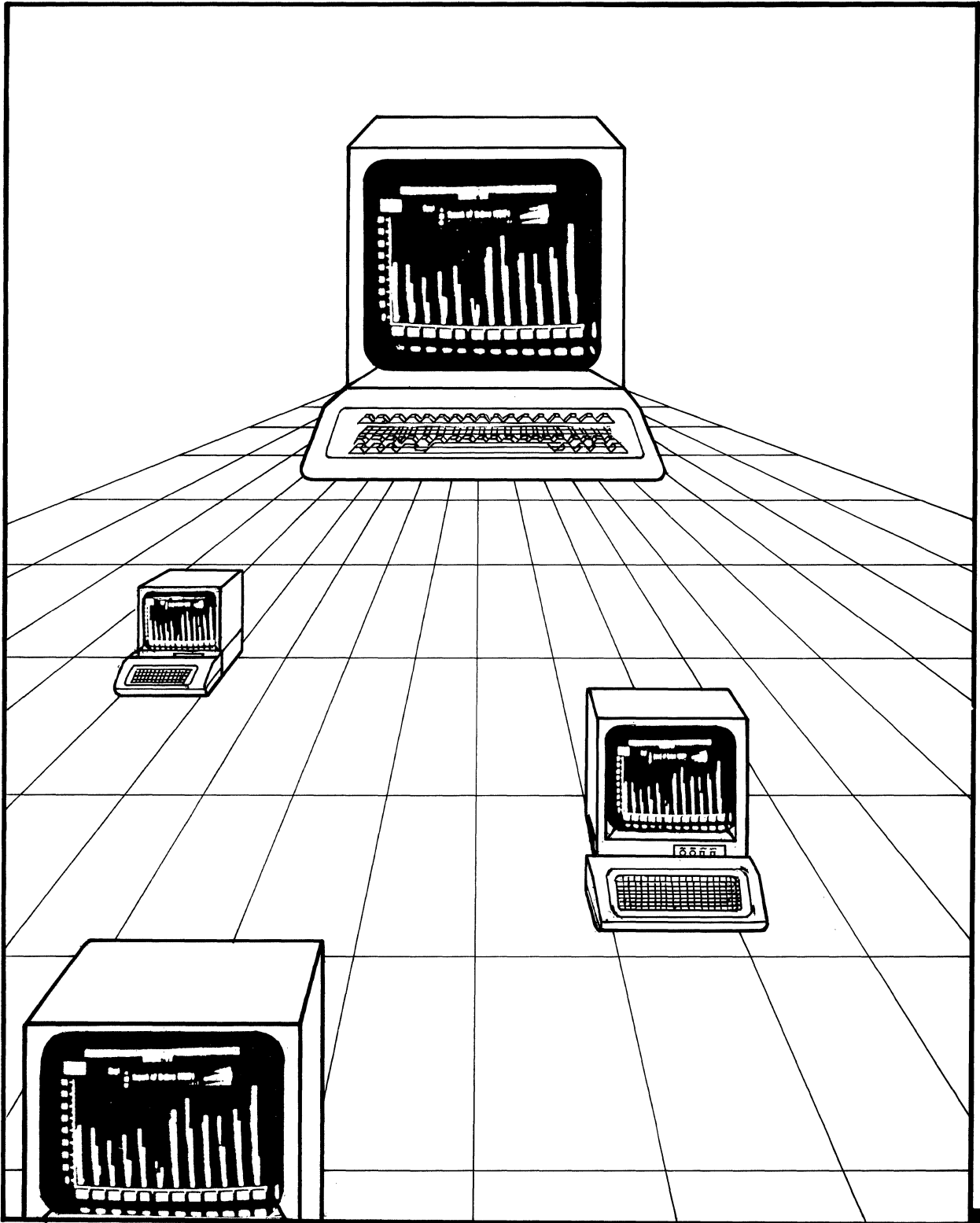
ORDERING INFORMATION

MACS-10/S/XX	OEM computer
	{ AS — American standard (60 Hz)
	{ ES — European standard (50 Hz)

Matrox Electronic Systems Ltd reserves the right to make changes in specifications at any time and without notice. The information furnished by Matrox Electronic Systems Ltd in this publication is believed to be accurate and reliable. However, no responsibility is assumed by Matrox Electronic Systems Ltd for its use; nor for any infringements of patents or other rights of third parties resulting from its use. No license is granted under any patents or patent rights of Matrox Electronic Systems Ltd.



Multibus	Intel TM
CP/M	Digital Research TM
Z-80, Z80A	Zilog TM



GRAPHICS TERMINALS

SECTION 15 GRAPHICS TERMINALS

GXT-1000 High Resolution Interactive Color Graphics Terminal	15-3
CTM-300 Intelligent Color Alphanumeric Terminal	15-15
CTM-300/R Rack-Mount Intelligent Color Alphanumeric Terminal	15-19



matrox
electronic systems ltd.

5800 ANDOVER AVE., T.M.R., QUE., H4T 1H4, CANADA
TEL.: 514-735-1182 TELEX: 05-825651

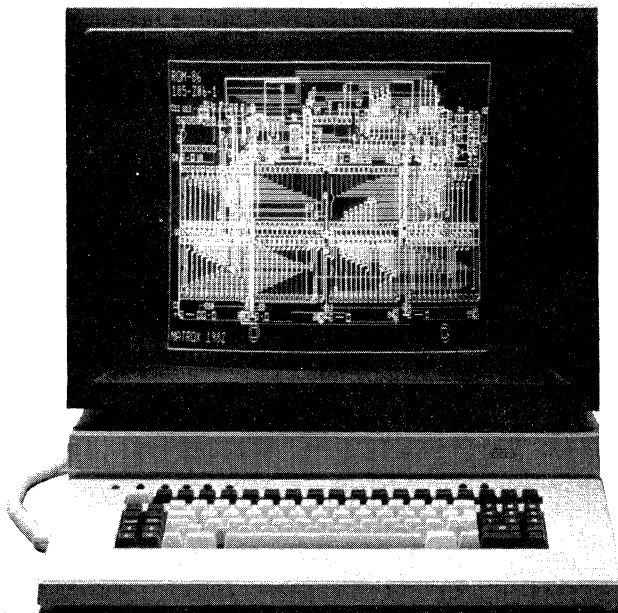
GXT-1000

HIGH RESOLUTION INTERACTIVE COLOR GRAPHICS TERMINAL

- Display resolution of up to 1280 x 1024
- 80286 main CPU plus 6 additional pipelined processors including 8086, 8088, and Z-80A
- 20,000 vectors/second max. system throughput
- Up to 16 video memory planes
- Look-up table provides 256 display colors/surface
- 19" flicker free color CRT
- Detachable low profile keyboard
- Local picture storage (up to 20M bytes)
- Local segment storage (up to 1M bytes)
- Full 2D transformations standard
- 3D with hidden surface removal and shading optional
- Multiple viewports and dialog areas
- EASY ROAM real time pan function and smooth zoom in 64K x 64K space
- Data tablet, mouse, printer, and color plotter interfaces built-in
- Host communications via RS-232 (19.2K baud), optional RS-422 (300K baud), or parallel DMA (400K words/sec)

The GXT-1000 is a high performance/low cost interactive color graphics terminal for use in single or multiuser CAD/CAM systems with micromainframe, supermini, or mainframe hosts. The GXT-1000 provides near real-time interactive response. It accepts picture data from the user's host computer via a serial or parallel communications line, and displays the image on a flicker free high resolution 19" color screen. The GXT-1000 provides a viewable resolution of up to 1280 x 1024 points, and each point can be displayed in one of 256 different colors.

The GXT-1000 provides exceptional local functionality including; 64K x 64K x 64K virtual display coordinates, multiple viewports, multiple surfaces, full 2D and 3D transformations, optional 3D hidden surface removal and shading, local picture segment storage, and graphics input device control. The benefits of local intelligence are simpler and shorter host graphics programs, and faster program execution. Multiple users can be accommodated without degrading the overall system performance.



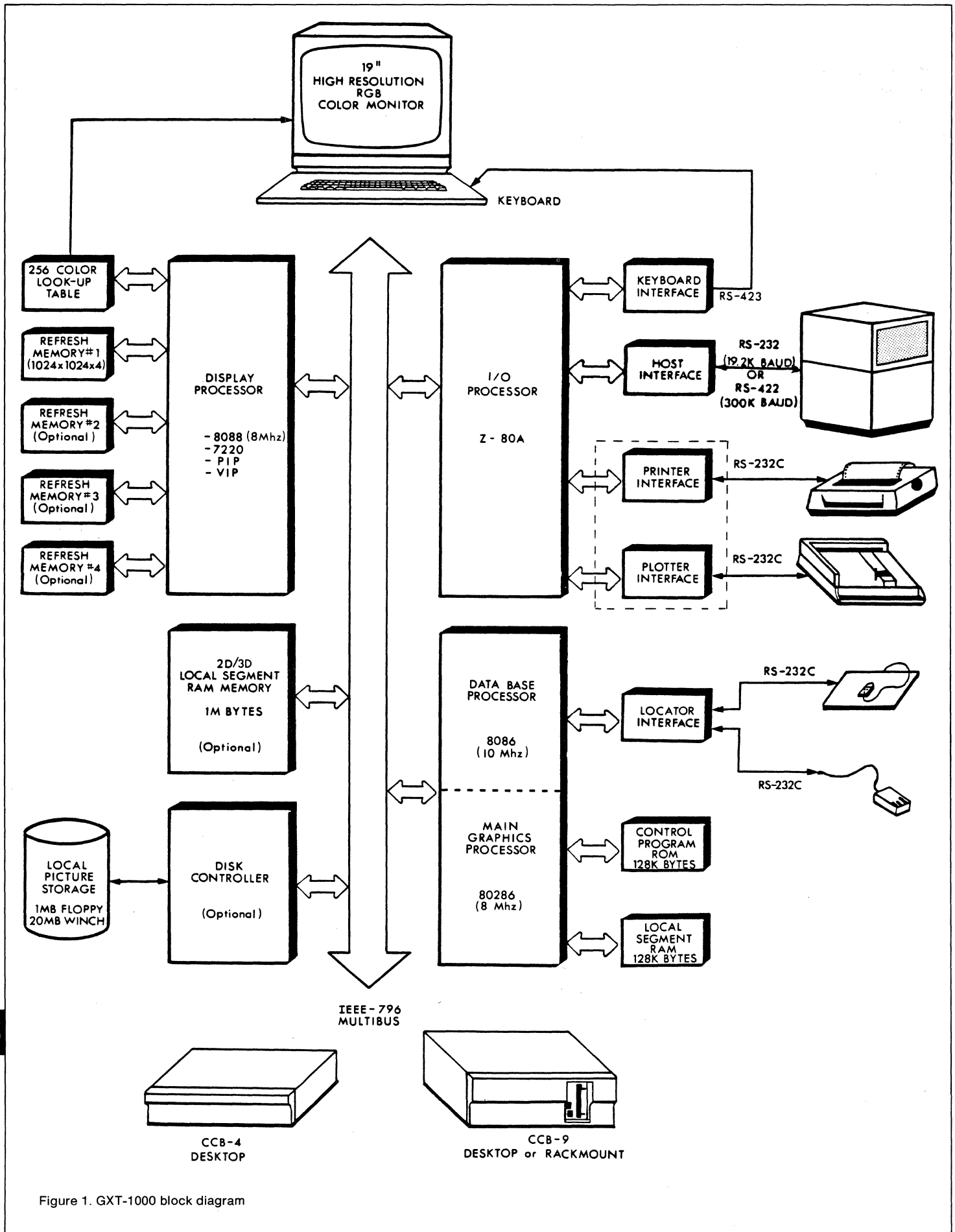


Figure 1. GXT-1000 block diagram

GXT-FEATURES

HIGH RESOLUTION

Resolution: The GXT-1000 can be supplied with one of three standard resolutions; 1280 x 1024, 1024 x 768, or 640 x 480. Interlaced or non-interlaced operation can be specified.

Bits/Pixel: 4 bits/pixel (16 colors) are standard. Extra bit planes can be optionally added to the terminal, in multiples of four, to a maximum of 16 bits/pixel (four 4-bit surfaces).

Color Look-Up Table: Each 4-bit surface has its own look-up table. Up to 16 colors, from a 256 color palette, can be selected for each surface under user control.

High Resolution Color Monitor: The GXT-1000 can be supplied with any of three high resolution RGB color monitors, depending on the resolution and refresh rate requirements.

HIGH SPEED

80286 Graphics Engine: The GXT-1000 uses a high speed 8 MHz 80286 CPU as the main graphics engine.

Multiprocessor Architecture: In addition to the 80286, the GXT-1000 uses 6 pipelined slave processors (including a 10 MHz 8086, 8 MHz 8088, and a 4 MHz Z-80A) for maximum system throughput. Each processor is optimized to perform a unique task such as I/O or data base management. The pipelining and parallel processing capabilities associated with a multiprocessor system allows much higher throughput than would be achievable with a single processor system.

Drawing Speed: Maximum drawing speed of 20,000 vectors/second includes transformation, clipping, and drawing.

Fast Area Fills: The GXT-1000 can generate filled areas at a rate of up to 5000 filled rectangles/second.

HIGH PERFORMANCE

Read/Write Area: The GXT-1000 supports a virtual addressing area of 64K x 64K for 2D applications and 64K x 64K x 64K for 3D applications. The virtual coordinate space can be reduced to 4K x 4K, under software control, if required.

Local Picture Storage: A Winchester hard disk drive and a 5¼" Floppy disk drive provide up to 21M bytes of mass memory for local picture storage.

Local Segment Storage: The GXT-1000 terminal can support up to 1M bytes of RAM memory for local segment storage. Up to 2000 segments can be retained in the terminal RAM.

2D Transformations: All 2D transformations (scaling, clipping, zooming, etc.) are done locally, within the GXT-1000 terminal.

3D Transformations: The GXT-1000 can optionally support local 3D transformations, including hidden surface removal and surface shading.

Viewports and Dialog Areas: The display screen can support up to 64 independent viewports and up to 4 dialog areas. The size and position of each viewport and dialog area can be set by the user.

EASY ROAM: The displayed image can be panned over the entire 64K x 64K data base in near real time

LOCAL I/O SUPPORT

Host Communications: The GXT-1000 supports an RS-232C serial port (programmable up to 19.2K baud) as the standard communications line with host. Optionally the host interface can be replaced by an RS-449/422 serial line (up to 300K baud) or a high speed parallel DMA port (400K words/second).

Serial Keyboard: The detachable 101-key low-profile keyboard connects to the GXT-1000 via an RS-232C serial port.

Data Tablet Interface: An RS-232C serial port is supported to interface a data tablet. A software driver is also included, which is configured to support a Summagraphics BIT PAD ONE data tablet. A +5V power connector is also provided for the tablet.

Mouse Interface: The data tablet interface can also be used to interface an optical mouse. Drivers are provided which support the Summagraphics Summamouse.

Printer Interface: An RS-232C serial port is provided to interface a line printer. The software driver is configured to support a C.ITOH MI550-R printer.

Plotter Interface: An RS-232C serial port is provided to interface a color plotter. The software driver is configured to support a Bausch & Lomb DMP-29.

OEM OPTIONS

System Chassis: The GXT-1000 system chassis is available in either a 4-slot or 9-slot version. The 4-slot cardcage is intended for desktop systems while the 9-slot cardcage is available as either a desktop or rackmount unit.

Modular Hardware: For OEM applications the GXT-1000 hardware is available, unbundled, as a Multi-bus board set. The system cabinet, keyboard, and monitor are also available as separate items.

Host Software: Matrox supports a host software package (QUARTO/GXT) to run on Digital Equipment's VAX and LSI-11 minicomputers. The QUARTO/GXT package is compatible with the GKS graphics standard.

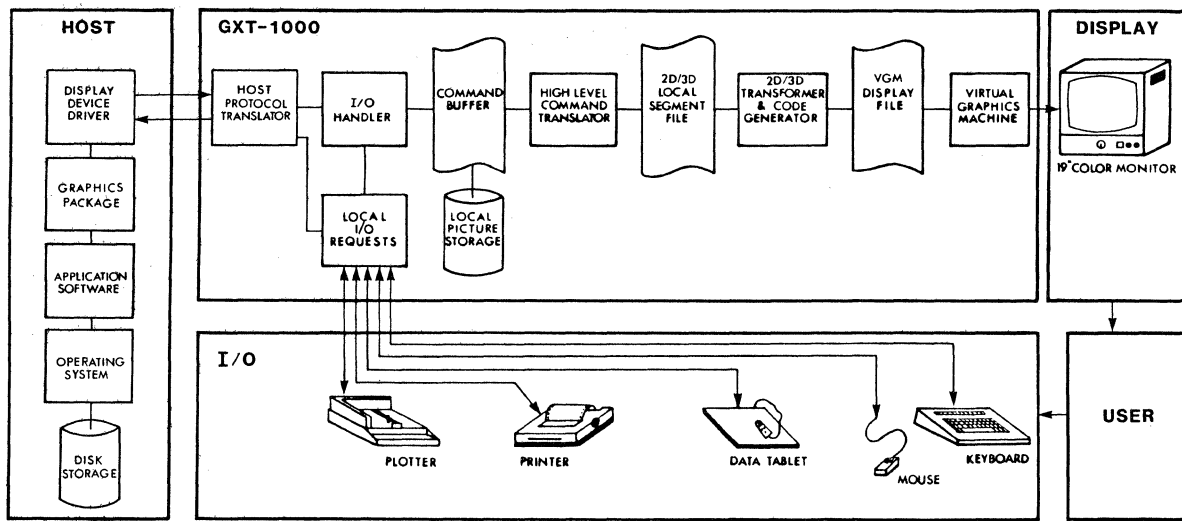


Figure 2. GXT-1000 software organization in a typical CAD/CAM system

FUNCTIONAL DESCRIPTION

The GXT-1000 is a highly intelligent graphics terminal. The unit provides a high resolution color display of graphic and alphanumeric data on a flicker free 19" display. The terminal provides, to the user, the ability to display and manipulate a 2D, 2½D or full 3D object data base defined in 64K x 64K x 64K virtual coordinates. Up to 16 planes of memory are available to store video data for applications such as printed circuit board designs, VLSI designs, and mechanical or architectural CAD/CAM.

The GXT-1000 employs the latest advances in VLSI technology. A multiprocessor design consisting of 7 pipelined general purpose 16 bit processors and special purpose graphics processors has been used to provide extremely fast command execution. The most powerful 16-bit CPU on the market, the 80286 (8 MHz), is used as the main graphics processor, and additional support is provided by an 8086 (10 MHz), an 8088 (8 MHz), and four additional processors. The result is a terminal that outperforms older raster and vector devices on several key benchmarks, and at a significantly lower cost.

The GXT-1000 receives picture files containing high level graphics commands, from the user's "host" computer. The enhanced Tektronix 4113 type commands allow the user to create multiple viewports on the screen, to pan the display throughout the virtual coordinate space, to rotate pictures or picture segments, to zoom in for detail, to zoom out for overall views, etc.

The GXT-1000 incorporates a very powerful feature; local picture segments. Local segment storage allows the operator or the user's host computer to manipulate the displayed image (rotate, pan, zoom, etc.) without modifying or retransmitting the picture file. Local segments permit much faster display view updates than would otherwise be possible. Also, host-terminal communications are greatly reduced, leaving the host computer free for non-graphics tasks. Local picture and segment memory can be expanded with additional RAM or disk options, providing up to 22M bytes of local storage.

The GXT-1000 is an interactive terminal. The operator can use the keyboard, a data tablet, or a mouse to create or modify a picture file. The modified file can then be transferred to the host. Local interactive support greatly reduces the operator-display feedback cycle. Views are updated quickly and without tying up valuable host CPU time and resources.

High Resolution Color Display — The GXT-1000 provides a dot addressable display format of up to 1280 x 1024 pixels (picture elements). The display raster is refreshed at a rate of

up to 60 frames per second (60 Hz), thereby providing a totally flicker free picture. This image is displayed on a 19" high resolution color CRT.

Four video refresh memory planes are standard on the GXT-1000. The data stored in memory (4 bits/pixel) indexes a user loadable color look-up table which generates 16 colors from a palette of 256 different shades. Additional video refresh memory boards can be added (optional) to provide up to 16 memory planes, with up to 256 simultaneously displayable colors.

Surfaces/Subsurfaces — A single refresh memory board is treated as a four plane "surface". Each surface has its own color look-up table. The video outputs of multiple surfaces can be enabled or disabled, combined in a priority manner, or logically "ORed" together. This flexibility allows the user to define a straightforward 16 plane overlay or a double buffer type format, when multiple surfaces are used.

The surface concept, used on the GXT-1000, has been extended down to the plane level. The user can define up to 4 subsurfaces per surface, with each subsurface consisting of one to four planes. All high level commands work on surfaces and subsurfaces rather than bits/pixel and look-up table entries, thereby greatly simplifying the conceptual model.

INTERACTIVE 2D AND 3D APPLICATIONS

The host generates pictures in the GXT-1000 viewport in two ways. In **Non-Retained Segments** mode the picture is drawn primitive as received from the serial port or the DMA channel. Data base processing and viewing transformations are all done by the host. The terminal is used for display only (equivalent to the Tektronix 4014 terminal). This mode is usually used for the data base generation and host segment modifications.

In **Retained Segments** mode, the host transfers only the viewing parameters. The GXT-1000 will then transform, clip, and draw pictures from the local terminal's data base. (The viewing parameters can also be generated locally by the operator without host assistance by using local GXT-1000 I/O devices such as keyboard, data tablet, and mouse).

A **Local Picture Segment** is a group of graphics primitives that describes a portion of a bigger picture. These segments are retained in the terminal's local memory as graphics subroutines to be redrawn and manipulated at any time without host intervention. The GXT-1000 supports both 2D and 3D segments and viewing modes.

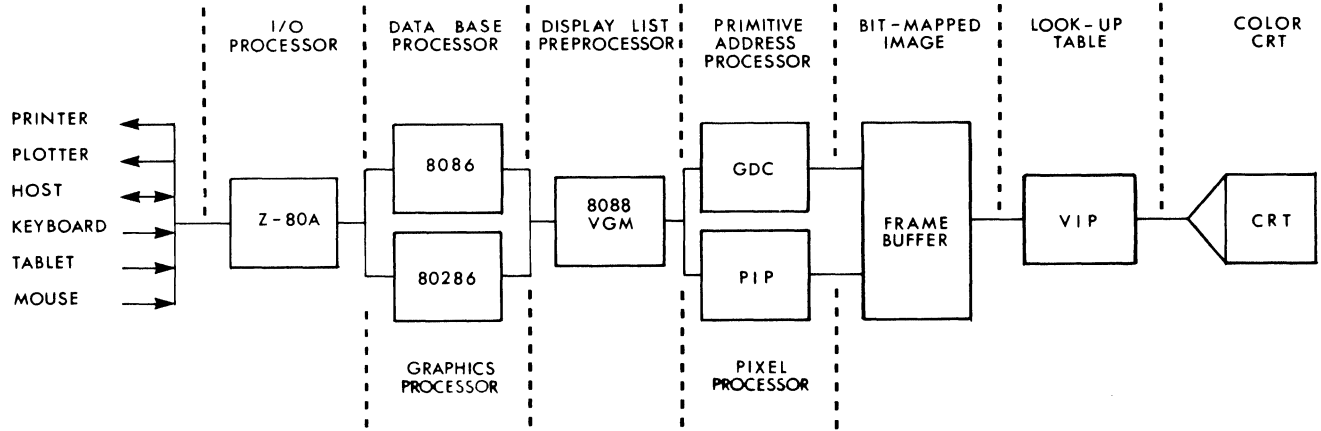


Figure 3. GXT-1000 multiprocessor pipeline organization

For 2D and 2½D applications, the segments are specified in virtual 64K x 64K space with priority levels from 0 to 64K. (A priority level is equivalent to a constant "Z" coordinate for every 2D primitive in the segment). The 2D primitives include markers (points), vectors, filled and outlined polygons, circles, alpha and graph text, etc.

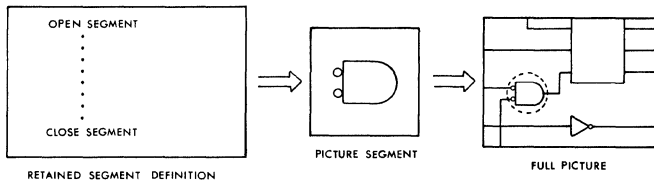


Figure 4. Retained picture segments

For 3D applications, the segments are specified in a 64K x 64K x 64K virtual space. A 3D surface segment is a series of shaded colored 3D planar polygons describing 3D surfaces and bodies in space.

2D DISPLAY MODE

2D and 2½D is the standard mode of operation for the GXT-1000. Local 2D segments can be rotated, scaled, translated (moved around the screen) by simple short commands from the host or from the local keyboard.

The GXT-1000 works with viewports and windows. The CRT screen is divided into multiple rectangular viewports (from 1 to 64). Viewports can be specified as rectangles of any size and position on the screen, up to the maximum CRT raster size (1280 x 1024). Multiple viewports enable the user to simultaneously display several views of the same object or of several different objects. Each viewport, has associated with it a 2D window and viewing transformation.

The window is a virtual 2D rectangle in 64K x 64K space which defines what portion of the 2D virtual space will be displayed in the viewport. The position and size of the 2D windows (up to 64K x 64K) are specified by the host or locally by the user.

The 2D viewing transformation maps the 2D world picture enclosed in the window to the corresponding 2D viewport on the screen. All primitives in the segment are transformed, clipped, and drawn locally by the GXT-1000 at the speed of 20,000 vectors per second.

High speed 2D smooth zoom and pan can be performed locally or via the host. A graphics keypad is used to pan the display locally with a rectangular cursor and to set the dimensions of the magnified image.

With this magnification capability, the user can view and work with plots of the same complexity as those developed on the highest resolution storage tube displays. This permits local examination of extremely fine detail without waiting for rescaled data to be transmitted from the host.

EASY ROAM — A proprietary Matrox pan circuit allows the user to perform a two-dimensional pan over the entire 64K x 64K 2D data base in near real-time at any zoom factor. When the EASY ROAM mode is selected, the terminal automatically uses a combination of hardware and software windows to simulate full smooth hardware pan over a virtual 64K x 64K (4 Gigapixels) video frame buffer is near real-time.

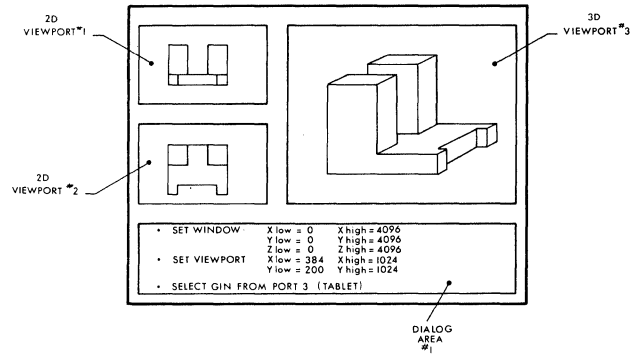


Figure 5. Windows, viewports, and dialog areas

3D DISPLAY MODE

In the 3D mode, (option TC-286/3D is required), segments can be defined as either 2D or 3D. The viewports are specified and positioned in the same way as for the 2D mode. Each viewport has associated with it a 2D or 3D window and corresponding viewing transformation. The GXT-1000 supports a mix of 2D and 3D segments and windows on viewports, enabling the user to view 3D objects, their 2D projections and other 2D segments (such as text, overlays, etc.) at the same time.

3D segments are used to specify objects in 64K x 64K x 64K virtual space. The position, size, and orientation of the 3D window (actually a pyramid) and its 3D viewing transformation are transmitted by the host, or generated locally. The viewing transformation maps the 3D world scene enclosed within the 3D window into the corresponding 2D viewport on the screen. 3D segments are transformed, clipped, scaled, and drawn on the screen locally by the GXT-1000. Full 3D transformations including perspective projection, near/far plane clipping, and wireframe or hidden surface removal with shading are supported.

When 2D segments are used in the 3D mode they are considered to be 2D in a plane, $Z = \text{constant}$, specified by the segment's priority. The 2D segments will be transformed by a separate 2D transformation and drawn in the same, or separate, viewport together with 3D segments at a speed of up to 20,000 2D vectors per second.

3D segments are defined as a series of 3D colored planar polygons describing 3D surfaces and bodies in 64K x 64K x 64K space. Each polygon is specified as a series of co-planar vertices in a 3D plane and has one of 256 possible colors. (Half-tone dither is used to obtain shading with 4 bits/pixel).

The GXT-1000 obtains hidden surface removal at interactive speeds by implementing an exclusive Matrox "F" algorithm in hardware and software. Instead of building a picture pixel by pixel from top to bottom with full resolution, as in classical hidden surface algorithms which are very slow, the GXT-1000 generates a picture in one or more passes with increased resolution after each pass.

Each pass generates a true 3D full size picture with the hidden surfaces properly removed. The first pass, F_0 , generates a 3D wireframe outline of the scene with or without the object's backsurfaces removed (user selected). This pass is very fast and draws at speeds of 4,000 3D vectors per second. Additional F passes are required to color and shade visible surfaces and remove object by object hidden surfaces. The number of required passes depends on the CRT viewport dimensions. Viewports smaller than 256 x 256 pixels require only one pass, viewports between 256 x 256 and 512 x 512 pixels require four passes, and viewports bigger than 512 x 512 pixels require a minimum of sixteen passes.

The effect on the screen is a gradual fill-up of the visible surfaces after each pass. (This method is similar to the familiar generation of waveforms by cumulative addition of Fourier sinewaves with frequencies increasing with each addition).

A typical 3D picture, containing 5000 polygons, requires between 2 — 20 seconds per pass. The unique feature of the "F" algorithm is the ability of the user to stop the picture update after any number of passes, since additional passes mainly improve apparent resolution of the displayed picture and have little or no effect on the geometric properties of the scene.

The GXT-1000 uses a shading model with a single diffused illumination source for both ambient light and specular diffuse reflection. Each polygon is assigned eight possible uniform intensities after transformation. Pixel color intensity is a function of the angle between the incident light and the polygon normal. The light source can be at any angle relative to the viewing pyramid Z-axis.

Dialog Areas — The user can specify up to four independent dialog areas of any size, anywhere on the screen. Two keys are provided for scrolling the current dialog area. Dialog areas are primarily used for displaying host-terminal communications. Other applications for dialog areas include the display of host background task status, menus, and user prompts. The context (pen color, size, cursor position, etc.) for each dialog area is stored independently. This allows instant access to all dialog areas.

INPUT/OUTPUT

The GXT-1000 I/O processor communicates with several I/O devices. The primary communications link is with the user's host computer. This is a bidirectional link which allows the host to transmit picture files to the GXT-1000, and to receive commands and data from the terminal. Complete hardware and software I/O interfaces are also provided for communications between the terminal and the keyboard, a data

tablet, and a mouse. Optional interfaces are available for a printer, and a low cost color plotter.

Host Interface — The GXT-1000 communicates with the host computer via an RS-232/423 serial line. Transmission speeds of up to 19.2K baud can be selected by the user. X-ON/X-OFF protocol is provided. The GXT-1000 accepts graphics commands using Tektronix 4113 serial line protocol. An optional RS-422 interface is available for transmission rates of up to 300K baud. Using this interface, a typical object file of 5000 vectors can be downloaded to local disk memory in less than one second. If extremely high speed communications are required, a parallel DMA option, compatible with a DEC DR-11W, can provide transfer rates of up to 400K words per second.

Keyboard Interface — The keyboard is used for normal operator interaction (editing picture files, calling programs from the host, etc.). Several special graphics functions including cursor manipulation, pan and zoom, and paging, are controllable by the operator from the keyboard. The keyboard displays system status to the operator via 10 LED indicators and an audible tone.

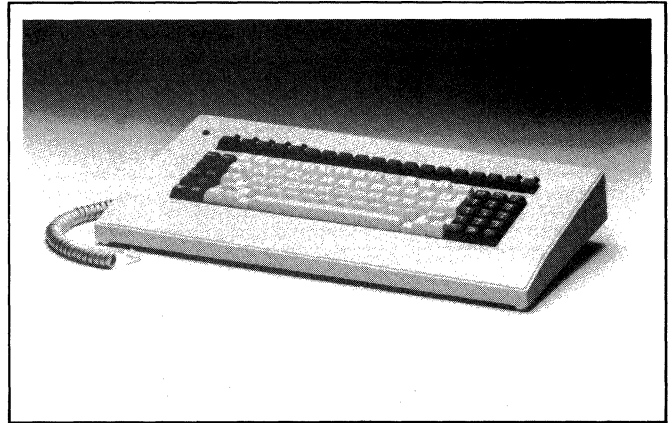


Figure 6. KB-100 serial keyboard

Data Tablet Interface — The GXT-1000 has been configured to operate with a Summagraphics Bit Pad 1, using either a stylus or a four button cursor. The GXT-1000 software supports point and segment identification, inking, rubber banding, tracking, etc. An RS-232C port is used to communicate with the tablet. A power take-off is also provided.

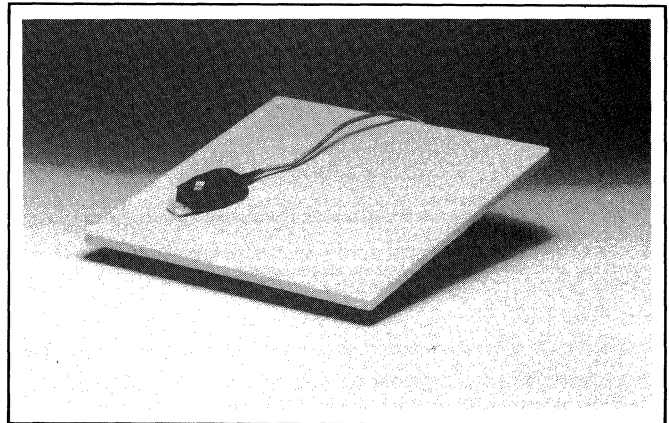


Figure 7. BIT PAD ONE data tablet

Mouse Interface — The user may elect to use a mouse rather than a data tablet for I/O. The GXT-1000 will also accept data from a Summagraphics optical mouse via the tablet port.

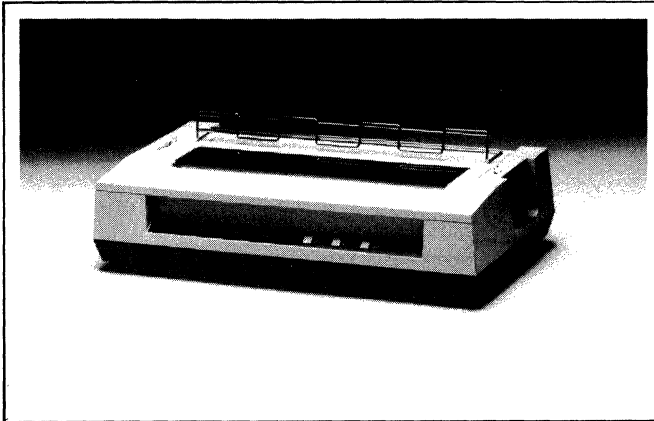


Figure 8. C.I.TOH MI550-R line printer

Printer/Plotter Interface — An optional dual RS-232C port controller can be added to the terminal if a local printer and/or plotter is required. The terminal software supports a C.I.TOH MI550-R line printer for dialog area print-outs, and a Bausch & Lomb (Houston Instruments) DMP-29 eight-pen flatbed color plotter.

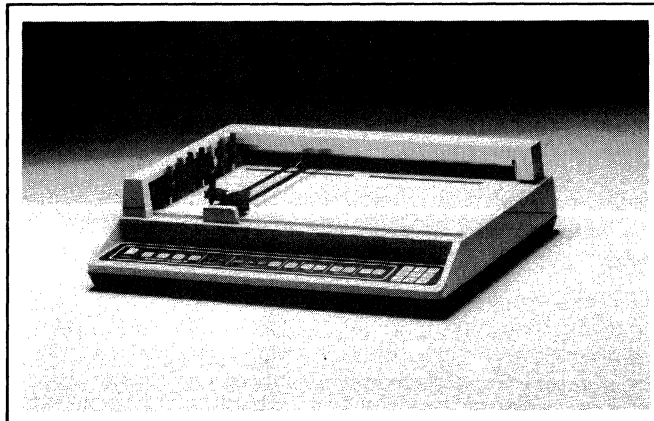


Figure 9. Bausch & Lomb DMP-29 color plotter

HOST SOFTWARE SUPPORT

The GXT-1000 is designed to function with CORE and GKS software packages running on a wide range of host processors. In the host, a device dependent software module known as a "device driver" is responsible for handling communications with a graphics terminal. The device driver is usually optimized to take advantage of the features found in a specific terminal. Similarly there is a "host driver" software module, called a protocol translator, resident in the GXT-1000, which can be optimized to communicate with different hosts. The GXT-1000 can easily be integrated into existing CAD/CAM systems by modifying either the host device driver or the GXT-1000 protocol translator module. Any existing or new terminal protocol can be emulated, thus allowing the user to replace older terminals by the state-of-the-art GXT-1000. Matrox provides sufficient documentation to allow the user to write the front-end host device driver. Alternatively, Matrox can write a custom GXT-1000 Host Protocol Translator module to emulate any existing or new graphics terminal. Matrox also supports the GXT-1000 with a host software package, written in Fortran, for use under the VMS operating system on DEC VAX-series super-minicomputers.

SYSTEM HARDWARE

The GXT-1000 consists of three physically separate components: a self-contained RGB color monitor, a detachable keyboard, and a system chassis containing the electronics.

These three pieces fit together to provide a complete graphics terminal.

The actual electronics are implemented on standard Multibus cards. These cards partition the terminal circuitry into three separate functional blocks: I/O processor, graphics processor, and display processor. Two different chassis are available to house the display electronics. A 4-slot low profile cardcage can be used for systems requiring one option card. If more option cards are required, or if local disk memory is required, a 9-slot cardcage must be used.

Color Monitor — Three different monitors can be used with the GXT-1000. The MCM-1000L low profile 19" unit pictured on the front page is the standard display provided with the GXT-1000. This monitor uses long persistence phosphors to minimize flicker if the system is run in the interlaced video mode. The MCM-1000L uses in-line electron guns to maximize convergence over the entire display area. The MCM-1014L is a low profile 14" monitor similar in performance to the MCM-1000L.

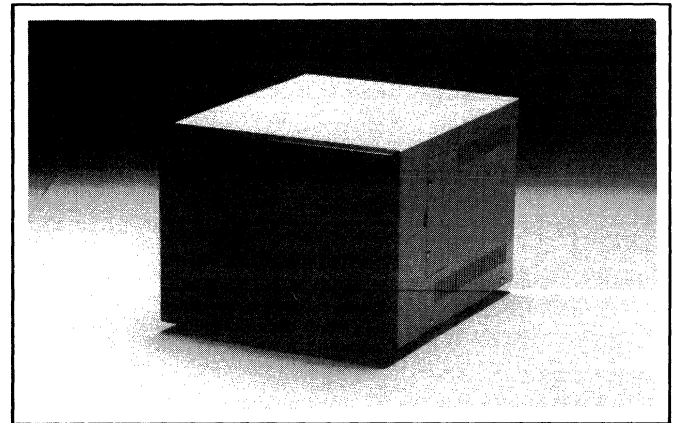


Figure 10. MCM-1014L color monitor

In order to display a 1024 x 768 image at a refresh rate of 50/60 Hz, it is necessary to use a higher bandwidth monitor. The MCM-2000L employs high speed deflection circuitry and an extremely fine pitch shadow mask to accommodate the required video performance.

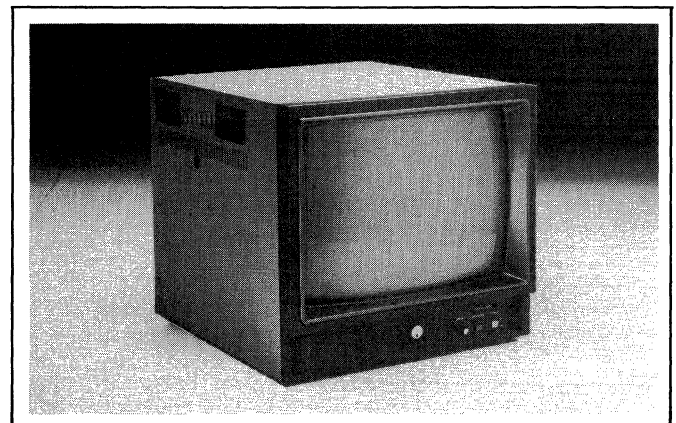


Figure 11. MCM-2000L color monitor

Keyboard — The GXT-1000 keyboard is a detachable low profile serial output device. It connects to the display controller via a single coiled cord. System status is displayed, on the

keyboard, by 10 LEDs. A "bell" is used to provide an audible tone.

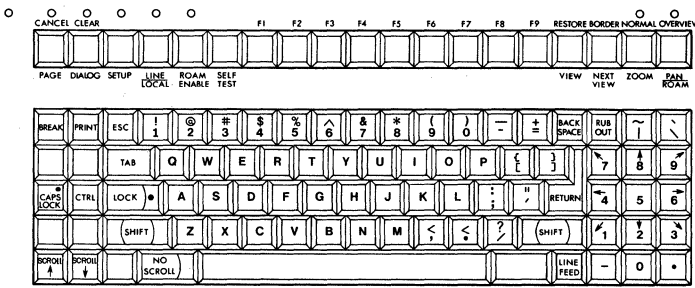


Figure 12. KB-100 keyboard layout

System Chassis — The GXT-1000 display electronics are housed in a Multibus chassis. Two different chassis are available. The CCB-4 is an attractive 4-slot low profile desktop box which has been designed to sit underneath the 19" CRT monitor. The CCB-4 is ideal for systems requiring only one option card. A larger chassis, the CCB-9, supports 9 Multibus slots. This attractive case is available in either desktop or rack-mount versions to suit terminal or workstation requirements. The CCB-9 is required if local disks are used for picture segment storage.

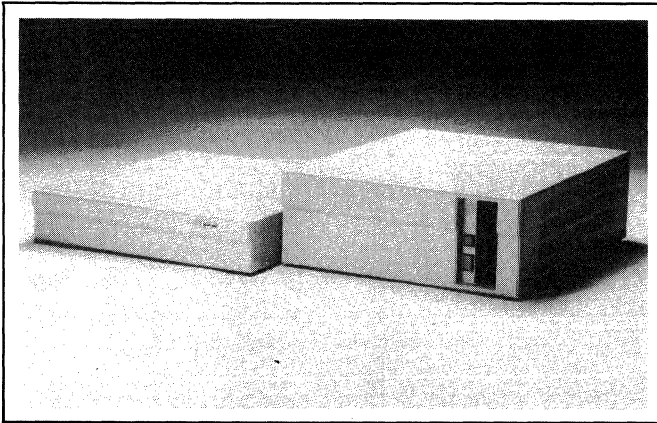


Figure 13. CCB-4/CCB-9 system chassis

Display Processor — The display processor is a Matrox GXB-1000. The display processor interfaces with the main graphics processor via a display file (using transformed screen addresses) stored in common RAM on the Multibus. The GXB-1000, which contains four dedicated graphics CPUs, executes a powerful instruction set which provides for surface and sub-surface visibility and priority; vector, arc, circle, and character drawing; cursor and marker generation; tracking, inking, and rubber banding; look-up tables; raster ops; and area fills. The GXB-1000 also includes the image buffer. The buffer memory, which can be up to 2M bytes in size, is partitioned into 1024 x 1024 x 4 bit sections, each occupying a separate Multibus board.

Graphics Processor — The main graphics processor is an 8 MHz, high performance, 80286 CPU tightly coupled with a 10 MHz 8086 data base processor. The graphics processor card contains 128K bytes of EPROM and 128K bytes of RAM. The processor board uses a concurrent real-time operating system with multitask scheduling. These tasks include dynamic memory management, high level graphics command interpretation, 2D and 3D transformation, clipping, scaling, windows and viewports, and tablet and mouse support. A picture data base, specified in 2D virtual coordinates, can be traversed, transformed, and drawn at a maximum rate of 20,000 vectors/second, and at an average rate of 5000 vectors/second, depending on the picture complexity, number of segments, and vector length. The GXT-1000 can sustain a continuous speed of over 5000 vectors per second from host to CRT screen.

I/O Processor — A separate Z-80A based processor card is used to handle all communications between the terminal and the host, as well as I/O to local peripherals. A serial RS-232C/423 communications port is used to communicate with the user's host. A second serial port is used as a keyboard interface. The I/O processor card also supports two ISBX expansion connectors which can be used to accommodate several communications options. An optional dual RS-232 module can be added for supporting a local printer and local color plotter; and an optional RS-422 module can be added for supporting high speed host communications.

DMA Controller — An optional high speed DMA controller board is used to provide a 16-bit parallel communications path from the GXT-1000 to the host (400K words/second). The COM-1 controller provides full compatibility with DEC's DR-11W series of interface cards.

SPECIFICATIONS

GENERAL

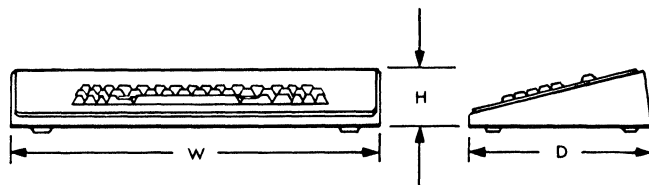
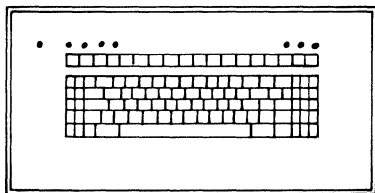
FORMAT				
PARAMETER		1	2	3
Graphics Resolution		640 x 480	1024 x 768	1280 x 1024
Read/Write Area		1K x 1K	1K x 1K	1.4K x 1.4K
Refresh Rate		50/60 Hz	25/30 Hz or 50/60 Hz	25/30 Hz
Dialog Area Alphanumerics		80 x 30	128 x 48	80 x 32
Virtual Address Range		64K x 64K x 64K	64K x 64K x 64K	64K x 64K x 64K
Color Palette Size/Surface		256	256	256
Bits/Pixel	Standard	4	4	4
	Optional	8, 12, 16	8, 12, 16	8
Screen Size		14" or 19" diagonal	14" or 19" diagonal	19" diagonal
Segment Storage	Standard RAM	128K bytes	128K bytes	128K bytes
	Optional RAM Board(s)	512K bytes/1M byte	512K bytes/1M byte	512K bytes/1M byte
Picture Storage	Optional 5¼" Disks	1MB Floppy 20MB Winchester	1MB Floppy 20MB Winchester	1MB Floppy 20MB Winchester
Vector Drawing Speed		20000 vectors/sec max.	20000 vectors/sec max.	20000 vectors/sec max.

ENVIRONMENTAL

PARAMETER	DESCRIPTION	RESTRICTION
Operating Temperature	Operating	10 – 40°C
	Non-operating	–40 – 65°C
Relative Humidity	Operating	10 – 90%
	Non-operating	0 – 95% non-condensing
Power Requirements	American Standard	115V, 60 Hz AC @ 200W
	European Standard	230V, 50 Hz AC @ 200W

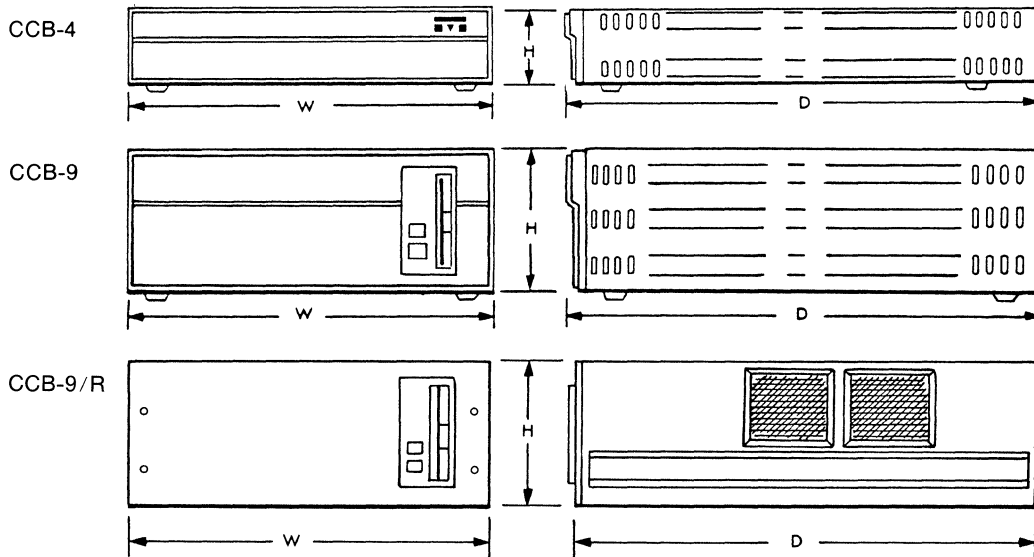
KEYBOARD

PARAMETER	DESCRIPTION
Keyboard Layout	Standard Qwerty typewriter layout with sculptured key design
Auxillary Keypad	Functions as numeric pad, cursor control pad (GIN mode), and graphics function controller (pan, zoom)
Graphics Functions Keys	ZOOM, PAN, and VIEW keys control the display window
Special Function Keys	Break, print, escape, control, page, print, set-up, self test, dialog, line/local, rub out, line feed
User Function Keys	10 programmable user function keys
LEDs	10 system status LED indicators
Audio Output	Audible tone
Weight	8 lbs (3.6kg)
Dimensions	2.0" (H) x 19.0" (W) x 10.0" (D) (5.1 cm x 48.3 cm x 25.4 cm)



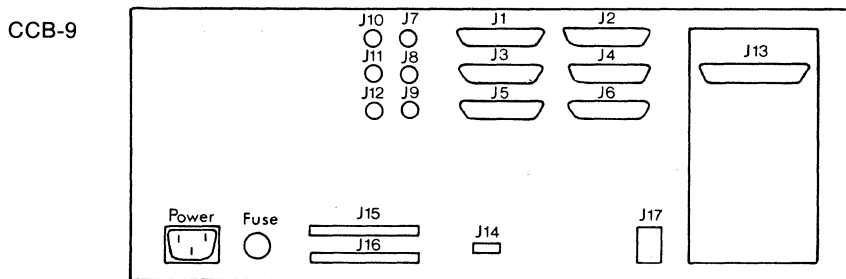
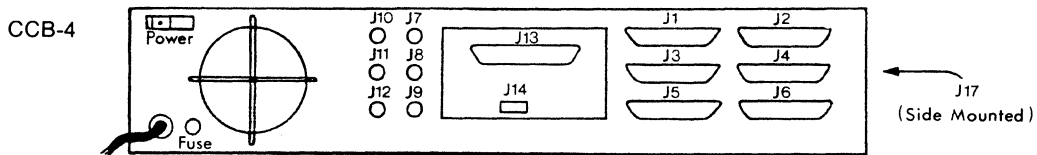
ENCLOSURE/DISPLAY ELECTRONICS

PARAMETER	CCB-4	CCB-9
Weight	25 lbs. (11.2kg)	50 lbs. (22.5kg)
Dimensions	3.9" (H) x 19.0" (W) x 20.0" (D) (9.9 cm x 48.2 cm x 50.8 cm)	7.0" (H) x 19.0" (W) x 20.0" (D) (17.8 cm x 48.2 cm x 50.8 cm)



INPUT/OUTPUT

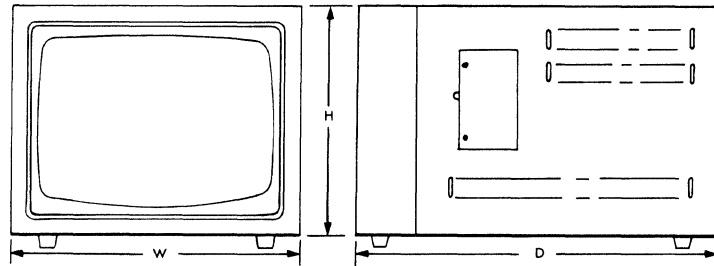
INTERFACE	NO.	DESCRIPTION	MATING CONNECTOR	COMMENTS
Not Used	J1	—	DB-25 (male)	
Not Used	J2	—	DB-25 (male)	
Serial Host Computer (standard)	J3	RS-232/423	DB-25 (male)	
Data Tablet / Mouse	J4	RS-232	DB-25 (male)	Summagraphics Bit Pad 1
Printer	J5	RS-232/423	DB-25 (male)	C.ITOH MI-1550R
Plotter	J6	RS-232/423	DB-25 (male)	Bausch & Lomb DMP-29
Monitor (red)	J7	Analog video	BNC	} MCM-1000L, MCM-1014L, or MCM-2000L
Monitor (green)	J8	Analog video	BNC	
Monitor (blue)	J9	Analog video	BNC	
Serial Host Computer (optional)	J13	RS-422	DB-37 (male)	
Tablet Power Jack	J14	+ 5V	SM SMP-05V-B	
Parallel Host Computer (optional)	J15	16-bit input	ANSLEY 609-4031	DEC VAX Superminicomputer (DR-11W)
	J16	16-bit output	ANSLEY 609-4031	
Keyboard	J17	RS-423	Berg 66011-002	KB-100



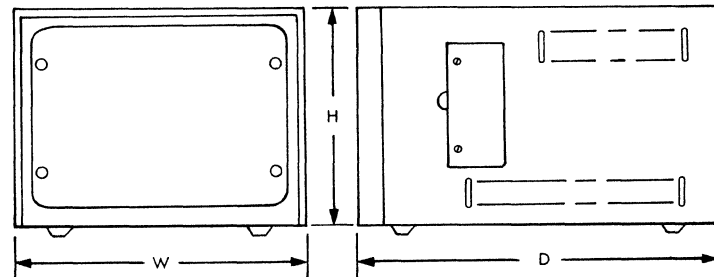
MONITOR

PARAMETER		MCM-1000L	MCM-1014L	MCM-2000L
Screen Size		19 in. diagonal	14 in. diagonal	19 in. diagonal
Gun Type		In-line electron guns	In-line electron guns	Delta guns
Shadow Mask		.31mm resolution	.31mm resolution	.31mm resolution
Controls		Brightness, gain, and degauss controls	Brightness, gain, and degauss controls	Brightness controls and degaussing controls
Weight		88.0 lbs (40kg)	39.6 lbs (18kg)	120.1 lbs (54.6kg)
Dimensions	Height	15.1 in. (38.5 cm)	10.9 in. (27.6 cm)	18.0 in. (45.7 cm)
	Width	19.0 in. (48.2 cm)	13.8 in. (35.0 cm)	18.7 in. (47.6 cm)
	Depth	20.0 in. (50.8 cm)	17.8 in. (45.2 cm)	21.2 in. (53.9 cm)

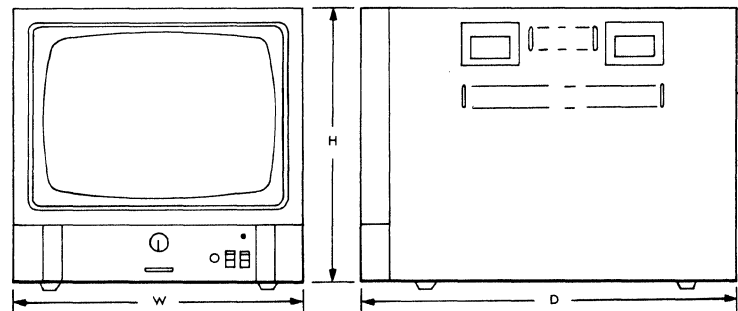
MCM-1000L



MCM-1014L



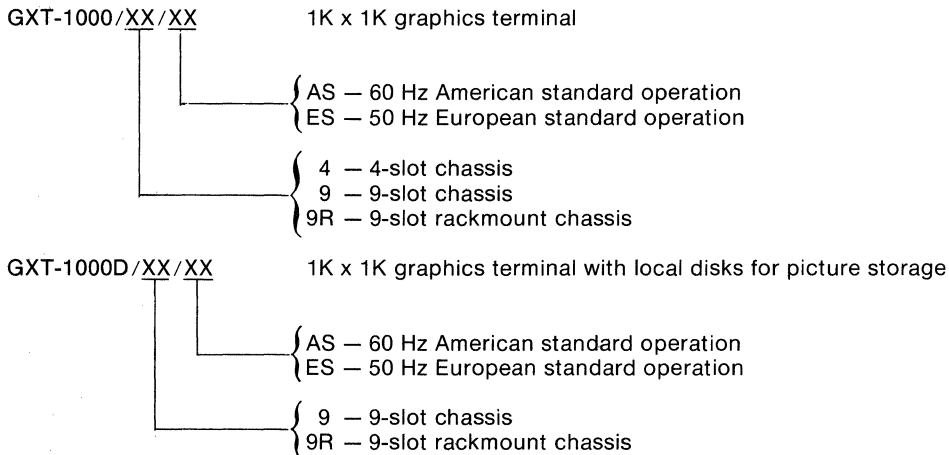
MCM-2000L



ORDERING INFORMATION

The GXT-1000 configuration data has been set up to allow for a great deal of ordering flexibility to suit different user applications and requirements. The main GXT-1000 part number identifies the main electronics cabinet configuration, and several option numbers are used to specify which monitor is to be supplied, and what additional boards will be added to the basic system. Note that the CCB-4 (4-slot chassis) can accommodate only one option card.

The basic system consists of a display electronics cabinet containing the I/O processor; Graphics processor; RS-232C interfaces for a tablet/mouse, a host processor, and a keyboard; and a Display processor (VGM-1000) with one 1K x 1K x 4 bit refresh memory board (RMB-1000). The keyboard is also included with the basic system. Note that the monitor is ordered as a separate item (see OPTIONS).



RESOLUTION/REFRESH RATE AVAILABILITY

RESOLUTION REFRESH	640 x 480	1024 x 768	1280 x 1024
25 Hz	—	X	X
30 Hz	—	X	X
50 Hz	X	X	—
60 Hz	X	X	—

Note 1: Since the 1280 x 1024 format exceeds the 1K x 1K memory stored on a single RMB, two RMB boards are required for each four bit surface.

Note 2: For refresh rates or resolutions not covered by the above table (i.e. 1600 x 1200) please consult the factory.

OPTIONS

Video Memory

- GXRMB-01 Adds a second refresh memory board (RMB-1000) for more video planes, or a larger read/write area.
- GXRMB-02 Adds two additional refresh memory boards.
- GXRMB-03 Adds three additional refresh memory boards.

Segment Memory

- MEGA-4/512T Adds an additional 512K bytes of local segment storage RAM.

Communications

- MSBX-423T Adds a dual RS-232C serial port controller for interfacing to a printer and color plotter.
- MSBX-422T Adds an RS-422 serial port controller for high speed host communications.
- COM-1/1/0T Adds a parallel DMA controller compatible with a DEC DR-11W.

Monitors

- MCM-1000L Adds a high resolution 19" RGB color monitor (supports all resolutions except 1024 x 768 @ 50/60 Hz).
- MCM-1014L Adds a high resolution 14" RGB color monitor (supports all resolutions except 1024 x 768 @ 50/60 Hz).
- MCM-2000L Adds a high bandwidth high resolution 19" RGB color monitor (supports 1024 x 768 @ 50/60 Hz).

Software

- TC-286/3D Adds 3D graphics firmware and hardware with hidden surface elimination and shading.
- QUARTO/GXT Host software package for GXT-1000. FORTRAN subroutine library for use with VAX and LSI minicomputers.

Matrox Electronic Systems Ltd reserves the right to make changes in specifications at any time and without notice. The information furnished by Matrox Electronic Systems Ltd in this publication is believed to be accurate and reliable. However, no responsibility is assumed by Matrox Electronic Systems Ltd for its use; nor for any infringements of patents or other rights of third parties resulting from its use. No license is granted under any patents or patent rights of Matrox Electronic Systems Ltd.



Multibus, iSBX Intel TM
DEC, VAX, LSI-11 Digital Equipment Corp. TM



matrox
electronic systems ltd.

5800 ANDOVER AVE., T.M.R., QUE., H4T 1H4, CANADA
TEL.: 514-735-1182 TELEX: 05-825651

CTM-300

INTELLIGENT COLOR ALPHANUMERIC TERMINAL

- Intelligent color alphanumeric terminal
- 25 x 80/132 character displays standard
- 8 foreground/8 background colors
- 101 key sculptured keyboard with numeric keypad
- 18 user defined function keys
- 2K user RAM for program download
- 256 upper/lower case alphanumerics and graphics characters
- Blink, extended height, underline and protected character attributes
- Printer and light pen interfaces built in

The CTM-300 Color Alphanumeric Terminal is a standard serially interfaced (RS-232C) ASCII terminal with an eight color CRT display. It is a high performance terminal with all the functions of an intelligent Black and White terminal plus color. A popular display format of 80 characters per line by 25 lines is standard, however any format, with up to 132 characters/line and 50 lines, can be programmed by the user.

In addition to the terminal firmware, which conforms to ANSI X3.64 (VT-100 compatible), the unique Matrox program download enables the user to customize terminal functions. The host computer can download a program into the CTM-300's 2K user RAM memory for execution by the CTM-300's CPU (Z-80A). This feature, together with 18 user definable keys, enables the user to adapt the CTM-300 to a variety of applications.

A high resolution (.3mm dot pitch) 12" color monitor offers superior color clarity and resolution. The detachable keyboard (containing all the terminal electronics) and the CRT display stand allow the operator the flexibility and freedom to operate the terminal efficiently. Standard options include: light pen interface, printer interface, American/European standard for power and video, and a 256 character font including upper/lower case alphanumeric characters, graphic characters, European characters, and more. Serial interface speeds of up to 19.2K baud are set by the user.



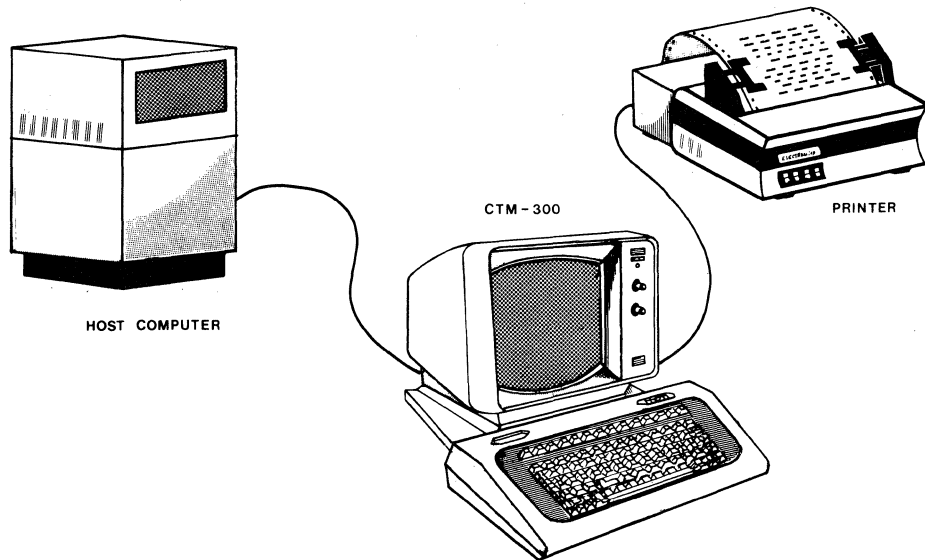


Figure 1. CTM-300 Intelligent Color Terminal — Typical system configuration

DISPLAY

The CTM-300 generates a color alphanumeric display consisting of 25 horizontal lines with 80/132 characters (switch selectable) displayed per line. These parameters, however, can be redefined by the user to accommodate virtually any configuration of characters/line and lines/page up to maximum of 4000 characters per display. Characters can be assigned as blinking, underlined, or protected (protected characters can not be erased or edited while the erasure mode is not in effect). The blink or underline attribute can optionally be replaced (via a hardware strap) by an extended height attribute for displaying double height characters. Furthermore, each character can be assigned to be displayed in one of eight different foreground colors on one of eight different background colors. Color selection (foreground/background) is also user selectable via user function keys on the CTM-300.

As supplied, the CTM-300 contains a font of 256 displayable characters. This character set (figure 2) consists of all the alphanumeric characters and punctuation symbols for displaying text in one of six different languages: English, French, Spanish, German, Greek, or Swedish. The CTM-300 also includes a set of 32 "graphic characters" which can be used for generating character oriented graphics such as: business forms, process loop displays, bar charts, etc. Moreover, the user can redefine the character set for custom applications by simply replacing the supplied character generator with a 2532 EPROM loaded with his custom character font.

The CTM-300 is normally equipped with a 12" color monitor which uses a fine pitch shadow mask for high resolution color displays, and in-line electron guns to minimize color distortion due to convergence error. The CTM-300, however, contains all its electronic hardware circuitry in the keyboard module and therefore allows the user to replace the monitor with virtually any other available monitor. This feature allows the user the flexibility to configure the CTM-300 to suit his own environment (i.e. screen size, interlaced/non-interlaced displays, etc.).

KEYBOARD

The main component of the CTM-300 is the keyboard module which contains all the electronics for the terminal. The keyboard contains 101 keys in a standard typewriter layout with a numeric keypad and cursor controls. Special Control Keys include: Break, Print, Insert, Delete, and Caps Lock. A further 18 user defined function keys can be used to adapt the CTM-300 to a variety of applications. As supplied, these keys are defined as color selection keys and character set mapping keys.

The CTM-300 keyboard features a sculptured keyboard layout. This ergonomic design promotes operator comfort and therefore improves data entry efficiency.

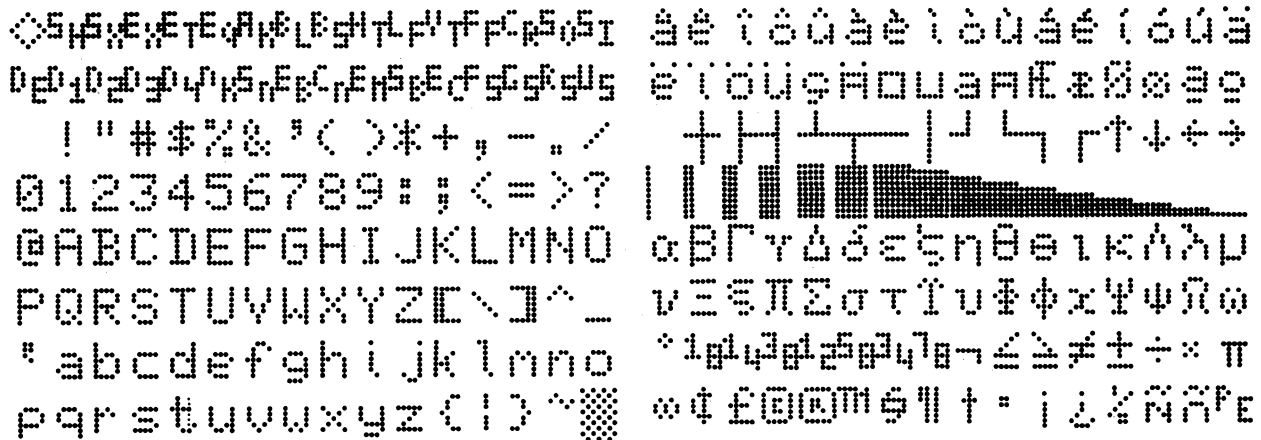


Figure 2. CTM-300 Character set

EDITING

The CTM-300 includes a comprehensive set of cursor, erase, and character attribute controls which facilitate text editing. Cursor control commands enable the user to redefine the position of the cursor using either "relative" or "absolute" movement commands. Relative cursor movement commands include: Backward Field, Back Space, Cursor Down, and Cursor Up, which defines the cursor's position "relative" to its former position. Absolute cursor positioning places the cursor in a location whose X and Y coordinates are explicitly defined in the instruction. Other editing commands include: Insert/delete a character/line, erase a line/area/display, and protect a selected area. The CTM-300 also includes a scroll feature which will cause the display to be scrolled up one line when a Carriage Return (CR) command is issued while the cursor is in the bottom-most line of the display.

The full usable command set of the CTM-300/R is shown below, and conforms to the ANSI standard X3.64. Moreover the CTM-300/R includes 2K bytes of user RAM into which the user can download custom functions. These user-defined functions are executed by a special Execute User Function command. The terminal firmware can be replaced with 20K bytes of user installed ROM/RAM loaded with the user's custom firmware.

COMMAND SET

Self Test	Clear Screen	Set Tab	Set Line Number
Unlock Keyboard	Clear Protected Only	Clear Tab	Set Column Number
Lock Keyboard	Clear Unprotected Only	Clear All Tabs	Set Color
Start Protected Field	Clear to End of Line	Back Tab	Set Cursor On/Off
End Protected Field	Clear from Start of Line to Cursor	Tab	Read Light Pen
Protect Selected Area	Clear Line	Cursor Left	Connect to Printer
Protect Field	Clear Protected Fields on Line	Cursor Down	Set Alternate Character Set
Insert Character	Clear Unprotected Fields on Line	Cursor Up	Set Standard Character Set
Insert Line	Auto Line Feed On/Off	Cursor Right	Load Character Set Map
Delete Character	Start of Selected Area	Cursor to Left of Line	Load User Defined Function
Delete Line	End of Selected Area	Cursor Home	Execute User Function
Clear Selected Area	Read Back Selected Area	Set Cursor Position	Load Screen Format
Clear to End of Screen	Define Scrolling Area	Read Cursor Position	Beep
Clear from Beginning of Screen to Cursor			

COMPUTER INTERFACE

The CTM-300 communicates with the host computer via an RS-232C serial interface, which can be configured by switches for several modes of operation. Input and output parity is selectable as even, odd, or no parity; and the user can choose one or two stop bits. Both full and half duplex operation are possible and the unit can be operated in an on-line or off-line mode. The user can also select the baud rate which can be from 110 baud to 19.2K baud.

PRINTER INTERFACE

Any Centronics-compatible printer using positive logic can be connected to the CTM-300. In addition to the parallel ASCII inputs, the unit provides a strobe output and a Busy Input.

LIGHT PEN INTERFACE

User-display interaction is possible through the use of a high speed light pen. When the user points the light pen at an illuminated spot on the CRT, the CTM-300 loads the screen coordinates into an internal light pen register. The pen position may then be read by the processor. Note that the light pen can only be used with monitors having short persistence phosphors.

PROGRAMMING

Functions that are not normally changed during actual operation are set by a series of switches located on the CTM-300 mother board (table 1). 2K bytes of user RAM is also available for the user to define special functions. The CTM-300 accepts data, from the host computer, in Intel Hex Format.

SWITCH	NUMBER	DESCRIPTION
SW0	1	} Selected baud rate (110 — 19.2K baud)
	2	
	3	
	4	Select number of bits per character (7/8)
	5	Select parity (on/off)
	6	Select parity (even/odd)
	7	Select number of stop bits (1/2)
	8	Select full/half duplex
SW1	1	Select control mode (normal/monitor)
	2	Select terminal mode (local/on-line)
	3	Select cursor (steady/blinking)
	4	Select cursor (underline/block)
	5	Select number of characters per line (80/132)
	6	Select transmission protocol (XON-XOFF/RTS-CTS)
	7	Enable key click
	8	Select display mode (interlaced/non-interlaced)

Table 1. Programming switches description

SPECIFICATIONS

DISPLAY

PARAMETER	RESTRICTION
Resolution	4000 characters
Characters per Line	80 standard, 132 max.
Lines per Page	25 standard, 50 max.
Character Matrix Size	5 x 7, 7 x 9 dots
Character Set	256 upper/lower case alphanumeric and graphic characters
Languages	English, French, Spanish, German, Greek, Swedish
Foreground Colors	Red, green, blue, magenta, yellow, white, cyan, black
Background Colors	Red, green, blue, magenta, yellow, white, cyan, black
Cursor	Displayed/non-displayed, block/underline

KEYBOARD

PARAMETER	DESCRIPTION
Total Keys	101 keys
Keyboard Layout	Standard typewriter layout with sculptured key design
Numeric Keypad	0 – 9 with minus sign and decimal point
Cursor Controls	Up, down, left, right
Special Function Keys	Break, print, escape, control, insert, delete, clear home, rub out, line feed
User Function Keys	18 programmable user function keys — originally set as color selection keys

MONITOR*

PARAMETER	DESCRIPTION
Screen Size	12 in. diagonal
Gun Type	In-line electron guns
Shadow Mask	.3mm high resolution shadow mask
Controls	Front mounted brightness and volume controls
Audio Outputs	Audible key click and beep

INTERFACES

INTERFACE	DESCRIPTION	MATING CONNECTOR
Host Computer (J1)	RS-232C and 20mA current loop	DB-25 type connector (male)
Parallel Printer (J2)	Centronics compatible	DB-25 type connector (male)
Light Pen (J3)	10 pin header	AMP 102184-3
TTL Video (J4)	10 pin header	AMP 102184-3
Analog Video (J5)	10 pin header	AMP 102184-3

MECHANICAL

PART	DESCRIPTION	SIZE
Monitor	Height	36.3 cm (14.3 in)
	Width	43.5 cm (17.5 in)
	Depth	42.0 cm (16.4 in)
	Weight	12.3 kg (27.0 lb)
Keyboard	Height	8.5 cm (3.4 in)
	Width	50.4 cm (19.7 in)
	Depth	24.0 cm (9.5 in)
	Weight	5.2 kg (11.5 lb)

OPERATING

PARAMETER	DESCRIPTION
Operating Temperature	10 – 40°C
Relative Humidity	10 – 90%
Power Requirements	115V, 60 Hz AC @ 50W (American Standard) 230V, 50 Hz AC @ 50W (European Standard)

ORDERING INFORMATION

The CTM-300 terminal consists of a 12" color monitor (MEC-12), keyboard with electronics (CTM-300), monitor base (CBS-300), and interconnecting cable assembly (KBL-4).

CTM-300X-X

- AS — American standard (60 Hz)
- ES — European standard (50 Hz)
- M — Complete Color CRT Terminal
- No Suffix — Color Tubeless Terminal (no monitor)

SUPPORT PRODUCTS

LP-600 High Speed Light Pen

Matrox Electronic Systems Ltd reserves the right to make changes in specifications at any time and without notice. The information furnished by Matrox Electronic Systems Ltd in this publication is believed to be accurate and reliable. However, no responsibility is assumed by Matrox Electronic Systems Ltd for its use; nor for any infringements of patents or other rights of third parties resulting from its use. No license is granted under any patents or patent rights of Matrox Electronic Systems Ltd.



*Monitor can be replaced by the user
VT-100 Digital Equipment Corp. TM



matrox
electronic systems Ltd.

5800 ANDOVER AVE., T.M.R., QUE., H4T 1H4, CANADA
TEL.: 514-735-1182 TELEX: 05-825651

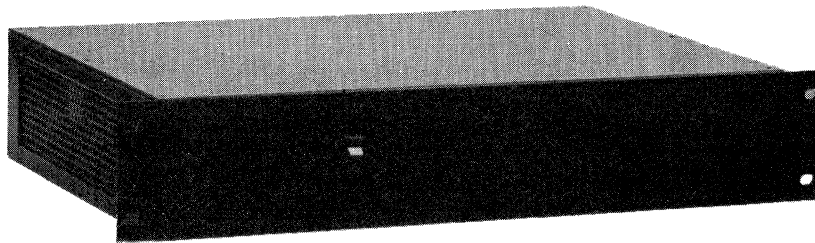
CTM-300/R

RACK-MOUNT INTELLIGENT COLOR ALPHANUMERIC TERMINAL

- 8-color alphanumeric display
- Programmable display format
- On-board Z-80A CPU
- 256 different displayable characters
- ANSI standard firmware
- RS-232C input
- RGB color output (RS-170)
- Keyboard, printer, and light pen interfaces
- 2K byte program download
- 50/60 Hz operation
- 19" rack-mount
- Blink, extended height, underline, and protected character attributes

The Matrox CTM-300/R is an intelligent color alphanumeric terminal controller. The electronics are contained on a single PC board which is mounted in a 19" steel enclosure, complete with a self-contained power supply. When interfaced to an external keyboard and color CRT monitor, the CTM-300/R provides all of the features of an intelligent black and white terminal with the addition of color. The CTM-300/R supports 256 different displayable characters which include all of the alphanumeric characters and punctuation symbols for displaying text in one of six languages; English, French, Spanish, German, Greek, or Swedish. A set of graphic symbols are also supported by the CTM-300/R to enable the user to generate "character-oriented" graphic displays (business forms, process loop displays, bar charts, etc.).

The CTM-300/R firmware conforms to ANSI X3.64 and includes a comprehensive set of cursor, erase, and character attribute controls which facilitate text editing. The on-board firmware also configures the video output to produce a standard display format of 80 characters per line by 25 lines. A unique program download feature, together with a series of DIP switches, enables the user to adapt most of the CTM-300/R functions to conform to his specific requirements.



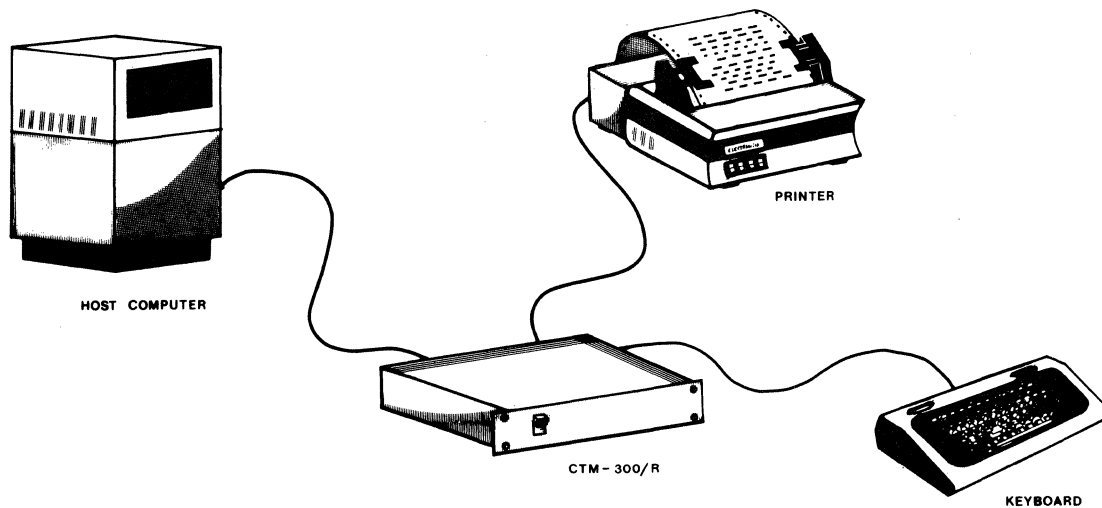


Figure 1. CTM-300/R Intelligent Color Terminal — Typical system configuration

DISPLAY

The CTM-300/R generates a color alphanumeric display consisting of 25 horizontal lines with 80/132 characters (switch selectable) displayed per line. These parameters, however, can be redefined by the user to accommodate virtually any configuration of characters/line and lines/page up to maximum of 4000 characters per display. Characters can be assigned as blinking, underlined, or protected (protected characters can not be erased or edited while the erasure mode is not in effect). The blink or underline attribute can optionally be replaced (via a hardware strap) by an extended height attribute for displaying double height characters. Furthermore, each character can be assigned to be displayed in one of eight different foreground colors on one of eight different background colors. Color selection (foreground/background) is also user selectable via user function keys on the CTM-300/R.

As supplied, the CTM-300/R contains a font of 256 displayable characters. This character set (figure 2) consists of all the alphanumeric characters and punctuation symbols for displaying text in one of six different languages: English, French, Spanish, German, Greek, or Swedish. The CTM-300/R also includes a set of 32 "graphic characters" which can be used for generating character oriented graphics such as: business forms, process loop displays, bar charts, etc. Moreover, the user can redefine the character set for custom applications by simply replacing the supplied character generator with a 2532 EPROM loaded with his custom character font.

MONITOR INTERFACE

Two video output connectors are available on the CTM-300/R to drive either a direct drive TTL color monitor, an analog RGB color monitor, or a composite analog monochrome (grey scale) monitor. Separate R,G,B video as well as horizontal and vertical sync signals are provided on the TTL video connector. The polarity of the TTL sync signals can be strapped for either positive or negative logic. On-board circuitry is also provided to allow the user to program the exact sync width and position, for use in non-standard monitors.

A separate 1Vp-p composite video signal is provided which permits monochrome displays with up to 8 different grey levels. Sync polarity on the composite signal is fixed to negative going.

KEYBOARD INTERFACE

An on-board 8-bit parallel port latches data from an external keyboard in response to a negative going strobe from the keyboard. The resident Z-80A CPU, signaled via an interrupt generated by the keyboard strobe, can then read the keyboard buffer. The keyboard interfaces to the CTM-300/R via a DB-25 connector on the back of the rack-mount box.

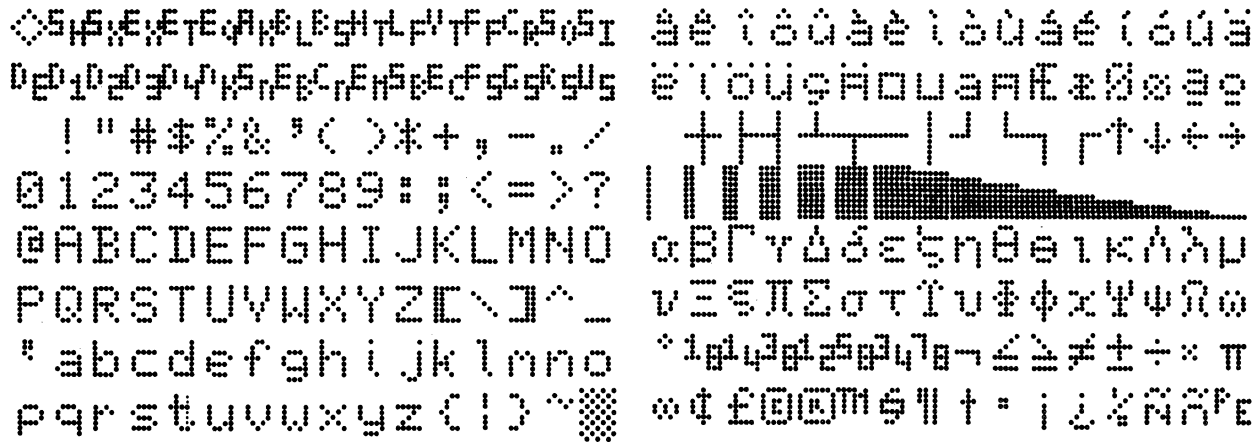


Figure 2. CTM-300/R Character set

15

EDITING

The CTM-300/R includes a comprehensive set of cursor, erase, and character attribute controls which facilitate text editing. Cursor control commands enable the user to redefine the position of the cursor using either "relative" or "absolute" movement commands. Relative cursor movement commands include: Backward Field, Back Space, Cursor Down, and Cursor Up, which defines the cursor's position "relative" to its former position. Absolute cursor positioning places the cursor in a location whose X and Y coordinates are explicitly defined in the instruction. Other editing commands include: Insert/delete a character/line, erase a line/area/display, and protect a selected area. The CTM-300/R also includes a scroll feature which will cause the display to be scrolled up one line when a Carriage Return (CR) command is issued while the cursor is in the bottom-most line of the display.

The full usable command set of the CTM-300/R is shown below, and conforms to the ANSI standard X3.64. Moreover the CTM-300/R includes 2K bytes of user RAM into which the user can download custom functions. These user-defined functions are executed by a special Execute User Function command. The terminal firmware can be replaced with 20K bytes of user installed ROM/RAM loaded with the user's custom firmware.

COMMAND SET

Self Test	Clear Screen	Set Tab	Set Line Number
Unlock Keyboard	Clear Protected Only	Clear Tab	Set Column Number
Lock Keyboard	Clear Unprotected Only	Clear All Tabs	Set Color
Start Protected Field	Clear to End of Line	Back Tab	Set Cursor On/Off
End Protected Field	Clear from Start of Line to Cursor	Tab	Read Light Pen
Protect Selected Area	Clear Line	Cursor Left	Connect to Printer
Protect Field	Clear Protected Fields on Line	Cursor Down	Set Alternate Character Set
Insert Character	Clear Unprotected Fields on Line	Cursor Up	Set Standard Character Set
Insert Line	Auto Line Feed On/Off	Cursor Right	Load Character Set Map
Delete Character	Start of Selected Area	Cursor to Left of Line	Load User Defined Function
Delete Line	End of Selected Area	Cursor Home	Execute User Function
Clear Selected Area	Read Back Selected Area	Set Cursor Position	Load Screen Format
Clear to End of Screen	Define Scrolling Area	Read Cursor Position	Beep
Clear from Beginning of Screen to Cursor			

COMPUTER INTERFACE

The CTM-300/R communicates with the host computer via an RS-232C serial interface, which can be configured by switches for several modes of operation. Input and output parity is selectable as even, odd, or no parity; and the user can choose one or two stop bits. Both full and half duplex operation are possible and the unit can be operated in an on-line or off-line mode. The user can also select the baud rate which can be from 110 baud to 19.2K baud.

PRINTER INTERFACE

Any Centronics-compatible printer using positive logic can be connected to the CTM-300/R. In addition to the parallel ASCII inputs, the unit provides a strobe output and a Busy Input.

LIGHT PEN INTERFACE

User-display interaction is possible through the use of a high speed light pen. When the user points the light pen at an illuminated spot on the CRT, the CTM-300/R loads the screen coordinates into an internal light pen register. The pen position may then be read by the processor. Note that the light pen can only be used with monitors having short persistence phosphors.

PROGRAMMING

Functions that are not normally changed during actual operation are set by a series of switches located on the CTM-300/R mother board (table 1). 2K bytes of user RAM is also available for the user to define special functions. The CTM-300/R accepts data, from the host computer, in Intel Hex Format.

SWITCH	NUMBER	DESCRIPTION
SW0	1	Select baud rate (110 — 19.2K baud)
	2	
	3	
	4	Select number of bits per character (7/8)
	5	Select parity (on/off)
	6	Select parity (even/odd)
	7	Select number of stop bits (1/2)
	8	Select full/half duplex
SW1	1	Select control mode (normal/monitor)
	2	Select terminal mode (local/on-line)
	3	Select cursor (steady/blinking)
	4	Select cursor (underline/block)
	5	Select number of characters per line (80/132)
	6	Select transmission protocol (XON-XOFF/RTS-CTS)
	7	Enable key click
	8	Select display mode (interlaced/non-interlaced)

Table 1. Programming switches description

SPECIFICATIONS

DISPLAY PARAMETERS

PARAMETER	RESTRICTION
Resolution	4000 characters max.
Characters per Line	80 standard, 132 max.
Lines per Page	25 standard, 50 max.
Character Matrix Size	5 x 7, 7 x 9 dots
Character Set	256 upper/lower case alphanumeric and graphic characters
Languages	English, French, German, Greek, Spanish, Swedish
Foreground Colors	Red, green, blue, magenta, yellow, cyan, white, black
Background Colors	Red, green, blue, magenta, yellow, cyan, white, black
Cursor	Displayed/non-displayed, block/underline, blinking/steady

INTERFACES

INTERFACE	DESCRIPTION	MATING CONNECTOR
Host Computer (J1)	RS-232C and 20mA current loop	DB-25 type connector (male)
Parallel Printer (J2)	Centronics compatible	DB-25 type connector (male)
Light Pen (J3)	10 pin header	AMP 102184-3
TTL Video (J4)	10 pin header	AMP 102184-3
Analog Video (J5)	10 pin header	AMP 102184-3
Keyboard Input (J6)	8-bit parallel port	DB-25 type connector (male)

SIZE

POWER REQUIREMENTS

American standard:	115V, 60 Hz AC @ 50W
European standard:	230V, 50 Hz AC @ 50W

ENVIRONMENTAL REQUIREMENTS

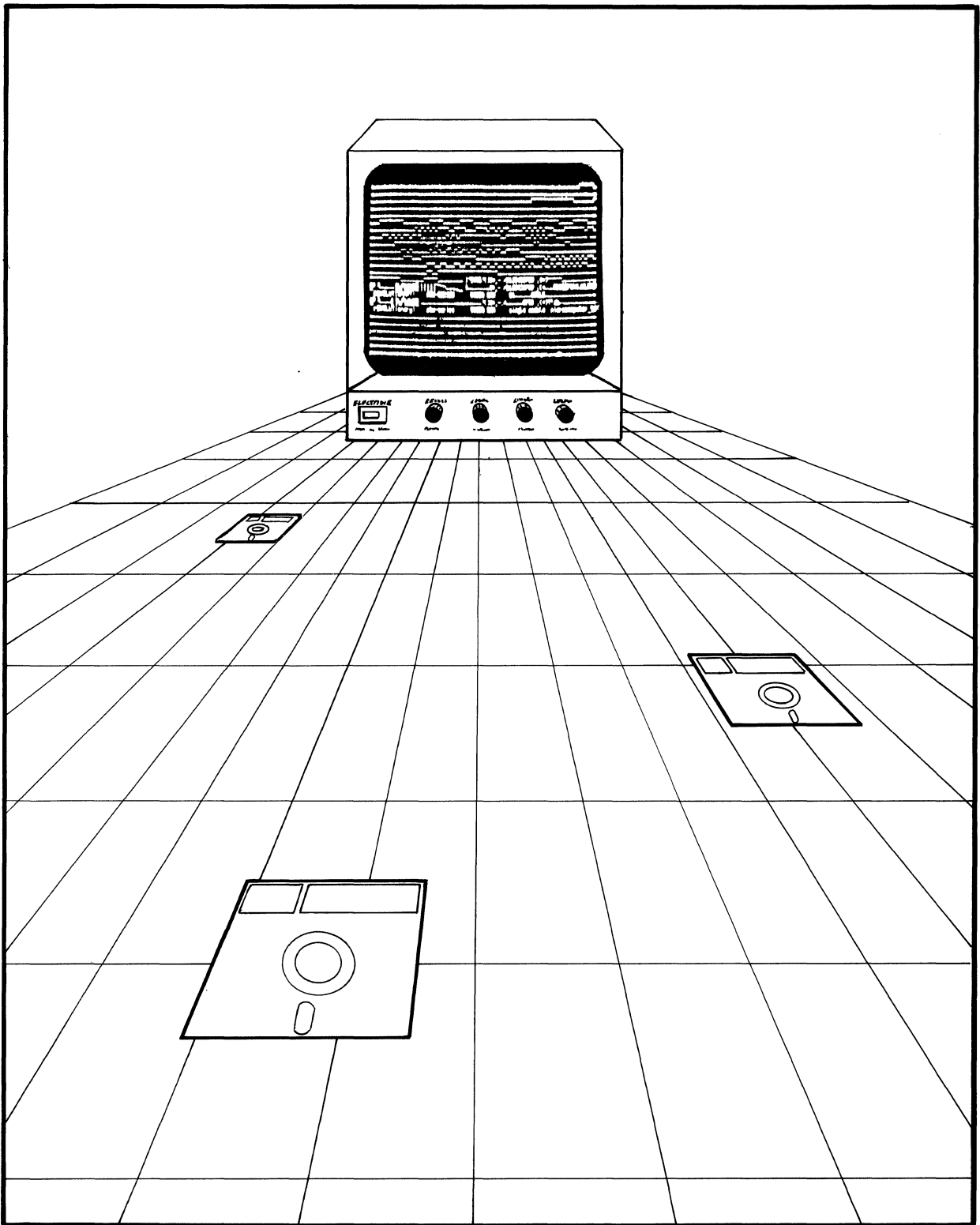
Operating Temperature:	10° to 40° C
Relative Humidity:	0 to 95% non-condensing

ORDERING INFORMATION

CTM-300/R-X	19" rack-mount intelligent color alphanumeric terminal
	{ A — American standard (60 Hz)
	{ E — European standard (50 Hz)

Matrox Electronic Systems Ltd reserves the right to make changes in specifications at any time and without notice. The information furnished by Matrox Electronic Systems Ltd in this publication is believed to be accurate and reliable. However, no responsibility is assumed by Matrox Electronic Systems Ltd for its use; nor for any infringements of patents or other rights of third parties resulting from its use. No license is granted under any patents or patent rights of Matrox Electronic Systems Ltd.





GRAPHICS SOFTWARE

SECTION 16

GRAPHICS SOFTWARE

GRAS-80

Graphics Software Package for RGB-GRAPH and VAF-512

16-3

QUARTO

Graphics Software Package for QRGB-GRAPH

16-7

PLOT-512

Graphics Software Package for MLSI-512 and MDC-512

16-11



matrox
electronic systems ltd.

5800 ANDOVER AVE., T.M.R., QUE., H4T 1H4, CANADA
TEL.: 514-735-1182 TELEX: 05-825651

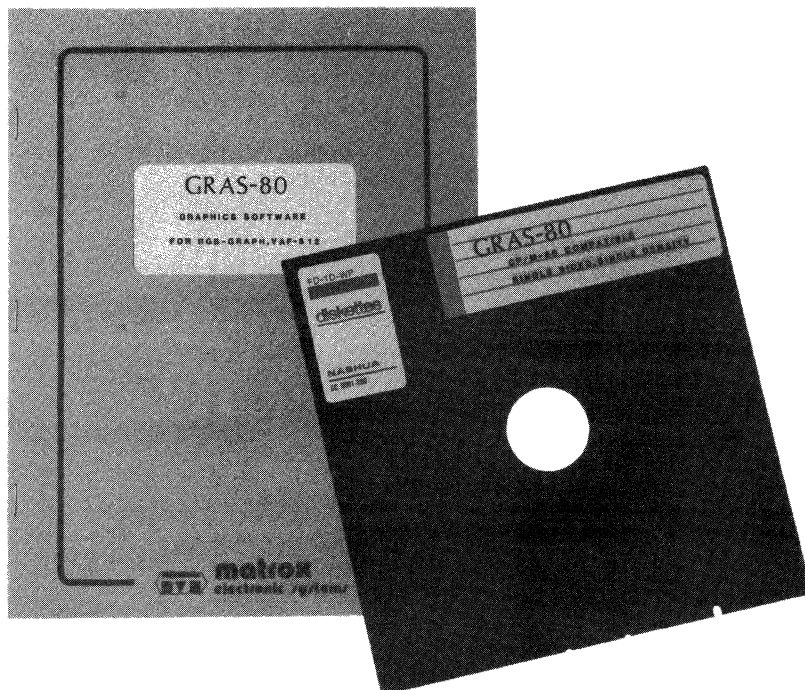
GRAS-80

GRAPHICS SOFTWARE PACKAGE FOR RGB-GRAPH AND VAF-512

- Software support for the RGB-GRAPH / VAF-512
- 49 independent subroutines
- Draws lines, circles, ellipses, and characters
- Light pen and data tablet support routines
- Special functions include: pan, scroll, and zoom
- Advanced character manipulation including inclined character baseline
- Supplied on 8" CP/M compatible diskette

GRAS-80 is a software package which provides extensive high level graphics facilities to the "C" or MACRO-80 programmer using a Z-80 based CP/M microcomputer system with a Matrox RGB-GRAPH graphics controller.

Subroutines are provided for line drawing, point drawing, arc and ellipse drawing, initializing, panning, zooming, scrolling, and character generation.



FUNCTIONAL DESCRIPTION

The GRAS-80 package is a collection of subroutines stored in relocatable library form. Designed to run on a Matrox ZBC-80 CPU in a MACS-10 microcomputer system, it can also be made to work with any Z-80 based CPU board. GRAS-80 version 1.0 can support 1 or 2 RGB-GRAPH boards and one VAF-512 board.

The GRAS-80 routines are provided as a Microsoft compatible library on an 8" CP/M compatible floppy diskette. The GRAS-80 package is mainly written in "C" language, although some sections have been implemented in assembler for increased efficiency. These routines are called, by the user's program, using either the Microsoft Assembler (M80) and Linker (L80) or White-smith's "C".

UTILITY ROUTINES

A set of general purpose Utility Routines are included in GRAS-80 which perform various "house-keeping" functions such as initializing the RGB-GRAPH boards and accessing registers. An initialization routine, Init(), sets the RGB-GRAPH's internal registers to their default values on power-up and/or reset (table 1). Other utility routines enable the user to redefine any or all of these default values and re-initialize using these new values.

PARAMETER	DESCRIPTION	DEFAULT VALUE
PAN	Starting column number at left side of display	COLUMN 0
SCROLL	Starting row number at top of display	ROW 0
ZOOM	X and Y zoom factors	X = 1, Y = 1
ASPECT RATIO	Y to X ratio for arcs and ellipses	1:1
RESOLUTION	X and Y resolution	512 x 512
ADDRESS	RGB-GRAPH base I/O address	A0H
COLOR	Pen color	Red
WRITE ENABLE	Enables writing to selected bit planes	All planes enabled
BACKGROUND	Background color	Black
VIDEO ENABLE	Enables video outputs of selected bit planes	All planes enabled
LINE FORMAT	Line texture (solid, dashed, dotted) duty cycle	Solid
PEN SIZE	Set size of graphics pen	1
PEN ASPECT RATIO	Y to X ratio for graphics pen	1:1
BASE DIRECTION	Base direction for future chain moves	Left to right
TEXT ENABLE	Enables alpha mode and select bit plane for text	Alpha mode disabled
ALPHA PEN SIZE	Set pen size for alpha mode	1
ALPHA PEN ASPECT RATIO	Y to X ratio for alpha pen	1:1
CHARACTER SPACING	Sets horizontal and vertical offsets between characters	Vertical offset = 0, Horizontal offset = 0

Table 1. GRAS-80 default values

BASIC OUTPUT ROUTINES

The Basic Output Routines include 11 independent subroutines that are used for display manipulation. These routines allow the user to draw vectors to the display by simply passing the desired X-Y coordinates, of the vector's endpoint, to the called routine. Short relative vectors (up to 16 pixels in length) can be drawn, point by point, using the Chain() routine. The Chain() routine expects a pointer as its input argument which points to a character buffer that contains a series of chain commands. Each chain command defines a number of chain moves in relative directions (table 2). The Basic Output Routines also permit drawing of arcs and alpha characters to the display by passing the Y size and quadrant code (draws arcs) or an index into the ASCII character table (draw characters). The balance of the Basic Output Routines deal with the user's view of the display. Routines are available to allow the user to pan, scroll, or zoom, the display as well as setting the display resolution and the aspect ratio used for drawing arcs. An Erase routine is also included to preset or clear the visible part of the screen to the background color.

CHAIN COMMAND	DESCRIPTION
CODE = 0	Chain move in base direction
CODE = 1	Chain move in base direction + 45 degrees
CODE = 2	Chain move in base direction + 90 degrees
CODE = 3	Chain move in base direction + 135 degrees
CODE = 4	Chain move in base direction + 180 degrees
CODE = 5	Chain move in base direction + 225 degrees
CODE = 6	Chain move in base direction + 270 degrees
CODE = 7	Chain move in base direction + 315 degrees
CODE = 8	Turn on WRITE ENABLE flag (subsequent chain moves will be displayed)
CODE = 9	Turn off WRITE ENABLE flag (subsequent chain moves will not be displayed)
CODE = 10	Set number of chain moves encoded per chain command code (1 to 16)
CODE = 11	End of file (terminates chain command)
CODE = 12	Plot point without doing a chain move
CODE = 13	Reserved
CODE = 14	Reserved
CODE = 15	No operation

Table 1. Chain command code description

OUTPUT ATTRIBUTE ROUTINES

The Output Attribute Routines consist of eight independent subroutines that are used to specify parameters controlling the appearance of the display such as line width and line format. These routines allow the user to set the graphics "pen" size and aspect ratio to obtain a pen of virtually any size and shape, from 1 pixel horizontally x 1 pixel vertically to 512 pixels horizontally x 512 pixels vertically. The line format (i.e. solid, dashed, dotted, etc.) is also set in a separate routine, with the exact duty cycle being passed as an argument to the routine. The Output Attribute Routines also sets the displayed colors of both the background video and the graphics pen. Both background and pen color can be independently set to: black, red, blue, magenta, green, yellow, cyan, or white.

COMPOUND OUTPUT ROUTINES

The Compound Output Routines are similar in function to the Basic Output Routines, except that all functions are performed relative to the present cursor position. For example, a line can be drawn by passing X and Y values from the present cursor position (starting endpoint) to the destination endpoint. The Compound Output Routines also enable the user to draw an ellipse to the display by simply passing the ellipse's radius (along the Y axis) as an input argument to the called routine. Two types of chain routines are included in the Compound Output Routines. Tchain() can be used as an alternative to the Chain() routine found in the Basic Output Routines. Cstring() makes successive calls to Chara() to write to the display the ASCII characters in the buffer pointed to by the pointer passed to the routine.

ALPHA MODE ROUTINES

The Alpha Mode Routines provide more advanced character manipulation including writing complete strings, a block cursor that can be positioned, auto line feed, wrap around, sloped baselines for the alpha characters, and a separate size and aspect ratio for characters only. All the special character functions are enabled or disabled by calling the routine Entext(). These routines are useful for terminal emulation.

INPUT ROUTINES

GRAS-80 supports a number of graphic input devices (light pen, data tablet, or joystick) through a library of six subroutines. Using these routines, the user can select which device (if more than one input device is used in the system) is active as well as enable a graphics crosshair cursor to be displayed at the XY coordinates obtained from the active input device. The user can also specify, through a separate routine, whether an input XY coordinate will cause a line to be drawn from the last input position to the new position, or whether the cursor will just be moved without otherwise effecting the display.

VAF-512 ROUTINES

VAF-512 support routines contained in GRAS-80 enable the user to read or write the entire color look-up tables on the VAF-512 board. The user can also read/write any one of the look-up tables (red, green, or blue) selectively. The VAF-512 library also contains a routine to "grab" a frame of video information, from a TV camera, and load it into the RGB-GRAPH display memory.

SUMMARY OF GRAS-80 ROUTINES

UTILITY ROUTINES

NAME	FUNCTION
Init	Initializes RGB-GRAPH boards at as-shipped address and sets internal variables for GRAS-80
Pinit	Initializes RGB-GRAPH boards at any base address and sets internal variables for GRAS-80, also sets resolution
Setport	Tells GRAS-80 the RGB-GRAPH I/O base address
Setreg	Writes data to selected I/O location
Setcrtc	Writes data to selected CRTC register
Getreg	Reads data from selected I/O location

BASIC OUTPUT ROUTINES

NAME	FUNCTION
Moveto	Absolute pen move with no vector draw
Lineto	Absolute pen move with vector draw
Chara	Writes a standard character at the current pen position
Apan	Absolute horizontal display shift
Ascl	Absolute vertical display shift
Zoom	Expands part of the display
Chain	Draws a sequence of short relative vectors
Arc	Draws 90° of an arc
Setaspect	Set the ratio of the Y to X extent fo subsequent arcs and ellipses
Setres	Changes the display resolution
Erase	Erases the screen and presets it to the current background color

OUTPUT ATTRIBUTE ROUTINES

NAME	FUNCTION
Setcolour	Sets pen color
Setwen	Enables writing to selected bit planes
Setback	Sets background color to be used after the next Erase
Viden	Enables selected video outputs
Setdash	Sets line texture as solid or dashed and sets dash duty cycle
Setsize	Sets pen size
Setpar	Sets pen shape
Setdir	Sets base direction for future chains (including characters)

COMPOUND OUTPUT ROUTINES

NAME	FUNCTION
Moverel	Moves pen relative to current pen position without drawing vector
Linerel	Moves pen relative to current pen position, drawing a vector
Rpan	Relative horizontal display shift
Rscrl	Relative vertical display shift
Ellipse	Draws an ellipse
Tchain	Translates ASCII characters to a form that can be used by the Chain command
Cstring	Display a string of characters that have previously been put in a buffer

ALPHA MODE ROUTINES

NAME	FUNCTION
Entext	Enables or disables alpha mode and selects bit plane for text
Setaxy	Assigns values to alpha cursor position variables used by Entext
Acmove	When in Alpha mode, moves cursor without writing character
Setasize	Sets pen size for alpha mode
Setapar	Sets pen shape for alpha mode
Setoffs	Sets horizontal and vertical offsets between characters in a string

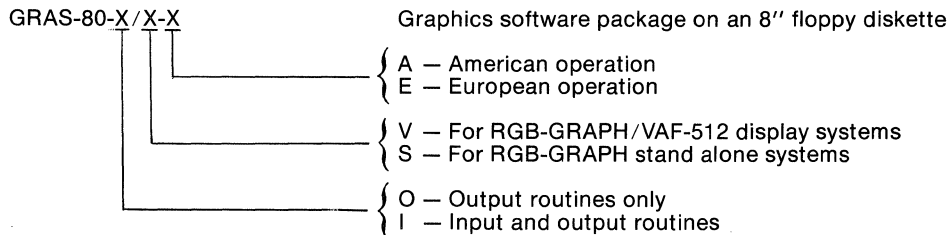
INPUT ROUTINES

NAME	FUNCTION
Activate	Activates the specified input device (light pen, data tablet, or joystick)
Deactivate	Deactivates the specified input device
Encur	Enables crosshair cursor on specified display memory bit plane(s)
Getcoor	Gets one coordinate from the currently activated input device and places it in an external buffer
Inkmode	Sets up parameters for input "inking". If mode _q = 1, the input will cause a line to be drawn from the last input position to the new position, otherwise it will just move the cursor
Ink	Starts the input routine

VAF-512 ROUTINES

NAME	FUNCTION
Loadcolourmap	Loads all the VAF-512 color look-up tables from an external buffer
Readcolourmap	Reads all the VAF-512 color look-up tables to an external buffer
Loadc	Loads the specified VAF-512 color look-up table (red, green, or blue) from an external buffer
Readc	Reads the specified VAF-512 color look-up table (red, green, or blue) to an external buffer
Framegrab	Grabs a frame of video information from a TV camera and places it in the display memory

ORDERING INFORMATION



Matrox Electronic Systems Ltd reserves the right to make changes in specifications at any time and without notice. The information furnished by Matrox Electronic Systems Ltd in this publication is believed to be accurate and reliable. However, no responsibility is assumed by Matrox Electronic Systems Ltd for its use; nor for any infringements of patents or other rights of third parties resulting from its use. No license is granted under any patents or patent rights of Matrox Electronic Systems Ltd.





matrox
electronic systems Ltd.

5800 ANDOVER AVE., T.M.R., QUE., H4T 1H4, CANADA
TEL.: 514-735-1182 TELEX: 05-825651

QUARTO

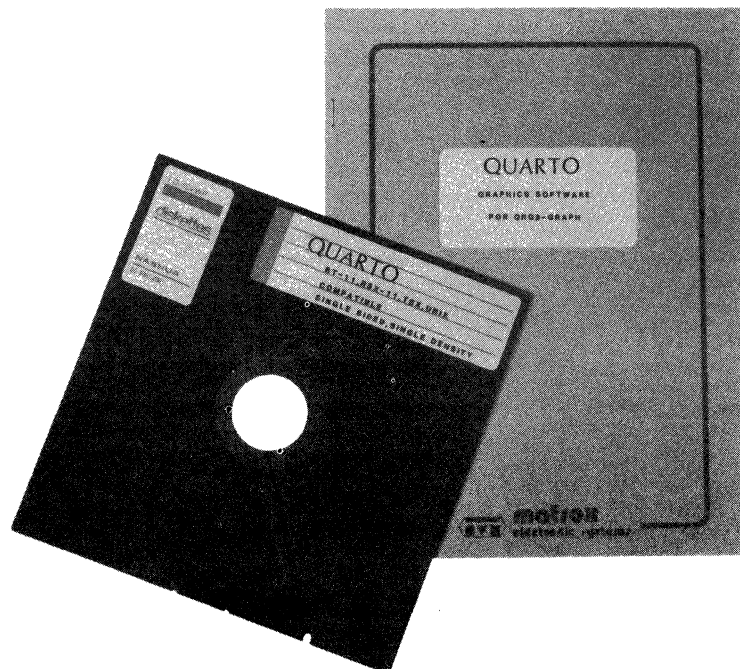
GRAPHICS SOFTWARE PACKAGE FOR QRGB-GRAPH

- Software support package for QRGB-GRAPH
- Page-oriented graphics
- Supports scaling and windows
- Line, point, and character draw and erase commands
- Seed area fill
- RT-11, RSX-11, TSX, UNIX, and XENIX drivers available
- Special functions include: pan, scroll, zoom, and overlay
- Advanced character manipulation including inclined character baseline and character rotation
- Supplied on an 8" floppy diskette

QUARTO is a software system for producing line drawings, plotting diagrams and graphs, and for other tasks in which the computer graphics device is used in the manner of a sketchpad and a set of colored pencils. QUARTO provides an extensive set of subroutines for writing graphic plots onto color or monochrome pages of a display, for making the written pages visible, or for hiding them.

QUARTO is designed to be used with a Matrox QRGB-GRAPH graphics display controller card, driven by a PDP-11/LSI-11 (Q-bus or Uni-bus) computer, and either a color or monochrome display monitor.

QUARTO is available for use with RT-11, RSX-11, TSX, TSX-PLUS, UNIX, XENIX, and other operating systems.



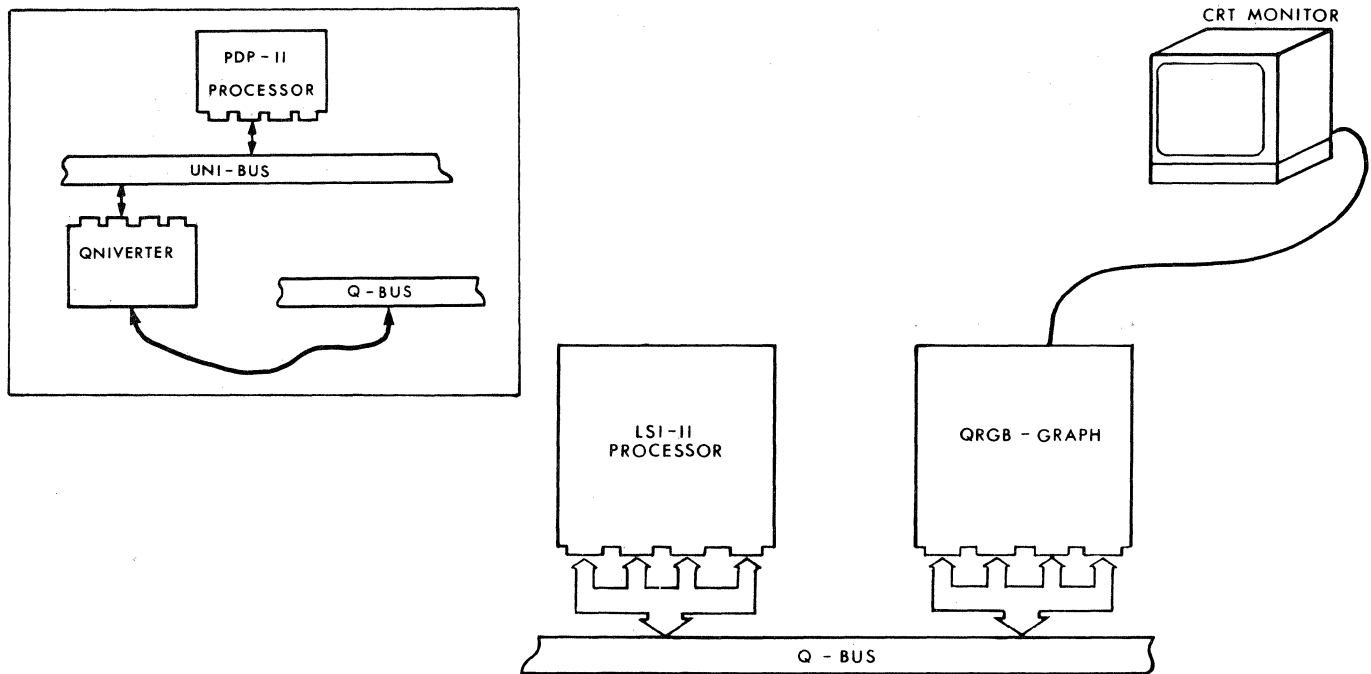


Figure 1. QUARTO — Typical application

FUNCTIONAL DESCRIPTION

The QUARTO software package is a library of subroutines supplied on an 8" floppy diskette. The QUARTO routines enable the user to create and manipulate graphic video displays, with up to 512 x 512 dot resolution, on a color or monochrome CRT monitor.

QUARTO is designed to be used with a Matrox QRGB-GRAPH graphics CRT display controller board driven by a PDP-11/LSI-11 (Q-bus or Uni-bus) processor, and is available for use with RT-11, RSX-11, TSX, TSX-PLUS, UNIX, XENIX, and other operating systems. QUARTO subroutines are furnished as threaded code and make use of the appropriate operating system library. These routines can generally be called from Fortran, Pascal, C, or assembler-language programs provided the standard system library is available. In addition to the subroutine library, a device driver may be required by certain operating systems. Where needed, the standard QUARTO release package includes such a driver.

The QUARTO software package employs a "paged graphics" technique, whereby the four display planes of the QRGB-GRAPH are grouped together to form one or more "pages" (analogous to sheets of drawing paper), each of which can be written on, erased, cleared, displayed, or otherwise manipulated individually. The four display planes of the QRGB-GRAPH can be configured, by QUARTO, to form eight different combinations of pages (Virtual Machines).

MACHINE	NUMBER OF PAGES	DESCRIPTION
1111	4	Four monochrome pages (one plane each)
2110	3	One four-color page (two planes) and two monochrome pages (one plane each)
2111	3	Same as Machine 2110 except using different colors (different plane-page configuration)
2112	3	Same as Machine 2111 except using different colors (different plane-page configuration)
220	2	Two four-color pages (two planes each)
221	2	Same as Machine 220 except using different colors (different plane-page configuration)
222	2	Same as Machine 221 except using different colors (different plane-page configuration)
31	2	One eight-color page (three planes) and one monochrome plane (one plane)

Table 1. Virtual Machines supported by QUARTO

PAGED GRAPHICS

The Paged Graphics routines in QUARTO are used to define and manipulate the working, or "environmental", parameters of the display on a page level. Page control routines allow the user to individually enable the video output from each page, enable/disable writing to each page, or clear a specified page to a specified color. The enable/disable video routine allows several pages to be overlaid on the screen together. Displays may also be combined in many complicated ways by merging the contents of two pages into a single page. In the merging process both pages to be merged are read, pixel by pixel, and rewritten in accordance with whatever logical function the user has chosen to specify. Full or partial images can also be transferred, through QUARTO, between the display and disk.

An initialization routine (QRINIT) loads a set of default parameters for QUARTO (table 2). QRINIT defines such parameters as: currently active Virtual Machine, currently active page, and graphics pen color. Other routines in the Paged Graphics library allow the user to dynamically update these parameters. Routines are included to set the display resolution in terms of virtual coordinates (i.e. X and Y coordinates are expressed in the range of 0 to 1.0) for each page, and to map this virtual window onto a defined portion of the screen. This feature allows the programmer to display several windows on the page simultaneously (figure 2).

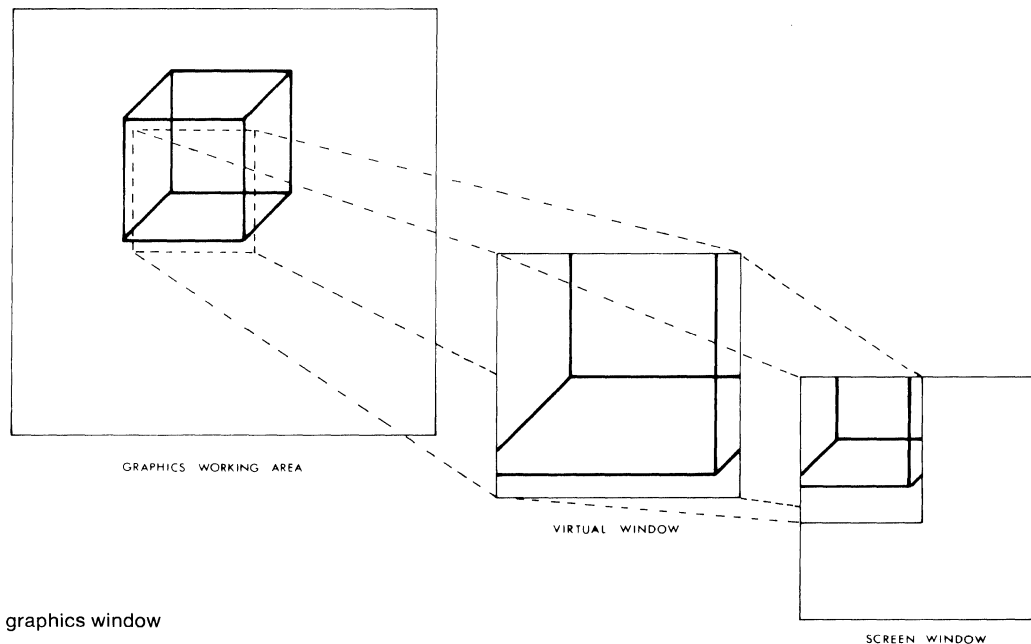


Figure 2. Virtual graphics window

PARAMETER	DESCRIPTION	DEFAULT VALUE
PAN	Starting column number at left side of display	Column 0
SCROLL	Starting row number at top of display	Row 0
ZOOM	X and Y zoom factors	X = 1, Y = 1
RESOLUTION	X and Y resolution	512 x 512
PAGE	Activates page to display	Page 0 active
COLOR	Sets pen color	Red
VIRTUAL WINDOW	Sets resolution of virtual window	1.0 x 1.0
SCREEN WINDOW	Sets resolution of screen window	512 x 512
MACHINE	Select Virtual Machine	31
POSITION	Set X and Y coordinates of graphics pen	X = 0, Y = 0

Table 2. QUARTO default parameters

A separate routine is available to enable the programmer to introduce horizontal and vertical offsets, when drawing characters, to simulate a sloped character baseline.

VIRTUAL LINE GRAPHICS

Virtual Line Graphics routines are used to actually construct the images on the currently active page. Lines, points, and characters can be written to the display using routines found in the Virtual Line Graphics library. Characters that can be drawn to the display include all of the upper and lower case alphanumeric characters as well as any user-defined characters. Strings of characters can be drawn to the currently active page using powerful character manipulation routines. Characters can be increased in size up to 42 times their normal height and can be rotated, in multiples of 90°, to a maximum of 360°.

Writing to the display is done in one of five modes. In mode 0, the graphics pen is moved along its prescribed route without writing. Mode +1 enables writing in a specified color, regardless of the previous or background color. A Masked Complemented Writing mode (-1) causes each point on the pen route to be written in a color obtained by complementing those bits of the existing color which correspond to zero bits in the specified pen color (eg. a cyan pen (110), writing on a yellow background (011), yields a green (010) line). Modes +2 and -2 refer to Additive Relative Writing and Subtractive Relative Writing respectively. In these modes, the new point color is determined by either adding or subtracting the pen color from the previous point color. An area fill routine (QRVNFL) is also incorporated in QUARTO which allows the use to "color" a defined area of the display. QRVNFL can also be used to copy filled areas between pages.

PIXEL ADDRESSED GRAPHICS

The Pixel Addressed Graphics subroutines in QUARTO deal with the pixel addresses as integer pixel numbers and may be regarded as being the low-level access to the actual hardware. For applications requiring maximum memory use, graphics at the pixel level can be very advantageous. Where it is desirable to embed these routines in PROM firmware, a separate "embedded code licence" is available.

DEBUGGING FACILITY

To aid in debugging programs incorporating QUARTO, many of the subroutines supply debugging information to the programmer in the form of error messages displayed at the system console. These error messages are presented in the form of a four character code, of which the first two characters define the error type and the last two characters identify the subroutine.

Parallel versions of subroutines are provided wherever the error reporting facilities have a significant effect on either execution time or code length (routines of the form QDxxx incorporate debug error reporting). QRxxx versions of the routines (no error reporting facilities) should be used in the final production program since these routines generally run faster.

SUMMARY OF QUARTO ROUTINES

PAGED GRAPHICS ROUTINES

NAME	FUNCTION
QRCPOS	Specify character pen beginning and ending position
QDCPOS	
QRINIT	Initialize all hardware and software parameters
QRMERG	Merge two pages
QDMERG	
QRPAGE	Write enable selected page (only one page can be write enabled at one time)
QDPAGE	
QRPCLR	Clear specified page to specified color
QDPCLR	
QRPVEN	Enable/disable video from specified page
QDPVEN	
QRECN	Select current virtual machine for page graphics
QDECN	
QRSAVE	Store specified portion of current picture on disk
QDSAVE	
QRSERS	Disable video from all pages
QRSTAT	Display current graphics system status
QRSWIN	Define screen window to be used on specified page
QDSWIN	
QRVWIN	Define virtual window to be used on specified page
QDVWIN	
QRWRIT	Restore saved picture from disk to display buffer
QDWRIT	

VIRTUAL LINE GRAPHICS ROUTINES

NAME	FUNCTION
QRCCHR	Draw an array of ASCII characters
QDCCHR	
QRVCHR	Draw an ASCII character
QDVCHR	
QRVLIN	Draw a line in virtual space
QDVLIN	
QRVNFL	Fill an area
QDVNFL	
QRVPNT	Draw a point at the specified virtual coordinates
QDVPNT	
QRVSCH	Draw a user-defined character
QDVSCH	
QRVVCH	Draw a string of user-defined characters
QDVVCH	

PIXEL ADDRESSED GRAPHICS ROUTINES

NAME	FUNCTION
QRACLR	Clear specified planes and set to specified color
QDACLR	
QRHCLP	Enable/disable hardware clipping
QDHCLP	
QRHPAN	Pan display to specified X coordinate
QDHPAN	
QRHSCR	Scroll display to specified Y coordinate
QDHSCR	
QRHZOM	Zoom display by specified zoom factor
QDHZOM	
QRRPDX	Read pixel color from specified location
QDRPDX	
QRSCHV	Draw a user-defined dot matrix character
QDSCHV	
QRSPCH	Draw a dot matrix character
QDSPCH	
QRWPXL	Write a pixel to the specified location in the specified color
QDWPXL	
QRWREN	Write enable the specified plane (one plane is enabled per call but any number of planes can be write enabled at any one given time)
QDWREN	
QRWVCT	Draw a line of pixels
QDWVCT	

ORDERING INFORMATION

QUARTO Graphics software package on an 8" floppy diskette. When the QUARTO package is ordered, the user must complete a licensing agreement, and a configuration form.

Matrox Electronic Systems Ltd reserves the right to make changes in specifications at any time and without notice. The information furnished by Matrox Electronic Systems Ltd in this publication is believed to be accurate and reliable. However, no responsibility is assumed by Matrox Electronic Systems Ltd for its use; nor for any infringements of patents or other rights of third parties resulting from its use. No license is granted under any patents or patent rights of Matrox Electronic Systems Ltd.





matrox
electronic systems ltd.

5800 ANDOVER AVE., T.M.R., QUE., H4T 1H4, CANADA
TEL.: 514-735-1182 TELEX: 05-825651

PLOT-512

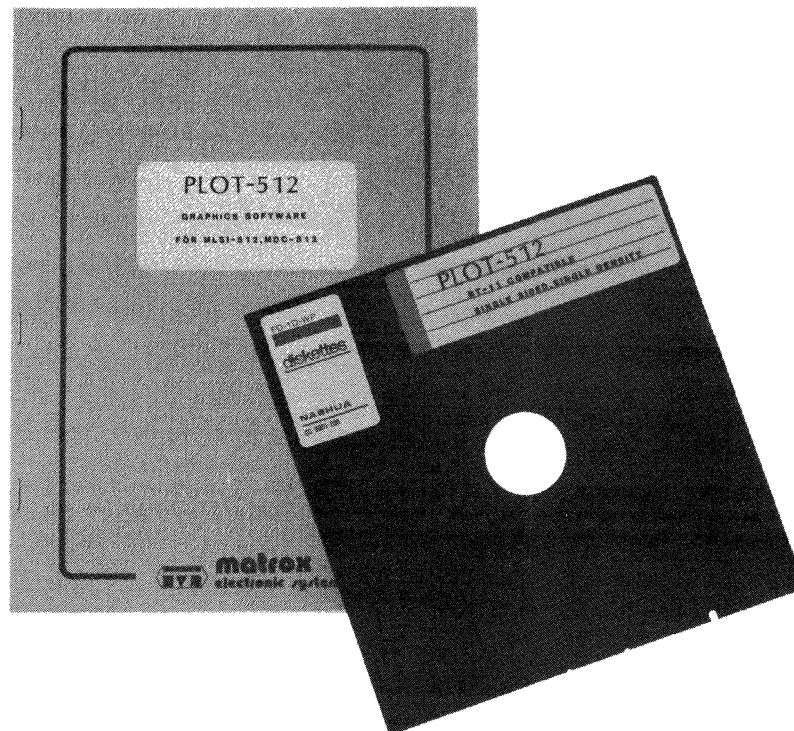
GRAPHICS SOFTWARE PACKAGE FOR MLSI-512 AND MDC-512

- Graphics subroutine library
- Compatible with MLSI/MDC-512
- Line, point, and character draw and erase commands
- Compatible with RT-11 operating system
- Supplied on 8" diskette

PLOT-512 is a software package which provides extensive high-level graphics facilities to the RT-11 Fortran or Macro-11 programmer using a PDP-11 or LSI-11 computer equipped with a Matrox MLSI-512 or MDC-512 graphics controller.

The combination of PLOT-512 and a Matrox display controller can be used to add a fast and powerful graphics terminal to any existing PDP-11 or LSI-11 system. Alternatively, a very inexpensive, highly intelligent graphics terminal for general use can be configured around an LSI-11 processor.

PLOT-512 is specifically directed to line graphics; displays consisting of lines, points, and alphanumeric characters. Graphics, curves, and diagrams can be produced quickly so that PLOT-512 is particularly well suited to computer-aided design applications.



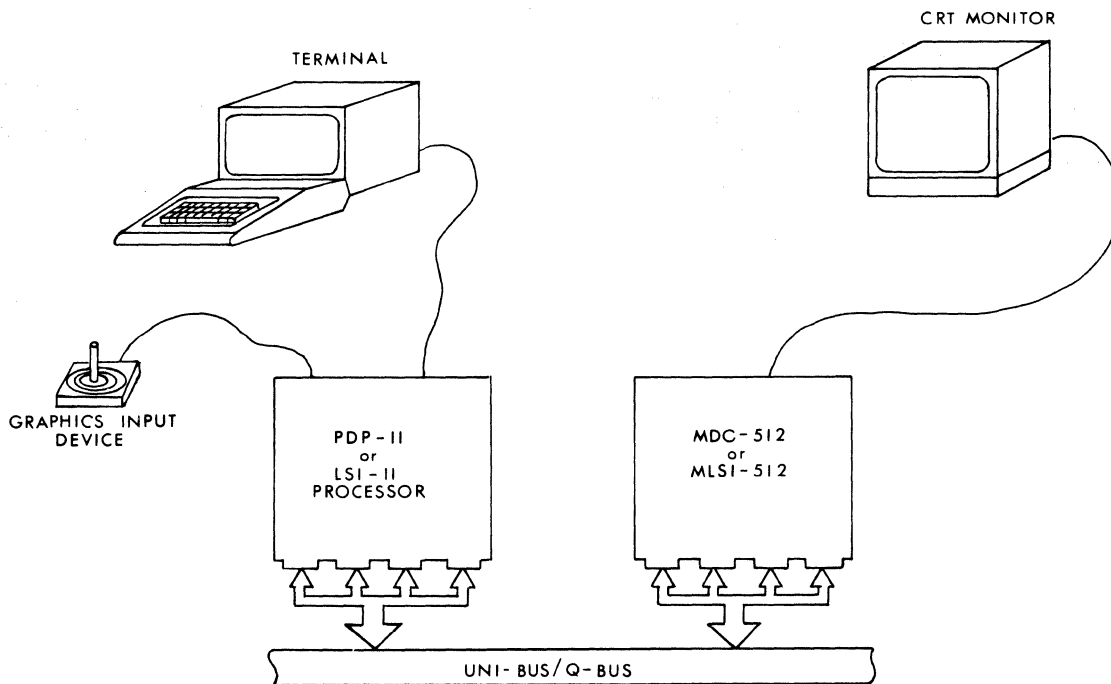


Figure 1. PLOT-512 - Typical application

PLOT-512 is a collection of subroutines stored in relocatable library form. Designed to run in either PDP-11 or LSI-11 computer systems, equipped with a Matrox MDC-512 or MLSI-512 graphics controller board, PLOT-512 supports display formats of up to 512 x 512 dots.

PLOT-512 is line graphics oriented as are the Tektronix, Calcomp, and several other software packages. Although PLOT-512 is not intended to be totally compatible with the Calcomp or Tektronix packages (full compatibility would very likely rob the user of the many powerful features that only raster graphics can provide), PLOT-512 does include a number of subroutines analogous to similarly named and similarly called routines in PLOT-10. Thus conversion of already existing PLOT-10 software should not be difficult, and in many instances should prove unnecessary.

PLOT-512 is provided on a standard 8" diskette in RT-11 format. The PLOT-512 routines are called, by the user's program, using either Macro-11 or Fortran.

INITIALIZATION

The INITT routine of PLOT-512 initializes all the graphics indexing, sets up buffers, and sets up default values prior to program execution. Another function of the INITT routine clears the entire screen to the default background color.

NAME	FUNCTION	DEFAULT VALUE
Pen Color	Color of the graphics pen	Black
Background	Color of the background screen	White
Controller Address	Base address of the graphics controller board	175 000h
I/O Address	Address of the parallel interface	174 000h
Virtual Window Size	Width and height of the virtual window	512 x 512
Screen Window Size	Width and height of the screen window	512 x 512
Pixel Size	Width and height of one displayed dot	2 x 2
TV Standard	Vertical frame refresh rate	60 Hz American standard

Table 1. PLOT-512 default values

DIRECT GRAPHICS

Using the Direct Graphics subroutines, plotting operations are specified using absolute screen locations. To these routines, the plotting range of the program, like the display screen, is seen as an array of 512 x 512 pixels. Direct Graphics routines are generally most useful in writing further, more sophisticated and specialized display routines.

The Direct Graphics routines are made up of four routines; PLOT, PNTABS, MOVABS, and DRWABS. Through these routines the user can draw lines in the current pen color, the complement of the current pen color, or alternating between the current color and its complement (i.e. dotted line). Note that by drawing over a line in the complement pen color, the user can selectively "erase" any line of the display. Routines are also available to enable the user to move the drawing "pen" to a defined location on the screen and display a point (a point is drawn by PLOT-512 as two pixels wide by two pixels high), or to simply move the pen to a new screen coordinate without effecting the display.

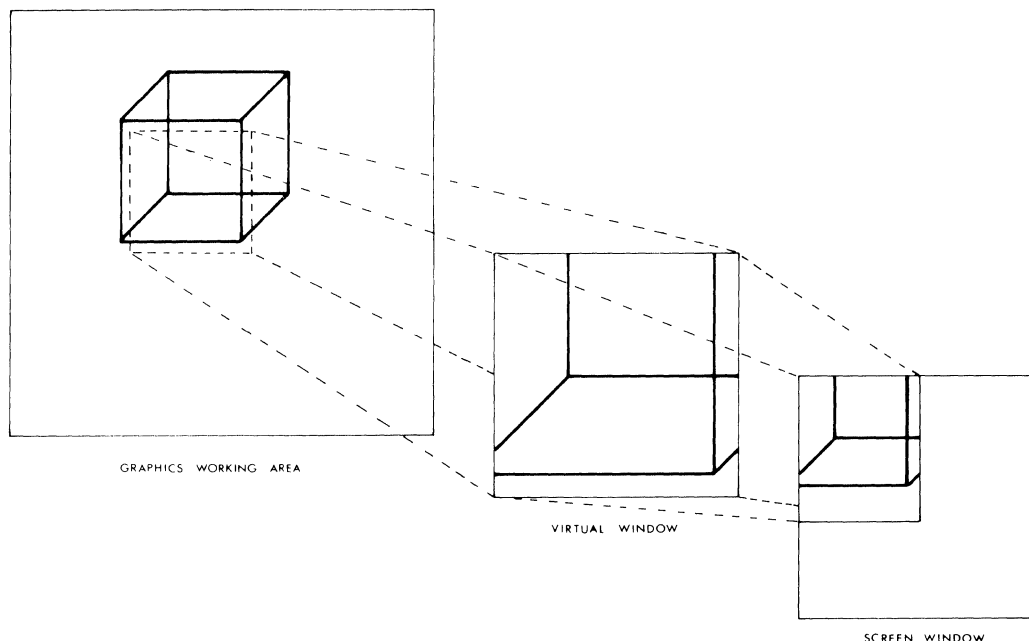


Figure 2. Virtual graphics window

VIRTUAL GRAPHICS

The Virtual Graphics capabilities of PLOT-512 enable the user to establish a plotting range (within which the program will function normally) which can be larger than the active area of the display screen. A "virtual window" (up to 512 x 512 pixels in size) is then defined within this working area, to represent the portion of the working area that is to be displayed on the screen.

The Virtual Graphics routines include two subroutines, VWINDO and SWINDO, used to define that area of the work space that is to be displayed. VWINDO identifies the size and location of the virtual window. Another routine SWINDO, redefines the screen window such that the user can specify that only a certain portion of the screen is to be employed. The virtual coordinate space, defined by VWINDO, is mapped into the partial screen, defined by SWINDO, and clipping is applied at the edges of the screen window. This feature can be used to plot several displays on the same screen at the same time (eg. several views of an object can be displayed simultaneously).

The basic line drawing routines of the Virtual Graphics portion of PLOT-512; DRAWC, POINTA, MOVEA, and DRAWA, translate directly from the Direct Graphic routines; PLOT, PNTABS, MOVABS, and DRWABS. In the Virtual Graphics routines, however, X and Y coordinates are referred to with respect to their position in the overall working area. A separate routine is maintained to convert these virtual coordinates into actual screen locations.

ALPHANUMERIC OUTPUT

Alphanumeric characters may be intermixed with the graphics drawings on the display, through the use of the Alphanumeric Output routines. The full upper-case ASCII character set can be generated by PLOT-512 with each character being formed within a 5 x 7 dot matrix. To display a character, the user simply passes the character's ASCII Character Code and X-Y coordinates to the subroutine CHARR. A second routine, ANMODE, is included in PLOT-512 in order to achieve a measure of compatibility with the Tektronix PLOT-10 software package. ANMODE performs no other function in PLOT-512.

STAND-ALONE ROUTINES

Several basic PLOT-512 routines operate at the pixel level and do not depend on support from the RT-11 operating system. These routines permit the user to extend PLOT-512 and to create custom packages including specialized subroutines. In applications where the memory space is at a premium, there may be advantages to programming directly in these relatively low-level routines. The Stand-Alone routines are accessible to programs operating in a stand-alone environment as well as those intended to be fully supported by the RT-11 system library at run-time.

The Stand-Alone library includes 11 subroutines. An ERASE routine enables the user to clear the entire screen to the current background color. Line drawing routines permit the user to move the pen without drawing a line, draw a point, draw a line, clear a line (draw a line in its complementary color), or draw a dotted line. Further routines are included in the Stand-Alone routines which can draw a box (horizontal width and vertical height of the box are passed as arguments to the routine) or alphanumeric characters to the display.

GRAPHIC AND ALPHANUMERIC INPUT

Graphics input can be accepted by PLOT-512, through a joystick, track ball, or data tablet, by means of a standard 16-bit parallel interface. The X and Y screen coordinates of the graphics input device are communicated to the PDP/LSI-11 computer as two bytes of a 16-bit word. The graphics cursor (cursor is displayed as a cross hair pattern) is software generated by PLOT-512 in less than one frame period, so that cursor movements appear smooth and continuous.

Provisions have been made in PLOT-512 for formatless input of limited amounts of alphanumeric information through the subroutines INSTRG and TTACC. These routines enable the user to read a line of up to 80 character terminated by a carriage return, from the console terminal.

SUMMARY OF PLOT-512 ROUTINES

DIRECT GRAPHICS ROUTINES

NAME	FUNCTION
PLOT	Absolute pen move with vector draw in accordance to line color code, N. N = 1: draw line in complement pen color 2: draw line in pen color 3: move pen without drawing line 4: draw dotted line
PNTABS	Absolute pen move with point draw at new pen position
MOVABS	Absolute pen move with no vector draw
DRWABS	Absolute pen move with vector draw

VIRTUAL GRAPHICS ROUTINES

NAME	FUNCTION
VWINDO	Identifies the size and location of the virtual window
SWINDO	Defines portion of the screen used for display
DRAWC	Virtual pen move with vector draw in accordance to line color code, N. N = 1: draw line in complement pen color 2: draw line in pen color 3: move pen without drawing line 4: draw dotted line
POINTA	Virtual pen move with point draw at new pen position
MOVEA	Virtual pen move with no vector draw
DRAWA	Virtual pen move with vector draw
SCRCDT	Performs conversions between virtual and absolute screen coordinates
PIXLW	Define pixel size

ALPHANUMERIC OUTPUT ROUTINES

NAME	FUNCTION
CHARR	Write a character at the specified pen position
ANMODE	No real function. Used only for partial compatibility with Tektronix PLOT-10 software

STAND-ALONE ROUTINES

NAME	FUNCTION
ERASE	Clear screen to current background color
PENCOL	Complement current pen color
BAKCOL	Complement current background color
MOVPT	Absolute pen move with no vector draw
MPOINT	Absolute pen move with point draw at new pen position
LINE	Absolute pen move with vector draw
CLINE	Absolute pen move with vector draw using complement of current pen color
DLINE	Absolute pen move with vector draw using a dotted line format
XLINE	Absolute pen move with vector draw in accordance the line color code, N. N = 1: draw line in complement pen color 2: draw line in pen color 3: draw dotted line
BOX	Draw a box at the current pen position
MATCHR	Draw a character at the specified pen position

ALPHA/GRAPH INPUT ROUTINES

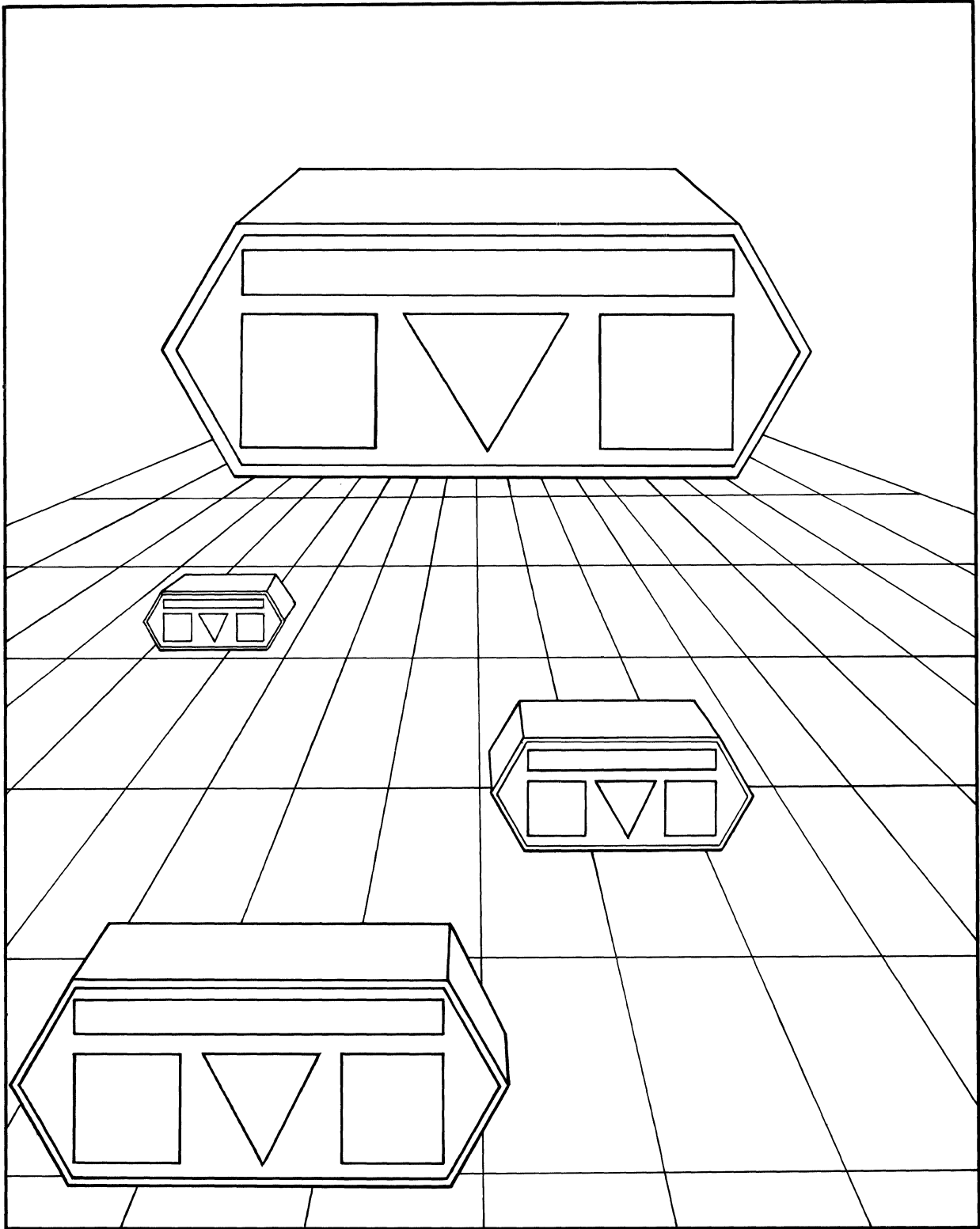
NAME	FUNCTION
VCURSR	Displays graphics crosshair cursor and accepts input from keyboard
DCURSR	Displays graphics crosshair cursor and accepts input from keyboard
MATCSR	Displays graphics crosshair cursor and accepts input from keyboard (Does not require support from RT-11 operating system)
INSTRG	Accepts a line of alphanumeric data. This data is classified (alpha, numeric, or general) and converted to a standard format
TTACC	Reads the console terminal buffer

ORDERING INFORMATION

PLOT-512: Complete graphics package on an 8" floppy diskette.

Matrox Electronic Systems Ltd reserves the right to make changes in specifications at any time and without notice. The information furnished by Matrox Electronic Systems Ltd in this publication is believed to be accurate and reliable. However, no responsibility is assumed by Matrox Electronic Systems Ltd for its use; nor for any infringements of patents or other rights of third parties resulting from its use. No license is granted under any patents or patent rights of Matrox Electronic Systems Ltd.





APPLICATION NOTES

APPENDIX A**APPLICATION NOTES**

APPLICATION NOTE #1 Programming CRTIC Based Video Controller Boards	A-3
APPLICATION NOTE #2 Enhanced Character Graphics on the RGB-ALPHA	A-39
APPLICATION NOTE #3 Using RAM Character Generators on the RGB-ALPHA	A-41
APPLICATION NOTE #4 Generating Multiple Monochrome Displays with one RGB-GRAPH	A-43
APPLICATION NOTE #5 Segmenting the RGB-GRAPH Memory for Faster Access	A-45
APPLICATION NOTE #6 Raster Scan Video Display Information	A-47
APPLICATION NOTE #7 Using Matrox Q-bus Cards with Unibus Systems	A-53
APPLICATION NOTE #8 Calculating User Defined Video Formats for the GXB-1000	A-55



matrox
electronic systems Ltd.

5800 ANDOVER AVE., T.M.R., QUE., H4T 1H4, CANADA
TEL.: 514-735-1182 TELEX: 05-825651

APPLICATION NOTE #1

PROGRAMMING CRTC BASED VIDEO CONTROLLER BOARDS

1. INTRODUCTION
2. RASTER SCAN VIDEO
3. THE CRT CONTROLLER
4. RGB-ALPHA
5. RGB-GRAPH
6. VAF-512
7. RGB-ALPHA/RGB-GRAPH COMBINATION
8. RGB-GRAPH/VAF-512 COMBINATION
9. RGB-ALPHA/RGB-GRAPH/VAF-512 COMBINATION

1.0 INTRODUCTION

This application note is intended as a programming aid for users of the Matrox RGB-ALPHA and RGB-GRAPH video boards. The information provided here supplements that found in the RGB-ALPHA and RGB-GRAPH Hardware Reference Manuals and provides the basis for understanding how various video display formats may be generated using these cards.

The fundamentals of raster-scan video are explained in Section 2, and the key terms of raster-scan are defined.

The SY6545 CRTC is discussed in detail in Section 3. The function of each internal register is explained with respect to its role in generating the video display.

The remaining sections provide specific examples of programming single and multiple board systems. The general rules for initializing non-standard board/format are also covered.

2.0 RASTER SCAN VIDEO

Raster Scan video systems typically use a Cathode Ray Tube (CRT) as the display device. The inside of the display surface of the CRT is coated with phosphor, which, when bombarded with electrons, emits light. The type of phosphor used determines both the color of the light and the duration of the emission (persistence).

In raster systems, the electron beam(s) is cyclically swept across the face of the CRT, from left to right, top to bottom. The cycle time and the persistence of the phosphor must be matched so that the image traced by the raster appears stable. Figure 1 shows the raster scan principle.

At the end of each horizontal line, a sync pulse is generated to reset the electron beam to the left side of the display. This is the horizontal sync pulse. In order to prevent the retrace from affecting the display, the electron beam is shut off or "blanked" during this interval. This is the horizontal blanking period.

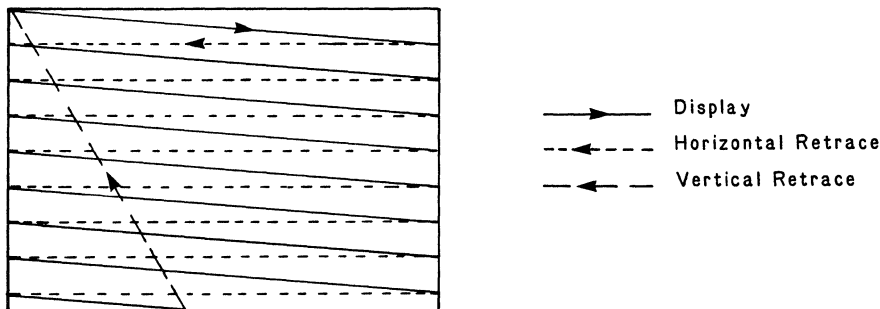


Figure 1. Raster Scan Principle

A

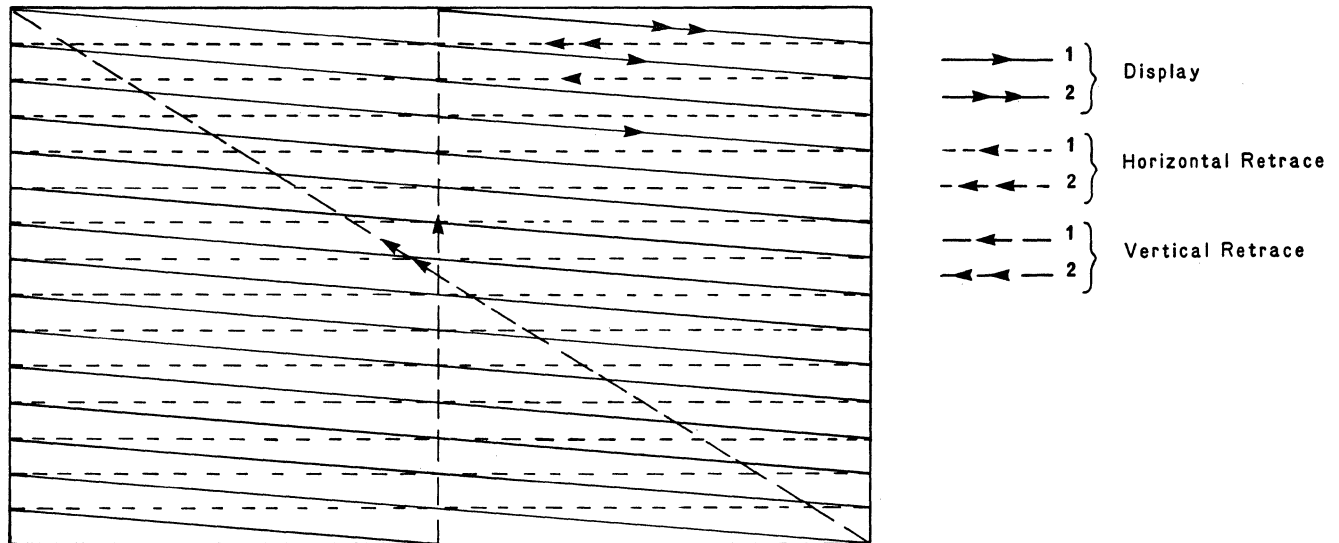


Figure 2. Interlaced Video

Lines of video are generated in this fashion until the electron beam reaches the bottom of the display. A vertical sync pulse is supplied to reposition the beam to the top of the screen and a vertical blanking period is used to "blank" the video during the vertical retrace period.

That portion of the raster that includes one full sweep of the screen from top to bottom is called a "field" of video. The generation of a full image on the screen is called a "frame".

Two conventions exist for generating complete rasters: a non-interlaced raster is one in which the frame rate is equal to the field rate (i.e. one field per frame); an interlaced raster is one in which the frame rate is half of the field rate (i.e. two fields per frame). In an interlaced raster system, two consecutive fields (odd and even) are vertically offset such that the lines of the odd field fill in between the lines of the even field. See figure 2.

STANDARDS

Raster timing standards exist and are used by most, but not all, equipment manufacturers. Note that the standards are different for U.S. Broadcast, European Broadcast and U.S. closed circuit.

VIDEO PARAMETER		U.S. BROADCAST	EUROPEAN BROADCAST	U.S. CLOSED CIRCUIT
LINES/FRAME	Non-Interlaced	262½	312½	262½
	Interlaced	525	625	525
FRAME RATE	Non-Interlaced	60Hz	50Hz	60Hz
	Interlaced	30Hz	25Hz	30Hz
VERTICAL FIELD PERIOD (TOTAL)		16,667us	20,000us	16,667us
VERTICAL DISPLAY PERIOD (VISIBLE)		15,834us	18,800us	15,417us
VERTICAL BLANK PERIOD (BLANKED)		883us	1,200us	1,250us
VERTICAL SYNC PULSE WIDTH		190.5us	192.0us	150.0us
HORIZONTAL LINE RATE		15.75KHz	15.625KHz	15.75KHz
HORIZONTAL LINE PERIOD (TOTAL)		63.5us	64.0us	63.5us
HORIZONTAL DISPLAY PERIOD (VISIBLE)		52.1us	51.2us	53.5us
HORIZONTAL BLANK PERIOD (BLANKED)		11.4us	12.8us	10.0us
VERTICAL SYNC POSITION*		642.1 us	1,008us	972.0us
HORIZONTAL SYNC POSITION**		9.4us	11.5us	9.5us
HORIZONTAL SYNC PULSE WIDTH		5.1us	5.8us	4.8us

*With respect to the end of the vertical blank period

**With respect to the end of the horizontal blank period

3. THE CRT CONTROLLER

The CRT controller is an integrated circuit which is responsible for controlling the raster timing parameters as produced by the RGB-ALPHA and RGB-GRAPH video boards. The CRTC contains eighteen read/write registers which must be initialized by the user according to his display format requirements and monitor drive requirements.

In order to display digital data on the CRT, the CRT controller must sector the display into a finite number of display segments. This segmentation takes place at two levels as shown in Figure 3. The screen is divided into coarse units called cells and the cells in turn are segmented into finer units called pixels (picture elements).

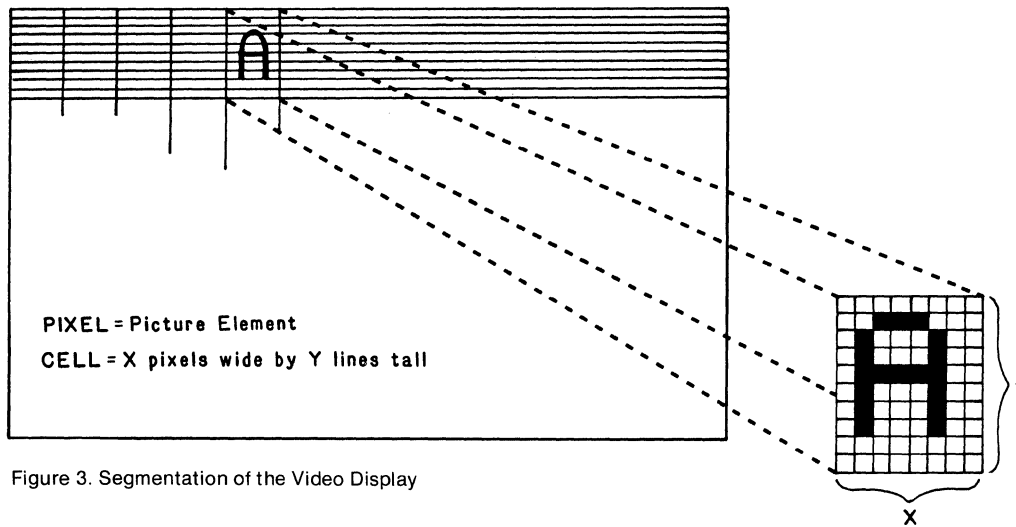


Figure 3. Segmentation of the Video Display

The CRTC has an internal register structure as shown in Figure 4.

The Address register is used to select one of the 18 internal registers and the data register is then used to read or write data to the selected register.

Registers (R0 through R9) are used to set up the raster timing parameters. Refer to figure 5 while reading the text. In order to properly program the CRTC, it is necessary to establish the cell size (X, Y) since many of the internal registers use those cells as a base measure.

Note: There are some slight differences between Hitachi and Synertek parts. Be sure which part is used on your board.

R0 — Horizontal Total — This register identifies the number of cells (both visible and blanked) in each horizontal line of video. Since cell numbering starts at 0, the actual value loaded is $Ht-1$.

R1 — Horizontal Displayed — This register stores the number of displayed cells; Hd.

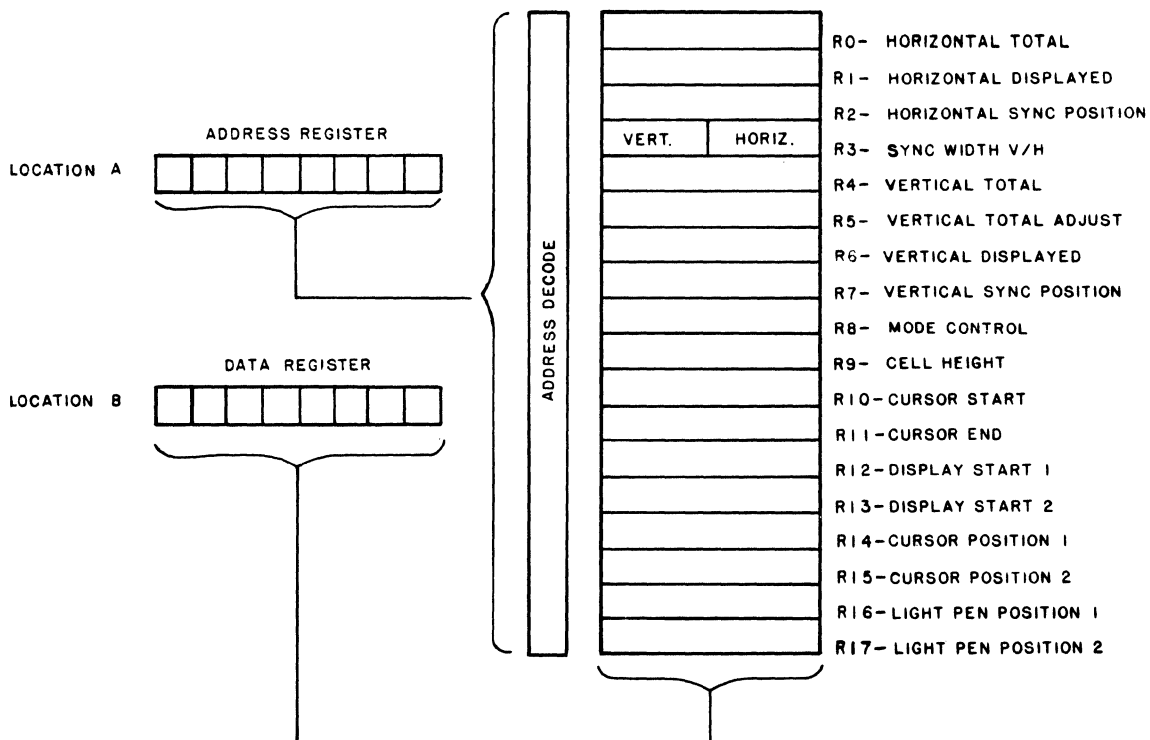


Figure 4. Internal CRTC Register Structure

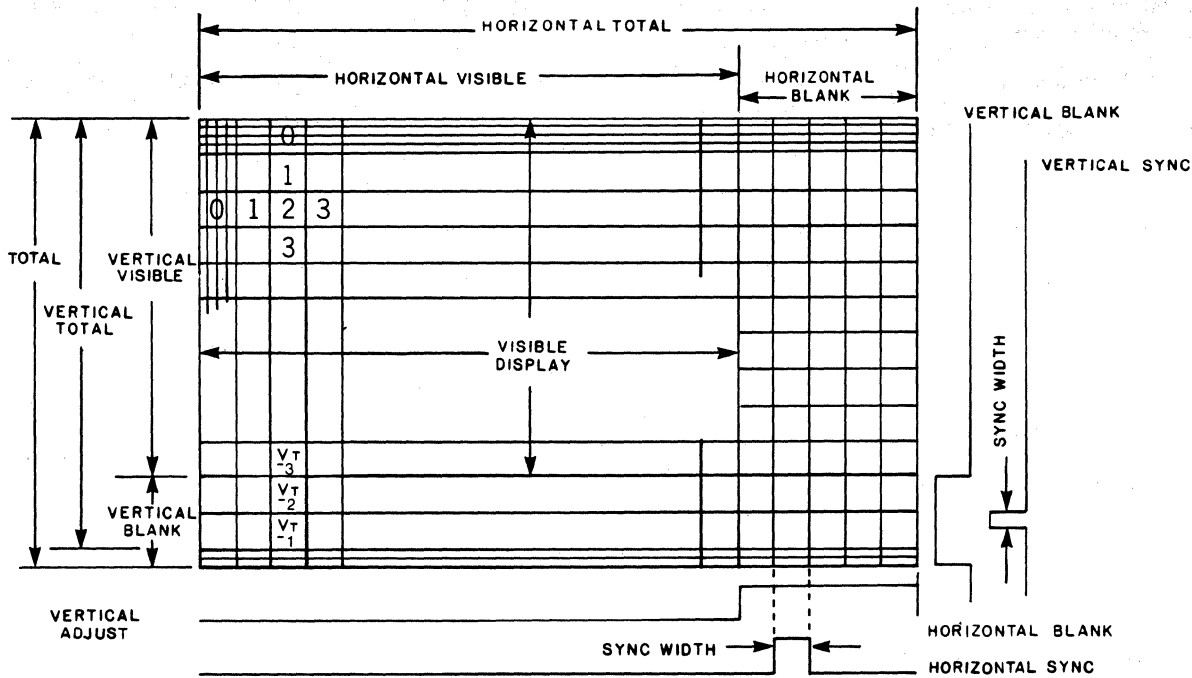


Figure 5. Raster Timing Requirements

R2 – Horizontal Sync Position – The horizontal sync position corresponds to the cell number loaded in this register (start position).

R3 – Sync Width V/H – The first four bits of this register store the vertical sync width in lines; the second four bits store the horizontal sync width in cells.

R4 – Vertical Total – The CRTC uses two registers to identify the total number of lines in the raster. The vertical total register stores the number of complete cells (Vt-1) and any remaining lines (partial cells) are stored in the Vertical Adjust register.

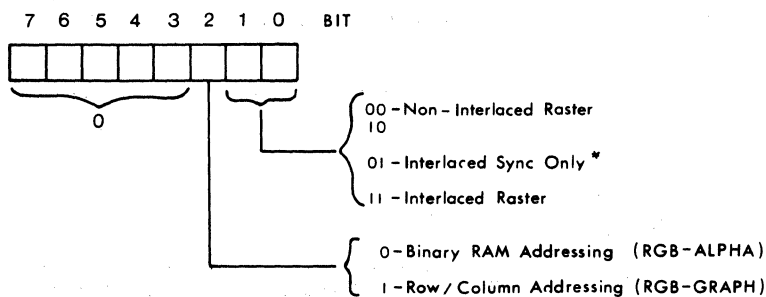
R5 – Vertical Total Adjust – If the total vertical lines does not correspond to an integral number of cells, the remaining lines are identified with the Vertical Adjust register. (The adjust lines are added to each field.)

Note: In all modes an extra ½ line per field is automatically added to the display by the CRTC.

R6 – Vertical Displayed – This register stores the number of vertical cells displayed – Vd.

R7 – Vertical Sync Position – This register stores the vertical cell position which contains the vertical sync pulse.

R8 – Mode Control – Each bit of this control register performs a different function. For Matrox applications, the upper five bits are always zero and only the lower three bits are relevant.



*Interlaced sync only mode has the same timing as interlaced mode, only the same data is repeated in both the odd and even fields. This mode can be used instead of non-interlaced if a long persistence monitor is used. (Refer to CRTC data sheets for a detailed explanation.)

Figure 6. Mode Control Register

R9 — Cell Height — This register contains the number of lines per cell (height). Because the cell rows are numbered from zero, the actual value programmed is “# rows — 1”.

The other CRTC registers are not relevant to raster timing. Their description can be found in the CRTC data sheets.

PROGRAMMING DISCREPANCIES

Hitachi

In interlaced mode, the following differences and restrictions apply:

- a) H total must be even
- b) Cell height must be even (R9 is programmed with # rows — 2)

Synertek

In interlaced mode, the following differences and restrictions apply:

Interlaced Sync & Video (Row/Column Addressing)

- a) Horizontal total must be even
- b) Vertical adjust → $R5 = R9$
 $R5 = R9 + 1$

Interlaced Sync & Video (Binary Addressing)

- a) Horizontal total must be even
- b) Vertical adjust → $R5 = R9$
 $R5 = R9 + 1$
 $R5 = \frac{(R9 + 1)}{2}$
 $R5 + 1 = \frac{(R9 + 1)}{2}$
- c) Vertical total → $\frac{(\text{Vertical Total} - 1)}{2}$
- d) Vertical displayed → $\frac{\text{Vertical Displayed}}{2}$
- e) Vertical sync position → $\frac{\text{Vertical Position}}{2}$

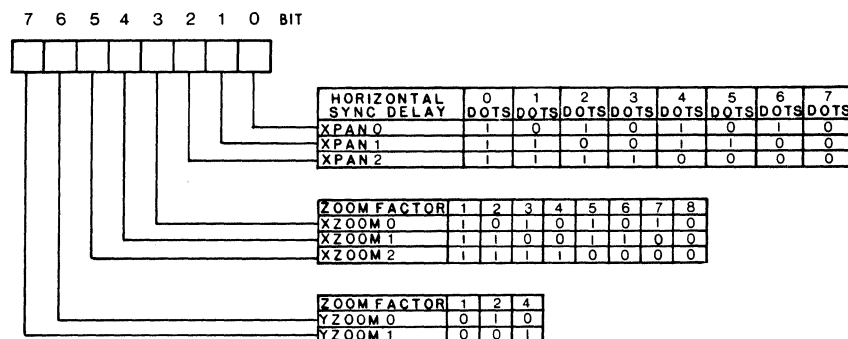
4.0 RGB-ALPHA

The RGB-ALPHA is a cell addressable alphanumeric/graphic video controller. The user can format the CRTC to produce virtually any row/column combination as long as the total number of displayed cells is less than 4096; (8192 in unified mode).

The standard character set is implemented in a 5 x 7 dot matrix format with lower case descenders. The recommended minimum cell size is seven (7) pixels wide by ten (10) lines high, but smaller or larger cells can be defined to suit different applications.

In addition to the CRTC, the RGB-ALPHA has two control registers that must be initialized in order to operate the board:

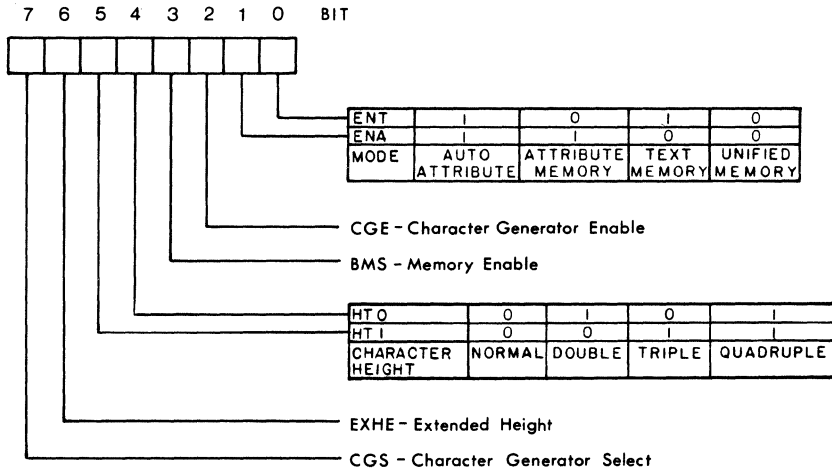
CONTROL REGISTER 1



- BIT 0 VE: When this bit is zero, all outputs are disabled. When this bit is one, all video outputs are enabled.
- BIT 1-3 DT0, DT1, DT2: These bits set the number of dots per cell horizontally. See table above.
- BIT 4-7 CK0 — CK3: These bits program the dot clock frequency as a fraction of the crystal clock. See table above.

$$\text{DOT CLOCK FREQUENCY} = \frac{\text{XTAL FREQUENCY}}{\text{DOT CLOCK DIVIDER}}$$

CONTROL REGISTER 2



In order to accommodate all possible formats, it may be necessary to change the crystal (XTAL) used in the RGB-ALPHA boards:

- Standard: 11.6666 MHz
- Optional: 16.0000 MHz
- 13.3333 MHz
- 10.0000 MHz

PROGRAM EXAMPLE

The needed display format is 24 rows x 80 columns of characters, non-interlaced, in a 7 x 10 pixel cell. A standard (262½)/(525) line, 60 Hz monitor is to be used. The RGB-ALPHA board has a Hitachi CRTIC.

Step 1

Calculate ideal crystal frequency:

$$\begin{aligned} \text{XTAL frequency} &= \frac{\# \text{ of displayed pixels per line}}{\text{visible display time}} \\ &= \frac{80 \text{ columns} \times 7 \text{ pixels/cell}}{53.5 \text{ usec}} \\ &= 10.47 \text{ MHz} \end{aligned}$$

To ensure monitor compatibility, choose the closest XTAL frequency to 10.47 MHz that is equal to or greater than that value, i.e. 11.6666 MHz.

$$\text{Dot clock divider} = \frac{11.6666}{11.6666} = 1$$

Step 2

Calculate the control register and CRTIC register parameters (all values in hex):

CTRL 1 1 1 1 1 1 0 0 1 = [F9]
CTRL 2 0 0 0 0 1 0 1 1 = [0B]

- CRTC 0 Horizontal Total = Horizontal Total Time x Dot Clock Frequency
Cell Width

$$= \frac{63.5 \text{ usec.} \times 11.6666 \text{ MHz}}{7} = 106$$

$$106_{10} = 6A$$

$$(HTOT - 1) = [69]$$
- CRTC 1 Horizontal Displayed = $80_{10} = [50]$
- CRTC 2 Horizontal Sync Position = 9.5 usec. from end of line (standard)

$$H_{pos} = \frac{(63.5 - 9.5) \times 11.6666 \text{ MHz}}{7} = 90$$

$$= [5A]$$
- CRTC 3 Sync Width (V/H)

$$V_{SYNC} (\text{ideal}) = 150 \text{ usec.} = \frac{150}{63.5} = 3 \text{ lines}$$

$$H_{SYNC} (\text{ideal}) = 4.8 \text{ usec.} = \frac{4.8 \times 11.6666}{7} = 8 \text{ cells}$$

$$V/H \text{ Sync} = [38]$$
- CRTC 4 Vertical Total = $\frac{262\frac{1}{2}}{\text{cell height}} = \frac{262\frac{1}{2}}{10} = 26$

$$(VTOT - 1) = 5_{10} = [19]$$
- CRTC 5 Vertical Adjust = $262\frac{1}{2} - (26 \times 10) = 2\frac{1}{2} = 2$

$$= [02]$$
- CRTC 6 Vertical Displayed = $24_{10} = [18]$
- CRTC 7 Vertical Sync Position = 972 usec. from end of the frame (ideal)

$$V_{pos} = \frac{16,667 - 972 \times 26}{16,667}$$

$$= 24.5$$

$$= 24_{10} = [18]$$
- CRTC 8 Mode Control = Non-Interlaced = [00]
- CRTC 9 Cell Height = (10 lines - 1) = [09]

PROGRAM SUMMARY

ADDRESS (as shipped)	DATA	ADDRESS (as shipped)	DATA
9A	F9	99	19
9B	0B	98	05
98	00	99	02
99	69	98	06
98	01	99	18
99	50	98	07
98	02	99	18
99	5A	98	08
98	03	99	00
99	38	98	09
98	04	99	09

Step 3

Some formats are not compatible with standard monitor timing. Most monitors will accommodate a variation of about ±5% on the horizontal sync frequency. The vertical refresh rate should be kept very close to the power line frequency to avoid beat frequency interference on the screen. Some monitors will accept a wide variation in vertical sync frequency without distortion.

If your monitor will not accommodate the desired format, the displayed format must be restricted.

For example, in a 525 line/60 Hz North American system, it is impossible to accommodate 512 displayed lines out of 525 total. Typically the displayed number of lines must be limited to 480, if standard sync signals are used.

5.0 RGB-GRAPH

The RGB-GRAPH is a pixel addressable graphics video controller. The board can be strapped to provide four different base formats:

- 512V X 1024H
- 512V X 512H
- 256V X 512H
- 256V X 256H

Within each format, the actual display can be altered using a Zoom control. The Zoom factors available are:

- x1, x2, x4 — Vertical
- x1, x2, x3, x4, x5, x6, x7, x8 — Horizontal

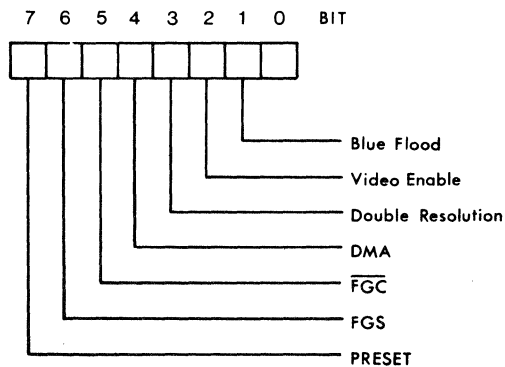
The RGB-GRAPH is designed to operate with a cell size of 8 pixels wide by 8 lines high and must be programmed this way.

The CRTC on the graph board (Synertek) is used to control the sync signals and the zooming operation.

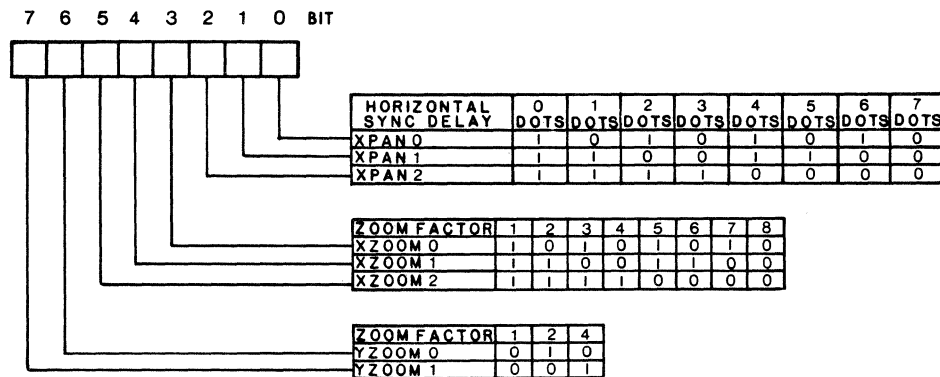
The standard RGB-GRAPH board uses a 10.0000 MHz crystal. For higher frequency XTALs, contact the factory.

In addition to the CRTC, the RGB-GRAPH has four control registers which must be initialized:

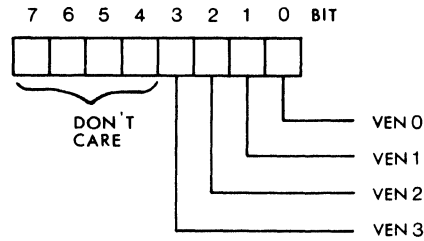
CONTROL REGISTER 1



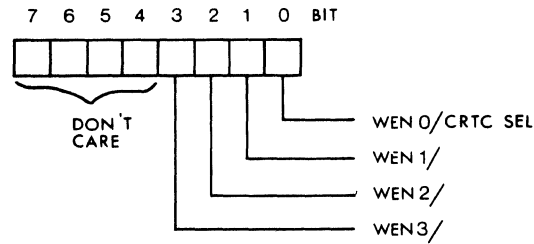
CONTROL REGISTER 2



CONTROL REGISTER 3



CONTROL REGISTER 4



PROGRAM EXAMPLE

The needed display format is 512 x 512 pixels, interlaced, on a standard European (312½)/(625) line, 50 Hz monitor. The RGB-GRAPH uses a Synertek CRTC.

Step 1

$$\text{CTRL 1} \quad 0 \ 0 \ 1 \ 0 \ 0 \ 0 \ 0 \ 0 \quad = [20]$$

$$\text{CTRL 2} \quad 0 \ 0 \ 1 \ 1 \ 1 \ 1 \ 1 \ 1 \quad = [3F]$$

$$\text{CTRL 3} \quad 0 \ 0 \ 0 \ 0 \ 1 \ 1 \ 1 \ 1 \quad = [0F]$$

$$\text{CTRL 4} \quad 0 \ 0 \ 0 \ 0 \ 0 \ 0 \ 0 \ 0 \quad = [00]$$

$$\text{CRTC 0} \quad \text{Horizontal Total} = \frac{\text{Horizontal Total Time} \times \text{Dot Clock Frequency}}{\text{Cell Width}}$$

$$= \frac{64 \times 10.000}{8} = 80$$

$$80_{10} \quad = 50$$

$$(\text{HTOT} - 1) \quad = [4F]$$

$$\text{CRTC 1} \quad \text{Horizontal Displayed} = \frac{512}{8} = 64$$

$$64_{10} \quad = [40]$$

$$\text{CRTC 2} \quad \text{Horizontal Sync Position} = 11.5 \text{ usec. from the end of the line (standard)}$$

$$= \frac{(64 - 11.5) \times 10.000}{8} = 66$$

$$66_{10} \quad = [42]$$

$$\text{CRTC 3} \quad \text{Sync Width (V/H)}$$

$$\text{Vertical Sync (ideal)} = 192 \text{ usec.} = \frac{192}{64} = 3 \text{ lines}$$

$$\text{Horizontal Sync (ideal)} = 5.8 \text{ usec.} = \frac{5.8 \times 10.000}{8} = 7 \text{ cells}$$

$$\text{V/H Sync} \quad = [37]$$

$$\text{CRTC 4 Vertical Total} = \frac{625}{8} = 78$$

$$(\text{V}_{\text{TOT}} - 1) = 77_{10} = [4D]$$

$$\begin{aligned} \text{CRTC 5 Vertical Adjust} &= (625 - 1) - (78 \times 8) = 0 \\ &= [00] \end{aligned}$$

Note: The CRTC adds one line in the interlaced mode.

$$\begin{aligned} \text{CRTC 6 Vertical Displayed} &= \frac{512}{8} = 64 \\ &= [40] \end{aligned}$$

$$\begin{aligned} \text{CRTC 7 Vertical Sync Position} &= 1008 \text{ usec. from end of frame (ideal)} \\ &= \frac{20000 - 1200 \times 78}{20000} \\ &= [48] \end{aligned}$$

$$\text{CRTC 8 Mode Control} = \text{Interlaced} = [07]$$

$$\text{CRTC 9 Cell Height} = 8 - 1 = [07]$$

PROGRAM SUMMARY

ADDRESS (as shipped)	DATA
A6	20
A6	20
A7	3F
A8	0F
AA	00
AC	00
AE	4F
AC	01
AE	40
AC	02
AE	42
AC	03
AE	37
AC	04
AE	4D
AC	05
AE	00
AC	06
AE	40
AC	07
AE	48
AC	08
AE	07
AC	09
AE	07

Step 2

Some formats are not compatible with standard monitor timing. Most monitors will accommodate a variation of about $\pm 5\%$ on the horizontal sync frequency. The vertical refresh rate should be kept very close to the power line frequency to avoid beat frequency interference on the screen. Some monitors will accept a wide variation in vertical sync frequency without distortion.

If your monitor will not accommodate the desired format, the displayed format must be restricted.

For example, in a 525 line/60 Hz North American system, it is impossible to accommodate 512 displayed lines out of 525 total. Typically the displayed number of lines must be limited to 480, if standard sync signals are used.

6.0 VAF-512

The VAF-512 is a graphics support board. This board is designed to increase the performance of the RGB-GRAPH board(s), (and the RGB-ALPHA board).

The board consists of four principle circuits: a frame grabber, a hardware vector generator, a color look-up table, and three 8-bit D/A converters.

The frame grabber: digitizes monochrome video information from a camera or a similar source and loads it into the display memory of one or two RGB-GRAPH boards. Once the digitized frame is in the RGB-GRAPH display memory, it can then be manipulated through software by the user.

The hardware vector generator: allows straight lines (vectors) to be drawn in virtually any direction with less software overhead than would be required if each pixel in the line was plotted independently.

The color look-up table allows a palette of 256 colors to be chosen by software from a bank of 16 million colors. Programmable via software, the look-up table may be used to create animation without modifying the information stored in the RGB-GRAPH card(s).

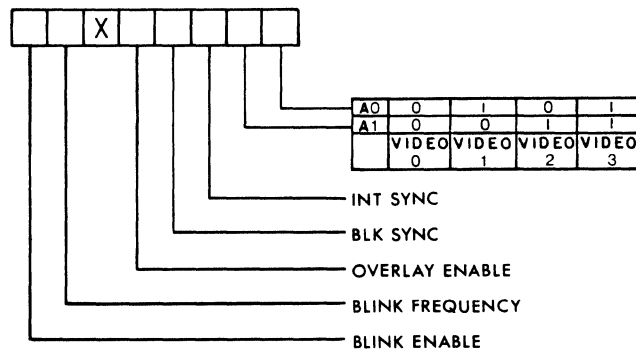
The VAF-512 is designed to operate with up to two RGB-GRAPH boards and one RGB-ALPHA board.

Data is passed between the VAF-512 and the video controller cards on a well organized video bus that is implemented with a single 50 line ribbon cable.

The VAF-512 board uses a 2.5830 MHz crystal for the American Standard, and a 2.5625 MHz crystal for the European Standard.

The VAF-512 does not have a CRTC, and only the "Mode Register" has to be initialized for proper operation. It is also advisable to initialize the Color Look-up Table for ease of picture identification, although it will not hamper system operation.

MODE REGISTER



- BITS 0 AND 1:** A0 AND A1. The user uses these two bits to enable one of the four video inputs to the Frame Grabber.
- BIT 2:** INT SYNC. When a one is written to this bit, the Frame Grabber's PLL will use the on-board sync source. When a zero is written to this bit, the Frame Grabber's PLL will lock onto the sync in the video signal that the user supplies at the selected video input.
- BIT 3:** BLK SYNC. When a one is written to this bit, the Frame Grabber's PLL is programmed to lock onto block sync. provided at the selected video input. When a zero is written to this bit, the Frame Grabber's PLL is programmed to lock onto serrated sync. (CCIR/EIA) provided by the on-board sync generator or by external source via the selected video input.
- BIT 4:** OVERLAYEN: When a one is written to this bit, TTL video signals input via J2-38 through J2-41 are OR'D and gated onto look-up table address line A8. When a zero is written to this bit, A8 is pulled low.
- BIT 6:** BLINK FREQ: When a one is written to this bit, the blink frequency is programmed to be 3.75 Hz. When a zero is written to this bit, the blink frequency is programmed to be 1.8 Hz.
- BIT 7:** BLINKEN: When a 1 is written to this bit, the blink frequency is gated onto look-up table address line A9. When a zero is written to the bit A9 is pulled low.

The VAF-512 will not operate without at least one properly initialized RGB-GRAPH connected to the video-bus. The reason being that the VAF-512 requires the horizontal sync pulses generated by the RGB-GRAPH to lock its phase locked loop.

7.0 RGB-ALPHA/RGB-GRAPH COMBINATION

For applications requiring extensive graphics and alphanumeric, an RGB-ALPHA and an RGB-GRAPH can be combined to produce an overlaid image. The RGB-ALPHA will provide the foreground color information for the characters and the RGB-GRAPH will provide the background color information. Variations of the above can be accomplished through straps on the RGB-ALPHA and software commands. A description is given in the Hardware Configuration section. For further information, please contact the factory. The method used to synchronize the two boards is such that several programming restrictions must be observed in setting up the raster format.

The recommended method of putting together a two board system is to start off with two, one board systems. Try operating and programming each of the two boards in a stand-alone master mode. When you have become comfortable with the two cards on their own, then and only then should the two board system be constructed. Use a 10.0 MHz crystal on the RGB-ALPHA board during the preliminary testing to get a proper feeling for the resulting display, since the ALPHA card will be slaved to the 10.0 MHz crystal on the GRAPH card in a two board system also, **the RGB-ALPHA SLAVE must use a Synertek CRTC instead of the Hitachi part.**

HARDWARE MODIFICATIONS

All RGB-ALPHA boards, level 3 and higher, and all RGB-GRAPH boards level 4 and higher can be mated without any hardware modifications.

Production Modification Bulletins (PMB's) have, in some cases, been implemented on lower level boards to provide full compatibility. Determine the modification level of your boards and consult the chart below:

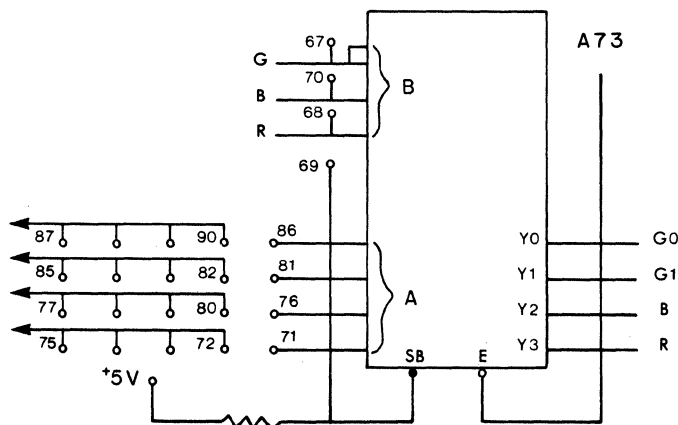
RGB-ALPHA			RGB-GRAPH		
REVISION LEVEL	PMB LEVEL	INSTRUCTIONS	REVISION LEVEL	PMB LEVEL	INSTRUCTIONS
1		CONSULT FACTORY	1		CONSULT FACTORY
1	A	" "	1	A	" "
1	AB	" "	1	AB	" "
1	ABC	" "	1		" "
2		CONSULT FACTORY	2		CONSULT FACTORY
2	A	" "	2	A	" "
2	AB	" "	2	AB	" "
2	ABC	" "	2	ABC	" "
2	ABCD	" "			
2	ABCDE	OK			
3 & UP		OK	3		CONSULT FACTORY
			3	A	" "
			3	AB	" "
			3	ABC	" "
			4 & UP		OK

HARDWARE CONFIGURATION

1. Disconnect jumper 113-112 on the RGB-ALPHA (this disables the internal clock).
Connect jumper 111-112 on the RGB-ALPHA (this enables the external clock).

Note: in a combined ALPHA/GRAPH configuration, the ALPHA board receives a 10 MHz clock signal from the GRAPH board. Higher XTAL frequencies can not be selected.

2. The graphics input to the RGB-ALPHA must be strapped to select the RGB-GRAPH signal as the background color. All straps are on the RGB-ALPHA board.



To select the "A" input on the A73 multiplexor circuit, pin 69 must be driven low (0 volts). This is accomplished by jumpering pin 69 to ground, or by jumpering pin 69 to one of pins 67, 70 or 68.

In the latter case, one of the RGB-ALPHA background color attribute bits is used to select or deselect the graphics background for each alphanumeric character cell.

	SOURCE	WIRE WRAP PINS	EXAMPLE STRAPS	WIRE WRAP PINS	DESTINATION
RGB-GRAPH # 1	J3 PIN 12	87		71	RED
	J3 PIN 13	88			
	J3 PIN 14	89			
	J3 PIN 15	90			
RGB-GRAPH # 2	J3 PIN 16	85		76	BLUE
	J3 PIN 17	84			
	J3 PIN 18	83			
	J3 PIN 19	82			
RGB-GRAPH # 3	J3 PIN 20	77		81	GREEN 1
	J3 PIN 21	78			
	J3 PIN 22	79			
	J3 PIN 23	80			
RGB-GRAPH # 4	J3 PIN 24	75	86	GREEN 0	
	J3 PIN 25	74			
	J3 PIN 26	73			
	J3 PIN 27	72			

3. On the RGB-GRAPH board:

- a) pins 101-100 must be strapped in order to enable a proper external character clock sync signal
- b) pins 107-106 must be strapped in order to enable a proper vertical reset pulse.
- c) the video output signals must be strapped to the appropriate J3 lines in order to match the input strapping on the ALPHA board.

TTL VIDEO	PIN	AS-SHIPED STRAPS	PIN	J3 PIN
0	123		112	12
			117	16
			122	20
			127	24
1	118		111	13
			116	17
			121	21
			126	25
2	113		110	14
			115	18
			120	22
			125	26
3	108		109	15
			114	19
			119	23
			124	27

Note: when using level three and higher ALPHA boards, strap the graphics output to pins 109, 110, 111 and 112.

- 4. Couple the RGB-GRAPH board to the RGB-ALPHA board using a 50 pin ribbon cable from J3 to J3. The J3 headers are 3M connectors, part no. 3433-1202. The mating connector part number is 3425-7000.

The graphics and alphanumeric video is mixed on the RGB-ALPHA, and the video output for both cards is taken from the RGB-ALPHA. The video socket on all current boards is a 10 pin AMP connector. The mating connector consists of a shell and ten terminals, the part numbers are as follows:

Shell	AMP 87922-1	(1)
Terminal	AMP 87667-2	(10)

- 5. On level 4 and higher GRAPH boards, connect post 162 to 163.

PROGRAMMING CONSIDERATIONS

When the RGB-GRAPH is used with the RGB-ALPHA, the ALPHA board is programmed to drive the monitor, but the GRAPH board is programmed somewhat differently in order to synchronize its output with that of the ALPHA.

Restrictions

- 1) Horizontal Total (pixels) must be the same on both the ALPHA and the GRAPH.
- 2) Vertical Total (lines) must be the same on both the ALPHA and the GRAPH.
- 3) Horizontal Displayed on ALPHA must be greater than or equal to that on GRAPH.
- 4) In non-interlaced mode, the vertical adjust on the graph board must be even (i.e. = 0, 2, 4 or 6).

Differences (RGB-GRAPH) Programming

The RGB-GRAPH is programmed to generate a reset pulse for the CRT controllers once every frame. This pulse is positioned three cells from the end of the last line of video. The width and position of the reset pulse is determined by the horizontal and vertical sync information programmed into the GRAPH board.

Horizontal sync	Position → $(HTOT - 4)$ Width → 1 cell
Vertical sync	Position → $VTOT$ (for $V_{adj} > 2$) $VTOT - 1$ (for $V_{adj} < 2$) Position → $(V_{adj} + 8) - 1$ Width → $V_{adj} - 1$ (for $V_{adj} > 2$) $(V_{adj} + 8) - 1$ (for $V_{adj} < 2$) non-interlaced $(V_{adj} + 4) - 1$ (for $V_{adj} < 2$) interlaced

PROGRAM EXAMPLE

The required display is 512 x 512 graphics with 25 rows x 80 columns alphanumeric (preferably using a 7 x 10 cell) on a standard North American monitor, 525 lines/60 Hz.

Step 1

Are the formats reasonable?

a) **Vertical** — It will be difficult to display 512 lines vertically in a 525 line/60 Hz system. By increasing the horizontal sync frequency (less than 5%), some "extra" lines can be added but probably not enough for 512 visible. Considering that the desired alphanumeric format is 25 rows of characters, ten lines high, a total of 250 lines are required for alphanumeric. The entire system must be run interlaced in order to accommodate the graphics, but if the ALPHA is programmed for interlaced video and sync, the characters will occupy only the top half of the screen (250/525). It is more practical therefore to run the ALPHA board in interlaced sync only mode. In this mode, the number of lines doubles to 500 which is very close to the graphics requirement. A standard monitor should be capable of accommodating 500 displayed lines.

b) **Horizontal** — The graphics requirement is for 512 pixels displayed. The alphanumeric requirement is for $80 \times 7 = 560$ pixels. With a 10 MHz clock, 560 pixels translate into a displayed time of 56 usec. This is greater than the standard requirements (53.5 usec) and quite impractical, thus we must reduce the standard timing in order to display more horizontal pixels. If the cell width is dropped to 6 x 10 and the number of columns is expanded to 85, the horizontal requirement becomes $85 \times 6 = 510$ pixels. This is slightly less than the 512 required by the graphics video, but very close.

c) The Modified Format

GRAPHICS — 504V x 512H

ALPHA — 25 x 85, 6 x 10 pixel cell

Step 2

Calculate the horizontal total (in cells) for both boards, the vertical total (in cells) for both boards and the vertical adjust requirements. Modify them if required.

Horizontal:

$$\text{Displayed Pixels} = 64 \times 8 = 512 \rightarrow 51.2 \text{ usec.}$$

Blanked time required is 10.0 usec.

$$\text{Therefore the number of blanked pixels} = 10 \text{ MHz} \times 10 \text{ usec.} = 100$$

100 is not divisible by 8, so choose the next highest value (even):

$$14 \times 8 = 112$$

$$\text{Therefore total pixels} = 512 + 112 = 624$$

Is 624 evenly divisible by 8 for the graph board? Yes $\rightarrow \frac{624}{8} = 78$

If it were not evenly divisible, one would choose the next highest value which is divisible.

$$\text{Horizontal Video Time} = \frac{624}{10 \text{ MHz}} = 62.4 \text{ usec.}$$

$$\text{Horizontal Frequency} = \frac{1}{62.4 \text{ usec}} = 16.026 \text{ KHz}$$

Verify that 16.026 is within the $\pm 5\%$ tolerance of the video standard.

$$\begin{aligned} \text{Video Standard} &= 15.75 \text{ KHz} \\ \text{Standard} + 5\% &= 16.538 \text{ KHz} \\ \text{Standard} - 5\% &= 14.963 \text{ KHz} \end{aligned}$$

Vertical:

$$\text{Number of raster lines at 60 Hz} = \frac{16.026 \text{ KHz} \times 2}{60} = 534$$

Required vertical blanking/field is 1250 usec. \rightarrow 20 lines

$$\text{Therefore the number of displayed lines} = 534 - (2 \times 20) = 494$$

If the monitor to be used is very critical about the vertical sync frequency, it would be necessary to modify either the horizontal or vertical display requirements, as not all the desired 500 lines can be displayed simultaneously.

$$\text{Number of raster lines} = 500 + (2 \times 20) = 540$$

$$\text{Vertical Sync Frequency} = \frac{2}{540 \times 62.4 \text{ usec}} = 59.4 \text{ Hz}$$

$$\text{Vertical Total (GRAPH)} = \frac{540}{8} = 67 + 4 \text{ (remainder)}$$

$$\text{Therefore the vertical adjust (GRAPH)} = \frac{4}{2} = 2$$

$$\text{Vertical Total (ALPHA)} = \frac{540}{10} = 54 + 0 \text{ remainder (27 for interlaced sync only)}$$

$$\text{Therefore vertical adjust (ALPHA)} = \frac{0}{2} = 0$$

Step 3:

Calculate the Control and CRTC register parameters for the RGB-ALPHA (Interlaced Sync Only):

$$\text{CTRL 1} \quad 1 \ 1 \ 1 \ 1 \ 1 \ 0 \ 1 \ 1 \quad = \text{[FB]}$$

$$\text{CTRL 2} \quad 0 \ 0 \ 0 \ 0 \ 1 \ 0 \ 1 \ 1 \quad = \text{[0B]}$$

$$\text{CRTC 0} \quad \text{Horizontal Total} = 104$$

$$\text{HTOT} - 1 \quad = 103$$

$$= \text{[67]}$$

$$\text{CRTC 1} \quad \text{Horizontal Display} = 85$$

$$= \text{[55]}$$

$$\text{CRTC 2} \quad \text{Horizontal Sync Position} = \frac{(62.4 \text{ usec.} - 9.5 \text{ usec.}) \times 10 \text{ MHz}}{6} = 88.166$$

$$= 88$$

$$= \text{[58]}$$

$$\text{CRTC 3} \quad \text{Sync Width (V/H)}$$

$$\text{Vertical Sync Width} = \frac{150}{62.4} = 2.4 \quad 3 \text{ lines}$$

$$\text{Horizontal Sync Width} = 4.8 \times 10 = 8 \text{ cells}$$

6

$$\text{V/H Sync Width} \quad = \text{[38]}$$

$$\text{CRTC 4} \quad \text{Vertical Total} = \frac{540}{10 \times 2} = 27$$

$$\text{VTOT} - 1 \quad = 26$$

$$= \text{[1A]}$$

$$\text{CRTC 5} \quad \text{Vertical Adjust} = 0$$

$$= \text{[00]}$$

$$\text{CRTC 6} \quad \text{Vertical displayed} = \frac{50}{2} = 25$$

$$= \text{[19]}$$

$$\text{CRTC 7} \quad \text{Vertical Sync Position} = \frac{16,667 - 972 \times 27}{16,667} = 25.425$$

$$= 25$$

$$= \text{[19]}$$

$$\text{CRTC 8} \quad \text{Control Mode} = \text{Interlace Sync Only} = \text{[01]}$$

$$\text{CRTC 9} \quad \text{Cell Height} = 10 \text{ lines} - 1 = \text{[09]}$$

Step 4;

Calculate the Control and CRTC register parameters for the RGB-GRAPH (Interlaced Sync and Video):

$$\text{CTRL 1} \quad 0 \ 0 \ 1 \ 0 \ 0 \ 0 \ 0 \ 0 \quad = [20]$$

$$\text{CTRL 1} \quad 0 \ 0 \ 1 \ 0 \ 0 \ 0 \ 0 \ 0 \quad = [20]$$

$$\text{CTRL 2} \quad 0 \ 0 \ 1 \ 1 \ 1 \ 1 \ 1 \ 1 \quad = [3F]$$

$$\text{CTRL 3} \quad 0 \ 0 \ 0 \ 0 \ 1 \ 1 \ 1 \ 1 \quad = [0F]$$

$$\text{CTRL 4} \quad 0 \ 0 \ 0 \ 0 \ 0 \ 0 \ 0 \ 0 \quad = [00]$$

$$\text{CRTC 0} \quad \text{Horizontal Total} = \frac{624}{8} = 78$$

$$\text{HTOT} - 1 \quad = 77$$

$$= [4D]$$

$$\text{CRTC 1} \quad \text{Horizontal Displayed} = \frac{512}{8} = 64$$

$$= [40]$$

$$\text{CRTC 2} \quad \text{Horizontal Sync Position} = \text{HTOT} - 4 = \text{CRTC 0} - 3$$

$$= [4A]$$

$$\text{CRTC 3} \quad \text{Sync Width (V/H)}$$

$$\text{Vertical Sync Width} = V_{\text{adj}} - 1 = 2 - 1 = 1$$

$$\text{Horizontal Sync Width} = 1$$

$$\text{V/H Sync Width} = [11]$$

$$\text{CRTC 4} \quad \text{Vertical Total} = \frac{540 - 4}{8} = 67$$

$$\text{VTOT} - 1 \quad = 66$$

$$= [42]$$

$$\text{CRTC 5} \quad \text{Vertical Adjust} = 2$$

$$= [02]$$

$$\text{CRTC 6} \quad \text{Vertical Displayed} = 500$$

$$\frac{500}{8} = 62.5$$

Therefore use 62 (496 lines)

$$= [3E]$$

$$\text{CRTC 7} \quad \text{Vertical Sync Position} = 67$$

$$= [43]$$

$$\text{CRTC 8} \quad \text{Mode Control} = \text{Interlaced Sync and Video} = [07]$$

$$\text{CRTC 9} \quad \text{Cell Height} = 8 \text{ lines} - 1 = [07]$$

PROGRAM SUMMARY

RGB-ALPHA		RGB-GRAPH (S)	
ADDRESS (as shipped)	DATA	ADDRESS (as shipped)	DATA
9A	FB	A6	20 } Done
9B	0B	A6	20 } Twice
98	00	A7	3F
99	67	A8	FF
98	01	AA	00
99	55	AC	00
98	02	AE	4D
99	58	AC	01
98	03	AE	40
99	38	AC	02
98	04	AE	4A
99	1A	AC	03
98	05	AE	11
99	00	AC	04
98	06	AE	42
99	19	AC	05
98	07	AE	02
99	19	AC	06
98	08	AE	3E
99	01	AC	07
98	09	AE	43
99	09	AC	08
		AE	07
		AC	09
		AE	07

8.0 RGB-GRAPH/VAF-512 COMBINATION

For applications requiring graphics with color look-up capability, hardware vector generator, and up to 8 bits per pixel, multiple RGB-GRAPH boards and a VAF-512 can be combined to produce an overlaid image.

The method used to synchronize the two boards is such that several programming restrictions must be observed in setting up the raster format.

HARDWARE MODIFICATIONS

All RGB-GRAPH boards, level 4 and higher can be mated without any hardware modifications.

Production modification bulletins (PMB's) have, in some cases, been implemented on lower level boards to provide full compatibility. Determine the modification level of your boards and consult the factory.

on the RGB-GRAPH (Pseudo-Master):

1. Disconnect jumper 97-98 on the graph to disable the internal clock since the VAF-512 board provides the external clock on Pin 2 of J3 connector.
2. Pin 100-101 must be strapped in order to enable a proper external character clock SYNC signal.
3. Pin 106-107 must be out, because the vertical reset pulse is provided by the real master (ie. VAF-512 board) on Pin 6 of J3 connector.
4. Pin 136-137 must be strapped so that the VAF-512 will receive the HSYNC/ from the RGB-GRAPH, to lock its phased locked-loop.
5. Pin 156-155 must be strapped to enable the XYCLK signal to provide the X, Y DEC, INC controls.
6. Pin 73-72 must be strapped to enable the read access from all registers.
7. For the Pseudo Master RGB-GRAPH, the data lines DAT0 — DAT3 are used so the following connections must be done:

(Red) MD0 Pin 20 — Pin 16 DAT0
 (Blue) MD1 Pin 29 — Pin 15 DAT1
 (Green) MD2 Pin 18 — Pin 14 DAT2
 (Overlay) MD3 Pin 17 — Pin 13 DAT3

The nibble selected must be completely within the low byte.

Data port in low byte — 32-33IN, 28-29IN.

8. Bits 0-3 of control registers 3 and 4 (A97 and A81) must be strapped to the same Multibus data lines used by bits 0-3 of the data port.

For low byte access, connect pin 159-160.

REGISTER BIT	PIN	AS-SHIPED STRAPS	PIN	BUS DATA BIT
VEN 0 and WEN 0	96		80	DAT 0
			91	DAT 4
			78	DAT 8
			94	DAT 12
VEN 1 and WEN 1	86		81	DAT 1
			79	DAT 5
			90	DAT 9
VEN 2 and WEN 2	85		93	DAT 13
			92	DAT 2
			87	DAT 6
			83	DAT 10
VEN 3 and WEN 3	95		89	DAT 14
			82	DAT 3
			77	DAT 7
			84	DAT 11
			88	DAT 15
*For high byte access 159-158 IN, 159-160 OUT, 159-161 OUT For low byte access strap 159-160 IN, 159-158 OUT, 159-161 OUT For word access strap 159-161 IN, 159-158 OUT, 159-160 OUT				

9. For the Frame Grab, each of the RGB-GRAPH's bit planes can be strapped to any of the 8 data lines on the video bus (J3). For the Pseudo Master, do the following:

BIT PLANE 0 Pin 151 to Pin 141
 1 Pin 150 to Pin 143
 2 Pin 149 to Pin 142
 3 Pin 148 to Pin 144

10. The RGB-GRAPH's 4 TTL video signals can be strapped to any one of the 16 lines on the video bus.

TTL VIDEO	PIN	AS-SHIPED STRAPS	PIN	J3 PIN
0	123		112	12
			117	16
			122	20
			127	24
1	118		111	13
			116	17
			121	21
2	113		126	25
			110	14
			115	18
3	108		120	22
			125	26
			109	15
			114	19
			119	23
			124	27

11. Bit Plane Control Straps

The 4th output channel can be disconnected from the green and grey scale drivers and can be connected to overlay the other 3 video channels. The straps are as follows:

OVERLAY 103-104IN, 102-105IN
 NO OVERLAY 102-103IN, 104-105IN

Pin 162-163 must be left open if no RGB-ALPHA board is in the set-up.

on the RGB-GRAPH (Slave):

1. Disconnect jumper 97-98 on the graph to disable the internal clock, since the VAF-512 board provides the external clock on Pin 2 of J3 connector.
2. Pin 100-101 must be out, because the proper external character clock SYNC/ signal is provided by the RGB-GRAPH Pseudo Master on Pin 4 of J3 connector.
3. Pin 106-107 must be out, because the vertical reset pulse is provided by the real master (i.e. VAF-512 board) on Pin 6 of J3 connector.
4. Pin 136-137 must be out, because the Pseudo Master graph provides the HSYNC/.
5. Pin 156-157 must be strapped.
6. Pin 71-72 must be strapped to disable the read access from all registers except the data register.
7. For the RGB-GRAPH Slave, we use the data lines DAT4-DAT7, so the following connections must be done.

(Red) MD0 Pin 20 to Pin 12
 (Blue) MD1 Pin 19 to Pin 11
 (Green) MD2 Pin 18 to Pin 10
 (Overlay) MD3 Pin 17 to Pin 9

The nibble selected must be completely within the low byte.

Data port in low byte 32-33IN, 28-29IN

8. Bits 0-3 of control registers 3 and 4 (A81 and A97) must be strapped to the same Multibus data lines used by bits 0-3 of the data port.

For low byte access, pin 159-160 is connected.

REGISTER BIT	PIN	AS-SHIPED STRAPS	PIN	BUS DATA BIT
VEN 0 and WEN 0	96		80	DAT 0
			91	DAT 4
			78	DAT 8
			94	DAT 12
VEN 1 and WEN 1	86		81	DAT 1
			79	DAT 5
			90	DAT 9
			93	DAT 13
VEN 2 and WEN 2	85		92	DAT 2
			87	DAT 6
			83	DAT 10
			89	DAT 14
VEN 3 and WEN 3	95		82	DAT 3
			77	DAT 7
			84	DAT 11
			88	DAT 15
*For high byte access 159-158 IN, 159-160 OUT, 159-161 OUT For low byte access strap 159-160 IN, 159-158 OUT, 159-161 OUT For word access strap 159-161 IN, 159-158 OUT, 159-160 OUT				

9. For the Frame Grab, each of the RGB-GRAPH's bit planes can be strapped to any of the 8 data lines on the video bus (J3). For the RGB-GRAPH Slave the following pins are strapped:

BIT PLANE 0 Pin 151 to 145
 1 Pin 150 to 146
 2 Pin 149 to 140
 3 Pin 148 to 147

10. The RGB-GRAPH's 4 TTL video signals can be strapped to any one of the 16 lines on the video bus.

TTL VIDEO	PIN	AS-SHIPPED STRAPS	PIN	J3 PIN
0	123		112	12
			117	16
			122	20
			127	24
1	118		111	13
			116	17
			121	21
			126	25
2	113		110	14
			115	18
			120	22
			125	26
3	108		109	15
			114	19
			119	23
			124	27

11. Pin 162-163 must be out.
12. Couple the boards using a 50 pin ribbon cable to all J3 connectors. The J3 headers are 3M connectors, part no. 3433-1202. The mating connector part number is 3425-7000.

PROGRAMMING CONSIDERATIONS

Restrictions

1. In non-interlaced mode, the vertical adjust on the Graph board must be even (i.e. = 0, 2, 4 or 6).

Differences (RGB-GRAPH) Programming

The RGB-GRAPH is programmed to generate a reset pulse for the CRT controllers once every frame. This pulse is positioned three cells from the end of the last line of video. The width and position of the reset pulse is determined by the horizontal and vertical sync information programmed into the GRAPH board.

Horizontal sync Position \rightarrow (HTOT - 4)
 Width \rightarrow 1 cell

Vertical sync Position \rightarrow VTOT (for $V_{adj} > 2$)
 VTOT - 1 (for $V_{adj} < 2$)

Width \rightarrow $V_{adj} - 1$ (for $V_{adj} > 2$)
 $(V_{adj} + 8) - 1$ (for $V_{adj} < 2$) non-interlaced
 $(V_{adj} + 4) - 1$ (for $V_{adj} < 2$) interlaced

PROGRAM EXAMPLE:

The required display format is 512 x 512 graphics on a standard N. American monitor, 525 lines/60 Hz.

NOTE: The VAF-512 can only work with a cell of 8 pixels horizontally.

Step 1

Are the formats reasonable?

a) Vertical: It will be difficult to display 512 lines vertically in a 525 line/60 Hz system. By increasing the horizontal sync frequency (less than 5%), some "extra" lines can be added but not enough for 512 visible.

A standard monitor should be capable of accommodating 500 displayed lines.

b) Horizontal: The graphics requirement is for 512 pixels displayed.

c) Modified Format:

Graphics — 504 V x 512 H

Step 2

Calculate the horizontal total (in cells) for both boards, the vertical total (in cells) for both boards and the vertical adjust requirements. Modify them if required.

Horizontal:

$$\text{Displayed Pixels} = 64 \times 8 = 512 \rightarrow 51.2 \text{ usec.}$$

Blanked time required is 10.0 usec.

$$\text{Therefore the number of blanked pixels} = 10 \text{ MHz} \times 10 \text{ usec.} = 100$$

100 is not divisible by 8, so choose the next highest value (even):

$$14 \times 8 = 112$$

$$\text{Therefore total pixels} = 512 + 112 = 624$$

Is 624 evenly divisible by 8 for the graph board? Yes $\rightarrow \frac{624}{8} = 78$

If it were not evenly divisible, one would choose the next highest value which is divisible.

$$\text{Horizontal Video Time} = \frac{624}{10 \text{ MHz}} = 62.4 \text{ usec.}$$

$$\text{Horizontal Frequency} = \frac{1}{62.4 \text{ usec}} = 16.026 \text{ KHz}$$

Verify that 16.026 is within the $\pm 5\%$ tolerance of the video standard.

$$\begin{aligned} \text{Video Standard} &= 15.75 \text{ KHz} \\ \text{Standard} + 5\% &= 16.538 \text{ KHz} \\ \text{Standard} - 5\% &= 14.963 \text{ KHz} \end{aligned}$$

Vertical:

$$\text{Number of raster lines at 60 Hz} = \frac{16.026 \text{ KHz} \times 2}{60} = 534$$

Required vertical blanking/field is 1250 usec. \rightarrow 20 lines

$$\text{Therefore the number of displayed lines} = 534 - (2 \times 20) = 494$$

If the monitor to be used is very critical about the vertical sync frequency, it would be necessary to modify either the horizontal or vertical display requirements, as not all the desired 500 lines can be displayed simultaneously.

$$\text{Number of raster lines} = 500 + (2 \times 20) = 540$$

$$\text{Vertical Sync Frequency} = \frac{2}{540 \times 62.4 \text{ usec}} = 59.4 \text{ Hz}$$

$$\text{Vertical Total} = \frac{540}{8} = 67 + 4 \text{ (remainder)}$$

$$\text{Therefore the vertical adjust} = \frac{4}{2} = 2$$

Step 3;

Calculate the Control and CRTC register parameters for the RGB-GRAPH (Interlaced Sync and Video):

CTRL 1 0 0 1 0 0 0 0 0 = [20]

CTRL 1 0 0 1 0 0 0 0 0 = [20]

CTRL 2 0 0 1 1 1 1 1 1 = [3F]

CTRL 3 0 0 0 0 1 1 1 1 = [FF]

CTRL 4 0 0 0 0 0 0 0 0 = [00]

CRTC 0 Horizontal Total = $\frac{624}{8} = 78$

HTOT - 1 = 77

 = [4D]

CRTC 1 Horizontal Displayed = $\frac{512}{8} = 64$

 = [40]

CRTC 2 Horizontal Sync Position = HTOT - 4 = CRTC 0 - 3

 = [4A]

CRTC 3 Sync Width (V/H)

Vertical Sync Width = $V_{adj} - 1 = 2 - 1 = 1$

Horizontal Sync Width = 1

V/H Sync Width = [11]

CRTC 4 Vertical Total = $\frac{540 - 4}{8} = 67$

VTOT - 1 = 66

 = [42]

CRTC 5 Vertical Adjust = 2

 = [02]

CRTC 6 Vertical Displayed = 500

$\frac{500}{8} = 62.5$

Therefore use 62 (496 lines)

 = [3E]

CRTC 7 Vertical Sync Position = 67

 = [43]

CRTC 8 Mode Control = Interlaced Sync and Video = [07]

CRTC 9 Cell Height = 8 lines - 1 = [07]

PROGRAM SUMMARY

ADDRESS (as shipped)	RGB-GRAPH	DATA
A6		20
A6		20
A7		3F
A8		FF
AA		00
AC		00
AE		4D
AC		01
AE		40
AC		02
AE		4A
AC		03
AE		11
AC		04
AE		42
AC		05
AE		02
AC		06
AE		3E
AC		07
AE		43
AC		08
AE		07
AC		09
AE		07

VAF-512

ADDRESS (as shipped)	DATA
63 (Mode Register)	04

9.0 RGB-ALPHA/RGB-GRAPH/VAF-512 COMBINATION

For applications requiring extensive graphics and alphanumerics, an RGB-ALPHA, RGB-GRAPH and a VAF-512 can be combined to produce an overlaid image.

The RGB-ALPHA will provide the foreground color information for the characters and the RGB-GRAPH will provide the background color information. The VAF-512 allows the RGB-ALPHA alphanumeric characters to be overlaid on the graphics display, and allows portions of the display to blink back and forth from one color to another. Also **the RGB-ALPHA SLAVE must have a SYNERTEK CRTIC instead of the HITACHI part that is the standard part on the RGB-ALPHA.**

The method used to synchronize the two boards is such that several programming restrictions must be observed in setting up the raster format.

HARDWARE MODIFICATIONS

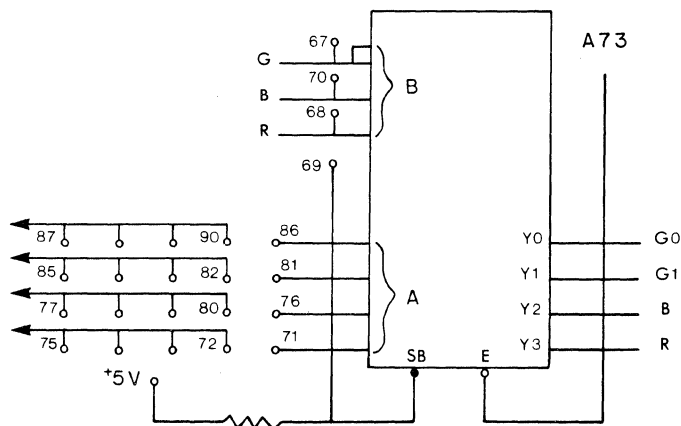
All RGB-ALPHA boards, level 3 and higher, and all RGB-GRAPH boards level 4 and higher can be mated without any hardware modifications.

Production Modification Bulletins (PMB's) have, in some cases, been implemented on lower level boards to provide full compatibility. Determine the modification level of your boards and consult the chart below:

RGB-ALPHA			RGB-GRAPH		
REVISION LEVEL	PMB LEVEL	INSTRUCTIONS	REVISION LEVEL	PMB LEVEL	INSTRUCTIONS
1		CONSULT FACTORY	1		CONSULT FACTORY
1	A	“ “	1	A	“ “
1	AB	“ “	1	AB	“ “
1	ABC	“ “	1		“ “
2		CONSULT FACTORY	2		CONSULT FACTORY
2	A	“ “	2	A	“ “
2	AB	“ “	2	AB	“ “
2	ABC	“ “	2	ABC	“ “
2	ABCD	“ “	2		“ “
2	ABCDE	OK			
3 & UP		OK	3		CONSULT FACTORY
			3	A	“ “
			3	AB	“ “
			3	ABC	“ “
			4 & UP		OK

on the RGB-ALPHA

1. Disconnect jumper 113-112 on the RGB-ALPHA to disable the internal clock, connect jumper 111-112 on the RGB-ALPHA to enable the external clock which is provided by the VAF-512 board.
2. An external field SYNC is provided by the VAF-512 board on Pin 6 of J3 connector to reset the RGB-ALPHA CRTIC.
3. The external character clock SYNC signal and the CRTIC reset/signal, which are provided by the RGB-GRAPH pseudo master are NANDed and put through a frequency divider in the RGB-ALPHA.
4. The alpha board receives a 10 MHz clock signal from the graph board. Higher XTAL frequencies cannot be selected.
5. The graphics input to the RGB-ALPHA must be strapped to select the RGB-GRAPH signal as background color. All straps are on the alpha board.



NOTE: On the RGB-ALPHA, level 3 and higher, these jumpers do not exist. The graphics input (#1) is tied directly to the "A" port on the multiplexer. To select the "A" input on the A73 multiplexer circuit, Pin 69 must be driven low (0 volts). This is accomplished by jumpering Pin 69 to ground, or by jumpering Pin 69 to one of the pins, 67, 70 or 68.

In the latter case, one of the RGB-ALPHA background color attribute bits is used to select or deselect the graphics background for each alphanumeric character cell.

	SOURCE	WIRE WRAP PINS	EXAMPLE STRAPS	WIRE WRAP PINS	DESTINATION
RGB-GRAPH # 1	J3 PIN 12	87		71	RED
	J3 PIN 13	88			
	J3 PIN 14	89			
	J3 PIN 15	90			
RGB-GRAPH # 2	J3 PIN 16	85		76	BLUE
	J3 PIN 17	84			
	J3 PIN 18	83			
	J3 PIN 19	82			
RGB-GRAPH # 3	J3 PIN 20	77		81	GREEN 1
	J3 PIN 21	78			
	J3 PIN 22	79			
	J3 PIN 23	80			
RGB-GRAPH # 4	J3 PIN 24	75	86	GREEN 0	
	J3 PIN 25	74			
	J3 PIN 26	73			
	J3 PIN 27	72			

on the RGB-GRAPH (Pseudo-Master):

1. Disconnect jumper 97-98 on the graph to disable the internal clock since the VAF-512 board provides the external clock on Pin 2 of J3 connector.
2. Pin 100-101 must be strapped in order to enable a proper external character clock SYNC signal.
3. Pin 106-107 must be out, because the vertical reset pulse is provided by the real master (ie. VAF-512 board) on Pin 6 of J3 connector.
4. Pin 136-137 must be strapped so that the VAF-512 will receive the HSYNC/ from the RGB-GRAPH, to lock its phased locked-loop.
5. Pin 156-155 must be strapped to enable the XYCLK signal to provide the X, Y DEC, INC controls.
6. Pin 73-72 must be strapped to enable the read access from all registers.
7. For the Pseudo Master RGB-GRAPH, the data lines DAT0 – DAT3 are used so the following connections must be done:

(Red) MD0 Pin 20 – Pin 16 DAT0
 (Blue) MD1 Pin 29 – Pin 15 DAT1
 (Green) MD2 Pin 18 – Pin 14 DAT2
 (Overlay) MD3 Pin 17 – Pin 13 DAT3

The nibble selected must be completely within the low byte.

Data port in low byte – 32-33IN, 28-29IN.

8. Bits 0-3 of control registers 3 and 4 (A97 and A81) must be strapped to the same Multibus data lines used by bits 0-3 of the data port.

For low byte access, connect pin 159-160.

Pin 162-163 must be left open if no RGB-ALPHA board is in the set-up.

REGISTER BIT	PIN	AS-SHIPED STRAPS	PIN	BUS DATA BIT
VEN 0 and WEN 0	96		80	DAT 0
			91	DAT 4
			78	DAT 8
			94	DAT 12
VEN 1 and WEN 1	86		81	DAT 1
			79	DAT 5
			90	DAT 9
			93	DAT 13
VEN 2 and WEN 2	85		92	DAT 2
			87	DAT 6
			83	DAT 10
			89	DAT 14
VEN 3 and WEN 3	95		82	DAT 3
			77	DAT 7
			84	DAT 11
			88	DAT 15
*For high byte access 159-158 IN, 159-160 OUT, 159-161 OUT For low byte access strap 159-160 IN, 159-158 OUT, 159-161 OUT For word access strap 159-161 IN, 159-158 OUT, 159-160 OUT				

9. For the Frame Grab, each of the RGB-GRAPH's bit planes can be strapped to any of the 8 data lines on the video bus (J3). For the Pseudo Master, do the following:

BIT PLANE 0 Pin 151 to Pin 141
 1 Pin 150 to Pin 143
 2 Pin 149 to Pin 142
 3 Pin 148 to Pin 144

10. The RGB-GRAPH's 4 TTL video signals can be strapped to any one of the 16 lines on the video bus.

TTL VIDEO	PIN	AS-SHIPED STRAPS	PIN	J3 PIN
0	123		112	12
			117	16
			122	20
			127	24
1	118		111	13
			116	17
			121	21
			126	25
2	113		110	14
			115	18
			120	22
			125	26
3	108		109	15
			114	19
			119	23
			124	27

11. Bit Plane Control Straps

The 4th output channel can be disconnected from the green and grey scale drivers and can be connected to overlay the other 3 video channels. The straps are as follows:

OVERLAY 103-104IN, 102-105IN
 NO OVERLAY 102-103IN, 104-105IN

Pin 162-163 must be connected to provide a CRTC RESET/ for the alpha board.

on the RGB-GRAPH (Slave):

1. Disconnect jumper 97-98 on the graph to disable the internal clock, since the VAF-512 board provides the external clock on Pin 2 of J3 connector.
2. Pin 100-101 must be out, because the proper external character clock SYNC/ signal is provided by the RGB-GRAPH Pseudo Master on Pin 4 of J3 connector.
3. Pin 106-107 must be out, because the vertical reset pulse is provided by the real master (i.e. VAF-512 board) on Pin 6 of J3 connector.
4. Pin 136-137 must be out, because the Pseudo Master graph provides the HSYNC/.
5. Pin 156-157 must be strapped.
6. Pin 71-72 must be strapped to disable the read access from all registers except the data register.
7. For the RGB-GRAPH Slave, we use the data lines DAT4-DAT7, so the following connections must be done.

(Red) MD0 Pin 20 to Pin 12
 (Blue) MD1 Pin 19 to Pin 11
 (Green) MD2 Pin 18 to Pin 10
 (Overlay) MD3 Pin 17 to Pin 9

The nibble selected must be completely within the low byte.

Data port in low byte 32-33IN, 28-29IN

8. Bits 0-3 of control registers 3 and 4 (A81 and A97) must be strapped to the same Multibus data lines used by bits 0-3 of the data port.

For low byte access, pin 159-160 is connected.

REGISTER BIT	PIN	AS-SHIPED STRAPS	PIN	BUS DATA BIT
VEN 0 and WEN 0	96		80	DAT 0
			91	DAT 4
			78	DAT 8
			94	DAT 12
VEN 1 and WEN 1	86		81	DAT 1
			79	DAT 5
			90	DAT 9
			93	DAT 13
VEN 2 and WEN 2	85		92	DAT 2
			87	DAT 6
			83	DAT 10
			89	DAT 14
VEN 3 and WEN 3	95		82	DAT 3
			77	DAT 7
			84	DAT 11
			88	DAT 15

*For high byte access 159-158 IN, 159-160 OUT, 159-161 OUT
 For low byte access strap 159-160 IN, 159-158 OUT, 159-161 OUT
 For word access strap 159-161 IN, 159-158 OUT, 159-160 OUT

9. For the Frame Grab, each of the RGB-GRAPH's bit planes can be strapped to any of the 8 data lines on the video bus (J3). For the RGB-GRAPH Slave the following pins are strapped:

BIT PLANE 0 Pin 151 to 145
 1 Pin 150 to 146
 2 Pin 149 to 140
 3 Pin 148 to 147

10. The RGB-GRAPH's 4 TTL video signals can be strapped to any one of the 16 lines on the video bus.

TTL VIDEO	PIN	AS-SHIPED STRAPS	PIN	J3 PIN
0	123		112	12
			117	16
			122	20
			127	24
1	118		111	13
			116	17
			121	21
			126	25
2	113		110	14
			115	18
			120	22
			125	26
3	108		109	15
			114	19
			119	23
			124	27

11. Pin 162-163 must be out.
12. Couple the boards using a 50 pin ribbon cable to all J3 connectors. The J3 headers are 3M connectors, part no. 3433-1202. The mating connector part number is 3425-7000.

PROGRAMMING CONSIDERATIONS

Restrictions

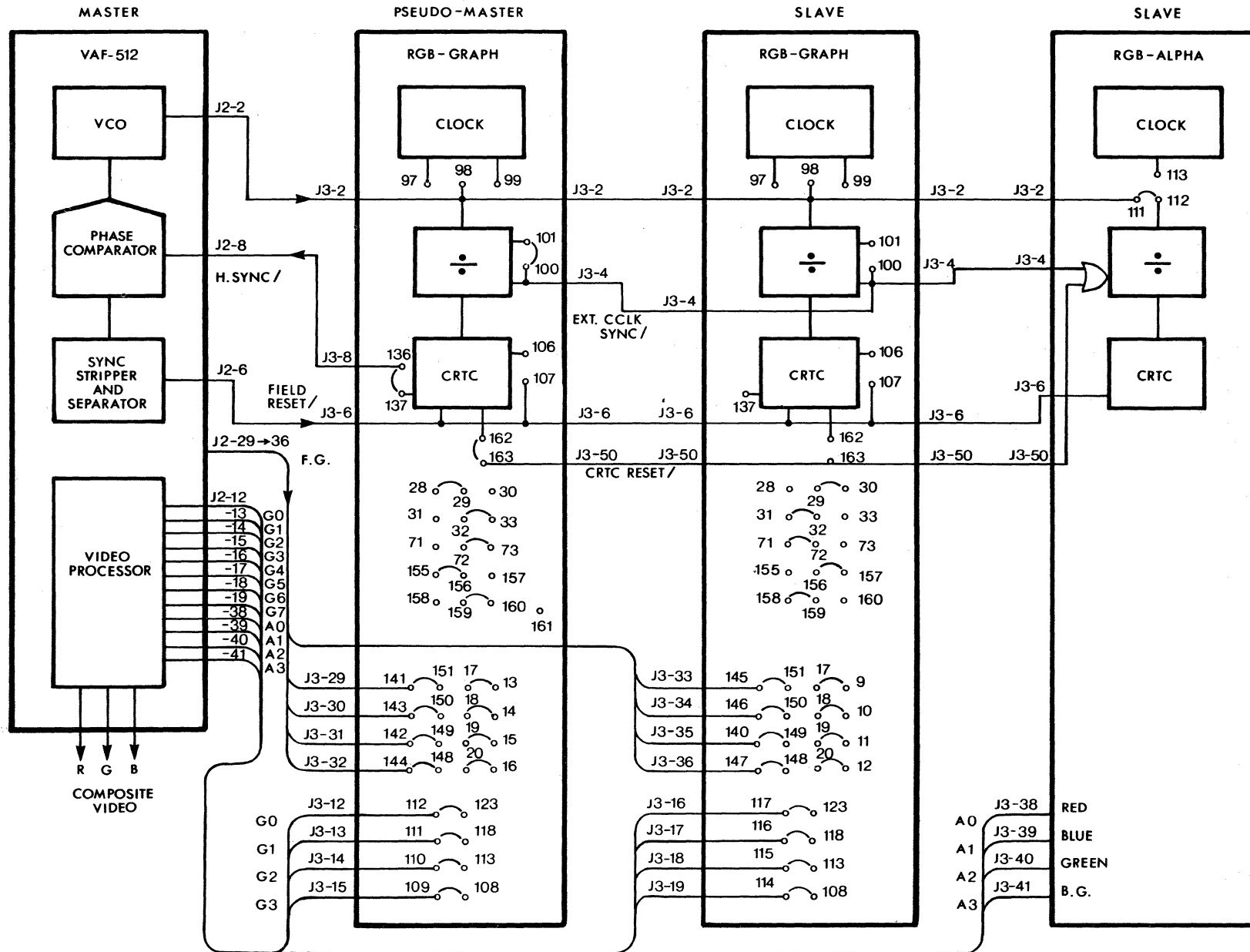
- 1) Horizontal Total (pixels) must be the same on both the ALPHA and the GRAPH.
- 2) Vertical Total (lines) must be the same on both the ALPHA and the GRAPH.
- 3) Horizontal Displayed on ALPHA must be greater than or equal to that on GRAPH.
- 4) In non-interlaced mode, the vertical adjust on the graph board must be even (i.e. = 0, 2, 4 or 6).

Differences (RGB-GRAPH) Programming

The RGB-GRAPH is programmed to generate a reset pulse for the CRT controllers once every frame. This pulse is positioned three cells from the end of the last line of video. The width and position of the reset pulse is determined by the horizontal and vertical sync information programmed into the GRAPH board.

Horizontal sync	Position → $(HTOT - 4)$ Width → 1 cell
Vertical sync	Position → $VTOT$ (for $V_{adj} > 2$) $VTOT - 1$ (for $V_{adj} < 2$)
	Width → $V_{adj} - 1$ (for $V_{adj} > 2$) $(V_{adj} + 8) - 1$ (for $V_{adj} < 2$) non-interlaced $(V_{adj} + 4) - 1$ (for $V_{adj} < 2$) interlaced

VAF-512/RGB-GRAPH/RGB-GRAPH/RGB-ALPHA



PROGRAM EXAMPLE:

The required display format is 512 x 512 graphics and 25 rows x 70 columns alphanumeric, using a 8 x 10 cell, on a standard N. American monitor, 525 lines/60 Hz.

NOTE: The VAF-512 can only work with a cell of 8 pixels horizontally.

Step 1

Are the formats reasonable?

a) **Vertical** — It will be difficult to display 512 lines vertically in a 525 line/60 Hz system. By increasing the horizontal sync frequency (less than 5%), some "extra" lines can be added but probably not enough for 512 visible. Considering that the desired alphanumeric format is 25 rows of characters, ten lines high, a total of 250 lines are required for alphanumerics. The entire system must be run interlaced in order to accommodate the graphics, but if the ALPHA is programmed for interlaced video and sync, the characters will occupy only the top half of the screen (250/525). It is more practical therefore to run the ALPHA board in interlaced sync only mode. In this mode, the number of lines doubles to 500 which is very close to the graphics requirement. A standard monitor should be capable of accommodating 500 displayed lines.

b) **Horizontal:** The graphics requirement is for 512 pixels displayed. The alphanumeric requirement is for $70 \times 8 = 560$ pixels, but with a 10 MHz clock, 560 pixels translate into a displayed time of 56 micro-seconds. This is greater than the standard requirements (53.5 micro seconds) and quite impractical, thus we must reduce the standard timing in order to display more horizontal pixels. Since we cannot change the cell width, we have to reduce the number of columns to 64, the horizontal requirement becomes $8 \times 64 = 512$ pixels; exactly the same as the graph.

c) Modified Format:

Graphics — 504 V x 512 H
Alpha — 25 x 64, 8 x 10 pixel cell

Step 2

Calculate the horizontal total (in cells) for both boards, the vertical total (in cells) for both boards and the vertical adjust requirements. Modify them if required.

Horizontal:

Displayed Pixels = $64 \times 8 = 512 \rightarrow 51.2$ usec.

Blanked time required is 10.0 usec.

Therefore the number of blanked pixels = $10 \text{ MHz} \times 10 \text{ usec.} = 100$

100 is not divisible by 8, so choose the next highest value (even):

$$14 \times 8 = 112$$

$$\text{Therefore total pixels} = 512 + 112 = 624$$

Is 624 evenly divisible by 8 for the graph board? Yes — $\frac{624}{8} = 78$

If it were not evenly divisible, one would choose the next highest value which is divisible.

$$\text{Horizontal Video Time} = \frac{624}{10 \text{ MHz}} = 62.4 \text{ usec.}$$

$$\text{Horizontal Frequency} = \frac{1}{62.4 \text{ usec}} = 16.026 \text{ KHz}$$

Verify that 16.026 is within the $\pm 5\%$ tolerance of the video standard.

Video Standard = 15.75 KHz
Standard + 5% = 16.538 KHz
Standard — 5% = 14.963 KHz

Vertical:

$$\text{Number of raster lines at 60 Hz} = \frac{16.026 \text{ KHz} \times 2}{60} = 534$$

Required vertical blanking/field is 1250 usec. → 20 lines

$$\text{Therefore the number of displayed lines} = 534 - (2 \times 20) = 494$$

If the monitor to be used is very critical about the vertical sync frequency, it would be necessary to modify either the horizontal or vertical display requirements, as not all the desired 500 lines can be displayed simultaneously.

$$\text{Number of raster lines} = 500 + (2 \times 20) = 540$$

$$\text{Vertical Sync Frequency} = \frac{2}{540 \times 62.4 \text{ usec}} = 59.4 \text{ Hz}$$

$$\text{Vertical Total} = 540 = 67 + 4 \text{ (remainder)}$$

8

$$\text{Therefore the vertical adjust} = \frac{4}{2} = 2$$

$$\text{Vertical Total (ALPHA)} = \frac{540}{10} = 54 + 0 \text{ remainder (27 for interlaced sync only)}$$

$$\text{Therefore vertical adjust (ALPHA)} = \frac{0}{2} = 0$$

Step 3:

Calculate the Control and CRTC register parameters for the RGB-ALPHA (Interlaced Sync Only):

$$\text{CTRL 1} \quad 1 \ 1 \ 1 \ 1 \ 0 \ 1 \ 1 \ 1 \quad = \text{[F7]}$$

$$\text{CTRL 2} \quad 0 \ 0 \ 0 \ 0 \ 1 \ 0 \ 1 \ 1 \quad = \text{[0B]}$$

$$\text{CRTC 0} \quad \text{Horizontal Total} = \frac{624}{8} = 78$$

$$\text{HTOT} - 1 \quad = 77_{10}$$

$$\quad = \text{[4E]}$$

$$\text{CRTC 1} \quad \text{Horizontal Display} = 64_{10}$$

$$\quad = \text{[40]}$$

$$\text{CRTC 2} \quad \text{Horizontal Sync Position} = \frac{(62.4 \text{ usec.} - 9.5 \text{ usec.}) \times 10 \text{ MHz}}{8} = 66.125$$

$$= 66_{10}$$

$$= \text{[42]}$$

$$\text{CRTC 3} \quad \text{Sync Width (V/H)}$$

$$\text{Vertical Sync Width} = \frac{150}{62.4} = 2.4 \quad 3 \text{ lines}$$

$$\text{Horizontal Sync Width} = 4.8 \times 10 = 6 \text{ cells}$$

8

$$\text{V/H Sync Width} \quad = \text{[36]}$$

$$\begin{aligned} \text{CRTC 4} \quad \text{Vertical Total} &= \frac{540}{10 \times 2} = 27 \\ \text{VTOT} - 1 &= 26 \\ &= [1A] \\ \text{CRTC 5} \quad \text{Vertical Adjust} &= 0 \\ &= [00] \\ \text{CRTC 6} \quad \text{Vertical displayed} &= \frac{50}{2} = 25 \\ &= [19] \\ \text{CRTC 7} \quad \text{Vertical Sync Position} &= \frac{16,667 - 972 \times 27}{16,667} = 25.425 \\ &= 25_{10} \\ &= [19] \\ \text{CRTC 8} \quad \text{Control Mode} &= \text{Interlace Sync Only} = [01] \\ \text{CRTC 9} \quad \text{Cell Height} &= 10 \text{ lines} - 1 = [09] \end{aligned}$$

Step 4:

Calculate the Control and CRTC register parameters for the RGB-GRAPH (Interlaced Sync and Video):

$$\begin{aligned} \text{CTRL 1} \quad 0 \ 0 \ 1 \ 0 \ 0 \ 0 \ 0 \ 0 &= [20] \\ \text{CTRL 1} \quad 0 \ 0 \ 1 \ 0 \ 0 \ 0 \ 0 \ 0 &= [20] \\ \text{CTRL 2} \quad 0 \ 0 \ 1 \ 1 \ 1 \ 1 \ 1 \ 1 &= [3F] \\ \text{CTRL 3} \quad 1 \ 1 \ 1 \ 1 \ 1 \ 1 \ 1 \ 1 &= [FF] \\ \text{CTRL 4} \quad 0 \ 0 \ 0 \ 0 \ 0 \ 0 \ 0 \ 0 &= [00] \\ \text{CRTC 0} \quad \text{Horizontal Total} &= \frac{624}{8} = 78 \\ \text{HTOT} - 1 &= 77 \\ &= [4D] \\ \text{CRTC 1} \quad \text{Horizontal Displayed} &= \frac{512}{8} = 64 \\ &= [40] \\ \text{CRTC 2} \quad \text{Horizontal Sync Position} &= \text{HTOT} - 4 = \text{CRTC 0} - 3 \\ &= [4A] \\ \text{CRTC 3} \quad \text{Sync Width (V/H)} \\ \text{Vertical Sync Width} &= V_{\text{adj}} - 1 = 2 - 1 = 1 \\ \text{Horizontal Sync Width} &= 1 \\ \text{V/H Sync Width} &= [11] \end{aligned}$$

CRTC 4 Vertical Total = $\frac{540 - 4}{8} = 67$

VTOT - 1 = 66
 = [42]

CRTC 5 Vertical Adjust = 2
 = [02]

CRTC 6 Vertical Displayed = 500
 $\frac{500}{8} = 62.5$
 Therefore use 62 (496 lines)
 = [3E]

CRTC 7 Vertical Sync Position = 67
 = [43]

CRTC 8 Mode Control = Interlaced Sync and Viedo = [07]

CRTC 9 Cell Height = 8 lines - 1 = [07]

PROGRAM SUMMARY

RGB-ALPHA		RGB-GRAPH (S)	
ADDRESS (as shipped)	DATA	ADDRESS (as shipped)	DATA
9A	F7	A6	20 } Done
9B	0B	A6	20 } Twice
98	00	A7	3F
99	4E	A8	FF
98	01	AA	00
99	40	AC	00
98	02	AE	4D
99	42	AC	01
98	03	AE	40
99	36	AC	02
98	04	AE	4A
99	1A	AC	03
98	05	AE	11
99	00	AC	04
98	06	AE	42
99	19	AC	05
98	07	AE	02
99	19	AC	06
98	08	AE	3E
99	01	AC	07
98	09	AE	43
99	09	AC	08
		AE	07
		AC	09
		AE	07

Note: Both RGB-GRAPH boards will be programmed simultaneously, as the registers for both boards have the same addresses.

VAF-512

**ADDRESS
(as shipped)**

63 (is using an RGB-ALPHA)
63 (if no RGB-ALPHA is used)

DATA

14 (Mode Register)
04

Floppy Disk Controller (register disable)

**ADDRESS
(as shipped)**

B6

DATA

80

This is to disable 7000 – 7FFF of the memory bank, because it is used by the RGB-ALPHA.



matrox
electronic systems ltd.

5800 ANDOVER AVE., T.M.R., QUE., H4T 1H4, CANADA
TEL.: 514-735-1182 TELEX: 05-825651

APPLICATION NOTE #2

ENHANCED CHARACTER GRAPHICS ON THE RGB-ALPHA

INTRODUCTION:

Character graphics are generated by the same cards that generate the alphanumeric characters, therefore the graphics resolution is equal to the alphanumeric capability of those cards. An alphanumeric card configured for a display format of 24 lines by 80 characters with an 8 x 10 character cell can display only 24 Vertical x 80 Horizontal Graphic Characters in an 8 x 10 cell.

This Application Note discusses the doubling of the horizontal resolution of the graphic characters. Therefore, the same card discussed above becomes capable of displaying 24 Vertical x 160 Horizontal Graphic Characters.

ARCHITECTURE

Most of the programmable alphanumeric display cards manufactured by MATROX are capable of character graphics. The character generator on those cards can be replaced by a TI 2516 EPROM, thus allowing users to design, burn and install their own custom character generators. By designing their own character generators, users can adapt the display card more towards their own needs of character graphics or even special alphanumerics.

Some of the MATROX boards accept two 2516 EPROM's, one for the standard display set and the second for the alternate set. The selection between one or the other can be done through the use of one of the attribute bits of the display. Such cards allow the user to install a standard character generator in one socket, and a special graphics set in the second socket. One of those cards is the RGB-ALPHA.

By installing Byte-wide Ram memory chips in place of one or both of the character generators on the RGB-ALPHA, the character generators can be down-loaded onto the card from the system microcomputer. This allows users to change the character font of both the graphic and the alphanumeric characters to meet the need for the different display requirements. In process control, as an example, different fonts can be used for normal condition displays as compared to displays of emergency situations.

OVERVIEW

The RGB-ALPHA has programmable formats, i.e.: the display formats can be changed by software commands (certain formats also require that the crystal be changed for an acceptable display on the screen). As with the display formats, the character cell can also be controlled through software.

To double the horizontal resolution, two alternatives are available. The first is to use a format of double the characters that are needed for alphanumerics. The second is to use half of the number of dots per cell, while doubling the number of cells per alphanumeric character. Investigating the first alternative, we find the following: It was already mentioned above that in character graphics the number of alphanumeric characters is the same as the number of graphic characters. Therefore, this is not a usable alternative since it requires modifying the original specification of the alphanumeric display. Furthermore, by using the example mentioned, we find that $160 \text{ (number of characters)} \times 8 \text{ (horizontal pixels per cell)} = 1280 \text{ pixels}$ to be displayed per horizontal line. To accommodate 1280 pixels horizontally, not only a high resolution and wide bandwidth monitor is required, but also a very fast alphanumeric video controller.

The second alternative functions as follows: If the number of pixels per cell is divided by 2 for the graphics display, then we effectively have 160 graphic characters horizontally, each in a 4 x 10 cell (see figure 1). If at the same time, an alphanumeric character generator is devised that requires two adjacent cells to form a full alphanumeric character, then the alphanumerics will remain 80 characters in an 8 x 10 cell (see figure 2).

Each character generator normally used on the MATROX alphanumeric cards holds 128 characters in an 8 x 10 cell. In the case discussed above, since two cells are used per alphanumeric character, then all 64 upper and lower case characters fit in one character generator.

HARDWARE MODIFICATIONS

In order to accomplish the above, the standard RGB-ALPHA has to be modified as follows:—

1. The crystal frequency is to be increased to 13.3333 MHz from 11.6666 MHz to allow displaying the full required screen.

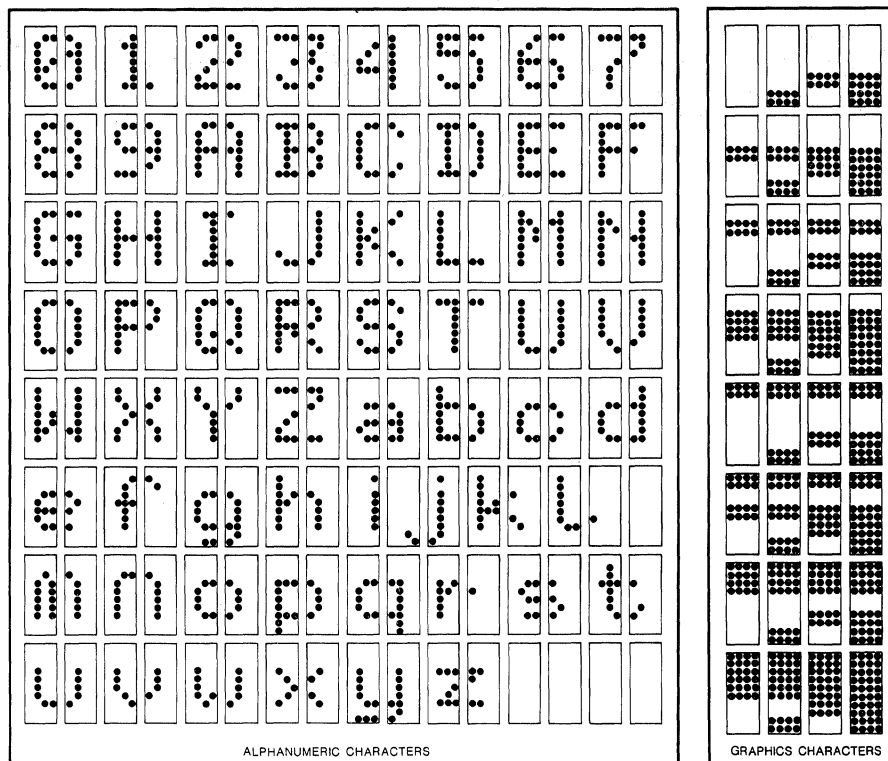


Figure 1. 4 x 10 dot character set

2. The RAM chips are changed to 100 nsec. access time (Intel P2114AL-1) instead of the standard 150 nsec. access time.
3. The character generators are changed to bipolar ROM's with average access time of 70 nsec. (Raytheon R29681DC or Harris HM-76161) instead of 2516's with access time of 350nsec.
4. Exchange pins 19 and 21 of the character generator, i.e.: the trace arriving at pin 19 of the character generator is disconnected and connected instead to pin 21 of the same chip, at the same time the trace going to pin 21 of the character generator is disconnected and connected to pin 19 instead.
5. Disconnect A81 pin 2 from A68 pin 13 and reconnect A81 pin 2 to A68 pin 14.
6. Disconnect wire-wrap pin 98 from 105 and strap pin 98 to pin 59. This will allow the use of D3 of the attributes byte to select one of the two character generators. The attribute register bit assignment (attribute byte) becomes as follows:

bit 0	Foreground Green	1 = on, 0 = off
bit 1	Foreground Blue	1 = on, 0 = off
bit 2	Foreground Red	1 = on, 0 = off
bit 3	Character Generator Select	1 = character set 0 = graph set
bit 4	Background Green	1 = on, 0 = off
bit 5	Background Blue	1 = on, 0 = off
bit 6	Background Red	1 = on, 0 = off
bit 7	Background Blink	1 = on, 0 = off

CONCLUSION:

By modifying the RGB-ALPHA to run a 4 x 10 character cell, and installing two specially designed character generators, the charcter graphics capability of this card can be enhanced. Using a smaller character cell for the graphics allows the user to display finer graphics lines without sacrificing any of the requirements of the system.

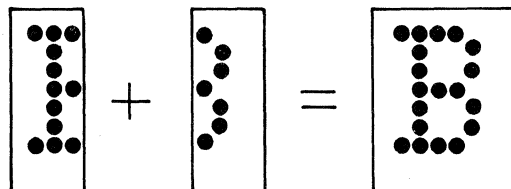


Figure 2. Combining two consecutive 4 x 10 dot cells to form an 8 x 10 dot character



matrox
electronic systems ltd.

5800 ANDOVER AVE., T.M.R., QUE., H4T 1H4, CANADA
TEL.: 514-735-1182 TELEX: 05-825651

APPLICATION NOTE #3

USING RAM CHARACTER GENERATORS ON THE RGB-ALPHA

INTRODUCTION

The RGB-ALPHA is a color alphanumeric video board that has software programmable formats. It also has two sockets that can accommodate a 2516 EPROM each, with each EPROM holding the code for 128 characters in an 8 x 16 cell, for a total of 256 characters.

The EPROM chips can be replaced by byte-wide RAM chips, which can be programmed through the bus. Thus the user can download his characters or modify them at any time.

This application note supplies the information needed to design a character generator, and the way these RAM character generators can be downloaded from the bus under program control.

CHARACTER GENERATOR ARCHITECTURE

The character generator is loaded into a 2716 which is an EPROM of 2K x 8 bits. The characters are formed in a cell of 8 x 16 pixels with each half (i.e. 8 x 8 pixels) loaded into 1K of the EPROM. Every bit is equivalent to one pixel on the screen. A bit that is reset to zero is an OFF pixel, while a bit set to one is an ON pixel, as shown in figure 1.

Each byte on the EPROM holds the 8 bits for each row of a character, and 8 consecutive bytes hold 8 rows of a character. The byte at address 0 holds the 8 pixels of row 0 of character 0, while address 1 holds the 8 pixels for row 1 of character 0, and so on. Address 8 holds the 8 pixels of row 0 of character 1,, and address 1023 holds the 8 pixels of row 7 of the 127th character. Address 1024 holds the 8 pixels of row 8 of character 0, address 1025 holds the 8 pixels of row 9 of character 0, and so on. Address 1031 holds the 8 pixels of row 7 of character 1,, and address 2047 hold the 8 pixels of row 15 of character 127.

In cases where the cell that is used is an 8 x 8 cell per character, rather than the standard 8 x 16 cell, each character generator can be made to hold 256 characters by using each half of the character generator for a different character and by configuring the straps for the character generator as shown in table 5.12 in section 5 or the RGB-ALPHA manual.

If the character cell is less than 8 pixels horizontally, then the character generator should be programmed for such a cell. If not, the character will be cut off on its left side by the difference between the programmed cell and what the

À	Á	Â	Ã	Ä	Å	Æ	Ç	È	É	Ê	Ë	Ì	Í	Î	Ï	Ð	Ñ	Ò	Ó	Ô	Õ	Ö	×	Ù	Ú	Û	Ü	Ý	Þ	ß	à	á	â	ã	ä	å	æ	ç	è	é	ê	ë	ì	í	î	ï	ð	ñ	ò	ó	ô	õ	ö	÷	ø	ù	ú	û	ü	ý	þ	ß	ä	å	æ	ç	è	é	ê	ë	ì	í	î	ï	ð	ñ	ò	ó	ô	õ	ö	÷	ø	ù	ú	û	ü	ý	þ	ß	ä	å	æ	ç	è	é	ê	ë	ì	í	î	ï	ð	ñ	ò	ó	ô	õ	ö	÷	ø	ù	ú	û	ü	ý	þ	ß	ä	å	æ	ç	è	é	ê	ë	ì	í	î	ï	ð	ñ	ò	ó	ô	õ	ö	÷	ø	ù	ú	û	ü	ý	þ	ß	ä	å	æ	ç	è	é	ê	ë	ì	í	î	ï	ð	ñ	ò	ó	ô	õ	ö	÷	ø	ù	ú	û	ü	ý	þ	ß	ä	å	æ	ç	è	é	ê	ë	ì	í	î	ï	ð	ñ	ò	ó	ô	õ	ö	÷	ø	ù	ú	û	ü	ý	þ	ß	ä	å	æ	ç	è	é	ê	ë	ì	í	î	ï	ð	ñ	ò	ó	ô	õ	ö	÷	ø	ù	ú	û	ü	ý	þ	ß	ä	å	æ	ç	è	é	ê	ë	ì	í	î	ï	ð	ñ	ò	ó	ô	õ	ö	÷	ø	ù	ú	û	ü	ý	þ	ß	ä	å	æ	ç	è	é	ê	ë	ì	í	î	ï	ð	ñ	ò	ó	ô	õ	ö	÷	ø	ù	ú	û	ü	ý	þ	ß	ä	å	æ	ç	è	é	ê	ë	ì	í	î	ï	ð	ñ	ò	ó	ô	õ	ö	÷	ø	ù	ú	û	ü	ý	þ	ß	ä	å	æ	ç	è	é	ê	ë	ì	í	î	ï	ð	ñ	ò	ó	ô	õ	ö	÷	ø	ù	ú	û	ü	ý	þ	ß	ä	å	æ	ç	è	é	ê	ë	ì	í	î	ï	ð	ñ	ò	ó	ô	õ	ö	÷	ø	ù	ú	û	ü	ý	þ	ß	ä	å	æ	ç	è	é	ê	ë	ì	í	î	ï	ð	ñ	ò	ó	ô	õ	ö	÷	ø	ù	ú	û	ü	ý	þ	ß	ä	å	æ	ç	è	é	ê	ë	ì	í	î	ï	ð	ñ	ò	ó	ô	õ	ö	÷	ø	ù	ú	û	ü	ý	þ	ß	ä	å	æ	ç	è	é	ê	ë	ì	í	î	ï	ð	ñ	ò	ó	ô	õ	ö	÷	ø	ù	ú	û	ü	ý	þ	ß	ä	å	æ	ç	è	é	ê	ë	ì	í	î	ï	ð	ñ	ò	ó	ô	õ	ö	÷	ø	ù	ú	û	ü	ý	þ	ß	ä	å	æ	ç	è	é	ê	ë	ì	í	î	ï	ð	ñ	ò	ó	ô	õ	ö	÷	ø	ù	ú	û	ü	ý	þ	ß	ä	å	æ	ç	è	é	ê	ë	ì	í	î	ï	ð	ñ	ò	ó	ô	õ	ö	÷	ø	ù	ú	û	ü	ý	þ	ß	ä	å	æ	ç	è	é	ê	ë	ì	í	î	ï	ð	ñ	ò	ó	ô	õ	ö	÷	ø	ù	ú	û	ü	ý	þ	ß	ä	å	æ	ç	è	é	ê	ë	ì	í	î	ï	ð	ñ	ò	ó	ô	õ	ö	÷	ø	ù	ú	û	ü	ý	þ	ß	ä	å	æ	ç	è	é	ê	ë	ì	í	î	ï	ð	ñ	ò	ó	ô	õ	ö	÷	ø	ù	ú	û	ü	ý	þ	ß	ä	å	æ	ç	è	é	ê	ë	ì	í	î	ï	ð	ñ	ò	ó	ô	õ	ö	÷	ø	ù	ú	û	ü	ý	þ	ß	ä	å	æ	ç	è	é	ê	ë	ì	í	î	ï	ð	ñ	ò	ó	ô	õ	ö	÷	ø	ù	ú	û	ü	ý	þ	ß	ä	å	æ	ç	è	é	ê	ë	ì	í	î	ï	ð	ñ	ò	ó	ô	õ	ö	÷	ø	ù	ú	û	ü	ý	þ	ß	ä	å	æ	ç	è	é	ê	ë	ì	í	î	ï	ð	ñ	ò	ó	ô	õ	ö	÷	ø	ù	ú	û	ü	ý	þ	ß	ä	å	æ	ç	è	é	ê	ë	ì	í	î	ï	ð	ñ	ò	ó	ô	õ	ö	÷	ø	ù	ú	û	ü	ý	þ	ß	ä	å	æ	ç	è	é	ê	ë	ì	í	î	ï	ð	ñ	ò	ó	ô	õ	ö	÷	ø	ù	ú	û	ü	ý	þ	ß	ä	å	æ	ç	è	é	ê	ë	ì	í	î	ï	ð	ñ	ò	ó	ô	õ	ö	÷	ø	ù	ú	û	ü	ý	þ	ß	ä	å	æ	ç	è	é	ê	ë	ì	í	î	ï	ð	ñ	ò	ó	ô	õ	ö	÷	ø	ù	ú	û	ü	ý	þ	ß	ä	å	æ	ç	è	é	ê	ë	ì	í	î	ï	ð	ñ	ò	ó	ô	õ	ö	÷	ø	ù	ú	û	ü	ý	þ	ß	ä	å	æ	ç	è	é	ê	ë	ì	í	î	ï	ð	ñ	ò	ó	ô	õ	ö	÷	ø	ù	ú	û	ü	ý	þ	ß	ä	å	æ	ç	è	é	ê	ë	ì	í	î	ï	ð	ñ	ò	ó	ô	õ	ö	÷	ø	ù	ú	û	ü	ý	þ	ß	ä	å	æ	ç	è	é	ê	ë	ì	í	î	ï	ð	ñ	ò	ó	ô	õ	ö	÷	ø	ù	ú	û	ü	ý	þ	ß	ä	å	æ	ç	è	é	ê	ë	ì	í	î	ï	ð	ñ	ò	ó	ô	õ	ö	÷	ø	ù	ú	û	ü	ý	þ	ß	ä	å	æ	ç	è	é	ê	ë	ì	í	î	ï	ð	ñ	ò	ó	ô	õ	ö	÷	ø	ù	ú	û	ü	ý	þ	ß	ä	å	æ	ç	è	é	ê	ë	ì	í	î	ï	ð	ñ	ò	ó	ô	õ	ö	÷	ø	ù	ú	û	ü	ý	þ	ß	ä	å	æ	ç	è	é	ê	ë	ì	í	î	ï	ð	ñ	ò	ó	ô	õ	ö	÷	ø	ù	ú	û	ü	ý	þ	ß	ä	å	æ	ç	è	é	ê	ë	ì	í	î	ï	ð	ñ	ò	ó	ô	õ	ö	÷	ø	ù	ú	û	ü	ý	þ	ß	ä	å	æ	ç	è	é	ê	ë	ì	í	î	ï	ð	ñ	ò	ó	ô	õ	ö	÷	ø	ù	ú	û	ü	ý	þ	ß	ä	å	æ	ç	è	é	ê	ë	ì	í	î	ï	ð	ñ	ò	ó	ô	õ	ö	÷	ø	ù	ú	û	ü	ý	þ	ß	ä	å	æ	ç	è	é	ê	ë	ì	í	î	ï	ð	ñ	ò	ó	ô	õ	ö	÷	ø	ù	ú	û	ü	ý	þ	ß	ä	å	æ	ç	è	é	ê	ë	ì	í	î	ï	ð	ñ	ò	ó	ô	õ	ö	÷	ø	ù	ú	û	ü	ý	þ	ß	ä	å	æ	ç	è	é	ê	ë	ì	í	î	ï	ð	ñ	ò	ó	ô	õ	ö	÷	ø	ù	ú	û	ü	ý	þ	ß	ä	å	æ	ç	è	é	ê	ë	ì	í	î	ï	ð	ñ	ò	ó	ô	õ	ö	÷	ø	ù	ú	û	ü	ý	þ	ß	ä	å	æ	ç	è	é	ê	ë	ì	í	î	ï	ð	ñ	ò	ó	ô	õ	ö	÷	ø	ù	ú	û	ü	ý	þ	ß	ä	å	æ	ç	è	é	ê	ë	ì	í	î	ï	ð	ñ	ò	ó	ô	õ	ö	÷	ø	ù	ú	û	ü	ý	þ	ß	ä	å	æ	ç	è	é	ê	ë	ì	í	î	ï	ð	ñ	ò	ó	ô	õ	ö	÷	ø	ù	ú	û	ü	ý	þ	ß	ä	å	æ	ç	è	é	ê	ë	ì	í	î	ï	ð	ñ	ò	ó	ô	õ	ö	÷	ø	ù	ú	û	ü	ý	þ	ß	ä	å	æ	ç	è	é	ê	ë	ì	í	î	ï	ð	ñ	ò	ó	ô	õ	ö	÷	ø	ù	ú	û	ü	ý	þ	ß	ä	å	æ	ç	è	é	ê	ë	ì	í	î	ï	ð	ñ	ò	ó	ô	õ	ö	÷	ø	ù	ú	û	ü	ý	þ	ß	ä	å	æ	ç	è	é	ê	ë	ì	í	î	ï	ð	ñ	ò	ó	ô	õ	ö	÷	ø	ù	ú	û	ü	ý	þ	ß	ä	å	æ	ç	è	é	ê	ë	ì	í	î	ï	ð	ñ	ò	ó	ô	õ	ö	÷	ø	ù	ú	û	ü	ý	þ	ß	ä	å	æ	ç	è	é	ê	ë	ì	í	î	ï	ð	ñ	ò	ó	ô	õ	ö	÷	ø	ù	ú	û	ü	ý	þ	ß	ä	å	æ	ç	è	é	ê	ë	ì	í	î	ï	ð	ñ	ò	ó	ô	õ	ö	÷	ø	ù	ú	û	ü	ý	þ	ß	ä	å	æ	ç	è	é	ê	ë	ì	í	î	ï	ð	ñ	ò	ó	ô	õ	ö	÷	ø	ù	ú	û	ü	ý	þ	ß	ä	å	æ	ç	è	é	ê	ë	ì	í	î	ï	ð	ñ	ò	ó	ô	õ	ö	÷	ø	ù	ú	û	ü	ý	þ	ß	ä	å	æ	ç	è	é	ê	ë	ì	í	î	ï	ð	ñ	ò	ó	ô	õ	ö	÷	ø	ù	ú	û	ü	ý	þ	ß	ä	å	æ	ç	è	é	ê	ë	ì	í	î	ï	ð	ñ	ò	ó	ô	õ	ö	÷	ø	ù	ú	û	ü	ý	þ	ß	ä	å	æ	ç	è	é	ê	ë	ì	í	î	ï	ð	ñ	ò	ó	ô	õ	ö	÷	ø	ù	ú	û	ü	ý	þ	ß	ä	å	æ	ç	è	é	ê	ë	ì	í	î	ï	ð	ñ	ò	ó	ô	õ	ö	÷	ø	ù	ú	û	ü	ý	þ	ß	ä	å	æ	ç	è	é	ê	ë	ì	í	î	ï	ð	ñ	ò	ó	ô	õ	ö	÷	ø	ù	ú	û	ü	ý	þ	ß	ä	å	æ	ç	è	é	ê	ë	ì	í	î	ï	ð	ñ	ò	ó	ô	õ	ö	÷	ø	ù	ú	û	ü	ý	þ	ß	ä	å	æ	ç	è	é	ê	ë	ì	í	î	ï	ð	ñ	ò	ó	ô	õ	ö	÷	ø	ù	ú	û	ü	ý	þ	ß	ä	å	æ	ç	è	é	ê	ë	ì	í	î	ï	ð	ñ	ò	ó	ô	õ	ö	÷	ø	ù	ú	û	ü	ý	þ	ß	ä	å	æ	ç	è	é	ê	ë	ì	í	î	ï	ð	ñ	ò	ó	ô	õ	ö	÷	ø	ù	ú	û	ü	ý	þ	ß	ä	å	æ
---	---	---	---	---	---	---	---	---	---	---	---	---	---	---	---	---	---	---	---	---	---	---	---	---	---	---	---	---	---	---	---	---	---	---	---	---	---	---	---	---	---	---	---	---	---	---	---	---	---	---	---	---	---	---	---	---	---	---	---	---	---	---	---	---	---	---	---	---	---	---	---	---	---	---	---	---	---	---	---	---	---	---	---	---	---	---	---	---	---	---	---	---	---	---	---	---	---	---	---	---	---	---	---	---	---	---	---	---	---	---	---	---	---	---	---	---	---	---	---	---	---	---	---	---	---	---	---	---	---	---	---	---	---	---	---	---	---	---	---	---	---	---	---	---	---	---	---	---	---	---	---	---	---	---	---	---	---	---	---	---	---	---	---	---	---	---	---	---	---	---	---	---	---	---	---	---	---	---	---	---	---	---	---	---	---	---	---	---	---	---	---	---	---	---	---	---	---	---	---	---	---	---	---	---	---	---	---	---	---	---	---	---	---	---	---	---	---	---	---	---	---	---	---	---	---	---	---	---	---	---	---	---	---	---	---	---	---	---	---	---	---	---	---	---	---	---	---	---	---	---	---	---	---	---	---	---	---	---	---	---	---	---	---	---	---	---	---	---	---	---	---	---	---	---	---	---	---	---	---	---	---	---	---	---	---	---	---	---	---	---	---	---	---	---	---	---	---	---	---	---	---	---	---	---	---	---	---	---	---	---	---	---	---	---	---	---	---	---	---	---	---	---	---	---	---	---	---	---	---	---	---	---	---	---	---	---	---	---	---	---	---	---	---	---	---	---	---	---	---	---	---	---	---	---	---	---	---	---	---	---	---	---	---	---	---	---	---	---	---	---	---	---	---	---	---	---	---	---	---	---	---	---	---	---	---	---	---	---	---	---	---	---	---	---	---	---	---	---	---	---	---	---	---	---	---	---	---	---	---	---	---	---	---	---	---	---	---	---	---	---	---	---	---	---	---	---	---	---	---	---	---	---	---	---	---	---	---	---	---	---	---	---	---	---	---	---	---	---	---	---	---	---	---	---	---	---	---	---	---	---	---	---	---	---	---	---	---	---	---	---	---	---	---	---	---	---	---	---	---	---	---	---	---	---	---	---	---	---	---	---	---	---	---	---	---	---	---	---	---	---	---	---	---	---	---	---	---	---	---	---	---	---	---	---	---	---	---	---	---	---	---	---	---	---	---	---	---	---	---	---	---	---	---	---	---	---	---	---	---	---	---	---	---	---	---	---	---	---	---	---	---	---	---	---	---	---	---	---	---	---	---	---	---	---	---	---	---	---	---	---	---	---	---	---	---	---	---	---	---	---	---	---	---	---	---	---	---	---	---	---	---	---	---	---	---	---	---	---	---	---	---	---	---	---	---	---	---	---	---	---	---	---	---	---	---	---	---	---	---	---	---	---	---	---	---	---	---	---	---	---	---	---	---	---	---	---	---	---	---	---	---	---	---	---	---	---	---	---	---	---	---	---	---	---	---	---	---	---	---	---	---	---	---	---	---	---	---	---	---	---	---	---	---	---	---	---	---	---	---	---	---	---	---	---	---	---	---	---	---	---	---	---	---	---	---	---	---	---	---	---	---	---	---	---	---	---	---	---	---	---	---	---	---	---	---	---	---	---	---	---	---	---	---	---	---	---	---	---	---	---	---	---	---	---	---	---	---	---	---	---	---	---	---	---	---	---	---	---	---	---	---	---	---	---	---	---	---	---	---	---	---	---	---	---	---	---	---	---	---	---	---	---	---	---	---	---	---	---	---	---	---	---	---	---	---	---	---	---	---	---	---	---	---	---	---	---	---	---	---	---	---	---	---	---	---	---	---	---	---	---	---	---	---	---	---	---	---	---	---	---	---	---	---	---	---	---	---	---	---	---	---	---	---	---	---	---	---	---	---	---	---	---	---	---	---	---	---	---	---	---	---	---	---	---	---	---	---	---	---	---	---	---	---	---	---	---	---	---	---	---	---	---	---	---	---	---	---	---	---	---	---	---	---	---	---	---	---	---	---	---	---	---	---	---	---	---	---	---	---	---	---	---	---	---	---	---	---	---	---	---	---	---	---	---	---	---	---	---	---	---	---	---	---	---	---	---	---	---	---	---	---	---	---	---	---	---	---	---	---	---	---	---	---	---	---	---	---	---	---	---	---	---	---	---	---	---	---	---	---	---	---	---	---	---	---	---	---	---	---	---	---	---	---	---	---	---	---	---	---	---	---	---	---	---	---	---	---	---	---	---	---	---	---	---	---	---	---	---	---	---	---	---	---	---	---	---	---	---	---	---	---	---	---	---	---	---	---	---	---	---	---	---	---	---	---	---	---	---	---	---	---	---	---	---	---	---	---	---	---	---	---	---	---	---	---	---	---	---	---	---	---	---	---	---	---	---	---	---	---	---	---	---	---	---	---	---	---	---	---	---	---	---	---	---	---	---	---	---	---	---	---	---	---	---	---	---	---	---	---	---	---	---	---	---	---	---	---	---	---	---	---	---	---	---	---	---	---	---	---	---	---	---	---	---	---	---	---	---	---	---	---	---	---	---	---	---	---	---	---	---	---	---	---	---	---	---	---	---	---	---	---	---	---	---	---	---	---	---	---	---	---	---	---	---	---	---	---	---	---	---	---	---	---	---	---	---	---	---	---	---	---	---	---	---	---	---	---	---	---	---	---	---	---	---	---	---	---	---	---	---	---	---	---	---	---	---	---	---	---	---	---	---	---	---	---	---	---	---	---	---	---	---	---	---	---	---	---	---	---	---	---	---	---	---	---	---	---	---	---	---	---	---	---	---	---	---	---	---	---	---	---	---	---	---	---	---	---	---	---	---	---	---	---	---	---	---	---	---	---	---	---	---	---	---	---	---	---	---	---	---	---	---	---	---	---	---	---	---	---	---	---	---	---	---	---	---	---	---	---	---	---	---	---	---	---	---	---	---	---	---	---	---	---	---	---	---	---	---	---	---	---	---	---	---	---	---	---	---	---	---	---	---	---	---	---	---	---	---	---	---	---	---	---	---	---	---	---	---	---	---	---	---	---	---	---	---	---	---	---	---	---	---	---	---	---	---	---	---	---	---	---	---	---	---	---	---	---	---	---	---	---	---	---	---	---	---	---	---	---	---	---	---	---	---	---	---	---	---	---	---	---	---	---	---	---	---	---	---	---	---	---	---	---	---	---	---	---	---	---	---	---	---	---	---	---	---	---	---	---	---	---	---	---	---	---	---	---	---	---	---	---	---	---	---	---	---	---	---	---	---	---	---	---	---	---	---	---	---	---	---	---	---	---	---	---	---	---	---	---	---	---	---	---	---	---	---	---	---	---	---	---	---	---	---	---	---	---	---	---	---	---	---	---	---	---	---	---	---	---	---	---	---	---	---	---	---	---	---	---	---	---	---	---	---	---	---	---	---	---	---	---	---	---	---	---	---	---	---	---	---	---	---	---	---	---	---	---	---	---	---	---	---	---	---	---	---	---	---	---	---	---	---	---	---	---	---	---	---	---	---	---	---	---	---	---	---	---	---	---	---	---	---	---	---	---	---	---	---	---	---	---	---	---	---	---	---	---	---	---	---	---	---	---	---	---	---	---	---	---	---	---	---	---	---	---	---	---	---	---	---	---	---	---	---	---	---	---	---	---	---	---	---	---	---	---	---	---	---	---	---	---	---	---	---	---	---	---	---	---	---	---	---	---	---	---	---	---	---	---	---	---	---	---	---	---	---	---	---	---	---	---	---	---	---	---	---	---	---	---	---	---	---	---	---	---	---	---	---	---	---	---	---	---	---	---	---	---	---	---	---	---	---	---	---	---	---	---	---	---	---	---	---	---	---	---	---	---	---	---	---	---	---	---	---	---	---	---	---	---	---	---	---	---	---	---	---	---	---	---	---	---	---	---	---	---	---	---	---	---	---	---	---	---	---	---	---	---	---	---	---	---	---	---	---	---	---	---	---	---	---	---	---	---	---	---	---	---	---	---	---	---	---	---	---	---	---	---	---	---	---	---	---	---	---	---	---	---	---	---	---	---	---	---	---	---	---	---	---	---	---	---	---	---	---	---	---	---	---	---	---	---	---	---	---	---	---	---	---	---	---	---	---	---	---	---	---	---	---	---	---	---	---	---	---	---	---	---	---	---	---	---	---	---	---	---	---	---	---	---	---	---	---	---	---	---	---	---	---	---	---	---	---	---	---	---	---	---

RGB-ALPHA is programmed to display. Also, the character should always have at least one pixel less both vertically and horizontally than the actual display cell to allow for one blank pixel between characters (i.e. a cell of 8 x 10 should have a maximum character size of 7 x 9).

OVERVIEW

As mentioned earlier, each RGB-ALPHA board has two sockets for two character generators that are usually loaded with 2716 EPROM chips or their equivalent byte-wide RAM chips (4016 or MK4802P-1). The RGB-ALPHA has provisions to access these two RAM character generators, as RAM, off the bus through I/O control.

Normally the RGB-ALPHA acts like 4K bytes of RAM on the Multibus (in the Auto-Attribute mode) or 8K bytes of RAM in the Unified Memory mode. Memory access is completely controlled by bit 3 of Control Register 2 which, in turn, is controlled by I/O commands. Thus the memory space can be shared between any boards having a different I/O address.

When the RAM character generators are connected to the bus, they act like 4K bytes of RAM with address 0 of character generator 0 equal to the memory base address of the board. Address 1 is equal to the base address plus 1, and so on. Address 0 of character generator 1 is equal to the memory base address plus 2048.

CONCLUSION:

Using an RGB-ALPHA, the user can design different character generators and can load them in his system memory. These character generators can then be called as needed and loaded, under software control, into the RAM character generators on the board to allow changes of fonts or alphagraphic characters as for process control applications.



matrox
electronic systems Ltd.

5800 ANDOVER AVE., T.M.R., QUE., H4T 1H4, CANADA
TEL.: 514-735-1182 TELEX: 05-825651

APPLICATION NOTE #4

GENERATING MULTIPLE MONOCHROME GRAPHIC DISPLAYS WITH ONE RGB-GRAPH

INTRODUCTION

The RGB-GRAPH is a dot addressable video graphics board that has software programmable formats. It is available in two memory sizes, and for two buses, the Multibus and the LSI-11 bus (Q-bus). For the Multibus, the RGB-G/16/4 has a maximum format of 256 x 256 x 4, while the RGB-G/64/4 has a maximum format of 512 x 512 x 4. For the Q-bus, only the QRGB-G/64/4 is available with a maximum resolution of 512 x 512 x 4.

This application note discusses the hardware modifications required to generate either two 2 bit outputs, or four 1 bit graphic displays from one RGB-GRAPH/xx/4 board.

ARCHITECTURE

The memory of the RGB-GRAPH boards mentioned above is divided into 4 independent bit planes. Each bit plane stores one bit for each pixel of the display, for a total of 4 bits per pixel. Four bits per pixel allow for the display of 16 gray levels on a monochrome monitor, or 16 colors on a color monitor. Each RGB-GRAPH board supplies four TTL level outputs of video, one output per plane, and 4 analog outputs, one output per primary color and one for gray scale.

The gray scale output is a 4 bit Digital to Analog (D/A) converter which combines the 4 bit planes into one composite gray scale signal for monochrome displays. The color outputs consist of two 1 bit D/A converters that supply the Red and Blue analog outputs, and a 2 bit D/A converter that supplies the Green output.

OVERVIEW

Each memory plane is independent from the other planes in so far as memory read, write, preset and output circuits. It can be wire-wrapped to any one of the Data bits on the bus. It can, also, be preset to one or zero independent of the other planes, and they are all clocked to the output in parallel, interconnecting only at the D/A converters. The memory planes share the zoom, pan, scroll, memory refresh and output control circuitry.

Therefore, the RGB-GRAPH outputs can be easily reconfigured to two independent 512 x 512 x 2 displays, or four 512 x 512 x 1 displays. All of that by changing the already existing four D/A converters into four 1 bit D/A converters (Fig. 1a), or into two 2 bit D/A converters (Fig. 1b). A four bit D/A is shown in figure 1c.

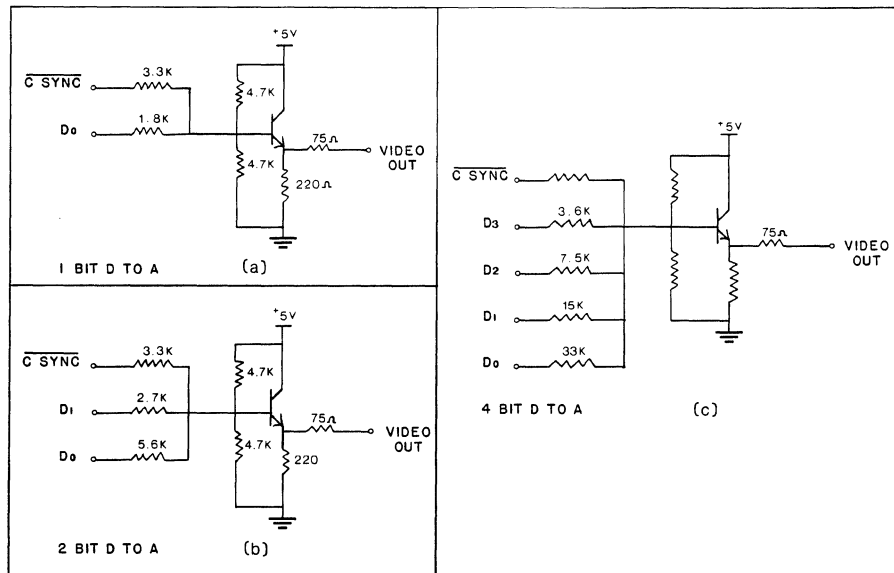


Figure 1. RGB-GRAPH D/A converters: a) 1 bit/pixel, b) 2 bits/pixel, c) 4 bits/pixel

HARDWARE MODIFICATIONS

A) Modifying the RGB-GRAPH for two 2 bit outputs (Fig. 2):

- 1 — Remove Q5, Q6, R37, R38, R39, and R40 from the board.
- 2 — Insert in the position of R38 a 27 K resistor, and in the position of R39 a 5.6 K resistor.

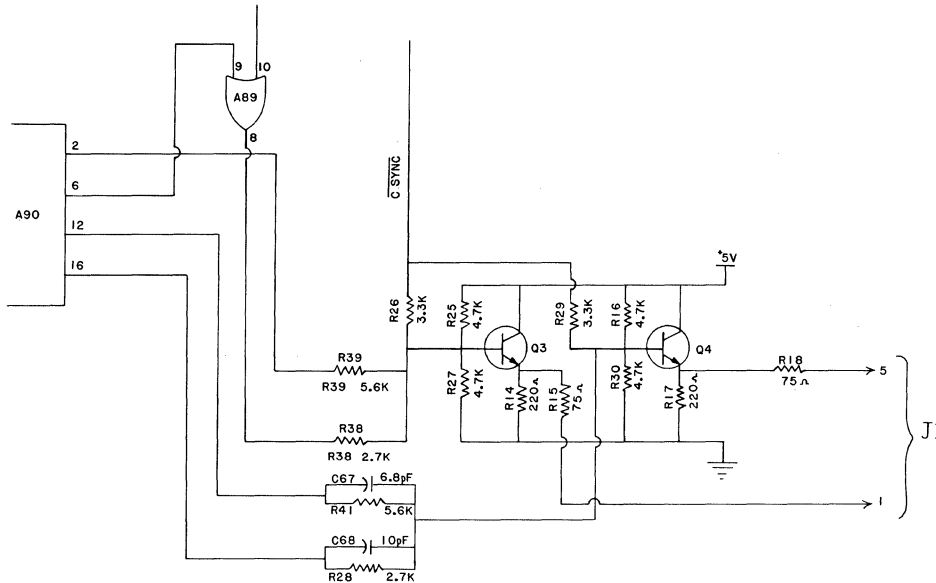


Figure 2. Modifying the RGB-GRAPH for two 2 bit DACs

With the above modifications completed, J1 pin 1 becomes the first 2 bit output, while J1 pin 5 becomes the second 2 bit output. Memory data bits 0 and 1 are the LSB and MSB, respectively, of the first output, while bits 2 and 3 are the LSB and MSB, respectively, of the second output.

B) Modifying the RGB-GRAPH for four 1 bit outputs (Fig. 3):

- 1 — Remove R28, R37, R38, R39, R40 and R41.
- 2 — Insert in the positions of R28 and R37 1.8 K resistors.

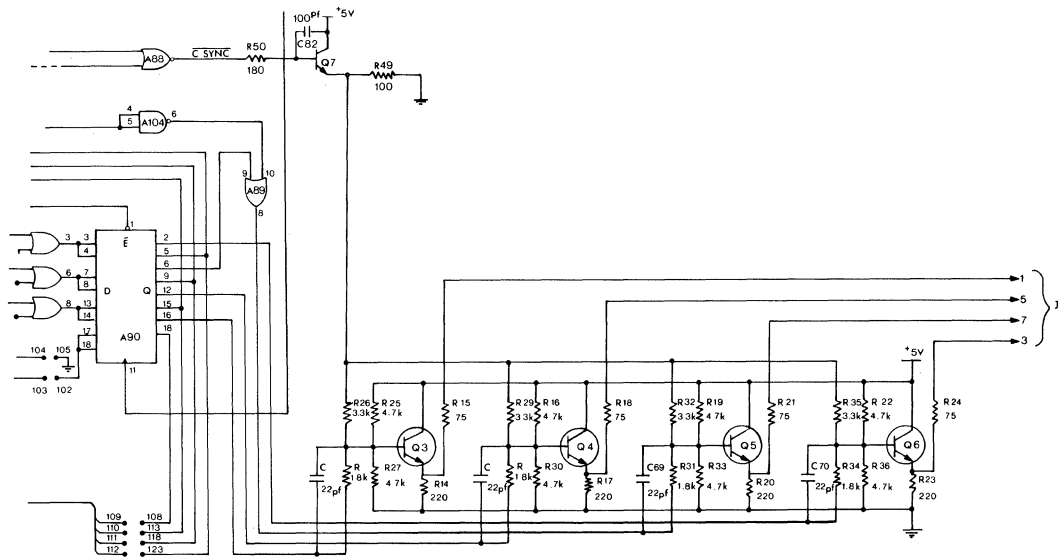


Figure 3. Modifying the RGB-GRAPH for four 1 bit DACs

With the above modifications completed, then each of the pins 1, 3, 5 and 7 of J1 becomes a composite black and white video output.

CONCLUSION

By simple modifications on the standard RGB/QRGB-GRAPH/xx/4 board, each board can generate either two 2 bits, or four 1 bit independent displays. Thus one board becomes capable of multiple monochrome graphic displays saving space and hardware for systems designers.



matrox
 electronic systems Ltd.

5800 ANDOVER AVE., T.M.R., QUE., H4T 1H4, CANADA
 TEL.: 514-735-1182 TELEX: 05-825651

APPLICATION NOTE #5

SEGMENTING THE RGB-GRAPH MEMORY FOR FASTER ACCESS

INTRODUCTION

The RGB-GRAPH is a dot addressable video graphics controller board, that in its color version has four bits per pixel, i.e.: four independent memory planes. When the four bits of color information are written into the memory, only one bit is loaded into each memory plane.

This application note discusses the hardware modifications required to allow the user to write four bits directly on each plane, instead of one bit at a time.

ARCHITECTURE

The memory of the color RGB-GRAPH is divided into four independent memory planes, and each memory plane normally ties to one data bit on the Data Bus. The interconnection of the memory planes to the Data Bus is done through wire-wrap posts, data buffers, multiplexers, and control logic. The wire-wrap posts allow the user to tie each memory plane to any one of the 16 data bits on the Data Bus. The data buffers isolate the Data Bus from the card, while the multiplexers do the selection between memory refresh data and input or output data. The control logic usually enables only one bit at a time on each memory plane to be written into or read from.

The memory planes on the standard RGB-GRAPH are divided as follows: Plane 0 is RED, Plane 1 is BLUE, Plane 2 is LIGHT GREEN, and Plane 3 is DARK GREEN. Therefore, by writing one bit in each plane simultaneously, any color out of the 16 possible is assigned to that pixel.

OVERVIEW

To allow the user to write four consecutive bits on each plane, at a time, the multiplexer circuitry and the control logic have to be changed, so as to enable four bits of memory on each plane with only one plane enabled at a time.

The control logic consists of two bipolar prom chips A44 and A67, MATROX part number: 033-00. These two prom chips decode X0 and X1 of the X Register into 4 enable signals, one for each memory plane. The data multiplexers are A16, A20, A82 and A86. These multiplexers arbitrate between the data from the Data Register and the Refresh Data that is supplied to the memory chips during the refresh cycle. (see sheet 3 of 5 of the RGB-GRAPH schematic diagrams).

The required modification to the control logic is simply changing the program of the two prom chips, so that 4 enable signals are supplied as before, except this time to only one memory plane at a time. X0 and X1 of the X Register will now decode into which plane the four bits are going to be written into, as follows:

X0	X1	PLANE	X0	X1	PLANE
0	0	0	1	0	2
0	1	1	1	1	3

On the standard RGB-GRAPH, each one of the four data buffers connects to only one bit out of the four input data bits, thus only one bit can be written in each plane at a time. To allow the user to write four consecutive bits in each plane, in one operation, all four input data bits have to be connected to each one of the four data buffers.

A

HARDWARE MODIFICATIONS

- 1 — Cut the traces connecting between pins 3, 6, 11, and 14 of A16, A20, A82, and A86.
- 2 — Cut the traces connecting to pins 6 and 11 of A16. Reconnect the two traces together and connect them, also, to pin 11 of A16.
- 3 — Cut the trace connecting to pins 11 and 14 of A20, and connect it only to pin 14 of A20.
- 4 — Cut the trace connecting to pin 6 of A82, also cut the trace connecting to pins 11 and 14 of A82. Reconnect the two traces together and connect them, also, to pin 3 of A82.
- 5 — Cut the trace connecting to pins 11 and 14 of A86, and connect it to pin 6 instead.
- 6 — Connect pins 3 of A16, A20, A82, and A86 together.
- 7 — Connect pins 6 of A16, A20, A82, and A86 together.
- 8 — Connect pins 11 of A16, A20, A82, and A86 together.
- 9 — Connect pins 14 of A16, A20, A82, and A86 together.
- 10 — Remove the two prom chips 033-00 (A44 & 67) from the board and replace them with prom chips part number 0120-00.

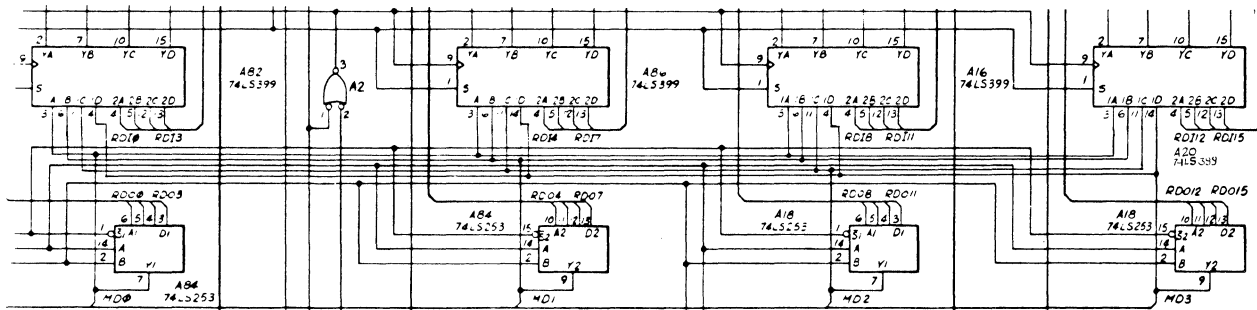


Figure 1. Modified RGB-GRAPH for segmented memory

CONCLUSION

By modifying the RGB-GRAPH to allow the user to write four bits at a time into each memory plane, the user can do high speed B/W animations by high speed writing into one plane while displaying another. It could also be useful in applications where one RGB-GRAPH is used for four independent graphic displays or special alphanumeric like Japanese or Chinese alphanumeric terminals.

(See Application Note # 4 for information on how to reconfigure the output D/A converters for four independent B/W displays).

NOTE

The hardware changes described in this Application Note will only modify the method of writing into the RGB-GRAPH memory. All other functions like memory read, video enables and plane memory enables remain the same as on a regular RGB-GRAPH. An RGB-GRAPH modified as above will not function with a VAF-512 Frame Grabber board.



matrox
electronic systems ltd.

5800 ANDOVER AVE., T.M.R., QUE., H4T 1H4, CANADA
TEL.: 514-735-1182 TELEX: 05-825651

APPLICATION NOTE #6

BASICS OF RASTER SCAN VIDEO DISPLAYS

INTRODUCTION

All the video boards manufactured by Matrox, whether they are for alphanumeric or graphic displays, are designed for raster scan type video monitors.

This application note explains the terms, rules & regulations of raster scan displays.

BASICS of RASTER SCAN DISPLAYS

Raster Scan video systems typically use a Cathode Ray Tube (CRT) as the display device. The inside of the display surface of the CRT is coated with phosphor, which, when bombarded with electrons, emits light. The type of phosphor used determines both the color of the light and the duration of the emission (persistence).

In raster systems, the electron beam(s) is cyclically swept across the face of the CRT, from left to right, top to bottom. Each pixel is lit once for every full sweep of the electron beam, therefore the cycle time and the persistence of the phosphor must be matched so that the image traced by the raster appears stable. If the persistence of the screen is not long enough to keep the pixel illuminated between sweeps of the electron beam, then the pixel will flicker on and off.

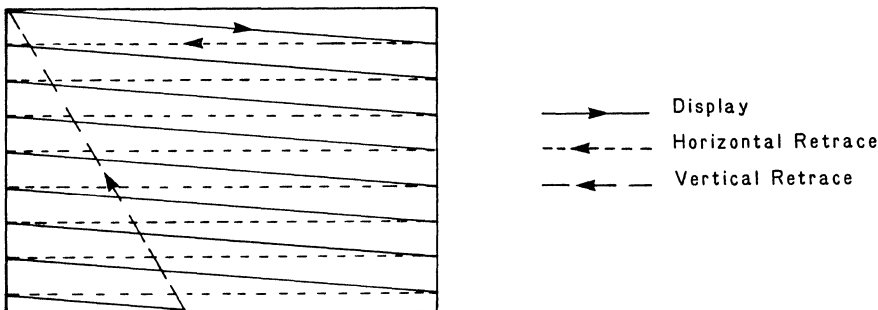


Figure 1. Raster scan principle (non-interlaced video)

At the end of each horizontal line, a sync pulse is generated to reset the electron beam to the left side of the display. This is the horizontal sync pulse. During the horizontal sync pulse the electron beam returns (retraces) to the left of the screen, to start the next line, diagonally across the screen. In order to prevent the retrace from affecting the display, the electron beam is shut off or "blanked" during this interval. This is the horizontal blanking period.

Lines of video are generated in this fashion until the electron beam reaches the bottom of the display. A vertical sync pulse is supplied to reposition the beam to the top of the screen and a vertical blanking period is used to "blank" the video during the vertical retrace period.

That portion of the raster that includes one full sweep of the screen from top to bottom is called a "field" of video. The generation of a full image on the screen is called a "frame".

Two conventions exist for generating complete rasters: a non-interlaced raster is one in which the frame rate is equal to the field rate (i.e. one field per frame); an interlaced raster is one in which the frame rate is half of the field rate (i.e. two fields per frame). In an interlaced raster system, two consecutive fields (odd and even) are vertically offset such that the lines of the odd field fill in between the lines of the even field. In non-interlaced display systems each pixel on the screen is refreshed once every 1/60th of a second. That requires a shorter persistence phosphor, but the monitor bandwidth will be higher since the screen image has to be updated 60 times per second. On the other hand, interlaced display systems refresh each pixel once every 1/30th of a second, since each frame consists of two fields. By dropping the display update rate, the monitor bandwidth is halved, but the screen phosphor must have a longer persistence, since the time between updates is doubled. See figure 2.

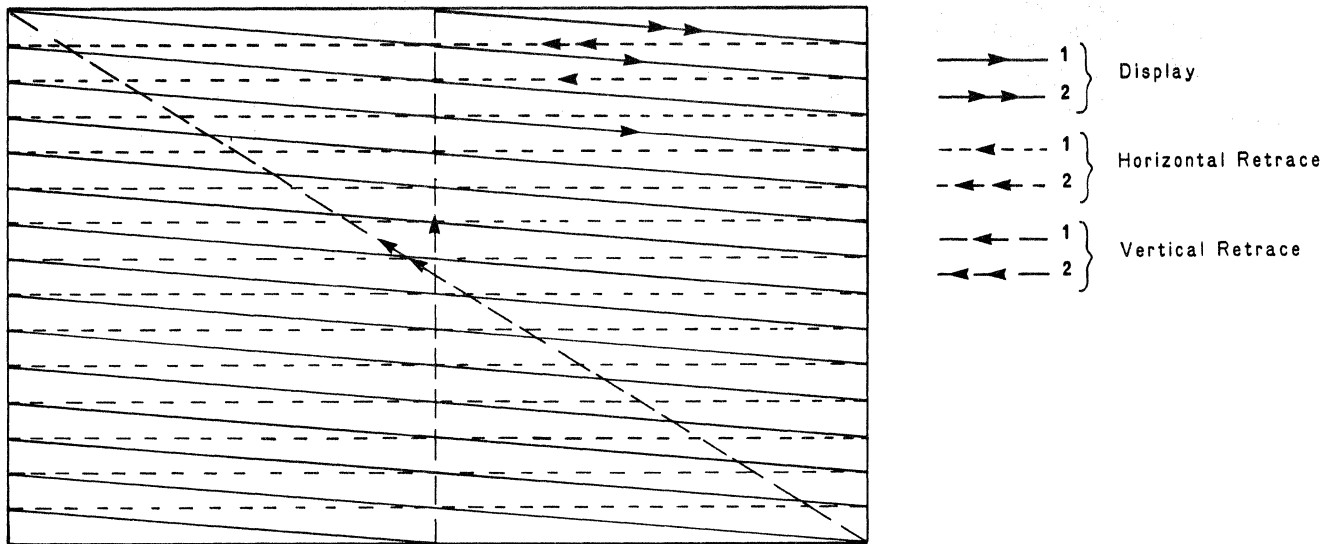


Figure 2. Interlaced video

The image itself is generated by modulating the electron current arriving at the display surface of the CRT, as the beam is sweeping across the screen during the display part. Therefore, a signal has to be supplied to the monitor for every pixel (picture element or dot) to be displayed on the screen. This signal includes the information for the intensity of the pixel at every displayed location on the screen.

COLOR RASTER SCAN DISPLAY GENERATION

The generation of color displays is accomplished by mixing the three primary colors: Red, Green, and Blue (hence the term "RGB" was coined by the industry for color displays). Color mixing is accomplished by essentially combining three monitors in one package. RGB monitors have a display surface coated with three types of phosphor, each emitting one of the primary colors, and three electron guns, each bombarding one of the primary color phosphors.

All three electron guns scan the display screen at the same time driven by the same timing generation circuitry. Each gun must be presented with its own modulating signal to decide the intensity of each primary color at that pixel location.

The generation of hues other than the primary colors is accomplished by illuminating more than one primary color phosphor, simultaneously at the same pixel location. The small size of the illuminated area has an additive effect to the color perceived by the human eye, so that an unlimited multitude of colors besides the three primary ones can be generated on certain monitors.

RASTER SCAN VIDEO SIGNALS

The video signal, supplied to the monitors for display, must include the video information plus the required synchronization pulses (H and V sync) to keep the scanning circuitry of the monitor locked to the video signal. Video information can be presented to the monitor in logic form (TTL levels) or analog form, depending on the monitor used. Monochrome TTL input monitors can only display two distinct colors: Black and White (the pixel can either be off or on). The number of different colors generated on a TTL color monitor is limited to eight due to the on-off nature of the TTL signal (i.e.: three guns, each with two active states = $2^3 = 8$). Analog monitors on the other hand can generate an almost unlimited number of colors because of the virtually infinite range between "full-off" to "full-on" inherent in analog signals. The number of displayed colors in such a monitor is limited only by the quality of the generated video signal (usually expressed in bits/pixel).

The principal standards, governing both standard television broadcast and local graphic and alphanumeric display generation, were established by the Electronic Industries Association (EIA). Those standards apply to both monochrome and color displays.

The following is a description of the standards and accepted norms governing video signals.

1-EIA RS-170A TENTATIVE STANDARD

This standard calls for a composite video signal in which the display signal and the synchronization pulses are combined together and supplied to the monitor as one signal. The composite video signal shall not exceed 2Vp-p in an open circuit, while the short circuit current shall not exceed 2mA. The load impedance of the source shall have a value of 75 Ohm \pm 5%, while the internal impedance of the source shall be 75 Ohm \pm 10%.

The RS-170A standard also specifies that the display signal, as measured across a standard load impedance of the source, shall be 1.0 \pm 0.05Vp-p, and the synchronizing signal shall be 40 \pm 5% of the display signal. Refer to figure 3.

This standard shall be used for display resolutions with a minimum of 350 scan lines in the vertical direction and 400 pixels in the horizontal direction, both measurements to be made near the centre of the display. The display shall have an aspect ratio, which is the ratio of the frame width to the frame height, of 4:3.

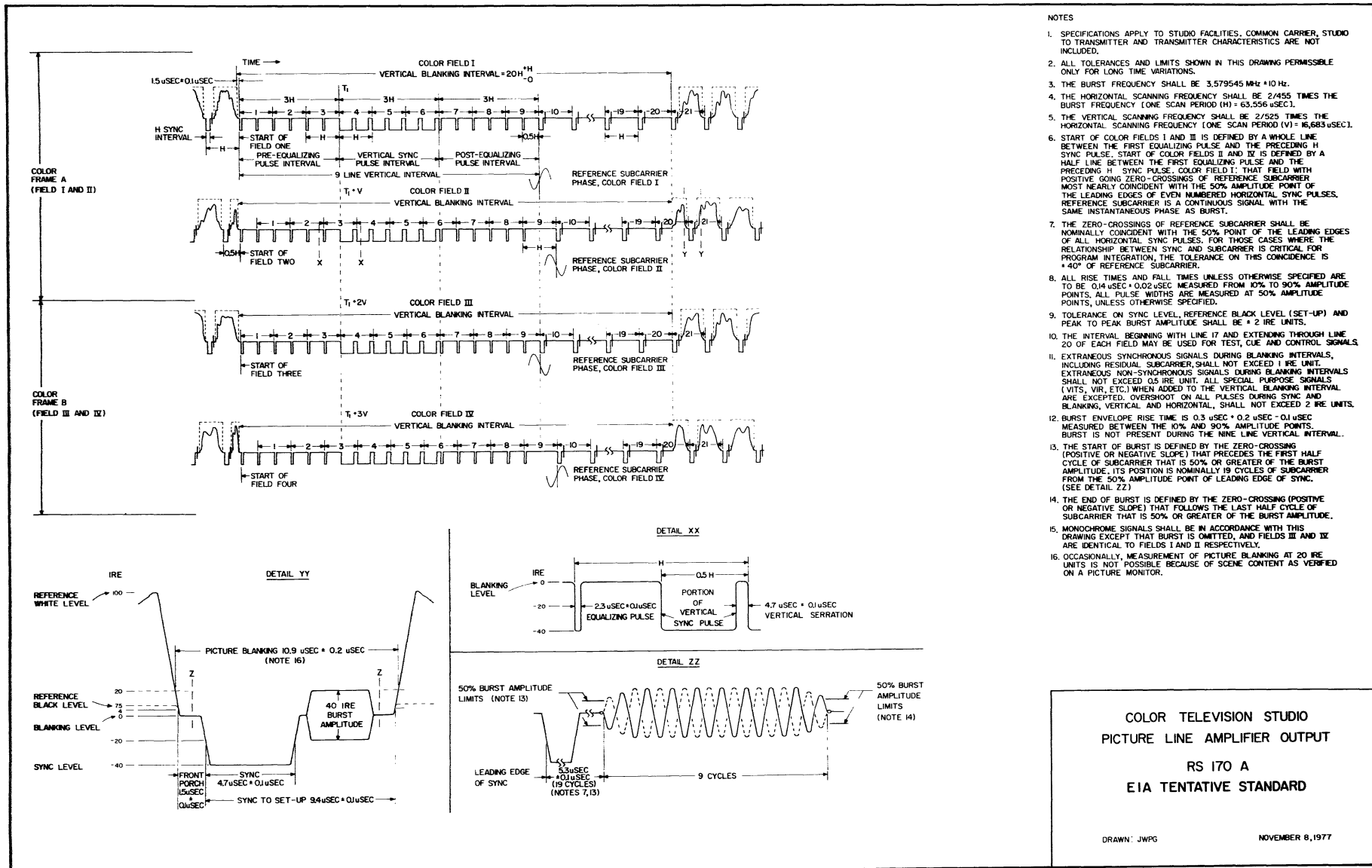
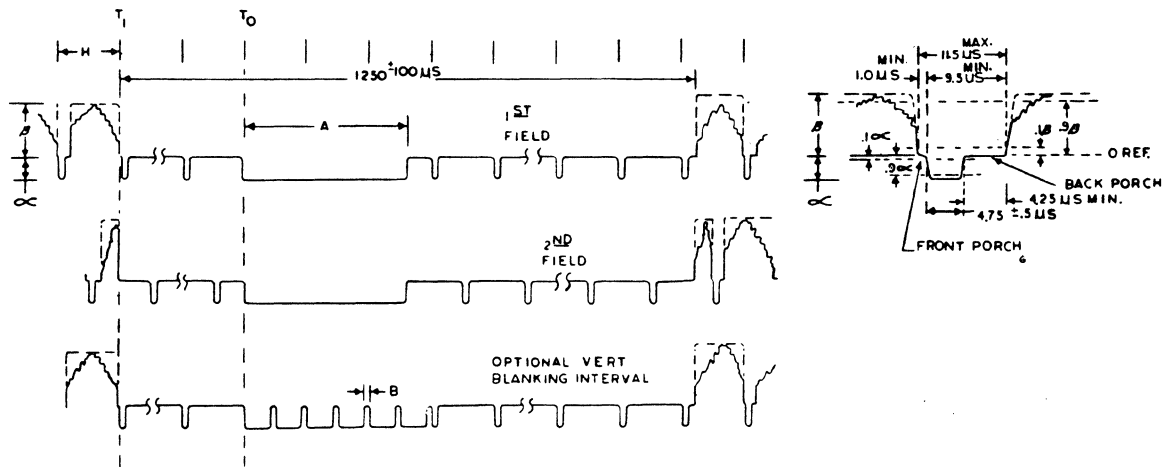


Figure 3. RS-170A tentative video standard

**COMPOSITE VIDEO WAVEFORM
525/60 INTERLACED 2:1**



NOTES:

1. $\beta = 0.714 \pm .1$ volts (100 IRE Units).
2. $\infty = 0.286$ (40 IRE Units) nominal.
3. Sync to total signal ratio $(\frac{\infty}{\beta + \infty}) = (28.6 \pm 5)\%$.
4. Blanking = 7.5 ± 5 IRE Units (2.5% to 12.5% of β).
5. Horizontal Rise times measured from 10% to 90% amplitudes shall be less than $0.3\mu/s$.
6. Overshoot on horizontal blanking signal shall not exceed 0.02β at beginning of front porch and 0.05β at end of back porch.
7. Overshoot on sync signal shall not exceed 0.05β .
8. T_0 = start of vertical sync pulse.
9. T_1 = start of vertical blanking.
10. $T_1 = T_0 + 250\mu/s$.
11. A - vertical sync pulse = $150 \pm 50\mu/s$ measured between 90% amplitude points.
12. Rise and fall times of vertical blanking and vertical sync pulse, measured from 10% to 90% amplitudes, shall be less than $5\mu/s$.
13. Tilt on vertical sync pulse shall be less than 0.1∞ .
14. If horizontal information is provided during the vertical sync pulse it must be at 2H rate and as shown in the optional vertical blanking interval waveform.
15. B - vertical serration = $4.5 \pm .5\mu/s$ measured between the 90% amplitude points. Rise times measured from 10% to 90% amplitudes shall be less than $0.3\mu/s$.
16. If equalizing pulses are used in the vertical blanking interval waveform they shall be θ in number preceding the vertical sync pulse and be at 2H rate.

Figure 4. RS-330 video standard

2-EIA RS-330 STANDARD

This standard calls for the same requirements as RS-170A except for the following: The display signal shall be $0.714 \pm 0.1V$, while the synchronization part of the video signal shall be $0.286 \pm 0.05V$.

This standard shall be used for display resolutions of at least 350 lines vertically and 600 pixels horizontally. Refer to figure 4.

3-EIA RS-343 STANDARD

This standard has the same specifications as RS-170A except for the following: The display signal shall be $0.714 \pm 0.1V$, while the synchronizing signal shall be $0.286 \pm 0.05V$. This standard shall apply to display resolution in the range of 675 to 1023 pixels horizontally with a field rate of 60 Hz, interlaced 2:1.

The frame aspect ratio shall be 4:3 or 1:1. Refer to figure 5.

4-TTL LEVEL

There is no standard governing this kind of an output. Since the video input is a logic level, than the video signal and the synchronization pulses can not be mixed. The norm in the industry is a positive going video signal, while the vertical sync and the horizontal sync outputs can be either positive or negative going pulses.

The synchronization TTL outputs of the Matrox boards can be wire-wrapped for positive or negative going pulses. The outputs themselves are driven by Bipolar 74SLxxx series drivers, therefore normal Fan Out considerations for that series should be taken into account in cases where more that one TTL monitor is attached to the same output.

NOTE:

In cases where a number of analog monitors are to be driven by the analog output of one Matrox board, the monitors selected should have an impedance selection switch, plus loop-through connectors. The switch allows the user to put the monitor on the line with the standard 75 Ohm impedance or with high impedance, while the loop-through connectors duplicate the input BNC connectors for multiple monitor connections.

Let us consider a case where there is three monitors to be driven by the same signal, see figure 6. The video signal is connected to monitor #1 which is put in the high impedance state. The signal is connected from the secondary connectors of monitor #1 to the input of monitor #2, which is also in the high impedance state. The signal is fed from the secondary connectors of monitor #2 to the input of monitor #3. Since monitor #3 is the last monitor to be driven

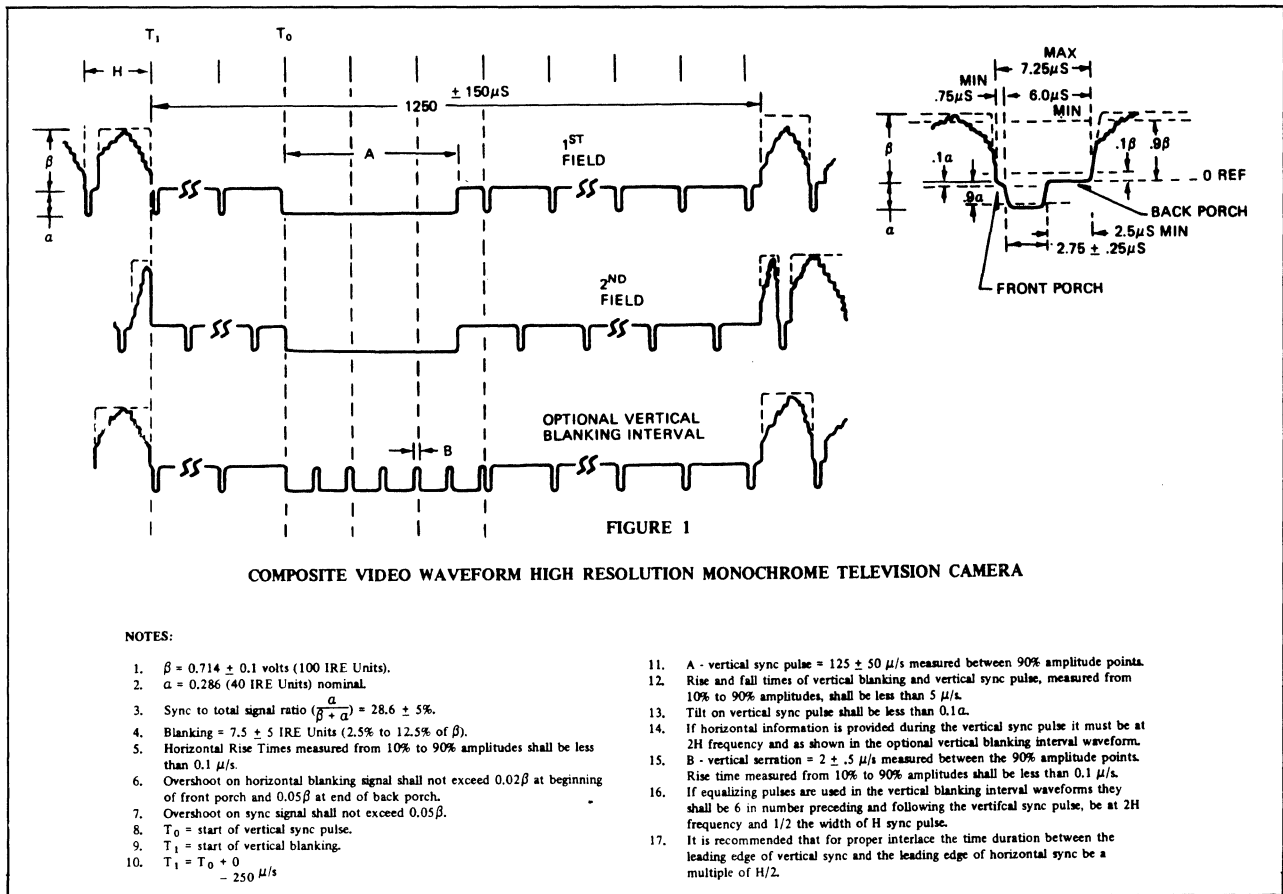


Figure 5. RS-343 video standard

by the same signal, then it should have an impedance of 75 Ohm so that the line is terminated according to the standards. Normally there is no restriction as to the number of monitors that are driven by the same signal, as long as all the monitors between the source and the last monitor are set for high impedance, and only the last one is set for 75 Ohm. Under no circumstance should the monitors be connected in parallel to the source.

VIDEO MONITORS

The two most important factors in selecting a monitor are the video bandwidth and the screen persistence.

The video bandwidth of the monitor has to be equal to or better than the actual video signal that it is supposed to display. The following is a table that lists the required bandwidth of the monitor to be used with Matrox boards with the different resolutions.

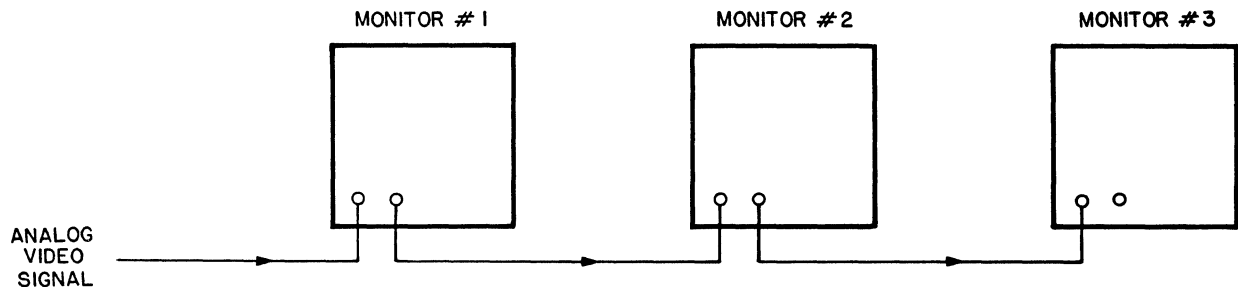


Figure 6. Driving several Monitors with a single video signal

Display Resolution	Field Rate	Bandwidth [MHz]
1600 x 1200	interlaced 30 Hz	85-90
1600 x 1200	interlaced 25 Hz	70-75
1280 x 1024	interlaced 30 Hz	65-70
1216 x 862	interlaced 35 Hz	65-70
1024 x 768	non-interlaced 60 Hz	70-75
1024 x 768	non-interlaced 50 Hz	65-70
1024 x 768	interlaced 30 Hz	45-50
640 x 480	non-interlaced 60 Hz	35-40
512 x 512	interlaced 30 Hz	15-20
256 x 256	non-interlaced 60 Hz	10-15

The screen persistence is totally dependant on the type of display and its resolution. The problem arises from the fact that each pixel is re-illuminated (refreshed) once every 1/60th of a second, and if the screen phosphor does not remain illuminated (persist) between refresh, then the display will flicker.

A medium or long persistence phosphor is recommended for all graphics applications that use interlaced displays, except for high speed animation. For non-interlaced displays a short or medium persistence phosphor would be satisfactory. As a comparison, phosphor types P39 and P40 which are long persistence phosphors take as long as 150msec. to decay, while the medium persistence phosphors like P1 and P42 decay in 24 and 10msec. respectively. Short persistence phosphors like P4, P7 and P31 decay in microseconds. The above decay times are the length of time it requires the light intensity of the phosphor to drop to 90% from 100%.

CABLES and CONNECTORS

All the latest video boards from Matrox use a 10 pin AMP connector for the video outputs. The part number for the housing of the equivalent cable connector is 87922-1 and the part number of the pins is 87667-2. These pins can be either crimped or soldered to the wires.

The majority of color monitors on the market today use 75 Ohm BNC jacks, while there might still be some monitors using 75 Ohm UHF jacks. Since UHF to BNC adaptors are readily available, then it is more convenient to use BNC plugs to connect to the monitors. The part number for the BNC plug is Amphenol 554-82/262. The interconnecting 75 Ohm cable for the BNC plug is RG-179 A/U for distances of up to 15 feet. For distances of up to 500 feet RG-59 A/U is required.

Flat ribbon cable is sufficient for interconnecting the TTL signals to the monitor, if the distance is 15 feet or less. For longer distances shielded cables and line drivers are required.

NOTE:

Signal attenuation and gross mismatches of impedances due to bad cables and connections can cause dim displays, double pictures, noisy and torn images, or bad colors.



matrox
electronic systems ltd.

5800 ANDOVER AVE., T.M.R., QUE., H4T 1H4, CANADA
TEL.: 514-735-1182 TELEX: 05-825651

APPLICATION NOTE

#7

USING MATROX Q-BUS CARDS WITH UNIBUS SYSTEMS

Matrox manufactures the QRGB-ALPHA, QRGB-GRAPH, and QVAF-512 video cards, which plug into the DEC Q-bus (LSI-11). These video cards can also be interfaced to Unibus (PDP11) systems via a Unibus to Q-bus converter.

A dual purpose bus converter, the "QNIVERTER" is available from:

Able Computer
1732 Reynolds Avenue
Irvine, CA 92714
Tel: (714) 979-7030
TWX: 910-595-1729 ACT IRIN

The QNIVERTER is a quad width card which performs one of two user selected functions:

- permits an LSI-11, LSI-11/2, LSI-11/23, or PDP-11/03 computer system to access Unibus compatible cards.
- permits a PDP-11 (Unibus) computer system to access Q-bus compatible cards.

The QNIVERTER card installs into a quad slot of a Q-bus backpane and connects to that bus through the A and B connectors on the card. Two Unibus connectors, on the top of the QNIVERTER card, provide connection to a standard Unibus cable, through which the QNIVERTER connects to the Unibus backplane.

The QNIVERTER is software transparent to the host computer, supports a four level interrupt structure, and functions with memory parity and full 256K byte addressing.

The QNIVERTER can not be used to interface a PDP-11 computer system to an LSI-11 computer system or vice-versa, since it can not function as a bus arbitrator between two computers.

To use the Matrox Q-bus video boards with a Unibus computer, the computer owner needs the following items:

1. A standard Unibus cable
2. A quad LSI-11 cardcage with power supply (DEC BA11-N or equivalent)
3. A QNIVERTER bus converter card

The QNIVERTER card plugs into the first slot of the LSI-11 cardcage, the slot the CPU usually occupies. A standard Unibus cable is plugged, on one side, into the two Unibus connectors on top of the QNIVERTER and on the other side, into the last slot of the Unibus backplane of the Unibus computer. The Matrox Q-bus video cards plug into the LSI-11 cardcage, anywhere after the QNIVERTER, and assume lower priority than the Unibus cards.

The above set-up is useful for any Q-bus card, thus Q-bus memories and controllers can be added to the new cardcage.

Further technical information about the QNIVERTER, its installation, and use is available from Able Computer Technology.

QNIVERTER is a trademark of Able Computer Technology Inc.
DEC, LSI-11, and PDP-11 are trademarks of Digital Equipment Corp.



matrox
electronic systems ltd.

5800 ANDOVER AVE., T.M.R., QUE., H4T 1H4, CANADA
TEL.: 514-735-1182 TELEX: 05-825651

APPLICATION NOTE #8

CALCULATING USER-DEFINED VIDEO FORMATS FOR THE GXB-1000

INTRODUCTION

The GXB-1000 is an advanced high resolution graphics controller which may be configured for different display formats. There are eight different pre-programmed formats available, however, it is possible to program the GXB with other video formats. The purpose of this application note is to explain how to compute the parameters required for custom video formats.

ARCHITECTURE

The GXB-1000 is a multiboard set designed for the INTEL MULTIBUS. The VGM board, which is the video controller, contains an 8088 microprocessor, a NEC 7220 graphics controller, and the firmware required to perform various functions. Some of these functions are circle drawing, filled polygons, text areas, and input function (i.e. bit pad) support. The RMB board contains 512 KBytes of video RAM, connected to the VGM via a special high-speed video bus, called a META bus. Up to four RMB boards may be used with a single VGM.

When running in the graphics mode, the GXB fetches op-codes from memory to perform various functions. One of these functions, labelled LOAD VIDEO FORMAT, allows the user to load custom video formats. Sixteen bytes of data are required to completely define a new video format.

OVERVIEW

For the purposes of the following discussion, frequency will be measured in Hertz and periods measured in seconds.

In order to determine the required parameters, it is first necessary to compute the dot clock period as follows:

$$\text{Dot Clock (DC)} = \frac{1}{\text{crystal frequency}}$$

$$\text{Dot Clock Word (DCW)} = \text{DC} \times 32$$

The DCW value will be required later.

The next step is to compute the horizontal frequency and determine if it resides within your monitor's horizontal bandwidth specification. The number chosen for the horizontal displayed pixels must be *evenly* divisible by 32. Satisfying this requirement, the horizontal frequency is computed as follows:

$$\text{Horizontal PERiod (HPER)} = \text{horizontal displayed pixels} \times \text{DC} + \text{HSYNC} + \text{HFPOCH} + \text{HBPOCH}$$

where: HSYNC is the horizontal sync width time.

HFPOCH is the horizontal front porch width time.

HBPOCH is the horizontal back porch width time.

and

$$\text{Horizontal Frequency} = \frac{1}{\text{HPER}}$$

If the horizontal frequency is too high there are two options. The number of displayed pixels may be decreased, or the crystal frequency may be divided by two. This division is achieved by removing jumper 105-106 on the VGM board, and installing jumpers 104-105, and 106-107. If, however, the horizontal frequency is too low, then the number of displayed pixels may be increased. Additionally, the HSYNC/HFPOCH/HBPOCH values may be "padded" to obtain the required value.

The vertical refresh rate must now be determined. Needless to say this value must fall within your monitor's vertical bandwidth specifications. The calculations are as follows:

$$\text{Vertical PERiod (VPER)} = \text{HPER} \times ((\text{flag} \times \text{vertical displayed lines}) + \text{VSYNC} + \text{VFPORCH} + \text{VBPORCH})$$

where: VSYNC is the number of horizontal lines required for the vertical sync pulse.

VFPORCH is the number of horizontal lines required for the vertical front porch.

VBPORCH is the number of horizontal lines required for the vertical back porch.

flag = 0.5 for interlaced video
1.0 for non-interlaced video

In some cases the above three values are given in time. In this case VPER is computed as follows:

$$\text{VPER} = (\text{HPER} \times \text{flag} \times \text{vertical displayed lines}) + \text{vsync}(t) + \text{vporch}(t) + \text{vbporch}(t)$$

$$\text{with: } \text{VSYNC} = \frac{\text{vsync}(t)}{\text{HPER}}$$

$$\text{VFPORCH} = \frac{\text{vporch}(t)}{\text{HPER}}$$

$$\text{VBPORCH} = \frac{\text{vbporch}(t)}{\text{HPER}}$$

It should be noted that VSYNC, VFPORCH, and VBPORCH must be integer quantities.

The vertical frequency is determined by the following equation:

$$\text{Vertical Frequency} = \frac{1}{\text{VPER}}$$

Once parameters have been determined that satisfy your monitor's bandwidth requirements, it is necessary to create a "display file" so that the GXB can implement the new display format. Note that parameters which contain two bytes are stored with the LSB first and the MSB second.

DISPLAY FILE LOCATION

DATA

byte 1	Op-code to LOAD VIDEO FORMAT. C1 hex.
bytes 2 & 3	Number of horizontal displayed pixels.
bytes 4 & 5	Number of vertical displayed pixels.
bytes 6 & 7	Horizontal dimension of the GXB's memory. This value must not be less than the number of horizontal displayed pixels and must be a multiple of 64.
bytes 8 & 9	Vertical dimension of the GXB's memory. This value must not be less than the number of vertical displayed pixels.
byte 10	1B hex selects interlaced video. 12 hex selects non-interlaced video.
byte 11	This is where the DCW becomes important. The value here is the number of active display words per line minus 2, computed as follows: (the result must be even).

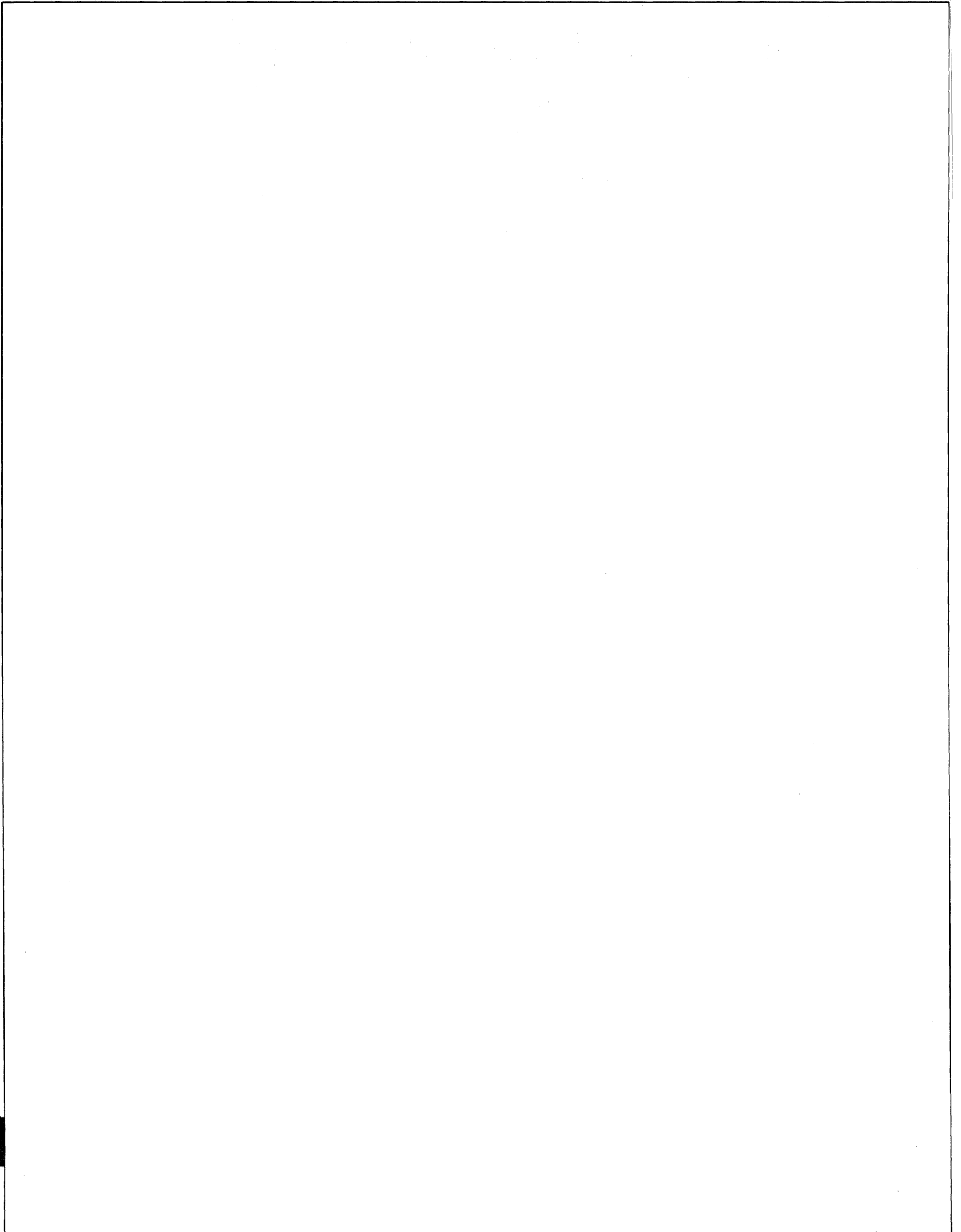
$$\frac{\text{horizontal displayed pixels} - 2}{32}$$

32

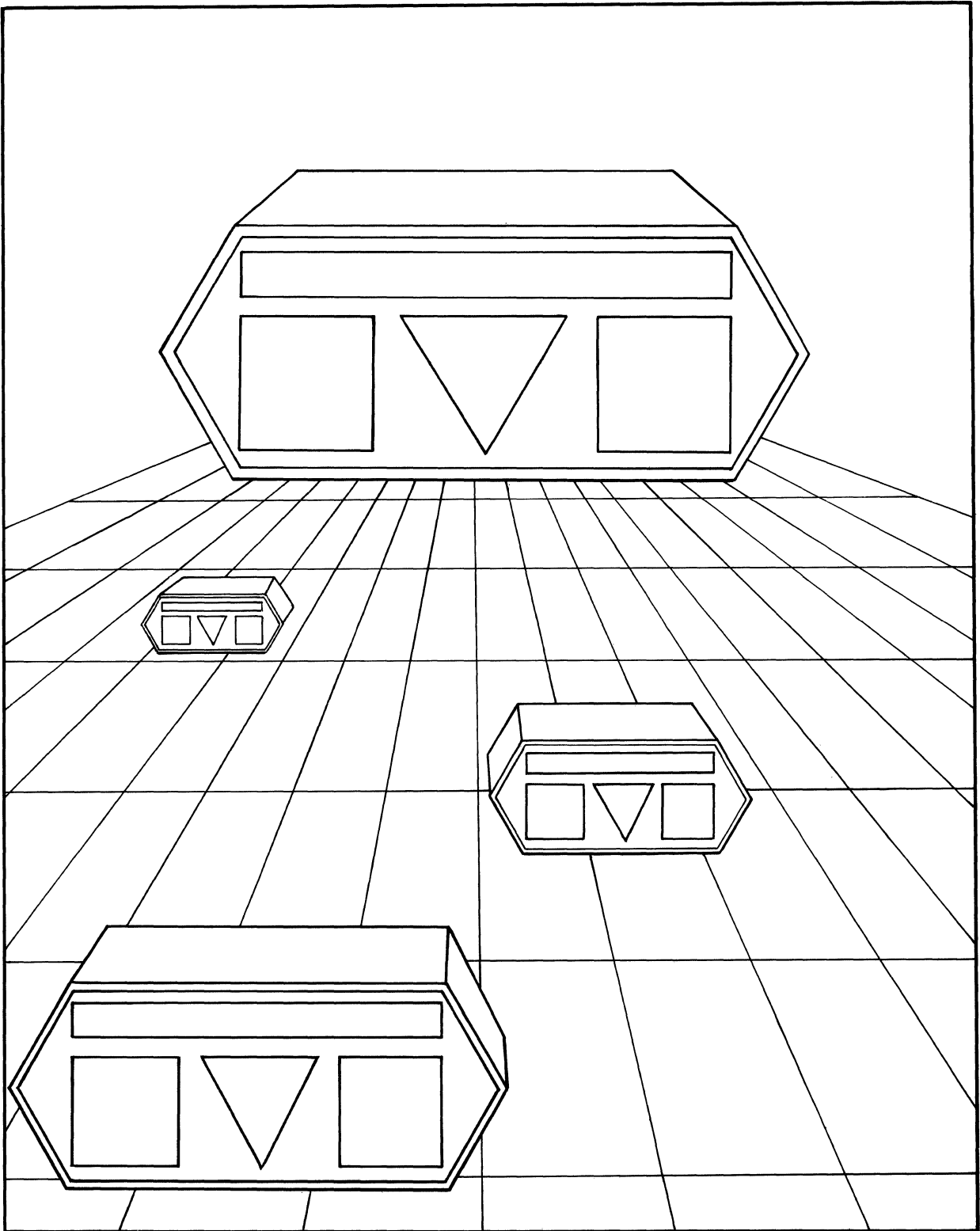
- byte 12 The lower 5 bits contain the horizontal sync width, measured in Display Word Periods (DWP), minus one. This value is obtained as follows:
- $$\frac{\text{HSYNC} - 1}{\text{DCW}}$$
- The upper 3 bits of this byte (least significant), and the lower two bits of byte 13 (most significant), contain the vertical sync width, measured in horizontal scan periods. This is the VSYNC parameter.
- byte 13 The lower two bits are as mentioned above. The upper 6 bits measure, in DWP, the horizontal front porch minus one.
- $$\frac{\text{HFPOCH} - 1}{\text{DCW}}$$
- byte 14 The lower six bits represent the horizontal back porch width (in DWP) minus one.
- $$\frac{\text{HBPOCH} - 1}{\text{DCW}}$$
- The two upper bits must be zero.
- byte 15 The lower six bits specifies the vertical front porch, in horizontal lines. This is the VFPOCH parameter. The upper two bits must be zero.
- byte 16 This byte contains the least significant 8 bits of a 10 bit number, while the 2 lower bits of byte 17 contain the most significant bits of this 10 bit number. Its value is computed as follows:
- vertical displayed lines x flag.
- This value will either be the same or one-half the value entered in bytes 3 and 4.
- byte 17 The lower two bits are mentioned above. The upper 6 bits contain the vertical back porch width, measured in horizontal lines. This is the VBPOCH value.

CONCLUSION

Due to the wide variety of video monitors available, it is not possible to have a pre-programmed video format for every individual monitor. Thus, applications such as CAD/CAM and CAE will benefit by allowing the user to implement non-standard screen formats with a minimal amount of effort.



A



ORDERING INFORMATION

APPENDIX B ORDERING INFORMATION

ORDERING INFORMATION	B-3
Price	
Terms	
Delivery	
Warranty	
Returns	
US SALES REPRESENTATIVES (By State)	B-4
INTERNATIONAL SALES REPRESENTATIVES (By Country)	B-8
CANADIAN SALES REPRESENTATIVES (By Province)	B-10

ORDERING INFORMATION

Orders can be placed directly with Matrox, or through our local distributors and representatives. Orders will be accepted by telephone, mail, or telex.

Detailed product ordering information is provided on the last page of the product data sheet. It is important that the proper product configuration be defined on the order, to ensure prompt delivery.

PRICE

Price information, including quantity discounts, is published in the "Matrox OEM Price List". All prices are subject to change, and should be verified at the time an order is placed.

TERMS

Terms are net 30 to firms approved by Matrox's credit department. New customers are required to provide three trade references and a bank reference in order to secure credit.

DELIVERY

Delivery on all standard products can vary from stock to eight weeks. Consult the factory for specific delivery times when ordering. All US orders are shipped F.O.B. our warehouse facility at Mooers, NY. All Canadian and Overseas orders are shipped F.O.B. our plant in Montreal.

Orders can be shipped via UPS, UPS Blue Label, Airborne, or Purolator Sky courier. Shipping charges are prepaid and invoiced by Matrox.

WARRANTY

All products manufactured by Matrox are warranted against defects in material and workmanship for a period of six (6) months from date of shipment from Matrox. Color monitors are warranted against defects for a period of ninety (90) days from the date of shipment from Matrox. Matrox will repair or replace products which prove to be defective during the warranty period provided that they are returned to Matrox Electronic Systems Ltd. at the point of original shipment. No other warranty is expressed or implied. Matrox is not responsible for consequential damages.

Matrox shall not be liable under this warranty for: (i) the goods that the buyer alleges are defective and have been repaired or altered by someone other than Matrox designated personnel or authorized representative, unless such repair or alteration was effected pursuant to prior written approval of Matrox Electronic Systems, or (ii) where the buyer fails to notify Matrox Electronic Systems of any alleged defects within the period of warranty, or (iii) where the buyer fails to return defective items to Matrox Electronic Systems, freight prepaid, or (iv) where equipment has been altered or damaged in such a way which Matrox Electronic Systems reasonably determines to personally effect the performance or reliability, or where the equipment has been subject to misuse, neglect, or accident.

THE ABOVE WARRANTY IS IN LIEU OF ANY OTHER WARRANTY, WHETHER EXPRESSED, IMPLIED, OR STATUTORY, INCLUDING, BUT NOT LIMITED TO ANY WARRANTY FOR FITNESS OF PURPOSE MERCHANTABILITY, OR FREEDOM FROM INFRINGEMENT OR THE LIKE, AND ANY WARRANTY OTHERWISE ARISING OUT OF ANY PROPOSAL, SPECIFICATIONS, OR SAMPLE. MATROX ELECTRONIC SYSTEMS NEITHER ASSUMES OR AUTHORIZES ANY PERSON TO ASSUME FOR IT ANY OTHER LIABILITY.

RETURNS

No returned goods, for service or otherwise, will be accepted without prior authorization from Matrox Electronic Systems. All returned units must have a Returned Merchandise Authorization (RMA) number issued by Matrox. Units must be returned to the original shipping point and the packaging must indicate the RMA number on the outside.

Goods returned for warranty servicing must be shipped prepaid. They will be returned at no charge for freight. All other returns will be shipped back collect or prepaid.

U.S. SALES REPRESENTATIVES

(BY STATE)

ALABAMA

PEN-TECH ASSOCIATES, INC.
Holiday Office Center, Suite 36
3322 Memorial Parkway SW
Huntsville, AL 35801
Tel: (205) 881-9298

ALASKA

MATROX ELECTRONIC SYSTEMS LTD.
5800 Andover Avenue
T.M.R., Quebec H4T 1H4
Canada
Tel: (514) 735-1182
Tlx: 05-825651

ARIZONA

P.A.R. ASSOCIATES
4012 E. Broadway Road
307
Phoenix, AZ 85040
Tel: (602) 243-4267

ARKANSAS

MYCROSYSTEMS MARKETING
1006 Hampshire Lane
Richardson, TX 75080
Tel: (214) 669-2380

CALIFORNIA

INDUSTRIAL MODULES INC.
1400 Coleman Avenue
Suite 24G
Santa Clara, CA 95050
Tel: (408) 988-1911
Twx: 910-338-7067
Tlx: 171647

HIGH-TECH DIGITAL
4708 Highgrove Avenue
Torrance, CA 90505
Tel: (213) 378-5131

COLORADO

P.A.R. ASSOCIATES
10515 East 40th Avenue
No. 103
Denver, CO 80239
Tel: (303) 371-4140
Twx: 910-932-0180

CONNECTICUT

ABC ELECTRONICS SALES CO.
99 Hillside Avenue
Box G
Williston Park, NY 11596
Tel: (516) 747-6610
Twx: 710-572-2206

DELAWARE

BURGIN-KREH ASSOCIATES
7000 Security Boulevard
Suite 330
Baltimore, MD 21207
Tel: (301) 265-8500
Twx: 710-862-1450

FLORIDA

PEN-TECH ASSOCIATES, INC.
1398 Semoran Boulevard
Suite 106
Casselberry, FL 32707
Tel: (305) 645-3444

PEN-TECH ASSOCIATES, INC.
202 SE 15th Terrace
Suite K
Deerfield Beach, FL 33441
Tel: (305) 421-4989

GEORGIA

PEN-TECH ASSOCIATES, INC.
Cherokee Center, Suite 21
627 Cherokee Street
Marietta, GA 33060
Tel: (404) 424-1931

HAWAII

MATROX ELECTRONIC SYSTEMS LTD.
5800 Andover Avenue
T.M.R., Quebec H4T 1H4
Canada
Tel: (514) 735-1182
Tlx: 05-825651

IDAHO

P.A.R. ASSOCIATES
10515 East 40th Avenue
No. 103
Denver, CO 80239
Tel: (303) 371-4140
Twx: 910-932-0180

ILLINOIS

TECHNICAL REPRESENTATIVES INC.
502 Earth City Plaza
Suite 201
Earth City, MO 63045
Tel: (314) 291-0001
Twx: 910-762-0685

MICRO-TEX INC.
1375 Remington Road
Suite M
Schaumburg, IL 60195
Tel: (312) 885-1131
Twx: 910-291-0370

INDIANA

MICRO-TEX INC.
1375 Remington Road
Suite M
Schaumburg, IL 60195
Tel: (312) 885-1131
Twx: 910-291-0370

IOWA

TECHNICAL REPRESENTATIVES INC.
2510 White Eagle Trail SE
Cedar Rapids, IA 52403
Tel: (319) 364-8650

KANSAS

TECHNICAL REPRESENTATIVES INC.
360 North Rock Road
Suite 4
Wichita, KS 67206
Tel: (316) 681-0242

KENTUCKY

MATROX ELECTRONIC SYSTEMS LTD.
5800 Andover Avenue
T.M.R., Quebec H4T 1H4
Canada
Tel: (514) 735-1182

LOUISIANA

MYCROSYSTEMS MARKETING
1006 Hampshire Lane
Richardson, TX 75080
Tel: (214) 669-2380
Twx: 910-867-4763

MAINE

NOVA SALES
2 Militia Drive
Lexington, MA 02173
Tel: (617) 861-1820

MARYLAND

BURGIN-KREH ASSOCIATES
7000 Security Boulevard
Baltimore, MD 21207
Tel: (301) 265-8500
Twx: 710-862-1450

MASSACHUSETTS

NOVA SALES
2 Militia Drive
Lexington, MA 02173
Tel: (617) 861-1820

MICHIGAN

MATROX ELECTRONIC SYSTEMS LTD.
29429 Southfield Road
Suite 5
Southfield, MI 48076
Tel: (313) 540-3228

MINNESOTA

JEN-RAY SYSTEMS
5300 West 73rd Street
Minneapolis, MN 55435
Tel: (612) 831-5060

MISSISSIPPI

PEN-TECH ASSOCIATES, INC.
Holiday Office Center, Suite 36
3322 Memorial Parkway SW
Huntsville, AL 35801
Tel: (205) 881-9298

MISSOURI

TECHNICAL REPRESENTATIVES INC.
502 Earth City Plaza
Suite 201
Earth City, MO 63045
Tel: (314) 291-0001
Twx: 910-762-0685

TECHNICAL REPRESENTATIVES INC.
406 West 34th Street
Suite 516
Kansas City, MO 64111
Tel: (816) 756-3575
Twx: 910-771-0025

MONTANA

P.A.R. ASSOCIATES
10515 East 40th Avenue
No. 103
Denver, CO 80239
Tel: (303) 371-4140
Twx: 910-932-0180

NEBRASKA

TECHNICAL REPRESENTATIVES INC.
502 Earth City Plaza
Suite 201
Earth City, MO 63045
Tel: (314) 291-0001
Twx: 910-762-0685

NEVADA

INDUSTRIAL MODULES INC.
1400 Coleman Avenue
Suite 24G
Santa Clara, CA 95050
Tel: (408) 988-1911
Twx: 910-338-7067
Tlx: 171647

HIGH-TECH DIGITAL
4708 Highgrove Avenue
Torrance, CA 90505
Tel: (213) 378-5131

NEW HAMPSHIRE

NOVA SALES
2 Militia Drive
Lexington, MA 02173
Tel: (617) 861-1820

NEW JERSEY

ABC ELECTRONIC SALES CO.
152 Wildcat Road, RD 1
Box 208B
Franklin, NJ 07416
Tel: (301) 265-8500
Twx: 510-222-4232

KNOWLES ASSOCIATES
1 Fairway Plaza
Suite 310
Huntingdon Valley, PA 19006
Tel: (215) 947-5641
Twx: 510-665-5303

NEW MEXICO

MATROX ELECTRONIC SYSTEMS LTD.
5800 Andover Avenue
T.M.R., Quebec H4T 1H4
Canada
Tel: (514) 735-1182
Tlx: 05-825651

NEW YORK

ABC ELECTRONIC SALES CO.
99 Hillside Avenue
Box G
Williston Park, NY 11596
Tel: (516) 747-6610
Twx: 510-222-4232

ABC ELECTRONIC SALES CO.
220 Marble Road
PO Box 316
Pleasantville, NY 10570
Tel: (914) 796-8088
Twx: 710-572-2206

KLM GARNER
111 Marsh Road
Pittsford, NY 14534
Tel: (716) 381-8350
Twx: 510-253-5762

KLM GARNER
PO Box C
Clark Mills, NY 13321
Tel: (315) 853-6126

KLM GARNER
201 South Main Street
North Syracuse, NY 13212
Tel: (315) 458-6214

NORTH CAROLINA

PEN-TECH ASSOCIATES
Pen-Tech Building, Suite C
3709 Alliance Drive
Greensboro, NC 27407
Tel: (919) 852-6000

NORTH DAKOTA

JEN-RAY SYSTEMS
5300 West 73rd Street
Minneapolis, MN 55435
Tel: (612) 831-5060

OHIO

MATROX ELECTRONIC SYSTEMS LTD.
5800 Andover Avenue
T.M.R., Quebec H4T 1H4
Canada
Tel: (514) 735-1182
Tlx: 05-825651

OKLAHOMA

MYCROSYSTEMS MARKETING
1006 Hampshire Lane
Richardson, TX 75080
Tel: (214) 669-2380
Twx: 910-867-4763

OREGON

WESTERBERG & ASSOCIATES
2035 SW 58th Street
Suite 122
Portland, OR 97221
Tel: (503) 297-1719

PENNSYLVANIA

KNOWLES ASSOCIATES
1 Fairway Plaza
Suite 310
Huntingdon Valley, PA 19006
Tel: (215) 947-5641
Twx: 510-665-5303

RHODE ISLAND

NOVA SALES
2 Militia Drive
Lexington, MA 02173
Tel: (617) 861-1820

SOUTH CAROLINA

PEN-TECH ASSOCIATES
Pen-Tech Building, Suite C
3709 Alliance Drive
Greensboro, NC 27407
Tel: (919) 852-6000

SOUTH DAKOTA

JEN-RAY SYSTEMS
5300 West 73rd Street
Minneapolis, MN 55435
Tel: (612) 831-5060

TENNESSEE

PEN-TECH ASSOCIATES
Pen-Tech Building, Suite C
3709 Alliance Drive
Greensboro, NC 27407
Tel: (919) 852-6000

TEXAS

MYCROSYSTEMS MARKETING
1006 Hampshire Lane
Richardson, TX 75080
Tel: (214) 669-2380
Twx: 910-867-4763

MYCROSYSTEMS MARKETING
10707 Corporate Drive
Suite 210
Stafford, TX 77477
Tel: (713) 491-6550
Twx: 910-8880-4433

MYCROSYSTEMS MARKETING
8330 Burnet Road
Suite 136
Austin, TX 78758
Tel: (512) 452-2842

UTAH

P.A.R. ASSOCIATES
4750 Wiley Post Way
Suite 165
Salt Lake City, UT 84116
Tel: (801) 537-1900

VERMONT

NOVA SALES
2 Militia Drive
Lexington, MA 02173
Tel: (617) 861-1820

VIRGINIA

BURGIN-KREH ASSOCIATES
8314 Timberlake Road
Box 4455
Lynchburg, VA 24502
Tel: (804) 239-2626
Twx: 710-871-1529

WASHINGTON

WESTERBERG & ASSOCIATES
12505 NE Bel-Red Road
Suite 212
Bellevue, WA 98005
Tel: (206) 453-8881
Twx: 910-443-2319

WASHINGTON, D.C.

BURGIN-KREH ASSOCIATES
7000 Security Boulevard
Suite 330
Baltimore, MD 21207
Tel: (301) 265-8500
Twx: 710-862-1450

WEST VIRGINIA

MATROX ELECTRONIC SYSTEMS LTD.
5800 Andover Avenue
T.M.R., Quebec H4T 1H4
Canada
Tel: (514) 735-1182
Tlx: 05-825651

WISCONSIN

JEN-RAY SYSTEMS
5300 West 73rd Street
Minneapolis, MN 55435
Tel: (612) 831-5060

MICRO-TEX INC.
22660 Broadway
Suite 3B
Waukesha, WI 53186
Tel: (414) 542-5352

WYOMING

P.A.R. ASSOCIATES
10515 East 40th Avenue
No. 103
Denver, CO 80239
Tel: (303) 371-4140
Twx: 910-932-0180

INTERNATIONAL SALES REPRESENTATIVES

AUSTRALIA

MEASURING & CONTROL EQUIPMENT CO.
PO Box 78
Epping, NSW 2121
Australia
Tel: (86) 4060
Tlx: 71-22922 POSSY

AUSTRIA

BACHER ELEKTRONISCHE GERATE GES MBH
Ratenuhgasse 26
A-1120 Wien
Austria
Tel: (0220) 835646-0
Tlx: 47-131532 BASAT

BENELUX

MATROX BENELUX
Dorpsplein 8
4185 NP East
Holland
Tel: 3456741
Tlx: 76159 MATROX

DENMARK

JORGEN ANDERSON INGENIORFIRMA A.S.
Produktionsvej 1
DK-2600 Glostrup
Denmark
Tel: (02) 91 88 88
Tlx: 55-35378 JORGEX

ENGLAND

PERDIX COMPONENTS
98 Crofton Park Street
Crofton Park
London SE4 1AL
England
Tel: (01) 690-1914/5
Tlx: 51-897883 PERDIX

FINLAND

OY FINTRONIC AB
Melkonkatu 24A
00210 Helsinki 21
Finland
Tlx: 57-124224 FTRON

FRANCE

MÉTROLOGIE
4 Ave. Laurent-Cely
92606 Asnières Cedex
France
Tel: 791 44 44
Tlx: 42-611448 MÉTROLO

GREECE

AMERICAN TECHNICAL ENTERPRISES S.A.
PO Box 156
Athens
K. Greece
Tel: 8219.470 - 8811.271
Tlx: 601-216046 ATE

ISRAEL

EIM INTERNATIONAL ELECTRONICS LTD.
7 Tfuzot Israel Street
Gwatayim 53583
Israel
Tel: (03) 774-041
Tlx: 342362 EIM

ITALY

3G ELECTRONICS S.R.L.
Via Perugino 9
20135 Milano
Italy
Tel: 5466367 543096
Tlx: 321024 TREMG

JAPAN

INTERNIX INC.
Shinjuku Hamada Building
7-4-7 Nishi-Shinjuku
Shinjuku-ku, Tokyo 160
Japan
Tel: (03) 369-1101
Tlx: 72-26733 INTERNX

NEW ZEALAND

G.T.S. ENGINEERING LTD.
Jayder House, Balm Street
PO Box 42-053, Orakei
Auckland
New Zealand
Tlx: 74-2591 AUKAS

NORWAY

NORDISK ELEKTRONIK (NORGE) A/S
Smedsvingen 4
Postbox 122
1364 Hvalstad
Norway
Tlx: 56-17546 NENAS

PORTUGAL

DITRAM COMPONENTES E ELECTRONICA LTA
Ave. M. Bombarda
133-1000 Lisboa
Portugal
Tlx: 404-14182 BRICKS

SPAIN

UNITRONICS S.A.
Pza. Espana 18
Madrid (8)
Spain
Tel: 242-52-04
Tlx: 46786 UTRON

SWEDEN

MICRO SCANDIA INDUSTRIAUTOMATION AB
Box 3015
S-433 03 Partile
Sweden
Tlx: 54-32685 MICRO

SWITZERLAND

RELAIS ROHR
Hertensteinstr. 39
8052 Zurich
Switzerland
Tel: (03) 301 09 70
Tlx: 58587 ROHR CH

TAIWAN

MULTITECH INTERNATIONAL CORP.
2nd Floor
977 Min Shen E. Road
Taipei 105
Taiwan
Tel: (02) 7681232 (02) 7654092
Tlx: 785-23756 MULTIIC

WEST GERMANY

ERNST RAUSCHER SYSTEMBERATUNG
Bodenseestr. 293A
8000 Munchen 66
West Germany
Tel: 089-878061
Tlx: 41-5212504 RASY

CANADIAN SALES REPRESENTATIVES

ALBERTA

MATROX ELECTRONIC SYSTEMS LTD.
5800 Andover Avenue
T.M.R., Quebec
H4T 1H4
Tel: (514) 735-1182
Tlx: 05-825651

BRITISH COLUMBIA

WESTERBERG & ASSOCIATES
12505 NE Bel-Red Road
Suite 212
Bellevue, WA 98005
Tel: (206) 453-8881
Twx: 910-443-2319

MANITOBA

TRACAN ELECTRONICS CORP.
1200 Aerowood Drive
Suite 46
Mississauga, Ontario
L4W 2S7
Tel: (416) 625-7752
Tlx: 06-961366

NEW BRUNSWICK

TRACAN ELECTRONICS CORP.
6600 Trans-Canada Highway
Suite 540
Pointe Claire, Quebec
H9R 4S2
Tel: (514) 694-5343
Tlx: 05-822814

NEWFOUNDLAND

TRACAN ELECTRONICS CORP.
6600 Trans-Canada Highway
Suite 540
Pointe Claire, Quebec
H9R 4S2
Tel: (514) 694-5343
Tlx: 05-822814

NORTH WEST TERRITORIES

MATROX ELECTRONIC SYSTEMS LTD.
5800 Andover Avenue
T.M.R., Quebec
H4T 1H4
Tel: (514) 735-1182
Tlx: 05-825651

NOVA SCOTIA

TRACAN ELECTRONICS CORP.
6600 Trans-Canada Highway
Suite 540
Pointe Claire, Quebec
H9R 4S2
Tel: (514) 694-5343
Tlx: 05-822814

ONTARIO

TRACAN ELECTRONICS CORP.
1200 Aerowood Drive
Suite 46
Mississauga, Ontario
L4W 2S7
Tel: (416) 625-7752
Tlx: 06-961366

TRACAN ELECTRONICS CORP.
1419 Carling Avenue
Suite 3
Hampton Park Place
Ottawa, Ontario
K1Z 7L7
Tel: (613) 722-7667

PRINCE EDWARD ISLAND

TRACAN ELECTRONICS CORP.
6600 Trans-Canada Highway
Suite 540
Pointe Claire, Quebec
H9R 4S2
Tel: (514) 694-5343
Tlx: 05-822814

QUEBEC

TRACAN ELECTRONICS CORP.
6600 Trans-Canada Highway
Suite 540
Pointe Claire, Quebec
H9R 4S2
Tel: (514) 694-5343
Tlx: 05-822814

SASKATCHEWAN

MATROX ELECTRONIC SYSTEMS LTD.
5800 Andover Avenue
T.M.R., Quebec
H4T 1H4
Tel: (514) 735-1182
Tlx: 05-825651

YUKON

MATROX ELECTRONIC SYSTEMS LTD.
5800 Andover Avenue
T.M.R., Quebec
H4T 1H4
Tel: (514) 735-1182
Tlx: 05-825651



matrox
electronic systems ltd.

5800 Andover ave.,
T.M.R., (Montreal) Quebec
Canada H4T 1H4
Telex: 05-825651
Tel.: (514) 735-1182