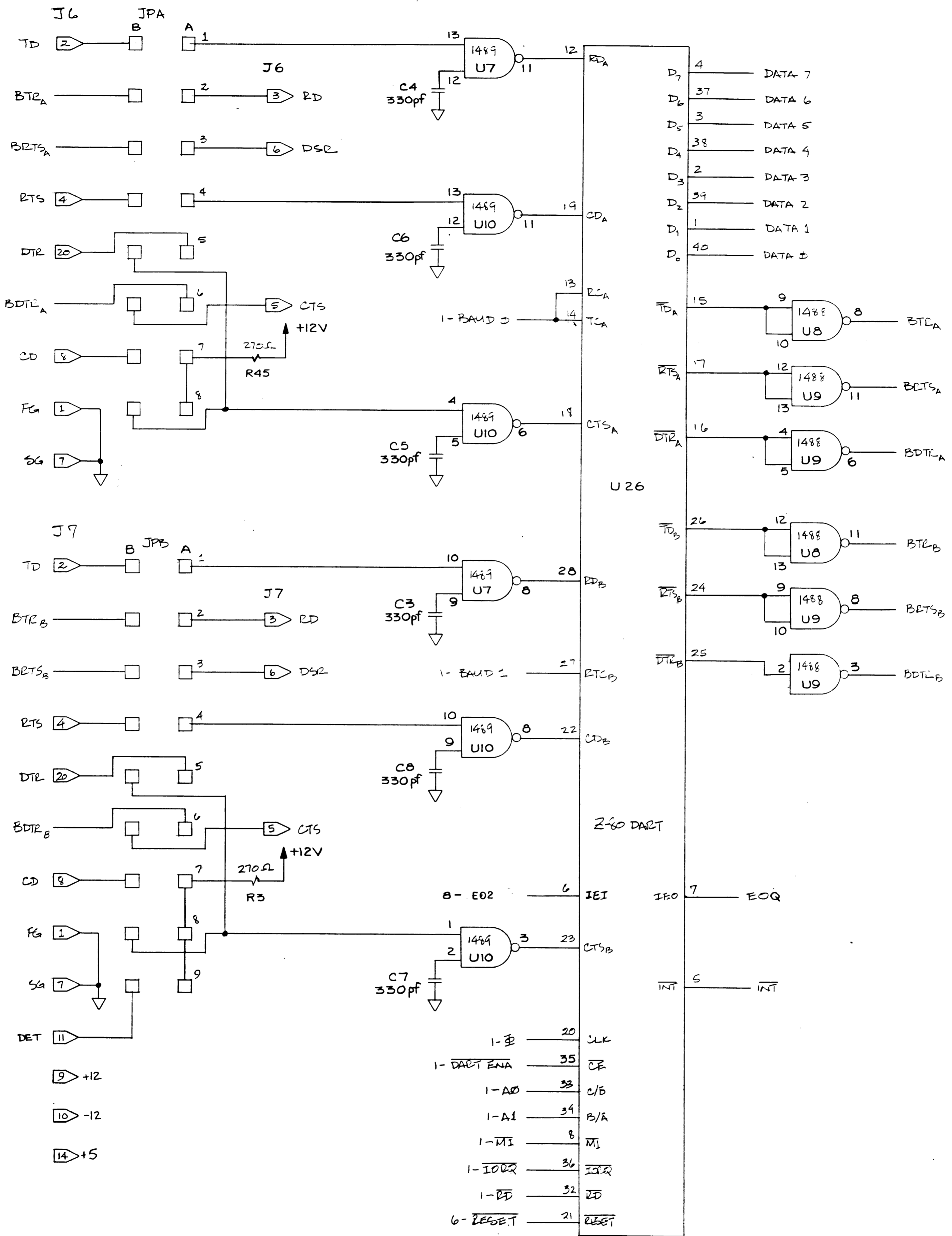
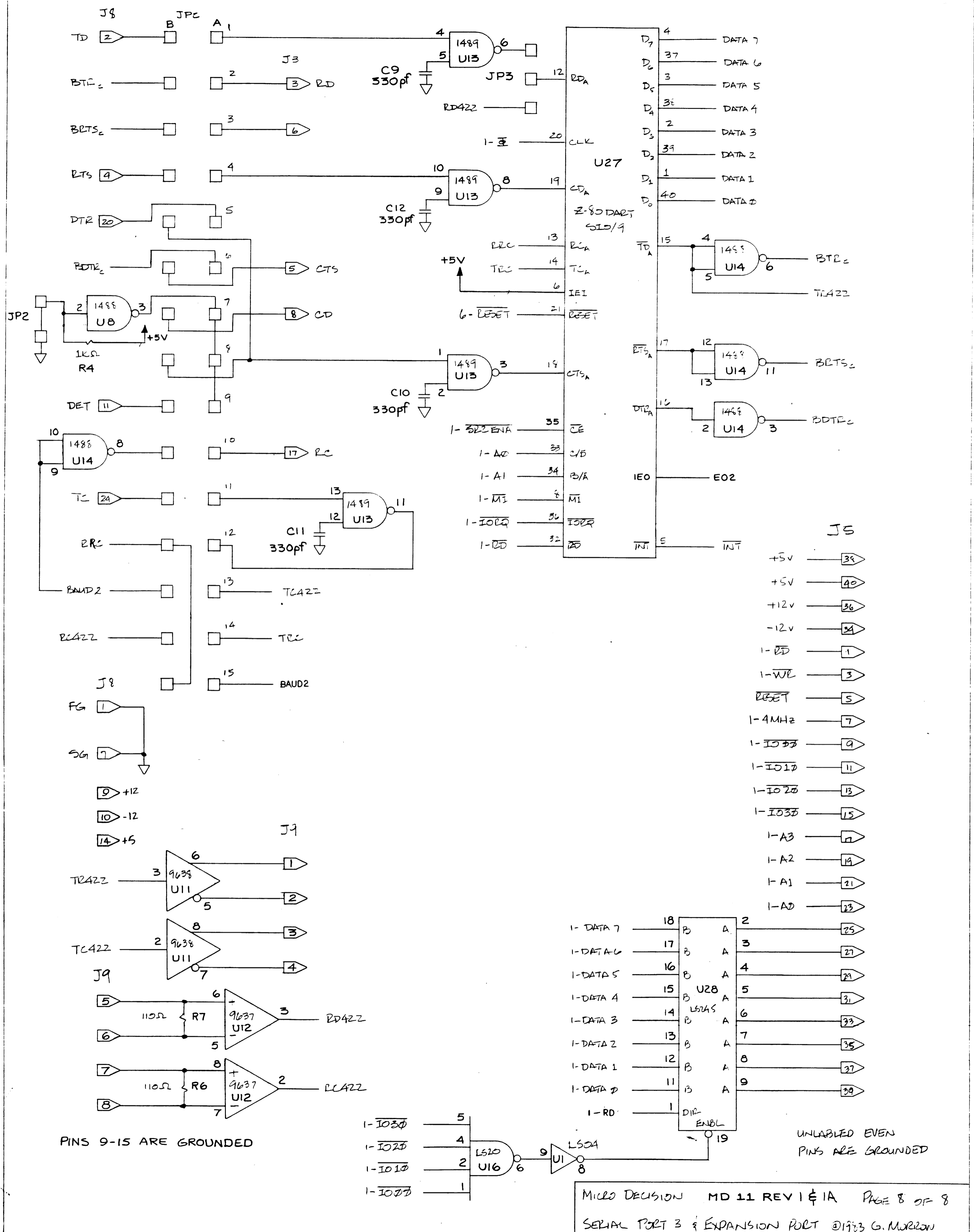


PINS 2,4,6,8,12,16,20,11,19
ARE GROUNDED ON BOTH
J3A AND J3B





PINS 9-15 ARE GROUNDDED

UNLABELED EVEN PINS ARE GROUNDDED