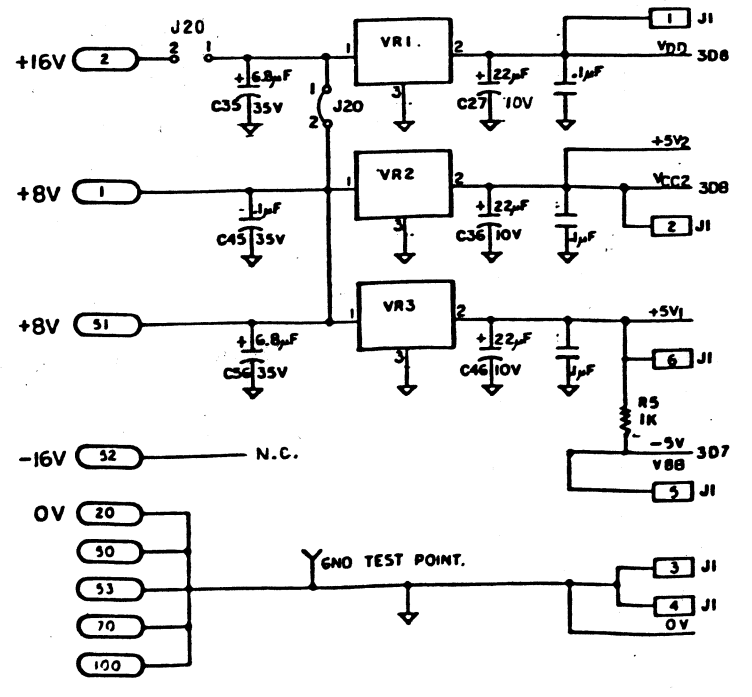
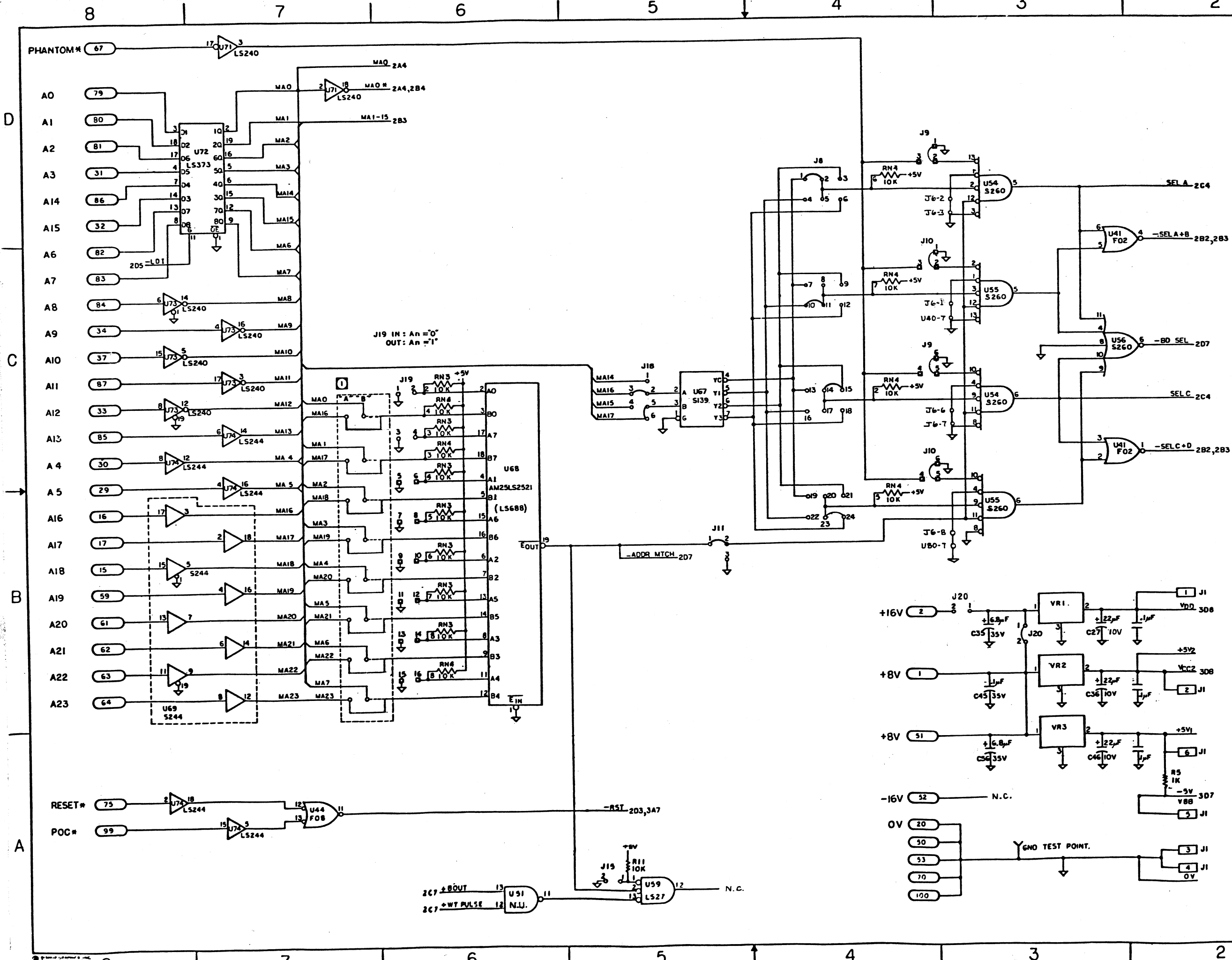


REVISIONS			
LT#	DESCRIPTION	DATE	APPROVED



- ② TIMING SIGNAL NAMES SHOWN ARE FOR THE BASIC CONFIGURATION. FOR OTHER SPEED CONFIGURATIONS SEE TABLE 1 (SMT.2 ZONE D-0).
- ① CONNECTION SHOWN BY --- IS FOR BANK SELECT VERSION. BOARD SELECT VERSION IS SHOWN BY - - - AS THE RESULT OF INSERTION POSITION CHANGE. INSERT U68 IN THE "A" POSITION FOR EXTENDED ADDRESSING AND IN THE "B" POSITION FOR THE BANK SELECT VERSION.

NOTES:

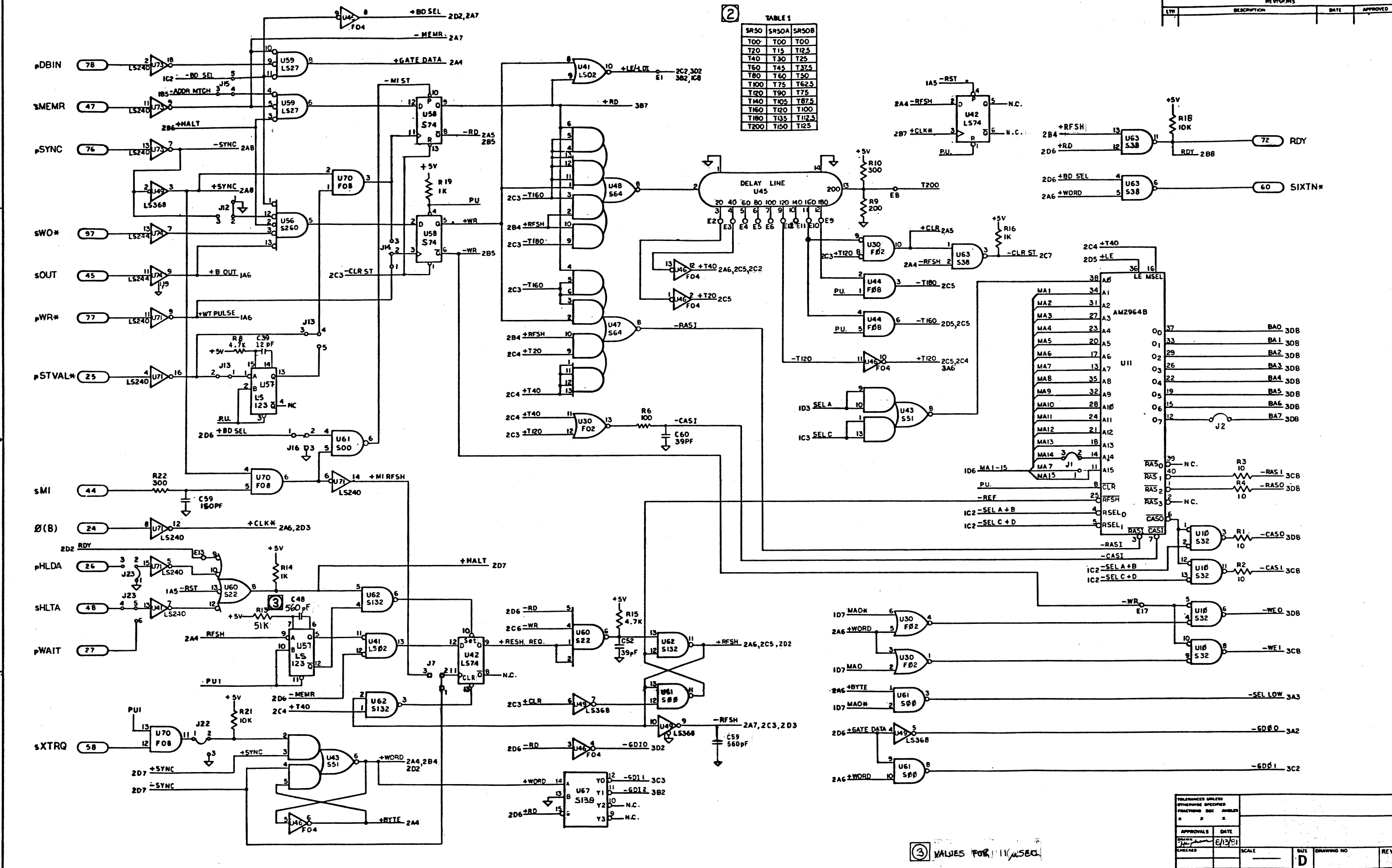
APPROVED		DATE	
SCALE	SIZE	DRAWING NO.	REV.

REVISIONS			
REV	DESCRIPTION	DATE	APPROVED

TABLE 1

SR50	SR50A	SR50B
T00	T00	T00
T20	T15	T12.5
T40	T30	T25
T60	T45	T37.5
T80	T60	T50
T100	T75	T62.5
T120	T90	T75
T140	T105	T87.5
T160	T120	T100
T180	T135	T112.5
T200	T150	T125

D
C
B
A



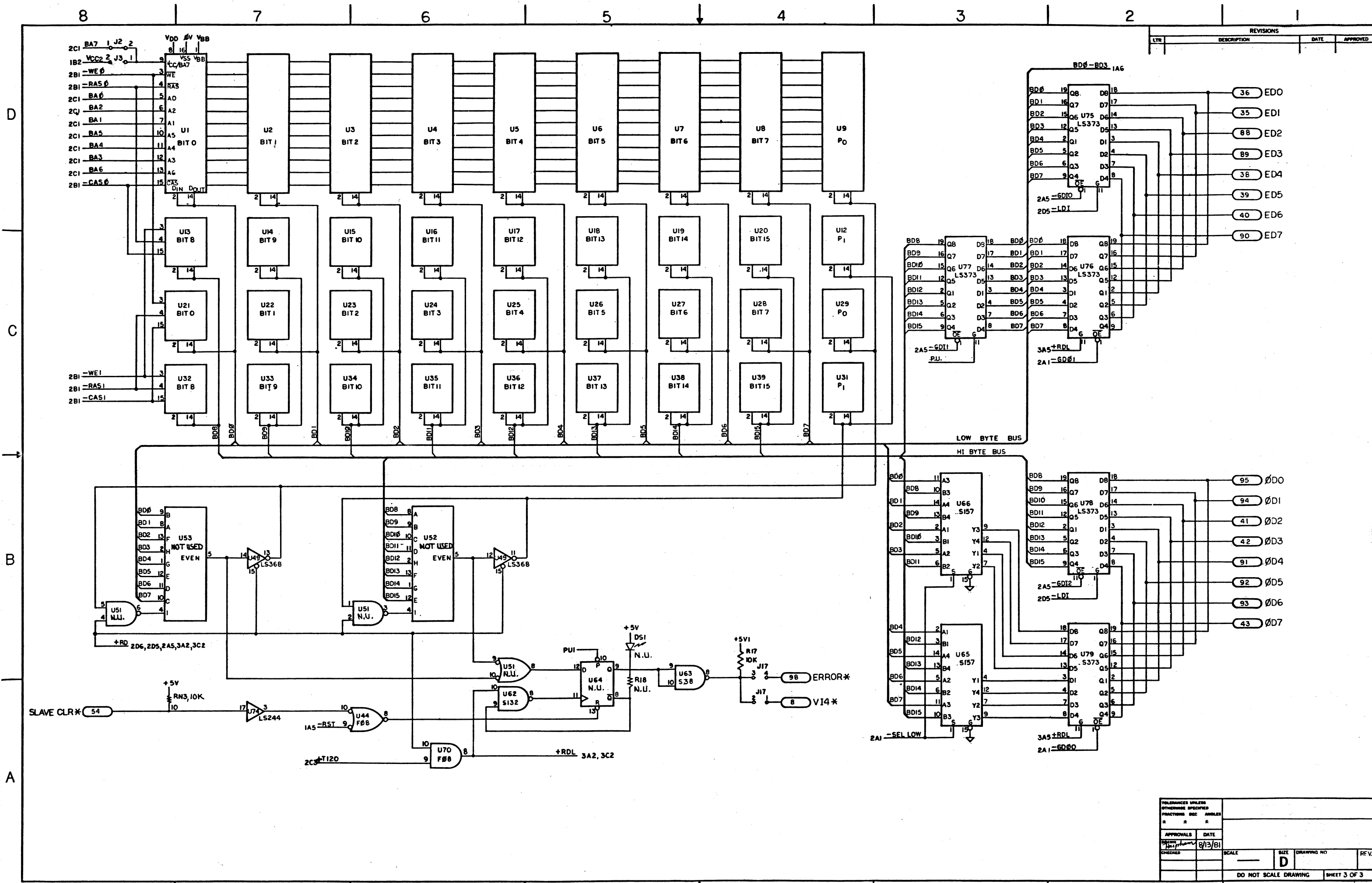
③ VALUES FOR 110 nSEC

TOLERANCES UNLESS OTHERWISE SPECIFIED		FRACTIONS DEC ANGLES	
±	%	°	°

APPROVALS	DATE

CHECKED	SCALE	SIZE	DRAWING NO.	REV.

REVISIONS			
LTR	DESCRIPTION	DATE	APPROVED



TOLERANCES UNLESS OTHERWISE SPECIFIED		FRACTIONS DEC		ANGLES	
APPROVALS		DATE			
			8/13/81		
CHECKED		SCALE		SIZE	D
				DRAWING NO	
				REV.	
DO NOT SCALE DRAWING SHEET 3 OF 3					