

REFERENCE	DOCUMENTS
NAME	NO
BOARD-ASSEMBLY	095-0300871
BRKT-MOTOR	342-0000000

8 SWI3 CLOSED WITH PROTECTIVE GUARD IN PLACE.
 7. SOLID LINES REPRESENTS M-42 CIRCUITRY
 6. DOTTED LINES REPRESENTS M-41 CIRCUITRY
 5. TRIACS Q3 AND Q4 ARE ELECTRICALLY ISOLATED
 4. ALL DIODES ARE GENERAL PURPOSE LOW POWER SILICON
 3. ALL TRANSISTORS ARE LOW POWER SILICON
 2. CAPACITORS ARE IN MICROFARADS 1KV ± 20% UNLESS OTHERWISE SPECIFIED
 1. RESISTORS ARE IN OHMS 1/2W 2% UNLESS OTHERWISE SPECIFIED

NOTES: 1. RESISTORS ARE IN OHMS 1/2W 2% UNLESS OTHERWISE SPECIFIED

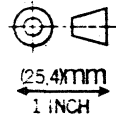
SIMILAR PARTS

CHANGES: (A) DELETED (2) .005 OF CAPACITORS AND (1) 270 Ω RESISTOR; ADDED (2) .02 OF CAPACITORS AND (2) 1K RESISTORS; RENUMBERED COMPONENT DESIGNATORS (B) ADDED "FIELD PRINT" MARKING, & 395-0060032 TO NEXT ASSOC. AREA. (C) ADDED TERMINAL IDENT. (1, 2, & 3) TO Q3 & Q4. (D) ADDED J15 P15 & SWI3 BETWEEN Q1 EMITTER & LOGIC END.

STG QUALITY SEE SP4004 25	NCR THE NATIONAL CASH REGISTER CO. DAYTON, OHIO
CLASS M-41-1-270	UNIT PRINTER FORMS HANDLING
START 5-72 FINISH 5-31-72	NAME SCHEMATIC -
DFTS: GRW CHKR: WOB	MOTOR CONTROL
DESIGNER: W SMITH	SHEET 1 OF 1
APPD: WOB APPD: [Signature]	SCALE: 095-0300869
SUPSD BY:	DATE: 2-9-50
SUPERSEDES 095-0300017	

WICHITA FILE

FIELD PRINT



ITEM RECD	DWG. NO.	NAME	SIZE	FUNCTION	INPUT PIN	OUTPUT PIN	PAGE/ZONE	REMARKS
				CCK240-H	268		4-A4	CASS. TRANS-IF
				FALFL-G	284		7-A4	ALF IF
				FALFR-G	278		9-B4	ALF IF
				FCFBI-FA/	82		6-D4	BRAKE SOL*1
				FCFB2-FA/	279		6-B3	BRAKE SOL*2
				FCFC1-GAA/	86		6-D4	CLUTCH SOL*1
				FCFC2-GAA/	288		6-C4	CLUTCH SOL*2
				FCFF1-GA/		262	8-B1	CFF #1
				FCFF2-GA/		61	8-B1	CFF #2
				FCFHI-GA/		263	8-B1	CFF #1
				FCFH2-GA/		261	8-B1	CFF #2
				FCFL1-GA/		69	8-A3	CFF #1
				FCFL2-GA/		72	8-A3	CFF #2
				FCFLT1-T/	65		8-B2	CFF #1 LT SW
				FCFLT2-T/	62		8-A2	CFF #2 LT SW
				FCFOP-T/	285		5-C2	OUT OF PAPER SW
				FCFRT1-T/	266		8-B2	CFF #1 RT SW
				FCFRT2-T/	265		8-B2	CFF #2 RT SW
				FCK240-H/		267	4-A4	ALF & MAG LED IF
				FCS-T	281		9-D3	COUPLE SW
				FCTL98-G	283		6-A4	ALF IF
				FCTR98-G	280		6-A4	ALF IF
				FDCHAI-GA/	282		6-B4	CFF #1
				FDCHBI-GA/	79		6-B4	CFF #2
				FEJL-GA/		40	4-D1	ALF IF
				FEJR-GA/		38	4-D1	ALF IF
				FFCRL-T	286		7-A3	LT CR SW
				FFCRL-TAB		9	7-A1	ALF IF
				FFCRR-T	83		9-B3	RT CR SW
				FFCRR-TAB		18	9-A1	ALF IF
				FFCRSL-GB/		63	7-C1	LT CR SOL
				FFCRSR-GB/		67	9-B1	RT CR SOL
				FFING-TAA	66		9-C3	ALF IF
				FFULL-H/		272	6-A2	KEYBOARD IF
				FHL1-T	269		9-C4	CFF #1 HVY-LT SW
				FHL2-T	64		9-C4	CFF #2 HVY-LT SW

ITEM RECD	DWG. NO.	NAME	SIZE	FUNCTION	INPUT PIN	OUTPUT PIN	PAGE/ZONE	REMARKS
				FHSPRI-Z	4			CASS TRANS IF
				FINPLL-L/	71		7-B4	ALF IF
				FINPLR-L/	276		9-B4	ALF IF
				FKCRL-L		50	4-A2	ALF IF
				FKCROL-G/		44	7-B2	ALF IF
				FKCROR-G/		41	9-B2	ALF IF
				FKCRR-L		257	4-B2	ALF IF
				FKFFT1-T	77		5-B4	VERT TAB SW #1
				FKFFT1-T/	76		5-B4	VERT TAB SW #1
				FKFFT2-T	75		5-B4	VERT TAB SW #2
				FKFFT2-T/	74		5-B4	VERT TAB SW #2
				FLA-GA/		253	9-B2	ALF IF
				FLB-GA/		27	7-B2	ALF IF
				FLFL-G		255	4-C2	ALF IF
				FLFR-G		254	4-C2	ALF IF
				FLFS1-Z	10			ALF IF
				FLFS2-Z	11			ALF IF
				FLFS3-Z	12			ALF IF
				FLFS4-Z	51			ALF IF
				FLFS5-Z	52			ALF IF
				FLFS6-Z	53			ALF IF
				FLFS7-Z	54			ALF IF
				FLFS8-Z	92			ALF IF
				FLFS9-Z	93			ALF IF
				FLFS10-Z	94			ALF IF
				FLFS11-Z	258			ALF IF
				FLFS12-Z	259			ALF IF
				FLFS13-Z	273			ALF IF
				FLFS14-Z	292			ALF IF
				FLFS15-Z	293			ALF IF
				FLFS16-Z	294			ALF IF
				FLFS17-Z	295			ALF IF
				FLFS18-Z	296			ALF IF
				FLFS19-Z	298			ALF IF
				FLFS20-Z	299			ALF IF

ITEM RECD	DWG. NO.	NAME	SIZE	FUNCTION	INPUT PIN	OUTPUT PIN	PAGE/ZONE	REMARKS
				FLG-TAA/		5	8-C2	ALF IF
				FLG-T/	264		8-C2	LINE GUIDE C L SW
				FLGP-TA/		26	6-D1	PRINTER IF
				FLGP-T/	287		6-D2	LINE GUIDE PTR SW
				FLGS-GB/		68	5-D2	LINE GUIDE SOL
				FMLBSY-G/		256	4-C2	PRINTER IF
				FMLSPI-Z	57			MAG LED IF
				FMLSP2-Z	58			MAG LED IF
				FMLSP3-Z	59			MAG LED IF
				FOCRB-Y/		19	4-D2	ALF IF
				FOCRL-Y/		35	4-D2	ALF IF
				FOCRR-Y/		36	4-D2	ALF IF
				FPBUSY-G/		297	6-D1	PRINTER IF
				FPDSL-SA/		3	8-D1	ALF IF
				FPDSL-SB/		85	8-D1	LEFT PLAT SOL
				FPDSR-SA		73	8-D1	ALF IF
				FPDSR-SB/		88	8-D1	RIGHT PLAT SOL
				FPFL-GA/		37	4-D1	
				PPFMA-T	89		5-D4	MPA SW & ML IF
				PPFMA-T/	289		5-D4	MPA SW & ML IF
				PPFMB-T	90		5-D4	MPA SW & ML IF
				PPFMB-T/	290		5-D4	MPA SW & ML IF
				PPFMC-T	91		5-D4	MPA SW & ML IF
				PPFMC-T/	291		5-D4	MPA SW & ML IF
				PPFR-GA/		6	4-D1	
				FPSP1-Z	24			PRINTER IF
				FPSP2-Z	31			PRINTER IF
				FPSP3-Z	260			PRINTER IF
				FPSP4-Z	300			PRINTER IF
				FRML-G/		49	4-C2	ALF IF & MAG LED IF
				FRRE-Y/		20	4-D2	ALF IF & MAG LED IF

REQD.	SIZE	NEXT ASSEMBLY

CLASS	MODEL	EFFECTIVITY

095-0300069

NOTES

1. CHANGE (1) FUNCTION FPDSR-84 WAS FPDSR-SA/;

THIS DRAWING AND INFORMATION THEREON IS THE PROPERTY OF THE NATIONAL CASH REGISTER COMPANY AND ALL INFORMATION HEREON AND REPRODUCTION IS PROHIBITED.

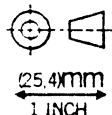
NCR THE NATIONAL CASH REGISTER CO. DAYTON, OHIO

FORMS HANDLER

DESIGNER L. BLOOM

095-0300069

FIELD PRINT



FUNCTION	INPUT PIN	OUTPUT PIN	PAGE/ZONE	REMARKS
FSD11-L		42	4-D2	ALF IF
FSD12-L		32	4-D2	ALF IF
FSD13-L		33	4-D2	ALF IF
FSD14-L		34	4-D2	ALF IF
FSD15-L		13	4-C3	ALF IF
FSD16-L		14	4-C3	ALF IF
FSD17-L		15	4-C3	ALF IF
FSD18-L		16	4-C3	ALF IF
FSEL1-F		28	5-C3	ALF IF
FSLALF-G/	78		6-D4	ALF IF
FSPT51-LA/		43	4-C3	PRINTER IF
FSTOP-GA/	84		6-A4	ALF IF
FWML-G/		39	4-C2	ALF & MAG LED IF
GRD	101			
GRD	102			
GRD	301			
GRD	302			
+ 5V	1			
+ 5V	2			
+ 5V	201			
+ 5V	202			
KCMRL-H/	271		4-A2	KEYBOARD IF
KCMRR-H/	277		4-A2	KEYBOARD IF
KEJL-H/	270		4-B2	KEYBOARD IF
KEJR-H/	275		4-A2	KEYBOARD IF
KEYSP5-Z	7			KEYBOARD IF
KEYSP6-Z	8			KEYBOARD IF
KPFL-H/	80		4-B2	KEYBOARD IF
KPFR-H/	81		4-B2	KEYBOARD IF
MR-AD/		87	6-C3	CFF #1 & #2
MR *	46		6-C4	PROCESSOR (BUS)
PBPC29-YB	274		4-C4	PRINTER IF
PBUFA8-FA/	237		4-B4	PRINTER IF

FUNCTION	INPUT PIN	OUTPUT PIN	PAGE/ZONE	REMARKS
RDO1 *		204	6-C1	PROCESSOR (BUS)
RDO2 *		206	6-C1	PROCESSOR (BUS)
RDO3 *		208	6-C1	PROCESSOR (BUS)
RDO4 *		210	6-B2	PROCESSOR (BUS)
RDO5 *		214		PROCESSOR (BUS)
RDO6 *		218		PROCESSOR (BUS)
RDO7 *		221		PROCESSOR (BUS)
RDO8 *		224	5-C1	PROCESSOR (BUS)
RDO9 *		226	5-C1	PROCESSOR (BUS)
RD10 *		229	5-C1	PROCESSOR (BUS)
RD11 *		231	5-B1	PROCESSOR (BUS)
RD12 *		234	5-B1	PROCESSOR (BUS)
RD13 *		236	5-B1	PROCESSOR (BUS)
RD14 *		239	5-B1	PROCESSOR (BUS)
RD15 *		241	5-A1	PROCESSOR (BUS)
RD16 *		244	5-A1	PROCESSOR (BUS)
RDINT05 *		250		PROCESSOR
RDIROUT *		47		PROCESSOR (BUS)
RPINT05 *		249	6-C1	PROCESSOR
RPOS01 *		213		PROCESSOR (BUS)
RPOS02 *		216		PROCESSOR (BUS)
RPOS03 *		220		PROCESSOR (BUS)
SD01 *	203		4-D3	PROCESSOR (BUS)
SD02 *	205		4-D3	PROCESSOR (BUS)
SD03 *	207		4-D3	PROCESSOR (BUS)
SD04 *	209		4-D3	PROCESSOR (BUS)
SD05 *	211		4-C4	PROCESSOR (BUS)
SD06 *	215		4-C4	PROCESSOR (BUS)
SD07 *	219		4-C4	PROCESSOR (BUS)
SD08 *	223		4-C4	PROCESSOR (BUS)
SD09 *	225			PROCESSOR (BUS)
SD10 *	228			PROCESSOR (BUS)
SD11 *	230			PROCESSOR (BUS)
SD12 *	233			PROCESSOR (BUS)
SD13 *	235			PROCESSOR (BUS)
SD14 *	238			PROCESSOR (BUS)
SD15 *	240			PROCESSOR (BUS)
SD16 *	243			PROCESSOR (BUS)

FUNCTION	INPUT PIN	OUTPUT PIN	PAGE/ZONE	REMARKS
SMB7 *	247		4-C4	PROCESSOR (BUS)
SMB8 *	246		4-C4	PROCESSOR (BUS)
SMB9 *	245		5-B2	PROCESSOR (BUS)
SPOS01 *	212			PROCESSOR (BUS)
SPOS02 *	217			PROCESSOR (BUS)
SPOS03 *	222			PROCESSOR (BUS)
SPT05 *	227		4-C4	PROCESSOR
SSELO5 *	251		6-B2	PROCESSOR
SSTB *	248		5-B4	PROCESSOR (BUS)
STERM *	48			PROCESSOR (BUS)

REQD.	SIZE	NEXT ASSEMBLY

CLASS	MODEL	EFFECTIVITY

095-0300069

3
B OIER37501 JN 5-72
REV. RELEASE NO.

THIS DRAWING AND INFORMATION THEREON IS THE PROPERTY OF THE NATIONAL CASH REGISTER COMPANY AND ALL RIGHTS RESERVED. NO REPRODUCTION IS PERMITTED.

STD. QUAL. TO SEE TRACKS IS CLASS M-42 2-399 NCR THE NATIONAL CASH REGISTER CO. DAYTON, OHIO

FORMS HANDLER

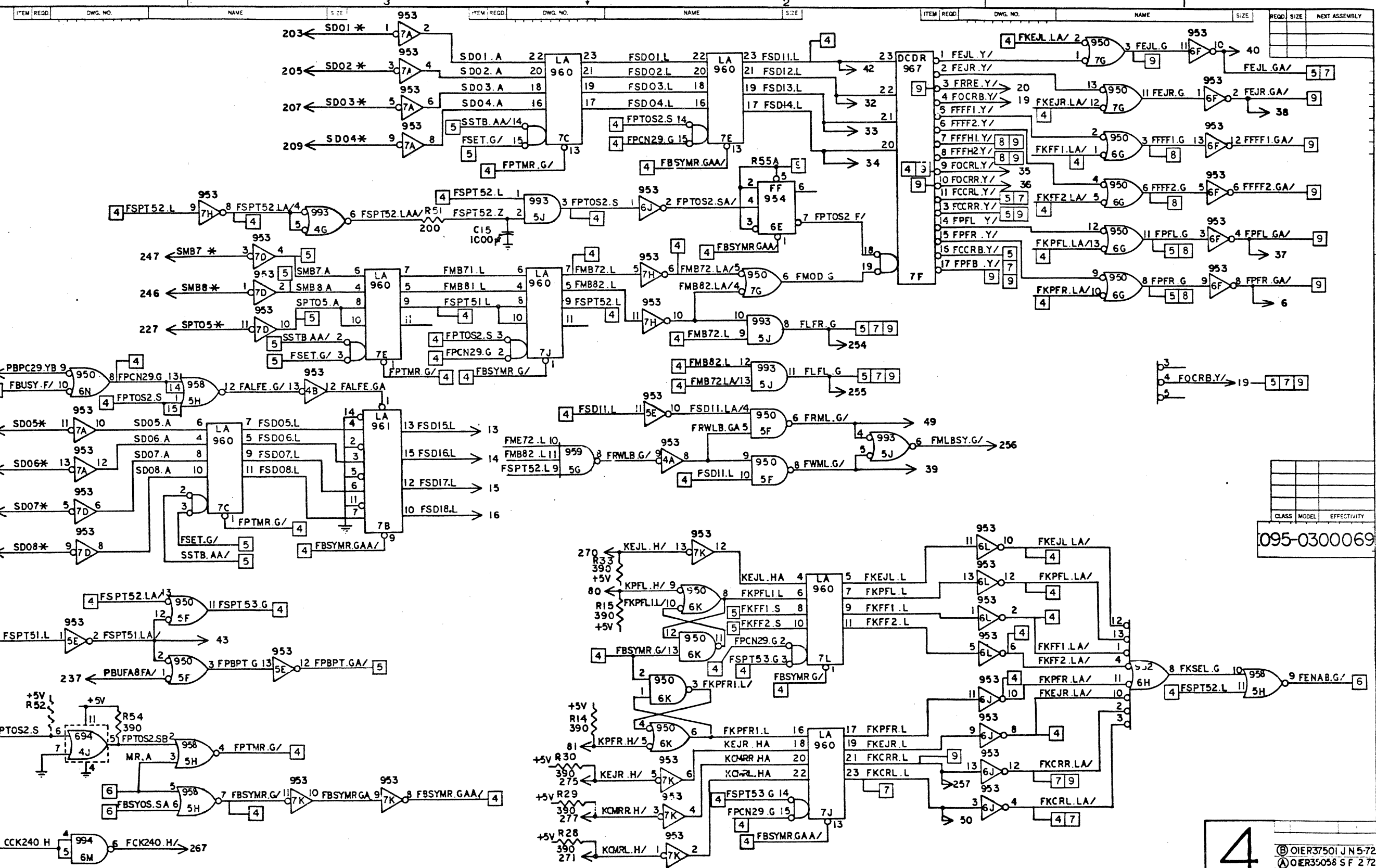
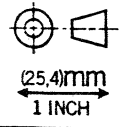
BY GTC

DESIGNED BY L. BLOOM

SCALE 5/8 9

095-0300069

FIELD PRINT



CLASS MODEL EFFECTIVITY
095-0300069

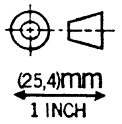
4
OIER37501 J N 5-72
OIER35058 S F 2-72

NOTES
1. NEW PARTS

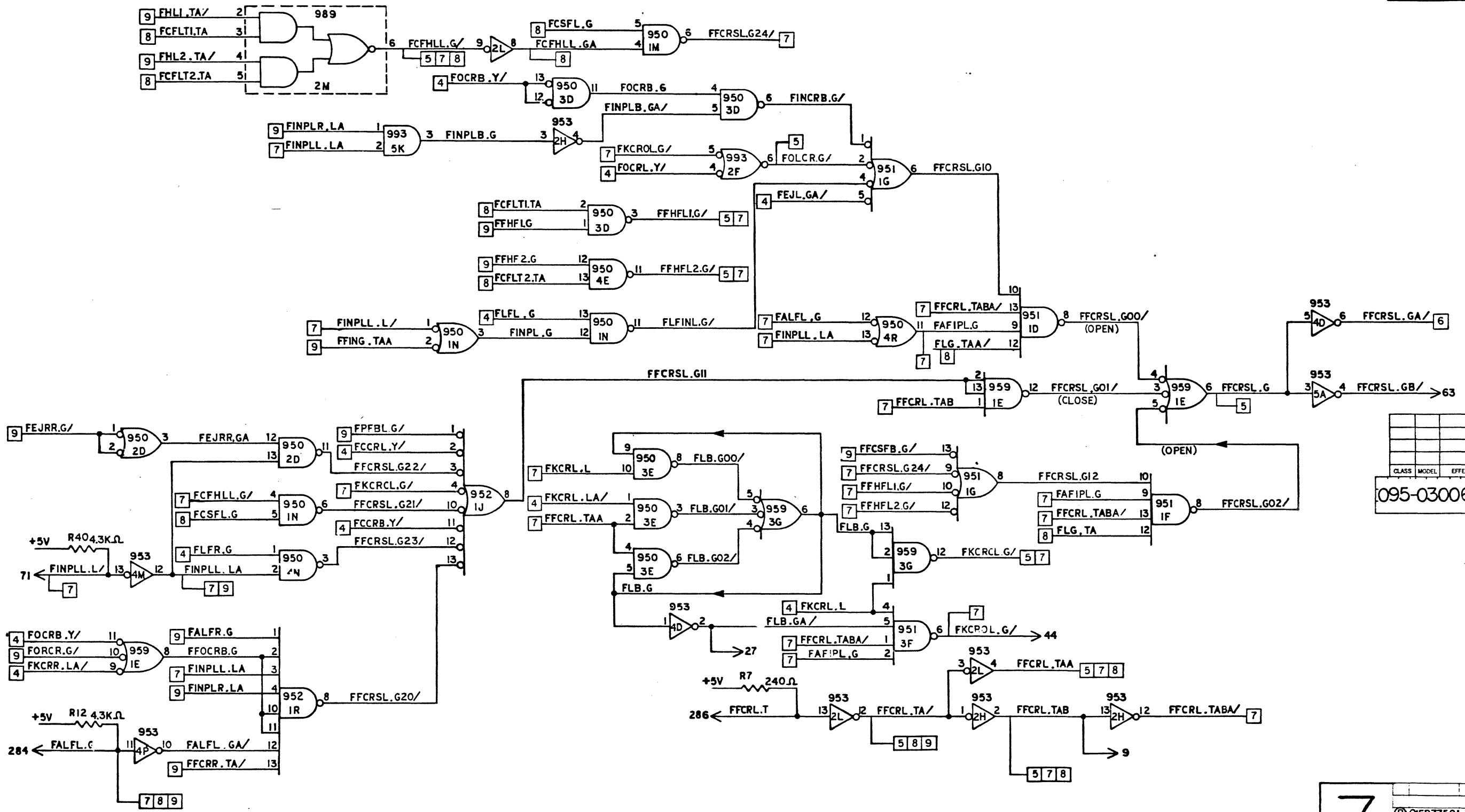
CHANGES (A) NEW (B) OIER37501

STD QUALITY SEE SP40415
CLASS M 42-2-399 NCR THE NATIONAL CASH REGISTER CO
DAVTON, OHIO
START 12-71 TO 110-72 FORMS HANDLER
OFTS SJF
DESIGNER L BLOOM (BASIC FORMS HANDLER)
APPD APPD SHEET 4 OF 9
SCALE ~ 095-0300069
REVISED BY SCALE ~
EVALUATE CODE 2-9550

FIELD PRINT



ITEM	REQD	DWG. NO.	NAME	SIZE	ITEM	REQD	DWG. NO.	NAME	SIZE	ITEM	REQD	DWG. NO.	NAME	SIZE	REQD	SIZE	NEXT ASSEMBLY



CLASS MODEL EFFECTIVITY
095-030069

NOTES
S.W. PARTS
CHANGES (A) NEW (B) OIER37501

R **7**
 OIER37501 J N 572
 IER35058 GW 272
 REV. RELEASE NO. 1975 1075

STD. QUAL. SEE SP00415		CLASS M42-2-399		NCR THE NATIONAL CASH REGISTER CO. DAYTON, OHIO	
START 1-72		PART 1-1-72		FORMS HANDLER	
DFTS GRW		DFTS GRW		SCHEMATIC - LOGIC	
DESIGNER L BLOOM		DESIGNER L BLOOM		(BASIC FORMS HANDLER)	
APPD.		APPD.		SHEET 7 OF 9	
S.P.S.D. BY		S.P.S.D. BY		SCALE ~ 095 0300069	
SUPERSEDED		SUPERSEDED		SIZE 2-9550	

FIELD PRINT



25.4mm
1 INCH

ITEM	REQD.	DWG. NO.	NAME	SIZE
------	-------	----------	------	------

ITEM	REQD.	DWG. NO.	NAME	SIZE
------	-------	----------	------	------

REQD.	SIZE	NEXT ASSEMBLY
I	B	395-0060033

CHANGES: (A) NEW (B) ADDED INHIBIT CIRCUIT; RENUMBERED COMPONENTS, R34 WAS 1W.
 (C) ADDED SHEETS 1 & 2, SHEET 3 WAS 1 (D) ON PAGE 2 REV. LEVEL WAS C

CLASS	MODEL	EFFECTIVITY
-------	-------	-------------

095-0300312

2. ALL RESISTORS .25W-5%-UNLESS NOTED.

1. BOARD-PLUG IN, 095 0300314.

NOTES:		REVISION ON SHEET NUMBER									
2	3										
A	A										
	B										
	C										

MATERIAL:
 COATING:
 BRAZE:
 HEAT TREAT:
 HARDNESS:

UNLESS OTHERWISE SPECIFIED, DIMENSIONAL LIMITS ARE:
 INCH NOMINAL
 XX ± .02
 XXX ± .005

STD. QUALITY SEE SP4004.15
 CLASS: M-42-1-399
 START: 6-12-72 FINISH: 6-12-72
 DFTS: GTC CHKR:
 DESIGNER: K. HEISTAND
 APPD: APPD:
 SUPSD. BY:
 SUPERSEDES:

THIS DRAWING AND INFORMATION THEREON IS THE PROPERTY OF THE NATIONAL CASH REGISTER COMPANY AND ALL UNAUTHORIZED USE AND REPRODUCTION IS PROHIBITED.

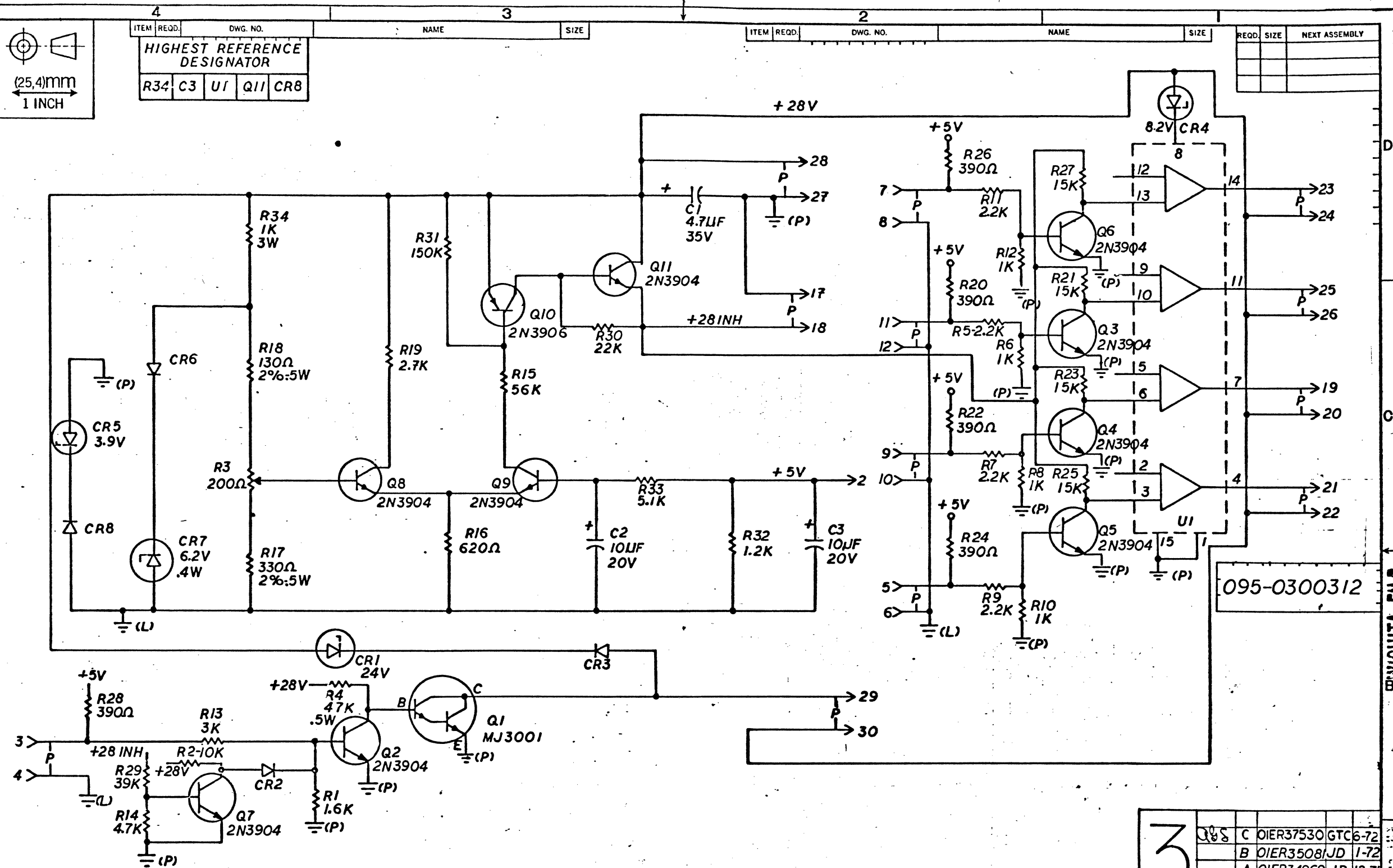
NCR THE NATIONAL CASH REGISTER CO. DAYTON, OHIO

UNIT: BASIC FORMS HANDLER
 NAME: SCHEMATIC-DRIVER (F.H. SOL., NO. 1)

SHEET 1 OF 3
 SCALE:
 CODE: 2-955D

095-0300312

FIELD PRINT



NOTES:
 SIMILAR PARTS _____
 CHANGES: (A) NEW (B) ADDED INHIBIT CIRCUIT; RENUMBERED COMPONENTS. R34 WAS 1W (C) ADDED SHEETS 1 & 2, SHEET 3 WAS 1

THIS DRAWING AND INFORMATION THEREON IS THE PROPERTY OF THE NATIONAL CASH REGISTER COMPANY AND ALL UNAUTHORIZED USE AND REPRODUCTION IS PROHIBITED.		NCR THE NATIONAL CASH REGISTER CO. DAYTON, OHIO	
STD. QUALITY SEE SP4004.15 CLASS: M-42 1-399		UNIT: BASIC FORMS HANDLER NAME: SCHEMATIC-DRIVER	
START: 11-20 FINISH: 11-20-71 DFTS: JPD CHKR:		DESIGNER: K. HEISTAND (F.H. SOL. NO. 1) APPD: APPD: SHEET 3 OF 3	
UNLESS OTHERWISE SPECIFIED, DIMENSIONAL LIMITS ARE: INCH NOMINAL XX ± .02 XXX ± .005		SUPSD. BY: SCALE: NONE SUPERSEDES: CODE: 2-9550	

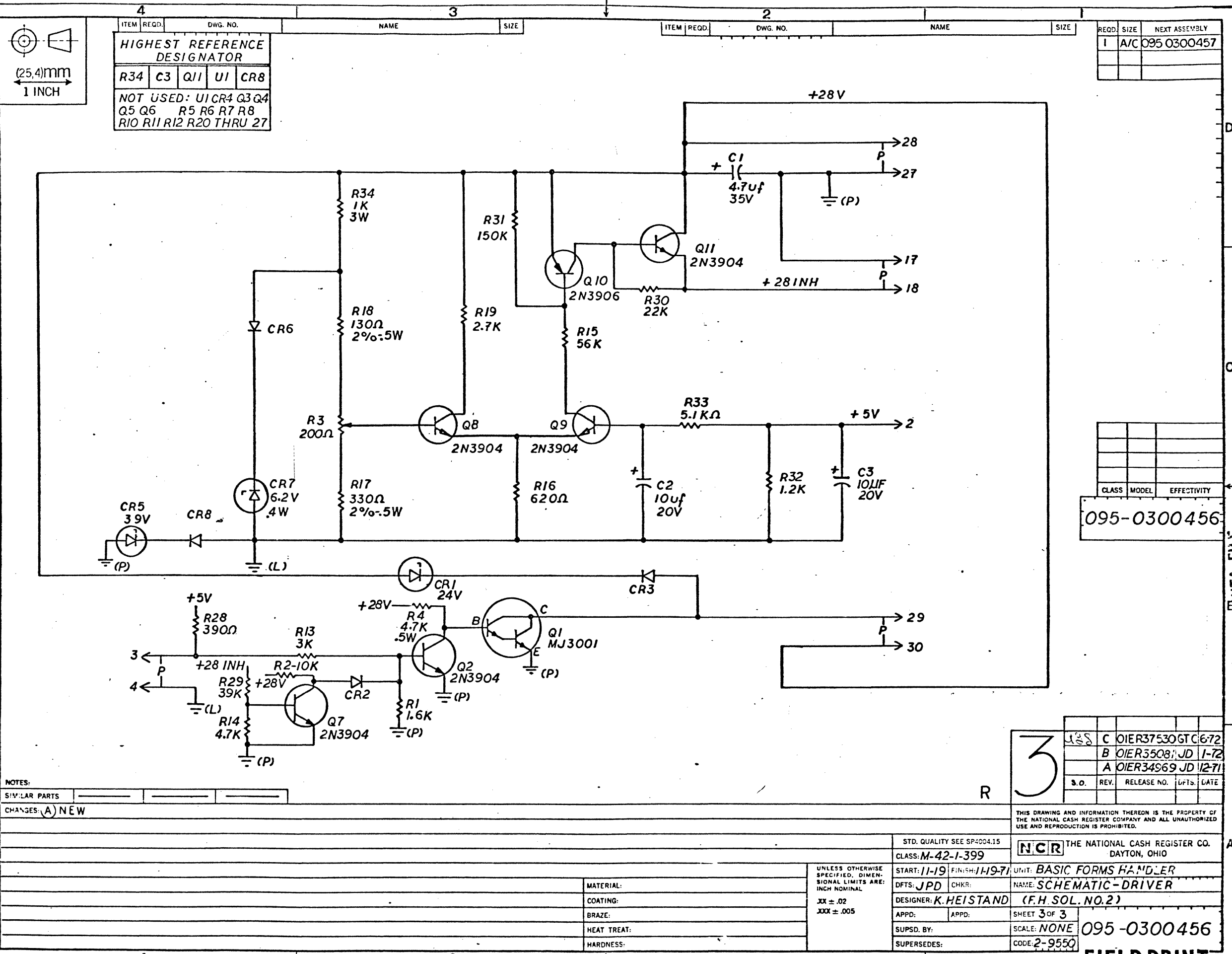
095-0300312

3	088	C	OIER37530	GTC	6-72
		B	OIER3508	JD	1-72
		A	OIER34969	JD	12-71
S.O.	REV.	RELEASE NO.	DFTS.	DATE	

095-0300312

FIELD PRINT





ITEM	REQD.	DWG. NO.	NAME	SIZE
HIGHEST REFERENCE DESIGNATOR				
R34	C3	Q11	U1	CR8
NOT USED: U1 CR4 Q3 Q4 Q5 Q6 R5 R6 R7 R8 R10 R11 R12 R20 THRU 27				

REQD.	SIZE	NEXT ASSEMBLY
1	A/C	095 0300457

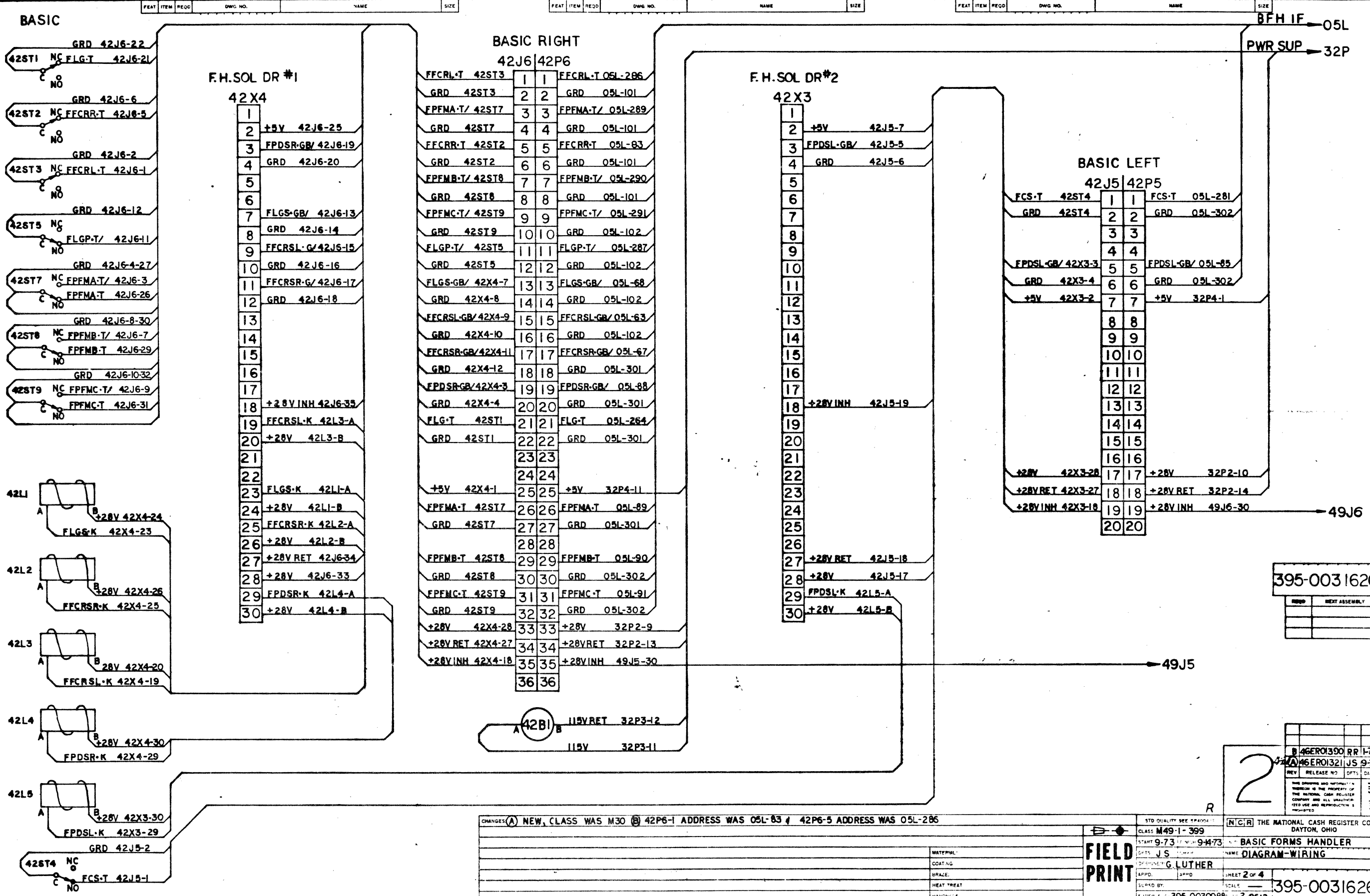
CLASS	MODEL	EFFECTIVITY
095-0300456		

NOTES:

SIMILAR PARTS

CHANGES: (A) NEW

THIS DRAWING AND INFORMATION THEREON IS THE PROPERTY OF THE NATIONAL CASH REGISTER COMPANY AND ALL UNAUTHORIZED USE AND REPRODUCTION IS PROHIBITED.		NCR THE NATIONAL CASH REGISTER CO. DAYTON, OHIO	
STD. QUALITY SEE SP4004.15 CLASS: M-42-1-399		UNIT: BASIC FORMS HANDLER NAME: SCHEMATIC-DRIVER (F.H. SOL. NO. 2)	
START: 11-19 FINISH: 11-9-71 DFTS: JPD CHKR:		SHEET 3 OF 3	
DESIGNER: K. HEISTAND APPD: APPD:		SCALE: NONE CODE: 2-9550	
SUPSD. BY:		095-0300456	
SUPSEDES:		FIELD PRINT	



BASIC

BASIC RIGHT
42J6 42P6

F. H. SOL DR #2
42X3

BASIC LEFT
42J5 42P5

F. H. SOL DR #1
42X4

- GRD 42J6-22
- 42ST1 NC FLG-T 42J6-21
- GRD 42J6-6
- 42ST2 NC FFCRR-T 42J6-5
- GRD 42J6-2
- 42ST3 NC FFCRL-T 42J6-1
- GRD 42J6-12
- 42ST5 NC FLGP-T/ 42J6-11
- GRD 42J6-4-27
- 42ST7 NC FPFMA-T/ 42J6-3
- FPFMA-T 42J6-26
- GRD 42J6-8-30
- 42ST8 NC FPFMB-T/ 42J6-7
- FPFMB-T 42J6-29
- GRD 42J6-10-32
- 42ST9 NC FPFMC-T/ 42J6-9
- FPFMC-T 42J6-31
- 42L1
- FLGS-K 42X4-23
- 42L2
- FFCRSR-K 42X4-25
- 42L3
- FFCRSL-K 42X4-19
- 42L4
- FPDSR-K 42X4-29
- 42L5
- FPDSL-K 42X3-29
- GRD 42J5-2
- 42ST4 NC FCS-T 42J5-1

- 1
- 2 +5V 42J6-25
- 3 FPDSR-GB/ 42J6-19
- 4 GRD 42J6-20
- 5
- 6
- 7 FLGS-GB/ 42J6-13
- 8 GRD 42J6-14
- 9 FFCRSL-G/ 42J6-15
- 10 GRD 42J6-16
- 11 FFCRSR-G/ 42J6-17
- 12 GRD 42J6-18
- 13
- 14
- 15
- 16
- 17
- 18 +28V INH 42J6-35
- 19 FFCRSL-K 42L3-A
- 20 +28V 42L3-B
- 21
- 22
- 23 FLGS-K 42L1-A
- 24 +28V 42L1-B
- 25 FFCRSR-K 42L2-A
- 26 +28V 42L2-B
- 27 +28V RET 42J6-34
- 28 +28V 42J6-33
- 29 FPDSR-K 42L4-A
- 30 +28V 42L4-B

- FFCRL-T 42ST3
- GRD 42ST3
- FPFMA-T/ 42ST7
- GRD 42ST7
- FFCRR-T 42ST2
- GRD 42ST2
- FPFMB-T/ 42ST8
- GRD 42ST8
- FPFMC-T/ 42ST9
- GRD 42ST9
- FLGP-T/ 42ST5
- GRD 42ST5
- FLGS-GB/ 42X4-7
- GRD 42X4-8
- FFCRSL-GB/ 42X4-9
- GRD 42X4-10
- FFCRSR-GB/ 42X4-11
- GRD 42X4-12
- FPDSR-GB/ 42X4-3
- GRD 42X4-4
- FLG-T 42ST1
- GRD 42ST1
- 23 23
- 24 24
- +5V 42X4-1
- FPFMA-T 42ST7
- GRD 42ST7
- FPFMB-T 42ST8
- GRD 42ST8
- FPFMC-T 42ST9
- GRD 42ST9
- +28V 42X4-28
- +28V RET 42X4-27
- +28V INH 42X4-18
- 35 35
- 36 36

- 1
- 2 +5V 42J5-7
- 3 FPDSL-GB/ 42J5-5
- 4 GRD 42J5-6
- 5
- 6
- 7
- 8
- 9
- 10
- 11
- 12
- 13
- 14
- 15
- 16
- 17
- 18 +28V INH 42J5-19
- 19
- 20
- 21
- 22
- 23
- 24
- 25
- 26
- 27 +28V RET 42J5-18
- 28 +28V 42J5-17
- 29 FPDSL-K 42L5-A
- 30 +28V 42L5-B

- FCS-T 42ST4
- GRD 42ST4
- 3 3
- 4 4
- FPDSL-GB/ 42X3-3
- GRD 42X3-4
- +5V 42X3-2
- 7 7
- 8 8
- 9 9
- 10 10
- 11 11
- 12 12
- 13 13
- 14 14
- 15 15
- 16 16
- +28V 42X3-28
- +28V RET 42X3-27
- +28V INH 42X3-18
- 17 17
- 18 18
- 19 19
- 20 20

BFH IF - 05L
PWR SUP - 32P

395-0031626

REV	NEXT ASSEMBLY

2

46ERO1390 RR 1-74
46ERO1321 JS 9-73

REV RELEASE NO DPTS DATE

THE DRAWING AND INFORMATION HEREON IS THE PROPERTY OF THE NATIONAL CASH REGISTER COMPANY AND ALL REPRODUCTIONS AND REUSE ARE PROHIBITED.

CHANGES (A) NEW, CLASS WAS M30 (B) 42P6-1 ADDRESS WAS 05L-83 (C) 42P6-5 ADDRESS WAS 05L-286

CLASS M49-1-399	STD QUALITY SEE SP404	NICR THE NATIONAL CASH REGISTER CO. DAYTON, OHIO
DATE 9-73	BY 9-14-73	NAME BASIC FORMS HANDLER
DRAWN BY J.S. LUTHER	SCALE	NAME DIAGRAM-WIRING
APPROVED BY G. LUTHER	SHEET 2 OF 4	NO. FILE
DATE	SCALE	395-0031626
SUPERVISOR 395-0030988	DATE 2-9512	

FIELD PRINT

FIELD PRINT

BFH LOGIC
BFH PWR

CFF LOGIC → 49J5 & 49J6
CFF PWR → 49J5 & 49J6

M05 BACK PANEL

05L 1-51

52
53
54
55
56
57
58
59
60
61
62
63
64
65
66
67
68
69
70
71
72
73
74
75
76
77
78
79
80
81
82
83
84
85
86
87
88
89
90
91
92
93
94
95
96
97
98
99
100
101
102

LOGIC GRD
LOGIC GRD

05L 201-251

252
253
254
255
256
257
258
259
260
261
262
263
264
265
266
267
268
269
270
271
272
273
274
275
276
277
278
279
280
281
282
283
284
285
286
287
288
289
290
291
292
293
294
295
296
297
298
299
300
301
302

LOGIC GRD
LOGIC GRD

32 P2

1
2
3
4
5
6
7
8
9
10
11
12
13
14
15
16
17
18
19
20
21
22
23
24
25
26
27
28
29
30
31
32
33
34
35
36

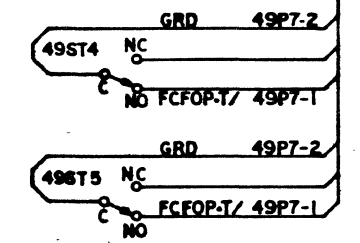
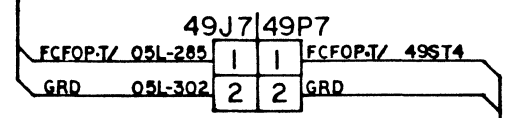
POWER SUPPLY

32 P3

1
2
3
4
5
6
7
8
9
10
11
12
13
14
15
16
17
18
19
20

32 P4

1
2
3
4
5
6
7
8
9
10
11
12
13
14
15
16
17
18
19
20
21
22
23
24
25
26
27
28
29
30
31
32
33
34
35
36



395-0031626

REV	RELEASE NO.	DFTS	DATE

3

A 46801321 JS 9-73

REV RELEASE NO. DFTS DATE

THIS DRAWING AND INFORMATION THEREON IS THE PROPERTY OF THE NATIONAL CASH REGISTER COMPANY AND ALL REPRODUCTION HEREOF AND REPAIR THEREON IS PROHIBITED.

CHANGES (A) NEW CLASS WAS M30

STD QUALITY SEE SP4004'S	[N.C.R.] THE NATIONAL CASH REGISTER CO. DAYTON, OHIO
CLASS M49-1-399	UNIT BASIC FORMS HANDLER
START 9-73 FINISH 9-14-73	NAME DIAGRAM-WIRING
DFTS JS	DRYER G. LUTHER
APPD: APPD:	SHEET 3 of 4
SUPSD BY:	SCALE 2 9512
SUPERVISOR 395-0030988	395-0031626

FIELD PRINT

