

MR6251

**SPERRY UNIVAC
REMOTE KEYSTATION
ADAPTER
TYPES 8598-00 THRU -03**

**ILLUSTRATED
PARTS BREAKDOWN**

MARCH 1980

COMPANY CONFIDENTIAL INFORMATION

THIS DOCUMENT CONTAINS CONFIDENTIAL INFORMATION OF THE SPERRY CORPORATION. IN CONSIDERATION OF THE RECEIPT OF THIS DOCUMENT, THE RECIPIENT AGREES NOT TO REPRODUCE, COPY, USE OR TRANSMIT THIS DOCUMENT AND/OR THE INFORMATION THEREIN CONTAINED, IN WHOLE OR IN PART, OR TO SUFFER SUCH ACTION BY OTHERS, FOR ANY PURPOSE, EXCEPT WITH THE WRITTEN PERMISSION, FIRST OBTAINED, OF SPERRY UNIVAC DIVISION OF SPERRY CORPORATION, AND FURTHER AGREES TO SURRENDER SAME TO SPERRY UNIVAC WHEN THE REASON FOR ITS RECEIPT HAS TERMINATED.

SPERRY  UNIVAC

FASTRAND, SPERRY UNIVAC, UNISCOPE, UNISERVO, and UNIVAC are registered trademarks of the Sperry Corporation. ESCORT, PAGEWRITER, PIXIE, and UNIS are additional trademarks of the Sperry Corporation.

HANDBOOK APPLICATION

1900 CADE
1900/10 System

HB2367 SPERRY UNIVAC Remote
Keystation Adapter
Type 8598
Servicing

Branch Library

HB1711 Miscellaneous
Illustrated Parts Breakdown

REVISION STATUS

EFFECTIVE PAGES	REVISION HCB
iii/iv	-
1-1 thru 1-5	-
2-1 thru 2-27	-
3-1	-
4-1	-
5-1	-

CONTENTS

Heading	Title	Page
SECTION 1		
INTRODUCTION		
1-1.	General	1-1
1-2.	How to use the IPB.	1-1
1-3.	Illustrations and Parts List.	1-1

SECTION 2. ILLUSTRATIONS/GROUP ASSEMBLY PARTS LIST (GAPL)

SECTION 3. REFERENCE DESIGNATION INDEX

SECTION 4. NUMERICAL INDEX

SECTION 5. ATTACHING HARDWARE

ILLUSTRATIONS/GAPL		Illus.	GAPL
Figure		Page	Page
A.	Figure/Assembly Locator	2-1	
1.	Remote Keystation Adapter Types 8598-00 thru -03.	2-2	2-3
2.	Wired Assy, Remote Keystation Adapter	2-4	2-5
3.	PC Assy, Backpanel.	2-12	2-12
4.	PC Assy, Backpanel (Optional)	2-13	2-13
5.	Wiring Harness, Backpanel	2-14	2-14
6.	AC Power Cord	2-15	2-15
7.	Cable Assy, LED Switch W11.	2-16	2-16
8.	AC Power Cable, W12	2-17	2-17
9.	Wiring Harness, AC Power W2	2-18	2-18
10.	Cable Assy, I/O	2-19	2-19
11.	Cable Assy.	2-20	2-20
12.	Coaxial Cable Assy.	2-20	2-21
13.	Coaxial Cable Assy.	2-21	2-21
14.	PC Complement - Local	2-22	2-22
15.	PC Complement - Remote.	2-23	2-23
16.	Prom Complement - Local	2-24	2-24
17.	Prom Complement - Remote.	2-25	2-25
18.	Prom Complement, RS 232	2-26	2-26
19.	Cable Assy, Modem	2-27	2-27

SECTION 1

INTRODUCTION

1-1. GENERAL

This Illustrated Parts Breakdown (IPB) lists and illustrates the field-replaceable parts for the SPERRY UNIVAC Remote Keystation Adapter Type 8596-00 thru -03.

The IPB consists of five sections.

Section 1. Introduction. This section contains information on how to use the IPB.

Section 2. Illustrations/Group Assembly Parts List. This section consists of pictorial breakdowns and indexed parts lists of all assemblies in the unit.

Section 3. Reference Designation Index. This section is a list of parts for which a reference designation is given in the parts list. The parts are listed in alphanumeric order by schematic reference designation; figure and index numbers are given to aid in locating the part in the parts list in Section 2.

Section 4. Numerical Index. This section provides a numerical list of all part numbers in the IPB. The figure and index number are given for each part to aid in locating the part in the parts list in Section 2. Attaching hardware is not listed in the Numerical Index.

Section 5. Attaching Hardware. This section provides a numerical listing of all attaching hardware listed in Section 2.

1-2. HOW TO USE THE IPB

1-3. FIGURE/ASSEMBLY LOCATOR (FIGURE A)

Figure A is provided as a quick reference to indicate the figure which breaks down a particular assembly. Indented figure numbers are subassemblies of the figure under which they are indented.

EXAMPLE: Figure/Assembly Locator

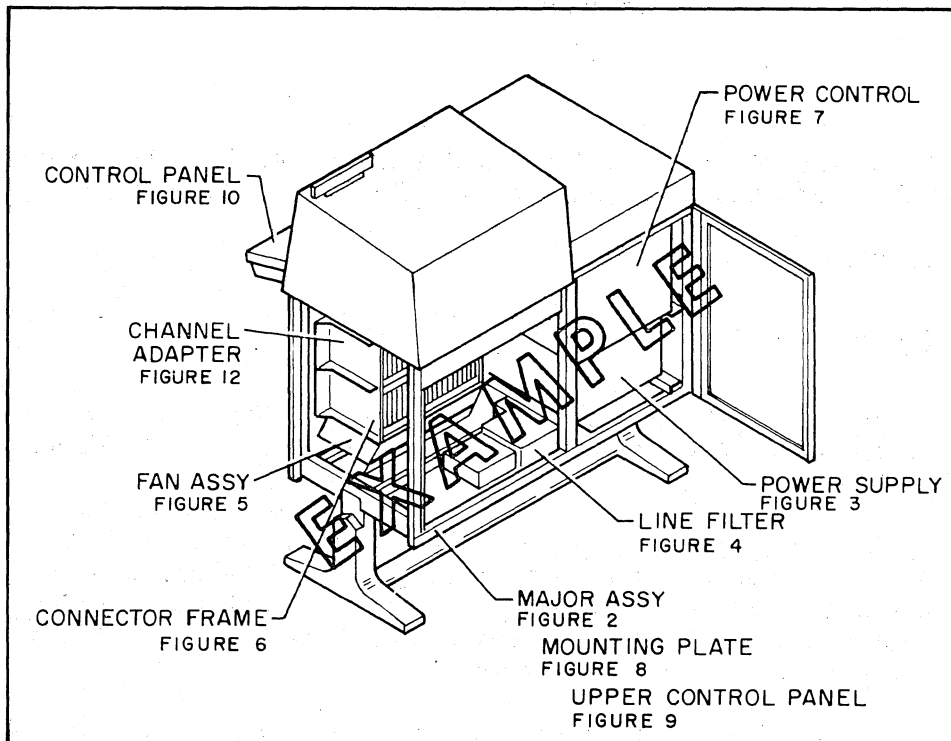


Figure A. Figure/Assembly Locator

1-4. ILLUSTRATION AND PARTS LIST

The callouts on the Illustration and Parts List shown have the following significance:

ILLUSTRATION

- A - A circled index number indicates an assembly which has its parts illustrated on the same figure. If the circled number has a figure notation next to it, its parts are shown on the indicated figure.
- B - "REF" on the illustration means that particular item has been shown on another area of the same figure and is shown at this point for reference only.

PARTS LIST

C - FIGURE & INDEX NO.

The digits preceding the hyphen refer to the figure number illustrating the particular assembly. The digits after the hyphen provide a reference between the indented parts list and the callout number on the associated illustration.

D - PART NUMBER

This column contains the Sperry Univac part number for the item listed. "NO NUMBER" indicates the item should not be ordered. A number with a suffix "-XX" means the part number is variable and a selection must be made.

E - REFERENCE DESIGNATION

A unique designation which is assigned by schematic diagrams for the item listed.

F - DESCRIPTION INDENTATION SYSTEM

The numbers in the description header indicate the relationship of parts as shown by the dots preceding the description. An item preceded by two dots is part of the last one-dot assembly above it; a three-dot item is part of the last two-dot assembly above it; etc.

G - NUMBER-PER-ASSEMBLY

This is the quantity of indexed parts used on the next higher assembly. "REF" in this column means the assembly has already been listed with its quantity in a preceding figure. "AR" in this column means "AS REQUIRED" and is used when the quantity is unspecified or variable. "NP" means the part is non-procurable.

H - ATTACHING HARDWARE

The part numbers following the asterisk (*) are the items needed to attach the indexed part. A numerical listing of all the attaching hardware, used in this book, can be found in Section 5.

I - FIGURE ASSEMBLY ATTACHING HARDWARE

The attaching hardware for the assembly listed as the figure are found on the next higher assembly indicated.

J - ACTIVELY SUPPORTED PART NUMBERS

A "#" symbol in this column indicates that the part is active in the WDC supply system. If an order is accepted for a part that does not have an indicator (#), the part will have to be sourced by WDC.

Introduction

K - USED-ON-CODE

If this column is blank, the part is applicable for all units in this book. A letter or group of letters designate the unique variable part or feature for which a selection must be made. The letters have the following significance:

USED-ON-CODE	DESCRIPTION
1	T8598-00 Remote Keystation Adapter (Local) 50/60 Hz 100-120V
2	T8598-01 Remote Keystation Adapter (Local) 50/60 Hz 200-240V
3	T8598-02 Remote Keystation Adapter (Remote) 50/60 Hz 100-120V
4	T8598-03 Remote Keystation Adapter (Remote) 50/60 Hz 200-240V
A	F3312-00 Remote Printer Interface

Example: Illustration and Parts List

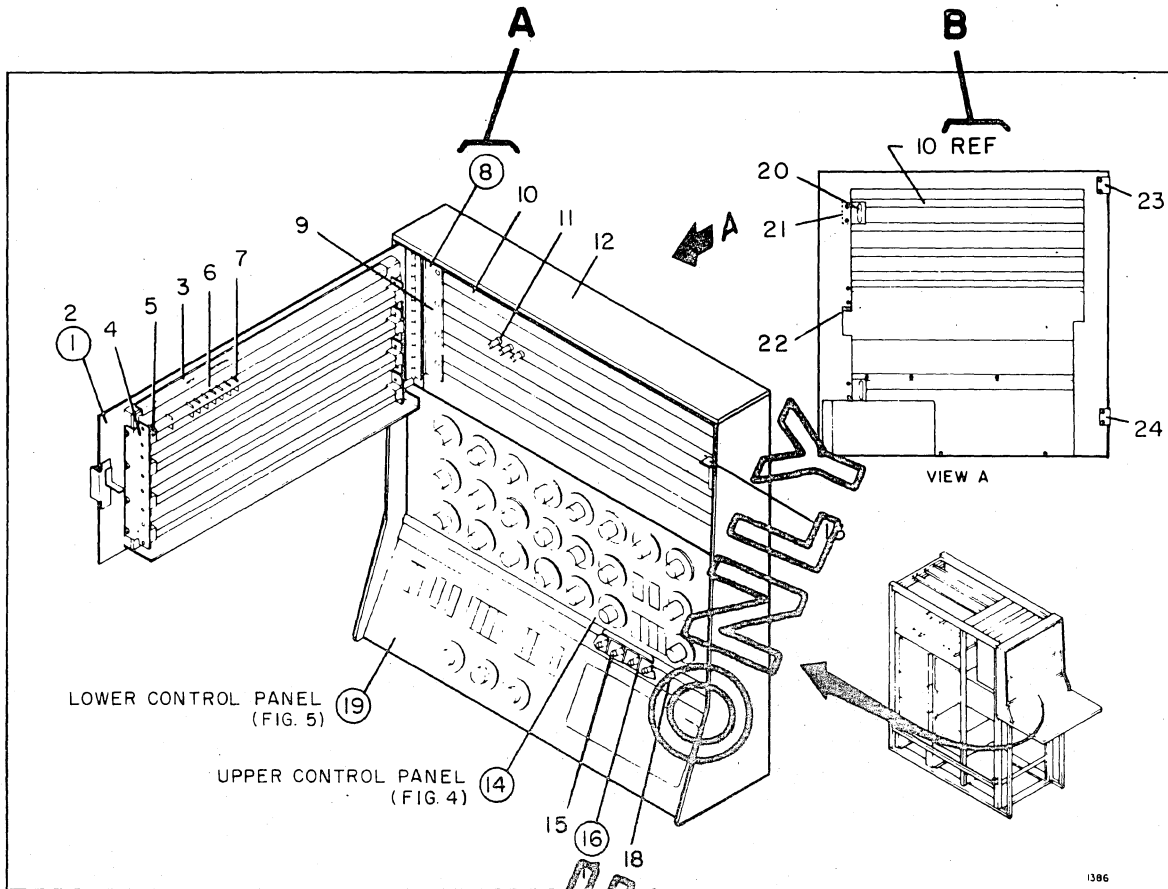


Figure 3. Maintenance Panel Assy

C	D	E	F	G	K
FIG & INDEX NO.	PART NUMBER	REF. DESIG	DESCRIPTION	NO. USED PER ASSY	USED ON CODE
3-	3619897	00 A4	MAINTENANCE PANEL ASSY-WIRED (SEE FIG 2-85 FOR NEXT HIGHER ASSY)	REF	
I -1	3534414	00	. . . PANEL ASSY, DISPLAY SCREEN	1	
-2	3534060	00	. . . FRAME, DISPLAY SCREEN PANEL	1	
-3	3184570	00	. . . ANGLE, MTG	1	
-4	3184567	00	. . . ANGLE, MTG-R.H. & L.H. (ATTACHING PARTS FOR NOS. 3 & 4)	2	
H -5	3184568		* 4912548-11, 4912862-02 . . . BRACKET, SUPPORT	AR	
-6	# 3184581	00	* 4912540-01, 4912548-11 . . . DISPLAY SCREEN	AR	
J -7	3534061	00	. . . BARRIER, LIGHT	1	

SECTION 2

ILLUSTRATIONS/GROUP ASSEMBLY PARTS LIST

REMOTE KEYSTATION ADAPTER TYPE 8598

FIGURE 1

WIRED ASSY, REMOTE KEYSTATION ADAPTER

FIGURE 2

BACKPANEL PC ASSY

FIGURE 3

BACKPANEL PC ASSY (OPTIONAL)

FIGURE 4

BACKPANEL WIRING HARNESS W7

FIGURE 5

AC POWER CORD

FIGURE 6

CABLE ASSY, LED SWITCH W11

FIGURE 7

CABLE ASSY, AC POWER W12

FIGURE 8

WIRING HARNESS, AC POWER W2

FIGURE 9

CABLE ASSY, I/O

FIGURE 10

CABLE ASSY

FIGURE 11

COAXIAL CABLE ASSY

FIGURE 12

COAXIAL CABLE ASSY

FIGURE 13

PC COMPLEMENT - LOCAL

FIGURE 14

PROM COMPLEMENT, LOCAL

FIGURE 16

PC COMPLEMENT - REMOTE

FIGURE 15

PROM COMPLEMENT, REMOTE

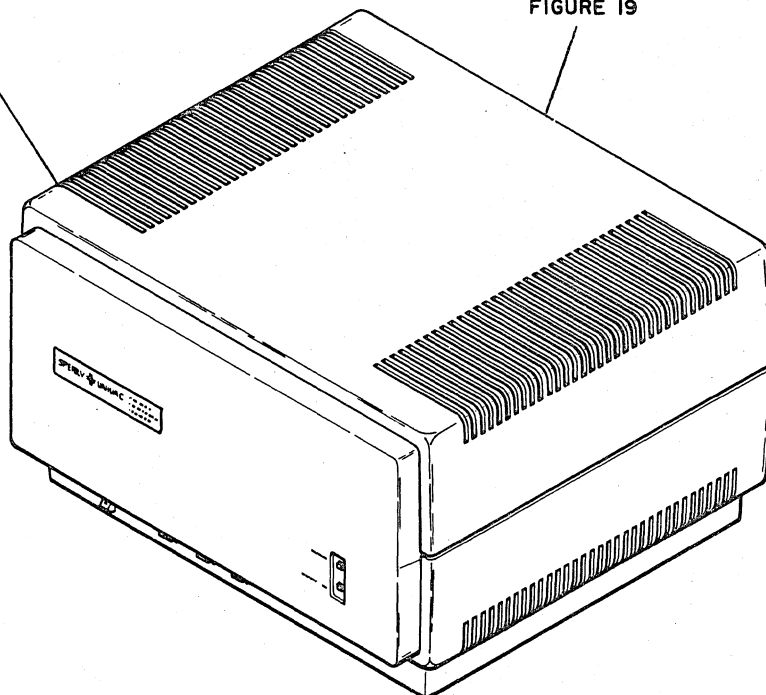
FIGURE 17

PROM COMPLEMENT, RS 232

FIGURE 18

CABLE ASSY

FIGURE 19



56125

Figure A. Figure/Assembly Locator

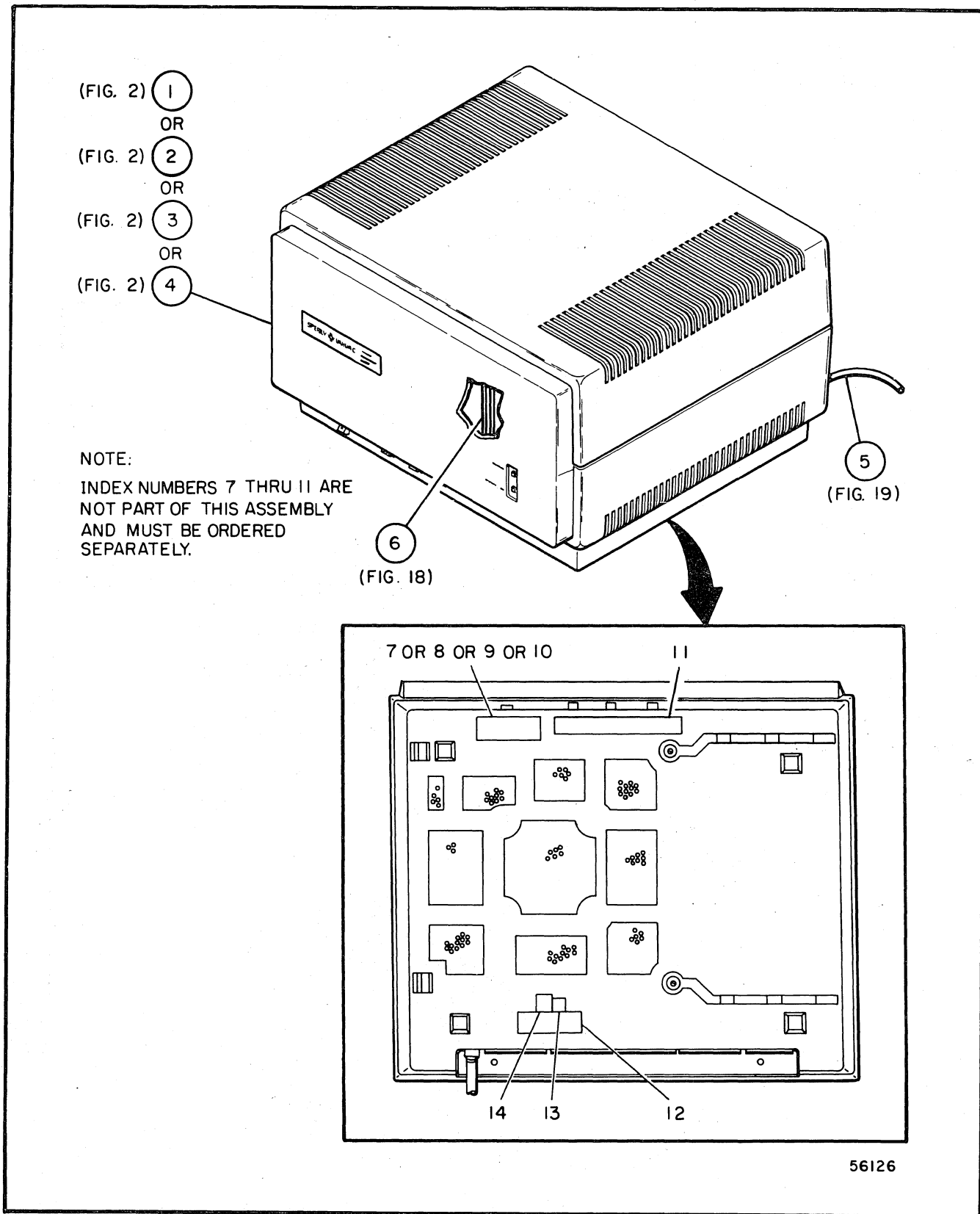


Figure 1. Remote Keystation Adapter Types 8598-00 thru -03

FIG & INDEX NO.	PART NUMBER	REF. DESIG.	1	2	3	4	5	6	7	DESCRIPTION	NO. PER ASSY	USED ON CODE
01-	NO NUMBER									REMOTE KEYSTATION ADAPTER (LOCAL) TYPE 8598-00 50/60 HZ 100-120V	NP	1
01-	NO NUMBER									REMOTE KEYSTATION ADAPTER (LOCAL) TYPE 8598-01 50/60 HZ 200-240V	NP	2
01-	NO NUMBER									REMOTE KEYSTATION ADAPTER (REMOTE) TYPE 8598-02 50/60 HZ 100-120V	NP	3
01-	NO NUMBER									REMOTE KEYSTATION ADAPTER (REMOTE) TYPE 8598-03 50/60 HZ 200-240V	NP	4
-1	NO NUMBER									• WIRED ASSY: REMOTE KEYSTATION ADAPTER (LOCAL) 50/60 HZ 100-120V (SEE FIG. 2 FOR BREAKDOWN)	NP	1
-2	NO NUMBER									• WIRED ASSY: REMOTE KEYSTATION ADAPTER (LOCAL) 50/60 HZ 200-240V (SEE FIG. 2 FOR BREAKDOWN)	NP	2
-3	NO NUMBER									• WIRED ASSY: REMOTE KEYSTATION ADAPTER (REMOTE) 50/60 HZ 100-120V (SEE FIG. 2 FOR BREAKDOWN)	NP	3
-4	NO NUMBER									• WIRED ASSY: REMOTE KEYSTATION ADAPTER (REMOTE) 50/60 HZ 200-240V (SEE FIG. 2 FOR BREAKDOWN)	NP	4
-5	NO NUMBER									• EXTERNAL CABLE ASSY (SEE FIG. 19 FOR BREAKDOWN)	1	
	NO NUMBER									• REMOTE PRINTER INTERFACE F3312-00	1	A
	2824079	01								• FROM COMPLEMENT, RS 232 (SEE FIG. 18 FOR BREAKDOWN)	NP	A
-7	2816463	18								• IDENTIFICATION PLATE, T8598-00	AR	1
-8	2816463	19								• IDENTIFICATION PLATE, T8598-01	AR	2
-9	2816463	20								• IDENTIFICATION PLATE, T8598-02	AR	3
-10	2816463	21								• IDENTIFICATION PLATE, T8598-03	AR	4
-11	3193594	09								• LABEL, DESIGNATION = FEATURE/SELECTION RECORD	1	
-12	2823162	XX								• PLATE, POWER	AR	
-13	4916046	00								• LABEL, DESIGNATION UL	1	
-14	4915445	06								• LABEL, DESIGNATION CSA SLC	AR	

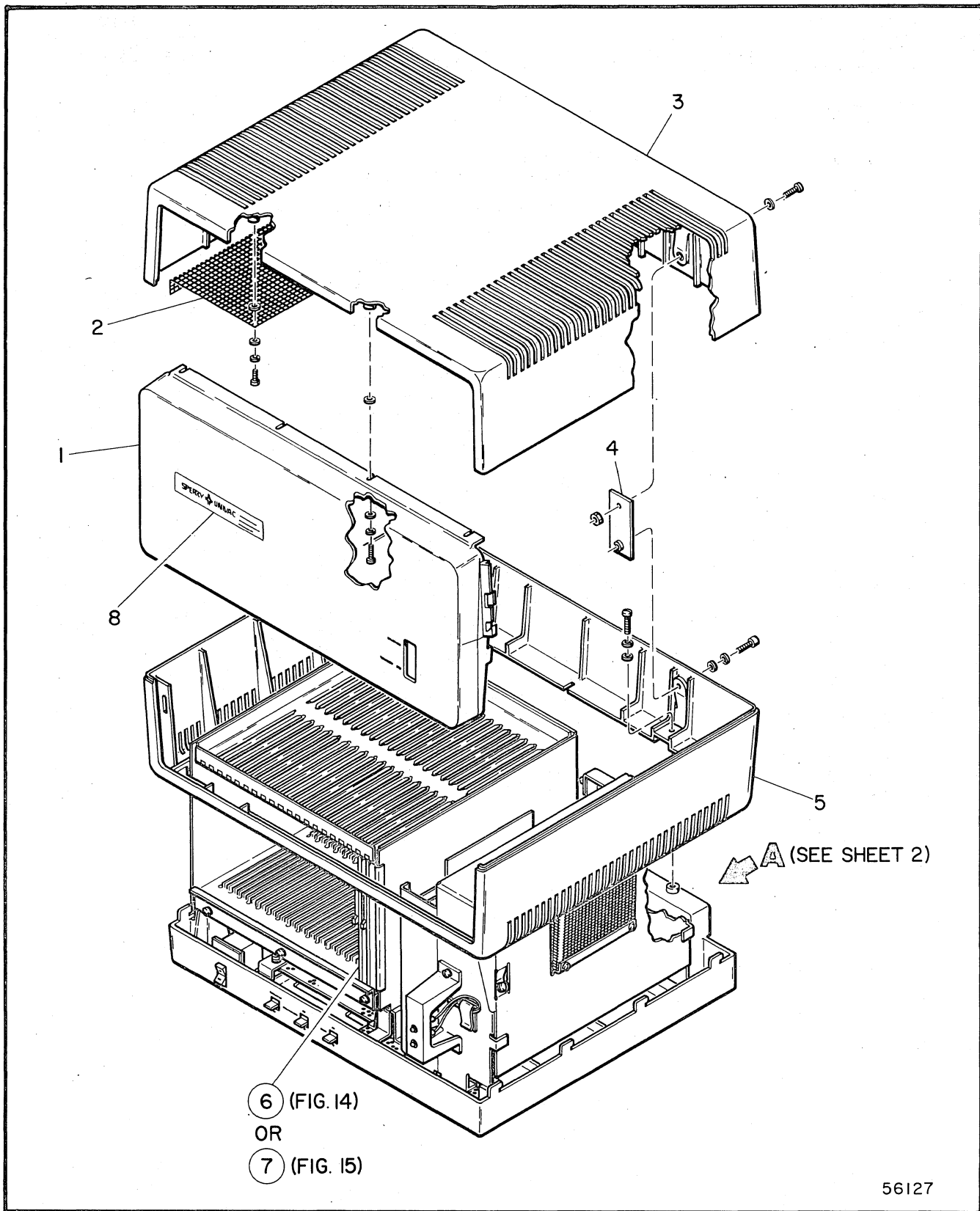
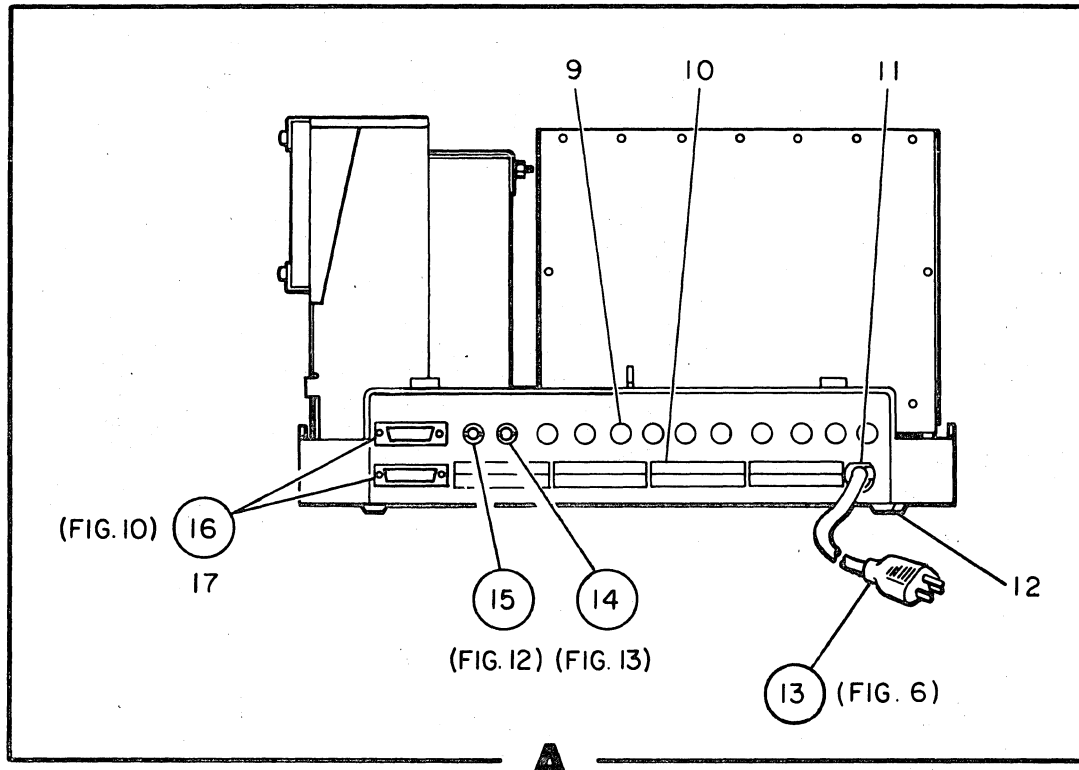


Figure 2. Wired Assy, Remote Keystation Adapter
(Sheet 1 of 4)

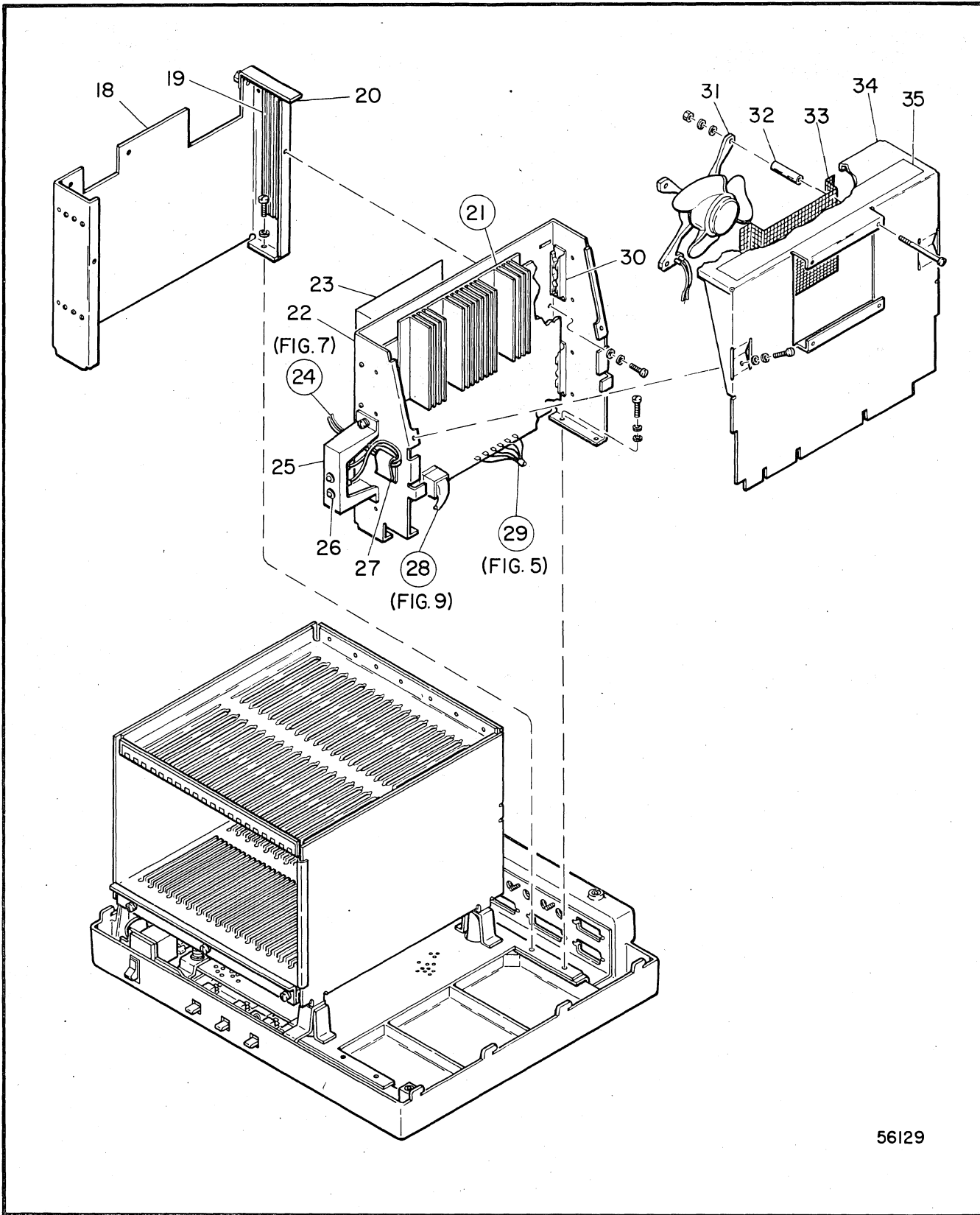
FIG 6 INDEX NO.	PART NUMBER	REF. DESIG.	1	2	3	4	5	6	7	DESCRIPTION	NO. USED PER ASSY	USED ON CODE
02-	NO NUMBER									WIRED ASSY, REMOTE KEYSTATION ADAPTER (LOCAL) 50/60 HZ 100-120V (SEE FIG. 1-1 FOR NEXT HIGHER ASSY)	REF	1
02-	NO NUMBER									WIRED ASSY, REMOTE KEYSTATION ADAPTER (LOCAL) 50/60 HZ 200-240V (SEE FIG. 1-2 FOR NEXT HIGHER ASSY)	REF	2
02-	NO NUMBER									WIRED ASSY, REMOTE KEYSTATION ADAPTER (REMOTE) 50/60 HZ 100-120V (SEE FIG. 1-3 FOR NEXT HIGHER ASSY)	REF	3
02-	NO NUMBER									WIRED ASSY, REMOTE KEYSTATION ADAPTER (REMOTE) 50/60 HZ 200-240V (SEE FIG. 1-4 FOR NEXT HIGHER ASSY)	REF	4
-1	2820577	00								o FRONT PANEL		1
-2	2820722	00								o 4912525-03, 4917260-02, 4912548-12	AR	2
-3	2820578	00								o WIRE MESH COVER	AR	1
-4	2820721	00								o 4912525-01, 4917260-02, 4912548-12	AR	2
-5	2820607	00								o ENCLOSURE, UPPER	AR	1
-6	NO NUMBER									o 4916900-01, 4912548-13, 4917273-00	AR	1
-7	NO NUMBER									o BRACKET, COVER	AR	2
-8	2823805	00								o 4915108-01, 4917260-03, 4912548-13	AR	1
										o ENCLOSURE, LOWER	AR	1
										o 4912527-02, 4917260-03, 4912548-13	AR	1
										o PC COMPLEMENT, LOCAL (SEE FIG. 14 FOR BREAKDOWN)	AR	1,2
										o PC COMPLEMENT, REMOTE (SEE FIG. 15 FOR BREAKDOWN)	AR	3,4
										o NAMEPLATE LOGO		1



56128

Figure 2. Wired Assy, Remote Keystation Adapter
(Sheet 2 of 4)

FIG 6 INDEX NO.	PART NUMBER 987654321AANN	REF. DESIG.	1	2	3	4	5	6	7	DESCRIPTION	NO. PER ASSY	USED ON CODE
02-9	2816570	02								o PLUG, BUTTON	11	
-10	2816568	01								o PLUG, HOLE 50 PIN CONNECTOR	4	
-11	2899443	20								o BUSHING, STRAIN RELIEF CABLE	1	
-12	2892393	03								o BUMPER RUBBER, ADH MTG 0.812 W 0.81 LG 0.79 H PAD	4	
-13	2823144	00								o AC POWER CORD (SEE FIG. 6 FOR BREAKDOWN)	1	
										o 4912527-03, 4917271-03, 4917260-03	AR	
										o 4912548-13	AR	
-14	2824835	00	J4							o COAXIAL CABLE ASSEMBLY (SEE FIG. 13 FOR BREAKDOWN)	1	
-15	2824834	00	J3							o COAXIAL CABLE ASSEMBLY (SEE FIG. 12 FOR NEXT HIGHER ASSY)	1	
-16	2823891	00								o CABLE ASSEMBLY, I/O (SEE FIG. 10 FOR NEXT HIGHER ASSY)	1	
-17	2892297	01								o JACK SCREW, F 4-40 0.270 THD LG STL 0.703 LG	4	



56129

Figure 2. Wired Assy, Remote Keystation Adapter
(Sheet 3 of 4)

FIG & INDEX NO.	PART NUMBER	REF. DESIG.	1	2	3	4	5	6	7	DESCRIPTION	NO. USED PER ASSY	USED ON CODE
02-18	2822415	00								o CARD RACK, EXPANSION	1	
-19	2892222	00								o 4912527-02, 4917260-03	AR	
-20	2820660	01								o GUIDE, PTD CKT BD	6	
-21	2818584	XX								o RETAINER, PC BOARD 2.90 LG	1	
-22	2820695	00								o 4912540-01, 4912548-11, 4917260-01	AR	
										o PC ASSEMBLY, POWER SUPPLY	1	
										o HOUSING, POWER SUPPLY	1	
										o 4912527-02, 4917260-03, 4912548-13	AR	
										o 4915350-01		
-23	2820775	00								o DECAL, CONNECTOR LOCATION	1	
-24	2821942	00								o CABLE ASSEMBLY, LED - SWITCH W11 (SEE FIG. 7 FOR BREAKDOWN)	1	
-25	2820579	00								o BRACKET, INDICATOR	1	
										o 4914061-01, 4917260-02, 4912548-12	AR	
-26	2816201	01								o DIODE, LIGHT EMITTING GREEN	2	
-27	4916583	00								o CLIP, SPRING TENSION	4	
-28	2820724	00								o WIRING HARNESS, AC POWER W2 (SEE FIG. 9 FOR BREAKDOWN)	1	
-29	2820723	00								o WIRING HARNESS, BACKPANEL W7 (SEE FIG. 5 FOR BREAKDOWN)	1	
-30	4916108	01								o GUIDE, PTD CKT BD 2.50 LG MTG TAB	4	
-31	2892437	01	B02							o FAN, TUBE AXIAL 75 CFM 115V 50/60 HZ 2350 RPM	1	
-32	4915125	16								o SPACER SLEEVE	4	
-33	2821387	00								o SCREEN, POWER SUPPLY COVER (ATTACHING PARTS FOR INDEX NUMBERS 31 THRU 33)		
										o 4912524-14, 4912548-11, 4917260-01	AR	
										o 4912540-01	AR	
-34	2821303	01								o COVER, POWER SUPPLY	1	
										o 4915350-01, 4917260-03, 4912548-13	AR	
-35	2820717	00								o LABEL, HIGH VOLTAGE	1	

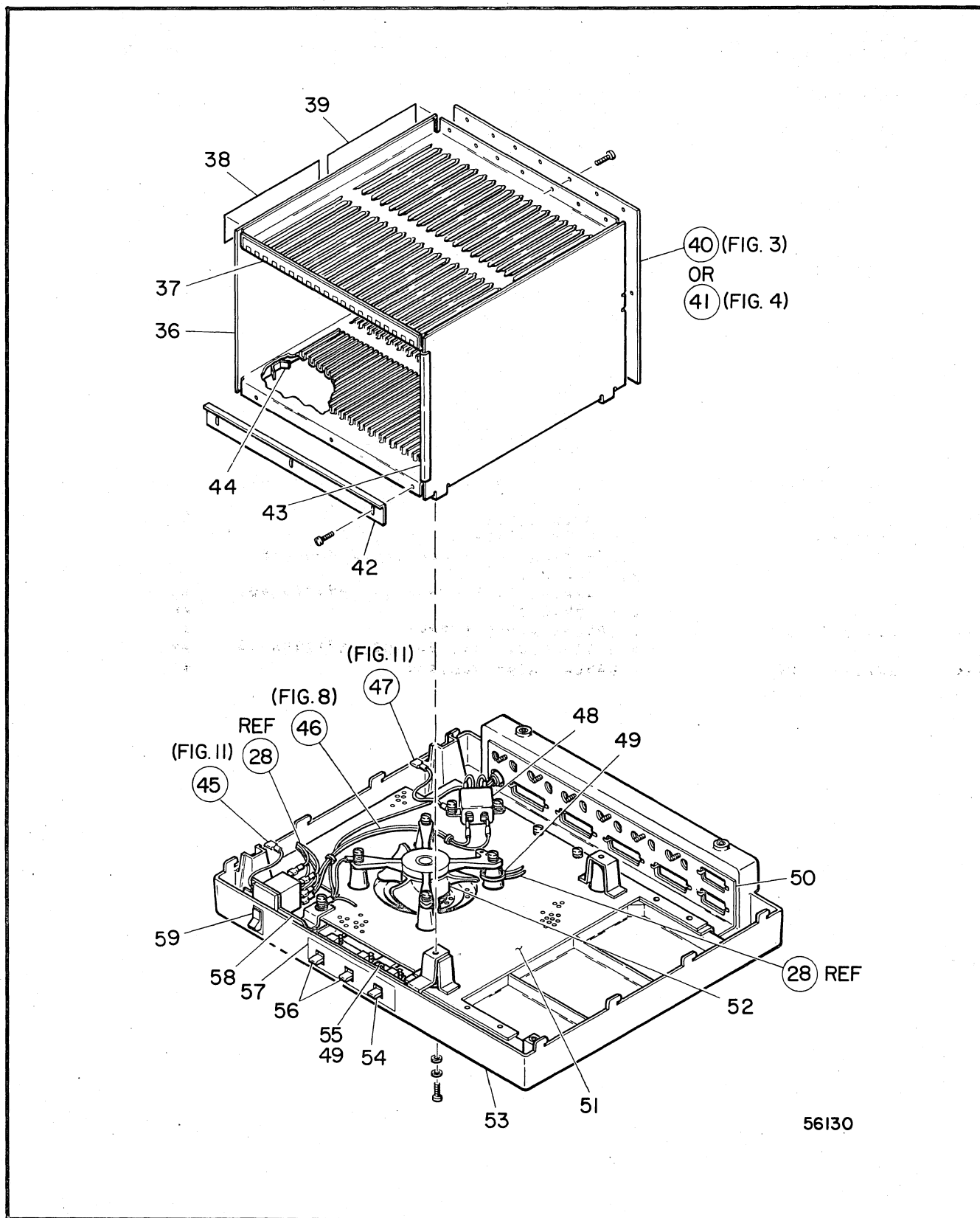


Figure 2. Wired Assy, Remote Keystation Adapter
(Sheet 4 of 4)

FIG & INDEX NO.	PART NUMBER	REF. DESIG.	1	2	3	4	5	6	7	DESCRIPTION	NO. USED PER ON ASSY CODE
02-36										• CARD RACK ASSEMBLY	1
										• 4915350-04, 4917260-03, 4912548-13	AR
-37	2820629	00								• LABEL, BOARD POSITION	1
-38	3188705	09								• LABEL, DESIGNATION UNIT FCO RECORD	1
-39	2820773	01								• DECAL, CONNECTOR LOCATION MAIN CARD RACK	1
-40	2818566	01								• PC ASSEMBLY, BACKPANEL BUSSED (SEE FIG. 3 FOR BREAKDOWN)	1
-41	2818458	02								• PC ASSEMBLY, BACKPANEL BUSSED (OPTIONAL FOR INDEX NUMBER 39) (SEE FIG. 4 FOR BREAKDOWN)	AR
-42	2820598	00								• RETAINER, PC BOARD	1
										• 2892733-00	AR
-43	4956574	00								• RUBBER, SPL U SHAPED SECT	AR
-44	2892641	03								• TERMINAL, QUICK DISCONNECT CLIP	2
-45	2821886	00								• CABLE ASSEMBLY (SEE FIG. 11 FOR BREAKDOWN)	1
-46	2821798	01								• AC POWER CABLE, W12 (SEE FIG. 8 FOR BREAKDOWN)	1
-47	2821886	01								• CABLE ASSEMBLY (SEE FIG. 11 FOR BREAKDOWN)	1
-48	2892616	05								• FILTER, RADIO INTERFERENCE 05 AMP 115 VAC 250 VAC 50/400 HZ	1
										• 4913556-02, 4917271-02, 4912548-12	AR
										• 4917260-02,	AR
-49	3156579	03								• STRAP, TIE NON MTG	AR
-50	2820582	01								• BRACKET, CONNECTOR	1
-51	2821824	00								• SCREEN, BASE ASSEMBLY (ATTACHING PARTS FOR INDEX NUMBERS 50 AND 51)	1
										• 4912527-02, 4912548-13, 4917260-03	AR
										• 4913556-02	AR
-52	2892437	01	801							• FAN, TUBE AXIAL 75 CFM 115V 50/60 HZ 2350 RPM	1
										• 4912524-04, 4917260-01, 4912548-11	AR
										• 4917271-01	AR
-53	2820576	00								• BASE	1
-54	2892339	04								• SWITCH, TOGGLE LEVER SPDT ON NONE ON 0.4 AMP 20V	1
-55	2899436	00								• PLATE, MTG CLAMP LOOP	
-56	2892339	03								• SWITCH, TOGGLE LEVER SPDT ON NONE ON 0.4 AMP 20V	2
-57	2823803	00								• NAMEPLATE CONTROL	1
-58	2820580	00								• BRACKET, SWITCH AND CIRCUIT BREAKER	1
										• 4912525-02, 4917260-02, 4912548-12	AR
										• 4917271-02	AR
-59	2892319	06								• CIRCUIT BREAKER, 2 POLE 250 VAC	1

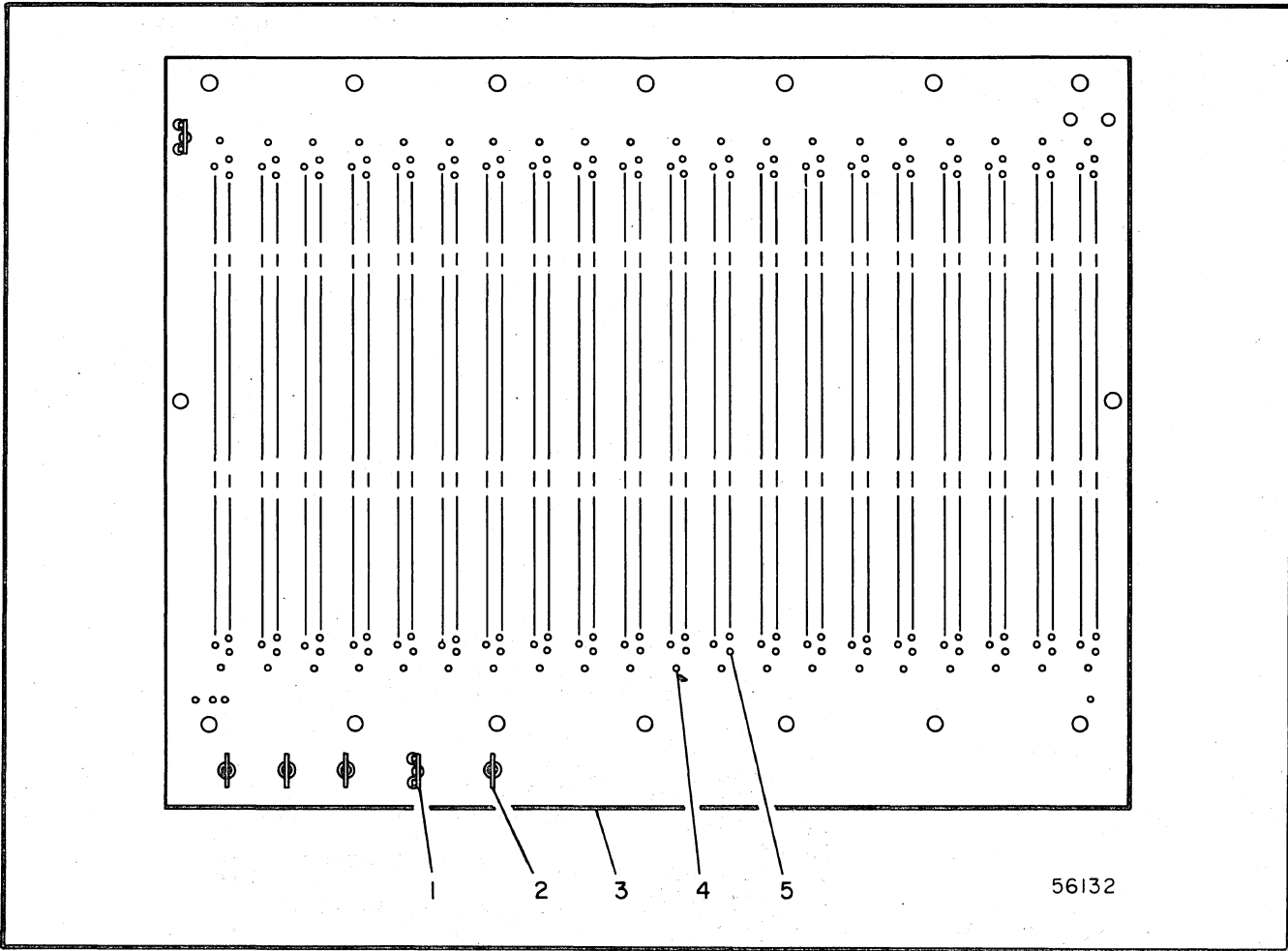


Figure 3. PC Assy, Backpanel

FIG & INDEX NO.	PART NUMBER	REF. DESIG.	1	2	3	4	5	6	7	DESCRIPTION	NO. USED PER ASSY	USED ON CODE
03-	2818566	01								PC ASSEMBLY, BACKPANEL (SEE FIG. 2-40 FOR NEXT HIGHER ASSY)	REF	
-1	# 4119977	00								• TERMINAL, TAB-ON	2	
-2	# 2899065	00								• TERMINAL, TAB BRASS TIN PL 12 AWG	4	
-3	2817566	03								• PC BOARD, BACKPANEL	1	
-4	2821741	00								• GUIDE PIN	40	
-5	2892463	01								• PIN, ELECTRICAL CONNECTOR MALE WIRE WRAP BRZ GOLD	AR	

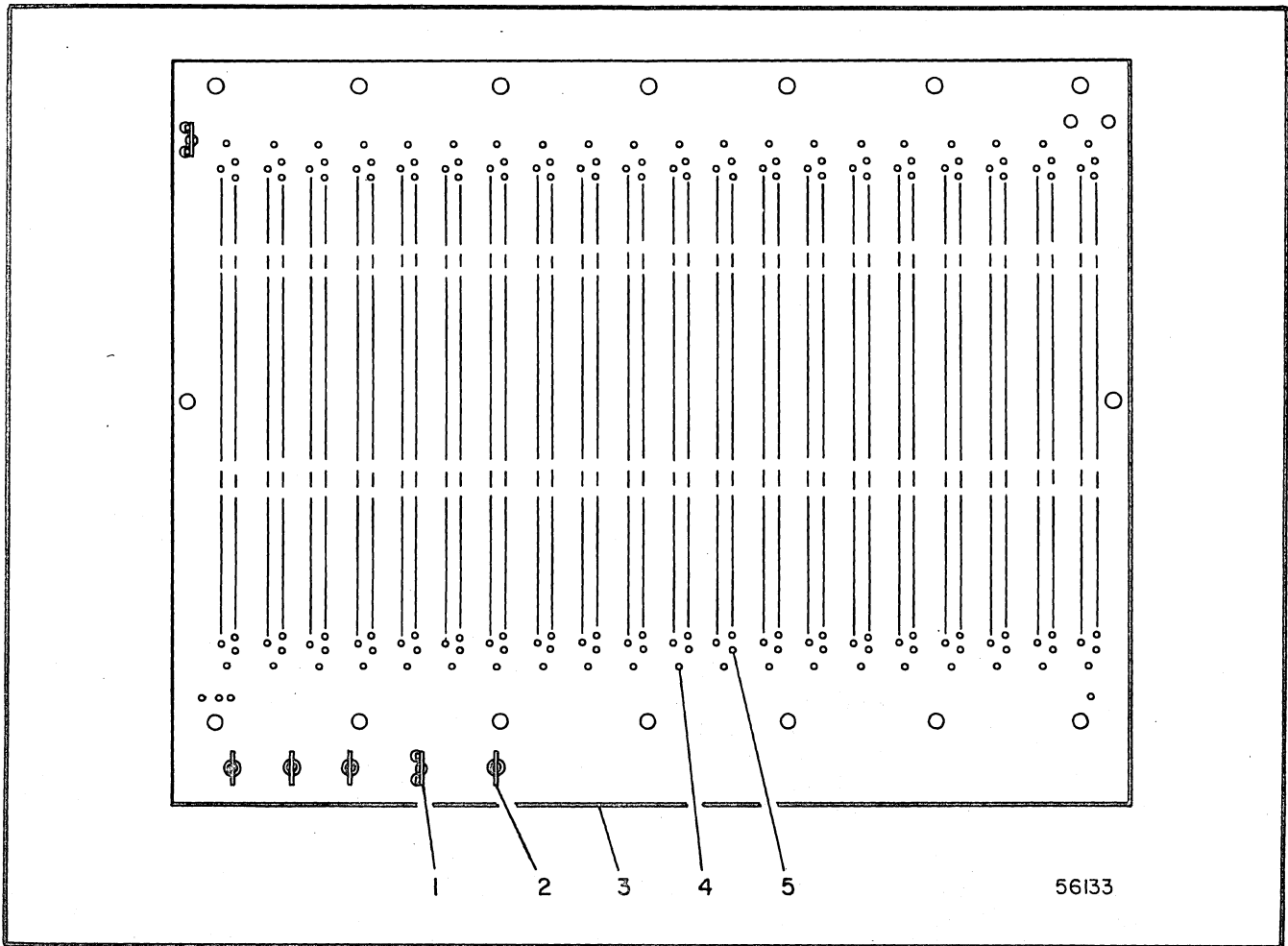


Figure 4. PC Assy, Backpanel (Optional)

FIG & INDEX NO.	PART NUMBER	REF. DESIG.	1	2	3	4	5	6	7	DESCRIPTION	NO. USED PER ASSY	USED ON ASSY CODE
04-	2818458	02								PC ASSEMBLY, BACKPANEL (OPTIONAL) (SEE FIG. 2-41 FOR NEXT HIGHER ASSY)	REF	
-1	# 4119977	00								• TERMINAL, TAB-ON	2	
-2	# 2899065	00								• TERMINAL, TAB BRASS TIN PL 12 AWG	4	
-3	2817458	02								• PC BOARD, BACKPANEL	1	
-4	2821741	00								• GUIDE PIN	40	
-5	2892323	00								• PIN, ELECTRICAL CONNECTOR MALE SOLDER CUP GOLD	AR	

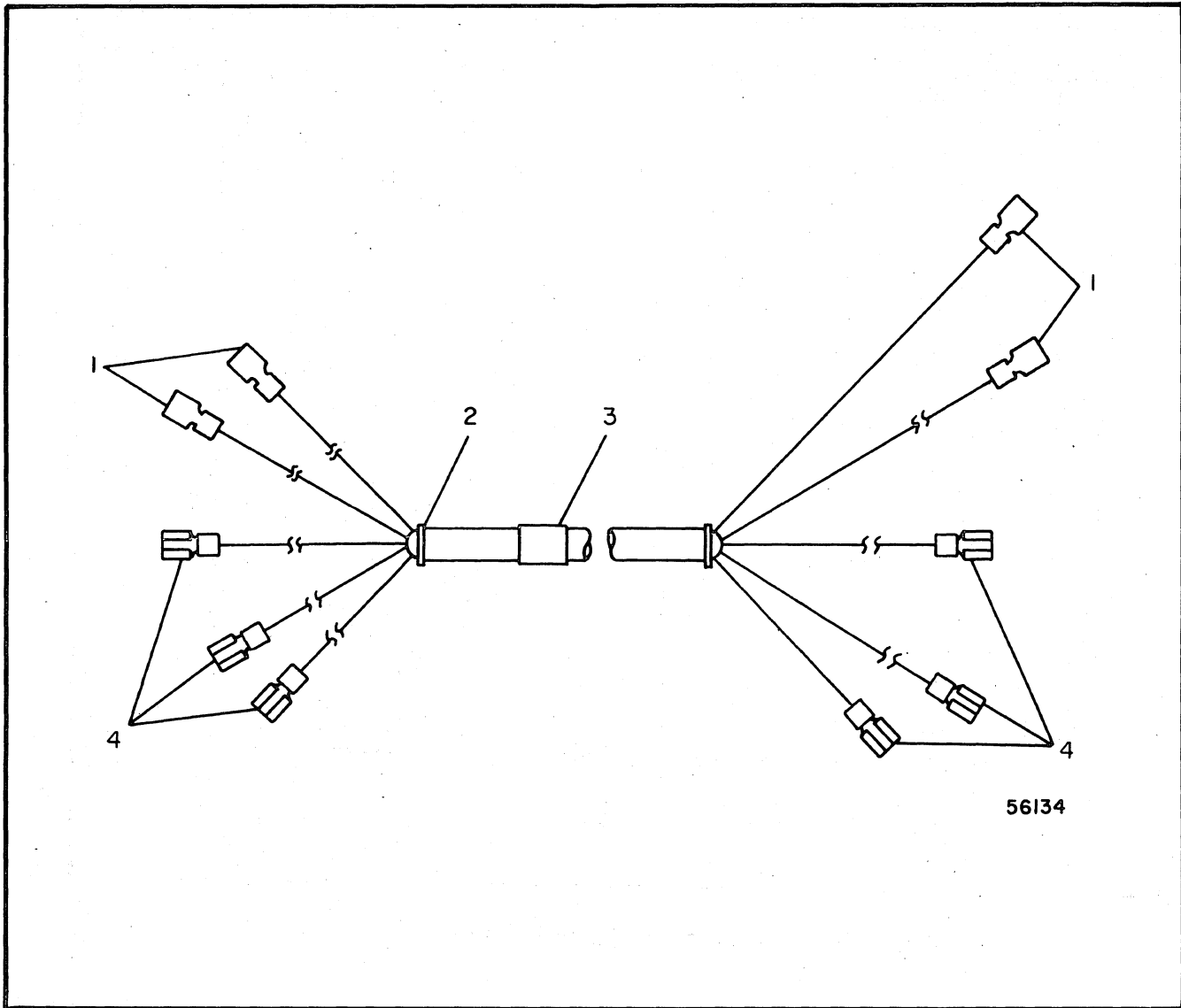


Figure 5. Wiring Harness, Backpanel W7

FIG & INDEX NO.	PART NUMBER	REF. DESIG.	1	2	3	4	5	6	7	DESCRIPTION	NO. USED PER ASSY	CODE
05-	2820723	00								BACKPANEL WIRING HARNESS, W7 (SEE FIG. 2-29 FOR NEXT HIGHER ASSY)	REF	
-1	2892438	02								• TERMINAL, TAB RECEPTACLE 0.178 ID M/O.250 W 12-16 AWG	4	
-2	2899494	00								• CLAMP LOOP, 0.082 - 0.625 FOR MTG	AR	
-3	* 3005408	00								• CLAMP, LOOP IDENT BAND	1	
-4	2892438	05								• TERMINAL, TAB RECEPTACLE 0.135 ID M/O.187 18-22 AWG	6	

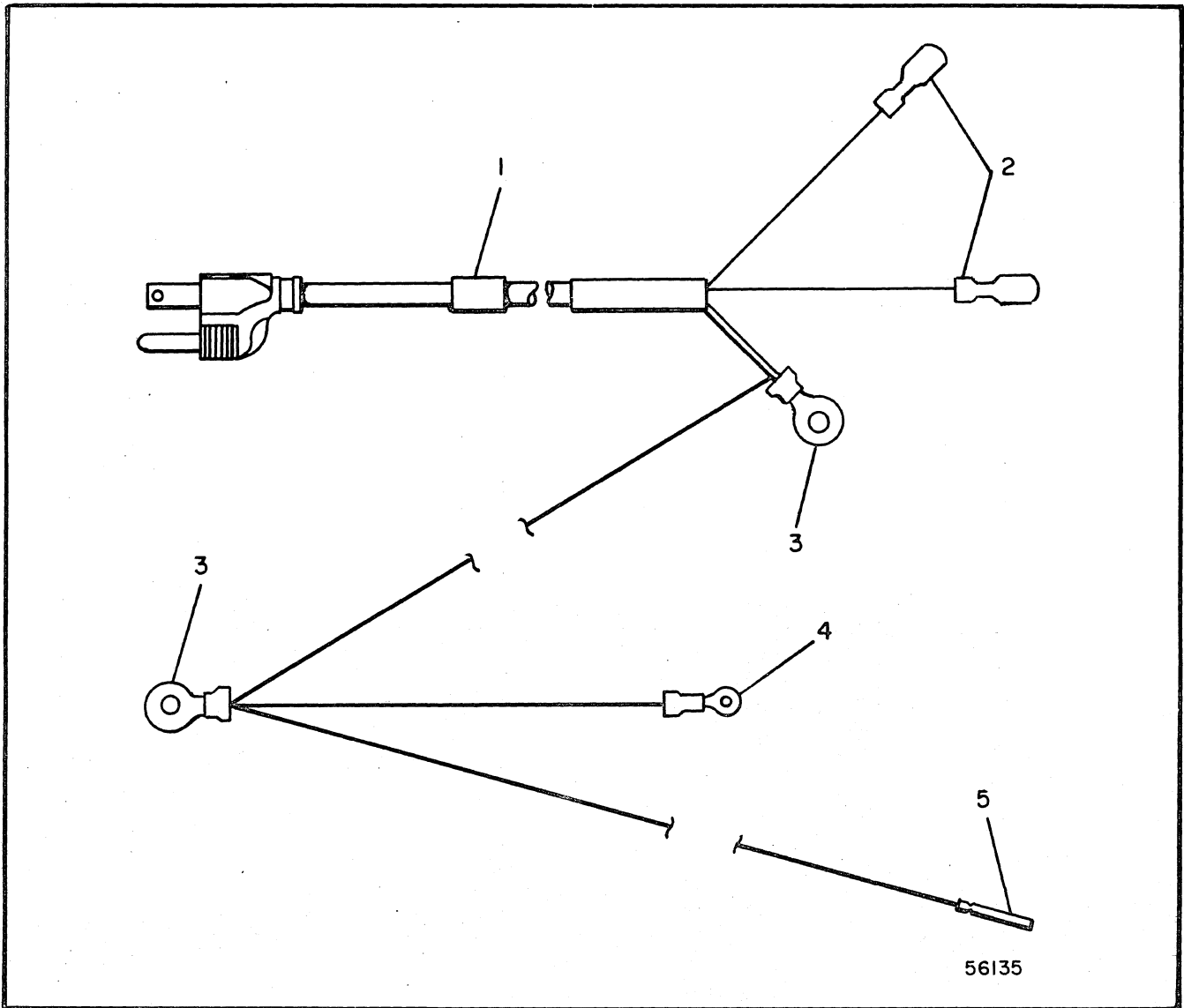


Figure 6. AC Power Cord

FIG & INDEX NO.	PART NUMBER	REF. DESIG.	1	2	3	4	5	6	7	DESCRIPTION	NO. USED PER ASSY	USED ON ASSY CODE
06-	2823144	00								POWER CORD, AC (SEE FIG. 2-13 FOR NEXT HIGHER ASSY)	REF	
-1	# 3005408	00								• CLAMP, LOOP IDENT BAND NON MTG	1	
-2	# 2892438	07								• TERMINAL, TAB RECEPTACLE 0.135 ID M/O.250 18-22 AWG	2	
-3	# 3156271	08								• TERMINAL, LUG CRPG INSULATED NO. 10 SCREW RING 10-12 AWG	2	
-4	# 3156271	02								• TERMINAL, LUG CRPG INSULATED NO. 6 SCREW RING 18-22 AWG	1	
-5	2892332	01								• SOCKET, ELECTRICAL CONNECTOR BRS TIN CRPG FEMALE 14-20 AWG	1	

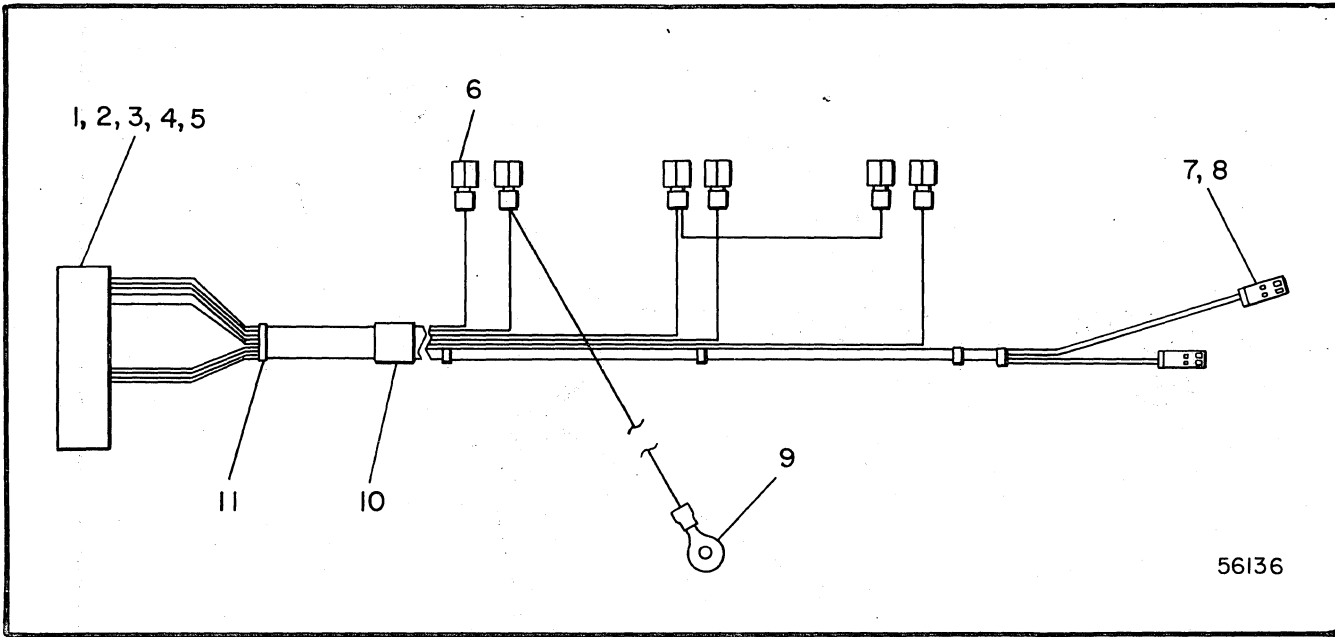


Figure 7. Cable Assy, LED Switch W11

FIG & INDEX NO.	PART NUMBER	REF. DESIG.	1	2	3	4	5	6	7	DESCRIPTION	NO. PER ASSY	USED ON CODE
07-	2821942									CABLE ASS'Y, LED - SWITCH W11 (SEE FIG. 2-24 FOR NEXT HIGHER ASSY)	REF	
-1	2552442	01 A1A7P1								CONNECTOR, ELECTRICAL INSULATOR FEMALE 44 HOLES	1	
-2	2816506	07								LABEL, CONNECTOR DESIGNATION	1	
-3	2892312	00								KEY POLARIZING, ELECT CONN	1	
-4	4915601	04								SOCKET, ELECTRICAL CONNECTOR FEMALE CRPG COP	30	
-5	# 4915601	00								SOCKET, ELECTRICAL CONNECTOR FEMALE CRPG COP GOLD 20-24 AWG	9	
-6	# 5019966	00								TERMINAL, TAB RECEPTACLE 0.080 ID F/0.062 W 20-24 AWG	6	
-7	3012996	01								CONNECTOR, ELECT INSULATOR F 2 HOLE	2	
-8	3012997	01								SOCKET, ELECTRICAL CONNECTOR FEMALE BRZ GOLD 28-30 AWG	4	
-9	# 3156271	11								TERMINAL, LUG CRPG INSULATED NO. 10 SCREW RING 18-22 AWG	1	
-10	# 3005408	00								CLAMP, LOOP IDENT BAND NON MTG	1	
-11	2899494	00								CLAMP LOOP, NON MTG	AR	

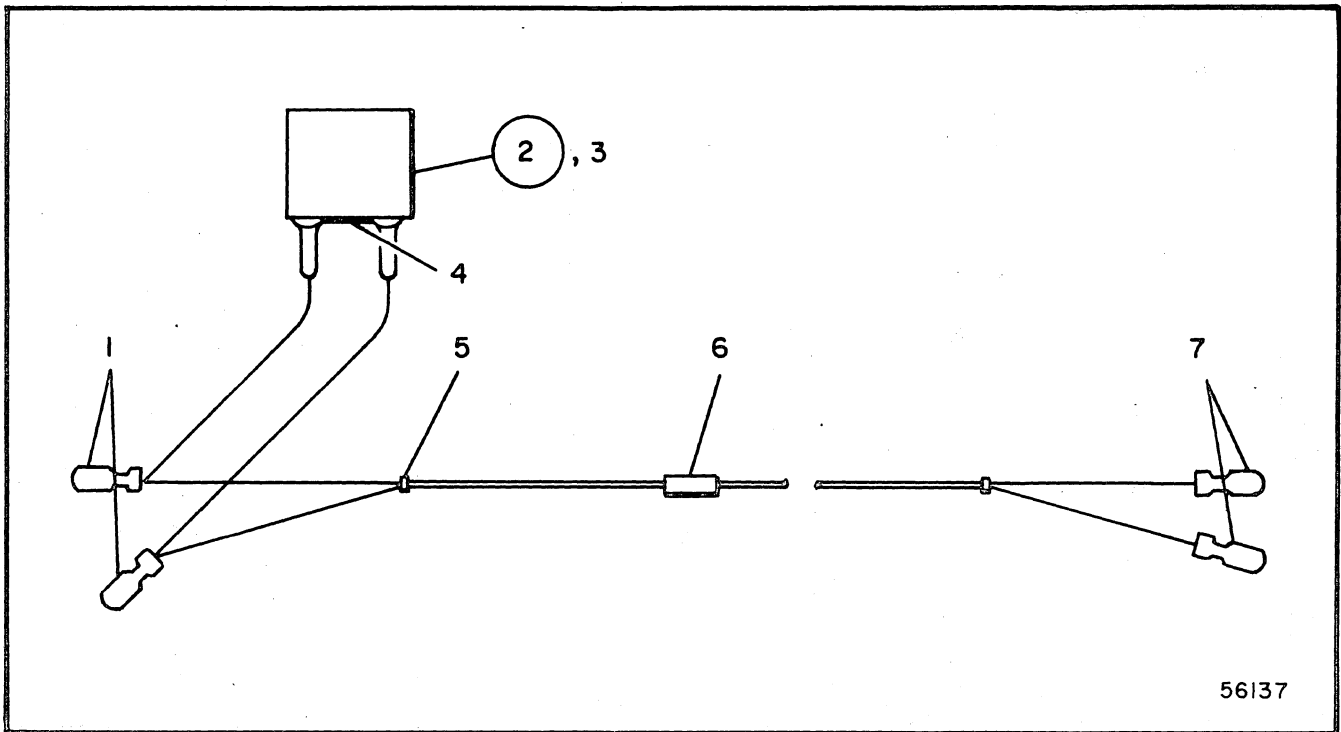


Figure 8. AC Power Cable, W12

FIG & INDEX NO.	PART NUMBER	REF. DESIG.	1	2	3	4	5	6	7	DESCRIPTION	NO. USED PER ASSY	USED ON ASSY CODE
08-	2823607	01								AC POWER CABLE, W12 (SEE FIG. 2-46 FOR NEXT HIGHER ASSY)		REF
-1	2892438	08								◦ TERMINAL, TAB RECEPTACLE 0.160 ID M/O.250 14-16 AWG	2	
-2	2823453	00								◦ FILTER ASSEMBLY	1	
-3	2892880	00								◦ ◦ CAPACITOR, FXD METAL PLATED DIELECTRIC 250V 1 UF 20S	1	
-4	# 3162268	22								◦ ◦ RESISTOR, FXD COMP 0.5W 330K 5%	1	
-5	2899494	00								◦ CLAMP LOOP, 0.082 - 0.625 DIA MTG	AR	
-7	# 3005408	00								◦ CLAMP, LOOP IDENT BAND NON MTG	1	
-8	2892438	07								◦ TERMINAL, TAB RECEPTACLE 0.135 ID M/O.250 18-22 AWG	2	

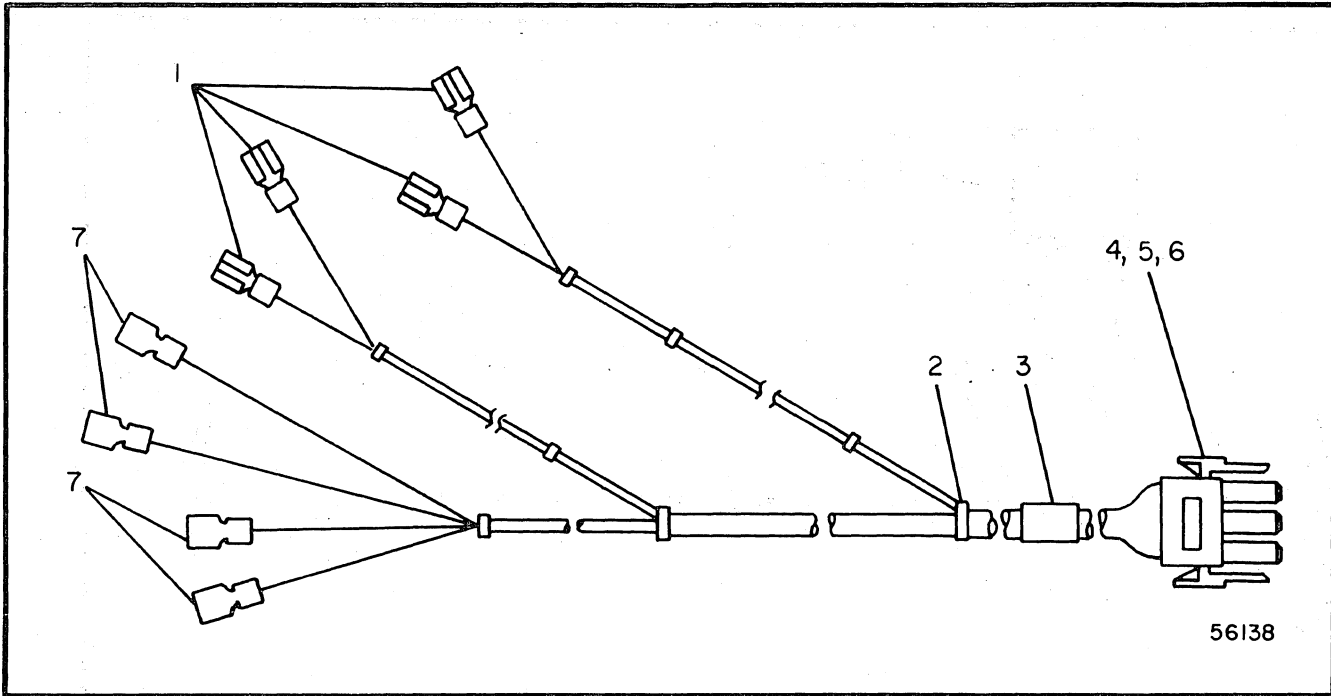


Figure 9. Wiring Harness, AC Power W2

FIG 6 INDEX NO.	PART NUMBER	REF. DESIG.	1	2	3	4	5	6	7	DESCRIPTION	NO. USED PER ASSY	USED ON CODE
09-	2820724	00								AC POWER WIRING HARNESS, W2 (SEE FIG. 2-28 FOR NEXT HIGHER ASSY)	REF	
-1	2899565	00								• TERMINAL, TAB RECP 0.150 ID F/0.125 20-22 AWG	4	
-2	2899494	00								• CLAMP LOOP, 0.082 - 0.658 FOR MTG	AR	
-3	* 3005408	00								• CLAMP, LOOP IDENT BAND NON MTG	1	
-4	2892330	00								• CONNECTOR, RECTANGULAR ELEC PLUG 9 HOLES	1	
-5	2892332	01								• SOCKET, ELECTRICAL CONNECTOR CRPG BRS TIN F 14-20 AWG	8	
-6	2816506	28	A5A3P2							• LABEL, CONNECTOR DESIGNATION	1	
-7	2892438	07								• TERMINAL, TAB RECP 0.135 ID M/0.250 18-22 AWG	4	

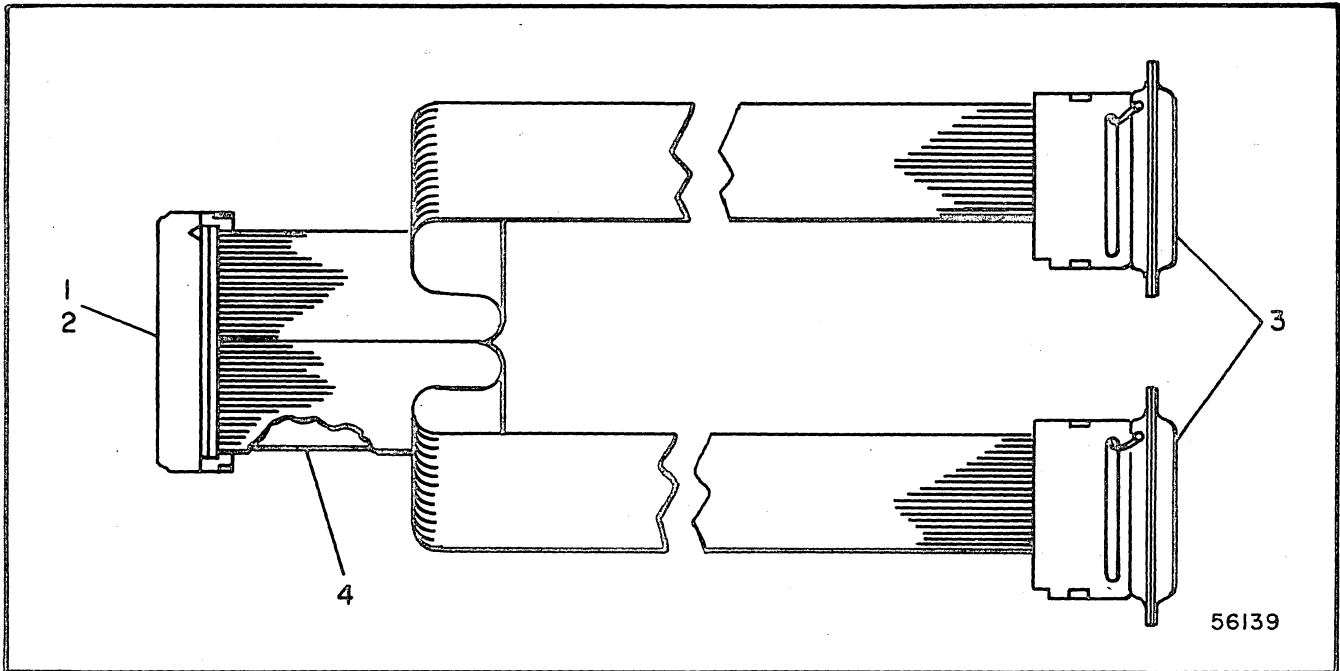


Figure 10. Cable Assy, I/O

FIG & INDEX NO.	PART NUMBER	REF. DESIG.	1	2	3	4	5	6	7	DESCRIPTION	NO. USED PER ASSY	USED ON CODE
10-	2823891	00								CABLE ASSEMBLY, I/O (SEE FIG. 2-16 FOR NEXT HIGHER ASSY)	REF	
-1	4915358	01	A1A4P1							CONNECTOR, RECTANGULAR ELEC PLUG 40 FIXED SOCKETS STR R	1	
-2	2816506	00								LABEL, CONNECTOR DESIGNATION	1	
-3	2892788	00	J1, J2							CONNECTOR, RECTANGULAR ELEC PLUG 25 FIXED PINS	2	
-4	2892342	03								PULL TAB ELECTRICAL CONNECTOR	1	

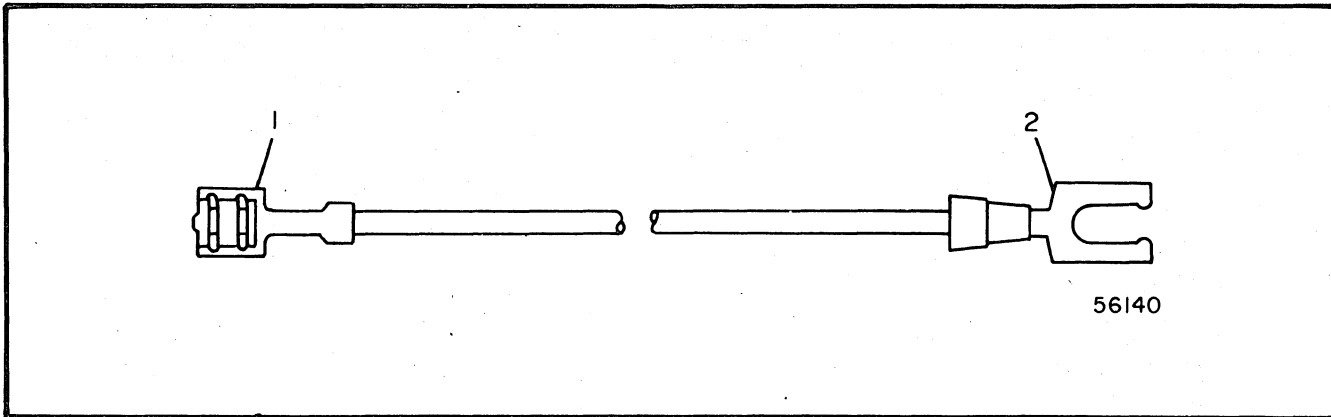


Figure 11. Cable Assy

FIG & INDEX NO.	PART NUMBER	REF. DESIG.	1	2	3	4	5	6	7	DESCRIPTION	NO. USED PER ASSY	USED ON CODE
11-	2821886	00								CABLE ASSMBLY (SEE FIG. 2-45 FOR NEXT HIGHER ASSY)	REF	
	2821886	01								CABLE ASSMBLY (SEE FIG.)	REF	
-1	# 906495	02								• TERMINAL LUG, Q DISC 0.160 ID F 0.250 TAB 14-18 AWG	1	
-2	# 4914901	08								• TERMINAL LUG, CRPG NO. 10 SCR SPADE SLTD 14-16 AWG	1	

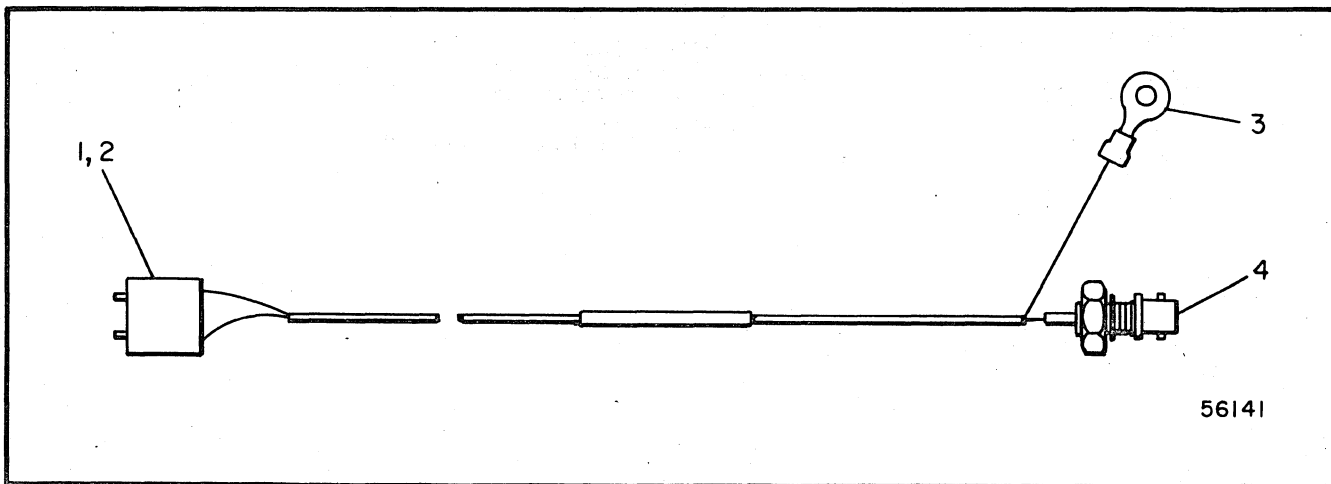


Figure 12. Coaxial Cable Assy

FIG & INDEX NO.	PART NUMBER	REF. DESIG.	1	2	3	4	5	6	7	DESCRIPTION	NO. USED PER ASSY	USED ON ASSY CODE
12-	2823834	00								COAXIAL CABLE ASSEMBLY (SEE FIG. 2-15 FOR NEXT HIGHER ASSY)	REF	
-1	2892124	03								CONNECTOR, RECTANGULAR ELEC PLUG 4 HOLES	1	
-2	2892123	00								SOCKET, ELECTRICAL CONNECTOR CRPG PHOS BRZ FEMALE 18-22 AWG	2	
-3	3156271	10								TERMINAL, LUG CRPG INSULATED NO. 6 SCREW RING 24-26 AWG	1	
-4	2892048	00 J3								CONNECTOR, COAXIAL ELEC PLUG 1 FIXED FEMALE 50 OHM	1	

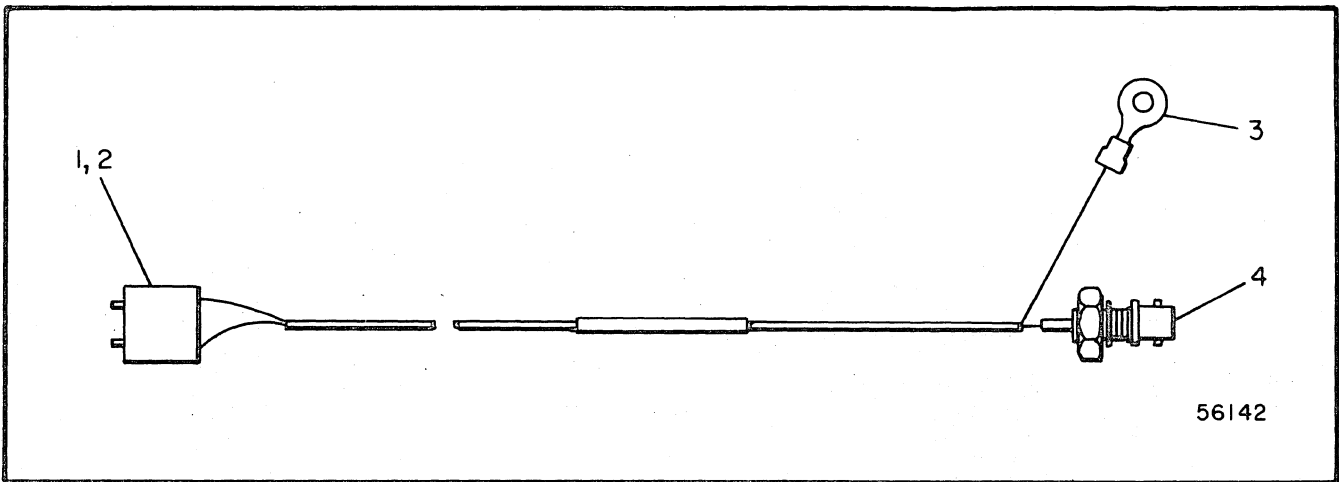


Figure 13. Coaxial Cable Assy

FIG & INDEX NO.	PART NUMBER	REF. DESIG.	1	2	3	4	5	6	7	DESCRIPTION	NO. USED PER ASSY	USED ON ASSY CODE
13-	2823835	00								COAXIAL CABLE ASSEMBLY (SEE FIG. 2-14 FOR NEXT HIGHER ASSY)	REF	
-1	2892124	03								CONNECTOR, RECTANGULAR ELEC PLUG 4 HOLES	1	
-2	2892123	00								SOCKET, ELECTRICAL CONNECTOR CRPG PHOS BRZ FEMALE 18-22 AWG	2	
-3	3156271	10								TERMINAL, LUG CRPG INSULATED NO. 6 SCREW RING 24-26 AWG	1	
-4	2892048	00 J4								CONNECTOR, COAXIAL ELEC PLUG 1 FIXED FEMALE 50 OHM	1	

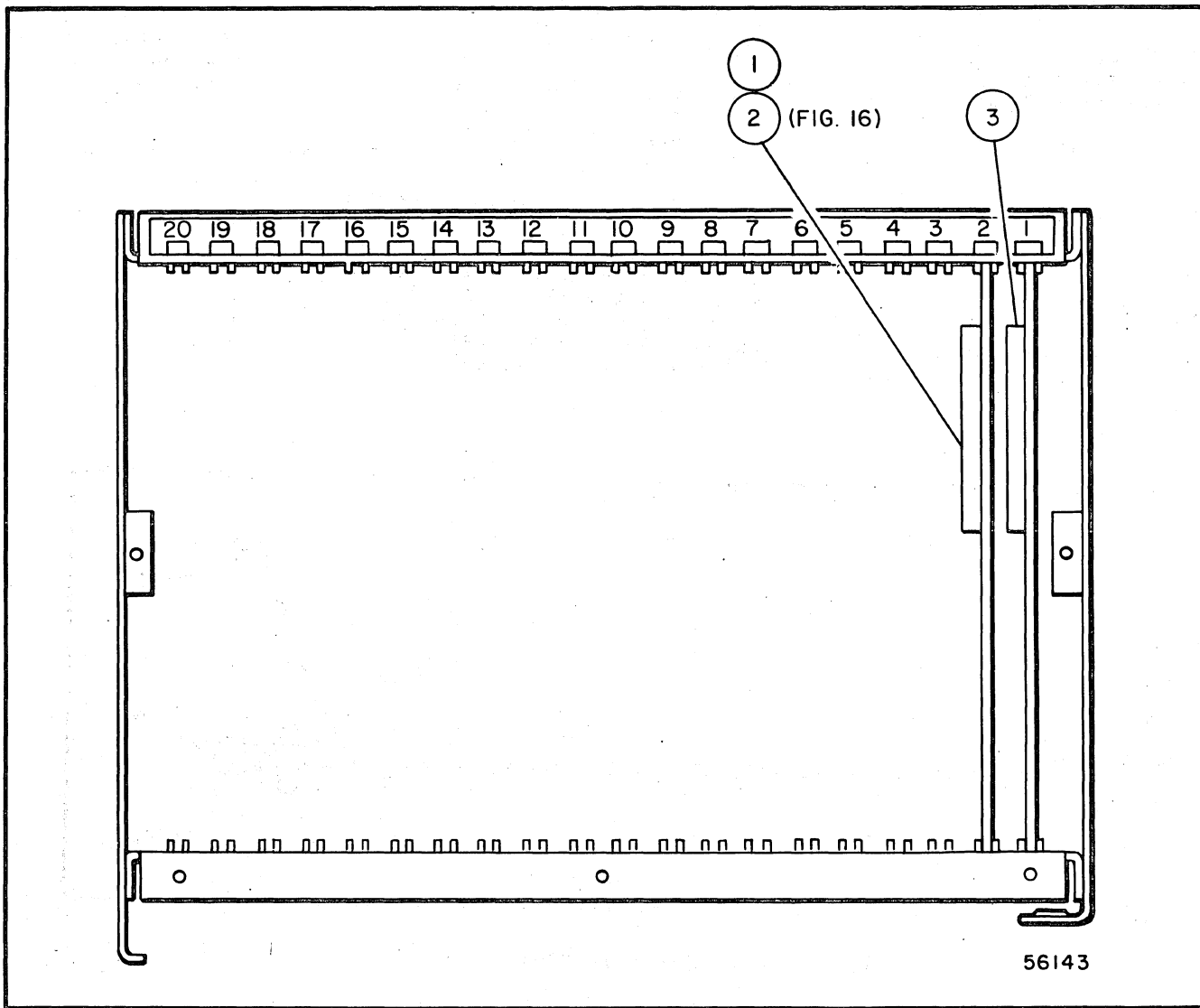


Figure 14. PC Complement - Local

FIG & INDEX NO.	PART NUMBER	REF. DESIG.	1	2	3	4	5	6	7	DESCRIPTION	NO. USED PER ASSY	CODE
14-	NO NUMBER									PC COMPLEMENT - LOCAL (SEE FIG. 2-6 FOR NEXT HIGHER ASSY)	REF	1,2
-1	2823884	XX								• PC ASSEMBLY, PROCESSOR	1	
-2	2824077	01								• PROM COMPLEMENT, LOCAL (SEE FIG. 16 FOR BREAKDOWN)	1	
-3	2872302	XX								• PC ASSEMBLY, COAX INTERFACE	1	

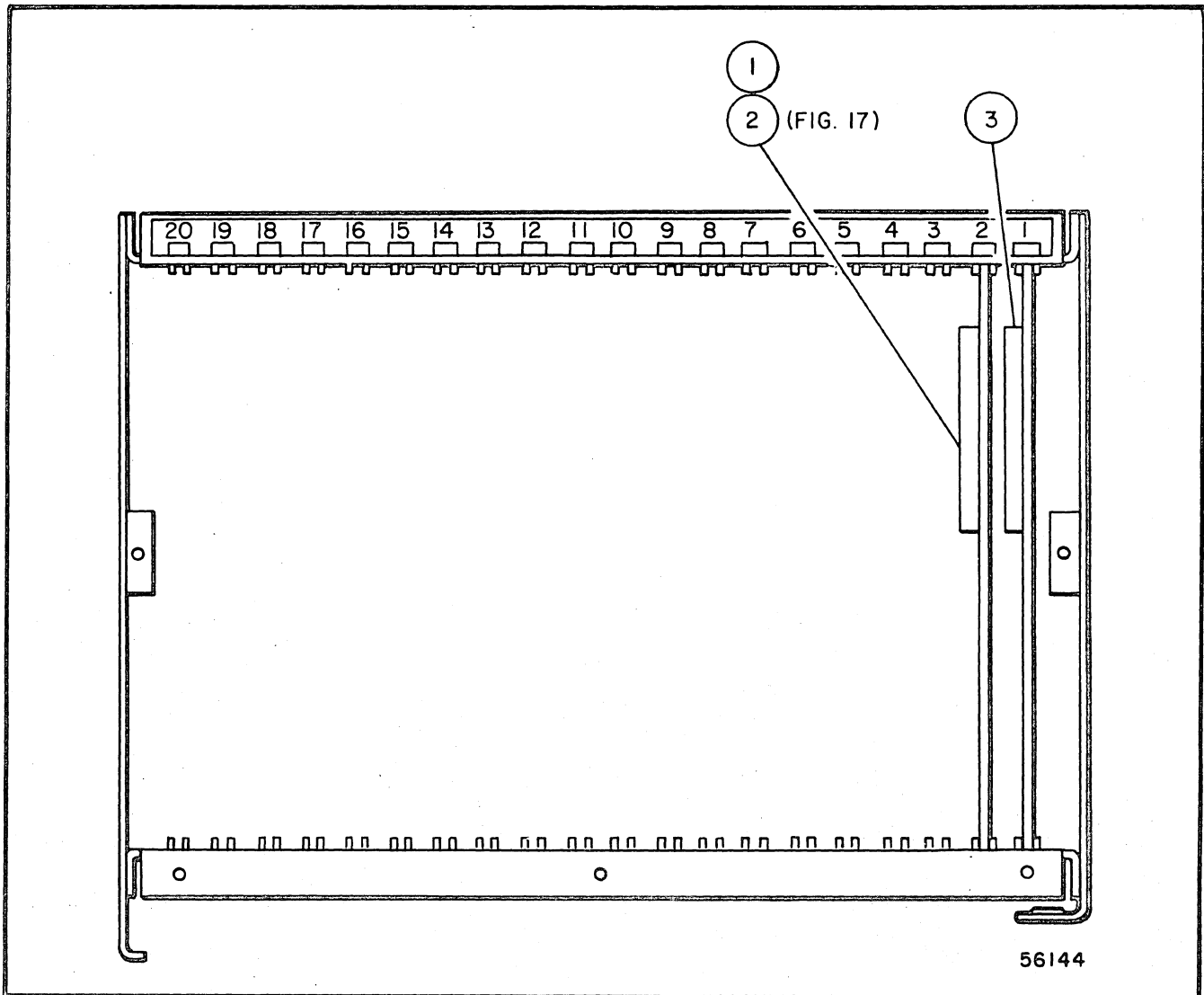


Figure 15. PC Complement - Remote

FIG & INDEX NO.	PART NUMBER	REF. DESIG.	1	2	3	4	5	6	7	DESCRIPTION	NO. USED PER ASSY	USED ON CODE
15-	NO NUMBER									PC COMPLEMENT - REMOTE (SEE FIG. 2-7 FOR NEXT HIGHER ASSY)	REF	3,4
-1	2823884	XX								• PC ASSEMBLY, PROCESSOR	1	
-2	2824078	01								• PROM COMPLEMENT, REMOTE (SEE FIG. 17 FOR BREAKDOWN)	1	
-3	2872302	XX								• PC ASSEMBLY, COAX INTERFACE	1	

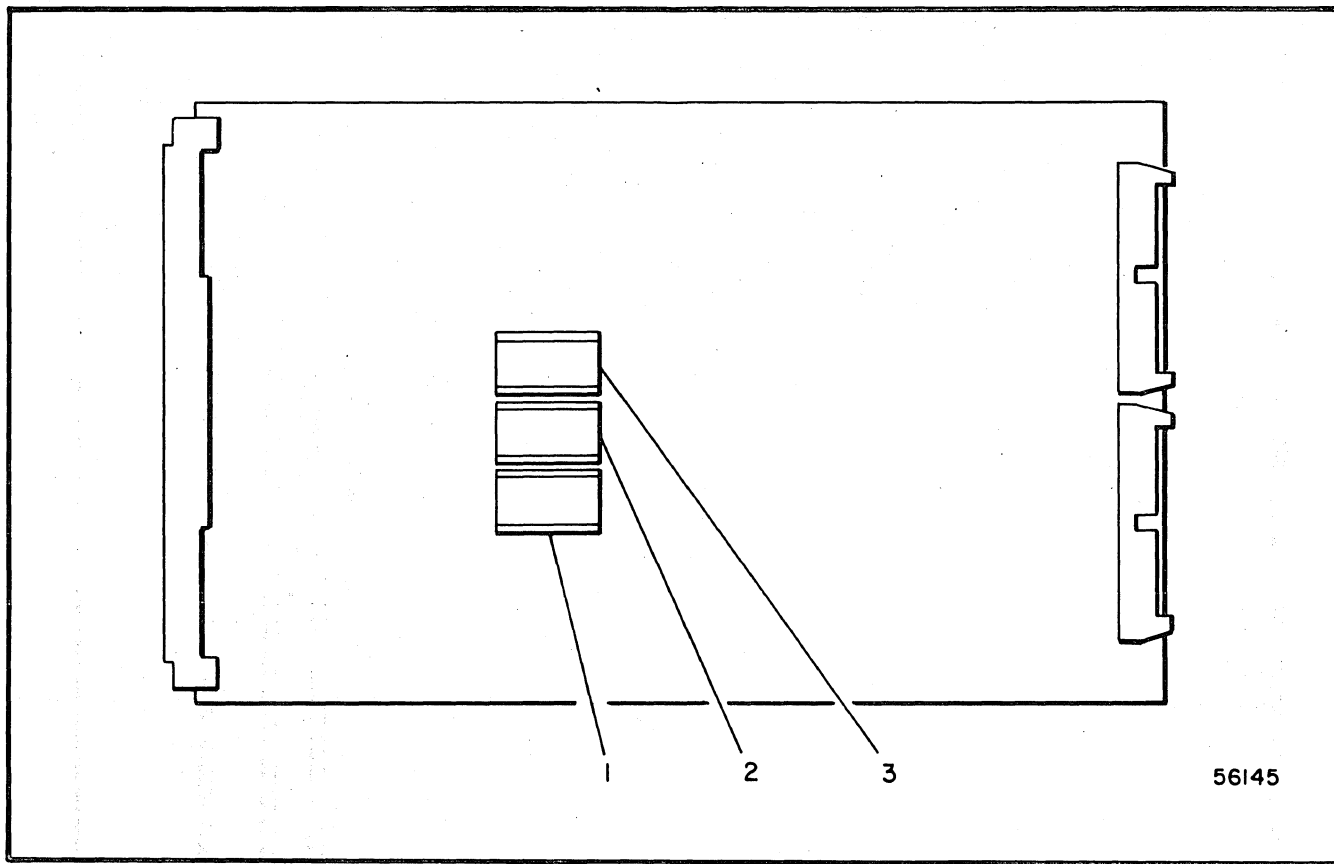


Figure 16. Prom Complement - Local

FIG & INDEX NO.	PART NUMBER	REF. DESIG.	1	2	3	4	5	6	7	DESCRIPTION	NO. USED PER ASSY	USED ON CODE
16-	2824077	01								PROM COMPLEMENT - LOCAL (SEE FIG. 14-2 FOR NEXT HIGHER ASSY)	REF 1,2	
-1	2823991	03								• IC - TTL, 8192 BIT READ ONLY MEM	1	
-2	2823991	04								• IC - TTL, 8192 BIT READ ONLY MEM	1	
-3	2823991	05								• IC - TTL, 8192 BIT READ ONLY MEM	1	

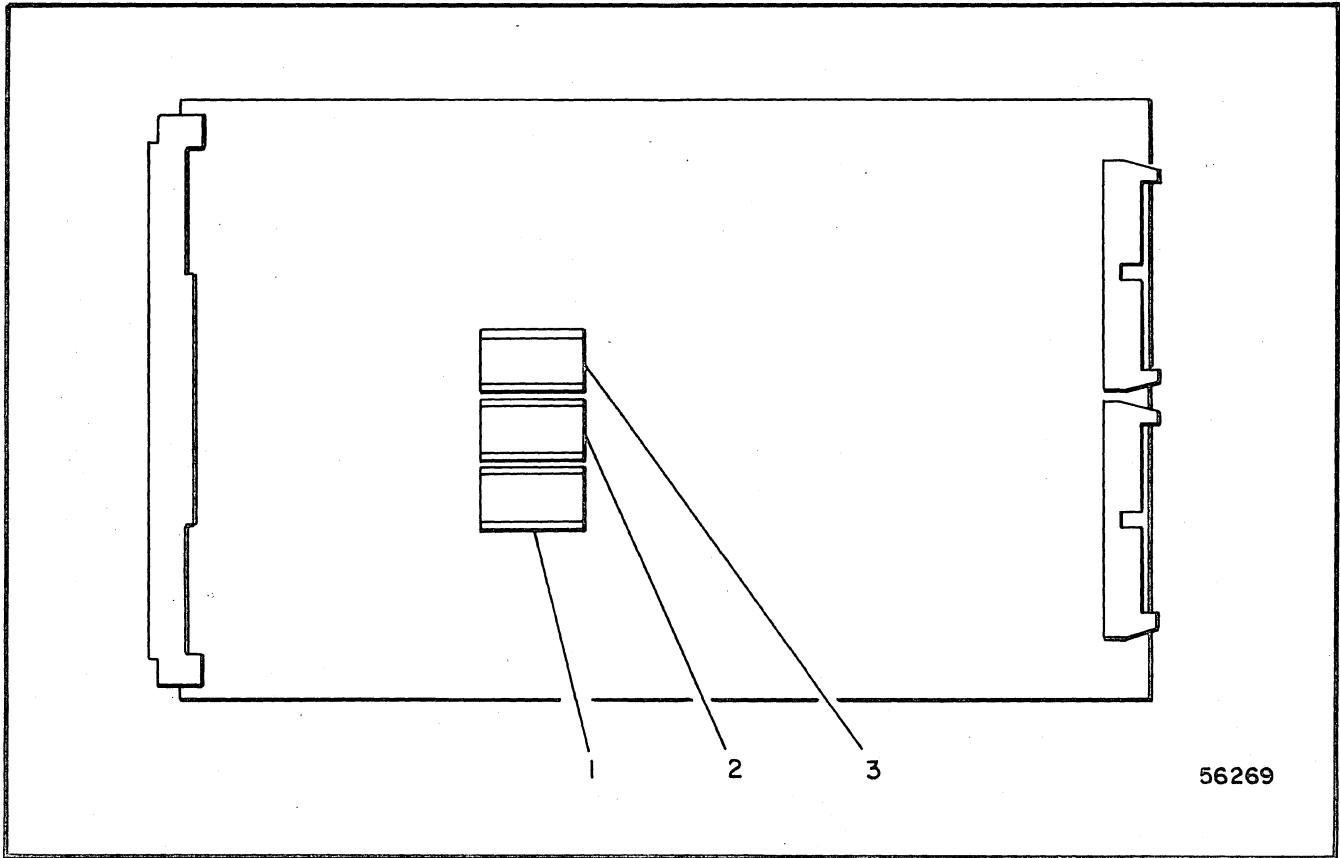


Figure 17. Prom Complement - Remote

FIG 6 INDEX NO.	PART NUMBER	REF. DESIG.	1	2	3	4	5	6	7	DESCRIPTION	NO. PER ASSY	USED ON CODE
17-	2824078	01								PROM COMPLEMENT - REMOTE (SEE FIG. 15-2 FOR NEXT HIGHER ASSY)	REF	3,4
-1	2823991	03								• IC - TTL, 8192 BIT READ ONLY MEM	1	
-2	2823991	04								• IC - TTL, 8192 BIT READ ONLY MEM	1	
-3	2823991	05								• IC - TTL, 8192 BIT READ ONLY MEM	1	

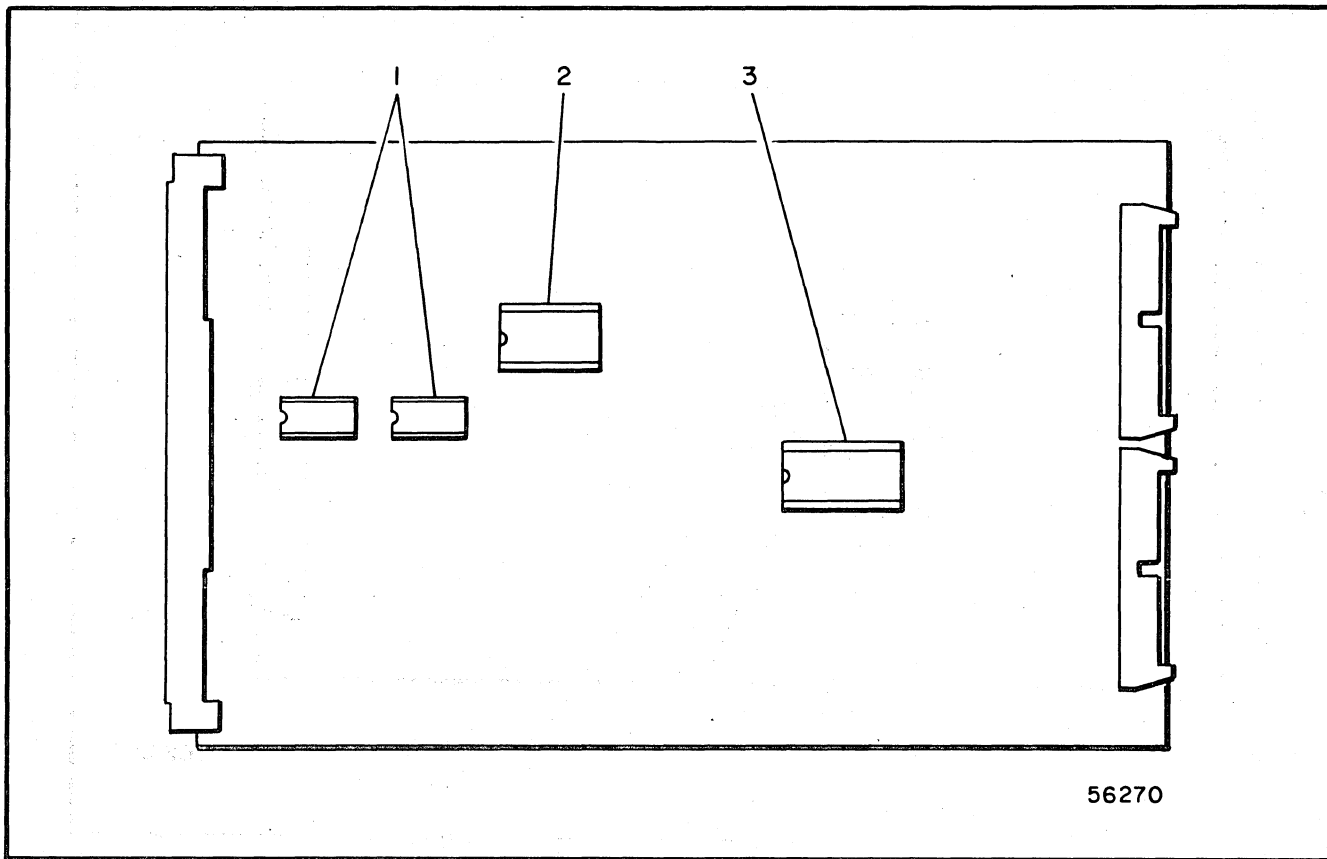


Figure 18. Prom Complement, RS 232

FIG & INDEX NO.	PART NUMBER	REF. DESIG.	1	2	3	4	5	6	7	DESCRIPTION	NO. USED PER ASSY	USED ON CODE
18-	2824079	01								PROM COMPLEMENT, RS 232 (SEE FIG. 1-6 FOR NEXT HIGHER ASSY)	REF	A
-1	4916946	00								• INTEGRATED CIRCUIT, MEMORY MOS 2114	2	
-2	2823992	07								• IC - TTL, 8192 BIT ROM	1	
-3	2892993	00								• INTEGRATED CIRCUIT, DIGITAL	1	

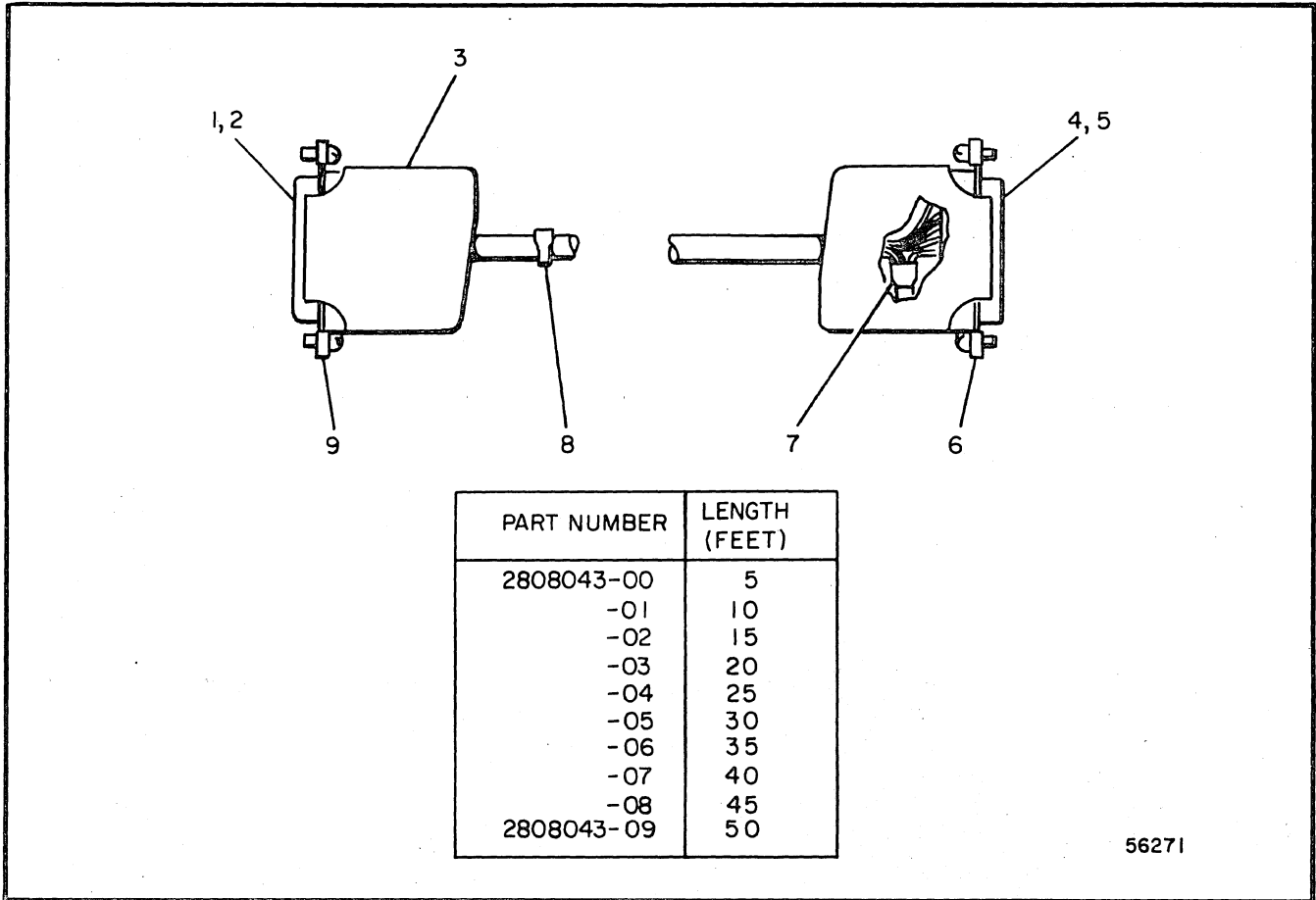


Figure 19. Cable Assy, Modem

FIG & INDEX NO.	PART NUMBER	REF. DESIG.	1	2	3	4	5	6	7	DESCRIPTION	NO. USED PER ASSY	USED ON CODE
19-	2808043	XX								CABLE ASSMBLY, MODEM (SEE FIG. 1-5 FOR NEXT HIGHER ASSY)		REF
										NOTE: SEE TABLE ON FIG. 19 FOR CABLE LENGTH INFORMATION FOR ORDERING PURPOSES.		
-1	4915135	00								CONNECTOR, RECEPTACLE ELEC 25 HOLES	1	
-2	2899513	00								SOCKET, ELEC CONN CRPG COP GOLD F 20-30 AWG	20	
-3	2892347	02								SHIELD, ELECT CONN W/CLAMP 0.620 W X 1.615 LG X 0.75 H	2	
	4956868	01								PLASTIC MOLDING (OPTIONAL FOR INDEX NUMBER 3)		AR
-4	4915136	00								CONNECTOR, RECEPTACLE ELEC 25 HOLES PINS	1	
-5	2899514	01								PIN, ELEC CONN CRPG COP GOLD MALE 20-30 AWG	16	
-6	3011816	03								SCREW ASSY, CONN CPLG 0.547 LG 0.051/0.63 OPENING	2	
-7	2899249	00								SPLICE COND, CLOSED END 0.60 LG 14-22 AWG	1	
-8	3005408	00								CLAMP, LOOP IDENT BAND NON MTG	1	
-9	3011816	01								SCREW ASSY, CONN CPLG 0.547 LG 0.042/0.054 OPENING	2	

SECTION 3

REFERENCE DESIGNATION INDEX

REF DESIG	FIG & INDEX NO.	REF DESIG	FIG & INDEX NO.	REF DESIG	FIG & INDEX NO.	REF DESIG	FIG & INDEX NO.
A1A4P1...	10-1	A1FL1-2..	06-2	R1.....	02-52	J4.....	02-14
A1A7P1...	07-1	A1FL1-1..	06-2	R2.....	02-31	J4.....	13-4
A1E2.....	06-4	A5A3P2... 09-8		J3.....	02-15	J1,,J2...	10-3
A1E5,A1E1	06-3	A5A3P2-2.	06-5	J3.....	12-4		

SECTION 4

NUMERICAL INDEX

PART NUMBER	FIG & INDEX NO.	PART NUMBER	FIG & INDEX NO.	PART NUMBER	FIG & INDEX NO.
# 906495	02 11-1	2823805	00 02-8	# 2899249	00 19-7
2552442	01 07-1	2823834	00 12-	2899436	00 02-55
2808043	XX 19-	2823835	00 13-	# 2899443	20 02-11
2816201	01 02-26	2823884	XX 14-1	2899494	00 05-2
2816443	16 01-7	2823884	XX 15-1	2899494	00 07-11
2816443	19 01-8	2823891	00 02-16	2899494	00 08-5
2816443	20 01-9	2823891	00 10-	2899494	00 09-2
2816443	21 01-10	2823991	03 16-1	# 2899513	00 19-2
2816506	00 10-2	2823991	03 17-1	2899514	01 19-5
2816506	07 07-2	2823991	04 16-2	2899565	00 09-1
2816506	20 09-6	2823991	04 17-2	# 3005408	00 05-3
2816568	01 02-10	2823991	05 16-3	# 3005408	00 06-1
2816570	02 02-9	2823991	05 17-3	# 3005408	00 07-10
2817458	02 04-3	2823992	07 18-2	# 3005408	00 08-7
2817546	03 03-3	2824077	01 14-2	# 3005408	00 09-3
2818458	02 02-41	2824077	01 16-	# 3005408	00 19-8
2818458	02 04-	2824078	01 15-2	# 3011816	01 19-9
2818546	01 02-40	2824078	01 17-	# 3011816	03 19-6
2818546	01 03-	2824079	01 01-5	3012996	01 07-7
2818584	XX 02-21	2824079	01 18-	3012997	01 07-8
2820576	00 02-53	2824834	00 02-15	# 3156271	02 06-4
2820577	00 02-1	2824835	00 02-14	# 3156271	08 06-3
2820578	00 02-3	2872302	XX 14-3	# 3156271	10 12-3
2820579	00 02-25	2872302	XX 15-3	# 3156271	10 13-3
2820580	00 02-58	2892048	00 12-4	# 3156271	11 07-9
2820582	01 02-50	2892048	00 13-4	# 3156579	03 02-49
2820590	00 02-42	2892123	00 12-2	# 3162268	22 08-4
2820607	00 02-5	2892123	00 13-2	3188705	09 02-38
2820629	00 02-37	2892124	03 12-1	3193594	09 01-11
2820660	01 02-20	2892124	03 13-1	# 4119977	00 03-1
2820695	00 02-22	2892222	00 02-19	# 4119977	00 04-1
2820717	00 02-35	2892297	01 02-17	# 4914901	08 11-2
2820721	00 02-4	2892312	00 07-3	4915125	16 02-32
2820722	00 02-2	2892319	06 02-59	# 4915135	00 19-1
2820723	00 02-29	2892323	00 04-5	# 4915136	00 19-4
2820723	00 05-	2892330	00 09-4	# 4915358	01 10-1
2820724	00 02-28	2892332	01 06-5	4915445	06 01-14
2820724	00 09-	2892332	01 09-5	# 4915601	00 07-5
2820773	01 02-39	2892339	03 02-56	4915601	04 07-4
2820775	00 02-23	2892339	04 02-54	4916046	00 01-13
2821303	01 02-34	2892342	03 10-4	4916100	01 02-30
2821327	00 02-33	2892347	02 19-3	4916583	00 02-27
2821741	00 03-4	2892393	03 02-12	4916946	00 18-1
2821741	00 04-4	2892437	01 02-31	4956574	00 02-43
2821798	01 02-46	2892437	01 02-52	4956868	01 19-3
2821824	00 02-51	2892438	02 05-1	# 5019966	00 07-6
2821826	00 02-45	2892438	05 05-4		
2821826	00 11-	2892438	07 06-2		
2821826	01 02-47	2892438	07 08-8		
2821826	01 11-	2892438	07 09-7		
2821942	07-	2892438	08 08-1		
2821942	00 02-24	2892463	01 03-5		
2822415	00 02-18	2892616	05 02-48		
2823144	00 02-13	2892641	03 02-44		
2823144	00 06-	2892788	00 10-3		
2823142	XX 01-12	2892880	00 08-3		
2823453	00 08-2	2892993	00 18-3		
2823607	01 08-	# 2899065	00 03-2		
2823803	00 02-57	# 2899065	00 04-2		

SECTION 5
ATTACHING HARDWARE

PART NO	DESCRIPTION				
4912524	04	SCREW MACH-PAN HD SLOT. CRES	SST PASS SLTD	6-32	0500
4912524	14	SCREW MACH-PAN HD SLOT. CRES	SST PASS SLTD	6-32	2000
4912525	01	SCREW MACH PAN HD SLOTTED CRES	SST PASS SLTD	8-32	0312
4912525	02	SCREW MACH PAN HD SLOTTED CRES	SST PASS SLTD	8-32	0375
4912525	03	SCREW MACH PAN HD SLOTTED CRES	SST PASS SLTD	8-32	0438
4912527	02	SCREW MACH PAN HD SLOTTED CRES	SST PASS SLTD	10-32	0500
4912527	03	SCREW MACH PAN HD SLOTTED CRES	SST PASS SLTD	10-32	0625
4912540	01	NUT PLAIN HEXAGON MACHINE	SST PASS 0312AFLT	6-32	0114
4912548	11	WASHER. FLAT - ROUND	SST PASS.065THK	016410	039000
4912548	12	WASHER. FLAT - ROUND	SST PASS.065THK	019610	045300
4912548	13	WASHER. FLAT - ROUND	SST PASS.065THK	022710	051500
4913556	02	SCR TAP THD FRMG ==	PAN STL XREC 8		0500
4914061	01	SCREW, TAPPING, THREAD FORMING	PAN CRES XREC 8		0375
4915108	01	SCREW, CAP. SOCKET HEAD == CRE	CRES PASS HSOC	10-32	0500
4915350	01	SCREW, TAPPING, THREAD FORMING	PAN CRES XREC 10		0375
4915350	04	SCREW, TAPPING, THREAD FORMING	PAN CRES XREC 10		0750

