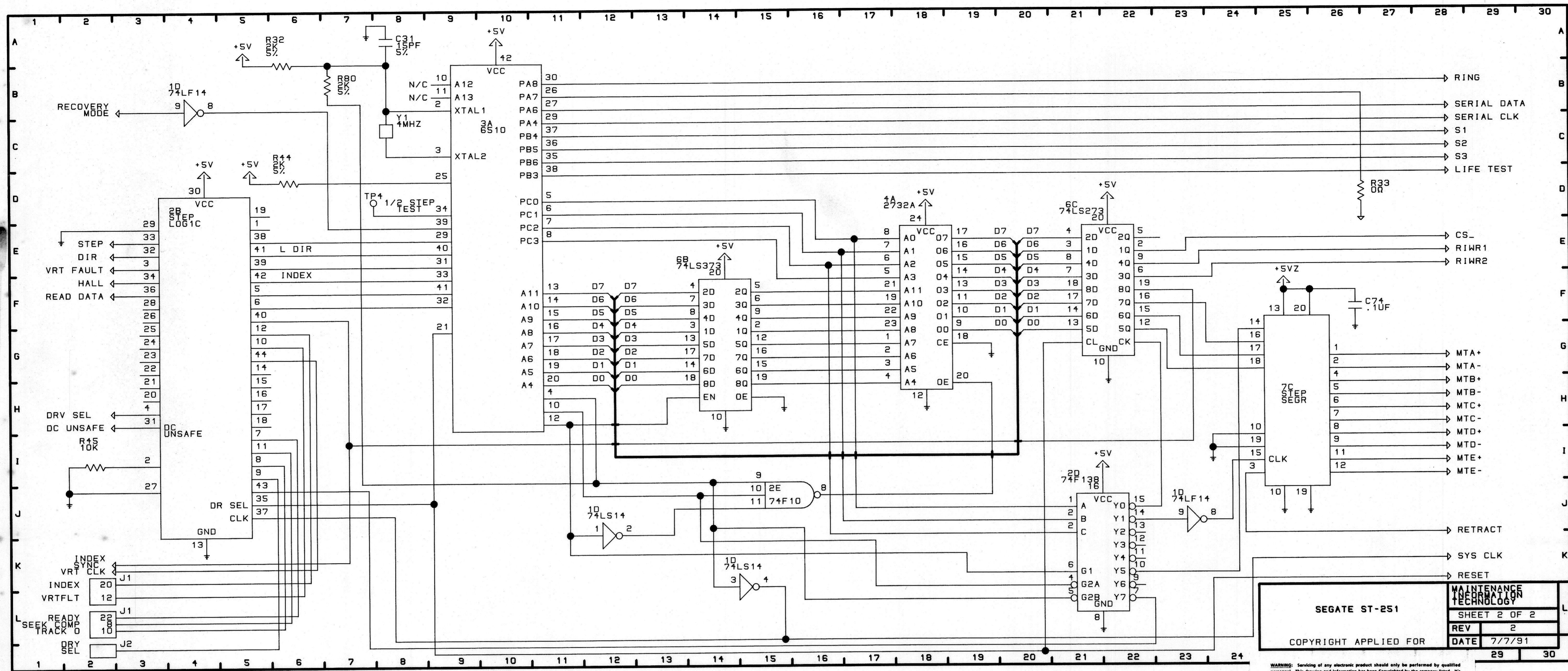


WARNING: Servicing of any electronic product should only be performed by qualified personnel. This drawing and information has been Copyrighted by the company name. It cannot be reproduced or distributed without the company's permission. No patent liability is assumed with respect to the use of information contained herein. Misapplication of information Technology before the information herein is to be correct. We are not responsible for any typographical errors; no direct or implied warranty is made to the contrary. Specifications subject to change without notice.

NOTICE: All logos are registered trademarks of the companies that they represent.

NOTE: Schematics are non-returnable.

SEGATE ST-25				MAINTENANCE TECHNOLOGY	
COPYRIGHT APPLIED FOR				SHEET 1 OF 2	
				REV 2	
				DATE 7/7/91	



SEGATE ST-251		MAINTENANCE TECHNOLOGY	
COPYRIGHT APPLIED FOR		SHEET 2 OF 2	
REV	2	DATE	7/7/91
		29	30

WARNING: Servicing of any electronic product should only be performed by qualified personnel. This drawing and information has been Copyrighted by the company listed. It's content has been sold for the unlimited use to you. The only restrictions are that it not be copied for republication or distribution outside your company. No patent liability is assumed with respect to the use of information contained herein. Maintenance Information Technologies believes the information herein to be correct. We are not responsible for any typographical errors; no direct or implied warranty is made to its accuracy. Specifications subject to change without notice.

TRADEMARKS: All logos are registered trademarks of the companies that they represent.

NOTE: Schematics are non returnable.