

Job: V80.Z0\$0.STEVEH.\$8620.SHEET1

Enqueued: 4/14/1987 8:58 am (pst)
 Printed: 4/14/1987 8:59 am (pst)
 Magnification: 0.617079 (auto-scaled)

REV	DESCRIP	DATE	APPROVAL
F	REDRAWN PER DCO 5027	4/24/87	B. [Signature]
G	REV PER DCO 5176	7/20/87	[Signature]
H	REV PER DCO 5423	10/16/87	[Signature]

COMPONENT VALUE CHART

COMPONENT	8620	8627	8621
Y1	20 MHZ	15MHZ	20MHZ
U27	24 MHZ	24 MHZ	32 MHZ
R2	243 OHM	243 OHM	243 OHM
R3	750 OHM	909 OHM	750 OHM

DEFAULT JUMPER CHART

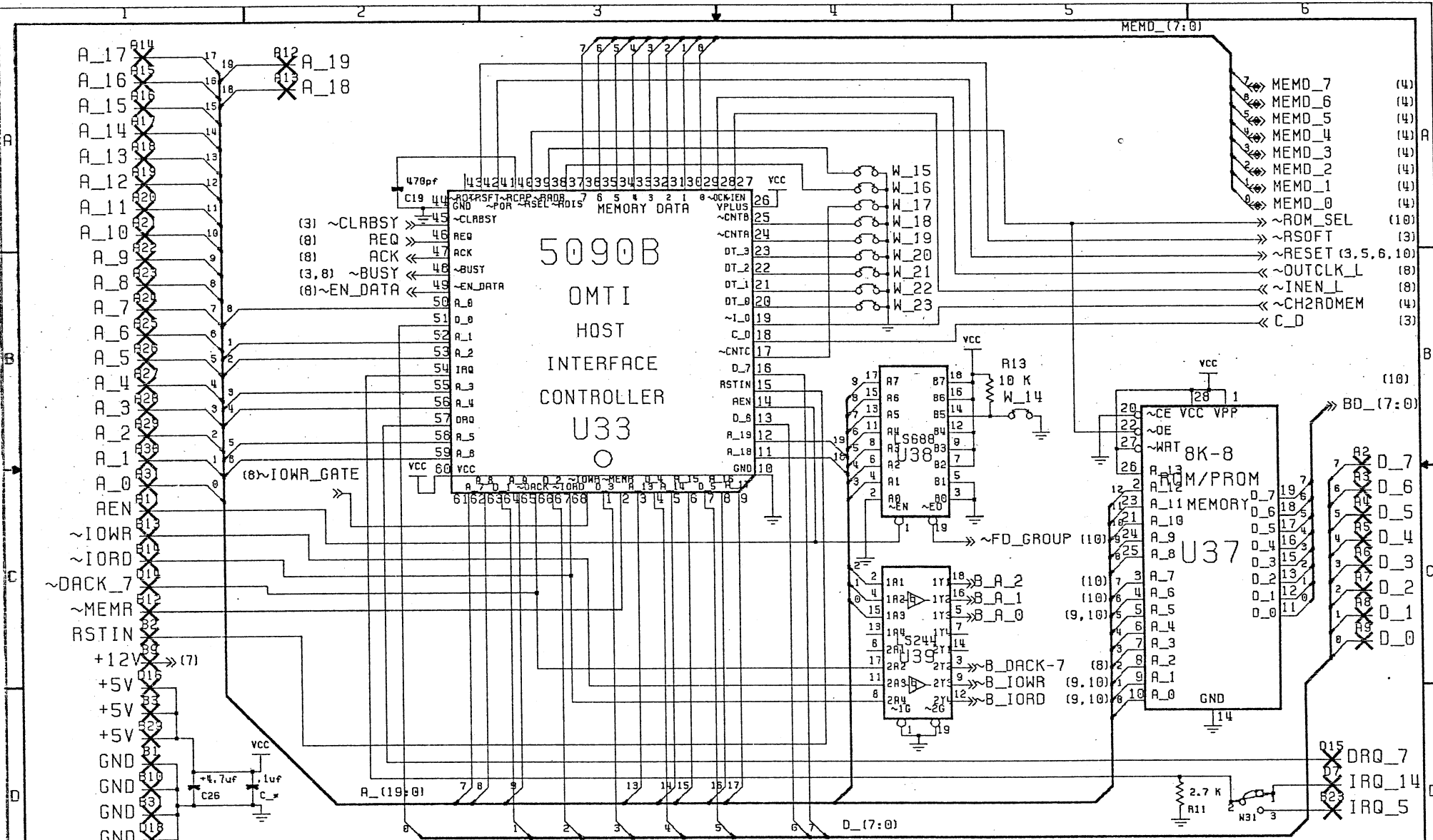
	W1 1-2	W1 2-3	W1 1-2
W2	W2 1-2	NOT USED	W2 1-2
W3	W3 1-2	W3 1-2	W3 2-3
W27	W27 1-2	W27 1-2	W27 2-3
W30	NOT USED	NOT USED	W30 1-2
W32	W32 1-2	W32 1-2	W32 1-2

- NOTE 2 J 2 = 34 PIN HEADER
ALL ODD PINS = GROUND
- NOTE 3 J 3 = 20 PIN HEADER GROUND
6, 12, 15, 16, 19
- NOTE 4 J 4 = 20 PIN HEADER GROUND
6, 12, 15, 16, 19
- NOTE 7 J 7 = 34 PIN HEADER
ALL ODD PINS = GROUND
- NOTE 8 SEE COMPONENTS VALUE CHART
- NOTE 9 SEE DEFAULT JUMPER CHART
- NOTE 10 NOT ALL COMPONENTS USED ON ALL ASSYS, SEE APPROPRIATE BOMS

REF. PRINT

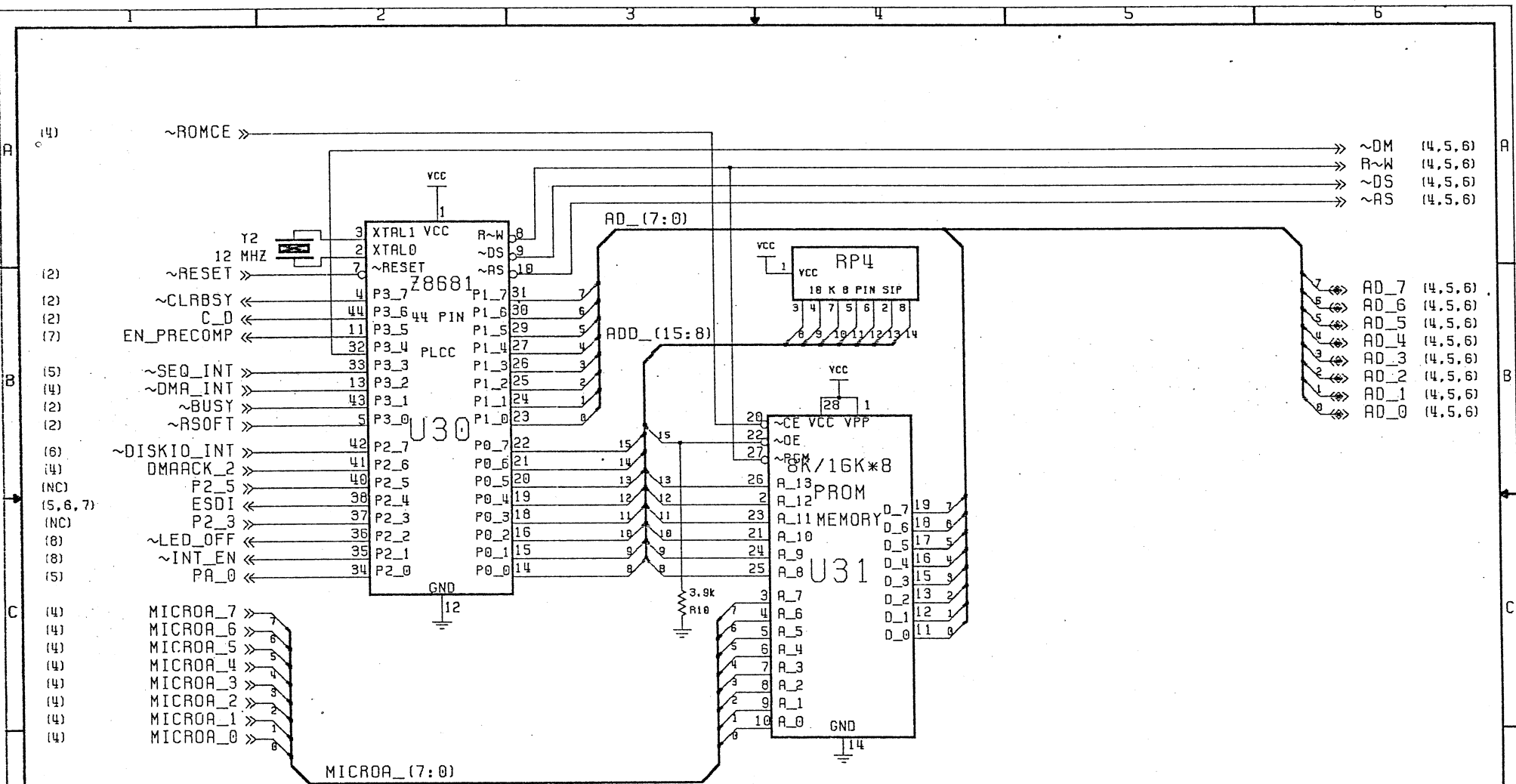


Enqueued: 4/14/1987 8:58 am (pst)
 Printed: 4/14/1987 9:00 am (pst)
 Magnification: 0.617079 (auto-scaled)

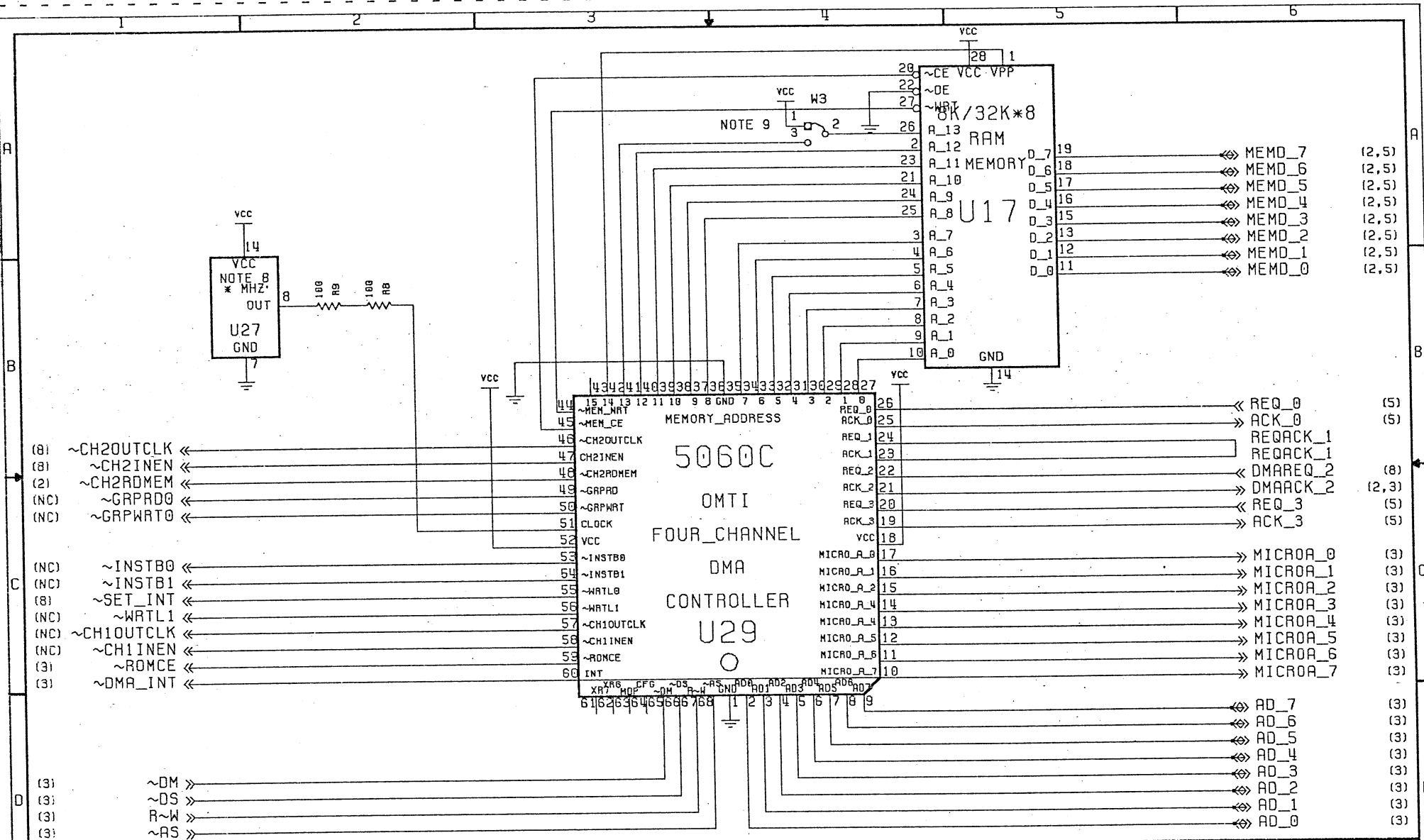


Job: V88.Z0\$0.STEVEH.\$8620.SHEET3

Enqueued: 4/14/1987 8:58 am (pst)
 Printed: 4/14/1987 9:02 am (pst)
 Magnification: 0.617079 (auto-scaled)

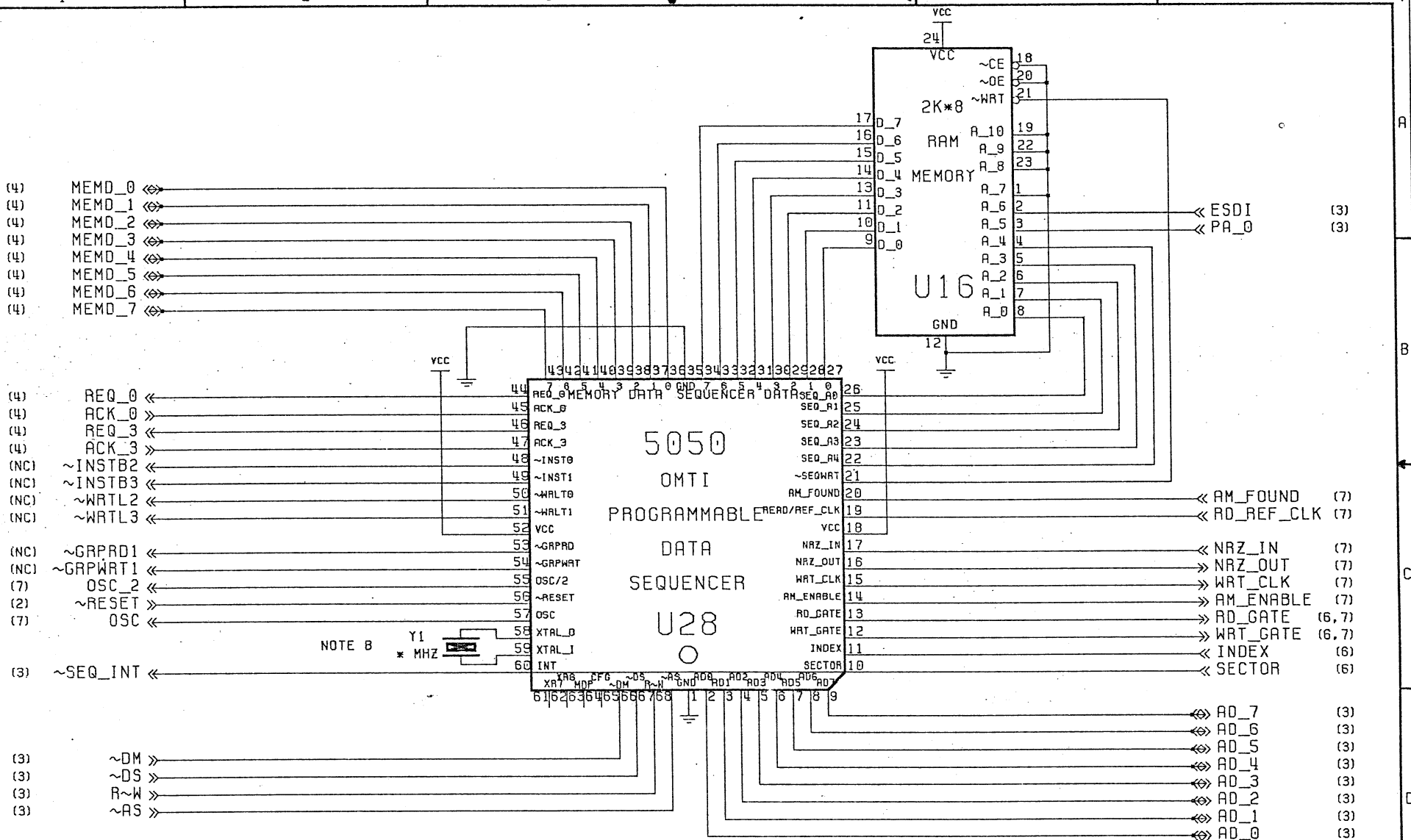


Enqueued: 4/14/1987 8:58 am (pst)
 Printed: 4/14/1987 9:03 am (pst)
 Magnification: 0.617079 (auto-scaled)



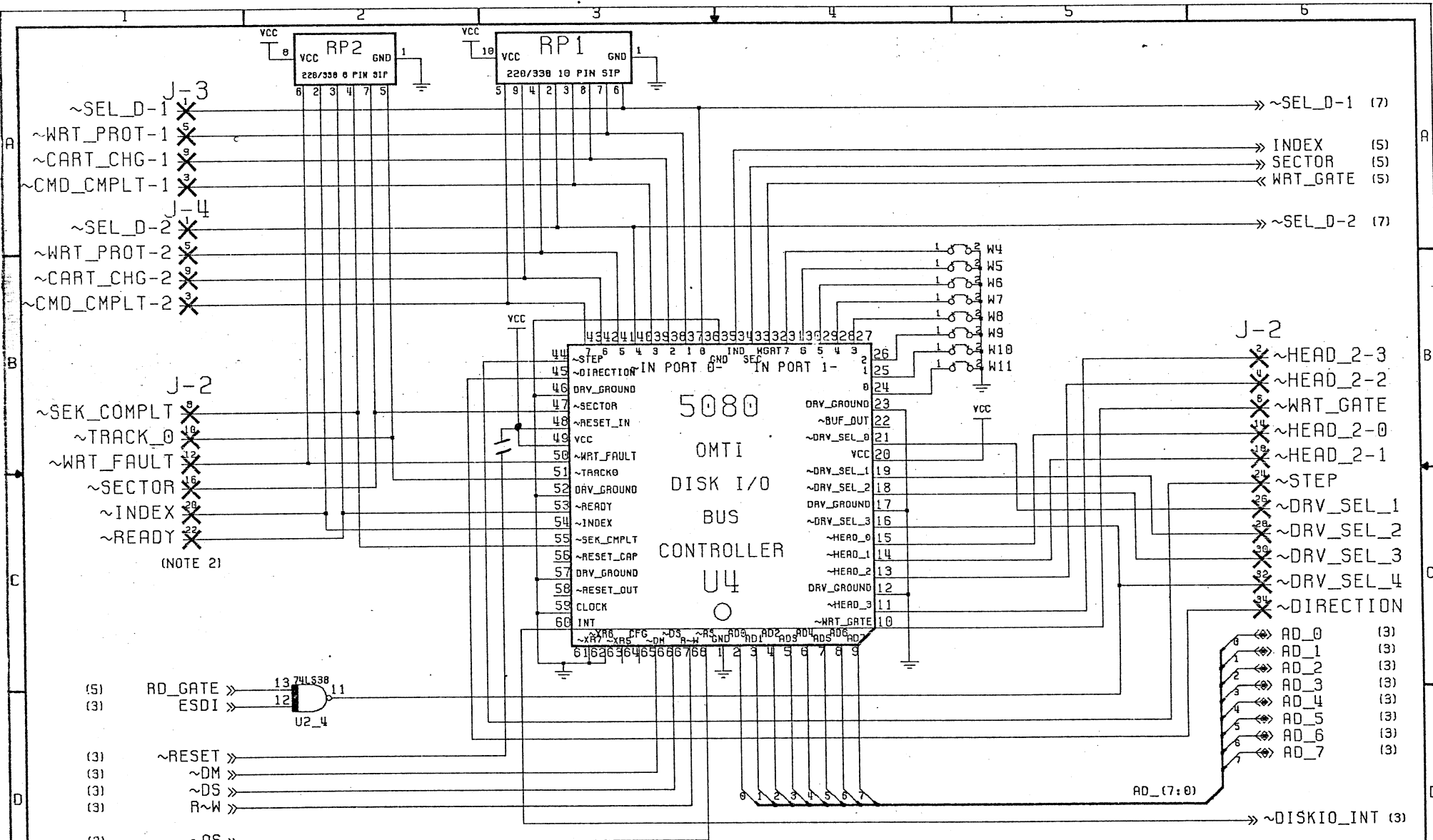
Job: V80.Z0\$0.STEVEH.\$8620.SHEET5

Enqueued: 4/14/1987 8:58 am (pst)
 Printed: 4/14/1987 9:03 am (pst)
 Magnification: 0.617079 (auto-scaled)



Job: V80.Z0\$0.STEVEH.\$8620.SHEET6

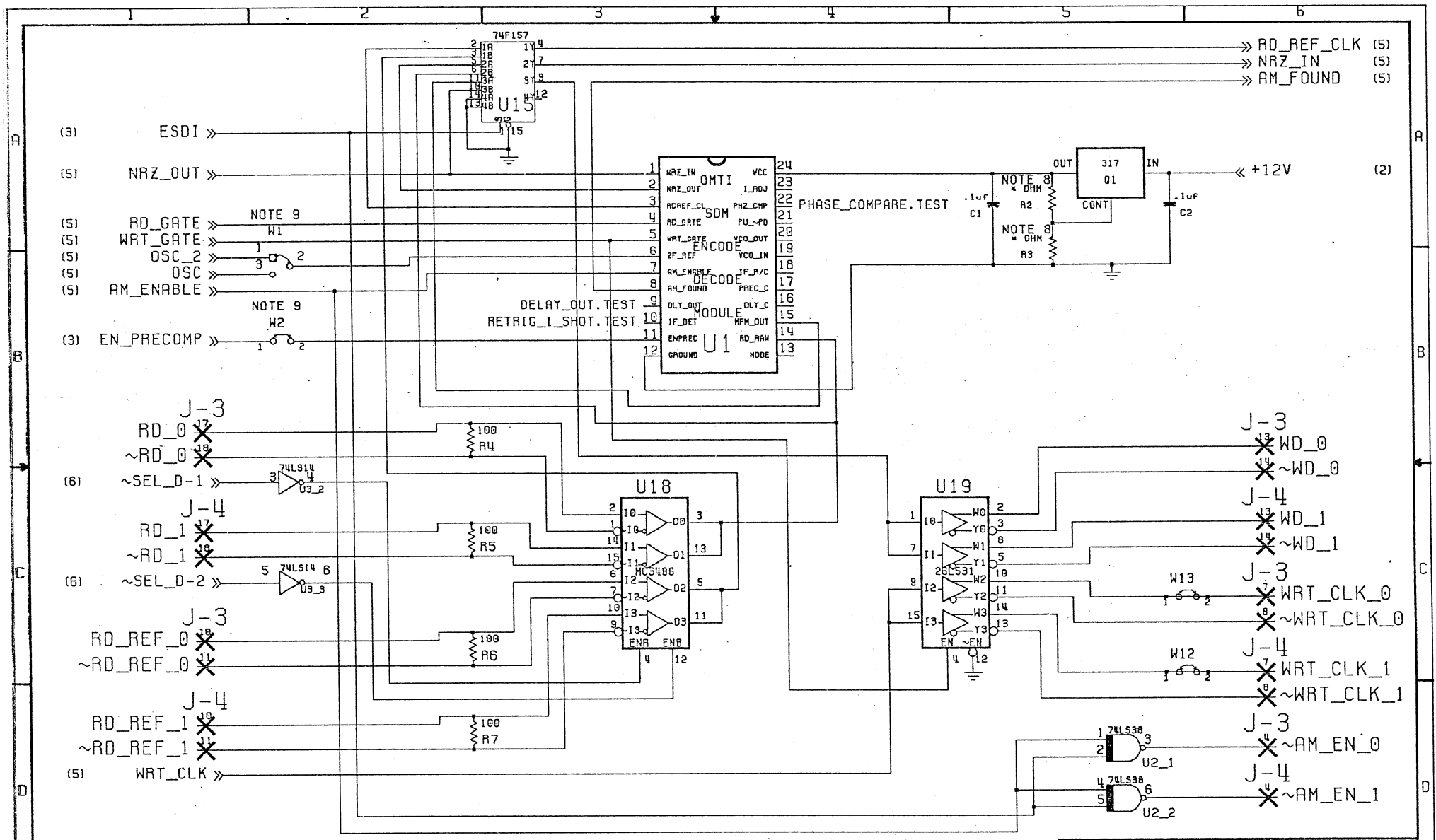
Enqueued: 4/14/1987 8:58 am (pst)
 Printed: 4/14/1987 9:04 am (pst)
 Magnification: 0.617079 (auto-scaled)



(NOTE 2)

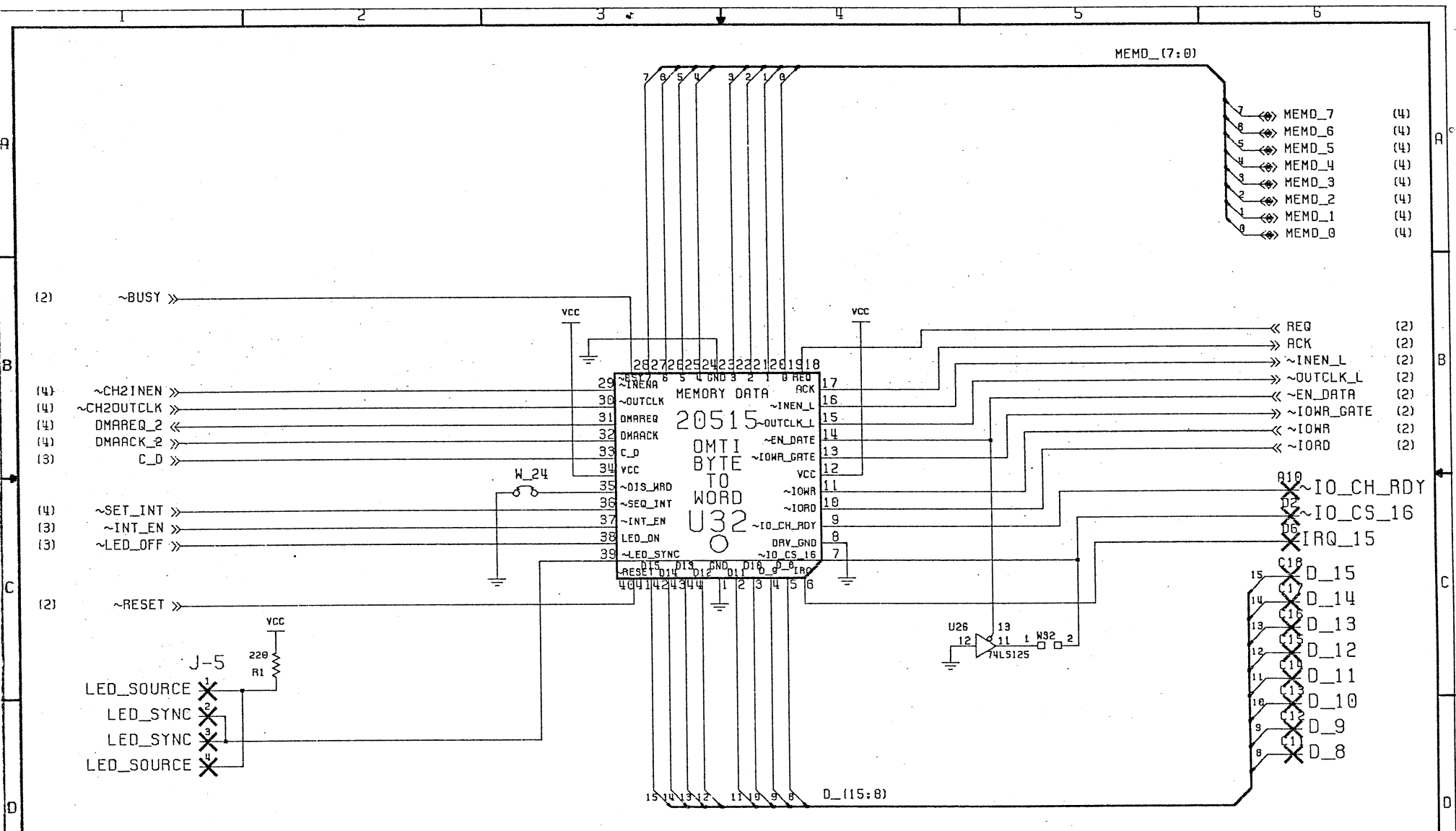
Job: V80.Z0\$0.STEVEH.\$8620.SHEET7

Enqueued: 4/14/1987 8:58 am (pst)
Printed: 4/14/1987 9:05 am (pst)
Magnification: 0.617079 (auto-scaled)



Job: V80.Z0\$0.STEVEH.\$8620.SHEET8

Enqueued: 4/14/1987 8:59 am (pst)
 Printed: 4/14/1987 9:06 am (pst)
 Magnification: 0.617079 (auto-scaled)



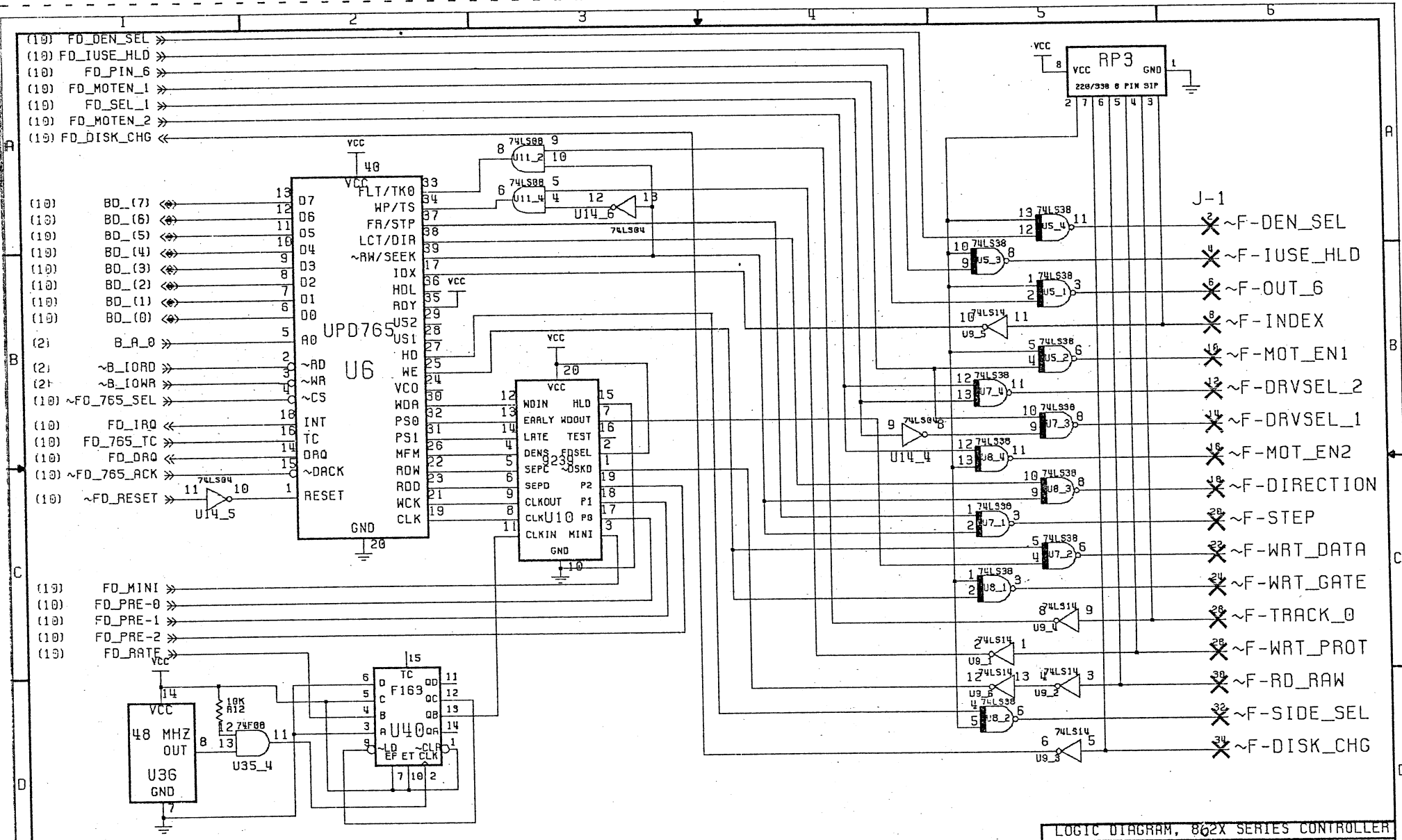
LOGIC DIAGRAM, 862X SERIES CONTROLLER

Part # 0005350
 Drawn: SH 3/27/87
 Page: 8 of 10



Job: V80.Z0\$0.STEVEH.\$8620.SHEET9

Enqueued: 4/14/1987 8:59 am (pst)
Printed: 4/14/1987 9:07 am (pst)
Magnification: 0.617079 (auto-scaled)



Job: V80.Z0\$0.STEVEH.\$8620.SHEET10

Enqueued: 4/14/1987 8:59 am (pst)
Printed: 4/14/1987 9:08 am (pst)
Magnification: 0.617079 (auto-scaled)

