

DDS Tape Drive

User's Guide

SDT-9000 Series

This document contains proprietary information which is protected by copyright.

All rights reserved. No part of this document may be photocopied, reproduced or translated to another language without prior written consent of Sony.

The information contained in this document is subject to change without notice.

SONY MAKES NO WARRANTY OF ANY KIND WITH REGARD TO THIS DOCUMENT.

Sony shall not be liable for error contained herein, indirect, special, incidental or consequential damages in connection with the furnishing, performance or use of this document.

VORSICHT

Diese Ausrüstung erfüllt die Europäischen EMC-Bestimmungen für die Verwendung in folgender / folgenden Umgebung(en):

- Wohngebenden
- Gewerbegebiete
- Leichtindustrialgebiete

(Diese Ausrüstung erfüllt die Bestimmungen der Norm EN55022, Klasse B.)

사용자 안내문

이 기기는 가정용으로 전자파 적합등록을 한 기기로서 주거지역에서는 물론 모든 지역에서 사용할 수 있습니다.

Contents

Introduction	4
Product Features	4
Precautions	5
Installation	6
SCSI Connection/Setting the SCSI ID/Option Switches	6
Mounting Holes	7
Remodeling from 5.25" Model to 3.5" Model	9
Orientation	10
Operation	11
Location of 3 LEDs	11
LED Indication for Drive Status	12
Drive Operation	13
Emergency Cassette Removal Procedure	14
Interface Implementation	16
Supported SCSI Messages	16
Supported SCSI Commands	16
Specification	17
Product Specifications	17
Third Party Support Contacts (In the USA)	19
Sony Contacts	21

SDT-9000 DDS-3 Tape Drive

Congratulation on your purchase of the Sony DDS-3 drive SDT-9000.

This drive is a high capacity data storage device using 4mm DAT (Digital Audio Tape) technology. The SDT-9000 drive achieves high data reliability through Read-After-Write, an additional level of Error Correction Code, and other features.

The Sony SDT-9000 drive stores data on tape using a standard format called DDS (Digital Data Storage), DDS-3, DDS-2, DDS-DC and DCLZ formats. These formats are used by many other DDS tape drive manufacturers, providing a broad range of compatible tape drives.

The Sony SDT-9000 is fully READ and WRITE compatible with the DDS-3, DDS-2, DDS and DDS-DC format tapes.

Introduction

Product Features

	SDT-9000 (With Data Compression)
Data Capacity	24 GB (typical)*
Transfer Rate (sustained)	2.4 MB/sec (typical)*

- Supported Formats: DDS-3, DDS-2, DDS, DDS-DC and DCLZ
- High Burst Transfer Rate- 5MB/sec Asynchronous
10MB/sec Synchronous
- Large 2MB Buffer
- 3.5" Standard Height, 5.25" Half Height
- Embedded SCSI Interface
- Supports Variable or Fixed Record Length
- Supports SCSI-2 Sequential-access Devices Command Set
- Read After Write (RAW)
- Frame Rewrite Function
- Three Levels of Error Correction Code (ECC)
- Quick Search (200 times normal Read/Write speed)
- Random Read
- N-Group Write Option
- Dual Partition Option
- SCSI Disconnection/Arbitration

* Assuming 2:1 compression. Actual capacity and transfer rate may vary since compression is depending upon data type.

Precautions

Installation

Avoid placing the drive in a location subject to:

- high humidity
- high temperature
- mechanical shock and vibration
- direct sunlight

Operation

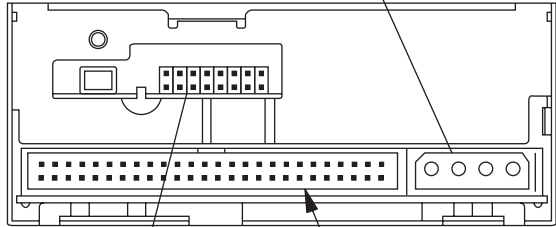
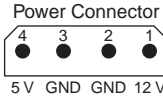
- * Do not move the drive while it is operating. Doing so may cause a malfunction.
- * Avoid exposing the drive to sudden changes from low to high in temperature. This may cause water condensation to collect inside the drive. If the ambient temperature should suddenly rise while the drive is turned on, wait at least one hour before turning on the drive. If you attempt to operate the drive immediately after a sudden increase in temperature, a malfunction may occur.
- * Do not turn off the drive while a tape is inside the drive.

Transportation

- * Keep the original packing materials for possible future shipments of the drive.
- * Be sure to remove any tapes from drive prior to transportation. After removing the drive from the computer, repack the drive into its original packaging.

Installation

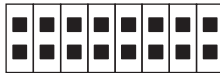
SCSI Connection/Setting the SCSI ID/Option Switches



SCSI ID

SCSI ID	N	T	O	D	D	R	R	T
0	■	■	■	■	■	■	■	■
1	■	■	■	■	■	■	■	■
2	■	■	■	■	■	■	■	■
3	■	■	■	■	■	■	■	■
4	■	■	■	■	■	■	■	■
5	■	■	■	■	■	■	■	■
6	■	■	■	■	■	■	■	■
7	■	■	■	■	■	■	■	■

Jumpers



Terminator Power

Term Power	N	T	O	D	D	R	R	T
Provided	■	■	■	■	■	■	■	■
Not Provided	■	■	■	■	■	■	■	■

DC Disable

Terminators	N	T	O	D	D	R	R	T
Disabled	■	■	■	■	■	■	■	■
Enabled	■	■	■	■	■	■	■	■

SCSI Parity

SCSI Parity	N	T	O	D	D	R	R	T
Enabled	■	■	■	■	■	■	■	■
Disabled	■	■	■	■	■	■	■	■

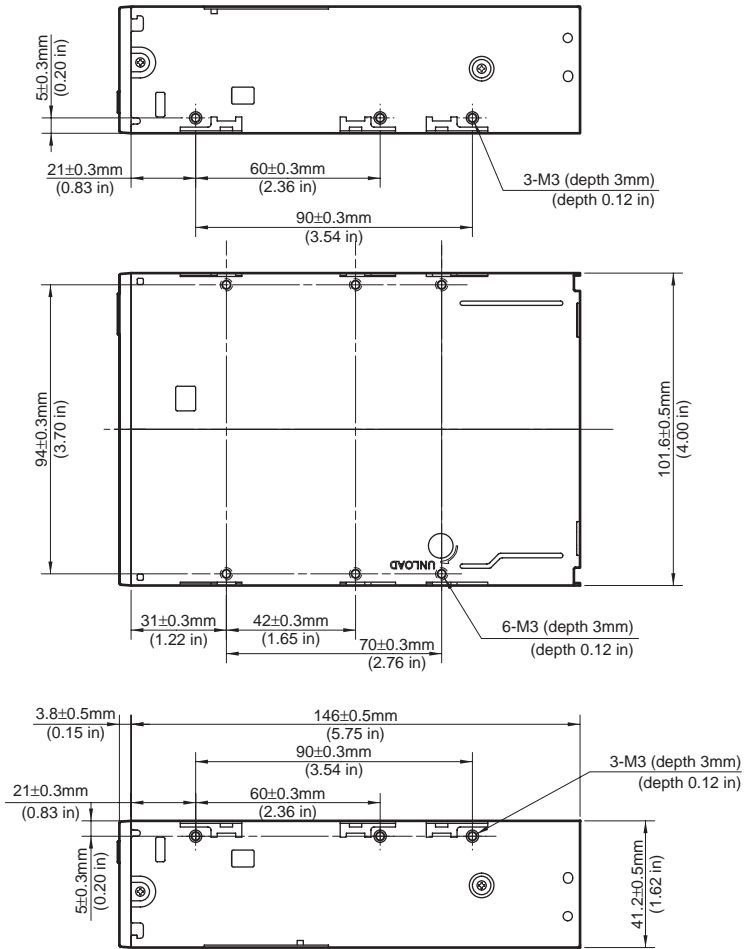
Terminator On

Terminators	N	T	O	D	D	R	R	T
Enabled	■	■	■	■	■	■	■	■
Disabled	■	■	■	■	■	■	■	■

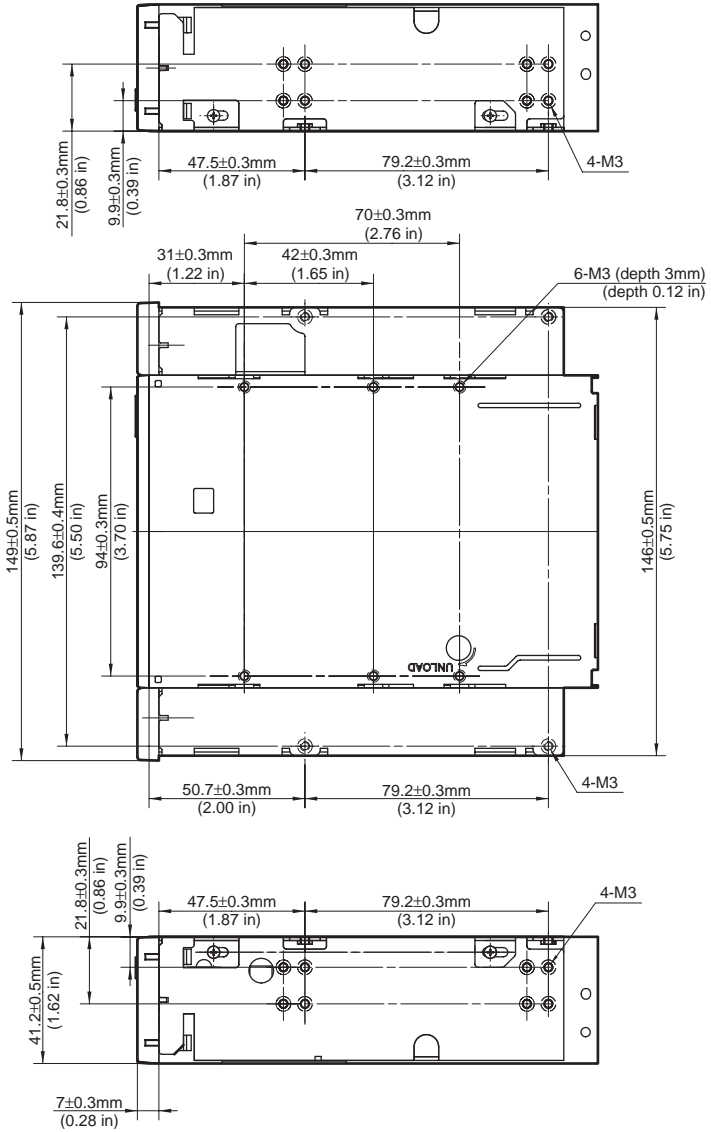
Note : = CLOSED/Jumper
 = OPEN/Jumper not installed
 Don't care

Mounting Holes

For 3.5" Standard Height (SDT-9000)



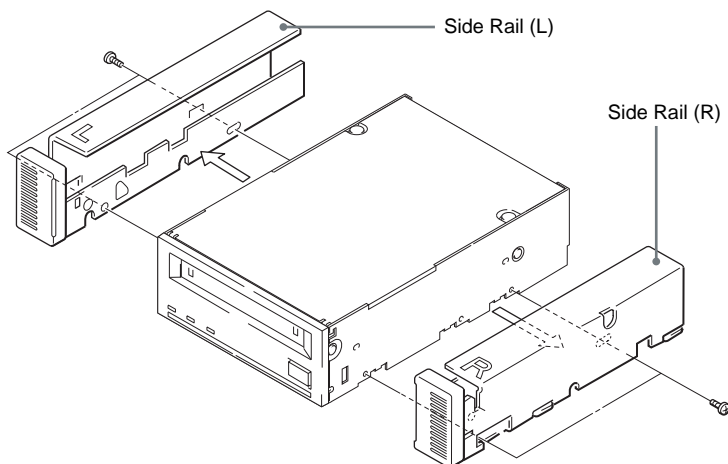
For 5.25" Half Height (SDT-9000/R)



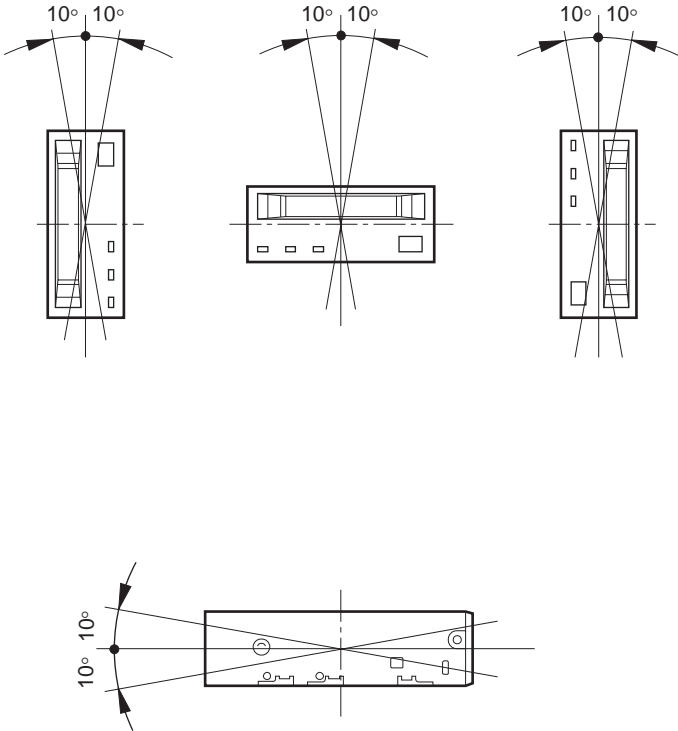
Remodeling from 5.25" Model to 3.5" Model

You can remodel the SDT-9000/R (5.25" model) to the SDT-9000 (3.5" model) yourself.

- 1** Remove the 2 screws for each side rail.
- 2** Take the side rail off.



Orientation

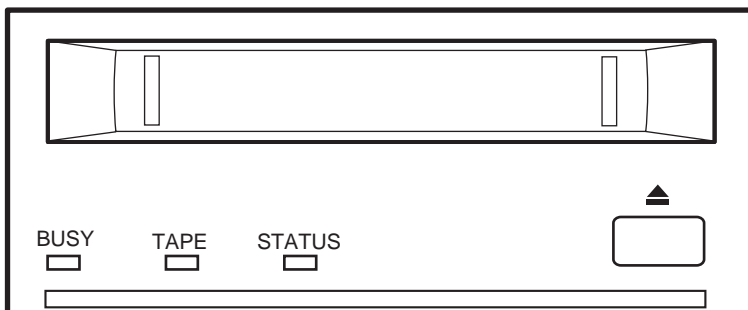


Operation

Location of 3 LEDs

There are three LED indicators (BUSY, TAPE and STATUS) and an EJECT button on the front panel of the unit.

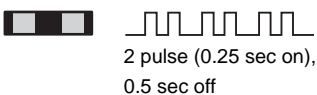
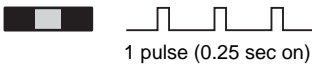
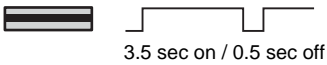
Front Panel (for 3.5" Standard Height)



LED Indication for Drive Status

LED			State		
BUSY	TAPE	STATUS	Activity	Cartridge	Other
			None	None	None
			SCSI	None	None
			Drive	Loading/Unloading	None
			Drive	Loading/Unloading	Write Protected
			None	Loaded	None
			SCSI	Loaded	None
			SCSI/Drive	Loaded	None
*			*	Loaded	Write Protected
			None	Loaded	Cleaning Tape at EOM
*		*	*	Loaded	Error Rate Warning
*	*		*	*	Cleaning Request
*	*		*	*	Selftest Failure
	*	*	*	*	Waiting for Reset
*		*	*	*	Waiting for Eject

* : Not defined.



Drive Operation

Loading a Cassette

Insert a cassette into the slot on the front panel with the arrow on the cassette pointing towards the drive. When the cassette is inserted, the drive takes it and automatically loads it into drive mechanism.

Unloading a Cassette

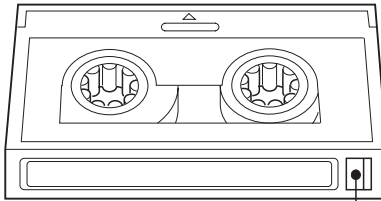
The cassette can be removed from the SDT-9000 either in response to a SCSI Unload Command, or by pressing the eject button.

By pressing Eject button, the tape goes to BOM, the drive unthreads it, and ejects the cassette from the slot.

Write-protecting a Cassette

Cassettes can be write-protected by sliding the tab on the back of the cassette open.

In this state, data can be read from the tape but not written onto it.



Using your fingernail, push the switch in the direction of the arrow to avoid accidental overwriting or erasure of data.



Return the switch to its original position to re-enable writing.

Using a Cleaning Tape

The SDT-9000 has a built-in super head cleaner designed to last for the life of the drive.

In addition, a cleaning tape should be used periodically to clean the entire tape path.

The drive will automatically request you to perform a cleaning operation.

The need for a cleaning tape is determined by the drum rotating hours since the last cleaning was performed. The drive will request a cleaning operation every 24 hours of drum rotation.

Emergency Cassette Removal Procedure

In case the tape is stuck inside the drive, you could remove the tape cartridge manually.

- 1** Remove the drive from the chassis or enclosure to allow access to the bottom and left side of the drive.
- 2** Remove the drive's top cover to monitor the degree of tape slack throughout the process.

Note

Never touch the inside of the drive when the top cover is opened. Otherwise it may cause a trouble.

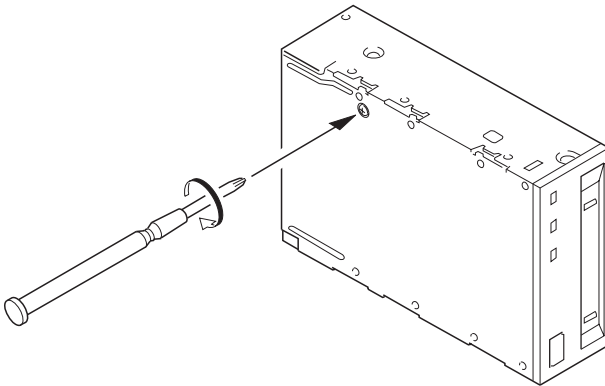
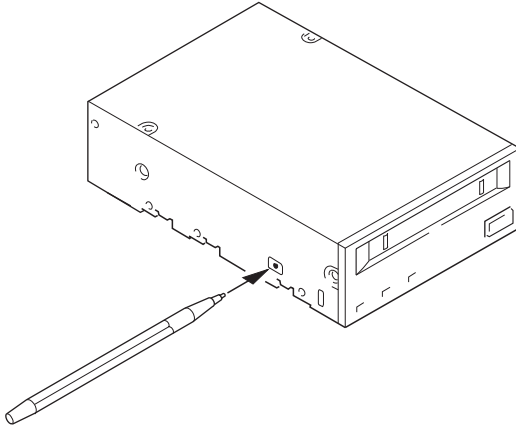
- 3** Rotate the Loading/Threading motor clockwise with a small screwdriver (ex. Phillips "+" No. 1) put into the plastic screw head on the back of the drive (see the location in a drawing below).

This will enable you to move back the threading mechanism to the initial position.

Notes

- Do not rotate the screw further when you reach to the mechanical limit to avoid damage on the mechanism.
- To prevent damage on the tape, take up the slack of tape from time to time by clicking the ratchet mechanism located on the left side of the drive.

- 4** Continue the procedure until the tape is lifted out of the drive mechanism and ejected.
- 5** Return the drive to a service station for repair.



Interface Implementation

Supported SCSI Messages

Abort	Identify (w/&w/o Disconnect)
Bus Device Reset	Initiator Detected Error
Command Complete	Message Parity Error
Disconnect	Message Reject
Extended Message	No Operation
- Synchronous Data Transfer Request	Restore Pointers
	Save Data Pointer

Supported SCSI Commands

Erase	Receive Diagnostic Results
Inquiry	Release Unit
Load/Unload	Request Block Address
Locate	Request Sense
Log Select	Reserve Unit
Log Sense	Rewind
Mode Select (6)	Seek Block
Mode Sense (6)	Send Diagnostic
Prevent Allow Medium Removal	Space
Read	Test Unit Ready
Read Block Limits	Verify
Read Buffer	Write
Read Position	Write Buffer
	Write Filemarks

Specification

Product Specifications

Dimensions

	3.5" Standard Height	5.25" Half Height
Height	41.2 mm (1.62 in)	41.2 mm (1.62 in)
Width	101.6 mm (4.0 in)	146.0 mm (5.75 in)
Depth	146.0 mm (5.75 in)	146.0 mm (5.75 in)

Altitude

Operating	0 to 7000 feet
-----------	----------------

Vibration

Operating	Swept Sine 5 to 500 Hz *0.25 G Peak 1 Octave/min. 3 axes, 3 directions
Non-Operating	Swept Sine 5 to 500 Hz *0.5 G Peak 1 Octave/min. 3 axes, 3 directions

Acoustic Noise

(A) curve weight

Streaming Write/Read	35 db (A)
Insert/Eject	60 db (A)

Note

The sound-meter on (A) scale is located 1m in front of the center of the drive front panel.

Shock

Operating	No Data Loss Half Sine Performance 5 G Peak 3 ms 3 axes, 3 directions *Interval 10 seconds
Non-Operating	No Device Damage Half Sine 90 G Peak 3 ms (30 G Peak 11 ms) 3 axes, 3 directions

Temperature and Humidity Range

Temperature

Operating	5 °C to 40 °C ($\Delta T < 10$ °C/h)
Non-Operating (mech)	- 40 °C to 70 °C ($\Delta T < 20$ °C/h)
Non-Operating (tape)	- 40 °C to 45 °C ($\Delta T < 20$ °C/h)

Humidity

Operating	20 to 80% RH, non-condensing Maximum wet bulb temperature = 26 °C
Non-Operating (mech)	5 to 95% RH ($\Delta RH < 30\%/h$)
Non-Operating (tape)	20 to 80% RH ($\Delta RH < 30\%/h$)

Power Requirements

Voltage	Max Ripple	Current*	
		Typical	Maximum
5 V +/- 5 %	100 mVp-p	1.0 A	2.0 A
12 V +/- 10 %	100 mVp-p	0.21 A	0.7 A

* During Load/Unload

Suspended Particulate

Operating	Less than 150 microgram/m ³
-----------	--

ESD

Discharge	< 15 kV: No operation failure
Voltage	< 20 kV: No drive damage

Air-cooling Requirement

Surrounding temperature	< 40 °C
-------------------------	---------

Clean air flow is recommended to minimize the possibility of data loss.

Third Party Support Contacts (In the USA)

Host Adapter Vendors	Phone Numbers
Adaptec	408-945-8600
ATTO	716-691-1999
Bus Logic	408-492-9090
DPT	407-830-5522
Future Domain	714-253-0400
Initio	408-988-1919
Qlogic	714-438-2200
Ultra Systems Inc.	714-367-8800

Operating Systems	Backup Software Vendors	Phone Numbers
DOS	Arcada	407-333-7500
	Cheyenne	516-484-5110
	Columbia Data Products	407-869-6700
	Corel	613-728-8200
	NovaStor	805-579-6700
	Palindrome	708-505-3300
	ST. Bernard Software	619-676-2277
	Sytron	508-898-0100
Macintosh	Tapedisk	715-235-3388
	Cheyenne	516-484-5110
	Corel	613-728-8200
	Dantz	510-253-3000
OS/2	NovaStor	805-579-6700
	Cheyenne	516-484-5110
	Corel	613-728-8200
	IBM	800-426-3333
	NovaStor	805-579-6700
Windows	Sytron	407-333-7500
	Arcada	407-333-7500
	Cheyenne	516-484-5110
	Corel	613-728-8200
	Creata	909-595-8811
	NovaStor	805-579-6700
	ST. Bernard Software	619-676-2277
Windows NT	Sytron	508-898-0100
	Arcada	407-333-7500
	Cheyenne	516-484-5110
	Creata	909-595-8811
	Microsoft	206-882-8080
	NovaStor	805-579-6700
Windows NT Advanced Server	Avail Systems	303-444-4018
	Microsoft	206-882-8080

* All phone numbers listed are in the USA.

Add the country code (1) prior to those numbers when calling from outside the USA.

Operating Systems	Backup Software Vendors	Phone Numbers
Windows 95	NovaStor	805-579-6700
DEC Unix	Cheyenne	516-484-5110
	NovaStor	612-933-8790
	Software Moguls	612-933-8790
	Work Station Solutions	603-880-0080
SUN Unix	Legato	415-812-6000
	NovaStor	818-707-9900
	Software Moguls	612-933-8790
	Sun Soft	310-348-8649
	Work Station Solutions	603-880-0080
Solaris Unix	Cheyenne	516-484-3150
	Legato	415-812-6000
	NovaStor	818-707-9900
	Software Moguls	612-933-8790
	Sun Soft	310-348-8649
	Work Station Solutions	603-880-0080
SCO Unix	Cheyenne	516-484-3150
	Legato	415-812-6000
	Software Moguls	612-933-8790
	Work Station Solutions	603-880-0080
NCR Unix	NovaStor	818-707-9900
	Work Station Solutions	603-880-0080
HP Unix	Cheyenne	516-484-3150
	NovaStor	818-707-9900
	Work Station Solutions	603-880-0080
AIX Unix	Cheyenne	516-484-3150
	Legato	415-812-6000
	NovaStor	818-707-9900
	Software Moguls	612-933-8790
	Work Station Solutions	603-880-0080
Interactive Unix	Sun Soft	310-348-8649
SGI Unix	Software Moguls	612-933-8790
	Work Station Solutions	603-880-0080
Novell UNIXware	Novell	801-263-3500
Novell NLM	Arcada	407-263-3500
	Avail Systems	303-444-4018
	Cheyenne	516-484-3150
	Columbia Data Products	407-682-0265
	Creata	909-595-8811
	Legato	415-812-6000
	NovaStor	818-707-9900
	Novell	801-419-5544
	Palindrome	708-505-3300
	Performance Tech	210-979-2110
	ST. Bernard Software	619-676-2277
	Symantec	310-449-4156
	Sytron	508-898-0100
Banyan	Performance Tech	210-979-2110
Lantastic	NovaStor	818-707-9900
Amiga	Moonlighter	407-384-9484
RS6000	Legato	415-812-6000
	NovaStor	818-707-9900
	Software Moguls	612-933-8790

Sony Contacts

For further information, please contact:

Sony Electronics Inc., Technical Support

3300 Zanker Road San Jose, CA95134, 1940. USA

TEL: (1) 800-352-7669

Sony Corporation

Electronic Devices Marketing Group, Product Marketing Div.

Computer Peripherals Dept. Tape Streamer Section

Osaki Gate City East Tower, 1-11-1, Osaki

Shinagawa-ku, Tokyo, 141-0032 Japan

TEL: (81) 3-5435-3486 FAX: (81) 3-5435-3565

Sony of Canada Ltd., AV/IT Marketing Group

Computer Peripherals Product Marketing

115 Gordon Baker Road Toronto, Ontario, M2H 3R6 Canada

TEL: (416) 499-1414 or (1) 800-961-7669

FAX: (416) 499-8541

Sony Computer Peripherals & Components Europe

URL: <http://www.sonyisstorage.com/>

Electronics Devices Marketing (Singapore)

(A division company of Sony Electronics (S) Pte. Ltd.)

Enterprise Storage Solutions Dept.

2 International Business Park, #01-10 Tower One,

The Strategy, Singapore 609930

TEL:65-6544-8000 FAX:65-6544-7390

Sony Corporation of Hong Kong Ltd.

Computer Peripheral Sales & Marketing Division

Electronic Devices Marketing Hong Kong

45/F, The Lee Gardens, 33 Hysan Avenue, Causeway Bay, Hong Kong

TEL: (852) 2909-1008 FAX: (852) 2909-2001

Sony Corporation of Hong Kong Ltd. Beijing Rep. Office

Computer Peripheral Div.

Full Link Plaza Tower A 11/F., No.18 Chaoyangmenwai Ave., Beijing
100020 P.R.C.

TEL:86-10-6588-0558 FAX:86-10-6588-0855

URL: <http://www.sony.com.cn>

Sony Corporation of Hong Kong Ltd. Shanghai Rep. Office

44F., HSBC Tower, 101 Yin Cheng East Road, Pudong, New Area,
Shanghai, P.R.C. Postcode 200120

TEL: 86-21-6841-3222 FAX: 86-21-6841-0280

Sony Comércio e Indústria Ltda.

Rua Inocêncio Tobias, 125-Parte-Parque Industrial Thomas Edson-Barra
Fund, CEP01144-000, São Paulo -SP-Brasil

TEL: (55) 11-3824-6586 to 6598 FAX: (55) 11-3611-9064

URL: <http://www.sonybrasil.com>

Sony Australia Ltd., Information Technology Products Division

P.O. Box 377, NSW 1670, Australia

TEL: 1800-226-429 FAX: (61) 2-9870-8564 A.C.N. 001 215 354

URL: <http://www.sony.com.au/home.asp>

E-mail: informatica@ssp.br.sony.com

Sony Chile Ltda

Av. Kennedy 8017, Las Condes, Santiago, Chile

TEL: (02) 210-6000 FAX: (02) 210-5417

Sony Taiwan Limited

Computer Peripheral Dept. Electronic Devices Marketing Taiwan Company

Rm 1506, Top FL., Chia Hsin Bldg. No.96, Sec.2, Chung Shan N. Rd.,
Taipei, Taiwan

TEL: 886-2-2522-3286 FAX: 886-2-2562-4587

Sony Korea Corporation EDMK CP Sales & Marketing Team

34F, ASEM Tower, World Trade Center, 159-1, Samsung-Dong,
Kangnam-Ku, Seoul, 135-798, Korea

TEL: 82-2-6001-4249 FAX: 82-2-6001-4115

URL: <http://www.sony.co.kr/cp/>

Sony Gulf FZE Computer Display & Peripheral Div.

P.O.BOX 16871, Jebel Ali, Dubai, U.A.E.

TEL: 971-4-8815488 or 8816912 FAX: 971-4-8817210 or 8816259

<http://www.sony.net/>

Printed on recycled paper

Printed in Japan