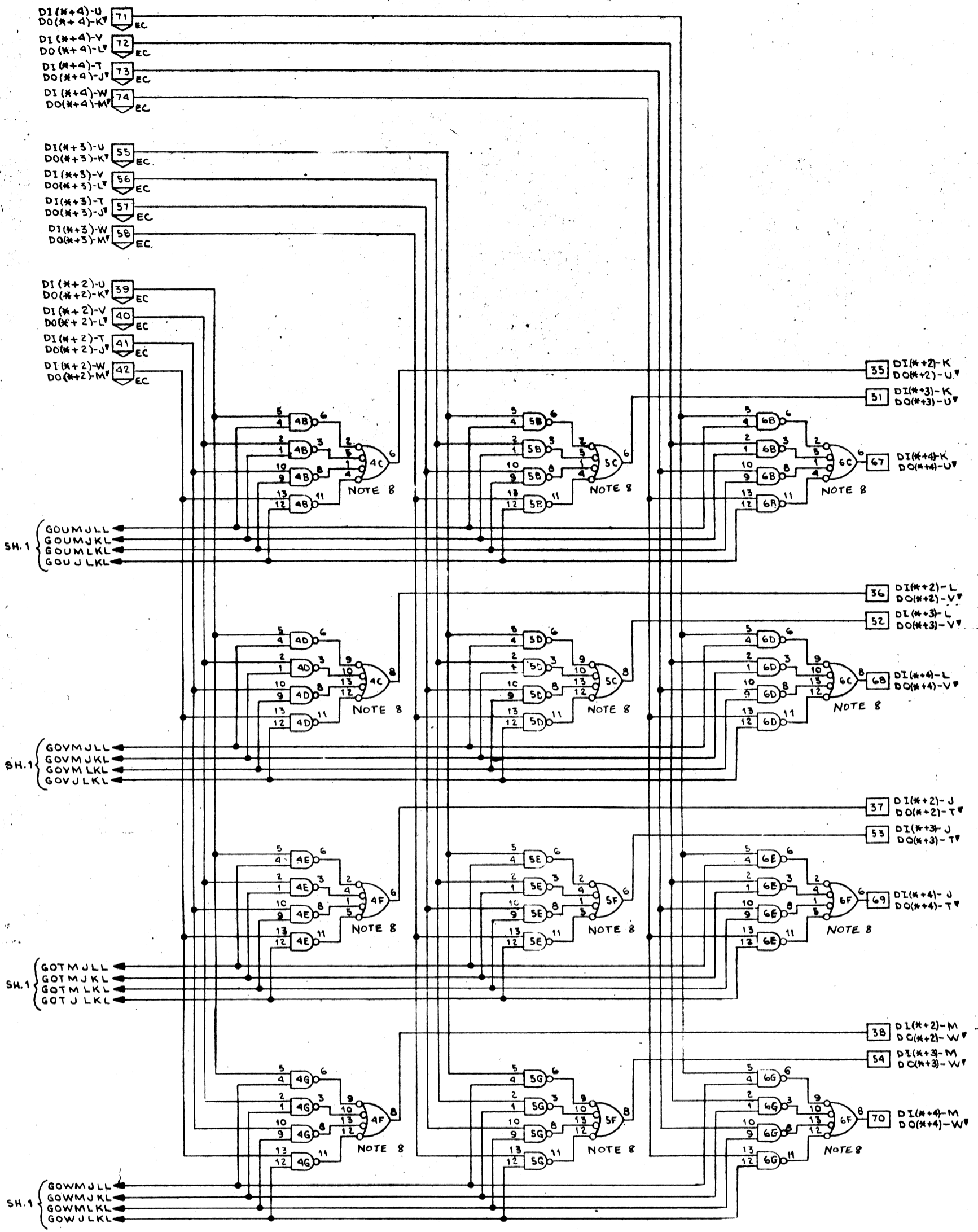


- NOTES: UNLESS OTHERWISE SPECIFIED,
1. ALL RESISTORS ARE 1/8W, 10%, IN OHMS
  2. WHEN TWO VARIABLE NAMES APPEAR NEXT TO A PIN, THE FIRST IS FOR INPUT SWITCH, SECOND FOR OUTPUT SWITCH.
  3. \$ = X, Y  
\* = 8, 10, 18

4. DIODES ARE DAB05
5. ⓐ RESISTOR TO +5V IN LOCATION 6H  
ⓑ RESISTOR TO +5V IN LOCATION 6H  
ⓒ RESISTOR TO +5V IN LOCATION 1B  
ⓓ RESISTOR TO +5V IN LOCATION 10B
6. \* INSIDE MODULE INDICATES FAST GATE; 2 INSIDE MODULE INDICATES 3074H24
7. IN 8-7 - A4  
OUT 8-7 - A6  
IN 8,17 - SEE L41040  
OUT 8,17 -  
IN 9-16 - A15  
OUT 9-16 - A17  
IN 18-25 - A28  
OUT 18-25 - A30

B, FOR A6, A17, A30 2C, 3C... 9C + 2F, 3F... 9F are H21's.

L00002		2	REVISION
 Berkeley Computer Corporation	STATION	REVISION	
	RESEARCHER	DATE	
GAZZALINA	4-17-70		
DMONEDO	4-17-70		
INPUT/OUTPUT SWITCH CH			
BITS (0-7), (9-16), (18-25)			
FIRST USED ON M1-FM			
L00002.2			



L00002	
 Berkley Computer Corporation	STOUGH 4-17-70 GAZZAINA 4-22-70 JH/ORSOS
	INPUT/OUTPUT SWITCH BITS (0-7), (10-17), (20-25) FIRST USED ON M1-FM
REVISIONS 2 3	L00002, 2

DI(#7)-U  
DO(#7)-K  
DI(#7)-V  
DO(#7)-L  
DI(#7)-T  
DO(#7)-J  
DI(#7)-W  
DO(#7)-M

DI(#6)-U  
DO(#6)-K  
DI(#6)-V  
DO(#6)-L  
DI(#6)-T  
DO(#6)-J  
DI(#6)-W  
DO(#6)-M

DI(#5)-U  
DO(#5)-K  
DI(#5)-V  
DO(#5)-L  
DI(#5)-T  
DO(#5)-J  
DI(#5)-W  
DO(#5)-M

83 DI(#5)-K  
DO(#5)-U

99 DI(#6)-K  
DO(#6)-U

115 DI(#7)-K  
DO(#7)-U

84 DI(#5)-L  
DO(#5)-V

100 DI(#6)-L  
DO(#6)-V

116 DI(#7)-L  
DO(#7)-V

85 DI(#5)-J  
DO(#5)-T

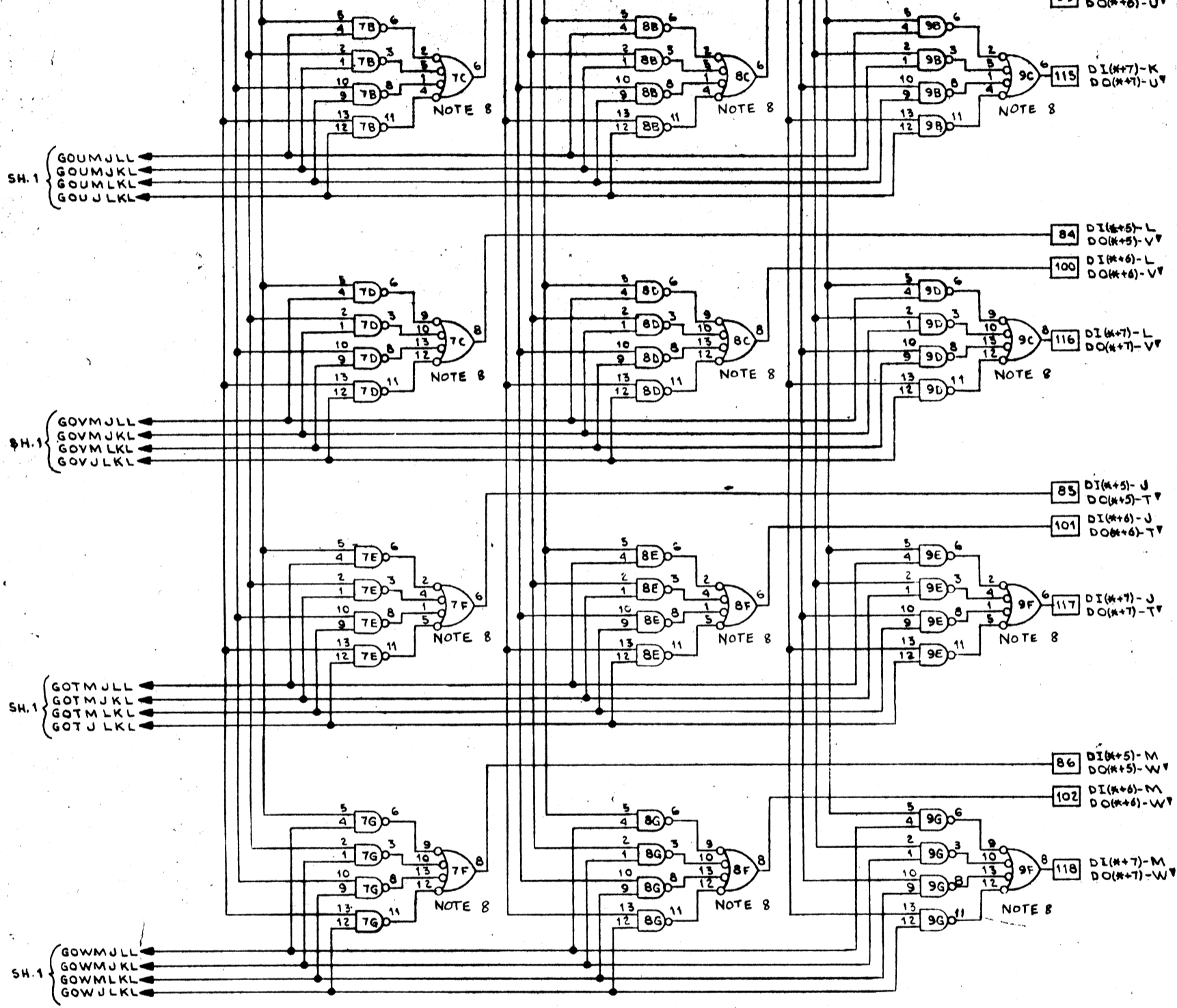
101 DI(#6)-J  
DO(#6)-T

117 DI(#7)-J  
DO(#7)-T

86 DI(#5)-M  
DO(#5)-W

102 DI(#6)-M  
DO(#6)-W

118 DI(#7)-M  
DO(#7)-W



L00002



STOUGA  
RELEASD  
4-17-70  
GAZZALINA  
MIL/SEC  
3 3  
L00002.2

NO.	REVISION	DATE	BY	CHKD
1				

REVISIONS

INPUT/OUTPUT SWITCH  
BITS (0-7) (08-17), (18-25)  
FIRST USED ON M1-FM