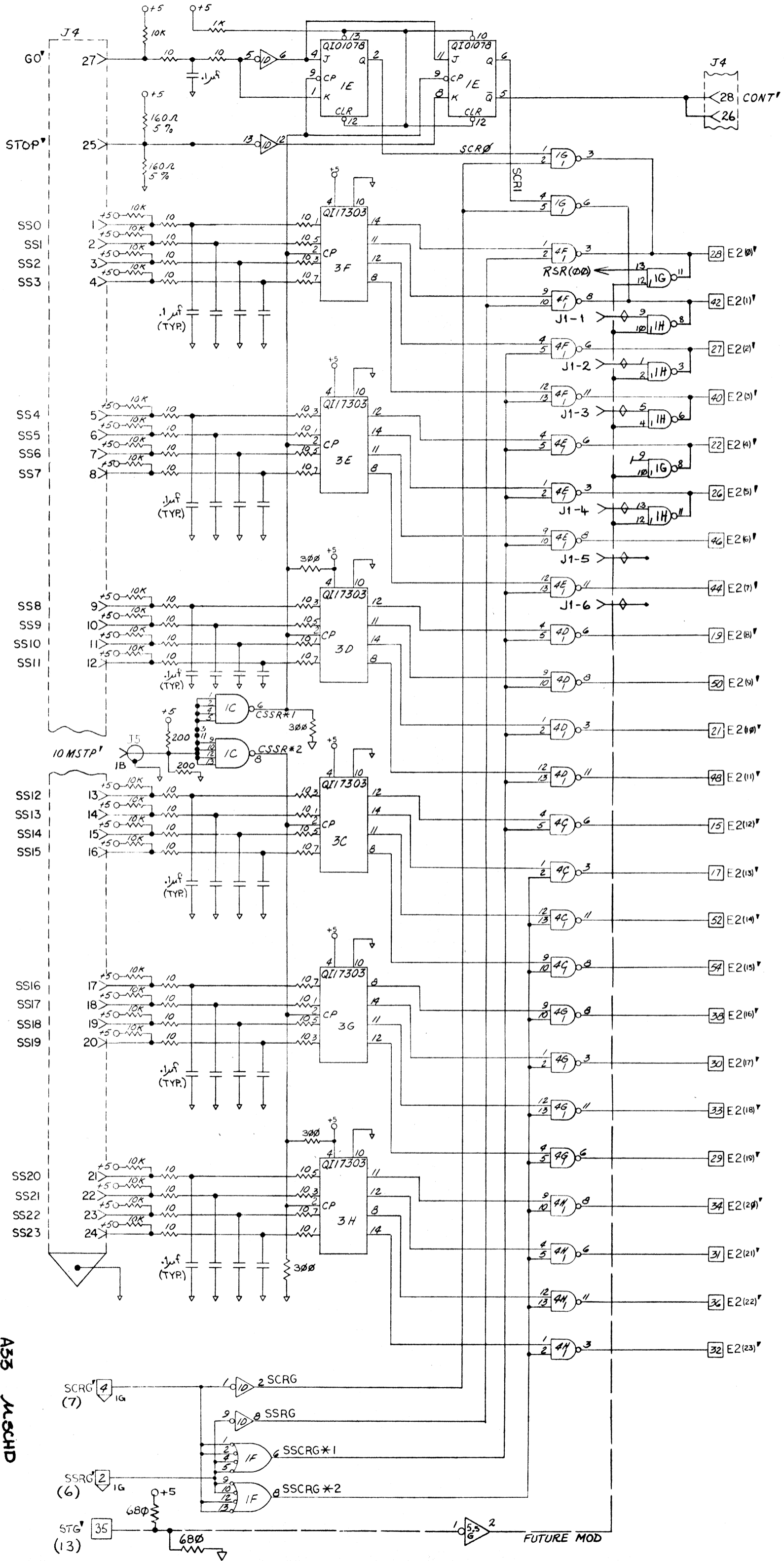


NOTES: 1. UNLESS OTHERWISE SPECIFIED, ALL RESISTORS ARE 10% 1/4W.

AS3 JUSCHD

Berkeley Computer Corporation
 SPECIAL REGISTERS SSR, SCR, ILR, RSR
 DATE: 9-29-68
 DRAWN BY: JUSCH
 CHECKED BY: JUSCH
 L00656

SH101



ASB M.SCHD

Berkeley Computer Corporation

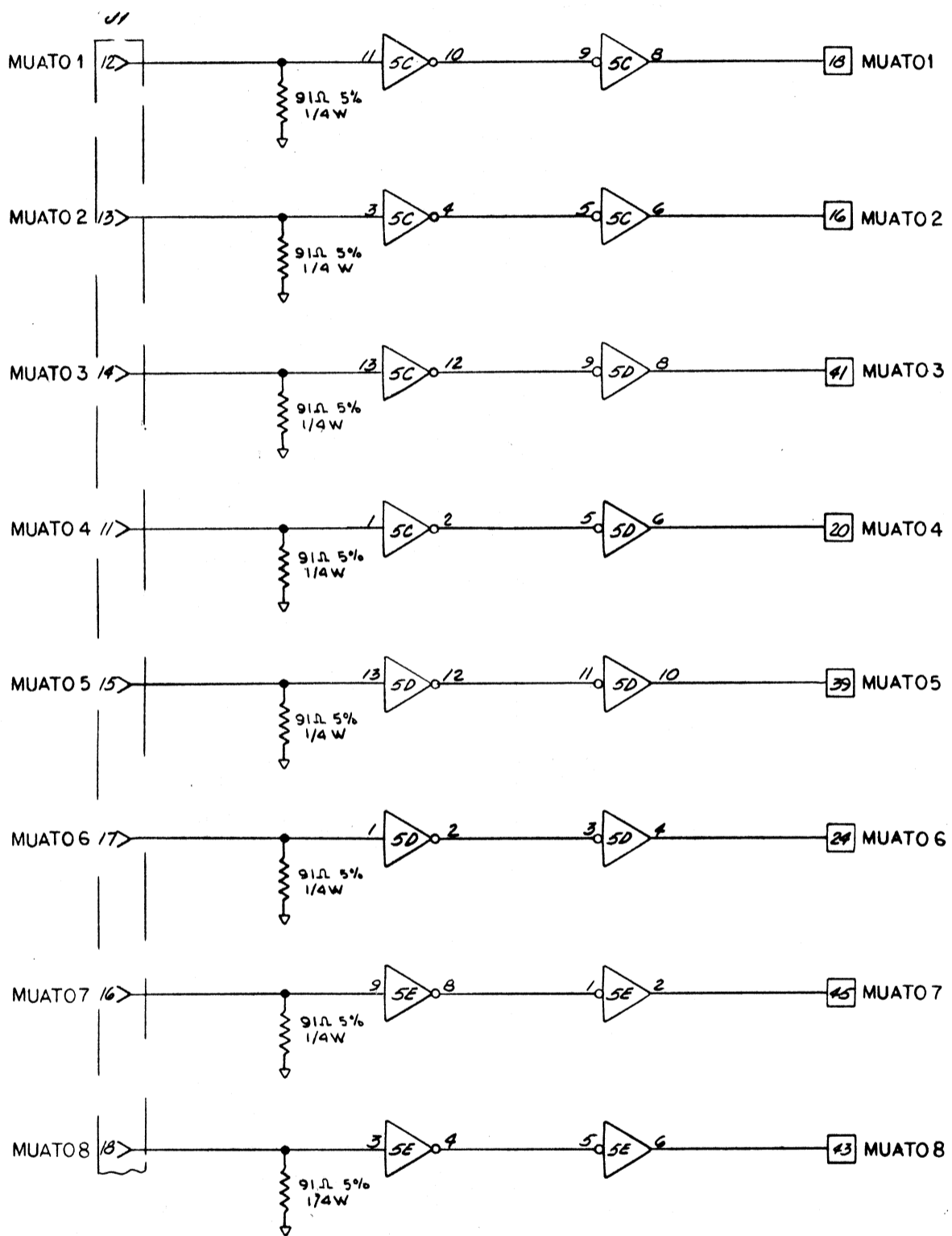
SCALE NONE APPROVED BY GCA

SPECIAL REGISTERS SSR, SCR, ILR, SSR

DATE 9-29-69 DRAWN BY GCA

W2A33 L001656 2

SH120F3



TO BE
RE-REDUCED