


NOTES: (UNLESS OTHERWISE SPECIFIED)

1. THIS DRAWING CONSISTS OF THE FOLLOWING SHEETS:  
1.0, 2.0, 3.0, 4.0, 4.1, 4.2, 5.0, 6.0, 7.0, 8.0, 9.0, 10.0, 11.0, 12.0, 13.0, 14.0, 15.0, 16.0, 17.0, 18.0, 19.0, 20.0, 21.0, 22.0, 23.0, 24.0, 25.0, 26.0, 27.0
2. ALL RESISTORS ARE IN OHMS 1/4W, ±5%
3. PREFIX PART REFERENCE DESIGNATION NO. WITH CIRCUIT NO.  
EXAMPLE: CKT1, R101; CKT2 R201

REFERENCE DESIGNATIONS FOR TYP CIRCUITS		
CIRCUITS	LAST USED	NOT USED
1 & 2	A-04, R-09 CR-16	
3 & 4	A-04, R-09 CR-16	
5 & 6	A-04, R-09 CR-24	
7 & 8	A-04, R-09 CR-24	
9-16	A-04, R-08 CR-12, IC-02 C-02	
17	A-06, R-08 IC-02, C-02 CR-12	

REFERENCE DESIGNATIONS	
LAST USED	NOT USED
IC95	
R89	R33, R34
RT2	
Q23	Q1
D-1	
CR22	CR4
C110	
TP19	
A4	
L6	
E2	

REFERENCE DRAWINGS	
ASSEMBLY	44E0613
PARTS LIST	44P0613
BOARD DETAIL	40E0523
ARTWORK	97E0745
SILKSCREEN	97E0746
SOLDERMASK	97E0747

DR. MONTGOMERY	6-3-72	 VISION DATA SYSTEMS, A VISION SUBSIDIARY 2722 NICHOLSON DRIVE / IRVINE / CALIFORNIA / 92614	TITLE		
CHKD	6-2-72		LOGIC DIAGRAM		
DOGN & WILE	7/2/72		CORE MEMORY V73		
ENGR. F. J. ...	7/1/72		CODE IDENT NO.	SIZE	DWG NO.
APPD. MONTGOMERY	7-27-72		21101	C	91C0377
APPD.		SCALE		1:0	
THIS DOCUMENT MAY CONTAIN PROPRIETARY INFORMATION AND SUCH INFORMATION MAY NOT BE DISCLOSED TO OTHERS FOR ANY PURPOSE OR USED TO PRODUCE THE ARTICLE OR SUBJECT, WITHOUT WRITTEN PERMISSION FROM VDM		KEY		K	

REVISIONS					REVISIONS					
REV	EN NO.	CHG CODE	DESCRIPTION	DR	APPD	TYPE	CODE	DESCRIPTION	APPROVED	DATE
K	83161	1	REVISED SHT 9.0 AND R79,71,74,75,78, 79,81 & 82 ON SHT 19.0 WAS 150FL	CAF	P. J. H. H.	-	X	PILOT RELEASE PER EN 80759	J. C. H.	4/17
						-	A	PRODUCTION RELEASE PER EN 80980	W. J.	1/5
						-	B	REVISED PER EN 81079	R. G. G.	8/21/74
						-	C	REVISED PER EN 81252	W. J.	11/21/74
						-	D	REVISION SHT 8.005 IC WAS 68A PER EN 81441	J. B.	1/9/75
						-	E	DELETED FROM R71 & 76 SHT 19.0. FROM R59, 79, 81, 83, 29, 221, 24 ON SHT 19, ADDED TO R57. PER EN 81544	W. J.	1-9-75
						-	F	REVISED PER EN 81739	W. J.	11/11/75
						-	G	ADD R89 AND E1,2 TO SHT 7.0 PER EN 82278	W. J.	8/29/75
						B	H	SHTS 21 & 22 R-02 & 3 WAS 14.2 PER EN 83072	J. B.	7/15/74
						B	J	ADDED RESISTORS R-07 & 8 TO SHTS 21.0 & 22.0; NOTE 3 TO SHT 21.0 & 4 TO SHT 22.0; REVISED LAST USED IN DES. BLOCK. EN 83126	J. B.	7/15/74

TABLE OF CONTENTS

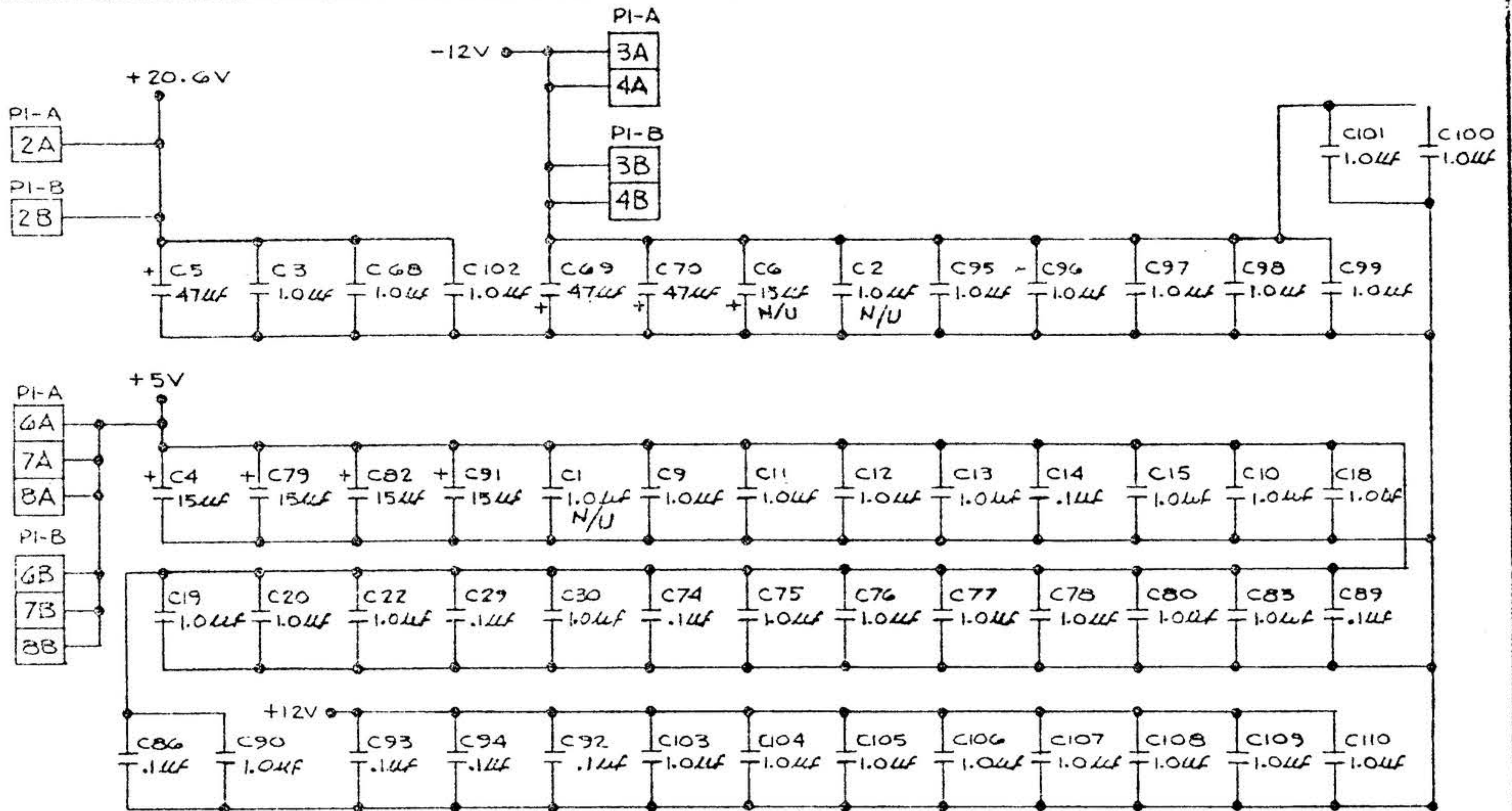
DESCRIPTION	SHEET NO.
COVER	1.0
REVISION AND TABLE OF CONTENTS	2.0
POWER, GRD, AND DECOUPLING	3.0
CONNECTOR FUNCTION, PI-A AND PI-B	4.0
CONNECTOR FUNCTION, JI-A AND JI-B	4.1
CONNECTOR FUNCTION, J2-A AND J2-B	4.2
BANK SELECT, PORT A	5.0
BANK SELECT, PORT B	6.0
LOGIC CIRCUIT 1	7.0
LOGIC CIRCUIT 2	8.0
LOGIC CIRCUIT 3	9.0
LOGIC CIRCUIT 4	10.0
ADDRESS MUX. AND REG.	11.0
ADDRESS MUX. AND REG.	12.0
DRIVER SWITCHES POSITIVE	13.0
DRIVER SWITCHES NEGATIVE	14.0
SINK SWITCH NEGATIVE	15.0
SINK SWITCH POSITIVE	16.0
DRIVER LOGIC	17.0
SINK LOGIC	18.0
PRE DRIVER CIRCUITS X & Y	19.0
CURRENT SOURCES	20.0
SENSE INHIBIT	21.0
SENSE INHIBIT	22.0
DATA LOOP BIT 00 THRU 03	23.0
DATA LOOP BIT 04 THRU 07	24.0
DATA LOOP BIT 08 THRU 11	25.0
DATA LOOP BIT 12 THRU 15	26.0
DATA LOOP BIT 16 & 17	27.0

4

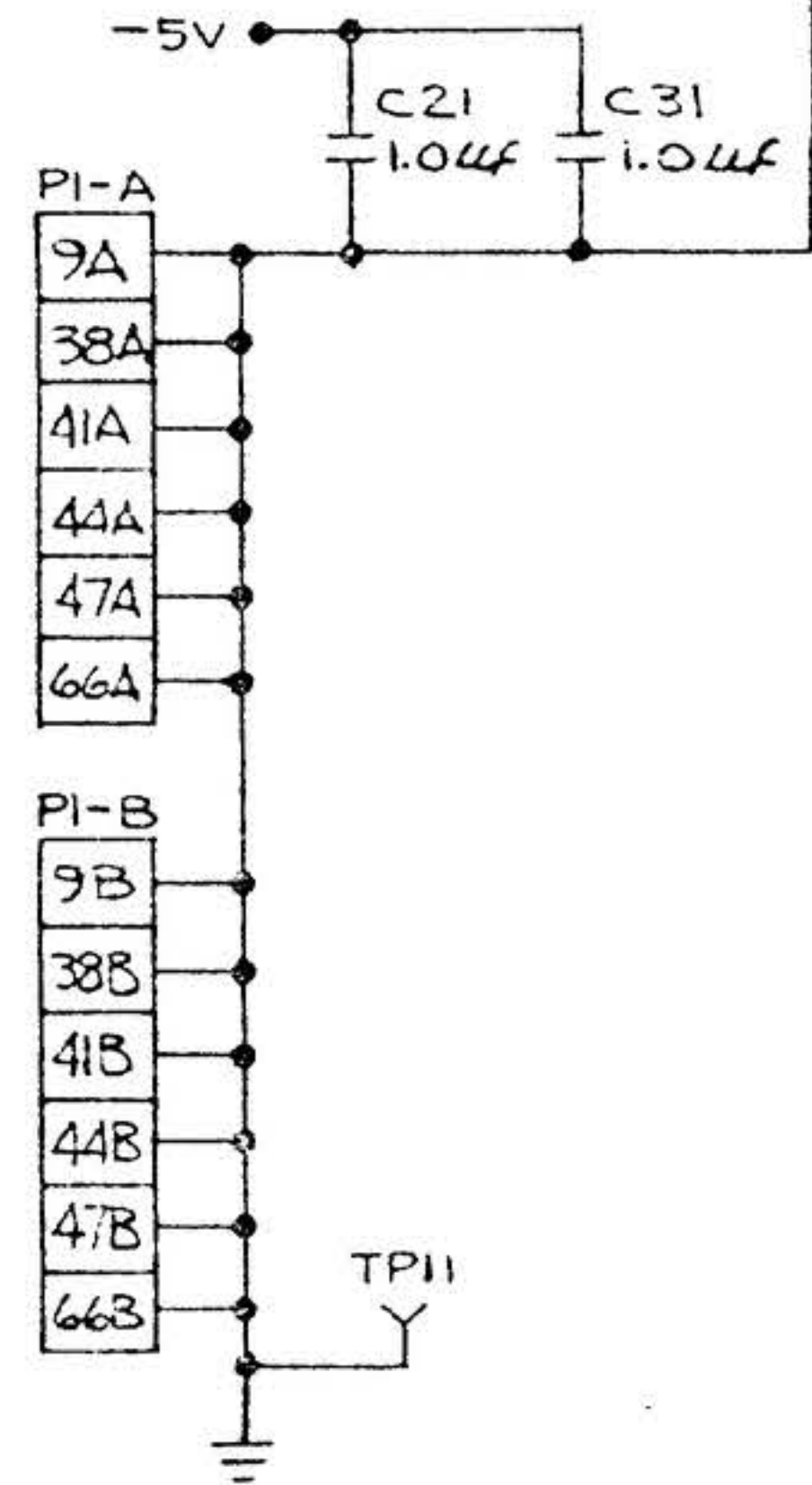
3

2

1



1. POWER DISTRIBUTION TO ALL IC'S, PIN 7=GRD  
 PIN 14=VCC. UNLESS OTHERWISE SPECIFIED.



CODE IDENT NO.	SCALE	DWG NO	REV
21101	C	91C0377	K
SCALE		SHEET 3.0	

CONNECTOR PI-A

PINS	FUNCTION	SHEET
1A	+22.5V MEM (NU)*	3.0
2A	+20.6V	3.0
3A	-12V	3.0
4A	-12V	3.0
5A	LFRFC+ (NU)*	
6A	+5V	3.0
7A	+5V	3.0
8A	+5V	3.0
9A	GRD	3.0
10A	SPFA- (NU)*	
11A	MYAA00+	5.0
12A	MYAA01+	11.0
13A	MYAA02+	11.0
14A	MYAA03+	11.0
15A	MYAA04+	11.0
16A	MYAA05+	11.0
17A	MYAA06+	11.0
18A	MYAA07+	11.0
19A	MYAA08+	12.0
20A	MYAA09+	12.0
21A	MYMA09+ (NU)*	
22A	MYAA10+	5.0
23A	MYMA10+ (NU)*	
24A	MYAA11+	5.0
25A	MYMA11+ (NU)*	
26A	MYAA12+	5.0
27A	MYMA12+ (NU)*	
28A	MYAA13+	5.0
29A	MYMA13+ (NU)*	
30A	MYAA14+	5.0
31A	MYMA14+ (NU)*	
32A	MYAA15+	5.0
33A	MYMA15+ (NU)*	
34A	MYKA16+ (NU)*	
35A	MYKA17+ (NU)*	
36A	MYKA18+ (NU)*	
37A	MYKA19+ (NU)*	
38A	GRD	3.0
39A	MRQYA-	7.0
40A	MRMYA- (NU)*	
41A	GKL	3.0
42A	YDNMA-	9.0
43A	MHMY-	7.0
44A	GRD	3.0
45A	MWRYA+	10.0
46A	MWLYA+	10.0
47A	GRD	3.0
48A	MYDA00-	23.0
49A	MYDA01-	23.0
50A	MYDA02-	23.0
51A	MYDA03-	23.0
52A	MYDA04-	24.0
53A	MYDA05-	24.0
54A	MYDA06-	24.0
55A	MYDA07-	24.0
56A	MYDA08-	25.0
57A	MYDA09-	25.0
58A	MYDA10-	25.0
59A	MYDA11-	25.0
60A	MYDA12-	26.0
61A	MYDA13-	26.0
62A	MYDA14-	26.0
63A	MYDA15-	26.0
64A	MYDA16-	27.0
65A	MYDA17-	27.0
66A	GRD	3.0

CONNECTOR PI-B

PINS	FUNCTION	SHEET
1B	+20V MEM (NU)*	3.0
2B	+20.6V	3.0
3B	-12V	3.0
4B	-12V	3.0
5B	+5V MEM (NU)*	3.0
6B	+5V	3.0
7B	+5V	3.0
8B	+5V	3.0
9B	GRD	3.0
10B	SRST-	7.0
11B	MYAB00+	6.0
12B	MYAB01+	11.0
13B	MYAB02+	11.0
14B	MYAB03+	11.0
15B	MYAB04+	11.0
16B	MYAB05+	11.0
17B	MYAB06+	11.0
18B	MYAB07+	11.0
19B	MYAB08+	12.0
20B	MYAB09+	12.0
21B	MYMB09+ (NU)*	
22B	MYAB10+	6.0
23B	MYMB10+ (NU)*	
24B	MYAB11+	6.0
25B	MYMB11+ (NU)*	
26B	MYAB12+	6.0
27B	MYMB12+ (NU)*	
28B	MYAB13+	6.0
29B	MYMB13+ (NU)*	
30B	MYAB14+	6.0
31B	MYMB14+ (NU)*	
32B	MYAB15+	6.0
33B	MYMB15+ (NU)*	
34B	MYKB16+ (NU)*	
35B	MYKB17+ (NU)*	
36B	MYKB18+ (NU)*	
37B	MYKB19+ (NU)*	
38B	GRD	3.0
39B	MRQYB-	7.0
40B	MRMYB- (NU)*	
41B	GRD	3.0
42B	YDNMB-	9.0
43B	MHGY-	7.0
44B	GRD	3.0
45B	MWRYB+	10.0
46B	MWLYB+	10.0
47B	GRD	3.0
48B	MYDB00-	23.0
49B	MYDB01-	23.0
50B	MYDB02-	23.0
51B	MYDB03-	23.0
52B	MYDB04-	24.0
53B	MYDB05-	24.0
54B	MYDB06-	24.0
55B	MYDB07-	24.0
56B	MYDB08-	25.0
57B	MYDB09-	25.0
58B	MYDB10-	25.0
59B	MYDB11-	25.0
60B	MYDB12-	26.0
61B	MYDB13-	26.0
62B	MYDB14-	26.0
63B	MYDB15-	26.0
64B	MYDB16-	27.0
65B	MYDB17-	27.0
66B	GRD	3.0

NOTE:

1. (NU)\*, NOT USED

CONNECTOR FUNCTION P.

21101	C	91C0377	K
DATE		REV	4.0

CONNECTOR JI-A

CONNECTOR JI-B

PINS	FUNCTION	SHEET
1A	GRD	
2A	CA4A	17.0
3A	CC4A	17.0
4A	CA5A	17.0
5A	CC5A	17.0
6A	CAGA	17.0
7A	CC6A	17.0
8A	CA7A	17.0
9A	CC7A	17.0
10A	GRD	
11A	GRD	
12A	GRD	
13A	X36A	18.0
14A	X34A	18.0
15A	X52A	18.0
16A	X50A	18.0
17A	GRD	
18A	GRD	
19A	GRD	
20A	S15A	26.0
21A	I15A	26.0
22A	S14A	26.0
23A	S13A	26.0
24A	I13A	26.0
25A	S12A	26.0
26A	S11A	25.0
27A	I11A	25.0
28A	S10A	25.0
29A	S09A	25.0
30A	I09A	25.0
31A	S08A	25.0
32A	S17A	27.0
33A	I17A	27.0
34A	S16A	27.0
35A	S07A	24.0
36A	I07A	24.0
37A	S06A	24.0
38A	S05A	24.0
39A	I05A	24.0
40A	S04A	24.0
41A	S03A	23.0
42A	I03A	23.0
43A	S02A	23.0
44A	S01A	23.0
45A	I01A	23.0
46A	S00A	23.0
47A	GRD	
48A	GRD	
49A	GRD	
50A	YS1A	18.0
51A	YS3A	18.0
52A	YS5A	18.0
53A	YS7A	18.0
54A	GRD	
55A	GRD	
56A	GRD	
57A	CA3A	17.0
58A	CC3A	17.0
59A	CA2A	17.0
60A	CC2A	17.0
61A	CA1A	17.0
62A	CC1A	17.0
63A	CA0A	17.0
64A	CC0A	17.0
65A	GRD	

PINS	FUNCTION	SHEET
1B	GRD	
2B	CA4A	17.0
3B	CC4A	17.0
4B	CA5A	17.0
5B	CC5A	17.0
6B	CAGA	17.0
7B	CC6A	17.0
8B	CA7A	17.0
9B	CC7A	17.0
10B	GRD	
11B	GRD	
12B	GRD	
13B	X37A	18.0
14B	X35A	18.0
15B	X53A	18.0
16B	X51A	18.0
17B	GRD	
18B	GRD	
19B	GRD	
20B	S15A	26.0
21B	S14A	26.0
22B	I14A	26.0
23B	S13A	26.0
24B	S12A	26.0
25B	I12A	26.0
26B	S11A	25.0
27B	S10A	25.0
28B	I10A	25.0
29B	S09A	25.0
30B	S08A	25.0
31B	I08A	25.0
32B	S17A	27.0
33B	S16A	27.0
34B	I16A	27.0
35B	S07A	24.0
36B	S06A	24.0
37B	I06A	24.0
38B	S05A	24.0
39B	S04A	24.0
40B	I04A	24.0
41B	S03A	23.0
42B	S02A	23.0
43B	I02A	23.0
44B	S01A	23.0
45B	S00A	23.0
46B	I00A	23.0
47B	GRD	
48B	GRD	
49B	GRD	
50B	YS0A	18.0
51B	YS2A	18.0
52B	YS4A	18.0
53B	YS6A	18.0
54B	GRD	
55B	GRD	
56B	GRD	
57B	CA3A	17.0
58B	CC3A	17.0
59B	CA2A	17.0
60B	CC2A	17.0
61B	CA1A	17.0
62B	CC1A	17.0
63B	CA0A	17.0
64B	CC0A	17.0
65B	GRD	

CONNECTOR FUNCTION

21101	C	91C0377	K
SCALE			SHEET 4 of 1

CONNECTOR J2-A

CONNECTOR J2-B

PINS	FUNCTION	SHEET
1A		
2A	CA4B	17.0
3A	CC4B	17.0
4A	CA5B	17.0
5A	CC5B	17.0
6A	CA6B	17.0
7A	CC6B	17.0
8A	CA7B	17.0
9A	CC7B	17.0
10A	GRD	
11A	GRD	
12A	GRD	
13A	X56B	18.0
14A	X54B	18.0
15A	X52B	18.0
16A	X50B	18.0
17A	GRD	
18A	GRD	
19A	GRD	
20A	S00B	23.0
21A	I00B	23.0
22A	S01B	23.0
23A	S02B	23.0
24A	I02B	23.0
25A	S03B	23.0
26A	S04B	24.0
27A	I04B	24.0
28A	S05B	24.0
29A	S06B	24.0
30A	I06B	24.0
31A	S07B	24.0
32A	S16B	27.0
33A	I16B	27.0
34A	S17B	27.0
35A	S08B	25.0
36A	I08B	25.0
37A	S09B	25.0
38A	S10B	25.0
39A	I10B	25.0
40A	S11B	25.0
41A	S12B	26.0
42A	I12B	26.0
43A	S13B	26.0
44A	S14B	26.0
45A	I14B	26.0
46A	S15B	26.0
47A	GRD	
48A	GRD	
49A	GRD	
50A	Y51B	18.0
51A	Y53B	18.0
52A	Y55B	18.0
53A	Y57B	18.0
54A	GRD	
55A	GRD	
56A	GRD	
57A	CA3B	17.0
58A	CC3B	17.0
59A	CA2B	17.0
60A	CC2B	17.0
61A	CA1B	17.0
62A	CC1B	17.0
63A	CA0B	17.0
64A	CC0B	17.0
65A	GRD	

PINS	FUNCTION	SHEET
1B		
2B	CA4B	17.0
3B	CC4B	17.0
4B	CA5B	17.0
5B	CC5B	17.0
6B	CA6B	17.0
7B	CC6B	17.0
8B	CA7B	17.0
9B	CC7B	17.0
10B	GRD	
11B	GRD	
12B	GRD	
13B	X57B	18.0
14B	X55B	18.0
15B	X53B	18.0
16B	X51B	18.0
17B	GRD	
18B	GRD	
19B	GRD	
20B	S00B	23.0
21B	I01B	23.0
22B	I01B	23.0
23B	S02B	23.0
24B	S03B	23.0
25B	I03B	23.0
26B	S04B	24.0
27B	S05B	24.0
28B	I05B	24.0
29B	S06B	24.0
30B	S07B	24.0
31B	I07B	24.0
32B	S16B	27.0
33B	S17B	27.0
34B	I17B	27.0
35B	S08B	25.0
36B	S09B	25.0
37B	I09B	25.0
38B	S10B	25.0
39B	S11B	25.0
40B	I11B	25.0
41B	S12B	26.0
42B	S13B	26.0
43B	I13B	26.0
44B	S14B	26.0
45B	S15B	26.0
46B	I15B	26.0
47B	GRD	
48B	GRD	
49B	GRD	
50B	Y50B	18.0
51B	Y52B	18.0
52B	Y54B	18.0
53B	Y56B	18.0
54B	GRD	
55B	GRD	
56B	GRD	
57B	CA3B	17.0
58B	CC3B	17.0
59B	CA2B	17.0
60B	CC2B	17.0
61B	CA1B	17.0
62B	CC1B	17.0
63B	CA0B	17.0
64B	CC0B	17.0
65B	GRD	

D

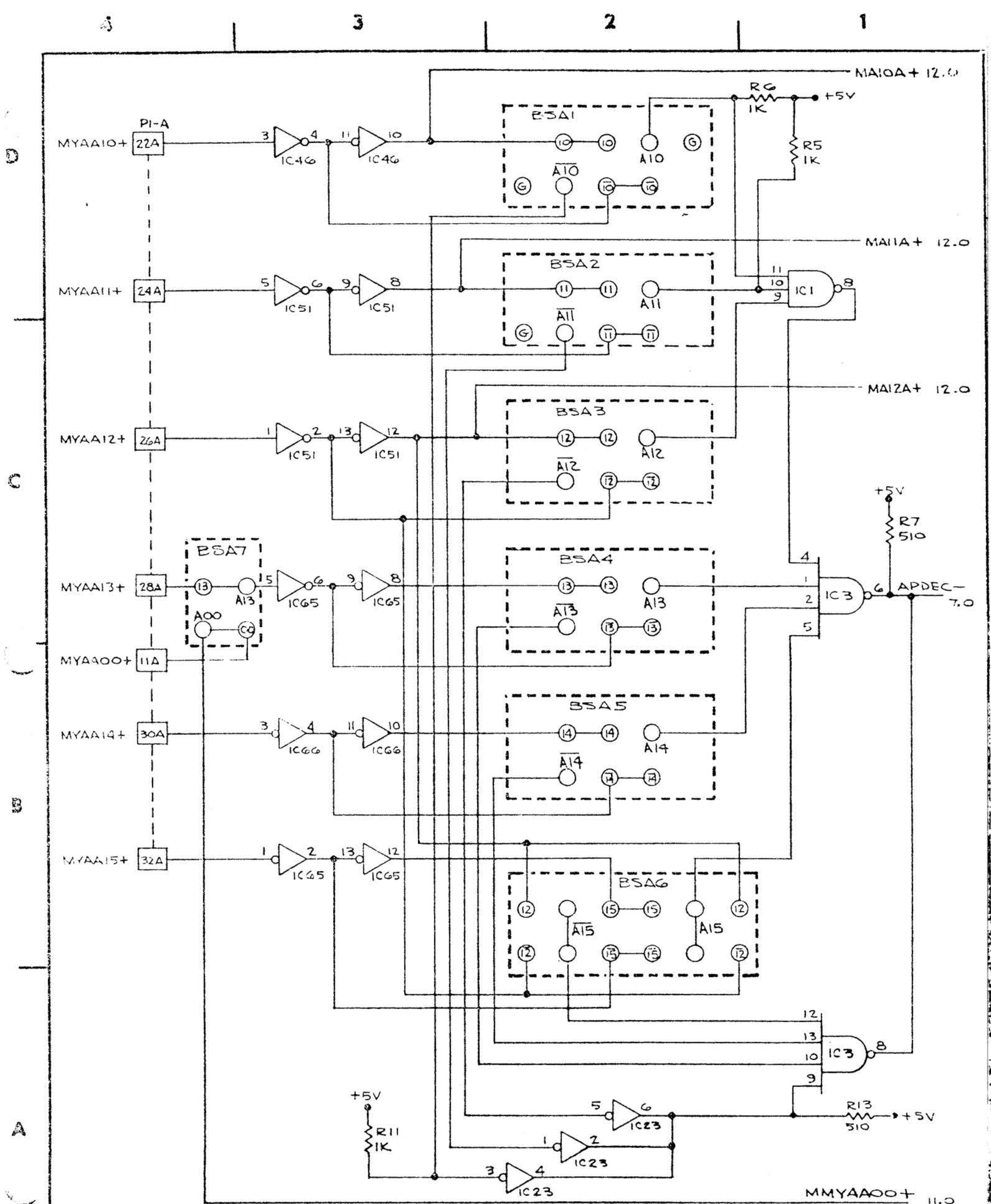
C

B

A

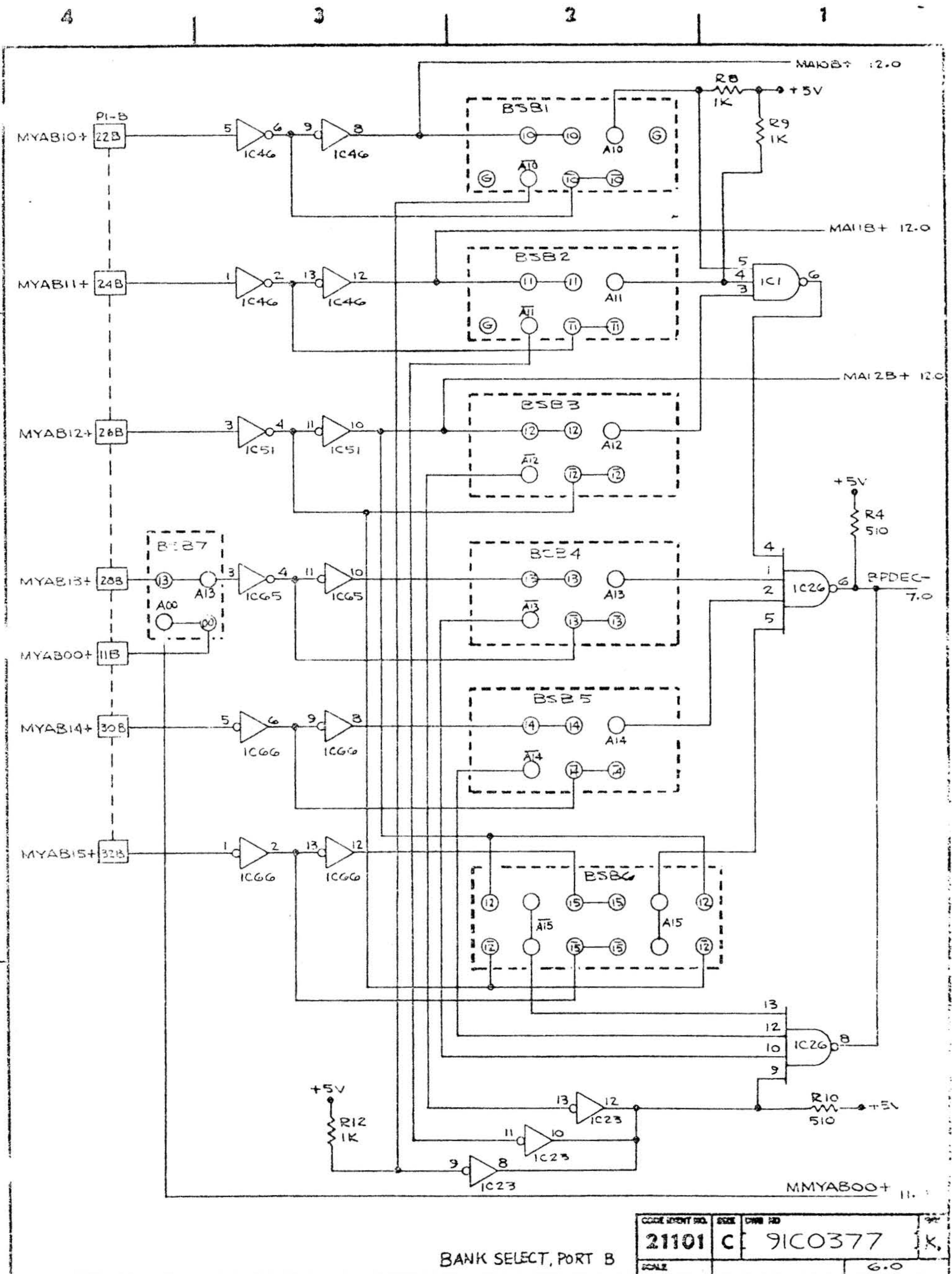
CONNECTOR FUNCTION

CODE IDENT NO.	SIZE	DATE	NO.
21101	C	91C0377	1K
SCALE			SHEET 4.2



BANK SELECT, PORT A

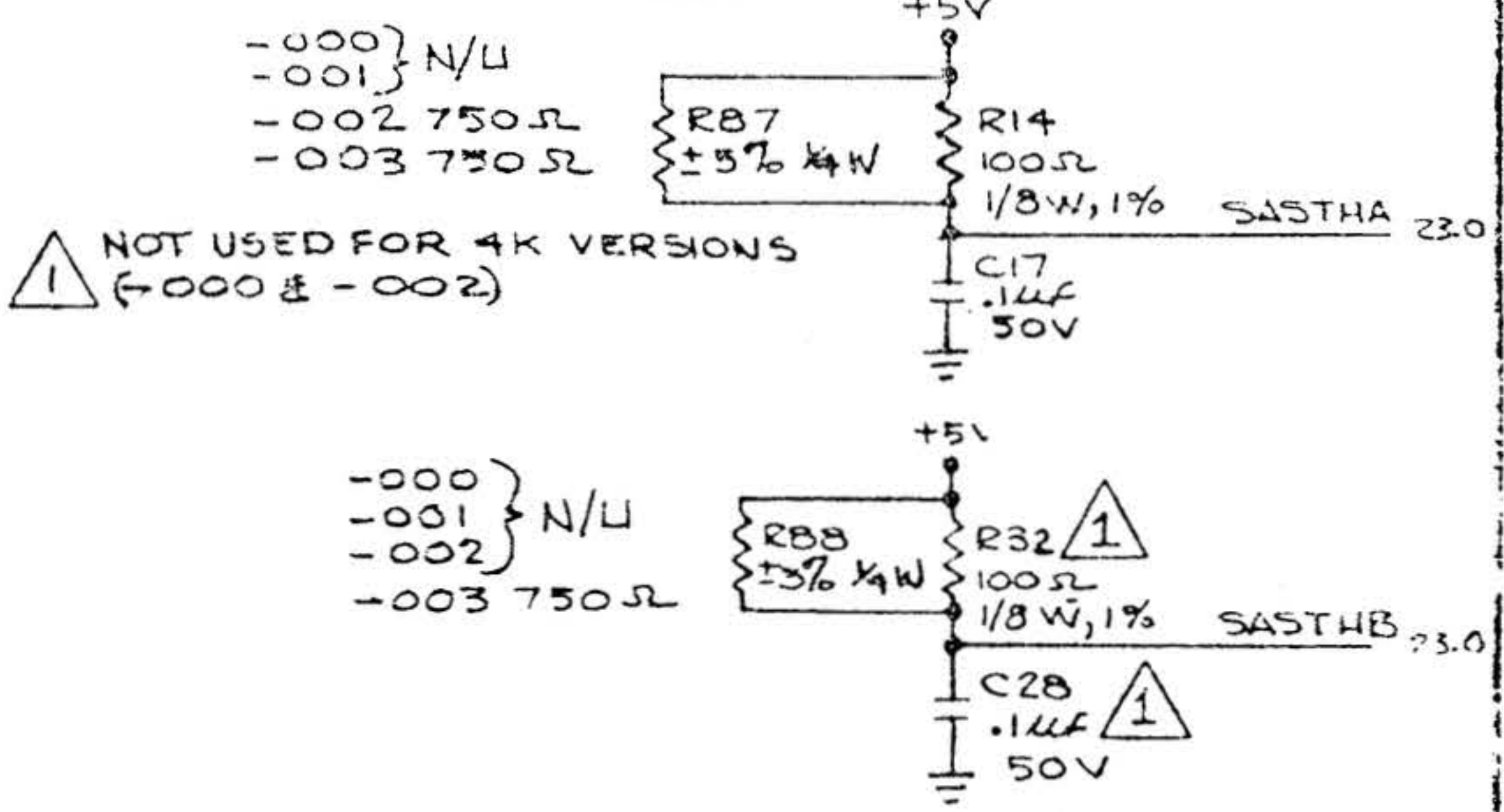
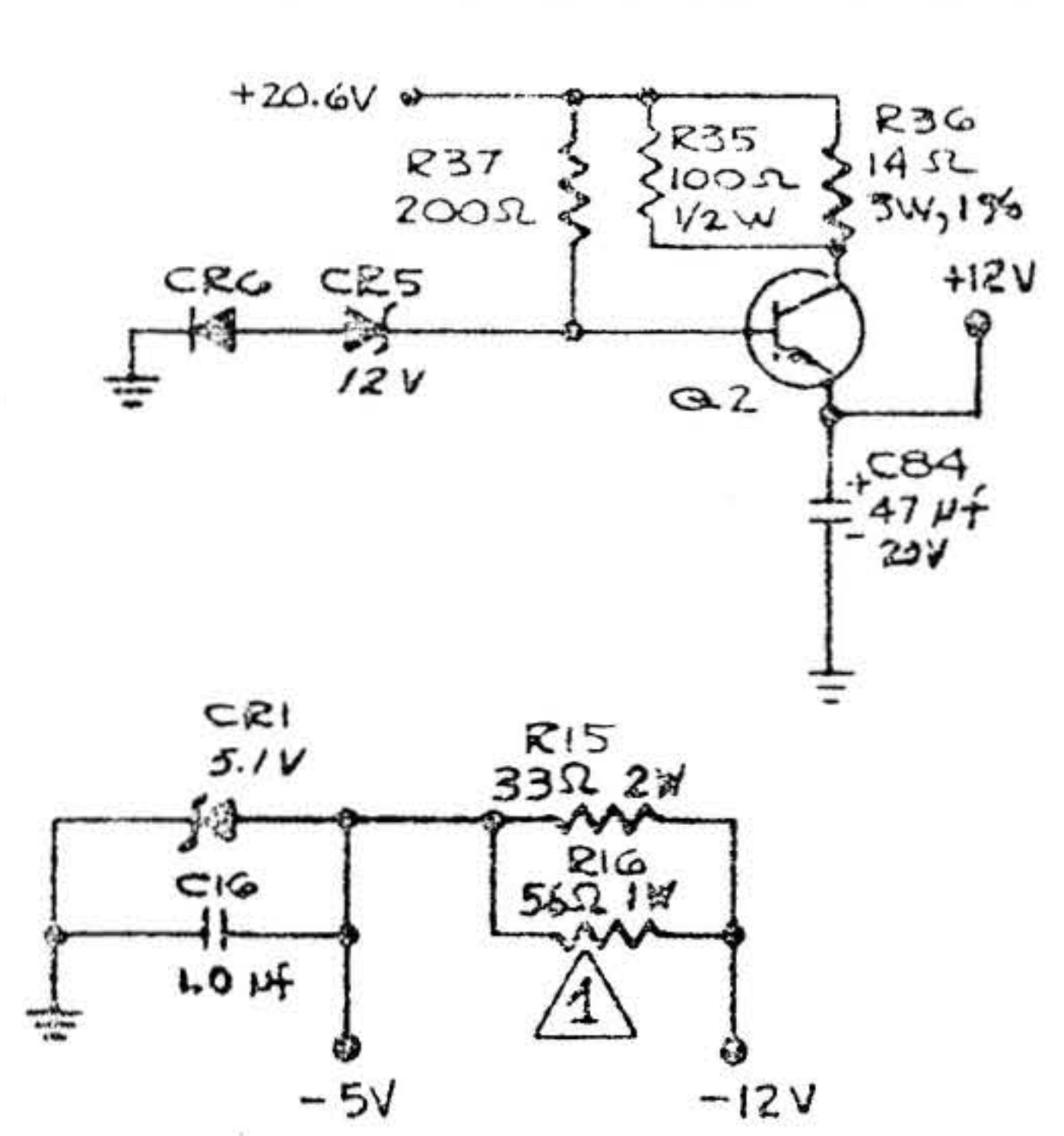
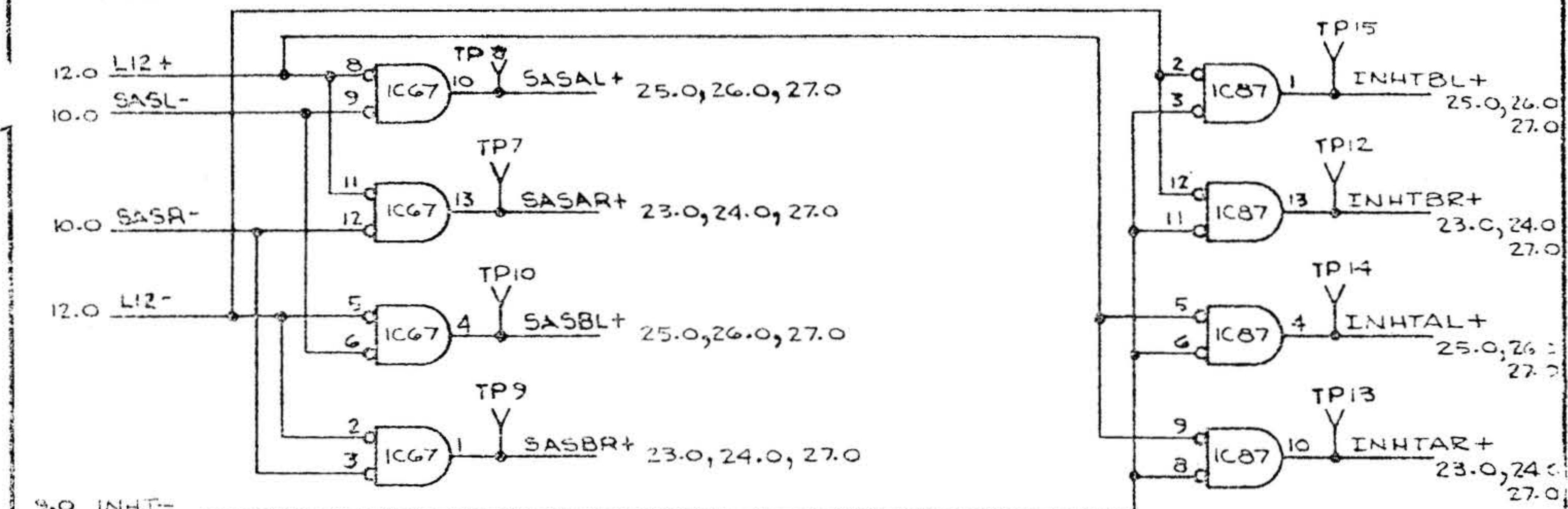
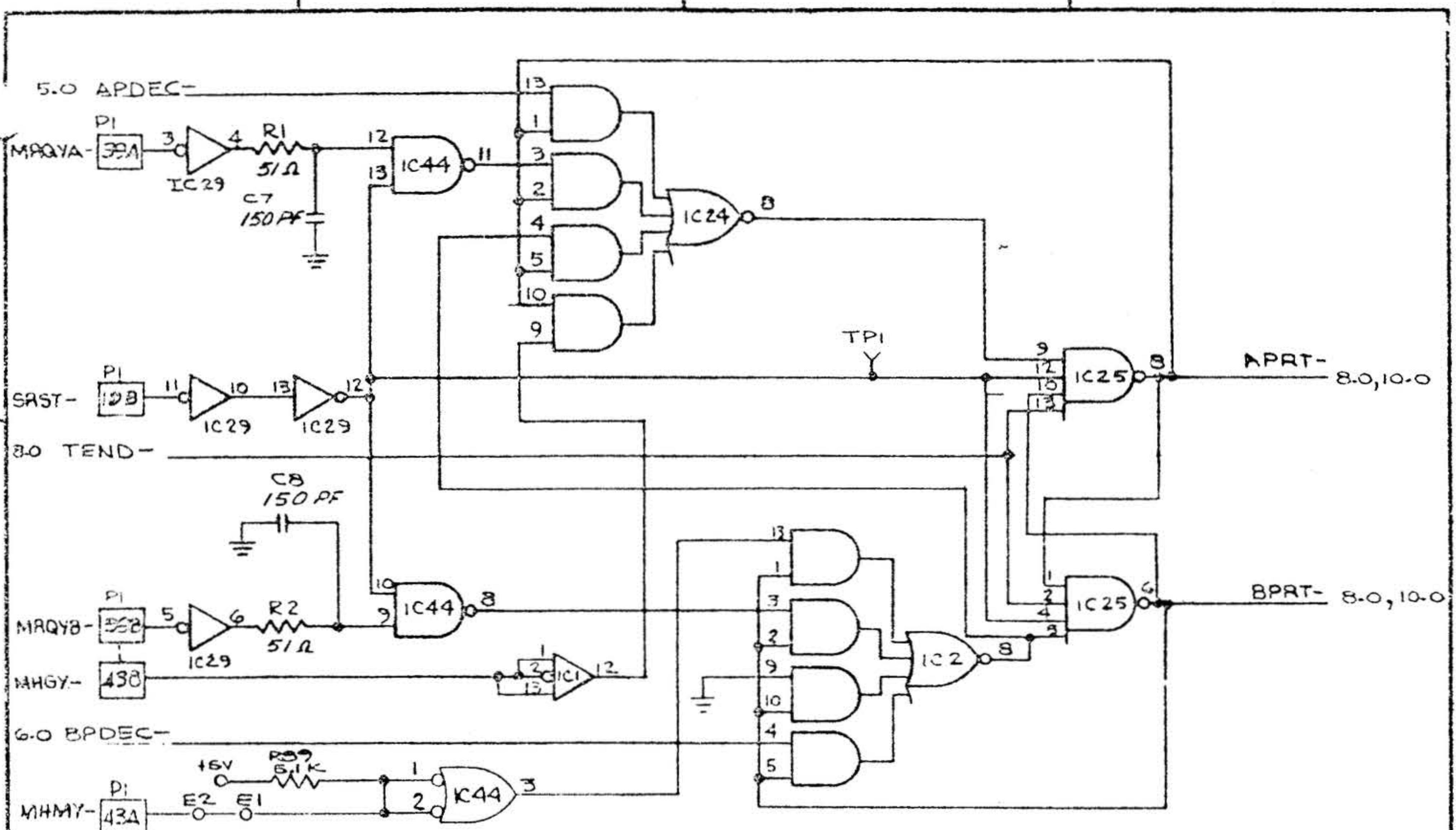
CODE IDENT NO.	SIZE	DATE	REV
21101	C	910377	K
SCALE	5.0		



CODE IDENT NO.	SIZE	DATE	REV
21101	C	9/10/377	K
SCALE			6.0

BANK SELECT, PORT B

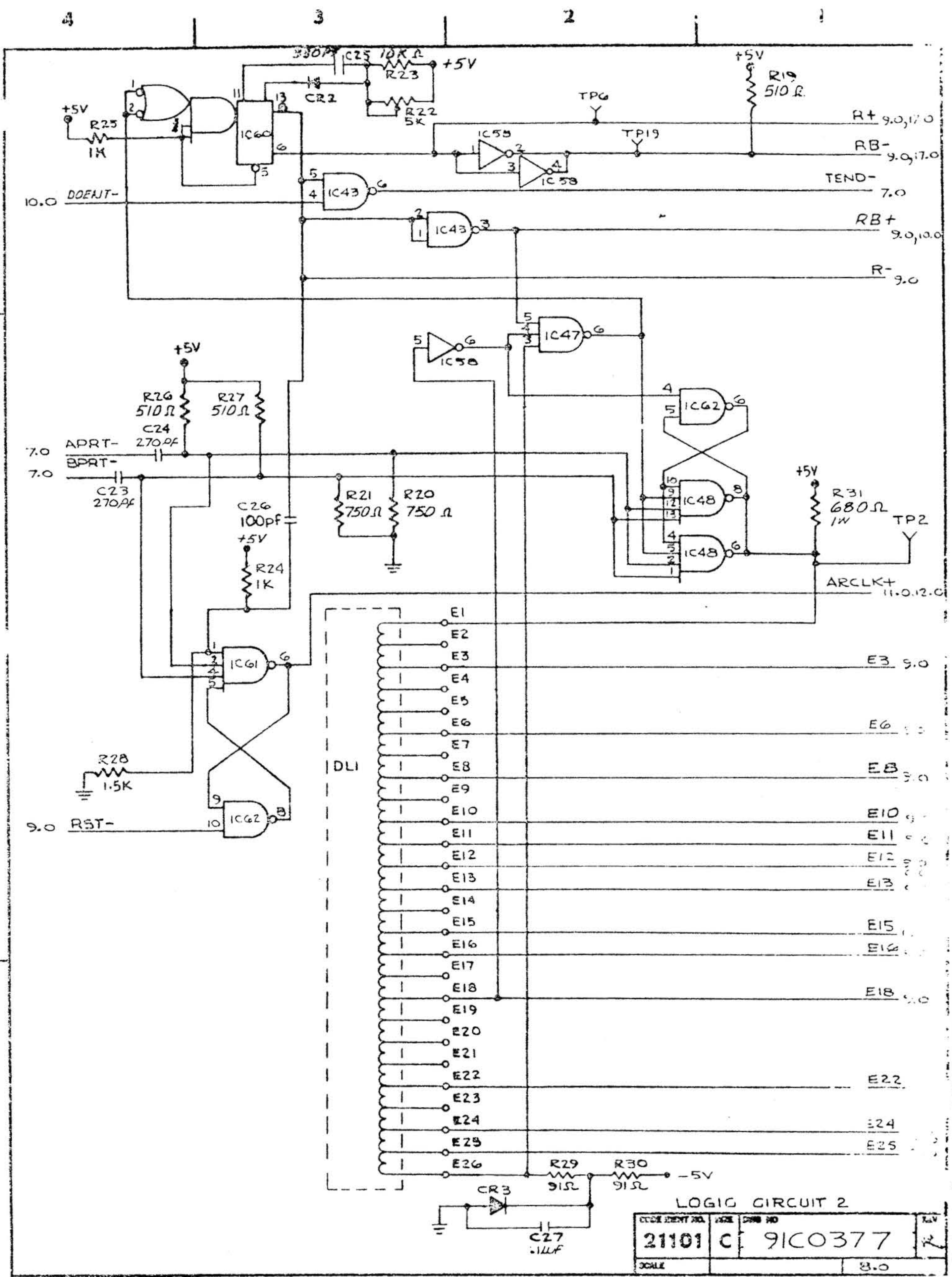




NOT USED FOR 4K VERSIONS  
 (-000 & -002)

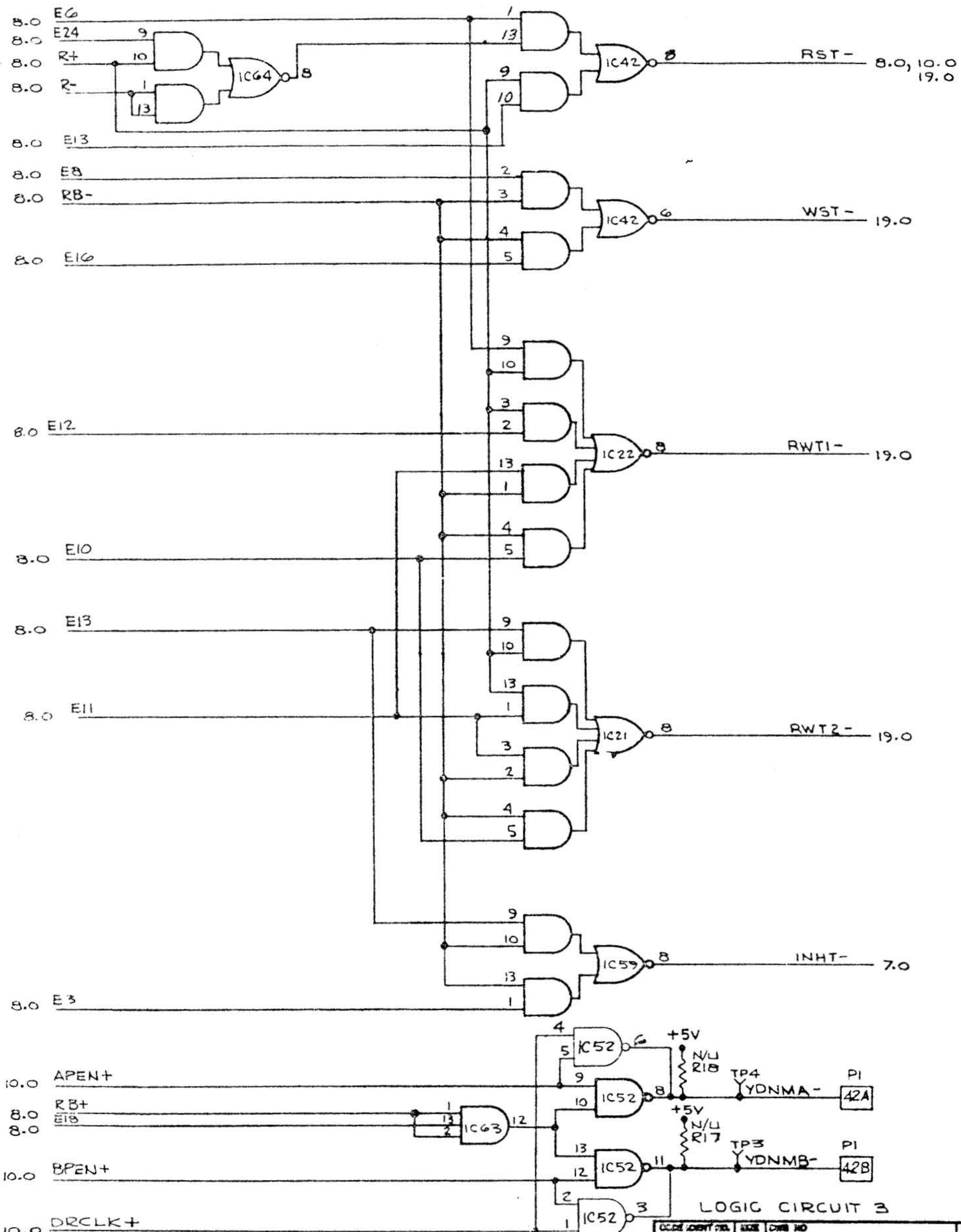
LOGIC CIRCUIT 1

DATE	REV
21101	C
SCALE	7.0

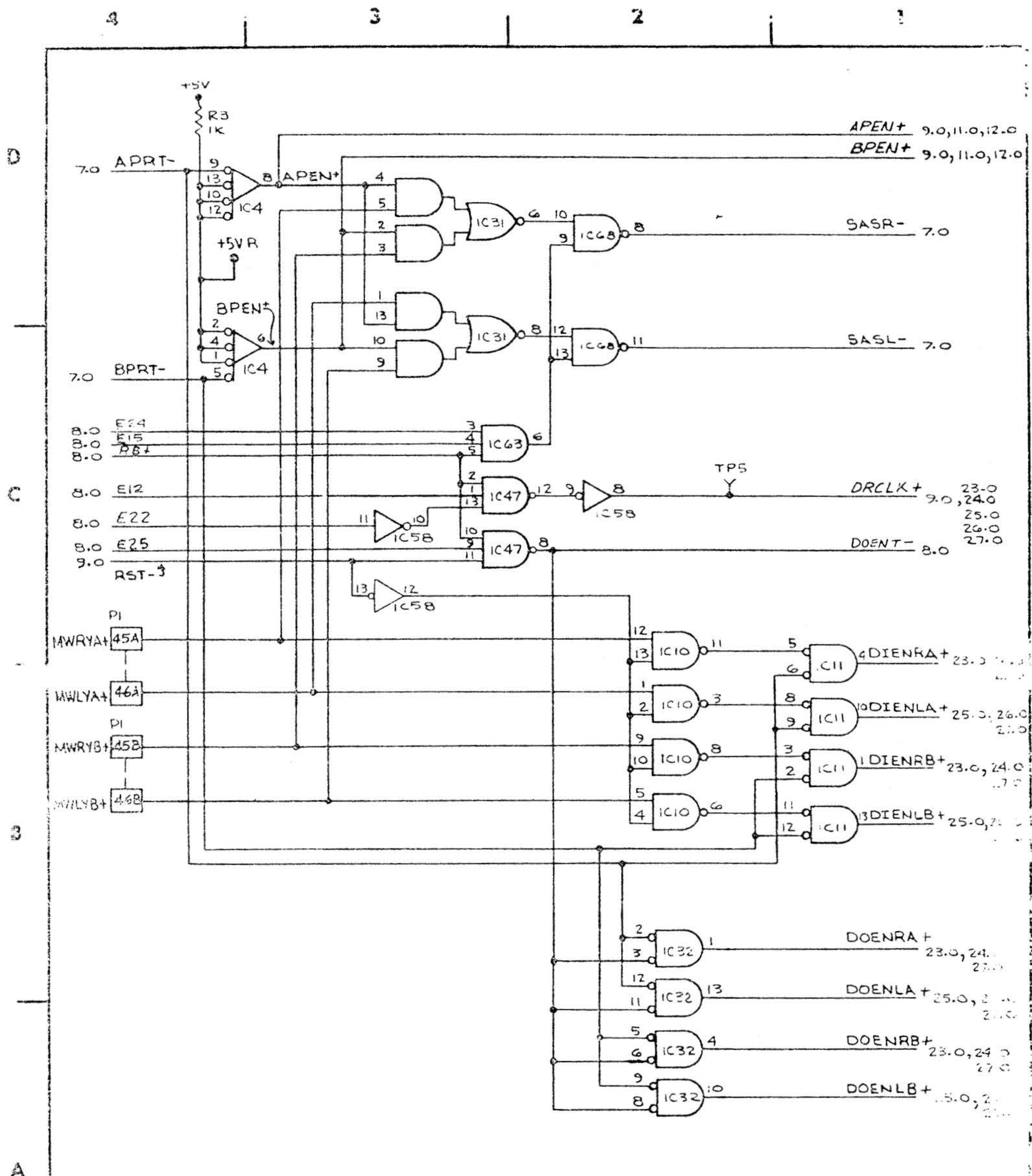


LOGIC CIRCUIT 2

DATE IDENT NO.	SIZE	DRWG NO.	REV.
21101	C	91C0377	2
SCALE			8.0

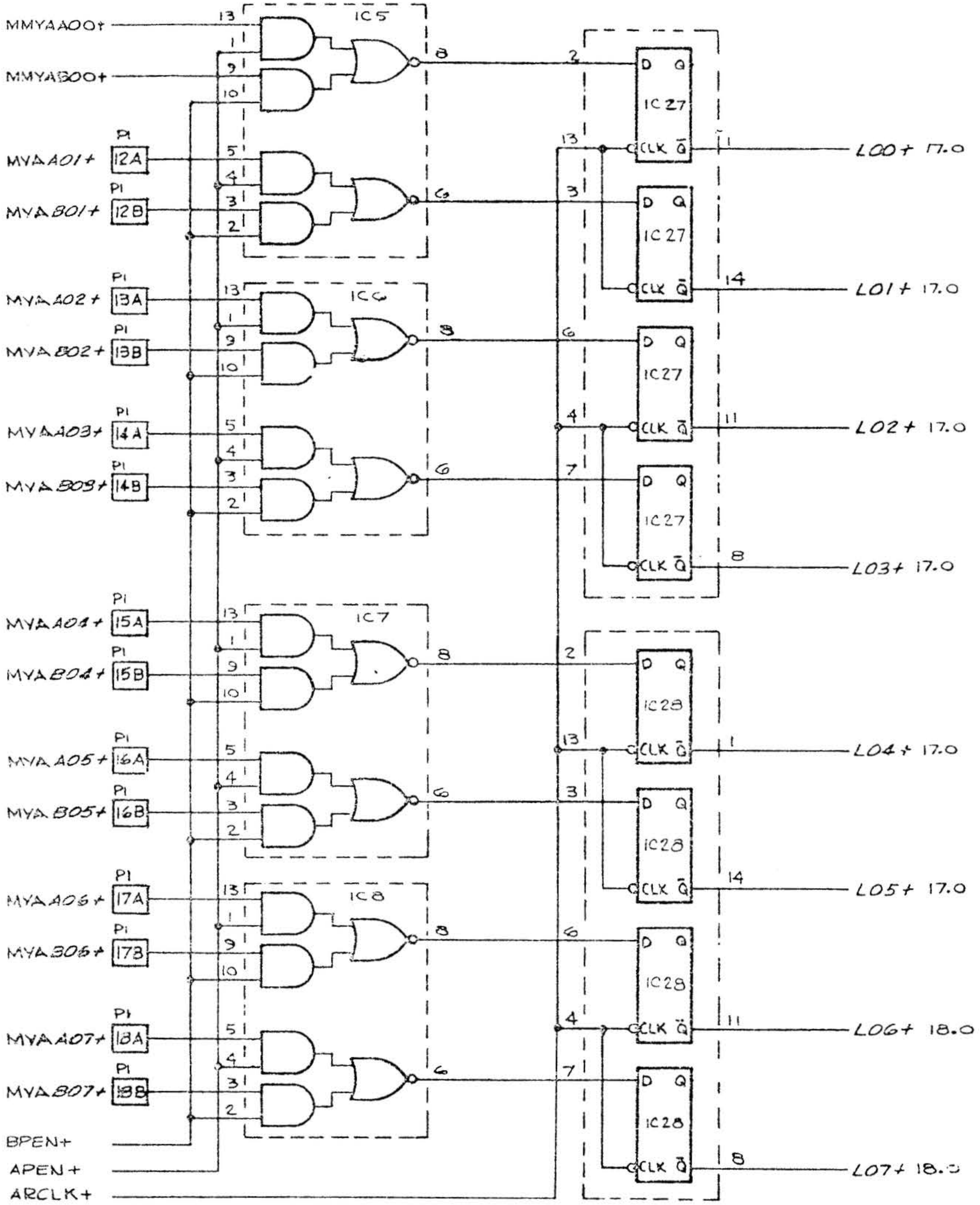


DC CIRCUIT NO.	REV	DATE	BY
21101	C	9/10/37	K
SCALE		1:1	



LOGIC CIRCUIT 4

CODE IDENT NO.	SIZE	DATE	REV
21101	C	9/10/377	R
SCALE			10.0



ADDRESS MUX. AND REG.

CODE IDENT. NO.	REV.	DATE	DESIGNER	CHKD.
21101	C		91C0377	K
SCALE				11.0

4

3

2

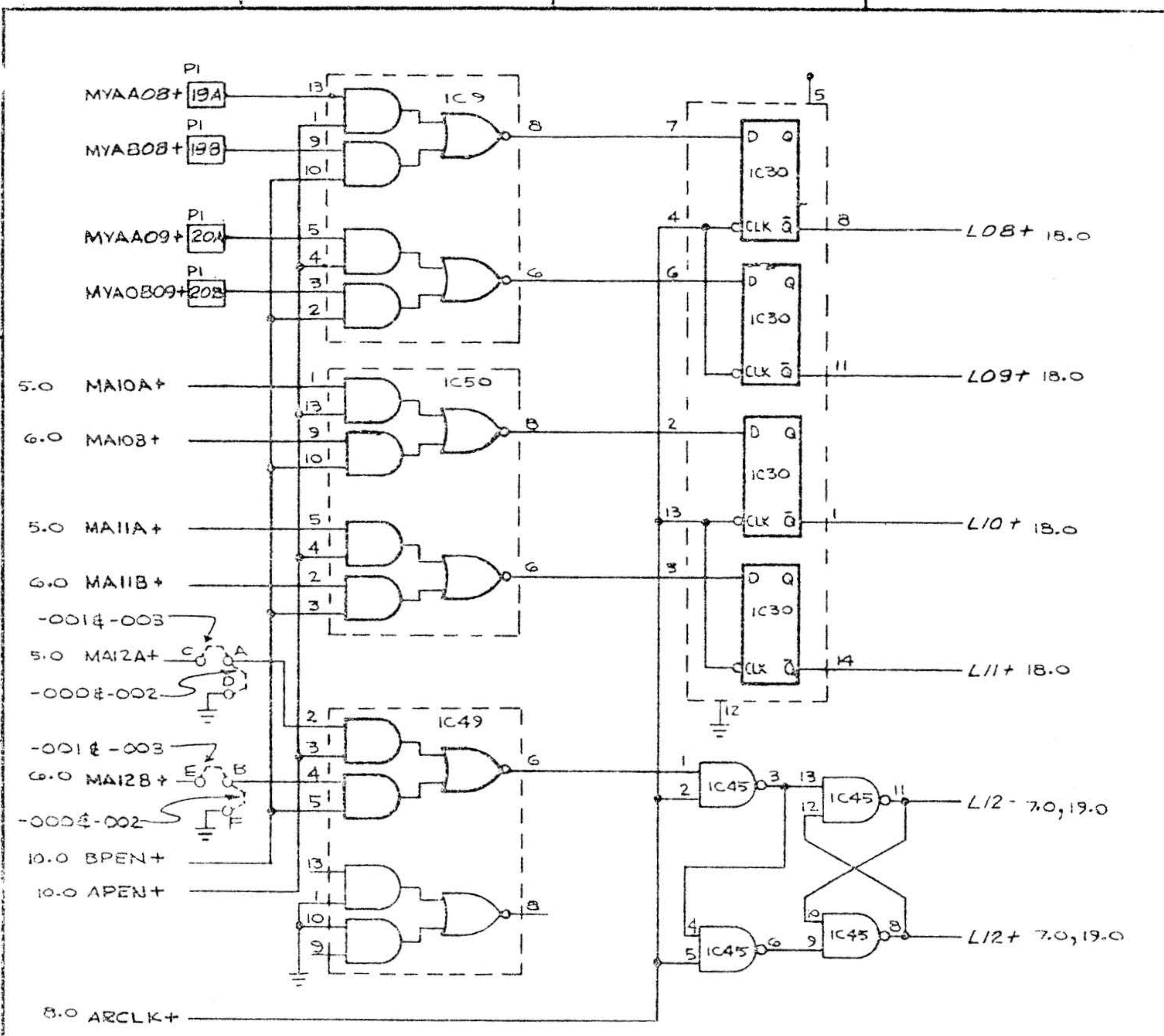
1

D

C

B

A



ADDRESS MUX. AND REG

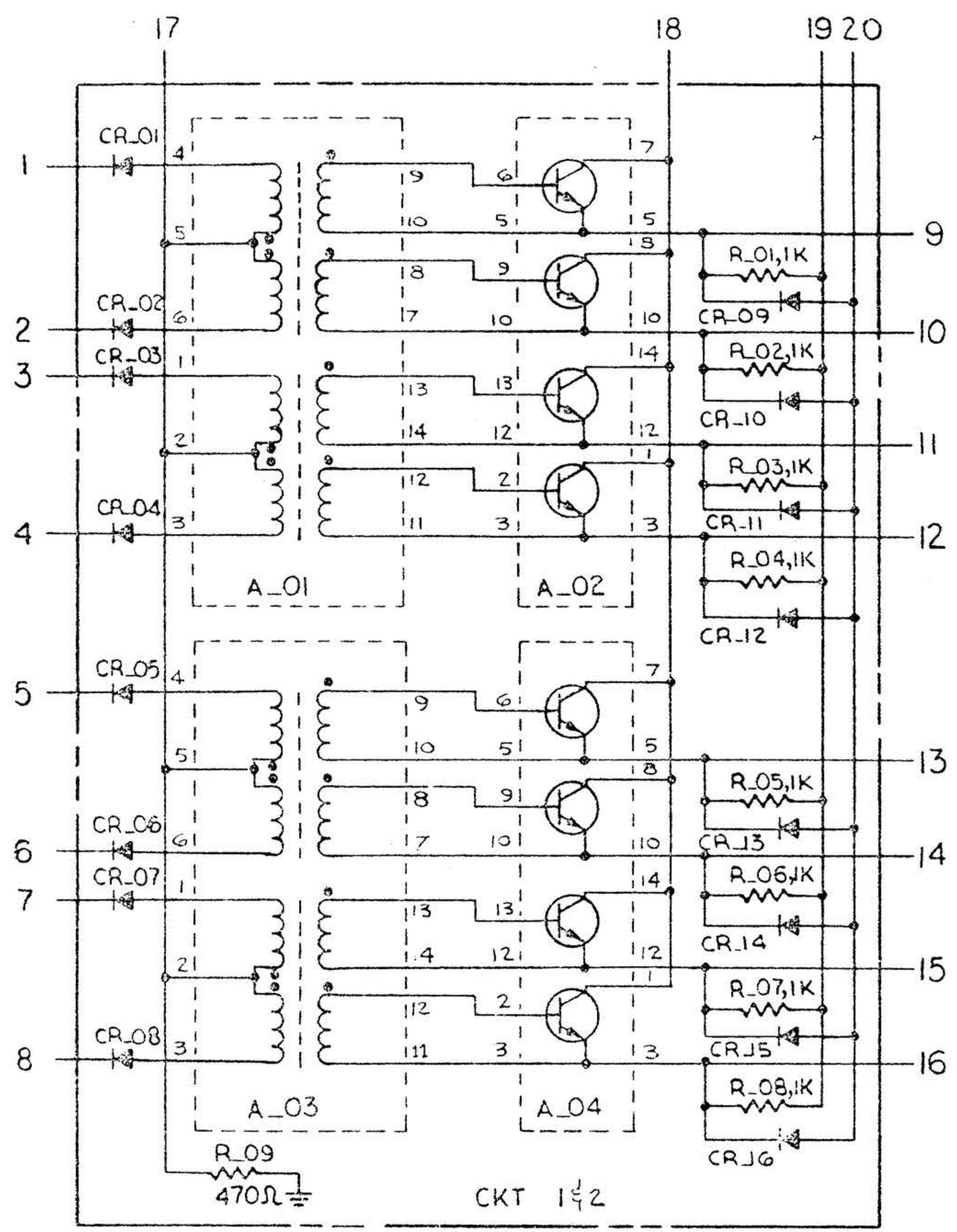
CODE IDENT NO.	EDGE	DATA NO	REV
21101	C	91C0377	K
SCALE			12.0

A

3

2

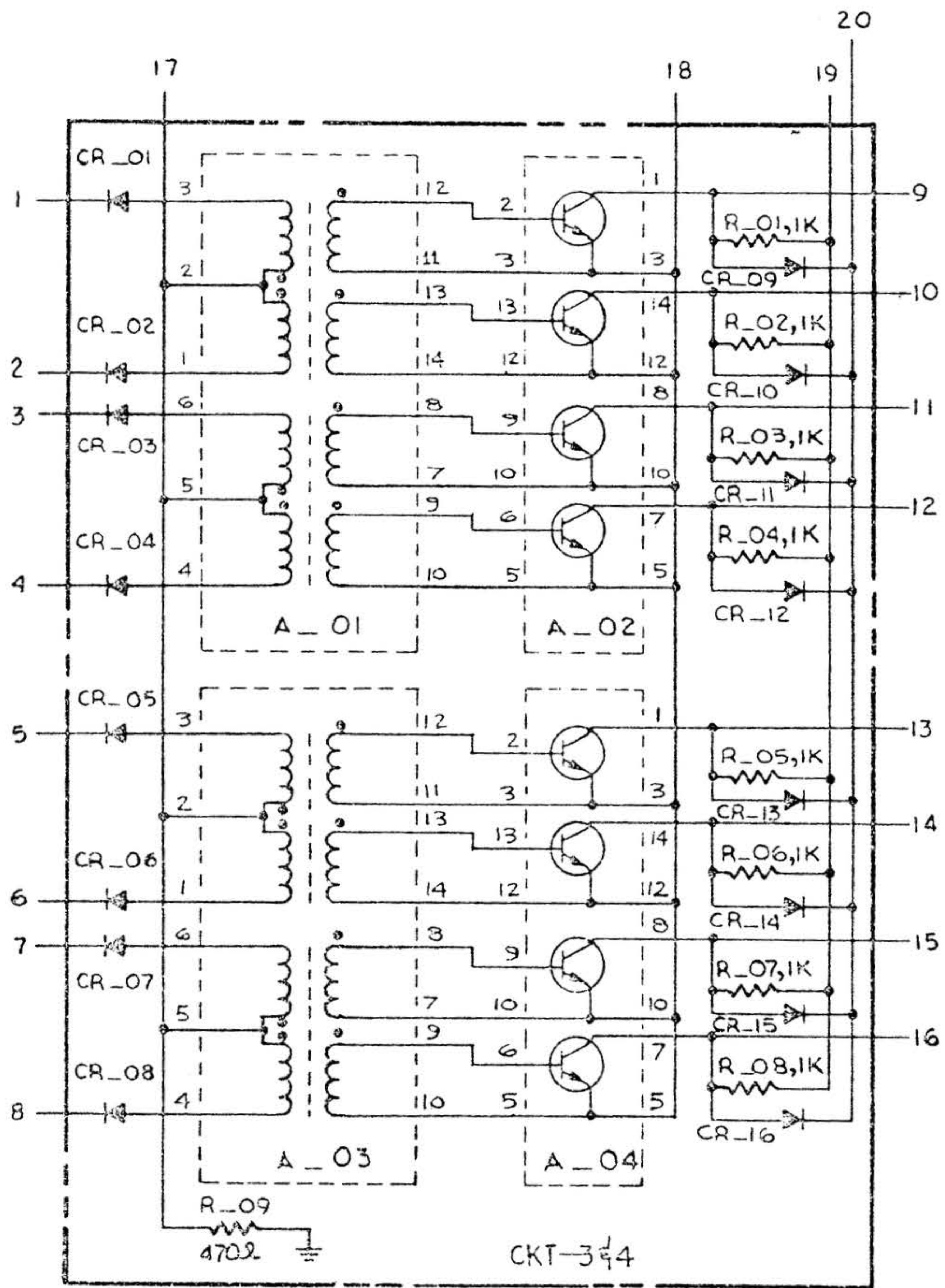
1



NUMBERS OUTSIDE PHANTOM LINES CORRESPOND TO CIRCUIT BLOCKS 142 ON SHT. 17.0

DRIVER SWITCHES POSITIVE

DOC IDENT NO.	SIZE	DRG NO.	REV.
21101	C	91C0377	K
SCALE			13.0

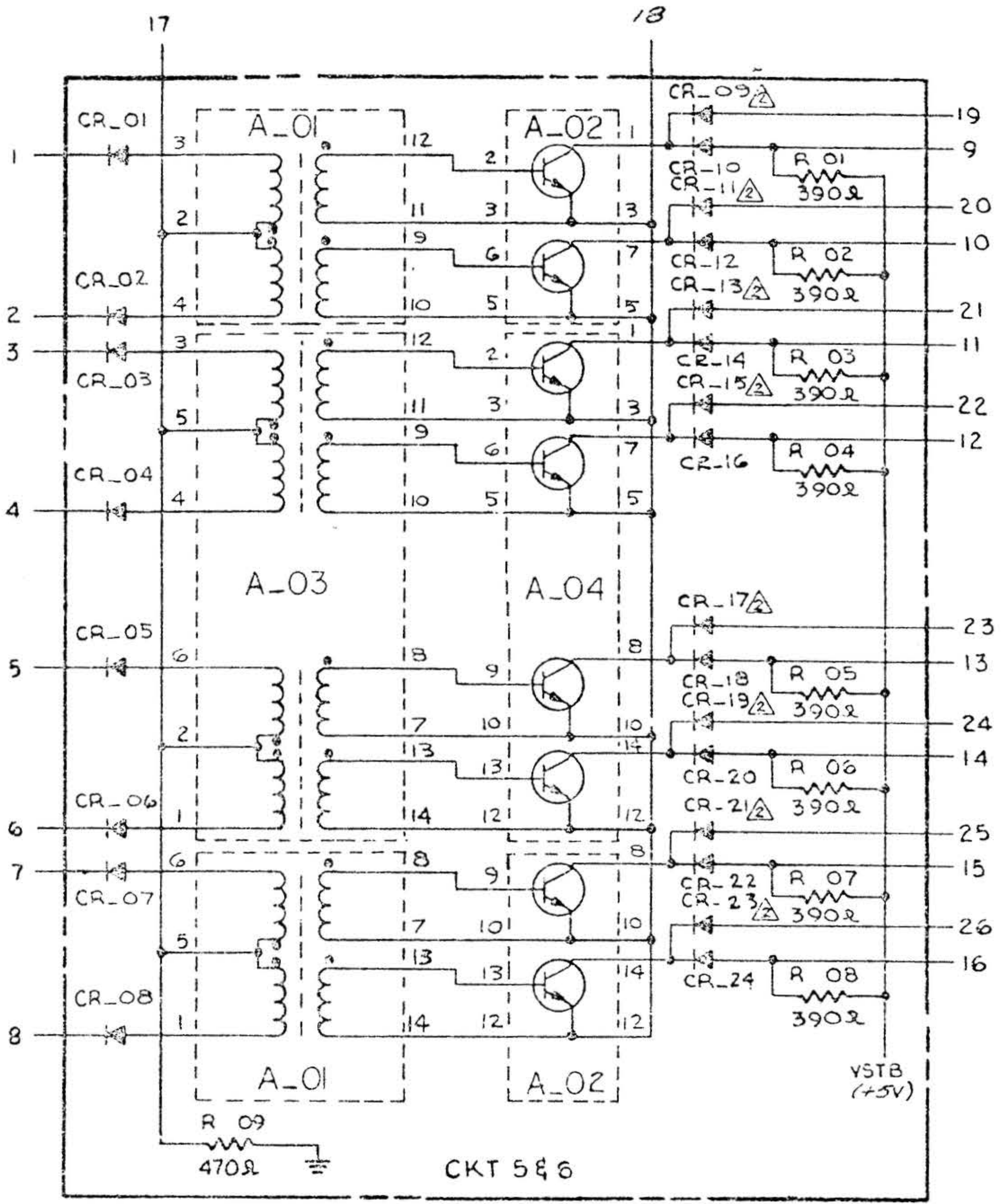


1 NUMBERS OUTSIDE PHANTOM LINES CORRESPOND TO CIRCUIT BLOCKS 344 ON SHT. 17.0

DRIVER SWITCHES NEGATIVE

CODE IDENT NO.	SIZE	DATE	BY
21101	C	910377	K
SCALE			
	-14.0		





1. NUMBERS OUTSIDE PHANTOM LINES CORRESPOND TO CIRCUIT BLOCKS 5 & 6 ON SHT. 13.0

2 NOT USED FOR 4K VERSION (-000 & -002)

SINK SWITCH NEGATIVE

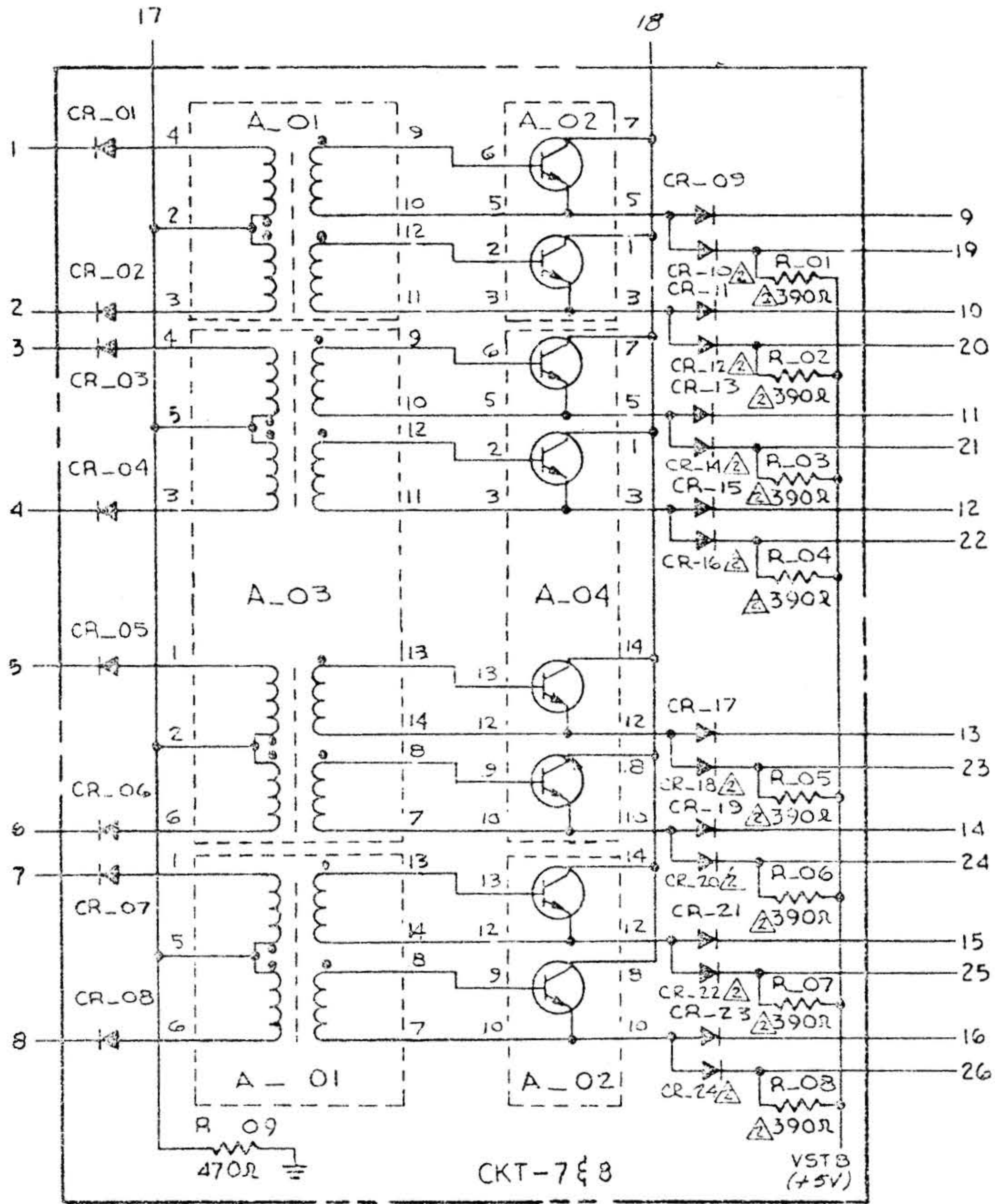
CODE IDENT. NO.	SIZE	DRWG. NO.	REV.
21101	C	91C0377	K
SCALE			15.0

4

3

2

1

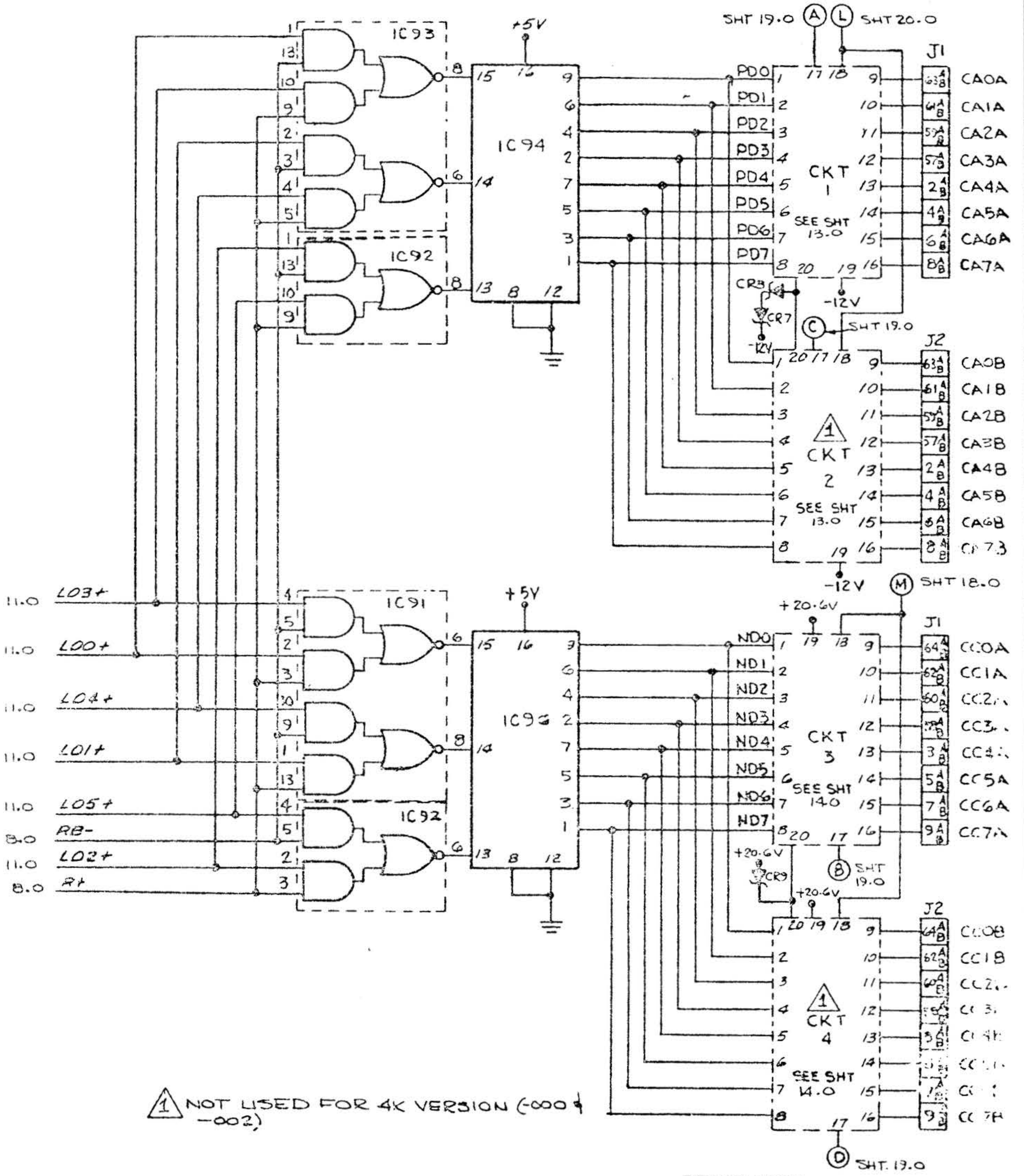


1. NUMBERS OUTSIDE PHANTOM LINES CORRESPOND TO CIRCUIT BLOCKS 7 & 8 ON SHT. 18.0

△ NOT USED FOR 4K VERSION (-000 & -002)

SINK SWITCH POSITIVE

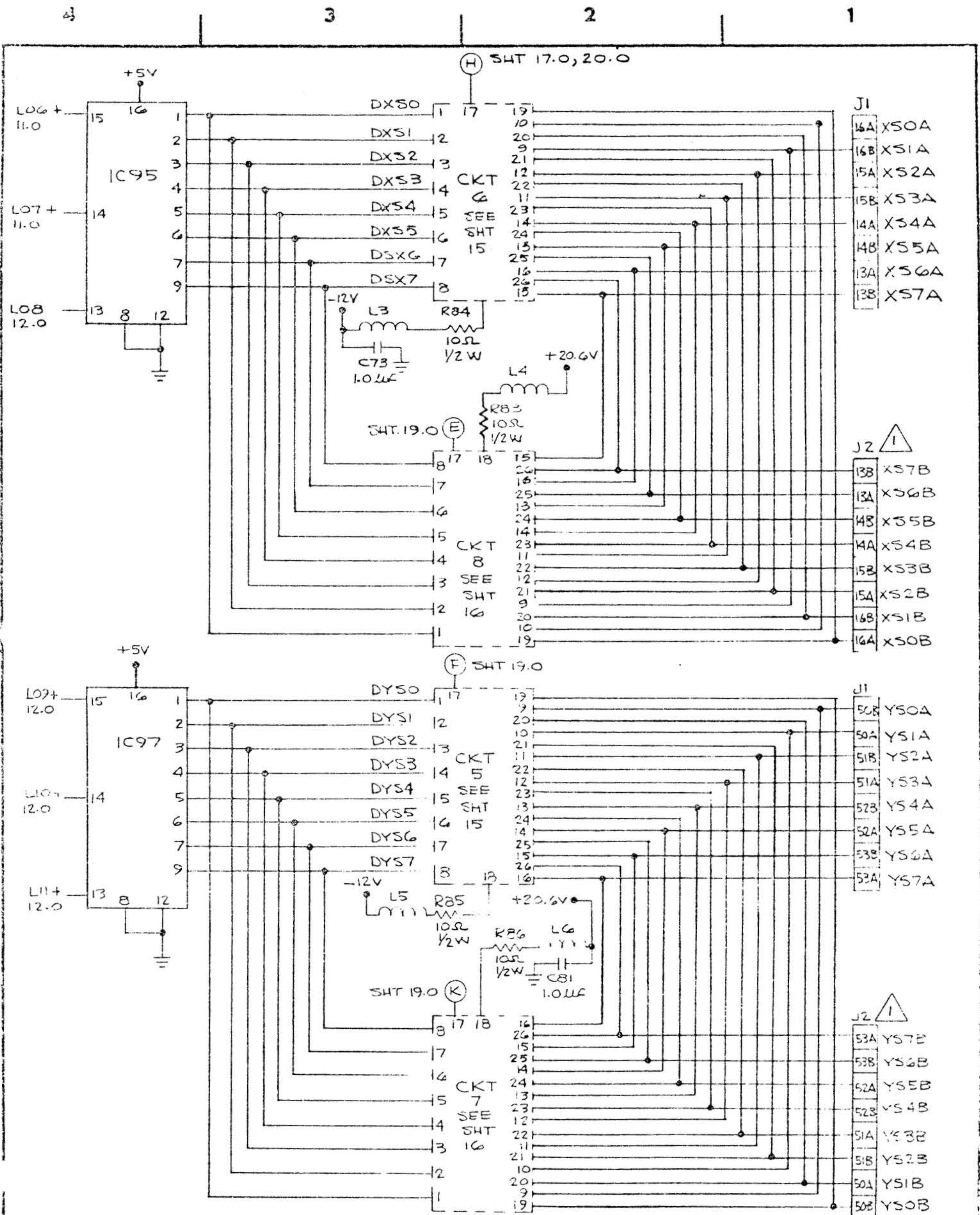
DOC. IDENT. NO.	SIZE	ISS. NO.	REV.
21101	C	91C0377	K
SCALE			16.0



1 NOT USED FOR 4K VERSION (-000 + -002)

DRIVER LOGIC

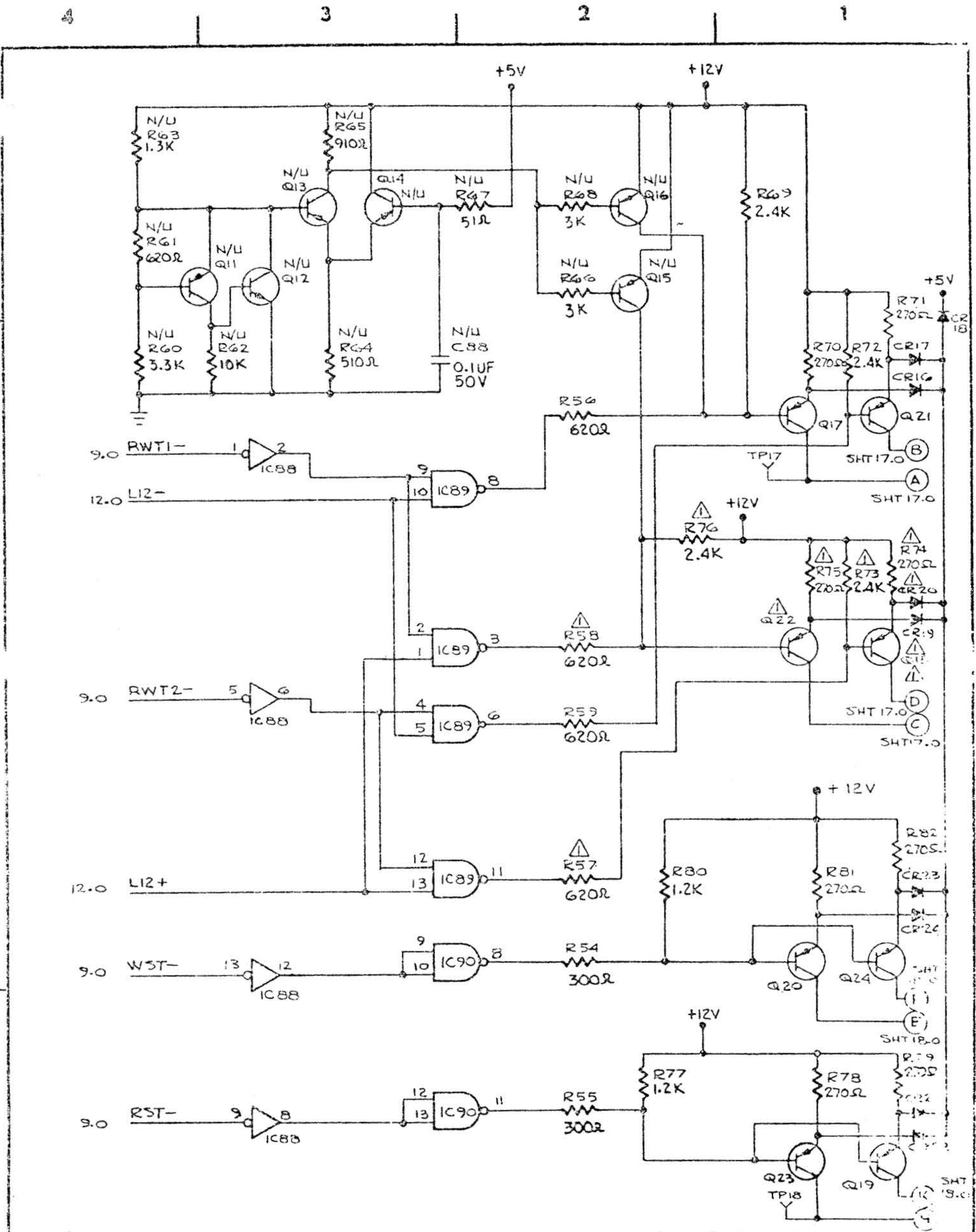
CODE IDENT NO.	REV	DATE	REV
21101	C	910377	K
SCALE			17.0



⚠ NOT USED FOR 4K VERSION (-000 & -002)

SINK LOGIC

CCOE IDENT NO.	SIZE	DATE NO.	REV
21101	C	910377	K
SCALE	SHEET 10.0		



1 NOT USED FOR 4K VERSION (-000 & -002)

PRE DRIVER CIRCUITS, X & Y

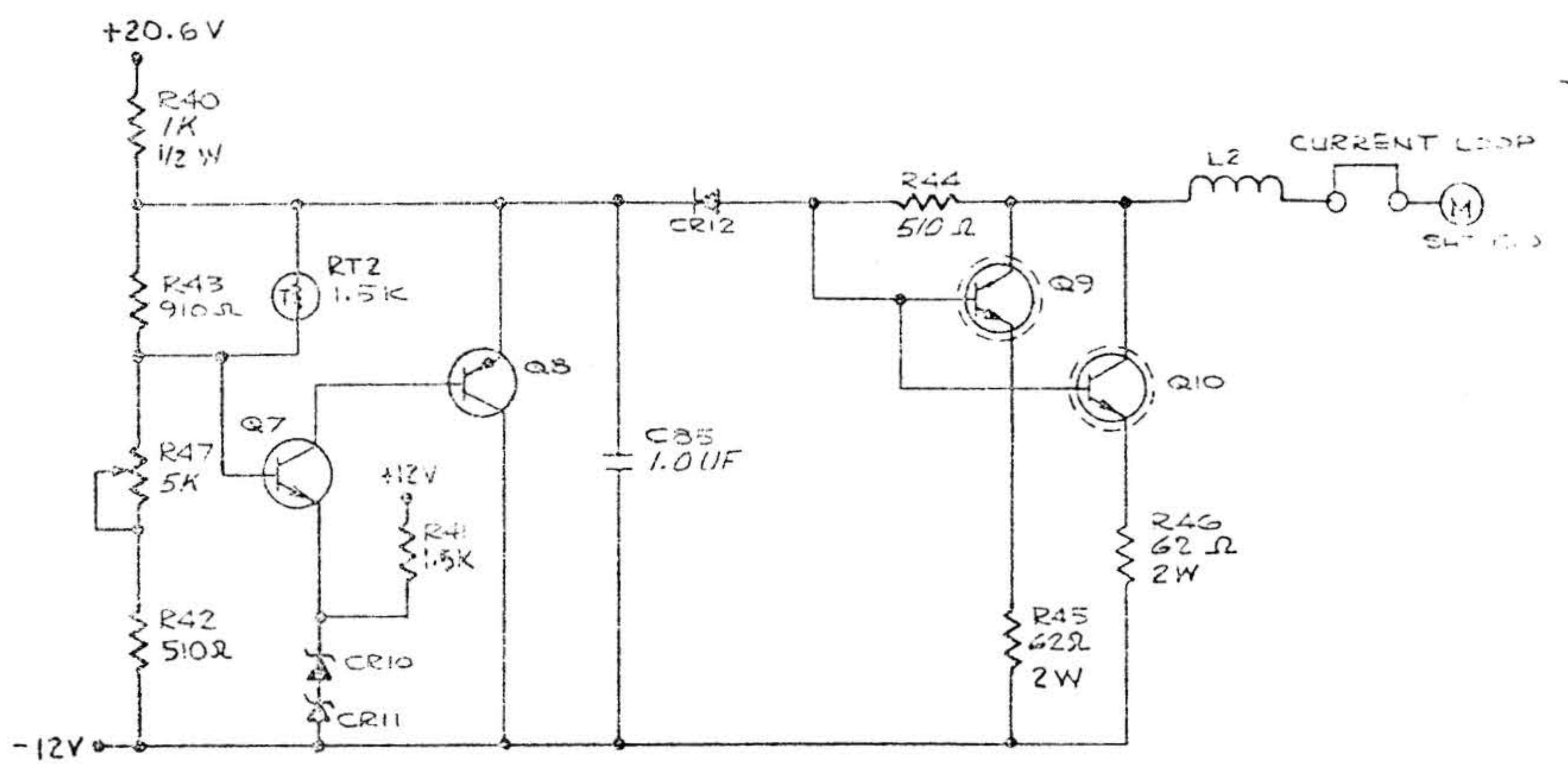
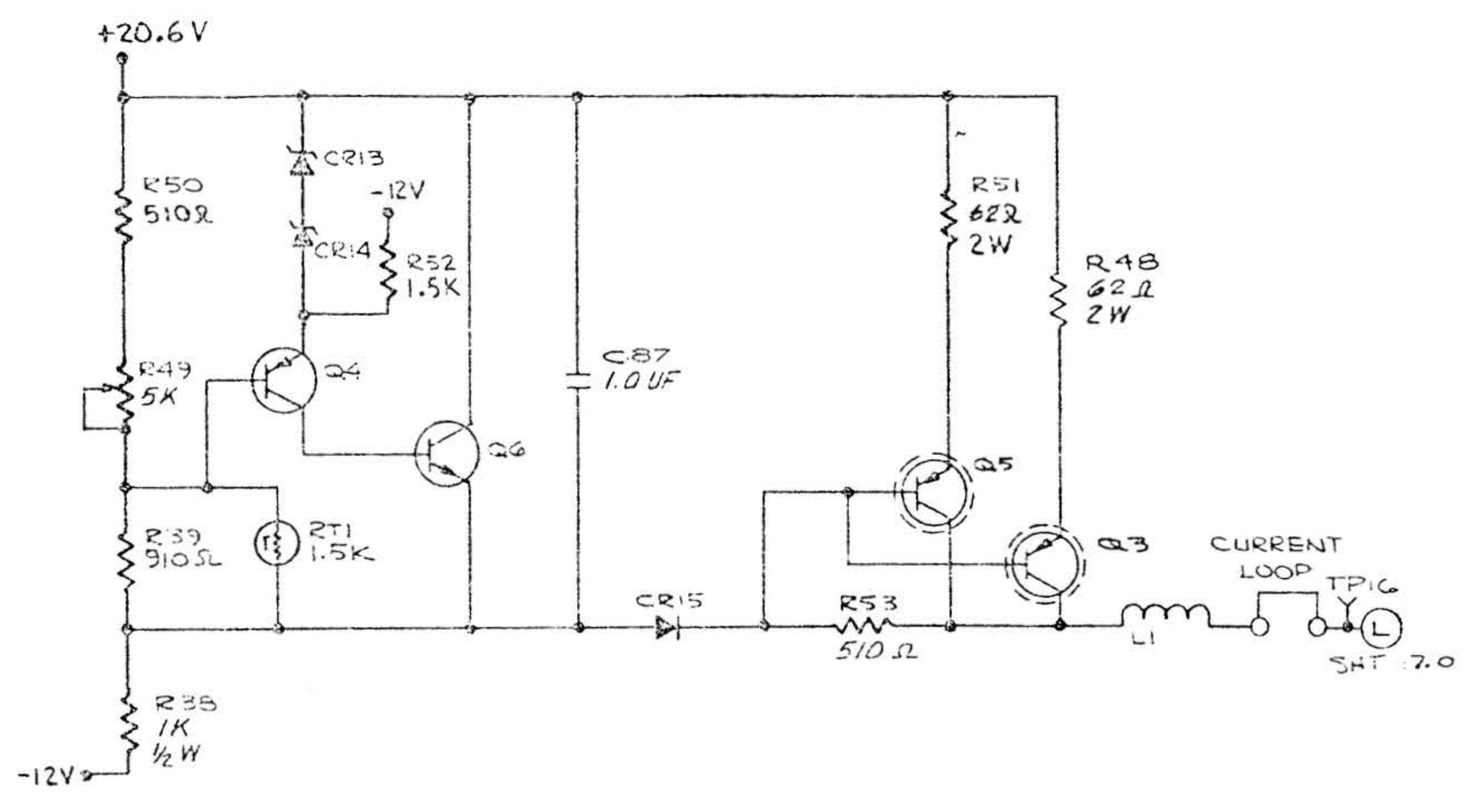
CODE (MONT. NO.)	REV	DATE	REV
21101	C	910377	K
SCALE			19.0

4

3

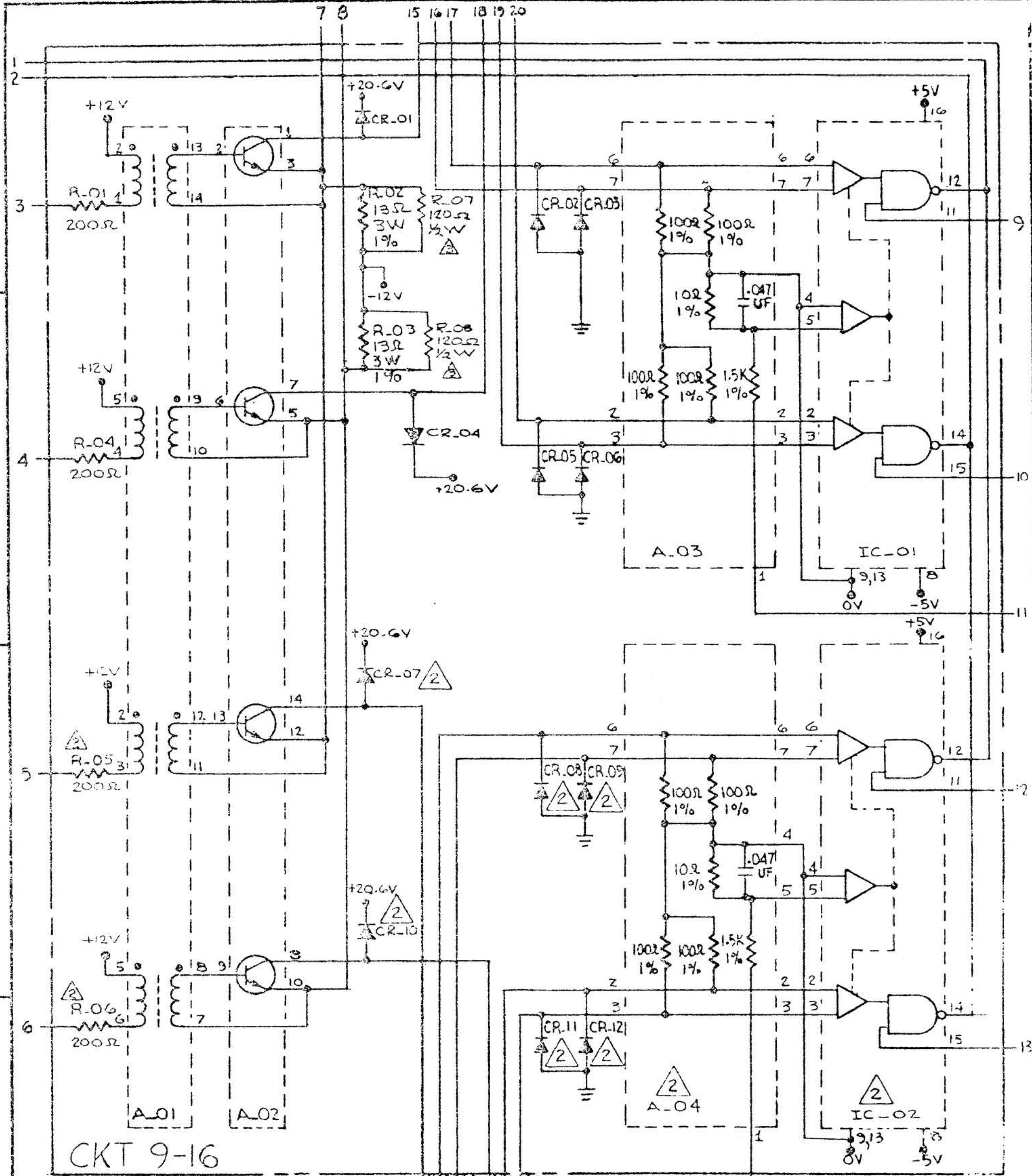
2

1



CURRENT SOURCES

CODE	MENT	REV	DATE	NO	REV
21101	C		910377		
SCALE					20-0



CKT 9-16

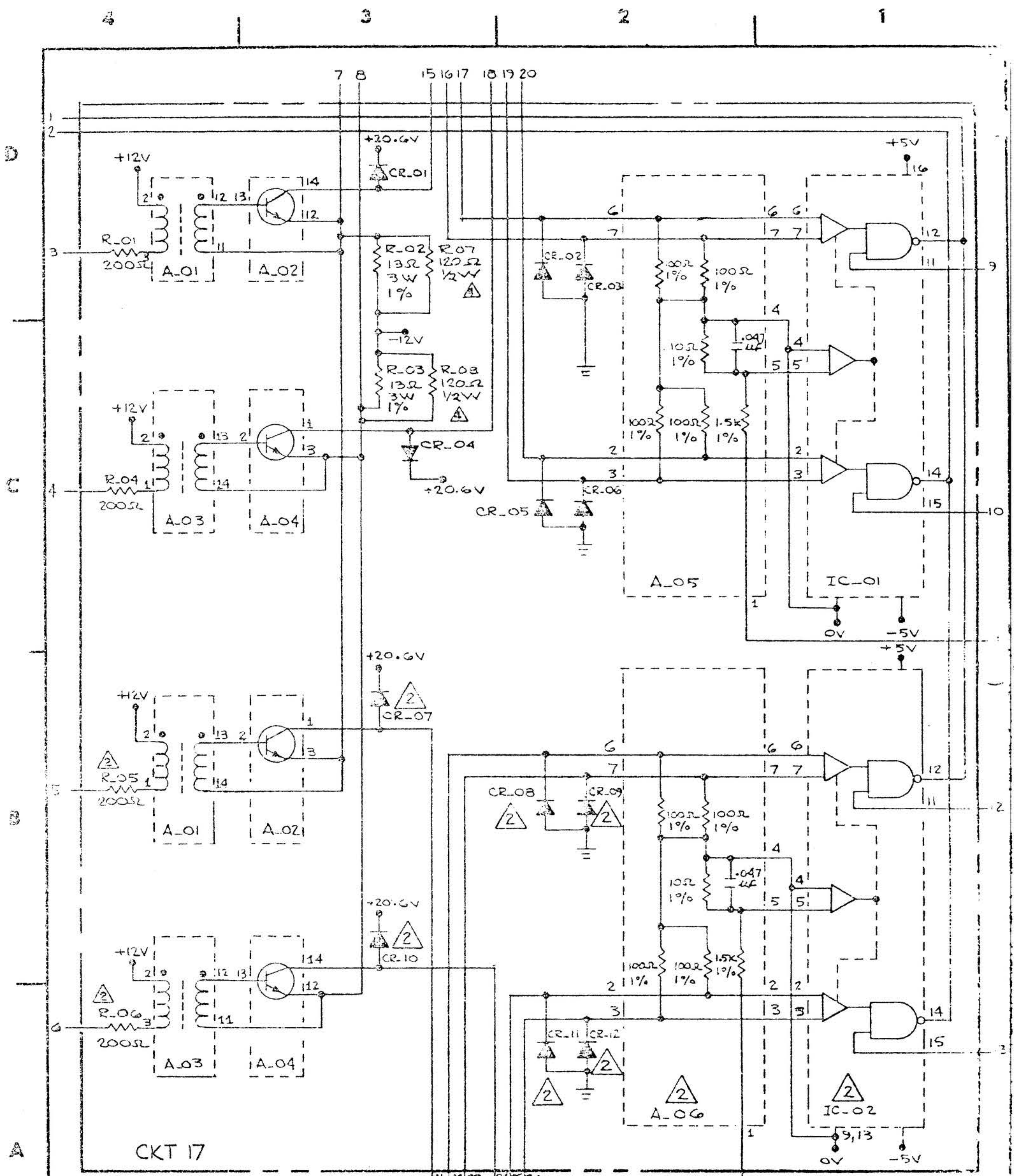
1. NUMBERS OUTSIDE PHANTOM LINES CORRESPOND TO CIRCUIT BLOCKS 9-16 ON SHTS 23.0, 24.0, 25.0 & 26.0.

△ NOT USED FOR 4K VERSION (-000 & -002)

△ THE INDICATED COMPONENTS TO BE ADDED AT FINAL TEST IF REQD TO ADJUST INHIBIT CURRENT.

SENSE INHIBIT

DOCS IDENT NO.	DOCS	DOCS NO.	REV
21101	C	9100377	K
SCALE			21.0



CKT 17

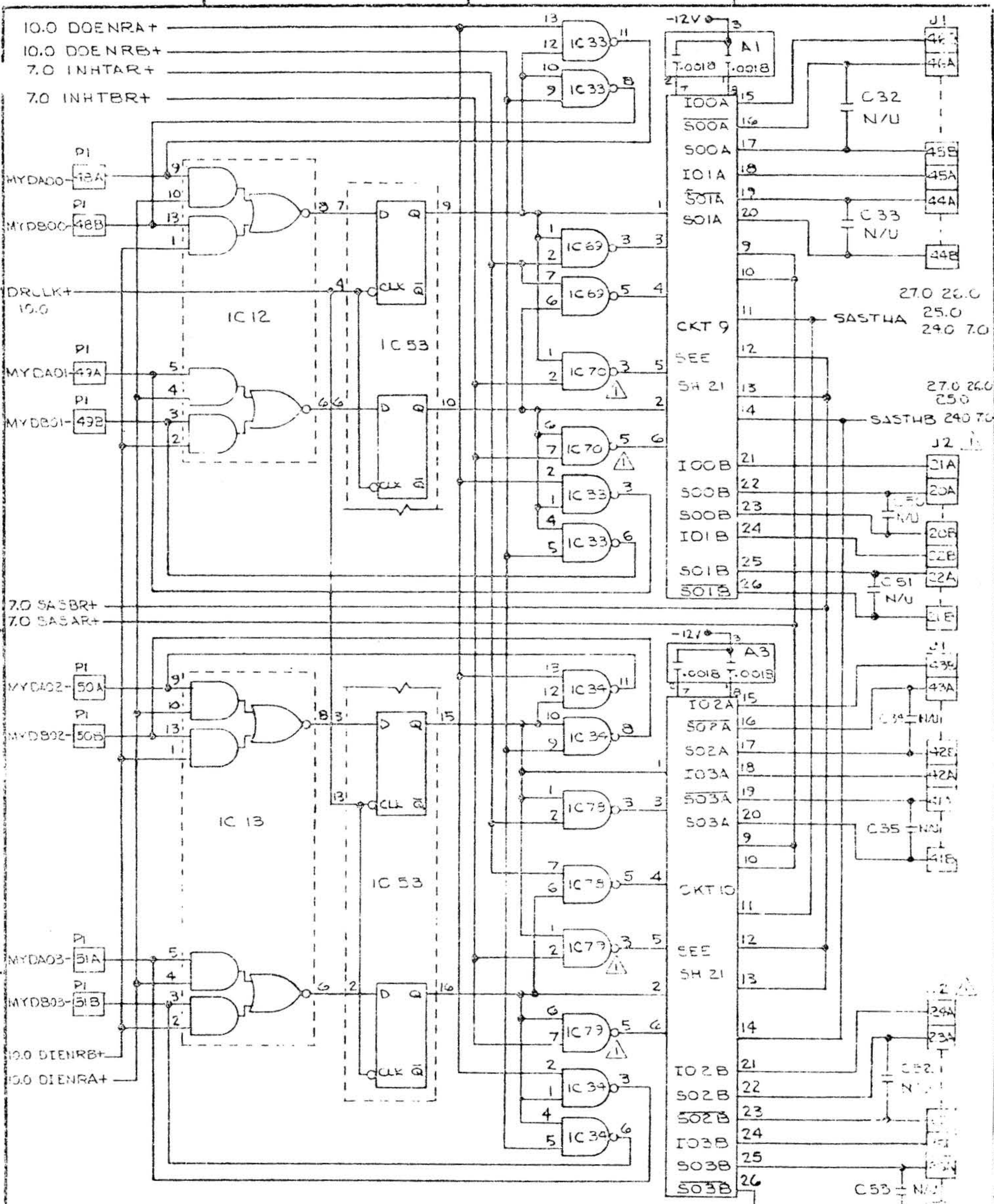
1. NUMBERS OUTSIDE PHANTOM LINES CORRESPOND TO CIRCUIT BLOCKS 9-16 ON SHTS 230, 240, 250 & 260.

- ⚠ NOT USED FOR 4K VERSION (-001 & -002)
- ⚠ THIS SHT NOT USED FOR 16 BIT VERSION (-000 & -001)
- ⚠ THE INDICATED COMPONENTS TO BE ADDED AT FINAL TEST IF REQD TO ADJUST INHIBIT CURRENT.

SENSE INHIBIT

DATE	REV	BY
21101	C	9100377
SCALE		22.0

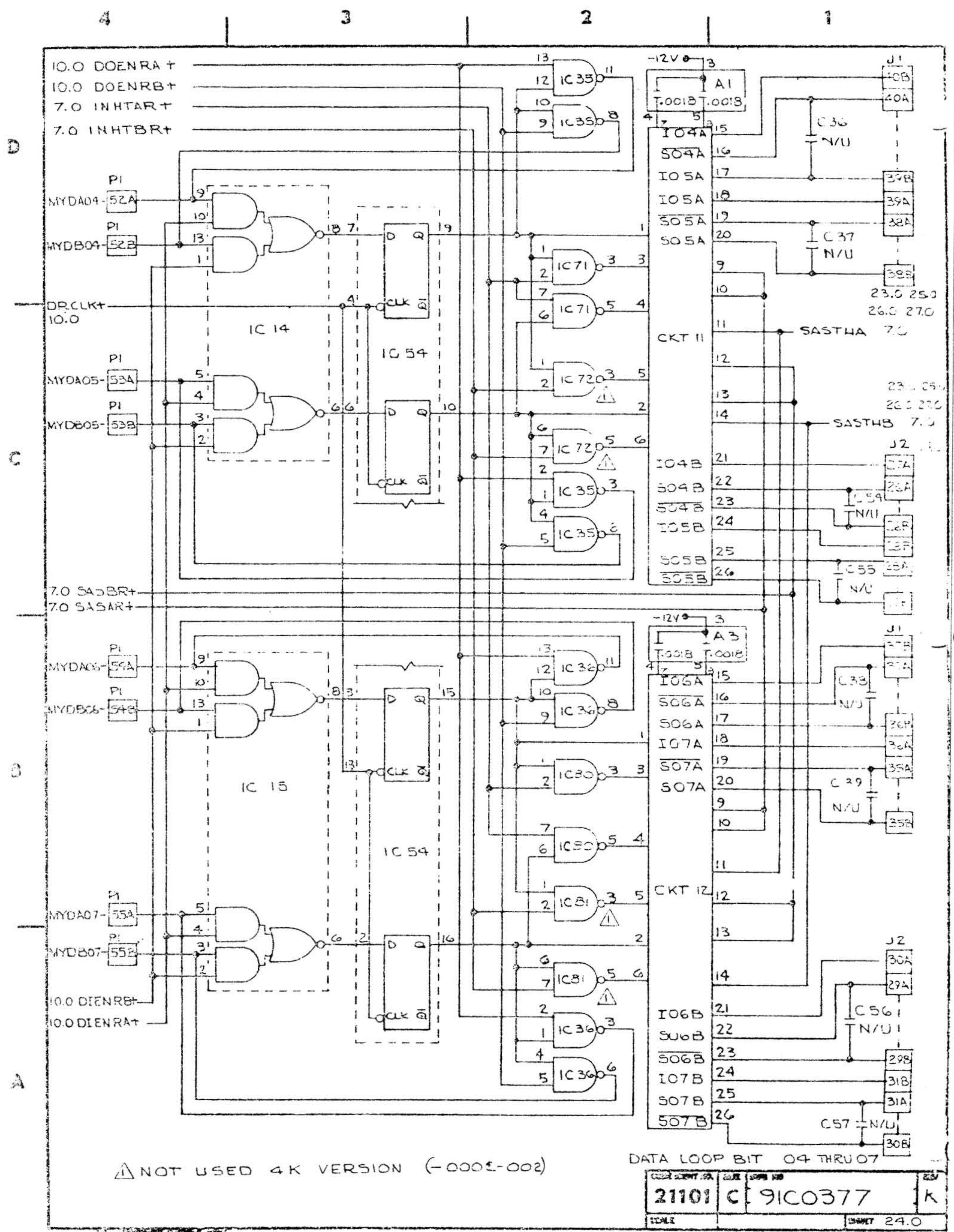




⚠ NOT USED FOR 4K VERSION (-000 E-002)

DATA LOOP BIT CONTROLLER

COMPONENT NO.	REV	DATE	REV
21101 C	91C0377		K
SCALE	SHEET 23.0		



⚠ NOT USED 4K VERSION (-000E-002)

DATA LOOP BIT 04 THRU 07

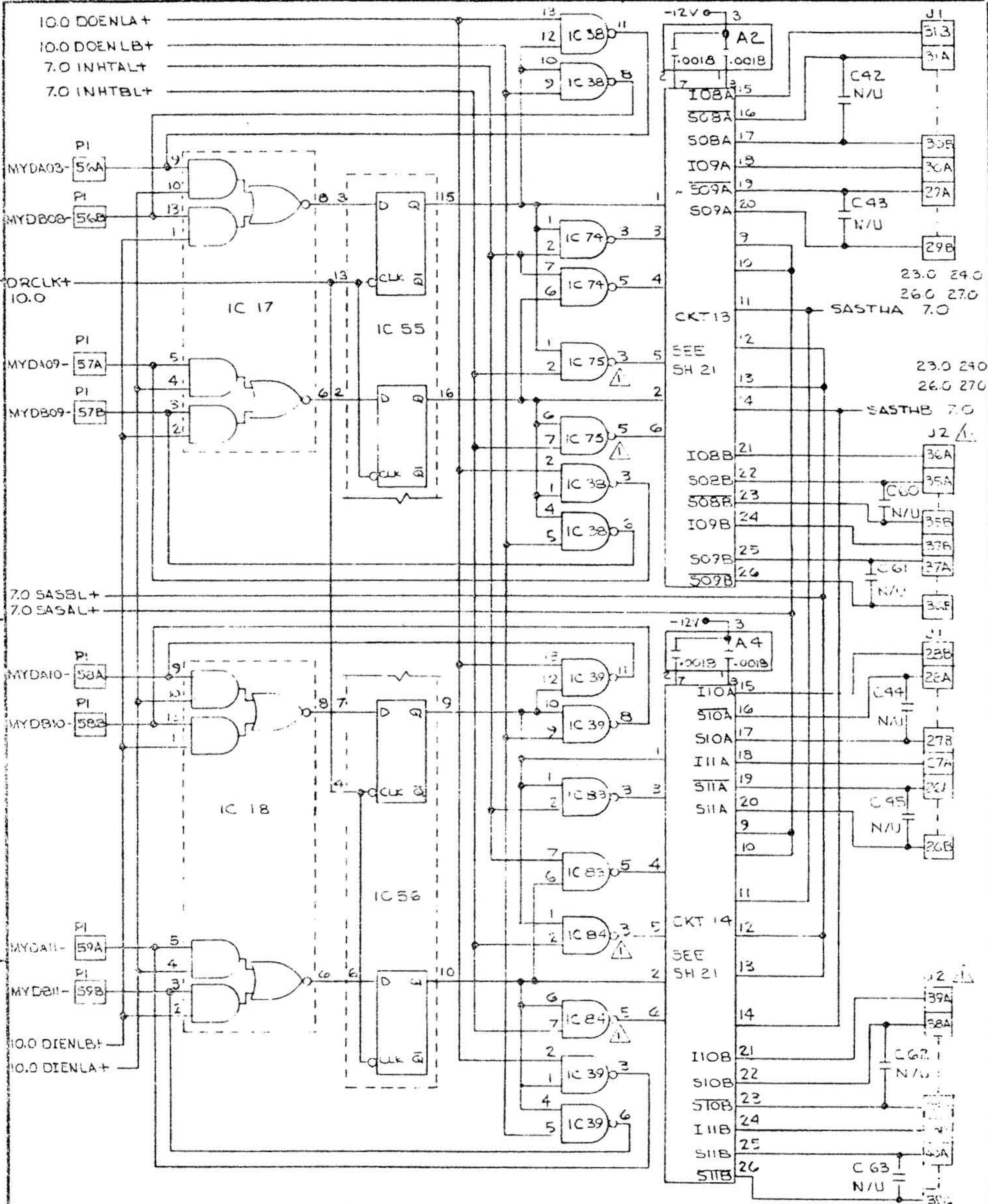
21101	C	9IC0377	K
SCALE		UNIT	24.0

4

3

2

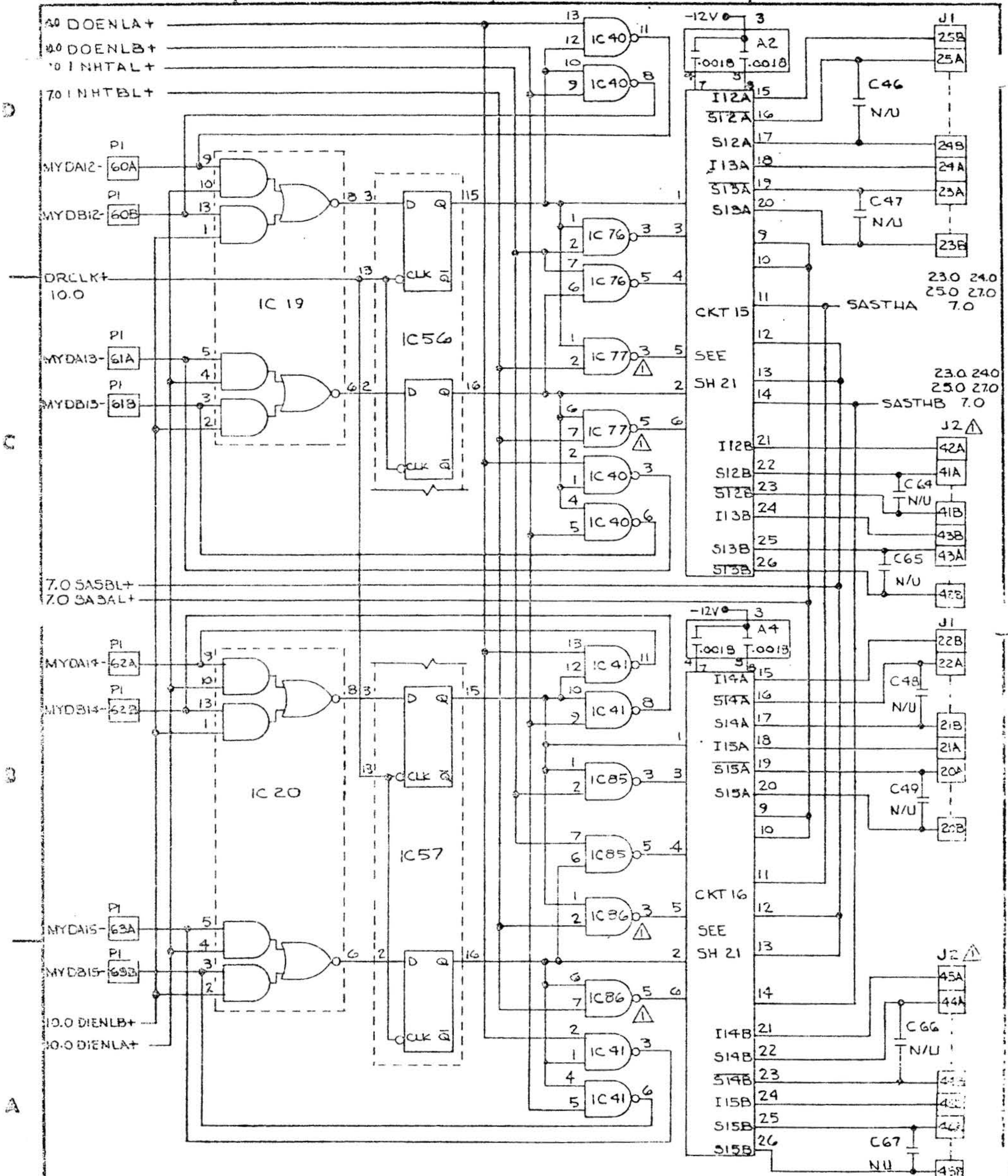
1



△ NOT USED 4K VERSION (-000E-002)

DATA LOOP BIT 08 THRU 11

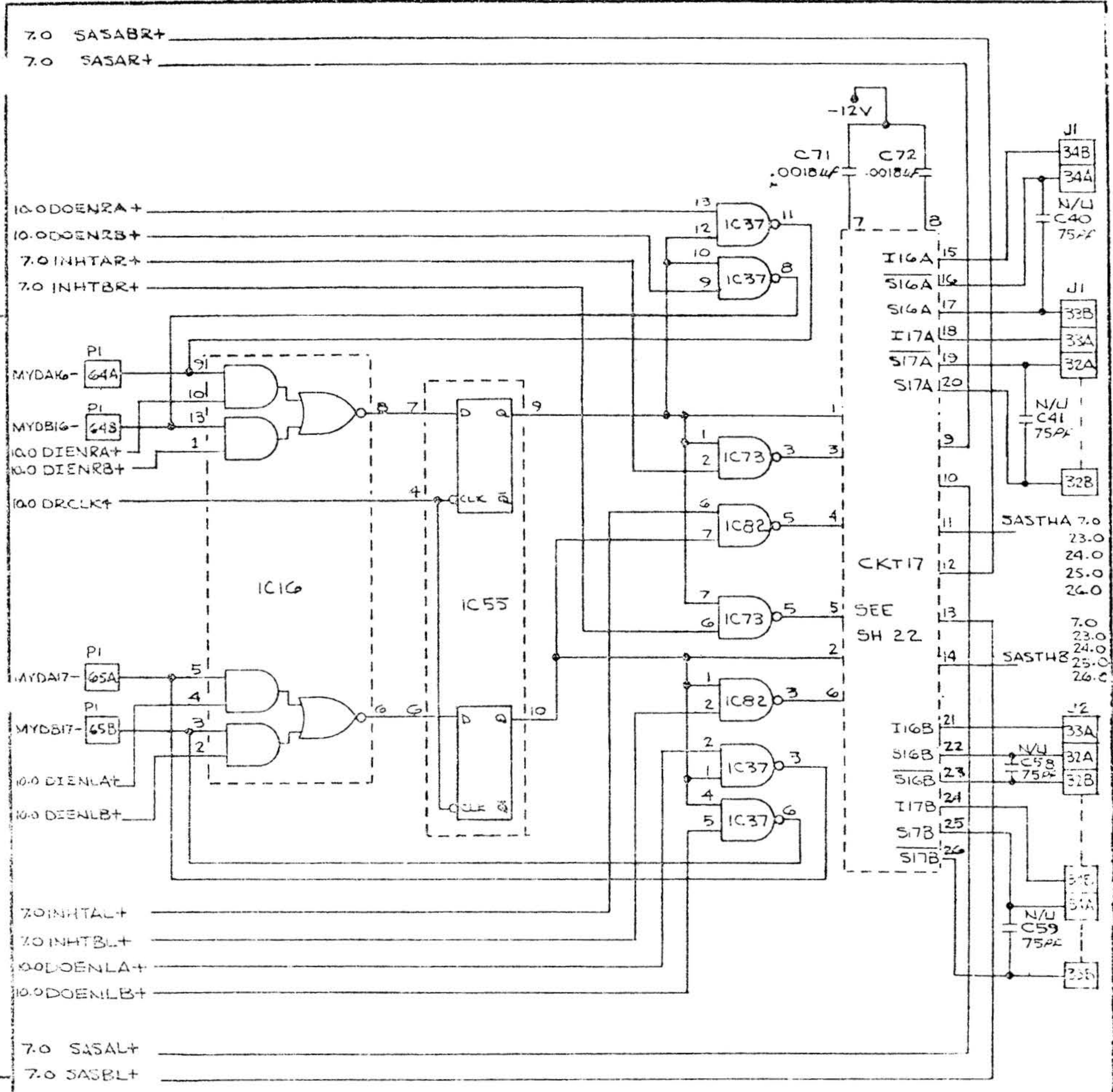
CODE IDENT NO.	SIZE	DATE	REV
21101	C	91C0377	K
SCALE	SHEET 25.0		



⚠ NOT USED 4K VERSION (000E-002)

DATA LOOP BIT 12 THRU 15

CODE	IDENT NO.	SCALE	DWG NO.	REV
21101	C		91C0377	K
SCALE			SHEET	26.0



1. THIS SHEET FOR 18 BIT VERSION ONLY (-002E-003)

DATA LOOP BIT 16 & 17

CODE IDENT NO.	SHEET	DATE NO.	REV.
21101	C	91C0377	K
SCALE			27.0