

WANG

3110

**INTERNATIONAL MEMORIES
INCORPORATED
5000H WINCHESTER**

**Customer Engineering Reprint
Product Maintenance Manual**

729-1324

First Edition (July 1983)

This is the first reprint of the IMI model 5000H maintenance manual. Updates and/or changes to this document will be published as Product Service Notices (PSN's) or subsequent editions.

This document is the property of Wang Laboratories, Inc. All information contained herein is considered company proprietary and its use is restricted solely for the purpose of assisting the Wang-trained CE in servicing this Wang product. Reproduction of all or any part of this document is prohibited without the prior consent of Wang Laboratories, Inc.

CUSTOMER ENGINEERING

PRODUCT SERVICE NOTICE

DATE: 10/18/83

3110

PSN to 729 -1324

INTERNATIONAL MEMORIES INCORPORATED 5000H WINCHESTER

REASON FOR CHANGE:

To add the Schematics Appendix to the manual.

INSTRUCTIONS:

Add Appendix to the back of the International Memories Incorporated 5000H Winchester Manual Reorder Number 729 - 1324.

This page is to be used as a permanent record of revisions; place it directly following the title page.

WANG

LABORATORIES, INC.

ONE INDUSTRIAL AVENUE, LOWELL, MASSACHUSETTS 01851. TEL. (617) 459-5000. TWX 710 343-6769. TELEX 94-7421

729-1324-1

Printed in U.S.A.

INTERNATIONAL MEMORIES, INC.
OEM REFERENCE & MAINTENANCE MANUAL
5.25 INCH WINCHESTER
DISK DRIVES, MODELS
5006H, 5012H, 5018H

IMI PART NUMBER 430-02103-001

August 26, 1982

REV A

TABLE OF CONTENTS

Section

LIST OF ILLUSTRATIONS ii
 LIST OF TABLES ii

1 GENERAL DESCRIPTION 1-1

 1.1 Drive Characteristics 1-3
 1.2 Specifications 1-4

2 INSTALLATION 2-1

 2.0 General Information 2-1
 2.1 Unpacking and Inspection 2-1

 2.2 Handling 2-1
 2.3 Installation 2-3

 2.3.1 Connecting Power 2-5
 2.3.2 Connecting Signal Cable 2-6
 2.3.3 Frame Ground 2-8

 2.4 Reshipment 2-8

 2.5 Operation 2-9

 2.5.1 Customer Options 2-9
 2.5.2 Drive Address Selection 2-9
 2.5.3 Power-Up Sequence 2-10

3 ELECTRICAL INTERFACE 3-1

 3.0 Introduction 3-1
 3.1 Control and Status Interface 3-2
 3.2 Read/Write Data Interface 3-6

4 THEORY OF OPERATION 4-1

 4.0 Introduction 4-1
 4.1 Drive Functional Description 4-1

 4.1.1 Control Electronics 4-2
 4.1.2 General Timing Sequence 4-2
 4.1.3 Write Precompensation 4-3
 4.1.4 Read/Write Data Operation 4-3
 4.1.5 Media Defects 4-4
 4.1.6 Drive Mechanism 4-4
 4.1.7 Position Mechanism 4-4
 4.1.8 Air Flow and Filtration 4-5

5 TRACK FORMAT RECOMMENDATIONS 5-1

 5.0 Introduction 5-1
 5.1 General Requirements 5-1
 5.2 Recommended Data Format 5-2
 5.3 Index Gap 5-3
 5.4 Speed Tolerance Gap 5-3
 5.5 Sector Interleaving 5-3

6 MAINTENANCE 6-1

 6.0 Introduction 6-1
 6.1 Preventive Maintenance 6-1
 6.2 Tools Required 6-1
 6.3 Replacement Procedures 6-1

 6.3.1 Pre-Maintenance Requirements 6-1
 6.3.2 Read/Write Board Removal and Replacement 6-3
 6.3.3 Motor Control Board Removal and Replacement 6-4
 6.3.4 Brake Assembly Removal and Replacement 6-5
 6.3.5 Index Sensor Removal and Replacement 6-6
 6.3.6 HDA Ground Strap 6-7

LIST OF ILLUSTRATIONS

| Number | Title | |
|--------|---|------|
| 1-1 | Drive Major Components | 1-3 |
| 2-1 | Shipping Container and Packaging | 2-2 |
| 2-2 | Disk Drive Physical and Mounting Dimensions | 2-3 |
| 2-3 | Cooling Air Intake/Output Locations | 2-4 |
| 2-4 | Recommended Mounting Clearance | 2-4 |
| 2-5 | DC Power Connections | 2-5 |
| 2-6 | Control and Status (daisy chain) Connector J1 | 2-6 |
| 2-7 | Data Communication (read/write) Connector J2 | 2-7 |
| 2-8 | Typical Drive/Host Controller Connections (four drives) . | 2-8 |
| 2-9 | Read/ Write Circuit Board Terminator, Jumpers, and Connector Locations | 2-9 |
| 2-10 | Drive Power-Up Sequence Timing Diagram | 2-10 |
| 3-1 | Control and Status Interface Cable (P1/J1) | 3-1 |
| 3-2 | Read/Write Interface Cable (P2/J2) | 3-2 |
| 3-3 | Control and Status Interface Driver/Receiver | 3-2 |
| 3-4 | Normal Step Mode Timing | 3-3 |
| 3-5 | Buffered Step Mode Timing | 3-4 |
| 3-6 | Read/Write Data Interface Drivers and Receivers | 3-6 |
| 4-1 | IMI 5000 Series Disk Drive Functional Block Diagram | 4-1 |
| 4-2 | General Timing Sequence | 4-2 |
| 4-3 | Write Precompensation Patterns | 4-3 |
| 4-4 | Read/Write Data Timing Diagram | 4-4 |
| 4-5 | Position Mechanism | 4-5 |
| 4-6 | Air Flow and Filtration System | 4-5 |
| 5-1 | Address Mark Data Pattern | 5-1 |
| 5-2 | Recommended Data Format (32 Sectors) | 5-2 |
| 5-3 | Sector Interleaving | 5-3 |
| 6-1 | Drive Unit and Cabling Removal and Replacement | 6-1 |
| 6-2 | Read/Write Board Removal and Replacement | 6-3 |
| 6-3 | Motor Control Board Removal and Replacement | 6-4 |
| 6-4 | Brake Assembly Removal and Replacement | 6-5 |
| 6-5 | Index Sensor Removal and Replacement | 6-6 |
| 6-6 | HDA Ground Strap Removal and Replacement | 6-7 |

LIST OF TABLES

| Number | Title | |
|--------|--|-----|
| 3-1 | Control and Status Interface Signals | 3-3 |
| 3-2 | Read/Write Data Interface Signals | 3-6 |

SECTION

1

GENERAL

DESCRIP-

TION

SECTION 1

GENERAL DESCRIPTION

The International Memories, Inc. (IMI) advanced family of high reliability 5.25 inch Winchester disk drives offer such features as an isolated shock mounted head/disk assembly, ultra hard plated media, and enhanced thermal stability. The drives also provide up to 19.14 meobytes of unformatted storage, are ST506 compatible, and offer the latest in data integrity within a wide range of operating environments.

Other advanced and standard features of the drives include the following:

Data Integrity

- o Proven Winchester technology
- o Ultra-hard thin-film plated media lessens possibility of damage due to handling, lowering field service costs
- o Dedicated shipping zone provided for heads at inner diameter of disks
- o Automatic spindle brake acts as a restraint against spindle rotation
- o Manganese zinc recording heads for increased signal amplitude
- o Read preamplifiers located on head stack reduce EMI/RFI noise susceptibility, increasing data reliability
- o Magnetically shielded DC spin motor ensures data integrity
- o Optimized, automatic actuator position thermal compensation to provide minimal off-track error throughout temperature range
- o Short, sturdy head arms minimize resonance effects, improving data reliability
- o Head/disk assembly protected from handling damage by surrounding shock mounted frame
- o 0.9° high torque stepper motor enables full-step positioning, minimizing positioning errors
- o Deeply ribbed base and top cover provide greater heat transfer area for cooling and transfer heat evenly and quickly, minimizing thermal off-track error

Component Reliability

- o Well proven, self aligning, 6 ball bearing linear actuator system low friction independent of position
- o Case-hardened actuator rails
- o Plated capstan to eliminate fretting corrosion
- o Elastomer carriage stop pads for controlled displacement and acceleration
- o Unique patented band preload system minimizes stress concentrations in band, increasing life
- o 0.9° stepper allows larger capstan size, further decreasing band stresses
- o High efficiency recirculating air filtration system for continuous air cleaning
- o HDA totally sealed from contaminated exterior air
 - o Stepper motor sealed
 - o Spindle motor sealed
 - o All mating surfaces gasketed
- o Forced air circulation system to cool electronics

General

- o Industry standard interfaces allow fast system integration
- o Drive requires no adjustments or preventive maintenance
- o DC power allows worldwide installation
- o 5.0 Mbit/second data transfer rate
- o Crystal-controlled brushless DC spindle motor
- o Two piece HDA/frame shock mounted construction minimizes handling and in-service shock damage

1-1 DRIVE CHARACTERISTICS

The IMI 5000 series drive is a fixed disk, sealed environment drive with data recorded on storage surfaces using a modified frequency modulation (MFM) recording technique.

The drive's major components are shown in Figure 1-1. These include the spindle motor, disks (up to three), air filter, stepper motor, linear actuator, and heads (up to six) in a sealed head/disk assembly. The two printed circuit boards are mounted at the bottom of the drive chassis. These consist of one read/write and one motor control board.

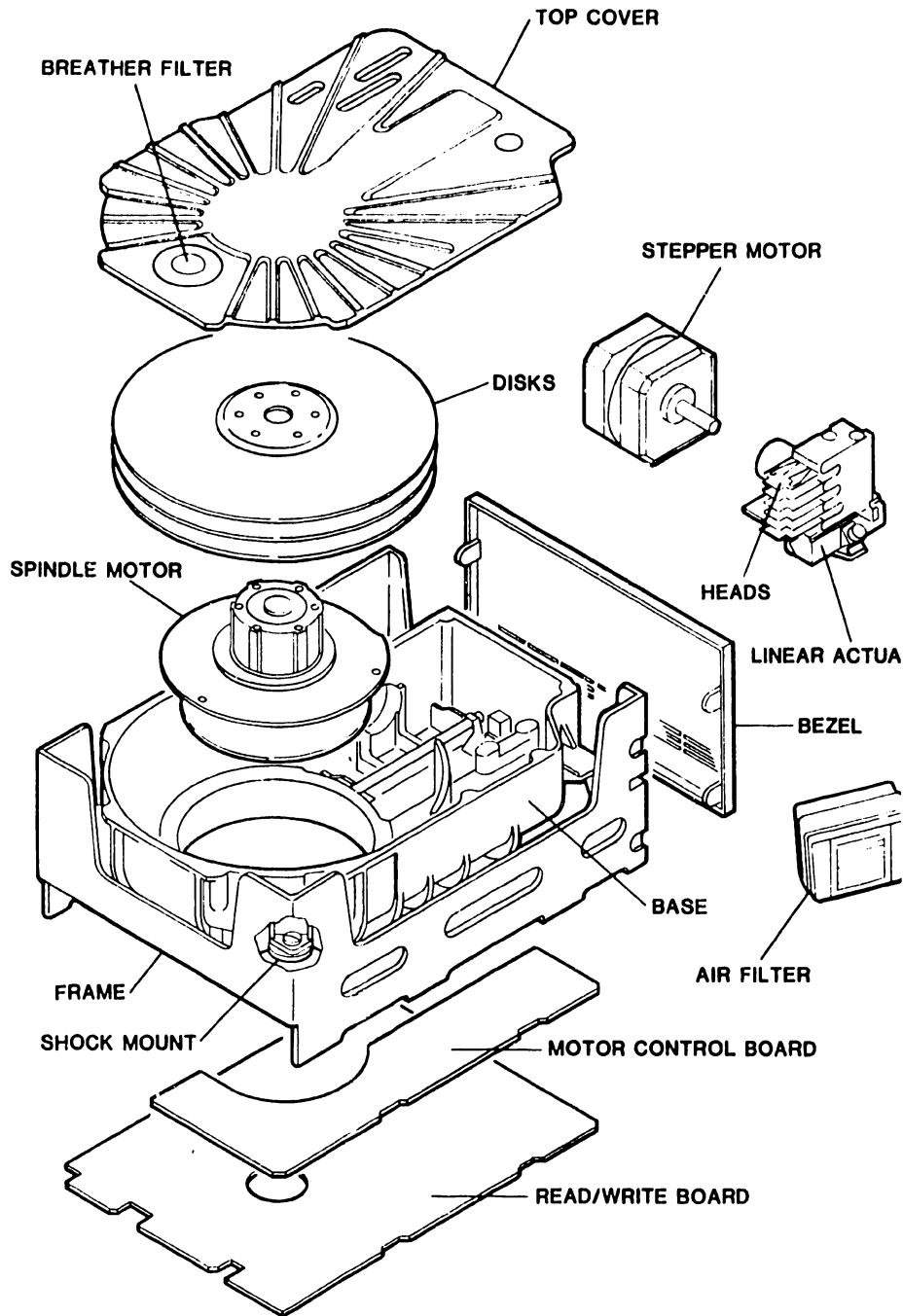


Figure 1-1. Drive Major Components

1.2 SPECIFICATIONS

FUNCTIONAL

| Model Number | 5018H | 4012H | 5006H |
|------------------------|--------|--------|--------|
| Capacity (unformatted) | | | |
| Drive (Mbytes) | 19.125 | 12.75 | 6.375 |
| Per surface (Mbytes) | 3.1875 | 3.1875 | 3.1875 |
| Per track (bytes) | 10,417 | 10,417 | 10,417 |
| Capacity (formatted) | | | |
| Drive (Mbytes) | 15.03 | 10.02 | 5.01 |
| Per surface (Mbytes) | 2.506 | 2.506 | 2.506 |
| Per track (bytes) | 8,192 | 8,192 | 8,192 |
| Sectors per track | 32 | 32 | 32 |
| Bytes per track | 256 | 256 | 256 |
| Recording density(BPI) | 9706 | 9706 | 9706 |
| Track density(TPI) | 303 | 303 | 303 |
| Recording surfaces | 6 | 4 | 2 |
| Heads per surface | 1 | 1 | 1 |
| Disks | 3 | 2 | 1 |
| Cylinders | 306 | 306 | 306 |

PERFORMANCE

| | |
|-----------------------|--|
| Start time | 20 sec. typical |
| Stop time | 15 sec. typical |
| Rotational Speed | 3,600 RPM Accurate to $\pm 0.5\%$ with $\pm 0.2\%$ variation from nominal speed |
| Transfer Rate | 625 Kbytes/sec |
| Access Time (Maximum) | |
| Track to Track | 3ms |
| Average | 49ms |
| Maximum | 99ms |
| Settling Time | 19ms |
| Average Latency | 8.3ms |
| Recording Code | MFM |

1.2 Specifications (cont.)

PHYSICAL DIMENSIONS

| | |
|--------|------------------------|
| Width | 5.75 inches (14.61 cm) |
| Depth | 8.0 inches (20.32 cm) |
| Height | 3.25 inches (8.26 cm) |
| Weight | 5 lbs (2.27 Kgm) |

RELIABILITY

| | |
|------------------------|--------------------------------|
| MTBF | 10,000 POH |
| MTRR | <0.5 hour |
| Preventive Maintenance | None required |
| Service Life | >Five years |
| Error Rates | |
| Soft | <1 in 10 ¹⁰ bits |
| Hard | <1 in 10 ¹² bits |
| Seek | <1 in 10 ⁶ seeks |
| Media | |
| Max Defects 5006H | 8 defects maximum, |
| 5012H | 16 defects maximum, |
| 5018H | 24 defects maximum, |
| | cylinder \emptyset certified |
| | error-free |

ENVIRONMENTAL

| | Operating | Non-Operating |
|-----------------------|--|----------------------------------|
| Temperature | 39°F to 122°F (4°C to 50°C) | 40°F to 140°F (-40°C to 60°C) |
| Relative Humidity | 8% to 80% | 8% to 80% |
| Altitude (max) | 10,000 feet (3,048 meters) | 50,000 feet (15,240 meters) |
| Shock, Vibration | Exceeds industry standards - Refer to "IMI 5000H Series Environmental Vibration Shock and Transportation Standard", Specification No. 706-02088-001. | |
| Temperature Variation | 18°F/hour (10°C/hour) maximum | |

1.2 Specifications (cont.)

HEAT DISSIPATION

Watts

20

POWER REQUIREMENTS

DC Operating Power

+5 VDC \pm 5%, 1.9

amps typical 2.5 (peak)

+12 VDC \pm 5%, 1.1amps

typical (4.0 amps

surge during motor start).

SECTION

2

INSTAL-

LATION

SECTION 2
INSTALLATION

2.0 GENERAL INFORMATION

This section describes the procedures for unpacking, handling, installation, operation, and packing for reshipment of the IMI 5000H series drive. It is suggested that before attempting installation, please review this document to develop an overall understanding of the drive operation and technical features.

CAUTION

- o The drive must only be operated in the orientation described in the installation paragraph of this section.
- o The drive environment (operating and non-operating) must be maintained as described in Section 1 of this document.
- o The sealed head/disk assembly must not be opened for any reason.
- o The drive is a precision instrument and must be handled carefully.

2.1 UNPACKING AND INSPECTION

The IMI disk drive unit is shipped in a protective container, Figure 2-1, to prevent handling damage. Upon receipt of a unit from the shipper, carefully inspect the shipping container for damage. Report any damages to the carrier immediately. The warranty regarding reshipment of the unit requires that it be enclosed in the supplied container. Therefore, retain original packaging in case of later reshipment of the drive.

2.2 HANDLING

The disk drive contains a head landing/shipping zone designed to protect active data areas during periods of rough handling (shipping). The zone is located on the farthest inside track area (see Preparation for Reshipment). The drive also has a friction brake mechanism that stops the disk rotation at removal of power to the drive motor. This significantly reduces wear on the heads and the media, and acts as a shipping restraint to prevent disk rotation during shipping and handling. The position of the carriage is held against the inner carriage stop, with the heads in the shipping zone during shipping and handling by the orientation of the drive into shipping container (bezel up) and by the inherent magnetic detent of the stepping motor. (Extreme caution is recommended when handling).

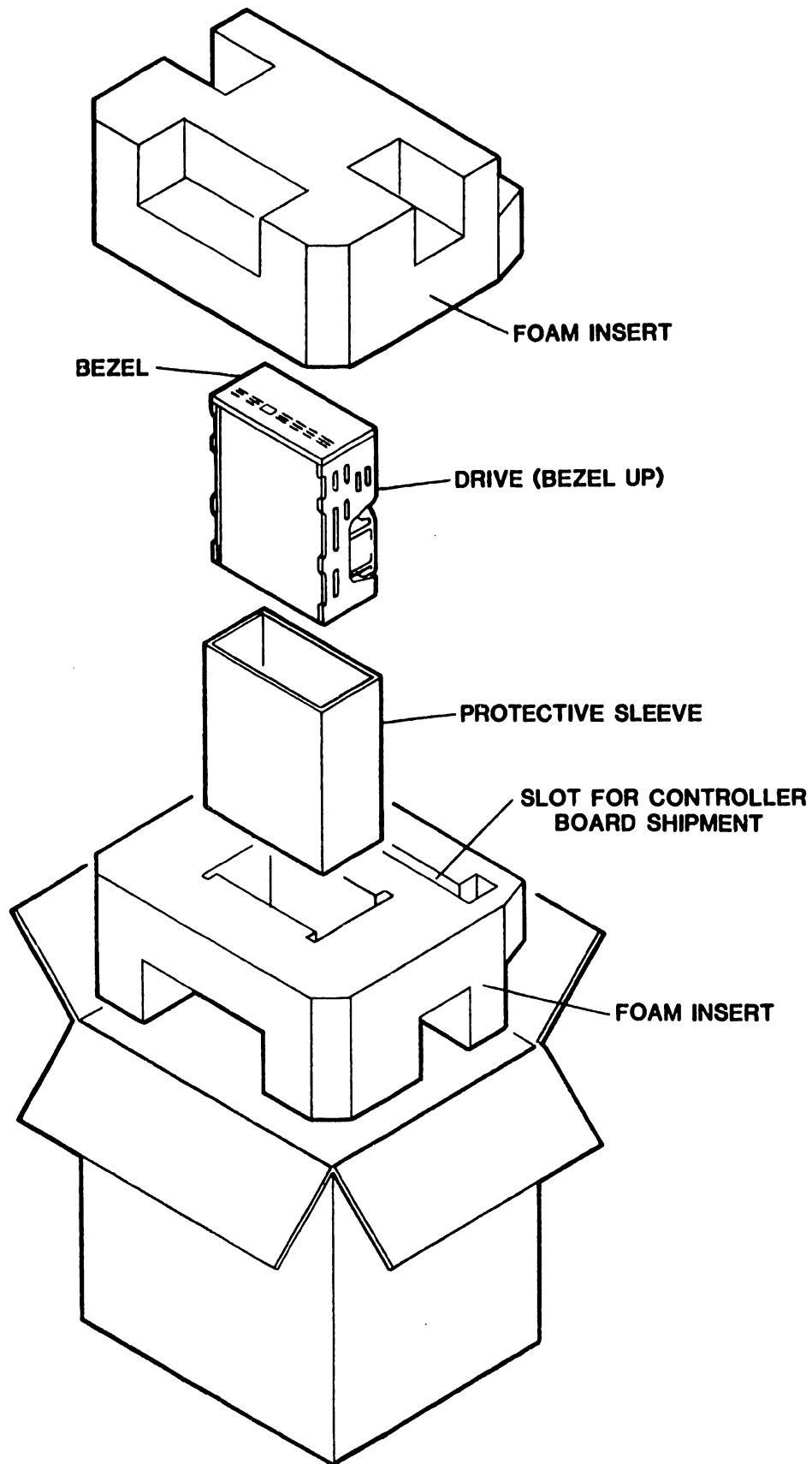


Figure 2-1. Shipping Container and Packaging

2.3 INSTALLATION

NOTE

Prior to installation, read the previous paragraph on handling of the disk drive unit.

The drive may be mounted horizontally (face up - circuit board down), or vertically on either long side (so that the carriage moves horizontally). The drive may be tilted $+15^\circ$ from the horizontal or vertical mounting positions shown in Figure 2.2. The drive physical and mounting dimensions are shown in Figure 2.2. These diagrams illustrate all the necessary dimensions required for mounting. The drive is secured to the mounting frame using 6-32 machine screws.

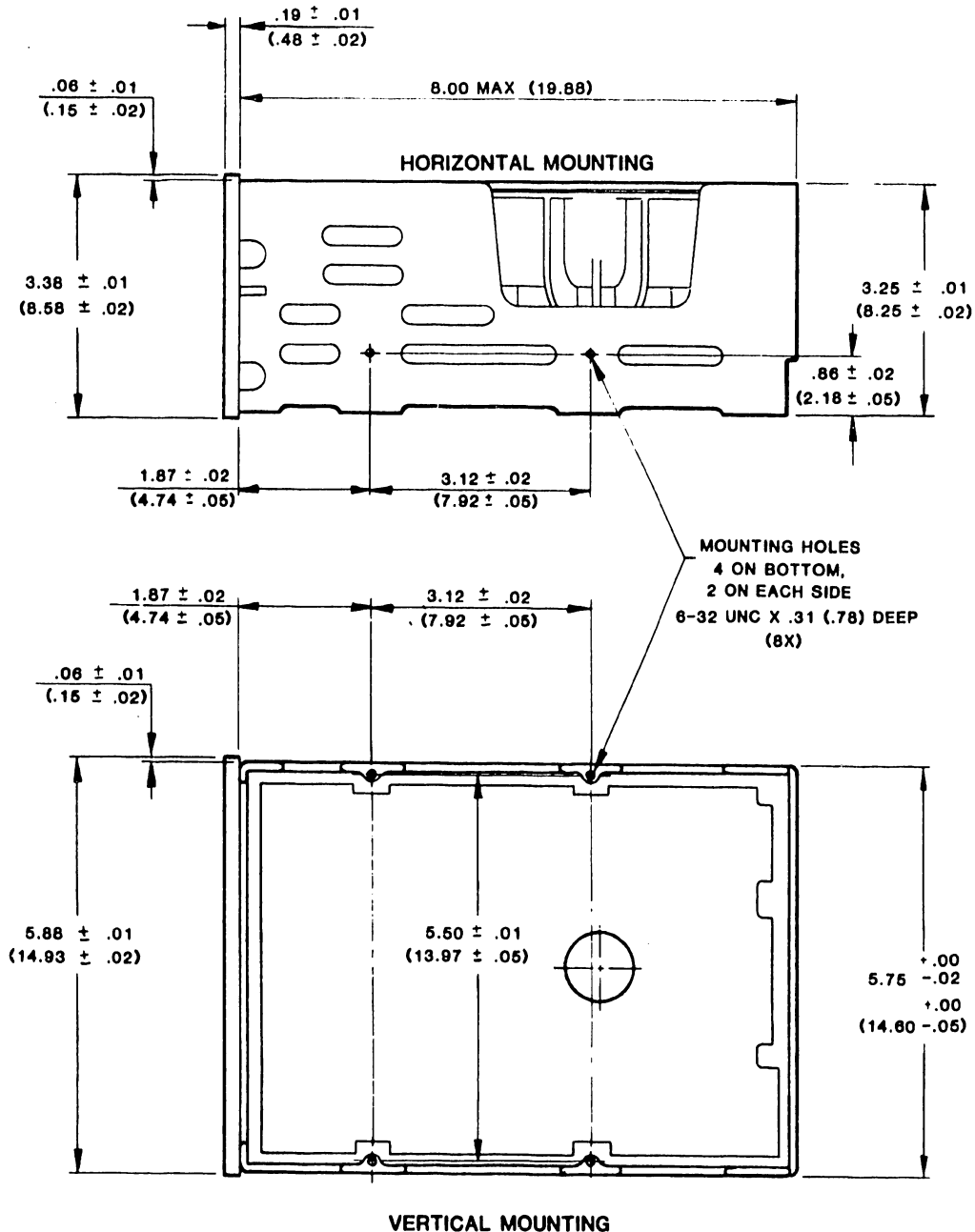


Figure 2-2. Disk Drive Physical and Mounting Dimension

2.3 Installation (cont.)

Cooling for the circuit boards is provided by a centrifugal fan attached to the spin motor and by natural convection. Air is drawn into the fan through a hole in the PC board, and blown out through the gap formed by the underside of the PC board and the base of the drive as shown in Figure 2-3.

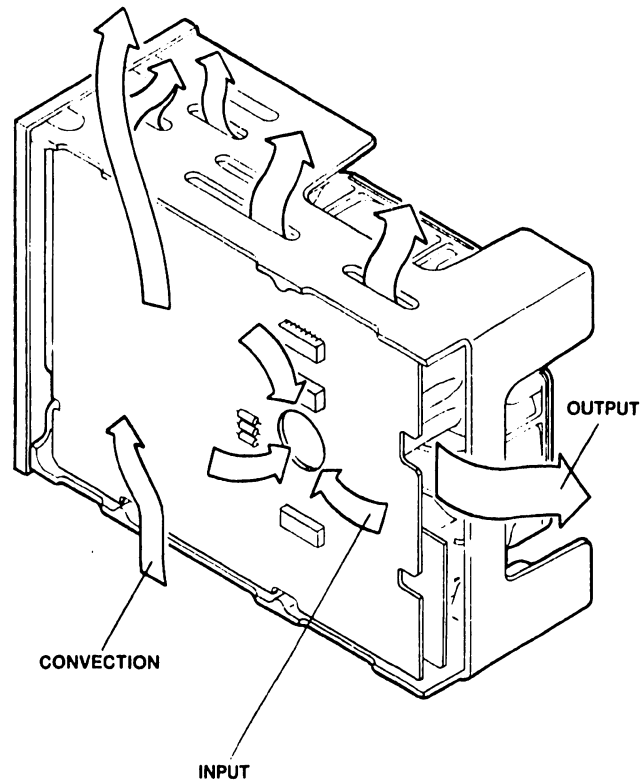


Figure 2-3. Cooling air Intake/Output Locations

It is recommended that clearance be allowed both above and below the protective frame as shown in Figure 2-4 to provide free air flow and clearance for shock mount deflection during severe shock conditions. A clearance of .125 inch is recommended.

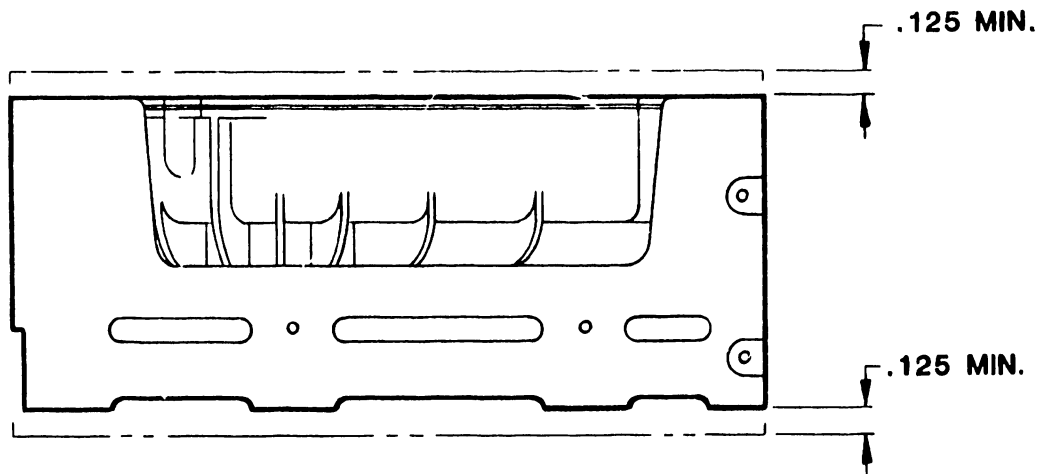


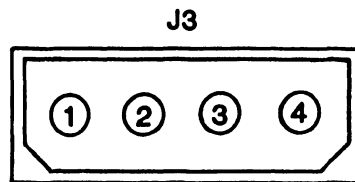
Figure 2-4. Recommended Mounting Clearance

2.3.1 Connecting Power

Connector locations for the following paragraphs are shown in Figure 2-9.

The drive requires only DC power for operation. This is connected to the unit at four pin connector J-3 shown in Figure 2-5. The recommended mating connector for J3 is as follows:

| | |
|-----------------------|---|
| J3/P3 - Amp | P/N 61314-4 (strip form) P/N 60617-4 (loose piece) |
| Socket housing | No. 1-480424-0 |
| Recommended wire size | 18 or 20 awg |



| VOLTAGE | | GROUND | |
|---------|--------------|--------|-----------------|
| PIN 1 | +12 VOLTS DC | PIN 2 | +12 VOLT RETURN |
| PIN 4 | +5 VOLTS DC | PIN 3 | +5 VOLT RETURN |

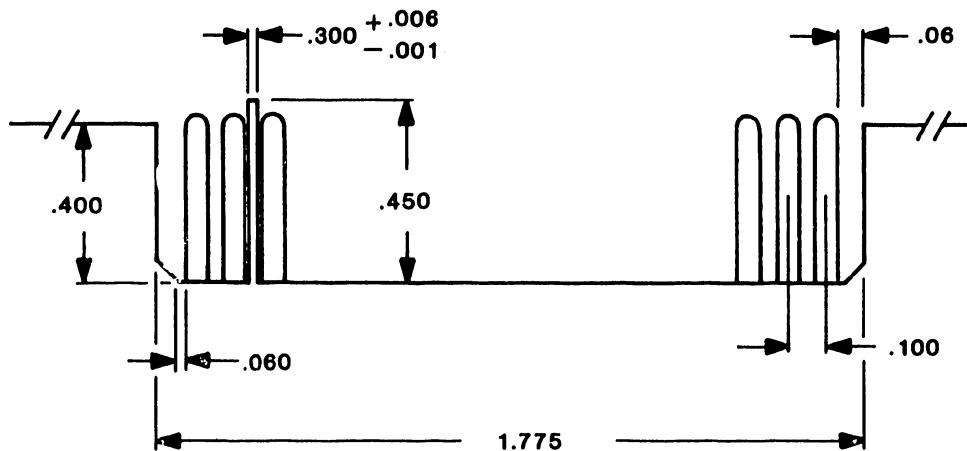
Figure 2-5. DC Power Connections

2.3.2 Connecting Signal Cable

The control and status signals to and from the drive and host controller are transferred using connector J1. The data communications (read/write) is over connector J2. Connection to J1 and J2 is via flat ribbon cable. The physical dimensions and pin locations for these connectors are shown in Figures 2-6 and 2-7 respectively (for specific signal information, refer to ELECTRICAL INTER-FACE, Section 3). The recommended mating connectors for J1 and J2 are as follows:

J1/P1 - Amp ribbon connector P/N 88373-3 or 3M P/N 3463-0001, or equivalent, polarizing key 3M P/N 3439-0000.

J2/P2 - Amp ribbon connector P/N 88373-6 or 3M P/N 3461-0001. Polarizing Key 3M P/N 3439-0000.



UNLESS OTHERWISE NOTED

.XX = $\pm .03$

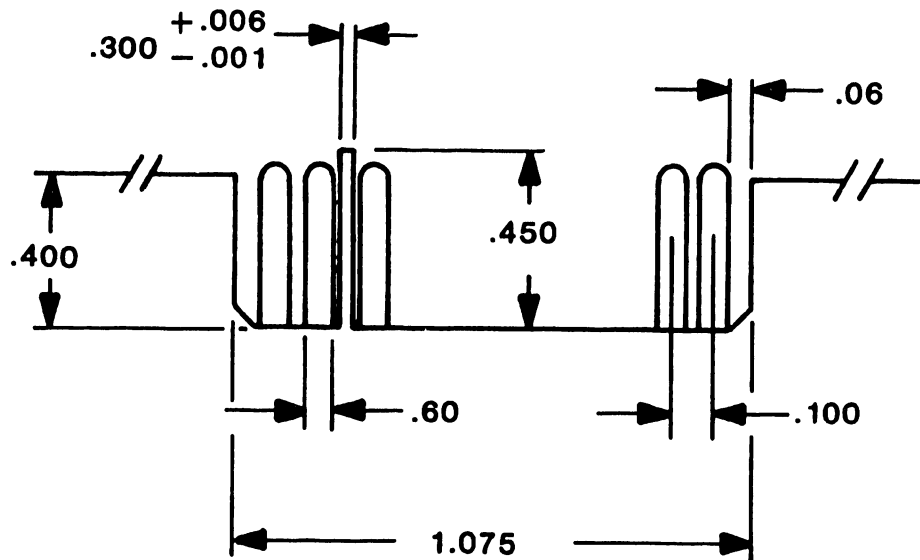
.XXX = $\pm .010$

BOARD THICKNESS

.062 \pm .007

Figure 2-6. Control and Status (daisy chain) Connector J1

2.3.2 Connecting Signal Cable (cont.)



UNLESS OTHERWISE NOTED

$.XX = \pm .03$

$.XXX = \pm .010$

BOARD THICKNESS

$.062 \pm .007$

Figure 2-7. Data Communications (head/write) Connector J2

For connector J1, odd numbered pins are grounds and even pins are for communication signals between the drive and host controller. Key slots are provided for both connectors between pins 4 and 6.

A typical system connection with a host controller and four drive units is shown in Figure 2-8. Maximum cable length is 20 feet.

NOTE

Last drive installed must have a line terminator installed. Refer to Figures 2-8 and 2-9.

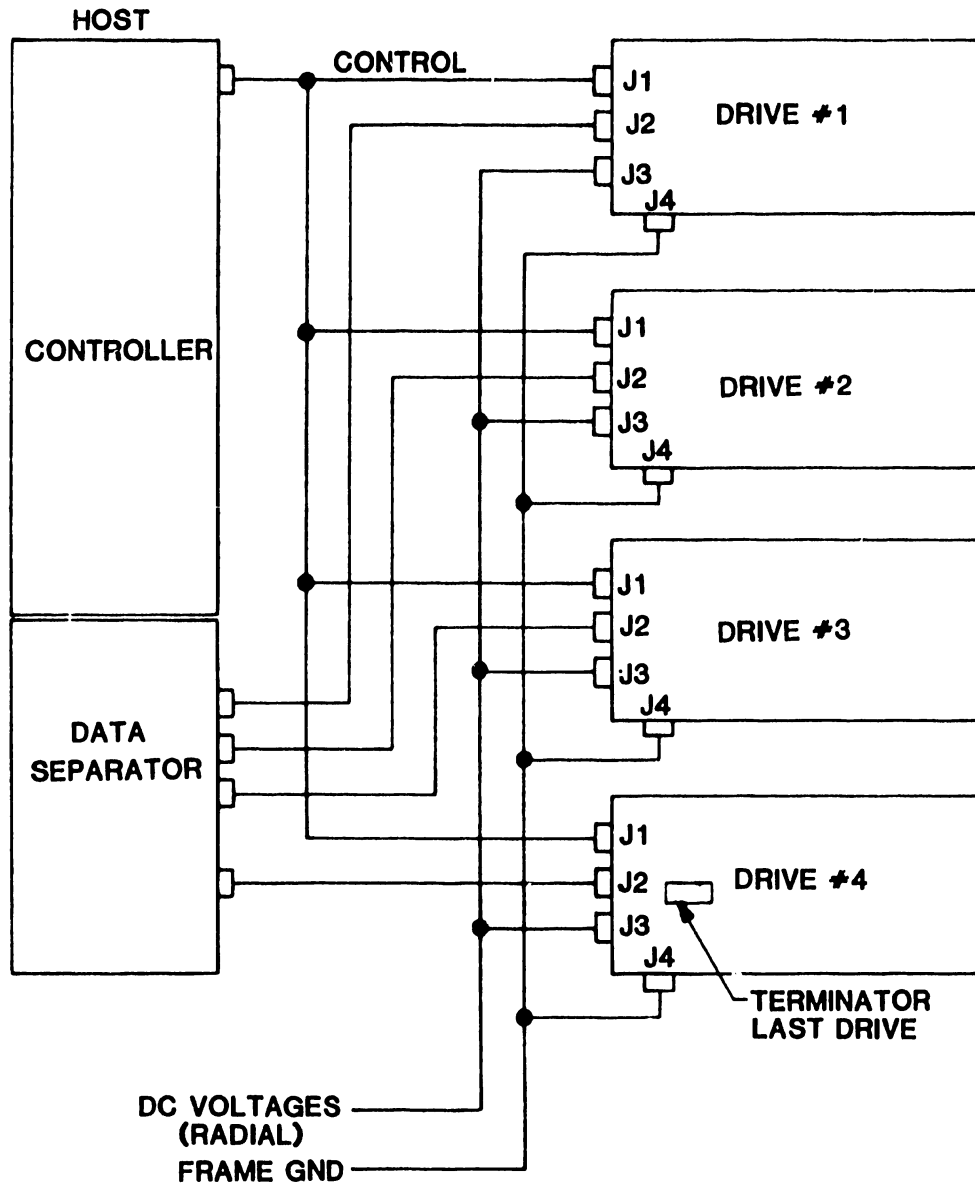


Figure 2-8. Typical Drive/Host Controller Connections (four drives)

2.3.3 Frame Ground

It is very important to supply a good ground between the disk unit and the host system. Failure to do so may result in drive noise susceptibility and random data errors.

A Faston tab is provided on the rear of the unit for this purpose. The mating connector is Amp P/N 60972-1. Recommended wire gauge is 16-18 AWG.

2.4 RESHIPMENT

Upon power-down before shipment, it is recommended that the host controller system command the unit to seek to cylinder 329. This location is dedicated as a shipment zone and is not intended for any other use.

Always pack the unit in its original shipping container with the BEZEL UP if it is to be moved any distance, Figure 2-1 unless it is installed in equipment that provides a protection which equals or exceeds that of the original container. The upper and lower foam inserts are identical and may be interchanged. No external restraints are required for shipment.

2.5 OPERATION

The paragraphs that follow describe the customer options as to the various configurations in which the drive can be connected, the drive address selection from a host controller, and a description of the power-up sequence with associated timing diagram.

2.5.1 Customer Options

The drive has an eight position jumper header to allow the customer to configure the drive for a particular need. The header is located along one side of the hole in the PCB. The jumpers currently operational are:

Force Select

S8 - Jumpered, allows drive to be used in radial mode only. All output lines are active regardless of select status. Force select does not light the selected LED on the bezel.

S4 - Drive Select 4

S3 - Drive Select 3

S2 - Drive Select 2

S1 - Drive Select 1

2.5.2 Drive Address Selection

Drive select jumpers are shown in Figure 2-9. These jumpers select the proper drive for communications with the host controller when the jumpers match that of the drive select lines. To set the drive to the desired address place a jumper in the desired location as shown in section 2.4.1 above.

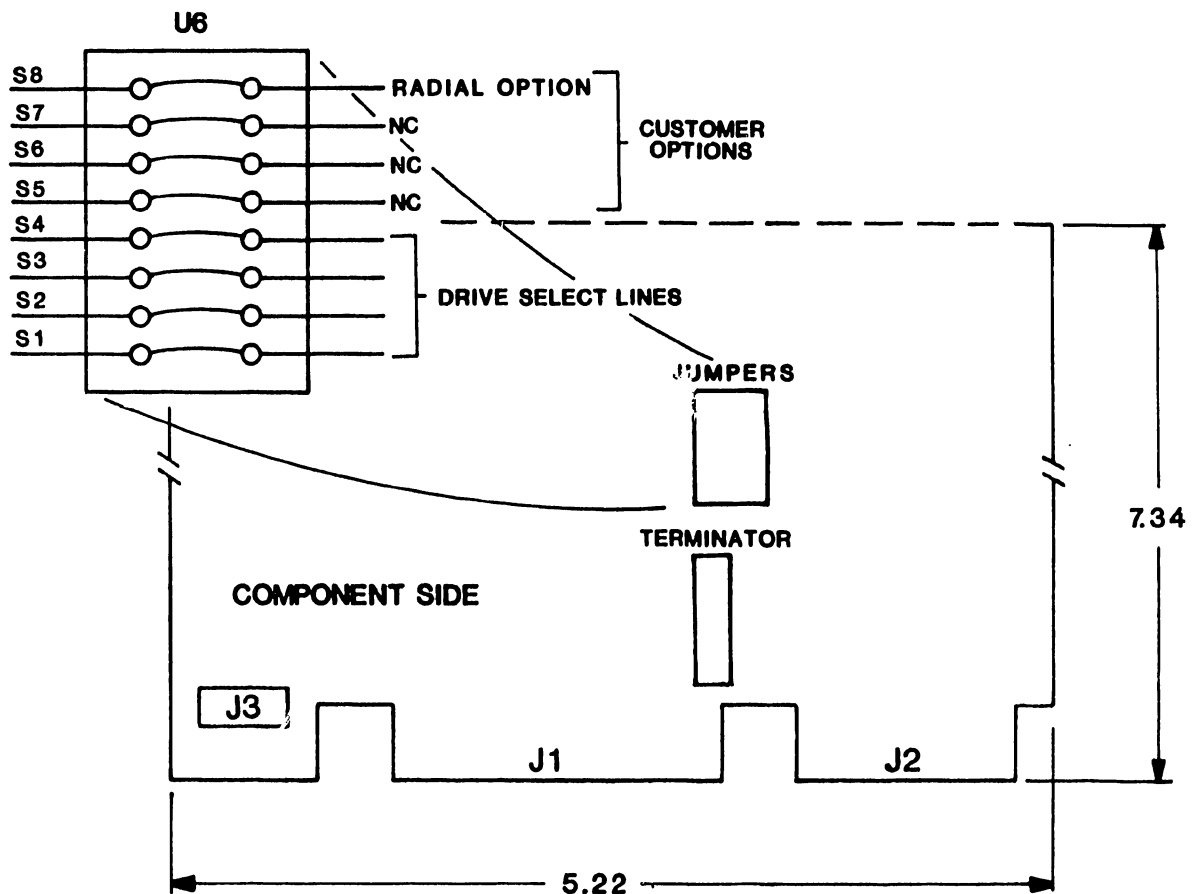


Figure 2-9. Read/Write Circuit Board Terminator, Switches, and Connector

2.5.3 Power-Up Sequence

DC power (+5 and +12) may be supplied in any order. After a time of 30 seconds maximum the heads will automatically recalibrate to TRACK 000. Upon a successful recalibrate, TRACK 000, READY and SEEK COMPLETE status signals will be true. The unit will not perform any read/write or seek functions until READY is true (refer to ELECTRICAL INTERFACE, Section 3 for interface signal definitions). A power up sequence timing diagram is shown in Figure 2-10.

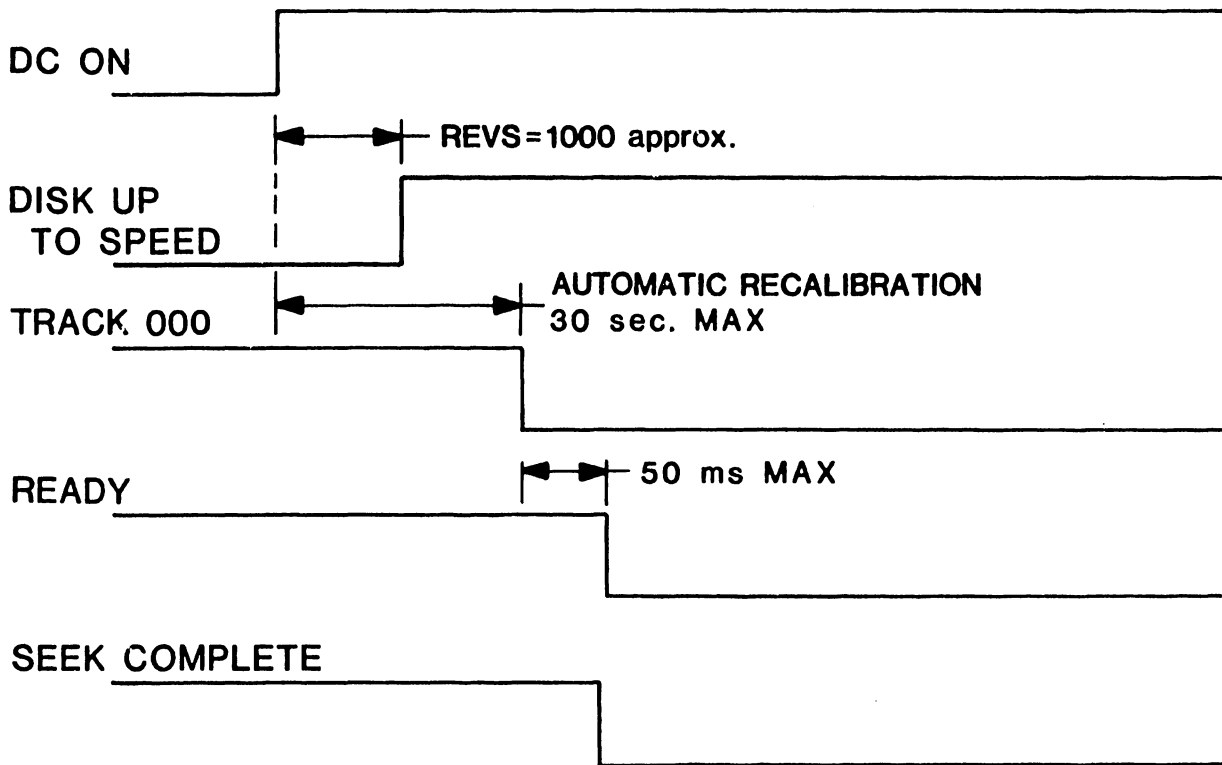


Figure 2-10. Drive Power-Up Sequence Timing Diagram

SECTION

3

ELECT-

RICAL

INTER-

FACE

SECTION 3
ELECTRICAL INTERFACE

3.0 INTRODUCTION

The electrical interface between the host controller and the IMI 5000H series disk drive is shown in Figures 3-1 and 3-2. The interface utilizes a control and status cable which connects between the host controller and connector J1 of the drive and a read/write circuit board located on the bottom of the drive (refer to Section 2).

The drive uses open collector TTL digital signals to provide communication between the host and drive connector J1. For the data cable, differential drivers and receivers are used for noise immunity purposes.

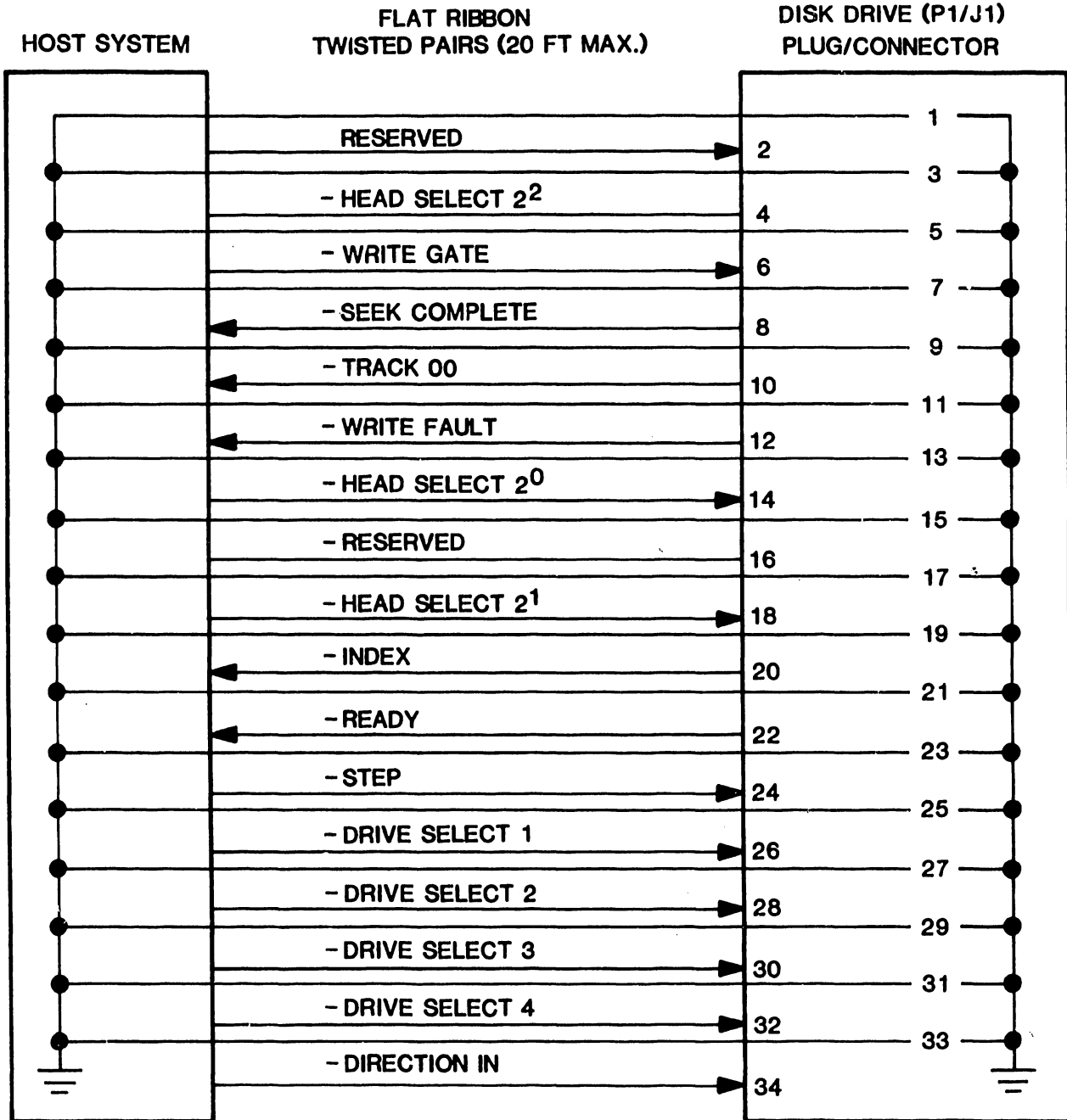
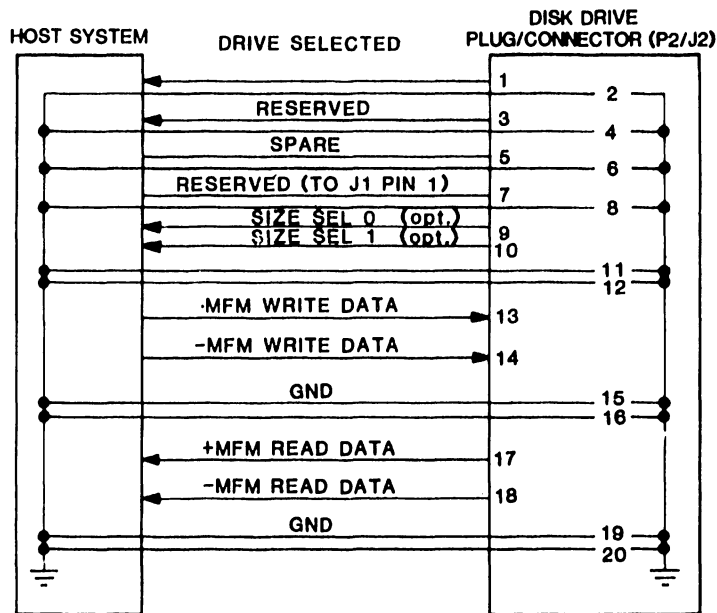


Figure 3-1. Control and Status Interface Cable (P1/J1)



OPTIONAL

| DRIVE TYPE | PIN 9 | PIN 10 |
|------------|-------|--------|
| 5006 | 1 | 0 |
| 5012 | 0 | 1 |
| 5018 | 0 | 0 |

Figure 3-2. Control and Status Interface Drive/Receiver

3.1 CONTROL AND STATUS INTERFACE

The 34-pin flat ribbon interface cable relays control (*STEP*, *DIRECTION* and *WRITE*) and status (*READY* and *SEEK COMPLETE*) signals to and from the controller and the drive. These signals are multiplexed to the drive by the *DRIVE SELECT* signal. This selection also enables all output status signals to the controller. The true and false states of these lines are defined as follows:

Logic "0" (True) = 0.0 Vdc to 0.4 Vdc at -40 ma (max.)

Logic "1" (False) = 2.5 Vdc to 5.25 Vdc at 250 ua (max.)

A typical driver/receiver configuration for the control and status lines is shown in Figure 3-3. Each signal contained on the interface for the control and status cable is listed and the associated function described in table 3-1.

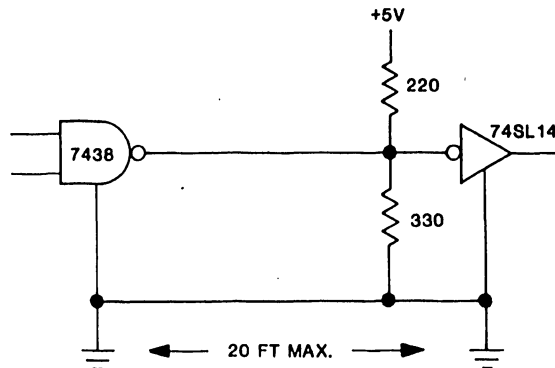


Figure 3-3. Control and Status Interface Drive/Receiver

Table 3-1. Control and Status Interface Signals

| SIGNAL | FUNCTION |
|-----------------------------|--|
| DRIVE INPUT SIGNALS: | |
| DRIVE SELECT 1-4 | True line selects the corresponding drive for communication with the controller. The four select lines (S5, S6, S7, and S8) allow up to four drives to be daisy-chained to one controller. |
| DIRECTION IN | Determines direction of carriage movement and is used in conjunction with the STEP signal which moves the carriage one cylinder per STEP pulse. DIRECTION must not change state while STEP pulses are applied to the drive and must not change until 25ns after the last STEP pulse. Logic true = movement of carriage away from disk center. |
| STEP | Used with the DIRECTION signal to move the carriage away or towards the center of disk. Motion is initiated at the leading edge of the STEP pulse, logic one to zero transition. The micro-firmware clears SEEK COMPLETE by 500ns after the leading edge of the first STEP pulse high to low transition. The STEP pulse width is 1us minimum. The reoccurrence rate determines the seek mode. When STEP pulses are between 3us and 200us apart the drive is in BUFFERED STEP MODE. When STEP pulses are more than 3ms apart the drive is in SLOW SEEK STEP MODE. Any pulse train faster than 3us per pulse or between 200us and 3ms per pulse is illegal and may cause seek errors. Refer to Figure 3-4 for timing diagram of normal step mode. |

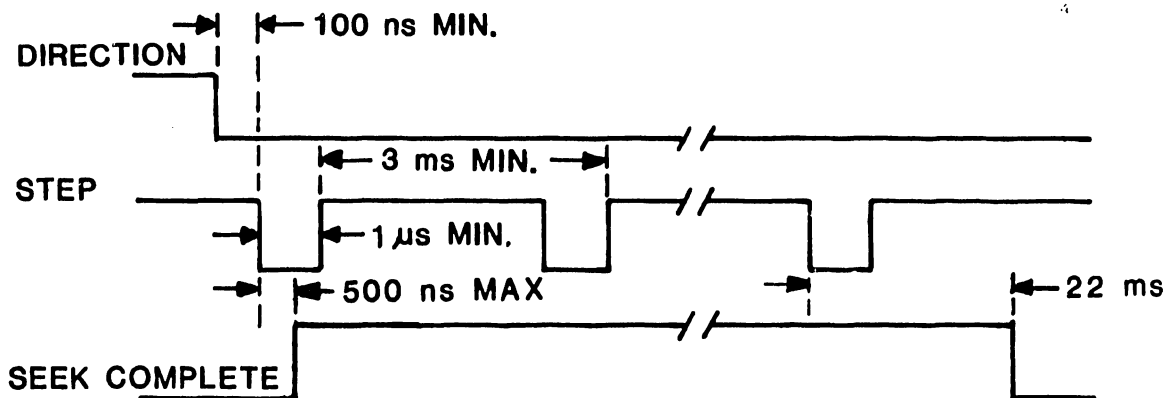


Figure 3-4. Normal Step Mode timing

Table 3-1. Control and Status Interface Signals (cont.)

BUFFERED STEP MODE

Offers reduced seek times for optimum performance. STEP pulses are between 3 μ s and 200 μ s apart. When the time between STEP pulses is decreased, the drive recognizes the pulse rate increase and responds by increasing the actuator speed to locate cylinders with an average access time of 49ms. The micro firmware counts all STEP pulses until:

- o 200 μ sec of time expires since the last STEP
- o 305 STEP pulses have been counted

At this time the micro firmware steps the heads to the proper track using the optimum algorithm for the stepper motor.

Refer to Figure 3-5 for timing diagram of BUFFERED STEP MODE.

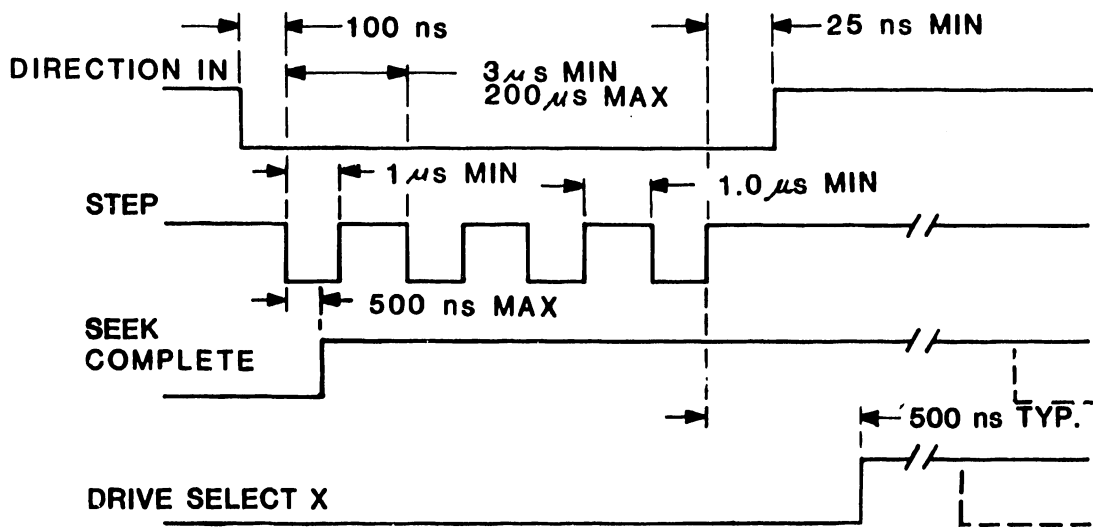


Figure 3-5. Buffered Step Mode Timing

HEAD SELECT ^{0 1 2} 2 , 2 , 2

Three lines provide selection of one of the six (0-5) possible read/write heads available in the IMI 5000H series disks (depending on model number). Heads are addressed 0 through 5. The head selection for the three IMI models is as follows:

| Head Select Lines | | | Heads Selected | | |
|-------------------|----------------|----------------------|----------------|-------|-------|
| | | | IMI Models | | |
| ² 2 | ¹ 2 | ⁰ 2 (LSB) | 5006H | 5012H | 5018H |
| 1 | 1 | 1 | 0 | 0 | 0 |
| 1 | 1 | 0 | 1 | 1 | 1 |
| 1 | 0 | 1 | - | 2 | 2 |
| 1 | 0 | 0 | - | 3 | 3 |
| 0 | 1 | 1 | - | - | 4 |
| 0 | 1 | 0 | - | - | 5 |

Table 3-1 Control and Status Interface Signals (cont.)

WRITE GATE

When this line is true stepping is prohibited.
Writing data to the drive is accomplished as follows:

- o Drive Selection
- o Drive READY true
- o Selecting Required Track (Cylinder and Head)
- o No WRITE FAULT exists
- o SEEK COMPLETE true
- o Activating WRITE GATE
- o Transferring data on WRITE DATA lines

NOTE

The controller does not control REDUCED WRITE CURRENT because the onboard processor automatically decreases write current as necessary.

DRIVE OUPUT SIGNALS:

READY

Indicates drive is up to speed. READY together with SEEK COMPLETE, indicates drive is ready to SEEK, READ or WRITE and all I/O signals are valid. WRITE and SEEK commands are prohibited when READY is false. Typically the time for READY to go true after power-on is 30 seconds.

TRACK 000

When true, notifies the controller that the read/write heads are positioned over cylinder zero.

SEEK COMPLETE

Notifies the controller that the read/write head has settled on a cylinder at the end of a seek. SEEK COMPLETE must be true before attempting to read or write. SEEK COMPLETE goes false under the following conditions:

- o At power on
- o 500ns after the leading edge of a STEP pulse.

SEEK COMPLETE goes true when Heads are ready for R/W operations.

INDEX

Occurs once every revolution to indicate the beginning of data track. A transition period from logical "one" (normal) to logical "zero" is used as INDEX time. A typical waveform of the INDEX timing is one TTL negative pulse 200us in length occuring every 16.67ms.

WRITE FAULT

This signal is used to indicate a condition exists at the drive that may cause improper writing on the disk. When this line is a low level or true, further writing and stepping is inhibited at the drive until the condition is corrected. WRITE FAULT cannot be reset via the interface.

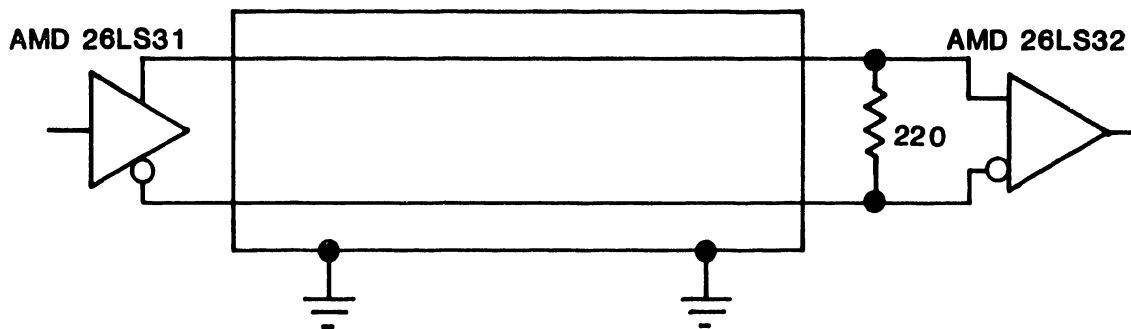
Note: The controller should edge detect this signal.

3.2 READ/WRITE DATA INTERFACE

The data transfer to and from the controller is over the flat ribbon cable that connects to drive connector J2.

1. The data is transferred via differential drivers and receivers.
2. The DRIVE SELECTED line is a TTL open collector.
3. Two pairs of balanced signal lines are used for both the MFM WRITE AND READ DATA.

A typical example of these circuits is shown in Figure 3-6. Each signal on the cable and its associated function is listed and described in table 3-2.



**NOTES: 1. FLAT RIBBON OR TWISTED PAIR
MAXIMUM OF 12 FEET.**

**2. ANY RS422 DRIVE/RECEIVER PAIR
IS SUFFICIENT**

Figure 3-6. Read/Write Data Interface Drivers and Receivers

Table 3-2. Read/Write Data Interface Signals

| SIGNAL | FUNCTION |
|------------------------|--|
| <u>+MFM WRITE DATA</u> | The WRITE DATA differential pair is used to cause MFM data to be written on a track by flux reversals which are caused by the transition of the +MFM WRITE DATA line going more positive than the -MFM WRITE DATA line. During a read operation +MFM WRITE DATA must be held more negative than -MFM WRITE DATA by the controller. |
| <u>+MFM READ DATA</u> | The READ DATA line transmits MFM data from the drive to controller. A differential pair used for this purpose. The transition of the +MFM READ DATA line going more positive than the -MFM READ DATA line indicates the sensing of a flux transition on the disk surface. |
| -DRIVE SELECTED | TTL open collector circuit indicates to the controller that the drive has recognized and responded to its DRIVE SELECT address. |

SECTION

4

THEORY

OF

OPERA-

TION

THEORY OF OPERATION

4.0 INTRODUCTION

This section describes the overall operation of the drive including functional descriptions of the major electrical and mechanical components that make up the drive, general timing, air cooling system, format recommendations and other important features of the disk drive system.

4.1 DRIVE FUNCTIONAL DESCRIPTION

A simplified block diagram of the drive's major components and related interfaces is shown in Figure 4-1. As shown, the drive system consists of spindle and stepper motors, control logic, read/write and head selection logic, and index and track detect sensors.

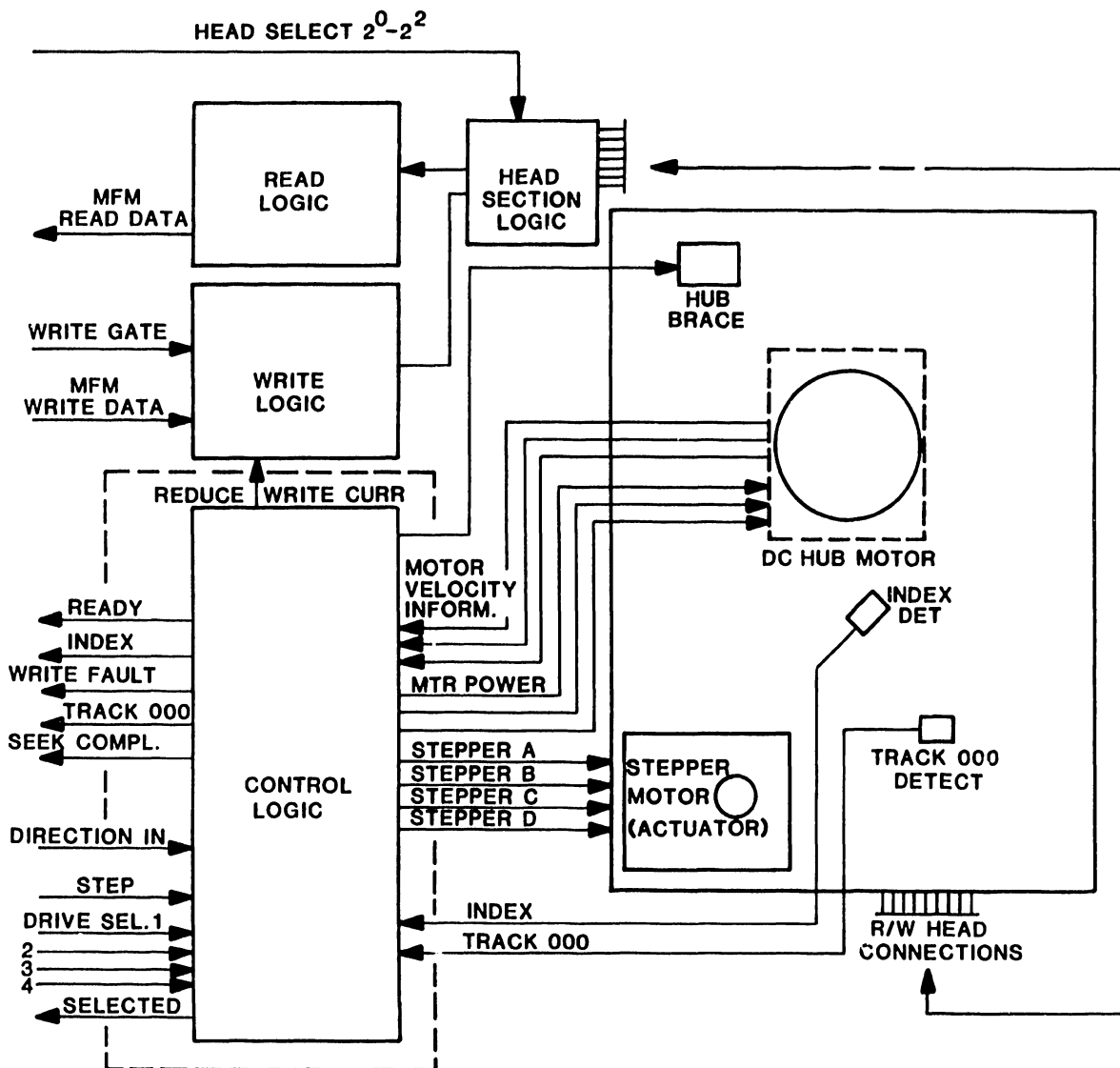


Figure 4-1. IMI 5000H Series Disk Drive Functional Block Diagram

4.1.1 Control Electronics

The control logic consists of two circuit boards. These include the read/write and motor control boards. The read/write board detects the drive status and in turn issues the necessary control signals to operate the drive. The general board functions include the following:

- o Read/write head positioning
 - Stepper motor control
 - Track 000 detect
- o Write fault detection
- o Head selection

The read and write data are fed directly to the media with the data transfer rate directly related to spindle speed.

The motor control board is mounted to the baseplate above the read/write board. This board obtains its operating power from the read/write board and provides power and speed control to the spindle drive motor.

4.1.2 General Timing Sequence

The general timing for an overall operating sequence of events is shown in Figure 4-2. The diagram shows the timing for a seek and a read/write operation and represents a six-track seek (0-5), a read, then a write.

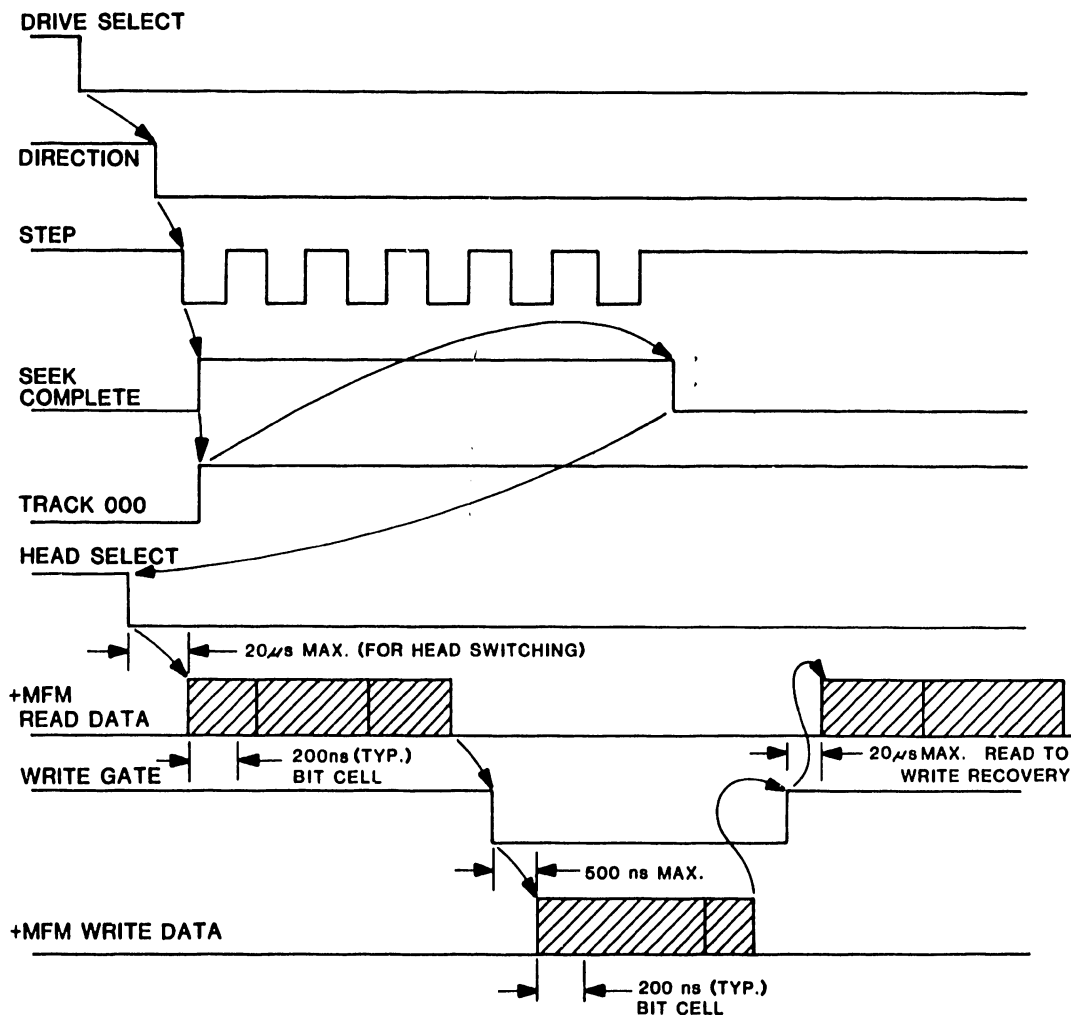


Figure 4-2. General Timing Sequence

4.1.3 Write Precompensation

The controller is responsible for encoding, decoding, address mark construction and detection, and write precompensation. Figure 4-3 shows examples of patterns to be compensated. The optimum amount of precompensation is 12ns for both early and late written bits. All other patterns are written "on time". Writing should occur out of a shift register which is used to observe the pattern. "On time" represents a nominal delay. Early and late represent less or more delay respectively. Precompensation is required while writing on cylinders 256 through 305.

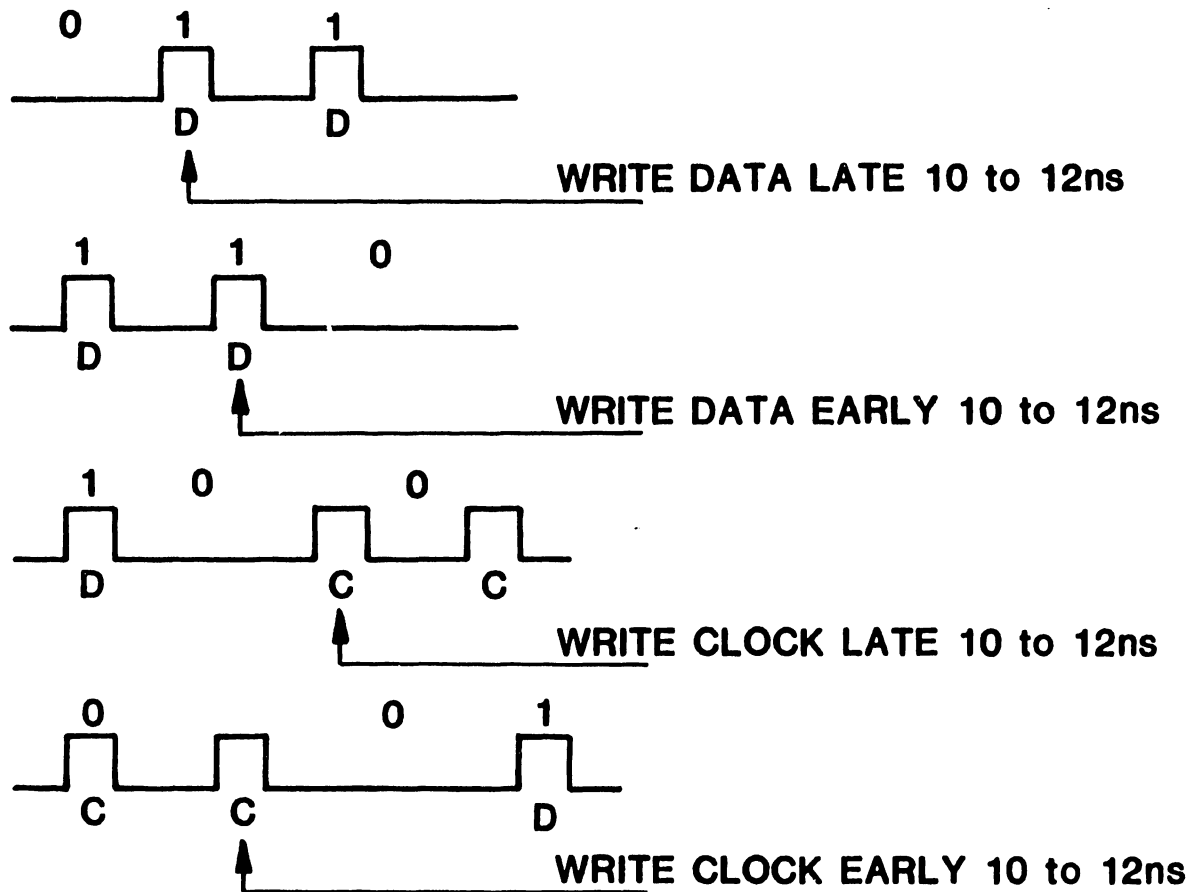


Figure 4-3. Write Precompensation Patterns

4.1.4 Read/Write Data Operation

Examples of both the read and write timing are shown in Figure 4-4. The data is recovered by reading a pre-recorded track on the disk. Aligned magnetized domains generated beneath the head cause a flux reversal on the track for a selected head. The timing diagram shows related timing for MFM data and standardized NRZ data required at the interface. Note where the MFM transitions occur in relation to the NRZ data within a bit cell.

During a write data operation, the controller supplies information to be written on the disk.

Data is written on the disk by passing a current through the read/write head, which generates a flux field across the head gap. This magnetizes the film particles directly beneath the head with an orientation (polarity) related to the direction of the current flow through the head.

4.1.4. Read/Write Data Operation (cont.)

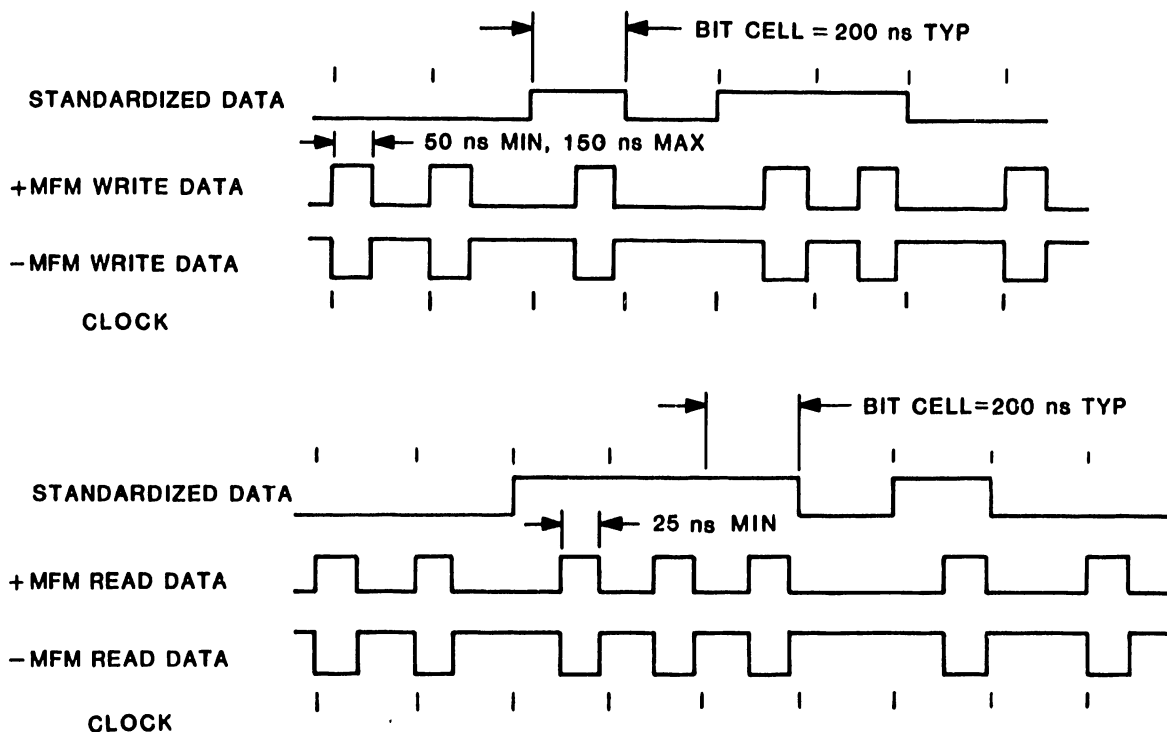


Figure 4-4. Read/Write Data Timing Diagram

Because of changes in bit shift due to differences in head-to-disk reaction at inner or outer tracks, certain write data patterns must be pre-compensated by the controller to ensure specified data integrity. This is described in the previous paragraph along with examples of data pattern.

As previously mentioned, data is fed directly to the media with the data transfer rate controlled by the spindle speed.

4.1.5 Media Defects

IMI performs media analysis on each unit to identify any media problem areas. During this testing, each problem area is logged on a "Defect Table" that is included with every drive. The table lists any unusable bit locations with reference to cylinder head. Maximum defects allowed are 8 for 5006, 16 for 5012 and 24 for 5018 with cylinder 000 certified as defect-free.

4.1.6 Drive Mechanism

The brushless direct driven DC drive motor rotates the spindle at 3600 rpm. The motor is thermally isolated from the baseplate to minimize temperature rise in the sealed chamber containing the heads and disks. The motor and spindle are dynamically balanced to ensure a low vibration level. An automatic friction brake is used to provide a fast stop to the spindle motor upon power-down.

4.1.7 Position Mechanism

The position mechanism including the stepper motor, carriage and associated devices are shown in Figure 4-5. The stepper motor is thermally isolated from the baseplate to minimize temperature rise in the sealed chamber containing the heads and disks. The read/write heads are attached to a precision ball bearing, 3 point self aligning carriage. A highly polished stainless steel band connects the actuator to the stepper motor. A large diameter capstan aids in increased band life.

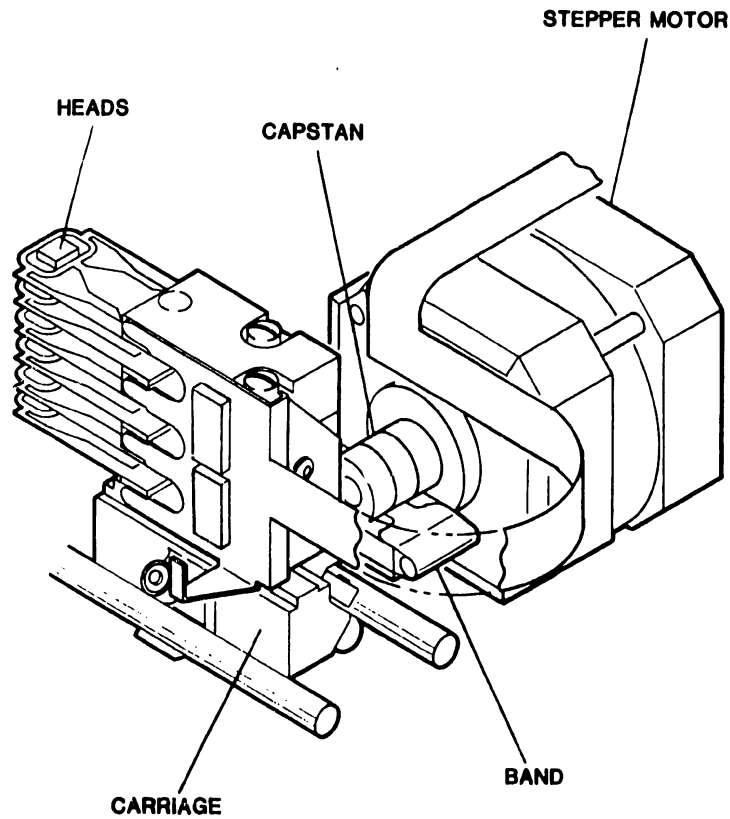


Figure 4-5. Position Mechanism

4.1.8 Air Flow and Filtration

The air flow and filtration system is shown in Figure 4-6. The disks and read/write heads are enclosed in a sealed module having an integral recirculation air system with an absolute filter which maintains a clean environment. The filter system provides better than a Class 100 environment to provide the increased reliability required in Winchester product lines.

A breather filter, located on the head/disk assembly top cover, permits continual ambient to internal pressure equalization without contaminate entry.

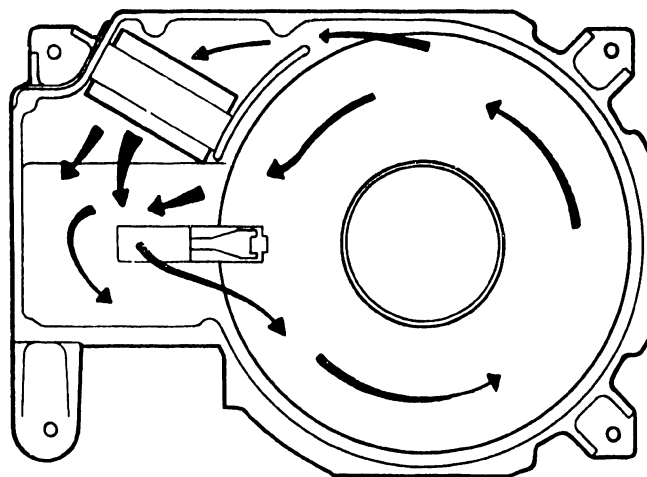


Figure 4-6. Air Flow and Filtration System

SECTION

5

**TRACK FORMAT
RECOMMENDATIONS**

SECTION 5

TRACK FORMAT RECOMMENDATIONS

5.0 INTRODUCTION

This section describes the general format recommendations, for the IMI 5000 series drives.

5.1 GENERAL REQUIREMENTS

The purpose of formatting or arranging a data track is to provide maximum use of the media. The format used with the IMI 5000H series disk drive may vary for customer requirements so long as required basic timing requirements are met.

This model of the IMI disk drive is a soft sectored device which means that the controller must read the track and sector heads to determine the location of the heads relative to the rotational position of the disk.

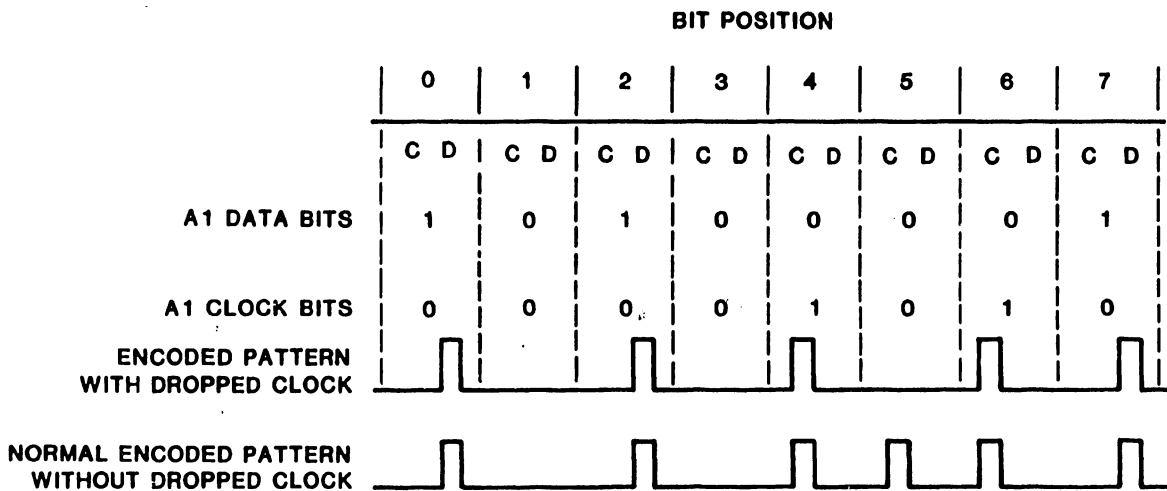
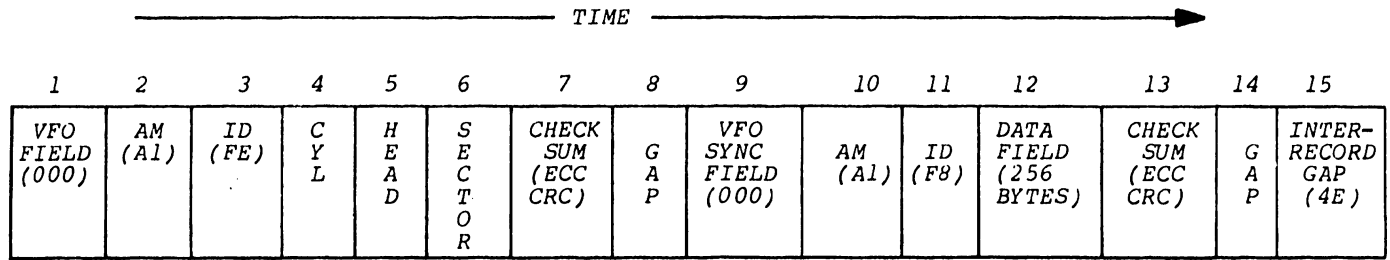


Figure 5-1. Address Mark Data Pattern

5.2 RECOMMENDED DATA FORMAT

The data format shown in Figure 5-2 illustrates and explains the most commonly used format in the industry. It consists of 32 equally divided sectors per track. Considering all tolerance gaps and required sync fields, this format provides 256-bytes of data space per sector, 8192-bytes per track, and 2.506-megabytes per surface. The A1 pattern shown in Figure 5-1 is created by dropping one clock bit normally required in MFM coding to create a unique recognizable pattern for an address mark.



- 1) VFO Sync Field - Recommended 13-bytes long, all zeros, to provide VFO lock-on prior to data retrieval. Minimum number of bytes dependent on VFO lock-up performance of host data separator.
- 2) Address Mark -Hex pattern "A1", 1-byte long, identifies beginning of sector or data field.
- 3) Address Mark ID Field Identifier - Hex pattern "FE",1-byte long, identifies with previous address mark the beginning of ID field.
- 4) Cylinder Address - 1-byte long, part of header indicating cylinder address 00 - FF Hex.
- 5) Head Address - 1-byte long, part of header indicating head number 00-07 Hex. Bit 7 of this byte commonly used to identify defective sector.
- 6) Sector Address - 1-byte long, part of header indicating sector number 00 - FF Hex.
- 7) Check Sum - 3-bytes long, available for ECC or CRC for ID field verification.
- 8) Write splice (GAP) - 2-bytes long, all zeros, to allow time for a write turn-on for an update write routing (read header then write data field).
- 9) VFO Sync Field - Recommended all zeros, 13-bytes long, to provide VFO lock-on prior to data retrieval. Minimum number of bytes dependent on VFO lock-up performance of host data separator.
- 10) Address Mark - Hex pattern "A1" 1-byte long, identifies beginning of sector or data field.
- 11) Address Mark Data Field Identifier - Hex patten "F8",1-byte long, identifies with previous address mark the beginning of data field.
- 12) Data Field - 256-bytes with 32-sector format.
- 13) Check Sum - 3-bytes long, available for ECC or CRC for data field verification.
- 14) Write Turn Off Gap - 2-bytes long, all zeros, to provide write turn-off time before next sector.
- 15) Inter Record Gap -Hex pattern "4E", 15-kbytes long. Tolerance gap to allow for spindle speed variations. 15-bytes allows for approximately +3% variation. For 32-sectors, minimum gap is 8-bytes long.

Figure 5-2. Recommended Data Format (32 Sectors)

5.3 INDEX GAP

A gap is required at the beginning of INDEX to allow for head switching recovery. This is because sequential sectors may be read without losing a complete disk revolution. Minimum length is 12-bytes, hex pattern "4E". Normal recommendations are 16-bytes lengths.

5.4 SPEED TOLERANCE GAP

A tolerance gap is required at the end of the last physical sector (before INDEX) to provide a spindle speed tolerance buffer for the entire track. A full track format routine begins and ends with detection of INDEX. For this example, the gap consists of 353-bytes of hex pattern "4E", but the actual number depends on media speed during the format operation.

5.5 SECTOR INTERLEAVING

This variation in format enhances data throughput of typical read/write operations by allowing multiple sector transfer during a single revolution. The process involves renaming sector addresses, which produces time between sequential sectors.

Interleaving factor numbers equal the number of sequential sectors on any given track. An example of interleaving factors for a 32-sector format is shown in Figure 5-3.

| | | <u>1 TO 1 INTERLEAVE</u> | | | | | | | | | | | | | | | | | | | | | | | | | | | | | | | |
|----------|---|--------------------------|---|---|---|---|---|---|---|---|----|----|----|----|----|----|----|----|----|----|----|----|----|----|----|----|----|----|----|----|----|----|--|
| Physical | 0 | 1 | 2 | 3 | 4 | 5 | 6 | 7 | 8 | 9 | 10 | 11 | 12 | 13 | 14 | 15 | 16 | 17 | 18 | 19 | 20 | 21 | 22 | 23 | 24 | 25 | 26 | 27 | 28 | 29 | 30 | 31 | |
| Logical | 0 | 1 | 2 | 3 | 4 | 5 | 6 | 7 | 8 | 9 | 10 | 11 | 12 | 13 | 14 | 15 | 16 | 17 | 18 | 19 | 20 | 21 | 22 | 23 | 24 | 25 | 26 | 27 | 28 | 29 | 30 | 31 | |

| | | <u>7 TO 1 INTERLEAVE</u> | | | | | | | | | | | | | | | | | | | | | | | | | | | | | | | |
|----------|---|--------------------------|----|----|----|---|----|----|----|----|----|----|----|----|----|----|----|----|----|----|----|----|----|----|----|----|----|----|----|----|----|----|--|
| Physical | 0 | 1 | 2 | 3 | 4 | 5 | 6 | 7 | 8 | 9 | 10 | 11 | 12 | 13 | 14 | 15 | 16 | 17 | 18 | 19 | 20 | 21 | 22 | 23 | 24 | 25 | 26 | 27 | 28 | 29 | 30 | 31 | |
| Logical | 0 | 7 | 14 | 21 | 28 | 3 | 10 | 17 | 24 | 31 | 6 | 13 | 20 | 27 | 2 | 9 | 16 | 23 | 30 | 5 | 12 | 19 | 26 | 1 | 8 | 15 | 22 | 29 | 4 | 11 | 18 | 25 | |

Figure 5-3. Sector Interleaving

SECTION

6

MAIN-

TENANCE

SECTION 6
MAINTENANCE

6.0 INTRODUCTION

The following paragraphs describe the services that may be performed on the IMI 5000H series disk drive outside of the manufacturer's facilities. Included are a list of tools required for performance of the services, procedures for removal and replacement of the particular item being serviced, and recommended spare parts for reducing maintenance turnaround time and extra shipping expenses. The assemblies that can be replaced by the user include the following:

- o Read/Write Circuit Board
- o Motor Control Circuit Board
- o Brake Assembly
- o Index Sensor
- o HDA Ground Strap

6.1 PREVENTIVE MAINTENANCE

Preventive maintenance is not required to maintain drive operational status.

6.2 TOOLS REQUIRED

The following tools (or equivalent) are required to perform the maintenance procedures described in this section.

- o Screwdriver, 1/4 inch flat blade
- o Socket Driver, 3/16 inch hex
- o Gauges, .015 \pm .001 inch, .010 \pm .001 inch
- o Torque driver, 5/64 inch hex, 8 inch pounds torque

6.3 REPLACEMENT PROCEDURES

The following procedures give step-by-step instructions for removing, adjusting, and replacing the assemblies listed in paragraph 6.0. Prior to performing any of the procedures, please perform the pre-maintenance procedure steps listed in the following paragraph.

6.3.1 Pre-Maintenance Requirements (Figure 6-1)

1. Before drive power-down, position drive to cylinder 329.
2. Remove power from drive.
3. Remove screw (4) securing drive unit to mounting surface.
4. Slide drive away from mounting to expose attached cables.
5. Disconnect power cable J3, control and status cable J1, and read/write cable J2 from drive.
6. Disconnect HDA DC ground cable from Faston tab.
7. Observe the following caution:

CAUTION

Extreme care must be exercised in removing the electronics PCB to prevent possible ribbon cable damage.

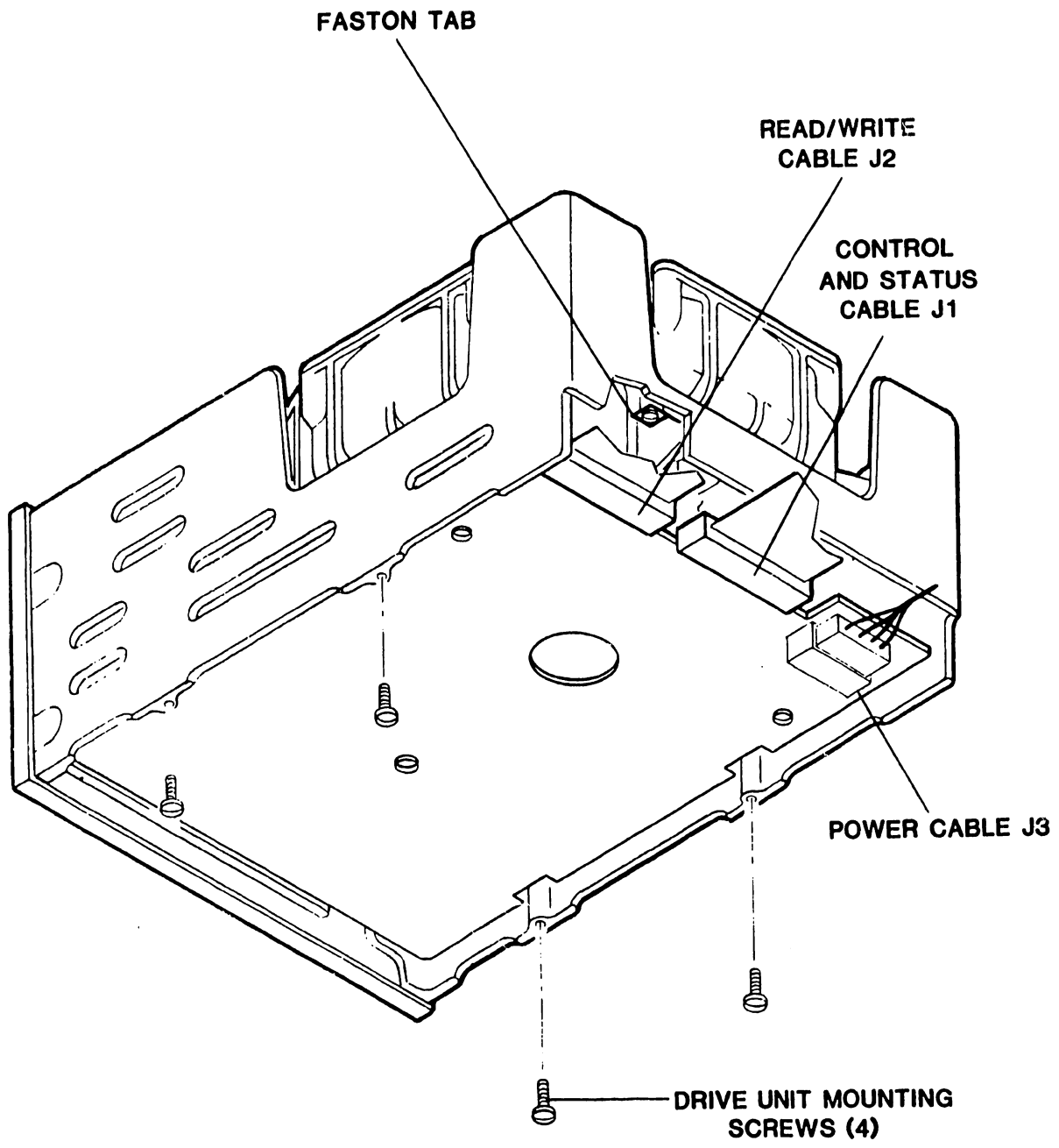


Figure 6-1. Drive Unit and Cabling Removal and Replacement

6.3.2 Read/Write Board Removal and Replacement (Figure 6-2)

1. Disconnect LED cable.
2. Separate R/W connector from board using flat bladed screwdriver while board is still attached to base. Remove three screws securing R/W board to base. Lift board away from motor control board connector and tilt board away from unit frame.
3. Disconnect stepper motor cable from read/write board.
4. To reinstall, connect the stepper motor cable. Guide the R/W connector loosely onto the board connector pins as board is moved into position on the base. Attach the three screws using a flat bladed screwdriver, completely mate the connector after the board is attached to the base. This technique is required to prevent damaging the flat cable to connector contacts.

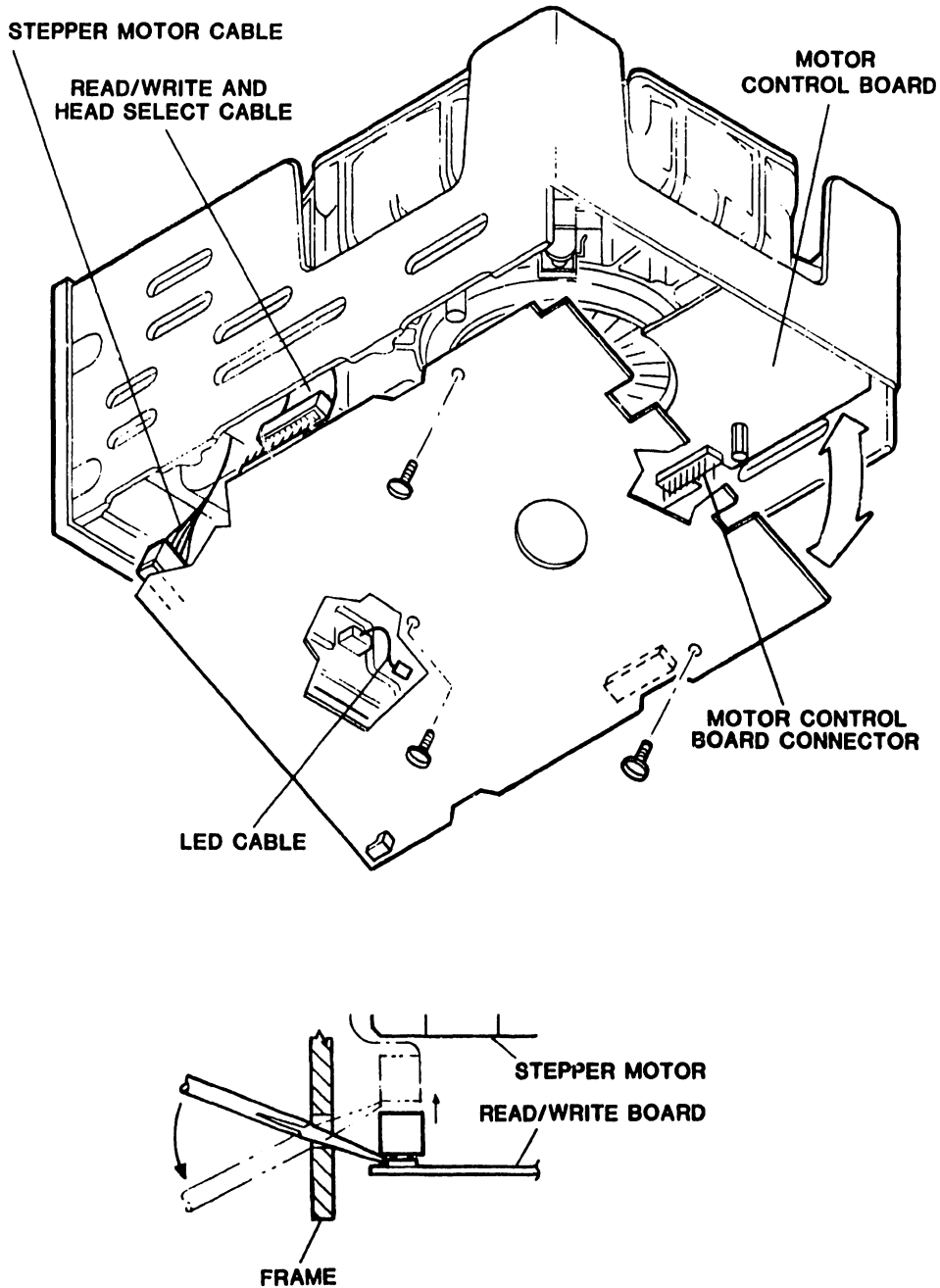


Figure 6-2. Read/Write Board Removal and Replacement

6.3.3 Motor Control Board Removal and Replacement (Figure 6-3)

1. Perform paragraph 6.3.2, steps 1 through 3.
2. Disconnect zero track sensor cable.
3. Disconnect index sensor.
4. Disconnect spindle motor and brake cable.
5. Remove two screws and standoff securing board to unit frame.
6. Reinstall new board by reversing steps 1 through 5.
7. Reinstall read/write board by performing paragraph 6.3.2, step 4.

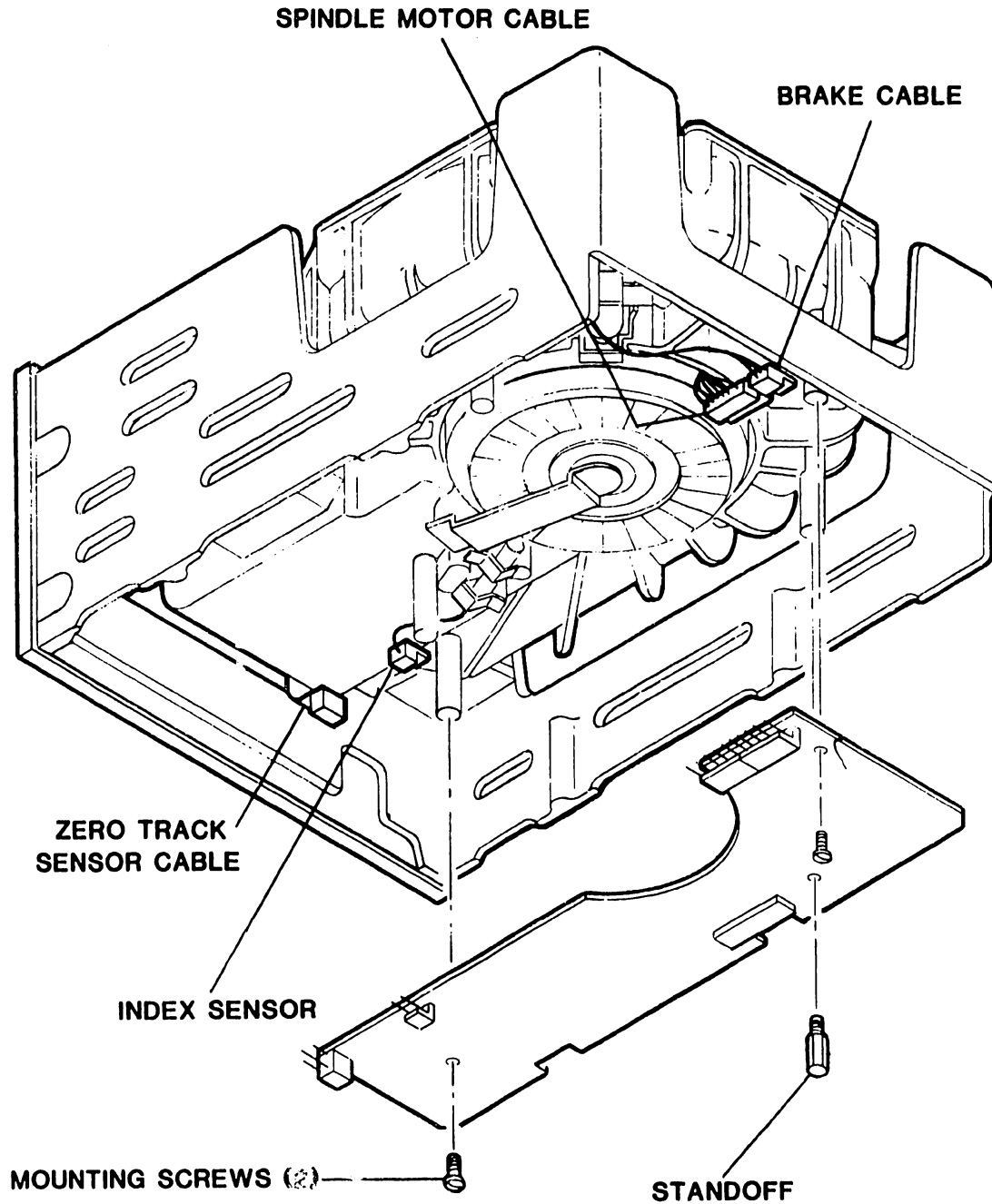


Figure 6-3. Motor control Board Removal and Replacement

6.3.4 Brake Assembly Removal and Replacement (Figure 6-4)

1. Perform paragraph 6.3.2, steps 1 through 3.
2. Disconnect brake cable from motor control board.
3. Remove two screws securing brake assembly to unit base.
4. Reinstall new brake assembly by reversing steps 2 and 3 (do not tighten mounting screws at this time).
5. Perform brake adjustment as follow:

With mounting screws loosened, grip brake assembly with thumb, fore and middle fingers as shown in Figure 6-4. Squeeze assembly together and slide forward and against lateral location bosses. At the same time place .010 gauge between spindle motor and brake. Tighten and torque brake assembly mounting screws to eight inch pounds. Following torquing of screws, check to ensure that the brake pad is spaced .010 from the braking surface when the plunger is fully retracted $.010 \pm .003$.

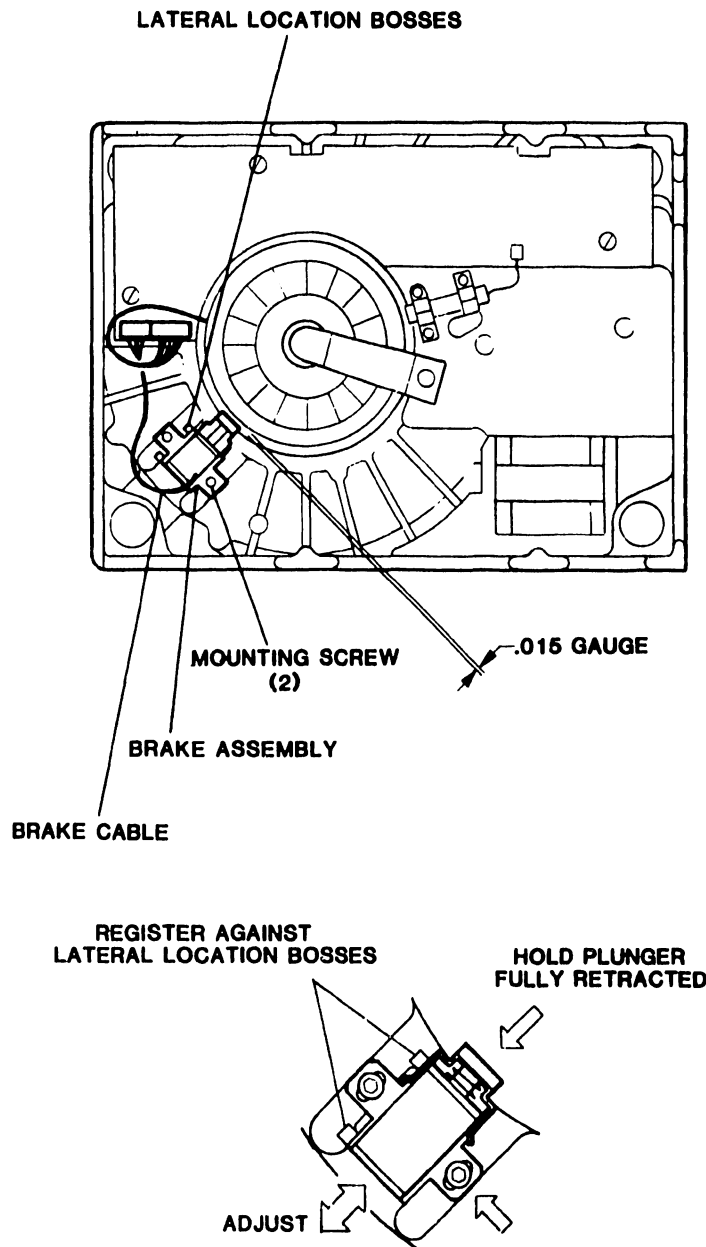


Figure 6-4. Brake Assembly Removal and Replacement

6.3.4 (cont.)

6. Reinstall read/write board by performing paragraph 6.3.2, step 4.

6.3.5 Index Sensor Removal and Replacement (Figure 6-5)

1. Perform paragraph 6.3.2, steps 1 through 3.
2. Disconnect index sensor cable from motor board.
3. Remove two mounting screws securing index sensor to unit base.
4. Remove two retaining clips.
5. Place new sensor into mount. Attach clips and mounting screws (do not tighten).
6. Rotate motor until index timing tab lines up with index.
7. Place .015 gauge between sensor and tab. Slide sensor forward against gauge and flange. Tighten and torque screws to eight inch pounds.
8. Connect index sensor cable connector to motor control board.
9. Reinstall read/write board by performing procedure described in paragraph 6.3.2, step 4.

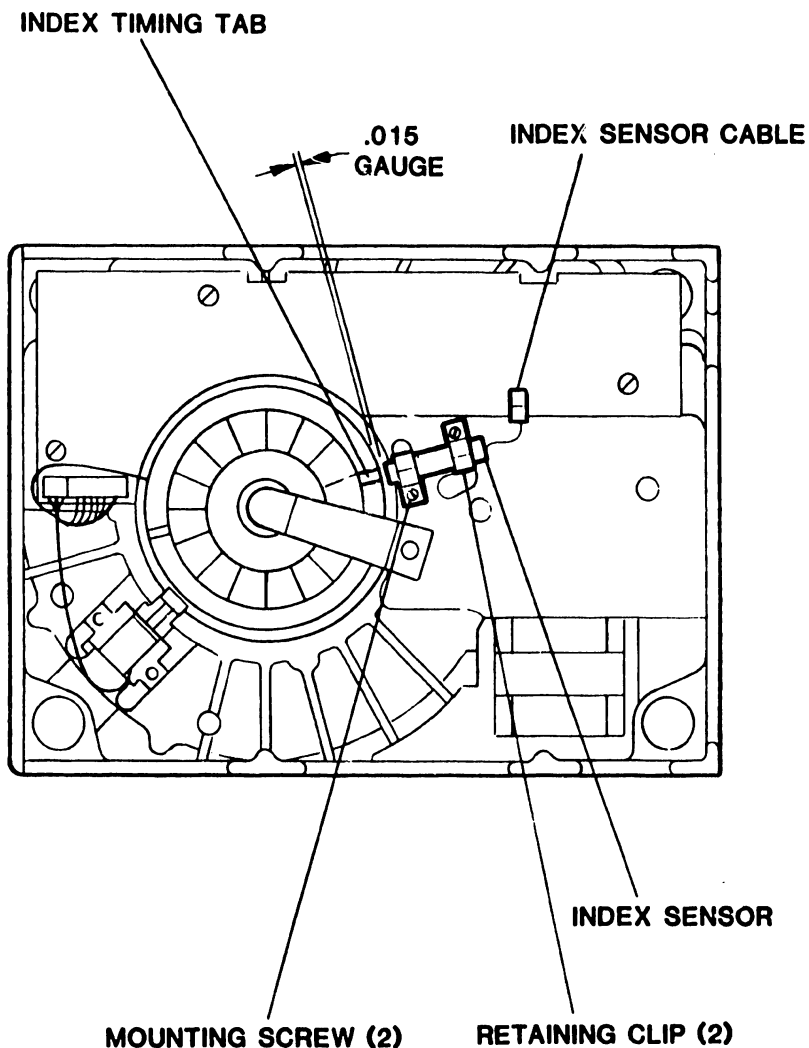


Figure 6-5. Index Sensor Removal and Replacement

6.3.6 HDA Ground Strap (Figure 6-6)

1. Perform paragraph 6.3.2, steps 1 through 3.
2. Remove screw and lockwasher securing ground strap to unit base.
3. To reinstall, position strap against three locating bosses and install and tighten screw and lockwasher. Torque screw to 8 inch pounds.
4. Reinstall read/write board by performing procedure described in paragraph 6.3.2, step 4.

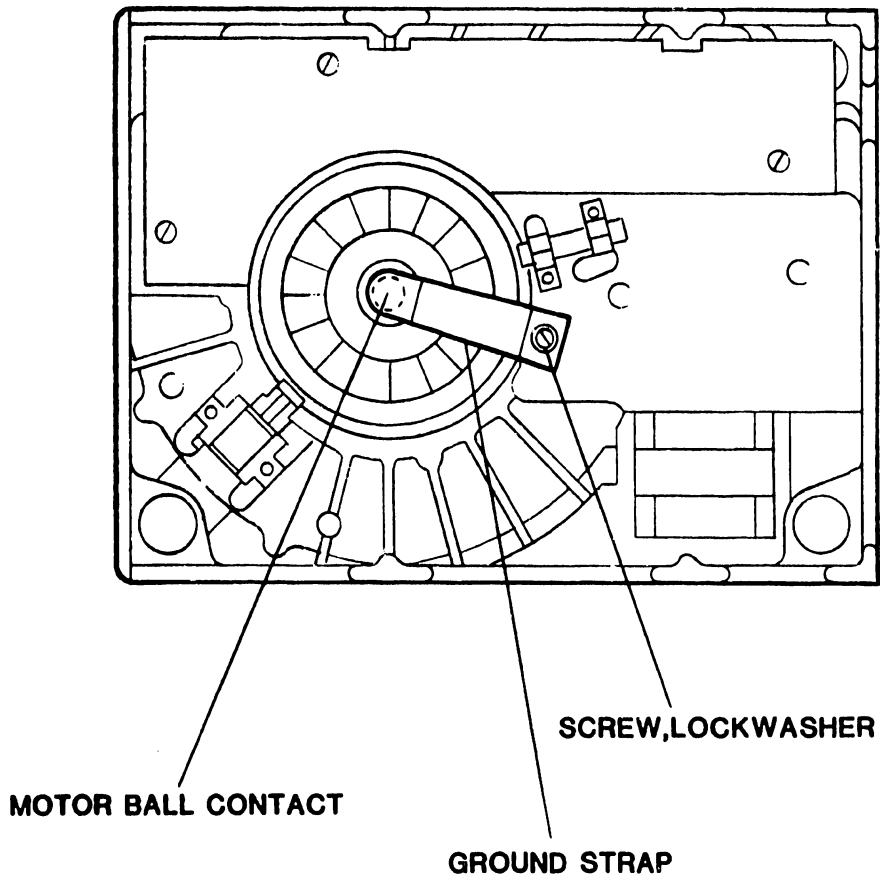


Figure 6-6. HDA Ground Strap Removal and Replacement

APPENDIX

A

THE SCHEMATICS, WHEN AVAILABLE, ARE ON THE LAST FICHE IN THIS SET.

APPENDIX

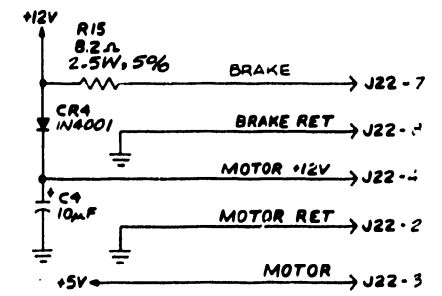
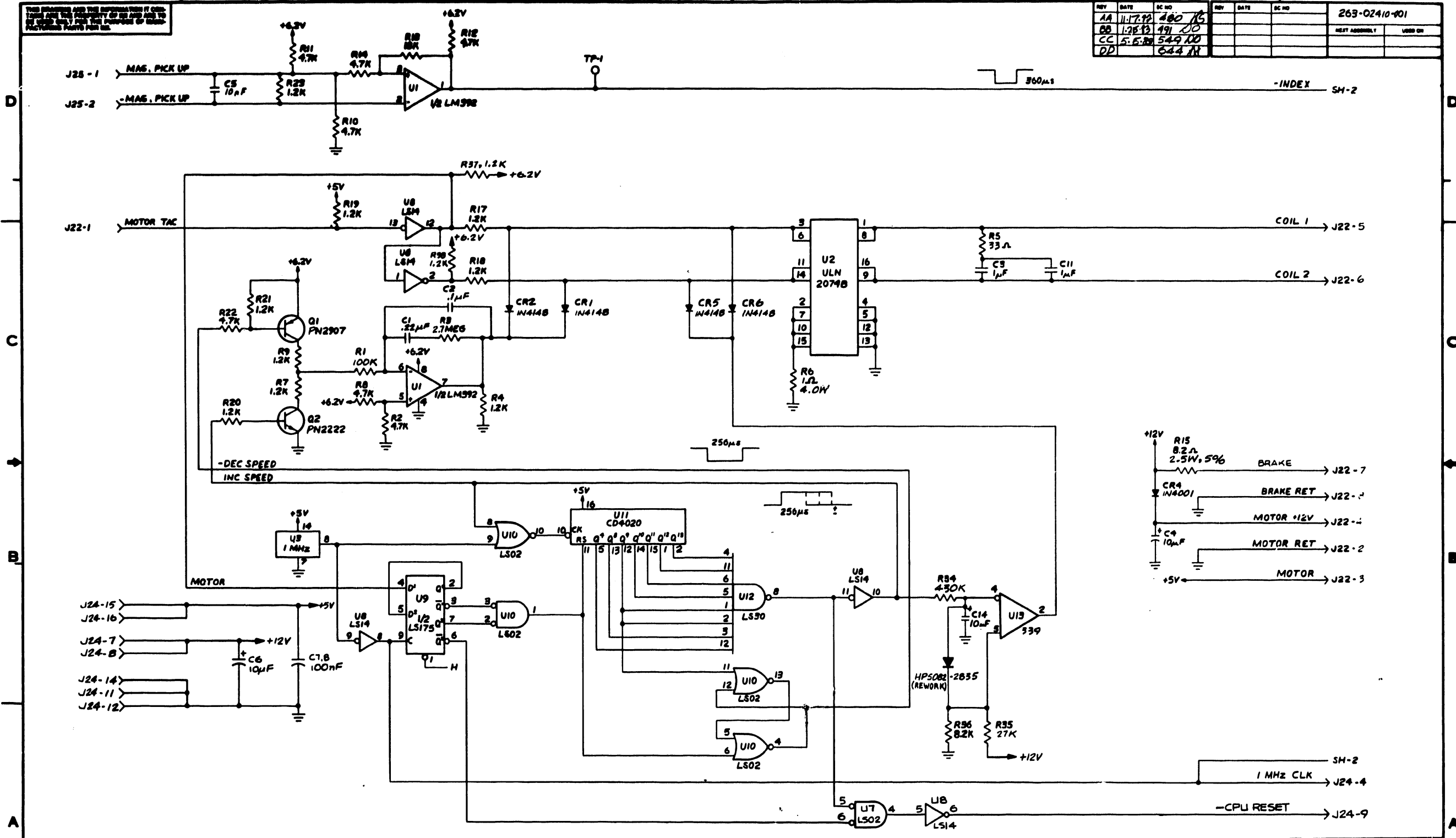
A

APPENDIX A

SCHEMATICS

THIS DRAWING AND THE EXPANSION THEREOF SHALL BE THE PROPERTY OF IMI AND ARE TO BE USED ONLY FOR THE PURPOSES OF MANUFACTURING PARTS THEREOF.

| REV | DATE | BY | DC NO | REV | DATE | BY | DC NO | 263-02410-001 | |
|-----|----------|-----|-------|-----|------|----|-------|---------------|--|
| AA | 11-17-92 | 460 | JG | | | | | | |
| BB | 1-28-93 | 491 | JD | | | | | | |
| CC | 5-5-93 | 549 | JD | | | | | | |
| DD | | 644 | JR | | | | | | |

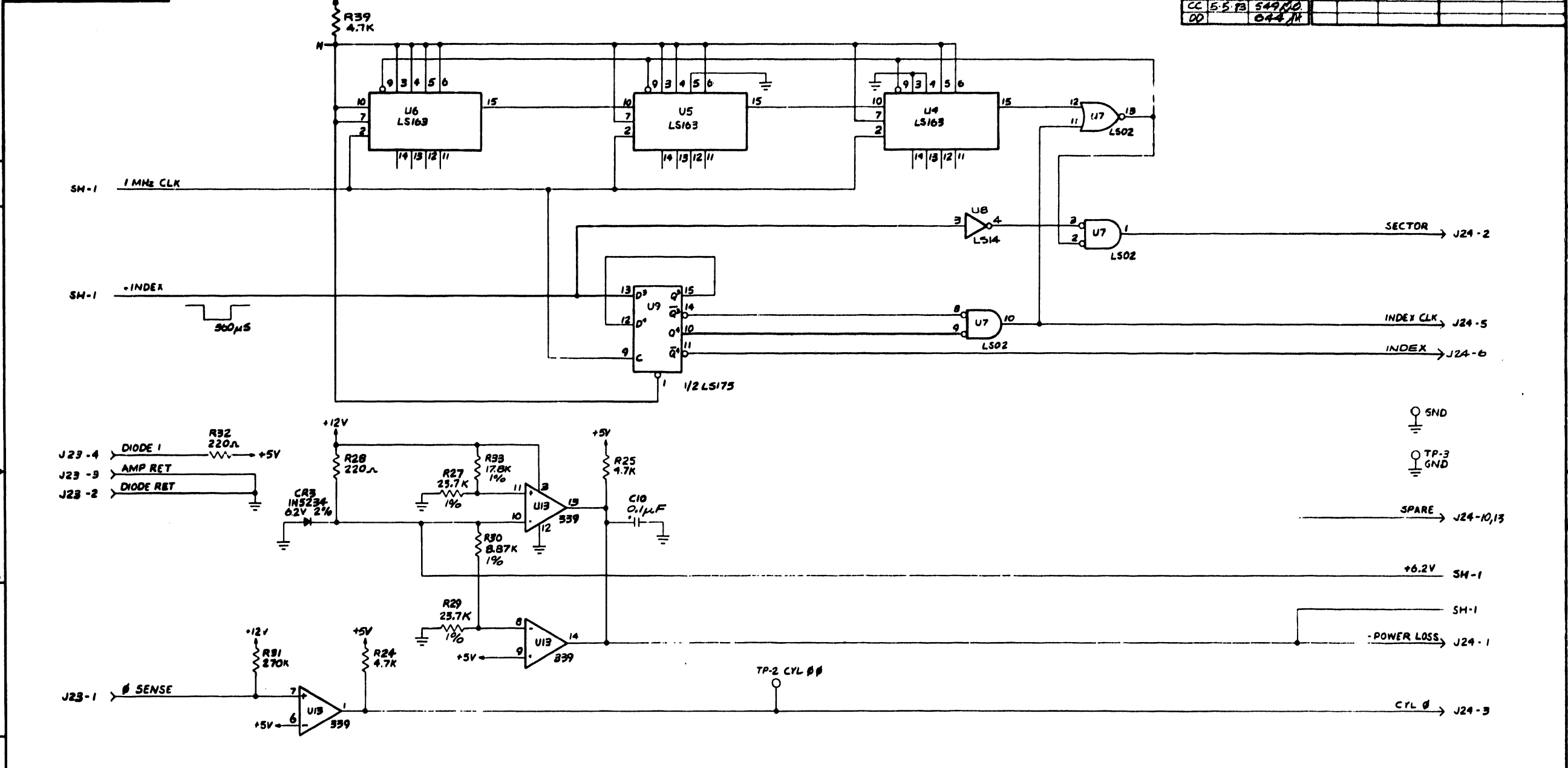


263-02410-001

| | | | |
|--|----------------|-------------|--------------------------------------|
| MATERIAL | SCALE | NOTE | INTERNATIONAL MEMORY CORPORATION |
| DATE | DATE | DATE | |
| DESIGNED BY | DESIGNED BY | DESIGNED BY | MOTOR CONTROL 5000H |
| DATE | DATE | DATE | |
| UNLESS OTHERWISE SPECIFIED ALL DIMENSIONS IN INCHES TOLERANCES | APPROVED | DATE | D 263-02410-001 |
| DECIMAL XX.XXX | FRACTIONAL X/X | RELAXED | |
| SHEET 1 OF 2 | | | REV |

| | | | | | | |
|-----|----------|-------|-----|------|-------|---------------|
| REV | DATE | EC NO | REV | DATE | EC NO | 263-02410-001 |
| AA | 11-17-82 | 480 | AS | | | |
| BB | 1-25-83 | 491 | AS | | | |
| CC | 5-5-83 | 549 | AS | | | |
| DD | | 644 | AS | | | |

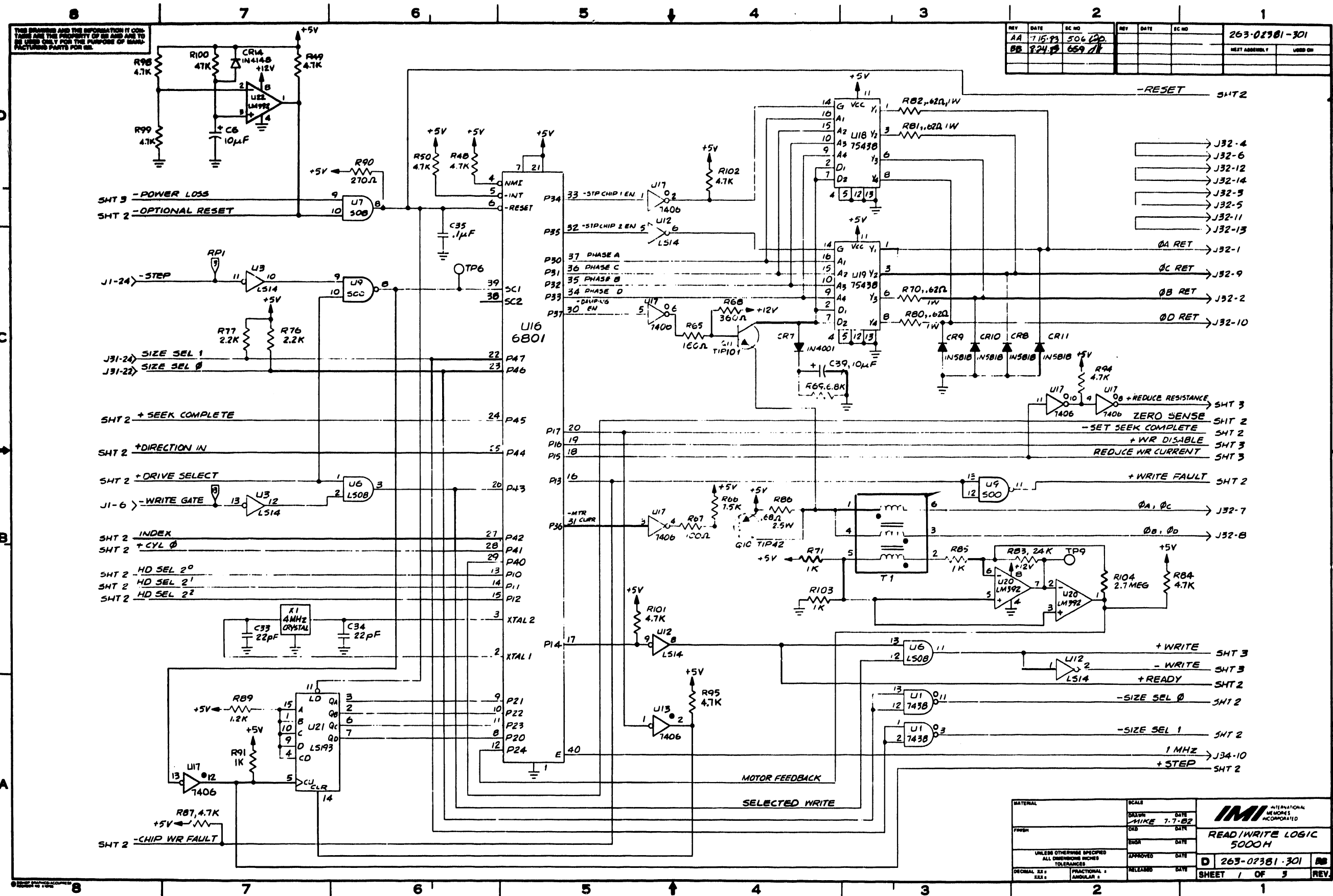
THIS DRAWING AND THE INFORMATION IT CONTAINS ARE THE PROPERTY OF IMI AND ARE TO BE USED ONLY FOR THE PURPOSE OF MANUFACTURING PARTS FOR IMI.



- NOTES: UNLESS OTHERWISE SPECIFIED.
1. ALL RESISTORS ARE IN OHMS (Ω), 1/4W, 5%.
 2. ALL CAPACITORS ARE MICROFARADS (μF).
 3. NOT USED: C9, R16

263-02410-001

| | | |
|------------------|-----------------------------|----------------------|
| MATERIAL | SCALE: NONE | |
| FINISH | DRAWN: M. LIPP 9-18-82 | |
| | DATE: 7/20/83 | MOTOR CONTROL 5000 H |
| | APPROVED: [Signature] | D 263-02410-001 DD |
| DECIMAL XX: XXX: | FRACTIONAL: ANGLAR: [Blank] | SHEET 2 OF 2 REV |



| REV | DATE | EC NO | REV | DATE | EC NO | 263-02381-301 |
|-----|---------|-------|-----|------|-------|---------------|
| AA | 7.15.82 | 506 | AD | | | |
| BB | 8.24.82 | 659 | AK | | | |

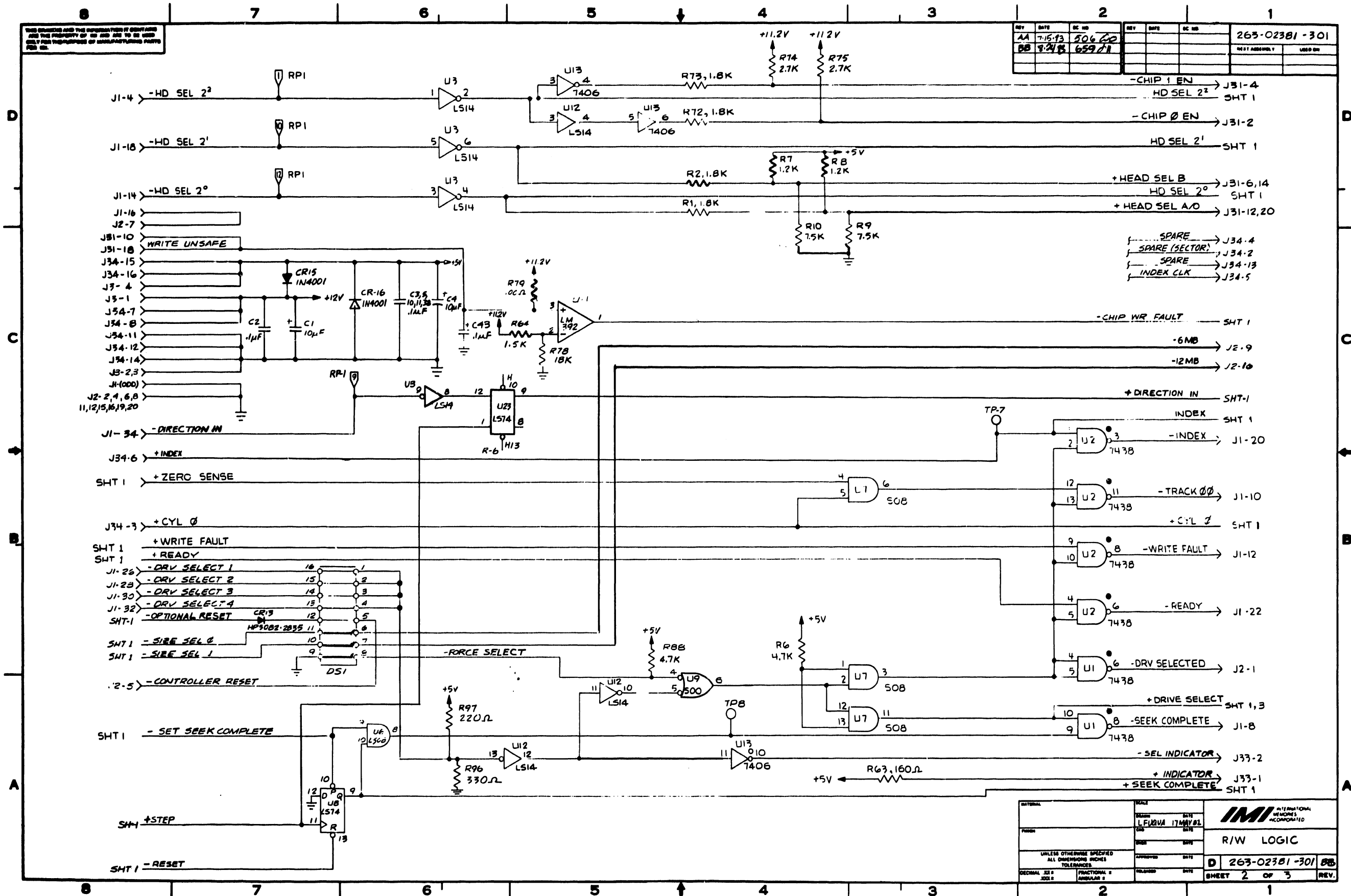
| MATERIAL | SCALE | DATE | DATE |
|--|--------------|-----------|--------|
| | | MIKE | 7.7.82 |
| | | | |
| | | | |
| UNLESS OTHERWISE SPECIFIED ALL DIMENSIONS ARE IN INCHES TOLERANCES | | | |
| DECIMAL XX ± | FRACTIONAL ± | ANGULAR ± | |
| | | | |

| | |
|---|---------------|
| IMI INTERNATIONAL MEMORIES INCORPORATED | |
| READ/WRITE LOGIC 5000H | |
| APPROVED | DATE |
| D | 263-02381-301 |
| RELEASED | DATE |
| | |

263-02381-300/1/3-

THIS DRAWING AND THE INFORMATION IT CONTAINS ARE THE PROPERTY OF IMI AND ARE TO BE USED ONLY FOR THE PURPOSES OF MANUFACTURING PARTS AND REPAIR.

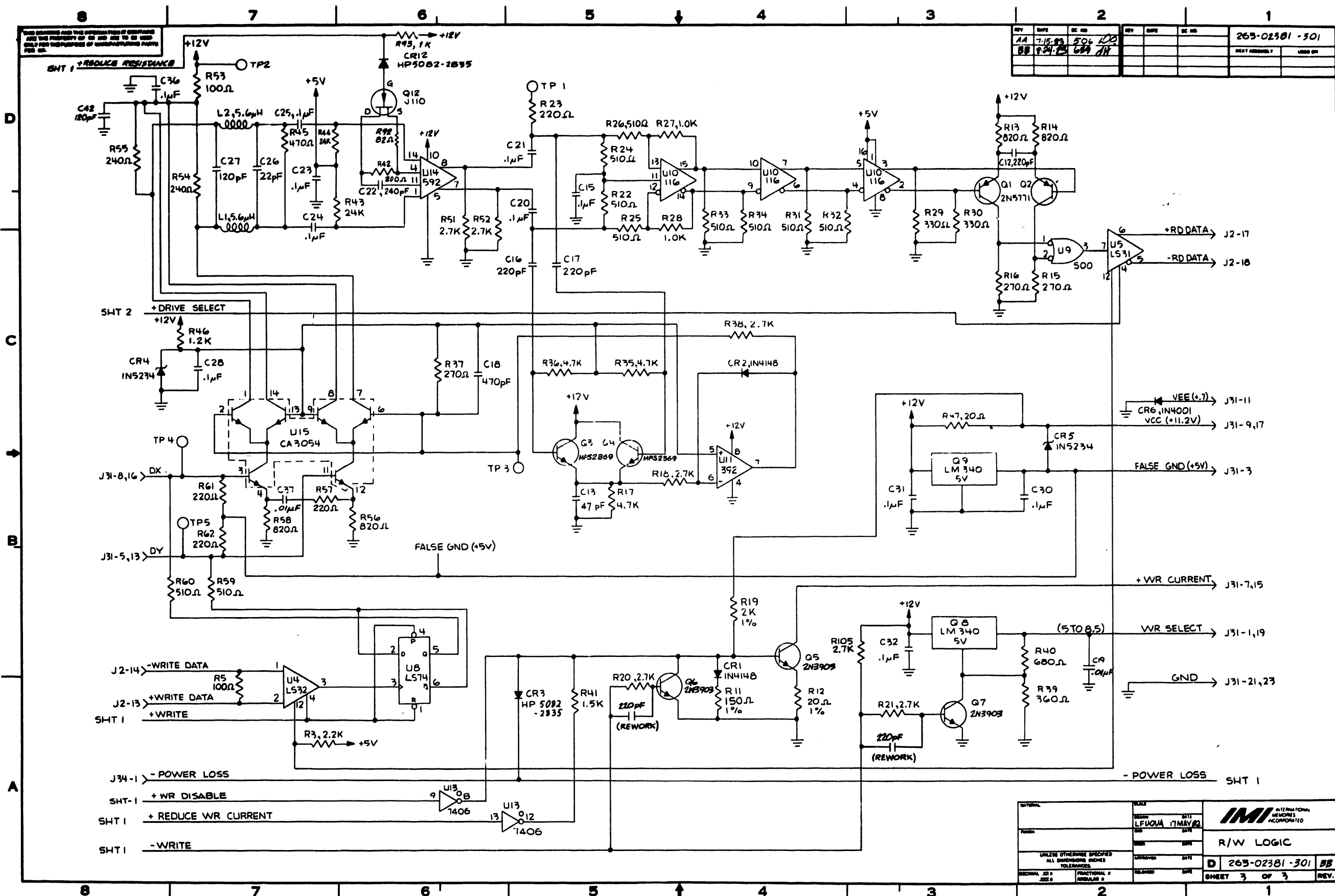
| | | | | | | | | | |
|-----|---------|----|-----|-----|------|----|----|---------------|----|
| REV | DATE | BY | NO | REV | DATE | BY | NO | 263-02381-301 | |
| AA | 7-15-73 | | 506 | | | | | REV | NO |
| BB | 7-24-73 | | 659 | | | | | REV | NO |



263-02381-301 (REV. 7-24-73)

| | | | | | |
|---|------|------------|----|--------------------|--|
| INTERNAL | DATE | BY | NO | | |
| DESIGN | DATE | BY | NO | | |
| UNLESS OTHERWISE SPECIFIED ALL DIMENSIONS ARE IN INCHES TOLERANCES: | | | | R/W LOGIC | |
| DECIMAL | ± | FRACTIONAL | ± | D 263-02381-301 BB | |
| ± | | ± | | SHEET 2 OF 3 REV. | |

| | | | | | | | | |
|-----|---------|-----|-------|-----|------|----|-------|-----------------|
| REV | DATE | BY | DC NO | REV | DATE | BY | DC NO | 265-02381-301 |
| AA | 7-15-82 | 506 | AD | | | | | DESIGN APPROVAL |
| BB | 8-24-82 | 689 | JH | | | | | USED ON |



265-02381-301-18530-820

| | | | | |
|----------|---------|----|-------|--|
| DESIGNER | DATE | BY | DC NO | IMI INTERNATIONAL MEMORIES ACCOMPANIED |
| LFUOJA | 17MAY82 | | | R/W LOGIC |
| APPROVED | DATE | | | D 265-02381-301 BB |
| DESIGNER | DATE | | | SHEET 3 OF 3 REV. |

WANG

LABORATORIES, INC.

ONE INDUSTRIAL AVENUE, LOWELL, MASSACHUSETTS 01851. TEL (617) 459-5000. TWX 710 343-6789. TELEX 94-7421

PRINTED IN U.S.A.

END