

LAL	Revisions		2	12	C
	Rev.	Description	Chk.	Date	Approved
	A	ENGRG RELEASE	<i>G. V.</i>	<i>7-17-76</i>	<i>[Signature]</i>
	B	ADDED 3M P/N FOR ITEMS 1,2,3,&4.	<i>[Signature]</i>	<i>7-26-76</i>	<i>[Signature]</i>
	C	ADDED W/L SH 5. NOTE 5 IS: J1-14, WAS; J1-13.	<i>[Signature]</i>	<i>8-13/76</i>	<i>[Signature]</i>

**ENGINEERING  
RELEASE**

Dist. Code **ALT**

<p>These drawings and specifications, and the data contained therein, are the exclusive property of Xerox Corporation and/or Rank Xerox, Ltd. issued in strict confidence and shall not, without the prior written permission of Xerox Corporation or Rank Xerox, Ltd., be reproduced, copied or used for any purpose whatsoever, except the manufacture of articles for Xerox Corporation or Rank Xerox, Ltd.</p>	Notes Unless Specified	Drawn <i>[Signature]</i>	3-16-76	Xerox Corporation El Segundo, California  <b>XEROX</b>		
	1. Tolerances .XX ±.030      Angular .XXX ±.010     ±½° 2. Break All Sharp Edges .010 Approx. 3. Mach. Surfaces    ✓ 4. All Dim. In Inches	Check <i>[Signature]</i>		<i>[Signature]</i>	<b>ALTO II</b>  <b>ASSEMBLY, CABLE - DISPLAY</b>  <b>(INTERNAL)</b>	
		Appr.				
Model No. <b>ALTO II</b> First Use <b>EWO 7YF92</b>	Finish	Code Ident.	Size	Dwg. No.	Change Letter	
Next Assy. First Use <b>216302</b>		<b>18338</b>	<b>A</b>	216412	<b>C</b>	
		Scale <b>NONE</b>	Do Not Scale Drawing		Sheet <b>1 OF 5</b>	

NOTES: UNLESS OTHERWISE SPECIFIED

1. FABRICATE PER XEROX SPEC 209154.
2. CONNECTOR, EDGE (ITEM 1) MAY BE PURCHASED FROM AMP INC, HARRISBURG, PENN, P/N 88106-1 OR 3M COMPANY, ST PAUL, MINN, P/N 3462-0001. SEE NOTE 6.
3. RIBBON CABLE (ITEM 3) MAY BE PURCHASED FROM ANSLEY ELECTRONIC CORP, LOS ANGELES, CALIF P/N 171-26 OR 3M COMPANY, ST PAUL, MINN, P/N 3365-26. SEE NOTE 6.
4. MARK CHARACTERS .12 HIGH "NEWS GOTHIC".
5. WIRE CONDUCTOR #14 TERMINATED ON J1-14 NOT TERMINATED ON J2.
6. CABLE ASSY TO BE FABRICATED USING COMPATIBLE PARTS: 3M COMPANY CONNECTOR (ITEM 1), 3M COMPANY RIBBON CABLE (ITEM 3) WITH 3M COMPANY BULK HEAD CONNECTOR (ITEM 2), 3M COMPANY POLARIZING KEY (ITEM 4), OR AMP INC CONNECTOR (ITEM 1) AND ANSLEY ELECTRONIC CORP RIBBON CABLE (ITEM 3) WITH AMP INCORPORATED BULK HEAD CONNECTOR (ITEM 2), AMP INC POLARIZING KEY (ITEM 4).
7. POLARIZING KEY (ITEM 4) MAY BE PURCHASED FROM AMP INC, HARRISBURG, PENN, P/N 88113-01 OR 3M COMPANY, ST PAUL, MINN, P/N 3439-0000. SEE NOTE 6.
8. CONNECTOR, BULK HEAD (ITEM 2) MAY BE PURCHASED FROM 3M COMPANY, ST PAUL, MINN, P/N 3483-1000 OR AMP INC, HARRISBURG, PENN, P/N 206653-1. SEE NOTE 6.

These drawings and specifications, and the data contained therein, are the exclusive property of Xerox Corporation and/or Rank Xerox, Ltd. issued in strict confidence and shall not, without the prior written permission of Xerox Corporation or Rank Xerox, Ltd., be reproduced, copied or used for any purpose whatsoever, except the manufacture of articles for Xerox Corporation or Rank Xerox, Ltd.

Title

ALTO II

ASSEMBLY, CABLE - DISPLAY

(INTERNAL)

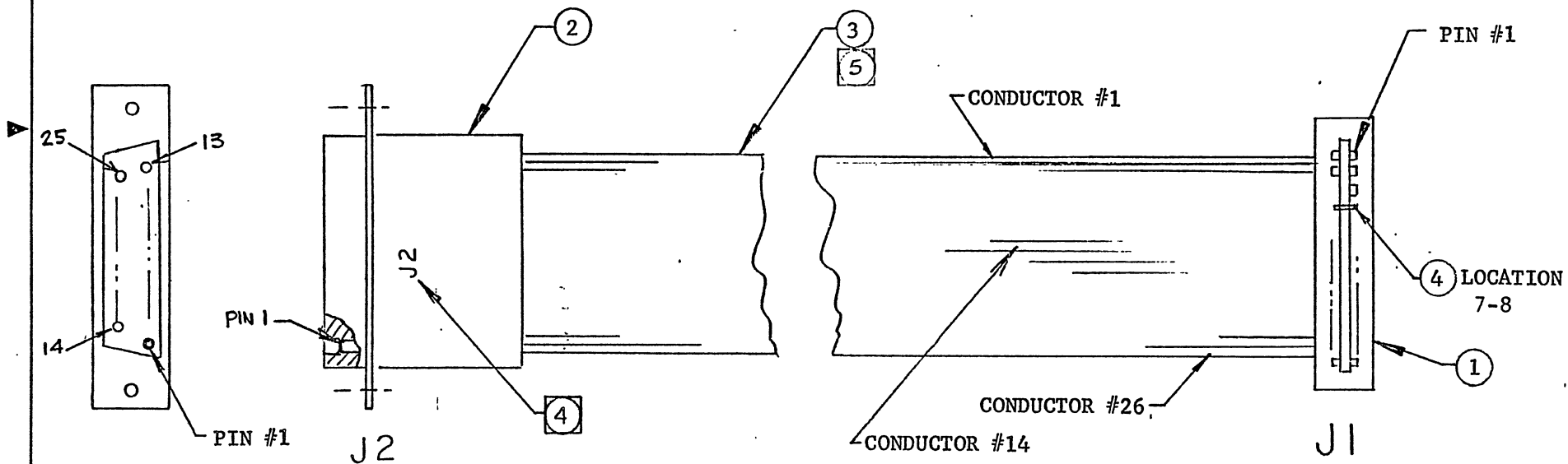
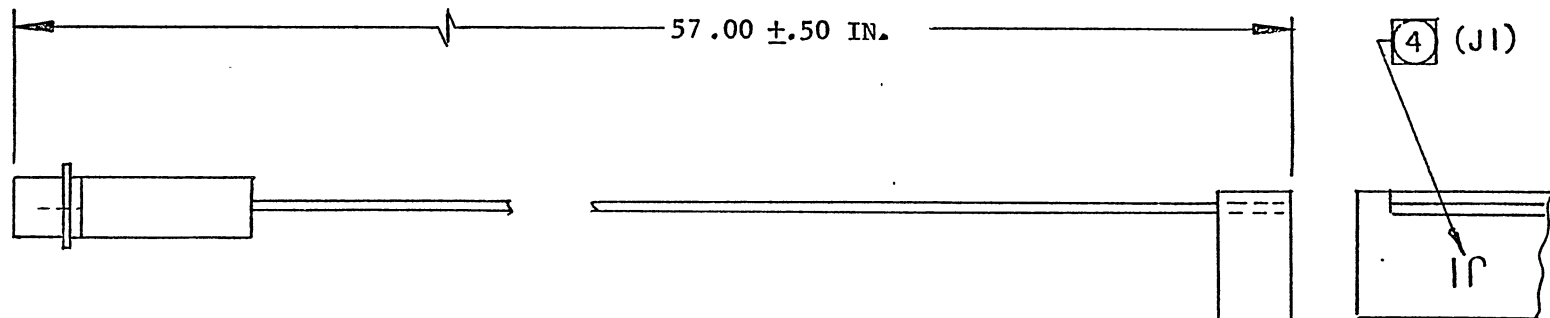
Xerox Corporation  
El Segundo, California

**XEROX**

216412

C

Sheet 2 Of 5



These drawings and specifications, and the data contained therein, are the exclusive property of Xerox Corporation and/or Rank Xerox, Ltd. issued in strict confidence and shall not, without the prior written permission of Xerox Corporation or Rank Xerox, Ltd., be reproduced, copied or used for any purpose whatsoever, except the manufacture of articles for Xerox Corporation or Rank Xerox, Ltd.

Title

ALTO II

ASSEMBLY, CABLE -DISPLAY  
(INTERNAL)

Xerox Corporation  
El Segundo, California

**XEROX**

216412

C

Sheet 3 of 5

Bill of Materials

<b>ML</b>	Drawing No. <b>216412</b>	Rev. <b>C</b>
-----------	------------------------------	------------------


Drawing Title  
**ALTO II  
 ASSEMBLY, CABLE- DISPLAY  
 (INTERNAL)**

These drawings and specifications, and the data contained therein, are the exclusive property of Xerox Corporation and/or Rank Xerox, Ltd. issued in strict confidence and shall not, without the prior written permission of Xerox Corporation or Rank Xerox, Ltd., be reproduced, copied or used for any purpose whatsoever, except the manufacture of articles for Xerox Corporation or Rank Xerox, Ltd.

Model No. <b>EWO 7YF92</b>	Date <b>3/15/76</b>	Sheet <b>4</b> of <b>5</b>
-------------------------------	------------------------	-------------------------------

Item No.	Drawing Title	Drawing No.	No. Req.	Remarks
1	Connector, Edge 26 Pin		1	(J1) 2
2	Connector, Bulk Head 25 Pin		1	(J2) 8
3	Cable, Ribbon - 26 Conductor		A/R	3
4	Key, Polarizing Pin		1	7

Wire No.	Term	From	To	Term	Type	Notes	Signal	Chg. Let.
1		J2 - 13	J1 - 1		3			
2		25	2					
3		12	3					
4		24	4					
5		11	5					
6		23	6					
7		10	7					
8		22	8					
9		9	9					
10		21	10					
11		8	11					
12		20	12					
13		7	13					
14		—	14			5		
15		19	15					
16		6	16					
17		18	17					
18		5	18					
19		17	19					
20		4	20					
21		16	21					
22		3	22					
23		15	23					
24		2	24					
25		14	25					
26		J2 - 1	J1 - 26		3			

<p>These drawings and specifications, and the data contained therein, are the exclusive property of Xerox Corporation and/or Rank Xerox, Ltd. issued in strict confidence and shall not, without the prior written permission of Xerox Corporation or Rank Xerox, Ltd., be reproduced, copied or used for any purpose whatsoever, except the manufacture of articles for Xerox Corporation or Rank Xerox, Ltd.</p>	<p>1. Ref Item No's in Applicable Material List. 2. Ref Designations Are Abbreviated. Prefix Each Designation With:</p>	<p>Title ALTO II ASSEMBLY, CABLE - DISPLAY (INTERNAL)</p>	<p>Xerox Corporation El Segundo, California</p>		
			<p>216412</p>		<p>C</p>
			<p>Sheet 5 of 5</p>		

